



---

# Illustrated Parts Manual

## Models

**600A**

**600AJ**

SN 0300069000 to  
SN 0300087000

P/N  
**3121177**

January 31, 2019 - Rev AJ

**ANSI**



An Oshkosh Corporation Company

# PARTS FINDER

**Search Website  
by Part Number**



**Search Manual  
Library For Parts  
Manual & Lookup Part  
Numbers – Purchase  
or Request Quote**

**Can't Find Part or  
Manual? Request Help  
by Manufacturer,  
Model & Description**

Discount-Equipment.com is your online resource for quality parts & equipment.

Florida: **561-964-4949** Outside Florida TOLL FREE: **877-690-3101**

## Need parts?

Click on this link: <http://www.discount-equipment.com/category/5443-parts/> and choose one of the options to help get the right parts and equipment you are looking for. Please have the machine model and serial number available in order to help us get you the correct parts. If you don't find the part on the website or on one of the online manuals, please fill out the request form and one of our experienced staff members will get back to you with a quote for the right part that your machine needs.

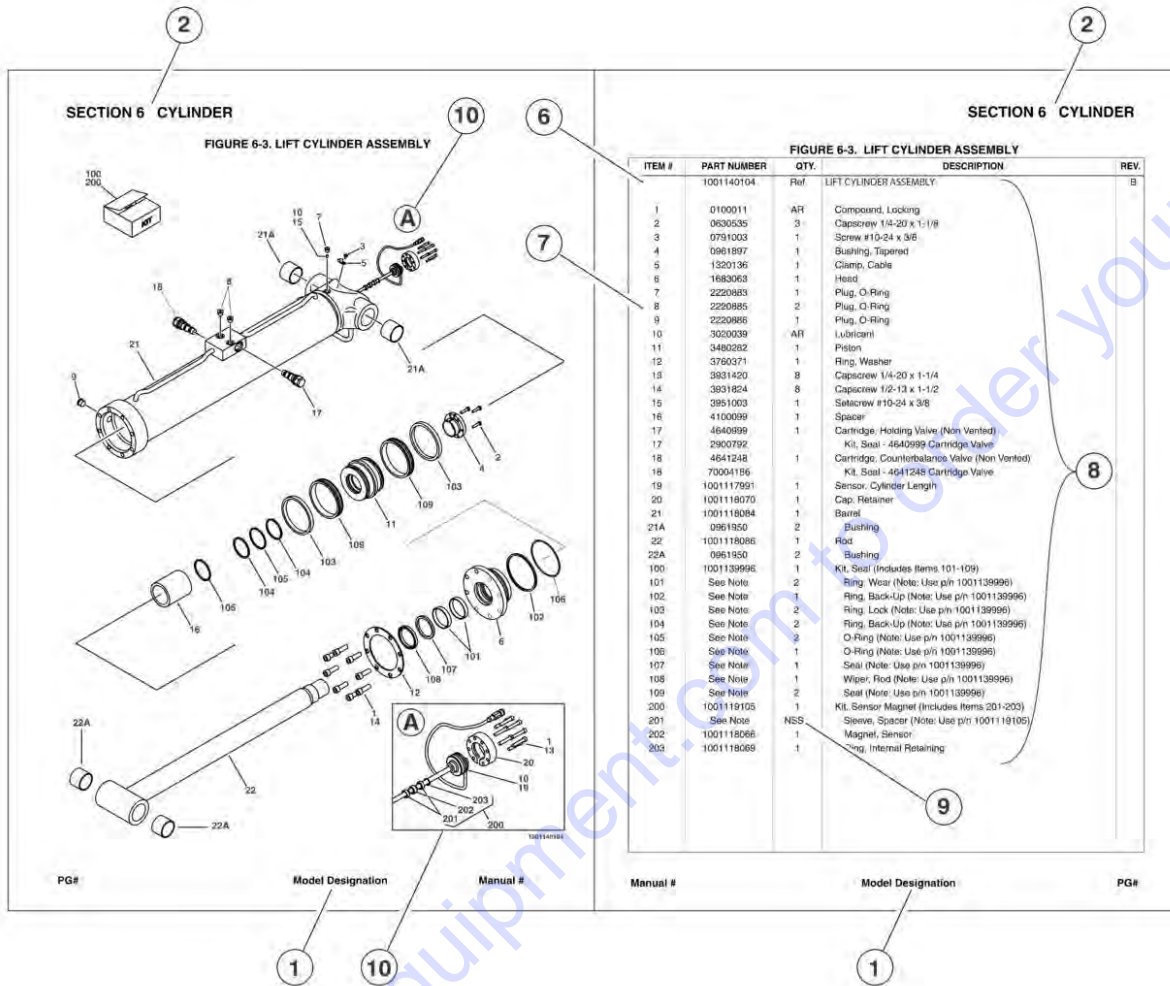
We sell worldwide for the brands: Genie, Terex, JLG, MultiQuip, Mikasa, Essick, Whiteman, Mayco, Toro Stone, Diamond Products, Generac Magnum, Airman, Haulotte, Barreto, Power Blanket, Nifty Lift, Atlas Copco, Chicago Pneumatic, Allmand, Miller Curber, Skyjack, Lull, Skytrak, Tsurumi, Husquvarna Target, Stow, Wacker, Sakai, Mi-T-M, Sullair, Basic, Dynapac, MBW, Weber, Bartell, Bennar Newman, Haulotte, Ditch Runner, Menegotti, Morrison, Contec, Buddy, Crown, Edco, Wyco, Bomag, Laymor, EZ Trench, Bil-Jax, F.S. Curtis, Gehl Pavers, Heli, Honda, ICS/PowerGrit, IHI, Partner, Imer, Clipper, MMD, Koshin, Rice, CH&E, General Equipment, Amida, Coleman, NAC, Gradall, Square Shooter, Kent, Stanley, Tamco, Toku, Hatz, Kohler, Robin, Wisconsin, Northrock, Oztec, Toker TK, Rol-Air, APT, Wylie, Ingersoll Rand / Doosan, Innovatech, Con X, Ammann, Mecalac, Makinex, Smith Surface Prep, Small Line, Wanco, Yanmar



## REVISION LOG

March 6, 2003 - A - Original Issue of Manual (Manual edited to 0010577 Revision 27)  
June 16, 2003 - B - Revised Manual (Edited to 0010577 Revision 31)  
September 12, 2003 - C - Revised Manual (Edited to 0010577 Revision 37)  
January 12, 2004 - D - Revised Manual (Edited to 0010577 Revision 39)  
May 5, 2004 - E - Revised Manual (Edited to 0010577 Revision 42)  
September 9, 2004 - F - Revised Manual (Edited to 0010577 Revision 44)  
December 6, 2004 - G - Revised Manual (Edited to 0010577 Revision 50 & 0010629 Rev 3)  
April 12, 2005 - H - Revised Manual (Edited to 0010577 Revision 51 & 0010629 Rev 11)  
June 1, 2005 - I - Revised Manual (Edited to 0010577 Revision 51 & 0010629 Rev 14)  
August 26, 2005 - J - Revised Manual (Edited to 0010577 Revision 51 & 0010629 Rev 17)  
November 15, 2005 - K - Revised Manual  
April 18, 2006 - L - Revised Manual  
July 19, 2006 - M - Revised Manual  
December 12, 2006 - N - Revised Manual  
May 1, 2007 - O - Revised Manual  
August 16, 2007 - P - Revised Manual  
December 4, 2007 - Q - Revised Manual  
March 31, 2008 - R - Revised Manual  
September 15, 2008 - S - Revised Manual  
February 15, 2009 - T - Revised Manual  
August 1, 2009 - U - Revised Manual  
March 25, 2010 - V - Revised Manual  
August 15, 2010 - W - Revised Manual  
February 24, 2011 - X - Revised Manual  
May 27, 2011 - Y - Revised Manual  
August 29, 2011 - Z - Revised Manual  
December 23, 2011 - AA - Revised Manual  
April 27, 2012 - AB - Revised Manual  
July 24, 2012 - AC - Revised Manual  
November 2, 2012 - AD - Revised Manual  
March 7, 2013 - AE - Revised Manual  
June 6, 2013 - AF - Revised Manual  
September 1, 2013 - AG - Revised Manual  
June 1, 2015 - AH - Revised Manual  
December 14, 2015 - AI - Revised Manual (Revision 4)  
January 31, 2019 - AJ - Revised Manual

# GENERAL INFORMATION



## 1) MACHINE IDENTIFICATION

Machines are identified by model and in some cases a combination of models, serial number (SN) or regional standard (i.e. ANSI, CE, CSA). Components may also be identified by SN or manufacturer. Common components that may be identified by these characteristics are engines and hydraulic components.

## 2) PARTS MANUAL ORGANIZATION

Product information in this manual is organized under section titles. Frame, Cylinder, Hydraulic and Electrical are a few examples. Each section is organized by figure and page number. The information within the Figure is then organized by item number, part number, description and corresponding illustration (s).

## 3) TABLE OF CONTENTS

A table of contents is found toward the beginning of the manual. Figure number, description and page number are provided for quick reference to the page containing the related information.

## 4) RECOMMENDED SPARE PARTS

The Recommended Spare Parts, located near the end of the manual, reference most frequently used maintenance parts.

## 5) PART NUMBER INDEX

A numerical index listing all part numbers and the corresponding page number(s) appears at the back of the manual.

## GENERAL INFORMATION

### 6) NON-SERVICED PARTS

In some instances, it is necessary to display non-serviced parts, assemblies or installations. In the case of assemblies and installations there will be a Ref in the Qty column. In case of parts that are not available for service within assemblies or components, there will be a NSS (Not Sold Separately) or NLA (No Longer Available) listed in the Qty. column of the manual.

### 7) PARTS LIST ITEM NUMBERS

Numbers shown in the item# column correspond to numbers used in the associated illustration (s). Item numbers which are missing from the sequence in the parts list are not used on that page

### 8) INDENTED PARTS DESCRIPTION

An indented part description is included in the item under which it is indented.

### 9) ABBREVIATION AND SYMBOLS

|              |  |              |                                 |
|--------------|--|--------------|---------------------------------|
| AC.....      | Alternating Current                      | LCD.....     | Liquid Crystal Display          |
| ADE.....     | Advanced Design Electronics              | LED.....     | Light Emitting Diodes           |
| ANSI.....    | American National Standards Institute    | LH.....      | Left Hand                       |
| AR.....      | As Required                              | LSS.....     | Load Sensing System             |
| ASSY.....    | Assembly                                 | M(m).....    | Metric/Meter                    |
| AUX.....     | Auxiliary                                | MM (mm)..... | Milimeter                       |
| AWG.....     | American Wire Gauge                      | mA.....      | Miliamps                        |
| B/M.....     | Bill of Material                         | NLA.....     | No Longer Available             |
| CE.....      | European Conformity                      | NPT.....     | National Pipe Threads           |
| CCW.....     | Counter Clockwise                        | NSS.....     | Not Sold Separately             |
| cm.....      | Centimeter                               | OD.....      | Outside Diameter                |
| CW.....      | Clockwise                                | ORB.....     | O-Ring Boss                     |
| CSA.....     | Canadian Standards Association           | ORFS.....    | O-Ring Face Seal                |
| CYL.....     | Cylinder                                 | OZ (oz)..... | Ounces                          |
| DIA.....     | Diameter                                 | PG.....      | Page                            |
| DC.....      | Direct Current                           | P/N.....     | Part Number                     |
| EMS.....     | Emergency Stop                           | qt.....      | Quarts                          |
| ENG.....     | Engine                                   | QTY.....     | Quantity                        |
| FT (ft)..... | Feet                                     | REF.....     | Reference                       |
| GA (Ga)..... | Gauge                                    | REV.....     | Revision Level                  |
| HYD.....     | Hydraulic                                | RH.....      | Right Hand                      |
| Hz.....      | Hertz                                    | SAE.....     | Society of Automotive Engineers |
| ID.....      | Inside Diameter                          | SN.....      | Serial Number                   |
| in.....      | Inches                                   | SPEC(S)..... | Specifications                  |
| ISO.....     | International Organization for Standards | T/T.....     | Turntable                       |
| JIC.....     | Joint Industry Council                   | UGM.....     | Universal Ground Module         |
| KG.....      | Kilogram                                 | V.....       | Volts                           |
| L.....       | Liter                                    | W.....       | Watts                           |
| LB.....      | Pounds                                   | #.....       | Number                          |

### 10) ILLUSTRATION REFERENCE LETTERS

When necessary, illustrations may contain reference letters that are intended to track information (i.e. hoses, harnesses) from one point to another or to track visual enlargement of components to show details that may be located in another area on the illustration.

*Note: Due to continuous product improvements, JLG Industries, Inc. reserves the right to make specification changes without prior notification. Contact JLG Industries, Inc. for updated information.*



# TABLE OF CONTENTS

|   |     |
|---|-----|
| SECTION 1 - FRAME.....  | 11  |
| FIGURE 1-1. 2WD FRONT AXLE AND STEERING INSTALLATIONS (SN 0300069000 through 0300081835).....                       | 12  |
| FIGURE 1-2. 2WD FRONT AXLE AND STEERING INSTALLATIONS (SN 0300081836 through 0300087000).....                       | 16  |
| FIGURE 1-3. 4WD FRONT AXLE AND STEERING INSTALLATIONS (SN 0300069000 through 0300081835).....                       | 20  |
| FIGURE 1-4. 4WD FRONT AXLE AND STEERING INSTALLATIONS (SN 0300081836 through 0300087000).....                       | 24  |
| FIGURE 1-5. 4WS REAR STEERING INSTALLATIONS (SN 0300069000 through 0300081835).....                                 | 28  |
| FIGURE 1-6. 4WS REAR STEERING INSTALLATIONS (SN 0300081836 through 0300087000).....                                 | 30  |
| FIGURE 1-7. TIRE AND WHEEL DRIVE INSTALLATIONS.....   | 32  |
| FIGURE 1-8. DRIVE HUB ASSEMBLY (SN 0300069000 through 0300081835).....  | 36  |
| FIGURE 1-9. DRIVE HUB/BRAKE ASSEMBLY (SN 0300081836 through 0300087000).....  | 38  |
| FIGURE 1-10. DRIVE MOTOR ASSEMBLY (2WD MACHINES) (SN 0300069000 through 0300071019).....                            | 42  |
| FIGURE 1-11. DRIVE MOTOR ASSEMBLY (2WD MACHINES) (SN 0300071020 through 0300081835).....                            | 44  |
| FIGURE 1-12. DRIVE MOTOR ASSEMBLY (4WD MACHINES) (SN 0300069000 through 0300081835).....                            | 46  |
| FIGURE 1-13. DRIVE MOTOR ASSEMBLY (2WD & 4WD MACHINES) (ORIGINAL EQUIPMENT) (SN 0300081836 through 0300087000)..... | 48  |
| FIGURE 1-14. DRIVE MOTOR ASSEMBLY (2WD & 4WD MACHINES) (SERVICE REPLACEMENT).....                                   | 52  |
| FIGURE 1-15. DRIVE VALVES AND SHIELDS INSTALLATION (FRAME MOUNTED) (SN 0300069000 through 0300081835).....          | 54  |
| FIGURE 1-16. DRIVE VALVES AND SHIELDS INSTALLATION (FRAME MOUNTED) (SN 0300081836 through 0300087000).....          | 56  |
| FIGURE 1-17. TOW PACKAGE INSTALLATION (OPTIONAL) (SN 0300069000 through 0300081835).....                            | 60  |
| FIGURE 1-18. TOW PACKAGE INSTALLATION (OPTIONAL) (SN 0300081836 through 0300087000).....                            | 64  |
| SECTION 2 - TURNTABLE.....  | 67  |
| FIGURE 2-1. CONTROL VALVES INSTALLATIONS.....   | 68  |
| FIGURE 2-2. MAIN VALVE BLOCK ASSEMBLY.....  | 74  |
| FIGURE 2-3. ACCESSORY VALVE ASSEMBLIES.....   | 78  |
| FIGURE 2-4. SWING DRIVE, TURNTABLE BEARING AND LOCK INSTALLATIONS.....  | 80  |
| FIGURE 2-5. SWING HUB ASSEMBLY.....   | 82  |
| FIGURE 2-6. SWING MOTOR ASSEMBLY.....   | 84  |
| FIGURE 2-7. CATERPILLAR ENGINE INSTALLATION.....  | 86  |
| FIGURE 2-8. DEUTZ ENGINE INSTALLATION (SN 0300069000 through 0300077489).....                                       | 94  |
| FIGURE 2-9. DEUTZ ENGINE INSTALLATION (SN 0300077490 through 0300087000).....                                       | 102 |
| FIGURE 2-10. FORD ENGINE INSTALLATION - LRG-425 (SN 0300069000 through 0300079887).....                             | 110 |
| FIGURE 2-11. DUAL FUEL INSTALLATION (OPTIONAL - FORD ENGINE MACHINES).....  | 118 |
| FIGURE 2-12. FORD ENGINE INSTALLATION - LRG-425 (SN 0300079888 through 0300087000).....                             | 120 |
| FIGURE 2-13. PISTON PUMP ASSEMBLY (SN 0300069000 through 0300079887).....   | 126 |
| FIGURE 2-14. PISTON PUMP ASSEMBLY (SN 0300079888 through 0300087000).....   | 132 |
| FIGURE 2-15. GEAR PUMP ASSEMBLY.....  | 136 |
| FIGURE 2-16. TANK INSTALLATIONS.....  | 138 |
| FIGURE 2-17. ROTARY COUPLING INSTALLATIONS (SN 0300069000 through 0300081835).....                                  | 142 |
| FIGURE 2-18. ROTARY COUPLING INSTALLATIONS (SN 0300081836 through 0300087000).....                                  | 144 |
| FIGURE 2-19. GROUND CONTROL BOX ASSEMBLIES.....   | 148 |
| FIGURE 2-20. ELECTRICAL OPTIONS INSTALLATIONS (TURNTABLE MOUNTED).....  | 152 |
| FIGURE 2-21. ENGINE TRAY JACK INSTALLATIONS (OPTIONAL).....   | 156 |
| FIGURE 2-22. HOODS INSTALLATIONS.....   | 158 |
| FIGURE 2-23. 2500W GENERATOR INSTALLATION - CATERPILLAR MACHINES (OPTIONAL).....                                    | 162 |
| FIGURE 2-24. 2500W GENERATOR INSTALLATION - DEUTZ MACHINES (OPTIONAL).....  | 166 |
| FIGURE 2-25. 2500W GENERATOR INSTALLATION - FORD MACHINES (OPTIONAL) (SN 0300069000 through 0300079887).....        | 170 |
| FIGURE 2-26. 2500W GENERATOR INSTALLATION - FORD MACHINES (OPTIONAL) (SN 0300079888 through 0300087000).....        | 174 |
| FIGURE 2-27. 7500W SKYPOWER GENERATOR INSTALLATION - CATERPILLAR AND DEUTZ ENGINES.....                             | 178 |
| FIGURE 2-28. 7500W SKYPOWER GENERATOR INSTALLATION - FORD ENGINES.....  | 184 |
| SECTION 3 - BOOM.....   | 189 |
| FIGURE 3-1. BOOMS AND CYLINDERS INSTALLATION - 600A.....  | 190 |
| FIGURE 3-2. BOOMS AND CYLINDERS INSTALLATION - 600AJ.....   | 194 |
| FIGURE 3-3. TOWER BOOM ASSEMBLIES.....  | 200 |
| FIGURE 3-4. MAIN BOOM ASSEMBLIES.....   | 204 |
| FIGURE 3-5. ROTATOR ASSEMBLIES (FRONT ENTRY PLATFORM).....  | 208 |
| FIGURE 3-6. ROTATOR ASSEMBLIES (SIDE ENTRY PLATFORM).....   | 212 |
| FIGURE 3-7. VALVES AND SWITCHES INSTALLATION (BOOM MOUNTED).....  | 214 |
| SECTION 4 - PLATFORM.....   | 217 |



# TABLE OF CONTENTS

|  |     |
|--|-----|
| FIGURE 4-1. PLATFORM ASSEMBLIES (FRONT ENTRY PLATFORM) .....   | 218 |
| FIGURE 4-2. PLATFORM ASSEMBLIES - SIDE ENTRY .....   | 222 |
| FIGURE 4-3. PLATFORM COMPONENTS INSTALLATION (FALL ARREST PLATFORM) .....                                      | 226 |
| FIGURE 4-4. PLATFORM CONSOLE ASSEMBLY .....  | 228 |
| FIGURE 4-5. CONTROLLER ASSEMBLY (LIFT AND SWING) .....   | 232 |
| FIGURE 4-6. CONTROLLER ASSEMBLY (LIFT AND SWING) .....   | 234 |
| FIGURE 4-7. CONTROLLER ASSEMBLY (LIFT AND SWING) .....   | 236 |
| FIGURE 4-8. CONTROLLER ASSEMBLY (DRIVE AND STEER) .....  | 240 |
| FIGURE 4-9. CONTROLLER ASSEMBLY (DRIVE AND STEER) .....  | 242 |
| FIGURE 4-10. CONTROLLER ASSEMBLY (DRIVE AND STEER) .....   | 244 |
| FIGURE 4-11. SOFT TOUCH SYSTEM INSTALLATION (OPTIONAL) .....   | 246 |
| FIGURE 4-12. PLATFORM PADDING INSTALLATION (SIDE ENTRY PLATFORM) (OPTIONAL) .....                              | 248 |
| <br>   |     |
| SECTION 5 - CYLINDER .....   | 251 |
| <br>   |     |
| FIGURE 5-1. AXLE LOCKOUT CYLINDER ASSEMBLY (SN 0300069000 through 0300081835) .....                            | 252 |
| FIGURE 5-2. AXLE LOCKOUT CYLINDER ASSEMBLY (SN 0300081836 through 0300087000) .....                            | 254 |
| FIGURE 5-3. PLATFORM LEVEL CYLINDER ASSEMBLY (ORIGINAL EQUIPMENT) .....  | 256 |
| FIGURE 5-4. LEVEL CYLINDER ASSEMBLY - PLATFORM SLAVE (600A) (SERVICE REPLACEMENT) .....                        | 260 |
| FIGURE 5-5. LEVEL CYLINDER ASSEMBLY - PLATFORM SLAVE (600AJ) (SERVICE REPLACEMENT) .....                       | 262 |
| FIGURE 5-6. LEVEL CYLINDER ASSEMBLY - UPRIGHT .....  | 264 |
| FIGURE 5-7. LEVEL CYLINDER ASSEMBLY - UPRIGHT (SERVICE REPLACEMENT) .....                                      | 266 |
| FIGURE 5-8. LIFT CYLINDER ASSEMBLY - ARTICULATING JIB - 600AJ .....  | 268 |
| FIGURE 5-9. LIFT CYLINDER ASSEMBLY - ARTICULATING JIB - 600AJ (SERVICE REPLACEMENT) .....                      | 270 |
| FIGURE 5-10. LIFT CYLINDER ASSEMBLY - ARTICULATING JIB - 600AJ (SERVICE REPLACEMENT) .....                     | 272 |
| FIGURE 5-11. LIFT CYLINDER ASSEMBLY - MAIN BOOM (ORIGINAL EQUIPMENT) .....                                     | 274 |
| FIGURE 5-12. LIFT CYLINDER ASSEMBLY - MAIN BOOM (SERVICE REPLACEMENT) .....                                    | 276 |
| FIGURE 5-13. LIFT CYLINDER ASSEMBLY - TOWER BOOM (ORIGINAL EQUIPMENT) .....                                    | 278 |
| FIGURE 5-14. LIFT CYLINDER ASSEMBLY - TOWER BOOM (SERVICE REPLACEMENT) .....                                   | 280 |
| FIGURE 5-15. MASTER CYLINDER ASSEMBLY (ORIGINAL EQUIPMENT) .....   | 282 |
| FIGURE 5-16. MASTER CYLINDER ASSEMBLY - 600A (SERVICE REPLACEMENT) .....                                       | 286 |
| FIGURE 5-17. MASTER CYLINDER ASSEMBLY - 600AJ (SERVICE REPLACEMENT) .....                                      | 288 |
| FIGURE 5-18. STEER CYLINDER ASSEMBLY .....   | 290 |
| FIGURE 5-19. TELESCOPE CYLINDER ASSEMBLY - MAIN BOOM (ORIGINAL EQUIPMENT) .....                                | 292 |
| FIGURE 5-20. TELESCOPE CYLINDER ASSEMBLY - MAIN BOOM (600A) (SERVICE REPLACEMENT) .....                        | 294 |
| FIGURE 5-21. TELESCOPE CYLINDER ASSEMBLY - MAIN BOOM (600AJ) (SERVICE REPLACEMENT) .....                       | 296 |
| FIGURE 5-22. TELESCOPE CYLINDER ASSEMBLY - TOWER BOOM (ORIGINAL EQUIPMENT) .....                               | 298 |
| FIGURE 5-23. TELESCOPE CYLINDER ASSEMBLY - TOWER BOOM (SERVICE REPLACEMENT) .....                              | 300 |
| FIGURE 5-24. CYLINDER BELLOWS INSTALLATION (OPTIONAL) .....  | 302 |
| <br>   |     |
| SECTION 6 - HYDRAULIC .....  | 305 |
| <br>   |     |
| FIGURE 6-1. DRIVE HYDRAULIC DIAGRAM - 2WD/2WS (SN 0300069000 through 0300081835) .....                         | 306 |
| FIGURE 6-2. DRIVE HYDRAULIC DIAGRAM - 2WD/2WS (SN 0300081836 through 0300087000) .....                         | 308 |
| FIGURE 6-3. DRIVE HYDRAULIC DIAGRAM - 4WD/2WS (SN 0300069000 through 0300081835) .....                         | 310 |
| FIGURE 6-4. DRIVE HYDRAULIC DIAGRAM - 4WD/2WS (SN 0300081836 through 0300087000) .....                         | 314 |
| FIGURE 6-5. HYDRAULIC DIAGRAM - OSCILLATING AXLE (SN 0300069000 through 0300081835) .....                      | 316 |
| FIGURE 6-6. HYDRAULIC DIAGRAM - OSCILLATING AXLE (SN 0300081836 through 0300087000) .....                      | 318 |
| FIGURE 6-7. HYDRAULIC DIAGRAM - STANDARD (SN 0300069000 through 0300081835) .....                              | 320 |
| FIGURE 6-8. HYDRAULIC DIAGRAM - STANDARD (SN 0300081836 through 0300087000) .....                              | 324 |
| FIGURE 6-9. HYDRAULIC DIAGRAM LIST .....   | 328 |
| <br>   |     |
| SECTION 7 - ELECTRICAL .....   | 329 |
| <br>   |     |
| FIGURE 7-1. ELECTRICAL DIAGRAM LIST .....  | 330 |
| FIGURE 7-2. ELECTRICAL SCHEMATIC - DEUTZ AND ALL CATERPILLAR AND FORD (SN 0300069000 through 0300084828) ..... | 332 |
| FIGURE 7-3. ELECTRICAL SCHEMATIC - DEUTZ ENGINE (SN 0300084827 through 0300087000) .....                       | 338 |
| FIGURE 7-4. HARNESS COMPONENTS INSTALLATION .....  | 342 |
| <br>   |     |
| SECTION 8 - DECALS .....   | 353 |
| <br>   |     |
| FIGURE 8-1. DECAL INSTALLATION - ANSI SPEC (SN 0300069000 through 0300086149) .....                            | 354 |
| FIGURE 8-2. DECAL INSTALLATION - ANSI SPEC (SN 0300086150 through 0300087000) .....                            | 358 |
| FIGURE 8-3. DECAL INSTALLATION (COUNTRY SPECS) (SN 0300069000 through 0300086149) .....                        | 362 |
| FIGURE 8-4. DECAL INSTALLATION (COUNTRY SPECS) (SN 0300086150 through 0300087000) .....                        | 368 |

## TABLE OF CONTENTS

|   |     |
|---|-----|
| SECTION 9 - RECOMMENDED SERVICE PARTS STOCK ..... | 373 |
| FIGURE 9-1. MODEL 600A/600AJ STANDARD PARTS ..... | 374 |
| FIGURE 9-2. MODEL 600A/600AJ VARIABLE PARTS ..... | 376 |
| SECTION 10 - SPECIAL OPTIONS .....                | 377 |
| FIGURE 10-1. SPECIAL OPTIONS .....                | 378 |
| PART NUMBER INDEX .....                           | 383 |

Go to [Discount-Equipment.com](http://Discount-Equipment.com) to order your parts

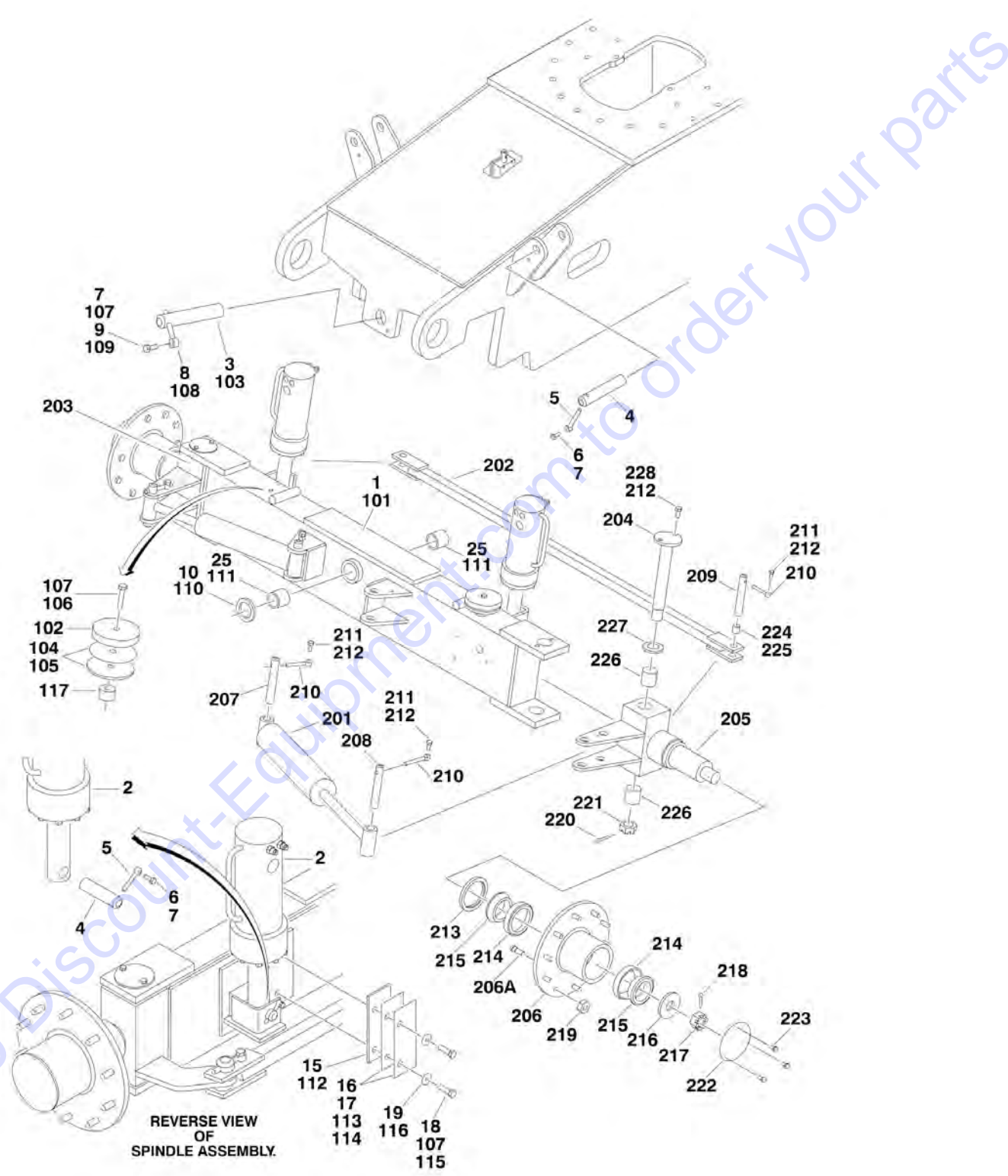


**SECTION 1 - FRAME**

Go to Discount-Equipment.com to order your parts

# SECTION 1 - FRAME

FIGURE 1-1. 2WD FRONT AXLE AND STEERING INSTALLATIONS (SN 0300069000 through 0300081835)



## SECTION 1 - FRAME

**FIGURE 1-1. 2WD FRONT AXLE AND STEERING INSTALLATIONS (SN 0300069000 through 0300081835)**

| ITEM | PART NUMBER | QTY | DESCRIPTION   | REV |
|------|-------------|-----|---|-----|
|      |             | Ref | <b>AXLE INSTALLATIONS - OSCILLATING</b>                               |     |
|      | 0256398     | Ref | <b>8ft/2.4m Wide Machines</b>   | 3   |
|      | 0256397     | Ref | <b>7ft/2.1m Wide Machines</b>   | 4   |
| 1    |             | Ref | Axle Weldment Options:  |     |
| 1    | 4844929     | 1   | 8ft/2.4m Wide Machine   |     |
| 1    | 4844960     | 1   | 7ft/2.1m Wide Machine   |     |
| 2    | 1683280     | 2   | Lockout Cylinder Assembly (See CYLINDER SECTION for Breakdown)        |     |
| 3    | 3422592     | 1   | Pin, Pivot  |     |
| 4    | 3422426     | 4   | Pin, Cylinder   |     |
| 5    | 3841143     | 4   | Keeper, Pin   |     |
| 6    | 0641608     | 4   | Bolt 3/8in-16NC x 1in   |     |
| 7    | 0100011     | AR  | Compound, Locking   |     |
| 8    | 3841258     | 1   | Keeper, Pin   |     |
| 9    | 0642012     | 1   | Bolt 5/8in-11NC x 1-1/2in   |     |
| 10   | 4740158     | 1   | Thrustwasher  |     |
| 15   | 3538047     | 2   | Plate, Wear   |     |
| 16   | 4070878     | 4   | Shim, (.06)   |     |
| 17   | 4070879     | 4   | Shim, (.12)   |     |
| 18   | 0641612     | 4   | Bolt 3/8in-16NC x 1-1/2in   |     |
| 19   | 4711600     | 4   | Flatwasher 3/8in Thin   |     |
| 25   | 0961950     | 2   | Bushing   |     |
|      |             | Ref | <b>AXLE INSTALLATIONS - FIXED</b>                                     |     |
|      | 0256623     | Ref | <b>8ft/2.4m Wide Machines</b>   | 3   |
|      | 0256624     | Ref | <b>7ft/2.1m Wide Machines</b>   | 2   |
| 101  |             | Ref | Axle Weldment Options:  |     |
| 101  | 4844929     | 1   | 8ft/2.4m Wide Machines  |     |
| 101  | 4844960     | 1   | 7ft/2.1m Wide Machines  |     |
| 102  | 3539877     | 2   | Plate, Stop   |     |
| 103  | 3422592     | 1   | Pin, Pivot  |     |
| 104  | 4070944     | AR  | Shim (.06)  |     |
| 105  | 4070945     | AR  | Shim (.25)  |     |
| 106  | 0641826     | 4   | Bolt 1/2in-13NC x 3-1/4in   |     |
| 107  | 0100019     | AR  | Compound, Locking   |     |
| 108  | 3841258     | 1   | Keeper, Pin   |     |
| 109  | 0642012     | 1   | Bolt 5/8in-11NC x 1-1/2in   |     |
| 110  | 4740158     | 1   | Thrustwasher  |     |
| 111  | 0961950     | 2   | Bushing   |     |
| 112  | 3538047     | 2   | Plate, Wear   |     |
| 113  | 4070878     | AR  | Shim (.06)  |     |
| 114  | 4070879     | AR  | Shim (.12)  |     |
| 115  | 0641612     | 4   | Bolt 3/8in-16NC x 1-1/2in   |     |
| 116  | 4711600     | 4   | Flatwasher 3/8in Thin   |     |
| 117  | 3539879     | 2   | Plate, Stop   |     |
|      |             | Ref | <b>STEERING INSTALLATIONS</b>   |     |
|      | 0256388     | Ref | <b>8ft/2.4m Wide Machines</b>   | 4   |
|      | 0256391     | Ref | <b>7ft/2.1m Wide Machines</b>   | 4   |
| 201  |             | Ref | Steer Cylinder Assembly Options: (See CYLINDER SECTION for Breakdown) |     |

## SECTION 1 - FRAME

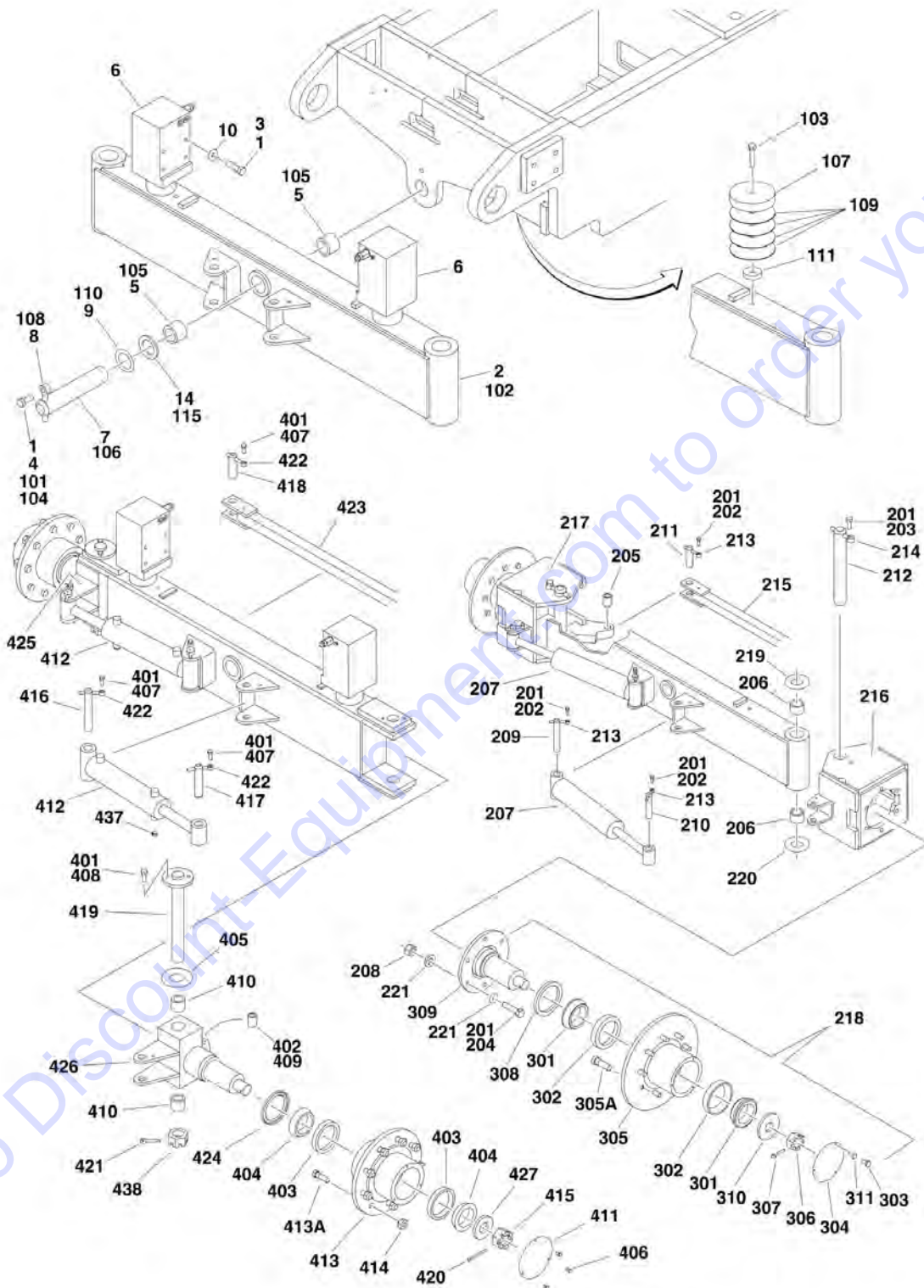
| ITEM | PART NUMBER | QTY | DESCRIPTION   | REV |
|------|-------------|-----|---|-----|
| 201  | 1683208     | 2   | 8ft/2.4m Wide Machines  |     |
| 201  | 1683304     | 2   | 7ft/2.1m Wide Machines  |     |
| 202  |             | Ref | Tie-Rod Options:  |     |
| 202  | 3841262     | 1   | 8ft/2.4m Wide Machines  |     |
| 202  | 3841263     | 1   | 7ft/2.1m Wide Machines  |     |
| 203  | 4130341     | 1   | Spindle (Right Side)  |     |
| 204  | 3422427     | 2   | Kingpin   |     |
| 205  | 4130340     | 1   | Spindle (Left Side)   |     |
| 206  | 2780212     | 2   | Hub   |     |
| 206A | 0630490     | 16  | Stud, Wheel (8 Per Hub)   |     |
| 207  | 3422426     | 2   | Pin   |     |
| 208  | 3422429     | 2   | Pin   |     |
| 209  | 3422430     | 2   | Pin   |     |
| 210  | 3841143     | 6   | Keeper  |     |
| 211  | 0641608     | 6   | Bolt 3/8in-16NC x 1in   |     |
| 212  | 0100011     | AR  | Compound, Locking   |     |
| 213  | 3960098     | 2   | Seal  |     |
| 214  | 0440019     | 4   | Cone, Bearing   |     |
| 215  | 0440018     | 4   | Cup, Bearing  |     |
| 216  | 4740016     | 2   | Flatwasher, Hardened  |     |
| 217  | 3323403     | 2   | Nut, Slotted 1-1/2in-12NF   |     |
| 218  | 3450810     | 2   | Pin, Cotter 1/4in x 2-1/2in   |     |
| 219  | 3300106     | 16  | Lugnut 5/8in  |     |
| 220  | 3451012     | 2   | Pin, Cotter 1/4in x 3in   |     |
| 221  | 3313403     | 2   | Nut, Slotted 1-1/2in-6NC  |     |
| 222  | 1120460     | 2   | Cap, Hub  |     |
| 223  | 0641404     | 6   | Bolt 1/4in-20NC x 1/2in   |     |
| 224  | 0962005     | 2   | Bushing   |     |
| 225  | 0100063     | AR  | Loctite, #RC609   |     |
| 226  | 0962272     | 4   | Bushing   |     |
| 227  | 0440161     | 2   | Thrustwasher  |     |
| 228  | 0681608     | 4   | Bolt 3/8in-16NC x 1in (Grade 8)   |     |
|      | 2890245     | 1   | Wheel Bearing Retention Washer Replacement Kit (Includes Items 216 & 218) |     |





# SECTION 1 - FRAME

FIGURE 1-2. 2WD FRONT AXLE AND STEERING INSTALLATIONS (SN 0300081836 through 0300087000)



## SECTION 1 - FRAME

**FIGURE 1-2. 2WD FRONT AXLE AND STEERING INSTALLATIONS (SN 0300081836 through 0300087000)**

| ITEM | PART NUMBER | QTY | DESCRIPTION  | REV |
|------|-------------|-----|--|-----|
|      |             | Ref | <b>AXLE INSTALLATIONS - OSCILLATING</b>  |     |
|      | 0273954     | Ref | <b>8ft/2.4m Wide Machines without Tow Package</b>  | D   |
|      | 0274234     | Ref | <b>8ft/2.4m Wide Machines with Tow Package</b>   | A   |
|      | 0274047     | Ref | <b>7ft/2.1m Wide Machines without Tow Package</b>  | A   |
|      | 0274256     | Ref | <b>7ft/2.1m Wide Machines with Tow Package</b>   | A   |
| 1    | 0100011     | AR  | Compound, Locking  |     |
| 2    |             | Ref | Axle Weldment Options:   |     |
| 2    | 0280167     | 1   | 8ft/2.4m Wide Machine without Tow Package  |     |
| 2    | 0280183     | 1   | 8ft/2.4m Wide Machine with Tow Package   |     |
| 2    | 0280171     | 1   | 7ft/2.1m Wide Machine without Tow Package  |     |
| 2    | 0280185     | 1   | 7ft/2.1m Wide Machine with Tow Package   |     |
| 3    | 0641814     | 8   | Bolt 1/2in-13NC x 1-3/4in  |     |
| 4    | 0642012     | 1   | Bolt 5/8in-11NC x 1-1/2in  |     |
| 5    | 0961950     | 2   | Bushing  |     |
| 6    | 1684280     | NLA | Lockout Cylinder Assembly (Use p/n 1001167359) (See CYLINDER SECTION for Breakdown) (Original Equipment) |     |
| 6    | 1001167359  | 2   | Lockout Cylinder Assembly (See CYLINDER SECTION for Breakdown) (Service Replacement)                     |     |
| 7    | 3422592     | 1   | Pin, Pivot   |     |
| 8    | 3841258     | 1   | Keeper, Pin  |     |
| 9    | 4740158     | 1   | Thrustwasher   |     |
| 10   | 4891800     | 8   | Flatwasher 1/2in Hardened  |     |
| 14   | 4071101     | AR  | Shim   |     |
|      |             | Ref | <b>AXLE INSTALLATIONS - FIXED</b>  |     |
|      | 0273959     | Ref | <b>8ft/2.4m Wide Machines</b>  | D   |
|      | 0274054     | Ref | <b>7ft/2.1m Wide Machines</b>  | B   |
| 101  | 0100011     | AR  | Compound, Locking  |     |
| 102  |             | Ref | Axle Weldment Options:   |     |
| 102  | 0280167     | 1   | 8ft/2.4m Wide Machines   |     |
| 102  | 0280171     | 1   | 7ft/2.1m Wide Machines   |     |
| 103  |             | Ref | Bolt 1/2in-13NC Options:   |     |
| 103  | 0641818     | 2   | 8ft/2.4m Wide Machines (2-1/4in Length)  |     |
| 103  | 0641816     | 2   | 7ft/2.1m Wide Machines (2in Length)  |     |
| 104  | 0642012     | 1   | Bolt 5/8in-11NC x 1-1/2in  |     |
| 105  | 0961950     | 2   | Bushing  |     |
| 106  | 3422592     | 1   | Pin, Pivot   |     |
| 107  | 3539877     | 2   | Plate, Stop  |     |
| 108  | 3841258     | 1   | Keeper, Pin  |     |
| 109  |             | Ref | Shim Options:  |     |
| 109  | 4070944     | 12  | Shim (.06) for 8ft/2.4m Wide Machines  |     |
| 109  | 4070945     | 2   | Shim (.25) for 7ft/2.1m Wide Machines  |     |
| 110  | 4740158     | 1   | Thrustwasher   |     |
| 111  |             | Ref | Spacer Options:  |     |
| 111  | 4740542     | 2   | 8ft/2.4m Wide Machines (SN 0300069000 through 0300084828)  |     |
| 111  | 4071101     | 2   | 8ft/2.4m Wide Machines (SN 0300084829 through 0300087000)  |     |
| 111  | 4740543     | 2   | 7ft/2.1m Wide Machines   |     |
| 115  | 4071101     | AR  | Shim   |     |
|      | 0274132     | Ref | <b>STEERING INSTALLATION (8FT/2.4M WIDTH MACHINES)</b>   | B   |

# SECTION 1 - FRAME

| ITEM | PART NUMBER | QTY | DESCRIPTION  | REV |
|------|-------------|-----|--|-----|
| 201  | 0100011     | AR  | Compound, Locking  |     |
| 202  | 0641608     | 6   | Bolt 3/8in-16NC x 1in  |     |
| 203  | 0642012     | 2   | Bolt 5/8in-11NC x 1-1/2in                                    |     |
| 204  | 0682020     | 12  | Bolt 5/8in-11NC x 2-1/2in (Grade 8)                          |     |
| 205  | 0962005     | 2   | Bushing  |     |
| 206  | 0962131     | 4   | Bushing  |     |
| 207  | 1683208     | 2   | Steer Cylinder Assembly (See CYLINDER SECTION for Breakdown) |     |
| 208  | 3272001     | 12  | Nut 5/8in-11NC (Grade 8)                                     |     |
| 209  | 3422426     | 2   | Pin  |     |
| 210  | 3422429     | 2   | Pin  |     |
| 211  | 3422430     | 2   | Pin  |     |
| 212  | 3422900     | 2   | Kingpin  |     |
| 213  | 3841143     | 6   | Keeper   |     |
| 214  | 3841258     | 2   | Keeper   |     |
| 215  | 3841285     | 1   | Tie-Rod  |     |
| 216  | 4130401     | 1   | Spindle (Left Side)  |     |
| 217  | 4130402     | 1   | Spindle (Right Side)   |     |
| 218  | 4130410     | 2   | Hub Assembly (See Items 301-311 for Breakdown)               |     |
| 219  | 4740256     | 2   | Thrustwasher   |     |
| 220  | 4740463     | 2   | Thrustwasher   |     |
| 221  | 4892000     | 2   | Flatwasher 5/8in Hardened                                    |     |
|      | 4130410     | Ref | <b>HUB ASSEMBLY (8FT/2.4M WIDTH MACHINES)</b>                | A   |
|      |             | Ref | <b>Note: Qty is Per Assembly</b>                             |     |
| 301  | 0440170     | 2   | Cone, Bearing  |     |
| 302  | 0440171     | 2   | Cup, Bearing   |     |
| 303  | 0721003     | 3   | Screw #10-24NC x 3/8in                                       |     |
| 304  | 1120304     | 2   | Cap, Hub   |     |
| 305  | 2780271     | 1   | Hub  |     |
| 305A | 0630490     | 9   | Stud, Wheel  |     |
| 306  | 3323403     | 1   | Nut, Slotted 1-1/2in-12NF                                    |     |
| 307  | 3451010     | 1   | Pin, Cotter 5/16in x 2-1/2in                                 |     |
| 308  | 3960343     | 1   | Seal   |     |
| 309  | 4130409     | 1   | Adapter, Spindle   |     |
| 310  | 4740283     | 1   | Flatwasher, Hardened   |     |
| 311  | 4761000     | 3   | Lockwasher #10   |     |
|      |             | Ref | <b>STEERING INSTALLATION (7FT/2.1M WIDTH MACHINES)</b>       |     |
|      | 0274257     | Ref | <b>2WS with 7ft/2.1m Wide Frame with Tow Package</b>         | B   |
|      | 0274062     | Ref | <b>4WS with 7ft/2.1m Width Frame without Tow Package</b>     | G   |
| 401  | 0100011     | AR  | Compound, Locking  |     |
| 402  | 0100063     | AR  | Loctite # RC609  |     |
| 403  | 0440018     | 4   | Cup, Bearing   |     |
| 404  | 0440019     | 4   | Cone, Bearing  |     |
| 405  | 0440161     | 2   | Thrustwasher   |     |
| 406  | 0641404     | 6   | Bolt 1/4in-20NC x 1/2in                                      |     |
| 407  | 0641608     | 4   | Bolt 3/8in-16NC x 1in  |     |
| 408  | 0681608     | 4   | Bolt 3/8in-16NC x 1in (Grade 8)                              |     |
| 409  | 0962005     | 4   | Bushing  |     |
| 410  | 0962272     | 4   | Bushing  |     |
| 411  | 1120460     | 2   | Cap, Hub   |     |
| 412  | 1684418     | 2   | Steer Cylinder Assembly (See CYLINDER SECTION for Breakdown) |     |

## SECTION 1 - FRAME

| ITEM | PART NUMBER | QTY | DESCRIPTION   | REV |
|------|-------------|-----|---|-----|
| 413  |             | Ref | Hub Options:  |     |
| 413  | 2780276     | 2   | Without Tow Package   |     |
| 413  | 4130413     | 1   | With Tow Package (Left Side)  |     |
| 413  | 4130415     | 1   | With Tow Package (Right Side)   |     |
| 413A | 0630490     | 18  | Stud, Wheel (9 Per Hub)   |     |
| 414  | 3300106     | 18  | Nut, Wheel  |     |
| 415  | 3323403     | 2   | Nut, Slotted 1-1/2in-12NF   |     |
| 416  | 3422426     | 2   | Pin   |     |
| 417  |             | Ref | Pin Options:  |     |
| 417  | 3422429     | 2   | Without Tow Package   |     |
| 417  | 3422429     | 1   | With Tow Package  |     |
| 417  | 3422427     | 1   | With Tow Package  |     |
| 418  | 3422430     | 2   | Pin   |     |
| 419  | 3423175     | 2   | Kingpin   |     |
| 420  | 3450810     | 2   | Pin, Cotter 1/4in x 2-1/2in   |     |
| 421  | 3451010     | 2   | Pin, Cotter 5/16in x 2-1/2in  |     |
| 422  | 3841143     | 6   | Keeper  |     |
| 423  | 3841263     | 1   | Tie-Rod   |     |
| 424  | 3960098     | 2   | Seal  |     |
| 425  | 4130413     | 1   | Spindle (Right Side)  |     |
| 426  | 4130414     | 1   | Spindle (Left Side)   |     |
| 427  | 4740016     | 2   | Flatwasher, Hardened  |     |
| 428  | 0642012     | 2   | Bolt 5/8in-11NC x 1-1/2in   |     |
| 437  | 2220237     | 2   | Plug  |     |
| 438  | 3313403     | 2   | Nut, Slotted 1-1/2in-6NC  |     |
|      | 2890245     | 1   | Wheel Bearing Retention Washer Replacement Kit (Includes Items 420 & 427) |     |



## SECTION 1 - FRAME

**FIGURE 1-3. 4WD FRONT AXLE AND STEERING INSTALLATIONS (SN 0300069000 through 0300081835)**

| ITEM | PART NUMBER | QTY | DESCRIPTION  | REV |
|------|-------------|-----|--|-----|
|      | 0256392     | Ref | <b>AXLE INSTALLATIONS - OSCILLATING</b>                        | 3   |
| 1    | 4845041     | 1   | Axle Weldment  |     |
| 2    | 1683280     | 2   | Lockout Cylinder Assembly (See CYLINDER SECTION for Breakdown) |     |
| 3    | 3422592     | 1   | Pin, Pivot   |     |
| 4    | 3422426     | 4   | Pin, Cylinder  |     |
| 5    | 3841143     | 4   | Keeper, Pin  |     |
| 6    | 0641608     | 4   | Bolt 3/8in-16NC x 1in  |     |
| 7    | 0100011     | AR  | Compound, Locking  |     |
| 8    | 3841258     | 1   | Keeper   |     |
| 9    | 0642012     | 1   | Bolt 5/8in-11NC x 1-1/2in                                      |     |
| 10   | 4740158     | 1   | Thrustwasher   |     |
| 15   | 3538047     | 2   | Plate, Axle Wear   |     |
| 16   | 4070878     | AR  | Shim (.06)   |     |
| 17   | 4070879     | AR  | Shim (.12)   |     |
| 18   | 0641608     | 4   | Bolt 3/8in-16NC x 1in  |     |
| 19   | 4711600     | 4   | Flatwasher 3/8in Thin  |     |
| 24   | 0961950     | 2   | Bushing, Bronze  |     |
|      | 0256625     | Ref | <b>AXLE INSTALLATIONS - FIXED</b>                              | 3   |
| 101  | 4845041     | 1   | Axle Weldment  |     |
| 102  | 3539877     | 2   | Plate, Stop  |     |
| 103  | 3422592     | 1   | Pin, Pivot   |     |
| 104  | 4070944     | AR  | Shim (.06)   |     |
| 105  | 4070945     | AR  | Shim (.25)   |     |
| 106  | 0641820     | 2   | Bolt 1/2in-13NC x 2-1/2in                                      |     |
| 107  | 0100019     | AR  | Compound, Locking  |     |
| 108  | 3841258     | 1   | Keeper, Pin  |     |
| 109  | 0642012     | 1   | Bolt 5/8in-11NC x 1-1/2in                                      |     |
| 110  | 4740158     | 1   | Thrustwasher   |     |
| 111  | 0961950     | 2   | Bushing  |     |
| 112  | 3538047     | 2   | Plate, Wear  |     |
| 113  | 4070878     | AR  | Shim (.06)   |     |
| 114  | 4070879     | AR  | Shim (.12)   |     |
| 115  | 0641612     | 4   | Bolt 3/8in-16NC x 1-1/2in                                      |     |
| 116  | 4711600     | 4   | Flatwasher 3/8in Thin  |     |
| 117  | 3539879     | 2   | Plate, Stop  |     |
|      | 0256399     | Ref | <b>STEERING INSTALLATIONS</b>                                  | 4   |
| 201  | 4130330     | 1   | Spindle - Right Side   |     |
| 202  | 4130331     | 1   | Spindle - Left Side  |     |
| 203  | 1683208     | 2   | Steer Cylinder Assembly (See CYLINDER SECTION for Breakdown)   |     |
| 204  | 3422802     | 1   | Pin, Pivot   |     |
| 205  | 3841285     | 1   | Tie-Rod  |     |
| 206  | 3422426     | 2   | Pin, Steer Cylinder  |     |
| 207  | 3422429     | 2   | Pin, Steer Cylinder  |     |
| 208  | 0440161     | 4   | Thrustwasher   |     |
| 209  | 3422430     | 2   | Pin, Tie-Rod   |     |
| 210  | 3841143     | 6   | Keeper, Pin  |     |
| 211  | 0641608     | 4   | Bolt 3/8in-16NC x 1in  |     |

## SECTION 1 - FRAME

| ITEM | PART NUMBER | QTY | DESCRIPTION                     | REV |
|------|-------------|-----|---------------------------------|-----|
| 212  | 0100011     | AR  | Compound, Locking               |     |
| 213  | 0641610     | 2   | Bolt 3/8in-16NC x 1-1/4in       |     |
| 214  | 3311605     | 2   | Locknut 3/8in-16NC              |     |
| 215  | 0681608     | 8   | Bolt 3/8in-16NC x 1in (Grade 8) |     |
| 217  | 0962005     | 2   | Bushing, Bronze                 |     |
| 218  | 0962272     | 4   | Bushing                         |     |
| 219  | 0100063     | AR  | Loctite, #RC609                 |     |

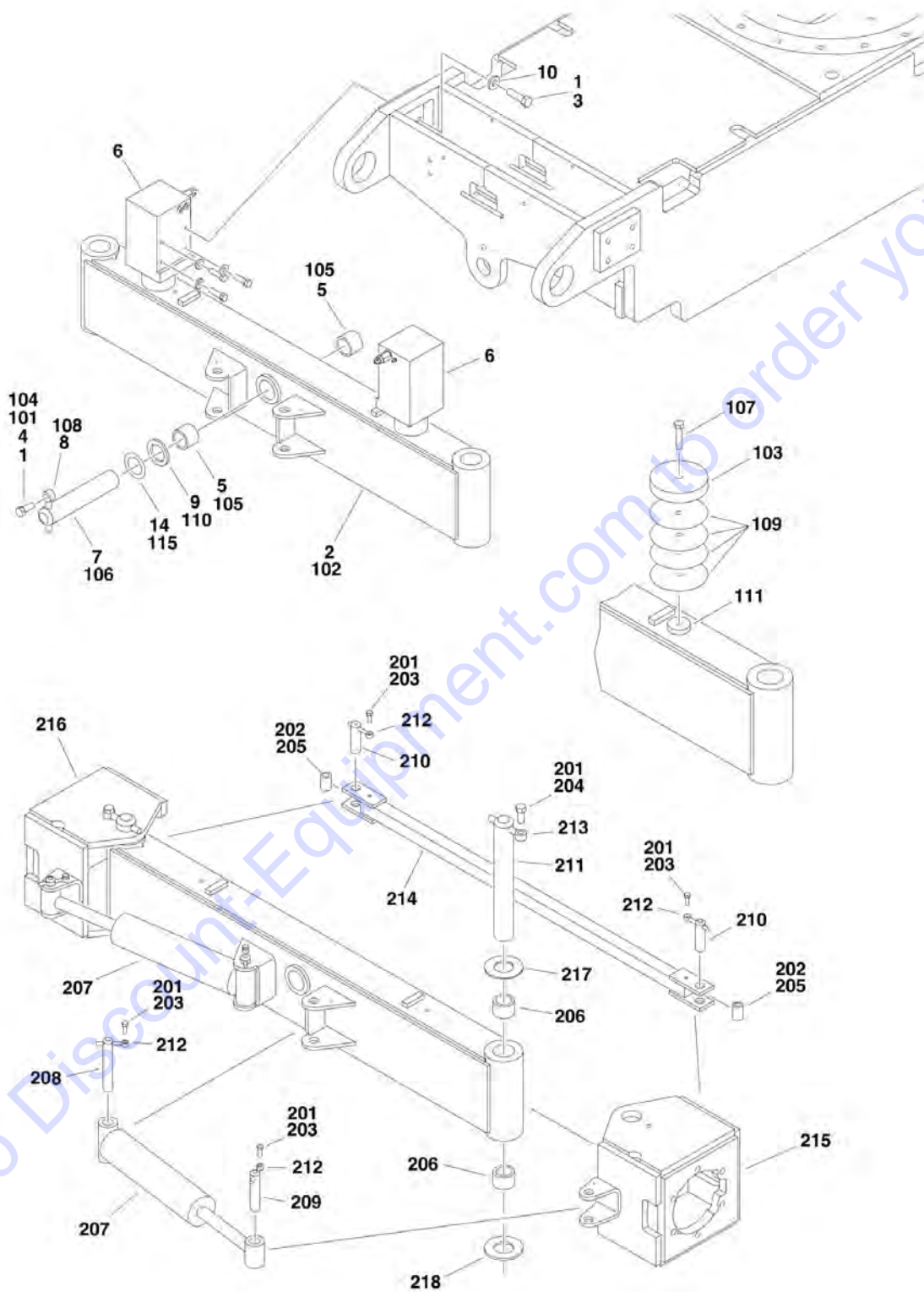
Go to Discount-Equipment.com to order your parts





# SECTION 1 - FRAME

FIGURE 1-4. 4WD FRONT AXLE AND STEERING INSTALLATIONS (SN 0300081836 through 0300087000)



## SECTION 1 - FRAME

**FIGURE 1-4. 4WD FRONT AXLE AND STEERING INSTALLATIONS (SN 0300081836 through 0300087000)**

| ITEM | PART NUMBER | QTY | DESCRIPTION  | REV |
|------|-------------|-----|--|-----|
|      |             | Ref | <b>AXLE INSTALLATIONS - OSCILLATING</b>  |     |
|      | 0273954     | Ref | <b>8ft/2.4m Wide Machines without Tow Package</b>  | D   |
|      | 0274234     | Ref | <b>8ft/2.4m Wide Machines with Tow Package</b>   | A   |
| 1    | 0100011     | AR  | Compound, Locking  |     |
| 2    |             | Ref | Axle Weldment Options:   |     |
| 2    | 0280167     | 1   | 8ft/2.4m Wide Machine without Tow Package  |     |
| 2    | 0280183     | 1   | 8ft/2.4m Wide Machine with Tow Package   |     |
| 3    | 0641814     | 8   | Bolt 1/2in-13NC x 1-3/4in  |     |
| 4    | 0642012     | 1   | Bolt 5/8in-11NC x 1-1/2in  |     |
| 5    | 0961950     | 2   | Bushing  |     |
| 6    | 1684280     | NLA | Lockout Cylinder Assembly (Use p/n 1001167359) (See CYLINDER SECTION for Breakdown) (Original Equipment) |     |
| 6    | 1001167359  | 2   | Lockout Cylinder Assembly (See CYLINDER SECTION for Breakdown) (Service Replacement)                     |     |
| 7    | 3422592     | 1   | Pin, Pivot   |     |
| 8    | 3841258     | 1   | Keeper, Pin  |     |
| 9    | 4740158     | 1   | Thrustwasher   |     |
| 10   | 4891800     | 8   | Flatwasher 1/2in Hardened  |     |
| 14   | 4071101     | AR  | Shim   |     |
|      | 0273959     | Ref | <b>AXLE INSTALLATIONS - FIXED</b>  | C   |
| 101  | 0100011     | AR  | Compound, Locking  |     |
| 102  | 0280167     | 1   | Axle Weldment  |     |
| 103  | 0641818     | 2   | Bolt 1/2in-13NC x 2-1/4in  |     |
| 104  | 0642012     | 1   | Bolt 5/8in-11NC x 1-1/2in  |     |
| 105  | 0961950     | 2   | Bushing  |     |
| 106  | 3422592     | 1   | Pin, Pivot   |     |
| 107  | 3539877     | 2   | Plate, Stop  |     |
| 108  | 3841258     | 1   | Keeper, Pin  |     |
| 109  | 4070944     | 8   | Shim (.06)   |     |
| 110  | 4740158     | 1   | Thrustwasher   |     |
| 111  | 4740542     | 2   | Spacer   |     |
| 115  | 4071101     | AR  | Shim   |     |
|      |             | Ref | <b>STEERING INSTALLATION</b>   |     |
|      | 0273940     | Ref | <b>2WS without Tow Package</b>   | B   |
|      | 0274220     | Ref | <b>2WS with Tow Package</b>  | B   |
|      | 0274121     | Ref | <b>4WS without Tow Package</b>   | B   |
|      | 0274220     | Ref | <b>4WS with Tow Package</b>  | B   |
| 201  | 0100011     | AR  | Compound, Locking  |     |
| 202  | 0100063     | AR  | Loctite # RC609  |     |
| 203  | 0641608     | 6   | Bolt 3/8in-16NC x 1in  |     |
| 204  | 0642012     | 2   | Bolt 5/8in-11NC x 1-1/2in  |     |
| 205  | 0962005     | 2   | Bushing  |     |
| 206  | 0962131     | 4   | Bushing  |     |
| 207  | 1683208     | 2   | Steer Cylinder Assembly (See CYLINDER SECTION for Breakdown)   |     |
| 208  | 3422426     | 2   | Pin  |     |
| 209  |             | Ref | Pin Options:   |     |
| 209  | 3422429     | 2   | Without Tow Package  |     |
| 209  | 3422429     | 1   | With Tow Package   |     |

## SECTION 1 - FRAME

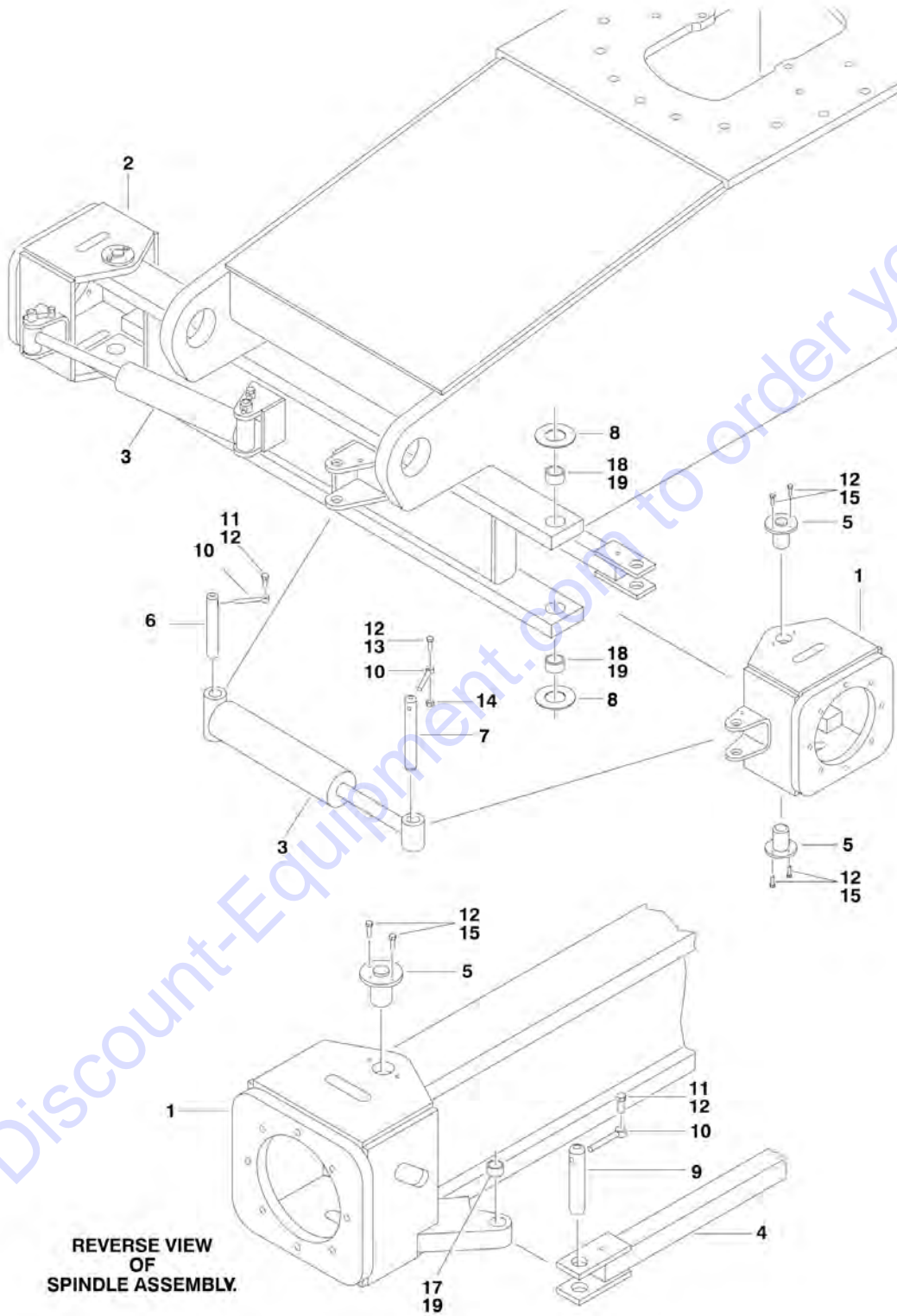
| ITEM | PART NUMBER | QTY | DESCRIPTION                   | REV |
|------|-------------|-----|-------------------------------|-----|
| 209  | 3422427     | 1   | With Tow Package              |     |
| 210  | 3422430     | 2   | Pin                           |     |
| 211  | 3422900     | 2   | Kingpin                       |     |
| 212  | 3841143     | 6   | Keeper                        |     |
| 213  | 3841258     | 2   | Keeper                        |     |
| 214  | 3841285     | 1   | Tie-Rod                       |     |
| 215  | 4130401     | 1   | Spindle (Left Side)           |     |
| 216  |             | Ref | Spindle (Right Side) Options: |     |
| 216  | 4130402     | 1   | Without Tow Package           |     |
| 216  | 4130412     | 1   | With Tow Package              |     |
| 217  | 4740256     | 2   | Thrustwasher                  |     |
| 218  | 4740463     | 2   | Thrustwasher                  |     |

Go to Discount-Equipment.com to order your parts



# SECTION 1 - FRAME

FIGURE 1-5. 4WS REAR STEERING INSTALLATIONS (SN 0300069000 through 0300081835)



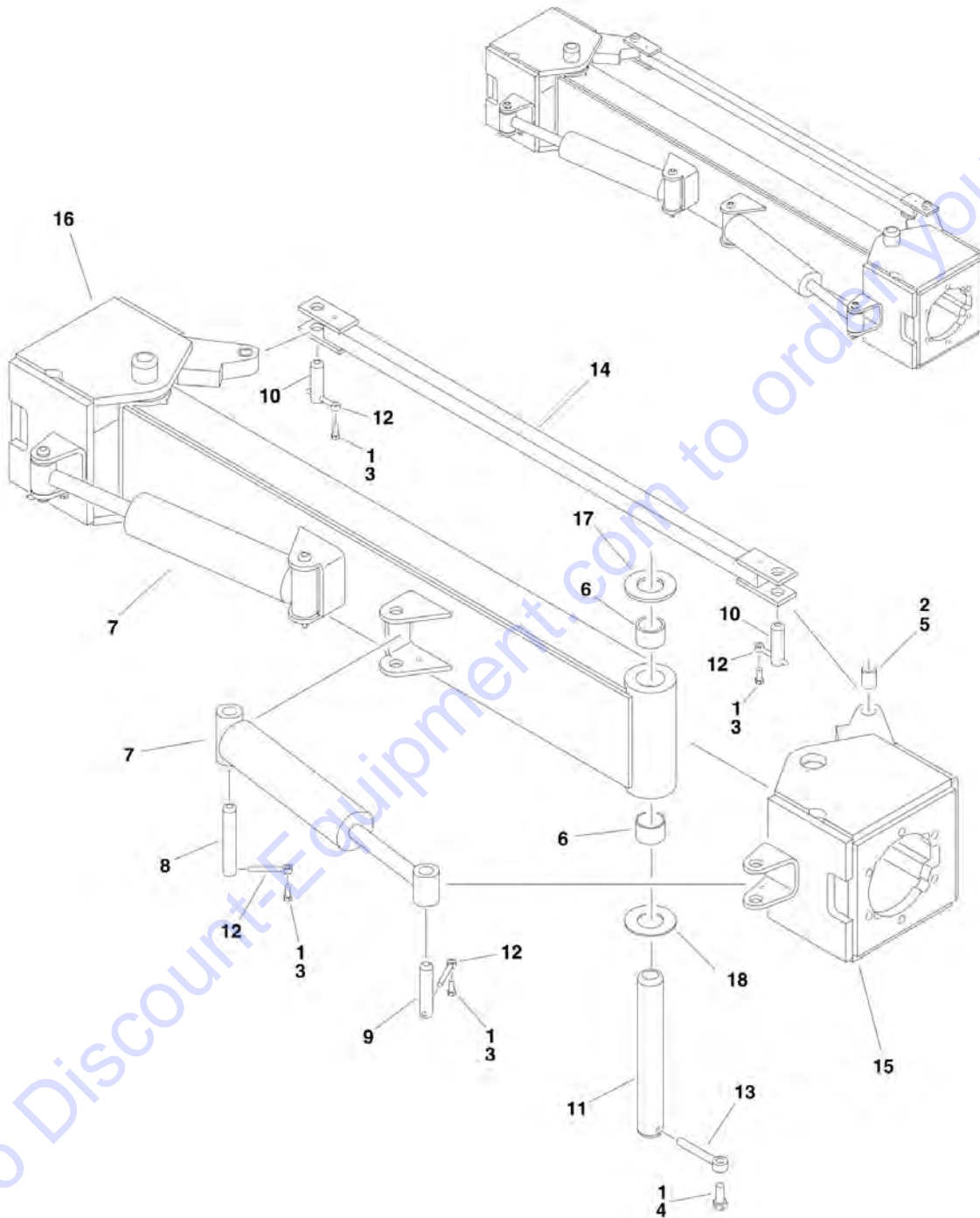
## SECTION 1 - FRAME

**FIGURE 1-5. 4WS REAR STEERING INSTALLATIONS (SN 0300069000 through 0300081835)**

| ITEM | PART NUMBER | QTY | DESCRIPTION  | REV |
|------|-------------|-----|--|-----|
|      |             | Ref | <b>4WS REAR STEERING INSTALLATIONS OPTIONS:</b>              |     |
|      | 0256717     | Ref | <b>2WD/4WS 8ft/2.4m Wide Machines</b>                        | 2   |
|      | 0256523     | Ref | <b>2WD/4WS 7ft/2.1m Wide Machines</b>                        | 2   |
|      | 0256715     | Ref | <b>4WD/4WS Machines</b>                                      | 2   |
|      |             | Ref | <b>REAR STEERING INSTALLATION</b>                            |     |
|      | 0256399     | Ref | <b>8ft/2.4m Width Frame</b>                                  | 4   |
|      | 0256400     | Ref | <b>7ft/2.1m Width Frame</b>                                  | 4   |
| 1    | 4130331     | 1   | Spindle - Right Side   |     |
| 2    | 4130330     | 1   | Spindle - Left Side  |     |
| 3    |             | Ref | Steer Cylinder Assembly (See CYLINDER SECTION for Breakdown) |     |
| 3    | 1683208     | 2   | 8ft/2.4m Wide Machine  |     |
| 3    | 1683304     | 2   | 7ft/2.1m Wide Machine  |     |
| 4    |             | Ref | Tie-Rod Options:   |     |
| 4    | 3841285     | 1   | 8ft/2.4m Wide Machine  |     |
| 4    | 3841291     | 1   | 7ft/2.1m Wide Machine  |     |
| 5    | 3422802     | 4   | Kingpin  |     |
| 6    | 3422426     | 2   | Pin, Steer Cylinder  |     |
| 7    | 3422429     | 2   | Pin, Steer Cylinder  |     |
| 8    | 0440161     | 4   | Thrustwasher   |     |
| 9    | 3422430     | 2   | Pin, Tie-Rod   |     |
| 10   | 3841143     | 6   | Keeper, Pin  |     |
| 11   | 0641608     | 4   | Bolt 3/8in-16NC x 1in  |     |
| 12   | 0100011     | AR  | Compound, Locking  |     |
| 13   | 0641610     | 2   | Bolt 3/8in-16NC x 1-1/4in                                    |     |
| 14   | 3311605     | 2   | Locknut 3/8in-16NC   |     |
| 15   | 0681608     | 8   | Bolt 3/8in-16NC x 1in (Grade 8)                              |     |
| 17   | 0962005     | 2   | Bushing, Bronze  |     |
| 18   | 0962272     | 4   | Bushing  |     |
| 19   | 0100063     | AR  | Loctite, #RC609  |     |

# SECTION 1 - FRAME

FIGURE 1-6. 4WS REAR STEERING INSTALLATIONS (SN 0300081836 through 0300087000)



Go to Discount-Equipment.com to order your parts

## SECTION 1 - FRAME

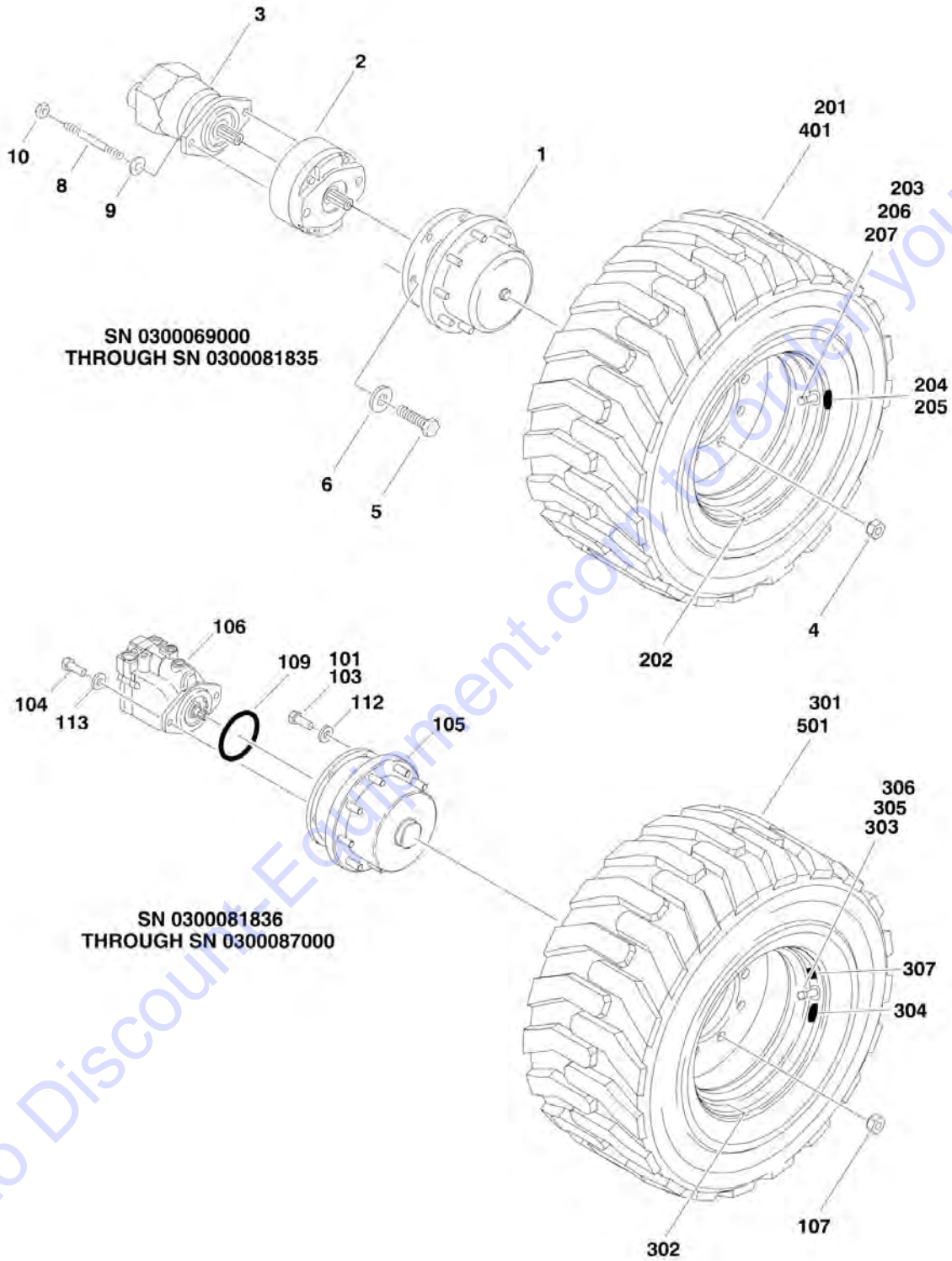
**FIGURE 1-6. 4WS REAR STEERING INSTALLATIONS (SN 0300081836 through 0300087000)**

| ITEM | PART NUMBER | QTY | DESCRIPTION  | REV |
|------|-------------|-----|--|-----|
|      |             | Ref | <b>4WS REAR STEERING INSTALLATIONS OPTIONS:</b>                      |     |
|      | See Note    | NLA | <b>2WD/4WS 8ft/2.4m Wide Machines (Note: No Longer Available)</b>    |     |
|      | 0274062     | Ref | <b>2WD/4WS 7ft/2.1m Wide Machines</b>                                | G   |
|      | 0274121     | Ref | <b>4WD/4WS Machines</b>  | 2   |
| 1    | 0100011     | AR  | Compound, Locking  |     |
| 2    | 0100063     | AR  | Loctite # RC609  |     |
| 3    | 0641608     | 6   | Bolt 3/8in-16NC x 1in  |     |
| 4    | 0642012     | 2   | Bolt 5/8in-11NC x 1-1/2in  |     |
| 5    | 0962005     | 2   | Bushing  |     |
| 6    | 0962131     | 4   | Bushing  |     |
| 7    |             | Ref | Steer Cylinder Assembly Option (See CYLINDER SECTION for Breakdown): |     |
| 7    | 1684418     | 2   | 7ft/2.1m Wide Machines   |     |
| 7    | 1683208     | 2   | 8ft/2.4m Wide Machines   |     |
| 8    | 3422426     | 2   | Pin  |     |
| 9    | 3422429     | 2   | Pin  |     |
| 10   | 3422430     | 2   | Pin  |     |
| 11   | 3422900     | 2   | Kingpin  |     |
| 12   | 3841143     | 6   | Keeper   |     |
| 13   | 3841258     | 2   | Keeper   |     |
| 14   |             | Ref | Tie-Rod Options:   |     |
| 14   | 3841677     | 1   | 7ft/2.1m Wide Machines   |     |
| 14   | 3841285     | 1   | 8ft/2.4m Wide Machines   |     |
| 15   | 4130401     | 1   | Spindle (Left Side)  |     |
| 16   | 4130402     | 1   | Spindle (Right Side)   |     |
| 17   | 4740256     | 2   | Thrustwasher   |     |
| 18   | 4740463     | 2   | Thrustwasher   |     |



# SECTION 1 - FRAME

## FIGURE 1-7. TIRE AND WHEEL DRIVE INSTALLATIONS



## SECTION 1 - FRAME

### FIGURE 1-7. TIRE AND WHEEL DRIVE INSTALLATIONS

| ITEM | PART NUMBER | QTY | DESCRIPTION  | REV |
|------|-------------|-----|--|-----|
|      |             | Ref | <b>WHEEL DRIVE INSTALLATIONS (SN 0300069000 through 0300081835)</b>  |     |
|      | 0270123     | Ref | <b>Wheel Drive Installation 2WD</b>  | 3-B |
|      | 0270124     | Ref | <b>wheel drive installations 4WD</b>   | 3-E |
| 1    | 2780213     | AR  | Drive Hub Assembly (1 Per Drive Wheel) (See DRIVE HUB ASSEMBLY for Breakdown)  |     |
| 2    | 0920117     | NLA | Drive Brake Assembly (1 Per Drive Wheel) (Use p/n 0920119)   |     |
| 2    | 7018612     | AR  | Repair Kit - 0920117 & 0920119 Brakes (Includes Case Seal, Piston Inner and Outer O-Rings and Back-up Rings, Stator Disc, Rotor Disc, Return Plate, Springs, Oil Seal, Bearing, 2 Retaining Rings and 2 Mounting Face Gaskets ) (1 Per Assy) |     |
| 2    | 7000731     | AR  | Gasket, Mounting Face  |     |
|      |             | Ref | <b>Note: No Other Parts Available.</b>   |     |
| 3    |             | Ref | Drive Motor Assembly (1 Per Wheel Drive) Options:  |     |
| 3    | 3160205     | 2   | Drive Motor Assembly (1 Per Wheel Drive) 2WD (See DRIVE MOTOR ASSEMBLY for Breakdown) <b>(SN 0300069000 through 0300071019)</b>  |     |
| 3    | 3160297     | 2   | Drive Motor Assembly (1 Per Wheel Drive) 2WD (See DRIVE MOTOR ASSEMBLY for Breakdown) <b>(SN 0300071020 through 0300081835)</b>  |     |
| 3    | 3160204     | 4   | Drive Motor Assembly (1 Per Wheel Drive) 4WD (See DRIVE MOTOR ASSEMBLY for Breakdown)  |     |
| 4    | 3300106     | AR  | Lugnut (8 Per Wheel)   |     |
| 5    | 0682016     | AR  | Bolt 5/8in-11NC x 2in (8 Per Drive Wheel) (Grade 8)  |     |
| 6    | 4895000     | AR  | Flatwasher 5/8in Hardened (8 Per Drive Wheel)  |     |
| 8    | 4300097     | AR  | Stud 1/2in-13NC x 5-1/8in (2 Per Drive Wheel)  |     |
| 9    | 4891800     | AR  | Flatwasher 1/2in Hardened (2 Per Drive Wheel)  |     |
| 10   | 3311801     | AR  | Nut 1/2in-13NC (2 Per Wheel Drive)   |     |
|      |             | Ref | <b>WHEEL DRIVE INSTALLATIONS (SN 0300081836 through 0300087000)</b>  |     |
|      | 0273049     | Ref | <b>Wheel Drive Installations 2WD/2WS</b>   | D   |
|      | 0274441     | Ref | <b>Wheel Drive Installations 2WD/4WS</b>   | B   |
|      | 0273048     | Ref | <b>Wheel Drive Installations 4WD/2WS</b>   | F   |
|      | 0273366     | Ref | <b>Wheel Drive Installations 4WD/4WS</b>   | E   |
|      |             | Ref | <b>Note: 2WD Qty Shown. For 4WD, Double Qty Shown.</b>   |     |
| 101  | 0100011     | AR  | Compound, Locking  |     |
| 103  | 0681810     | 4   | Bolt 1/2in-13NC x 1-1/4in (Grade 8)  |     |
| 104  | 0682016     | 12  | Bolt 5/8in-11NC x 2in (Grade 8)  |     |
| 105  | 2780269     | 2   | Drive Hub Assembly (See DRIVE HUB ASSEMBLY for Breakdown)  |     |
| 106  |             | Ref | Drive Motor Assembly Options (See DRIVE MOTOR ASSEMBLY for Breakdown):   |     |
| 106  | 3160299     | NLA | Drive Motor Assembly 2WD (Use p/n 3160249)   |     |
| 106  | 3160300     | NLA | Drive Motor Assembly 4WD (Use p/n 3160350)   |     |
| 107  | 3300106     | 18  | Nut, Wheel   |     |
| 109  | 3790045     | 1   | O-Ring   |     |
| 112  | 4891800     | 4   | Flatwasher 1/2in Hardened  |     |
| 113  | 4740393     | 12  | Flatwasher 5/8in Hardened  |     |
|      |             | Ref | <b>PNEUMATIC AND FOAM-FILLED TIRE AND WHEEL INSTALLATIONS (8 FT/2.4M WIDTH MACHINES)</b>   |     |
|      |             | Ref | <b>Pneumatic and Foam-Filled Tire and Wheel Installations (SN 0300069000 through 0300081835)</b>   |     |
|      | 0255420     | Ref | <b>Tire and Wheel Installation - Pneumatic</b>   | -   |

## SECTION 1 - FRAME

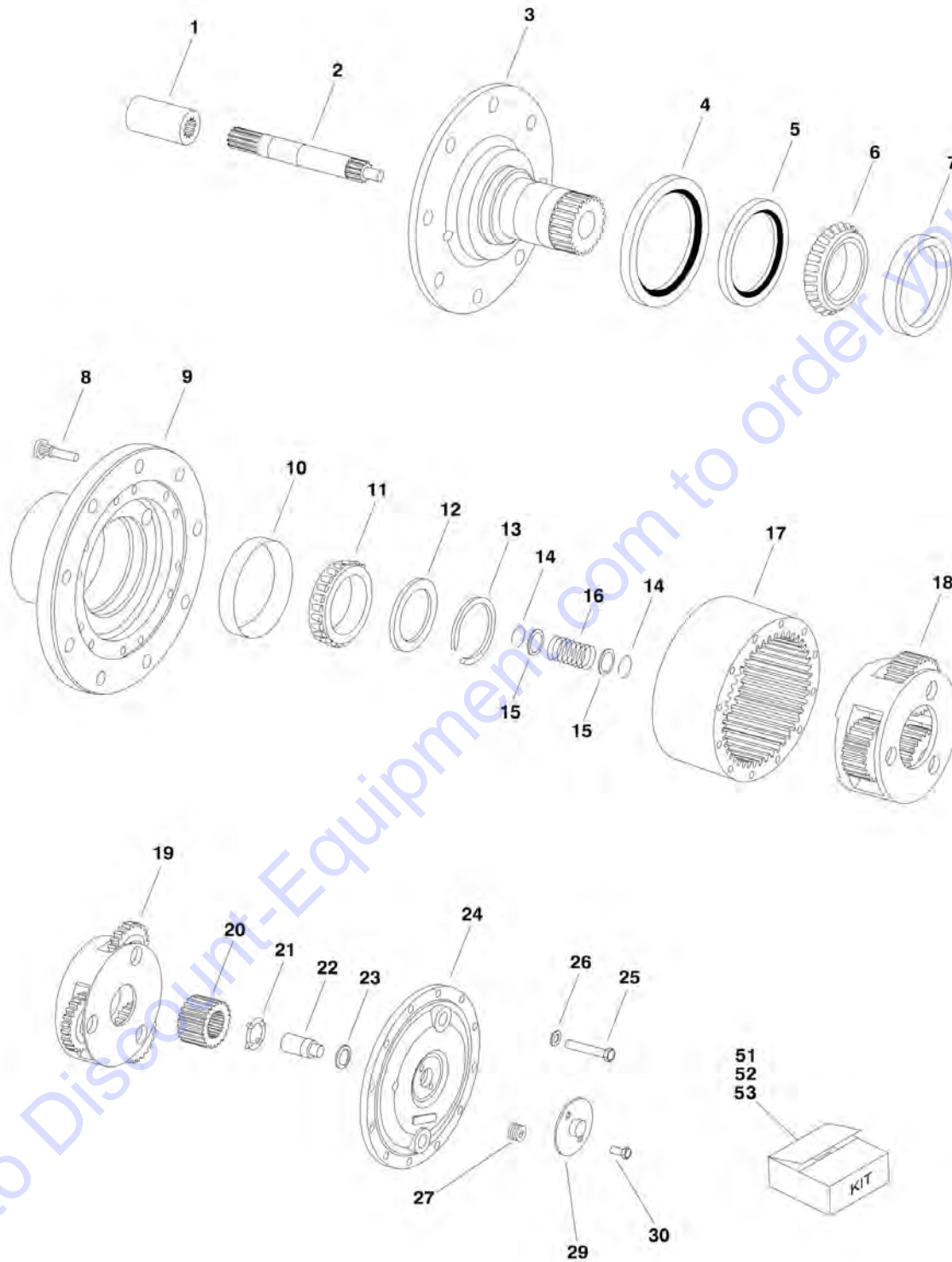
| ITEM | PART NUMBER | QTY | DESCRIPTION   | REV |
|------|-------------|-----|---|-----|
|      | 0271612     | Ref | <b>Tire and Wheel Installation - Pneumatic</b>  | 1   |
|      | 0272296     | Ref | <b>Tire and Wheel Installation - Pneumatic (With Tire Sealant)</b>  | 1   |
|      | 0255421     | Ref | <b>Tire and Wheel Installation - Foam Filled</b>  | -   |
|      | 0271613     | Ref | <b>Tire and Wheel Installation - Foam Filled</b>  | 1   |
|      |             | Ref | <b>Note: Assemblies may require ballast/foam filling to manufacturer's specifications prior to installing on a machine. Refer to Operation and Safety or Service and Maintenance Manuals.</b> |     |
|      |             | Ref | <b>Purchase individual tire and/or rim only if able to foam fill tire and wheel assembly, otherwise, purchase complete assembly.</b>  |     |
|      | 0255513     | 2   | Tire and Wheel Assembly - Galaxy Pneumatic (Right Side)   | 1-B |
|      | 0271609     | 2   | Tire and Wheel Assembly - OTR Pneumatic (Right Side)  | A   |
|      | 0272331     | 2   | Tire and Wheel Assembly - OTR Pneumatic Tire Sealant (Right Side)   | A   |
|      | 0255605     | 2   | Tire and Wheel Assembly - Galaxy Foam-Filled (Right Side)   | B   |
|      | 0271611     | 2   | Tire and Wheel Assembly - OTR Foam-Filled (Right Side)  | A   |
|      | 0255514     | 2   | Tire and Wheel Assembly - Galaxy Pneumatic (Left Side)  | B   |
|      | 0271608     | 2   | Tire and Wheel Assembly - OTR Pneumatic (Left Side)   | 1-A |
|      | 0272332     | 2   | Tire and Wheel Assembly - OTR Pneumatic Tire Sealant (Left Side)  | A   |
|      | 0255606     | 2   | Tire and Wheel Assembly - Galaxy Foam-Filled (Left Side)  | B   |
|      | 0271610     | 2   | Tire and Wheel Assembly - OTR Foam-Filled (Left Side)   | A   |
| 201  |             | Ref | Tire 14 x 17.5 Options:   |     |
| 201  | 4520171     | AR  | Galaxy (1 Per Assembly)   |     |
| 201  | 4520259     | AR  | OTR (1 Per Assembly)  |     |
| 202  | 4860158     | AR  | Rim, Wheel (1 Per Assembly)   |     |
| 203  | 4640113     | AR  | Valve, Air (1 Per Assembly)   |     |
| 204  | 1702740     | AR  | Decal - Tire Pressure (1 Per Assembly)  |     |
| 205  | 1705364     | AR  | Decal - Tire Sealant (OTR Pneumatic TS Only)  |     |
| 206  | 1120552     | AR  | Chemical, Tire Sealant (Green) (OTR Pneumatic TS Only)  |     |
| 207  | 1300019     | AR  | Cap, Valve Stem (Green) (OTR Pneumatic TS Only)   |     |
|      |             | Ref | <b>PNEUMATIC AND FOAM-FILLED TIRE AND WHEEL INSTALLATIONS (8 FT/2.4M WIDTH MACHINES)</b>  |     |
|      |             | Ref | <b>Pneumatic and Foam-Filled Tire and Wheel Installations (SN 0300081836 through 0300087000)</b>  |     |
|      | 4520328     | Ref | <b>Tire and Wheel Installation - Pneumatic</b>  | 1   |
|      | 4520346     | Ref | <b>Tire and Wheel Installation - Foam Filled</b>  | 1   |
|      | 0274533     | Ref | <b>Tire and Wheel Installation - Pneumatic with Sealant (SN 0300083338 through 0300087000)</b>  | 1   |
|      |             | Ref | <b>Note: Assemblies may require ballast/foam filling to manufacturer's specifications prior to installing on a machine. Refer to Operation and Safety or Service and Maintenance Manuals.</b> |     |
|      |             | Ref | <b>Purchase individual tire and/or rim only if able to foam fill tire and wheel assembly, otherwise, purchase complete assembly.</b>  |     |
|      | 4520289     | 2   | Tire and Wheel Assembly - Pneumatic (Left Side)   | C   |
|      | 4520344     | 2   | Tire and Wheel Assembly - Foam-Filled (Left Side)   | A   |
|      | 4520427     | 2   | Tire and Wheel Assembly - Pneumatic W/Sealant (Left Side)   | A   |
|      | 4520290     | 2   | Tire and Wheel Assembly - Pneumatic (Right Side)  | C   |
|      | 4520345     | 2   | Tire and Wheel Assembly - Foam-Filled (Right Side)  | A   |
|      | 4520428     | 2   | Tire and Wheel Assembly - Pneumatic W/Sealant (Right Side)  | A   |
| 301  | 4520288     | AR  | Tire - IN355/55D625 (1 Per Assembly)  |     |
| 302  | 4520287     | AR  | Rim, Wheel (1 Per Assembly)   |     |

## SECTION 1 - FRAME

| ITEM | PART NUMBER | QTY    | DESCRIPTION  | REV |
|------|-------------|--------|--|-----|
| 303  | 4640113     | AR     | Valve, Air (1 Per Assembly)  |     |
| 304  | 1702740     | AR     | Decal - Tire Pressure (1 Per Assembly)   |     |
|      |             | Ref    | <b>Note: Items 305-307 used with tires with sealant only.</b>  |     |
| 305  | 1120552     | AR     | Cap, Valve Stem (1 Per Assembly)   |     |
| 306  | 1300019     | 120 oz | Sealant, Tire (1 Per Assembly)   |     |
| 307  | 1705364     | AR     | Decal - Tire Sealant (1 Per Assembly)  |     |
| 401  |             | Ref    | <b>SOLID AIRBOSS TIRE AND WHEEL INSTALLATIONS (8FT/2.4M AND 7FT/2.1M WIDTH MACHINES)</b>   |     |
| 401  |             | Ref    | <b>Solid Airboss Tire and Wheel Installations (SN 0300069000 through 0300081835)</b>   |     |
| 401  | 0255422     | Ref    | <b>Tire and Wheel Installation - Air-Boss</b>  | -   |
| 401  | 0258764     | Ref    | <b>Tire and Wheel Installation - Air-Boss (Non-Marking)</b>  | 2   |
| 401  |             | Ref    | Tire and Wheel Assembly - Right Side Options:  |     |
| 401  | 4520172     | 2      | Air-Boss   |     |
| 401  | 4520210     | 2      | Air-Boss (Non-Marking)   |     |
| 401  |             | Ref    | Tire and Wheel Assembly - Left Side Options:   |     |
| 401  | 4520173     | 2      | Air-Boss   |     |
| 401  | 4520211     | 2      | Air-Boss (Non-Marking)   |     |
| 401  |             | Ref    | Tire Repair Section (20 Per Assembly) Options:   |     |
| 401  | 7016206     | 80     | Air-Boss   |     |
| 401  | 7020135     | 80     | Air-Boss (Non-Marking)   |     |
| 501  |             | Ref    | <b>AIRBOSS TIRE AND WHEEL INSTALLATIONS (8FT/2.4M AND 7FT/2.1M WIDTH MACHINES)</b>   |     |
| 501  |             | Ref    | <b>Airboos Tire and Wheel Installations (SN 0300081836 through 0300087000)</b>   |     |
| 501  | 4520341     | Ref    | <b>Tire and Wheel Installation - Air-Boss</b>  | A   |
| 501  | 4520284     | 2      | Tire and Wheel Assembly - Right Side   |     |
| 501  | 4520283     | 2      | Tire and Wheel Assembly - Left Side  |     |
| 501  | 7016206     | 80     | Tire Repair Section (20 Per Assembly)  |     |
|      | 0255397     | Ref    | <b>WHEEL COVER INSTALLATION (OPTIONAL) (NOT SHOWN)</b>   | 2-A |
|      |             | Ref    | <b>Note: Used on Machines SN 0300069000 through SN 0300081836 with Pneumatic or Foam-Filled Tires and Wheels only. Not Available for Machines SN 0300081836 through SN 0300087000.</b> |     |
| 601  | 1670777     | 4      | Cover, Wheel   |     |
| 602  | 0641542     | 16     | Bolt 5/16in-18NC x 5-1/4in   |     |
| 603  | 0100011     | AR     | Compound, Locking (Not Shown)  |     |

# SECTION 1 - FRAME

FIGURE 1-8. DRIVE HUB ASSEMBLY (SN 0300069000 through 0300081835)



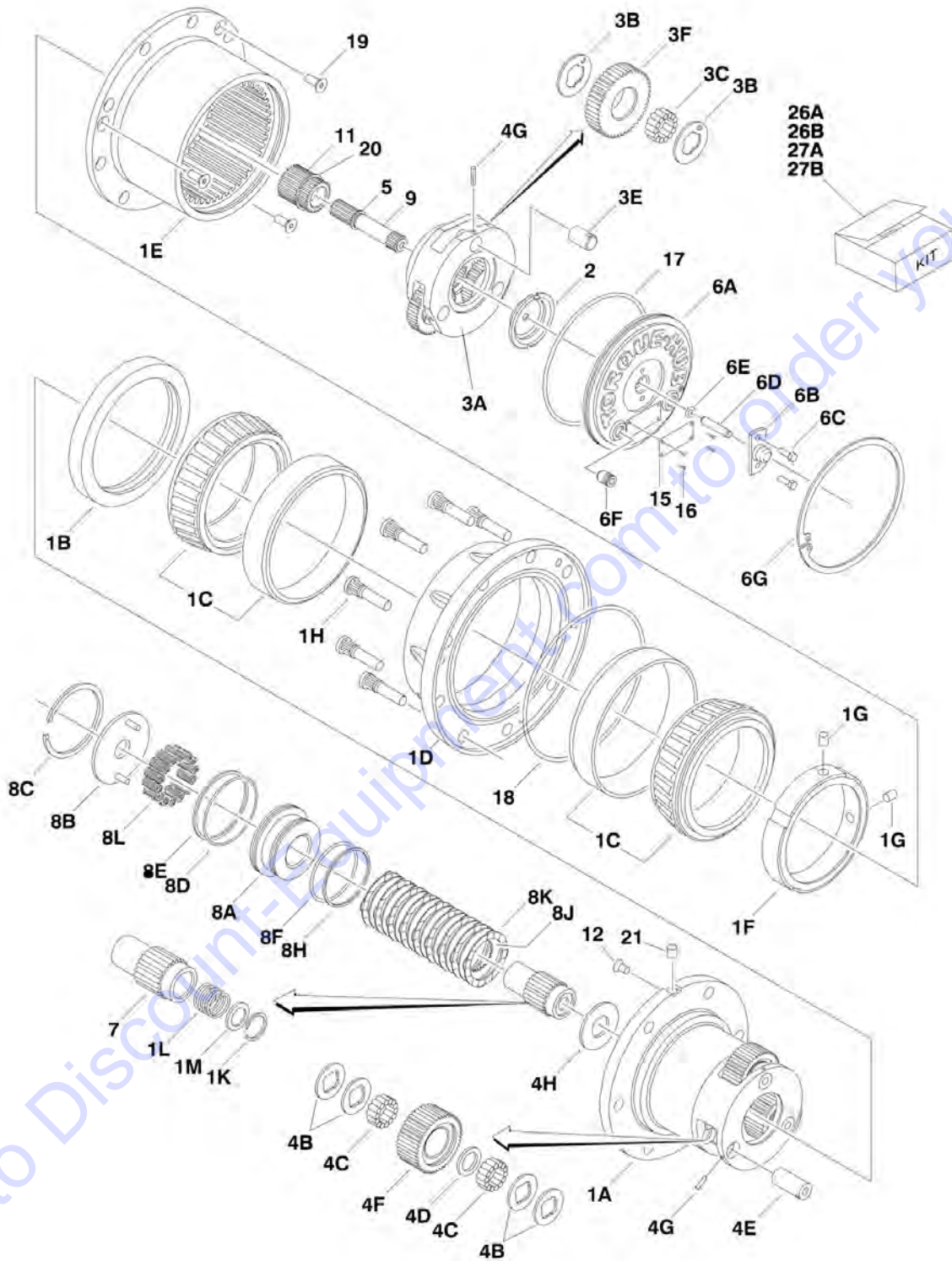
## SECTION 1 - FRAME

**FIGURE 1-8. DRIVE HUB ASSEMBLY (SN 0300069000 through 0300081835)**

| ITEM | PART NUMBER | QTY | DESCRIPTION  | REV |
|------|-------------|-----|--|-----|
|      | 2780213     | Ref | <b>DRIVE HUB ASSEMBLY</b>                                  | B   |
| 1    | 7014700     | 1   | Coupling - 13 Teeth  |     |
| 2    | 7014701     | 1   | Shaft, Input - 13 Teeth                                    |     |
| 3    |             | Ref | Spindle Options:   |     |
| 3    | 7014702     | 1   | With Threaded Holes  |     |
| 3    | 7014731     | 1   | Without Threaded Holes                                     |     |
| 4    | 7014728     | 1   | Seal, Boot   |     |
| 5    | See Note    | NSS | Seal, Oil (Note: Use Item 51 or 52)                        |     |
| 6    | See Note    | NSS | Cone, Bearing (Note: Use Item 52)                          |     |
| 7    | See Note    | NSS | Cup, Bearing (Note: Use Item 52)                           |     |
| 8    | 7014727     | 8   | Bolt, Wheel 5/8in  |     |
| 9    | 7014706     | 1   | Hub  |     |
| 10   | See Note    | NSS | Cup, Bearing (Note: Use Item 52)                           |     |
| 11   | See Note    | NSS | Cone, Bearing (Note: Use Item 52)                          |     |
| 12   | 7001711     | 1   | Thrustwasher   |     |
| 13   | See Note    | NSS | Retaining Ring Kit (Note: Use Item 51 or 52)               |     |
| 14   | 7014711     | 2   | Ring, Retaining  |     |
| 15   | 7014712     | 2   | Thrustwasher   |     |
| 16   | 7014710     | 1   | Spring   |     |
| 17   | 7014713     | 1   | Gear, Ring   |     |
| 18   | 7014714     | 1   | Secondary Carrier Assembly                                 |     |
| 19   | 7014715     | 1   | Primary Carrier Assembly                                   |     |
| 20   | 7014716     | 1   | Gear, Sun - 15 Teeth                                       |     |
| 21   | 7014722     | 1   | Thrustwasher   |     |
| 22   | 7014717     | 1   | Plunger, Disengage   |     |
| 23   | 7014718     | 1   | O-Ring   |     |
| 24   | 7014719     | 1   | Cover, Hub   |     |
| 25   | 7014721     | 12  | Bolt   |     |
| 26   | 7014720     | 12  | Flatwasher   |     |
| 27   | 7014725     | 1   | Plug, Magnetic   |     |
| 28   | 7014726     | 1   | Plug, Pipe   |     |
| 29   | 7014723     | 1   | Cover, Disengage   |     |
| 30   | 7014724     | 2   | Bolt   |     |
| 51   | 7014730     | 1   | Seal Kit (Includes Items 5 & 13)                           |     |
| 52   | 7014729     | 1   | Bearing and Seal Kit (Includes Items 5, 6, 7, 10, 11 & 13) |     |
| 53   | 7014709     | 1   | Retaining Ring Kit (Includes Qty 6 Retaining Rings)        |     |

# SECTION 1 - FRAME

FIGURE 1-9. DRIVE HUB/BRAKE ASSEMBLY (SN 0300081836 through 0300087000)



## SECTION 1 - FRAME

**FIGURE 1-9. DRIVE HUB/BRAKE ASSEMBLY (SN 0300081836 through 0300087000)**

| ITEM | PART NUMBER | QTY | DESCRIPTION   | REV |
|------|-------------|-----|---|-----|
|      | 2780269     | Ref | <b>DRIVE HUB/BRAKE ASSEMBLY</b>   | B   |
| 1    | See Note    | 1   | Spindle/Housing Assembly (Note: Not Available - Purchase Individual Components) |     |
| 1A   | 7024729     | 1   | Spindle   |     |
| 1B   | 70001119    | 1   | Seal, Lip   |     |
| 1C   | 7024735     | 2   | Bearing (Includes Cup and Cone)   |     |
| 1D   | 2780269     | 1   | Housing (Note: Not Available for Purchase)                                      |     |
| 1E   | 7024730     | 1   | Ring, Gear  |     |
| 1F   | See Note    | NSS | Nut, Bearing (Note: Use Item 26A)   |     |
| 1G   | See Note    | 2   | Setscrew 1/4in-28NF x 1/2in (Note: Use Item 26A, 26B, 27A or 27B)               |     |
| 1H   | 7024732     | 9   | Stud, Wheel   |     |
| 1K   | 7024125     | 1   | Ring, Retaining   |     |
| 1L   | 7024124     | 1   | Spring  |     |
| 1M   | 7024129     | 1   | Thrustwasher  |     |
| 2    | 7024741     | 1   | Thrustwasher  |     |
| 3    | See Note    | 1   | Carrier Assembly (Note: Not Available - Purchase Individual Components)         |     |
| 3A   | 7024725     | 1   | Carrier   |     |
| 3B   | 7024127     | 6   | Thrustwasher  |     |
| 3C   | 7024733     | 42  | Bearing, Needle   |     |
| 3E   | 7024724     | 3   | Shaft, Planet   |     |
| 3F   | 7024727     | 3   | Gear, Planet  |     |
| 4    | See Note    | 1   | Planet Gear Sub-Assembly (Note: Not Available - Purchase Individual Components) |     |
| 4B   | 7024740     | 12  | Thrustwasher  |     |
| 4C   | 7024734     | 84  | Bearing, Needle   |     |
| 4D   | 7024736     | 3   | Spacer, Thrust  |     |
| 4E   | 7024726     | 3   | Shaft, Planet   |     |
| 4F   | 7024728     | 3   | Gear, Planet  |     |
| 4G   | 7001913     | 6   | Roll Pin  |     |
| 4H   | 7024742     | 1   | Thrustwasher  |     |
| 5    | 7017027     | 1   | Ring, Retaining   |     |
| 6    | See Note    | 1   | Cover Assembly (Note: Not Available - Purchase Individual Components)           |     |
| 6A   | 7024731     | 1   | Plate, Cover  |     |
| 6B   | 7017093     | 1   | Cap, Disengage  |     |
| 6C   | 7000216     | 2   | Bolt 1/2in-20NC x 1/2in   |     |
| 6D   | 7024739     | 1   | Pin, Dowel  |     |
| 6E   | 7017095     | 1   | O-Ring  |     |
| 6F   | 7017072     | 2   | Plug, Pipe with O-Ring  |     |
| 6G   | 7024738     | 1   | Ring, Retaining   |     |
| 7    | 7024722     | 1   | Coupling  |     |
| 8    | See Note    | 1   | Brake, Input (Note: Not Available - Purchase Individual Components)             |     |
| 8A   | 70000782    | 1   | Piston, Brake   |     |
| 8B   | 7024743     | 1   | Plate, Pressure   |     |
| 8C   | See Note    | 1   | Ring, Retaining (Note: Use Item 26B, 27A or 27B)                                |     |
| 8D   | See Note    | 1   | O-Ring (Note: Use Item 26B or 27A)  |     |
| 8E   | See Note    | 1   | Ring, Back-up (Note: Use Item 26B or 27A)                                       |     |
| 8F   | See Note    | 1   | O-Ring (Note: Use Item 26B or 27A)  |     |



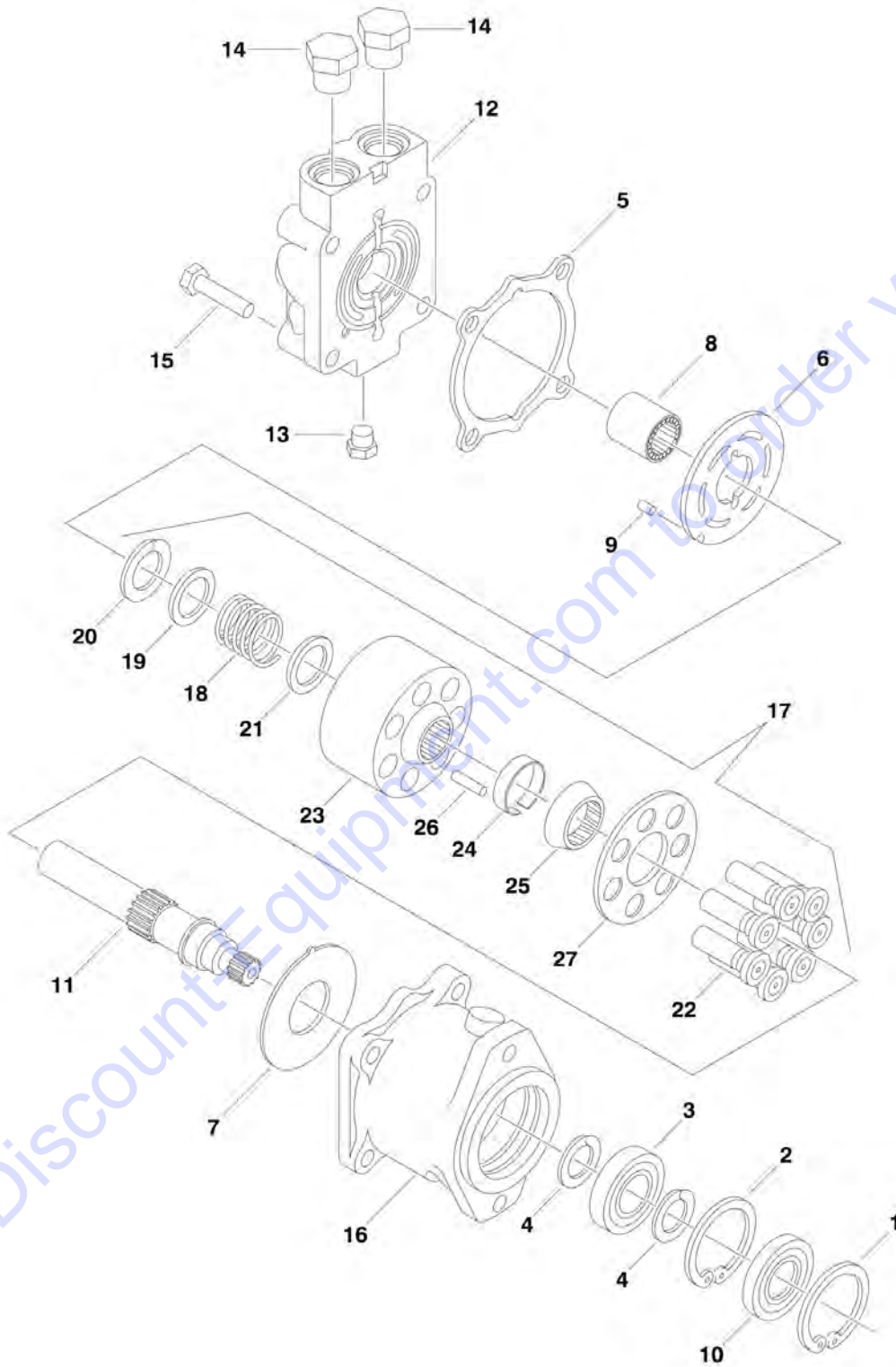
## SECTION 1 - FRAME

| ITEM | PART NUMBER | QTY | DESCRIPTION   | REV |
|------|-------------|-----|---|-----|
| 8H   | See Note    | 1   | Ring, Back-up (Note: Use Item 26B or 27A)                         |     |
| 8J   | See Note    | 8   | Rotor, Brake (Note: Use Item 27A)                                 |     |
| 8K   | See Note    | 9   | Stator, Brake (Note: Use Item 27A)                                |     |
| 8L   | See Note    | AR  | Spring, Brake (Note: Use Item 27B)                                |     |
| 9    | 7024721     | 1   | Shaft, Input  |     |
| 11   | 7024723     | 1   | Gear, Sun   |     |
| 12   | See Note    | 1   | Plug (Note: Not Available for Purchase)                           |     |
| 15   | See Note    | 1   | Plate, ID (Not Shown) (Note: Not Available for Purchase)          |     |
| 16   | 7000281     | 4   | Screw, Drive  |     |
| 17   | 7024134     | 1   | O-Ring  |     |
| 18   | 7024744     | 1   | O-Ring  |     |
| 19   | 7017022     | 3   | Screw, Countersunk 3/8in-16NC                                     |     |
| 20   | 7024737     | 1   | Ring, Retaining   |     |
| 21   | See Note    | 1   | Plug (Note: Not Available for Purchase)                           |     |
| 26   |             | Ref | Seal Kit Options:   |     |
| 26A  | 7024744     | 1   | Hub Seal Kit (Includes Items 1B, 1F, 1G, 17, 18 & 19)             |     |
| 26B  | 7024765     | 1   | Brake Seal Kit (Includes Items 1G, 8C, 8D, 8E, 8F & 8H)           |     |
| 27   |             | Ref | Repair Kit Options:   |     |
| 27A  | 7024764     | 1   | Brake Lining Kit (Includes Items 1G, 8C, 8D, 8E, 8F, 8H, 8J & 8K) |     |
| 27B  | 7024766     | 1   | Brake Spring Kit (Includes Items 1G, 8C & 8L)                     |     |



# SECTION 1 - FRAME

FIGURE 1-10. DRIVE MOTOR ASSEMBLY (2WD MACHINES) (SN 0300069000 through 0300071019)



Go to DiscountEquipment.com to order your parts

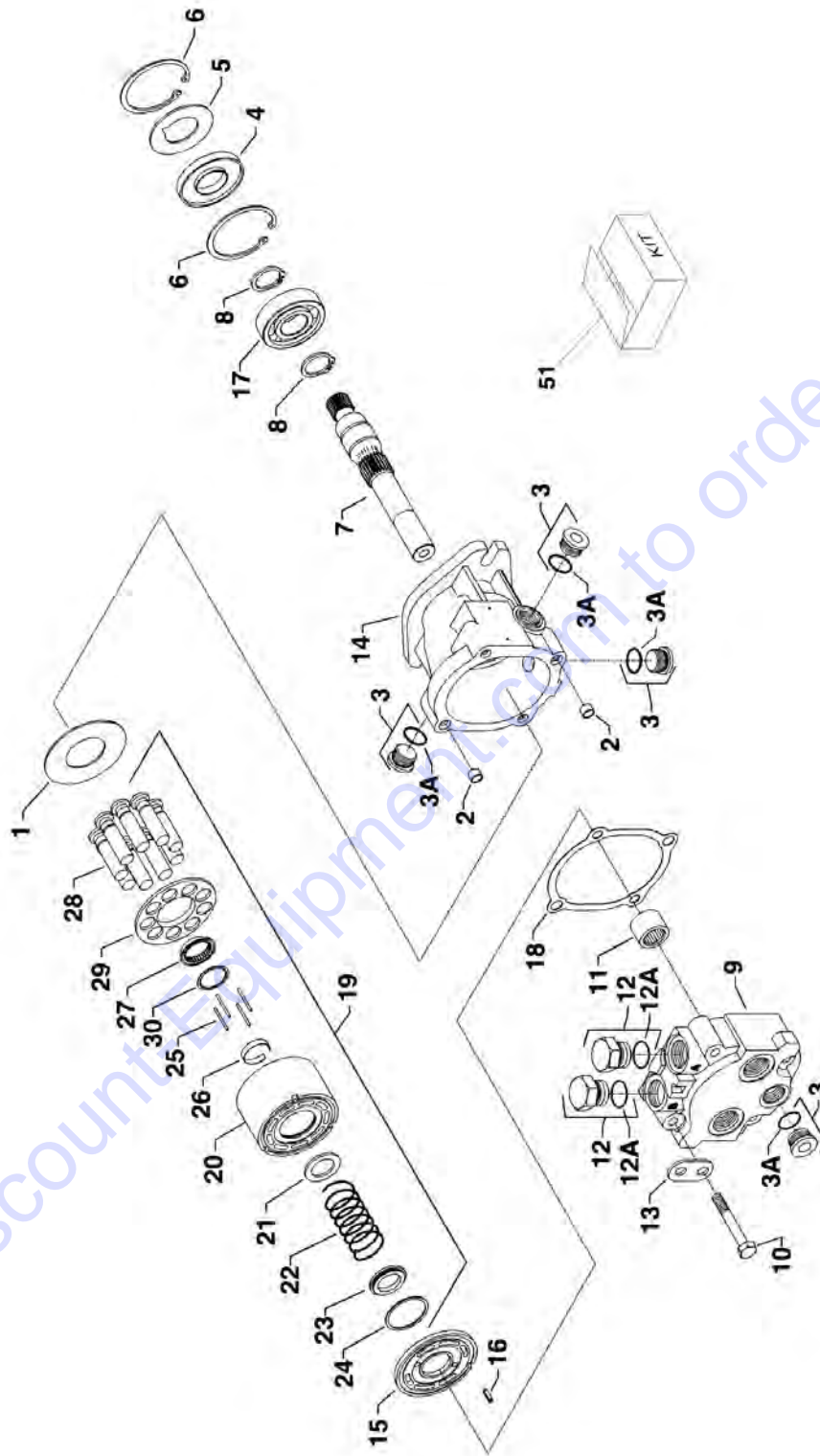
## SECTION 1 - FRAME

**FIGURE 1-10. DRIVE MOTOR ASSEMBLY (2WD MACHINES) (SN 0300069000 through 0300071019)**

| ITEM | PART NUMBER | QTY | DESCRIPTION                                    | REV |
|------|-------------|-----|--|-----|
|      | 3160205     | Ref | <b>DRIVE MOTOR ASSEMBLY - SUNSTRAND (2WD)</b>  | B   |
| 1    | 7007438     | 1   | Ring, Retaining                                |     |
| 2    | 7007438     | 1   | Ring, Retaining                                |     |
| 3    | 7007437     | 1   | Bearing, Ball                                  |     |
| 4    | 7007439     | 2   | Ring, Retaining                                |     |
| 5    | 7010108     | 1   | Gasket, End Cap                                |     |
| 6    | 7010109     | 1   | Plate, Motor Valve                             |     |
| 7    | 7010110     | 1   | Plate, Thrust                                  |     |
| 8    | 7007425     | 1   | Bearing, Needle                                |     |
| 9    | 7007446     | 1   | Pin  |     |
| 10   | 7007459     | 1   | Seal, Lip                                      |     |
| 11   | 7010111     | 1   | Shaft  |     |
| 12   | 7010112     | 1   | Cap, End                                       |     |
| 13   | 7010113     | 1   | Plug   |     |
| 14   | 7010114     | 2   | Plug   |     |
| 15   | 7010115     | 4   | Screw  |     |
| 16   | 3160205     | 1   | Housing (Note: Not Available for Purchase)     |     |
| 17   | 7010116     | 1   | Cylinder Block Assembly (Includes Items 18-27) |     |
| 18   | 7007428     | 1   | Spring   |     |
| 19   | 7007427     | 1   | Washer   |     |
| 20   | 7007426     | 1   | Ring, Retaining                                |     |
| 21   | 7007429     | 1   | Washer   |     |
| 22   | 7010117     | 7   | Piston Assembly                                |     |
| 23   | 7010118     | 1   | Block, Cylinder                                |     |
| 24   | 7007430     | 1   | Retainer, Pin                                  |     |
| 25   | 7007434     | 1   | Guide, Slip Retainer                           |     |
| 26   | 7007431     | 3   | Pin, Slip Retainer                             |     |
| 27   | 7010119     | 1   | Retainer, Slip                                 |     |

# SECTION 1 - FRAME

FIGURE 1-11. DRIVE MOTOR ASSEMBLY (2WD MACHINES) (SN 0300071020 through 0300081835)



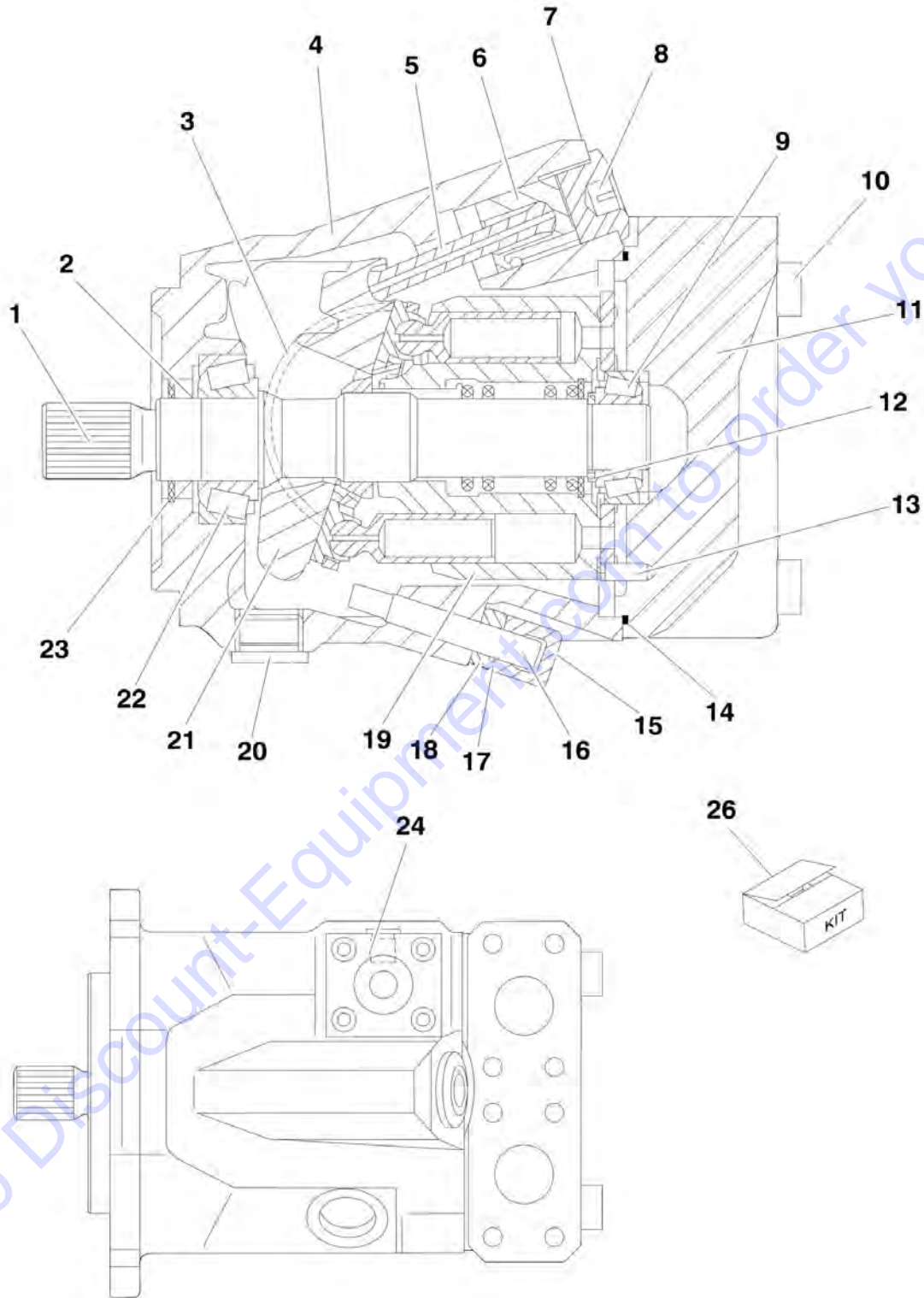
## SECTION 1 - FRAME

**FIGURE 1-11. DRIVE MOTOR ASSEMBLY (2WD MACHINES) (SN 0300071020 through 0300081835)**

| ITEM | PART NUMBER | QTY | DESCRIPTION                                    | REV |
|------|-------------|-----|--|-----|
|      | 3160297     | Ref | <b>DRIVE MOTOR ASSEMBLY - SUNSTRAND (2WD)</b>  | A   |
| 1    | 7024834     | 1   | Plate, Thrust                                  |     |
| 2    | 7007435     | 2   | Pin, Spring                                    |     |
| 3    | 7023964     | 4   | Plug   |     |
| 3A   | 7007415     | 4   | O-Ring   |     |
| 4    | 7007459     | 1   | Seal, Lip                                      |     |
| 5    | 7022371     | 1   | Washer, Support                                |     |
| 6    | 7007438     | 2   | Ring, Retaining                                |     |
| 7    | 7024835     | 1   | Shaft  |     |
| 8    | 7007439     | 2   | Ring, Retaining                                |     |
| 9    | 7024836     | 1   | Cap, End                                       |     |
| 10   | 7024837     | 4   | Screw  |     |
| 11   | 7024838     | 1   | Bearing, Needle                                |     |
| 12   | 7007419     | 2   | Plug   |     |
| 12A  | 7007418     | 2   | O-Ring   |     |
| 13   | 7024839     | 1   | Bracket, Lifting                               |     |
| 14   | 3160297     | 1   | Housing (Note: Not Available for Purchase)     |     |
| 15   | 7024841     | 1   | Plate, Motor Valve                             |     |
| 16   | 7024842     | 1   | Pin, Slotted                                   |     |
| 17   | 7007437     | 1   | Bearing, Ball                                  |     |
| 18   | See Note    | NSS | Gasket, End Cap (Note: Use Item 51)            |     |
| 19   | 7024840     | 1   | Cylinder Block Assembly (Includes Items 20-30) |     |
| 20   | See Note    | NSS | Block, Cylinder (Note: Use Item 19)            |     |
| 21   | See Note    | NSS | Washer (Note: Use Item 19)                     |     |
| 22   | See Note    | NSS | Spring (Note: Use Item 19)                     |     |
| 23   | 7007427     | 1   | Washer   |     |
| 24   | 7007426     | 1   | Ring, Retaining                                |     |
| 25   | See Note    | NSS | Pin, Slip Retainer (Note: Use Item 19)         |     |
| 26   | See Note    | NSS | Retainer, Pin (Note: Use Item 19)              |     |
| 27   | See Note    | NSS | Guide, Slip Retainer (Note: Use Item 19)       |     |
| 28   | See Note    | NSS | Piston Assembly (Note: Use Item 19)            |     |
| 29   | See Note    | NSS | Retainer, Slip (Note: Use Item 19)             |     |
| 30   | See Note    | NSS | Thrustwasher (Note: Use Item 19)               |     |
| 51   | 7024843     | 1   | Seal Kit (Includes Items 3A, 4, 12A & 18)      |     |

# SECTION 1 - FRAME

FIGURE 1-12. DRIVE MOTOR ASSEMBLY (4WD MACHINES) (SN 0300069000 through 0300081835)



## SECTION 1 - FRAME

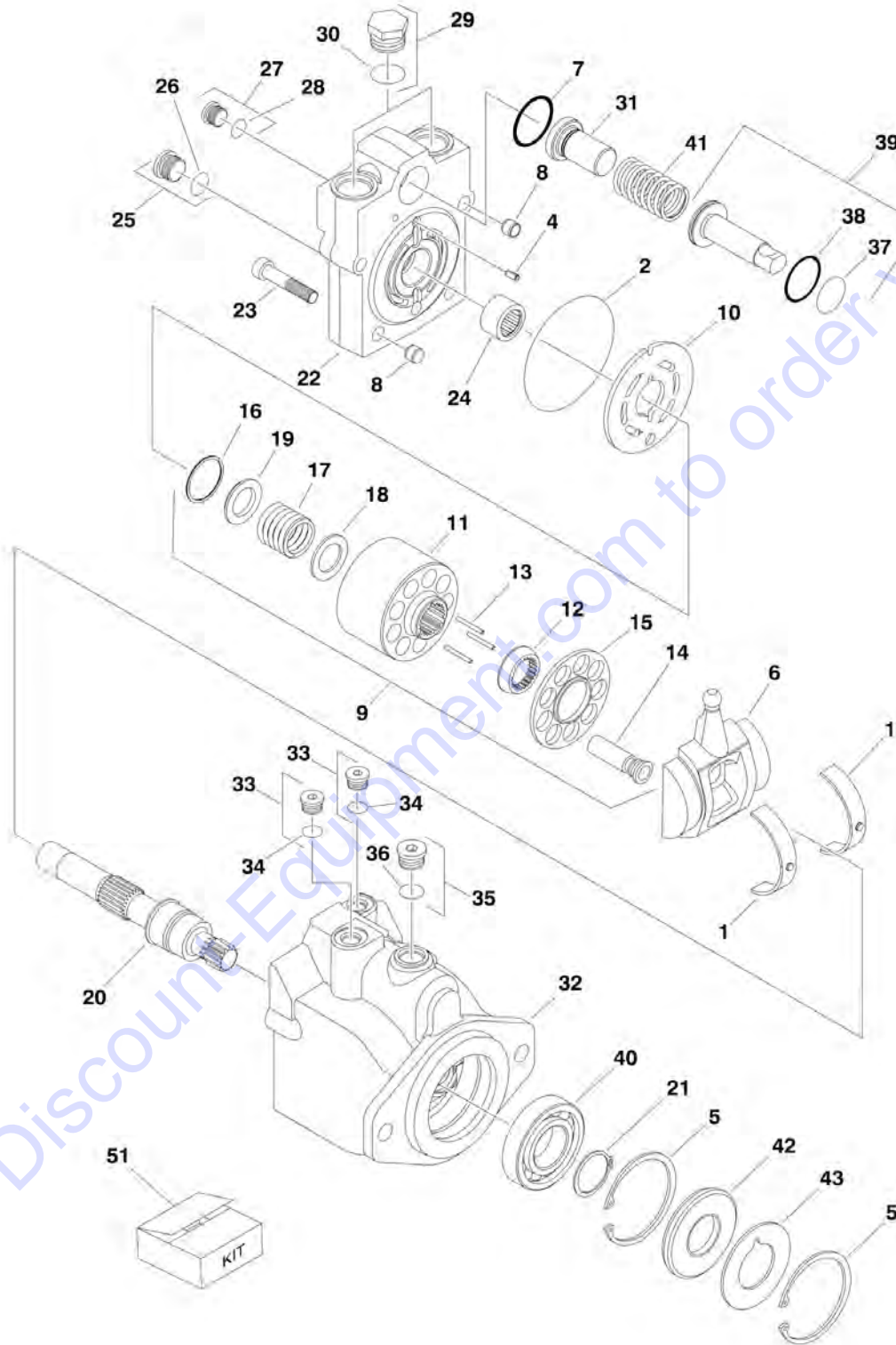
**FIGURE 1-12. DRIVE MOTOR ASSEMBLY (4WD MACHINES) (SN 0300069000 through 0300081835)**

| ITEM | PART NUMBER | QTY | DESCRIPTION  | REV |
|------|-------------|-----|--|-----|
|      | 3160204     | Ref | <b>DRIVE MOTOR ASSEMBLY - REXROTH (4WD)</b>                      | A   |
| 1    | 7012701     | 1   | Shaft - 13 Teeth   |     |
| 2    | See Note    | NSS | Seal, Shaft (Note: Use Item 26)                                  |     |
| 3    | 7012702     | 2   | Bearing, Cradle  |     |
| 4    | 3160204     | 1   | Housing (Note: Not Available for Purchase)                       |     |
| 5    | 7012703     | 1   | Rod, Piston  |     |
| 6    | 7012704     | 1   | Piston, Stroking   |     |
| 7    | See Note    | NSS | O-Ring (Note: Use Item 26)                                       |     |
| 8    | 7012705     | 1   | Nut, Adaptor   |     |
| 9    | 7012706     | 1   | Bearing, Roller  |     |
| 10   | 7012707     | 4   | Bolt, Socket Head M12 x 65                                       |     |
| 11   | 7012708     | 1   | Block, Port  |     |
| 12   | 7012709     | 1   | Shim   |     |
| 13   | 7012710     | 1   | Pin, Dowel M6 x 18   |     |
| 14   | See Note    | NSS | O-Ring (Note: Use Item 26)                                       |     |
| 15   | 7012711     | 1   | Nut, Cap M10 x 1   |     |
| 16   | 7012712     | 1   | Screw, Adjusting   |     |
| 17   | See Note    | NSS | O-Ring (Note: Use Item 26)                                       |     |
| 18   | 7012713     | 1   | Nut, Jam M10 x 1   |     |
| 19   | 7012716     | 1   | Rotary Group Assembly  |     |
| 20   | See Note    | 1   | Plug (Note: Not Available for Purchase)                          |     |
| 21   | 7024036     | 1   | Plate, Swash   |     |
| 22   | 7012714     | 1   | Bearing, Roller  |     |
| 23   | 7012715     | 1   | V-Ring   |     |
| 24   | 7012700     | 1   | Control Plate Assembly <b>(SN 0300069000 through 0300029852)</b> |     |
| 26   | 2900788     | 1   | Seal Kit (Includes Items 2, 7, 14, 17 and O-Rings under Item 24) |     |



# SECTION 1 - FRAME

FIGURE 1-13. DRIVE MOTOR ASSEMBLY (2WD & 4WD MACHINES) (ORIGINAL EQUIPMENT) (SN 0300081836 through 0300087000)



## SECTION 1 - FRAME

**FIGURE 1-13. DRIVE MOTOR ASSEMBLY (2WD & 4WD MACHINES) (ORIGINAL EQUIPMENT) (SN 0300081836 through 0300087000)**

| ITEM | PART NUMBER | QTY | DESCRIPTION   | REV |
|------|-------------|-----|---|-----|
|      |             | Ref | <b>DRIVE MOTOR ASSEMBLY (ORIGINAL EQUIPMENT)</b>  |     |
|      | 3160299     | Ref | <b>Drive Motor Assembly (Original Equipment) 2WD</b>  | C   |
|      | 3160300     | Ref | <b>Drive Motor Assembly (Original Equipment) 4WD</b>  | C   |
|      |             | Ref | <b>Note: Original Equipment Motor p/n 3160299 &amp; p/n 3160300 uses 4 bolts to assemble the motor. Service Replacement Motor p/n 3160349 &amp; p/n 3160350 motors use 5 bolts to assemble the motor.</b> |     |
|      |             | Ref | <b>Visually identify component before ordering parts. If equipped with 3160349 or 3160350 refer to next illustration.</b>   |     |
| 1    | 7022302     | 2   | Bearing, Journal  |     |
| 2    | See Note    | NSS | O-Ring (Note: Use Item 51)  |     |
| 3    | See Note    | NSS | O-Ring (Note: Use Item 51)  |     |
| 4    | 7007446     | 1   | Pin   |     |
| 5    | 7007438     | 2   | Ring, Retaining   |     |
| 6    | 7024861     | 1   | Swash Plate   |     |
| 7    | See Note    | NSS | O-Ring (Note: Use Item 51)  |     |
| 8    | 7007435     | 2   | Pin   |     |
| 9    | 7022320     | 1   | Cylinder Block Kit (Includes Items 11-19)   |     |
| 10   | 7024862     | 1   | Plate, Valve  |     |
| 11   | 7024863     | 1   | Block, Cylinder   |     |
| 12   | 7024864     | 1   | Guide, Slipper Retainer   |     |
| 13   | 7021275     | 3   | Pin, Slipper Hold Down  |     |
| 14   | 7024865     | 9   | Piston Assembly   |     |
| 15   | 7024866     | 1   | Retainer, Slipper   |     |
| 16   | 7022311     | 1   | Ring, Retaining   |     |
| 17   | 7024867     | 1   | Spring  |     |
| 18   | 7024868     | 1   | Washer  |     |
| 19   | 7022314     | 1   | Retainer, Spring  |     |
| 20   | 7023910     | 1   | Shaft   |     |
| 21   | 7007439     | 1   | Ring, Retaining   |     |
| 22   | 7024869     | 1   | Cap, End - Axial  |     |
| 23   | 7022368     | 4   | Screw   |     |
| 24   | 7021249     | 1   | Bearing, Needle   |     |
| 25   | 7022321     | 1   | Plug (Includes Item 26)   |     |
| 26   | See Note    | NSS | O-Ring (Note: Use Item 25 or 51)  |     |
| 27   | 7022318     | 1   | Plug (Includes Item 28)   |     |
| 28   | See Note    | NSS | O-Ring (Note: Use Item 27 or 51)  |     |
| 29   | 7027419     | 2   | Plug (Includes Item 30)   |     |
| 30   | See Note    | NSS | O-Ring (Note: Use Item 29 or 51)  |     |
| 31   |             | Ref | Seat, Spring Options:   |     |
| 31   | 7024853     | 1   | Seat, Spring 2WD/2WS  |     |
| 31   | 7022372     | 1   | Seat, Spring 2WD/4WS, 4WD/2WS & 4WD/4WS   |     |
| 32   | 7022370     | 1   | Housing   |     |
| 33   | 7022318     | 2   | Plug (Items Item 34)  |     |
| 34   | See Note    | NSS | O-Ring (Note: Use Item 33 or 51)  |     |
| 35   | 7022321     | 1   | Plug (Items Item 36)  |     |
| 36   | See Note    | NSS | O-Ring (Note: Use Item 35 or 51)  |     |
| 37   | See Note    | NSS | O-Ring (Note: Use Item 51)  |     |
| 38   | See Note    | NSS | Ring, Seal (Note: Use Item 51)  |     |
| 39   | 7024871     | 1   | Piston, Servo   |     |

## SECTION 1 - FRAME

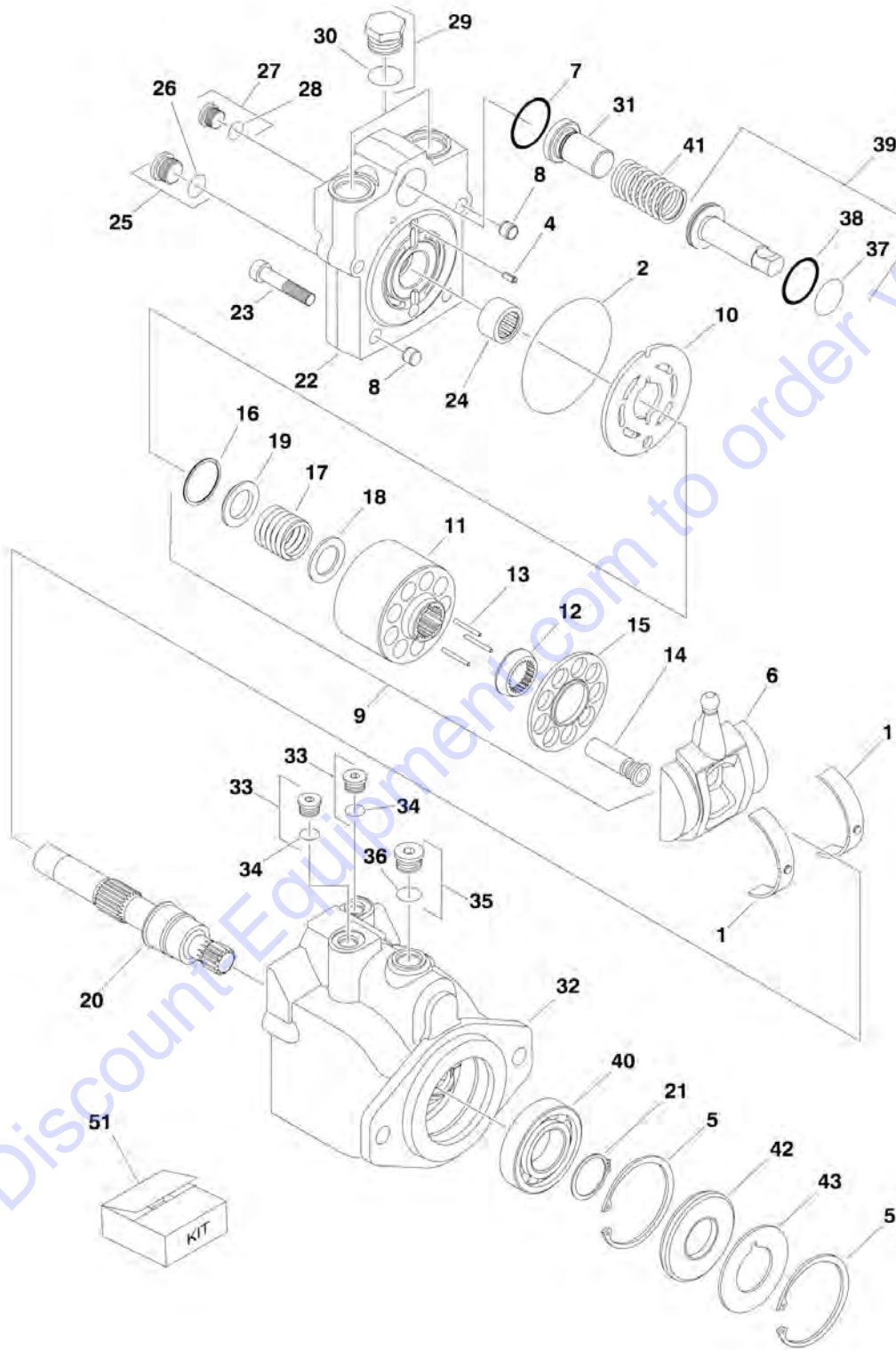
| ITEM | PART NUMBER | QTY | DESCRIPTION  | REV |
|------|-------------|-----|--|-----|
| 40   | 7007437     | 1   | Bearing  |     |
| 41   | 7022326     | 1   | Spring   |     |
| 42   | See Note    | NSS | Seal, Lip (Note: Use Item 51)                                      |     |
| 43   | 7022371     | 1   | Washer, Support  |     |
| 51   | 7022328     | 1   | Seal Kit (Includes Items 2, 3, 7, 26, 28, 30, 34, 36, 37, 38 & 42) |     |

Go to Discount-Equipment.com to order your parts



# SECTION 1 - FRAME

FIGURE 1-14. DRIVE MOTOR ASSEMBLY (2WD & 4WD MACHINES) (SERVICE REPLACEMENT)



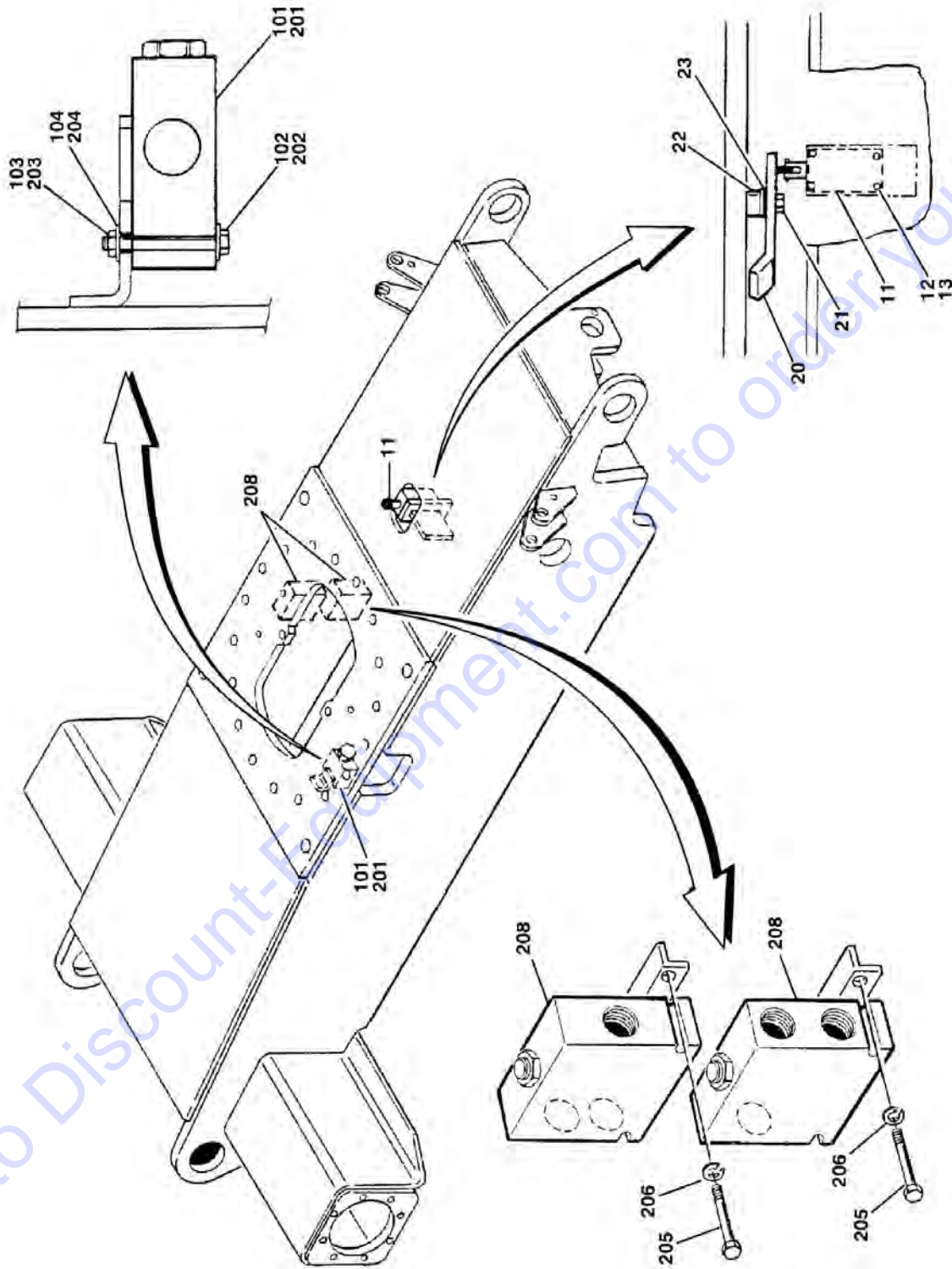
## SECTION 1 - FRAME

**FIGURE 1-14. DRIVE MOTOR ASSEMBLY (2WD & 4WD MACHINES) (SERVICE REPLACEMENT)**

| ITEM | PART NUMBER | QTY | DESCRIPTION  | REV |
|------|-------------|-----|--|-----|
|      |             | Ref | <b>DRIVE MOTOR ASSEMBLY (SERVICE REPLACEMENT)</b>            |     |
|      | 3160349     | Ref | <b>2WD (Service Replacement Motor for p/n 3160299)</b>       | B   |
|      | 3160350     | Ref | <b>4WD (Service Replacement Motor for p/n 3160300)</b>       | B   |
| 1    | 7022302     | 2   | Bearing, Journal   |     |
| 2    | 7007446     | 1   | Pin  |     |
| 3    | 7007438     | 2   | Ring, Retaining  |     |
| 4    | 70000794    | 1   | Swash Plate  |     |
| 5    | See Note    | 2   | Pin (Note: Not Available for Purchase)                       |     |
| 6    | See Note    | NSS | Gasket (Note: Use Item 51)                                   |     |
| 7    | 7027740     | 1   | Cylinder Block Kit (Includes Items 9-17)                     |     |
| 8    | 7024862     | 1   | Plate, Valve   |     |
| 9    | 7027740     | 1   | Block, Cylinder  |     |
| 10   | 7027740     | 1   | Guide, Slipper Retainer                                      |     |
| 11   | 7021275     | 3   | Pin, Slipper Hold Down                                       |     |
| 12   | 7024865     | 9   | Piston Assembly  |     |
| 13   | 7027740     | 1   | Retainer, Slipper  |     |
| 14   | 7022311     | 1   | Ring, Retaining  |     |
| 15   | 7024867     | 1   | Spring   |     |
| 16   | 7022313     | 1   | Washer   |     |
| 17   | 7022314     | 1   | Retainer, Spring   |     |
| 18   | 7023910     | 1   | Shaft  |     |
| 19   | 7007439     | 1   | Ring, Retaining  |     |
| 20   | 70000795    | 1   | Cap, End - Axial   |     |
| 21   | 7022368     | 5   | Screw  |     |
| 22   | 7021249     | 1   | Bearing, Needle  |     |
| 23   | 2220886     | 1   | Plug (Includes Item 24)                                      |     |
| 24   | See Note    | NSS | O-Ring (Note: Use Item 23 or 51)                             |     |
| 25   | 2220883     | 1   | Plug (Includes Item 26)                                      |     |
| 26   | See Note    | NSS | O-Ring (Note: Use Item 25 or 51)                             |     |
| 27   | 7027419     | 2   | Plug (Includes Item 28)                                      |     |
| 28   | See Note    | NSS | O-Ring (Note: Use Item 27 or 51)                             |     |
| 29   |             | Ref | Seat, Spring Options:  |     |
| 29   | 7024853     | 1   | Seat, Spring 2WD/2WS   |     |
| 29   | 7022372     | 1   | Seat, Spring 2WD/4WS, 4WD/2WS & 4WD/4WS                      |     |
| 30   | See Note    | 1   | Housing (Note: Not Available - Purchase Complete Assy)       |     |
| 31   | 2220883     | 2   | Plug (Includes Item 32)                                      |     |
| 32   | See Note    | NSS | O-Ring (Note: Use Item 31 or 51)                             |     |
| 33   | 2220886     | 1   | Plug (Includes Item 34)                                      |     |
| 34   | See Note    | NSS | O-Ring (Note: Use Item 33 or 51)                             |     |
| 35   | See Note    | NSS | O-Ring (Note: Use Item 51)                                   |     |
| 36   | See Note    | NSS | Ring, Seal (Note: Use Item 51)                               |     |
| 37   | 7024871     | 1   | Piston, Servo  |     |
| 38   | 7007437     | 1   | Bearing  |     |
| 39   | 7022326     | 1   | Spring   |     |
| 40   | See Note    | NSS | Seal, Lip (Note: Use Item 51)                                |     |
| 41   | 7022371     | 1   | Washer, Support  |     |
| 51   | 7022328     | 1   | Seal Kit (Includes Items 6, 24, 26, 28, 32, 34, 35, 36 & 40) |     |

# SECTION 1 - FRAME

FIGURE 1-15. DRIVE VALVES AND SHIELDS INSTALLATION (FRAME MOUNTED) (SN 0300069000 through 0300081835)



## SECTION 1 - FRAME

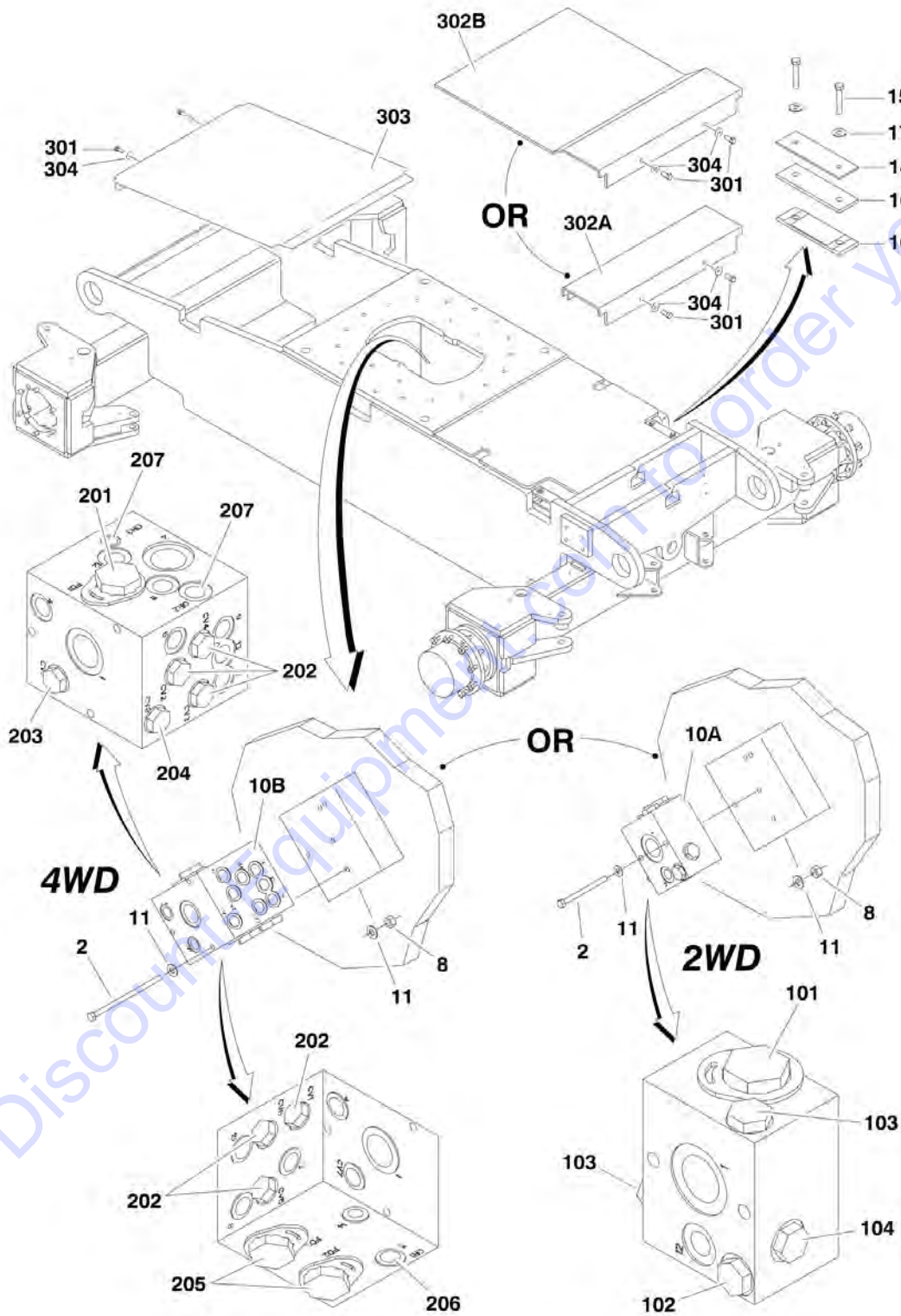
**FIGURE 1-15. DRIVE VALVES AND SHIELDS INSTALLATION (FRAME MOUNTED) (SN 0300069000 through 0300081835)**

| ITEM | PART NUMBER | QTY            | DESCRIPTION   | REV |
|------|-------------|----------------|---|-----|
|      |             | Ref            | <b>OSCILLATING AXLE LOCKOUT VALVE INSTALLATIONS</b> |     |
|      | 0256398     | Ref            | <b>2WD with 8ft/2.4m Wide Frame</b>                 | 3   |
|      | 0256397     | Ref            | <b>2WD with 7ft/2.1m Wide Frame</b>                 | 4   |
|      | 0256392     | Ref            | <b>4WD</b>  | 3   |
| 11   | 4640871     | 1              | Valve, Cam  |     |
| 11   | 7012693     | 1              | Seal Kit - 4640871 Valve                            |     |
| 11   | 7002840     | 1              | Tool, Pin Removal                                   |     |
| 12   | 0641414     | 4              | Bolt 1/4in-20NC x 1-7/8in                           |     |
| 13   | 4711400     | 8              | Flatwasher 1/4in Thin                               |     |
| 20   | 1100098     | 1              | Cam, Lockout  |     |
| 21   | 0641816     | 3              | Bolt 1/2in-13NC x 2in                               |     |
| 22   | 4751800     | 9              | Flatwasher 1/2in Regular                            |     |
| 23   | 4566832     | 3              | Tube, Spacer  |     |
|      | 0270123     | Ref            | <b>FRAME VALVE INSTALLATIONS (2WD)</b>              | 3-B |
| 101  | 4640923     | 1              | Valve, Flow Divider                                 |     |
| 101  | 7012442     | 1              | Cartridge   |     |
| 101  | 7012980     | 1              | Seal Kit - 7012442 Cartridge                        |     |
| 101  | 7012993     | 1              | Orifice   |     |
| 102  | 0641522     | 2              | Bolt 5/16in-18NC x 2-3/4in                          |     |
| 103  | 3311505     | 2              | Locknut 5/16in-18NC                                 |     |
| 104  | 4751500     | 4              | Flatwasher 5/16in Regular                           |     |
| 105  | 4060808     | 3.5<br>ft/1.1m | Shield, Flex Trim (Not Shown)                       |     |
|      | 0270124     | Ref            | <b>FRAME VALVE INSTALLATIONS (4WD)</b>              | 3-E |
| 201  | 4640923     | 1              | Valve, Flow Divider                                 |     |
| 201  | 7012992     | 1              | Cartridge   |     |
| 201  | 7012980     | 1              | Seal Kit - 7012992 Cartridge                        |     |
| 201  | 7012993     | 1              | Orifice   |     |
| 202  | 0641522     | 2              | Bolt 5/16in-18NC x 2-3/4in                          |     |
| 203  | 3311505     | 2              | Locknut 5/16in-18NC                                 |     |
| 204  | 4751500     | 4              | Flatwasher 5/16in Regular                           |     |
| 205  | 0641520     | 4              | Bolt 5/16in-18NC x 2-1/2in                          |     |
| 206  | 4751500     | 4              | Flatwasher 5/16in Regular                           |     |
| 208  | 4640937     | 2              | Valve, Flow Divider                                 |     |
| 208  | 7012978     | 1              | Cartridge   |     |
| 208  | 7012980     | 1              | Seal Kit - 7012978 Cartridge                        |     |
| 208  | 7012994     | 1              | Orifice   |     |
| 209  | 4060808     | 3/5ft/1.1m     | Shield, Flex Trim (Not Shown)                       |     |



# SECTION 1 - FRAME

FIGURE 1-16. DRIVE VALVES AND SHIELDS INSTALLATION (FRAME MOUNTED) (SN 0300081836 through 0300087000)



## SECTION 1 - FRAME

**FIGURE 1-16. DRIVE VALVES AND SHIELDS INSTALLATION (FRAME MOUNTED) (SN 0300081836 through 0300087000)**

| ITEM | PART NUMBER  | QTY | DESCRIPTION   | REV |
|------|--------------|-----|---|-----|
|      |              | Ref | <b>DRIVE VALVES INSTALLATION OPTIONS:</b>   |     |
|      | 0273049      | Ref | <b>Drive Valves Installation 2WD/2WS</b>  | D   |
|      | 0274441      | Ref | <b>Drive Valves Installation 2WD/4WS</b>  | B   |
|      | 0273048      | Ref | <b>Drive Valves Installation 4WD/2WS</b>  | F   |
|      | 0273366      | Ref | <b>Drive Valves Installation 4WD/4WS</b>  | E   |
| 2    |              | Ref | Bolt 5/16in-18NC Options:   |     |
| 2    | 0641532      | 2   | 4in Length (2WD)  |     |
| 2    | 0641552      | 3   | 6-1/2in Length (4WD)  |     |
| 8    | 3311505      | AR  | Locknut 5/16in-18NC   |     |
| 10   |              | Ref | Flow Divider Valve Assembly Options:  |     |
| 10A  |              | Ref | Flow Divider Valve Assembly 2WD Options (See Items 101-104 for Breakdown):  |     |
| 10A  | 4641287      | NLA | Flow Divider Valve Assembly (Use p/n 1001100120) (Original Equipment)   |     |
| 10A  | 4641409      | NLA | Flow Divider Valve Assembly (Use p/n 1001100120) (Original Equipment)   |     |
| 10A  | 4641409      | NLA | Flow Divider Valve Assembly (Use p/n 1001100120) (Original Equipment)   |     |
| 10A  | 1001100120   | 1   | Service Replacement   |     |
|      |              | Ref | <b>Note: Original Equipment Valve may have been replaced with Service Replacement Valve. Identify p/n stamped on valve before ordering parts.</b> |     |
| 10B  |              | Ref | Flow Divider Valve Assembly 4WD Options (See Items 201-205 for Breakdown):  |     |
| 10B  | 4641280      | NLA | Flow Divider Valve Assembly (Use p/n 1001198503) (Original Equipment)   |     |
| 10B  | 4641410      | NLA | Flow Divider Valve Assembly (Use p/n 1001198503) (Original Equipment)   |     |
| 10B  | 4641410      | NLA | Flow Divider Valve Assembly (Use p/n 1001198503) (Original Equipment)   |     |
| 10B  | 1001098503   | 1   | Service Replacement   |     |
|      |              | Ref | <b>Note: Original Equipment Valve may have been replaced with Service Replacement Valve. Identify p/n stamped on valve before ordering parts.</b> |     |
| 11   | 4711500      | AR  | Flatwasher 5/16in Thin  |     |
| 14   |              | Ref | Bar, Clamping   |     |
| 14   | Not Required | 0   | Bar, Clamping 2WD/2WS   |     |
| 14   | 0363012      | 2   | Bar, Clamping 2WD/2WS, 4WD/2WS & 4WD/4WS  |     |
| 15   | 0641618      | 4   | Bolt 3/8in-16NC x 2-1/4in   |     |
| 16   | 3340911      | 4   | Rubber, Clamp   |     |
| 17   | 4751600      | 4   | Flatwasher 3/8in Regular  |     |
|      |              | Ref | <b>FLOW DIVIDER ASSEMBLY (2WD)</b>  |     |
|      | 4641287      | Ref | <b>Flow Divider Assembly (2WD) (Original Equipment) (SN 0300081836 through 0300086893)</b>  | C   |
|      | 4641409      | Ref | <b>Flow Divider Assembly (2WD) (Original Equipment) (SN 0300086894 through 0300087000)</b>  | B   |
|      | 1001100120   | Ref | <b>Service Replacement</b>  | A   |
| 101  | 7023933      | 1   | Valve, Cartridge (Flow Divider)   |     |
| 101  | 7021625      | 1   | Seal Kit - Flow Divider Cartridge   |     |
| 101  | 70000781     | 1   | Locking Kit   |     |
| 102  |              | Ref | Valve, Cartridge (Check) Options:   |     |
| 102  | 7024850      | 1   | Valve, Cartridge (Check) (Used with p/n 4641287) (SN  |     |

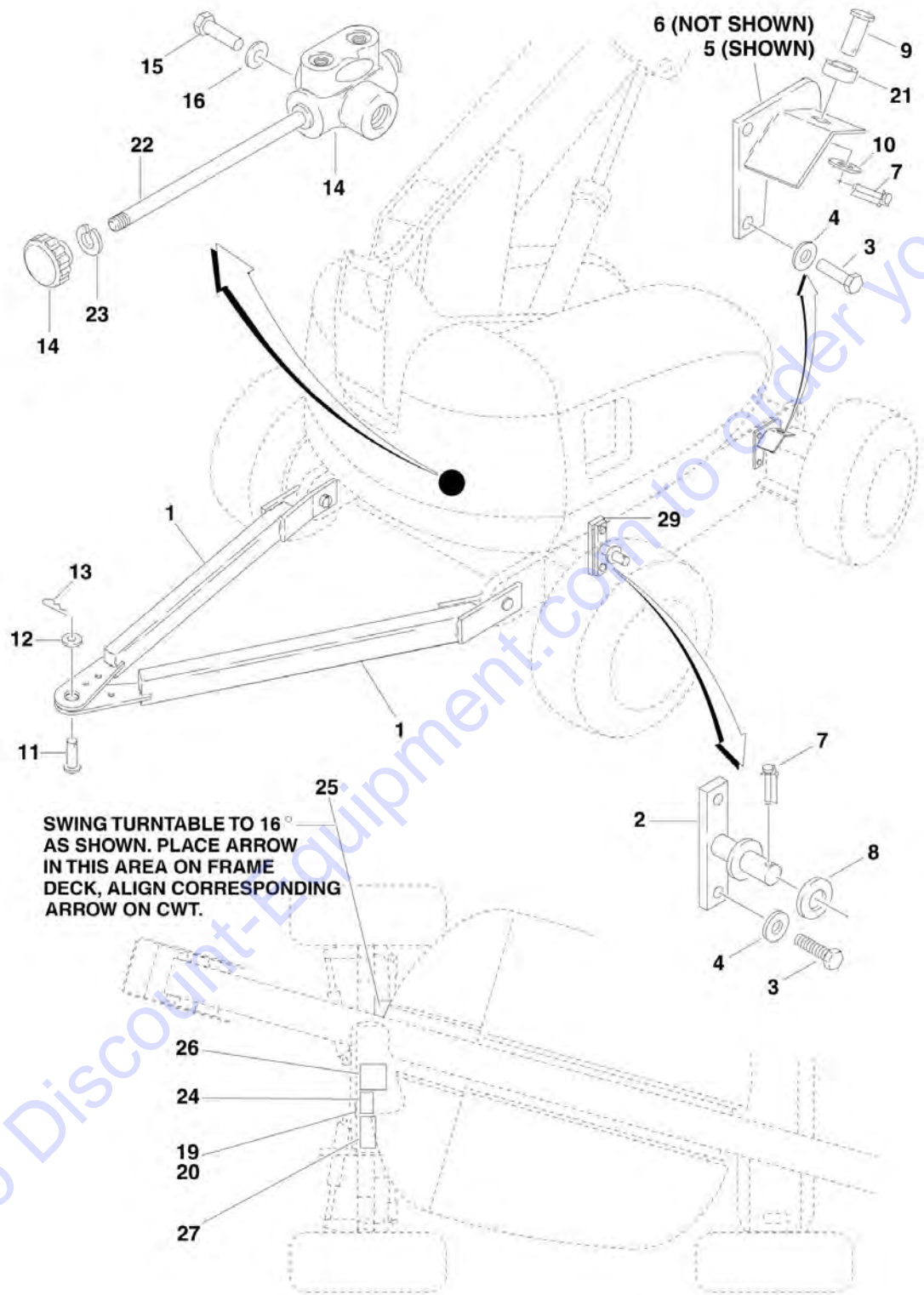
## SECTION 1 - FRAME

| ITEM | PART NUMBER  | QTY | DESCRIPTION  | REV |
|------|--------------|-----|--|-----|
| 102  | 7024892      | 1   | <b>0300081836 through 0300086893</b><br>Valve, Cartridge (Check) (Used with p/n 4641409 & p/n 1001100120) (SN 0300086894 through 0300087000) |     |
| 102  | 7023936      | 1   | Seal Kit - Check Cartridge   |     |
| 103  | 7022397      | 2   | Valve, Cartridge (Check)   |     |
| 103  | 7022399      | 2   | Seal Kit - Check Cartridge   |     |
| 104  | 7023935      | 1   | Valve, Cartridge (Check)   |     |
| 104  | 7023936      | 1   | Seal Kit - Check Cartridge   |     |
|      |              | Ref | <b>FLOW DIVIDER ASSEMBLY (4WD)</b>   |     |
|      | 4641280      | Ref | <b>Flow Divider Assembly (4WD) (Original Equipment) (SN 0300081836 through 0300086893)</b>   | C   |
|      | 4641410      | Ref | <b>Flow Divider Assembly (4WD) (Original Equipment) (SN 0300086894 through 0300087000)</b>   | B   |
|      | 1001098503   | Ref | <b>Service Replacement</b>   | A   |
| 201  | 7023933      | 1   | Valve, Cartridge (Flow Divider)  |     |
| 201  | 7021625      | 1   | Seal Kit - Flow Divider Cartridge  |     |
| 202  |              | Ref | Valve, Cartridge (Check) Options:  |     |
| 202  | 7022397      | 6   | Valve, Cartridge (p/n 4641280 & p/n 4641410)   |     |
| 202  | 7022399      | 6   | Seal Kit - Check Cartridge   |     |
| 202  | 70003408     | 6   | Valve, Cartridge (p/n 1001098503)  |     |
| 202  | 7022399      | 6   | Seal Kit - Check Cartridge   |     |
| 203  | 7023935      | 1   | Valve, Cartridge (Check)   |     |
| 203  | 7023936      | 1   | Seal Kit - Check Cartridge   |     |
| 204  |              | Ref | Valve, Cartridge (Check) Options:  |     |
| 204  | 7024850      | 1   | Valve, Cartridge (Check) (Used with p/n 4641280) (SN 0300081836 through 0300086893)  |     |
| 204  | 7024892      | 1   | Valve, Cartridge (Check) (Used with p/n 4641410 & p/n 1001098503) (SN 0300086894 through 0300087000)   |     |
| 204  | 7023936      | 1   | Seal Kit - Check Cartridge   |     |
| 205  | 7023917      | 2   | Valve, Cartridge (Flow Divider)  |     |
| 205  | 7021625      | 2   | Seal Kit - Flow Divider Cartridge  |     |
| 206  | 70002063     | 1   | Plug, Orifice  |     |
| 207  | 70002064     | 2   | Plug, Orifice  |     |
|      |              | Ref | <b>FRAME SHIELDS INSTALLATION</b>  |     |
|      | 0274349      | Ref | <b>Frame Shields Installation 2WD/2WS</b>  | C   |
|      | 0274229      | Ref | <b>Frame Shields Installation 2WD/4WS (n600A/AJ Only)</b>  | A   |
|      | 0274349      | Ref | <b>Frame Shields Installation 4WD/2WS</b>  | E   |
|      | 0274348      | Ref | <b>Frame Shields Installation 4WD/4WS</b>  | D   |
| 301  | 0641608      | AR  | Bolt, 3/8in-16NC x 7/8in   |     |
| 302  |              | Ref | Shield, Frame - Front Options:   |     |
| 302A | 3380557      | 1   | Machines with 8ft/2.4m Wide Frames   |     |
| 302B | 3380560      | 1   | Machines with 7ft/2.1m Wide Frames   |     |
| 303  |              | Ref | Shield, Frame - Rear Options:  |     |
| 303  | Not Required | 0   | 2WS Machines with 8ft/2.4m Wide Frames   |     |
| 303  | 3380573      | 1   | 4WS Machines with 8ft/2.4m Wide Frames   |     |
| 303  | 3380558      | 1   | Machines with 7ft/2.1m Wide Frames   |     |
| 304  | 4751600      | AR  | Flatwasher, 3/8in Regular  |     |



# SECTION 1 - FRAME

FIGURE 1-17. TOW PACKAGE INSTALLATION (OPTIONAL) (SN 0300069000 through 0300081835)



SWING TURNTABLE TO 16° AS SHOWN. PLACE ARROW IN THIS AREA ON FRAME DECK, ALIGN CORRESPONDING ARROW ON CWT.

## SECTION 1 - FRAME

**FIGURE 1-17. TOW PACKAGE INSTALLATION (OPTIONAL) (SN 0300069000 through 0300081835)**

| ITEM | PART NUMBER  | QTY | DESCRIPTION                                | REV |
|------|--------------|-----|--|-----|
|      |              | Ref | <b>TOW INSTALLATION OPTIONS:</b>           |     |
|      | 0257436      | Ref | <b>7ft/2.1m Width Machines - ANSI Spec</b> | 3   |
|      | 0259427      | Ref | <b>7ft/2.1m Width Machines - CSA Spec</b>  | 1   |
|      | 0257101      | Ref | <b>8ft/2.4m Width Machines - ANSI Spec</b> | 2   |
|      | 0259426      | Ref | <b>8ft/2.4m Width Machines - CSA Spec</b>  | 1   |
| 1    | 4845281      | 1   | Tow Bar Weldment                           |     |
| 2    |              | Ref | Bracket, Tow Bar Options:                  |     |
| 2    | Not Required | 0   | 7ft/2.1m Width Machines                    |     |
| 2    | 4845283      | 2   | 8ft/2.4m width machines                    |     |
| 3    |              | Ref | Bolt 3/8in-16NC x 1in Options:             |     |
| 3    | Not Required | 0   | 7ft/2.1m Width Machines                    |     |
| 3    | 0641608      | 8   | 8ft/2.4m width machines                    |     |
| 4    |              | Ref | Flatwasher 3/8in Thin Options:             |     |
| 4    | Not Required | 0   | 7ft/2.1m Width Machines                    |     |
| 4    | 4711600      | 8   | 8ft/2.4m width machines                    |     |
| 5    |              | Ref | Bracket, Tow Bar Options:                  |     |
| 5    | Not Required | 0   | 7ft/2.1m Width Machines                    |     |
| 5    | 4845450      | 1   | 8ft/2.4m width machines                    |     |
| 6    |              | Ref | Bracket, Tow Bar Options:                  |     |
| 6    | Not Required | 0   | 7ft/2.1m Width Machines                    |     |
| 6    | 4845451      | 1   | 8ft/2.4m width machines                    |     |
| 7    | 3421453      | 4   | Pin, Snap                                  |     |
| 8    | 4712600      | AR  | Flatwasher 1in Thin                        |     |
| 9    | 3422553      | 2   | Pin, Tow Bar                               |     |
| 10   | 4713400      | 2   | Flatwasher 1-1/2in Thin                    |     |
| 11   | 3422553      | 1   | Pin, Tow Bar                               |     |
| 12   | 4713000      | 2   | Flatwasher 1-1/4in Thin                    |     |
| 13   | 3420592      | 1   | Hairpin                                    |     |
| 14   | 4640261      | 1   | Diversion Valve Assembly                   |     |
| 15   | 0641505      | 2   | Bolt 5/16in-18NC x 5/8in                   |     |
| 16   | 4711500      | 2   | Flatwasher 5/16in Thin                     |     |
| 19   |              | Ref | Nameplate Options:                         |     |
| 19   | 3250872      | 1   | ANSI Spec                                  |     |
| 19   | 1704272      | 1   | CSA Spec                                   |     |
| 20   |              | Ref | Rivet Options:                             |     |
| 20   | 3820001      | 4   | ANSI Spec                                  |     |
| 20   | Not Required | 0   | CSA Spec                                   |     |
| 21   | 4567172      | 2   | Tube, Spacer                               |     |
| 22   | 3841329      | 1   | Rod Extension                              |     |
| 23   | 4761600      | 1   | Lockwasher 3/8in                           |     |
| 24   |              | Ref | Decal - Instruction Options:               |     |
| 24   | 1703403      | 1   | ANSI Spec                                  |     |
| 24   | 1704275      | 1   | CSA Spec                                   |     |
| 25   | 1703404      | 2   | Decal - Match Arrow                        |     |
| 26   | 1703444      | 1   | Decal                                      |     |
| 27   |              | Ref | Decal Options:                             |     |
| 27   | 1703450      | 1   | ANSI Spec                                  |     |
| 27   | 1704274      | 1   | CSA Spec                                   |     |
| 28   | 3539662      | 1   | Plate, Valve Mounting (Not Shown)          |     |
| 29   |              | Ref | Bar, Tow Clamp Options:                    |     |

## SECTION 1 - FRAME

| ITEM | PART NUMBER  | QTY | DESCRIPTION             | REV |
|------|--------------|-----|-------------------------|-----|
| 29   | Not Required | 0   | 7ft/2.1m Width Machines |     |
| 29   | 0362519      | 4   | 8ft/2.4m width machines |     |

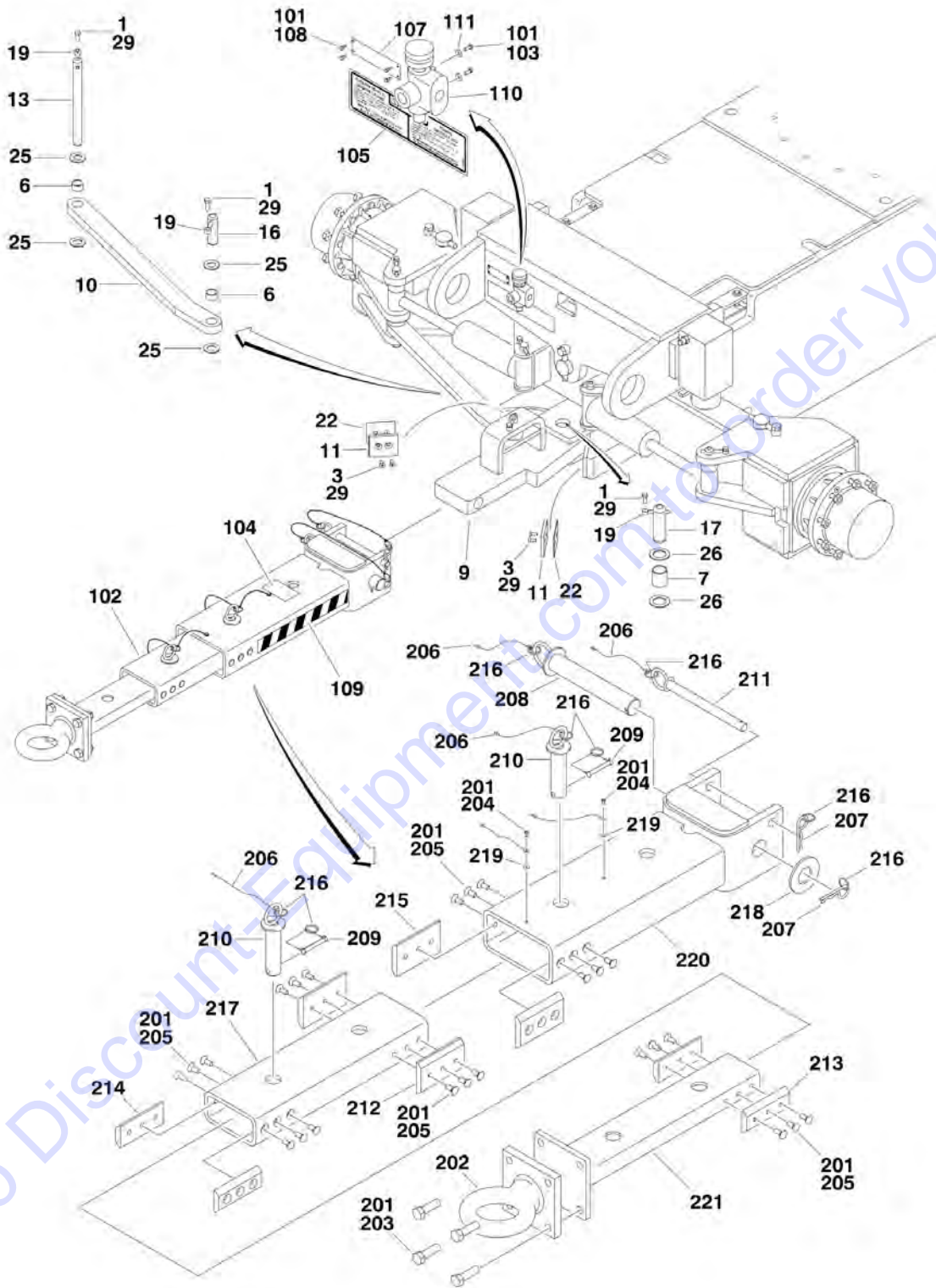
Go to [Discount-Equipment.com](http://Discount-Equipment.com) to order your parts





# SECTION 1 - FRAME

FIGURE 1-18. TOW PACKAGE INSTALLATION (OPTIONAL) (SN 0300081836 through 0300087000)



## SECTION 1 - FRAME

**FIGURE 1-18. TOW PACKAGE INSTALLATION (OPTIONAL) (SN 0300081836 through 0300087000)**

| ITEM | PART NUMBER | QTY | DESCRIPTION                                    | REV |
|------|-------------|-----|--|-----|
|      |             | Ref | <b>TOW INSTALLATIONS</b>                       |     |
|      | 0274257     | Ref | <b>7ft/2.1m Width Machines</b>                 | A   |
|      | 0274220     | Ref | <b>8ft/2.4m Width Machines</b>                 | B   |
| 1    | 0641608     | 3   | Bolt 3/8in-16NC x 1in                          |     |
| 3    | 0741607     | 8   | Bolt 3/8in-16NC x 1in Options                  |     |
| 6    | 0962292     | 2   | Bushing  |     |
| 7    | 0962348     | 1   | Bushing  |     |
| 9    | 2980125     | 1   | Pivot  |     |
| 10   |             | Ref | Link, Tow Options:                             |     |
| 10   | 2575716     | 1   | 7ft/2.1m Width Machines                        |     |
| 10   | 3010141     | 1   | 8ft/2.4m Width Machines                        |     |
| 11   | 3340966     | 2   | Pad, Stop                                      |     |
| 13   | 3422327     | 1   | Pin  |     |
| 16   | 3422813     | 1   | Pin  |     |
| 17   | 3422848     | 1   | Pin  |     |
| 19   | 3841143     | 3   | Keeper, Pin                                    |     |
| 22   | 4071059     | 2   | Shim   |     |
| 25   |             | Ref | Thrustwasher Options:                          |     |
| 25   | 4740184     | 1   | 7ft/2.1m Width Machines                        |     |
| 25   | 4740111     | 2   | 8ft/2.4m Width Machines                        |     |
| 26   | 4740155     | 2   | Thrustwasher                                   |     |
| 29   | 0100011     | AR  | Compound, Locking                              |     |
|      | 0274235     | Ref | <b>TOW BAR INSTALLATION</b>                    | B   |
| 101  | 0100011     | AR  | Compound, Locking                              |     |
| 102  | 0270528     | 1   | Bar Assembly (See Items 201-221 for Breakdown) |     |
| 103  | 0641516     | 2   | Bolt 5/16in-18NC x 2                           |     |
| 104  | 1704578     | 2   | Decal - Crushing                               |     |
| 105  | 1705090     | 1   | Decal - Towing Instructions                    |     |
| 107  | 3250872     | 1   | Nameplate, Steer/Tow Select Valve              |     |
| 108  | 3940604     | 4   | Screw, Self-Tapping #6-32NF x 1/2in            |     |
| 109  | 4420051     | AR  | Tape, Safety                                   |     |
| 110  | 4640261     | 1   | Valve, Float Position                          |     |
| 111  | 4751500     | 2   | Flatwasher 5/16in Regular                      |     |
|      | 0270528     | Ref | <b>TOW BAR ASSEMBLY</b>                        | A   |
| 201  | 0100011     | AR  | Compound, Locking                              |     |
| 202  | 0362910     | 1   | Pintle, Draw Eye                               |     |
| 203  | 0642010     | 4   | Bolt 5/8in-11NC x 1-1/4in                      |     |
| 204  | 0721004     | 2   | Screw, Hex Machine                             |     |
| 205  | 0741607     | 24  | Screw, Countersunk 3/8in-16NC x 7/8in          |     |
| 206  | 1060584     | 6   | Cable, Lanyard                                 |     |
| 207  | 3420372     | 2   | Pin, Cotter                                    |     |
| 208  | 3420447     | 1   | Pin, Towing                                    |     |
| 209  | 3421565     | 2   | Pin, Snap                                      |     |
| 210  | 3422841     | 2   | Pin  |     |
| 211  | 3422847     | 1   | Pin  |     |
| 212  | 3572009     | 2   | Plate, Slide Stop                              |     |
| 213  | 3572010     | 2   | Plate, Slide Stop                              |     |
| 214  | 3572011     | 2   | Plate, Slide Stop                              |     |
| 215  | 3572012     | 2   | Plate, Slide Stop                              |     |
| 216  | 3760170     | 8   | Ring, Split                                    |     |

## SECTION 1 - FRAME

| ITEM | PART NUMBER | QTY | DESCRIPTION             | REV |
|------|-------------|-----|-------------------------|-----|
| 217  | 4568133     | 1   | Tube, Tow Bar           |     |
| 218  | 4740036     | 1   | Flatwasher, Special     |     |
| 219  | 4751000     | 2   | Flatwasher #10 Regular  |     |
| 220  | 4846295     | 1   | Tow Bar Attach Weldment |     |
| 221  | 4846296     | 1   | Pintle Attach Weldment  |     |

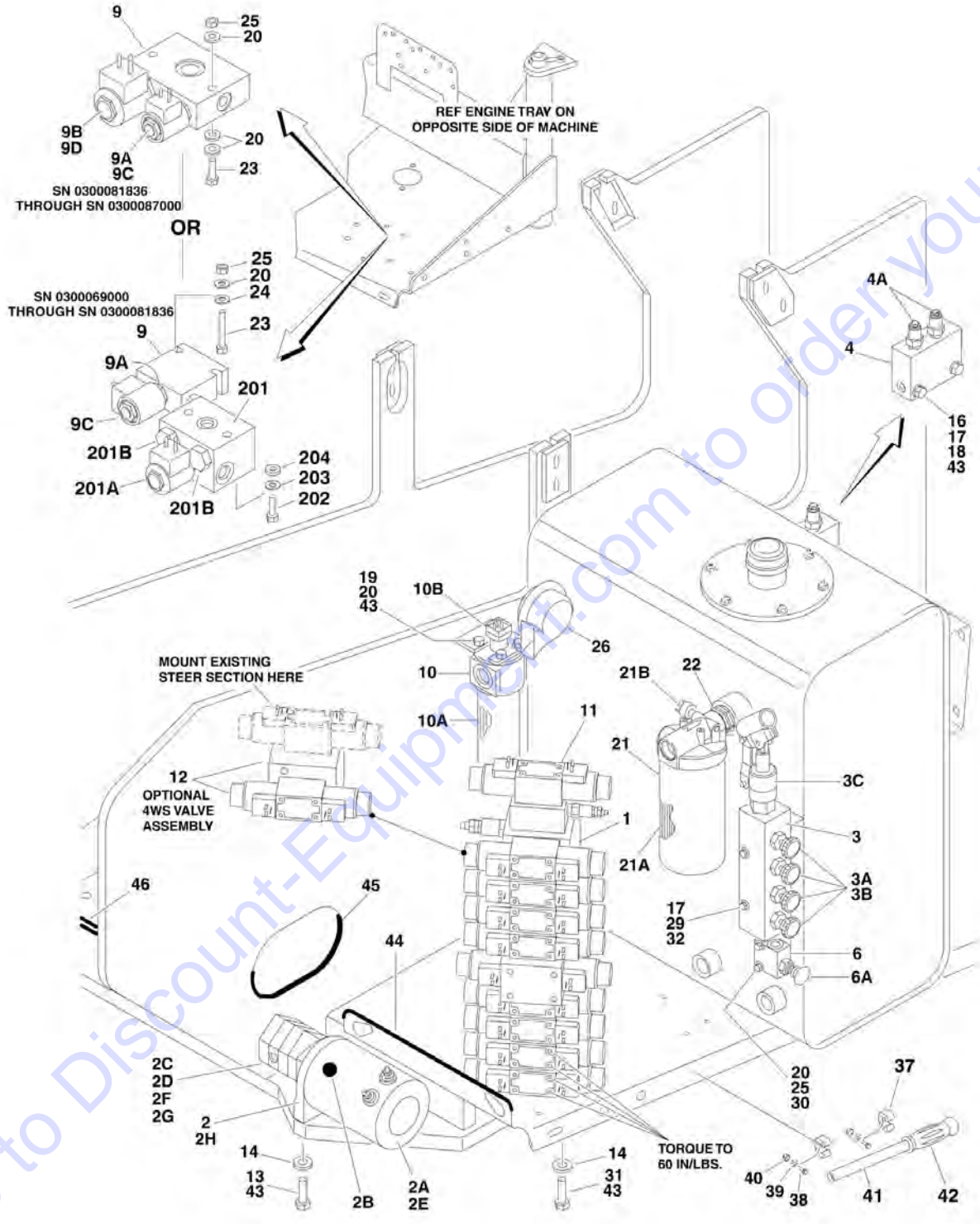
Go to Discount-Equipment.com to order your parts

**SECTION 2 - TURNTABLE**

Go to Discount-Equipment.com to order your parts

# SECTION 2 - TURNTABLE

## FIGURE 2-1. CONTROL VALVES INSTALLATIONS



## SECTION 2 - TURNTABLE

### FIGURE 2-1. CONTROL VALVES INSTALLATIONS

| ITEM | PART NUMBER | QTY | DESCRIPTION  | REV |
|------|-------------|-----|--|-----|
|      |             | Ref | <b>CONTROL VALVES INSTALLATIONS</b>  |     |
|      | 0255440     | Ref | <b>Control Valves Installations 600A 2WS (SN 0300069000 through 0300081835)</b>  | 13  |
|      | 0274276     | Ref | <b>Control Valves Installations 600A 2WS (SN 0300081836 through 0300084828)</b>  | 1   |
|      | 0274309     | Ref | <b>Control Valves Installations 600A 2WS (SN 0300084829 through 0300087000)</b>  | 1   |
|      | 0255442     | Ref | <b>Control Valves Installations 600A 4WS (SN 0300069000 through 0300081835)</b>  | 12  |
|      | 0274278     | Ref | <b>Control Valves Installations 600A 4WS (SN 0300081836 through 0300084828)</b>  | 1   |
|      | 0274311     | Ref | <b>Control Valves Installations 600A 4WS (SN 0300084829 through 0300087000)</b>  | 1   |
|      | 0255441     | Ref | <b>Control Valves Installations 600AJ 2WS (SN 0300069000 through 0300081835)</b> | 15  |
|      | 0274277     | Ref | <b>Control Valves Installations 600AJ 2WS (SN 0300081836 through 0300084828)</b> | 1   |
|      | 0274310     | Ref | <b>Control Valves Installations 600AJ 2WS (SN 0300084829 through 0300087000)</b> | 1   |
|      | 0255443     | Ref | <b>Control Valves Installations 600AJ 4WS (SN 0300069000 through 0300081835)</b> | 12  |
|      | 0274279     | Ref | <b>Control Valves Installations 600AJ 4WS (SN 0300081836 through 0300084828)</b> | 1   |
|      | 0274312     | Ref | <b>Control Valves Installations 600AJ 4WS (SN 0300084829 through 0300087000)</b> | 1   |
| 1    | 4641097     | 1   | Main Valve Block Assembly (See MAIN VALVE BLOCK ASSEMBLY for Breakdown)          |     |
| 2    |             | Ref | Auxiliary Pump Assembly Options:   |     |
| 2    | 3600243     | 1   | Auxiliary Pump Assembly ( <b>SN 0300069000 through 0300070783</b> )              | B   |
| 2    | 3600365     | 1   | Auxiliary Pump Assembly ( <b>SN 0300070784 through 0300087000</b> )              | B   |
| 2A   |             | Ref | Replacement Motor Options:   |     |
| 2A   | 7013755     | 1   | Replacement Motor for Pump p/n 3600243   |     |
| 2A   | 7013799     | 1   | Brush Kit - 7013755 Motor  |     |
| 2A   | 7004290     | 1   | Replacement Motor with Endhead Item 2H for Pump p/n 3600365 (was p/n 7011067)    |     |
| 2A   | 7004248     | 1   | Replacement Motor without Endhead Item 2H for Pump p/n 3600365                   |     |
| 2A   | 7011065     | 1   | Brush Kit - 7011067 Motor  |     |
| 2B   |             | Ref | Coupling Options:  |     |
| 2B   | 7013711     | 1   | Coupling for Pump p/n 3600243  |     |
| 2B   | 7011063     | 1   | Coupling for Pump p/n 3600365  |     |
| 2C   |             | Ref | Replacement Pump Options:  |     |
| 2C   | 7013796     | 1   | Replacement Pump for Pump p/n 3600243  |     |
| 2C   | See Note    | 1   | Seal Kit (Note: Not Available Purchase Individual Components)                    |     |
| 2C   | 7016700     | 1   | Seal, Oil  |     |
| 2C   | 7016701     | 1   | O-Ring   |     |
| 2C   | 7016702     | 1   | O-Ring   |     |
| 2C   | 7011064     | 1   | Replacement Pump for Pump p/n 3600365  |     |
| 2C   | 7011066     | 1   | Seal Kit   |     |
| 2C   | See Note    | 1   | Relief Valve (Note: Not Available - Replace Complete Pump)                       |     |

# PARTS FINDER

**Search Website  
by Part Number**



**Search Manual  
Library For Parts  
Manual & Lookup Part  
Numbers – Purchase  
or Request Quote**

**Can't Find Part or  
Manual? Request Help  
by Manufacturer,  
Model & Description**

Discount-Equipment.com is your online resource for quality parts & equipment.

Florida: **561-964-4949** Outside Florida TOLL FREE: **877-690-3101**

## Need parts?

Click on this link: <http://www.discount-equipment.com/category/5443-parts/> and choose one of the options to help get the right parts and equipment you are looking for. Please have the machine model and serial number available in order to help us get you the correct parts. If you don't find the part on the website or on one of the online manuals, please fill out the request form and one of our experienced staff members will get back to you with a quote for the right part that your machine needs.

We sell worldwide for the brands: Genie, Terex, JLG, MultiQuip, Mikasa, Essick, Whiteman, Mayco, Toro Stone, Diamond Products, Generac Magnum, Airman, Haulotte, Barreto, Power Blanket, Nifty Lift, Atlas Copco, Chicago Pneumatic, Allmand, Miller Curber, Skyjack, Lull, Skytrak, Tsurumi, Husquvarna Target, Stow, Wacker, Sakai, Mi-T-M, Sullair, Basic, Dynapac, MBW, Weber, Bartell, Bennar Newman, Haulotte, Ditch Runner, Menegotti, Morrison, Contec, Buddy, Crown, Edco, Wyco, Bomag, Laymor, EZ Trench, Bil-Jax, F.S. Curtis, Gehl Pavers, Heli, Honda, ICS/PowerGrit, IHI, Partner, Imer, Clipper, MMD, Koshin, Rice, CH&E, General Equipment, Amida, Coleman, NAC, Gradall, Square Shooter, Kent, Stanley, Tamco, Toku, Hatz, Kohler, Robin, Wisconsin, Northrock, Oztec, Toker TK, Rol-Air, APT, Wylie, Ingersoll Rand / Doosan, Innovatech, Con X, Ammann, Mecalac, Makinex, Smith Surface Prep, Small Line, Wanco, Yanmar

## SECTION 2 - TURNTABLE

| ITEM | PART NUMBER  | QTY | DESCRIPTION  | REV |
|------|--------------|-----|--|-----|
| 2D   |              | Ref | Bolt (Pump to Bracket) Options:  |     |
| 2D   | 7022203      | 4   | Bolt for Pump p/n 3600243  |     |
| 2D   | 7011043      | 4   | Bolt for Pump p/n 3600365  |     |
| 2E   |              | Ref | Bolt (Motor to Bracket) Options:   |     |
| 2E   | 7016744      | 2   | Bolt for Pump p/n 3600243  |     |
| 2E   | See Note     | 2   | Bolt for Pump p/n 3600365 (Note: Not Available for Purchase)                 |     |
| 2F   |              | Ref | Gasket Options:  |     |
| 2F   | 7016746      | 1   | Gasket for Pump p/n 3600243  |     |
| 2F   | 7011044      | 1   | Gasket for Pump p/n 3600365  |     |
| 2G   |              | Ref | Lockwasher Options:  |     |
| 2G   | Not Required | 0   | Lockwasher for Pump p/n 3600243  |     |
| 2G   | 7011048      | 4   | Lockwasher for Pump p/n 3600365  |     |
| 2H   |              | Ref | Endhead, Motor Options:  |     |
| 2H   | 7016747      | 4   | Endhead for Pump p/n 3600243   |     |
| 2H   | 7011062      | 4   | Endhead for Pump p/n 3600365   |     |
| 3    | 4640930      | 1   | Manual Descent Valve Assembly (SN 0300069000 through 0300070977)             |     |
| 3A   | 7012954      | 4   | Cartridge, Needle  |     |
| 3A   | 7012953      | 4   | Seal, Kit - 7012954 Cartridge  |     |
| 3B   | 7012961      | 4   | Knob   |     |
| 3C   | 7012694      | 1   | Cartridge, Pump  |     |
| 3C   | 7012699      | 1   | Seal Kit - 7012694 Cartridge   |     |
| 4    | 4640908      | 1   | Counterbalance Valve Assembly  |     |
| 4A   | 7011328      | 2   | Cartridge, Counterbalance  |     |
| 4A   | 2900770      | 2   | Seal Kit - 7011328 Cartridge   |     |
| 6    | 4640866      | 1   | Manual Pull Valve Assembly   |     |
| 6    | 2900708      | 1   | Seal Kit - 4640866 Valve   |     |
| 6A   | 7012959      | 1   | Knob   |     |
| 9    |              | Ref | Brake Valve Assembly Options:  |     |
| 9    | 4640907      | 1   | Brake Valve Assembly (SN 0300069000 through 0300081835)                      |     |
| 9    | 4641108      | NLA | Brake Valve Assembly (Use p/n 1001199391) (SN 0300081836 through 0300086999) |     |
| 9    |              | Ref | Brake Valve Assembly (SN 0300087000 through 03000137663)                     |     |
| 9A   | 7012941      | 1   | Cartridge without Coil Options:  |     |
| 9A   | 7012907      | 1   | Seal Kit - 7012941 Cartridge (Brake Valve p/n 4640907)                       |     |
| 9A   | 7010543      | 1   | Seal Kit - 7012941 Cartridge (Brake Valve p/n 4641108 & 1001099391)          |     |
| 9B   |              | Ref | Cartridge without Coil Options:  |     |
| 9B   | Not Required | 0   | Brake Valve p/n 4640907  |     |
| 9B   | 7012995      | 1   | Brake Valve p/n 4641108 & 1001099391   |     |
| 9B   | 7012518      | 1   | Seal Kit - 7012995 Cartridge (Brake Valve p/n 4641108)                       |     |
| 9C   | 7012944      | 1   | Coil   |     |
| 9D   |              | Ref | Coil Options:  |     |
| 9D   | Not Required | 0   | Brake Valve p/n 4640907  |     |
| 9D   | 7012943      | 1   | Brake Valve p/n 4641108 & 1001099391   |     |
| 10   |              | Ref | Hydraulic Pressure Filter Assembly Options:                                  |     |
| 10   | 2120146      | 1   | Hydraulic Pressure Filter Assembly (SN 0300069000 through 0300084828)        |     |
| 10   | 2120209      | 1   | Hydraulic Pressure Filter Assembly (SN 0300084829 through 0300087000)        |     |
| 10A  | 2120150      | 1   | Element, Filter - p/n 2120146  |     |



## SECTION 2 - TURNTABLE

| ITEM | PART NUMBER  | QTY | DESCRIPTION  | REV |
|------|--------------|-----|--|-----|
| 10A  | 2120210      | 1   | Element, Filter - p/n 2120209  |     |
| 10B  | 7016312      | 1   | Switch, Clog Indicator - p/n 2120146   |     |
| 10B  | 7020020      | 1   | Manual Indicator - p/n 2120209   |     |
| 10C  | 7023206      | 1   | O-Ring, Filter Bowl - p/n 2120146 (Not Shown)                                      |     |
| 10C  | 70000934     | 1   | O-Ring, Filter Bowl - p/n 2120209 (Not Shown)                                      |     |
| 11   |              | Ref | Articulating Jib Valve Kit (See ACCESSORY VALVE ASSEMBLIES for Breakdown) Options: |     |
| 11   | Not Required | 0   | Articulating Jib Valve Kit 600A - 2WS/600A - 4WS                                   |     |
| 11   | 4640921      | 1   | Articulating Jib Valve Kit 600AJ - 2WS/600AJ - 4WS                                 |     |
| 11   | 4921927      | 1   | Harness, Articulating Jib (Not Shown - See ELECTRICAL SECTION for Breakdown)       |     |
| 12   |              | Ref | 4WS Valve Assembly (See ACCESSORY VALVE ASSEMBLIES for Breakdown) Options:         |     |
| 12   | Not Required | 0   | 4WS Valve Assembly 600A - 2WS/600AJ - 2WS  |     |
| 12   | 4640922      | 1   | 4WS Valve Assembly 600A - 4WS/600AJ - 4WS  |     |
| 12   | 4921928      | 1   | Harness, 4WS (Not Shown - See ELECTRICAL SECTION for Breakdown)                    |     |
| 13   | 0641613      | 2   | Bolt 3/8in-16NC x 1-5/8in  |     |
| 14   | 4711600      | AR  | Flatwasher 3/8in Thin  |     |
| 16   | 4891800      | 2   | Flatwasher 1/2in Hardened (SN 0300069000 through 0300074392)                       |     |
| 17   | 4711500      | AR  | Flatwasher 5/16in Thin   |     |
| 18   |              | Ref | Hardware Options:  |     |
| 18   | 3311501      | 2   | Nut 5/16in-18NC (SN 0300069000 through 0300074391)                                 |     |
| 18   | 0641514      | 2   | Bolt 5/16in-18NC x 1-3/4in (SN 0300074392 through 0300087000)                      |     |
| 19   | 0651406      | AR  | Bolt 1/4in-28NF x 3/4in  |     |
| 20   | 4711400      | AR  | Flatwasher 1/4in Thin  |     |
| 21   |              | Ref | Return Filter Assembly Options:  |     |
| 21   | 2120145      | 1   | Return Filter Assembly (SN 0300069000 through 0300084828)                          | B   |
| 21   | 2120164      | 1   | Return Filter Assembly (SN 0300084829 through 0300087000)                          | B   |
| 21A  | 2120149      | 1   | Element, Filter  |     |
| 21B  | 7016313      | 1   | Switch, Clog Indicator - p/n 2120145   |     |
| 21B  | 7020021      | 1   | Manual Indicator - p/n 2120164   |     |
| 22   | 2220893      | 1   | Fitting, Adaptor   |     |
| 23   | 0641416      | 2   | Bolt 1/4in-20NC x 2in  |     |
| 24   | 4891400      | 4   | Flatwasher 1/4in Hardened  |     |
| 25   | 3311405      | AR  | Locknut 1/4in-20NC   |     |
| 26   | 0140001      | 1   | Horn   |     |
| 29   | 0641522      | 2   | Bolt 5/16in-18NC x 2-3/4in (SN 0300069000 through 0300070977)                      |     |
| 30   | 0641414      | 2   | Bolt 1/4in-20NC x 1-3/4in  |     |
| 31   | 0641608      | 3   | Bolt 3/8in-16NC x 1in  |     |
| 32   | 3311505      | 2   | Locknut 5/16in-18NC (SN 0300069000 through 0300070977)                             |     |
| 37   | 1380136      | 2   | Clip, Gripper (SN 0300069000 through 0300070977)                                   |     |
| 38   | 3910806      | 2   | Screw #8 x 3/4in (SN 0300069000 through 0300070977)                                |     |
| 39   | 4750800      | 4   | Flatwasher #8 Regular (SN 0300069000 through 0300070977)                           |     |
| 40   | 3310805      | 2   | Locknut #8 (SN 0300069000 through 0300070977)                                      |     |
| 41   | 2560122      | 1   | Handle (SN 0300069000 through 0300070977)  |     |
| 42   | 2560123      | 1   | Grip, Handle (SN 0300069000 through 0300070977)                                    |     |
| 43   | 0100011      | AR  | Compound, Locking  |     |
| 44   | 4060804      | 16  | Trim-Loc 3/16in  |     |

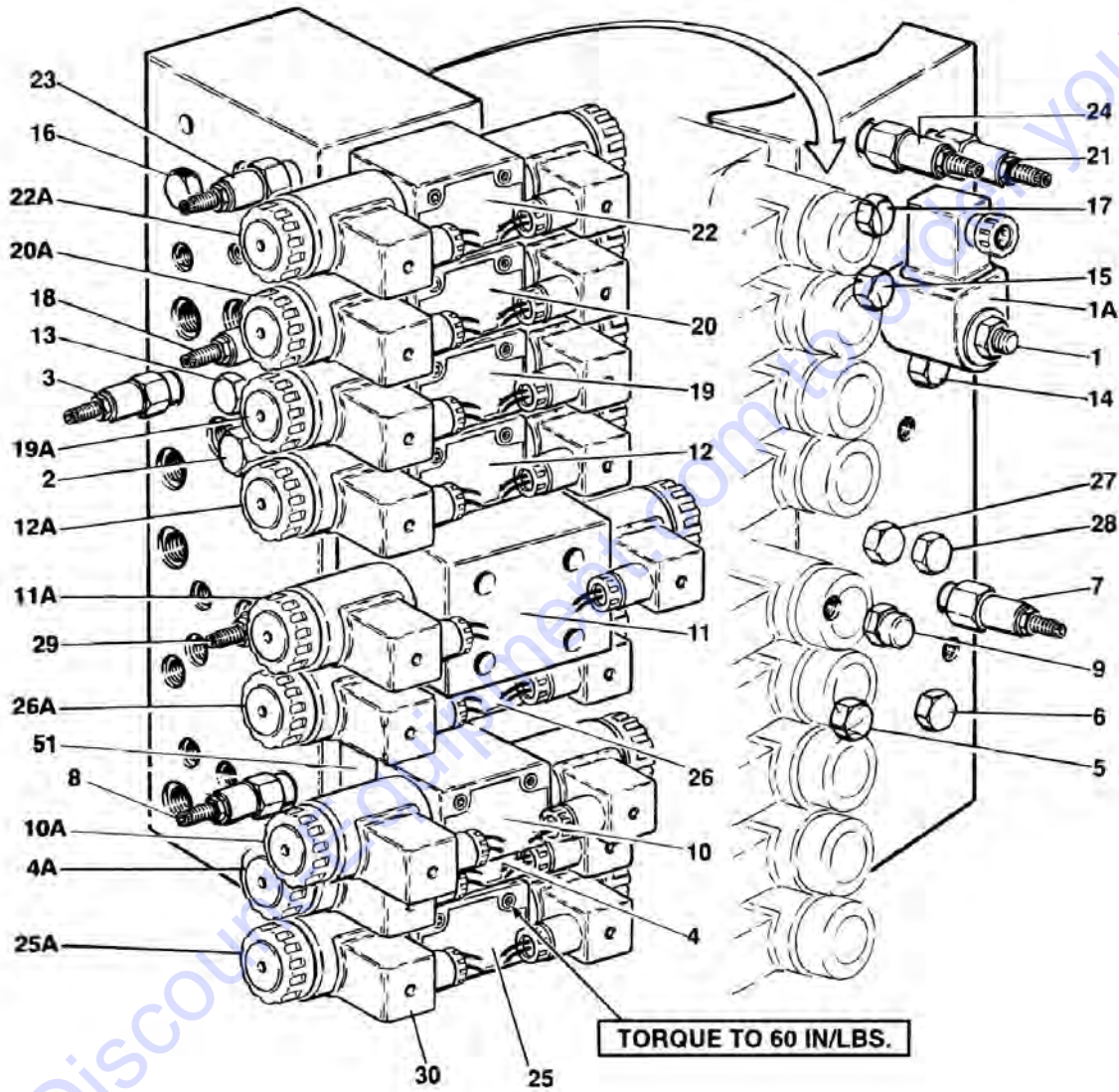
## SECTION 2 - TURNTABLE

| ITEM | PART NUMBER | QTY           | DESCRIPTION   | REV |
|------|-------------|---------------|---|-----|
| 45   | 4060918     | 79 in/1.9m    | Trim-Loc 5/8in  |     |
| 46   | 4060807     | 18<br>in/46cm | Trim-Loc 3/8in  |     |
|      | 2792195     | Ref           | <b>4WD DRIVE HYDRAULIC DIAGRAM (SN 0300069000 through 0300081835)</b> | 8   |
| 201  | 4640906     | 1             | Valve, 2-Speed Motor Control  |     |
| 201A | 7012974     | 1             | Cartridge without Coil  |     |
| 201A | 7012905     | 1             | Seal Kit  |     |
| 201A | 7012944     | 1             | Coil  |     |
| 201B | 4640906     | 2             | Cartridge, Check Valve (Note: Not Available for Purchase)             |     |
| 201B | 7012972     | 2             | Seal Kit  |     |
| 202  | 0641508     | 2             | Bolt 5/16in-18NC x 1in  |     |
| 203  | 4891500     | 2             | Flatwasher 5/16in Hardened  |     |
| 204  | 4711500     | 2             | Flatwasher 5/16in Thin  |     |



# SECTION 2 - TURNTABLE

## FIGURE 2-2. MAIN VALVE BLOCK ASSEMBLY



SECTION 2 - TURNTABLE

FIGURE 2-2. MAIN VALVE BLOCK ASSEMBLY

| ITEM | PART NUMBER | QTY | DESCRIPTION   | REV |
|------|-------------|-----|---|-----|
|      | 4641097     | Ref | <b>MAIN VALVE BLOCK ASSEMBLY</b>  | B   |
| 1    | 7017410     | 1   | Cartridge, without Coil   |     |
| 1    | 7012967     | 1   | Seal Kit - 7017410 Cartridge  |     |
| 1A   | 7012944     | 1   | Coil  |     |
| 2    | 7017411     | 1   | Cartridge, Pressure Sensing   |     |
| 2    | 7012518     | 1   | Seal Kit  |     |
| 3    | 7017418     | 1   | Cartridge (Main Relief)   |     |
| 3    | 7012998     | 1   | Seal Kit  |     |
| 4    | 70001976    | 1   | Control Valve Assembly (Platform Level) (was p/n 7012770)   |     |
| 4    | 7012773     | 1   | Seal Kit  |     |
| 4A   | 7012772     | 2   | Coil  |     |
| 4A   | 7018912     | 2   | Nut   |     |
| 5    | 7012914     | 1   | Cartridge, Check Valve  |     |
| 5    | 7012918     | 1   | Seal Kit - 7012914 Cartridge  |     |
| 6    | 7012914     | 1   | Cartridge, Check Valve  |     |
| 6    | 7012918     | 1   | Seal Kit - 7012914 Cartridge  |     |
| 7    | 7017428     | 1   | Cartridge, Relief Valve (Platform Level Backward Relief)  |     |
| 7    | 7012998     | 1   | Seal Kit - 7017428 Cartridge  |     |
| 8    | 7017427     | 1   | Cartridge, Relief Valve (Platform Level Forward Relief)   |     |
| 8    | 7012998     | 1   | Seal Kit - 7012912 Cartridge  |     |
| 9    | 7012989     | 1   | Cartridge, Flow Control   |     |
| 9    | 7012953     | 1   | Seal Kit - 7012989 Cartridge  |     |
| 10   | 70001976    | 1   | Control Valve Assembly (Platform Rotate) (was p/n 7012770)  |     |
| 10   | 7012773     | 1   | Seal Kit  |     |
| 10A  | 7012772     | 2   | Coil  |     |
| 10A  | 7018912     | 2   | Nut   |     |
| 11   |             | Ref | Control Valve Assembly Options (Upper Tele):  |     |
| 11   | 70000579    | 1   | Control Valve Assembly (was p/n 7012766) <b>(SN 0300069000 through 0300092880)</b>  |     |
| 11   | 70000579    | 1   | Control Valve Assembly <b>(SN 0300092881 through 0300087000)</b>  |     |
|      |             | Ref | <b>Note: Refer to Vendor P/N on Valve Nameplate before ordering Parts. 7012766 is RR00567495 or R900567495. 70000579 is R900930080.</b> |     |
| 11   |             | Ref | Seal Kit Options:   |     |
| 11   | 7012769     | 1   | 7012766 Valve   |     |
| 11   | 70000583    | 1   | 70000579 Valve  |     |
| 11A  |             | Ref | Coil Options:   |     |
| 11A  | 7012772     | 1   | 7012766 Valve (was p/n 7012768)   |     |
| 11A  | 70000582    | 1   | 70000579 Valve  |     |
| 11A  |             | Ref | Nut, Coil Options:  |     |
| 11A  | 7018912     | 1   | 7012766 Valve   |     |
| 11A  | 70000580    | 1   | 70000579 Valve  |     |
| 12   | 7012775     | 1   | Control Valve Assembly (Flow Control)   |     |
| 12   | 7012773     | 1   | Seal Kit  |     |
| 12A  | 7012772     | 2   | Coil  |     |
| 12A  | 7018912     | 2   | Nut   |     |
| 13   | 7010542     | 1   | Cartridge, Shuttle  |     |
| 13   | 7010543     | 1   | Seal Kit - 7010542 Cartridge  |     |
| 14   | 7010542     | 1   | Cartridge, Shuttle  |     |
| 14   | 7010543     | 1   | Seal Kit - 7010542 Cartridge  |     |

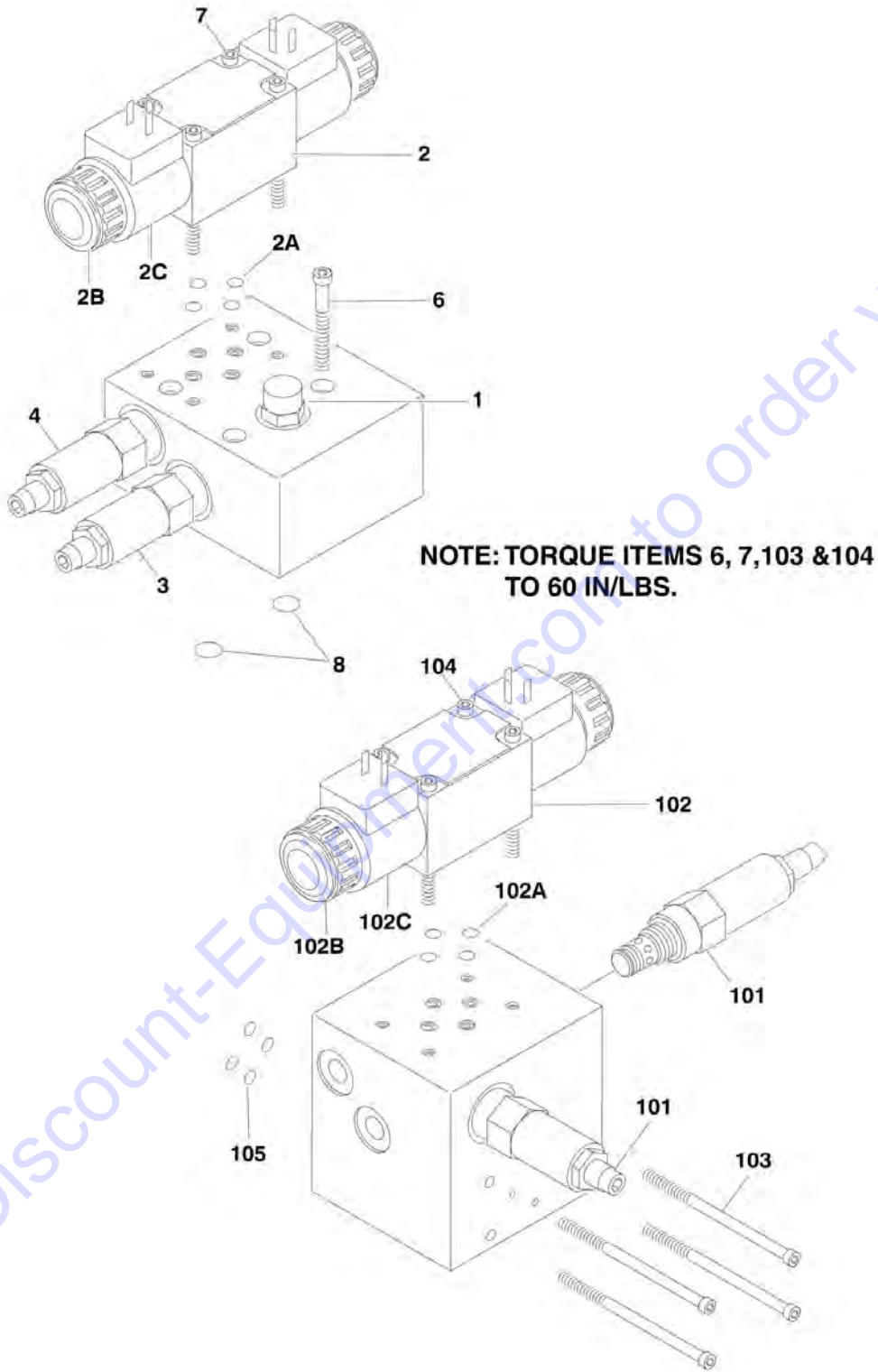
## SECTION 2 - TURNTABLE

| ITEM | PART NUMBER | QTY | DESCRIPTION   | REV |
|------|-------------|-----|---|-----|
| 15   | 7010542     | 1   | Cartridge, Shuttle                                    |     |
| 15   | 7010543     | 1   | Seal Kit - 7010542 Cartridge                          |     |
| 16   | 7010542     | 1   | Cartridge, Shuttle                                    |     |
| 16   | 7010543     | 1   | Seal Kit - 7010542 Cartridge                          |     |
| 17   | 7010542     | 1   | Cartridge, Shuttle                                    |     |
| 17   | 7010543     | 1   | Seal Kit - 7010542 Cartridge                          |     |
| 18   | 7017420     | 1   | Cartridge, Relief Valve                               |     |
| 18   | 7012998     | 1   | Seal Kit - 7017420 Cartridge                          |     |
| 19   | 7012775     | 1   | Control Valve Assembly (Upper Lift)                   |     |
| 19   | 7012773     | 1   | Seal Kit  |     |
| 19   | 7012799     | 1   | Lanyard Assembly (Not Shown)                          |     |
| 19A  | 7012772     | 2   | Coil  |     |
| 19A  | 7018912     | 2   | Nut   |     |
| 20   | 7012775     | 1   | Control Valve Assembly (Swing)                        |     |
| 20   | 7012773     | 1   | Seal Kit  |     |
| 20A  | 7012772     | 2   | Coil  |     |
| 20A  | 7018912     | 2   | Nut   |     |
| 21   | 7017423     | 1   | Cartridge, Relief Valve (Swing Right/Left Relief)     |     |
| 21   | 7012998     | 1   | Seal Kit - 7017423 Cartridge                          |     |
| 22   | 7012774     | 1   | Control Valve Assembly (Steer)                        |     |
| 22   | 7012773     | 1   | Seal Kit  |     |
| 22A  | 7012772     | 2   | Coil  |     |
| 22A  | 7018912     | 2   | Nut   |     |
| 23   | 7017428     | 1   | Cartridge, Relief Valve (Steer Left Relief)           |     |
| 23   | 7012998     | 1   | Seal Kit - 7017428 Cartridge                          |     |
| 24   | 7017428     | 1   | Cartridge, Relief Valve (Steer Right Relief)          |     |
| 24   | 7012998     | 1   | Seal Kit - 7017428 Cartridge                          |     |
| 25   | 70001976    | 1   | Control Valve Assembly (Lower Tele) (was p/n 7012770) |     |
| 25   | 7012773     | 1   | Seal Kit  |     |
| 25A  | 7012772     | 2   | Coil  |     |
| 25A  | 7018912     | 2   | Nut   |     |
| 26   | 7018952     | 1   | Control Valve Assembly (Lower Lift)                   |     |
| 26   | 7012769     | 1   | Seal Kit  |     |
| 26A  | 7012772     | 2   | Coil  |     |
| 26A  | 7018912     | 2   | Nut   |     |
| 26A  | 7012799     | 1   | Lanyard Cable Assembly                                |     |
| 27   | 7012969     | 1   | Cartridge, Check                                      |     |
| 27   | 7012967     | 1   | Seal Kit - 7012969 Cartridge                          |     |
| 28   | 7012914     | 1   | Cartridge, Check                                      |     |
| 28   | 7012918     | 1   | Seal Kit - 7012914 Cartridge                          |     |
| 30   | 4460499     | 19  | Connector, Din with Diode (Part of Valve Harness)     |     |
|      | 2901763     | 1   | <b>ROTATE SANDWICH VALVE KIT</b>                      | A   |
| 51   | 7021310     | 1   | Block, Valve  |     |



## SECTION 2 - TURNTABLE

FIGURE 2-3. ACCESSORY VALVE ASSEMBLIES





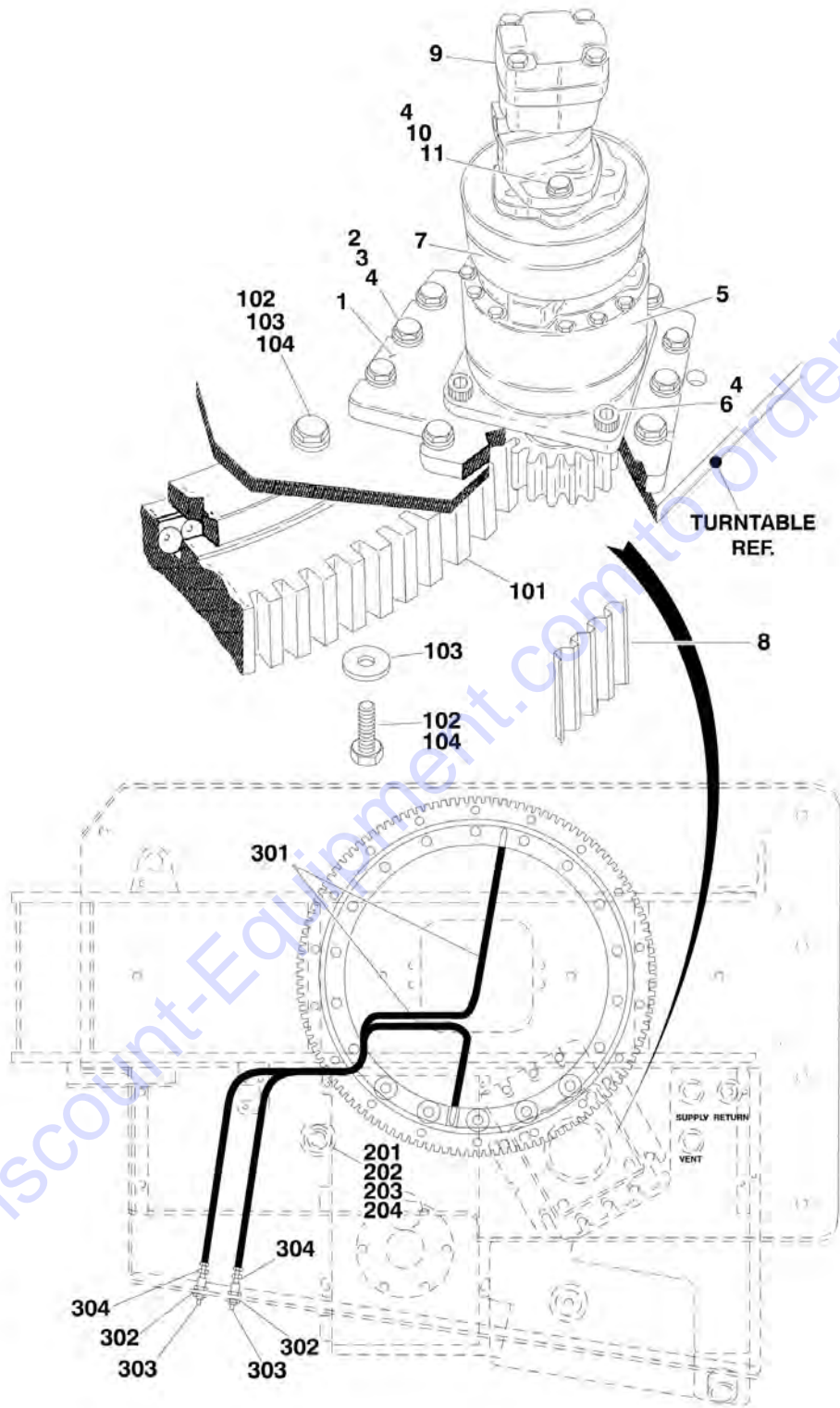
**SECTION 2 - TURNTABLE**

**FIGURE 2-3. ACCESSORY VALVE ASSEMBLIES**

| ITEM | PART NUMBER | QTY | DESCRIPTION   | REV |
|------|-------------|-----|---|-----|
|      | 4640921     | Ref | <b>ARTICULATING JIB VALVE ASSEMBLY</b>  | D   |
| 1    | 7012965     | 1   | Cartridge, Flow Control   |     |
| 1    | 7012953     | 1   | Seal Kit - 7012965 Cartridge  |     |
| 2    | 70001976    | 1   | Directional Control Valve Assembly (was p/n 7012770)                            |     |
| 2    | 7012773     | 1   | Seal Kit  |     |
| 2A   | 7018945     | 4   | O-Ring  |     |
| 2B   | 7018912     | 2   | Nut   |     |
| 2C   | 7012772     | 2   | Coil  |     |
| 3    | 7017421     | 1   | Cartridge, Relief   |     |
| 3    | 7012998     | 1   | Seal Kit - 7017421 Cartridge  |     |
| 4    | 7017422     | 1   | Cartridge, Relief   |     |
| 4    | 7012998     | 1   | Seal Kit - 7017422 Cartridge  |     |
| 5    | 4460499     | 2   | Connector, Din with Diode (Part of Valve Harness)                               |     |
| 6    | 7018946     | 4   | Capscrew, Socket Head #10-24NC x 5in (Not Shown - Used to Mount Valve Assembly) |     |
| 7    | 7018942     | 4   | Capscrew, Socket Head #10-24NC x 2in  |     |
| 8    | 7012776     | 4   | O-Ring (Not Shown - Used to Mount to Main Valve)                                |     |
|      | 4640922     | Ref | <b>4WS VALVE ASSEMBLY</b>   | B   |
| 101  | 7017420     | 2   | Cartridge, Flow Control   |     |
| 101  | 7012998     | 2   | Seal Kit - 7017420 Cartridge  |     |
| 102  | 7012774     | 1   | Directional Control Valve Assembly  |     |
| 102  | 7012773     | 1   | Seal Kit  |     |
| 102A | 7018945     | 4   | O-Ring  |     |
| 102B | 7018912     | 2   | Nut   |     |
| 102C | 7012772     | 2   | Coil  |     |
| 103  | 7018946     | 4   | Capscrew, Socket Head #10-24NC x 5in (Used to Mount Valve Assembly)             |     |
| 104  | 7018942     | 4   | Capscrew, Socket Head #10-24NC x 2in  |     |
| 105  | 7018948     | 4   | O-Ring (Used to Mount to Main Valve)  |     |

## SECTION 2 - TURNTABLE

FIGURE 2-4. SWING DRIVE, TURNTABLE BEARING AND LOCK INSTALLATIONS



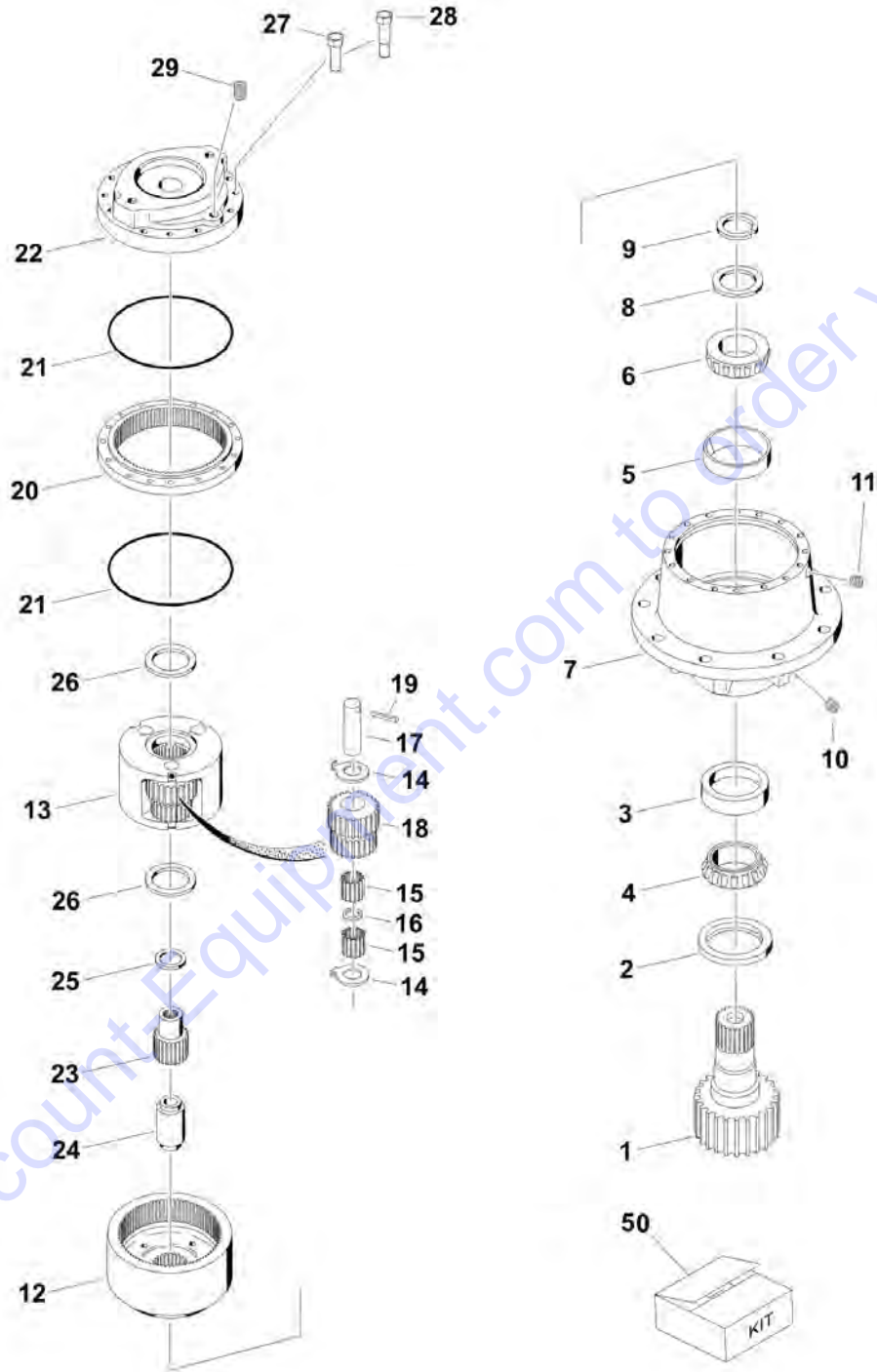
## SECTION 2 - TURNTABLE

**FIGURE 2-4. SWING DRIVE, TURNTABLE BEARING AND LOCK INSTALLATIONS**

| ITEM | PART NUMBER | QTY       | DESCRIPTION  | REV |
|------|-------------|-----------|--|-----|
|      | 0270329     | Ref       | <b>SWING DRIVE INSTALLATIONS</b>   | A   |
| 1    | 3537318     | 1         | Plate, Swing Drive Mounting  |     |
| 2    | 0642018     | 10        | Bolt 5/8in - 11NC x 2-1/4in  |     |
| 3    | 4892000     | 10        | Flatwasher 5/8in Hardened  |     |
| 4    | 0100011     | AR        | Compound, Locking  |     |
| 5    | 2780205     | 1         | Swing Hub Assembly (See SWING HUB ASSEMBLY for Breakdown)                  |     |
| 6    | 3932224     | 4         | Bolt 1/2in - 13NC x 1-1/2in  |     |
| 7    | 0920119     | 1         | Swing Brake Assembly   |     |
| 7    | 7018612     | 1         | Repair Kit - 0920119 Brake (Note: Kit is only repair part available)       |     |
| 9    | 3160273     | 1         | Swing Motor Assembly (See SWING MOTOR ASSEMBLY for Breakdown)              |     |
| 10   | 0681836     | 2         | Bolt 1/2in - 13NC x 4-1/2in  |     |
| 11   | 4891800     | 2         | Flatwasher 1/2in Hardened  |     |
|      | 0254798     | Ref       | <b>TURNTABLE BEARING INSTALLATION</b>                                      | 1-A |
| 101  | 0440207     | NLA       | Bearing Kit (Use p/n 2915087) (Kit Includes Bearing and Mounting Hardware) |     |
| 102  | 0682016     | 36        | Bolt 5/8in - 11NC X 2in (Grade 8)  |     |
| 103  | 4892000     | 36        | Flatwasher 5/8in Hardened  |     |
| 104  | 0100019     | AR        | Compound, Locking  |     |
|      | 0255410     | Ref       | <b>TURNTABLE LOCK INSTALLATION</b>   | -   |
| 201  | 4844958     | 1         | Pin  |     |
| 202  | 3421565     | 1         | Pin, Snap  |     |
| 203  | 3760170     | 2         | Ring, Quick Release  |     |
| 204  | 1260017     | 9 in/23cm | Chain  |     |
|      | 0255444     | Ref       | <b>REMOTE BEARING LUBE INSTALLATION</b>                                    | 1-D |
| 301  | 2751032     | 2         | Hose, Grease   |     |
| 302  | 2180344     | 2         | Fitting, Bulkhead  |     |
| 303  | 2160002     | 2         | Fitting, Grease  |     |
| 304  | 2220001     | 2         | Fitting, Straight  |     |

# SECTION 2 - TURNTABLE

## FIGURE 2-5. SWING HUB ASSEMBLY



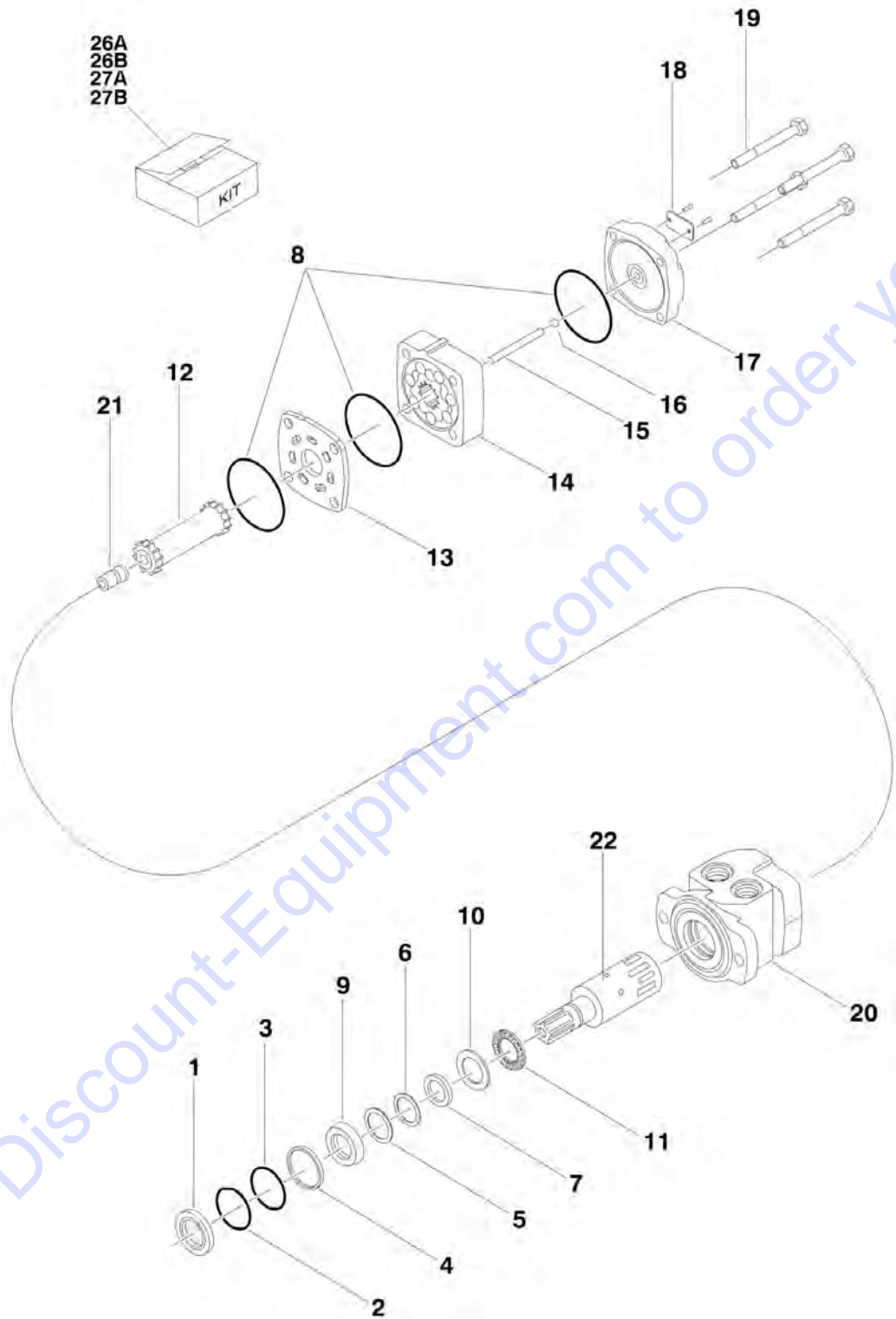
**SECTION 2 - TURNTABLE**

**FIGURE 2-5. SWING HUB ASSEMBLY**

| ITEM | PART NUMBER | QTY | DESCRIPTION                             | REV |
|------|-------------|-----|---|-----|
|      | 2780205     | Ref | <b>SWING HUB ASSEMBLY</b>               | -   |
|      |             | Ref | <b>HOUSING ASSEMBLY</b>                 |     |
| 1    | 7010492     | 1   | Shaft, Output                           |     |
| 2    | 7000228     | 1   | Seal, Lip                               |     |
| 3    | 7000255     | 1   | Cup, Bearing                            |     |
| 4    | 7000256     | 1   | Cone, Bearing                           |     |
| 5    | 7000257     | 1   | Cup, Bearing                            |     |
| 6    | 7000258     | 1   | Cone, Bearing                           |     |
| 7    | 7017089     | 1   | Housing                                 |     |
| 8    | 7007633     | 1   | Thrustwasher                            |     |
| 9    | 7000229     | 1   | Ring, Retaining                         |     |
| 10   | 7010494     | 2   | Pipe, Plug                              |     |
| 11   | 7001928     | 2   | Pipe, Plug                              |     |
| 12   | 7000246     | 2   | Gear, Internal                          |     |
| 13   |             | Ref | <b>CARRIER ASSEMBLY</b>                 |     |
| 13   | 7001931     | 1   | Carrier                                 |     |
| 14   | 7001985     | 6   | Thrustwasher, Tanged                    |     |
| 15   | 7001909     | 96  | Bearing, Needle                         |     |
| 16   | 7000263     | 3   | Spacer, Thrust                          |     |
| 17   | 7001911     | 3   | Shaft, Planet                           |     |
| 18   | 7001987     | 3   | Gear, Cluster                           |     |
| 19   | 7010474     | 3   | Roll Pin                                |     |
| 20   | 7001988     | 1   | Ring Gear                               |     |
| 21   | 7000230     | 2   | O-Ring                                  |     |
| 22   | 7000209     | 1   | Cover, Input                            |     |
| 23   | 7010488     | 1   | Gear, Sun                               |     |
| 24   | 7000269     | 1   | Spacer, Input                           |     |
| 25   | 7000270     | 1   | Thrustwasher                            |     |
| 26   | 7000253     | 2   | Thrustwasher                            |     |
| 27   | 7000217     | 8   | Bolt                                    |     |
| 28   | 7000214     | 4   | Bolt, Shoulder                          |     |
| 29   | 7000242     | 1   | Pipe, Plug                              |     |
| 50   | 7024100     | 1   | Seal Kit (Includes Items 2, 9, 21 & 26) |     |

# SECTION 2 - TURNTABLE

## FIGURE 2-6. SWING MOTOR ASSEMBLY



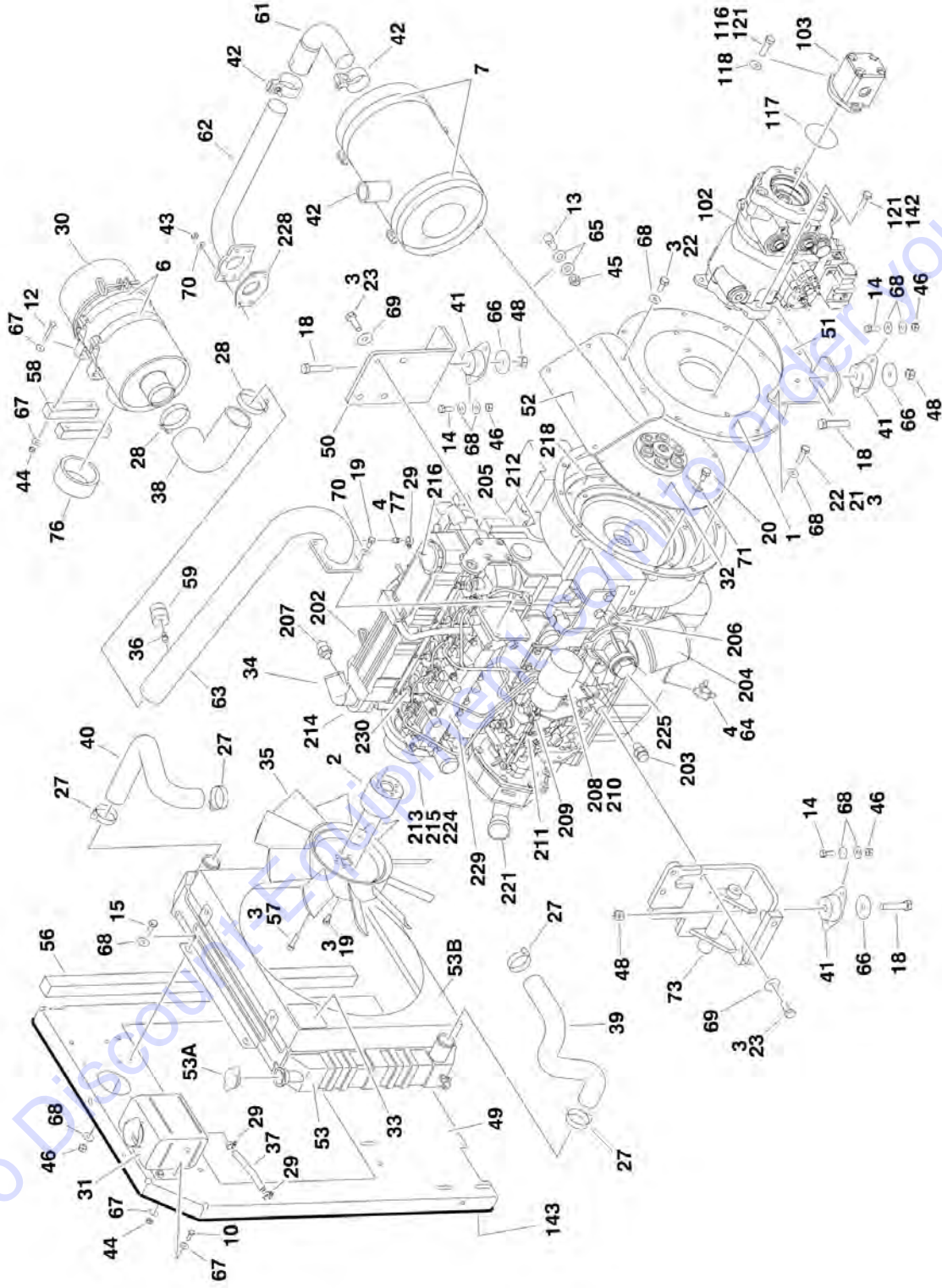
**SECTION 2 - TURNTABLE**

**FIGURE 2-6. SWING MOTOR ASSEMBLY**

| ITEM | PART NUMBER | QTY | DESCRIPTION                                  | REV |
|------|-------------|-----|--|-----|
|      | 3160273     | Ref | <b>SWING MOTOR ASSEMBLY</b>                  | B   |
| 1    | See Note    | NSS | Seal, Dust (Note: Use Item 26A)              |     |
| 2    | See Note    | NSS | Ring, Split Wire (Note: Use Item 26A)        |     |
| 3    | See Note    | NSS | Shim, Metal Back-up (Note: Use Item 26A)     |     |
| 4    | See Note    | NSS | Seal, High Pressure (Note: Use Item 26A)     |     |
| 5    | See Note    | NSS | Shim, Metal Back-up (Note: Use Item 26A)     |     |
| 6    | See Note    | NSS | Seal, Teflon Back-up (Note: Use Item 26A)    |     |
| 7    | See Note    | NSS | Seal, Shaft (Note: Use Item 26A)             |     |
| 8    | See Note    | NSS | Seal, Body (Note: Use Item 26A)              |     |
| 9    | See Note    | NSS | Carrier, Seal (Note: Use Item 26B)           |     |
| 10   | See Note    | NSS | Thrustwasher (Note: Use Item 26B)            |     |
| 11   | 7016422     | 1   | Bearing, Thrust                              |     |
| 12   | 7005889     | 1   | Link, Drive                                  |     |
| 13   | 7016423     | 1   | Plate, Wear                                  |     |
| 14   | 7005890     | 1   | Rotor Assembly                               |     |
| 15   | 7005891     | 1   | Pin, Drive Link                              |     |
| 16   | See Note    | NSS | Ball (Note: Use Item 27A)                    |     |
| 17   | See Note    | NSS | Cover, End (Note: Use Item 27A)              |     |
| 18   | See Note    | 1   | Tag, I.D. (Note: Not Available for Purchase) |     |
| 19   | 7005892     | 4   | Bolt   |     |
| 20   | 7016425     | 1   | Housing                                      |     |
| 21   | 7005893     | 1   | Plug, Cooling                                |     |
| 22   | 7016426     | 1   | Shaft  |     |
| 26   |             | Ref | Seal Kit Options:                            |     |
| 26A  | 7005881     | 1   | Seal Kit (Includes Items 1-8)                |     |
| 26B  | 7005882     | 1   | Seal Carrier Kit (Includes Items 9 & 10)     |     |
| 27   |             | Ref | Repair Kit Options:                          |     |
| 27A  | 7016424     | 1   | End Cover Kit (Includes Items 16 & 17)       |     |
| 27B  | 7016427     | 1   | Housing/Shaft Kit (Includes Items 20-22)     |     |

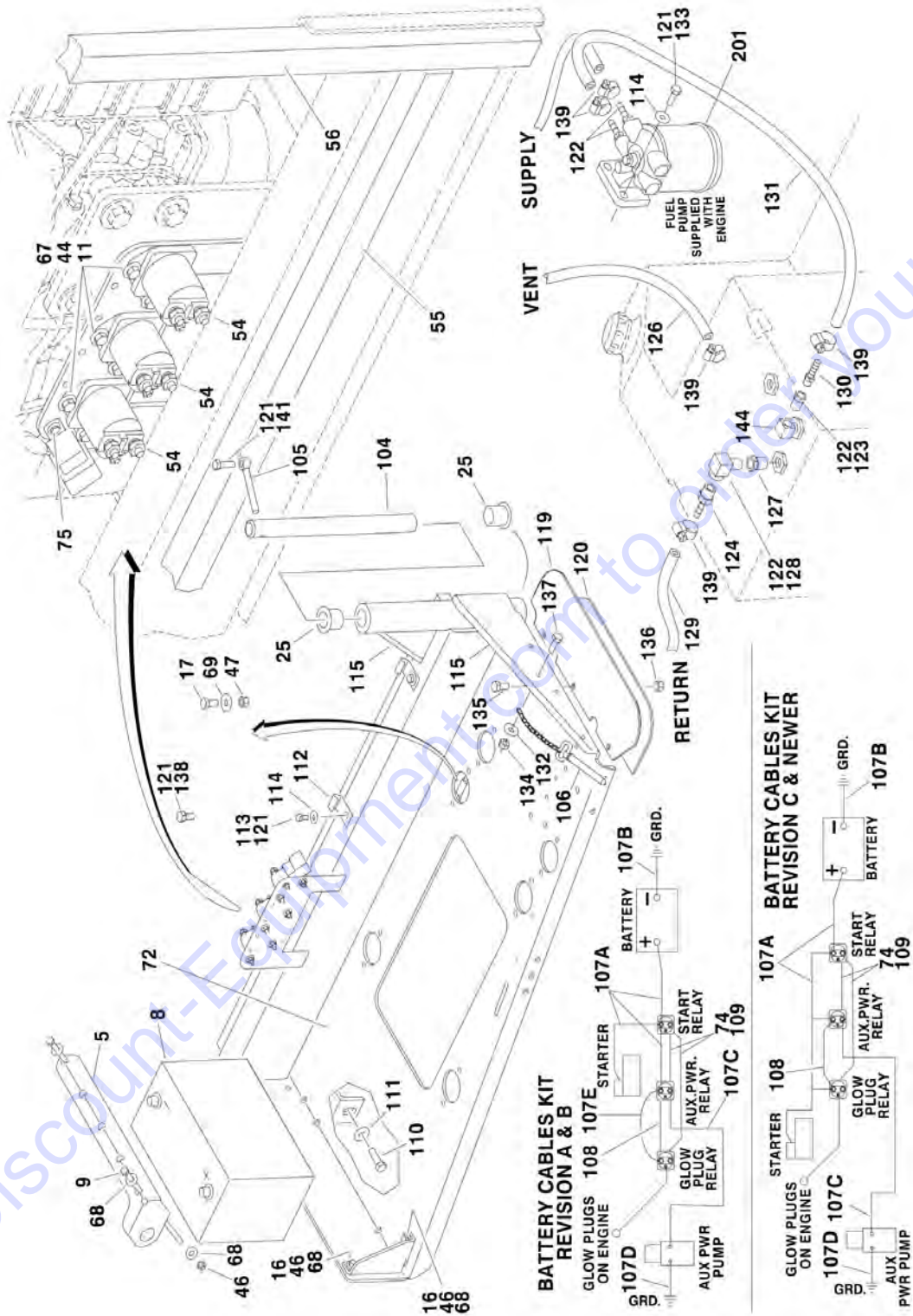
# SECTION 2 - TURNTABLE

## FIGURE 2-7. CATERPILLAR ENGINE INSTALLATION





# SECTION 2 - TURNTABLE



## SECTION 2 - TURNTABLE

FIGURE 2-7. CATERPILLAR ENGINE INSTALLATION

| ITEM | PART NUMBER | QTY     | DESCRIPTION   | REV |
|------|-------------|---------|---|-----|
|      |             | Ref     | <b>CATERPILLAR ENGINE ASSEMBLY</b>                                    |     |
|      | 0272796     | Ref     | <b>Caterpillar Engine Assembly (SN 0300069000 through 0300084828)</b> | F   |
|      | 0274491     | Ref     | <b>Caterpillar Engine Assembly (SN 0300084829 through 0300087000)</b> | B   |
| 1    | 0080181     | 1       | Adaptor, Pump Mounting Plate  |     |
| 2    | 0080243     | 1       | Adaptor, Fan Spacer   |     |
| 3    | 0100011     | AR      | Compound, Locking   |     |
| 4    | 0100020     | AR      | Sealant, Thread   |     |
| 5    | 0181727     | 1       | Hold-Down, Battery  |     |
| 6    | 0340041     | 2       | Band, Mounting  |     |
| 7    | 0340046     | 2       | Band, Muffler   |     |
| 8    | 0400075     | 1       | Battery   |     |
| 9    | 0630498     | 2       | Rod, Hold-Down  |     |
| 10   | 0641406     | 4       | Bolt 1/4in-20NC x 3/4in   |     |
| 11   | 0641407     | 6       | Bolt 1/4in-20NC x 7/8in   |     |
| 12   | 0701414     | 4       | Bolt 1/4in-20NC x 3/4in   |     |
| 13   | 0641507     | 4       | Bolt 5/16in-18NC x 7/8in  |     |
| 14   | 0641608     | 8       | Bolt 3/8-16NC x 1in   |     |
| 15   | 0641609     | 4       | Bolt 3/8-16NC x 1-1/8in   |     |
| 16   | 0641610     | 4       | Bolt 3/8-16NC x 1-1/4in   |     |
| 17   | 0641808     | 1       | Bolt 1/2in-13NC x 1in   |     |
| 18   | 0641828     | 4       | Bolt 1/2in-13NC x 2-1/2in   |     |
| 19   | 0700808     | 8       | Bolt, M8 x 16mm   |     |
| 20   | 0701010     | 8       | Bolt, M10 x 20mm  |     |
| 21   | 0701012     | 4       | Bolt, M10 x 25mm  |     |
| 22   | 0701015     | 8       | Bolt, M10 x 35mm  |     |
| 23   | 0701214     | 8       | Bolt, M12 x 30mm  |     |
| 24   | 0940070     | 1       | Bumper, Rubber  |     |
| 25   | 0961986     | 2       | Bearing, Flange   |     |
| 26   | 1060637     | 1       | Lanyard   |     |
| 27   |             | Ref     | Clamp, Hose Options:  |     |
| 27   | 1320012     | 4       | Clamp, Hose (SN 0300069000 through 0300084828)                        |     |
| 27   | 8405104     | 4       | Clamp, Hose (SN 0300084829 through 0300087000)                        |     |
| 28   | 1320016     | 2       | Clamp, Hose   |     |
| 29   |             | Ref     | Clamp, Hose Options:  |     |
| 29   | 1320022     | 3       | Clamp, Hose (SN 0300069000 through 0300084828)                        |     |
| 29   | 8405009     | 2       | Clamp, Hose (SN 0300084829 through 0300087000)                        |     |
| 30   | 1340060     | 1       | Air Cleaner Assembly  |     |
| 30   | 7012664     | 1       | Element, Air Cleaner  |     |
| 31   | 1580011     | 1       | Container, Coolant Overflow   |     |
| 32   | 1660239     | 1       | Coupling, Pump  |     |
| 33   | 1703162     | 2       | Decal - Fan Blade   |     |
| 34   | 2000194     | 1       | Caterpillar Engine Assembly   |     |
| 35   | 2060025     | 1       | Fan   |     |
| 36   | 2180798     | 1       | Fitting (SN 0300069000 through 0300084828)                            |     |
| 37   | 2720058     | 0.33 ft | Hose  |     |
| 38   | 2720434     | 1       | Elbow, Rubber   |     |
| 39   | 2720509     | 1       | Hose, Radiator (Bottom)   |     |
| 40   | 2720510     | 1       | Hose, Radiator (Top)  |     |

## SECTION 2 - TURNTABLE

| ITEM | PART NUMBER | QTY | DESCRIPTION  | REV |
|------|-------------|-----|--|-----|
| 41   | 3200406     | 4   | Mount, Engine  |     |
| 42   | 3220113     | 1   | Muffler, Spark Arresting   |     |
| 42   | 70001017    | 1   | Clamp  |     |
| 43   | 3290801     | 4   | Nut M8 x 1.25  |     |
| 44   | 3311405     | 14  | Locknut 1/4in-20NC   |     |
| 45   | 3311505     | 4   | Locknut 5/16in-18NC  |     |
| 46   | 3311605     | 18  | Locknut 3/8in-16NC   |     |
| 47   | 3311801     | 1   | Nut 1/2in-13NC   |     |
| 48   | 3311805     | 4   | Locknut 1/2in-13NC   |     |
| 49   | 3539872     | 1   | Plate, Radiator Mounting   |     |
| 50   | 3574206     | 1   | Plate, Motor Mount   |     |
| 51   | 3574207     | 1   | Plate, Engine Mount (Rear)   |     |
| 52   | 3574208     | 1   | Bracket, Muffler   |     |
| 53   | 3620047     | 1   | Radiator   |     |
| 53A  | 7027412     | 1   | Cap  |     |
| 53B  | 70004182    | 1   | Shroud, Fan  |     |
| 54   | 3740067     | 3   | Relay, Solenoid Assembly   |     |
| 55   | 3960468     | 1   | Seal, Foam Gasket  |     |
| 56   | 3960469     | 1   | Seal, Foam Gasket  |     |
| 57   | 4031911     | 4   | Bolt Metric m8 x 35mm  |     |
| 58   | 4220191     | 2   | Block, Spacer  |     |
| 59   | 4360392     | 1   | Switch, Restrictor Indicator (SN 0300069000 through 0300084828)            |     |
| 61   | 4567073     | 1   | Tube, Exhaust  |     |
| 62   | 4568721     | 1   | Exhaust Tube Weldment  |     |
| 63   |             | Ref | Tube, Air Intake Weldment Options:   |     |
| 63   | 4568788     | 1   | Tube, Air Intake Weldment (SN 0300069000 through 0300084828)               |     |
| 63   | 4569177     | 1   | Tube, Air Intake Weldment (SN 0300084829 through 0300087000)               |     |
| 64   | 4640750     | 1   | Valve, Oil Drain   |     |
| 65   | 4711500     | 8   | Flatwasher 5/16in Thin   |     |
| 66   | 4740274     | 4   | Washer, Snubbing   |     |
| 67   | 4751400     | 28  | Flatwasher 1/4in Regular   |     |
| 68   | 4751600     | 48  | Flatwasher 3/8in Regular   |     |
| 69   | 4751800     | 8   | Flatwasher 1/2in Regular   |     |
| 70   | 4811900     | 8   | Flatwasher M8  |     |
| 71   | 4832000     | 8   | Lockwasher M10   |     |
| 72   | 4846790     | 1   | Tray Engine  |     |
| 73   | 4846805     | 1   | Mount, Engine/Generator - Left   |     |
| 74   | 4922737     | 1   | Harness, Relay Ground  |     |
| 75   | 0721006     | 1   | Bolt #10-24NC x 3/4in  |     |
| 76   | 2720515     | 1   | Seal, Air Cleaner  |     |
| 77   | 2220767     | 1   | Fitting (SN 0300075603 through 0300087000)                                 |     |
|      |             | Ref | <b>CATERPILLAR ENGINE INSTALLATIONS</b>                                    |     |
|      | 0273520     | Ref | <b>Caterpillar Engine Installations (SN 0300069000 through 0300081835)</b> | 3   |
|      | 0273972     | Ref | <b>Caterpillar Engine Installations (SN 0300081836 through 0300084828)</b> | 1   |
|      | 0274525     | Ref | <b>Caterpillar Engine Installations (SN 0300084829 through 0300087000)</b> | 1/A |
| 102  |             | Ref | Piston Pump Assembly Options:  |     |
| 102  | 3600260     | 1   | Piston Pump Assembly (See PISTON PUMP ASSEMBLY for                         |     |

## SECTION 2 - TURNTABLE

| ITEM | PART NUMBER | QTY        | DESCRIPTION   | REV |
|------|-------------|------------|---|-----|
| 102  | 3600381     | 1          | Breakdown) (SN 0300069000 through 0300081835)<br>Piston Pump Assembly (See PISTON PUMP ASSEMBLY for Breakdown) (SN 0300081836 through 0300087000)   |     |
| 103  | 3600242     | 1          | Gear Pump Assembly (See GEAR PUMP ASSEMBLY for Breakdown)   |     |
| 104  | 3422448     | 1          | Pin, Pivot  |     |
| 105  | 3841143     | 1          | Keeper, Pin   |     |
| 106  | 3422553     | 1          | Pin, Hitch  |     |
| 107  | 2902296     | 1          | Battery Cable Kit   |     |
|      |             | Ref        | <b>Note: 2902296 Rev A version is no longer available. Verify whether machine is equipped with 2 or 3 relays on the engine tray. If there are 3 relays, purchase latest revision of 2902296 kit. If there are 2 relays, purchase individual items as replacement.</b> |     |
| 107A |             | Ref        | Cable, Battery (Red)  |     |
| 107A | 1001116241  | 1          | Machines with 2 Relays on Engine Tray (was p/n 7027000)   |     |
| 107A | 1001116240  | 1          | Machines with 3 Relays on Engine Tray (was p/n 7027000)   |     |
| 107B | 7027004     | 1          | Cable, Battery (Black)  |     |
| 107C | 7027002     | 1          | Cable (Red)   |     |
| 107D | 7027003     | 1          | Cable (Black)   |     |
| 107E | 7027001     | 1          | Cable (Red) (No Longer Part of 2902296 Kit.)  |     |
| 108  | 1060904     | 1          | Cable, Battery  |     |
| 109  | 4922737     | 1          | Harness, Relay Ground   |     |
| 110  | 0642010     | 1          | Bolt 5/8in-11NC x 1-1/4in   |     |
| 111  | 4752000     | 1          | Flatwasher 5/8in Regular  |     |
| 112  | 1320223     | 2          | J-Clip 1/2in  |     |
| 113  | 0641606     | 2          | Bolt 3/8in-16NC x 3/4in   |     |
| 114  | 4711600     | 4          | Flatwasher 3/8in Thin   |     |
| 115  | 4060805     | 2          | Flex-Trim 1/4in   |     |
|      |             | ft/0.7mm   |   |     |
| 116  | 3931620     | 2          | Bolt 3/8in-16NC x 1-1/4   |     |
| 117  | 3790152     | 1          | O-Ring  |     |
| 118  | 4891600     | 2          | Flatwasher 3/8in Hardened   |     |
| 119  | 3380428     | 1          | Panel, Rubber   |     |
| 120  | 3539956     | 1          | Plate, Support  |     |
| 121  | 0100011     | AR         | Compound, Locking   |     |
| 122  | 0100020     | AR         | Sealant, Thread   |     |
| 123  | 2220273     | 1          | Fitting, Reducer  |     |
| 124  |             | Ref        | Fitting, Straight Options:  |     |
| 124  | 2180536     | 1          | Fitting, Straight (SN 0300069000 through 0300075350)  |     |
| 124  | 2220794     | 1          | Fitting, Straight (SN 0300075351 through 0300087000)  |     |
| 125  | 2220313     | 1          | Fitting, 90   |     |
| 126  | 2750532     | 6 ft/1.8m  | Hose 3/8in  |     |
| 127  | 2220250     | 1          | Fitting, Reducer  |     |
| 128  | 2220459     | 1          | Fitting, 90   |     |
| 129  |             | Ref        | Hose Options:   |     |
| 129  | 2720271     | 15 ft/4.6m | Hose (SN 0300069000 through 0300075350)   |     |
| 129  | 2720058     | 15 ft/4.6m | Hose (SN 0300075351 through 0300087000)   |     |
| 130  | 2220794     | 1          | Fitting, Barbed   |     |
| 131  | 2720058     | 30 ft/9.1m | Hose  |     |
| 132  | 4751400     | 4          | Flatwasher 1/4in Regular  |     |
| 133  | 0641608     | 2          | Bolt 3/8in-16NC x 1in   |     |
| 134  | 3311405     | 2          | Locknut 1/4in-20NC  |     |

## SECTION 2 - TURNTABLE

| ITEM | PART NUMBER | QTY       | DESCRIPTION   | REV |
|------|-------------|-----------|---|-----|
| 135  | 0641507     | 3         | Bolt 5/16in-18NC x 1-1/4in  |     |
| 136  | 3311505     | 3         | Locknut 5/16in-18NC   |     |
| 137  | 0641407     | 1         | Bolt 1/4in-20NC x 7/8in   |     |
| 138  | 0641808     | 1         | Bolt 1/2in-13NC x 1in   |     |
| 139  | 1320022     | 7         | Clamp, Hose   |     |
| 140  | 1701505     | 1         | Decal - Diesel (Not Shown - Located on Hood)                      |     |
| 141  | 0641610     | 1         | Bolt 3/8in-16NC x 1-1/4in   |     |
| 142  | 0641812     | 2         | Bolt 1/2in-18NC x 1-3/4in   |     |
| 143  | 3960389     | 5 ft/1.5m | Seal, Hood  |     |
| 144  | 7019658     | 1         | 90 Fitting W/Pick-Up Tube   |     |
|      | 2000194     | Ref       | <b>ENGINE COMPONENTS</b>  | C   |
| 201  | 7026830     | 1         | Filter, Fuel  |     |
| 202  | 7026831     | 1         | Alternator  |     |
| 203  | 7026814     | 1         | Relief Valve, Oil Pressure  |     |
| 203  | 7026815     |           | Gasket, Relief Valve  |     |
| 203  | 1001097554  |           | Sensor, Oil Pressure (Not Shown)                                  |     |
| 204  | 7026811     | 1         | Filter, Oil   |     |
| 205  | 7026833     | 1         | Starter   |     |
| 206  | 7026834     | 1         | Dipstick Oil Level  |     |
| 207  | 7026840     | 1         | Sensor, Water Temperature   |     |
| 207  | 7026882     | 1         | Seal, Sensor  |     |
| 208  | 1600361     | 1         | Actuator, Throttle (was p/n 7026842)                              |     |
| 208  | 7026835     | 1         | Connector, Actuator   |     |
| 209  | 7026843     | 1         | Actuator, Linkage Kit   |     |
| 210  | 0902910     | NLA       | Mounting Bracket, Actuator (Use p/n 7026887)                      |     |
| 211  | 7026839     | 1         | Pump, Fuel Supply   |     |
| 212  | 7026841     | 1         | Sensor, Tach  |     |
| 212  | 7026836     | 1         | Connector, Speed Sensor   |     |
| 213  |             | Ref       | Pump, Water Options:  |     |
| 213  | 7026823     | 1         | Caterpillar Engine SNs (Not Machine SN) Prior to SN 3440833       |     |
| 213  | 70001120    | 1         | Caterpillar Engine SNs (Not Machine SN) SN 344083 to Present      |     |
| 213  | 7026824     | 1         | Gasket, Water Pump Cover  |     |
| 213  | 7026825     | 1         | Gasket, Water Pump  |     |
| 214  | 7026822     | 1         | Thermostat  |     |
| 214  | 7026820     | 1         | Gasket, Thermostat Housing  |     |
| 214  | 7026821     | 1         | Gasket, Coolant   |     |
| 215  | 70001742    | 1         | Pulley, Water Pump  |     |
| 216  | 7026800     | 1         | Cap, Filler   |     |
| 217  | 7026801     | 1         | Gasket, Valve Cover (Not Shown)                                   |     |
| 218  | 7026802     | 1         | Flywheel Assy (W/Gear)  |     |
| 218  | 7026803     | 1         | Gear, Flywheel  |     |
| 219  | 7026804     | 1         | Gasket (Not Shown - Located Between Engine Block and Bellhousing) |     |
| 220  | 7026805     | 1         | Seal, Rear Main (Not Shown - Located on Rear of Engine Block)     |     |
| 221  | 7026806     | 1         | Cap, Filler   |     |
| 222  | 7026807     | 1         | Seal, Front Main (Not Shown - Located on Front of Engine Block)   |     |
| 223  | 7026809     | 1         | Gasket, Oil Pan (Not Shown)                                       |     |
| 224  | 7026810     | 1         | Belt  |     |
| 225  | 7026813     | 1         | Seal, Oil Filter Head (Between Oil Filter Head and Engine Block)  |     |
| 225  | 7026812     | 1         | Seal, Oil Filter Head Bolt  |     |
| 226  | 7026819     | 1         | Cooler, Oil (Not Shown)   |     |
| 226  | 7026816     | 2         | O-Ring (Not Shown - Located Between Oil Cooler and Cover)         |     |

## SECTION 2 - TURNTABLE

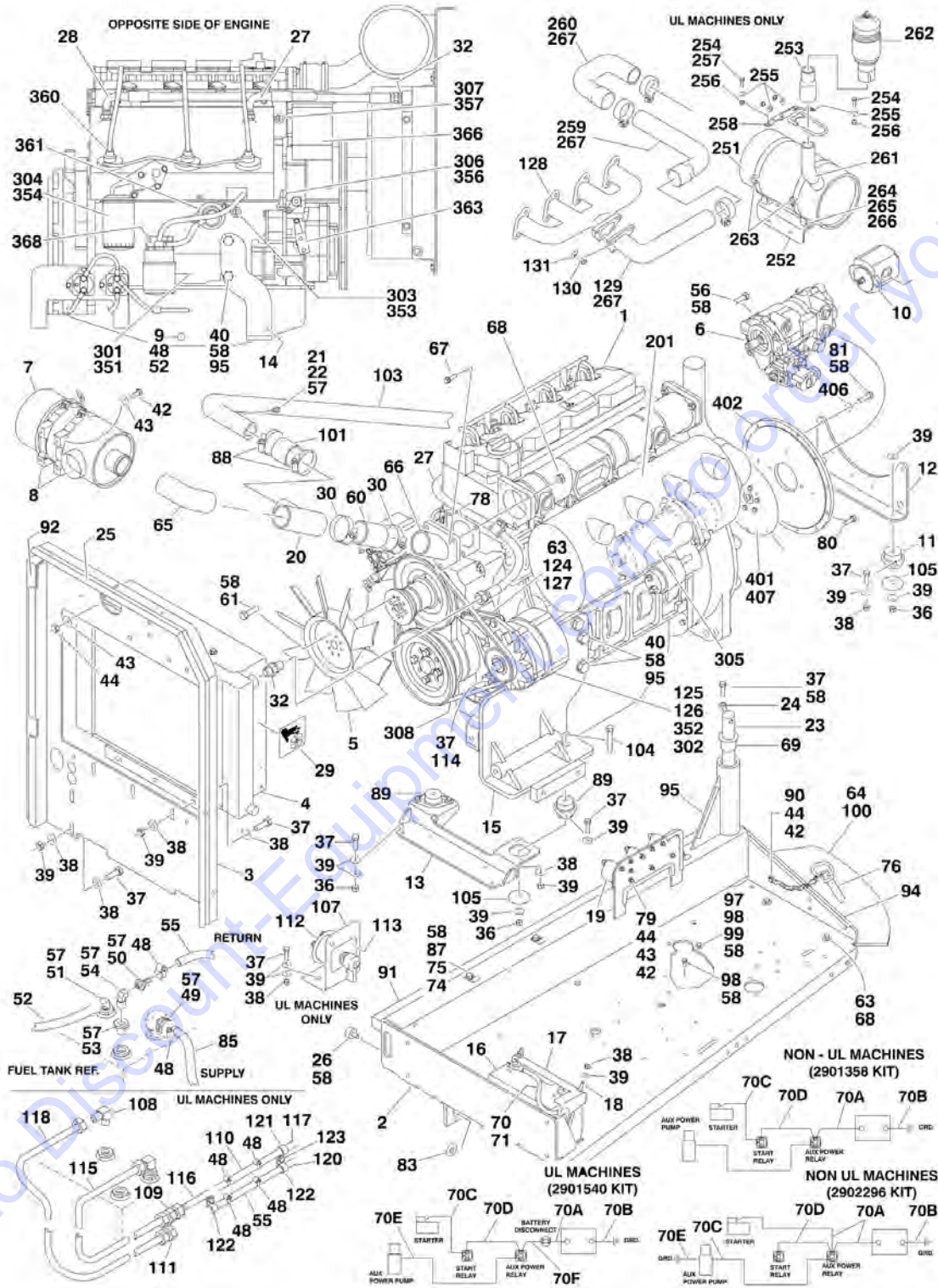
| ITEM | PART NUMBER | QTY | DESCRIPTION  | REV |
|------|-------------|-----|--|-----|
| 226  | 7026817     | 4   | O-Ring (Not Shown - Located Between Oil Cooler and Cover)              |     |
| 226  | 7026818     | 1   | Gasket (Not Shown - Located Between Oil Cooler Cover and Engine Block) |     |
| 227  | 7026826     | 1   | Gasket, Exhaust Manifold to Engine Block (Not Shown)                   |     |
| 228  | 7026827     | 1   | Gasket, Exhaust Manifold to Exhaust Pipe                               |     |
| 229  | 7026829     | 1   | Gasket, Intake Manifold to Engine Block                                |     |
| 229  | 7026828     | 1   | Gasket, Intake Manifold to Air Intake Tube                             |     |
| 230  | 7026832     | 4   | Plug, Glow   |     |
| 231  | 7026845     | 1   | Block Heater Kit (Not Shown)   |     |
| 231  | 7026838     | 1   | Gasket, Block Heater (Not Shown)                                       |     |

Go to Discount-Equipment.com to order your parts



# SECTION 2 - TURNTABLE

FIGURE 2-8. DEUTZ ENGINE INSTALLATION (SN 0300069000 through 0300077489)





## SECTION 2 - TURNTABLE

**FIGURE 2-8. DEUTZ ENGINE INSTALLATION (SN 0300069000 through 0300077489)**

| ITEM | PART NUMBER | QTY       | DESCRIPTION   | REV  |
|------|-------------|-----------|---|------|
|      |             | Ref       | <b>ENGINE ASSEMBLY AND INSTALLATIONS</b>                      |      |
|      | 0270850     | Ref       | <b>Engine Assembly and Installation (Non UL)</b>              | 11/J |
|      | 0273851     | Ref       | <b>Engine Assembly and Installation (UL)</b>                  | 1/A  |
| 1    |             | Ref       | Engine - Deutz F4M1011F Diesel                                |      |
| 1    | 2000189     | 1         | Non UL Machines   |      |
| 1    | 2000146     | 1         | UL Machines   |      |
| 2    | 4845404     | 1         | Tray Engine   |      |
| 3    |             | Ref       | Plate, Radiator Mounting Options:                             |      |
| 3    | 3539872     | 1         | Non UL Machines   |      |
| 3    | 3571421     | 1         | UL Machines   |      |
| 4    | 3620033     | 1         | Cooler, Oil   |      |
| 5    | 2060025     | 1         | Fan   |      |
| 6    | 3600260     | 1         | Piston Pump Assembly (See PISTON PUMP ASSEMBLY for Breakdown) |      |
| 7    |             | Ref       | Air Cleaner Assembly Options:                                 |      |
| 7    | 1340060     | 1         | Non UL Machines   |      |
| 7A   | 7012664     | 1         | Element   |      |
| 7A   | 1340050     | 1         | UL Machines   |      |
| 7A   | 7010638     | 1         | Element   |      |
| 8    | 0340041     | 2         | Band, Mounting  |      |
| 9    | 4640751     | 1         | Valve, Oil Drain  |      |
| 10   | 3600242     | 1         | Gear Pump Assembly (See GEAR PUMP ASSEMBLY for Breakdown)     |      |
| 11   | 3200378     | 2         | Mount, Rubber Engine (Rear)                                   |      |
| 12   | 3537420     | 1         | Bracket, Engine Mounting - Rear                               |      |
| 13   | 3539971     | 1         | Bracket, Engine Mounting - Front                              |      |
| 14   | 3537416     | 1         | Support, Engine - Right                                       |      |
| 15   |             | Ref       | Support, Engine - Left Options:                               |      |
| 15   | 4846566     | 1         | Non UL Machines   |      |
| 15   | 3537417     | 1         | UL Machines   |      |
| 16   | 0400075     | 1         | Battery   |      |
| 17   | 0181727     | 1         | Hold-Down, Battery  |      |
| 18   | 0630498     | 2         | Rod, Hold-Down  |      |
| 19   | 3740067     | 2         | Relay   |      |
| 21   | 4360392     | 1         | Switch, Restrictor Indicator                                  |      |
| 22   | 2180798     | 1         | Fitting   |      |
| 23   | 3422448     | 1         | Pin, Pivot  |      |
| 24   | 3841143     | 1         | Keeper, Pin   |      |
| 25   | 3960389     | 5 ft/1.5m | Seal  |      |
| 26   | 0940070     | 1         | Bumper, Rubber  |      |
| 27   | 2720398     | 1         | Hose, Oil Cooler - Left                                       |      |
| 28   | 2720398     | 1         | Hose, Oil Cooler - Right                                      |      |
| 29   | 1703162     | 2         | Nameplate - Fan Caution                                       |      |
| 30   | 1320016     | 4         | Clamp, Hose   |      |
| 32   | 2220451     | 2         | Fitting, Straight   |      |
| 33   | 3931620     | 2         | Capscrew, Socket Head 3/8in-16NC x 1-1/4in                    |      |
| 35   | 0641818     | 2         | Bolt 1/2in-13NC x 2-1/4in                                     |      |
| 36   | 3311805     | 4         | Locknut 1/2in-13NC  |      |
| 37   | 0641610     | AR        | Bolt 3/8in-16NC x 1-1/4in                                     |      |
| 38   | 3311605     | AR        | Locknut 3/8in-16NC  |      |

## SECTION 2 - TURNTABLE

| ITEM | PART NUMBER | QTY        | DESCRIPTION   | REV |
|------|-------------|------------|---|-----|
| 39   | 4751600     | AR         | Flatwasher 3/8in Regular  |     |
| 40   | 0701414     | AR         | Bolt 1/4in-20NC x 3/4in   |     |
| 41   | 4891600     | 2          | Flatwasher 3/8in Hardened   |     |
| 42   | 0641407     | AR         | Bolt 1/4in-20NC x 7/8in   |     |
| 43   | 4751400     | AR         | Flatwasher 1/4in Regular  |     |
| 44   | 3311405     | AR         | Locknut 1/4in-20NC  |     |
| 48   | 1320022     | 6          | Clamp, Hose   |     |
| 49   | 2220273     | 2          | Fitting, Reducer  |     |
| 50   | 2180536     | 1          | Fitting, Straight   |     |
| 51   | 2220313     | 1          | Fitting, 90   |     |
| 52   | 2750532     | 6 ft/1.83m | Hose 3/8in  |     |
| 53   | 2220250     | 1          | Fitting, Reducer  |     |
| 54   | 2220459     | 1          | Fitting, 90   |     |
| 55   | 2720271     | 15 ft/4.6m | Hose 3/16in   |     |
| 56   | 0641812     | 4          | Bolt 1/2in-13NC x 1-1/2in   |     |
| 57   | 0100020     | AR         | Sealant, Thread   |     |
| 58   | 0100011     | AR         | Compound, Locking   |     |
| 60   | 2720449     | AR         | Coupling, Rubber Intake   |     |
| 61   | 0700808     | 4          | Bolt M8 x 16mm  |     |
| 63   |             | Ref        | Bolt Options:   |     |
| 63   | 0641507     | 3          | Bolt 5/16in-18NC x 7/8in (Non UL Machines)  |     |
| 63   | 0641508     | 4          | Bolt 5/16in-18NC x 1in (UL Machines)  |     |
| 64   | 3380428     | 1          | Panel, Rubber   |     |
| 65   | 2720434     | 1          | Elbow, Rubber   |     |
| 66   | 4845395     | 1          | Air Intake Adapter Weldment   |     |
| 67   | 0641510     | 3          | Bolt 5/16in-18NC x 1-1/4in  |     |
| 68   | 3311505     | 7          | Locknut 5/16in-18NC   |     |
| 69   | 0961986     | 2          | Bushing, Flanged  |     |
| 70   | 2901358     | 1          | Battery Cable Kit (Non UL Machines) <b>(SN 0300069000 through 0300074732)</b>   |     |
| 70   | 2902296     | 1          | Battery Cable Kit (Non UL Machines) <b>(SN 0300074733 through 0300077489)</b>   |     |
|      |             | Ref        | <b>Note: 2902296 Rev A version is no longer available. Verify whether machine is equipped with 2 or 3 relays on the engine tray. If there are 3 relays, purchase latest revision of 2902296 kit. If there are 2 relays, purchase individual items as replacement.</b> |     |
| 70   | 2901540     | 1          | Battery Cable Kit (UL Machines)   |     |
| 70A  | 7016800     | 1          | Cable, Battery (Red) (p/n kit 2901358)  |     |
| 70A  | 1001116241  | 1          | Cable, Battery (Red) (Machines with 2 Relays on Engine Tray) (was p/n 7027000) (p/n kit 2902296)  |     |
| 70A  | 1001116240  | 1          | Cable, Battery (Red) (Machines with 3 Relays on Engine Tray) (was p/n 7027000) (p/n kit 2902296)  |     |
| 70A  | 7016826     | 1          | Cable, Battery (Red) (p/n kit 2901540)  |     |
| 70B  | 7016812     | 1          | Cable, Battery (Black) (p/n kit 2901358)  |     |
| 70B  | 7027004     | 1          | Cable, Battery (Black) (p/n kit 2902296)  |     |
| 70B  | 7016812     | 1          | Cable, Battery (Black) (p/n kit 2901540)  |     |
| 70C  | 7016802     | 1          | Cable (Red) (p/n kit 2901358)   |     |
| 70C  | 7027002     | 1          | Cable (Red) (p/n kit 2902296)   |     |
| 70C  | 7016845     | 1          | Cable (Red) (p/n kit 2901540)   |     |
| 70D  | 7016803     | 1          | Cable (Red) (p/n kit 2901358)   |     |
| 70D  | 7027001     | 1          | Cable (Red) (No Longer Part of 2902296 Kit.)  |     |
| 70D  | 7016815     | 1          | Cable (Red) (p/n kit 2901540)   |     |

## SECTION 2 - TURNTABLE

| ITEM | PART NUMBER  | QTY          | DESCRIPTION  | REV |
|------|--------------|--------------|--|-----|
| 70E  | 7016824      | 1            | Cable (Red) (p/n kit 2901358)                                    |     |
| 70E  | 7027003      | 1            | Cable (Black) (p/n kit 2902296)                                  |     |
| 70E  | 7016816      | 1            | Cable (Red) (p/n kit 2901540)                                    |     |
| 70F  | Not Required | 0            | (p/n kit 2901358/p/n kit 2902296)                                |     |
| 70F  | 7016827      | 1            | Cable (Red) (p/n kit 2901540)                                    |     |
| 71   | 4460611      | 1            | Terminal, Battery Jumper Post (SN 0300069000 through 0300074733) |     |
| 72   | 4360294      | 1            | Breaker, Circuit 30A Self Resetting                              |     |
| 73   | 1320222      | 1            | J-Clip 3/8in   |     |
| 74   | 1320223      | 4            | J-Clip 1/2in   |     |
| 75   | 0641606      | 3            | Bolt 3/8in-16NC x 3/4in  |     |
| 76   |              | Ref          | Pin, Hitch Options:  |     |
| 76   | 3422532      | 1            | Standard Machines  |     |
| 76   | 3422533      | 1            | UL Machines  |     |
| 77   | 3790152      | 1            | O-Ring   |     |
| 78   | 3960407      | 1            | Gasket   |     |
| 79   | 4791400      | 4            | Starwasher 1/4in   |     |
| 80   | 0701012      | 4            | Bolt M10 x 25mm  |     |
| 81   | 0701015      | 4            | Bolt M10 x 35mm  |     |
| 82   | 0642010      | 1            | Bolt 5/8in-11NC x 1-1/4in  |     |
| 83   | 4752000      | 1            | Flatwasher 5/8in Regular   |     |
| 84   | 1701505      | 1            | Decal - Diesel (Not Shown - Located on Hood)                     |     |
| 85   | 2720058      | 16 ft/4.9m   | Hose   |     |
| 86   | 2220794      | 1            | Fitting, Barbed  |     |
| 87   | 4711600      | 3            | Flatwasher 3/8in Thin  |     |
| 89   | 3200362      | 2            | Mount, Rubber Engine (Front)                                     |     |
| 90   | 4711400      | 1            | Flatwasher 1/4in Thin  |     |
| 91   | 3960468      | 1            | Seal, Foam Gasket  |     |
| 92   | 3960469      | 1            | Seal, Foam Gasket  |     |
| 94   | 4060805      | 2.9 ft/0.88m | Flex-Trim 1/4in  |     |
| 96   | 4751800      | 2            | Flatwasher 1/2in Regular   |     |
| 97   | 1060637      | 1            | Lanyard  |     |
| 98   | 0641808      | 2            | Bolt 1/2in-13NC x 1in  |     |
| 99   | 3311801      | 1            | Nut 1/2in-13NC   |     |
| 100  | 3539956      | 1            | Plate, Support   |     |
| 103  |              | Ref          | Tuning Tube Weldment Options:                                    |     |
| 103  | 4567815      | 1            | Non UL Machines  |     |
| 103  | 4845080      | 1            | UL Machines  |     |
| 104  | 0641826      | 2            | Bolt 1/2in-13NC x 3-1/4in  |     |
| 105  | 4740274      | 4            | Washer, Snubbing   |     |
| 107  | 3570238      | 1            | Plate, Switch Mounting (UL Machines Only)                        |     |
| 108  | 2180703      | 1            | Fitting, 90 (UL Machines Only)                                   |     |
| 109  | 2221023      | 1            | Fitting, Union (UL Machines Only)                                |     |
| 110  | 2720058      | 1.66 ft/0.6m | Hose (UL Machines Only)  |     |
| 111  | 2221028      | 1            | Fitting, Union (UL Machines Only)                                |     |
| 112  | 4360256      | 1            | Switch, Battery Disconnect (UL Machines Only)                    |     |
| 113  | 1703476      | 1            | Decal, Battery Disconnect (UL Machines Only)                     |     |
| 114  | 4567576      | 1            | Spacer, Tube (UL Machines Only)                                  |     |
| 115  | 4567213      | 1            | Tubing, Fuel (UL Machines Only)                                  |     |
| 116  | 4567214      | 1            | Tubing, Fuel (UL Machines Only)                                  |     |

## SECTION 2 - TURNTABLE

| ITEM | PART NUMBER | QTY             | DESCRIPTION                                      | REV |
|------|-------------|-----------------|--|-----|
| 117  | 4567574     | 1               | Tubing, Fuel (UL Machines Only)                  |     |
| 118  | 4567571     | 1               | Tubing, Fuel (UL Machines Only)                  |     |
| 119  | 4567572     | 1               | Tubing, Fuel (UL Machines Only)                  |     |
| 120  | 4567573     | 1               | Tubing, Fuel (UL Machines Only)                  |     |
| 121  | 1320245     | 5               | Clamp (UL Machines Only)                         |     |
| 122  | 1320244     | 5               | Clamp (UL Machines Only)                         |     |
| 123  | 3931408     | 5               | Bolt 1/4in-20NC x 1/2in (UL Machines Only)       |     |
| 124  | 0902417     | 1               | Bracket, Alternator (UL Machines Only)           |     |
| 125  | 0160020     | 1               | Alternator (UL) 72 Amp (UL Machines Only)        |     |
| 126  | 3580259     | 1               | Pulley, Alternator (UL Machines Only)            |     |
| 127  | 4751500     | 1               | Flatwasher 5/16in Regular (UL Machines Only)     |     |
| 128  | 3100076     | 1               | Manifold, Exhaust (UL Machines Only)             |     |
| 129  | 4567428     | 1               | Weldment, Exhaust Tube (UL Machines Only)        |     |
| 130  | 0700812     | 3               | Bolt 8mm x 25mm (UL Machines Only)               |     |
| 131  | 4831900     | 3               | Lockwasher M8 (UL Machines Only)                 |     |
| 132  | 7019658     | 1               | 90 Fitting W/Pick-Up Tube                        |     |
|      |             | Ref             | <b>MUFFLER INSTALLATIONS (NON UL MACHINES)</b>   |     |
|      | 0256689     | Ref             | <b>Standard Equipment (Spark Arresting)</b>      | -   |
|      | 0256690     | Ref             | <b>Optional Equipment (Catalytic)</b>            | -   |
| 201  |             | Ref             | Muffler Options:                                 |     |
| 201  | 3220103     | 1               | Spark Arresting                                  |     |
| 201  | 3220104     | 1               | Catalytic  |     |
| 201  |             | Ref             | Clamp Options:                                   |     |
| 201  | 1320176     | 1               | Muffler p/n 3220103                              |     |
| 201  | 70001017    | 1               | Muffler p/n 3220104                              |     |
| 201  | 7024398     | 1               | Tube, Exhaust                                    |     |
| 201  | 7024560     | 1               | Plug, Brass                                      |     |
|      | 0258569     | Ref             | <b>MUFFLER INSTALLATION (UL MACHINES)</b>        | 1   |
| 251  | 3220113     | 1               | Muffler, Spark Arrestor                          |     |
| 251  | 70001017    | 1               | Clamp  |     |
| 252  | 3570754     | 1               | Plate, Muffler Mount                             |     |
| 253  | 4845668     | 1               | Weldment, Exhaust Tube                           |     |
| 254  | 3900232     | 5               | Bolt, Button Head 3/8in-16NC x 1-1/4in           |     |
| 255  | 4751600     | 5               | Flatwasher 3/8in Regular                         |     |
| 256  | 3311601     | 5               | Nut 3/8in-16NC                                   |     |
| 257  | 0100011     | AR              | Compound, Locking                                |     |
| 258  | 0902473     | 1               | Bracket  |     |
| 259  | 4567429     | 1               | Tube, Exhaust                                    |     |
| 260  | 4567430     | 1               | Tube, Exhaust                                    |     |
| 261  | 4567431     | 1               | Tube, Exhaust                                    |     |
| 262  | 3220111     | 1               | Spark Arrestor                                   |     |
| 263  | 0340046     | 2               | Band, Muffler                                    |     |
| 264  | 0641507     | 4               | Bolt 5/16in-18NC x 7/8in                         |     |
| 265  | 4711500     | 8               | Flatwasher 5/16in Thin                           |     |
| 266  | 3311505     | 4               | Locknut 5/16in-18NC                              |     |
| 267  | 4100025     | 3.5<br>ft/1.06m | Sleeve   |     |
|      | 2000146     | Ref             | <b>ENGINE COMPONENTS (UL MACHINES)</b>           |     |
| 301  | 7016328     | 1               | Filter, Fuel (was p/n 7016639)                   |     |
| 302  | 7000663     | 1               | Alternator (was p/ns 7016329, 7020436 & 7020410) |     |
| 303  | 7016330     | 1               | Switch, Oil Pressure                             |     |
| 304  | 7016331     | 1               | Filter, Oil (was p/n 7016641)                    |     |

## SECTION 2 - TURNTABLE

| ITEM | PART NUMBER | QTY | DESCRIPTION  | REV |
|------|-------------|-----|--|-----|
| 305  | 7016332     | 1   | Starter  |     |
| 306  | 7026631     | 1   | Dipstick, Engine Oil (was p/ns 7019664 & 7016640)                        |     |
| 306  | 70001002    | 1   | Tube, Oil Dipstick (was p/n 7019664)                                     |     |
| 307  | 7020025     | 1   | Switch, Engine Temperature   |     |
| 308  | 7020414     | 1   | V-Belt   |     |
| 309  |             | Ref | Gasket, Cylinder Head Options (Not Shown):                               |     |
| 309  | 70001681    | 1   | 1 Notch  |     |
| 309  | 70002411    | 1   | 2 Notches  |     |
| 309  | 70002530    | 1   | 3 Notches  |     |
| 309  | 7020431     | 1   | Gasket, Valve Cover (Not Shown)  |     |
| 310  | 7000699     | 1   | Seal (Doughnut)  |     |
| 310  | See Note    | 8   | Nut, Muffler Attaching (Note: Not Available for Purchase)                |     |
| 311  | 7019607     | 1   | Shutdown, Throttle (was p/n 7016359) (Not Shown)                         |     |
| 312  | 7012599     | 4   | Pump, Fuel Injection (Not Shown)   |     |
| 312  | 7020427     | 4   | Injector, Fuel (Not Shown)   |     |
| 312  | 7020425     | 4   | Nozzle (Not Shown)   |     |
| 313  | 7020463     | 1   | Pump, Fuel Supply  |     |
| 313  | 7020419     | 1   | Hose, Fuel Return  |     |
| 314  | 7020027     | 1   | Flywheel/Ring Gear Assembly (Not Shown)                                  |     |
| 314  | 7020477     | 1   | Ring Gear Only (Not Shown)   |     |
| 315  | 7020404     | 1   | Washer, Oil Drain Plug (Not Shown)                                       |     |
| 316  | 7027250     | 1   | Spring, Actuator (Not Shown)   |     |
|      | 2000189     | Ref | <b>ENGINE COMPONENTS (NON UL MACHINES)</b>                               |     |
| 351  | 7016328     | 1   | Filter, Fuel   |     |
| 352  | 7000663     | 1   | Alternator (was p/n 7020410)   |     |
| 352  | 7020464     | 1   | Regulator  |     |
| 352  | 70003556    | 1   | Pulley, Alternator   |     |
| 352  | 70002234    | 1   | Bracket, Adjustable  |     |
| 353  | 7020461     | 1   | Switch, Oil Pressure   |     |
| 354  | 7016331     | 1   | Filter, Oil  |     |
| 355  | 7020479     | 1   | Starter  |     |
| 355  | See Note    | 1   | Relay (Note: Not Available for Purchase)                                 |     |
| 355  | 7026608     | 2   | Bolt, Starter Mounting   |     |
| 355  | 70001498    | 1   | Shield, Starter Heat (Not Shown)   |     |
| 356  | 7026631     | 1   | Dipstick Oil Level   |     |
| 356  | 7020487     | 1   | Seal, Dipstick (Not Shown)   |     |
| 356  | 70001002    |     | Tube, Dipstick   |     |
| 357  | 7020168     | 1   | Switch, Engine Temperature   |     |
| 357  | 7020480     | 1   | Seal, Temp Switch  |     |
| 358  | 7020408     | 1   | V-Belt   |     |
| 360  | 7020462     | 4   | Fuel Injection Pump  |     |
| 360  | 7026522     | 4   | Injector, Fuel (Includes Nozzle Element) (Not Shown)                     |     |
| 361  | 7020463     | 1   | Fuel Pump Supply (was p/n 7024413)                                       |     |
| 361  | 7020411     | 1   | Seal, Pump to Block (Not Shown)  |     |
| 362  | 7020465     | 2   | Cap, Oil Fill (Not Shown - Located on Top and Left Sides)                |     |
| 363  | 7020474     | 1   | Pump, Oil Lube   |     |
| 363  | 7020468     | 1   | Ring, Pump Sealing   |     |
| 364  | 7020449     | 4   | Gasket, Intake Manifold to Engine Block (Not Shown)                      |     |
| 365  | 7024565     | 1   | Sensor, Tach (Not Shown - Located on Flywheel Housing) (was p/n 7020481) |     |
| 366  | 7020458     | 1   | Actuator   |     |
| 366  | 7026607     | 1   | Spring, Actuator (was p/n 7027276)                                       |     |

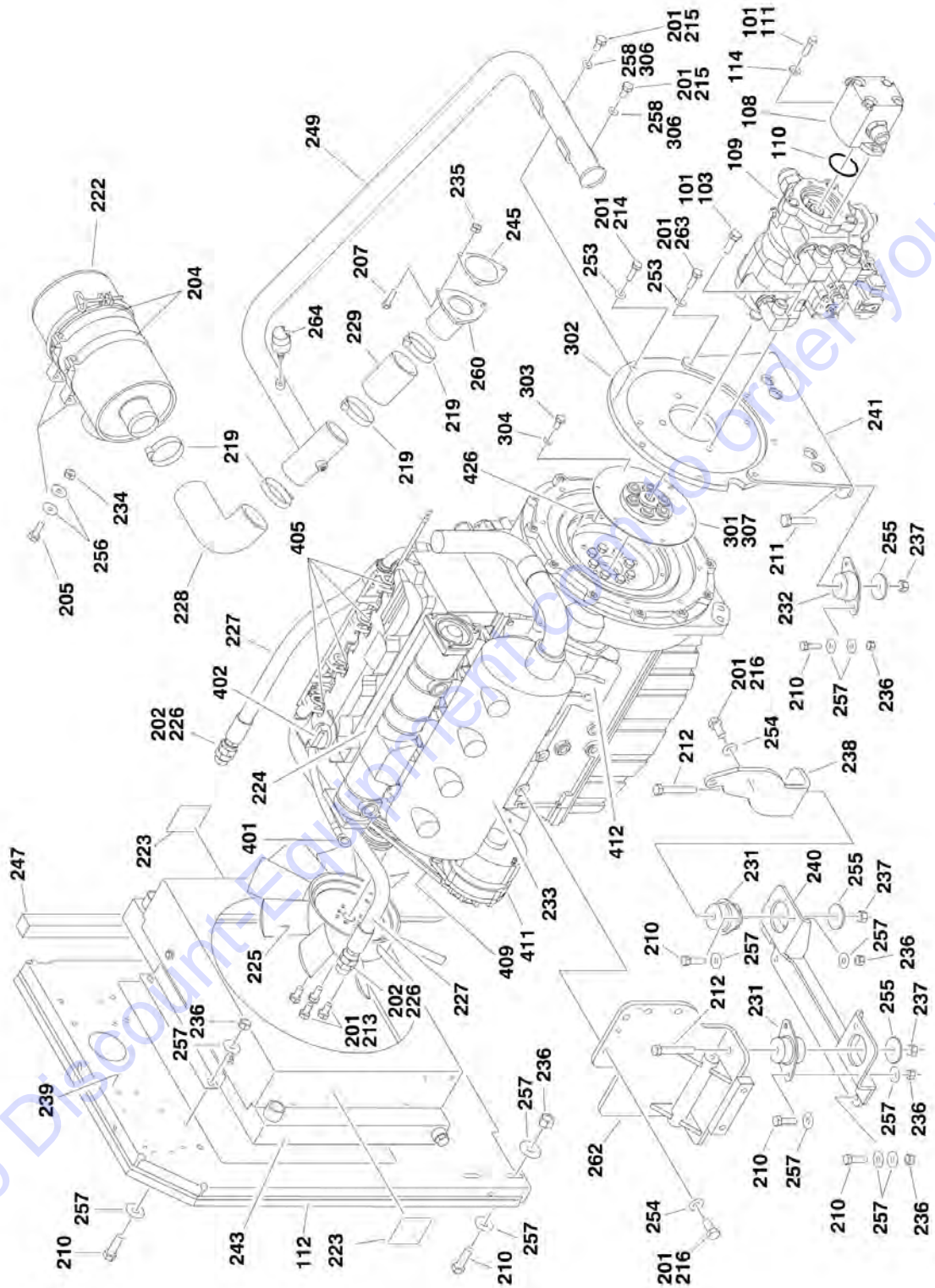
## SECTION 2 - TURNTABLE

| ITEM | PART NUMBER | QTY | DESCRIPTION   | REV |
|------|-------------|-----|---|-----|
| 367  | 7020471     | 4   | Gasket, Exhaust Manifold to Engine Block                |     |
| 368  | 70001423    | 1   | Head, Fuel Filter                                       |     |
| 369  |             | Ref | Gasket, Head Options (Not Shown):                       |     |
| 369  | 70001681    | 1   | 1 Notch Gasket  |     |
| 369  | 70002411    | 1   | 2 Notch Gasket  |     |
| 369  | 70002530    | 1   | 3 Notches   |     |
| 370  | See Note    | 1   | Flywheel (Not Shown) (Note: Not Available for Purchase) |     |
| 370  | 7024579     |     | Ring Gear (Not Shown)                                   |     |
|      | 0256847     | Ref | <b>PUMP COUPLING INSTALLATION</b>                       | -   |
| 401  | 1660234     | 1   | Coupling, Hayes   |     |
| 402  | 0080163     | 1   | Plate, Pump Adapter                                     |     |
| 403  | 0700810     | 6   | Bolt Metric M8 x 20mm                                   |     |
| 404  | 4831900     | 6   | Lockwasher M8   |     |
| 406  | 4832000     | 8   | Lockwasher M10  |     |



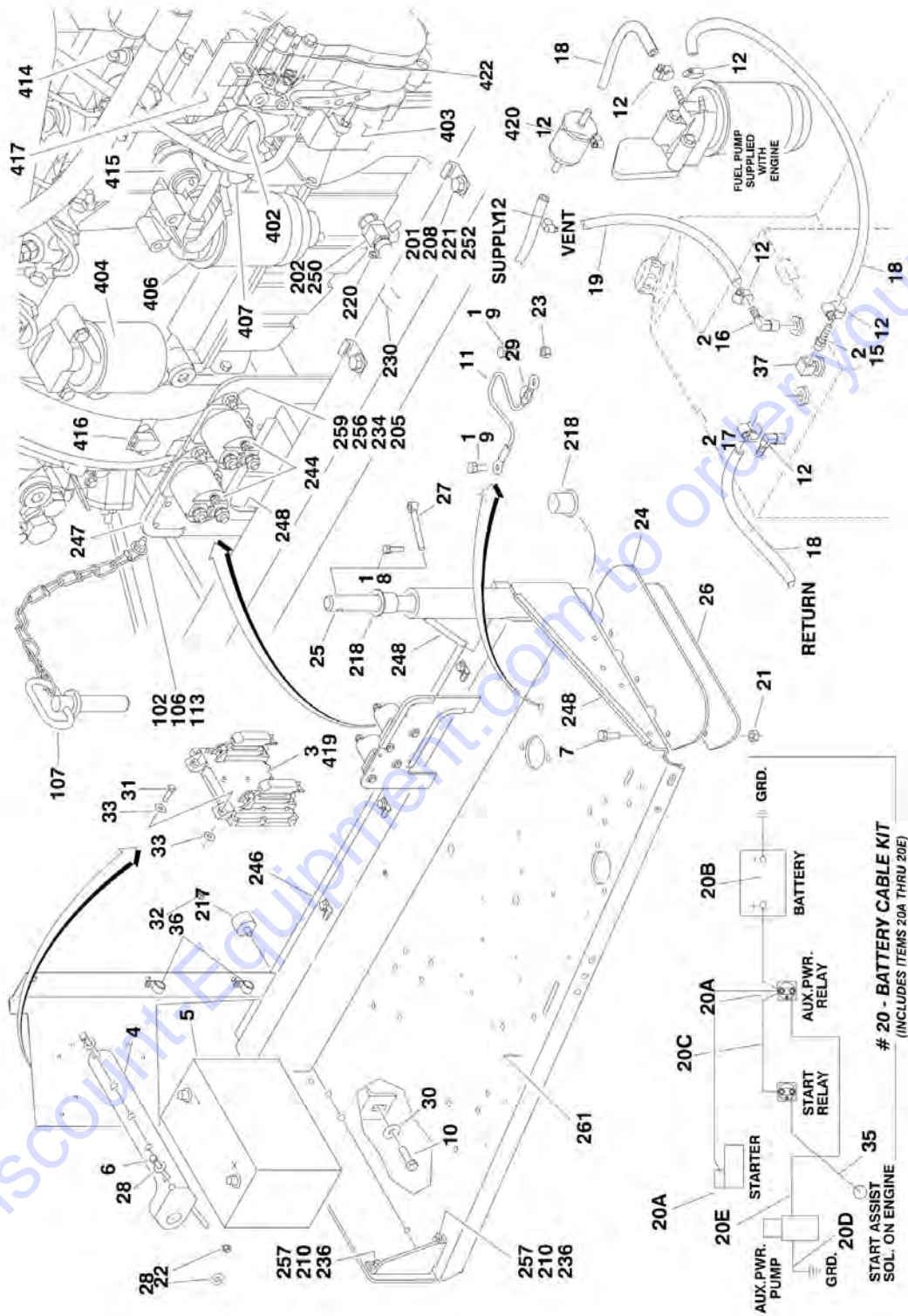
# SECTION 2 - TURNTABLE

FIGURE 2-9. DEUTZ ENGINE INSTALLATION (SN 0300077490 through 0300087000)





SECTION 2 - TURNTABLE



## SECTION 2 - TURNTABLE

FIGURE 2-9. DEUTZ ENGINE INSTALLATION (SN 0300077490 through 0300087000)

| ITEM | PART NUMBER | QTY        | DESCRIPTION   | REV |
|------|-------------|------------|---|-----|
|      |             | Ref        | <b>DEUTZ ENGINE INSTALLATIONS</b>   |     |
|      | 0273685     | Ref        | <b>Deutz Engine Installations (SN 0300077490 through 0300081835)</b>  | 3/A |
|      | 0273970     | Ref        | <b>Deutz Engine Installations (SN 0300081836 through 0300087000)</b>  | 3/B |
|      | 0274299     | Ref        | <b>Deutz Engine Installations (SN 0300081836 through 0300087000)</b>  | C   |
| 1    | 0100011     | AR         | Compound, Locking   |     |
| 2    | 0100020     | AR         | Sealant, Pipe   |     |
| 3    | 0100048     | AR         | Grease, Dielectric  |     |
| 4    | 0181727     | 1          | Hold-Down, Battery  |     |
| 5    | 0400075     | 1          | Battery   |     |
| 6    | 0630498     | 2          | Bolt, Battery Hold-Down   |     |
| 7    | 0641507     | 3          | Bolt 5/16in-18NC x 7/8in  |     |
| 8    | 0641610     | 1          | Bolt 3/8in-16NC x 1-1/4in   |     |
| 9    | 0641808     | 2          | Bolt 1/2in-13NC x 1in   |     |
| 10   | 0642010     | 1          | Bolt 5/8in-11NC x 1-1/4in   |     |
| 11   | 1060637     | 1          | Cable, Lanyard  |     |
| 12   | 1320022     | AR         | Clamp, Hose   |     |
| 13   | 1701505     | 1          | Decal - Diesel (Not Shown - Located on Hood)  |     |
| 15   | 2180348     | 1          | Fitting, Straight Barbed  |     |
| 16   | 2220313     | 1          | Fitting, 90   |     |
| 17   | 2221176     | 1          | Fitting, Straight Barbed  |     |
| 18   | 2720058     | 30 ft/9.2m | Hose  |     |
| 19   | 2750532     | 6 ft/1.8m  | Hose  |     |
| 20   | 2902296     | 1          | Battery Cable Kit   | B   |
|      |             | Ref        | <b>Note: 2902296 Rev A version is no longer available. Verify weather machine is equipped with 2 or 3 relays on the engine tray.</b>    |     |
|      |             | Ref        | <b>If there are 3 relays, purchase latest revision of 2902296 kit. If there are 2 relays, purchase individual items as replacement.</b> |     |
| 20A  | 1001116241  | 1          | Cable, Battery (Red) (Machines with 2 Relays on Engine Tray) (was p/n 7027000)  |     |
| 20A  | 1001116240  | 1          | Cable, Battery (Red) (Machines with 3 Relays on Engine Tray) (was p/n 7027000)  |     |
| 20B  | 7027004     | 1          | Cable, Battery (Black)  |     |
| 20C  | 7027001     | 1          | Cable (Red) (No Longer Part of 2902296 Kit.)  |     |
| 20D  | 7027003     | 1          | Cable (Black)   |     |
| 20E  | 7027002     | 1          | Cable (Red)   |     |
| 21   | 3311505     | 10         | Locknut 5/16in-18NC   |     |
| 22   | 3311605     | 2          | Locknut 3/8in-16NC  |     |
| 23   | 3311801     | 1          | Nut 1/2in-13NC  |     |
| 24   | 3380428     | 1          | Panel, Rubber   |     |
| 25   | 3422448     | 1          | Pin, Pivot  |     |
| 26   | 3539956     | 1          | Plate, Support  |     |
| 27   | 3841143     | 1          | Pin, Keeper   |     |
| 28   | 4751600     | 4          | Flatwasher 3/8in Regular  |     |
| 29   | 4751800     | 1          | Flatwasher 1/2in Regular  |     |
| 30   | 4752000     | 1          | Flatwasher 5/8in Regular  |     |
| 32   | 0641409     | 4          | Bolt 1/4in-20NC x 1-1/8in (SN 0300084829 through 0300087000)  |     |

## SECTION 2 - TURNTABLE

| ITEM | PART NUMBER | QTY       | DESCRIPTION  | REV |
|------|-------------|-----------|--|-----|
| 33   | 3311405     | 4         | Locknut 1/4in-20NC (SN 0300084829 through 0300087000)  |     |
| 34   | 4711400     | 8         | Flatwasher 1/4in Thin (SN 0300084829 through 0300087000)   |     |
| 35   | 4922978     | 1         | Harness, Start Assist Solenoid (See ELECTRICAL SECTION for Breakdown) (SN 0300077490 through 0300084828)       |     |
| 36   | 85941017    | 2         | Clamp (Not Shown - Located on Turntable) (SN 0300084829 through 0300087000)                                    |     |
| 37   | 7019658     | 1         | 90 Fitting W/Pick-Up Tube  |     |
|      |             | Ref       | <b>ENGINE AND PUMP ASSEMBLIES:</b>   |     |
|      | 2000224     | Ref       | Engine and Pump Assemblies (SN 0300077490 through 0300081835)  | C   |
|      | 2000221     | Ref       | Engine and Pump Assemblies (SN 0300081836 through 0300084828)  | D   |
|      | 2000280     | Ref       | Engine and Pump Assemblies (SN 0300084829 through 0300087000)  | B   |
| 101  | 0100011     | AR        | Compound, Locking  |     |
| 102  | 0641407     | 1         | Bolt 1/4in-20NC x 7/8in  |     |
| 103  | 0641812     | 2         | Bolt 1/2in-13NC x 1-1/2in  |     |
| 105  | 3020016     | 3.75 gal  | Oil, Motor (Not Shown)   |     |
| 106  | 3311405     | 1         | Locknut 1/4in-20NC   |     |
| 107  | 3422532     | 1         | Pin, Hitch   |     |
| 108  | 3600395     | 1         | Gear Pump Assembly with Fittings (See GEAR PUMP ASSEMBLY for Breakdown)  |     |
| 109  |             | Ref       | Piston Pump Assembly with Fittings Options:  |     |
| 109  | 3600397     | 1         | Piston Pump Assembly with Fittings (See PISTON PUMP ASSEMBLY for Breakdown) (SN 0300077490 through 0300081835) |     |
| 109  | 3600396     | 1         | Piston Pump Assembly with Fittings (See PISTON PUMP ASSEMBLY for Breakdown) (SN 0300081836 through 0300087000) |     |
| 110  | 3790152     | 1         | O-Ring   |     |
| 111  | 3931620     | 2         | Capscrew 3/8in-16NC x 1-1/4in  |     |
| 112  | 3960389     | 5 ft/1.5m | Seal   |     |
| 113  | 4751400     | 1         | Flatwasher 1/4in Regular   |     |
| 114  | 4891600     | 2         | Flatwasher 3/8in Hardened  |     |
|      |             | Ref       | <b>ENGINE AND PUMP ASSEMBLIES OPTIONS:</b>   |     |
|      | 2000219     | Ref       | Engine and Pump Assemblies (SN 0300077490 through 0300084828)  | F   |
|      | 2000279     | Ref       | Engine and Pump Assemblies (SN 0300084829 through 0300087000)  | C   |
|      | 0256689     | Ref       | <b>MUFFLER INSTALLATION - SPARK ARRESTING (STANDARD)</b>   | -   |
|      | 0256690     | Ref       | <b>MUFFLER INSTALLATION - CATALYTIC (OPTIONAL)</b>   | -   |
| 201  | 0100011     | AR        | Compound, Locking  |     |
| 202  | 0100020     | AR        | Sealant, Pipe  |     |
| 204  | 0340041     | 2         | Band, Air Cleaner  |     |
| 205  | 0641407     | 8         | Bolt 1/4in-20NC x 7/8in  |     |
| 207  | 0641510     | 3         | Bolt 5/16in-18NC x 1-1/4in   |     |
| 208  | 0641606     | 3         | Bolt 3/8in-16NC x 3/4in  |     |
| 210  | 0641610     | 20        | Bolt 3/8in-16NC x 1-1/4in  |     |
| 211  | 0641818     | 2         | Bolt 1/2in-13NC x 2-1/4in  |     |
| 212  | 0641826     | 2         | Bolt 1/2in-13NC x 3-1/4in  |     |
| 213  | 0700808     | 4         | Bolt M8 x 16mm   |     |
| 214  | 0701012     | 2         | Bolt M10 x 25mm  |     |
| 215  | 0701015     | 2         | Bolt M10 x 35mm  |     |
| 216  | 0701414     | 6         | Bolt M14 x 130mm   |     |

## SECTION 2 - TURNTABLE

| ITEM | PART NUMBER | QTY       | DESCRIPTION  | REV |
|------|-------------|-----------|--|-----|
| 217  | 0940070     | 1         | Bumper   |     |
| 218  | 0961986     | 2         | Bushing, Flanged   |     |
| 219  | 1320016     | 4         | Clamp  |     |
| 220  | 1320022     | 1         | Clamp, Hose  |     |
| 221  | 1320223     | 3         | J-Clip   |     |
| 222  | 1340060     | 1         | Air Cleaner Assembly Filter Element                                |     |
| 222  | 7012664     | 1         | Element, Filter (Not Shown)  |     |
| 223  | 1703162     | 2         | Decal - Caution Fan Blade  |     |
| 224  |             | Ref       | Engine, Deutz - F4M2011 Tier II Options:                           |     |
| 224  | 2000216     | 1         | Engine, Deutz - F4M2011 Tier II (SN 0300077490 through 0300084828) |     |
| 224  | 2000274     | 1         | Engine, Deutz - F4M2011 Tier II (SN 0300084829 through 0300087000) |     |
| 225  | 2060025     | 1         | Fan  |     |
| 226  | 2220451     | 2         | Fitting, Straight  |     |
| 227  | 2720398     | 2         | Hose, Oil Cooler   |     |
| 228  | 2720434     | 1         | Elbow, Rubber  |     |
| 229  | 2720449     | 1         | Hose, Air Cleaner  |     |
| 230  | 2750532     | 1 ft/30cm | Hose, Oil Drain  |     |
| 231  | 3200362     | 2         | Mount, Motor   |     |
| 232  | 3200406     | 2         | Mount, Motor   |     |
| 233  |             | Ref       | Muffler Options:   |     |
| 233  | 3220103     | 1         | Spark Arresting (Standard)   |     |
| 233  | 3220104     | 1         | Catalytic (Optional)   |     |
| 233  |             | Ref       | Clamp Options:   |     |
| 233  | 1320176     | 1         | Muffler p/n 3220103  |     |
| 233  | 70001017    | 1         | Muffler p/n 3220104  |     |
| 233  | 7024398     | 1         | Tube, Exhaust  |     |
| 233  | 7024560     | 1         | Plug, Brass  |     |
| 234  | 3311405     | 8         | Locknut 1/4in-20NC   |     |
| 235  | 3311505     | 3         | Locknut 5/16in-18NC  |     |
| 236  | 3311605     | AR        | Locknut 3/8in-16NC   |     |
| 237  | 3311805     | 4         | Locknut 1/2in-13NC   |     |
| 238  | 3537416     | 1         | Plate, Engine Mounting (Front Right Side)                          |     |
| 239  | 3539872     | 1         | Plate, Radiator Mounting   |     |
| 240  | 3539971     | 1         | Plate, Engine Mounting (Front Bottom)                              |     |
| 241  | 3534978     | 1         | Plate, Engine Mounting (Rear)                                      |     |
| 243  | 3620033     | 1         | Radiator   |     |
| 244  | 3740067     | 2         | Relay  |     |
| 245  | 3960407     | 1         | Gasket, Air Intake   |     |
| 246  | 3960468     | 1         | Seal   |     |
| 247  | 3960369     | 1         | Seal   |     |
| 248  | 4060805     | 37 in/1m  | Flex-Trim  |     |
| 249  |             | Ref       | Tube, Tuning Options:  |     |
| 249  | 4567815     | 1         | Tube, Tuning (SN 0300077490 through 0300084828)                    |     |
| 249  | 4569171     | 1         | Tube, Tuning (SN 0300084829 through 0300087000)                    |     |
| 250  | 4640751     | 1         | Valve, Oil Drain   |     |
| 252  | 4711600     | 3         | Flatwasher 3/8in Thin  |     |
| 253  | 4711700     | 6         | Flatwasher 7/16in Thin (SN 0300084829 through 0300087000)          |     |
| 254  | 4711900     | 6         | Flatwasher 9/16in Thin   |     |
| 255  | 4740274     | 4         | Washer, Snubbing   |     |
| 256  | 4751400     | AR        | Flatwasher 1/4in Regular   |     |

## SECTION 2 - TURNTABLE

| ITEM | PART NUMBER | QTY | DESCRIPTION   | REV |
|------|-------------|-----|---|-----|
| 257  | 4751600     | 40  | Flatwasher 3/8in Regular  |     |
| 258  | 4751700     | 2   | Flatwasher 7/16in Regular <b>(SN 0300084829 through 0300087000)</b>                     |     |
| 259  | 4791400     | 4   | Starwasher 1/4in  |     |
| 260  | 4845395     | 1   | Adapter, Air Intake   |     |
| 261  | 4845404     | 1   | Tray, Engine  |     |
| 262  | 4846566     | 1   | Plate, Engine Mounting (Front Left Side)  |     |
| 263  | 0701014     | 4   | Bolt M10 x 30mm <b>(SN 0300084829 through 0300087000)</b>                               |     |
| 264  | 4360392     | 1   | Indicator, Restriction <b>(SN 0300077490 through 0300084828)</b>                        |     |
| 264  | 2180798     | 1   | Fitting   |     |
|      | 0256847     | Ref | <b>PUMP COUPLING INSTALLATION</b>   | 2   |
| 301  | 1660234     | 1   | Coupling, Hayes   |     |
| 302  | 0080163     | 1   | Plate, Pump Adapter   |     |
| 303  | 0700810     | 63  | Bolt Metric M8 x 20mm   |     |
| 304  | 4831900     | 6   | Lockwasher M8   |     |
| 306  | 4832000     | 8   | Lockwasher M10 <b>(SN 0300077490 through 0300084828)</b>                                |     |
| 307  | 3020021     | AR  | Grease, Coupling  |     |
|      |             | Ref | <b>ENGINE COMPONENTS</b>  |     |
|      | 2000216     | Ref | <b>Engine Components (SN 0300077490 through 0300084828)</b>                             | C   |
|      | 2000274     | Ref | <b>Engine Components (SN 0300084829 through 0300087000)</b>                             | A   |
| 401  | 7026631     | 1   | Dipstick  |     |
| 401  | 7020487     | 1   | O-Ring, Dipstick  |     |
| 402  | 7020465     | 1   | Cap, Filler   |     |
| 403  | 70001850    | 1   | Pump, Oil Lube (was p/ns 7020484 & 70000045)  |     |
| 403  | 7020468     | 1   | Seal Between Oil Pump and Engine Block (Not Shown)                                      |     |
| 404  | 7016331     | 1   | Filter, Oil (was p/n 7016641)   |     |
| 405  |             | Ref | Pump, Injector Options:   |     |
| 405  | 7027246     | 4   | Series A Injector   |     |
| 405  | 7027608     | 4   | Series B Injector   |     |
| 405  | 7027609     | 4   | Series C Injector   |     |
| 405  | 7027610     | 4   | Series D Injector   |     |
| 405  | 7020447     | 4   | Gasket (1 per Injector)   |     |
| 406  | 7016328     | 1   | Filter, Fuel  |     |
| 407  | 70000916    | 1   | Pump, Fuel Supply (was p/n 7027238)   |     |
| 407  | 7020411     | 1   | O-Seal Between Fuel Pump and Engine Block (Not Shown)                                   |     |
| 408  | 7020449     | 4   | Gasket, Intake Manifold (Not Shown)   |     |
| 409  | 7020408     | 1   | V-Belt  |     |
| 410  | 7020471     | 4   | Gasket, Exhaust Manifold to Engine Block (Not Shown)                                    |     |
| 410  | See Note    | 1   | Gasket, Exhaust Manifold to Exhaust Pipe (Not Shown) (Note: Not Available for Purchase) |     |
| 410  | 70002200    | 8   | Stud, Muffler Attaching   |     |
| 411  | 7000663     | 1   | Alternator (was p/n 7020410)  |     |
| 411  | 7020464     | 1   | Regulator, Voltage (Not Shown)  |     |
| 411  | 70002234    | 1   | Bracket, Adjusting (Not Shown)  |     |
| 412  | 7020479     | 1   | Starter   |     |
| 412  | 7026608     | 1   | Solenoid  |     |
| 412  | 70001498    | 1   | Shield, Starter Heat  |     |
| 413  | See Note    | 2   | Plug- In Connector (Not Shown) (Note: Not Available for Purchase)                       |     |
| 414  | 7027241     | 1   | Transmitter, Temperature (Used on p/n 2000216)  |     |
| 414  | 7027791     | 1   | Transmitter, Temperature (Used on p/n 2000274)  |     |
| 414  | See Note    | 1   | Ring, Sealing (Note: Not Available for Purchase)  |     |

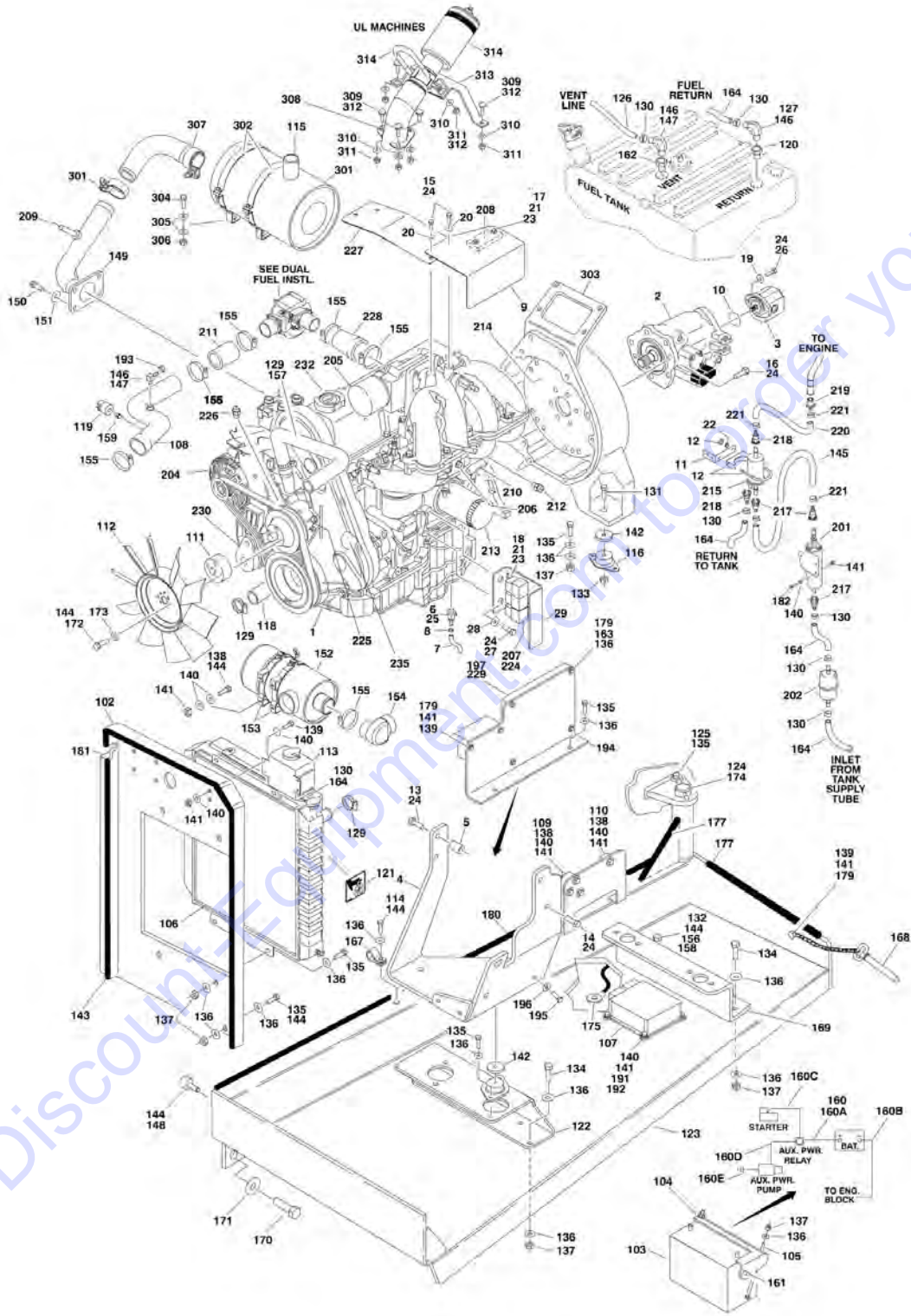
## SECTION 2 - TURNTABLE

| ITEM | PART NUMBER | QTY | DESCRIPTION  | REV |
|------|-------------|-----|--|-----|
| 415  | 7020461     | 1   | Sensor, Oil Pressure (Used on p/n 2000216)   |     |
| 415  | 7027790     | 1   | Sensor, Oil Pressure (Used on p/n 2000274)   |     |
| 416  | 7024565     | 1   | Sensor, Speed  |     |
| 417  | 7020458     | 1   | Actuator, Throttle (Used on p/n 2000216)   |     |
| 417  | 7027792     | 1   | Actuator, Throttle (Used on p/n 2000274)   |     |
| 417  | 7026607     | 2   | Spring, Actuator (was p/n 7027276)   |     |
| 418  | 7027236     | 1   | Sensor, Temperature (Not Shown)  |     |
| 419  | 7027795     | 1   | Deutz EMR2 Controller, Module ( <b>SN 0300084829 through 0300087000</b> )                      |     |
| 419  | 7027796     | 1   | Harness. EMR2 Module ( <b>SN 0300084829 through 0300087000</b> )                               |     |
| 420  | 7027245     | 1   | Filter, Fuel In-line (2000216 Engine Only)   |     |
| 421  | 70000800    | 1   | Timing Belt/Idler Kit Options (Used on p/n 2000216) (Not Shown):                               |     |
| 422  | 7027239     | 1   | Solenoid, Throttle   |     |
| 423  | See Note    | 1   | Gasket, Valve Cover (Not Shown) (Note: Not Available for Purchase)                             |     |
| 424  |             | Ref | Gasket, Cylinder Head Options (Not Shown):   |     |
| 424  | See Note    | 1   | 2000216 Engines (Note: Not Available for Purchase)   |     |
| 424  |             | Ref | 2000274 Engines:   |     |
| 424  | 70003001    | 1   | 1 Notch  |     |
| 424  | 70003002    | 1   | 2 Notches  |     |
| 424  | 70003003    | 1   | 3 Notches  |     |
| 425  |             | Ref | Harness, Engine Options (Not Shown):   |     |
| 425  | See Note    | 1   | Harness. Engine (Note: Not Available for Purchase) ( <b>SN 0300077490 through 0300084828</b> ) |     |
| 425  | 7027794     | 1   | Harness, Engine ( <b>SN 0300084829 through 0300087000</b> )                                    |     |
| 425  | 7027793     | 1   | Plug, Connector  |     |
| 426  | 70000264    | 1   | Flywheel   |     |
| 426  | 7024579     | 1   | Ring Gear  |     |
| 427  | 7020459     | 1   | Thermostat (Located at rear of engine block - Not Shown)                                       |     |
| 427  | 7020460     | 1   | Spring, Compression (Not Shown)  |     |



# SECTION 2 - TURNTABLE

FIGURE 2-10. FORD ENGINE INSTALLATION - LRG-425 (SN 0300069000 through 0300079887)





## SECTION 2 - TURNTABLE

**FIGURE 2-10. FORD ENGINE INSTALLATION - LRG-425 (SN 0300069000 through 0300079887)**

| ITEM | PART NUMBER | QTY       | DESCRIPTION   | REV |
|------|-------------|-----------|---|-----|
|      |             | Ref       | <b>ENGINE ASSEMBLIES</b>  |     |
|      | 0270849     | Ref       | <b>Standard Gas Machines (SN 0300069000 through 0300073339)</b>   | 3-B |
|      | 0270847     | Ref       | <b>Dual Fuel Machines (SN 0300069000 through 0300073338)</b>      | 5-D |
|      | 0272899     | Ref       | <b>Dual Fuel Machines (SN 0300073339 through 0300079888)</b>      | 2-B |
| 1    |             | Ref       | Engine - Ford LRG-425 Options:                                    |     |
| 1    | 2000172     | 1         | Standard Gas Machines   |     |
| 1    | 2000182     | 1         | Dual Fuel Machines (SN 0300069000 through 0300073338)             |     |
| 1    | 2000196     | 1         | Dual Fuel Machines (SN 0300073339 through 0300087000)             |     |
| 2    | 3600260     | 1         | Piston Pump Assembly (See PISTON PUMP ASSEMBLY for Breakdown)     |     |
| 3    | 3600242     | 1         | Gear Pump Assembly (See GEAR PUMP ASSEMBLY for Breakdown)         |     |
| 4    |             | Ref       | Plate, Engine Mounting - Front Options:                           |     |
| 4    | 3539972     | 1         | Plate, Engine Mounting - Front (SN 0300069000 through 0300073338) |     |
| 4    | 4846806     | 1         | Plate, Engine Mounting - Front (SN 0300073339 through 0300079888) |     |
| 5    | 4566605     | 1         | Tube, Spacer  |     |
| 6    | 4640989     | 1         | Valve, Oil Drain  |     |
| 7    | 2750532     | 1         | Hose  |     |
|      |             | ft/30.5cm |   |     |
| 8    | 1320022     | 1         | Clamp   |     |
| 9    | 3572307     | 1         | Plate, Module Mounting (SN 0300069000 through 0300073339)         |     |
| 10   | 3790152     | 1         | O-Ring  |     |
| 11   | 0902539     | 1         | Bracket, Fuel Filter/Pressure Regulator                           |     |
| 12   | 1320019     | 1         | Clamp, Exhaust  |     |
| 13   | 0701022     | 2         | Bolt M10 x 70mm   |     |
| 14   | 0701014     | 2         | Bolt M10 x 30mm   |     |
| 15   | 0700810     | 2         | Bolt M8 x 20mm (SN 0300069000 through 0300073339)                 |     |
| 16   | 0641812     | 2         | Bolt 1/2in-13NC x 1-1/2in   |     |
| 17   | 0721010     | 2         | Bolt #10-24NC x 1-1/4in (SN 0300069000 through 0300073339)        |     |
| 18   | 0721006     | 3         | Bolt #10-24NC x 3/4in (SN 0300069000 through 0300073339)          |     |
| 19   | 4891600     | 2         | Flatwasher 3/8in Hardened   |     |
| 20   | 4751500     | 2         | Flatwasher 5/16in Regular (SN 0300069000 through 0300073338)      |     |
| 21   | 4751000     | AR        | Flatwasher #10 Regular (SN 0300069000 through 0300073339)         |     |
| 22   | 4761500     | 2         | Lockwasher 5/16in   |     |
| 23   | 3311005     | AR        | Locknut #10-24NC (SN 0300069000 through 0300073339)               |     |
| 24   | 0100011     | AR        | Compound, Locking   |     |
| 25   | 0100020     | AR        | Sealant   |     |
| 26   | 3931620     | 2         | Screw 3/8in-16NC x 1-1/4in  |     |
| 27   | 0701010     | 2         | Bolt M10 x 20mm   |     |
| 28   | 4832000     | 2         | Flatwasher M10  |     |
| 29   | 3572308     | 1         | Plate, Relay Mount  |     |
|      |             | Ref       | <b>ENGINE INSTALLATIONS</b>                                       |     |
|      | 0270848     | Ref       | <b>Standard Gas Machines (SN 0300069000 through 0300073339)</b>   | 6-E |
|      | 0270846     | Ref       | <b>Dual Fuel Machines (SN 0300069000 through 0300073338)</b>      | 5-E |
|      | 0272898     | Ref       | <b>Dual Fuel Machines (SN 0300073339 through 0300079888)</b>      | 4-D |
| 102  | 3539872     | 1         | Mount, Radiator   |     |
| 103  |             | Ref       | Battery Options:  |     |
| 103  | 0400075     | 1         | Battery (Wet)   |     |

## SECTION 2 - TURNTABLE

| ITEM | PART NUMBER | QTY            | DESCRIPTION  | REV |
|------|-------------|----------------|--|-----|
| 103  | 7016180     | 1              | Battery (Dry)  |     |
| 104  | 0181727     | 1              | Battery Hold-Down  |     |
| 105  | 0630498     | 2              | Bolt, Tie-Down   |     |
| 106  | 3620040     | 1              | Radiator   |     |
| 107  | 1600314     | 1              | Controller, ECM (SN 0300069000 through 0300073339)             |     |
| 108  |             | Ref            | Tube, Air Intake Options:                                      |     |
| 108  | 4846248     | 1              | Standard Gas Machines  |     |
| 108  | 4846236     | 1              | Dual Fuel Machines   |     |
| 109  | 3740067     | 1              | Relay (Auxiliary Power)  |     |
| 110  | 3740080     | 1              | Relay, Bosch   |     |
| 111  | 0080214     | 1              | Spacer, Fan  |     |
| 112  | 2060025     | 1              | Fan  |     |
| 113  | 1580011     | 1              | Tank, Coolant Recovery   |     |
| 114  | 0641606     | 8              | Bolt 3/8in-16NC x 3/4in  |     |
| 115  | 3539988     | 1              | Plate, Baffle (Not Shown)                                      |     |
| 116  | 3200362     | 4              | Mount, Rubber  |     |
| 117  | 4100025     | 1.5<br>ft/0.5m | Sleeve   |     |
| 118  | 2720435     | 1              | Hose, Radiator - Bottom  |     |
| 119  | 4360392     | 1              | Indicator, Clogged Filter                                      |     |
| 120  | 2220430     | 1              | Fitting, Reducer   |     |
| 121  | 1703162     | 2              | Decal - Fan Blade  |     |
| 122  |             | Ref            | Plate, Engine Mount (Front) Options:                           |     |
| 122  | 3572279     | 1              | Plate, Engine Mount (Front) (SN 0300069000 through 0300073338) |     |
| 122  | 3574504     | 1              | Plate, Engine Mount (Front) (SN 0300073339 through 0300079888) |     |
| 123  | 4845404     | 1              | Tray Weldment  |     |
| 124  | 3422448     | 1              | Pin, Pivot   |     |
| 125  | 3841143     | 1              | Pin, Keeper  |     |
| 126  | 2750532     | 5 ft/1.52m     | Hose   |     |
| 127  | 2220805     | 1              | Fitting, Barbed 90   |     |
| 128  | 1320060     | 1              | Clamp (SN 0300069000 through 0300073339)                       |     |
| 129  | 1320012     | 4              | Clamp, Hose  |     |
| 130  | 1320022     | 8              | Clamp  |     |
| 131  | 0641828     | 4              | Bolt 1/2in-13NC x 3-1/2in                                      |     |
| 132  | 4751800     | 1              | Flatwasher 1/2in Regular                                       |     |
| 133  | 3311805     | 4              | Locknut 1/2in-13NC   |     |
| 134  | 0641610     | 8              | Bolt 3/8in-16NC x 1-1/4in                                      |     |
| 135  | 0641608     | 16             | Bolt 3/8in-16NC x 1in  |     |
| 136  | 4751600     | 53             | Flatwasher 3/8in Regular                                       |     |
| 137  | 3311605     | AR             | Locknut 3/8in-16NC   |     |
| 138  | 0641408     | 7              | Bolt 1/4in-20NC x 1in  |     |
| 139  | 0641406     | AR             | Bolt 1/4in-20NC x 3/4in  |     |
| 140  | 4751400     | AR             | Flatwasher 1/4in Regular                                       |     |
| 141  | 3311405     | AR             | Locknut 1/4in-20NC   |     |
| 142  | 4740274     | 4              | Washer, Snubbing   |     |
| 143  | 3960389     | 5 ft/1.52m     | Seal   |     |
| 144  | 0100011     | AR             | Compound, Locking  |     |
| 145  | 2720472     | 1              | Hose   |     |
| 146  | 0100020     | AR             | Sealant  |     |
| 147  | 2220767     | 1              | Fitting, Barbed  |     |

## SECTION 2 - TURNTABLE

| ITEM | PART NUMBER  | QTY             | DESCRIPTION   | REV |
|------|--------------|-----------------|---|-----|
| 148  | 0940070      | 1               | Bumper, Rubber  |     |
| 149  | 4567879      | 1               | Tube, Exhaust   |     |
| 150  | 0701012      | 4               | Bolt M10 x 25mm   |     |
| 151  | 4832000      | 4               | Lockwasher M10  |     |
| 152  | 1340060      | 1               | Air Cleaner Assembly  |     |
| 152  | 7012664      | 1               | Element, Air Cleaner  |     |
| 153  | 0340041      | 2               | Band, Air Cleaner   |     |
| 154  | 0080201      | 1               | Elbow, Rubber   |     |
| 155  | 1320016      | AR              | Clamp   |     |
| 156  | 3311801      | 1               | Nut 1/2in-13NC  |     |
| 157  | 2720436      | 1               | Hose, Radiator - Top  |     |
| 158  | 0641808      | 2               | Bolt 1/2in-13NC x 1in   |     |
| 159  | 2180798      | 1               | Fitting, Restrictor Indicator   |     |
| 160  | 2901362      | 1               | Battery Cable Kit <b>(SN 0300069000 through 0300074732)</b>             | C   |
| 160  | 2902297      | 1               | Battery Cable Kit <b>(SN 0300074733 through 0300079888)</b>             | A   |
| 160A | 7016800      | 1               | Cable, Battery (Red) (Kit p/n 2901362)                                  |     |
| 160A | 7027006      | 1               | Cable, Battery (Red) (Kit p/n 2902297)                                  |     |
| 160B | 7016807      | 1               | Cable, Battery (Black) (Kit p/n 2901362)                                |     |
| 160B | 7027005      | 1               | Cable, Battery (Black) (Kit p/n 2902297)                                |     |
| 160C | 7016808      | 1               | Cable (Red) (Kit p/n 2901362)   |     |
| 160C | 7027007      | 1               | Cable (Red) (Kit p/n 2902297)   |     |
| 160D | 7016804      | 1               | Cable (Red) (Kit p/n 2901362)   |     |
| 160D | 7027002      | 1               | Cable (Red) (Kit p/n 2902297)   |     |
| 160E | Not Required | 0               | Cable (Kit p/n 2901362)   |     |
| 160E | 7027003      | 1               | Cable (Black) (Kit p/n 2902297)   |     |
| 161  | 4460611      | 1               | Terminal, Battery Jumper Post <b>(SN 0300069000 through 0300074733)</b> |     |
| 162  | 2220250      | 2               | Fitting, Reducer  |     |
| 163  | 0641414      | 4               | Bolt 1/4in-20NC x 1-3/4in <b>(SN 0300073339 through 0300079888)</b>     |     |
| 164  | 2720058      | 12 ft/3.7m      | Hose, Fuel Line   |     |
| 167  | 1320223      | 3               | Clamp   |     |
| 168  | 3422533      | 1               | Pin, Hitch  |     |
| 169  | 3572280      | 1               | Plate, Engine Mount (Rear)  |     |
| 170  | 0642010      | 1               | Bolt 5/8in-11NC x 1-1/4in   |     |
| 171  | 4752000      | 1               | Flatwasher 5/8in Regular  |     |
| 172  | 0700819      | 4               | Bolt M8 x 55mm  |     |
| 173  | 4831900      | 4               | Lockwasher M8   |     |
| 174  | 0961986      | 2               | Flange, Bearing   |     |
| 175  | 1060637      | 1               | Lanyard   |     |
| 177  |              | Ref             | Flexible Trim Options:  |     |
| 177  | 4060804      | 2.9<br>ft/0.88m | Flexible Trim 3/16in <b>(SN 0300069000 through 0300073338)</b>          |     |
| 177  | 4060805      | 2.9<br>ft/0.88m | Flexible Trim 1/4in <b>(SN 0300073339 through 0300079888)</b>           |     |
| 179  | 4711400      | AR              | Flatwasher 1/4in Thin   |     |
| 180  | 3960468      | 1               | Seal, Foam 1-1/4in x 1-1/4in x 47-1/4in                                 |     |
| 181  | 3960469      | 1               | Seal, Foam 1-1/4in x 1-1/4in x 32in                                     |     |
| 182  | 0641410      | 3               | Bolt 1/4in-20NC x 1-1/4in   |     |
| 183  | 4360336      | 1               | Switch (Dual Fuel Machines) (Not Shown - Located on Console Box)        |     |
| 184  | 3790012      | 1               | O-Ring (Not Shown - Located on Console Box)                             |     |

## SECTION 2 - TURNTABLE

| ITEM | PART NUMBER | QTY | DESCRIPTION   | REV |
|------|-------------|-----|---|-----|
| 191  | 4568158     | 4   | Standoff (SN 0300069000 through 0300073339)                                       |     |
| 192  | 0641424     | 4   | Bolt 1/4in-20NC x 3in (SN 0300069000 through 0300073339)                          |     |
| 193  | 1320032     | 1   | Clamp   |     |
| 194  |             | Ref | Plate ECM/Relay Mount Options:  |     |
| 194  | 3574162     | 1   | Plate ECM/Relay Mount (SN 0300073339 through 0300073350)                          |     |
| 194  | 0902951     | 1   | Plate ECM/Relay Mount (SN 0300073351 through 0300087000)                          |     |
| 195  | 0641808     | 1   | Bolt 1/2in-13NC x 1in (SN 0300073339 through 0300079888)                          |     |
| 196  | 4771800     | 1   | Starwasher 1/2in (SN 0300073339 through 0300079888)                               |     |
| 197  | 0100048     | AR  | Grease, Dielectric (SN 0300073339 through 0300079888)                             |     |
|      |             | Ref | <b>ENGINE COMPONENTS</b>  |     |
|      | 2000172     | Ref | <b>Standard (SN 0300069000 through 0300073339)</b>                                |     |
|      | 2000182     | Ref | <b>Dual Fuel (SN 0300069000 through 0300073338)</b>                               |     |
|      | 2000196     | Ref | <b>Dual Fuel (SN 0300073339 through 0300079888)</b>                               |     |
| 201  | 3600377     | 1   | Fuel Pump and Isolator Assembly (was p/n 7022133)                                 |     |
| 201  | 7022134     | 1   | Harness, Fuel Pump Wiring   |     |
| 202  | 91083218    | 1   | Filter, Fuel (was p/n 7022135)  |     |
| 203  | 7019986     | 1   | Starter (Not Shown)   |     |
| 204  | 7019977     | 1   | Alternator with Pulley and Regulator  |     |
| 204  | 7000897     | 1   | Alternator without Pulley and Regulator   |     |
| 205  |             | Ref | Actuator, Throttle Options:   |     |
| 205  | 7023655     | 1   | Actuator, Throttle (2000172 & 2000182 Engines) (SN 0300069000 through 0300073338) |     |
| 205  | 7023683     | 1   | Actuator, Throttle (2000196 Engines) (SN 0300073339 through 0300079888)           |     |
| 205  | 7023652     | 1   | Plate, Actuator Adapter   |     |
| 205  | 7023654     | 1   | Gasket, Actuator to Adapter Plate   |     |
| 205  | 7023653     | 2   | Bolt (Adapter Plate to Intake Manifold)   |     |
| 205  | 7023656     | 4   | Bolt (Actuator to Adapter Plate)  |     |
| 206  | 7019996     | 1   | Sensor, Air Temperature (was p/n 7023661)   |     |
| 206  | 7023662     | 1   | Bracket, Air Temperature Sensor   |     |
| 207  |             | Ref | Harness, Engine Control Processor Options:  |     |
| 207  | 7023663     | 1   | Harness, Engine Control Processor (SN 0300069000 through 0300073338)              |     |
| 207  | 7023681     | 1   | Harness, Engine Control Processor (SN 0300073339 through 0300079888)              |     |
| 208  | 7022139     | 1   | Sensor, MAP   |     |
| 209  |             | Ref | Sensor, EGR Options:  |     |
| 209  | 7019994     | 1   | Sensor, EGR (2000172 & 2000182 Engines) (SN 0300069000 through 0300073338)        |     |
| 209  | 7023682     | 1   | Sensor, EGR (2000196 Engines) (SN 0300073339 through 0300079888)                  |     |
| 210  | 2420187     | 1   | Dipstick (was p/n 7022140)  |     |
| 210  | 4564281     | 1   | Tube, Dipstick (was p/n 7022146)  |     |
| 211  | 7023658     | 1   | Horn, Rubber Air  |     |
| 212  | 7023637     |     | Switch, Oil Pressure  |     |
| 213  | 7021868     | 1   | Filter, Oil (was p/n 7022147 & 7022173)   |     |
| 214  | 1660250     | 1   | Coupling, Pump (was p/n 7016662)  |     |
| 214  | 7019976     | 1   | Flywheel  |     |
| 214  | 7022180     | 1   | Ring Gear   |     |
| 215  | 7019993     | 1   | Pressure Regulator and Filter Assembly  |     |
| 216  | 70002307    | 1   | Gasket, Exhaust (Manifold to Pipe)  |     |

## SECTION 2 - TURNTABLE

| ITEM | PART NUMBER | QTY | DESCRIPTION   | REV |
|------|-------------|-----|---|-----|
| 216  | 7022143     | 1   | Gasket, Exhaust (Manifold to Cylinder Head) (Not Shown)                     |     |
| 217  | 7022158     | 3   | Connector   |     |
| 218  | 7022159     | 2   | Connector   |     |
| 219  | 7022160     | 1   | Connector   |     |
| 220  | 7022161     | 2   | Tube, Supply  |     |
| 221  | 7022162     | 2   | Clamp   |     |
| 222  | 7019925     | 1   | PCV Valve (Not Shown)   |     |
| 223  | 7019930     | 1   | Coil, Ignition (Not Shown)  |     |
| 223  | 7022157     | 1   | Wire Set, Spark Plug (Not Shown)  |     |
| 223  | 7019932     | 4   | Spark Plug (Not Shown)  |     |
| 224  |             | Ref | Relay Options:  |     |
| 224  | 7023613     | 3   | Relay (2000172 & 2000182 Engines) <b>(SN 0300069000 through 0300073338)</b> |     |
| 224  | 7023695     | 3   | Relay (2000196 Engines) <b>(SN 0300073339 through 0300079888)</b>           |     |
| 225  | 7022153     | 1   | Pump, Water   |     |
| 225  | 7022154     | 1   | Gasket, Water Pump  |     |
| 225  | 7022155     | 1   | Sensor, Water Temperature (Not Shown)                                       |     |
| 225  | 7022156     | 1   | Thermostat (Not Shown)  |     |
| 225  | 7023644     | 1   | Hose, Water Pump (By-Pass) (Not Shown)                                      |     |
| 226  | 7022178     | 1   | Sensor, Crank Shaft   |     |
| 227  | 3573241     | 1   | Plate, LP Mixer Mounting (Engine p/n 2000182 Only)                          |     |
| 228  | 2720341     | 1   | Hose, Rubber (was p/n 7022141)  |     |
| 229  | 1600363     | 1   | Module, EPM   |     |
| 229  | 2915195     |     | EPM Update Kit (was p/n 7023685)  |     |
| 230  | 7027402     | 1   | Belt, Drive (was p/n 7019979)   |     |
| 230  | 70002567    | 1   | Tensioner, Belt   |     |
| 231  | 7022149     | 1   | Gasket Kit, Lower Manifold (Not Shown)                                      |     |
| 231  | 7025124     | 1   | Gasket Kit, Upper Manifold (was p/n 7022148) (Not Shown)                    |     |
| 231  | 7022144     | 1   | Gasket, Upper Manifold Throttle (Not Shown)                                 |     |
| 232  | 7022151     | 1   | Cap, Oil Fill   |     |
| 233  | 7022179     | 1   | Sensor, Camshaft (Not Shown)  |     |
| 234  | 7023657     | 1   | Harness, TPS Harness (Not Shown)  |     |
| 235  | 7022150     | 1   | Belt, Timing  |     |
|      | 3124114     | 1   | Service Manual, Ford EFI System Diagnostic                                  |     |
|      |             | Ref | <b>MUFFLER INSTALLATIONS</b>  |     |
|      | 0258390     | Ref | <b>Standard Spark Arresting</b>   | 1   |
|      | 0258391     | Ref | <b>Optional Catalytic</b>   | 1   |
|      | 0258571     | Ref | <b>Standard Spark Arresting - UL Machines</b>                               | 3   |
| 301  |             | Ref | Muffler Options:  |     |
| 301  | 3220113     | 1   | Standard/UL Spark Arresting   |     |
| 301  | 3220114     | 1   | Optional Catalytic  |     |
| 301  | 70001017    | 1   | Clamp   |     |
| 302  | 0340046     | 2   | Band  |     |
| 303  | 0902309     | 1   | Bracket, Muffler  |     |
| 304  | 0641507     | 4   | Bolt 5/16in-18NC x 7/8in  |     |
| 305  | 4711500     | 8   | Flatwasher 5/16in Thin  |     |
| 306  | 3311505     | 4   | Locknut 5/16in-18NC   |     |
| 307  | 4567073     | 1   | Tube, Exhaust   |     |
| 307  | 70001017    | 1   | Clamp   |     |
|      |             | Ref | <b>Note: Items 308 to 314 UL Machines Only.</b>                             |     |
| 308  | 4845668     | 1   | Tube, Exhaust   |     |

## SECTION 2 - TURNTABLE

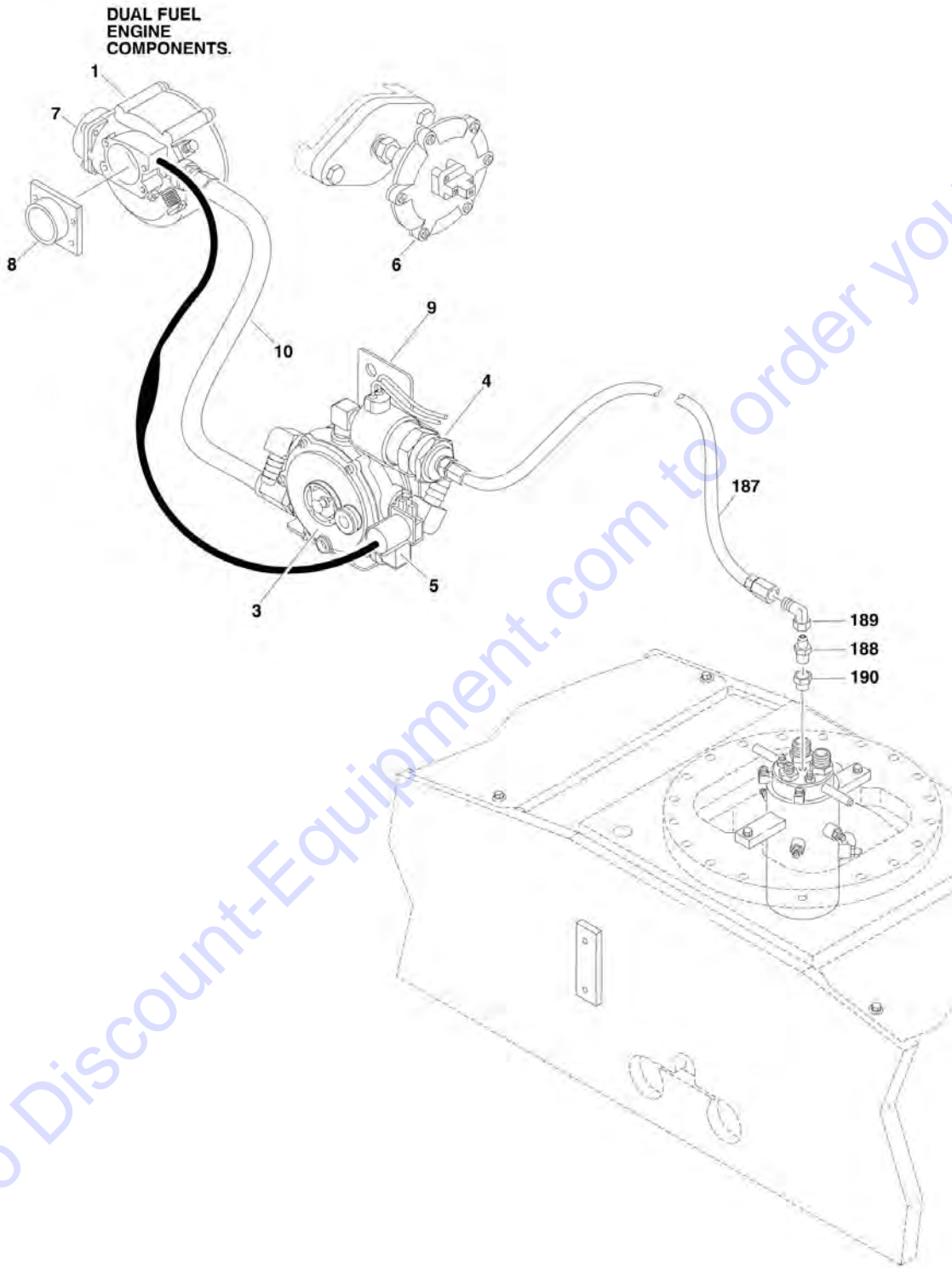
| ITEM | PART NUMBER | QTY | DESCRIPTION                            | REV |
|------|-------------|-----|--|-----|
| 309  | 3900232     | 5   | Bolt, Button Head 3/8in-16NC x 1-1/4in |     |
| 310  | 4751600     | 5   | Flatwasher 3/8in Regular               |     |
| 311  | 3311601     | 7   | Nut 3/8in-16NC                         |     |
| 312  | 0100011     | AR  | Compound, Locking                      |     |
| 313  | 0902473     | 1   | Bracket, Exhaust Support               |     |
| 314  | 3220111     | 1   | Spark Arrestor                         |     |

Go to Discount-Equipment.com to order your parts



## SECTION 2 - TURNTABLE

FIGURE 2-11. DUAL FUEL INSTALLATION (OPTIONAL - FORD ENGINE MACHINES)





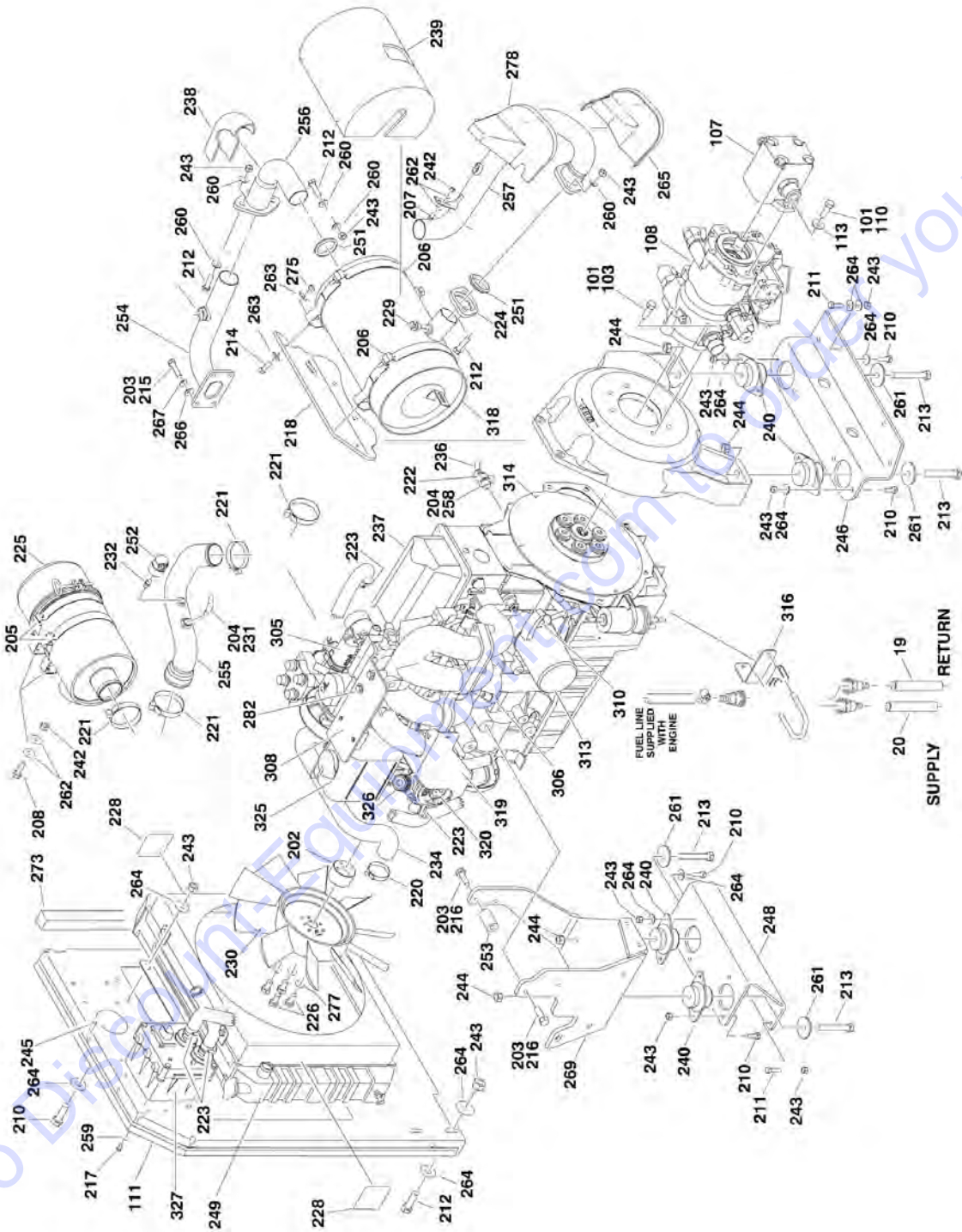
## SECTION 2 - TURNTABLE

**FIGURE 2-11. DUAL FUEL INSTALLATION (OPTIONAL - FORD ENGINE MACHINES)**

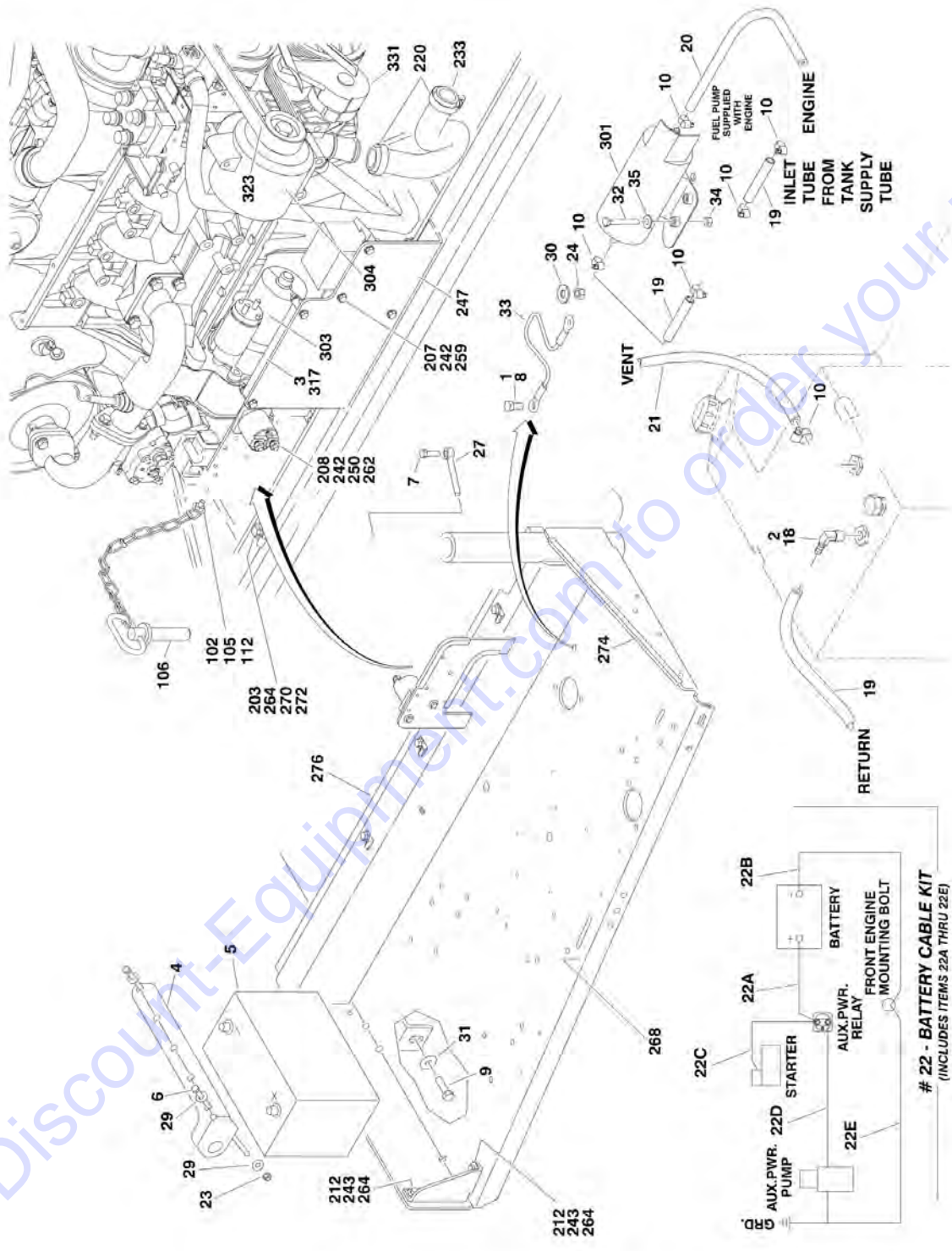
| ITEM | PART NUMBER | QTY | DESCRIPTION  | REV |
|------|-------------|-----|--|-----|
|      | 2000182     | Ref | <b>DUAL FUEL ENGINE COMPONENTS (SN 0300069000 through 0300073338)</b>  |     |
|      | 2000196     | Ref | <b>DUAL FUEL ENGINE COMPONENTS (SN 0300073339 through 0300079888)</b>  |     |
|      |             | Ref | <b>Note: See Engine Installation (FORD ENGINE INSTALLATION - LRG-425) for (SN 0300079888 through 0300087000)</b>                                     |     |
|      | 7023665     | 1   | Dual Fuel Conversion Kit (Note: Includes hose, fittings, clamps and items indented below. For replacement hose, fittings and clamps supply locally.) |     |
| 1    | 7022165     | 1   | Mixer  |     |
| 1    | 7022171     | 1   | Repair Kit - 7022165 Mixer   |     |
| 1    | 7023645     | 1   | Gasket, Mixer  |     |
| 3    | 7022167     | 1   | Convertor  |     |
| 3    | 7022170     | 1   | Repair Kit - 7022167 Convertor   |     |
| 4    | 7023680     | 1   | Filter, LP Shut-Off (was p/n 7022169)  |     |
| 4    | 7023680     | NLA | Electrical Connector Kit (No Longer Available - was p/n 7023679)   |     |
| 5    | 7022168     | 1   | Valve, Solenoid  |     |
| 6    | 4360188     | 1   | Switch, Vacuum   |     |
| 7    | 7023603     | 1   | Adapter  |     |
| 7    | 7023659     | 1   | Gasket   |     |
| 7    | 7023660     | 4   | Screw M6 x 14mm  |     |
| 8    | 7022166     | 1   | Adaptor  |     |
| 9    | 3572722     | 1   | Bracket  |     |
| 10   | 70000121    | 1   | Hose, LP   |     |
|      |             | Ref | <b>DUAL FUEL MACHINE COMPONENTS</b>  |     |
|      | 0270846     | Ref | <b>Dual Fuel Machine Components (SN 0300069000 through 0300073338)</b>   | 5/E |
|      | 0272898     | Ref | <b>Dual Fuel Machine Components (SN 0300073339 through 0300079887)</b>   | 1/B |
|      | 0274017     | Ref | <b>Dual Fuel Machine Components (SN 0300079888 through 0300087000)</b>   | B   |
| 187  | 2720392     | 1   | Hose   |     |
| 188  | 2180418     | 1   | Fitting, Straight  |     |
| 189  | 2220064     | 1   | Fitting, 90  |     |
| 190  | 2220005     | 1   | Fitting, Reducer   |     |

# SECTION 2 - TURNTABLE

FIGURE 2-12. FORD ENGINE INSTALLATION - LRG-425 (SN 0300079888 through 0300087000)



SECTION 2 - TURNTABLE



Go to Discount-Equipment.com to order your parts

## SECTION 2 - TURNTABLE

FIGURE 2-12. FORD ENGINE INSTALLATION - LRG-425 (SN 0300079888 through 0300087000)

| ITEM | PART NUMBER | QTY        | DESCRIPTION  | REV |
|------|-------------|------------|--|-----|
|      |             | Ref        | <b>ENGINE INSTALLATIONS</b>  |     |
|      | 0274017     | Ref        | <b>Engine Installations (SN 0300069000 through 0300084828)</b>       | C   |
|      | 0274521     | Ref        | <b>Engine Installations (SN 0300084829 through 0300087000)</b>       | A   |
| 1    | 0100011     | AR         | Compound, Locking  |     |
| 2    | 0100020     | AR         | Sealant  |     |
| 3    | 0100048     | AR         | Grease, Dielectric   |     |
| 4    | 0181727     | 1          | Angle, Battery Hold-Down   |     |
| 5    | 0400075     | 1          | Battery  |     |
| 6    | 0630498     | 2          | Bolt, Battery Hold-Down  |     |
| 7    | 0641608     | 1          | Bolt 3/8in-16NC x 1in  |     |
| 8    | 0641808     | 2          | Bolt 1/2in-13NC x 1in  |     |
| 9    | 0642010     | 1          | Bolt 5/8in-11NC x 1-1/4in  |     |
| 10   | 1320022     | 7          | Clamp (Not Shown - Located on Turntable to clamp fuel line)          |     |
| 11   | 1701542     | 1          | Decal - Gas (Not Shown - Located on Hood)                            |     |
| 12   | 1701543     | 1          | Decal - LP (Not Shown - Located on Frame)                            |     |
| 17   | 2220313     | 1          | Fitting, 90  |     |
| 18   | 2221176     | 1          | Fitting, 90  |     |
| 19   | 2720058     | 12 ft/3.7m | Hose, Fuel Line  |     |
| 20   | 2720472     | 1          | Hose, Fuel Line  |     |
| 21   | 2720532     | 5 ft/1.5m  | Hose, Fuel Line  |     |
| 22   | 2902297     | 1          | Battery Cable Kit  | A   |
| 22A  | 7027006     | 1          | Cable, Battery (Red)   |     |
| 22B  | 7027005     | 1          | Cable, Battery (Black)   |     |
| 22C  | 7027007     | 1          | Cable (Red)  |     |
| 22D  | 7027002     | 1          | Cable (Red)  |     |
| 22E  | 7027003     | 1          | Cable (Black)  |     |
| 23   | 3311605     | 2          | Locknut 3/8in-16NC   |     |
| 24   | 3311801     | 1          | Nut 1/2in-13NC   |     |
| 25   | 3422448     | 1          | Pin  |     |
| 26   | 3790012     | 1          | O-Ring (Not Shown - Located at Platform Console Box)                 |     |
| 27   | 3841143     | 1          | Pin, Keeper  |     |
| 28   | 4360336     | 1          | Switch, Toggle (Not Shown - Located at Platform Console Box)         |     |
| 29   | 4751600     | 4          | Flatwasher 3/8in Regular   |     |
| 30   | 4751800     | 1          | Flatwasher 1/2in Regular   |     |
| 31   | 4752000     | 1          | Flatwasher 5/8in Regular   |     |
| 32   | 0641410     | 3          | Bolt 1/4in-20NC x 1-1/4in  |     |
| 33   | 1060637     | 1          | Cable, Lanyard   |     |
| 34   | 3311405     | 3          | Locknut 1/4in-20NC   |     |
| 35   | 4711400     | 3          | Flatwasher 1/4in Thin  |     |
|      |             | Ref        | <b>ENGINE AND PUMP ASSEMBLIES</b>                                    |     |
|      | 2000256     | Ref        | <b>Engine and Pump Assemblies (SN 0300069000 through 0300084828)</b> | C   |
|      | 2000300     | Ref        | <b>Engine and Pump Assemblies (SN 0300084829 through 0300087000)</b> | A   |
| 101  | 0100011     | AR         | Compound, Locking  |     |
| 102  | 0641407     | 1          | Bolt 1/4in-20NC x 7/8in  |     |
| 103  | 0641812     | 2          | Bolt 1/2in-13NC x 1-1/2in  |     |
| 105  | 3311405     | 1          | Locknut 1/4in-20NC   |     |
| 106  | 3422532     | 1          | Pin, Hitch   |     |
| 107  | 3600395     | 1          | Load Sensing Pump Assembly with Fittings Options (See GEAR           |     |

## SECTION 2 - TURNTABLE

| ITEM | PART NUMBER | QTY       | DESCRIPTION   | REV |
|------|-------------|-----------|---|-----|
| 108  | 3600396     | 1         | PUMP ASSEMBLY for Breakdown)<br>Piston Pump Assembly with Fittings Options (See PISTON PUMP ASSEMBLY for Breakdown) |     |
| 109  |             | Ref       | O-Ring Options:   |     |
| 109  | 3790152     | 1         | O-Ring <b>(SN 0300069000 through 0300084828)</b>  |     |
| 109  | 3790012     | 1         | O-Ring <b>(SN 0300084829 through 0300087000)</b>  |     |
| 110  | 3931620     | 2         | Bolt 3/8in-16NC x 1-1/4in   |     |
| 111  | 3960389     | 5 ft/1.5m | Seal  |     |
| 112  | 4751400     | 1         | Flatwasher 1/4in Regular  |     |
| 113  | 4891600     | 2         | Flatwasher 3/8in Hardened   |     |
|      |             | Ref       | <b>ENGINE ASSEMBLY</b>  |     |
|      | 2000209     | Ref       | <b>Engine Assembly (SN 0300069000 through 0300084828)</b>   | D   |
|      | 2000299     | Ref       | <b>Engine Assembly (SN 0300084829 through 0300087000)</b>   | B   |
| 201  | 0080201     | 1         | Adapter 90 Elbow  |     |
| 202  | 0080214     | 1         | Adapter, Fan Spacer   |     |
| 203  | 0100011     | AR        | Compound, Locking   |     |
| 204  | 0100020     | AR        | Sealant, Pipe   |     |
| 205  | 0340041     | 2         | Band, Air Cleaner   |     |
| 206  | 0340046     | 2         | Band, Muffler   |     |
| 207  | 0641406     | 3         | Bolt 1/4in-20NC x 3/4in   |     |
| 208  | 0641408     | 6         | Bolt 1/4in-20NC x 1in   |     |
| 209  | 0641414     | 4         | Bolt 1/4in-20NC x 1-3/4in   |     |
| 210  | 0641608     | 14        | Bolt 3/8in-16NC x 1in   |     |
| 211  | 0641610     | 10        | Bolt 3/8in-16NC x 1-1/4in   |     |
| 212  | 0641612     | 8         | Bolt 3/8in-16NC x 1-1/2in   |     |
| 213  | 0641828     | 4         | Bolt 1/2in-13NC x 3-1/2in   |     |
| 214  | 0641507     | 4         | Bolt 5/16in-18NC x 7/8in  |     |
| 215  | 0701012     | 4         | Bolt 10mm x 25mm  |     |
| 216  | 0701014     | 4         | Bolt 10mm x 30mm  |     |
| 217  | 0760606     | 4         | Bolt 6mm x 12mm   |     |
| 218  | 0903079     | 1         | Bracket, Muffler  |     |
| 219  | 0961986     | 2         | Bushing, Flanged  |     |
| 220  | 1320012     | 4         | Clamp   |     |
| 221  | 1320016     | 3         | Clamp   |     |
| 222  | 1320022     | 1         | Clamp, Hose   |     |
| 223  | 1320033     | 8         | Clamp, Hose   |     |
| 224  | 1321138     | 3         | Plate, Exhaust Flange   |     |
| 225  | 1340060     | 1         | Air Cleaner Assembly Filter Element   |     |
| 225  | 7012664     | 1         | Element, Filter (Not Shown)   |     |
| 226  | 0700819     | 4         | Bolt 8mm x 55mm   |     |
| 228  | 1703162     | 2         | Decal - Caution Fan Blade   |     |
| 229  | 1120588     | 1         | Plug  |     |
| 230  | 2060025     | 1         | Fan   |     |
| 231  | 2180467     | 1         | Fitting   |     |
| 232  | 2180798     | 1         | Fitting, Restriction Indicator <b>(SN 0300069000 through 0300084828)</b>  |     |
| 233  | 2720435     | 1         | Hose, Radiator (Bottom)   |     |
| 234  | 2720436     | 1         | Hose, Radiator (Upper)  |     |
| 235  | 2720514     | 1         | Hose, 45 Elbow  |     |
| 236  | 2750532     | 6 in/15cm | Hose, Oil Drain   |     |
| 237  | 2000272     | 1         | Engine (See Items 301-326 for Engine Components)  |     |
| 238  | 2820173     | 2         | Insulation, Exhaust (Elbow)   |     |

## SECTION 2 - TURNTABLE

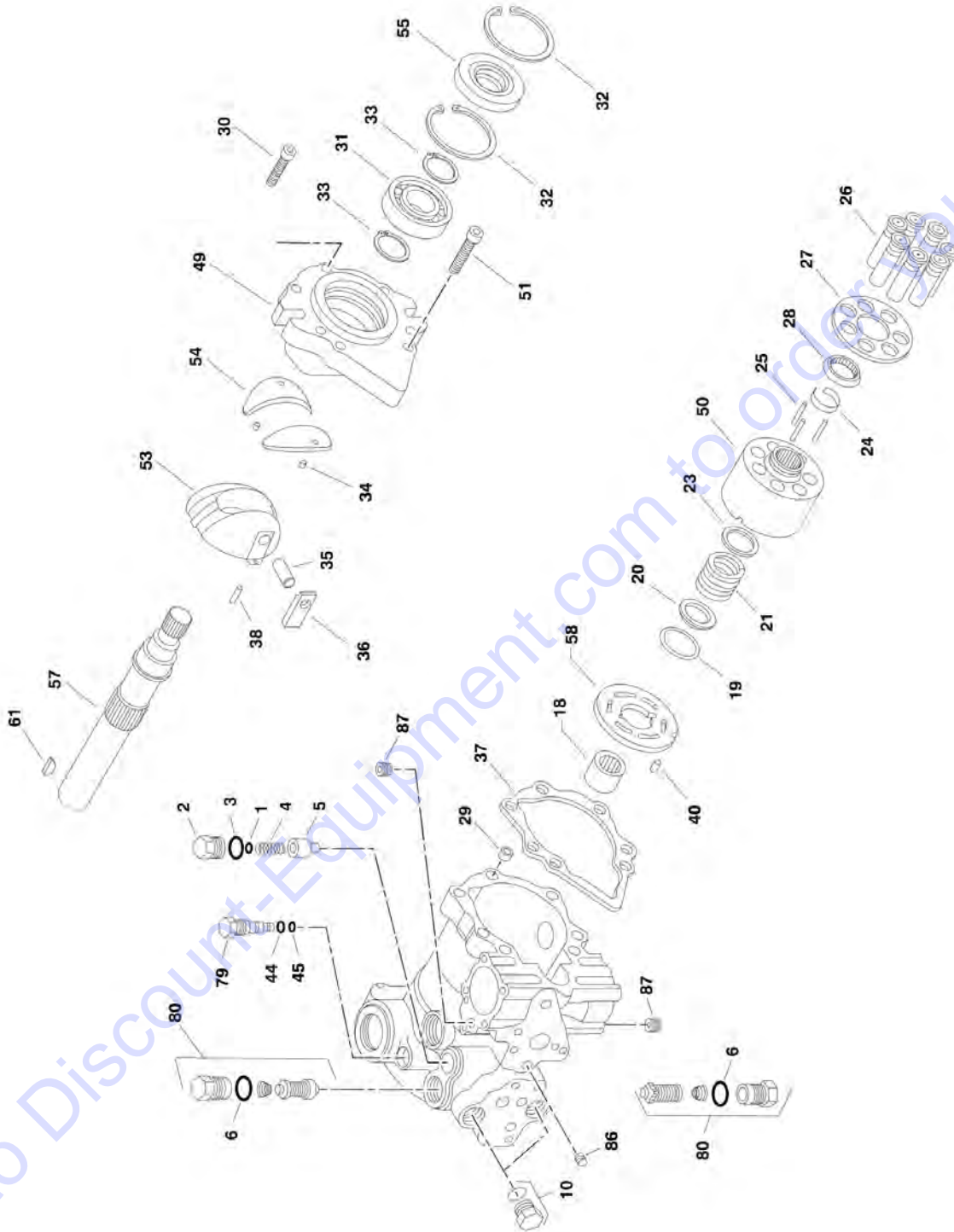
| ITEM | PART NUMBER | QTY      | DESCRIPTION  | REV |
|------|-------------|----------|--|-----|
| 239  | 2820180     | 1        | Insulation, Catalytic Muffler                                |     |
| 240  | 3200362     | 4        | Mount, Motor   |     |
| 242  | 3311405     | 13       | Locknut 1/4in-20NC   |     |
| 243  | 3311605     | 30       | Locknut 3/8in-16NC   |     |
| 244  | 3311805     | 4        | Locknut 1/2in-13NC   |     |
| 245  | 3539872     | 1        | Plate, Radiator Mounting                                     |     |
| 246  | 3572280     | 1        | Plate, Engine Mount  |     |
| 247  | 3574162     | 1        | Plate, ECM/Relay Mount                                       |     |
| 248  | 3574504     | 1        | Plate, Engine Mount  |     |
| 249  | 3620040     | 1        | Radiator   |     |
| 250  | 3740067     | 1        | Relay  |     |
| 251  | 3960591     | 3        | Gasket, Exhaust  |     |
| 252  | 4360392     | 1        | Indicator, Restriction (SN 0300069000 through 0300084828)    |     |
| 253  | 4566605     | 1        | Tube, Spacer   |     |
| 254  |             | Ref      | Tube, Exhaust Options:                                       |     |
| 254  | 4567879     | 1        | Tube, Exhaust (SN 0300069000 through 0300082976)             |     |
| 254  | 4569203     | 1        | Tube, Exhaust (SN 0300082977 through 0300087000)             |     |
| 255  |             | Ref      | Tube, Intake Options:  |     |
| 255  | 4568951     | 1        | Tube, Intake (SN 0300069000 through 0300084828)              |     |
| 255  | 4569173     | 1        | Tube, Intake (SN 0300084829 through 0300087000)              |     |
| 256  | 4569083     | 1        | Tube, Exhaust  |     |
| 257  | 4569092     | 1        | Tube, Exhaust  |     |
| 258  | 4640989     | 1        | Valve, Oil Drain   |     |
| 259  | 4711400     | 16       | Flatwasher 1/4in Thin  |     |
| 260  | 4711600     | 12       | Flatwasher 3/8in Thin  |     |
| 261  | 4740274     | 4        | Washer, Snubbing   |     |
| 262  | 4751400     | 12       | Flatwasher 1/4in Regular                                     |     |
| 263  | 4751500     | 8        | Flatwasher 5/16in Regular                                    |     |
| 264  | 4751600     | 51       | Flatwasher 3/8in Regular                                     |     |
| 265  | 2820186     | 1        | Insulation, Exhaust (Shield)                                 |     |
| 266  | 4812000     | 4        | Flatwasher 10M   |     |
| 267  | 4832000     | 4        | Lockwasher 10m   |     |
| 268  | 4845404     | 1        | Tray, Engine   |     |
| 269  | 4846806     | 1        | Plate, Engine Mounting                                       |     |
| 270  | 0641606     | 1        | Bolt 3/8in-16NC x 3/4in                                      |     |
| 271  | 0940070     | 1        | Bumper   |     |
| 272  | 1320223     | 3        | J-Clip   |     |
| 273  | 3960469     | 1        | Seal   |     |
| 274  | 4060805     | 37 in/1m | Flex-Trim  |     |
| 275  | 3311505     | 4        | Locknut 5/16in-18NC  |     |
| 276  | 3960468     | 1        | Seal   |     |
| 277  | 4831900     | 4        | Lockwasher M8  |     |
| 278  | 2820187     | 1        | Insulation, Exhaust  |     |
| 279  | 2820188     | 1        | Insulation, Shell  |     |
| 280  | 4920385     | 10 ft/3m | Wire, Safety (Not Shown)                                     |     |
| 281  | 2300004     | AR       | Fluid, Anti-Freeze (Not Shown)                               |     |
| 282  | 4711500     | 2        | Flatwasher 5/16 Thin (SN 0300084829 through 0300087000)      |     |
|      | 2000272     | Ref      | <b>ENGINE COMPONENTS</b>                                     | B   |
| 301  | 3600377     | 1        | Fuel Pump and Isolator Assembly (was p/ns 7022133 & 7027407) |     |
| 301  | 7022134     | 1        | Harness, Fuel Pump (Not Shown)                               |     |
| 302  | 91083218    | 1        | Filter, Fuel (was p/n 7022135)                               |     |

## SECTION 2 - TURNTABLE

| ITEM | PART NUMBER | QTY | DESCRIPTION   | REV |
|------|-------------|-----|---|-----|
| 303  | 7012679     | 1   | Starter (was p/n 7027408)   |     |
| 304  | 7019977     | 1   | Alternator with Regulator and Pulley                                      |     |
| 304  | 7000897     | 1   | Alternator without Regulator and Pulley                                   |     |
| 305  | 7023683     | 1   | Actuator, Throttle  |     |
| 305  | 7027404     | 1   | Gasket, Actuator (Not Shown)  |     |
| 306  | 7019996     | 1   | Sensor, Air Temperature (was p/n 7023661)                                 |     |
| 307  | 7023681     | 1   | Harness, Engine Control (was p/n 7027403) (Not Shown)                     |     |
| 308  | 7022139     | 1   | Sensor, MAP   |     |
| 309  | 7023682     | 1   | Sensor, EGR   |     |
| 310  | 2420187     | 1   | Dipstick (was p/n 7022140)  |     |
| 310  | 4564281     | 1   | Tube, Dipstick  |     |
| 311  | 7027400     | 1   | Mixer Assembly  |     |
| 313  | 7021868     | 1   | Filter, Oil (was p/n 7022147 & 7022173)                                   |     |
| 314  | 1660250     | 1   | Coupling, Pump  |     |
| 314  | 7019976     | 1   | Flywheel (Not Shown)  |     |
| 314  | 7022180     | 1   | Ring Gear (Not Shown)   |     |
| 315  | 7019993     | 1   | Pressure Regulator and Filter Assembly                                    |     |
| 316  | 0902539     | 1   | Bracket   |     |
| 317  | 1600374     | 1   | Module, EPM   |     |
| 317  | 7027413     | 1   | Harness, EPM Jumper   |     |
| 318  | 3220134     | 1   | Muffler   |     |
| 319  | 0903010     | 1   | Bracket, LP Regulator   |     |
| 320  | 7023698     | 1   | Regulator, LP   |     |
| 321  | 7019994     | 1   | Sensor, EGR (was p/n 7027406)   |     |
| 322  | 70002307    | 1   | Gasket, Exhaust (Manifold to Pipe)  |     |
| 322  | 7022143     | 1   | Gasket, Exhaust (Manifold to Cylinder Head) (was p/n 7027401) (Not Shown) |     |
| 323  | 7027402     | 1   | Belt, Drive   |     |
| 324  | 7027405     | 4   | Spark Plug (Not Shown)  |     |
| 325  | 1580011     | 1   | Bottle, Overflow  |     |
| 326  | 7027409     | 1   | LP Filter Shutoff W/Leads   |     |
| 327  | 7023699     | 1   | Megajector  |     |
| 327  | 7027410     | 1   | Harness, Megajector   |     |
| 327  | 70001690    | 1   | Hose Kit - Megajector   |     |
| 328  | 7019925     | 1   | PCV Valve (Not Shown)   |     |
| 329  | 7022155     | 1   | Sensor, Water Temperature (Not Shown)                                     |     |
| 330  | 7022150     | 1   | Belt, Timing (Not Shown)  |     |
| 331  | 70002567    | 1   | Tensioner, Belt   |     |

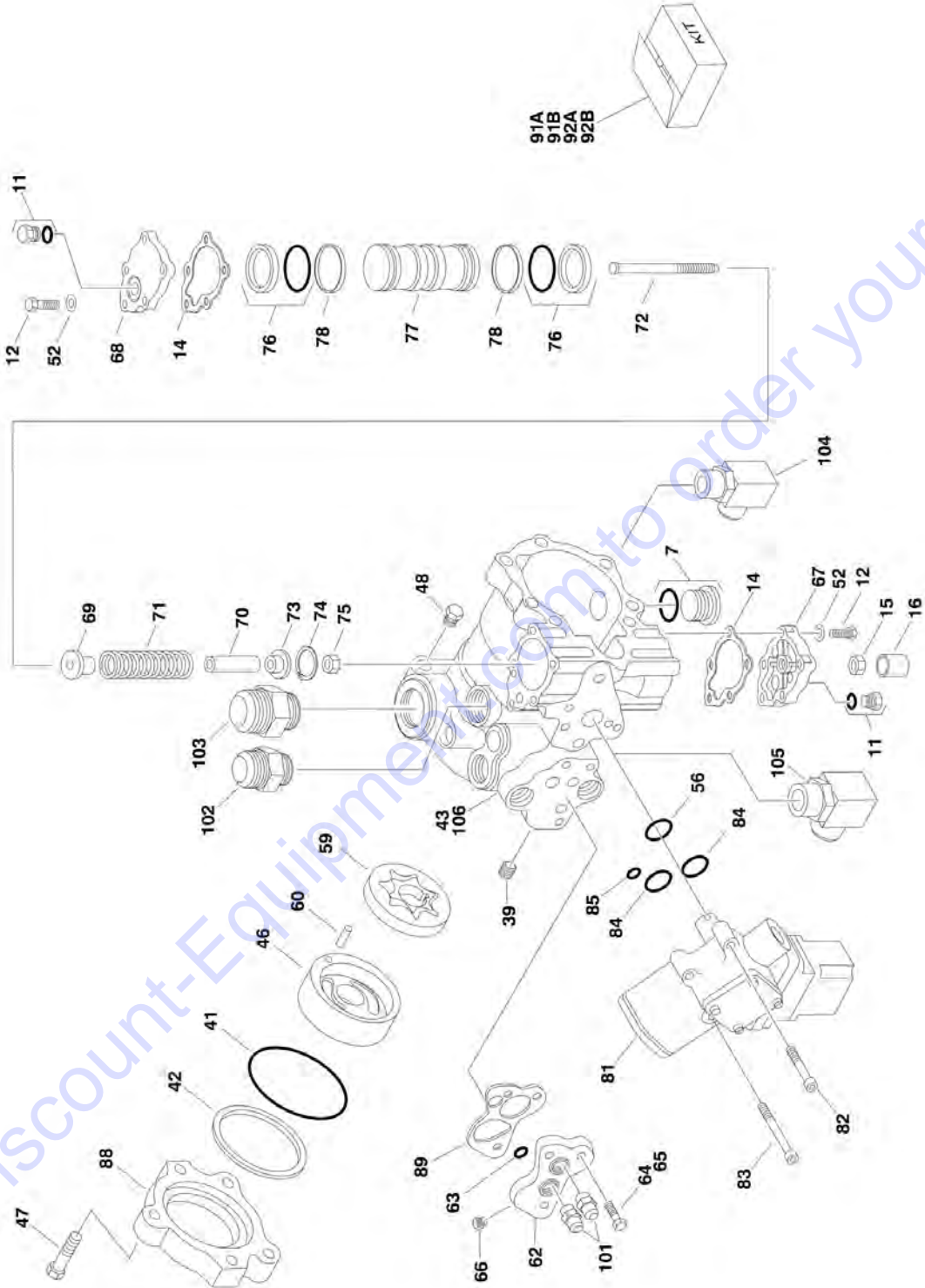
## SECTION 2 - TURNTABLE

FIGURE 2-13. PISTON PUMP ASSEMBLY (SN 0300069000 through 0300079887)





SECTION 2 - TURNTABLE



Go to Discount-Equipment.com to order your parts

## SECTION 2 - TURNTABLE

FIGURE 2-13. PISTON PUMP ASSEMBLY (SN 0300069000 through 0300079887)

| ITEM | PART NUMBER | QTY | DESCRIPTION                                   | REV |
|------|-------------|-----|---|-----|
|      | 3600260     | Ref | <b>PISTON PUMP ASSEMBLY</b>                   | B   |
| 1    | 7007413     | 1   | Shim Kit                                      |     |
| 2    | 7007414     | 1   | Plug  |     |
| 3    | See Note    | NSS | O-Ring (Note: Use Item 91A)                   |     |
| 4    | 7007416     | 1   | Spring, Relief Valve                          |     |
| 5    | 7007417     | 1   | Valve, Relief                                 |     |
| 6    | See Note    | NSS | O-Ring (Note: Use Item 91A)                   |     |
| 7    | 7007419     | 2   | Plug  |     |
| 10   | 7007420     | 2   | Plug  |     |
| 11   | 7007208     | 2   | Plug  |     |
| 12   | 7007421     | 10  | Screw   |     |
| 14   | See Note    | NSS | Gasket, Servo Cover (Note: Use Item 91A)      |     |
| 15   | 7007423     | 1   | Nut, Special                                  |     |
| 16   | 7007424     | 1   | Cover, Adjustment                             |     |
| 18   | 7007425     | 1   | Bearing, Needle                               |     |
| 19   | See Note    | NSS | Ring, Retaining (Note: Use Item 92B)          |     |
| 20   | See Note    | NSS | Washer (Note: Use Item 92B)                   |     |
| 21   | See Note    | NSS | Spring (Note: Use Item 92B)                   |     |
| 23   | See Note    | NSS | Washer (Note: Use Item 92B)                   |     |
| 24   | See Note    | NSS | Retainer (Note: Use Item 92B)                 |     |
| 25   | See Note    | NSS | Pin, Slipper Holddown (Note: Use Item 92B)    |     |
| 26   | See Note    | NSS | Piston Assembly (Note: Use Item 92B)          |     |
| 27   | See Note    | NSS | Retainer, Slipper (Note: Use Item 92B)        |     |
| 28   | See Note    | NSS | Guide, Retainer (Note: Use Item 92B)          |     |
| 29   | 7007435     | 1   | Pin, Spring                                   |     |
| 30   | 7007436     | 1   | Screw, 12 Point Head                          |     |
| 31   | 7007437     | 1   | Bearing, Ball                                 |     |
| 32   | 7007438     | 2   | Ring, Retainer                                |     |
| 33   | 7007439     | 2   | Ring  |     |
| 34   | 7007440     | 2   | Pin, Spring                                   |     |
| 35   | 7007441     | 1   | Handle, Pin                                   |     |
| 36   | 7007442     | 1   | Sleeve, Bearing                               |     |
| 37   | See Note    | NSS | Gasket, Front Cover (Note: Use Item 91A)      |     |
| 38   | 7007444     | 1   | Pin   |     |
| 39   | 7007445     | 1   | Plug, Expansion                               |     |
| 40   | See Note    | NSS | Pin (Note: Use Item 92B)                      |     |
| 41   | See Note    | NSS | O-Ring (Note: Use Item 91A or 92A)            |     |
| 42   | See Note    | NSS | Ring, Load Temper (Note: Use Item 91A or 92A) |     |
| 43   | 7007449     | 1   | Housing, Pump                                 |     |
| 44   | See Note    | NSS | Ring, Back-up (Note: Use Item 91A)            |     |
| 45   | See Note    | NSS | O-Ring (Note: Use Item 91A)                   |     |
| 46   | See Note    | NSS | Cover, Gerotor (Note: Use Item 92A)           |     |
| 47   | 7007453     | 3   | Bolt, Hex                                     |     |
| 48   | 7007208     | 1   | Plug  |     |
| 49   | 7007454     | 1   | Cover, Front                                  |     |
| 50   | See Note    | NSS | Block, Cylinder (Note: Use Item 92B)          |     |
| 51   | 7007456     | 6   | Screw   |     |
| 52   | 7001438     | 10  | Washer  |     |
| 53   | See Note    | NSS | Swash Plate (Note: Use Item 92B)              |     |
| 54   | 7007458     | 1   | Journal, Bearing                              |     |

## SECTION 2 - TURNTABLE

| ITEM | PART NUMBER | QTY | DESCRIPTION  | REV |
|------|-------------|-----|--|-----|
| 55   | 7007459     | 1   | Seal, Lip  |     |
| 56   | See Note    | NSS | O-Ring (Note: Use Item 91A)  |     |
| 57   | 7010121     | 1   | Shaft, Main Pump   |     |
| 58   | 7021214     | 1   | Plate, Valve   |     |
| 59   | 7007463     | 1   | Gerotor Assembly   |     |
| 60   | See Note    | NSS | Pin (Note: Use Item 92A)   |     |
| 61   | See Note    | NSS | Key, Woodruff (Note: Use Item 92A)   |     |
| 62   | 7007466     | 1   | Adaptor, Remote Filtration (Without By-Pass)   |     |
| 63   | See Note    | NSS | O-Ring (Note: Use Item 91A)  |     |
| 64   | 7007468     | 2   | Screw  |     |
| 65   | 7007469     | 2   | Screw  |     |
| 66   | 7007470     | 1   | Plug   |     |
| 67   | 7007471     | 1   | Cover, Servo (With Adjuster)   |     |
| 67   | 7007490     | 2   | Stop, Servo (Not Shown)  |     |
| 67   | 7007491     | 2   | Nut, Special (Not Shown)   |     |
| 67   | 7007492     | 2   | Ring, External (Not Shown)   |     |
| 68   | 7007482     | 1   | Cover, Servo (Without Adjuster)  |     |
| 69   | 7007483     | 1   | Guide, Spring  |     |
| 70   | 7007484     | 1   | Stop, Servo  |     |
| 71   | 7007485     | 1   | Spring   |     |
| 72   | 7007486     | 1   | Screw  |     |
| 73   | 7007487     | 1   | Guide, Spring  |     |
| 74   | 7007488     | 1   | Ring, Retaining  |     |
| 75   | 7007499     | 1   | Locknut  |     |
| 76   | See Note    | NSS | Ring, Piston (Note: Use Item 91A or 91B)   |     |
| 77   | 7007494     | 1   | Piston, Servo  |     |
| 78   | See Note    | NSS | O-Ring (Note: Use Item 91A or 91B)   |     |
| 79   | 7007472     | 1   | Valve, Bypass  |     |
| 80   | 7010122     | 2   | Valve, Pressure Relief (Includes Item 6) (was p/n 7007473)                                     |     |
| 81   | 7007474     | 1   | Control, Dual Oil-Filled   |     |
| 81   | 7007496     | 1   | Coil Assembly (Pilot)  |     |
| 81   | 7007497     | 1   | Plug (Pump)  |     |
| 81   | 7007498     | 1   | Plug (Valve Harness)   |     |
| 82   | 7007478     | 2   | Screw  |     |
| 83   | 7001498     | 2   | Screw  |     |
| 84   | See Note    | NSS | O-Ring (Note: Use Item 91A)  |     |
| 85   | See Note    | NSS | O-Ring (Note: Use Item 91A)  |     |
| 86   | 7007475     | 1   | Plug, Orifice/Screen (.156)  |     |
| 87   | 7007477     | 2   | Plug, Orifice (.37)  |     |
| 88   | 7007476     | 1   | Adapter, Auxiliary Pump  |     |
| 89   | 7010120     | 1   | Spacer/Gasket  |     |
| 91   |             | Ref | Seal Kit Options:  |     |
| 91A  | 2900752     | 1   | Seal Kit - Complete (Includes Items 3, 6, 14, 37, 41, 42, 44, 45, 55, 56, 63, 76, 78, 84 & 85) |     |
| 91B  | 7007412     | 1   | Seal Kit - Servo Piston (Includes Items 76 & 78)   |     |
| 92   |             | Ref | Repair Kit Options:  |     |
| 92A  | 2900826     | 1   | Charge Pump Kit (Includes Items 41, 42, 46, 59, 60 & 61)                                       |     |
| 92B  | 2900827     | 1   | Cylinder Block Kit (Includes Items 19-28, 40, 50, 53 & 58)                                     |     |
|      | 3600397     | Ref | <b>PISTON PUMP AND FITTING ASSEMBLY</b>  | A   |
| 101  | 2220374     | 2   | Fitting, Straight  |     |
| 102  | 2220375     | 1   | Fitting, Straight  |     |
| 103  | 2220377     | 1   | Fitting, Straight  |     |

## SECTION 2 - TURNTABLE

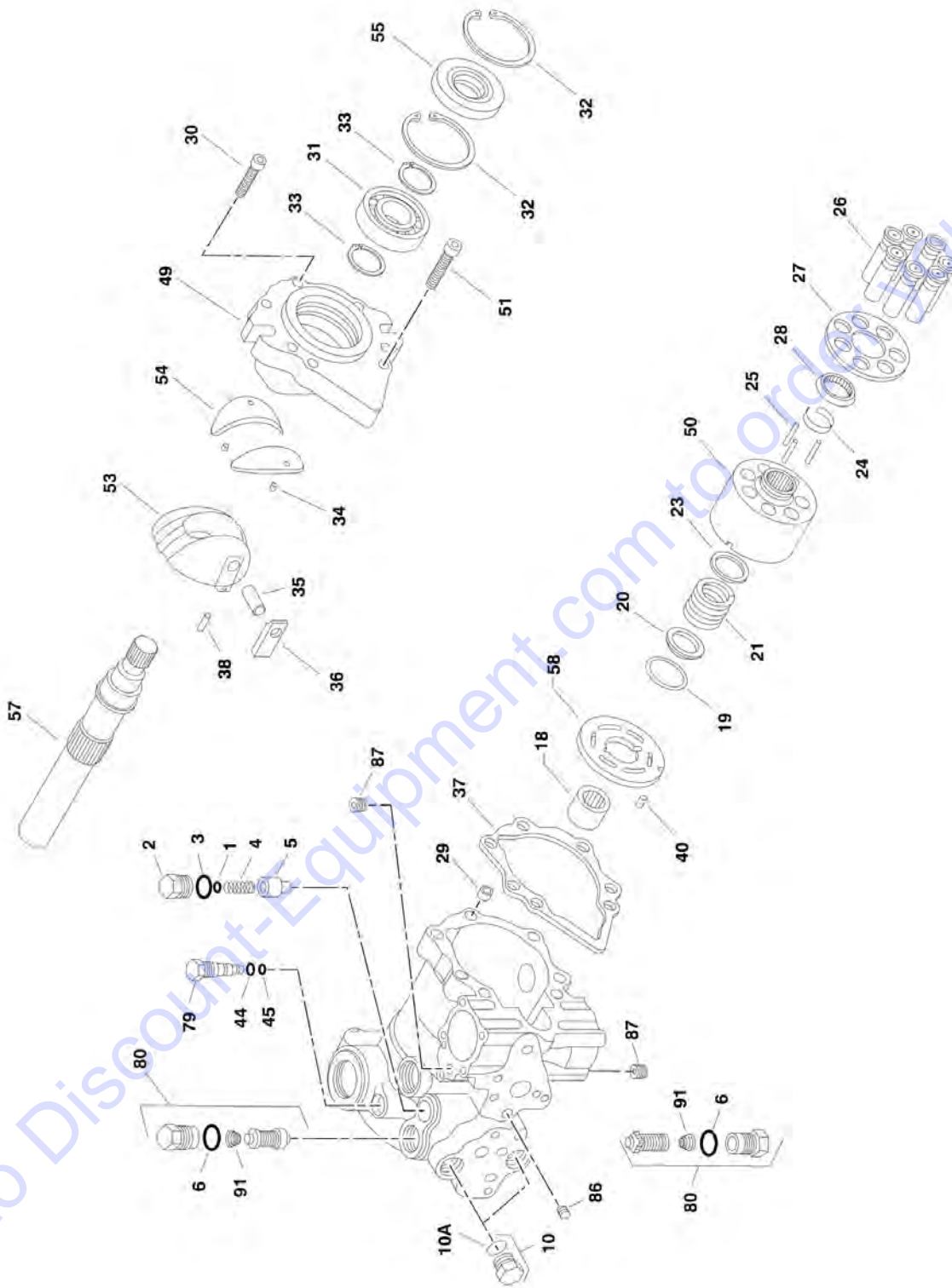
| ITEM | PART NUMBER | QTY | DESCRIPTION                        | REV |
|------|-------------|-----|------------------------------------|-----|
| 104  | 2220578     | 1   | Fitting, 90                        |     |
| 105  | 2220646     | 2   | Fitting, 90                        |     |
| 106  | 3600260     | 1   | Pump, Piston (Includes Items 1-89) |     |

Go to [Discount-Equipment.com](http://Discount-Equipment.com) to order your parts

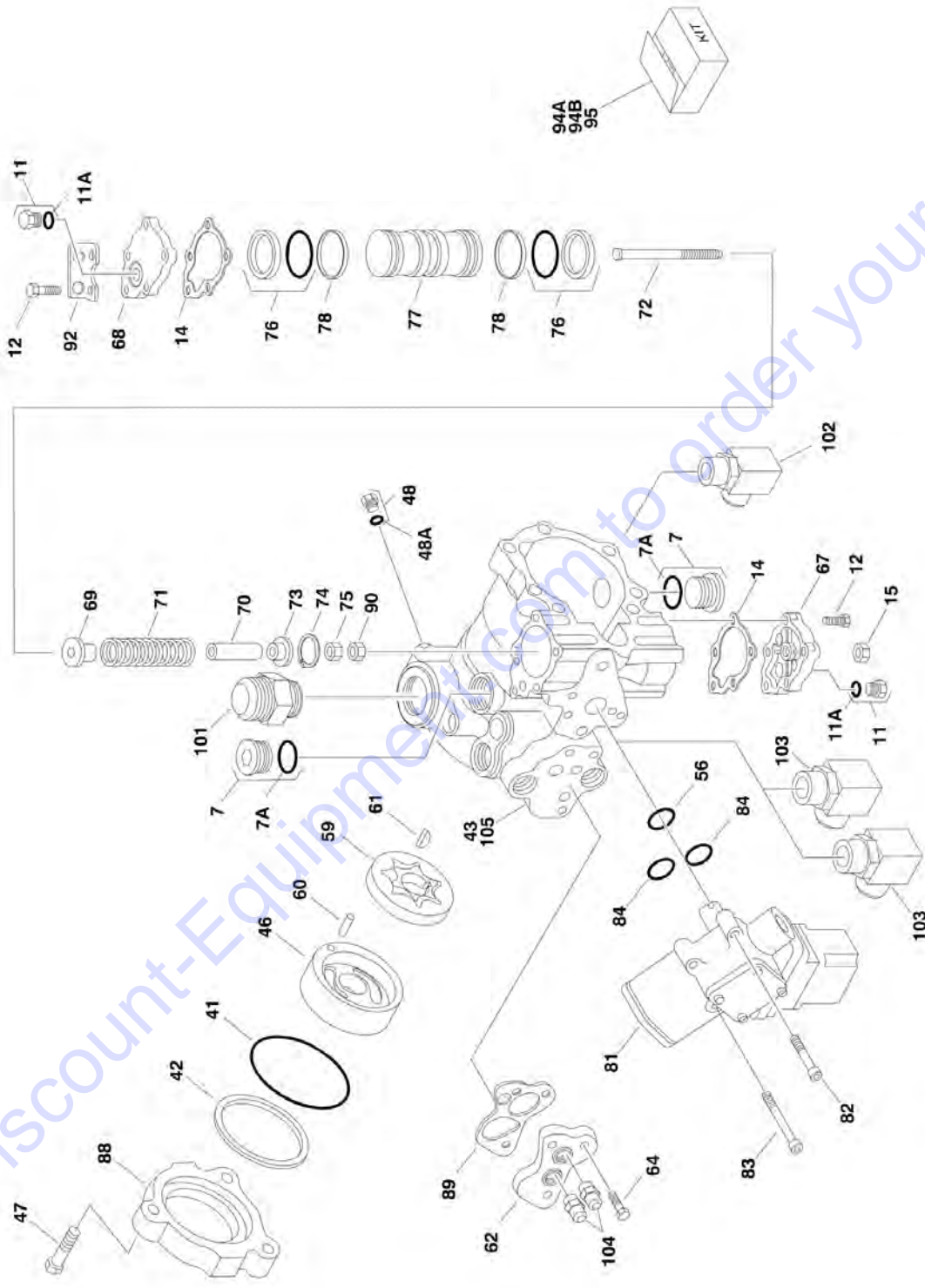


## SECTION 2 - TURNTABLE

FIGURE 2-14. PISTON PUMP ASSEMBLY (SN 0300079888 through 0300087000)



SECTION 2 - TURNTABLE



Go to Discount-Equipment.com to order your parts

## SECTION 2 - TURNTABLE

FIGURE 2-14. PISTON PUMP ASSEMBLY (SN 0300079888 through 0300087000)

| ITEM | PART NUMBER | QTY | DESCRIPTION                               | REV |
|------|-------------|-----|---|-----|
|      | 3600381     | Ref | <b>PISTON PUMP ASSEMBLY</b>               | A   |
| 1    | 7007413     | 1   | Shim Kit                                  |     |
| 2    | 7007414     | 1   | Plug                                      |     |
| 3    | See Note    | NSS | O-Ring (Note: Use Item 94A)               |     |
| 4    | 7021200     | 1   | Spring, Relief Valve                      |     |
| 5    | 7007417     | 1   | Valve, Relief                             |     |
| 6    | See Note    | NSS | O-Ring (Note: Use Item 94A)               |     |
| 7    | 7007419     | 2   | Plug                                      |     |
| 7A   | 7007418     | 2   | O-Ring                                    |     |
| 10   | 7007470     | 2   | Plug                                      |     |
| 10A  | 7021256     | 2   | O-Ring                                    |     |
| 11   | 7007470     | 2   | Plug                                      |     |
| 11A  | 7021256     | 2   | O-Ring                                    |     |
| 12   | 7021223     | 10  | Screw                                     |     |
| 14   | See Note    | NSS | Gasket, Servo Cover (Note: Use Item 94A)  |     |
| 15   | 7007423     | 1   | Nut, Special                              |     |
| 18   | 7007425     | 1   | Bearing, Needle                           |     |
| 19   | See Note    | NSS | Ring, Retaining (Note: Use Item 95)       |     |
| 20   | See Note    | NSS | Washer (Note: Use Item 95)                |     |
| 21   | See Note    | NSS | Spring (Note: Use Item 95)                |     |
| 23   | See Note    | NSS | Washer (Note: Use Item 95)                |     |
| 24   | See Note    | NSS | Retainer (Note: Use Item 95)              |     |
| 25   | See Note    | NSS | Pin, Slipper Holddown (Note: Use Item 95) |     |
| 26   | See Note    | NSS | Piston Assembly (Note: Use Item 95)       |     |
| 27   | See Note    | NSS | Retainer, Slipper (Note: Use Item 95)     |     |
| 28   | See Note    | NSS | Guide, Retainer (Note: Use Item 95)       |     |
| 29   | 7007435     | 1   | Pin, Spring                               |     |
| 30   | 7021202     | 1   | Screw                                     |     |
| 31   | 7007437     | 1   | Bearing, Ball                             |     |
| 32   | 7007438     | 2   | Ring, Retainer                            |     |
| 33   | 7007439     | 2   | Ring                                      |     |
| 34   | 7021203     | 2   | Pin, Spring                               |     |
| 35   | 7007441     | 1   | Handle, Pin                               |     |
| 36   | 7007442     | 1   | Sleeve, Bearing                           |     |
| 37   | See Note    | NSS | Gasket, Front Cover (Note: Use Item 94A)  |     |
| 38   | 7007444     | 1   | Pin                                       |     |
| 40   | 7007446     | 1   | Pin                                       |     |
| 41   | See Note    | NSS | O-Ring (Note: Use Item 94A)               |     |
| 42   | See Note    | NSS | Ring, Load Temper (Note: Use Item 94A)    |     |
| 43   | 7023977     | 1   | Housing, Pump                             |     |
| 44   | See Note    | NSS | Ring, Back-up (Note: Use Item 94A)        |     |
| 45   | See Note    | NSS | O-Ring (Note: Use Item 94A)               |     |
| 46   | 7007452     | 1   | Cover, Gerotor                            |     |
| 47   | 7007453     | 3   | Bolt, Hex                                 |     |
| 48   | 7007208     | 1   | Plug                                      |     |
| 48A  | 7007207     | 1   | O-Ring                                    |     |
| 49   | 7007454     | 1   | Cover, Front                              |     |
| 50   | See Note    | NSS | Block, Cylinder (Note: Use Item 95)       |     |
| 51   | 7021207     | 6   | Screw                                     |     |
| 53   | 7007457     | 1   | Swash Plate                               |     |

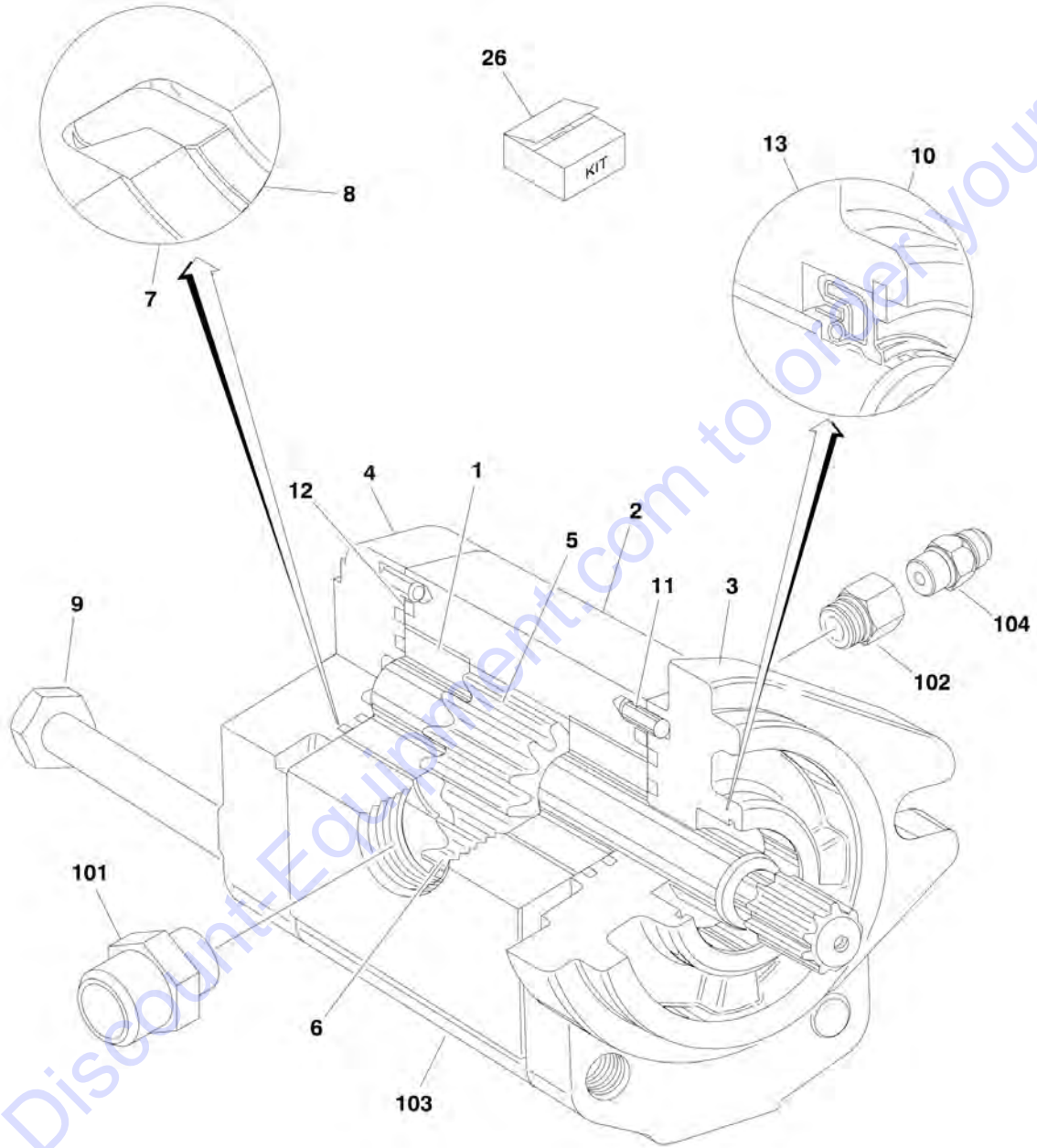


## SECTION 2 - TURNTABLE

| ITEM | PART NUMBER | QTY | DESCRIPTION  | REV |
|------|-------------|-----|--|-----|
| 54   | 7021212     | 1   | Journal, Bearing   |     |
| 55   | 7007459     | 1   | Seal, Lip  |     |
| 56   | See Note    | NSS | O-Ring (Note: Use Item 94A)  |     |
| 57   | 7010121     | 1   | Shaft, Main Pump   |     |
| 58   | 7021214     | 1   | Plate, Valve   |     |
| 59   | 7007463     | 1   | Gerotor Assembly   |     |
| 60   | 7007464     | 1   | Pin  |     |
| 61   | 7007465     | 1   | Key, Woodruff  |     |
| 62   | 7007466     | 1   | Adaptor, Remote Filtration (Without By-Pass)   |     |
| 64   | 7021218     | 3   | Screw  |     |
| 67   | 7021220     | 1   | Cover, Servo (Without Adjuster)  |     |
| 68   | 7021219     | 1   | Cover, Servo (Without Adjuster)  |     |
| 69   | 7023979     | 1   | Guide, Spring  |     |
| 70   | 7007484     | 1   | Stop, Servo  |     |
| 71   | 7007485     | 1   | Spring   |     |
| 72   | 7021221     | 1   | Screw  |     |
| 73   | 7007487     | 1   | Guide, Spring  |     |
| 74   | 7007488     | 1   | Ring, Retaining  |     |
| 75   | 7021222     | 1   | Locknut  |     |
| 76   | See Note    | NSS | Ring, Piston (Note: Use Item 94A or 94B)   |     |
| 77   | 7007494     | 1   | Piston, Servo  |     |
| 78   | See Note    | NSS | O-Ring (Note: Use Item 94A or 94B)   |     |
| 79   | 7007472     | 1   | Valve, Bypass  |     |
| 80   | 7024851     | 2   | Valve, Pressure Relief (Includes Item 6)   |     |
| 81   | 7007474     | 1   | Control, Dual Oil-Filled   |     |
| 81   | 7007496     | 1   | Coil Assembly (Pilot)  |     |
| 81   | 7007497     | 1   | Plug (Pump)  |     |
| 81   | 7007498     | 1   | Plug (Valve Harness)   |     |
| 82   | 7001498     | 2   | Screw  |     |
| 83   | 7007478     | 2   | Screw  |     |
| 84   | 7001433     | 2   | O-Ring   |     |
| 86   | 7007475     | 1   | Plug, Orifice/Screen (.156)  |     |
| 87   | 7007477     | 2   | Plug, Orifice (.37)  |     |
| 88   | 7007476     | 1   | Adapter, Auxiliary Pump  |     |
| 89   | 7021217     | 1   | Spacer/Gasket  |     |
| 90   | 7021206     | 1   | Nut  |     |
| 91   | 7024800     | 2   | Spring   |     |
| 92   | 7021201     | 1   | Bracket, Lifting   |     |
| 94   |             | Ref | Seal Kit Options:  |     |
| 94A  | 7021232     | 1   | Seal Kit - Complete (Includes Items 3, 6, 14, 37, 41, 42, 44, 45, 55, 56, 76, 78 & 89) |     |
| 94B  | 7007412     | 1   | Seal Kit - Servo Piston (Includes Items 76 & 78)                                       |     |
| 95   | 7010116     | 1   | Cylinder Block Kit (Includes Items 19-28 & 50)   |     |
|      | 3600396     | Ref | <b>PISTON PUMP AND FITTING ASSEMBLY</b>  | A   |
| 101  | 2220479     | 1   | Fitting, Straight  |     |
| 102  | 2220578     | 1   | Fitting, 90  |     |
| 103  | 2220646     | 2   | Fitting, 90  |     |
| 104  | 2220947     | 2   | Fitting, Straight  |     |
| 105  | 3600381     | 1   | Pump Options (Includes Items 1-92)   |     |

# SECTION 2 - TURNTABLE

## FIGURE 2-15. GEAR PUMP ASSEMBLY



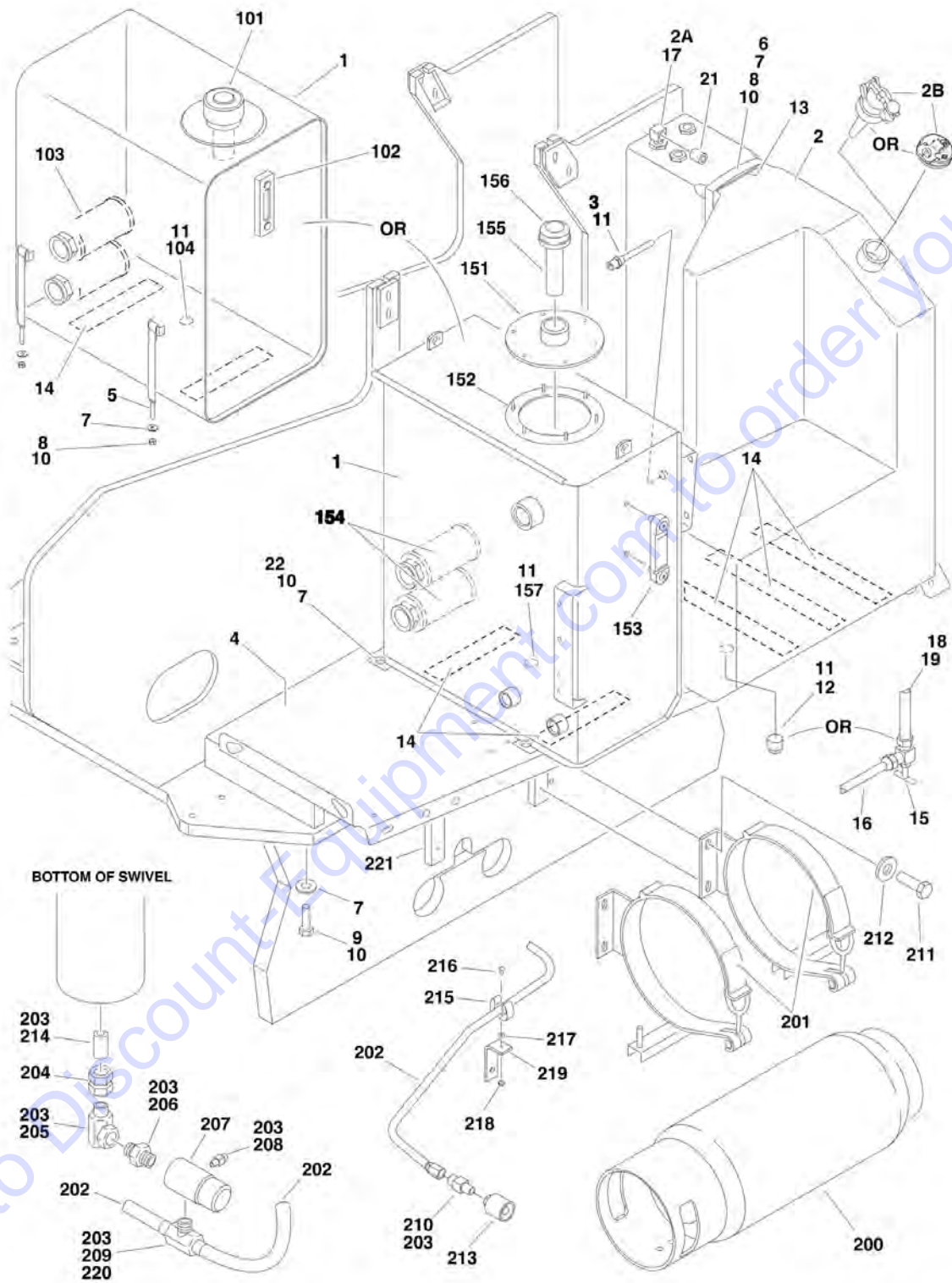
## SECTION 2 - TURNTABLE

### FIGURE 2-15. GEAR PUMP ASSEMBLY

| ITEM | PART NUMBER | QTY | DESCRIPTION                                   | REV |
|------|-------------|-----|---|-----|
|      | 3600242     | Ref | <b>GEAR PUMP ASSEMBLY</b>                     |     |
| 1    | 7010105     | 2   | Bearing/Bushing                               |     |
| 2    | See Note    | NSS | Housing (Note: Use p/n 3600242)               |     |
| 3    | See Note    | NSS | Flange (Note: Use p/n 3600242)                |     |
| 4    | 7010103     | 1   | Cover   |     |
| 5    | 7012987     | 1   | Gear, Drive                                   |     |
| 6    | 7012988     | 1   | Gear, Idler                                   |     |
| 7    | See Note    | NSS | Ring, Anti-Extrusion (Note: Use Item 26)      |     |
| 8    | See Note    | NSS | Seal (Note: Use Item 26)                      |     |
| 9    | See Note    | 4   | Bolt (Note: Not Available for Purchase)       |     |
| 10   | 7010104     | 1   | Ring, Retaining                               |     |
| 11   | See Note    | 4   | Pin, Dowel (Note: Not Available for Purchase) |     |
| 12   | See Note    | NSS | Seal, O-Ring (Note: Use Item 26)              |     |
| 13   | See Note    | NSS | Seal, Shaft (Note: Use Item 26)               |     |
| 26   | 7007489     | 1   | Seal Kit (Includes Items 7, 8, 12 & 13)       |     |
|      | 3600395     | Ref | <b>GEAR PUMP AND FITTING ASSEMBLY</b>         | A   |
| 101  | 2220376     | 1   | Fitting, Straight                             |     |
| 102  | 2220810     | 1   | Fitting, Reducer                              |     |
| 103  | 3600242     | 1   | Pump (Includes Items 1-13)                    |     |
| 104  | 4640744     | 1   | Fitting, Check Valve                          |     |

# SECTION 2 - TURNTABLE

## FIGURE 2-16. TANK INSTALLATIONS



# PARTS FINDER

**Search Website  
by Part Number**



**Search Manual  
Library For Parts  
Manual & Lookup Part  
Numbers – Purchase  
or Request Quote**

**Can't Find Part or  
Manual? Request Help  
by Manufacturer,  
Model & Description**

Discount-Equipment.com is your online resource for quality parts & equipment.

Florida: **561-964-4949** Outside Florida TOLL FREE: **877-690-3101**

## Need parts?

Click on this link: <http://www.discount-equipment.com/category/5443-parts/> and choose one of the options to help get the right parts and equipment you are looking for. Please have the machine model and serial number available in order to help us get you the correct parts. If you don't find the part on the website or on one of the online manuals, please fill out the request form and one of our experienced staff members will get back to you with a quote for the right part that your machine needs.

We sell worldwide for the brands: Genie, Terex, JLG, MultiQuip, Mikasa, Essick, Whiteman, Mayco, Toro Stone, Diamond Products, Generac Magnum, Airman, Haulotte, Barreto, Power Blanket, Nifty Lift, Atlas Copco, Chicago Pneumatic, Allmand, Miller Curber, Skyjack, Lull, Skytrak, Tsurumi, Husquvarna Target, Stow, Wacker, Sakai, Mi-T-M, Sullair, Basic, Dynapac, MBW, Weber, Bartell, Bennar Newman, Haulotte, Ditch Runner, Menegotti, Morrison, Contec, Buddy, Crown, Edco, Wyco, Bomag, Laymor, EZ Trench, Bil-Jax, F.S. Curtis, Gehl Pavers, Heli, Honda, ICS/PowerGrit, IHI, Partner, Imer, Clipper, MMD, Koshin, Rice, CH&E, General Equipment, Amida, Coleman, NAC, Gradall, Square Shooter, Kent, Stanley, Tamco, Toku, Hatz, Kohler, Robin, Wisconsin, Northrock, Oztec, Toker TK, Rol-Air, APT, Wylie, Ingersoll Rand / Doosan, Innovatech, Con X, Ammann, Mecalac, Makinex, Smith Surface Prep, Small Line, Wanco, Yanmar

## SECTION 2 - TURNTABLE

### FIGURE 2-16. TANK INSTALLATIONS

| ITEM | PART NUMBER  | QTY | DESCRIPTION  | REV |
|------|--------------|-----|--|-----|
|      |              | Ref | <b>TANK INSTALLATIONS</b>  |     |
|      | 0255409      | Ref | <b>All Machines without Locking Fuel Cap</b>   | 7   |
|      | 0270395      | Ref | <b>Gas Machines with Locking Fuel Cap</b>  | 2   |
|      | 0257482      | Ref | <b>Diesel Machines with Locking Fuel Cap</b>   | 1   |
|      | 0257671      | Ref | <b>UL Machines</b>   | 4   |
|      | 0258606      | Ref | <b>UL LP Gas Machines Only</b>   | 2   |
| 1    |              | Ref | Hydraulic Tank Assembly Options:   |     |
| 1    | 4400372      | 1   | Hydraulic Tank Assembly (See Items 101-104 for Breakdown)<br><b>(SN 0300069000 through 0300072294)</b>       |     |
| 1    | 4400454      | 1   | Hydraulic Tank Assembly (See Items 151-157 for Breakdown)<br><b>(SN 0300072295 through 0300087000)</b>       |     |
| 2    |              | Ref | Tank, Fuel Options:  |     |
| 2    | 4400399      | 1   | Standard   |     |
| 2    | 4400407      | 1   | UL Machines Only   |     |
| 2    | Not Required | 0   | UL Machines LP Gas Only  |     |
| 2A   | 7019658      | 1   | Fitting, 90 W/Pick-Up Tub  |     |
| 2B   |              | Ref | Cap Options:   |     |
| 2B   | 7016314      | 1   | Standard - Non-Locking (Part of Item 2)  |     |
| 2B   | 1120484      | 1   | Red Lockable Cap - Gas/Dual Fuel Machines (Not Included with Tank - Purchase Separately) (Lock Not Included) |     |
| 2B   | 1120487      | 1   | Blue Lockable Cap - Diesel Machines (Not Included with Tank - Purchase Separately) (Lock Not Included)       |     |
| 2B   | 1120367      | 1   | UL Machines (Not Included with Tank - Purchase Separately)   |     |
| 2B   | Not Required | 0   | UL Machines LP Gas Only  |     |
| 3    | 4360436      | 1   | Switch, Fuel Level   |     |
| 4    | 4844964      | 1   | Hydraulic Tray Weldment  |     |
| 5    | 4240112      | 4   | Strap, Tank <b>(SN 0300069000 through 0300072295)</b>  |     |
| 6    | 4240102      | 1   | Strap, Tank (Not Required on UL Machines)  |     |
| 7    | 4751600      | 12  | Flatwasher 3/8in Regular   |     |
| 8    | 3311601      | 6   | Nut 3/8in-16NC   |     |
| 9    | 0641614      | 6   | Bolt 3/8in-16NC x 1-3/4in  |     |
| 10   | 0100011      | AR  | Compound, Locking  |     |
| 11   |              | Ref | Sealant, Pipe Options:   |     |
| 11   | 0100079      | AR  | (Standard Machines)  |     |
| 11   | 0100020      | AR  | (UL Machines)  |     |
| 12   | 2200233      | 1   | Fitting  |     |
| 13   | 4280295      | 25  | Strip, Protective  |     |
| 14   | 4420038      | AR  | Tape, Rubber   |     |
| 15   |              | Ref | Valve, Needle  |     |
| 15   | 4641022      | 1   | Standard Gas Machines, Valve, Needle - Located on Bottom of Fuel Tank  |     |
| 15   | 4641022      | 1   | UL Gas Machines, Valve, Needle - Located on Top of Fuel Tank   |     |
| 15   | Not Required | 0   | Diesel Machines  |     |
| 16   | 4568116      | 1   | Tube, Fuel   |     |
| 18   | 0100062      | AR  | Retaining Compound #680  |     |
| 19   | 4568119      | 1   | Tube, Fuel   |     |
| 20   | 2180703      | 1   | Fitting, 90 (Not Shown Located on Top of Fuel Tank)(UL Machines Only)  |     |
| 21   | 2220273      | 1   | Fitting, Reducer (UL Machines Only)  |     |

## SECTION 2 - TURNTABLE

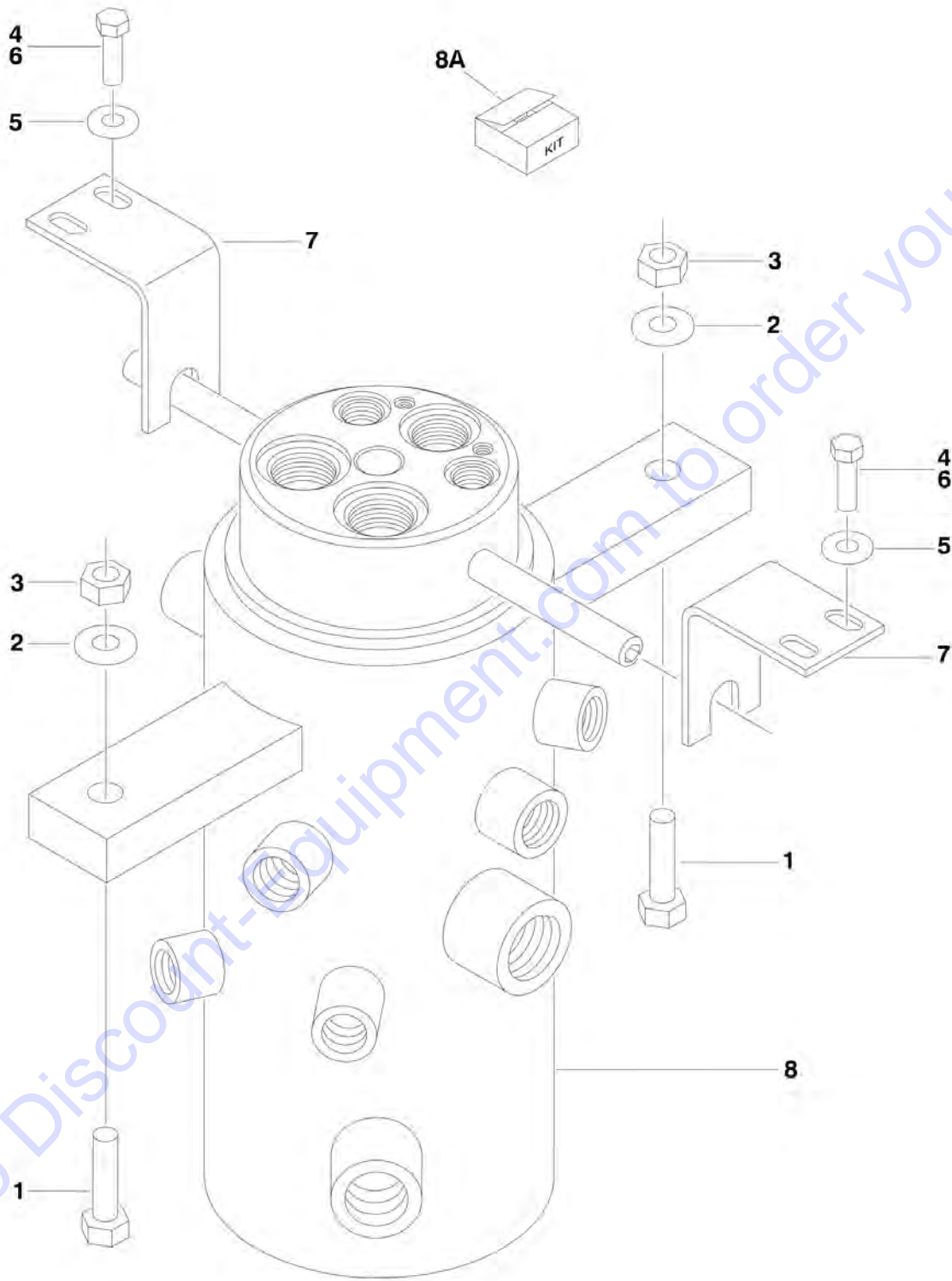
| ITEM | PART NUMBER | QTY | DESCRIPTION   | REV |
|------|-------------|-----|---|-----|
| 22   | 0641606     | 4   | Bolt 3/8-16NC x 3/4 (SN 0300072295 through 0300087000)                |     |
|      | 4400372     | Ref | <b>HYDRAULIC OIL TANK ASSEMBLY (SN 0300069000 through 0300072295)</b> | J   |
| 101  | 7014810     | 1   | Filler/Breather Assembly  |     |
| 101  | 7014811     | 1   | Cap, Breather   |     |
| 102  | 7014802     | 1   | Gage, Sight   |     |
| 103  | 7014801     | 2   | Strainer  |     |
| 104  | 7014800     | 1   | Plug, Magnetic  |     |
|      | 4400454     | Ref | <b>HYDRAULIC OIL TANK ASSEMBLY (SN 0300072295 through 0300087000)</b> | C   |
| 151  | 7024439     | 1   | Cover   |     |
| 152  | 7024440     | 1   | Gasket  |     |
| 153  | 7024441     | 1   | Gauge, Sight  |     |
| 154  | 7024442     | 1   | Strainer 1-1/4inNPT   |     |
| 155  | 7024443     | 1   | Neck, Fill (Helgesen Brand)   |     |
| 155  | See Note    | NSS | Neck, Fill (Hydac Brand) (Note: Use p/n 7004862)                      |     |
| 155  | 7024445     | 1   | Screen (Helgesen Brand)   |     |
| 155  | See Note    | NSS | Screen (Hydac Brand) (Note: Use p/n 7004862)                          |     |
| 156  | 7024444     | 1   | Breather/Fill Cap (Helgesen Brand)                                    |     |
| 156  | 70004862    | 1   | Breather/Fill Cap/Strainer Kit (Hydac Brand)                          |     |
| 157  | 7024446     | 1   | Plug, Magnetic  |     |
|      | 0255524     | Ref | <b>LP TANK BRACKETS INSTALLATION</b>                                  | 7   |
| 200  |             | Ref | Tank, LP Options:   |     |
| 200  | 4400275     | 1   | Aluminum  |     |
| 200  | 4400420     | 1   | Steel   |     |
| 201  | 1320220     | 2   | Clamp   |     |
| 201  | 1320127     | 2   | Clamp, Toggle (1 Per Clamp)   |     |
| 202  | 2720144     | 2   | Hose  |     |
| 203  | 0100020     | AR  | Sealant, Pipe   |     |
| 204  | 2221019     | 1   | Fitting, Reducer  |     |
| 205  | 2180125     | 1   | Fitting, 90 Swivel  |     |
| 206  | 2220261     | 1   | Fitting, Nipple   |     |
| 207  | 2180388     | 1   | Fitting, Bulkhead   |     |
| 208  | 2180389     | 1   | Valve, Relief   |     |
| 209  | 2220418     | 1   | Fitting, Tee  |     |
| 210  | 2180387     | 2   | Fitting, Straight   |     |
| 211  | 0641606     | 8   | Bolt 3/8in-16NC x 3/4in   |     |
| 212  | 4751600     | 8   | Flatwasher 3/8in Regular  |     |
| 213  | 2180418     | 2   | Fitting, Connector  |     |
| 214  | 2221018     | 1   | Fitting, Nipple   |     |
| 215  | 1320218     | 2   | Clamp, Spring   |     |
| 216  | 3910808     | 2   | Screw #8-32NC x 1/2in   |     |
| 217  | 4750800     | 4   | Flatwasher #8 Regular   |     |
| 218  | 3310805     | 2   | Locknut #8-32NC   |     |
| 219  | 0181949     | 2   | Angle, Support  |     |
| 220  | 2221024     | 2   | Fitting, Union Ball Check   |     |
| 221  | 0362519     | 4   | Bar   |     |





## SECTION 2 - TURNTABLE

FIGURE 2-17. ROTARY COUPLING INSTALLATIONS (SN 0300069000 through 0300081835)



**SECTION 2 - TURNTABLE**

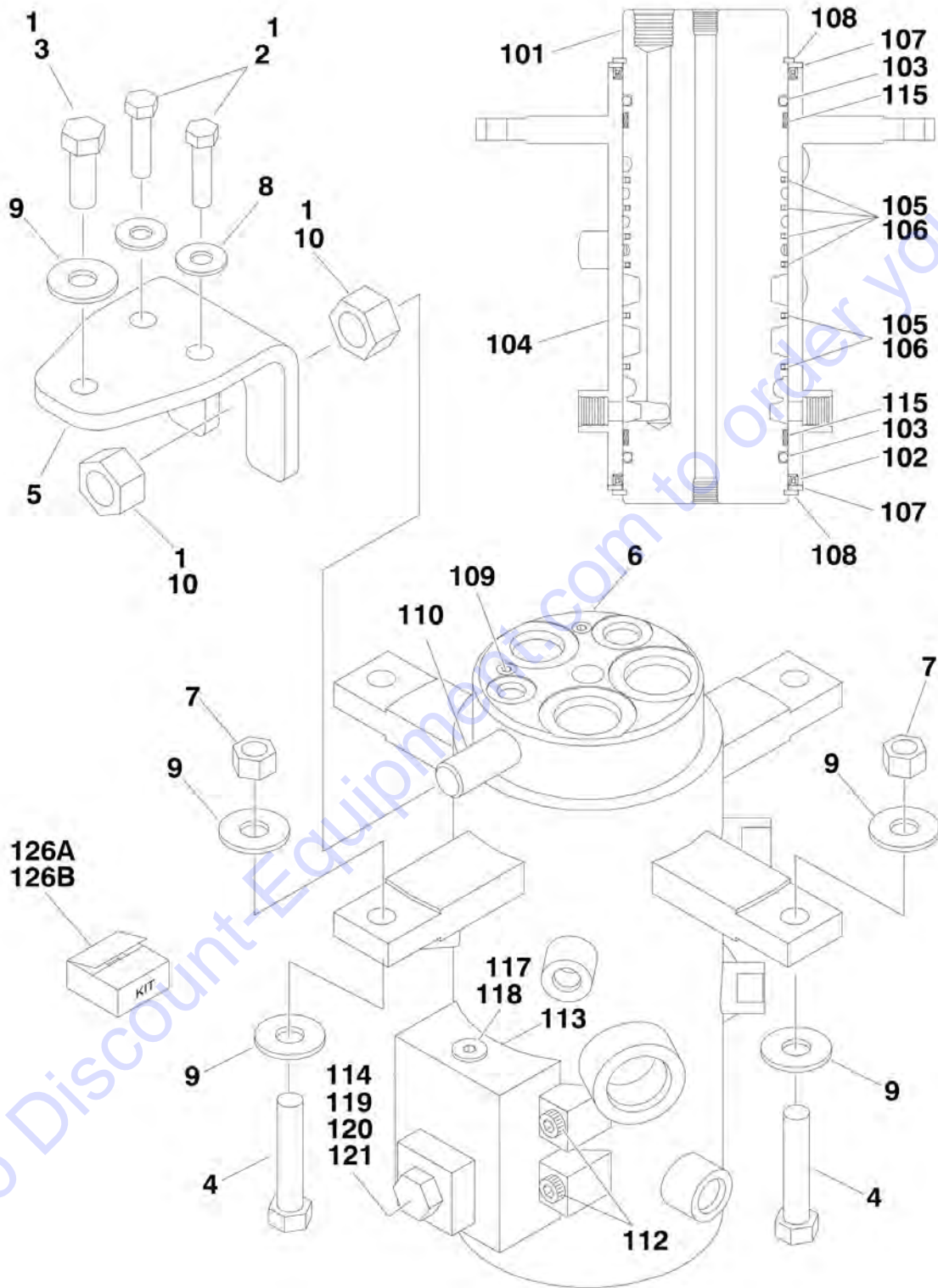
**FIGURE 2-17. ROTARY COUPLING INSTALLATIONS (SN 0300069000 through 0300081835)**

| ITEM | PART NUMBER | QTY | DESCRIPTION                          | REV |
|------|-------------|-----|--------------------------------------|-----|
|      |             | Ref | <b>ROTARY COUPLING INSTALLATIONS</b> |     |
|      | 0255262     | Ref | <b>2WS</b>                           | 5   |
|      | 0255294     | Ref | <b>4WS</b>                           | 2   |
| 1    | 0641820     | 2   | Bolt 1/2in-13NC x 2-1/2in            |     |
| 2    | 4751800     | 4   | Flatwasher 1/2in Regular             |     |
| 3    | 3311805     | 2   | Locknut 1/2in-13NC                   |     |
| 4    | 0641611     | 4   | Bolt 3/8in-16NC x 1-3/8in            |     |
| 5    | 4751600     | 4   | Flatwasher 3/8in Regular             |     |
| 6    | 0100011     | AR  | Compound, Locking                    |     |
| 7    | 0902520     | 2   | Bracket                              |     |
| 8    |             | Ref | Coupling, Rotary Options:            |     |
| 8    | 1660219     | 1   | 2WS                                  |     |
| 8    | 1660223     | 1   | 4WS                                  |     |
| 8A   |             | Ref | Seal Kit Options:                    |     |
| 8A   | 7013187     | 1   | 2WS                                  |     |
| 8A   | 7016342     | 1   | 4WS                                  |     |
| 8A   |             | Ref | Rebuilt Coupling Options:            |     |
| 8A   | 1660219RR   | 1   | 2WS                                  |     |
| 8A   | 1660223RR   | 1   | 4WS                                  |     |

Go to Discount-Equipment.com to order your parts

# SECTION 2 - TURNTABLE

FIGURE 2-18. ROTARY COUPLING INSTALLATIONS (SN 0300081836 through 0300087000)



## SECTION 2 - TURNTABLE

**FIGURE 2-18. ROTARY COUPLING INSTALLATIONS (SN 0300081836 through 0300087000)**

| ITEM | PART NUMBER | QTY | DESCRIPTION  | REV |
|------|-------------|-----|--|-----|
|      |             | Ref | <b>ROTARY COUPLING INSTALLATIONS</b>   |     |
|      | 0273052     | Ref | <b>2WS</b>   | D   |
|      | 0273161     | Ref | <b>4WS</b>   | D   |
| 1    | 0100011     | AR  | Compound, Locking  |     |
| 2    | 0641612     | 2   | Bolt 3/8in-16NC x 1-1/2in  |     |
| 3    | 0641811     | 1   | Bolt 1/2in-13NC x 1-3/8in  |     |
| 4    | 0641820     | 2   | Bolt 1/2in-13NC x 2-1/2in  |     |
| 5    | 0903056     | 1   | Bracket  |     |
| 6    |             | Ref | Coupling, Rotary Options (See Items 101-121 for Breakdown):  |     |
| 6    |             | Ref | 2WS  |     |
| 6    | 1660257     | NLA | Original Equipment (Use p/n 1660303)   |     |
| 6    | 1660303     | 1   | Service Replacement  |     |
|      |             | Ref | <b>Note: Original Equipment Rotary may have been replaced with Service Replacement Rotary. Identify p/n stamped on rotary before ordering parts.</b> |     |
| 6    |             | Ref | 4WS  |     |
| 6    | 1660258     | NLA | Original Equipment (Use p/n 1660304)   |     |
| 6    | 1660304     | 1   | Service Replacement  |     |
|      |             | Ref | <b>Note: Original Equipment Rotary may have been replaced with Service Replacement Rotary. Identify p/n stamped on rotary before ordering parts.</b> |     |
| 7    | 3271805     | 2   | Locknut 1/2in-13NC   |     |
| 8    | 4751600     | 2   | Flatwasher 3/8in Regular   |     |
| 9    | 4751800     | 5   | Flatwasher 1/2in Regular   |     |
| 10   | 3322201     | 2   | Nut 3/4in-16NC   |     |
|      |             | Ref | <b>ROTARY COUPLING ASSEMBLIES</b>  |     |
|      |             | Ref | <b>2WS</b>   |     |
|      | 1660257     | Ref | <b>Original Equipment</b>  | D   |
|      | 1660303     | Ref | <b>Service Replacement</b>   | B   |
|      |             | Ref | <b>4WS</b>   |     |
|      | 1660258     | Ref | <b>Original Equipment</b>  | D   |
|      | 1660304     | Ref | <b>Service Replacement</b>   | A   |
| 101  | See Note    | 1   | Body (Note: Not Available - Purchase Complete Assy)  |     |
| 102  |             | Ref | Seal Options:  |     |
| 102  |             | Ref | 2WS  |     |
| 102  | 7026189     | 2   | Original Equipment (p/n 1660257)   |     |
| 102  | See Note    | 2   | Service Replacement (p/n 1660303) (Note: Not Available - Purchase Complete Assy)   |     |
| 102  | See Note    | 2   | 4WS (Note: Use Item 126B)  |     |
| 103  | See Note    | 2   | O-Ring (Note: Use Items 126A or 126B)  |     |
| 104  | See Note    | 1   | Housing (Note: Not Available - Purchase Complete Assy)   |     |
| 105  | See Note    | AR  | Seal, Cap (Note: Use Items 126A or 126B)   |     |
| 105  |             | Ref | 2WS  |     |
| 105  |             | Ref | 4WS  |     |
| 106  | See Note    | AR  | O-Ring (Note: Use Items 126A or 126B)  |     |
| 106  |             | Ref | 2WS  |     |
| 106  |             | Ref | 4WS  |     |
| 107  |             | Ref | Ring Options:  |     |
| 107  | 7026503     | 2   | 2WS  |     |
| 107  | 7026511     | 2   | 4WS  |     |
| 108  |             | Ref | Ring, Retaining Options:   |     |

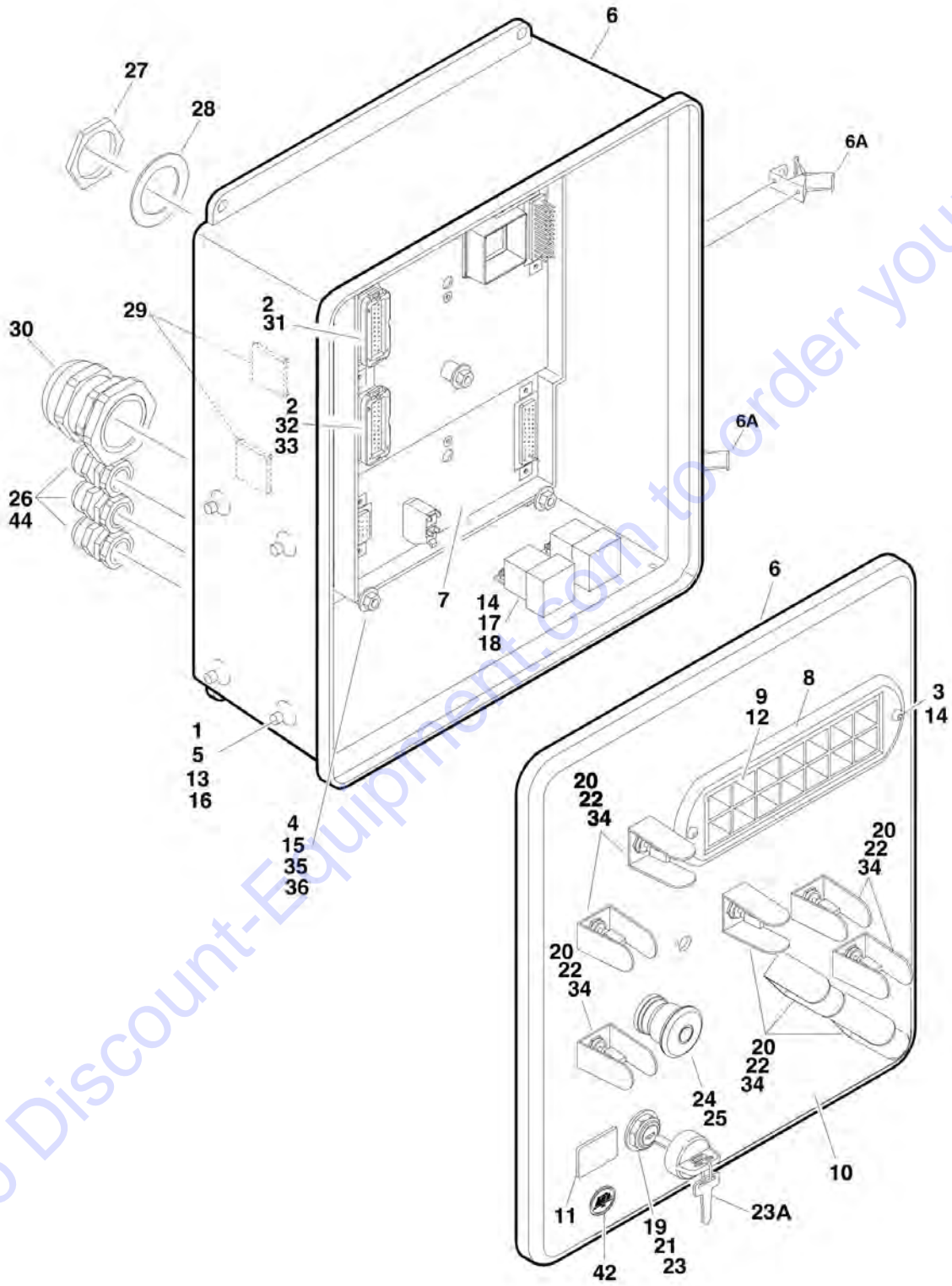
## SECTION 2 - TURNTABLE

| ITEM | PART NUMBER | QTY | DESCRIPTION  | REV |
|------|-------------|-----|--|-----|
| 108  | 7026504     | 2   | 2WS  |     |
| 108  | 7013189     | 2   | 4WS  |     |
| 109  |             | Ref | Plug Options:  |     |
| 109  |             | Ref | 2WS  |     |
| 109  | See Note    | 2   | Original Equipment (Note: Not Available for Purchase)  |     |
| 109  | 80934561    | 2   | Service Replacement  |     |
| 109  |             | Ref | 4WS  |     |
| 109  | See Note    | 4   | Original Equipment (Note: Not Available for Purchase)  |     |
| 109  | 80934561    | 4   | Service Replacement  |     |
| 110  | See Note    | 1   | Lug, Torque (Note: Not Available for Purchase)   |     |
| 112  | 7026197     | 4   | Bolt 5/16in-18NC x 1-1/4in   |     |
| 113  | See Note    | 3   | O-Ring (Note: Use Item 126A or 126B)   |     |
| 114  | See Note    | 1   | O-Ring (Note: Use Item 126A or 126B)   |     |
| 115  | See Note    | 2   | Bearing (Note: Use Item 126A or 126B)  |     |
| 116  | 7024404     | 1   | Block Valve Assembly   |     |
| 117  | 7026505     | 1   | Plug   |     |
| 118  | 7026506     | 1   | Valve, Check   |     |
| 119  | 7026507     | 1   | Plug   |     |
| 120  |             | Ref | Plunger, Valve Options:  |     |
| 120  | 7026508     | 1   | Original Equipment   |     |
| 120  | 7024404     | 1   | Service Replacement  |     |
| 121  | 7026509     | 1   | Spring, Compression  |     |
| 122  | See Note    | AR  | Protective Netting (Not Shown) (Original Equipment Only)<br>(Note: Not Available for Purchase) |     |
|      |             | Ref | Seal Kit Options:  |     |
| 126A |             | Ref | 2WS  |     |
| 126A | 7026510     | 1   | Original Equipment (Includes Items 103, 105, 106, 113, 114 & 115)                              |     |
| 126A | 70001248    | 1   | Service Replacement (Includes Items 102, 103, 105, 106, 113, 114 & 115)                        |     |
| 126B |             | Ref | 4WS  |     |
| 126B | 7026512     | 1   | Original Equipment (Includes Items 102, 103, 105, 106, 113, 114 & 115)                         |     |
| 126B | 70002212    | 1   | Service Replacement (Includes Items 102, 103, 105, 106, 113, 114 & 115) (was p/n 70001249)     |     |



## SECTION 2 - TURNTABLE

FIGURE 2-19. GROUND CONTROL BOX ASSEMBLIES



## SECTION 2 - TURNTABLE

### FIGURE 2-19. GROUND CONTROL BOX ASSEMBLIES

| ITEM | PART NUMBER | QTY | DESCRIPTION   | REV |
|------|-------------|-----|---|-----|
|      |             | Ref | <b>GROUND CONTROL BOX ASSEMBLIES</b>  |     |
|      |             | Ref | <b>Caterpillar Engine Machines</b>  |     |
|      | 0861617     | Ref | <b>Caterpillar Engine Machines 600A (SN 0300069000 through 0300084828)</b>        | C   |
|      | 0861700     | Ref | <b>Caterpillar Engine Machines 600A (SN 0300084829 through 0300087000)</b>        | A   |
|      | 0861618     | Ref | <b>Caterpillar Engine Machines 600AJ (SN 0300069000 through 0300084828)</b>       | C   |
|      | 0861701     | Ref | <b>Caterpillar Engine Machines 600AJ (SN 0300084829 through 0300087000)</b>       | A   |
|      |             | Ref | <b>Deutz Engine Machines</b>  |     |
|      | 0861470     | Ref | <b>Deutz Engine Machines 600A Non UL Spec (SN 0300069000 through 0300084828)</b>  | G   |
|      | 0861689     | Ref | <b>Deutz Engine Machines 600A Non UL Spec (SN 0300084829 through 0300087000)</b>  | A   |
|      | 0861664     | Ref | <b>Deutz Engine Machines 600A UL Spec</b>   | A   |
|      | 0861471     | Ref | <b>Deutz Engine Machines 600AJ Non UL Spec (SN 0300069000 through 0300084828)</b> | G   |
|      | 0861690     | Ref | <b>Deutz Engine Machines 600AJ Non UL Spec (SN 0300084829 through 0300087000)</b> | A   |
|      | 0861665     | Ref | <b>Deutz Engine Machines 600AJ UL Spec</b>  | A   |
|      |             | Ref | <b>Ford Engine Machines</b>   |     |
|      | 0861468     | Ref | <b>Ford Engine Machines 600A (SN 0300069000 through 0300084828)</b>               | G   |
|      | 0861704     | Ref | <b>Ford Engine Machines 600A (SN 0300084829 through 0300087000)</b>               | A   |
|      | 0861469     | Ref | <b>Ford Engine Machines 600AJ (SN 0300069000 through 0300084828)</b>              | G   |
|      | 0861705     | Ref | <b>Ford Engine Machines 600AJ (SN 0300084829 through 0300087000)</b>              | A   |
| 1    | 0100011     | AR  | Compound, Locking   |     |
| 2    | 0100048     | AR  | Grease, Dielectric  |     |
| 3    | 0630518     | 2   | Capscrew, Button Head   |     |
| 4    | 0630548     | 5   | Tap, Bolt 2-1/2in   |     |
| 5    | 0641506     | 4   | Bolt 5/16in-18NC x 3/4in  |     |
| 6    | 0861407     | 1   | Box, Fiberglass   |     |
| 6A   | 7020246     | 2   | Latch   |     |
| 7    |             | Ref | Module, Ground Control (Re-calibration Required when Replaced) Options:           |     |
| 7    | 1600327     | NLA | Caterpillar/Deutz/Ford Engine - Non UL Specs (Use p/n 2915014)                    |     |
| 7    | 1600364     | 1   | Caterpillar/Ford Engine - Non UL Specs <b>(SN 0300077490 through 0300087000)</b>  |     |
| 7    | 1600364     | 1   | Deutz Engine - Non UL Spec <b>(SN 0300077490 through 0300084828)</b>              |     |
| 7    | 1600411     | 1   | Deutz Engine - Non UL Spec <b>(SN 0300084829 through 0300087000)</b>              |     |
| 7    | 1600364     | 1   | Deutz Engine - UL Machines  |     |
| 8    | 1670829     | 1   | Bezel   |     |
| 9    |             | Ref | Decal - Ground Control Display Options:   |     |
| 9    | 1702610     | 1   | Non UL Machines <b>(SN 0300069000 through 0300084828)</b>                         |     |
| 9    | 1705753     | 1   | Non UL Machines <b>(SN 0300084829 through 0300087000)</b>                         |     |
| 9    | 1702610     | 1   | UL Machines   |     |



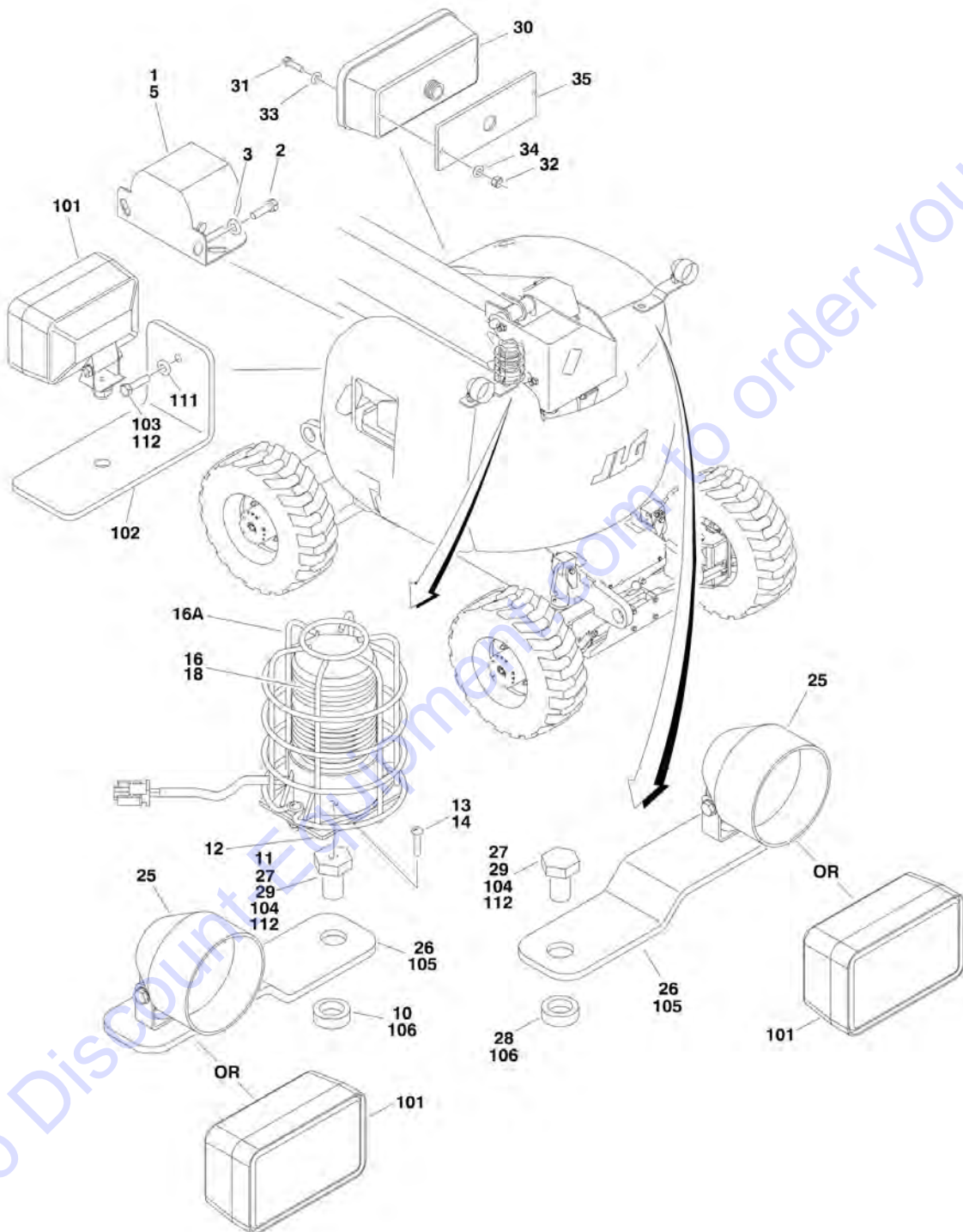
## SECTION 2 - TURNTABLE

| ITEM | PART NUMBER | QTY | DESCRIPTION   | REV |
|------|-------------|-----|---|-----|
| 10   |             | Ref | Decal - Faceplate Options:  |     |
| 10   | 1703467     | 1   | Decal - Faceplate 600A  |     |
| 10   | 1703468     | 1   | Decal - Faceplate 600AJ   |     |
| 11   | 2420172     | 1   | Gauge, Hourmeter  |     |
| 12   | 2760105     | 1   | Housing, Display Light  |     |
| 13   | 3300205     | 4   | Nut, Retainer   |     |
| 14   | 3300408     | AR  | Locknut, Plastic Insert   |     |
| 15   | 3311401     | AR  | Nut 1/4in-20NC  |     |
| 16   | 3539219     | 1   | Plate, Reinforcement  |     |
| 17   | 3740049     | AR  | Relay   |     |
| 18   | 3900268     | 2   | Screw, Flange #10 x 1/2in   |     |
| 19   | 3910804     | 6   | Screw #8-32NC x 1/4in   |     |
| 20   | 4060906     | 8   | Shield, Toggle Switch   |     |
| 21   | 4070987     | 1   | Shim (.125in)   |     |
| 22   | 4360328     | 8   | Switch, Toggle  |     |
| 23   | 4360469     | 1   | Switch, Key   |     |
| 23A  | 2860030     | 1   | Key Replacement   |     |
| 24   | 4360475     | 1   | Switch, Emergency Stop  |     |
| 25   | 4360476     | 1   | Switch, Contact Block   |     |
| 26   | 4460426     | AR  | Terminal, Strain Relief   |     |
| 27   | 4460470     | 1   | Nut, Terminal   |     |
| 28   | 4460471     | 1   | Lockwasher, Terminal  |     |
| 29   | 4460488     | AR  | Mounting Base, Terminal   |     |
| 30   | 4460526     | 1   | Connector, Strain Relief  |     |
| 31   | 4460874     | 1   | Connector, Natural  |     |
| 32   | 4460875     | 1   | Connector, Gray   |     |
| 33   | 4460905     | 4   | Connector, Amp Seal Plug  |     |
| 34   | 4740444     | AR  | Washer, Special   |     |
| 35   | 4751400     | 20  | Flatwasher 1/4in Regular  |     |
| 36   | 4761400     | AR  | Lockwasher 1/4in  |     |
| 40   | 4922666     | 1   | Harness, Analyzer Cable (Not Shown) <b>(SN 0300069000 through 0300084828)</b> |     |
| 42   | 1705132     | 1   | Decal - Control ADE   |     |
| 44   | 3520035     | 1   | Plug, Cap   |     |



## SECTION 2 - TURNTABLE

FIGURE 2-20. ELECTRICAL OPTIONS INSTALLATIONS (TURNTABLE MOUNTED)



## SECTION 2 - TURNTABLE

**FIGURE 2-20. ELECTRICAL OPTIONS INSTALLATIONS (TURNTABLE MOUNTED)**

| ITEM | PART NUMBER | QTY       | DESCRIPTION   | REV |
|------|-------------|-----------|---|-----|
|      | 0270833     | Ref       | <b>ALARMS INSTALLATIONS</b>   | 1   |
| 1    | 0257887     | 1         | Alarm/Harness Assembly  |     |
| 1    | 0140032     | 1         | Alarm   |     |
| 1    | 2820035     | 6 in/15cm | Loom  |     |
| 1    | 4460424     | 1         | Plug  |     |
| 1    | 4460268     | 2         | Socket  |     |
| 2    | 0641406     | 2         | Bolt 1/4in-20NC x 3/4in   |     |
| 3    | 4711400     | 2         | Flatwasher 1/4in Thin   |     |
| 5    | 0100048     | AR        | Sealant, Silicone   |     |
|      | 0270805     | Ref       | <b>STROBE LIGHT INSTALLATIONS (AMBER) (OPTIONAL)</b>                            | 2   |
| 10   | 4220162     | 1         | Spacer, Stop (Used with ECCO Model 6640 Only)                                   |     |
| 11   |             | Ref       | Adapter Options:  |     |
| 11   | 0630491     | 1         | Adapter used with ECCO Model 6640   |     |
| 11   | 0080241     | 1         | Adapter used with ECCO Model 6650   |     |
| 12   | 3539281     | 1         | Plate, Mounting (Used with ECCO Model 6640 Only)                                |     |
| 13   | 0741606     | 1         | Screw, Flathead Countersunk 3/8in-16NC x 3/4in (Used with ECCO Model 6640 Only) |     |
| 14   | 0100011     | AR        | Compound, Locking   |     |
| 15   | 4240032     | 1         | Wire-Tie (Not Shown)  |     |
| 16   | 0255917     | NLA       | Strobe Light/Guard/Harness Assembly (Use p/n 0272507) (Includes Item 11 also)   |     |
| 16   | 2920130     | NLA       | Strobe Light/Guard/Harness Assembly (Use p/n 0272507) (Includes Item 11 also)   |     |
| 16   | 2920214     | NLA       | Strobe Light/Guard/Harness Assembly (Use p/n 0272507) (Includes Item 11 also)   |     |
| 16   |             | Ref       | Bulb, Replacement Options:  |     |
| 16   | 7016380     | 1         | Bulb, Replacement used with ECCO Model 6640                                     |     |
| 16   | 70001941    | 1         | Bulb, Replacement used with ECCO Model 6650                                     |     |
| 16A  |             | Ref       | Guard Options:  |     |
| 16A  | 4060907     | 1         | Guard used with ECCO Model 6640   |     |
| 16A  | 2920215     | 1         | Guard used with ECCO Model 6650   |     |
| 17   | 4460234     | 1         | Clamp (Not Shown)   |     |
| 18   | 0100048     | AR        | Sealant, Silicone   |     |
|      | 0271552     | Ref       | <b>LIGHTS INSTALLATIONS (OPTIONAL)</b>  | 2   |
| 25   | 2920110     | 2         | Headlight   |     |
| 26   | 0902206     | 2         | Bracket, Mounting   |     |
| 27   | 0642612     | 1         | Bolt 1in-8NC x 1 1/2in  |     |
|      |             | Ref       | <b>(Note: Use Item 11 if Strobe Light uses the same mount)</b>                  |     |
| 28   | 4220162     | 2         | Spacer  |     |
| 29   | 0100011     | AR        | Compound, Locking   |     |
| 30   | 2920113     | 2         | Taillight   |     |
| 31   | 3911040     | 4         | Screw, Machine #10-24NC x 2 1/2   |     |
| 32   | 3311005     | 4         | Nut #10-24NC  |     |
| 33   | 4751000     | 4         | Flatwasher #10  |     |
| 34   | 4740362     | 4         | Washer, Fender  |     |
| 35   | 3960461     | 2         | Gasket  |     |
| 37   | 4240032     | 21        | Tie-Strap (Not Shown)   |     |
| 38   | 4460234     | 21        | Mount, Tie-Strap (Not Shown)  |     |
| 39   | 4360336     | 1         | Switch, Toggle (Not Shown - Located on Console)                                 |     |
| 40   | 3790012     | 1         | O-Ring (Not Shown - Located on Console)   |     |

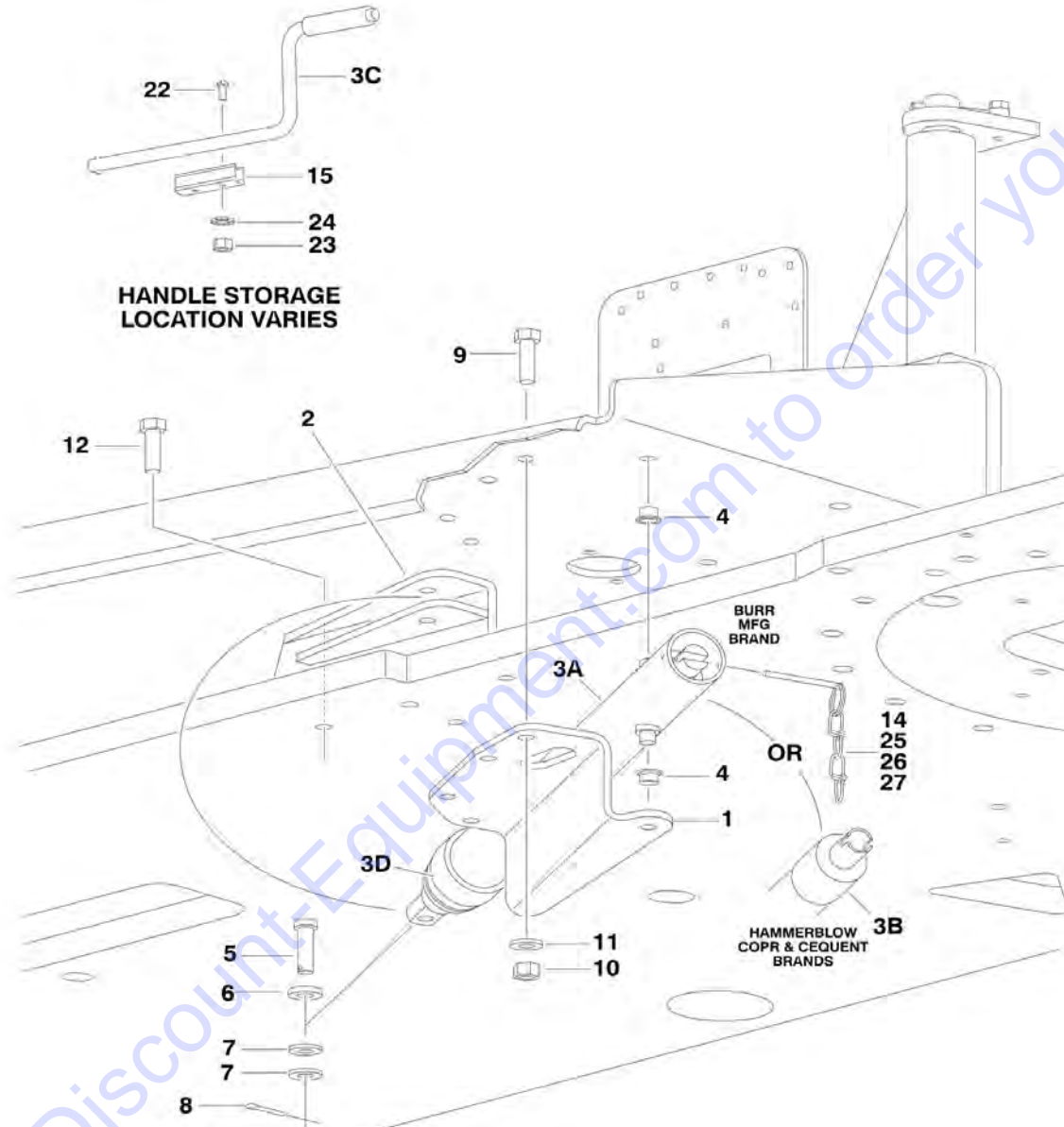
## SECTION 2 - TURNTABLE

| ITEM | PART NUMBER | QTY | DESCRIPTION  | REV |
|------|-------------|-----|--|-----|
| 41   | 3820001     | 11  | Pop Rivet (Not Shown)  |     |
|      | 0274200     | Ref | <b>CHASSIS ILLUMINATION LIGHT INSTALLATION</b>                 | 1/A |
| 101  | 2920157     | 4   | Lamp, Worklight  |     |
| 102  | 0903119     | 2   | Bracket, Light Mounting  |     |
| 103  | 0642612     | 4   | Bolt 1/4in-20NC x 7/8in  |     |
| 104  | 0642612     | 2   | Bolt 1in-8NC x 1 1/2in   |     |
|      |             | Ref | <b>(Note: Use Item 11 if Strobe Light uses the same mount)</b> |     |
| 105  | 0902206     | 2   | Bracket, Light Mounting  |     |
| 106  | 4220162     | 2   | Spacer   |     |
| 108  | 3790012     | 1   | O-Ring (Not Shown - Located at Platform Console Box)           |     |
| 109  | 4360336     | 1   | Switch, Toggle (Not Shown - Located at Platform Console Box)   |     |
| 110  | 4460234     | 10  | Mount, Cable (Not Shown)                                       |     |
| 111  | 4751400     | 2   | Flatwasher 1/4in Regular                                       |     |
| 112  | 0100011     | AR  | Compound, Locking  |     |
| 113  | 4240032     | 21  | Strap, Tie (Not Shown)   |     |
| 114  | 1705170     | 1   | Decal, Lights (Not Shown - Located at Platform Console Box)    |     |



## SECTION 2 - TURNTABLE

FIGURE 2-21. ENGINE TRAY JACK INSTALLATIONS (OPTIONAL)



## SECTION 2 - TURNTABLE

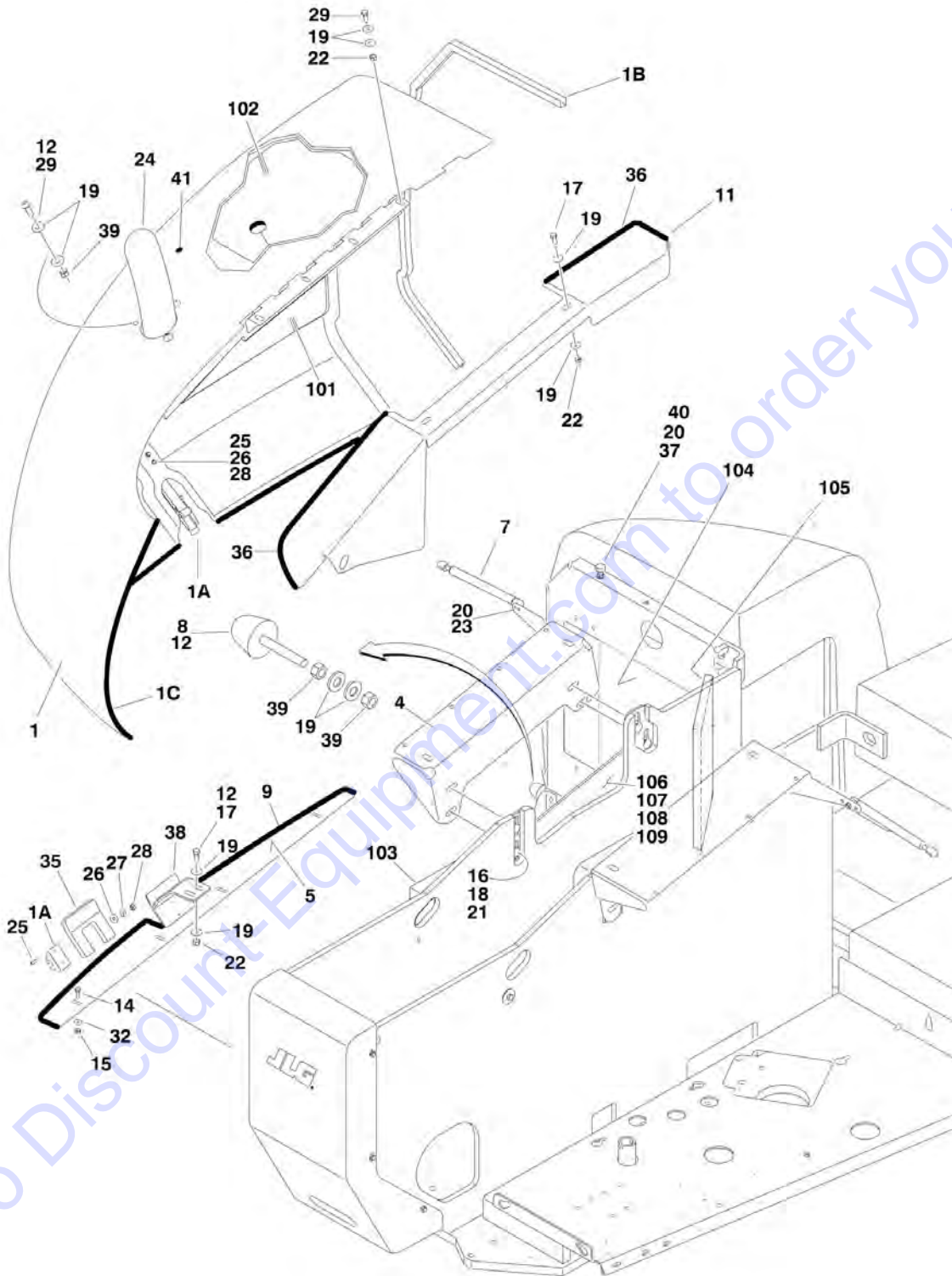
**FIGURE 2-21. ENGINE TRAY JACK INSTALLATIONS (OPTIONAL)**

| ITEM | PART NUMBER | QTY | DESCRIPTION  | REV |
|------|-------------|-----|--|-----|
|      | 0255880     | Ref | <b>ENGINE TRAY JACK INSTALLATION</b>                               | 6/H |
| 1    | 3537445     | 1   | Bracket  |     |
| 2    | 4845163     | 1   | Bracket  |     |
| 3    | 2840018     | 1   | Jack and Handle Assembly Options:                                  |     |
| 3A   |             | Ref | Burr Manufacturing Brand   |     |
| 3B   |             | Ref | Hammerblow Corp and Cequent Brands                                 |     |
| 3C   |             | Ref | Handle Options:  |     |
| 3C   | 7016374     | 1   | Burr Manufacturing Brand   |     |
| 3C   | 7024598     | 1   | Hammerblow Corp and Cequent Brands                                 |     |
| 3D   | 7016322     | 1   | Wiper (Burr Manufacturing Brand Only)                              |     |
| 4    | 0962051     | 2   | Bushing, Flanged   |     |
| 5    | 3430816     | 1   | Pin, Clevis  |     |
| 6    | 4891800     | 1   | Flatwasher 1/2in Hardened  |     |
| 7    | 4711800     | AR  | Flatwasher 1/2in Thin  |     |
| 8    | 3450404     | 1   | Pin, Cotter 1/8in x 1in  |     |
| 9    | 0641609     | 4   | Bolt 3/8in-16NC x 1-1/8in  |     |
| 10   | 3311605     | 4   | Locknut 3/8in-16NC   |     |
| 11   | 4891600     | 4   | Flatwasher 3/8in Hardened  |     |
| 12   | 0641810     | 4   | Bolt 1/2in-13NC x 1-1/4in  |     |
| 14   | 3422530     | 1   | Pins and Chain <b>(SN 0300069000 through 0300070917)</b>           |     |
| 15   | 1380147     | 1   | Clip, Spring   |     |
| 22   | 3910608     | 2   | Screw #6-32NC x 1in  |     |
| 23   | 3310601     | 2   | Nut #6-32NC  |     |
| 24   | 4770600     | 2   | Starwasher #6  |     |
| 25   | 0641406     | 1   | Bolt 1/4in-20NC x 3/4in <b>(SN 0300069000 through 0300070917)</b>  |     |
| 26   | 4751400     | 2   | Flatwasher 1/4in Regular <b>(SN 0300069000 through 0300070917)</b> |     |
| 27   | 3311405     | 1   | Locknut 1/4in-20NC <b>(SN 0300069000 through 0300070917)</b>       |     |

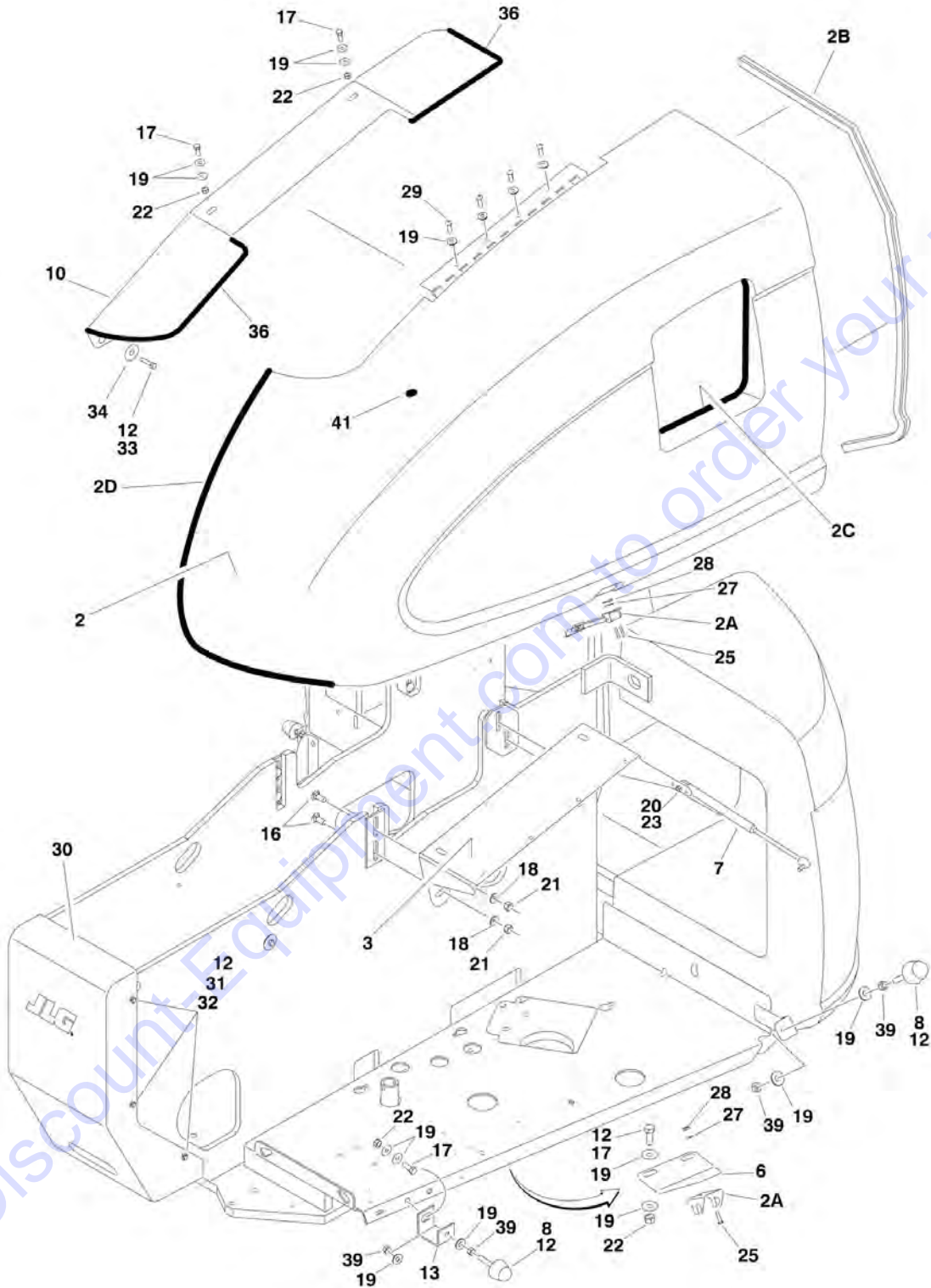


# SECTION 2 - TURNTABLE

## FIGURE 2-22. HOODS INSTALLATIONS



SECTION 2 - TURNTABLE



## SECTION 2 - TURNTABLE

### FIGURE 2-22. HOODS INSTALLATIONS

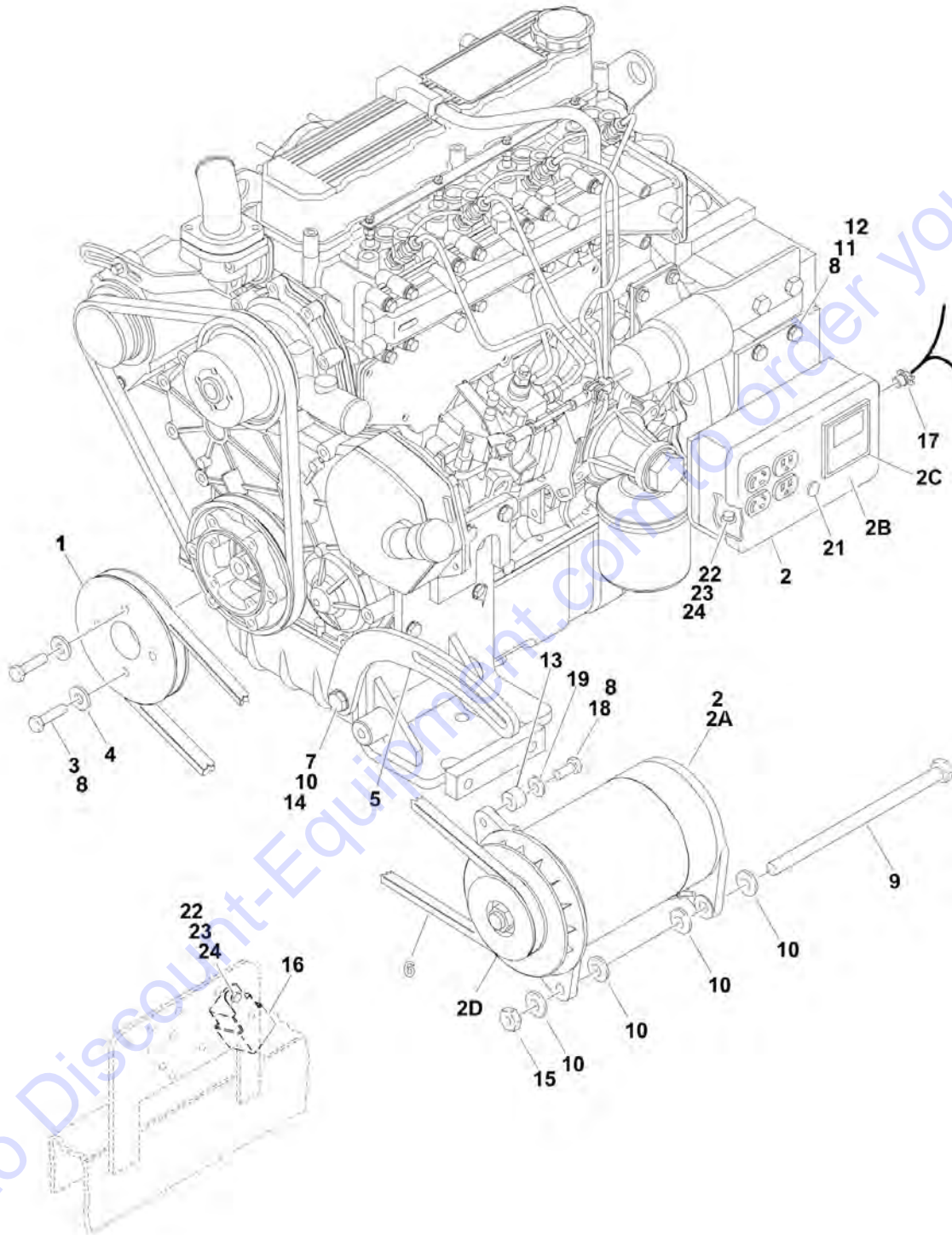
| ITEM | PART NUMBER | QTY | DESCRIPTION   | REV |
|------|-------------|-----|---|-----|
|      |             | Ref | <b>HOODS INSTALLATIONS</b>  |     |
|      | 0256821     | Ref | <b>Caterpillar/Deutz Engine Non UI Machines</b>                       | 4   |
|      | 0258579     | Ref | <b>Deutz Engine UL Machines</b>                                       | 1   |
|      | 0256933     | Ref | <b>Ford Engine Non UL Machines (SN 0300069000 through 0300079887)</b> | 5   |
|      | 0274204     | Ref | <b>Ford Engine Non UL Machines (SN 0300079888 through 0300087000)</b> | 1   |
|      | 0258580     | Ref | <b>Ford Engine UL Machines</b>  | 1   |
| 1    |             | Ref | Hood - Engine Side Options:   |     |
| 1    | 2680440     | 1   | Caterpillar/Deutz Engine Machines                                     |     |
| 1    | 2680442     | 1   | Ford Engine Non UL Machines <b>(SN 0300069000 through 0300079887)</b> |     |
| 1    | 1671179     | 1   | Ford Engine Non UL Machines <b>(SN 0300079888 through 0300087000)</b> |     |
| 1    | 2680447     | 1   | Ford Engine UL Machines   |     |
| 1A   | 2940088     | 1   | Latch, Hood   |     |
| 1B   | 3960462     | AR  | Trim  |     |
| 1C   | 3960389     | AR  | Seal  |     |
| 2    | 2680441     | NLA | Hood - Tank Side (Use p/n 1671216)                                    |     |
| 2A   | 2940088     | 1   | Latch, Hood   |     |
| 2B   | 3960462     | AR  | Trim  |     |
| 2C   | 3960438     | AR  | Trim  |     |
| 2D   | 3960389     | AR  | Seal  |     |
| 3    | 4845203     | 1   | Mount - Tank Side   |     |
| 4    | 4845414     | 1   | Mount - Engine Side   |     |
| 5    | 3539923     | 1   | Plate, Seal   |     |
| 6    | 0902242     | 1   | Bracket, Latch - Tank Side  |     |
| 7    | 4160143     | 2   | Spring, Gas   |     |
| 8    | 0940071     | 4   | Bumper  |     |
| 10   | 2680434     | 1   | Spacer, Hood (Tank Side)  |     |
| 11   | 2680433     | 1   | Spacer, Hood (Engine Side)  |     |
| 12   | 0100011     | AR  | Compound, Locking   |     |
| 13   | 0902219     | 1   | Bracket, Bumper   |     |
| 14   | 0641407     | 4   | Bolt 1/4in-20NC x 7/8in   |     |
| 15   | 3311405     | 4   | Locknut 1/4in-20NC  |     |
| 16   | 0630507     | 8   | Bolt, Carriage 1/2in-13NC x 1-1/4in                                   |     |
| 17   | 0641608     | 11  | Bolt 3/8in-16NC x 1in   |     |
| 18   | 4740171     | 8   | Flatwasher 1/2in Hardened   |     |
| 19   | 4751600     | 40  | Flatwasher 3/8in Regular  |     |
| 20   | 4751500     | AR  | Flatwasher 5/16in Regular   |     |
| 21   | 3311805     | 8   | Locknut 1/2in-13NC  |     |
| 22   | 3311605     | AR  | Locknut 3/8in-16NC  |     |
| 23   | 3311505     | 2   | Locknut 5/16in-18NC   |     |
| 24   |             | Ref | Outlet, Exhaust Options:  |     |
| 24   | 4845194     | 1   | Caterpillar/Deutz Engine Machines                                     |     |
| 24   | 4845194     | 1   | Ford Engine Machines <b>(SN 0300069000 through 0300079887)</b>        |     |
| 24   | 3460420     | 1   | Ford Engine Machines <b>(SN 0300079888 through 0300087000)</b>        |     |
| 25   | 0721006     | 4   | Bolt #10-24NC x 3/4in   |     |
| 26   | 4751000     | 4   | Flatwasher #10 Regular  |     |
| 27   | 4761000     | 4   | Lockwasher #10  |     |

## SECTION 2 - TURNTABLE

| ITEM | PART NUMBER | QTY       | DESCRIPTION  | REV |
|------|-------------|-----------|--|-----|
| 28   | 3311001     | 4         | Bolt #10-24NC  |     |
| 28   | 3311005     | 4         | Locknut #10-24NC   |     |
| 29   | 3900232     | 11        | Bolt, Button Head 3/8in-16NC x 1in   |     |
| 30   | 1670767     | 1         | Cover, Turntable   |     |
| 31   |             | Ref       | Bolt Options:  |     |
| 31   | 0641404     | 6         | Bolt 1/4in-20NC x 1/2in - Caterpillar/Deutz Engine Machines                              |     |
| 31   | 0641404     | 6         | Bolt 1/4in-20NC x 1/2in - Ford Engine Machines <b>(SN 0300069000 through 0300079887)</b> |     |
| 31   | 0641405     | 6         | Bolt 1/4in-20NC x 3/4in - Ford Engine Machines <b>(SN 0300079888 through 0300087000)</b> |     |
| 32   | 4751400     | AR        | Flatwasher 1/4in Regular   |     |
| 34   | 4740076     | 2         | Washer, Fender   |     |
| 35   | 3960467     | 1         | Seal, Foam   |     |
| 36   | 3960418     | 7 ft/2.1m | Seal   |     |
| 37   | 0940049     | 1         | Bumper   |     |
| 38   | 0902335     | 1         | Bracket, Latch - Engine Side   |     |
| 39   | 3311601     | 11        | Nut 3/8in-16NC   |     |
| 40   | 3311501     | 2         | Nut 5/16in-18NC  |     |
| 41   | 3520033     | 2         | Plug   |     |
|      | 0256822     | Ref       | <b>NOISE REDUCTION INSTALLATION</b>  | -   |
| 101  | 2820076     | 1         | Foam, Acoustical   |     |
| 102  | 2820077     | 1         | Foam, Acoustical   |     |
| 103  | 2820078     | 1         | Foam, Acoustical   |     |
| 104  | 2820082     | 1         | Foam, Acoustical   |     |
| 105  | 2820083     | 1         | Foam, Acoustical   |     |
| 106  | 3539988     | 1         | Plate, Baffle  |     |
| 107  | 0641606     | 5         | Bolt 3/8in-16NC x 3/4in  |     |
| 108  | 4751600     | 5         | Flatwasher 3/8in Regular   |     |
| 109  | 0100011     | AR        | Compound, Locking  |     |

## SECTION 2 - TURNTABLE

FIGURE 2-23. 2500W GENERATOR INSTALLATION - CATERPILLAR MACHINES (OPTIONAL)



## SECTION 2 - TURNTABLE

**FIGURE 2-23. 2500W GENERATOR INSTALLATION - CATERPILLAR MACHINES (OPTIONAL)**

| ITEM | PART NUMBER | QTY | DESCRIPTION  | REV |
|------|-------------|-----|--|-----|
|      |             | Ref | <b>GENERATOR INSTALLATION OPTIONS:</b>   |     |
|      | 0273518     | Ref | <b>110V/60Hz (SN 0300069000 through 0300081835)</b>  | 2/B |
|      | 0274081     | Ref | <b>110V/60Hz (SN 0300081836 through 0300087000)</b>  | 1/A |
|      | 0273538     | Ref | <b>110V/50Hz (SN 0300069000 through 0300081835)</b>  | 2/B |
|      | 0274091     | Ref | <b>110V/50Hz (SN 0300081836 through 0300087000)</b>  | 1/A |
|      | 0273539     | Ref | <b>220V/50Hz (SN 0300069000 through 0300081835)</b>  | 2/B |
|      | 0274087     | Ref | <b>220V/50Hz (SN 0300081836 through 0300087000)</b>  | 1/A |
| 1    | 3580322     | 1   | Pulley   |     |
| 2    |             | Ref | Generator and Control Box Assembly Options:  |     |
| 2    | 2460032     | 1   | 110V/60Hz (SN 0300069000 through 0300081835)   |     |
| 2    | 2460055     | 1   | 110V/60Hz (SN 0300081836 through 0300087000)   |     |
| 2    | 2460039     | 1   | 110V/50Hz (SN 0300069000 through 0300081835)   |     |
| 2    | 2460057     | 1   | 110V/50Hz (SN 0300081836 through 0300087000)   |     |
| 2    | 2460013     | 1   | 220V/50Hz (SN 0300069000 through 0300081835)   |     |
| 2    | 2460056     | 1   | 220V/50Hz (SN 0300081836 through 0300087000)   |     |
| 2A   | 7012558     | 1   | Generator Only - 110V/60Hz   |     |
| 2A   | 2460049     | 1   | Generator Only - 110V/50Hz   |     |
| 2A   | 1001100321  | 1   | Generator Only - 220V/50Hz   |     |
|      |             | Ref | <b>Note: Replacement Generators come standard with p/n 3580134 pulley. This pulley may not be correct for all applications. Refer to pulley options below.</b> |     |
| 2A   |             | Ref | Armature with Slip Rings Options:  |     |
| 2A   | 7026199     | 1   | Armature with Slip Rings - 110V/60Hz   |     |
| 2A   | 70000122    | 1   | Armature with Slip Rings - 110V/50Hz   |     |
| 2A   | 70000123    | 1   | Armature with Slip Rings - 220V/50Hz   |     |
| 2A   | 7012513     | 4   | Cap, Brush Holder  |     |
| 2A   | 7020108     | 4   | Brush  |     |
| 2A   | 7020109     | 4   | Holder, Brush  |     |
| 2A   | 7012514     | 1   | Fan  |     |
| 2A   | 7020110     | 1   | Bell, Front  |     |
| 2A   | 7020111     | 1   | Bell, Rear   |     |
| 2A   | 7020190     | 2   | Bearing  |     |
| 2B   | 7003657     | 1   | Box, Control - 110V/60Hz (SN 0300069000 through 0300081835)  |     |
| 2B   | 7019680     | 1   | Box, Control - 110V/60Hz (SN 0300081836 through 0300087000)  |     |
| 2B   | 70002239    | 1   | Box, Control - 110V/50Hz (SN 0300069000 through 0300081835)  |     |
| 2B   | 7019680     | 1   | Box, Control - 110V/50Hz (SN 0300081836 through 0300087000)  |     |
| 2B   | 70002235    | 1   | Box, Control - 220V/50Hz (SN 0300069000 through 0300081835)  |     |
| 2B   | 70000127    | 1   | Box, Control - 220V/50Hz (SN 0300081836 through 0300087000)  |     |
| 2B   |             | Ref | Receptacle Options:  |     |
| 2B   | 4460190     | 1   | Receptacle, Standard (110V Only)   |     |
| 2B   | 4460027     | 1   | Receptacle, Twistlock (110V Only)  |     |
| 2B   | 70000124    | 1   | Receptacle, Double (220V/50Hz Only)  |     |
| 2B   | 70000125    | 1   | Receptacle, Single (220V/50Hz Only)  |     |
| 2B   |             | Ref | Breaker, Circuit Options:  |     |
| 2B   | 4360542     | 1   | Breaker 110V/60Hz  |     |

## SECTION 2 - TURNTABLE

| ITEM | PART NUMBER  | QTY | DESCRIPTION   | REV |
|------|--------------|-----|---|-----|
| 2B   | 70002240     | 1   | Breaker 110V/50Hz (SN 0300069000 through 0300081835)        |     |
| 2B   | 4360542      | 1   | Breaker 110V/50Hz (SN 0300081836 through 0300087000)        |     |
| 2B   | 70000126     | 1   | Breaker 220V/50Hz   |     |
| 2B   | 2920162      | 1   | Lamp Only (SN 0300069000 through 0300081835)                |     |
| 2B   | 7020191      | 1   | Switch, Toggle Only (SN 0300069000 through 0300081835)      |     |
| 2B   | 3520028      | 1   | Plug, Hole  |     |
| 2C   |              | Ref | Voltmeter Options:  |     |
| 2C   | 2420203      | 1   | Voltmeter - 110V  |     |
| 2C   | 7020192      | 1   | Voltmeter - 220V  |     |
| 2D   |              | Ref | Pulley Options:   |     |
| 2D   | 3580276      | 1   | Pulley - 60Hz   |     |
| 2D   | 3580134      | 1   | Pulley - 50Hz   |     |
| 2D   | 7027887      | 1   | Key, Woodruff   |     |
| 2D   | 0480120      | 1   | 110V/50Hz   |     |
| 2D   | 0480120      | 1   | 220V/50Hz   |     |
| 3    | 0700816      | 4   | Bolt M8 x 40mm  |     |
| 4    | 4811900      | 4   | Flatwasher M8   |     |
| 5    |              | Ref | Arm, Adjusting Options:                                     |     |
| 5    | 0200742      | 1   | Arm, Adjusting (SN 0300069000 through 0300074394)           |     |
| 5    | 0200819      | 1   | Arm, Adjusting (SN 0300074395 through 0300087000)           |     |
| 6    |              | Ref | V-Belt Options:   |     |
| 6    | 0480121      | 1   | 110V/60Hz   |     |
| 6    | 0480120      | 1   | 110V/50Hz   |     |
| 6    | 0480120      | 1   | 220V/50Hz   |     |
| 7    | 0641610      | 1   | Bolt 3/8in-16NC x 1-1/4in                                   |     |
| 8    | 0100011      | AR  | Compound, Locking   |     |
| 9    | 0641772      | 1   | Bolt 7/16in-14NC x 9in                                      |     |
| 10   | 4751600      | 6   | Flatwasher 3/8in Regular                                    |     |
| 11   | 3574684      | 1   | Plate, Box Mounting   |     |
| 12   | 0761210      | 2   | Bolt M12 x 20mm   |     |
| 13   |              | Ref | Bushing, Spacer Options:                                    |     |
| 13   | 0962653      | 1   | Bushing, Spacer (SN 0300069000 through 0300074394)          |     |
| 13   | 0962563      | 1   | Bushing, Spacer (SN 0300074395 through 0300087000)          |     |
| 14   | 3311605      | 1   | Locknut 3/8in-16NC  |     |
| 15   | 3311705      | 1   | Locknut 7/16in-14NC   |     |
| 16   | 3740080      | 1   | Relay   |     |
| 17   | 4460023      | 1   | Connector, Strain Relief (SN 0300069000 through 0300081835) |     |
| 18   | 0641508      | 1   | Bolt 5/16in-18NC x 1in                                      |     |
| 19   | 4751500      | 1   | Flatwasher 5/16in Regular                                   |     |
| 21   | 3520028      | 1   | Plug, Hole  |     |
| 22   | 0721006      | AR  | Bolt #10-24NC x 3/4in                                       |     |
| 23   | 3311005      | AR  | Locknut #10-24NC  |     |
| 24   | 4751000      | AR  | Flatwasher #10 Regular                                      |     |
| 25   | 4360336      | 1   | Switch, Toggle (Not Shown - Located at Platform)            |     |
| 26   | 4740397      | 1   | Bushing (Not Shown - Located at Platform)                   |     |
| 27   | 4060802      | 1   | Guard, Switch (Not Shown - Located at Platform)             |     |
| 28   |              | Ref | Decal - Voltage Options (Not Shown - Located at Platform):  |     |
| 28   | Not Required | 0   | 110V/60Hz (ANSI and ANSI Export Specs)                      |     |
| 28   | 1705325      | 1   | 110V/50Hz (CE Spec)   |     |
| 28   | 3252507      | 1   | 220V/50Hz (ANSI Export, Australian and CE Specs)            |     |

**SECTION 2 - TURNTABLE**

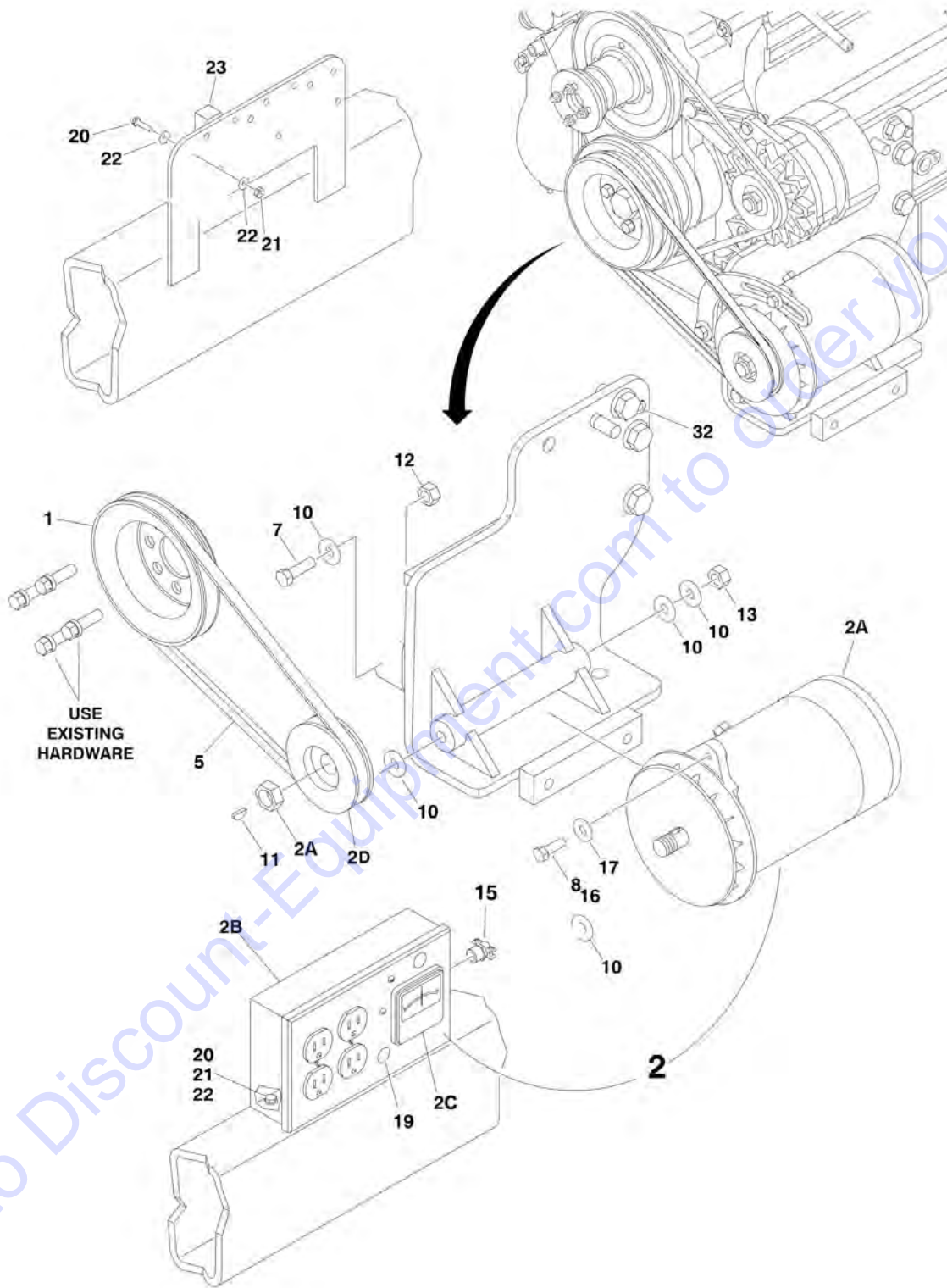
| <b>ITEM</b> | <b>PART NUMBER</b> | <b>QTY</b> | <b>DESCRIPTION</b>                            | <b>REV</b> |
|-------------|--------------------|------------|---|------------|
| 29          | 2820031            | AR         | Heat Shrink (Not Shown - Located at Platform) |            |
| 30          | 3251102            | 1          | Decal (Not Shown - Located at Platform)       |            |

Go to Discount-Equipment.com to order your parts



## SECTION 2 - TURNTABLE

FIGURE 2-24. 2500W GENERATOR INSTALLATION - DEUTZ MACHINES (OPTIONAL)



## SECTION 2 - TURNTABLE

**FIGURE 2-24. 2500W GENERATOR INSTALLATION - DEUTZ MACHINES (OPTIONAL)**

| ITEM | PART NUMBER | QTY | DESCRIPTION  | REV |
|------|-------------|-----|--|-----|
|      |             | Ref | <b>GENERATOR INSTALLATIONS</b>   |     |
|      | 0272480     | Ref | <b>110V Generator (SN 0300069000 through 0300081835)</b>   | 2   |
|      | 0274082     | Ref | <b>110V Generator (SN 0300081836 through 0300087000)</b>   | 1   |
|      | 0272481     | Ref | <b>220V Generator (SN 0300069000 through 0300081835)</b>   | 2   |
|      | 0274086     | Ref | <b>220V Generator (SN 0300081836 through 0300087000)</b>   | 1   |
| 1    | 3580158     | 1   | Pulley   |     |
| 2    |             | Ref | Generator and Control Box Assembly Options:  |     |
| 2    | 2460032     | 1   | 110V/60Hz (SN 0300069000 through 0300081835)   |     |
| 2    | 2460055     | 1   | 110V/60Hz (SN 0300081836 through 0300087000)   |     |
| 2    | 2460013     | 1   | 220V/50Hz (SN 0300069000 through 0300081835)   |     |
| 2    | 2460056     | 1   | 220V/50Hz (SN 0300081836 through 0300087000)   |     |
| 2A   | 7012558     | 1   | Generator Only - 110V/60Hz   |     |
| 2A   | 1001100321  | 1   | Generator Only - 220V/50Hz   |     |
|      |             | Ref | <b>Note: Replacement Generators come standard with p/n 3580134 pulley. This pulley may not be correct for all applications. Refer to pulley options below.</b> |     |
| 2A   |             | Ref | Armature with Slip Rings Options:  |     |
| 2A   | 7026199     | 1   | Armature with Slip Rings - 110V/60Hz   |     |
| 2A   | 70000123    | 1   | Armature with Slip Rings - 220V/50Hz   |     |
| 2A   | 7012513     | 4   | Cap, Brush Holder  |     |
| 2A   | 7020108     | 4   | Brush  |     |
| 2A   | 7020109     | 4   | Holder, Brush  |     |
| 2A   | 7012514     | 1   | Fan  |     |
| 2A   | 7020110     | 1   | Bell, Front  |     |
| 2A   | 7020111     | 1   | Bell, Rear   |     |
| 2A   | 7020190     | 2   | Bearing  |     |
| 2B   | 7003657     | 1   | Box, Control - 110V/60Hz (SN 0300069000 through 0300081835)  |     |
| 2B   | 7019680     | 1   | Box, Control - 110V/60Hz (SN 0300081836 through 0300087000)  |     |
| 2B   | 70002235    | 1   | Box, Control - 220V/50Hz (SN 0300069000 through 0300081835)  |     |
| 2B   | 70000127    | 1   | Box, Control - 220V/50Hz (SN 0300081836 through 0300087000)  |     |
| 2B   |             | Ref | Receptacle Options:  |     |
| 2B   | 4460190     | 1   | Receptacle, Standard (110V Only)   |     |
| 2B   | 4460027     | 1   | Receptacle, Twistlock (110V Only)  |     |
| 2B   | 70000124    | 1   | Receptacle, Double (220V/50Hz Only)  |     |
| 2B   | 70000125    | 1   | Receptacle, Single (220V/50Hz Only)  |     |
| 2B   |             | Ref | Breaker, Circuit Options:  |     |
| 2B   | 4360542     | 1   | Breaker 110V/60Hz  |     |
| 2B   | 70000126    | 1   | Breaker 220V/50Hz  |     |
| 2B   | 2920162     | 1   | Lamp Only (SN 0300069000 through 0300081835)   |     |
| 2B   | 7020191     | 1   | Switch, Toggle Only (SN 0300069000 through 0300081835)   |     |
| 2B   | 3520028     | 1   | Plug, Hole   |     |
| 2C   |             | Ref | Voltmeter Options:   |     |
| 2C   | 2420203     | 1   | Voltmeter - 110V   |     |
| 2C   | 7020192     | 1   | Voltmeter - 220V   |     |
| 2D   |             | Ref | Pulley Options:  |     |
| 2D   | 3580276     | 1   | Pulley - 60Hz  |     |
| 2D   | 3580134     | 1   | Pulley - 50Hz  |     |

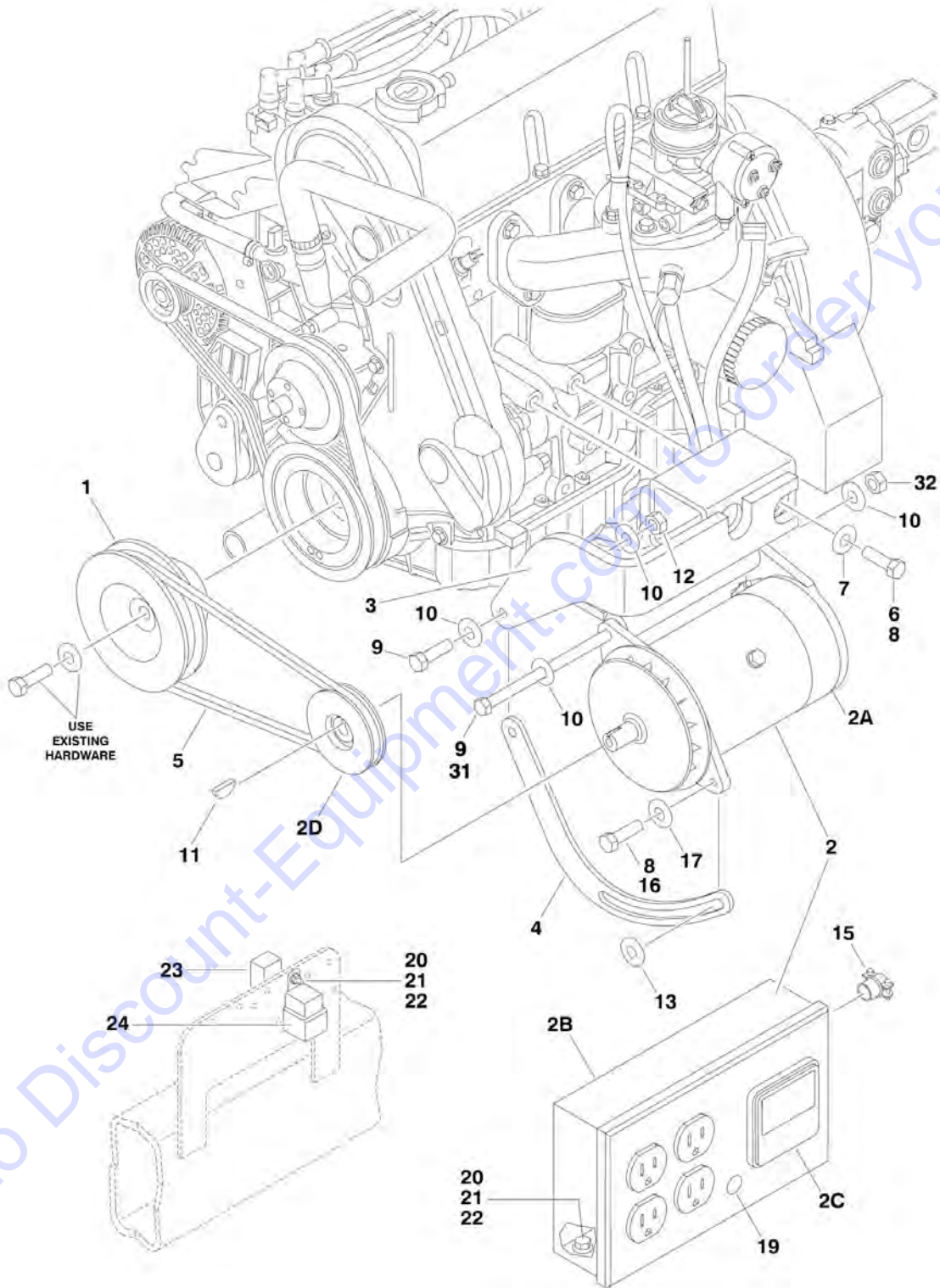
## SECTION 2 - TURNTABLE

| ITEM | PART NUMBER | QTY       | DESCRIPTION  | REV |
|------|-------------|-----------|--|-----|
| 2D   | 7027887     | 1         | Key, Woodruff  |     |
| 4    | 0200742     | 1         | Arm, Adjusting   |     |
| 5    | 0480121     | 1         | V-Belt   |     |
| 7    | 0641610     | 1         | Bolt 3/8in-16NC x 1-1/4in                                    |     |
| 8    | 0100011     | AR        | Compound, Locking  |     |
| 9    | 0641772     | 1         | Bolt 7/16in-14NC x 9in                                       |     |
| 10   | 4751600     | 6         | Flatwasher 3/8in Regular                                     |     |
| 11   | 2860012     | 1         | Key, Woodruff  |     |
| 12   | 3311605     | 1         | Locknut 3/8in-16NC   |     |
| 13   | 3311705     | 1         | Locknut 7/16in-14NC  |     |
| 14   | 3740080     | 1         | Relay  |     |
| 15   | 4460023     | 1         | Connector, Strain Relief                                     |     |
| 16   | 0641508     | 1         | Bolt 5/16in-18NC x 1in                                       |     |
| 17   | 4751500     | AR        | Flatwasher 5/16in Regular                                    |     |
| 19   | 3520028     | 1         | Plug, Hole (SN 0300069000 through 0300081835)                |     |
| 20   | 0721006     | 4         | Bolt #10-24NC x 3/4in  |     |
| 21   | 3311005     | 4         | Locknut #10-24NC   |     |
| 22   | 4751000     | 9         | Flatwasher #10 Regular                                       |     |
| 23   | 4360294     | 1         | Breaker, Circuit - 30 Amp (SN 0300069000 through 0300081835) |     |
| 25   | 4360336     | 1         | Switch, Toggle (Not Shown - Located at Platform)             |     |
| 26   | 4740397     | 1         | Bushing (Not Shown - Located at Platform)                    |     |
| 27   | 4060802     | 1         | Guard, Switch (Not Shown - Located at Platform)              |     |
| 28   | 3252507     | 1         | Decal - 220V - 50/60Hz (Not Shown - Located on Turntable)    |     |
| 29   | 2820031     | 4 in/10cm | Heat Shrink (Not Shown - Located at Platform)                |     |
| 30   | 3251102     | 1         | Decal (Not Shown - Located at Platform)                      |     |



## SECTION 2 - TURNTABLE

FIGURE 2-25. 2500W GENERATOR INSTALLATION - FORD MACHINES (OPTIONAL) (SN 0300069000 through 0300079887)



## SECTION 2 - TURNTABLE

**FIGURE 2-25. 2500W GENERATOR INSTALLATION - FORD MACHINES (OPTIONAL) (SN 0300069000 through 0300079887)**

| ITEM | PART NUMBER | QTY | DESCRIPTION  | REV |
|------|-------------|-----|--|-----|
|      |             | Ref | <b>GENERATOR INSTALLATION OPTIONS:</b>   |     |
|      | 0271545     | Ref | <b>110V Generator</b>  | 5   |
|      | 0271546     | Ref | <b>220V Generator</b>  | 4   |
| 1    | 3580250     | 1   | Pulley   |     |
| 2    |             | Ref | Generator and Control Box Assembly Options:  |     |
| 2    | 2460032     | 1   | 110Volt Assembly (SN 0300069000 through 0300069574)  | C   |
| 2    | 2460044     | 1   | 110Volt Assembly (SN 0300069575 through 0300079888)  | A   |
| 2    | 2460013     | 1   | 220Volt Assembly   | B   |
| 2A   | 7012558     | 1   | Generator Only - 110V/60Hz   |     |
| 2A   | 1001100321  | 1   | Generator Only - 220V/50Hz   |     |
|      |             | Ref | <b>Note: Replacement Generators come standard with p/n 3580134 pulley. This pulley may not be correct for all applications. Refer to pulley options below.</b> |     |
| 2A   |             | Ref | Armature with Slip Rings Options:  |     |
| 2A   | 7026199     | 1   | Armature with Slip Rings - 110V/60Hz   |     |
| 2A   | 70000123    | 1   | Armature with Slip Rings - 220V/50Hz   |     |
| 2A   | 7012513     | 4   | Cap, Brush Holder  |     |
| 2A   | 7020108     | 4   | Brush  |     |
| 2A   | 7020109     | 4   | Holder, Brush  |     |
| 2A   | 7012514     | 1   | Fan  |     |
| 2A   | 7020110     | 1   | Bell, Front  |     |
| 2A   | 7020111     | 1   | Bell, Rear   |     |
| 2A   | 7020190     | 2   | Bearing  |     |
| 2B   | 7003657     | 1   | Box, Control - 110V/60Hz   |     |
| 2B   | 70002235    | 1   | Box, Control - 220V/50Hz   |     |
| 2B   |             | Ref | Receptacle Options:  |     |
| 2B   | 4460190     | 1   | Receptacle, Standard (110V Only)   |     |
| 2B   | 4460027     | 1   | Receptacle, Twistlock (110V Only)  |     |
| 2B   | 70000124    | 1   | Receptacle, Double (220V/50Hz Only)  |     |
| 2B   | 70000125    | 1   | Receptacle, Single (220V/50Hz Only)  |     |
| 2B   |             | Ref | Breaker, Circuit Options:  |     |
| 2B   | 4360542     | 1   | Breaker 110V/60Hz  |     |
| 2B   | 70000126    | 1   | Breaker 220V/50Hz  |     |
| 2B   | 2920162     | 1   | Lamp   |     |
| 2B   | 7020191     | 1   | Switch, Toggle   |     |
| 2B   | 3520028     | 1   | Plug, Hole   |     |
| 2C   |             | Ref | Voltmeter Options:   |     |
| 2C   | 2420203     | 1   | Voltmeter - 110V   |     |
| 2C   | 7020192     | 1   | Voltmeter - 220V   |     |
| 2D   |             | Ref | Pulley Options:  |     |
| 2D   | 3580276     | 1   | Pulley - 60Hz (SN 0300069000 through 0300069574)   |     |
| 2D   | 3580307     | 1   | Pulley - 60Hz (SN 0300069575 through 0300079888)   |     |
| 2D   | 3580134     | 1   | Pulley - 50Hz  |     |
| 2D   | 7027887     | 1   | Key, Woodruff  |     |
| 3    | 0902756     | 1   | Bracket, Generator Mounting  |     |
| 4    | 0200547     | 1   | Arm, Adjusting   |     |
| 5    |             | Ref | V-Belt Options:  |     |
| 5    | 0480111     | 1   | 110Volt Generator (SN 0300069000 through 0300073382)   |     |
| 5    | 0480134     | 1   | 110Volt Generator (SN 0300073383 through 0300079888)   |     |

## SECTION 2 - TURNTABLE

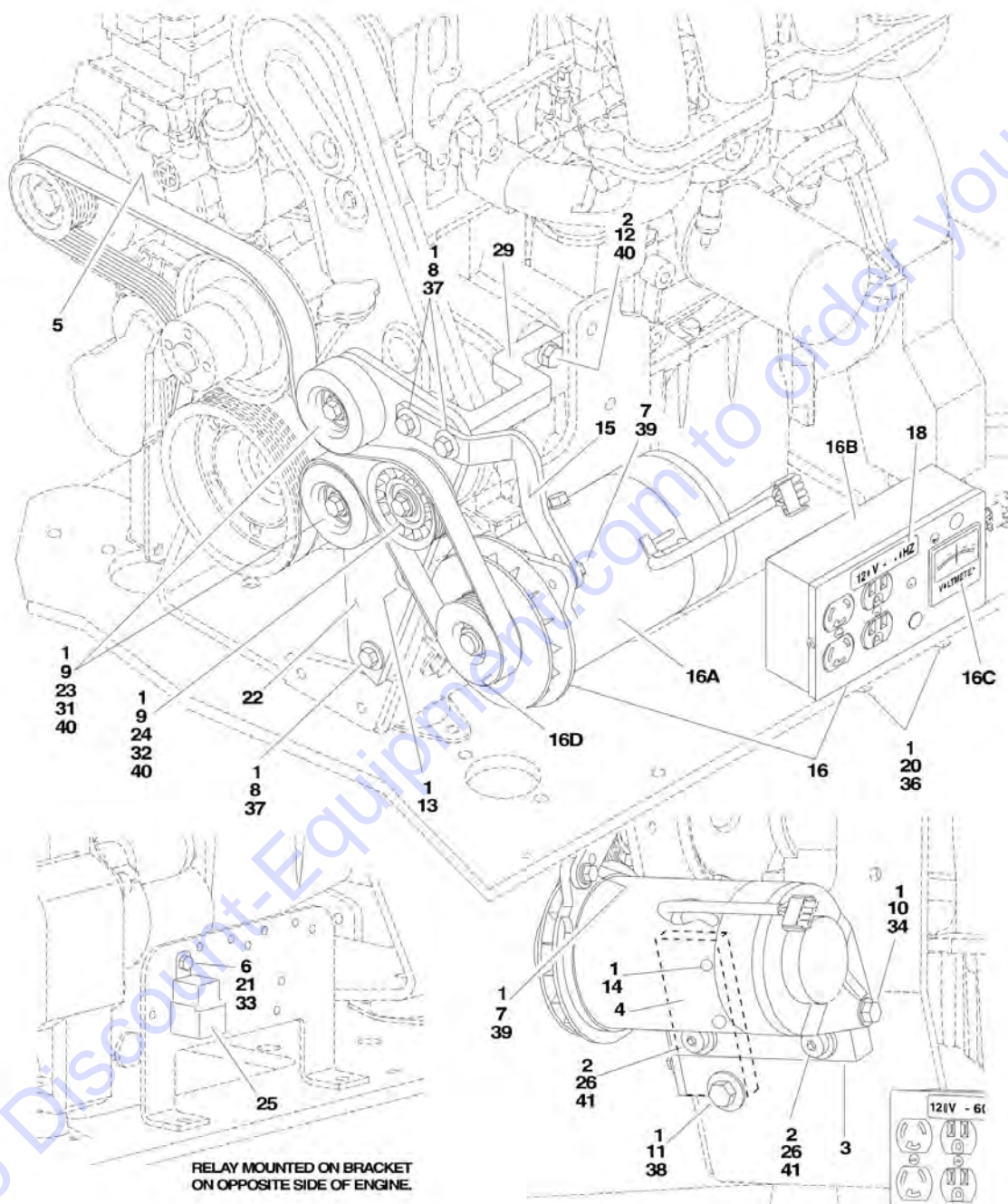
| ITEM | PART NUMBER | QTY       | DESCRIPTION                                      | REV |
|------|-------------|-----------|--|-----|
| 5    | 0480050     | 1         | 220Volt Generator                                |     |
| 6    | 0701015     | 2         | Bolt M10 x 35mm                                  |     |
| 7    | 4812000     | 2         | Flatwasher 10mm                                  |     |
| 8    | 0100011     | AR        | Compound, Locking                                |     |
| 9    | 0681612     | 1         | Bolt 3/8in-16NC x 1-1/2in (Grade 8)              |     |
| 10   | 4751600     | 6         | Flatwasher 3/8in Regular                         |     |
| 11   | 2860012     | 1         | Key, Woodruff                                    |     |
| 12   | 3311605     | 1         | Locknut 3/8in-16NC                               |     |
| 13   | 4564417     | 1         | Spacer, Tube                                     |     |
| 15   | 4460023     | 1         | Connector, Strain Relief                         |     |
| 16   | 0641508     | 1         | Bolt 5/16in-18NC x 1in                           |     |
| 17   | 4751500     | 2         | Flatwasher 5/16in Regular                        |     |
| 19   | 3520028     | 1         | Plug, Hole                                       |     |
| 20   | 0721006     | 4         | Bolt #10-24NC x 3/4in                            |     |
| 21   | 3311005     | 4         | Locknut #10-24NC                                 |     |
| 22   | 4751000     | 9         | Flatwasher #10 Regular                           |     |
| 23   | 4360294     | 1         | Breaker, Circuit - 30 Amp                        |     |
| 24   | 3740080     | 1         | Relay, Bosch                                     |     |
| 25   | 4360336     | 1         | Switch, Toggle (Not Shown - Located at Platform) |     |
| 26   | 4740397     | 1         | Bushing (Not Shown - Located at Platform)        |     |
| 27   | 4060802     | 1         | Guard, Switch (Not Shown - Located at Platform)  |     |
| 29   | 2820031     | 4 in/10cm | Heat Shrink (Not Shown - Located at Platform)    |     |
| 30   | 3251102     | 1         | Decal (Not Shown - Located at Platform)          |     |
| 31   | 0641772     | 1         | Bolt 7/16in-14NC x 9in                           |     |
| 32   | 3311705     | 1         | Locknut 7/16in-14NC                              |     |





## SECTION 2 - TURNTABLE

FIGURE 2-26. 2500W GENERATOR INSTALLATION - FORD MACHINES (OPTIONAL) (SN 0300079888 through 0300087000)



## SECTION 2 - TURNTABLE

**FIGURE 2-26. 2500W GENERATOR INSTALLATION - FORD MACHINES (OPTIONAL) (SN 0300079888 through 0300087000)**

| ITEM | PART NUMBER | QTY | DESCRIPTION  | REV |
|------|-------------|-----|--|-----|
|      |             | Ref | <b>GENERATOR INSTALLATION OPTIONS:</b>   |     |
|      | 0273507     | Ref | <b>110V Generator with ADE System (SN 0300079888 through 0300087000)</b>   | C   |
|      | 0273511     | Ref | <b>220V Generator with ADE System (SN 0300079888 through 0300087000)</b>   | C   |
| 1    | 0100011     | AR  | Compound, Locking  |     |
| 2    | 0100019     | AR  | Compound, Locking  |     |
| 3    | 0363082     | 1   | Bar, Generator Adjuster  |     |
| 4    | 0363097     | 1   | Bar, Pulley Mounting   |     |
| 5    | 0480135     | 1   | V-Belt   |     |
| 6    | 0641405     | 1   | Bolt 1/4in-20NC x 5/8in  |     |
| 7    | 0641508     | 1   | Bolt 5/16in-18NC x 1in   |     |
| 8    | 0641611     | 3   | Bolt 3/8in-16NC x 1-3/8in  |     |
| 9    | 0641612     | 3   | Bolt 3/8in-16NC x 1-1/2in  |     |
| 10   | 0641718     | 2   | Bolt 7/16in-14NC x 2-1/4in   |     |
| 11   | 0641810     | 1   | Bolt 1/2in-13NC x 1-1/4in  |     |
| 12   | 0701015     | 1   | Bolt 10mm x 35mm   |     |
| 13   | 0741606     | 1   | Screw, Countersunk 3/8in-16NC x 3/4in  |     |
| 14   | 0741808     | 1   | Screw, Countersunk 1/2in-13NC x 1in  |     |
| 15   | 0902952     | 1   | Bracket, Generator Mounting  |     |
| 16   |             | Ref | <b>Generator and Control Box Assembly Options:</b>   |     |
| 16   | 2460051     | 1   | 110Volt Assembly   |     |
| 16   | 2460052     | 1   | 220Volt Assembly   |     |
| 16A  | 7012558     | 1   | Generator Only - 110V/60Hz   |     |
| 16A  | 1001100321  | 1   | Generator Only - 220V/50Hz   |     |
|      |             | Ref | <b>Note: Replacement Generators come standard with p/n 3580134 pulley. This pulley may not be correct for all applications. Refer to pulley options below.</b> |     |
| 16A  |             | Ref | <b>Armature with Slip Rings Options:</b>   |     |
| 16A  | 7026199     | 1   | Armature with Slip Rings - 110V/60Hz   |     |
| 16A  | 70000123    | 1   | Armature with Slip Rings - 220V/50Hz   |     |
| 16A  | 7012513     | 4   | Cap, Brush Holder  |     |
| 16A  | 7020108     | 4   | Brush  |     |
| 16A  | 7020109     | 4   | Holder, Brush  |     |
| 16A  | 7012514     | 1   | Fan  |     |
| 16A  | 7020110     | 1   | Bell, Front  |     |
| 16A  | 7020111     | 1   | Bell, Rear   |     |
| 16A  | 7020190     | 2   | Bearing  |     |
| 16B  | 7019680     | 1   | Box, Control - 110V/60Hz   |     |
| 16B  | 70000127    | 1   | Box, Control - 220V/50Hz   |     |
| 16B  |             | Ref | <b>Receptacle Options:</b>   |     |
| 16B  | 4460190     | 1   | Receptacle, Standard (110V Only)   |     |
| 16B  | 4460027     | 1   | Receptacle, Twistlock (110V Only)  |     |
| 16B  | 70000124    | 1   | Receptacle, Double (220V/50Hz Only)  |     |
| 16B  | 70000125    | 1   | Receptacle, Single (220V/50Hz Only)  |     |
| 16B  |             | Ref | <b>Breaker, Circuit Options:</b>   |     |
| 16B  | 4360542     | 1   | Breaker 110V/60Hz  |     |
| 16B  | 70000126    | 1   | Breaker 220V/50Hz  |     |
| 16B  | 3520028     | 1   | Plug, Hole   |     |
| 16C  |             | Ref | <b>Voltmeter Options:</b>  |     |

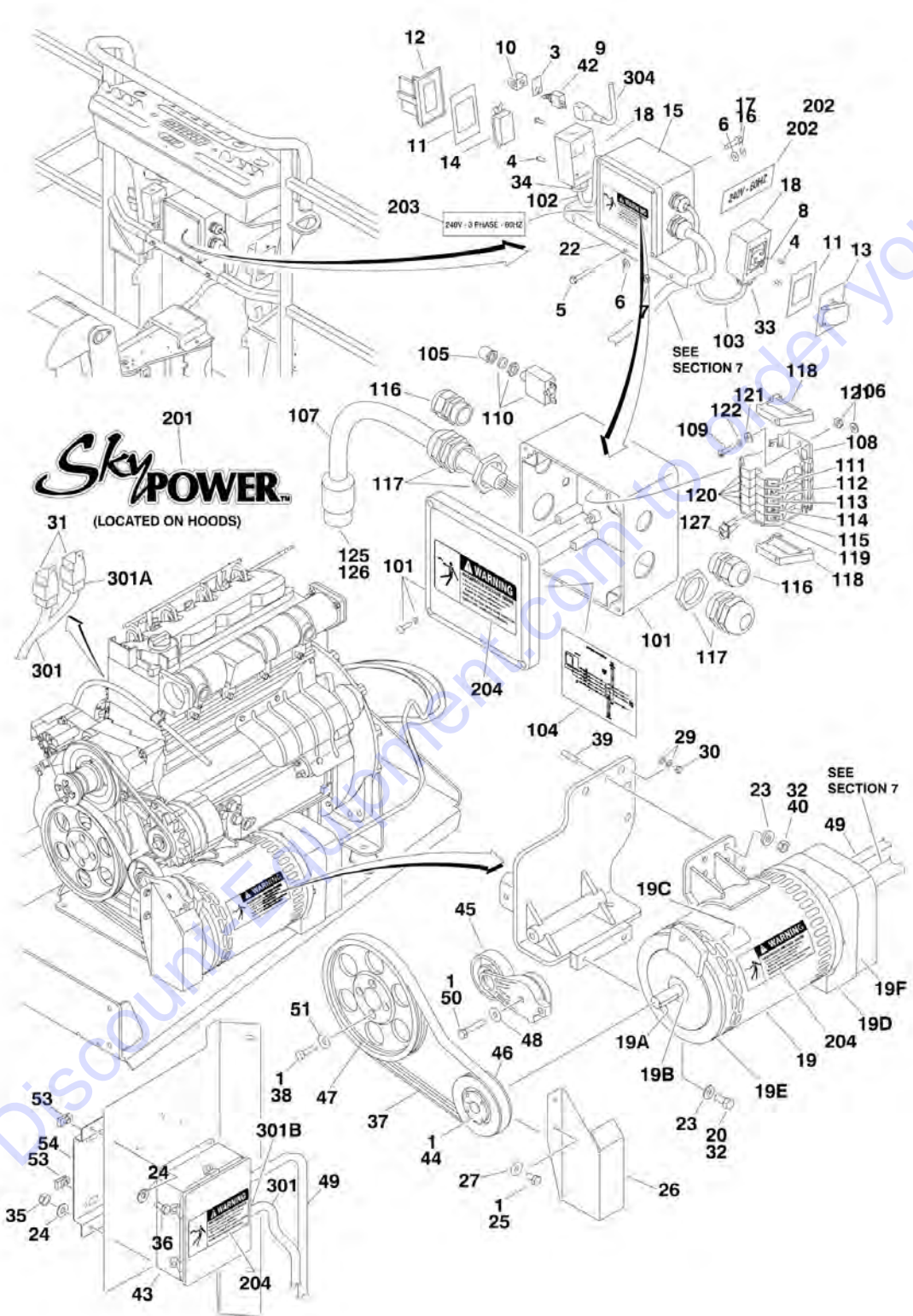
## SECTION 2 - TURNTABLE

| ITEM | PART NUMBER | QTY | DESCRIPTION  | REV |
|------|-------------|-----|--|-----|
| 16C  | 2420203     | 1   | Voltmeter - 110V                                     |     |
| 16C  | 7020192     | 1   | Voltmeter - 220V                                     |     |
| 16D  |             | Ref | Pulley Options:                                      |     |
| 16D  | 3580324     | 1   | Pulley - 60Hz  |     |
| 16D  | 3580325     | 1   | Pulley - 50Hz  |     |
| 16D  | 7027887     | 1   | Key, Woodruff  |     |
| 17   | 2820031     | AR  | Heat Shrink (Not Shown - Located at Platform)        |     |
| 18   |             | Ref | Decal  |     |
| 18   | 1702590     | 1   | 110V Generator                                       |     |
| 18   | 3251243     | 1   | 220V Generator                                       |     |
| 19   |             | Ref | Nameplate Options (Not Shown - Located at Platform): |     |
| 19   | 3252764     | 1   | Nameplate <b>(SN 0300079888 through 0300085045)</b>  |     |
| 19   | 3251102     | 1   | Nameplate <b>(SN 0300085046 through 0300087000)</b>  |     |
| 20   | 3311005     | 2   | Locknut #10-24NC                                     |     |
| 21   | 3311405     | 1   | Locknut 1/4in-20NC                                   |     |
| 22   | 3574225     | 1   | Plate, Pulley Mounting                               |     |
| 23   | 3580312     | 1   | Pulley, Idler  |     |
| 24   | 3580313     | 1   | Pulley, Grooved Idler                                |     |
| 25   | 3740080     | 1   | Relay, Bosch   |     |
| 26   | 3900322     | 2   | Screw, Shoulder                                      |     |
| 27   | 4060802     | 1   | Guard, Switch (Not Shown - Located at Platform)      |     |
| 28   | 4240018     | AR  | Tie-Strap  |     |
| 29   | 4340738     | 1   | Support, Idler Pulley                                |     |
| 30   | 4360336     | 1   | Switch, Toggle (Not Shown - Located at Platform)     |     |
| 31   | 4568734     | 1   | Spacer, Tube (Idler Pulley Non-Grooved)              |     |
| 32   | 4568735     | 1   | Spacer, Tube (Idler Pulley Grooved)                  |     |
| 33   | 4711400     | 1   | Flatwasher 1/4in Thin                                |     |
| 34   | 4711700     | 2   | Flatwasher 7/16in Thin                               |     |
| 35   | 4740397     | 1   | Spacer   |     |
| 36   | 4751000     | 2   | Flatwasher #10 Regular                               |     |
| 37   | 4751600     | 3   | Flatwasher 3/8in Regular                             |     |
| 38   | 4751800     | 1   | Flatwasher 1/2in Regular                             |     |
| 39   | 4891500     | 1   | Flatwasher 5/16in Hardened                           |     |
| 40   | 4891600     | 4   | Flatwasher 3/8in Hardened                            |     |
| 41   | 4892000     | 2   | Flatwasher 5/8in Hardened                            |     |



# SECTION 2 - TURNTABLE

FIGURE 2-27. 7500W SKYPOWER GENERATOR INSTALLATION - CATERPILLAR AND DEUTZ ENGINES



## SECTION 2 - TURNTABLE

**FIGURE 2-27. 7500W SKYPOWER GENERATOR INSTALLATION - CATERPILLAR AND DEUTZ ENGINES**

| ITEM | PART NUMBER | QTY | DESCRIPTION  | REV |
|------|-------------|-----|--|-----|
|      |             | Ref | <b>7500W SKYPOWER GENERATOR INSTALLATION</b>                   |     |
|      | 0273576     | Ref | <b>60Hz and Caterpillar Engine</b>                             | H   |
|      | 0272618     | Ref | <b>60Hz and Deutz Engine</b>                                   | G   |
|      |             | Ref | <b>Note: See ELECTRICAL SECTION for Boom Cable Components.</b> |     |
| 1    | 0100011     | AR  | Compound, Locking  |     |
| 3    | 3252764     | 1   | Nameplate  |     |
| 4    | 3910606     | 8   | Screw #6-32NC x 3/8in  |     |
| 5    | 0641516     | 3   | Bolt 5/16in-18NC x 2in   |     |
| 6    | 4711500     | 10  | Flatwasher 5/16in Thin   |     |
| 7    | 3311505     | 3   | Locknut 5/16in-18NC  |     |
| 8    | 4460958     | 1   | Receptacle, Female Twist-Lock                                  |     |
| 9    | 4360336     | 1   | Switch, Toggle   |     |
| 10   | 4060802     | 1   | Guard, Switch  |     |
| 11   | 3960422     | 2   | Gasket   |     |
| 12   | 4060700     | 1   | Cover, Receptacle  |     |
| 13   | 4061043     | 1   | Cover, Receptacle  |     |
| 14   | 4460346     | 1   | Receptacle   |     |
| 15   | 0861542     | 1   | Junction Box Assembly (See Items 101-127 for Breakdown)        |     |
| 16   | 4761500     | 4   | Flatwasher 5/16in Regular                                      |     |
| 17   | 0641505     | 4   | Bolt 5/16in-18NC x 5/8in                                       |     |
| 18   | 0860038     | 2   | Box, Switch  |     |
| 19   |             | Ref | Generator Assembly Options:                                    |     |
| 19   | 2460050     | 1   | Caterpillar Engine   |     |
| 19   | 2460048     | 1   | Deutz Engine   |     |
| 19   | 70003631    | 1   | Brushholder Assembly (Not Shown) (was p/n 7024484)             |     |
| 19   | 7024485     | 1   | Breaker, Circuit 30Amp (Not Shown)                             |     |
| 19   | 70001696    | 1   | Boot, Breaker (was p/n 7024486 - Not Shown)                    |     |
| 19   | 7027799     | 1   | Block, Connection - 6 Position (Not Shown)                     |     |
| 19   | 70002460    | 6   | Nut, Brass (Attaches p/n 7027799 to Cover) (Not Shown)         |     |
| 19   | 7026597     | 1   | Connector, W/Lead (Not Shown)                                  |     |
| 19   | 7026188     | 1   | Connector, Clamp (Not Shown)                                   |     |
| 19   |             | Ref | Plate, End Panel Options:                                      |     |
| 19   | 70004170    | 1   | Caterpillar Engine   |     |
| 19   | 70004169    | 1   | Deutz Engine (was p/n 70002255)                                |     |
| 19   |             | Ref | Stator Options (Not Shown):                                    |     |
| 19   | 70001969    | 1   | 2460050 Generator  |     |
| 19   | 70002088    | 1   | 2460048 Generator  |     |
| 19   | 70001974    | 1   | Decal - Terminal Connections (Not Shown)                       |     |
| 19   | 70000863    | 1   | Fan (Not Shown)  |     |
| 19   | 70002297    | 4   | Stud (Not Shown)   |     |
| 19A  | 70004171    | 1   | Key (was p/n 7024561)  |     |
| 19A  | 70001100    | 1   | Armature, Generator (Includes p/n 70001384 & 70000863)         |     |
| 19A  | 70001384    | 1   | Bearing, Ball Radial   |     |
| 19B  | 70001966    | 1   | Bearing, Ball Radial (Located in Belt Tensioner Endbell)       |     |
| 19B  | 70003708    | 1   | Ring, Internal Retaining (Located in Belt Tensioner Endbell)   |     |
| 19B  | 70003709    | 1   | Ring, External Retaining (Located in Belt Tensioner Endbell)   |     |
| 19C  | 70001973    | 1   | Decal - Warning Moving Parts                                   |     |
| 19D  |             | Ref | Endbell, Brush Block Options (was p/n 70001385):               |     |

## SECTION 2 - TURNTABLE

| ITEM | PART NUMBER  | QTY | DESCRIPTION  | REV |
|------|--------------|-----|--|-----|
| 19D  | 70004170     | 1   | Caterpillar Engine Machines  |     |
| 19D  | 70004169     | 1   | Deutz Engine Machines  |     |
| 19E  | 70001953     | 1   | Endbell, Belt Tensioner  |     |
| 19F  |              | Ref | Endbell, Shroud Options:   |     |
| 19F  | 70004170     | 1   | Caterpillar Engine (was p/ns 70001970 & 70001971)                            |     |
| 19F  | 70004169     | 1   | Deutz Engine (was p/n 70002290)  |     |
| 20   | 0641808      | AR  | Bolt 1/2in-13NC x 1in  |     |
| 22   | 0902888      | 1   | Bracket, Box Mounting  |     |
| 23   | 4711800      | AR  | Flatwasher 1/2in Thin  |     |
| 24   | 4711400      | AR  | Flatwasher 1/4in Thin  |     |
| 25   | 0641404      | AR  | Bolt 1/4in-20NC x 1/2in  |     |
| 26   |              | Ref | Shield Options:  |     |
| 26   | Not Required | 0   | Caterpillar Engine   |     |
| 26   | 4061049      | 1   | Deutz Engine   |     |
| 27   | 4751400      | 2   | Flatwasher 1/4in Regular   |     |
| 28   | 4240018      | AR  | Tie-Strap (Not Shown)  |     |
| 29   | 4791400      | 2   | Starwasher 1/4in   |     |
| 30   | 0641403      | 1   | Bolt 1/4in-20NC x 3/8in  |     |
| 31   | 3740080      | 2   | Relay  |     |
| 32   | 0100019      | AR  | Compound, Locking  |     |
| 33   | 4460051      | 1   | Connector, Strain Relief   |     |
| 34   | 4460071      | 1   | Connector, Strain Relief   |     |
| 35   | 3311405      | 4   | Locknut 1/4in-20NC   |     |
| 36   |              | Ref | Bolt Options:  |     |
| 36   | 0641405      | 4   | Bolt 1/4in-20NC x 5/8in (SN 0300069000 through 0300084828)                   |     |
| 36   | 0641406      | 4   | Bolt 1/4in-20NC x 3/4in (SN 0300084829 through 0300087000)                   |     |
| 37   | 0480129      | 1   | Belt, Drive  |     |
| 38   |              | Ref | Bolt, Metric Options:  |     |
| 38   | 0700815      | 4   | Caterpillar Engine (Bolt M8 x 35mm)  |     |
| 38   | 4032015      | 4   | Deutz Engine (Capscrew M10 x 55mm)   |     |
| 39   | 4300157      | 1   | Stud   |     |
| 40   | 3311801      | 1   | Nut 1/2in-13NC   |     |
| 41   | 0100062      | 1   | Loctite (Not Shown)  |     |
| 42   | 2820031      | 1   | Insulator  |     |
| 43   | 0861538      | 1   | Control Box Assembly (was p/n 7024487):                                      |     |
| 43   | 7024488      | 1   | Card, Circuit - Generator Power  |     |
| 43   | See Note     | 1   | Fuse (Note: Not Available - Purchase Locally)                                |     |
| 43   | 7024489      | 1   | Card, Circuit - Control  |     |
| 43   | 70000619     | 1   | Harness, Circuit Card  |     |
| 44   | 0962520      | 1   | Bushing, Split Taper   |     |
| 45   | 3580317      | 1   | Tensioner, Belt  |     |
| 46   | 3580318      | 1   | Pulley   |     |
| 47   |              | Ref | Pulley Options:  |     |
| 47   | 3580321      | 1   | Caterpillar Engine   |     |
| 47   | 3580320      | 1   | Deutz Engine   |     |
| 48   | 4711600      | 1   | Flatwasher 3/8in Thin  |     |
| 49   | 4922925      | 1   | Harness, Generator   |     |
| 50   |              | Ref | Bolt 3/8in-16NC x 2-1/4in Options:   |     |
| 50   | 3931632      | 1   | Caterpillar Engine (Socket Head Capscrew) (SN 0300069000 through 0300093325) |     |

## SECTION 2 - TURNTABLE

| ITEM | PART NUMBER | QTY         | DESCRIPTION  | REV |
|------|-------------|-------------|--|-----|
| 50   | 0641618     | 1           | Caterpillar Engine (Hex Head Bolt) (SN 0300093326 through 0300087000)                          |     |
| 50   | 0641618     | 1           | Deutz Engine (Hex Head Bolt)   |     |
| 51   | 4811900     | 4           | Flatwasher M8 (Caterpillar Engine Only)  |     |
| 52   | 2902300     | 1           | Remote Oil Filter Kit (Not Shown - Caterpillar Engine Only) (SN 0300069000 through 0300078185) |     |
| 53   | 3300454     | 4           | Nut Special 1/4in-20NC (Deutz Engine Only) (SN 0300084829 through 0300087000)                  |     |
| 54   | 3575863     | 1           | Plate, EMR2 Mount (Deutz Engine Only) (SN 0300084829 through 0300087000)                       |     |
|      | 0861542     | Ref         | <b>JUNCTION BOX ASSEMBLY</b>   | C   |
| 101  | 0861541     | 1           | Box, Junction  |     |
| 102  | 1060494     | 2 ft/.6m    | Cable, Electrical 12/3   |     |
| 103  | 1060708     | 2.5 ft/.76m | Cable, Electrical 10/3   |     |
| 104  | 1705376     | 1           | Decal - Wiring Schematic   |     |
| 105  | 3300396     | 1           | Cover, Fuse  |     |
| 106  | 3310601     | 2           | Nut #6-32NC  |     |
| 107  | 1060343     | 1.5 ft/.46m | Cable, Electrical 10/4   |     |
| 108  |             | Ref         | Rail, Relay Options:   |     |
| 108  | 3640986     | 1           | Rail, Relay (SN 0300069000 through 0300072913)   |     |
| 108  | 3641533     | 1           | Rail, Relay (SN 0300072914 through 0300087000)   |     |
| 109  | 3910610     | 2           | Bolt #6-32NC x 5/8   |     |
| 110  | 4360070     | 1           | Circuit Breaker - 15 Amp   |     |
| 111  | 4460411     | 2           | Marker Strip #1  |     |
| 112  | 4460412     | 4           | Marker Strip #2  |     |
| 113  | 4460413     | 2           | Marker Strip #3  |     |
| 114  | 4460414     | 2           | Marker Strip #4  |     |
| 115  | 4460415     | 4           | Marker Strip #5  |     |
| 116  | 4460425     | 2           | Strain Relief, Terminal  |     |
| 117  | 4460426     | 2           | Connector, Strain Relief   |     |
| 118  | 4460607     | 2           | Terminal, End Stop   |     |
| 119  | 4460956     | 1           | Terminal, Block End  |     |
| 120  | 4460957     | 7           | Terminal, Block  |     |
| 121  | 4750600     | 4           | Flatwasher, #6 Regular   |     |
| 122  | 4760600     | 2           | Lockwasher #6 Regular  |     |
| 125  | 1671092     | 1           | Cover  |     |
| 126  | 4460963     | 1           | Connector  |     |
| 127  | 4461001     | 2           | Terminal, Cross Connector (SN 0300072914 through 0300087000)                                   |     |
|      | 0272435     | Ref         | <b>DECAL INSTALLATION</b>  | A   |
| 201  | 1705460     | 2           | Decal - SkyPower   |     |
| 202  | 1705374     | 1           | Decal - 240V - 60Hz  |     |
| 203  | 1705375     | 1           | Decal - 240V - 3 Phase   |     |
| 204  | 1705387     | 3           | Decal, Hazardous Voltage   |     |
|      | 4933264     | Ref         | <b>ELECTRICAL DIAGRAM COMPONENTS</b>   | C   |
| 301  | 4922757     | 1           | Generator Harness  | 3-C |
| 301A | 4460374     | 2           | Plug, Sealed Relay   |     |
| 301A | 4460375     | 7           | Terminal   |     |
| 301B | 4460967     | 1           | Plug, Male - 3 Position  |     |
| 301B | 4460465     | 3           | Socket, Female   |     |
| 301C | 2400060     | 1           | Fuse Holder (Not Shown)  |     |



## SECTION 2 - TURNTABLE

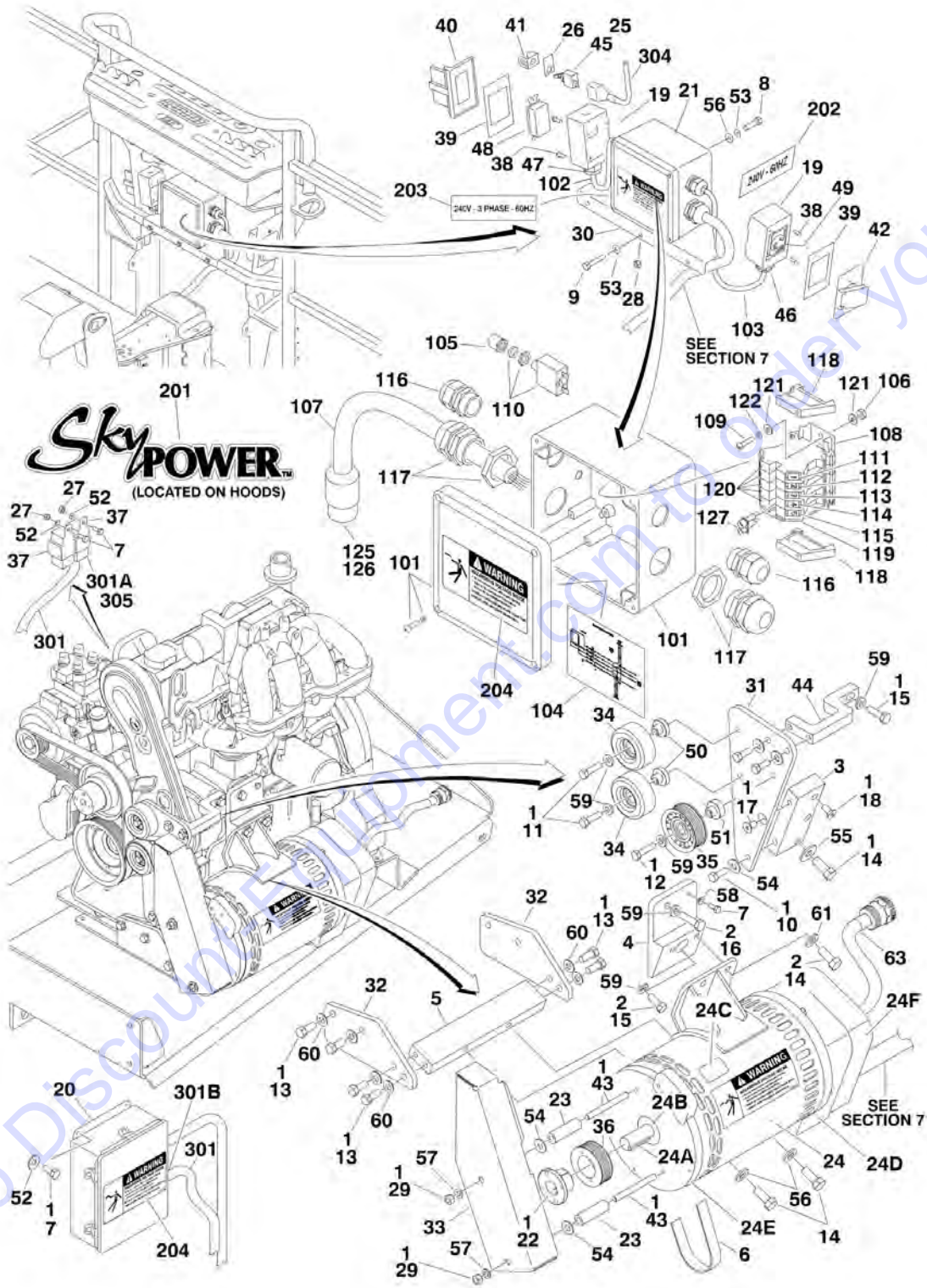
| ITEM | PART NUMBER | QTY | DESCRIPTION              | REV |
|------|-------------|-----|--------------------------|-----|
| 301C | 2400064     | 1   | Fuse - 5 Amp (Not Shown) |     |
| 304  | 4922641     | 1   | Switch Harness           |     |

Go to [Discount-Equipment.com](http://Discount-Equipment.com) to order your parts



# SECTION 2 - TURNTABLE

## FIGURE 2-28. 7500W SKYPOWER GENERATOR INSTALLATION - FORD ENGINES



## SECTION 2 - TURNTABLE

**FIGURE 2-28. 7500W SKYPOWER GENERATOR INSTALLATION - FORD ENGINES**

| ITEM | PART NUMBER | QTY | DESCRIPTION  | REV |
|------|-------------|-----|--|-----|
|      | 0273109     | Ref | <b>7500W SKYPOWER GENERATOR INSTALLATION</b>                                   | E   |
|      |             | Ref | <b>Note: See ELECTRICAL SECTION for Boom Cable Components.</b>                 |     |
| 1    | 0100011     | AR  | Compound, Locking  |     |
| 2    | 0100019     | AR  | Compound, Locking  |     |
| 3    | 0363097     | 1   | Bar, Pulley Mount  |     |
| 4    | 0363201     | 1   | Bar, Generator Mount (Top)   |     |
| 5    | 0363202     | 1   | Bar, Generator Mount (Bottom)  |     |
| 6    | 0480130     | 1   | Belt, Generator  |     |
| 7    | 0641405     | 7   | Bolt 1/4in-20NC x 5/8in  |     |
| 8    | 0641505     | 4   | Bolt 5/16in-18NC x 5/8in   |     |
| 9    | 0641516     | 3   | Bolt 5/16in-18NC x 2in   |     |
| 10   | 0641608     | 3   | Bolt 3/8in-16NC x 1in  |     |
| 11   | 0641611     | 2   | Bolt 3/8in-16NC x 1-3/8in  |     |
| 12   | 0641612     | 1   | Bolt 3/8in-16NC x 1-1/2in  |     |
| 13   | 0641708     | 8   | Bolt 7/16in-14NC x 1in   |     |
| 14   | 0641810     | 5   | Bolt 1/2in-13NC x 1-1/4in  |     |
| 15   | 0701015     | 2   | Bolt M10 x 35mm  |     |
| 16   | 0701016     | 1   | Bolt M10 x 40mm  |     |
| 17   | 0741606     | 1   | Screw, Flathead Countersunk 3/8in-16NC x 3/4in                                 |     |
| 18   | 0741808     | 1   | Screw, Flathead Countersunk 1/2in-13NC x 1in                                   |     |
| 19   | 0860038     | 2   | Box, Switch  |     |
| 20   | 0861538     | 1   | Control Box Assembly (was p/n 7024487):  |     |
| 20   | 7024488     | 1   | Card, Circuit - Generator Power  |     |
| 20   | See Note    | 1   | Fuse (Note: Not Available - Purchase Locally)                                  |     |
| 20   | 7024489     | 1   | Card, Circuit - Control  |     |
| 20   | 70000619    | 1   | Harness, Circuit Card  |     |
| 21   | 0861542     | 1   | Junction Box Assembly (See Items 101-127 for Breakdown)                        |     |
| 22   | 0962520     | 1   | Bushing, Split Taper   |     |
| 23   | 0962521     | 2   | Spacer, Tube   |     |
| 24   | 2460048     | 1   | Generator Assembly   |     |
| 24   | 70003631    | 1   | Brushholder Assembly (Not Shown) (was p/n 7024484)                             |     |
| 24   | 7024485     | 1   | Breaker, Circuit 30Amp (Not Shown)   |     |
| 24   | 70001696    | 1   | Boot, Breaker (was p/n 7024486 - Not Shown)                                    |     |
| 24   | 70001966    | 1   | Bearing, Ball Radial (Located In Belt Tensioner Endbell - Not Shown)           |     |
| 24   | 7027799     | 1   | Block, Connector 6 Position (Not Shown)  |     |
| 24   | 70002460    | 6   | Nut, Brass (Attaches p/n 7027799 to Cover) (Not Shown)                         |     |
| 24   | 7026188     | 1   | Clamp, Cable (Not Shown)   |     |
| 24   | 7026597     | 1   | Connector, W/Leads (Not Shown)   |     |
| 24   | 70002088    | 1   | Stator (Not Shown)   |     |
| 24   | 70004169    | 1   | Panel, End (Not Shown) (was p/n 70002255)                                      |     |
| 24   | 70001974    | 1   | Decal - Terminal Connections (Not Shown)                                       |     |
| 24   | 70000863    | 1   | Fan (Not Shown)  |     |
| 24   | 70002297    | 4   | Stud (Not Shown)   |     |
| 24A  | 70004171    | 1   | Key (was p/n 7024561)  |     |
| 24A  | 70001100    | 1   | Armature, Generator (Includes Radial Ball Bearing on End with Brushes and Fan) |     |
| 24A  | 70001384    | 1   | Bearing, Ball Radial   |     |
| 24B  | 70001966    |     | Bearing, Radial Ball (Located in Belt Tensioner Endbell)                       |     |

## SECTION 2 - TURNTABLE

| ITEM | PART NUMBER | QTY         | DESCRIPTION  | REV |
|------|-------------|-------------|--|-----|
| 24B  | 70003708    | 1           | Ring, Internal Retaining (Located in Belt Tensioner Endbell) |     |
| 24B  | 70003709    | 1           | Ring, External Retaining (Located in Belt Tensioner Endbell) |     |
| 24C  | 70001973    | 1           | Decal - Warning Moving Parts                                 |     |
| 24D  | 70004169    | 1           | Endbell, Brush Block (was p/n 70001385)                      |     |
| 24E  | 70001953    | 1           | Endbell, Belt Tensioner                                      |     |
| 24F  | 70004169    | 1           | Endbell, Shroud Assembly (was p/n 70002290)                  |     |
| 25   | 2820031     | 1           | Insulator  |     |
| 26   | 3252764     | 1           | Nameplate  |     |
| 27   | 3311405     | 6           | Locknut 1/4in-20NC   |     |
| 28   | 3311505     | 3           | Locknut 5/16in-18NC  |     |
| 29   | 3311601     | 2           | Nut 3/8in-16NC   |     |
| 30   | 0902888     | 1           | Bracket, Box Mounting  |     |
| 31   | 3574225     | 1           | Plate, Pulley Mounting                                       |     |
| 32   | 3574229     | 2           | Plate, Gusset Generator Mounting                             |     |
| 33   | 3574262     | 1           | Plate, Shield  |     |
| 34   | 3580312     | 2           | Pulley, Idler  |     |
| 35   | 3580313     | 1           | Pulley, Idler Grooved  |     |
| 36   | 3580314     | 1           | Pulley, Drive Grooved  |     |
| 37   | 3740080     | 2           | Relay  |     |
| 38   | 3910606     | 8           | Screw #6-32NC x 3/8in  |     |
| 39   | 3960422     | 2           | Gasket   |     |
| 40   | 4060700     | 1           | Cover, Receptacle  |     |
| 41   | 4060802     | 1           | Guard, Switch  |     |
| 42   | 4061043     | 1           | Cover, Receptacle  |     |
| 43   | 4300111     | 2           | Stud, Chain Assembly   |     |
| 44   | 4340738     | 1           | Support, Idler Pulley Mount                                  |     |
| 45   | 4360336     | 1           | Switch, Toggle   |     |
| 46   | 4460051     | 1           | Connector, Strain Relief                                     |     |
| 47   | 4460071     | 1           | Connector, Strain Relief                                     |     |
| 48   | 4460346     | 1           | Receptacle   |     |
| 49   | 4460958     | 1           | Receptacle, Female Twist-Lock                                |     |
| 50   | 4568734     | 2           | Tube, Spacer Pulley  |     |
| 51   | 4568735     | 1           | Tube, Spacer Pulley Grooved                                  |     |
| 52   | 4711400     | 10          | Flatwasher 1/4in Thin  |     |
| 53   | 4711500     | 10          | Flatwasher 5/16in Thin                                       |     |
| 54   | 4711600     | 5           | Flatwasher 3/8in Thin  |     |
| 55   | 4711800     | 1           | Flatwasher 1/2in Thin  |     |
| 56   | 4761500     | 4           | Lockwasher 5/16in  |     |
| 57   | 4761600     | 2           | Lockwasher 3/8in   |     |
| 58   | 4791400     | 1           | Starwasher 1/4in   |     |
| 59   | 4891600     | 6           | Flatwasher 3/8in Hardened                                    |     |
| 60   | 4891700     | 8           | Flatwasher 7/16in Hardened                                   |     |
| 61   | 4891800     | 4           | Flatwasher 1/2in Hardened                                    |     |
| 63   | 4922905     | 1           | Harness, Generator   |     |
|      | 0861542     | Ref         | <b>JUNCTION BOX ASSEMBLY</b>                                 | C   |
| 101  | 0861541     | 1           | Box, Junction  |     |
| 102  | 1060494     | 2 ft/.6m    | Cable, Electrical 12/3                                       |     |
| 103  | 1060708     | 2.5 ft/.76m | Cable, Electrical 10/3                                       |     |
| 104  | 1705376     | 1           | Decal - Wiring Schematic                                     |     |
| 105  | 3300396     | 1           | Cover, Fuse  |     |
| 106  | 3310601     | 2           | Nut #6-32NC  |     |

## SECTION 2 - TURNTABLE

| ITEM | PART NUMBER | QTY            | DESCRIPTION  | REV |
|------|-------------|----------------|--|-----|
| 107  | 1060343     | 1.5<br>ft/.46m | Cable, Electrical 10/4                                       |     |
| 108  |             | Ref            | Rail, Relay Options:   |     |
| 108  | 3640986     | 1              | Rail, Relay (SN 0300069000 through 0300072913)               |     |
| 108  | 3641533     | 1              | Rail, Relay (SN 0300072914 through 0300087000)               |     |
| 109  | 3910610     | 2              | Bolt #6-32NC x 5/8   |     |
| 110  | 4360070     | 1              | Circuit Breaker - 15 Amp                                     |     |
| 111  | 4460411     | 2              | Marker Strip #1  |     |
| 112  | 4460412     | 4              | Marker Strip #2  |     |
| 113  | 4460413     | 2              | Marker Strip #3  |     |
| 114  | 4460414     | 2              | Marker Strip #4  |     |
| 115  | 4460415     | 4              | Marker Strip #5  |     |
| 116  | 4460425     | 2              | Strain Relief, Terminal                                      |     |
| 117  | 4460426     | 2              | Connector, Strain Relief                                     |     |
| 118  | 4460607     | 2              | Terminal, End Stop   |     |
| 119  | 4460956     | 1              | Terminal, Block End  |     |
| 120  | 4460957     | 7              | Terminal, Block  |     |
| 121  | 4750600     | 4              | Flatwasher, #6 Regular                                       |     |
| 122  | 4760600     | 2              | Lockwasher #6  |     |
| 125  | 1671092     | 1              | Cover  |     |
| 126  | 4460963     | 1              | Connector  |     |
| 127  | 4461001     | 2              | Terminal, Cross Connector (SN 0300072914 through 0300087000) |     |
|      | 0272435     | Ref            | <b>DECAL INSTALLATION</b>                                    | A   |
| 201  | 1705460     | 2              | Decal - SkyPower   |     |
| 202  | 1705374     | 1              | Decal - 240V - 60Hz  |     |
| 203  | 1705375     | 1              | Decal - 240V - 3 Phase                                       |     |
| 204  | 1705387     | 3              | Decal, Hazardous Voltage                                     |     |
|      | 4933283     | Ref            | <b>ELECTRICAL DIAGRAM COMPONENTS</b>                         | 2-B |
| 301  | 4922905     | 1              | Generator Harness  | 2-B |
| 301A | 4460374     | 2              | Plug, Sealed Relay   |     |
| 301A | 4460375     | 7              | Terminal   |     |
| 301B | 4460967     | 1              | Plug, Male - 3 Position                                      |     |
| 301B | 4460465     | 3              | Socket, Female   |     |
| 301C | 2400060     | 2              | Fuseholder (Not Shown)                                       |     |
| 301C | 2400064     | 2              | Fuse - 5 Amp (Not Shown)                                     |     |
| 304  | 4922641     | 1              | Switch Harness   |     |
| 305  | 4460375     | 1              | Terminal   |     |



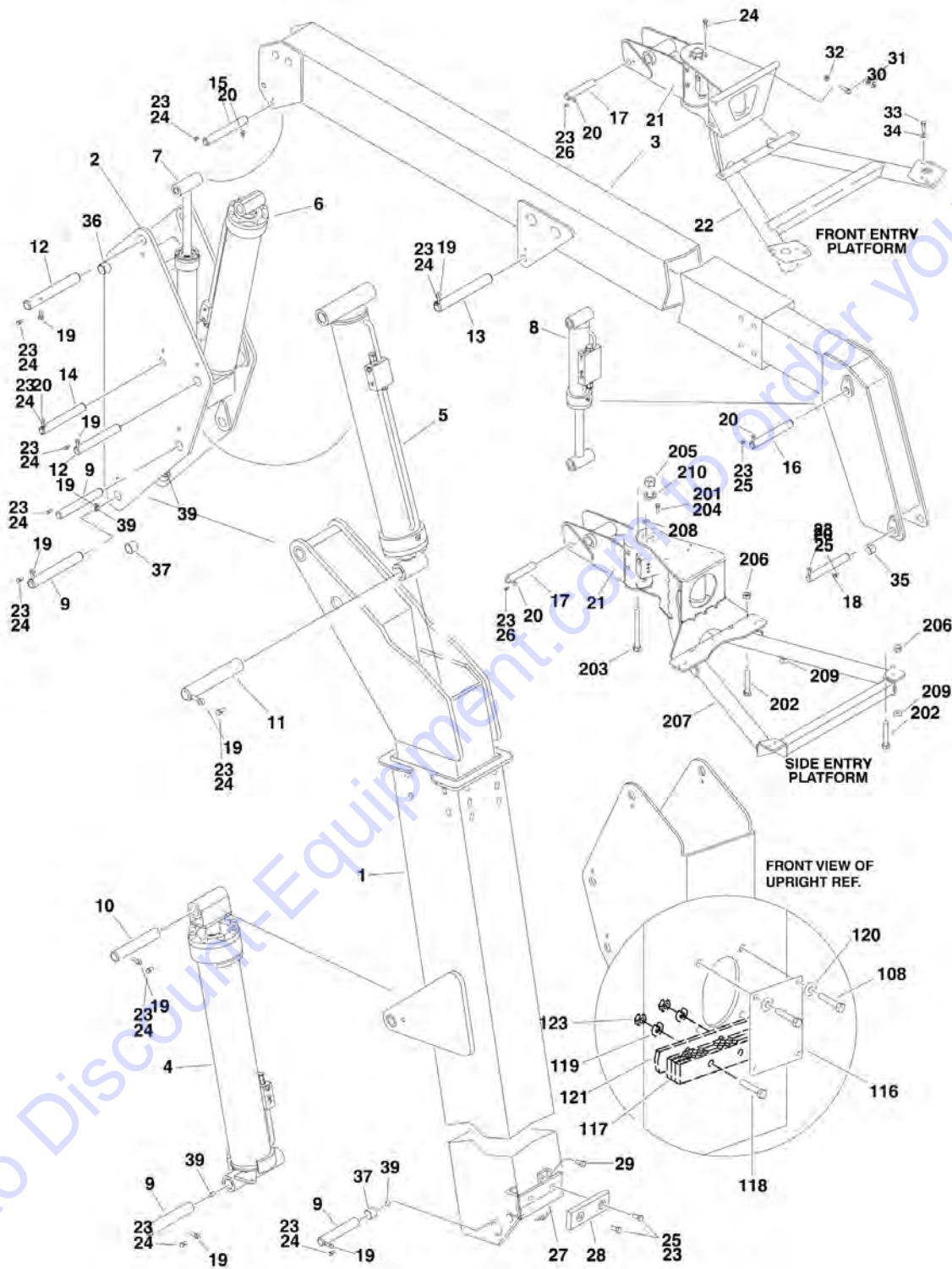
**SECTION 3 - BOOM**

Go to [Discount-Equipment.com](http://Discount-Equipment.com) to order your parts



# SECTION 3 - BOOM

## FIGURE 3-1. BOOMS AND CYLINDERS INSTALLATION - 600A



## SECTION 3 - BOOM

**FIGURE 3-1. BOOMS AND CYLINDERS INSTALLATION - 600A**

| ITEM | PART NUMBER | QTY | DESCRIPTION   | REV |
|------|-------------|-----|---|-----|
|      |             | Ref | <b>BOOMS AND CYLINDERS INSTALLATION - 600A</b>  |     |
|      | 0256321     | Ref | <b>Machines with Front Entry Platform</b>   | 5   |
|      | 0272326     | Ref | <b>Machines with Side Entry Platform</b>  | 1   |
| 1    | 0801019     | 1   | Tower Boom Assembly - Tower (See TOWER BOOM ASSEMBLIES for Breakdown)   |     |
| 2    | 4846005     | 1   | Upright Weldment  |     |
| 3    | 0801022     | 1   | Main Boom Assembly (See MAIN BOOM ASSEMBLIES for Breakdown)   |     |
| 4    | 1683288     | NLA | Tower Lift Cylinder Assembly (Use p/n 1001228003) (See CYLINDER SECTION for Breakdown) (Original Equipment)     |     |
| 4    | 1001228003  | 1   | Tower Lift Cylinder Assembly (See CYLINDER SECTION for Breakdown) (Service Replacement)                         |     |
| 5    | 1683299     | NLA | Upright Level Cylinder Assembly (Use p/n 1001228042) (See CYLINDER SECTION for Breakdown) (Original Equipment)  |     |
| 5    | 1684498     | NLA | Upright Level Cylinder Assembly (Use p/n 1001228042) (See CYLINDER SECTION for Breakdown) (Service Replacement) |     |
| 5    | 1001228042  | 1   | Upright Level Cylinder Assembly (See CYLINDER SECTION for Breakdown) (Service Replacement)                      |     |
| 6    | 1683294     | NLA | Main Lift Cylinder Assembly (Use p/n 1001228004) (See CYLINDER SECTION for Breakdown) (Original Equipment)      |     |
| 6    | 1001228004  | 1   | Main Lift Cylinder Assembly (See CYLINDER SECTION for Breakdown) (Service Replacement)                          |     |
| 7    | 1683266     | NLA | Master Cylinder Assembly (Use p/n 1001228002) (See CYLINDER SECTION for Breakdown) (Original Equipment)         |     |
| 7    | 1001228002  | 1   | Master Cylinder Assembly (See CYLINDER SECTION for Breakdown) (Service Replacement)                             |     |
| 8    | 1683415     | NLA | Platform Level Cylinder Assembly (Use p/n 1001223512) (See CYLINDER SECTION for Breakdown) (Original Equipment) |     |
| 8    | 1001223512  | 1   | Platform Level Cylinder Assembly (See CYLINDER SECTION for Breakdown) (Service Replacement)                     |     |
| 9    | 3422571     | 4   | Pin   |     |
| 10   | 3422573     | 1   | Pin   |     |
| 11   | 3422575     | 1   | Pin   |     |
| 12   | 3422572     | 2   | Pin   |     |
| 13   | 3422576     | 1   | Pin   |     |
| 14   | 3422565     | 1   | Pin   |     |
| 15   | 3422577     | 1   | Pin   |     |
| 16   | 3422578     | 1   | Pin   |     |
| 17   | 3422580     | 1   | Pin   |     |
| 18   | 3422582     | 1   | Pin   |     |
| 19   | 3841203     | 9   | Keeper, Pin - 1/2in   |     |
| 20   | 3841143     | 5   | Keeper, Pin - 3/8in   |     |
| 21   |             | Ref | Rotator Assembly Options:   |     |
| 21   | 0060076     | 1   | Front Entry Platform (p/n was 0060035) (See ROTATOR ASSEMBLIES (FRONT ENTRY PLATFORM) for Breakdown)            |     |
| 21   | 0060068     | 1   | Side Entry Platform (See ROTATOR ASSEMBLIES (SIDE ENTRY PLATFORM) for Breakdown)                                |     |
| 22   |             | Ref | Platform Support Weldment Options:  |     |
| 22   | 4844790     | 1   | Front Entry Platform Machines   |     |
| 22   | See Note    | 1   | Side Entry Platform Machines (Note: See Items 201 to 210)   |     |
| 23   | 0100011     | AR  | Compound, Locking   |     |
| 24   | 0641810     | AR  | Bolt 1/2in-13NC x 1-1/4in   |     |
| 25   | 0741607     | AR  | Screw, Countersunk 3/8in-16NC x 7/8in   |     |

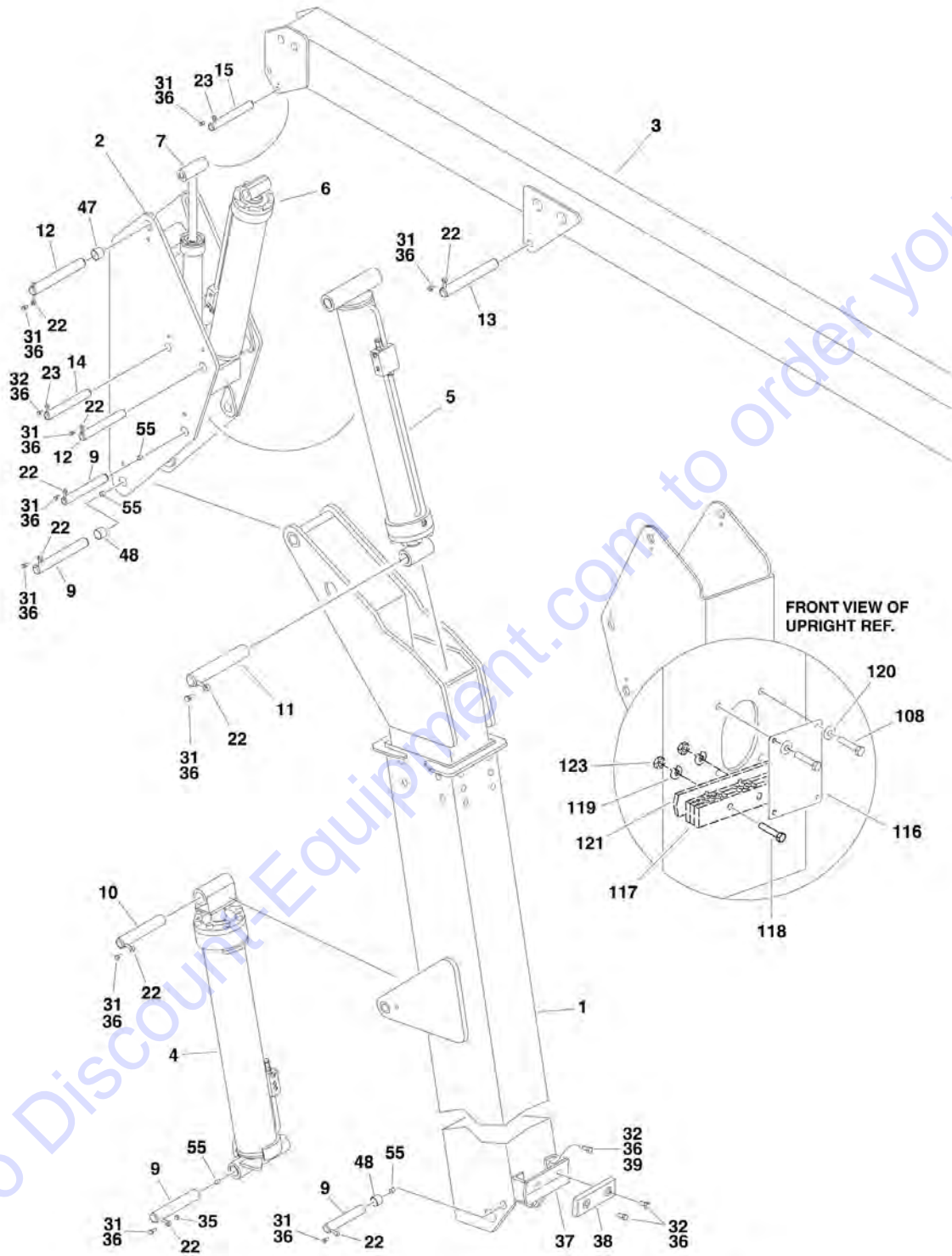
## SECTION 3 - BOOM

| ITEM | PART NUMBER | QTY | DESCRIPTION  | REV  |
|------|-------------|-----|--|------|
| 26   | 3900166     | 1   | Screw, Socket Head Countersunk - 3/8in-16NC x 7/8in                  |      |
| 27   | 4845127     | 1   | Boom Rest Weldment (Front Entry Platform Machines)                   |      |
| 28   | 0561076     | 1   | Block, Boom Rest   |      |
| 29   | 0641605     | 4   | Bolt 3/8in-16NC x 5/8in  |      |
| 30   | 0641820     | 4   | Bolt 1/2in-13NC x 2-1/2in (Front Entry Platform Machines)            |      |
| 31   | 4711800     | 8   | Flatwasher 1/2in Thin (Front Entry Platform Machines)                |      |
| 32   | 3311805     | 4   | Locknut 1/2in-13NC (Front Entry Platform Machines)                   |      |
| 33   | 0681610     | 4   | Bolt 3/8in-16NC x 1-1/4in (Grade 8) (Front Entry Platform Mach)      |      |
| 34   | 4711600     | 4   | Flatwasher 3/8in Thin (Front Entry Platform Machines)                |      |
| 35   | 0961951     | 2   | Bushing  |      |
| 36   | 0961948     | 2   | Bushing  |      |
| 37   | 0961949     | 4   | Bushing  |      |
| 39   | 3900239     | 4   | Setscrew   |      |
|      | 0255423     | Ref | <b>POWER TRACK INSTALLATION</b>                                      | 12/K |
| 108  | 0641403     | 4   | Bolt 1/4in-20NC x 3/8in  |      |
| 116  | 3539779     | 1   | Plate, Cover   |      |
| 117  | 1320243     | 1   | Clamp, Block   |      |
| 118  | 0641532     | 2   | Bolt 5/16in-18NC x 4in   |      |
| 119  | 4751600     | 2   | Flatwasher 3/8in Regular (SN 0300069000 through 0300084624)          |      |
| 120  | 4751400     | 4   | Flatwasher 1/4in Regular   |      |
| 121  | 3570374     | 1   | Plate  |      |
| 123  | 3311505     | 2   | Nut 5/16in-18NC  |      |
| 125  | 4751500     | 2   | Flatwasher 5/16in Regular (SN 0300084624 through 0300087000)         |      |
|      | 0272070     | Ref | <b>PLATFORM SUPPORT INSTALLATIONS (SIDE ENTRY PLATFORM MACHINES)</b> | C    |
| 201  | 0100011     | AR  | Compound, Locking  |      |
| 202  | 0641812     | 8   | Bolt 1/2in-13NC x 1-1/2in  |      |
| 203  | 0642684     | 1   | Bolt 1in-8NC x 10-1/2in  |      |
| 204  | 0681608     | 8   | Bolt 3/8in-16NC x 1in  |      |
| 205  | 3272605     | 1   | Locknut 1in-8NC  |      |
| 206  | 3311805     | 8   | Locknut 1/2in-13NC   |      |
| 207  | 4846573     | 1   | Support Weldment   |      |
| 208  | 4891600     | 8   | Flatwasher 3/8in Hardened  |      |
| 209  | 4891800     | 8   | Flatwasher 1/2in Hardened  |      |
| 210  | 4892600     | 1   | Flatwasher 1in Hardened  |      |

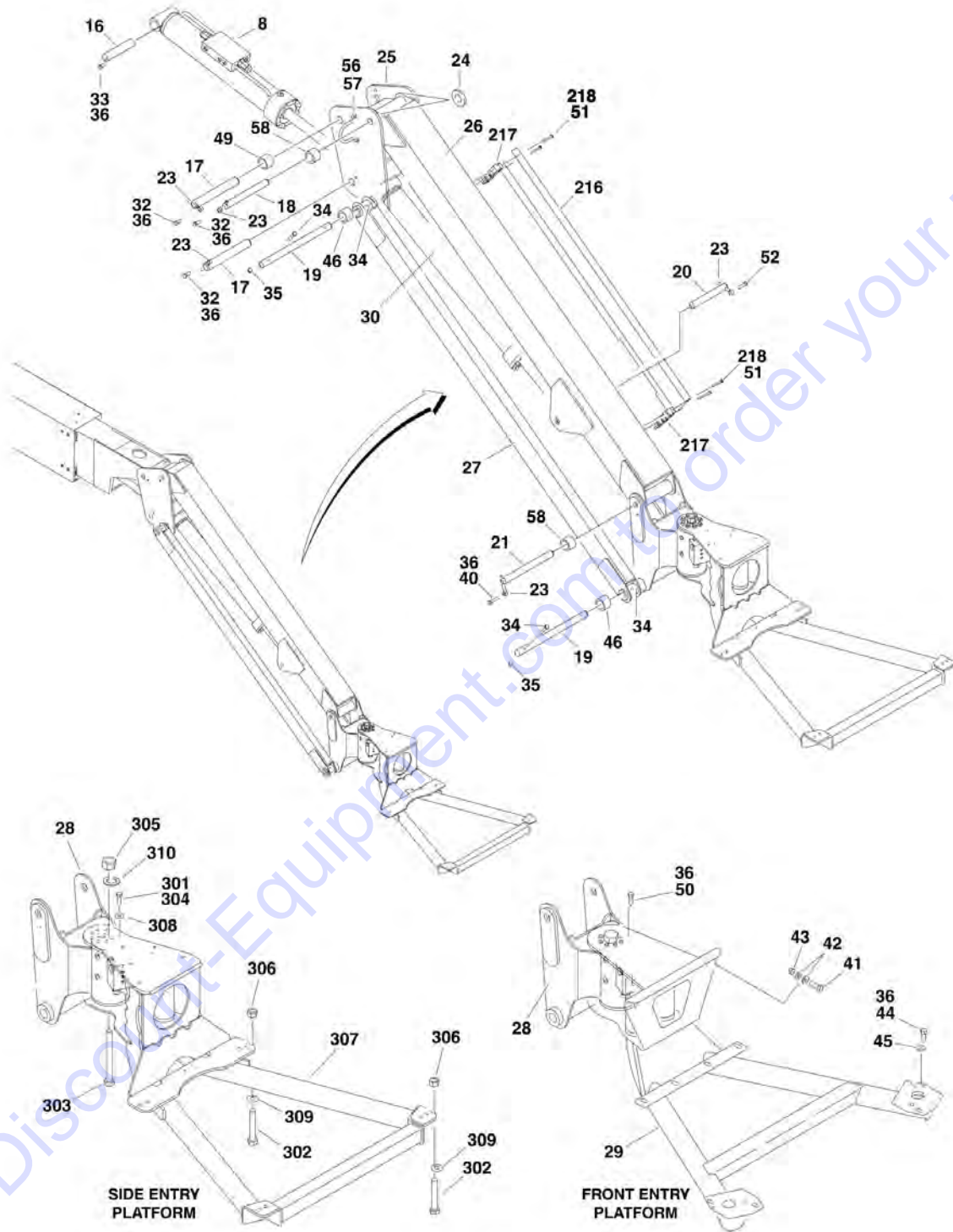


# SECTION 3 - BOOM

## FIGURE 3-2. BOOMS AND CYLINDERS INSTALLATION - 600AJ



# SECTION 3 - BOOM



## SECTION 3 - BOOM

FIGURE 3-2. BOOMS AND CYLINDERS INSTALLATION - 600AJ

| ITEM | PART NUMBER | QTY | DESCRIPTION   | REV |
|------|-------------|-----|---|-----|
|      |             | Ref | <b>BOOMS AND CYLINDERS INSTALLATION - 600AJ</b>   |     |
|      | 0271338     | Ref | <b>Front Entry Platform Machines</b>  | 6   |
|      | 0272135     | Ref | <b>Side Entry Platform Machines</b>   | 3   |
| 1    | 0801019     | 1   | Tower Boom Assembly - Tower (See TOWER BOOM ASSEMBLIES for Breakdown)   |     |
| 2    | 4846006     | 1   | Upright Weldment  |     |
| 3    | 0801025     | 1   | Main Boom Assembly (See MAIN BOOM ASSEMBLIES for Breakdown)   |     |
| 4    | 1683288     | NLA | Tower Lift Cylinder Assembly (Use p/n 1001228003) (See CYLINDER SECTION for Breakdown) (Original Equipment)     |     |
| 4    | 1001228003  | 1   | Tower Lift Cylinder Assembly (See CYLINDER SECTION for Breakdown) (Service Replacement)                         |     |
| 5    | 1683299     | NLA | Upright Level Cylinder Assembly (Use p/n 1001228042) (See CYLINDER SECTION for Breakdown) (Original Equipment)  |     |
| 5    | 1684498     | NLA | Upright Level Cylinder Assembly (Use p/n 1001228042) (See CYLINDER SECTION for Breakdown) (Service Replacement) |     |
| 5    | 1001228042  | 1   | Upright Level Cylinder Assembly (See CYLINDER SECTION for Breakdown) (Service Replacement)                      |     |
| 6    | 1683294     | NLA | Main Lift Cylinder Assembly (Use p/n 1001228004) (See CYLINDER SECTION for Breakdown) (Original Equipment)      |     |
| 6    | 1001228004  | 1   | Main Lift Cylinder Assembly (See CYLINDER SECTION for Breakdown) (Service Replacement)                          |     |
| 7    | 1683263     | NLA | Master Cylinder Assembly (Use p/n 1001228052) (See CYLINDER SECTION for Breakdown) (Original Equipment)         |     |
| 7    | 1001228052  | 1   | Master Cylinder Assembly (See CYLINDER SECTION for Breakdown) (Service Replacement)                             |     |
| 8    | 1683418     | NLA | Platform Level Cylinder Assembly (Use p/n 1001223331) (See CYLINDER SECTION for Breakdown) (Original Equipment) |     |
| 8    | 1001223331  | 1   | Platform Level Cylinder Assembly (See CYLINDER SECTION for Breakdown) (Service Replacement)                     |     |
| 9    | 3422571     | 4   | Pin   |     |
| 10   | 3422573     | 1   | Pin   |     |
| 11   | 3422575     | 1   | Pin   |     |
| 12   | 3422572     | 2   | Pin   |     |
| 13   | 3422576     | 1   | Pin   |     |
| 14   | 3422566     | 1   | Pin   |     |
| 15   | 3422579     | 1   | Pin   |     |
| 16   | 3422583     | 1   | Pin   |     |
| 17   | 3422561     | 2   | Pin   |     |
| 18   | 3422860     | 1   | Pin   |     |
| 19   | 3422861     | 2   | Pin   |     |
| 20   | 3422867     | 1   | Pin   |     |
| 21   | 3422563     | 1   | Pin (Front Entry Platform)  |     |
| 21   | 3422860     | 1   | Pin (Side Entry Platform)   |     |
| 22   | 3841203     | 9   | Keeper, Pin - 1/2in   |     |
| 23   | 3841143     | 7   | Keeper, Pin - 3/8in   |     |
| 24   | 4740439     | 2   | Thrustwasher  |     |
| 25   | 4844815     | 1   | Pivot Weldment  |     |
| 26   | 4844816     | 1   | Tube Weldment - Top   |     |
| 27   | 4844817     | 2   | Tube Weldment - Bottom  |     |
| 28   |             | Ref | Rotator Assembly Options:   |     |
| 28   | 0060074     | 1   | Front Entry Platform (p/n was 0060031) (See ROTATOR ASSEMBLIES (FRONT ENTRY PLATFORM) for Breakdown)            |     |

## SECTION 3 - BOOM

| ITEM | PART NUMBER | QTY | DESCRIPTION   | REV  |
|------|-------------|-----|---|------|
| 28   | 0060066     | 1   | Side Entry Platform (See ROTATOR ASSEMBLIES (SIDE ENTRY PLATFORM) for Breakdown)  |      |
| 29   |             | Ref | Support Weldment Options:   |      |
| 29   | 4844790     | 1   | Front Entry Platform  |      |
| 29   | See Note    | 1   | Side Entry Platform (Note: See Items 301 to 310)  |      |
| 30   |             | Ref | Extend-A-Reach Lift Cylinder Assembly Options (See CYLINDER SECTION for Breakdown):   |      |
| 30   | 1683258     | 1   | Extend-A-Reach Lift Cylinder Assembly ( <b>SN 0300069000 through 0300070976</b> )   |      |
| 30   | 1683609     | NLA | Extend-A-Reach Lift Cylinder Assembly (Use p/n 1001248012) (Original Equipment) ( <b>SN 0300070977 through 0300087000</b> ) |      |
| 30   | 1001228012  | NLA | Extend-A-Reach Lift Cylinder Assembly (Use p/n 1001248012) (Service Replacement)  |      |
| 30   | 1001248012  | 1   | Extend-A-Reach Lift Cylinder Assembly (Service Replacement)   |      |
| 31   | 0641810     | 9   | Bolt 1/2in-13NC x 1-1/4in   |      |
| 32   | 0641607     | AR  | Bolt 3/8in-16NC x 7/8in   |      |
| 33   | 0741607     | 1   | Screw, Countersunk 3/8in-16NC x 7/8in   |      |
| 34   | 0641618     | 4   | Bolt 3/8in-16NC x 2-1/4in   |      |
| 35   | 3311605     | 5   | Locknut 3/8in-16NC  |      |
| 36   | 0100011     | AR  | Compound, Locking   |      |
| 37   | 4845127     | 1   | Boom Rest Weldment (Front Entry Platform) ( <b>SN 0300069000 through 0300070977</b> )                                       |      |
| 38   | 0561076     | 1   | Block, Boom Rest  |      |
| 39   | 0641605     | 4   | Bolt 3/8in-16NC x 5/8in   |      |
| 40   | 0461614     | 1   | Bolt 3/8in-16NC x 1-3/4in   |      |
| 41   | 0641820     | 4   | Bolt 1/2in-13NC x 2-1/2in (Front Entry Platform)  |      |
| 42   | 4711800     | 8   | Flatwasher 1/2in Thin (Front Entry Platform)  |      |
| 43   | 3311805     | 4   | Locknut 1/2in-13NC (Front Entry Platform)   |      |
| 44   | 0681610     | 4   | Bolt 3/8in-16NC x 1-1/4in (Grade 8) (Front Entry Platform)  |      |
| 45   | 4711600     | 4   | Flatwasher 3/8in Thin (Front Entry Platform)  |      |
| 46   | 0961947     | 6   | Bushing   |      |
| 47   | 0961948     | 2   | Bushing   |      |
| 48   | 0961949     | 4   | Bushing   |      |
| 49   | 0961951     | 2   | Bushing   |      |
| 50   | 0641810     | 6   | Bolt 1/2in-13NC x 1in (Front Entry Platform)  |      |
| 51   | 2080044     | 4   | Rivnut  |      |
| 52   | 0641611     | 1   | Bolt 3/8in-16NC x 1-3/8in   |      |
| 55   | 3900239     | 4   | Setscrew  |      |
| 56   | 3841340     | 1   | Loop, Hose  |      |
| 57   | 0641606     | 2   | Bolt 3/8in-16NC x 3/4in   |      |
| 58   | 0962335     | 4   | Bushing   |      |
|      | 0255423     | Ref | <b>POWER TRACK INSTALLATION</b>   | 12-K |
| 108  | 0641403     | 4   | Bolt 1/4in-20NC x 3/8in   |      |
| 116  | 3539779     | 1   | Plate, Cover  |      |
| 117  | 1320243     | 1   | Clamp, Block  |      |
| 118  | 0641532     | 2   | Bolt 5/16in-18NC x 4in  |      |
| 119  | 4751600     | 2   | Flatwasher 3/8in Regular ( <b>SN 0300069000 through 0300084623</b> )  |      |
| 120  | 4751400     | 4   | Flatwasher 1/4in Regular  |      |
| 121  | 3570374     | 1   | Plate   |      |
| 123  | 3311505     | 2   | Nut 5/16in-18NC   |      |
| 125  | 4751500     | 2   | Flatwasher 5/16 Regular ( <b>SN 0300084624 through 0300087000</b> )   |      |
|      | 0270821     | Ref | <b>CABLE INSTALLATION</b>   | 7-F  |
| 216  | 1670769     | 1   | Cover   |      |



# PARTS FINDER

**Search Website  
by Part Number**



**Search Manual  
Library For Parts  
Manual & Lookup Part  
Numbers – Purchase  
or Request Quote**

**Can't Find Part or  
Manual? Request Help  
by Manufacturer,  
Model & Description**

Discount-Equipment.com is your online resource for quality parts & equipment.

Florida: **561-964-4949** Outside Florida TOLL FREE: **877-690-3101**

## Need parts?

Click on this link: <http://www.discount-equipment.com/category/5443-parts/> and choose one of the options to help get the right parts and equipment you are looking for. Please have the machine model and serial number available in order to help us get you the correct parts. If you don't find the part on the website or on one of the online manuals, please fill out the request form and one of our experienced staff members will get back to you with a quote for the right part that your machine needs.

We sell worldwide for the brands: Genie, Terex, JLG, MultiQuip, Mikasa, Essick, Whiteman, Mayco, Toro Stone, Diamond Products, Generac Magnum, Airman, Haulotte, Barreto, Power Blanket, Nifty Lift, Atlas Copco, Chicago Pneumatic, Allmand, Miller Curber, Skyjack, Lull, Skytrak, Tsurumi, Husquvarna Target, Stow, Wacker, Sakai, Mi-T-M, Sullair, Basic, Dynapac, MBW, Weber, Bartell, Bennar Newman, Haulotte, Ditch Runner, Menegotti, Morrison, Contec, Buddy, Crown, Edco, Wyco, Bomag, Laymor, EZ Trench, Bil-Jax, F.S. Curtis, Gehl Pavers, Heli, Honda, ICS/PowerGrit, IHI, Partner, Imer, Clipper, MMD, Koshin, Rice, CH&E, General Equipment, Amida, Coleman, NAC, Gradall, Square Shooter, Kent, Stanley, Tamco, Toku, Hatz, Kohler, Robin, Wisconsin, Northrock, Oztec, Toker TK, Rol-Air, APT, Wylie, Ingersoll Rand / Doosan, Innovatech, Con X, Ammann, Mecalac, Makinex, Smith Surface Prep, Small Line, Wanco, Yanmar

## SECTION 3 - BOOM

| ITEM | PART NUMBER | QTY | DESCRIPTION   | REV |
|------|-------------|-----|---|-----|
| 217  | 0561237     | 2   | Clamp, Block  | C   |
| 218  | 0641416     | 4   | Bolt 1/4in-20NC x 2in                                       |     |
|      | 0272070     | Ref | <b>PLATFORM SUPPORT INSTALLATIONS (SIDE ENTRY PLATFORM)</b> |     |
| 301  | 0100011     | AR  | Compound, Locking   |     |
| 302  | 0641812     | 8   | Bolt 1/2in-13NC x 1-1/2in                                   |     |
| 303  | 0642684     | 1   | Bolt 1in-8NC x 10-1/2in                                     |     |
| 304  | 0681608     | 8   | Bolt 3/8in-16NC x 1in                                       |     |
| 305  | 3272605     | 1   | Locknut 1in-8NC   |     |
| 306  | 3311805     | 8   | Locknut 1/2in-13NC  |     |
| 307  | 4846573     | 1   | Support Weldment  |     |
| 308  | 4891600     | 8   | Flatwasher 3/8in Hardened                                   |     |
| 309  | 4891800     | 8   | Flatwasher 1/2in Hardened                                   |     |
| 310  | 4892600     | 1   | Flatwasher 1in Hardened                                     |     |



# SECTION 3 - BOOM

## FIGURE 3-3. TOWER BOOM ASSEMBLIES

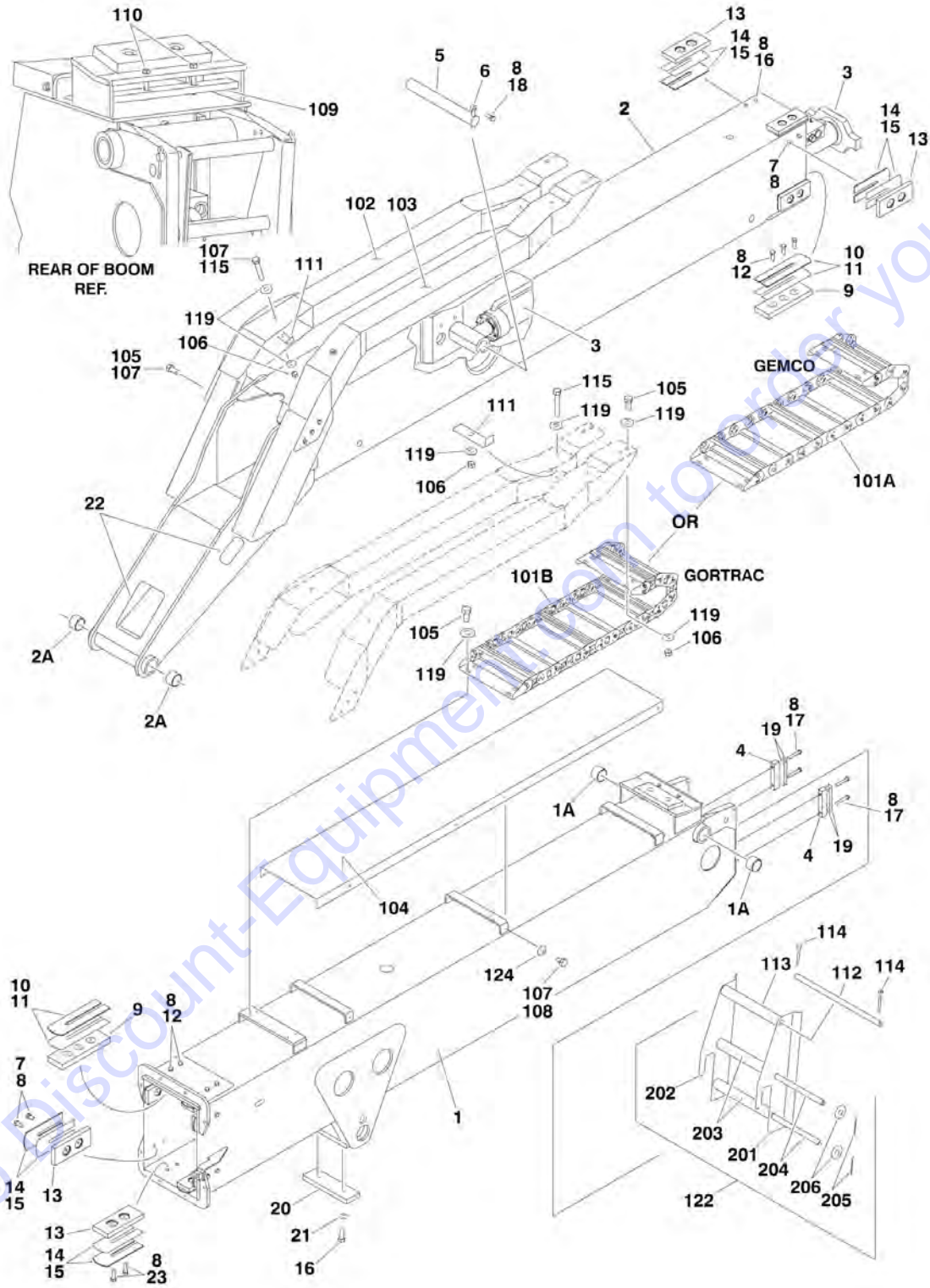


FIGURE 3-3. TOWER BOOM ASSEMBLIES

| ITEM | PART NUMBER | QTY      | DESCRIPTION  | REV  |
|------|-------------|----------|--|------|
|      | 0801019     | Ref      | <b>TOWER BOOM ASSEMBLY</b>   | 8-I  |
| 1    | 0801085     | 1        | Base Weldment  |      |
| 1A   | 0961949     | 2        | Bushing  |      |
| 2    | 0801021     | 1        | Fly Weldment   |      |
| 2A   | 0961949     | 2        | Bushing  |      |
| 3    | 1683312     | NLA      | Cylinder Assembly - Tower Telescope (Use p/n 1001228006) (See CYLINDER SECTION for Breakdown) (Original Equipment)         |      |
| 3    | 1001228006  | 1        | Cylinder Assembly - Tower Telescope (See CYLINDER SECTION for Breakdown) (Service Replacement)                             |      |
| 4    | 0561185     | 2        | Block, Attach  |      |
| 5    | 3422575     | 1        | Pin  |      |
| 6    | 3841203     | 1        | Keeper, Pin  |      |
| 7    | 0641606     | 26       | Bolt 3/8in-16NC x 3/4in  |      |
| 8    | 0100011     | AR       | Compound, Locking  |      |
| 9    | 3340871     | 4        | Pad, Wear  |      |
| 10   | 4070863     | AR       | Shim .12   |      |
| 11   | 4070864     | AR       | Shim .05   |      |
| 12   | 0641612     | 12       | Bolt 3/8in-16NC x 1-1/2in  |      |
| 13   | 3340881     | 12       | Pad, Wear  |      |
| 14   | 4070897     | AR       | Shim .05   |      |
| 15   | 4070898     | AR       | Shim .12   |      |
| 16   | 0641608     | 6        | Bolt 3/8in-16NC x 1in  |      |
| 17   | 0641618     | 4        | Bolt 3/8in-16NC x 2-1/4in  |      |
| 18   | 0641809     | 1        | Bolt 3/8in-16NC x 1-1/8in  |      |
| 19   | 4070929     | AR       | Shim   |      |
| 20   | 0561248     | 1        | Block, Boom Rest   |      |
| 21   | 4711600     | 2        | Flatwasher 3/8in Thin  |      |
| 22   | 4060808     | 54       | Flex-Trim  |      |
|      |             | in/137cm |  |      |
| 23   | 0641610     | 4        | Bolt 3/8in-16NC x 1-1/4in  |      |
|      | 0255423     | Ref      | <b>POWER TRACK INSTALLATION</b>  | 12-K |
| 101  |             | Ref      | Power Track Assembly Options:  |      |
|      |             | Ref      | <b>Note: Various Power Tracks use on this model. Identify brand before ordering parts.</b>                                 |      |
| 101A | 1180339     | NLA      | Gemco Brand Power Track (Use p/n 1001199835)   |      |
| 101A |             | Ref      | Replacement Parts:   |      |
| 101A | 7016502     | AR       | Repair Section (Includes 10 Link Pin, 4 Radius Links, 4 Carrier Links, 1 Carrier Weldment, 10 Slugs and 20 Bearing Plates) |      |
| 101A | 7016510     | 2 Pair   | Feet, Mounting   |      |
| 101A | 7006152     | AR       | Pin Kit (Includes 1 pin, 1 Retaining Ring and 4 Washers)   |      |
| 101B | 1001099835  | 1        | Gortrac Brand Power Track  |      |
| 101B |             | Ref      | Replacement Parts:   |      |
| 101B | 70002001    | AR       | Repair Section   |      |
| 101B | 70002002    | 1        | Mounting Bracket Kit   |      |
| 102  | 4844984     | NLA      | Tube Weldment (Right Side) (Use p/n 1001151542)  |      |
| 103  | 4844983     | NLA      | Tube Weldment (Left Side) (Use p/n 1001151586)   |      |
| 104  | 3539228     | 1        | Plate, Cover   |      |
| 105  | 0641606     | 14       | Bolt 3/8in-16NC x 3/4in  |      |
| 106  | 3311605     | 6        | Locknut 3/8in-16NC   |      |
| 107  | 0100011     | AR       | Compound, Locking  |      |

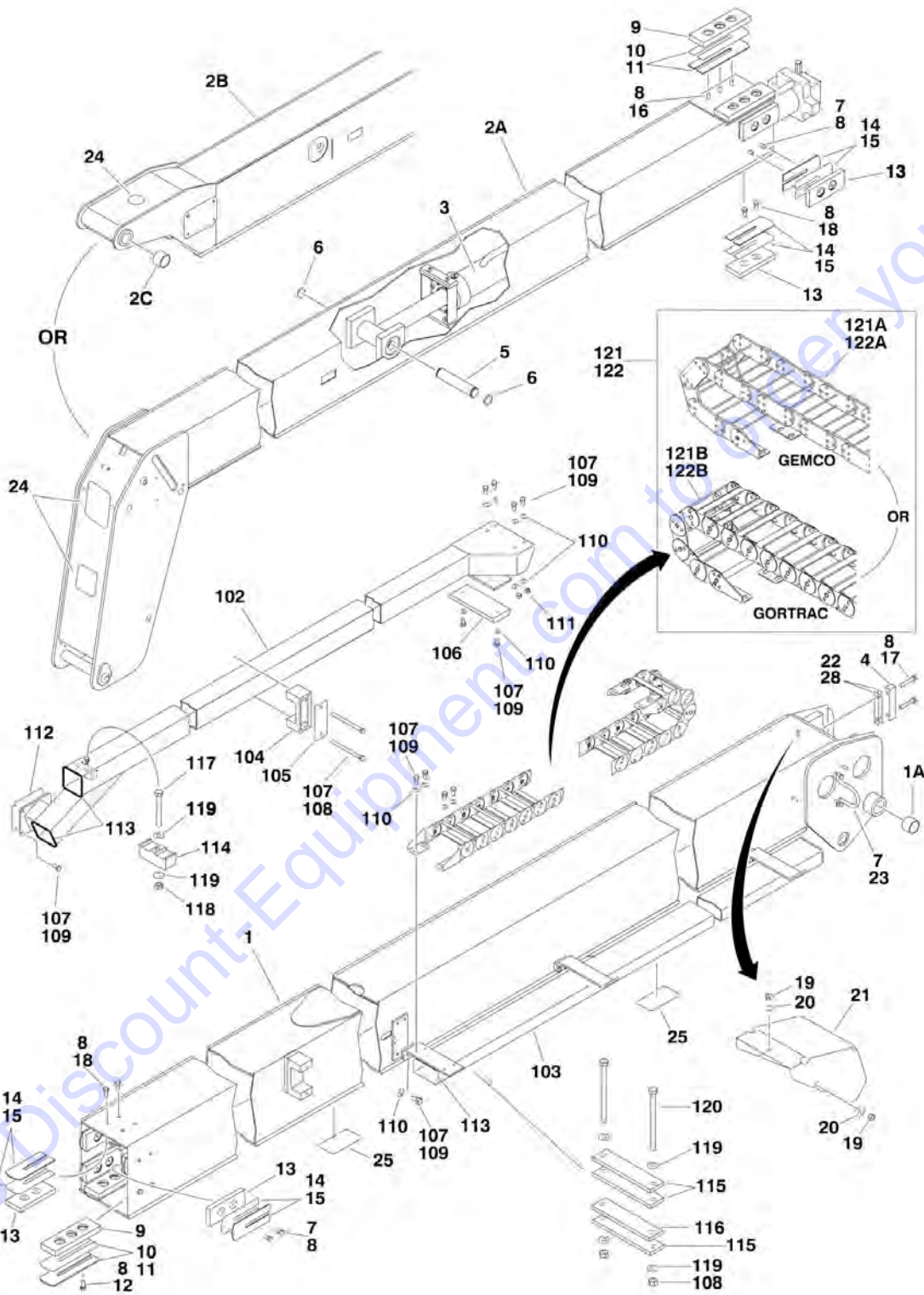
## SECTION 3 - BOOM

| ITEM | PART NUMBER | QTY | DESCRIPTION   | REV |
|------|-------------|-----|---|-----|
| 108  | 0641403     | 10  | Bolt 1/4in-20NC x 3/8in                                     |     |
| 109  | 3539236     | 1   | Plate, Hose Clamp   |     |
| 110  | 0641516     | 2   | Bolt 5/16in-18NC x 2in                                      |     |
| 111  | 3570375     | 2   | Plate   |     |
| 112  | 3841295     | 1   | Rod   |     |
| 113  | 4567241     | 1   | Tube  |     |
| 114  | 3450606     | 2   | Pin, Cotter   |     |
| 115  | 0641628     | 2   | Bolt 3/8in-16NC x 3-1/2in                                   |     |
| 119  | 4751600     | 14  | Flatwasher 3/8in Regular (SN 0300084624 through 0300087000) |     |
| 122  | 0257573     | 1   | Roller Hanger Assembly (Includes Items 201-205)             |     |
| 124  | 4711400     | 6   | Flatwasher 1/4in Regular (SN 0300082634 through 0300087000) |     |
|      | 0257573     | Ref | <b>ROLLER HANGER ASSEMBLY</b>                               | 1-A |
| 201  | 3570277     | 1   | Plate (Left Side)   |     |
| 202  | 3570270     | 1   | Plate (Right Side)  |     |
| 203  | 4567241     | 2   | Roller, Tube  |     |
| 204  | 3841347     | 2   | Rod   |     |
| 205  | 3450306     | 4   | Pin, Cotter   |     |
| 206  | 4751800     | 4   | Flatwasher 1/2in Regular                                    |     |



SECTION 3 - BOOM

FIGURE 3-4. MAIN BOOM ASSEMBLIES





## SECTION 3 - BOOM

### FIGURE 3-4. MAIN BOOM ASSEMBLIES

| ITEM | PART NUMBER  | QTY      | DESCRIPTION   | REV  |
|------|--------------|----------|---|------|
|      | 0801022      | Ref      | <b>BOOM ASSEMBLY - 600A</b>   | 13-G |
|      | 0801025      | Ref      | <b>BOOM ASSEMBLY - 600AJ</b>  | 8-E  |
| 1    |              | Ref      | Base Weldment Options:  |      |
| 1    | 0801023      | 1        | Base Weldment 600A  |      |
| 1    | 0801026      | 1        | Base Weldment 600AJ   |      |
| 1A   | 0961948      | 2        | Bushing (Note: Must be Purchased Separately)                                |      |
| 2    |              | Ref      | Fly Weldment Options:   |      |
| 2A   | 0801228      | 1        | Fly Weldment 600A   |      |
| 2B   | 0801027      | 1        | Fly Weldment 600AJ  |      |
| 2C   |              | Ref      | Bushing Options (Note: Must be Purchased Separately):                       |      |
| 2C   | Not Required | 0        | Bushing 600A  |      |
| 2C   | 0961951      | 2        | Bushing 600AJ   |      |
| 3    |              | Ref      | Telescope Cylinder Assembly Options: (See CYLINDER SECTION for Breakdown)   |      |
| 3    | 1683307      | NLA      | Telescope Cylinder Assembly 600A (Use p/n 1001228005) (Original Equipment)  |      |
| 3    | 1001228005   | 1        | Telescope Cylinder Assembly 600A (Service Replacement)                      |      |
| 3    | 1683317      | NLA      | Telescope Cylinder Assembly 600AJ (Use p/n 1001228007) (Original Equipment) |      |
| 3    | 1001228007   | 1        | Telescope Cylinder Assembly 600AJ (Service Replacement)                     |      |
| 4    | 0561185      | 2        | Block   |      |
| 5    | 3422457      | 1        | Pin   |      |
| 6    | 3760133      | 2        | Ring, Retaining   |      |
| 7    | 0641606      | 18       | Bolt 3/8in-16NC 3/4in   |      |
| 8    | 0100011      | AR       | Compound, Locking   |      |
| 9    | 3340871      | 4        | Pad, Wear   |      |
| 10   | 4070863      | AR       | Shim .12  |      |
| 11   | 4070864      | AR       | Shim .05  |      |
| 12   | 0641610      | 6        | Bolt 3/8in-16NC x 1-1/4in   |      |
| 13   | 3340881      | 12       | Pad, Wear   |      |
| 14   | 4070897      | AR       | Shim .05  |      |
| 15   | 4070898      | AR       | Shim .12  |      |
| 16   | 0641608      | 6        | Bolt 3/8in-16NC x 1in   |      |
| 17   | 0641618      | 4        | Bolt 3/8in-16NC x 2-1/4in   |      |
| 18   | 0641607      | 8        | Bolt 3/8in-16NC x 7/8in   |      |
| 19   | 3311401      | 3        | Nut 1/4in-20NC  |      |
| 20   | 4751400      | 3        | Flatwasher 1/4in Regular  |      |
| 21   | 1670768      | 1        | Cover, Boom   |      |
| 22   | 4070929      | AR       | Shim  |      |
| 23   | 3841340      | 1        | Clamp, Hose   |      |
| 24   | 4060805      | AR       | Flex-Trim   |      |
| 25   | 1670836      | 6        | Cover, Boom   |      |
| 26   |              | Ref      | Tape, Two Sided Foam Options:   |      |
| 26   | 4420060      | 10 ft/3m | Tape, Two Sided Foam 600A   |      |
| 26   | Not Required | 0        | Tape, Two Sided Foam 600AJ  |      |
| 27   |              | Ref      | Bar, Fiberglass Options:  |      |
| 27   | 0362529      | 1        | Bar, Fiberglass 600A  |      |
| 27   | Not Required | 0        | Bar, Fiberglass 600AJ   |      |
| 28   | 4071007      | AR       | Shim  |      |
|      | 0255281      | Ref      | <b>POWER TRACK INSTALLATION - 600A</b>                                      | 7-F  |

## SECTION 3 - BOOM

| ITEM | PART NUMBER  | QTY    | DESCRIPTION   | REV |
|------|--------------|--------|---|-----|
|      | 0255288      | Ref    | <b>POWER TRACK INSTALLATION - 600AJ</b>   | 6-E |
| 102  |              | Ref    | Tube Weldment Options:  |     |
| 102  | 4844969      | 1      | Tube Weldment 600A  |     |
| 102  | 4844978      | 1      | Tube Weldment 600AJ   |     |
| 103  |              | Ref    | Support, Power Track Options:   |     |
| 103  | 4844972      | 1      | Support, Power Track 600A   |     |
| 103  | 4844979      | 1      | Support, Power Track 600AJ  |     |
| 104  | 3340764      | 2      | Pad, Wear   |     |
| 105  | 3538758      | 1      | Plate, Cover Support  |     |
| 106  | Not Required | 0      | Pad Options:  |     |
| 106  | 3340787      | 1      | Pad 600A  |     |
| 106  | 3340765      | 1      | Pad 600AJ   |     |
| 107  | 0100011      | AR     | Compound, Locking   |     |
| 108  | 0641640      | 2      | Bolt 3/8in-16NC x 5in   |     |
| 109  | 0641606      | 22     | Bolt 3/8in-16NC x 3/4in   |     |
| 110  | 4711600      | 18     | Flatwasher 3/8in Thin   |     |
| 111  | 3311605      | 4      | Locknut 3/8in-16NC  |     |
| 112  | 4070932      | AR     | Shim  |     |
| 113  | 4060804      | AR     | Flex-Trim   |     |
| 114  | 1320314      | 1      | Clamp, Hose/Cable (SN 0300070977 through 0300087000)  |     |
| 115  |              | Ref    | Plate Options: (SN 0300070977 through 0300087000)   |     |
| 115  | 3574171      | 3      | 600A  |     |
| 115  | 3574185      | 3      | 600AJ   |     |
| 116  |              | Ref    | Shim Options: (SN 0300070977 through 0300087000)  |     |
| 116  | 4071061      | 3      | 600A  |     |
| 116  | 4071062      | 3      | 600AJ   |     |
| 117  | 0641522      | 1      | Bolt 5/16in-18NC x 2-3/4in (SN 0300070977 through 0300087000)   |     |
| 118  | 3311505      | 3      | Locknut 5/16in-18NC (SN 0300070977 through 0300087000)  |     |
| 119  | 4711500      | 6      | Flatwasher 5/16in Thin  |     |
| 120  | 0641536      | 2      | Bolt 5/16in-18NC x 4-1/2in (SN 0300070977 through 0300087000)   |     |
| 121  |              | Ref    | 600A Power Track Assembly Options:  |     |
|      |              | Ref    | <b>Note: Various Power Tracks use on this model. Identify brand before ordering parts.</b>  |     |
| 121A | 1180336      | NLA    | Gemco Brand Power Track (Use p/n 1001107153) (600A)   |     |
| 121A | 7006140      | AR     | Repair Section (Includes 10 Link Pin, 4 Radius Links, 8 Carrier Links, 4 Rod Carrier, 8 Screws, 10 Slugs and 20 Bearing Plates) (600A)  |     |
| 121A | 7006151      | 2 Pair | Feet, Mounting (600A)   |     |
| 121A | 7006161      | AR     | Rod (600A)  |     |
| 121A | 7006152      | AR     | Pin Kit (Includes 1 pin, 1 Retaining Ring and 4 Washers) (600A)   |     |
| 121B | 1001107153   | 1      | Gortrac Brand Power Track (600A)  |     |
| 121B | 70002011     | AR     | Repair Section (600A)   |     |
| 121B | 70002012     | 1      | Mounting Bracket Kit (600A)   |     |
| 122  |              | Ref    | 600AJ Power Track Assembly Options:   |     |
|      |              | Ref    | <b>Note: Various Power Tracks use on this model. Identify brand before ordering parts.</b>  |     |
| 122  | 1180338      | NLA    | Gemco Brand Power Track (Use p/n 1001199836) (600AJ)  |     |
| 122A | 7016519      | AR     | Repair Section (Includes 10 Link Pin, 4 Radius Links, 8 Carrier Links, 4 Rod Carrier, 8 Screws, 10 Slugs and 20 Bearing Plates) (600AJ) |     |

## SECTION 3 - BOOM

| ITEM | PART NUMBER | QTY    | DESCRIPTION   | REV |
|------|-------------|--------|---|-----|
| 122A | 7006151     | 2 Pair | Feet, Mounting (600AJ)  |     |
| 122A | 7016521     | AR     | Rod (600AJ)   |     |
| 122A | 7006158     | AR     | Screw (600AJ)   |     |
| 122A | 7006152     | AR     | Pin Kit (Includes 1 pin, 1 Retaining Ring and 4 Washers)<br>(600AJ) |     |
| 122B | 1001099836  |        | Gortrac Brand Power Track (600AJ)                                   |     |
| 122B | 70001999    | AR     | Repair Section (600AJ)  |     |
| 122B | 70002000    | 1      | Mounting Bracket Kit (600AJ)  |     |

Go to Discount-Equipment.com to order your parts

# SECTION 3 - BOOM

## FIGURE 3-5. ROTATOR ASSEMBLIES (FRONT ENTRY PLATFORM)

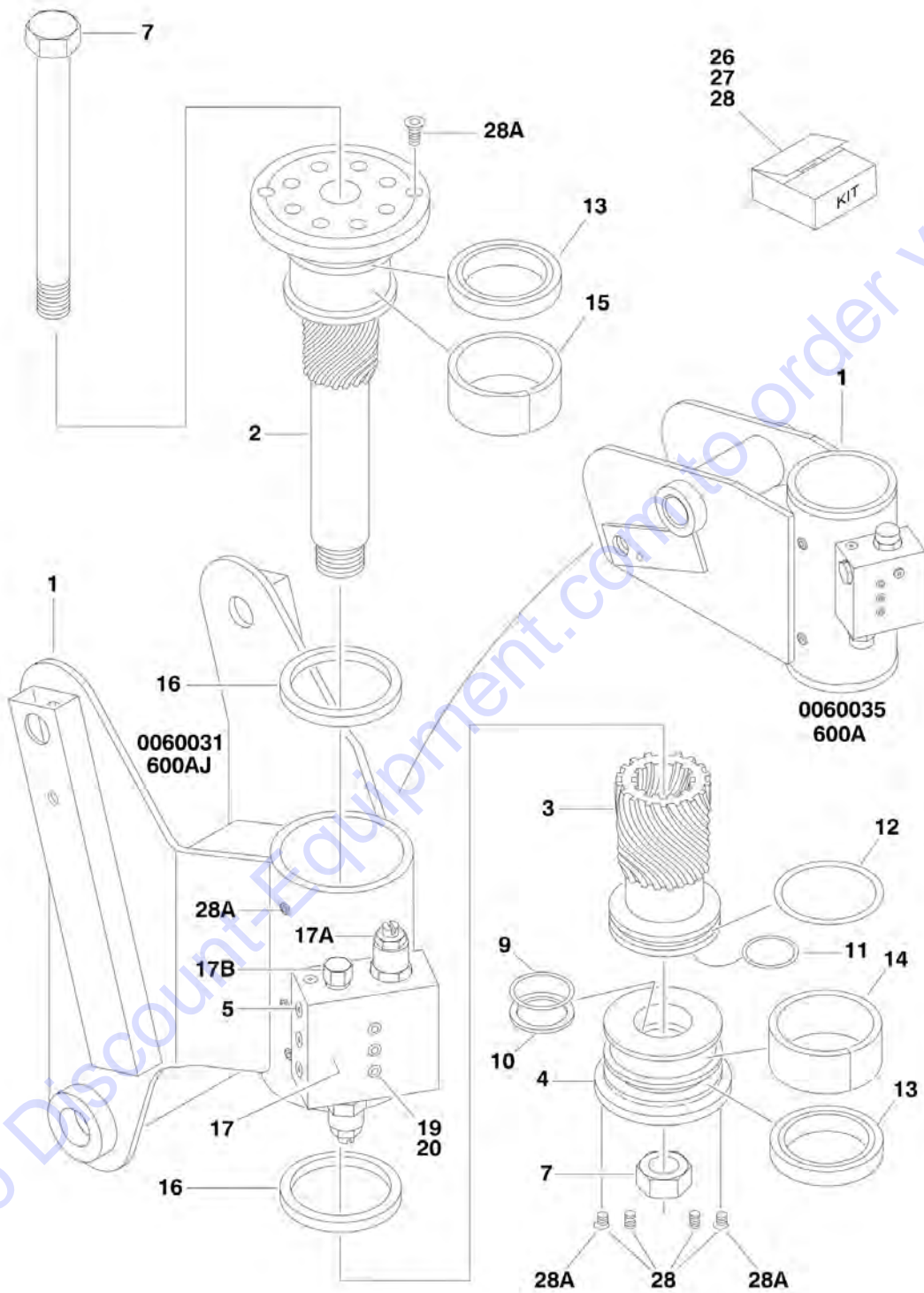


FIGURE 3-5. ROTATOR ASSEMBLIES (FRONT ENTRY PLATFORM)

| ITEM | PART NUMBER | QTY | DESCRIPTION   | REV |
|------|-------------|-----|---|-----|
|      |             | Ref | <b>ROTATOR ASSEMBLIES</b>   |     |
|      | 0060035     | Ref | <b>Rotator Assemblies 600A (Original Equipment)</b>   | G   |
|      | 0060076     | Ref | <b>Rotator Assemblies 600A (Service Replacement)</b>  | B   |
|      | 0060031     | Ref | <b>Rotator Assemblies 600AJ (Original Equipment)</b>  | H   |
|      | 0060074     | Ref | <b>Rotator Assemblies 600AJ (Service Replacement)</b>   | B   |
|      |             | Ref | <b>Note: Before ordering parts, identify whether original equipment rotator has been replaced with service replacement. Service replacement rotator uses spacer plate bolted on the top with 8 capscrews (Not shown - located at item 2). Original equipment rotator does not use spacer plate.</b> |     |
| 1    | See Note    | 1   | Housing/Ring Gear Assembly (Note: Not Available - Purchase Complete Assembly)   |     |
| 2    |             | Ref | Shaft Options:  |     |
| 2    | 7017177     | 1   | 0060035 Rotators  |     |
| 2    | 7017117     | 1   | 0060031 Rotators  |     |
| 2    | 7017162     | 1   | 0060076 & 0060074 Rotators  |     |
| 2    | See Note    | 1   | Plate, Spacer (Not Shown) (0060076 & 0060074 Rotators Only) (Note: Not Available for Purchase)  |     |
| 3    |             | Ref | Piston/Sleeve Options:  |     |
| 3    | 7017115     | 1   | 0060035 & 0060031 Rotators  |     |
| 3    | 7017163     | 1   | 0060076 & 0060074 Rotators  |     |
| 4    |             | Ref | Cap, End Options:   |     |
| 4    | 7017174     | 1   | 0060035 Rotators  |     |
| 4    | 7017116     | 1   | 0060031 Rotators  |     |
| 4    | 7017164     | 1   | 0060076 & 0060074 Rotators  |     |
| 5    | See Note    | 6   | Plug, Port (Note: Not Available for Purchase)   |     |
| 6    | 7017142     | 2   | Plug  |     |
| 7    | 7017119     | 1   | Bolt 1in-8NC x 11in   |     |
| 7    | 3272605     | AR  | Locknut 1in-8NC   |     |
| 9    | See Note    | 1   | Seal, Cap (Note: Use Item 26)   |     |
| 10   | See Note    | 1   | Ring, Back-up (Cap) (Note: Use Item 26)   |     |
| 11   | See Note    | 1   | Seal, Rod (Note: Use Item 26)   |     |
| 12   | See Note    | 1   | Seal, Piston (Note: Use Item 26)  |     |
| 13   | See Note    | 2   | Packing, Bearing (Note: Use Item 26)  |     |
| 14   | See Note    | 1   | Bearing, Cap (Note: Use Item 27)  |     |
| 15   | See Note    | 1   | Bearing, Shaft (Note: Use Item 27)  |     |
| 16   | See Note    | 2   | Thrustwasher (Note: Use Item 27)  |     |
| 17   |             | Ref | Valve Assembly Options:   |     |
| 17   | 7017101     | Ref | 0060035 & 0060031 Rotators  |     |
| 17   | 7017183     | 1   | 0060076 & 0060074 Rotators  |     |
| 17A  |             | Ref | Cartridge, Valve Options:   |     |
| 17A  | 7011331     | 2   | Cartridge for Helac p/n 24736   |     |
| 17A  | 7017193     | 2   | Cartridge for Helac p/n 27600   |     |
| 17A  | 2900770     | 2   | Seal Kit - 7011331 Valve  |     |
| 17A  | See Note    | 2   | Seal Kit - 7017193 Valve (Note: Not Available for Purchase)   |     |
| 17B  |             | Ref | Cartridge, Valve Options:   |     |
| 17B  | 7011332     | AR  | Cartridge for Helac p/n 24736   |     |
| 17B  | See Note    | 1   | Cartridge for Helac p/n 27600 (Not Shown - Located on Side of Valve Block) (Note: Not Available for Purchase)   |     |
| 17B  | 7011346     | 2   | Seal Kit - 7011332 Valve  |     |

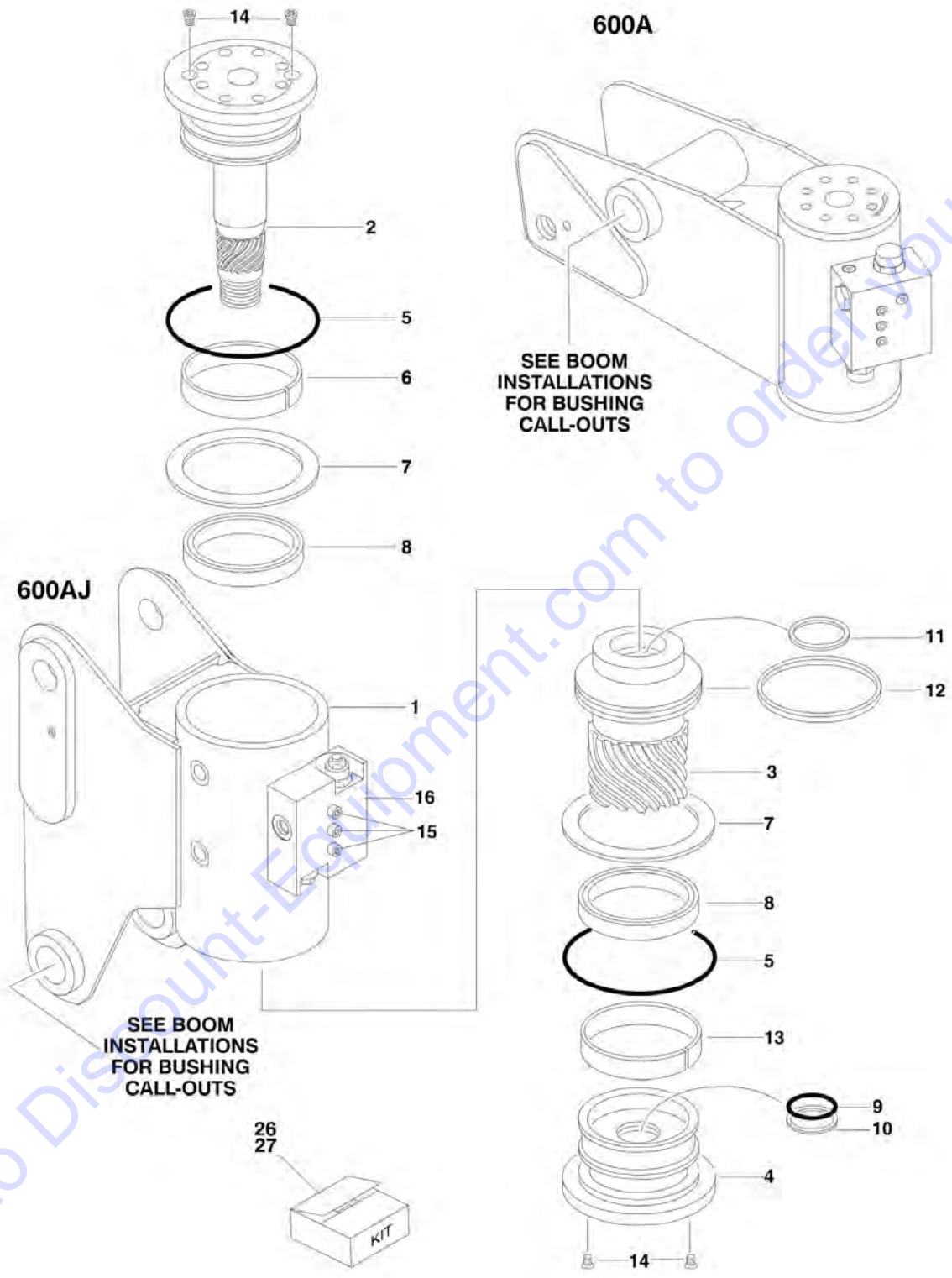
## SECTION 3 - BOOM

| ITEM | PART NUMBER | QTY | DESCRIPTION   | REV |
|------|-------------|-----|---|-----|
| 17B  | See Note    | 1   | Seal Kit - Valve Located on Side of Block (Note: Not Available for Purchase)                |     |
| 18   | 7017118     | 2   | Setscrew (0060035 & 0060031 Rotators Only)  |     |
| 19   | See Note    | 3   | Bolt 1/4 x 1-1/2 (Grade 8) (Note: Not Available for Purchase)                               |     |
| 20   | 3790110     | 3   | O-Ring (Not Shown - Located between Valve and Actuator Housing)                             |     |
| 26   |             | Ref | Seal Kit Options (Includes Items 9-13):   |     |
| 26   | 7017157     | 1   | 0060035 & 0060031 Rotators  |     |
| 26   | 7017158     | 1   | 0060076 & 0060074 Rotators (Includes Hardware Kit)  |     |
| 27   |             | Ref | Bearing Kit Options (Includes Items 14-16):   |     |
| 27   | 7017106     | 1   | 0060035 Rotators (600A Actual Production)   |     |
| 27   | 7017156     | 1   | 0060031 Rotators (600AJ Actual Production)  |     |
| 27   | 7017159     | 1   | 0060076 & 0060074 Rotators (Recommended Replacement)  |     |
| 28   | 7017142     | 1   | Hardware Kit for 0060035 & 0060031 Rotators (Includes End Cap Dowel Pins and Items 6 & 28A) |     |
| 28   | See Note    | 1   | Hardware Kit for 0060075 & 0060076 Rotators (Note: Use p/n 7017158)                         |     |
| 28A  | 70001697    | 6   | Screw, Countersunk 1/4in-20NC x 3/8in Grade 8   |     |



# SECTION 3 - BOOM

## FIGURE 3-6. ROTATOR ASSEMBLIES (SIDE ENTRY PLATFORM)





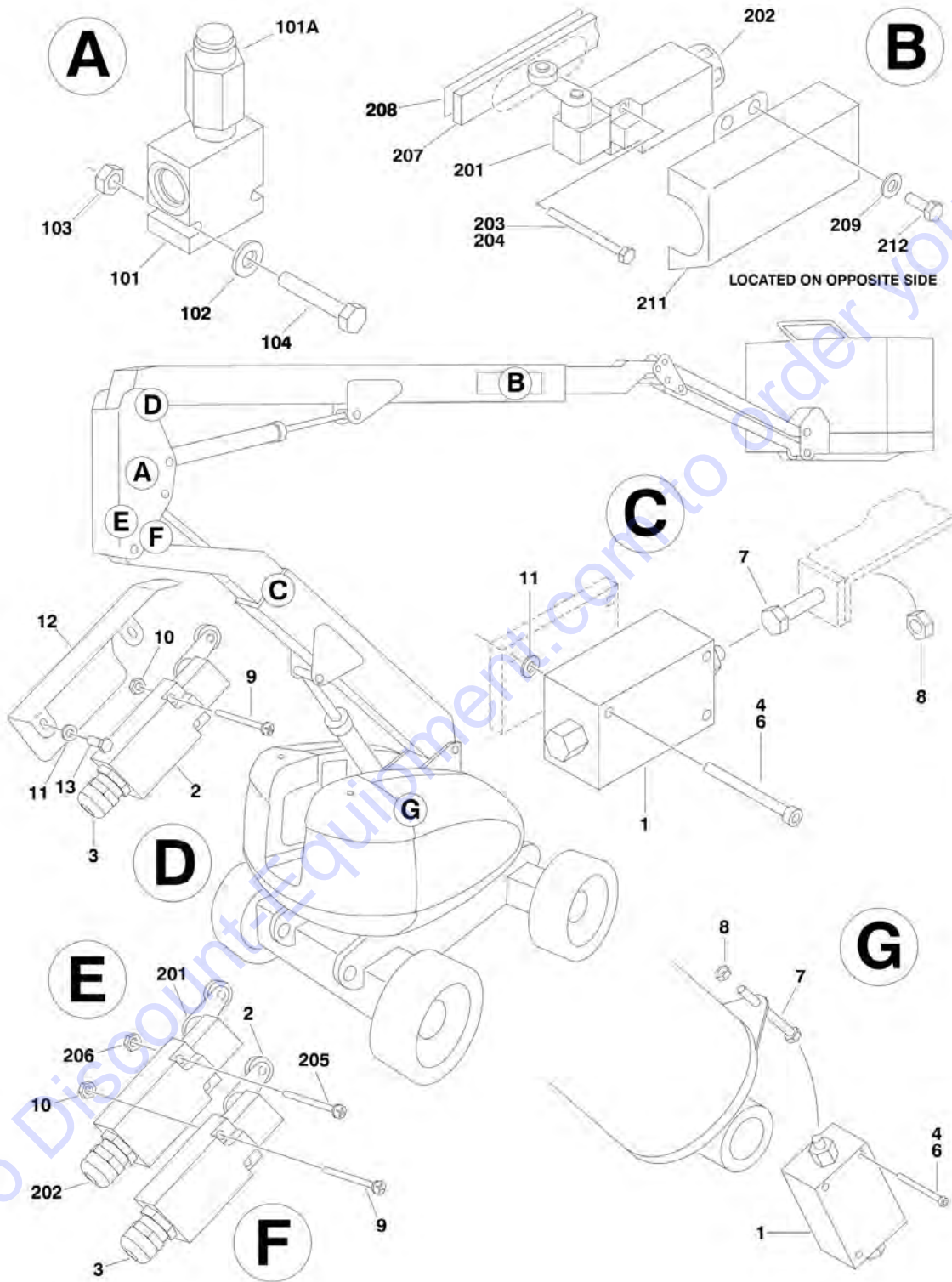
## SECTION 3 - BOOM

**FIGURE 3-6. ROTATOR ASSEMBLIES (SIDE ENTRY PLATFORM)**

| ITEM | PART NUMBER | QTY | DESCRIPTION  | REV |
|------|-------------|-----|--|-----|
|      |             | Ref | <b>ROTATOR ASSEMBLIES</b>  |     |
|      | 0060068     | Ref | <b>Rotator Assemblies 600A</b>   | A   |
|      | 0060066     | Ref | <b>Rotator Assemblies 600AJ</b>  | C   |
| 1    | See Note    | 1   | Housing/Ring Gear Assembly (Note: Not Available - Purchase Complete Assembly)                              |     |
| 2    | 7017162     | 1   | Shaft  |     |
| 3    | 7017163     | 1   | Piston/Sleeve Assembly   |     |
| 4    | 7017164     | 1   | Cap, End   |     |
| 5    | See Note    | NSS | O-Ring (Note: Use Item 26)   |     |
| 6    | See Note    | NSS | Bearing, Shaft (Note: Use Item 27)   |     |
| 7    | See Note    | NSS | Thrustwasher (Note: Use Item 27)   |     |
| 8    | See Note    | NSS | Packing, Bearing (Note: Use Item 26)   |     |
| 9    | See Note    | NSS | Seal, Cap (Note: Use Item 26)  |     |
| 10   | See Note    | NSS | Ring, Back-up Cap (Note: Use Item 26)  |     |
| 11   | See Note    | NSS | Seal, Rod (Note: Use Item 26)  |     |
| 12   | See Note    | NSS | Seal, Piston (Note: Use Item 26)   |     |
| 13   | See Note    | NSS | Bearing, Cap (Note: Use Item 27)   |     |
| 14   | 70001697    | 6   | Capscrew 1/4in-20NC x 3/8in (Grade 8)  |     |
| 15   | See Note    | 3   | Bolt 1/4 x 1-1/2 (Grade 8) (Note: Not Available for Purchase)  |     |
| 16   | 7017183     | 1   | Valve Assembly   |     |
| 16   | 7017193     | 2   | Cartridge, Valve   |     |
| 16   | See Note    | 2   | Seal Kit - 7017193 Valve (Note: Not Available - Purchase Complete Assembly)                                |     |
| 16   | See Note    | 1   | Cartridge, Valve (Not Shown - Located on Side of Block) (Note: Not Available - Purchase Complete Assembly) |     |
| 16   | See Note    | 1   | Seal Kit - Valve Located on Side of Block (Note: Not Available - Purchase Complete Assembly)               |     |
| 26   | 7017158     | 1   | Seal Kit (Includes Items 5, 8-12 & Hardware Kit)   |     |
| 27   | 7017159     | 1   | Bearing Kit (Includes Items 6, 7 & 13)   |     |

# SECTION 3 - BOOM

## FIGURE 3-7. VALVES AND SWITCHES INSTALLATION (BOOM MOUNTED)



**SECTION 3 - BOOM**

**FIGURE 3-7. VALVES AND SWITCHES INSTALLATION (BOOM MOUNTED)**

| ITEM | PART NUMBER | QTY | DESCRIPTION  | REV |
|------|-------------|-----|--|-----|
|      | 0255438     | Ref | <b>BOOM VALVES AND LIMIT SWITCHES INSTALLATION(STANDARD)</b>                                   | 9/I |
| 1    | 4641139     | 2   | Valve, Manual 2-Way  |     |
| 2    |             | Ref | Switch, Limit Options: (Note: p/n 4360578 does not include #3 Connector - Purchase Separately) |     |
| 2    | 4360322     | NLA | Switch, Limit (was p/n 4360578)  |     |
| 2    | 4360549     | NLA | Switch, Limit (was p/n 4360578)  |     |
| 2    | 4360578     | 2   | Switch, Limit <b>(SN 0300080875 through 0300087000)</b>  |     |
| 3    |             | Ref | Connector, Strain Relief Options:  |     |
| 3    | 4460428     | 2   | Use with p/n 4360322 Switch  |     |
| 3    | 4460968     | 2   | Use with p/n 4360549 & 4360578 Switches  |     |
| 4    | 3931430     | 6   | Bolt, Socket Head 1/4in-20NC x 1-7/8in   |     |
| 6    | 0100011     | AR  | Compound, Locking  |     |
| 7    | 0630427     | 2   | Bolt, Special  |     |
| 8    | 3311801     | 3   | Nut 1/2in-13NC   |     |
| 9    | 3930824     | 4   | Bolt, Socket Head #8-32NC x 1-1/2in  |     |
| 10   | 3310801     | 4   | Nut #8-32NC  |     |
| 11   | 4751400     | 8   | Flatwasher 1/4in Regular   |     |
| 12   | 1670819     | 1   | Cover, Switch  |     |
| 13   | 3931408     | 2   | Bolt, Socket 1/4in-20NC x 1/2in  |     |
|      |             | Ref | <b>VALVES INSTALLATION</b>   |     |
|      | 0255440     | Ref | <b>Valves Installation 600A 2WS (SN 0300069000 through 0300081835)</b>                         | 13  |
|      | 0274276     | Ref | <b>Valves Installation 600A 2WS (SN 0300081836 through 0300084828)</b>                         | 1   |
|      | 0274309     | Ref | <b>Valves Installation 600A 2WS (SN 0300084829 through 0300087000)</b>                         | 1   |
|      | 0255442     | Ref | <b>Valves Installation 600A 4WS (SN 0300069000 through 0300081835)</b>                         | 12  |
|      | 0274278     | Ref | <b>Valves Installation 600A 4WS (SN 0300081836 through 0300084828)</b>                         | 1   |
|      | 0274311     | Ref | <b>Valves Installation 600A 4WS (SN 0300084829 through 0300087000)</b>                         | 1   |
|      | 0255441     | Ref | <b>Valves Installation 600AJ 2WS (SN 0300069000 through 0300081835)</b>                        | 15  |
|      | 0274277     | Ref | <b>Valves Installation 600AJ 2WS (SN 0300081836 through 0300084828)</b>                        | 1   |
|      | 0274310     | Ref | <b>Valves Installation 600AJ 2WS (SN 0300084829 through 0300087000)</b>                        | 1   |
|      | 0255443     | Ref | <b>Valves Installation 600AJ 4WS (SN 0300069000 through 0300081835)</b>                        | 12  |
|      | 0274279     | Ref | <b>Valves Installation 600AJ 4WS (SN 0300081836 through 0300084828)</b>                        | 1   |
|      | 0274312     | Ref | <b>Valves Installation 600AJ 4WS (SN 0300084829 through 0300087000)</b>                        | 1   |
| 101  | 4640929     | 1   | Valve Assembly (Relief)  |     |
| 101A | 7012970     | 1   | Cartridge  |     |
| 101A | 7012953     | 1   | Seal Kit - 7012970 Cartridge   |     |
| 102  | 4711400     | 2   | Flatwasher 1/4in Thin  |     |
| 103  | 3311405     | 2   | Locknut 1/4in-20NC   |     |
| 104  | 0641424     | 2   | Bolt 1/4in-20NC x 3in  |     |
|      | 0255699     | Ref | <b>LIMIT SWITCHES INSTALLATION - 600A DUAL CAPACITY</b>  | 5/C |
| 201  |             | Ref | Switch, Limit Options: (Note: p/n 4360578 does not include #3                                  |     |

## SECTION 3 - BOOM

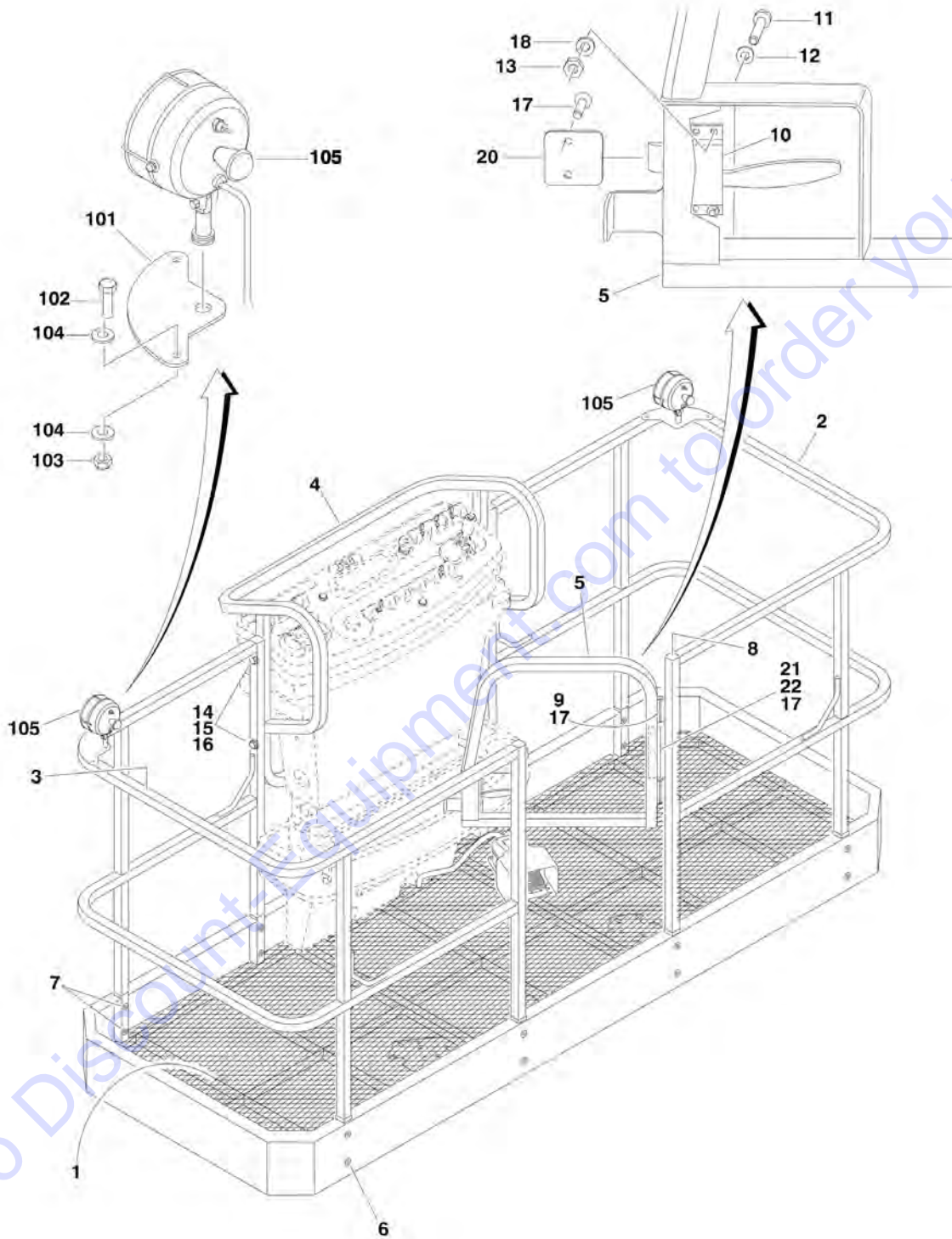
| ITEM | PART NUMBER | QTY       | DESCRIPTION   | REV |
|------|-------------|-----------|---|-----|
| 201  | 4360322     | NLA       | Connector - Purchase Separately)                        |     |
| 201  | 4360549     | NLA       | Switch, Limit (Use p/n 4360578)                         |     |
| 201  | 4360578     | 2         | Switch, Limit <b>(SN 0300080875 through 0300087000)</b> |     |
| 202  |             | Ref       | Connector, Strain Relief Options:                       |     |
| 202  | 4460428     | 2         | Use with p/n 4360322 Switch                             |     |
| 202  | 4460968     | 2         | Use with p/n 4360549 & 4360578 Switches                 |     |
| 203  | 0100035     | AR        | Compound, Locking                                       |     |
| 204  | 3930816     | 2         | Bolt, Socket Head #8-32NC x 1in                         |     |
| 205  | 3930824     | 2         | Bolt, Socket Head #8-32NC x 1-1/2in                     |     |
| 206  | 3310805     | 2         | Locknut #8-32NC   |     |
| 207  | 0362529     | 1         | Bar, Fiberglass   |     |
| 208  | 4420060     | 9.8 ft/3m | Tape, Foam  |     |
| 209  | 4751400     | 4         | Flatwasher 1/4in Regular                                |     |
| 211  | 1670824     | 1         | Cover, Switch   |     |
| 212  | 0641403     | 4         | Bolt 1/4in-20NC x 3/8in                                 |     |

**SECTION 4 - PLATFORM**

Go to Discount-Equipment.com to order your parts

# SECTION 4 - PLATFORM

## FIGURE 4-1. PLATFORM ASSEMBLIES (FRONT ENTRY PLATFORM)



## SECTION 4 - PLATFORM

### FIGURE 4-1. PLATFORM ASSEMBLIES (FRONT ENTRY PLATFORM)

| ITEM | PART NUMBER | QTY | DESCRIPTION  | REV |
|------|-------------|-----|--|-----|
|      |             | Ref | <b>PLATFORM OPTIONS:</b>   |     |
|      | 3510760     | Ref | <b>4ft (1.22m) with Self-Closing Gate</b>  | 3   |
|      | 3510728     | Ref | <b>5ft (1.52m) with Self-Closing Gate</b>  | 3   |
|      | 3510497     | Ref | <b>6ft (1.83m) Standard</b>  | 8   |
|      | 3510542     | Ref | <b>6ft (1.83m) with Self-Closing Gate</b>  | 3   |
|      | 3510545     | Ref | <b>6ft (1.83m) with Mesh to Top Rail</b>   | -   |
|      | 3510565     | Ref | <b>6ft (1.83m) with Mesh to Top Rail and Self-Closing Gate</b>   | 3   |
|      | 3510488     | Ref | <b>8ft (2.44m) Standard</b>  | 8   |
|      | 3510543     | Ref | <b>8ft (2.44m) Self-Closing Gate</b>   | 3   |
|      | 3510546     | Ref | <b>8ft (2.44m) with Mesh to Top Rail</b>   | -   |
|      | 3510566     | Ref | <b>8ft (2.44m) with Mesh to Top Rail and Self-Closing Gate</b>   | 4   |
| 1    |             | Ref | Floor Weldment Options:  |     |
| 1    | 4846253     | 1   | 4ft (1.22m) Platforms  |     |
| 1    | 4846101     | 1   | 5ft (1.52m) Platforms  |     |
| 1    | 4844954     | 1   | 6ft (1.83m) Platforms  |     |
| 1    | 4844928     | 1   | 8ft (2.44m) Platforms  |     |
| 2    |             | Ref | Rail Weldment - Right Side Options:  |     |
| 2    | 4846254     | 1   | 4ft (1.22m) Standard Platforms   |     |
| 2    | 4846102     | 1   | 5ft (1.52m) Standard Platforms   |     |
| 2    | 4844955     | 1   | 6ft (1.83m) Standard Platforms   |     |
| 2    | 4845408     | 1   | 6ft (1.83m) Mesh to Top Rail Platforms   |     |
| 2    | 4844924     | 1   | 8ft (2.44m) Standard Platforms   |     |
| 2    | 4845412     | 1   | 8ft (2.44m) Mesh to Top Rail Platforms   |     |
| 3    |             | Ref | Rail Weldment - Left Side Options:   |     |
| 3    | 4846255     | 1   | 4ft (1.22m) Standard Platforms   |     |
| 3    | 4846103     | 1   | 5ft (1.52m) Standard Platforms   |     |
| 3    | 4844956     | 1   | 6ft (1.83m) Standard Platforms   |     |
| 3    | 4845409     | 1   | 6ft (1.83m) Mesh to Top Rail Platforms   |     |
| 3    | 4844925     | 1   | 8ft (2.44m) Standard Platforms   |     |
| 3    | 4845413     | 1   | 8ft (2.44m) Mesh to Top Rail Platforms   |     |
| 4    | 4845328     | 1   | Rail Weldment - Back   |     |
| 5    |             | Ref | Gate Weldment Options:   |     |
| 5    |             | Ref | With Self-Closing Gate   |     |
| 5    | 4845426     | 1   | 4ft (1.22m) & 5ft (1.52m) Platforms  |     |
| 5    | 4844926     | 1   | 6ft (1.83m) & 8ft (2.44m) Platforms  |     |
| 5    |             | Ref | Standard Gate  |     |
| 5    | 4845327     | 1   | 6ft (1.83m) & 8ft (2.44m) Platforms  |     |
| 5    |             | Ref | With Self-Closing Gate and Mesh to Top Rail  |     |
| 5    | 4845469     | 1   | 6ft (1.83m) & 8ft (2.44m) Platforms  |     |
| 5    |             | Ref | Mesh to Top Rail   |     |
| 5    | 4845410     | 1   | 6ft (1.83m) & 8ft (2.44m) Platforms  |     |
| 6    | 3900207     | AR  | Fastener   |     |
|      |             | Ref | <b>Note: p/n 3900207 Fastener may be replaced with p/n 0641416 bolt, p/n 4751400 flatwasher, p/n 3311405 locknut and p/n 3300151 acorn type nut. Acorn type nut required to meet industry safety requirements.</b> |     |
| 7    | 3300393     | AR  | Collar   |     |
| 8    | 3520072     | 4   | Plug, Cap  |     |
| 9    | 2600287     | 2   | Hinge  |     |
| 10   | 2940074     | 1   | Latch  |     |

## SECTION 4 - PLATFORM

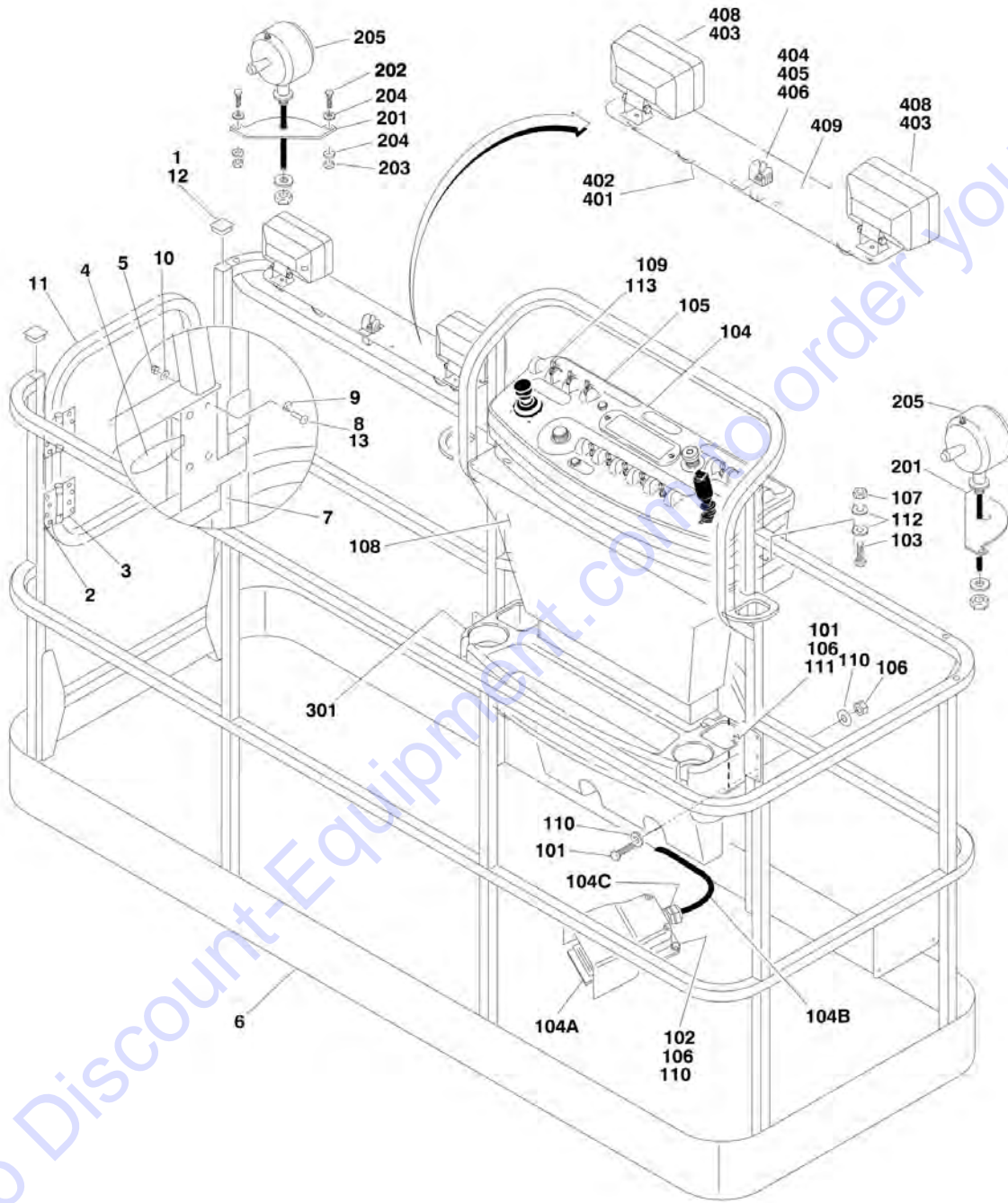
| ITEM | PART NUMBER  | QTY            | DESCRIPTION  | REV |
|------|--------------|----------------|--|-----|
| 11   | 3911008      | 4              | Screw #10-24NC x 1/2in   |     |
| 12   | 4751000      | 4              | Flatwasher #10 Regular   |     |
| 13   | 3311005      | 4              | Nut #10-24NC   |     |
| 14   | 0641524      | 4              | Bolt 5/16in-18NC x 3in   |     |
| 15   | 3311505      | 4              | Locknut 5/16in-18NC  |     |
| 16   | 4751500      | 4              | Flatwasher 5/16in Regular  |     |
| 17   | 2080040      | 13             | Fastener   |     |
| 17   | 7016652      | 1              | Fastener Tool (Small Fasteners Only)                               |     |
| 18   | Not Required | 0              | Lockwasher 3/8in   |     |
| 20   | 3539685      | 1              | Plate, Latch   |     |
| 21   |              | Ref            | Stop, Gate Options:  |     |
| 21   | 4220165      | 1              | Standard Gate  |     |
| 21   | 4220165      | 1              | Self-Closing Gate  |     |
| 22   | 4060803      | 0.6<br>ft/0.2m | Trim   |     |
|      |              | Ref            | <b>WORKLIGHTS INSTALLATIONS (OPTIONAL)</b>                         |     |
|      | 0270814      | Ref            | <b>Worklights Installations (SN 0300069000 through 0300074444)</b> | 3-E |
|      | 0273492      | Ref            | <b>Worklights Installations (SN 0300074445 through 0300087000)</b> | C   |
| 101  | 3536089      | 2              | Plate, Mounting  |     |
| 102  | 0641414      | 4              | Bolt 1/4in-20NC x 1-3/4in  |     |
| 103  | 3311405      | 4              | Locknut 1/4in-20NC   |     |
| 104  | 4711400      | 8              | Flatwasher 1/4in Thin  |     |
| 105  | 2920140      | 2              | Worklight  |     |
| 105  | 7016399      | 2              | Bulb, Replacement (1 Per Worklight)                                |     |
| 106  | 4240099      | 10             | Tie-Strap  |     |
| 107  | 2820035      | 9 ft/2.8m      | Loom, Vinyl (Not Shown)  |     |
| 108  | 4460042      | 2              | End, Terminal (Not Shown)  |     |
| 109  |              | Ref            | Connector, Strain Relief Options (Not Shown):                      |     |
| 109  | 4460598      | 1              | Connector, Strain Relief <b>(SN 0300069000 through 0300074444)</b> |     |
| 109  | 4460426      | 1              | Connector, Strain Relief <b>(SN 0300074445 through 0300087000)</b> |     |





# SECTION 4 - PLATFORM

## FIGURE 4-2. PLATFORM ASSEMBLIES - SIDE ENTRY



## SECTION 4 - PLATFORM

**FIGURE 4-2. PLATFORM ASSEMBLIES - SIDE ENTRY**

| ITEM | PART NUMBER | QTY | DESCRIPTION  | REV |
|------|-------------|-----|--|-----|
|      |             | Ref | <b>PLATFORM ASSEMBLIES:</b>  |     |
|      | 3510830     | NLA | 2.6ft x 4ft (0.70m x 1.22m) with No Mesh (Use p/n 1001144027)  | B-E |
|      | 3510831     | NLA | 2.6ft x 5ft (0.70m x 1.52m) with No Mesh (Use p/n 1001144026)  | B-E |
|      | 3510832     | Ref | 2.6ft x 6ft (0.70m x 1.83m) with No Mesh) (SN 0300069000 through 0300077489)   | E   |
|      | 3510833     | NLA | 3ft x 6ft (0.9m x 1.83m) with No Mesh (Use p/n 1001144024)   | B-E |
|      | 3510822     | NLA | 3ft x 8ft (0.9m x 2.44m) with No Mesh (was p/n 1001144023)   | B-E |
|      |             | Ref | <b>Note: Original Equipment platform may have been replaced with Service Replacement platform. Identify platform before ordering parts.</b>  |     |
|      |             | Ref | <b>Note: Platform and Mesh must be ordered separately for Platforms with Mesh. See SPECIAL OPTIONS SECTION for Mesh Installations.</b>   |     |
|      |             | Ref | <b>Note: When replacing 8ft/2.44m platform with Soft Touch option, new Soft Touch Rail p/n 4846673 must be purchased to accommodate limit switch locations.</b>  |     |
|      |             | Ref | <b>Note: When replacing platform on machines with SkyCutter option, new bracket p/n 1001145405 must be purchased to accommodate SkyCutter components.</b>  |     |
| 1    | 0100040     | AR  | Sealant, Adhesive (SN 0300069000 through 0300073445)   |     |
| 2    | 2080040     | 16  | Fastener, Huck   |     |
| 3    | 2600281     | 2   | Hinge, Self-Closing  |     |
| 4    | 2940074     | 1   | Latch  |     |
| 5    | 3311001     | 4   | Nut #10-24NC (SN 0300069000 through 0300077335)  |     |
| 6    | See Note    | 1   | Platform Weldment (Note: Purchase Platform Assembly)   |     |
| 7    | 3520072     | AR  | Cap-Plug   |     |
| 8    |             | Ref | Hardware Options:  |     |
| 8    | 3911008     | 4   | Screw #10-24NC x 1in (SN 0300069000 through 0300077334)  |     |
| 8    | 3820020     | 4   | Pop Rivet (SN 0300077335 through 0300087000)   |     |
| 9    | 4751000     | 4   | Flatwasher #10 Regular   |     |
| 10   | 4761000     | 4   | Lockwasher #10 (SN 0300069000 through 0300077335)  |     |
| 11   |             | Ref | Gate Weldment Options:   |     |
| 11   | 4846452     | 1   | Gate for Original Equipment Platform p/n 3510822, 3510830, 3510831, 3510833  |     |
| 11   | 1001144629  | 1   | Gate for Service Replacement Platform p/ns 1001144023, 1001144024, 1001144026, 1001144027  |     |
| 12   | 3520198     | 2   | Square-Plug (SN 0300073445 through 0300087000)   |     |
| 13   | 0100011     | AR  | Compound, Locking (SN 0300069000 through 0300077335)   |     |
|      |             | Ref | <b>CONSOLE BOX INSTALLATIONS</b>   |     |
|      | 0271945     | Ref | <b>Console Box Installations 2WD</b>   | A   |
|      | 0271941     | Ref | <b>Console Box Installations 4WD</b>   | A   |
| 101  | 0641406     | 4   | Bolt 1/4in-20NC x 3/4in  |     |
| 102  | 0641408     | 3   | Bolt 1/4in-20NC x 1in  |     |
| 103  | 0641610     | 4   | Bolt 3/8in-16NC x 1-1/4in  |     |
| 104  | 0861517     | 1   | Platform Console Box Assembly (See PLATFORM CONSOLE ASSEMBLY for Breakdown)  |     |
| 104A | 0272970     | 1   | Footswitch Assembly (Includes Footswitch and Items 104B & 104C)  | B   |
|      |             | Ref | <b>Note: Assembly p/n 0272970 may use either p/n 4360031 or p/n 1001117320. If Original Equipment was replaced as an "assembly," p/n 1001117320 may have been used as part of the Service Replacement. Identify component before ordering parts.</b> |     |

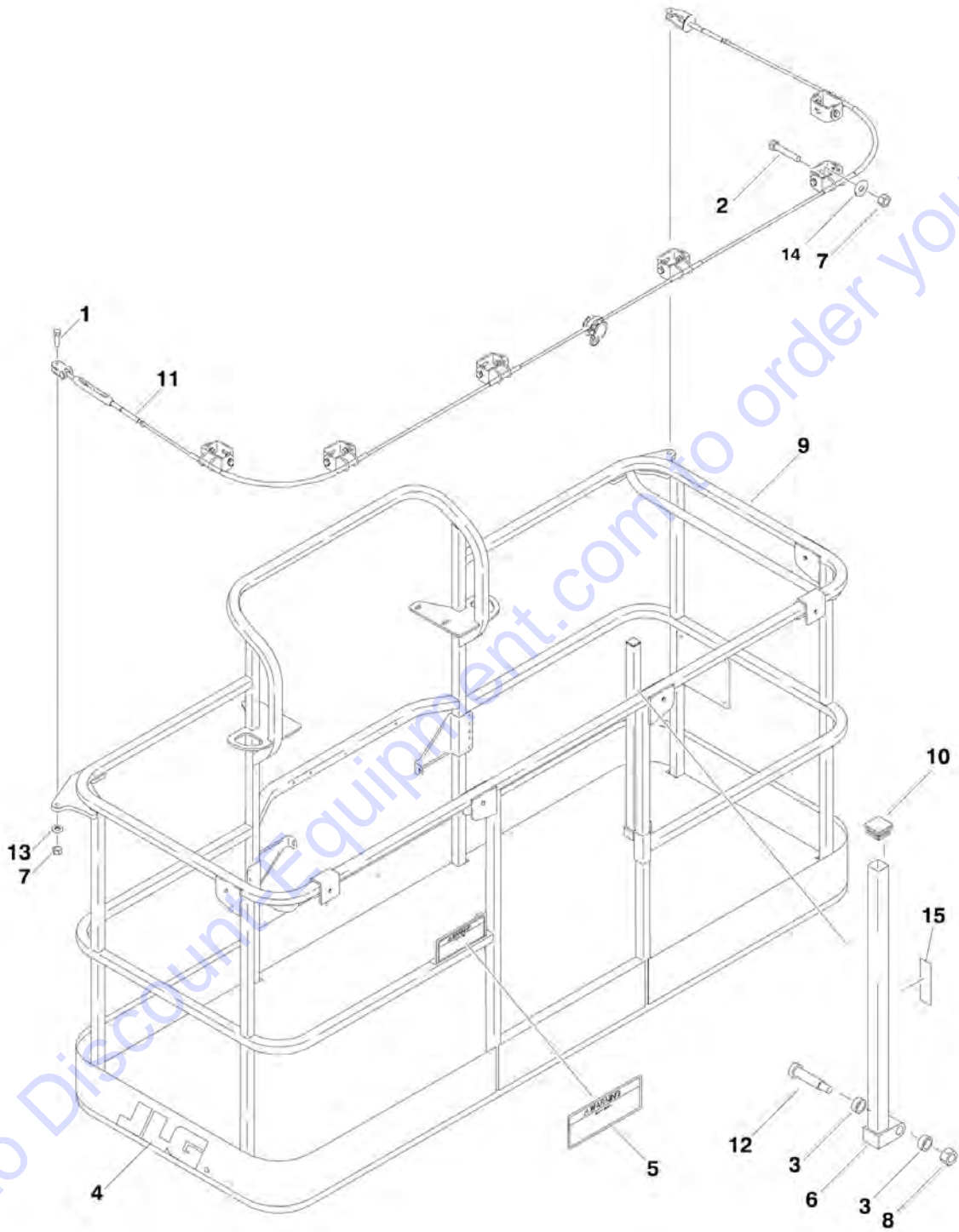
## SECTION 4 - PLATFORM

| ITEM | PART NUMBER | QTY        | DESCRIPTION  | REV |
|------|-------------|------------|--|-----|
| 104A |             | Ref        | Footswitch Less Cable Options:   |     |
| 104A | 4360031     | 1          | Original Equipment   |     |
| 104A | 1001117320  | 1          | Service Replacement  |     |
| 104A |             | Ref        | Block, Contact Options (See Note Above):                               |     |
| 104A | 7000625     | 2          | Contact Block for 4360031 Footswitch                                   |     |
| 104A | 70003483    | 1          | Contact Block for 1001117320 Footswitch                                |     |
| 104B | 1060918     | 7 ft/2.14m | Cable, Electrical - 18/3   |     |
| 104C | 4460071     | 1          | Connector, Strain Relief   |     |
| 105  |             | Ref        | Decal - Horn Options:  |     |
| 105  | 1702563     | 1          | Decal - Horn 2WD   |     |
| 105  | 1702676     | 1          | Decal - Horn 4WD   |     |
| 106  | 3311405     | 7          | Locknut 1/4in-20NC   |     |
| 107  | 3311605     | 4          | Locknut 3/8in-16NC   |     |
| 108  | 3380434     | 1          | Panel, Decal Mount   |     |
| 109  | 4360331     | 1          | Switch (4WD)   |     |
| 110  | 4740362     | 7          | Flatwasher 1/4in Fender  |     |
| 111  | 4751400     | 4          | Flatwasher 1/4in Regular   |     |
| 112  | 4751600     | 8          | Flatwasher 3/8in Regular   |     |
| 113  | 3790012     | 1          | O-Ring   |     |
|      |             | Ref        | <b>WORKLIGHTS INSTALLATIONS (optional)</b>                             |     |
|      | 0270814     | Ref        | <b>Worklights Installations (SN 0300069000 through 0300074444)</b>     | 3-E |
|      | 0273492     | Ref        | <b>Worklights Installations (SN 0300074445 through 0300087000)</b>     | B   |
| 201  | 3536089     | 2          | Plate, Mounting  |     |
| 202  | 0641414     | 4          | Bolt 1/4in-20NC x 1-3/4in  |     |
| 203  | 3311405     | 4          | Locknut 1/4in-20NC   |     |
| 204  | 4711400     | 8          | Flatwasher 1/4in Thin  |     |
| 205  | 2920140     | 2          | Worklight  |     |
| 205  | 7016399     | 2          | Bulb, Replacement (1 Per Worklight)                                    |     |
| 206  | 4240099     | 10         | Tie-Strap (Not Shown)  |     |
| 207  | 2820035     | 9          | Loom, Vinyl (Not Shown)  |     |
| 209  |             | Ref        | Connector, Strain Relief Options (Not Shown - Located at Console Box): |     |
| 209  | 4460598     | 1          | Connector, Strain Relief <b>(SN 0300069000 through 0300074444)</b>     |     |
| 209  | 4460426     | 1          | Connector, Strain Relief <b>(SN 0300074445 through 0300087000)</b>     |     |
|      |             | Ref        | <b>TRAY INSTALLATIONS (OPTIONAL)</b>                                   |     |
| 301  | 1580012     | 1          | Tray, Storage (Center)   |     |
| 302  | 1580013     | 1          | Tray, Storage (Rail Mounted - Not Shown)                               |     |
|      | 0274180     | Ref        | <b>FLOODLIGHT INSTALLATION</b>   | A   |
| 401  | 0641518     | 2          | Bolt 5/16in-18NC x 2-1/4in   |     |
| 402  | 2560173     | 2          | Handle   |     |
| 403  | 2920157     | 2          | Lamp, Work Light   |     |
| 404  | 3250585     | 1          | Nameplate - Light On   |     |
| 405  | 4060802     | 1          | Guard, Switch  |     |
| 406  | 4360336     | 1          | Switch, Toggle   |     |
| 407  | 4420037     | 1          | Tape, Insulation (Not Shown)   |     |
| 408  | 4751800     | 2          | Flatwasher 1/2in Regular   |     |
| 409  | 4846561     | 1          | Mount, Light   |     |
| 410  | 4922892     | 1          | Harness 12/3 (Lower Boom) (Not Shown)                                  |     |
| 411  | 4922894     | 1          | Harness 12/3 (Upper Boom) (Not Shown)                                  |     |



# SECTION 4 - PLATFORM

FIGURE 4-3. PLATFORM COMPONENTS INSTALLATION (FALL ARREST PLATFORM)



Go to DiscountEquipment.com to order your parts

## SECTION 4 - PLATFORM

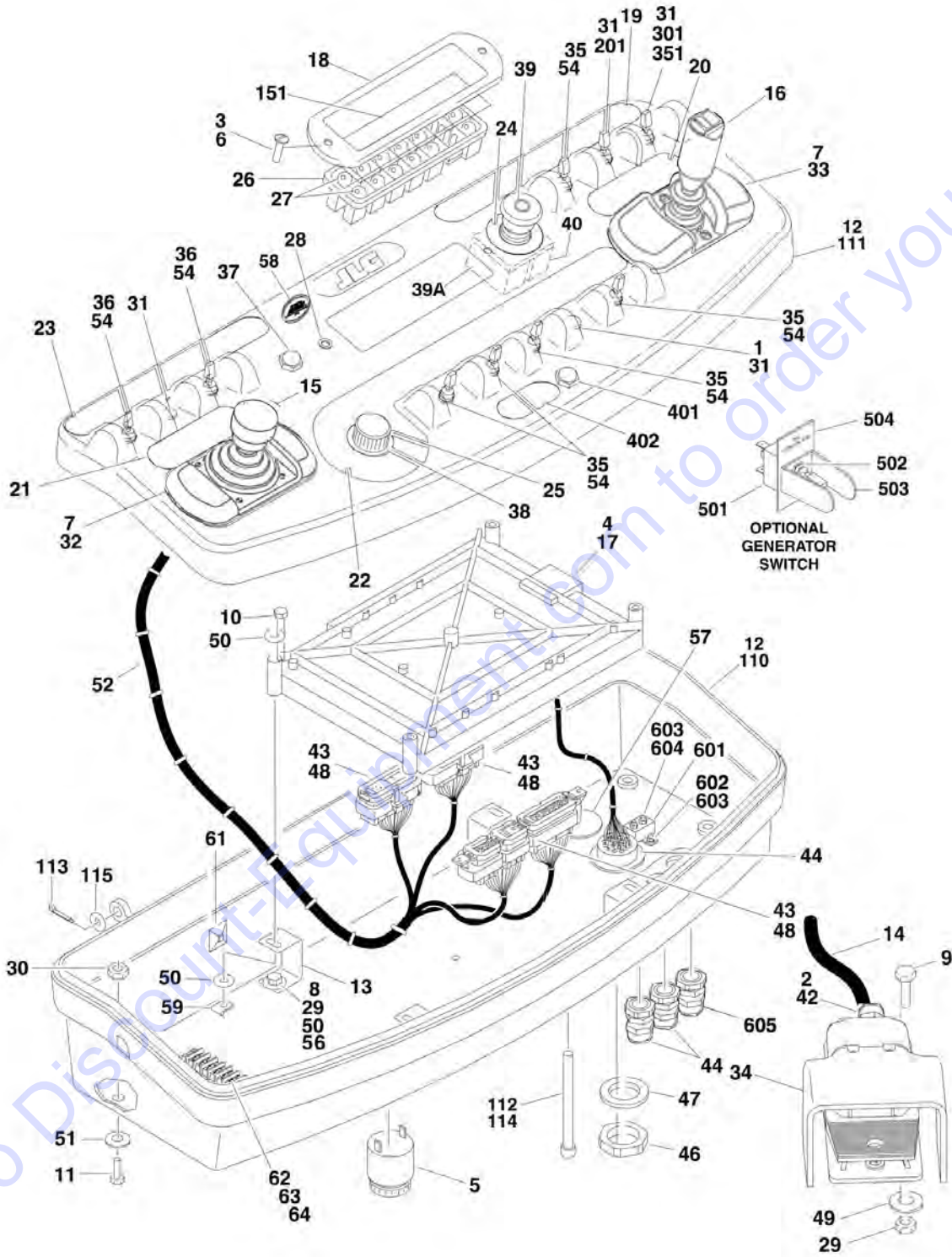
**FIGURE 4-3. PLATFORM COMPONENTS INSTALLATION (FALL ARREST PLATFORM)**

| ITEM | PART NUMBER | QTY | DESCRIPTION  | REV |
|------|-------------|-----|--|-----|
|      | 3510868     | Ref | <b>PLATFORM ASSEMBLY (FALL ARREST)</b>               | B   |
| 1    | 0681814     | 2   | Bolt 1/2in-13NC x 1-3/4in (Grade 8)                  |     |
| 2    | 0681822     | 6   | Bolt 1/2in-13NC x 2-3/4in (Grade 8)                  |     |
| 3    | 0962270     | 2   | Bearing, Oilite                                      |     |
| 4    | 1702773     | 1   | Decal - JLG  |     |
| 5    | 1705014     | 1   | Decal - Safety                                       |     |
| 6    | 2410014     | 1   | Gate Weldment  |     |
| 7    | 3271805     | 8   | Locknut 1/2in-13NC (Grade 8)                         |     |
| 8    | 3311605     | 1   | Locknut 3/8in-16NC                                   |     |
| 9    | See Note    | 1   | Platform Weldment (Note: Purchase Platform Assembly) |     |
| 10   | 3520072     | 1   | Cap-Plug   |     |
| 11   | 3890040     | 1   | Cable, Fall Arrest                                   |     |
| 12   | 3900054     | 1   | Bolt 1/2in-13NC x 1-3/4in                            |     |
| 13   | 4711800     | 2   | Flatwasher 1/2in Thin                                |     |
| 14   | 4751800     | 6   | Flatwasher 1/2in Regular                             |     |
| 15   | 1706385     | 1   | Decal - Drop Bar (SN 0300085921 through 0300087000)  |     |

Go to Discount-Equipment.com to order your parts

# SECTION 4 - PLATFORM

## FIGURE 4-4. PLATFORM CONSOLE ASSEMBLY





## SECTION 4 - PLATFORM

**FIGURE 4-4. PLATFORM CONSOLE ASSEMBLY**

| ITEM | PART NUMBER | QTY       | DESCRIPTION  | REV |
|------|-------------|-----------|--|-----|
|      | 0861517     | Ref       | <b>CONSOLE BOX AND FOOTSWITCH ASSEMBLIES</b>   | G   |
| 1    | 0100009     | AR        | Sealant  |     |
| 2    | 0100020     | AR        | Sealant  |     |
| 3    | 0100035     | AR        | Compound, Locking  |     |
| 4    | 0100048     | AR        | Grease, Dielectric   |     |
| 5    | 0140011     | 1         | Alarm  |     |
| 6    | 0630464     | 2         | Screw, Button Head #10-24NC x 1/2in  |     |
| 7    | 0641404     | 8         | Bolt 1/4in-20NC x 1/2in  |     |
| 8    | 0641406     | 4         | Bolt 1/4in-20NC x 3/4in  |     |
| 9    | 0641408     | 3         | Bolt 1/4in-20NC x 1in  |     |
| 10   | 0641414     | 4         | Bolt 1/4in-20NC x 1-3/4in  |     |
| 11   | 0641610     | 4         | Bolt 3/8in-16NC x 1-1/4in  |     |
| 12   | 0861537     | 1         | Box, Console (See Items 101-115 for Breakdown)   |     |
| 13   | 0902751     | 4         | Bracket, Card Support  |     |
| 14   | 1060918     | 8 ft/2.4m | Cable  |     |
| 15   | 1600317     | NLA       | Controller Assembly (Lift and Swing) (See CONTROLLER ASSEMBLY (LIFT AND SWING) for Breakdown) (Use p/n 1001129555)   |     |
| 15   | 100118417   | NLA       | Controller Assembly (Lift and Swing) (See CONTROLLER ASSEMBLY (LIFT AND SWING) for Breakdown) (Use p/n 1001129555)   |     |
| 16   | 1600318     | NLA       | Controller Assembly (Drive and Steer) (See CONTROLLER ASSEMBLY (DRIVE AND STEER) for Breakdown) (Use p/n 1001212415) |     |
| 17   |             | Ref       | Controller, Module (Re-calibration Required when Replaced)<br>Options:   |     |
| 17   | 1600313     | NLA       | Controller, Module (Use p/n 1600375)   |     |
| 17   | 1600375     | 1         | Controller, Module <b>(SN 0300077490 through 0300087000)</b>   |     |
| 18   | 1670829     | 1         | Bezel  |     |
| 19   |             | Ref       | Decal (Stop) Options:  |     |
| 19   | 1702564     | 1         | Decal (Stop) <b>(SN 0300069000 through 0300073027)</b>   |     |
| 19   | 1704997     | 1         | Decal (Stop) <b>(SN 0300073028 through 0300087000)</b>   |     |
| 20   | 1702565     | 1         | Decal (Drive and Steer)  |     |
| 21   | 1702566     | 1         | Decal (Lift and Swing)   |     |
| 22   | 1702567     | 1         | Decal (Function Speed)   |     |
| 23   | 1702676     | 1         | Decal (Horn)   |     |
| 24   | 1704260     | 1         | Decal - EMS  |     |
| 25   | 2560136     | 1         | Handle, Knob   |     |
| 26   | 2760105     | 1         | Housing, Display Light   |     |
| 27   | 2920129     | 12        | Bulb, Light  |     |
| 28   | 3300408     | 2         | Locknut, Nylon Insert  |     |
| 29   | 3311405     | 11        | Locknut 1/4in-20NC   |     |
| 30   | 3311605     | 4         | Locknut 3/8in-16NC   |     |
| 31   | 3520054     | 4         | Plug, Hole   |     |
| 32   | 4340678     | 1         | Support, Hand  |     |
| 33   | 4340684     | 1         | Support, Hand  |     |
| 34   | 4360031     | 1         | Footswitch   |     |
| 34   | 7000625     | 2         | Block, Contact   |     |
| 35   | 4360328     | 6         | Switch, Toggle   |     |
| 36   | 4360331     | 1         | Switch, Toggle   |     |
| 37   | 4360387     | 1         | Switch, Pushbutton   |     |

## SECTION 4 - PLATFORM

| ITEM | PART NUMBER | QTY | DESCRIPTION   | REV |
|------|-------------|-----|---|-----|
| 38   | 4360407     | 1   | Controller, Speed   |     |
| 38   | See Note    | 1   | Gasket "Top Hat" (Included with Switch) (Note: Not Available - Purchase Complete Controller.) |     |
| 38   | 70003784    | 1   | Seal  |     |
| 39   | 4360475     | 1   | Switch, Emergency Stop  |     |
| 39   | 7020175     | 1   | Cap, Red  |     |
| 39A  | 7020176     | 1   | Contact Block   |     |
| 40   | 4360476     | 1   | Block, Contact  |     |
| 41   | 4460042     | 3   | Terminal, Ring (Not Shown)  |     |
| 42   | 4460071     | 1   | Connector, Strain Relief  |     |
| 43   | 4460226     | 2   | Socket, Contact   |     |
| 44   | 4460428     | 2   | Connector, Strain Relief  |     |
| 45   | 4460464     | 1   | Terminal, Deutsch   |     |
| 46   | 4460470     | 1   | Nut, Terminal   |     |
| 47   | 4460471     | 1   | Lockwasher, Terminal  |     |
| 48   | 4460905     | 5   | Connector, Amp Seal Plug  |     |
| 49   | 4740362     | 3   | Flatwasher 1/4in Fender   |     |
| 50   | 4751400     | 16  | Flatwasher 1/4in Regular  |     |
| 51   | 4751600     | 4   | Flatwasher 3/8in Regular  |     |
| 52   | 4922639     | 1   | Harness, Platform Box   |     |
| 53   | 4922666     | 1   | Harness, Analyzer Cable (Not Shown)   |     |
| 53   | 4460871     | 4   | Terminal, Socket  |     |
| 53   | 4460761     | 1   | Housing - 4 Position  |     |
| 53   | 4460227     | 4   | Pin   |     |
| 54   | 3790012     | 7   | O-Ring  |     |
| 55   | 4460708     | 2   | Connector, Female - 15 Position (Not Shown - See ELECTRICAL SECTION for Location)             |     |
| 56   | 0100081     | AR  | Adhesive  |     |
| 57   | 1671037     | 1   | Cover   |     |
| 58   | 1705132     | 1   | Decal - ADE   |     |
| 59   | 3300353     | 4   | Nut, Tinnerman  |     |
| 60   | 4460226     | 3   | Wire, Tie (Not Shown)   |     |
| 61   | 4460488     | 1   | Base, Mounting  |     |
| 62   | 0721008     | 1   | Bolt #10-24NC x 1 (SN 0300071584 through 0300087000)  |     |
| 63   | 3311001     | 1   | Nut #10-24NC (SN 0300071584 through 0300087000)   |     |
| 64   | 4460007     | 1   | Bar, Buss (SN 0300071584 through 0300087000)  |     |
|      | 0272970     | 1   | Preassembled Footswitch Kit (Includes Items 2, 14, 34, 41, 42, 43 & 45)                       |     |
|      | 0861537     | Ref | <b>CONSOLE BOX ASSEMBLY</b>   | C   |
| 110  | 0861537     | 1   | Console Bottom (Note: Not Available for Purchase)   |     |
| 111  | 0861537     | 1   | Console Top (Note: Not Available for Purchase)  |     |
| 112  | 3311601     | 1   | Nut 3/8in-16NC  |     |
| 113  |             | Ref | Pin Options:  |     |
| 113  | 3450304     | 2   | Pin, Cotter (SN 0300069000 through 0300073731)  |     |
| 113  | 3420156     | 2   | Hair Pin, Cotter (SN 0300073731 through 0300087000)   |     |
| 114  | 0630568     | 1   | Screw 3/8in-16NC x 4-1/2in  |     |
| 115  | 4711500     | 2   | Flatwasher 5/16in Thin  |     |
|      | 0256631     | Ref | <b>LIGHT PANEL DECAL INSTALLATION</b>   | -   |
| 151  | 1702387     | 1   | Decal - Display   |     |
|      | 0270764     | Ref | <b>DUAL FUEL SWITCH INSTALLATION</b>  | 5   |
| 201  | 4360336     | 1   | Switch, Toggle  |     |
| 201  | 3790012     | 1   | O-Ring  |     |

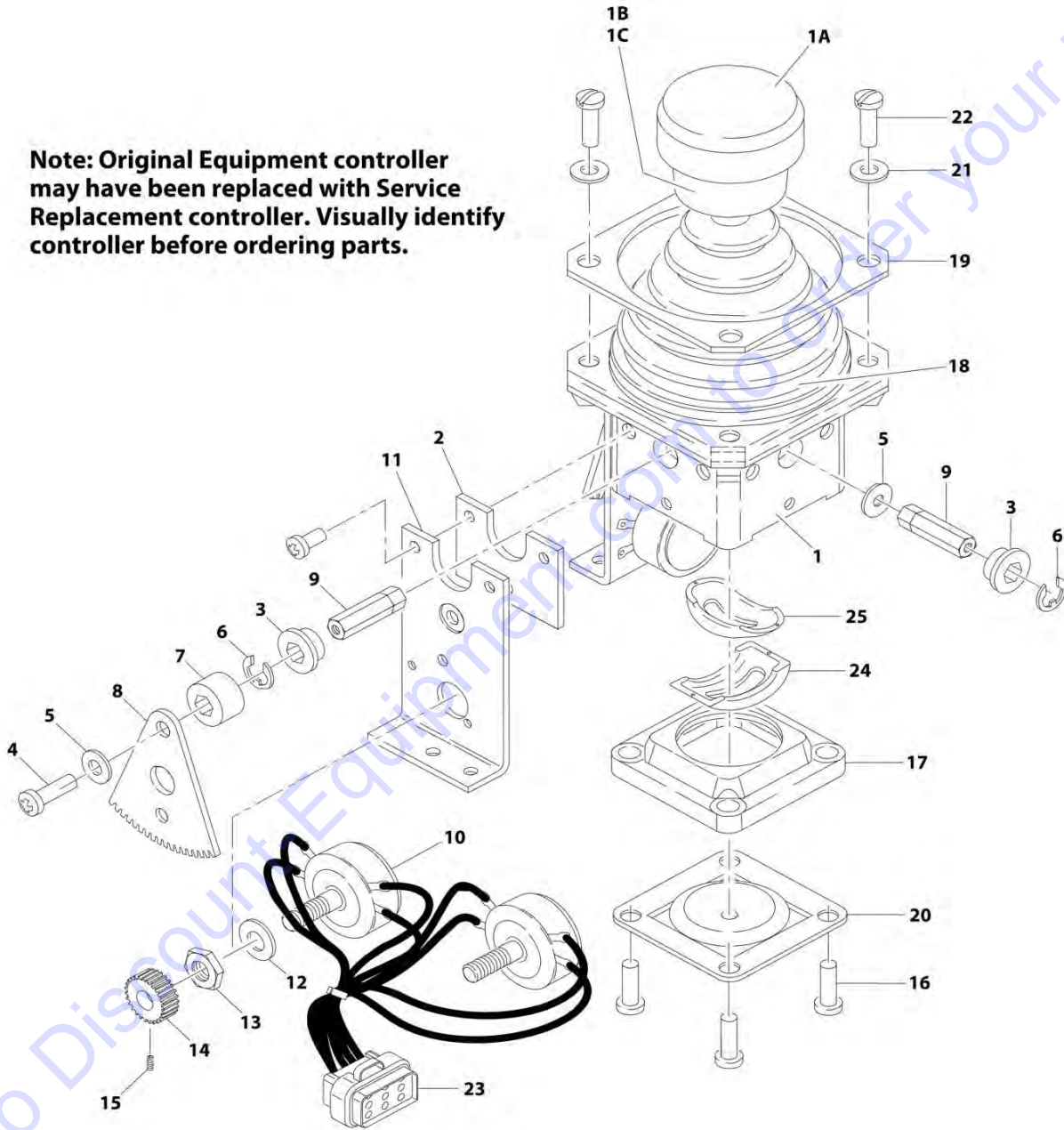
## SECTION 4 - PLATFORM

| ITEM | PART NUMBER | QTY | DESCRIPTION   | REV |
|------|-------------|-----|---|-----|
|      | 0271552     | Ref | <b>HEAD AND TAIL LIGHTS INSTALLATION (OPTIONAL)</b>                       | 2   |
| 301  | 4360336     | 1   | Switch, Toggle  |     |
| 301  | 3790012     | 1   | O-Ring  |     |
|      | 0274200     | Ref | <b>CHASSIS ILLUMINATION LIGHT INSTALLATION</b>                            | 1-A |
| 351  | 4360336     | 1   | Switch, Toggle  |     |
| 351  | 3790012     | 1   | O-Ring  |     |
|      |             | Ref | <b>SOFT TOUCH SYSTEM INSTALLATION (OPTIONAL)</b>                          |     |
|      | 0273824     | Ref | <b>Soft Touch - 36 x 72</b>   | A   |
|      | 0272427     | Ref | <b>Soft Touch - 36 x 96</b>   | C   |
| 401  | 4360387     | 1   | Switch, Pushbutton  |     |
| 402  | 1702938     | 1   | Decal - Soft Touch Override   |     |
|      |             | Ref | <b>GENERATOR INSTALLATION (OPTIONAL)</b>                                  |     |
|      | 0273518     | Ref | <b>110V/60Hz - Caterpillar</b>  | 1-A |
|      | 0273538     | Ref | <b>110V/50Hz - Caterpillar</b>  | 1-A |
|      | 0273539     | Ref | <b>220V/50Hz - Caterpillar</b>  | 1-A |
|      | 0272480     | Ref | <b>110v/60Hz - Deutz</b>  | 2   |
|      | 0272481     | Ref | <b>220V/50Hz - DEUTZ</b>  | 2   |
|      | 0271545     | Ref | <b>110v/60Hz - Ford</b>   | 5   |
|      | 0271546     | Ref | <b>220v/50Hz - Ford</b>   | 4   |
| 501  | 4360336     | 1   | Switch, Toggle  |     |
| 502  | 4740397     | 1   | Bushing   |     |
| 503  | 4060802     | 1   | Guard, Switch   |     |
| 504  | 3251102     | 1   | Decal - Generator ON/OFF  |     |
|      |             | Ref | <b>PLATFORM WORKLIGHT INSTALLATION (OPTIONAL)</b>                         |     |
|      | 0270814     | Ref | <b>Platform Worklight Installation (SN 0300069000 through 0300074444)</b> | 3-E |
|      | 0273492     | Ref | <b>Platform Worklight Installation (SN 0300074445 through 0300087000)</b> | B   |
| 601  | 4360232     | 1   | Breaker, Circuit - 15Amp (SN 0300069000 through 0300074445)               |     |
| 602  | 0721003     | 2   | Bolt #10-24NC x 3/8in (SN 0300069000 through 0300074445)                  |     |
| 603  | 4761000     | 4   | Lockwasher #10 (SN 0300069000 through 0300074445)                         |     |
| 604  | 3311001     | 2   | Nut #10-24NC (SN 0300069000 through 0300074445)                           |     |
| 605  |             | Ref | Connector, Strain Relief Options:   |     |
| 605  | 4460598     | 1   | Connector, Strain Relief (SN 0300069000 through 0300074424)               |     |
| 605  | 4460426     | 1   | Connector, Strain Relief (SN 0300074425 through 0300087000)               |     |

## SECTION 4 - PLATFORM

FIGURE 4-5. CONTROLLER ASSEMBLY (LIFT AND SWING)

**Note: Original Equipment controller may have been replaced with Service Replacement controller. Visually identify controller before ordering parts.**



ART\_1600317

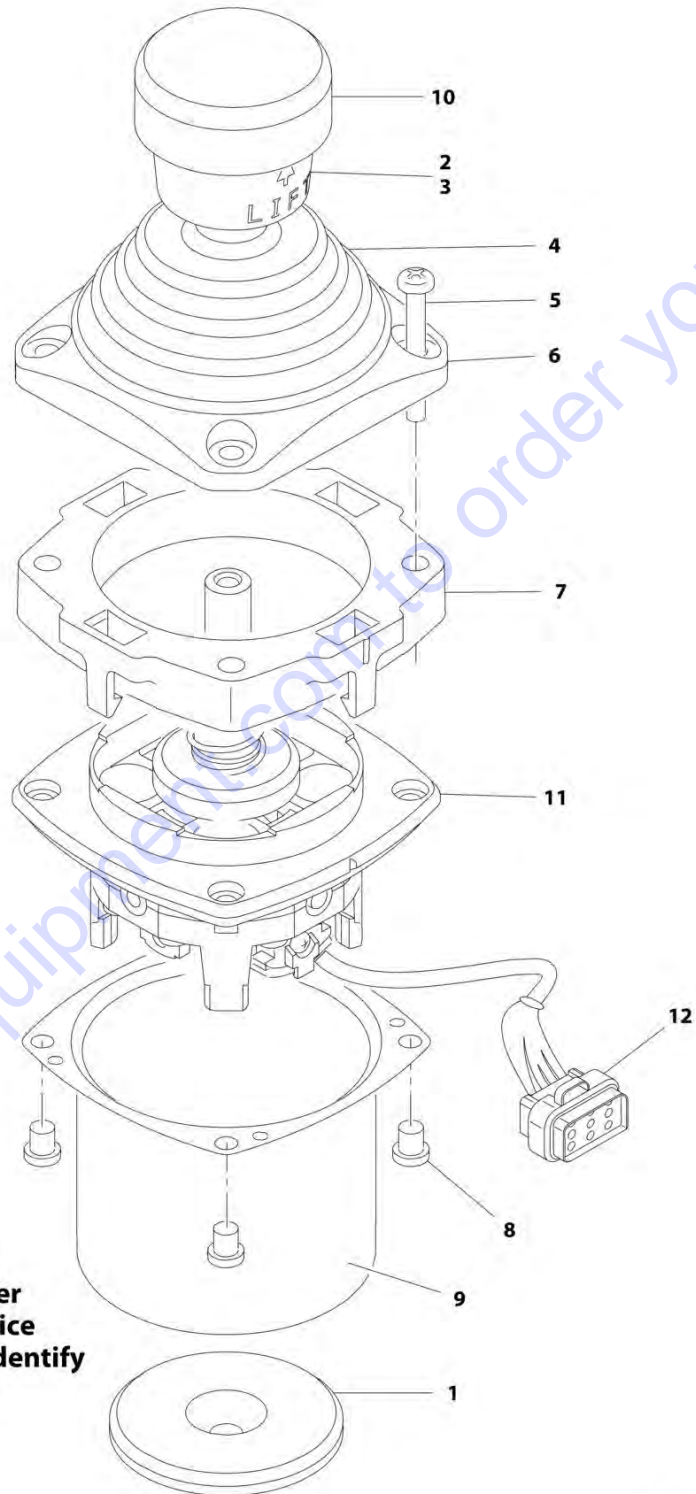
## SECTION 4 - PLATFORM

**FIGURE 4-5. CONTROLLER ASSEMBLY (LIFT AND SWING)**

| ITEM | PART NUMBER | QTY | DESCRIPTION  | REV |
|------|-------------|-----|--|-----|
|      |             | Ref | <b>Note: Original Equipment controller may have been replaced with Service Replacement controller. Visually identify controller before ordering parts.</b> |     |
|      | 1600317     | Ref | <b>CONTROLLER ASSEMBLY</b>   | C   |
|      |             | Ref | <b>Note: Use p/n 1001129555 Kit as Replacement.</b>  |     |
| 1    | 7019141     | 1   | Mechanical Assembly (Includes Base, Handle Stem and Items 1A, 1B, 1C & 18)   |     |
| 1A   | 7019197     | 1   | Handle Cap and Rod   |     |
| 1B   | 7003928     | 1   | Spring   |     |
| 1C   | 7022808     | 1   | Cap, Lift  |     |
| 2    | 7019171     | 2   | Plate  |     |
| 3    | 7019111     | 4   | Bearing, Gear  |     |
| 4    | 7019143     | 2   | Screw  |     |
| 5    | 7019144     | 2   | Spacer, Cam  |     |
| 6    | 7019145     | 4   | E-Clip   |     |
| 7    | 7019174     | 2   | Spacer   |     |
| 8    | 7003977     | 2   | Gear, Drive  |     |
| 9    |             | Ref | Shaft Options:   |     |
| 9    | 7019147     | 2   | Shaft, Short   |     |
| 9    | 7019177     | 2   | Shaft, Long  |     |
| 10   | 7022818     | 2   | Potentiometer  |     |
| 11   | 7019142     | 2   | Plate  |     |
| 12   | 7003992     | 2   | Washer   |     |
| 13   | 7003993     | 2   | Nut  |     |
| 14   | 7003976     | 2   | Gear, Slave  |     |
| 15   | 7019149     | 2   | Setscrew   |     |
| 16   | 7022816     | 4   | Screw  |     |
| 17   | 7019150     | 1   | Gate   |     |
| 18   | 7022814     | 1   | Boot   |     |
| 19   | 7022815     | 1   | Bezel  |     |
| 20   | See Note    | NSS | Center, Detent (Note: Use p/n 1001129555)  |     |
| 21   | 7003953     | 4   | Washer   |     |
| 22   | 7022817     | 4   | Screw  |     |
| 23   | 7022819     | 1   | Plug, Male - 8 Position (Natural)  |     |
| 23   | 4460871     | 8   | Socket, Female   |     |
| 24   | 7019122     | 1   | Gimble, Outer  |     |
| 25   | 7019123     | 1   | Gimble, Inner  |     |

## SECTION 4 - PLATFORM

FIGURE 4-6. CONTROLLER ASSEMBLY (LIFT AND SWING)



**Note: Original Equipment controller may have been replaced with Service Replacement controller. Visually identify controller before ordering parts.**

ART\_100118417

## SECTION 4 - PLATFORM

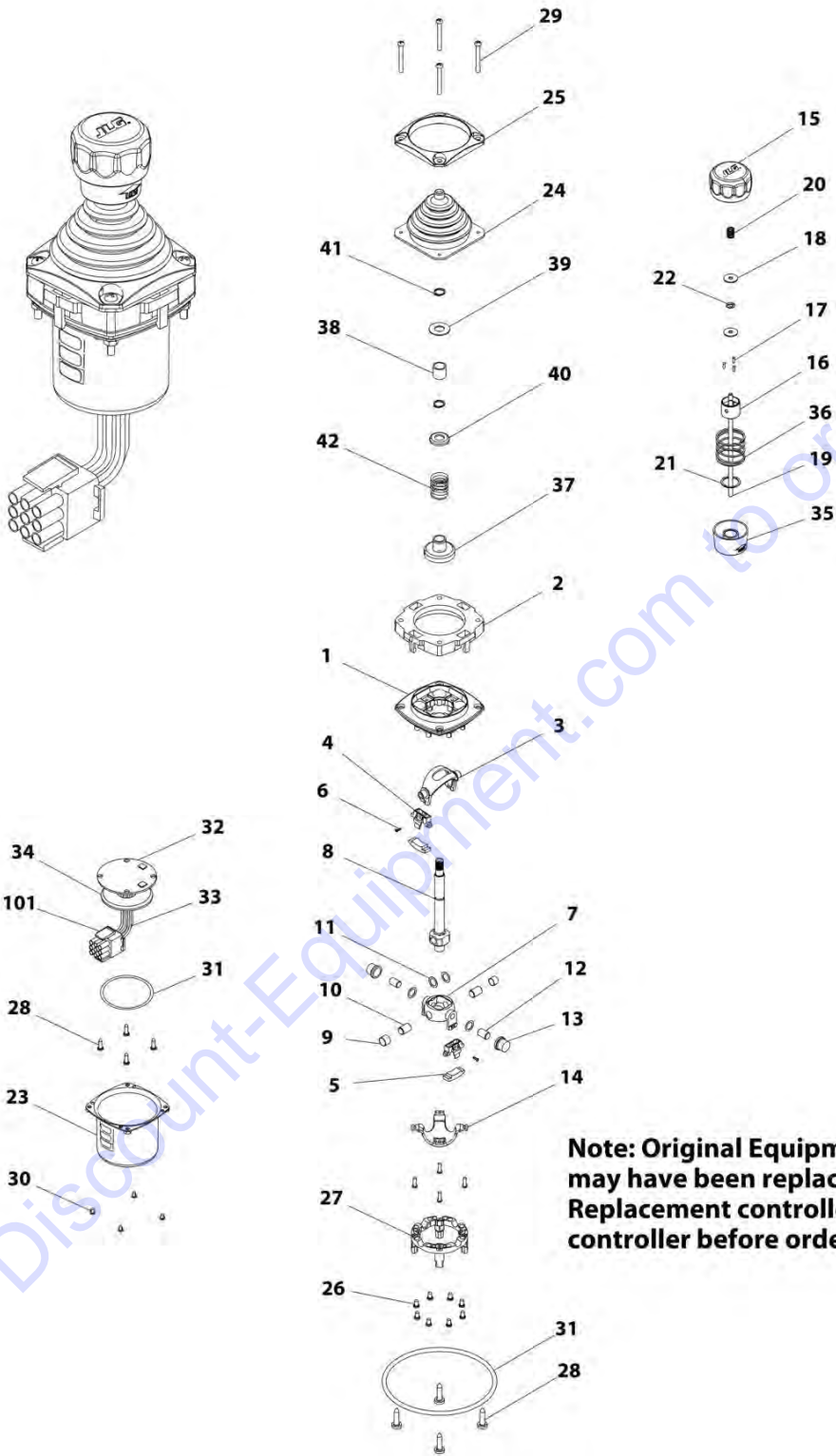
**FIGURE 4-6. CONTROLLER ASSEMBLY (LIFT AND SWING)**

| ITEM | PART NUMBER | QTY | DESCRIPTION  | REV |
|------|-------------|-----|--|-----|
|      |             | Ref | <b>Note: Original Equipment controller may have been replaced with Service Replacement controller. Visually identify controller before ordering parts.</b> |     |
|      | 1001118417  | Ref | <b>CONTROLLER ASSEMBLY</b>   | E   |
|      |             | Ref | <b>Note: Use p/n 1001129555 as Replacement.</b>  |     |
| 1    | 70002730    | 1   | Gasket   |     |
| 2    | 7003928     | 1   | Spring   |     |
| 3    | 7022808     | 1   | Cap, Lift  |     |
| 4    | 70002731    | 1   | Boot   |     |
| 5    | 70002732    | 4   | Screw  |     |
| 6    | 7022815     | 1   | Bezel  |     |
| 7    | 70002733    | 1   | Adapter  |     |
| 8    | 70002734    | 4   | Screw  |     |
| 9    | 70002735    | 1   | Can, Enclosure   |     |
| 10   | 70002906    | 1   | Cap  |     |
| 11   | See Note    | NSS | Mechanical Assembly (Note: Use p/n 1001129555)   |     |
| 12   | 7022819     | 1   | Connector - 8 Position   |     |
| 12   | 4460871     | 6   | Socket, Female   |     |

Go to Discount-Equipment.com to order your parts

# SECTION 4 - PLATFORM

## FIGURE 4-7. CONTROLLER ASSEMBLY (LIFT AND SWING)



ART\_1001166539



## SECTION 4 - PLATFORM

### FIGURE 4-7. CONTROLLER ASSEMBLY (LIFT AND SWING)

| ITEM | PART NUMBER | QTY | DESCRIPTION  | REV |
|------|-------------|-----|--|-----|
|      |             | Ref | <b>Note: Original Equipment controller may have been replaced with Service Replacement controller. Visually identify controller before ordering parts.</b> |     |
|      | 1001166539  | Ref | <b>CONTROLLER ASSEMBLY</b>   | D   |
|      |             | Ref | <b>Note: Use p/n 1001129555 as Replacement.</b>  |     |
| 1    | See Note    | NSS | Main Cast Body (Note: Not Available - Purchase Complete Assembly)  |     |
| 2    | 70004752    | 1   | Adapter  |     |
| 3    | See Note    | NSS | Pivot Arm, Plastic (Note: Not Available - Purchase Complete Assembly)  |     |
| 4    | See Note    | NSS | Holder, Magnet (Note: Not Available - Purchase Complete Assembly)  |     |
| 5    | See Note    | NSS | Arc, Magnet (Note: Not Available - Purchase Complete Assembly)   |     |
| 6    | See Note    | NSS | Screw (Note: Not Available for Purchase)   |     |
| 7    | See Note    | NSS | Pivot Arm, Cast (Note: Not Available - Purchase Complete Assembly)   |     |
| 8    | See Note    | NSS | Shaft, Main (Note: Not Available - Purchase Complete Assembly)   |     |
| 9    | See Note    | NSS | Bearing (Note: Not Available - Purchase Complete Assembly)   |     |
| 10   | See Note    | NSS | Pin (Note: Not Available - Purchase Complete Assembly)   |     |
| 11   | See Note    | NSS | Shim (Note: Not Available - Purchase Complete Assembly)  |     |
| 12   | See Note    | NSS | Pin (Note: Not Available - Purchase Complete Assembly)   |     |
| 13   | See Note    | NSS | Bearing (Note: Not Available - Purchase Complete Assembly)   |     |
| 14   | See Note    | NSS | Dome, Centering (Note: Not Available - Purchase Complete Assembly)   |     |
| 15   | 70004753    | 1   | Cap  |     |
| 16   | 70004754    | 1   | Insert, Cap  |     |
| 17   | 70004755    | 3   | Pin  |     |
| 18   | 70004756    | 2   | Washer   |     |
| 19   | 70004757    | 1   | Pin, Centering   |     |
| 20   | 70004758    | 1   | Spring   |     |
| 21   | 70004759    | 1   | Ring, Retaining  |     |
| 22   | 70004760    | 1   | E-Ring   |     |
| 23   | 70004761    | 1   | Can, Enclosure   |     |
| 24   | 70004762    | 1   | Boot   |     |
| 25   | 70004763    | 1   | Bezel  |     |
| 26   | See Note    | NSS | Screw (Note: Not Available for Purchase)   |     |
| 27   | See Note    | NSS | Base, Mounting (Note: Not Available - Purchase Complete Assembly)  |     |
| 28   | See Note    | NSS | Screw (Note: Not Available for Purchase)   |     |
| 29   | 70004764    | 4   | Screw  |     |
| 30   | 70004765    | 4   | Screw  |     |
| 31   | 70004766    | 1   | O-Ring   |     |
| 32   | See Note    | NSS | Plate (Note: Not Available - Purchase Complete Assembly)   |     |
| 33   | See Note    | NSS | Harness (Note: Not Available - Purchase Complete Assembly)   |     |
| 34   | 70004767    | 1   | Grommet, Rubber  |     |
| 35   | 70004768    | 1   | Housing  |     |
| 36   | 70004769    | 1   | Spring   |     |
| 37   | 70004770    | 1   | Stopper  |     |
| 38   | 70004771    | 1   | Spacer   |     |
| 39   | 70004772    | 1   | Washer   |     |
| 40   | 70004773    | 1   | Disc   |     |

## SECTION 4 - PLATFORM

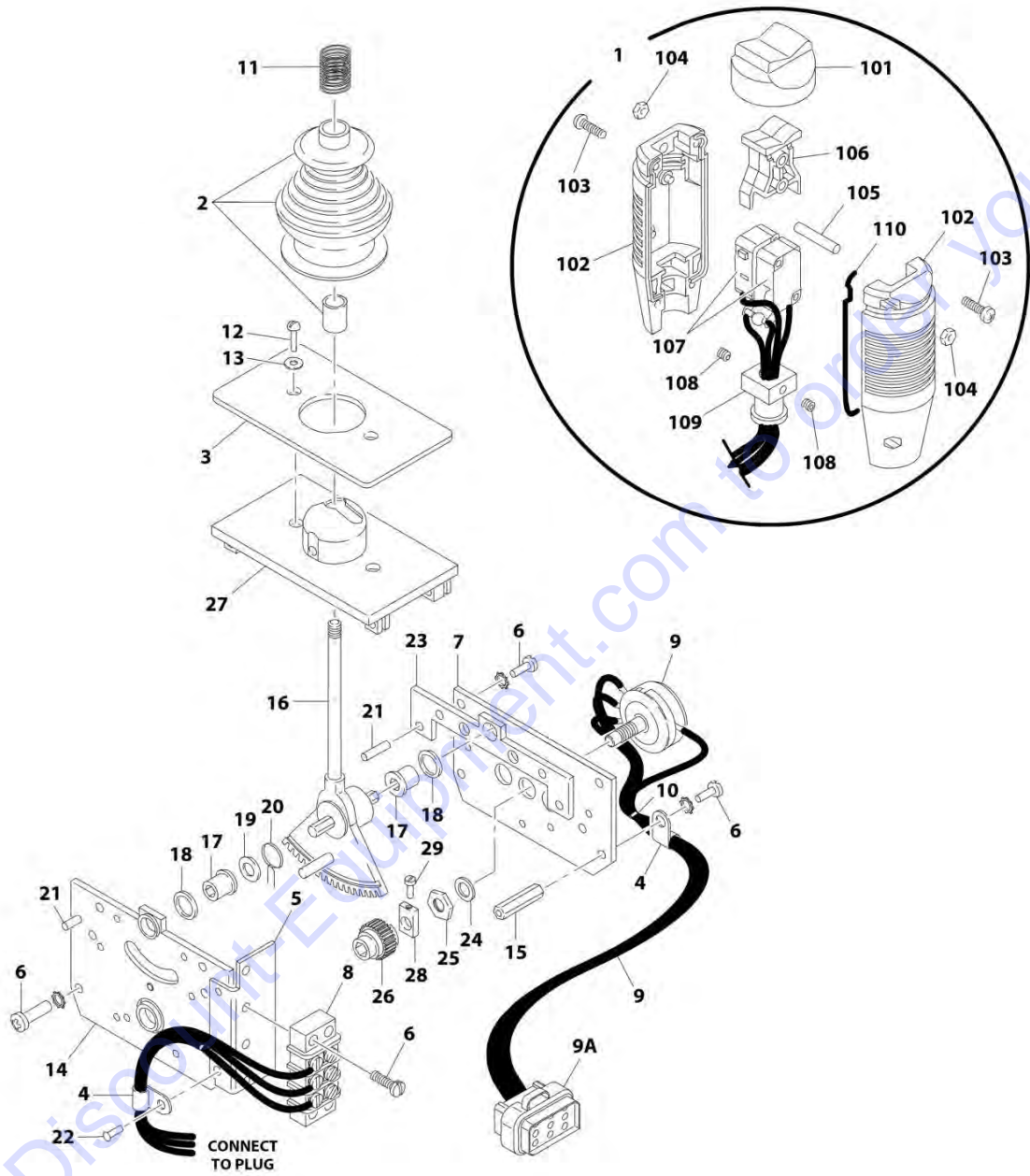
| ITEM | PART NUMBER | QTY | DESCRIPTION            | REV |
|------|-------------|-----|------------------------|-----|
| 41   | 70004774    | 2   | Ring, Retaining        |     |
| 42   | 70004775    | 1   | Spring                 |     |
| 101  | 4460265     | 1   | Connector - 9 Position |     |
| 101  | 4460226     | 6   | Socket, Female         |     |

Go to Discount-Equipment.com to order your parts



# SECTION 4 - PLATFORM

## FIGURE 4-8. CONTROLLER ASSEMBLY (DRIVE AND STEER)



**Note: Original Equipment controller may have been replaced with Service Replacement controller. Visually identify controller before ordering parts.**

ART\_1600318

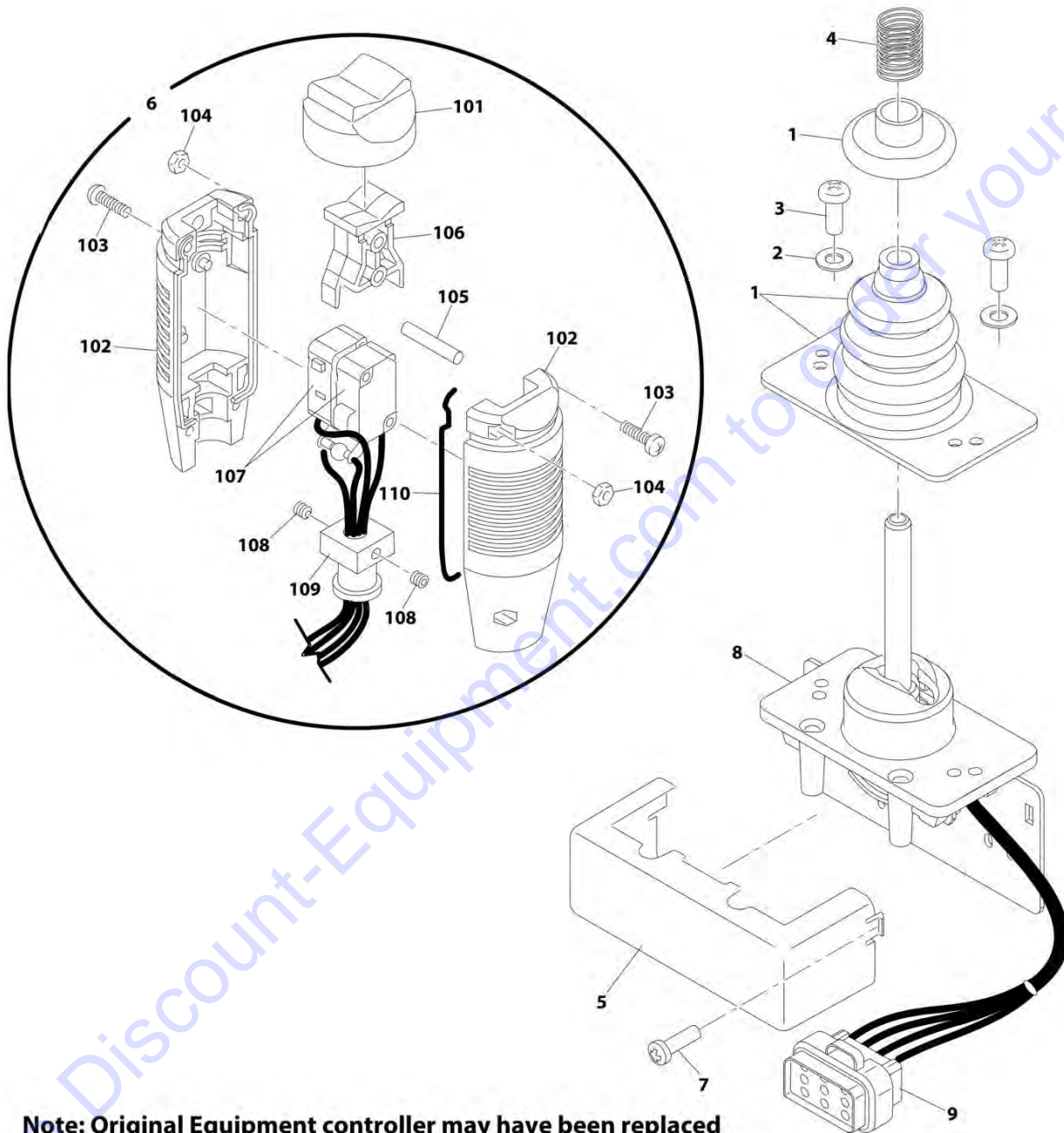
## SECTION 4 - PLATFORM

**FIGURE 4-8. CONTROLLER ASSEMBLY (DRIVE AND STEER)**

| ITEM | PART NUMBER | QTY | DESCRIPTION  | REV |
|------|-------------|-----|--|-----|
|      |             | Ref | <b>Note: Original Equipment controller may have been replaced with Service Replacement controller. Visually identify controller before ordering parts.</b> |     |
|      | 1600318     | Ref | <b>CONTROLLER ASSEMBLY</b>   | C   |
|      |             | Ref | <b>Note: Use p/n 1001212415 as Replacement.</b>  |     |
| 1    | 7022812     | 1   | Handle Assembly (See Items 101-110 for Breakdown)  |     |
| 2    | 7019161     | 1   | Boot and Sleeve  |     |
| 3    | 7003933     | 1   | Gasket   |     |
| 4    | 7019154     | 2   | Clamp, Wire  |     |
| 5    | 7022823     | 1   | Bracket, Mounting  |     |
| 6    | 7003994     | 1   | Screw  |     |
| 7    | 7022822     | 1   | Plate, Pot Mounting  |     |
| 8    | 7003986     | 1   | Strip, Terminal - 3 Position   |     |
| 9    | 7022824     | 1   | Electric Assembly  |     |
| 9A   | 1001113961  | 1   | Plug, Male - 8 Position (Black) (was p/n 7022825)  |     |
| 9A   | 4460871     | 7   | Socket, Female   |     |
| 10   | 7019151     | AR  | Tie-Strap  |     |
| 11   | 7019162     | 1   | Spring   |     |
| 12   | 7003969     | 2   | Screw  |     |
| 13   | 7003941     | 2   | Washer   |     |
| 14   | See Note    | NSS | Plate, Mounting (Left Side) (Note: Not Available for Purchase)   |     |
| 15   | 7019115     | 2   | Stand-Off  |     |
| 16   | 7019155     | 1   | Shaft 8mm  |     |
| 17   | 7019111     | 2   | Bearing  |     |
| 18   | 7019110     | 2   | Spacer, Head Gear  |     |
| 19   | 7019112     | 1   | Washer   |     |
| 20   | 7003946     | 1   | Spring, Return   |     |
| 21   | 7019103     | 4   | Pin  |     |
| 22   | See Note    | NSS | Rivet (Note: Not Available - Purchase Locally)   |     |
| 23   | 7019168     | 1   | Plate, Mounting (Right Side)   |     |
| 24   | 7003992     | 1   | Washer   |     |
| 25   | 7003993     | 1   | Nut  |     |
| 26   | 7003935     | 1   | Gear, Slave  |     |
| 27   | 7019160     | 1   | Plate, Base  |     |
| 28   | 7019114     | 1   | Coupling, Potentiometer  |     |
| 29   | See Note    | NSS | Cup Point Screw (Note: Not Available for Purchase)   |     |
|      | 7022812     | Ref | <b>HANDLE ASSEMBLY</b>   |     |
| 101  | 7003972     | 1   | Boot, Switch   |     |
| 102  | 7003973     | 2   | Half, Handle   |     |
| 103  | 7003980     | 4   | Screw  |     |
| 104  | 7019167     | 4   | Nut  |     |
| 105  | 7019164     | 1   | Axle   |     |
| 106  | 7019165     | 1   | Rocker   |     |
| 107  | See Note    | NSS | Wiring for Controller Assembly p/n 1600318 (Note: Use p/n 1001166538)  |     |
| 107  | 7019166     | 2   | Switch, Micro  |     |
| 108  | 7003983     | 2   | Setscrew   |     |
| 109  | 7019194     | 1   | Coupling   |     |
| 110  | 7003989     | 2   | Gasket   |     |

## SECTION 4 - PLATFORM

FIGURE 4-9. CONTROLLER ASSEMBLY (DRIVE AND STEER)



**Note: Original Equipment controller may have been replaced with Service Replacement controller. Visually identify controller before ordering parts.**

ART\_1001118416

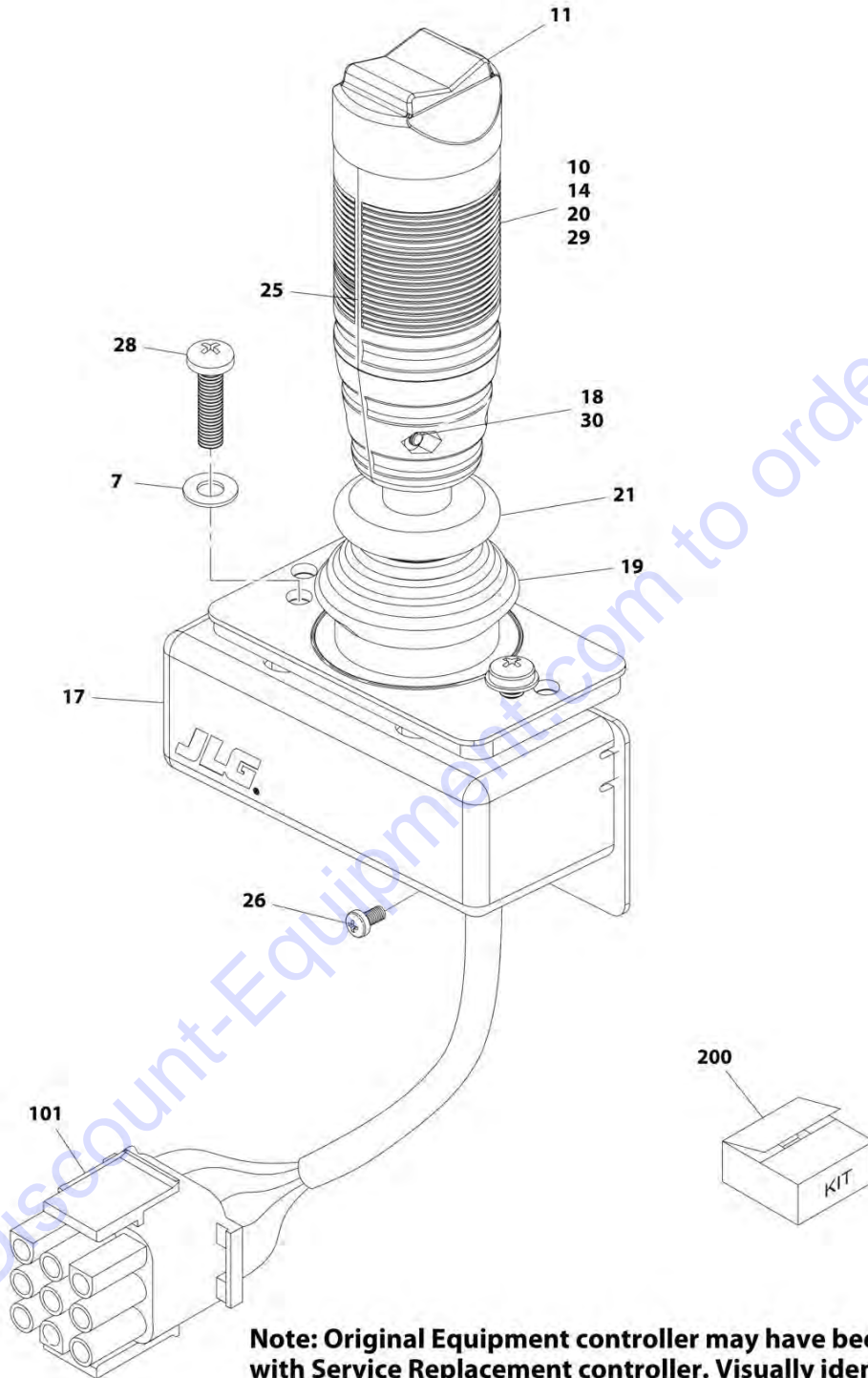
## SECTION 4 - PLATFORM

**FIGURE 4-9. CONTROLLER ASSEMBLY (DRIVE AND STEER)**

| ITEM | PART NUMBER | QTY | DESCRIPTION  | REV |
|------|-------------|-----|--|-----|
|      |             | Ref | <b>Note: Original Equipment controller may have been replaced with Service Replacement controller. Visually identify controller before ordering parts.</b> |     |
|      | 1001118416  | Ref | <b>CONTROLLER ASSEMBLY</b>   | D   |
|      |             | Ref | <b>Note: Use p/n 1001212415 as Replacement.</b>  |     |
| 1    | 70002724    | 1   | Boot and Control Lock Assembly   |     |
| 2    | 7003941     | 2   | Washer   |     |
| 3    | 70002725    | 2   | Screw  |     |
| 4    | 7019162     | 1   | Spring   |     |
| 5    | 70002726    | 1   | Enclosure  |     |
| 6    | 70002727    | 1   | Handle Assembly (See Items 101-110 for Breakdown)  |     |
| 7    | 70002728    | 1   | Screw  |     |
| 8    | See Note    | NSS | Mechanical Assembly (Note: Use p/n 1001166538)   |     |
| 9    | 1001113961  | 1   | Plug, Male - 8 Position (Black) (was p/n 7022825)  |     |
| 9    | 4460871     | 7   | Socket, Female   |     |
|      | 70002727    | Ref | <b>HANDLE ASSEMBLY</b>   |     |
| 101  | 7003972     | 1   | Boot, Switch   |     |
| 102  | 7003973     | 2   | Half, Handle   |     |
| 103  | 7003980     | 4   | Screw  |     |
| 104  | 7019167     | 4   | Nut  |     |
| 105  | 7019164     | 1   | Axle   |     |
| 106  | 7019165     | 1   | Rocker   |     |
| 107  | 70002729    | 1   | Wiring Assembly  |     |
| 107  | 7003982     | 2   | Switch, Micro  |     |
| 108  | 7003983     | 2   | Set Screw  |     |
| 109  | 7019194     | 1   | Coupling   |     |
| 110  | 7003989     | 2   | Gasket   |     |

## SECTION 4 - PLATFORM

FIGURE 4-10. CONTROLLER ASSEMBLY (DRIVE AND STEER)



**Note: Original Equipment controller may have been replaced with Service Replacement controller. Visually identify controller before ordering parts.**

ART\_1001166538



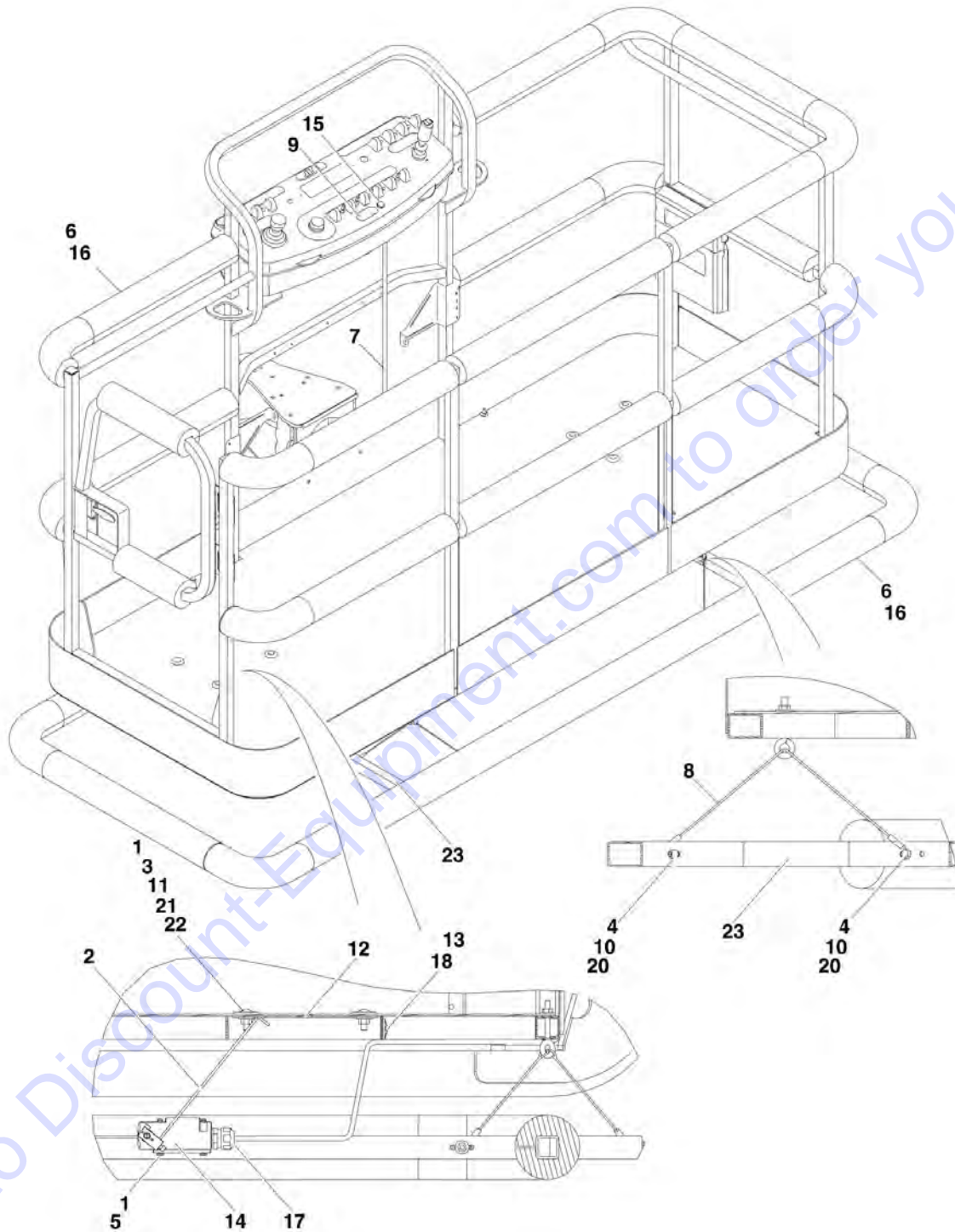
## SECTION 4 - PLATFORM

**FIGURE 4-10. CONTROLLER ASSEMBLY (DRIVE AND STEER)**

| ITEM | PART NUMBER | QTY | DESCRIPTION  | REV |
|------|-------------|-----|--|-----|
|      |             | Ref | <b>Note: Original Equipment controller may have been replaced with Service Replacement controller. Visually identify controller before ordering parts.</b> |     |
|      | 1001166538  | Ref | <b>CONTROLLER ASSEMBLY</b>   | E   |
|      |             | Ref | <b>Note: Use p/n 1001212415 as Replacement.</b>  |     |
| 7    | 70004738    | 2   | Washer   |     |
| 10   | 70004739    | 1   | Roller   |     |
| 11   | 70004740    | 1   | Boot, Switch   |     |
| 14   | 70004741    | 2   | Half, Handle   |     |
| 17   | 70004742    | 1   | Enclosure  |     |
| 18   | 70004743    | 4   | Nut  |     |
| 19   | 70004744    | NLA | Boot, Controller (Note: Use Item 200)  |     |
| 20   | 70004745    | NLA | Tube, Locking (Note: Use Item 200)   |     |
| 21   | 70004746    | NLA | Disc, Locking (Note: Use Item 200)   |     |
| 25   | 70004747    | 2   | Seal, Rope   |     |
| 26   | 70004748    | 1   | Screw, M3 x 6  |     |
| 28   | 70004749    | 2   | Screw, M5 x 20   |     |
| 29   | 70004750    | 1   | Pin, Dowel   |     |
| 30   | 70004751    | 4   | Screw, M3 x 16   |     |
| 101  | 4460265     | 1   | Connector - 9 Position   |     |
| 101  | 4460226     | 7   | Socket, Female   |     |
| 200  | 70005230    | 1   | Boot Kit (Includes Items 19-21)  |     |

# SECTION 4 - PLATFORM

## FIGURE 4-11. SOFT TOUCH SYSTEM INSTALLATION (OPTIONAL)



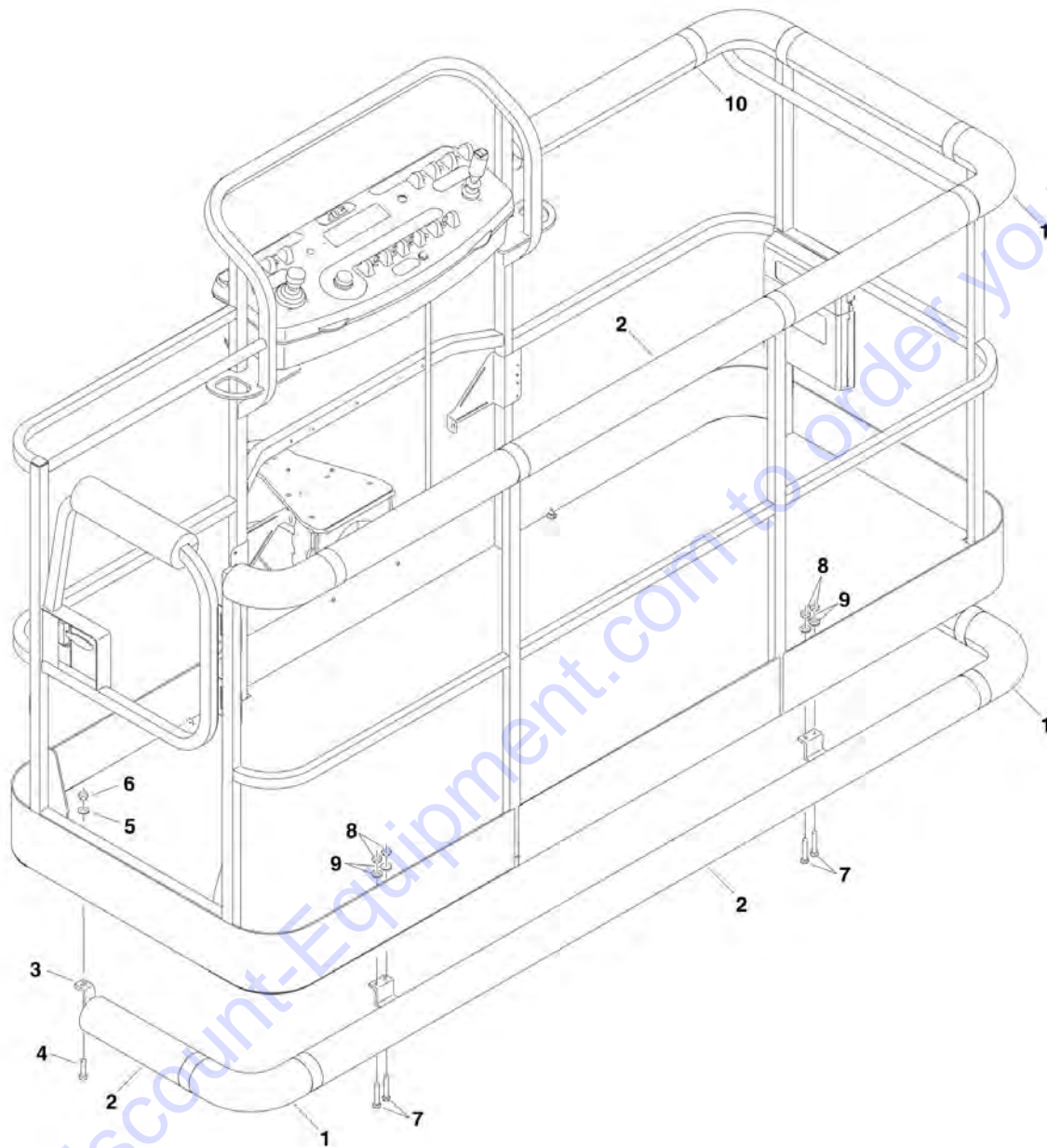
## SECTION 4 - PLATFORM

**FIGURE 4-11. SOFT TOUCH SYSTEM INSTALLATION (OPTIONAL)**

| ITEM | PART NUMBER | QTY        | DESCRIPTION   | REV |
|------|-------------|------------|---|-----|
|      |             | Ref        | <b>SOFT TOUCH SYSTEM INSTALLATIONS</b>  |     |
|      | 0273824     | Ref        | <b>6ft Platforms (Side Entry Platform)</b>  | A   |
|      | 0272427     | Ref        | <b>8ft Platforms (Side Entry Platform)</b>  | C   |
|      | 0273706     | Ref        | <b>8Ft/2.4m Platforms w/Fall Arrest</b>   | A   |
| 1    | 0100011     | AR         | Compound, Locking   |     |
| 2    | 0200048     | 2          | Arm, Switch   |     |
| 3    | 0630462     | 8          | Bolt, Carriage  |     |
| 4    | 0641414     | 8          | Bolt 1/4in-20NC x 1 3/4in   |     |
| 5    | 0721005     | 4          | Bolt #10-24NC x 5/8in   |     |
| 6    |             | Ref        | Bumper Kits (Includes Corners and Enough Straight Material for One Platform)  |     |
| 6    | 0940134     | 1          | 6ft Platform  |     |
| 6    | 0940103     | 1          | 8ft Platform  |     |
| 6    | 0940133     | 1          | 8ft/2.4m Platforms w/Fall Arrest  |     |
| 6    | 0940092     | 1          | Bumper (Corner) Options:  |     |
| 6    |             | Ref        | 6ft/8ft Platform  |     |
| 6    |             | Ref        | 8ft/2.4m Platforms w/Fall Arrest  |     |
| 6    | 0940094     | AR         | Bumper (12ft Length)  |     |
| 7    | 1060341     |            | Cable, Electrical - 16/2 Options:   |     |
| 7    | 1060341     | 22 ft/6.7m | 6ft Platform  |     |
| 7    | 1060341     | 23 ft/7m   | 8ft Platform  |     |
| 8    | 1060903     | 4          | Wire Rope and Eyebolt Assembly  |     |
| 9    | 1702938     | 1          | Decal - Soft Touch Override   |     |
| 10   | 3311401     | 8          | Nut 1/4in-20NC  |     |
| 11   | 3311501     | 8          | Nut 5/16in-18NC   |     |
| 12   |             | Ref        | Plate, Switch Strike Options:   |     |
| 12   | 3575359     | 2          | 6ft Platform  |     |
| 12   | 3574091     | 2          | 8ft Platform  |     |
| 13   | 4240099     | 7          | Tie-Strap   |     |
| 14   | 4360057     | 2          | Switch, Limit   |     |
| 15   | 4360387     | 1          | Switch, Push Button   |     |
| 16   | 4420068     | 1          | Tape, Adhesive  |     |
| 17   | 4460049     | 2          | Connector, Strain Relief  |     |
| 18   | 4460234     | 7          | Tie-Strap   |     |
| 19   | 4460425     | 1          | Connector, Strain Relief  |     |
| 20   | 4751400     | 8          | Flatwasher 1/4in  |     |
| 21   | 4751500     | 12         | Flatwasher 5/16in   |     |
| 22   | 4751800     | 8          | Flatwasher 1/2in  |     |
| 23   |             | Ref        | Rail, Soft Touch Options:   |     |
| 23   | 3641569     | 1          | 6ft Platform  |     |
| 23   | 4846673     | 1          | 8ft Platform  |     |
| 24   |             | Ref        | Soft-Touch Installation Kit Options (Not Shown) (Includes Items 2-23):  |     |
|      |             | Ref        | <b>Note: May not be available for all machines depending on existing options. Contact Discount-equipment before ordering.</b> |     |
| 24   | 1001121592  | 1          | Kit - 6ft Platform without Fall Arrest  |     |
| 24   | 1001121593  | 1          | Kit - 8ft Platform without Fall Arrest  |     |

## SECTION 4 - PLATFORM

FIGURE 4-12. PLATFORM PADDING INSTALLATION (SIDE ENTRY PLATFORM) (OPTIONAL)



## SECTION 4 - PLATFORM

**FIGURE 4-12. PLATFORM PADDING INSTALLATION (SIDE ENTRY PLATFORM) (OPTIONAL)**

| ITEM | PART NUMBER | QTY        | DESCRIPTION   | REV |
|------|-------------|------------|---|-----|
|      | 0273542     | Ref        | <b>PADDING INSTALLATION (30 X 48 SIDE ENTRY PLATFORM)</b> | A   |
| 1    | 0940092     | 4          | Bumper, Pad (Corner)                                      |     |
| 2    | 0940094     | 9 ft/2.7m  | Bumper, Pad (Square Tubing)                               |     |
| 3    | 0940131     | 1          | Bumper, Rail  |     |
| 4    | 0641516     | 2          | Bolt 5/16in-18NC x 2in                                    |     |
| 5    | 4751500     | 2          | Flatwasher 5/16in   |     |
| 6    | 3311505     | 2          | Locknut 5/16in-18NC                                       |     |
| 7    | 0641813     | 4          | Bolt 1/2in-13NC x 1 5/8in                                 |     |
| 8    | 3311805     | 4          | Locknut 1/2in-13NC  |     |
| 9    | 4891800     | 4          | Flatwasher 1/2in Hardened                                 |     |
| 10   | 4420068     | 30 ft/9.1m | Tape  |     |

Go to Discount-Equipment.com to order your parts

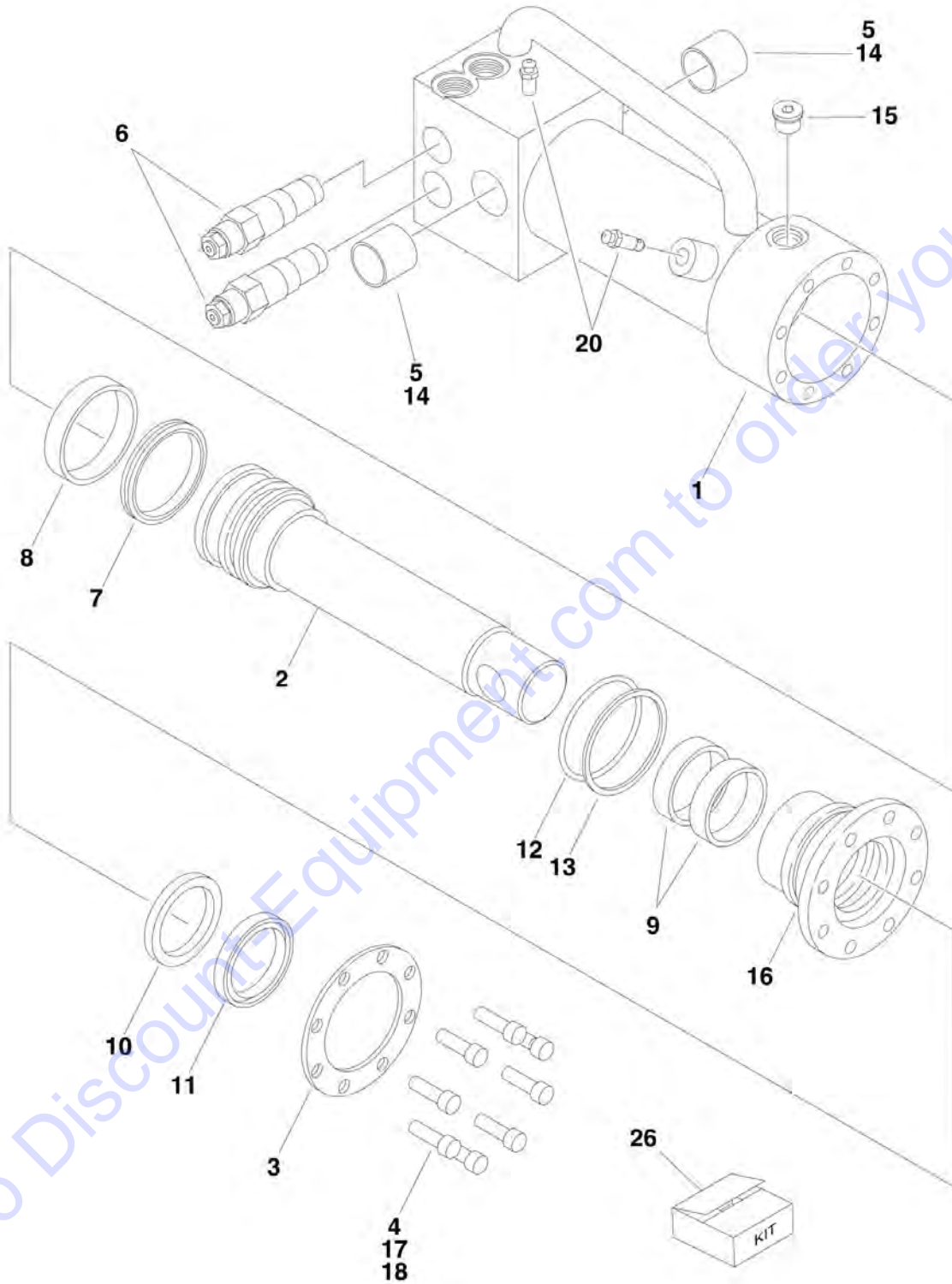


**SECTION 5 - CYLINDER**

Go to [Discount-Equipment.com](http://Discount-Equipment.com) to order your parts

# SECTION 5 - CYLINDER

FIGURE 5-1. AXLE LOCKOUT CYLINDER ASSEMBLY (SN 0300069000 through 0300081835)





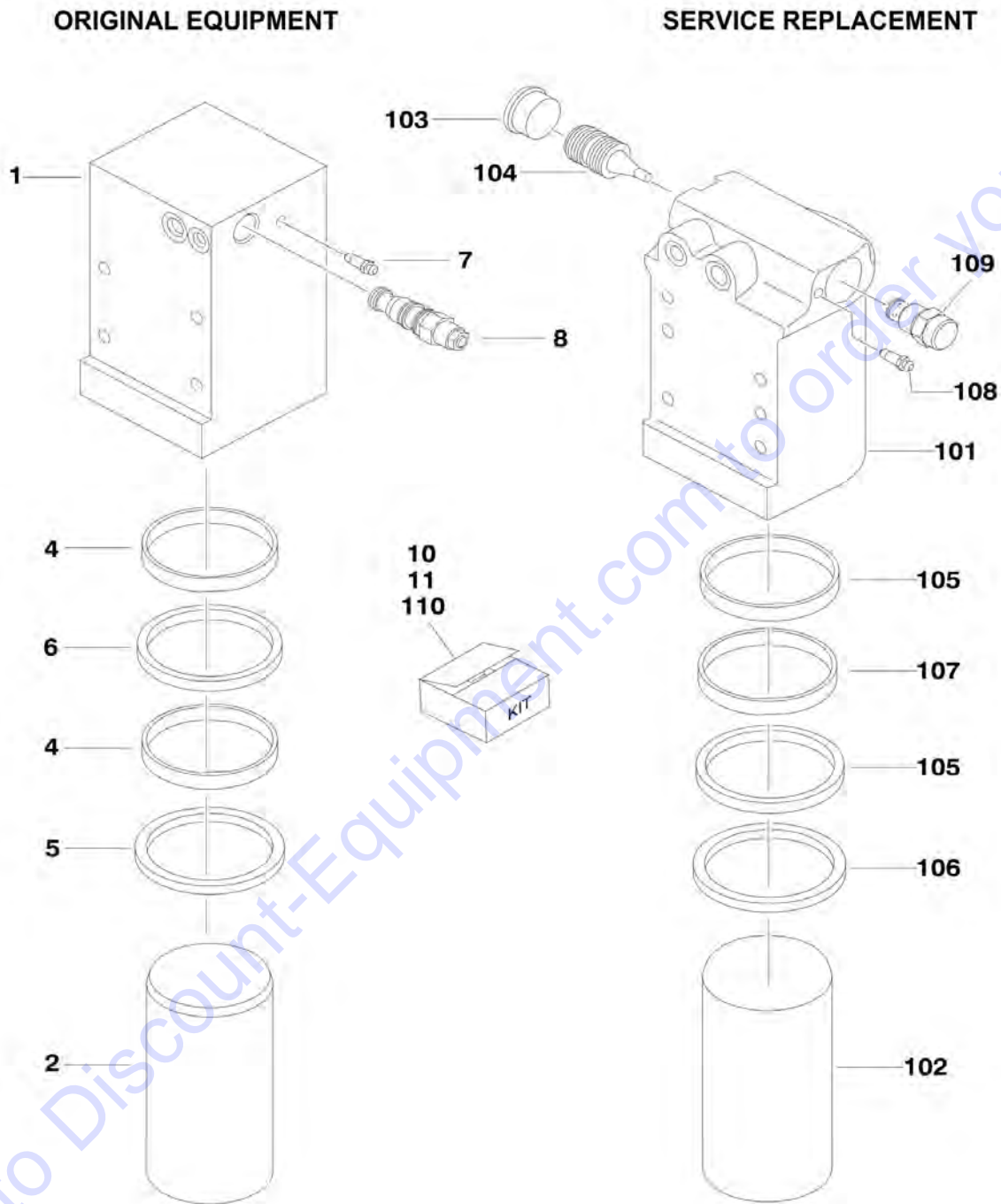
## SECTION 5 - CYLINDER

**FIGURE 5-1. AXLE LOCKOUT CYLINDER ASSEMBLY (SN 0300069000 through 0300081835)**

| ITEM | PART NUMBER | QTY | DESCRIPTION                           | REV |
|------|-------------|-----|---------------------------------------|-----|
|      | 1683280     | Ref | <b>AXLE LOCKOUT CYLINDER ASSEMBLY</b> | 6-D |
| 1    | 1683281     | 1   | Barrel Weldment                       |     |
| 2    | 1683283     | 1   | Rod Weldment                          |     |
| 3    | 3760369     | 1   | Ring, Washer                          |     |
| 4    | 0681610     | 8   | Bolt 3/8in-16NC x 1-1/4in (Grade 8)   |     |
| 5    | 0962474     | 4   | Bushing                               |     |
| 6    | 4641162     | 2   | Valve, Cartridge                      |     |
| 6    | 2900770     | 1   | Seal Kit - 4640525 Valve              |     |
| 7    | See Note    | NSS | Seal (Note: Use Item 26)              |     |
| 8    | See Note    | NSS | Ring, Wear (Note: Use Item 26)        |     |
| 9    | See Note    | NSS | Ring, Wear (Note: Use Item 26)        |     |
| 10   | See Note    | NSS | Seal, Rod (Note: Use Item 26)         |     |
| 11   | See Note    | NSS | Wiper, Rod (Note: Use Item 26)        |     |
| 12   | See Note    | NSS | O-Ring (Note: Use Item 26)            |     |
| 13   | See Note    | NSS | Ring, Back-up (Note: Use Item 26)     |     |
| 14   | 0100063     | AR  | Adhesive                              |     |
| 15   | 2220885     | 1   | Plug, O-Ring                          |     |
| 16   | 1683057     | 1   | Head                                  |     |
| 17   | 0100011     | AR  | Compound, Locking                     |     |
| 18   | 0100038     | AR  | Primer, Locking                       |     |
| 20   | 4640858     | 2   | Valve, Bleeder                        |     |
| 26   | 2901321     | 1   | Seal Kit (Includes Items 7-13)        |     |

# SECTION 5 - CYLINDER

FIGURE 5-2. AXLE LOCKOUT CYLINDER ASSEMBLY (SN 0300081836 through 0300087000)



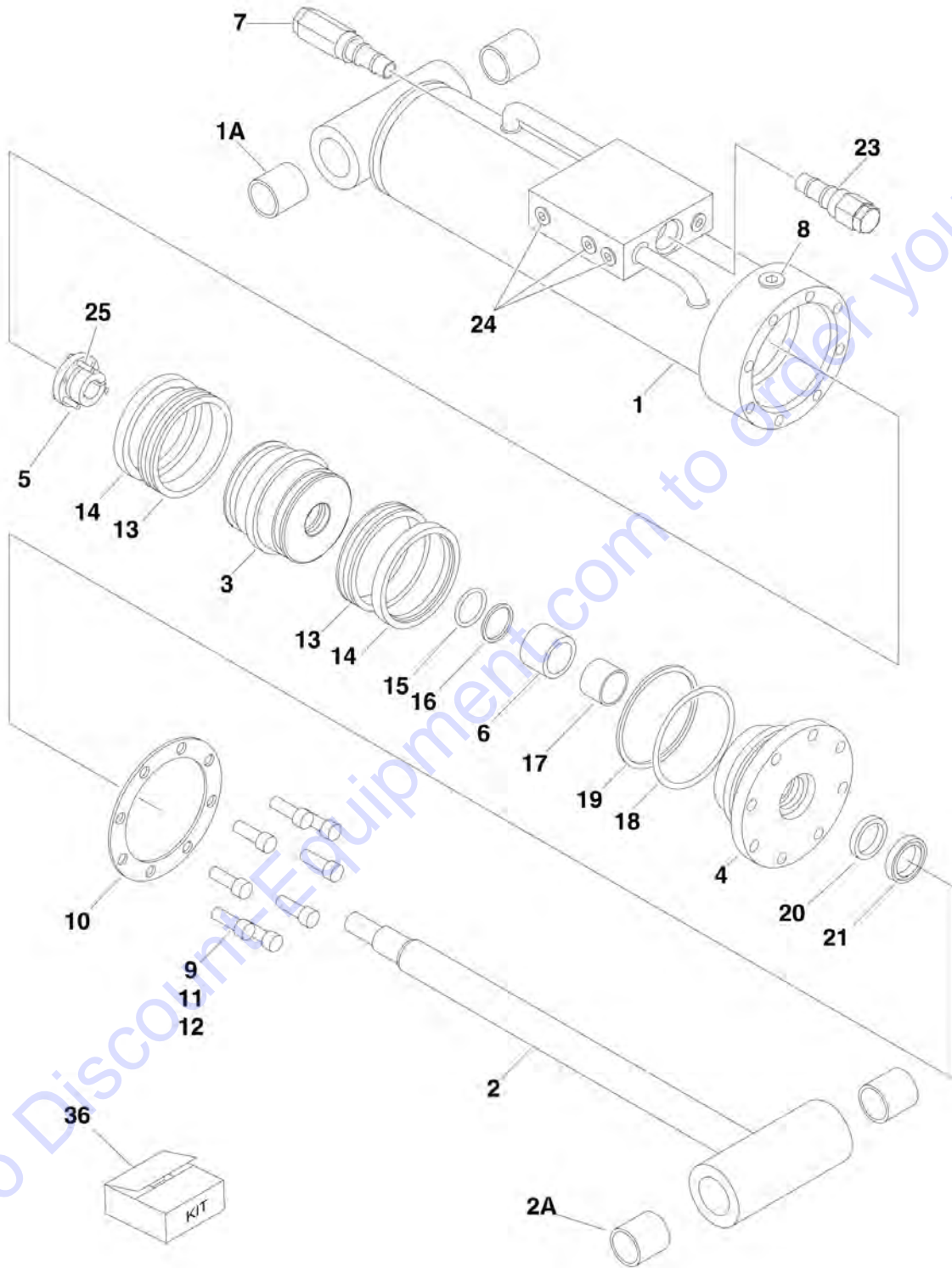
## SECTION 5 - CYLINDER

**FIGURE 5-2. AXLE LOCKOUT CYLINDER ASSEMBLY (SN 0300081836 through 0300087000)**

| ITEM | PART NUMBER | QTY | DESCRIPTION   | REV |
|------|-------------|-----|---|-----|
|      | 1684280     | Ref | <b>AXLE LOCKOUT CYLINDER ASSEMBLY</b>   | G   |
|      |             | Ref | <b>Note: Original Equipment components may have been replaced with Service Replacement components part. Identify p/n stamped on cylinder before ordering parts.</b> |     |
| 1    | 1684289     | 1   | Barrel  |     |
| 2    | 1684290     | 1   | Rod   |     |
| 4    | See Note    | NSS | Ring, Wear (Note: Use Item 16)  |     |
| 5    | See Note    | NSS | Wiper (Note: Use Item 16)   |     |
| 6    | See Note    | NSS | Seal, Rod (Note: Use Item 16)   |     |
| 7    | 4640858     | 1   | Bleeder   |     |
| 8    | 4641319     | 1   | Cartridge, Valve  |     |
| 8    | 7024879     | 1   | Seal Kit  |     |
| 10   | 2902266     | 1   | Seal Kit (Includes Items 4-6)   |     |
| 11   | 1001167359  | 1   | Cylinder Replacement Kit (Kit Replaces p/n 1684280 with Current Design)   |     |
|      | 1684465     | Ref | <b>AXLE LOCKOUT CYLINDER ASSEMBLY (SERVICE REPLACEMENT)</b>   | J   |
|      |             | Ref | <b>Note: Original Equipment components may have been replaced with Service Replacement components part. Identify p/n stamped on cylinder before ordering parts.</b> |     |
| 101  | 0370026     | 1   | Barrel  |     |
| 102  | 1684290     | 1   | Rod   |     |
| 103  | 2220890     | 1   | Plug  |     |
| 104  | 3480288     | 1   | Piston, Pilot   |     |
| 105  | See Note    | 1   | Ring, Wear (Note: Use Item 110)   |     |
| 106  | See Note    | 1   | Wiper (Note: Use Item 110)  |     |
| 107  | See Note    | 1   | Seal, Rod (Note: Use Item 110)  |     |
| 108  | 4640858     | 1   | Bleeder   |     |
| 109  | 4641390     | 1   | Cartridge, Valve  |     |
| 109  | 7017496     | 1   | Seal Kit  |     |
| 110  | 2902266     | 1   | Seal Kit (Includes Items 104-106)   |     |

# SECTION 5 - CYLINDER

FIGURE 5-3. PLATFORM LEVEL CYLINDER ASSEMBLY (ORIGINAL EQUIPMENT)



## SECTION 5 - CYLINDER

**FIGURE 5-3. PLATFORM LEVEL CYLINDER ASSEMBLY (ORIGINAL EQUIPMENT)**

| ITEM | PART NUMBER | QTY | DESCRIPTION   | REV |
|------|-------------|-----|---|-----|
|      | 1683415     | Ref | <b>PLATFORM LEVEL CYLINDER ASSEMBLY - 600A</b>  | C   |
|      | 1683418     | Ref | <b>PLATFORM LEVEL CYLINDER ASSEMBLY - 600AJ</b>   | D   |
|      |             | Ref | <b>Note: Original Cylinder may have been replaced with Service Replacement. Identify PN Stamped on Cylinder Before Ordering Parts</b> |     |
| 1    |             | Ref | Barrel Weldment Options:  |     |
| 1    | 1683977     | 1   | Barrel Weldment 600A (Note: Includes Item 1A)   |     |
| 1    | 1683952     | 1   | Barrel Weldment 600AJ (Note: Item 1A not included. Purchase Separately)   |     |
| 1A   |             | Ref | Bushing Options:  |     |
| 1A   | 0961947     | 2   | 600A  |     |
| 1A   | 0961951     | 2   | 600AJ   |     |
| 2    |             | Ref | Rod Weldment Options:   |     |
| 2    | 1683976     | 1   | Rod Weldment 600A (Note: Includes Item 2A)  |     |
| 2    | 1683963     | 1   | Rod Weldment 600AJ (Note: Item 2A not included. Purchase Separately)  |     |
| 2A   |             | Ref | Bushing Options:  |     |
| 2A   | 0961947     | 2   | 600A  |     |
| 2A   | 0961951     | 2   | 600AJ   |     |
| 3    |             | Ref | Piston Options:   |     |
| 3    | 3480210     | 1   | Piston 600A   |     |
| 3    | 3480188     | 1   | Piston 600AJ  |     |
| 4    |             | Ref | Head Options:   |     |
| 4    | 1683053     | 1   | Head 600A   |     |
| 4    | 1683055     | 1   | Head 600AJ  |     |
| 5    |             | Ref | Bushing, Tapered (Includes Item 25) Options:  |     |
| 5    | 0961893     | 1   | Bushing, Tapered 600A   |     |
| 5    | 0961894     | 1   | Bushing, Tapered 600AJ  |     |
| 6    | 4566468     | 1   | Spacer  |     |
| 7    | 4640509     | 1   | Cartridge, Valve  |     |
| 7    | 2900792     | 1   | Seal Kit - 4640509 Valve  |     |
| 8    | 2220885     | 1   | Plug, O-Ring  |     |
| 9    |             | Ref | Capscrew, Socket Head Options:  |     |
| 9    | 3931516     | 8   | 600A - Capscrew 5/16in-18NC x 1in   |     |
| 9    | 3931620     | 8   | 600AJ - Capscrew 3/8in-16NC x 1-1/4in   |     |
| 10   |             | Ref | Ring, Washer Options:   |     |
| 10   | 3760368     | 1   | Ring, Washer 600A   |     |
| 10   | 3760369     | 1   | Ring, Washer 600AJ  |     |
| 11   | 0100011     | AR  | Compound, Locking   |     |
| 12   | 0100038     | AR  | Primer, Locking   |     |
| 13   | See Note    | 2   | Seal (Note: Use Item 36)  |     |
| 14   | See Note    | 2   | Ring, Lock (Note: Use Item 36)  |     |
| 15   | See Note    | 1   | O-Ring (Note: Use Item 36)  |     |
| 16   | See Note    | 1   | Ring, Back-up (Note: Use Item 36)   |     |
| 17   | See Note    | 1   | Ring, Wear (Note: Use Item 36)  |     |
| 18   | See Note    | 1   | O-Ring (Note: Use Item 36)  |     |
| 19   | See Note    | 1   | Ring, Back-up (Note: Use Item 36)   |     |
| 20   | See Note    | 1   | Seal, Rod (Note: Use Item 36)   |     |
| 21   | See Note    | 1   | Wiper (Note: Use Item 36)   |     |
| 23   | 4640932     | 1   | Cartridge, Valve  |     |

## SECTION 5 - CYLINDER

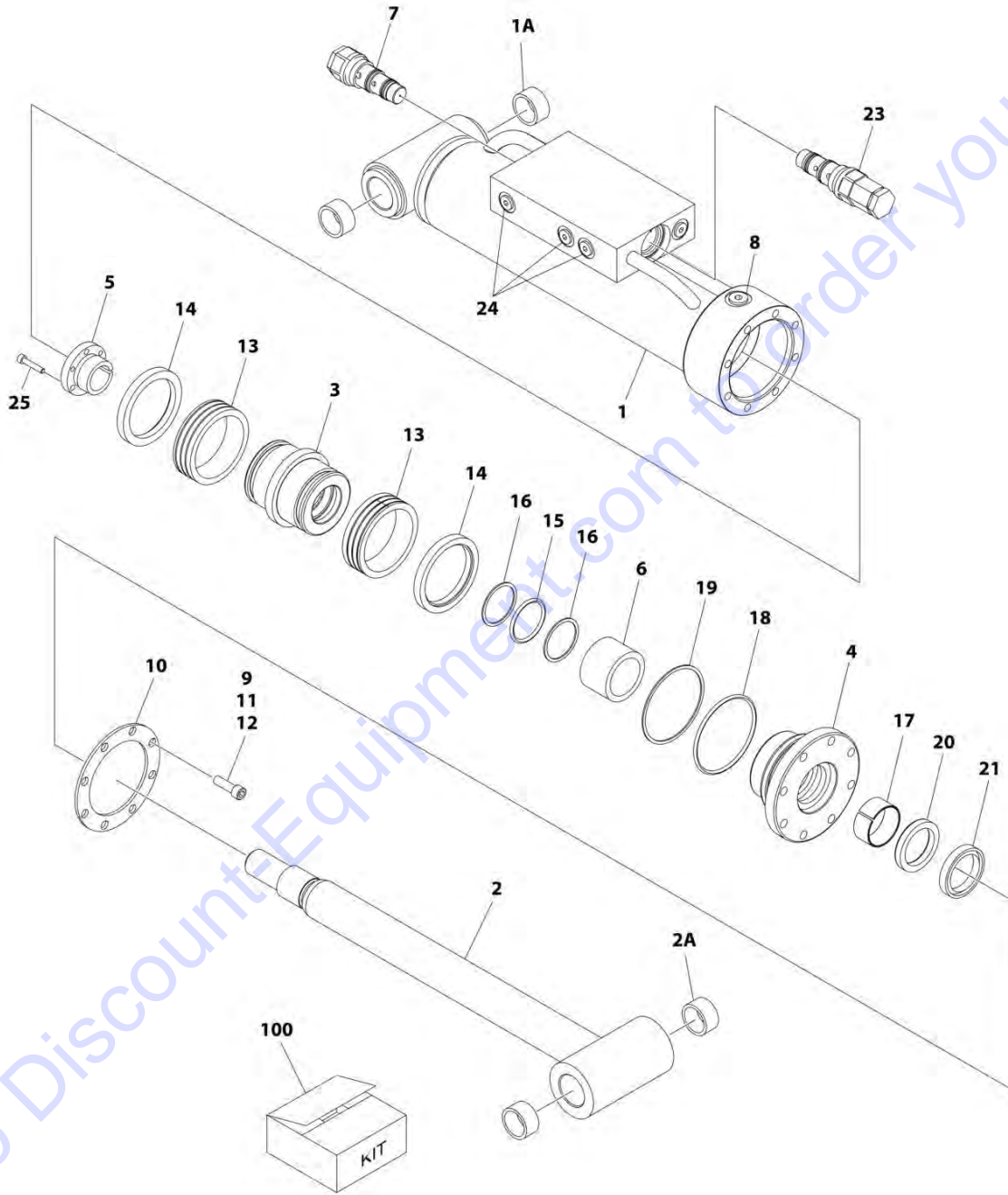
| ITEM | PART NUMBER | QTY | DESCRIPTION                              | REV |
|------|-------------|-----|--|-----|
| 23   | 7011112     | 1   | Seal Kit - 4640932 Valve                 |     |
| 24   | 2220883     | 8   | Plug, O-Ring                             |     |
| 25   |             | Ref | Bolt Options:                            |     |
| 25   | 0630534     | 3   | 600A - Bolt #10 - 24NC x 1in             |     |
| 25   | 0630535     | 3   | 600AJ - Bolt 1/4in - 20NC x 1-1/8in      |     |
| 36   |             | Ref | Seal Kit Options (Includes Items 13-21): |     |
| 36   | 2901303     | 1   | Seal Kit 600A                            |     |
| 36   | 2901301     | 1   | Seal Kit 600AJ                           |     |

Go to Discount-Equipment.com to order your parts



# SECTION 5 - CYLINDER

FIGURE 5-4. LEVEL CYLINDER ASSEMBLY - PLATFORM SLAVE (600A) (SERVICE REPLACEMENT)



ART\_1001223512



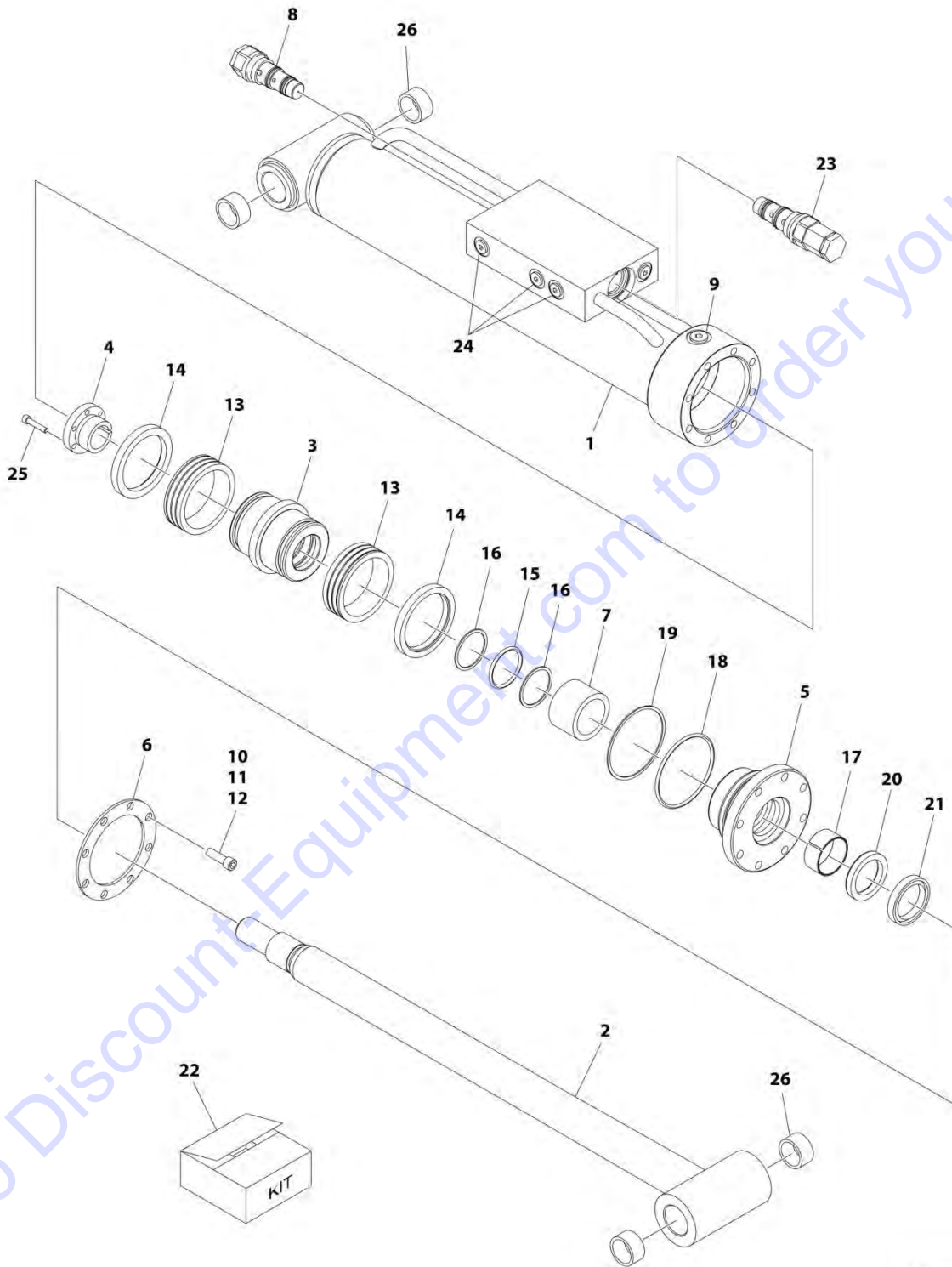
## SECTION 5 - CYLINDER

**FIGURE 5-4. LEVEL CYLINDER ASSEMBLY - PLATFORM SLAVE (600A) (SERVICE REPLACEMENT)**

| ITEM | PART NUMBER | QTY | DESCRIPTION   | REV |
|------|-------------|-----|---|-----|
|      | 1001223512  | Ref | LEVEL CYLINDER ASSEMBLY   | A   |
|      |             | Ref | Note: Original Cylinder may have been replaced with Service Replacement. Identify PN Stamped on Cylinder Before Ordering Parts. |     |
| 1    | 1001223511  | 1   | Barrel  |     |
| 1A   | 0961947     | 2   | Bushing   |     |
| 2    | 1683976     | 1   | Rod   |     |
| 2A   | 0961947     | 2   | Bushing   |     |
| 3    | 3480210     | 1   | Piston  |     |
| 4    | 1683053     | 1   | Head  |     |
| 5    | 0961893     | 1   | Bushing, Tapered  |     |
| 6    | 4566468     | 1   | Spacer  |     |
| 7    | 4640509     | 1   | Cartridge, Valve  |     |
| 7    | 2900792     | 1   | Seal Kit - 4640509 Valve  |     |
| 8    | 2220885     | 1   | Plug, O-Ring  |     |
| 9    | 3931516     | 8   | Capscrew, Socket Head   |     |
| 10   | 3760368     | 1   | Ring, Washer  |     |
| 11   | 0100011     | AR  | Compound, Locking   |     |
| 12   | 0100038     | AR  | Primer, Locking   |     |
| 13   | See Note    | NSS | Seal (Note: Use Item 100)   |     |
| 14   | See Note    | NSS | Ring, Lock (Note: Use Item 100)   |     |
| 15   | See Note    | NSS | O-Ring (Note: Use Item 100)   |     |
| 16   | See Note    | NSS | Ring, Back-up (Note: Use Item 100)  |     |
| 17   | See Note    | NSS | Ring, Wear (Note: Use Item 100)   |     |
| 18   | See Note    | NSS | O-Ring (Note: Use Item 100)   |     |
| 19   | See Note    | NSS | Ring, Back-up (Note: Use Item 100)  |     |
| 20   | See Note    | NSS | Seal, Rod (Note: Use Item 100)  |     |
| 21   | See Note    | NSS | Wiper (Note: Use Item 100)  |     |
| 23   | 4640932     | 1   | Cartridge, Valve  |     |
| 23   | 7011112     | 1   | Seal Kit - 4640932 Valve  |     |
| 24   | 2220883     | 8   | Plug, O-Ring  |     |
| 25   | 0630534     | 3   | Bolt #10 x 1  |     |
| 100  | 2901303     | 1   | Seal Kit (Includes Items 13-21)   |     |

# SECTION 5 - CYLINDER

## FIGURE 5-5. LEVEL CYLINDER ASSEMBLY - PLATFORM SLAVE (600AJ) (SERVICE REPLACEMENT)



ART\_1001223331

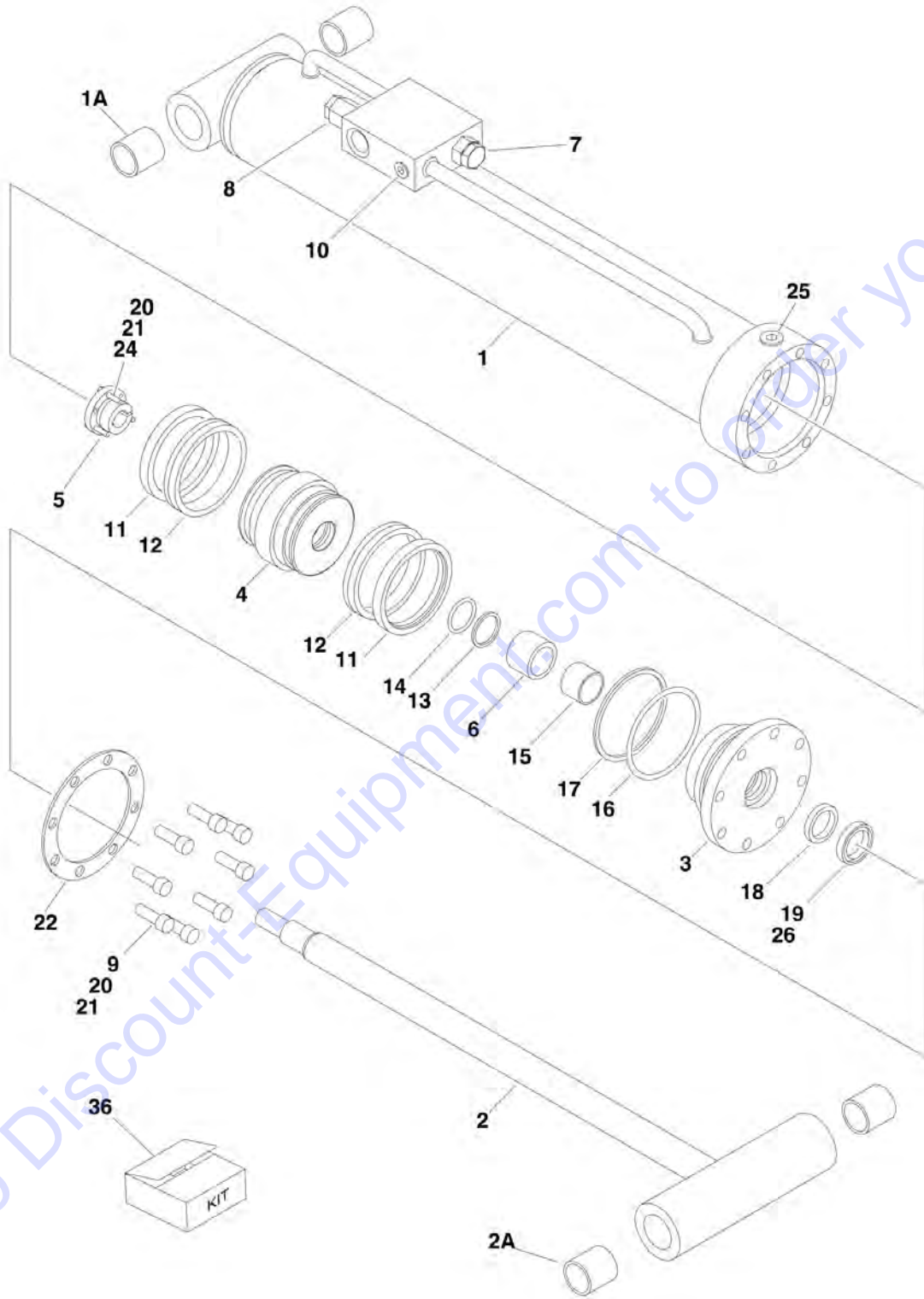
## SECTION 5 - CYLINDER

**FIGURE 5-5. LEVEL CYLINDER ASSEMBLY - PLATFORM SLAVE (600AJ) (SERVICE REPLACEMENT)**

| ITEM | PART NUMBER | QTY | DESCRIPTION   | REV |
|------|-------------|-----|---|-----|
|      | 1001223331  | Ref | LEVEL CYLINDER ASSEMBLY   | B   |
|      |             | Ref | Note: Original Cylinder may have been replaced with Service Replacement. Identify PN Stamped on Cylinder Before Ordering Parts. |     |
| 1    | 1001223332  | 1   | Barrel  |     |
| 2    | 1683963     | 1   | Rod   |     |
| 3    | 3480188     | 1   | Head  |     |
| 4    | 0961894     | 1   | Bushing, Tapered  |     |
| 5    | 1683055     | 1   | Head  |     |
| 6    | 3760369     | 1   | Ring, Washer  |     |
| 7    | 4566468     | 1   | Spacer  |     |
| 8    | 4640509     | 1   | Cartridge, Valve  |     |
| 8    | 2900792     | 1   | Seal Kit - 4640509 Valve  |     |
| 9    | 2220885     | 1   | Plug  |     |
| 10   | 3931620     | 8   | Capscrew 3/8 x 1-1/4  |     |
| 11   | 0100011     | AR  | Compound, Locking   |     |
| 12   | 0100038     | AR  | Primer, Locking   |     |
| 13   | See Note    | NSS | Seal (Note: Use Item 22)  |     |
| 14   | See Note    | NSS | Ring, Lock (Note: Use Item 22)  |     |
| 15   | See Note    | NSS | O-Ring (Note: Use Item 22)  |     |
| 16   | See Note    | NSS | Ring, Back-up (Note: Use Item 22)   |     |
| 17   | See Note    | NSS | Ring, Wear (Note: Use Item 22)  |     |
| 18   | See Note    | NSS | O-Ring (Note: Use Item 22)  |     |
| 19   | See Note    | NSS | Ring, Back-up (Note: Use Item 22)   |     |
| 20   | See Note    | NSS | Seal (Note: Use Item 22)  |     |
| 21   | See Note    | NSS | Wiper (Note: Use Item 22)   |     |
| 22   | 2901301     | 1   | Seal Kit (Includes Items 13-21)   |     |
| 23   | 4640932     | 1   | Cartridge, Valve  |     |
| 23   | 7011112     | 1   | Seal Kit - 4640932 Valve  |     |
| 24   | 2220883     | 8   | Plug  |     |
| 25   | 0630535     | 3   | Bolt 1/4 x 1-1/8  |     |
| 26   | 0961951     | 4   | Bushing   |     |

# SECTION 5 - CYLINDER

## FIGURE 5-6. LEVEL CYLINDER ASSEMBLY - UPRIGHT



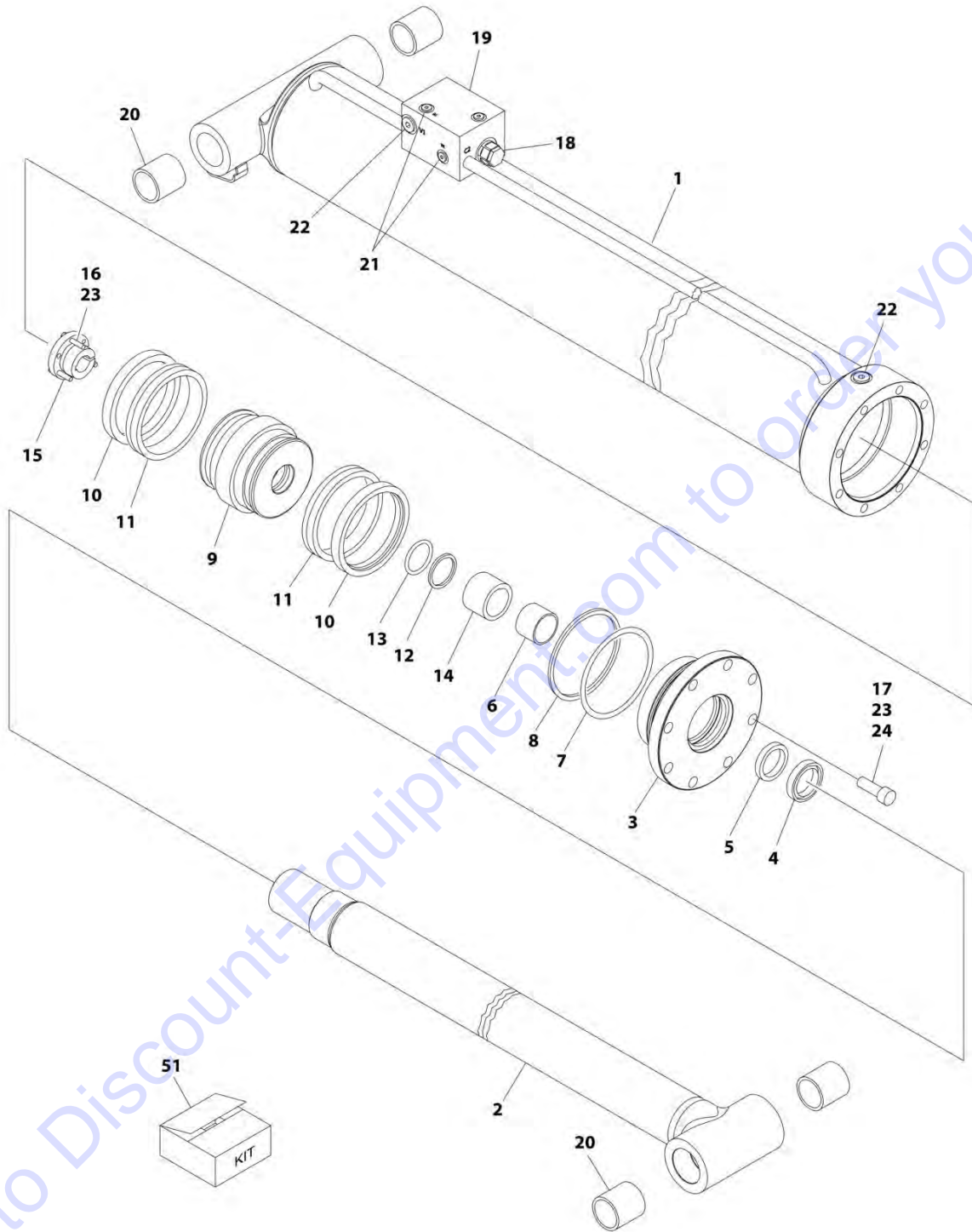
## SECTION 5 - CYLINDER

### FIGURE 5-6. LEVEL CYLINDER ASSEMBLY - UPRIGHT

| ITEM | PART NUMBER | QTY | DESCRIPTION   | REV |
|------|-------------|-----|---|-----|
|      |             | Ref | <b>LEVEL CYLINDER ASSEMBLY - UPRIGHT OPTIONS:</b>   |     |
|      | 1683299     | Ref | <b>Original Equipment</b>   | F   |
|      | 1684498     | Ref | <b>Service Replacement</b>  | C   |
|      |             | Ref | <b>Note: Original Equipment components may have been replaced with Service Replacement components part. Identify p/n stamped on cylinder before ordering parts.</b> |     |
| 1    |             | Ref | Barrel Weldment   |     |
| 1    | 1684014     | NLA | Original Equipment (Use p/n 0370035)  |     |
| 1    | 0370035     | 1   | Service Replacement   |     |
| 1A   | 0961949     | 2   | Bushing   |     |
| 2    | 1684015     | 1   | Rod Weldment  |     |
| 2A   | 0961949     | 2   | Bushing   |     |
| 3    | 1683067     | 1   | Head  |     |
| 4    | 3480206     | 1   | Piston  |     |
| 5    | 0961898     | 1   | Bushing, Tapered (Use item #24 in place of supplied bolts)  |     |
| 6    | 4566501     | 1   | Spacer, Tube  |     |
| 7    | 4640509     | 1   | Cartridge, Valve  |     |
| 7    | 2900792     | 1   | Seal Kit - 4640509 Valve  |     |
| 8    | 4640605     | 1   | Cartridge, Valve  |     |
| 8    | 2900792     | 1   | Seal Kit - 4640605 Valve  |     |
| 9    | 3932032     | 8   | Bolt, Socket Head 5/16in-11NC x 2in   |     |
| 10   | 2220883     | 2   | Plug, O-Ring  |     |
| 11   | See Note    | NSS | Ring, Lock (Note: Use Item 36)  |     |
| 12   | See Note    | NSS | Seal, Hydrolock (Note: Use Item 36)   |     |
| 13   | See Note    | NSS | O-Ring (Note: Use Item 36)  |     |
| 14   | See Note    | NSS | Ring, Back-up (Note: Use Item 36)   |     |
| 15   | See Note    | NSS | Ring, Wear (Note: Use Item 36)  |     |
| 16   | See Note    | NSS | O-Ring (Note: Use Item 36)  |     |
| 17   | See Note    | NSS | Ring, Back-up (Note: Use Item 36)   |     |
| 18   | See Note    | NSS | Seal, Rod (Note: Use Item 36)   |     |
| 19   | See Note    | NSS | Wiper (Note: Use Item 36)   |     |
| 20   | 0100011     | AR  | Compound, Locking   |     |
| 21   | 0100038     | AR  | Primer, Locking   |     |
| 22   | 3760372     | 1   | Washer, Ring  |     |
| 24   | 0630536     | 3   | Bolt 3/8in-16NC x 1-1/2in   |     |
| 25   | 2220886     | 1   | Plug, O-Ring  |     |
| 26   | 0100063     | AR  | Adhesive  |     |
| 36   | 2901285     | 1   | Seal Kit (Includes Items 11-19)   |     |

# SECTION 5 - CYLINDER

## FIGURE 5-7. LEVEL CYLINDER ASSEMBLY - UPRIGHT (SERVICE REPLACEMENT)



ART\_1001228042

# PARTS FINDER

**Search Website  
by Part Number**



**Search Manual  
Library For Parts  
Manual & Lookup Part  
Numbers – Purchase  
or Request Quote**

**Can't Find Part or  
Manual? Request Help  
by Manufacturer,  
Model & Description**

Discount-Equipment.com is your online resource for quality parts & equipment.

Florida: **561-964-4949** Outside Florida TOLL FREE: **877-690-3101**

## Need parts?

Click on this link: <http://www.discount-equipment.com/category/5443-parts/> and choose one of the options to help get the right parts and equipment you are looking for. Please have the machine model and serial number available in order to help us get you the correct parts. If you don't find the part on the website or on one of the online manuals, please fill out the request form and one of our experienced staff members will get back to you with a quote for the right part that your machine needs.

We sell worldwide for the brands: Genie, Terex, JLG, MultiQuip, Mikasa, Essick, Whiteman, Mayco, Toro Stone, Diamond Products, Generac Magnum, Airman, Haulotte, Barreto, Power Blanket, Nifty Lift, Atlas Copco, Chicago Pneumatic, Allmand, Miller Curber, Skyjack, Lull, Skytrak, Tsurumi, Husquvarna Target, Stow, Wacker, Sakai, Mi-T-M, Sullair, Basic, Dynapac, MBW, Weber, Bartell, Bennar Newman, Haulotte, Ditch Runner, Menegotti, Morrison, Contec, Buddy, Crown, Edco, Wyco, Bomag, Laymor, EZ Trench, Bil-Jax, F.S. Curtis, Gehl Pavers, Heli, Honda, ICS/PowerGrit, IHI, Partner, Imer, Clipper, MMD, Koshin, Rice, CH&E, General Equipment, Amida, Coleman, NAC, Gradall, Square Shooter, Kent, Stanley, Tamco, Toku, Hatz, Kohler, Robin, Wisconsin, Northrock, Oztec, Toker TK, Rol-Air, APT, Wylie, Ingersoll Rand / Doosan, Innovatech, Con X, Ammann, Mecalac, Makinex, Smith Surface Prep, Small Line, Wanco, Yanmar

## SECTION 5 - CYLINDER

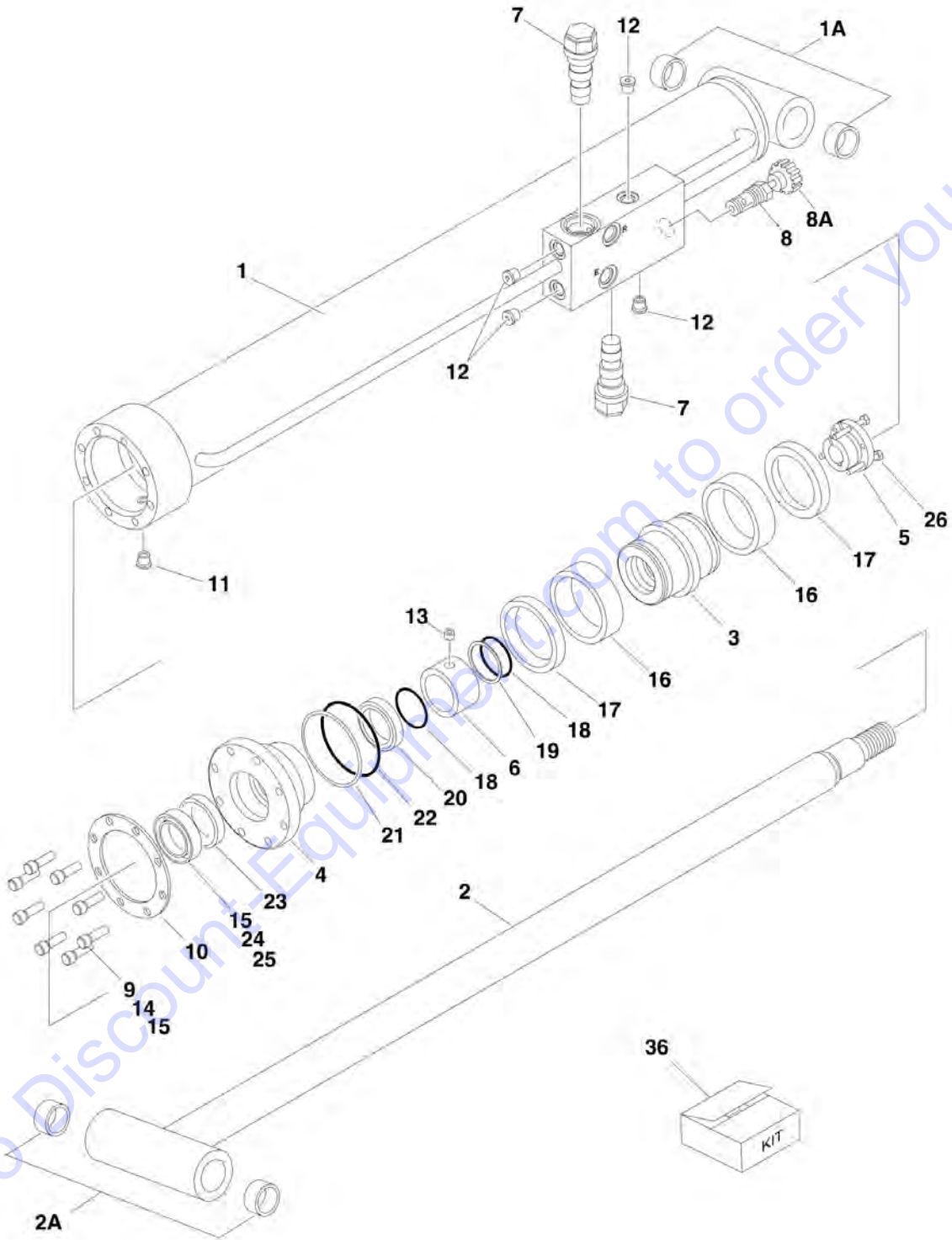
**FIGURE 5-7. LEVEL CYLINDER ASSEMBLY - UPRIGHT (SERVICE REPLACEMENT)**

| ITEM | PART NUMBER | QTY | DESCRIPTION  | REV |
|------|-------------|-----|--|-----|
|      | 1001228042  | Ref | UPRIGHT LEVEL CYLINDER ASSEMBLY  | D   |
|      |             | Ref | Note: Original Equipment components may have been replaced with Service Replacement components part. Identify p/n stamped on cylinder before ordering parts. |     |
| 1    | See Note    | NSS | Barrel (Note: Not Available for Purchase)  |     |
| 2    | 70006489    | 1   | Rod  |     |
| 3    | 70006488    | 1   | Head   |     |
| 4    | See Note    | NSS | Wiper (Note: Use Item 51)  |     |
| 5    | See Note    | NSS | Seal, Rod (Note: Use Item 51)  |     |
| 6    | See Note    | NSS | Ring, Wear (Note: Use Item 51)   |     |
| 7    | See Note    | NSS | O-Ring (Note: Use Item 51)   |     |
| 8    | See Note    | NSS | Ring, Back-up (Note: Use Item 51)  |     |
| 9    | 70006487    | 1   | Piston   |     |
| 10   | See Note    | NSS | Ring, Lock (Note: Use Item 51)   |     |
| 11   | See Note    | NSS | Seal, Hydrolock (Note: Use Item 51)  |     |
| 12   | See Note    | NSS | O-Ring (Note: Use Item 51)   |     |
| 13   | See Note    | NSS | Ring, Back-up (Note: Use Item 51)  |     |
| 14   | 70006486    | 1   | Spacer, Tube   |     |
| 15   | 0961898     | 1   | Bushing, Tapered (Use Item #16 in place of supplied bolts)   |     |
| 16   | 0630536     | 3   | Bolt 3/8 x 1-1/2   |     |
| 17   | 3932032     | 8   | Bolt, Socket Head 5/16 x 2   |     |
| 18   | 4640509     | 1   | Cartridge, Valve   |     |
| 18   | 2900792     | 1   | Seal Kit - 4640509 Valve   |     |
| 19   | 4640605     | 1   | Cartridge, Valve   |     |
| 19   | 2900792     | 1   | Seal Kit - 4640605 Valve   |     |
| 20   | 0961949     | 4   | Bushing  |     |
| 21   | 2220883     | 5   | Plug, O-Ring   |     |
| 22   | 2220886     | AR  | Plug, O-Ring   |     |
| 23   | 0100011     | AR  | Compound, Locking  |     |
| 24   | 0100038     | AR  | Primer, Locking  |     |
| 51   | 2901285     | 1   | Seal Kit (Includes Items 4-8 & 10-13)  |     |



# SECTION 5 - CYLINDER

FIGURE 5-8. LIFT CYLINDER ASSEMBLY - ARTICULATING JIB - 600AJ



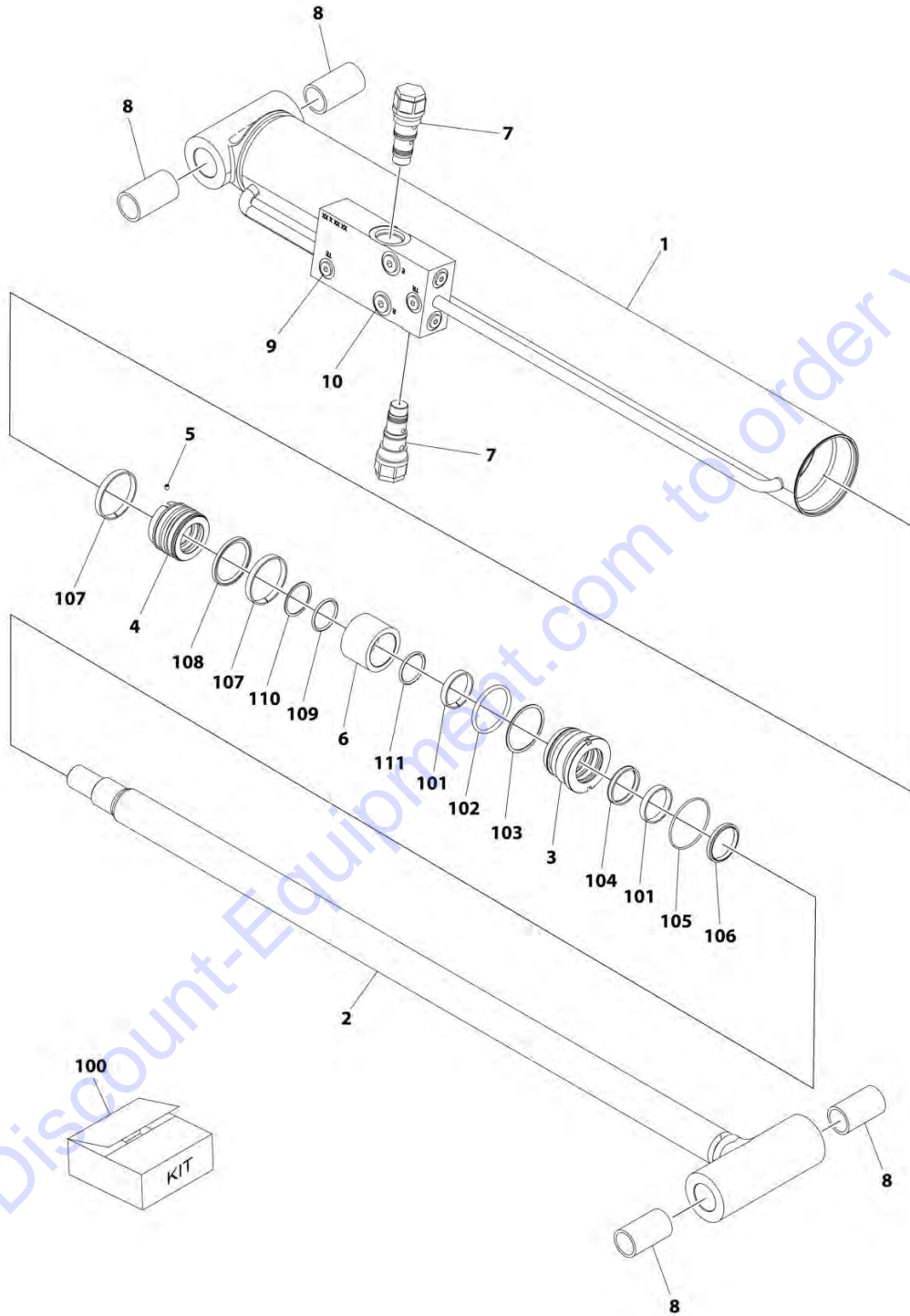
## SECTION 5 - CYLINDER

**FIGURE 5-8. LIFT CYLINDER ASSEMBLY - ARTICULATING JIB - 600AJ**

| ITEM | PART NUMBER | QTY | DESCRIPTION   | REV |
|------|-------------|-----|---|-----|
|      |             | Ref | <b>LIFT CYLINDER ASSEMBLY - 600AJ OPTIONS:</b>  |     |
|      | 1683258     | Ref | <b>Lift Cylinder Assembly (SN 0300069000 through 0300070976)</b>                      | E   |
|      | 1683609     | Ref | <b>Lift Cylinder Assembly (Original Equipment) (SN 0300070977 through 0300087000)</b> | H   |
| 1    |             | Ref | Barrel Options:   |     |
| 1    | 1684092     | 1   | Barrel <b>(SN 0300069000 through 0300070976)</b>                                      |     |
| 1    | 1684089     | 1   | Barrel <b>(SN 0300070977 through 0300087000)</b>                                      |     |
| 1A   | 0962336     | 2   | Bushing   |     |
| 2    | 1684090     | 1   | Rod   |     |
| 2A   | 0962336     | 2   | Bushing   |     |
| 3    | 3480210     | 1   | Piston  |     |
| 4    | 1683053     | 1   | Head  |     |
| 5    | 0961893     | 1   | Bushing, Tapered  |     |
| 6    |             | Ref | Spacer, Tube Options:   |     |
| 6    | 4566471     | NLA | Spacer, Tube (Use p/n 4100100)  |     |
| 6    | 4100100     | 1   | Spacer, Tube <b>(SN 0300079599 through 0300087000)</b>                                |     |
| 7    | 4640509     | 2   | Cartridge, Valve  |     |
| 7    | 2900792     | 2   | Seal Kit - 4640509 Valve  |     |
| 8    | 4640902     | 1   | Cartridge, Valve Only <b>(SN 0300069000 through 0300070977)</b>                       |     |
| 8    | 7012953     | 1   | Seal Kit - 4640902 Valve  |     |
| 8A   | 7012961     | 1   | Knob  |     |
| 9    | 3931516     | 8   | Capscrew, Socket Head 5/16in-18NC x 1in   |     |
| 10   | 3760368     | 1   | Ring, Washer  |     |
| 11   | 2220885     | 1   | Plug, O-Ring #6   |     |
| 12   | 2220883     | 4   | Plug, O-Ring #4   |     |
| 13   | 3900141     | 1   | Setscrew 1/4in-20NC x 3/8in <b>(SN 0300069000 through 0300079601)</b>                 |     |
| 14   | 0100011     | AR  | Compound, Locking   |     |
| 15   | 0100038     | AR  | Primer, Locking   |     |
| 16   | See Note    | NSS | Seal (Note: Use Item 36)  |     |
| 17   | See Note    | NSS | Ring, Lock (Note: Use Item 36)  |     |
| 18   | See Note    | NSS | O-Ring (Note: Use Item 36)  |     |
| 19   | See Note    | NSS | Ring, Back-up (Note: Use Item 36)   |     |
| 20   | See Note    | NSS | Ring, Wear (Note: Use Item 36)  |     |
| 21   | See Note    | NSS | O-Ring (Note: Use Item 36)  |     |
| 22   | See Note    | NSS | Ring, Back-up (Note: Use Item 36)   |     |
| 23   | See Note    | NSS | Seal, Rod (Note: Use Item 36)   |     |
| 24   | See Note    | NSS | Wiper (Note: Use Item 36)   |     |
| 25   | 0100063     | AR  | Adhesive  |     |
| 26   | 0630534     | 3   | Bolt #10 - 24NC x 1in   |     |
| 36   | 2901303     | 1   | Seal Kit (Includes Items 16-24)   |     |

# SECTION 5 - CYLINDER

FIGURE 5-9. LIFT CYLINDER ASSEMBLY - ARTICULATING JIB - 600AJ (SERVICE REPLACEMENT)



ART\_1001228012

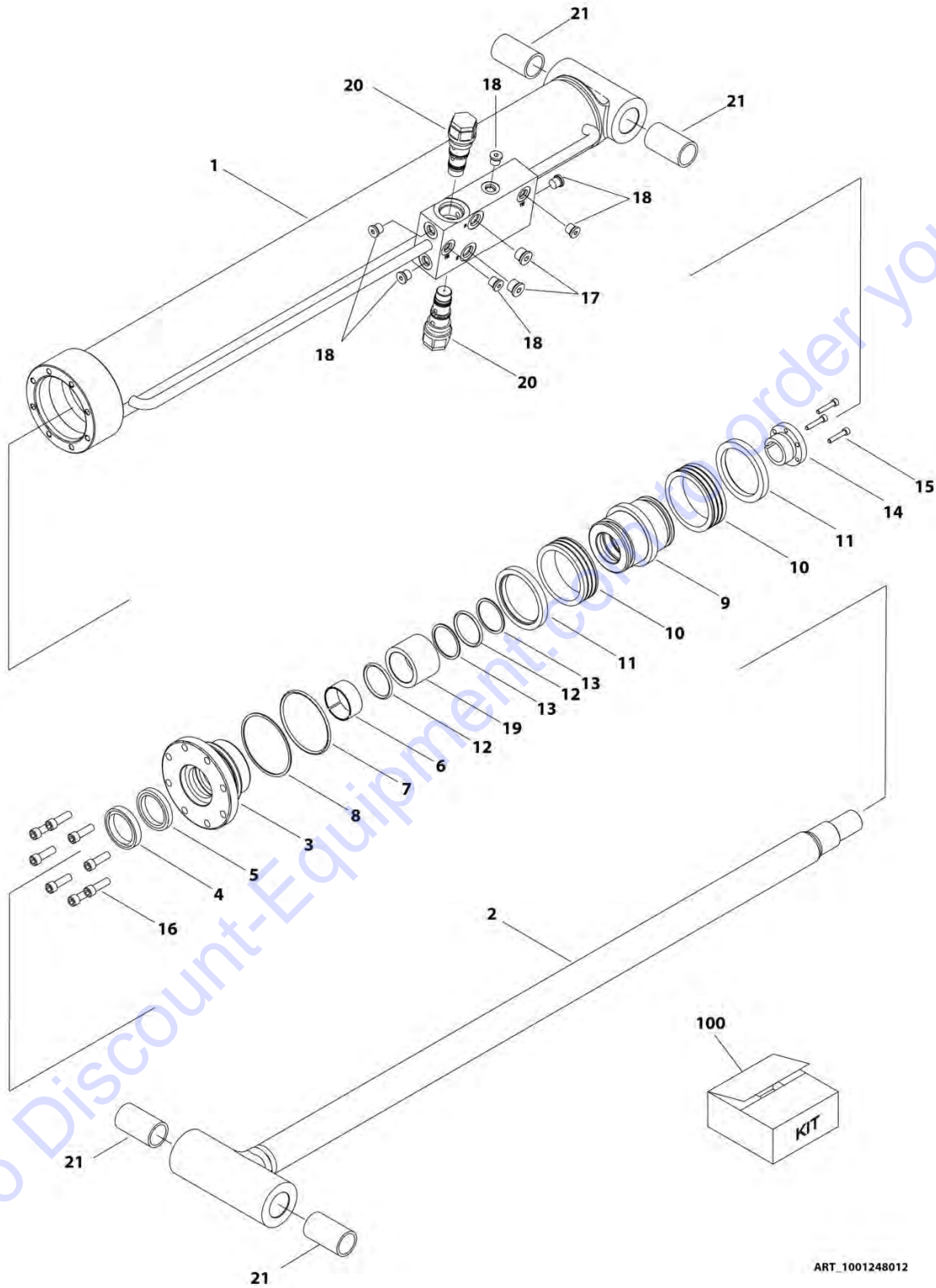
## SECTION 5 - CYLINDER

**FIGURE 5-9. LIFT CYLINDER ASSEMBLY - ARTICULATING JIB - 600AJ (SERVICE REPLACEMENT)**

| ITEM | PART NUMBER | QTY | DESCRIPTION   | REV |
|------|-------------|-----|---|-----|
|      | 1001228012  | Ref | LIFT CYLINDER ASSEMBLY - JIB  | C   |
|      |             | Ref | Note: Original Cylinder May Have Been Replaced with Service Replacement. Identify PN Stamped on Cylinder Before Ordering Parts. |     |
| 1    | See Note    | NSS | Barrel (Note: Not Available for Purchase)   |     |
| 2    | 70006572    | 1   | Rod   |     |
| 3    | 70006571    | 1   | Head  |     |
| 4    | 70006570    | 1   | Piston  |     |
| 5    | 70023915    | 1   | Screw   |     |
| 6    | 70006569    | 1   | Spacer  |     |
| 7    | 4640509     | 2   | Cartridge, Valve  |     |
| 7    | 2900792     | 2   | Seal Kit - 4640509 Valve  |     |
| 8    | 0962336     | 4   | Bushing   |     |
| 9    | 2220883     | 6   | Plug, O-Ring  |     |
| 10   | 2220885     | 2   | Plug, O-Ring  |     |
| 100  | 70006568    | 1   | Seal Kit (Includes Items 101-111)   |     |
| 101  | See Note    | NSS | Ring, Wear (Note: Use Item 100)   |     |
| 102  | See Note    | NSS | O-Ring (Note: Use Item 100)   |     |
| 103  | See Note    | NSS | Ring, Back-up (Note: Use Item 100)  |     |
| 104  | See Note    | NSS | Seal, Rod (Note: Use Item 100)  |     |
| 105  | See Note    | NSS | O-Ring (Note: Use Item 100)   |     |
| 106  | See Note    | NSS | Wiper (Note: Use Item 100)  |     |
| 107  | See Note    | NSS | Ring, Wear (Note: Use Item 100)   |     |
| 108  | See Note    | NSS | Seal (Note: Use Item 100)   |     |
| 109  | See Note    | NSS | O-Ring (Note: Use Item 100)   |     |
| 110  | See Note    | NSS | Ring, Back-up (Note: Use Item 100)  |     |
| 111  | See Note    | NSS | O-Ring (Note: Use Item 100)   |     |

# SECTION 5 - CYLINDER

FIGURE 5-10. LIFT CYLINDER ASSEMBLY - ARTICULATING JIB - 600AJ (SERVICE REPLACEMENT)



ART\_1001248012

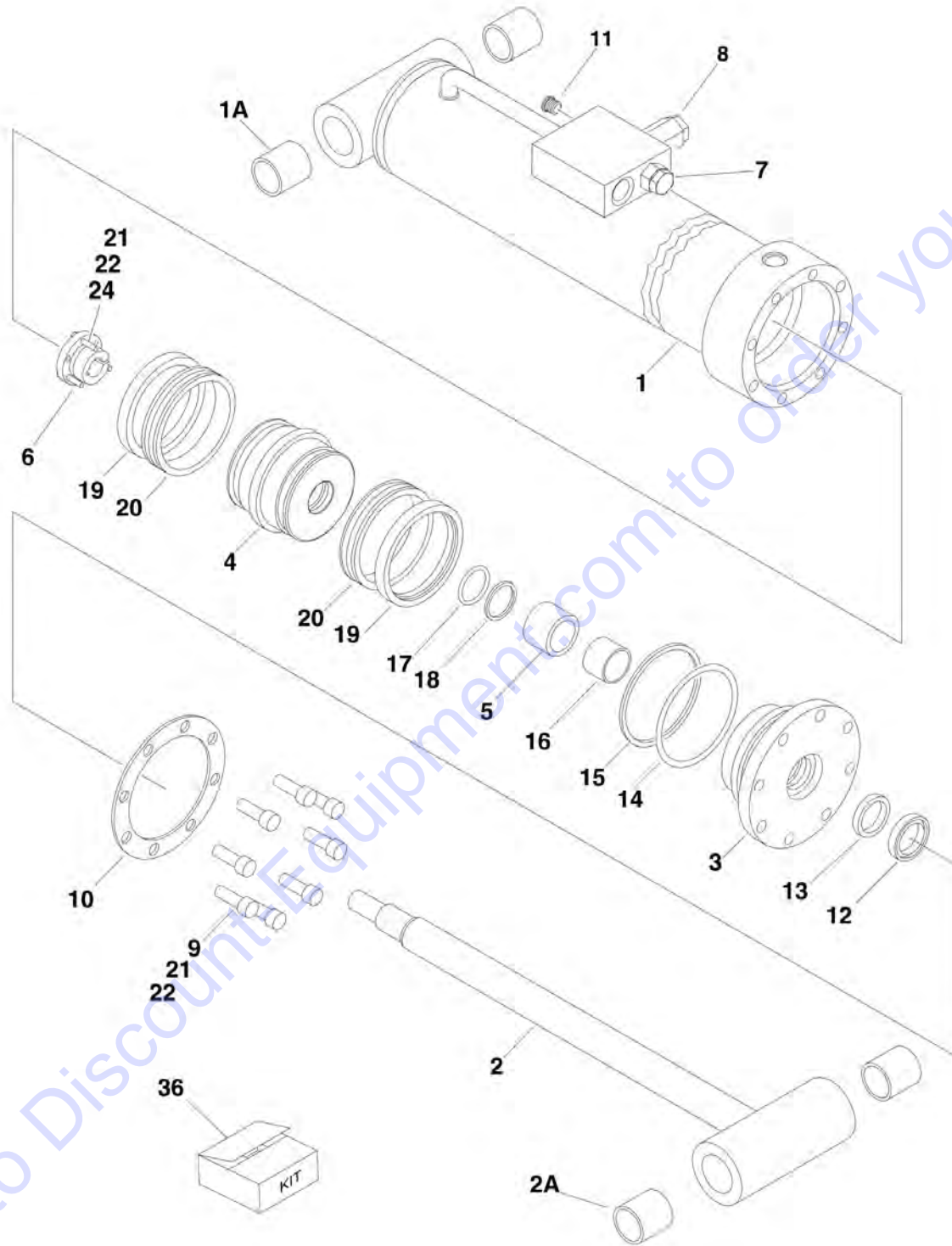
## SECTION 5 - CYLINDER

**FIGURE 5-10. LIFT CYLINDER ASSEMBLY - ARTICULATING JIB - 600AJ (SERVICE REPLACEMENT)**

| ITEM | PART NUMBER | QTY | DESCRIPTION   | REV |
|------|-------------|-----|---|-----|
|      | 1001248012  | Ref | LIFT CYLINDER ASSEMBLY - JIB  | B   |
|      |             | Ref | Note: Original Cylinder May Have Been Replaced with Service Replacement. Identify PN Stamped on Cylinder Before Ordering Parts. |     |
| 1    | See Note    | NSS | Barrel (Note: Not Available for Purchase)   |     |
| 2    | 70006734    | 1   | Rod   |     |
| 3    | 70006649    | 1   | Head  |     |
| 4    | See Note    | NSS | Wiper (Note: Use Item 100)  |     |
| 5    | See Note    | NSS | Seal, Rod (Note: Use Item 100)  |     |
| 6    | See Note    | NSS | Ring, Wear (Note: Use Item 100)   |     |
| 7    | See Note    | NSS | O-Ring (Note: Use Item 100)   |     |
| 8    | See Note    | NSS | Ring, Back-up (Note: Use Item 100)  |     |
| 9    | 70006650    | 1   | Piston  |     |
| 10   | See Note    | NSS | Seal (Note: Use Item 100)   |     |
| 11   | See Note    | NSS | Ring, Lock (Note: Use Item 100)   |     |
| 12   | See Note    | NSS | O-Ring (Note: Use Item 100)   |     |
| 13   | See Note    | NSS | Ring, Back-up (Note: Use Item 100)  |     |
| 14   | 0961893     | 1   | Bushing, Tapered  |     |
| 15   | 0630534     | 3   | Capscrew, Socket Head #10 x 1   |     |
| 16   | 70006735    | 8   | Capscrew 5/16   |     |
| 17   | 2220885     | 2   | Plug, O-Ring  |     |
| 18   | 2220883     | 6   | Plug, O-Ring  |     |
| 19   | 70006736    | 1   | Spacer  |     |
| 20   | 4640509     | 2   | Cartridge, Valve  |     |
| 20   | 2900792     | 2   | Seal Kit - 4640509 Valve  |     |
| 21   | 0962336     | 4   | Bushing   |     |
| 100  | 1001138795  | 1   | Seal Kit (Includes Items 4-8 & 10-13)   |     |

# SECTION 5 - CYLINDER

FIGURE 5-11. LIFT CYLINDER ASSEMBLY - MAIN BOOM (ORIGINAL EQUIPMENT)



## SECTION 5 - CYLINDER

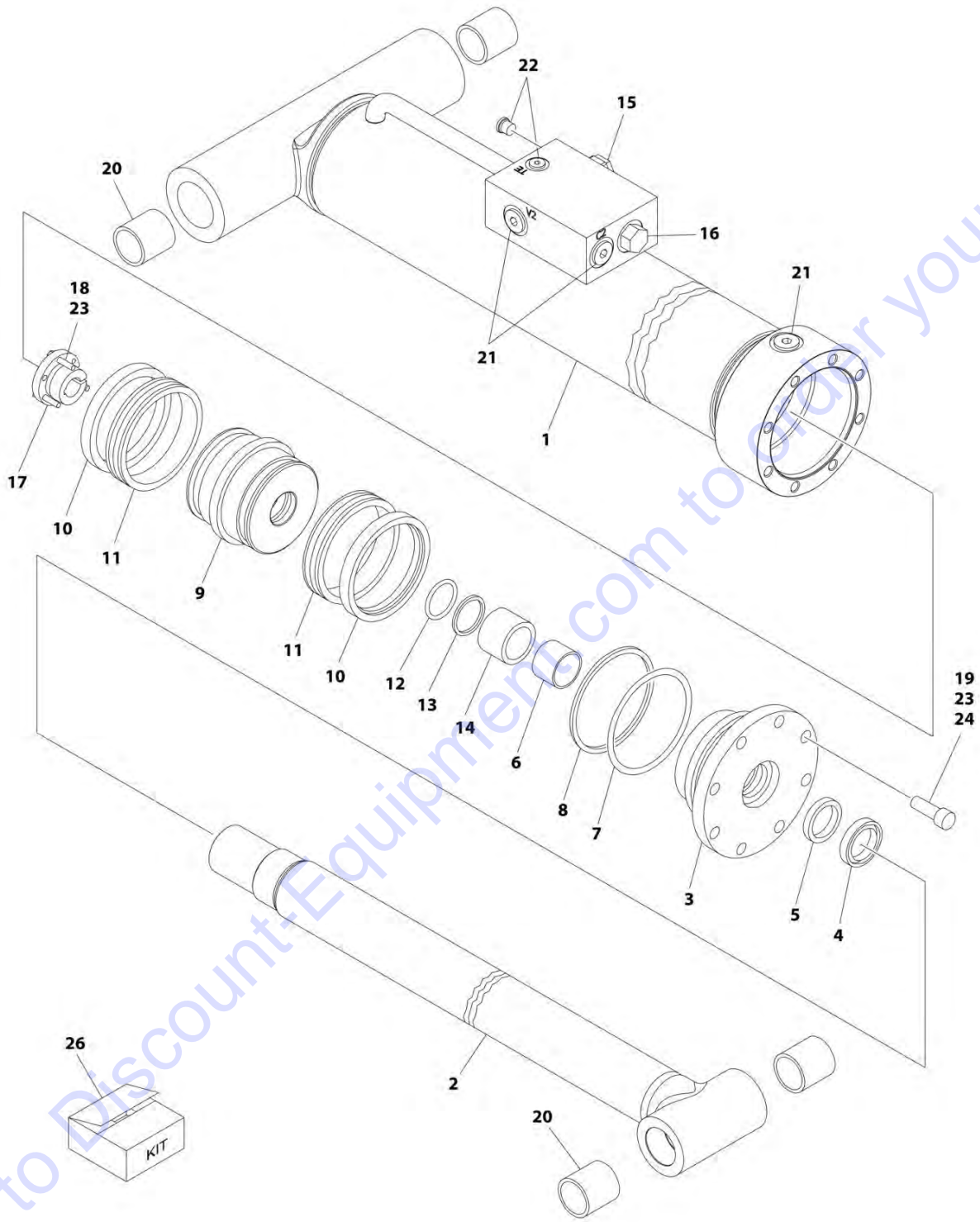
**FIGURE 5-11. LIFT CYLINDER ASSEMBLY - MAIN BOOM (ORIGINAL EQUIPMENT)**

| ITEM | PART NUMBER | QTY | DESCRIPTION  | REV |
|------|-------------|-----|--|-----|
|      | 1683294     | Ref | <b>LIFT CYLINDER ASSEMBLY - MAIN BOOM</b><br><b>Note: Original Equipment components may have been replaced with Service Replacement components part. Identify p/n stamped on cylinder before ordering parts.</b> | G   |
|      |             | Ref |  |     |
| 1    | 1684001     | 1   | Barrel   |     |
| 1A   | 0961948     | 2   | Bushing  |     |
| 2    | 1684005     | 1   | Rod  |     |
| 2A   | 0961948     | 2   | Bushing  |     |
| 3    | 1683061     | 1   | Head   |     |
| 4    | 3480211     | 1   | Piston   |     |
| 5    | 4566408     | 1   | Spacer   |     |
| 6    | 0961897     | 1   | Bushing, Tapered   |     |
| 7    | 4640438     | 1   | Cartridge, Valve   |     |
| 7    | 2900770     | 1   | Seal Kit - 4640438 Valve   |     |
| 8    | 4640509     | 1   | Cartridge, Valve   |     |
| 8    | 2900792     | 1   | Seal Kit - 4640509 Valve   |     |
| 9    | 3931720     | 8   | Capscrew, Socket Head 7/16in-14NC x 1-1/4in  |     |
| 10   | 3760370     | 1   | Ring, Washer   |     |
| 11   | 2220883     | 1   | Plug, O-Ring #6  |     |
| 12   | See Note    | NSS | Wiper (Note: Use Item 36)  |     |
| 13   | See Note    | NSS | Seal, Rod (Note: Use Item 36)  |     |
| 14   | See Note    | NSS | O-Ring (Note: Use Item 36)   |     |
| 15   | See Note    | NSS | Ring, Back-up (Note: Use Item 36)  |     |
| 16   | See Note    | NSS | Ring, Wear (Note: Use Item 36)   |     |
| 17   | See Note    | NSS | O-Ring (Note: Use Item 36)   |     |
| 18   | See Note    | NSS | Ring, Back-up (Note: Use Item 36)  |     |
| 19   | See Note    | NSS | Ring, Lock (Note: Use Item 36)   |     |
| 20   | See Note    | NSS | Seal (Note: Use Item 36)   |     |
| 21   | 0100011     | AR  | Compound, Locking  |     |
| 22   | 0100038     | AR  | Primer, Locking  |     |
| 24   | 0630535     | 3   | Bolt 1/4in-20NC x 1-1/8in  |     |
| 36   | 2901273     | 1   | Seal Kit (Includes Items 12-20)  |     |



# SECTION 5 - CYLINDER

## FIGURE 5-12. LIFT CYLINDER ASSEMBLY - MAIN BOOM (SERVICE REPLACEMENT)



ART\_1001228004

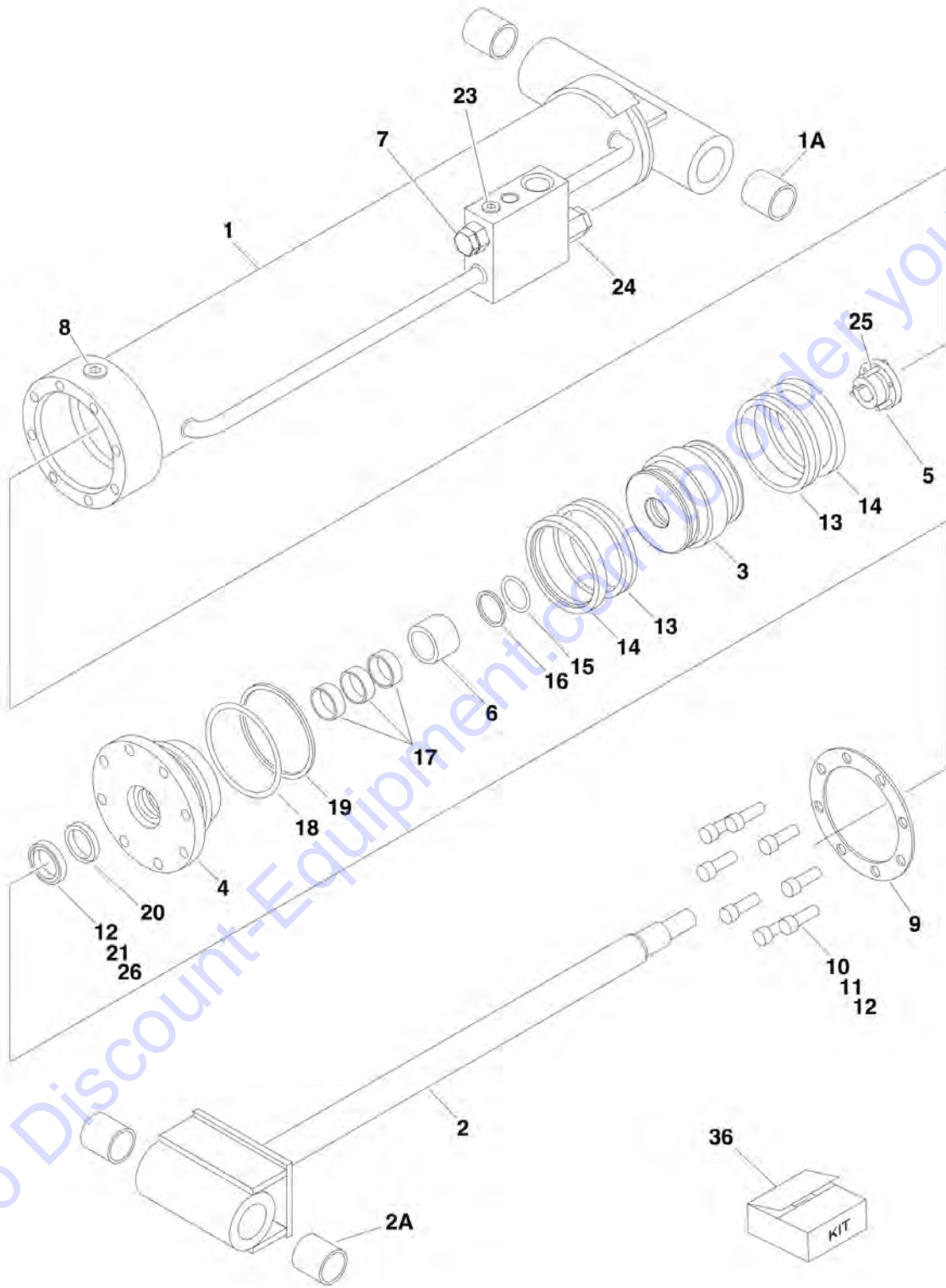
## SECTION 5 - CYLINDER

**FIGURE 5-12. LIFT CYLINDER ASSEMBLY - MAIN BOOM (SERVICE REPLACEMENT)**

| ITEM | PART NUMBER | QTY | DESCRIPTION  | REV |
|------|-------------|-----|--|-----|
|      | 1001228004  | Ref | LIFT CYLINDER ASSEMBLY - MAIN BOOM   | B   |
|      |             | Ref | Note: Original Equipment components may have been replaced with Service Replacement components part. Identify p/n stamped on cylinder before ordering parts. |     |
| 1    | See Note    | NSS | Barrel (Note: Not Available for Purchase)  |     |
| 2    | 70006481    | 1   | Rod  |     |
| 3    | 70006480    | 1   | Head   |     |
| 4    | See Note    | NSS | Wiper (Note: Use Item 26)  |     |
| 5    | See Note    | NSS | Seal, Rod (Note: Use Item 26)  |     |
| 6    | See Note    | NSS | Ring, Wear (Note: Use Item 26)   |     |
| 7    | See Note    | NSS | O-Ring (Note: Use Item 26)   |     |
| 8    | See Note    | NSS | Ring, Back-up (Note: Use Item 26)  |     |
| 9    | 70006479    | 1   | Piston   |     |
| 10   | See Note    | NSS | Ring, Lock (Note: Use Item 26)   |     |
| 11   | See Note    | NSS | Seal (Note: Use Item 26)   |     |
| 12   | See Note    | NSS | O-Ring (Note: Use Item 26)   |     |
| 13   | See Note    | NSS | Ring, Back-up (Note: Use Item 26)  |     |
| 14   | 70006478    | 1   | Spacer   |     |
| 15   | 4640509     | 1   | Cartridge, Valve   |     |
| 15   | 2900792     | 1   | Seal Kit - 4640509 Valve   |     |
| 16   | 4640438     | 1   | Cartridge, Valve   |     |
| 16   | 2900770     | 1   | Seal Kit - 4640438 Valve   |     |
| 17   | 0961897     | 1   | Bushing, Tapered   |     |
| 18   | 0630535     | 3   | Bolt 1/4 x 1-1/8   |     |
| 19   | 3931720     | 8   | Capscrew, Socket Head 7/16 x 1-1/4   |     |
| 20   | 0961948     | 2   | Bushing  |     |
| 21   | 2220886     | 4   | Plug, O-Ring   |     |
| 22   | 2220883     | 3   | Plug, O-Ring   |     |
| 23   | 0100011     | AR  | Compound, Locking  |     |
| 24   | 0100038     | AR  | Primer, Locking  |     |
| 26   | 2901273     | 1   | Seal Kit (Includes Items 4-8 & 10-13)  |     |

# SECTION 5 - CYLINDER

FIGURE 5-13. LIFT CYLINDER ASSEMBLY - TOWER BOOM (ORIGINAL EQUIPMENT)



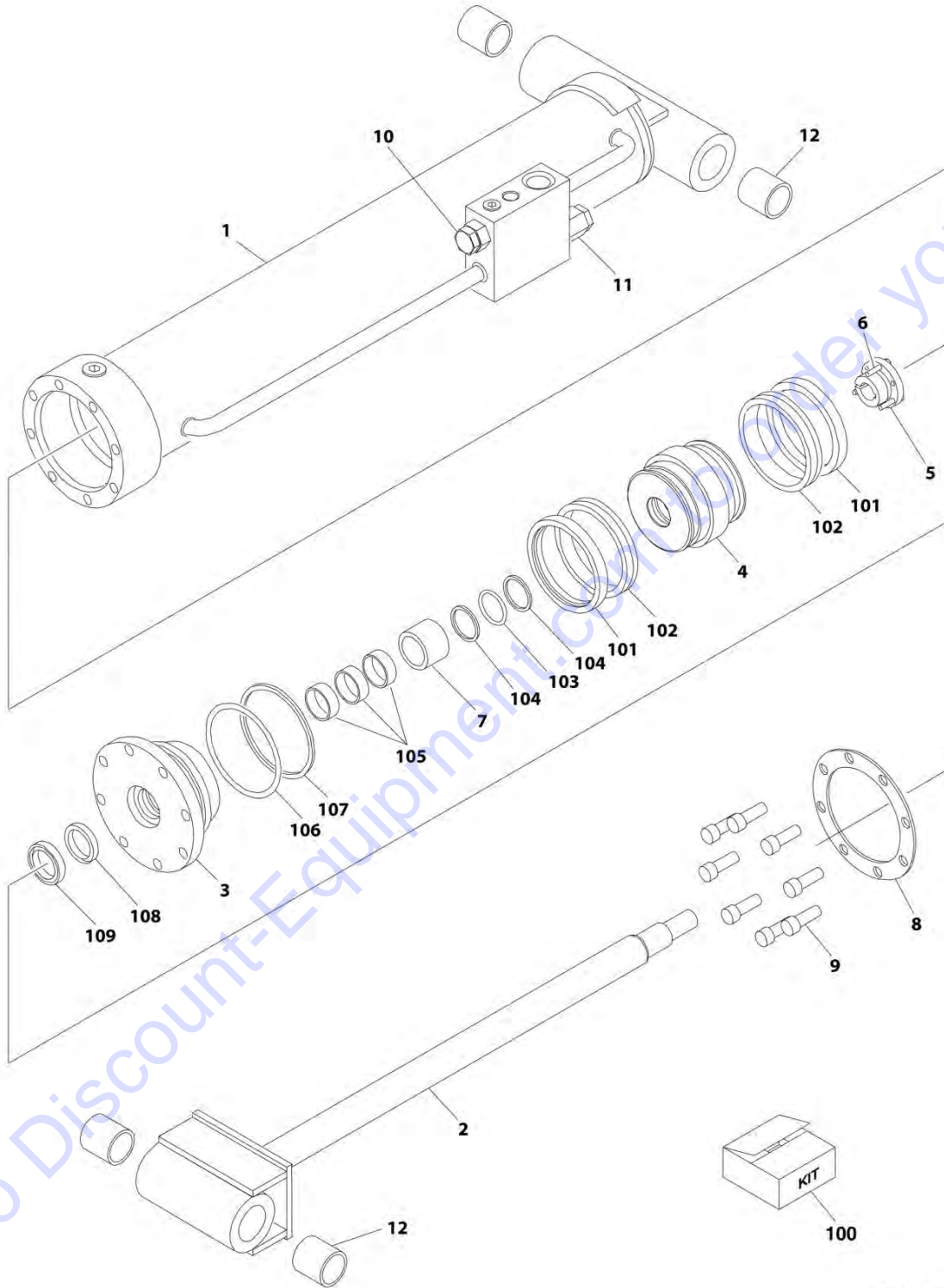
## SECTION 5 - CYLINDER

**FIGURE 5-13. LIFT CYLINDER ASSEMBLY - TOWER BOOM (ORIGINAL EQUIPMENT)**

| ITEM | PART NUMBER | QTY | DESCRIPTION                                | REV   |
|------|-------------|-----|--|---|
|      | 1683288     | Ref | <b>LIFT CYLINDER ASSEMBLY - TOWER BOOM</b> | L   |
|      |             | Ref |  | <b>Note: Original Equipment components may have been replaced with Service Replacement components part. Identify p/n stamped on cylinder before ordering parts.</b> |
| 1    | 1684017     | 1   | Barrel                                     |   |
| 1A   | 0961949     | 2   | Bushing                                    |   |
| 2    | 1684019     | 1   | Rod  |   |
| 2A   | 0961949     | 2   | Bushing                                    |   |
| 3    | 3480216     | 1   | Piston                                     |   |
| 4    | 1683069     | 1   | Head                                       |   |
| 5    | 0961899     | 1   | Bushing, Tapered                           |   |
| 6    | 4566667     | 1   | Spacer                                     |   |
| 7    | 4640605     | 1   | Cartridge, Valve                           |   |
| 7    | 2900792     | 1   | Seal Kit - 4640605                         |   |
| 8    | 2220888     | 1   | Plug, O-Ring #12                           |   |
| 9    | 3760384     | 1   | Ring, Washer                               |   |
| 10   | 3932240     | 8   | Capscrew, Socket Head 3/4in-10NC x 2-1/2in |   |
| 11   | 0100011     | AR  | Compound, Locking                          |   |
| 12   | 0100038     | AR  | Primer, Locking                            |   |
| 13   | See Note    | NSS | Seal (Note: Use Item 36)                   |   |
| 14   | See Note    | NSS | Ring, Lock (Note: Use Item 36)             |   |
| 15   | See Note    | NSS | O-Ring (Note: Use Item 36)                 |   |
| 16   | See Note    | NSS | Ring, Back-up (Note: Use Item 36)          |   |
| 17   | See Note    | NSS | Ring, Wear (Note: Use Item 36)             |   |
| 18   | See Note    | NSS | O-Ring (Note: Use Item 36)                 |   |
| 19   | See Note    | NSS | Ring, Back-up (Note: Use Item 36)          |   |
| 20   | See Note    | NSS | Seal, Rod (Note: Use Item 36)              |   |
| 21   | See Note    | NSS | Wiper (Note: Use Item 36)                  |   |
| 23   | 2220883     | 2   | Plug, O-Ring #4                            |   |
| 24   | 4640509     | 1   | Counterbalance                             |   |
| 24   | 2900792     | 1   | Seal Kit - 4640509                         |   |
| 25   | 0630536     | 3   | Bolt 3/8in-16NC x 1-1/2in                  |   |
| 26   | 0100063     | AR  | Adhesive                                   |   |
| 36   | 2901322     | 1   | Seal Kit (Includes Items 13-21)            |   |

# SECTION 5 - CYLINDER

## FIGURE 5-14. LIFT CYLINDER ASSEMBLY - TOWER BOOM (SERVICE REPLACEMENT)



ART\_1001228003

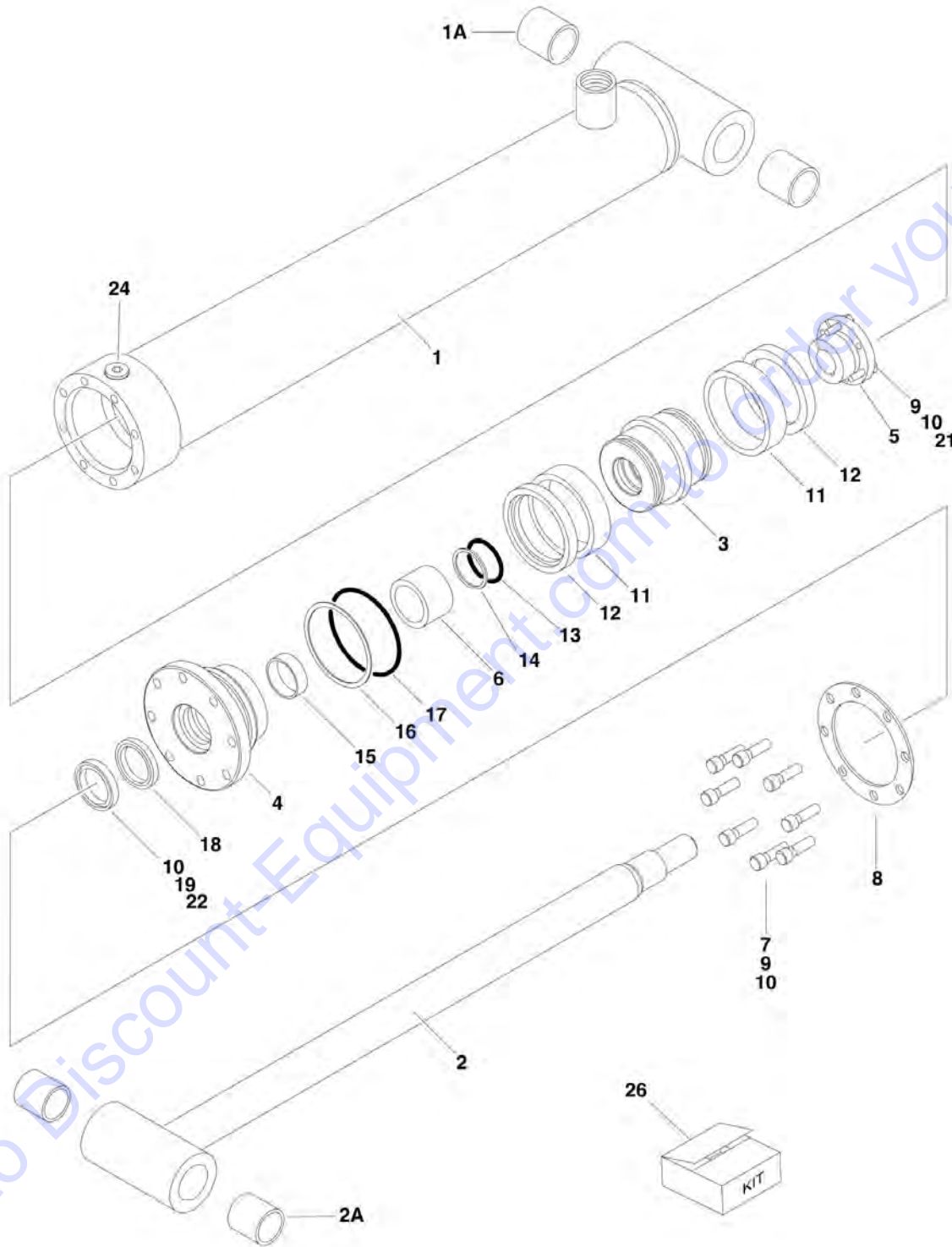
## SECTION 5 - CYLINDER

**FIGURE 5-14. LIFT CYLINDER ASSEMBLY - TOWER BOOM (SERVICE REPLACEMENT)**

| ITEM | PART NUMBER | QTY | DESCRIPTION   | REV |
|------|-------------|-----|---|-----|
|      | 1001228003  | Ref | LIFT CYLINDER ASSEMBLY  | C   |
|      |             | Ref | Note: Original Cylinder may have been replaced with Service Replacement. Identify PN Stamped on Cylinder Before Ordering Parts. |     |
| 1    | See Note    | NSS | Barrel (Note: Not Available For Purchase)   |     |
| 2    | 70006374    | 1   | Rod   |     |
| 3    | 70006373    | 1   | Head  |     |
| 4    | 70006372    | 1   | Piston  |     |
| 5    | 70006371    | 1   | Bushing, Tapered  |     |
| 6    | 0630536     | 3   | Bolt 3/8 x 1-1/2  |     |
| 7    | 70006370    | 1   | Spacer  |     |
| 8    | 70006369    | 1   | Ring, Washer  |     |
| 9    | 3932240     | 8   | Capscrew 3/4 x 2-1/2  |     |
| 10   | 4640605     | 1   | Cartridge, Valve  |     |
| 10   | 2900792     | 1   | Seal Kit - 4640605 Valve  |     |
| 11   | 4640509     | 1   | Cartridge, Valve  |     |
| 11   | 2900792     | 1   | Seal Kit - 4640509 Valve  |     |
| 12   | 0961949     | 4   | Bushing   |     |
| 100  | 2901322     | 1   | Seal Kit (Includes Items 101-109)   |     |
| 101  | See Note    | NSS | Ring, Lock (Note: Use Item 100)   |     |
| 102  | See Note    | NSS | Seal (Note: Use Item 100)   |     |
| 103  | See Note    | NSS | O-Ring (Note: Use Item 100)   |     |
| 104  | See Note    | NSS | Ring, Back-up (Note: Use Item 100)  |     |
| 105  | See Note    | NSS | Ring, Wear (Note: Use Item 100)   |     |
| 106  | See Note    | NSS | O-Ring (Note: Use Item 100)   |     |
| 107  | See Note    | NSS | Ring, Back-up (Note: Use Item 100)  |     |
| 108  | See Note    | NSS | Seal, Rod (Note: Use Item 100)  |     |
| 109  | See Note    | NSS | Wiper (Note: Use Item 100)  |     |

# SECTION 5 - CYLINDER

## FIGURE 5-15. MASTER CYLINDER ASSEMBLY (ORIGINAL EQUIPMENT)



## SECTION 5 - CYLINDER

**FIGURE 5-15. MASTER CYLINDER ASSEMBLY (ORIGINAL EQUIPMENT)**

| ITEM | PART NUMBER | QTY | DESCRIPTION  | REV |
|------|-------------|-----|--|-----|
|      | 1683266     | Ref | <b>MASTER CYLINDER ASSEMBLY - 600A</b>   | C   |
|      | 1683263     | Ref | <b>MASTER CYLINDER ASSEMBLY - 600AJ</b>  | E   |
|      |             | Ref | <b>Note: Original Cylinder May Have Been Replaced with Service Replacement. Identify PN Stamped on Cylinder Before Ordering Parts.</b> |     |
| 1    |             | Ref | Barrel Options:  |     |
| 1    | 1683972     | 1   | Barrel 600A (Note: Includes Item 1A)   |     |
| 1    | 1683949     | 1   | Barrel 600AJ (Note: Item 1A not included. Purchase Separately)   |     |
| 1A   |             | Ref | Bushing Options:   |     |
| 1A   | 0961947     | 2   | 600A - Bushing   |     |
| 1A   | 0961951     | 2   | 600AJ - Bushing  |     |
| 2    |             | Ref | Rod Options:   |     |
| 2    | 1683973     | 1   | Rod 600A (Note: Includes Item 2A)  |     |
| 2    | 1683962     | 1   | Rod 600AJ (Note: Item 2A not included. Purchase Separately)  |     |
| 2A   |             | Ref | Bushing Options:   |     |
| 2A   | 0961947     | 2   | 600A - Bushing   |     |
| 2A   | 0961951     | 2   | 600AJ - Bushing  |     |
| 3    |             | Ref | Piston Options:  |     |
| 3    | 3480210     | 1   | Piston 600A  |     |
| 3    | 3480188     | 1   | Piston 600AJ   |     |
| 4    |             | Ref | Head Options:  |     |
| 4    | 1683053     | 1   | Head 600A  |     |
| 4    | 1683055     | 1   | Head 600AJ   |     |
| 5    |             | Ref | Bushing, Tapered Options (Use item 21 in place of supplied bolts):   |     |
| 5    | 0961893     | 1   | Bushing, Tapered 600A  |     |
| 5    | 0961894     | 1   | Bushing, Tapered 600AJ   |     |
| 6    | 4566468     | 1   | Spacer   |     |
| 7    |             | Ref | Capscrew, Socket Head Options:   |     |
| 7    | 3931516     | 8   | 600A - Capscrew, Socket Head 5/16in-18NC x 1in   |     |
| 7    | 3931620     | 8   | 600AJ - Capscrew, Socket Head 3/8in-16NC x 1-1/4in   |     |
| 8    |             | Ref | Ring, Washer Options:  |     |
| 8    | 3760368     | 1   | Ring, Washer 600A  |     |
| 8    | 3760369     | 1   | Ring, Washer 600AJ   |     |
| 9    | 0100011     | AR  | Compound, Locking  |     |
| 10   | 0100038     | AR  | Primer, Locking  |     |
| 11   | See Note    | 2   | Seal (Note: Use Item 26)   |     |
| 12   | See Note    | 2   | Ring, Lock (Note: Use Item 26)   |     |
| 13   | See Note    | 1   | O-Ring (Note: Use Item 26)   |     |
| 14   | See Note    | 1   | Ring, Back-up (Note: Use Item 26)  |     |
| 15   | See Note    | 1   | Ring, Wear (Note: Use Item 26)   |     |
| 16   | See Note    | 1   | O-Ring (Note: Use Item 26)   |     |
| 17   | See Note    | 1   | Ring, Back-up (Note: Use Item 26)  |     |
| 18   | See Note    | 1   | Seal, Rod (Note: Use Item 26)  |     |
| 19   | See Note    | 1   | Wiper (Note: Use Item 26)  |     |
| 21   |             | Ref | Bolt Options:  |     |
| 21   | 0630534     | 3   | 600A - Bolt #10 - 24NC x 1in   |     |
| 21   | 0630535     | 3   | 600AJ - Bolt 1/4in-20NC x 1-1/8in  |     |
| 22   | 0100063     | AR  | Adhesive   |     |



## SECTION 5 - CYLINDER

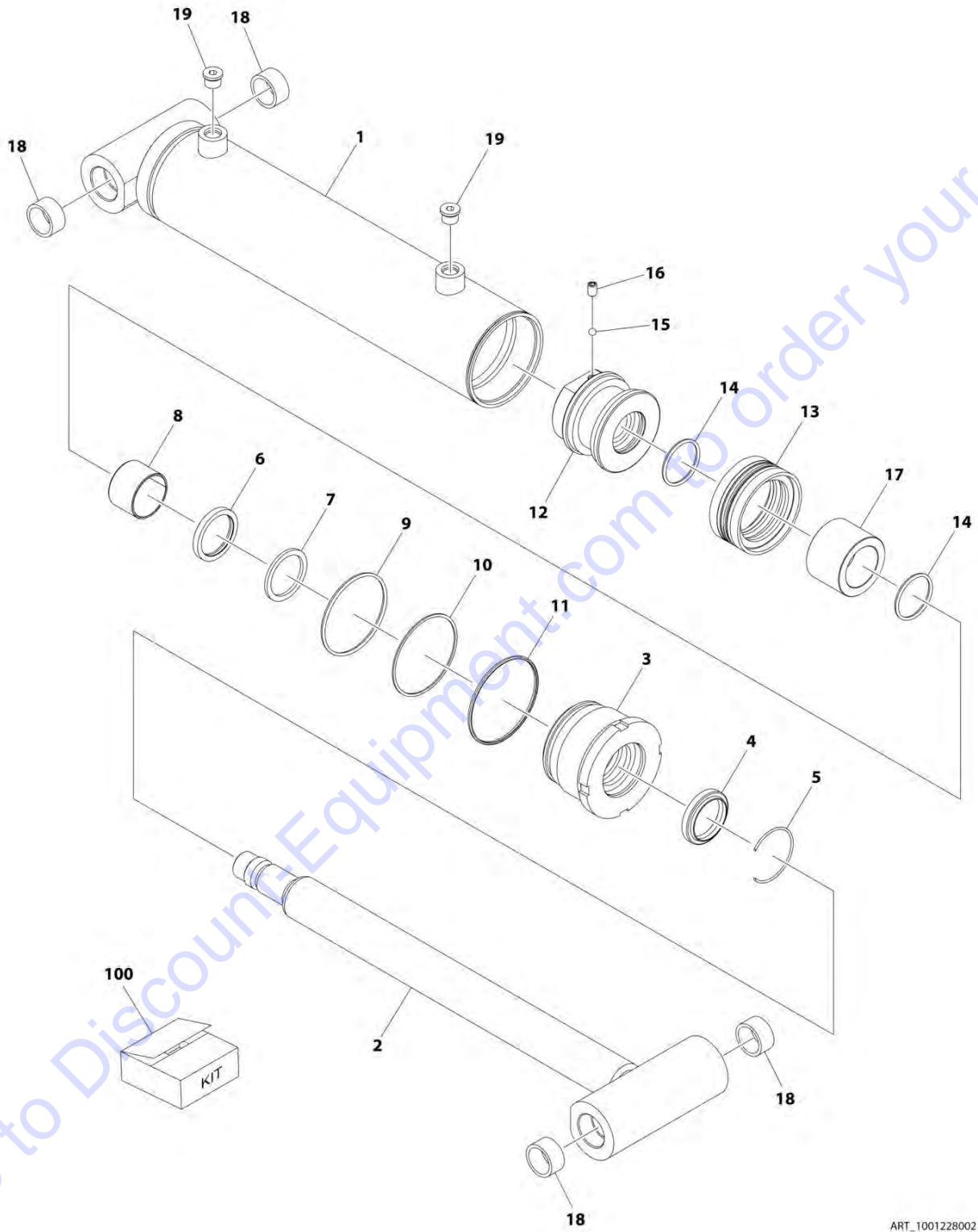
| ITEM | PART NUMBER | QTY | DESCRIPTION                              | REV |
|------|-------------|-----|--|-----|
| 24   | 2220885     | 1   | Plug, O-Ring #6 (600AJ Only)             |     |
| 26   |             | Ref | Seal Kit Options (Includes Items 11-19): |     |
| 26   | 2901303     | 1   | Seal Kit 600A                            |     |
| 26   | 2901301     | 1   | Seal Kit 600AJ                           |     |

Go to Discount-Equipment.com to order your parts



# SECTION 5 - CYLINDER

## FIGURE 5-16. MASTER CYLINDER ASSEMBLY - 600A (SERVICE REPLACEMENT)



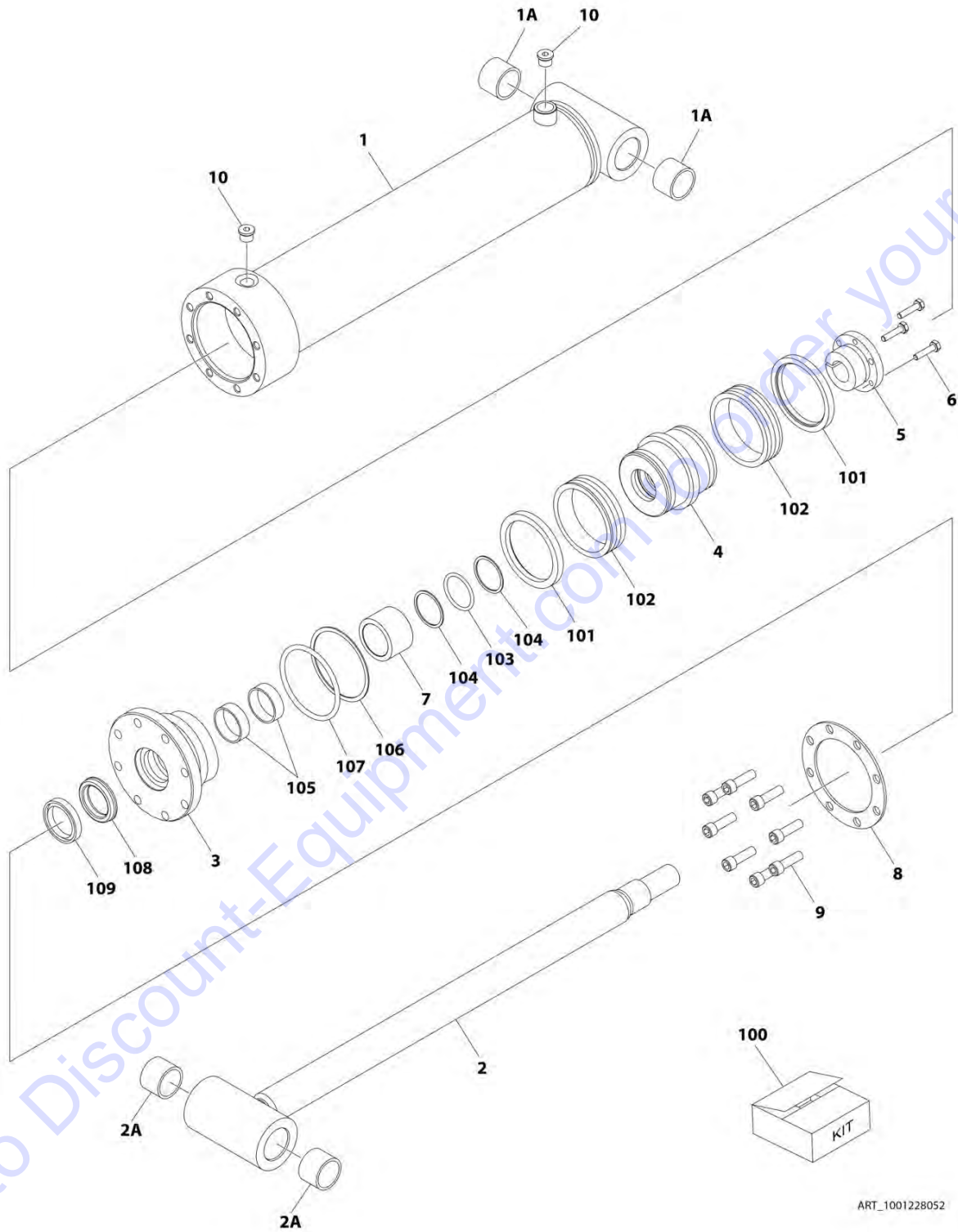
## SECTION 5 - CYLINDER

**FIGURE 5-16. MASTER CYLINDER ASSEMBLY - 600A (SERVICE REPLACEMENT)**

| ITEM | PART NUMBER | QTY | DESCRIPTION   | REV |
|------|-------------|-----|---|-----|
|      | 1001228002  | Ref | MASTER CYLINDER ASSEMBLY  | B   |
|      |             | Ref | Note: Original Cylinder May Have Been Replaced with Service Replacement. Identify PN Stamped on Cylinder Before Ordering Parts. |     |
| 1    | See Note    | NSS | Barrel (Note: Not Available for Purchase)   |     |
| 2    | 70006774    | 1   | Rod   |     |
| 3    | 70006599    | 1   | Head  |     |
| 4    | See Note    | NSS | Wiper Rod (Note: Use Item 100)  |     |
| 5    | 70002373    | 1   | Ring, Retaining   |     |
| 6    | See Note    | NSS | Seal, Rod (Note: Use Item 100)  |     |
| 7    | See Note    | NSS | Ring, Back-up (Note: Use Item 100)  |     |
| 8    | See Note    | NSS | Ring, Wear (Note: Use Item 100)   |     |
| 9    | See Note    | NSS | O-Ring (Note: Use Item 100)   |     |
| 10   | See Note    | NSS | Ring, Back-up (Note: Use Item 100)  |     |
| 11   | See Note    | NSS | O-Ring (Note: Use Item 100)   |     |
| 12   | 70006597    | 1   | Piston  |     |
| 13   | See Note    | NSS | Seal Piston (Note: Use Item 100)  |     |
| 14   | See Note    | NSS | O-Ring (Note: Use Item 100)   |     |
| 15   | 70022564    | 1   | Ball  |     |
| 16   | 70006601    | 1   | Setscrew  |     |
| 17   | 70006775    | 1   | Spacer  |     |
| 18   | 0961947     | 4   | Bushing   |     |
| 19   | 70023371    | 2   | Plug, O-Ring  |     |
| 100  | 70006776    | 1   | Seal Kit (Includes Items 4, 6-11, 13 & 14)  |     |

# SECTION 5 - CYLINDER

## FIGURE 5-17. MASTER CYLINDER ASSEMBLY - 600AJ (SERVICE REPLACEMENT)



ART\_1001228052

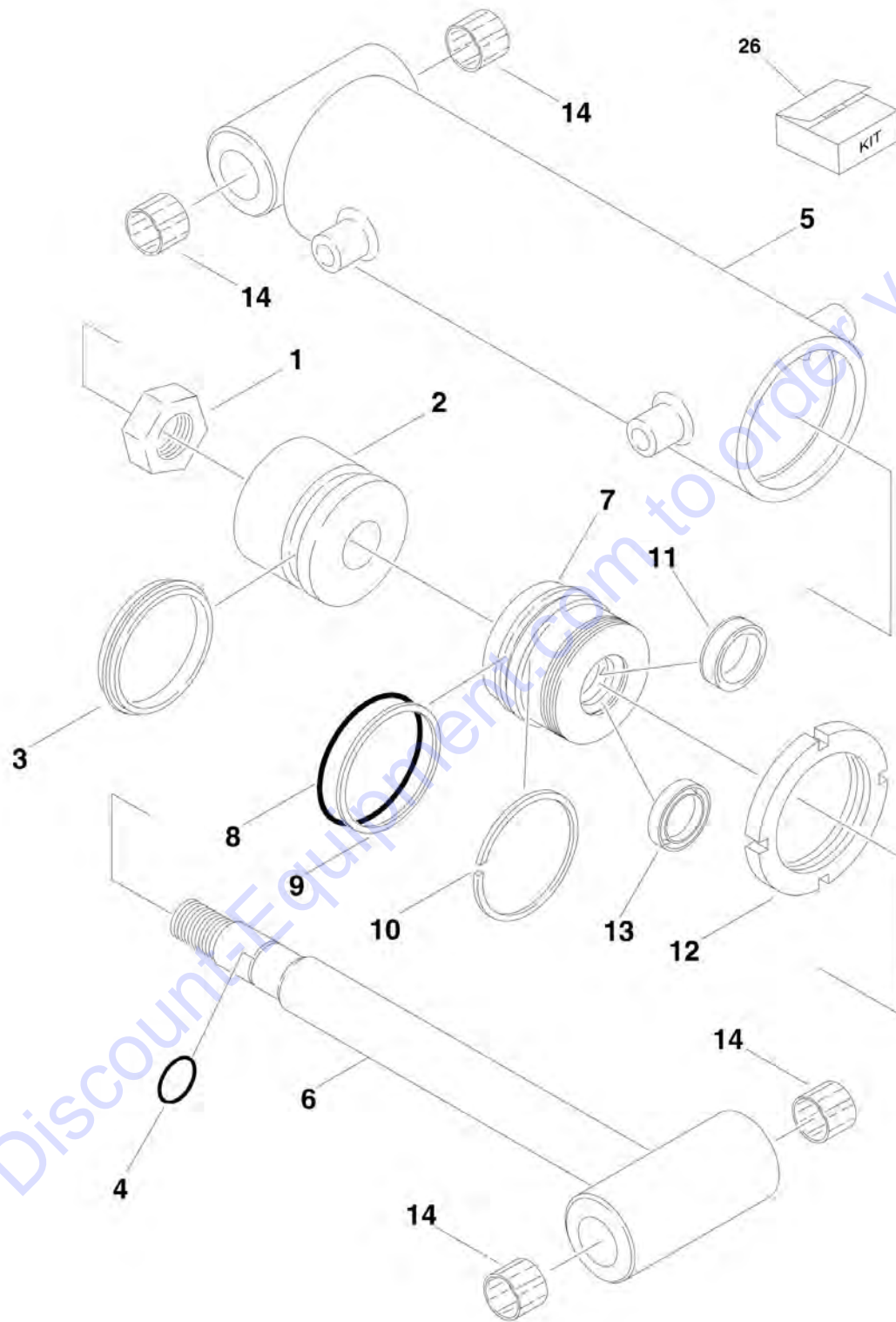
## SECTION 5 - CYLINDER

**FIGURE 5-17. MASTER CYLINDER ASSEMBLY - 600AJ (SERVICE REPLACEMENT)**

| ITEM | PART NUMBER | QTY | DESCRIPTION   | REV |
|------|-------------|-----|---|-----|
|      | 1001228052  | Ref | MASTER CYLINDER ASSEMBLY  | B   |
|      |             | Ref | Note: Original Cylinder May Have Been Replaced with Service Replacement. Identify PN Stamped on Cylinder Before Ordering Parts. |     |
| 1    | See Note    | NSS | Barrel (Note: Not Available for Purchase)   |     |
| 1A   | 0961951     | 2   | Bushing   |     |
| 2    | 70006447    | 1   | Rod Weldment  |     |
| 2A   | 0961951     | 2   | Bushing   |     |
| 3    | 70006446    | 1   | Head  |     |
| 4    | 70006445    | 1   | Piston  |     |
| 5    | 70006444    | 1   | Bushing, Tapered  |     |
| 6    | 0630535     | 3   | Capscrew 1/4 x 1-1/8  |     |
| 7    | 70006443    | 1   | Spacer  |     |
| 8    | 70006442    | 1   | Ring, Washer  |     |
| 9    | 3931620     | 8   | Capscrew 3/8 x 1-1/4  |     |
| 10   | 2220885     | 2   | Plug, O-Ring  |     |
| 100  | 1001138796  | 1   | Seal Kit (Includes Items 101-109)   |     |
| 101  | See Note    | NSS | Ring, Wear (Note: Use Item 100)   |     |
| 102  | See Note    | NSS | Seal, Piston (Note: Use Item 100)   |     |
| 103  | See Note    | NSS | O-Ring (Note: Use Item 100)   |     |
| 104  | See Note    | NSS | Ring, Back-up (Note: Use Item 100)  |     |
| 105  | See Note    | NSS | Ring, Wear (Note: Use Item 100)   |     |
| 106  | See Note    | NSS | O-Ring (Note: Use Item 100)   |     |
| 107  | See Note    | NSS | Ring, Back-up (Note: Use Item 100)  |     |
| 108  | See Note    | NSS | Seal, Rod (Note: Use Item 100)  |     |
| 109  | See Note    | NSS | Wiper, Rod (Note: Use Item 100)   |     |

# SECTION 5 - CYLINDER

## FIGURE 5-18. STEER CYLINDER ASSEMBLY



## SECTION 5 - CYLINDER

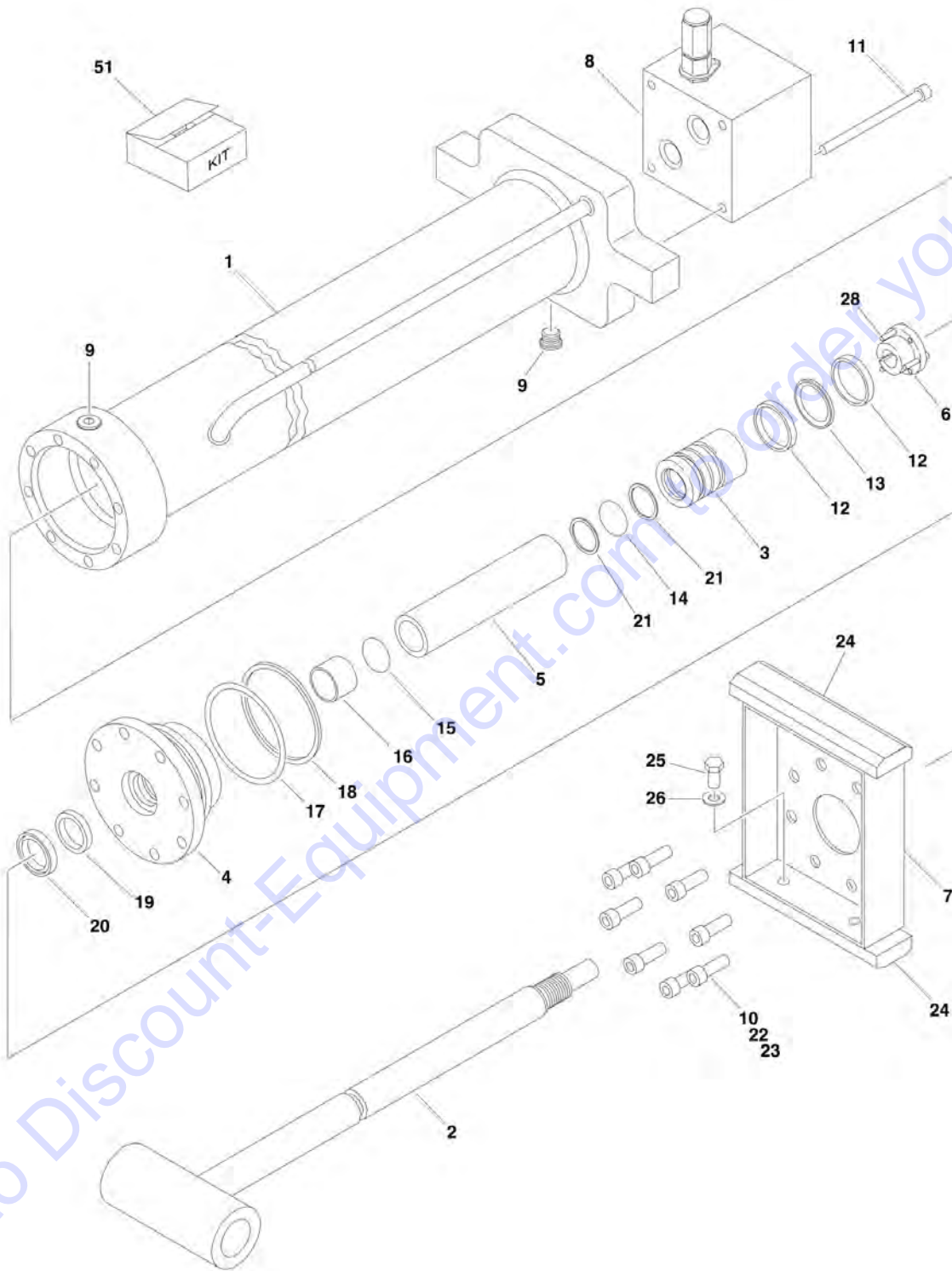
### FIGURE 5-18. STEER CYLINDER ASSEMBLY

| ITEM | PART NUMBER | QTY | DESCRIPTION   | REV |
|------|-------------|-----|---|-----|
|      |             | Ref | <b>STEER CYLINDER ASSEMBLIES</b>                                  |     |
|      | 1683208     | Ref | <b>8ft/2.4m Width Machines</b>                                    | C   |
|      | 1683304     | Ref | <b>7ft/2.1m Width Machines (SN 0300069000 through 0300081835)</b> | A   |
|      | 1684418     | Ref | <b>7ft/2.1m Width Machines (SN 0300081836 through 0300087000)</b> | A   |
| 1    | 7001626     | 1   | Locknut   |     |
| 2    | 7001627     | 1   | Piston  |     |
| 3    | See Note    | 1   | Seal (Note: Use Item 26)  |     |
| 4    | See Note    | 1   | O-Ring (Note: Use Item 26)  |     |
| 5    | See Note    | 1   | Barrel (Note: Not Available for Purchase)                         |     |
| 6    |             | Ref | Rod Options:  |     |
| 6    | 7001633     | 1   | 8ft/2.4m Width Machines   |     |
| 6    | 7001628     | 1   | <b>7ft/2.1m Width Machines (SN 0300069000 through 0300081835)</b> |     |
| 6    | 7023038     | 1   | <b>7ft/2.1m Width Machines (SN 0300081836 through 0300087000)</b> |     |
| 7    | 7001629     | 1   | Guide   |     |
| 8    | See Note    | NSS | O-Ring (Note: Use Item 26)  |     |
| 9    | See Note    | NSS | Ring, Back-up (Note: Use Item 26)                                 |     |
| 10   | See Note    | NSS | Ring, Retaining (Note: Use Item 26)                               |     |
| 11   | See Note    | NSS | Seal, Lip (Note: Use Item 26)                                     |     |
| 12   | 7001630     | 1   | Nut, Spanner  |     |
| 13   | See Note    | NSS | Ring, Wiper (Note: Use Item 26)                                   |     |
| 14   |             | Ref | Bushing Options:  |     |
| 14   | 0961977     | 4   | 8ft/2.4m Width Machines   |     |
| 14   | 0961890     | 4   | 7ft/2.1m Width Machines   |     |
| 26   | 7001625     | 1   | Seal Kit (Includes Items 3, 4, 8-11 & 13)                         |     |



# SECTION 5 - CYLINDER

FIGURE 5-19. TELESCOPE CYLINDER ASSEMBLY - MAIN BOOM (ORIGINAL EQUIPMENT)



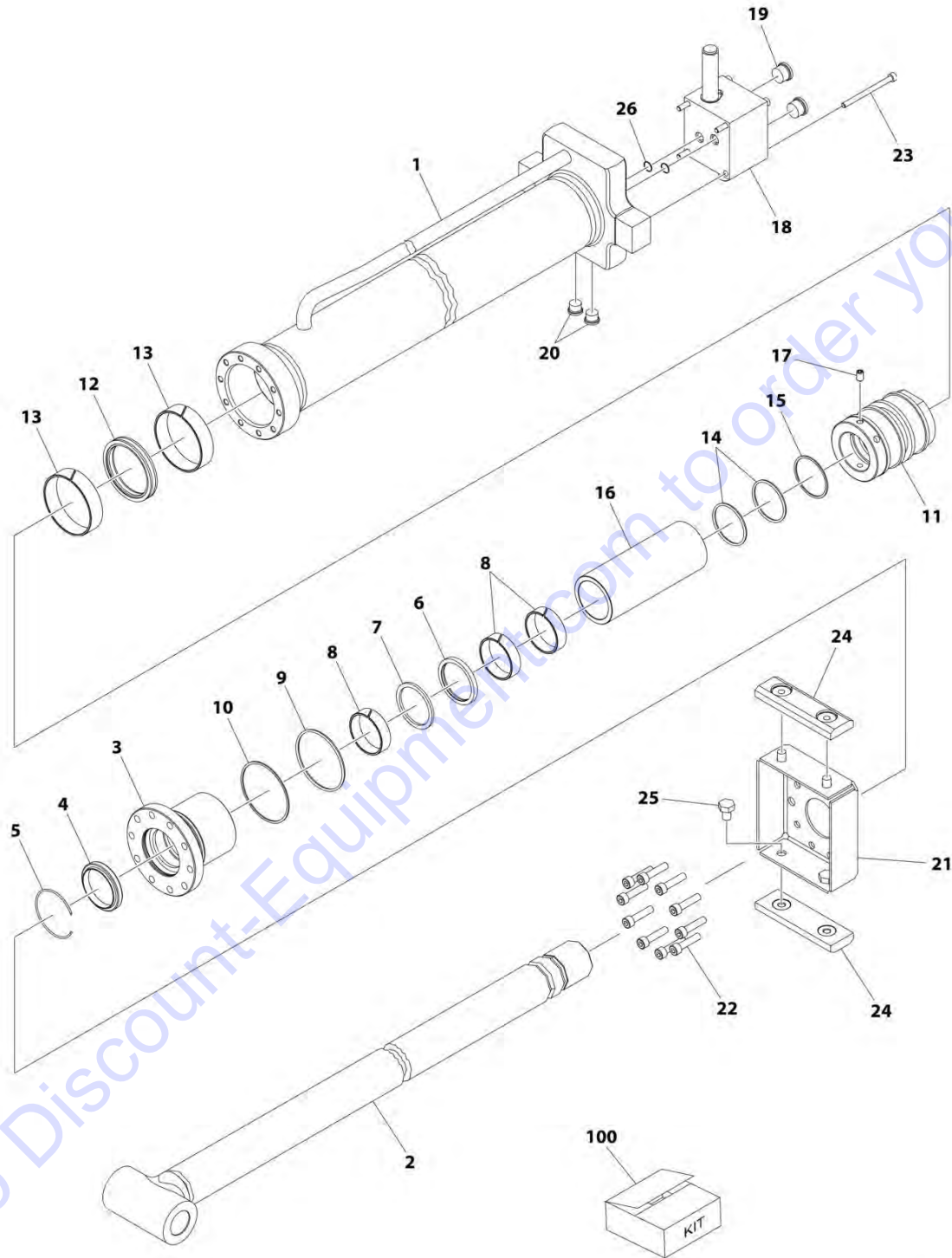
## SECTION 5 - CYLINDER

**FIGURE 5-19. TELESCOPE CYLINDER ASSEMBLY - MAIN BOOM (ORIGINAL EQUIPMENT)**

| ITEM | PART NUMBER | QTY | DESCRIPTION  | REV |
|------|-------------|-----|--|-----|
|      | 1683307     | Ref | <b>TELESCOPE CYLINDER ASSEMBLY - 600A</b>  | 6-F |
|      | 1683317     | Ref | <b>TELESCOPE CYLINDER ASSEMBLY - 600AJ</b>   | 6-F |
|      |             | Ref | <b>Note: Original Cylinder may have been replaced with Service Replacement. Identify PN Stamped on Cylinder Before Ordering Parts.</b> |     |
| 1    |             | Ref | Barrel Options:  |     |
| 1    | 1683308     | 1   | Barrel 600A  |     |
| 1    | 1683318     | 1   | Barrel 600AJ   |     |
| 2    |             | Ref | Rod Options:   |     |
| 2    | 1683310     | NLA | Rod 600A (Use p/n 1683308)   |     |
| 2    | 1684308     | 1   | Rod 600A <b>(SN 0300073902 through 0300087000)</b>   |     |
| 2    | 1683320     | NLA | Rod 600AJ (Use p/n 1683310)  |     |
| 2    | 1684310     | 1   | Rod 600AJ <b>(SN 0300073902 through 0300087000)</b>  |     |
| 3    | 3480212     | 1   | Piston   |     |
| 4    | 1683054     | 1   | Head   |     |
| 5    | 4566425     | 1   | Spacer   |     |
| 6    | 0961896     | 1   | Bushing, Tapered   |     |
| 7    |             | Ref | Plate, Wear Pad Mounting Options:  |     |
| 7    | 3538771     | 1   | Plate, Wear Pad Mounting 600A  |     |
| 7    | 3538247     | 1   | Plate, Wear Pad Mounting 600AJ   |     |
| 8    | 4640862     | 1   | Valve Block Assembly (No Service Parts Available - Replace Complete Assembly)  |     |
| 9    | 2220885     | 2   | Plug, O-Ring   |     |
| 10   | 3931516     | 8   | Capscrew, Socket Head 5/16in-18NC x 1in  |     |
| 11   | 3931448     | 4   | Capscrew, Socket Head 1/4in-20NC x 3in   |     |
| 12   |             | Ref | Ring, Wear (Note: Use Item 51)   |     |
| 13   | See Note    | 1   | Seal (Note: Use Item 51)   |     |
| 14   | See Note    | 1   | O-Ring (Note: Use Item 51)   |     |
| 15   | See Note    | 1   | O-Ring (Note: Use Item 51)   |     |
| 16   | See Note    | 1   | Ring, Wear (Note: Use Item 51)   |     |
| 17   | See Note    | 1   | O-Ring (Note: Use Item 51)   |     |
| 18   | See Note    | 1   | Ring, Back-up (Note: Use Item 51)  |     |
| 19   | See Note    | 1   | Seal, Rod (Note: Use Item 51)  |     |
| 20   | See Note    | 1   | Wiper (Note: Use Item 51)  |     |
| 21   | See Note    | 2   | Ring, Back-up (Note: Use Item 51)  |     |
| 22   | 0100038     | AR  | Primer, Locking  |     |
| 23   | 0100011     | AR  | Compound, Locking  |     |
| 24   | 3340608     | 2   | Pad, Wear  |     |
| 25   | 0641604     | 4   | Bolt 3/8in-16NC x 1/2in  |     |
| 26   | 4751600     | 4   | Flatwasher 3/8in Regular   |     |
| 28   | 0630535     | 3   | Bolt 1/4in-20NC x 1-1/8in  |     |
| 51   |             | Ref | Seal Kit Options (Includes Items 12-21):   |     |
| 51   | 2901278     | 1   | Seal Kit <b>(SN 0300069000 through 0300070401)</b>   |     |
| 51   | 2901861     | 1   | Seal Kit <b>(SN 0300070402 through 0300087000)</b>   |     |

# SECTION 5 - CYLINDER

FIGURE 5-20. TELESCOPE CYLINDER ASSEMBLY - MAIN BOOM (600A) (SERVICE REPLACEMENT)



ART\_1001228005

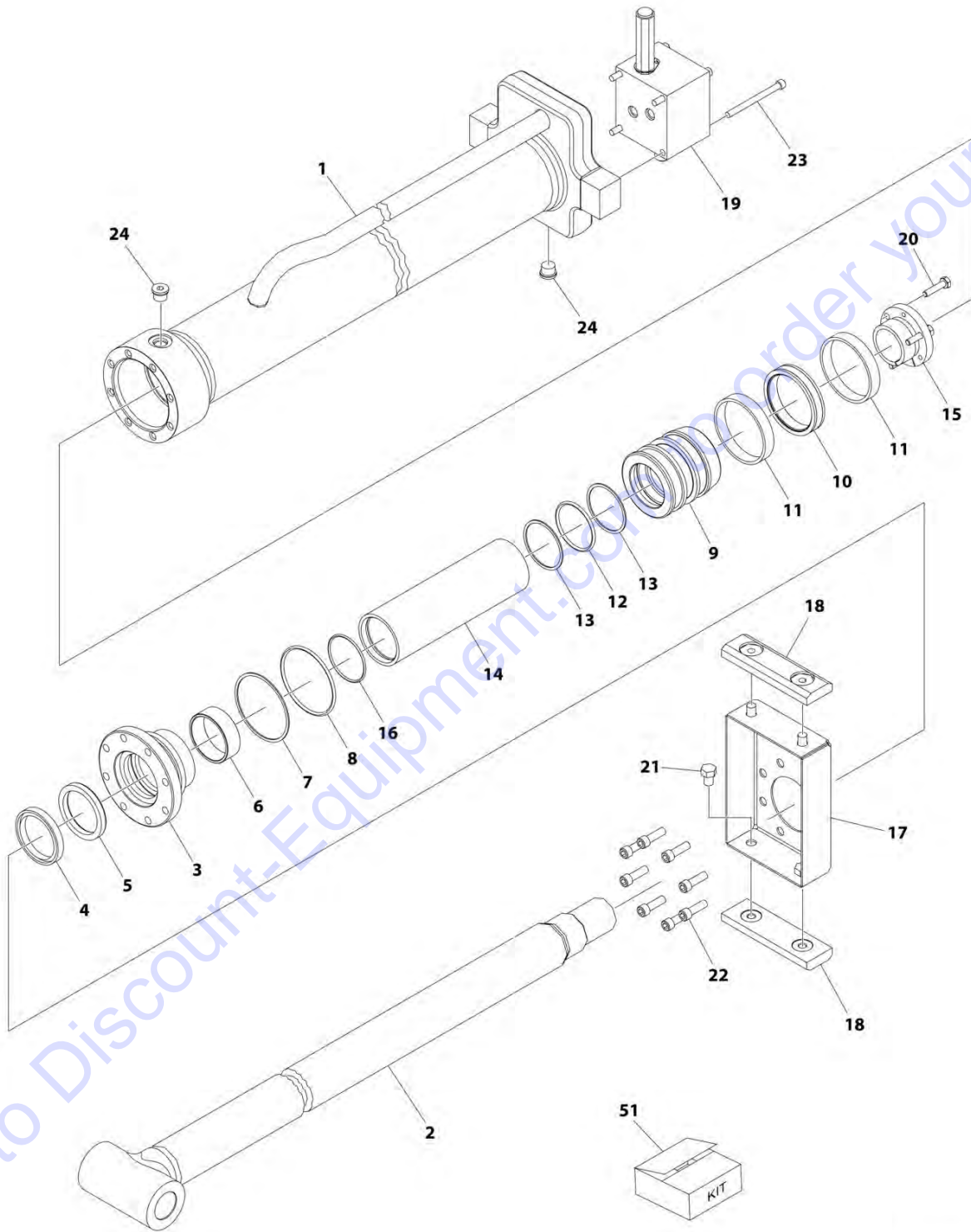
## SECTION 5 - CYLINDER

**FIGURE 5-20. TELESCOPE CYLINDER ASSEMBLY - MAIN BOOM (600A) (SERVICE REPLACEMENT)**

| ITEM | PART NUMBER | QTY | DESCRIPTION   | REV |
|------|-------------|-----|---|-----|
|      | 1001228005  | Ref | TELESCOPE CYLINDER ASSEMBLY - MAIN BOOM   | C   |
|      |             | Ref | Note: Original Cylinder may have been replaced with Service Replacement. Identify PN Stamped on Cylinder Before Ordering Parts. |     |
| 1    | See Note    | NSS | Barrel (Note: Use p/n 1001228005)   |     |
| 2    | 70006813    | 1   | Rod   |     |
| 3    | 70006814    | 1   | Head  |     |
| 4    | See Note    | NSS | Wiper (Note: Use Item 100)  |     |
| 5    | 70002412    | 1   | Ring, Retaining   |     |
| 6    | See Note    | NSS | Seal, Rod (Note: Use Item 100)  |     |
| 7    | See Note    | NSS | Ring, Back-up (Note: Use Item 100)  |     |
| 8    | See Note    | NSS | Ring, Wear (Note: Use Item 100)   |     |
| 9    | See Note    | NSS | O-Ring (Note: Use Item 100)   |     |
| 10   | See Note    | NSS | Ring, Back-up (Note: Use Item 100)  |     |
| 11   | 70006815    | 1   | Piston  |     |
| 12   | See Note    | NSS | Seal (Note: Use Item 100)   |     |
| 13   | See Note    | NSS | Ring, Wear (Note: Use Item 100)   |     |
| 14   | See Note    | NSS | O-Ring (Note: Use Item 100)   |     |
| 15   | See Note    | NSS | Ring, Back-up (Note: Use Item 100)  |     |
| 16   | 70006816    | 1   | Spacer  |     |
| 17   | 70006817    | 1   | Setscrew  |     |
| 18   | 4640862     | 1   | Valve Block Assembly (Note: No Service Parts Available - Replace Complete Assembly)   |     |
| 19   | 70023373    | 2   | Plug  |     |
| 20   | 70023371    | 2   | Plug  |     |
| 21   | 70006818    | 1   | Plate, Wear Pad   |     |
| 22   | 70006793    | 10  | Capscrew  |     |
| 23   | 70006819    | 4   | Capscrew  |     |
| 24   | 3340608     | 2   | Pad, Wear   |     |
| 25   | 70006820    | 3   | Bolt  |     |
| 26   | 3790110     | 2   | O-Ring (Located Between Barrel & Valve)   |     |
| 100  | 70006821    | 1   | Seal Kit (Includes Items 4, 6-10 & 12-15)   |     |

# SECTION 5 - CYLINDER

## FIGURE 5-21. TELESCOPE CYLINDER ASSEMBLY - MAIN BOOM (600AJ) (SERVICE REPLACEMENT)



ART\_1001228007

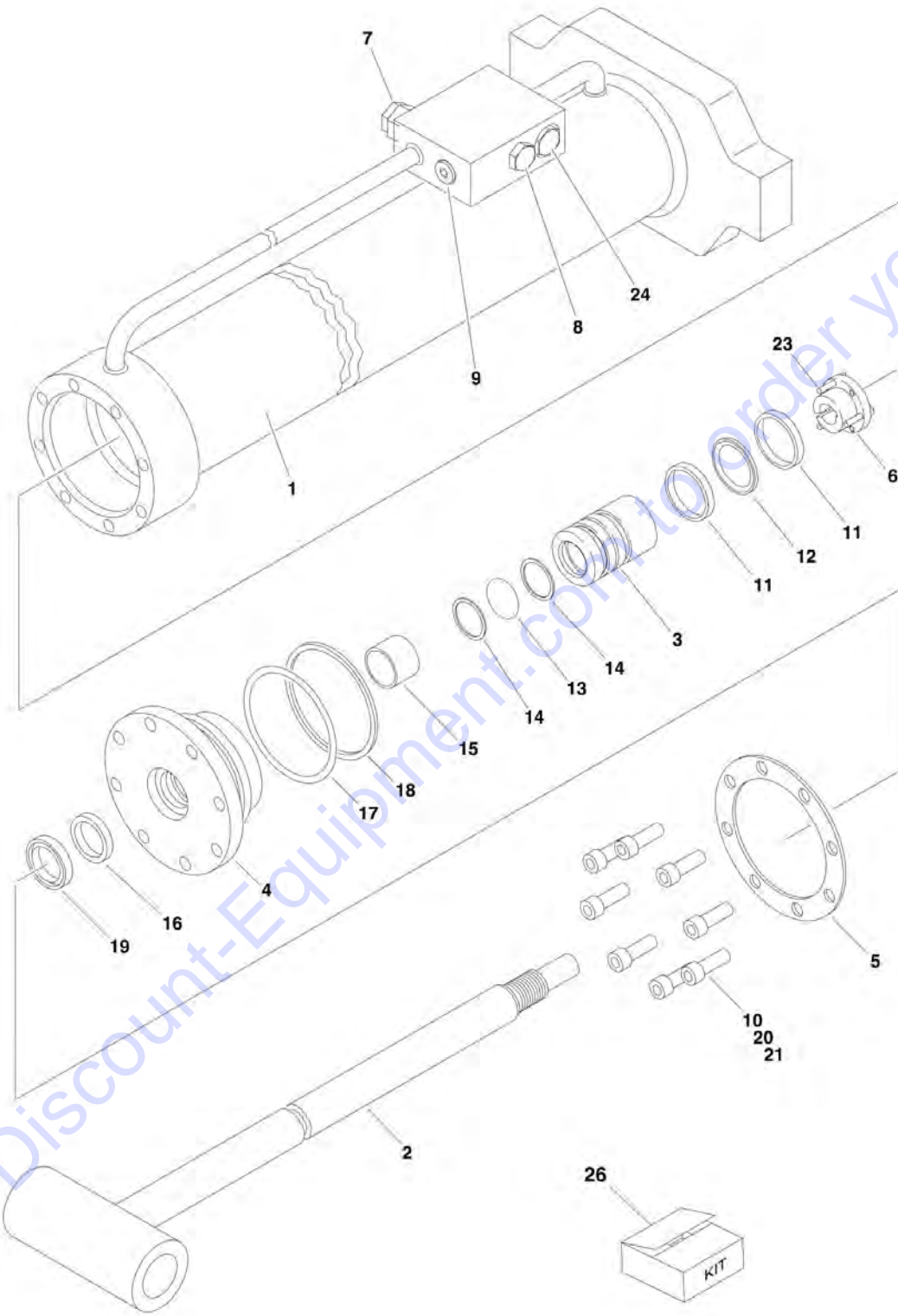
## SECTION 5 - CYLINDER

**FIGURE 5-21. TELESCOPE CYLINDER ASSEMBLY - MAIN BOOM (600AJ) (SERVICE REPLACEMENT)**

| ITEM | PART NUMBER | QTY | DESCRIPTION   | REV |
|------|-------------|-----|---|-----|
|      | 1001228007  | Ref | TELESCOPE CYLINDER ASSEMBLY   | C   |
|      |             | Ref | Note: Original Cylinder may have been replaced with Service Replacement. Identify PN Stamped on Cylinder Before Ordering Parts. |     |
| 1    | See Note    | NSS | Barrel (Note: Use p/n 1001228007)   |     |
| 2    | 70006654    | 1   | Rod   |     |
| 3    | 70006483    | 1   | Head  |     |
| 4    | See Note    | NSS | Wiper (Note: Use Item 51)   |     |
| 5    | See Note    | NSS | Seal, Rod (Note: Use Item 51)   |     |
| 6    | See Note    | NSS | Ring, Wear (Note: Use Item 51)  |     |
| 7    | See Note    | NSS | O-Ring (Note: Use Item 51)  |     |
| 8    | See Note    | NSS | Ring, Back-up (Note: Use Item 51)   |     |
| 9    | 70006482    | 1   | Piston  |     |
| 10   | See Note    | NSS | Seal (Note: Use Item 51)  |     |
| 11   | See Note    | NSS | Ring, Wear (Note: Use Item 51)  |     |
| 12   | See Note    | NSS | O-Ring (Note: Use Item 51)  |     |
| 13   | See Note    | NSS | Ring, Back-up (Note: Use Item 51)   |     |
| 14   | 70006655    | 1   | Spacer  |     |
| 15   | 0961896     | 1   | Bushing, Tapered  |     |
| 16   | See Note    | NSS | O-Ring (Note: Use Item 51)  |     |
| 17   | 3538247     | 1   | Plate, Wear Pad Mounting  |     |
| 18   | 3340608     | 2   | Pad, Wear   |     |
| 19   | 4640862     | 1   | Valve Block Assembly (Note: No Service Part Available - Replace Complete Assembly)  |     |
| 20   | 0630535     | 3   | Bolt 1/4 x 1-1/8  |     |
| 21   | 0641604     | 4   | Bolt 3/8 x 1/2  |     |
| 22   | 3931516     | 8   | Capscrew 5/16 x 1   |     |
| 22   | 0100038     | AR  | Primer, Locking   |     |
| 22   | 0100011     | AR  | Compound, Locking   |     |
| 23   | 3931448     | 4   | Capscrew 1/4 x 3  |     |
| 24   | 2220885     | 2   | Plug, O-Ring  |     |
| 51   | 2901861     | 1   | Seal Kit - 1001228007 Cylinder (Includes Item 4-8, 10-13 & 16)  |     |

# SECTION 5 - CYLINDER

FIGURE 5-22. TELESCOPE CYLINDER ASSEMBLY - TOWER BOOM (ORIGINAL EQUIPMENT)



Go to Discount-Equipment.com to order your parts

## SECTION 5 - CYLINDER

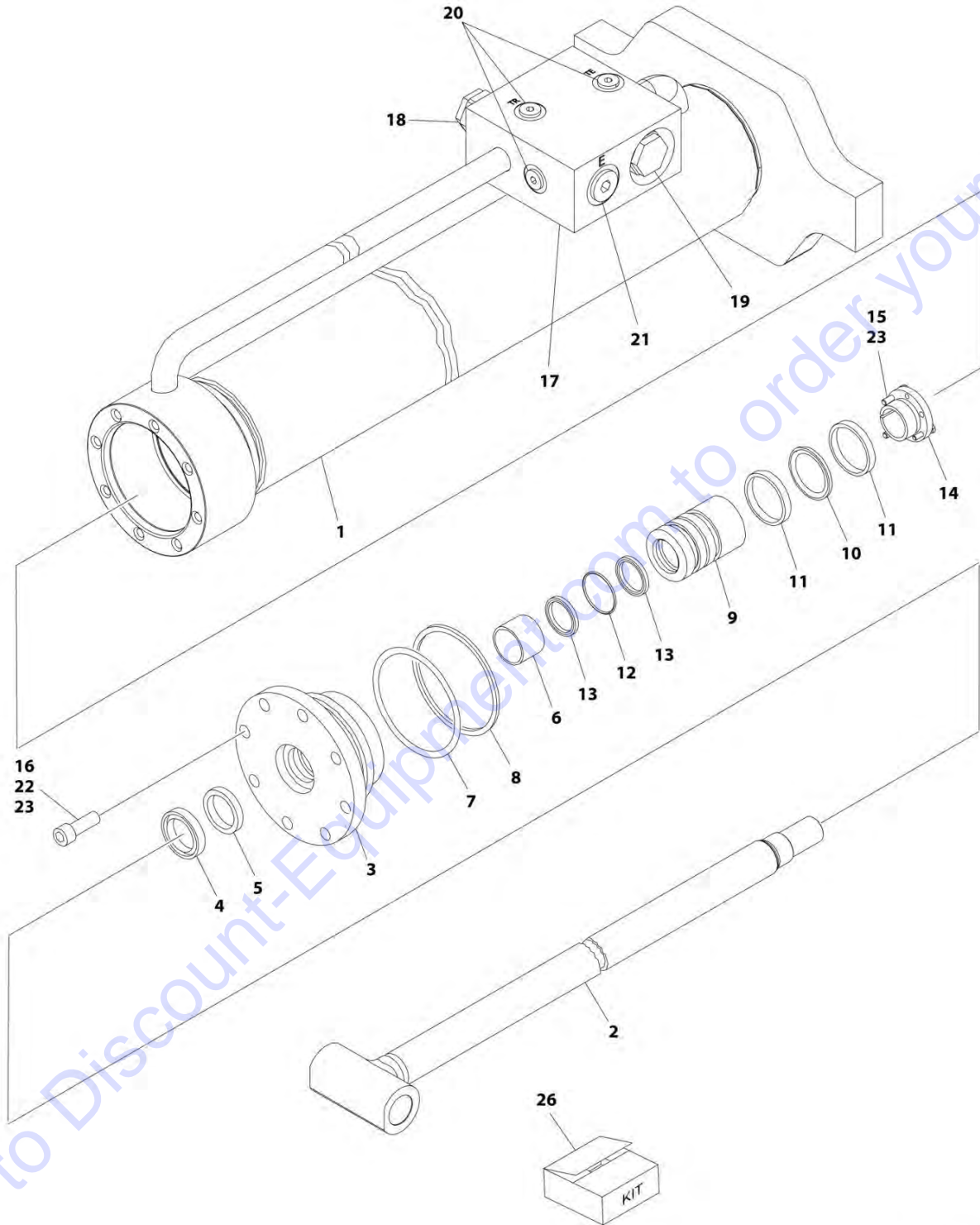
**FIGURE 5-22. TELESCOPE CYLINDER ASSEMBLY - TOWER BOOM (ORIGINAL EQUIPMENT)**

| ITEM | PART NUMBER | QTY | DESCRIPTION  | REV |
|------|-------------|-----|--|-----|
|      | 1683312     | Ref | <b>TELESCOPE (TOWER BOOM) CYLINDER ASSEMBLY</b><br><b>Note: Original Equipment components may have been replaced with Service Replacement components part. Identify p/n stamped on cylinder before ordering parts.</b> | 5-E |
|      |             | Ref |  |     |
| 1    | 1683313     | 1   | Barrel   |     |
| 2    | 1683314     | 1   | Rod  |     |
| 3    | 3480212     | 1   | Piston   |     |
| 4    | 1683054     | 1   | Head   |     |
| 5    | 3760368     | 1   | Ring, Washer   |     |
| 6    | 0961896     | 1   | Bushing, Tapered   |     |
| 7    | 4640509     | 2   | Cartridge, Valve   |     |
| 7    | 2900792     | 2   | Seal Kit - 4640509 Valve   |     |
| 8    | 4640647     | 1   | Cartridge, Valve   |     |
| 8    | 2900770     | 1   | Seal Kit - 4640647 Valve   |     |
| 9    | 2220883     | 1   | Plug, O-Ring   |     |
| 10   | 3931516     | 8   | Capscrew, Socket Head 5/16in-18NC x 1in  |     |
| 11   | See Note    | 2   | Ring, Wear (Note: Use Item 26)   |     |
| 12   | See Note    | 1   | T-Seal (Note: Use Item 26)   |     |
| 13   | See Note    | 1   | O-Ring (Note: Use Item 26)   |     |
| 14   | See Note    | 2   | Ring, Back-up (Note: Use Item 26)  |     |
| 15   | See Note    | 1   | Ring, Wear (Note: Use Item 26)   |     |
| 16   | See Note    | 1   | Seal, Rod (Note: Use Item 26)  |     |
| 17   | See Note    | 1   | O-Ring (Note: Use Item 26)   |     |
| 18   | See Note    | 1   | Ring, Back-up (Note: Use Item 26)  |     |
| 19   | See Note    | 1   | Wiper (Note: Use Item 26)  |     |
| 20   | 0100038     | AR  | Primer, Locking  |     |
| 21   | 0100011     | AR  | Compound, Locking  |     |
| 23   | 0630535     | 3   | Bolt 1/4in-20NC x 1-1/8in  |     |
| 24   | 4640999     | 1   | Cartridge, Valve   |     |
| 24   | 7011185     | 1   | Seal Kit - 4640999 Valve   |     |
| 26   |             | Ref | Seal Kit Options (Includes Items 11-19):   |     |
| 26   | 2901278     | 1   | Seal Kit <b>(SN 0300069000 through 0300070401)</b>   |     |
| 26   | 2901861     | 1   | Seal Kit <b>(SN 0300070402 through 0300087000)</b>   |     |



# SECTION 5 - CYLINDER

## FIGURE 5-23. TELESCOPE CYLINDER ASSEMBLY - TOWER BOOM (SERVICE REPLACEMENT)



ART\_1001228006

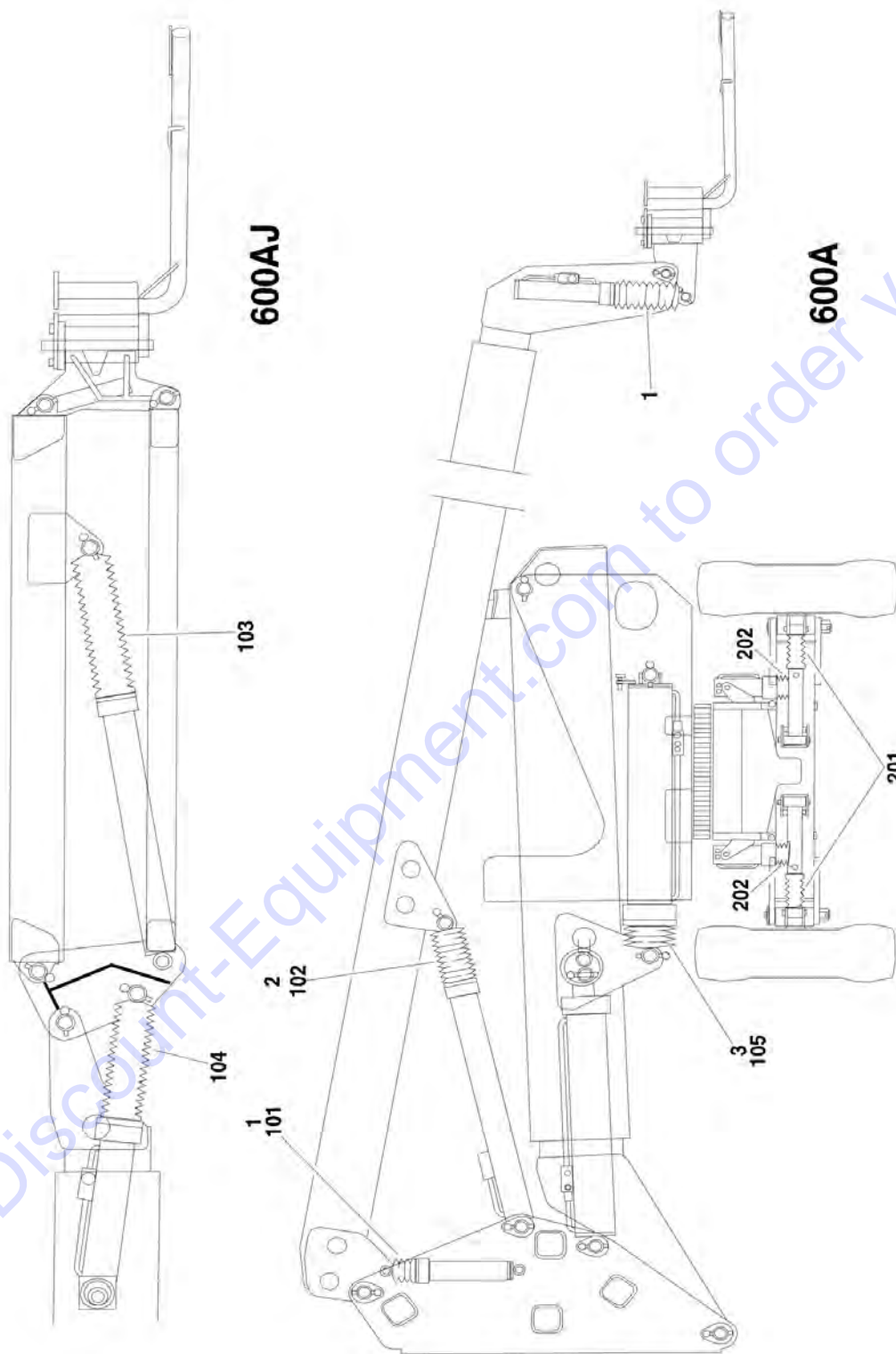
## SECTION 5 - CYLINDER

**FIGURE 5-23. TELESCOPE CYLINDER ASSEMBLY - TOWER BOOM (SERVICE REPLACEMENT)**

| ITEM | PART NUMBER | QTY | DESCRIPTION  | REV |
|------|-------------|-----|--|-----|
|      | 1001228006  | Ref | TELESCOPE CYLINDER ASSEMBLY - TOWER BOOM   | B   |
|      |             | Ref | Note: Original Equipment components may have been replaced with Service Replacement components part. Identify p/n stamped on cylinder before ordering parts. |     |
| 1    | See Note    | NSS | Barrel (Note: Not Available for Purchase)  |     |
| 2    | 70006484    | 1   | Rod  |     |
| 3    | 70006483    | 1   | Head   |     |
| 4    | See Note    | NSS | Wiper (Note: Use Item 26)  |     |
| 5    | See Note    | NSS | Seal, Rod (Note: Use Item 26)  |     |
| 6    | See Note    | NSS | Ring, Wear (Note: Use Item 26)   |     |
| 7    | See Note    | NSS | O-Ring (Note: Use Item 26)   |     |
| 8    | See Note    | NSS | Ring, Back-Up (Note: Use Item 26)  |     |
| 9    | 70006482    | 1   | Piston   |     |
| 10   | See Note    | NSS | T-Seal (Note: Use Item 26)   |     |
| 11   | See Note    | NSS | Ring, Wear (Note: Use Item 26)   |     |
| 12   | See Note    | NSS | O-Ring (Note: Use Item 26)   |     |
| 13   | See Note    | NSS | Ring, Back-Up (Note: Use Item 26)  |     |
| 14   | 0961896     | 1   | Bushing, Tapered   |     |
| 15   | 0630535     | 3   | Bolt 1/4 x 1-1/8   |     |
| 16   | 3931516     | 8   | Capscrew 5/16 x 1  |     |
| 17   | 4640647     | 1   | Cartridge, Valve   |     |
| 17   | 2900770     | 1   | Seal Kit - 4640647 Valve   |     |
| 18   | 4640509     | 2   | Cartridge, Valve   |     |
| 18   | 2900792     | 2   | Seal Kit - 4640509 Valve   |     |
| 19   | 4640999     | 1   | Cartridge, Valve   |     |
| 19   | 2900792     | 1   | Seal Kit - 4640999 Valve   |     |
| 20   | 2220883     | 3   | Plug, O-Ring   |     |
| 21   | 2220886     | 2   | Plug, O-Ring   |     |
| 22   | 0100038     | AR  | Primer, Locking  |     |
| 23   | 0100011     | AR  | Compound, Locking  |     |
| 26   | 2901861     | 1   | Seal Kit - 1001228006 Cylinder (Includes Items 4-8 & 10-13)  |     |

# SECTION 5 - CYLINDER

## FIGURE 5-24. CYLINDER BELLOWS INSTALLATION (OPTIONAL)



## SECTION 5 - CYLINDER

**FIGURE 5-24. CYLINDER BELLOWS INSTALLATION (OPTIONAL)**

| ITEM | PART NUMBER  | QTY | DESCRIPTION  | REV |
|------|--------------|-----|--|-----|
|      | 0255927      | Ref | <b>CYLINDER BELLOWS INSTALLATION (600A)</b>                                | 1   |
| 1    | 0460152      | 2   | Bellows, Cylinder (Master and Platform Level Cylinders)                    |     |
| 2    | 0460155      | 1   | Bellows, Cylinder (Main Lift Cylinder)                                     |     |
| 3    | 0460154      | 1   | Bellows, Cylinder (Tower Lift Cylinder)                                    |     |
|      | 0255928      | Ref | <b>CYLINDER BELLOWS INSTALLATION (600AJ)</b>                               | 2   |
| 101  | 0460151      | 1   | Bellows, Cylinder (Master and Platform Level Cylinders)                    |     |
| 102  | 0460155      | 1   | Bellows, Cylinder (Main Lift Cylinder)                                     |     |
| 103  | 0460161      | 1   | Bellows, Cylinder (Articulating Jib Lift Cylinder)                         |     |
| 104  | 0460160      | 1   | Bellows, Cylinder (Articulating Jib Level Cylinder)                        |     |
| 105  | 0460154      | 1   | Bellows, Cylinder (Tower Lift Cylinder)                                    |     |
|      |              | Ref | <b>CYLINDER BELLOWS INSTALLATION (FRAME)</b>                               |     |
|      | 0255482      | Ref | <b>2WD/2WS &amp; 4WD/2WS 8ft/2.4m Width Machines with Oscillating Axle</b> | -   |
|      | 0255483      | Ref | <b>2WD/2WS &amp; 4WD/2WS 8ft/2.4m Width Machines with Fixed Axle</b>       | -   |
|      | 0255486      | Ref | <b>2WD/4WS &amp; 4WD/2WS 8ft/2.4m Width Machines with Oscillating Axle</b> | -   |
|      | 0255487      | Ref | <b>2WD/4WS &amp; 4WD/4WS 8ft/2.4m Width Machines with Fixed Axle</b>       | -   |
|      | 0255484      | Ref | <b>2WD/2WS 7ft/2.1m Width Machines with Oscillating Axle</b>               | -   |
|      | 0255485      | Ref | <b>2WD/2WS 7ft/2.1m Width Machines with Fixed Axle</b>                     | -   |
|      | 0255488      | Ref | <b>2WD/4WS 7ft/2.1m Width Machines with Oscillating Axle</b>               | -   |
|      | 0255489      | Ref | <b>2WD/4WS 7ft/2.1m Width Machines with Fixed Axle</b>                     | -   |
| 201  |              | Ref | Bellows, Cylinder (Steer Cylinder)   |     |
| 201  | 0460150      | AR  | 8ft/2.4m Width Machines  |     |
| 201  | 0460157      | AR  | 7ft/2.1m Width Machines  |     |
| 202  |              | Ref | Bellows, Cylinder (Oscillating Axle Cylinders)                             |     |
| 202  | 0460159      | AR  | With Oscillating Axle  |     |
| 202  | Not Required | 0   | Without Oscillating Axle   |     |

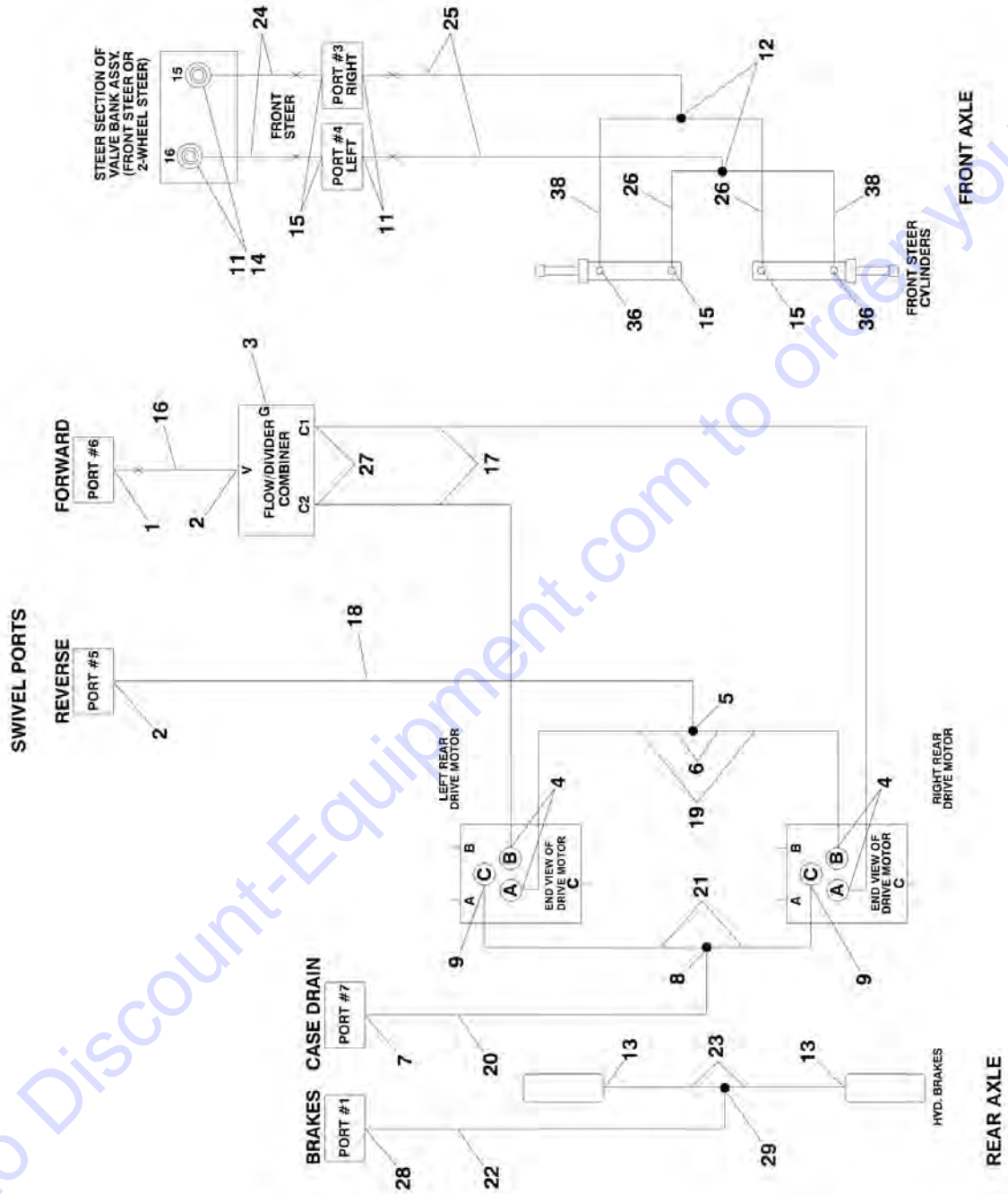


**SECTION 6 - HYDRAULIC**

Go to [Discount-Equipment.com](http://Discount-Equipment.com) to order your parts

# SECTION 6 - HYDRAULIC

FIGURE 6-1. DRIVE HYDRAULIC DIAGRAM - 2WD/2WS (SN 0300069000 through 0300081835)



## SECTION 6 - HYDRAULIC

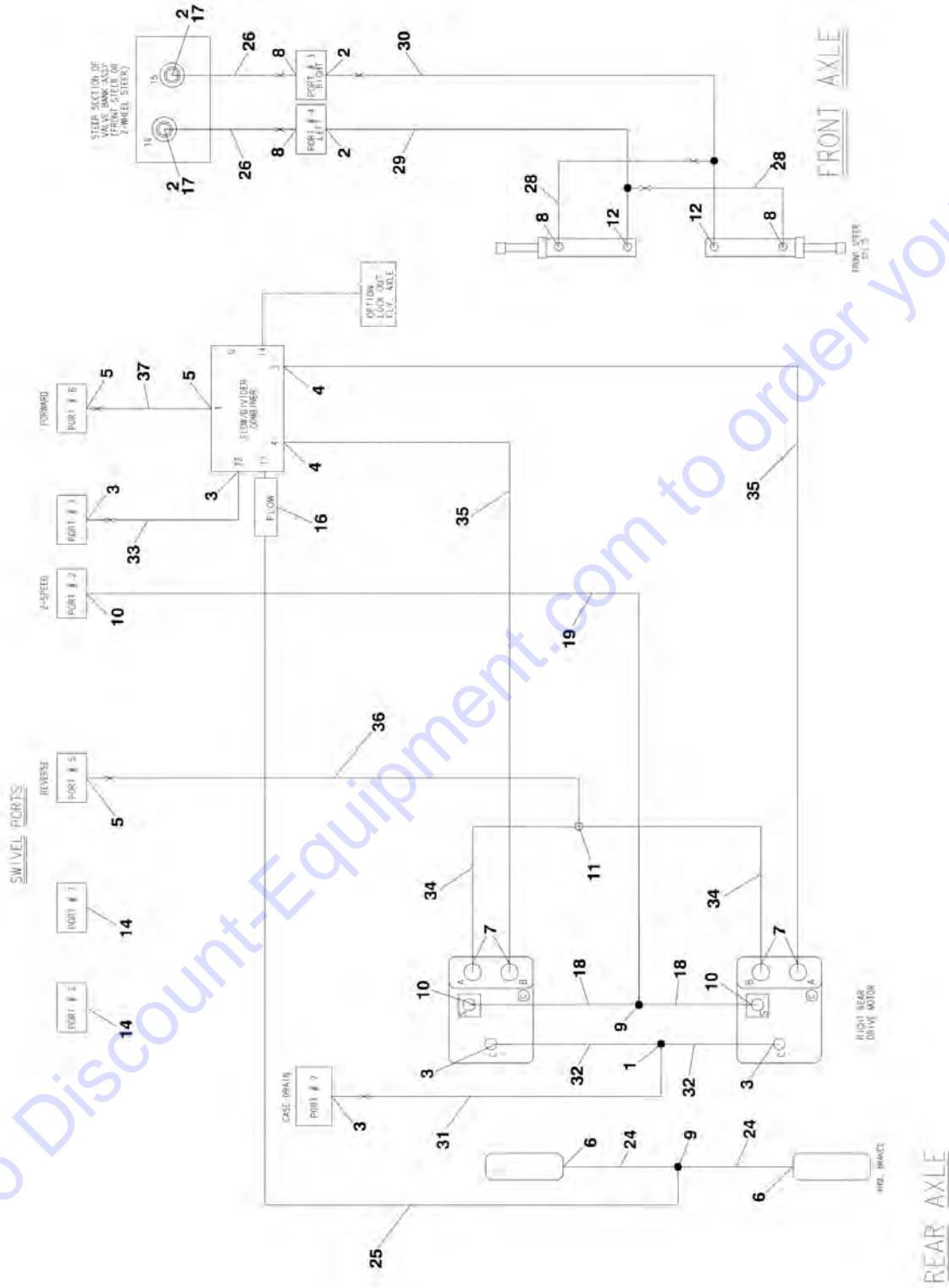
**FIGURE 6-1. DRIVE HYDRAULIC DIAGRAM - 2WD/2WS (SN 0300069000 through 0300081835)**

| ITEM | PART NUMBER | QTY | DESCRIPTION                              | REV |
|------|-------------|-----|--|-----|
|      | 2792193     | Ref | <b>DRIVE HYDRAULIC DIAGRAM - 2WD/2WS</b> | 5   |
| 1    | 2220377     | 1   | Fitting, Straight                        |     |
| 2    | 2220365     | 2   | Fitting, 45                              |     |
| 3    | 2220235     | 1   | Fitting, Plug                            |     |
| 4    | 2220451     | 4   | Fitting, Straight                        |     |
| 5    | 2220363     | 1   | Fitting, Tee                             |     |
| 6    | 2220710     | 2   | Fitting, Reducer                         |     |
| 7    | 2220375     | 1   | Fitting, Straight                        |     |
| 8    | 2220362     | 1   | Fitting, Tee                             |     |
| 9    | 2220373     | 2   | Fitting, Straight                        |     |
| 11   | 2220371     | 4   | Fitting, Straight                        |     |
| 12   | 2220490     | 2   | Fitting, Tee                             |     |
| 13   | 2220466     | 2   | Fitting, 90                              |     |
| 14   | 2220507     | 2   | Fitting, 90                              |     |
| 15   | 2220473     | 4   | Fitting, 90                              |     |
| 16   | 2752354     | 1   | Hose                                     |     |
| 17   | 2752258     | 2   | Hose                                     |     |
| 18   | 2752324     | 1   | Hose                                     |     |
| 19   | 2752245     | 2   | Hose                                     |     |
| 20   | 2752813     | 1   | Hose                                     |     |
| 21   | 2752814     | 2   | Hose                                     |     |
| 22   | 2752602     | 1   | Hose                                     |     |
| 23   | 2752459     | 2   | Hose                                     |     |
| 24   | 2752620     | 2   | Hose                                     |     |
| 25   | 2752473     | 2   | Hose                                     |     |
| 26   | 2752966     | 2   | Hose                                     |     |
| 27   | 2220435     | 2   | Fitting, Straight                        |     |
| 28   | 2220582     | 1   | Fitting, Straight                        |     |
| 29   | 2220504     | 1   | Fitting, Straight                        |     |
| 36   | 2220501     | 2   | Fitting, 45                              |     |
| 38   | 2752970     | 2   | Hose                                     |     |



# SECTION 6 - HYDRAULIC

FIGURE 6-2. DRIVE HYDRAULIC DIAGRAM - 2WD/2WS (SN 0300081836 through 0300087000)



Go to Discount-Equipment.com to order your parts

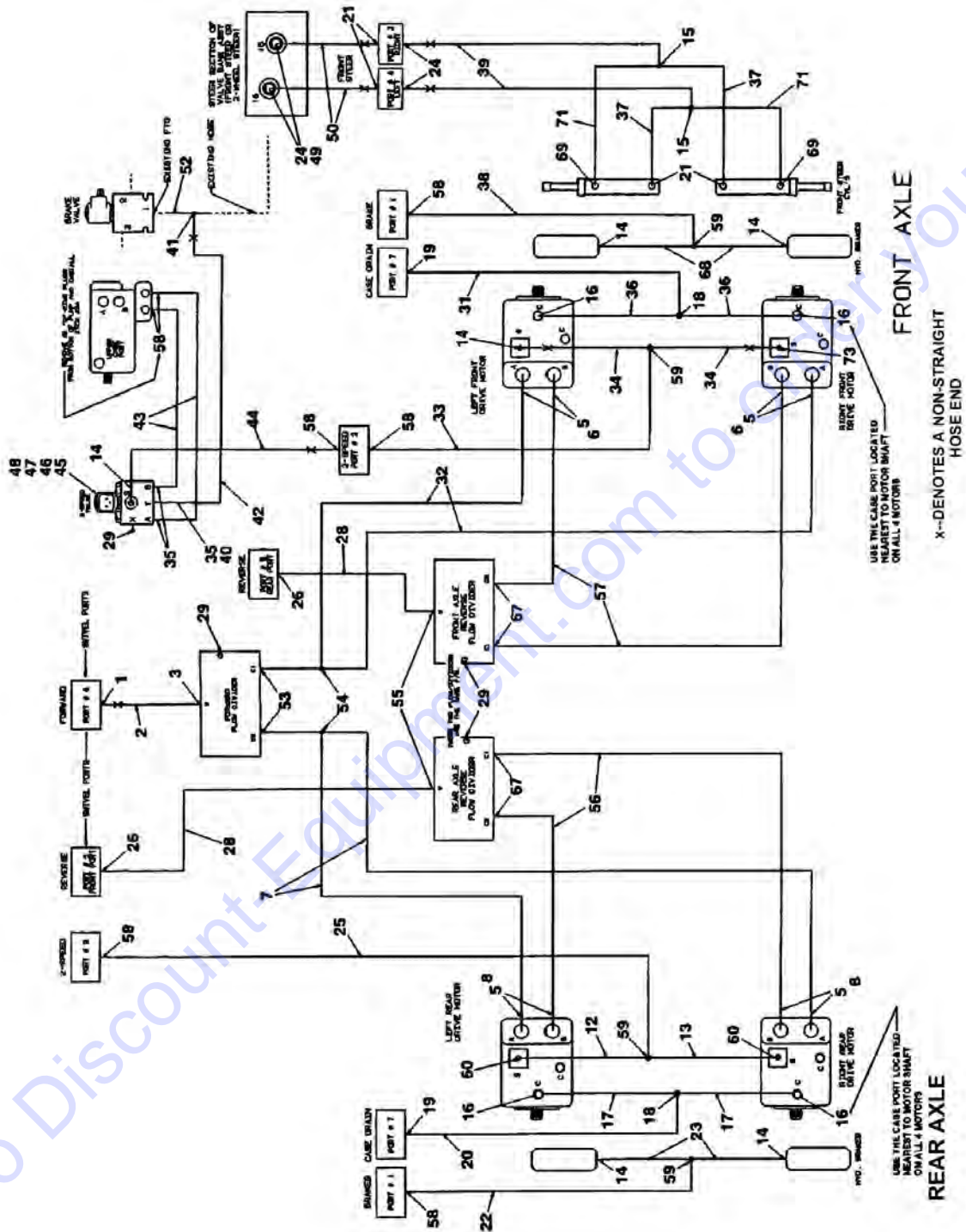
## SECTION 6 - HYDRAULIC

**FIGURE 6-2. DRIVE HYDRAULIC DIAGRAM - 2WD/2WS (SN 0300081836 through 0300087000)**

| ITEM | PART NUMBER | QTY | DESCRIPTION   | REV |
|------|-------------|-----|---|-----|
|      | 2792692     | Ref | <b>DRIVE HYDRAULIC DIAGRAM - 2WD/2WS</b>              | 2   |
| 1    | 2220362     | 1   | Fitting, Tee  |     |
| 2    | 2220371     | 4   | Fitting, Straight                                     |     |
| 3    | 2220373     | 5   | Fitting, Straight                                     |     |
| 4    | 2220498     | 2   | Fitting, 45 <b>(SN 0300081851 through 0300087000)</b> |     |
| 5    | 2220377     | 3   | Fitting, Straight                                     |     |
| 6    | 2220415     | 2   | Fitting, Straight                                     |     |
| 7    | 2220451     | 4   | Fitting, Straight                                     |     |
| 8    | 2220473     | 4   | Fitting, 90   |     |
| 9    | 2220504     | 2   | Fitting, Tee  |     |
| 10   | 2220582     | 3   | Fitting, Straight                                     |     |
| 11   | 2221170     | 1   | Fitting, Tee  |     |
| 12   | 2220606     | 2   | Fitting, Tee  |     |
| 14   | 2220237     | 2   | Fitting, Plug   |     |
| 16   | 4641307     | 1   | Valve, Check  |     |
| 17   | 2220507     | 2   | Fitting, 90   |     |
| 18   | 2753925     | 2   | Hose  |     |
| 19   | 2753924     | 1   | Hose  |     |
| 24   | 2752592     | 2   | Hose  |     |
| 25   | 2752910     | 1   | Hose  |     |
| 26   | 2752620     | 2   | Hose  |     |
| 28   |             | Ref | Hose Options:   |     |
| 28   | 2753397     | 2   | Hose <b>(SN 0300081836 through 0300081850)</b>        |     |
| 28   | 2754235     | 2   | Hose <b>(SN 0300081851 through 0300087000)</b>        |     |
| 29   | 2752475     | 1   | Hose  |     |
| 30   | 2752611     | 1   | Hose  |     |
| 31   | 2752928     | 1   | Hose  |     |
| 32   | 2753929     | 2   | Hose  |     |
| 33   | 2752929     | 1   | Hose  |     |
| 34   | 2753969     | 2   | Hose  |     |
| 35   | 2753967     | 2   | Hose  |     |
| 36   | 2752341     | 1   | Hose  |     |
| 37   | 2753435     | 1   | Hose  |     |

# SECTION 6 - HYDRAULIC

FIGURE 6-3. DRIVE HYDRAULIC DIAGRAM - 4WD/2WS (SN 0300069000 through 0300081835)



## SECTION 6 - HYDRAULIC

**FIGURE 6-3. DRIVE HYDRAULIC DIAGRAM - 4WD/2WS (SN 0300069000 through 0300081835)**

| ITEM | PART NUMBER | QTY | DESCRIPTION  | REV |
|------|-------------|-----|--|-----|
|      | 2792195     | Ref | <b>DRIVE HYDRAULIC DIAGRAM - 4WD/2WS</b>                 | 8   |
| 1    | 2220377     | 1   | Fitting, Straight  |     |
| 2    | 2752349     | 1   | Hose   |     |
| 3    | 2220365     | 1   | Fitting, 45  |     |
| 5    | 2220833     | 8   | Fitting, Reducer   |     |
| 6    | 2220500     | 4   | Fitting, 45  |     |
| 7    | 2752398     | 2   | Hose   |     |
| 8    | 2220596     | 4   | Fitting, 90  |     |
| 12   | 2751013     | 1   | Hose   |     |
| 13   | 2751013     | 1   | Hose   |     |
| 14   | 2220466     | 6   | Fitting, 90  |     |
| 15   | 2220490     | 2   | Fitting, Tee   |     |
| 16   | 2220671     | 4   | Fitting, 90  |     |
| 17   | 2752807     | 2   | Hose   |     |
| 18   | 2220362     | 2   | Fitting, Tee   |     |
| 19   | 2220375     | 2   | Fitting, Straight  |     |
| 20   | 2752813     | 1   | Hose   |     |
| 21   | 2220473     | 6   | Fitting, 90  |     |
| 22   | 2752602     | 1   | Hose   |     |
| 23   | 2752592     | 2   | Hose   |     |
| 24   | 2220371     | 4   | Fitting, Straight  |     |
| 25   | 2750756     | 1   | Hose   |     |
| 26   | 2220568     | 2   | Fitting, 45  |     |
| 28   | 2752249     | 2   | Hose   |     |
| 29   | 2220235     | 4   | Fitting, Plug  |     |
| 31   | 2752807     | 1   | Hose   |     |
| 32   | 2752890     | 2   | Hose   |     |
| 33   | 2750790     | 1   | Hose   |     |
| 34   | 2752919     | 2   | Hose   |     |
| 35   | 2220415     | 3   | Fitting, Straight  |     |
| 36   | 2752899     | 2   | Hose   |     |
| 37   | 2752966     | 2   | Hose   |     |
| 38   | 2752593     | 1   | Hose   |     |
| 39   | 2752473     | 2   | Hose   |     |
| 40   | 2220909     | 1   | Fitting, Office (.015)                                   |     |
| 41   | 2220605     | 1   | Fitting, Tee   |     |
| 42   | 2752573     | 1   | Hose   |     |
| 43   | 2751427     | 2   | Hose   |     |
| 44   | 2751396     | 1   | Hose   |     |
| 45   | 4640906     | 1   | Valve, 2-Speed Motor Control                             |     |
| 45   | 7012974     | 1   | Cartridge without Coil                                   |     |
| 45   | 7012905     | 1   | Seal Kit   |     |
| 45   | 7012944     | 1   | Coil   |     |
| 45   | 4640906     | 2   | Cartridge, Check Valve (Note Not Available for Purchase) |     |
| 45   | 7012972     | 2   | Seal Kit   |     |
| 46   | 0641508     | 2   | Bolt 5/16in-18NC x 1in                                   |     |
| 47   | 4891500     | 2   | Flatwasher 5/16in Hardened                               |     |
| 48   | 4711500     | 2   | Flatwasher 5/16in Thin                                   |     |
| 49   | 2220507     | 2   | Fitting, 90  |     |
| 50   | 2752620     | 2   | Hose   |     |

## SECTION 6 - HYDRAULIC

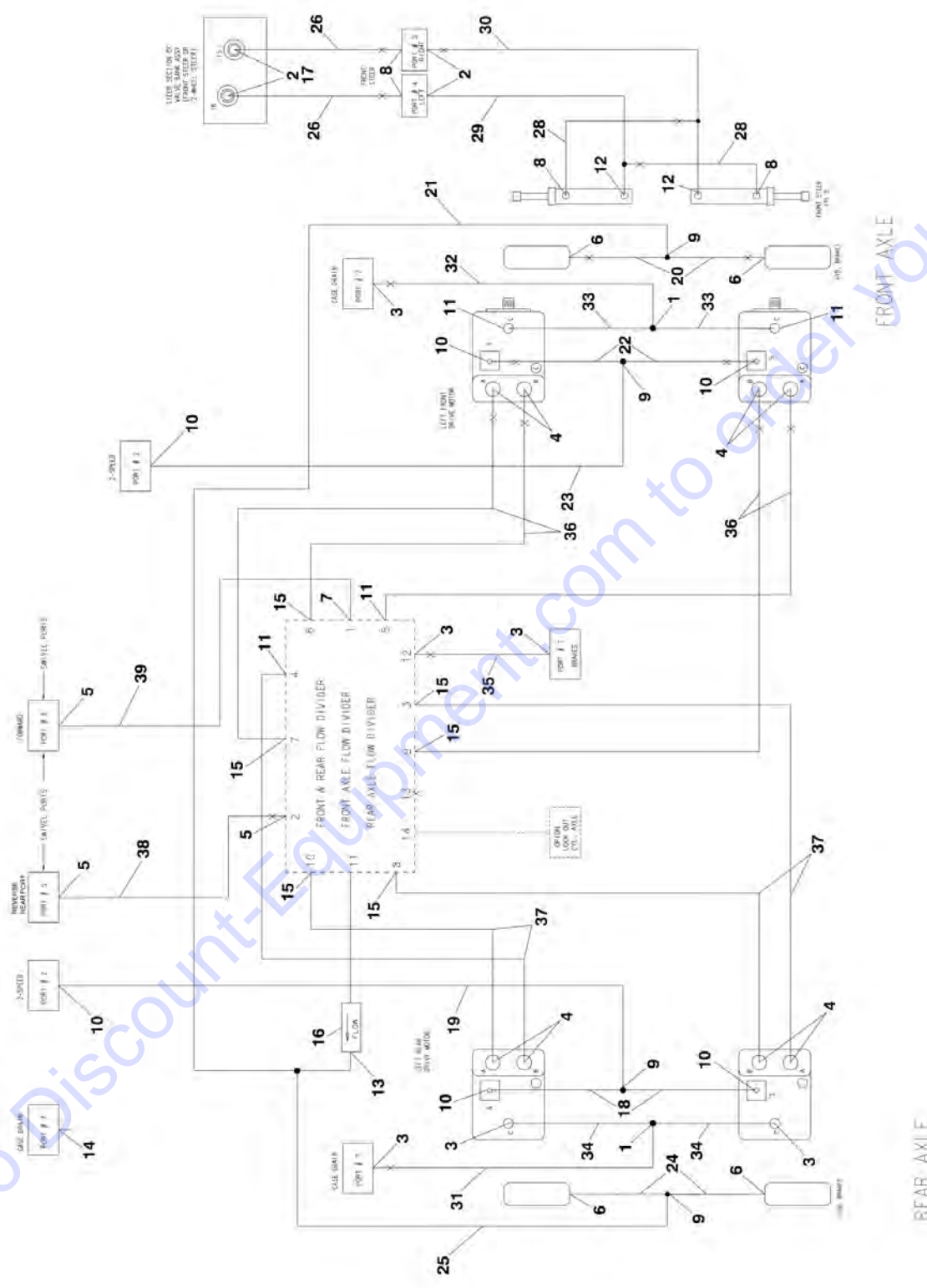
| ITEM | PART NUMBER | QTY | DESCRIPTION       | REV |
|------|-------------|-----|-------------------|-----|
| 52   | 2220914     | 1   | Orifice (.043)    |     |
| 53   | 2220833     | 2   | Fitting, Reducer  |     |
| 54   | 2220602     | 2   | Fitting, Tee      |     |
| 55   | 2220435     | 2   | Fitting, Straight |     |
| 56   | 2752398     | 2   | Hose              |     |
| 57   | 2752889     | 2   | Hose              |     |
| 58   | 2220582     | 5   | Fitting, Straight |     |
| 59   | 2220504     | 4   | Fitting, Tee      |     |
| 60   | 2220466     | 2   | Fitting, Straight |     |
| 67   | 2220800     | 4   | Fitting, Straight |     |
| 68   | 2752912     | 2   | Hose              |     |
| 69   | 2220501     | 2   | Fitting, 45       |     |
| 71   | 2752970     | 2   | Hose              |     |
| 73   | 2220502     | 1   | Fitting, 45       |     |

Go to Discount-Equipment.com to order your parts



# SECTION 6 - HYDRAULIC

FIGURE 6-4. DRIVE HYDRAULIC DIAGRAM - 4WD/2WS (SN 0300081836 through 0300087000)



Go to Discount-Equipment.com to order your parts

## SECTION 6 - HYDRAULIC

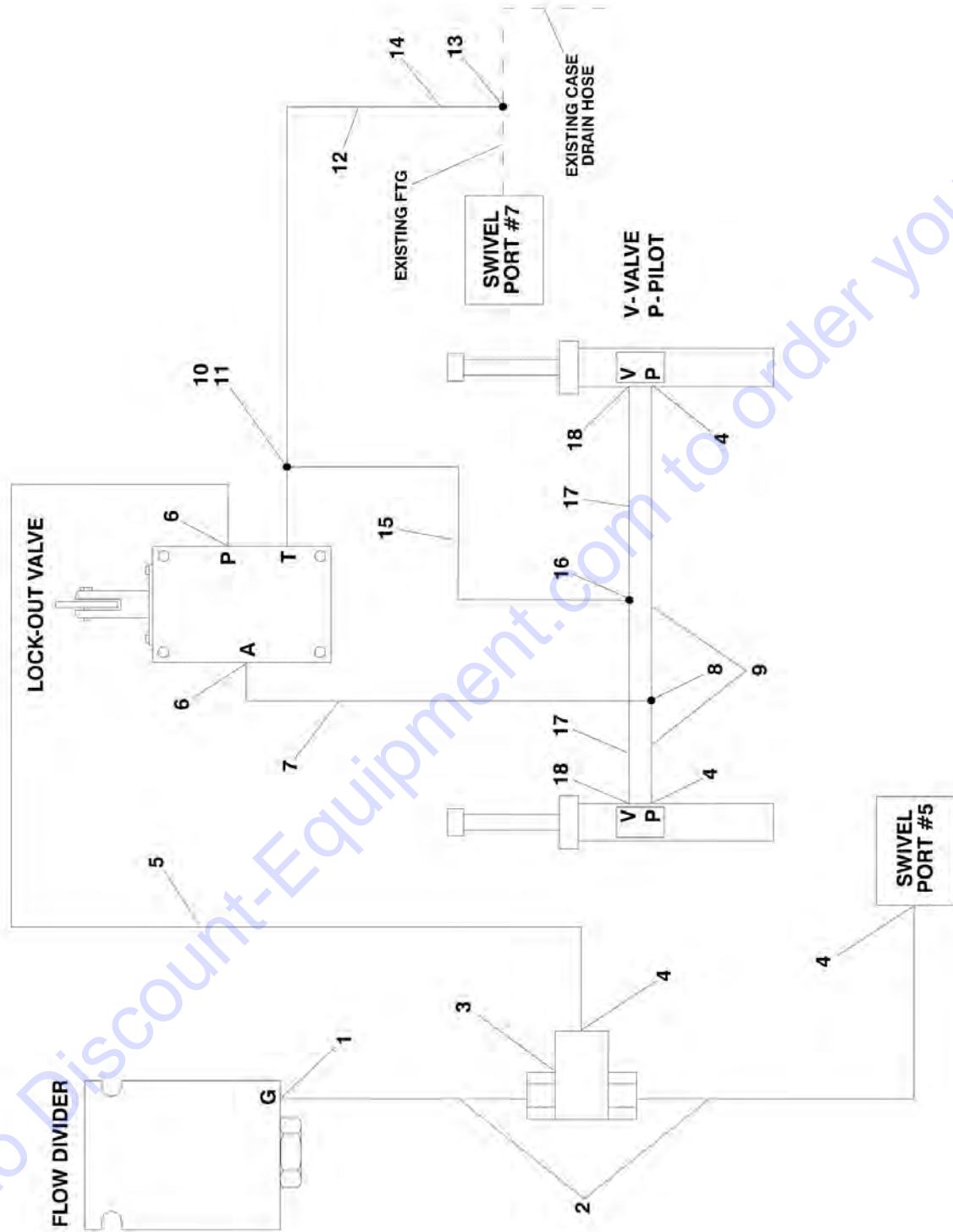
**FIGURE 6-4. DRIVE HYDRAULIC DIAGRAM - 4WD/2WS (SN 0300081836 through 0300087000)**

| ITEM | PART NUMBER | QTY | DESCRIPTION                              | REV |
|------|-------------|-----|--|-----|
|      | 2792687     | Ref | <b>DRIVE HYDRAULIC DIAGRAM - 4WD/2WS</b> | 1   |
| 1    | 2220362     | 2   | Fitting, Tee                             |     |
| 2    | 2220371     | 4   | Fitting, Straight                        |     |
| 3    | 2220373     | 6   | Fitting, Straight                        |     |
| 4    | 2220375     | 8   | Fitting, Straight                        |     |
| 5    | 2220377     | 3   | Fitting, Straight                        |     |
| 6    | 2220415     | 4   | Fitting, Straight                        |     |
| 7    | 2220646     | 1   | Fitting, 90                              |     |
| 8    | 2220473     | 4   | Fitting, 90                              |     |
| 9    | 2220504     | 4   | Fitting, Tee                             |     |
| 10   | 2220582     | 6   | Fitting, Straight                        |     |
| 11   | 2220596     | 4   | Fitting, 90                              |     |
| 12   | 2220606     | 2   | Fitting, Tee                             |     |
| 13   | 2220861     | 1   | Fitting, Tee                             |     |
| 14   | 2220237     | 1   | Fitting, Plug                            |     |
| 15   | 2220500     | 6   | Fitting, 45                              |     |
| 16   | 4641284     | 1   | Valve, Check                             |     |
| 17   | 2220507     | 2   | Fitting, 90                              |     |
| 18   | 2753925     | 2   | Hose                                     |     |
| 19   | 2753924     | 1   | Hose                                     |     |
| 20   | 2753926     | 2   | Hose                                     |     |
| 21   | 2754229     | 1   | Hose                                     |     |
| 22   | 2752574     | 2   | Hose                                     |     |
| 23   | 2754230     | 1   | Hose                                     |     |
| 24   | 2752592     | 2   | Hose                                     |     |
| 25   | 2752910     | 1   | Hose                                     |     |
| 26   | 2752620     | 2   | Hose                                     |     |
| 28   | 2754235     | 2   | Hose                                     |     |
| 29   | 2754234     | 1   | Hose                                     |     |
| 30   | 2754233     | 1   | Hose                                     |     |
| 31   | 2752928     | 1   | Hose                                     |     |
| 32   | 2754231     | 1   | Hose                                     |     |
| 33   | 2753928     | 2   | Hose                                     |     |
| 34   | 2753929     | 2   | Hose                                     |     |
| 35   | 2752929     | 1   | Hose                                     |     |
| 36   | 2754232     | 4   | Hose                                     |     |
| 37   | 2753930     | 4   | Hose                                     |     |
| 38   | 2754227     | 1   | Hose                                     |     |
| 39   | 2754228     | 1   | Hose                                     |     |



# SECTION 6 - HYDRAULIC

FIGURE 6-5. HYDRAULIC DIAGRAM - OSCILLATING AXLE (SN 0300069000 through 0300081835)



## SECTION 6 - HYDRAULIC

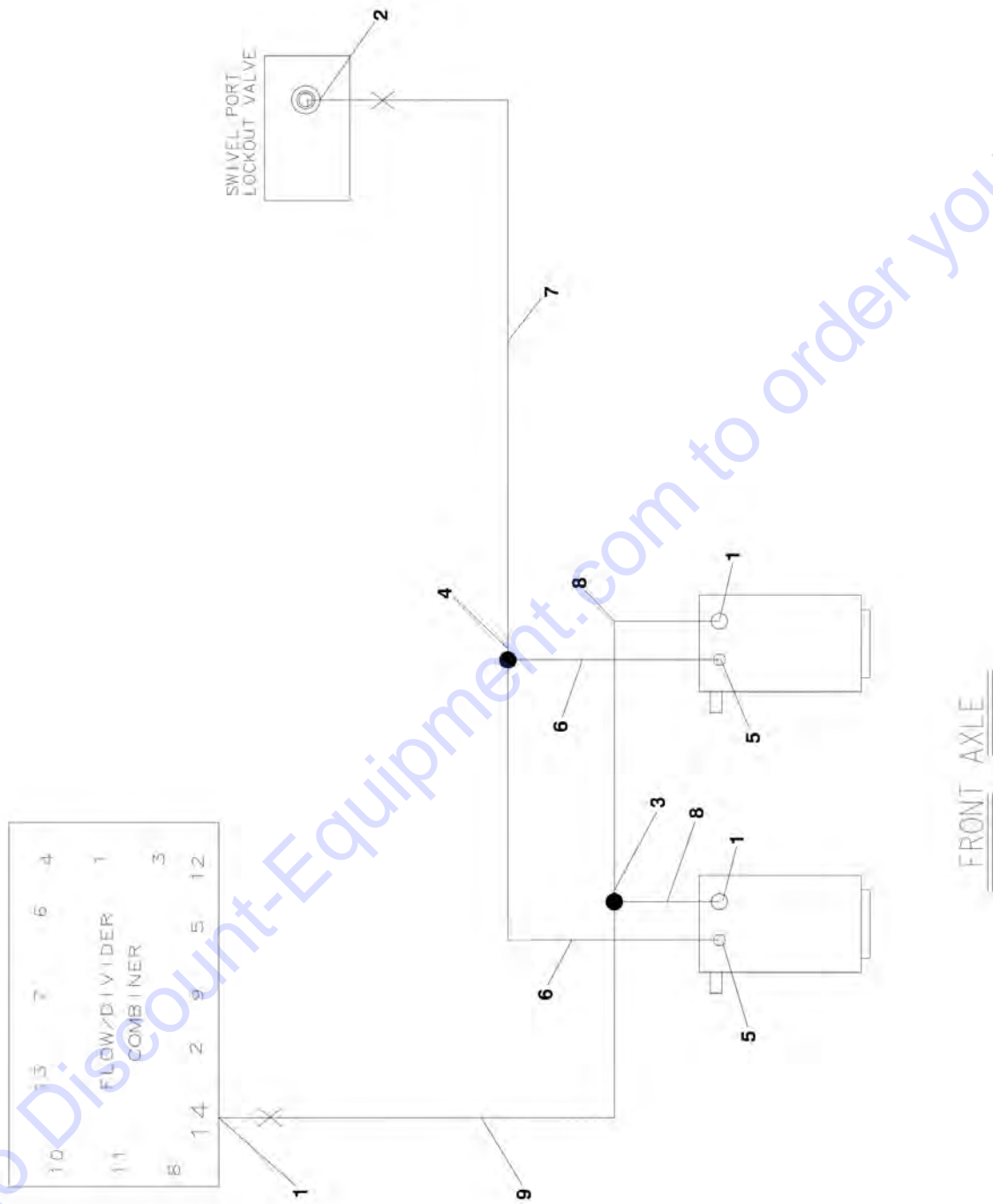
**FIGURE 6-5. HYDRAULIC DIAGRAM - OSCILLATING AXLE (SN 0300069000 through 0300081835)**

| ITEM | PART NUMBER | QTY | DESCRIPTION                                 | REV |
|------|-------------|-----|---|-----|
|      | 2792230     | Ref | <b>HYDRAULIC DIAGRAM - OSCILLATING AXLE</b> |     |
| 1    | 2220466     | 1   | Fitting, 90                                 |     |
| 2    | 2751020     | 2   | Hose  |     |
| 3    | 4640939     | 1   | Valve, Shuttle                              |     |
| 4    | 2220582     | 6   | Fitting, Straight                           |     |
| 5    | 2751013     | 1   | Hose  |     |
| 6    | 2220415     | 2   | Fitting, Straight                           |     |
| 7    | 2750900     | 1   | Hose  |     |
| 8    | 2220504     | 1   | Fitting, Tee                                |     |
| 9    | 2752920     | 2   | Hose  |     |
| 10   | 2220603     | 1   | Fitting, Straight                           |     |
| 11   | 2220635     | 1   | Fitting, Tee                                |     |
| 12   | 2752824     | 1   | Hose  |     |
| 13   | 2220385     | 1   | Fitting, Tee                                |     |
| 14   | 2220619     | 1   | Fitting, Reducer                            |     |
| 15   | 2752823     | 1   | Hose  |     |
| 16   | 2220490     | 1   | Fitting, Tee                                |     |
| 17   | 2752962     | 2   | Hose  |     |
| 18   | 2220371     | 2   | Fitting, Straight                           |     |

Go to Discount-Equipment.com to order your parts

# SECTION 6 - HYDRAULIC

FIGURE 6-6. HYDRAULIC DIAGRAM - OSCILLATING AXLE (SN 0300081836 through 0300087000)



## SECTION 6 - HYDRAULIC

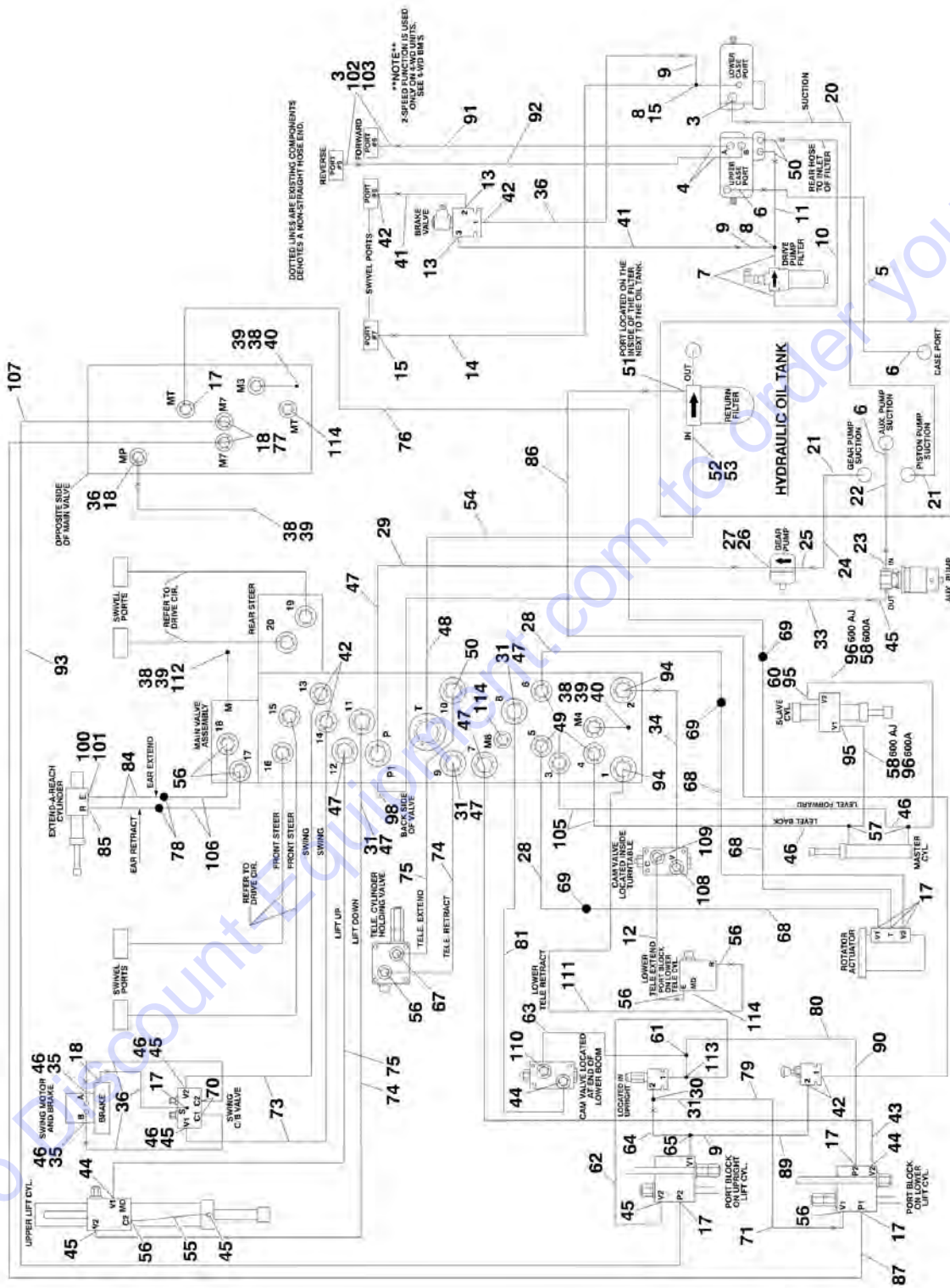
**FIGURE 6-6. HYDRAULIC DIAGRAM - OSCILLATING AXLE (SN 0300081836 through 0300087000)**

| ITEM | PART NUMBER | QTY | DESCRIPTION                                 | REV |
|------|-------------|-----|---|-----|
|      | 2792690     | Ref | <b>HYDRAULIC DIAGRAM - OSCILLATING AXLE</b> | 1   |
| 1    | 2220371     | 3   | Fitting, Straight                           |     |
| 2    | 2220468     | 1   | Fitting, Straight                           |     |
| 3    | 2220490     | 1   | Fitting, Tee                                |     |
| 4    | 2220504     | 1   | Fitting, Tee                                |     |
| 5    | 2220415     | 2   | Fitting, Straight                           |     |
| 6    | 2751434     | 2   | Hose  |     |
| 7    | 2751410     | 1   | Hose  |     |
| 8    | 2753933     | 2   | Hose  |     |
| 9    | 2752462     | 1   | Hose  |     |

Go to Discount-Equipment.com to order your parts

# SECTION 6 - HYDRAULIC

FIGURE 6-7. HYDRAULIC DIAGRAM - STANDARD (SN 0300069000 through 0300081835)



## SECTION 6 - HYDRAULIC

**FIGURE 6-7. HYDRAULIC DIAGRAM - STANDARD (SN 0300069000 through 0300081835)**

| ITEM | PART NUMBER | QTY | DESCRIPTION   | REV |
|------|-------------|-----|---|-----|
|      | 2792188     | Ref | <b>HYDRAULIC DIAGRAM - STANDARD (600A)</b>                    | 21  |
|      | 2792189     | Ref | <b>HYDRAULIC DIAGRAM - STANDARD (600AJ)</b>                   | 22  |
| 3    | 2220377     | 3   | Fitting, Straight   |     |
| 4    | 2220646     | 2   | Fitting, 90   |     |
| 5    | 2752655     | 1   | Hose  |     |
| 6    | 2220578     | 3   | Fitting, 90   |     |
| 7    | 2220366     | 2   | Fitting, 90   |     |
| 8    | 2220385     | 2   | Fitting, Tee  |     |
| 9    | 2220618     | 3   | Fitting, Reducer  |     |
| 10   | 2752500     | 1   | Hose  |     |
| 11   | 2752519     | 1   | Hose  |     |
| 12   | 2753132     | 1   | Hose  |     |
| 13   | 2220472     | 2   | Fitting, 90   |     |
| 14   | 2752928     | 1   | Hose  |     |
| 15   | 2220375     | 2   | Fitting, Straight   |     |
| 16   | 2752591     | 1   | Hose <b>(SN 0300069000 through 0300070977)</b>                |     |
| 17   | 2220466     | 8   | Fitting, 90   |     |
| 18   | 2220415     | 5   | Fitting, Straight   |     |
| 20   | 2752723     | 1   | Hose  |     |
| 21   | 2220379     | 2   | Fitting, Straight   |     |
| 22   | 2752656     | 1   | Hose  |     |
| 23   | 2220567     | 1   | Fitting, 90   |     |
| 24   | 2752724     | 1   | Hose  |     |
| 25   | 2220376     | 1   | Fitting, Straight   |     |
| 26   | 2220810     | 1   | Fitting, Reducer  |     |
| 27   | 4640744     | 1   | Valve, Check  |     |
| 28   | 2752604     | 2   | Hose (Note: Also Requires #69 & #68 for Complete Run Up Boom) |     |
| 29   | 2752929     | 1   | Hose  |     |
| 30   | 2220602     | 2   | Fitting, Tee  |     |
| 31   | 2220619     | 6   | Fitting, Reducer  |     |
| 32   | 2220416     | 1   | Fitting, 90 <b>(SN 0300069000 through 0300070977)</b>         |     |
| 33   | 2752635     | 1   | Hose  |     |
| 34   | 2753133     | 1   | Hose  |     |
| 35   | 2220497     | 2   | Fitting, Straight   |     |
| 36   | 2752573     | 5   | Hose  |     |
| 38   | 2220428     | AR  | Fitting, Quick Coupling (600A - Qty.3 /600AJ - Qty.4)         |     |
| 39   | 2220429     | AR  | Cap, Dust (600A - Qty.3 /600AJ - Qty.4)                       |     |
| 40   | 2220873     | 2   | Fitting   |     |
| 41   | 2752600     | 2   | Hose  |     |
| 42   | 2220582     | 6   | Fitting, Straight   |     |
| 43   | 2752506     | 1   | Hose (600A)   |     |
| 43   | 2752516     | 1   | Hose (600AJ)  |     |
| 44   | 2220596     | 3   | Fitting, 90   |     |
| 45   | 2220628     | 6   | Fitting, 90   |     |
| 46   | 2220609     | AR  | Fitting, Reducer  |     |
| 47   | 2220381     | AR  | Fitting, Long Straight (600A - Qty.5 /600AJ - Qty.6)          |     |
| 48   | 2220974     | 1   | Fitting, Long Straight  |     |
| 49   | 2220923     | 4   | Fitting, Long Straight  |     |
| 50   | 2220374     | 3   | Fitting   |     |
| 51   | 2220574     | 1   | Fitting, Straight   |     |

## SECTION 6 - HYDRAULIC

| ITEM | PART NUMBER | QTY | DESCRIPTION   | REV |
|------|-------------|-----|---|-----|
| 52   | 2220921     | 1   | Fitting, Reducer  |     |
| 53   | 2220498     | 1   | Fitting, 45   |     |
| 54   | 2752783     | 1   | Hose  |     |
| 55   | 2752469     | 1   | Hose  |     |
| 56   | 2220372     | AR  | Fitting, Straight (600A - Qty.5 /600AJ - Qty.7)                             |     |
| 57   | 2220899     | 2   | Fitting, Tee  |     |
| 58   | 2752636     | 1   | Hose (600A)   |     |
| 58   | 2752468     | 1   | Hose (600AJ)  |     |
| 60   | 2220657     | 1   | Fitting, 45 (600A Only)   |     |
| 61   | 2221065     | 1   | Fitting, Tee  |     |
| 62   | 2752462     | 1   | Hose  |     |
| 63   | 2753134     | 1   | Hose  |     |
| 63   | 2753134     | 1   | Hose  |     |
| 64   | 2752497     | 1   | Hose  |     |
| 65   | 2220999     | 1   | Fitting, Tee  |     |
| 67   | 2220500     | 1   | Fitting, 45   |     |
| 68   | 2752601     | 3   | Hose (Note: Also Requires #69 & #28 or #76 for Complete Run Up Boom)        |     |
| 69   | 2220510     | 3   | Fitting, Coupling   |     |
| 70   | 2220468     | 2   | Fitting, Straight   |     |
| 71   | 2753052     | 1   | Hose  |     |
| 72   | 2220502     | 4   | Fitting, 45 (SN 0300069000 through 0300070977)                              |     |
| 73   | 2752603     | 2   | Hose  |     |
| 74   | 2753055     | 1   | Hose  |     |
| 75   | 2752939     | 2   | Hose  |     |
| 76   | 2752579     | 1   | Hose (Note: Also Requires #69 & #68 for Complete Run Up Boom)               |     |
| 77   | 2220654     | 2   | Fitting, 90   |     |
| 78   | 2220511     | 1   | Fitting, Coupling (600AJ Only)  |     |
| 79   | 2753056     | 1   | Hose  |     |
| 80   | 2752991     | 1   | Hose  |     |
| 81   | 2753135     | 1   | Hose  |     |
| 82   | 2752434     | 1   | Hose (SN 0300069000 through 0300070977)                                     |     |
| 84   | 2753047     | 2   | Hose (600AJ Only) (Note: Also Requires #78 & #106 for Complete Run Up Boom) |     |
| 85   | 2220473     | 1   | Fitting, 90 (600AJ Only)  |     |
| 86   | 2752453     | 1   | Hose  |     |
| 87   | 2752593     | 1   | Hose  |     |
| 88   | 2752988     | 1   | Hose (SN 0300069000 through 0300070977)                                     |     |
| 89   | 2752990     | 1   | Hose  |     |
| 90   | 2752985     | 1   | Hose  |     |
| 91   | 2752343     | 1   | Hose  |     |
| 92   | 2752341     | 1   | Hose  |     |
| 93   | 2752592     | 1   | Hose (SN 0300069000 through 0300070977)                                     |     |
| 94   | 2220998     | 2   | Fitting, Straight   |     |
| 95   | 2220603     | 2   | Fitting, Straight   |     |
| 96   | 2753046     | 1   | Hose (600A)   |     |
| 96   | 2752650     | 1   | Hose (600AJ)  |     |
| 98   | 2220473     | 1   | Fitting, 90   |     |
| 100  | 2180724     | 1   | Fitting, Modified 90 (600AJ Only)   |     |
| 101  | 2180380     | 1   | Plug, Orifice.06 (600AJ Only)   |     |
| 102  | 0100011     | AR  | Compound, Locking   |     |
| 103  | 0100038     | AR  | Primer, Locking   |     |

## SECTION 6 - HYDRAULIC

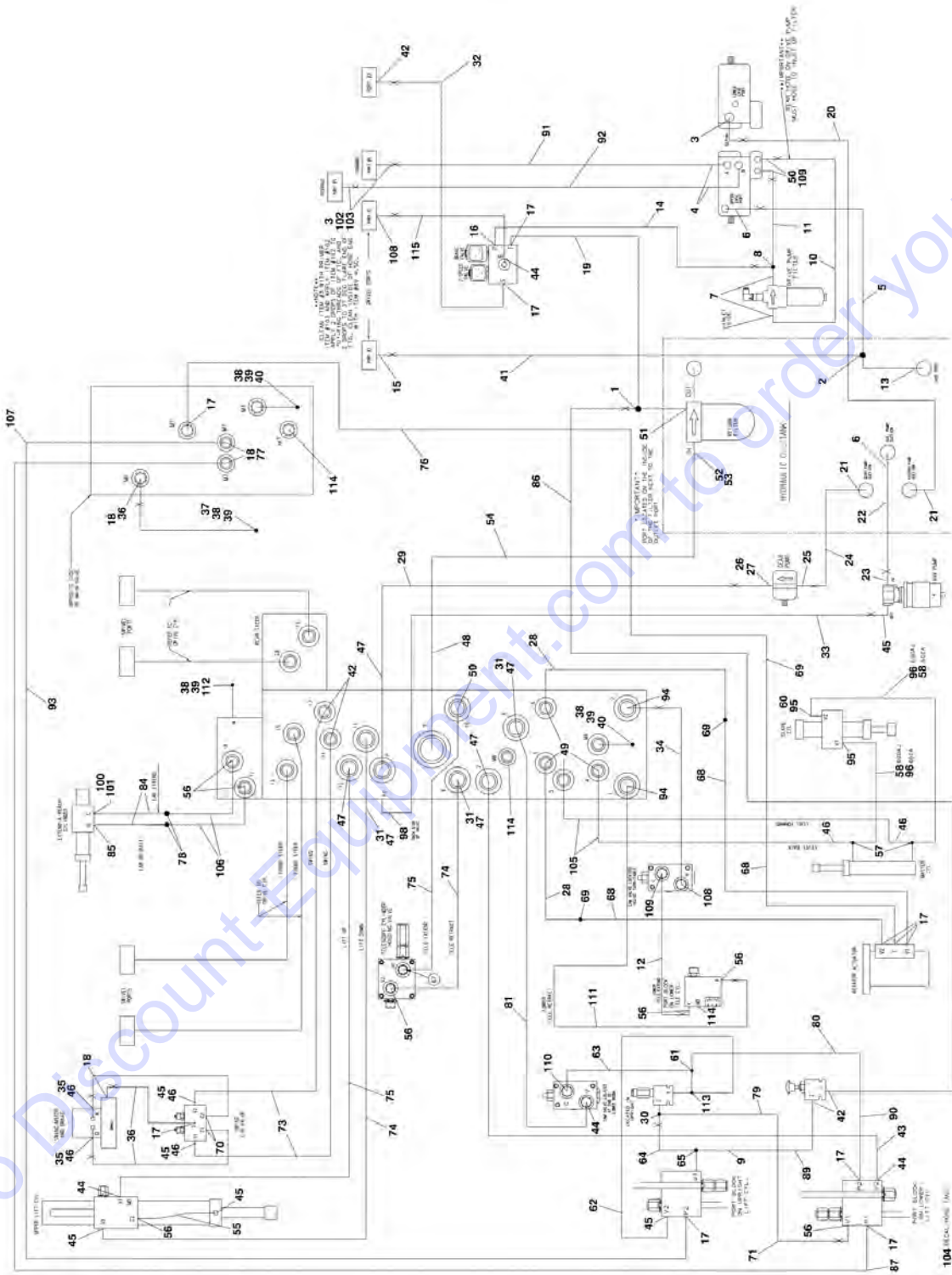
| ITEM | PART NUMBER | QTY | DESCRIPTION  | REV |
|------|-------------|-----|--|-----|
| 104  | 1703534     | 2   | Decal, Hose Tags (Not Shown)   |     |
| 105  | 2752989     | 2   | Hose   |     |
| 106  | 2752618     | 2   | Hose (600AJ Only) (Note: Also Requires #78 & #84 for Complete Run Up Boom) |     |
| 107  | 2752987     | 1   | Hose   |     |
| 108  | 2220373     | 1   | Fitting, Straight  |     |
| 109  | 2220947     | 1   | Fitting, Straight  |     |
| 110  | 2221036     | 1   | Fitting, O-Ring  |     |
| 111  | 2752484     | 1   | Hose   |     |
| 112  | 2220873     | 1   | Fitting, Nipple  |     |
| 113  | 2221053     | 1   | Fitting, Tee   |     |
| 114  | 2220235     | 3   | Plug (SN 0300070977 through 0300081835)                                    |     |

Go to Discount-Equipment.com to order your parts



# SECTION 6 - HYDRAULIC

## FIGURE 6-8. HYDRAULIC DIAGRAM - STANDARD (SN 0300081836 through 0300087000)



## SECTION 6 - HYDRAULIC

**FIGURE 6-8. HYDRAULIC DIAGRAM - STANDARD (SN 0300081836 through 0300087000)**

| ITEM | PART NUMBER | QTY | DESCRIPTION   | REV |
|------|-------------|-----|---|-----|
|      | 2792688     | Ref | <b>HYDRAULIC DIAGRAM - STANDARD (600A)</b>                    | 5   |
|      | 2792689     | Ref | <b>HYDRAULIC DIAGRAM - STANDARD (600AJ)</b>                   | 3   |
| 1    | 2220605     | 1   | Fitting, Tee  |     |
| 2    | 2220409     | 1   | Fitting, 45   |     |
| 3    | 2220377     | 3   | Fitting, Straight   |     |
| 4    | 2220646     | 2   | Fitting, 90   |     |
| 5    | 2752655     | 1   | Hose  |     |
| 6    | 2220578     | 2   | Fitting, 90   |     |
| 7    |             | Ref | Fitting, 90 Options:  |     |
| 7    | 2220366     | 2   | Fitting, 90 (SN 0300081836 through 0300084828)                |     |
| 7    | 2221042     | 2   | Fitting, 90 (SN 0300084829 through 0300087000)                |     |
| 8    |             | Ref | Fitting, Tee Options:   |     |
| 8    | 2220385     | 1   | Fitting, Tee (SN 0300081836 through 0300084828)               |     |
| 8    | 2220948     | 1   | Fitting, Tee (SN 0300084829 through 0300087000)               |     |
| 9    | 2220618     | 1   | Fitting, Reducer  |     |
| 10   |             | Ref | Hose Options:   |     |
| 10   | 2752500     | 1   | Hose (SN 0300081836 through 0300084828)                       |     |
| 10   | 2754329     | 1   | Hose (SN 0300084829 through 0300087000)                       |     |
| 11   |             | Ref | Hose  |     |
| 11   | 2752519     | 1   | Hose (SN 0300081836 through 0300084828)                       |     |
| 11   | 2754330     | 1   | Hose (SN 0300084829 through 0300087000)                       |     |
| 12   | 2753132     | 1   | Hose  |     |
| 13   | 2220738     | 1   | Fitting, Tee  |     |
| 14   |             | Ref | Hose Options:   |     |
| 14   | 2752928     | 1   | Hose (SN 0300081836 through 0300084828)                       |     |
| 14   | 2754328     | 1   | Hose (SN 0300084829 through 0300087000)                       |     |
| 15   | 2220375     | AR  | Fitting, Straight (600A - Qty.1 /600AJ - Qty.2)               |     |
| 16   | 2220474     | 1   | Fitting, 90   |     |
| 17   | 2220466     | 10  | Fitting, 90   |     |
| 18   | 2220415     | 4   | Fitting, Straight   |     |
| 19   | 2753325     | 1   | Hose  |     |
| 20   | 2752723     | 1   | Hose  |     |
| 21   | 2220379     | 2   | Fitting, Straight   |     |
| 22   | 2752656     | 1   | Hose  |     |
| 23   | 2220567     | 1   | Fitting, 90   |     |
| 24   | 2752724     | 1   | Hose  |     |
| 25   | 2220376     | 1   | Fitting, Straight   |     |
| 26   | 2220810     | 1   | Fitting, Reducer  |     |
| 27   | 4640744     | 1   | Valve, Check  |     |
| 28   | 2752604     | 2   | Hose (Note: Also Requires #69 & #68 for Complete Run Up Boom) |     |
| 29   | 2752929     | 1   | Hose  |     |
| 30   | 2220602     | 1   | Fitting, Tee  |     |
| 31   | 2220619     | 3   | Fitting, Reducer  |     |
| 32   | 2751396     | 1   | Hose  |     |
| 33   | 2752635     | 1   | Hose  |     |
| 34   | 2753133     | 1   | Hose  |     |
| 35   | 2220497     | 2   | Fitting, Straight   |     |
| 36   | 2752573     | AR  | Hose (600A - Qty.4 /600AJ - Qty.3)                            |     |
| 37   | 2220414     | 1   | Fitting, Straight   |     |
| 38   | 2220428     | AR  | Fitting, Quick Coupling (600A - Qty.3 /600AJ - Qty.4)         |     |

## SECTION 6 - HYDRAULIC

| ITEM | PART NUMBER | QTY | DESCRIPTION   | REV |
|------|-------------|-----|---|-----|
| 39   | 2220429     | AR  | Cap, Dust (600A - Qty.3 /600AJ - Qty.4)                                     |     |
| 40   | 2220873     | 2   | Fitting   |     |
| 41   | 2752600     | 1   | Hose 600A <b>(SN 0300081836 through 0300084828)</b>                         |     |
| 41   | 2753968     | 1   | Hose 600A <b>(SN 0300084829 through 0300087000)</b>                         |     |
| 41   | 2753968     | 1   | Hose (600AJ)  |     |
| 42   | 2220582     | 6   | Fitting, Straight   |     |
| 43   | 2752506     | 1   | Hose (600A)   |     |
| 43   | 2752516     | 1   | Hose (600AJ)  |     |
| 44   | 2220596     | 4   | Fitting, 90   |     |
| 45   | 2220628     | 6   | Fitting, 90   |     |
| 46   | 2220609     | 6   | Fitting, Reducer  |     |
| 47   | 2220381     | 6   | Fitting, Long Straight  |     |
| 48   | 2220974     | 1   | Fitting, Long Straight  |     |
| 49   | 2220923     | 4   | Fitting, Long Straight  |     |
| 50   | 2220374     | AR  | Fitting Options:  |     |
| 50   |             | Ref | Fitting <b>(SN 0300081836 through 0300084828)</b>                           |     |
| 50   |             | Ref | Fitting <b>(SN 0300084829 through 0300087000)</b>                           |     |
| 51   | 2220574     | 1   | Fitting, Straight   |     |
| 52   | 2220921     | 1   | Fitting, Reducer  |     |
| 53   | 2220498     | 1   | Fitting, 45   |     |
| 54   | 2752783     | 1   | Hose  |     |
| 55   | 2752469     | 1   | Hose  |     |
| 56   | 2220372     | AR  | Fitting, Straight (600A - Qty.5 /600AJ - Qty.7)                             |     |
| 57   | 2220899     | 2   | Fitting, Tee  |     |
| 58   | 2752636     | 1   | Hose (600A)   |     |
| 58   | 2752468     | 1   | Hose (600AJ)  |     |
| 60   | 2220657     | 1   | Fitting, 45 (600A Only)   |     |
| 61   | 2221065     | 1   | Fitting, Tee  |     |
| 62   | 2752462     | 1   | Hose  |     |
| 63   | 2753134     | 1   | Hose  |     |
| 64   | 2752497     | 1   | Hose  |     |
| 65   | 2220999     | 1   | Fitting, Tee  |     |
| 67   | 2220500     | 1   | Fitting, 45   |     |
| 68   | 2752601     | 3   | Hose (Note: Also Requires #69 & #28 or #76 for Complete Run Up Boom)        |     |
| 69   | 2220510     | 3   | Fitting, Coupling   |     |
| 70   | 2220468     | 2   | Fitting, Straight   |     |
| 71   | 2753052     | 1   | Hose  |     |
| 73   | 2752603     | 2   | Hose  |     |
| 74   | 2753055     | 2   | Hose  |     |
| 75   | 2752939     | 2   | Hose  |     |
| 76   | 2752579     | 1   | Hose (Note: Also Requires #69 & #68 for Complete Run Up Boom)               |     |
| 77   | 2220654     | 2   | Fitting, 90   |     |
| 78   | 2220511     | 1   | Fitting, Coupling (600AJ Only)  |     |
| 79   | 2753056     | 1   | Hose  |     |
| 80   | 2752991     | 1   | Hose  |     |
| 81   | 2753135     | 1   | Hose  |     |
| 84   | 2753047     | 2   | Hose (600AJ Only) (Note: Also Requires #78 & #106 for Complete Run Up Boom) |     |
| 85   | 2220473     | 1   | Fitting, 90 (600AJ Only)  |     |
| 86   | 2752453     | 1   | Hose  |     |
| 87   | 2752593     | 1   | Hose  |     |

## SECTION 6 - HYDRAULIC

| ITEM | PART NUMBER | QTY | DESCRIPTION  | REV |
|------|-------------|-----|--|-----|
| 89   | 2752990     | 1   | Hose   |     |
| 90   | 2752985     | 1   | Hose   |     |
| 91   |             | Ref | Hose Options:  |     |
| 91   | 2752343     | 1   | 72in/1.83m Length  |     |
| 91   | 2752341     | 1   | 66in/1.68m Length  |     |
| 92   |             | Ref | Hose Options:  |     |
| 92   | 2752343     | 1   | 72in/1.83m Length  |     |
| 92   | 2752341     | 1   | 66in/1.68m Length  |     |
| 94   | 2220998     | 2   | Fitting, Straight  |     |
| 95   | 2220603     | 2   | Fitting, Straight  |     |
| 96   | 2753046     | 1   | Hose (600A)  |     |
| 96   | 2752650     | 1   | Hose (600AJ)   |     |
| 98   | 2220473     | 1   | Fitting, 90  |     |
| 100  | 2180724     | 1   | Fitting, Modified 90 (600AJ Only)  |     |
| 101  | 2180380     | 1   | Plug, Orifice.06 (600AJ Only)  |     |
| 102  | 0100011     | AR  | Compound, Locking  |     |
| 103  | 0100038     | AR  | Primer, Locking  |     |
| 104  | 1703534     | 2   | Decal, Hose Tags (Not Shown)   |     |
| 105  | 2752989     | 2   | Hose   |     |
| 106  | 2752618     | 2   | Hose (600AJ Only) (Note: Also Requires #78 & #84 for Complete Run Up Boom) |     |
| 107  | 2752987     | 1   | Hose   |     |
| 108  | 2220373     | AR  | Fitting, Straight (600A - Qty.1 /600AJ - Qty.2)                            |     |
| 109  | 2220947     |     | Fitting, Straight Options:   |     |
| 109  |             | Ref | Fitting, Straight (SN 0300081836 through 0300084828)                       |     |
| 109  |             | Ref | Fitting, Straight (SN 0300084829 through 0300087000)                       |     |
| 110  | 2221036     | 1   | Fitting, O-Ring  |     |
| 111  | 2752484     | 1   | Hose   |     |
| 112  | 2220873     | 1   | Fitting, Nipple  |     |
| 113  | 2221053     | 1   | Fitting, Tee   |     |
| 114  | 2220235     | 3   | Plug   |     |
| 115  | 2752519     | 1   | Hose   |     |

# SECTION 6 - HYDRAULIC

## FIGURE 6-9. HYDRAULIC DIAGRAM LIST

| ITEM | PART NUMBER | QTY | DESCRIPTION   | REV |
|------|-------------|-----|---|-----|
|      |             | Ref | <b>Note: Information on diagrams not shown is available from Discount-equipment.com</b> |     |
|      | 1282396     | Ref | <b>Drive Hydraulic Diagrams</b>   |     |
|      |             | Ref | 600A & 600AJ with 8ft/2.4m Width Frame:   |     |
|      | 2792193     | Ref | Drive Hydraulic 2WD/2WS (SN 0300069000 through 0300081835)                              |     |
|      | 2792692     | Ref | Drive Hydraulic 2WD/2WS (SN 0300081836 through 0300087000)                              |     |
|      | 2792194     | Ref | Drive Hydraulic 2WD/4WS (SN 0300069000 through 0300081835)                              |     |
|      | 2792702     | Ref | Drive Hydraulic 2WD/4WS (SN 0300081836 through 0300087000)                              |     |
|      | 2792195     | Ref | Drive Hydraulic 4WD/2WS (SN 0300069000 through 0300081835)                              |     |
|      | 2792687     | Ref | Drive Hydraulic 4WD/2WS (SN 0300081836 through 0300087000)                              |     |
|      | 2792196     | Ref | Drive Hydraulic 4WD/4WS (SN 0300069000 through 0300081835)                              |     |
|      | 2792697     | Ref | Drive Hydraulic 4WD/4WS (SN 0300081836 through 0300087000)                              |     |
|      |             | Ref | 600A & 600AJ with 7ft/2.1m Width Frame:   |     |
|      | 2792191     | Ref | Drive Hydraulic 2WD/2WS   |     |
|      | 2792192     | Ref | Drive Hydraulic 2WD/2WS   |     |
|      |             | Ref | <b>OSCILLATING AXLE HYDRAULIC DIAGRAMS</b>  |     |
|      | 2792230     | Ref | Oscillating Axle Hydraulic Diagrams (SN 0300069000 through 0300081835)                  |     |
|      | 2792690     | Ref | Oscillating Axle Hydraulic Diagrams (SN 0300081836 through 0300087000)                  |     |
|      |             | Ref | <b>STANDARD HYDRAULIC DIAGRAM - 600A</b>  |     |
|      | 2792188     | Ref | Standard Hydraulic Diagram (SN 0300069000 through 0300081835)                           |     |
|      | 1282396     | Ref | Standard Hydraulic Diagram (SN 0300069000 through 0300081835)                           |     |
|      | 2792688     | Ref | Standard Hydraulic Diagram (SN 0300081836 through 0300087000)                           |     |
|      | 1283429     | Ref | Standard Hydraulic Diagram (SN 0300081836 through 0300087000)                           |     |
|      |             | Ref | <b>STANDARD HYDRAULIC DIAGRAM - 600AJ</b>   |     |
|      | 2792189     | Ref | Standard Hydraulic Diagram (SN 0300069000 through 0300081835)                           |     |
|      | 1282396     | Ref | Standard Hydraulic Diagram (SN 0300069000 through 0300081835)                           |     |
|      | 2792689     | Ref | Standard Hydraulic Diagram (SN 0300081836 through 0300087000)                           |     |
|      | 1283429     | Ref | Standard Hydraulic Diagram (SN 0300081836 through 0300087000)                           |     |
|      |             | Ref | <b>Standard Hydraulic Schematic</b>   |     |
|      | 2792177     | Ref | Standard Hydraulic Schematic (SN 0300069000 through 0300081835)                         |     |
|      | 2792691     | Ref | Standard Hydraulic Schematic (SN 0300081836 through 0300087000)                         |     |
|      | 2792405     | Ref | <b>Tool Circuit Hydraulic Diagram</b>   |     |
|      | 2792315     | Ref | <b>Tow Hydraulic Diagram</b>  |     |

**SECTION 7 - ELECTRICAL**

Go to [Discount-Equipment.com](http://Discount-Equipment.com) to order your parts

# SECTION 7 - ELECTRICAL

## FIGURE 7-1. ELECTRICAL DIAGRAM LIST

| ITEM | PART NUMBER | QTY | DESCRIPTION  | REV |
|------|-------------|-----|--|-----|
|      |             | Ref | <b>Note: Diagrams not shown are available from Discount-equipment.com</b>        |     |
|      |             | Ref | <b>ALARM ELECTRICAL DIAGRAMS</b>   |     |
|      | 4933025     | Ref | <b>Motion</b>  | 1   |
|      | 1282937     | Ref | <b>Motion</b>  | A   |
|      | 4933026     | Ref | <b>Travel</b>  | 1   |
|      | 1282937     | Ref | <b>Travel</b>  | A   |
|      | 1282571     | Ref | <b>COLD WEATHER START ELECTRICAL DIAGRAM (DEUTZ)</b>                             | J   |
|      |             | Ref | <b>DRIVE CUT-OUT ELECTRICAL DIAGRAM</b>  |     |
|      | 4932993     | Ref | <b>Above Elevation Tilt</b>  | 2-B |
|      | 1282828     | Ref | <b>Above Elevation Tilt</b>  |     |
|      | 3640493     | 1   | Rail, Mounting   |     |
|      | 4460607     | 2   | Stop, Terminal   |     |
|      | 4120013     | 1   | Socket, Relay  |     |
|      | 3740058     | 1   | Relay 4PDT   |     |
|      | 2740063     | 1   | Spring, Relay  |     |
|      | 4933307     | Ref | <b>DRIVE/STEER CUT-OUT ELECTRICAL DIAGRAMS</b>                                   | A   |
|      | 4932986     | Ref | <b>ENGINE LOW OIL SHUTDOWN ELECTRICAL DIAGRAM</b>                                | 2-B |
|      | 4933308     | Ref | <b>FLOOD LIGHTS ELECTRICAL DIAGRAM</b>   | 1-A |
|      |             | Ref | <b>GENERATOR ELECTRICAL DIAGRAMS</b>   |     |
|      | 4933215     | Ref | <b>110V (SN 0300069000 through 0300081835)</b>                                   | 1-B |
|      | 4933216     | Ref | <b>220V (SN 0300069000 through 0300081835)</b>                                   | 1-B |
|      | 4933300     | Ref | <b>110V/220V (SN 0300081836 through 0300087000)</b>                              | 1-A |
|      | 4933264     | Ref | <b>Caterpillar/Deutz Engines - 7500W Generator</b>                               | 1-C |
|      | 4933283     | Ref | <b>Ford Engines - 7500W Generator</b>  | 1-A |
|      | 4933219     | Ref | <b>HEADLIGHTS/TAILLIGHTS ELECTRICAL DIAGRAM</b>                                  | 1-B |
|      | 4933312     | Ref | <b>CHASSIS ILLUMINATION ELECTRICAL DIAGRAM</b>                                   | 1-A |
|      | 4922484     | 1   | Harness (Located in Ground Console Box)  |     |
|      | 3740049     | 1   | Relay  |     |
|      |             | Ref | <b>OIL COOLER ELECTRICAL DIAGRAMS</b>  |     |
|      | 0256765     | Ref | <b>Deutz Machines</b>  | 5   |
|      | 1282665     | Ref | <b>Deutz Machines</b>  | E   |
|      | 0256778     | Ref | <b>Ford Machines</b>   | 3   |
|      | 1283309     | Ref | <b>Ford Machines</b>   | C   |
|      | 0270723     | Ref | <b>PLATFORM BEACON ELECTRICAL DIAGRAM</b>  | 1-A |
|      | 4922639     | Ref | <b>PLATFORM ELECTRICAL DIAGRAMS</b>  | F   |
|      | 4933218     | Ref | <b>PLATFORM SOFT TOUCH SYSTEM ELECTRICAL DIAGRAM</b>                             | 1-B |
|      | 3740057     | 1   | Relay (Located in Platform Console Box)  |     |
|      | 4120012     | 1   | Socket, Relay (Located in Platform Console Box)                                  |     |
|      | 3740066     | 1   | Spring, Relay (Located in Platform Console Box)                                  |     |
|      | 3740049     | 1   | Relay (Located in Platform Console Box)  |     |
|      | 4460600     | 1   | Block, Terminal (Located in Platform Console Box)                                |     |
|      |             | Ref | <b>PLATFORM WORKLIGHTS ELECTRICAL DIAGRAM</b>                                    |     |
|      | 0270814     | Ref | <b>Platform Worklights Electrical Diagram (SN 0300069000 through 0300074444)</b> | 3-E |
|      | 0273492     | Ref | <b>Platform Worklights Electrical Diagram (SN 0300074445 through 0300087000)</b> | B   |
|      | 4933263     | Ref | <b>POWER TOOL ELECTRICAL DIAGRAM</b>   | 1-B |
|      |             | Ref | <b>STANDARD ELECTRICAL DIAGRAMS</b>  |     |

## SECTION 7 - ELECTRICAL

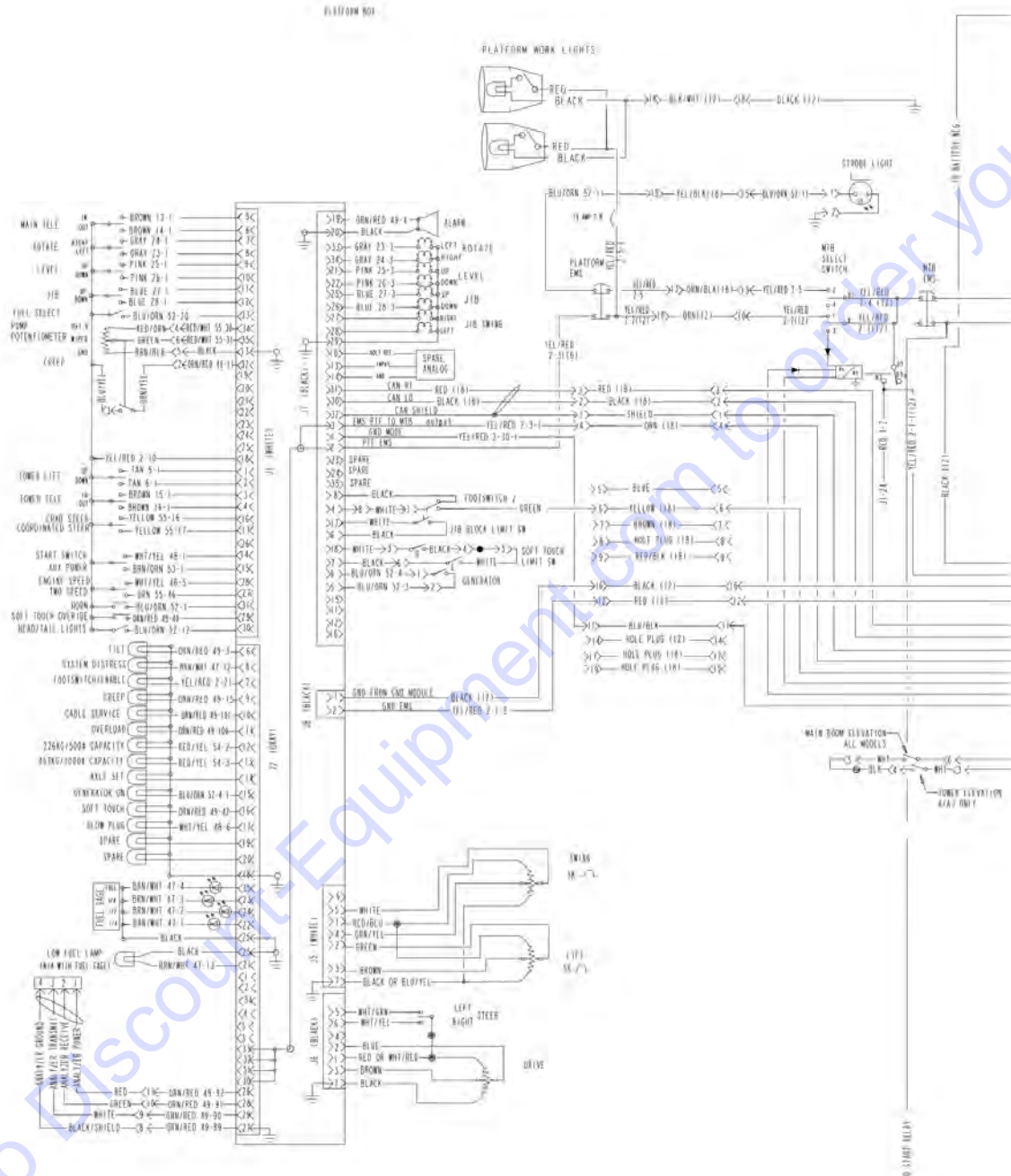
| ITEM | PART NUMBER | QTY | DESCRIPTION  | REV |
|------|-------------|-----|--|-----|
|      | 4933295     | Ref | Caterpillar Engine (SN 0300069000 through 0300084828)    | 2-C |
|      | 4933329     | Ref | Caterpillar Engine (SN 0300084829 through 0300087000)    | 1-A |
|      | 4933213     | Ref | Deutz Engine (SN 0300069000 through 0300084828)          | 2-B |
|      | 4933319     | Ref | Deutz Engine (SN 0300084829 through 0300087000)          | D   |
|      | 4933063     | Ref | Deutz Engine - UL Machines                               | 2-D |
|      | 4933212     | Ref | Ford EFI Engine (SN 0300069000 through 0300084828)       | 3-C |
|      | 4933331     | Ref | Ford EFI Engine (SN 0300084829 through 0300087000)       | 1-A |
|      | 4933055     | Ref | Ford Engine - UL Machines                                | 2-F |
|      |             | Ref | <b>STANDARD ELECTRICAL SCHEMATIC</b>                     |     |
|      | 1870132     | Ref | Caterpillar and Ford Engine Machines                     | H   |
|      | 1870132     | Ref | Deutz Engine Machines (SN 0300069000 through 0300084828) | H   |
|      | 1870191     | Ref | Deutz Engine Machines (SN 0300084829 through 0300087000) | A   |

Go to Discount-Equipment.com to order your parts



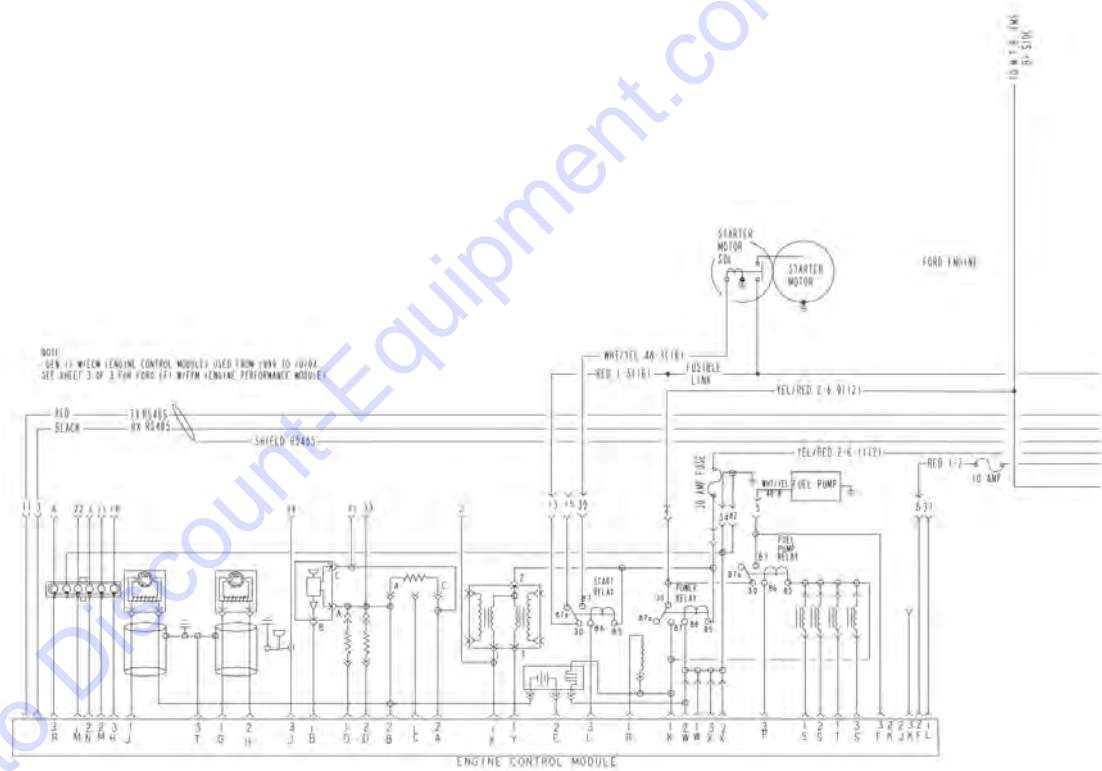
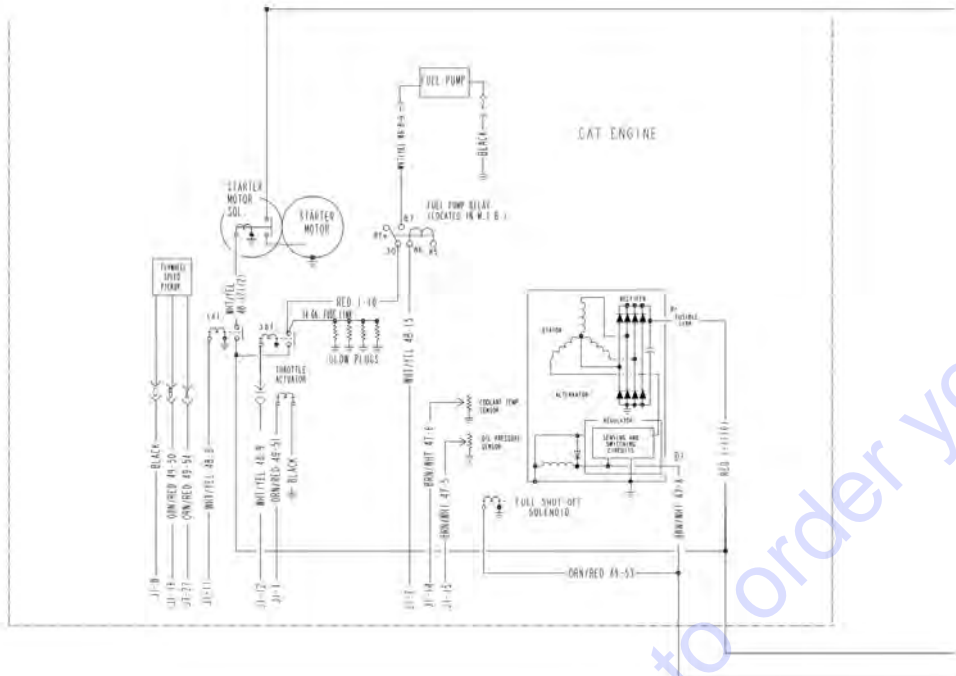
# SECTION 7 - ELECTRICAL

**FIGURE 7-2. ELECTRICAL SCHEMATIC - DEUTZ AND ALL CATERPILLAR AND FORD (SN 0300069000 through 0300084828)**

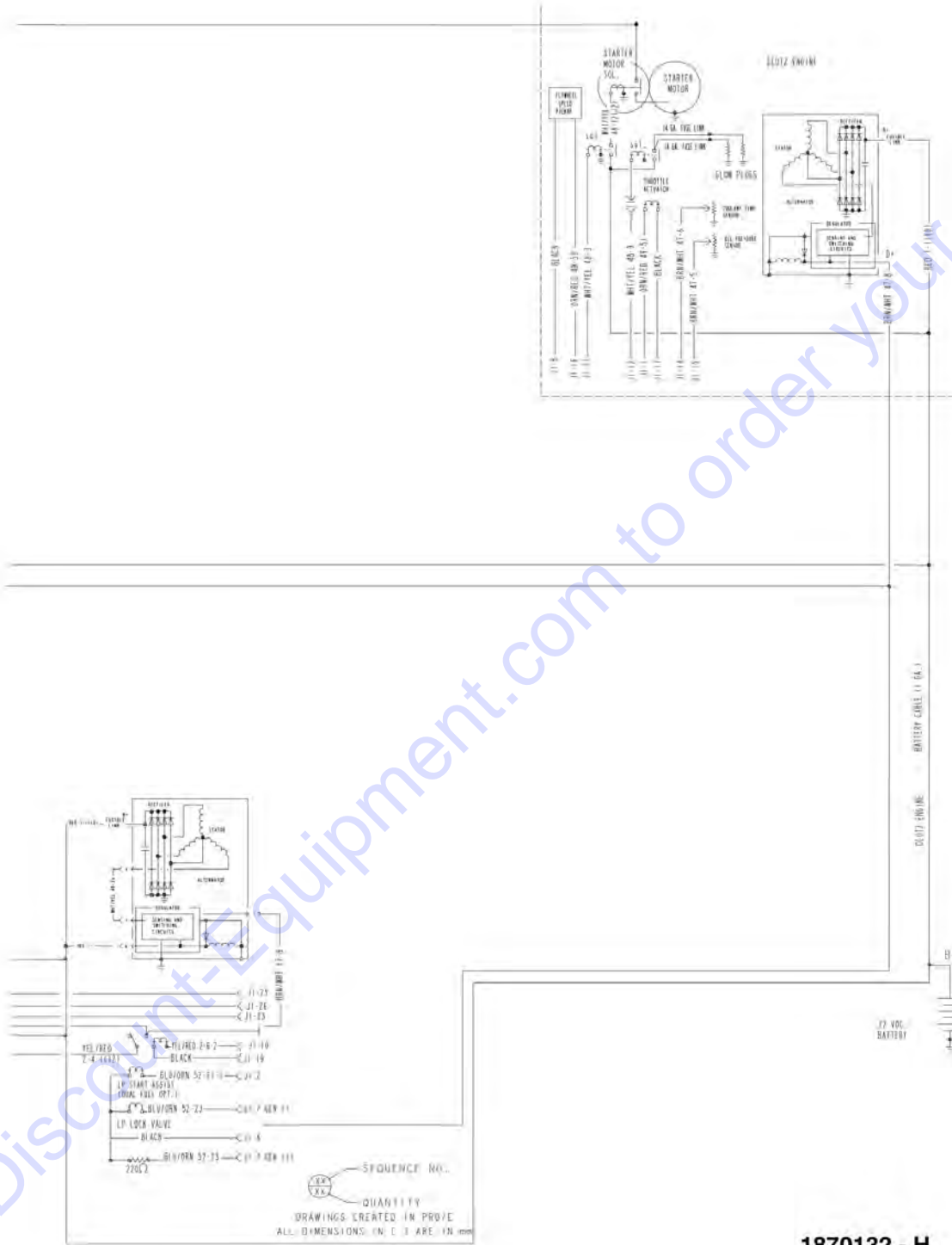




# SECTION 7 - ELECTRICAL



# SECTION 7 - ELECTRICAL



1870132 - H

# PARTS FINDER

**Search Website  
by Part Number**



**Search Manual  
Library For Parts  
Manual & Lookup Part  
Numbers – Purchase  
or Request Quote**

**Can't Find Part or  
Manual? Request Help  
by Manufacturer,  
Model & Description**

Discount-Equipment.com is your online resource for quality parts & equipment.

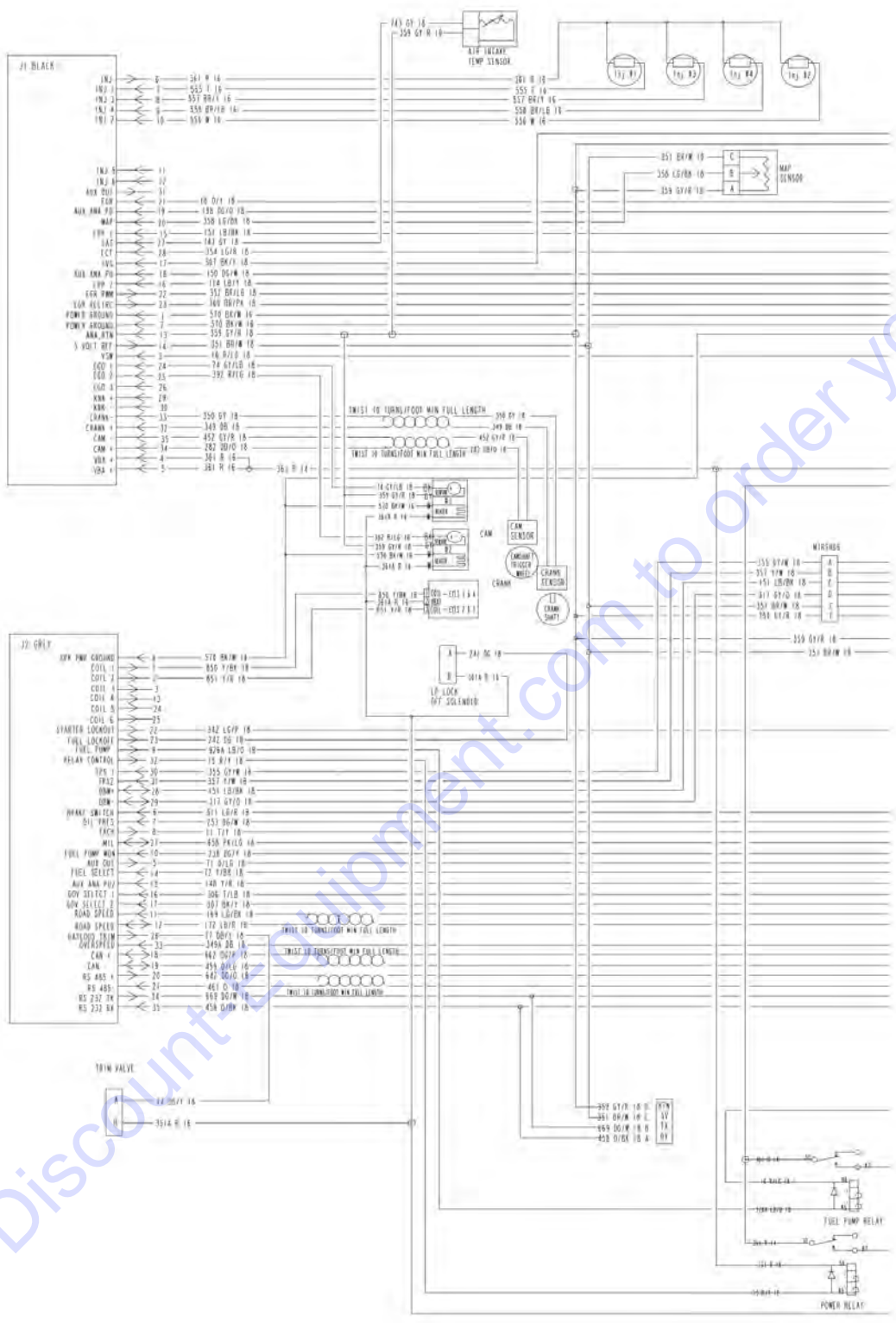
Florida: **561-964-4949** Outside Florida TOLL FREE: **877-690-3101**

## Need parts?

Click on this link: <http://www.discount-equipment.com/category/5443-parts/> and choose one of the options to help get the right parts and equipment you are looking for. Please have the machine model and serial number available in order to help us get you the correct parts. If you don't find the part on the website or on one of the online manuals, please fill out the request form and one of our experienced staff members will get back to you with a quote for the right part that your machine needs.

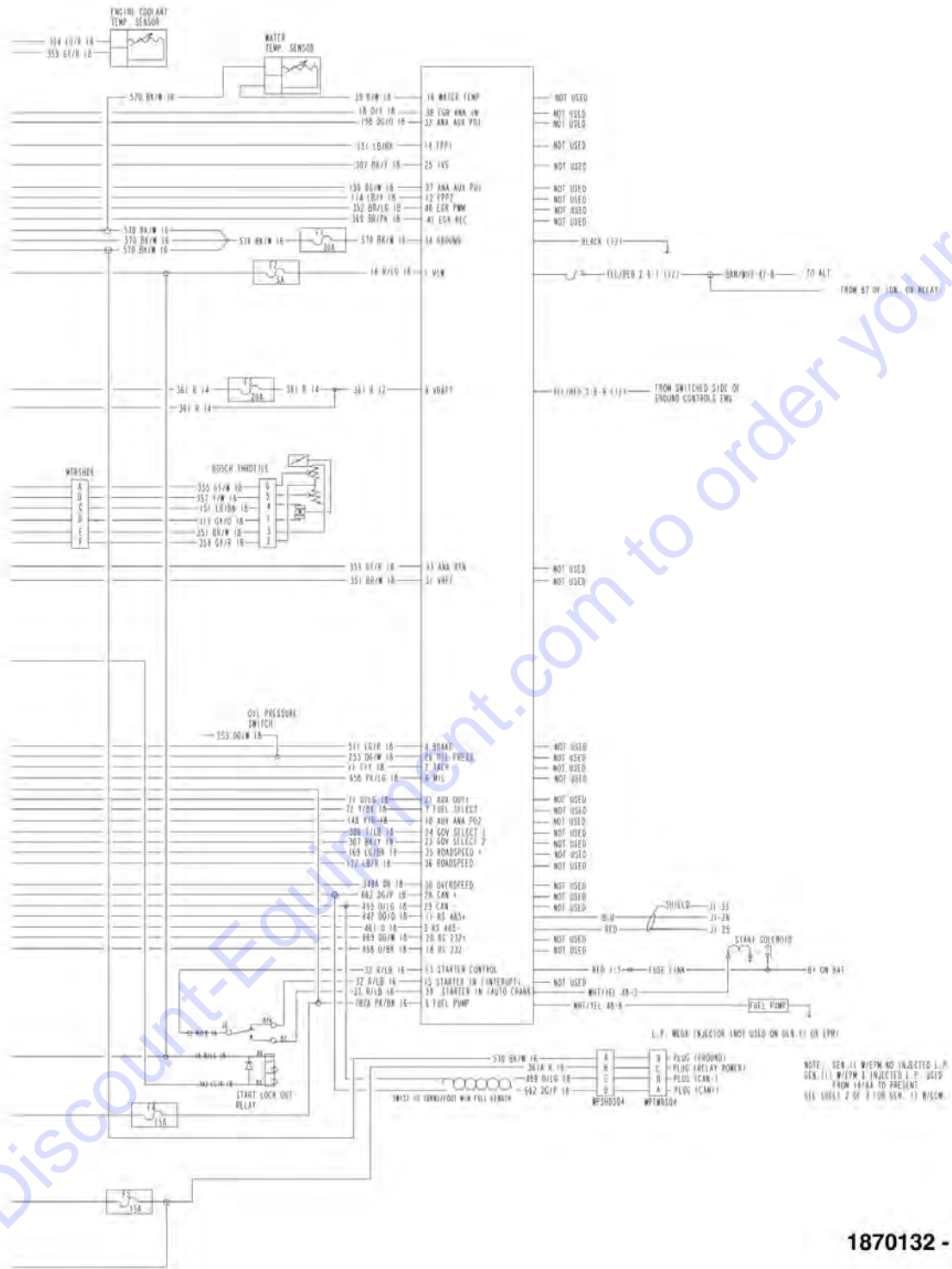
We sell worldwide for the brands: Genie, Terex, JLG, MultiQuip, Mikasa, Essick, Whiteman, Mayco, Toro Stone, Diamond Products, Generac Magnum, Airman, Haulotte, Barreto, Power Blanket, Nifty Lift, Atlas Copco, Chicago Pneumatic, Allmand, Miller Curber, Skyjack, Lull, Skytrak, Tsurumi, Husquvarna Target, Stow, Wacker, Sakai, Mi-T-M, Sullair, Basic, Dynapac, MBW, Weber, Bartell, Bennar Newman, Haulotte, Ditch Runner, Menegotti, Morrison, Contec, Buddy, Crown, Edco, Wyco, Bomag, Laymor, EZ Trench, Bil-Jax, F.S. Curtis, Gehl Pavers, Heli, Honda, ICS/PowerGrit, IHI, Partner, Imer, Clipper, MMD, Koshin, Rice, CH&E, General Equipment, Amida, Coleman, NAC, Gradall, Square Shooter, Kent, Stanley, Tamco, Toku, Hatz, Kohler, Robin, Wisconsin, Northrock, Oztec, Toker TK, Rol-Air, APT, Wylie, Ingersoll Rand / Doosan, Innovatech, Con X, Ammann, Mecalac, Makinex, Smith Surface Prep, Small Line, Wanco, Yanmar

# SECTION 7 - ELECTRICAL



Go to DiscountEquipment.com to order your parts

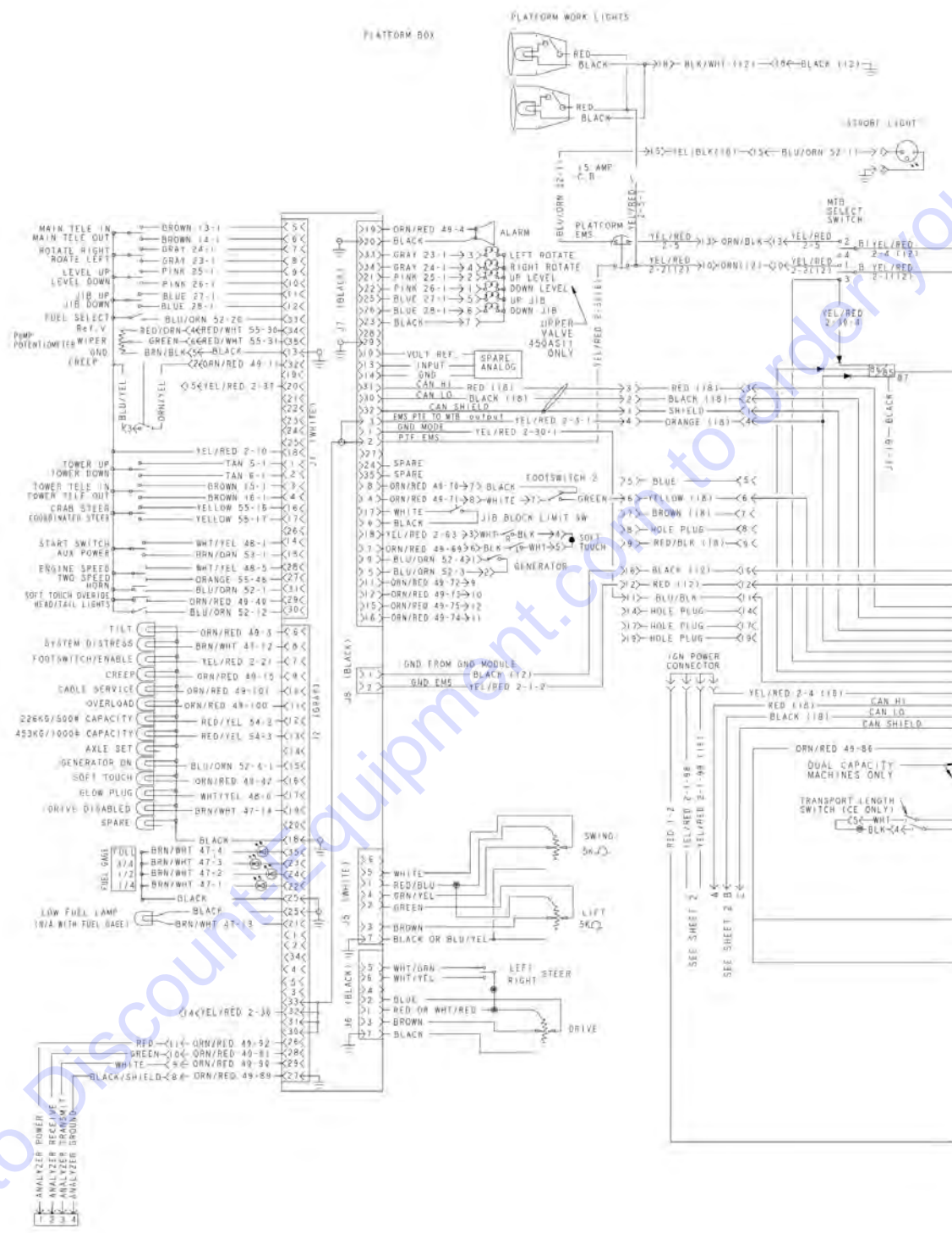
# SECTION 7 - ELECTRICAL



1870132 - H

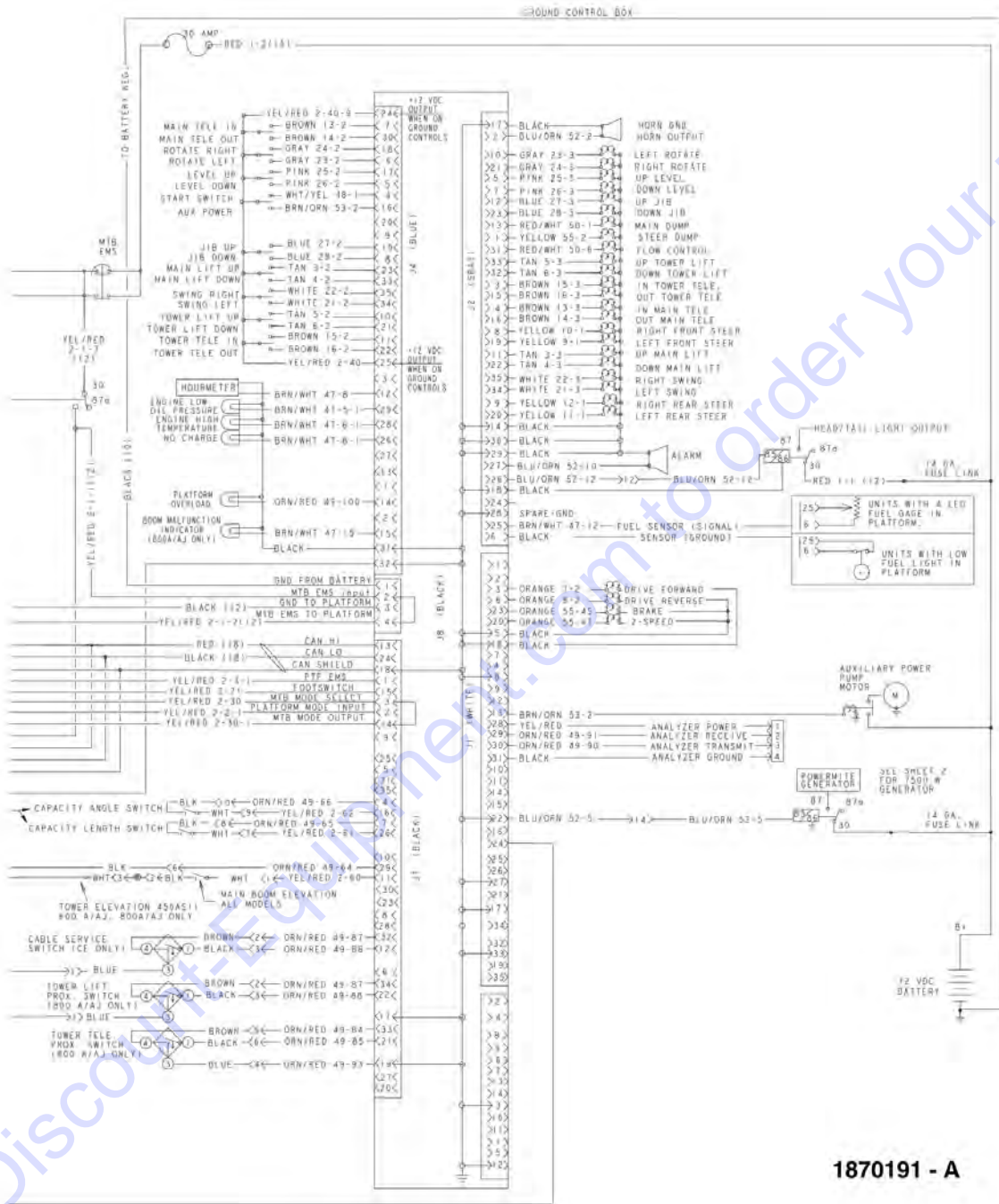
# SECTION 7 - ELECTRICAL

FIGURE 7-3. ELECTRICAL SCHEMATIC - DEUTZ ENGINE (SN 0300084827 through 0300087000)





# SECTION 7 - ELECTRICAL



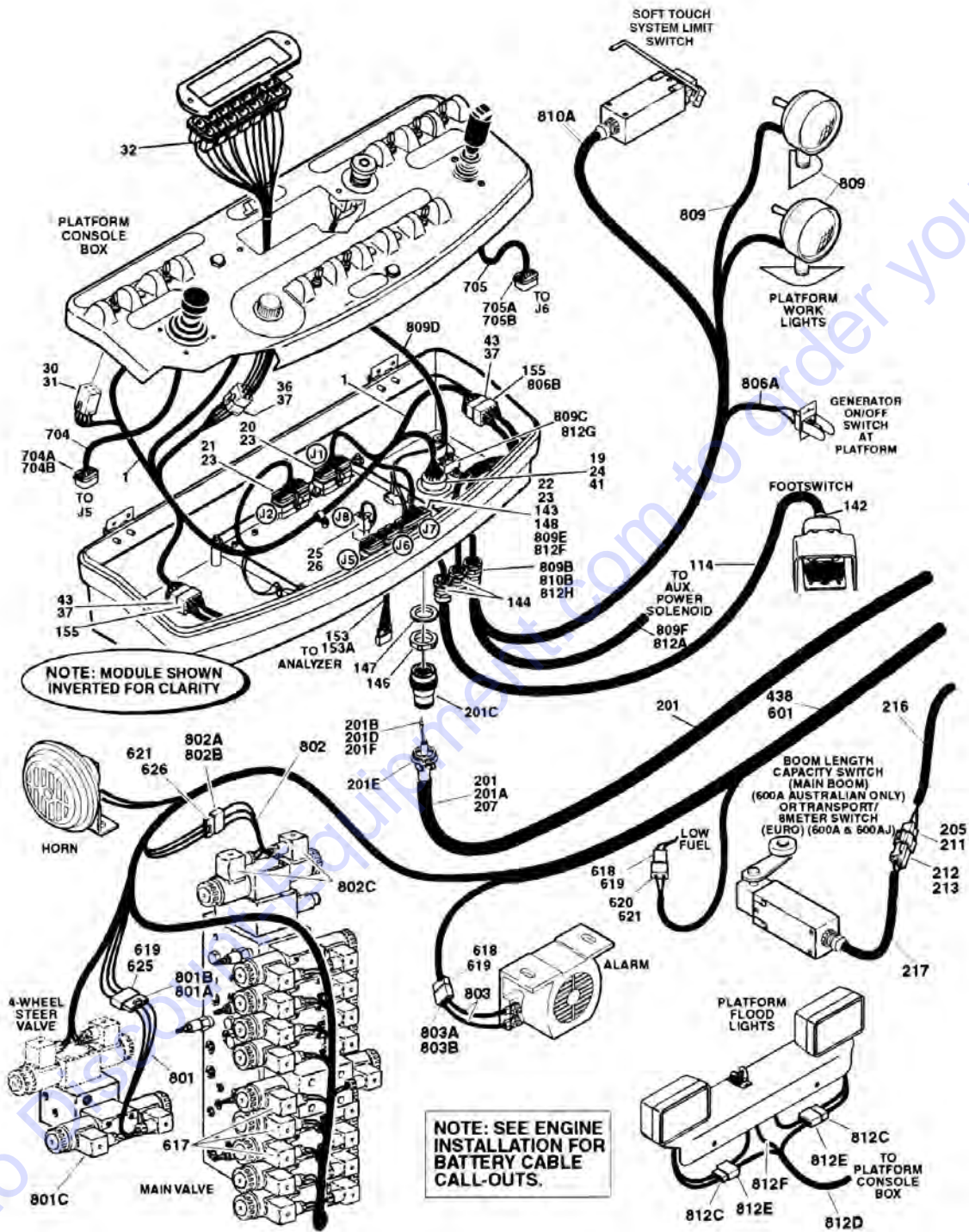
1870191 - A



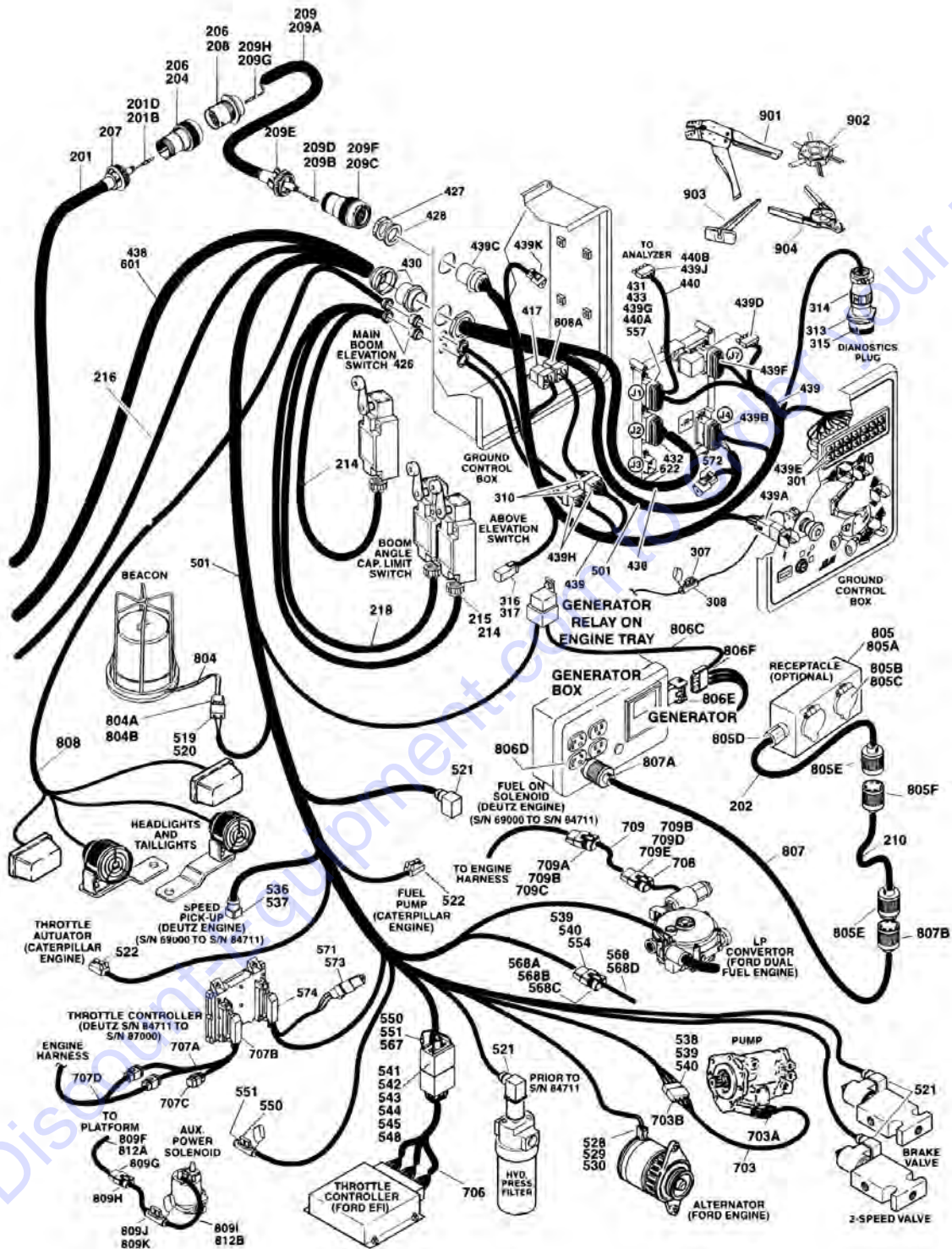


# SECTION 7 - ELECTRICAL

## FIGURE 7-4. HARNESS COMPONENTS INSTALLATION



# SECTION 7 - ELECTRICAL



## SECTION 7 - ELECTRICAL

### FIGURE 7-4. HARNESS COMPONENTS INSTALLATION

| ITEM | PART NUMBER | QTY              | DESCRIPTION   | REV |
|------|-------------|------------------|---|-----|
|      | 4922639     | Ref              | <b>PLATFORM BOX HARNESS ASSEMBLY</b>  | 5   |
| 1    | 4922639     | 1                | Harness, Console Box  |     |
| 19   | 4460866     | 1                | Connector - 19 Position   |     |
| 20   | 4460874     | 1                | Connector - 35 Position (Natural)   |     |
| 21   | 4460875     | 1                | Connector - 35 Position (Gray)  |     |
| 22   | 4460873     | 1                | Connector - 35 Position (Black)   |     |
| 23   | 4460871     | 70               | Socket, Female  |     |
| 24   | 4460464     | 7                | Pin, Male (16 Gauge)  |     |
| 25   | 4460879     | 1                | Terminal, Housing 2 Position  |     |
| 26   | 4460887     | 2                | Terminal, (12 Gauge)  |     |
| 30   | 4460418     | 8                | Connector - 6 Position  |     |
| 31   | 4460419     | 24               | Terminal, Female  |     |
| 32   | 4120035     | 12               | Base, Light   |     |
| 36   | 4460225     | 1                | Connector - 6 Position  |     |
| 37   | 4460227     | 28               | Pin, Male   |     |
| 41   | 4460508     | 3                | Pin, Male (12 Gauge)  |     |
| 43   | 4460434     | 2                | Connector - 15 Position   |     |
| 44   | 2920129     | 12               | Lamp, Indicator   |     |
|      |             | Ref              | <b>PLATFORM BOX ASSEMBLY COMPONENTS</b>   |     |
| 104  | 0100048     | AR               | Grease, Dielectric (Used at Module Connections)   |     |
| 114  | 1060918     | 8 ft/2.4m        | Cable, Electrical - 18/3  |     |
| 142  | 4460071     | 1                | Connector, Strain Relief  |     |
| 143  | 4460226     | 2                | Socket, Female  |     |
| 144  | 4460428     | 2                | Connector, Strain Relief  |     |
| 146  | 4460470     | 1                | Nut, Terminal   |     |
| 147  | 4460471     | 1                | Lockwasher, Terminal  |     |
| 148  | 4460905     | 5                | Seal, Plug  |     |
| 153  | 4922666     | 1                | Harness, Analyzer Cable   | 2-B |
| 153  | 4460226     | 4                | Socket, Female (Not Shown - Located at J2)  |     |
| 153A | 4460761     | 1                | Connector, Female - 4 Position  |     |
| 153A | 4460227     | 4                | Pin, Male   |     |
| 155  | 4460708     | 2                | Terminal, 15 Pin Mate-N-Loc   |     |
|      |             | Ref              | <b>BOOM CABLES INSTALLATION</b>   |     |
|      | 0270818     | Ref              | <b>Boom Cables Installation 600A</b>  | 6   |
|      | 0270820     | Ref              | <b>Boom Cables Installation 600AJ</b>   | 6   |
|      | 0272624     | Ref              | <b>Boom Cables Installation 600A (With 7500W Generator) (SkyPower)</b>                      | 2   |
|      | 0272625     | Ref              | <b>Boom Cables Installation 600AJ (With 7500W Generator) (SkyPower)</b>                     | 2   |
|      | 0274618     | Ref              | <b>Boom Cables Installation 600AJ (Dual AC)</b>   | 1-A |
| 201  | 4922493     | 1                | Harness, Main Boom  |     |
| 201A | 1060896     | 45.5<br>ft/13.9m | Cable   |     |
| 201B | 4460465     | 22               | Socket, Female - #16  |     |
| 201C | 4460865     | 1                | Connector - 19 Position   |     |
| 201D | 4460509     | 8                | Socket, Female - #12  |     |
| 201E | 4460473     | 1                | Clamp, Cable  |     |
| 201F | 4460466     | 4                | Seal, Plug  |     |
| 202  |             | Ref              | Cable, Electrical - 12/3 Options (Does not include plug ends) (Qty 2 Required for Dual AC): |     |

## SECTION 7 - ELECTRICAL

| ITEM | PART NUMBER | QTY              | DESCRIPTION  | REV |
|------|-------------|------------------|--|-----|
| 202  | 1060494     | 46 ft/14m        | Cable, Electrical - 12/3 (SN 0300069000 through 0300071457)  |     |
| 202  | 4922894     | 1                | Cable, Electrical - 12/3 (SN 0300071458 through 0300087000)  |     |
| 202A | 4460205     | 1                | Plug, Male (110V)  |     |
| 202B | 4460134     | 1                | Connector, Female (110V)   |     |
| 202B | 4922810     | 1                | Harness, Electrical - 8/5 (Does not include plug ends) (With 7500W Generator)                                    |     |
| 202B | 1060945     | 47<br>ft/14.3m   | Cable, Electrical - 8/5 (With 7500W Generator)   |     |
| 204  | 4460865     | 1                | Connector - 19 Position  |     |
| 205  | 4460465     | 2                | Socket, Female - #18 (SN 0300069000 through 0300071458)  |     |
| 206  | 4460466     | 8                | Seal, Plug   |     |
| 207  | 4460473     | 1                | Clamp, Cable   |     |
| 208  | 4460866     | 1                | Connector - 19 Position  |     |
| 209  | 4922494     | 1                | Harness, Lower Boom Cable  |     |
| 209A | 1060896     | 35.5<br>ft/10.8m | Cable  |     |
| 209B | 4460465     | 22               | Socket, Female - #16   |     |
| 209C | 4460865     | 1                | Connector - 19 Position  |     |
| 209D | 4460509     | 8                | Socket, Female - #12   |     |
| 209E | 4460473     | 1                | Clamp, Cable   |     |
| 209F | 4460466     | 4                | Seal, Plug   |     |
| 209G | 4460464     | 11               | Pin, Male (16 Gauge)   |     |
| 209H | 4460508     | 4                | Pin, Male (12 Gauge)   |     |
| 210  |             | Ref              | Cable, Electrical - 12/3 Options (Does not include plug ends) (Qty 2 Required for Dual AC):                      |     |
| 210  | 1060494     | 33 ft/10m        | Cable, Electrical - 12/3 (SN 0300069000 through 0300071457)  |     |
| 210  | 4922892     | 1                | Cable, Electrical - 12/3 (SN 0300071458 through 0300087000)  |     |
| 210  | 4922811     | 1                | Harness, Electrical - 8/5 (Does not include plug ends) (With 7500W Generator)                                    |     |
| 210  | 1060945     | 36<br>ft/10.9m   | Cable, Electrical - 8/5 (With 7500W Generator)   |     |
| 211  | 4460891     | 1                | Connector, Terminal (600A Only) (SN 0300069000 through 0300071458)   |     |
| 212  | 4460897     | 1                | Plug, Terminal (600A Only) (SN 0300069000 through 0300071458)  |     |
| 213  | 4460464     | AR               | Pin, Male (16 Gauge) (SN 0300069000 through 0300071458)  |     |
| 214  |             | Ref              | Cable, Electrical - 18/2 Main Boom Limit Switch  |     |
| 214  | 1060902     | 37<br>ft/11.3m   | Cable, Electrical - 18/2 Main Boom Limit Switch (SN 0300069000 through 0300071457)                               |     |
| 214  | 1061033     | AR               | Cable, Electrical - 18/2 Main Boom Limit Switch (600A - Qty.3 /600AJ - Qty.2) (SN 0300071458 through 0300087000) |     |
| 215  | 1060902     | AR               | Cable, Electrical - 18/2 Tower Boom Limit Switch   |     |
| 215  | 1060902     | 37<br>ft/11.3m   | Cable, Electrical - 18/2 Main Boom Limit Switch 600A (SN 0300069000 through 0300071458)                          |     |
| 215  | 1060902     | 18 ft/5.5m       | Cable, Electrical - 18/2 Main Boom Limit Switch 600AJ (SN 0300069000 through 0300071458)                         |     |
| 216  |             | Ref              | Cable, Electrical - 18/2 Main Boom Length Options (600A Only):   |     |
| 216  | 1060902     | 37<br>ft/11.3m   | Cable, Electrical - 18/2 Main Boom Length (SN 0300069000 through 0300071457)                                     |     |
| 216  | 4922891     | 1                | Cable, Electrical - 18/2 Main Boom Length (SN 0300071458 through 0300087000)                                     |     |
| 217  |             | Ref              | Cable, Electrical - 18/2 Main Boom Length Options (600A Only):   |     |
| 217  | 1060902     | 19 ft/5.8m       | Cable, Electrical - 18/2 Main Boom Length (SN 0300069000 through 0300071457)                                     |     |
| 217  | 4922890     | 1                | Cable, Electrical - 18/2 Main Boom Length (SN 0300071458)  |     |

## SECTION 7 - ELECTRICAL

| ITEM | PART NUMBER | QTY            | DESCRIPTION   | REV |
|------|-------------|----------------|---|-----|
| 218  | 1060902     | 37<br>ft/11.3m | through 0300087000)<br>Cable, Electrical - 18/2 Main Boom Cap. Angle (600A Only) (SN 0300069000 through 0300071458) |     |
|      |             | Ref            | <b>GROUND CONTROL BOX DIAGRAMS</b>  |     |
|      | 4933295     | Ref            | <b>Caterpillar Engine (SN 0300069000 through 0300084828)</b>  | 2-C |
|      | 4933329     | Ref            | <b>Caterpillar Engine (SN 0300084829 through 0300087000)</b>  | 1-A |
|      | 4933213     | Ref            | <b>Deutz Engine (SN 0300069000 through 0300084828)</b>  | 2-B |
|      | 4933319     | Ref            | <b>Deutz Engine (SN 0300084829 through 0300087000)</b>  | D   |
|      | 4933212     | Ref            | <b>Ford EFI Engine (SN 0300069000 through 0300084828)</b>   | 3-C |
|      | 4933331     | Ref            | <b>Ford EFI Engine (SN 0300084829 through 0300087000)</b>   | 1-A |
| 301  | 2920129     | AR             | Bulb, Light   |     |
| 307  | 2400065     | 1              | Fuse, 30Amp   |     |
| 308  | 2400066     | 1              | Fuse, Holder W/Cover  |     |
| 310  | 4460708     | AR             | Receptacle, Female - 15 Position  |     |
| 310  | 4460226     | AR             | Socket, Female  |     |
| 310  | 4922637     | 1              | Harness, Jumper (Not Shown)   |     |
|      |             | Ref            | <b>Note: Items 313-318 is used on Deutz Engine Only. (SN 0300084829 through 0300087000)</b>                         |     |
| 313  | 4461072     | 1              | Connector, Flange Mount Receptacle (Part of 2902443 Kit)  |     |
| 314  | 4461074     | 1              | Connector, Backshell (Part of 2902443 Kit)  |     |
| 314  | 4461071     | 4              | Socket, Female (Part of 2902443 Kit)  |     |
| 315  | 4461073     | 1              | Cap, Dust (Part of 2902443 Kit)   |     |
| 316  | 4460894     | 1              | Plug, Connector (6 Pin)   |     |
| 317  | 4460892     | 1              | Junction, Connector (6 Pin)   |     |
|      | 2902443     | 1              | Connector Kit (Includes Items 313-315)  |     |
|      |             | Ref            | <b>GROUND CONTROL HARNESS ASSEMBLY</b>  |     |
| 417  | 3740049     | AR             | Relay   |     |
| 426  | 4460426     | AR             | Connector, Strain Relief  |     |
| 427  | 4460470     | 1              | Nut, Terminal   |     |
| 428  | 4460471     | 1              | Lockwasher, Terminal  |     |
| 430  | 4460526     | 1              | Connector, Strain Relief  |     |
| 431  | 4460874     | 1              | Connector (Natural)   |     |
| 432  | 4460875     | 1              | Connector (Gray)  |     |
| 433  | 4460905     | 4              | Connector, Amp Seal Plug  |     |
| 437  |             | Ref            | Engine Harness Assembly (Not Shown - See 501 to 566 for Breakdown)  |     |
| 437  | 4922921     | 1              | Caterpillar Engine Machines (SN 0300069000 through 0300084828)  |     |
| 437  | 4923227     | 1              | Caterpillar Engine Machines (SN 0300084829 through 0300087000)  |     |
| 437  | 4922515     | 1              | Deutz Engine Machines (Non UL Machines) (SN 0300069000 through 0300084828)  |     |
| 437  | 4923212     | 1              | Deutz Engine Machines (Non UL Machines) (SN 0300084829 through 0300087000)  |     |
| 437  | 4923063     | 1              | Deutz Engine Machines (UL Machines)   |     |
| 437  | 4922514     | 1              | Ford Engine Machines with EFI (SN 0300069000 through 0300084828)  |     |
| 437  | 4923226     | 1              | Ford Engine Machines with EFI (SN 0300084829 through 0300087000)  |     |
| 438  |             | Ref            | Valve Harness Assembly Options (See 601 to 628 for Breakdown):  |     |
| 438  | 4922508     | 1              | Valve Harness Assembly (SN 0300069000 through 0300084828)   |     |
| 438  | 4923224     | 1              | Valve Harness Assembly (SN 0300084829 through 0300087000)   |     |



## SECTION 7 - ELECTRICAL

| ITEM | PART NUMBER | QTY | DESCRIPTION   | REV |
|------|-------------|-----|---|-----|
| 439  |             | Ref | Ground Control Box Harness Assembly Options   |     |
| 439  | 4922638     | 1   | Caterpillar/Deutz Engine (SN 0300069000 through 0300084828)                           | 5-F |
| 439  | 4923231     | 1   | Caterpillar Engine (SN 0300084829 through 0300087000)                                 | 2-B |
| 439  | 4923223     | 1   | Deutz Engine (SN 0300084829 through 0300087000)                                       | D   |
| 439A | 4460418     | AR  | Connector, Female - 6 Position  |     |
| 439A | 4460419     | AR  | Socket, Female  |     |
| 439B | 4460876     | 1   | Connector, 35 - Position  |     |
| 439B | 4460871     | AR  | Socket, Female  |     |
| 439B | 4460905     | 2   | Seal, Plug  |     |
| 439C | 4460866     | 1   | Connector - 19 Position   |     |
| 439C | 4460464     | AR  | Pin, Male Deutsch (16 Gauge)  |     |
| 439D | 4460878     | 1   | Housing, Terminal - 4 Position  |     |
| 439D | 4460887     | 3   | Terminal (12 Gauge)   |     |
| 439E | 4120035     | AR  | Base, Light   |     |
| 439E | 4460634     | AR  | Terminal (16 Gauge)   |     |
| 439F | 4460873     | 1   | Connector, 35 - Position (Black)  |     |
| 439F | 4460871     | AR  | Socket, Female  |     |
| 439F | 4460635     | 5   | Terminal (12 Gauge)   |     |
| 439G | 4460871     | AR  | Socket, Female  |     |
| 439H | 4460434     | 2   | Plug, Male 15 - Position  |     |
| 439H | 4460227     | AR  | Pin   |     |
| 439I | 3990010     | 2   | Diode - 6 Amp (Not Shown)   |     |
| 439J | 4460761     | 1   | Connector, Female 4 - Position (SN 0300084829 through 0300087000)                     |     |
| 439J | 4460227     | 4   | Pin, Male (SN 0300084829 through 0300087000)  |     |
| 439K | 4460536     | 1   | Connector, Female 3 - Position (Deutz Engine Only) (SN 0300084829 through 0300087000) |     |
| 439K | 4460943     | 3   | Pin, Male (Deutz Engine Only) (SN 0300084829 through 0300087000)                      |     |
| 440  | 4922666     | 1   | Cable, Analyzer   | 2-B |
| 440A | 4460226     | 4   | Socket, Female  |     |
| 440B | 4460761     | 1   | Connector, Female 4 - Position  |     |
| 440B | 4460227     | 4   | Pin, Male   |     |
| 441  |             | Ref | Ground Control Box Wiring Diagram (Not Shown - See Items 301 to 310 for Breakdown)    |     |
| 441  | 4933295     | 1   | Caterpillar Engine (SN 0300069000 through 0300084828)                                 |     |
| 441  | 4933329     | 1   | Caterpillar Engine (SN 0300084829 through 0300087000)                                 |     |
| 441  | 4933213     | 1   | Deutz Engine (SN 0300069000 through 0300084828)                                       |     |
| 441  | 4933319     | 1   | Deutz Engine (SN 0300084829 through 0300087000)                                       |     |
| 441  | 4933212     | 1   | Ford Engine (SN 0300069000 through 0300084828)  |     |
| 441  | 4933331     | 1   | Ford Engine (SN 0300084829 through 0300087000)  |     |
|      |             | Ref | <b>ENGINE HARNESS ASSEMBLIES</b>  |     |
|      | 4922921     | Ref | Caterpillar Engine (SN 0300069000 through 0300084828)                                 | 3-C |
|      | 4923227     | Ref | Caterpillar Engine (SN 0300084829 through 0300087000)                                 | 1-A |
|      | 4922515     | Ref | Deutz Enigne (Non UL Machines) (SN 0300069000 through 0300084828)                     | 5-E |
|      | 4923212     | Ref | Deutz Enigne (Non UL Machines) (SN 0300084829 through 0300087000)                     | C   |
|      | 4923063     | Ref | Deutz Enigne (UL Machines)  | 1-A |
|      | 4922514     | Ref | Ford Engine (SN 0300069000 through 0300084828)  | 9-I |
|      | 4923226     | Ref | Ford Engine (SN 0300084829 through 0300087000)  | 2-B |
| 501  |             | Ref | Harness, Assembly Options:  |     |
| 501  | 4922921     | 1   | Caterpillar Engine (SN 0300069000 through 0300084828)                                 |     |

## SECTION 7 - ELECTRICAL

| ITEM | PART NUMBER | QTY | DESCRIPTION  | REV |
|------|-------------|-----|--|-----|
| 501  | 4923227     | 1   | Caterpillar Engine (SN 0300084829 through 0300087000)                                |     |
| 501  | 4922515     | 1   | Deutz Engine (Non UL Machines) (SN 0300069000 through 0300084828)                    |     |
| 501  | 4923212     | 1   | Deutz Engine (Non UL Machines) (SN 0300084829 through 0300087000)                    |     |
| 501  | 4923063     | 1   | Deutz Engine (UL Machines)   |     |
| 501  | 4922514     | 1   | Ford Engine (SN 0300069000 through 0300084828)                                       |     |
| 501  | 4923226     | 1   | Ford Engine (SN 0300084829 through 0300087000)                                       |     |
| 519  | 4460424     | 1   | Receptacle, Female - 2 Position  |     |
| 520  | 4460268     | AR  | Socket, Female   |     |
| 521  | 4460880     | AR  | DIN Connector without Diode  |     |
| 522  | 4460891     | 2   | Connector, Male - 2 Position (Caterpillar Engine Only)                               |     |
| 522  | 4460465     | 7   | Socket, Female   |     |
| 528  | 4460582     | 3   | Terminal (Ford Engine Only)  |     |
| 529  | 4460580     | 1   | Lock, Terminal (Ford Engine Only)  |     |
| 530  | 4460579     | 1   | Housing - 3 Position (Ford Engine Only)  |     |
| 536  | 4460890     | 1   | Housing - 2 Position (Deutz Engine Only)   |     |
| 537  | 4460889     | 2   | Terminal (Deutz Engine Only)   |     |
| 538  | 4460460     | 1   | Connector, Male - 4 Position   |     |
| 539  | 4460457     | AR  | Terminal, Female   |     |
| 540  | 4460458     | AR  | Seal, Terminal   |     |
| 541  | 4460713     | 1   | Connector, Housing 42 Position (Ford Engine Only)                                    |     |
| 542  | 4460725     | 1   | Connector Wedge Lock, Center (Ford Engine Only)                                      |     |
| 543  | 4460726     | 2   | Connector Wedge Lock, Side (Ford Engine Only)  |     |
| 544  | 4460800     | 29  | Connector, Plug (Ford Engine Only)   |     |
| 545  | 4460799     | 7   | Pin, Male (Ford Engine Only)   |     |
| 548  | 4460728     | 3   | Pin, Male (Ford Engine Only)   |     |
| 550  | 2400061     | AR  | Fuse (Ford Engine Only)  |     |
| 551  | 2400060     | 2   | Holder, Fuse (Ford Engine Only)  |     |
| 554  | 4460742     | 1   | Connector, Male - 2 Position (Ford Engine Only)                                      |     |
| 557  | 4460871     | AR  | Socket, Female   |     |
| 567  | 2400065     | 1   | Fuse, 30Amp (SN 0300073731 through 0300087000)                                       |     |
| 568  | 3730120     | 1   | Resistor Assembly (SN 0300073731 through 0300087000)                                 |     |
| 568A | 4460978     | 1   | Receptacle, Male - 2 Position  |     |
| 568B | 4460979     | 2   | Pin, Male  |     |
| 568C | 4460458     | 2   | Seal, Terminal   |     |
| 568D | 3730121     | 1   | Resistor   |     |
| 569  | 2400061     | 1   | Fuse (Deutz Engine - UL Machines Only)   |     |
| 570  | 2400060     | 1   | Holder, Fuse (Deutz Engine - UL Machines Only)                                       |     |
|      |             | Ref | <b>Note: Items 571-575 is used on Deutz Engine (SN 0300084829 to SN 0300087000).</b> |     |
| 571  | 4461070     | 1   | Connector, Receptacle W/Resistor (3 Position)  |     |
| 572  | 4460539     | 1   | Connector, Male - 3 Position   |     |
| 572  | 4460944     | 3   | Socket, Female   |     |
| 573  | 4461095     | 1   | Connector, Male - 3 Position   |     |
| 573  | 4460944     | 3   | Socket, Female   |     |
| 574  | 4461052     | 1   | Connector, Receptacle - 25 Position  |     |
| 574  | 4461005     | 5   | Terminal (Gold)  |     |
| 574  | 4461006     | 5   | Seal, Terminal   |     |
| 574  | 4461060     | 2   | Terminal (Tin)   |     |
| 574  | 4461054     | 2   | Seal, Terminal   |     |
| 575  | 4461053     | 1   | Cover, Plug  |     |

## SECTION 7 - ELECTRICAL

| ITEM | PART NUMBER | QTY | DESCRIPTION  | REV |
|------|-------------|-----|--|-----|
|      |             | Ref | <b>VALVE HARNESS ASSEMBLIES</b>  |     |
|      | 4922508     | Ref | <b>Valve Harness Assemblies (SN 0300069000 through 0300084828)</b>   | 5-E |
|      | 4923224     | Ref | <b>Valve Harness Assemblies (SN 0300084829 through 0300087000)</b>   | 4-D |
| 601  | 4922508     | 1   | Harness, Assembly (SN 0300069000 through 0300084828)   |     |
| 601  | 4923224     | 1   | Harness, Assembly (SN 0300084829 through 0300087000)   |     |
| 617  | 4460880     | AR  | DIN Connector  |     |
| 618  | 4460320     | AR  | Connector, Female - 2 Position   |     |
| 619  | 4460267     | AR  | Pin, Male  |     |
| 620  | 4460424     | 1   | Connector, Male - 2 Position   |     |
| 621  | 4460268     | 5   | Socket, Female   |     |
| 622  | 4460871     | AR  | Socket, Female   |     |
| 625  | 4460326     | 1   | Connector, Male - 3 Position   |     |
| 626  | 4460445     | 1   | Connector, Female - 3 Position   |     |
|      |             | Ref | <b>STANDARD HARNESS COMPONENTS</b>   |     |
| 703  | See Note    | 1   | Pump Harness (Note: Not Available for Purchase)  |     |
| 703A | 7007497     | 1   | Plug (Pump End)  |     |
| 703B | 7007498     | 1   | Plug (Engine Harness End)  |     |
| 704  | See Note    | 1   | Controller Harness Assembly (Lift and Swing) (Note: Not Available for Purchase)  |     |
| 704A | 7022819     | 1   | Plug, Male - 8 Position (Natural)  |     |
| 704B | 4460871     | 8   | Socket, Female   |     |
| 705  | See Note    | 1   | Controller Harness/Circuit Board Assembly (Drive and Steer) (Note: Not Available for Purchase)                                 |     |
| 705A | 7022825     | 1   | Plug, Male - 8 Position (Black)  |     |
| 705B | 4460871     | 7   | Socket, Female   |     |
| 706  |             | Ref | <b>FORD ENGINE HARNESS OPTIONS (FOR REPLACEMENT PARTS REFER TO FORD ENGINE DEALER (FORD EFI ENGINE MACHINES):</b>              |     |
| 706  | 7023663     | 1   | Ford Engine Harness (SN 0300069000 through 0300073338)   |     |
| 706  | 7023681     | 1   | Ford Engine Harness (SN 0300073339 through 0300087000)   |     |
| 707  |             | Ref | <b>Deutz Engine Harness Components (For replacement parts refer to Deutz engine dealer) (SN 0300084829 through 0300087000)</b> |     |
| 707A | 7027796     | 1   | Deutz Engine Harness (Not Shown) (For replacement parts refer to Deutz engine dealer) (SN 0300084829 through 0300087000)       |     |
| 707B | 4461052     | 1   | Connector, Receptacle - 25 Position (SN 0300084829 through 0300087000)   |     |
| 707B | 4461053     | 1   | Cover, Plug (SN 0300084829 through 0300087000)   |     |
| 707B | 4461005     | 5   | Terminal (Gold) (SN 0300084829 through 0300087000)   |     |
| 707B | 4461006     | 5   | Seal, Terminal (SN 0300084829 through 0300087000)  |     |
| 707B | 4461060     | 2   | Terminal (Tin) (SN 0300084829 through 0300087000)  |     |
| 707B | 4461054     | 2   | Seal, Terminal (SN 0300084829 through 0300087000)  |     |
| 707B | 4461008     | 18  | Plug, Hole (SN 0300084829 through 0300087000)  |     |
| 707C | 7027793     | 1   | Connector (SN 0300084829 through 0300087000)   |     |
| 707D | 7027794     |     | Deutz Engine Harness (SN 0300084829 through 0300087000)  |     |
| 708  | See Note    | 1   | Dual Fuel Shut-Off Filter Harness (Note: Not Available for Purchase)   |     |
| 708  | 7023679     | 1   | Electrical Connector Kit (Includes [1] 2 Position Connector, 2 Pins and 2 Seals)   |     |
| 709  | 4922968     | 1   | Dual Fuel Shut-Off Filter Extension Harness (Not Shown)  |     |
| 709A | 4460742     | 1   | Connector, Male - 2 Position   |     |
| 709B | 4460458     | 4   | Seal, Terminal   |     |
| 709C | 4460743     | 2   | Socket, Female   |     |

## SECTION 7 - ELECTRICAL

| ITEM | PART NUMBER | QTY       | DESCRIPTION   | REV |
|------|-------------|-----------|---|-----|
| 709D | 4460978     | 1         | Receptacle, Male - 2 Position                           |     |
| 709E | 4460979     | 2         | Pin, Male   |     |
|      |             | Ref       | <b>OPTIONAL HARNESS COMPONENTS</b>                      |     |
| 801  | 4921928     | 1         | 4WS Valve Harness                                       |     |
| 801A | 4460268     | 3         | Socket, Female  |     |
| 801B | 4460445     | 1         | Connector, Female - 3 Position                          |     |
| 801C | 4460499     | 2         | Connector, DIN with Diode                               |     |
| 802  | 4921927     | 1         | Jib Valve Harness (600AJ Only)                          |     |
| 802A | 4460326     | 1         | Plug, Male - 3 Position                                 |     |
| 802B | 4460267     | 3         | Pin, Male   |     |
| 802C | 4460499     | 2         | Connector, DIN with Diode                               |     |
| 803  | 0257887     | 1         | Alarm Harness (Includes Alarm)                          |     |
| 803  | 0140032     | 1         | Alarm   |     |
| 803  | 2820035     | 6 in/15cm | Loom  |     |
| 803  | 4460424     | 1         | Plug  |     |
| 803  | 4460268     | 2         | Socket  |     |
| 803A | 4460424     | 1         | Plug, Male - 2 Position                                 |     |
| 803B | 4460268     | 2         | Socket, Female  |     |
| 804  |             | Ref       | Strobe Light Harness Options (Includes Strobe Light):   |     |
| 804  | 0255917     | 1         | Strobe Light Harness (SN 0300069000 through 0300069717) |     |
| 804  | 0272507     | 1         | Strobe Light Harness (SN 0300069718 through 0300087000) |     |
| 804A | 4460320     | 1         | Connector, Female - 2 Position                          |     |
| 804B | 4460267     | 2         | Pin, Male   |     |
| 805  |             | Ref       | AC to Platform Receptacle Components Options:           |     |
| 805  | 0255382     | Ref       | 110V GFI Receptacle                                     | 4   |
| 805  | 0257176     | Ref       | 220V Receptacle   | 4   |
| 805  | 0272433     | Ref       | 7500W Generator (SkyPower) Connectors                   | 1   |
| 805  | 0274618     | Ref       | Dual AC   | 1   |
| 805A | 0860038     | 1         | Box, Switch   |     |
| 805B |             | Ref       | Receptacle Options:                                     |     |
| 805B | 4460346     | 1         | 110V GFI  |     |
| 805B | 4460125     | 1         | 220V  |     |
| 805C |             | Ref       | Shield, Cover Options:                                  |     |
| 805C | 4060700     | 1         | 110V GFI  |     |
| 805C | 4060092     | 1         | 220V  |     |
| 805D | 4460071     | 1         | Connector, Strain Relief                                |     |
| 805E |             | Ref       | Plug, Male Options:                                     |     |
| 805E | 4460205     | 2         | 110V GFI (Qty 4 Required for Dual AC)                   |     |
| 805E | 4460233     | 2         | 220V  |     |
| 805E | 4460959     | 2         | 7500W Generator (SkyPower)                              |     |
| 805E | 1671092     | 2         | Cover (Optional on SkyPower)                            |     |
| 805F |             | Ref       | Connector, Female Options:                              |     |
| 805F | 4460134     | 1         | 110V GFI (Qty 2 Required for Dual AC)                   |     |
| 805F | 4460701     | 1         | 220V  |     |
| 805F | 4460960     | 1         | 7500W Generator (SkyPower)                              |     |
| 805F | 1671093     | 1         | Cover (Optional on SkyPower)                            |     |
| 806  |             | Ref       | Generator Electrical Components                         |     |
| 806  | 4933215     | AR        | 110V (SN 0300069000 through 0300077489)                 | 1-B |
| 806  | 4933216     | AR        | 220V (SN 0300069000 through 0300077489)                 | 1-B |
| 806  | 4933300     | AR        | 110V/220V (SN 0300077490 through 0300087000)            | 1-A |
| 806  | 3990010     | 1         | Diode - 6 Amp (Not Shown)                               |     |

## SECTION 7 - ELECTRICAL

| ITEM | PART NUMBER | QTY            | DESCRIPTION   | REV |
|------|-------------|----------------|---|-----|
| 806A | 4922641     | 1              | Harness - On/Off Switch   |     |
| 806B | 4460226     | 2              | Socket, Female  |     |
| 806C |             | Ref            | Powermite Control Box to Relay Options:   |     |
| 806C | 4922482     | 1              | Powermite Control Box to Relay (SN 0300069000 through 0300079611)   |     |
| 806C | 4922970     | 1              | Powermite Control Box to Relay (SN 0300079612 through 0300087000)   |     |
| 806D | 4460027     | 1              | Receptacle, Twist Lock (110V Only)  |     |
| 806E | 4460961     | 1              | Connector, Female - 4 Position (SN 0300077490 through 0300087000)   |     |
| 806E | 4460705     | 4              | Pin, Male   |     |
| 806F | 4460321     | 1              | Connector, Male - 4 Position (SN 0300077490 through 0300087000)   |     |
| 806F | 4460906     | 4              | Socket, Female  |     |
| 807  | 4921829     | 1              | Generator to Rear of Boom Harness (110V)  |     |
| 807  | 4921954     | 1              | Generator to Rear of Boom Harness (220V)  |     |
|      |             | Ref            | <b>Note: Harness used to connect AC at platform harness to generator receptacle to power platform receptacle.</b> |     |
| 807  | 1060494     | 6 ft/1.8m      | Cable, Electrical - 12/3 (110V)   |     |
| 807  | 1060494     | 26 ft/8m       | Cable, Electrical - 12/3 (220V)   |     |
| 807A | 4460205     | 1              | Plug, Male (110V)   |     |
| 807A | 4460233     | 1              | Plug, Male (220V)   |     |
| 807B | 4460134     | 1              | Receptacle, Female (110V)   |     |
| 807B | 4460701     | 1              | Receptacle, Female (220V)   |     |
| 807B | 4460960     | 1              | With 7500W Generator (SkyPower)   |     |
| 808  | See Note    | 1              | Lights Harness Options (Note: Not Available for Purchase)   |     |
| 808  |             | Ref            | Headlights Harness  |     |
| 808  | 1060341     | 37<br>ft/11.3m | Cable, Electrical - 16/3  |     |
| 808  |             | Ref            | Chassis Illumination Lights Harness   |     |
| 808  | 1060341     | 40<br>ft/12.2m | Cable, Electrical - 16/3  |     |
| 808A | 3740049     | 1              | Relay   |     |
| 808B | 4922643     | 1              | Harness, Bag (Located at Ground Control Box) (Not Shown)  |     |
| 809  |             | Ref            | Platform Worklights Components  |     |
| 809A | 2920140     | 2              | Platform Worklights External Harness (Includes Light and Wire Only)   |     |
| 809B | 4460598     | 1              | Connector, Strain Relief  |     |
| 809C | 4360232     | 1              | Circuit Breaker, 15Amp (SN 0300069000 through 0300074445)   |     |
| 809D | 4922498     | 1              | Platform Worklights Internal Harness (SN 0300069000 through 0300074445)   |     |
| 809E | 4460871     | 3              | Socket, Female (SN 0300069000 through 0300074445)   |     |
|      |             | Ref            | <b>Note: Items 807F - 807K. (SN 0300074445 through 0300087000)</b>  |     |
| 809F | 4922894     | 1              | Platform Worklights Harness   |     |
| 809F | 1060494     | 47<br>ft/14.3m | Cable, Electrical - 12/3  |     |
| 809G | 4460459     | 1              | Connector, Female - 3 Position  |     |
| 809G | 4460789     | 3              | Terminal, Seal  |     |
| 809G | 4460790     | 3              | Socket, Female  |     |
| 809H | 4460476     | 1              | Connector, Male - 3 Position  |     |
| 809H | 4460789     | 3              | Terminal, Seal  |     |
| 809H | 4460850     | 3              | Pin, Male   |     |
| 809I | 4922892     | 1              | Worklights Harness to Aux. Power Solenoid   |     |

## SECTION 7 - ELECTRICAL

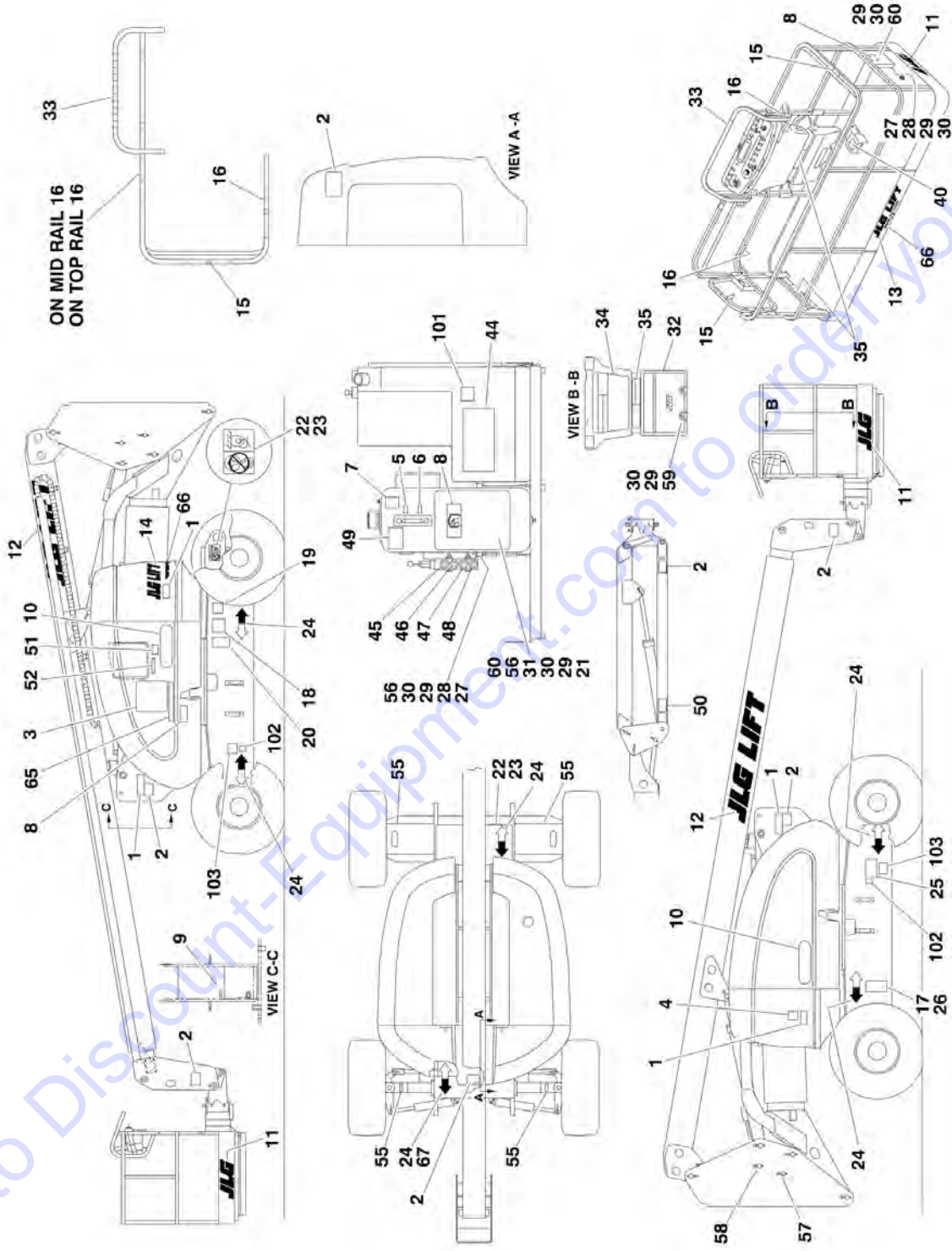
| ITEM | PART NUMBER | QTY             | DESCRIPTION   | REV |
|------|-------------|-----------------|---|-----|
| 809I | 1060494     | 33<br>ft/10.1mm | Cable, Electrical - 12/3  |     |
| 809J | 2400070     | 1               | Fuse  |     |
| 809K | 2400066     | 1               | Holder, Fuse  |     |
| 810  | See Note    | 1               | Soft-Touch System Harness (Note: Not Available for Purchase)                    |     |
| 810A | 1060341     | 23 ft/7m        | Cable, Electrical - 16/3  |     |
| 810B | 4460425     | 1               | Connector, Strain Relief  |     |
| 812  | 4933308     | 1               | Floodlights Harness Components  |     |
| 812A | 1060494     | 33<br>ft/10.1m  | Electrical Cable 12/3 (Lower to Aux Relay)                                      |     |
| 812B | 1060494     | 47<br>ft/14.3m  | Electrical Cable 12/3 (Upper to Console Box)                                    |     |
| 812C | 4460320     | 2               | Plug, Male - 2 Position   |     |
| 812C | 4460227     | 4               | Pin, Male   |     |
| 812D | 4922764     | 1               | Floodlight Harness (Lights to Switch)   |     |
| 812E | 4460424     | 2               | Connector, Female - 2 Position  |     |
| 812E | 4460226     | 4               | Socket, Female  |     |
| 812F | 1060977     | 1               | Cord, 2 Wire Coiled (Console Box Circuit Breaker to Switch)                     |     |
| 812G | 4360232     | 1               | Circuit Breaker - 15 Amp  |     |
| 812H | 4460425     | 1               | Strain, Relief  |     |
|      |             | Ref             | <b>TOOLS</b>  |     |
| 901  | 7002821     | 1               | Crimper (For Wire to Pin/Socket Connections)                                    |     |
| 902  | 7002823     | 1               | Extractor (For Removal of Pin/Socket from Connectors)                           |     |
| 903  | 4460467     | 1               | Extractor, Pin (Blue 16-18 Gauge) (For Removal of Pin/Socket from Connectors)   |     |
| 903  | 4460510     | 1               | Extractor, Pin (Yellow 12-14 Gauge) (For Removal of Pin/Socket from Connectors) |     |
| 904  | 7002828     | 1               | Stripper, Wire  |     |
| 905  | 2901443     | 1               | Analyzer Kit (Not Shown)  |     |
| 906  | 1001137005  | 1               | Software Cable Kit (Not Shown)  |     |

SECTION 8 - DECALS

Go to Discount-Equipment.com to order your parts

# SECTION 8 - DECALS

FIGURE 8-1. DECAL INSTALLATION - ANSI SPEC (SN 0300069000 through 0300086149)





## SECTION 8 - DECALS

**FIGURE 8-1. DECAL INSTALLATION - ANSI SPEC (SN 0300069000 through 0300086149)**

| ITEM | PART NUMBER | QTY | DESCRIPTION   | REV |
|------|-------------|-----|---|-----|
|      | 0271010     | Ref | <b>DECALS INSTALLATION - JLG Logo</b>                                   | 3   |
|      | 0255452     | Ref | <b>DECALS INSTALLATION - 600A</b>                                       | 18  |
|      | 0255456     | Ref | <b>DECAL INSTALLATION - 600AJ</b>                                       | 17  |
| 1    | 1703805     | 4   | Decal - Electrocutation   |     |
| 2    | 1703804     | 6   | Decal - Crushing  |     |
| 3    | 1703798     | 1   | Decal - Ground Control Warning  |     |
| 4    | 3251813     | 1   | Decal - USA   |     |
| 5    | 1701502     | 1   | Decal - High Oil Level  |     |
| 6    | 1701503     | 1   | Decal - Low Oil Level   |     |
| 7    | 1701504     | 1   | Decal - Hydraulic Oil   |     |
| 8    | 1701509     | AR  | Decal - Manual  |     |
| 9    | 3251243     | 1   | Nameplate - 120V-60HZ   |     |
| 10   |             | Ref | Decal Options:  |     |
| 10   | 1702818     | 2   | Decal - 600A  |     |
| 10   | 1702819     | 2   | Decal - 600AJ   |     |
| 11   | 1702773     | AR  | Decal - JLG (5in Height)  |     |
| 12   | 1702861     | AR  | Decal - JLG Lift (8in Height) Options:                                  |     |
| 12   |             | Ref | Decal - JLG Lift (8in Height) <b>(SN 0300069000 through 0300070122)</b> |     |
| 12   |             | Ref | Decal - JLG Lift (8in Height) <b>(SN 0300070123 through 0300086149)</b> |     |
| 13   | 1702774     | 1   | Decal - JLG Lift (3-1/2in Height)                                       |     |
| 14   | 1702860     | AR  | Decal - JLG Lift (5in Height) Options:                                  |     |
| 14   |             | Ref | Decal - JLG Lift (5in Height) <b>(SN 0300069000 through 0300070122)</b> |     |
| 14   |             | Ref | Decal - JLG Lift (5in Height) <b>(SN 0300070123 through 0300086149)</b> |     |
| 15   | 1702868     | 2   | Decal - No Hands  |     |
| 16   | 1704277     | 4   | Decal - Attach Lanyard Here   |     |
| 17   | See Note    | 1   | Nameplate, Serial Number (Note: Not Available for Purchase)             |     |
| 18   | 1702153     | 1   | Decal - Inspection  |     |
| 19   | See Note    | 1   | Decal - Bar Code (Note: Not Available for Purchase)                     |     |
| 20   | 1700584     | 1   | Decal - Patent  |     |
| 21   | 4567080     | 4   | Tube, Spacer  |     |
| 22   | 1702300     | 4   | Decal - Tie Down/Lift   |     |
| 23   | 1701500     | 4   | Decal - Tie Down/Lift   |     |
| 24   | 1701529     | AR  | Decal - Arrow   |     |
| 26   | 3820001     | 4   | Rivet   |     |
| 27   | 0641408     | 1   | Bolt 1/4in-20NC x 1in   |     |
| 28   | 1060279     | 1   | Cable, Lanyard  |     |
| 29   | 3311401     | AR  | Nut 1/4in   |     |
| 30   | 4751400     | AR  | Flatwasher 1/4in Regular  |     |
| 31   | 0860520     | 1   | Box, Manual Storage   |     |
| 32   | 3380434     | 1   | Panel, Pedestal <b>(SN 0300069000 through 0300076286)</b>               |     |
| 33   | 1702784     | 1   | Decal - Legend  |     |
| 34   | 1703797     | 1   | Decal - Warning/Danger  |     |
| 35   |             | Ref | Decal Options:  |     |
| 35   | 1704096     | 2   | 600A - Decal - Warning  |     |
| 35   | 1701645     | 2   | 600AJ - Decal - Maximum Capacity  |     |
| 44   | 1702926     | 1   | Decal - Instructions <b>(SN 0300069000 through 0300070977)</b>          |     |

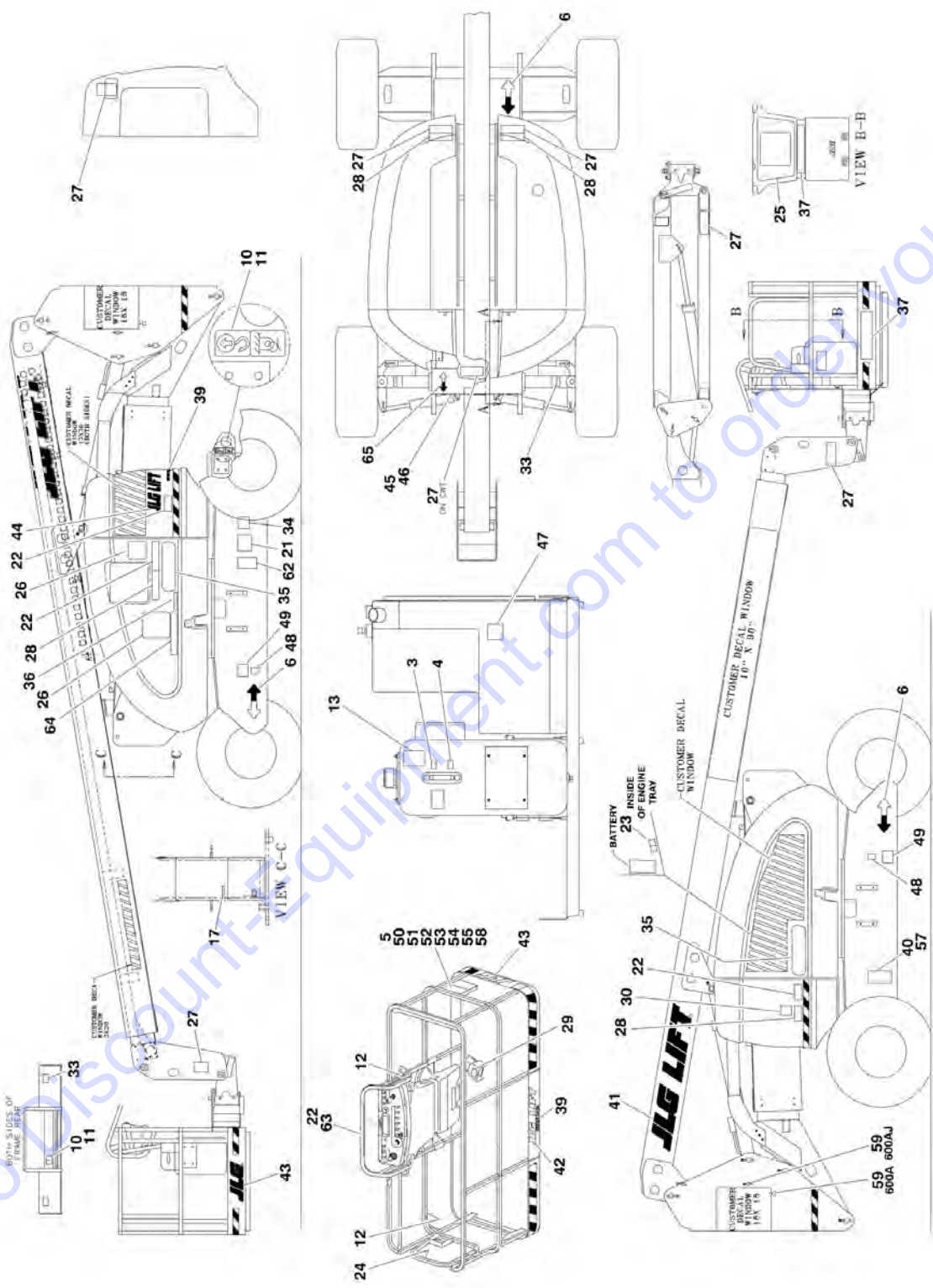
## SECTION 8 - DECALS

| ITEM | PART NUMBER  | QTY | DESCRIPTION  | REV |
|------|--------------|-----|--|-----|
| 45   | 1702903      | 1   | Decal - #1 (SN 0300069000 through 0300070977)                |     |
| 46   | 1702927      | 1   | Decal - #2 (SN 0300069000 through 0300070977)                |     |
| 47   | 1702924      | 1   | Decal - #3 (SN 0300069000 through 0300070977)                |     |
| 48   | 1702925      | 1   | Decal - #4 (SN 0300069000 through 0300070977)                |     |
| 49   |              | Ref | Decal Options:   |     |
| 49   | 1702265      | 1   | Decal 600A (SN 0300069000 through 0300070977)                |     |
| 49   | 1702265      | 1   | Decal 600AJ  |     |
| 50   |              | Ref | Decal Options:   |     |
| 50   | Not Required | 0   | Decal 600A   |     |
| 50   | 1702908      | 2   | Decal 600AJ (SN 0300069000 through 0300070977)               |     |
| 51   | 1702901      | 1   | Decal (SN 0300069000 through 0300070977)                     |     |
| 52   |              | Ref | Decal Capacity Options:                                      |     |
| 52   | 1704104      | 1   | 600A - Decal - 500lbs Unrestricted Capacity                  |     |
| 52   | 1702688      | 1   | 600AJ - Decal - 500lbs Maximum Capacity                      |     |
| 55   | 1703469      | 4   | Decal - Tire Load (SN 0300069776 through 0300086149)         |     |
| 56   | 0100011      | AR  | Compound, Locking  |     |
| 57   | Not Required | 0   | Not Required   |     |
| 58   |              | Ref | Plug Options:  |     |
| 58   | Not Required | 0   | 600A   |     |
| 58   | 3250033      | 2   | 600AJ - Plug, Hole 1in                                       |     |
| 59   | 0641414      | 2   | Bolt 1/4in-20NC x 1-3/4in (SN 0300069000 through 0300076286) |     |
| 60   | 0641406      | 4   | Bolt 1/4in-20NC x 3/4in                                      |     |
| 65   | 1703808      | 1   | Decal - Legend MTB   |     |
| 66   | 1704885      | 2   | Decal - Website  |     |
| 67   | 1703687      | 1   | Decal - Arrow (SN 0300081836 through 0300086149)             |     |
|      |              | Ref | <b>DECAL INSTALLATION (OPTIONAL PARTS)</b>                   |     |
| 101  |              | Ref | Decal - Fuel   |     |
| 101  | 1701505      | 1   | Diesel   |     |
| 101  | 1701542      | 1   | Gas  |     |
| 102  | 1701543      | 1   | Decal - LP Gas   |     |
| 103  |              | Ref | Decal - Warning Prop 65                                      |     |
| 103  | 1702962      | 1   | Diesel   |     |
| 103  | 1702961      | 1   | Gas  |     |



# SECTION 8 - DECALS

FIGURE 8-2. DECAL INSTALLATION - ANSI SPEC (SN 0300086150 through 0300087000)



## SECTION 8 - DECALS

**FIGURE 8-2. DECAL INSTALLATION - ANSI SPEC (SN 0300086150 through 0300087000)**

| ITEM | PART NUMBER | QTY | DESCRIPTION   | REV |
|------|-------------|-----|---|-----|
|      |             | Ref | <b>DECALS INSTALLATION</b>                                  |     |
|      | 0274094     | Ref | <b>Decal Installation - JLG Logo</b>                        | 1   |
|      | 0273891     | Ref | <b>Decal Installation - 600A</b>                            | 1   |
|      | 0273892     | Ref | <b>Decal Installation - 600AJ</b>                           | 1   |
| 3    | 1701502     | 1   | Decal - High Oil Level                                      |     |
| 4    | 1701503     | 1   | Decal - Low Oil Level                                       |     |
| 5    | 1701509     | 1   | Decal - Manual  |     |
| 6    | 1701529     | 6   | Decal - Arrow   |     |
| 10   | 1703811     | 4   | Decal - Tie Down/Lift                                       |     |
| 11   | 1703814     | 6   | Decal - Tie Down  |     |
| 12   | 1704277     | 4   | Decal - Attach Lanyard Here                                 |     |
| 13   | 1704412     | 1   | Decal - Hydraulic Oil Chart                                 |     |
| 17   | 3251243     | 1   | Nameplate - 120V-60Hz                                       |     |
| 21   | 1702153     | 1   | Decal - Inspection  |     |
| 22   | 1703953     | 7   | Decal - Warning Crushing                                    |     |
| 23   | 1704972     | 1   | Decal - Warning Explosion/Fire                              |     |
| 24   | 1702868     | 2   | Decal - No Hands  |     |
| 25   | 1703797     | 1   | Decal - Warning/Danger                                      |     |
| 26   | 1705336     | 1   | Decal - Warning Inspection (MTB)                            |     |
| 27   | 1703804     | 6   | Decal - Warning Crushing                                    |     |
| 28   | 1703805     | 5   | Decal - Danger Electrocution                                |     |
| 29   | 3252347     | 1   | Nameplate - Footswitch                                      |     |
| 30   | 3251813     | 1   | Decal - USA   |     |
| 33   | 1703469     | 4   | Decal - Max Tire Load                                       |     |
| 34   | See Note    | 1   | Decal - Bar Code (Note: Not Available for Purchase)         |     |
| 35   |             | Ref | Decal Options:  |     |
| 35   | 1702818     | 2   | Decal - 600A  |     |
| 35   | 1702819     | 2   | Decal - 600AJ   |     |
| 36   |             | Ref | Decal Capacity Options:                                     |     |
| 36   | 1704104     | 1   | 600A - Decal - 500lbs Unrestricted Capacity                 |     |
| 36   | 1702688     | 1   | 600AJ - Decal - 500lbs Maximum Capacity                     |     |
| 37   |             | Ref | Decal Capacity Options:                                     |     |
| 37   | 1704096     | 2   | 600A - Decal - 500lbs Unrestricted Capacity                 |     |
| 37   | 1701645     | 2   | 600AJ - Decal - 500lbs Maximum Capacity                     |     |
| 39   | 1704885     | 2   | Decal - Website   |     |
| 40   | See Note    | 1   | Nameplate, Manufacturers (Note: Not Available for Purchase) |     |
| 41   | 1702861     | 2   | Decal - JLG Lift (8in Height)                               |     |
| 42   | 1702774     | 1   | Decal - JLG Lift (3-1/2in Height)                           |     |
| 43   | 1702773     | 2   | Decal - JLG (5in Height)                                    |     |
| 44   | 1702860     | 1   | Decal - JLG Lift (5in Height)                               |     |
| 45   | 3250872     | 1   | Nameplate - Steer/Tow Selector                              |     |
| 46   | 1705090     | 1   | Decal - Towing Instructions                                 |     |
| 47   |             | Ref | Decal - Fuel  |     |
| 47   | 1701505     | 1   | Diesel  |     |
| 47   | 1701542     | 1   | Gas   |     |
| 48   | 1701543     | 1   | Decal - LP Gas (Ford Engine Machines Only)                  |     |
| 49   | 1700818     | 2   | Decal - LP Gas (Liquid) (Ford Engine Machines Only)         |     |
| 50   | 0100011     | AR  | Compound, Locking   |     |
| 51   | 0641406     | 4   | Bolt 1/4in-20NC x 3/4in                                     |     |
| 52   | 0641408     | 1   | Bolt 1/4in-20NC x 1in                                       |     |

## SECTION 8 - DECALS

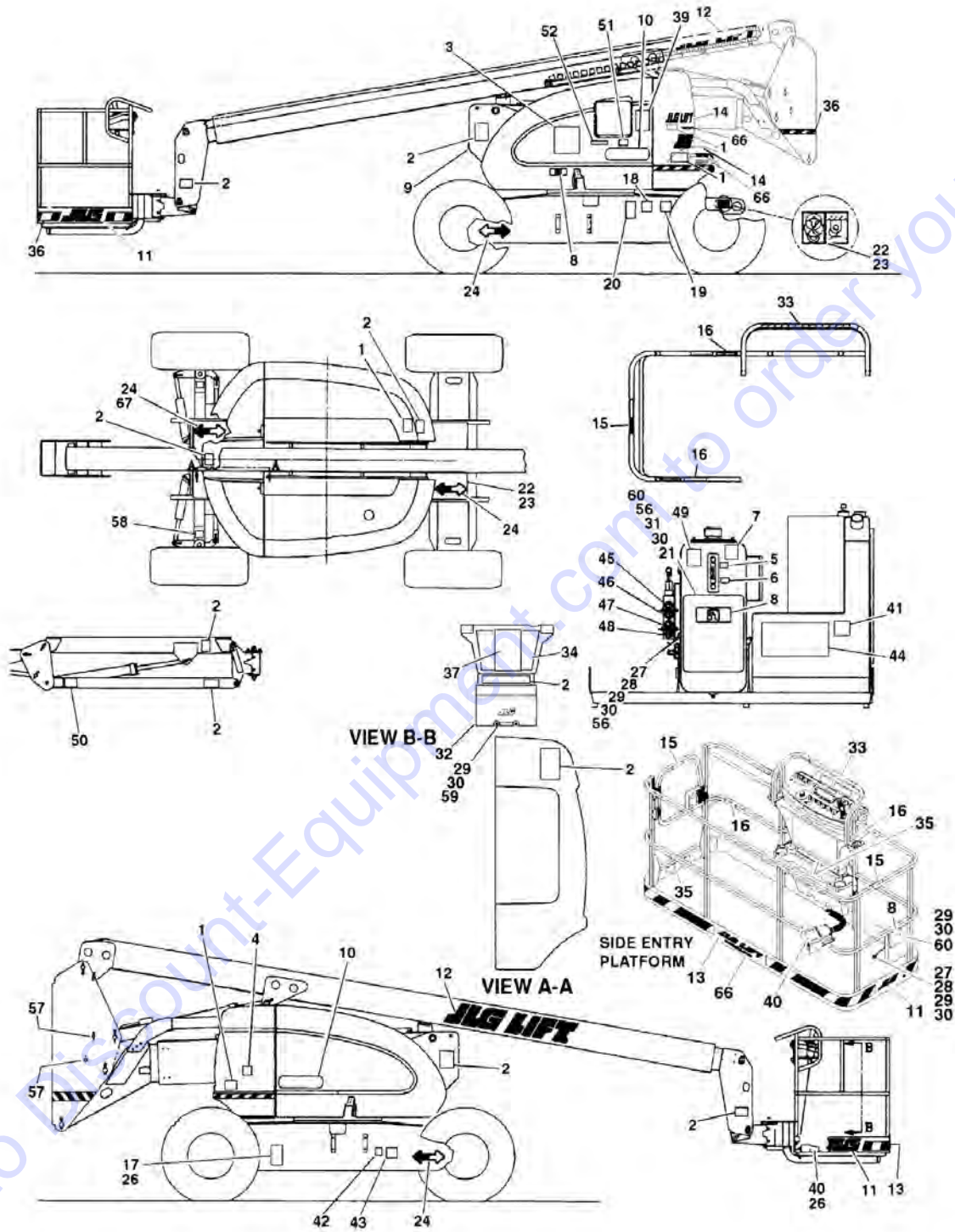
| ITEM | PART NUMBER | QTY | DESCRIPTION                       | REV |
|------|-------------|-----|-----------------------------------|-----|
| 53   | 0860520     | 1   | Box, Manual Storage               |     |
| 54   | 1060279     | 1   | Cable, Lanyard                    |     |
| 55   | 3311405     | 5   | Locknut 1/4in                     |     |
| 57   | 3820001     | 4   | Rivet                             |     |
| 58   | 4751400     | 10  | Flatwasher 1/4in Regular          |     |
| 59   | 3250033     | 2   | Plug                              |     |
| 62   | 1700584     | 1   | Decal - Patent                    |     |
| 63   | 1702784     | 1   | Decal - Legend                    |     |
| 64   | 1703808     | 1   | Decal - Legend (MTB)              |     |
| 65   | 1703687     | 1   | Decal - Direction Arrow (6-3/4in) |     |

Go to Discount-Equipment.com to order your parts



# SECTION 8 - DECALS

FIGURE 8-3. DECAL INSTALLATION (COUNTRY SPECS) (SN 0300069000 through 0300086149)





## SECTION 8 - DECALS

**FIGURE 8-3. DECAL INSTALLATION (COUNTRY SPECS) (SN 0300069000 through 0300086149)**

| ITEM | PART NUMBER  | QTY | DESCRIPTION   | REV |
|------|--------------|-----|---|-----|
|      |              | Ref | <b>DECAL INSTALLATIONS</b>  |     |
|      | 0271010      | Ref | <b>Decal Installation - JLG Logo</b>                                    | 2   |
|      | 0257495      | Ref | <b>600A BRAZIL SPEC (SPANISH/PORTUGUESE LANGUAGES)</b>                  | 5   |
|      | 0259331      | Ref | <b>600A Canadian Spec (English/French Languages)</b>                    | 13  |
|      | 0256284      | Ref | <b>600A Japanese Spec</b>   | 4   |
|      | 0256670      | Ref | <b>600A Latin American Spec (English/Spanish Languages)</b>             | 12  |
|      | 0255453      | Ref | <b>600A Common Decals (Use with Brazil and Japanese Specs)</b>          | 14  |
|      | 0257496      | Ref | <b>600AJ Brazilian Spec (Spanish/Portuguese Languages)</b>              | 5   |
|      | 0259332      | Ref | <b>600AJ Canadian Spec (English/French Languages)</b>                   | 12  |
|      | 0256291      | Ref | <b>600AJ Japanese Spec</b>  | 4   |
|      | 0256671      | Ref | <b>600AJ Latin American Spec (English/Spanish Languages)</b>            | 12  |
|      | 0255457      | Ref | <b>600AJ Common Decals (Use with Brazil and Japanese Specs)</b>         | 14  |
| 1    |              | Ref | Decal - Danger Electrocutation Options:                                 |     |
| 1    | Not Required | 0   | Brazil and Japanese Specs   |     |
| 1    | 1703936      | 4   | Canadian Spec   |     |
| 1    | 1702585      | 4   | Latin American Spec   |     |
| 2    |              | Ref | Decal - Crushing Options:   |     |
| 2    | 1701518      | 6   | Brazil and Japanese Specs   |     |
| 2    | 1703948      | 6   | Canadian Spec   |     |
| 2    | 1702583      | 6   | Latin American Spec   |     |
| 3    |              | Ref | Decal - Danger/Warning Options:   |     |
| 3    | Not Required | 0   | Brazil and Japanese Specs   |     |
| 3    | 1703930      | 1   | Canadian Spec   |     |
| 3    | 1702971      | 1   | Latin American Spec   |     |
| 4    |              | Ref | Decal - USA Options:  |     |
| 4    | Not Required | 0   | Brazil and Japanese Specs   |     |
| 4    | 3251813      | 1   | Canadian Spec   |     |
| 4    | 3251813      | AR  | Latin American Spec   |     |
| 5    | 1701502      | 1   | Decal - High Oil Level  |     |
| 6    | 1701503      | 1   | Decal - Low Oil Level   |     |
| 7    | 1701504      | 1   | Decal - Hydraulic Oil   |     |
| 8    | 1701509      | AR  | Decal - Manual  |     |
| 9    |              | Ref | Nameplate - Voltage Options:  |     |
| 9    | Not Required | 0   | Brazil and Japanese Specs   |     |
| 9    | 3251243      | 1   | Canadian Spec (120V-60HZ)   |     |
| 9    | 1703453      | 1   | Latin American Spec   |     |
| 10   |              | Ref | Decal - Model Designation Options:                                      |     |
| 10   | 1702818      | 2   | Decal - Model Designation 600A  |     |
| 10   | 1702819      | 2   | Decal - Model Designation 600AJ   |     |
| 11   | 1702773      | 2   | Decal - JLG (5in Height)  |     |
| 12   | 1702861      | AR  | Decal - JLG Lift (8in Height) Options:                                  |     |
| 12   |              | Ref | Decal - JLG Lift (8in Height) <b>(SN 0300069000 through 0300070122)</b> |     |
| 12   |              | Ref | Decal - JLG Lift (8in Height) <b>(SN 0300070123 through 0300086150)</b> |     |
| 13   | 1702774      | 1   | Decal - JLG (3-1/2in Height)  |     |
| 14   | 1702860      | AR  | Decal - JLG Lift (5in Height) Options:                                  |     |
| 14   |              | Ref | Decal - JLG Lift (5in Height) <b>(SN 0300069000 through 0300070122)</b> |     |
| 14   |              | Ref | Decal - JLG Lift (5in Height) <b>(SN 0300070123 through 86150)</b>      |     |

## SECTION 8 - DECALS

| ITEM | PART NUMBER  | QTY        | DESCRIPTION  | REV |
|------|--------------|------------|--|-----|
| 15   |              | Ref        | Decal - No Hands Options:                                    |     |
| 15   | 1703899      | 2          | Brazil Spec  |     |
| 15   | 1704000      | 2          | Canadian Spec  |     |
| 15   | Not Required | 0          | Japanese Spec  |     |
| 15   | 1702975      | 2          | Latin American Spec  |     |
| 16   |              | Ref        | Decal - Attach Lanyard Here Options:                         |     |
| 16   | 1704277      | AR         | Brazil Spec  |     |
| 16   | 1704277      | AR         | Canadian Spec  |     |
| 16   | Not Required | 0          | Japanese Spec  |     |
| 16   | 1704277      | AR         | Latin American Spec  |     |
| 17   | See Note     | 1          | Nameplate - Serial Number (Note: Not Available for Purchase) |     |
| 18   |              | Ref        | Decal - Inspection Options:                                  |     |
| 18   | Not Required | 0          | Brazil Spec  |     |
| 18   | 1704006      | 1          | Canadian Spec  |     |
| 18   | Not Required | 0          | Japanese Spec  |     |
| 18   | 1702552      | 1          | Latin American Spec  |     |
| 19   | See Note     | 1          | Decal - Bar Code (Note: Not Available for Purchase)          |     |
| 20   |              | Ref        | Decal - Patent Options:                                      |     |
| 20   | 1700584      | 1          | Brazil and Japanese Specs                                    |     |
| 20   | 1700584      | 1          | Canadian Spec  |     |
| 20   | 1702573      | 1          | Latin American Spec  |     |
| 21   | 4567080      | 4          | Tube, Spacer   |     |
| 22   | 1702300      | 4          | Decal - Tie Down/Lift  |     |
| 23   | 1701500      | 4          | Decal - Tie Down/Lift  |     |
| 24   | 1701529      | AR         | Decal - Arrow  |     |
| 26   | 3820001      | 4          | Rivet  |     |
| 27   | 0641408      | 1          | Bolt 1/4in-20NC x 1in  |     |
| 28   | 1060279      | 1          | Cable, Lanyard   |     |
| 29   | 3311405      | AR         | Locknut 1/4in-20NC   |     |
| 30   | 4751400      | AR         | Flatwasher 1/4in Regular                                     |     |
| 31   | 0860520      | 1          | Box, Manual Storage  |     |
| 32   | 3380434      | 1          | Panel, Pedestal <b>(SN 0300069000 through 0300076286)</b>    |     |
| 33   |              | Ref        | Decal - Legend Options:                                      |     |
| 33   | Not Required | 0          | Brazil and Japanese Specs                                    |     |
| 33   | 1702784      | 1          | Canadian Spec  |     |
| 33   | 1702972      | 1          | Latin American Spec  |     |
| 34   |              | Ref        | Decal - Warning/Danger Options:                              |     |
| 34   | Not Required | 0          | Brazil and Japanese Specs                                    |     |
| 34   | 1703924      | 1          | Canadian Spec  |     |
| 34   | 1702973      | 1          | Latin American Spec  |     |
| 35   |              | Ref        | Decal - Warning Options:                                     |     |
| 35   | Not Required | 0          | 600A Brazil Spec   |     |
| 35   | Not Required | 0          | 600AJ Brazil Spec  |     |
| 35   | 1704099      | 2          | 600A Canadian Spec   |     |
| 35   | 1703996      | 2          | 600AJ Canadian Spec  |     |
| 35   | Not Required | 0          | 600A Japanese Spec   |     |
| 35   | Not Required | 0          | 600AJ Japanese Spec  |     |
| 35   | 1704100      | 2          | 600A Latin American Spec                                     |     |
| 35   | 1702974      | 2          | 600AJ Latin American Spec                                    |     |
| 36   | 4420051      | 21 ft/6.4m | Decal - Corner Warning Stripe                                |     |
| 37   |              | Ref        | Decal - Capacity Options:                                    |     |

## SECTION 8 - DECALS

| ITEM | PART NUMBER  | QTY | DESCRIPTION  | REV |
|------|--------------|-----|--|-----|
| 37   | 1703536      | 1   | Brazil Spec  |     |
| 37   | Not Required | 0   | Canadian Spec  |     |
| 37   | 1701924      | 1   | Japanese Spec  |     |
| 37   | Not Required | 0   | Latin American Spec                                    |     |
| 38   |              | Ref | Decal - Caution Options:                               |     |
| 38   | 1703538      | 1   | Brazil Spec  |     |
| 38   | Not Required | 0   | Canadian Spec  |     |
| 38   | 1703188      | 1   | Japanese Spec  |     |
| 38   | Not Required | 0   | Latin American Spec                                    |     |
| 39   |              | Ref | Decal - Caution Options:                               |     |
| 39   | 1703548      | 1   | Brazil Spec  |     |
| 39   | Not Required | 0   | Canadian Spec  |     |
| 39   | 1701923      | 1   | Japanese Spec  |     |
| 39   | Not Required | 0   | Latin American Spec                                    |     |
| 40   |              | Ref | Decal - Footswitch Options:                            |     |
| 40   | 3252540      | 1   | Brazil Spec  |     |
| 40   | 1703984      | 1   | Canadian Spec  |     |
| 40   | 3252220      | 1   | Japanese Spec  |     |
| 40   | 3252489      | 1   | Latin American Spec                                    |     |
| 41   |              | Ref | Decal - Fuel Options:                                  |     |
| 41   | 1701505      | 1   | Diesel Machines  |     |
| 41   | 1701542      | 1   | Gas Machines   |     |
| 42   |              | Ref | Decal - LPG Gas  |     |
| 42   | Not Required | 0   | Non-Dual Fuel Machines                                 |     |
| 42   | 1701543      | 1   | Dual Fuel Machines                                     |     |
| 43   |              | Ref | Decal - LP Gas Liquid Withdrawal System                |     |
| 43   | Not Required | 0   | Non-Dual Fuel Machines                                 |     |
| 43   | 1700818      | 1   | Dual Fuel Machines (English Language)                  |     |
| 43   | 1704271      | 1   | Dual Fuel Machines (Canadian Spec)                     |     |
| 43   | 1702720      | 1   | Dual Fuel Machines (Spanish Language)                  |     |
| 44   |              | Ref | Decal - Instructions Options:                          |     |
| 44   | 1703549      | 1   | Brazil Spec (SN 0300069000 through 0300070977)         |     |
| 44   | 1704268      | 1   | Canadian Spec (SN 0300069000 through 0300070977)       |     |
| 44   | 1703007      | 1   | Japanese Spec (SN 0300069000 through 0300070977)       |     |
| 44   | 1702979      | 1   | Latin American Spec (SN 0300069000 through 0300070977) |     |
| 45   | 1702903      | 1   | Decal - #1 (SN 0300069000 through 0300070977)          |     |
| 46   | 1702927      | 1   | Decal - #2 (SN 0300069000 through 0300070977)          |     |
| 47   | 1702924      | 1   | Decal - #3 (SN 0300069000 through 0300070977)          |     |
| 48   | 1702925      | 1   | Decal - #4 (SN 0300069000 through 0300070977)          |     |
| 49   |              | Ref | Decal Options:   |     |
| 49   | 1703544      | 1   | Brazil Spec  |     |
| 49   | 1703990      | 1   | Canadian Spec  |     |
| 49   | 1702271      | 1   | Japanese Spec  |     |
| 49   | 1702617      | 1   | Latin American Spec                                    |     |
| 50   |              | Ref | Decal Options:   |     |
| 50   | Not Required | 0   | Decal 600A   |     |
| 50   | 1703541      | 2   | Decal 600AJ (SN 0300069000 through 0300070977)         |     |
| 51   |              | Ref | Decal Options:   |     |
| 51   | 1703543      | 1   | Brazil Spec (SN 0300069000 through 0300070977)         |     |
| 51   | 1704116      | 1   | Canadian Spec (SN 0300069000 through 0300070977)       |     |
| 51   | 1703004      | 1   | Japanese Spec (SN 0300069000 through 0300070977)       |     |

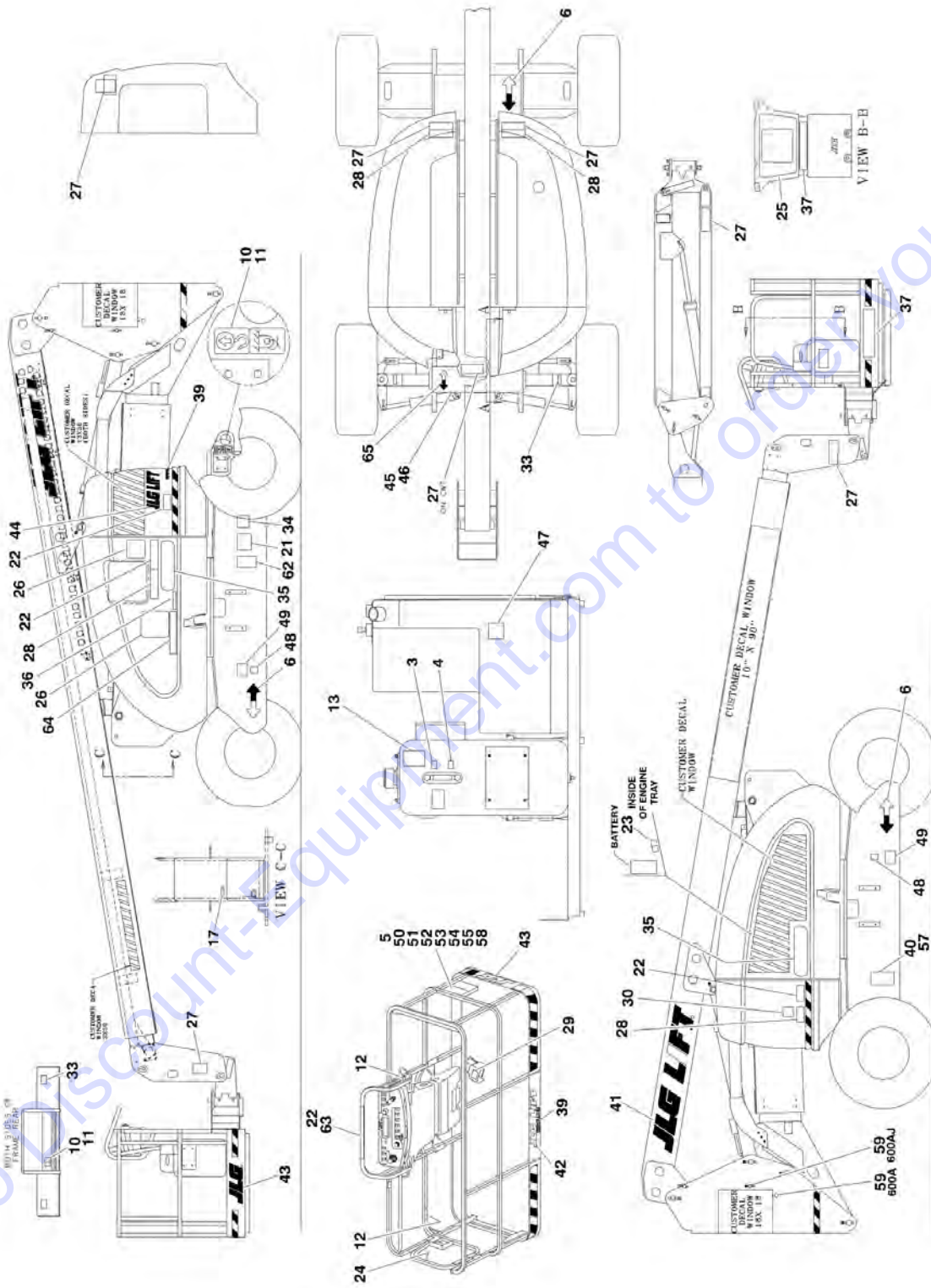
## SECTION 8 - DECALS

| ITEM | PART NUMBER  | QTY | DESCRIPTION  | REV |
|------|--------------|-----|--|-----|
| 51   | 1702976      | 1   | Latin American Spec (SN 0300069000 through 0300070977)       |     |
| 52   |              | Ref | Decal - Capacity Options:                                    |     |
| 52   | Not Required | 0   | 600A Brazil Spec   |     |
| 52   | Not Required | 0   | 600AJ Brazil Spec  |     |
| 52   | 1704107      | 1   | 600A Canadian Spec   |     |
| 52   | 1704112      | 1   | 600AJ Canadian Spec  |     |
| 52   | Not Required | 0   | 600A Japanese Spec   |     |
| 52   | Not Required | 0   | 600AJ Japanese Spec  |     |
| 52   | 1704108      | 1   | 600A Latin American Spec                                     |     |
| 52   | 1702689      | 1   | 600AJ Latin American Spec                                    |     |
| 56   | 0100011      | AR  | Compound, Locking  |     |
| 57   |              | Ref | Plug Options:  |     |
| 57   | Not Required | 0   | 600A   |     |
| 57   | 3520033      | 2   | Plug 600AJ   |     |
| 58   |              | Ref | Decal - Wheel Load Options:                                  |     |
| 58   | 1703469      | 4   | Canadian (SN 0300069776 through 0300086150)                  |     |
| 58   | Not Required | 0   | Latin American Specs   |     |
| 58   | 1703469      | 4   | Brazil and Japanese Specs                                    |     |
| 59   | 0641414      | 2   | Bolt 1/4in-20NC x 1-3/4in (SN 0300069000 through 0300076286) |     |
| 60   | 0641406      | 4   | Bolt 1/4in-20NC x 3/4in                                      |     |
| 65   |              | Ref | Decal - Legend Options:                                      |     |
| 65   | Not Required | 0   | Brazil Spec  |     |
| 65   | 1703808      | 1   | Canadian Spec  |     |
| 65   | Not Required | 0   | Japanese Spec  |     |
| 65   | Not Required | 0   | Latin American Spec  |     |
| 66   | 1704885      | 2   | Decal - Website  |     |
| 67   | 1703687      | 1   | Decal - Arrow (SN 0300081836 through 0300086150)             |     |



# SECTION 8 - DECALS

FIGURE 8-4. DECAL INSTALLATION (COUNTRY SPECS) (SN 0300086150 through 0300087000)



## SECTION 8 - DECALS

**FIGURE 8-4. DECAL INSTALLATION (COUNTRY SPECS) (SN 0300086150 through 0300087000)**

| ITEM | PART NUMBER  | QTY | DESCRIPTION  | REV |
|------|--------------|-----|--|-----|
|      |              | Ref | <b>DECAL INSTALLATIONS</b>                                   |     |
|      | 0274094      | Ref | <b>Decals Installation - JLG Logo</b>                        | 1   |
|      | 0273901      | Ref | <b>600A Brazil Spec (Portuguese Languages)</b>               | 1   |
|      | 0273893      | Ref | <b>600A Canadian Spec (English/French Languages)</b>         | 1   |
|      | 0273903      | Ref | <b>600A Japanese Spec</b>                                    | 1   |
|      | 0273899      | Ref | <b>600A Latin American Spec (English/Spanish Languages)</b>  | 1   |
|      | 0273891      | Ref | <b>600A Common Decals (ANSI Export)</b>                      | 1   |
|      | 0273902      | Ref | <b>600aj Brazilian Spec (Portuguese Languages)</b>           | 1   |
|      | 0273894      | Ref | <b>600AJ Canadian Spec (English/French Languages)</b>        | 1   |
|      | 0273904      | Ref | <b>600AJ Japanese Spec</b>                                   | 1   |
|      | 0273900      | Ref | <b>600AJ Latin American Spec (English/Spanish Languages)</b> | 1   |
|      | 0273892      | Ref | <b>600AJ Common Decals (ANSI Export)</b>                     | 1   |
| 3    | 1701502      | 1   | Decal - High Oil Level                                       |     |
| 4    | 1701503      | 1   | Decal - Low Oil Level  |     |
| 5    | 1701509      | 1   | Decal - Manual   |     |
| 6    | 1701529      | 6   | Decal - Arrow  |     |
| 10   | 1703811      | 4   | Decal - Tie Down/Lift  |     |
| 11   | 1703814      | 6   | Decal - Tie Down   |     |
| 12   | 1704277      | 4   | Decal - Attach Lanyard Here                                  |     |
| 13   | 1704412      | 1   | Decal - Hydraulic Oil Chart                                  |     |
| 17   |              | Ref | Nameplate - Voltage Options:                                 |     |
| 17   | Not Required | 0   | Brazil Specs   |     |
| 17   | 3251813      | 1   | Canadian Spec  |     |
| 17   | 3251243      | 1   | Japanese Specs   |     |
| 17   | 3251243      | AR  | Latin American Spec  |     |
| 21   |              | Ref | Decal - Inspection Options:                                  |     |
| 21   | 1705901      | 1   | Brazil Specs   |     |
| 21   | 1704006      | 1   | Canadian Spec  |     |
| 21   | Not Required | 0   | Japanese Spec  |     |
| 21   | 1704007      | 1   | Latin American Spec  |     |
| 22   |              | Ref | Decal - Warning Crushing Options:                            |     |
| 22   | 1705903      | 7   | Brazil Specs   |     |
| 22   | 1703942      | 7   | Canadian Spec  |     |
| 22   | 1703944      | 3   | Japanese Spec  |     |
| 22   | 1703941      | 7   | Latin American Spec  |     |
| 23   |              | Ref | Decal - Warning Explosion/Fire Options:                      |     |
| 23   | 1706059      | 1   | Brazil Specs   |     |
| 23   | 1706064      | 1   | Canadian Spec  |     |
| 23   | 1706062      | 1   | Japanese Spec  |     |
| 23   | 1706063      | 1   | Latin American Spec  |     |
| 24   |              | Ref | Decal - No Hands Options:                                    |     |
| 24   | 1705967      | 2   | Brazil Specs   |     |
| 24   | 1704000      | 2   | Canadian Spec  |     |
| 24   | Not Required | 0   | Japanese Spec  |     |
| 24   | 1704001      | 2   | Latin American Spec  |     |
| 25   |              | Ref | Decal - Warning/Danger Options:                              |     |
| 25   | 1705895      | 1   | Brazil Specs   |     |
| 25   | 1703924      | 1   | Canadian Spec  |     |
| 25   | 1703926      | 1   | Japanese Spec  |     |
| 25   | 1703923      | 1   | Latin American Spec  |     |

## SECTION 8 - DECALS

| ITEM | PART NUMBER | QTY | DESCRIPTION   | REV |
|------|-------------|-----|---|-----|
| 26   |             | Ref | Decal - Warning Inspection (MTB)                            |     |
| 26   | 1705896     | 1   | Brazil Specs  |     |
| 26   | 1705347     | 1   | Canadian Spec   |     |
| 26   | 1705344     | 1   | Japanese Spec   |     |
| 26   | 1705917     | 1   | Latin American Spec   |     |
| 27   |             | Ref | Decal - Warning Crushing Options:                           |     |
| 27   | 1705898     | 5   | Brazil Specs  |     |
| 27   | 1703948     | 6   | Canadian Spec   |     |
| 27   | 1703950     | 3   | Japanese Spec   |     |
| 27   | 1703947     | 3   | Latin American Spec   |     |
| 28   |             | Ref | Decal - Danger Electrocution Options:                       |     |
| 28   | 1705897     | 5   | Brazil Specs  |     |
| 28   | 1703936     | 5   | Canadian Spec   |     |
| 28   | 1703938     | 4   | Japanese Spec   |     |
| 28   | 1703935     | 3   | Latin American Spec   |     |
| 29   |             | Ref | Decal - Foot Switch Options:                                |     |
| 29   | 1705902     | 1   | Brazil Specs  |     |
| 29   | 1703984     | 1   | Canadian Spec   |     |
| 29   | 1703980     | 1   | Japanese Spec   |     |
| 29   | 1703983     | 1   | Latin American Spec   |     |
| 30   | 3251813     | 1   | Decal - USA   |     |
| 33   | 1703469     | 4   | Decal - Max Tire Load                                       |     |
| 34   | See Note    | 1   | Decal - Bar Code (Note: Not Available for Purchase)         |     |
| 35   |             | Ref | Decal Options:  |     |
| 35   | 1702818     | 2   | Decal - 600A  |     |
| 35   | 1702819     | 2   | Decal - 600AJ   |     |
| 36   |             | Ref | Decal Capacity Options:                                     |     |
| 36   |             | Ref | 600A - Decal - 500lbs Unrestricted Capacity                 |     |
| 36   | 1706381     | 1   | Brazil Specs  |     |
| 36   | 1704107     | 1   | Canadian Spec   |     |
| 36   | 1704110     | 1   | Japanese Spec   |     |
| 36   | 1704106     | 1   | Latin American Spec   |     |
| 36   | 1704112     | 1   | 600AJ - Decal - 500lbs Maximum Capacity                     |     |
| 37   |             | Ref | Decal Capacity Options:                                     |     |
| 37   |             | Ref | 600A - Decal - 500lbs Unrestricted Capacity                 |     |
| 37   | 1706380     | 2   | Brazil Specs  |     |
| 37   | 1704099     | 2   | Canadian Spec   |     |
| 37   | 1704102     | 1   | Japanese Spec   |     |
| 37   | 1704098     | 1   | Latin American Spec   |     |
| 37   | 1703996     | 2   | 600AJ - Decal - 500lbs Maximum Capacity                     |     |
| 39   | 1704885     | 2   | Decal - Website   |     |
| 40   | See Note    | 1   | Nameplate, Manufacturers (Note: Not Available for Purchase) |     |
| 41   | 1702861     | 2   | Decal - JLG Lift (8in Height)                               |     |
| 42   | 1702774     | 1   | Decal - JLG Lift (3 1/2in Height)                           |     |
| 43   | 1702773     | 2   | Decal - JLG (5in Height)                                    |     |
| 44   | 1702860     | 1   | Decal - JLG Lift (5in Height)                               |     |
| 45   | 3250872     | 1   | Nameplate - Steer/Tow Selector                              |     |
| 46   | 1705090     | 1   | Decal - Towing Instructions                                 |     |
| 47   |             | Ref | Decal - Fuel  |     |
| 47   | 1701505     | 1   | Diesel  |     |
| 47   | 1701542     | 1   | Gas   |     |



## SECTION 8 - DECALS

| ITEM | PART NUMBER  | QTY | DESCRIPTION                       | REV |
|------|--------------|-----|-----------------------------------|-----|
| 48   | 1701543      | 1   | Decal - LP Gas                    |     |
| 49   |              | Ref | Decal - LP Gas (Liquid) Options:  |     |
| 49   | Not Required | 0   | Brazil Specs                      |     |
| 49   | 1704271      | 2   | Canadian Spec                     |     |
| 49   | Not Required | 0   | Japanese Specs                    |     |
| 49   | 1702720      | 1   | Latin American Spec               |     |
| 50   | 0100011      | AR  | Compound, Locking                 |     |
| 51   | 0641406      | 4   | Bolt 1/4in-20NC x 3/4in           |     |
| 52   | 0641408      | 1   | Bolt 1/4in-20NC x 1in             |     |
| 53   | 0860520      | 1   | Box, Manual Storage               |     |
| 54   | 1060279      | 1   | Cable, Lanyard                    |     |
| 55   | 3311405      | 5   | Locknut 1/4in-20NC                |     |
| 57   | 3820001      | 4   | Rivet                             |     |
| 58   | 4751400      | 10  | Flatwasher 1/4in Regular          |     |
| 59   | 3250033      | 2   | Plug                              |     |
| 62   |              | Ref | Decal - Patent                    |     |
| 62   | 1700584      | 1   | Brazil Specs                      |     |
| 62   | 1700584      | 1   | Canadian Spec                     |     |
| 62   | 1700584      | 1   | Japanese Specs                    |     |
| 62   | 1702573      | 1   | Latin American Spec               |     |
| 63   |              | Ref | Decal - Legend Options:           |     |
| 63   | Not Required | 0   | Brazil Specs                      |     |
| 63   | 1702784      | 1   | Canadian Spec                     |     |
| 63   | Not Required | 0   | Japanese Specs                    |     |
| 63   | 1702972      | 1   | Latin American Spec               |     |
| 64   | 1703808      | 1   | Decal - Legend (MTB)              |     |
| 65   | 1703687      | 1   | Decal - Direction Arrow (6-3/4in) |     |



**SECTION 9 - RECOMMENDED SERVICE PARTS STOCK**

**SECTION 9 - RECOMMENDED SERVICE PARTS STOCK**

Go to [Discount-Equipment.com](http://Discount-Equipment.com) to order your parts

## SECTION 9 - RECOMMENDED SERVICE PARTS STOCK

FIGURE 9-1. MODEL 600A/600AJ STANDARD PARTS

| ITEM | PART NUMBER | QTY | DESCRIPTION  | REV |
|------|-------------|-----|--|-----|
|      | Note        | Ref | <b>Note: The following list will service one machine (built to current production per date on the front cover) with emergency repair parts which can be installed in the field. Parts from the list should be replaced when inventory is depleted to keep service parts stock supplied. For further information, go to Discount-equipment.com.</b> |     |
|      |             | Ref | <b>STANDARD PARTS</b>  |     |
|      | 7012944     | 1   | Coil   |     |
|      | 7012943     | 1   | Coil   |     |
|      | 2120150     | 12  | Element Filter   |     |
|      | 7016312     | 1   | Switch, Indicator  |     |
|      | 2120149     | 12  | Element, Filter  |     |
|      | 7016313     | 1   | Switch, Indicator  |     |
|      | 7012772     | 1   | Coil   |     |
|      | 7012768     | 1   | Coil   |     |
|      | 7012664     | 12  | Element, Air Cleaner   |     |
|      | 3740067     | 1   | Relay  |     |
|      | 4360392     | 1   | Switch, Indicator  |     |
|      | 7014810     | 1   | Breather   |     |
|      | 4360475     | 1   | Switch, Mushroom   |     |
|      | 4360469     | 1   | Switch, Key  |     |
|      | 2860030     | 1   | Key, Replacement   |     |
|      | 4360328     | 1   | Switch, Toggle   |     |
|      | 4360476     | 1   | Contact, Switch Block  |     |
|      | 3740049     | 1   | Relay  |     |
|      | 4360294     | 1   | Breaker, Circuit   |     |
|      | 7016502     | 2   | Power Track Repair Section   |     |
|      | 7006140     | 2   | Power Track Repair Section   |     |
|      | 7006152     | 24  | Power Track Pin Kit  |     |
|      | 2940074     | 1   | Latch  |     |
|      | 4360331     | 1   | Switch, Toggle   |     |
|      | 7022818     | 1   | Potentiometer  |     |
|      | 7022824     | 1   | Electric Assembly  |     |
|      | 7019166     | 1   | Switch, Micro  |     |
|      | 2400061     | 2   | Fuse, 10Amp  |     |
|      | 2400065     | 2   | Fuse, 30Amp  |     |
|      | 3990010     | 2   | Diode  |     |



## SECTION 9 - RECOMMENDED SERVICE PARTS STOCK

FIGURE 9-2. MODEL 600A/600AJ VARIABLE PARTS

| ITEM | PART NUMBER | QTY | DESCRIPTION   | REV |
|------|-------------|-----|---|-----|
|      | Note        | Ref | <b>Note: The following list will service one machine (built to current production per date on the front cover) with emergency repair parts which can be installed in the field. Parts from the list should be replaced when inventory is depleted to keep service parts stock supplied. For further information, go to Discount-equipment.com</b> |     |
|      |             | Ref | <b>VARIABLE PARTS</b>   |     |
|      | 7026830     | 12  | Filter, Fuel (Machines with Caterpillar Engine)   |     |
|      | 7026811     | 12  | Filter, Oil (Machines with Caterpillar Engine)  |     |
|      | 7016328     | 12  | Filter, Fuel (Machines with Deutz Engine)   |     |
|      | 7016331     | 12  | Filter, Oil (Machines with Deutz Engine)  |     |
|      | 7027795     | 1   | Deutz EMR2 Controller, Module   |     |
|      | 7021868     | 12  | Filter, Oil (Machines with Ford Engine)   |     |
|      | 91083218    | 12  | Filter, Fuel (Machines with Ford Engine)  |     |
|      | 1600364     | 1   | Module, Ground Control  |     |
|      | 3740080     | 1   | Relay, Bosch (Machine with Generator)   |     |
|      | 4360387     | 1   | Switch, Push Button (Machines with Soft-Touch Platform)   |     |
|      | 4360578     | 1   | Switch, Limit   |     |
|      | 1600375     | 1   | Controller, Module  |     |
|      | 4360057     | 1   | Switch, Limit   |     |

**SECTION 10 - SPECIAL OPTIONS**

Go to Discount-Equipment.com to order your parts

## SECTION 10 - SPECIAL OPTIONS

FIGURE 10-1. SPECIAL OPTIONS

| ITEM | PART NUMBER | QTY | DESCRIPTION  | REV |
|------|-------------|-----|--|-----|
|      |             | Ref | <b>Note: This list is to accommodate machines ordered with special equipment. Options may not be applicable to all models. For more specific parts information go to Discount-equipment.com.</b> |     |
|      |             | Ref | <b>MISCELLANEOUS SPECIAL OPTIONS</b>   |     |
|      |             | Ref | <b>Airline to Platform Installation Options:</b>   |     |
|      | 0256342     | Ref | 1/2in - 600A   |     |
|      | 0271475     | Ref | 1/2in Airline and (1) Welding Cable - 600A   |     |
|      | 0258966     | Ref | 1/2in - 600AJ  |     |
|      | 0255368     | Ref | <b>Alarm Installation (Tilt)</b>   |     |
|      | 0255400     | Ref | <b>Alternator Installation - Enclosed</b>  |     |
|      | 0256276     | Ref | <b>Boom Wiper Installation - 600A</b>  |     |
|      | 0256366     | Ref | <b>Boom Wiper Installation - 600AJ</b>   |     |
|      | 2910477     | Ref | <b>Cam Valve Replacement Kit</b>   |     |
|      | 0256789     | Ref | <b>Camera Mount Assembly</b>   |     |
|      |             | Ref | <b>ClearSky (Telematics) Installations (Dealer Installed)</b>  |     |
|      | 1001242409  | Ref | <b>ClearSky (Telematics) Access Control Installation Kit (Dealer Installed) (ANSI, ANSI Export and CSA Specs)</b>  |     |
|      | 1001243183  | Ref | <b>ClearSky (Telematics) Added-on Kit (Dealer Installed) (ANSI, ANSI Export and CSA Specs)</b>   |     |
|      | 1001243184  | Ref | <b>ClearSky (Telematics) Added-on Kit (Dealer Installed) (CE Specs)</b>  |     |
|      |             | Ref | <b>ClearSky (Telematics) Kits</b>  |     |
|      | 1001104982  | Ref | <b>ANSI Spec</b>   |     |
|      | 1001104983  | Ref | <b>ANSI Export/Japanese Spec</b>   |     |
|      | 1001104984  | Ref | <b>CSA Spec</b>  |     |
|      |             | Ref | <b>Note: Refer to ClearSky (Telematics) Manual p/n 3128499 for Serviceable Parts.</b>  |     |
|      | 0273575     | Ref | <b>Cold Weather Package - Caterpillar Engine</b>   |     |
|      | 0256060     | Ref | <b>Cold Weather Package - Deutz</b>  |     |
|      | 0258927     | Ref | <b>Cold Weather Package with Glow Plugs - Deutz</b>  |     |
|      | 0271912     | Ref | <b>Cold Weather Package with Glow Plugs - Deutz</b>  |     |
|      | 0257157     | Ref | <b>Cold Weather Package with Ether Start - Deutz</b>   |     |
|      | 0255386     | Ref | <b>Cold Weather Package - Ford</b>   |     |
|      |             | Ref | <b>Container - Tray Storage Options:</b>   |     |
|      | 1580012     | 1   | Center   |     |
|      | 1580013     | 1   | Rail   |     |
|      |             | Ref | <b>Decal Installations Options:</b>  |     |
|      | 1702788     | 1   | Decal - Biodegradable Hydraulic Fluid  |     |
|      | 1704174     | 1   | Decal - Syn Biodegradable Hydraulic Fluid  |     |
|      | 1702868     | Ref | Decal - No Hands (Platform With Mesh to Top Rail)  |     |
|      | 1704000     | Ref | Decal - No Hands - CSA (Platform With Mesh to Top Rail)  |     |
|      | 0253550     | Ref | Decal Installation - CSA   |     |
|      | 3252221     | 1   | Nameplate - CSA  |     |
|      | 0256957     | Ref | Decal Installation - Lanyard Attach (GM K-1 Spec)  |     |
|      | 0256487     | Ref | Decal Installation - Prop 65 Warning (Diesel Machines) (California Spec)   |     |
|      | 0256488     | Ref | Decal Installation - Prop 65 Warning (Gasoline Machines) (California Spec)   |     |
|      | 0257195     | Ref | Government Warranty Decal Installation   |     |



## SECTION 10 - SPECIAL OPTIONS

| ITEM | PART NUMBER | QTY | DESCRIPTION  | REV |
|------|-------------|-----|--|-----|
|      | 0273253     | Ref | Hertz Decals Installation  |     |
|      | 0274182     | Ref | Nations Rent Decals Installation   |     |
|      | 0274246     | Ref | National Equipment Services (NES) Decals Installation                      |     |
|      | 0271123     | Ref | Sunbelt Decals Installation  |     |
|      | 0271895     | Ref | United Decals Installation   |     |
|      | 0272312     | Ref | Decal Installation - Tire Sealant  |     |
|      | 0273770     | Ref | Decal Installation - Fall Arrest   |     |
|      | 2902203     | 1   | Kit - Tire Sealant   |     |
|      |             | Ref | <b>Decal Kits</b>  |     |
|      | 2910023     | Ref | Decal Kit - ANSI Spec (600A) (SN 0300069000 through 0300086149)            |     |
|      | 2900968     | Ref | Decal Kit - ANSI Spec (600AJ) (SN 0300069000 through 0300086149)           |     |
|      | 2902307     | Ref | Decal Kit - ANSI Spec (600A/600AJ) (SN 0300086150 through 0300087000)      |     |
|      | 2900936     | Ref | Decal Kit - Brazil Spec (600A) (SN 0300069000 through 0300086149)          |     |
|      | 2910046     | Ref | Decal Kit - Brazil Spec (600AJ) (SN 0300069000 through 0300086149)         |     |
|      | 2902312     | Ref | Decal Kit - Brazil Spec (600A/600AJ) (SN 0300086150 through 0300087000)    |     |
|      | 2900975     | Ref | Decal Kit - Master (SN 0300069000 through 0300086149)                      |     |
|      | 2902303     | Ref | Decal Kit - Master (SN 0300086150 through 0300087000)                      |     |
|      | 1001108718  | Ref | Decal Kit - Platform (600A)  |     |
|      | 1001108725  | Ref | Decal Kit - Platform (600AJ)   |     |
|      | 1001119561  | Ref | Decal Kit - Platform Box   |     |
|      | 2902350     | Ref | Decal Kit - Tire Load (SN 0300086150 through 0300087000)                   |     |
|      | 2902395     | Ref | <b>Drive/Steer Cutout Kit</b>  |     |
|      |             | Ref | <b>Filter Kits:</b>  |     |
|      |             | Ref | <b>Combined Filter Kit (Hydraulic/Air and Fuel/Engine Oil)</b>             |     |
|      |             | Ref | <b>Caterpillar Engine</b>  |     |
|      | 2915137     | NLA | Caterpillar Engine (Use p/n 1001110994)                                    |     |
|      | 1001114031  | NLA | Caterpillar Engine (Use p/n 1001110994)                                    |     |
|      | 1001114123  | NLA | Caterpillar Engine (Use p/n 1001110991)                                    |     |
|      | 1001114124  | NLA | Caterpillar Engine (Use p/n 1001110991)                                    |     |
|      |             | Ref | <b>Deutz Engine</b>  |     |
|      | 2910463     | NLA | Deutz Engine (Use p/n 1001110993)  |     |
|      | 1001110990  | 1   | Deutz Engine (SN 0300084829 through 0300087000)                            |     |
|      |             | Ref | <b>Ford Engine</b>   |     |
|      | 2910462     | 1   | Ford LRG-425 W/Carb Engine   |     |
|      | 1001114042  | 1   | Ford LRG-425 W/EFI Engine (SN 0300084829 through 0300087000)               |     |
|      | 2910460     | NLA | Ford LRG-425 W/EFI Engine (Use p/n 1001114039)                             |     |
|      |             | Ref | <b>Hydraulic/Air Filter</b>  |     |
|      | 2910924     | NLA | Caterpillar Engines (Use p/n 1001109692) (SN 0300069000 through 030086999) |     |
|      | 1001109684  | 1   | Caterpillar Engines (SN 0300087000 through 0300089000)                     |     |
|      | 2910924     | NLA | Deutz Engines (Use p/n 1001109692) (SN 0300069000 through 0300084828)      |     |
|      | 1001109684  | 1   | Deutz Engines (SN 0300084829 through 0300089000)                           |     |
|      | 2910924     | NLA | Ford Engines (Use p/n 1001109692)  |     |
|      |             | Ref | <b>Fuel/Engine Oil Filter</b>  |     |
|      | 1001110137  | 1   | Caterpillar Engine   |     |

## SECTION 10 - SPECIAL OPTIONS

| ITEM | PART NUMBER | QTY | DESCRIPTION   | REV |
|------|-------------|-----|---|-----|
|      | 1001110133  | 1   | <b>Deutz Engine</b>   |     |
|      | 4060959     | Ref | <b>Footswitch Shield</b>  |     |
|      | 0271548     | Ref | <b>Glow Plug Installation (Deutz Engine Machines)</b>                         |     |
|      |             | Ref | <b>Engine Block Heater Installations:</b>                                     |     |
|      | 2580055     | Ref | <b>Caterpillar Engine Machines</b>  |     |
|      | 0258696     | Ref | <b>Ford Engine Machines</b>   |     |
|      | 2910100     | Ref | <b>Hose/Cable Chafe Kit</b>   |     |
|      | 2902471     | Ref | <b>Hose Kit - Lower Boom (600A)</b>   |     |
|      | 1001204904  | Ref | <b>Hose Kit - Lower Boom (600AJ)</b>  |     |
|      | 2902470     | Ref | <b>Hose Kit - Upper Boom (600A)</b>   |     |
|      | 2902472     | Ref | <b>Hose Kit - Upper Boom (600AJ)</b>  |     |
|      | 1001204923  | Ref | <b>Hostile Environment Package (600A) (SN 0300087000 through 0300089000)</b>  |     |
|      | 1001204924  | Ref | <b>Hostile Environment Package (600AJ) (SN 0300087000 through 0300089000)</b> |     |
|      |             | Ref | <b>Hydraulic Fluids</b>   |     |
|      | 2300014     | Ref | <b>Mobil 424</b>  |     |
|      | 2300027     | Ref | <b>Mobil 224H Bio</b>   |     |
|      | 2300029     | Ref | <b>Mobil EAL ISO 46 Bio</b>   |     |
|      | 2300016     | Ref | <b>Mobil Delvac 15W-40</b>  |     |
|      | 2300019     | Ref | <b>Quaker State Quintolubric 888-46 Fire Resistant</b>                        |     |
|      | 1702720     | Ref | <b>LP Gas Decal (Latin America)</b>   |     |
|      | 0256765     | Ref | <b>Oil Cooler Installation - Deutz</b>  |     |
|      | 1282665     | Ref | <b>Oil Cooler Installation - Deutz</b>  |     |
|      | 0256778     | Ref | <b>Oil Cooler Installation - Ford</b>   |     |
|      | 1283309     | Ref | <b>Oil Cooler Installation - Ford</b>   |     |
|      | 0256343     | Ref | <b>Oxy-Acetylene Lines to Platform Installation</b>                           |     |
|      | 0270723     | Ref | <b>Platform Beacon Installation</b>   |     |
|      | 0258703     | Ref | <b>Platform Console Cover Installation</b>                                    |     |
|      | 1001205175  | Ref | <b>Platform Console Cover Add-on Kit</b>                                      |     |
|      |             | Ref | <b>Platform Entry Kit</b>   |     |
|      | 1001142504  | Ref | <b>Kit, Replace Swing Gate with Drop Bar</b>                                  |     |
|      | 1001142505  | Ref | <b>Kit, Replace Drop Bar with Swing Gate</b>                                  |     |
|      | 3510868     | Ref | <b>Platform (36 X 96) W/Fall Arrest (Front Entry Platform)</b>                |     |
|      |             | Ref | <b>Platform Mesh Installations</b>  |     |
|      | 0273145     | Ref | <b>36in X 8ft (91.5cm x 2.44m)</b>  |     |
|      | 0273148     | Ref | <b>30in X 6ft (76cm x 1.83m)</b>  |     |
|      | 0273149     | Ref | <b>36in X 6ft (91.5cm x 1.83m)</b>  |     |
|      | 0273146     | Ref | <b>30in X 5ft (76cm x 1.52m)</b>  |     |
|      | 0273147     | Ref | <b>30in X 4ft (76cm x 1.22m)</b>  |     |
|      |             | Ref | <b>Platform Mesh Decal - No Hands</b>   |     |
|      | 1702868     | Ref | <b>ANSI</b>   |     |
|      | 1704000     | Ref | <b>CSA</b>  |     |
|      | 0256829     | Ref | <b>Platform Self-Closing Gate Installation (GM Spec)</b>                      |     |
|      |             | Ref | <b>Platform, Top Rail Extension (W/Front Entry)</b>                           |     |
|      | 0270511     | Ref | <b>3ftx6ft Platforms</b>  |     |
|      | 0271771     | Ref | <b>3ftx8ft Platforms</b>  |     |
|      |             | Ref | <b>Platform, Top Rail Extension (W/Side Entry)</b>                            |     |
|      | 0272733     | Ref | <b>3ftx6ft Platforms</b>  |     |
|      | 0272725     | Ref | <b>3ftx8ft Platforms</b>  |     |
|      |             | Ref | <b>Platform Huck Fasteners Replacement Hardware</b>                           |     |
|      | 0641614     | AR  | <b>Bolt 1/4in-20NC x 2in</b>  |     |

## SECTION 10 - SPECIAL OPTIONS

| ITEM | PART NUMBER | QTY | DESCRIPTION   | REV |
|------|-------------|-----|---|-----|
|      | 3311405     | AR  | Locknut 1/4in-20NC  |     |
|      | 4711400     | AR  | Flatwasher 1/4in  |     |
|      | 3300151     | AR  | Acorn Nut 1/4in-20NC  |     |
|      | 0274597     | Ref | <b>Rain Cap Installation</b>  |     |
|      |             | Ref | <b>Sky Accessory:</b>   |     |
|      |             | Ref | <b>Note: For Breakdown of Sky Accessories Refer to Accessory Manual p/n 3124242</b> |     |
|      | 0272590     | Ref | Plasma Cutter (SkyCutter)   |     |
|      | 0272599     | Ref | Decal - SkyCutter   |     |
|      | 0272254     | Ref | Welder - Stick, 250A  |     |
|      | 0272448     | Ref | Decal - SkyWelder   |     |
|      | 0272395     | Ref | SkyGlazier (Model 600A Only) (Domestic)   |     |
|      | 0272387     | Ref | SkyGlazier (Model 600A Only) (Spanish)  |     |
|      | 0272955     | Ref | SkyGlazier (Model 600A Only) (Portuguese)   |     |
|      | 0272418     | Ref | Decal - SkyGlazier (Model 600A Only)  |     |
|      | 0273353     | Ref | SkyCutter/SkyWelder Combo   |     |
|      |             | Ref | <b>SkyGuard Component Options:</b>  |     |
|      | 1001149560  | Ref | SkyGuard Complete Add-On Kit (Non - UGM Machines)                                   |     |
|      | 1001137672  | Ref | SkyGuard Platform Sensor Kit  |     |
|      | 1001143256  | Ref | SkyGuard Blue Beacon Kit  |     |
|      | 1001227120  | Ref | <b>SkyPower Generator Service Kit (Caterpillar Engines)</b>                         |     |
|      | 1001227121  | Ref | <b>SkyPower Generator Service Kit (Deutz Engines)</b>                               |     |
|      | 0273706     | Ref | <b>Soft Touch System W/Fall Arrest Platform (Front Entry Platform)</b>              |     |
|      | 0272301     | Ref | <b>Tire Sealant Installation</b>  |     |
|      |             | Ref | <b>Tools for Service</b>  |     |
|      | 2901443     | 1   | Analyzer Kit  |     |
|      | 7002840     | 1   | Antirotation Pin Removal Tool   |     |
|      | 8896941     | 1   | Wire Stripper   |     |
|      | 7002821     | 1   | Wire Crimper (To install wire ends to wires)  |     |
|      | 7002823     | 1   | Pin/Socket Extractor - Universal (To Remove Pins/Sockets from Connectors)           |     |
|      | 4460467     | 1   | Extractor - 16-18 Gauge (For Removal of Pin/Sockets from Deutsch Connectors)        |     |
|      | 4460510     | 1   | Extractor - 12-14 Gauge (For Removal of Pin/Sockets from Deutsch Connectors)        |     |
|      | 7002822     | 1   | Screwdriver, Potentiometer (To Adjust Drive Controllers)                            |     |
|      | 7016654     | 1   | Screwdriver, Magnetic   |     |
|      | 7004275     | 1   | Seal Installation Tool - 1in  |     |
|      | 7004276     | 1   | Seal Installation Tool - 1 1/2in  |     |
|      | 7002826     | 1   | Seal Installation Tool - 2in  |     |
|      | 7016655     | 1   | Wire Rope Sheave Gauge  |     |
|      | 7016652     | 1   | Huck Bolt Faster (For Small Huck Bolts Only)  |     |
|      | 4921850     | 1   | Throttle Service Harness  |     |
|      | 1001137005  | 1   | Software Cable Kit  |     |
|      | 7002840     | 1   | Pin Removal Tool (Oscillating Axle Cam Valve)                                       |     |
|      | 0272350     | Ref | <b>Tool (Hydraulic) Circuit Installation</b>  |     |
|      | 0257728     | Ref | <b>Tube Rack Installation</b>   |     |
|      | 0258918     | Ref | <b>Utility Rack Installation</b>  |     |
|      | 0256344     | Ref | <b>Weld Leads Installation - 600A</b>   |     |
|      | 0272772     | Ref | <b>Weld Leads Installation - 600AJ (1 Cable)</b>                                    |     |



**PART NUMBER INDEX**

Go to [Discount-Equipment.com](http://Discount-Equipment.com) to order your parts

# PART NUMBER INDEX

|  |                          |                                  |                                  |
|--|--------------------------|----------------------------------|----------------------------------|
| 0060031.....207  | 0255368.....376          | 0256715.....27                   | 0271548.....378                  |
| 0060035.....207  | 0255382.....348          | 0256717.....27                   | 0271552.....151, 229             |
| 0060066.....195, 211   | 0255386.....376          | 0256765.....328, 378             | 0271608.....32                   |
| 0060068.....189, 211   | 0255397.....33           | 0256778.....328, 378             | 0271609.....32                   |
| 0060074.....194, 207   | 0255400.....376          | 0256789.....376                  | 0271610.....32                   |
| 0060076.....189, 207   | 0255409.....137          | 0256821.....158                  | 0271611.....32                   |
| 0080163.....98, 105  | 0255410.....79           | 0256822.....159                  | 0271612.....32                   |
| 0080181.....86   | 0255420.....31           | 0256829.....378                  | 0271613.....32                   |
| 0080201.....111, 121   | 0255421.....32           | 0256847.....98, 105              | 0271771.....378                  |
| 0080214.....110, 121   | 0255422.....33           | 0256933.....158                  | 0271895.....377                  |
| 0080241.....151  | 0255423... 190, 195, 199 | 0256957.....376                  | 0271912.....376                  |
| 0080243.....86   | 0255438.....213          | 0257101.....59                   | 0271941.....221                  |
| 0100009.....227  | 0255440.....67, 213      | 0257157.....376                  | 0271945.....221                  |
| 0100011... 11, 12, 15, 16,<br>19, 20, 23, 27, 29, 31,<br>33, 63, 69, 79, 86, 88,<br>94, 96, 102, 103, 109,<br>110, 114, 120, 121,<br>137, 141, 143, 147,<br>151, 152, 158, 159,<br>162, 166, 170, 173,<br>177, 183, 189, 190,<br>195, 196, 199, 203,<br>204, 213, 221, 245,<br>251, 255, 259, 261,<br>263, 265, 267, 273,<br>275, 277, 281, 291,<br>295, 297, 299, 320,<br>325, 354, 357, 364, 369 | 0255441.....67, 213      | 0257176.....348                  | 0272070.....190, 196             |
| 0100019.. 11, 19, 79, 173,<br>178, 183   | 0255442.....67, 213      | 0257195.....376                  | 0272135.....194                  |
| 0100020.. 86, 88, 94, 102,<br>103, 109, 110, 120,<br>121, 137, 138, 227  | 0255443.....67, 213      | 0257436.....59                   | 0272254.....379                  |
| 0100035.....214, 227   | 0255444.....79           | 0257482.....137                  | 0272296.....32                   |
| 0100038... 251, 255, 259,<br>261, 263, 265, 267,<br>273, 275, 277, 281,<br>291, 295, 297, 299,<br>320, 325   | 0255452.....353          | 0257495.....361                  | 0272301.....379                  |
| 0100040.....221  | 0255453.....361          | 0257496.....361                  | 0272312.....377                  |
| 0100048... 102, 112, 120,<br>147, 151, 227, 342  | 0255456.....353          | 0257573.....200                  | 0272326.....189                  |
| 0100062.....137, 178   | 0255457.....361          | 0257671.....137                  | 0272331.....32                   |
| 0100063... 12, 16, 20, 23,<br>27, 29, 251, 263, 267,<br>277, 281   | 0255482.....301          | 0257728.....379                  | 0272332.....32                   |
| 0100079.....137  | 0255483.....301          | 0257887.....151, 348             | 0272350.....379                  |
| 0100081.....228  | 0255484.....301          | 0258390.....113                  | 0272387.....379                  |
| 0140001.....69   | 0255485.....301          | 0258391.....113                  | 0272395.....379                  |
| 0140011.....227  | 0255486.....301          | 0258569.....96                   | 0272418.....379                  |
| 0140032.....151, 348   | 0255487.....301          | 0258571.....113                  | 0272427.....229, 245             |
| 0160020.....96   | 0255488.....301          | 0258579.....158                  | 0272433.....348                  |
| 0181727 86, 93, 102, 110,<br>120   | 0255489.....301          | 0258580.....158                  | 0272435.....179, 185             |
| 0181949.....138  | 0255513.....32           | 0258606.....137                  | 0272448.....379                  |
| 0200048.....245  | 0255514.....32           | 0258696.....378                  | 0272480.....165, 229             |
| 0200547.....169  | 0255524.....138          | 0258703.....378                  | 0272481.....165, 229             |
| 0200742.....162, 166   | 0255605.....32           | 0258764.....33                   | 0272507.....348                  |
| 0200819.....162  | 0255606.....32           | 0258918.....379                  | 0272590.....379                  |
| 0253550.....376  | 0255699.....213          | 0258927.....376                  | 0272599.....379                  |
| 0254798.....79   | 0255880.....155          | 0258966.....376                  | 0272618.....177                  |
| 0255262.....141  | 0255917.....151, 348     | 0259331.....361                  | 0272624.....342                  |
| 0255281.....203  | 0255927.....301          | 0259332.....361                  | 0272625.....342                  |
| 0255288.....204  | 0255928.....301          | 0259426.....59                   | 0272725.....378                  |
| 0255294.....141  | 0256060.....376          | 0259427.....59                   | 0272733.....378                  |
|  | 0256276.....376          | 0270123.....31, 53               | 0272772.....379                  |
|  | 0256284.....361          | 0270124.....31, 53               | 0272796.....86                   |
|  | 0256291.....361          | 0270329.....79                   | 0272898.....109, 117             |
|  | 0256321.....189          | 0270395.....137                  | 0272899.....109                  |
|  | 0256342.....376          | 0270511.....378                  | 0272955.....379                  |
|  | 0256343.....378          | 0270528.....63                   | 0272970.....221, 228             |
|  | 0256344.....379          | 0270723.....328, 378             | 0273048.....31, 55               |
|  | 0256366.....376          | 0270764.....228                  | 0273049.....31, 55               |
|  | 0256388.....11           | 0270805.....151                  | 0273052.....143                  |
|  | 0256391.....11           | 0270814... 218, 222, 229,<br>328 | 0273109.....183                  |
|  | 0256392.....19, 53       | 0270818.....342                  | 0273145.....378                  |
|  | 0256397.....11, 53       | 0270820.....342                  | 0273146.....378                  |
|  | 0256398.....11, 53       | 0270821.....195                  | 0273147.....378                  |
|  | 0256399.....19, 27       | 0270833.....151                  | 0273148.....378                  |
|  | 0256400.....27           | 0270846.....109, 117             | 0273149.....378                  |
|  | 0256487.....376          | 0270847.....109                  | 0273161.....143                  |
|  | 0256488.....376          | 0270848.....109                  | 0273253.....377                  |
|  | 0256523.....27           | 0270849.....109                  | 0273353.....379                  |
|  | 0256623.....11           | 0270850.....93                   | 0273366.....31, 55               |
|  | 0256624.....11           | 0271010.....353, 361             | 0273492... 218, 222, 229,<br>328 |
|  | 0256625.....19           | 0271123.....377                  | 0273507.....173                  |
|  | 0256631.....228          | 0271338.....194                  | 0273511.....173                  |
|  | 0256670.....361          | 0271475.....376                  | 0273518.....161, 229             |
|  | 0256671.....361          | 0271545.....169, 229             | 0273520.....87                   |
|  | 0256689.....96, 103      | 0271546.....169, 229             | 0273538.....161, 229             |
|  | 0256690.....96, 103      |                                  |                                  |

## PART NUMBER INDEX

|                        |                             |                             |                            |
|------------------------|-----------------------------|-----------------------------|----------------------------|
| 0273539..... 161, 229  | 0280183 ..... 15, 23        | 0641405.... 159, 173, 178,  | 0641811 ..... 143          |
| 0273542 ..... 247      | 0280185 ..... 15            | 183                         | 0641812 89, 94, 103, 109,  |
| 0273575 ..... 376      | 0340041 86, 93, 103, 111,   | 0641406..... 86, 110, 121,  | 120, 190, 196              |
| 0273576 ..... 177      | 121                         | 151, 155, 178, 221,         | 0641813 ..... 247          |
| 0273685 ..... 102      | 0340046 86, 96, 113, 121    | 227, 354, 357, 364, 369     | 0641814 ..... 15, 23       |
| 0273706 ..... 245, 379 | 0362519 ..... 60, 138       | 0641407.. 86, 89, 94, 103,  | 0641816 ..... 15, 53       |
| 0273770 ..... 377      | 0362529 ..... 203, 214      | 120, 158                    | 0641818... 15, 23, 93, 103 |
| 0273824 ..... 229, 245 | 0362910 ..... 63            | 0641408.... 110, 121, 221,  | 0641820.... 19, 141, 143,  |
| 0273851 ..... 93       | 0363012 ..... 55            | 227, 353, 357, 362, 369     | 190, 195                   |
| 0273891 ..... 357, 367 | 0363082 ..... 173           | 0641409..... 102            | 0641826 ..... 11, 95, 103  |
| 0273892 ..... 357, 367 | 0363097 ..... 173, 183      | 0641410..... 111, 120       | 0641828 ..... 86, 110, 121 |
| 0273893 ..... 367      | 0363201 ..... 183           | 0641414 53, 69, 111, 121,   | 0642010. 63, 88, 95, 102,  |
| 0273894 ..... 367      | 0363202 ..... 183           | 218, 222, 227, 245,         | 111, 120                   |
| 0273899 ..... 367      | 0370026 ..... 253           | 354, 364                    | 0642012... 11, 15, 16, 17, |
| 0273900 ..... 367      | 0370035 ..... 263           | 0641416..... 69, 196        | 19, 23, 29                 |
| 0273901 ..... 367      | 0400075 86, 93, 102, 109,   | 0641424..... 112, 213       | 0642018 ..... 79           |
| 0273902 ..... 367      | 120                         | 0641505..... 59, 177, 183   | 0642612 ..... 151, 152     |
| 0273903 ..... 367      | 0440018 ..... 12, 16        | 0641506..... 147            | 0642684 ..... 190, 196     |
| 0273904 ..... 367      | 0440019 ..... 12, 16        | 0641507.... 86, 89, 94, 96, | 0651406 ..... 69           |
| 0273940 ..... 23       | 0440161 .... 12, 16, 19, 27 | 102, 113, 121               | 0681608... 12, 16, 20, 27, |
| 0273954 ..... 15, 23   | 0440170 ..... 16            | 0641508 70, 94, 162, 166,   | 190, 196                   |
| 0273959 ..... 15, 23   | 0440171 ..... 16            | 170, 173, 309               | 0681610.... 190, 195, 251  |
| 0273970 ..... 102      | 0440207 ..... 79            | 0641510..... 94, 103        | 0681612 ..... 170          |
| 0273972 ..... 87       | 0460150 ..... 301           | 0641514..... 69             | 0681810 ..... 31           |
| 0274017 ..... 117, 120 | 0460151 ..... 301           | 0641516..... 63, 177, 183,  | 0681814 ..... 225          |
| 0274047 ..... 15       | 0460152 ..... 301           | 200, 247                    | 0681822 ..... 225          |
| 0274054 ..... 15       | 0460154 ..... 301           | 0641518..... 222            | 0681836 ..... 79           |
| 0274062 ..... 16, 29   | 0460155 ..... 301           | 0641520..... 53             | 0682016 ..... 31, 79       |
| 0274081 ..... 161      | 0460157 ..... 301           | 0641522..... 53, 69, 204    | 0682020 ..... 16           |
| 0274082 ..... 165      | 0460159 ..... 301           | 0641524..... 218            | 0700808 ..... 86, 94, 103  |
| 0274086 ..... 165      | 0460160 ..... 301           | 0641532..... 55, 190, 195   | 0700810 ..... 98, 105, 109 |
| 0274087 ..... 161      | 0460161 ..... 301           | 0641536..... 204            | 0700812 ..... 96           |
| 0274091 ..... 161      | 0461614 ..... 195           | 0641542..... 33             | 0700815 ..... 178          |
| 0274094 ..... 357, 367 | 0480050 ..... 170           | 0641552..... 55             | 0700816 ..... 162          |
| 0274121 ..... 23, 29   | 0480111 ..... 169           | 0641604..... 291, 295       | 0700819 ..... 111, 121     |
| 0274132 ..... 15       | 0480120 ..... 162           | 0641605..... 190, 195       | 0701010 ..... 86, 109      |
| 0274180 ..... 222      | 0480121 ..... 162, 166      | 0641606 88, 95, 103, 110,   | 0701012 86, 95, 103, 111,  |
| 0274182 ..... 377      | 0480129 ..... 178           | 122, 138, 159, 195,         | 121                        |
| 0274200 ..... 152, 229 | 0480130 ..... 183           | 199, 203, 204               | 0701014 .... 105, 109, 121 |
| 0274204 ..... 158      | 0480134 ..... 169           | 0641607..... 195, 203       | 0701015 86, 95, 103, 170,  |
| 0274220 ..... 23, 63   | 0480135 ..... 173           | 0641608.... 11, 12, 16, 19, | 173, 183                   |
| 0274229 ..... 56       | 0561076 ..... 190, 195      | 23, 27, 29, 56, 59, 63,     | 0701016 ..... 183          |
| 0274234 ..... 15, 23   | 0561185 ..... 199, 203      | 69, 86, 88, 110, 120,       | 0701022 ..... 109          |
| 0274235 ..... 63       | 0561237 ..... 196           | 121, 158, 183, 199, 203     | 0701214 ..... 86           |
| 0274246 ..... 377      | 0561248 ..... 199           | 0641609..... 86, 155        | 0701414 ..... 86, 94, 103  |
| 0274256 ..... 15       | 0630427 ..... 213           | 0641610.... 20, 27, 86, 89, | 0721003 ..... 16, 229      |
| 0274257 ..... 16, 63   | 0630462 ..... 245           | 93, 102, 103, 110, 121,     | 0721004 ..... 63           |
| 0274276 ..... 67, 213  | 0630464 ..... 227           | 162, 166, 199, 203,         | 0721005 ..... 245          |
| 0274277 ..... 67, 213  | 0630490 ..... 12, 16, 17    | 221, 227                    | 0721006 .... 87, 109, 158, |
| 0274278 ..... 67, 213  | 0630491 ..... 151           | 0641611 .... 141, 173, 183, | 162, 166, 170              |
| 0274279 ..... 67, 213  | 0630498 86, 93, 102, 110,   | 195                         | 0721008 ..... 228          |
| 0274299 ..... 102      | 120                         | 0641612 11, 19, 121, 143,   | 0721010 ..... 109          |
| 0274309 ..... 67, 213  | 0630507 ..... 158           | 173, 183, 199               | 0741606 .... 151, 173, 183 |
| 0274310 ..... 67, 213  | 0630518 ..... 147           | 0641613..... 69             | 0741607 .... 63, 189, 195  |
| 0274311 ..... 67, 213  | 0630534 ... 256, 259, 267,  | 0641614..... 137, 378       | 0741808 ..... 173, 183     |
| 0274312 ..... 67, 213  | 271, 281                    | 0641618..... 55, 179, 195,  | 0760606 ..... 121          |
| 0274348 ..... 56       | 0630535 ... 256, 261, 273,  | 199, 203                    | 0761210 ..... 162          |
| 0274349 ..... 56       | 275, 281, 287, 291,         | 0641628..... 200            | 0801019 .... 189, 194, 199 |
| 0274441 ..... 31, 55   | 295, 297, 299               | 0641640..... 204            | 0801021 ..... 199          |
| 0274491 ..... 86       | 0630536 ... 263, 265, 277,  | 0641708..... 183            | 0801022 ..... 189, 203     |
| 0274521 ..... 120      | 279                         | 0641718..... 173            | 0801023 ..... 203          |
| 0274525 ..... 87       | 0630548 ..... 147           | 0641772.... 162, 166, 170   | 0801025 ..... 194, 203     |
| 0274533 ..... 32       | 0630568 ..... 228           | 0641808.. 86, 89, 95, 102,  | 0801026 ..... 203          |
| 0274597 ..... 379      | 0641403 ... 178, 190, 195,  | 111, 112, 120, 178          | 0801027 ..... 203          |
| 0274618 ..... 342, 348 | 200, 214                    | 0641809..... 199            | 0801085 ..... 199          |
| 0280167 ..... 15, 23   | 0641404 12, 16, 159, 178,   | 0641810.... 155, 173, 183,  | 0801228 ..... 203          |
| 0280171 ..... 15       | 227                         | 189, 195                    | 0860038 .... 177, 183, 348 |

# PART NUMBER INDEX

|  |   |  |   |
|--|---|--|---|
| 0860520.....353, 358, 362,<br>369      | 0961949... 190, 195, 199,<br>263, 265, 277, 279 | 1001204924 ..... 378                   | 1320022.. 86, 89, 94, 102,<br>104, 109, 110, 120, 121 |
| 0861407..... 147                       | 0961950.... 11, 15, 19, 23                      | 1001205175 ..... 378                   | 1320032..... 112                                      |
| 0861468..... 147                       | 0961951... 190, 195, 203,<br>255, 261, 281, 287 | 1001223331 ..... 194, 261              | 1320033..... 121                                      |
| 0861469..... 147                       | 0961977 ..... 289                               | 1001223332 ..... 261                   | 1320060..... 110                                      |
| 0861470..... 147                       | 096198686, 94, 104, 111,<br>121                 | 1001223511 ..... 259                   | 1320127..... 138                                      |
| 0861471..... 147                       | 0962005... 12, 16, 20, 23,<br>27, 29            | 1001223512 ..... 189, 259              | 1320176..... 96, 104                                  |
| 0861517..... 221, 227                  | 0962051 ..... 155                               | 1001227120 ..... 379                   | 1320218..... 138                                      |
| 0861537..... 227, 228                  | 0962131 ..... 16, 23, 29                        | 1001227121 ..... 379                   | 1320220..... 138                                      |
| 0861538..... 178, 183                  | 0962270 ..... 225                               | 1001228002 ..... 189, 285              | 1320222..... 95                                       |
| 0861541..... 179, 184                  | 0962272... 12, 16, 20, 27                       | 1001228003 ..... 189, 194,<br>279      | 132022388, 95, 104, 111,<br>122                       |
| 0861542.... 177, 179, 183,<br>184      | 0962292 ..... 63                                | 1001228004 ..... 189, 194,<br>275      | 1320243..... 190, 195                                 |
| 0861617..... 147                       | 0962335 ..... 195                               | 1001228005 ..... 203, 293              | 1320244..... 96                                       |
| 0861618..... 147                       | 0962336.... 267, 269, 271                       | 1001228006 ..... 199, 299              | 1320245..... 96                                       |
| 0861664..... 147                       | 0962348 ..... 63                                | 1001228007 ..... 203, 295              | 1320314..... 204                                      |
| 0861665..... 147                       | 0962474 ..... 251                               | 1001228012 ..... 195, 269              | 1321138..... 121                                      |
| 0861689..... 147                       | 0962520 ..... 178, 183                          | 1001228042 ..... 189, 194,<br>265      | 1340050..... 93                                       |
| 0861690..... 147                       | 0962521 ..... 183                               | 1001228052 ..... 194, 287              | 134006086, 93, 104, 111,<br>121                       |
| 0861700..... 147                       | 0962563 ..... 162                               | 1001242409 ..... 376                   | 1380136..... 69                                       |
| 0861701..... 147                       | 0962653 ..... 162                               | 1001243183 ..... 376                   | 1380147..... 155                                      |
| 0861704..... 147                       | 1001097554 ..... 89                             | 1001243184 ..... 376                   | 1580011..... 86, 110, 123                             |
| 0861705..... 147                       | 1001098503 ..... 55, 56                         | 1001248012 ..... 195, 271              | 1580012..... 222, 376                                 |
| 0902206..... 151, 152                  | 1001099835 ..... 199                            | 1060279 ... 353, 358, 362,<br>369      | 1580013..... 222, 376                                 |
| 0902219..... 158                       | 1001099836 ..... 205                            | 1060341 .... 245, 349, 350             | 1600313..... 227                                      |
| 0902242..... 158                       | 1001100120 ..... 55                             | 1060343 ..... 179, 185                 | 1600314..... 110                                      |
| 0902309..... 113                       | 1001100321 .... 161, 165,<br>169, 173           | 1060494 ... 179, 184, 343,<br>349, 350 | 1600317..... 227, 231                                 |
| 0902335..... 159                       | 1001104982 ..... 376                            | 1060584 ..... 63                       | 1600318..... 227, 239                                 |
| 0902417..... 96                        | 1001104983 ..... 376                            | 106063786, 95, 102, 111,<br>120        | 1600327..... 147                                      |
| 0902473..... 96, 114                   | 1001104984 ..... 376                            | 1060708 ..... 179, 184                 | 1600361..... 89                                       |
| 0902520..... 141                       | 1001107153 ..... 204                            | 1060896 ..... 342, 343                 | 1600363..... 113                                      |
| 0902539..... 109, 123                  | 1001108718 ..... 377                            | 1060902 ..... 343, 344                 | 1600364..... 147, 374                                 |
| 0902751..... 227                       | 1001108725 ..... 377                            | 1060903 ..... 245                      | 1600374..... 123                                      |
| 0902756..... 169                       | 1001109684 ..... 377                            | 1060904 ..... 88                       | 1600375..... 227, 374                                 |
| 0902888..... 178, 184                  | 1001110133 ..... 378                            | 1060918 .... 222, 227, 342             | 1600411..... 147                                      |
| 0902910..... 89                        | 1001110137 ..... 377                            | 1060945 ..... 343                      | 1660219..... 141                                      |
| 0902951..... 112                       | 1001110990 ..... 377                            | 1060977 ..... 350                      | 1660223..... 141                                      |
| 0902952..... 173                       | 1001113961 ..... 239, 241                       | 1061033 ..... 343                      | 1660223RR ..... 141                                   |
| 0903010..... 123                       | 1001114031 ..... 377                            | 1100098 ..... 53                       | 1660234..... 98, 105                                  |
| 0903056..... 143                       | 1001114042 ..... 377                            | 1120304 ..... 16                       | 1660239..... 86                                       |
| 0903079..... 121                       | 1001114123 ..... 377                            | 1120367 ..... 137                      | 1660250..... 112, 123                                 |
| 0903119..... 152                       | 1001114124 ..... 377                            | 1120460 ..... 12, 16                   | 1660257..... 143                                      |
| 0920117..... 31                        | 1001116240 .. 88, 94, 102                       | 1120484 ..... 137                      | 1660258..... 143                                      |
| 0920119..... 79                        | 1001116241 .. 88, 94, 102                       | 1120487 ..... 137                      | 1660303..... 143                                      |
| 0940049..... 159                       | 1001117320 ..... 222                            | 1120552 ..... 32, 33                   | 1660304..... 143                                      |
| 094007086, 93, 104, 111,<br>122        | 1001118416 ..... 241                            | 1180336 ..... 204                      | 1670767..... 159                                      |
| 0940071..... 158                       | 1001118417 ..... 227, 233                       | 1180338 ..... 204                      | 1670768..... 203                                      |
| 0940092..... 245, 247                  | 1001119561 ..... 377                            | 1180339 ..... 199                      | 1670769..... 195                                      |
| 0940094..... 245, 247                  | 1001121592 ..... 245                            | 1260017 ..... 79                       | 1670777..... 33                                       |
| 0940103..... 245                       | 1001121593 ..... 245                            | 1282396 ..... 326                      | 1670819..... 213                                      |
| 0940131..... 247                       | 1001137005 ..... 350, 379                       | 1282571 ..... 328                      | 1670824..... 214                                      |
| 0940133..... 245                       | 1001137672 ..... 379                            | 1282665 ..... 328, 378                 | 1670829..... 147, 227                                 |
| 0940134..... 245                       | 1001138795 ..... 271                            | 1282828 ..... 328                      | 1670836..... 203                                      |
| 0961890..... 289                       | 1001138796 ..... 287                            | 1282937 ..... 328                      | 1671037..... 228                                      |
| 0961893... 255, 259, 267,<br>271, 281  | 1001142504 ..... 378                            | 1283309 ..... 328, 378                 | 1671092.... 179, 185, 348                             |
| 0961894.... 255, 261, 281              | 1001142505 ..... 378                            | 1283429 ..... 326                      | 1671093..... 348                                      |
| 0961896.... 291, 295, 297,<br>299      | 1001143256 ..... 379                            | 1300019 ..... 32, 33                   | 1671179..... 158                                      |
| 0961897..... 273, 275                  | 1001144629 ..... 221                            | 1320012 ..... 86, 110, 121             | 1683053.... 255, 259, 267,<br>281                     |
| 0961898..... 263, 265                  | 1001149560 ..... 379                            | 132001686, 93, 104, 111,<br>121        | 1683054..... 291, 297                                 |
| 0961899..... 277                       | 1001166538 ..... 243                            | 1320019 ..... 109                      | 1683055.... 255, 261, 281                             |
| 0961947.... 195, 255, 259,<br>281, 285 | 1001166539 ..... 235                            |  | 1683057..... 251                                      |
| 0961948.... 190, 195, 203,<br>273, 275 | 1001167359.. 15, 23, 253                        |  | 1683061..... 273                                      |
|  | 1001204904 ..... 378                            |  | 1683067..... 263                                      |
|  | 1001204923 ..... 378                            |  | 1683069..... 277                                      |



## PART NUMBER INDEX

|  |  |                                   |                                   |
|--|--|-----------------------------------|-----------------------------------|
| 1683208 ... 12, 16, 19, 23,<br>27, 29, 289 | 1701543 ... 120, 354, 357,<br>363, 369 | 1703404 ..... 59                  | 1704271 ..... 363, 369            |
| 1683258 ..... 195, 267                     | 1701645 ..... 353, 357                 | 1703444 ..... 59                  | 1704272 ..... 59                  |
| 1683263 ..... 194, 281                     | 1701923 ..... 363                      | 1703450 ..... 59                  | 1704274 ..... 59                  |
| 1683266 ..... 189, 281                     | 1701924 ..... 363                      | 1703453 ..... 361                 | 1704275 ..... 59                  |
| 1683280 ..... 11, 19, 251                  | 1702153 ..... 353, 357                 | 1703467 ..... 148                 | 1704277 ... 353, 357, 362,<br>367 |
| 1683281 ..... 251                          | 1702265 ..... 354                      | 1703468 ..... 148                 | 1704412 ..... 357, 367            |
| 1683283 ..... 251                          | 1702271 ..... 363                      | 1703469 ... 354, 357, 364,<br>368 | 1704578 ..... 63                  |
| 1683288 ... 189, 194, 277                  | 1702300 ..... 353, 362                 | 1703476 ..... 95                  | 1704885 ... 354, 357, 364,<br>368 |
| 1683294 ... 189, 194, 273                  | 1702387 ..... 228                      | 1703534 ..... 321, 325            | 1704972 ..... 357                 |
| 1683299 ... 189, 194, 263                  | 1702552 ..... 362                      | 1703536 ..... 363                 | 1704997 ..... 227                 |
| 1683304 ..... 12, 27, 289                  | 1702563 ..... 222                      | 1703538 ..... 363                 | 1705014 ..... 225                 |
| 1683307 ..... 203, 291                     | 1702564 ..... 227                      | 1703541 ..... 363                 | 1705090 ..... 63, 357, 368        |
| 1683308 ..... 291                          | 1702565 ..... 227                      | 1703543 ..... 363                 | 1705132 ..... 148, 228            |
| 1683310 ..... 291                          | 1702566 ..... 227                      | 1703544 ..... 363                 | 1705170 ..... 152                 |
| 1683312 ..... 199, 297                     | 1702567 ..... 227                      | 1703548 ..... 363                 | 1705325 ..... 162                 |
| 1683313 ..... 297                          | 1702573 ..... 362, 369                 | 1703549 ..... 363                 | 1705336 ..... 357                 |
| 1683314 ..... 297                          | 1702583 ..... 361                      | 1703687 ... 354, 358, 364,<br>369 | 1705344 ..... 368                 |
| 1683317 ..... 203, 291                     | 1702585 ..... 361                      | 1703797 ..... 353, 357            | 1705347 ..... 368                 |
| 1683318 ..... 291                          | 1702590 ..... 174                      | 1703798 ..... 353                 | 1705364 ..... 32, 33              |
| 1683320 ..... 291                          | 1702610 ..... 147                      | 1703804 ..... 353, 357            | 1705374 ..... 179, 185            |
| 1683415 ..... 189, 255                     | 1702617 ..... 363                      | 1703805 ..... 353, 357            | 1705375 ..... 179, 185            |
| 1683418 ..... 194, 255                     | 1702676 ..... 222, 227                 | 1703808 ... 354, 358, 364,<br>369 | 1705376 ..... 179, 184            |
| 1683609 ..... 195, 267                     | 1702688 ..... 354, 357                 | 1703811 ..... 357, 367            | 1705387 ..... 179, 185            |
| 1683949 ..... 281                          | 1702689 ..... 364                      | 1703814 ..... 357, 367            | 1705460 ..... 179, 185            |
| 1683952 ..... 255                          | 1702720 ... 363, 369, 378              | 1703899 ..... 362                 | 1705753 ..... 147                 |
| 1683962 ..... 281                          | 1702740 ..... 32, 33                   | 1703923 ..... 367                 | 1705895 ..... 367                 |
| 1683963 ..... 255, 261                     | 1702773 ... 225, 353, 357,<br>361, 368 | 1703924 ..... 362, 367            | 1705896 ..... 368                 |
| 1683972 ..... 281                          | 1702774 ... 353, 357, 361,<br>368      | 1703926 ..... 367                 | 1705897 ..... 368                 |
| 1683973 ..... 281                          | 1702784 ... 353, 358, 362,<br>369      | 1703929 ..... 367                 | 1705898 ..... 368                 |
| 1683976 ..... 255, 259                     | 1702788 ..... 376                      | 1703930 ..... 361                 | 1705901 ..... 367                 |
| 1683977 ..... 255                          | 1702818 ... 353, 357, 361,<br>368      | 1703935 ..... 368                 | 1705902 ..... 368                 |
| 1684001 ..... 273                          | 1702819 ... 353, 357, 361,<br>368      | 1703936 ..... 361, 368            | 1705903 ..... 367                 |
| 1684005 ..... 273                          | 1702860 ... 353, 357, 361,<br>368      | 1703938 ..... 368                 | 1705917 ..... 368                 |
| 1684014 ..... 263                          | 1702861 ... 353, 357, 361,<br>368      | 1703941 ..... 367                 | 1705967 ..... 367                 |
| 1684015 ..... 263                          | 1702868 ... 353, 357, 376,<br>378      | 1703942 ..... 367                 | 1706059 ..... 367                 |
| 1684017 ..... 277                          | 1702901 ..... 354                      | 1703944 ..... 367                 | 1706062 ..... 367                 |
| 1684019 ..... 277                          | 1702903 ..... 354, 363                 | 1703947 ..... 368                 | 1706063 ..... 367                 |
| 1684089 ..... 267                          | 1702908 ..... 354                      | 1703948 ..... 361, 368            | 1706064 ..... 367                 |
| 1684090 ..... 267                          | 1702924 ..... 354, 363                 | 1703950 ..... 368                 | 1706380 ..... 368                 |
| 1684092 ..... 267                          | 1702925 ..... 354, 363                 | 1703953 ..... 357                 | 1706381 ..... 368                 |
| 1684280 ..... 15, 23, 253                  | 1702926 ..... 353                      | 1703980 ..... 368                 | 1706385 ..... 225                 |
| 1684289 ..... 253                          | 1702927 ..... 354, 363                 | 1703983 ..... 368                 | 1870132 ..... 329                 |
| 1684290 ..... 253                          | 1702938 ..... 229, 245                 | 1703984 ..... 363, 368            | 1870191 ..... 329                 |
| 1684308 ..... 291                          | 1702961 ..... 354                      | 1703990 ..... 363                 | 2000146 ..... 93, 96              |
| 1684310 ..... 291                          | 1702962 ..... 354                      | 1703996 ..... 362, 368            | 2000172 ..... 109, 112            |
| 1684418 ..... 16, 29, 289                  | 1702971 ..... 361                      | 1704000 ... 362, 367, 376,<br>378 | 2000182 ... 109, 112, 117         |
| 1684465 ..... 253                          | 1702972 ..... 362, 369                 | 1704001 ..... 367                 | 2000189 ..... 93, 97              |
| 1684498 ... 189, 194, 263                  | 1702973 ..... 362                      | 1704006 ..... 362, 367            | 2000194 ..... 86, 89              |
| 1700584 ... 353, 358, 362,<br>369          | 1702974 ..... 362                      | 1704007 ..... 367                 | 2000196 ... 109, 112, 117         |
| 1700818 ..... 357, 363                     | 1702975 ..... 362                      | 1704009 ..... 353, 357            | 2000209 ..... 121                 |
| 1701500 ..... 353, 362                     | 1702976 ..... 364                      | 1704096 ..... 368                 | 2000216 ..... 104, 105            |
| 1701502 ... 353, 357, 361,<br>367          | 1702979 ..... 363                      | 1704098 ..... 368                 | 2000219 ..... 103                 |
| 1701503 ... 353, 357, 361,<br>367          | 1703004 ..... 363                      | 1704099 ..... 362, 368            | 2000221 ..... 103                 |
| 1701504 ..... 353, 361                     | 1703007 ..... 363                      | 1704100 ..... 362                 | 2000224 ..... 103                 |
| 1701505 89, 95, 102, 354,<br>357, 363, 368 | 1703162 86, 93, 104, 110,<br>121       | 1704102 ..... 368                 | 2000256 ..... 120                 |
| 1701509 ... 353, 357, 361,<br>367          | 1703188 ..... 363                      | 1704104 ..... 354, 357            | 2000272 ..... 121, 122            |
| 1701518 ..... 361                          | 1703403 ..... 59                       | 1704106 ..... 368                 | 2000274 ..... 104, 105            |
| 1701529 ... 353, 357, 362,<br>367          |  | 1704107 ..... 364, 368            | 2000279 ..... 103                 |
| 1701542 ... 120, 354, 357,<br>363, 368     |  | 1704108 ..... 364                 | 2000280 ..... 103                 |
|  |  | 1704110 ..... 368                 | 2000299 ..... 121                 |
|  |  | 1704112 ..... 364, 368            | 2000300 ..... 120                 |
|  |  | 1704116 ..... 363                 | 2060025 86, 93, 104, 110,<br>121  |
|  |  | 1704174 ..... 376                 | 2080040 ..... 218, 221            |
|  |  | 1704260 ..... 227                 | 2080044 ..... 195                 |
|  |  | 1704268 ..... 363                 |                                   |

# PART NUMBER INDEX

|  |  |  |  |
|--|--|--|--|
| 2120145.....69                                   | 2220468 .... 317, 320, 324   | 2220909 ..... 309                      | 2720341.....113                            |
| 2120146.....68                                   | 2220472 ..... 319  | 2220914 ..... 310                      | 2720392.....117                            |
| 2120149.....69, 372                              | 2220473 ... 305, 307, 309,<br>313, 320, 324, 325   | 2220921 ..... 320, 324                 | 2720398.....93, 104                        |
| 2120150.....68, 372                              | 2220474 ..... 323  | 2220923 ..... 319, 324                 | 2720434.....86, 94, 104                    |
| 2120164.....69                                   | 2220479 ..... 133  | 2220947 ... 133, 321, 325              | 2720435.....110, 121                       |
| 2120209.....68                                   | 2220490 ... 305, 309, 315,<br>317  | 2220948 ..... 323                      | 2720436.....111, 121                       |
| 2120210.....69                                   | 2220497 ..... 319, 323   | 2220974 ..... 319, 324                 | 2720449.....94, 104                        |
| 2160002.....79                                   | 2220498 ... 307, 320, 324  | 2220998 ..... 320, 325                 | 2720472.....110, 120                       |
| 2180125.....138                                  | 2220500 ... 309, 313, 320,<br>324  | 2220999 ..... 320, 324                 | 2720509.....86                             |
| 2180344.....79                                   | 2220501 ..... 305, 310   | 2221018 ..... 138                      | 2720510.....86                             |
| 2180348.....102                                  | 2220502 ..... 310, 320   | 2221019 ..... 138                      | 2720514.....121                            |
| 2180380.....320, 325                             | 2220504 ... 305, 307, 310,<br>313, 315, 317  | 2221023 ..... 95                       | 2720515.....87                             |
| 2180387.....138                                  | 2220507 ... 305, 307, 309,<br>313  | 2221024 ..... 138                      | 2720532.....120                            |
| 2180388.....138                                  | 2220510 ..... 320, 324   | 2221028 ..... 95                       | 2740063.....328                            |
| 2180389.....138                                  | 2220511 ..... 320, 324   | 2221036 ..... 321, 325                 | 2750532 88, 94, 102, 104,<br>109, 110, 121 |
| 2180418.....117, 138                             | 2220567 ..... 319, 323   | 2221042 ..... 323                      | 2750756.....309                            |
| 2180467.....121                                  | 2220568 ..... 309  | 2221053 ..... 321, 325                 | 2750790.....309                            |
| 2180536.....88, 94                               | 2220574 ..... 319, 324   | 2221065 ..... 320, 324                 | 2750900.....315                            |
| 2180703.....95, 137                              | 2220578 ... 128, 133, 319,<br>323  | 2221170 ..... 307                      | 2751013.....309, 315                       |
| 2180724.....320, 325                             | 2220582 ... 305, 307, 310,<br>313, 315, 319, 324   | 2221176 ..... 102, 120                 | 2751020.....315                            |
| 2180798 86, 93, 105, 111,<br>121                 | 2220596 ... 309, 313, 319,<br>324  | 2300004 ..... 122                      | 2751032.....79                             |
| 2200233.....137                                  | 2220602 ... 310, 319, 323  | 2300014 ..... 378                      | 2751396.....309, 323                       |
| 2220001.....79                                   | 2220603 ... 315, 320, 325  | 2300016 ..... 378                      | 2751410.....317                            |
| 2220005.....117                                  | 2220605 ..... 309, 323   | 2300019 ..... 378                      | 2751427.....309                            |
| 2220064.....117                                  | 2220606 ..... 307, 313   | 2300027 ..... 378                      | 2751434.....317                            |
| 2220235... 305, 309, 321,<br>325                 | 2220609 ..... 319, 324   | 2300029 ..... 378                      | 2752245.....305                            |
| 2220237 ..... 17, 307, 313                       | 2220618 ..... 319, 323   | 2400060 ... 179, 185, 346              | 2752249.....309                            |
| 2220250.....88, 94, 111                          | 2220619 ... 315, 319, 323  | 2400061 ..... 346, 372                 | 2752258.....305                            |
| 2220261.....138                                  | 2220628 ..... 319, 324   | 2400064 ..... 180, 185                 | 2752324.....305                            |
| 2220273.....88, 94, 137                          | 2220635 ..... 315  | 2400065 ... 344, 346, 372              | 2752341 ... 307, 320, 325                  |
| 2220313 88, 94, 102, 120                         | 2220646 ... 128, 133, 313,<br>319, 323   | 2400066 ..... 344, 350                 | 2752343.....320, 325                       |
| 2220362... 305, 307, 309,<br>313                 | 2220654 ..... 320, 324   | 2400070 ..... 350                      | 2752349.....309                            |
| 2220363.....305                                  | 2220657 ..... 320, 324   | 2410014 ..... 225                      | 2752354.....305                            |
| 2220365.....305, 309                             | 2220671 ..... 309  | 2420172 ..... 148                      | 2752398.....309, 310                       |
| 2220366.....319, 323                             | 2220710 ..... 305  | 2420187 ..... 112, 123                 | 2752434.....320                            |
| 2220371 ... 305, 307, 309,<br>313, 315, 317      | 2220738 ..... 323  | 2420203 ... 162, 165, 169,<br>174      | 2752453.....320, 324                       |
| 2220372.....320, 324                             | 2220767 ..... 87, 110  | 2460013 ... 161, 165, 169              | 2752459.....305                            |
| 2220373... 305, 307, 313,<br>321, 325            | 2220794 ..... 88, 95   | 2460032 ... 161, 165, 169              | 2752462... 317, 320, 324                   |
| 2220374... 127, 319, 324                         | 2220800 ..... 310  | 2460039 ..... 161                      | 2752468.....320, 324                       |
| 2220375... 127, 305, 309,<br>313, 319, 323       | 2220805 ..... 110  | 2460044 ..... 169                      | 2752469.....320, 324                       |
| 2220376... 135, 319, 323                         | 2220810 ... 135, 319, 323  | 2460048 ..... 177, 183                 | 2752473.....305, 309                       |
| 2220377 ... 127, 305, 307,<br>309, 313, 319, 323 | 2220833 ..... 309, 310   | 2460049 ..... 161                      | 2752475.....307                            |
| 2220379.....319, 323                             | 2220861 ..... 313  | 2460050 ..... 177                      | 2752484.....321, 325                       |
| 2220381.....319, 324                             | 2220873 ... 319, 321, 324,<br>325  | 2460051 ..... 173                      | 2752497.....320, 324                       |
| 2220385... 315, 319, 323                         | 2220883 ..... 51, 256, 259,<br>261, 263, 265, 267,<br>269, 271, 273, 275,<br>277, 297, 299 | 2460052 ..... 173                      | 2752500.....319, 323                       |
| 2220409.....323                                  | 2220885 ... 251, 255, 259,<br>261, 267, 269, 271,<br>282, 287, 291, 295                    | 2460055 ..... 161, 165                 | 2752506.....319, 324                       |
| 2220414.....323                                  | 2220886 ..... 51, 263, 265,<br>275, 299  | 2460056 ..... 161, 165                 | 2752516.....319, 324                       |
| 2220415... 307, 309, 313,<br>315, 317, 319, 323  | 2220888 ..... 277  | 2460057 ..... 161                      | 2752519... 319, 323, 325                   |
| 2220416.....319                                  | 2220890 ..... 253  | 2560122 ..... 69                       | 2752573... 309, 319, 323                   |
| 2220418.....138                                  | 2220893 ..... 69   | 2560123 ..... 69                       | 2752574.....313                            |
| 2220428.....319, 323                             | 2220899 ..... 320, 324   | 2560136 ..... 227                      | 2752579.....320, 324                       |
| 2220429.....319, 324                             |  | 2560173 ..... 222                      | 2752591.....319                            |
| 2220430.....110                                  |  | 2575716 ..... 63                       | 2752592... 307, 309, 313,<br>320           |
| 2220435.....305, 310                             |  | 2580055 ..... 378                      | 2752593... 309, 320, 324                   |
| 2220451 ..... 93, 104, 305,<br>307               |  | 2600281 ..... 221                      | 2752600.....319, 324                       |
| 2220459.....88, 94                               |  | 2600287 ..... 217                      | 2752601.....320, 324                       |
| 2220466... 305, 309, 310,<br>315, 319, 323       |  | 2680433 ..... 158                      | 2752602.....305, 309                       |
|  |  | 2680434 ..... 158                      | 2752603.....320, 324                       |
|  |  | 2680440 ..... 158                      | 2752604.....319, 323                       |
|  |  | 2680441 ..... 158                      | 2752611.....307                            |
|  |  | 2680442 ..... 158                      | 2752618.....321, 325                       |
|  |  | 2680447 ..... 158                      | 2752620... 305, 307, 309,<br>313           |
|  |  | 2720058 . 86, 88, 95, 102,<br>111, 120 | 2752635.....319, 323                       |
|  |  | 2720144 ..... 138                      | 2752636.....320, 324                       |
|  |  | 2720271 ..... 88, 94                   |  |

## PART NUMBER INDEX

|                                   |   |                                   |   |
|-----------------------------------|---|-----------------------------------|---|
| 2752650 ..... 320, 325            | 2780205 ..... 79, 81  | 2901362 ..... 111                 | 3250872 ..... 59, 63, 357, 368  |
| 2752655 ..... 319, 323            | 2780212 ..... 12  | 2901443 ..... 350, 379            | 3251102 ... 163, 166, 170,<br>174, 229  |
| 2752656 ..... 319, 323            | 2780213 ..... 31, 35  | 2901540 ..... 94                  | 3251243 ... 174, 353, 357,<br>361, 367  |
| 2752723 ..... 319, 323            | 2780269 ..... 31, 37  | 2901763 ..... 74                  | 3251813 ... 353, 357, 361,<br>367, 368  |
| 2752724 ..... 319, 323            | 2780271 ..... 16  | 2901861 ... 291, 295, 297,<br>299 | 3252220 ..... 363   |
| 2752783 ..... 320, 324            | 2780276 ..... 17  | 2902203 ..... 377                 | 3252221 ..... 376   |
| 2752807 ..... 309                 | 2792177 ..... 326   | 2902266 ..... 253                 | 3252347 ..... 357   |
| 2752813 ..... 305, 309            | 2792188 ..... 319, 326  | 2902296 ..... 88, 94, 102         | 3252489 ..... 363   |
| 2752814 ..... 305                 | 2792189 ..... 319, 326  | 2902297 ..... 111, 120            | 3252507 ..... 162, 166  |
| 2752823 ..... 315                 | 2792191 ..... 326   | 2902300 ..... 179                 | 3252540 ..... 363   |
| 2752824 ..... 315                 | 2792192 ..... 326   | 2902303 ..... 377                 | 3252764 ... 174, 177, 184   |
| 2752889 ..... 310                 | 2792193 ..... 305, 326  | 2902307 ..... 377                 | 3271805 ..... 143, 225  |
| 2752890 ..... 309                 | 2792194 ..... 326   | 2902312 ..... 377                 | 3272001 ..... 16  |
| 2752899 ..... 309                 | 2792195 ..... 70, 309, 326  | 2902350 ..... 377                 | 3272605 ... 190, 196, 207   |
| 2752910 ..... 307, 313            | 2792196 ..... 326   | 2902395 ..... 377                 | 3290801 ..... 87  |
| 2752912 ..... 310                 | 2792230 ..... 315, 326  | 2902443 ..... 344                 | 3300106 ..... 12, 17, 31  |
| 2752919 ..... 309                 | 2792315 ..... 326   | 2902470 ..... 378                 | 3300151 ..... 379   |
| 2752920 ..... 315                 | 2792405 ..... 326   | 2902471 ..... 378                 | 3300205 ..... 148   |
| 2752928 ... 307, 313, 319,<br>323 | 2792687 ..... 313, 326  | 2902472 ..... 378                 | 3300353 ..... 228   |
| 2752929 ... 307, 313, 319,<br>323 | 2792688 ..... 323, 326  | 2910023 ..... 377                 | 3300393 ..... 217   |
| 2752939 ..... 320, 324            | 2792689 ..... 323, 326  | 2910046 ..... 377                 | 3300396 ..... 179, 184  |
| 2752962 ..... 315                 | 2792690 ..... 317, 326  | 2910100 ..... 378                 | 3300408 ..... 148, 227  |
| 2752966 ..... 305, 309            | 2792691 ..... 326   | 2910460 ..... 377                 | 3300454 ..... 179   |
| 2752970 ..... 305, 310            | 2792692 ..... 307, 326  | 2910462 ..... 377                 | 3310601 ... 155, 179, 184   |
| 2752985 ..... 320, 325            | 2792697 ..... 326   | 2910463 ..... 377                 | 3310801 ..... 213   |
| 2752987 ..... 321, 325            | 2792702 ..... 326   | 2910477 ..... 376                 | 3310805 ..... 69, 138, 214  |
| 2752988 ..... 320                 | 2820031 ... 163, 166, 170,<br>174, 178, 184   | 2910924 ..... 377                 | 3311001 ... 159, 221, 228,<br>229   |
| 2752989 ..... 321, 325            | 2820035 ... 151, 218, 222,<br>348   | 2915137 ..... 377                 | 3311005 ... 109, 151, 159,<br>162, 166, 170, 174, 218   |
| 2752990 ..... 320, 325            | 2820076 ..... 159   | 2915195 ..... 113                 | 3311401 ... 148, 203, 245,<br>353   |
| 2752991 ..... 320, 324            | 2820077 ..... 159   | 2920110 ..... 151                 | 3311405 ... 69, 87, 88, 94,<br>103, 104, 110, 120,<br>122, 155, 158, 174,<br>178, 184, 213, 218,<br>222, 227, 358, 362,<br>369, 379 |
| 2753046 ..... 320, 325            | 2820078 ..... 159   | 2920113 ..... 151                 | 3311501 ..... 69, 159, 245  |
| 2753047 ..... 320, 324            | 2820082 ..... 159   | 2920129 ... 227, 342, 344         | 3311505 ... 53, 55, 69, 87,<br>89, 94, 96, 102, 104,<br>113, 122, 158, 177,<br>184, 190, 195, 204,<br>218, 247                      |
| 2753052 ..... 320, 324            | 2820083 ..... 159   | 2920130 ..... 151                 | 3311601 ..... 96, 114, 137,<br>159, 184, 228  |
| 2753055 ..... 320, 324            | 2820083 ..... 159   | 2920140 ... 218, 222, 349         | 3311605 ... 20, 27, 87, 93,<br>102, 104, 110, 120,<br>122, 155, 158, 162,<br>166, 170, 195, 199,<br>204, 222, 225, 227              |
| 2753056 ..... 320, 324            | 2820173 ..... 121   | 2920157 ..... 152, 222            | 3311705 ... 162, 166, 170   |
| 2753132 ..... 319, 323            | 2820180 ..... 122   | 2920162 ... 162, 165, 169         | 3311801 . 31, 87, 95, 102,<br>111, 120, 178, 213  |
| 2753133 ..... 319, 323            | 2820186 ..... 122   | 2920214 ..... 151                 | 3311805 87, 93, 104, 110,<br>122, 141, 158, 190,<br>195, 196, 247   |
| 2753134 ..... 320, 324            | 2820187 ..... 122   | 2920215 ..... 151                 | 3313403 ..... 12, 17  |
| 2753135 ..... 320, 324            | 2820188 ..... 122   | 2940074 ... 217, 221, 372         | 3322201 ..... 143   |
| 2753325 ..... 323                 | 2840018 ..... 155   | 2940088 ..... 158                 | 3323403 ..... 12, 16, 17  |
| 2753397 ..... 307                 | 2860012 ..... 166, 170  | 2980125 ..... 63                  | 3340608 ... 291, 293, 295   |
| 2753435 ..... 307                 | 2860030 ..... 148, 372  | 3010141 ..... 63                  | 3340764 ..... 204   |
| 2753924 ..... 307, 313            | 2890245 ..... 12, 17  | 3020016 ..... 103                 | 3340765 ..... 204   |
| 2753925 ..... 307, 313            | 2900708 ..... 68  | 3020021 ..... 105                 | 3340787 ..... 204   |
| 2753926 ..... 313                 | 2900752 ..... 127   | 3100076 ..... 96                  |   |
| 2753928 ..... 313                 | 2900770 ... 68, 207, 251,<br>273, 275, 297, 299   | 3124114 ..... 113                 |   |
| 2753929 ..... 307, 313            | 2900788 ..... 45  | 3160204 ..... 31, 45              |   |
| 2753930 ..... 313                 | 2900792 ... 255, 259, 261,<br>263, 265, 267, 269,<br>271, 273, 275, 277,<br>279, 297, 299 | 3160205 ..... 31, 41              |   |
| 2753933 ..... 317                 | 2900826 ..... 127   | 3160273 ..... 79, 83              |   |
| 2753967 ..... 307                 | 2900827 ..... 127   | 3160297 ..... 31, 43              |   |
| 2753968 ..... 324                 | 2900936 ..... 377   | 3160299 ..... 31, 47              |   |
| 2753969 ..... 307                 | 2900968 ..... 377   | 3160300 ..... 31, 47              |   |
| 2754227 ..... 313                 | 2900975 ..... 377   | 3160349 ..... 51                  |   |
| 2754228 ..... 313                 | 2901273 ..... 273, 275  | 3160350 ..... 51                  |   |
| 2754229 ..... 313                 | 2901278 ..... 291, 297  | 3200362 ... 95, 104, 110,<br>122  |   |
| 2754230 ..... 313                 | 2901285 ..... 263, 265  | 3200378 ..... 93                  |   |
| 2754231 ..... 313                 | 2901301 ... 256, 261, 282   | 3200406 ..... 87, 104             |   |
| 2754232 ..... 313                 | 2901303 ... 256, 259, 267,<br>282   | 3220103 ..... 96, 104             |   |
| 2754233 ..... 313                 | 2901321 ..... 251   | 3220104 ..... 96, 104             |   |
| 2754234 ..... 313                 | 2901322 ..... 277, 279  | 3220111 ..... 96, 114             |   |
| 2754235 ..... 307, 313            | 2901358 ..... 94  | 3220113 ..... 87, 96, 113         |   |
| 2754328 ..... 323                 |   | 3220114 ..... 113                 |   |
| 2754329 ..... 323                 |   | 3220134 ..... 123                 |   |
| 2754330 ..... 323                 |   | 3250033 ... 354, 358, 369         |   |
| 2760105 ..... 148, 227            |   | 3250585 ..... 222                 |   |

# PART NUMBER INDEX

|                                  |                                   |                                  |                                 |                                       |   |  |  |
|----------------------------------|-----------------------------------|----------------------------------|---------------------------------|---------------------------------------|---|--|--|
| 3340871.....                     | 199, 203                          | 3480206.....                     | 263                             | 3572012.....                          | 63  | 3760368.....   | 255, 259, 267,<br>281, 297   |
| 3340881.....                     | 199, 203                          | 3480210 ...                      | 255, 259, 267,<br>281           | 3572279.....                          | 110                                       | 3760369.....   | 251, 255, 261,<br>281  |
| 3340911.....                     | 55                                | 3480211.....                     | 273                             | 3572280.....                          | 111, 122                                  | 3760370.....   | 273  |
| 3340966.....                     | 63                                | 3480212.....                     | 291, 297                        | 3572307.....                          | 109                                       | 3760372.....   | 263  |
| 3380428.....                     | 88, 94, 102                       | 3480216.....                     | 277                             | 3572308.....                          | 109                                       | 3760384.....   | 277  |
| 3380434.....                     | 222, 353, 362                     | 3480288.....                     | 253                             | 3572722.....                          | 117                                       | 3790012.....   | 111, 120, 121,<br>151, 152, 222, 228, 229                                    |
| 3380557.....                     | 56                                | 3510488.....                     | 217                             | 3573241.....                          | 113                                       | 3790045.....   | 31   |
| 3380558.....                     | 56                                | 3510497.....                     | 217                             | 3574091.....                          | 245                                       | 3790110.....   | 208, 293   |
| 3380560.....                     | 56                                | 3510542.....                     | 217                             | 3574162.....                          | 112, 122                                  | 3790152 88, 95, 103, 109,<br>121                     |  |
| 3380573.....                     | 56                                | 3510543.....                     | 217                             | 3574171.....                          | 204                                       | 3820001.....   | 59, 152, 353,<br>358, 362, 369   |
| 3420156.....                     | 228                               | 3510545.....                     | 217                             | 3574185.....                          | 204                                       | 3820020.....   | 221  |
| 3420372.....                     | 63                                | 3510546.....                     | 217                             | 3574206.....                          | 87  | 3841143.....   | 11, 12, 16, 17,<br>19, 24, 27, 29, 63, 88,<br>93, 102, 110, 120, 189,<br>194 |
| 3420447.....                     | 63                                | 3510565.....                     | 217                             | 3574207.....                          | 87  | 3841203.....   | 189, 194, 199  |
| 3420592.....                     | 59                                | 3510566.....                     | 217                             | 3574208.....                          | 87  | 3841258.....   | 11, 15, 16, 19,<br>23, 24, 29  |
| 3421453.....                     | 59                                | 3510568.....                     | 217                             | 3574225.....                          | 174, 184                                  | 3841262.....   | 12   |
| 3421565.....                     | 63, 79                            | 3510728.....                     | 217                             | 3574229.....                          | 184                                       | 3841263.....   | 12, 17   |
| 3422327.....                     | 63                                | 3510760.....                     | 217                             | 3574262.....                          | 184                                       | 3841285.....   | 16, 19, 24, 27,<br>29  |
| 3422426.....                     | 11, 12, 16, 17,<br>19, 23, 27, 29 | 3510822.....                     | 221                             | 3574504.....                          | 110, 122                                  | 3841291.....   | 27   |
| 3422427.....                     | 12, 17, 24                        | 3510830.....                     | 221                             | 3574684.....                          | 162                                       | 3841295.....   | 200  |
| 3422429.....                     | 12, 16, 17, 19,<br>23, 27, 29     | 3510831.....                     | 221                             | 3575359.....                          | 245                                       | 3841329.....   | 59   |
| 3422430.....                     | 12, 16, 17, 19,<br>24, 27, 29     | 3510832.....                     | 221                             | 3575863.....                          | 179                                       | 3841340.....   | 195, 203   |
| 3422448 88, 93, 102, 110,<br>120 |                                   | 3510833.....                     | 221                             | 3580134 ...                           | 162, 165, 169                             | 3841347.....   | 200  |
| 3422457.....                     | 203                               | 3510868.....                     | 225, 378                        | 3580158.....                          | 165                                       | 3841677.....   | 29   |
| 3422530.....                     | 155                               | 3520028 ...                      | 162, 165, 166,<br>169, 170, 173 | 3580250.....                          | 169                                       | 3890040.....   | 225  |
| 3422532.....                     | 95, 103, 120                      | 3520033.....                     | 159, 364                        | 3580259.....                          | 96  | 3900054.....   | 225  |
| 3422533.....                     | 95, 111                           | 3520035.....                     | 148                             | 3580276 ...                           | 162, 165, 169                             | 3900141.....   | 267  |
| 3422553.....                     | 59, 88                            | 3520054.....                     | 227                             | 3580307.....                          | 169                                       | 3900166.....   | 190  |
| 3422561.....                     | 194                               | 3520072 ...                      | 217, 221, 225                   | 3580312.....                          | 174, 184                                  | 3900207.....   | 217  |
| 3422563.....                     | 194                               | 3520198.....                     | 221                             | 3580313.....                          | 174, 184                                  | 3900232.....   | 96, 114, 159   |
| 3422565.....                     | 189                               | 3534978.....                     | 104                             | 3580314.....                          | 184                                       | 3900239.....   | 190, 195   |
| 3422566.....                     | 194                               | 3536089.....                     | 218, 222                        | 3580317.....                          | 178                                       | 3900268.....   | 148  |
| 3422571.....                     | 189, 194                          | 3537318.....                     | 79                              | 3580318.....                          | 178                                       | 3900322.....   | 174  |
| 3422572.....                     | 189, 194                          | 3537416.....                     | 93, 104                         | 3580320.....                          | 178                                       | 3910606.....   | 177, 184   |
| 3422573.....                     | 189, 194                          | 3537417.....                     | 93                              | 3580321.....                          | 178                                       | 3910608.....   | 155  |
| 3422575.....                     | 189, 194, 199                     | 3537420.....                     | 93                              | 3580322.....                          | 161                                       | 3910610.....   | 179, 185   |
| 3422576.....                     | 189, 194                          | 3537445.....                     | 155                             | 3580324.....                          | 174                                       | 3910804.....   | 148  |
| 3422577.....                     | 189                               | 3538047.....                     | 11, 19                          | 3580325.....                          | 174                                       | 3910806.....   | 69   |
| 3422578.....                     | 189                               | 3538247.....                     | 291, 295                        | 3600242 88, 93, 109, 135              |   | 3910808.....   | 138  |
| 3422579.....                     | 194                               | 3538758.....                     | 204                             | 3600243.....                          | 67  | 3911008.....   | 218, 221   |
| 3422580.....                     | 189                               | 3538771.....                     | 291                             | 3600260 87, 93, 109, 126,<br>128      |   | 3911040.....   | 151  |
| 3422582.....                     | 189                               | 3539219.....                     | 148                             | 3600365.....                          | 67  | 3930816.....   | 214  |
| 3422583.....                     | 194                               | 3539228.....                     | 199                             | 3600377.....                          | 112, 122                                  | 3930824.....   | 213, 214   |
| 3422592.....                     | 11, 15, 19, 23                    | 3539236.....                     | 200                             | 3600381.....                          | 88, 132, 133                              | 3931408.....   | 96, 213  |
| 3422802.....                     | 19, 27                            | 3539281.....                     | 151                             | 3600395 ...                           | 103, 120, 135                             | 3931430.....   | 213  |
| 3422813.....                     | 63                                | 3539662.....                     | 59                              | 3600396 ...                           | 103, 121, 133                             | 3931448.....   | 291, 295   |
| 3422841.....                     | 63                                | 3539685.....                     | 218                             | 3600397.....                          | 103, 127                                  | 3931516.....   | 255, 259, 267,<br>281, 291, 295, 297, 299                                    |
| 3422847.....                     | 63                                | 3539779.....                     | 190, 195                        | 3620033.....                          | 93, 104                                   | 3931620 88, 93, 103, 109,<br>121, 255, 261, 281, 287 |  |
| 3422848.....                     | 63                                | 3539872 87, 93, 104, 109,<br>122 |                                 | 3620040.....                          | 110, 122                                  | 3931632.....   | 178  |
| 3422860.....                     | 194                               | 3539877 ...                      | 11, 15, 19, 23                  | 3620047.....                          | 87  | 3931720.....   | 273, 275   |
| 3422861.....                     | 194                               | 3539879.....                     | 11, 19                          | 3640493.....                          | 328                                       | 3932032.....   | 263, 265   |
| 3422867.....                     | 194                               | 3539879.....                     | 11, 19                          | 3640986.....                          | 179, 185                                  | 3932224.....   | 79   |
| 3422900.....                     | 16, 24, 29                        | 3539923.....                     | 158                             | 3641533.....                          | 179, 185                                  | 3932240.....   | 277, 279   |
| 3423175.....                     | 17                                | 3539956.....                     | 88, 95, 102                     | 3641569.....                          | 245                                       | 3940604.....   | 63   |
| 3430816.....                     | 155                               | 3539971.....                     | 93, 104                         | 3730120.....                          | 346                                       | 3960098.....   | 12, 17   |
| 3450304.....                     | 228                               | 3539972.....                     | 109                             | 3730121.....                          | 346                                       | 3960343.....   | 16   |
| 3450306.....                     | 200                               | 3539988.....                     | 110, 159                        | 3740049 ...                           | 148, 328, 344,<br>349, 372                |  |  |
| 3450404.....                     | 155                               | 3570238.....                     | 95                              | 3740057.....                          | 328                                       |  |  |
| 3450606.....                     | 200                               | 3570270.....                     | 200                             | 3740058.....                          | 328                                       |  |  |
| 3450810.....                     | 12, 17                            | 3570277.....                     | 200                             | 3740066.....                          | 328                                       |  |  |
| 3451010.....                     | 16, 17                            | 3570374.....                     | 190, 195                        | 3740067 87, 93, 104, 110,<br>122, 372 |   |  |  |
| 3451012.....                     | 12                                | 3570375.....                     | 200                             | 3740080 ...                           | 110, 162, 166,<br>170, 174, 178, 184, 374 |  |  |
| 3460420.....                     | 158                               | 3570754.....                     | 96                              | 3760133.....                          | 203                                       |  |  |
| 3480188.....                     | 255, 261, 281                     | 3571421.....                     | 93                              | 3760170.....                          | 63, 79                                    |  |  |
|                                  |                                   | 3572009.....                     | 63                              |                                       |   |  |  |
|                                  |                                   | 3572010.....                     | 63                              |                                       |   |  |  |
|                                  |                                   | 3572011.....                     | 63                              |                                       |   |  |  |

## PART NUMBER INDEX

|                                       |   |                                       |  |               |   |               |  |
|---------------------------------------|---|---------------------------------------|--|---------------|---|---------------|--|
| 3960369 .....                         | 104                                       | 4220162 .....                         | 151, 152   | 4460205.....  | 343, 348, 349                             | 4460634 ..... | 345  |
| 3960389 89, 93, 103, 110,<br>121, 158 |   | 4220165 .....                         | 218  | 4460225.....  | 342                                       | 4460635 ..... | 345  |
| 3960407 .....                         | 95, 104                                   | 4220191 .....                         | 87   | 4460226.....  | 228, 236, 243,<br>342, 344, 345, 349, 350 | 4460701 ..... | 348, 349   |
| 3960418 .....                         | 159                                       | 4240018 .....                         | 174, 178   | 4460227.....  | 228, 342, 345,<br>350                     | 4460705 ..... | 349  |
| 3960422 .....                         | 177, 184                                  | 4240032 .....                         | 151, 152   | 4460233.....  | 348, 349                                  | 4460708 ....  | 228, 342, 344  |
| 3960438 .....                         | 158                                       | 4240099 ....                          | 218, 222, 245  | 4460234.....  | 151, 152, 245                             | 4460713 ..... | 346  |
| 3960461 .....                         | 151                                       | 4240102 .....                         | 137  | 4460265.....  | 236, 243                                  | 4460725 ..... | 346  |
| 3960462 .....                         | 158                                       | 4240112 .....                         | 137  | 4460267.....  | 347, 348                                  | 4460726 ..... | 346  |
| 3960467 .....                         | 159                                       | 4280295 .....                         | 137  | 4460268.....  | 151, 346, 347,<br>348                     | 4460728 ..... | 346  |
| 3960468 87, 95, 104, 111,<br>122      |   | 4300097 .....                         | 31   | 4460320.....  | 347, 348, 350                             | 4460742 ..... | 346, 347   |
| 3960469 87, 95, 111, 122              |   | 4300111 .....                         | 184  | 4460321 ..... | 349                                       | 4460743 ..... | 347  |
| 3960591 .....                         | 122                                       | 4300157 .....                         | 178  | 4460326.....  | 347, 348                                  | 4460761 ....  | 228, 342, 345  |
| 3990010 ....                          | 345, 348, 372                             | 4340678 .....                         | 227  | 4460346.....  | 177, 184, 348                             | 4460789 ..... | 349  |
| 4031911 .....                         | 87  | 4340684 .....                         | 227  | 4460374.....  | 179, 185                                  | 4460790 ..... | 349  |
| 4032015 .....                         | 178                                       | 4340738 .....                         | 174, 184   | 4460375.....  | 179, 185                                  | 4460799 ..... | 346  |
| 4060092 .....                         | 348                                       | 4360031 .....                         | 222, 227   | 4460411.....  | 179, 185                                  | 4460800 ..... | 346  |
| 4060700 ....                          | 177, 184, 348                             | 4360057 .....                         | 245, 374   | 4460412.....  | 179, 185                                  | 4460850 ..... | 349  |
| 4060802 ...                           | 162, 166, 170,<br>174, 177, 184, 222, 229 | 4360070 .....                         | 179, 185   | 4460413.....  | 179, 185                                  | 4460865 ..... | 342, 343   |
| 4060803 .....                         | 218                                       | 4360188 .....                         | 117  | 4460414.....  | 179, 185                                  | 4460866 ....  | 342, 343, 345  |
| 4060804 .....                         | 69, 111, 204                              | 4360232 ...                           | 229, 349, 350  | 4460415.....  | 179, 185                                  | 4460871 ...   | 228, 231, 233,<br>239, 241, 342, 345,<br>346, 347, 349 |
| 4060805 88, 95, 104, 111,<br>122, 203 |   | 4360256 .....                         | 95   | 4460418.....  | 342, 345                                  | 4460873 ..... | 342, 345   |
| 4060807 .....                         | 70  | 4360294 ....                          | 95, 166, 170,<br>372   | 4460419.....  | 342, 345                                  | 4460874 ....  | 148, 342, 344  |
| 4060808 .....                         | 53, 199                                   | 4360322 .....                         | 213, 214   | 4460424.....  | 151, 346, 347,<br>348, 350                | 4460875 ....  | 148, 342, 344  |
| 4060906 .....                         | 148                                       | 4360328 ....                          | 148, 227, 372  | 4460425.....  | 179, 185, 245,<br>350                     | 4460876 ..... | 345  |
| 4060907 .....                         | 151                                       | 4360331 ...                           | 222, 227, 372  | 4460426.....  | 148, 179, 185,<br>218, 222, 229, 344      | 4460877 ..... | 342, 345   |
| 4060918 .....                         | 70  | 4360336 ...                           | 111, 120, 151,<br>152, 162, 166, 170,<br>174, 177, 184, 222,<br>228, 229 | 4460428.....  | 213, 214, 228,<br>342                     | 4460887 ..... | 342, 345   |
| 4060959 .....                         | 378                                       | 4360387 ...                           | 227, 229, 245,<br>374  | 4460434.....  | 342, 345                                  | 4460889 ..... | 346  |
| 4061043 .....                         | 177, 184                                  | 4360392 87, 93, 105, 110,<br>122, 372 |  | 4460445.....  | 347, 348                                  | 4460890 ..... | 346  |
| 4061049 .....                         | 178                                       | 4360407 .....                         | 228  | 4460457.....  | 346                                       | 4460891 ..... | 343, 346   |
| 4070863 .....                         | 199, 203                                  | 4360436 .....                         | 137  | 4460458.....  | 346, 347                                  | 4460892 ..... | 344  |
| 4070864 .....                         | 199, 203                                  | 4360469 .....                         | 148, 372   | 4460459.....  | 349                                       | 4460894 ..... | 344  |
| 4070878 .....                         | 11, 19                                    | 4360475 ....                          | 148, 228, 372  | 4460460.....  | 346                                       | 4460897 ..... | 343  |
| 4070879 .....                         | 11, 19                                    | 4360476 ...                           | 148, 228, 372  | 4460464.....  | 228, 342, 343,<br>345                     | 4460905 ...   | 148, 228, 342,<br>344, 345                             |
| 4070897 .....                         | 199, 203                                  | 4360542 ...                           | 161, 162, 165,<br>169, 173   | 4460465.....  | 179, 185, 342,<br>343, 346                | 4460906 ..... | 349  |
| 4070898 .....                         | 199, 203                                  | 4360549 .....                         | 213, 214   | 4460466.....  | 342, 343                                  | 4460943 ..... | 345  |
| 4070929 .....                         | 199, 203                                  | 4360578 ....                          | 213, 214, 374  | 4460467.....  | 350, 379                                  | 4460944 ..... | 346  |
| 4070932 .....                         | 204                                       | 4400275 .....                         | 138  | 4460470.....  | 148, 228, 342,<br>344                     | 4460956 ..... | 179, 185   |
| 4070944 ....                          | 11, 15, 19, 23                            | 4400372 .....                         | 137, 138   | 4460471.....  | 148, 228, 342,<br>344                     | 4460957 ..... | 179, 185   |
| 4070945 .....                         | 11, 15, 19                                | 4400399 .....                         | 137  | 4460473.....  | 342, 343                                  | 4460958 ..... | 177, 184   |
| 4070987 .....                         | 148                                       | 4400407 .....                         | 137  | 4460476.....  | 349                                       | 4460959 ..... | 348  |
| 4071007 .....                         | 203                                       | 4400420 .....                         | 138  | 4460488.....  | 148, 228                                  | 4460960 ..... | 348, 349   |
| 4071059 .....                         | 63  | 4400454 .....                         | 137, 138   | 4460499.....  | 74, 77, 348                               | 4460961 ..... | 349  |
| 4071061 .....                         | 204                                       | 4420037 .....                         | 222  | 4460508.....  | 342, 343                                  | 4460963 ..... | 179, 185   |
| 4071062 .....                         | 204                                       | 4420038 .....                         | 137  | 4460509.....  | 342, 343                                  | 4460967 ..... | 179, 185   |
| 4071101 .....                         | 15, 23                                    | 4420051 .....                         | 63, 362  | 4460510.....  | 350, 379                                  | 4460968 ..... | 213, 214   |
| 4100025 .....                         | 96, 110                                   | 4420060 .....                         | 203, 214   | 4460526.....  | 148, 344                                  | 4460978 ..... | 346, 348   |
| 4100100 .....                         | 267                                       | 4420068 .....                         | 245, 247   | 4460536.....  | 345                                       | 4460979 ..... | 346, 348   |
| 4120012 .....                         | 328                                       | 4460007 .....                         | 228  | 4460539.....  | 346                                       | 4461001 ..... | 179, 185   |
| 4120013 .....                         | 328                                       | 4460023 ....                          | 162, 166, 170  | 4460579.....  | 346                                       | 4461005 ..... | 346, 347   |
| 4120035 .....                         | 342, 345                                  | 4460027 ...                           | 161, 165, 169,<br>173, 349   | 4460580.....  | 346                                       | 4461006 ..... | 346, 347   |
| 4130330 .....                         | 19, 27                                    | 4460042 .....                         | 218, 228   | 4460582.....  | 346                                       | 4461008 ..... | 347  |
| 4130331 .....                         | 19, 27                                    | 4460049 .....                         | 245  | 4460598.....  | 218, 222, 229,<br>349                     | 4461052 ..... | 346, 347   |
| 4130340 .....                         | 12  | 4460051 .....                         | 178, 184   | 4460600.....  | 328                                       | 4461053 ..... | 346, 347   |
| 4130341 .....                         | 12  | 4460071 ...                           | 178, 184, 222,<br>228, 342, 348  | 4460607.....  | 179, 185, 328                             | 4461054 ..... | 346, 347   |
| 4130401 .....                         | 16, 24, 29                                | 4460125 .....                         | 348  | 4460611.....  | 95, 111                                   | 4461060 ..... | 346, 347   |
| 4130402 .....                         | 16, 24, 29                                | 4460134 ....                          | 343, 348, 349  |               |   | 4461070 ..... | 346  |
| 4130409 .....                         | 16  | 4460190 ...                           | 161, 165, 169,<br>173  |               |   | 4461071 ..... | 344  |
| 4130410 .....                         | 16  |                                       |  |               |   | 4461072 ..... | 344  |
| 4130412 .....                         | 24  |                                       |  |               |   | 4461073 ..... | 344  |
| 4130413 .....                         | 17  |                                       |  |               |   | 4461074 ..... | 344  |
| 4130414 .....                         | 17  |                                       |  |               |   | 4461095 ..... | 346  |
| 4130415 .....                         | 17  |                                       |  |               |   | 4520171 ..... | 32   |
| 4160143 .....                         | 158                                       |                                       |  |               |   |               |  |

# PART NUMBER INDEX

|                          |                             |                             |                            |
|--------------------------|-----------------------------|-----------------------------|----------------------------|
| 4520172.....33           | 271, 273, 275, 277,         | 4740283 ..... 16            | 4844960..... 11            |
| 4520173.....33           | 279, 297, 299               | 4740362 .... 151, 222, 228  | 4844964.....137            |
| 4520210.....33           | 4640605 ... 263, 265, 277,  | 4740393 ..... 31            | 4844969.....204            |
| 4520211.....33           | 279                         | 4740397 ... 162, 166, 170,  | 4844972.....204            |
| 4520259.....32           | 4640647 ..... 297, 299      | 174, 229                    | 4844978.....204            |
| 4520283.....33           | 4640744 .... 135, 319, 323  | 4740439 ..... 194           | 4844979.....204            |
| 4520284.....33           | 4640750 ..... 87            | 4740444 ..... 148           | 4844983.....199            |
| 4520287.....32           | 4640751 ..... 93, 104       | 4740463 ..... 16, 24, 29    | 4844984.....199            |
| 4520288.....32           | 4640858 ..... 251, 253      | 4740542 ..... 15, 23        | 4845041..... 19            |
| 4520289.....32           | 4640862 .... 291, 293, 295  | 4740543 ..... 15            | 4845080..... 95            |
| 4520290.....32           | 4640866 ..... 68            | 4750600 ..... 179, 185      | 4845127..... 190, 195      |
| 4520328.....32           | 4640871 ..... 53            | 4750800 ..... 69, 138       | 4845163.....155            |
| 4520341.....33           | 4640902 ..... 267           | 4751000 .... 64, 109, 151,  | 4845194.....158            |
| 4520344.....32           | 4640906 ..... 70, 309       | 158, 162, 166, 170,         | 4845203.....158            |
| 4520345.....32           | 4640907 ..... 68            | 174, 218, 221               | 4845281..... 59            |
| 4520346.....32           | 4640908 ..... 68            | 4751400 . 87, 88, 94, 103,  | 4845283..... 59            |
| 4520427.....32           | 4640921 ..... 69, 77        | 104, 110, 121, 122,         | 4845327.....217            |
| 4520428.....32           | 4640922 ..... 69, 77        | 148, 152, 155, 159,         | 4845328.....217            |
| 4564281..... 112, 123    | 4640923 ..... 53            | 178, 190, 195, 203,         | 4845395..... 94, 105       |
| 4564417..... 170         | 4640929 ..... 213           | 213, 214, 222, 228,         | 4845404..... 93, 105, 110, |
| 4566408.....273          | 4640930 ..... 68            | 245, 353, 358, 362, 369     | 122                        |
| 4566425.....291          | 4640932 ... 255, 259, 261   | 4751500 . 53, 63, 96, 109,  | 4845408.....217            |
| 4566468...255, 259, 261, | 4640937 ..... 53            | 122, 158, 162, 166,         | 4845409.....217            |
| 281                      | 4640939 ..... 315           | 170, 190, 195, 218,         | 4845410.....217            |
| 4566471.....267          | 4640989 ..... 109, 122      | 245, 247                    | 4845412.....217            |
| 4566501.....263          | 4640999 ..... 297, 299      | 4751600 ... 55, 56, 87, 94, | 4845413.....217            |
| 4566605..... 109, 122    | 4641022 ..... 137           | 96, 102, 105, 110, 114,     | 4845414.....158            |
| 4566667.....277          | 4641097 ..... 67, 73        | 120, 122, 137, 138,         | 4845426.....217            |
| 4566832..... 53          | 4641108 ..... 68            | 141, 143, 158, 159,         | 4845450..... 59            |
| 4567073..... 87, 113     | 4641139 ..... 213           | 162, 166, 170, 174,         | 4845451..... 59            |
| 4567080..... 353, 362    | 4641162 ..... 251           | 190, 195, 200, 222,         | 4845469.....217            |
| 4567172..... 59          | 4641280 ..... 55, 56        | 228, 291                    | 4845668..... 96, 113       |
| 4567213..... 95          | 4641284 ..... 313           | 4751700 ..... 105           | 4846005.....189            |
| 4567214..... 95          | 4641287 ..... 55            | 4751800 . 53, 87, 95, 102,  | 4846006.....194            |
| 4567241.....200          | 4641307 ..... 307           | 110, 120, 141, 143,         | 4846101.....217            |
| 4567428..... 96          | 4641319 ..... 253           | 174, 200, 222, 225, 245     | 4846102.....217            |
| 4567429..... 96          | 4641390 ..... 253           | 4752000 88, 95, 102, 111,   | 4846103.....217            |
| 4567430..... 96          | 4641409 ..... 55            | 120                         | 4846236.....110            |
| 4567431..... 96          | 4641410 ..... 55, 56        | 4760600 ..... 179, 185      | 4846248.....110            |
| 4567571..... 96          | 4711400 . 53, 69, 95, 103,  | 4761000 .... 16, 158, 221,  | 4846253.....217            |
| 4567572..... 96          | 111, 120, 122, 151,         | 229                         | 4846254.....217            |
| 4567573..... 96          | 174, 178, 184, 200,         | 4761400 ..... 148           | 4846255.....217            |
| 4567574..... 96          | 213, 218, 222, 379          | 4761500 .... 109, 177, 184  | 4846295..... 64            |
| 4567576..... 95          | 4711500 ... 55, 59, 69, 70, | 4761600 ..... 59, 184       | 4846296..... 64            |
| 4567815..... 95, 104     | 87, 96, 113, 122, 177,      | 4770600 ..... 155           | 4846452.....221            |
| 4567879..... 111, 122    | 184, 204, 228, 309          | 4771800 ..... 112           | 4846561.....222            |
| 4568116.....137          | 4711600 ... 11, 19, 59, 69, | 4791400 .... 95, 105, 178,  | 4846566..... 93, 105       |
| 4568119.....137          | 88, 95, 104, 122, 178,      | 184                         | 4846573..... 190, 196      |
| 4568133..... 64          | 184, 190, 195, 199, 204     | 4811900 ..... 87, 162, 179  | 4846673.....245            |
| 4568158.....112          | 4711700 ..... 104, 174      | 4812000 ..... 122, 170      | 4846790..... 87            |
| 4568721..... 87          | 4711800 ... 155, 178, 184,  | 4831900 96, 98, 105, 111,   | 4846805..... 87            |
| 4568734..... 174, 184    | 190, 195, 225               | 122                         | 4846806.....109, 122       |
| 4568735..... 174, 184    | 4711900 ..... 104           | 4832000 87, 98, 105, 109,   | 4860158..... 32            |
| 4568788..... 87          | 4712600 ..... 59            | 111, 122                    | 4891400..... 69            |
| 4568951.....122          | 4713000 ..... 59            | 4844790 ..... 189, 195      | 4891500..... 70, 174, 309  |
| 4569083.....122          | 4713400 ..... 59            | 4844815 ..... 194           | 4891600 88, 94, 103, 109,  |
| 4569092.....122          | 4740016 ..... 12, 17        | 4844816 ..... 194           | 121, 155, 174, 184,        |
| 4569171.....104          | 4740036 ..... 64            | 4844817 ..... 194           | 190, 196                   |
| 4569173.....122          | 4740076 ..... 159           | 4844924 ..... 217           | 4891700.....184            |
| 4569177..... 87          | 4740111 ..... 63            | 4844925 ..... 217           | 4891800... 15, 23, 31, 69, |
| 4569203.....122          | 4740155 ..... 63            | 4844926 ..... 217           | 79, 155, 184, 190, 196,    |
| 4640113.....32, 33       | 4740158 .... 11, 15, 19, 23 | 4844928 ..... 217           | 247                        |
| 4640261..... 59, 63      | 4740171 ..... 158           | 4844929 ..... 11            | 4892000.....16, 79, 174    |
| 4640438.....273, 275     | 4740184 ..... 63            | 4844954 ..... 217           | 4892600..... 190, 196      |
| 4640509...255, 259, 261, | 4740256 ..... 16, 24, 29    | 4844955 ..... 217           | 4895000..... 31            |
| 263, 265, 267, 269,      | 4740274 87, 95, 104, 110,   | 4844956 ..... 217           | 4920385.....122            |
|                          | 122                         | 4844958 ..... 79            | 4921829.....349            |

## PART NUMBER INDEX

|                |                       |                |                       |                |                       |                |             |
|----------------|-----------------------|----------------|-----------------------|----------------|-----------------------|----------------|-------------|
| 4921850 .....  | 379                   | 70000123 .     | 161, 165, 169,<br>173 | 70002297 ..... | 177, 183              | 70004757 ..... | 235         |
| 4921927 .....  | 69, 348               | 70000124 .     | 161, 165, 169,<br>173 | 7000230 .....  | 81                    | 70004758 ..... | 235         |
| 4921928 .....  | 69, 348               | 70000125 .     | 161, 165, 169,<br>173 | 70002307 ..... | 112, 123              | 70004759 ..... | 235         |
| 4921954 .....  | 349                   | 70000126 .     | 162, 165, 169,<br>173 | 70002373 ..... | 285                   | 70004760 ..... | 235         |
| 4922482 .....  | 349                   | 70000127 ..    | 161, 165, 173         | 70002411 ..... | 97, 98                | 70004761 ..... | 235         |
| 4922484 .....  | 328                   | 70000264 ..... | 106                   | 70002412 ..... | 293                   | 70004762 ..... | 235         |
| 4922493 .....  | 342                   | 70000579 ..... | 73                    | 7000242 .....  | 81                    | 70004763 ..... | 235         |
| 4922494 .....  | 343                   | 70000580 ..... | 73                    | 7000246 .....  | 81                    | 70004764 ..... | 235         |
| 4922498 .....  | 349                   | 70000582 ..... | 73                    | 70002460 ..... | 177, 183              | 70004765 ..... | 235         |
| 4922508 .....  | 344, 347              | 70000583 ..... | 73                    | 7000253 .....  | 81                    | 70004766 ..... | 235         |
| 4922514 ....   | 344, 345, 346         | 70000588 ..... | 73                    | 70002530 ..... | 97, 98                | 70004767 ..... | 235         |
| 4922515 ....   | 344, 345, 346         | 70000589 ..... | 73                    | 7000255 .....  | 81                    | 70004768 ..... | 235         |
| 4922637 .....  | 344                   | 70000619 ..... | 178, 183              | 7000256 .....  | 81                    | 70004769 ..... | 235         |
| 4922638 .....  | 345                   | 70000781 ..... | 55                    | 70002567 ..... | 113, 123              | 70004770 ..... | 235         |
| 4922639 ....   | 228, 328, 342         | 70000782 ..... | 37                    | 7000257 .....  | 81                    | 70004771 ..... | 235         |
| 4922641 ....   | 180, 185, 349         | 70000794 ..... | 51                    | 7000258 .....  | 81                    | 70004772 ..... | 235         |
| 4922643 .....  | 349                   | 70000795 ..... | 51                    | 7000263 .....  | 81                    | 70004773 ..... | 235         |
| 4922666 ...    | 148, 228, 342,<br>345 | 70000800 ..... | 106                   | 7000269 .....  | 81                    | 70004774 ..... | 236         |
| 4922737 .....  | 87, 88                | 70000863 ..... | 177, 183              | 7000270 .....  | 81                    | 70004775 ..... | 236         |
| 4922757 .....  | 179                   | 70000916 ..... | 105                   | 70002724 ..... | 241                   | 70004862 ..... | 138         |
| 4922764 .....  | 350                   | 70000934 ..... | 69                    | 70002725 ..... | 241                   | 70005230 ..... | 243         |
| 4922810 .....  | 343                   | 70001002 ..... | 97                    | 70002726 ..... | 241                   | 7000625 .....  | 222, 227    |
| 4922811 .....  | 343                   | 70001017 ....  | 87, 96, 104,<br>113   | 70002727 ..... | 241                   | 70006369 ..... | 279         |
| 4922890 .....  | 343                   | 70001100 ..... | 177, 183              | 70002728 ..... | 241                   | 70006370 ..... | 279         |
| 4922891 .....  | 343                   | 70001119 ..... | 37                    | 70002729 ..... | 241                   | 70006371 ..... | 279         |
| 4922892 ....   | 222, 343, 349         | 70001120 ..... | 89                    | 70002730 ..... | 233                   | 70006372 ..... | 279         |
| 4922894 ....   | 222, 343, 349         | 70001248 ..... | 144                   | 70002731 ..... | 233                   | 70006373 ..... | 279         |
| 4922905 .....  | 184, 185              | 70001384 ..... | 177, 183              | 70002732 ..... | 233                   | 70006374 ..... | 279         |
| 4922921 .....  | 344, 345              | 70001423 ..... | 98                    | 70002733 ..... | 233                   | 70006442 ..... | 287         |
| 4922925 .....  | 178                   | 70001498 ..... | 97, 105               | 70002734 ..... | 233                   | 70006443 ..... | 287         |
| 4922968 .....  | 347                   | 70001681 ..... | 97, 98                | 70002735 ..... | 233                   | 70006444 ..... | 287         |
| 4922970 .....  | 349                   | 70001690 ..... | 123                   | 7000281 .....  | 38                    | 70006445 ..... | 287         |
| 4922978 .....  | 103                   | 70001696 ..... | 177, 183              | 70002906 ..... | 233                   | 70006446 ..... | 287         |
| 4923063 ....   | 344, 345, 346         | 70001697 ..... | 208, 211              | 70003001 ..... | 106                   | 70006447 ..... | 287         |
| 4923212 ....   | 344, 345, 346         | 70001742 ..... | 89                    | 70003002 ..... | 106                   | 70006478 ..... | 275         |
| 4923223 .....  | 345                   | 70001850 ..... | 105                   | 70003003 ..... | 106                   | 70006479 ..... | 275         |
| 4923224 .....  | 344, 347              | 70001941 ..... | 151                   | 70003408 ..... | 56                    | 70006480 ..... | 275         |
| 4923226 ....   | 344, 345, 346         | 70001953 ..... | 178, 184              | 70003483 ..... | 222                   | 70006481 ..... | 275         |
| 4923227 ....   | 344, 345, 346         | 70001966 ..... | 177, 183              | 70003556 ..... | 97                    | 70006482 ..... | 295, 299    |
| 4923231 .....  | 345                   | 70001969 ..... | 177                   | 70003631 ..... | 177, 183              | 70006483 ..... | 295, 299    |
| 4932986 .....  | 328                   | 70001973 ..... | 177, 184              | 70003708 ..... | 177, 184              | 70006484 ..... | 299         |
| 4932993 .....  | 328                   | 70001974 ..... | 177, 183              | 70003709 ..... | 177, 184              | 70006486 ..... | 265         |
| 4933025 .....  | 328                   | 70001976 ..... | 73, 74, 77            | 70003784 ..... | 228                   | 70006487 ..... | 265         |
| 4933026 .....  | 328                   | 70001999 ..... | 205                   | 70004169 ..    | 177, 178, 183,<br>184 | 70006488 ..... | 265         |
| 4933055 .....  | 329                   | 70002000 ..... | 205                   | 70004170 ..... | 177, 178              | 70006489 ..... | 265         |
| 4933063 .....  | 329                   | 70002001 ..... | 199                   | 70004171 ..... | 177, 183              | 70006568 ..... | 269         |
| 4933212 ....   | 329, 344, 345         | 70002002 ..... | 199                   | 70004182 ..... | 87                    | 70006569 ..... | 269         |
| 4933213 ....   | 329, 344, 345         | 70002011 ..... | 204                   | 70004738 ..... | 243                   | 70006570 ..... | 269         |
| 4933215 .....  | 328, 348              | 70002012 ..... | 204                   | 70004739 ..... | 243                   | 70006571 ..... | 269         |
| 4933216 .....  | 328, 348              | 70002063 ..... | 56                    | 70004740 ..... | 243                   | 70006572 ..... | 269         |
| 4933218 .....  | 328                   | 70002064 ..... | 56                    | 70004741 ..... | 243                   | 70006597 ..... | 285         |
| 4933219 .....  | 328                   | 70002088 ..... | 177, 183              | 70004742 ..... | 243                   | 70006599 ..... | 285         |
| 4933263 .....  | 328                   | 7000209 .....  | 81                    | 70004743 ..... | 243                   | 70006601 ..... | 285         |
| 4933264 .....  | 179, 328              | 7000209 .....  | 81                    | 70004744 ..... | 243                   | 7000663 .....  | 96, 97, 105 |
| 4933283 .....  | 185, 328              | 7000214 .....  | 81                    | 70004745 ..... | 243                   | 70006649 ..... | 271         |
| 4933295 ....   | 329, 344, 345         | 7000216 .....  | 37                    | 70004746 ..... | 243                   | 70006650 ..... | 271         |
| 4933300 .....  | 328, 348              | 7000217 .....  | 81                    | 70004747 ..... | 243                   | 70006654 ..... | 295         |
| 4933307 .....  | 328                   | 70002200 ..... | 105                   | 70004748 ..... | 243                   | 70006655 ..... | 295         |
| 4933308 .....  | 328, 350              | 70002212 ..... | 144                   | 70004749 ..... | 243                   | 70006734 ..... | 271         |
| 4933312 .....  | 328                   | 70002234 ..... | 97, 105               | 70004750 ..... | 243                   | 70006735 ..... | 271         |
| 4933319 ....   | 329, 344, 345         | 70002235 ..    | 161, 165, 169         | 70004751 ..... | 243                   | 70006736 ..... | 271         |
| 4933329 ....   | 329, 344, 345         | 70002239 ..... | 161                   | 70004752 ..... | 235                   | 70006774 ..... | 285         |
| 4933331 ....   | 329, 344, 345         | 70002240 ..... | 162                   | 70004753 ..... | 235                   | 70006775 ..... | 285         |
| 70000121 ..... | 117                   | 7000228 .....  | 81                    | 70004754 ..... | 235                   | 70006776 ..... | 285         |
| 70000122 ..... | 161                   | 7000229 .....  | 81                    | 70004755 ..... | 235                   | 70006793 ..... | 293         |
|                |                       |                |                       | 70004756 ..... | 235                   | 70006813 ..... | 293         |
|                |                       |                |                       |                |                       | 70006814 ..... | 293         |

## PART NUMBER INDEX

|                          |          |                             |          |                           |          |                             |            |
|--------------------------|----------|-----------------------------|----------|---------------------------|----------|-----------------------------|------------|
| 70006815.....            | 293      | 7005891.....                | 83       | 7007482.....              | 127      | 7012679.....                | 123        |
| 70006816.....            | 293      | 7005892.....                | 83       | 7007483.....              | 127      | 7012693.....                | 53         |
| 70006817.....            | 293      | 7005893.....                | 83       | 7007484.....              | 127, 133 | 7012694.....                | 68         |
| 70006818.....            | 293      | 7006140.....                | 204, 372 | 7007485.....              | 127, 133 | 7012699.....                | 68         |
| 70006819.....            | 293      | 7006151.....                | 204, 205 | 7007486.....              | 127      | 7012700.....                | 45         |
| 70006820.....            | 293      | 7006152... 199, 204, 205,   |          | 7007487.....              | 127, 133 | 7012701.....                | 45         |
| 70006821.....            | 293      | 372                         |          | 7007488.....              | 127, 133 | 7012702.....                | 45         |
| 7000699.....             | 97       | 7006158.....                | 205      | 7007489.....              | 135      | 7012703.....                | 45         |
| 7000731.....             | 31       | 7006161.....                | 204      | 7007490.....              | 127      | 7012704.....                | 45         |
| 7000897.....             | 112, 123 | 7007207.....                | 132      | 7007491.....              | 127      | 7012705.....                | 45         |
| 7001433.....             | 133      | 7007208.....                | 126, 132 | 7007492.....              | 127      | 7012706.....                | 45         |
| 7001438.....             | 126      | 7007412.....                | 127, 133 | 7007494.....              | 127, 133 | 7012707.....                | 45         |
| 7001498.....             | 127, 133 | 7007413.....                | 126, 132 | 7007496.....              | 127, 133 | 7012708.....                | 45         |
| 7001625.....             | 289      | 7007414.....                | 126, 132 | 7007497... 127, 133, 347  |          | 7012709.....                | 45         |
| 7001626.....             | 289      | 7007415.....                | 43       | 7007498... 127, 133, 347  |          | 7012710.....                | 45         |
| 7001627.....             | 289      | 7007416.....                | 126      | 7007499.....              | 127      | 7012711.....                | 45         |
| 7001628.....             | 289      | 7007417.....                | 126, 132 | 7007633.....              | 81       | 7012712.....                | 45         |
| 7001629.....             | 289      | 7007418.....                | 43, 132  | 7010103.....              | 135      | 7012713.....                | 45         |
| 7001630.....             | 289      | 7007419..... 43, 126, 132   |          | 7010104.....              | 135      | 7012714.....                | 45         |
| 7001633.....             | 289      | 7007420.....                | 126      | 7010105.....              | 135      | 7012715.....                | 45         |
| 7001711.....             | 35       | 7007421.....                | 126      | 7010108.....              | 41       | 7012716.....                | 45         |
| 7001909.....             | 81       | 7007423..... 126, 132       |          | 7010109.....              | 41       | 7012768.....                | 372        |
| 7001911.....             | 81       | 7007424.....                | 126      | 7010110.....              | 41       | 7012769.....                | 73, 74     |
| 7001913.....             | 37       | 7007425..... 41, 126, 132   |          | 7010111.....              | 41       | 7012772... 73, 74, 77, 372  |            |
| 7001928.....             | 81       | 7007426..... 41, 43         |          | 7010112.....              | 41       | 7012773.....                | 73, 74, 77 |
| 7001931.....             | 81       | 7007427..... 41, 43         |          | 7010113.....              | 41       | 7012774.....                | 74, 77     |
| 7001985.....             | 81       | 7007428.....                | 41       | 7010114.....              | 41       | 7012775.....                | 73, 74     |
| 7001987.....             | 81       | 7007429.....                | 41       | 7010115.....              | 41       | 7012776.....                | 77         |
| 7001988.....             | 81       | 7007430.....                | 41       | 7010116..... 41, 133      |          | 7012799.....                | 74         |
| 70022564.....            | 285      | 7007431.....                | 41       | 7010117.....              | 41       | 7012905.....                | 70, 309    |
| 70023371..... 285, 293   |          | 7007434.....                | 41       | 7010118.....              | 41       | 7012907.....                | 68         |
| 70023373.....            | 293      | 7007435... 43, 47, 126, 132 |          | 7010119.....              | 41       | 7012914.....                | 73, 74     |
| 70023915.....            | 269      | 7007436.....                | 126      | 7010120.....              | 127      | 7012918.....                | 73, 74     |
| 7002821..... 350, 379    |          | 7007437... 41, 43, 48, 51,  |          | 7010121..... 127, 133     |          | 7012941.....                | 68         |
| 7002822.....             | 379      | 126, 132                    |          | 7010122.....              | 127      | 7012943.....                | 68, 372    |
| 7002823..... 350, 379    |          | 7007438... 41, 43, 47, 51,  |          | 7010474.....              | 81       | 7012944... 68, 70, 73, 309, |            |
| 7002826.....             | 379      | 126, 132                    |          | 7010488.....              | 81       | 372                         |            |
| 7002828.....             | 350      | 7007439... 41, 43, 47, 51,  |          | 7010492.....              | 81       | 7012953.. 68, 73, 77, 213,  |            |
| 7002840..... 53, 379     |          | 126, 132                    |          | 7010494.....              | 81       | 267                         |            |
| 7003657... 161, 165, 169 |          | 7007440.....                | 126      | 7010542.....              | 73, 74   | 7012954.....                | 68         |
| 7003928.....             | 231, 233 | 7007441..... 126, 132       |          | 7010543..... 68, 73, 74   |          | 7012959.....                | 68         |
| 7003933.....             | 239      | 7007442..... 126, 132       |          | 7010638.....              | 93       | 7012961.....                | 68, 267    |
| 7003935.....             | 239      | 7007444..... 126, 132       |          | 7011043.....              | 68       | 7012965.....                | 77         |
| 7003941..... 239, 241    |          | 7007445.....                | 126      | 7011044.....              | 68       | 7012967.....                | 73, 74     |
| 7003946.....             | 239      | 7007446... 41, 47, 51, 132  |          | 7011048.....              | 68       | 7012969.....                | 74         |
| 7003953.....             | 231      | 7007449.....                | 126      | 7011062.....              | 68       | 7012970.....                | 213        |
| 7003969.....             | 239      | 7007452.....                | 132      | 7011063.....              | 67       | 7012972.....                | 70, 309    |
| 7003972..... 239, 241    |          | 7007453..... 126, 132       |          | 7011064.....              | 67       | 7012974.....                | 70, 309    |
| 7003973..... 239, 241    |          | 7007454..... 126, 132       |          | 7011065.....              | 67       | 7012978.....                | 53         |
| 7003976.....             | 231      | 7007456.....                | 126      | 7011066.....              | 67       | 7012980.....                | 53         |
| 7003977.....             | 231      | 7007457.....                | 132      | 7011112... 256, 259, 261  |          | 7012987.....                | 135        |
| 7003980..... 239, 241    |          | 7007458.....                | 126      | 7011185.....              | 297      | 7012988.....                | 135        |
| 7003982.....             | 241      | 7007459... 41, 43, 127, 133 |          | 7011328.....              | 68       | 7012989.....                | 73         |
| 7003983..... 239, 241    |          | 7007463..... 127, 133       |          | 7011331.....              | 207      | 7012992.....                | 53         |
| 7003986.....             | 239      | 7007464.....                | 133      | 7011332.....              | 207      | 7012993.....                | 53         |
| 7003989..... 239, 241    |          | 7007465.....                | 133      | 7011346.....              | 207      | 7012994.....                | 53         |
| 7003992..... 231, 239    |          | 7007466..... 127, 133       |          | 7012442.....              | 53       | 7012995.....                | 68         |
| 7003993..... 231, 239    |          | 7007468.....                | 127      | 7012513... 161, 165, 169, |          | 7012998.....                | 73, 74, 77 |
| 7003994.....             | 239      | 7007469.....                | 127      | 173                       |          | 7013187.....                | 141        |
| 7004248.....             | 67       | 7007470..... 127, 132       |          | 7012514... 161, 165, 169, |          | 7013189.....                | 144        |
| 7004275.....             | 379      | 7007471.....                | 127      | 173                       |          | 7013711.....                | 67         |
| 7004276.....             | 379      | 7007472..... 127, 133       |          | 7012518.....              | 68, 73   | 7013755.....                | 67         |
| 7004290.....             | 67       | 7007474..... 127, 133       |          | 7012558... 161, 165, 169, |          | 7013796.....                | 67         |
| 7005881.....             | 83       | 7007475..... 127, 133       |          | 173                       |          | 7013799.....                | 67         |
| 7005882.....             | 83       | 7007476..... 127, 133       |          | 7012599.....              | 97       | 7014700.....                | 35         |
| 7005889.....             | 83       | 7007477..... 127, 133       |          | 7012664 86, 93, 104, 111, |          | 7014701.....                | 35         |
| 7005890.....             | 83       | 7007478..... 127, 133       |          | 121, 372                  |          | 7014702.....                | 35         |



## PART NUMBER INDEX

|              |                  |              |            |              |                    |              |               |
|--------------|------------------|--------------|------------|--------------|--------------------|--------------|---------------|
| 7014706..... | 35               | 7016808..... | 111        | 7019154..... | 239                | 7020468..... | 97, 105       |
| 7014709..... | 35               | 7016812..... | 94         | 7019155..... | 239                | 7020471..... | 98, 105       |
| 7014710..... | 35               | 7016815..... | 94         | 7019160..... | 239                | 7020474..... | 97            |
| 7014711..... | 35               | 7016816..... | 95         | 7019161..... | 239                | 7020477..... | 97            |
| 7014712..... | 35               | 7016824..... | 95         | 7019162..... | 239, 241           | 7020479..... | 97, 105       |
| 7014713..... | 35               | 7016826..... | 94         | 7019164..... | 239, 241           | 7020480..... | 97            |
| 7014714..... | 35               | 7016827..... | 95         | 7019165..... | 239, 241           | 7020487..... | 97, 105       |
| 7014715..... | 35               | 7016845..... | 94         | 7019166..... | 239, 372           | 7021200..... | 132           |
| 7014716..... | 35               | 7017022..... | 38         | 7019167..... | 239, 241           | 7021201..... | 133           |
| 7014717..... | 35               | 7017027..... | 37         | 7019168..... | 239                | 7021202..... | 132           |
| 7014718..... | 35               | 7017072..... | 37         | 7019171..... | 231                | 7021203..... | 132           |
| 7014719..... | 35               | 7017089..... | 81         | 7019174..... | 231                | 7021206..... | 133           |
| 7014720..... | 35               | 7017093..... | 37         | 7019177..... | 231                | 7021207..... | 132           |
| 7014721..... | 35               | 7017095..... | 37         | 7019194..... | 239, 241           | 7021212..... | 133           |
| 7014722..... | 35               | 7017101..... | 207        | 7019197..... | 231                | 7021214..... | 127, 133      |
| 7014723..... | 35               | 7017106..... | 208        | 7019607..... | 97                 | 7021217..... | 133           |
| 7014724..... | 35               | 7017115..... | 207        | 7019658..... | 89, 96, 103, 137   | 7021218..... | 133           |
| 7014725..... | 35               | 7017116..... | 207        | 7019680..... | 161, 165, 173      | 7021219..... | 133           |
| 7014726..... | 35               | 7017117..... | 207        | 7019925..... | 113, 123           | 7021220..... | 133           |
| 7014727..... | 35               | 7017118..... | 208        | 7019930..... | 113                | 7021221..... | 133           |
| 7014728..... | 35               | 7017119..... | 207        | 7019932..... | 113                | 7021222..... | 133           |
| 7014729..... | 35               | 7017142..... | 207, 208   | 7019976..... | 112, 123           | 7021223..... | 132           |
| 7014730..... | 35               | 7017156..... | 208        | 7019977..... | 112, 123           | 7021232..... | 133           |
| 7014731..... | 35               | 7017157..... | 208        | 7019986..... | 112                | 7021249..... | 47, 51        |
| 7014800..... | 138              | 7017158..... | 208, 211   | 7019993..... | 112, 123           | 7021256..... | 132           |
| 7014801..... | 138              | 7017159..... | 208, 211   | 7019994..... | 112, 123           | 7021275..... | 47, 51        |
| 7014802..... | 138              | 7017162..... | 207, 211   | 7019996..... | 112, 123           | 7021310..... | 74            |
| 7014810..... | 138, 372         | 7017163..... | 207, 211   | 7020020..... | 69                 | 7021625..... | 55, 56        |
| 7014811..... | 138              | 7017164..... | 207, 211   | 7020021..... | 69                 | 7021868..... | 112, 123, 374 |
| 7016180..... | 110              | 7017174..... | 207        | 7020025..... | 97                 | 7022134..... | 112, 122      |
| 7016206..... | 33               | 7017177..... | 207        | 7020027..... | 97                 | 7022139..... | 112, 123      |
| 7016312..... | 69, 372          | 7017183..... | 207, 211   | 7020108..... | 161, 165, 169, 173 | 7022143..... | 113, 123      |
| 7016313..... | 69, 372          | 7017193..... | 207, 211   | 7020109..... | 161, 165, 169, 173 | 7022144..... | 113           |
| 7016314..... | 137              | 7017410..... | 73         | 7020110..... | 161, 165, 169, 173 | 7022149..... | 113           |
| 7016322..... | 155              | 7017411..... | 73         | 7020111..... | 161, 165, 169, 173 | 7022150..... | 113, 123      |
| 7016328..... | 96, 97, 105, 374 | 7017418..... | 73         | 7020135..... | 33                 | 7022151..... | 113           |
| 7016330..... | 96               | 7017420..... | 74, 77     | 7020168..... | 97                 | 7022153..... | 113           |
| 7016331..... | 96, 97, 105, 374 | 7017421..... | 77         | 7020175..... | 228                | 7022154..... | 113           |
| 7016332..... | 97               | 7017422..... | 77         | 7020176..... | 228                | 7022155..... | 113, 123      |
| 7016342..... | 141              | 7017423..... | 74         | 7020190..... | 161, 165, 169, 173 | 7022156..... | 113           |
| 7016374..... | 155              | 7017427..... | 73         | 7020246..... | 147                | 7022157..... | 113           |
| 7016380..... | 151              | 7017428..... | 73, 74     | 7020404..... | 97                 | 7022158..... | 113           |
| 7016399..... | 218, 222         | 7017496..... | 253        | 7020408..... | 97, 105            | 7022159..... | 113           |
| 7016422..... | 83               | 7018612..... | 31, 79     | 7020411..... | 97, 105            | 7022160..... | 113           |
| 7016423..... | 83               | 7018912..... | 73, 74, 77 | 7020414..... | 97                 | 7022161..... | 113           |
| 7016424..... | 83               | 7018942..... | 77         | 7020419..... | 97                 | 7022162..... | 113           |
| 7016425..... | 83               | 7018945..... | 77         | 7020425..... | 97                 | 7022165..... | 117           |
| 7016426..... | 83               | 7018946..... | 77         | 7020427..... | 97                 | 7022166..... | 117           |
| 7016427..... | 83               | 7018948..... | 77         | 7020431..... | 97                 | 7022167..... | 117           |
| 7016502..... | 199, 372         | 7018952..... | 74         | 7020447..... | 105                | 7022168..... | 117           |
| 7016510..... | 199              | 7019103..... | 239        | 7020449..... | 97, 105            | 7022170..... | 117           |
| 7016519..... | 204              | 7019110..... | 239        | 7020458..... | 97, 106            | 7022171..... | 117           |
| 7016521..... | 205              | 7019111..... | 231, 239   | 7020459..... | 106                | 7022178..... | 113           |
| 7016652..... | 218, 379         | 7019112..... | 239        | 7020460..... | 106                | 7022179..... | 113           |
| 7016654..... | 379              | 7019114..... | 239        | 7020461..... | 97, 106            | 7022180..... | 112, 123      |
| 7016655..... | 379              | 7019115..... | 239        | 7020462..... | 97                 | 7022203..... | 68            |
| 7016700..... | 67               | 7019122..... | 231        | 7020463..... | 97                 | 7022302..... | 47, 51        |
| 7016701..... | 67               | 7019123..... | 231        | 7020464..... | 97, 105            | 7022311..... | 47, 51        |
| 7016702..... | 67               | 7019141..... | 231        | 7020465..... | 97, 105            | 7022313..... | 51            |
| 7016744..... | 68               | 7019142..... | 231        |              |                    | 7022314..... | 47, 51        |
| 7016746..... | 68               | 7019143..... | 231        |              |                    | 7022318..... | 47            |
| 7016747..... | 68               | 7019144..... | 231        |              |                    | 7022320..... | 47            |
| 7016800..... | 94, 111          | 7019145..... | 231        |              |                    | 7022321..... | 47            |
| 7016802..... | 94               | 7019147..... | 231        |              |                    | 7022326..... | 48, 51        |
| 7016803..... | 94               | 7019149..... | 231        |              |                    | 7022328..... | 48, 51        |
| 7016804..... | 111              | 7019150..... | 231        |              |                    | 7022368..... | 47, 51        |
| 7016807..... | 111              | 7019151..... | 239        |              |                    | 7022370..... | 47            |

## PART NUMBER INDEX

|                            |                       |                                  |                                  |
|----------------------------|-----------------------|----------------------------------|----------------------------------|
| 7022371.....43, 48, 51     | 7024404..... 144      | 7024863..... 47                  | 7026829.....90                   |
| 7022372..... 47, 51        | 7024439..... 138      | 7024864..... 47                  | 7026830..... 89, 374             |
| 7022397.....56             | 7024440..... 138      | 7024865..... 47, 51              | 7026831..... 89                  |
| 7022399.....56             | 7024441..... 138      | 7024866..... 47                  | 7026832..... 90                  |
| 7022808..... 231, 233      | 7024442..... 138      | 7024867..... 47, 51              | 7026833..... 89                  |
| 7022812..... 239           | 7024443..... 138      | 7024868..... 47                  | 7026834..... 89                  |
| 7022814..... 231           | 7024444..... 138      | 7024869..... 47                  | 7026835..... 89                  |
| 7022815..... 231, 233      | 7024445..... 138      | 7024871..... 47, 51              | 7026836..... 89                  |
| 7022816..... 231           | 7024446..... 138      | 7024879..... 253                 | 7026838..... 90                  |
| 7022817..... 231           | 7024485..... 177, 183 | 7024892..... 56                  | 7026839..... 89                  |
| 7022818..... 231, 372      | 7024488..... 178, 183 | 7025124..... 113                 | 7026840..... 89                  |
| 7022819..... 231, 233, 347 | 7024489..... 178, 183 | 7026188..... 177, 183            | 7026841..... 89                  |
| 7022822..... 239           | 7024560..... 96, 104  | 7026189..... 143                 | 7026843..... 89                  |
| 7022823..... 239           | 7024565..... 97, 106  | 7026197..... 144                 | 7026845..... 90                  |
| 7022824..... 239, 372      | 7024579..... 98, 106  | 7026199... 161, 165, 169,<br>173 | 7026882..... 89                  |
| 7022825..... 347           | 7024598..... 155      | 7026503..... 143                 | 7027001..... 88, 94, 102         |
| 7023038..... 289           | 7024721..... 38       | 7026504..... 144                 | 7027002 88, 94, 102, 111,<br>120 |
| 7023206..... 69            | 7024722..... 37       | 7026505..... 144                 | 7027003 88, 95, 102, 111,<br>120 |
| 7023603..... 117           | 7024723..... 38       | 7026506..... 144                 | 7027004..... 88, 94, 102         |
| 7023613..... 113           | 7024724..... 37       | 7026507..... 144                 | 7027005..... 111, 120            |
| 7023637..... 112           | 7024725..... 37       | 7026508..... 144                 | 7027006..... 111, 120            |
| 7023644..... 113           | 7024726..... 37       | 7026509..... 144                 | 7027007..... 111, 120            |
| 7023645..... 117           | 7024727..... 37       | 7026510..... 144                 | 7027236..... 106                 |
| 7023652..... 112           | 7024728..... 37       | 7026511..... 143                 | 7027239..... 106                 |
| 7023653..... 112           | 7024729..... 37       | 7026512..... 144                 | 7027241..... 105                 |
| 7023654..... 112           | 7024730..... 37       | 7026522..... 97                  | 7027245..... 106                 |
| 7023655..... 112           | 7024731..... 37       | 7026597..... 177, 183            | 7027246..... 105                 |
| 7023656..... 112           | 7024732..... 37       | 7026607..... 97, 106             | 7027250..... 97                  |
| 7023657..... 113           | 7024733..... 37       | 7026608..... 97, 105             | 7027400..... 123                 |
| 7023658..... 112           | 7024734..... 37       | 7026631..... 97, 105             | 7027402..... 113, 123            |
| 7023659..... 117           | 7024735..... 37       | 7026800..... 89                  | 7027404..... 123                 |
| 7023660..... 117           | 7024736..... 37       | 7026801..... 89                  | 7027405..... 123                 |
| 7023662..... 112           | 7024737..... 38       | 7026802..... 89                  | 7027409..... 123                 |
| 7023663..... 112, 347      | 7024738..... 37       | 7026803..... 89                  | 7027410..... 123                 |
| 7023665..... 117           | 7024739..... 37       | 7026804..... 89                  | 7027412..... 87                  |
| 7023679..... 347           | 7024740..... 37       | 7026805..... 89                  | 7027413..... 123                 |
| 7023680..... 117           | 7024741..... 37       | 7026806..... 89                  | 7027419..... 47, 51              |
| 7023681..... 112, 123, 347 | 7024742..... 37       | 7026807..... 89                  | 7027608..... 105                 |
| 7023682..... 112, 123      | 7024743..... 37       | 7026809..... 89                  | 7027609..... 105                 |
| 7023683..... 112, 123      | 7024744..... 38       | 7026810..... 89                  | 7027610..... 105                 |
| 7023695..... 113           | 7024744..... 38       | 7026811..... 89, 374             | 7027740..... 51                  |
| 7023698..... 123           | 7024764..... 38       | 7026812..... 89                  | 7027790..... 106                 |
| 7023699..... 123           | 7024765..... 38       | 7026813..... 89                  | 7027791..... 105                 |
| 7023910..... 47, 51        | 7024766..... 38       | 7026814..... 89                  | 7027792..... 106                 |
| 7023917..... 56            | 7024800..... 133      | 7026815..... 89                  | 7027793..... 106, 347            |
| 7023933..... 55, 56        | 7024834..... 43       | 7026816..... 89                  | 7027794..... 106, 347            |
| 7023935..... 56            | 7024835..... 43       | 7026817..... 90                  | 7027795..... 106, 374            |
| 7023936..... 56            | 7024836..... 43       | 7026818..... 90                  | 7027796..... 106, 347            |
| 7023964..... 43            | 7024837..... 43       | 7026819..... 89                  | 7027799..... 177, 183            |
| 7023977..... 132           | 7024838..... 43       | 7026820..... 89                  | 7027887... 162, 166, 169,<br>174 |
| 7023979..... 133           | 7024839..... 43       | 7026821..... 89                  | 80934561..... 144                |
| 7024036..... 45            | 7024840..... 43       | 7026822..... 89                  | 8405009..... 86                  |
| 7024100..... 81            | 7024841..... 43       | 7026823..... 89                  | 8405104..... 86                  |
| 7024124..... 37            | 7024842..... 43       | 7026824..... 89                  | 85941017..... 103                |
| 7024125..... 37            | 7024843..... 43       | 7026825..... 89                  | 8896941..... 379                 |
| 7024127..... 37            | 7024850..... 55, 56   | 7026826..... 90                  | 91083218... 112, 122, 374        |
| 7024129..... 37            | 7024851..... 133      | 7026827..... 90                  |                                  |
| 7024134..... 38            | 7024853..... 47, 51   | 7026828..... 90                  |                                  |
| 7024398..... 96, 104       | 7024861..... 47       |                                  |                                  |
|                            | 7024862..... 47, 51   |                                  |                                  |

# PARTS FINDER

**Search Website  
by Part Number**



**Search Manual  
Library For Parts  
Manual & Lookup Part  
Numbers – Purchase  
or Request Quote**

**Can't Find Part or  
Manual? Request Help  
by Manufacturer,  
Model & Description**

Discount-Equipment.com is your online resource for quality parts & equipment.

Florida: **561-964-4949** Outside Florida TOLL FREE: **877-690-3101**

**Need parts?**

Click on this link: <http://www.discount-equipment.com/category/5443-parts/> and choose one of the options to help get the right parts and equipment you are looking for. Please have the machine model and serial number available in order to help us get you the correct parts. If you don't find the part on the website or on one of the online manuals, please fill out the request form and one of our experienced staff members will get back to you with a quote for the right part that your machine needs.

We sell worldwide for the brands: Genie, Terex, JLG, MultiQuip, Mikasa, Essick, Whiteman, Mayco, Toro Stone, Diamond Products, Generac Magnum, Airman, Haulotte, Barreto, Power Blanket, Nifty Lift, Atlas Copco, Chicago Pneumatic, Allmand, Miller Curber, Skyjack, Lull, Skytrak, Tsurumi, Husquvarna Target, Stow, Wacker, Sakai, Mi-T-M, Sullair, Basic, Dynapac, MBW, Weber, Bartell, Bennar Newman, Haulotte, Ditch Runner, Menegotti, Morrison, Contec, Buddy, Crown, Edco, Wyco, Bomag, Laymor, EZ Trench, Bil-Jax, F.S. Curtis, Gehl Pavers, Heli, Honda, ICS/PowerGrit, IHI, Partner, Imer, Clipper, MMD, Koshin, Rice, CH&E, General Equipment, Amida, Coleman, NAC, Gradall, Square Shooter, Kent, Stanley, Tamco, Toku, Hatz, Kohler, Robin, Wisconsin, Northrock, Oztec, Toker TK, Rol-Air, APT, Wylie, Ingersoll Rand / Doosan, Innovatech, Con X, Ammann, Mecalac, Makinex, Smith Surface Prep, Small Line, Wanco, Yanmar