



Illustrated Parts Manual

Models

600A

600AJ

Prior to
SN 0300069000

P/N
3120841

January 31, 2019 - Rev AM



An Oshkosh Corporation Company

PARTS FINDER

**Search Website
by Part Number**



**Search Manual
Library For Parts
Manual & Lookup Part
Numbers – Purchase
or Request Quote**

**Can't Find Part or
Manual? Request Help
by Manufacturer,
Model & Description**

Discount-Equipment.com is your online resource for quality parts & equipment.

Florida: **561-964-4949** Outside Florida TOLL FREE: **877-690-3101**

Need parts?

Click on this link: <http://www.discount-equipment.com/category/5443-parts/> and choose one of the options to help get the right parts and equipment you are looking for. Please have the machine model and serial number available in order to help us get you the correct parts. If you don't find the part on the website or on one of the online manuals, please fill out the request form and one of our experienced staff members will get back to you with a quote for the right part that your machine needs.

We sell worldwide for the brands: Genie, Terex, JLG, MultiQuip, Mikasa, Essick, Whiteman, Mayco, Toro Stone, Diamond Products, Generac Magnum, Airman, Haulotte, Barreto, Power Blanket, Nifty Lift, Atlas Copco, Chicago Pneumatic, Allmand, Miller Curber, Skyjack, Lull, Skytrak, Tsurumi, Husquvarna Target, Stow, Wacker, Sakai, Mi-T-M, Sullair, Basic, Dynapac, MBW, Weber, Bartell, Bennar Newman, Haulotte, Ditch Runner, Menegotti, Morrison, Contec, Buddy, Crown, Edco, Wyco, Bomag, Laymor, EZ Trench, Bil-Jax, F.S. Curtis, Gehl Pavers, Heli, Honda, ICS/PowerGrit, IHI, Partner, Imer, Clipper, MMD, Koshin, Rice, CH&E, General Equipment, Amida, Coleman, NAC, Gradall, Square Shooter, Kent, Stanley, Tamco, Toku, Hatz, Kohler, Robin, Wisconsin, Northrock, Oztec, Toker TK, Rol-Air, APT, Wylie, Ingersoll Rand / Doosan, Innovatech, Con X, Ammann, Mecalac, Makinex, Smith Surface Prep, Small Line, Wanco, Yanmar

REVISION LOG

NOTES:

ADE SYSTEM IDENTIFICATION

Most 600A and 600AJ machines from S/N 64249 incorporate the ADE System, but no clean S/N break exist. The following machine serial numbers prior to S/N 64249 also utilize ADE System: 63908, 63912, 63932, 63936, 63938, 63954, 63959 and 63963. A machine that incorporates ADE System can be outwardly identified by the analyzer connection at the base of the platform control box.



MANUAL REVISION LOG:

February 1996 - A - Original Issue Of Manual

September 1997 - B - Revised (Manual edited to 0010519 Revision 31)

February 1998 - C - Change 1 (Manual edited to 0010519 Revision 37)

Pages Affected:

Cover

Effectivity Page: a

Table of Contents Pages: i & ii

Section 1 Pages: 1-1 & 1-28 to 1-30

Section 2 Pages: 2-1, 2-2, 2-4 to 2-6, 2-10, 2-20, 2-22 to 2-24, 2-26, 2-27, 2-29, 2-31 to 2-36,
2-38, 2-39, 2-42, 2-45, 2-48, to 2-51, 2-58 to 2-59B, 2-62 to 2-65 & 2-67 to 2-69

Section 3 Pages: 3-1, 3-13, 3-21 to 3-24

Section 4 Pages: 4-1, 4-5 to 4-9, 4-17 & 4-18

Section 5 Pages: 5-1 & 5-28 to 5-30

Section 7 Pages: 7-1 to 7-28

Section 8 Pages: 8-4 & 8-5

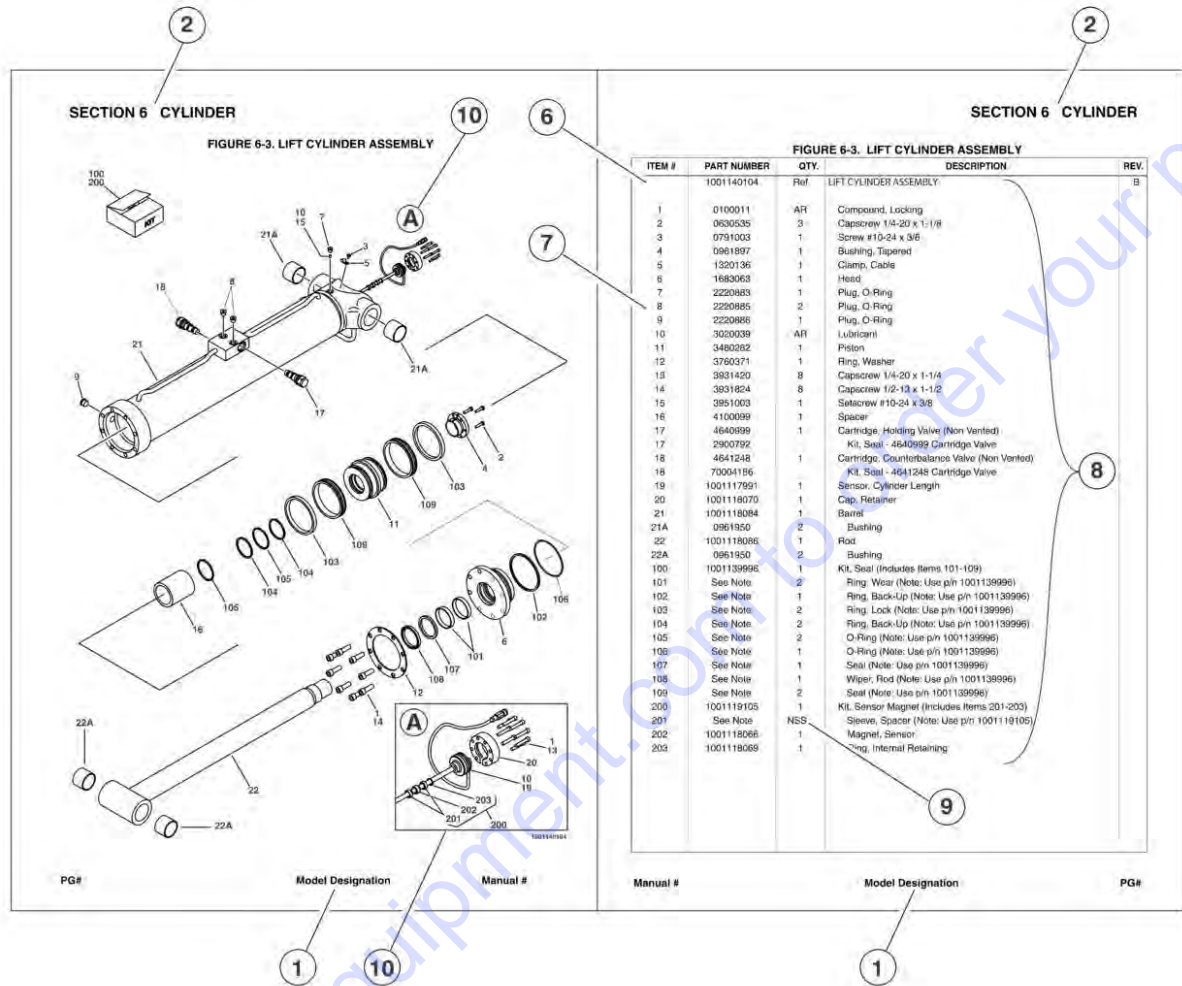
REVISION LOG

Section 9 Pages: 9-1

Section 10 Pages: 10-2

February 12, 1999 - D - Revised (Manual edited to 0010519 Revision 50)
September 30, 1999 - E - Revised (Manual edited to 0010519 Revision 58)
March 1, 2000 - F - Revised (Manual edited to 0010519 Revision 63)
August 22, 2001 - G - Revised (Manual edited to 0010519 Revision 73)
(Manual edited to 0010577 Revision 6 With ADE System)
March 1, 2002 - H - Revised (Manual edited to 0010577 Revision 9)
July 1, 2002 - I - Revised (Manual edited to 0010577 Revision 18)
February 15, 2003 - J - Added "Prior to S/N 0300069000" to Front Cover. Refer to Parts Manual 3121855 for Machines Built S/N 0300069000 to 0300087000.
March 6, 2003 - K - Revised Manual
June 16, 2003 - L - Revised Manual
May 5, 2004 - M - Revised Manual
April 11, 2005 - N - Revised Manual
November 15, 2005 - O - Revised Manual
April 18, 2006 - P - Revised Manual
July 19, 2006 - Q - Revised Manual
December 12, 2006 - R - Revised Manual
May 1, 2007 - S - Revised Manual
August 16, 2007 - T - Revised Manual
December 4, 2007 - U - Revised Manual
March 31, 2008 - V - Revised Manual
September 15, 2008 - W - Revised Manual
February 15, 2009 - X - Revised Manual
August 1, 2009 - Y - Revised Manual
March 25, 2010 - Z - Revised Manual
August 15, 2010 - AA - Revised Manual
May 27, 2011 - AB - Revised Manual
August 29, 2011 - AC - Revised Manual
December 23, 2011 - AD - Revised Manual
April 27, 2012 - AE - Revised Manual
July 24, 2012 - AF - Revised Manual
November 2, 2012 - AG - Revised Manual
March 7, 2013 - AH - Revised Manual
June 6, 2013 - AI - Revised Manual
September 1, 2013 - AJ - Revised Manual
June 1, 2015 - AK - Revised Manual
December 14, 2015 - AL - Revised Manual (Revision 4)
January 31, 2019 - AM - Revised Manual

GENERAL INFORMATION



1) MACHINE IDENTIFICATION

Machines are identified by model and in some cases a combination of models, serial number (SN) or regional standard (i.e ANSI, CE, CSA). Components may also be identified by SN or manufacturer. Common components that may be identified by these characteristics are engines and hydraulic components.

2) PARTS MANUAL ORGANIZATION

Product information in this manual is organized under section titles. Frame, Cylinder, Hydraulic and Electrical are a few examples. Each section is organized by figure and page number. The information within the Figure is then organized by item number, part number, description and corresponding illustration (s).

3) TABLE OF CONTENTS

A table of contents is found toward the beginning of the manual. Figure number, description and page number are provided for quick reference to the page containing the related information.

4) RECOMMENDED SPARE PARTS

The Recommended Spare Parts, located near the end of the manual, reference most frequently used maintenance parts.

5) PART NUMBER INDEX

A numerical index listing all part numbers and the corresponding page number(s) appears at the back of the manual.

GENERAL INFORMATION

6) NON-SERVICED PARTS

In some instances, it is necessary to display non-serviced parts, assemblies or installations. In the case of assemblies and installations there will be a Ref in the Qty column. In case of parts that are not available for service within assemblies or components, there will be a NSS (Not Sold Separately) or NLA (No Longer Available) listed in the Qty. column of the manual.

7) PARTS LIST ITEM NUMBERS

Numbers shown in the item# column correspond to numbers used in the associated illustration (s). Item numbers which are missing from the sequence in the parts list are not used on that page

8) INDENTED PARTS DESCRIPTION

An indented part description is included in the item under which it is indented.

9) ABB REVIATION AND SYMBOLS

AC.....	.. Alternating Current	LCD	Liquid Crystal Display
ADE.....	..Advanced Design Electronics	LED	Light Emitting Diodes
ANSIAmerican National Standards Institute	LH.....	.. Left Hand
AR.....	..As Required	LSSLoad Sensing System
ASSY Assembly	M(m).....	..Metric/Meter
AUX.....	..A uxiliary	MM (mm).....	..Milimeter
AWG.....	..American Wire Gauge	mA.....	.. Milliamps
B/M.....	.. Bill of Material	NLA.....No Longer Available
CE.....	..European Conformity	NPT National Pipe Threads
CCWCounter Clockwise	NSSNot Sold Separately
cm.....	.. Centimeter	OD.....	..Outside Diameter
CW.....	..Clockwise	ORB.....	.. O-Ring Boss
CSA.....	..Canadian Standards Association	ORFS.....	.. O-Ring Face Seal
CYL.....	..Cylinder	OZ (oz).....	..Ounces
DIA.....	..Diameter	PGPage
DC.....	..Direct Current	P/N.....	..Part Number
EMS Emergency Stop	qt.....	..Quarts
ENGEngine	QTY.....	..Quantity
FT(ft).....	..Feet	REFReference
GA(Ga).....	.. Gauge	REVRevision Level
HYDHydraulic	RH.....	.. Right Hand
Hz.....	..Her tz	SAE.....	.. Society of Automotive Engineers
ID.....	..Inside Diameter	SN.....	..Serial Number
in.....	.. inches	SPEC(S).....Specifications
ISO.....	..I nternational Organ ization for Stand ards	T/T.....T urntable
JIC.....	..Joint Indust ry Council	UGMUniv ersal G round Module
KGKilogram	V.....	.. Volts
L.....	..Liter	W.....	.. Watts
LBP ounds	#.....	.. Number

10) ILLUSTRATION REFERENCE LETTERS

When necessary, illustrations may contain reference letters that are intended to track information (i. e. hoses, harnesses) from one point to another or to track visual enlargement of components to show details that may be located in another area on the illustration.

Note: Due to continuous product improvements, JLG Industries, Inc. reserves the right to make specification changes without prior notification. Contact JLG Industries, Inc. for updated information.

TABLE OF CONTENTS

SECTION 1 - FRAME.....	9
FIGURE 1-1. 2WD FRONT AXLE AND STEERING INSTALLATIONS.....	10
FIGURE 1-2. 4WD FRONT AXLE AND STEERING INSTALLATIONS.....	14
FIGURE 1-3. 4WS REAR STEERING INSTALLATIONS.....	18
FIGURE 1-4. TIRE AND WHEEL DRIVE INSTALLATIONS.....	20
FIGURE 1-5. DRIVE HUB ASSEMBLY.....	24
FIGURE 1-6. DRIVE BRAKE ASSEMBLY.....	26
FIGURE 1-7. DRIVE MOTOR ASSEMBLY - SUNSTRAND (2WD).....	30
FIGURE 1-8. DRIVE MOTOR ASSEMBLY - REXROTH (4WD).....	32
FIGURE 1-9. TOW PACKAGE INSTALLATION (OPTIONAL).....	34
SECTION 2 - TURNTABLE.....	37
FIGURE 2-1. CONTROL VALVES INSTALLATIONS.....	38
FIGURE 2-2. MAIN VALVE BLOCK ASSEMBLY.....	42
FIGURE 2-3. ACCESSORY VALVE ASSEMBLIES.....	46
FIGURE 2-4. SWING DRIVE, TURNTABLE BEARING AND LOCK INSTALLATIONS.....	48
FIGURE 2-5. SWING HUB ASSEMBLY.....	50
FIGURE 2-6. SWING BRAKE ASSEMBLY.....	52
FIGURE 2-7. SWING MOTOR ASSEMBLY.....	56
FIGURE 2-8. DEUTZ ENGINE INSTALLATION - WITHOUT NOISE REDUCTION (Prior to SN 0300029930).....	58
FIGURE 2-9. DEUTZ ENGINE INSTALLATION - WITH NOISE REDUCTION (SN 0300028190 through 0300069000).....	64
FIGURE 2-10. GENERATOR INSTALLATION (OPTIONAL - DEUTZ ENGINE MACHINES).....	70
FIGURE 2-11. PISTON PUMP ASSEMBLY.....	74
FIGURE 2-12. GEAR PUMP ASSEMBLY.....	80
FIGURE 2-13. TANKS INSTALLATION.....	82
FIGURE 2-14. ROTARY COUPLING INSTALLATION.....	84
FIGURE 2-15. GROUND CONTROL BOX INSTALLATIONS (Prior to SN 0300064249).....	86
FIGURE 2-16. GROUND CONTROL BOX INSTALLATIONS (ADE SYSTEM) (SN 0300064249 through 0300069000).....	90
FIGURE 2-17. ELECTRICAL OPTIONS INSTALLATION (TURNTABLE MOUNTED).....	94
FIGURE 2-18. ENGINE TRAY JACK INSTALLATION (OPTIONAL).....	98
FIGURE 2-19. HOODS INSTALLATIONS - WITHOUT NOISE REDUCTION.....	100
FIGURE 2-20. HOODS INSTALLATIONS - WITH NOISE REDUCTION.....	104
SECTION 3 - BOOM.....	109
FIGURE 3-1. BOOMS AND CYLINDERS INSTALLATION - 600A.....	110
FIGURE 3-2. BOOMS AND CYLINDERS INSTALLATION - 600AJ.....	114
FIGURE 3-3. TOWER BOOM ASSEMBLIES.....	120
FIGURE 3-4. MAIN BOOM ASSEMBLIES.....	124
FIGURE 3-5. ROTATOR ASSEMBLIES (FRONT ENTRY PLATFORM).....	128
FIGURE 3-6. ROTATOR ASSEMBLIES (SIDE ENTRY PLATFORM).....	132
FIGURE 3-7. VALVES AND SWITCHES INSTALLATION (BOOM MOUNTED).....	134
FIGURE 3-8. BOOM WIPERS INSTALLATIONS (OPTIONAL).....	138
SECTION 4 - PLATFORM.....	141
FIGURE 4-1. PLATFORM COMPONENTS INSTALLATION (FRONT ENTRY).....	142
FIGURE 4-2. PLATFORM COMPONENTS INSTALLATION (SIDE ENTRY).....	146
FIGURE 4-3. PLATFORM CONSOLE ASSEMBLY (Prior to SN 0300064249).....	150
FIGURE 4-4. PLATFORM CONSOLE ASSEMBLY (WITH ADE SYSTEM) (SN 0300064249 through 0300069000).....	156
FIGURE 4-5. CONTROLLER ASSEMBLY (SWING AND LIFT) (Prior to SN 0300039749).....	160
FIGURE 4-6. CONTROLLER ASSEMBLY (SWING AND LIFT) (SN 0300039749 through 0300064248).....	162
FIGURE 4-7. CONTROLLER ASSEMBLY (SWING AND LIFT) (WITH ADE SYSTEM) (ORIGINAL EQUIPMENT) (SN 0300064249 through 0300069000).....	164
FIGURE 4-8. CONTROLLER ASSEMBLY (SWING AND LIFT) (WITH ADE SYSTEM) (SERVICE REPLACEMENT) (SN 0300064249 through 0300069000).....	166
FIGURE 4-9. CONTROLLER ASSEMBLY (SWING AND LIFT) (WITH ADE SYSTEM) (SERVICE REPLACEMENT) (SN 0300064249 through 0300069000).....	168
FIGURE 4-10. CONTROLLER ASSEMBLY (DRIVE AND STEER) (Prior to SN 0300039749).....	172
FIGURE 4-11. CONTROLLER ASSEMBLY (DRIVE AND STEER) (SN 0300039749 through 0300064248).....	176
FIGURE 4-12. CONTROLLER ASSEMBLY (DRIVE AND STEER) (WITH ADE SYSTEM) (ORIGINAL EQUIPMENT) (SN 0300064249 through 0300069000).....	178
FIGURE 4-13. CONTROLLER ASSEMBLY (DRIVE AND STEER) (WITH ADE SYSTEM) (SERVICE REPLACEMENT) (SN 0300064249 through 0300069000).....	180

TABLE OF CONTENTS

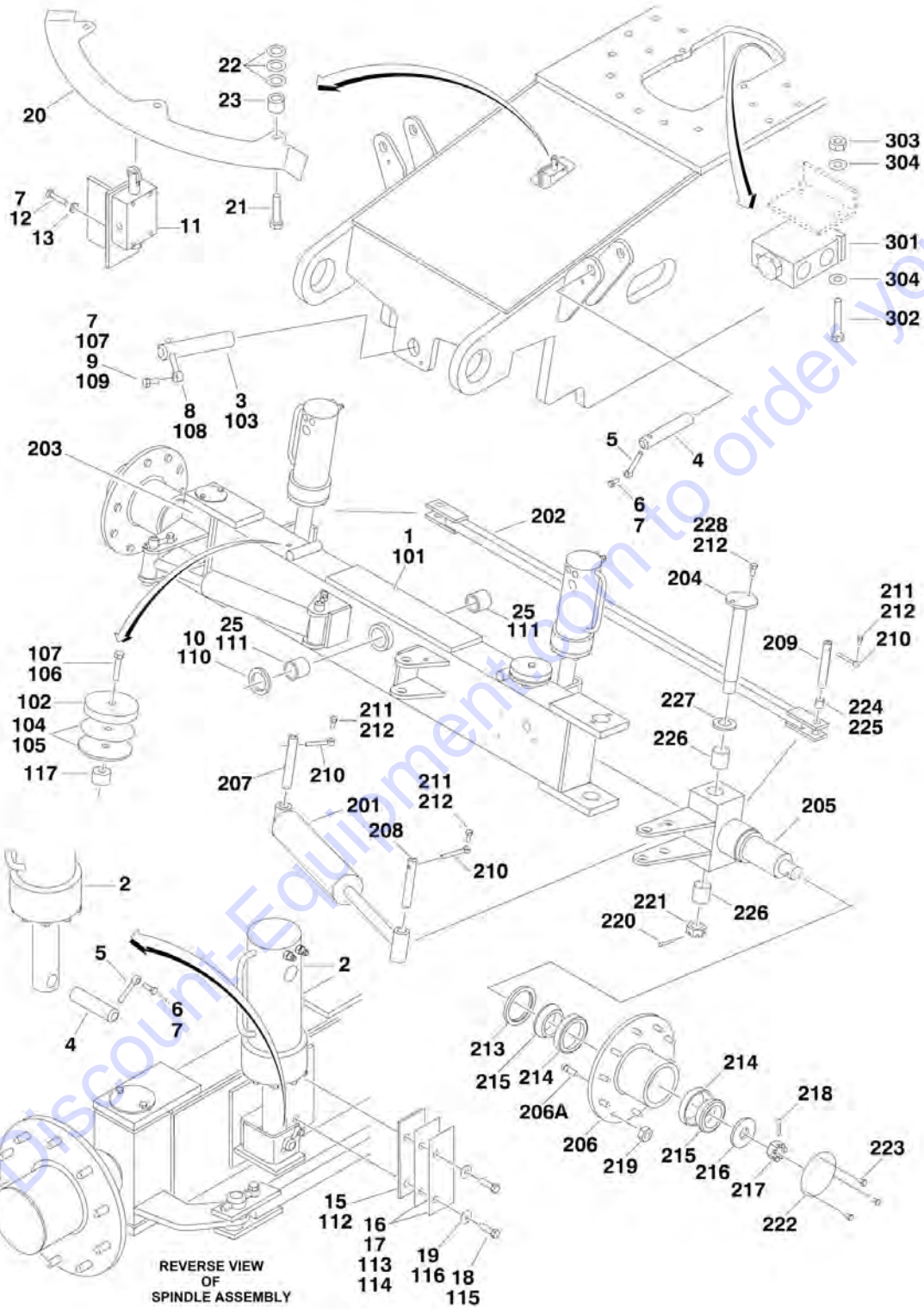
FIGURE 4-14. CONTROLLER ASSEMBLY (DRIVE AND STEER) (WITH ADE SYSTEM) (SERVICE REPLACEMENT) (SN 0300064249 through 0300069000)	182
FIGURE 4-15. SOFT TOUCH SYSTEM INSTALLATION (OPTIONAL)	184
FIGURE 4-16. LOAD SENSING SYSTEM INSTALLATION (FRONT ENTRY PLATFORM)	188
SECTION 5 - CYLINDER.....	191
FIGURE 5-1. AXLE LOCKOUT CYLINDER ASSEMBLY	192
FIGURE 5-2. PLATFORM LEVEL CYLINDER ASSEMBLIES (Prior to SN 0300024714).....	194
FIGURE 5-3. PLATFORM LEVEL CYLINDER ASSEMBLIES (ORIGINAL EQUIPMENT) (SN 0300024714 through 0300069000)	196
FIGURE 5-4. LEVEL CYLINDER ASSEMBLY - PLATFORM SLAVE (600A) (SERVICE REPLACEMENT)	200
FIGURE 5-5. LEVEL CYLINDER ASSEMBLY - PLATFORM SLAVE (600AJ) (SERVICE REPLACEMENT).....	202
FIGURE 5-6. LEVEL (UPRIGHT) CYLINDER ASSEMBLY	204
FIGURE 5-7. LEVEL CYLINDER ASSEMBLY - UPRIGHT (SERVICE REPLACEMENT)	206
FIGURE 5-8. LIFT (ARTICULATING JIB) CYLINDER ASSEMBLY - 600AJ	208
FIGURE 5-9. LIFT (MAIN BOOM) CYLINDER ASSEMBLY (ORIGINAL EQUIPMENT)	210
FIGURE 5-10. LIFT CYLINDER ASSEMBLY - MAIN BOOM (SERVICE REPLACEMENT)	212
FIGURE 5-11. LIFT (TOWER BOOM) CYLINDER ASSEMBLY (ORIGINAL EQUIPMENT).....	214
FIGURE 5-12. LIFT CYLINDER ASSEMBLY - TOWER BOOM (SERVICE REPLACEMENT).....	216
FIGURE 5-13. MASTER CYLINDER ASSEMBLIES (ORIGINAL EQUIPMENT)	218
FIGURE 5-14. MASTER CYLINDER ASSEMBLY - 600A (SERVICE REPLACEMENT)	222
FIGURE 5-15. MASTER CYLINDER ASSEMBLY - 600AJ (SERVICE REPLACEMENT)	224
FIGURE 5-16. STEER CYLINDER ASSEMBLIES	226
FIGURE 5-17. TELESCOPE (MAIN BOOM) CYLINDER ASSEMBLIES (ORIGINAL EQUIPMENT)	228
FIGURE 5-18. TELESCOPE CYLINDER ASSEMBLY - MAIN BOOM (600A) (SERVICE REPLACEMENT)	230
FIGURE 5-19. TELESCOPE CYLINDER ASSEMBLY - MAIN BOOM (600AJ) (SERVICE REPLACEMENT)	232
FIGURE 5-20. TELESCOPE (TOWER BOOM) CYLINDER ASSEMBLY (ORIGINAL EQUIPMENT).....	234
FIGURE 5-21. TELESCOPE CYLINDER ASSEMBLY - TOWER BOOM (SERVICE REPLACEMENT).....	236
FIGURE 5-22. CYLINDER BELLOWS INSTALLATION (OPTIONAL)	238
SECTION 6 - HYDRAULIC	241
FIGURE 6-1. DRIVE HYDRAULIC DIAGRAM - 2WD/2WS	242
FIGURE 6-2. DRIVE HYDRAULIC DIAGRAM - 4WD/2WS	244
FIGURE 6-3. HYDRAULIC DIAGRAM - OSCILLATING AXLE	248
FIGURE 6-4. HYDRAULIC DIAGRAM - STANDARD	250
FIGURE 6-5. HYDRAULIC DIAGRAM LIST.....	254
SECTION 7 - ELECTRICAL.....	255
FIGURE 7-1. ELECTRICAL DIAGRAM LIST	256
FIGURE 7-2. ELECTRICAL SCHEMATIC - CE SPEC MACHINES WITH COLORED WIRING (Prior to SN 0300035129).....	260
FIGURE 7-3. ELECTRICAL SCHEMATIC - CE SPEC MACHINES WITH NUMBERED COLORED WIRING (SN 0300035129 through 0300069000).....	264
FIGURE 7-4. ELECTRICAL SCHEMATIC - AUSTRALIAN MACHINES WITH COLORED WIRING (Prior to SN 0300035129) ..	268
FIGURE 7-5. ELECTRICAL SCHEMATIC - AUSTRALIAN MACHINES WITH NUMBERED COLORED WIRING (SN 0300035129 through 0300069000).....	272
FIGURE 7-6. ELECTRICAL SCHEMATIC - DIESEL/GAS MACHINES (WITH ADE SYSTEM) (SN 0300064249 through 0300069000)	276
FIGURE 7-7. HARNESS COMPONENTS INSTALLATION (Prior to SN 0300064249)	280
FIGURE 7-8. HARNESS COMPONENTS INSTALLATION (WITH ADE SYSTEM) (SN 0300064249 through 0300064269).....	288
FIGURE 7-9. HARNESS COMPONENTS INSTALLATION (WITH ADE SYSTEM) (SN 0300064270 through 0300069000).....	294
SECTION 8 - DECALS	301
FIGURE 8-1. DECALS INSTALLATION.....	302
SECTION 9 - RECOMMENDED SERVICE PARTS STOCK.....	307
FIGURE 9-1. MODELS 600A/600AJ/N600AJ STANDARD PARTS.....	308
SECTION 10 - SPECIAL OPTIONS	309
FIGURE 10-1. SPECIAL OPTIONS	310
PART NUMBER INDEX.....	313

SECTION 1 - FRAME

Go to Discount-Equipment.com to order your parts

SECTION 1 - FRAME

FIGURE 1-1. 2WD FRONT AXLE AND STEERING INSTALLATIONS



SECTION 1 - FRAME

FIGURE 1-1. 2WD FRONT AXLE AND STEERING INSTALLATIONS

ITEM	PART NUMBER	QTY	DESCRIPTION	REV
		Ref	AXLE INSTALLATIONS - OSCILLATING	
	0255404	Ref	8ft/2.4m Wide Machines (Prior to SN 0300041868)	7
	0256398	Ref	8ft/2.4m Wide Machines (SN 0300041868 through 0300069000)	3
	0255418	Ref	7ft/2.1m Wide Machines (Prior to SN 0300041868)	6
	0256397	Ref	7ft/2.1m Wide Machines (SN 0300041868 through 0300069000)	4
1		Ref	Axle Weldment Options:	
1	4844929	1	8ft/2.4m Wide Machine	
1	4844960	1	7ft/2.1m Wide Machine	
2	1683280	2	Lockout Cylinder Assembly (See CYLINDER SECTION for Breakdown)	
3		Ref	Pin, Pivot Options:	
3	3422431	NLA	Pin, Pivot (Use p/n 3422592) (Prior to SN 0300041868)	
3	3422592	1	Pin, Pivot (SN 0300041868 through 0300069000)	
4	3422426	4	Pin, Cylinder	
5	3841143	4	Keeper, Pin	
6	0641608	4	Bolt 3/8in-16NC x 1in	
7	0100011	AR	Compound, Locking	
8	3841258	1	Keeper, Pin	
9	0642012	1	Bolt 5/8in-11NC x 1-1/2in	
10	4740158	1	Thrustwasher	
11	4640871	1	Valve, Cam	
11	7012693	1	Seal Kit - 4640871 Valve	
11	7002840	1	Tool, Pin Removal	
12	0641414	4	Bolt 1/4in-20NC x 1-7/8in	
13	4711400	8	Flatwasher 1/4in Thin	
15	3538047	2	Plate, Wear	
16	4070878	4	Shim, (.06)	
17	4070879	4	Shim, (.12)	
18	0641612	4	Bolt 3/8in-16NC x 1-1/2in	
19	4711600	4	Flatwasher 3/8in Thin	
20	1100098	1	Cam, Lockout	
21	0641820	3	Bolt 1/2in-13NC x 2in	
22	4751800	9	Flatwasher 1/2in Regular	
23	4566832	3	Tube, Spacer	
25	0961950	2	Bushing	
		Ref	AXLE INSTALLATIONS - FIXED	
	0255416	Ref	8ft/2.4m Wide Machines (Prior to SN 0300041868)	3
	0256623	Ref	8ft/2.4m Wide Machines (SN 0300041868 through 0300069000)	3
	0255419	Ref	7ft/2.1m Wide Machines (Prior to SN 0300041868)	3
	0256624	Ref	7ft/2.1m Wide Machines (SN 0300041868 through 0300069000)	2
101		Ref	Axle Weldment Options:	
101	4844929	1	8ft/2.4 Wide Machines	
101	4844960	1	7ft/2.1 Wide Machines	
102	3539877	2	Plate, Stop	
103		Ref	Pin, Pivot Options:	
103	3422325	NLA	Pin, Pivot (Use p/n 3422592) (Prior to SN 0300041868)	
103	3422592	1	Pin, Pivot (SN 0300041868 through 0300069000)	
104	4070944	AR	Shim (.06)	
105	4070945	AR	Shim (.25)	
106	0641826	4	Bolt 1/2in-13NC x 3-1/4in	

SECTION 1 - FRAME

ITEM	PART NUMBER	QTY	DESCRIPTION	REV
107	0100019	AR	Compound, Locking	
108	3841258	1	Keeper, Pin	
109	0642012	1	Bolt 5/8in-11NC x 1-1/2in	
110	4740158	1	Thrustwasher	
111	0961950	2	Bushing	
112	3538047	2	Plate, Wear	
113	4070878	AR	Shim (.06)	
114	4070879	AR	Shim (.12)	
115	0641612	4	Bolt 3/8in-16NC x 1-1/2in	
116	4711600	4	Flatwasher 3/8in Thin	
117	3539879	2	Plate, Stop	
		Ref	STEERING INSTALLATIONS	
	0255405	Ref	8ft/2.4m Wide Machines (Prior to SN 0300041868)	4
	0256388	Ref	8ft/2.4m Wide Machines (SN 0300041868 through 0300069000)	4
	0255406	Ref	7ft/2.1m Wide Machines (Prior to SN 0300041868)	3
	0256391	Ref	7ft/2.1m Wide Machines (SN 0300041868 through 0300069000)	4
201		Ref	Steer Cylinder Assembly Options: (See CYLINDER SECTION for Breakdown)	
201	1683208	2	8ft/2.4 Wide Machines	
201	1683304	2	7ft/2.1 Wide Machines	
202		Ref	Tierod Options:	
202	3841262	1	8ft/2.4 Wide Machines	
202	3841263	1	7ft/2.1 Wide Machines	
203		Ref	Spindle Options: (Right Side)	
203	4130325	NLA	Spindle (Use p/n 4130341) (Prior to SN 0300041868)	
203	4130341	1	Spindle (SN 0300041868 through 0300069000)	
204	3422427	2	Kingpin	
205		Ref	Spindle Options: (Left Side)	
205	4130326	NLA	Spindle (Use p/n 4130340) (Prior to SN 0300041868)	
205	4130340	1	Spindle (SN 0300041868 through 0300069000)	
206	2780212	2	Hub	
206A	0630490	16	Stud, Wheel (8 Per Hub)	
207	3422426	2	Pin	
208	3422429	2	Pin	
209	3422430	2	Pin	
210	3841143	6	Keeper	
211	0641608	6	Bolt 3/8in-16NC x 1in	
212	0100011	AR	Compound, Locking	
213	3960098	2	Seal	
214	0440019	4	Cone, Bearing	
215	0440018	4	Cup, Bearing	
216	4740016	2	Washer, Hardened	
217	3323403	2	Nut, Slotted 1-1/2in-12NF	
218	3450810	2	Pin, Cotter 1/4in x 2 1/2in	
219	3300106	16	Lugnut 5/8in	
220	3451012	2	Pin, Cotter 1/4in x 3in	
221	3313403	2	Nut, Slotted 1-1/2in-6NC	
222	1120460	2	Cap, Hub	
223	0641404	6	Bolt 1/4in-20NC x 1/2in	
224	0962005	2	Bushing	
225	0100063	AR	Loctite #RC609	
226		Ref	Bushing Options:	

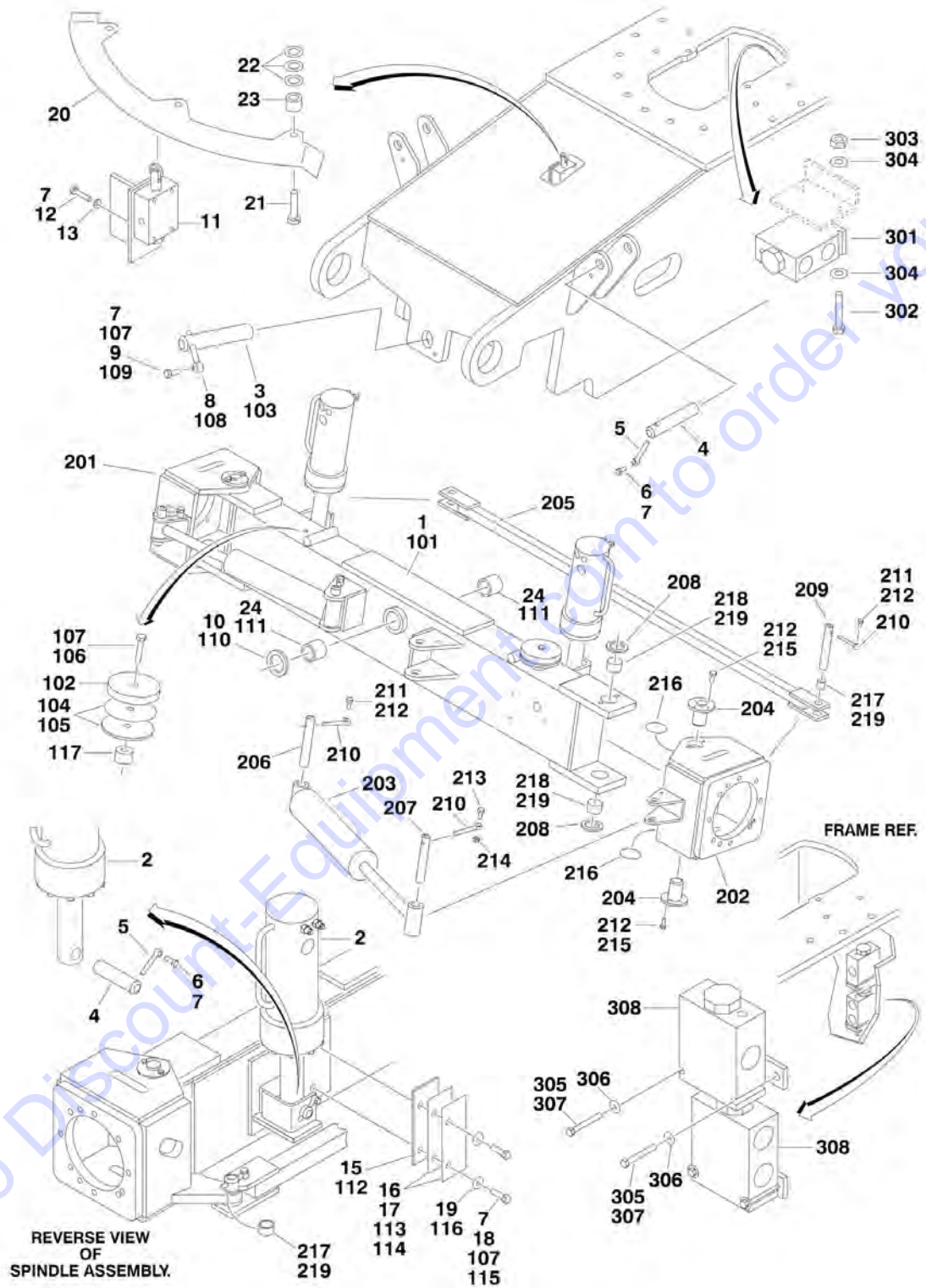
SECTION 1 - FRAME

ITEM	PART NUMBER	QTY	DESCRIPTION	REV
226	0961948	4	Bushing (Prior to SN 0300062140)	
226	0962272	4	Bushing (SN 0300062140 through 0300069000)	
227	0440161	2	Thrustwasher	
228	0681608	4	Bolt 3/8in-16NC x 1in (Grade 8)	
	2890245	1	Wheel Bearing Retention Washer Replacement Kit (Includes Items 216 & 218)	
		Ref	VALVE INSTALLATIONS	
	0255413	Ref	Valve (Prior to SN 0300056718)	5-C
	0270123	Ref	Valve (SN 0300056718 through 0300069000)	3-B
301	4640923	1	Valve, Flow Divider	
301	7012442	1	Cartridge	
301	7012980	1	Seal Kit - 7012442 Cartridge	
301	7012993	1	Orifice	
302	0641522	2	Bolt 5/16in-18NC x 2-3/4in	
303	3311505	2	Locknut 5/16in-18NC	
304	4751500	4	Flatwasher 5/16in Regular	
305	4060808	3.5 ft/1.1m	Shield, Flex Trim (Not Shown)	

Go to Discount-Equipment.com to order your parts

SECTION 1 - FRAME

FIGURE 1-2. 4WD FRONT AXLE AND STEERING INSTALLATIONS



SECTION 1 - FRAME

FIGURE 1-2. 4WD FRONT AXLE AND STEERING INSTALLATIONS

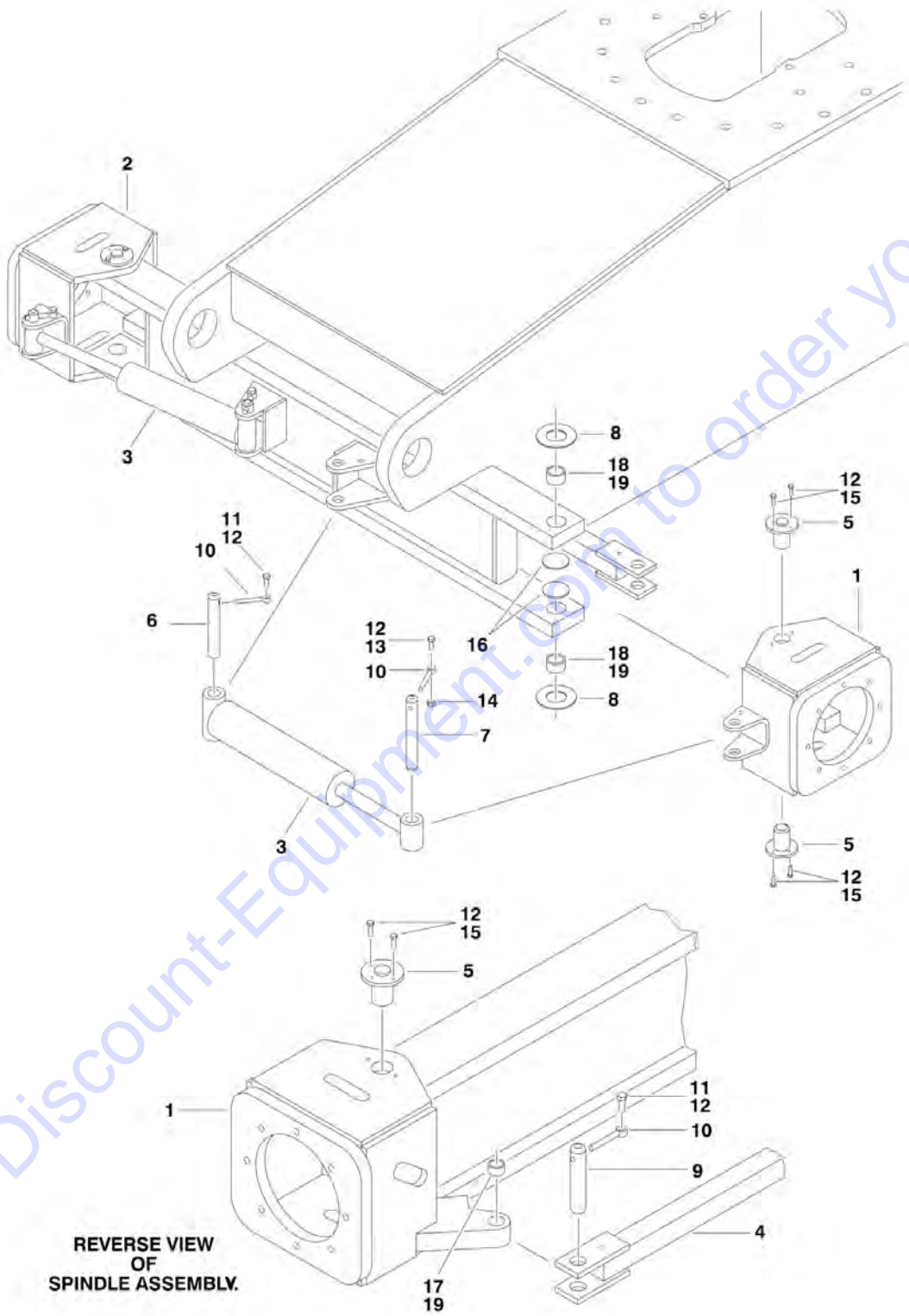
ITEM	PART NUMBER	QTY	DESCRIPTION	REV
		Ref	AXLE INSTALLATIONS - OSCILLATING	
	0255415	Ref	Axle (Prior to SN 0300041868)	4
	0256392	Ref	Axle (SN 0300041868 through 0300069000)	3
1	4845041	1	Axle Weldment	
2	1683280	2	Lockout Cylinder Assembly (See CYLINDER SECTION for Breakdown)	
3		Ref	Pin, Pivot Options:	
3	3422431	NLA	Pin, Pivot (Use p/n 3422592) (Prior to SN 0300041868)	
3	3422592	1	Pin, Pivot (SN 0300041868 through 0300069000)	
4	3422426	4	Pin, Cylinder	
5	3841143	4	Keeper, Pin	
6	0641608	4	Bolt 3/8in-16NC x 1in	
7	0100011	AR	Compound, Locking	
8	3841258	1	Keeper	
9	0642012	1	Bolt 5/8in-11NC x 1-1/2in	
10	4740158	1	Thrustwasher	
11	4640871	1	Valve, Cam	
11	7012693	1	Seal Kit - 4640871 Valve	
11	7002840	1	Tool, Pin Removal	
12	0641414	4	Bolt 1/4in-20NC x 1 3/4in	
13	4711400	4	Flatwasher 1/4in Thin	
15	3538047	2	Plate, Axle Wear	
16	4070878	AR	Shim (.06)	
17	4070879	AR	Shim (.12)	
18	0641608	4	Bolt 3/8in-16NC x 1in	
19	4711600	4	Flatwasher 3/8in Thin	
20	1100098	1	Cam, Lockout	
21	0641816	3	Bolt 1/2in-13NC x 2in	
22	4751800	AR	Flatwasher 1/2in Regular	
23	4566832	3	Spacer, Tube	
24	0961950	2	Bushing, Bronze	
		Ref	AXLE INSTALLATIONS - FIXED	
	0255417	Ref	Axle (Prior to SN 0300041868)	3
	0256625	Ref	Axle (SN 0300041868 through 0300069000)	3
101	4845041	1	Axle Weldment	
102	3539877	2	Plate, Stop	
103		Ref	Pin, Pivot Options:	
103	3422431	NLA	Pin, Pivot (Use p/n 3422592) (Prior to SN 0300041868)	
103	3422592	1	Pin, Pivot (SN 0300041868 through 0300069000)	
104	4070944	AR	Shim (.06)	
105	4070945	AR	Shim (.25)	
106	0641820	2	Bolt 1/2in-13NC x 2-1/2in	
107	0100019	AR	Compound, Locking	
108	3841258	1	Keeper, Pin	
109	0642012	1	Bolt 5/8in-11NC x 1-1/2in	
110	4740158	1	Thrustwasher	
111	0961950	2	Bushing	
112	3538047	2	Plate, Wear	
113	4070878	AR	Shim (.06)	
114	4070879	AR	Shim (.12)	

SECTION 1 - FRAME

ITEM	PART NUMBER	QTY	DESCRIPTION	REV
115	0641612	4	Bolt 3/8in-16NC x 1-1/2in	
116	4711600	4	Flatwasher 3/8in Thin	
117	3539879	2	Plate, Stop	
		Ref	STEERING INSTALLATIONS	
	0255411	Ref	Steering (Prior to SN 0300041868)	3
	0256399	Ref	Steering (SN 0300041868 through 0300069000)	4
201	4130330	1	Spindle - Right Side	
202	4130331	1	Spindle - Left Side	
203	1683208	2	Steer Cylinder Assembly (See CYLINDER SECTION for Breakdown)	
204		Ref	Pin, Pivot Options:	
204	3422492	NLA	Pin, Pivot (Use p/n 3422802) (Prior to SN 0300041868)	
204	3422590	NLA	Pin, Pivot (Use p/n 3422802) (SN 0300041868 through 0300043444)	
204	3422802	1	Pin, Pivot (SN 0300043445 through 0300069000)	
205	3841285	1	Tie-Rod	
206	3422426	2	Pin, Steer Cylinder	
207	3422429	2	Pin, Steer Cylinder	
208	0440161	4	Thrustwasher	
209	3422430	2	Pin, Tie-Rod	
210	3841143	6	Keeper, Pin	
211	0641608	4	Bolt 3/8in-16NC x 1in	
212	0100011	AR	Compound, Locking	
213	0641610	2	Bolt 3/8in-16NC x 1-1/4in	
214	3311605	2	Locknut 3/8in-16NC	
215	0681608	8	Bolt 3/8in-16NC x 1in (Grade 8)	
216	1670752	4	Cover, Kingpin Only (Prior to SN 0300043445)	
217	0962005	2	Bushing, Bronze	
218		Ref	Bushing Options:	
218	0961948	NLA	Bushing (Use p/n 0962272) (Prior to SN 0300044952)	
218	0962272	4	Bushing (SN 0300044952 through 0300069000)	
219	0100063	AR	Loctite #RC609	
		Ref	VALVE INSTALLATIONS	
	0255414	Ref	Valve Installation (Prior to SN 0300056718)	6-C
	0270124	Ref	Valve Installation (SN 0300056718 through 0300069000)	3-D
301	4640923	1	Valve, Flow Divider	
301	7012992	1	Cartridge	
301	7012980	1	Seal Kit- 7012992 Cartridge	
301	7012993	1	Orifice	
302	0641522	2	Bolt 5/16in-18NC x 2-3/4in	
303	3311505	2	Locknut 5/16in-18NC	
304	4751500	4	Flatwasher 5/16in Regular	
305	0641520	4	Bolt 5/16in-18NC x 2-1/2in	
306	4751500	4	Flatwasher 5/16in Regular	
307	0100011	AR	Compound, Locking (Prior to SN 68274)	
308	4640937	2	Valve, Flow Divider	
308	7012978	1	Cartridge	
308	7012980	1	Seal Kit- 7012978 Cartridge	
308	7012994	1	Orifice	
309	4060808	3/5ft/1.1m	Shield, Flex Trim	

SECTION 1 - FRAME

FIGURE 1-3. 4WS REAR STEERING INSTALLATIONS



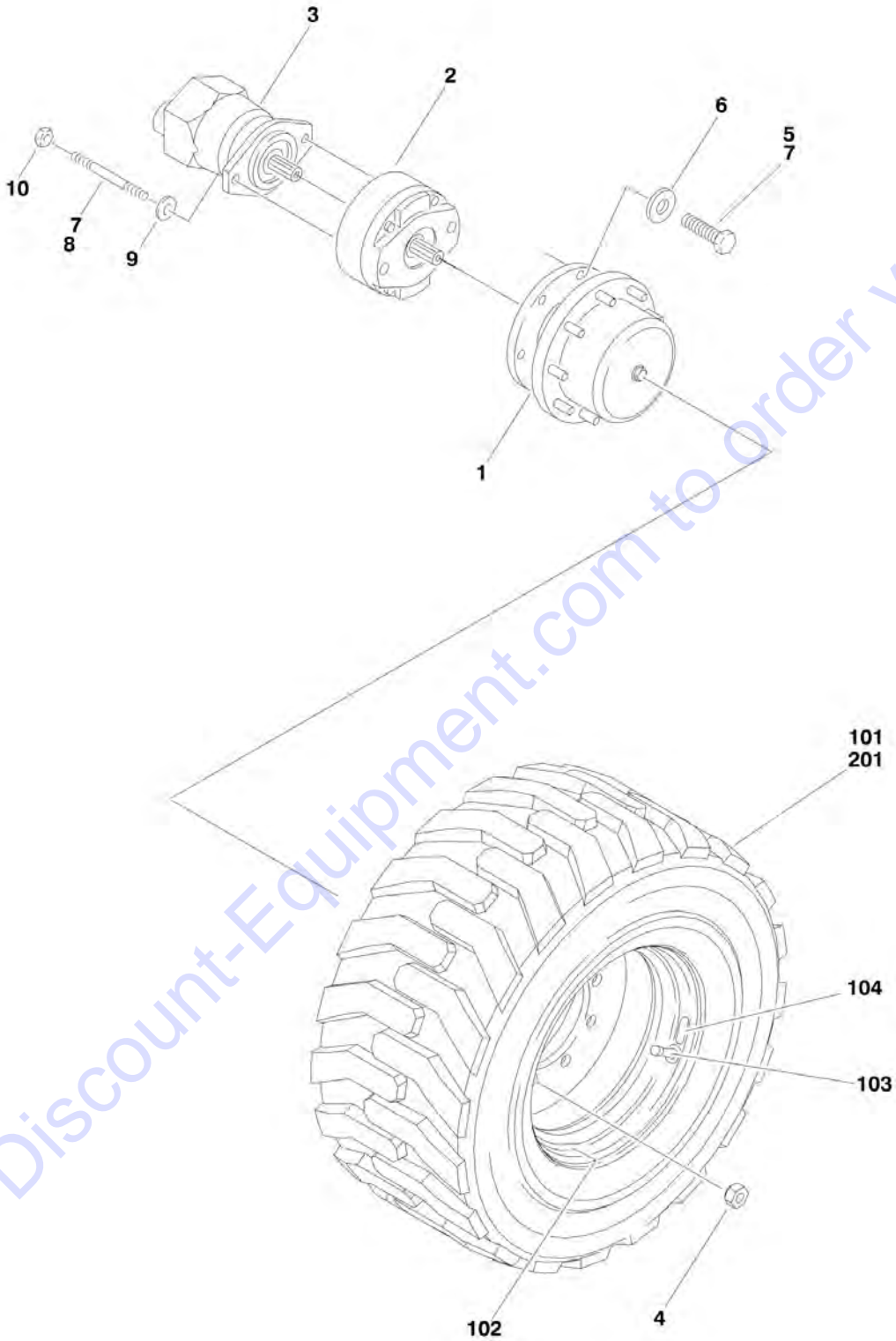
SECTION 1 - FRAME

FIGURE 1-3. 4WS REAR STEERING INSTALLATIONS

ITEM	PART NUMBER	QTY	DESCRIPTION	REV
		Ref	4WS REAR STEERING INSTALLATIONS OPTIONS:	
	0256716	Ref	2WD/4WS 8ft Wide/2.4m Machines (Prior to SN 0300041868)	2
	0256717	Ref	2WD/4WS 8ft Wide/2.4m Machines (SN 0300041868 through 0300069000)	2
	0255854	Ref	2WD/4WS 7ft Wide/2.1m Machines (Prior to SN 0300041868)	2
	0256523	Ref	2WD/4WS 7ft Wide/2.1m Machines (SN 0300041868 through 0300069000)	2
	0255412	Ref	4WD/4WS Machines (Prior to SN 0300041868)	2
	0256715	Ref	4WD/4WS Machines (SN 0300041868 through 0300069000)	2
		Ref	REAR STEERING INSTALLATION	
	0255411	Ref	8ft/2.4m Width Frame (Prior to SN 0300041868)	4
	0256399	Ref	8ft/2.4m Width Frame (SN 0300041868 through 0300069000)	4
	0255855	Ref	7ft/2.1m Width Frame (Prior to SN 0300041868)	3
	0256400	Ref	7ft/2.1m Width Frame (SN 0300041868 through 0300069000)	4
1	4130331	1	Spindle - Right Side	
2	4130330	1	Spindle - Left Side	
3		Ref	Steer Cylinder Assembly (See CYLINDER SECTION for Breakdown)	
3	1683208	2	8ft/2.4m Wide Machine	
3	1683304	2	7ft/2.1m Wide Machine	
4		Ref	Tie-Rod Options:	
4	3841285	1	8ft/2.4m Wide Machine	
4	3841291	1	7ft/2.1m Wide Machine	
5		Ref	Kingpin Options:	
5	3422492	NLA	Kingpin (Use p/n 3422802) (Prior to SN 0300041868)	
5	3422590	NLA	Kingpin (Use p/n 3422802) (SN 0300041868 through 0300043444)	
5	3422802	4	Kingpin (SN 0300043445 through 0300069000)	
6	3422426	2	Pin, Steer Cylinder	
7	3422429	2	Pin, Steer Cylinder	
8	0440161	4	Thrustwasher	
9	3422430	2	Pin, Tie-Rod	
10	3841143	6	Keeper, Pin	
11	0641608	4	Bolt 3/8in-16NC x 1in	
12	0100011	AR	Compound, Locking	
13	0641610	2	Bolt 3/8in-16NC x 1-1/4in	
14	3311605	2	Locknut 3/8in-16NC	
15	0681608	8	Bolt 3/8in-16NC x 1in (Grade 8)	
16	1670752	4	Cover, Kingpin Only (Prior to SN 0300043445)	
17	0962005	2	Bushing, Bronze	
18		Ref	Bushing Options:	
18	0961948	NLA	Bushing (Use p/n 0962272) (Prior to SN 0300044952)	
18	0962272	4	Bushing (SN 0300044952 through 0300069000)	
19	0100063	AR	Loctite #RC609	

SECTION 1 - FRAME

FIGURE 1-4. TIRE AND WHEEL DRIVE INSTALLATIONS



SECTION 1 - FRAME

FIGURE 1-4. TIRE AND WHEEL DRIVE INSTALLATIONS

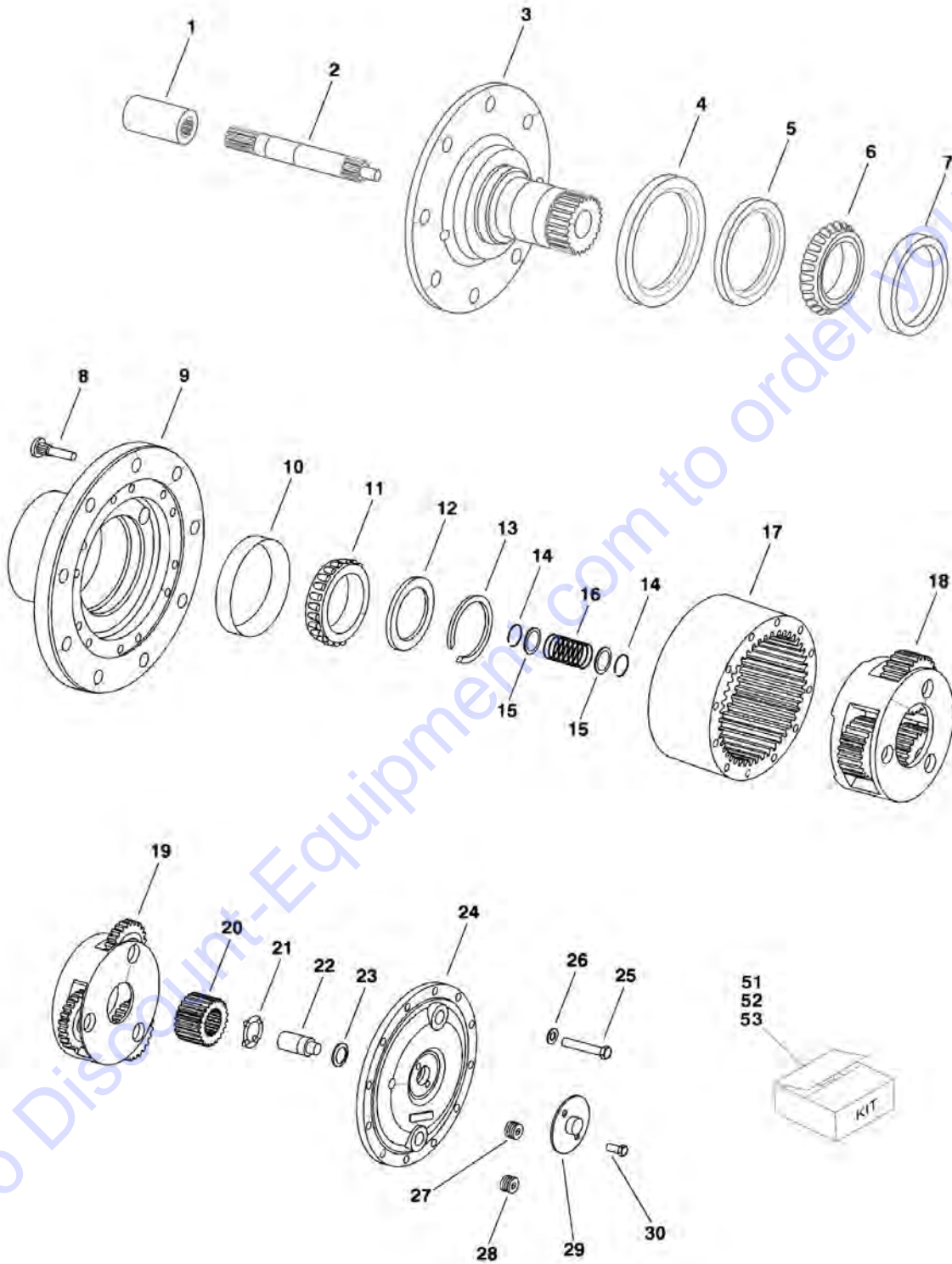
ITEM	PART NUMBER	QTY	DESCRIPTION	REV
		Ref	WHEEL DRIVE INSTALLATIONS	
	0255413	Ref	Wheel Drive Installation 2WD (Prior to SN 0300056718)	5-C
	0270123	Ref	Wheel Drive Installation 2WD (SN 0300056718 through 0300069000)	1-A
	0255414	Ref	Wheel Drive Installation 4WD (Prior to SN 0300056718)	6-C
	0270124	Ref	Wheel Drive Installation 4WD (SN 0300056718 through 0300069000)	3-D
1	2780213	AR	Drive Hub Assembly (1 Per Drive Wheel) (See DRIVE HUB ASSEMBLY for Breakdown)	
2		Ref	Drive Brake Assembly (1 Per Drive Wheel) (See DRIVE BRAKE ASSEMBLY for Breakdown)	
2	0920084	AR	Drive Brake Assembly (Prior to SN 0300033476)	
2	0920110	AR	Drive Brake Assembly (SN 0300033476 through 0300056717)	
2	0920117	NLA	Drive Brake Assembly (Use p/n 0920119) (SN 0300056718 through 0300069000)	
3		Ref	Drive Motor Assembly (1 Per Wheel Drive) Options:	
3	3160205	2	2WD (See DRIVE MOTOR ASSEMBLY - SUNSTRAND (2WD) for Breakdown)	
3	3160204	4	4WD (See DRIVE MOTOR ASSEMBLY - REXROTH (4WD) for Breakdown)	
4	3300106	AR	Lugnut (8 Per Wheel)	
5	0682016	AR	Bolt 5/8in-11NC x 2in (8 Per Drive Wheel) (Grade 8)	
6	4892000	AR	Flatwasher 5/8in Hardened (8 Per Drive Wheel)	
7	0100011	AR	Compound, Locking (Prior to SN 0300068274)	
8		Ref	Stud (2 Per Drive Wheel) Options:	
8	4300120	AR	Stud 1/2in-13NC x 5-1/2in (Prior to SN 0300056718)	
8	4300097	AR	Stud 1/2in-13NC x 5-1/8in (SN 0300056718 through 0300069000)	
9	4891800	AR	Flatwasher 1/2in Hardened (2 Per Drive Wheel)	
10	3311801	AR	Nut 1/2in-13NC (2 Per Wheel Drive)	
		Ref	8 FT/2.4M WIDTH MACHINES TIRE AND WHEEL INSTALLATION OPTIONS:	
	0255420	Ref	Tire and Wheel Installation - Pneumatic	-
	0271612	Ref	Tire and Wheel Installation - Pneumatic	1
	0255421	Ref	Tire and Wheel Installation - Foam Filled	-
	0271613	Ref	Tire and Wheel Installation - Foam Filled	1
		Ref	Note: Assemblies may require ballast/foam filling to manufacturer's specifications prior to installing on a machine. Refer to Operation and Safety or Service and Maintenance Manuals.	
		Ref	Purchase individual tire and/or rim only if able to foam fill tire and wheel assembly, otherwise, purchase complete assembly.	
	0255513	2	Tire and Wheel Assembly - Galaxy Pneumatic (Right Side)	1-A
	0271609	2	Tire and Wheel Assembly - OTR Pneumatic (Right Side)	A
	0255605	2	Tire and Wheel Assembly - Galaxy Foam-Filled (Right Side)	-
	0271611	2	Tire and Wheel Assembly - OTR Foam-Filled (Right Side)	A
	0255514	2	Tire and Wheel Assembly - Galaxy Pneumatic (Left Side)	A
	0271608	2	Tire and Wheel Assembly - OTR Pneumatic (Left Side)	1-A
	0255606	2	Tire and Wheel Assembly - Galaxy Foam-Filled (Left Side)	-
	0271610	2	Tire and Wheel Assembly - OTR Foam-Filled (Left Side)	A
101		Ref	Tire 14 x 17.5 Options:	
101	4520171	AR	Galaxy (1 Per Assembly)	

SECTION 1 - FRAME

ITEM	PART NUMBER	QTY	DESCRIPTION	REV
101	4520259	AR	OTR (1 Per Assembly)	
102	4860158	AR	Rim, Wheel (1 Per Assembly)	
103	4640113	AR	Valve, Air	
104	1702740	AR	Decal - Tire Pressure	
		Ref	8FT/2.4M AND 7FT/2.1M WIDTH FRAME MACHINES TIRE AND WHEEL INSTALLATION OPTIONS:	
	0255422	Ref	Tire and Wheel Installation - Air-Boss	-
	0258764	Ref	Tire and Wheel Installation - Air-Boss (Non-Marking) (SN 0300039220 through 0300069000)	2
201		Ref	Tire and Wheel Assembly - Right Side Options:	
201	4520172	2	Air-Boss	
201	4520210	2	Air-Boss (Non-Marking)	
201		Ref	Tire and Wheel Assembly - Left Side Options:	
201	4520173	2	Air-Boss	
201	4520211	2	Air-Boss (Non-Marking)	
201		Ref	Tire Repair Section (20 Per Assembly) Options:	
201	7016206	80	Air-Boss	
201	7020135	80	Air-Boss (Non-Marking)	
	0255397	Ref	WHEEL COVER INSTALLATION (OPTIONAL) (NOT SHOWN)	2-A
301	1670777	4	Cover, Wheel	
302	0641542	16	Bolt 5/16in-18NC x 5-1/4in	
303	0100011	AR	Compound, Locking	

SECTION 1 - FRAME

FIGURE 1-5. DRIVE HUB ASSEMBLY



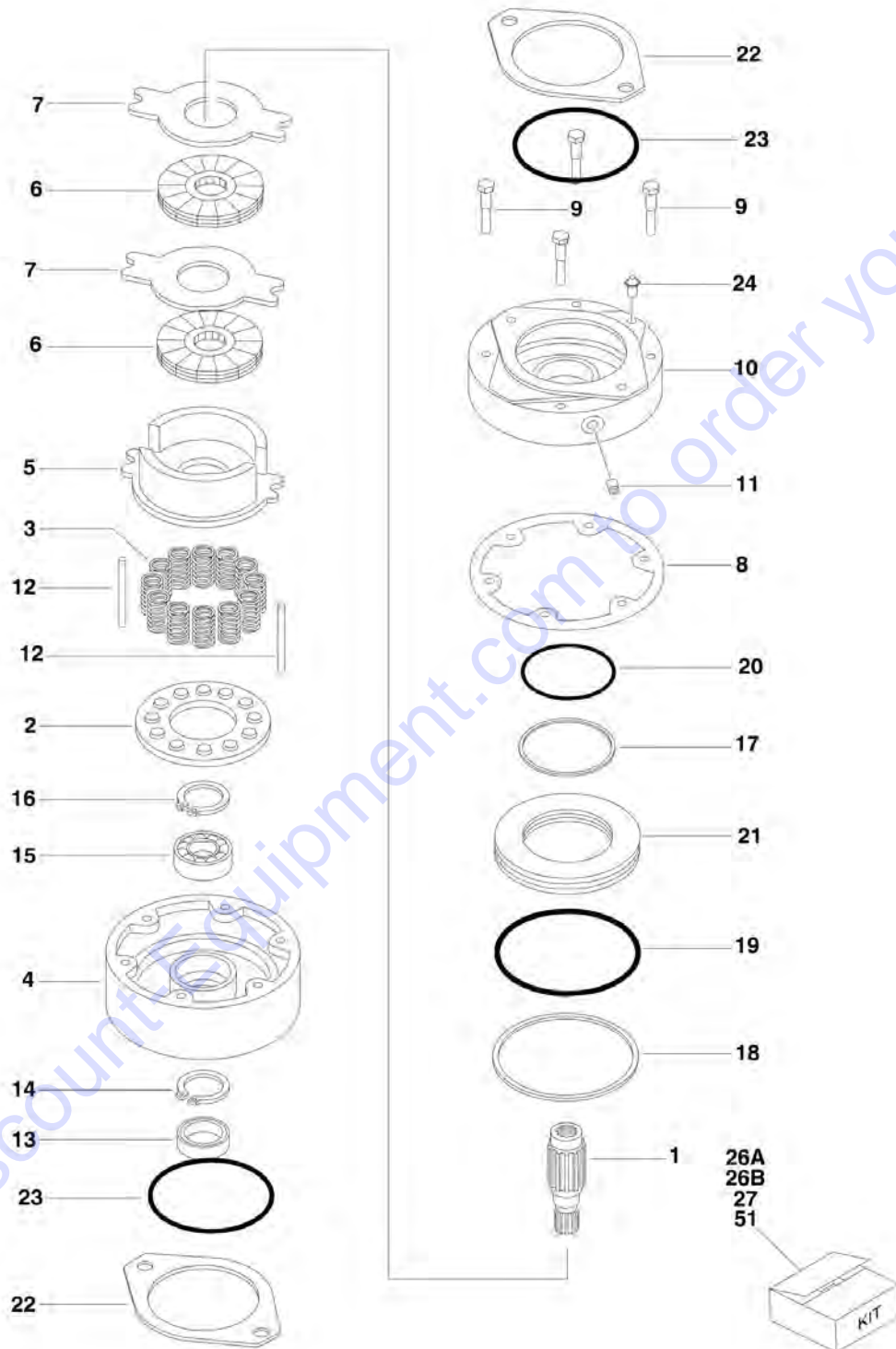
SECTION 1 - FRAME

FIGURE 1-5. DRIVE HUB ASSEMBLY

ITEM	PART NUMBER	QTY	DESCRIPTION	REV
	2780213	Ref	DRIVE HUB ASSEMBLY	B
1	7014700	1	Coupling - 13 Teeth	
2	7014701	1	Shaft, Input - 13 Teeth	
3		Ref	Spindle Options:	
3	7014702	1	With Threaded Holes	
3	7014731	1	Without Threaded Holes	
4	7014728	1	Seal, Boot	
5	See Note	NSS	Seal, Oil (Note: Use Item 51 or 52)	
6	See Note	NSS	Cone, Bearing (Note: Use Item 52)	
7	See Note	NSS	Cup, Bearing (Note: Use Item 52)	
8	7014727	8	Bolt, Wheel 5/8in	
9	7014706	1	Hub	
10	See Note	NSS	Cup, Bearing (Note: Use Item 52)	
11	See Note	NSS	Cone, Bearing (Note: Use Item 52)	
12	7001711	1	Thrustwasher	
13	See Note	1	Retaining Ring Kit (Note: Use Item 51, 52 or 53)	
14	7014711	2	Ring, Retaining	
15	7014712	2	Thrustwasher	
16	7014710	1	Spring	
17	7014713	1	Gear, Ring	
18	7014714	1	Secondary Carrier Assembly	
19	7014715	1	Primary Carrier Assembly	
20	7014716	1	Gear, Sun - 15 Teeth	
21	7014722	1	Thrustwasher	
22	7014717	1	Plunger, Disengage	
23	7014718	1	O-Ring	
24	7014719	1	Cover, Hub	
25	7014721	12	Bolt	
26	7014720	12	Flatwasher	
27	7014725	1	Plug, Magnetic	
28	7014726	1	Plug, Pipe	
29	7014723	1	Cover, Disengage	
30	7014724	2	Bolt	
51	7014730	1	Seal Kit (Includes Items 5 & 13)	
52	7014729	1	Bearing and Seal Kit (Includes Items 5, 6, 7, 10, 11 & 13)	
53	7014709	1	Retaining Ring Kit (Includes Qty 6 Retaining Rings)	

SECTION 1 - FRAME

FIGURE 1-6. DRIVE BRAKE ASSEMBLY



SECTION 1 - FRAME

FIGURE 1-6. DRIVE BRAKE ASSEMBLY

ITEM	PART NUMBER	QTY	DESCRIPTION	REV
		Ref	DRIVE BRAKE ASSEMBLY OPTIONS:	
	0920084	Ref	Drive Brake Assembly (Prior to SN 0300033476)	A
	0920110	Ref	Drive Brake Assembly (SN 0300033476 through 0300056536)	C
1	7011712	1	Shaft Options:	
2		Ref	Guide, Spring Options:	
2	7011717	1	0920084 Brake (Prior to SN 0300033476)	
2	7018606	1	0920110 Brake (SN 0300033476 through 0300056536)	
3		Ref	Spring Options:	
3	7007979	6	0920084 Brake (Inner) (Prior to SN 0300033476)	
3	7007980	6	0920084 Brake (Outer) (Prior to SN 0300033476)	
3	7007970	6	0920110 Brake (Red) (SN 0300033476 through 0300056536)	
3	7018602	3	0920110 Brake (Blue) (SN 0300033476 through 0300056536)	
4		Ref	Housing Options:	
4	7011713	1	0920084 Brake (Prior to SN 0300033476)	
4	7018605	1	0920110 Brake (SN 0300033476 through 0300056536)	
5		Ref	Return Plate and Separator Assembly Options:	
5	See Note	NSS	Return, Plate - 0920084 Brake (Note: Use Item 27) (Prior to SN 0300033476)	
5	7011715	2	Separator Assy - 0920084 Brake (Prior to SN 0300033476)	
5	7011714	4	Pin	
5	7007983	2	Separator	
5	See Note	1	Return Plate and Separator - 0920110 Brake (Note: Use Item 27) (SN 0300033476 through 0300056536)	
6	See Note	NSS	Rotor (Note: Use Item 27)	
7	See Note	NSS	Stator (Note: Use Item 27)	
8	See Note	NSS	Seal, Case (Note: Use Item 26A, 26B or 27)	
9		Ref	Bolt, Washer Head Options:	
9	7007985	4	0920084 Brake (Prior to SN 0300033476)	
9	7018607	4	0920110 Brake (SN 0300033476 through 0300056536)	
10	7007986	1	Cover	
11		Ref	Hardware Options:	
11	7000796	1	Screw, Bleeder (Prior to SN 0300033906)	
11	7018609	1	Plug, Pipe (SN 0300033906 through 0300056536)	
12	7007987	2	Pin, Dowel	
13	See Note	NSS	Seal, Oil (Note: Use Item 26A or 26B)	
14	7011716	1	Ring, Retaining	
15	See Note	NSS	Bearing (Note: Use Item 26B)	
16	7007977	1	Ring, Retaining	
17	See Note	NSS	Ring, Back-up (Note: Use Item 26A)	
18	See Note	NSS	Ring, Back-up (Note: Use Item 26A)	
19	See Note	NSS	O-Ring (Note: Use Item 26A)	
20	See Note	NSS	O-Ring (Note: Use Item 26A)	
21		Ref	Piston Options:	
21	7007923	1	0920084 Brake (Prior to SN 0300033476)	
21	7018603	1	0920110 Brake (SN 0300033476 through 0300056536)	
22	7007933	2	Gasket	
23	See Note	NSS	O-Ring (Note: Use Item 26A, 26B or 27)	
24	7007924	1	Plug, Pipe	
26		Ref	Seal Kit Options:	
26A	2900766	1	Seal Kit (Includes Items 8, 13, 17, 18, 19, 20, 22 & 23)	

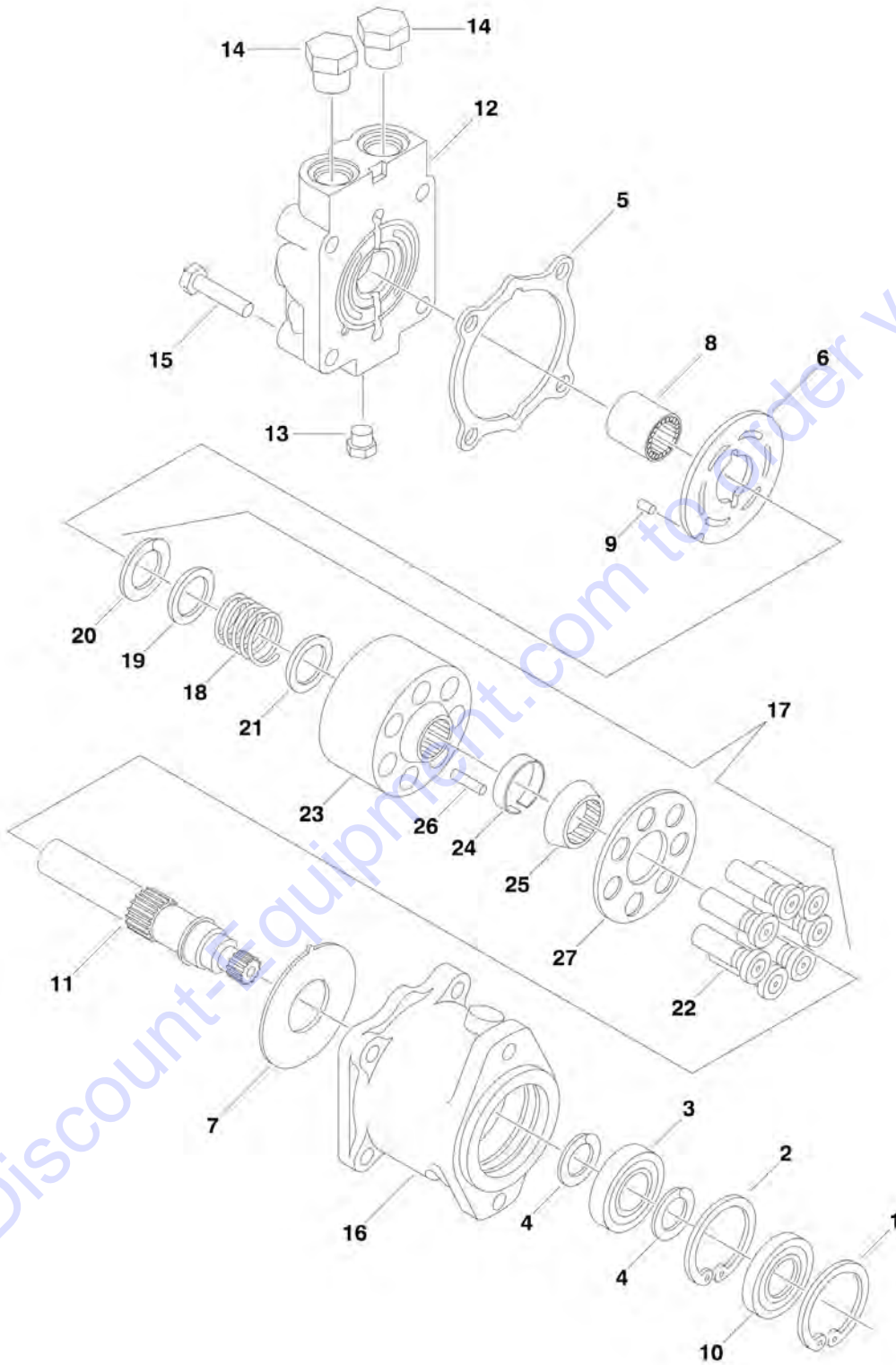
SECTION 1 - FRAME

ITEM	PART NUMBER	QTY	DESCRIPTION	REV
26B	2900768	1	Seal Kit (Includes Items 8, 13, 15, 22 & 23)	
27		Ref	Lining Kit Options: (Includes Items 5, 6, 7, 8, 22 & 23)	
27	2900767	1	0920084 Brake (Prior to SN 0300033476)	
27	7018608	1	0920110 Brake (SN 0300033476 through 0300056535)	
		Ref	DRIVE BRAKE ASSEMBLY (NOT SHOWN) (SN 0300056536 through 0300069000)	B
		Ref	NOTE: WAS P/N 0920117 - USE P/N 0920119 AS REPLACEMENT.	
51	7018612	1	Kit, Repair - 0920117 & 0920119 Brakes	
51	7000731	1	Gasket, Mounting Face	
		Ref	Note: No Other Parts Available.	

Go to Discount-Equipment.com to order your parts

SECTION 1 - FRAME

FIGURE 1-7. DRIVE MOTOR ASSEMBLY - SUNSTRAND (2WD)



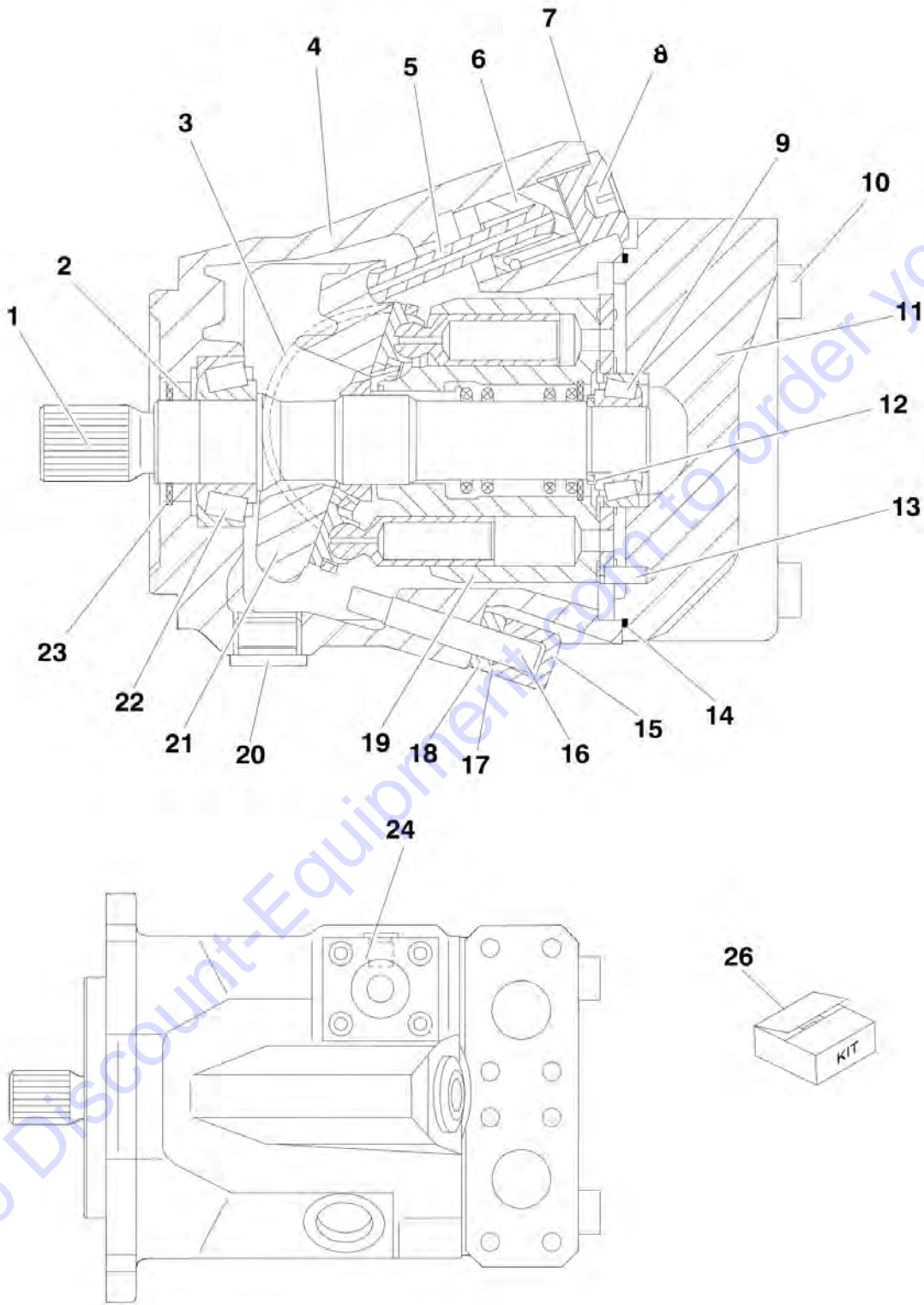
SECTION 1 - FRAME

FIGURE 1-7. DRIVE MOTOR ASSEMBLY - SUNSTRAND (2WD)

ITEM	PART NUMBER	QTY	DESCRIPTION	REV
	3160205	Ref	DRIVE MOTOR ASSEMBLY - SUNSTRAND (2WD)	B
1	7007438	1	Ring, Retaining	
2	7007438	1	Ring, Retaining	
3	7007437	1	Bearing, Ball	
4	7007439	2	Ring, Retaining	
5	7010108	1	Gasket, End Cap	
6	7010109	1	Plate, Motor Valve	
7	7010110	1	Plate, Thrust	
8	7007425	1	Bearing, Needle	
9	7007446	1	Pin	
10	7007459	1	Seal, Lip	
11	7010111	1	Shaft	
12	7010112	1	Cap, End	
13	7010113	1	Plug	
14	7010114	2	Plug	
15	7010115	4	Screw	
16	3160205	1	Housing (Note: Not Available for Purchase)	
17	7010116	1	Cylinder Block Assembly (Includes Items 18-27)	
18	7007428	1	Spring	
19	7007427	1	Washer	
20	7007426	1	Ring, Retaining	
21	7007429	1	Washer	
22	7010117	7	Piston Assembly	
23	7010118	1	Block, Cylinder	
24	7007430	1	Retainer, Pin	
25	7007434	1	Guide, Slip Retainer	
26	7007431	3	Pin, Slip Retainer	
27	7010119	1	Retainer, Slip	

SECTION 1 - FRAME

FIGURE 1-8. DRIVE MOTOR ASSEMBLY - REXROTH (4WD)



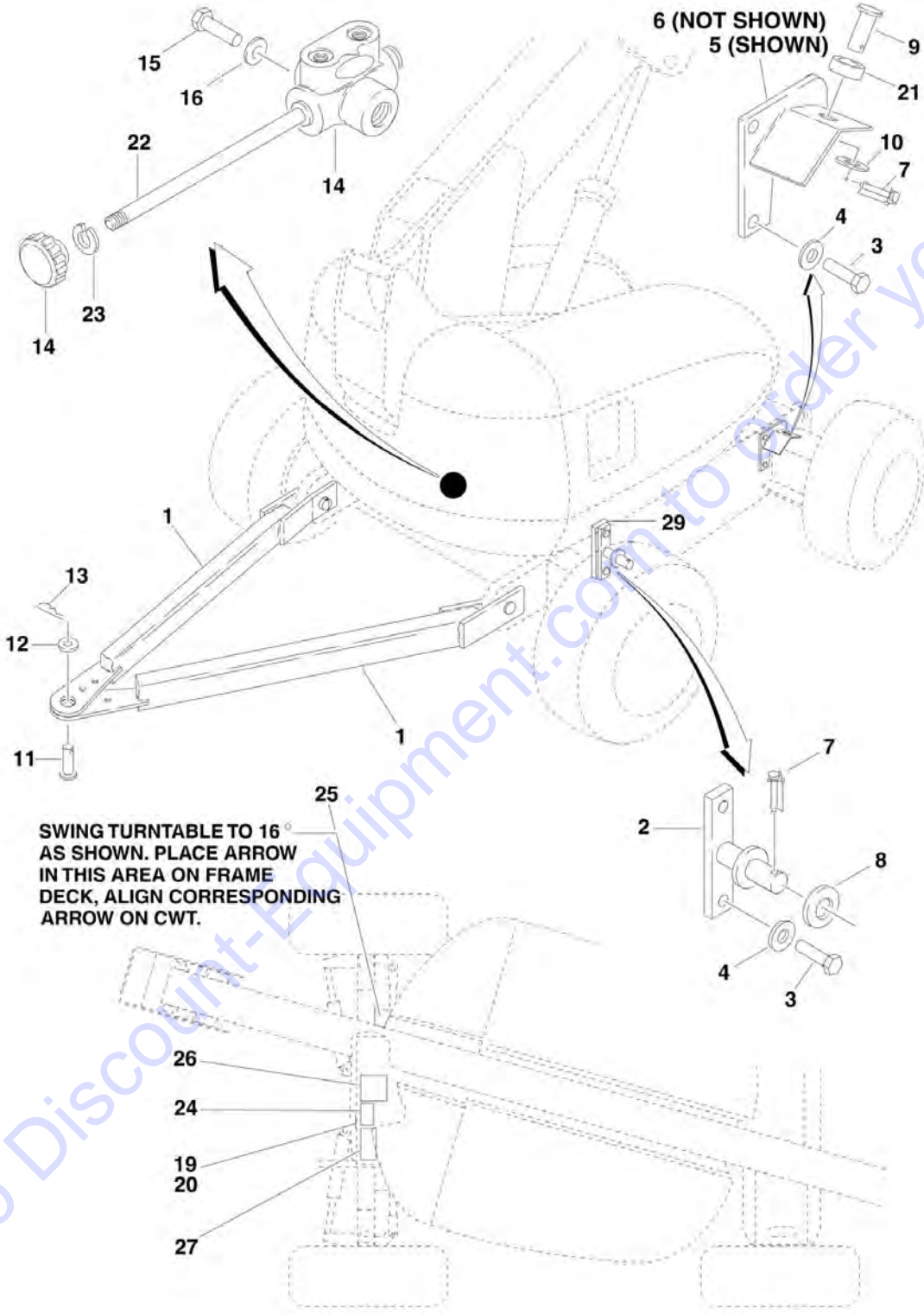
SECTION 1 - FRAME

FIGURE 1-8. DRIVE MOTOR ASSEMBLY - REXROTH (4WD)

ITEM	PART NUMBER	QTY	DESCRIPTION	REV
	3160204	Ref	DRIVE MOTOR ASSEMBLY - REXROTH (4WD)	
1	7012701	1	Shaft - 13 Teeth	
2	See Note	NSS	Seal, Shaft (Note: Use Item 26)	
3	7012702	2	Bearing, Cradle	
4	3160204	1	Housing (Note: Not Available for Purchase)	
5	7012703	1	Rod, Piston	
6	7012704	1	Piston, Stroking	
7	See Note	NSS	O-Ring (Note: Use Item 26)	
8	7012705	1	Nut, Adaptor	
9	7012706	1	Bearing, Roller	
10	7012707	4	Bolt, Socket Head M12 x 65	
11	7012708	1	Block, Port	
12	7012709	1	Shim	
13	7012710	1	Pin, Dowel M6 x 18	
14	See Note	NSS	O-Ring (Note: Use Item 26)	
15	7012711	1	Nut, Cap M10 x 1	
16	7012712	1	Screw, Adjusting	
17	See Note	NSS	O-Ring (Note: Use Item 26)	
18	7012713	1	Nut, Jam M10 x 1	
19	7012716	1	Rotary Group Assembly	
20	See Note	1	Plug (Note: Not Available for Purchase)	
21	7024036	1	Plate, Swash	
22	7012714	1	Bearing, Roller	
23	7012715	1	V-Ring	
24	7012700	1	Control Plate Assembly (Prior to SN 0300029852)	
26	2900788	1	Seal Kit (Includes Items 2, 7, 14, 17 and O-Rings under Item 24)	

SECTION 1 - FRAME

FIGURE 1-9. TOW PACKAGE INSTALLATION (OPTIONAL)



Go to Discount-Equipment.com to order your parts

SECTION 1 - FRAME

FIGURE 1-9. TOW PACKAGE INSTALLATION (OPTIONAL)

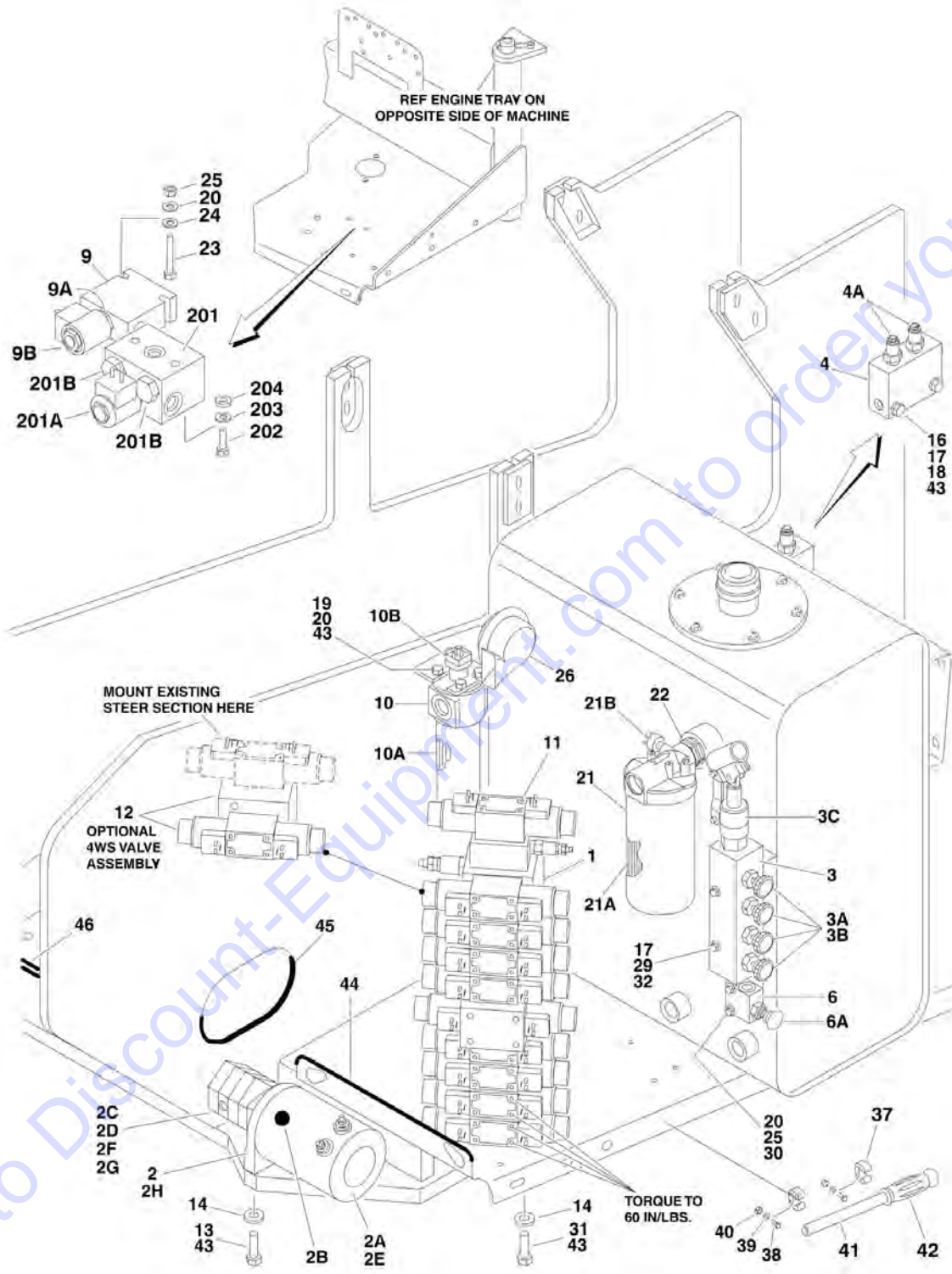
ITEM	PART NUMBER	QTY	DESCRIPTION	REV
		Ref	TOW INSTALLATION OPTIONS:	
	0257436	Ref	7ft/2.1m width machines	3
	0257101	Ref	8ft/2.4m width machines	2
1	4845281	1	Tow Bar Weldment	
2		Ref	Bracket, Tow Bar Options:	
2	Not Required	0	7ft/2.1m Width Machines	
2	4845283	2	8ft/2.4m width machines	
3		Ref	Bolt 3/8in-16NC x 1in Options:	
3	Not Required	0	7ft/2.1m Width Machines	
3	0641608	8	8ft/2.4m width machines	
4		Ref	Flatwasher 3/8in Options:	
4	Not Required	0	7ft/2.1m Width Machines	
4	4711600	8	8ft/2.4m width machines	
5		Ref	Bracket, Tow Bar Options:	
5	Not Required	0	7ft/2.1m Width Machines	
5	4845450	1	8ft/2.4m width machines	
6		Ref	Bracket, Tow Bar Options:	
6	Not Required	0	7ft/2.1m Width Machines	
6	4845451	1	8ft/2.4m width machines	
7	3421453	4	Pin, Snap	
8	4712600	AR	Flatwasher 1in	
9	3422553	2	Pin, Tow Bar	
10	4713400	2	Flatwasher 1 1/2in	
11	3422553	1	Pin, Tow Bar	
12	4713000	2	Flatwasher 1 1/4in	
13	3420592	1	Hairpin	
14	4640261	1	Diversion Valve Assembly	
15	0641505	2	Bolt 5/16in-18NC x 5/8in	
16	4711500	2	Flatwasher 5/16in	
19	3250872	1	Nameplate	
20	3820001	4	Rivet	
21	4567172	2	Tube, Spacer	
22	3841329	1	Rod Extension	
23	4761600	1	Lockwasher 3/8in	
24	1703403	1	Decal - Instruction	
25	1703404	2	Decal - Match Arrow	
26	1703444	1	Decal	
27	1703450	1	Decal	
28	3539662	1	Plate, Valve Mounting (Not Shown)	
29		Ref	Bar, Tow Clamp Options:	
29	Not Required	0	7ft/2.1m Width Machines	
29	0362519	4	8ft/2.4m width machines	

SECTION 2 - TURNTABLE

Go to Discount-Equipment.com to order your parts

SECTION 2 - TURNTABLE

FIGURE 2-1. CONTROL VALVES INSTALLATIONS



Go to Discount-Equipment.com to order your parts

SECTION 2 - TURNTABLE

FIGURE 2-1. CONTROL VALVES INSTALLATIONS

ITEM	PART NUMBER	QTY	DESCRIPTION	REV
		Ref	CONTROL VALVES INSTALLATIONS	
	0255440	Ref	Control Valves Installations 600A 2WS	9
	0255442	Ref	Control Valves Installations 600A 4WS	9
	0255441	Ref	Control Valves Installations 600AJ 2WS	11
	0255443	Ref	Control Valves Installations 600AJ 4WS	9
1		Ref	Main Valve Block Assembly (See MAIN VALVE BLOCK ASSEMBLY for Breakdown) Options:	
1	4640920	1	Main Valve Block Assembly (Prior to SN 0300041204)	
1	4641097	1	Main Valve Block Assembly (SN 0300041204 through 0300069000)	
2	3600243	1	Auxiliary Pump Assembly	A
2A	7013755	1	Replacement Motor	
2A	7013799	1	Brush Kit - 7013755 Motor	
2B	7013711	1	Coupling	
2C	7013796	1	Replacement Pump	
2C	See Note	1	Seal Kit (Note: Not Available - Purchase Individual Components)	
2C	7016700	1	Seal, Oil	
2C	7016701	1	O-Ring	
2C	7016702	1	O-Ring	
2D	7022203	4	Bolt (Pump to Bracket)	
2E	7016744	2	Bolt (Motor to Bracket)	
3	4640930	1	Manual Descent Valve Assembly	
3A	7012954	4	Cartridge, Needle	
3A	7012953	4	Seal, Kit - 7012954 Cartridge	
3B	7012961	4	Knob	
3C	7012694	1	Cartridge, Pump	
3C	7012699	1	Seal Kit - 7012694 Cartridge	
4	4640908	1	Counterbalance Valve Assembly	
4A	7011328	2	Cartridge, Counterbalance	
4A	2900770	2	Seal Kit - 7011328 Cartridge	
6	4640866	1	Manual Pull Valve Assembly	
6	2900708	1	Seal Kit - 4640866 Valve	
6A	7012959	1	Knob	
9	4640907	1	Brake Valve Assembly	
9A	7012941	1	Cartridge without Coil	
9A	7012907	1	Seal Kit - 7012941 Cartridge	
9B	7012944	1	Coil	
10	2120146	1	Hydraulic Pressure Filter Assembly	
10A	2120150	1	Element, Filter	
10B	7016312	1	Switch, Clog Indicator	
11		Ref	Articulating Jib Valve Kit (See ACCESSORY VALVE ASSEMBLIES for Breakdown) Options:	
11	Not Required	0	600A - 2WS/600A - 4WS	
11	4640921	1	600AJ - 2WS/600AJ - 4WS	
11		Ref	Harness, Articulating Jib Options (Not Shown - ELECTRICAL SECTION for Breakdown)	
11	4921771	1	Harness, Articulating Jib (Prior to SN 0300035129)	
11	4921927	1	Harness, Articulating Jib (SN 0300035129 through 0300069000)	
12		Ref	4WS Valve Assembly (See ACCESSORY VALVE ASSEMBLIES	

SECTION 2 - TURNTABLE

ITEM	PART NUMBER	QTY	DESCRIPTION	REV
			for Breakdown) Options:	
12	Not Required	0	600A - 2WS/600AJ - 2WS	
12	4640922	1	600A - 4WS/600AJ - 4WS	
12		Ref	Harness, 4WS Options (Not Shown - See ELECTRICAL SECTION for Breakdown):	
12	4921772	1	Harness, 4WS (Prior to SN 0300035129)	
12	4921928	1	Harness, 4WS (SN 0300035129 through 0300069000)	
13	0641613	2	Bolt 3/8in-16NC x 1-5/8in	
14	4711600	2	Flatwasher 3/8in Thin	
16	4891800	2	Flatwasher 1/2in Hardened	
17	4711500	8	Flatwasher 5/16in Thin	
18	3311501	2	Nut 5/16in-18NC	
19	0651406	4	Bolt 1/4in-28NF x 3/4in	
20	4711400	14	Flatwasher 1/4in Thin	
21	2120145	1	Return Filter Assembly	B
21A	2120149	1	Element, Filter	
21B	7016313	1	Switch, Clog Indicator	
22	2220893	1	Fitting, Adaptor	
23	0641416	2	Bolt 1/4in-20NC x 2in	
24	4891400	2	Flatwasher 1/4in Hardened	
25	3311405	6	Locknut 1/4in x 20NC	
26	0140001	1	Horn	
29	0641522	2	Bolt 5/16in-18NC x 2-3/4in	
30	0641414	2	Bolt 1/4in-20NC x 1-3/4in	
31	0641608	3	Bolt 3/8in-16NC x 1in	
32	3311505	2	Locknut 5/16in-18NC	
37	1380136	2	Clip, Gripper	
38	3910806	2	Screw #8 x 3/4in	
39	4750800	4	Flatwasher #8 Regular	
40	3310805	2	Locknut #8	
41	2560122	1	Handle	
42	2560123	1	Grip, Handle	
43	0100011	AR	Compound, Locking	
44	4060804	16	Trim-Loc 3/16in	
		in/40cm		
45	4060918	79 in/1.9m	Trim-Loc 5/8in	
46	4060807	18	Trim-Loc 3/8in	
		in/46cm		
	0255362	Ref	TILT INDICATOR INSTALLATION (Prior to SN 0300064249)	-
101	4360416	1	Sensor, Tilt Indicator	
102	0641406	2	Bolt 1/4in-20NC x 3/4in	
103	3311405	2	Locknut 1/4in-20NC	
	2792195	Ref	4WD DRIVE HYDRAULIC DIAGRAM	8
201	4640906	1	Valve, 2-Speed Motor Control	
201A	7012974	1	Cartridge without Coil	
201A	7012905	1	Seal Kit	
201A	7012944	1	Coil	
201B	See Note	2	Cartridge, Check Valve (Note: Not Available - Purchase Complete Valve Assembly)	
201B	7012972	2	Seal Kit	
202	0641508	2	Bolt 5/16in-18NC x 1in	
203	4891500	2	Flatwasher 5/16in Hardened	

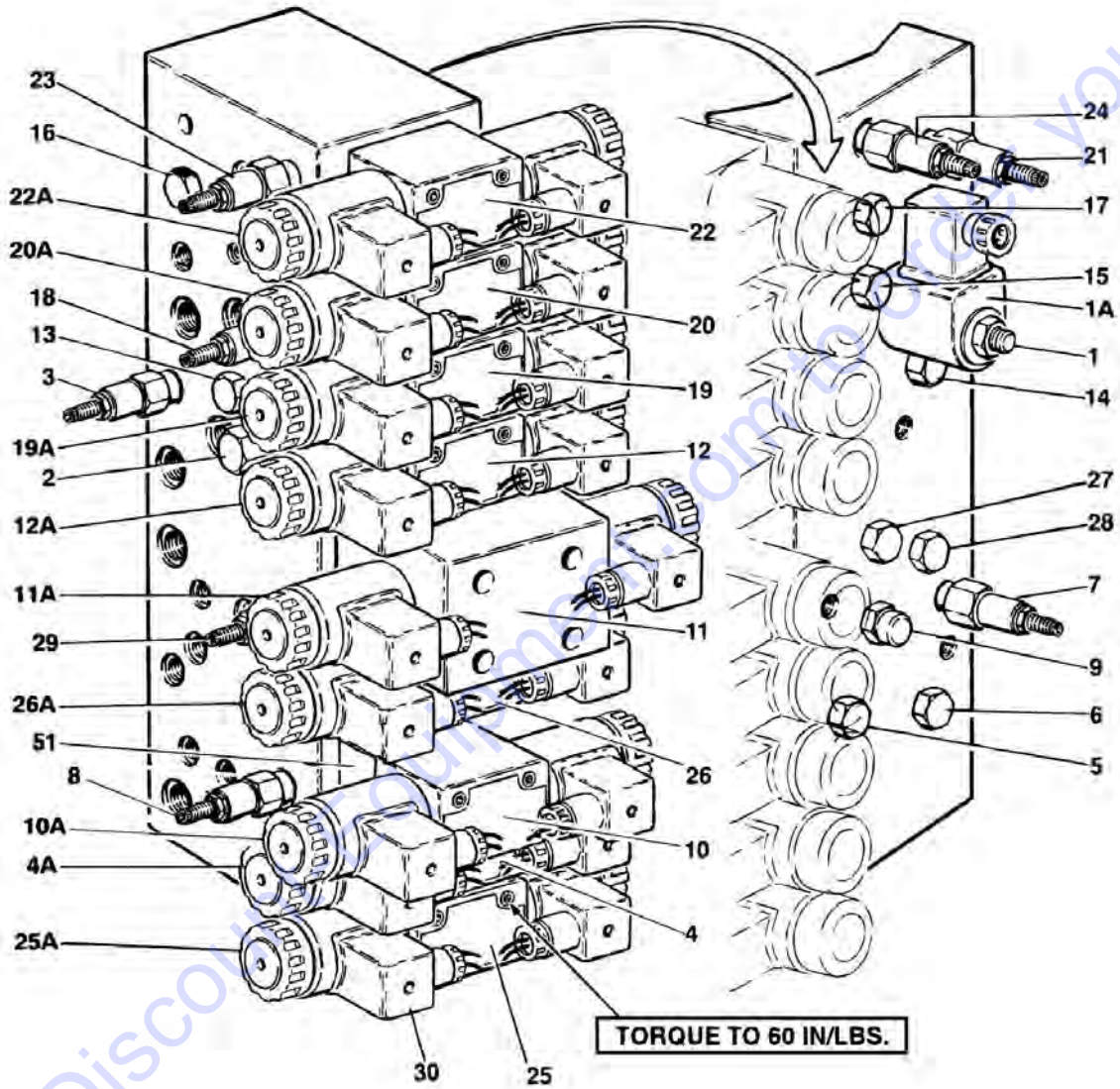
SECTION 2 - TURNTABLE

ITEM	PART NUMBER	QTY	DESCRIPTION	REV
204	4711500	2	Flatwasher 5/16in Thin	

Go to Discount-Equipment.com to order your parts

SECTION 2 - TURNTABLE

FIGURE 2-2. MAIN VALVE BLOCK ASSEMBLY



SECTION 2 - TURNTABLE

FIGURE 2-2. MAIN VALVE BLOCK ASSEMBLY

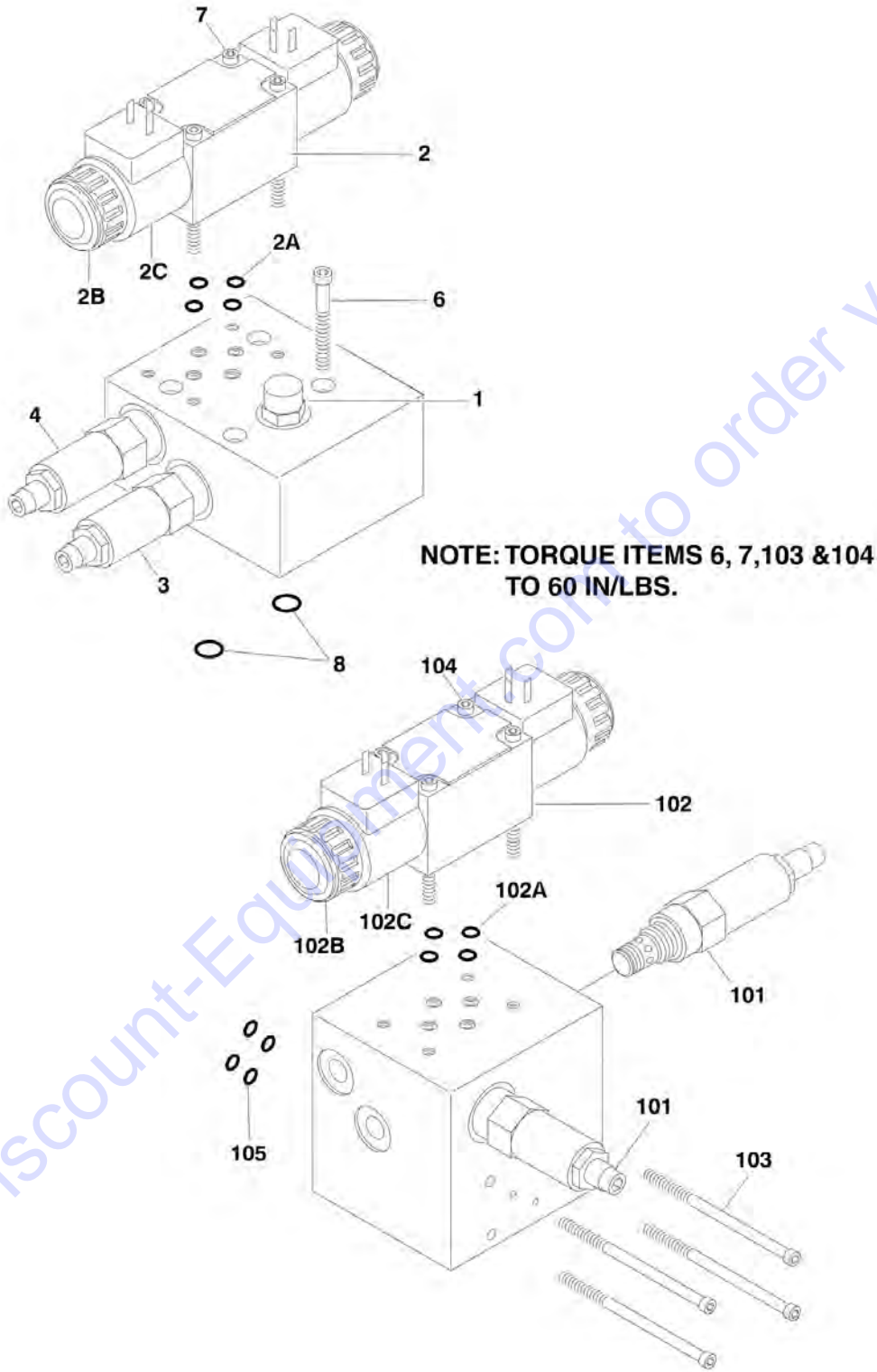
ITEM	PART NUMBER	QTY	DESCRIPTION	REV
		Ref	MAIN VALVE BLOCK ASSEMBLY	
	4640920	Ref	Main Valve Block Assembly (Prior to SN 0300041204)	D
	4641097	Ref	Main Valve Block Assembly (SN 0300041204 through 0300069000)	B
1	7017410	1	Cartridge, without Coil	
1	7012967	1	Seal Kit - 7017410 Cartridge	
1A	7012944	1	Coil	
2	7017411	1	Cartridge, Pressure Sensing	
2	7012518	1	Seal Kit	
3	7017418	1	Cartridge (Main Relief)	
3	7012998	1	Seal Kit	
4	70001976	1	Control Valve Assembly (Platform Level) (was p/n 7012770)	
4	7012773	1	Seal Kit	
4A	7012772	2	Coil	
4A	7018912	2	Nut	
5	7012914	1	Cartridge, Check Valve	
5	7012918	1	Seal Kit - 7012914 Cartridge	
6	7012914	1	Cartridge, Check Valve	
6	7012918	1	Seal Kit - 7012914 Cartridge	
7	7017428	1	Cartridge, Relief Valve (Platform Level Backward Relief)	
7	7012998	1	Seal Kit - 7017428 Cartridge	
8	7017427	1	Cartridge, Relief Valve (Platform Level Forward Relief)	
8	7012998	1	Seal Kit - 7012912 Cartridge	
9	7012989	1	Cartridge, Flow Control	
9	7012953	1	Seal Kit - 7012989 Cartridge	
10	70001976	1	Control Valve Assembly (Platform Rotate) (was p/n 7012770)	
10	7012773	1	Seal Kit	
10A	7012772	2	Coil	
10A	7018912	2	Nut	
11	70000579	1	Control Valve Assembly (Upper Tele) (was p/n 7012766)	
		Ref	Note: Refer to Vendor P/N on Valve Nameplate before ordering Parts. 7012766 is RR00567495 or R900567495. 70000579 is R900930080.	
11		Ref	Seal Kit Options:	
11	7012769	1	7012766 Valve	
11	70000583	1	70000579 Valve	
11A		Ref	Coil Options:	
11A	7012772	1	7012766 Valve (was p/n 7012768)	
11A	70000582	1	70000579 Valve	
11A		Ref	Nut, Coil Options:	
11A	7018912	1	7012766 Valve	
11A	70000580	1	70000579 Valve	
12	7012775	1	Control Valve Assembly (Flow Control)	
12	7012773	1	Seal Kit	
12A	7012772	2	Coil	
12A	7018912	2	Nut	
13	7010542	1	Cartridge, Shuttle	
13	7010543	1	Seal Kit - 7010542 Cartridge	
14	7010542	1	Cartridge, Shuttle	
14	7010543	1	Seal Kit - 7010542 Cartridge	

SECTION 2 - TURNTABLE

ITEM	PART NUMBER	QTY	DESCRIPTION	REV
15	7010542	1	Cartridge, Shuttle	
15	7010543	1	Seal Kit - 7010542 Cartridge	
16	7010542	1	Cartridge, Shuttle	
16	7010543	1	Seal Kit - 7010542 Cartridge	
17	7010542	1	Cartridge, Shuttle	
17	7010543	1	Seal Kit - 7010542 Cartridge	
18	7017420	1	Cartridge, Relief Valve	
18	7012998	1	Seal Kit - 7017420 Cartridge	
19	7012775	1	Control Valve Assembly (Upper Lift)	
19	7012773	1	Seal Kit	
19	7012799	1	Lanyard Assembly (Not Shown)	
19A	7012772	2	Coil	
19A	7018912	2	Nut	
20	7012775	1	Control Valve Assembly (Swing)	
20	7012773	1	Seal Kit	
20A	7012772	2	Coil	
20A	7018912	2	Nut	
21	7017423	1	Cartridge, Relief Valve (Swing Right/Left Relief)	
21	7012998	1	Seal Kit - 7017423 Cartridge	
22	7012774	1	Control Valve Assembly (Swing)	
22	7012773	1	Seal Kit	
22A	7012772	2	Coil	
22A	7018912	2	Nut	
23	7017428	1	Cartridge, Relief Valve (Steer Left Relief)	
23	7012998	1	Seal Kit - 7017428 Cartridge	
24	7017428	1	Cartridge, Relief Valve (Steer Right Relief)	
24	7012998	1	Seal Kit - 7017428 Cartridge	
25	70001976	1	Control Valve Assembly (Lower Tele) (was p/n 7012770)	
25	7012773	1	Seal Kit	
25A	7012772	2	Coil	
25A	7018912	2	Nut	
26	7018952	1	Control Valve Assembly (Lower Lift) Options:	
26	7012769	1	Seal Kit	
26A	7012772	2	Coil	
26A	7018912	2	Nut	
26A	7012799	1	Lanyard Cable Assembly	
27	7012969	1	Cartridge, Check	
27	7012967	1	Seal Kit - 7012969 Cartridge	
28	7012914	1	Cartridge, Check	
28	7012918	1	Seal Kit - 7012914 Cartridge	
30	4460499	19	Connector, Din with Diode (Part of Valve Harness)	
	2901763	1	ROTATE SANDWICH VALVE KIT	A
51	7021310	1	Block, Valve	

SECTION 2 - TURNTABLE

FIGURE 2-3. ACCESSORY VALVE ASSEMBLIES



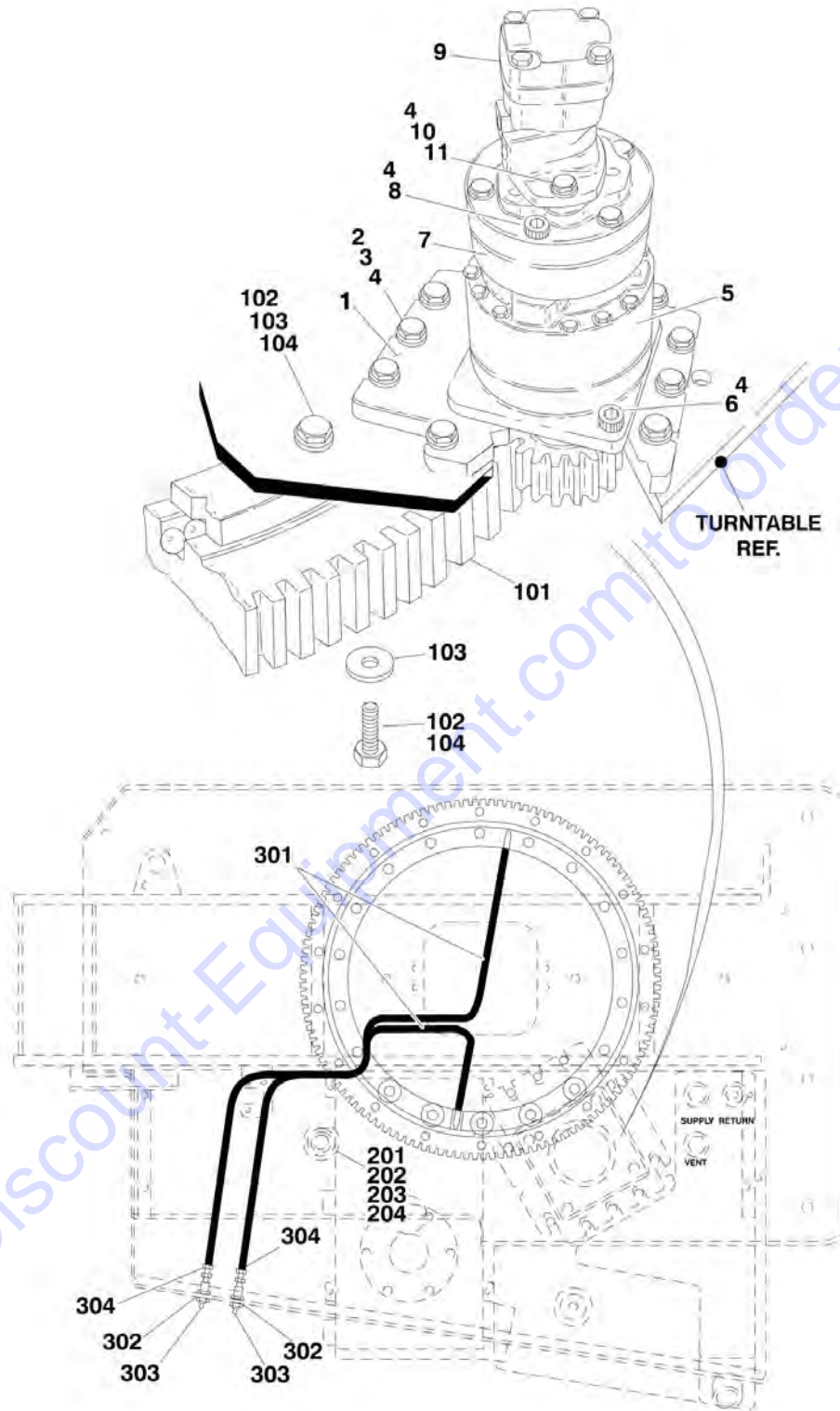
SECTION 2 - TURNTABLE

FIGURE 2-3. ACCESSORY VALVE ASSEMBLIES

ITEM	PART NUMBER	QTY	DESCRIPTION	REV
	4640921	Ref	ARTICULATING JIB VALVE ASSEMBLY	D
1	7012965	1	Cartridge, Flow Control	
1	7012953	1	Seal Kit - 7012965 Cartridge	
2	70001976	1	Directional Control Valve Assembly (was p/n 7012770)	
2	7012773	1	Seal Kit	
2A	7018945	4	O-Ring	
2B	7018912	2	Nut	
2C	7012772	2	Coil	
3	7017421	1	Cartridge, Relief	
3	7012998	1	Seal Kit - 7017421 Cartridge	
4	7017422	1	Cartridge, Relief	
4	7012998	1	Seal Kit - 7017422 Cartridge	
5	4460499	2	Connector, Din with Diode (Part of Valve Harness)	
6	7018946	4	Capscrew, Socket Head #10-24NC x 5in (Not Shown - Used to Mount Valve Assembly)	
7	7018942	4	Capscrew, Socket Head #10-24NC x 2in	
8	7012776	4	O-Ring (Not Shown - Used to Mount to Main Valve)	
	4640922	Ref	4WS VALVE ASSEMBLY	B
101	7017420	2	Cartridge, Flow Control	
101	7012998	2	Seal Kit - 7017420 Cartridge	
102	7012774	1	Directional Control Valve Assembly	
102	7012773	1	Seal Kit	
102A	7018945	4	O-Ring	
102B	7018912	2	Nut	
102C	7012772	2	Coil	
103	7018946	4	Capscrew, Socket Head #10-24NC x 5in (Used to Mount Valve Assembly)	
104	7018942	4	Capscrew, Socket Head #10-24NC x 2in	
105	7018948	4	O-Ring (Used to Mount to Main Valve)	

SECTION 2 - TURNTABLE

FIGURE 2-4. SWING DRIVE, TURNTABLE BEARING AND LOCK INSTALLATIONS



SECTION 2 - TURNTABLE

FIGURE 2-4. SWING DRIVE, TURNTABLE BEARING AND LOCK INSTALLATIONS

ITEM	PART NUMBER	QTY	DESCRIPTION	REV
		Ref	SWING DRIVE INSTALLATIONS	
	0255025	Ref	Swing Drive Installations (Prior to SN 0300064566)	4-B
	0270329	Ref	Swing Drive Installations (SN 0300064566 through 0300069000)	A
1	3537318	1	Plate, Swing Drive Mounting	
2	0642018	10	Bolt 5/8in - 11NC x 2-1/4in	
3	4892000	10	Flatwasher 5/8in Hardened	
4	0100011	AR	Compound, Locking	
5	2780205	1	Hub, Swing Assembly (See SWING HUB ASSEMBLY for Breakdown)	
6	3932224	4	Bolt 1/2in - 13NC x 1-1/2in	
7		Ref	Brake, Swing Assembly (See SWING BRAKE ASSEMBLY for Breakdown) (Note: Recommend using 0920109 in place of original 0920083)	
7	0920109	1	Brake, Swing Assembly (SN 0300033476 through 0300064565)	
7	0920119	1	Brake, Swing Assembly (SN 0300064566 through 0300069000)	
8	3931860	2	Bolt Socket Head 1/2in - 13NC x 3-3/4in (Prior to SN 0300064566)	
9		Ref	Motor, Swing Assembly (See SWING MOTOR ASSEMBLY for Breakdown)	
9	3160200	1	Motor, Swing Assembly (Prior to SN 0300064566)	
9	3160273	1	Motor, Swing Assembly (SN 0300064566 through 0300069000)	
10		Ref	Bolt Options:	
10	0641811	2	Bolt 1/2in - 13NC x 1-3/8in (Prior to SN 0300064566)	
10	0681836	2	Bolt 1/2in - 13NC x 4-1/2in (SN 0300064566 through 0300069000)	
11	4891800	2	Flatwasher 1/2in Hardened	
	0254798	Ref	TURNTABLE BEARING INSTALLATION	A-A
101	0440207	NLA	Bearing Kit (Use p/n 2915087) (Kit Includes Bearing and Mounting Hardware)	
102	0682016	36	Bolt 5/8in - 11NC X 2in (Grade 8)	
103	4892000	36	Flatwasher 5/8in Hardened	
104	0100019	AR	Compound, Locking	
	0255410	Ref	TURNTABLE LOCK INSTALLATION	-
201	4844958	1	Pin	
202	3421565	1	Pin, Snap	
203	3760170	2	Ring, Quick Release	
204	1260017	9 in/23cm	Chain	
	0255444	Ref	REMOTE BEARING LUBE INSTALLATION	1
	1282398	Ref	REMOTE BEARING LUBE INSTALLATION	C
301	2751032	2	Hose, Grease	
302	2180344	2	Fitting, Bulkhead	
303	2160002	2	Fitting, Grease	
304	2220001	2	Fitting, Straight	

PARTS FINDER

**Search Website
by Part Number**



**Search Manual
Library For Parts
Manual & Lookup Part
Numbers – Purchase
or Request Quote**

**Can't Find Part or
Manual? Request Help
by Manufacturer,
Model & Description**

Discount-Equipment.com is your online resource for quality parts & equipment.

Florida: **561-964-4949** Outside Florida TOLL FREE: **877-690-3101**

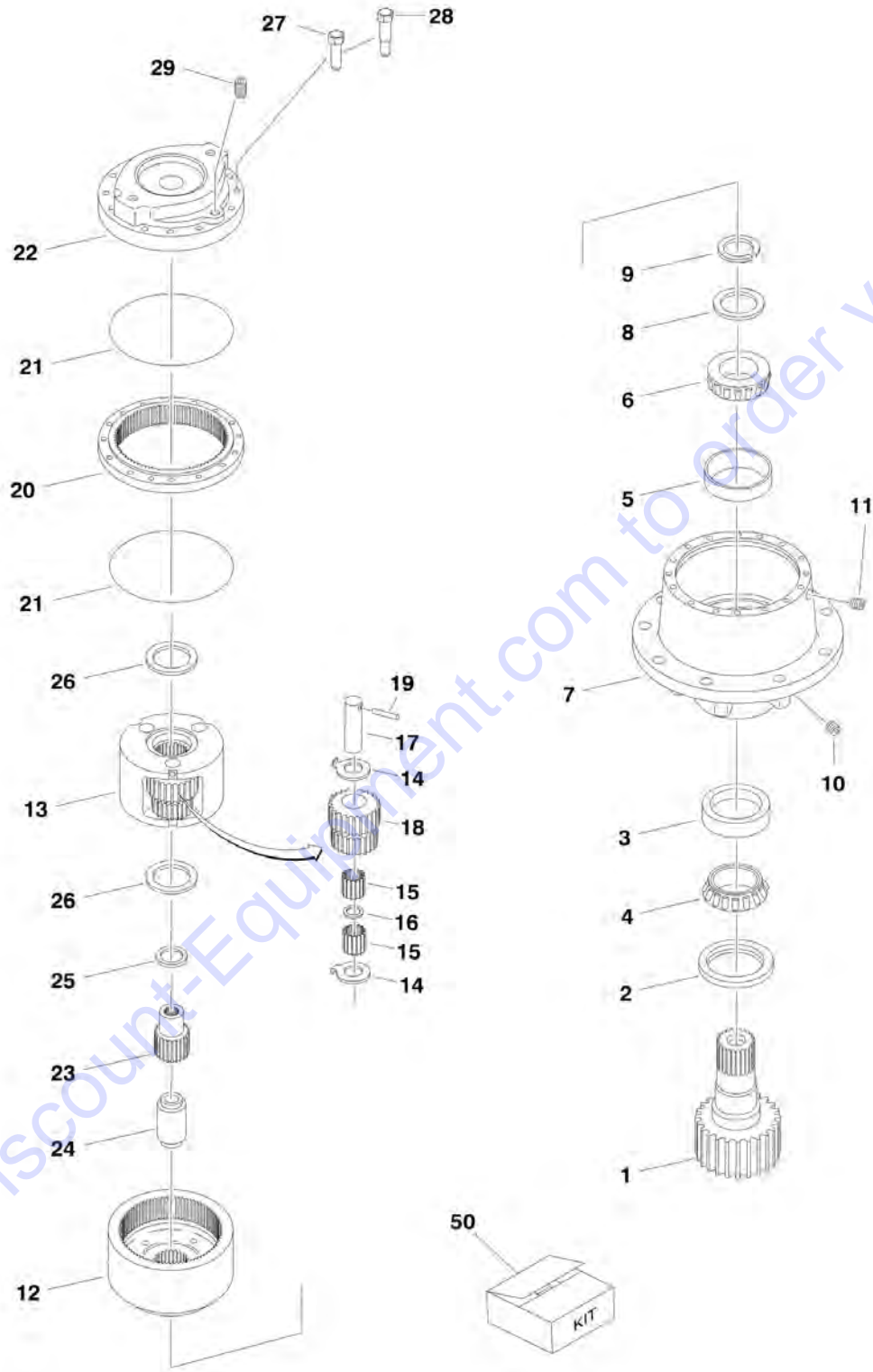
Need parts?

Click on this link: <http://www.discount-equipment.com/category/5443-parts/> and choose one of the options to help get the right parts and equipment you are looking for. Please have the machine model and serial number available in order to help us get you the correct parts. If you don't find the part on the website or on one of the online manuals, please fill out the request form and one of our experienced staff members will get back to you with a quote for the right part that your machine needs.

We sell worldwide for the brands: Genie, Terex, JLG, MultiQuip, Mikasa, Essick, Whiteman, Mayco, Toro Stone, Diamond Products, Generac Magnum, Airman, Haulotte, Barreto, Power Blanket, Nifty Lift, Atlas Copco, Chicago Pneumatic, Allmand, Miller Curber, Skyjack, Lull, Skytrak, Tsurumi, Husquvarna Target, Stow, Wacker, Sakai, Mi-T-M, Sullair, Basic, Dynapac, MBW, Weber, Bartell, Bennar Newman, Haulotte, Ditch Runner, Menegotti, Morrison, Contec, Buddy, Crown, Edco, Wyco, Bomag, Laymor, EZ Trench, Bil-Jax, F.S. Curtis, Gehl Pavers, Heli, Honda, ICS/PowerGrit, IHI, Partner, Imer, Clipper, MMD, Koshin, Rice, CH&E, General Equipment, Amida, Coleman, NAC, Gradall, Square Shooter, Kent, Stanley, Tamco, Toku, Hatz, Kohler, Robin, Wisconsin, Northrock, Oztec, Toker TK, Rol-Air, APT, Wylie, Ingersoll Rand / Doosan, Innovatech, Con X, Ammann, Mecalac, Makinex, Smith Surface Prep, Small Line, Wanco, Yanmar

SECTION 2 - TURNTABLE

FIGURE 2-5. SWING HUB ASSEMBLY



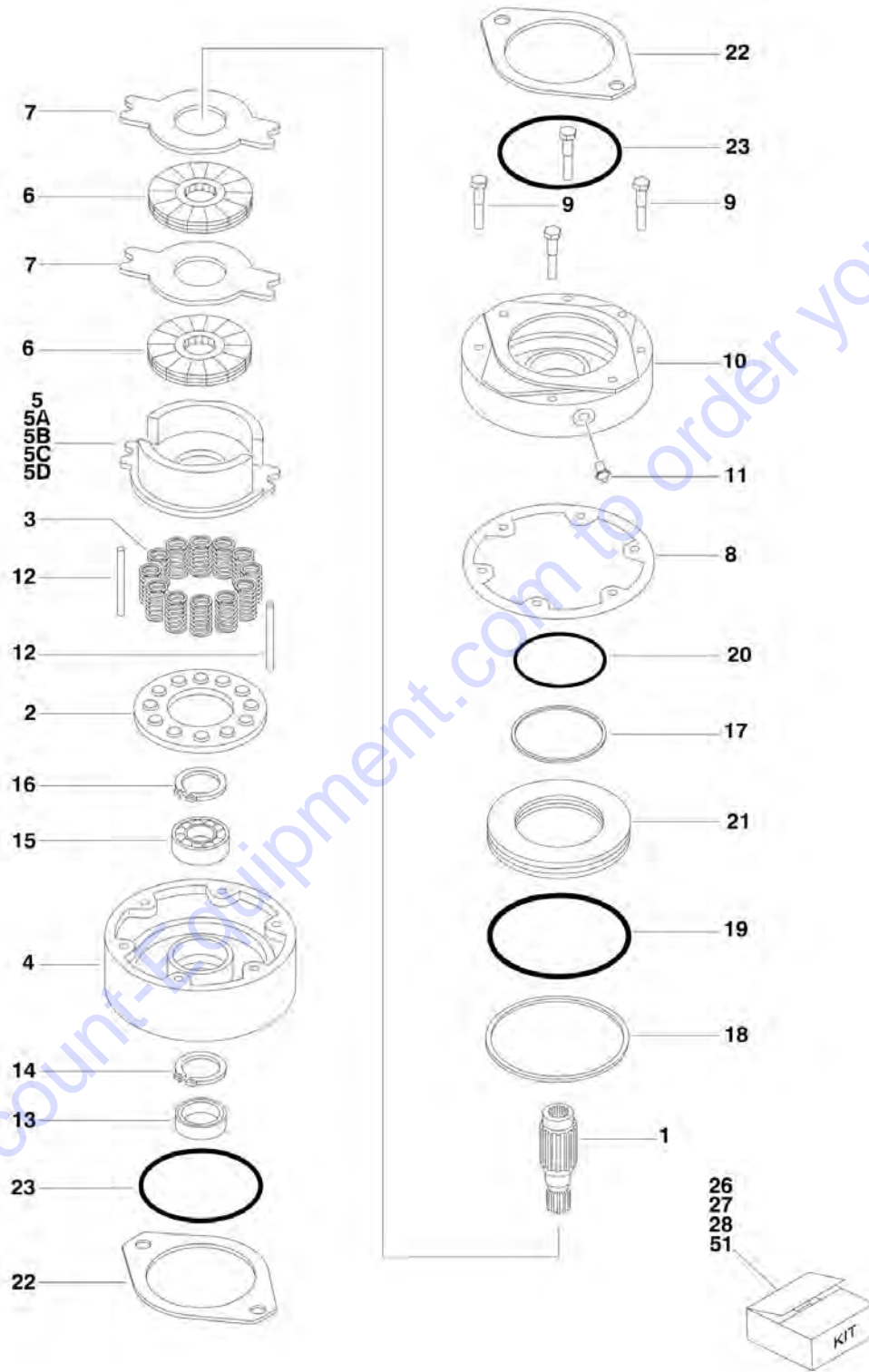
SECTION 2 - TURNTABLE

FIGURE 2-5. SWING HUB ASSEMBLY

ITEM	PART NUMBER	QTY	DESCRIPTION	REV
	2780205	Ref	SWING HUB ASSEMBLY	
		Ref	HOUSING ASSEMBLY	
1	7010492	1	Shaft, Output	
2	7000228	1	Seal, Lip	
3	7000255	1	Cup, Bearing	
4	7000256	1	Cone, Bearing	
5	7000257	1	Cup, Bearing	
6	7000258	1	Cone, Bearing	
7	7017089	1	Housing	
8	7007633	1	Thrustwasher	
9	7000229	1	Ring, Retaining	
10	7010494	2	Pipe, Plug	
11	7001928	2	Pipe, Plug	
12	7000246	2	Gear, Internal	
13		Ref	CARRIER ASSEMBLY	
13	7001931	1	Carrier	
14	7001985	6	Thrustwasher, Tanged	
15	7001909	96	Bearing, Needle	
16	7000263	3	Spacer, Thrust	
17	7001911	3	Shaft, Planet	
18	7001987	3	Gear, Cluster	
19	7010474	3	Roll Pin	
20	7001988	1	Ring Gear	
21	7000230	2	O-Ring	
22	7000209	1	Cover, Input	
23	7010488	1	Gear, Sun	
24	7000269	1	Spacer, Input	
25	7000270	1	Thrustwasher	
26	7000253	2	Thrustwasher	
27	7000217	8	Bolt	
28	7000214	4	Bolt, Shoulder	
29	7000242	1	Pipe, Plug	
50	7024100	1	Seal Kit (Includes Items 2, 9, 21 & 26)	

SECTION 2 - TURNTABLE

FIGURE 2-6. SWING BRAKE ASSEMBLY



SECTION 2 - TURNTABLE

FIGURE 2-6. SWING BRAKE ASSEMBLY

ITEM	PART NUMBER	QTY	DESCRIPTION	REV
		Ref	SWING BRAKE ASSEMBLY OPTIONS:	
	0920083	Ref	Swing Brake Assembly (Prior to SN 0300033476)	A
	0920109	Ref	Swing Brake Assembly (SN 0300033476 through 0300064566)	B
1	7011720	1	Shaft	
2		Ref	Guide, Spring Options:	
2	7011717	1	0920083 Brake (Prior to SN 0300033476)	
2	7018606	1	0920109 Brake (SN 0300033476 through 0300069000)	
3		Ref	Spring Options:	
3	7007979	6	0920083 Brake (Inner) (Prior to SN 0300033476)	
3	7007980	6	0920083 Brake (Outer) (Prior to SN 0300033476)	
3	7007970	6	0920109 Brake (Red) (SN 0300033476 through 0300064566)	
3	7018602	3	0920109 Brake (Blue) (SN 0300033476 through 0300064566)	
4		Ref	Housing Options:	
4	7011713	1	0920083 Brake (Prior to SN 0300033476)	
4	7018605	1	0920109 Brake (SN 0300033476 through 0300064566)	
5		Ref	Return Plate and Separator Assembly Options:	
5A		Ref	0920083 Brake (Prior to SN 0300033476)	
5B	See Note	NSS	Plate, Return - 0920083 Brake (Note: Use Item 28) (Prior to SN 0300033476)	
5C	7011715	2	Separator Assy - 0920083 Brake (Prior to SN 0300033476)	
5C	7011714	4	Pin	
5C	7007983	2	Separator	
5D	See Note	NSS	0920109 Brake (Note: Use Item 28) (SN 0300033476 through 0300064566)	
6	See Note	NSS	Rotor (Note: Use Item 28)	
7	See Note	NSS	Stator (Note: Use Item 28)	
8	See Note	NSS	Seal, Oil (Note: Use Item 26 or 27)	
9		Ref	Bolt, Washer Head Options:	
9	7007985	4	0920083 Brake (Prior to SN 0300033476)	
9	7018607	4	0920109 Brake (SN 0300033476 through 0300064566)	
10	7011719	1	Cover	
11		Ref	Hardware Options:	
11	7007914	1	Screw, Bleeder (Prior to SN 0300033906)	
11	7018609	1	Plug, Pipe (SN 0300033906 through 0300064566)	
12	7007987	2	Pin, Dowel	
13	See Note	NSS	Seal, Oil (Note: Use Item 26 or 27)	
14	7011716	1	Ring, Retaining	
15	See Note	NSS	Bearing (Note: Use Item 27)	
16	7007977	1	Ring, Retaining	
17	See Note	NSS	Ring, Back-up (Note: Use Item 26)	
18	See Note	NSS	Ring, Back-up (Note: Use Item 26)	
19	See Note	NSS	O-Ring (Note: Use Item 26)	
20	See Note	NSS	O-Ring (Note: Use Item 26)	
21		Ref	Piston Options:	
21	7007923	1	0920083 Brake (Prior to SN 0300033476)	
21	7018603	1	0920109 Brake (SN 0300033476 through 0300064566)	
22	7007934	2	Gasket	
23	See Note	NSS	O-Ring (Note: Use Item 26, 27 or 28)	
26	2900766	1	Seal Kit (Includes Items 8, 13, 17, 18, 19, 20, 22 & 23)	
27	2900768	1	Bearing Kit (Includes Items 8, 13, 14, 15, 16, 22 & 23)	

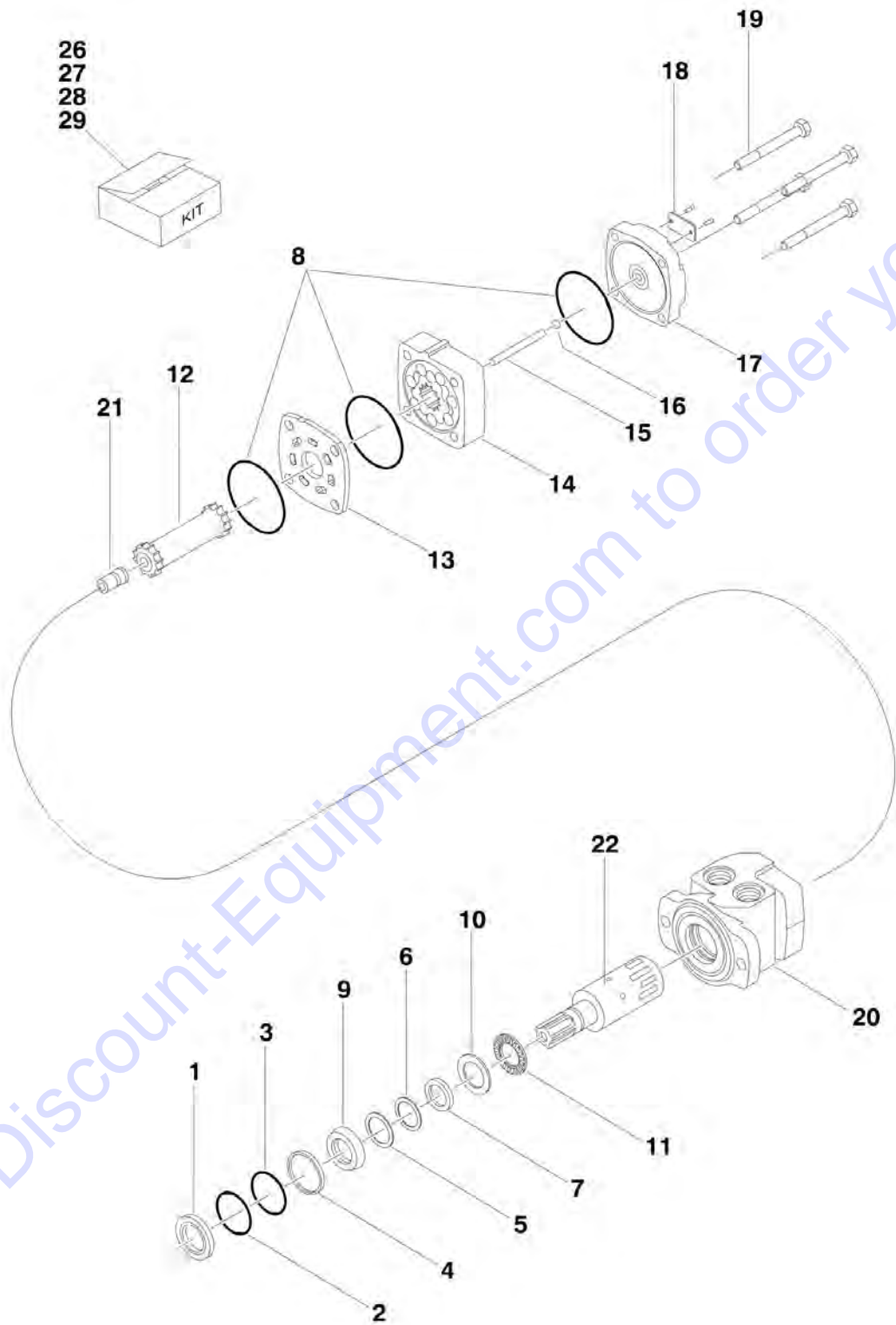
SECTION 2 - TURNTABLE

ITEM	PART NUMBER	QTY	DESCRIPTION	REV
28		Ref	Lining Kit Options:	
28	2900767		0920083 Brake (Includes Items 5B, 6, 7, 8, 22 & 23) (Prior to SN 0300033476)	
28	7018608		0920109 Brake (Includes Items 5D, 6, 7, 8, 22 & 23) (SN 0300033476 through 0300064565)	
	0920119	Ref	SWING BRAKE ASSEMBLY (NOT SHOWN) (SN 0300064566 through 0300069000)	B
51	7018612	1	Kit, Repair	
		Ref	Note: Repair Kit Only (No Other Service Parts Available)	

Go to Discount-Equipment.com to order your parts

SECTION 2 - TURNTABLE

FIGURE 2-7. SWING MOTOR ASSEMBLY



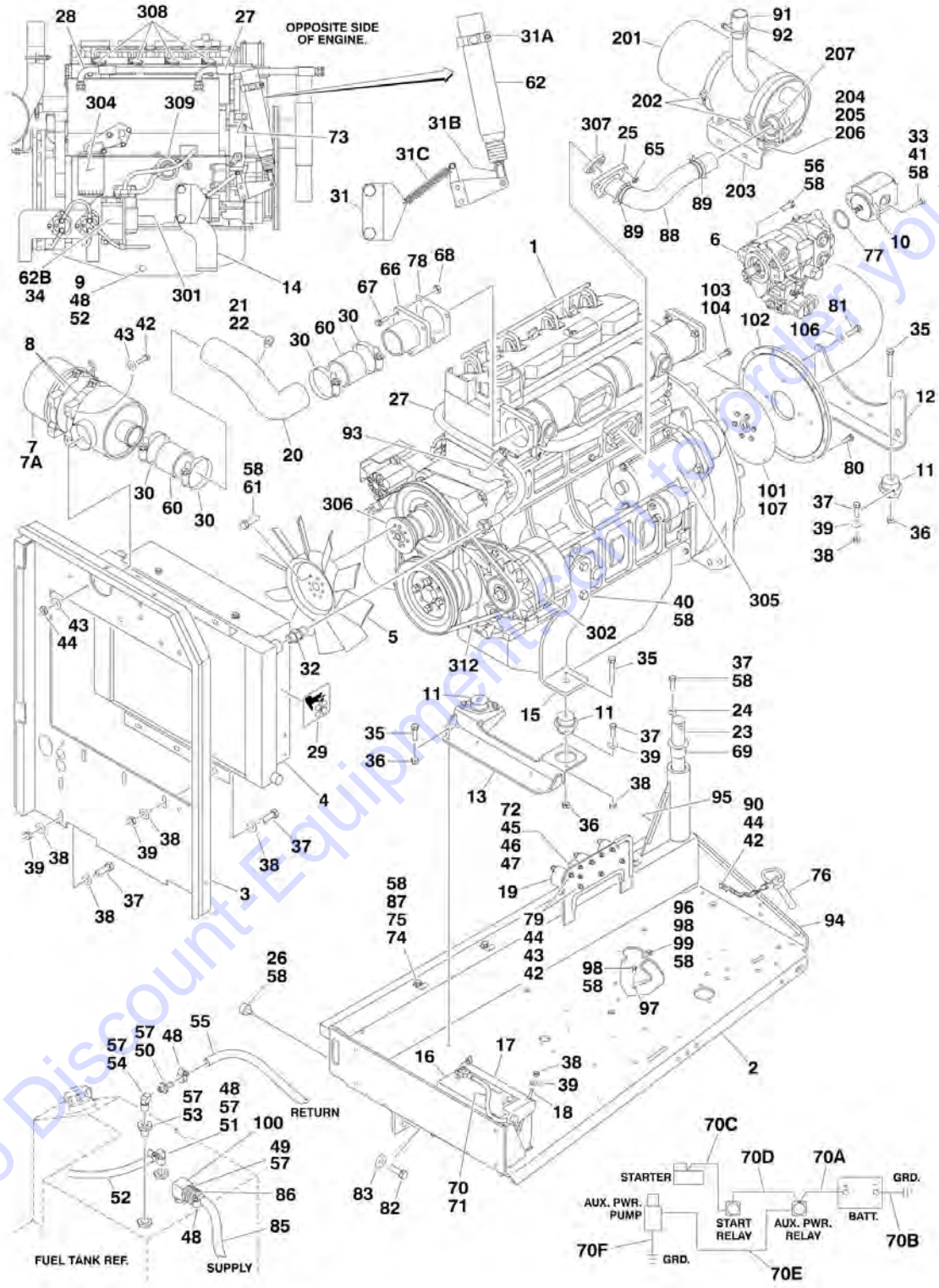
SECTION 2 - TURNTABLE

FIGURE 2-7. SWING MOTOR ASSEMBLY

ITEM	PART NUMBER	QTY	DESCRIPTION	REV
		Ref	SWING MOTOR ASSEMBLY OPTIONS:	
	3160200	Ref	Swing Motor Assembly (Prior to SN 0300064566)	C
	3160273	Ref	Swing Motor Assembly (SN 0300064566 through 0300069000)	B
1	See Note	NSS	Seal, Dust (Note: Use Item 26)	
2	See Note	NSS	Ring, Split Wire (Note: Use Item 26)	
3	See Note	NSS	Shim, Metal Back-up (Note: Use Item 26)	
4	See Note	NSS	Seal, High Pressure (Note: Use Item 26)	
5	See Note	NSS	Shim, Metal Back-up (Note: Use Item 26)	
6	See Note	NSS	Seal, Teflon Back-up (Note: Use Item 26)	
7	See Note	NSS	Seal, Shaft (Note: Use Item 26)	
8	See Note	NSS	Seal, Body (Note: Use Item 26)	
9	See Note	NSS	Carrier, Seal (Note: Use Item 27)	
10	See Note	NSS	Thrustwasher (Note: Use Item 27)	
11		Ref	Bearing, Thrust Options:	
11	7005842	1	Motor p/n 3160200	
11	7016422	1	Motor p/n 3160273	
12	7005889	1	Link, Drive	
13		Ref	Plate, Wear Options:	
13	7005845	1	Motor p/n 3160200	
13	7016423	1	Motor p/n 3160273	
14	7005890	1	Rotor Assembly	
15	7005891	1	Pin, Drive Link	
16	See Note	1	Ball (Note: Use Item 28)	
17	See Note	1	Cover, End (Note: Use Item 28)	
18	See Note	1	Tag, I.D. (Note: Not Available for Purchase)	
19	7005892	4	Bolt	
20		Ref	Housing Options:	
20	7005841	1	Motor p/n 3160200	
20	7016425	1	Motor p/n 3160273	
21	7005893	1	Plug, Cooling	
22		Ref	Shaft Options:	
22	7005894	1	Motor p/n 3160200	
22	7016426	1	Motor p/n 3160273	
26	7005881	1	Seal Kit (Includes Items 1-8)	
27	7005882	1	Seal Carrier Kit (Includes Items 9 & 10)	
28		Ref	End Cover Kit (Includes Items 16 & 17) Options:	
28	7005848	1	Motor p/n 3160200	
28	7016424	1	Motor p/n 3160273	
29		Ref	Housing/Shaft Kit (Includes Items 20-22) Options:	
29	7005895	1	Motor p/n 3160200	
29	7016427	1	Motor p/n 3160273	

SECTION 2 - TURNTABLE

FIGURE 2-8. DEUTZ ENGINE INSTALLATION - WITHOUT NOISE REDUCTION (Prior to SN 0300029930)



SECTION 2 - TURNTABLE

FIGURE 2-8. DEUTZ ENGINE INSTALLATION - WITHOUT NOISE REDUCTION (Prior to SN 0300029930)

ITEM	PART NUMBER	QTY	DESCRIPTION	REV
	0255425	Ref	ENGINE ASSEMBLY AND INSTALLATION	11-J
1	2000132	1	Engine - Deutz F4M1011F Diesel	
2	4844961	1	Tray Engine	
3	3538724	1	Plate, Radiator Mounting	
4	3620033	1	Cooler, Oil	
5	2060025	1	Fan	
6		Ref	Piston Pump Assembly Options: (See PISTON PUMP ASSEMBLY for Breakdown)	
6	3600164	1	13 Tooth Pump (Original Equipment)	
6	3600260	1	15 Tooth Pump (Option for Field Replacement Requires 15 Tooth Coupling P/N 1660234)	
7	1340056	1	Air Cleaner Assembly	
7A	7012664	1	Element, Air Cleaner	
8	0340041	2	Band, Mounting	
9	4640751	1	Valve, Oil Drain	
10	3600242	1	Gear Pump Assembly (See GEAR PUMP ASSEMBLY for Breakdown)	
11	3200378	4	Mount, Rubber Engine	
12	3537420	1	Bracket, Engine Mounting - Rear	
13	3537691	1	Bracket, Engine Mounting - Front	
14	3537416	1	Support, Engine - Right	
15	3537417	1	Support, Engine - Left	
16	0400075	1	Battery	
17	0181727	1	Hold-Down, Battery	
18	0630498	2	Rod, Hold-Down	
19	3740067	2	Relay	
20	4845080	1	Tube, Air Intake	
21	4360392	1	Switch, Restrictor Indicator	
22	2180798	1	Fitting	
23	3422448	1	Pin, Pivot	
24	3841143	1	Keeper, Pin	
25	4845162	1	Tube, Exhaust	
26	0940070	1	Bumper, Rubber	
27	2720397	1	Hose, Oil Cooler - Left (36in)	
28	2720398	1	Hose, Oil Cooler - Right (30in)	
29	1703162	2	Nameplate - Fan Caution Options:	
30	1320016	4	Clamp, Hose	
31	2901392	1	Throttle Mounting Kit	
31A	7008833	1	Bracket, Throttle	
31B	7008835	1	Coupling, Ball Joint	
31C	7008836	1	Spring	
31D	7023340	AR	Screw, Shoulder 3/8in x 3/8in (Not Shown)	
32	2220451	2	Fitting, Straight	
33	3931620	2	Bolt, Socket Head 3/8in-16NC x 1-1/4in	
34	0902243	1	Bracket, Control Module Mounting	
35	0641816	4	Bolt 1/2in-13NC x 2in	
36	3311805	4	Locknut 1/2in-13NC	
37	0641610	21	Bolt 3/8in-16NC x 1-1/4in	
38	3311605	22	Locknut 3/8in-16NC	

SECTION 2 - TURNTABLE

ITEM	PART NUMBER	QTY	DESCRIPTION	REV
39	4751600	44	Flatwasher 3/8in Regular	
40	0701414	4	Bolt M14 x 30mm	
41	4891600	2	Flatwasher 3/8in Hardened	
42	0641406	12	Bolt 1/4in-20NC x 3/4in	
43	4751400	20	Flatwasher 1/4in Regular	
44	3311405	13	Locknut 1/4in-20NC	
45	0721004	2	Bolt #10-24NC x 5/8in	
46	3311005	2	Locknut #10-24NC	
47	4751000	2	Flatwasher #10 Regular	
48	1320022	6	Clamp, Hose	
49	2220273	2	Fitting, Reducer	
50	2180536	1	Fitting, Straight	
51	2220313	1	Fitting, 90	
52	2750532	6 ft/1.83m	Hose 3/8in	
53	2220250	1	Fitting, Reducer	
54	2220459	1	Fitting, 90	
55	2720271	15 ft/4.6m	Hose 3/16in	
56	0641812	4	Bolt 1/2in-13NC x 1-1/2in	
57	0100020	AR	Sealant, Thread	
58	0100011	AR	Compound, Locking	
60	2720351	6 in/15cm	Coupling, Rubber Intake	
61	0700810	4	Bolt M8 x 20mm	
62	0060033	NLA	Actuator Assembly (Use p/n 2910000) (See ELECTRICAL SECTION for Breakdown)	
65	3290801	3	Nut M8	
66	0080177	1	Air Intake Adapter Weldment	
67	0641510	3	Bolt 5/16in-18NC x 1-1/4in	
68	3311505	3	Locknut 5/16in-18NC	
69	0961986	2	Bushing, Flanged	
70	2901358	1	Battery Cable Kit	
70A	7016800	1	Cable, Battery (Red)	
70B	7016812	1	Cable, Battery (Black)	
70C	7016802	1	Cable (Red)	
70D	7016803	1	Cable (Red)	
70E	7016804	1	Cable (Red)	
70F	7016805	1	Cable (Black) (Prior to SN 0300025556)	
71	4460611	1	Terminal, Battery Jumper Post	
72	4360294	1	Breaker, Circuit - 30 Amp	
73	1320222	1	J-Clip 3/8in	
74	1320223	3	J-Clip 1/2in	
75	0641606	3	Bolt 3/8in-16NC x 3/4in	
76	3422533	1	Pin, Hitch	
77	3790152	1	O-Ring	
78	3960407	1	Gasket	
79	4791400	4	Starwasher 1/4in	
80	0701012	4	Bolt M10 x 25mm	
81	0701015	4	Bolt M10 x 35mm	
82	0642010	1	Bolt 5/8in-11NC x 1-1/4in	
83	4752000	1	Flatwasher 5/8in Regular	
84	1701505	1	Decal - Diesel (Not Shown - Located on Hood)	
85	2720058	16 ft/4.9m	Hose	
86	2220794	1	Fitting, Barbed	

SECTION 2 - TURNTABLE

ITEM	PART NUMBER	QTY	DESCRIPTION	REV
87	4711600	3	Flatwasher 3/8in Thin	
88	4100025	19	Sleeve, Fiberglass	
		in/49cm		
89	4920385	2 ft/60cm	Wire	
90	4711400	1	Flatwasher 1/4in Thin	
91	4566986	1	Tube, Adapter	
92	1320019	1	Clamp, Exhaust	
93	1320060	1	Clamp, Hose	
94	4060805	7 in/18cm	Flex-Trim 1/4in	
95	4060804	16	Flex-Trim 3/16in	
		in/40cm		
96	4751800	1	Flatwasher 1/2in Regular	
97	1060637	1	Lanyard	
98	0641808	2	Bolt 1/2in-13NC x 1in	
99	3311801	1	Nut 1/2in-13NC	
100	7019658	1	Fitting 90, W/Pick-Up Tube	
	0256191	Ref	PUMP COUPLING INSTALLATION	-
101		Ref	Coupling, Hayes Options:	
101	1660184	1	13 Tooth Pump (Originally Equipped)	
101	1660234	1	15 Tooth Pump (Option for field replacement)	
102	0080163	1	Plate, Pump Adapter	
103	0700810	6	Bolt M8 x 20mm	
104	4831900	6	Lockwasher M8	
106	4832000	8	Lockwasher M10	
107	3020021	AR	Grease, Coupling	
		Ref	MUFFLER INSTALLATIONS	
	0255875	Ref	Standard Equipment	-
	0255876	Ref	Optional Purifier	-
201		Ref	Muffler Options:	
201	3220100	1	Standard Spark Arresting	
201	3220101	1	Optional Catalytic Purifier	
202	0340041	2	Band, Clamp	
203	0902217	1	Bracket	
204	0641508	4	Bolt 5/16in-18NC x 1in	
205	4711500	8	Flatwasher 5/16in Thin	
206	3311505	4	Locknut 5/16in-18NC	
207	1320019	1	Clamp, Exhaust	
	2000132	Ref	ENGINE COMPONENTS	
301	7020023	1	Filter, Fuel (was p/n 7016328)	
302	7000663	1	Alternator (was p/ns 7016329 & 7020410)	
302	70002234	1	Bracket, Adjusting (Not Shown)	
303	7016330	1	Switch, Oil Pressure (Not Shown)	
304	7016331	1	Filter, Oil	
305	7016332	1	Starter	
306	70000787	1	Support, Fan	
307	7000699	1	Seal (Doughnut)	
308	7012599	4	Pump, Fuel Injection	
308	7020427	4	Injection (Not Shown)	
309	7012698	1	Pump, Fuel Supply	
309	7020411	1	Seal, Pump to Block	
309	7016309	1	Washer, Copper	
310	7019607	1	Shutdown, Throttle (Not Shown)	

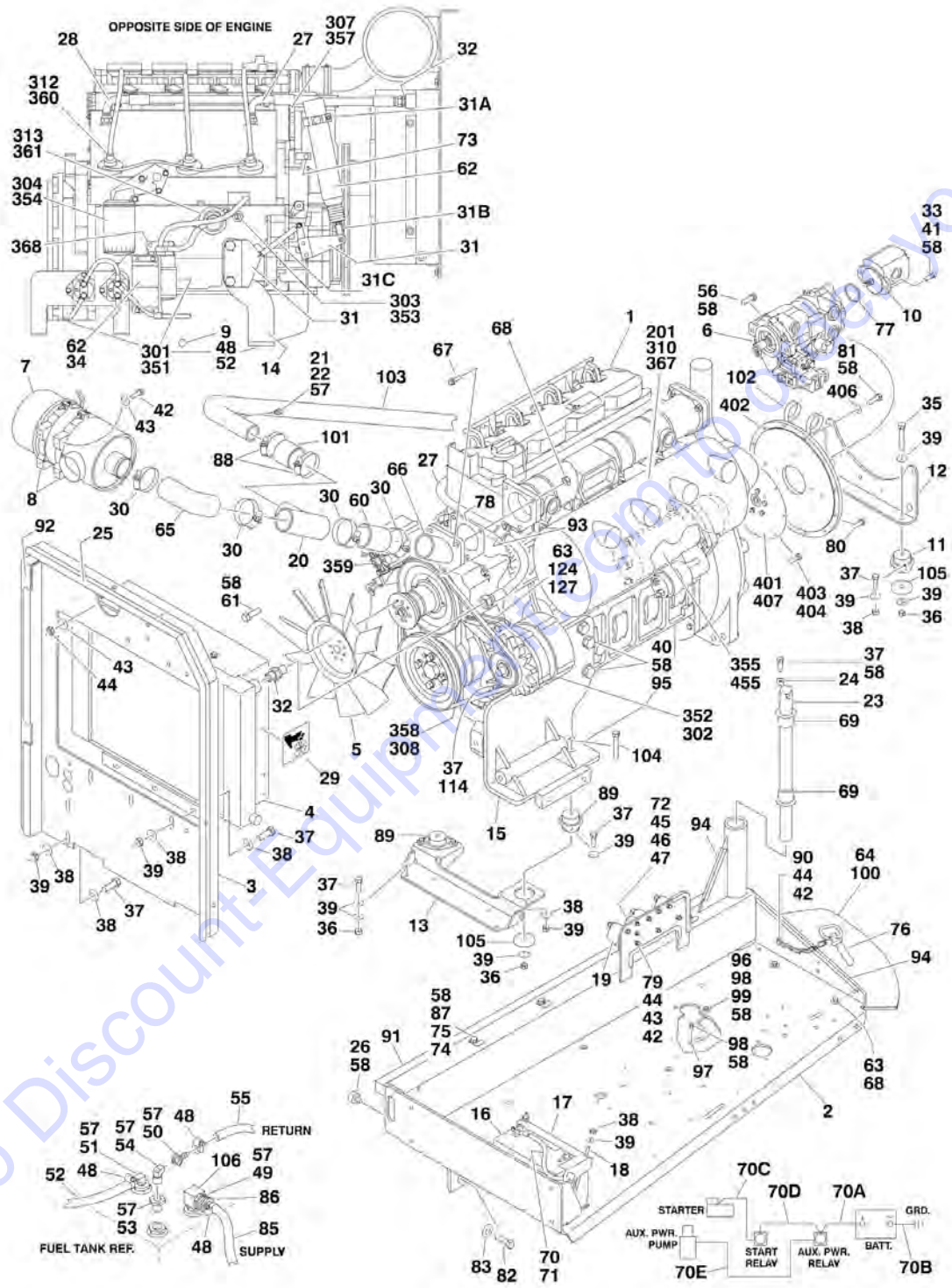
SECTION 2 - TURNTABLE

ITEM	PART NUMBER	QTY	DESCRIPTION	REV
311	7020404	1	Washer, Oil Drain Plug (Not Shown)	
312	7020408	1	V-Belt	
313	7020418	1	Dipstick Oil Level (Not Shown)	
314	7020419	1	Hose, Fuel Return (Not Shown)	
315	7020431	1	Gasket, Valve Cover (Not Shown)	
316	See Note	1	Flywheel/Ring Gear Assembly (Not Shown) (Note: Not Available for Purchase)	
316	7020477	1	Ring Gear Only (Not Shown)	
317	7024565	1	Sensor, Tach (Not Shown - Located on Flywheel Housing)	
318	7027250	1	Spring, Actuator (Not Shown)	

Go to Discount-Equipment.com to order your parts

SECTION 2 - TURNTABLE

FIGURE 2-9. DEUTZ ENGINE INSTALLATION - WITH NOISE REDUCTION (SN 0300028190 through 0300069000)



SECTION 2 - TURNTABLE

FIGURE 2-9. DEUTZ ENGINE INSTALLATION - WITH NOISE REDUCTION (SN 0300028190 through 0300069000)

ITEM	PART NUMBER	QTY	DESCRIPTION	REV
		Ref	ENGINE ASSEMBLY AND INSTALLATIONS	
	0256757	Ref	Engine Assembly and Installation (Standard) (SN 0300028190 through 0300064248)	9-H
	0270850	Ref	Engine Assembly and Installation - With ADE System (SN 0300064249 through 0300069000)	8-G
1		Ref	Engine - Deutz F4M1011F Diesel Options:	
1	2000146	1	Standard Machines	
1	2000173	1	ADE System (SN 0300028190 through 0300065628)	
1	2000189	1	ADE System (SN 0300065629 through 0300069000)	
2	4845404	1	Tray Engine	
3	3539872	1	Plate, Radiator Mounting	
4	3620033	1	Cooler, Oil	
5	2060025	1	Fan	
6	3600260	1	Piston Pump Assembly (See PISTON PUMP ASSEMBLY for Breakdown)	
7	1340060	1	Air Cleaner Assembly	
7A	7012664	1	Element	
8	0340041	2	Band, Mounting	
9	4640751	1	Valve, Oil Drain	
10	3600242	1	Gear Pump Assembly (See GEAR PUMP ASSEMBLY for Breakdown)	
11	3200378	2	Mount, Rubber Engine (Rear)	
12	3537420	1	Bracket, Engine Mounting - Rear	
13	3539971	1	Bracket, Engine Mounting - Front	
14	3537416	1	Support, Engine - Right	
15		Ref	Support, Engine - Left Options:	
15	3537417	1	Support, Engine - Left (SN 0300028190 through 0300064393)	
15	4846479	1	Support, Engine - Left (SN 0300064394 through 0300068965)	
15	4846566	1	Support, Engine - Left (SN 0300068966 through 0300069000)	
16	0400075	1	Battery	
17	0181727	1	Hold-Down, Battery	
18	0630498	2	Rod, Hold-Down	
19	3740067	2	Relay	
20	4567112	1	Tee, Air Intake Tube	
21	4360392	1	Switch, Restrictor Indicator	
22	2180798	1	Fitting	
23	3422448	1	Pin, Pivot	
24	3841143	1	Keeper, Pin	
25	3960389	5 ft/1.5m	Seal	
26	0940070	1	Bumper, Rubber	
27		Ref	Hose, Oil Cooler - Left Options:	
27	2720397	1	Hose 36in (SN 0300028190 through 0300034756)	
27	2720398	1	Hose 30in (SN 0300034757 through 0300069000)	
28	2720398	1	Hose, Oil Cooler - Right (30in)	
29	1703162	2	Nameplate - Fan Caution	
30	1320016	4	Clamp, Hose	
31	2901392	1	Throttle Mounting Kit (SN 0300028190 through 0300064249)	
31A	7008833	1	Bracket, Throttle	
31B	7008835	1	Coupling, Ball Joint	
31C	7008836	1	Spring	

SECTION 2 - TURNTABLE

ITEM	PART NUMBER	QTY	DESCRIPTION	REV
31D	7023340	AR	Screw, Shoulder 3/8in x 3/8in (Not Shown)	
32	2220451	2	Fitting, Straight	
33	3931620	2	Capscrew, Socket Head 3/8in-16NC x 1-1/4in	
34		Ref	Bracket, Control Module Mounting Options:	
34	0902243	1	Bracket, Control Module Mounting (SN 0300028190 through 0300044157)	
34	0902511	1	Bracket, Control Module Mounting (SN 0300044158 through 0300064394)	
35	0641818	2	Bolt 1/2in-13NC x 2-1/4in	
36	3311805	4	Locknut 1/2in-13NC	
37	0641610	AR	Bolt 3/8-16NC x 1-1/4in	
38	3311605	AR	Locknut 3/8in-16NC	
39	4751600	AR	Flatwasher 3/8in Regular	
40	0701414	AR	Bolt 1/4in-20NC x 3/4in	
41	4891600	2	Washer, Hardened 3/8in	
42	0641407	AR	Bolt 1/4in-20NC x 7/8in	
43	4751400	AR	Flatwasher 1/4in Regular	
44	3311405	AR	Locknut 1/4in-20NC	
45	0721005	2	Bolt #10-24NC x 5/8in (SN 0300028190 through 0300064249)	
46	3321005	2	Locknut #10-24NC (SN 0300028190 through 0300064249)	
47	4751000	2	Flatwasher #10 Regular (SN 0300028190 through 0300064249)	
48	1320022	6	Clamp, Hose	
49	2220273	2	Fitting, Reducer	
50	2180536	1	Fitting, Straight	
51	2220313	1	Fitting, 90	
52	2750532	6 ft/1.83m	Hose 3/8in	
53	2220250	1	Fitting, Reducer	
54	2220459	1	Fitting, 90	
55	2720271	15 ft/4.6m	Hose 3/16in	
56	0641812	4	Bolt 1/2in-13NC x 1-1/2in	
57	0100020	AR	Sealant, Thread	
58	0100011	AR	Compound, Locking	
60		Ref	Coupling, Rubber Intake Options:	
60	2720351	6 in/15cm	Coupling, Rubber Intake (SN 0300028190 through 0300067976)	
60	2720449	1	Coupling, Rubber Intake (SN 0300067977 through 0300069000)	
61	0700808	4	Bolt M8 x 16mm	
62	0060033	NLA	Actuator Assembly (Use p/n 2910000) (See ELECTRICAL SECTION for Breakdown) (SN 0300028190 through 0300064249)	
63	0641507	AR	Bolt 5/16in-18NC x 7/8in	
64	3380428	1	Panel, Rubber	
65	2720434	1	Elbow, Rubber	
66	4845395	1	Air Intake Adapter Weldment	
67	0641510	3	Bolt 5/16in-18NC x 1-1/4in	
68	3311505	7	Locknut 5/16in-18NC	
69	0961986	2	Bushing, Flanged	
70	2901358	1	Battery Cable Kit (Standard)	
70A	7016800	1	Cable, Battery (Red)	
70B	7016812	1	Cable, Battery (Black)	
70C	7016802	1	Cable (Red)	
70D	7016803	1	Cable (Red)	

SECTION 2 - TURNTABLE

ITEM	PART NUMBER	QTY	DESCRIPTION	REV
70E	7016804	1	Cable (Red)	
70F	Not Required	0	Not Required	
71	4460611	1	Terminal, Battery Jumper Post	
72	4360294	1	Breaker, Circuit - 30 Amp (SN 0300028190 through 0300064249)	
73	1320222	1	J-Clip 3/8in	
74	1320223	3	J-Clip 1/2in	
75	0641606	3	Bolt 3/8in-16NC x 3/4in	
76	3422532	1	Pin, Hitch	
77	3790152	1	O-Ring	
78	3960407	1	Gasket	
79	4791400	4	Starwasher 1/4in	
80	0701012	4	Bolt, Metric M10 x 25mm	
81	0701015	4	Bolt, Metric M10 x 35mm	
82	0642010	1	Bolt 5/8in-11NC x 1-1/4in	
83	4752000	1	Flatwasher 5/8in Regular	
84	1701505	1	Decal - Diesel (Not Shown - Located on Hood)	
85	2720058	16 ft/4.9m	Hose	
86	2220794	1	Fitting, Barbed	
87	4711600	3	Flatwasher 3/8in Thin	
88	1320031	2	Clamp Only (SN 0300028190 through 0300042668)	
89	3200362	2	Mount, Rubber Engine (Front)	
90	4711400	1	Flatwasher 1/4in Thin	
91	3960468	1	Seal, Foam Gasket	
92	3960469	1	Seal, Foam Gasket	
93	1320060	1	Clamp, Hose Only (SN 0300028190 through 0300034757)	
94	4060805	2.9 ft/0.88m	Flex-Trim 1/4in	
95	4711900	6	Flatwasher 9/16in Thin	
96	4751800	2	Flatwasher 1/2in Regular	
97	1060637	1	Lanyard	
98	0641808	2	Bolt 1/2in-13NC x 1in	
99	3311801	1	Nut 1/2in-13NC	
100	3539956	1	Plate, Support	
101	2720423	1	Hose Only (SN 0300028190 through 0300042668)	
102	1320131	2	Clamp Only (SN 0300028190 through 0300042668)	
103		Ref	Tuning Tube Weldment Options:	
103	4845394	1	Tuning Tube Weldment (SN 0300028190 through 0300042667)	
103	4567815	1	Tuning Tube Weldment (SN 0300042668 through 0300069000)	
104	0641826	2	Bolt 1/2in-13NC x 3-1/4in	
105	4740274	4	Washer, Snubbing	
106	7019658	1	Fitting 90, W/Pick-Up Tube	
		Ref	MUFFLER INSTALLATIONS	
	0256689	Ref	Standard Equipment (Spark Arresting)	-
	0256690	Ref	Optional Equipment (Catalytic)	-
201		Ref	Muffler Options:	
201	3220103	1	Spark Arresting	
201	3220104	1	Catalytic	
201		Ref	Clamp Options:	
201	1320176	1	Muffler p/n 3220103	

SECTION 2 - TURNTABLE

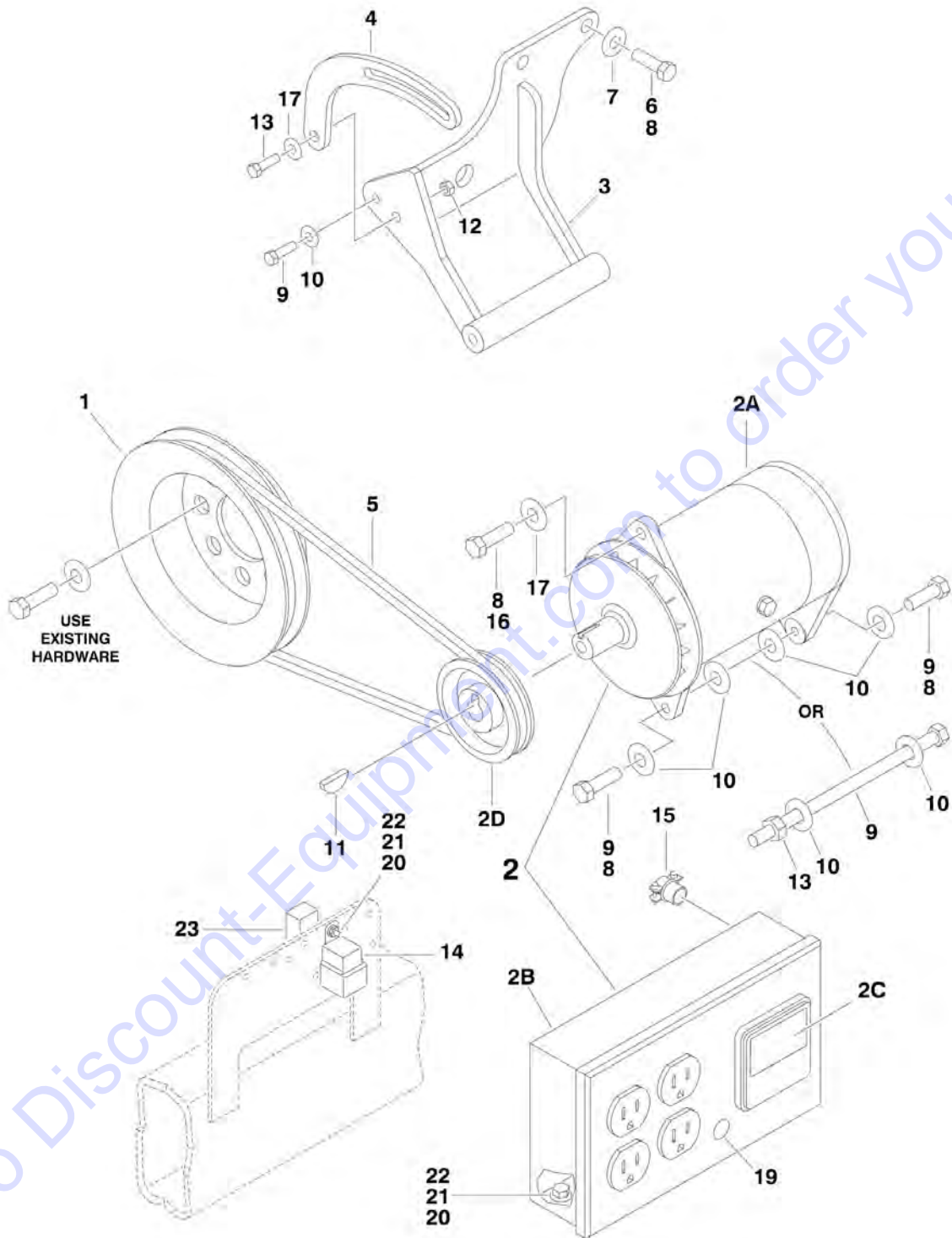
ITEM	PART NUMBER	QTY	DESCRIPTION	REV
201	70001017	1	Muffler p/n 3220104	
201	7024398	1	Tube, Exhaust	
201	7024560	1	Plug, Brass	
201	7020471	4	Gasket	
	2000146	Ref	ENGINE COMPONENTS (SN 0300028190 through 0300064249)	
301	8320270	1	Filter, Fuel (was p/n 7016639)	
302	7000663	1	Alternator (was p/ns 7016329, 7020436 & 7020410)	
303	7016330	1	Switch, Oil Pressure	
304	7016331	1	Filter, Oil (was p/n 7016641)	
304	70002813	1	Gasket, Filter Head to Engine Block	
305	7016332	1	Starter	
306	7026631	1	Dipstick, Engine Oil (was p/ns 7019664 & 7016640) (Not Shown)	
306	70001002	1	Tube, Oil Dipstick (was p/n 7019664) (Not Shown)	
307	7020025	1	Switch, Engine Temperature	
308	7020414	1	V-Belt	
309		Ref	Gasket, Cylinder Head Options (Not Shown):	
309	70001681	1	1 Notch	
309	70002411	1	2 Notches	
309	70002530	1	3 Notches	
309	7020431	1	Gasket, Valve Cover (Not Shown)	
310	7000699	1	Seal (Doughnut)	
310	7020471	4	Gasket (Muffler to Head)	
310	See Note	8	Nut, Muffler Attaching (Note: Not Available for Purchase)	
311	7019607	1	Shutdown, Throttle (was p/n 7016359) (Not Shown)	
312	7012599	4	Pump, Fuel Injection	
312	7020427	4	Injector, Fuel (Not Shown)	
312	7020425	4	Nozzle (Not Shown)	
313	7020463	1	Pump, Fuel Supply	
313	7020419	1	Hose, Fuel Return	
314	7020027	1	Flywheel/Ring Gear Assembly (Not Shown)	
314	7020477	1	Ring Gear Only (Not Shown)	
315	7020404	1	Washer, Oil Drain Plug (Not Shown)	
316	7027250	1	Spring, Actuator (Not Shown)	
317	7020465	2	Cap, Oil Fill (Not Shown - Located on Top and Left Sides)	
	2000173	Ref	ENGINE COMPONENTS (SN 0300064249 through 0300065628)	
	2000189	Ref	ENGINE COMPONENTS (SN 0300065629 through 0300069000)	
351	7016328	1	Filter, Fuel	
352	7000663	1	Alternator (was p/n 7020410)	
352	70003556		Pulley, Alternator	
352	7020464	1	Regulator, Voltage	
352	70002234	1	Bracket, Adjustable	
353	7020461	1	Switch, Oil Pressure	
354	7016331	1	Filter, Oil	
355		Ref	Starter Options:	
355	7016332	1	2000173 Engine	
355	7020479	1	2000189 Engine	
355	See Note	1	Relay (Note: Not Available for Purchase)	
355	7026608	2	Bolt, Starter Mounting	
355	70001498	1	Shield, Starter Heat (Not Shown)	
356	7026631	1	Dipstick Oil Level (Not Shown)	
356	7020487	1	Seal, Dipstick (Not Shown)	

SECTION 2 - TURNTABLE

ITEM	PART NUMBER	QTY	DESCRIPTION	REV
356	70001002		Tube, Dipstick	
357	7020168	1	Switch, Engine Temperature	
357	7020480	1	Seal, Temp Switch (Not Shown)	
358	7020408	1	V-Belt	
359	7020458	1	Fuel, Solenoid	
360	7020462	4	Fuel Injection Pump	
360	7026522	4	Injector, Fuel (Includes Nozzle Element) (Not Shown)	
361		Ref	Fuel Pump Supply Options:	
361	7020463	1	2000173 Engine	
361	7020463	1	2000189 Engine (was p/n 7024413)	
361	7020411	1	Seal, Pump to Block (Not Shown)	
362	7020465	2	Cap, Oil Fill (Not Shown - Located on Top and Left Sides)	
363	7020474	1	Pump, Oil Lube (Not Shown - Located on Left Side)	
363	7020468	1	Ring, Pump Sealing	
364	7020449	4	Gasket, Intake Manifold to Engine Block (Not Shown)	
365		Ref	Sensor, Tach (Not Shown - Located on Flywheel Housing)	
365	7024565	1	2000173 Engine	
365	7024565	1	2000189 Engine (was p/n 7020481)	
366	7020458	1	Actuator, Throttle (Not Shown)	
366	7026607	1	Spring, Actuator (was p/n 7027276)	
367	7020471	4	Gasket, Exhaust Manifold to Engine Block	
368	70001423	1	Head, Fuel Filter	
369		Ref	Gasket, Head Options (Not Shown):	
369	70001681	1	1 Notch Gasket	
369	70002411	1	2 Notch Gasket	
369	70002530	1	3 Notches	
370		Ref	Flywheel (Not Shown)	
370	7020027	1	2000173 Engine	
370	See Note	1	2000189 Engine (Note: Not Available for Purchase)	
	0256847	Ref	PUMP COUPLING INSTALLATION	
401	1660234	1	Coupling, Hayes	
402	0080163	1	Plate, Pump Adapter	
403	0700810	6	Bolt M8 x 20mm	
404	4831900	6	Lockwasher M8	
406	4832000	8	Lockwasher M10	
407	3020021	AR	Grease, Coupling	

SECTION 2 - TURNTABLE

FIGURE 2-10. GENERATOR INSTALLATION (OPTIONAL - DEUTZ ENGINE MACHINES)



SECTION 2 - TURNTABLE

FIGURE 2-10. GENERATOR INSTALLATION (OPTIONAL - DEUTZ ENGINE MACHINES)

ITEM	PART NUMBER	QTY	DESCRIPTION	REV
		Ref	GENERATOR INSTALLATION OPTIONS:	
		Ref	Note: Numbered Colored Wiring starts after SN 0300035129.	
	0255396	Ref	110V Generator (Prior to SN 0300035129)	3
	0257853	Ref	110V Generator (SN 0300035129 through 0300064248)	3
	0271544	Ref	110V Generator - ADE System (SN 0300064249 through 0300068965)	3
	0272480	Ref	110V Generator - ADE System (SN 0300068966 through 0300069000)	2
	0272293	Ref	110V 50Hz Generator - ADE System (SN 0300063865 through 0300066586)	1
	0272482	Ref	110V 50Hz Generator - ADE System (SN 0300066587 through 0300069000)	1
	0257160	Ref	220V Generator (Prior to SN 0300035129)	2
	0257857	Ref	220V Generator (SN 0300035129 through 0300064248)	4
	0271547	Ref	220V Generator - ADE System (SN 0300064249 through 0300068965)	3
	0272481	Ref	220V Generator - ADE System (SN 0300068966 through 0300069000)	2
1	3580158	1	Pulley	
2		Ref	Generator and Control Box Assembly Options:	
2	2460011	1	110V/60Hz Assembly (Prior to SN 0300066056)	I
2	2460032	1	110V/60Hz Assembly (SN 0300066056 through 0300069000)	C
2	2460039	1	110V/50Hz Assembly (SN 0300063865 through 0300069000)	B
2	2460013	1	220V Assembly (Prior to SN 0300066056)	B
2	2460034	1	220V Assembly (SN 0300066056 through 0300068965)	B
2	2460013	1	220V Assembly (SN 0300068966 through 0300069000)	B
2A		Ref	Generator, Replacement Options:	
2A	7012558	1	110V/60Hz Generator Only	
2A	2460049	1	110V/50Hz Generator Only	
2A	1001100321	1	220 Volt Generator Only	
		Ref	Note: Replacement Generators come standard with p/n 3580134 pulley. This pulley may not be correct for all applications. Refer to pulley options below.	
2A	7020193	1	Cord, Power - 12ft Length	
2A		Ref	Armature with Slip Rings Options:	
2A	7026199	1	Armature for 110 Volt	
2A	70000123	1	Armature for 220 Volt	
2A	7020108	4	Brushes	
2A	7020109	4	Holder, Brush	
2A	7012513	4	Cap, Brush Holder	
2A	7012514	1	Fan	
2A	7020110	1	Bell, Front	
2A	7020111	1	Bell, Rear	
2A	7020190	2	Bearing	
2B		Ref	Box, Control Options:	
2B	70002239	1	110V/50Hz Control Box Only	
2B	7003657	1	110V/60Hz Control Box Only	
2B	70002235	1	220V Control Box Only	
2B	3520028	1	Plug, Hole	
2B		Ref	Receptacle Options:	
2B	4460190	1	Receptacle, Standard (110V Only)	

SECTION 2 - TURNTABLE

ITEM	PART NUMBER	QTY	DESCRIPTION	REV
2B	4460027	1	Receptacle, Twistlock (110V Only)	
2B	70000124	1	Receptacle, Double (220V Only)	
2B	70000125	1	Receptacle, Single (220V Only)	
2B		Ref	Circuit Breaker Options:	
2B	70002240	1	Circuit Breaker for 110V/50Hz	
2B	4360542	1	Circuit Breaker for 110V/60Hz	
2B	7000126	1	Circuit Breaker for 220V	
2B	7020191	1	Switch, Toggle	
2B	2920162	1	Lamp	
2C		Ref	Voltmeter Options:	
2C	2420203	1	Voltmeter for 110 Volt	
2C	7020192	1	Voltmeter for 220 Volt	
2D		Ref	Pulley Options:	
2D	3580134	1	Pulley 110V/50Hz	
2D	3580134	1	Pulley 110V/60Hz (Prior to SN 0300066056)	
2D	3580276	1	Pulley 110V/60Hz (SN 0300066056 through 0300069000)	
2D	3580134	1	Pulley 220V (Prior to SN 0300066056)	
2D	3580276	1	Pulley 220V (SN 0300066056 through 0300068965)	
2D	3580134	1	Pulley 220V (SN 0300068966 through 0300069000)	
2D	7027887	1	Key, Woodruff	
3		Ref	Bracket, Generator Mounting Options:	
3	4845184	1	Bracket, Generator Mounting (Prior to SN 0300034200)	
3	4845531	1	Bracket, Generator Mounting (SN 0300034200 through 0300064394)	
4		Ref	Arm, Adjusting Options:	
4	0200530	1	Arm, Adjusting (Prior to SN 0300064394)	
4	0200741	1	Arm, Adjusting (SN 0300064394 through 0300068965)	
4	0200742	1	Arm, Adjusting (SN 0300068966 through 0300069000)	
5		Ref	V-Belt Option:	
5	0480050	1	V-Belt (Prior to SN 0300064394)	
5	0480119	1	V-Belt (SN 0300064394 through 0300066055)	
5	0480111	1	V-Belt (SN 0300066056 through 0300068965)	
5	0480121	1	V-Belt (SN 0300068966 through 0300069000)	
6	0711414	2	Bolt, Metric 14mm x 30mm (Prior to SN 0300064394)	
7		Ref	Hardware Options:	
7	4751900	2	Flatwasher 9/16in Regular (Prior to SN 0300064394)	
7	0641610	1	Bolt 3/8in-16NC x 1-1/2in (SN 0300064394 through 0300069000)	
8	0100011	AR	Compound, Locking	
9		Ref	Bolt Options:	
9	0681612	3	Bolt 3/8in-16NC x 1-1/2in (Grade 8) (Prior to SN 0300064394)	
9	0641772	1	Bolt 7/16in-14NC x 9in (SN 0300064394 through 0300069000)	
10	4751600	6	Flatwasher 3/8in Regular	
11	2860012	1	Key, Woodruff	
12	3311605	1	Locknut 3/8in-16NC	
13		Ref	Hardware Options:	
13	0700819	AR	Bolt, Metric 8mm x 55mm (Prior to SN 0300064394)	
13	3311705	AR	Locknut 7/16in-14NC (SN 0300064394 through 0300069000)	
14	3740080	1	Relay	
15	4460023	1	Connector, Strain Relief	
16	0641508	1	Bolt 5/16in-18NC x 1in	
17	4751500	AR	Flatwasher 5/16in Regular	

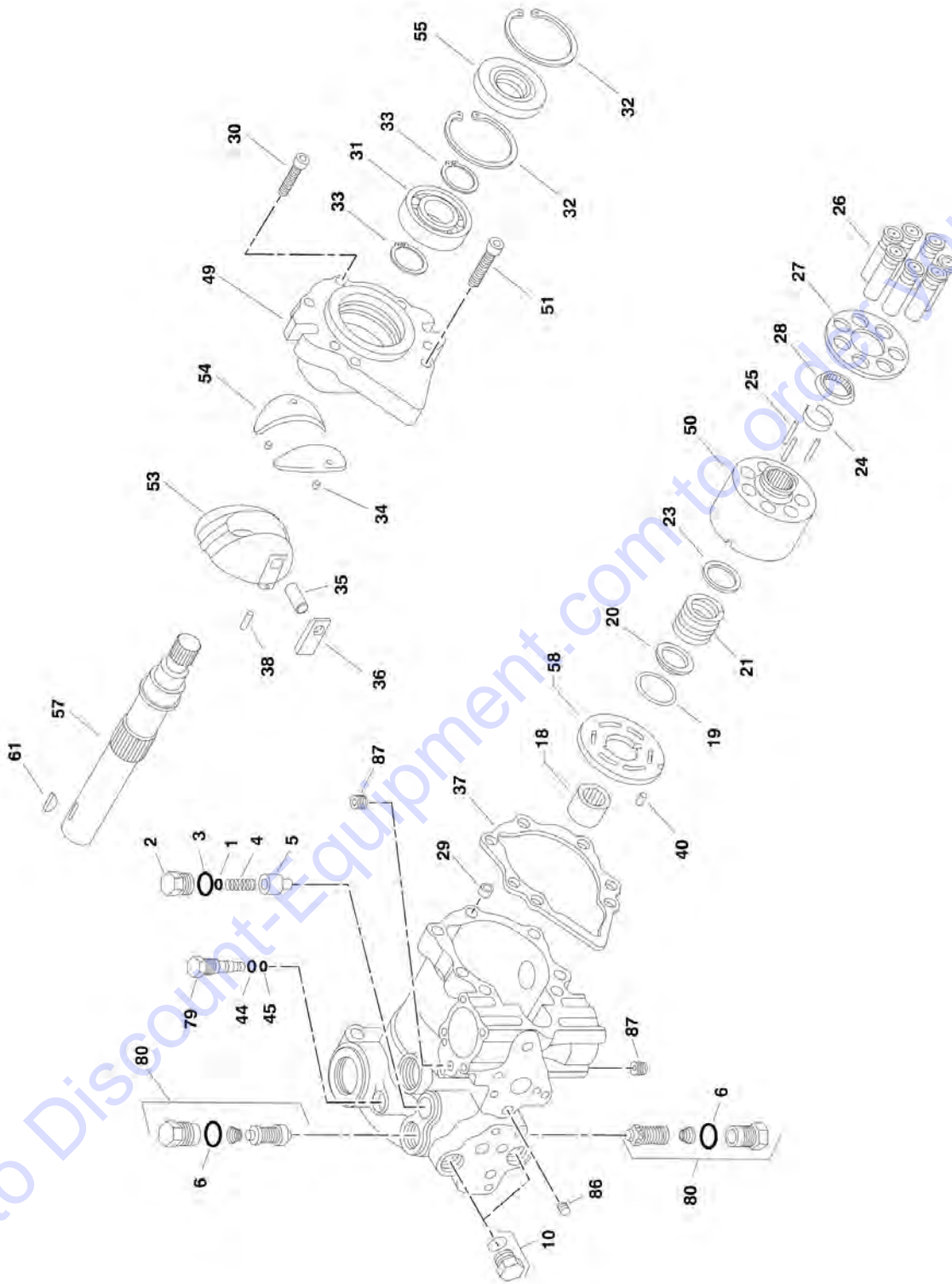
SECTION 2 - TURNTABLE

ITEM	PART NUMBER	QTY	DESCRIPTION	REV
19	3520028	1	Plug, Hole	
20	0721006	4	Bolt #10-24NC x 3/4in	
21	3311005	4	Locknut #10-24NC	
22	4751000	9	Flatwasher #10 Regular	
23	4360294	1	Breaker, Circuit - 30 Amp	
25	4360336	1	Switch, Toggle (Not Shown - Located at Platform)	
26	4740397	1	Bushing (Not Shown - Located at Platform)	
27	4060802	1	Guard, Switch (Not Shown - Located at Platform)	
29	2820031	4 in/10cm	Heat Shrink (Not Shown - Located at Platform)	
30	3251102	1	Decal (Not Shown - Located at Platform)	
31	1705325	1	Decal - 120V 50Hz Only (Not Shown - Located at Control Box)	

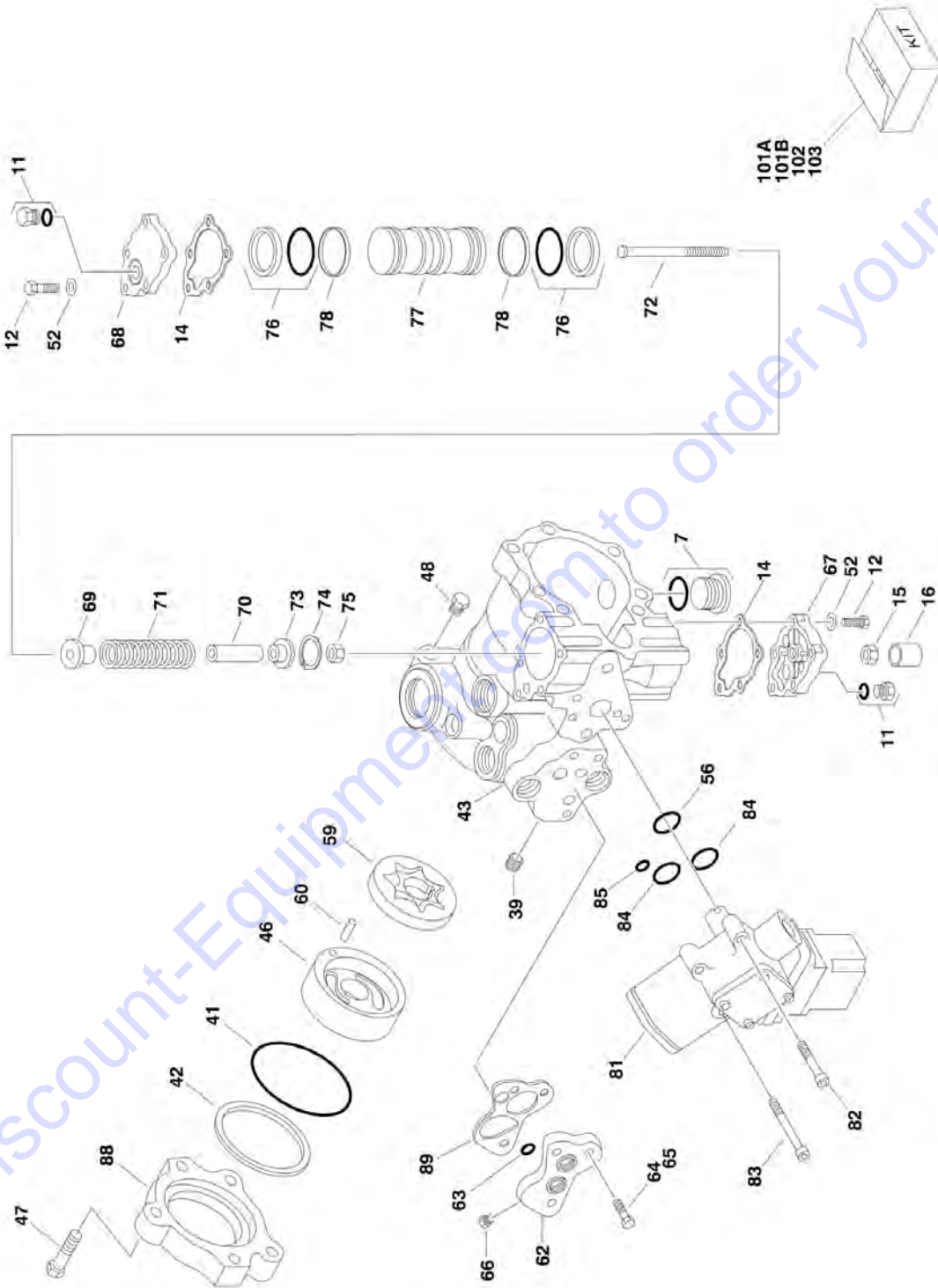
Go to Discount-Equipment.com to order your parts

SECTION 2 - TURNTABLE

FIGURE 2-11. PISTON PUMP ASSEMBLY



SECTION 2 - TURNTABLE



Go to Discount-Equipment.com to order your parts

SECTION 2 - TURNTABLE

FIGURE 2-11. PISTON PUMP ASSEMBLY

ITEM	PART NUMBER	QTY	DESCRIPTION	REV
		Ref	PISTON PUMP ASSEMBLIES	
	3600164	Ref	Piston Pump Assemblies 13 Tooth Pump Spline (Prior to SN 0300029318)	A
	3600260	Ref	Piston Pump Assemblies 15 Tooth Pump Spline (SN 0300029318 through 0300069000)	-
1	7007413	1	Shim Kit	
2	7007414	1	Plug	
3	See Note	NSS	O-Ring (Note: Use Item 101A)	
4	7007416	1	Spring, Relief Valve	
5	7007417	1	Valve, Relief	
6	See Note	NSS	O-Ring (Note: Use Item 101A)	
7	7007419	2	Plug	
10	7007420	2	Plug	
11	7007208	2	Plug	
12	7007421	10	Screw	
14	See Note	NSS	Gasket, Servo Cover (Note: Use Item 101A)	
15	7007423	1	Nut, Special	
16	7007424	1	Cover, Adjustment	
18	7007425	1	Bearing, Needle	
19	See Note	NSS	Ring, Retaining (Note: Use Item 103)	
20	See Note	NSS	Washer (Note: Use Item 103)	
21	See Note	NSS	Spring (Note: Use Item 103)	
23	See Note	NSS	Washer (Note: Use Item 103)	
24	See Note	NSS	Retainer (Note: Use Item 103)	
25	See Note	NSS	Pin, Slipper Holddown (Note: Use Item 103)	
26	See Note	NSS	Piston Assembly (Note: Use Item 103)	
27	See Note	NSS	Retainer, Slipper (Note: Use Item 103)	
28	See Note	NSS	Guide, Retainer (Note: Use Item 103)	
29	7007435	1	Pin, Spring	
30	7007436	1	Screw, 12 Point Head	
31	7007437	1	Bearing, Ball	
32	7007438	2	Ring, Retainer	
33	7007439	2	Ring	
34	7007440	2	Pin, Spring	
35	7007441	1	Handle, Pin	
36	7007442	1	Sleeve, Bearing	
37	See Note	NSS	Gasket, Front Cover (Note: Use Item 101A)	
38	7007444	1	Pin	
39	7007445	1	Plug, Expansion	
40	See Note	NSS	Pin (Note: Use Item 103)	
41	See Note	NSS	O-Ring (Note: Use Item 101A or 102)	
42	See Note	NSS	Ring, Load Temper (Note: Use Item 101A or 102)	
43	7007449	1	Housing, Pump	
44	See Note	NSS	Ring, Back-up (Note: Use Item 101A)	
45	See Note	NSS	O-Ring (Note: Use Item 101A)	
46	See Note	NSS	Cover, Gerotor (Note: Use Item 102)	
47	7007453	3	Bolt, Hex	
48	7007208	1	Plug	
49	7007454	1	Cover, Front	
50	See Note	NSS	Block, Cylinder (Note: Use Item 103)	

SECTION 2 - TURNTABLE

ITEM	PART NUMBER	QTY	DESCRIPTION	REV
51	7007456	6	Screw	
52	7001438	10	Washer	
53	See Note	NSS	Swash Plate (Note: Use Item 103)	
54	7007458	1	Journal, Bearing	
55	7007459	1	Seal, Lip	
56	See Note	NSS	O-Ring (Note: Use Item 101A)	
57		Ref	Shaft, Main Pump Options:	
57	7007461	1	Shaft, Main Pump 13 Tooth Spline (Prior to SN 29318)	
57	7010121	1	Shaft, Main Pump 15 Tooth Spline (SN 29318 through 69000)	
58	7021214	1	Plate, Valve	
59	7007463	1	Gerotor Assembly	
60	See Note	NSS	Pin (Note: Use Item 102)	
61	See Note	NSS	Kay, Woodruff (Note: Use Item 102)	
62	7007466	1	Adaptor, Remote Filtration (Without By-Pass)	
63	See Note	NSS	O-Ring (Note: Use Item 101A)	
64	7007468	2	Screw	
65	7007469	2	Screw	
66	7007470	1	Plug	
67	7007471	1	Cover, Servo (With Adjuster)	
67	7007490	2	Stop, Servo (Not Shown)	
67	7007491	2	Nut, Special (Not Shown)	
67	7007492	2	Ring, External (Not Shown)	
68	7007482	1	Cover, Servo (Without Adjuster)	
69	7007483	1	Guide, Spring	
70	7007484	1	Stop, Servo	
71	7007485	1	Spring	
72	7007486	1	Screw	
73	7007487	1	Guide, Spring	
74	7007488	1	Ring, Retaining	
75	7007499	1	Locknut	
76	See Note	NSS	Ring, Piston (Note: Use Item 101A or 101B)	
77	7007494	1	Piston, Servo	
78	See Note	NSS	O-Ring (Note: Use Item 101A or 101B)	
79	7007472	1	Valve, Bypass	
80	7010122	2	Valve, Pressure Relief (Includes Item 6) (was p/n 7007473)	
81	7007474	1	Control, Dual Oil-Filled	
81	7007496	1	Coil Assembly (Pilot)	
81	7007497	1	Plug (Pump)	
81	7007498	1	Plug (Valve Harness)	
82	7007478	2	Screw	
83	7001498	2	Screw	
84	See Note	NSS	O-Ring (Note: Use Item 101A)	
85	See Note	NSS	O-Ring (Note: Use Item 101A)	
86	7007475	1	Plug, Orifice/Screen (.156)	
87	7007477	2	Plug, Orifice (.37)	
88	7007476	1	Adapter, Auxiliary Pump	
89	7010120	1	Spacer/Gasket	
101		Ref	Seal Kit Options:	
101A	2900752	1	Complete (Includes Items 3, 6, 14, 37, 41, 42, 44, 45, 55, 56, 63, 76, 78, 84 & 85)	
101B	7007412	1	Servo Piston (Includes Items 76 & 78)	
102	2900826	1	Charge Pump Kit (Includes Items 41, 42, 46, 59, 60 & 61)	

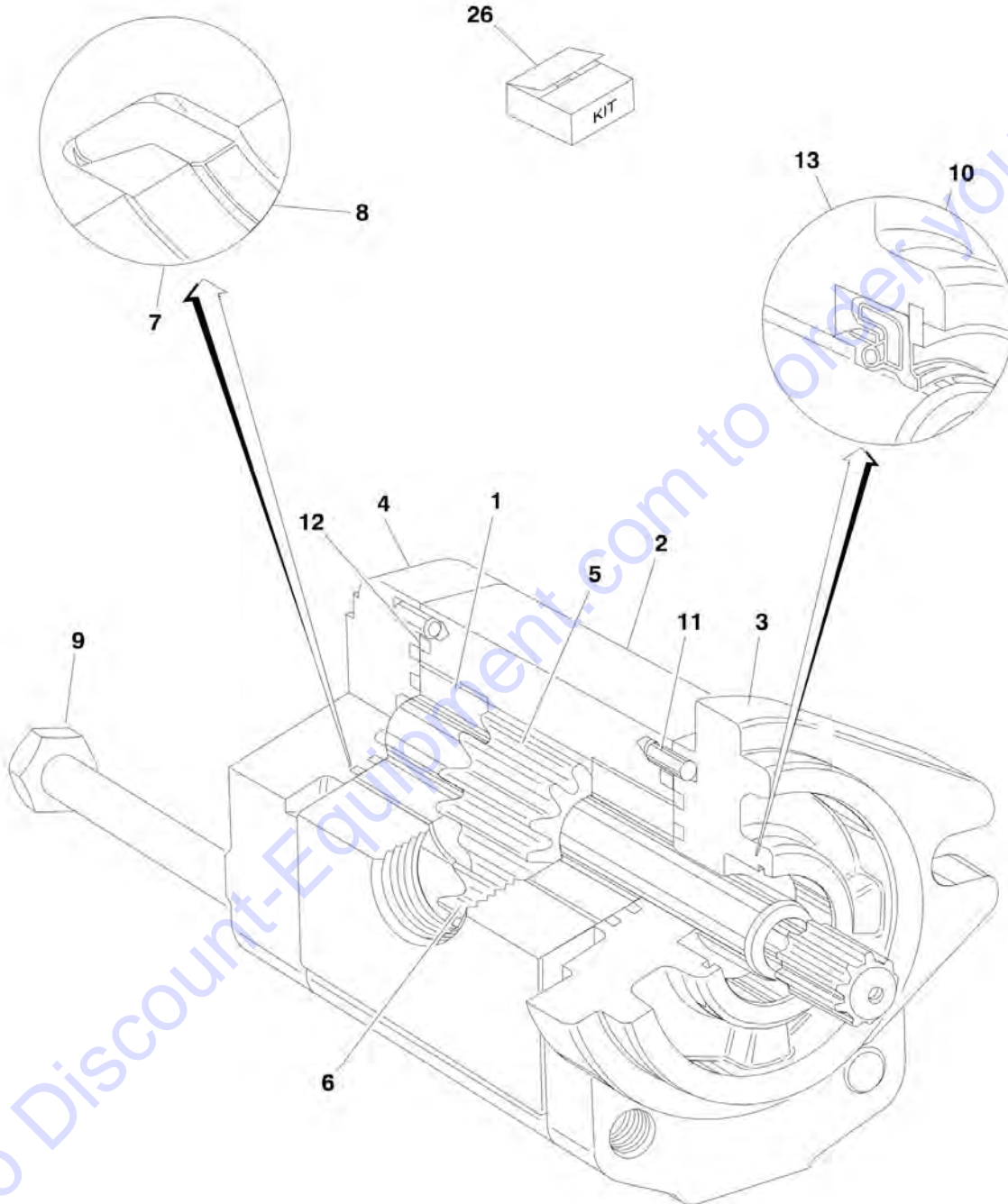
SECTION 2 - TURNTABLE

ITEM	PART NUMBER	QTY	DESCRIPTION	REV
103	2900827	1	Cylinder Block Kit (Includes Items 19-28, 40, 50, 53 & 58)	

Go to Discount-Equipment.com to order your parts

SECTION 2 - TURNTABLE

FIGURE 2-12. GEAR PUMP ASSEMBLY



Go to Discount-Equipment.com to order your parts

SECTION 2 - TURNTABLE

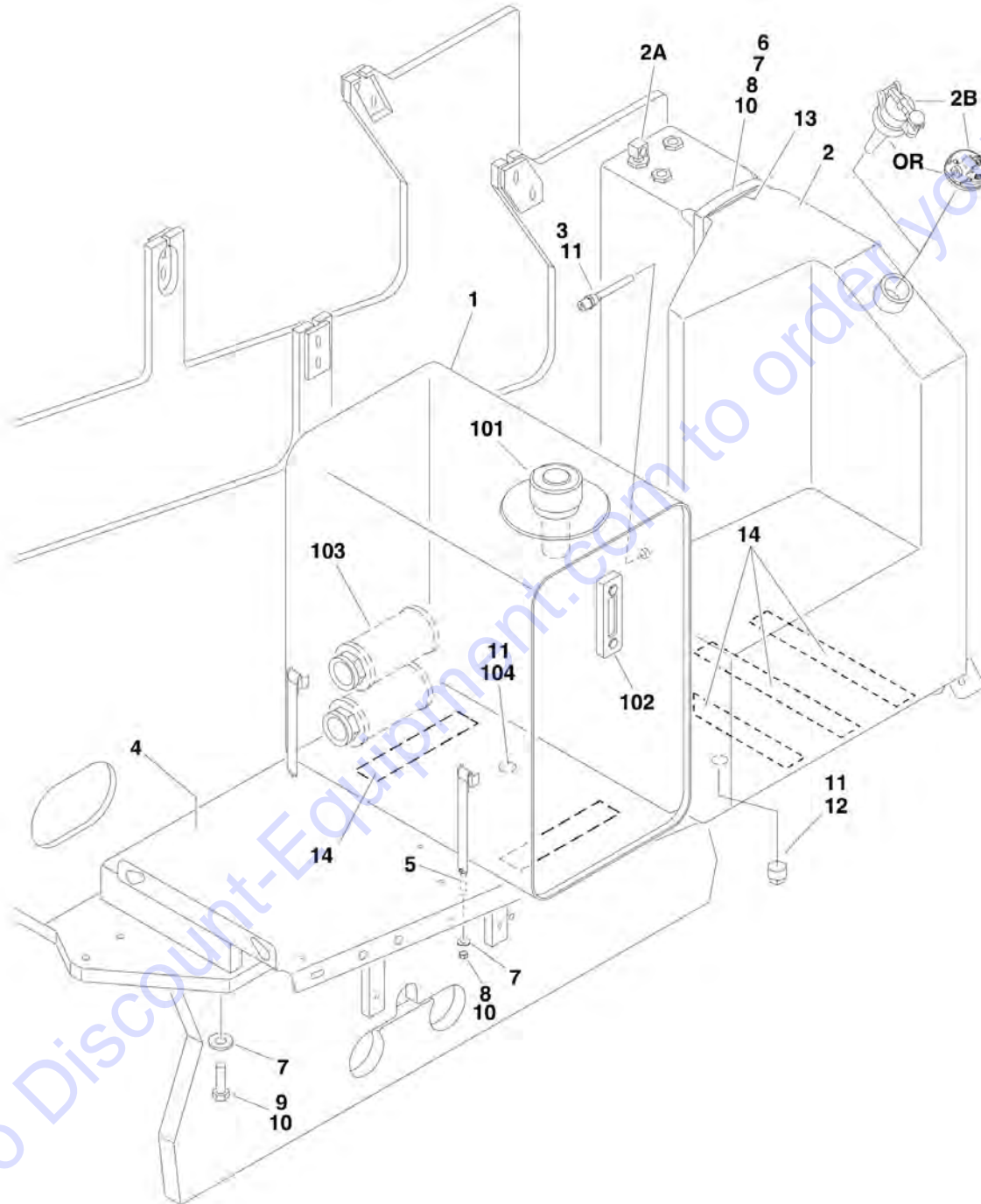
FIGURE 2-12. GEAR PUMP ASSEMBLY

ITEM	PART NUMBER	QTY	DESCRIPTION	REV
	3600242	Ref	GEAR PUMP ASSEMBLY	
1	7010105	2	Bearing/Bushing	
2	See Note	1	Housing (Note: Use p/n 3600242)	
3	See Note	1	Flange (Note: Use p/n 3600242)	
4	7010103	1	Cover	
5	7012987	1	Gear, Drive	
6	7012988	1	Gear, Idler	
7	See Note	NSS	Ring, Anti-Extrusion (Note: Use Item 26)	
8	See Note	NSS	Seal (Note: Use Item 26)	
9	See Note	4	Bolt (Note: Not Available for Purchase)	
10	7010104	1	Ring, Retaining	
11	See Note	4	Pin, Dowel (Note: Not Available for Purchase)	
12	See Note	NSS	Seal, O-Ring (Note: Use Item 26)	
13	See Note	NSS	Seal, Shaft (Note: Use Item 26)	
26	7007489	1	Seal Kit (Includes Items 7, 8, 12 & 13)	

Go to Discount-Equipment.com to order your parts

SECTION 2 - TURNTABLE

FIGURE 2-13. TANKS INSTALLATION



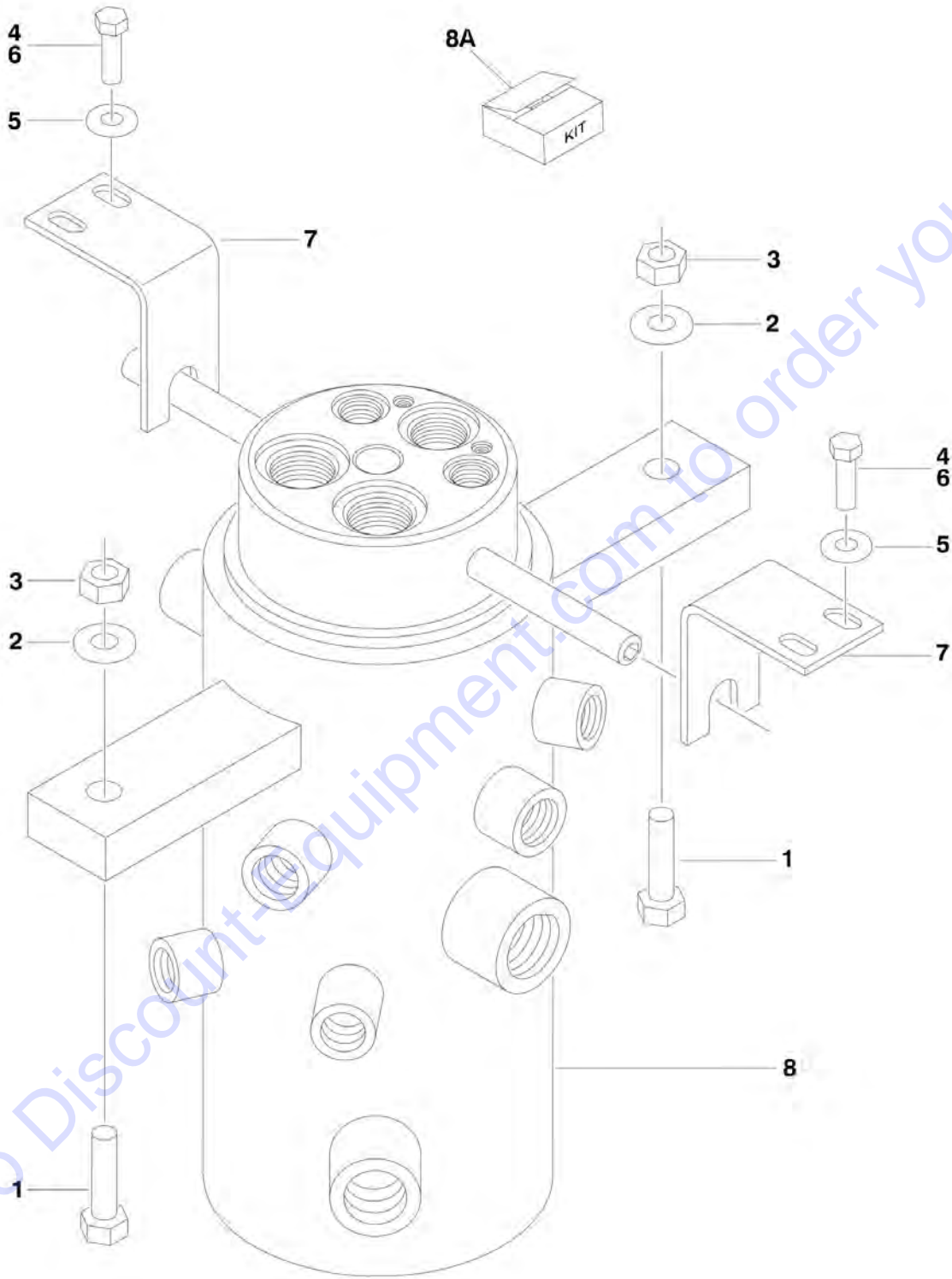
SECTION 2 - TURNTABLE

FIGURE 2-13. TANKS INSTALLATION

ITEM	PART NUMBER	QTY	DESCRIPTION	REV
	0255409	Ref	TANKS INSTALLATION (STANDARD PARTS)	6
	0257482	Ref	TANKS INSTALLATION (WITH LOCKING CAP)	1
1	4400372	1	Hydraulic Tank Assembly (See Items 101-104 for Breakdown)	
2		Ref	Tank, Fuel Options:	
2	4400373	1	Tank, Fuel (Prior to SN 0300030687)	
2	4400399	1	Tank, Fuel (SN 0300030687 through 0300069000)	
2A	7019658	1	Fitting, 90, W/Pick-Up Tube	
2B		Ref	Cap Options:	
2B	7016314	1	Standard - Non-Locking (Part of Item 2)	
2B	1120487	1	Blue Lockable Cap (Not Included with Tank - Purchase Separately) (Lock Not Included)	
3	4360436	1	Switch, Fuel Level	
4	4844964	1	Hydraulic Tray Weldment	
5	4240112	4	Strap, Tank	
6	4240102	1	Strap, Tank	
7	4751600	12	Flatwasher 3/8in Regular	
8	3311601	6	Nut 3/8in-16NC	
9	0641614	6	Bolt 3/8in-16NC x 1-3/4in	
10	0100011	AR	Compound, Locking	
11	0100079	AR	Sealant, Pipe	
12	2200222	1	Fitting	
13	4280295	25	Strip, Protective	
		in/44cm		
14	4420038	AR	Tape, Rubber	
	4400372	Ref	HYDRAULIC OIL TANK ASSEMBLY	J
101		Ref	Filler/Breather Assembly Options:	
101	7014803	1	Filler/Breather Assembly (Prior to June 1997)	
101	7014810	1	Filler/Breather Assembly (June 1997 to SN 0300069000)	
101	7014811	1	Cap, Breather (Fits 7014803 & 7014810)	
102	7014802	1	Gauge, Sight	
103	7014801	2	Strainer	
104	7014800	1	Plug, Magnetic	

SECTION 2 - TURNTABLE

FIGURE 2-14. ROTARY COUPLING INSTALLATION



SECTION 2 - TURNTABLE

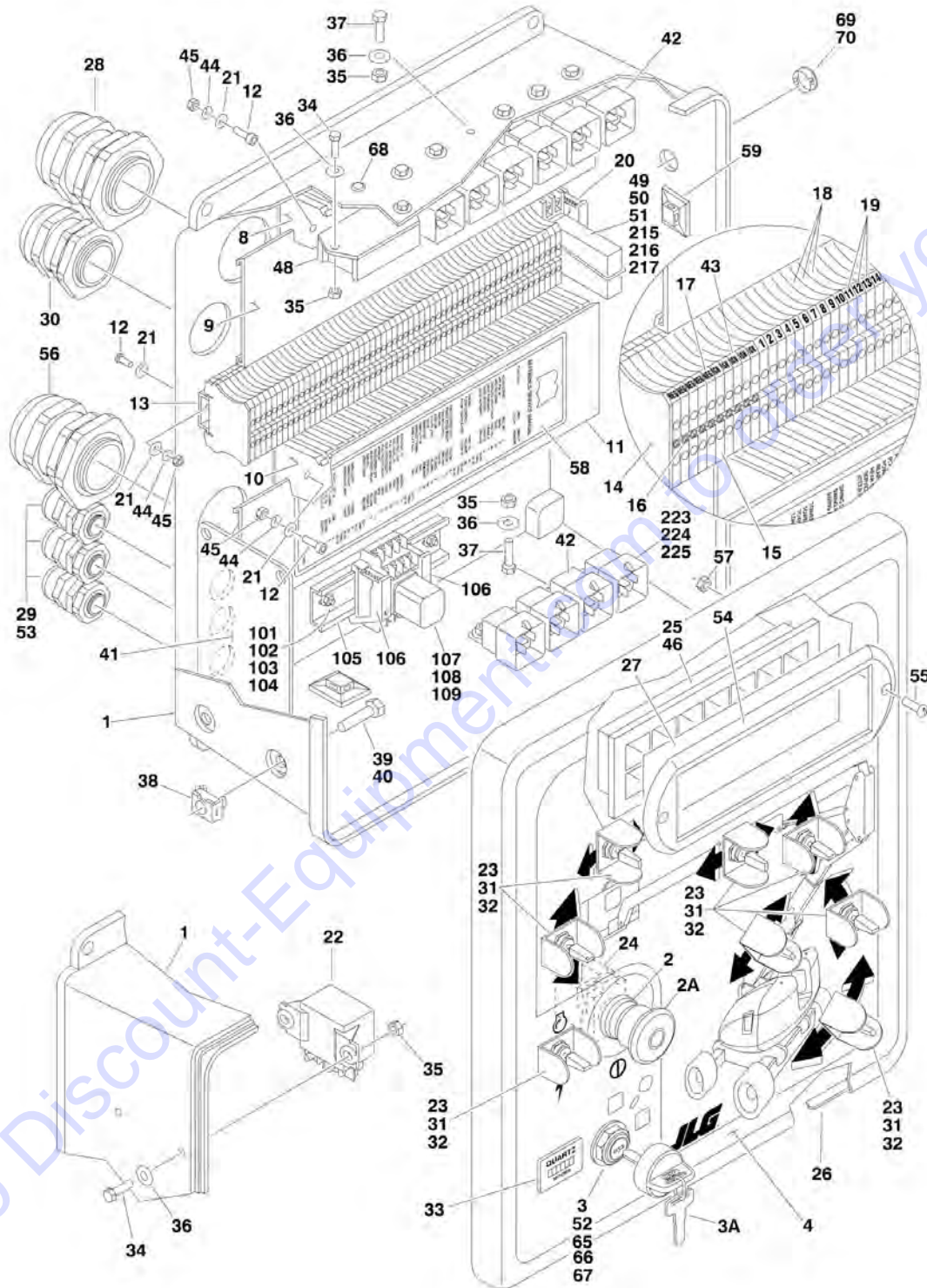
FIGURE 2-14. ROTARY COUPLING INSTALLATION

ITEM	PART NUMBER	QTY	DESCRIPTION	REV
		Ref	ROTARY COUPLING INSTALLATIONS	
	0255262	Ref	2WS	5
	0255294	Ref	4WS	2
1	0641820	2	Bolt 1/2in-13NC x 2-1/2in	
2	4751800	4	Flatwasher 1/2in Regular	
3	3311805	2	Locknut 1/2in-13NC	
4	0641611	4	Bolt 3/8in-16NC x 1-3/8in	
5	4751600	4	Flatwasher 3/8in Regular	
6	0100011	AR	Compound, Locking	
7		Ref	Bracket	
7	0902109	NLA	Bracket (Use p/n 0902520) (Prior to SN 0300041296)	
7	0902520	2	Bracket (SN 0300041296 through 0300069000)	
8		Ref	Coupling, Rotary Options:	
8	1660219	1	2WS	
8	1660223	1	4WS	
8A		Ref	Seal Kit Options:	
8A	7013187	1	2WS	
8A	7016342	1	4WS	
8A		Ref	Rebuilt Coupling Options:	
8A	1660219RR	1	2WS	
8A	1660223RR	1	4WS	

Go to Discount-Equipment.com to order your parts

SECTION 2 - TURNTABLE

FIGURE 2-15. GROUND CONTROL BOX INSTALLATIONS (Prior to SN 0300064249)



SECTION 2 - TURNTABLE

FIGURE 2-15. GROUND CONTROL BOX INSTALLATIONS (Prior to SN 0300064249)

ITEM	PART NUMBER	QTY	DESCRIPTION	REV
		Ref	Numbered Colored Wiring Starts with SN 0300035129	
		Ref	GROUND CONTROL BOX ASSEMBLY OPTIONS:	
	0861044	Ref	Ground Control Box Assembly 600A (Prior to SN 0300035129)	3
	0861119	Ref	Ground Control Box Assembly 600A (SN 0300035129 through 0300064249)	7
	0861045	Ref	Ground Control Box Assembly 600AJ (Prior to SN 0300035129)	3
	0861120	Ref	Ground Control Box Assembly 600AJ (SN 0300035129 through 0300064249)	7
1		Ref	Box, Fiberglass Options:	
1	0861018	1	Box, Fiberglass (Prior to SN 0300035129)	
1	0861131	1	Box, Fiberglass (SN 0300044645 through 0300044651)	
1	0861302	1	Box, Fiberglass (SN 0300044652 through 0300064249)	
2		Ref	Switch, Emergency Stop Options:	
2	4360395	1	Switch, Emergency Stop (Prior to SN 0300036019)	
2	4360289	1	Switch, Emergency Stop (SN 0300036019 through 0300044651)	
2	4360475	1	Switch, Emergency Stop (SN 0300044652 through 0300064249)	
2A		Ref	Cap Options:	
2A	7016315	1	Cap, Red (Used on Switch p/n 4360395)	
2A	7012611	1	Cap, Mushroom Head (Used on Switch p/n 4360289)	
2A	7020175	1	Cap, Red (Used on Switch p/n 4360475)	
2A	7012612	1	Boot (Used on Switch p/n 4360289)	
2A	7020176	1	Block, Contact (Used on Switch p/n 4360475)	
3		Ref	Switch, Key Options:	
3	4360319	1	Switch, Key (Prior to SN 0300044652)	
3	4360470	1	Switch, Key (Common Key) (SN 0300044652 through 0300064249)	
3A	7012560	1 Set	Key Replacement (Use with 4360319 Switch)	
3A	2860030	1 Set	Key Replacement (Use with 4360470 Common KeySwitch)	
4		Ref	Decal - Faceplate Options:	
4	1702633	1	Decal - Faceplate 600A (Prior to SN 0300035129)	
4	1703467	1	Decal - Faceplate 600A (SN 0300035129 through 0300064249)	
4	1702537	1	Decal - Faceplate 600AJ (Prior to SN 0300035129)	
4	1703468	1	Decal - Faceplate 600AJ (SN 0300035129 through 0300064249)	
5		Ref	Engine Harness Assembly (See ELECTRICAL SECTION for Breakdown)	
5	4921737	1	Deutz Engine Machines (Prior to SN 0300035129)	
5	4921925	1	Deutz Engine Machines (SN 0300035129 through 0300064249)	
6		Ref	Valve Harness Assembly Options: (See ELECTRICAL SECTION for Breakdown)	
6	4921739	1	Valve Harness Assembly (Prior to SN 0300026233)	
6	4921848	1	Valve Harness Assembly (SN 0300026233 through 0300035128)	
6	4921922	1	Valve Harness Assembly (SN 0300035129 through 0300064249)	
8	1840012	1	Duct, Wiring - 2in/5cm	
9	1840013	1	Duct, Cover - 2in/5cm	

SECTION 2 - TURNTABLE

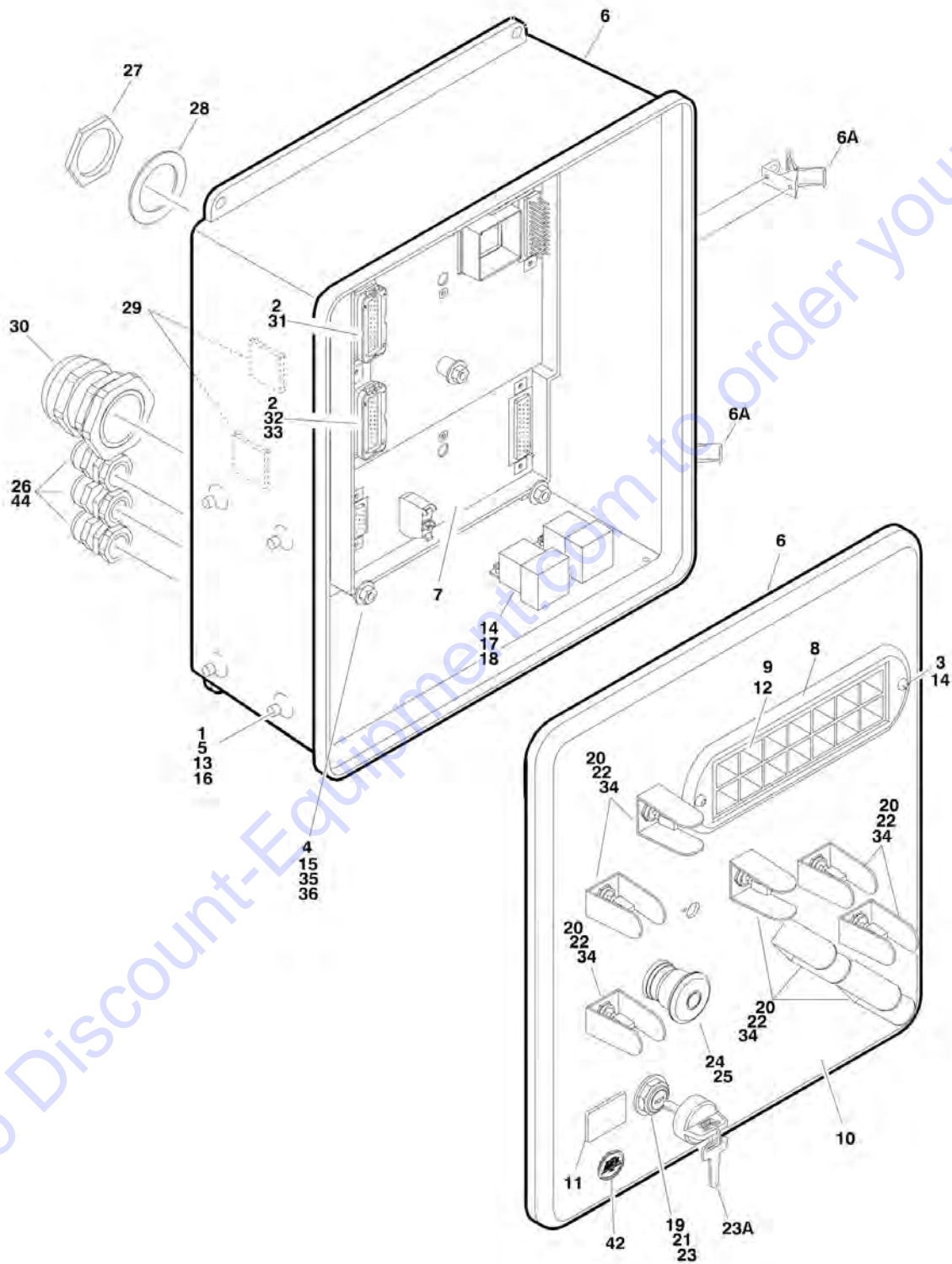
ITEM	PART NUMBER	QTY	DESCRIPTION	REV
10	1840014	1	Duct, Wiring - 3in/7.6cm	
11	1840015	1	Duct, Cover - 3in/7.6cm	
12	3910608	6	Screw #6-32NC x 1/2in	
13	3640970	1	Rail	
14	4460602	1	Barrier, Terminal	
15	4460601	10	Block, Terminal	
16	4460603	1	Bussbar - 10 Position (Requires being cut into (2) 5 position bussbars)	
17	4460631	AR	Marker, Terminal (Negative)	
18	4460600	AR	Block, Terminal	
19	4460628	AR	Marker, Terminal (1-50)	
20	4460607	1	Stop, Terminal	
21	4750600	12	Flatwasher #6 Regular	
22	3740112	1	Relay, Bosch	
23	4360314	AR	Switch, Toggle	
24		Ref	Switch, Contact Block Options:	
24	4360282	1	Switch, Contact Block (Prior to SN 0300044652)	
24	4360476	1	Switch, Contact Block (SN 0300044652 through 0300064249)	
25	2760105	1	Housing, Display Light	
25	2920129	7	Bulb, Light	
25	4120035	7	Socket, Light	
26	4420038	4 in/10cm	Insulation, Adhesive Foam	
27	1702610	1	Decal - Ground Control Display	
28	4460526	1	Connector, Strain Relief	
29	4460428	3	Connector, Strain Relief	
30	4460426	1	Connector, Strain Relief	
31	4740444	AR	Washer, Special	
32	4060906	AR	Shield, Toggle Switch	
33	2420172	1	Gauge, Hourmeter	
34	0721005	AR	Screw #10-24NC x 5/8in	
35	3311001	AR	Nut #10-24NC (Prior to SN 0300055241)	
36	4751000	AR	Flatwasher #10 Regular	
37		Ref	Screw Options:	
37	0721004	AR	Screw #10-24NC (Prior to SN 0300055241)	
37	3900268	AR	Screw #10-24NC x 1/2in (SN 0300055241 through 0300064249)	
38	3300205	4	Nut, Retainer	
39	0641506	4	Bolt 5/16in-18NC x 3/4in	
40	0100011	AR	Compound, Locking	
41	3539219	1	Plate, Reinforcement	
42	3740049	AR	Relay - SPDT	
43	4460630	AR	Marker, Terminal (Ignition)	
44	4760600	6	Lockwasher #6	
45	3310601	6	Nut #6-32NC	
46	3700010	1	Reflector Only (Prior to SN 0300027331)	
52	3300390	1	Nut with Weather Resistant Boot (SN 0300027331 through 0300044652)	
53	3520054	1	Plug, Hole (SN 0300028933 through 0300035128)	
54	1670829	1	Bezel (SN 0300035129 through 0300069000)	
55	0630518	2	Capscrew, Button Head (SN 0300035129 through 0300064249)	
56		Ref	Connector, Strain Relief Options:	
56	4460526	1	Connector, Strain Relief (Prior to SN 0300035129)	

SECTION 2 - TURNTABLE

ITEM	PART NUMBER	QTY	DESCRIPTION	REV
56	4460711	1	Connector, Strain Relief (SN 0300035129 through 0300069000)	
57	3300408	13	Locknut, Plastic Insert (SN 0300035129 through 0300064249)	
58	1703622	1	Decal - Service Manual Reference (SN 0300035129 through 0300064249)	
59	4460234	6	Base, Tie-Strap (SN 0300035129 through 0300064249)	
65	4070991	1	Shim, .125 (SN 0300044652 through 0300064249)	
66	4070987	1	Shim, .015 (SN 0300044652 through 0300064249)	
67	3910804	6	Screw (SN 0300044652 through 0300064249)	
68	3520174	4	Plug (SN 0300055241 through 0300064249)	
69	0100009	AR	Adhesive (SN 0300055241 through 0300064249)	
70	3520026	1	Plug (SN 0300055241 through 0300064249)	
		Ref	DRIVE CUT-OUT ELECTRICAL COMPONENTS (EN280 SPEC ONLY)	-
101	3910608	2	Screw, Machine #6-32NC x 1/2in	
102	4750600	2	Flatwasher #6 Regular	
103	4760600	2	Lockwasher #6	
104	3310601	2	Nut #6-32NC	
105	3640493	1	Rail, Mounting	
106	4460607	2	Stop, Terminal	
107	4120013	1	Socket, Relay	
108	3740058	1	Relay	
109	3740063	1	Spring, Relay	
	0259233	Ref	BPE LOAD SENSING DEVICE INSTALLATION (FRENCH SPEC) (SN 0300058378 through 0300064249)	4-C
	0271474	Ref	BPE LOAD SENSING DEVICE INSTALLATION (FRENCH SPEC) (SN 0300058378 through 0300064249)	1-A
215	3740057	1	Relay	
216	4120012	1	Socket, Relay	
217	3740066	1	Spring, Relay	
223	3740049	1	Relay	
224	3300408	1	Locknut #10-24NC	
225	0721006	1	Screw #10-24NC x 3/4in	

SECTION 2 - TURNTABLE

FIGURE 2-16. GROUND CONTROL BOX INSTALLATIONS (ADE SYSTEM) (SN 0300064249 through 0300069000)



SECTION 2 - TURNTABLE

FIGURE 2-16. GROUND CONTROL BOX INSTALLATIONS (ADE SYSTEM) (SN 0300064249 through 0300069000)

ITEM	PART NUMBER	QTY	DESCRIPTION	REV
		Ref	GROUND CONTROL BOX ASSEMBLIES	
		Ref	Ground Control Box Assemblies 600A	
	0861412	Ref	Ground Control Box Assemblies (SN 0300064249 through 0300064269)	E
	0861472	Ref	Ground Control Box Assemblies (SN 0300064270 through 0300069000)	E
		Ref	Ground Control Box Assemblies 600AJ	
	0861413	Ref	Ground Control Box Assemblies (SN 0300064249 through 0300064269)	E
	0861473	Ref	Ground Control Box Assemblies (SN 0300064270 through 0300069000)	D
1	0100011	AR	Compound, Locking	
2	0100048	AR	Grease, Dielectric	
3	0630518	2	Capscrew, Button Head	
4	0630548	5	Tap, Bolt 2 1/2in	
5	0641506	4	Bolt 5/16in-18NC x 3/4in	
6	0861407	1	Box, Fiberglass	
6A	7020246	2	Latch	
7		Ref	Module, Ground Control Options (Re-calibration Required when Replaced):	
7	1600312	1	Module, Ground Control (SN 0300064249 through 0300064269)	
7	1600327	NLA	Module, Ground Control (Use p/n 2915014) (SN 0300064270 through 0300069000)	
8	1670829	1	Bezel	
9	1702610	1	Decal - Ground Control Display	
10		Ref	Decal - Faceplate Options:	
10	1703467	1	Decal - Faceplate 600A	
10	1703468	1	Decal - Faceplate 600AJ	
11	2420172	1	Gauge, Hourmeter	
12	2760105	1	Housing, Display Light	
13	3300205	4	Nut, Retainer	
14	3300408	4	Locknut, Plastic Insert	
15	3311401	10	Nut 1/4in-20NC	
16	3539219	1	Plate, Reinforcement	
17	3740049	2	Relay	
18	3900268	2	Screw, Flange #10 x 1/2in	
19	3910804	6	Screw #8-32NC x 1/4in	
20	4060906	8	Shield, Toggle Switch	
21	4070987	1	Shim (.125in)	
22	4360328	8	Switch, Toggle	
23	4360470	1	Switch, Key	
23A	2860030	1	Key Replacement	
24	4360475	1	Switch, Emergency Stop	
25	4360476	1	Switch, Contact Block	
26	4460426	AR	Connector, Strain Relief	
27	4460470	1	Nut, Terminal	
28	4460471	1	Lockwasher, Terminal	
29	4460488	7	Mounting Base, Terminal	
30	4460526	1	Connector, Strain Relief	

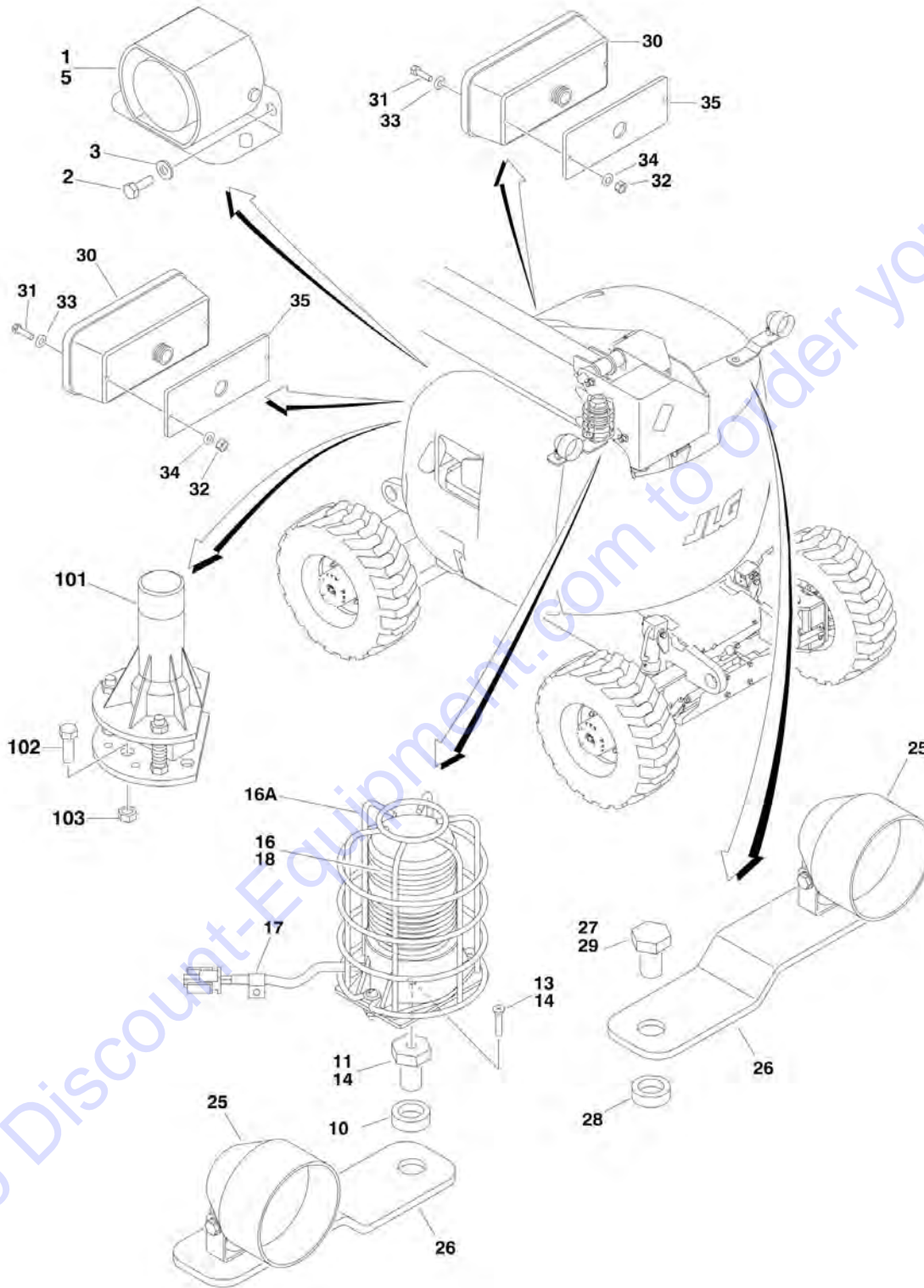
SECTION 2 - TURNTABLE

ITEM	PART NUMBER	QTY	DESCRIPTION	REV
31	4460874	1	Connector, Natural	
32	4460875	1	Connector, Gray	
33	4460905	4	Connector, Amp Seal Plug	
34	4740444	8	Washer, Special	
35	4751400	20	Flatwasher 1/4in Regular	
36	4761400	10	Lockwasher 1/4in	
40		Ref	Harness, Analyzer Cable Options: (Not Shown)	
40	4922485	1	Harness, Analyzer Cable (SN 0300064249 through 0300064269)	
40	4922666	1	Harness, Analyzer Cable (SN 0300064270 through 0300069000)	
42	1705132	1	Decal - Control ADE (SN 0300066873 through 0300069000)	
44	3520035		Plug, Cap (SN 0300068131 through 0300069000)	

Go to Discount-Equipment.com to order your parts

SECTION 2 - TURNTABLE

FIGURE 2-17. ELECTRICAL OPTIONS INSTALLATION (TURNTABLE MOUNTED)



SECTION 2 - TURNTABLE

FIGURE 2-17. ELECTRICAL OPTIONS INSTALLATION (TURNTABLE MOUNTED)

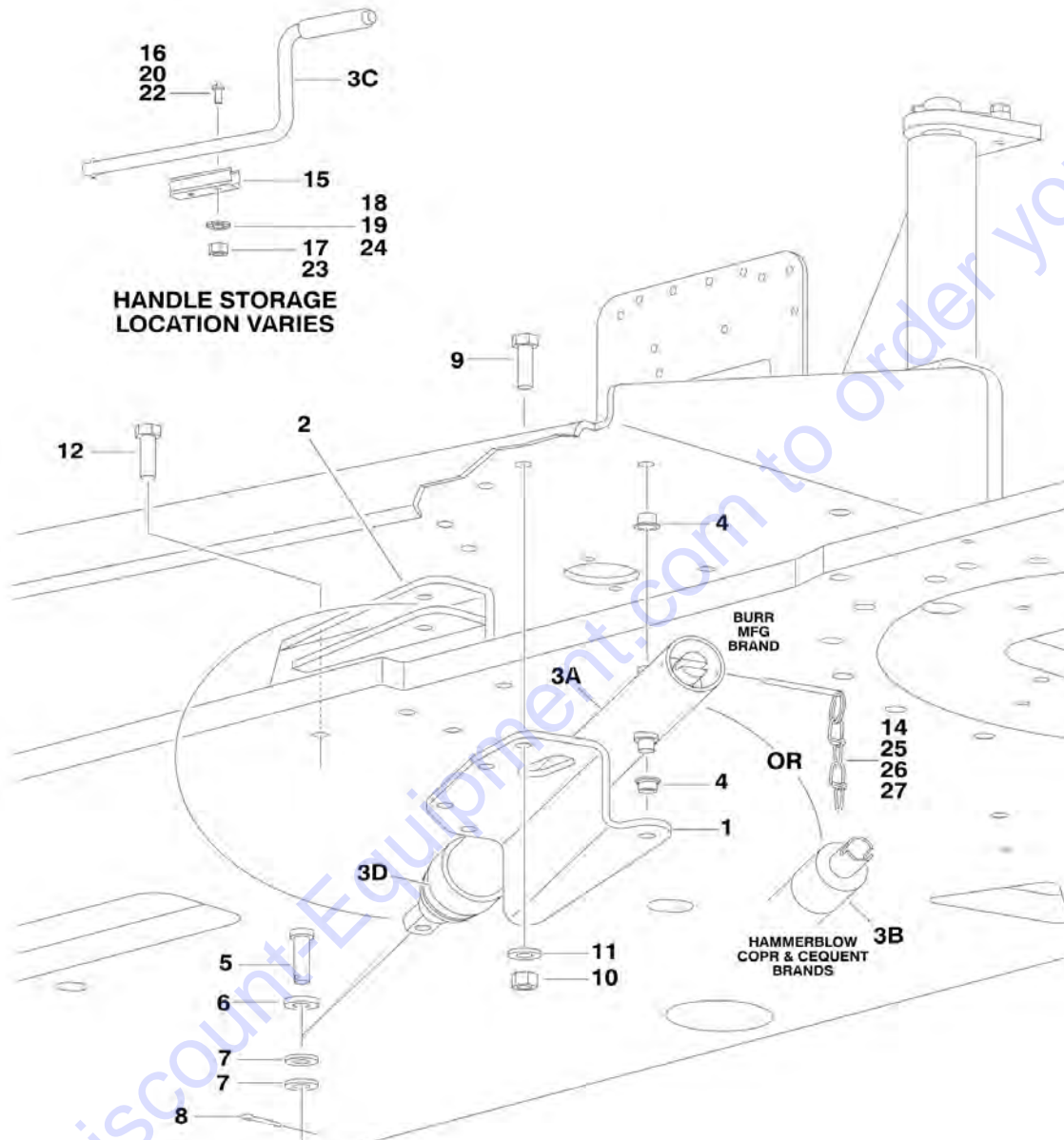
ITEM	PART NUMBER	QTY	DESCRIPTION	REV
		Ref	ALARMS INSTALLATIONS	
	0255368	Ref	Alarms Installations (Prior to SN 0300035129)	2
	0257886	Ref	Alarms Installations (SN 0300035129 through 0300064248)	1
	0270833	Ref	Alarms Installations (ADE System) (SN 0300064249 through 0300069000)	1
1		Ref	Alarm/Harness Assembly Options:	
1	0255914	1	Alarm/Harness Assembly (Colored Wiring) (Prior to SN 0300035129)	
1	0257886	1	Alarm/Harness Assembly (Numbered Colored Wiring) (SN 0300035129 through 0300069000)	
2	0641406	2	Bolt 1/4in-20NC x 3/4in	
3	4711400	2	Flatwasher 1/4in Thin	
5	0100048	AR	Sealant, Silicone	
		Ref	STROBE LIGHT INSTALLATIONS (AMBER) (OPTIONAL)	
	0255393	Ref	Strobe Light Installations (Amber) (Optional) (Colored Wiring) (Prior to SN 0300035129)	1
	0257885	Ref	Strobe Light Installations (Amber) (Optional) (Numbered Colored Wiring) (SN 0300035129 through 0300064248)	2
	0270805	Ref	Strobe Light Installations (Amber) (Optional) (ADE System) (SN 0300064249 through 0300069000)	1
10	4220162	1	Spacer, Stop (Used with ECCO Model 6640 Only)	
11		Ref	Adapter Options:	
11	0630491	1	Adapter used with ECCO Model 6640	
11	0080241	1	Adapter used with ECCO Model 6650	
12	3539281	1	Plate, Mounting (Used with ECCO Model 6640 Only)	
13	0741606	1	Screw, Flathead Countersunk 3/8in-16NC x 3/4in (Used with ECCO Model 6640 Only)	
14	0100011	AR	Compound, Locking	
15	4240032	1	Tie-Strap (Not Shown)	
16	0255917	NLA	Strobe Light/Guard/Harness Assembly (Use p/n 0272507)	
16	2920130	NLA	Strobe Light/Guard/Harness Assembly (Use p/n 0272507)	
16	2920214	NLA	Strobe Light/Guard/Harness Assembly (Use p/n 0272507)	
16		Ref	Bulb, Replacement Options:	
16	7016380	1	Bulb used with ECCO Model 6640	
16	70001941	1	Bulb used with ECCO Model 6650	
16A		Ref	Guard Options:	
16A	4060907	1	Guard used with ECCO Model 6640	
16A	2920215	1	Guard used with ECCO Model 6650	
17	4460234	1	Clamp	
18	0100048	AR	Sealant, Silicone	
		Ref	LIGHTS INSTALLATIONS (OPTIONAL)	
	0255387	Ref	Lights Installations (Optional) (Colored Wiring) (Prior to SN 0300035129)	2
	0257884	Ref	Lights Installations (Optional) (Numbered Colored Wiring) (SN 0300035129 through 0300064248)	1
	0271552	Ref	Lights Installations (Optional) (ADE System) (SN 0300064249 through 0300069000)	2
25	2920110	2	Headlight	
26	0902206	2	Bracket, Mounting	
27	0642612	1	Bolt 1in-8NC x 1-1/2in	
28	4220162	2	Spacer	
29	0100011	AR	Compound, Locking	

SECTION 2 - TURNTABLE

ITEM	PART NUMBER	QTY	DESCRIPTION	REV
30	2920113	2	Taillight	
31	3911040	4	Screw, Machine #10-24NC x 2 1/2	
32	3311005	4	Nut #10-24NC	
33	4751000	4	Flatwasher #10 Regular	
34	4740362	4	Washer, Fender	
35	3960461	2	Gasket	
37	4240032	21	Tie-Strap (Not Shown)	
38	4460234	21	Mount, Tie-Strap (Not Shown)	
39	4360336	1	Switch, Toggle (Not Shown - Located on Console)	
40	3790012	1	O- Ring (Not Shown - Located on Console)	
41	3820001	11	Pop Rivet (Not Shown)	
	0255362	Ref	TILT INDICATOR INSTALLATION (Prior to SN 0300064249)	-
101	4360416	1	Sensor, Tilt Indicator	
102	0641406	2	Bolt 1/4in-20NC x 3/4in	
103	3311405	2	Locknut 1/4in-20NC	

SECTION 2 - TURNTABLE

FIGURE 2-18. ENGINE TRAY JACK INSTALLATION (OPTIONAL)



PARTS FINDER

**Search Website
by Part Number**



**Search Manual
Library For Parts
Manual & Lookup Part
Numbers – Purchase
or Request Quote**

A screenshot of the "Search Manuals" form. The form is titled "Search Manuals" and contains several input fields for "Find", "Serial Number", "Year", "Make", "Model", "Part Number", and "Category". There is a "Search" button at the bottom of the form.

**Can't Find Part or
Manual? Request Help
by Manufacturer,
Model & Description**

A screenshot of the "Parts Order Form". The form is titled "Parts Order Form" and contains several input fields for "Manufacturer", "Model", "Description", "Part Number", "Quantity", "Price", and "Notes". There is a "Submit" button at the bottom of the form.

Discount-Equipment.com is your online resource for quality parts & equipment.

Florida: **561-964-4949** Outside Florida TOLL FREE: **877-690-3101**

Need parts?

Click on this link: <http://www.discount-equipment.com/category/5443-parts/> and choose one of the options to help get the right parts and equipment you are looking for. Please have the machine model and serial number available in order to help us get you the correct parts. If you don't find the part on the website or on one of the online manuals, please fill out the request form and one of our experienced staff members will get back to you with a quote for the right part that your machine needs.

We sell worldwide for the brands: Genie, Terex, JLG, MultiQuip, Mikasa, Essick, Whiteman, Mayco, Toro Stone, Diamond Products, Generac Magnum, Airman, Haulotte, Barreto, Power Blanket, Nifty Lift, Atlas Copco, Chicago Pneumatic, Allmand, Miller Curber, Skyjack, Lull, Skytrak, Tsurumi, Husquvarna Target, Stow, Wacker, Sakai, Mi-T-M, Sullair, Basic, Dynapac, MBW, Weber, Bartell, Bennar Newman, Haulotte, Ditch Runner, Menegotti, Morrison, Contec, Buddy, Crown, Edco, Wyco, Bomag, Laymor, EZ Trench, Bil-Jax, F.S. Curtis, Gehl Pavers, Heli, Honda, ICS/PowerGrit, IHI, Partner, Imer, Clipper, MMD, Koshin, Rice, CH&E, General Equipment, Amida, Coleman, NAC, Gradall, Square Shooter, Kent, Stanley, Tamco, Toku, Hatz, Kohler, Robin, Wisconsin, Northrock, Oztec, Toker TK, Rol-Air, APT, Wylie, Ingersoll Rand / Doosan, Innovatech, Con X, Ammann, Mecalac, Makinex, Smith Surface Prep, Small Line, Wanco, Yanmar

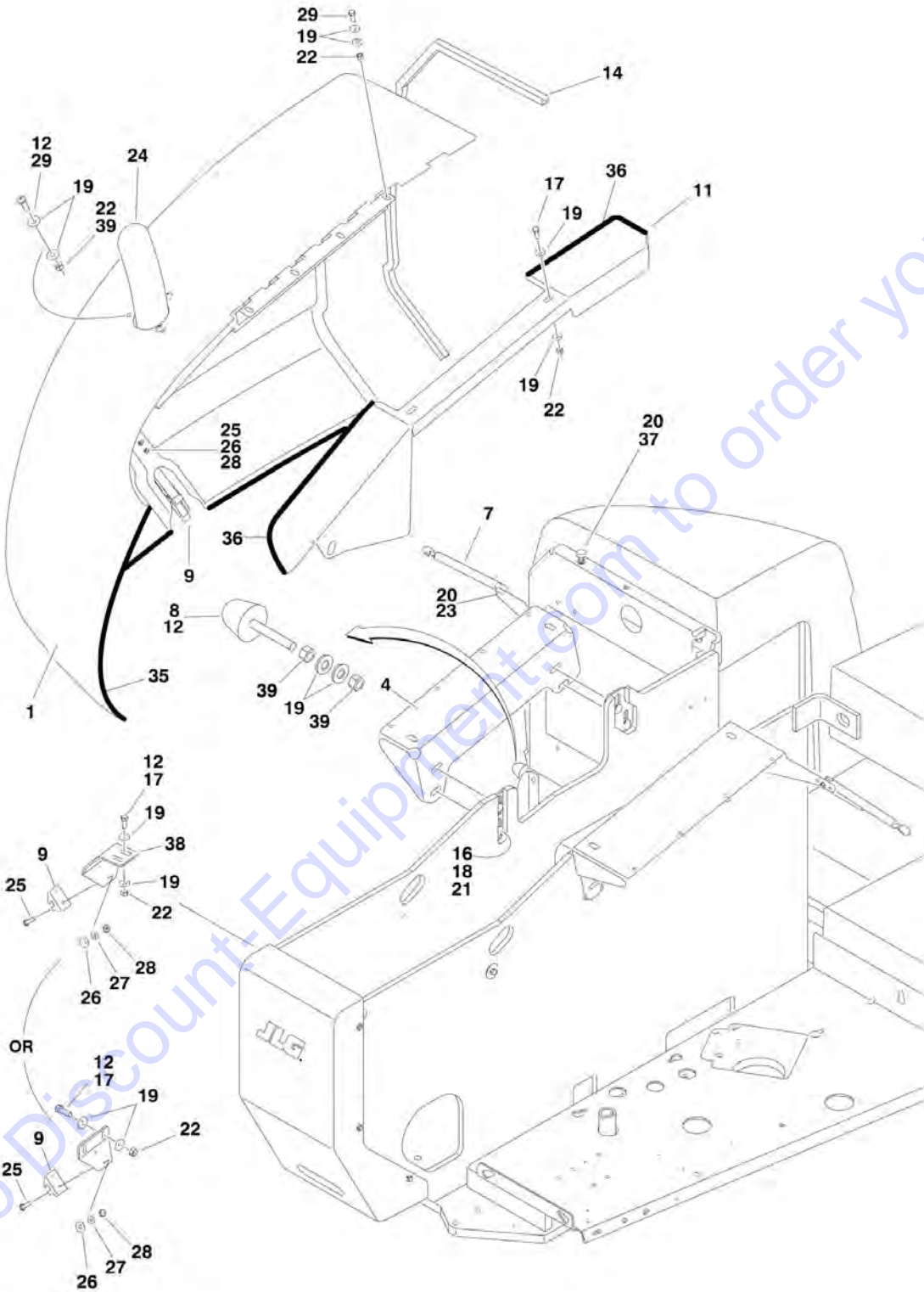
SECTION 2 - TURNTABLE

FIGURE 2-18. ENGINE TRAY JACK INSTALLATION (OPTIONAL)

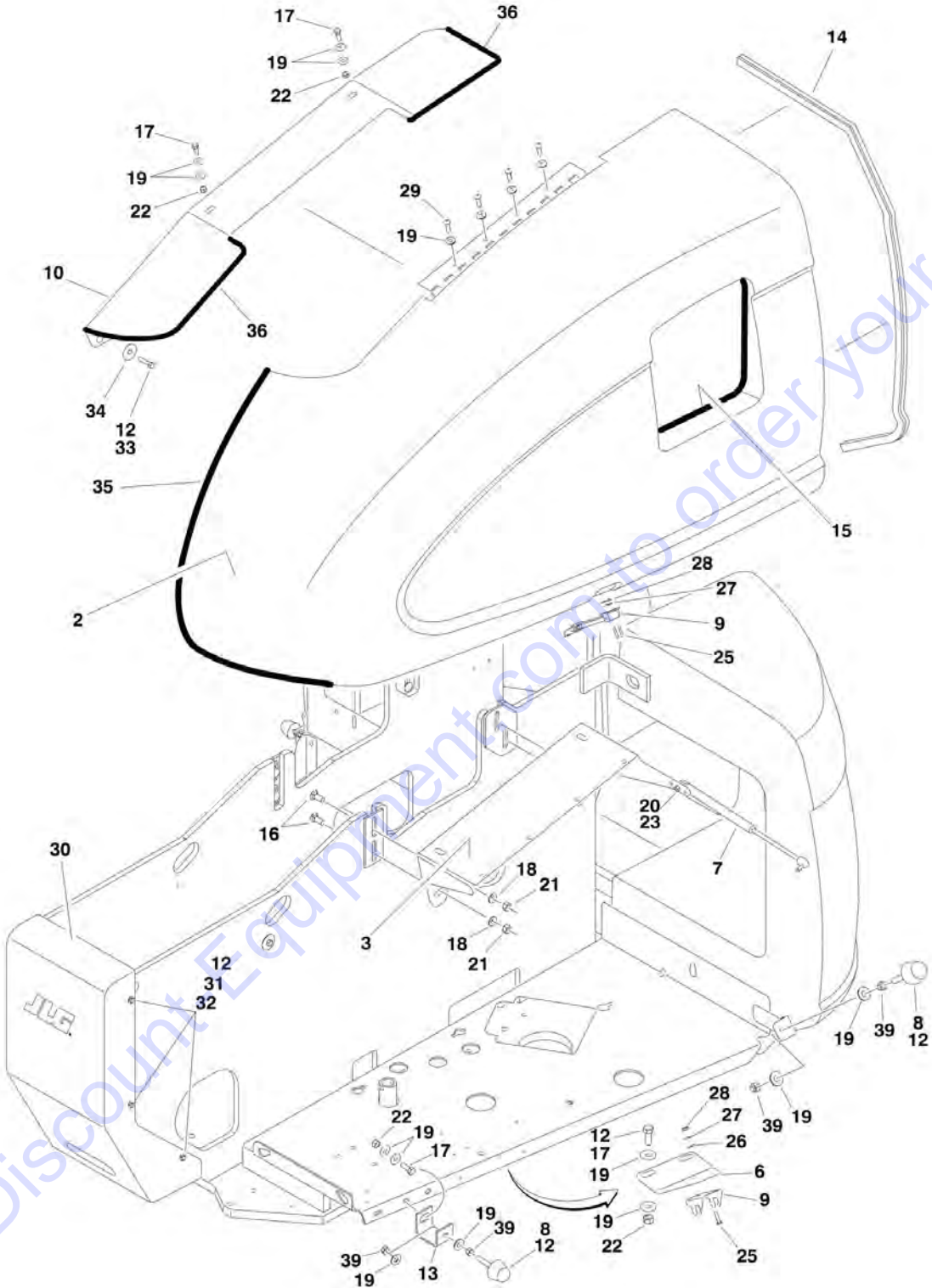
ITEM	PART NUMBER	QTY	DESCRIPTION	REV
	0255880	Ref	ENGINE TRAY JACK INSTALLATION	5-G
1	3537445	1	Bracket	
2	4845163	1	Bracket	
3	2840016	1	Hydraulic Jack Assembly (Prior to SN 0300027329)	
3	2840018	1	Hydraulic Jack Assembly (SN 0300027329 through 0300069000)	
3A		Ref	Burr Manufacturing Brand	
3B		Ref	Hammerblow Corp and Cequent Brands	
3C		Ref	Handle Options:	
3C	7016374	1	Burr Manufacturing Brand	
3C	7024598	1	Hammerblow Corp and Cequent Brands	
3D	7016322	1	Wiper (Burr Manufacturing Brand Only)	
4	0962051	2	Bushing, Flanged	
5	3430816	1	Pin, Clevis	
6	4891800	1	Flatwasher 1/2in Hardened	
7	4711800	AR	Flatwasher 1/2in Thin	
8	3450404	1	Pin, Cotter 1/8in x 1in	
9	0641609	4	Bolt 3/8in-16NC x 1-1/8in	
10	3311605	4	Locknut 3/8in-16NC	
11	4891600	4	Flatwasher 3/8in Hardened	
12	0641810	4	Bolt 1/2in-13NC x 1-1/4in	
14	3422530	1	Pins and Chain	
15	1380147	1	Clip, Spring	
16	3910610	2	Screw, Machine #6-32NC x 1-1/8in (Prior to SN 0300027570)	
17	3310601	2	Nut #6-32NC (Prior to SN 0300027570)	
18	4750600	2	Flatwasher #6 Regular (Prior to SN 0300027570)	
19	4751000	2	Flatwasher #10 Regular (Prior to SN 0300027570)	
20	0100011	AR	Compound, Locking (Prior to SN 0300027570)	
22	3910608	2	Screw #6-32NC x 1in (SN 0300027570 through 0300069000)	
23	3310601	2	Nut #6-32NC (SN 0300027658 through 0300069000)	
24	4770600	2	Starwasher #6 (SN 0300027658 through 0300069000)	
25	0641406	1	Bolt 1/4in-20NC x 3/4in (SN 0300031342 through 0300069000)	
26	4751400	2	Flatwasher 1/4in Regular (SN 0300031342 through 0300069000)	
27	3311405	1	Locknut 1/4in-20NC (SN 0300031342 through 0300069000)	

SECTION 2 - TURNTABLE

FIGURE 2-19. HOODS INSTALLATIONS - WITHOUT NOISE REDUCTION



SECTION 2 - TURNTABLE



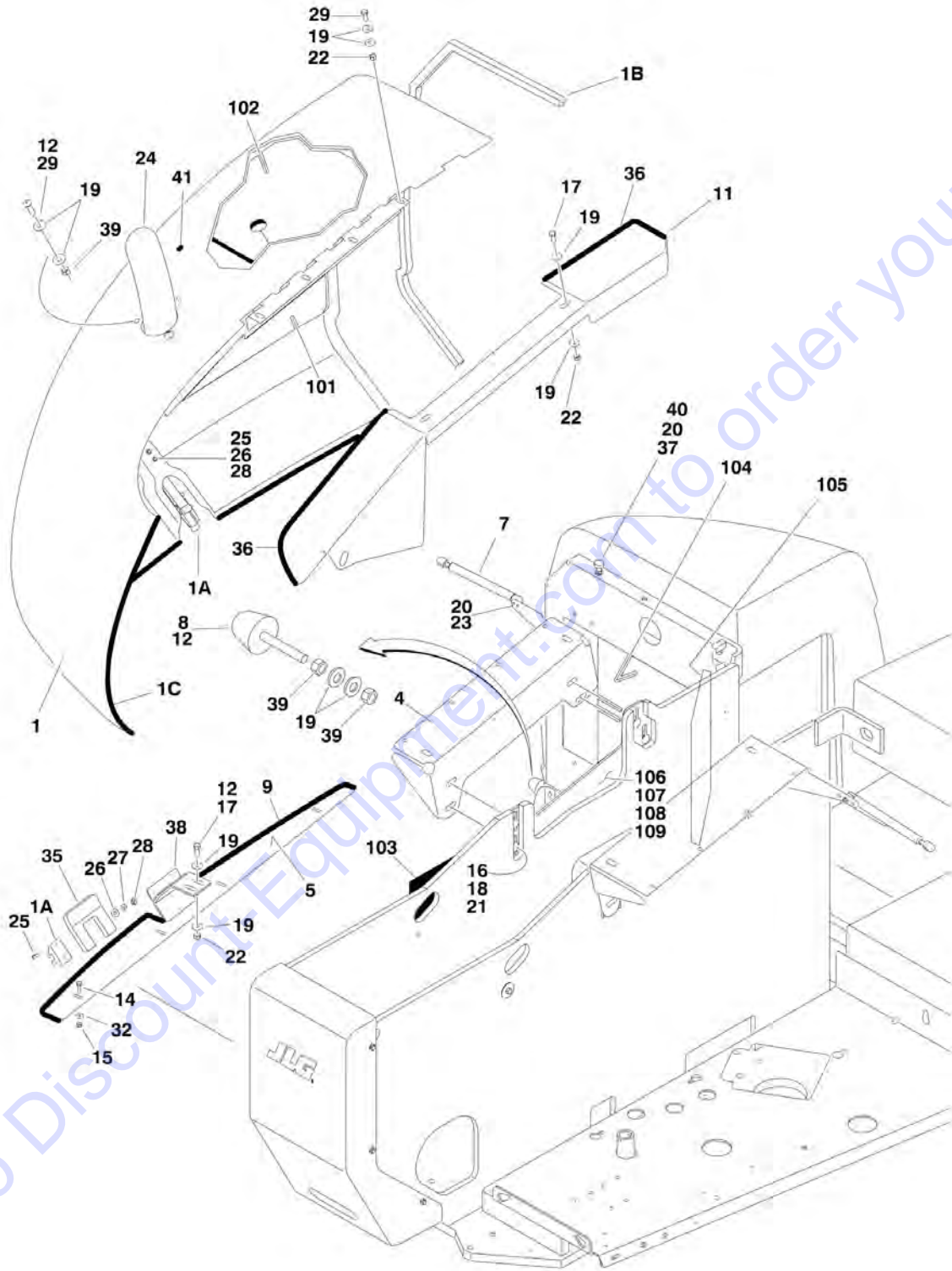
SECTION 2 - TURNTABLE

FIGURE 2-19. HOODS INSTALLATIONS - WITHOUT NOISE REDUCTION

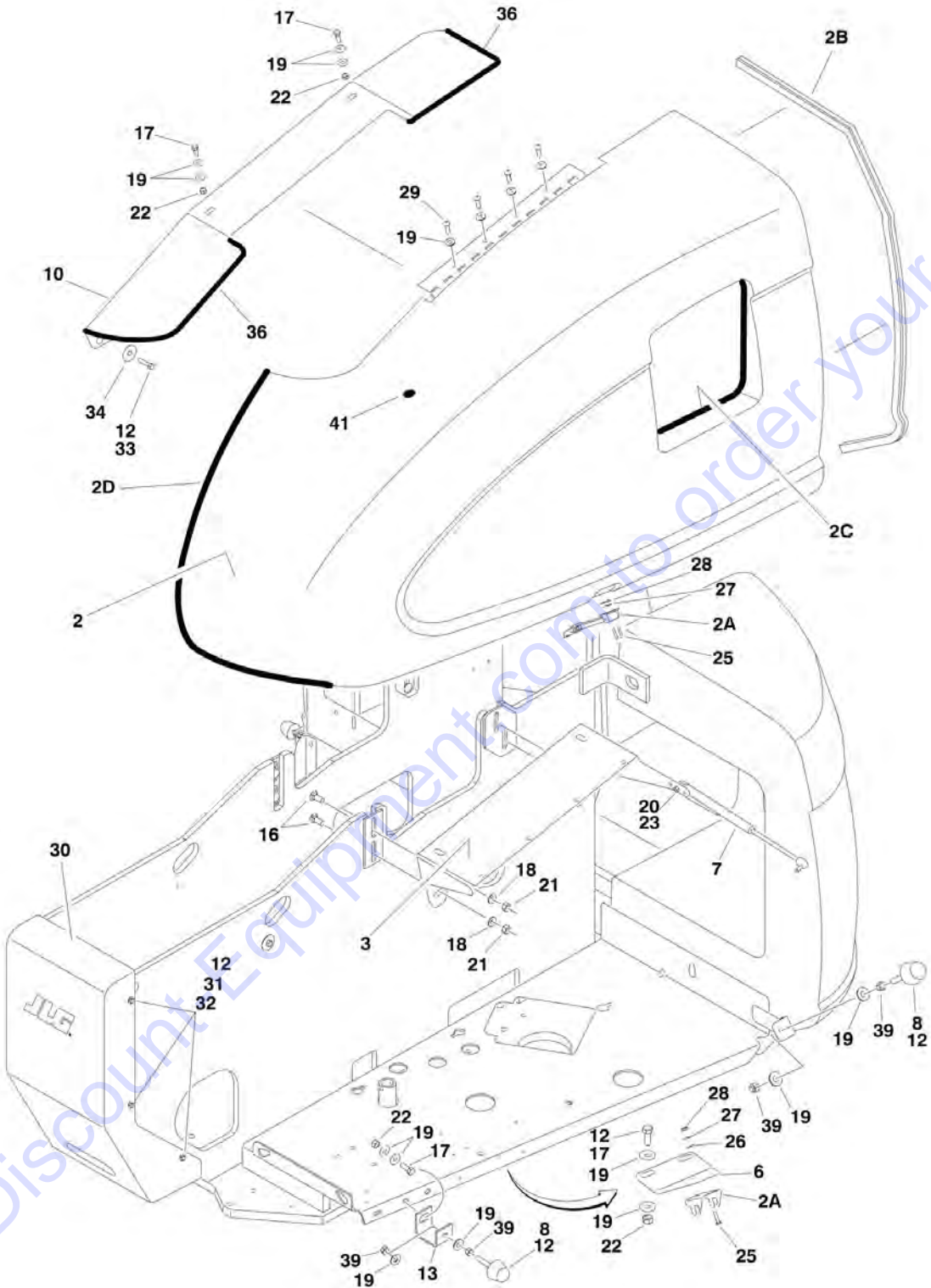
ITEM	PART NUMBER	QTY	DESCRIPTION	REV
	0255407	Ref	HOODS INSTALLATION	3
1	2680423	1	Hood - Engine Side (Includes Items 9, 14, 15 & 35)	
2	2680424	NLA	Hood - Tank Side (Use p/n 1671243)	
3	4845203	1	Mount - Tank Side	
4	4845200	1	Mount - Engine Side	
5	0902237	1	Bracket, Latch - Engine Side Only (Prior to SN 0300027349)	
6	0902242	1	Bracket, Latch - Tank Side	
7	4160143	2	Spring, Gas (Prior to SN 0300027329)	
7	4160152	2	Spring, Gas (SN 0300027329 through 0300069000)	
8	0940071	4	Bumper	
9	2940088	2	Latch, Hood (Part of Items 2 & 51)	
10	2680434	1	Spacer, Hood (Tank Side)	
11	2680433	1	Spacer, Hood (Engine Side)	
12	0100011	AR	Compound, Locking	
13	0902219	1	Bracket, Bumper	
14	3960462	11 ft/3.4m	Trim (Part of Items 2 & 51)	
15	3960447	55 in/1.4m	Trim (Part of Items 2 & 51)	
16	0630507	8	Bolt, Carriage 1/2in-13NC x 1-1/4in	
17	0641608	12	Bolt 3/8in-16NC x 1in	
18	4751800	8	Flatwasher 1/2in Regular	
19	4751600	48	Flatwasher 3/16in Regular	
20	4751500	4	Flatwasher 5/16in Regular	
21	3311805	8	Locknut 1/2in-13NC	
22	3311605	23	Locknut 3/8in-16NC	
23	3311505	2	Locknut 5/16in-18NC	
24	4845194	1	Outlet, Exhaust	
25	0721006	4	Bolt #10-24NC x 3/4in	
26	4751000	4	Flatwasher #10 Regular	
27	4761000	4	Lockwasher #10	
28	3311001	4	Bolt #10-24NC	
29	3900232	11	Bolt, Button Head 3/8in-16NC x 1in	
30	1670770	1	Cover, Turntable - Steel (Prior to SN 0300027941)	
30	1670767	1	Cover, Turntable - Polyethylene (SN 0300027941 through 0300069000)	
31	0641404	6	Bolt 1/4in-20NC x 1/2in	
32	4751400	6	Flatwasher 1/4in Regular	
33	0641606	2	Bolt 3/8in-16NC x 3/4in	
34	4740076	2	Washer, Fender	
35	3960389	6.3 ft/1.9m	Seal (Part of Items 2 & 51)	
36	3960418	6.5 ft/2m	Seal	
37	0940049	1	Bumper (SN 0300027349 through 0300069000)	
38	0902313	1	Bracket, Latch - Engine Side (SN 0300027349 through 0300069000)	
39	3311601	3	Nut 3/8in-16NC	

SECTION 2 - TURNTABLE

FIGURE 2-20. HOODS INSTALLATIONS - WITH NOISE REDUCTION



SECTION 2 - TURNTABLE



Go to DiscountEquipment.com to order your parts

SECTION 2 - TURNTABLE

FIGURE 2-20. HOODS INSTALLATIONS - WITH NOISE REDUCTION

ITEM	PART NUMBER	QTY	DESCRIPTION	REV
	0256821	Ref	HOODS INSTALLATIONS	4
1	2680423	1	Hood - Engine Side (Prior to SN 0300037414)	
1	2680440	1	Hood - Engine Side (SN 0300037414 through 0300069000)	
1A	2940088	1	Latch, Hood	
1B	3960462	AR	Trim	
1C	3960389	AR	Seal	
2	2680424	NLA	Hood - Tank Side (Use p/n 1671216) (Prior to SN 0300037414)	
2	2680441	NLA	Hood - Tank Side (Use p/n 1671216) (SN 0300037414 through 0300069000)	
2A	2940088	1	Latch, Hood	
2B	3960462	AR	Trim	
2C	3960438	AR	Trim	
2D	3960389	AR	Seal	
3	4845203	1	Mount - Tank Side	
4	4845414	1	Mount - Engine Side	
5	3539923	1	Plate, Seal	
6	0902242	1	Bracket, Latch - Tank Side	
7	4160152	2	Spring, Gas (Prior to SN 0300030959)	
7	4160143	2	Spring, Gas (SN 0300030959 through 0300069000)	
8	0940071	4	Bumper	
9	3960389	3.5 ft/1m	Seal (Prior to SN 0300037414)	
10	2680434	1	Spacer, Hood (Tank Side)	
11	2680433	1	Spacer, Hood (Engine Side)	
12	0100011	AR	Compound, Locking	
13	0902219	1	Bracket, Bumper	
14	0641407	4	Bolt 1/4in-20NC x 7/8in	
15	3311405	4	Locknut 1/4in-20NC	
16	0630507	8	Bolt, Carriage 1/2in-13NC x 1-1/4in	
17	0641608	11	Bolt 3/8in-16NC x 1in	
18	4740171	8	Flatwasher 1/2in Hardened	
19	4751600	40	Flatwasher 3/16in Regular	
20	4751500	4	Flatwasher 5/16in Regular	
21	3311805	8	Locknut 1/2in-13NC	
22	3311605	23	Locknut 3/8in-16NC	
23	3311505	2	Locknut 5/16in-18NC	
24	4845194	1	Outlet, Exhaust	
25	0721006	4	Bolt #10-24NC x 3/4in	
26	4751000	4	Flatwasher #10 Regular	
27	4761000	4	Lockwasher #10	
28	3311001	4	Bolt #10-24NC	
28	3311005	4	Locknut #10-24NC (SN 0300037414 through 0300069000)	
29	3900232	11	Bolt, Button Head 3/8in-16NC x 1in	
30	1670767	1	Cover, Turntable	
31	0641404	6	Bolt 1/4in-20NC x 1/2in	
32	4751400	6	Flatwasher 1/4in Regular	
34	4740076	2	Washer, Fender	
35	3960467	1	Seal, Foam	
36	3960418	6.5 ft/2m	Seal (Prior to SN 0300037414)	
36	3960418	7 ft/2.1m	Seal (SN 0300037414 through 0300069000)	
37	0940049	1	Bumper (SN 0300027349 through 0300069000)	

SECTION 2 - TURNTABLE

ITEM	PART NUMBER	QTY	DESCRIPTION	REV
38	0902335	1	Bracket, Latch - Engine Side	
39	3311601	11	Nut 3/8in-16NC	
40	3311501	2	Nut 5/16in-18NC (SN 0300037414 through 0300069000)	
41	3520033	2	Plug (SN 0300037414 through 0300069000)	
	0256822	Ref	NOISE REDUCTION INSTALLATION	-
101	2820076	1	Foam, Acoustical	
102	2820077	1	Foam, Acoustical	
103	2820078	1	Foam, Acoustical	
104	2820082	1	Foam, Acoustical	
105	2820083	1	Foam, Acoustical	
106	3539988	1	Plate, Baffle	
107	0641606	5	Bolt 3/8in-16NC x 3/4in	
108	4751600	5	Flatwasher 3/8in Regular	
109	0100011	AR	Compound, Locking	

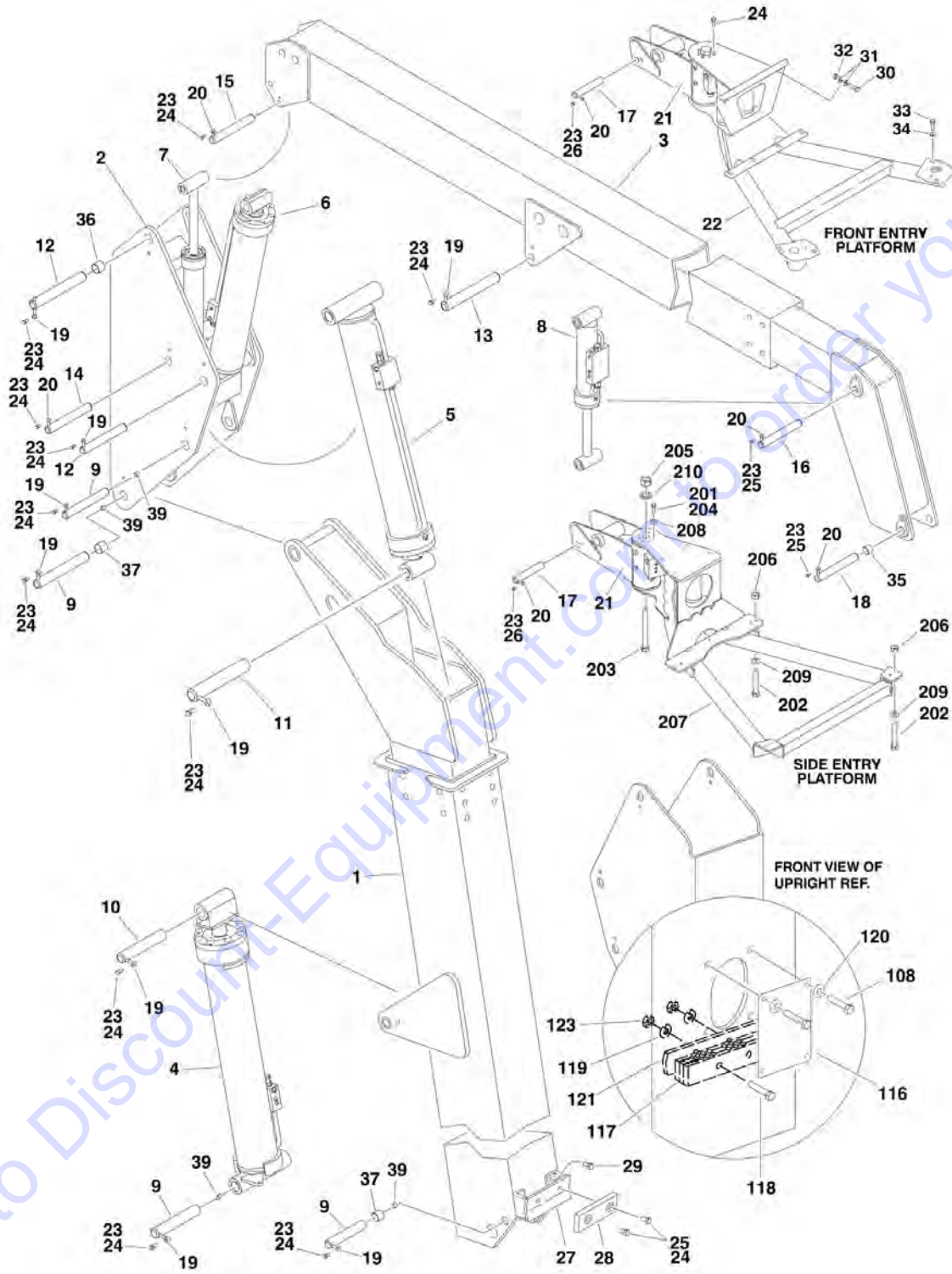
Go to Discount-Equipment.com to order your parts

SECTION 3 - BOOM

Go to Discount-Equipment.com to order your parts

SECTION 3 - BOOM

FIGURE 3-1. BOOMS AND CYLINDERS INSTALLATION - 600A



SECTION 3 - BOOM

FIGURE 3-1. BOOMS AND CYLINDERS INSTALLATION - 600A

ITEM	PART NUMBER	QTY	DESCRIPTION	REV
		Ref	BOOMS AND CYLINDERS INSTALLATION - 600A	
	0255238	Ref	Boom and Cylinder Installation (Machines with Front Entry Platform Built) (Prior to SN 0300041868)	12
	0258694	Ref	CE Spec Boom and Cylinder Installation (Machines with Front Entry Platform Built) (SN 0300041868 through 0300069000)	8
	0256321	Ref	Australian Spec Boom and Cylinder Installation (Machines with Front Entry Platform Built) (SN 0300041868 through 0300069000)	5
	0272326	Ref	CE/Australian Spec - Boom and Cylinder Installation (Side Entry Platform)	1
1	0801019	1	Tower Boom Assembly -Tower (See TOWER BOOM ASSEMBLIES for Breakdown)	
2		Ref	Upright Weldment Options:	
2	4844945	NLA	Upright Weldment (Use p/n 4846005) (Prior to SN 0300042671)	
2	4846005	1	Upright Weldment (SN 0300042671 through 0300069000)	
3	0801022	1	Main Boom Assembly (See MAIN BOOM ASSEMBLIES for Breakdown)	
4	1683288	NLA	Tower Lift Cylinder Assembly (Use p/n 1001228003) (See CYLINDER SECTION for Breakdown) (Original Equipment)	
4	1001228003	1	Tower Lift Cylinder Assembly (See CYLINDER SECTION for Breakdown) (Service Replacement)	
5	1683299	NLA	Upright Level Cylinder Assembly (See CYLINDER SECTION for Breakdown) (Use p/n 1001228042) (Original Equipment)	
5	1684498	NLA	Upright Level Cylinder Assembly (See CYLINDER SECTION for Breakdown) (Use p/n 1001228042) (Service Replacement)	
5	1001228042	1	Upright Level Cylinder Assembly (See CYLINDER SECTION for Breakdown) (Service Replacement)	
6	1683294	NLA	Main Lift Cylinder Assembly (Use p/n 1001228004) (See CYLINDER SECTION for Breakdown) (Original Equipment)	
6	1001228004	1	Main Lift Cylinder Assembly (See CYLINDER SECTION for Breakdown) (Service Replacement)	
7	1683266	NLA	Master Cylinder Assembly (Use p/n 1001228002) (See CYLINDER SECTION for Breakdown) (Original Equipment)	
7	1001228002	1	Master Cylinder Assembly (See CYLINDER SECTION for Breakdown) (Service Replacement)	
8		Ref	Platform Level Cylinder Assembly Options (See CYLINDER SECTION for Breakdown)	
8	1683271	1	Platform Level Cylinder Assembly (Prior to SN 0300024714)	
8	1683415	NLA	Platform Level Cylinder Assembly (Use p/n 1001223512) (Original Equipment) (SN 0300024714 through 0300069000)	
8	1001223512	1	Platform Level Cylinder Assembly (Service Replacement)	
9		Ref	Pin Options:	
9	3422442	NLA	Pin (Use p/n 3422571) (Prior to SN 0300041868)	
9	3422571	4	Pin (SN 0300041868 through 0300069000)	
10		Ref	Pin Options:	
10	3422444	NLA	Pin (Use p/n 3422573) (Prior to SN 0300041868)	
10	3422573	1	Pin (SN 0300041868 through 0300069000)	
11	3422575	1	Pin	
12		Ref	Pin Options:	
12	3422443	NLA	Pin (Use p/n 3422572) (Prior to SN 0300041868)	
12	3422572	2	Pin (SN 0300041868 through 0300069000)	
13		Ref	Pin Options:	
13	3422452	NLA	Pin (Use p/n 3422576) (Prior to SN 0300041868)	

SECTION 3 - BOOM

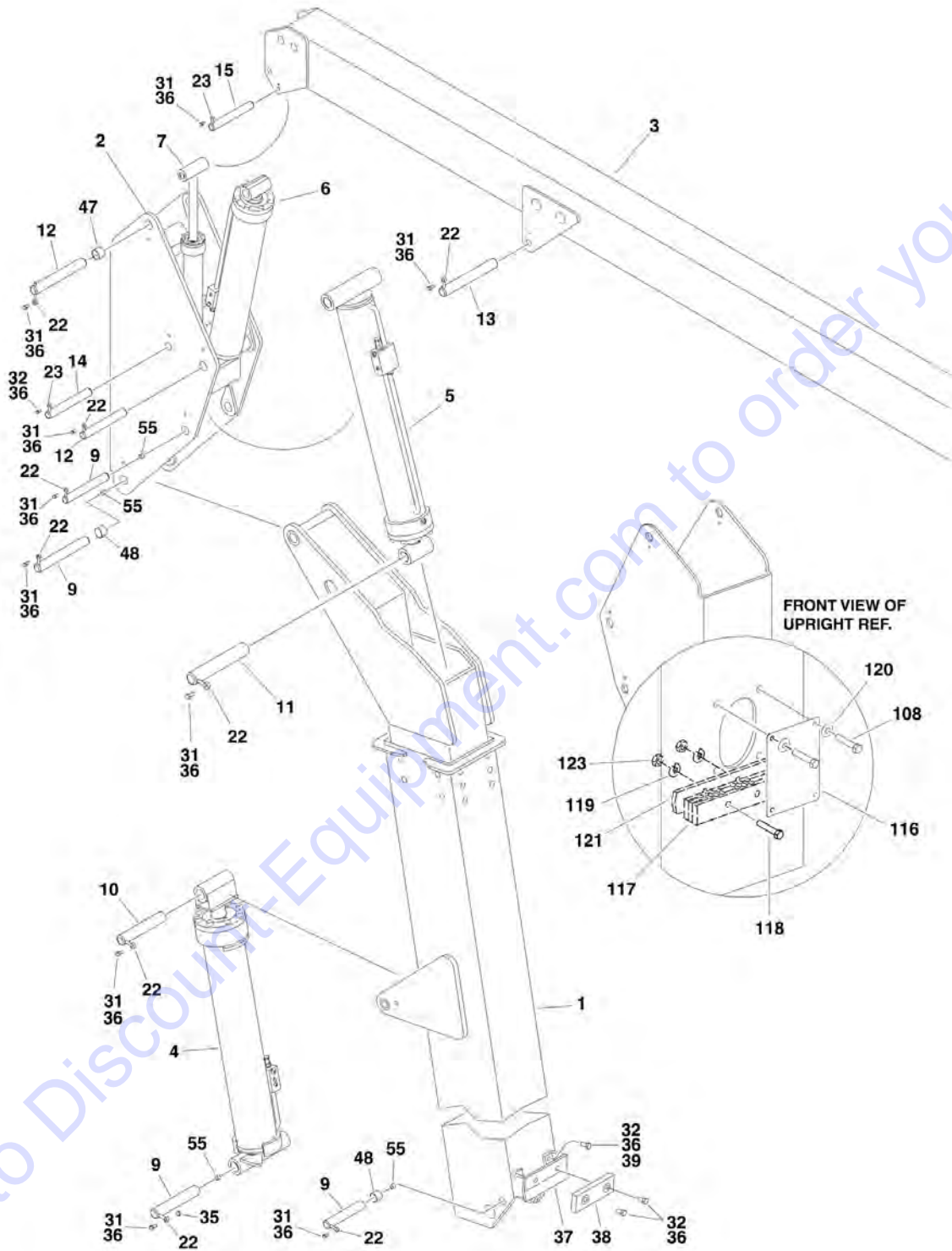
ITEM	PART NUMBER	QTY	DESCRIPTION	REV
13	3422576	1	Pin (SN 0300041868 through 0300069000)	
14		Ref	Pin Options:	
14	3422434	NLA	Pin (Use p/n 3422565) (Prior to SN 0300041868)	
14	3422565	1	Pin (SN 0300041868 through 0300069000)	
15		Ref	Pin Options:	
15	3422453	NLA	Pin (Use p/n 3422577) (Prior to SN 0300041868)	
15	3422577	1	Pin (SN 0300041868 through 0300069000)	
16		Ref	Pin Options:	
16	3422454	NLA	Pin (Use p/n 3422578) (Prior to SN 0300041868)	
16	3422578	1	Pin (SN 0300041868 through 0300069000)	
17		Ref	Pin Options:	
17	3422489	NLA	Pin (Use p/n 3422580) (Prior to SN 0300041868)	
17	3422580	1	Pin (SN 0300041868 through 0300069000)	
19	3841203	9	Keeper, Pin - 1/2in	
20	3841143	5	Keeper, Pin - 3/8in	
21		Ref	Rotator Assembly Options:	
21	0060035	NLA	Front Entry Platform (Use p/n 0060076) (See ROTATOR ASSEMBLIES (FRONT ENTRY PLATFORM) for Breakdown)	
21	0060068	1	Side Entry Platform (See ROTATOR ASSEMBLIES (SIDE ENTRY PLATFORM) for Breakdown)	
22		Ref	Platform Support Weldment Options:	
22	4844790	1	All Specs (Front Entry Platform) (Prior to SN 0300036526)	
22	4845682	1	All Specs (Front Entry Platform) (SN 0300036526 through 0300038050)	
22	4844790	1	CE Spec (Front Entry Platform) (SN 0300038051 through 0300069000)	
22	4846081	1	Australian Spec (Front Entry Platform) (SN 0300038051 through 0300069000)	
		Ref	Note: For Side Entry Platform Machines See Items 201 to 210 for Support Installation	
23	0100011	AR	Compound, Locking	
24	0641810	15	Bolt 1/2in-13NC x 1-1/4in	
25	0641607	AR	Bolt 3/8in-16NC x 7/8in	
26	3900166	1	Screw, Socket Head Countersunk - 3/8in-16NC x 7/8in	
27	4845127	1	Boom Rest Weldment (Front Entry Platform)	
28	0561076	1	Block, Boom Rest	
29	0641605	4	Bolt 3/8in-16NC x 5/8in	
30	0641820	4	Bolt 1/2in-13NC x 2-1/2in (Front Entry Platform)	
31	4711800	8	Flatwasher 1/2in Thin (Front Entry Platform)	
32	3311805	4	Locknut 1/2in-13NC (Front Entry Platform)	
33	0681610	4	Bolt 3/8in-16NC x 1-1/4in (Grade 8) (Front Entry Platform)	
34	4711600	4	Flatwasher 3/8in Thin (Front Entry Platform)	
35	0961951	2	Bushing	
36	0961948	2	Bushing	
37	0961949	4	Bushing	
38	3422582	1	Pin	
39	3900239	4	Setscrew Only (SN 0300027329 through 0300069000)	
	0255423	Ref	POWER TRACK INSTALLATION	10-I
108	0641403	4	Bolt 1/4in-20NC x 3/8in	
116	3539779	1	Plate, Cover	
117		Ref	Clamp, Block Options:	
117	1320229	1	Clamp, Block (Prior to SN 0300034102)	
117	1320243	1	Clamp, Block (SN 0300034102 through 69000)	

SECTION 3 - BOOM

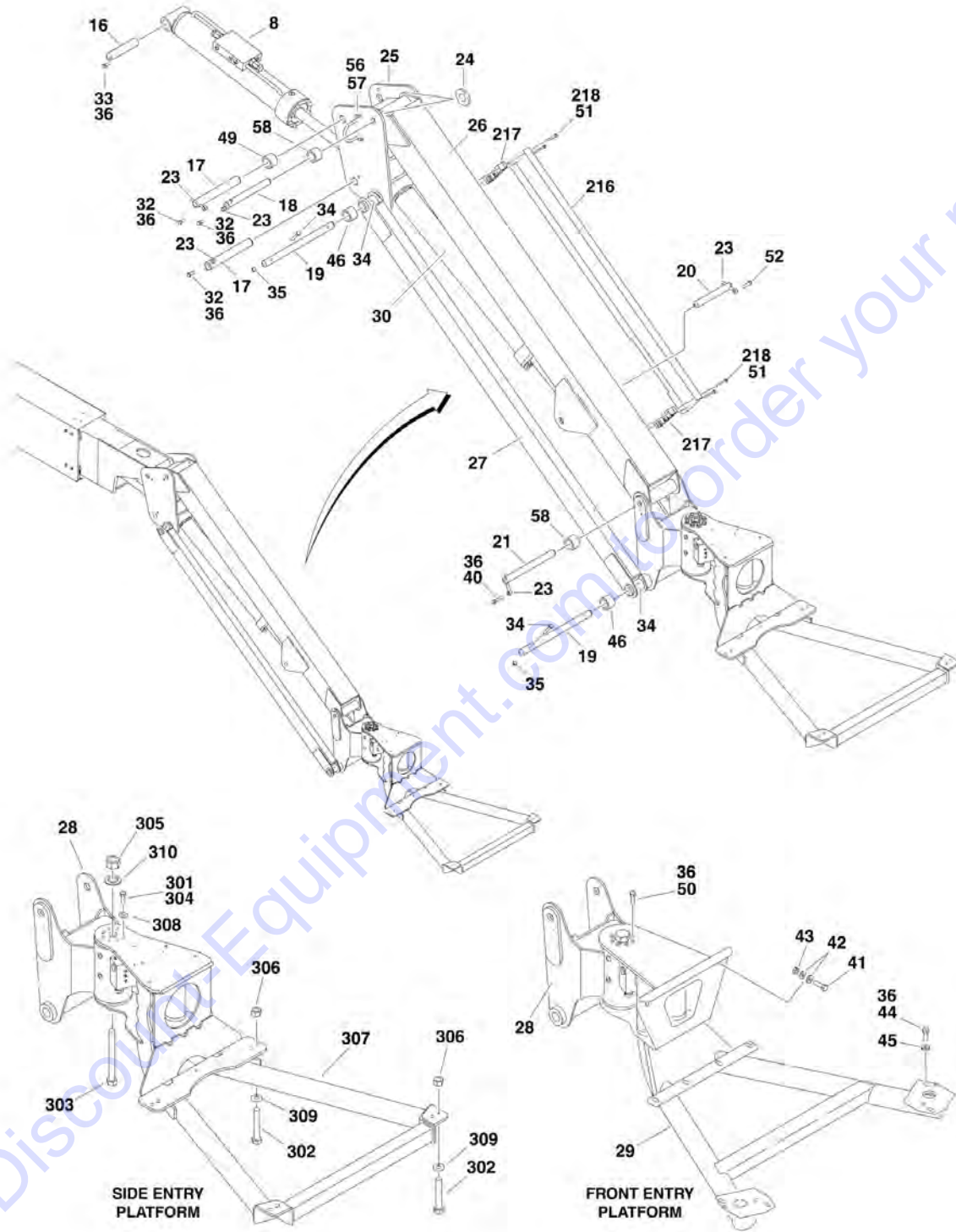
ITEM	PART NUMBER	QTY	DESCRIPTION	REV
118		Ref	Bolt Options:	
118	0641624	2	Bolt 3/8in-16NC x 3in (Prior to SN 0300034102)	
118	0641532	2	Bolt 5/16in-18NC x 4in (SN 0300034102 through 0300069000)	
119	4751600	2	Flatwasher 3/8in Regular	
120	4751400	4	Flatwasher 1/4in Regular	
121		Ref	Plate Options:	
121	3539930	1	Plate (SN 0300027207 through 0300034101)	
121	3570374	1	Plate (SN 0300034102 through 0300069000)	
123	3311505	2	Nut 5/16in-18NC Only (SN 0300034102 through 0300069000)	
	0272070	Ref	PLATFORM SUPPORT INSTALLATIONS (SIDE ENTRY PLATFORM) (AUSTRALIAN SPEC)	B
	See Note	Ref	CE Spec Machines (Note: For Replacement Parts, Go to Discount-equipment.com and Request Manual p/n 3124287)	
201	0100011	AR	Compound, Locking	
202	0641812	8	Bolt 1/2in-13NC x 1-1/2in	
203	0642682	1	Bolt 1in-8NC x 10-1/4in	
204	0681608	8	Bolt 3/8in-16NC x 1in	
205	3272605	1	Locknut 1in-8NC	
206	3311805	8	Locknut 1/2in-13NC	
207	4846573	1	Support Weldment	
208	4891600	8	Flatwasher 3/8in Hardened	
209	4891800	8	Flatwasher 1/2in Hardened	
210	4892600	1	Flatwasher 1in Hardened	

SECTION 3 - BOOM

FIGURE 3-2. BOOMS AND CYLINDERS INSTALLATION - 600AJ



SECTION 3 - BOOM



SECTION 3 - BOOM

FIGURE 3-2. BOOMS AND CYLINDERS INSTALLATION - 600AJ

ITEM	PART NUMBER	QTY	DESCRIPTION	REV
		Ref	BOOMS AND CYLINDERS INSTALLATION - 600AJ	
	0255239	Ref	Boom and Cylinder Installation (Front Entry Platform Machines Built) (Prior to SN 0300041868)	17
	0256322	Ref	Australian Spec Boom and Cylinder Installation (Front Entry Platform Machines Built) (SN 0300041868 through 0300064249)	7
	0258695	Ref	CE Spec Boom and Cylinder Installation (Front Entry Platform Machines Built) (SN 0300041868 through 0300064248)	9
	0271339	Ref	CE/Australian Spec - Boom and Cylinder Installation (With ADE System) (Front Entry Platform Machines Built) (SN 0300064249 through 0300069000)	5
	0272135	Ref	CE/Australian Spec - Boom and Cylinder Installation (With ADE System) (Side Entry Platform Machines)	1
1	0801019	1	Tower Boom Assembly -Tower (See TOWER BOOM ASSEMBLIES for Breakdown)	
2		Ref	Upright Weldment Options:	
2	4844945	NLA	Upright Weldment (Use p/n 4846006) (Prior to SN 0300042671)	
2	4846006	1	Upright Weldment (SN 0300042671 through 0300069000)	
3	0801025	1	Main Boom Assembly (See MAIN BOOM ASSEMBLIES for Breakdown)	
4	1683288	NLA	Tower Lift Cylinder Assembly (Use p/n 1001228003) (See CYLINDER SECTION for Breakdown) (Original Equipment)	
4	1001228003	1	Tower Lift Cylinder Assembly (See CYLINDER SECTION for Breakdown) (Service Replacement)	
5	1683299	NLA	Upright Level Cylinder Assembly (See CYLINDER SECTION for Breakdown) (Use p/n 1001228042) (Original Equipment)	
5	1684498	NLA	Upright Level Cylinder Assembly (See CYLINDER SECTION for Breakdown) (Use p/n 1001228042) (Service Replacement)	
5	1001228042	1	Upright Level Cylinder Assembly (See CYLINDER SECTION for Breakdown) (Service Replacement)	
6	1683294	NLA	Main Lift Cylinder Assembly (Use p/n 1001228004) (See CYLINDER SECTION for Breakdown) (Original Equipment)	
6	1001228004	1	Main Lift Cylinder Assembly (See CYLINDER SECTION for Breakdown) (Service Replacement)	
7	1683263	NLA	Master Cylinder Assembly (Use p/n 1001228052) (See CYLINDER SECTION for Breakdown) (Original Equipment)	
7	1001228052	1	Master Cylinder Assembly (See CYLINDER SECTION for Breakdown) (Service Replacement)	
8		Ref	Platform Level Cylinder Assembly Options (See CYLINDER SECTION for Breakdown)	
8	1683253	1	Platform Level Cylinder Assembly (Prior to SN 0300024714)	
8	1683418	NLA	Platform Level Cylinder Assembly (Use p/n 1001223331) (Original Equipment) (SN 0300024714 through 0300069000)	
8	1001223331	1	Platform Level Cylinder Assembly (Service Replacement)	
9		Ref	Pin Options:	
9	3422442	NLA	Pin (Use p/n 3422571) (Prior to SN 0300041868)	
9	3422571	4	Pin ANSI (SN 0300041868 through 0300069000)	
10		Ref	Pin Options:	
10	3422444	NLA	Pin ANSI (Use p/n 3422573) (Prior to SN 0300041868)	
10	3422573	1	Pin (SN 0300041868 through 0300069000)	
11	3422575	1	Pin	
12		Ref	Pin Options:	
12	3422443	NLA	Pin (Use p/n 3422572) (Prior to SN 0300041868)	

SECTION 3 - BOOM

ITEM	PART NUMBER	QTY	DESCRIPTION	REV
12	3422572	2	Pin (SN 0300041868 through 0300069000)	
13		Ref	Pin Options:	
13	3422452	NLA	Pin (Use p/n 3422576) (Prior to SN 0300041868)	
13	3422576	1	Pin (SN 0300041868 through 0300069000)	
14		Ref	Pin Options:	
14	3422435	NLA	Pin (Use p/n 3422566) (Prior to SN 0300041868)	
14	3422566	1	Pin (SN 0300041868 through 0300069000)	
15		Ref	Pin Options:	
15	3422477	NLA	Pin (Use p/n 3422579) (Prior to SN 0300041868)	
15	3422579	1	Pin (SN 0300041868 through 0300069000)	
16		Ref	Pin Options:	
16	3422440	NLA	Pin (Use p/n 3422583) (Prior to SN 0300041868)	
16	3422583	1	Pin (SN 0300041868 through 0300069000)	
17		Ref	Pin Options:	
17	3422422	NLA	Pin (Use p/n 3422561) (Prior to SN 0300041868)	
17	3422561	2	Pin (SN 0300041868 through 0300069000)	
18		Ref	Pin Options:	
18	3422419	NLA	Pin (Use p/n 3422860) (Prior to SN 0300041868)	
18	3422558	NLA	Pin (Use p/n 3422860) (SN 0300041868 through 0300053999)	
18	3422860	1	Pin (SN 0300054000 through 0300069000)	
19		Ref	Pin Options:	
19	3422420	NLA	Pin (Use p/n 3422861) (Prior to SN 0300041868)	
19	3422559	NLA	Pin (Use p/n 3422861) (SN 0300041868 through 0300053999)	
19	3422861	2	Pin (SN 0300054000 through 0300069000)	
20		Ref	Pin Options:	
20	3422421	NLA	Pin (Use p/n 3422867) (Prior to SN 0300041868)	
20	3422560	NLA	Pin (Use p/n 3422867) (SN 0300041868 through 0300053999)	
20	3422867	1	Pin (SN 0300054000 through 0300069000)	
21		Ref	Pin Options:	
21	3422432	NLA	Pin (Use p/n 3422563) (Prior to SN 0300041868)	
21	3422563	1	Pin (Front Entry Platform) (SN 0300041868 through 0300069000)	
21	3422860	1	Pin (Side Entry Platform) (SN 0300041868 through 0300069000)	
22	3841203	9	Keeper, Pin - 1/2in	
23	3841143	7	Keeper, Pin - 3/8in	
24	4740439	2	Thrustwasher	
25	4844815	1	Pivot Weldment	
26	4844816	1	Tube Weldment - Top	
27	4844817	2	Tube Weldment - Bottom	
28		Ref	Rotator Assembly Options:	
28	0060031	NLA	Front Entry Platform (Use p/n 0060074) (See ROTATOR ASSEMBLIES (FRONT ENTRY PLATFORM) for Breakdown)	
28	0060066	1	Side Entry Platform (See ROTATOR ASSEMBLIES (SIDE ENTRY PLATFORM) for Breakdown)	
29		Ref	Support Weldment Options:	
29	4844790	1	All Specs (Front Entry Platform) (Prior to SN 0300036526)	
29	4845682	1	All Specs (Front Entry Platform) (SN 0300036526 through 0300038050)	
29	4844790	1	CE Spec (Front Entry Platform) (SN 0300038051 through 0300069000)	
29	4846081	1	Australian Spec (Front Entry Platform) (SN 0300038051 through 0300069000)	

SECTION 3 - BOOM

ITEM	PART NUMBER	QTY	DESCRIPTION	REV
		Ref	Note: For Side Entry Platform See Items 301 to 310 for Support Installation	
30	1683258	1	Extend-A-Reach Lift Cylinder Assembly (See CYLINDER SECTION for Breakdown)	
31	0641810	9	Bolt 1/2in-13NC x 1-1/4in	
32	0641607	AR	Bolt 3/8in-16NC x 7/8in	
33	0741607	1	Screw, Countersunk 3/8in-16NC x 7/8in	
34	0641618	4	Bolt 3/8in-16NC x 2-1/4in	
35	3311605	5	Locknut 3/8in-16NC	
36	0100011	AR	Compound, Locking	
37	4845127	1	Boom Rest Weldment (Front Entry Platform)	
38	0561076	1	Block, Boom Rest	
39	0641605	4	Bolt 3/8in-16NC x 5/8in	
40	0461614	1	Bolt 3/8in-16NC x 1-3/4in	
41	0641820	4	Bolt 1/2in-13NC x 2-1/2in (Front Entry Platform)	
42	4711800	8	Flatwasher 1/2in Thin (Front Entry Platform)	
43	3311805	4	Locknut 1/2in-13NC (Front Entry Platform)	
44	0681610	4	Bolt 3/8in-16NC x 1-1/4in (Grade 8) (Front Entry Platform)	
45	4711600	4	Flatwasher 3/8in Thin (Front Entry Platform)	
46	0961947	6	Bushing	
47	0961948	2	Bushing	
48	0961949	4	Bushing	
49	0961951	2	Bushing	
50	0641810	6	Bolt 1/2in-13NC x 1in	
51	2080044	4	Rivnut	
52	0641611	1	Bolt 3/8in-16NC x 1-3/8in	
55	3900239	4	Setscrew Only (SN 0300027329 through 0300069000)	
56	3841340	1	Loop, Hose Only (SN 0300033678 through 0300069000)	
57	0641606	2	Bolt 3/8in-16NC x 3/4in Only (SN 0300033678 through 0300069000)	
58	0962335	4	Bushing	
	0255423	Ref	POWER TRACK INSTALLATION	10-I
108	0641403	4	Bolt 1/4in-20NC x 3/8in	
116	3539779	1	Plate, Cover	
117		Ref	Clamp, Block Options:	
117	1320229	1	Clamp, Block (Prior to SN 0300034102)	
117	1320243	1	Clamp, Block (SN 0300034102 through 0300069000)	
118		Ref	Bolt Options:	
118	0641624	2	Bolt 3/8in-16NC x 3in (Prior to SN 0300034102)	
118	0641532	2	Bolt 5/16in-18NC x 4in (SN 0300034102 through 0300069000)	
119	4751600	2	Flatwasher 3/8in Regular	
120	4751400	4	Flatwasher 1/4in Regular	
121		Ref	Plate Options:	
121	3539930	1	Plate (SN 0300027207 through 0300034101)	
121	3570374	1	Plate (SN 0300034102 through 0300069000)	
123	3311505	2	Nut 5/16in-18NC Only (SN 0300034102 through 0300069000)	
		Ref	CABLE INSTALLATION OPTIONS:	
	0255878	Ref	Cable Installation (Prior to SN 0300064249)	9
	0270821	Ref	Cable Installation (SN 0300064249 through 0300069000)	6-E
216	1670769	1	Cover	
217	0561237	2	Clamp, Block	
218	0641416	4	Bolt 1/4in-20NC x 2in	

SECTION 3 - BOOM

ITEM	PART NUMBER	QTY	DESCRIPTION	REV
		Ref	PLATFORM SUPPORT INSTALLATIONS (SIDE ENTRY PLATFORM)	
	0272070	Ref	Australian Spec	B
	See Note	Ref	CE Spec Machines (Note: For Replacement Parts, Go to Discount-equipment.com and Request Manual p/n 3124287)	C
301	0100011	AR	Compound, Locking	
302		Ref	Bolt Options:	
302	0641812	8	Australian Spec - Bolt 1/2in-13NC x 1-1/2in	
302	0641822	8	CE Spec - Bolt 1/2in-13NC x 2-3/4in	
303	0642682	1	Bolt 1in-8NC x 10-1/4in	
304		Ref	Bolt Options:	
304	0681608	8	Australian Spec - Bolt 3/8in-16NC x 1in	
304	0681610	8	CE Spec - Bolt 3/8in-16NC x 1-1/4in	
305	3272605	1	Locknut 1in-8NC	
306	3311805	8	Locknut 1/2in-13NC	
307	4846573	1	Support Weldment	
308	4891600	8	Flatwasher 3/8in Hardened	
309	4891800	8	Flatwasher 1/2in Hardened	
310	4892600	1	Flatwasher 1in Hardened	

SECTION 3 - BOOM

FIGURE 3-3. TOWER BOOM ASSEMBLIES

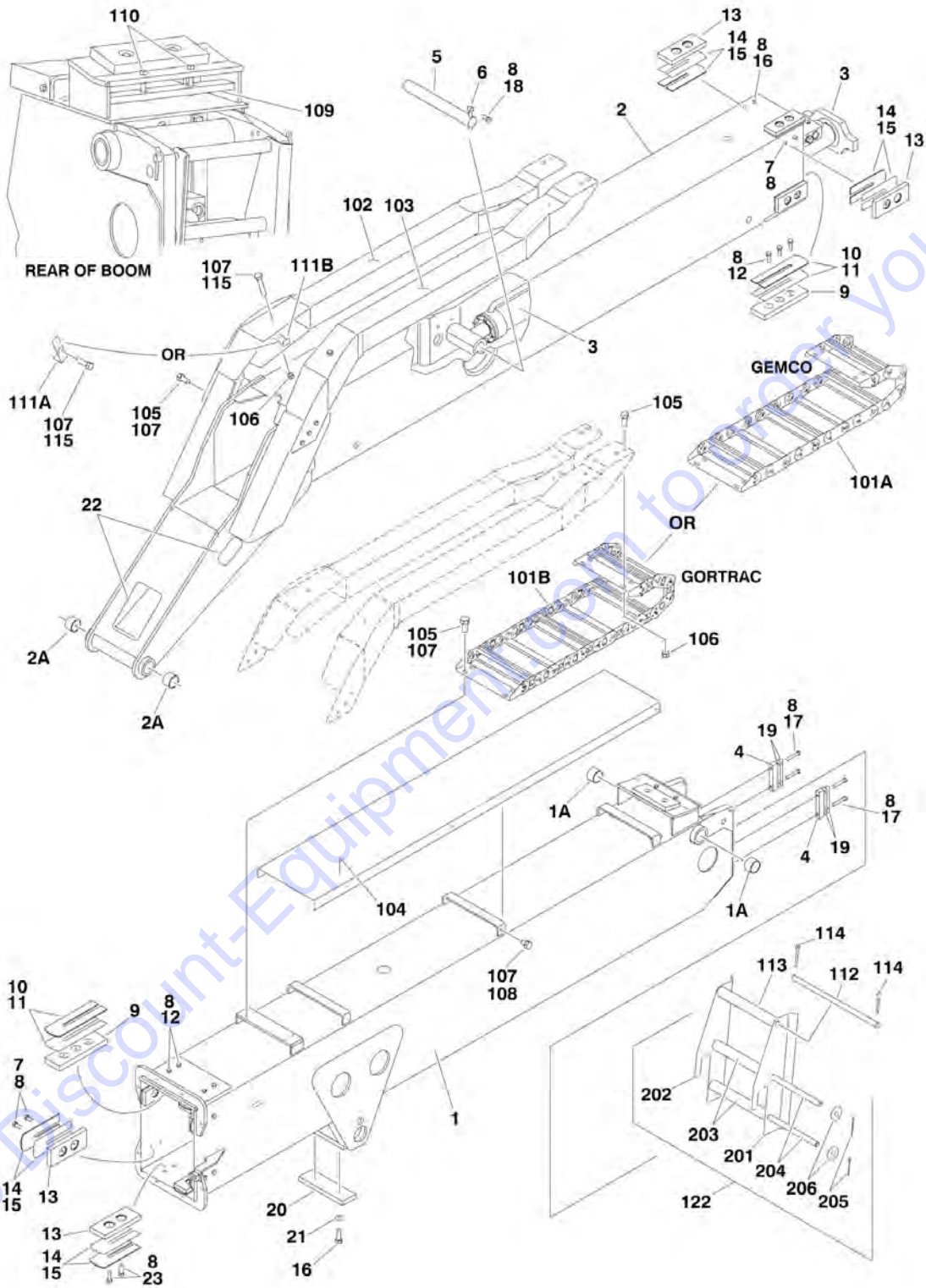


FIGURE 3-3. TOWER BOOM ASSEMBLIES

ITEM	PART NUMBER	QTY	DESCRIPTION	REV
	0801019	Ref	TOWER BOOM ASSEMBLY	7-H
1	0801020	1	Base Weldment (Prior to SN 0300027207)	
1	0801085	1	Base Weldment (SN 0300027207 through 0300069000)	
1A	0961949	2	Bushing	
2	0801021	1	Fly Weldment	
2A	0961949	2	Bushing	
3	1683312	NLA	Cylinder Assembly - Tower Telescope (Use p/n 1001228006) (See CYLINDER SECTION for Breakdown) (Original Equipment)	
3	1001228006	1	Cylinder Assembly - Tower Telescope (See CYLINDER SECTION for Breakdown) (Service Replacement)	
4	0561185	2	Block, Attach	
5	3422575	1	Pin	
6	3841203	1	Keeper, Pin	
7	0641606	26	Bolt 3/8in-16NC x 3/4in	
8	0100011	AR	Compound, Locking	
9		Ref	Pad, Wear Options:	
9	3340705	4	Pad, Wear (Prior to SN 0300064394)	
9	3340871	4	Pad, Wear (SN 0300064394 through 0300069000)	
10	4070863	AR	Shim .12	
11	4070864	AR	Shim .05	
12	0641612	12	Bolt 3/8in-16NC x 1-1/2in	
13		Ref	Pad, Wear Options:	
13	3340756	12	Pad, Wear (Prior to SN 0300064394)	
13	3340881	12	Pad, Wear (SN 0300064394 through 0300069000)	
14	4070897	AR	Shim .05	
15	4070898	AR	Shim .12	
16	0641608	6	Bolt 3/8in-16NC x 1in	
17	0641618	4	Bolt 3/8in-16NC x 2- 1/4in	
18	0641809	1	Bolt 3/8in-16NC x 1-1/8in	
19	4070929	AR	Shim	
20	0561248	1	Block, Boom Rest Only (SN 0300027207 through 0300069000)	
21	4711600	2	Flatwasher 3/8in Thin	
22	4060808	31	Flex-Trim Only (SN 0300027207 through 0300069000)	
23	0641610	4	Bolt 3/8in-16NC x 1-1/4in (SN 0300038051 through 0300069000)	
	0255423	Ref	POWER TRACK INSTALLATION	10-I
101		Ref	Power Track Assembly Options:	
		Ref	Note: Various Power Tracks use on this model. Identify brand before ordering parts.	
101A	1180339	NLA	Gemco Brand Power Track (Use p/n 1001099835)	
101A		Ref	Replacement Parts:	
101A	7016502	AR	Repair Section (Includes 10 Link Pin, 4 Radius Links, 4 Carrier Links, 1 Carrier Weldment, 10 Slugs and 20 Bearing Plates)	
101A	7016510	2 Pair	Feet, Mounting	
101A	7006152	AR	Pin Kit (Includes 1 pin, 1 Retaining Ring and 4 Washers)	
101B	1001099835	1	Gortrac Brand Power Track	
101B		Ref	Replacement Parts:	
101B	70002001	AR	Repair Section	
101B	70002002	1	Mounting Bracket Kit	
102	4844984	NLA	Tube Weldment (Right Side) (Use p/n 1001151542)	

SECTION 3 - BOOM

ITEM	PART NUMBER	QTY	DESCRIPTION	REV
103	4844983	NLA	Tube Weldment (Left Side) (Use p/n 1001151586)	
104	3539228	1	Plate, Cover	
105	0641607	14	Bolt 3/8in-16NC x 7/8in	
106	3311605	6	Locknut 3/8in-16NC	
107	0100011	AR	Compound, Locking	
108	0641403	10	Bolt 1/4in-20NC x 3/8in	
109	3539236	1	Plate, Hose Clamp	
110	0641516	2	Bolt 5/16in-18NC x 2in	
111		Ref	Plate Options:	
111A	3539412	2	Plate (Prior to SN 0300034102)	
111B	3570375	2	Plate (SN 0300034102 through 0300069000)	
112	3841295	1	Rod	
113	4566892	1	Tube (Prior to SN 0300034102)	
113	4567241	1	Tube (SN 0300034102 through 0300069000)	
114	3450606	2	Pin, Cotter	
115	0641628	2	Bolt 3/8in-16NC x 3-1/2in	
122	0257573	1	Roller Hanger Assembly (Includes Items 201-205 Only) (SN 0300034084 through 0300069000)	
	0257573	Ref	ROLLER HANGER ASSEMBLY	1-A
201	3570277	1	Plate (Left Side)	
202	3570270	1	Plate (Right Side)	
203	4567241	2	Roller, Tube	
204	3841347	2	Rod	
205	3450306	4	Pin, Cotter	
206	4751800	4	Flatwasher 1/2in Regular	

SECTION 3 - BOOM

FIGURE 3-4. MAIN BOOM ASSEMBLIES

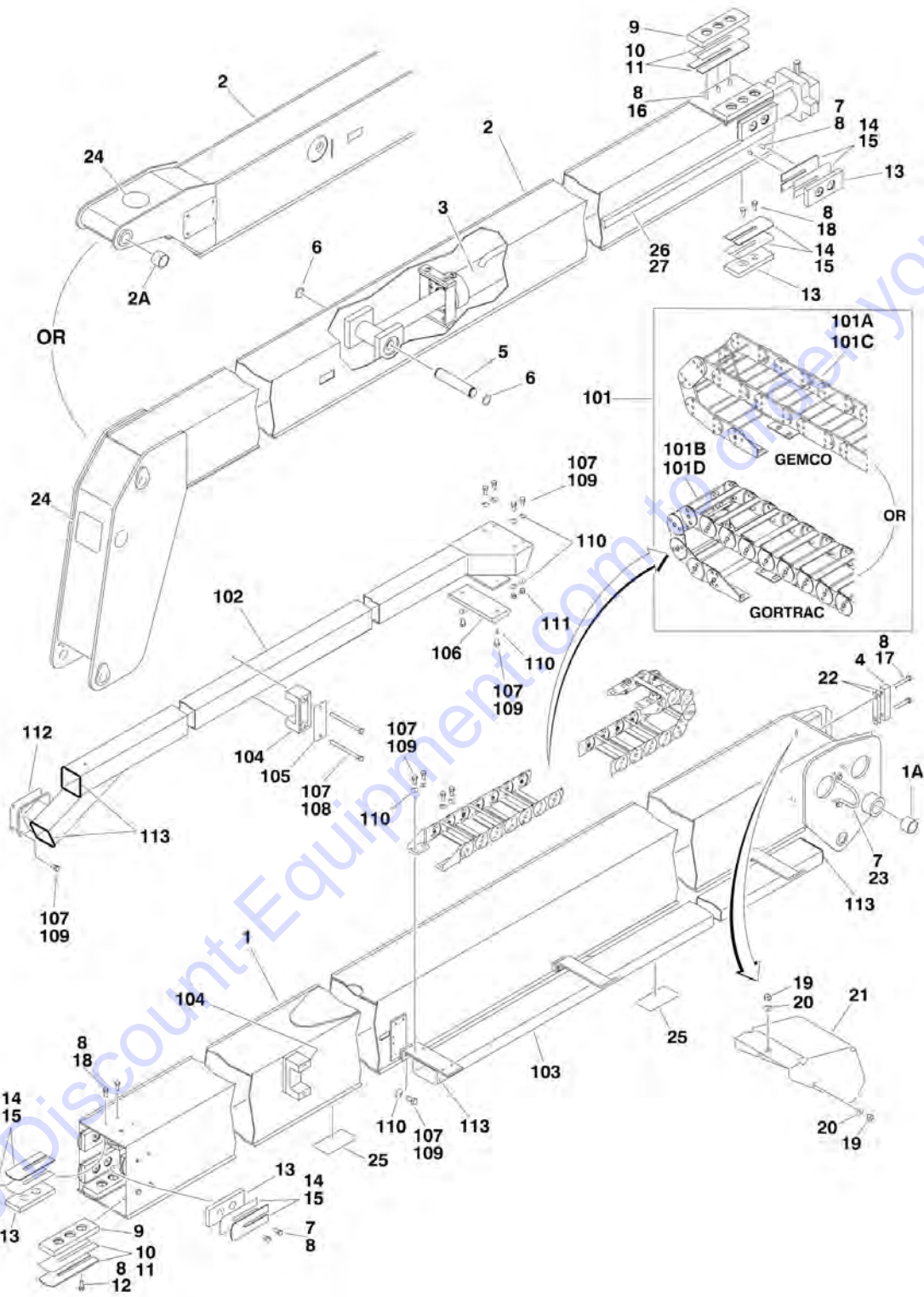


FIGURE 3-4. MAIN BOOM ASSEMBLIES

ITEM	PART NUMBER	QTY	DESCRIPTION	REV
	0801022	Ref	BOOM ASSEMBLY - 600A	12-F
	0801025	Ref	BOOM ASSEMBLY - 600AJ	7-D
1		Ref	Base Weldment Options:	
1	0801023	1	Base Weldment 600A	
1	0801026	1	Base Weldment 600AJ	
1A	0961948	2	Bushing (Note: Must be Purchased Separately)	
2		Ref	Fly Weldment Options:	
2	0801066	1	Fly Weldment 600A (Prior to SN 0300024714)	
2	0801078	1	Fly Weldment 600A (SN 0300024714 through 0300053958)	
2	0801228	1	Fly Weldment 600A (SN 0300053959 through 0300069000)	
2	0801027	1	Fly Weldment 600AJ	
2A		Ref	Bushing (Note: Must be Purchased Separately)	
2A	Not Required	0	Bushing 600A	
2A	0961951	2	Bushing 600AJ	
3		Ref	Telescope Cylinder Assembly Options: (See CYLINDER SECTION for Breakdown)	
3	1683307	NLA	Telescope Cylinder Assembly 600A (Use p/n 1001228005) (Original Equipment)	
3	1001228005	1	Telescope Cylinder Assembly 600A (Service Replacement)	
3	1683317	NLA	Telescope Cylinder Assembly 600AJ (Use p/n 1001228007) (Original Equipment)	
3	1001228007	1	Telescope Cylinder Assembly 600AJ (Service Replacement)	
4	0561185	2	Block	
5	3422457	1	Pin	
6	3760133	2	Ring, Retaining	
7	0641606	18	Bolt 3/8in-16NC x 3/4in	
8	0100011	AR	Compound, Locking	
9		Ref	Pad, Wear Options:	
9	3340705	4	Pad, Wear (Prior to SN 0300064394)	
9	3340871	4	Pad, Wear (SN 0300064394 through 0300069000)	
10	4070863	AR	Shim .12	
11	4070864	AR	Shim .05	
12	0641610	6	Bolt 3/8in-16NC x 1-1/4in	
13		Ref	Pad, Wear Options:	
13	3340756	12	Pad, Wear (Prior to SN 0300064394)	
13	3340881	12	Pad, Wear (SN 0300064394 through 0300069000)	
14	4070897	AR	Shim .05	
15	4070898	AR	Shim .12	
16	0641608	6	Bolt 3/8in-16NC x 1in	
17	0641618	4	Bolt 3/8in-16NC x 2-1/4in	
18	0641607	8	Bolt 3/8in-16NC x 7/8in	
19	3311401	3	Nut 1/4in-20NC	
20	4751400	3	Flatwasher 1/4in Regular	
21	1670768	1	Cover, Boom	
22	4070929	AR	Shim	
23	4845384	NLA	Clamp, Hose (Use p/n 3841340) (SN 0300027207 through 0300033682)	
23	3841340	1	Clamp, Hose (SN 0300033683 through 0300069000)	
24	4060805	AR	Flex-Trim (SN 0300027207 through 0300069000)	
25	1670836	6	Cover, Boom (SN 0300034047 through 0300069000)	

SECTION 3 - BOOM

ITEM	PART NUMBER	QTY	DESCRIPTION	REV
26		Ref	Tape, Two Sided Foam Options:	
26	4420060	10 ft./3m	Tape, Two Sided Foam 600A	
26	Not Required	0	Tape, Two Sided Foam 600AJ	
27		Ref	Bar, Fiberglass Options:	
27	0362529	1	Bar, Fiberglass 600A	
27	Not Required	0	Bar, Fiberglass 600AJ	
	0255281	Ref	POWER TRACK INSTALLATION - 600A	6-E
	0255288	Ref	POWER TRACK INSTALLATION - 600AJ	5-D
101		Ref	Power Track Assembly Options:	
		Ref	Note: Various Power Tracks use on this model. Identify brand before ordering parts.	
101A	1180336	NLA	600A - Gemco Brand Power Track (Use p/n 1001107153)	
101A		Ref	Replacement Parts:	
101A	7006140	AR	Repair Section (Includes 10 Link Pin, 4 Radius Links, 8 Carrier Links, 4 Rod Carrier, 8 Screws, 10 Slugs and 20 Bearing Plates) (600A)	
101A	7006151	2 Pair	Feet, Mounting (600A)	
101A	7006161	AR	Rod (600A)	
101A	7006152	AR	Pin Kit (Includes 1 pin, 1 Retaining Ring & 4 Washers) (600A)	
101B	1001107153	1	600A - Gortrac Brand Power Track	
101B		Ref	Replacement Parts:	
101B	70002011	AR	Repair Section (600A)	
101B	70002012	1	Mounting Bracket Kit (600A)	
101C	1180338	NLA	600AJ - Gemco Brand Power Track (Use p/n 1001099836)	
101C		Ref	Replacement Parts:	
101E	7016519	AR	Repair Section (Includes 10 Link Pin, 4 Radius Links, 8 Carrier Links, 4 Rod Carrier, 8 Screws, 10 Slugs and 20 Bearing Plates) (600AJ)	
101C	7006151	2 Pair	Feet, Mounting (600AJ)	
101C	7016521	AR	Rod (600AJ)	
101C	7006158	AR	Screw (600AJ)	
101C	7006152	AR	Pin Kit (Includes 1 pin, 1 Retaining Ring and 4 Washers) (600AJ)	
101D	1001099836	1	600AJ - Gortrac Brand Power Track	
101D		Ref	Replacement Parts:	
101D	70001999	AR	Repair Section (600AJ)	
101D	70002000	1	Mounting Bracket Kit (600AJ)	
102		Ref	Tube Weldment Options:	
102	4844969	1	Tube Weldment 600A	
102	4844978	1	Tube Weldment 600AJ	
103		Ref	Support, Power Track Options:	
103	4844972	1	Support, Power Track 600A	
103	4844979	1	Support, Power Track 600AJ	
104	3340764	2	Pad, Wear	
105	3538758	1	Plate, Cover Support	
106		Ref	Pad Options	
106	3340787	1	Pad 600A	
106	3340765	1	Pad 600AJ	
107	0100011	AR	Compound, Locking	
108	0641640	2	Bolt 3/8in-16NC x 5in	
109	0641606	22	Bolt 3/8in-16NC x 3/4in	
110	4711600	18	Flatwasher 3/8in Thin	

SECTION 3 - BOOM

ITEM	PART NUMBER	QTY	DESCRIPTION	REV
111	3311605	4	Locknut 3/8in-16NC	
112	4070932	AR	Shim	
113	4060804	AR	Flex-Trim (SN 0300027207 through 0300069000)	

Go to Discount-Equipment.com to order your parts

SECTION 3 - BOOM

FIGURE 3-5. ROTATOR ASSEMBLIES (FRONT ENTRY PLATFORM)

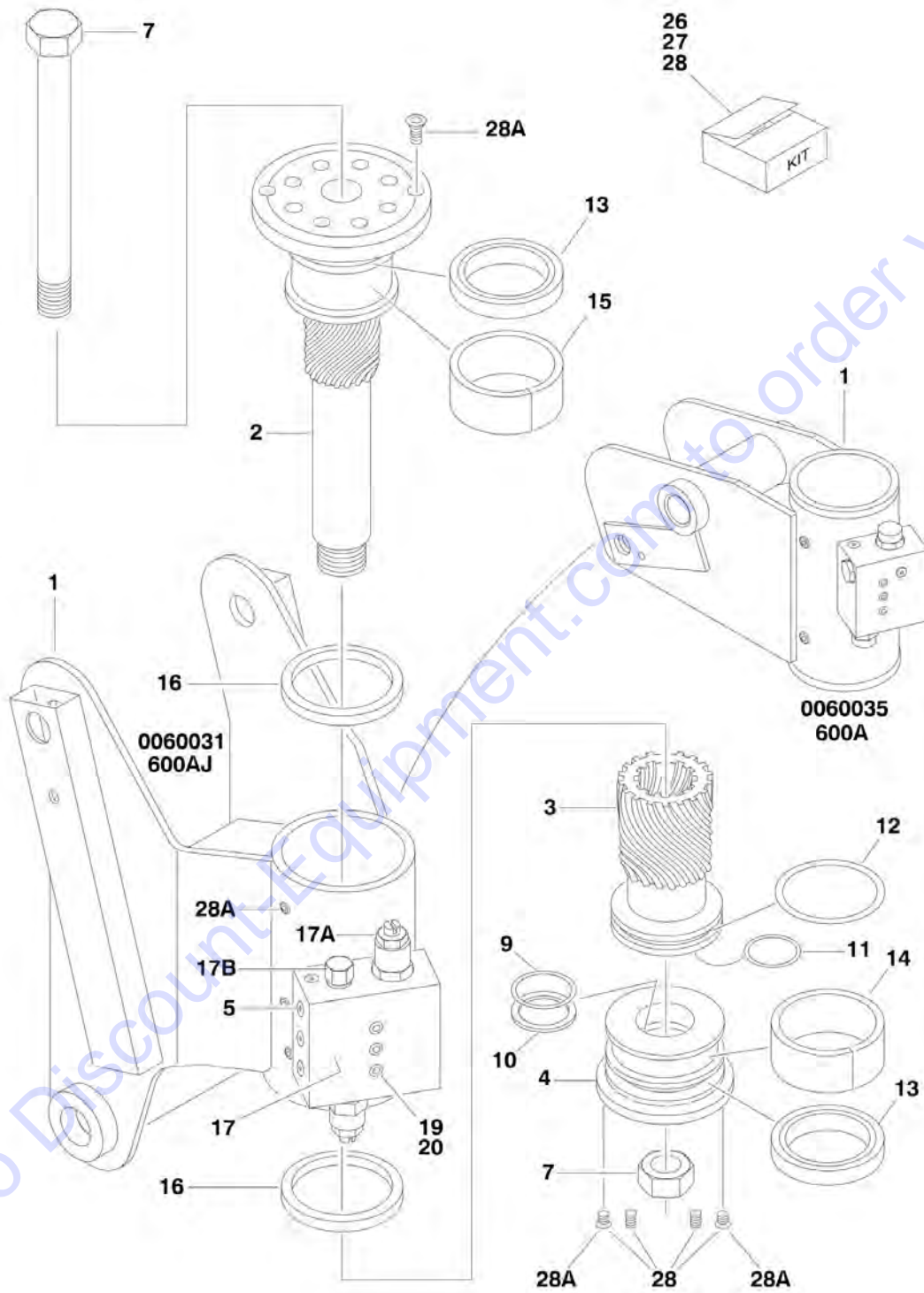


FIGURE 3-5. ROTATOR ASSEMBLIES (FRONT ENTRY PLATFORM)

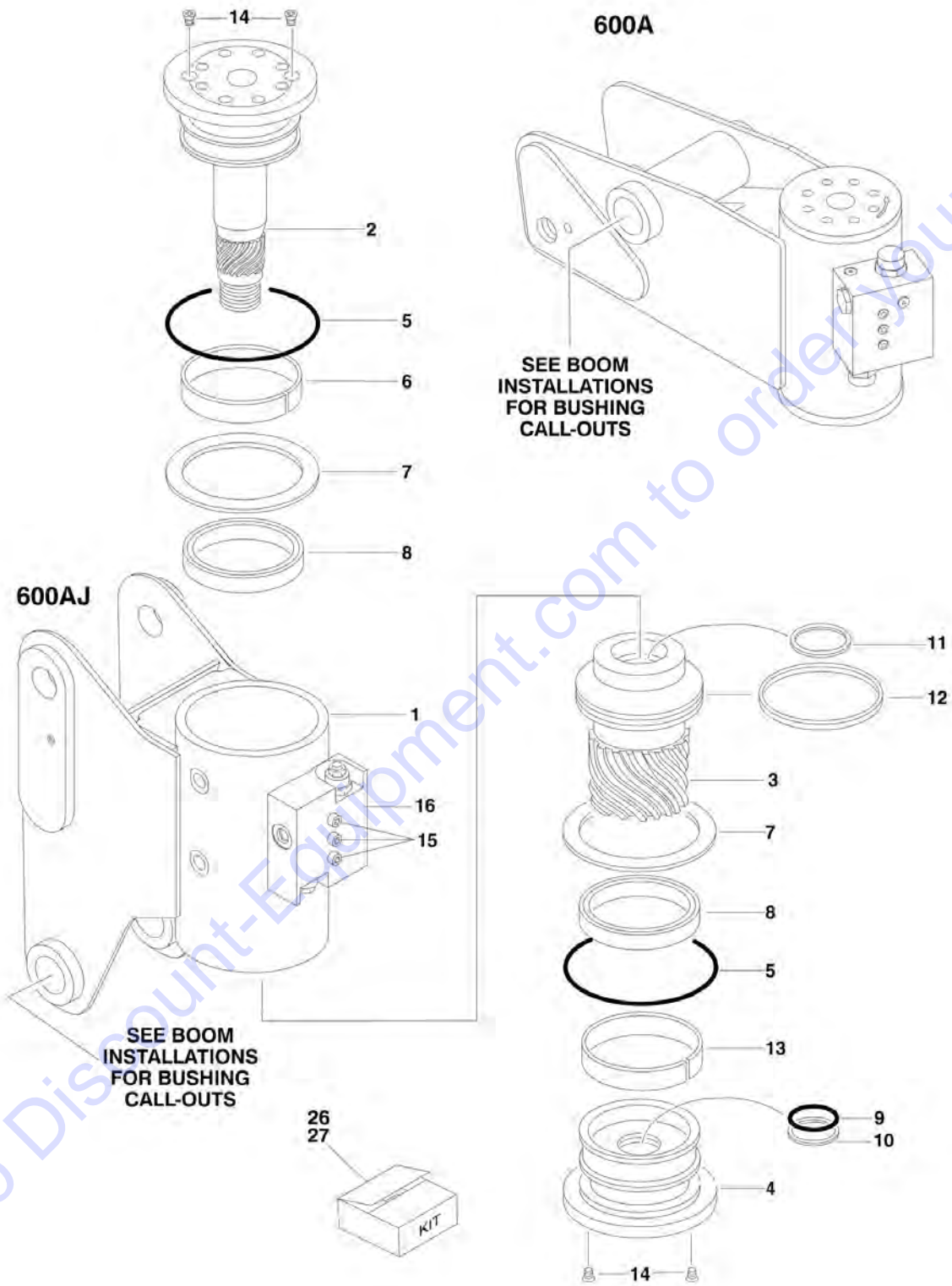
ITEM	PART NUMBER	QTY	DESCRIPTION	REV
		Ref	ROTATOR ASSEMBLIES	
	0060035	Ref	Rotator Assemblies 600A (Original Equipment)	G
	0060076	Ref	Rotator Assemblies 600A (Service Replacement)	B
	0060031	Ref	Rotator Assemblies 600AJ (Original Equipment)	H
	0060074	Ref	Rotator Assemblies 600AJ (Service Replacement)	B
		Ref	Note: Before ordering parts, identify whether original equipment rotator has been replaced with service replacement. Service replacement rotator uses spacer plate bolted on the top with 8 capscrews (Not shown - located at item 2).	
		Ref	Original equipment rotator does not use spacer plate.	
1	See Note	1	Housing/Ring Gear Assembly (Note: Note Available - Purchase Complete Assembly)	
2		Ref	Shaft Weldment Options:	
2	7017177	1	0060035 Rotators	
2	7017117	1	0060031 Rotators	
2	7017162	1	0060076 & 0060074 Rotators	
2	See Note	1	Plate, Spacer (Not Shown) (0060076 & 0060074 Rotators Only) (Note: Note Available for Purchase)	
3		Ref	Piston/Sleeve Options:	
3	7017115	1	0060035 & 0060031 Rotators	
3	7017163	1	0060076 & 0060074 Rotators	
4		Ref	Cap, End Options:	
4	7017174	1	0060035 Rotators	
4	7017116	1	0060031 Rotators	
4	7017164	1	0060076 & 0060074 Rotators	
5	See Note	6	Plug, Port (Note: Note Available for Purchase)	
7	7017102	1	Tie-Rod/Locknut Assy (Prior to SN 0300039950)	
7	7017119	1	Bolt 1in-8NC x 11in (SN 0300039950 through 0300069000)	
7	3272605	AR	Locknut 1in-8NC (SN 0300039950 through 0300069000)	
9	See Note	1	Seal, Cap (Note: Use Item 26)	
10	See Note	1	Ring, Back-up (Cap) (Note: Use Item 26)	
11	See Note	1	Seal, Rod (Note: Use Item 26)	
12	See Note	1	Seal, Piston (Note: Use Item 26)	
13	See Note	2	Packing, Bearing (Note: Use Item 26)	
14	See Note	1	Bearing, Cap (Note: Use Item 27)	
15	See Note	1	Bearing, Shaft (Note: Use Item 27)	
16	See Note	2	Thrustwasher (Note: Use Item 27)	
17		Ref	Valve Assembly Options:	
17	7017101	1	0060035 & 0060031 Rotators	
17	7017183	1	0060076 & 0060074 Rotators	
17A		Ref	Cartridge, Valve Options:	
17A	7011331	2	Cartridge for Helac p/n 24736	
17A	7017193	2	Cartridge for Helac p/n 27600	
17A	2900770	2	Seal Kit - 7011331 Valve	
17A	7017183	2	Seal Kit - 7017193 Valve	
		Ref	(Note: Not Available for Purchase)	
17B		Ref	Cartridge, Valve Options:	
17B	7011332	AR	Cartridge for Helac p/n 24736	
17B	See Note	1	Cartridge for Helac p/n 27600 (Not Shown - Located on Side of Valve Block) (Note: Not Available for Purchase)	

SECTION 3 - BOOM

ITEM	PART NUMBER	QTY	DESCRIPTION	REV
17B	7011346	2	Seal Kit - 7011332 Valve	
17B	See Note	1	Seal Kit - Valve Located on Side of Block (Note: Not Available for Purchase)	
18	7017118	2	Setscrew (0060035 & 0060031 Rotators Only)	
19	See Note	3	Bolt 1/4 x 1-1/2 (Grade 8) (Note: Not Available for Purchase)	
20	3790110	3	O-Ring (Not Shown - Located between Valve and Actuator Housing)	
26		Ref	Seal Kit Options (Includes Items 9-13):	
26	7017157	1	0060035 & 0060031 Rotators	
26	7017158	1	0060076 & 0060074 Rotators	
27		Ref	Bearing Kit Options (Includes Items 14-16):	
27	7017106	1	0060035 Rotators	
27	7017156	1	0060031 Rotators	
27	7017159	1	0060076 & 0060074 Rotators	
28	7017142	1	Hardware Kit Hardware Kit for 0060035 & 0060031 Rotators (Includes End Cap Dowel Pins and Items 6 & 28A)	
28A	70001697	6	Screw, Countersunk 1/4in-20NC x 3/8in Grade 8	

SECTION 3 - BOOM

FIGURE 3-6. ROTATOR ASSEMBLIES (SIDE ENTRY PLATFORM)



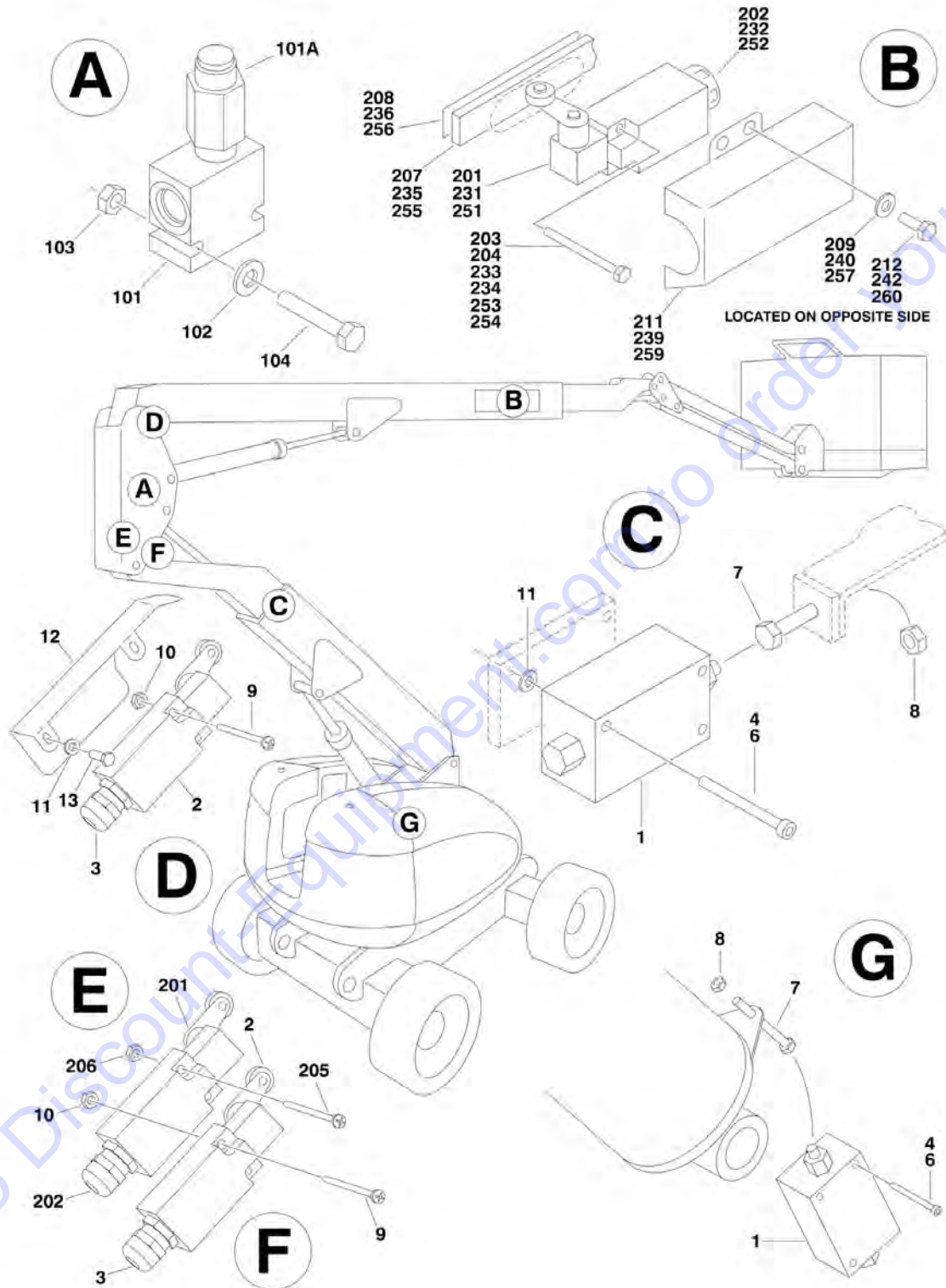
SECTION 3 - BOOM

FIGURE 3-6. ROTATOR ASSEMBLIES (SIDE ENTRY PLATFORM)

ITEM	PART NUMBER	QTY	DESCRIPTION	REV
		Ref	ROTATOR ASSEMBLIES	
	0060068	Ref	Rotator Assemblies (600A)	A
	0060066	Ref	Rotator Assemblies (600AJ)	C
1	See Note	1	Housing/Ring Gear Assembly (Note: Not Available - Purchase Complete Assembly)	
2	7017162	1	Shaft	
3	7017163	1	Piston/Sleeve Assembly	
4	7017164	1	Cap, End	
5	See Note	NSS	O-Ring (Note: Use Item 26)	
6	See Note	NSS	Bearing, Shaft (Note: Use Item 27)	
7	See Note	NSS	Thrustwasher (Note: Use Item 27)	
8	See Note	NSS	Packing, Bearing (Note: Use Item 26)	
9	See Note	NSS	Seal, Cap (Note: Use Item 26)	
10	See Note	NSS	Ring, Back-up Cap (Note: Use Item 26)	
11	See Note	NSS	Seal, Rod (Note: Use Item 26)	
12	See Note	NSS	Seal, Piston (Note: Use Item 26)	
13	See Note	NSS	Bearing, Cap (Note: Use Item 27)	
14	70001697	6	Capscrew 1/4in-20NC x 3/8in (Grade 8)	
15	See Note	3	Bolt 1/4 x 1-1/2 (Grade 8) (Note: Not Available for Purchase)	
16	7017183	1	Valve Assembly	
16	7017193	2	Cartridge, Valve	
16	See Note	2	Seal Kit - 7017193 Valve (Note: Not Available for Purchase)	
16	See Note	1	Cartridge, Valve (Not Shown - Located on Side of Block) (Note: Not Available for Purchase)	
16	See Note	1	Seal Kit - Valve Located on Side of Block (Note: Not Available for Purchase)	
26	7017158	1	Seal Kit (Includes Items 5, 8-12 & Hardware Kit)	
27	7017159	1	Bearing Kit (Includes Items 6, 7 & 13)	

SECTION 3 - BOOM

FIGURE 3-7. VALVES AND SWITCHES INSTALLATION (BOOM MOUNTED)



SECTION 3 - BOOM

FIGURE 3-7. VALVES AND SWITCHES INSTALLATION (BOOM MOUNTED)

ITEM	PART NUMBER	QTY	DESCRIPTION	REV
	0255438	Ref	BOOM VALVES AND LIMIT SWITCHES INSTALLATION (STANDARD)	6-G
1		Ref	Valve, Manual 2-Way Options:	
1	4640925	2	Valve, Manual 2-Way (Prior to SN 0300037959)	
1	4641045	2	Valve, Manual 2-Way (SN 0300037959 through 0300042377)	
1	4641105	2	Valve, Manual 2-Way (SN 0300042378 through 0300049398)	
1	4641139	2	Valve, Manual 2-Way (SN 0300049399 through 0300069000)	
2	See Note	2	Switch, Limit (was p/n 4360322 - Purchase p/ns 4360578 & 4460968 as Replacement)	
3		Ref	Connector, Strain Relief Options:	
3	4460428	2	Use with p/n 4360322 Switch	
3	4460968	2	Use with p/n 4360578 Switch	
4	3931430	6	Bolt, Socket Head 1/4in-20NC x 1-7/8in	
6	0100011	AR	Compound, Locking	
7	0630427	2	Bolt, Special	
8	3311801	2	Nut 1/2in-13NC	
9	3930824	4	Bolt, Socket Head #8-32NC x 1-1/2in	
10	3310801	4	Nut #8-32NC	
11	4751400	8	Flatwasher 1/4in Regular	
12	1670819	1	Cover, Switch (SN 0300027349 through 0300069000)	
13	3931408	2	Bolt, Socket 1/4in-20NC x 1/2in (SN 0300027349 through 0300069000)	
	0255440	Ref	VALVES INSTALLATION - 600A 2WS	9
	0255441	Ref	VALVES INSTALLATION - 600AJ 2WS	11
	0255442	Ref	VALVES INSTALLATION - 600A 4WS	9
	0255443	Ref	VALVES INSTALLATION - 600AJ 4WS	9
101	4640929	1	Valve Assembly (Relief)	
101A	7012970	1	Cartridge	
101A	7012953	1	Seal Kit - 7012970 Cartridge	
102	4711400	2	Flatwasher 1/4in Thin	
103	3311405	2	Locknut 1/4in-20NC	
104	0641424	2	Bolt 1/4in-20NC x 3in	
	0255699	Ref	LIMIT SWITCHES INSTALLATION - 600A DUAL CAPACITY	3-C
201	See Note	2	Switch, Limit (was p/n 4360322 - Purchase p/ns 4360578 & 4460968 as Replacement)	
202		Ref	Connector, Strain Relief Options:	
202	4460428	2	Use with p/n 4360322 Switch	
202	4460968	2	Use with p/n 4360578 Switch	
203	0100035	AR	Compound, Locking	
204	3930816	2	Bolt, Socket Head #8-32NC x 1in	
205	3930824	2	Bolt, Socket Head #8-32NC x 1-1/2in	
206	3310805	2	Locknut #8-32NC	
207	0362529	1	Bar, Fiberglass	
208	4420060	9.8 ft/3m	Tape, Foam	
209	4751400	4	Flatwasher 1/4in Regular (SN 0300028924 through 0300069000)	
211	1670824	1	Cover, Switch (SN 0300028924 through 0300069000)	
212	0641403	4	Bolt 1/4in-20NC x 3/8in (SN 0300028924 through 0300069000)	
		Ref	8 METER SWITCH INSTALLATIONS	
	0256346	Ref	Prior to SN 0300035129 (Colored Wiring)	2-A
	0257894	Ref	SN 0300035129 through 0300069000 (Numbered Colored Wiring)	3-B

SECTION 3 - BOOM

ITEM	PART NUMBER	QTY	DESCRIPTION	REV
231	See Note	1	Switch, Limit (was p/n 4360322 - Purchase p/ns 4360578 & 4460968 as Replacement)	
232		Ref	Connector, Strain Relief Options:	
232	4460428	1	Use with p/n 4360322 Switch	
232	4460968	1	Use with p/n 4360578 Switch	
233	0100035	AR	Compound, Locking	
234	3930816	2	Bolt, Socket Head #8-32NC x 1in	
235	0362612	1	Bar, Fiberglass	
236	4420060	7.1 in/2.2m	Tape, Foam	
237	1060016	18 ft/5.5m	Cable, Electrical - 16/3 (Not Shown)	
239	1670820	1	Cover, Switch (SN 0300028924 through 0300069000)	
240	4751400	4	Flatwasher 1/4in Regular (SN 0300028924 through 0300069000)	
242	0641403	4	Bolt 3/8in-16NC x 3/8in (SN 0300028924 through 0300069000)	
243	3539055	1	Plate (Welded on part) (Not Shown) (SN 0300049751 through 0300069000)	
	0256331	Ref	TRANSPORT POSITION SWITCHES INSTALLATION - 600A (EURO SPEC ONLY)	2-A
	0256336	Ref	TRANSPORT POSITION SWITCHES INSTALLATION - 600AJ (EURO SPEC ONLY)	2-A
251	See Note	1	Switch, Limit (was p/n 4360322 - Purchase p/ns 4360578 & 4460968 as Replacement)	
252		Ref	Connector, Strain Relief Options:	
252	4460428	1	Use with p/n 4360322 Switch	
252	4460968	1	Use with p/n 4360578 Switch	
253	0100035	AR	Compound, Locking	
254	3930816	2	Bolt, Socket Head #8-32NC x 1in	
255		Ref	Bar, Fiberglass Options:	
255	0362611	1	Bar, Fiberglass (600A)	
255	0362529	1	Bar, Fiberglass (600AJ)	
256	4420060	Ref	Tape, Foam	
256	4420060	161 in/4m	Tape, Foam (600A)	
256	4420060	127 in/3.2m	Tape, Foam (600AJ)	
257	4751400	4	Flatwasher 1/4in Regular (SN 0300028924 through 0300069000)	
259	1670824	1	Cover, Switch (SN 0300028924 through 0300069000)	
260	0641403	4	Bolt 3/8in-16NC x 3/8in (SN 0300028924 through 0300069000)	

SECTION 3 - BOOM

FIGURE 3-8. BOOM WIPERS INSTALLATIONS (OPTIONAL)

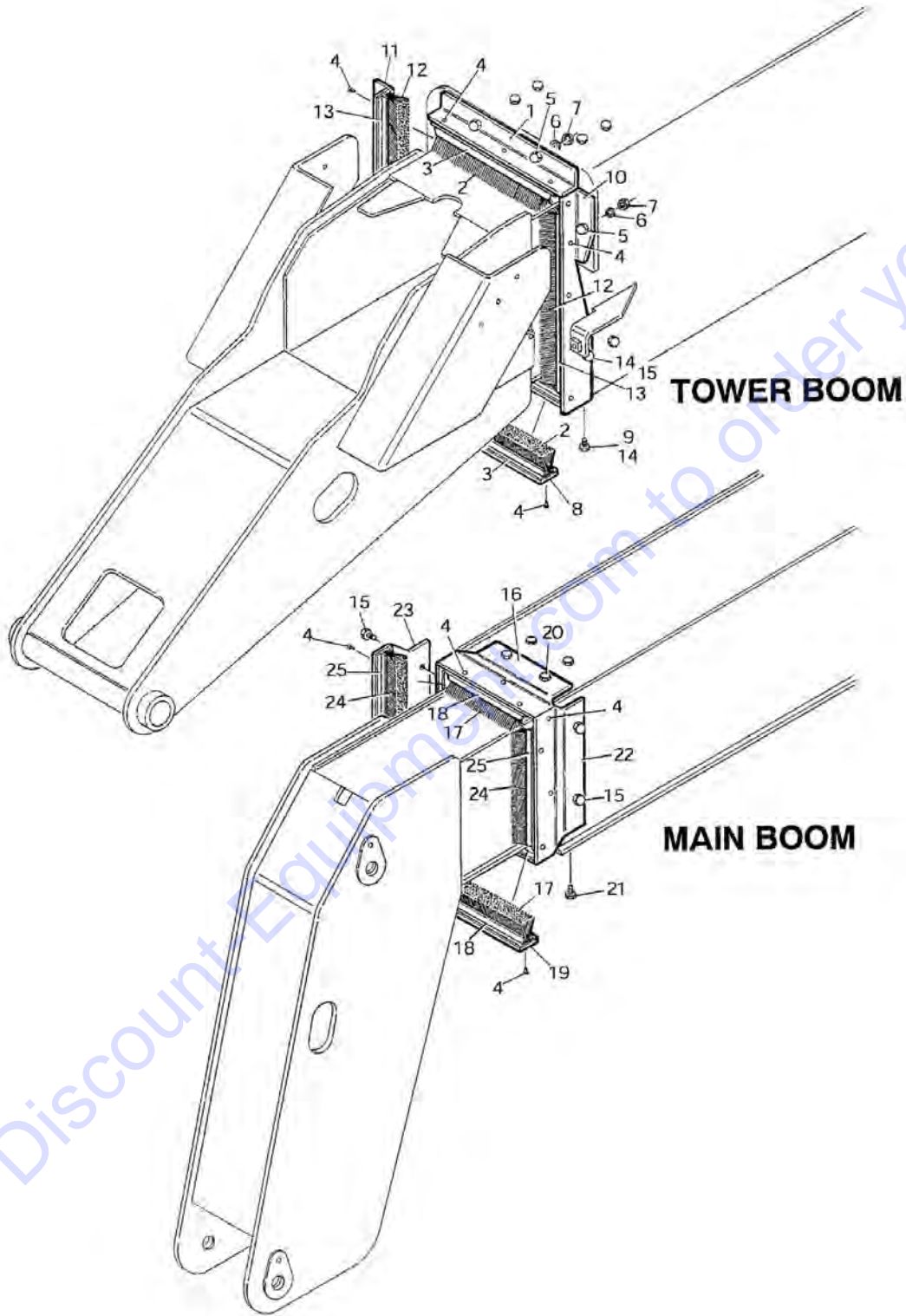


FIGURE 3-8. BOOM WIPERS INSTALLATIONS (OPTIONAL)

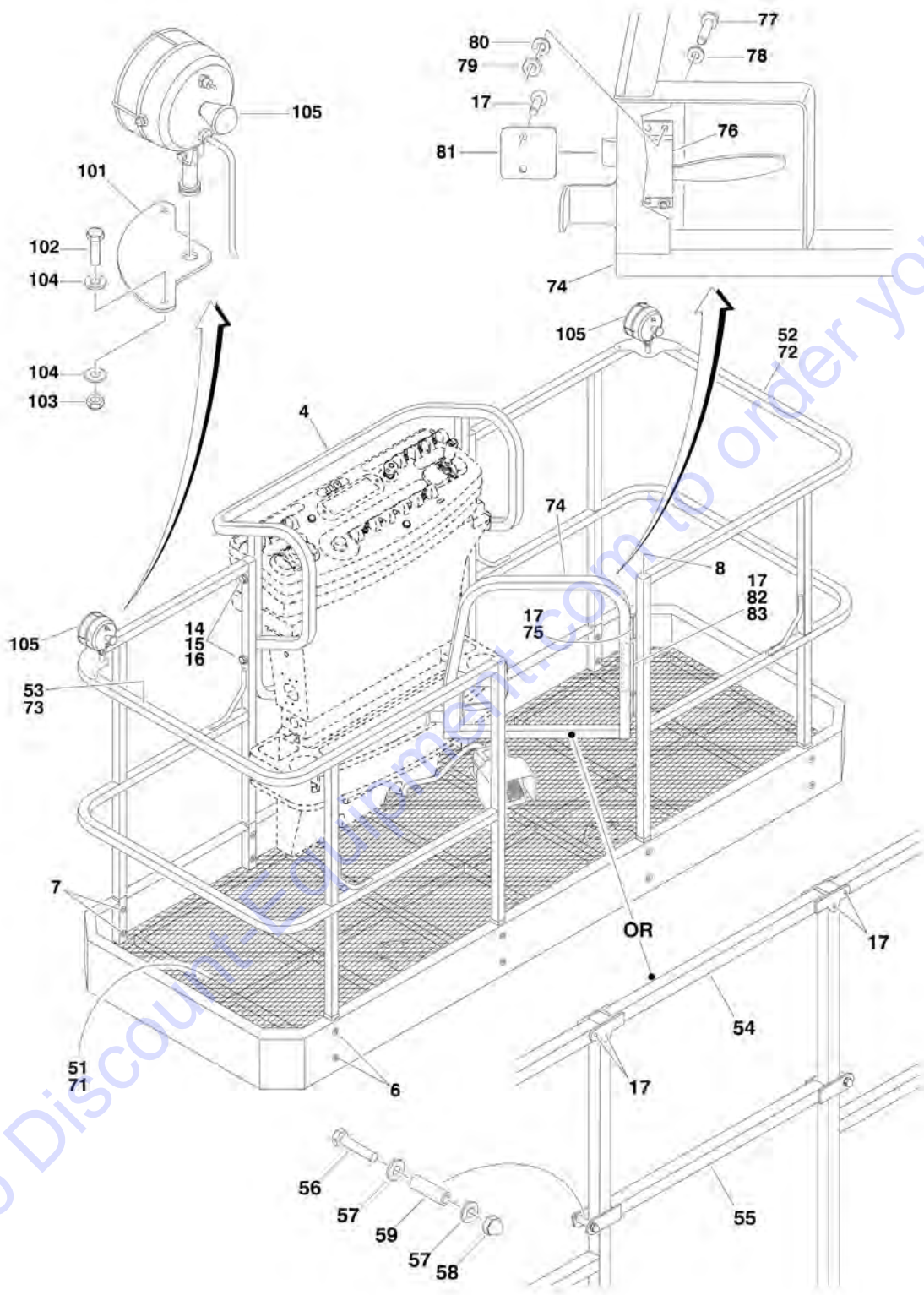
ITEM	PART NUMBER	QTY	DESCRIPTION	REV
		Ref	BOOM wiper INSTALLATION (STANDARD PARTS)	
	0256276	Ref	Boom Wipers Installations - 600A	2
	0256366	Ref	Boom Wipers Installations - 600AJ	3
1	3200386	2	Mount, Wiper (Tower Top)	
2	0540078	2	Brush, Wiper (Tower Top and Bottom)	
3	2660071	2	Holder, Brush (Tower Top and Bottom)	
4	3820001	30	Rivet	
5	0641409	8	Bolt 1/4in-20NC x 1-1/8in	
6	4761400	8	Lockwasher 1/4in	
7	3311401	8	Nut 1/4in-20NC	
8	3200388	1	Mount, Wiper (Tower Bottom) (Prior to SN 0300038141)	
9	0641611	2	Bolt 3/8in-16NC x 1-3/8in (Prior to SN 0300038141)	
10	3200387	1	Mount, Wiper (Tower Side - Left Side) (Prior to SN 0300038141)	
10	3200407		Mount, Wiper (Tower Side - Left Side) (SN 0300038141 through 0300069000)	
11	3200393	1	Mount, Wiper (Tower Side - Right Side) (Prior to SN 0300038141)	
11	3200408		Mount, Wiper (Tower Side - Right Side) (SN 0300038141 through 0300069000)	
12	0540099	2	Brush, Wiper (Tower Side)	
13	2660099	2	Holder, Brush (Tower Side)	
14	0100011	AR	Compound, Locking	
15	0641607	4	Bolt 3/8in-16NC x 7/8in	
16	3200389	1	Mount, Wiper (Main Top)	
17	0540083	2	Brush, Wiper (Main Top and Bottom)	
18	2660082	2	Holder, Brush (Main Top and Bottom)	
19	3200390	1	Mount, Wiper (Main Bottom)	
20	0641608	2	Bolt 3/8in-16NC x 1in	
21	0641611	2	Bolt 3/8in-16NC x 1-3/8in	
22		Ref	Mount, Wiper (Main Side - Left Side) Options:	
22	3200394	1	Mount, Wiper 600A	
22	3200396	1	Mount, Wiper 600AJ	
23		Ref	Mount, Wiper (Main Side - Right Side) Options:	
23	3200395	1	Mount, Wiper 600A	
23	3200397	1	Mount, Wiper 600AJ	
24		Ref	Brush, Wiper (Main Side)	
24	0540104	2	Brush, Wiper (Main Side) (600A)	
24	0540104	2	Brush, Wiper (Main Side) (Prior to SN 0300049396)	
24	0540107	2	Brush, Wiper (Main Side) (SN 0300049396 through 0300069000)	
25		Ref	Holder, Brush (Main Side)	
25	2660105	2	Holder, Brush (Main Side) (600A)	
25	2660105	2	Holder, Brush (Main Side) (Prior to SN 0300049396)	
25	2660109	2	Holder, Brush (Main Side) (SN 0300049396 through 0300069000)	

SECTION 4 - PLATFORM

Go to Discount-Equipment.com to order your parts

SECTION 4 - PLATFORM

FIGURE 4-1. PLATFORM COMPONENTS INSTALLATION (FRONT ENTRY)



SECTION 4 - PLATFORM

FIGURE 4-1. PLATFORM COMPONENTS INSTALLATION (FRONT ENTRY)

ITEM	PART NUMBER	QTY	DESCRIPTION	REV
		Ref	PLATFORM OPTIONS:	
	3510751	Ref	5ft/1.52m Platform - With Self-Closing Gate (EN280 & CE Specs)	2
	3510728	Ref	5ft/1.52m Platform - With Self-Closing Gate (Australian Spec)	3
	3510499	Ref	6ft/1.83m Platform - With Drop Bar (EN280 & CE Specs)	3-A
	3510763	Ref	6ft/1.83m Platform - With Drop Bar (Mesh to Mid Rail) (EN280 & CE Specs)	1-A
	3510537	Ref	6ft/1.83m Platform - With Self-Closing Gate (EN280 Spec)	2
	3510542	Ref	6ft/1.83m Platform - (Australian Spec)	3
	3510500	Ref	8ft/2.44m Platform - With Drop Bar (EN280 & CE Specs)	2-A
	3510764	Ref	8ft/2.44m Platform - With Drop Bar (Mesh to Mid Rail) (EN280 & CE Specs)	1-A
	3510538	Ref	8ft/2.44m Platform - With Self-Closing Gate (EN280 Spec)	2
	3510543	Ref	8ft/2.44m Platform - (Australian Spec)	3
		Ref	PLATFORM ASSEMBLY (STANDARD PARTS)	
4		Ref	Rail Weldment - Back Options:	
4	4844927	1	Rail Weldment (Prior to SN 0300026233)	
4	4845328	1	Rail Weldment (SN 0300026233 through 0300069000)	
6	3900207	AR	Fastener	
		Ref	Note: P/N 3900207 Fastener may be replaced with p/n 0641416 bolt, p/n 4751400 flatwasher, p/n 3311405 locknut and p/n 3300151 acorn type nut. Acorn type nut required to meet industry safety requirements.	
7	3300393	AR	Collar	
8	3520072	4	Plug, Cap	
14	0641524	4	Bolt 5/16in-18NC x 3in	
15	3311505	4	Locknut 5/16in-18NC	
16	4751500	4	Flatwasher 5/16in Regular	
17	2080040	AR	Fastener	
17	7016652	1	Fastener Tool (Small Fasteners Only)	
		Ref	PLATFORM ASSEMBLIES - WITH DROP BAR (VARIABLE PARTS)	
51		Ref	Floor Weldment Options:	
51	4846184	1	5ft/1.52m Platforms	
51	4845290	1	6ft/1.83m Platforms	
51	4845289	1	8ft/2.44m Platforms	
52		Ref	Rail Weldment - Right Side Options:	
52	4846194	1	5ft/1.52m Platforms	
52	4844955	1	6ft/1.83m Platforms	
52	4846228	1	6ft/1.83m Platforms (Mesh to Mid Rail)	
52	4844924	1	8ft/2.44m Platforms	
52	4846240	1	8ft/2.44m Platforms (Mesh to Mid Rail)	
53		Ref	Rail Weldment - Left Side Options:	
53	4846195	1	5ft/1.52m Platforms	
53	4844956	1	6ft/1.83m Platforms	
53	4846229	1	6ft/1.83m Platforms (Mesh to Mid Rail)	
53	4844925	1	8ft/2.44m Platforms	
53	4846241	1	8ft/2.44m Platforms (Mesh to Mid Rail)	
54	4845287	1	Rail Weldment - Top	
55	4845288	1	Bar, Drop	
56	0641418	2	Bolt 1/4in-20NC x 2-1/4in	

SECTION 4 - PLATFORM

ITEM	PART NUMBER	QTY	DESCRIPTION	REV
57	4740411	4	Washer, Nylon	
58	3300151	2	Nut, Acorn 1/4in-20NC	
59	0961845	2	Bushing	
60	4420055	7 in/18cm	Tape	
		Ref	PLATFORM ASSEMBLIES WITH SELF-CLOSING GATE (VARIABLE PARTS)	
71		Ref	Floor Weldment Options:	
71	4846101	1	5ft/1.52m Platforms (Australian Spec)	
71	4845290	1	6ft/1.83m Platforms (EN280 & CE Specs)	
71	4844954	1	6ft/1.83m Platforms (Australian Spec)	
71	4845289	1	8ft/2.44m Platforms (EN280 Spec)	
71	4844928	1	8ft/2.44m Platforms (Australian Spec)	
72		Ref	Rail Weldment - Right Side Options:	
72	4846102	1	5ft/152m Platforms (Australian Spec) (Prior to SN 0300055241)	
72	4846194	1	5ft/152m Platforms (Australian Spec) (SN 0300055241 through 0300069000)	
72	4844955	1	6ft/1.83m Platforms	
72	4844924	1	8ft/2.44m Platforms	
73		Ref	Rail Weldment - Left Side Options:	
73	4846103	1	5ft/1.52m Platforms (Australian Spec) (Prior to SN 0300055241)	
73	4846195	1	5ft/1.52m Platforms (Australian Spec) (SN 0300055241 through 0300069000)	
73	4844956	1	6ft/1.83m Platforms	
73	4844925	1	8ft/2.44m Platforms	
74	4845327	1	Gate (Prior to SN 0300027649)	
74	4845426	1	Gate (SN 0300027649 through 0300069000)	
75		Ref	Hinge Options:	
75	2600219	2	Hinge (Prior to SN 0300068582)	
75	2600287	2	Hinge (SN 0300068582 through 0300069000)	
76	2940074	1	Latch	
77	3911016	4	Screw, Machine #10-24NC x 2in	
78	4751000	4	Flatwasher #10 Regular	
79	3311005	4	Locknut #10-24NC	
80	4761000	4	Lockwasher #10 (Prior to SN 0300068582)	
81	3539685	1	Plate, Catch	
82	4220165	1	Stop, Gate (Prior to SN 0300027649)	
82	4220168	1	Stop, Gate (EN280 & CE Spec) (SN 0300027649 through 0300069000)	
82	4220165	1	Stop, Gate (Australian Spec) (SN 0300027649 through 0300069000)	
83	4060803	6 ft/1.8m	Trimlock	
		Ref	PLATFORM WORKLIGHTS INSTALLATIONS (OPTIONAL)	
	0255392	Ref	Platform Worklights Installations (Optional) (Colored Wiring) (Prior to SN 0300035129)	2-B
	0258048	Ref	Platform Worklights Installations (Optional) (Numbered Colored Wiring) (SN 0300035129 through 0300064248)	2-F
	0270814	Ref	Platform Worklights Installations (Optional) (ADE System) (SN 0300064249 through 0300069000)	3-E
101	3536089	2	Plate, Mounting	
102	0641414	4	Bolt 1/4in-20NC x 1-3/4in	
103	3311405	4	Locknut 1/4in-20NC	
104	4711400	8	Flatwasher 1/4in Thin	
105	2920140	2	Worklight	

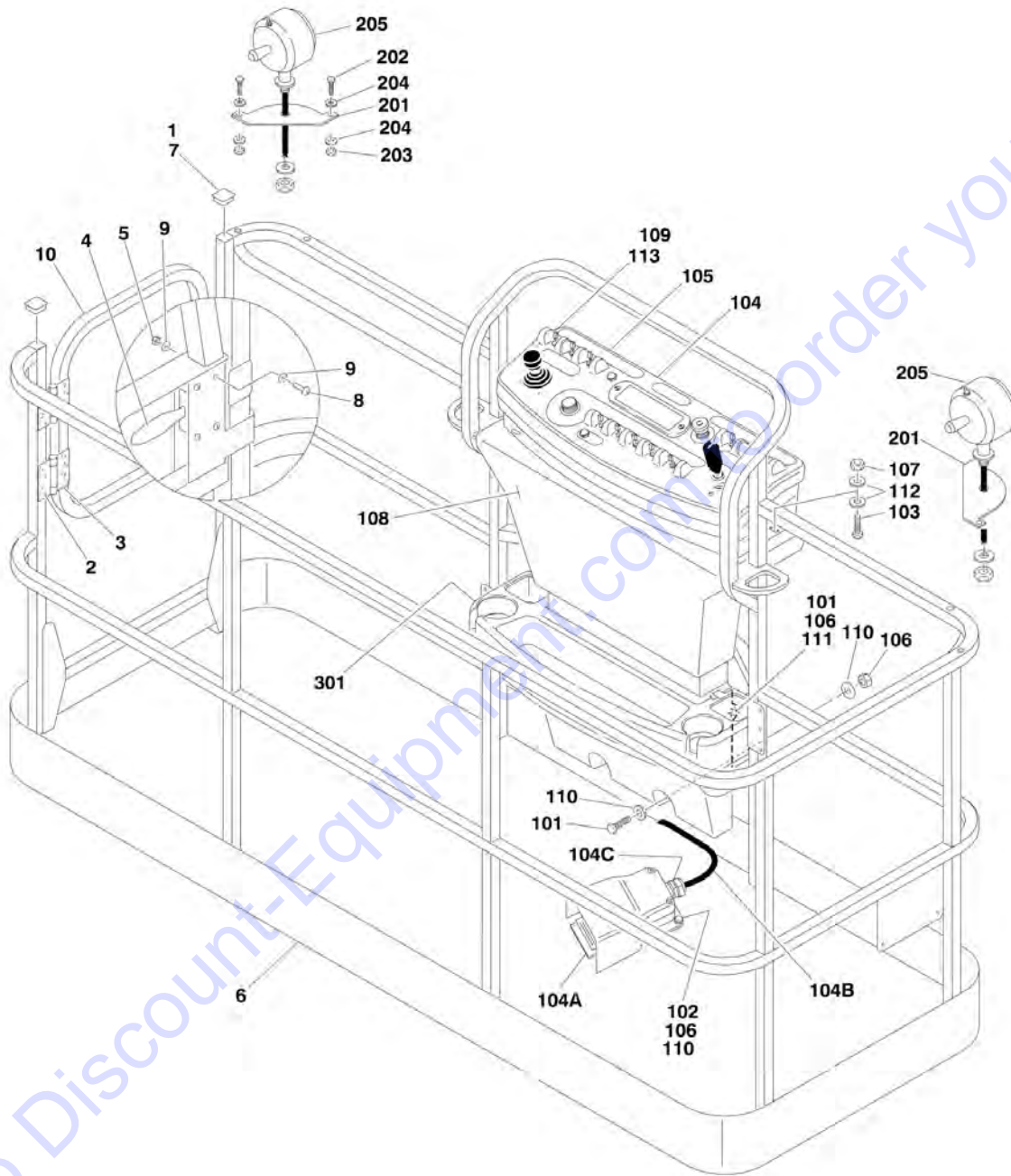
SECTION 4 - PLATFORM

ITEM	PART NUMBER	QTY	DESCRIPTION	REV
105	7016399	2	Bulb, Replacement (1 Per Worklight)	
106	4240099	10	Tie-Strap	
107	2820035	9 ft/2.8m	Loom, Vinyl (Not Shown)	
108	4460042	2	End, Terminal (Not Shown)	
109	4460598	1	Connector, Strain Relief (Not Shown)	

Go to Discount-Equipment.com to order your parts

SECTION 4 - PLATFORM

FIGURE 4-2. PLATFORM COMPONENTS INSTALLATION (SIDE ENTRY)



Go to Discount-Equipment.com to order your parts

SECTION 4 - PLATFORM

FIGURE 4-2. PLATFORM COMPONENTS INSTALLATION (SIDE ENTRY)

ITEM	PART NUMBER	QTY	DESCRIPTION	REV
		Ref	PLATFORM ASSEMBLIES:	
	3510822	NLA	8ft (2.44m) with No Mesh (Use p/n 1001144023)	B-A
	3510833	NLA	6ft (1.83m) with No Mesh (Use p/n 1001144024)	B-A
		Ref	Note: When replacing 8ft/2.44m platform with Soft Touch option, new Soft Touch Rail p/n 4846673 must be purchased to accommodate limit switch locations.	
		Ref	Note: When replacing platform on machines with SkyCutter option, new bracket p/n 1001145405 must be purchased to accommodate SkyCutter components.	
1	0100040	AR	Sealant, Adhesive	
2	2080040	16	Fastener, Huck	
3	2600281	2	Hinge, Self-Closing	
4	2940074	1	Latch	
5	3311001	4	Nut #10-24NC	
6	See Note	1	Platform Weldment (Note: Not Available - Purchase Platform Assembly)	
7	3520072	2	Cap-Plug	
8	3911008	4	Screw #10-24NC x 1in	
9	4751000	8	Flatwasher #10 Regular	
10		Ref	Gate Weldment Options:	
10	4846452	1	Gate for Original Equipment Platform p/n 3510822, 3510833	
10	1001144629	1	Gate for Service Replacement Platform p/ns 1001144023, 1001144024	
		Ref	CONSOLE BOX INSTALLATIONS	
	0271945	Ref	Console Box Installation 2WD	A
	0271941	Ref	Console Box Installation 4WD	A
101	0641406	4	Bolt 1/4in-20NC x 3/4in	
102	0641408	3	Bolt 1/4in-20NC x 1in	
103	0641610	4	Bolt 3/8in-16NC x 1-1/4in	
104	0861517	1	Platform Console Box Assembly (See PLATFORM CONSOLE ASSEMBLY (WITH ADE SYSTEM) for Breakdown)	
104A	0272970	1	Footswitch Assembly (Includes Footswitch and Items 104B & 104C)	
		Ref	Note: Assembly p/n 0272970 may use either p/n 4360031 or p/n 1001117320. If Original Equipment was replaced as an "assembly," p/n 1001117320 may have been used as part of the Service Replacement. Identify component before ordering parts.	
104A		Ref	Footswitch Less Cable Options:	
104A	4360031	1	Original Equipment	
104A	1001117320	1	Service Replacement	
104A		Ref	Block, Contact Options (see Note Above):	
104A	7000625	2	Contact Block for 4360031 Footswitch	
104A	70003483	1	Contact Block for 1001117320 Footswitch	
104B	1060918	7 ft/2.14m	Cable, Electrical - 18/3	
104C	4460071	1	Connector, Strain Relief	
105		Ref	Decal - Horn Options:	
105	1702563	1	Decal - Horn 2WD	
105	1702676	1	Decal - Horn 4WD	
106	3311405	7	Locknut 1/4in-20NC	
107	3311605	4	Locknut 3/8in-16NC	
108	3380434	1	Panel, Decal Mount	

PARTS FINDER

**Search Website
by Part Number**



**Search Manual
Library For Parts
Manual & Lookup Part
Numbers – Purchase
or Request Quote**

**Can't Find Part or
Manual? Request Help
by Manufacturer,
Model & Description**

Discount-Equipment.com is your online resource for quality parts & equipment.

Florida: **561-964-4949** Outside Florida TOLL FREE: **877-690-3101**

Need parts?

Click on this link: <http://www.discount-equipment.com/category/5443-parts/> and choose one of the options to help get the right parts and equipment you are looking for. Please have the machine model and serial number available in order to help us get you the correct parts. If you don't find the part on the website or on one of the online manuals, please fill out the request form and one of our experienced staff members will get back to you with a quote for the right part that your machine needs.

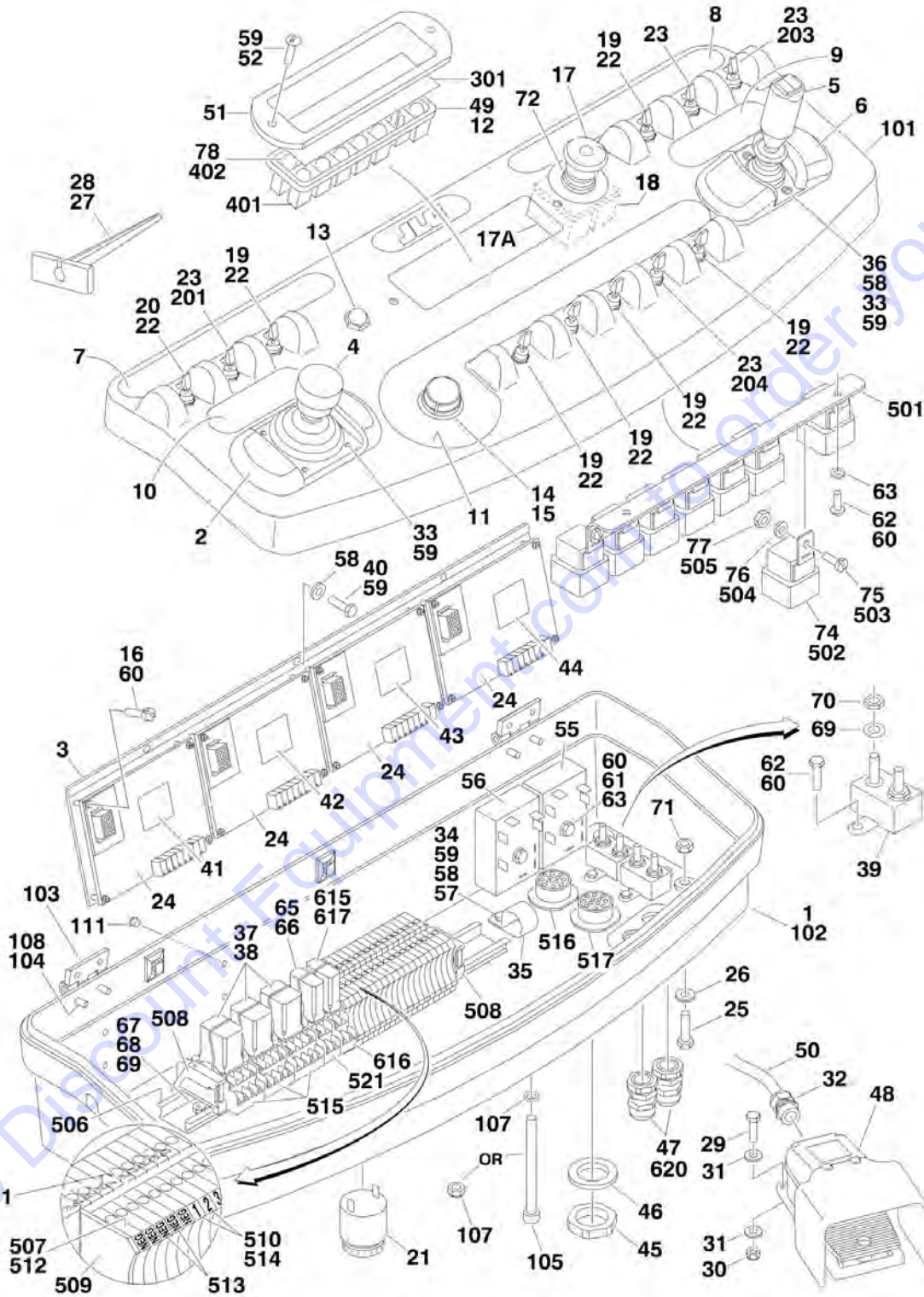
We sell worldwide for the brands: Genie, Terex, JLG, MultiQuip, Mikasa, Essick, Whiteman, Mayco, Toro Stone, Diamond Products, Generac Magnum, Airman, Haulotte, Barreto, Power Blanket, Nifty Lift, Atlas Copco, Chicago Pneumatic, Allmand, Miller Curber, Skyjack, Lull, Skytrak, Tsurumi, Husquvarna Target, Stow, Wacker, Sakai, Mi-T-M, Sullair, Basic, Dynapac, MBW, Weber, Bartell, Bennar Newman, Haulotte, Ditch Runner, Menegotti, Morrison, Contec, Buddy, Crown, Edco, Wyco, Bomag, Laymor, EZ Trench, Bil-Jax, F.S. Curtis, Gehl Pavers, Heli, Honda, ICS/PowerGrit, IHI, Partner, Imer, Clipper, MMD, Koshin, Rice, CH&E, General Equipment, Amida, Coleman, NAC, Gradall, Square Shooter, Kent, Stanley, Tamco, Toku, Hatz, Kohler, Robin, Wisconsin, Northrock, Oztec, Toker TK, Rol-Air, APT, Wylie, Ingersoll Rand / Doosan, Innovatech, Con X, Ammann, Mecalac, Makinex, Smith Surface Prep, Small Line, Wanco, Yanmar

SECTION 4 - PLATFORM

ITEM	PART NUMBER	QTY	DESCRIPTION	REV
109	4360331	1	Switch (4WD)	
110	4740362	7	Washer, Fender 1/4in	
111	4751400	4	Flatwasher 1/4in Regular	
112	4751600	8	Flatwasher 3/8in Regular	
113	3790012	1	O-Ring	
	0270814	Ref	WORKLIGHTS INSTALLATIONS (optional)	3-E
201	3536089	2	Plate, Mounting	
202	0641414	4	Bolt 1/4in-20NC x 1-3/4in	
203	3311405	4	Locknut 1/4in-20NC	
204	4711400	8	Flatwasher 1/4in Thin	
205	2920140	2	Worklight	
205	7016399	2	Bulb, Replacement (1 Per Worklight)	
206	4240099	10	Tie-Strap (Not Shown)	
207	2820035	9	Loom, Vinyl (Not Shown)	
209	4460598	1	Connector, Strain Relief (Not Shown - Located at Console Box)	
		Ref	TRAY INSTALLATIONS (OPTIONAL)	
301	1580012	1	Tray, Storage (Center)	
302	1580013	1	Tray, Storage (Rail Mounted - Not Shown)	

SECTION 4 - PLATFORM

FIGURE 4-3. PLATFORM CONSOLE ASSEMBLY (Prior to SN 0300064249)



SECTION 4 - PLATFORM

FIGURE 4-3. PLATFORM CONSOLE ASSEMBLY (Prior to SN 0300064249)

ITEM	PART NUMBER	QTY	DESCRIPTION	REV
		Ref	Note: Numbered Colored Wiring starts with SN 0300035129	
		Ref	PLATFORM CONSOLE AND FOOTSWITCH ASSEMBLIES OPTIONS:	
	0860986	Ref	Platform Console and Footswitch Assemblies 2WD CE & EN280 Spec (Prior to SN 0300035129)	7-F
	0861136	Ref	Platform Console and Footswitch Assemblies 2WD CE EN280 Spec (SN 0300035129 through 0300064249)	8-E
	0861084	Ref	Platform Console and Footswitch Assemblies 2WD Australian Spec (Prior to SN 0300035129)	8-A
	0861135	Ref	Platform Console and Footswitch Assemblies 2WD Australian Spec (SN 0300035129 through 0300064249)	7-E
	0861048	Ref	Platform Console and Footswitch Assemblies 4WD CE & EN280 Spec (Prior to SN 0300035129)	7-F
	0861137	Ref	Platform Console and Footswitch Assemblies 4WD CE & EN280 Spec (SN 0300035129 through 0300064249)	8-E
	0861083	Ref	Platform Console and Footswitch Assemblies 4WD Australian Spec (Prior to SN 0300035129)	1-A
	0861134	Ref	Platform Console and Footswitch Assemblies 4WD Australian Spec (SN 0300035129 through 0300064249)	7-E
1	0860984	1	Box, Console Assembly (See Items 101-108 for Breakdown)	
2	4340678	1	Support, Hand	
3	3538819	1	Plate, Mounting	
4		Ref	Controller Assembly (Lift and Swing) Options:	
4	1600242	1	Prior to SN 0300039654 (See OEM CONTROLLER ASSEMBLY (SWING AND LIFT) for Breakdown)	
4	1600284	1	SN 0300039654 through 0300064249 (See OEM CONTROLLER ASSEMBLY (SWING AND LIFT) for Breakdown)	
5		Ref	Controller Assembly (Drive and Steer) Options:	
5	1600239	1	Prior to SN 0300039654 (See OEM CONTROLLER ASSEMBLY (DRIVE/STEER) for Breakdown)	
5	1600283	1	SN 0300039654 through 0300064249 (See OEM CONTROLLER ASSEMBLY (DRIVE/STEER) for Breakdown)	
6	4340684	1	Support, Hand	
7		Ref	Decal - Controls Options: (Console Left Side)	
7	1702563	1	Prior to June 1996	
7	1702676	1	June 1996 to SN 0300064249	
8	1702564	1	Decal (Stop)	
9	1702565	1	Decal (Drive and Steer)	
10	1702566	1	Decal (Lift and Swing)	
11	1702567	1	Decal (Speed/Lower Lift/Tele/Rotate/Jib)	
12	2760105	1	Housing, Display Light	
13	4360387	1	Switch, Pushbutton	
14	2560136	1	Knob, Speed Control	
15	4360407	1	Controller, Speed	
15	See Note	1	Gasket "Top Hat" (Included with Switch) (Note: Not Available - Purchase Complete Controller.)	
15	70003784	1	Seal	
16	3910610	16	Screw #6-32NC x 5/8in	
17		Ref	Switch, Emergency Stop Options:	
17	4360395	1	Switch, Emergency Stop (Prior to SN 0300036019)	
17	4360289	1	Switch, Emergency Stop (SN 0300035129 through 0300044644)	

SECTION 4 - PLATFORM

ITEM	PART NUMBER	QTY	DESCRIPTION	REV
17	4360475	1	Switch, Emergency Stop (SN 0300044645 through 0300064249)	
17A		Ref	Cap Options:	
17A	7016315	1	Cap, Red (Used on Switch p/n 4360395)	
17A	7012611	1	Cap, Mushroom Head (Used on Switch p/n 4360289)	
17A	7012612	1	Boot (Used on Switch p/n 4360289)	
17A	7020175	1	Cap, Red (Used on Switch p/n 4360475)	
17A	7020176	1	Block, Contact (SN 0300044645 through 0300064249)	
18		Ref	Block, Contact Options:	
18	4360282	1	Block, Contact (Prior to SN 0300044645)	
18	4360476	1	Block, Contact (SN 0300044645 through 0300064249)	
19	4360314	6	Switch, Toggle	
20		Ref	Switch, Toggle Options:	
20	4360345	1	Switch, Toggle 2WD	
20	4360331	1	Switch, Toggle 4WD	
21	0140026	1	Alarm	
22	3790012	7	O-Ring	
23	3520028	4	Plug, Hole (For switch call-outs at these locations, refer to options installation below)	
24	1600218	4	Card, Control	
24	7016346	4	Fuse - 5 Amp (1Per Card)	
25		Ref	Bolt Options:	
25	0641606	4	Bolt 3/8in-16NC x 3/4in (Prior to SN 0300039778)	
25	0641610	4	Bolt 3/8in-16NC x 1-1/4in (SN 0300039778 through 0300064249)	
26	4751600	4	Flatwasher 3/8in Regular	
27	4460467	1	Tool, Pin Extraction (Blue 16-18 Gauge) (Not Shown)	
28	4460510	1	Tool, Pin Extraction (Yellow 12-14 Gauge) (Not Shown)	
29	0641408	3	Bolt 1/4in-20NC x 1in	
30	3311405	3	Locknut 1/4in-20NC	
31	4740362	3	Washer, Fender 1/4in	
32	4460071	1	Connector, Strain Relief	
33	0641404	8	Bolt 1/4in-20NC x 1/2in	
34	3311401	1	Nut 1/4in-20NC	
35	1320060	1	Clamp	
36	1320095	1	Clamp	
37	3740058	3	Relay - 4PDT	
38	3740063	3	Spring, Relay	
39	4360232	2	Breaker, Circuit - 15 Amp	
40	3931412	3	Capscrew, Socket Head 1/4in-20NC x 3/4in (Prior to SN 0300039749)	
40	0641406	3	Bolt 1/4in-20NC x 3/4in (SN 0300039749 through 0300064249)	
41	1703090	1	Decal - Control Card (Lift)	
42	1703091	1	Decal - Control Card (Swing)	
43	1703092	1	Decal - Control Card (Flow Control)	
44	1703093	1	Decal - Control Card (Drive)	
45	4460470	2	Nut, Conduit	
46	4460471	2	Washer	
47	4460428	2	Connector, Strain Relief	
48	4360031	1	Footswitch	
48	7000625	2	Block, Contact	
49	3700010	14	Reflector (Prior to SN 0300027331)	

SECTION 4 - PLATFORM

ITEM	PART NUMBER	QTY	DESCRIPTION	REV
51	1670829	1	Bezel	
52	0630464	2	Screw, Button Head #10-24NC x 1/2in	
55	3740113	1	Relay, Time Delay	
56	3740115	1	Relay, Time Delay	
57	0641406	1	Bolt 1/4in-20NC x 3/4in	
58	4751400	5	Flatwasher 1/4in Regular	
59	0100011	AR	Compound, Locking	
60	0100035	AR	Compound, Locking	
61	0721010	2	Screw, Machine #10-24NC x 1-1/4in	
62	0721003	4	Screw, Machine #10-24NC x 3/8in	
63	4751000	2	Flatwasher #10 Regular	
65		Ref	Relay - DPDT	
65	3740057	1	CE & EN280 Spec	
65	Not Required	0	Australian Spec	
66		Ref	Spring, Relay	
66	3740066	1	CE & EN280 Spec	
66	Not Required	0	Australian Spec	
67	0721004	2	Bolt #10-32NF x 1/2in	
68	4711000	2	Flatwasher #10 Thin	
69	4761000	6	Lockwasher #10	
70	3311001	4	Nut #10-24NC	
71	3311605	4	Locknut 3/8in-16NC (SN 0300039777 through 0300064249)	
72	1704260	1	Decal - EMS	
73	3539275	1	Plate, Relay Mounting (SN 0300055241 through 0300064249)	
74	3740049	AR	Relay, Bosch (SN 0300055241 through 0300064249)	
75	0721003	AR	Screw #10-24NC x 3/8in (SN 0300055241 through 0300064249)	
76	4751000	AR	Flatwasher #10 Regular (SN 0300055241 through 0300064249)	
77	3311005	AR	Locknut #10-24NC (SN 0300055241 through 0300064249)	
78	2920129	12	Bulb, Light (SN 0300055241 through 0300064249)	
	0860984	Ref	CONSOLE BOX ASSEMBLY	
101	1220022	1	Lid, Cast	
102	1220023	1	Bottom, Box	
103	2600211	2	Hinge	
104	3900224	8	Capscrew, Socket Head Countersunk 6mm x 16mm	
105	3931672	1	Capscrew, Socket Head 3/8in-16NC x 4-1/2in	
107		Ref	Fastener Options:	
107	See Note	1	O-Ring (Prior to May 1996) (Note: Recommend using 3311601 Nut in place of original 3790109O-Ring)	
107	3311601	1	Nut 3/8in-16NC	
108	0100011	AR	Compound, Locking	
111	3520173	4	Plug (SN 0300038808 through 0300064249)	
		Ref	CONSOLE BOX OPTIONS	
201		Ref	4WS Switch Option Components	
201	4360331	1	Switch, Toggle	
201	3790012	1	O-Ring	
203		Ref	Lights Switch Option Components	
203	4360336	1	Switch, Toggle	
203	3790012	1	O-Ring	
204		Ref	Articulating Jib Switch Option Components	
204	4360314	1	Switch, Toggle	
204	3790012	1	O-Ring	
	0236632	Ref	LIGHT PANEL DISPLAY INSTALLATION (EN280 & CE SPEC)	

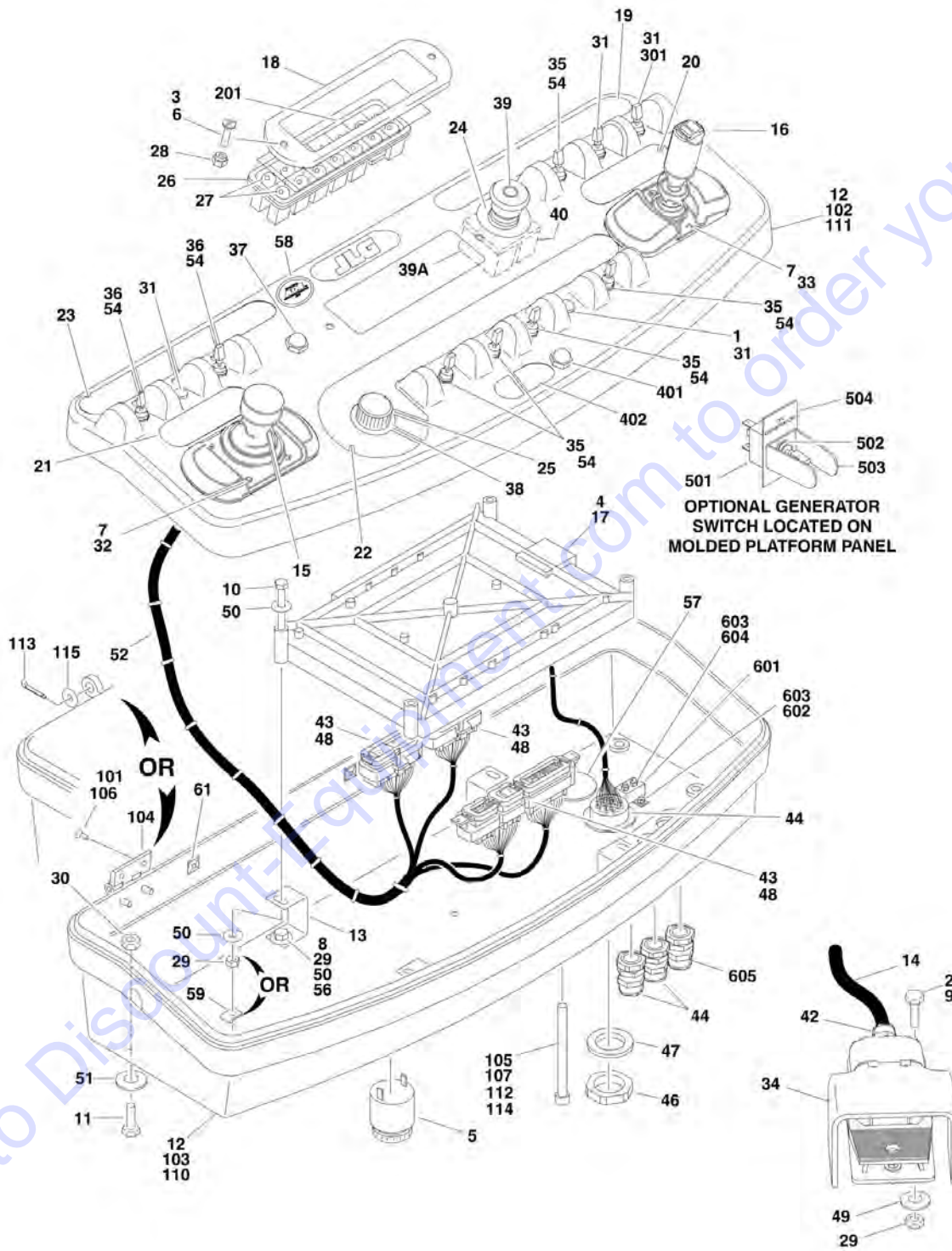
6-E

SECTION 4 - PLATFORM

ITEM	PART NUMBER	QTY	DESCRIPTION	REV
301	1703084	1	Decal - Light Panel Display	
	0256633	Ref	LIGHT PANEL DISPLAY INSTALLATION (AUSTRALIAN SPEC)	-
301	1703085	1	Decal - Light Panel Display	
		Ref	HARNESS COMPONENTS	
401	4120035	7	Base, Light	
402	2920129	7	Bulb, Light	
		Ref	ELECTRICAL COMPONENTS INSTALLATIONS:	
	0860986	Ref	2WD CE & EN280 Spec (Prior to SN 0300035129)	7-F
	0861084	Ref	2WD Australian Spec (Prior to SN 0300035129)	1-A
	0861048	Ref	4WD CE & EN280 Spec (Prior to SN 0300035129)	7-F
	0861083	Ref	2WD Australian Spec (Prior to SN 0300035129)	1-A
	4921994	Ref	CE & EN280 Spec (SN 0300035129 through 0300064249)	2-E
	4921991	Ref	Australian Spec (SN 0300035129 through 0300064249)	1-A
		Ref	Prior to SN 0300035129 (Note the following components are part of the console assembly. After SN 35129, parts are available as a harness which is part of the console assembly.)	
501	3539275	1	Plate, Relay Mounting	
502	3740049	8	Relay, Bosch	
503	0721003	8	Screw #10-24NC x 3/8in	
504	4751000	8	Flatwasher #10 Regular	
505	3311005	8	Locknut #10-24NC	
506		Ref	Track Options:	
506	3640970	1	Track (Prior to SN 0300035129)	
506	3641182	1	Track (SN 0300035129 through 0300069000)	
507	4460601	AR	Block, Terminal	
508	4460607	2	Stop, End	
509	4460602	1	Barrier, Terminal	
510	4460629	2	Marker, Terminal (6-15)	
511	4460603	1	Bar, Buss - 10 Position (Cut into [2] 5 Position Bars)	
512	4460600	AR	Block, Terminal	
513	4460631	1	Marker, Terminal (Negative)	
514	4460632	AR	Marker, Terminal (1-5)	
515	4120013	3	Socket, Relay	
516	4460613	1	Connector - 21 Position	
517	4460503	1	Connector - 31 Position	
519	4240032	20	Tie-Strap (Not Shown)	
520	4240018	10	Tie-Strap (Not Shown)	
521		Ref	Relay, Socket Options:	
521	4120012	1	CE & EN280 Spec	
521	Not Required	0	Australian Spec	
	0259233	Ref	BPE LOAD SENSING DEVICE INSTALLATION (FRENCH SPEC) (SN 0300058378 through 0300064249)	4-C
	0271474	Ref	BPE LOAD SENSING DEVICE INSTALLATION (FRENCH SPEC) (SN 0300058378 through 0300064249)	1-A
615	3740057	1	Relay	
616	4120012	1	Base, Relay	
617	3740066	1	Spring, Relay	
620	4460428	1	Relief, Strain	

SECTION 4 - PLATFORM

FIGURE 4-4. PLATFORM CONSOLE ASSEMBLY (WITH ADE SYSTEM) (SN 0300064249 through 0300069000)



SECTION 4 - PLATFORM

FIGURE 4-4. PLATFORM CONSOLE ASSEMBLY (WITH ADE SYSTEM) (SN 0300064249 through 0300069000)

ITEM	PART NUMBER	QTY	DESCRIPTION	REV
		Ref	CONSOLE BOX AND FOOTSWITCH ASSEMBLIES	
	0861415	Ref	Console Box and Footswitch Assemblies (SN 0300064249 through 0300064269)	E
	0861474	Ref	Console Box and Footswitch Assemblies (SN 0300064270 through 0300068289)	B
	0861517	Ref	Console Box and Footswitch Assemblies (SN 0300068290 through 0300069000)	A
1	0100009	AR	Sealant	
2	0100020	AR	Sealant	
3	0100035	AR	Compound, Locking	
4	0100048	AR	Grease, Dielectric	
5	0140011	1	Alarm	
6	0630464	2	Screw, Button Head #10-24NC x 1/2in	
7	0641404	8	Bolt 1/4in-20NC x 1/2in	
8	0641406	4	Bolt 1/4in-20NC x 3/4in	
9	0641408	3	Bolt 1/4in-20NC x 1in	
10	0641416	4	Bolt 1/4in-20NC x 2in	
11	0641610	4	Bolt 3/8in-16NC x 1-1/4in	
12		Ref	Box, Console Options:	
		Ref	Note: No exact SN break exists. 0300067725 to 0300068965 may use either box.	
12	0861414	1	Box, Console - Aluminum (See Items 101-107 for Breakdown)	
12	0861537	1	Box, Console - Die Cast (See Items 110-115 for Breakdown)	
13	0902751	4	Bracket, Card Support	
14		Ref	Cable Options:	
14	1060330	7 ft/2.1m	Cable, 16/3 (SN 0300064249 through 0300064269)	
14	1060918	8 ft/2.4m	Cable, 18/3 (SN 0300064270 through 0300069000)	
15	1600317	NLA	Controller Assembly (Lift and Swing) (See OEM CONTROLLER ASSEMBLY (SWING AND LIFT) (WITH ADE SYSTEM) for Breakdown) (Use p/n 1001129555)	
15	100118417	NLA	Controller Assembly (Lift and Swing) (See OEM CONTROLLER ASSEMBLY (SWING AND LIFT) (WITH ADE SYSTEM) for Breakdown) (Use p/n 1001129555)	
16	1600318	NLA	Controller Assembly (Drive and Steer) (See OEM CONTROLLER ASSEMBLY (DRIVE/STEER) (WITH ADE SYSTEM) for Breakdown) (Use p/n 1001212415)	
17	1600313	1	Controller, Module (Re-calibration Required when Replaced)	
18	1670829	1	Bezel	
19	1702564	1	Decal (Stop)	
20	1702565	1	Decal (Drive and Steer)	
21	1702566	1	Decal (Lift and Swing)	
22	1702567	1	Decal (Function Speed)	
23	1702676	1	Decal (Horn)	
24	1704260	1	Decal - EMS	
25	2560136	1	Handle, Knob	
26	2760105	1	Housing, Display Light	
27	2920129	12	Bulb, Light	
28	3300408	2	Locknut, Nylon Insert	
29	3311405	11	Locknut 1/4in-20NC	
30	3311605	4	Locknut 3/8in-16NC	
31	3520028	4	Plug, Hole 1/2in	

SECTION 4 - PLATFORM

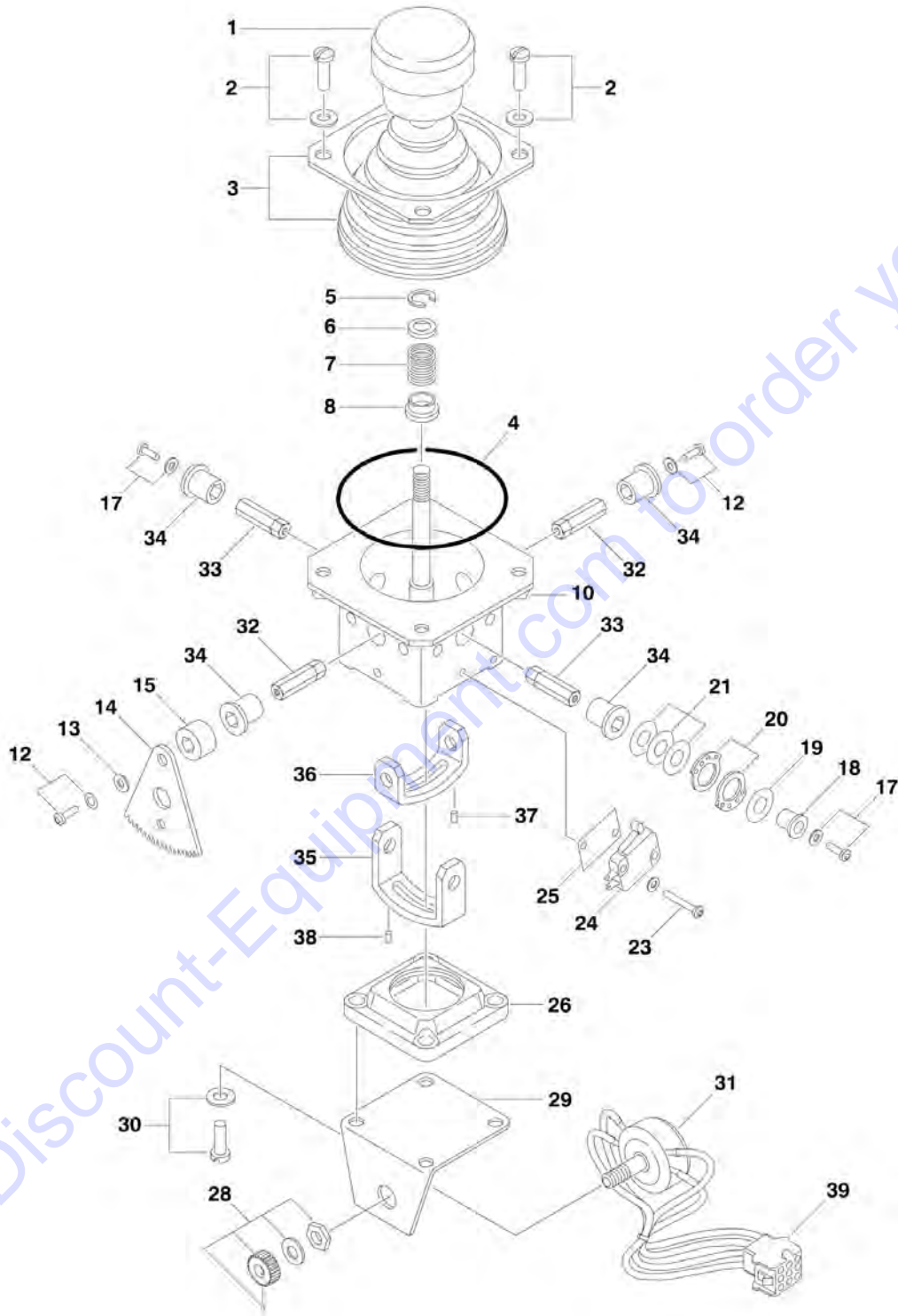
ITEM	PART NUMBER	QTY	DESCRIPTION	REV
32	4340678	1	Support, Hand	
33	4340684	1	Support, Hand	
34	4360031	1	Footswitch	
34	7000625	2	Block, Contact	
35	4360328	6	Switch, Toggle	
36	4360331	1	Switch, Toggle	
37	4360387	1	Switch, Pushbutton	
38	4360407	1	Controller, Speed	
38	See Note	1	Gasket "Top Hat" (Included with Switch) (Note: Not Available - Purchase Complete Controller.)	
38	70003784	1	Seal	
39	4360475	1	Switch, Emergency Stop	
39	7020175	1	Cap, Red	
39A	7020176	1	Contact Block	
40	4360476	1	Block, Contact	
41	4460042	3	Terminal, Ring (Not Shown)	
42	4460071	1	Connector, Strain Relief	
43	4460226	2	Socket, Contact	
44	4460428	2	Connector, Strain Relief	
45	4460464	1	Terminal, Deutsch	
46	4460470	1	Nut, Terminal	
47	4460471	1	Lockwasher, Terminal	
48	4460905	5	Connector, Amp Seal Plug	
49	4740362	3	Washer 1/4in (Fender)	
50	4751400	16	Flatwasher 1/4in Regular	
51	4751600	4	Flatwasher 3/8in Regular	
52		Ref	Harness, Platform Box Options:	
52	4922509	1	Harness, Platform Box (SN 0300064249 through 0300064269)	
52	4922639	1	Harness, Platform Box (SN 0300064270 through 0300069000)	
53		Ref	Harness, Analyzer Cable Options: (Not Shown)	
53	4922485	1	Harness, Analyzer Cable (SN 0300064249 through 0300064269)	
53	4922666	1	Harness, Analyzer Cable (SN 0300064270 through 0300069000)	
53	4460871	4	Terminal, Socket	
53	4460761	1	Housing - 4 Position	
53	4460227	4	Pin	
54	3790012	7	O-Ring	
55	4460708	2	Connector, Female - 15 Position (Not Shown - See ELECTRICAL SECTION for Location)	
56	0100081	AR	Adhesive (SN 0300064398 through 0300069000)	
57	1671037	1	Cover (SN 0300068918 through 0300069000)	
58	1705132	1	Decal - ADE (SN 0300068918 through 0300069000)	
59	3300353	4	Nut, Tinnerman (SN 0300068918 through 0300069000)	
60	4460226	3	Wire, Tie (Not Shown) (SN 0300068918 through 0300069000)	
61	4460488	1	Base, Mounting (SN 0300068918 through 0300069000)	
	0861414	Ref	CONSOLE BOX ASSEMBLY - ALUMINUM	C
101	0100011	AR	Compound, Locking	
102	0861414	1	Console Top (Note: Not Available for Purchase)	
103	0861414	1	Console Bottom (Note: Not Available for Purchase)	
104	2600211	2	Hinge	
105	3311601	1	Nut 3/8in-16NC	

SECTION 4 - PLATFORM

ITEM	PART NUMBER	QTY	DESCRIPTION	REV
106	3900224	8	Screw Countersunk	
107	3931672	1	Screw 3/8in-16NC x 4-1/2in	
108	3520174	3	Plug, 3/16 (Not Shown)	
	0861537	Ref	CONSOLE BOX ASSEMBLY - DIE CAST	A
110	1220096	1	Console Bottom	
111	1220102	1	Console Top	
112	3311601	1	Nut 3/8in-16NC	
113	3450304	2	Pin, Cotter	
114	3931672	1	Screw 3/8in-16NC x 4-1/2in	
115	4711500	2	Flatwasher 5/16in Thin	
		Ref	LIGHT PANEL DECAL INSTALLATION	
	0256632	Ref	Euro Spec	-
	0256633	Ref	Australian Spec	-
201		Ref	Decal - Display Options:	
201	1703084	1	Euro Spec	
201	1703085	1	Australian Spec	
	0271552	Ref	HEAD AND TAIL LIGHTS INSTALLATION (OPTIONAL)	1
301	4360336	1	Switch, Toggle	
301	3790012	1	O-Ring	
		Ref	SOFT TOUCH SYSTEM INSTALLATION (OPTIONAL)	
	0271550	Ref	6ft Platform	1
	0271551	Ref	8ft Platform	1
401	4360387	1	Switch, Pushbutton	
402	1702938	1	Decal - Soft Touch Override	
		Ref	GENERATOR INSTALLATION (OPTIONAL)	
	0271544	Ref	100V Deutz	1
	0271547	Ref	220V Deutz	1
501	4360336	1	Switch, Toggle	
502	4740397	1	Bushing	
503	4060802	1	Guard, Switch	
504	3251102	1	Decal - Generator ON/OFF	
	0270814	Ref	PLATFORM WORKLIGHT INSTALLATION (OPTIONAL)	3
601	4360232	1	Breaker, Circuit - 15Amp	
602	0721003	2	Bolt #10-24NC x 3/8in	
603	4761000	4	Lockwasher #10	
604	3311001	2	Nut #10-24NC	
605	4460598	1	Connector, Strain Relief	

SECTION 4 - PLATFORM

FIGURE 4-5. CONTROLLER ASSEMBLY (SWING AND LIFT) (Prior to SN 0300039749)



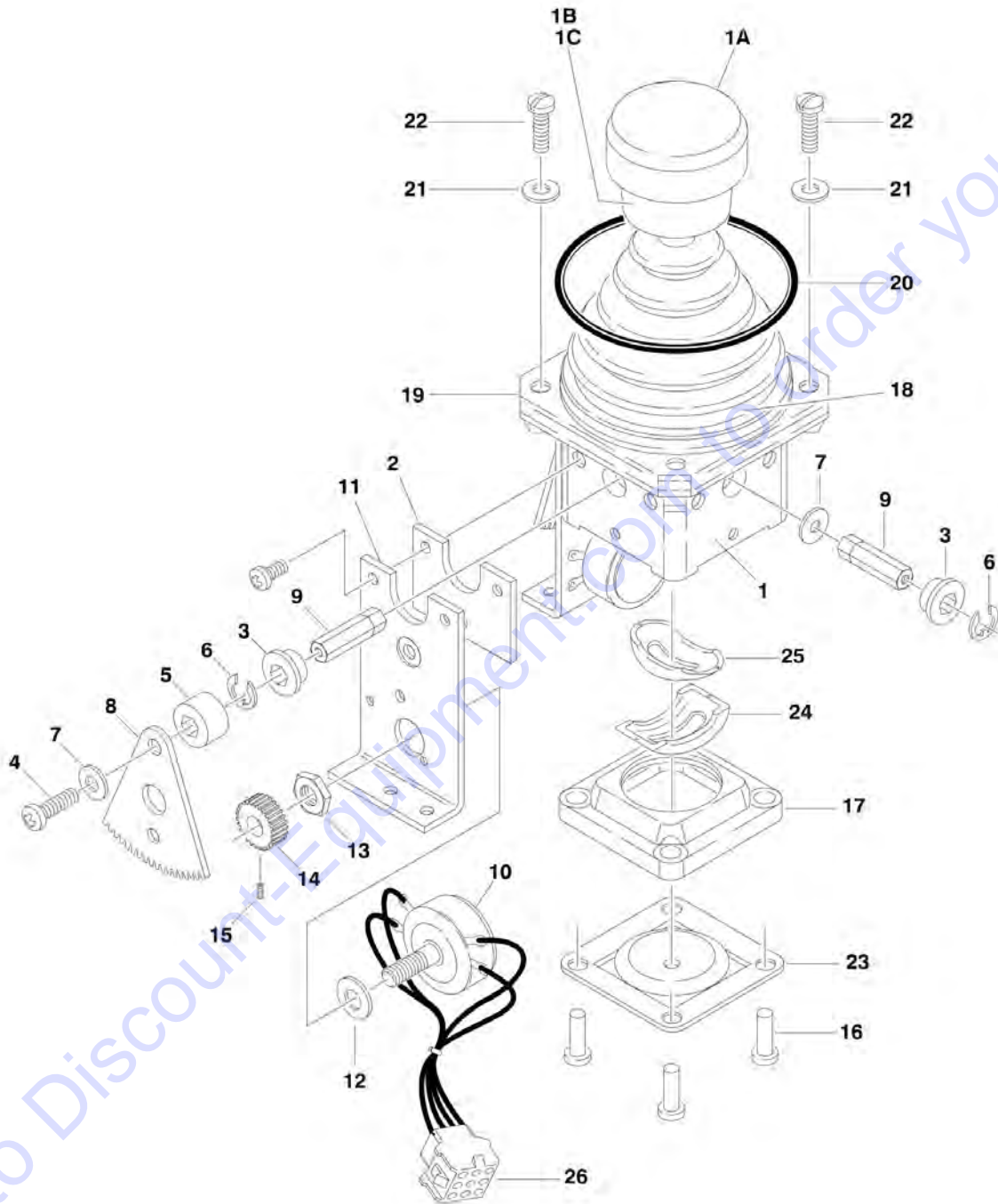
SECTION 4 - PLATFORM

FIGURE 4-5. CONTROLLER ASSEMBLY (SWING AND LIFT) (Prior to SN 0300039749)

ITEM	PART NUMBER	QTY	DESCRIPTION	REV
	1600242	Ref	CONTROLLER ASSEMBLY (LIFT/SWING) (Prior to SN 0300039749)	A
1	7003951	1	Knob, Handle	
2	7022811	4	Screw M14 x 25mm	
2	See Note	4	Washer (Note: Not Available for Purchase)	
3	7022813	1	Plate (was p/n 7003954)	
3	7022813	1	Boot (was p/n 7003955)	
4	7003956	1	O-Ring	
5	7003957	1	Ring, Retaining	
6	7003959	1	Retainer, Spring	
7	7003958	1	Spring, Return	
8	7003960	1	Bushing, Nylon Shaft	
10	See Note	1	Casting, Handle (Note: Not Available for Purchase)	
12	See Note	2/2	Screw M3 x.05 and Starwasher M3 (Note: Not Available - Purchase Locally)	
13	See Note	2	Spacer (Note: Not Available for Purchase)	
14	7003977	2	Gear, Drive	
15	See Note	2	Bearing (Note: Not Available for Purchase)	
17	See Note	2	Screw M3 (Note: Not Available - Purchase Locally)	
17	See Note	2	Washer, Wavy (Note: Not Available for Purchase)	
18	7019193	2	Coupling, Cam	
19	See Note	2	Spacer, Cam (Note: Not Available for Purchase)	
20	See Note	4	Cam, 4 Hole (Note: Not Available for Purchase)	
21	See Note	6	Cam (Note: Not Available for Purchase)	
23	See Note	4/4	Screw/Washer (Note: Not Available - Purchase Locally)	
24	7003961	2	Micro-Switch	
25	See Note	2	Insulator (Note: Not Available for Purchase)	
26	See Note	1	Gate (Note: Not Available for Purchase)	
28	7003976	2	Gear	
28	See Note	2	Setscrew (Note: Not Available - Purchase Locally)	
28	See Note	2	Spacer (Note: Not Available for Purchase)	
28	See Note	2	Nut (Note: Not Available for Purchase)	
29	See Note	1	Plate, Pot Mounting (Note: Not Available for Purchase)	
30	See Note	4/4	Screw M4 x 14/Washer M4 (Note: Not Available for Purchase)	
31	7003974	2	Potentiometer	
32	7019192	1	Pin	
33	7019104	2	Pin	
34	7019111	2	Bushing	
35	7019122	1	Limitter, Gate - Outer	
36	7019123	1	Limitter, Gate - Inner	
37	See Note	1	Setscrew (Note: Not Available for Purchase)	
38	See Note	1	Setscrew (Note: Not Available for Purchase)	
39	4460266	1	Cap, Connector - 9 Pin (Not Shown)	
39	4460268	8	Socket, Female (Not Shown)	
39	4460265	1	Plug - 9 Pin (Part of Platform Wiring) (Not Shown)	
39	4460267	8	Pin, Male (Part of Platform Wiring) (Not Shown)	

SECTION 4 - PLATFORM

FIGURE 4-6. CONTROLLER ASSEMBLY (SWING AND LIFT) (SN 0300039749 through 0300064248)



SECTION 4 - PLATFORM

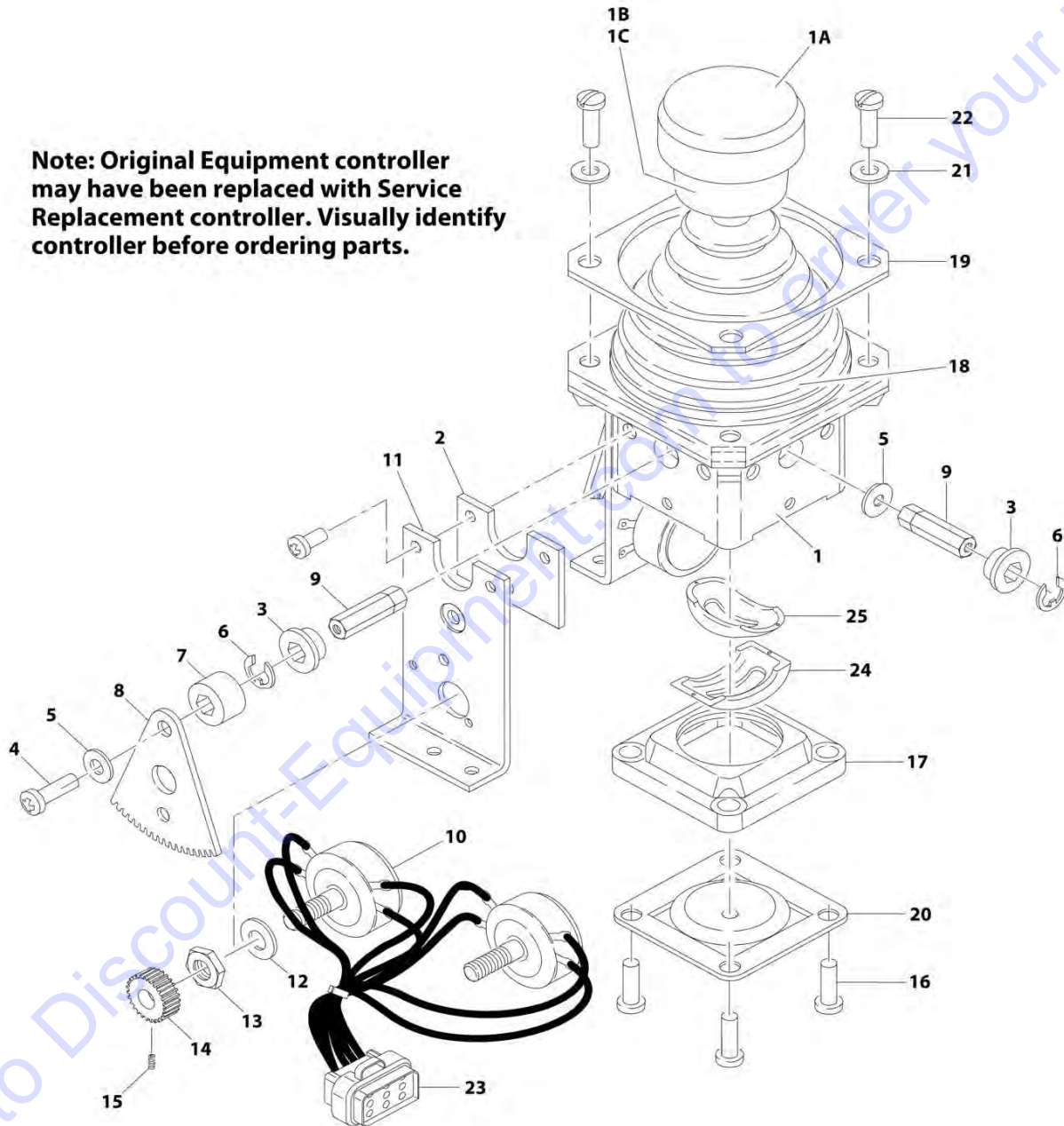
FIGURE 4-6. CONTROLLER ASSEMBLY (SWING AND LIFT) (SN 0300039749 through 0300064248)

ITEM	PART NUMBER	QTY	DESCRIPTION	REV
	1600284	Ref	CONTROLLER ASSEMBLY (LIFT/SWING)	A
1	7019141	1	Mechanical Assembly (Includes Base, Handle Stem and Items 1A, 1B, 1C & 18 Boot)	
1A	7019197	1	Handle Cap and Rod	
1B	7003928	1	Spring	
1C	7022808	1	Cap, Lift	
2	7019142	2	Plate	
3	7019111	4	Bearing, Gear	
4	7019143	2	Screw	
5	7019144	2	Spacer, Cam	
6	7019145	4	E-Clip	
7	7019174	2	Spacer	
8	7003977	2	Gear, Drive	
9	7019147	4	Shaft	
10	7003974	2	Potentiometer	
11	7019142	2	Plate	
12	7003992	2	Washer	
13	7003993	2	Nut	
14	7003976	2	Gear, Slave	
15	7019149	2	Setscrew	
16	7003952	4	Screw	
17	7019150	1	Gate	
18	7022813	1	Boot (was 7003955)	
19	7022813	1	Plate, Plastic (was p/n 7003954)	
20	7003956	1	Gasket	
21	7003953	4	Washer	
22	7022811	4	Screw	
23	See Note	1	Center, Detent (Note: Not Available for Purchase)	
24	7019122	1	Gimble, Outer	
25	7019123	1	Gimble, Inner	
26	4460266	1	Connector - 9 Pin	
26	4460268	8	Socket, Female	
26	4460265	1	Plug - 9 Pin (Part of Platform Wiring) (Not Shown)	
26	4460267	8	Pin, Male (Part of Platform Wiring) (Not Shown)	

SECTION 4 - PLATFORM

FIGURE 4-7. CONTROLLER ASSEMBLY (SWING AND LIFT) (WITH ADE SYSTEM) (ORIGINAL EQUIPMENT) (SN 0300064249 through 0300069000)

Note: Original Equipment controller may have been replaced with Service Replacement controller. Visually identify controller before ordering parts.



ART_1600317

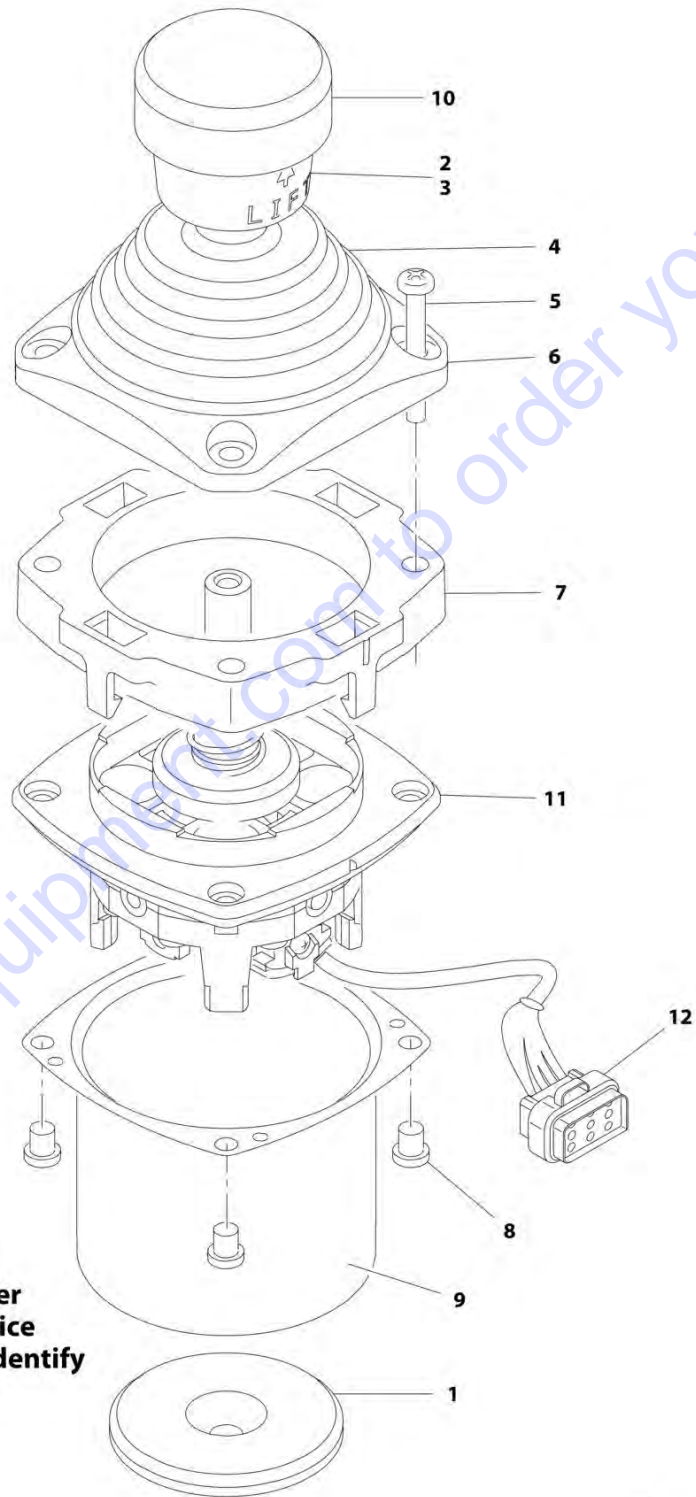
SECTION 4 - PLATFORM

FIGURE 4-7. CONTROLLER ASSEMBLY (SWING AND LIFT) (WITH ADE SYSTEM) (ORIGINAL EQUIPMENT) (SN 0300064249 through 0300069000)

ITEM	PART NUMBER	QTY	DESCRIPTION	REV
		Ref	Note: Original Equipment controller may have been replaced with Service Replacement controller. Visually identify controller before ordering parts.	
	1600317	Ref	CONTROLLER ASSEMBLY	C
		Ref	Note: Use p/n 1001129555 Kit as Replacement.	
1	7019141	1	Mechanical Assembly (Includes Base, Handle Stem and Items 1A, 1B, 1C & 18)	
1A	7019197	1	Handle Cap and Rod	
1B	7003928	1	Spring	
1C	7022808	1	Cap, Lift	
2	7019171	2	Plate	
3	7019111	4	Bearing, Gear	
4	7019143	2	Screw	
5	7019144	2	Spacer, Cam	
6	7019145	4	E-Clip	
7	7019174	2	Spacer	
8	7003977	2	Gear, Drive	
9		Ref	Shaft Options:	
9	7019147	2	Shaft, Short	
9	7019177	2	Shaft, Long	
10	7022818	2	Potentiometer	
11	7019142	2	Plate	
12	7003992	2	Washer	
13	7003993	2	Nut	
14	7003976	2	Gear, Slave	
15	7019149	2	Setscrew	
16	7022816	4	Screw	
17	7019150	1	Gate	
18	7022814	1	Boot	
19	7022815	1	Bezel	
20	See Note	NSS	Center, Detent (Note: Use p/n 1001129555)	
21	7003953	4	Washer	
22	7022817	4	Screw	
23	7022819	1	Plug, Male 8 Position (Natural)	
23	4460871	8	Socket, Female	
24	7019122	1	Gimble, Outer	
25	7019123	1	Gimble, Inner	

SECTION 4 - PLATFORM

FIGURE 4-8. CONTROLLER ASSEMBLY (SWING AND LIFT) (WITH ADE SYSTEM) (SERVICE REPLACEMENT) (SN 0300064249 through 0300069000)



Note: Original Equipment controller may have been replaced with Service Replacement controller. Visually identify controller before ordering parts.

ART_100118417

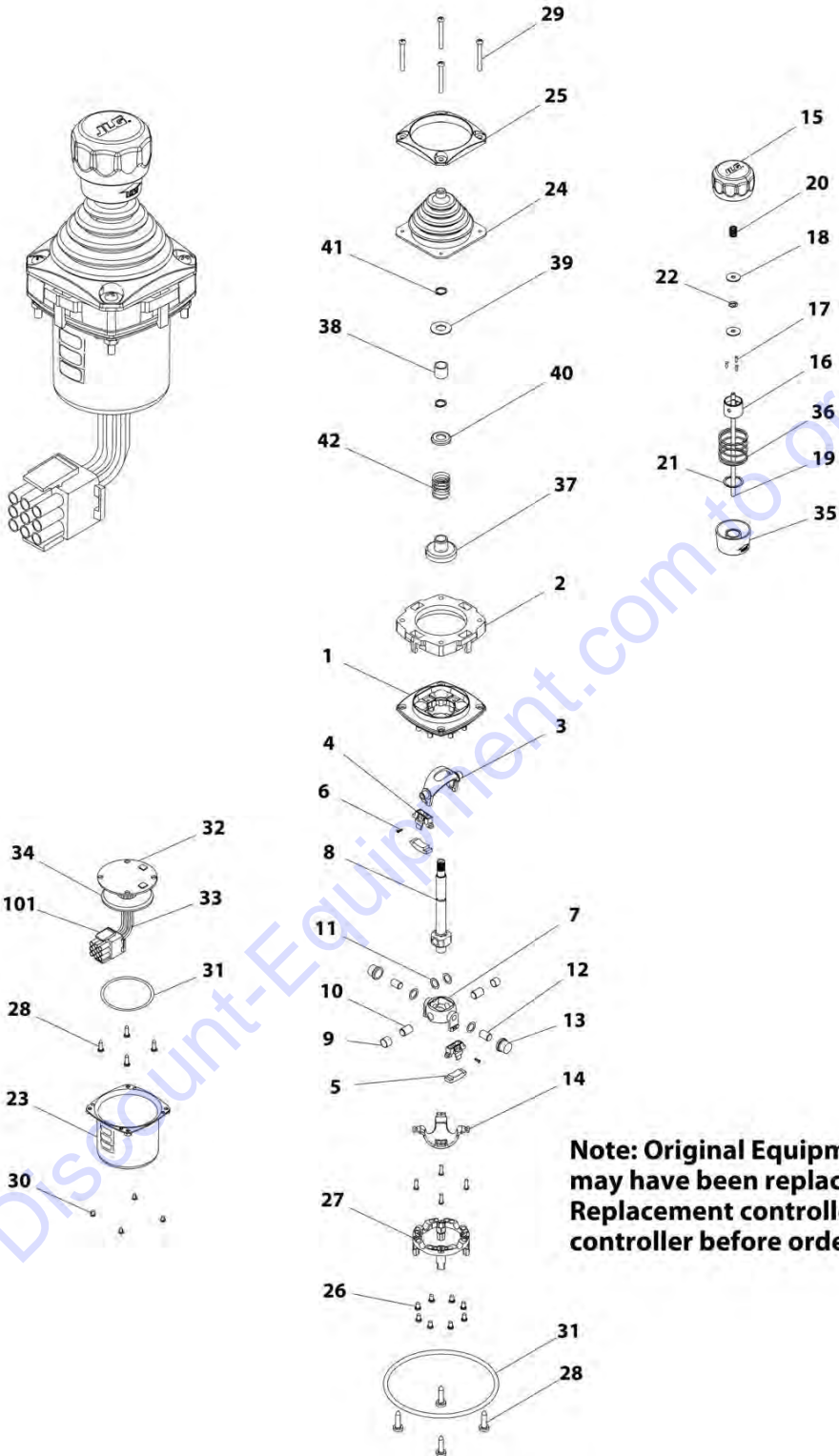
SECTION 4 - PLATFORM

FIGURE 4-8. CONTROLLER ASSEMBLY (SWING AND LIFT) (WITH ADE SYSTEM) (SERVICE REPLACEMENT) (SN 0300064249 through 0300069000)

ITEM	PART NUMBER	QTY	DESCRIPTION	REV
		Ref	Note: Original Equipment controller may have been replaced with Service Replacement controller. Visually identify controller before ordering parts.	
	1001118417	Ref	CONTROLLER ASSEMBLY	E
		Ref	Note: Use p/n 1001129555 as Replacement.	
1	70002730	1	Gasket	
2	7003928	1	Spring	
3	7022808	1	Cap, Lift	
4	70002731	1	Boot	
5	70002732	4	Screw	
6	7022815	1	Bezel	
7	70002733	1	Adapter	
8	70002734	4	Screw	
9	70002735	1	Can, Enclosure	
10	70002906	1	Cap	
11	See Note	NSS	Mechanical Assembly (Note: Use p/n 1001129555)	
12	7022819	1	Connector - 8 Position	
12	4460871	6	Socket, Female	

SECTION 4 - PLATFORM

FIGURE 4-9. CONTROLLER ASSEMBLY (SWING AND LIFT) (WITH ADE SYSTEM) (SERVICE REPLACEMENT) (SN 0300064249 through 0300069000)



ART_1001166539

SECTION 4 - PLATFORM

FIGURE 4-9. CONTROLLER ASSEMBLY (SWING AND LIFT) (WITH ADE SYSTEM) (SERVICE REPLACEMENT) (SN 0300064249 through 0300069000)

ITEM	PART NUMBER	QTY	DESCRIPTION	REV
		Ref	Note: Original Equipment controller may have been replaced with Service Replacement controller. Visually identify controller before ordering parts.	
	1001166539	Ref	CONTROLLER ASSEMBLY (SWING AND LIFT)	D
		Ref	Note: Use p/n 1001129555 as Replacement.	
1	See Note	NSS	Main Cast Body (Note: Not Available - Purchase Complete Assembly)	
2	70004752	1	Adapter	
3	See Note	NSS	Pivot Arm, Plastic (Note: Not Available - Purchase Complete Assembly)	
4	See Note	NSS	Holder, Magnet (Note: Not Available - Purchase Complete Assembly)	
5	See Note	NSS	Arc, Magnet (Note: Not Available - Purchase Complete Assembly)	
6	See Note	NSS	Screw (Note: Not Available for Purchase)	
7	See Note	NSS	Pivot Arm, Cast (Note: Not Available - Purchase Complete Assembly)	
8	See Note	NSS	Shaft, Main (Note: Not Available - Purchase Complete Assembly)	
9	See Note	NSS	Bearing (Note: Not Available - Purchase Complete Assembly)	
10	See Note	NSS	Pin (Note: Not Available - Purchase Complete Assembly)	
11	See Note	NSS	Shim (Note: Not Available - Purchase Complete Assembly)	
12	See Note	NSS	Pin (Note: Not Available - Purchase Complete Assembly)	
13	See Note	NSS	Bearing (Note: Not Available - Purchase Complete Assembly)	
14	See Note	NSS	Dome, Centering (Note: Not Available - Purchase Complete Assembly)	
15	70004753	1	Cap	
16	70004754	1	Insert, Cap	
17	70004755	3	Pin	
18	70004756	2	Washer	
19	70004757	1	Pin, Centering	
20	70004758	1	Spring	
21	70004759	1	Ring, Retaining	
22	70004760	1	E-Ring	
23	70004761	1	Can, Enclosure	
24	70004762	1	Boot	
25	70004763	1	Bezel	
26	See Note	NSS	Screw (Note: Not Available for Purchase)	
27	See Note	NSS	Base, Mounting (Note: Not Available - Purchase Complete Assembly)	
28	See Note	NSS	Screw (Note: Not Available for Purchase)	
29	70004764	4	Screw	
30	70004765	4	Screw	
31	70004766	1	O-Ring	
32	See Note	NSS	Plate (Note: Not Available - Purchase Complete Assembly)	
33	See Note	NSS	Harness (Note: Not Available - Purchase Complete Assembly)	
34	70004767	1	Grommet, Rubber	
35	70004768	1	Housing	
36	70004769	1	Spring	
37	70004770	1	Stopper	
38	70004771	1	Spacer	
39	70004772	1	Washer	

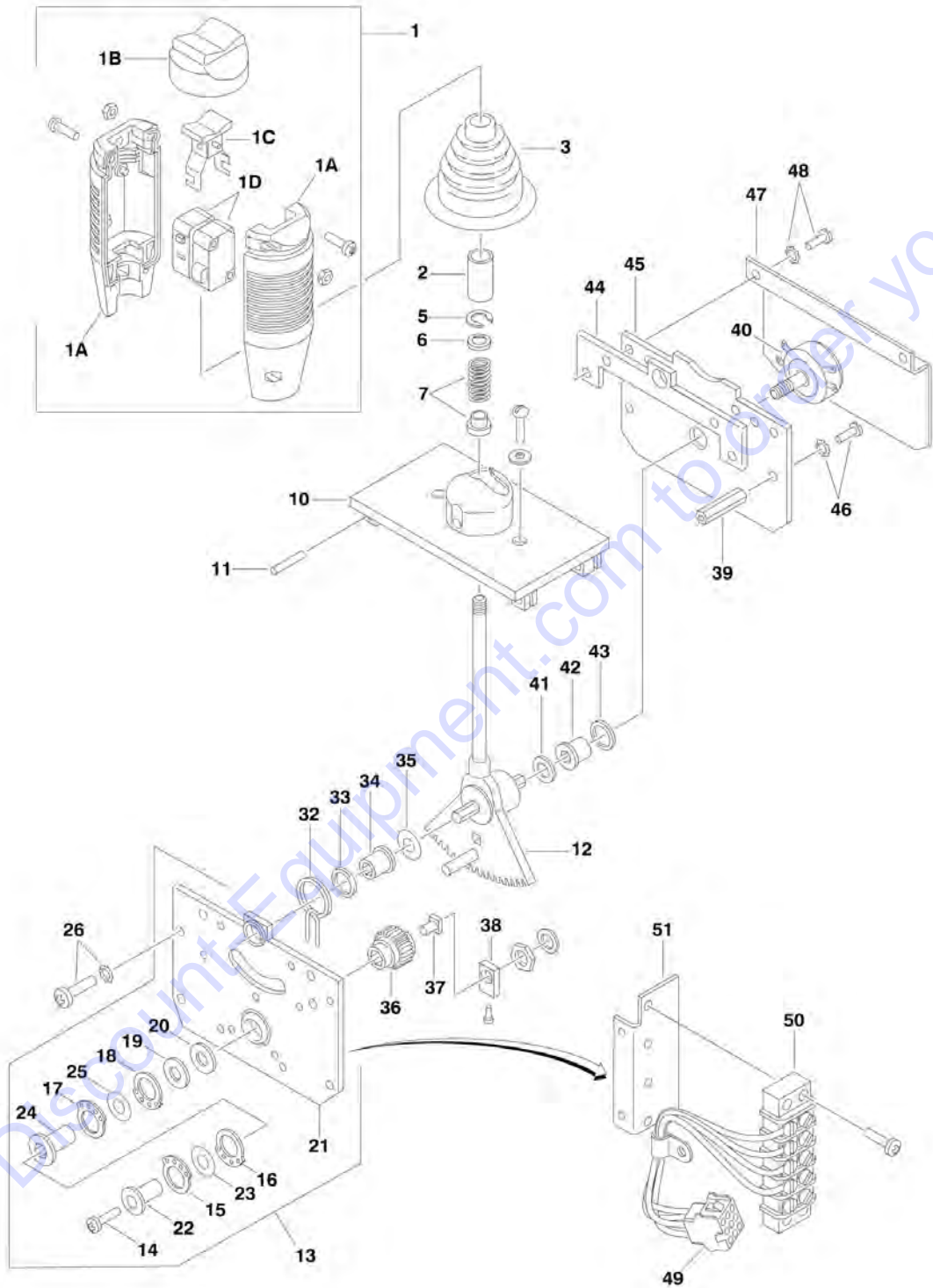
SECTION 4 - PLATFORM

ITEM	PART NUMBER	QTY	DESCRIPTION	REV
40	70004773	1	Disc	
41	70004774	2	Ring, Retaining	
42	70004775	1	Spring	
101	4460265	1	Connector - 9 Position	
101	4460226	6	Socket, Female	

Go to Discount-Equipment.com to order your parts

SECTION 4 - PLATFORM

FIGURE 4-10. CONTROLLER ASSEMBLY (DRIVE AND STEER) (Prior to SN 0300039749)



SECTION 4 - PLATFORM

FIGURE 4-10. CONTROLLER ASSEMBLY (DRIVE AND STEER) (Prior to SN 0300039749)

ITEM	PART NUMBER	QTY	DESCRIPTION	REV
	1600239	Ref	CONTROLLER ASSEMBLY (DRIVE/STEER) (Prior to SN 0300039749)	C
1	7003978	1	Handle Assembly	
1A	7003973	2	Half, Handle	
1B	7003972	1	Boot, Switch	
1C	7003981	1	Rocker	
1D	7003982	2	Switch, Micro	
2	7003984	1	Coupling	
3	7003966	1	Boot	
5	7003957	1	Ring, Retainer	
6	7003967	1	Flatwasher	
7	7003968	1	Detent, Assembly	
10	7019160	1	Plate, Base	
11	See Note	1	Pin (Note: Not Available for Purchase)	
12	7003963	1	Shaft/Gear Assembly	
13	See Note	1	Micro Cam Assembly (Includes Items 14-25) (Note: Not Available for Purchase)	
14	See Note	1	Screw (Note: Not Available for Purchase)	
15	See Note	1	Cam, 4 Hole (Note: Not Available for Purchase)	
16	See Note	1	Cam, 4 Hole (Note: Not Available for Purchase)	
17	See Note	1	Cam, 4 Hole (Note: Not Available for Purchase)	
18	See Note	1	Cam, 4 Hole (Note: Not Available for Purchase)	
19	See Note	1	Spacer, Cam (Note: Not Available for Purchase)	
20	See Note	1	Spacer, Cam (Note: Not Available for Purchase)	
21	See Note	1	Plate, Cam - Left Side (Note: Not Available for Purchase)	
22	See Note	1	Coupling, Cam (Note: Not Available for Purchase)	
23	See Note	1	Spacer, Cam (Note: Not Available for Purchase)	
24	See Note	1	Coupling, Cam (Note: Not Available for Purchase)	
25	See Note	1	Spacer, Cam (Note: Not Available for Purchase)	
26	See Note	4	Screw (Note: Not Available for Purchase)	
26	See Note	4	Washer (Note: Not Available for Purchase)	
32	7003946	1	Spring, Return (Note: Not Available for Purchase)	
33	See Note	1	Spacer (Note: Not Available for Purchase)	
34	See Note	1	Bearing (Note: Not Available for Purchase)	
35	See Note	1	Washer, Cam Retainer (Note: Not Available for Purchase)	
36	See Note	1	Gear, Slave (Note: Not Available for Purchase)	
37	See Note	1	Nut/Cam Assembly (Note: Not Available for Purchase)	
38	See Note	1	Coupling, Potentiometer (Note: Not Available for Purchase)	
39	See Note	2	Stand-Off (Note: Not Available for Purchase)	
40	7003974	1	Potentiometer	
41	See Note	1	Washer, Cam Retainer (Note: Not Available for Purchase)	
42	See Note	1	Bearing (Note: Not Available for Purchase)	
43	See Note	1	Spacer (Note: Not Available for Purchase)	
44	See Note	1	Plate, Mounting (Note: Not Available for Purchase)	
45	See Note	1	Plate, Potentiometer (Note: Not Available for Purchase)	
46	See Note	2	Screw (Note: Not Available for Purchase)	
46	See Note	2	Washer (Note: Not Available for Purchase)	
47	See Note	1	Heat Shrink (Note: Not Available for Purchase)	
48	See Note	2	Screw (Note: Not Available for Purchase)	
48	See Note	2	Washer (Note: Not Available for Purchase)	

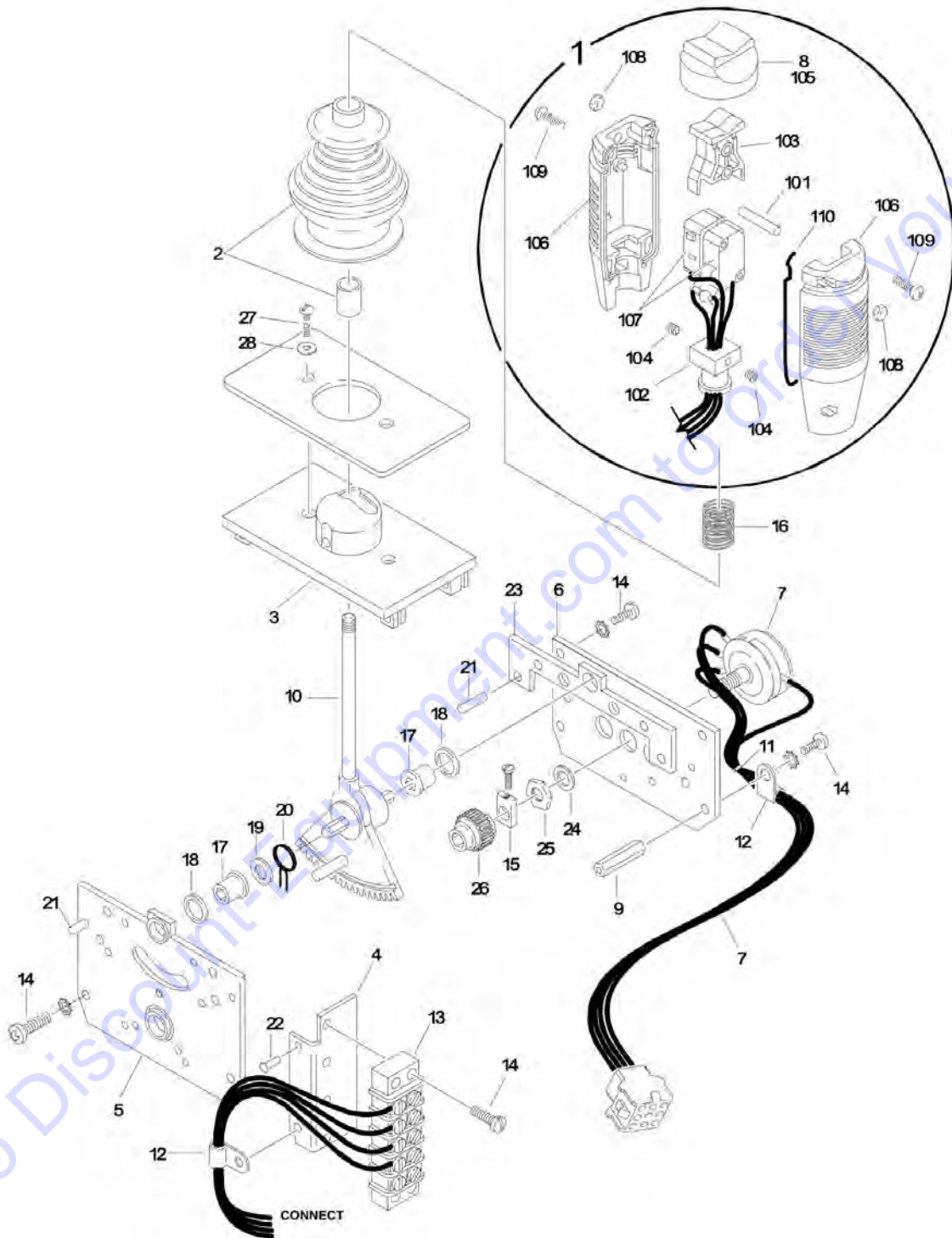
SECTION 4 - PLATFORM

ITEM	PART NUMBER	QTY	DESCRIPTION	REV
49	4460266	1	Connector, Amp (9Pin) (Not Shown)	
49	4460268	7	Socket (Not Shown)	
49	4460265	1	Plug, Amp (9Pin) (Not Shown - Part of Harness)	
49	4460267	7	Pin (Not Shown - Part of Harness)	
50	7003886	1	Strip, Terminal - 3 Position	
50	See Note	1	Strip, Terminal - 5 Position (Note: Not Available for Purchase)	
51	7003985	1	Brace	

Go to Discount-Equipment.com to order your parts

SECTION 4 - PLATFORM

FIGURE 4-11. CONTROLLER ASSEMBLY (DRIVE AND STEER) (SN 0300039749 through 0300064248)



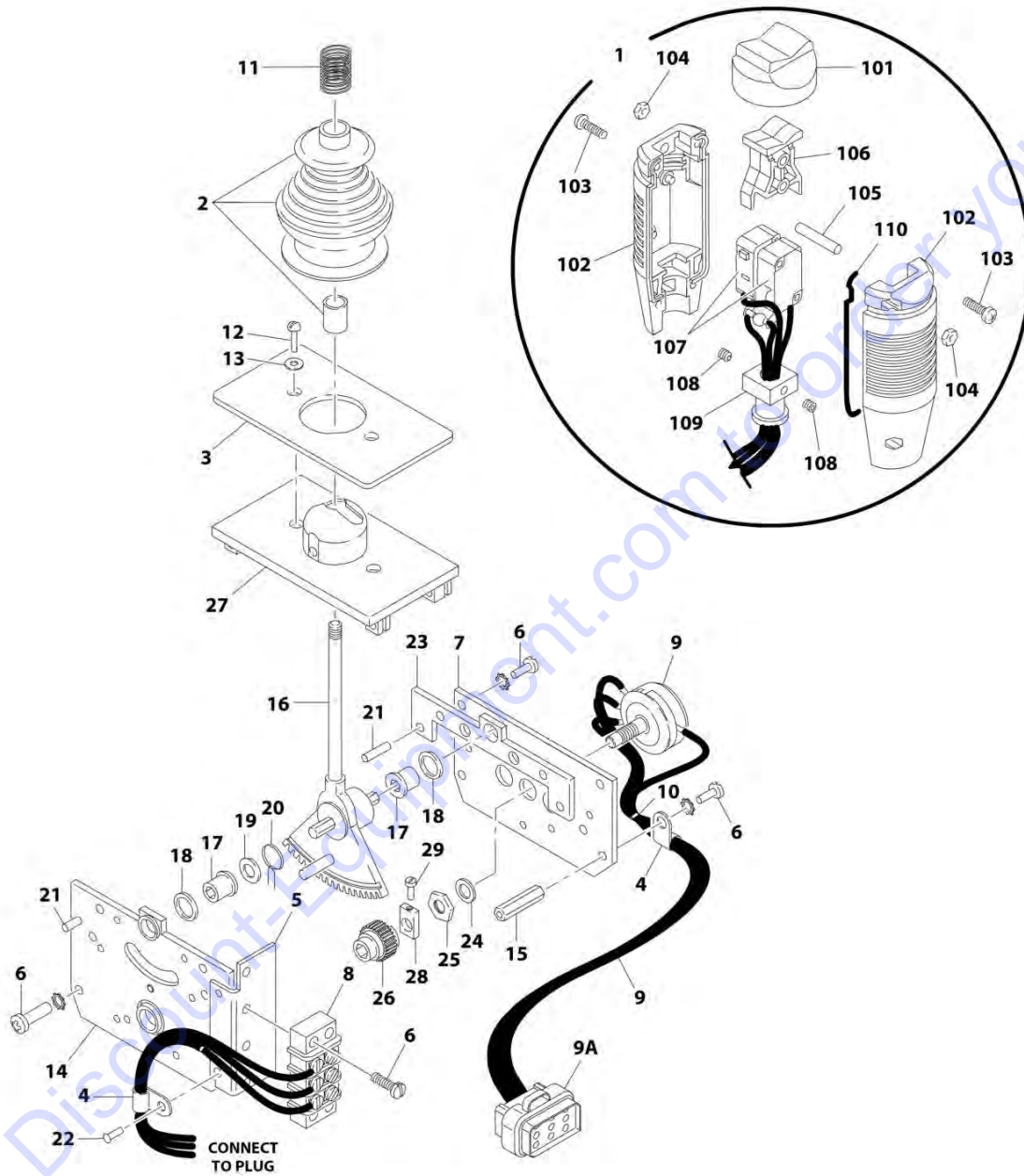
SECTION 4 - PLATFORM

FIGURE 4-11. CONTROLLER ASSEMBLY (DRIVE AND STEER) (SN 0300039749 through 0300064248)

ITEM	PART NUMBER	QTY	DESCRIPTION	REV
	1600283	Ref	CONTROLLER ASSEMBLY (DRIVE/STEER) (SN 0300039749 through 0300064249)	
1	7022810	1	Handle Assembly (See items 101-110 for Breakdown)	
2	7019161	1	Boot and Sleeve	
3	7019160	1	Cast Housing Assembly	
4	7019159	1	Bracket, Mounting	
5	7019158	1	Plate, Mounting (Left Side)	
6	7019157	1	Plate, Pot Mounting	
7	7019156	1	Electric Assembly	
8	7003972	1	Boot, Rocker	
9	7019115	2	Stand-Off	
10	7019155	1	Shaft 8mm	
11	7019151	AR	Tie-Strap	
12	7019154	2	Clamp, Wire	
13	7019153	1	Strip, Terminal - 5 Position	
14	7019117	8	Screw	
15	7019163	1	Potentiometer Coupling Assembly	
16	7019162	1	Spring	
17	7019111	2	Bearing	
18	7019110	2	Spacer, Head Gear	
19	7019112	1	Washer	
20	7003946	1	Spring, Return	
21	7019103	4	Pin	
22	See Note	1	Rivet (Note: Not Available - Purchase Locally)	
23	7019168	1	Plate, Mounting (Right Side)	
24	7003992	1	Washer	
25	7003993	1	Nut	
26	7003935	1	Gear, Slave	
27	7003969	2	Screw	
28	7003941	2	Washer	
	7022810	Ref	HANDLE ASSEMBLY	
101	7019164	1	Axle	
102	7019194	1	Coupling	
103	7019165	1	Rocker	
104	7003983	2	Setscrew	
105	7003972	1	Boot, Switch	
106	7003973	2	Half, Handle	
107	7019166	2	Switch, Micro	
108	7019167	4	Nut	
109	7003980	4	Screw	
110	7003989	2	Gasket	

SECTION 4 - PLATFORM

FIGURE 4-12. CONTROLLER ASSEMBLY (DRIVE AND STEER) (WITH ADE SYSTEM) (ORIGINAL EQUIPMENT) (SN 0300064249 through 0300069000)



Note: Original Equipment controller may have been replaced with Service Replacement controller. Visually identify controller before ordering parts.

ART_1600318

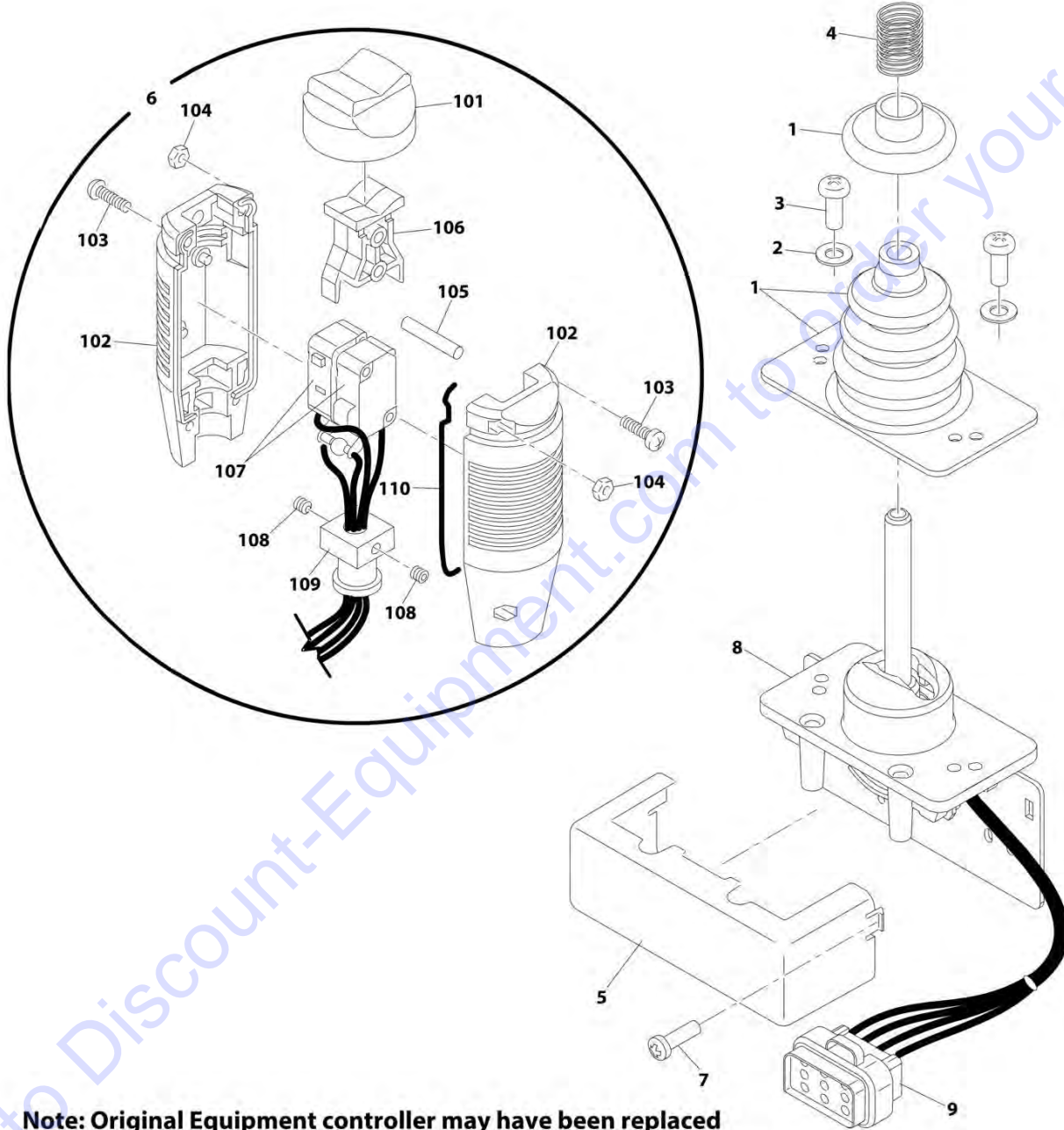
SECTION 4 - PLATFORM

FIGURE 4-12. CONTROLLER ASSEMBLY (DRIVE AND STEER) (WITH ADE SYSTEM) (ORIGINAL EQUIPMENT) (SN 0300064249 through 0300069000)

ITEM	PART NUMBER	QTY	DESCRIPTION	REV
		Ref	Note: Original Equipment controller may have been replaced with Service Replacement controller. Visually identify controller before ordering parts.	
	1600318	Ref	CONTROLLER ASSEMBLY	C
		Ref	Note: Use p/n 1001212415 as Replacement.	
1	7022812	1	Handle Assembly (See Items 101-110 for Breakdown)	
2	7019161	1	Boot and Sleeve	
3	7003933	1	Gasket	
4	7019154	2	Clamp, Wire	
5	7022823	1	Bracket, Mounting	
6	7003994	1	Screw	
7	7022822	1	Plate, Pot Mounting	
8	7003986	1	Strip, Terminal - 3 Position	
9	7022824	1	Electric Assembly	
9A	1001113961	1	Plug, Male - 8 Position (Black) (was p/n 7022825)	
9A	4460871	7	Socket, Female	
10	7019151	AR	Tie-Strap	
11	7019162	1	Spring	
12	7003969	2	Screw	
13	7003941	2	Washer	
14	See Note	NSS	Plate, Mounting (Left Side) (Note: Use p/n 1001166538)	
15	7019115	2	Stand-Off	
16	7019155	1	Shaft 8mm	
17	7019111	2	Bearing	
18	7019110	2	Spacer, Head Gear	
19	7019112	1	Washer	
20	7003946	1	Spring, Return	
21	7019103	4	Pin	
22	See Note	NSS	Rivet (Note: Not Available - Purchase Locally)	
23	7019168	1	Plate, Mounting (Right Side)	
24	7003992	1	Washer	
25	7003993	1	Nut	
26	7003935	1	Gear, Slave	
27	7019160	1	Plate, Base	
28	7019114	1	Coupling, Potentiometer	
29	See Note	NSS	Cup Point Screw (Note: Not Available for Purchase)	
	7022812	Ref	HANDLE ASSEMBLY	
101	7003972	1	Boot, Switch	
102	7003973	2	Half, Handle	
103	7003980	4	Screw	
104	7019167	4	Nut	
105	7019164	1	Axle	
106	7019165	1	Rocker	
107	See Note	NSS	Wiring for Controller Assembly p/n 1600318 (Note: Use p/n 1001166538)	
107	7019166	2	Switch, Micro	
108	7003983	2	Setscrew	
109	7019194	1	Coupling	
110	7003989	2	Gasket	

SECTION 4 - PLATFORM

FIGURE 4-13. CONTROLLER ASSEMBLY (DRIVE AND STEER) (WITH ADE SYSTEM) (SERVICE REPLACEMENT) (SN 0300064249 through 0300069000)



Note: Original Equipment controller may have been replaced with Service Replacement controller. Visually identify controller before ordering parts.

ART_100118416

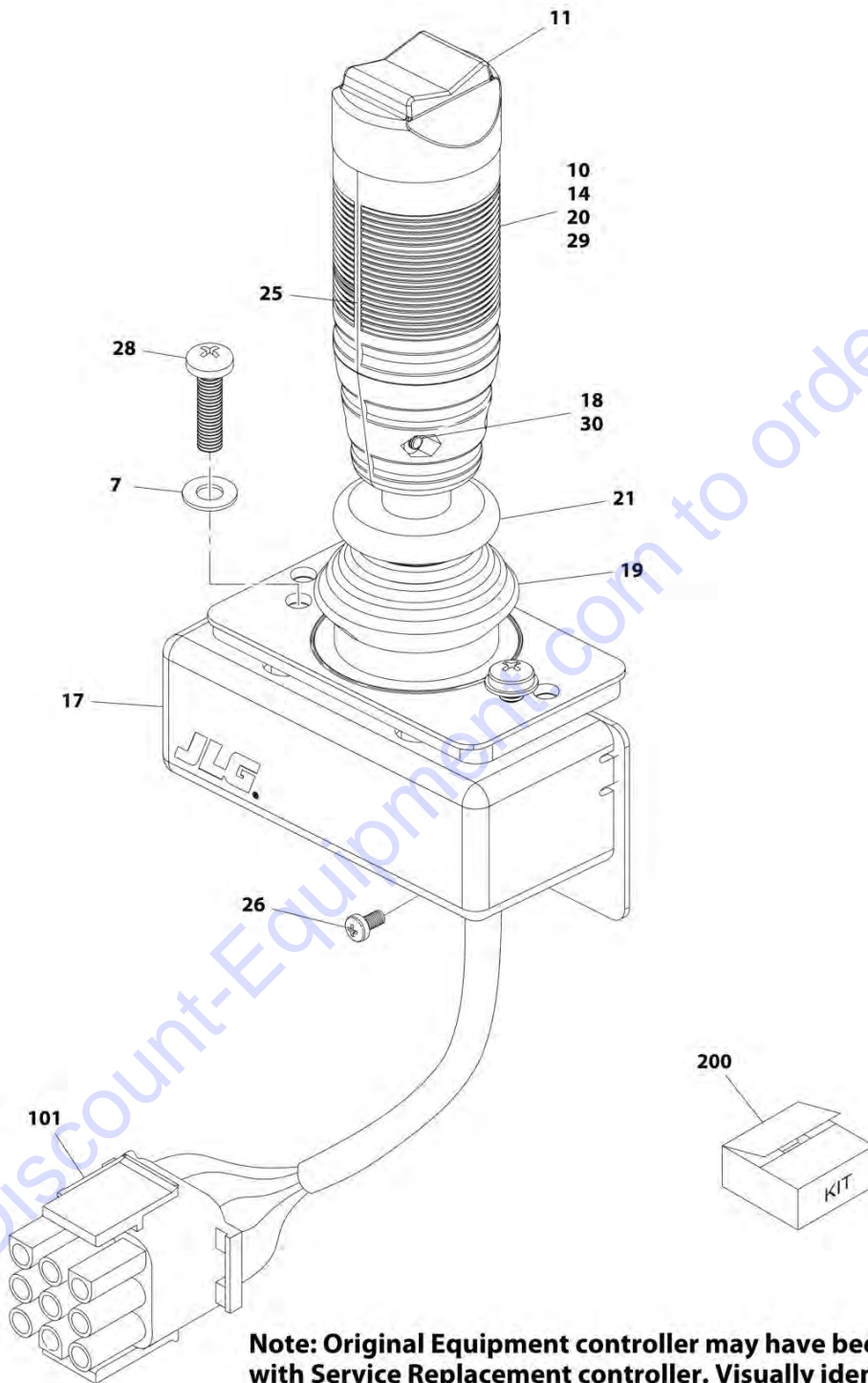
SECTION 4 - PLATFORM

FIGURE 4-13. CONTROLLER ASSEMBLY (DRIVE AND STEER) (WITH ADE SYSTEM) (SERVICE REPLACEMENT) (SN 0300064249 through 0300069000)

ITEM	PART NUMBER	QTY	DESCRIPTION	REV
		Ref	Note: Original Equipment controller may have been replaced with Service Replacement controller. Visually identify controller before ordering parts.	
	1001118416	Ref	CONTROLLER ASSEMBLY	D
		Ref	Note: Use p/n 1001212415 as Replacement.	
1	70002724	1	Boot and Control Lock Assembly	
2	7003941	2	Washer	
3	70002725	2	Screw	
4	7019162	1	Spring	
5	70002726	1	Enclosure	
6	70002727	1	Handle Assembly (See Items 101-110 for Breakdown)	
7	70002728	1	Screw	
8	See Note	NSS	Mechanical Assembly (Note: Use p/n 1001166538)	
9	1001113961	1	Plug, Male - 8 Position (Black) (was p/n 7022825)	
9	4460871	7	Socket, Female	
	70002727	Ref	HANDLE ASSEMBLY	
101	7003972	1	Boot, Switch	
102	7003973	2	Half, Handle	
103	7003980	4	Screw	
104	7019167	4	Nut	
105	7019164	1	Axle	
106	7019165	1	Rocker	
107	70002729	1	Wiring Assembly	
107	7003982	2	Switch, Micro	
108	7003983	2	Set Screw	
109	7019194	1	Coupling	
110	7003989	2	Gasket	

SECTION 4 - PLATFORM

FIGURE 4-14. CONTROLLER ASSEMBLY (DRIVE AND STEER) (WITH ADE SYSTEM) (SERVICE REPLACEMENT) (SN 0300064249 through 0300069000)



Note: Original Equipment controller may have been replaced with Service Replacement controller. Visually identify controller before ordering parts.

ART_1001166538

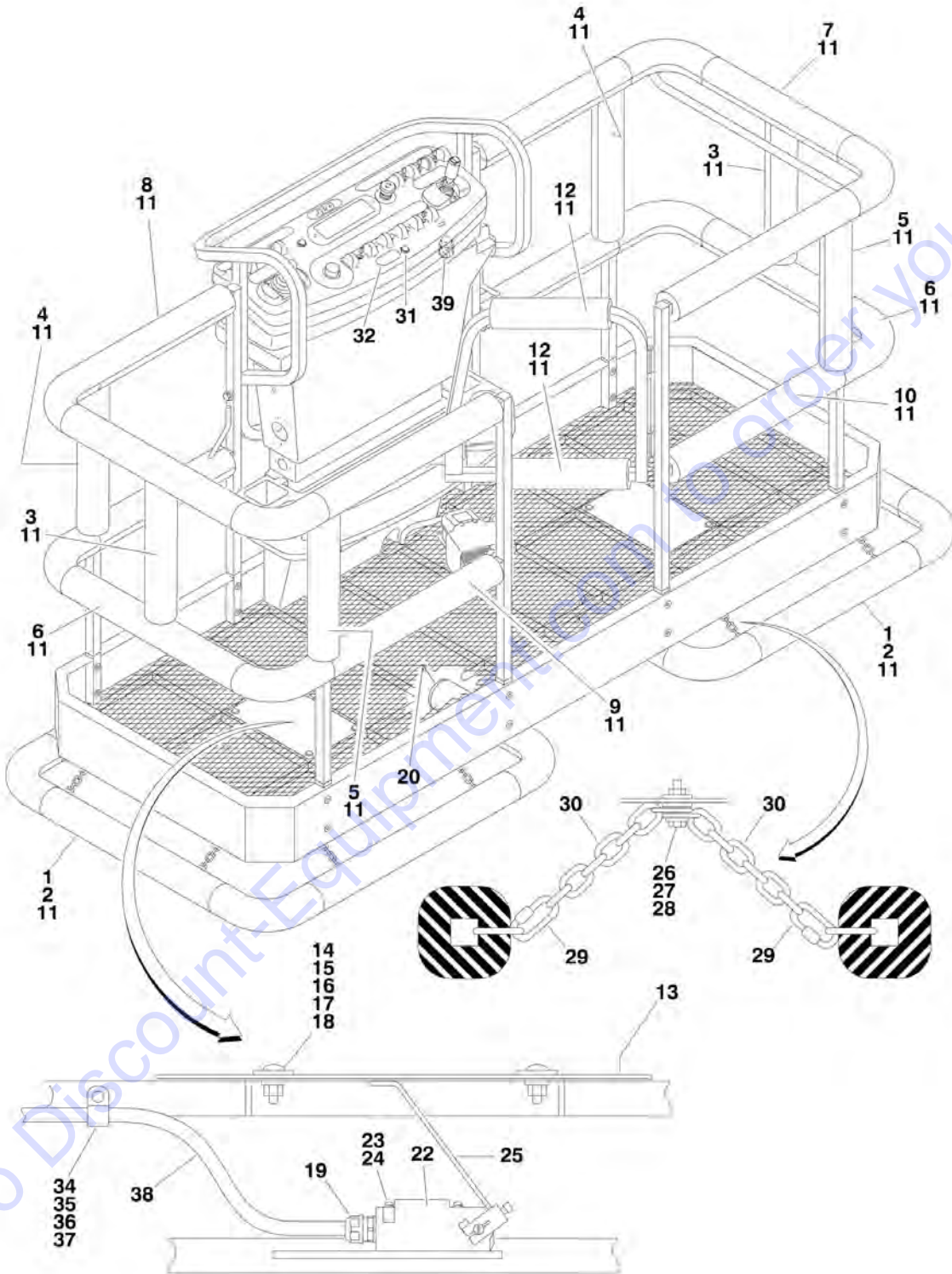
SECTION 4 - PLATFORM

FIGURE 4-14. CONTROLLER ASSEMBLY (DRIVE AND STEER) (WITH ADE SYSTEM) (SERVICE REPLACEMENT) (SN 0300064249 through 0300069000)

ITEM	PART NUMBER	QTY	DESCRIPTION	REV
		Ref	Note: Original Equipment controller may have been replaced with Service Replacement controller. Visually identify controller before ordering parts.	
	1001166538	Ref	CONTROLLER ASSEMBLY	E
		Ref	Note: Use p/n 1001212415 as Replacement.	
7	70004738	2	Washer	
10	70004739	1	Roller	
11	70004740	1	Boot, Switch	
14	70004741	2	Half, Handle	
17	70004742	1	Enclosure	
18	70004743	4	Nut	
19	70004744	NLA	Boot, Controller (Note: Use Item 200)	
20	70004745	NLA	Tube, Locking (Note: Use Item 200)	
21	70004746	NLA	Disc, Locking (Note: Use Item 200)	
25	70004747	2	Seal, Rope	
26	70004748	1	Screw, M3 x 6	
28	70004749	2	Screw, M5 x 20	
29	70004750	1	Pin, Dowel	
30	70004751	4	Screw, M3 x 16	
101	4460265	1	Connector - 9 Position	
101	4460226	7	Socket, Female	
200	70005230	1	Boot Kit (Includes Items 19-21)	

SECTION 4 - PLATFORM

FIGURE 4-15. SOFT TOUCH SYSTEM INSTALLATION (OPTIONAL)



SECTION 4 - PLATFORM

FIGURE 4-15. SOFT TOUCH SYSTEM INSTALLATION (OPTIONAL)

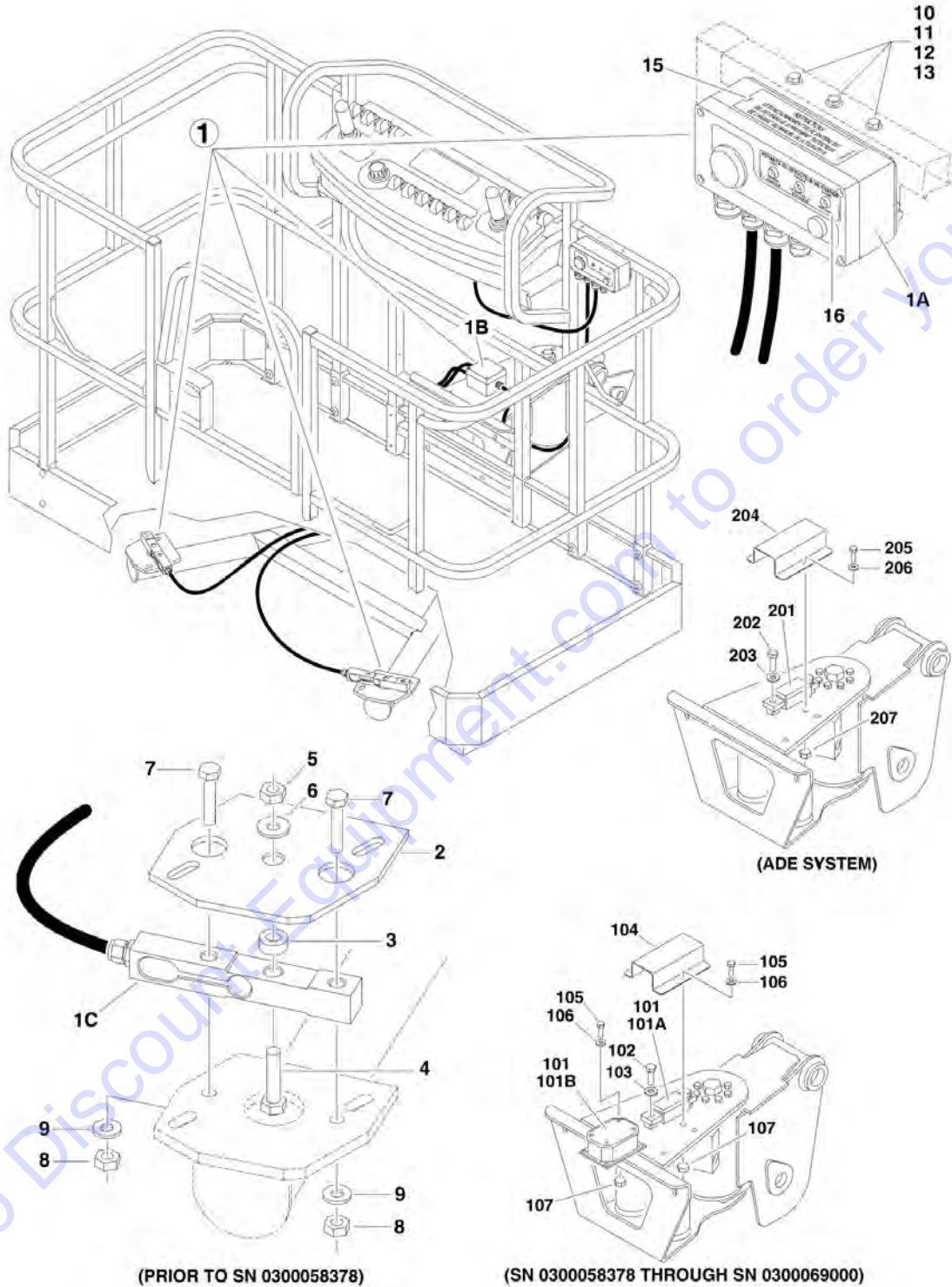
ITEM	PART NUMBER	QTY	DESCRIPTION	REV
		Ref	SOFT TOUCH SYSTEM INSTALLATION OPTIONS:	
	0257840	Ref	6ft/1.8m Platforms (Prior to SN 0300035129)	1
	0257849	Ref	6ft/1.8m Platforms (SN 0300035129 through 0300064248)	1
	0271550	Ref	6ft/1.8m Platforms - ADE System (SN 0300064249 through 0300069000)	1
	0257841	Ref	8ft/2.4m Platforms (Prior to SN 0300035129)	1
	0257850	Ref	8ft/2.4m Platforms (SN 0300035129 through 0300064248)	1
	0271551	Ref	8ft/2.4m Platforms - ADE System (SN 0300064249 through 0300069000)	1
1		Ref	Rail Weldment Options:	
1	4845308	2	6ft/1.8m Platforms	
1	4845309	2	8ft/2.4m Platforms	
2		Ref	Cover, Rail Options:	
2	1670804	2	6ft/1.8m Platforms	
2	1670803	2	8ft/2.4m Platforms	
3	1670787	2	Cover, End Post	
4	1670785	2	Cover, Front Right Post	
5	1670786	2	Cover, Front Left Post	
6	1670793	2	Cover, End Mid Rail	
7		Ref	Cover, Right End Top Options:	
7	1670798	1	6ft/1.8m Platforms	
7	1670796	1	8ft/2.4m Platforms	
8		Ref	Cover, Left End Top Options:	
8	1670797	1	6ft/1.8m Platforms	
8	1670795	1	8ft/2.4m Platforms	
9		Ref	Cover, Left Mid Rail Options:	
9	1670799	1	6ft/1.8m Platforms	
9	1670789	1	8ft/2.4m Platforms	
10		Ref	Cover, Right Mid Rail Options:	
10	1670801	1	6ft/1.8m Platforms	
10	1670791	1	8ft/2.4m Platforms	
11	0940038	70 ft/21.4m	Padding, Bumper	
12	1670788	2	Cover, Gate	
13	3539719	2	Plate, Switch Strike	
14	0630462	8	Bolt, Carriage	
15	4761500	8	Lockwasher 5/16in	
16	4751800	8	Flatwasher 1/2in Regular	
17	3311501	8	Nut 5/16in-18NC	
18	4751500	8	Flatwasher 5/16in Regular	
19	4460049	2	Connector, Strain Relief	
20	3530072	4	Plug, Cap	
22	4360057	2	Switch, Limit	
23	0731005	4	Bolt #10-32NC x 5/8in	
24	4751000	4	Lockwasher #10	
25	0200550	2	Arm, Switch	
26	0641612	8	Bolt 3/8in-16NC x 1-1/2in	
27	4751600	40	Flatwasher 3/8in Regular	
28	3311605	8	Locknut 3/8in-16NC	
29	3010088	16	Link, Quick	

SECTION 4 - PLATFORM

ITEM	PART NUMBER	QTY	DESCRIPTION	REV
30	1260136	10 ft/3m	Chain	
31	4360387	1	Switch, Push Button	
32	1702938	1	Decal - Soft Touch Override	
34	1320040	4	Clamp	
35	0641406	4	Bolt 1/4in-20NC x 3/4in	
36	4711400	8	Flatwasher 1/4in Thin	
37	3311405	4	Locknut 1/4in-20NC	
38		Ref	Cable Options:	
38	1060330	16 ft/4.9m	Cable, Electrical - 16/3 (SN 0300029105 through 0300064248)	
38	1060341	16 ft/4.9m	Cable, Electrical - 16/2 (SN 0300064249 through 0300069000)	
39		Ref	Connector, Strain Relief Options:	
39	4460428	1	Connector, Strain Relief (Prior to SN 0300032415)	
39	4460425	1	Terminal, Strain Relief (SN 0300032415 through 0300069000)	

SECTION 4 - PLATFORM

FIGURE 4-16. LOAD SENSING SYSTEM INSTALLATION (FRONT ENTRY PLATFORM)



Go to DiscountEquipment.com to order your parts

SECTION 4 - PLATFORM

FIGURE 4-16. LOAD SENSING SYSTEM INSTALLATION (FRONT ENTRY PLATFORM)

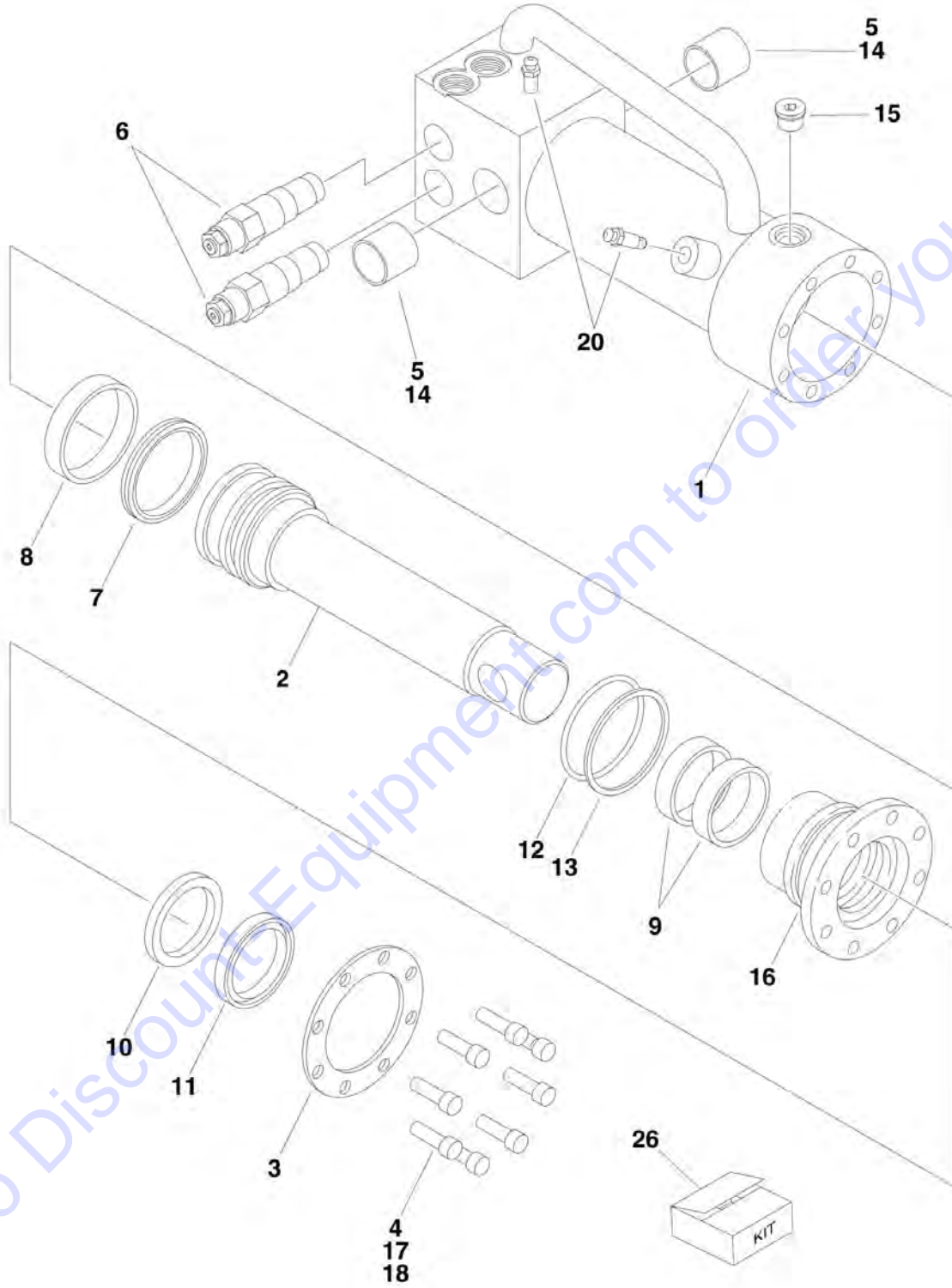
ITEM	PART NUMBER	QTY	DESCRIPTION	REV
	0257997	Ref	PLATFORM LOAD SENSING DEVICE INSTALLATION (WITHOUT ADE SYSTEM) (Prior to SN 0300058378)	3-A
1	2901557	1	Load Sensing Assembly	
1A	7020057	1	Display Unit - 12V DC.	
1B	7020058	1	Converter (Junction Box)	
1C	7020059	2	Load Cell	
2	3570740	2	Plate, Spacer	
3	0962180	2	Spacer, Load Cell	
4	0641818	2	Bolt 1/2in-13NC x 2-1/4in	
5	3311805	2	Locknut 1/2in-13NC	
6	4751800	2	Flatwasher 1/2in Regular	
7	0641616	4	Bolt 3/8in-16NC x 2in	
8	3300143	4	Locknut 3/8in-16NC	
9	4751600	4	Flatwasher 3/8in Regular	
10	0641416	3	Bolt 1/4in-20NC x 2in	
11	3311401	3	Nut 1/4in-20NC	
12	4751400	3	Flatwasher 1/4in Regular	
13	4761400	3	Lockwasher 1/4in	
15	1703791	1	Decal - Instruction Load Sensing System	
16	1703801	1	Decal - Load Sensing Device Lights	
17	3124025	1	Manual Supplement (Not Shown)	
	0259233	Ref	PLATFORM LOAD SENSING DEVICE INSTALLATION (WITHOUT ADE SYSTEM) (SN 0300058378 through 0300069000)	4-C
	0271474	1	PLATFORM LOAD SENSING DEVICE INSTALLATION (WITHOUT ADE SYSTEM) (SN 0300058378 through 0300069000)	1-B
101	2901811	1	Load Sensing Assembly	
101A	3990109	1	Transducer, Pressure	
101B	7023332	1	Card, Control	
101B	7023331	1	Fuse	
101B	7023333	1	Holder, Fuse	
102	0701010	2	Bolt 10mm x 20mm	
103	4812000	2	Flatwasher 10mm	
104	1670900	1	Cover, Load Cell	
105	0641407	4	Bolt 1/4in-20NC x 7/8in	
106	4761400	4	Lockwasher 1/4in	
107	3311401	4	Nut 1/4in-20NC	
	0271543	Ref	PLATFORM LOAD SENSING DEVICE INSTALLATION (WITH ADE SYSTEM)	1A
201	3990109	1	Transducer, Pressure	
202	0701010	2	Bolt 10mm x 20mm	
203	4812000	2	Flatwasher 10mm	
204	1670900	1	Cover, Load Cell	
205	0641407	2	Bolt 1/4in-20NC x 7/8in	
206	4761400	2	Lockwasher 1/4in	
207	3311401	2	Nut 1/4in-20NC	
209	4460226	4	Terminal, Socket (Not Shown) (Located in Console Box)	

SECTION 5 - CYLINDER

Go to Discount-Equipment.com to order your parts

SECTION 5 - CYLINDER

FIGURE 5-1. AXLE LOCKOUT CYLINDER ASSEMBLY



Go to DiscountEquipment.com to order your parts

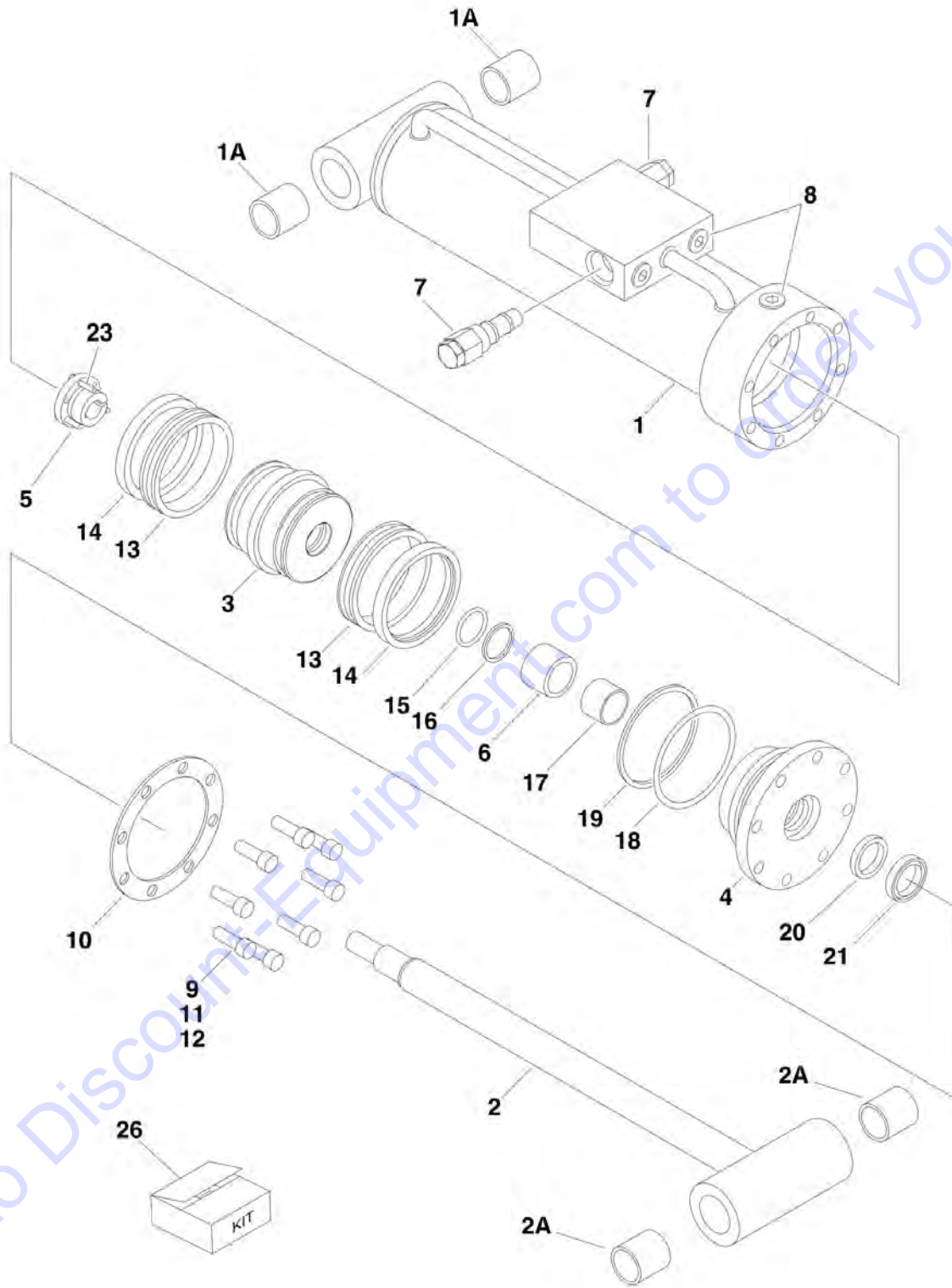
SECTION 5 - CYLINDER

FIGURE 5-1. AXLE LOCKOUT CYLINDER ASSEMBLY

ITEM	PART NUMBER	QTY	DESCRIPTION	REV
	1683280	Ref	AXLE LOCKOUT CYLINDER ASSEMBLY	6-D
1	1683281	1	Barrel Weldment	
2	1683283	1	Rod Weldment	
3	3760369	1	Ring, Washer	
4	0681610	8	Bolt 3/8in-16NC x 1-1/4in (Grade 8)	
5		Ref	Bushing Options:	
5	0961890	4	Bushing (Prior to SN 0300069092)	
5	0962474	4	Bushing (SN 0300069092 through 0300069000)	
6		Ref	Valve, Cartridge Options:	
6	4640525	2	Valve, Cartridge (Prior to SN 0300056900)	
6	4641162	2	Valve, Cartridge (SN 0300056900 through 0300069000)	
6	2900770	2	Seal Kit - 4640525 Valve	
7	See Note	NSS	Seal (Note: Use Item 26)	
8	See Note	NSS	Ring, Wear (Note: Use Item 26)	
9	See Note	NSS	Ring, Wear (Note: Use Item 26)	
10	See Note	NSS	Seal, Rod (Note: Use Item 26)	
11	See Note	NSS	Wiper, Rod (Note: Use Item 26)	
12	See Note	NSS	O-Ring (Note: Use Item 26)	
13	See Note	NSS	Ring, Back-up (Note: Use Item 26)	
14	0100063	AR	Adhesive	
15	2220885	1	Plug, O-Ring	
16	1683057	1	Head	
17	0100011	AR	Compound, Locking	
18	0100038	AR	Primer, Locking	
20	4640858	2	Valve, Bleeder	
26	2901321	1	Seal Kit (Includes Items 7-13)	

SECTION 5 - CYLINDER

FIGURE 5-2. PLATFORM LEVEL CYLINDER ASSEMBLIES (Prior to SN 0300024714)



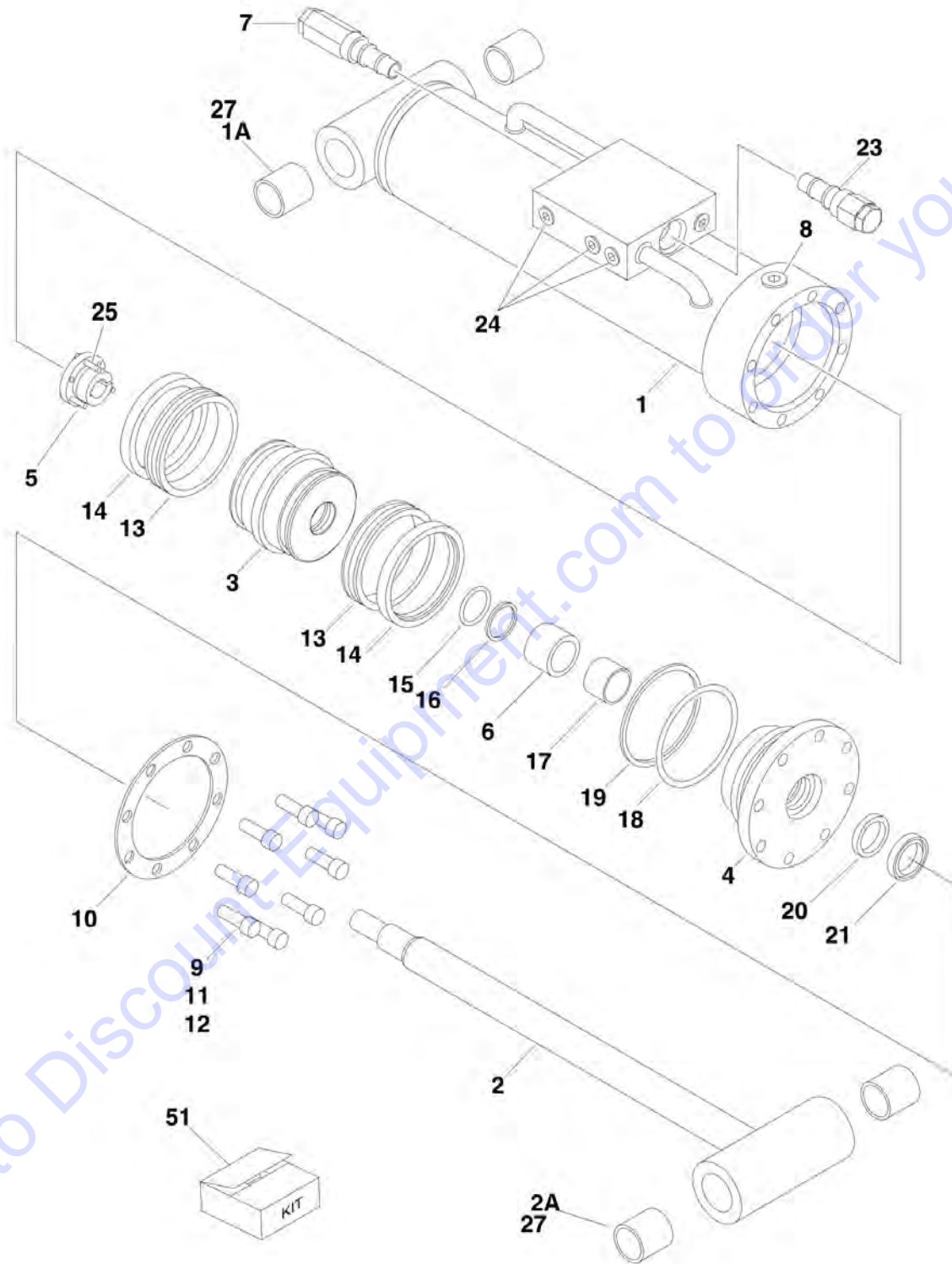
SECTION 5 - CYLINDER

FIGURE 5-2. PLATFORM LEVEL CYLINDER ASSEMBLIES (Prior to SN 0300024714)

ITEM	PART NUMBER	QTY	DESCRIPTION	REV
	1683271	Ref	PLATFORM LEVEL CYLINDER ASSEMBLY - 600A	2-B
	1683253	Ref	PLATFORM LEVEL CYLINDER ASSEMBLY - 600AJ	3-E
1		Ref	Barrel Options:	
1	1683272	1	Barrel 600A	
1	1683254	1	Barrel 600AJ	
1A		Ref	Bushing Options:	
1A	0961947	2	Bushing 600A	
1A	0961951	2	Bushing 600AJ	
2		Ref	Rod Options:	
2	1683274	1	Rod 600A	
2	1683333	1	Rod 600AJ	
2A		Ref	Bushing Options:	
2A	0961947	2	Bushing 600A	
2A	0961951	2	Bushing 600AJ	
3		Ref	Piston Options:	
3	3480210	1	Piston 600A	
3	3480188	1	Piston 600AJ	
4		Ref	Head Options:	
4	1683053	1	Head 600A	
4	1683055	1	Head 600AJ	
5		Ref	Bushing, Tapered Options:	
5	0961893	1	Bushing, Tapered 600A	
5	0961894	1	Bushing, Tapered 600AJ	
6	4566468	1	Spacer	
7	4640509	1	Cartridge, Valve	
7	2900792	1	Seal Kit - 4640509 Valve	
8	2220885	1	Plug, O-Ring	
9		Ref	Capscrew Options:	
9	3931516	8	600A - Capscrew, Socket Head 5/16in-18NC x 1in	
9	3931620	8	600AJ - Capscrew, Socket Head 3/8in-16NC x 1-1/4in	
10		Ref	Ring, Washer Options:	
10	3760368	1	Ring, Washer 600A	
10	3760369	1	Ring, Washer 600AJ	
11	0100011	AR	Compound, Locking	
12	0100038	AR	Primer, Locking	
13	See Note	2	Seal (Note: Use Item 26)	
14	See Note	2	Ring, Lock (Note: Use Item 26)	
15	See Note	1	O-Ring (Note: Use Item 26)	
16	See Note	1	Ring, Back-up (Note: Use Item 26)	
17	See Note	1	Ring, Wear (Note: Use Item 26)	
18	See Note	1	O-Ring (Note: Use Item 26)	
19	See Note	1	Ring, Back-up (Note: Use Item 26)	
20	See Note	1	Seal, Rod (Note: Use Item 26)	
21	See Note	1	Wiper (Note: Use Item 26)	
23	0630535	3	Bolt #10 - 24NC x 1-1/8in	
26		Ref	Seal Kit Options (Includes Items 13-21):	
26	2901303	1	Seal Kit 600A	
26	2901301	1	Seal Kit 600AJ	

SECTION 5 - CYLINDER

FIGURE 5-3. PLATFORM LEVEL CYLINDER ASSEMBLIES (ORIGINAL EQUIPMENT) (SN 0300024714 through 0300069000)



PARTS FINDER

**Search Website
by Part Number**



**Search Manual
Library For Parts
Manual & Lookup Part
Numbers – Purchase
or Request Quote**

**Can't Find Part or
Manual? Request Help
by Manufacturer,
Model & Description**

Discount-Equipment.com is your online resource for quality parts & equipment.

Florida: **561-964-4949** Outside Florida TOLL FREE: **877-690-3101**

Need parts?

Click on this link: <http://www.discount-equipment.com/category/5443-parts/> and choose one of the options to help get the right parts and equipment you are looking for. Please have the machine model and serial number available in order to help us get you the correct parts. If you don't find the part on the website or on one of the online manuals, please fill out the request form and one of our experienced staff members will get back to you with a quote for the right part that your machine needs.

We sell worldwide for the brands: Genie, Terex, JLG, MultiQuip, Mikasa, Essick, Whiteman, Mayco, Toro Stone, Diamond Products, Generac Magnum, Airman, Haulotte, Barreto, Power Blanket, Nifty Lift, Atlas Copco, Chicago Pneumatic, Allmand, Miller Curber, Skyjack, Lull, Skytrak, Tsurumi, Husquvarna Target, Stow, Wacker, Sakai, Mi-T-M, Sullair, Basic, Dynapac, MBW, Weber, Bartell, Bennar Newman, Haulotte, Ditch Runner, Menegotti, Morrison, Contec, Buddy, Crown, Edco, Wyco, Bomag, Laymor, EZ Trench, Bil-Jax, F.S. Curtis, Gehl Pavers, Heli, Honda, ICS/PowerGrit, IHI, Partner, Imer, Clipper, MMD, Koshin, Rice, CH&E, General Equipment, Amida, Coleman, NAC, Gradall, Square Shooter, Kent, Stanley, Tamco, Toku, Hatz, Kohler, Robin, Wisconsin, Northrock, Oztec, Toker TK, Rol-Air, APT, Wylie, Ingersoll Rand / Doosan, Innovatech, Con X, Ammann, Mecalac, Makinex, Smith Surface Prep, Small Line, Wanco, Yanmar

SECTION 5 - CYLINDER

FIGURE 5-3. PLATFORM LEVEL CYLINDER ASSEMBLIES (ORIGINAL EQUIPMENT) (SN 0300024714 through 0300069000)

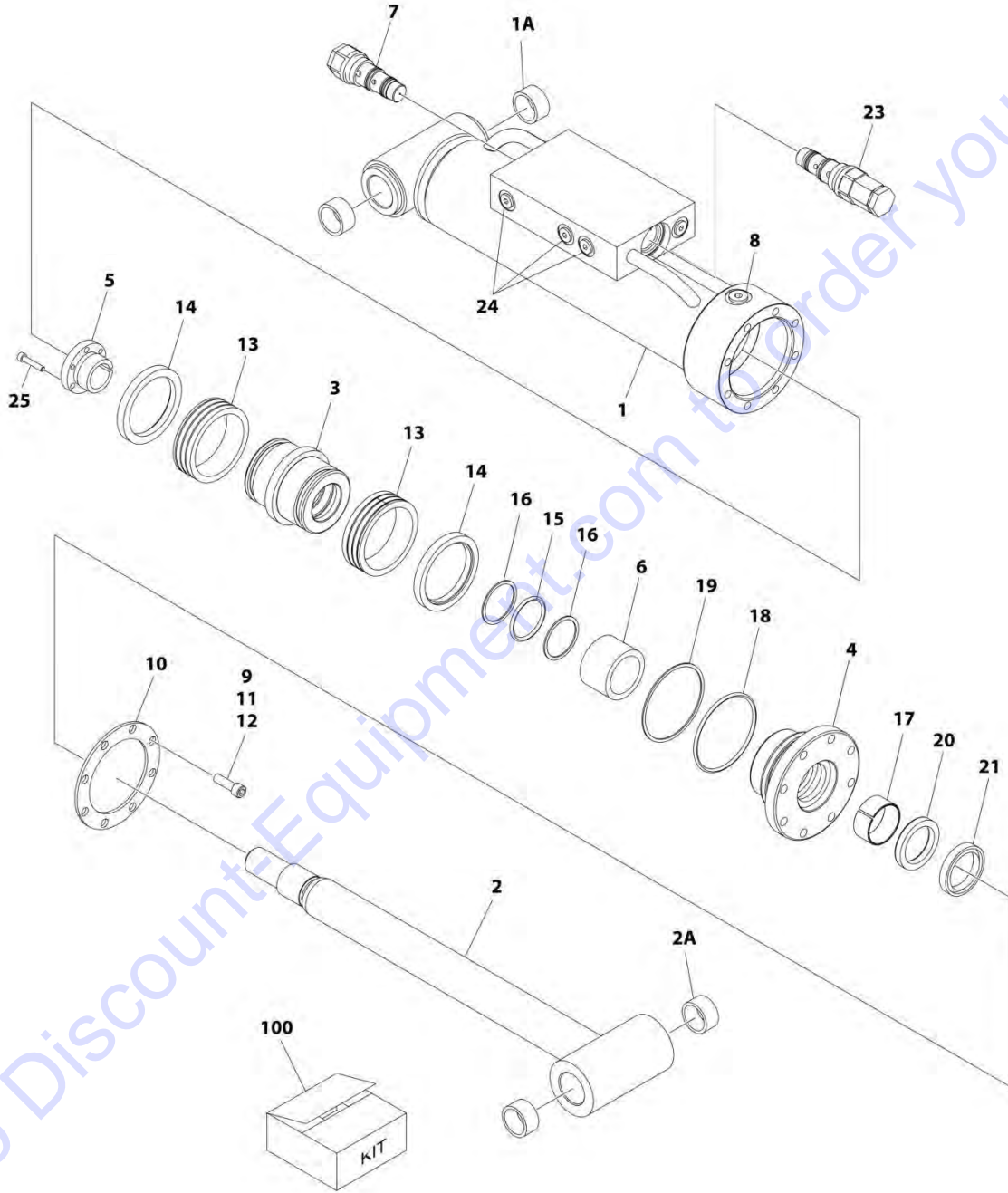
ITEM	PART NUMBER	QTY	DESCRIPTION	REV
	1683415	Ref	PLATFORM LEVEL CYLINDER ASSEMBLY - 600A	C
	1683418	Ref	PLATFORM LEVEL CYLINDER ASSEMBLY - 600AJ	D
		Ref	Note: Original Cylinder may have been replaced with Service Replacement. Identify PN Stamped on Cylinder Before Ordering Parts.	
1		Ref	Barrel Weldment Options:	
1	1683416	1	Barrel Weldment 600A (Note: Includes Item 1A) 600A (SN 0300024714 through 0300053551)	
1	1683977	1	Barrel Weldment 600A (Note: Includes Item 1A) 600A (SN 0300053552 through 0300069000)	
1	1683419	1	Barrel Weldment 600AJ (Note: Includes Item 1A) 600AJ (SN 0300024714 through 0300052684)	
1	1683952	1	Barrel Weldment 600AJ (Note: Item 1A not included. Purchase Separately) (SN 0300052685 through 0300069000)	
1A		Ref	Bushing Options:	
1A	0961947	2	600A - Bushing	
1A	0961951	2	600AJ - Bushing	
2		Ref	Rod Weldment Options:	
2	1683274	1	Rod Weldment 600A (Note: Includes Item 2A) (SN 0300024714 through 0300053551)	
2	1683976	1	Rod Weldment 600A (Note: Includes Item 2A) (SN 0300053552 through 0300069000)	
2	1683333	1	Rod Weldment 600AJ (Note: Includes Item 2A) (SN 0300024714 through 0300052684)	
2	1683963	1	Rod Weldment 600AJ (Note: Item 2A not included. Purchase Separately) (SN 0300052685 through 0300069000)	
2A		Ref	Bushing Options:	
2A	0961947	2	600A - Bushing	
2A	0961951	2	600AJ - Bushing	
3		Ref	Piston Options:	
3	3480210	1	Piston 600A	
3	3480188	1	Piston 600AJ	
4		Ref	Head Options:	
4	1683053	1	Head 600A	
4	1683055	1	Head 600AJ	
5		Ref	Bushing, Tapered (Includes Item 25) Options:	
5	0961893	1	Bushing, Tapered 600A	
5	0961894	1	Bushing, Tapered 600AJ	
6	4566468	1	Spacer	
7	4640509	1	Cartridge, Valve	
7	2900792	1	Seal Kit - 4640509 Valve	
8	2220885	1	Plug, O-Ring	
9		Ref	Capscrew, Socket Head Options:	
9	3931516	8	600A - Capscrew 5/16in-18NC x 1in	
9	3931620	8	600AJ - Capscrew 3/8in-16NC x 1-1/4in	
10		Ref	Ring, Washer Options:	
10	3760368	1	Ring, Washer 600A	
10	3760369	1	Ring, Washer 600AJ	
11	0100011	AR	Compound, Locking	
12	0100038	AR	Primer, Locking	
13	See Note	2	Seal (Note: Use Item 51)	

SECTION 5 - CYLINDER

ITEM	PART NUMBER	QTY	DESCRIPTION	REV
14	See Note	2	Ring, Lock (Note: Use Item 51)	
15	See Note	1	O-Ring (Note: Use Item 51)	
16	See Note	1	Ring, Back-up (Note: Use Item 51)	
17	See Note	1	Ring, Wear (Note: Use Item 51)	
18	See Note	1	O-Ring (Note: Use Item 51)	
19	See Note	1	Ring, Back-up (Note: Use Item 51)	
20	See Note	1	Seal, Rod (Note: Use Item 51)	
21	See Note	1	Wiper (Note: Use Item 51)	
23	4640932	1	Cartridge, Valve	
23	7011112	1	Seal Kit - 4640932 Valve	
24	2220883	8	Plug, O-Ring	
25		Ref	Bolt Options:	
25	0630534	3	600A - Bolt #10 - 24NC x 1in	
25	0630535	3	600AJ - Bolt 1/4in - 20NC x 1-1/8in	
27	0100063	AR	Adhesive	
51		Ref	Seal Kit Options (Includes Items 13-21):	
51	2901303	1	Seal Kit 600A	
51	2901301	1	Seal Kit 600AJ	

SECTION 5 - CYLINDER

FIGURE 5-4. LEVEL CYLINDER ASSEMBLY - PLATFORM SLAVE (600A) (SERVICE REPLACEMENT)



ART_1001223512

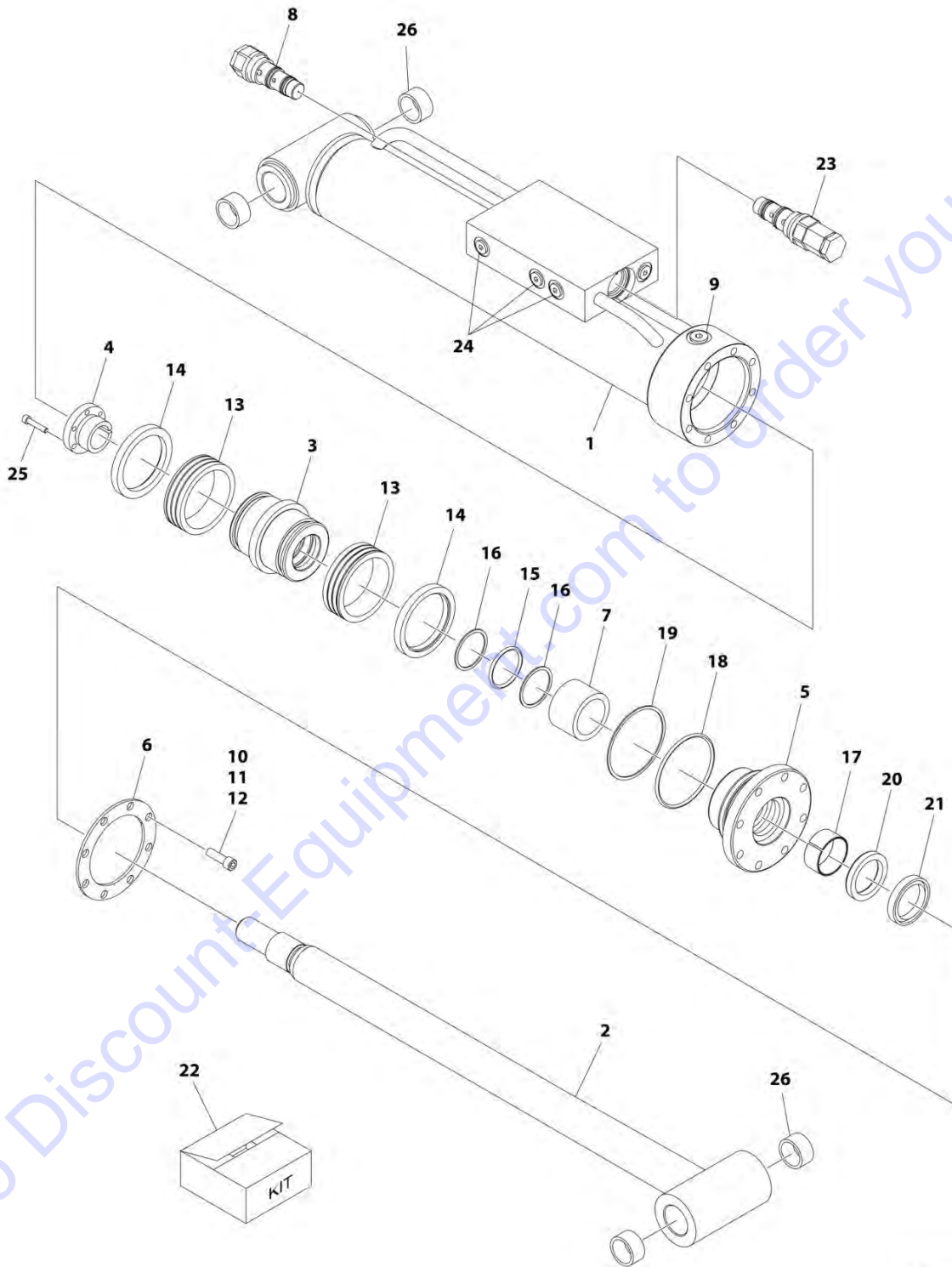
SECTION 5 - CYLINDER

FIGURE 5-4. LEVEL CYLINDER ASSEMBLY - PLATFORM SLAVE (600A) (SERVICE REPLACEMENT)

ITEM	PART NUMBER	QTY	DESCRIPTION	REV
	1001223512	Ref	LEVEL CYLINDER ASSEMBLY	A
		Ref	Note: Original Cylinder may have been replaced with Service Replacement. Identify PN Stamped on Cylinder Before Ordering Parts.	
1	1001223511	1	Barrel	
1A	0961947	2	Bushing	
2	1683976	1	Rod	
2A	0961947	2	Bushing	
3	3480210	1	Piston	
4	1683053	1	Head	
5	0961893	1	Bushing, Tapered	
6	4566468	1	Spacer	
7	4640509	1	Cartridge, Valve	
7	2900792	1	Seal Kit - 4640509 Valve	
8	2220885	1	Plug, O-Ring	
9	3931516	8	Capscrew, Socket Head	
10	3760368	1	Ring, Washer	
11	0100011	AR	Compound, Locking	
12	0100038	AR	Primer, Locking	
13	See Note	NSS	Seal (Note: Use Item 100)	
14	See Note	NSS	Ring, Lock (Note: Use Item 100)	
15	See Note	NSS	O-Ring (Note: Use Item 100)	
16	See Note	NSS	Ring, Back-up (Note: Use Item 100)	
17	See Note	NSS	Ring, Wear (Note: Use Item 100)	
18	See Note	NSS	O-Ring (Note: Use Item 100)	
19	See Note	NSS	Ring, Back-up (Note: Use Item 100)	
20	See Note	NSS	Seal, Rod (Note: Use Item 100)	
21	See Note	NSS	Wiper (Note: Use Item 100)	
23	4640932	1	Cartridge, Valve	
23	7011112	1	Seal Kit - 4640932 Valve	
24	2220883	8	Plug, O-Ring	
25	0630534	3	Bolt #10 x 1	
100	2901303	1	Seal Kit (Includes Items 13-21)	

SECTION 5 - CYLINDER

FIGURE 5-5. LEVEL CYLINDER ASSEMBLY - PLATFORM SLAVE (600AJ) (SERVICE REPLACEMENT)



ART_1001223331

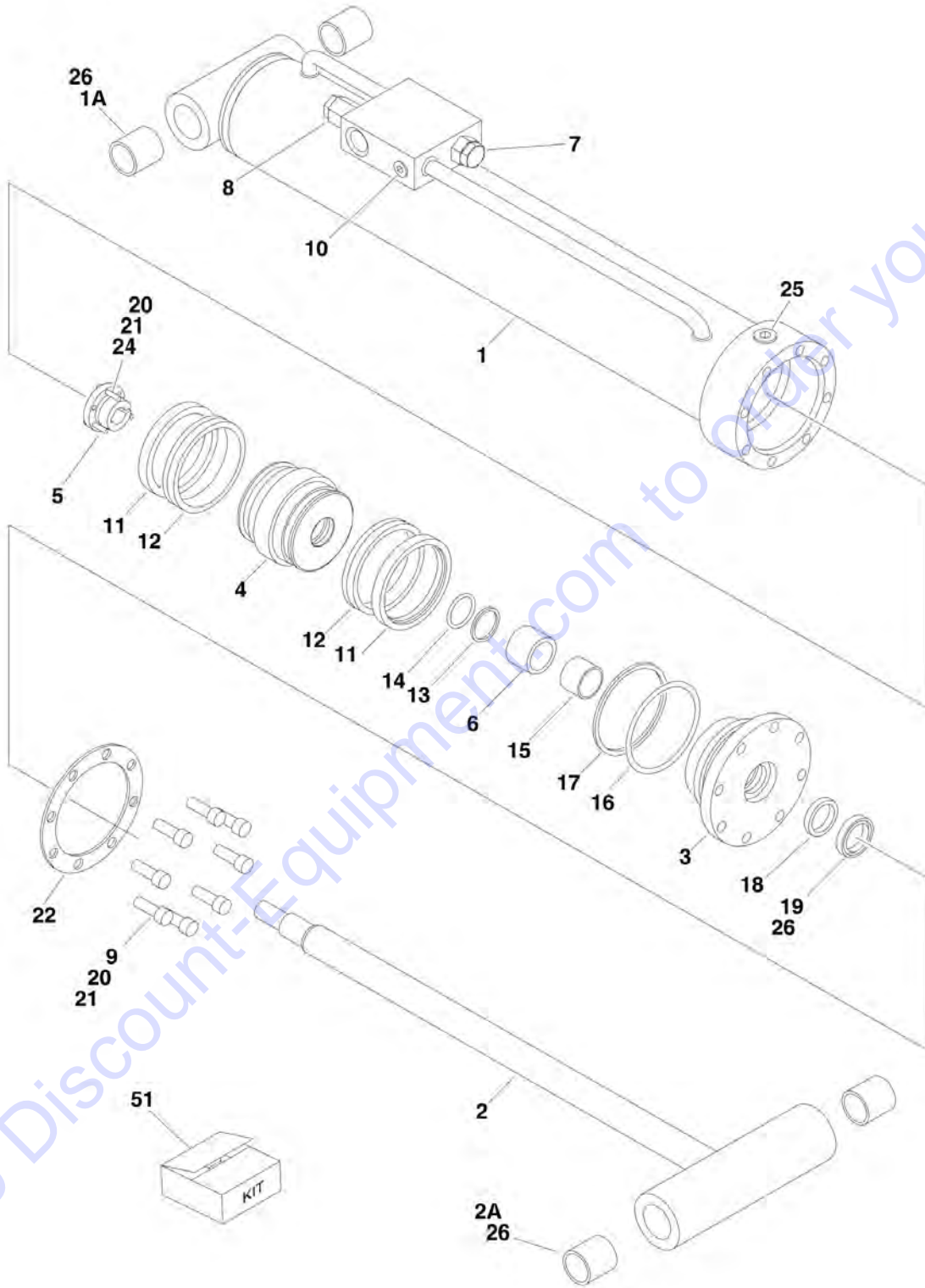
SECTION 5 - CYLINDER

FIGURE 5-5. LEVEL CYLINDER ASSEMBLY - PLATFORM SLAVE (600AJ) (SERVICE REPLACEMENT)

ITEM	PART NUMBER	QTY	DESCRIPTION	REV
	1001223331	Ref	LEVEL CYLINDER ASSEMBLY	B
		Ref	Note: Original Cylinder may have been replaced with Service Replacement. Identify PN Stamped on Cylinder Before Ordering Parts.	
1	1001223332	1	Barrel	
2	1683963	1	Rod	
3	3480188	1	Head	
4	0961894	1	Bushing, Tapered	
5	1683055	1	Head	
6	3760369	1	Ring, Washer	
7	4566468	1	Spacer	
8	4640509	1	Cartridge, Valve	
8	2900792	1	Seal Kit - 4640509 Valve	
9	2220885	1	Plug	
10	3931620	8	Capscrew 3/8 x 1-1/4	
11	0100011	AR	Compound, Locking	
12	0100038	AR	Primer, Locking	
13	See Note	NSS	Seal (Note: Use Item 22)	
14	See Note	NSS	Ring, Lock (Note: Use Item 22)	
15	See Note	NSS	O-Ring (Note: Use Item 22)	
16	See Note	NSS	Ring, Back-up (Note: Use Item 22)	
17	See Note	NSS	Ring, Wear (Note: Use Item 22)	
18	See Note	NSS	O-Ring (Note: Use Item 22)	
19	See Note	NSS	Ring, Back-up (Note: Use Item 22)	
20	See Note	NSS	Seal (Note: Use Item 22)	
21	See Note	NSS	Wiper (Note: Use Item 22)	
22	2901301	1	Seal Kit (Includes Items 13-21)	
23	4640932	1	Cartridge, Valve	
23	7011112	1	Seal Kit - 4640932 Valve	
24	2220883	8	Plug	
25	0630535	3	Bolt 1/4 x 1-1/8	
26	0961951	4	Bushing	

SECTION 5 - CYLINDER

FIGURE 5-6. LEVEL (UPRIGHT) CYLINDER ASSEMBLY



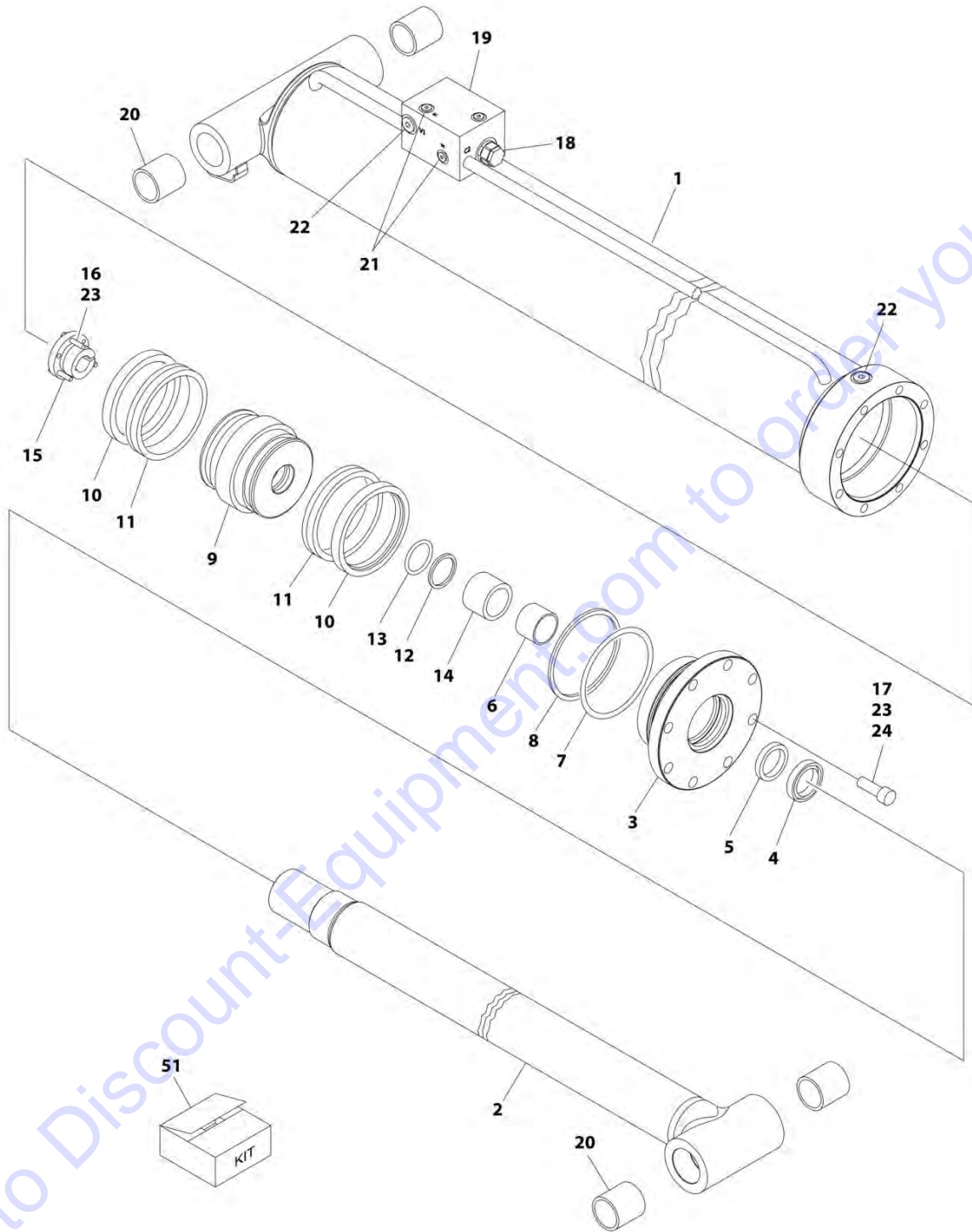
SECTION 5 - CYLINDER

FIGURE 5-6. LEVEL (UPRIGHT) CYLINDER ASSEMBLY

ITEM	PART NUMBER	QTY	DESCRIPTION	REV
		Ref	LEVEL (UPRIGHT) CYLINDER ASSEMBLY	
	1683299	Ref	Original Equipment	F
	1684498	Ref	Service Replacement	C
		Ref	Note: Original Equipment components may have been replaced with Service Replacement components part. Identify p/n stamped on cylinder before ordering parts.	
1		Ref	Barrel Weldment Options:	
1	1683300	1	Barrel Weldment (Prior to SN 0300056430)	
1	1684014	NLA	Barrel Weldment (Original Equipment) (Use p/n 0370035) (SN 0300056430 through 0300069000)	
1	0370035	1	Service Replacement	
1A	0961949	2	Bushing	
2		Ref	Rod Weldment Options:	
2	1683302	1	Rod Weldment (Prior to SN 0300056430)	
2	1684015	1	Rod Weldment (SN 0300056430 through 0300069000)	
2A	0961949	2	Bushing	
3	1683067	1	Head	
4	3480206	1	Piston	
5	0961898	1	Bushing, Tapered (Use item #24 in place of supplied bolts)	
6	4566501	1	Spacer, Tube	
7	4640509	1	Cartridge, Valve	
7	2900792	1	Seal Kit - 4640509 Valve	
8	4640605	1	Cartridge, Valve	
8	2900792	1	Seal Kit - 4640605 Valve	
9	3932032	8	Bolt, Socket Head 5/16in-11NC x 2in	
10	2220883	2	Plug, O-Ring	
11	See Note	NSS	Ring, Lock (Note: Use Item 51)	
12	See Note	NSS	Seal, Hydrolock (Note: Use Item 51)	
13	See Note	NSS	O-Ring (Note: Use Item 51)	
14	See Note	NSS	Ring, Back-up (Note: Use Item 51)	
15	See Note	NSS	Ring, Wear (Note: Use Item 51)	
16	See Note	NSS	O-Ring (Note: Use Item 51)	
17	See Note	NSS	Ring, Back-up (Note: Use Item 51)	
18	See Note	NSS	Seal, Rod (Note: Use Item 51)	
19	See Note	NSS	Wiper (Note: Use Item 51)	
20	0100011	AR	Compound, Locking	
21	0100038	AR	Primer, Locking	
22	3760372	1	Washer, Ring	
24	0630536	3	Bolt 3/8in-16NC x 1-1/2in	
25	2220886	1	Plug, O-Ring	
26	0100063	AR	Adhesive	
51	2901285	1	Seal Kit (Includes Items 11-19)	

SECTION 5 - CYLINDER

FIGURE 5-7. LEVEL CYLINDER ASSEMBLY - UPRIGHT (SERVICE REPLACEMENT)



ART_1001228042

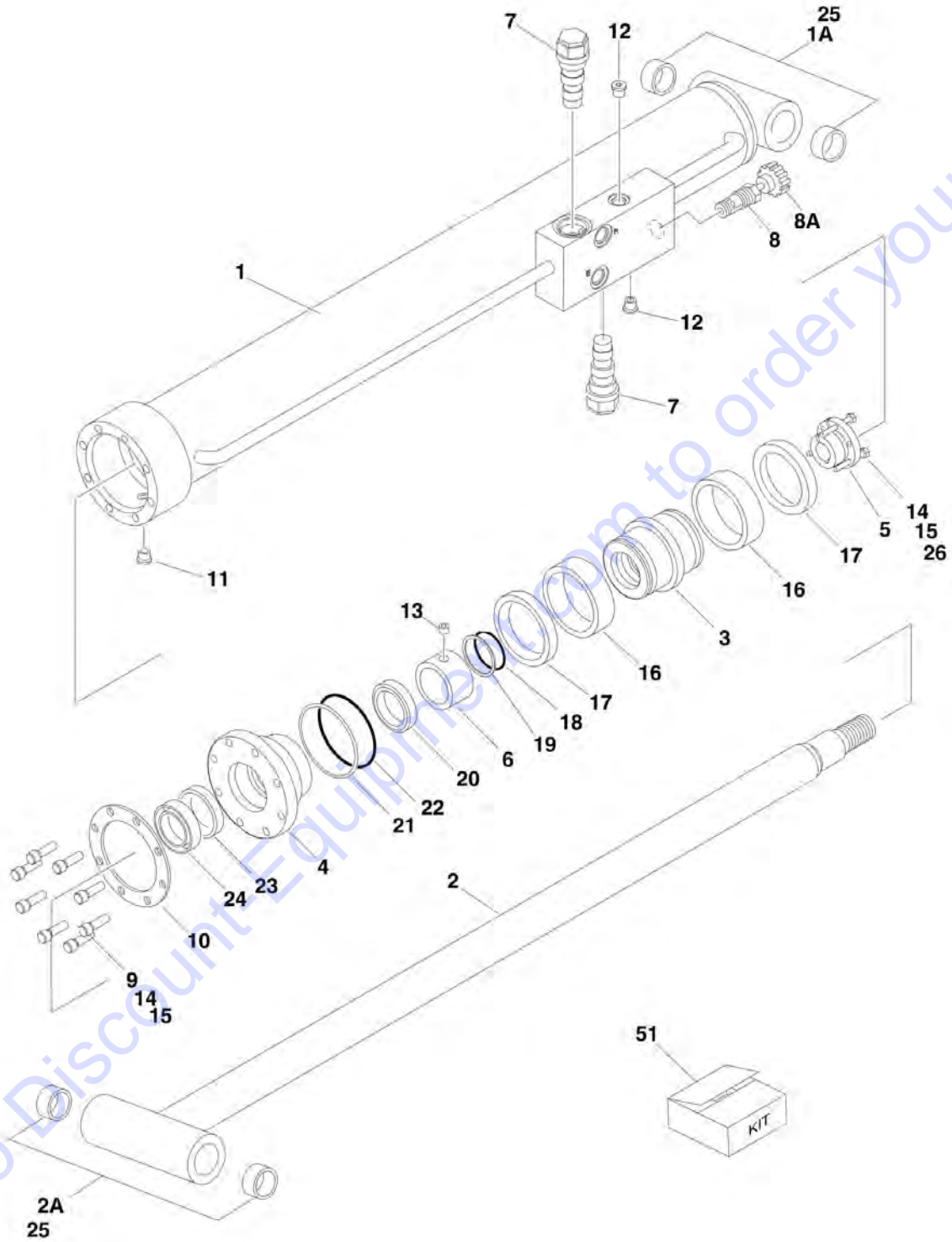
SECTION 5 - CYLINDER

FIGURE 5-7. LEVEL CYLINDER ASSEMBLY - UPRIGHT (SERVICE REPLACEMENT)

ITEM	PART NUMBER	QTY	DESCRIPTION	REV
	1001228042	Ref	UPRIGHT LEVEL CYLINDER ASSEMBLY	D
		Ref	Note: Original Equipment components may have been replaced with Service Replacement components part. Identify p/n stamped on cylinder before ordering parts.	
1	See Note	NSS	Barrel (Note: Not Available for Purchase)	
2	70006489	1	Rod	
3	70006488	1	Head	
4	See Note	NSS	Wiper (Note: Use Item 51)	
5	See Note	NSS	Seal, Rod (Note: Use Item 51)	
6	See Note	NSS	Ring, Wear (Note: Use Item 51)	
7	See Note	NSS	O-Ring (Note: Use Item 51)	
8	See Note	NSS	Ring, Back-up (Note: Use Item 51)	
9	70006487	1	Piston	
10	See Note	NSS	Ring, Lock (Note: Use Item 51)	
11	See Note	NSS	Seal, Hydrolock (Note: Use Item 51)	
12	See Note	NSS	O-Ring (Note: Use Item 51)	
13	See Note	NSS	Ring, Back-up (Note: Use Item 51)	
14	70006486	1	Spacer, Tube	
15	0961898	1	Bushing, Tapered (Use Item #16 in place of supplied bolts)	
16	0630536	3	Bolt 3/8 x 1-1/2	
17	3932032	8	Bolt, Socket Head 5/16 x 2	
18	4640509	1	Cartridge, Valve	
18	2900792	1	Seal Kit - 4640509 Valve	
19	4640605	1	Cartridge, Valve	
19	2900792	1	Seal Kit - 4640605 Valve	
20	0961949	4	Bushing	
21	2220883	5	Plug, O-Ring	
22	2220886	AR	Plug, O-Ring	
23	0100011	AR	Compound, Locking	
24	0100038	AR	Primer, Locking	
51	2901285	1	Seal Kit (Includes Items 4-8 & 10-13)	

SECTION 5 - CYLINDER

FIGURE 5-8. LIFT (ARTICULATING JIB) CYLINDER ASSEMBLY - 600AJ



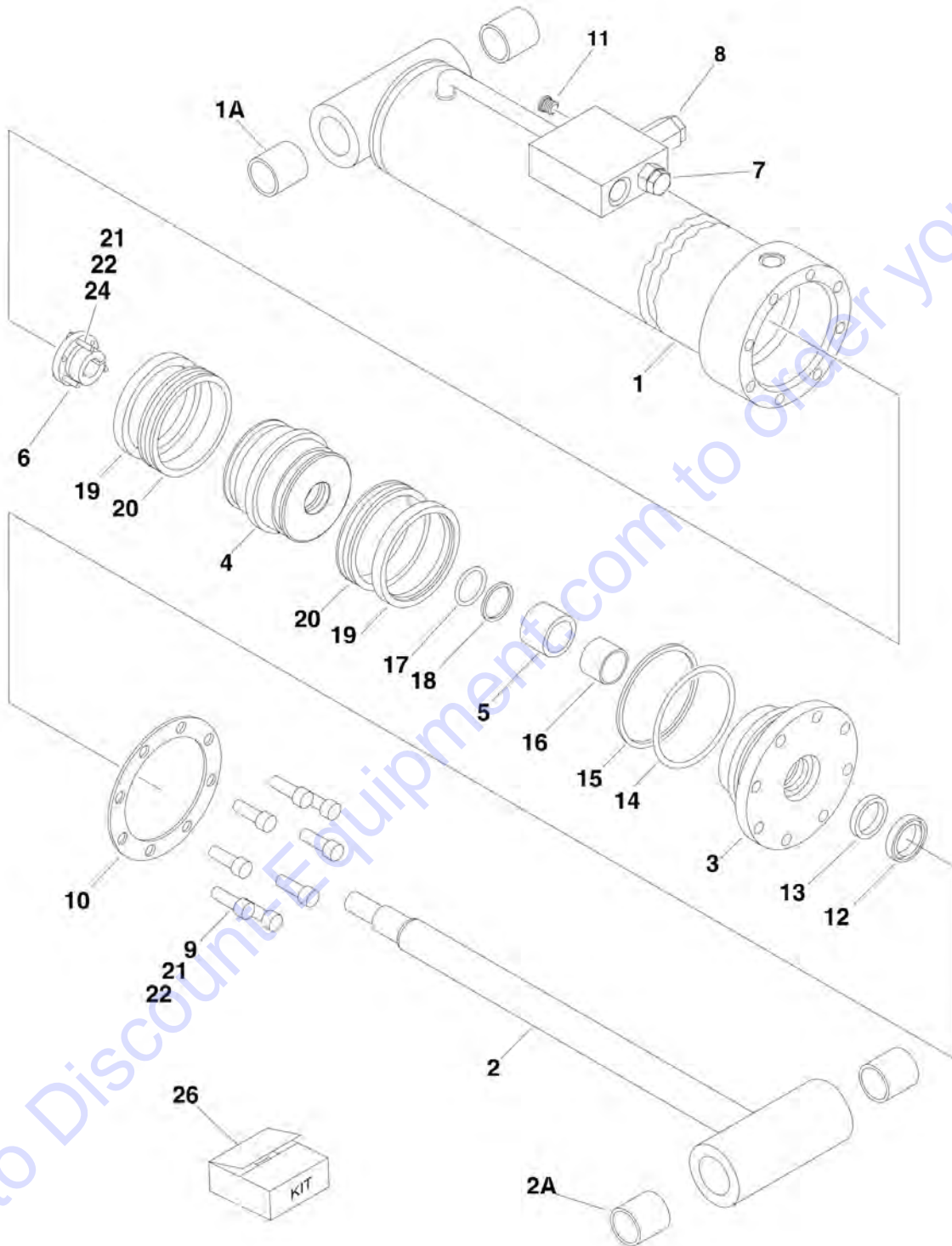
SECTION 5 - CYLINDER

FIGURE 5-8. LIFT (ARTICULATING JIB) CYLINDER ASSEMBLY - 600AJ

ITEM	PART NUMBER	QTY	DESCRIPTION	REV
	1683258	Ref	LIFT CYLINDER ASSEMBLY - 600AJ	C
1		Ref	Barrel Options:	
1	1683259	1	Barrel (Prior to SN 0300062140)	
1	1684092	1	Barrel (SN 0300062140 through 0300069000)	
1A		Ref	Bushing Options:	
1A	0961947	2	Bushing (Prior to SN 0300062140)	
1A	0962336	2	Bushing (SN 0300062140 through 0300069000)	
2		Ref	Rod Options:	
2	1683261	1	Rod (Prior to SN 0300062140)	
2	1684090	1	Rod (SN 0300062140 through 0300069000)	
2A		Ref	Bushing Options:	
2A	0961947	2	Bushing (Prior to SN 0300062140)	
2A	0962336	2	Bushing (SN 0300062140 through 0300069000)	
3	3480210	1	Piston	
4	1683053	1	Head	
5	0961893	1	Bushing, Tapered	
6	4566471	1	Spacer	
7	4640509	2	Cartridge, Valve	
7	2900792	2	Seal Kit - 4640509 Valve	
8	4640902	1	Cartridge, Valve	
8	7012953	1	Seal Kit - 4640902 Valve	
8A	7012961	1	Knob	
9	3931516	8	Capscrew, Socket Head 5/16in-18NC x 1in	
10	3760368	1	Ring, Washer	
11	2220885	1	Plug, O-Ring #6	
12	2220883	2	Plug, O-Ring #4	
13	3900141	1	Setscrew 1/4in-20NC x 3/8in	
14	0100011	AR	Compound, Locking	
15	0100038	AR	Primer, Locking	
16	See Note	NSS	Seal (Note: Use Item 51)	
17	See Note	NSS	Ring, Lock (Note: Use Item 51)	
18	See Note	NSS	O-Ring (Note: Use Item 51)	
19	See Note	NSS	Ring, Back-up (Note: Use Item 51)	
20	See Note	NSS	Ring, Wear (Note: Use Item 51)	
21	See Note	NSS	O-Ring (Note: Use Item 51)	
22	See Note	NSS	Ring, Back-up (Note: Use Item 51)	
23	See Note	NSS	Seal, Rod (Note: Use Item 51)	
24	See Note	NSS	Wiper (Note: Use Item 51)	
25	0100063	AR	Adhesive	
26	0630534	3	Bolt #10 - 24NC x 1in	
51	2901303	1	Seal Kit (Includes Items 16-24)	

SECTION 5 - CYLINDER

FIGURE 5-9. LIFT (MAIN BOOM) CYLINDER ASSEMBLY (ORIGINAL EQUIPMENT)



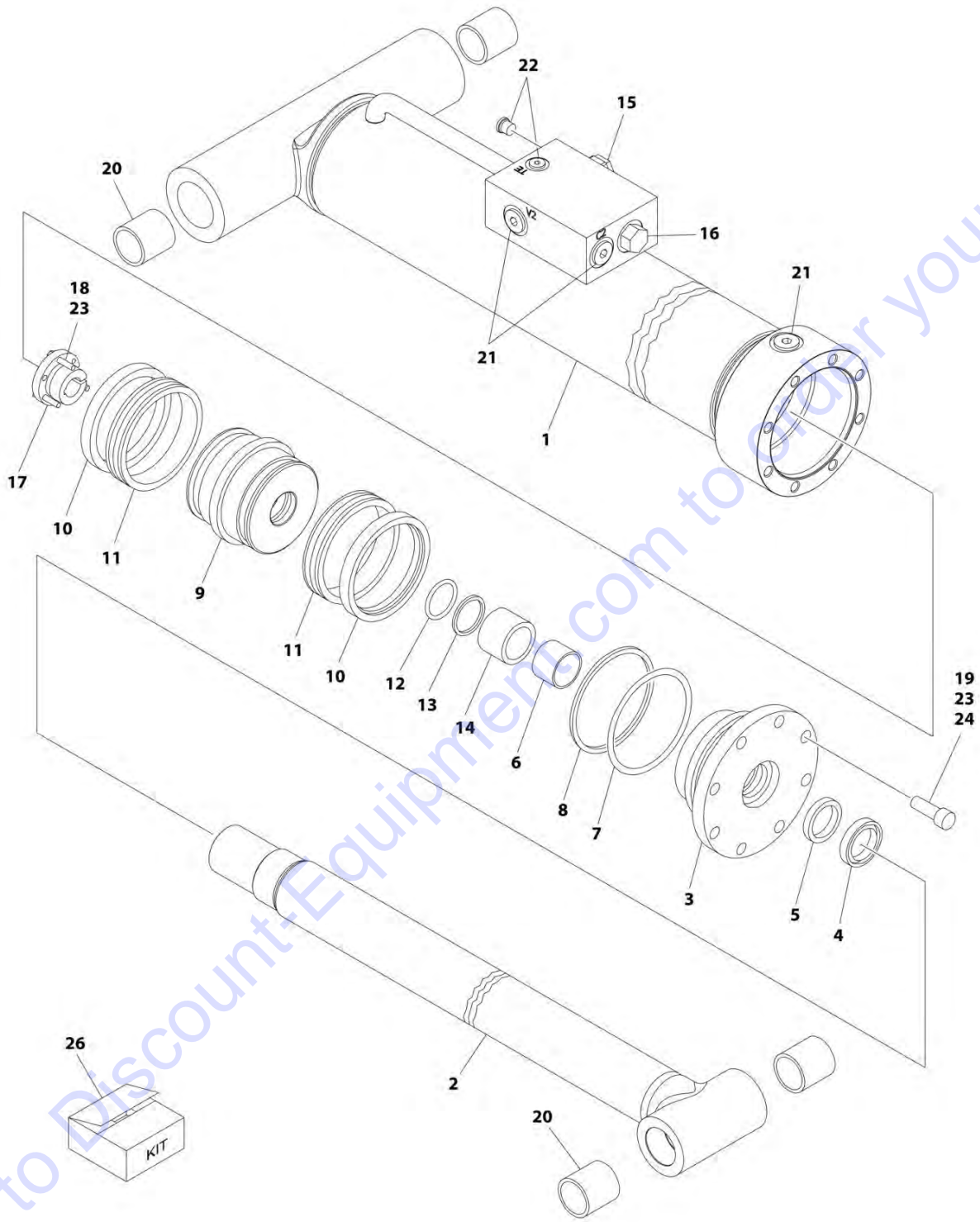
SECTION 5 - CYLINDER

FIGURE 5-9. LIFT (MAIN BOOM) CYLINDER ASSEMBLY (ORIGINAL EQUIPMENT)

ITEM	PART NUMBER	QTY	DESCRIPTION	REV
	1683294	Ref	LIFT (MAIN BOOM) CYLINDER ASSEMBLY	G
		Ref		
			Note: Original Equipment components may have been replaced with Service Replacement components part. Identify p/n stamped on cylinder before ordering parts.	
1		Ref	Barrel Options:	
1	1683295	1	Barrel (Prior to SN 0300055554)	
1	1684001	1	Barrel (SN 0300055554 through 0300069000)	
1A	0961948	2	Bushing	
2		Ref	Rod Options:	
2	1683297	1	Rod (Prior to SN 0300055554)	
2	1684005	1	Rod (SN 0300055554 through 0300069000)	
2A	0961948	2	Bushing	
3	1683061	1	Head	
4	3480211	1	Piston	
5	4566408	1	Spacer	
6	0961897	1	Bushing, Tapered	
7	4640438	1	Cartridge, Valve	
7	2900770	1	Seal Kit - 4640438 Valve	
8	4640509	1	Cartridge, Valve	
8	2900792	1	Seal Kit - 4640509 Valve	
9	3931720	8	Capscrew, Socket Head 7/16in-14NC x 1-1/4in	
10	3760370	1	Ring, Washer	
11	2220883	1	Plug, O-Ring #6	
12	See Note	NSS	Wiper (Note: Use Item 26)	
13	See Note	NSS	Seal, Rod (Note: Use Item 26)	
14	See Note	NSS	O-Ring (Note: Use Item 26)	
15	See Note	NSS	Ring, Back-up (Note: Use Item 26)	
16	See Note	NSS	Ring, Wear (Note: Use Item 26)	
17	See Note	NSS	O-Ring (Note: Use Item 26)	
18	See Note	NSS	Ring, Back-up (Note: Use Item 26)	
19	See Note	NSS	Ring, Lock (Note: Use Item 26)	
20	See Note	NSS	Seal (Note: Use Item 26)	
21	0100011	AR	Compound, Locking	
22	0100038	AR	Primer, Locking	
24	0630535	3	Bolt 1/4in-20NC x 1-1/8in	
26	2901273	1	Seal Kit (Includes Items 12-20)	

SECTION 5 - CYLINDER

FIGURE 5-10. LIFT CYLINDER ASSEMBLY - MAIN BOOM (SERVICE REPLACEMENT)



ART_1001228004

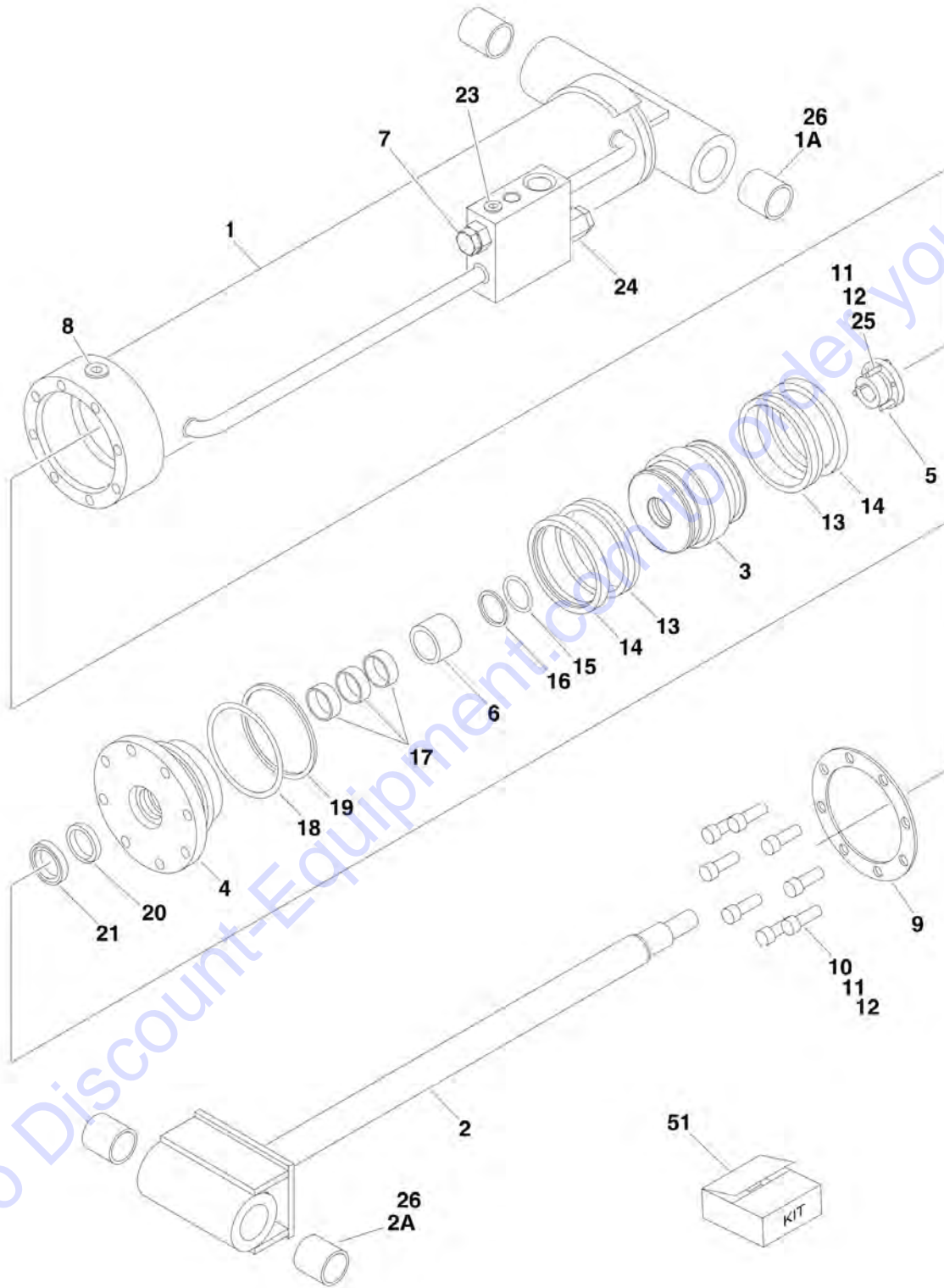
SECTION 5 - CYLINDER

FIGURE 5-10. LIFT CYLINDER ASSEMBLY - MAIN BOOM (SERVICE REPLACEMENT)

ITEM	PART NUMBER	QTY	DESCRIPTION	REV
	1001228004	Ref	LIFT CYLINDER ASSEMBLY - MAIN BOOM	B
		Ref	Note: Original Equipment components may have been replaced with Service Replacement components part. Identify p/n stamped on cylinder before ordering parts.	
1	See Note	NSS	Barrel (Note: Not Available for Purchase)	
2	70006481	1	Rod	
3	70006480	1	Head	
4	See Note	NSS	Wiper (Note: Use Item 26)	
5	See Note	NSS	Seal, Rod (Note: Use Item 26)	
6	See Note	NSS	Ring, Wear (Note: Use Item 26)	
7	See Note	NSS	O-Ring (Note: Use Item 26)	
8	See Note	NSS	Ring, Back-up (Note: Use Item 26)	
9	70006479	1	Piston	
10	See Note	NSS	Ring, Lock (Note: Use Item 26)	
11	See Note	NSS	Seal (Note: Use Item 26)	
12	See Note	NSS	O-Ring (Note: Use Item 26)	
13	See Note	NSS	Ring, Back-up (Note: Use Item 26)	
14	70006478	1	Spacer	
15	4640509	1	Cartridge, Valve	
15	2900792	1	Seal Kit - 4640509 Valve	
16	4640438	1	Cartridge, Valve	
16	2900770	1	Seal Kit - 4640438 Valve	
17	0961897	1	Bushing, Tapered	
18	0630535	3	Bolt 1/4 x 1-1/8	
19	3931720	8	Capscrew, Socket Head 7/16 x 1-1/4	
20	0961948	2	Bushing	
21	2220886	4	Plug, O-Ring	
22	2220883	3	Plug, O-Ring	
23	0100011	AR	Compound, Locking	
24	0100038	AR	Primer, Locking	
26	2901273	1	Seal Kit (Includes Items 4-8 & 10-13)	

SECTION 5 - CYLINDER

FIGURE 5-11. LIFT (TOWER BOOM) CYLINDER ASSEMBLY (ORIGINAL EQUIPMENT)



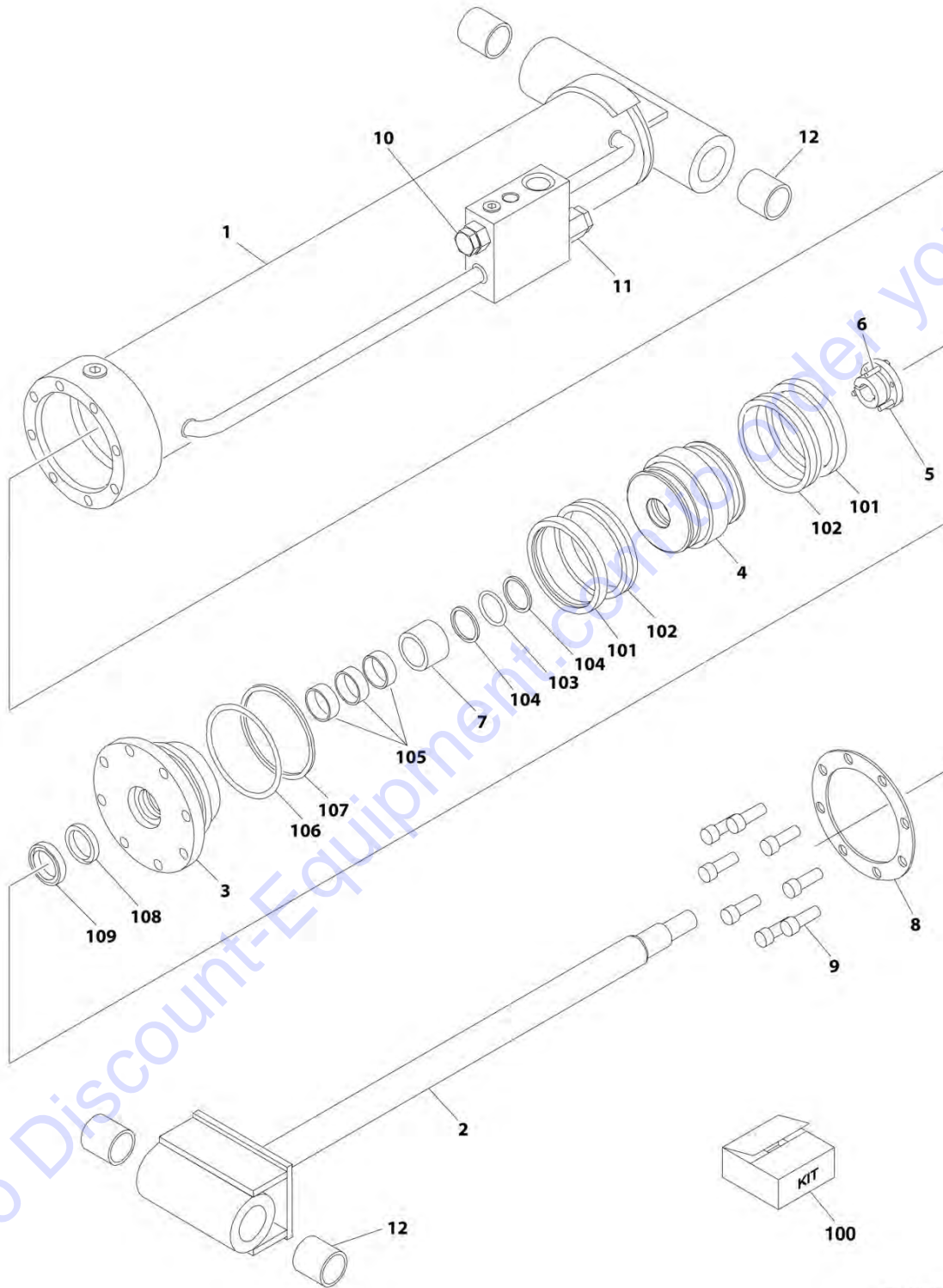
SECTION 5 - CYLINDER

FIGURE 5-11. LIFT (TOWER BOOM) CYLINDER ASSEMBLY (ORIGINAL EQUIPMENT)

ITEM	PART NUMBER	QTY	DESCRIPTION	REV
	1683288	Ref	LIFT (TOWER BOOM) CYLINDER ASSEMBLY	L
		Ref	Note: Original Equipment components may have been replaced with Service Replacement components part. Identify p/n stamped on cylinder before ordering parts.	
1		Ref	Barrel Options:	
1	1683289	1	Barrel (Prior to SN 0300057328)	
1	1684017	1	Barrel (SN 0300057328 through 0300069000)	
1A	0961949	2	Bushing	
2		Ref	Rod Options:	
2	1683291	1	Rod (Prior to SN 0300057328)	
2	1684019	1	Rod (SN 0300057328 through 0300069000)	
2A	0961949	2	Bushing	
3	3480216	1	Piston	
4	1683069	1	Head	
5	0961899	1	Bushing, Tapered	
6	4566667	1	Spacer	
7	4640605	1	Cartridge, Valve	
7	2900792	1	Seal Kit - 4640605	
8	2220888	1	Plug, O-Ring #12	
9	3760384	1	Ring, Washer	
10	3932240	8	Capscrew, Socket Head 3/4in-10NC x 2-1/2in	
11	0100011	AR	Compound, Locking	
12	0100038	AR	Primer, Locking	
13	See Note	NSS	Seal (Note: Use Item 51)	
14	See Note	NSS	Ring, Lock (Note: Use Item 51)	
15	See Note	NSS	O-Ring (Note: Use Item 51)	
16	See Note	NSS	Ring, Back-up (Note: Use Item 51)	
17	See Note	NSS	Ring, Wear (Note: Use Item 51)	
18	See Note	NSS	O-Ring (Note: Use Item 51)	
19	See Note	NSS	Ring, Back-up (Note: Use Item 51)	
20	See Note	NSS	Seal, Rod (Note: Use Item 51)	
21	See Note	NSS	Wiper (Note: Use Item 51)	
23	2220883	2	Plug, O-Ring #4	
24	4640509	1	Counterbalance	
24	2900792	1	Seal Kit - 4640509	
25	0630536	3	Bolt 3/8in-16NC x 1-1/2in	
26	0100063	AR	Adhesive	
51	2901322	1	Seal Kit (Includes Items 13-21)	

SECTION 5 - CYLINDER

FIGURE 5-12. LIFT CYLINDER ASSEMBLY - TOWER BOOM (SERVICE REPLACEMENT)



ART_1001228003

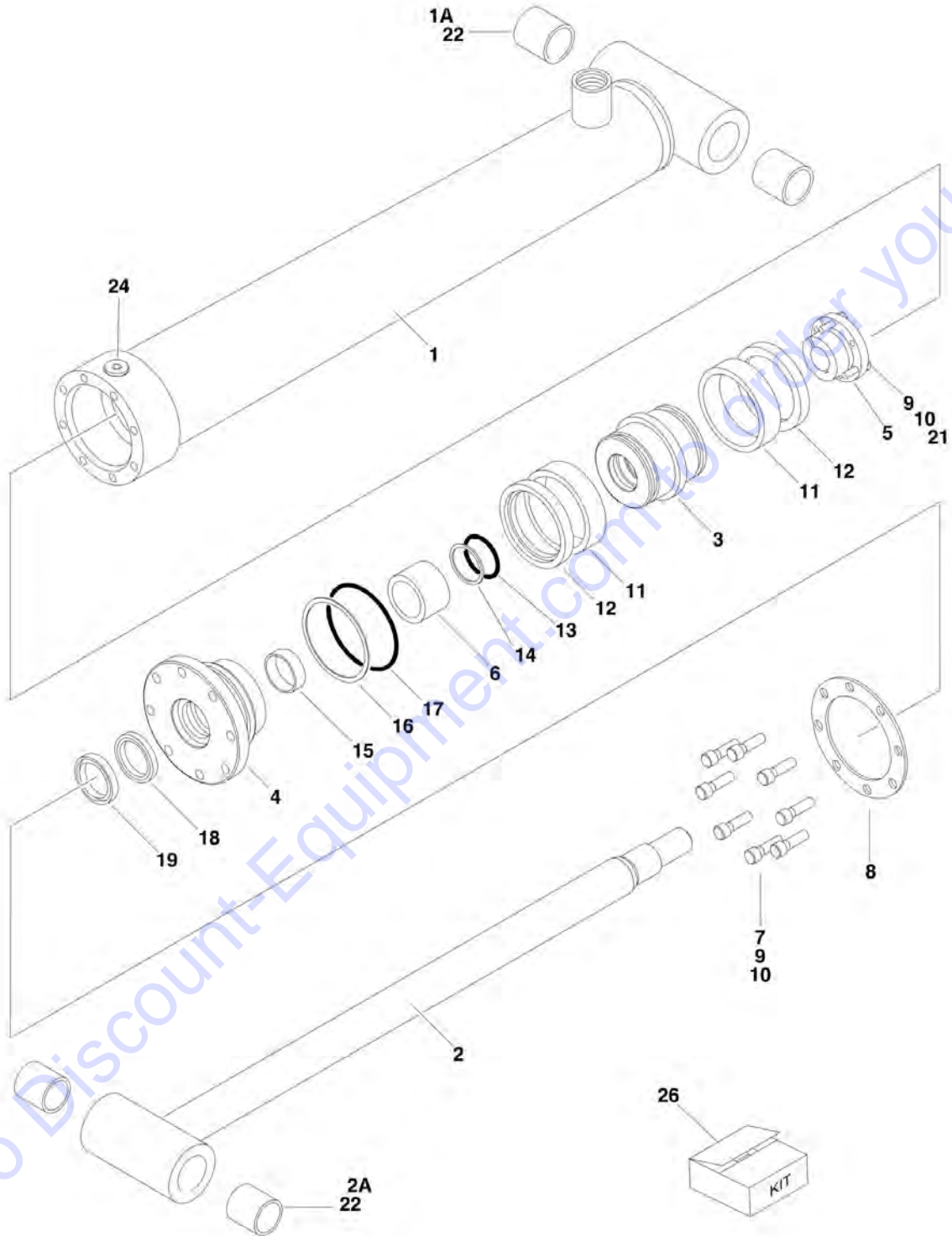
SECTION 5 - CYLINDER

FIGURE 5-12. LIFT CYLINDER ASSEMBLY - TOWER BOOM (SERVICE REPLACEMENT)

ITEM	PART NUMBER	QTY	DESCRIPTION	REV
	1001228003	Ref	LIFT CYLINDER ASSEMBLY	C
		Ref	Note: Original Cylinder may have been replaced with Service Replacement. Identify PN Stamped on Cylinder Before Ordering Parts.	
1	See Note	NSS	Barrel (Note: Not Available For Purchase)	
2	70006374	1	Rod	
3	70006373	1	Head	
4	70006372	1	Piston	
5	70006371	1	Bushing, Tapered	
6	0630536	3	Bolt 3/8 x 1-1/2	
7	70006370	1	Spacer	
8	70006369	1	Ring, Washer	
9	3932240	8	Capscrew 3/4 x 2-1/2	
10	4640605	1	Cartridge, Valve	
10	2900792	1	Seal Kit - 4640605 Valve	
11	4640509	1	Cartridge, Valve	
11	2900792	1	Seal Kit - 4640509 Valve	
12	0961949	4	Bushing	
100	2901322	1	Seal Kit (Includes Items 101-109)	
101	See Note	NSS	Ring, Lock (Note: Use Item 100)	
102	See Note	NSS	Seal (Note: Use Item 100)	
103	See Note	NSS	O-Ring (Note: Use Item 100)	
104	See Note	NSS	Ring, Back-up (Note: Use Item 100)	
105	See Note	NSS	Ring, Wear (Note: Use Item 100)	
106	See Note	NSS	O-Ring (Note: Use Item 100)	
107	See Note	NSS	Ring, Back-up (Note: Use Item 100)	
108	See Note	NSS	Seal, Rod (Note: Use Item 100)	
109	See Note	NSS	Wiper (Note: Use Item 100)	

SECTION 5 - CYLINDER

FIGURE 5-13. MASTER CYLINDER ASSEMBLIES (ORIGINAL EQUIPMENT)



SECTION 5 - CYLINDER

FIGURE 5-13. MASTER CYLINDER ASSEMBLIES (ORIGINAL EQUIPMENT)

ITEM	PART NUMBER	QTY	DESCRIPTION	REV
	1683266	Ref	MASTER CYLINDER ASSEMBLY - 600A	C
	1683263	Ref	MASTER CYLINDER ASSEMBLY - 600AJ	E
		Ref	Note: Original Cylinder May Have Been Replaced with Service Replacement. Identify PN Stamped on Cylinder Before Ordering Parts.	
1		Ref	Barrel Options:	
1	1683267	1	Barrel (Note: Includes Item 1A) 600A (Prior to SN 0300053542)	
1	1683972	1	Barrel (Note: Includes Item 1A) 600A (SN 0300053542 through 0300069000)	
1	1683264	1	Barrel (Note: Includes Item 1A) 600AJ (Prior to SN 0300052685)	
1	1683949	1	Barrel ((Note: Item 1A not included. Purchase Separately) 600AJ (SN 0300052685 through 0300069000))	
1A		Ref	Bushing Options:	
1A	0961947	2	600A - Bushing	
1A	0961951	2	600AJ - Bushing	
2		Ref	Rod Options:	
2	1683269	1	Rod 600A (Note: Includes Item 2A) (Prior to SN 0300053542)	
2	1683973	1	Rod 600A (Note: Includes Item 2A) (SN 0300053542 through 0300069000)	
2	1683256	1	Rod 600AJ (Note: Includes Item 2A) (Prior to SN 0300052685)	
2	1683962	1	Rod 600AJ (Note: Item 2A not included. Purchase Separately) (SN 0300052685 through 0300069000)	
2A		Ref	Bushing Options:	
2A	0961947	2	600A - Bushing	
2A	0961951	2	600AJ - Bushing	
3		Ref	Piston Options:	
3	3480210	1	Piston 600A	
3	3480188	1	Piston 600AJ	
4		Ref	Head Options:	
4	1683053	1	Head 600A	
4	1683055	1	Head 600AJ	
5		Ref	Bushing, Tapered Options (Use item 21 in place of supplied bolts):	
5	0961893	1	Bushing, Tapered 600A	
5	0961894	1	Bushing, Tapered 600AJ	
6	4566468	1	Spacer	
7		Ref	Capscrew, Socket Head Options:	
7	3931516	8	600A - Capscrew, Socket Head 5/16in-18NC x 1in	
7	3931620	8	600AJ - Capscrew, Socket Head 3/8in-16NCx1-1/4in	
8		Ref	Ring, Washer Options:	
8	3760368	1	Ring, Washer 600A	
8	3760369	1	Ring, Washer 600AJ	
9	0100011	AR	Compound, Locking	
10	0100038	AR	Primer, Locking	
11	See Note	2	Seal (Note: Use Item 26)	
12	See Note	2	Ring, Lock (Note: Use Item 26)	
13	See Note	1	O-Ring (Note: Use Item 26)	
14	See Note	1	Ring, Back-up (Note: Use Item 26)	
15	See Note	1	Ring, Wear (Note: Use Item 26)	
16	See Note	1	O-Ring (Note: Use Item 26)	

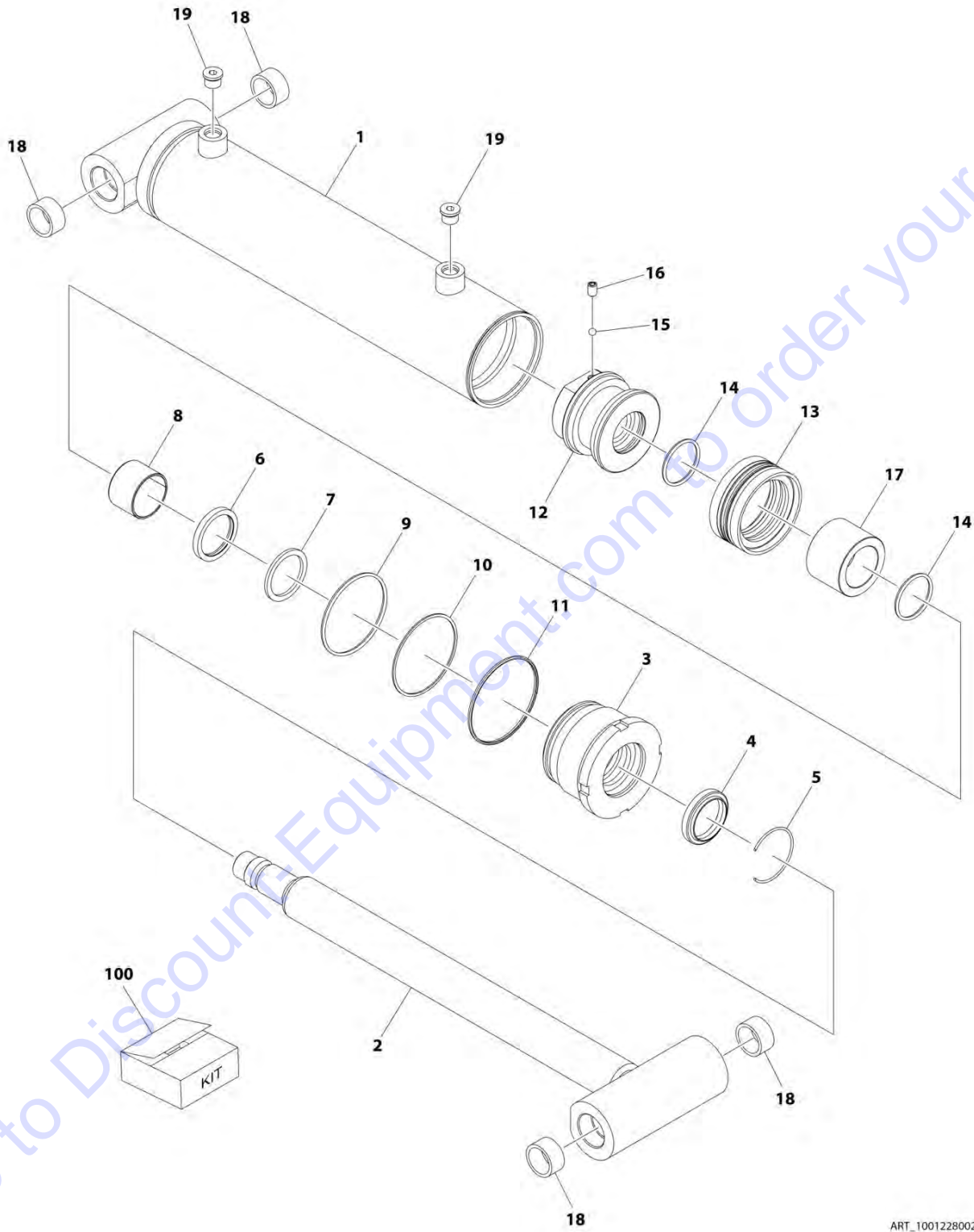
SECTION 5 - CYLINDER

ITEM	PART NUMBER	QTY	DESCRIPTION	REV
17	See Note	1	Ring, Back-up (Note: Use Item 26)	
18	See Note	1	Seal, Rod (Note: Use Item 26)	
19	See Note	1	Wiper (Note: Use Item 26)	
21		Ref	Bolt Options:	
21	0630534	3	600A - Bolt #10 - 24NC x 1in	
21	0630535	3	600AJ - Bolt 1/4in-20NC x 1-1/8in	
22	0100063	AR	Adhesive	
24	2220885	1	Plug, O-Ring #6 - 600AJ Only (SN 0300052685 through 0300069000)	
26		Ref	Seal Kit Options (Includes Items 11-19):	
26	2901303	1	Seal Kit 600A	
26	2901301	1	Seal Kit 600AJ	

Go to Discount-Equipment.com to order your parts

SECTION 5 - CYLINDER

FIGURE 5-14. MASTER CYLINDER ASSEMBLY - 600A (SERVICE REPLACEMENT)



ART_1001228002

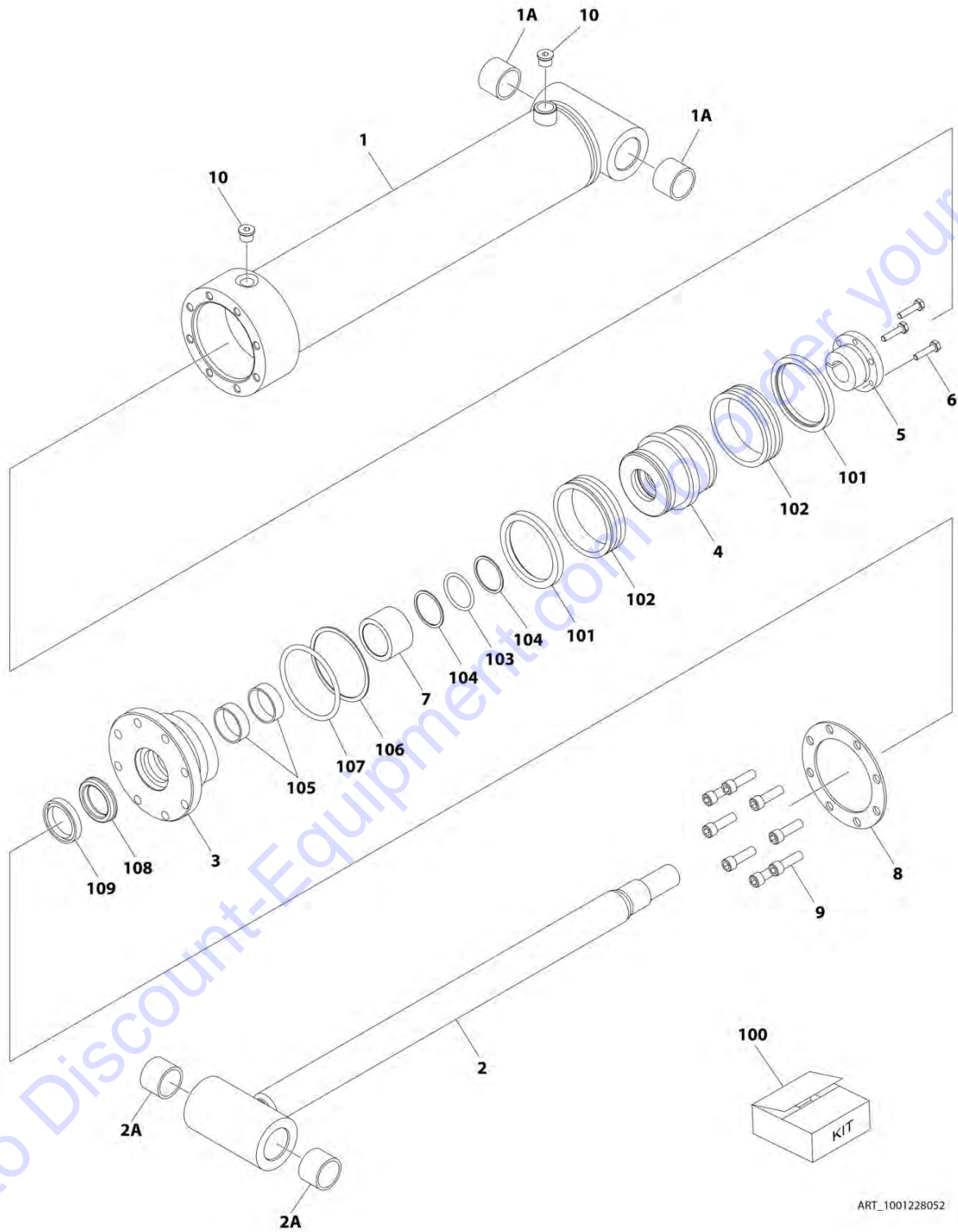
SECTION 5 - CYLINDER

FIGURE 5-14. MASTER CYLINDER ASSEMBLY - 600A (SERVICE REPLACEMENT)

ITEM	PART NUMBER	QTY	DESCRIPTION	REV
	1001228002	Ref	MASTER CYLINDER ASSEMBLY	B
		Ref	Note: Original Cylinder May Have Been Replaced with Service Replacement. Identify PN Stamped on Cylinder Before Ordering Parts.	
1	See Note	NSS	Barrel (Note: Not Available for Purchase)	
2	70006774	1	Rod	
3	70006599	1	Head	
4	See Note	NSS	Wiper Rod (Note: Use Item 100)	
5	70002373	1	Ring, Retaining	
6	See Note	NSS	Seal, Rod (Note: Use Item 100)	
7	See Note	NSS	Ring, Back-up (Note: Use Item 100)	
8	See Note	NSS	Ring, Wear (Note: Use Item 100)	
9	See Note	NSS	O-Ring (Note: Use Item 100)	
10	See Note	NSS	Ring, Back-up (Note: Use Item 100)	
11	See Note	NSS	O-Ring (Note: Use Item 100)	
12	70006597	1	Piston	
13	See Note	NSS	Seal Piston (Note: Use Item 100)	
14	See Note	NSS	O-Ring (Note: Use Item 100)	
15	70022564	1	Ball	
16	70006601	1	Setscrew	
17	70006775	1	Spacer	
18	0961947	4	Bushing	
19	70023371	2	Plug, O-Ring	
100	70006776	1	Seal Kit (Includes Items 4, 6-11, 13 & 14)	

SECTION 5 - CYLINDER

FIGURE 5-15. MASTER CYLINDER ASSEMBLY - 600AJ (SERVICE REPLACEMENT)



ART_1001228052

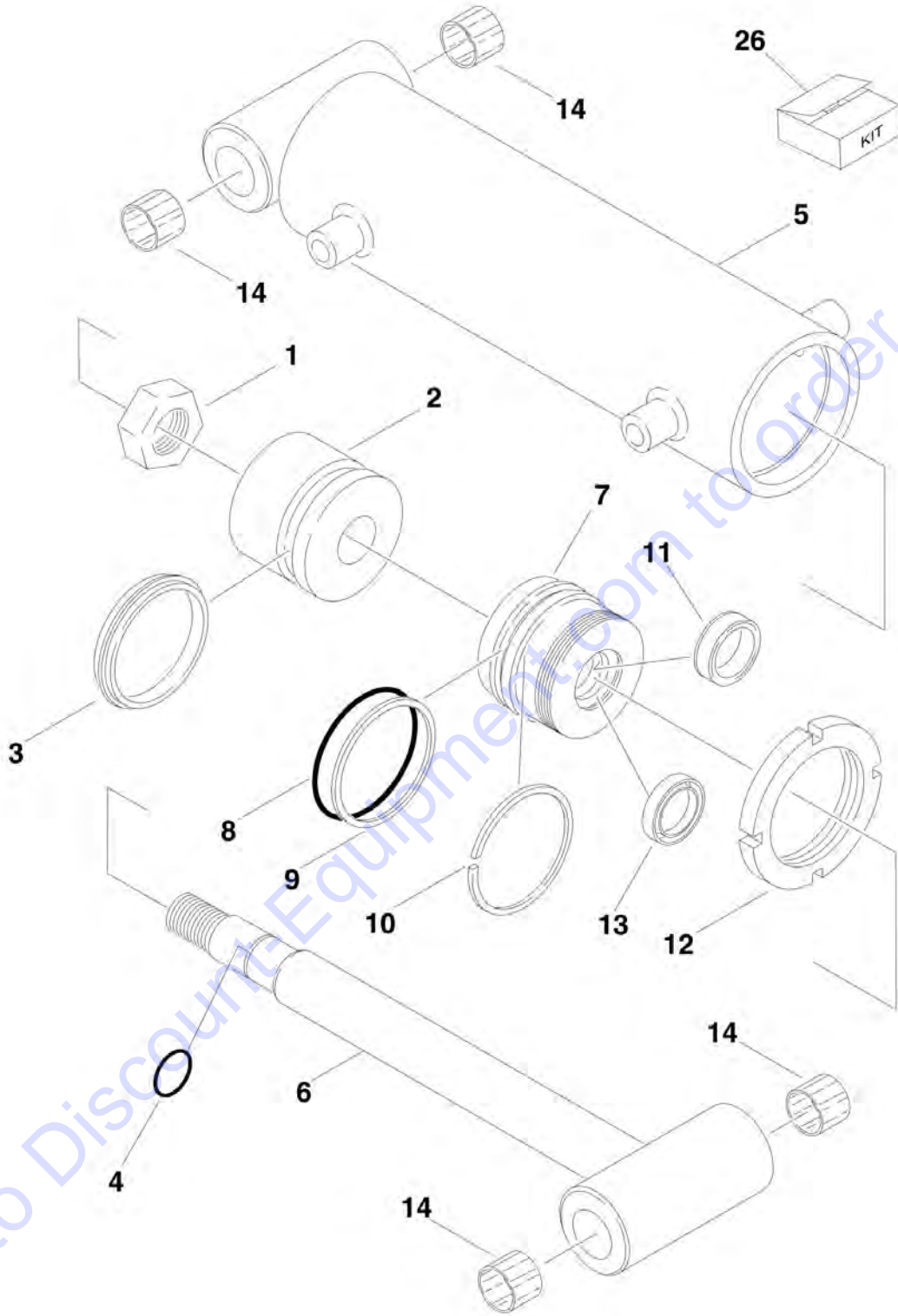
SECTION 5 - CYLINDER

FIGURE 5-15. MASTER CYLINDER ASSEMBLY - 600AJ (SERVICE REPLACEMENT)

ITEM	PART NUMBER	QTY	DESCRIPTION	REV
	1001228052	Ref	MASTER CYLINDER ASSEMBLY	B
		Ref	Note: Original Cylinder May Have Been Replaced with Service Replacement. Identify PN Stamped on Cylinder Before Ordering Parts.	
1	See Note	NSS	Barrel (Note: Not Available for Purchase)	
1A	0961951	2	Bushing	
2	70006447	1	Rod Weldment	
2A	0961951	2	Bushing	
3	70006446	1	Head	
4	70006445	1	Piston	
5	70006444	1	Bushing, Tapered	
6	0630535	3	Capscrew 1/4 x 1-1/8	
7	70006443	1	Spacer	
8	70006442	1	Ring, Washer	
9	3931620	8	Capscrew 3/8 x 1-1/4	
10	2220885	2	Plug, O-Ring	
100	1001138796	1	Seal Kit (Includes Items 101-109)	
101	See Note	NSS	Ring, Wear (Note: Use Item 100)	
102	See Note	NSS	Seal, Piston (Note: Use Item 100)	
103	See Note	NSS	O-Ring (Note: Use Item 100)	
104	See Note	NSS	Ring, Back-up (Note: Use Item 100)	
105	See Note	NSS	Ring, Wear (Note: Use Item 100)	
106	See Note	NSS	O-Ring (Note: Use Item 100)	
107	See Note	NSS	Ring, Back-up (Note: Use Item 100)	
108	See Note	NSS	Seal, Rod (Note: Use Item 100)	
109	See Note	NSS	Wiper, Rod (Note: Use Item 100)	

SECTION 5 - CYLINDER

FIGURE 5-16. STEER CYLINDER ASSEMBLIES



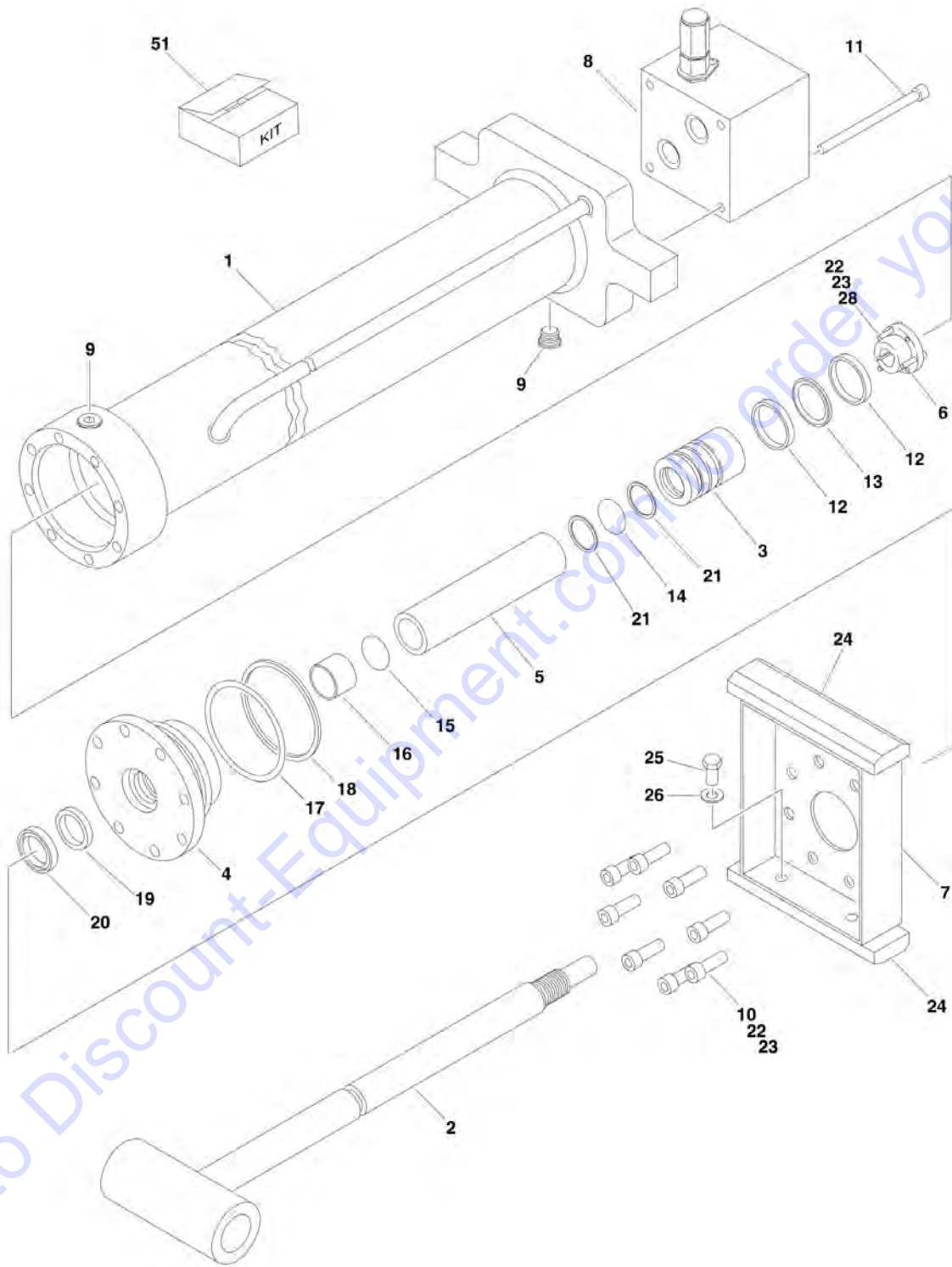
SECTION 5 - CYLINDER

FIGURE 5-16. STEER CYLINDER ASSEMBLIES

ITEM	PART NUMBER	QTY	DESCRIPTION	REV
		Ref	STEER CYLINDER ASSEMBLIES	
	1683208	Ref	8ft/2.4m Width Machines	C
	1683304	Ref	7ft/2.1m Width Machines	A
1	7001626	1	Locknut	
2	7001627	1	Piston	
3	See Note	NSS	Seal (Note: Use Item 26)	
4	See Note	NSS	O-Ring (Note: Use Item 26)	
5	See Note	1	Barrel (Note: Not Available for Purchase)	
6		Ref	Rod Options:	
6	7001633	1	8ft/2.4m Width Machines	
6	7001628	1	7ft/2.1m Width Machines	
7	7001629	1	Guide	
8	See Note	NSS	O-Ring (Note: Use Item 26)	
9	See Note	NSS	Ring, Back-up (Note: Use Item 26)	
10	See Note	NSS	Ring, Retaining (Note: Use Item 26)	
11	See Note	NSS	Seal, Lip (Note: Use Item 26)	
12	7001630	1	Nut, Spanner	
13	See Note	NSS	Ring, Wiper (Note: Use Item 26)	
14		Ref	Bushing Options:	
14	0961977	4	8ft/2.4m Width Machines	
14	0961890	4	7ft/2.1m Width Machines	
26	7001625	1	Seal Kit (Includes Items 3, 4, 8-11 & 13)	

SECTION 5 - CYLINDER

FIGURE 5-17. TELESCOPE (MAIN BOOM) CYLINDER ASSEMBLIES (ORIGINAL EQUIPMENT)



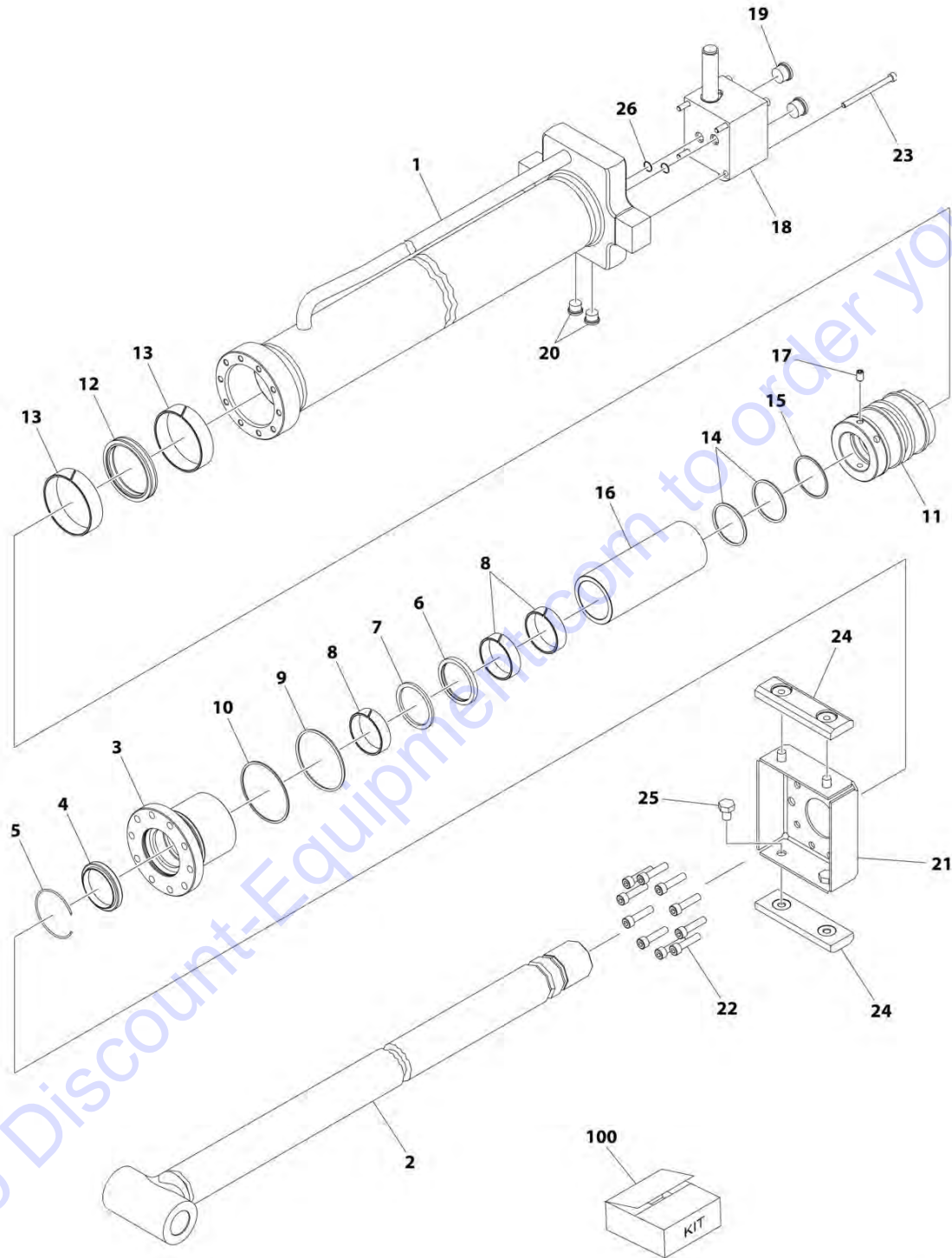
SECTION 5 - CYLINDER

FIGURE 5-17. TELESCOPE (MAIN BOOM) CYLINDER ASSEMBLIES (ORIGINAL EQUIPMENT)

ITEM	PART NUMBER	QTY	DESCRIPTION	REV
	1683307	Ref	TELESCOPE CYLINDER ASSEMBLY - 600A	3-E
	1683317	Ref	TELESCOPE CYLINDER ASSEMBLY - 600AJ	3-E
		Ref	Note: Original Cylinder may have been replaced with Service Replacement. Identify PN Stamped on Cylinder Before Ordering Parts.	
1		Ref	Barrel Options:	
1	1683308	1	Barrel 600A	
1	1683318	1	Barrel 600AJ	
2		Ref	Rod Options:	
2	1683310	1	Rod 600A	
2	1683320	1	Rod 600AJ	
3	3480212	1	Piston	
4	1683054	1	Head	
5	4566425	1	Spacer	
6	0961896	1	Bushing, Tapered	
7		Ref	Plate, Wear Pad Mounting Options:	
7	3538771	1	Plate, Wear Pad Mounting 600A	
7	3538247	1	Plate, Wear Pad Mounting 600AJ	
8	4640862	1	Valve Block Assembly (No Service Parts Available -Replace Complete Assembly)	
9	2220885	2	Plug, O-Ring	
10	3931516	8	Capscrew, Socket Head 5/16in-18NC x 1in	
11	3931448	4	Capscrew, Socket Head 1/4in-20NC x 3in	
12	See Note	NSS	Ring, Wear (Note: Use Item 51)	
13	See Note	NSS	Seal (Note: Use Item 51)	
14	See Note	NSS	O-Ring (Note: Use Item 51)	
15	See Note	NSS	O-Ring (Note: Use Item 51)	
16	See Note	NSS	Ring, Wear (Note: Use Item 51)	
17	See Note	NSS	O-Ring (Note: Use Item 51)	
18	See Note	NSS	Ring, Back-up (Note: Use Item 51)	
19	See Note	NSS	Seal, Rod (Note: Use Item 51)	
20	See Note	NSS	Wiper (Note: Use Item 51)	
21	See Note	NSS	Ring, Back-up (Note: Use Item 51)	
22	0100038	AR	Primer, Locking	
23	0100011	AR	Compound, Locking	
24	3340608	2	Pad, Wear	
25	0641604	4	Bolt 3/8in-16NC x 1/2in	
26	4751600	4	Flatwasher 3/8in Regular	
28	0630535	3	Bolt 1/4in-20NC x 1-1/8in	
51	2901278	1	Seal Kit (Includes Items 12-21)	

SECTION 5 - CYLINDER

FIGURE 5-18. TELESCOPE CYLINDER ASSEMBLY - MAIN BOOM (600A) (SERVICE REPLACEMENT)



ART_1001228005

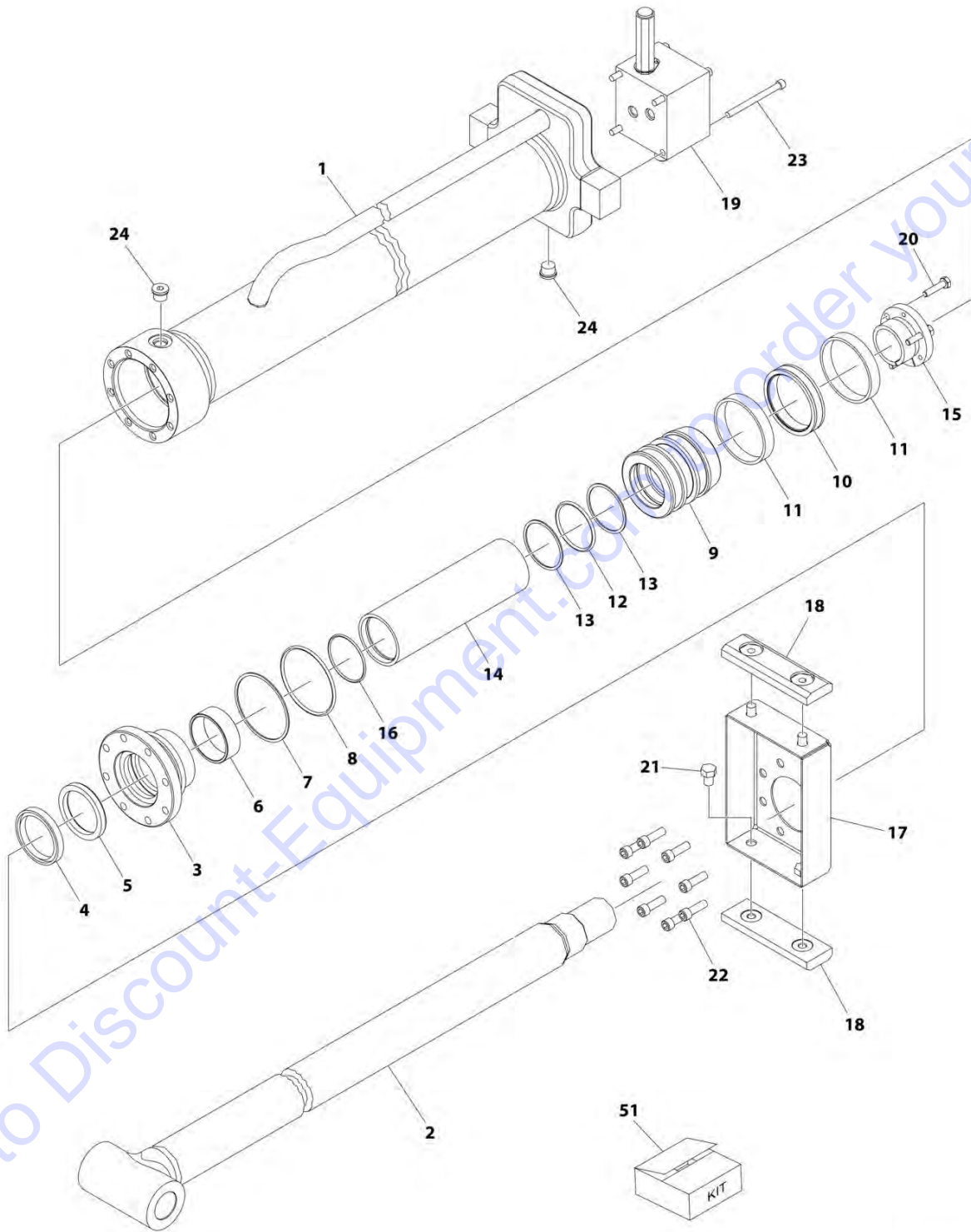
SECTION 5 - CYLINDER

FIGURE 5-18. TELESCOPE CYLINDER ASSEMBLY - MAIN BOOM (600A) (SERVICE REPLACEMENT)

ITEM	PART NUMBER	QTY	DESCRIPTION	REV
	1001228005	Ref	TELESCOPE CYLINDER ASSEMBLY - MAIN BOOM	C
		Ref	Note: Original Cylinder may have been replaced with Service Replacement. Identify PN Stamped on Cylinder Before Ordering Parts.	
1	See Note	NSS	Barrel (Note: Use p/n 1001228005)	
2	70006813	1	Rod	
3	70006814	1	Head	
4	See Note	NSS	Wiper (Note: Use Item 100)	
5	70002412	1	Ring, Retaining	
6	See Note	NSS	Seal, Rod (Note: Use Item 100)	
7	See Note	NSS	Ring, Back-up (Note: Use Item 100)	
8	See Note	NSS	Ring, Wear (Note: Use Item 100)	
9	See Note	NSS	O-Ring (Note: Use Item 100)	
10	See Note	NSS	Ring, Back-up (Note: Use Item 100)	
11	70006815	1	Piston	
12	See Note	NSS	Seal (Note: Use Item 100)	
13	See Note	NSS	Ring, Wear (Note: Use Item 100)	
14	See Note	NSS	O-Ring (Note: Use Item 100)	
15	See Note	NSS	Ring, Back-up (Note: Use Item 100)	
16	70006816	1	Spacer	
17	70006817	1	Setscrew	
18	4640862	1	Valve Block Assembly (Note: No Service Parts Available - Replace Complete Assembly)	
19	70023373	2	Plug	
20	70023371	2	Plug	
21	70006818	1	Plate, Wear Pad	
22	70006793	10	Capscrew	
23	70006819	4	Capscrew	
24	3340608	2	Pad, Wear	
25	70006820	3	Bolt	
26	3790110	2	O-Ring (Located Between Barrel & Valve)	
100	70006821	1	Seal Kit (Includes Items 4, 6-10 & 12-15)	

SECTION 5 - CYLINDER

FIGURE 5-19. TELESCOPE CYLINDER ASSEMBLY - MAIN BOOM (600AJ) (SERVICE REPLACEMENT)



ART_1001228007

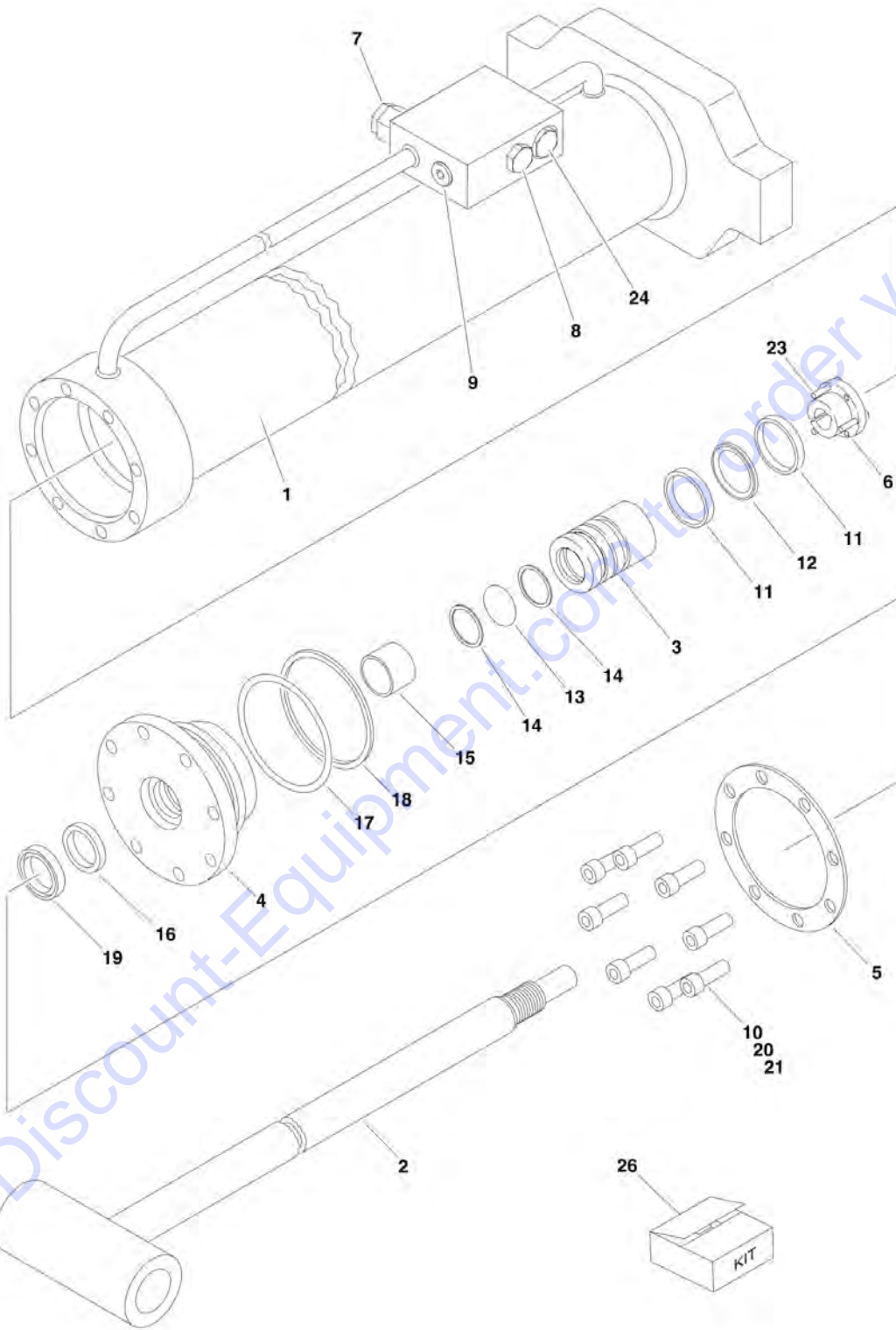
SECTION 5 - CYLINDER

FIGURE 5-19. TELESCOPE CYLINDER ASSEMBLY - MAIN BOOM (600AJ) (SERVICE REPLACEMENT)

ITEM	PART NUMBER	QTY	DESCRIPTION	REV
	1001228007	Ref	TELESCOPE CYLINDER ASSEMBLY	C
		Ref	Note: Original Cylinder may have been replaced with Service Replacement. Identify PN Stamped on Cylinder Before Ordering Parts.	
1	See Note	NSS	Barrel (Note: Use p/n 1001228007)	
2	70006654	1	Rod	
3	70006483	1	Head	
4	See Note	NSS	Wiper (Note: Use Item 51)	
5	See Note	NSS	Seal, Rod (Note: Use Item 51)	
6	See Note	NSS	Ring, Wear (Note: Use Item 51)	
7	See Note	NSS	O-Ring (Note: Use Item 51)	
8	See Note	NSS	Ring, Back-up (Note: Use Item 51)	
9	70006482	1	Piston	
10	See Note	NSS	Seal (Note: Use Item 51)	
11	See Note	NSS	Ring, Wear (Note: Use Item 51)	
12	See Note	NSS	O-Ring (Note: Use Item 51)	
13	See Note	NSS	Ring, Back-up (Note: Use Item 51)	
14	70006655	1	Spacer	
15	0961896	1	Bushing, Tapered	
16	See Note	NSS	O-Ring (Note: Use Item 51)	
17	3538247	1	Plate, Wear Pad Mounting	
18	3340608	2	Pad, Wear	
19	4640862	1	Valve Block Assembly (Note: No Service Part Available - Replace Complete Assembly)	
20	0630535	3	Bolt 1/4 x 1-1/8	
21	0641604	4	Bolt 3/8 x 1/2	
22	3931516	8	Capscrew 5/16 x 1	
22	0100038	AR	Primer, Locking	
22	0100011	AR	Compound, Locking	
23	3931448	4	Capscrew 1/4 x 3	
24	2220885	2	Plug, O-Ring	
51	2901861	1	Seal Kit - 1001228007 Cylinder (Includes Item 4-8, 10-13 & 16)	

SECTION 5 - CYLINDER

FIGURE 5-20. TELESCOPE (TOWER BOOM) CYLINDER ASSEMBLY (ORIGINAL EQUIPMENT)



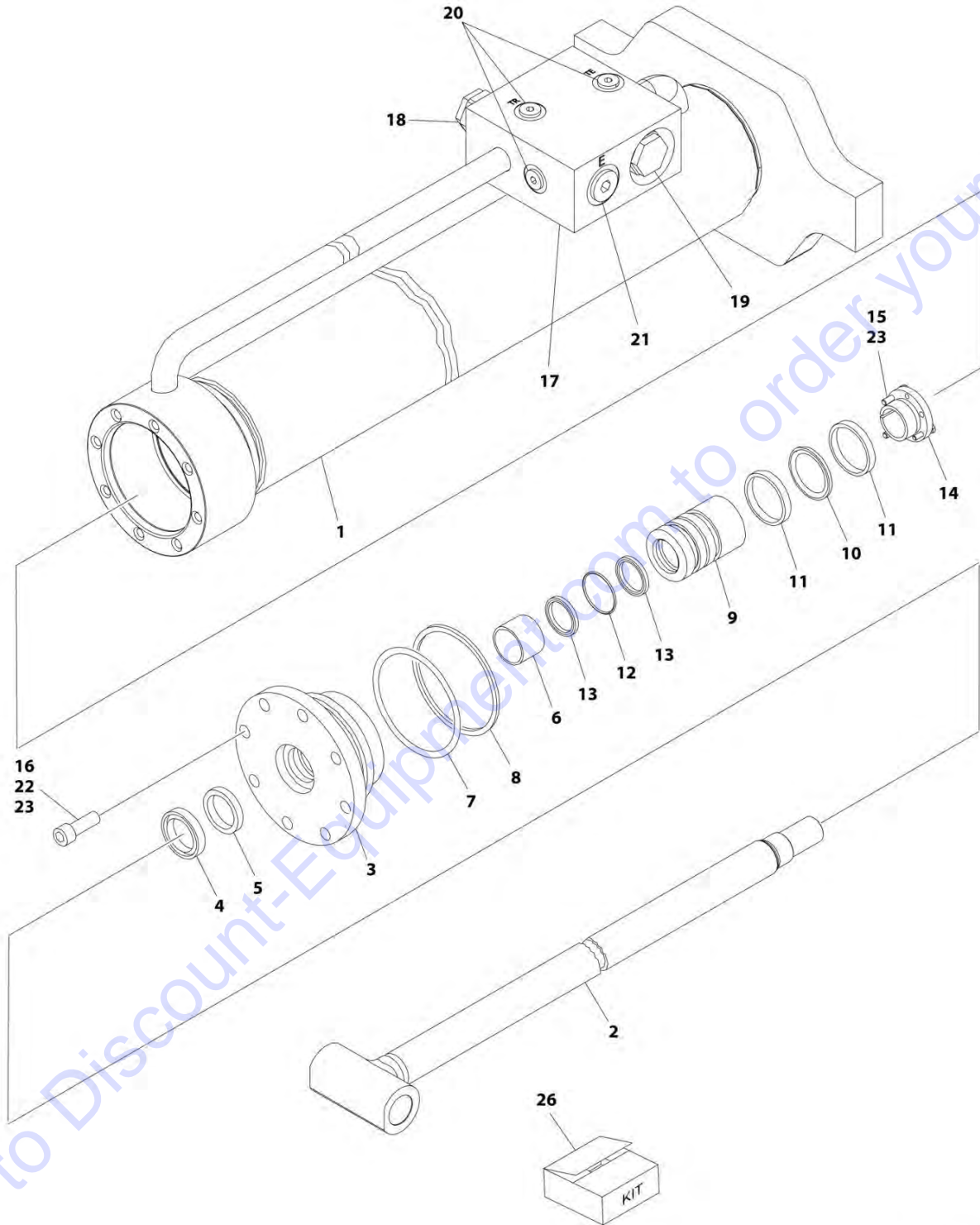
SECTION 5 - CYLINDER

FIGURE 5-20. TELESCOPE (TOWER BOOM) CYLINDER ASSEMBLY (ORIGINAL EQUIPMENT)

ITEM	PART NUMBER	QTY	DESCRIPTION	REV
	1683312	Ref	TELESCOPE (TOWER BOOM) CYLINDER ASSEMBLY	4-E
		Ref		
			Note: Original Equipment components may have been replaced with Service Replacement components part. Identify p/n stamped on cylinder before ordering parts	
1	1683313	1	Barrel	
2	1683314	1	Rod	
3	3480212	1	Piston	
4	1683054	1	Head	
5	3760368	1	Ring, Washer	
6	0961896	1	Bushing, Tapered	
7	4640509	2	Cartridge, Valve	
7	2900792	2	Seal Kit - 4640509 Valve	
8	4640647	1	Cartridge, Valve	
8	2900770	1	Seal Kit - 4640647 Valve	
9	2220883	1	Plug, O-Ring	
10	3931516	8	Capscrew, Socket Head 5/16in-18NC x 1in	
11	See Note	NSS	Ring, Wear (Note: Use Item 26)	
12	See Note	NSS	T-Seal (Note: Use Item 26)	
13	See Note	NSS	O-Ring (Note: Use Item 26)	
14	See Note	NSS	Ring, Back-up (Note: Use Item 26)	
15	See Note	NSS	Ring, Wear (Note: Use Item 26)	
16	See Note	NSS	Seal, Rod (Note: Use Item 26)	
17	See Note	NSS	O-Ring (Note: Use Item 26)	
18	See Note	NSS	Ring, Back-up (Note: Use Item 26)	
19	See Note	NSS	Wiper (Note: Use Item 26)	
20	0100038	AR	Primer, Locking	
21	0100011	AR	Compound, Locking	
23	0630535	3	Bolt 1/4in-20NC x 1-1/8in	
24	4640509	1	Cartridge, Valve (Recommend using 4640999 as a replacement) (Prior to SN 0300028176)	
24	2900792	1	Seal Kit - 4640509 Valve	
24	4640999	1	Cartridge, Valve (SN 0300028176 through 0300069000)	
24	7011185	1	Seal Kit - 4640999 Valve	
26	2901278	1	Seal Kit (Includes Items 11-19)	

SECTION 5 - CYLINDER

FIGURE 5-21. TELESCOPE CYLINDER ASSEMBLY - TOWER BOOM (SERVICE REPLACEMENT)



ART_1001228006

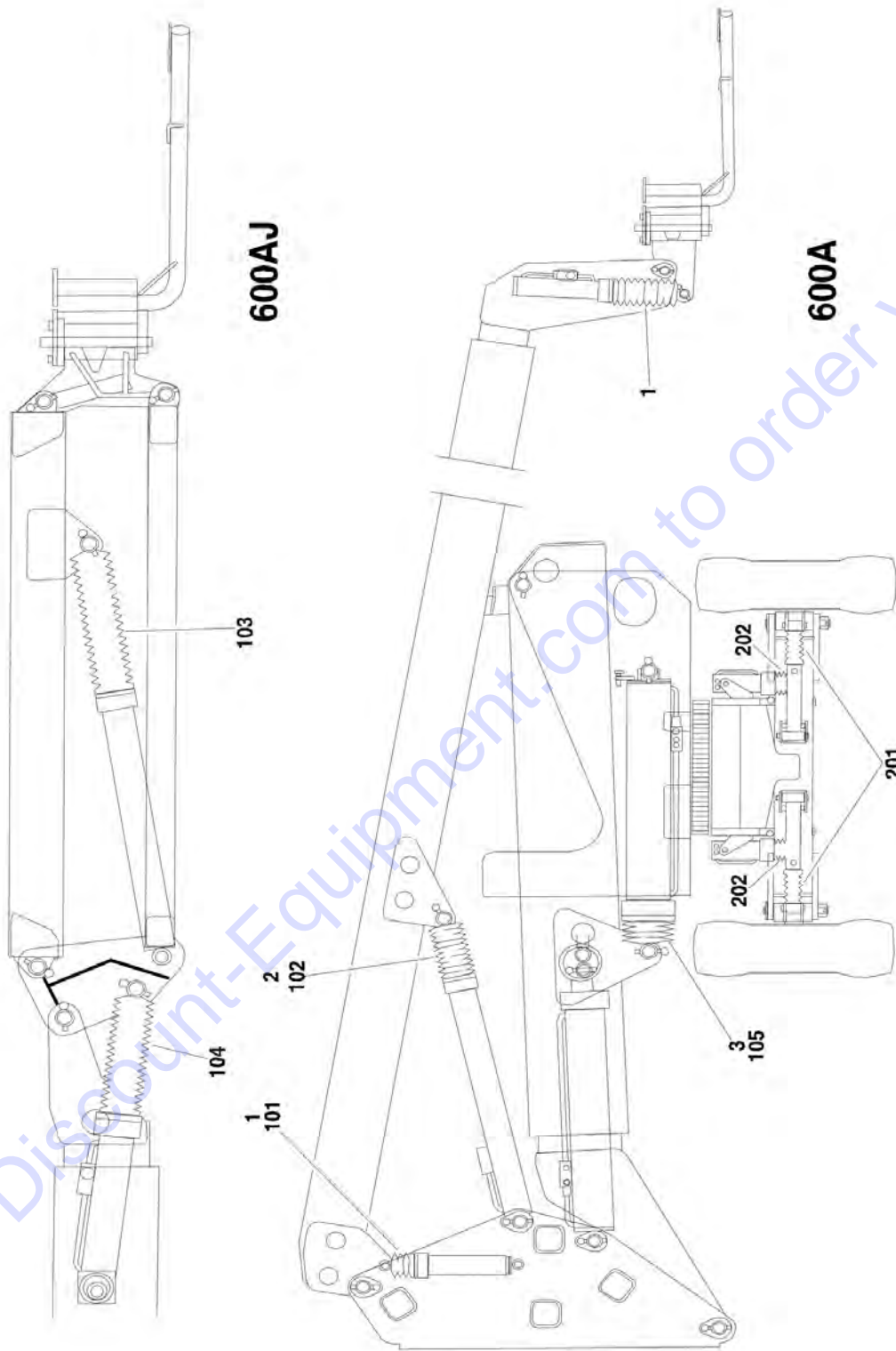
SECTION 5 - CYLINDER

FIGURE 5-21. TELESCOPE CYLINDER ASSEMBLY - TOWER BOOM (SERVICE REPLACEMENT)

ITEM	PART NUMBER	QTY	DESCRIPTION	REV
	1001228006	Ref	TELESCOPE CYLINDER ASSEMBLY - TOWER BOOM	B
		Ref	Note: Original Equipment components may have been replaced with Service Replacement components part. Identify p/n stamped on cylinder before ordering parts.	
1	See Note	NSS	Barrel (Note: Not Available for Purchase)	
2	70006484	1	Rod	
3	70006483	1	Head	
4	See Note	NSS	Wiper (Note: Use Item 26)	
5	See Note	NSS	Seal, Rod (Note: Use Item 26)	
6	See Note	NSS	Ring, Wear (Note: Use Item 26)	
7	See Note	NSS	O-Ring (Note: Use Item 26)	
8	See Note	NSS	Ring, Back-Up (Note: Use Item 26)	
9	70006482	1	Piston	
10	See Note	NSS	T-Seal (Note: Use Item 26)	
11	See Note	NSS	Ring, Wear (Note: Use Item 26)	
12	See Note	NSS	O-Ring (Note: Use Item 26)	
13	See Note	NSS	Ring, Back-Up (Note: Use Item 26)	
14	0961896	1	Bushing, Tapered	
15	0630535	3	Bolt 1/4 x 1-1/8	
16	3931516	8	Capscrew 5/16 x 1	
17	4640647	1	Cartridge, Valve	
17	2900770	1	Seal Kit - 4640647 Valve	
18	4640509	2	Cartridge, Valve	
18	2900792	2	Seal Kit - 4640509 Valve	
19	4640999	1	Cartridge, Valve	
19	2900792	1	Seal Kit - 4640999 Valve	
20	2220883	3	Plug, O-Ring	
21	2220886	2	Plug, O-Ring	
22	0100038	AR	Primer, Locking	
23	0100011	AR	Compound, Locking	
26	2901861	1	Seal Kit - 1001228006 Cylinder (Includes Items 4-8 & 10-13)	

SECTION 5 - CYLINDER

FIGURE 5-22. CYLINDER BELLOWS INSTALLATION (OPTIONAL)



SECTION 5 - CYLINDER

FIGURE 5-22. CYLINDER BELLOWS INSTALLATION (OPTIONAL)

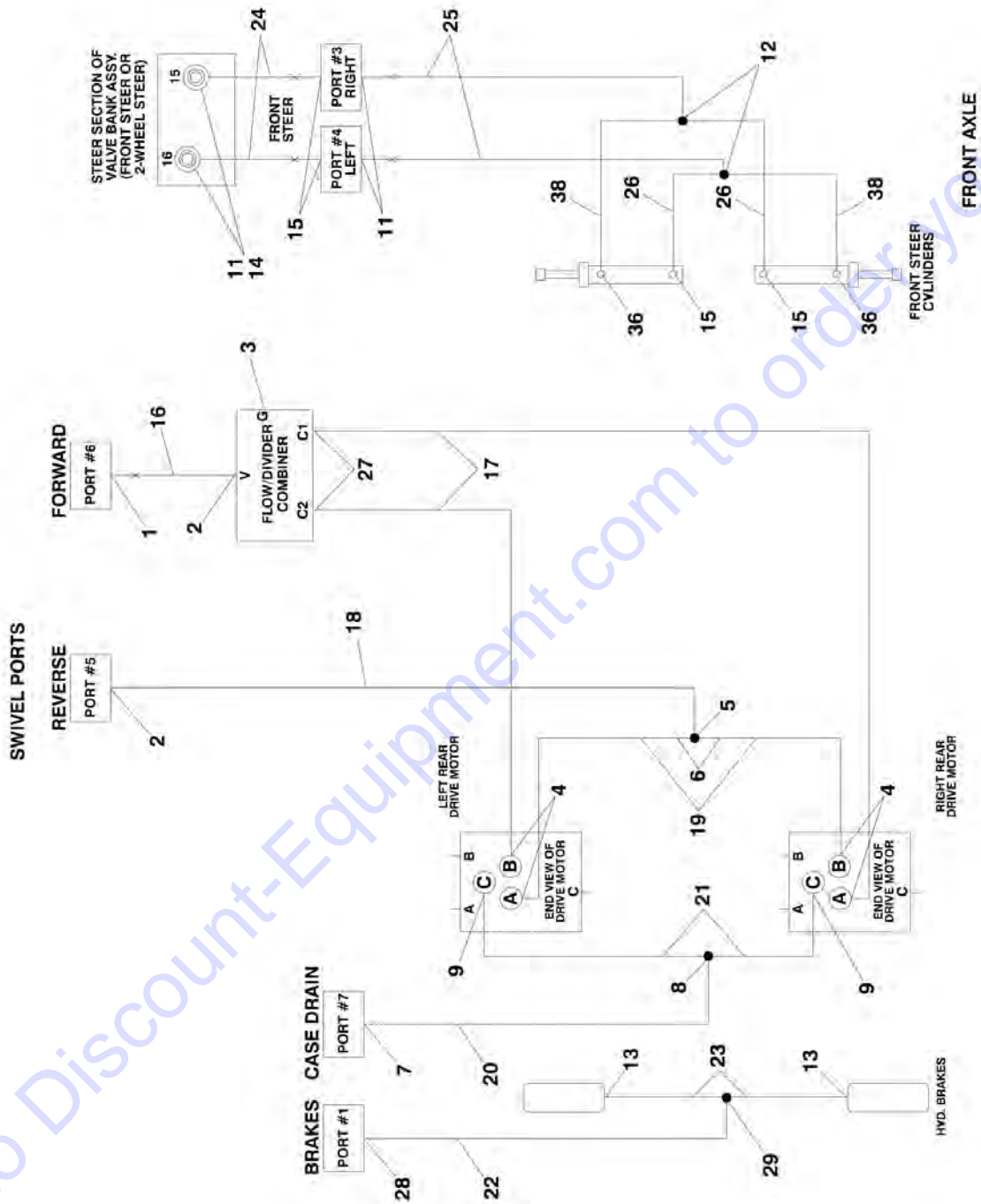
ITEM	PART NUMBER	QTY	DESCRIPTION	REV
	0255927	Ref	CYLINDER BELLOWS INSTALLATION (600A)	1
1	0460152	2	Bellows, Cylinder (Master and Platform Level Cylinders)	
2	0460155	1	Bellows, Cylinder (Main Lift Cylinder)	
3	0460154	1	Bellows, Cylinder (Tower Lift Cylinder)	
	0255928	Ref	CYLINDER BELLOWS INSTALLATION (600AJ)	1
101	0460151	1	Bellows, Cylinder (Master and Platform Level Cylinders)	
102	0460155	1	Bellows, Cylinder (Main Lift Cylinder)	
103	0460161	1	Bellows, Cylinder (Articulating Jib Lift Cylinder)	
104	0460160	1	Bellows, Cylinder (Articulating Jib Level Cylinder)	
105	0460154	1	Bellows, Cylinder (Tower Lift Cylinder)	
	1282490	Ref	CYLINDER BELLOWS INSTALLATION (FRAME)	-
	0255482	Ref	2WD/2WS & 4WD/2WS 8ft/2.4m Width Machines with Oscillating Axle	-
	0255483	Ref	2WD/2WS & 4WD/2WS 8ft/2.4m Width Machines with Fixed Axle	-
	0255486	Ref	2WD/4WS & 4WD/2WS 8ft/2.4m Width Machines with Oscillating Axle	-
	0255487	Ref	2WD/4WS & 4WD/4WS 8ft/2.4m Width Machines with Fixed Axle	-
	0255484	Ref	2WD/2WS 7ft/2.1m Width Machines with Oscillating Axle	-
	0255485	Ref	2WD/2WS 7ft/2.1m Width Machines with Fixed Axle	-
	0255488	Ref	2WD/4WS 7ft/2.1m Width Machines with Oscillating Axle	-
	0255489	Ref	2WD/4WS 7ft/2.1m Width Machines with Fixed Axle	-
201		Ref	Bellows, Cylinder (Steer Cylinder)	
201	0460150	AR	8ft/2.4m Width Machines	
201	0460157	AR	7ft/2.1m Width Machines	
202		Ref	Bellows, Cylinder (Oscillating Axle Cylinders)	
202	0460159	AR	With Oscillating Axle	
202	Not Required	0	Without Oscillating Axle	

SECTION 6 - HYDRAULIC

Go to Discount-Equipment.com to order your parts

SECTION 6 - HYDRAULIC

FIGURE 6-1. DRIVE HYDRAULIC DIAGRAM - 2WD/2WS



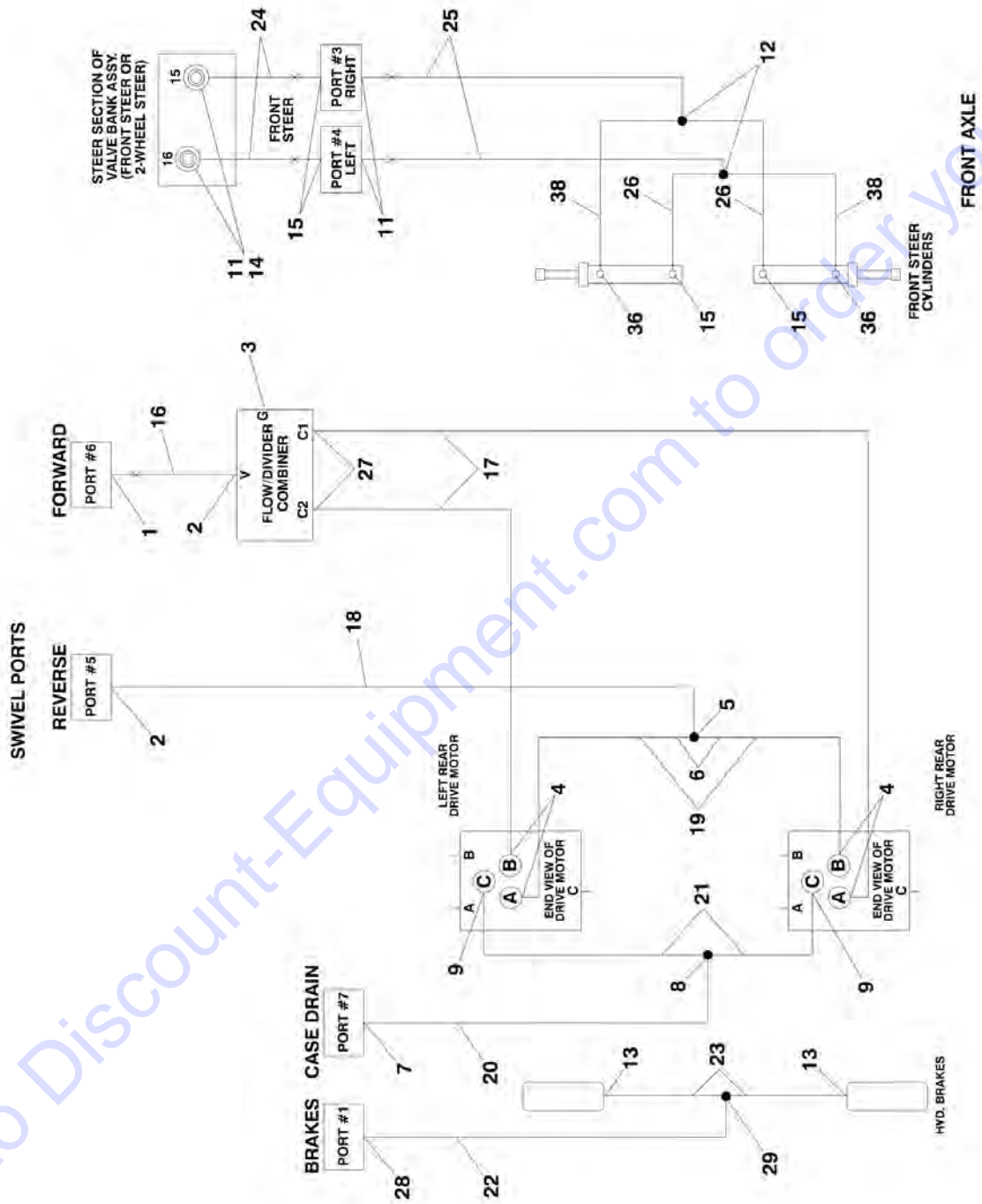
SECTION 6 - HYDRAULIC

FIGURE 6-1. DRIVE HYDRAULIC DIAGRAM - 2WD/2WS

ITEM	PART NUMBER	QTY	DESCRIPTION	REV
	2792193	Ref	DRIVE HYDRAULIC DIAGRAM - 2WD/2WS	4
1	2220377	1	Fitting, Straight	
2	2220365	2	Fitting, 45	
3	2220235	1	Fitting, Plug	
4	2220451	4	Fitting, Straight	
5	2220363	1	Fitting, Tee	
6	2220710	2	Fitting, Reducer	
7	2220375	1	Fitting, Straight	
8	2220362	1	Fitting, Tee	
9	2220373	2	Fitting, Straight	
11	2220371	2	Fitting, Straight	
12	2220490	2	Fitting, Tee	
13	2220466	2	Fitting, 90	
14	2220507	2	Fitting, 90	
15	2220473	4	Fitting, 90	
16	2752354	1	Hose	
17	2752258	2	Hose	
18	2752324	1	Hose	
19	2752245	2	Hose	
20	2752813	1	Hose	
21	2752814	2	Hose	
22	2752602	1	Hose	
23	2752459	2	Hose	
24	2752620	2	Hose	
25	2752473	2	Hose	
26	2752966	2	Hose	
27	2220435	2	Fitting, Straight	
28	2220582	1	Fitting, Straight	
29	2220504	1	Fitting, Straight	
36	2220501	2	Fitting, 45	
38	2752970	2	Hose	

SECTION 6 - HYDRAULIC

FIGURE 6-2. DRIVE HYDRAULIC DIAGRAM - 4WD/2WS



SECTION 6 - HYDRAULIC

FIGURE 6-2. DRIVE HYDRAULIC DIAGRAM - 4WD/2WS

ITEM	PART NUMBER	QTY	DESCRIPTION	REV
	2792195	Ref	DRIVE HYDRAULIC DIAGRAM - 4WD/2WS	8
1	2220377	1	Fitting, Straight	
2	2752349	1	Hose	
3	2220365	1	Fitting, 45	
5	2220833	8	Fitting, Reducer	
6	2220500	4	Fitting, 45	
7	2752398	2	Hose	
8	2220596	4	Fitting, 90	
10	2220622	4	Fitting, Reducer (Prior to SN 0300058640)	
12	2751017	1	Hose (Prior to SN 0300037775)	
12	2751013	1	Hose (SN 0300037775 through 0300069000)	
13	2750770	1	Hose (Prior to SN 0300037775)	
13	2751013	1	Hose (SN 0300037775 through 0300069000)	
14	2220466	6	Fitting, 90	
15	2220490	2	Fitting, Tee	
16	2220671	4	Fitting, 90	
17	2752807	2	Hose	
18	2220362	2	Fitting, Tee	
19	2220375	2	Fitting, Straight	
20	2752813	1	Hose	
21	2220473	6	Fitting, 90	
22	2752602	1	Hose	
23	2752592	2	Hose	
24	2220371	4	Fitting, Straight	
25	2750756	1	Hose	
26	2220568	2	Fitting, 45	
28	2752249	2	Hose	
29	2220235	4	Fitting, Plug	
31	2752807	1	Hose	
32	2752890	2	Hose	
33	2750790	1	Hose	
34	2752919	2	Hose	
35	2220415	3	Fitting, Straight	
36	2752899	2	Hose	
37	2752966	2	Hose	
38	2752593	1	Hose	
39	2752473	2	Hose	
40	2220909	1	Fitting, Office (.015)	
41	2220605	1	Fitting, Tee	
42	2752573	1	Hose	
43	2751427	2	Hose	
44	2751396	1	Hose	
45	4640906	1	Valve, 2-Speed Motor Control	
45	7012974	1	Cartridge without Coil	
45	7012905	1	Seal Kit	
45	7012944	1	Coil	
45	4640906	2	Cartridge, Check Valve (Note: Not Available for Purchase)	
45	7012972	2	Seal Kit	
46	0641508	2	Bolt 5/16in-18NC x 1in	
47	4891500	2	Flatwasher 5/16in Hardened	

PARTS FINDER

**Search Website
by Part Number**



**Search Manual
Library For Parts
Manual & Lookup Part
Numbers – Purchase
or Request Quote**

**Can't Find Part or
Manual? Request Help
by Manufacturer,
Model & Description**

Discount-Equipment.com is your online resource for quality parts & equipment.

Florida: **561-964-4949** Outside Florida TOLL FREE: **877-690-3101**

Need parts?

Click on this link: <http://www.discount-equipment.com/category/5443-parts/> and choose one of the options to help get the right parts and equipment you are looking for. Please have the machine model and serial number available in order to help us get you the correct parts. If you don't find the part on the website or on one of the online manuals, please fill out the request form and one of our experienced staff members will get back to you with a quote for the right part that your machine needs.

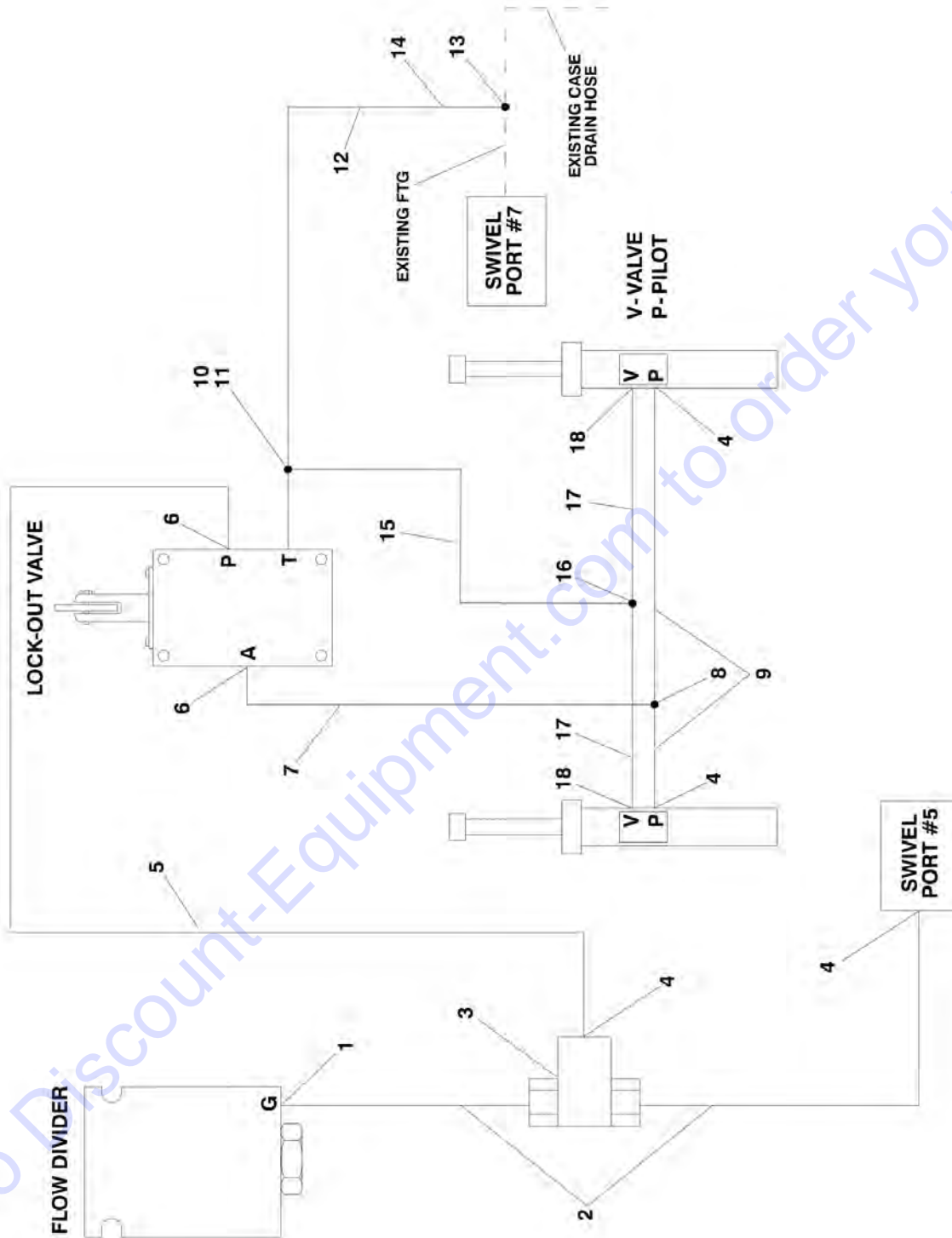
We sell worldwide for the brands: Genie, Terex, JLG, MultiQuip, Mikasa, Essick, Whiteman, Mayco, Toro Stone, Diamond Products, Generac Magnum, Airman, Haulotte, Barreto, Power Blanket, Nifty Lift, Atlas Copco, Chicago Pneumatic, Allmand, Miller Curber, Skyjack, Lull, Skytrak, Tsurumi, Husquvarna Target, Stow, Wacker, Sakai, Mi-T-M, Sullair, Basic, Dynapac, MBW, Weber, Bartell, Bennar Newman, Haulotte, Ditch Runner, Menegotti, Morrison, Contec, Buddy, Crown, Edco, Wyco, Bomag, Laymor, EZ Trench, Bil-Jax, F.S. Curtis, Gehl Pavers, Heli, Honda, ICS/PowerGrit, IHI, Partner, Imer, Clipper, MMD, Koshin, Rice, CH&E, General Equipment, Amida, Coleman, NAC, Gradall, Square Shooter, Kent, Stanley, Tamco, Toku, Hatz, Kohler, Robin, Wisconsin, Northrock, Oztec, Toker TK, Rol-Air, APT, Wylie, Ingersoll Rand / Doosan, Innovatech, Con X, Ammann, Mecalac, Makinex, Smith Surface Prep, Small Line, Wanco, Yanmar

SECTION 6 - HYDRAULIC

ITEM	PART NUMBER	QTY	DESCRIPTION	REV
48	4711500	2	Flatwasher 5/16in Thin	
49	2220507	2	Fitting, 90	
50	2752620	2	Hose	
52	2220914	1	Orifice (.043)	
53		Ref	Fitting Options:	
53	2220550	2	Fitting (Prior to SN 0300058640)	
53	2220833	2	Fitting (SN 0300058640 through 0300069000)	
54		Ref	Fitting, Tee Options:	
54	2220738	2	Fitting, Tee (Prior to SN 0300058640)	
54	2220602	2	Fitting, Tee (SN 0300058640 through 0300069000)	
55	2220435	2	Fitting, Straight	
56	2752398	2	Hose	
57	2752889	2	Hose	
58	2220582	5	Fitting, Straight	
59	2220504	4	Fitting, Tee	
60	2220466	2	Fitting, Straight	
67	2220800	4	Fitting, Straight	
68	2752912	2	Hose	
69	2220501	2	Fitting, 45	
71	2752970	2	Hose	
73	2220502	1	Fitting, 45, (SN 0300057328 through 0300069000)	

SECTION 6 - HYDRAULIC

FIGURE 6-3. HYDRAULIC DIAGRAM - OSCILLATING AXLE



SECTION 6 - HYDRAULIC

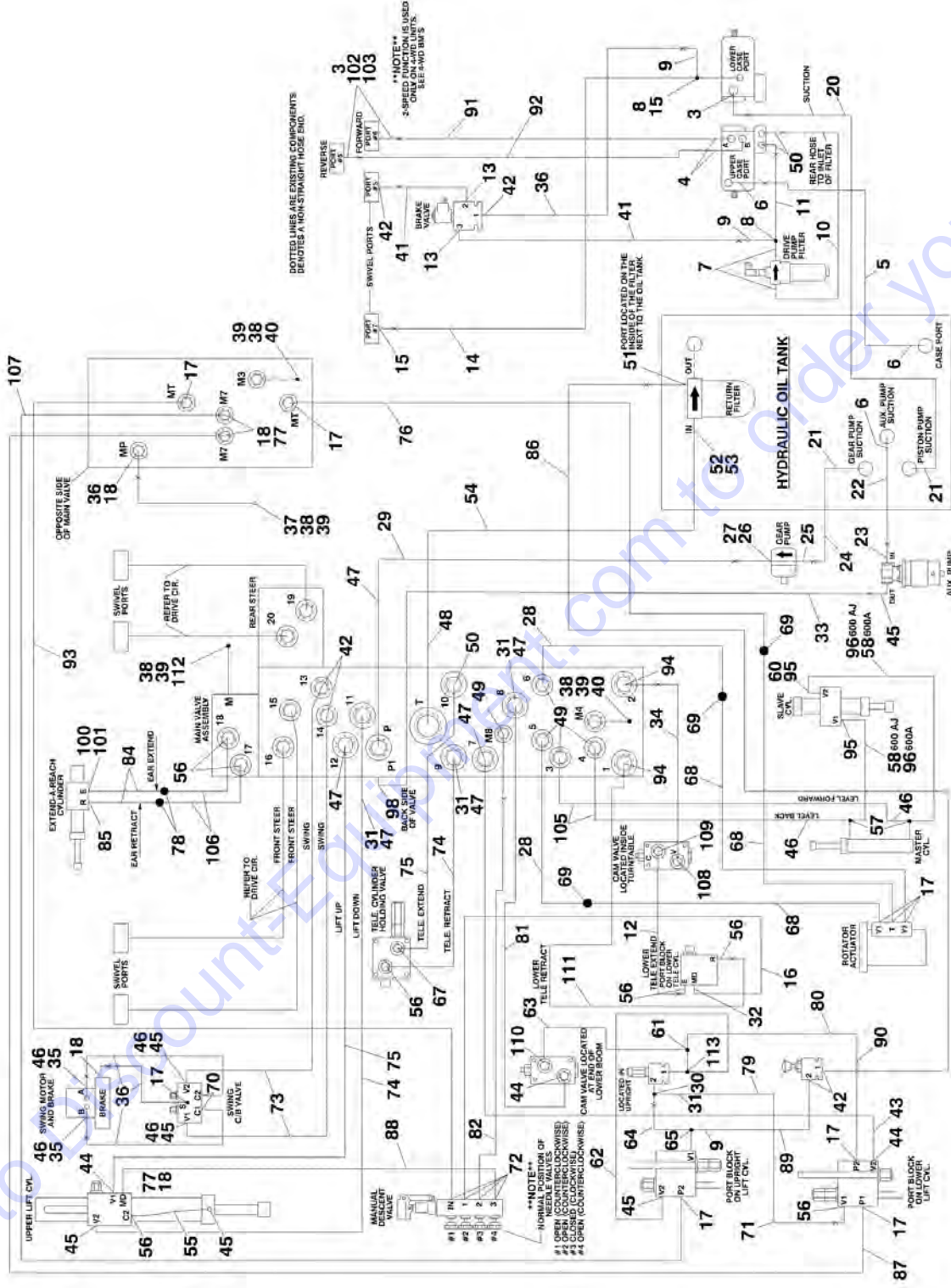
FIGURE 6-3. HYDRAULIC DIAGRAM - OSCILLATING AXLE

ITEM	PART NUMBER	QTY	DESCRIPTION	REV
	2792230	Ref	HYDRAULIC DIAGRAM - OSCILLATING AXLE	-
1	2220466	1	Fitting, 90	
2	2751020	2	Hose	
3	4640939	1	Valve, Shuttle	
4	2220582	6	Fitting, Straight	
5	2751013	1	Hose	
6	2220415	2	Fitting, Straight	
7	2750900	1	Hose	
8	2220504	1	Fitting, Tee	
9	2752920	2	Hose	
10	2220603	1	Fitting, Straight	
11	2220635	1	Fitting, Tee	
12	2752824	1	Hose	
13	2220385	1	Fitting, Tee	
14	2220619	1	Fitting, Reducer	
15	2752823	1	Hose	
16	2220490	1	Fitting, Tee	
17	2752962	2	Hose	
18	2220371	2	Fitting, Straight	

Go to Discount-Equipment.com to order your parts

SECTION 6 - HYDRAULIC

FIGURE 6-4. HYDRAULIC DIAGRAM - STANDARD



SECTION 6 - HYDRAULIC

FIGURE 6-4. HYDRAULIC DIAGRAM - STANDARD

ITEM	PART NUMBER	QTY	DESCRIPTION	REV
	2792188	Ref	HYDRAULIC DIAGRAM - STANDARD (600A)	18
	2792189	Ref	HYDRAULIC DIAGRAM - STANDARD (600AJ)	19
3	2220377	3	Fitting, Straight	
4	2220646	2	Fitting, 90	
5	2752655	1	Hose	
6	2220578	3	Fitting, 90	
7	2220366	2	Fitting, 90	
8	2220385	2	Fitting, Tee	
9	2220618	3	Fitting, Reducer	
10	2752500	1	Hose	
11	2752519	1	Hose	
12	2753132	1	Hose	
13	2220472	2	Fitting, 90	
14	2752928	1	Hose	
15	2220375	2	Fitting, Straight	
16	2752591	1	Hose	
17	2220466	8	Fitting, 90	
18	2220415	5	Fitting, Straight	
20	2752723	1	Hose	
21	2220379	2	Fitting, Straight	
22	2752656	1	Hose	
23	2220567	1	Fitting, 90	
24	2752724	1	Hose	
25	2220376	1	Fitting, Straight	
26	2220810	1	Fitting, Reducer	
27	4640744	1	Valve, Check	
28	2752604	2	Hose	
		Ref	(Note: Also Requires #69 & #68 for Complete Run Up Boom)	
29	2752929	1	Hose	
30	2220602	2	Fitting, Tee	
31	2220619	6	Fitting, Reducer	
32	2220416	1	Fitting, 90	
33	2752635	1	Hose	
34	2753133	1	Hose	
35	2220497	2	Fitting, Straight	
36	2752573	5	Hose	
37	2220414	AR	Fitting, Straight (600A - Qty1 /600AJ - Qty2) (Prior to SN 0300058640)	
38	2220428	AR	Fitting, Quick Coupling (600A - Qty3 /600AJ - Qty4)	
39	2220429	AR	Cap, Dust (600A - Qty3 /600AJ - Qty4)	
40	2220873	2	Fitting	
41	2752600	2	Hose	
42	2220582	6	Fitting, Straight	
43	2752506	1	Hose (600A)	
43	2752516	1	Hose (600AJ)	
44	2220596	3	Fitting, 90	
45	2220628	6	Fitting, 90	
46	2220609	7	Fitting, Reducer	
47	2220381	AR	Fitting, Long Straight (600A - Qty5 /600AJ - Qty6)	
48	2220974	1	Fitting, Long Straight	

SECTION 6 - HYDRAULIC

ITEM	PART NUMBER	QTY	DESCRIPTION	REV
49	2220923	5	Fitting, Long Straight	
50	2220374	3	Fitting	
51	2220574	1	Fitting, Straight	
52	2220921	1	Fitting, Reducer	
53	2220498	1	Fitting, 45	
54	2752783	1	Hose	
55	2752469	1	Hose	
56	2220372	AR	Fitting, Straight (600A - Qty5 /600AJ - Qty7)	
57	2220899	2	Fitting, Tee	
58	2752636	1	Hose (600A)	
58	2752468	1	Hose (600AJ)	
59	2220371	1	Fitting, Straight (600A Only)	
60	2220657	1	Fitting, 45, (600A Only)	
61		Ref	Fitting, Tee Options:	
61	2220635	1	Fitting, Tee (Prior to SN 0300068131)	
61	2221065	1	Fitting, Tee (SN 0300068131 through 0300069000)	
62		Ref	Hose Options:	
62	2752466	1	Hose (Prior to SN 0300068131)	
62	2752462	1	Hose (SN 0300068131 through 0300069000)	
63	2753134	1	Hose	
63	2753134	1	Hose	
64	2752497	1	Hose	
65	2220999	1	Fitting, Tee	
67	2220500	1	Fitting, 45	
68	2752601	3	Hose	
		Ref	(Note: Also Requires #69 & #28 or #76 for Complete Run Up Boom)	
69	2220510	3	Fitting, Coupling	
70	2220468	2	Fitting, Straight	
71	2753052	1	Hose	
72	2220502	4	Fitting, 45	
73	2752603	2	Hose	
74	2753055	1	Hose	
75	2752939	2	Hose	
76	2752579	1	Hose	
		Ref	(Note: Also Requires #69 & #68 for Complete Run Up Boom)	
77	2220654	4	Fitting, 90	
78	2220511	1	Fitting, Coupling (600AJ Only)	
79	2753056	1	Hose	
80	2752991	1	Hose	
81	2753135	1	Hose	
82	2752434	1	Hose	
84	2753047	2	Hose (600AJ)	
		Ref	(Note: Also Requires #78 & #106 for Complete Run Up Boom)	
85	2220473	1	Fitting, 90, (600AJ Only)	
86	2752453	1	Hose	
87	2752593	1	Hose	
88	2752988	1	Hose	
89	2752990	1	Hose	
90	2752985	1	Hose	
91	2752343	1	Hose	
92		Ref	Hose Options:	

SECTION 6 - HYDRAULIC

ITEM	PART NUMBER	QTY	DESCRIPTION	REV
92	2752356	1	Hose (Prior to SN 0300064394)	
92	2752341	1	Hose (SN 0300064394 through 0300069000)	
93	2752592	1	Hose	
94	2220998	2	Fitting, Straight	
95	2220603	2	Fitting, Straight	
96	2753046	1	Hose (600A)	
96	2752650	1	Hose (600AJ)	
97	2752444	1	Hose (600AJ Only) (Prior to SN 0300052685)	
98	2220473	1	Fitting, 90	
100	2180724	1	Fitting, Modified 90, (600AJ Only)	
101	2180380	1	Plug, Orifice .06 (600AJ Only)	
102	0100011	AR	Compound, Locking	
103	0100038	AR	Primer, Locking	
104	1703534	2	Decal, Hose Tags (Not Shown)	
105	2752989	2	Hose	
106	2752618	2	Hose (600AJ Only)	
		Ref	(Note: Also Requires #78 & #84 for Complete Run Up Boom)	
107	2752987	1	Hose	
108	2220373	1	Fitting, Straight	
109	2220947	1	Fitting, Straight	
110	2221036	1	Fitting, O-Ring	
111	2752484	1	Hose	
112	2220873	1	Fitting, Nipple (SN 0300058640 through 0300069000)	
113	2221053	1	Fitting, Tee (SN 0300068131 through 0300069000)	

SECTION 6 - HYDRAULIC

FIGURE 6-5. HYDRAULIC DIAGRAM LIST

ITEM	PART NUMBER	QTY	DESCRIPTION	REV
		Ref	Note: Diagrams with part numbers 2792193, 2792195, 2792230 & 1282396 are shown in the preceding pages.	
	1282396	Ref	Drive Hydraulic Diagrams	
		Ref	600A & 600AJ with 8ft/2.4m Width Frame:	
	2792193	Ref	2WD/2WS	
	2792194	Ref	2WD/4WS	
	2792195	Ref	4WD/2WS	
	2792196	Ref	4WD/4WS	
		Ref	600A & 600AJ with 7ft/2.1m Width Frame:	
	2792191	Ref	2WD/2WS	
	2792192	Ref	2WD/2WS	
	2792230	Ref	Oscillating Axle Hydraulic Diagram	
	2792188	Ref	Standard Hydraulic Diagram - 600A	
	1282396	Ref	Standard Hydraulic Diagram - 600A	
	2792189	Ref	Standard Hydraulic Diagram - 600AJ	
	1282396	Ref	Standard Hydraulic Diagram - 600AJ	
	2792177	Ref	Standard Hydraulic Schematic	
	2792405	Ref	Tool Circuit Hydraulic Diagram	
	2792315	Ref	Tow Hydraulic Diagram	

SECTION 7 - ELECTRICAL

Go to Discount-Equipment.com to order your parts

SECTION 7 - ELECTRICAL

FIGURE 7-1. ELECTRICAL DIAGRAM LIST

ITEM	PART NUMBER	QTY	DESCRIPTION	REV
		Ref	Note: Diagrams with part numbers 1870044, 1870059, 1870050, 1870071 & 1870132 are not shown in the following pages. Note: Numbered Wiring Starts With S/N 0300035129	
		Ref	ALARM ELECTRICAL DIAGRAMS	
	4932783	Ref	Alarm Electrical (Prior to SN 0300035129)	A
	1282474	Ref	Alarm Electrical Diagrams (Prior to SN 0300035129)	-
	4932903	Ref	Alarm Electrical Diagrams - Motion (SN 0300035129 through 0300036477)	2
	1282685	Ref	Alarm Electrical Diagrams - Motion	D
	4933026	Ref	Alarm Electrical Diagrams - Motion (SN 0300036477 through 0300069000)	1
	1282937	Ref	Alarm Electrical Diagrams - Motion (SN 0300036477 through 0300069000)	A
	4932902	Ref	Alarm Electrical - Travel (SN 0300035129 through 0300036476)	2
	1282685	Ref	Alarm Electrical Diagrams - Motion (SN 0300035129 through 0300036476)	D
	4933025	Ref	Alarm Electrical - Travel (SN 0300036477 through 0300069000)	1
	1282937	Ref	Alarm Electrical Diagrams - Motion	A
	0259233	Ref	BPE LOAD SENSING DEVICE ELECTRICAL DIAGRAM	C
	0271474	Ref	BPE LOAD SENSING DEVICE ELECTRICAL	B
	4922304	1	Harness, Wiring (Installation 0259233)	
	4922616	1	Harness, Wiring (Lift Down) (Installation 0271474)	
	1282571	Ref	COLD WEATHER START ELECTRICAL DIAGRAM (DEUTZ)	F
		Ref	DRIVE CUT-OUT ELECTRICAL DIAGRAMS	
	4932896	Ref	Drive Cut-Out Electrical Above Elevation Tilt or Beyond Transport (Prior to SN 0300035129)	1
	1282672	Ref	Drive Cut-Out Electrical Above Elevation Tilt or Beyond Transport (Prior to SN 0300035129)	-
	4932990	Ref	Drive Cut-Out Electrical Above Elevation Tilt or Beyond Transport (SN 0300035129 through 0300069000)	2
	1282828	Ref	Drive Cut-Out Electrical Above Elevation Tilt or Beyond Transport Above Elevation Tilt (SN 0300035129 through 0300069000)	B
	4932894	Ref	Drive Cut-Out Electrical Above Elevation Tilt (Prior to SN 0300035129)	1
	1282672	Ref	Drive Cut-Out Electrical Above Elevation Tilt (Prior to SN 0300035129)	-
	4932993	Ref	Drive Cut-Out Electrical Above Elevation Tilt (SN 0300035129 through 0300069000)	2
	1282828	Ref	Drive Cut-Out Electrical Above Elevation Tilt (SN 0300035129 through 0300069000)	B
	4932894	Ref	Drive Cut-Out Electrical 8 Meter 600A (Prior to SN 0300035129)	1
	1282672	Ref	Drive Cut-Out Electrical 8 Meter (Prior to SN 0300035129)	-
	4932992	Ref	Drive Cut-Out Electrical 8 Meter 600A (SN 0300035129 through 0300069000)	2
	1282828	Ref	Drive Cut-Out Electrical 8 Meter (SN 0300035129 through 0300069000)	B
	0256346	Ref	Drive Cut-Out Electrical 8 Meter 600AJ (Prior to SN 0300035129)	1
	1282672	Ref	Drive Cut-Out Electrical 8 Meter (Prior to SN 0300035129)	-

SECTION 7 - ELECTRICAL

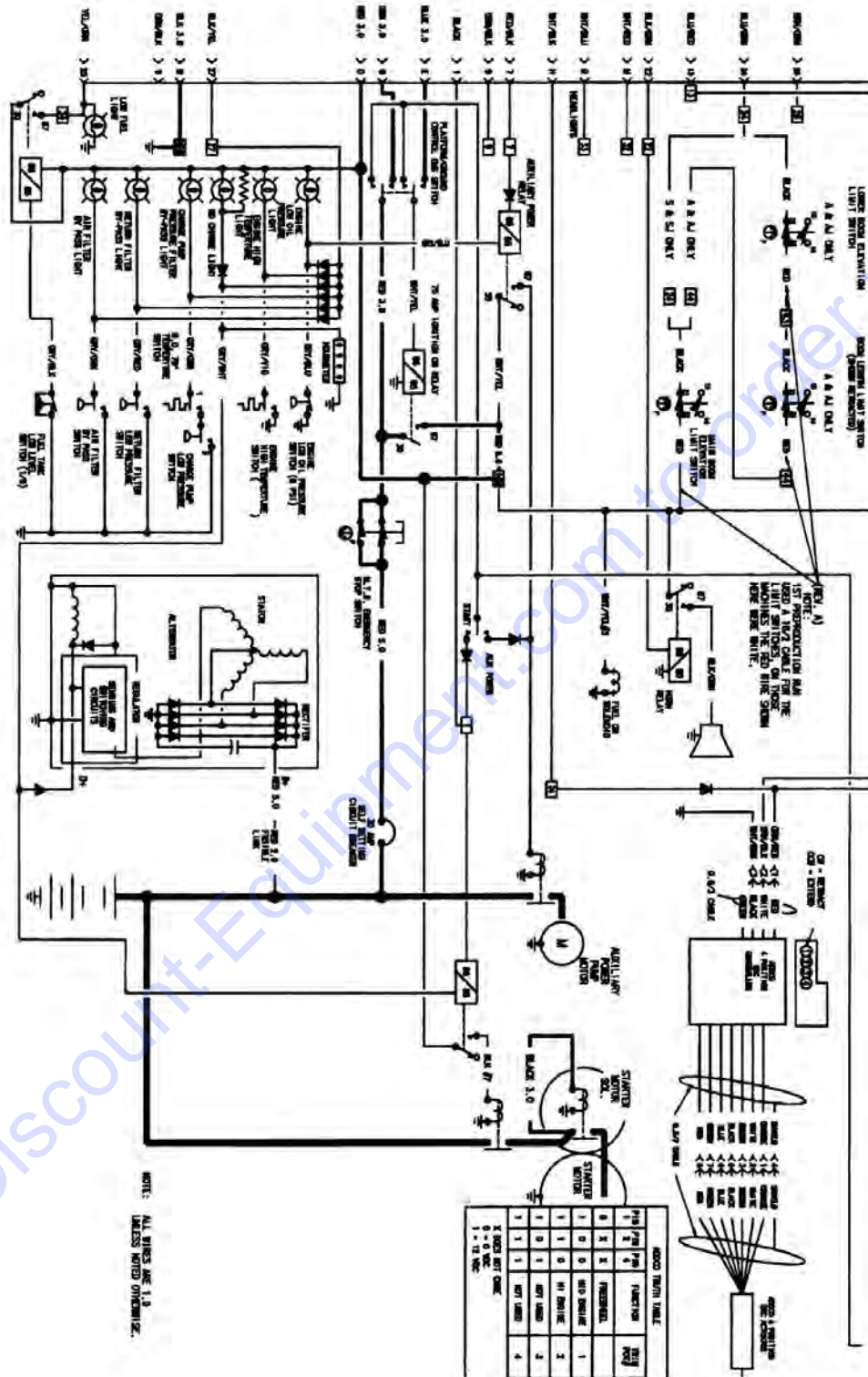
ITEM	PART NUMBER	QTY	DESCRIPTION	REV
	4932992	Ref	Drive Cut-Out Electrical 8 Meter 600AJ (SN 0300035129 through 0300069000)	2
	1282828	Ref	Drive Cut-Out Electrical 8 Meter (SN 0300035129 through 0300069000)	B
	3640493	1	Rail, Mounting	
	4460607	2	Stop, Terminal	
	4120013	1	Socket, Relay	
	3740058	1	Relay 4PDT	
	2740063	1	Spring, Relay	
	Ref		ENGINE LOW OIL SHUTDOWN ELECTRICAL DIAGRAMS	
	4932977	Ref	Engine Low Oil Shutdown Electrical (Prior to SN 0300035129)	1-A
	4932986	Ref	Engine Low Oil Shutdown Electrical (SN 0300035129 through 0300069000)	2-B
	Ref		GENERATOR ELECTRICAL DIAGRAMS	
	4932828	Ref	Generator Electrical Diagrams 110V (Prior to SN 0300035129)	2-C
	4932915	Ref	Generator Electrical Diagrams 110V (SN 0300035129 through 0300064248)	2-C
	4933158	Ref	Generator Electrical Diagrams 110Volt (ADE SYSTEM) (SN 0300064249 through 0300069000)	1-A
	4932940	Ref	Generator Electrical Diagrams 220V (Prior to SN 0300035129)	-
	4932989	Ref	Generator Electrical Diagrams 220V (SN 0300035129 through 0300064248)	1-B
	4933162	Ref	Generator Electrical Diagrams 220 Volt (ADE SYSTEM) (SN 0300064249 through 0300069000)	1-A
	Ref		LIGHTS ELECTRICAL DIAGRAMS:	
	4932839	Ref	Headlight/Taillight (Prior to SN 0300035129)	1-A
	4932917	Ref	Headlight/Taillight (SN 0300035129 through 0300064248)	3-D
	4922095	1	Harness (Located in Platform Console Box)	
	3740049	1	Relay	
	4933219	Ref	Headlight/Taillight (ADE System) (SN 0300064249 through 0300069000)	1-A
	4922484	1	Harness (Located in Ground Console Box)	
	3740049	1	Relay	
	4933006	Ref	LOAD SENSING SYSTEM ELECTRICAL DIAGRAM	1
	Ref		OIL COOLER ELECTRICAL DIAGRAMS	
	0256765	Ref	Deutz Machines	3
	1282665	Ref	Duetz Machines	C
	0270723	Ref	PLATFORM BEACON ELECTRICAL DIAGRAM	1-A
	Ref		PLATFORM ELECTRICAL DIAGRAMS	
	4932849	Ref	CE & EN280 Specs (Prior to SN 03000351129)	5-H
	4932974	Ref	CE & EN280 Specs (SN 03000351129 through 0300064249)	5-E
	4932848	Ref	Australian Spec (Prior to SN 0300029430)	1-E
	4932914	Ref	Australian Spec (SN 0300029430 through 0300035128)	5-D
	4932905	Ref	Australian Spec (SN 0300035129 through 0300064248)	7-E
	4922509	Ref	With ADE System (SN 0300064249 through 0300064269)	3-D
	4922639	Ref	With ADE System (SN 0300064270 through 0300069000)	C
	Ref		PLATFORM SOFT TOUCH SYSTEM ELECTRICAL DIAGRAMS	
	4922939	Ref	Platform Soft Touch System (Prior to SN 0300035129)	-
	4932980	Ref	Platform Soft Touch System (SN 0300035129 through 0300064249)	2-C
	3740057	1	Relay (Located in Platform Console Box)	
	4120012	1	Socket, Relay (Located in Platform Console Box)	
	3740066	1	Spring, Relay (Located in Platform Console Box)	

SECTION 7 - ELECTRICAL

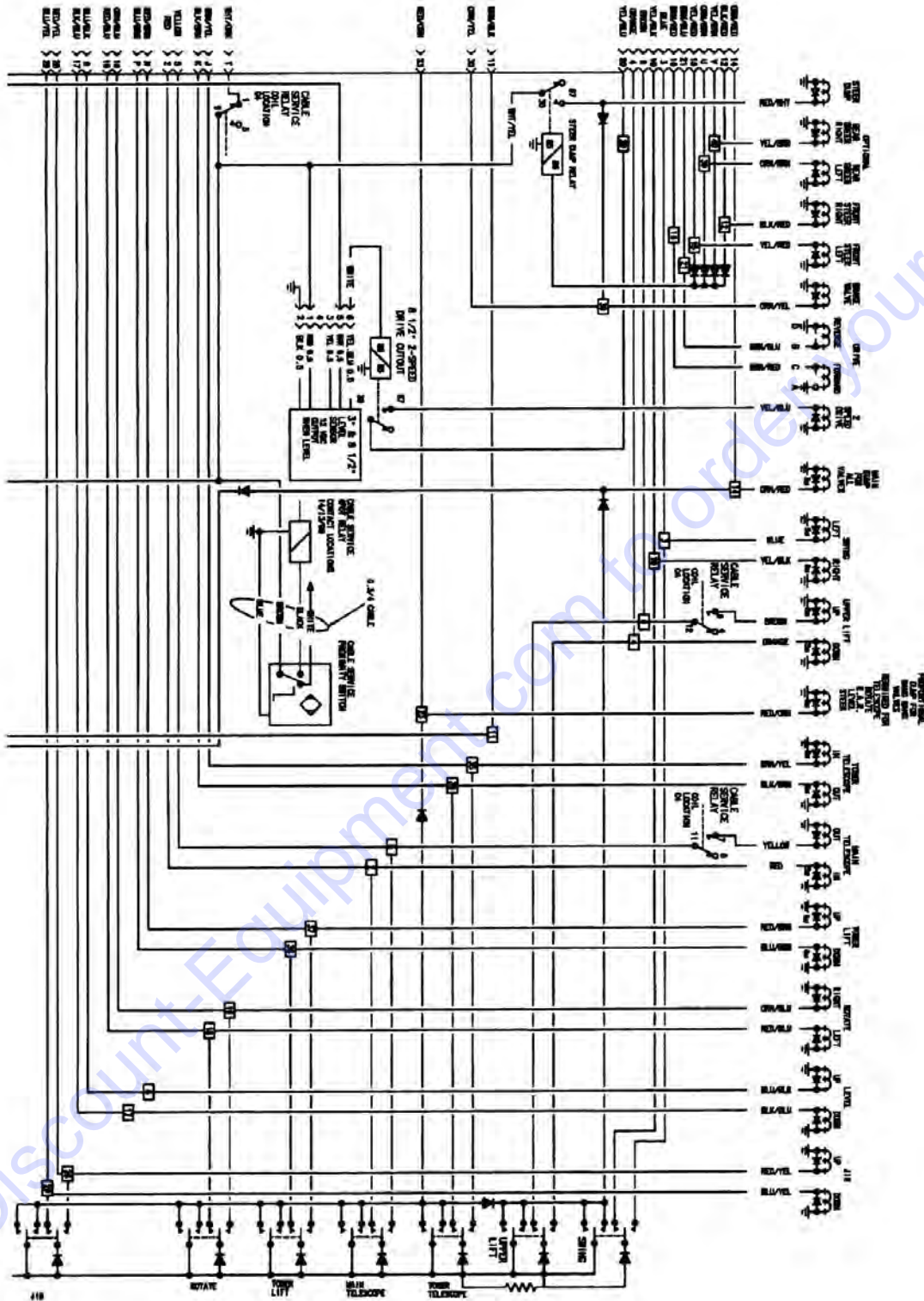
ITEM	PART NUMBER	QTY	DESCRIPTION	REV
	3740049	1	Relay (Located in Platform Console Box)	
	4460600	1	Block, Terminal (Located in Platform Console Box)	
	4933218	Ref	PLATFORM SOFT TOUCH SYSTEM ELECTRICAL DIAGRAM (WITH ADE SYSTEM) (SN 0300064249 through 0300069000)	1-A
		Ref	PLATFORM WORKLIGHTS ELECTRICAL DIAGRAMS	
	0255392	Ref	Platform Worklights Electrical Diagrams (Prior to SN 0300035129)	2-B
	0258048	Ref	Platform Worklights Electrical Diagrams (SN 0300035129 through 0300064248)	2-E
	0270814	Ref	Platform Worklights Electrical Diagrams with ADE System (SN 0300064249 through 0300069000)	2-C
	4932971	Ref	POWER TOOL ELECTRICAL DIAGRAM	2-A
		Ref	STANDARD ELECTRICAL DIAGRAMS	
	4932850	Ref	Standard Electrical Diagrams (Prior to SN 0300035129)	5-G
	4932976	Ref	Standard Electrical Diagrams (SN 0300035129 through 0300064248)	5-E
	4933185	Ref	Deutz Engine (With ADE System) (SN 0300064249 through 0300069000)	3-C
		Ref	STANDARD ELECTRICAL SCHEMATICS	
	1870044	Ref	CE Spec (Prior to SN 0300035129)	E
	1870059	Ref	CE Spec (SN 0300035129 through 0300069000)	E
	1870050	Ref	Australian Spec (Prior to SN 0300035129)	B
	1870071	Ref	Australian Spec (SN 0300035129 through 0300069000)	C
	1870132	Ref	Deutz/Ford EFI (With ADE System) (SN 0300064249 through 0300069000)	B
		Ref	STROBE LIGHT ELECTRICAL DIAGRAMS	
	4932812	Ref	Strobe Light Electrical Diagrams (Prior to SN 0300035129)	-
	1282474	Ref	Strobe Light Electrical Diagrams (Prior to SN 0300035129)	-
	4932904	Ref	Strobe Light Electrical Diagrams (SN 0300035129 through 0300036476)	2
	1282685	Ref	Strobe Light Electrical Diagrams (SN 0300035129 through 0300036476)	D
	4933027	Ref	Strobe Light Electrical Diagrams (SN 0300036477 through 0300064248)	1
	1282937	Ref	Strobe Light Electrical Diagrams (SN 0300036477 through 0300064248)	A
	0255919	Ref	Strobe Light Electrical Diagrams with ADE System (SN 0300064249 through 0300069000)	-

SECTION 7 - ELECTRICAL

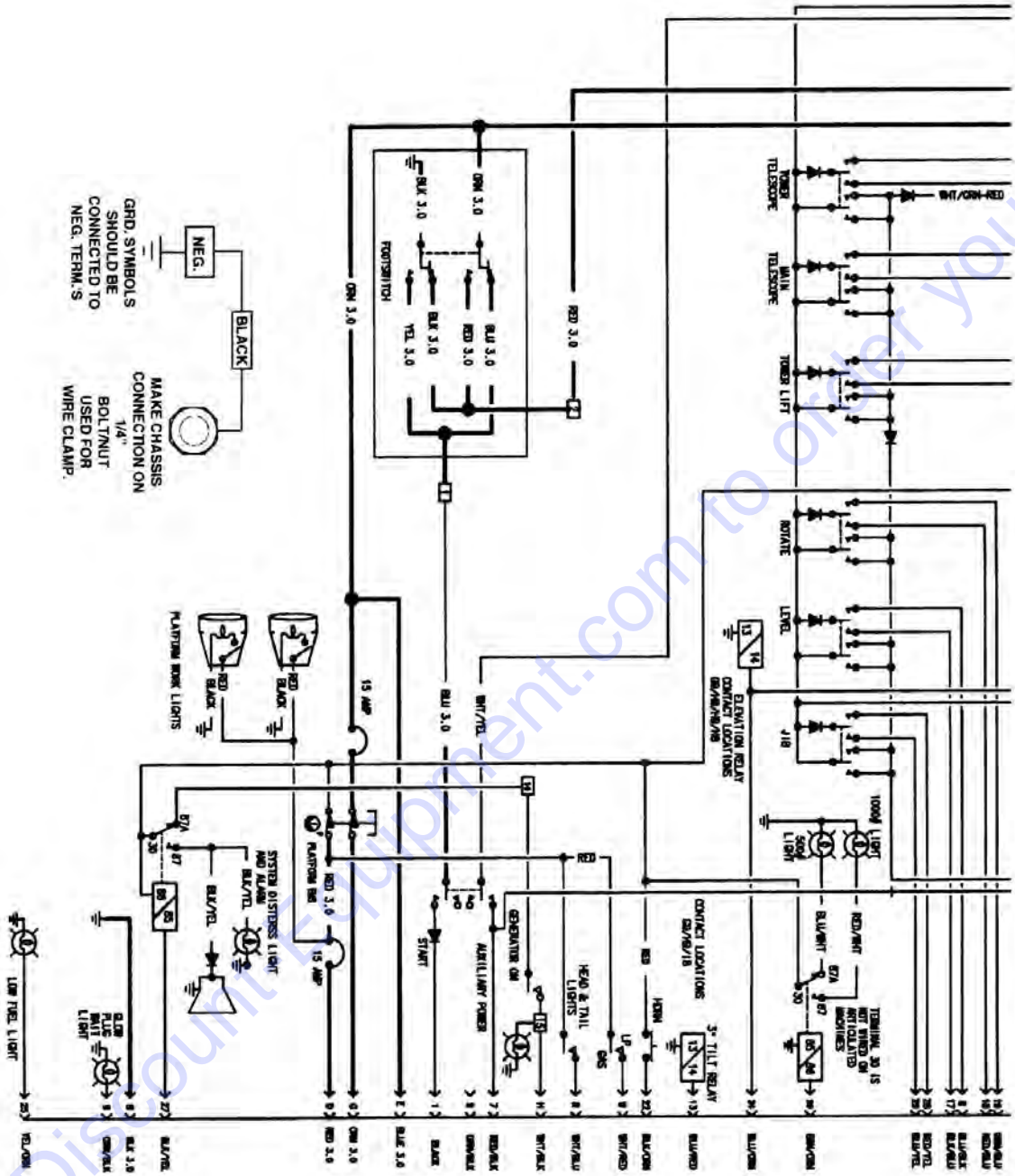
FIGURE 7-2. ELECTRICAL SCHEMATIC - CE SPEC MACHINES WITH COLORED WIRING (Prior to SN 0300035129)



SECTION 7 - ELECTRICAL



SECTION 7 - ELECTRICAL



GRD. SYMBOLS SHOULD BE CONNECTED TO NEG. TERM.'S

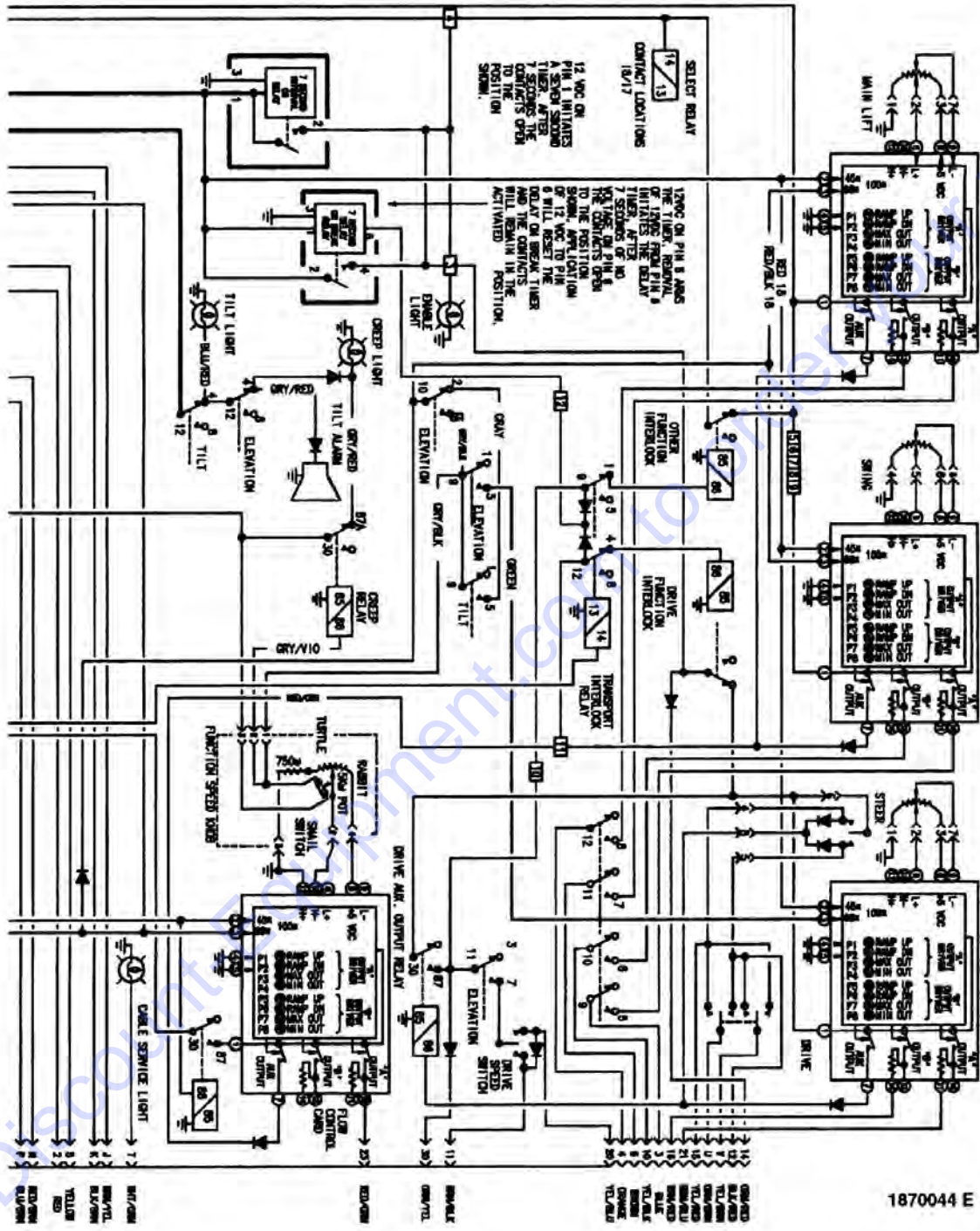
MAKE CHASSIS CONNECTION ON 1/4" BOLT/NUT USED FOR WIRE CLAMP.

NEG.

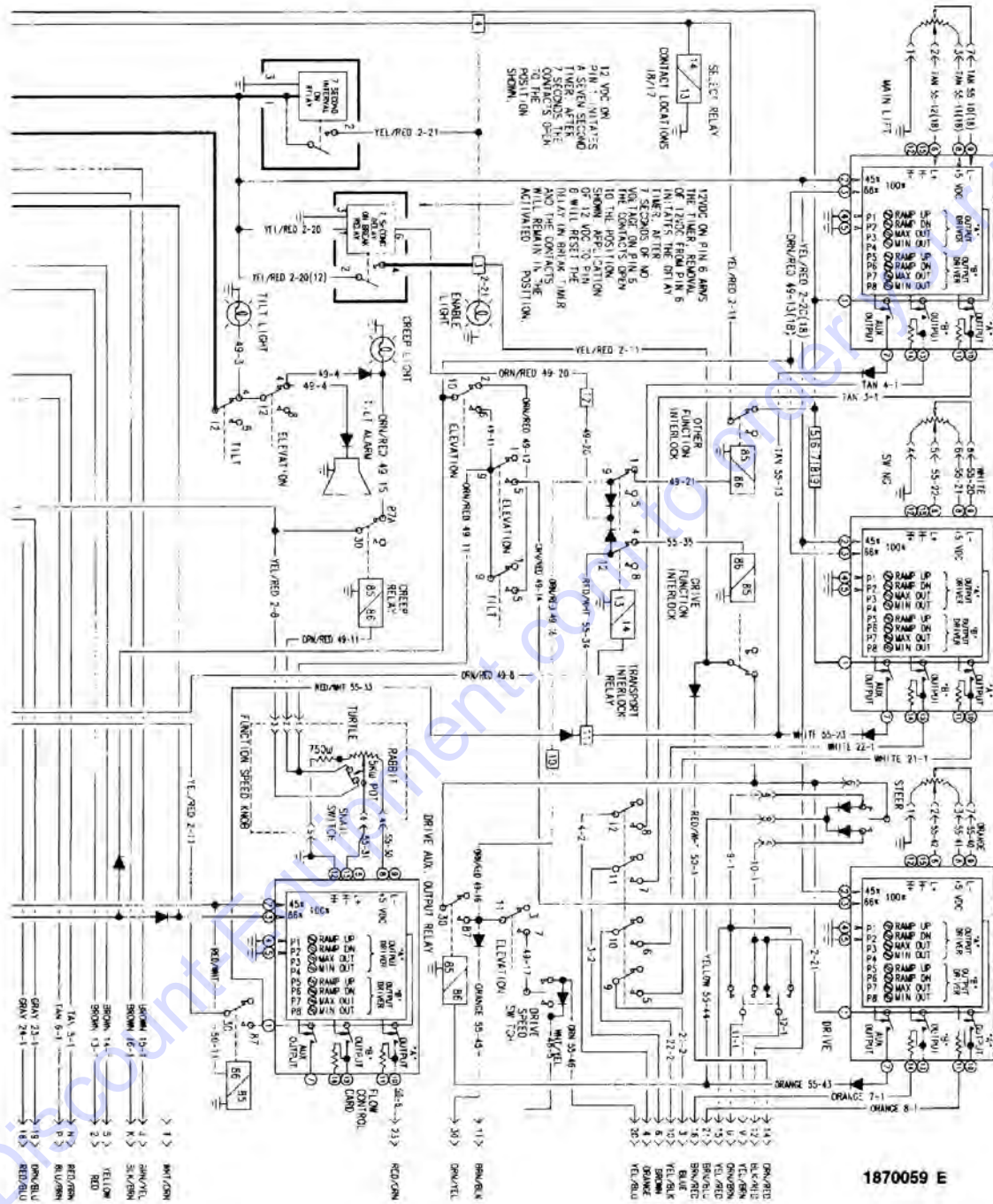
BLACK

Go to DiscountParts.com to order your parts

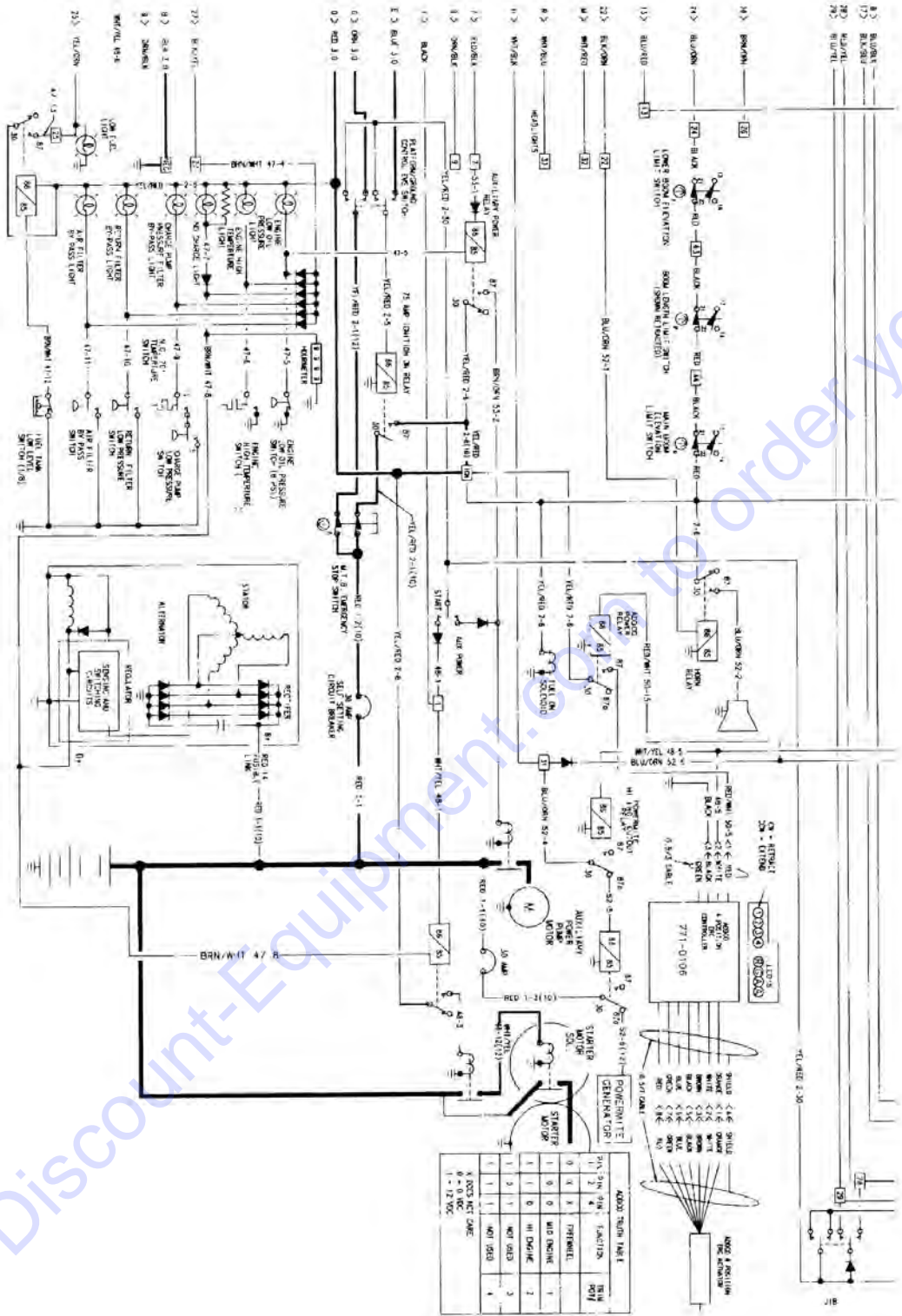
SECTION 7 - ELECTRICAL



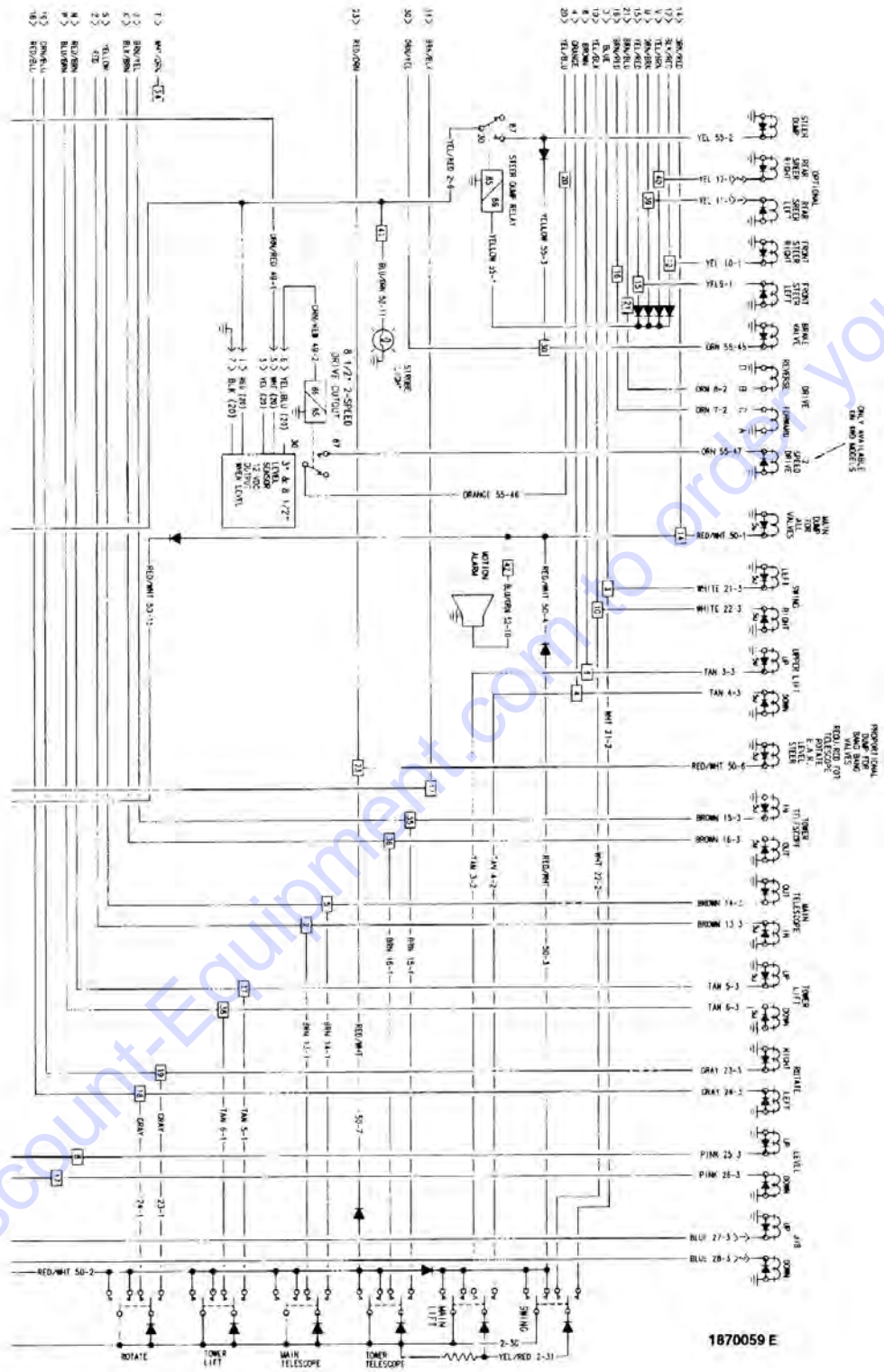
SECTION 7 - ELECTRICAL



SECTION 7 - ELECTRICAL



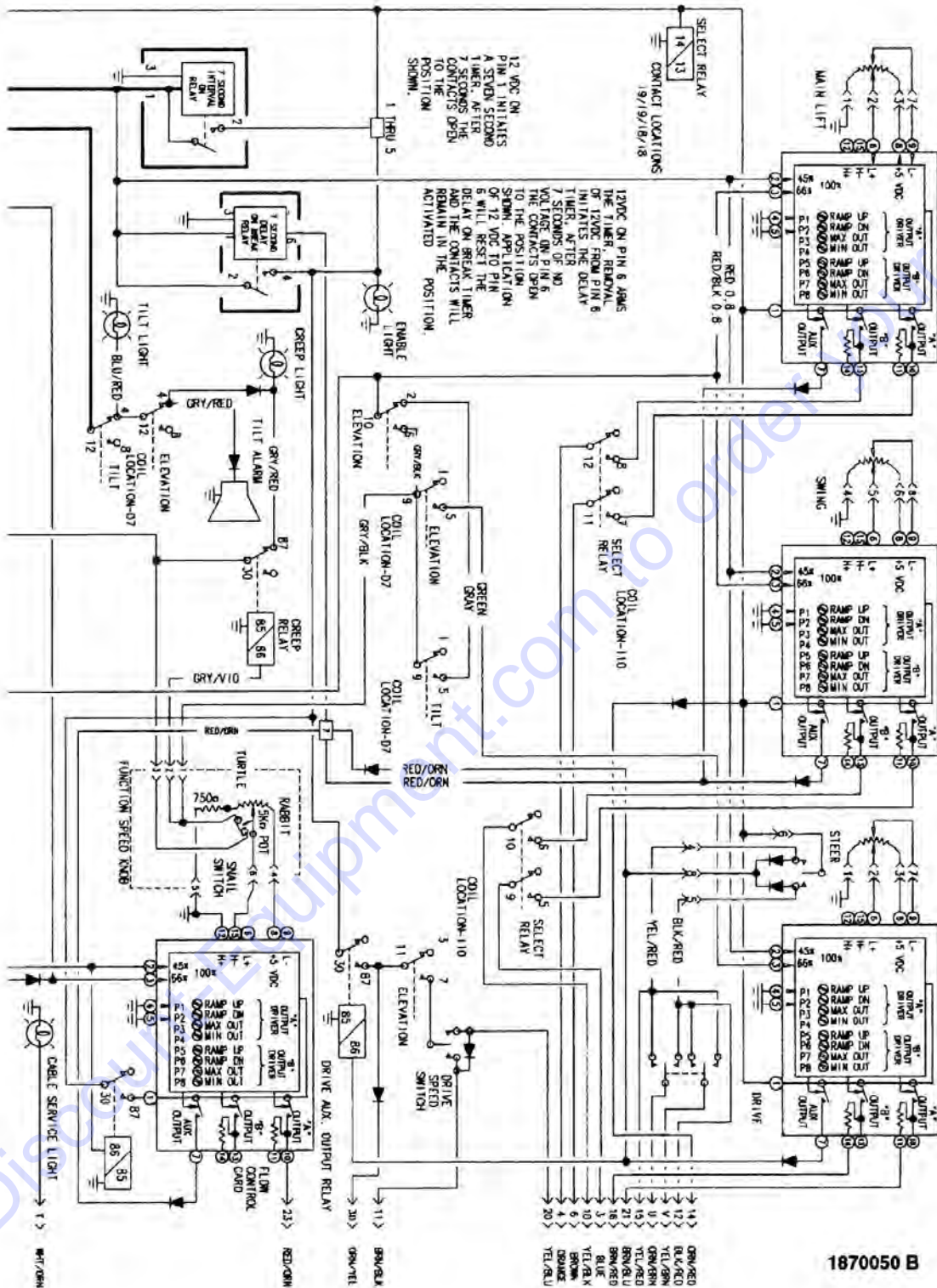
SECTION 7 - ELECTRICAL



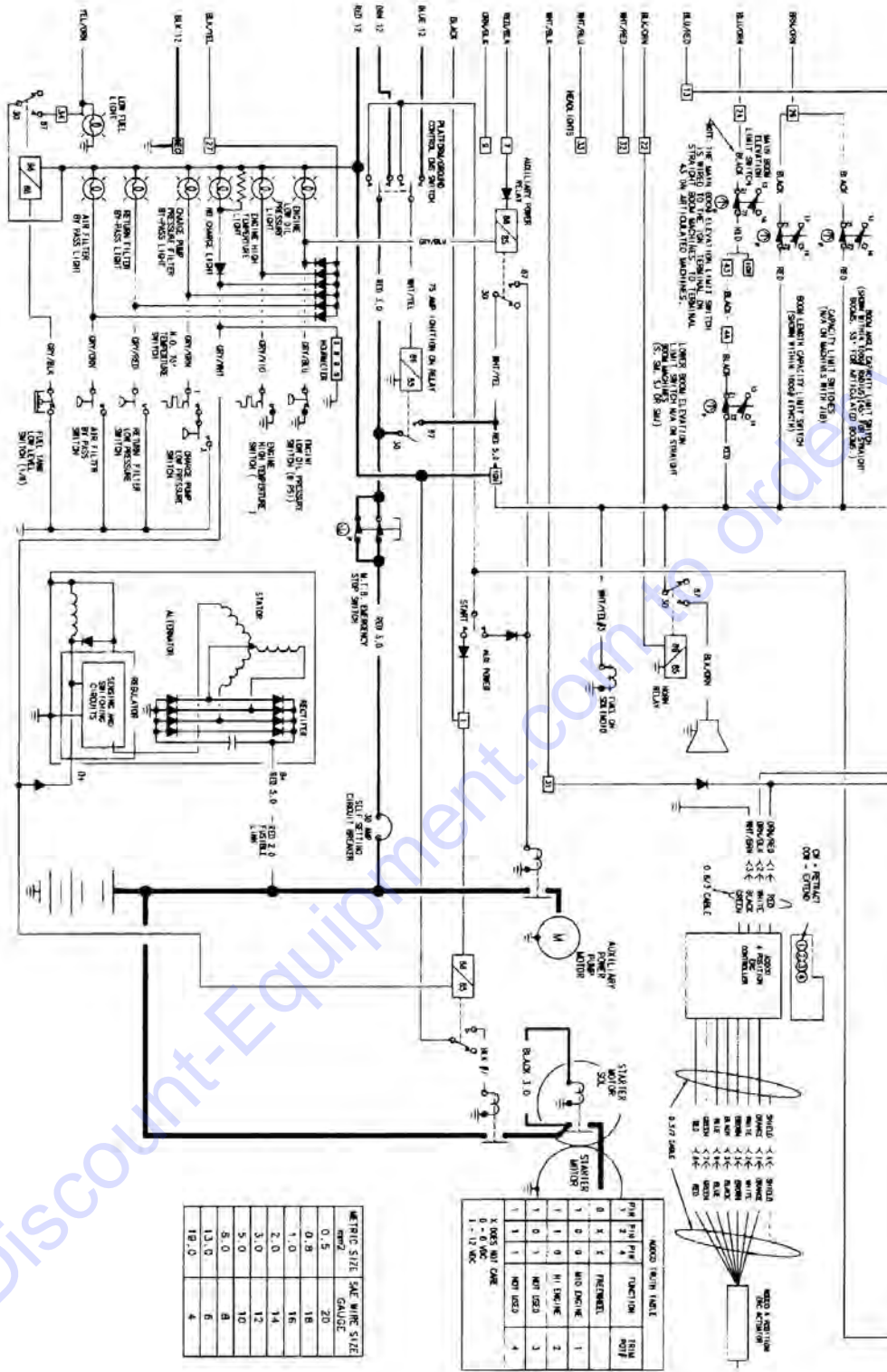
1870059 E

Go to Discount-Equipment.com to order your parts

SECTION 7 - ELECTRICAL



SECTION 7 - ELECTRICAL



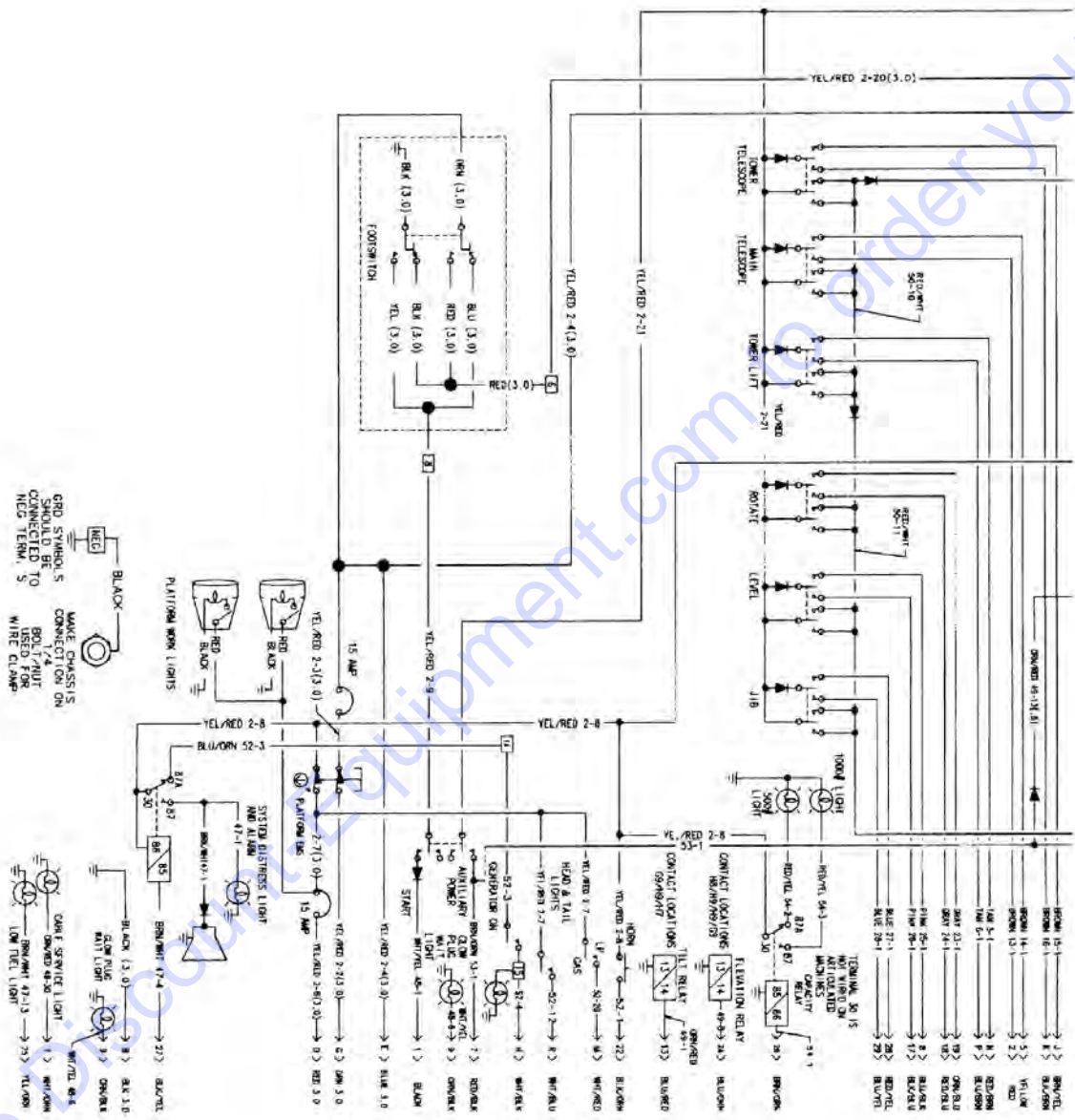
METRIC SIZE	S&C WIRE SIZE
0.5	20
0.8	18
1.0	16
2.0	14
3.0	12
5.0	10
8.0	8
13.0	6
19.0	4

WIRE	FUNCTION	TEST
1	STARTER	1
2	STOP	2
3	STOP	3
4	STOP	4
5	STOP	5
6	STOP	6
7	STOP	7
8	STOP	8
9	STOP	9
10	STOP	10
11	STOP	11
12	STOP	12
13	STOP	13
14	STOP	14
15	STOP	15
16	STOP	16
17	STOP	17
18	STOP	18
19	STOP	19
20	STOP	20

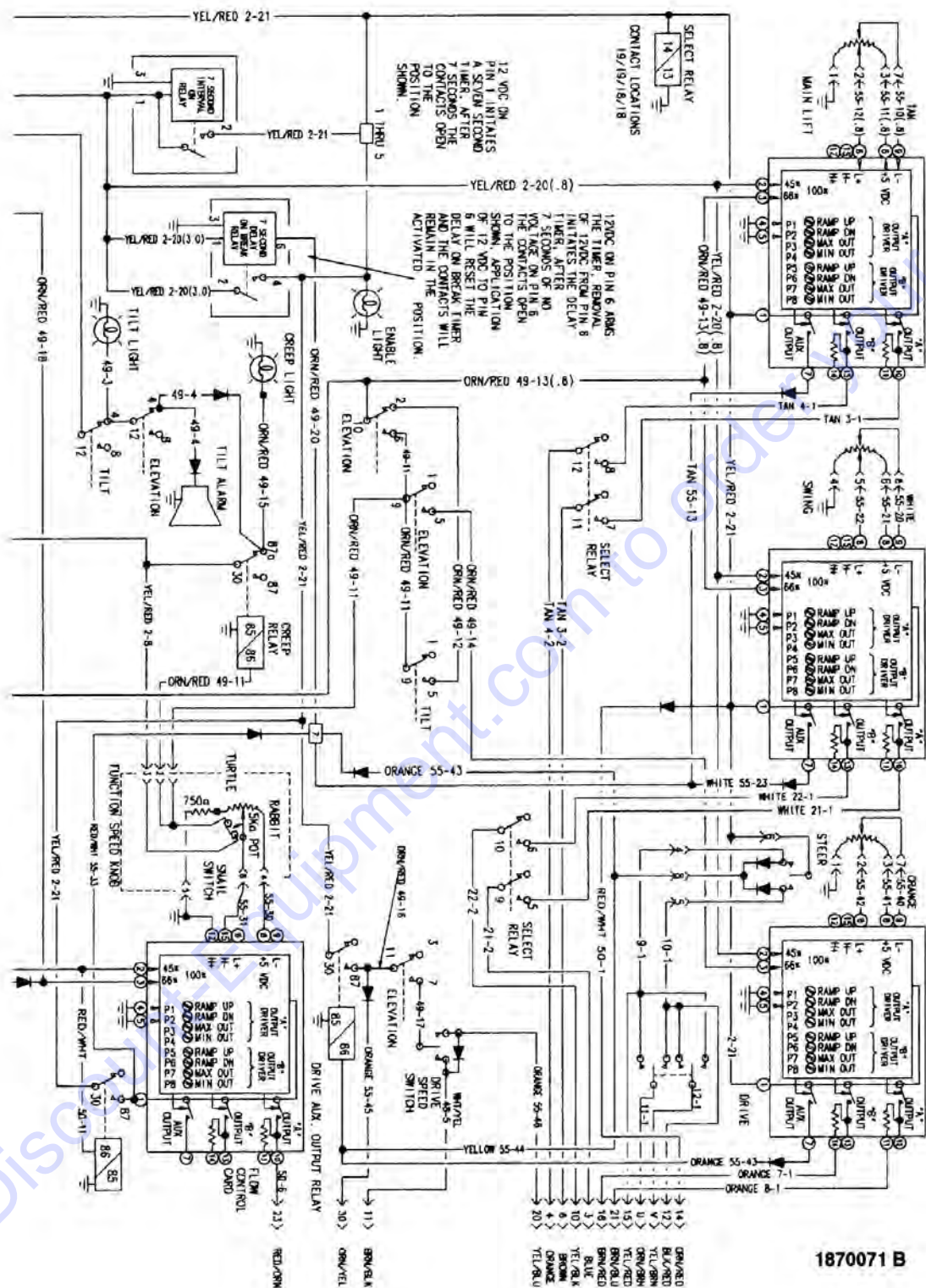
Go to Discount-Equipment.com to order your parts

SECTION 7 - ELECTRICAL

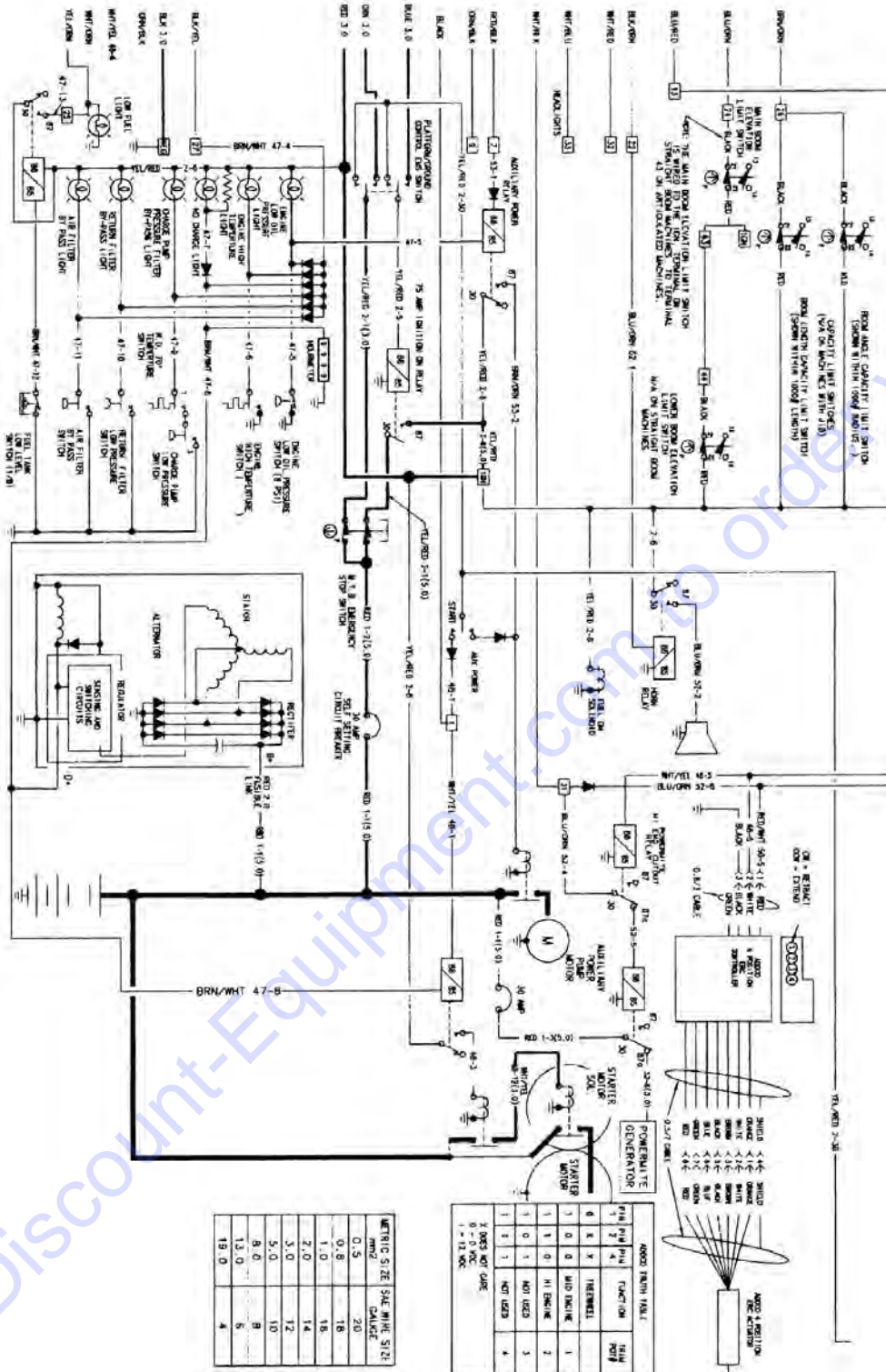
FIGURE 7-5. ELECTRICAL SCHEMATIC - AUSTRALIAN MACHINES WITH NUMBERED COLORED WIRING (SN 0300035129 through 0300069000)



SECTION 7 - ELECTRICAL



SECTION 7 - ELECTRICAL

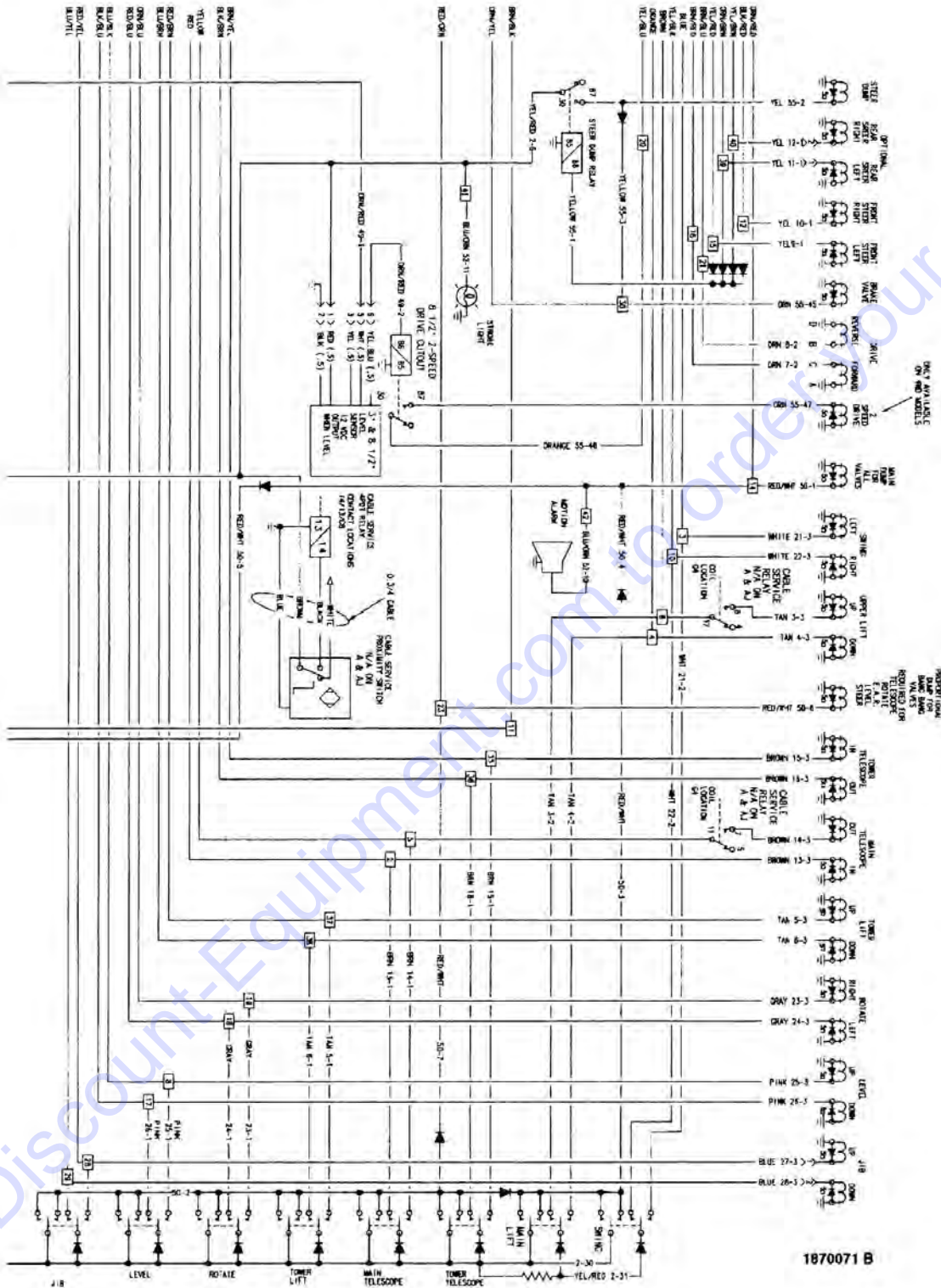


WIRE GAUGE	FUNCTION	TERMINAL
6	STARTER MOTOR	1
1	STARTER MOTOR	2
1	STARTER MOTOR	3
1	STARTER MOTOR	4

METRIC SIZE	SAE WHTE. SIZE
0.5	20
0.8	18
1.0	16
2.0	14
3.0	12
5.0	10
8.0	8
13.0	5
19.0	4

Go to Discount-Equipment.com to order your parts

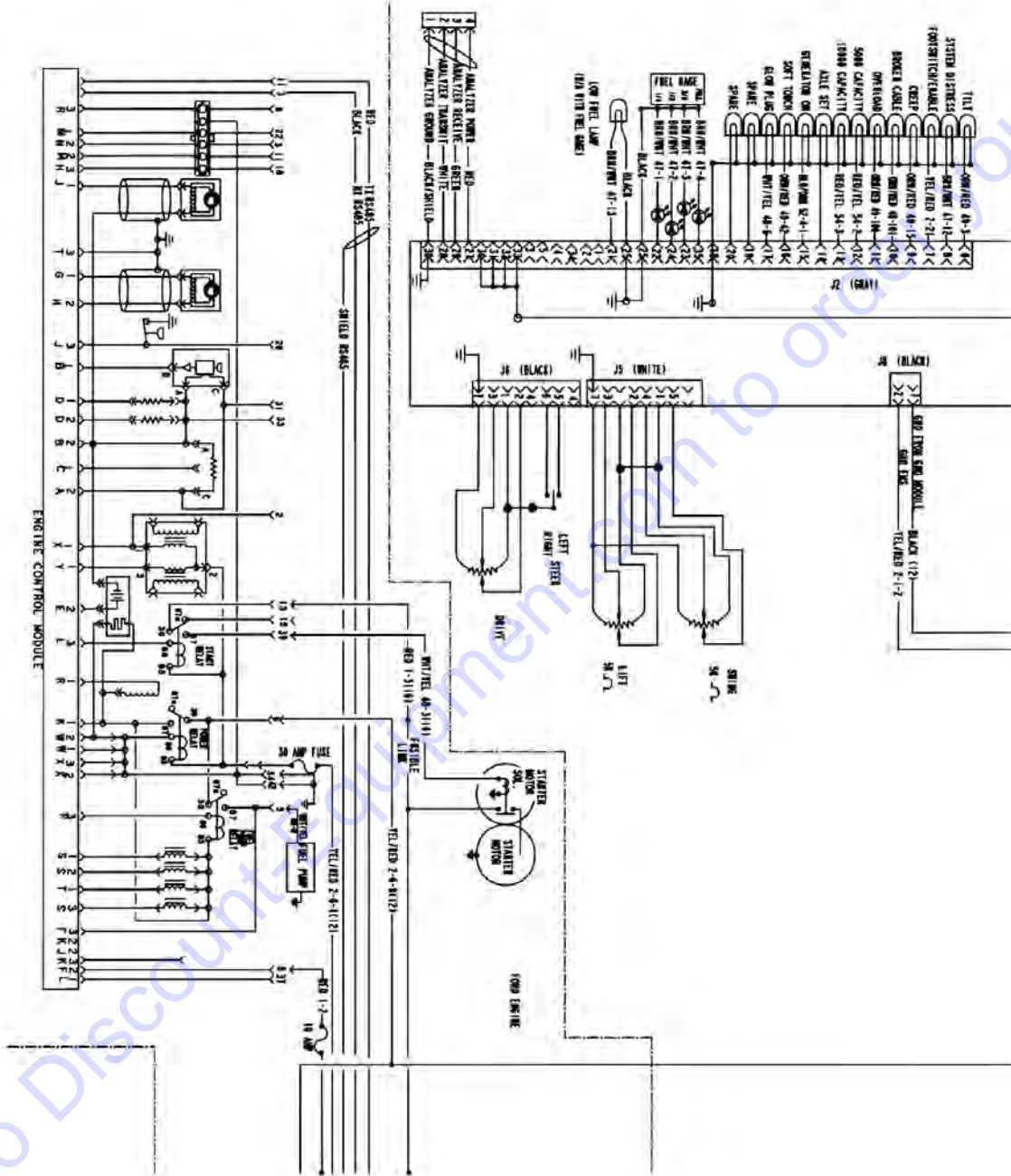
SECTION 7 - ELECTRICAL



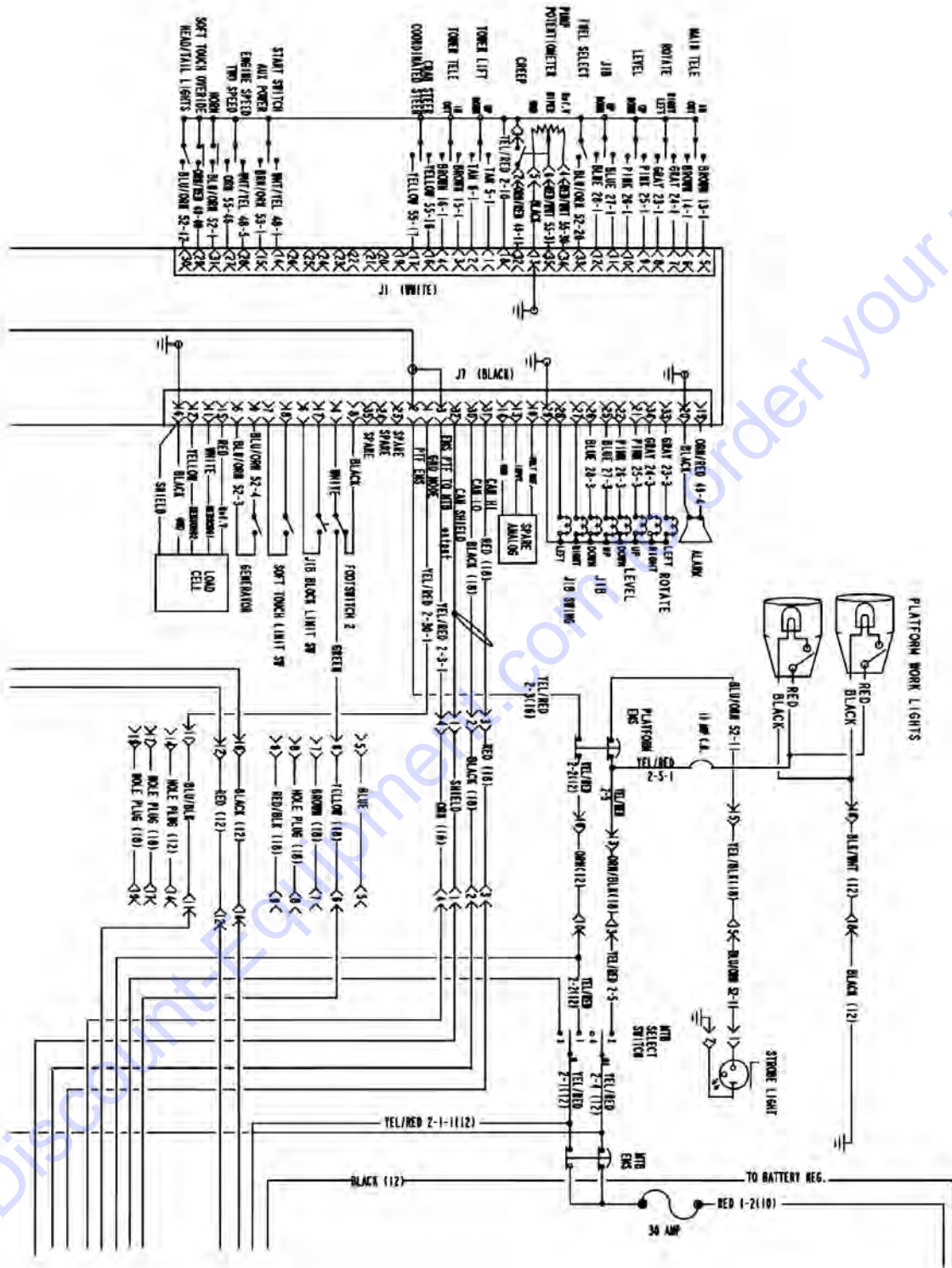
1870071 B

SECTION 7 - ELECTRICAL

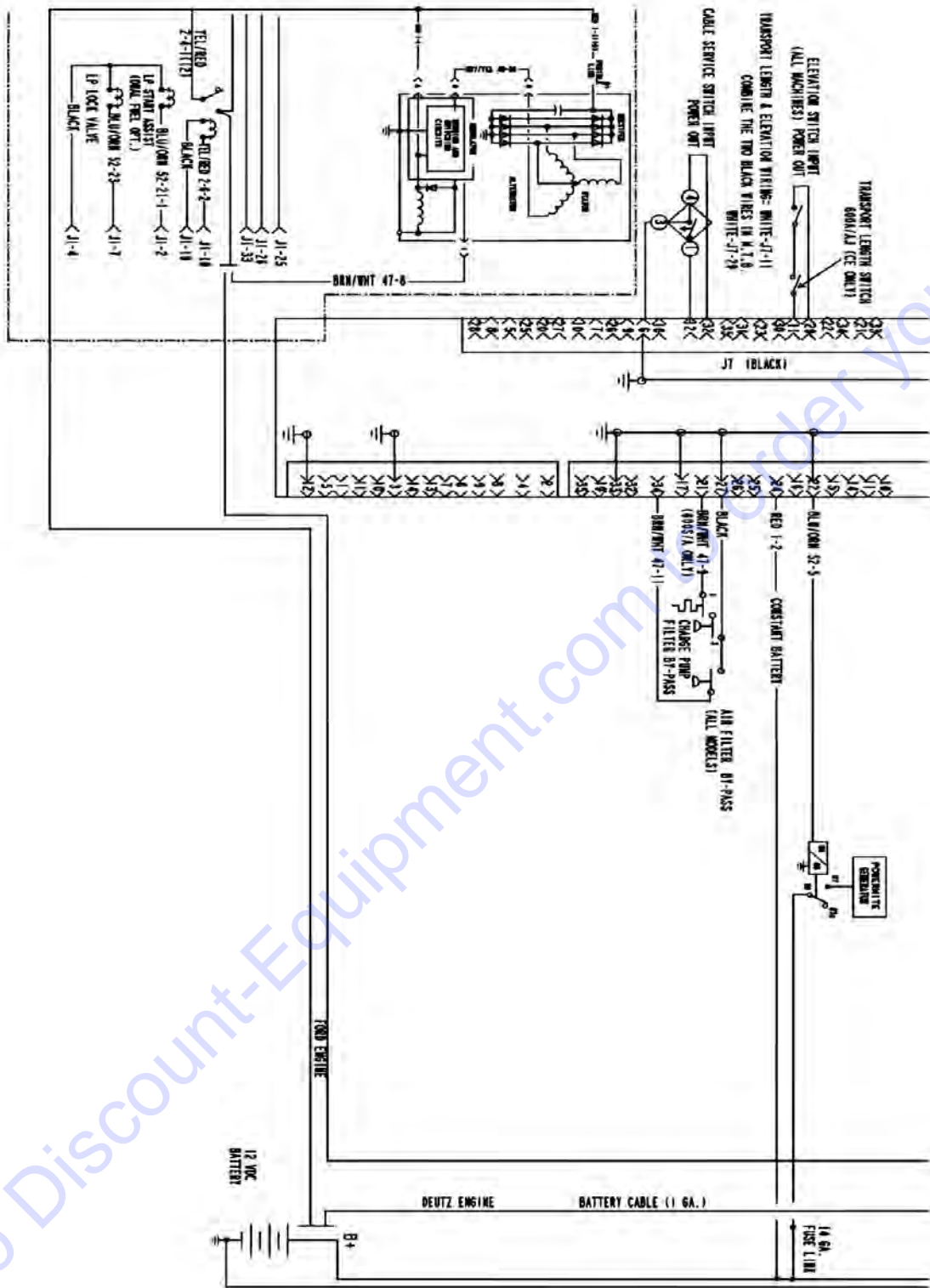
FIGURE 7-6. ELECTRICAL SCHEMATIC - DIESEL/GAS MACHINES (WITH ADE SYSTEM) (SN 0300064249 through 0300069000)



SECTION 7 - ELECTRICAL

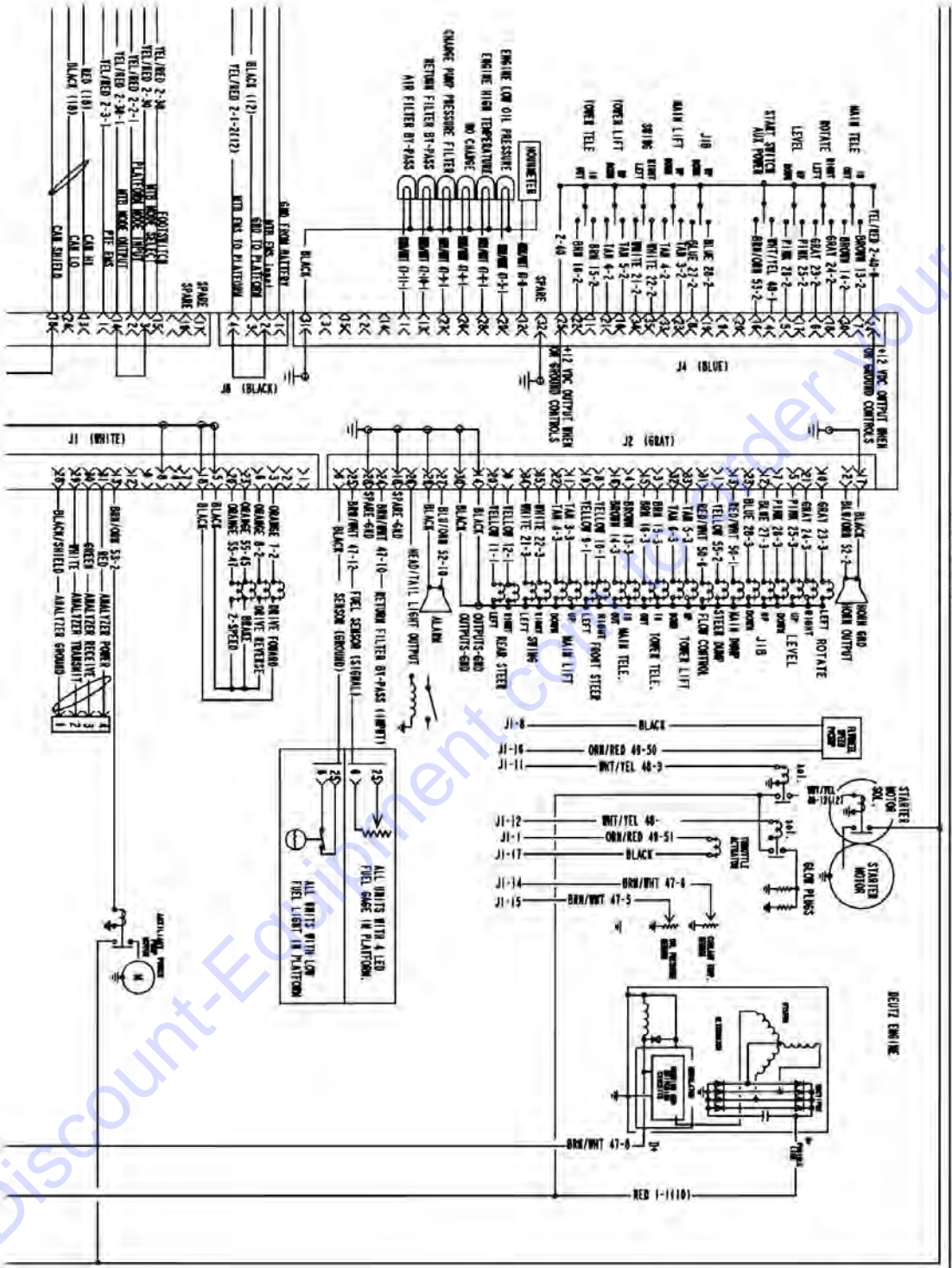


SECTION 7 - ELECTRICAL



Go to Discount-Equipment.com to order your parts

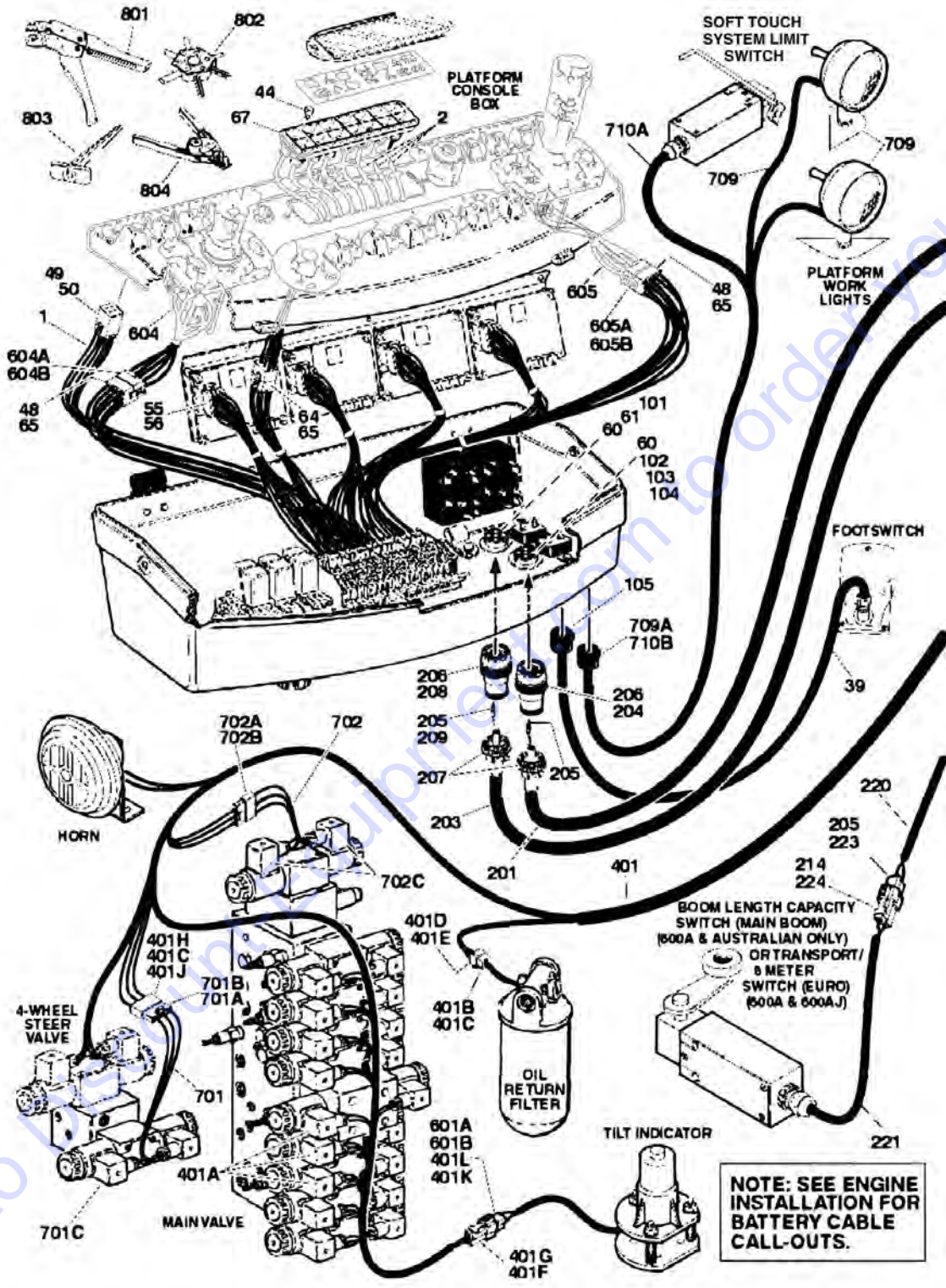
SECTION 7 - ELECTRICAL



1870132 - B

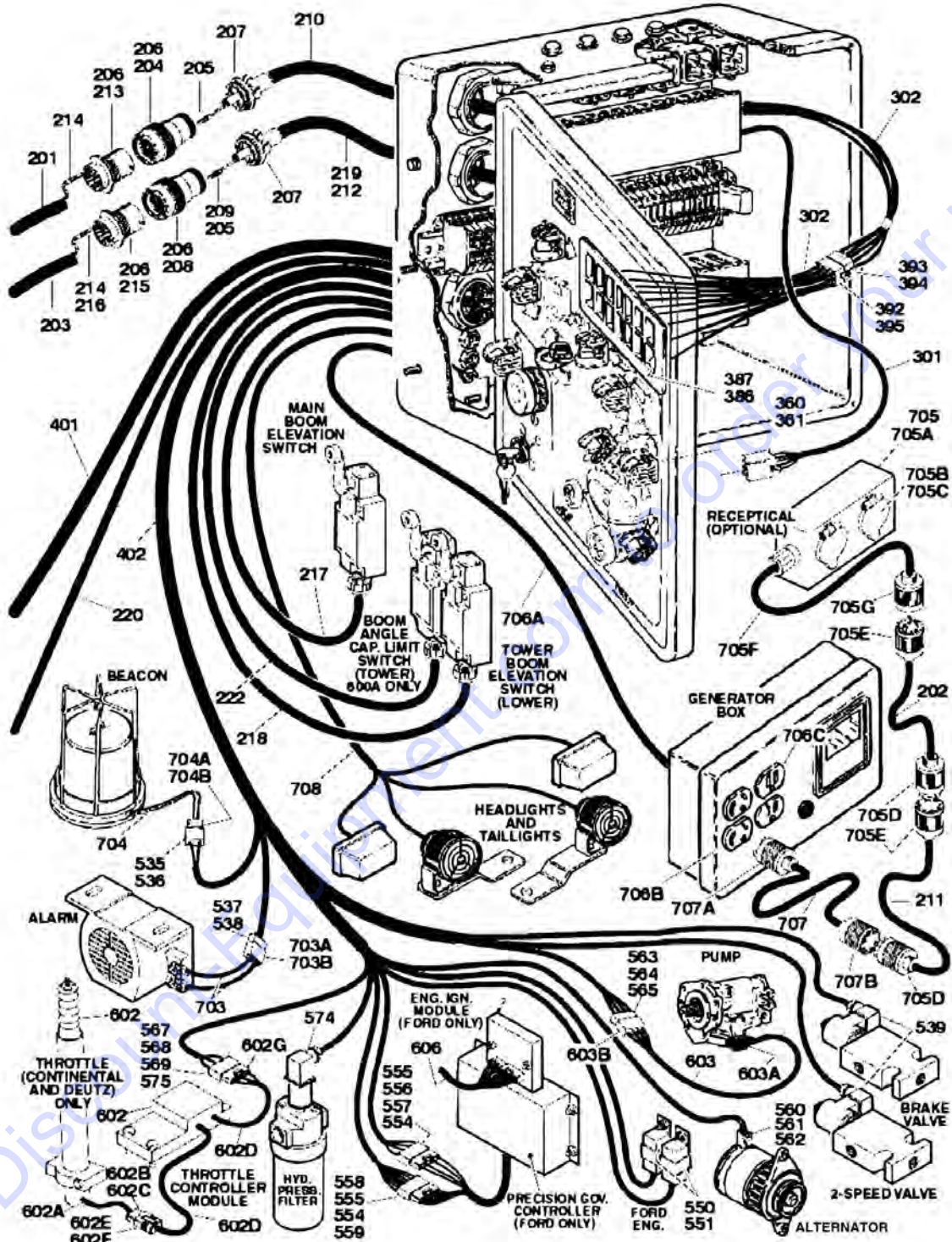
SECTION 7 - ELECTRICAL

FIGURE 7-7. HARNESS COMPONENTS INSTALLATION (Prior to SN 0300064249)



Go to www.go2parts.com to order your parts

SECTION 7 - ELECTRICAL



SECTION 7 - ELECTRICAL

FIGURE 7-7. HARNESS COMPONENTS INSTALLATION (Prior to SN 0300064249)

ITEM	PART NUMBER	QTY	DESCRIPTION	REV
		Ref	PLATFORM BOX WIRING DIAGRAMS	
		Ref	Note: Numbered Colored Wiring starts with SN 0300035129.	
	4932849	Ref	Platform Box Wiring Diagrams CE & EN280 Spec Machines (Prior to SN 0300035129)	5-H
	4921994	Ref	Platform Box Wiring Diagrams CE & EN280 Spec Machines (SN 0300035129 through 0300064249)	3-F
	4932974	Ref	Platform Box Wiring Diagrams CE & EN280 Specs (SN 0300035129 through 0300064249)	6-F
	4932848	Ref	Australian Spec (Prior to SN 0300029430)	1-E
	4932914	Ref	Australian Spec (SN 0300029430 through 0300035128)	5-D
	4921991	Ref	Australian Spec (SN 0300035129 through 0300064249)	2-E
	4932905	Ref	Australian Spec (SN 0300035129 through 0300069000)	7-E
1	See Note	AR	Harness, Switch (Make from Individual Wires) (Note: Not Available for Purchase)	
2	See Note	AR	Harness, Light Panel (Make from Individual Wires) (Note: Not Available for Purchase)	
39		Ref	Cable, Electrical (To Footswitch - Does Not Include Terminal Ends) Options:	
39	1060012	7 ft/2.1m	Cable, Electrical (To Footswitch - Does Not Include Terminal Ends) (Prior to SN 0300060643)	
39	1060515	7 ft/2.1m	Cable, Electrical (To Footswitch - Does Not Include Terminal Ends) (SN 0300060643 through 0300064249)	
44	2920129	12	Bulb, Light	
48	4460265	2	Plug - 9 Position	
49	4460418	8	Connector - 6 Position	
50	4460419	62	Socket, Female	
55		Ref	Connector - 15 Position Options:	
55	4460620	4	Connector - 15 Position (Prior to SN 0300035129)	
55	4460720	4	Connector - 15 Position (SN 0300035129 through 0300064249)	
56		Ref	Socket, Female Options:	
56	4460621	43	Socket, Female (Prior to SN 0300035129)	
56	4460721	43	Socket, Female (SN 0300035129 through 0300064249)	
60	4460464	40	Pin, Deutsch (14-16 Gauge)	
61	4460508	4	Pin, Deutsch (10-12 Gauge)	
62	3990010	13	Diode 3 Amp (Not Shown)	
64	4460225	1	Connector, Male - 6 Position	
65	4460267	21	Pin, Male	
66	3990010	11	Diode 6 Amp (Not Shown)	
68	4120035	12	Base, Light	
		Ref	PLATFORM BOX ASSEMBLY COMPONENTS	
101	4460613	1	Receptacle - 21 Pin	
102	4460503	1	Receptacle - 3 Pin	
103	4460470	2	Nut, Conduit	
104	4460471	2	Washer	
105	4460428	1	Connector, Strain Relief	
		Ref	BOOM CABLES INSTALLATIONS	
	0255870	Ref	Cable Installation - 600A (Standard Parts)	10
	0255878	Ref	Cable Installation - 600AJ	10
201	1060516	46.5 ft/14.2m	Cable, Electrical- 16/30 (Does Not Include Terminals)	
202	1060494	46.5	Cable, Electrical- 12/3 (Does Not Include Plug Ends) (Prior to	

SECTION 7 - ELECTRICAL

ITEM	PART NUMBER	QTY	DESCRIPTION	REV
202	1060709	ft/14.2m 46.5	SN 0300041488) Cable, Electrical- 12/3 (Does Not Include Plug Ends) (SN 0300041488 through 0300064249)	
202	1060461	ft/14.2m 46.5	Cable, Electrical- 12/3 (Does Not Include Plug Ends) (SN 0300041488 through 0300064249)	
203	1060603	46.5 ft/14.2m	Cable, Electrical- 12/4 and 16/10 (Does Not Include Terminals)	
204	4460502	2	Plug, Connector (31 Pin)	
205	4460465	AR	Socket, Female - #16	
206	4460466	25	Seal, Plug	
207	4460473	4	Clamp, Cable	
208	4460614	2	Plug, Connector (19 Pin)	
209	4460509	8	Socket, Female - #12	
210	1060516	37 ft/11.3m	Cable, Electrical- 16/30 (Does Not Include Terminals)	
211	1060461	37 ft/11.3m	Cable, Electrical- 12/3 (Does Not Include Plug Ends) (Prior to SN 0300041488)	
211	1060709	37 ft/11.3m	Cable, Electrical- 12/3 (Does Not Include Plug Ends) (SN 0300041488 through 0300064249)	
211	1060461	37 ft/11.3m	Cable, Electrical- 12/3 (Does Not Include Plug Ends) (SN 0300041488 through 0300064249)	
212	1060603	37 ft/11.3m	Cable, Electrical - 12/4 and 16/10 (Does Not Include Terminals)	
213	4460503	1	Receptacle, Connector (31 Pin)	
214	4460464	AR	Pin, Male - #16	
215	4460613	1	Receptacle, Connector (19 Pin)	
216	4460508	4	Pin, Male - #12	
217	1060016	37 ft/11.3m	Cable, Electrical - 16/3	
218	1060016	37 ft/11.3m	Cable, Electrical - 16/3	
219	2820031	8 in/20cm	Heat Shrink	
220	1060016	37 ft/11.3m	Cable, Electrical - 16/3	
221	1060016	19 ft/5.8m	Cable, Electrical - 16/3	
222	Not Required	0	Not Required	
223	4460539	1	Connector, Terminal	
224	4460536	1	Plug, Terminal	
		Ref	GROUND CONTROL BOX WIRING DIAGRAMS	
		Ref	Note: Numbered Colored Wiring starts with S/N 0300035129.	
	4932850	Ref	Deutz Engine Machines (Prior to SN 0300035129)	5-F
	4932976	Ref	Deutz Engine Machines (SN 0300035129 through 0300064249)	4-C
301		Ref	Harness, Switch Options:	
301	See Note	AR	Harness, Switch (Make From Individual Wires) (Note: Not available for purchase) (Prior to SN 0300035129)	
301	4921992	AR	SN 0300035129 through 0300064249 (Includes Items 360 & 361)	3-D
302		Ref	Harness, Light Panel Options:	
302	See Note	AR	Harness, Light Panel (Make From Individual Wires) (Note: Not available for purchase) (Prior to SN 0300035129)	
302	4922002	AR	Harness, Light Panel (SN 0300035129 through 0300064249)	2-D
303		Ref	Sub-Harness, Start Options: (Not Shown)	
303	See Note	AR	Sub-Harness, Start (Make From Individual Wires) (Note: Not available for purchase) (Prior to SN 0300035129)	
303	4922008	AR	Sub-Harness, Start (SN 0300035129 through 0300064249)	4-D

SECTION 7 - ELECTRICAL

ITEM	PART NUMBER	QTY	DESCRIPTION	REV
360	4460418	AR	Connector - 6 Position	
361	4460419	AR	Socket, Female	
372	Not Required	0	Not Required	
384	3990010	AR	Diode 6 Amp (Not Shown)	
386	4120035	AR	Base, Light	
386	4460634	AR	Insert, Terminal (Signal Wire)	
386	4460635	AR	Insert, Terminal (Double Wire)	
387	2920129	AR	Bulb, Light	
388	3990001	7	Diode 3 Amp (Not Shown)	
389	3730099	1	Resistor 750 Ohm (Not Shown)	
391	3730022	1	Resistor 500 Ohm (Not Shown - Located at Alternator Light) (Prior to SN 0300036354)	
391	3730023	1	Resistor 510 Ohm (Not Shown - Located at Alternator Light) (SN 0300036354 through 0300064249)	
392	4460267	6	Pin, Male	
393	4460268	6	Socket, Female	
394	4460224	1	Connector, Female - 6 Position	
395	4460225	1	Connector, Male - 6 Position	
		Ref	GROUND CONTROL BOX ASSEMBLY COMPONENTS	
		Ref	Note: Numbered Colored Wiring starts with SN 0300035129	
		Ref	Valve Harness Assembly Options:	
401		1	Valve Harness Assembly (Prior to SN 0300026233)	
401	4921739	1	Valve Harness Assembly (SN 0300026233 through 0300035128)	
401	4921848	1	Valve Harness Assembly (SN 0300026233 through 0300035128)	
401	4921922	1	Valve Harness Assembly (SN 0300035129 through 0300064249)	
401A	4460499	19	Connector, DIN	
401B	4460320	2	Connector, Female - 2 Position	
401C	4460267	7	Pin, Male	
401D	4460424	1	Plug, Male - 2 Position	
401E	4460268	5	Socket, Female	
401F	4460539	1	Plug, Male - 3 Position (Prior to SN 0300026233)	
401F	4460225	1	Connector, Male - 6 Position (SN 0300026233 through 0300064249)	
401G	4460465	3	Socket, Female (Prior to SN 0300026233)	
401G	4460267	3	Pin, Male (SN 0300026233 through 0300064249)	
401H	4460326	1	Plug, Male - 3 Position	
401J	4460445	1	Connector, Female - 3 Position	
401K	4460536	1	Connector, Deutsch - 3 Position (Prior to SN 0300026233)	
401K	See Note	AR	Connector - 6 Position (SN 0300026233 through 0300064249)	
401L	4460464	3	Pin, Male (Prior to SN 0300026233)	
401L	See Note	AR	Pin (Note: After SN 0300026233, #401K & #401L are no longer part of Valve Harness. See Tilt Indicator Harness) (SN 0300026233 through 0300064249)	
402		Ref	Engine Harness Assembly Options: (See Items 501-574)	
402	4921737	1	Deutz Engine Machines (Prior to SN 0300035129)	4-E
402	4921925	1	Deutz Engine Machines (SN 0300035129 through 0300064249)	6-G
		Ref	ENGINE HARNESS ASSEMBLY OPTIONS - DEUTZ:	4-E
		Ref	Note: Numbered Wiring starts with SN 0300035129.	
	4921737	Ref	Deutz Engines (Prior to SN 0300035129)	4-E
	4921925	Ref	Deutz Engines (SN 0300035129 through 0300064249)	6-G
528	4460268	13	Socket, Female	
529	4460267	12	Pin, Male	

SECTION 7 - ELECTRICAL

ITEM	PART NUMBER	QTY	DESCRIPTION	REV
535	4460424	1	Plug, Male - 2 Position	
536	4460268	2	Socket, Female	
537	4460320	1	Connector, Female - 2 Position	
538	4460267	2	Pin, Male	
539	4460499	3	Connector, DIN with Diode	
545		Ref	Connector, Female Options:	
545	4460445	1	3 Position (Prior to SN 0300044053)	
545	4460268	3	Socket, Female (Prior to SN 0300044053)	
545	4460777	1	4 Position (SN 0300044053 through 0300064249)	
545	4460591	1	Lock, Terminal (SN 0300044053 through 0300064249)	
545	4460589	3	Socket, Female (SN 0300044053 through 0300064249)	
545	4460608	3	Seal, Cable (SN 0300044053 through 0300064249)	
547	4460265	1	Plug, Male - 9 Position	
548	4460266	1	Connector, Female - 9 Position	
550 to 551	Not Required	0	Not Required	
554 to 562	Not Required	0	Not Required	
563	4460460	1	Connector, Male	
564	4460457	4	Socket, Female	
565	4460458	4	Seal, Socket	
574	4460449	1	Connector, DIN without Diode	
		Ref	STANDARD HARNESS COMPONENTS	
		Ref	Note: Numbered Wiring starts with SN 0300035129.	
601	See Note	1	Tilt Indicator Harness (Note: Not Available for Purchase)	
601A	See Note	AR	Pin (Note, #601A is part of Valve Harness. See Valve Harness.) (Prior to SN 0300026233)	
601A	4460268	6	Socket, Female (SN 0300026233 through 0300064249)	
601B	See Note	1	Plug (Note, 601B is part of Valve Harness. See Valve Harness.) (Prior to SN 0300026233)	
601B	4460224	1	Connector, Female - 6 Position (SN 0300026233 through 0300064249)	
602	See Note	1	Throttle Actuator/Controller Harness - Deutz (Note: Not Available for Purchase)	
602	0060033	NLA	Throttle Actuator and Controller Assembly (Use p/n 2910000)	
602	7008833	1	Mounting Clamp Kit (Not Shown)	
602	7008836	1	Spring, Retract (Not Shown)	
602A	See Note	1	Throttle Actuator and Harness (Purchase p/n 2910000) (Note: Not Available for Purchase)	
602A	7016336	1	Boot Kit	
602B	See Note	9	Pin, Male (Note: Not Available for Purchase)	
602C	See Note	1	Connector, Male (Note: Not Available for Purchase)	
602D	2910001	1	Controller and Harnesses	
602E	See Note	9	Socket, Female (Note: Not Available for Purchase)	
602F	See Note	1	Connector, Female (Note: Not Available for Purchase)	
602G	See Note	1	Plug, Male - 4 Position (Note: Not Available for Purchase)	
602G	4460693	4	Pin, Male	
602G	4460591	1	Clip	
602G	4460608	4	Seal, Terminal	
603	See Note	1	Sunstrand Pump Harness (Note: Not Available for Purchase)	
603A	7007497	1	Plug (Pump End)	
603B	7007498	1	Plug (Engine Harness End)	
604	See Note	1	Controller Harness Assembly (Lift and Swing) (Note: Not Available for Purchase)	
604A	4460266	1	Connector, Female - 9 Position	

SECTION 7 - ELECTRICAL

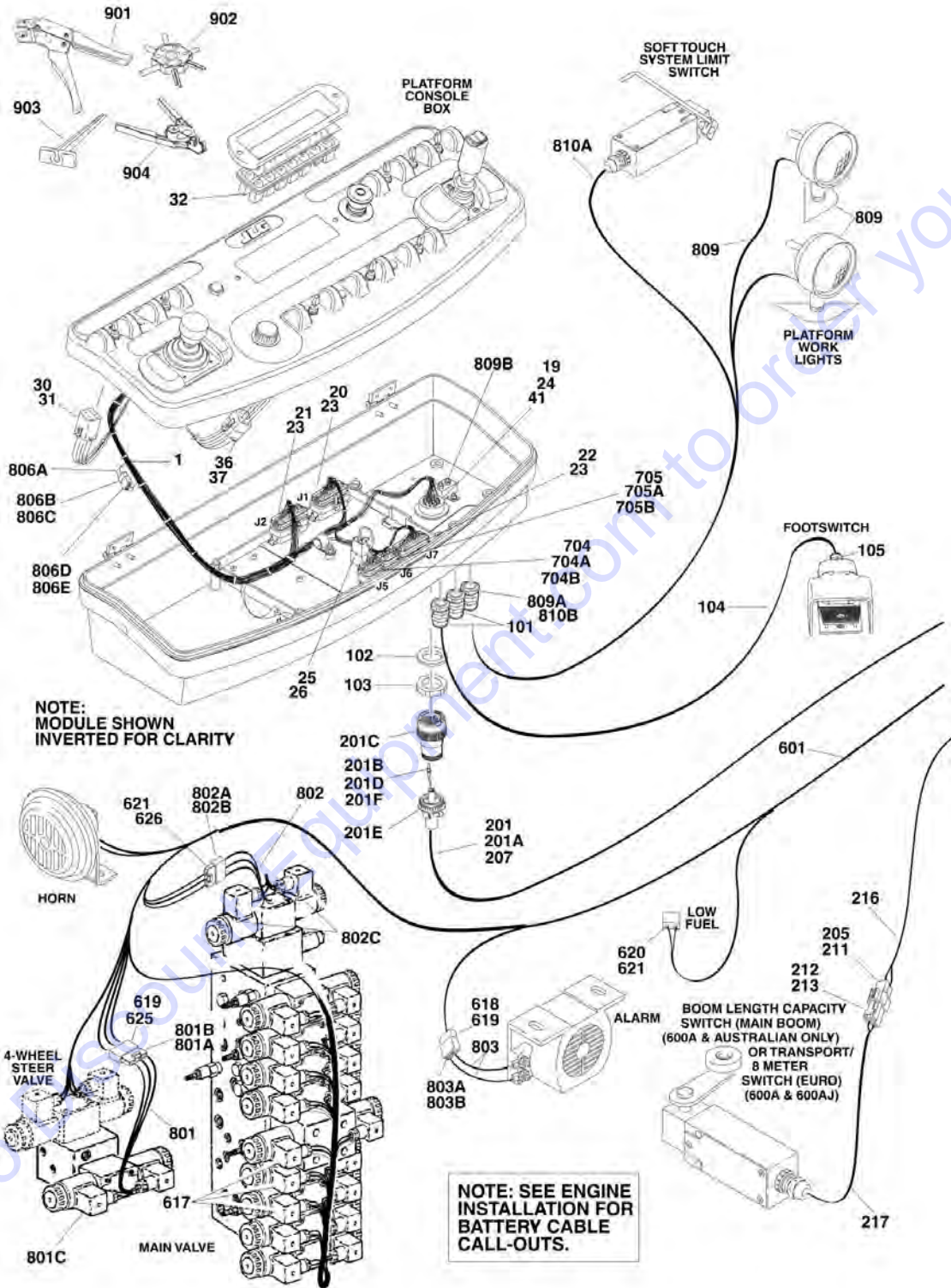
ITEM	PART NUMBER	QTY	DESCRIPTION	REV
604B	4460268	7	Socket, Female	
605	See Note	1	Controller Harness/Circuit Board Assembly (Drive and Steer) (Note: Not Available for Purchase)	
605A	4460266	1	Connector, Female - 9 Position	
605B	4460268	7	Socket, Female	
606	Not Required	0	Not Required	
		Ref	OPTIONAL HARNESS COMPONENTS	
		Ref	Note: Numbered Colored Wiring starts with SN 0300035129.	
		Ref	4WS Valve Harness Options:	
701		1	4WS Valve Harness (Prior to SN 0300035129)	
701	4921772	1	4WS Valve Harness (Prior to SN 0300035129)	
701	4921928	1	4WS Valve Harness (SN 0300035129 through 0300064249)	
701A	4460268	3	Socket, Female	
701B	4460445	1	Connector, Female - 3 Position	
701C	4460499	2	Connector, DIN with Diode	
702		Ref	Articulating Jib Valve Harness Options: (600AJ Only)	
702	4921771	1	Articulating Jib Valve Harness (Prior to SN 0300035129)	
702	4921927	1	Articulating Jib Valve Harness (SN 0300035129 through 0300064249)	
702A	4460326	1	Plug, Male - 3 Position	
702B	4460267	3	Pin, Male	
702C	4460499	2	Connector, DIN with Diode	
703		Ref	Alarm Harness Options: (Includes Alarm)	
703	0255914	1	Alarm Harness (Prior to SN 0300035129)	
703	0257887	1	Alarm Harness (SN 0300035129 through 0300064249)	
703A	4460424	1	Plug, Male - 2 Position	
703B	4460268	2	Socket, Female	
704	0255917	1	Strobe Light Harness (Includes Strobe Light)	
704A	4460320	1	Connector, Female - 2 Position	
704B	4460267	2	Pin, Male	
705	0256202	Ref	AC (110V) to Platform Receptacle Components	4
705	See Note	Ref	AC (220V) to Platform Receptacle Components (Note: Not Available for Purchase)	D
705A	0860038	1	Box, Switch	
705B		Ref	Receptacle Options:	
705B	See Note	1	110V GFI (Note: Not Available for Purchase)	
705B	See Note	1	220V GFI (Note: Not Available for Purchase)	
705C		Ref	Shield, Cover Options:	
705C	See Note	1	110V GFI (Note: Not Available for Purchase)	
705C	See Note	1	220V GFI (Note: Not Available for Purchase)	
705D		Ref	Plug, Male Options:	
705D	4460709	2	110V GFI (Note: Not Available for Purchase)	
705D	See Note	2	220V GFI (Note: Not Available for Purchase)	
705E		Ref	Connector, Female Options:	
705E	4460710	2	110V GFI	
705E	See Note	2	220V GFI (Note: Not Available for Purchase)	
705F		Ref	Harness-Receptacle Box to Boom Options:	
705F	4921820	1	110V	
705F	See Note	1	220V (Note: Not Available for Purchase)	
705F	1060461	18	Cable, Electrical - 12/3	
		in/47cm		
705G	4460709	1	Plug, Male (110V)	
705G	See Note	1	Plug, Male (220V) (Note: Not Available for Purchase)	

SECTION 7 - ELECTRICAL

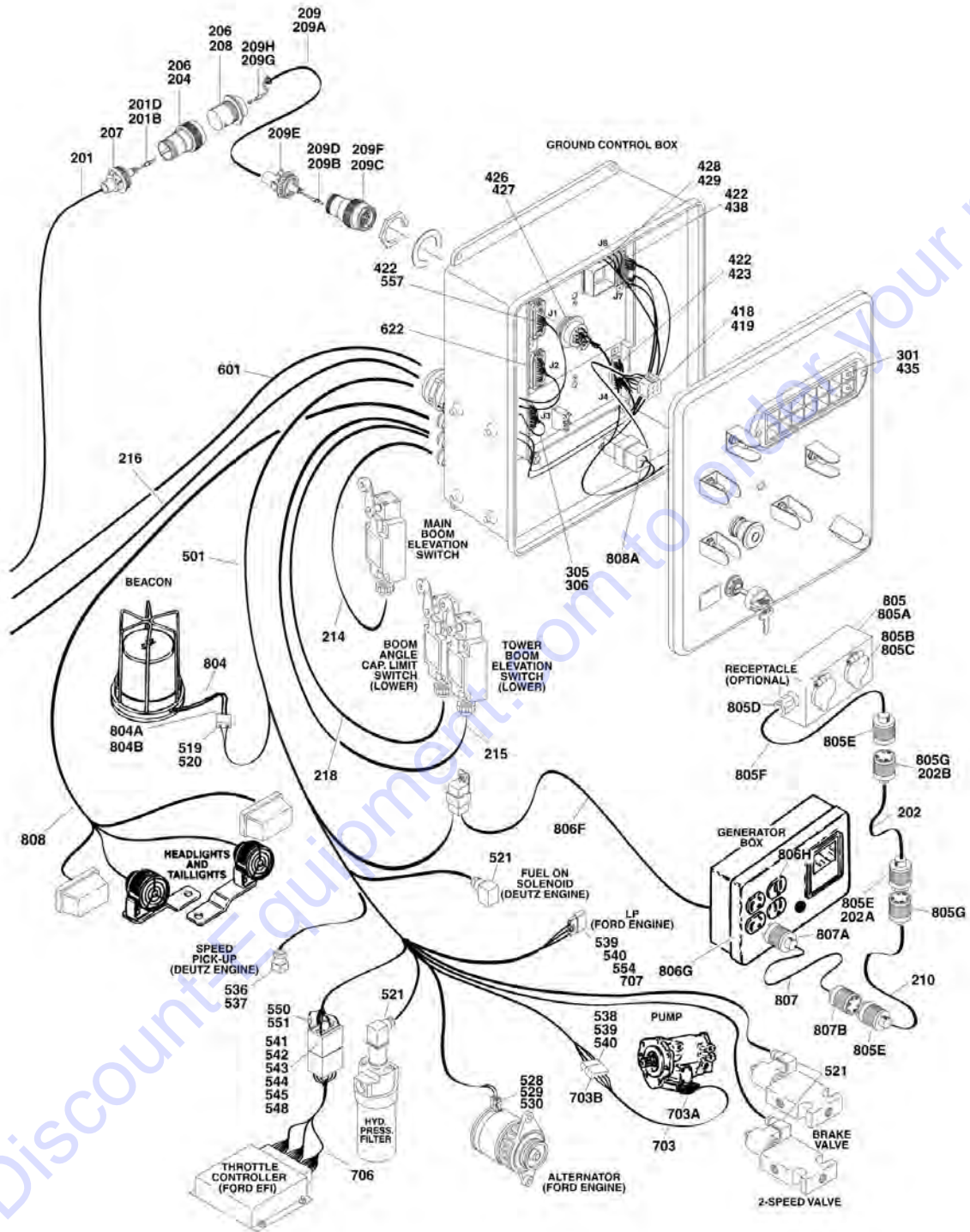
ITEM	PART NUMBER	QTY	DESCRIPTION	REV
705H	0961127	1	Bushing, Snap (Not Shown) (Prior to SN 0300040858)	
706		Ref	Generator Electrical Components	
706	4932828	Ref	110V (Prior to SN 0300035129)	2-C
706	4932940	Ref	220V (Prior to SN 0300035129)	1-A
706	4932915	Ref	110V (SN 0300035129 through 0300064249)	1-A
706	4932989	Ref	220V (SN 0300035129 through 0300064249)	-
706	3990010	1	Diode - 6 Amp (Not Shown)	
706A		Ref	Harness - On/Off Switch (Powermite Control Box to Ground Control Box)	
706A	4921828	1	Harness - On/Off Switch (Powermite Control Box to Ground Control Box) (Prior to SN 0300035129)	
706A	4921938	1	Harness - On/Off Switch (Powermite Control Box to Ground Control Box) (SN 0300035129 through 0300064249)	
706B	4460027	1	Receptacle, Electrical (Industrial) (110V)	
706B	4460125	1	Receptacle, Electrical (220V)	
706C	4460190	1	Receptacle, Electrical (Standard) (110V)	
706C	4460125	1	Receptacle, Electrical (220V)	
707	4921829	1	Generator to Rear of Boom Harness (110V)	
707	4921957	1	Generator to Rear of Boom Harness (220V)	
		Ref	Note: Harness used to connect AC at platform harness to generator receptacle to power platform receptacle.	
707	1060494	26 ft/8m	Cable, Electrical - 12/3	
707A	4460205	1	Plug, Male (110V)	
707A	4460233	1	Plug, Male (220V)	
707B	4460134	1	Receptacle, Female (110V)	
707B	4460701	1	Receptacle, Female (220V)	
708	See Note	1	Lights Harness (Note: Not Available for Purchase)	
708	3740049	1	Relay (Not Shown)	
708	1060341	37 ft/11.3m	Cable, Electrical - 16/2	
709	2920140	2	Platform Worklights Harness (Includes Light and Wire Only)	
709	2820035	9 ft/2.8m	Loom, Vinyl	
709	7016399	1	Bulb, Replacement (50 watts) (1 Per)	
709A	4460598	1	Connector, Strain Relief	
709A	4460442	2	Terminal (Not Shown-Located in Platform Console)	
710	See Note	1	Soft-Touch System Harness (Note: Not Available for Purchase)	
710A	1060330	16 ft/4.9m	Cable, Electrical - 16/3 (Prior to SN 0300029105)	
710A	1060341	16 ft/4.9m	Cable, Electrical - 16/3 (SN 0300029105 through 0300064249)	
710B	4460425	1	Connector, Strain Relief (SN 0300029105 through 0300064249)	
710B	4460428	1	Connector, Strain Relief (Prior to SN 0300029105)	
		Ref	TOOLS	
801	7002821	1	Crimper (For Wire to Pin/Socket Connections)	
802	7002823	1	Extractor (For Removal of Pin/Socket from Connectors)	
803	4460467	1	Extractor, Pin (Blue 16-18 Gauge) (For Removal of Pin/Socket from Connectors)	
803	4460510	1	Extractor, Pin (Yellow 12-14 Gauge) (For Removal of Pin/Socket from Connectors)	
804	8896941	1	Stripper, Wire	

SECTION 7 - ELECTRICAL

FIGURE 7-8. HARNESS COMPONENTS INSTALLATION (WITH ADE SYSTEM) (SN 0300064249 through 0300064269)



SECTION 7 - ELECTRICAL



SECTION 7 - ELECTRICAL

FIGURE 7-8. HARNESS COMPONENTS INSTALLATION (WITH ADE SYSTEM) (SN 0300064249 through 0300064269)

ITEM	PART NUMBER	QTY	DESCRIPTION	REV
	4922509	Ref	PLATFORM BOX HARNESS ASSEMBLY	3-D
1	4922509	1	Harness, Console Box	
19	4460866	1	Connector - 19 Position	
20	4460874	1	Connector - 35 Position (Natural)	
21	4460875	1	Connector - 35 Position (Gray)	
22	4460873	1	Connector - 35 Position (Black)	
23	4460871	48	Socket, Female	
24	4460464	7	Pin, Male (16 Gauge)	
25	4460879	1	Terminal, Housing 2 Position	
26	4460887	2	Terminal, (12 Gauge)	
30	4460418	4	Connector - 6 Position	
31	4460419	12	Socket, Female	
32	4120035	7	Base, Light	
36	4460225	1	Connector, Male - 6 Position	
37	4460227	6	Pin	
41	4460508	3	Pin, Male (12 Gauge)	
		Ref	PLATFORM BOX ASSEMBLY COMPONENTS	
101	4460428	2	Connector, Strain Relief	
102	4460470	1	Nut, Conduit	
103	4460471	1	Washer	
104	1060330	1	Cable, Electrical - 16/3	
105	4460071	1	Connector, Strain Relief	
		Ref	BOOM CABLES INSTALLATION	
	0270819	Ref	Boom Cables Installation 600A	3
	0270821	Ref	Boom Cables Installation 600AJ	3
201	4922493	1	Harness, Main Boom	
201A	1060896	45.5 ft/13.9m	Cable	
201B	4460465	22	Socket, Female - #16	
201C	4460865	1	Connector - 19 Position	
201D	4460509	8	Socket, Female - #12	
201E	4460473	1	Clamp, Cable	
201F	4460466	4	Seal, Plug	
202	1060461	46 ft/14m	Cable, Electrical - 12/3 (Does not include plug ends)	
204	4460865	1	Connector - 19 Position	
205	4460465	3	Socket, Female - #16	
206	4460466	8	Seal, Plug	
207	4460473	1	Clamp, Cable	
208	4460866	1	Connector - 19 Position	
209	4922494	1	Harness, Lower Boom Cable	
209A	1060896	35.5 ft/10.8m	Cable	
209B	4460465	11	Socket, Female - #16	
209C	4460865	1	Connector - 19 Position	
209D	4460509	4	Socket, Female - #12	
209E	4460473	1	Clamp, Cable	
209F	4460466	4	Seal, Plug	
209G	4460464	11	Pin, Male (16 Gauge)	
209H	4460508	4	Pin, Male (12 Gauge)	

SECTION 7 - ELECTRICAL

ITEM	PART NUMBER	QTY	DESCRIPTION	REV
210	1060461	33 ft/10m	Cable, Electrical - 12/3 (Does not include plug ends)	
211	4460539	1	Connector, Terminal (600A Only)	
212	4460536	1	Plug, Terminal (600A Only)	
213	4460464	3	Pin, Male (16 Gauge)	
214	1060902	37 ft/11.3m	Cable, Electrical - 18/2 Main Boom Limit Switch	
215	1060902	Ref	Cable, Electrical - 18/2 Tower Boom Limit Switch	
215	1060902	37 ft/11.3m	Cable, Electrical - 18/2 Tower Boom Limit Switch 600A	
215	1060902	18 ft/5.5m	Cable, Electrical - 18/2 Tower Boom Limit Switch 600AJ	
216	1060902	37 ft/11.3m	Cable, Electrical - 18/2 Main Boom Length (600A Only)	
217	1060902	Ref	Cable, Electrical - 18/2 Main Boom Length	
217	1060902	19 ft/5.8m	Cable, Electrical - 18/2 Main Boom Length 600A	
217	1060902	16.5 ft/5.0m	Cable, Electrical - 18/2 Main Boom Length 600AJ	
	4933185	Ref	GROUND CONTROL BOX DIAGRAMS	3-C
301	2920129	6	Bulb, Light	
302	4460871	6	Socket, Female	
307	2400065	1	Fuse, 30Amp (Not Shown)	
308	2400066	1	Fuse, Holder W/Cover (Not Shown)	
	4922516	Ref	GROUND CONTROL HARNESS ASSEMBLY	4-E
418	4460419	27	Socket, Female	
419	4460418	9	Connector - 6 Position	
422	4460871	39	Socket, Female	
423	4460876	1	Connector - 35 Position (Blue)	
426	4460464	10	Pin, Male (16 Gauge)	
427	4460866	1	Connector - 19 Position	
428	4460878	1	Housing, Terminal - 4 Position	
429	4460887	3	Terminal (12 Gauge)	
435	4120035	6	Base, Light	
438	4460873	1	Connector - 35 Position (Black)	
	4922515	Ref	ENGINE HARNESS ASSEMBLY	5-E
501	4922515	1	Harness, Assembly	
519	4460424	1	Plug, Male - 2 Position	
520	4460268	2	Socket, Female	
521	4460880	AR	DIN Connector without Diode	
536	4460890	1	Housing - 2 Position	
537	4460889	2	Terminal	
538	4460460	1	Connector, Male - 4 Position	
539	4460457	AR	Terminal, Female	
540	4460458	AR	Seal, Terminal	
557	4460871	AR	Socket, Female	
	4922508	Ref	VALVE HARNESS ASSEMBLY	2-A
601	4922508	1	Harness, Assembly	
617	4460880	15	DIN Connector	
618	4460320	1	Connector, Female - 2 Position	
619	4460267	5	Pin, Male	
620	4460424	1	Plug, Male - 2 Position	
621	4460268	5	Socket, Female	
622	4460871	28	Socket, Female	
625	4460326	1	Connector, Male - 3 Position	

SECTION 7 - ELECTRICAL

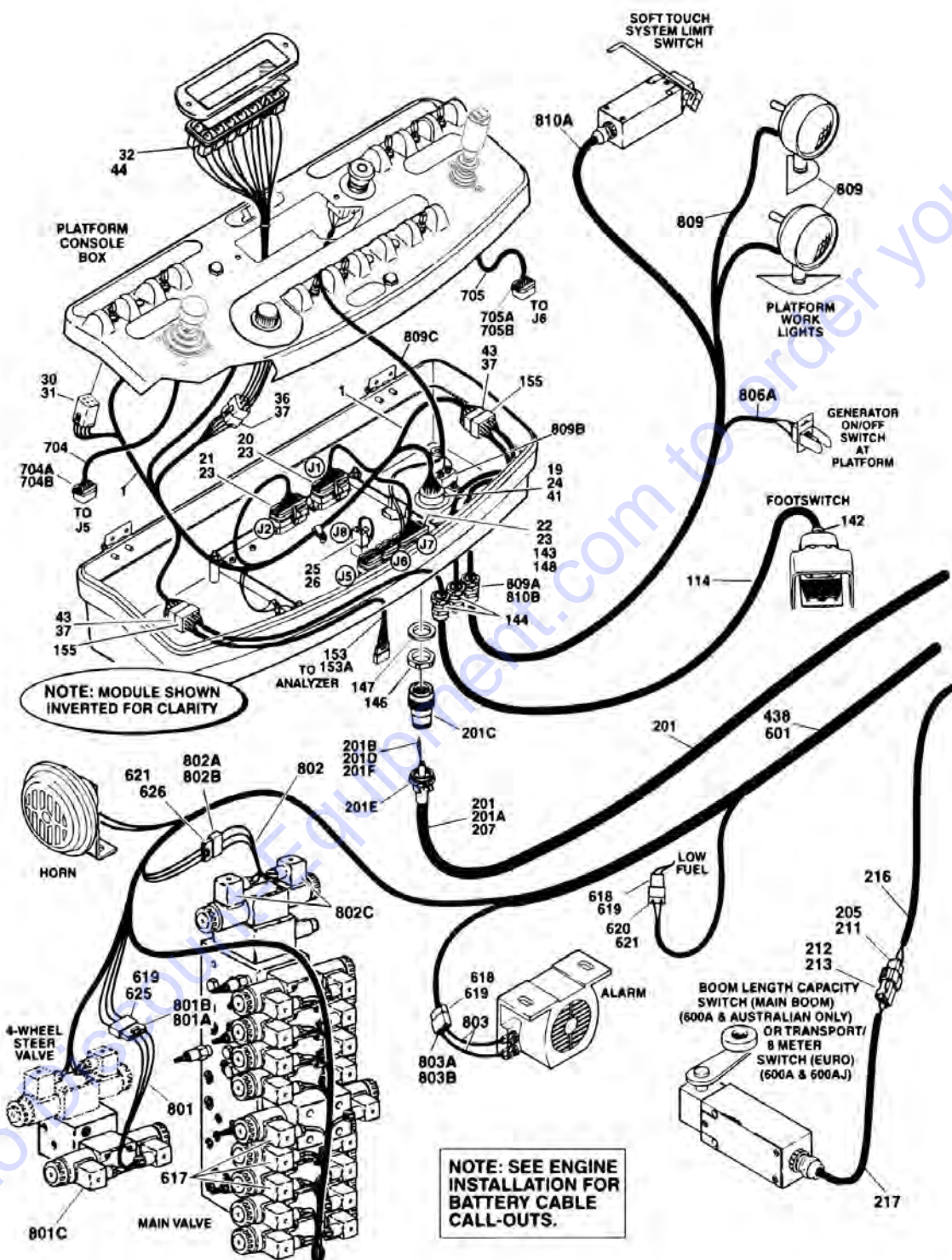
ITEM	PART NUMBER	QTY	DESCRIPTION	REV
626	4460445	1	Connector, Female - 3 Position	
		Ref	STANDARD HARNESS COMPONENTS	
703	See Note	1	Pump Harness (Note: Not Available for Purchase)	
703A	7007497	1	Plug (Pump End)	
703B	7007498	1	Plug (Engine Harness End)	
704	See Note	1	Controller Harness Assembly (Lift and Swing) (Note: Not Available for Purchase)	
704A	7022819	1	Plug, Male - 8 Position (Natural)	
704B	4460871	8	Socket, Female	
705	See Note	1	Controller Harness/Circuit Board Assembly (Drive and Steer) (Note: Not Available for Purchase)	
705A	7022825	1	Plug, Female - 8 Position (Black)	
705B	4460871	7	Socket, Female	
706 to 707	Not Required	0	Not Required	
		Ref	OPTIONAL HARNESS COMPONENTS	
801	4921928	1	4WS Valve Harness	
801A	4460268	3	Socket, Female	
801B	4460445	1	Connector, Female - 3 Position	
801C	4460499	2	Connector, DIN with Diode	
802	4921927	1	Jib Valve Harness (600AJ Only)	
802A	4460326	1	Plug, Male - 3 Position	
802B	4460267	3	Pin, Male	
802C	4460499	2	Connector, DIN with Diode	
803	0257887	1	Alarm Harness (Includes Alarm)	
803A	4460424	1	Plug, Male - 2 Position	
803B	4460268	2	Socket, Female	
804	0255917	1	Strobe Light Harness (Includes Strobe Light)	
804A	4460320	1	Connector, Female - 2 Position	
804B	4460267	2	Pin, Male	
805	0256202	Ref	AC to Platform Receptacle Components	4-G
805A	0860038	1	Box, Switch	
805B	Not Required	0	Receptacle	
805C	Not Required	0	Shield, Cover	
805D	Not Required	0	Connector, Strain Relief	
805E	4460709	2	Plug, Male	
805F	4921820	1	Harness-Receptacle Box to Boom	
805F	1060494	2.5 ft/0.8m	Cable, Electrical - 12/3	
805G	4460710	2	Connector, Female	
806		Ref	Generator Electrical Components	
806	4933158	Ref	110V	1-A
806	4933162	Ref	220V	1-A
806	3990010	1	Diode - 6 Amp (Not Shown)	
806A	4922483	1	Harness - On/Off Switch	
806B	4460320	1	Connector, Female - 2 Position	
806C	4460267	2	Pin, Male	
806D	4460424	1	Plug, Male - 2 Position	
806E	4460268	2	Socket, Female	
806F	4922482	1	Powermite Control Box to Relay	
806G	4460027	1	Receptacle, Electrical (Industrial) (110V)	
806G	4460125	1	Receptacle, Electrical (220V)	
806H	4460190	1	Receptacle, Electrical (Standard) (110V)	

SECTION 7 - ELECTRICAL

ITEM	PART NUMBER	QTY	DESCRIPTION	REV
806H	4460125	1	Receptacle, Electrical (220V)	
807	4921957	1	Generator to Rear of Boom Harness (110V/220V)	
		Ref	Note: Harness used to connect AC at platform harness to generator receptacle to power platform receptacle.	
807	1060461	6 ft/1.8m	Cable, Electrical - 12/3	
807A	Not Required	0	Plug, Male	
807B	Not Required	0	Receptacle, Female	
808	See Note	1	Lights Harness (Note: Not Available for Purchase)	
808	1060341	37 ft/11.3m	Cable, Electrical - 16/2	
808A	3740049	1	Relay	
808B	4922643	1	Harness, Bag (Located at Ground Control Box) (Not Shown)	
809	2920140	2	Platform Worklights Harness (Includes Light and Wire Only)	
809	2820035	9 ft/2.8m	Loom, Vinyl	
809	7016399	1	Bulb, Replacement (50 watts) (1 Per)	
809A	4460598	1	Connector, Strain Relief	
809B	4360232	1	Circuit Breaker, 15Amp	
810	See Note	1	Soft-Touch System Harness (Note: Not Available for Purchase)	
810A	1060341	16 ft/4.9m	Cable, Electrical - 16/3	
810B	4460425	1	Connector, Strain Relief	
		Ref	TOOLS	
901	7002821	1	Crimper (For Wire to Pin/Socket Connections)	
902	7002823	1	Extractor (For Removal of Pin/Socket from Connectors)	
903	4460467	1	Extractor, Pin (Blue 16-18 Gauge) (For Removal of Pin/Socket from Connectors)	
903	4460510	1	Extractor, Pin (Yellow 12-14 Gauge) (For Removal of Pin/Socket from Connectors)	
904	7002828	1	Stripper, Wire	
905	1001137005	1	Software Cable Kit (Not Shown)	

SECTION 7 - ELECTRICAL

FIGURE 7-9. HARNESS COMPONENTS INSTALLATION (WITH ADE SYSTEM) (SN 0300064270 through 0300069000)



PARTS FINDER

**Search Website
by Part Number**



**Search Manual
Library For Parts
Manual & Lookup Part
Numbers – Purchase
or Request Quote**

**Can't Find Part or
Manual? Request Help
by Manufacturer,
Model & Description**

Discount-Equipment.com is your online resource for quality parts & equipment.

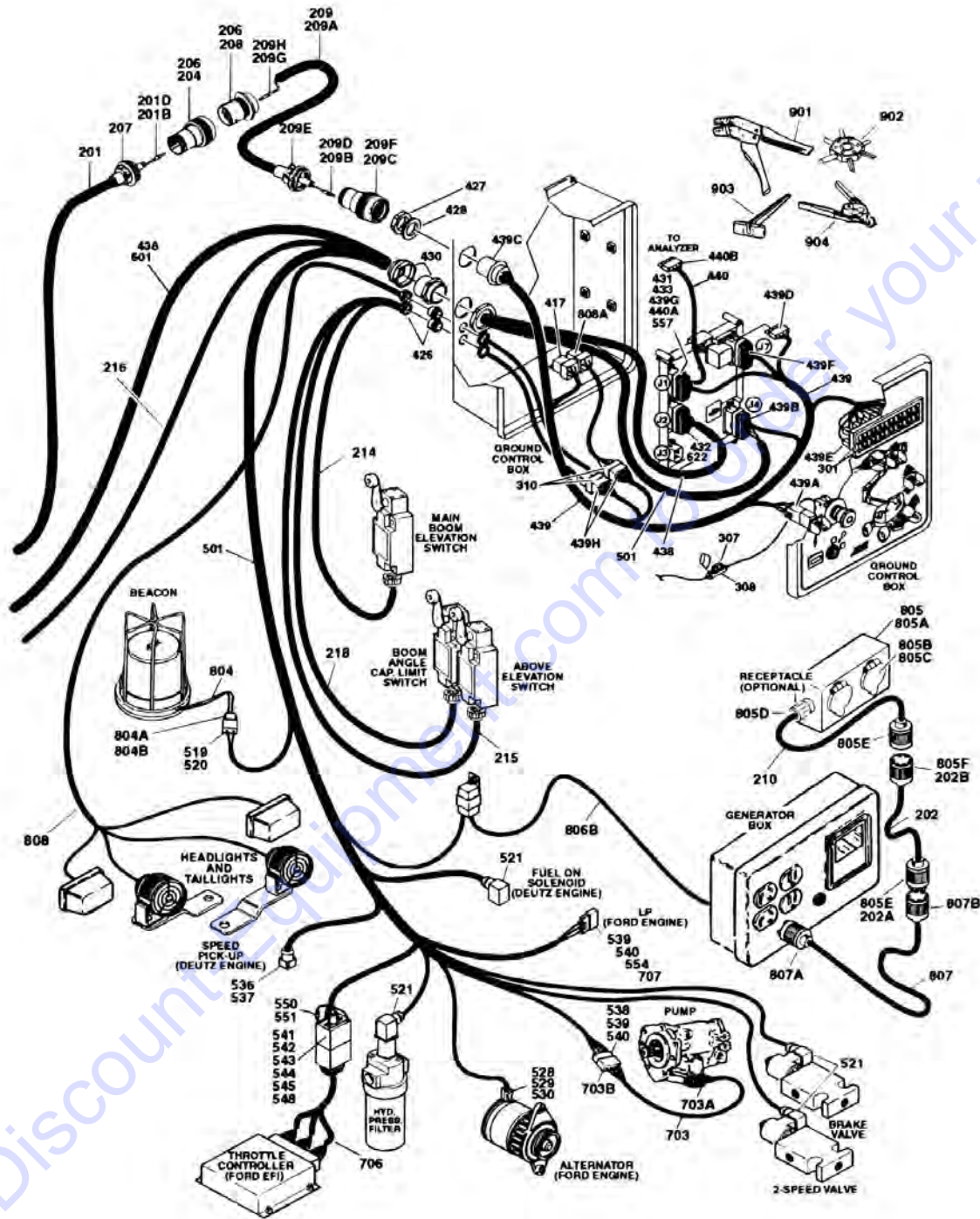
Florida: **561-964-4949** Outside Florida TOLL FREE: **877-690-3101**

Need parts?

Click on this link: <http://www.discount-equipment.com/category/5443-parts/> and choose one of the options to help get the right parts and equipment you are looking for. Please have the machine model and serial number available in order to help us get you the correct parts. If you don't find the part on the website or on one of the online manuals, please fill out the request form and one of our experienced staff members will get back to you with a quote for the right part that your machine needs.

We sell worldwide for the brands: Genie, Terex, JLG, MultiQuip, Mikasa, Essick, Whiteman, Mayco, Toro Stone, Diamond Products, Generac Magnum, Airman, Haulotte, Barreto, Power Blanket, Nifty Lift, Atlas Copco, Chicago Pneumatic, Allmand, Miller Curber, Skyjack, Lull, Skytrak, Tsurumi, Husquvarna Target, Stow, Wacker, Sakai, Mi-T-M, Sullair, Basic, Dynapac, MBW, Weber, Bartell, Bennar Newman, Haulotte, Ditch Runner, Menegotti, Morrison, Contec, Buddy, Crown, Edco, Wyco, Bomag, Laymor, EZ Trench, Bil-Jax, F.S. Curtis, Gehl Pavers, Heli, Honda, ICS/PowerGrit, IHI, Partner, Imer, Clipper, MMD, Koshin, Rice, CH&E, General Equipment, Amida, Coleman, NAC, Gradall, Square Shooter, Kent, Stanley, Tamco, Toku, Hatz, Kohler, Robin, Wisconsin, Northrock, Oztec, Toker TK, Rol-Air, APT, Wylie, Ingersoll Rand / Doosan, Innovatech, Con X, Ammann, Mecalac, Makinex, Smith Surface Prep, Small Line, Wanco, Yanmar

SECTION 7 - ELECTRICAL



SECTION 7 - ELECTRICAL

FIGURE 7-9. HARNESS COMPONENTS INSTALLATION (WITH ADE SYSTEM) (SN 0300064270 through 0300069000)

ITEM	PART NUMBER	QTY	DESCRIPTION	REV
	4922639	Ref	PLATFORM BOX HARNESS ASSEMBLY	C
1	4922639	1	Harness, Console Box	
19	4460866	1	Connector - 19 Position	
20	4460874	1	Connector - 35 Position (Natural)	
21	4460875	1	Connector - 35 Position (Gray)	
22	4460873	1	Connector - 35 Position (Black)	
23	4460871	70	Socket, Female	
24	4460464	7	Pin, Male (16 Gauge)	
25	4460879	1	Terminal, Housing 2 Position	
26	4460887	2	Terminal, (12 Gauge)	
30	4460418	8	Connector - 6 Position	
31	4460419	24	Terminal, Female	
32	4120035	12	Base, Light	
36	4460225	1	Connector - 6 Position	
37	4460227	28	Pin, Male	
41	4460508	3	Pin, Male (12 Gauge)	
43	4460434	2	Connector - 15 Position	
44	2920129	12	Lamp, Indicator	
		Ref	PLATFORM BOX ASSEMBLY COMPONENTS	
104	0100048	AR	Grease, Dielectric (Not Shown)	
114	1060918	8 ft/2.4m	Cable, Electrical - 18/3	
142	4460071	1	Connector, Strain Relief	
143	4460226	2	Socket, Female	
144	4460428	2	Connector, Strain Relief	
146	4460470	1	Nut, Terminal	
147	4460471	1	Lockwasher, Terminal	
148	4460905	5	Seal, Plug	
153	4922666	1	Harness, Analyzer Cable	1-A
153	4460226	4	Socket, Female (Not Shown - Located at J2)	
153A	4460761	1	Connector, Female - 4 Position	
153A	4460227	4	Pin, Male	
155	4460708	2	Terminal, 15 Pin Mate-N-Loc	
		Ref	BOOM CABLES INSTALLATION	
	0270819	Ref	Boom Cables Installation 600A	5
	0270821	Ref	Boom Cables Installation 600AJ	6
	0272626	Ref	Boom Cables Installation 600A (With 7500W Generator) (SkyPower)	1
	0272627	Ref	Boom Cables Installation 600AJ (With 7500W Generator) (SkyPower)	1
201	4922493	1	Harness, Main Boom	
201A	1060896	45.5 ft/13.9m	Cable	
201B	4460465	22	Socket, Female - #16	
201C	4460865	1	Connector - 19 Position	
201D	4460509	8	Socket, Female - #12	
201E	4460473	1	Clamp, Cable	
201F	4460466	4	Seal, Plug	
202	1060461	46 ft/14m	Cable, Electrical - 12/3 (Does not include plug ends)	
202	4922810	1	Harness, Electrical - 8/5 (Does not include plug ends) (With 7500W Generator)	

SECTION 7 - ELECTRICAL

ITEM	PART NUMBER	QTY	DESCRIPTION	REV
202	1060945	47 ft/14.3m	Cable, Electrical - 8/5 (With 7500W Generator)	
204	4460865	1	Connector - 19 Position	
205	4460465	3	Socket, Female - #16	
206	4460466	8	Seal, Plug	
207	4460473	1	Clamp, Cable	
208	4460866	1	Connector - 19 Position	
209	4922494	1	Harness, Lower Boom Cable	
209A	1060896	35.5 ft/10.8m	Cable	
209B	4460465	11	Socket, Female - #16	
209C	4460865	1	Connector - 19 Position	
209D	4460509	4	Socket, Female - #12	
209E	4460473	1	Clamp, Cable	
209F	4460466	4	Seal, Plug	
209G	4460464	11	Pin, Male (16 Gauge)	
209H	4460508	4	Pin, Male (12 Gauge)	
210	1060461	33 ft/10m	Cable, Electrical - 12/3 (Does not include plug ends)	
210	4922811	1	Harness, Electrical - 8/5 (Does not include plug ends) (With 7500W Generator)	
210	1060945	36 ft/10.9m	Cable, Electrical - 8/5 (With 7500W Generator)	
211	4460891	1	Connector, Terminal (600A Only)	
212	4460897	1	Plug, Terminal (600A Only)	
213	4460464	3	Pin, Male (16 Gauge)	
214	1060902	37 ft/11.3m	Cable, Electrical - 18/2 Main Boom Limit Switch	
215	1060902	Ref	Cable, Electrical - 18/2 Tower Boom Limit Switch	
215	1060902	37 ft/11.3m	Cable, Electrical - 18/2 Tower Boom Limit Switch 600A	
215	1060902	18 ft/5.5m	Cable, Electrical - 18/2 Tower Boom Limit Switch 600AJ	
216	1060902	37 ft/11.3m	Cable, Electrical - 18/2 Main Boom Length (600A Only)	
217	1060902	Ref	Cable, Electrical - 18/2 Main Boom Length	
217	1060902	19 ft/5.8m	Cable, Electrical - 18/2 Main Boom Length 600A	
217	1060902	16.5 ft/5.0m	Cable, Electrical - 18/2 Main Boom Length 600AJ	
	4933214	Ref	GROUND CONTROL BOX DIAGRAMS	2-B
301	2920129	6	Bulb, Light	
307	2400065	1	Fuse, 30Amp	
308	2400066	1	Fuse, Holder W/Cover	
310	4460708	2	Receptacle, Female - 15 Position	
310	4460226	10	Socket, Female	
310	4922637	1	Harness, Jumper (Not Shown)	
		Ref	GROUND CONTROL HARNESS ASSEMBLY	
417	3740049	2	Relay	
426	4460426	2	Connector, Strain Relief	
427	4460470	1	Nut, Terminal	
428	4460471	1	Lockwasher, Terminal	
430	4460526	1	Connector, Strain Relief	
431	4460874	1	Connector (Natural)	
432	4460875	1	Connector (Gray)	
433	4460905	4	Connector, Amp Seal Plug	

SECTION 7 - ELECTRICAL

ITEM	PART NUMBER	QTY	DESCRIPTION	REV
437	4922515	1	Engine Harness Assembly (Not Shown - See 501 to 566 for Breakdown)	
438	4922508	1	Valve Harness Assembly (See 601 to 628 for Breakdown)	
439	4922638	1	Ground Control Box Harness Assembly	3-C
439A	4460418	9	Connector, Female - 6 Position	
439A	4460419	27	Socket, Female	
439B	4460876	1	Connector, 35 - Position	
439B	4460871	AR	Socket, Female	
439B	4460905	2	Seal, Plug	
439C	4460866	1	Connector - 19 Position	
439C	4460464	10	Pin, Male Deutsch (16 Gauge)	
439D	4460878	1	Housing, Terminal - 4 Position	
439D	4460887	3	Terminal (12 Gauge)	
439E	4120035	6	Base, Light	
439E	4460634	7	Terminal (16 Gauge)	
439F	4460873	1	Connector, 35 - Position (Black)	
439F	4460871	AR	Socket, Female	
439F	4460635	5	Terminal (12 Gauge)	
439G	4460871	AR	Socket, Female	
439H	4460434	2	Plug, Male 15 - Position	
439H	4460227	AR	Pin	
439I	3990010	2	Diode - 6 Amp (Not Shown)	
440	4922666	1	Cable, Analyzer	1-A
440A	4460226	4	Socket, Female	
440B	4460761	1	Connector, Female 4- Position	
440B	4460227	4	Pin, Male	
441	4933214	1	Ground Control Box Wiring Diagram (Not Shown - See Items 301 to 310 for Breakdown)	
	4922515	Ref	ENGINE HARNESS ASSEMBLY	5-E
501	4922515	1	Harness, Assembly	
519	4460424	1	Plug, Male - 2 Position	
520	4460268	2	Socket, Female	
521	4460880	AR	DIN Connector without Diode	
536	4460890	1	Housing - 2 Position	
537	4460889	2	Terminal	
538	4460460	1	Connector, Male - 4 Position	
539	4460457	AR	Terminal, Female	
540	4460458	AR	Seal, Terminal	
557	4460871	AR	Socket, Female	
	4922508	Ref	VALVE HARNESS ASSEMBLY	4-D
601	4922508	1	Harness, Assembly	
617	4460880	15	DIN Connector	
618	4460320	1	Connector, Female - 2 Position	
619	4460267	5	Pin, Male	
620	4460424	1	Connector, Male - 2 Position	
621	4460268	5	Pin, Female	
622	4460871	28	Socket, Female	
625	4460326	1	Connector, Male - 3 Position	
626	4460445	1	Connector, Female - 3 Position	
		Ref	STANDARD HARNESS COMPONENTS	
703	See Note	1	Pump Harness (Note: Not Available for Purchase)	
703A	7007497	1	Plug (Pump End)	

SECTION 7 - ELECTRICAL

ITEM	PART NUMBER	QTY	DESCRIPTION	REV
703B	7007498	1	Plug (Engine Harness End)	
704	See Note	1	Controller Harness Assembly (Lift and Swing) (Note: Not Available for Purchase)	
704A	7022819	1	Plug, Male - 8 Position (Natural)	
704B	4460871	8	Socket, Female	
705	See Note	1	Controller Harness/Circuit Board Assembly (Drive and Steer) (Note: Not Available for Purchase)	
705A	7022825	1	Plug, Male - 8 Position (Black)	
705B	4460871	7	Socket, Female	
706 to 707	Not Required	0	Not Required	
		Ref	OPTIONAL HARNESS COMPONENTS	
801	4921928	1	4WS Valve Harness	
801A	4460268	3	Socket, Female	
801B	4460445	1	Connector, Female - 3 Position	
801C	4460499	2	Connector, DIN with Diode	
802	4921927	1	Jib Valve Harness (600AJ Only)	
802A	4460326	1	Plug, Male - 3 Position	
802B	4460267	3	Pin, Male	
802C	4460499	2	Connector, DIN with Diode	
803	0257887	1	Alarm Harness (Includes Alarm)	
803A	4460424	1	Plug, Male - 2 Position	
803B	4460268	2	Socket, Female	
804	0255917	1	Strobe Light Harness (Includes Strobe Light)	
804A	4460320	1	Connector, Female - 2 Position	
804B	4460267	2	Pin, Male	
805	0256202	Ref	AC to Platform Receptacle Components	5
805	0272433	Ref	With 7500W Generator (SkyPower)	1
805A	0860038	1	Box, Switch	
805B	Not Required	0	Receptacle	
805C	Not Required	0	Shield, Cover	
805D	Not Required	0	Connector, Strain Relief	
805E	4460709	2	Plug, Male	
805E	4460959	1	With 7500W Generator (SkyPower)	
805F	4460710	1	Connector, Female	
806		Ref	Generator Electrical Components	
806	4933215	Ref	110V	1-A
806	4933216	Ref	220V	1-A
806	3990010	1	Diode - 6 Amp (Not Shown)	
806A	4922641	1	Harness - On/Off Switch	
806B	4922482	1	Harness - Powermite Control Box to Relay	
807	4921957	1	Generator to Rear of Boom Harness (110V/220V)	
		Ref	Note: Harness used to connect AC at platform harness to generator receptacle to power platform receptacle.	
807	1060461	6 ft/1.8m	Cable, Electrical - 12/3	
807A	Not Required	0	Plug, Male	
807B	Not Required	0	Receptacle, Female	
807B	4460960	1	With 7500W Generator (SkyPower)	
808	See Note	1	Lights Harness (Note: Not Available for Purchase)	
808	1060341	37 ft/11.3m	Cable, Electrical - 16/2	
808A	3740049	1	Relay	
808B	4922643	1	Harness, Bag (Located at Ground Control Box) (Not Shown)	

SECTION 7 - ELECTRICAL

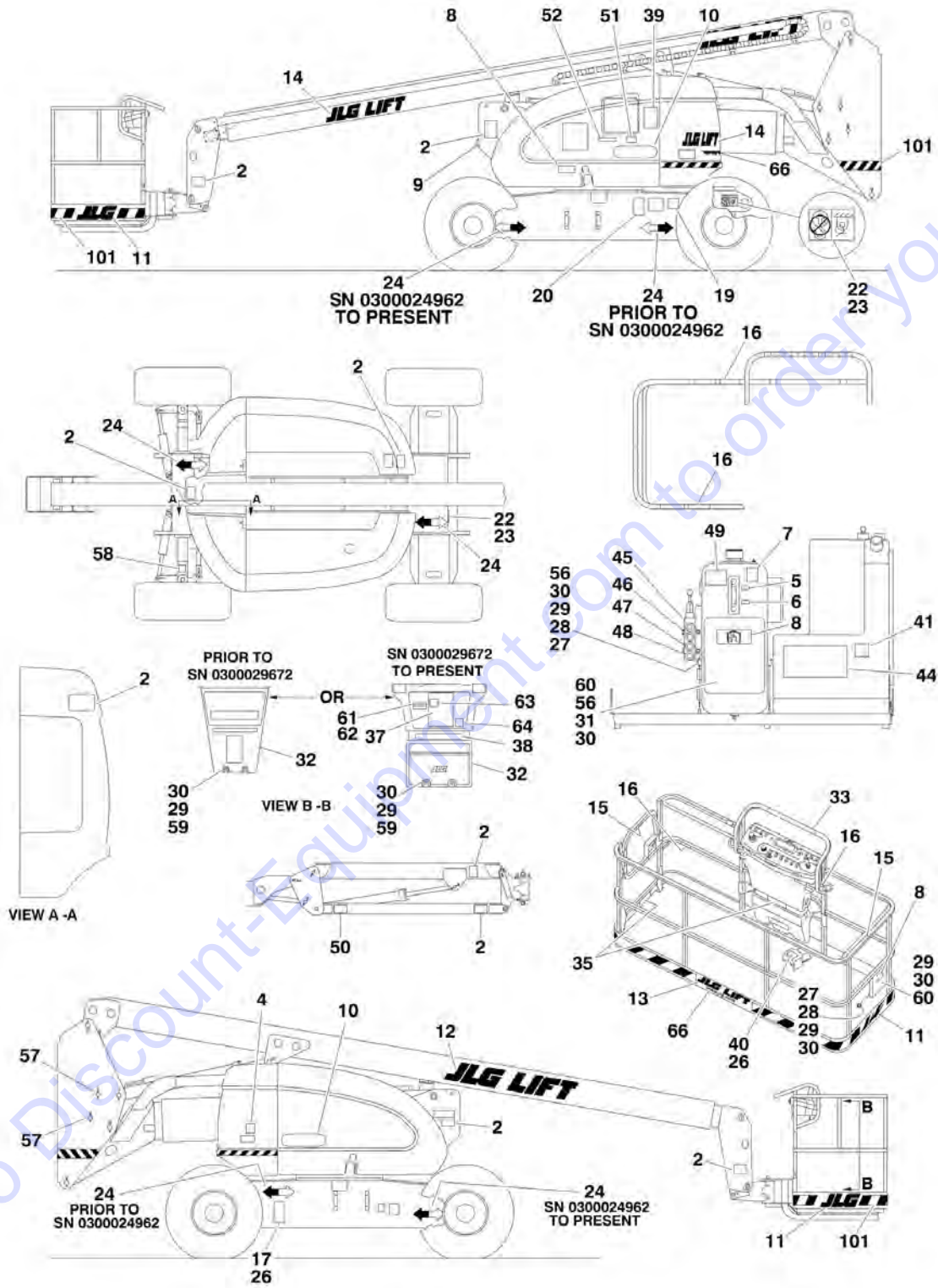
ITEM	PART NUMBER	QTY	DESCRIPTION	REV
809	2920140	2	Platform Worklights Harness (Includes Light and Wire Only)	
809	2820035	9 ft/2.8m	Loom, Vinyl	
809	7016399	1	Bulb, Replacement (50 watts) (1 Per)	
809A	4460598	1	Connector, Strain Relief	
809B	4360232	1	Circuit Breaker, 15Amp	
810	See Note	1	Soft-Touch System Harness (Note: Not Available for Purchase)	
810A	1060341	16 ft/4.9m	Cable, Electrical - 16/3	
810B	4460425	1	Connector, Strain Relief	
		Ref	TOOLS	
901	7002821	1	Crimper (For Wire to Pin/Socket Connections)	
902	7002823	1	Extractor (For Removal of Pin/Socket from Connectors)	
903	4460467	1	Extractor, Pin (Blue 16-18 Gauge) (For Removal of Pin/Socket from Connectors)	
903	4460510	1	Extractor, Pin (Yellow 12-14 Gauge) (For Removal of Pin/Socket from Connectors)	
904	7002828	1	Stripper, Wire	
905	2901443	1	Analyzer Kit (Not Shown) (SN 0300064249 through 0300069000)	
906	1001137005	1	Software Cable Kit (Not Shown)	

SECTION 8 - DECALS

Go to Discount-Equipment.com to order your parts

SECTION 8 - DECALS

FIGURE 8-1. DECALS INSTALLATION



SECTION 8 - DECALS

FIGURE 8-1. DECALS INSTALLATION

ITEM	PART NUMBER	QTY	DESCRIPTION	REV
		Ref	DECAL INSTALLATIONS	
	0255453	Ref	600A Common Decals	9
	0256626	Ref	600A Australian Spec	7
	0256282	Ref	600A Dutch Spec	4
	0256279	Ref	600A French Spec	5
	0256280	Ref	600A German Spec	4
	0256281	Ref	600A Italian Spec	4
	0256283	Ref	600A Spanish Spec	4
	0256278	Ref	600A UK English Spec	6
	0255457	Ref	600AJ Common Decals	11
	0256627	Ref	600AJ Australian Spec	7
	0256289	Ref	600AJ Dutch Spec	4
	0256286	Ref	600AJ French Spec	5
	0256287	Ref	600AJ German Spec	4
	0256288	Ref	600AJ Italian Spec	4
	0256290	Ref	600AJ Spanish Spec	4
	0256285	Ref	600AJ UK English Spec	6
2	1701518	6	Decal - Crushing	
4		Ref	Decal Options:	
4	Not Required	0	Australian Specs	
4	1702928	1	Decal - CE - Dutch/ French/ German/ Italian/ Spanish/ UK Spec (Prior to SN 0300065629)	
4	1705084	1	Decal - Sound Power Level - Dutch/ French/ German/ Italian/ Spanish/ UK Spec (SN 0300065629 through 0300069000)	
5	1701502	1	Decal - High Oil Level	
6	1701503	1	Decal - Low Oil Level	
7	1701504	1	Decal - Hydraulic Oil	
8	1701509	2	Decal - Manual	
9		Ref	Nameplate - Voltage Options:	
9	Not Required	0	Dutch/ French/ German/ Italian/ Spanish/ UK Spec	
9	3251242	1	Australian Spec (240V-50Hz)	
10		Ref	Decal - Model Designation Options:	
10	1702818	2	600A	
10	1702819	2	600AJ	
11	1702773	2	Decal - JLG (5in Height)	
12	1702861	2	Decal - JLG Lift (8in Height)	
13	1702774	1	Decal - JLG (3-1/2in Height)	
14	1702860	2	Decal - JLG Lift (5in Height)	
16		Ref	Decal - Attach Lanyard Here Options:	
16	Not Required	0	Dutch/ French/ German/ Italian/ Spanish/ UK Spec	
16	1702612	4	Australian Spec (Prior to SN 0300061066)	
16	1704277	4	Australian Spec (SN 0300061066 through 0300069000)	
17	See Note	1	Nameplate - Serial Number (Note: Not Available for Purchase)	
19	See Note	1	Decal - Bar Code (Note: Not Available for Purchase)	
20	1700584	1	Decal - Patent	
22	1702300	4	Decal - Tie Down/Lift	
23	1701500	4	Decal - Tie Down/Lift	
24	1701529	4	Decal - Arrow	
26		Ref	Rivet Options:	
26	Not Required	0	UK Specs	

SECTION 8 - DECALS

ITEM	PART NUMBER	QTY	DESCRIPTION	REV
26	3820001	4	Australian/ Dutch/ French/ German/ Italian/ Spanish Specs	
27	0641408	1	Bolt 1/4in-20NC x 1in	
28	1060279	1	Cable, Lanyard	
29	3311401	3	Nut 1/4in-20NC	
30	4751400	AR	Flatwasher 1/4in Regular	
31	0860520	1	Box, Manual Storage	
32		Ref	Panel, Pedestal Options:	
32	3380423	1	Panel, Pedestal (Prior to SN 0300029672)	
32	3380434	1	Panel, Pedestal (SN 0300029672 through 0300069000)	
37		Ref	Decal - Capacity Options:	
37	1690697	1	Australian/ French/ German/ Italian/ Spanish/ UK Spec	
37	1701596	1	Dutch Spec	
38		Ref	Decal - Caution Options:	
38	1703183	1	Australian and UK Spec	
38	1703186	1	Dutch Spec	
38	1703184	1	French Spec	
38	1703190	1	German Spec	
38	1703185	1	Italian Spec	
38	1703187	1	Spanish Spec	
39		Ref	Decal - Caution Options:	
39	1691483	1	Australian and UK Spec	
39	1701596	1	Dutch Spec	
39	1693289	1	French Spec	
39	1693291	1	German Spec	
39	1701602	1	Italian Spec	
39	1701798	1	Spanish Spec	
40		Ref	Decal - Footswitch Options:	
40	3252347	1	Australian and UK Spec	
40	1703518	1	Dutch Spec	
40	1693292	1	French Spec	
40	1693294	1	German Spec	
40	1701600	1	Italian Spec	
40	1701791	1	Spanish Spec	
41	1701505	1	Decal - Fuel (Diesel)	
44		Ref	Decal - Instructions Options:	
44	1702926	1	Australian and UK Spec	
44	1702999	1	Dutch Spec	
44	1702987	1	French Spec	
44	1702991	1	German Spec	
44	1702995	1	Italian Spec	
44	1703003	1	Spanish Spec	
45	1702903	1	Decal - #1	
46	1702927	1	Decal - #2	
47	1702924	1	Decal - #3	
48	1702925	1	Decal - #4	
49		Ref	Decal Options:	
49	1702265	1	Australian and UK Spec	
49	1702268	1	Dutch Spec	
49	1702270	1	French Spec	
49	1702267	1	German Spec	
49	1702269	1	Italian Spec	

SECTION 8 - DECALS

ITEM	PART NUMBER	QTY	DESCRIPTION	REV
49	1702266	1	Spanish Spec	
50		Ref	Decal - Manual Descent Options:	
50	1702908	2	600AJ Australian and UK Spec	
50	1702998	2	600AJ Dutch Spec	
50	1702986	2	600AJ French Spec	
50	1702990	2	600AJ German Spec	
50	1702994	2	600AJ Italian Spec	
50	1703002	2	600AJ Spanish Spec	
51		Ref	Decal - Manual Descent Options:	
51	1702901	1	Australian and UK Spec	
51	1702996	1	Dutch Spec	
51	1702984	1	French Spec	
51	1702988	1	German Spec	
51	1702992	1	Italian Spec	
51	1703000	1	Spanish Spec	
56	0100011	AR	Compound, Locking	
57		Ref	Plug Options:	
57	3520032	2	600A	
57	3520033	2	600AJ	
58	1703469	4	Decal - Maximum Tire Load	
59	0641414	2	Bolt 1/4in-20NC x 1-3/4in	
60	0641406	4	Bolt 1/4in-20NC x 3/4in	
61		Ref	Decal - Maintenance Options:	
61	1703663	1	Australian Spec	
61	Not Required	0	Dutch/ French/ German/ Italian/ Spanish/ UK Spec	
62		Ref	Decal - Caution Options:	
62	1703664	1	Australian Spec	
62	Not Required	0	Dutch/ French/ German/ Italian/ Spanish/ UK Spec	
63		Ref	Decal - Platform Capacity Options:	
63	1703675	1	Australian Spec	
63	Not Required	0	Dutch/ French/ German/ Italian/ Spanish/ UK Spec	
64		Ref	Decal - Danger Options:	
64	1703665	1	Australian Spec	
64	Not Required	0	Dutch/ French/ German/ Italian/ Spanish/ UK Spec	
66	1704885	2	Decal - Website (SN 0300067890 through 0300069000)	
	0257734	Ref	SAFETY STRIPES INSTALLATION	1
101	4420051	20 ft/6.1m	Decal - Corner Warning Stripe	

SECTION 9 - RECOMMENDED SERVICE PARTS STOCK

SECTION 9 - RECOMMENDED SERVICE PARTS STOCK

Go to Discount-Equipment.com to order your parts

SECTION 9 - RECOMMENDED SERVICE PARTS STOCK

FIGURE 9-1. MODELS 600A/600AJ/N600AJ STANDARD PARTS

ITEM	PART NUMBER	QTY	DESCRIPTION	REV
	Note	Ref	Note: The following list will service fleets of machines (built to current production per date on the front cover) with emergency repair parts which can be installed in the field. Parts from the list should be replaced when inventory is depleted to keep service parts stock supplied.	
		Ref	STANDARD PARTS	
	7012944	1	Coil	
	2120150	4	Element, Filter	
	7016312	1	Switch, Indicator	
	2120149	1	Element, Filter	
	7016313	1	Switch, Indicator	
	7012772	1	Coil	
	7012768	1	Coil	
	7012664	1 Dozen	Element, Air Cleaner	
	3740067	1	Relay	
	4360392	1	Switch, Indicator	
	4360294	1	Breaker, Circuit	
	7016328	4	Filter, Fuel	
	7016331	12	Filter, Oil	
	3740080	1	Relay, Bosch (Machines with Generator)	
	7014810	1	Breather	
	4360475	1	Switch, Mushroom	
	4360470	1	Switch, Key	
	2860030	1	Key, Replacement	
	4360328	1	Switch, Toggle	
	4360331	1	Switch, Toggle	
	4360336	1	Switch, Toggle	
	4360476	1	Contact, Switch Block	
	3740049	1	Relay	
	7016502	2	Power Track Repair Section	
	7006140	2	Power Track Repair Section	
	7006152	24	Power Track Pin Kit	
	2940074	1	Latch	
	7022818	1	Potentiometer	
	7022824	1	Electric Assembly	
	7019166	1	Switch, Micro	
	4360387	1	Switch, Push Button	
	2400065	2	Fuse, 30Amp	
	3990010	2	Diode	

SECTION 10 - SPECIAL OPTIONS

Go to Discount-Equipment.com to order your parts

SECTION 10 - SPECIAL OPTIONS

FIGURE 10-1. SPECIAL OPTIONS

ITEM	PART NUMBER	QTY	DESCRIPTION	REV
		Ref	Note: This list is to accommodate machines ordered with special equipment. Options may not be applicable to all models.	
		Ref	MISCELLANEOUS SPECIAL OPTIONS	
		Ref	Airline to Platform Installation Options:	
	0256342	Ref	1/2in - 600A	
	0271475	Ref	1/2in Airline and (1) Welding Cable - 600A	
	0258966	Ref	1/2in - 600AJ	
		Ref	Biodegradable Hydraulic Fluid Decals Options:	
	1702788	1	Decal - Biodegradable Hydraulic Fluid (All except German Spec)	
	1704174	1	Decal - Synthetic Biodegradable Hydraulic Fluid (All except German Spec)	
	1703479	1	Decal - Biodegradable Hydraulic Fluid (German Spec Only)	
	1704175	1	Decal - Synthetic Biodegradable Hydraulic Fluid (German Spec Only)	
	2910477	Ref	Cam Valve Replacement Kit	
	0256789	Ref	Camera Mount Assembly	
	1282518	Ref	Capacity Rating Decal Installations	
	0256760	Ref	Capacity Rating Decal Installations (600A)	
	0256761	Ref	Capacity Rating Decal Installations (600A)	
	0256769	Ref	Capacity Rating Decal Installations (600AJ)	
	0256772	Ref	Capacity Rating Decal Installations (600AJ)	
		Ref	ClearSky (Telematics) Installations (Dealer Installed)	
	1001242409	Ref	ClearSky (Telematics) Access Control Installation Kit (Dealer Installed) (ANSI, ANSI Export and CSA Specs)	
	1001243183	Ref	ClearSky (Telematics) Added-on Kit (Dealer Installed) (ANSI, ANSI Export and CSA Specs)	
	1001243184	Ref	ClearSky (Telematics) Added-on Kit (Dealer Installed) (CE Specs)	
		Ref	ClearSky (Telematics) Kits	
	1001139130	Ref	Australian Spec	
	1001104983	Ref	CE Spec	
		Ref	Note: Refer to ClearSky (Telematics) Manual p/n 3128499 for Serviceable Parts.	
	0256060	Ref	Cold Weather Package - Deutz	
	0258927	Ref	Cold Weather Package with Glow Plugs - Deutz	
	0271333	Ref	Cold Weather Package with Glow Plugs - Deutz (With ADE System) (Prior to SN 64249)	
	0271912	Ref	Cold Weather Package with Glow Plugs - Deutz (With ADE System) (SN 64249 through 69000)	
	0257157	Ref	Cold Weather Package with Ether Start - Deutz	
		Ref	Container - Tray Storage Options:	
	1580012	1	Center	
	1580013	1	Rail	
	2900975	Ref	Decal Kit	
	1001108725	Ref	Decal Kit - Platform	
	0272312	Ref	Decal Installation - Tire Sealant	
	2902203	1	Kit - Tire Sealant	
		Ref	Filter Kits:	
		Ref	Combined Filter Kit (Hydraulic/Air and Fuel/Engine Oil)	

SECTION 10 - SPECIAL OPTIONS

ITEM	PART NUMBER	QTY	DESCRIPTION	REV
	1001110993	1	Deutz Engine (Prior to SN 0300069000)	
		Ref	Hydraulic/Air Filter	
	2910931	1	Deutz Engine W/Noise Reduction (Prior to SN 0300064249)	
	1001109692	1	Deutz Engine	
		Ref	Fuel/Engine Oil Filter	
	1001110133	1	Deutz Engine	
	4060959	Ref	Footswitch Shield	
	See Note	Ref	Generator (2500W) Installation Kit (Note: Go to Discount-equipment.com)	
	1001175815	Ref	Generator (4000W/50Hz) Installation Kit	
	See Note	Ref	Generator (7500W) Installation Kit (Note: Go to Discount-equipment.com)	
	0258928	Ref	Glow Plug Installation (Deutz)	
	0271548	Ref	Glow Plug Installation (Deutz) (With ADE System)	
	2910100	Ref	Hose/Cable Chafe Kit	
	1001204908	Ref	Hose Kit - Lower Boom (600A)	
	1001204904	Ref	Hose Kit - Lower Boom (600AJ)	
	2902470	Ref	Hose Kit - Upper Boom (600A)	
	2902472	Ref	Hose Kit - Upper Boom (600AJ)	
		Ref	Light Installation at Control Panels	
	0256632	Ref	CE Spec	
	0256633	Ref	Australian Spec	
	0257997	Ref	Load Sensing System Installation	
	0256765	Ref	Oil Cooler Installation - Deutz	
	1282665	Ref	Oil Cooler Installation - Deutz	
	0256343	Ref	Oxy-Acetylene Lines to Platform Installation	
	0270723	Ref	Platform Beacon Installation	
	0255398	Ref	Platform Console Cover Installation (Prior to SN 0300067890)	
	1670764	1	Cover, Console	
	1670784	1	Tear Away Sheet (10 Pack)	
	0258703	Ref	Platform Console Cover Installation (SN 0300067890 through 0300069000)	
	1001205175	Ref	Platform Console Cover Add-on Kit	
		Ref	Platform Entry Kit	
	1001142504	Ref	Kit, Replace Swing Gate with Drop Bar	
	1001142505	Ref	Kit, Replace Drop Bar with Swing Gate	
	0256829	Ref	Platform Self-Closing Gate Installation	
	0256202	Ref	Receptacle at Platform Installation	
		Ref	Platform Huck Fasteners Replacement Hardware	
	7002840	1	Antirotation Pin Removal Tool	
	0641614	AR	Bolt 1/4in-20NC x 2in	
	3311405	AR	Locknut 1/4in-20NC	
	4711400	AR	Flatwasher 1/4in Thin	
	3300151	AR	Acorn Nut 1/4in-20NC	
		Ref	Sky Accessory:	
	0272606	Ref	Plasma Cutter (SkyCutter)	
	0272607	Ref	Decal - SkyCutter	
	0272619	Ref	SkyPower - 7500W 50Hz	
	0272589	Ref	Decal - SkyPower	
	0272521	Ref	Welder - Stick, 250A	
	0272588	Ref	Decal - SkyWelder	
		Ref	Note: For Breakdown of Sky Accessories Refer to Accessory	

SECTION 10 - SPECIAL OPTIONS

ITEM	PART NUMBER	QTY	DESCRIPTION	REV
			Manual p/n 3124242	
		Ref	SkyGuard Component Options:	
	1001149560	Ref	SkyGuard Complete Add-On Kit (Non-UGM Machines)	
	1001137672	Ref	SkyGuard Platform Sensor Kit	
	1001143256	Ref	SkyGuard Blue Beacon Kit	
	0272301	Ref	Tire Sealant Installation	
		Ref	Tools for Service	
	2901443	1	Analyzer Kit	
	8896941	1	Wire Stripper	
	7002821	1	Wire Crimper (To install wire ends to wires)	
	7002823	1	Pin/Socket Extractor - Universal (To Remove Pins/Sockets from Connectors)	
	4460467	1	Extractor - 16-18 Gauge (For Removal of Pin/Sockets from Deutsch Connectors)	
	4460510	1	Extractor - 12-14 Gauge (For Removal of Pin/Sockets from Deutsch Connectors)	
	7002822	1	Screwdriver, Potentiometer (To Adjust Drive Controllers)	
	7016654	1	Screwdriver, Magnetic	
	7004275	1	Seal Installation Tool - 1in	
	7004276	1	Seal Installation Tool - 1 1/2in	
	7002826	1	Seal Installation Tool - 2in	
	7016655	1	Wire Rope Sheave Gauge	
	7016652	1	Huck Bolt FASTER (For Small Huck Bolts Only)	
	4921850	1	Throttle Service Harness	
	4922012	1	"Rexroth" Card Service Harness	
	2900838	1	U.S. Standards Fastener (Hardware) Kit	
	7014676	1	U.S. Standards Tool Kit	
	1001137005	1	Software Cable Kit	
	7002840	1	Pin Removal Tool (Oscillating Axle Cam Valve)	
	0255385	Ref	Tool (Hydraulic) Circuit Installation - Deutz Engine 600A (Prior to SN 0300066200)	
	0272350	Ref	Tool (Hydraulic) Circuit Installation - Deutz Engine 600A (SN 0300066200 through 0300069000)	
	0255901	Ref	Tool (Hydraulic) Circuit Installation - Deutz Engine 600AJ	
	0257728	Ref	Tube Rack Installation	
	0258918	Ref	Utility Rack Installation	
	0256344	Ref	Weld Leads Installation	

PART NUMBER INDEX

Go to Discount-Equipment.com to order your parts

PART NUMBER INDEX

0060031.....	117, 129	0255406.....	12	0256287.....	303	0258695.....	116
0060033.....	60, 66, 285	0255407.....	102	0256288.....	303	0258703.....	311
0060035.....	112, 129	0255409.....	83	0256289.....	303	0258764.....	22
0060066.....	117, 133	0255410.....	49	0256290.....	303	0258918.....	312
0060068.....	112, 133	0255411.....	16, 19	0256321.....	111	0258927.....	310
0060074.....	129	0255412.....	19	0256322.....	116	0258928.....	311
0060076.....	129	0255413.....	13, 21	0256331.....	136	0258966.....	310
0080163.....	61, 69	0255414.....	16, 21	0256336.....	136	0259233.....	89, 154, 189, 256
0080177.....	60	0255415.....	15	0256342.....	310	0270123.....	13, 21
0080241.....	95	0255416.....	11	0256343.....	311	0270124.....	16, 21
0100009.....	89, 157	0255417.....	15	0256344.....	312	0270329.....	49
0100011.....	11, 12, 15, 16, 19, 21, 22, 40, 49, 60, 66, 72, 83, 85, 88, 91, 95, 99, 102, 106, 107, 112, 113, 118, 119, 121, 122, 125, 126, 135, 139, 153, 158, 193, 195, 197, 201, 203, 205, 207, 209, 211, 213, 215, 219, 229, 233, 235, 237, 253, 305	0255418.....	11	0256346.....	135, 256	0270723.....	257, 311
0100019.....	12, 15, 49	0255419.....	11	0256366.....	139	0270805.....	95
0100020.....	60, 66, 157	0255420.....	21	0256388.....	12	0270814.....	144, 148, 159, 258
0100035.....	135, 136, 153, 157	0255421.....	21	0256391.....	12	0270819.....	290, 296
0100038.....	193, 195, 197, 201, 203, 205, 207, 209, 211, 213, 215, 219, 229, 233, 235, 237, 253	0255422.....	22	0256392.....	15	0270821.....	118, 290, 296
0100040.....	147	0255423.....	112, 118, 121	0256397.....	11	0270833.....	95
0100048.....	91, 95, 157, 296	0255425.....	59	0256398.....	11	0270850.....	65
0100063.....	12, 16, 19, 193, 198, 205, 209, 215, 220	0255438.....	135	0256399.....	16, 19	0271333.....	310
0100079.....	83	0255440.....	39, 135	0256400.....	19	0271339.....	116
0100081.....	158	0255441.....	39, 135	0256523.....	19	0271474.....	89, 154, 189, 256
0140001.....	40	0255442.....	39, 135	0256623.....	11	0271475.....	310
0140011.....	157	0255443.....	39, 135	0256624.....	11	0271543.....	189
0140026.....	152	0255444.....	49	0256625.....	15	0271544.....	71, 159
0181727.....	59, 65	0255453.....	303	0256626.....	303	0271547.....	71, 159
0200530.....	72	0255457.....	303	0256627.....	303	0271548.....	311
0200550.....	185	0255482.....	239	0256632.....	159, 311	0271550.....	159, 185
0200741.....	72	0255483.....	239	0256633.....	154, 159, 311	0271551.....	159, 185
0200742.....	72	0255484.....	239	0256689.....	67	0271552.....	95, 159
0236632.....	153	0255485.....	239	0256690.....	67	0271608.....	21
0254798.....	49	0255486.....	239	0256715.....	19	0271609.....	21
0255025.....	49	0255487.....	239	0256716.....	19	0271610.....	21
0255238.....	111	0255488.....	239	0256717.....	19	0271611.....	21
0255239.....	116	0255489.....	239	0256757.....	65	0271612.....	21
0255262.....	85	0255513.....	21	0256760.....	310	0271613.....	21
0255281.....	126	0255514.....	21	0256761.....	310	0271912.....	310
0255288.....	126	0255605.....	21	0256765.....	257, 311	0271941.....	147
0255294.....	85	0255606.....	21	0256769.....	310	0271945.....	147
0255362.....	40, 96	0255699.....	135	0256772.....	310	0272070.....	113, 119
0255368.....	95	0255854.....	19	0256789.....	310	0272135.....	116
0255385.....	312	0255855.....	19	0256789.....	310	0272293.....	71
0255387.....	95	0255870.....	282	0256821.....	106	0272301.....	312
0255392.....	144, 258	0255875.....	61	0256822.....	107	0272312.....	310
0255393.....	95	0255876.....	61	0256829.....	311	0272326.....	111
0255396.....	71	0255878.....	118, 282	0256847.....	69	0272350.....	312
0255397.....	22	0255880.....	99	0257101.....	35	0272433.....	299
0255398.....	311	0255901.....	312	0257157.....	310	0272480.....	71
0255404.....	11	0255914.....	95, 286	0257160.....	71	0272481.....	71
0255405.....	12	0255917.....	95, 286, 292, 299	0257436.....	35	0272482.....	71
		0255919.....	258	0257482.....	83	0272521.....	311
		0255927.....	239	0257573.....	122	0272588.....	311
		0255928.....	239	0257728.....	312	0272589.....	311
		0256060.....	310	0257734.....	305	0272606.....	311
		0256191.....	61	0257840.....	185	0272607.....	311
		0256202.....	286, 292, 299, 311	0257841.....	185	0272619.....	311
		0256276.....	139	0257849.....	185	0272626.....	296
		0256278.....	303	0257850.....	185	0272627.....	296
		0256279.....	303	0257853.....	71	0272970.....	147
		0256280.....	303	0257857.....	71	0340041.....	59, 61, 65
		0256281.....	303	0257884.....	95	0362519.....	35
		0256282.....	303	0257885.....	95	0362529.....	126, 135, 136
		0256283.....	303	0257886.....	95	0362611.....	136
		0256285.....	303	0257887.....	286, 292, 299	0362612.....	136
		0256286.....	303	0257894.....	135		
				0257997.....	189, 311		
				0258048.....	144, 258		
				0258694.....	111		

PART NUMBER INDEX

0370035	205	0641516	122	0731005.....	185	0961890	193, 227
0400075	59, 65	0641520	16	0741606.....	95	0961893 ...	195, 197, 201, 209, 219
0440018	12	0641522	13, 16, 40	0741607.....	118	0961894 ...	195, 197, 203, 219
0440019	12	0641524	143	0801019.....	111, 116, 121	0961896 ...	229, 233, 235, 237
0440161	13, 16, 19	0641532	113, 118	0801020.....	121	0961897	211, 213
0440207	49	0641542	22	0801021.....	121	0961898	205, 207
0460150	239	0641604	229, 233	0801022.....	111, 125	0961899	215
0460151	239	0641605	112, 118	0801023.....	125	0961947 ...	118, 195, 197, 201, 209, 219, 223
0460152	239	0641606 60, 67, 102, 107, 118, 121, 125, 126, 152		0801025.....	116, 125	0961948 ...	13, 16, 19, 112, 118, 125, 211, 213
0460154	239	0641607 ...	112, 118, 122, 125, 139	0801026.....	125	0961949 ...	112, 118, 121, 205, 207, 215, 217
0460155	239	0641608 ...	11, 12, 15, 16, 19, 35, 40, 102, 106, 121, 125, 139	0801027.....	125	0961950	11, 12, 15
0460157	239	0641609	99	0801066.....	125	0961951 ...	112, 118, 125, 195, 197, 203, 219, 225
0460159	239	0641610 ...	16, 19, 59, 66, 72, 121, 125, 147, 152, 157	0801078.....	125	0961977	227
0460160	239	0641611	85, 118, 139	0801085.....	121	0961986	60, 66
0460161	239	0641612 .	11, 12, 16, 121, 185	0801228.....	125	0962005	12, 16, 19
0461614	118	0641613	40	0860038.....	286, 292, 299	0962051	99
0480050	72	0641614	83, 311	0860520.....	304	0962180	189
0480111	72	0641616	189	0860984.....	151, 153	0962272	13, 16, 19
0480119	72	0641618 ...	118, 121, 125	0860986.....	151, 154	0962335	118
0480121	72	0641624	113, 118	0861018.....	87	0962336	209
0540078	139	0641628	122	0861044.....	87	0962474	193
0540083	139	0641640	126	0861045.....	87	1001099835	121
0540099	139	0641772	72	0861048.....	151, 154	1001099836	126
0540104	139	0641808	61, 67	0861083.....	151, 154	1001100321	71
0540107	139	0641809	121	0861084.....	151, 154	1001104983	310
0561076	112, 118	0641810	99, 112, 118	0861119.....	87	1001107153	126
0561185	121, 125	0641811	49	0861120.....	87	1001108725	310
0561237	118	0641812 60, 66, 113, 119		0861131.....	87	1001109692	311
0561248	121	0641816	15, 59	0861134.....	151	1001110133	311
0630427	135	0641818	66, 189	0861135.....	151	1001110993	311
0630462	185	0641820 .	11, 15, 85, 112, 118	0861136.....	151	1001113961	179, 181
0630464	153, 157	0641822	119	0861137.....	151	1001117320	147
0630490	12	0641826	11, 67	0861302.....	87	1001118416	181
0630491	95	0642010	60, 67	0861407.....	91	1001118417	157, 167
0630498	59, 65	0642012	11, 12, 15	0861412.....	91	1001137005	293, 300, 312
0630507	102, 106	0642018	49	0861413.....	91	1001137672	312
0630518	88, 91	0642612	95	0861414.....	157, 158	1001138796	225
0630534 ...	198, 201, 209, 220	0642682	113, 119	0861415.....	157	1001139130	310
0630535 ...	195, 198, 203, 211, 213, 220, 225, 229, 233, 235, 237	0651406	40	0861472.....	91	1001142504	311
0630536 ...	205, 207, 215, 217	0681608 .	13, 16, 19, 113, 119	0861473.....	91	1001142505	311
0630548	91	0681610 ...	112, 118, 119, 193	0861474.....	157	1001143256	312
0641403 ...	112, 118, 122, 135, 136	0681612	72	0861517.....	147, 157	1001144629	147
0641404	12, 102, 106, 152, 157	0681836	49	0861537	157, 159	1001149560	312
0641406 ...	40, 60, 95, 96, 99, 147, 152, 153, 157, 186, 305	0682016	21, 49	0902109	85	1001166538	183
0641407	66, 106, 189	0700808	66	0902206	95	1001166539	169
0641408 ...	147, 152, 157, 304	0700810	60, 61, 69	0902217	61	1001175815	311
0641409	139	0700819	72	0902219	102, 106	1001204904	311
0641414 .	11, 15, 40, 144, 148, 305	0701010	189	0902237	102	1001204908	311
0641416	40, 118, 157, 189	0701012	60, 67	0902242	102, 106	1001205175	311
0641418	143	0701015	60, 67	0902243	59, 66	1001223331	116, 203
0641424	135	0701016	60, 67	0902313.....	102	1001223332	203
0641505	35	0701017	60, 66	0902335.....	107	1001223511	201
0641506	88, 91	0711414	72	0902511	66	1001223512	111, 201
0641507	66	0721003 ...	153, 154, 159	0902520	85	1001228002	111, 223
0641508 ..	40, 61, 72, 245	0721004	60, 88, 153	0902751	157	1001228003	111, 116, 217
0641510	60, 66	0721005	66, 88	0920083.....	53	1001228004	111, 116, 213
		0721006 73, 89, 102, 106		0920084.....	21, 27	1001228005	125, 231
		0721010	153	0920109	49, 53		
				0920110.....	21, 27		
				0920117.....	21		
				0920119.....	49, 54		
				0940038.....	185		
				0940049.....	102, 106		
				0940070.....	59, 65		
				0940071.....	102, 106		
				0961127.....	287		
				0961845.....	144		

PART NUMBER INDEX

1001228006.....121, 237	1580012..... 148, 310	1683267..... 219	1701791.....304
1001228007.....125, 233	1580013..... 148, 310	1683269..... 219	1701798.....304
1001228042.....111, 116, 207	1600218..... 152	1683271..... 111, 195	1702265.....304
1001228052..... 116, 225	1600239..... 151, 173	1683272..... 195	1702266.....305
1001242409.....310	1600242..... 151, 161	1683274..... 195, 197	1702267..... 304
1001243183.....310	1600283..... 151, 177	1683280..... 11, 15, 193	1702268.....304
1001243184.....310	1600284..... 151, 163	1683281..... 193	1702269.....304
1060012.....282	1600312..... 91	1683283..... 193	1702270..... 304
1060016..... 136, 283	1600313..... 157	1683288... 111, 116, 215	1702300.....303
1060279.....304	1600317..... 157, 165	1683289..... 215	1702537..... 87
1060330.... 157, 186, 287, 290	1600318..... 157, 179	1683291..... 215	1702563..... 147, 151
1060341.... 186, 287, 293, 299, 300	1600327..... 91	1683294... 111, 116, 211	1702564..... 151, 157
1060461.... 283, 286, 290, 291, 293, 296, 297, 299	1660184..... 61	1683295..... 211	1702565..... 151, 157
1060494.... 282, 287, 292	1660219..... 85	1683297..... 211	1702566..... 151, 157
1060515.....282	1660219RR..... 85	1683299... 111, 116, 205	1702567..... 151, 157
1060516.....282, 283	1660223..... 85	1683300..... 205	1702610..... 88, 91
1060603.....283	1660223RR..... 85	1683302..... 205	1702612.....303
1060637.....61, 67	1660234..... 61, 69	1683304..... 12, 19, 227	1702633..... 87
1060709.....283	1670752..... 16, 19	1683307..... 125, 229	1702676.... 147, 151, 157
1060896.... 290, 296, 297	1670764..... 311	1683308..... 229	1702740.....22
1060902..... 291, 297	1670767..... 102, 106	1683310..... 229	1702773.....303
1060918.... 147, 157, 296	1670768..... 125	1683312..... 121, 235	1702774.....303
1060945.....297	1670769..... 118	1683313..... 235	1702788.....310
1100098.....11, 15	1670770..... 102	1683314..... 235	1702818.....303
1120460.....12	1670777..... 22	1683317..... 125, 229	1702819.....303
1120487.....83	1670784..... 311	1683318..... 229	1702860.....303
1180336.....126	1670785..... 185	1683320..... 229	1702861..... 303
1180338.....126	1670786..... 185	1683333..... 195, 197	1702901.....305
1180339.....121	1670787..... 185	1683415..... 111, 197	1702903.....304
1220022.....153	1670788..... 185	1683416..... 197	1702908.....305
1220023.....153	1670789..... 185	1683418..... 116, 197	1702924.....304
1220096.....159	1670791..... 185	1683419..... 197	1702925.....304
1220102.....159	1670793..... 185	1683949..... 219	1702926.....304
1260017.....49	1670795..... 185	1683952..... 197	1702927.....304
1260136.....186	1670796..... 185	1683962..... 219	1702928.....303
1282396.....254	1670797..... 185	1683963..... 197, 203	1702938..... 159, 186
1282398.....49	1670798..... 185	1683972..... 219	1702984.....305
1282474.....256, 258	1670799..... 185	1683973..... 219	1702986.....305
1282490.....239	1670801..... 185	1683976..... 197, 201	1702987.....304
1282518.....310	1670803..... 185	1683977..... 197	1702988.....305
1282571.....256	1670804..... 185	1684001..... 211	1702990.....305
1282665.....257, 311	1670819..... 135	1684005..... 211	1702991.....304
1282672.....256	1670820..... 136	1684014..... 205	1702992.....305
1282685.....256, 258	1670824..... 135, 136	1684015..... 205	1702994.....305
1282828.....256, 257	1670829.88, 91, 153, 157	1684017..... 215	1702995.....304
1282937.....256, 258	1670836..... 125	1684019..... 215	1702996.....305
1320016.....59, 65	1670900..... 189	1684090..... 209	1702998.....305
1320019.....61	1671037..... 158	1684092..... 209	1702999.....304
1320022.....60, 66	1683053... 195, 197, 201, 209, 219	1684498... 111, 116, 205	1703000.....305
1320031.....67	1683054..... 229, 235	1690697..... 304	1703002.....305
1320040.....186	1683055... 195, 197, 203, 219	1691483..... 304	1703003.....304
1320060.....61, 67, 152	1683057..... 193	1693289..... 304	1703084..... 154, 159
1320095.....152	1683061..... 211	1693291..... 304	1703085..... 154, 159
1320131.....67	1683067..... 205	1693292..... 304	1703090..... 152
1320176.....67	1683069..... 215	1693294..... 304	1703091..... 152
1320222.....60, 67	1683208...12, 16, 19, 227	1700584..... 303	1703092..... 152
1320223.....60, 67	1683253..... 116, 195	1701500..... 303	1703093..... 152
1320229..... 112, 118	1683254..... 195	1701502..... 303	1703162.....59, 65
1320243..... 112, 118	1683256..... 219	1701503..... 303	1703183.....304
1340056.....59	1683258..... 118, 209	1701504..... 303	1703184.....304
1340060.....65	1683259..... 209	1701505..... 60, 67, 304	1703185.....304
1380136.....40	1683261..... 209	1701509..... 303	1703186.....304
1380147.....99	1683263..... 116, 219	1701518..... 303	1703187.....304
	1683264..... 219	1701529..... 303	1703190.....304
	1683266..... 111, 219	1701596..... 304	1703403.....35
		1701600..... 304	1703404.....35
		1701602..... 304	1703444.....35

PART NUMBER INDEX

1703450.....	35	2220381.....	251	2220921.....	252	2752434.....	252
1703467.....	87, 91	2220385.....	249, 251	2220923.....	252	2752444.....	253
1703468.....	87, 91	2220414.....	251	2220947.....	253	2752453.....	252
1703469.....	305	2220415.....	245, 249, 251	2220974.....	251	2752459.....	243
1703479.....	310	2220416.....	251	2220998.....	253	2752462.....	252
1703518.....	304	2220428.....	251	2220999.....	252	2752466.....	252
1703534.....	253	2220429.....	251	2221036.....	253	2752468.....	252
1703622.....	89	2220435.....	243, 246	2221053.....	253	2752469.....	252
1703663.....	305	2220451.....	59, 66, 243	2221065.....	252	2752473.....	243, 245
1703664.....	305	2220459.....	60, 66	2400065.....	291, 297, 308	2752484.....	253
1703665.....	305	2220466.....	243, 245, 246, 249, 251	2400066.....	291, 297	2752497.....	252
1703675.....	305	2220468.....	252	2420172.....	88, 91	2752500.....	251
1703791.....	189	2220472.....	251	2420203.....	72	2752506.....	251
1703801.....	189	2220473.....	243, 245, 252, 253	2460011.....	71	2752516.....	251
1704174.....	310	2220490.....	243, 245, 249	2460013.....	71	2752519.....	251
1704175.....	310	2220497.....	251	2460032.....	71	2752573.....	245, 251
1704260.....	153, 157	2220498.....	252	2460034.....	71	2752579.....	252
1704277.....	303	2220498.....	252	2460039.....	71	2752591.....	251
1704885.....	305	2220500.....	245, 252	2460049.....	71	2752592.....	245, 253
1705084.....	303	2220501.....	243, 246	2560122.....	40	2752593.....	245, 252
1705132.....	92, 158	2220502.....	246, 252	2560123.....	40	2752600.....	251
1705325.....	73	2220502.....	243, 246, 249	2560136.....	151, 157	2752601.....	252
1840012.....	87	2220507.....	243, 246	2600211.....	153, 158	2752602.....	243, 245
1840013.....	87	2220510.....	252	2600219.....	144	2752603.....	252
1840014.....	88	2220511.....	252	2600281.....	147	2752604.....	251
1840015.....	88	2220550.....	246	2600287.....	144	2752618.....	253
1870044.....	258	2220567.....	251	2660071.....	139	2752620.....	243, 246
1870050.....	258	2220568.....	245	2660082.....	139	2752635.....	251
1870059.....	258	2220574.....	252	2660099.....	139	2752636.....	252
1870071.....	258	2220578.....	251	2660105.....	139	2752650.....	253
1870132.....	258	2220582.....	243, 246, 249, 251	2660109.....	139	2752655.....	251
2000132.....	59, 61	2220596.....	245, 251	2680423.....	102, 106	2752656.....	251
2000146.....	65, 68	2220602.....	246, 251	2680424.....	102, 106	2752723.....	251
2000173.....	65, 68	2220603.....	249, 253	2680433.....	102, 106	2752724.....	251
2000189.....	65, 68	2220605.....	245	2680434.....	102, 106	2752783.....	252
2060025.....	59, 65	2220609.....	251	2680440.....	106	2752807.....	245
2080040.....	143, 147	2220618.....	251	2680441.....	106	2752813.....	243, 245
2080044.....	118	2220619.....	249, 251	2720058.....	60, 67	2752814.....	243
2120145.....	40	2220622.....	245	2720271.....	60, 66	2752823.....	249
2120146.....	39	2220628.....	251	2720351.....	60, 66	2752824.....	249
2120149.....	40, 308	2220635.....	249, 252	2720397.....	59, 65	2752889.....	246
2120150.....	39, 308	2220646.....	251	2720398.....	59, 65	2752890.....	245
2160002.....	49	2220654.....	252	2720423.....	67	2752899.....	245
2180344.....	49	2220657.....	252	2720434.....	66	2752912.....	246
2180380.....	253	2220671.....	245	2720449.....	66	2752919.....	245
2180536.....	60, 66	2220710.....	243	2740063.....	257	2752920.....	249
2180724.....	253	2220738.....	246	2750532.....	60, 66	2752928.....	251
2180798.....	59, 65	2220794.....	60, 67	2750756.....	245	2752929.....	251
2200222.....	83	2220800.....	246	2750770.....	245	2752939.....	252
2220001.....	49	2220810.....	251	2750790.....	245	2752962.....	249
2220235.....	243, 245	2220833.....	245, 246	2750900.....	249	2752966.....	243, 245
2220250.....	60, 66	2220873.....	251, 253	2751013.....	245, 249	2752970.....	243, 246
2220273.....	60, 66	2220883.....	198, 201, 203, 205, 207, 209, 211, 213, 215, 235, 237	2751017.....	245	2752985.....	252
2220313.....	60, 66	2220885.....	193, 195, 197, 201, 203, 209, 220, 225, 229, 233	2751020.....	249	2752987.....	253
2220362.....	243, 245	2220886.....	205, 207, 213, 237	2751032.....	49	2752988.....	252
2220363.....	243	2220888.....	215	2751396.....	245	2752989.....	253
2220365.....	243, 245	2220893.....	40	2751427.....	245	2752990.....	252
2220366.....	251	2220899.....	252	2752245.....	243	2752991.....	252
2220371.....	243, 245, 249, 252	2220909.....	245	2752249.....	245	2753046.....	253
2220372.....	252	2220914.....	246	2752258.....	243	2753047.....	252
2220373.....	243, 253			2752324.....	243	2753052.....	252
2220374.....	252			2752341.....	253	2753055.....	252
2220375.....	243, 245, 251			2752343.....	252	2753056.....	252
2220376.....	251			2752349.....	245	2753132.....	251
2220377.....	243, 245, 251			2752354.....	243	2753133.....	251
2220379.....	251			2752356.....	253	2753134.....	252
				2752398.....	245, 246	2753135.....	252

PART NUMBER INDEX

2760105.88, 91, 151, 157	2910931 311	3311505 ... 13, 16, 40, 60,	3422566.....117
2780205.....49, 51	2920110 95	61, 66, 102, 106, 113,	3422571.....111, 116
2780212.....12	2920113 96	118, 143	3422572.....111, 117
2780213.....21, 25	2920129 88, 153, 154,	3311601 83, 102, 107,	3422573.....111, 116
2792177254	157, 282, 284, 291,	153, 158, 159	3422575.... 111, 116, 121
2792188.....251, 254	296, 297	3311605 ... 16, 19, 59, 66,	3422576.....112, 117
2792189.....251, 254	2920130 95	72, 99, 102, 106, 118,	3422577.....112
2792191.....254	2920140 ... 144, 148, 287,	122, 127, 147, 153,	3422578.....112
2792192.....254	293, 300	157, 185	3422579.....117
2792193.....243, 254	2920162 72	3311705 72	3422580.....112
2792194.....254	2920214 95	3311801 .. 21, 61, 67, 135	3422582.....112
2792195.....40, 245, 254	2920215 95	3311805 .59, 66, 85, 102,	3422583.....117
2792196.....254	2940074 ... 144, 147, 308	106, 112, 113, 118,	3422590.....16, 19
2792230.....249, 254	2940088 102, 106	119, 189	3422592.....11, 15
2792315.....254	3010088 185	3313403 12	3422802.....16, 19
2792405.....254	3020021 61, 69	3321005 66	3422860.....117
282003173, 283	3124025 189	3323403 12	3422861.....117
2820035.... 145, 148, 287,	3160200 49, 57	3340608 229, 231, 233	3422867.....117
293, 300	3160204 21, 33	3340705 121, 125	3430816.....99
2820076.....107	3160205 21, 31	3340756 121, 125	3450304.....159
2820077.....107	3160273 49, 57	3340764 126	3450306.....122
2820078.....107	3200362 67	3340765 126	3450404.....99
2820082.....107	3200378 59, 65	3340787 126	3450606.....122
2820083.....107	3200386 139	3340871 121, 125	3450810.....12
2840016.....99	3200387 139	3340881 121, 125	3451012.....12
2840018.....99	3200388 139	3380423 304	3480188.... 195, 197, 203,
2860012.....72	3200389 139	3380428 66	219
2860030.....87, 91, 308	3200390 139	3380434 147, 304	3480206.....205
2890245.....13	3200393 139	3420592 35	3480210.... 195, 197, 201,
2900708.....39	3200394 139	3421453 35	209, 219
2900752.....77	3200395 139	3421565 49	3480211.....211
2900766.....27, 53	3200396 139	3422325 11	3480212.....229, 235
2900767.....28, 54	3200397 139	3422419 117	3480216.....215
2900768.....28, 53	3200407 139	3422420 117	3510499.....143
2900770.... 39, 129, 193,	3200408 139	3422421 117	3510500.....143
211, 213, 235, 237	3220100 61	3422422 117	3510537.....143
2900788.....33	3220101 61	3422426 ... 11, 12, 15, 16,	3510538.....143
2900792.... 195, 197, 201,	3220103 67	19	3510542.....143
203, 205, 207, 209,	3220104 67	3422427 12	3510543.....143
211, 213, 215, 217,	3250872 35	3422429 12, 16, 19	3510728.....143
235, 237	3251102 73, 159	3422430 12, 16, 19	3510751.....143
2900826.....77	3251242 303	3422431 11, 15	3510763.....143
2900827.....78	3252347 304	3422432 117	3510764.....143
2900838.....312	3272605 ... 113, 119, 129	3422434 112	3510822.....147
2900975.....310	3290801 60	3422435 117	3510833.....147
2901273.....211, 213	3300106 12, 21	3422440 117	3520026.....89
2901278.....229, 235	3300143 189	3422442 111, 116	3520028.71, 73, 152, 157
2901285.....205, 207	3300151 144, 311	3422443 111, 116	3520032.....305
2901301.... 195, 198, 203,	3300205 88, 91	3422444 111, 116	3520033.....107, 305
220	3300353 158	3422448 59, 65	3520035.....92
2901303.... 195, 198, 201,	3300390 88	3422452 111, 117	3520054.....88
209, 220	3300393 143	3422453 112	3520072.....143, 147
2901321.....193	3300408 89, 91, 157	3422454 112	3520173.....153
2901322.....215, 217	3310601 88, 89, 99	3422457 125	3520174.....89, 159
2901358.....60, 66	3310801 135	3422477 117	3530072.....185
2901392.....59, 65	3310805 40, 135	3422489 112	3536089.....144, 148
2901443.....300, 312	3311001 88, 102, 106,	3422492 16, 19	3537318.....49
2901557.....189	147, 153, 159	3422530 99	3537416.....59, 65
2901763.....44	3311005 . 60, 73, 96, 106,	3422532 67	3537417.....59, 65
2901811.....189	144, 153, 154	3422533 60	3537420.....59, 65
2901861.....233, 237	3311401 91, 125, 139,	3422553 35	3537445.....99
2902203.....310	152, 189, 304	3422558 117	3537691.....59
2902470.....311	3311405 ... 40, 60, 66, 96,	3422559 117	3538047.....11, 12, 15
2902472.....311	99, 106, 135, 144, 147,	3422560 117	3538247.....229, 233
2910001.....285	148, 152, 157, 186, 311	3422561 117	3538724.....59
2910100.....311	3311501 40, 107, 185	3422563 117	3538758.....126
2910477.....310		3422565 112	3538771.....229

PART NUMBER INDEX

3538819.....	151	3820001	35, 96, 139, 304	4060918.....	40	4360542.....	72
3539055.....	136	3841143 ...	11, 12, 15, 16, 19, 59, 65, 112, 117	4060959.....	311	4400372.....	83
3539219.....	88, 91	3841203 ...	112, 117, 121	4070863.....	121, 125	4400373.....	83
3539228.....	122	3841258.....	11, 12, 15	4070864.....	121, 125	4400399.....	83
3539236.....	122	3841262.....	12	4070878.....	11, 12, 15	4420038.....	83, 88
3539275.....	153, 154	3841263.....	12	4070879.....	11, 12, 15	4420051.....	305
3539281.....	95	3841285.....	16, 19	4070897.....	121, 125	4420055.....	144
3539412.....	122	3841291.....	19	4070898.....	121, 125	4420060 ...	126, 135, 136
3539662.....	35	3841295.....	122	4070929.....	121, 125	4460023.....	72
3539685.....	144	3841329.....	35	4070932.....	127	4460027.....	72, 287, 292
3539719.....	185	3841340.....	118, 125	4070944.....	11, 15	4460042.....	145, 158
3539779.....	112, 118	3841347.....	122	4070945.....	11, 15	4460049.....	185
3539872.....	65	3900141.....	209	4070987.....	89, 91	4460071 ...	147, 152, 158, 290, 296
3539877.....	11, 15	3900166.....	112	4070991.....	89	4460125 ...	287, 292, 293
3539879.....	12, 16	3900207.....	143	4100025.....	61	4460134.....	287
3539923.....	106	3900224.....	153, 159	4120012.....	89, 154, 257	4460190.....	71, 287, 292
3539930.....	113, 118	3900232.....	102, 106	4120013.....	89, 154, 257	4460205.....	287
3539956.....	67	3900239.....	112, 118	4120035.....	88, 154, 282, 284, 290, 291, 296, 298	4460224.....	284, 285
3539971.....	65	3900268.....	88, 91	4130325.....	12	4460225 ...	282, 284, 290, 296
3539988.....	107	3910608.....	88, 89, 99	4130326.....	12	4460226 ...	158, 170, 183, 189, 296, 297, 298
3570270.....	122	3910610.....	99, 151	4130330.....	16, 19	4460227 ...	158, 290, 296, 298
3570277.....	122	3910804.....	89, 91	4130331.....	16, 19	4460233.....	287
3570374.....	113, 118	3910806.....	40	4130340.....	12	4460234.....	89, 95, 96
3570375.....	122	3911008.....	147	4130341.....	12	4460265 ...	161, 163, 170, 174, 183, 282, 285
3570740.....	189	3911016.....	144	4160143.....	102, 106	4460266 ...	161, 163, 174, 285, 286
3580134.....	72	3911040.....	96	4160152.....	102, 106	4460267 ...	161, 163, 174, 282, 284, 285, 286, 291, 292, 298, 299
3580158.....	71	3930816.....	135, 136	4220162.....	95	4460268 ...	161, 163, 174, 284, 285, 286, 291, 292, 298, 299
3580276.....	72	3930824.....	135	4220165.....	144	4460320 ...	284, 285, 286, 291, 292, 298, 299
3600164.....	59, 76	3931408.....	135	4220168.....	144	4460326 ...	284, 286, 291, 292, 298, 299
3600242.....	59, 65, 81	3931412.....	152	4240018.....	154	4460418 ...	282, 284, 290, 291, 296, 298
3600243.....	39	3931430.....	135	4240032.....	95, 96, 154	4460419 ...	282, 284, 290, 291, 296, 298
3600260.....	59, 65, 76	3931448.....	229, 233	4240099.....	145, 148	4460424 ...	284, 285, 286, 291, 292, 298, 299
3620033.....	59, 65	3931516 ...	195, 197, 201, 209, 219, 229, 233, 235, 237	4240102.....	83	4460425 ...	186, 287, 293, 300
3640493.....	89, 257	3931620	59, 66, 195, 197, 203, 219, 225	4240112.....	83	4460426.....	88, 91, 297
3640970.....	88, 154	3931672.....	153, 159	4280295.....	83	4460428.....	88, 135, 136, 152, 154, 158, 186, 282, 287, 290, 296
3641182.....	154	3931720.....	211, 213	4300097.....	21	4460434.....	296, 298
3700010.....	88, 152	3931860.....	49	4300120.....	21	4460442.....	287
3730022.....	284	3932032.....	205, 207	43400678.....	151, 158	4460445 ...	284, 285, 286, 292, 298, 299
3730023.....	284	3932224.....	49	4340684.....	151, 158	4460449.....	285
3730099.....	284	3932240.....	215, 217	4360031.....	147, 152, 158	4460457 ...	285, 291, 298
3740049.....	88, 89, 91, 153, 154, 257, 258, 287, 293, 297, 299, 308	3960098.....	12	4360057.....	185	4460460 ...	285, 291, 298
3740057.....	89, 153, 154, 257	3960389.....	65, 102, 106	4360232.....	152, 159, 293, 300	4460464 ...	158, 282, 283, 284, 290, 291, 296, 297, 298
3740058.....	89, 152, 257	3960407.....	60, 67	4360282.....	88, 152	4460465 ...	283, 284, 290, 296, 297
3740063.....	89, 152	3960418.....	102, 106	4360289.....	87, 151		
3740066.....	89, 153, 154, 257	3960438.....	106	4360294...	60, 67, 73, 308		
3740067.....	59, 65, 308	3960447.....	102	4360314.....	88, 152, 153		
3740080.....	72, 308	3960461.....	96	4360319.....	87		
3740112.....	88	3960462.....	102, 106	4360328.....	91, 158, 308		
3740113.....	153	3960467.....	106	4360331 ...	148, 152, 153, 158, 308		
3740115.....	153	3960468.....	67	4360336	73, 96, 153, 159, 308		
3760133.....	125	3960469.....	67	4360345.....	152		
3760170.....	49	3990001.....	284	4360387.....	151, 158, 159, 186, 308		
3760368 ...	195, 197, 201, 209, 219, 235	3990010 ...	282, 284, 287, 292, 298, 299, 308	4360392.....	59, 65, 308		
3760369 ...	193, 195, 197, 203, 219	3990109.....	189	4360395.....	87, 151		
3760370.....	211	4060802.....	73, 159	4360407.....	151, 158		
3760372.....	205	4060803.....	144	4360416.....	40, 96		
3760384.....	215	4060804.....	40, 61, 127	4360436.....	83		
3790012.....	96, 148, 152, 153, 158, 159	4060805.....	61, 67, 125	4360470.....	87, 91, 308		
3790110.....	130, 231	4060807.....	40	4360475	87, 91, 152, 158, 308		
3790152.....	60, 67	4060808.....	13, 16, 121	4360476	88, 91, 152, 158, 308		
		4060906.....	88, 91				
		4060907.....	95				

PART NUMBER INDEX

4460466.....283, 290, 296, 297	4460875 92, 290, 296, 297	4640939 249	4844925..... 143, 144
4460467..... 152, 287, 293, 300, 312	4460876 291, 298	4640999 235, 237	4844927..... 143
4460470.....91, 152, 158, 282, 290, 296, 297	4460878 291, 298	4641045 135	4844928..... 144
4460471.....91, 152, 158, 282, 290, 296, 297	4460879 290, 296	4641097 39, 43	4844929..... 11
4460473.....283, 290, 296, 297	4460880 291, 298	4641105 135	4844945..... 111, 116
4460488.....91, 158	4460887 ... 290, 291, 296, 298	4641139 135	4844954..... 144
4460499 44, 47, 284, 285, 286, 292, 299	4460889 291, 298	4641162 193	4844955..... 143, 144
4460502.....283	4460890 291, 298	4711000 153	4844956..... 143, 144
4460503..... 154, 282, 283	4460891 297	4711400 ... 11, 15, 40, 61, 67, 95, 135, 144, 148, 186, 311	4844958..... 49
4460508.....282, 283, 290, 296, 297	4460897 297	4711500 ... 35, 40, 41, 61, 159, 246	4844960..... 11
4460509.....283, 290, 296, 297	4460905 92, 158, 296, 297, 298	4711600 ... 11, 12, 15, 16, 35, 40, 61, 67, 112, 118, 121, 126	4844961..... 59
4460510..... 152, 287, 293, 300, 312	4460959 299	4711800 99, 112, 118	4844964..... 83
4460526..... 88, 91, 297	4460960 299	4711900 67	4844969..... 126
4460536.....283, 284, 291	4460968 135, 136	4712600 35	4844972..... 126
4460539.....283, 284, 291	4520171 21	4713000 35	4844978..... 126
4460589.....285	4520172 22	4713400 35	4844983..... 122
4460591.....285	4520173 22	4713400 35	4844984..... 121
4460598..... 145, 148, 159, 287, 293, 300	4520210 22	4740016 12	4845041..... 15
4460600.....88, 154, 258	4520211 22	4740076 102, 106	4845080..... 59
4460601.....88, 154	4520259 22	4740158 11, 12, 15	4845127..... 112, 118
4460602.....88, 154	4566408 211	4740171 106	4845162..... 59
4460603.....88, 154	4566425 229	4740274 67	4845163..... 99
4460607 88, 89, 154, 257	4566468 ... 195, 197, 201, 203, 219	4740362 96, 148, 152, 158	4845184..... 72
4460608.....285	4566471 209	4740397 73, 159	4845194..... 102, 106
4460611.....60, 67	4566501 205	4740411 144	4845200..... 102
4460613..... 154, 282, 283	4566667 215	4740439 117	4845203..... 102, 106
4460614.....283	4566832 11, 15	4740444 88, 92	4845281..... 35
4460620.....282	4566892 122	4750600 88, 89, 99	4845283..... 143
4460621.....282	4566986 61	4750800 40	4845288..... 143
4460628.....88	4567112 65	4751000 ... 60, 66, 73, 88, 96, 99, 102, 106, 144, 147, 153, 154, 185	4845289..... 143, 144
4460629..... 154	4567172 35	4751400 ... 60, 66, 92, 99, 102, 106, 113, 118, 125, 135, 136, 148, 153, 158, 189, 304	4845290..... 143, 144
4460630.....88	4567241 122	4751500 . 13, 16, 72, 102, 106, 143, 185	4845308..... 185
4460631.....88, 154	4567815 67	4751600 ... 60, 66, 72, 83, 85, 102, 106, 107, 113, 118, 148, 152, 158, 185, 189, 229	4845309..... 185
4460632..... 154	4640113 22	4751800 ... 11, 15, 61, 67, 85, 102, 122, 185, 189	4845327..... 144
4460634.....284, 298	4640261 35	4751900 72	4845328..... 143
4460635.....284, 298	4640438 211, 213	4752000 60, 67	4845384..... 125
4460693.....285	4640509 ... 195, 197, 201, 203, 205, 207, 209, 211, 213, 215, 217, 235, 237	4760600 88, 89	4845394..... 67
4460701.....287	4640525 193	4761000 ... 102, 106, 144, 153, 159	4845395..... 66
4460708..... 158, 296, 297	4640605 ... 205, 207, 215, 217	4770600 99	4845404..... 65
4460709.....286, 292, 299	4640647 235, 237	4791400 60, 67	4845414..... 106
4460710.....286, 292, 299	4640744 251	4812000 189	4845426..... 144
4460711.....89	4640751 59, 65	4831900 61, 69	4845450..... 35
4460720.....282	4640858 193	4832000 61, 69	4845451..... 35
4460721.....282	4640862 ... 229, 231, 233	4844790 112, 117	4845531..... 72
4460761..... 158, 296, 298	4640866 39	4844815 117	4845682..... 112, 117
4460777.....285	4640871 11, 15	4844816 117	4846005..... 111
4460865.....290, 296, 297	4640902 209	4844817 117	4846006..... 116
4460866.....290, 291, 296, 297, 298	4640906 40, 245	4844924 143, 144	4846081..... 112, 117
4460871..... 158, 165, 167, 179, 181, 290, 291, 292, 296, 298, 299	4640907 39		4846101..... 144
4460873.....290, 291, 296, 298	4640908 39		4846102..... 144
4460874.....92, 290, 296, 297	4640920 39, 43		4846103..... 144
	4640921 39, 47		4846184..... 143
	4640922 40, 47		4846194..... 143, 144
	4640923 13, 16		4846195..... 143, 144
	4640925 135		4846228..... 143
	4640929 135		4846229..... 143
	4640930 39		4846240..... 143
	4640932 ... 198, 201, 203		4846241..... 143
	4640937 16		4846452..... 147
			4846479..... 65
			4846566..... 65
			4846573..... 113, 119
			4860158..... 22
			4891400..... 40
			4891500..... 40, 245

PART NUMBER INDEX

4891600 . 60, 66, 99, 113, 119	4932915 257, 287	7000257 51	70006374 217
4891800 ... 21, 40, 49, 99, 113, 119	4932917 257	7000258 51	70006442 225
4892000 21, 49	4932940 257, 287	7000263 51	70006443 225
4892600 113, 119	4932971 258	7000269 51	70006444 225
4920385 61	4932974 257, 282	7000270 51	70006445 225
4921737 87, 284	4932976 258, 283	70002724 181	70006446 225
4921739 87, 284	4932977 257	70002725 181	70006447 225
4921771 39, 286	4932980 257	70002726 181	70006478 213
4921772 40, 286	4932986 257	70002727 181	70006479 213
4921820 286, 292	4932989 257, 287	70002728 181	70006480 213
4921828 287	4932990 256	70002729 181	70006481 213
4921829 287	4932992 256, 257	70002730 167	70006482 233, 237
4921848 87, 284	4932993 256	70002731 167	70006483 233, 237
4921850 312	4933006 257	70002732 167	70006484 237
4921922 87, 284	4933025 256	70002733 167	70006486 207
4921925 87, 284	4933026 256	70002734 167	70006487 207
4921927 39, 286, 292, 299	4933027 258	70002735 167	70006488 207
4921928 40, 286, 292, 299	4933158 257, 292	70002813 68	70006489 207
4921938 287	4933162 257, 292	70002906 167	70006597 223
4921957 ... 287, 293, 299	4933185 258, 291	70003483 147	70006599 223
4921991 154, 282	4933214 297, 298	70003556 68	70006601 223
4921992 283	4933215 299	70003784 151, 158	7000663 61, 68
4921994 154, 282	4933216 299	70004738 183	70006654 233
4922002 283	4933218 258	70004739 183	70006655 233
4922008 283	4933219 257	70004740 183	70006774 223
4922012 312	70000123 71	70004741 183	70006775 223
4922095 257	70000124 72	70004742 183	70006776 223
4922304 256	70000125 72	70004743 183	70006793 231
4922482 292, 299	70000579 43	70004744 183	70006813 231
4922483 292	70000580 43	70004745 183	70006814 231
4922484 257	70000582 43	70004746 183	70006815 231
4922485 92, 158	70000583 43	70004747 183	70006816 231
4922493 290, 296	70000787 61	70004748 183	70006817 231
4922494 290, 297	70001002 68, 69	70004749 183	70006818 231
4922508 291, 298	70001017 68	70004750 183	70006819 231
4922509 ... 158, 257, 290	7000126 72	70004751 183	70006820 231
4922515 291, 298	70001423 69	70004752 169	70006821 231
4922516 291	70001498 68	70004753 169	7000699 61, 68
4922616 256	70001681 68, 69	70004754 169	7000731 28
4922637 297	70001697 130, 133	70004755 169	7000796 27
4922638 298	70001941 95	70004756 169	7001438 77
4922639 ... 158, 257, 296	70001976 43, 44, 47	70004757 169	7001498 77
4922641 299	70001999 126	70004758 169	7001625 227
4922643 293, 299	70002000 126	70004759 169	7001626 227
4922666 92, 158, 296, 298	70002001 121	70004760 169	7001627 227
4922810 296	70002002 121	70004761 169	7001628 227
4922811 297	70002011 126	70004762 169	7001629 227
4922939 257	70002012 126	70004763 169	7001630 227
4932783 256	7000209 51	70004764 169	7001633 227
4932812 258	7000214 51	70004765 169	7001711 25
4932828 257, 287	7000217 51	70004766 169	7001909 51
4932839 257	70002234 61, 68	70004767 169	7001911 51
4932848 257, 282	70002235 71	70004768 169	7001928 51
4932850 258, 283	70002239 71	70004769 169	7001931 51
4932894 256	70002240 72	70004770 169	7001985 51
4932896 256	7000228 51	70004771 169	7001987 51
4932902 256	7000229 51	70004772 169	7001988 51
4932903 256	7000230 51	70004773 170	70022564 223
4932904 258	70002373 223	70004774 170	70023371 223, 231
4932905 257, 282	70002411 68, 69	70004775 170	70023373 231
4932914 257, 282	70002412 231	70005230 183	7002821 ... 287, 293, 300, 312
	7000242 51	7000625 147, 152, 158	7002822 312
	7000246 51	70006369 217	7002823 ... 287, 293, 300, 312
	7000253 51	70006370 217	7002826 312
	70002530 68, 69	70006371 217	7002828 293, 300
	7000255 51	70006372 217	
	7000256 51	70006373 217	

PART NUMBER INDEX

7002840.....11, 15, 311, 312	7007416.....76	7007933.....27	7012702.....33
7003657.....71	7007417.....76	7007934.....53	7012703.....33
7003886.....174	7007419.....76	7007970.....27, 53	7012704.....33
7003928.....163, 165, 167	7007420.....76	7007977.....27, 53	7012705.....33
7003933.....179	7007421.....76	7007979.....27, 53	7012706.....33
7003935.....177, 179	7007423.....76	7007980.....27, 53	7012707.....33
7003941.....177, 179, 181	7007424.....76	7007983.....27, 53	7012708.....33
7003946.....173, 177, 179	7007425.....31, 76	7007985.....27, 53	7012709.....33
7003951.....161	7007426.....31	7007986.....27	7012710.....33
7003952.....163	7007427.....31	7007987.....27, 53	7012711.....33
7003953.....163, 165	7007428.....31	7008833.....59, 65, 285	7012712.....33
7003956.....161, 163	7007429.....31	7008835.....59, 65	7012713.....33
7003957.....161, 173	7007430.....31	7008836.....59, 65, 285	7012714.....33
7003958.....161	7007431.....31	7010103.....81	7012715.....33
7003959.....161	7007434.....31	7010104.....81	7012716.....33
7003960.....161	7007435.....76	7010105.....81	7012768.....308
7003961.....161	7007436.....76	7010108.....31	7012769.....43, 44
7003963.....173	7007437.....31, 76	7010109.....31	7012772...43, 44, 47, 308
7003966.....173	7007438.....31, 76	7010110.....31	7012773.....43, 44, 47
7003967.....173	7007439.....31, 76	7010111.....31	7012774.....44, 47
7003968.....173	7007440.....76	7010112.....31	7012775.....43, 44
7003969.....177, 179	7007441.....76	7010113.....31	7012776.....47
7003972...173, 177, 179, 181	7007442.....76	7010114.....31	7012799.....44
7003973...173, 177, 179, 181	7007444.....76	7010115.....31	7012905.....40, 245
7003974.....161, 163, 173	7007445.....76	7010116.....31	7012907.....39
7003976.....161, 163, 165	7007446.....31	7010117.....31	7012914.....43, 44
7003977.....161, 163, 165	7007449.....76	7010118.....31	7012918.....43, 44
7003978.....173	7007453.....76	7010119.....31	7012941.....39
7003980.....177, 179, 181	7007454.....76	7010120.....77	7012944..39, 40, 43, 245, 308
7003981.....173	7007456.....77	7010121.....77	7012953..39, 43, 47, 135, 209
7003982.....173, 181	7007458.....77	7010122.....77	7012954.....39
7003983.....177, 179, 181	7007459.....31, 77	7010474.....51	7012959.....39
7003984.....173	7007461.....77	7010488.....51	7012961.....39, 209
7003985.....174	7007463.....77	7010492.....51	7012965.....47
7003986.....179	7007466.....77	7010494.....51	7012967.....43, 44
7003989.....177, 179, 181	7007468.....77	7010542.....43, 44	7012969.....44
7003992...163, 165, 177, 179	7007469.....77	7010543.....43, 44	7012970.....135
7003993...163, 165, 177, 179	7007470.....77	7011112...198, 201, 203	7012972.....40, 245
7003994.....179	7007471.....77	7011185.....235	7012974.....40, 245
7004275.....312	7007472.....77	7011328.....39	7012978.....16
7004276.....312	7007474.....77	7011331.....129	7012980.....13, 16
7005841.....57	7007475.....77	7011332.....129	7012987.....81
7005842.....57	7007476.....77	7011346.....130	7012988.....81
7005845.....57	7007477.....77	7011712.....27	7012989.....43
7005848.....57	7007478.....77	7011713.....27, 53	7012992.....16
7005881.....57	7007482.....77	7011714.....27, 53	7012993.....13, 16
7005882.....57	7007483.....77	7011715.....27, 53	7012994.....16
7005889.....57	7007484.....77	7011716.....27, 53	7012998.....43, 44, 47
7005890.....57	7007485.....77	7011717.....27, 53	7013187.....85
7005891.....57	7007486.....77	7011719.....53	7013711.....39
7005892.....57	7007487.....77	7011720.....53	7013755.....39
7005893.....57	7007488.....77	7012442.....13	7013796.....39
7005894.....57	7007489.....81	7012513.....71	7013799.....39
7005895.....57	7007490.....77	7012514.....71	7014676.....312
7006140.....126, 308	7007491.....77	7012518.....43	7014700.....25
7006151.....126	7007492.....77	7012558.....71	7014701.....25
7006152.....121, 126, 308	7007494.....77	7012560.....87	7014702.....25
7006158.....126	7007496.....77	7012560.....87	7014706.....25
7006161.....126	7007497....77, 285, 292, 298	7012599.....61, 68	7014709.....25
7007208.....76	7007498....77, 285, 292, 299	7012611.....87, 152	7014710.....25
7007412.....77	7007499.....77	7012612.....87, 152	7014711.....25
7007413.....76	7007633.....51	7012664.....59, 65, 308	7014712.....25
7007414.....76	7007914.....53	7012693.....11, 15	7014713.....25
	7007923.....27, 53	7012694.....39	7014714.....25
	7007924.....27	7012698.....61	7014715.....25
		7012699.....39	
		7012700.....33	
		7012701.....33	

PART NUMBER INDEX

7014716.....	25	7016802.....	60, 66	7019122.....	161, 163, 165	7020414.....	68
7014717.....	25	7016803.....	60, 66	7019123.....	161, 163, 165	7020418.....	62
7014718.....	25	7016804.....	60, 67	7019141.....	163, 165	7020419.....	62, 68
7014719.....	25	7016805.....	60	7019142.....	163, 165	7020425.....	68
7014720.....	25	7016812.....	60, 66	7019143.....	163, 165	7020427.....	61, 68
7014721.....	25	7017089.....	51	7019144.....	163, 165	7020431.....	62, 68
7014722.....	25	7017101.....	129	7019145.....	163, 165	7020449.....	69
7014723.....	25	7017102.....	129	7019147.....	163, 165	7020458.....	69
7014724.....	25	7017106.....	130	7019149.....	163, 165	7020461.....	68
7014725.....	25	7017115.....	129	7019150.....	163, 165	7020462.....	69
7014726.....	25	7017116.....	129	7019151.....	177, 179	7020463.....	68, 69
7014727.....	25	7017117.....	129	7019153.....	177	7020464.....	68
7014728.....	25	7017118.....	130	7019154.....	177, 179	7020465.....	68, 69
7014729.....	25	7017119.....	129	7019155.....	177, 179	7020468.....	69
7014730.....	25	7017142.....	130	7019156.....	177	7020471.....	68, 69
7014731.....	25	7017156.....	130	7019157.....	177	7020474.....	69
7014800.....	83	7017157.....	130	7019158.....	177	7020477.....	62, 68
7014801.....	83	7017158.....	130, 133	7019159.....	177	7020479.....	68
7014802.....	83	7017159.....	130, 133	7019160.....	173, 177, 179	7020480.....	69
7014803.....	83	7017162.....	129, 133	7019161.....	177, 179	7020487.....	68
7014810.....	83, 308	7017163.....	129, 133	7019162.....	177, 179, 181	7021214.....	77
7014811.....	83	7017164.....	129, 133	7019163.....	177	7021310.....	44
7016206.....	22	7017174.....	129	7019164.....	177, 179, 181	7022203.....	39
7016309.....	61	7017177.....	129	7019165.....	177, 179, 181	7022808.....	163, 165, 167
7016312.....	39, 308	7017183.....	129, 133	7019166.....	177, 179, 308	7022810.....	177
7016313.....	40, 308	7017193.....	129, 133	7019167.....	177, 179, 181	7022811.....	161, 163
7016314.....	83	7017410.....	43	7019168.....	177, 179	7022812.....	179
7016315.....	87, 152	7017411.....	43	7019171.....	165	7022813.....	161, 163
7016322.....	99	7017418.....	43	7019174.....	163, 165	7022814.....	165
7016328.....	68, 308	7017420.....	44, 47	7019177.....	165	7022815.....	165, 167
7016330.....	61, 68	7017421.....	47	7019192.....	161	7022816.....	165
7016331.....	61, 68, 308	7017422.....	47	7019193.....	161	7022817.....	165
7016332.....	61, 68	7017423.....	44	7019194.....	177, 179, 181	7022818.....	165, 308
7016336.....	285	7017427.....	43	7019197.....	163, 165	7022819.....	165, 167, 292, 299
7016342.....	85	7017428.....	43, 44	7019607.....	61, 68	7022822.....	179
7016346.....	152	7018602.....	27, 53	7019658.....	61, 67, 83	7022823.....	179
7016374.....	99	7018603.....	27, 53	7020023.....	61	7022824.....	179, 308
7016380.....	95	7018605.....	27, 53	7020025.....	68	7022825.....	292, 299
7016399.....	145, 148, 287, 293, 300	7018606.....	27, 53	7020027.....	68, 69	7023331.....	189
7016422.....	57	7018607.....	27, 53	7020057.....	189	7023332.....	189
7016423.....	57	7018608.....	28, 54	7020058.....	189	7023333.....	189
7016424.....	57	7018609.....	27, 53	7020059.....	189	7023340.....	59, 66
7016425.....	57	7018612.....	28, 54	7020108.....	71	7024036.....	33
7016426.....	57	7018912.....	43, 44, 47	7020109.....	71	7024100.....	51
7016427.....	57	7018942.....	47	7020110.....	71	7024398.....	68
7016502.....	121, 308	7018945.....	47	7020111.....	71	7024560.....	68
7016510.....	121	7018946.....	47	7020135.....	22	7024565.....	62, 69
7016519.....	126	7018948.....	47	7020168.....	69	7024598.....	99
7016521.....	126	7018952.....	44	7020175.....	87, 152, 158	7026199.....	71
7016652.....	143, 312	7019103.....	177, 179	7020176.....	87, 152, 158	7026522.....	69
7016654.....	312	7019104.....	161	7020190.....	71	7026607.....	69
7016655.....	312	7019110.....	177, 179	7020191.....	72	7026608.....	68
7016700.....	39	7019111.....	161, 163, 165, 177, 179	7020192.....	72	7026631.....	68
7016701.....	39	7019112.....	177, 179	7020193.....	71	7027250.....	62, 68
7016702.....	39	7019114.....	179	7020246.....	91	7027887.....	72
7016744.....	39	7019115.....	177, 179	7020404.....	62, 68	8320270.....	68
7016800.....	60, 66	7019117.....	177	7020408.....	62, 69	8896941.....	287, 312
				7020411.....	61, 69		

PARTS FINDER

**Search Website
by Part Number**



**Search Manual
Library For Parts
Manual & Lookup Part
Numbers – Purchase
or Request Quote**

**Can't Find Part or
Manual? Request Help
by Manufacturer,
Model & Description**

Discount-Equipment.com is your online resource for quality parts & equipment.

Florida: **561-964-4949** Outside Florida TOLL FREE: **877-690-3101**

Need parts?

Click on this link: <http://www.discount-equipment.com/category/5443-parts/> and choose one of the options to help get the right parts and equipment you are looking for. Please have the machine model and serial number available in order to help us get you the correct parts. If you don't find the part on the website or on one of the online manuals, please fill out the request form and one of our experienced staff members will get back to you with a quote for the right part that your machine needs.

We sell worldwide for the brands: Genie, Terex, JLG, MultiQuip, Mikasa, Essick, Whiteman, Mayco, Toro Stone, Diamond Products, Generac Magnum, Airman, Haulotte, Barreto, Power Blanket, Nifty Lift, Atlas Copco, Chicago Pneumatic, Allmand, Miller Curber, Skyjack, Lull, Skytrak, Tsurumi, Husquvarna Target, Stow, Wacker, Sakai, Mi-T-M, Sullair, Basic, Dynapac, MBW, Weber, Bartell, Bennar Newman, Haulotte, Ditch Runner, Menegotti, Morrison, Contec, Buddy, Crown, Edco, Wyco, Bomag, Laymor, EZ Trench, Bil-Jax, F.S. Curtis, Gehl Pavers, Heli, Honda, ICS/PowerGrit, IHI, Partner, Imer, Clipper, MMD, Koshin, Rice, CH&E, General Equipment, Amida, Coleman, NAC, Gradall, Square Shooter, Kent, Stanley, Tamco, Toku, Hatz, Kohler, Robin, Wisconsin, Northrock, Oztec, Toker TK, Rol-Air, APT, Wylie, Ingersoll Rand / Doosan, Innovatech, Con X, Ammann, Mecalac, Makinex, Smith Surface Prep, Small Line, Wanco, Yanmar