



Illustrated Parts Manual

**Model
400SC
460SJC**

**P/N
3121706**

December 21, 2018 - Rev M

ANSI

CE



An Oshkosh Corporation Company

PARTS FINDER

**Search Website
by Part Number**



**Search Manual
Library For Parts
Manual & Lookup Part
Numbers – Purchase
or Request Quote**

**Can't Find Part or
Manual? Request Help
by Manufacturer,
Model & Description**

Discount-Equipment.com is your online resource for quality parts & equipment.

Florida: **561-964-4949** Outside Florida TOLL FREE: **877-690-3101**

Need parts?

Click on this link: <http://www.discount-equipment.com/category/5443-parts/> and choose one of the options to help get the right parts and equipment you are looking for. Please have the machine model and serial number available in order to help us get you the correct parts. If you don't find the part on the website or on one of the online manuals, please fill out the request form and one of our experienced staff members will get back to you with a quote for the right part that your machine needs.

We sell worldwide for the brands: Genie, Terex, JLG, MultiQuip, Mikasa, Essick, Whiteman, Mayco, Toro Stone, Diamond Products, Generac Magnum, Airman, Haulotte, Barreto, Power Blanket, Nifty Lift, Atlas Copco, Chicago Pneumatic, Allmand, Miller Curber, Skyjack, Lull, Skytrak, Tsurumi, Husquvarna Target, Stow, Wacker, Sakai, Mi-T-M, Sullair, Basic, Dynapac, MBW, Weber, Bartell, Bennar Newman, Haulotte, Ditch Runner, Menegotti, Morrison, Contec, Buddy, Crown, Edco, Wyco, Bomag, Laymor, EZ Trench, Bil-Jax, F.S. Curtis, Gehl Pavers, Heli, Honda, ICS/PowerGrit, IHI, Partner, Imer, Clipper, MMD, Koshin, Rice, CH&E, General Equipment, Amida, Coleman, NAC, Gradall, Square Shooter, Kent, Stanley, Tamco, Toku, Hatz, Kohler, Robin, Wisconsin, Northrock, Oztec, Toker TK, Rol-Air, APT, Wylie, Ingersoll Rand / Doosan, Innovatech, Con X, Ammann, Mecalac, Makinex, Smith Surface Prep, Small Line, Wanco, Yanmar

REVISION LOG

- June 29, 2015 - A - Original Issue Of Manual (Edit to B/M 1001192020 Revision G) (Revision 5)**
- February 19, 2016 - B - Revised Manual (Edit to B/M 1001192020 Revision H) (Revision 3)**
- May 16, 2016 - C - Revised Manual (Edit to B/M 1001192020 Revision H) (Revision 1)**
- August 1, 2016 - D - Revised Manual (Edit to B/M 1001192020 Revision P) (Revision 1)**
- October 15, 2016 - E - Revised Manual (Edit to B/M 1001192020 Revision R) (Revision 2)**
- January 20, 2017 - F - Revised Manual (Edit to B/M 1001192020 Revision T) (Revision 2)**
- April 14, 2017 - G - Revised Manual (Edit to B/M 1001192020 Revision T) (Revision 2)**
- July 26, 2017 - H - Revised Manual (Edit to B/M 1001192020 Revision W) (Revision 1)**
- October 31, 2017 - I - Revised Manual (Edit to B/M 1001192020 Revision X)**
- February 1, 2018 - J - Revised Manual (Edit to B/M 1001192020 Revision AB)**
- May 31, 2018 - K - Revised Manual (Edited to B/M 1001192020 Revision AB)**
- August 10, 2018 - L - Revised Manual (Edited to B/M 1001192020 Revision AI)**
- December 21, 2018 - M - Revised Manual (Edited to B/M 1001192020 Revision AK) (Revision 2)**

GENERAL INFORMATION

SECTION 6 CYLINDER

FIGURE 6-3. LIFT CYLINDER ASSEMBLY

PG# Model Designation Manual #

ITEM #	PART NUMBER	QTY.	DESCRIPTION	REV.
	1001140104	Ref.	LIFT CYLINDER ASSEMBLY	B
1	0100011	AR	Compound, Locking	
2	0630535	3	Cap screw 1/4-20 x 1-1/8	
3	0791003	1	Screw #10-24 x 3/8	
4	0961897	1	Bushing, Tapered	
5	1320136	1	Clamp, Cable	
6	1683063	1	Head	
7	2220883	1	Plug, O-Ring	
8	2220985	2	Plug, O-Ring	
9	2220986	1	Plug, O-Ring	
10	3020039	AR	Lubricant	
11	3480282	1	Piston	
12	3760371	1	Ring, Washer	
13	3931420	8	Cap screw 1/4-20 x 1-1/4	
14	3931824	8	Cap screw 1/2-13 x 1-1/2	
15	3951003	1	Screw #10-24 x 3/8	
16	4100099	1	Spacer	
17	4640699	1	Cartridge, Holding Valve (Non Vented)	
17	2900792		Kit, Seal - 4640699 Cartridge Valve	
18	4641248	1	Cartridge, Counterbalance Valve (Non Vented)	
18	7004156		Kit, Seal - 4641248 Cartridge Valve	
19	100111792	1	Sensor, Cylinder Length	
20	1001118070	1	Cap, Retainer	
21	1001118084	1	Barrel	
21A	0961850	2	Bushing	
22	1001118086	1	Rod	
22A	0961850	2	Bushing	
200	1001139995	1	Kit, Seal (Includes Items 101-109)	
101	See Note	2	Ring, Wear (Note: Use pin 1001139996)	
102	See Note	1	Ring, Back-Up (Note: Use pin 1001139996)	
103	See Note	2	Ring, Lock (Note: Use pin 1001139996)	
104	See Note	2	Ring, Back-Up (Note: Use pin 1001139996)	
105	See Note	2	O-Ring (Note: Use pin 1001139996)	
106	See Note	1	O-Ring (Note: Use pin 1001139996)	
107	See Note	1	Seal (Note: Use pin 1001139996)	
108	See Note	1	Wiper, Rod (Note: Use pin 1001139996)	
109	See Note	2	Seal (Note: Use pin 1001139996)	
200	1001119103	1	Kit, Sensor Magnet (Includes Items 201-203)	
201	See Note	NSS	Sieve, Spacer (Note: Use pin 1001119105)	
202	1001118066	1	Magnet, Sensor	
203	1001118069	1	Ring, Internal Retaining	

Manual # Model Designation PG#

1) MACHINE IDENTIFICATION

Machines are identified by model and in some cases a combination of models, serial number (SN) or regional standard (i.e. ANSI, CE, CSA). Components may also be identified by SN or manufacturer. Common components that may be identified by these characteristics are engines and hydraulic components.

2) PARTS MANUAL ORGANIZATION

Product information in this manual is organized under section titles. Frame, Cylinder, Hydraulic and Electrical are a few examples. Each section is organized by figure and page number. The information within the figure is then organized by item number, part number, description and corresponding illustration(s).

3) TABLE OF CONTENTS

A table of contents is found toward the beginning of the manual. Figure number, description and page number are provided for quick reference to the page containing the related information.

4) RECOMMENDED SPARE PARTS

The Recommended Spare Parts, located near the end of the manual, reference most frequently used maintenance parts.

5) PART NUMBER INDEX

A numerical index listing all part numbers and the corresponding page number(s) appears at the back of the manual.

GENERAL INFORMATION

6) NON-SERVICED PARTS

In some instances, it is necessary to display non-serviced parts, assemblies or installations. In the case of assemblies and installations there will be a Ref in the Qty column. In case of parts that are not available for service within assemblies or components, there will be a NSS (Not Sold Separately) or NLA (No Longer Available) listed in the Qty. column of the manual.

7) PARTS LIST ITEM NUMBERS

Numbers shown in the item# column correspond to numbers used in the associated illustration (s). Item numbers which are missing from the sequence in the parts list are not used on that page

8) INDENTED PARTS DESCRIPTION

An indented part description is included in the item under which it is indented.

9) ABBREVIATION AND SYMBOLS

AC.....	Alternating Current	LCD.....	Liquid Crystal Display
ADE.....	Advanced Design Electronics	LED.....	Light Emitting Diodes
ANSI.....	American National Standards Institute	LH.....	Left Hand
AR.....	As Required	LSS.....	Load Sensing System
ASSY.....	Assembly	M(m).....	Metric/Meter
AUX.....	Auxiliary	MM (mm).....	Milimeter
AWG.....	American Wire Gauge	mA.....	Miliamps
B/M.....	Bill of Material	NLA.....	No Longer Available
CE.....	European Conformity	NPT.....	National Pipe Threads
CCW.....	Counter Clockwise	NSS.....	Not Sold Separately
cm.....	Centimeter	OD.....	Outside Diameter
CW.....	Clockwise	ORB.....	O-Ring Boss
CSA.....	Canadian Standards Association	ORFS.....	O-Ring Face Seal
CYL.....	Cylinder	OZ (oz).....	Ounces
DIA.....	Diameter	PG.....	Page
DC.....	Direct Current	P/N.....	Part Number
EMS.....	Emergency Stop	qt.....	Quarts
ENG.....	Engine	QTY.....	Quantity
FT(ft).....	Feet	REF.....	Reference
GA(Ga).....	Gauge	REV.....	Revision Level
HYD.....	Hydraulic	RH.....	Right Hand
Hz.....	Hertz	SAE.....	Society of Automotive Engineers
ID.....	Inside Diameter	SN.....	Serial Number
in.....	Inches	SPEC(S).....	Specifications
ISO.....	International Organization for Standards	T/T.....	Turntable
JIC.....	Joint Industry Council	UGM.....	Universal Ground Module
KG.....	Kilogram	V.....	Volts
L.....	Liter	W.....	Watts
LB.....	Pounds	#.....	Number

10) ILLUSTRATION REFERENCE LETTERS

When necessary, illustrations may contain reference letters that are intended to track information (i. e. hoses, harnesses) from one point to another or to track visual enlargement of components to show details that may be located in another area on the illustration.

Note: Due to continuous product improvements, JLG Industries, Inc. reserves the right to make specification changes without prior notification.

TABLE OF CONTENTS

SECTION 1 - FRAME.....	13
FIGURE 1-1. FRAME UNDERCARRIAGE WITH CARRIER TRACKS	14
FIGURE 1-2. UNDERCARRIAGE ASSEMBLY	16
FIGURE 1-3. TRACK ASSEMBLY - RUBBER (BRIDGESTONE POLAND)	18
FIGURE 1-4. FRAME UNDERCARRIAGE WITH EXCAVATOR TRACKS	20
FIGURE 1-5. TRACK ASSEMBLY - RUBBER (BRIDGESTONE JAPAN).....	22
FIGURE 1-6. FRAME UNDERCARRIAGE WITH NON-MARKING TRACKS.....	24
FIGURE 1-7. TRACK ASSEMBLY - RUBBER	26
FIGURE 1-8. FRAME UNDERCARRIAGE WITH STEEL TRACKS	28
FIGURE 1-9. TRACK ASSEMBLY - STEEL	30
FIGURE 1-10. FRAME UNDERCARRIAGE STEEL TRACKS WITH PADS	32
FIGURE 1-11. IDLER ASSEMBLY	34
FIGURE 1-12. DRIVE HUB ASSEMBLY	36
FIGURE 1-13. DRIVE MOTOR ASSEMBLY	38
SECTION 2 - TURNTABLE	41
FIGURE 2-1. CONTROL VALVES INSTALLATION - 400SC	42
FIGURE 2-2. CONTROL VALVES INSTALLATION - 460SJC	44
FIGURE 2-3. MAIN VALVE ASSEMBLY - 400SC	46
FIGURE 2-4. MAIN VALVE ASSEMBLY - 460SJC	50
FIGURE 2-5. 2 SPEED/BRAKE RELEASE VALVE ASSEMBLY	54
FIGURE 2-6. SWING DRIVE INSTALLATION (Prior to SN 0300249939).....	56
FIGURE 2-7. SWING DRIVE INSTALLATION (SN 0300249939 to Present).....	58
FIGURE 2-8. SWING HUB/MOTOR ASSEMBLY (Prior to SN 0300249939).....	60
FIGURE 2-9. SWING HUB/MOTOR ASSEMBLY (SN 0300249939 to Present).....	64
FIGURE 2-10. TURNTABLE BEARING INSTALLATION (WITHOUT TURNTABLE BEARING SPACER)	68
FIGURE 2-11. TURNTABLE BEARING INSTALLATION (WITH TURNTABLE BEARING SPACER).....	70
FIGURE 2-12. BEARING LUBE INSTALLATION	72
FIGURE 2-13. TURNTABLE LOCK INSTALLATION.....	74
FIGURE 2-14. ROTARY COUPLING INSTALLATION (WITHOUT TURNTABLE BEARING SPACER).....	76
FIGURE 2-15. ROTARY COUPLING INSTALLATION (WITH TURNTABLE BEARING SPACER).....	78
FIGURE 2-16. TANKS INSTALLATION.....	80
FIGURE 2-17. AUXILIARY PUMP AND BATTERY INSTALLATION (WITHOUT DISCONNECT).....	82
FIGURE 2-18. AUXILIARY PUMP AND BATTERY INSTALLATION (WITH DISCONNECT) (SN 0300259635 to Present).....	84
FIGURE 2-19. AUXILIARY PUMP ASSEMBLY.....	86
FIGURE 2-20. ELECTRICAL INSTALLATION - 400SC (Prior to SN 0300259635).....	88
FIGURE 2-21. ELECTRICAL INSTALLATION - 400SC (SN 0300259635 to Present).....	90
FIGURE 2-22. ELECTRICAL INSTALLATION - 460SJC.....	92
FIGURE 2-23. TURNTABLE COVERS INSTALLATION (SN 0300227267 to Present).....	94
FIGURE 2-24. GROUND CONTROL ASSEMBLY - 400SC (ANSI AND CSA SPECS) (SN 0300259635 to Present).....	96
FIGURE 2-25. ELECTRICAL PANEL ASSEMBLY	98
FIGURE 2-26. GROUND CONTROL ASSEMBLY	100
FIGURE 2-27. GROUND CONTROL DECAL AND KEY SWITCH INSTALLATION - 400SC (CE SPECS).....	102
FIGURE 2-28. GROUND CONTROL DECAL AND KEY SWITCH INSTALLATION - 400SC (ANSI EXPORT SPECS) (SN 0300224020 to Present).....	104
FIGURE 2-29. GROUND CONTROL DECAL AND KEY SWITCH INSTALLATION - 460SJC (CE SPECS).....	106
FIGURE 2-30. GROUND CONTROL DECAL AND KEY SWITCH INSTALLATION - 460SJC (ANSI EXPORT SPECS) (SN 0300224020 to Present).....	108
FIGURE 2-31. BEACON LIGHT INSTALLATION - AMBER.....	110
FIGURE 2-32. BEACON LIGHT INSTALLATION - BLUE (Prior to SN 0300217319).....	112
FIGURE 2-33. BEACON LIGHT INSTALLATION - BLUE (SN 0300217319 through 0300259634)	114
FIGURE 2-34. BEACON LIGHT INSTALLATION - BLUE (SN 0300259635 to Present).....	116
FIGURE 2-35. BEACON LIGHT INSTALLATION - RED (Prior to SN 0300217319).....	118
FIGURE 2-36. BEACON LIGHT INSTALLATION - RED (SN 0300217319 through 0300259634)	120
FIGURE 2-37. BEACON LIGHT INSTALLATION - RED (SN 0300259635 to Present).....	122
FIGURE 2-38. HOOD INSTALLATION.....	124
FIGURE 2-39. HOOD ASSEMBLY - ENGINE SIDE.....	128
FIGURE 2-40. HOOD ASSEMBLY - TANK SIDE	130
FIGURE 2-41. STEEL HOOD INSTALLATION (ANSI EXPORT SPECS) (SN 0300224020 to Present).....	132
FIGURE 2-42. STEEL HOOD ASSEMBLY - ENGINE SIDE (ANSI EXPORT SPECS) (SN 0300224020 to Present).....	136
FIGURE 2-43. STEEL HOOD ASSEMBLY - TANK SIDE (ANSI EXPORT SPECS) (SN 0300224020 to Present).....	138
FIGURE 2-44. SOUND REDUCTION INSTALLATION - WITH STEEL HOODS (OPTIONAL)	140
SECTION 3 - ENGINE	143

TABLE OF CONTENTS

FIGURE 3-1. ENGINE INSTALLATION (DEUTZ 2011L03) (T4I) (CE SPECS)	144
FIGURE 3-2. ENGINE AND PUMP SUB-ASSEMBLY (DEUTZ 2011L03) (T4I) (CE SPECS)	148
FIGURE 3-3. ENGINE ASSEMBLY (DEUTZ 2011L03) (T4I) (CE SPECS)	150
FIGURE 3-4. ENGINE COMPONENTS - DEUTZ D2.3L3 (CE SPECS)	154
FIGURE 3-5. ENGINE INSTALLATION - DEUTZ D2.9L4 (T4F) (WITH ARCTIC PACKAGE) (ANSI AND CSA SPECS) (SN 0300234013 to Present).....	158
FIGURE 3-6. ENGINE AND PUMP SUB-ASSEMBLY - DEUTZ D2.9L4 (T4F) (WITH ARCTIC PACKAGE) (ANSI AND CSA SPECS) (SN 0300234013 to Present)	164
FIGURE 3-7. ENGINE ASSEMBLY - DEUTZ D2.9L4 ENGINE (T4F) (WITH ARCTIC PACKAGE) (ANSI AND CSA SPECS) (SN 0300234013 to Present).....	166
FIGURE 3-8. ENGINE INSTALLATION - DEUTZ D2.3L3 (T4I) (WITH ARCTIC PACKAGE) (ANSI EXPORT SPECS) (SN 0300234013 to Present).....	172
FIGURE 3-9. ENGINE AND PUMP SUB-ASSEMBLY - DEUTZ D2.3L3 (T4I) (WITH ARCTIC PACKAGE) (ANSI EXPORT SPECS) (SN 0300234013 to Present)	178
FIGURE 3-10. ENGINE ASSEMBLY - DEUTZ D2.3L3 ENGINE (T4I) (WITH ARCTIC PACKAGE) (ANSI EXPORT SPEC) (SN 0300234013 to Present).....	180
FIGURE 3-11. ENGINE INSTALLATION (DEUTZ D2.9L) (T4F) (ANSI, CSA AND ANSI EXPORT SPECS) (SN 0300224020 to Present).....	184
FIGURE 3-12. ENGINE AND PUMP SUB-ASSEMBLY (DEUTZ D2.9L) (T4F) (ANSI, CSA AND ANSI EXPORT SPECS) (SN 0300224020 to Present).....	190
FIGURE 3-13. ENGINE ASSEMBLY - (DEUTZ D2.9L) (T4F) (ANSI, CSA AND ANSI EXPORT SPECS) (SN 0300224020 to Present).....	192
FIGURE 3-14. BREATHER HEATER INSTALLATION - DEUTZ D2.9L4 ENGINE WITH ARCTIC PACKAGE	198
FIGURE 3-15. ENGINE COMPONENTS - (DEUTZ D2.9L) (T4F) (ANSI EXPORT SPECS) (SN 0300224020 to Present).....	200
FIGURE 3-16. ENGINE INSTALLATION - DEUTZ T4I ENGINE (STAGE V) (WITHOUT ARCTIC PACKAGE) (CE SPECS).....	204
FIGURE 3-17. ENGINE AND PUMP SUB-ASSEMBLY - DEUTZ T4I (STAGE V) (WITHOUT ARCTIC PACKAGE) (CE SPECS)	208
FIGURE 3-18. ENGINE ASSEMBLY - DEUTZ T4I ENGINE (STAGE V) (WITHOUT ARCTIC PACKAGE) (CE SPECS).....	210
FIGURE 3-19. ENGINE COMPONENTS - DEUTZ D2011 (STAGE V) (Prior to SN 0300255433)	214
FIGURE 3-20. PUMP COUPLING KIT	218
FIGURE 3-21. PISTON PUMP ASSEMBLY (FRONT)	220
FIGURE 3-22. PISTON PUMP ASSEMBLY (REAR)	224
FIGURE 3-23. GEAR PUMP ASSEMBLY	228
FIGURE 3-24. CATALYTIC SPARK ARRESTOR INSTALLATION - ANSI EXPORT AND CE SPECS.....	230
FIGURE 3-25. SPARK ARRESTOR INSTALLATION - ANSI AND ANSI EXPORT SPECS (SN 0300234013 to Present).....	232
FIGURE 3-26. SPARK ARRESTOR INSTALLATION - ANSI EXPORT AND CE SPECS	234
FIGURE 3-27. ENGINE BAFFLE INSTALLATION	236
FIGURE 3-28. ENGINE BAFFLE INSTALLATION - STEEL (SN 0300227267 to Present)	238
FIGURE 3-29. ENGINE TRAY JACK	240
FIGURE 3-30. OIL COOLER INSTALLATION (CE SPECS)	242
FIGURE 3-31. OIL COOLER INSTALLATION (ANSI EXPORT SPECS) (SN 0300224020 to Present)	244
FIGURE 3-32. GENERATOR INSTALLATION - 4000W/60HZ (DEUTZ D2.3L3 ENGINE) (ANSI EXPORT SEPC) (SN 0300234013 to Present).....	246
FIGURE 3-33. GENERATOR INSTALLATION - 2500W/60HZ (DEUTZ D2.9L4 ENGINE) (ANSI, ANSI EXPORT AND CSA SPECS) (SN 0300224020 to Present)	250
FIGURE 3-34. GENERATOR INSTALLATION - 4000W/50HZ (DEUTZ D2.3L3 ENGINE) (ANSI EXPORT AND CE SPECS) (Prior to SN 0300237337)	254
FIGURE 3-35. GENERATOR INSTALLATION - 4000W/50HZ (DEUTZ D2.3L3 ENGINE) (ANSI EXPORT AND CE SPECS) (SN 0300237337 to Present).....	258
FIGURE 3-36. GENERATOR INSTALLATION - 4000W/60HZ (DEUTZ D2.9L4 ENGINE) (ANSI, ANSI EXPORT AND CSA SPECS) (SN 0300224020 to Present)	262
FIGURE 3-37. GENERATOR INSTALLATION - 7500W/50HZ (DEUTZ D2.3L3 ENGINE) (ANSI EXPORT AND CE SPECS).....	266
FIGURE 3-38. GENERATOR INSTALLATION - 7500W/60HZ (DEUTZ D2.9L4) (ANSI, ANSI EXPORT AND CSA SPECS) (SN 0300224020 to Present).....	270
FIGURE 3-39. GENERATOR INSTALLATION - 7500W/60HZ (DEUTZ D2.3L3 ENGINE) (ANSI EXPORT SPECS) (SN 0300234013 to Present).....	274
FIGURE 3-40. GENERATOR INSTALLATION - 2500W/60HZ (DEUTZ D2.3L3 ENGINE) (ANSI EXPORT SPEC) (SN 0300234013 to Present).....	278
SECTION 4 - BOOM.....	281
FIGURE 4-1. BOOM AND CYLINDER INSTALLATION - 400SC	282
FIGURE 4-2. BOOM AND CYLINDERS INSTALLATION - 460SJC	284
FIGURE 4-3. MAIN BOOM ASSEMBLY - 400SC	286
FIGURE 4-4. MAIN BOOM ASSEMBLY - 460SJC	288
FIGURE 4-5. JIB BOOM ASSEMBLY - 460SJC (Prior to SN 0300262057).....	290
FIGURE 4-6. JIB BOOM ASSEMBLY - 460SJC (SN 0300262057 to Present).....	292

TABLE OF CONTENTS

FIGURE 4-7. ROTATOR ASSEMBLY - 400SC (Prior to SN 0300244379)	294
FIGURE 4-8. ROTATOR ASSEMBLY - 400SC (SN 0300244379 to Present).....	296
FIGURE 4-9. ROTATOR ASSEMBLY - 460SJC	298
FIGURE 4-10. POWER TRACK INSTALLATION	300
FIGURE 4-11. CAPACITY SWITCH INSTALLATION.....	302
FIGURE 4-12. TRANSPORT SWITCHES INSTALLATION.....	304
FIGURE 4-13. PLATFORM SUPPORT INSTALLATION - WITHOUT LSS	306
FIGURE 4-14. PLATFORM SUPPORT INSTALLATION - WITH 4 CELL LSS	308
FIGURE 4-15. PLATFORM SUPPORT INSTALLATION - WITH 1 CELL LSS.....	310
FIGURE 4-16. CABLES AND CLAMPS INSTALLATION - 400SC	312
FIGURE 4-17. CABLES AND CLAMPS INSTALLATION - 4000W GENRATOR - 400SC (Prior to SN 0300214184).....	314
FIGURE 4-18. CABLES AND CLAMPS INSTALLATION - 4000W-50HZ GENRATOR - 400SC - ANSI EXPORT AND CE SPECS (SN 0300214184 to Present).....	316
FIGURE 4-19. CABLES AND CLAMPS INSTALLATION - 4000W-60HZ GENRATOR - 400SC - ANSI EXPORT SPECS (SN 0300224020 to Present)	318
FIGURE 4-20. CABLES AND CLAMPS INSTALLATION - 460SJC - CE SPECS	320
FIGURE 4-21. CABLES AND CLAMPS INSTALLATION - 460SJC - ANSI EXPORT SPECS	322
FIGURE 4-22. BOOM REST INSTALLATION	324
FIGURE 4-23. DRIVE DISABLE SWITCH INSTALLATION (SN 0300239462 through 0300250672)	326
SECTION 5 - PLATFORM.....	329
FIGURE 5-1. PLATFORM ASSEMBLY - 30IN X 3FT (76CM X .91M) - DROP BAR ENTRY.....	330
FIGURE 5-2. PLATFORM ASSEMBLY - 30IN X 5FT (76.2CM X 1.5M) WITH SWING GATE.....	332
FIGURE 5-3. PLATFORM ASSEMBLY - 36IN X 6FT (91.5CM X 1.83M) WITH SWING GATE.....	334
FIGURE 5-4. PLATFORM ASSEMBLY - 36IN X 8FT (91.5CM X 2.44M) WITH SWING GATE.....	336
FIGURE 5-5. PLATFORM ASSEMBLY - 30IN X 5FT (76.2CM X 1.5M) WITH DROP BAR.....	338
FIGURE 5-6. PLATFORM ASSEMBLY - 36IN X 6FT (91.5CM X 1.83M) WITH DROP BAR.....	340
FIGURE 5-7. PLATFORM ASSEMBLY - 36IN X 8FT (91.5CM X 2.44M) WITH DROP BAR.....	342
FIGURE 5-8. PLATFORM ASSEMBLY - 36IN X 6FT (91.5CM X 1.83M) TRI-ENTRY WITH SWING GATE.....	344
FIGURE 5-9. PLATFORM ASSEMBLY - 36IN X 6FT (91.5CM X 1.83M) TRI-ENTRY WITH DROPBAR.....	346
FIGURE 5-10. PLATFORM ASSEMBLY - 36IN X 8FT (91.5CM X 2.44M) TRI-ENTRY WITH DROPBAR (SN 0300261352 to Present)	348
FIGURE 5-11. PLATFORM ASSEMBLY - 36IN X 8FT (91.5CM X 2.44M) TRI-ENTRY WITH DROPGATE (SN 0300261352 to Present)	350
FIGURE 5-12. CONSOLE BOX INSTALLATION (Prior to SN 0300259635).....	352
FIGURE 5-13. CONSOLE BOX INSTALLATION (SN 0300259635 to Present).....	354
FIGURE 5-14. CONSOLE BOX ASSEMBLY (Prior to SN 0300220076).....	356
FIGURE 5-15. CONSOLE BOX ASSEMBLY (SN 0300220076 through 0300259635)	360
FIGURE 5-16. CONSOLE BOX ASSEMBLY (SN 0300259635 to Present)	364
FIGURE 5-17. CONTROLLER ASSEMBLY (DRIVE AND STEER).....	368
FIGURE 5-18. CONTROLLER ASSEMBLY (LIFT AND SWING)	370
FIGURE 5-19. FOOTSWITCH ASSEMBLY.....	372
FIGURE 5-20. LIGHT PANEL INSTALLATION - 400SC (ANSI, ANSI EXPORT AND CSA SPECS) (SN 0300234013 to Present)	374
FIGURE 5-21. LIGHT PANEL INSTALLATION - 400SC (CE SPEC)	376
FIGURE 5-22. LIGHT PANEL INSTALLATION - 460SJC	378
FIGURE 5-23. TRAY INSTALLATION	380
FIGURE 5-24. SOFT TOUCH INSTALLATION - 36IN X 8FT (91.5CM X 2.44M) PLATFORM (OPTIONAL).....	382
FIGURE 5-25. SKYGUARD SYSTEM INSTALLATION (Prior to SN 0300259635)	384
FIGURE 5-26. SKYGUARD SYSTEM INSTALLATION (SN 0300259635 to Present)	386
FIGURE 5-27. CROSS RAIL INSTALLATION.....	388
FIGURE 5-28. SKYGLAZIER INSTALLATION	390
FIGURE 5-29. SKYWELDER INSTALLATION (50HZ)	394
FIGURE 5-30. SKYWELDER INSTALLATION (60HZ) (ANSI EXPORT SPECS) (SN 0300224020 to Present)	396
FIGURE 5-31. SKYWELDER PREP PACKAGE (60HZ) (ANSI EXPORT SPECS) (SN 0300224020 to Present)	398
FIGURE 5-32. WELDER ASSEMBLY	400
FIGURE 5-33. SKYEYE INSTALLATION	402
FIGURE 5-34. SKYLINE INSTALLATION	404
SECTION 6 - CYLINDER.....	407
FIGURE 6-1. LEVEL (PLATFORM SLAVE) CYLINDER ASSEMBLY	408
FIGURE 6-2. LIFT CYLINDER ASSEMBLY - MAIN BOOM - 400SC (Prior to SN 0300205271)	410
FIGURE 6-3. LIFT CYLINDER ASSEMBLY - MAIN BOOM - 400SC (SN 0300205271 through 0300226923).....	412
FIGURE 6-4. LIFT CYLINDER ASSEMBLY - MAIN BOOM (400SC SN 0300226923 through 0300239153; 460SJC Prior to SN 0300239154)	414

TABLE OF CONTENTS

FIGURE 6-5. LIFT CYLINDER ASSEMBLY - MAIN BOOM (SN 0300239154 to Present)	416
FIGURE 6-6. LIFT CYLINDER ASSEMBLY - JIB - 460SJC (Prior to SN 0300245226)	418
FIGURE 6-7. LIFT CYLINDER ASSEMBLY - JIB - 460SJC (USAGE MAY VARY) (SN 0300245226 through 0300245251)	420
FIGURE 6-8. LIFT CYLINDER ASSEMBLY - JIB - 460SJC (USAGE MAY VARY) (SN 0300245252 to Present)	422
FIGURE 6-9. MASTER CYLINDER ASSEMBLY	424
FIGURE 6-10. TELESCOPE CYLINDER ASSEMBLY (Prior to SN 0300244379)	426
FIGURE 6-11. TELESCOPE CYLINDER ASSEMBLY (SN 0300244379 through 0300255432)	428
FIGURE 6-12. TELESCOPE CYLINDER ASSEMBLY (SN 0300255433 to Present)	430
 SECTION 7 - HYDRAULIC	 433
FIGURE 7-1. HYDRAULIC DIAGRAM - 400SC	434
FIGURE 7-2. HYDRAULIC DIAGRAM - 460SJC	442
FIGURE 7-3. HYDRAULIC DIAGRAM LIST	450
 SECTION 8 - ELECTRICAL	 451
FIGURE 8-1. ELECTRICAL DIAGRAM LIST	452
FIGURE 8-2. AC BOX AT PLATFORM - 110V IEC YELLOW (CE SPEC)	454
FIGURE 8-3. AC BOX AT PLATFORM - 220V IEC BLUE (CE SPEC)	456
FIGURE 8-4. AC BOX AT PLATFORM - 220V CEE7 70MM X 70MM POST GROUND (CE SPEC) (Prior to SN 0300214184) ..	458
FIGURE 8-5. AC BOX AT PLATFORM - 220V CEE7 70MM X 70MM SIDE GROUND (CE SPEC) (Prior to SN 0300214184) ..	460
FIGURE 8-6. AC BOX AT PLATFORM - 220V CEE7 2IN X 4IN POST GROUND (CE SPEC)	462
FIGURE 8-7. AC BOX AT PLATFORM - 220V CEE7 2IN X 4IN SIDE GROUND (CE SPEC)	464
FIGURE 8-8. AC BOX AT PLATFORM - 220V AFSINT107 (CE SPEC)	466
FIGURE 8-9. AC BOX AT PLATFORM INSTALLATION - 110V (ANSI, ANSI EXPORT, AND CSA SPECS) (SN 0300234013 to Present)	468
FIGURE 8-10. AC CABLE INSTALLATION - WITH THREE BREAKERS (CE SPECS)	470
FIGURE 8-11. BATTERY DISCONNECT SWITCH (SN 0300259635 to Present)	472
FIGURE 8-12. BEACON HARNESS (Prior to SN 0300217319)	474
FIGURE 8-13. BEACON HARNESS (SN 0300217319 to Present)	476
FIGURE 8-14. BOOM HARNESS - 400SC	478
FIGURE 8-15. BOOM HARNESS - 460SJC	480
FIGURE 8-16. BOOM CAPACITY PROXIMITY SWITCH HARNESS	482
FIGURE 8-17. BOOM TELE IN PROXIMITY SWITCH HARNESS BEACON HARNESS (BLUE BEACON LIGHT ONLY) BEACON HARNESS (BLUE BEACON LIGHT ONLY)	484
FIGURE 8-18. BREAKER BOX INSTALLATION - 16AMP BREAKER (CE SPEC) (Prior to SN 0300237337)	486
FIGURE 8-19. BREAKER BOX INSTALLATION - 16AMP BREAKER (CE SPEC) (SN 0300237337 to Present)	488
FIGURE 8-20. BREAKER BOX INSTALLATION - 10AMP BREAKER (Prior to SN 0300214184)	490
FIGURE 8-21. BREAKER BOX KIT - 16AMP BREAKER	492
FIGURE 8-22. BREAKER BOX KIT - 10AMP BREAKER	494
FIGURE 8-23. BREAKER BOX KIT - 30MA/16 AMP	496
FIGURE 8-24. BREAKER BOX KIT WITH THREE BREAKERS	498
FIGURE 8-25. ENGINE HARNESS - DEUTZ D2.3L3	500
FIGURE 8-26. ENGINE HARNESS - DEUTZ D2.9L4	502
FIGURE 8-27. FUEL HARNESS - DEUTZ D2.9L4 ENGINE	506
FIGURE 8-28. GROUND CONTROL BOX HARNESS	508
FIGURE 8-29. GENERATOR HARNESS - 4000W GENERATOR	510
FIGURE 8-30. GENERATOR HARNESS - 2500W GENERATOR (60HZ)	512
FIGURE 8-31. LSS HARNESS	514
FIGURE 8-32. PLATFORM CONSOLE BOX HARNESS (Prior to SN 0300259635)	516
FIGURE 8-33. PLATFORM CONSOLE BOX HARNESS (SN 0300259635 to Present)	518
FIGURE 8-34. RECEPTACLE BOX KIT - 110V IEC YELLOW (CE SPEC)	520
FIGURE 8-35. RECEPTACLE BOX KIT - 220V IEC BLUE (CE SPEC)	522
FIGURE 8-36. RECEPTACLE BOX KIT - 220V CEE7 POST GROUND 70MM X 70MM (CE SPEC)	524
FIGURE 8-37. RECEPTACLE BOX KIT - 220V CEE7 SIDE GROUND 70MM X 70MM (CE SPEC)	526
FIGURE 8-38. RECEPTACLE BOX KIT - 220V CEE7 POST GROUND 2IN X 4IN (CE SPEC)	528
FIGURE 8-39. RECEPTACLE BOX KIT - 220V CEE7 SIDE GROUND 2IN X 4IN (CE SPEC)	530
FIGURE 8-40. RECEPTACLE BOX KIT - 220V AFSINT 107 (CE SPEC)	532
FIGURE 8-41. SKYGUARD HARNESS	534
FIGURE 8-42. TURNTABLE HARNESS	536
FIGURE 8-43. TURNTABLE HARNESS	540
FIGURE 8-44. VALVE HARNESS - MAIN VALVE	544
FIGURE 8-45. VALVE HARNESS - MAIN VALVE	546
FIGURE 8-46. SKYLINE HARNESS	548
FIGURE 8-47. SKYEYE INTERMEDIATE HARNESS	550
FIGURE 8-48. SKYEYE RECEIVER HARNESS	552

TABLE OF CONTENTS

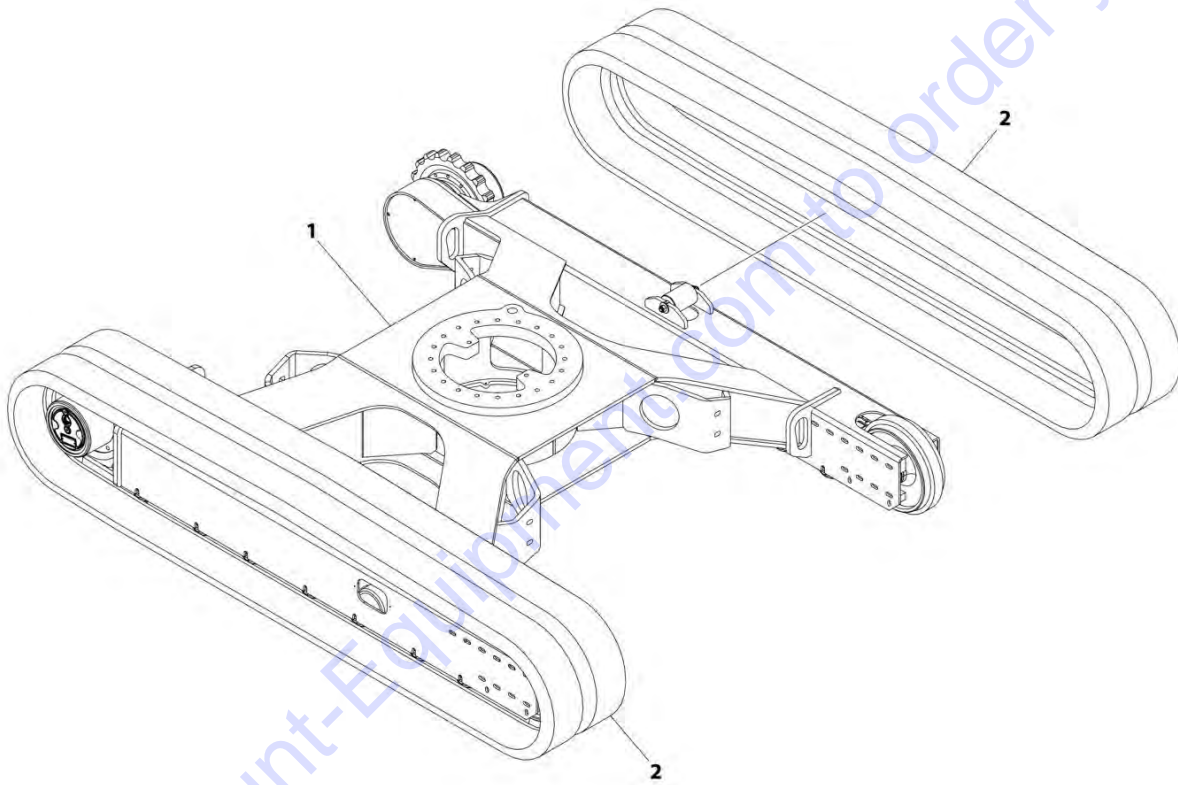
FIGURE 8-49. SKYEYE EMITTER HARNESS.....	554
SECTION 9 - DECALS.....	557
FIGURE 9-1. DECAL INSTALLATION - CE SPEC - 400SC.....	558
FIGURE 9-2. DECAL INSTALLATION - ANSI EXPORT - 400SC (SN 0300224020 to Present).....	560
FIGURE 9-3. DECAL INSTALLATION - CE SPEC - 460SJC.....	562
FIGURE 9-4. DECAL INSTALLATION - ANSI EXPORT - 460SJC (SN 0300224020 to Present).....	564
FIGURE 9-5. DECAL INSTALLATION - ANSI AND ANSI EXPORT SPECS - 400SC (SN 0300234013 to Present).....	566
FIGURE 9-6. DECAL INSTALLATION - ANSI AND ANSI EXPORT SPECS - 460SJC (SN 0300234013 to Present).....	568
FIGURE 9-7. DECAL INSTALLATION - CSA SPEC - 400SC (SN 0300234013 to Present).....	570
FIGURE 9-8. DECAL INSTALLATION - CSA SPEC - 460SJC (SN 0300234013 to Present).....	572
FIGURE 9-9. DECAL INSTALLATION - ANSI EXPORT SPEC - 400SC (SN 0300234013 to Present).....	574
FIGURE 9-10. DECAL INSTALLATION - ANSI EXPORT SPEC - 460SJC (SN 0300234013 to Present).....	576
FIGURE 9-11. DECAL INSTALLATION - OPTIONS.....	578
SECTION 10 - RECOMMENDED SERVICE PARTS STOCK.....	581
FIGURE 10-1. RECOMMENDED SERVICE PARTS STOCK.....	582
SECTION 11 - SPECIAL OPTIONS.....	583
FIGURE 11-1. SPECIAL OPTIONS.....	584
PART NUMBER INDEX.....	587

SECTION 1 - FRAME

Go to Discount-Equipment.com to order your parts

SECTION 1 - FRAME

FIGURE 1-1. FRAME UNDERCARRIAGE WITH CARRIER TRACKS



ART_1001219897

SECTION 1 - FRAME

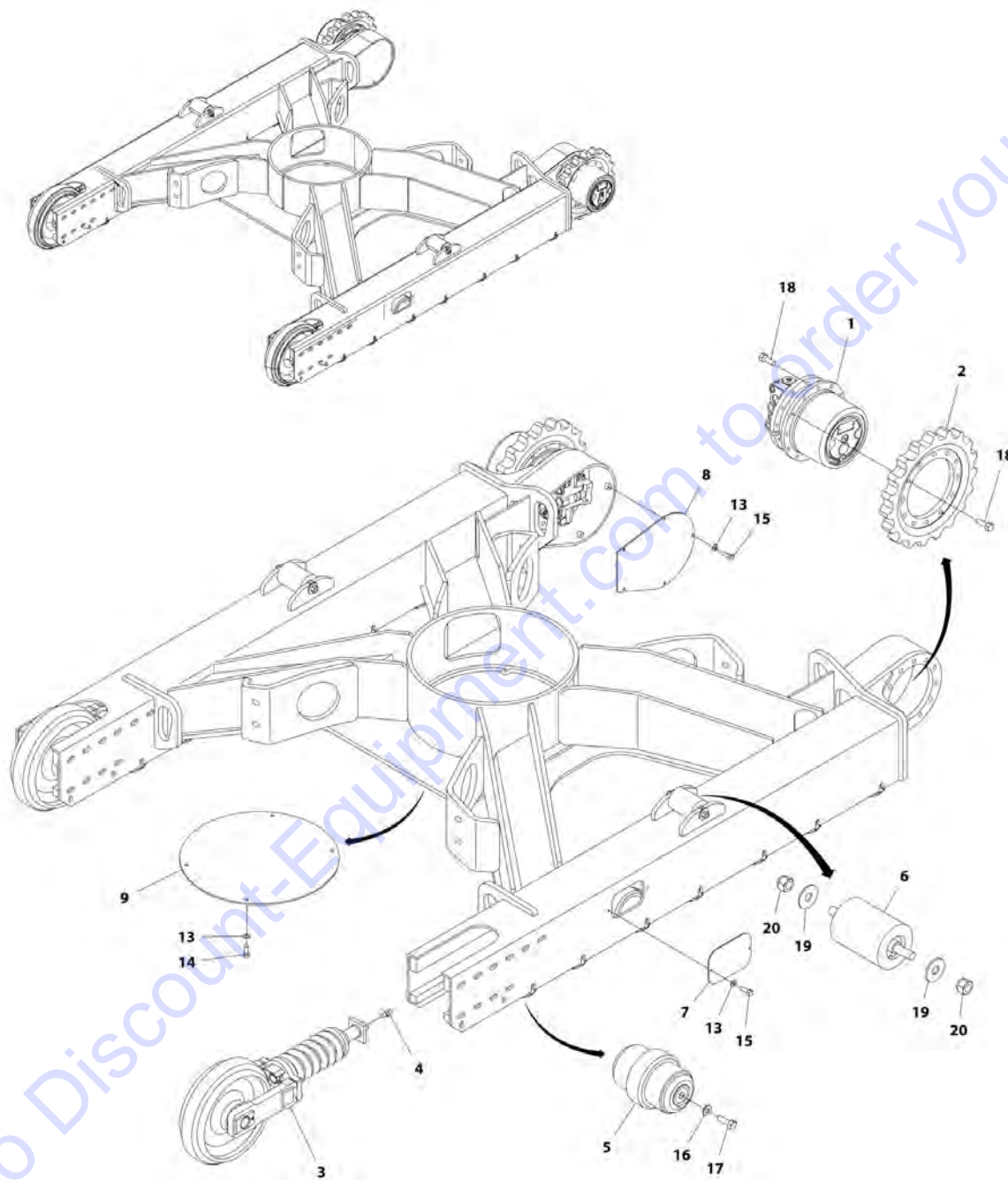
FIGURE 1-1. FRAME UNDERCARRIAGE WITH CARRIER TRACKS

ITEM	PART NUMBER	QTY	DESCRIPTION	REV
1	1001219897	Ref	FRAME UNDERCARRIAGE WITH CARRIER TRACKS	A
	1001189804	1	Undercarriage Assembly (See UNDERCARRIAGE ASSEMBLY for Breakdown)	
2	1001190968	2	Track Assembly - Rubber (Bridgestone Poland) (See TRACK ASSEMBLY - RUBBER (BRIDGESTONE POLAND) for Breakdown)	

Go to Discount-Equipment.com to order your parts

SECTION 1 - FRAME

FIGURE 1-2. UNDERCARRIAGE ASSEMBLY



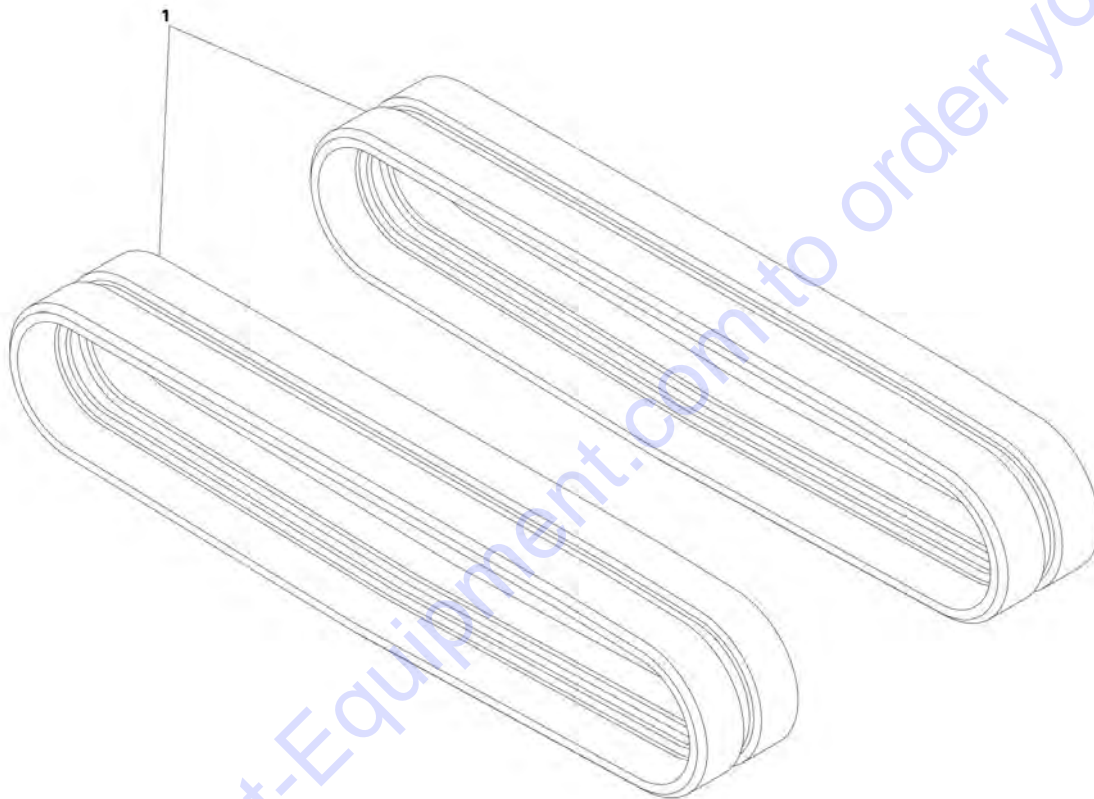
ART 1001189804

FIGURE 1-2. UNDERCARRIAGE ASSEMBLY

ITEM	PART NUMBER	QTY	DESCRIPTION	REV
	1001189804	Ref	UNDERCARRIAGE ASSEMBLY	E
1	70005275	2	Drive Hub Assembly (See DRIVE HUB ASSEMBLY for Breakdown)	
2	70005276	2	Sprocket, Drive	
3	70005277	2	Idler, Assembly (See IDLER ASSEMBLY for Breakdown)	
4	70005278	2	Fitting, Grease	
5	70005279	14	Track Roller Assembly - Lower	
6	70005280	2	Track Roller Assembly - Upper	
7	70005281	2	Plate, Cover - Frame Side	
8	70005282	2	Plate, Cover - Drive Motor	
9	70005283	1	Plate, Cover - Frame Bottom	
13	70005284	18	Washer M8	
14	70005285	4	Bolt M8 x 20	
15	70005286	12	Bolt M8 x 16	
16	70005287	28	Washer M16	
17	70005288	28	Bolt M16 x 35	
18	70005289	48	Bolt M14 x 40	
19	70005290	4	Washer M14	
20	70005291	4	Nut M8	

SECTION 1 - FRAME

FIGURE 1-3. TRACK ASSEMBLY - RUBBER (BRIDGESTONE POLAND)



ART. 1001190958

SECTION 1 - FRAME

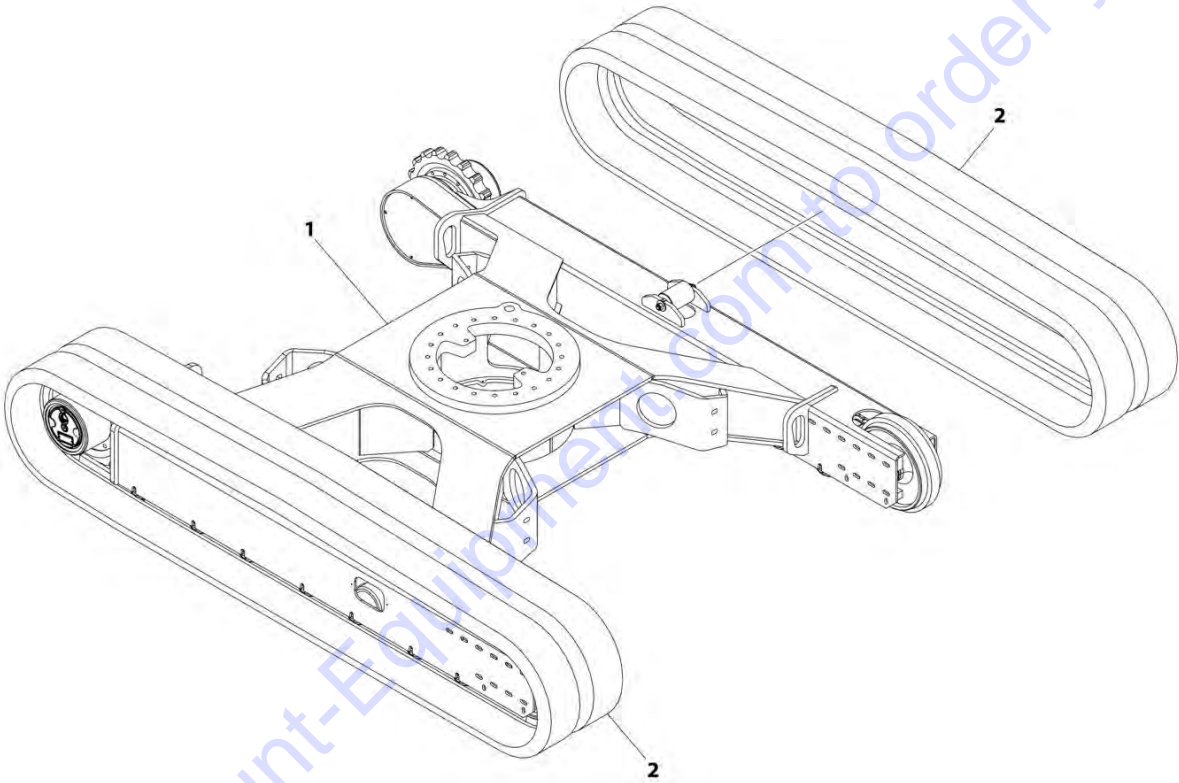
FIGURE 1-3. TRACK ASSEMBLY - RUBBER (BRIDGESTONE POLAND)

ITEM	PART NUMBER	QTY	DESCRIPTION	REV
1	1001190968 See Note	Ref 2	TRACK ASSEMBLY - RUBBER (BRIDGESTONE POLAND) Track, Rubber (Note: Purchase p/n 1001190968)	C

Go to Discount-Equipment.com to order your parts

SECTION 1 - FRAME

FIGURE 1-4. FRAME UNDERCARRIAGE WITH EXCAVATOR TRACKS



ART_1001219896

SECTION 1 - FRAME

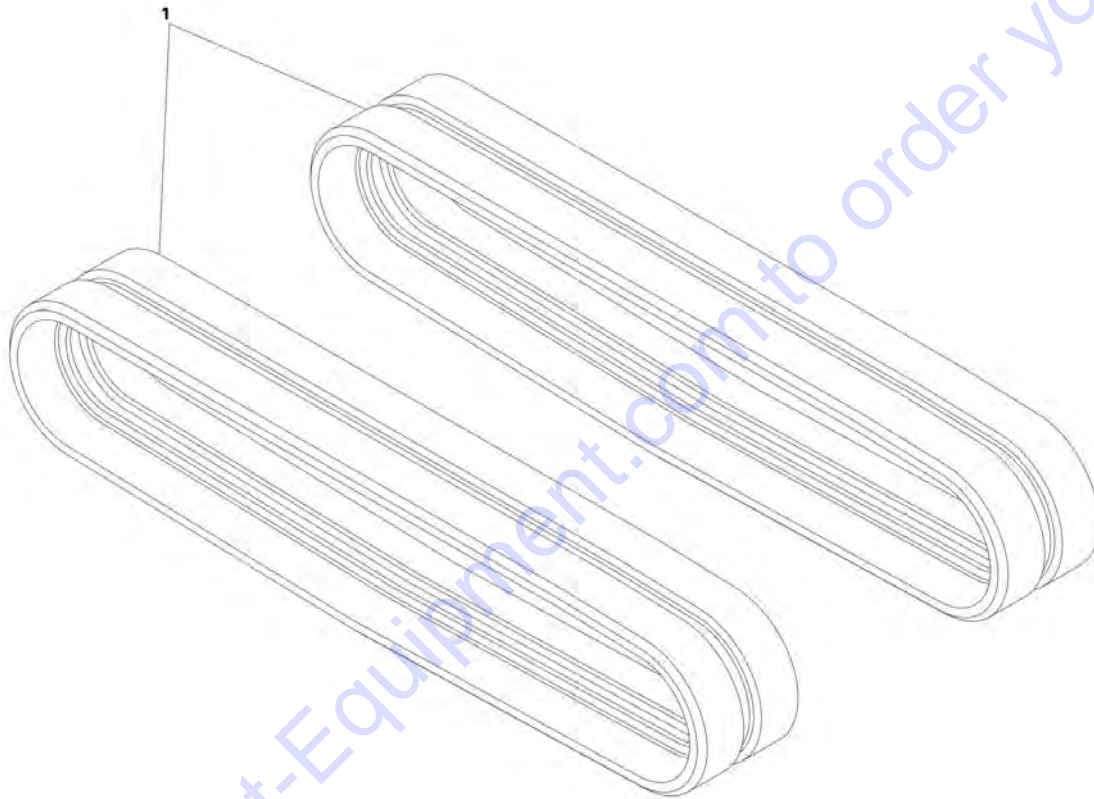
FIGURE 1-4. FRAME UNDERCARRIAGE WITH EXCAVATOR TRACKS

ITEM	PART NUMBER	QTY	DESCRIPTION	REV
1	1001219896	Ref	FRAME UNDERCARRIAGE WITH EXCAVATOR TRACKS	A
	1001189804	1	Undercarriage Assembly (See UNDERCARRIAGE ASSEMBLY for Breakdown)	
2	1001189807	2	Track Assembly - Rubber (Bridgestone Japan) (See TRACK ASSEMBLY - RUBBER (BRIDGESTONE JAPAN) for Breakdown)	

Go to Discount-Equipment.com to order your parts

SECTION 1 - FRAME

FIGURE 1-5. TRACK ASSEMBLY - RUBBER (BRIDGESTONE JAPAN)



ART. 1001189807

SECTION 1 - FRAME

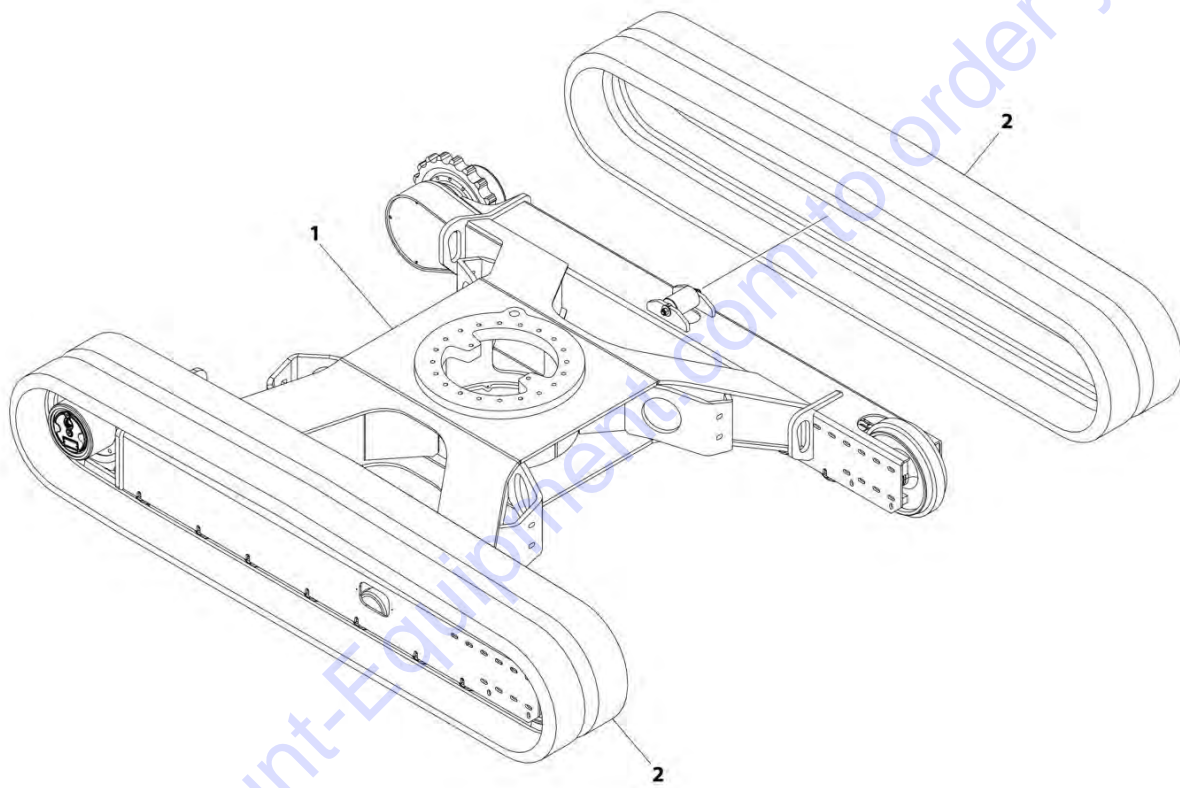
FIGURE 1-5. TRACK ASSEMBLY - RUBBER (BRIDGESTONE JAPAN)

ITEM	PART NUMBER	QTY	DESCRIPTION	REV
1	1001189807 See Note	Ref 2	TRACK ASSEMBLY - RUBBER (BRIDGESTONE JAPAN) Track, Rubber (Note: Purchase p/n 1001189807)	C

Go to Discount-Equipment.com to order your parts

SECTION 1 - FRAME

FIGURE 1-6. FRAME UNDERCARRIAGE WITH NON-MARKING TRACKS



ART_1001219898

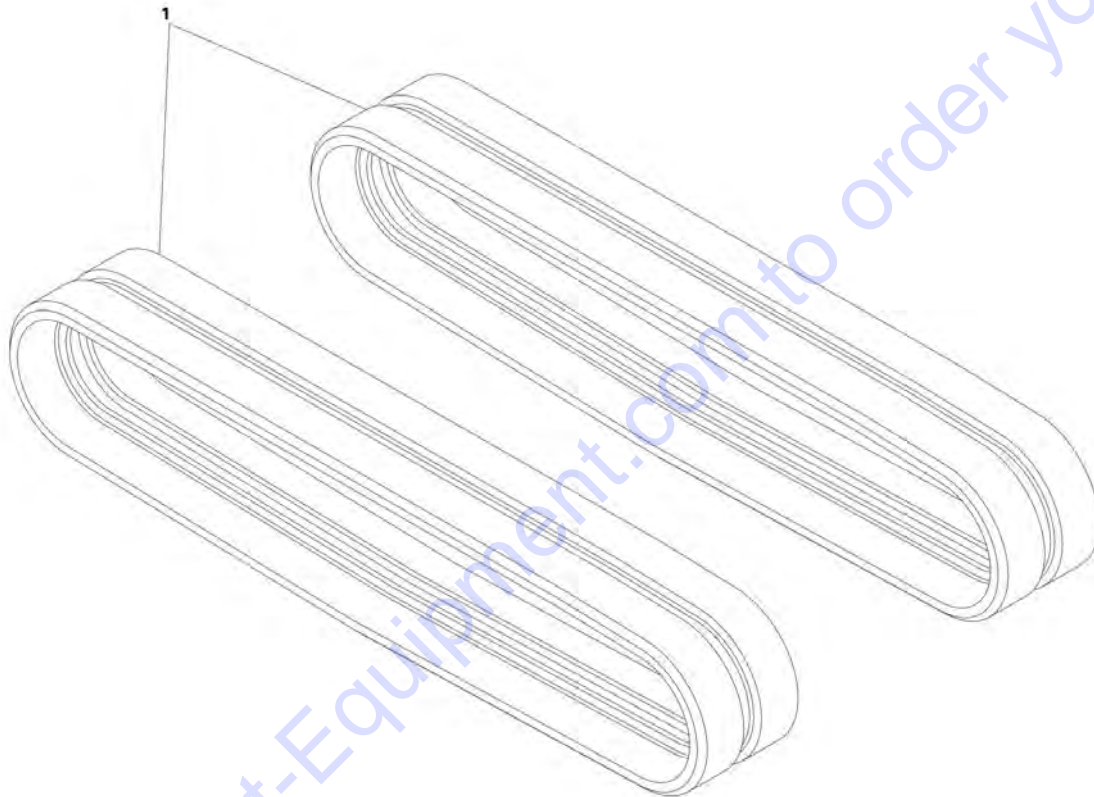
FIGURE 1-6. FRAME UNDERCARRIAGE WITH NON-MARKING TRACKS

ITEM	PART NUMBER	QTY	DESCRIPTION	REV
1	1001219898	Ref	FRAME UNDERCARRIAGE WITH NON-MARKING TRACKS	A
	1001189804	1	Undercarriage Assembly (See UNDERCARRIAGE ASSEMBLY for Breakdown)	
2	1001216550	2	Track Assembly - Rubber (See TRACK ASSEMBLY - RUBBER for Breakdown)	

Go to Discount-Equipment.com to order your parts

SECTION 1 - FRAME

FIGURE 1-7. TRACK ASSEMBLY - RUBBER



ART. 1001189807

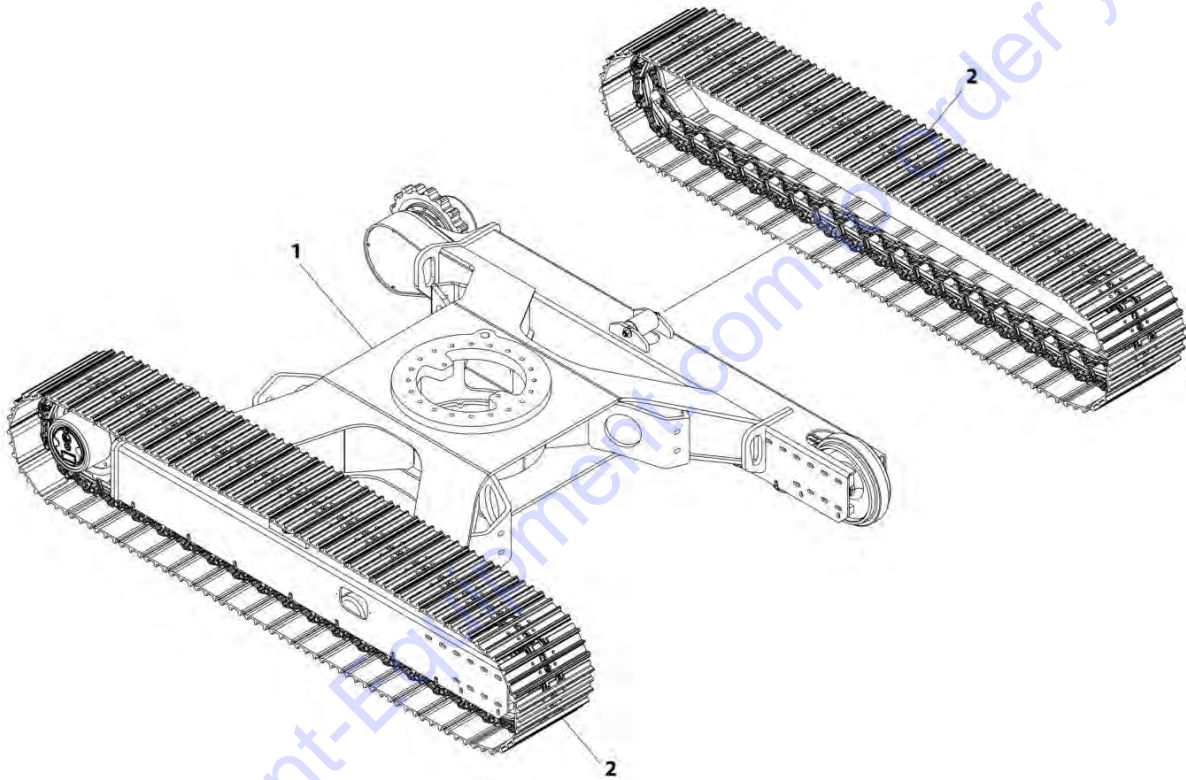
FIGURE 1-7. TRACK ASSEMBLY - RUBBER

ITEM	PART NUMBER	QTY	DESCRIPTION	REV
1	1001216550 See Note	Ref 2	TRACK ASSEMBLY - RUBBER Track, Rubber (Note: Purchase p/n 1001216550)	A

Go to Discount-Equipment.com to order your parts

SECTION 1 - FRAME

FIGURE 1-8. FRAME UNDERCARRIAGE WITH STEEL TRACKS



ART_1001219899

SECTION 1 - FRAME

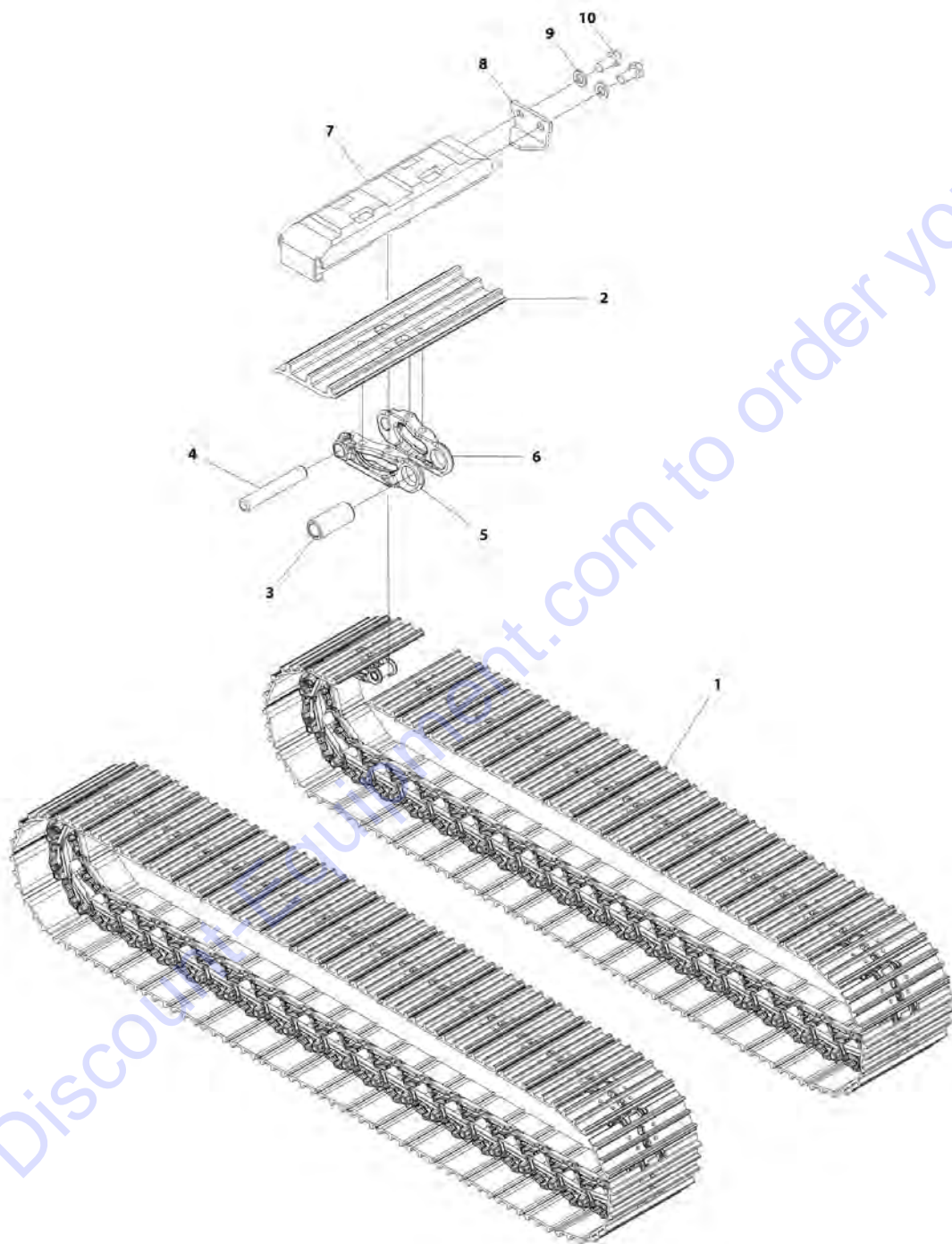
FIGURE 1-8. FRAME UNDERCARRIAGE WITH STEEL TRACKS

ITEM	PART NUMBER	QTY	DESCRIPTION	REV
1	1001219899	Ref	FRAME UNDERCARRIAGE WITH STEEL TRACKS	A
	1001189804	1	Undercarriage Assembly (See UNDERCARRIAGE ASSEMBLY for Breakdown)	
2	1001189805	2	Track Assembly - Steel (See TRACK ASSEMBLY - STEEL for Breakdown)	

Go to Discount-Equipment.com to order your parts

SECTION 1 - FRAME

FIGURE 1-9. TRACK ASSEMBLY - STEEL



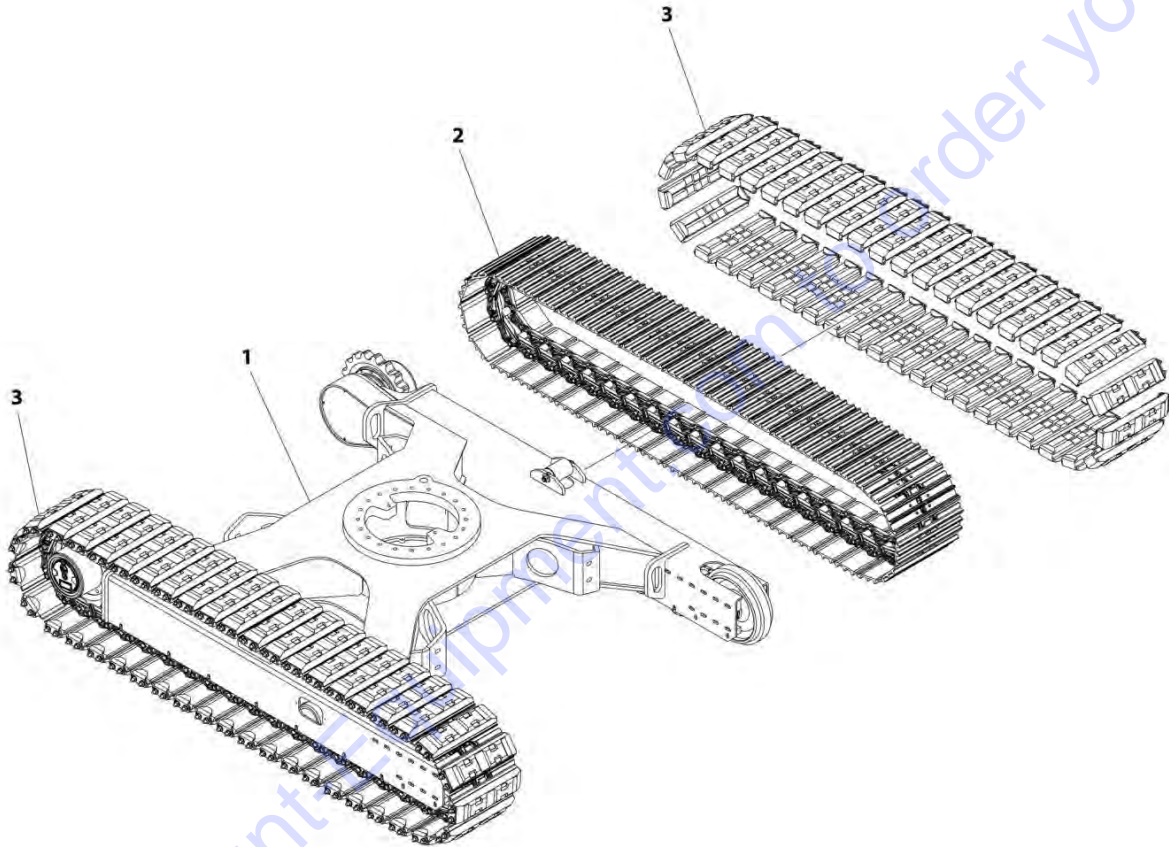
ART. 1001189805

FIGURE 1-9. TRACK ASSEMBLY - STEEL

ITEM	PART NUMBER	QTY	DESCRIPTION	REV
	1001189805	Ref	TRACK ASSEMBLY - STEEL	D
1	See Note	2	Track, Steel (Note: Purchase p/n 1001189805)	
2	See Note	NSS	Cleat, Track (Note: Not Available for Purchase)	
3	See Note	NSS	Bearing (Note: Not Available for Purchase)	
4	See Note	NSS	Pin, Hinge (Note: Not Available for Purchase)	
5	See Note	NSS	Link, Right (Note: Not Available for Purchase)	
6	See Note	NSS	Link, Left (Note: Not Available for Purchase)	
7	70005368	1	Pads, Rubber	
8	70005369	1	Plate, Mounting	
9	70005370	2	Washer M14	
10	70005371	2	Bolt M14 x 35	
11	70005367	1	Pad, Rubber (Not Shown)	

SECTION 1 - FRAME

FIGURE 1-10. FRAME UNDERCARRIAGE STEEL TRACKS WITH PADS



ART_1001219900

SECTION 1 - FRAME

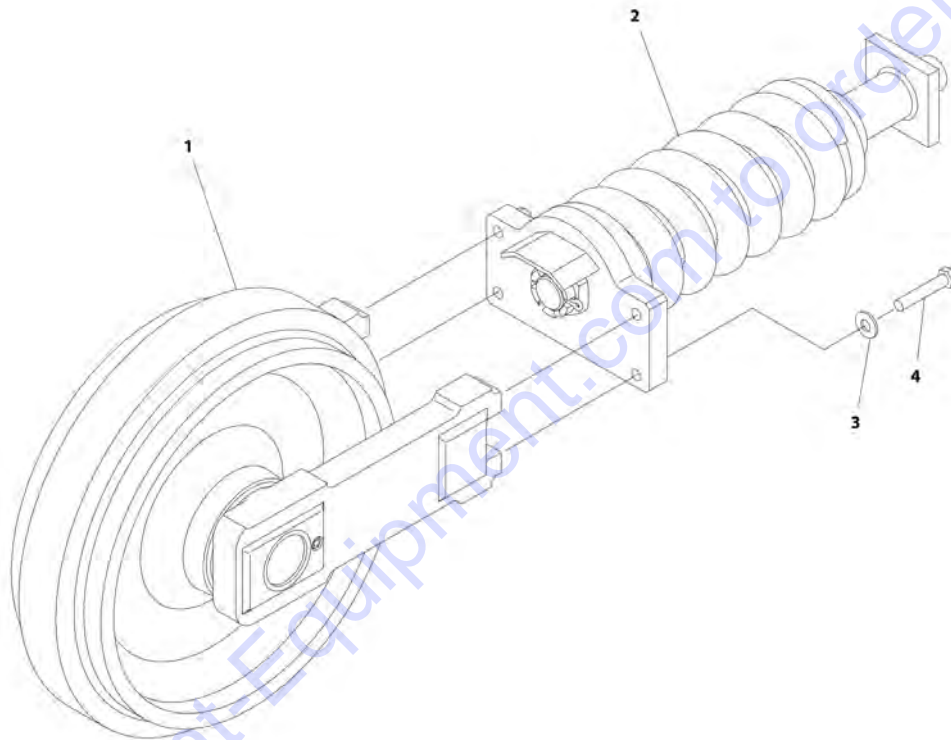
FIGURE 1-10. FRAME UNDERCARRIAGE STEEL TRACKS WITH PADS

ITEM	PART NUMBER	QTY	DESCRIPTION	REV
	1001219900	Ref	FRAME UNDERCARRIAGE STEEL TRACKS WITH PADS	A
1	1001189804	1	Undercarriage Assembly (See UNDERCARRIAGE ASSEMBLY for Breakdown)	
2	1001189805	2	Track Assembly - Steel (See TRACK ASSEMBLY - STEEL for Breakdown)	
3	1001219904	86	Pad, Track	

Go to Discount-Equipment.com to order your parts

SECTION 1 - FRAME

FIGURE 1-11. IDLER ASSEMBLY



Go to DiscountEquipment.com to order your parts

ART_70005277

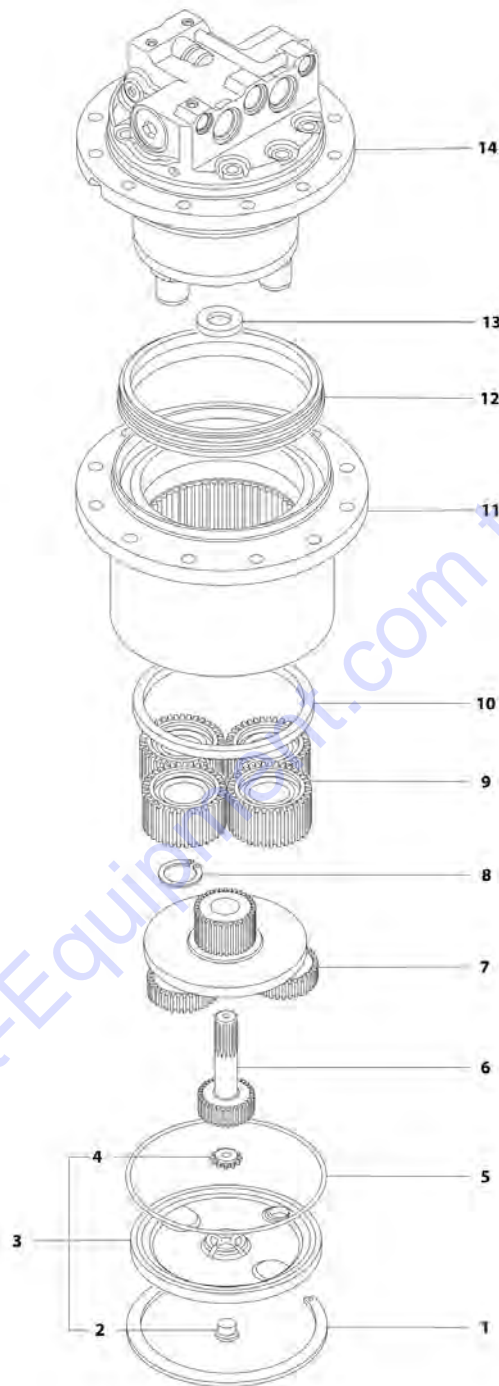
FIGURE 1-11. IDLER ASSEMBLY

ITEM	PART NUMBER	QTY	DESCRIPTION	REV
	70005277	Ref	IDLER ASSEMBLY	
1	70005339	1	Idler Wheel w/Support	
2	70005340	1	Tensioner Shock Absorber	
3	70005341	4	Washer M12	
4	70005342	4	Bolt M12 x 45 Grade 10.9	

Go to Discount-Equipment.com to order your parts

SECTION 1 - FRAME

FIGURE 1-12. DRIVE HUB ASSEMBLY



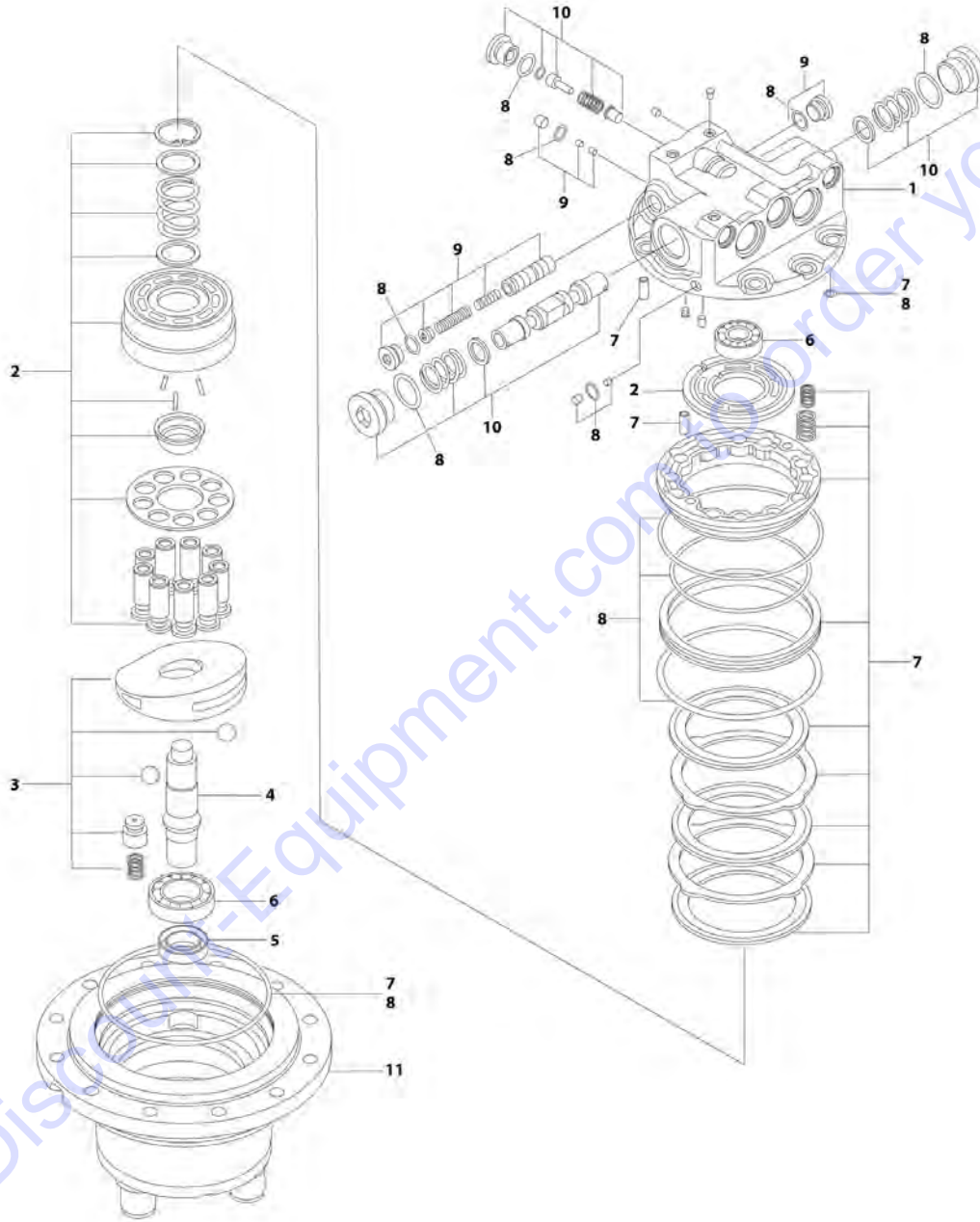
ART_700052/5

FIGURE 1-12. DRIVE HUB ASSEMBLY

ITEM	PART NUMBER	QTY	DESCRIPTION	REV
	70005275	Ref	DRIVE HUB ASSEMBLY	
1	70005343	1	Retainer	
2	70005344	2	Plug	
3	70005345	1	Cover (Includes Items 2 & 4)	
4	70005346	1	Pad	
5	70005347	1	O-Ring	
6	70005348	1	Gear, Sun	
7	70005349	1	Gear, Reduction Assembly	
8	70005350	4	Retainer	
9	70005351	4	Gear, Planetary Assembly	
10	70005352	1	Nut	
11	70005353	1	Housing w/Bearing	
12	70005354	1	Gasket	
13	70005355	1	Ring, Centering	
14	70005356	1	Drive Motor Assembly (See DRIVE MOTOR ASSEMBLY for Breakdown)	

SECTION 1 - FRAME

FIGURE 1-13. DRIVE MOTOR ASSEMBLY



ART_70005356

FIGURE 1-13. DRIVE MOTOR ASSEMBLY

ITEM	PART NUMBER	QTY	DESCRIPTION	REV
	70005356	1	DRIVE MOTOR ASSEMBLY	
1	70005357	1	Base Plate Assembly	
2	70005358	1	Block, Cylinder	
3	70005359	1	Plate, Swash	
4	70005360	1	Shaft	
5	70005361	1	Seal Kit - Motor	
6	70005362	1	Bearing Kit	
7	70005363	1	Brake Kit	
8	70005364	1	Seals	
9	70005365	1	Speed Spool Kit	
10	70005366	1	Flushing Kit	
11	See Note	NSS	Housing (Note: Not Available for Purchase)	

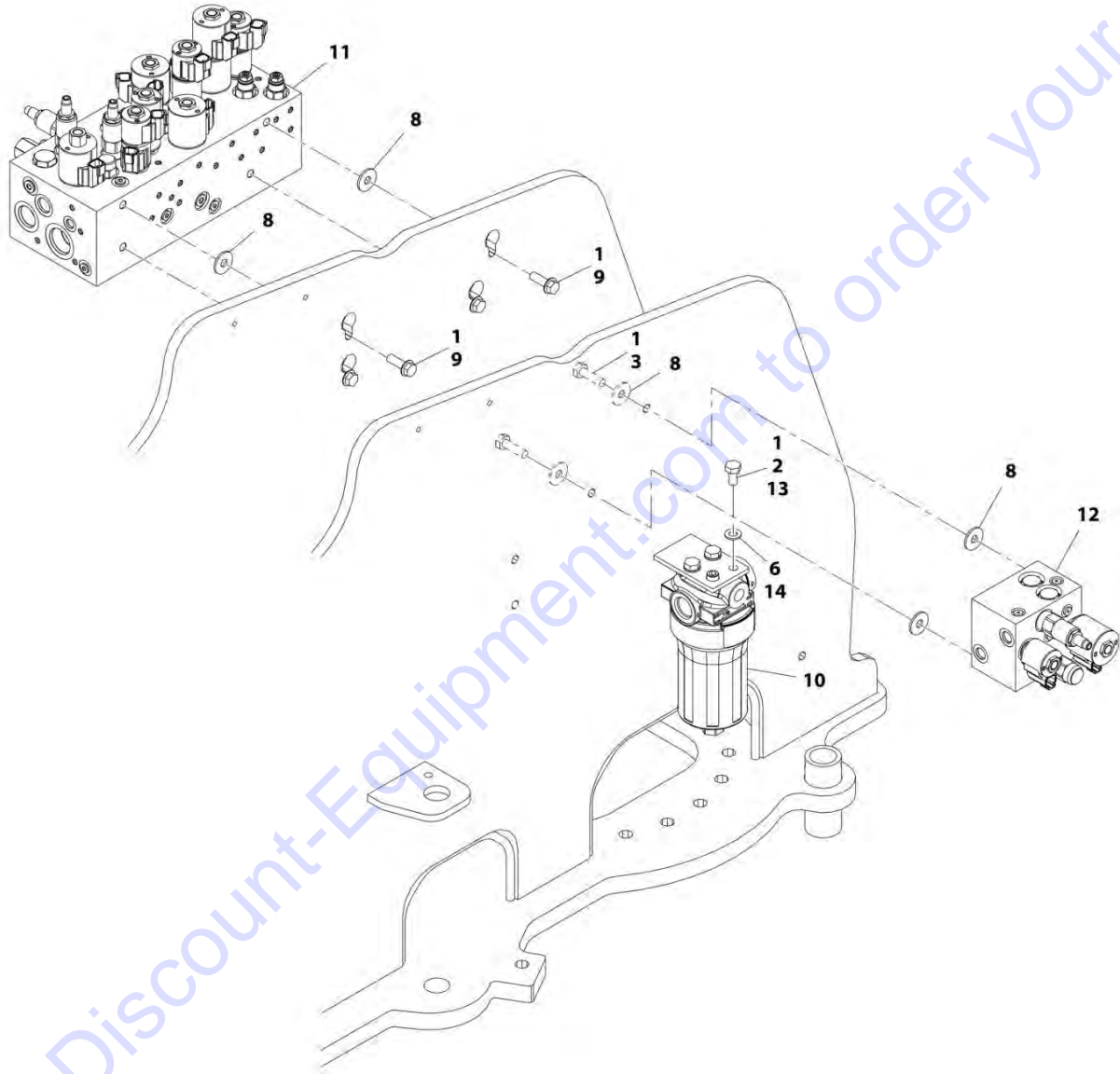
Go to Discount-Equipment.com to order your parts

SECTION 2 - TURNTABLE

Go to Discount-Equipment.com to order your parts

SECTION 2 - TURNTABLE

FIGURE 2-1. CONTROL VALVES INSTALLATION - 400SC



ART_1001190878

SECTION 2 - TURNTABLE

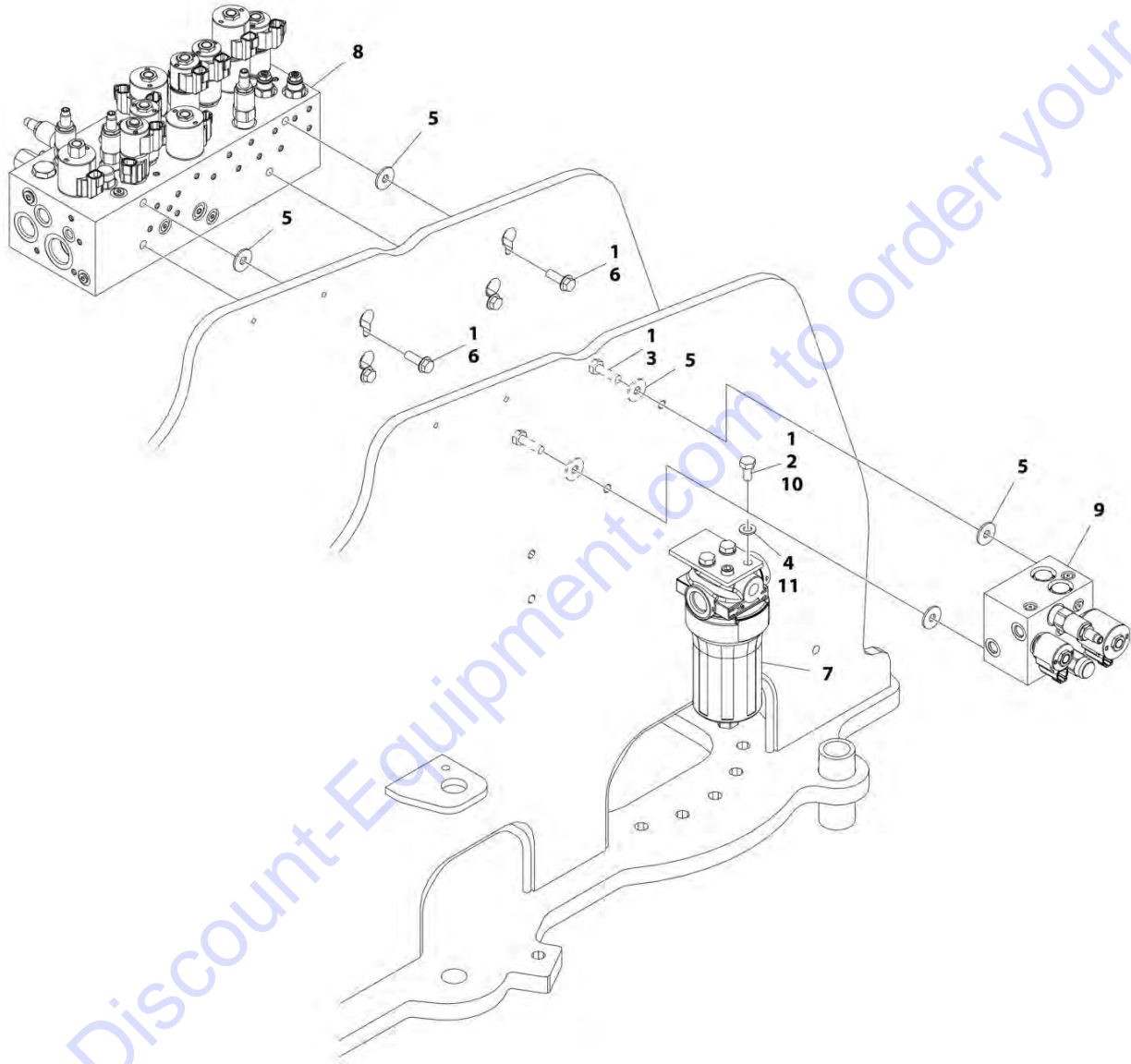
FIGURE 2-1. CONTROL VALVES INSTALLATION - 400SC

ITEM	PART NUMBER	QTY	DESCRIPTION	REV
	1001190878	Ref	CONTROL VALVES INSTALLATION - 400SC	F
1	0100011	AR	Compound, Locking	
2	0641606	4	Bolt 3/8 x 3/4 (Prior to SN 0300237337)	
3	0761015	2	Bolt M10 x 35	
6	4711600	4	Washer 3/8 (Prior to SN 0300237337)	
8	4812002	8	Washer M10	
9	5251014	4	Bolt M10 x 30	
10	1001102987	1	Filter, Charge Pump (Prior to SN 0300237337)	
10	70010383	1	Element, Filter (Includes O-Ring)	
10	1001208874	1	Filter, Charge Pump (SN 0300237337 to Present)	
11	1001162531	1	Main Valve Assembly - 400SC (See MAIN VALVE ASSEMBLY - 400SC for Breakdown)	
12	1001200148	1	Valve Assembly, 2 Speed (See 2 SPEED VALVE ASSEMBLY for Breakdown)	
13	0761010	3	Bolt M10 x 20	
14	4812000	3	Washer M10	

Go to Discount-Equipment.com to order your parts

SECTION 2 - TURNTABLE

FIGURE 2-2. CONTROL VALVES INSTALLATION - 460SJC



ART_1001218140

SECTION 2 - TURNTABLE

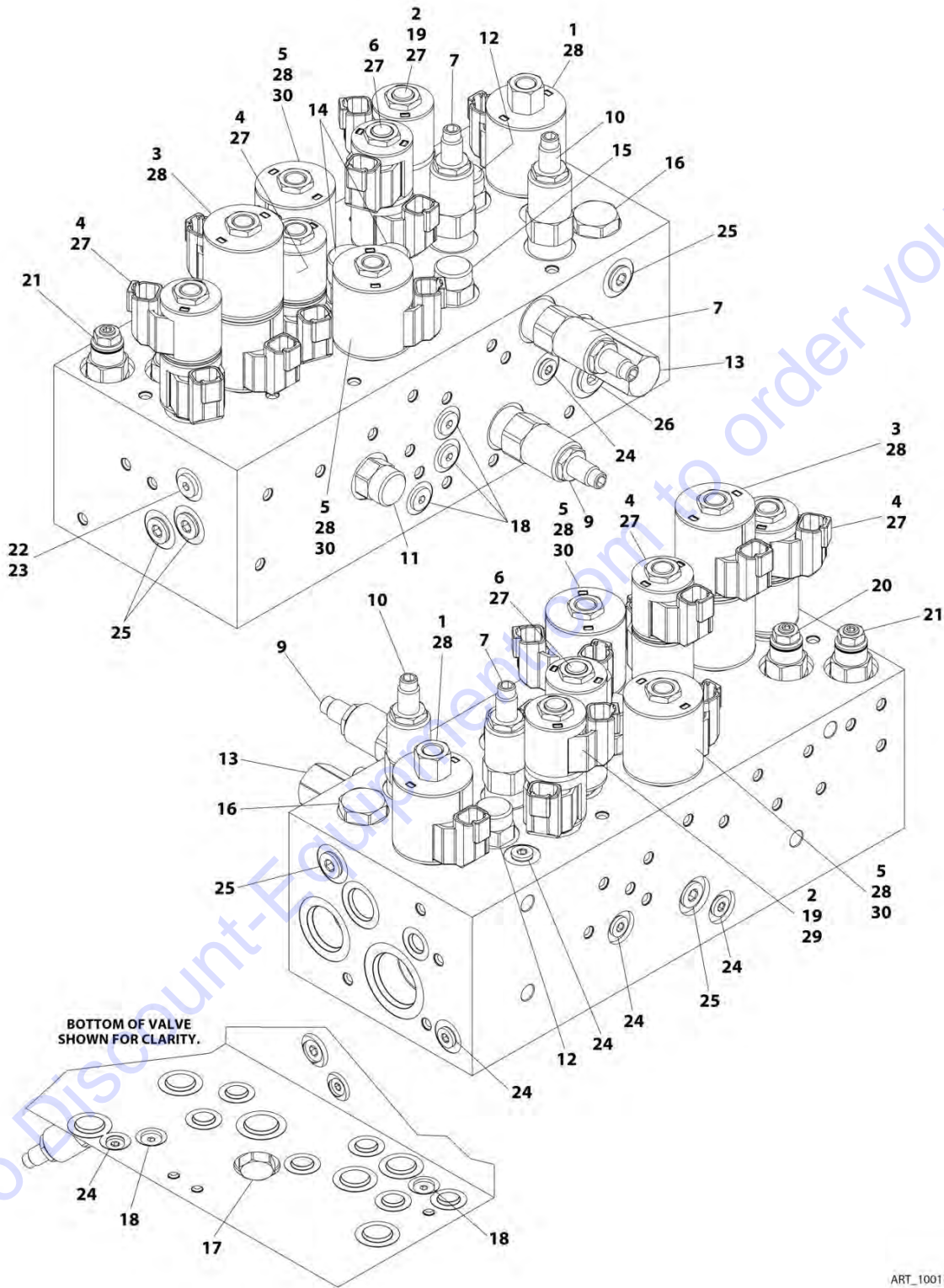
FIGURE 2-2. CONTROL VALVES INSTALLATION - 460SJC

ITEM	PART NUMBER	QTY	DESCRIPTION	REV
	1001218140	Ref	CONTROL VALVES INSTALLATION - 460SJC	B
1	0100011	AR	Compound, Locking	
2	0641606	4	Bolt 3/8 x 3/4 (Prior to SN 0300237337)	
3	0761015	2	Bolt M10 x 35	
4	4711600	4	Washer 3/8 (Prior to SN 0300237337)	
5	4812002	8	Washer M10	
6	5251014	4	Bolt M10 x 30	
7	1001102987	1	Filter, Charge Pump (Prior to SN 0300237337)	
7	70010383	1	Element, Filter (Includes O-Ring)	
7	1001208874	1	Filter, Charge Pump (SN 0300237337 to Present)	
8	1001162532	1	Main Valve Assembly - 460SJC (See MAIN VALVE ASSEMBLY - 460SJC for Breakdown)	
9	1001200148	1	Valve Assembly, 2 Speed (See 2 SPEED VALVE ASSEMBLY for Breakdown)	
10	0761010	3	Bolt M10 x 20	
11	4812000	3	Washer M10	

Go to Discount-Equipment.com to order your parts

SECTION 2 - TURNTABLE

FIGURE 2-3. MAIN VALVE ASSEMBLY - 400SC



ART_1001162531

SECTION 2 - TURNTABLE

FIGURE 2-3. MAIN VALVE ASSEMBLY - 400SC

ITEM	PART NUMBER	QTY	DESCRIPTION	REV
	1001162531	Ref	MAIN VALVE ASSEMBLY - 400SC	F
1	70005069	1	Cartridge, Solenoid Less Coil (Main Dump)	
1	7022399	1	Seal Kit - 70005069 Valve	
1	70003977	1	Nut, Coil	
2	70005217	1	Cartridge, Solenoid Less Coil (Steer)	
2	70005071	1	Seal Kit - 70005217 Valve	
2	7022390	1	Nut, Coil	
3	70005072	1	Cartridge, Solenoid Less Coil (Tele)	
3	70005073	1	Seal Kit - 70005072 Valve	
3	7022390	1	Nut, Coil	
3	70003024	1	Spacer, Coil	
4	70005074	2	Cartridge, Solenoid Valve Less Coil (Platform Level and Rotate)	
4	70005075	2	Seal Kit - 70005074 Valve	
4	7022390	2	Nut, Coil	
4	70003023	2	Spacer, Coil	
5	70005076	2	Cartridge, Solenoid Less Coil (Lift Up and Flow Control)	
5	7022399	2	Seal Kit - 70005076 Valve	
5	7022390	2	Nut, Coil	
6	70005077	1	Cartridge, Solenoid Valve Less Coil (Swing)	
6	70005071	1	Seal Kit - 70005077 Valve	
6	7022390	1	Nut, Coil	
6	70003023	1	Spacer, Coil	
7	70005078	2	Cartridge, Relief Valve	
7	7023936	2	Seal kit - 70005078 Valve	
9	70005079	1	Cartridge, Relief Valve	
9	7023936	1	Seal Kit - 70005079 Valve	
10	70005080	1	Cartridge, Relief Valve	
10	7022399	1	Seal Kit - 70005080 Valve	
11	70005081	1	Cartridge, Valve	
11	70005082	1	Seal Kit - 70005081 Valve	
12	70005218	1	Cartridge, Valve	
12	70005082	1	Seal Kit - 70005218 Valve	
13	70005084	1	Cartridge, Valve	
13	70005085	1	Seal Kit - 70005084 Valve	
14	70005086	2	Cartridge, Valve	
14	70005087	2	Seal Kit - 70005086 Valve	
15	70005088	1	Cartridge, Valve	
15	7023900	1	Seal Kit - 70005088 Valve	
16	70003408	1	Cartridge, Valve	
16	7022399	1	Seal Kit - 70005100 Valve	
17	70005089	1	Cartridge, Check Valve	
17	7023936	1	Seal Kit - 70005089 Valve	
18	70005090	5	Cartridge, Check Valve	
18	70005092	5	Seal Kit - 70005090 Valve	
19	70002974	1	Disc, Check Valve	
20	70005108	1	Cartridge, Valve	
20	2900770	1	Seal Kit - 70005108 Valve	
21	70005109	1	Cartridge, Valve	
21	2900770	1	Seal Kit - 70005109 Valve	
22	70005091	1	Orifice	

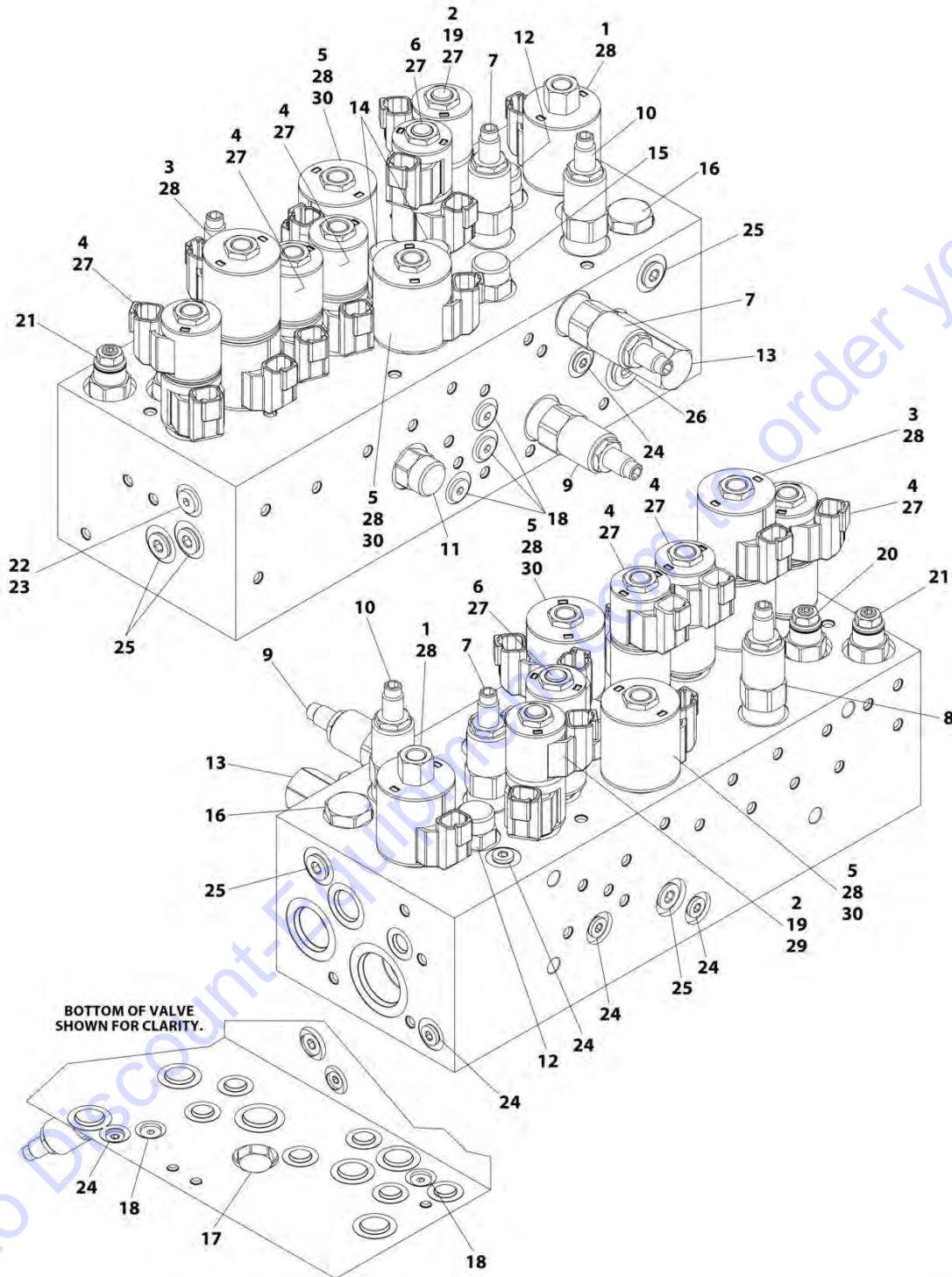
SECTION 2 - TURNTABLE

ITEM	PART NUMBER	QTY	DESCRIPTION	REV
23	2220883	1	Plug, O-Ring #4	
24	91164059	6	Plug	
25	91164079	6	Plug	
26	91164057	1	Plug	
27	70002386	6	Coil	
28	70003788	5	Coil	
29	70005219	2	Coil	
30	70005724	2	Lockdown Kit	

Go to Discount-Equipment.com to order your parts

SECTION 2 - TURNTABLE

FIGURE 2-4. MAIN VALVE ASSEMBLY - 460SJC



ART_1001162532

SECTION 2 - TURNTABLE

FIGURE 2-4. MAIN VALVE ASSEMBLY - 460SJC

ITEM	PART NUMBER	QTY	DESCRIPTION	REV
	1001162532	Ref	MAIN VALVE ASSEMBLY - 460SJC	F
1	70005069	1	Cartridge, Solenoid Less Coil (Main Dump)	
1	7022399	1	Seal Kit - 70005069 Valve	
1	70003977	1	Nut, Coil	
2	70005217	1	Cartridge, Solenoid Less Coil (Steer)	
2	70005071	1	Seal Kit - 70005217 Valve	
2	7022390	1	Nut, Coil	
3	70005072	1	Cartridge, Solenoid Less Coil (Tele)	
3	70005073	1	Seal Kit - 70005072 Valve	
3	7022390	1	Nut, Coil	
3	70003024	1	Spacer, Coil	
4	70005074	3	Cartridge, Solenoid Valve Less Coil (Platform Level, Platform Rotate and Jib Lift)	
4	70005075	3	Seal Kit - 70005074 Valve	
4	7022390	3	Nut, Coil	
4	70003023	3	Spacer, Coil	
5	70005076	2	Cartridge, Solenoid Less Coil (Lift Up and Flow Control)	
5	7022399	2	Seal Kit - 70005076 Valve	
5	7022390	2	Nut, Coil	
6	70005077	1	Cartridge, Solenoid Valve Less Coil (Swing)	
6	70005071	1	Seal Kit - 70005077 Valve	
6	7022390	1	Nut, Coil	
6	70003023	1	Spacer, Coil	
7	70005078	2	Cartridge, Relief Valve	
7	7023936	2	Seal Kit - 70005078 Valve	
8	70005093	1	Cartridge, Valve	
8	7023936	1	Seal Kit - 70005093 Valve	
9	70005079	1	Cartridge, Relief Valve	
9	7023936	1	Seal Kit - 70005079 Valve	
10	70005080	1	Cartridge, Relief Valve	
10	7022399	1	Seal Kit - 70005080 Valve	
11	70005081	1	Cartridge, Valve	
11	70005082	1	Seal Kit - 70005081 Valve	
12	70005218	1	Cartridge, Valve	
12	70005082	1	Seal Kit - 70005218 Valve	
13	70005084	1	Cartridge, Valve	
13	70005085	1	Seal Kit - 70005084 Valve	
14	70005086	2	Cartridge, Valve	
14	70005087	2	Seal Kit - 70005086 Valve	
15	70005088	1	Cartridge, Valve	
15	7023900	1	Seal Kit - 70005088 Valve	
16	70003408	1	Cartridge, Valve	
16	7022399	1	Seal Kit - 70003408 Valve	
17	70005089	1	Cartridge, Check Valve	
17	7023936	1	Seal Kit - 70005089 Valve	
18	70005090	5	Cartridge, Check Valve	
18	70005092	5	Seal Kit - 70005090 Valve	
19	70002974	1	Disc, Check Valve	
20	70005108	1	Cartridge, Valve	
20	2900770	1	Seal Kit - 70005108 Valve	

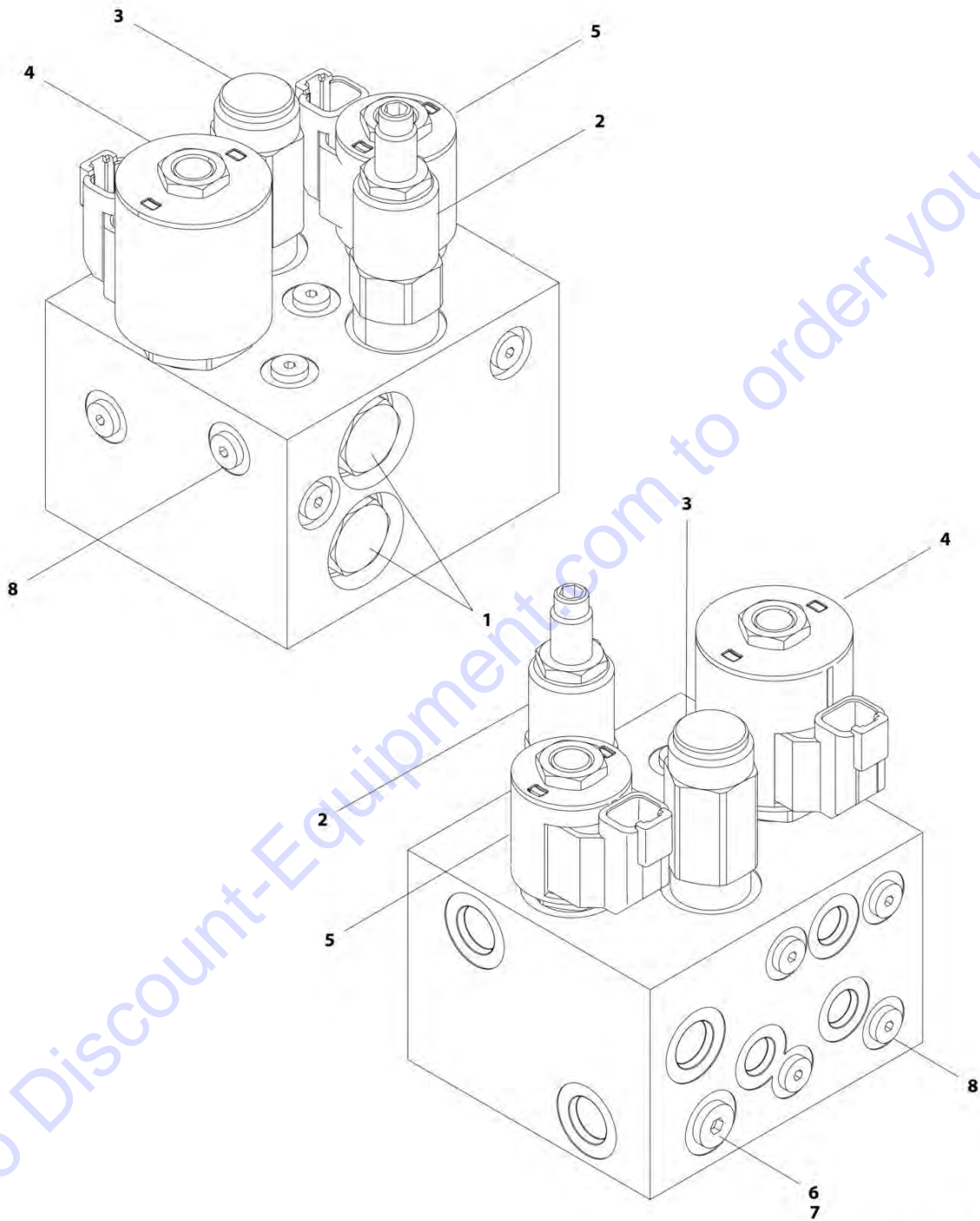
SECTION 2 - TURNTABLE

ITEM	PART NUMBER	QTY	DESCRIPTION	REV
21	70005109	1	Cartridge, Valve	
21	2900770	1	Seal Kit - 70005109 Valve	
22	70005091	1	Orifice	
23	2220883	1	Plug, O-Ring #4	
24	91164059	6	Plug	
25	91164079	6	Plug	
26	91164057	1	Plug	
27	70002386	8	Coil	
28	70003788	5	Coil	
29	70005219	2	Coil	
30	70005724	2	Lockdown Kit	

Go to Discount-Equipment.com to order your parts

SECTION 2 - TURNTABLE

FIGURE 2-5. 2 SPEED/BRAKE RELEASE VALVE ASSEMBLY



ART_1001200148

SECTION 2 - TURNTABLE

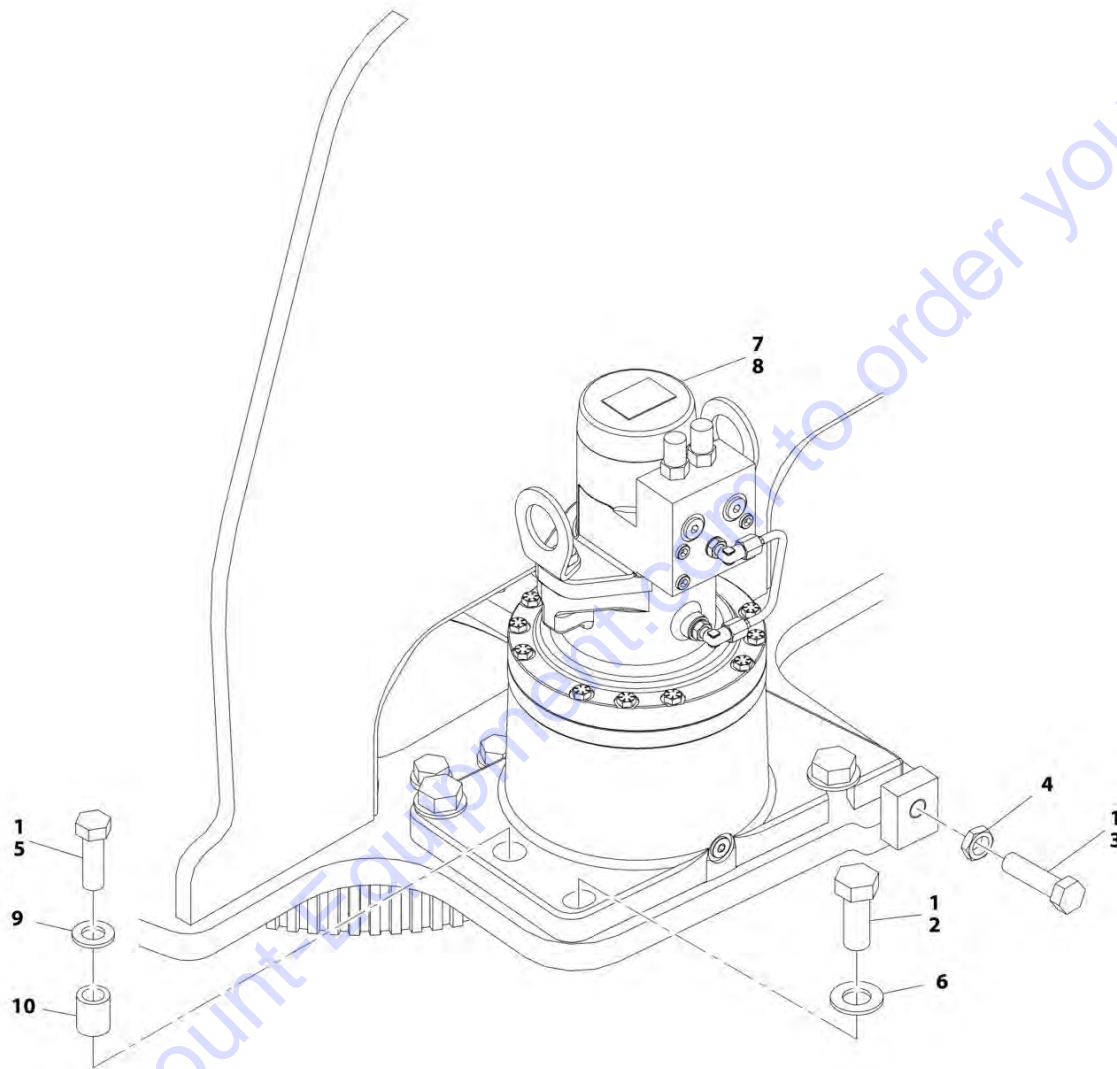
FIGURE 2-5. 2 SPEED/BRAKE RELEASE VALVE ASSEMBLY

ITEM	PART NUMBER	QTY	DESCRIPTION	REV
	1001200148	Ref	2 SPEED/BRAKE RELEASE VALVE ASSEMBLY	B
1	70005331	2	Cartridge, Valve	
1	7012972	2	Seal Kit - 70005331 Valve	
2	70005332	1	Cartridge, Valve	
2	7012998	1	Seal Kit - 70005332 Valve	
3	70005333	1	Cartridge, Valve	
3	70005334	1	Seal Kit - 70005333 Valve	
4	7017480	1	Cartridge, Valve	
4	7012973	1	Seal Kit - 7017480 Valve	
4	70003788	1	Coil	
5	7012941	1	Cartridge, Valve	
5	7010543	1	Seal Kit - 7012941 Valve	
5	70002386	1	Coil	
6	70004883	1	Orifice	
7	2220883	1	Plug	
8	2220881	10	Plug	

Go to Discount-Equipment.com to order your parts

SECTION 2 - TURNTABLE

FIGURE 2-6. SWING DRIVE INSTALLATION (Prior to SN 0300249939)



ART_1001169386

SECTION 2 - TURNTABLE

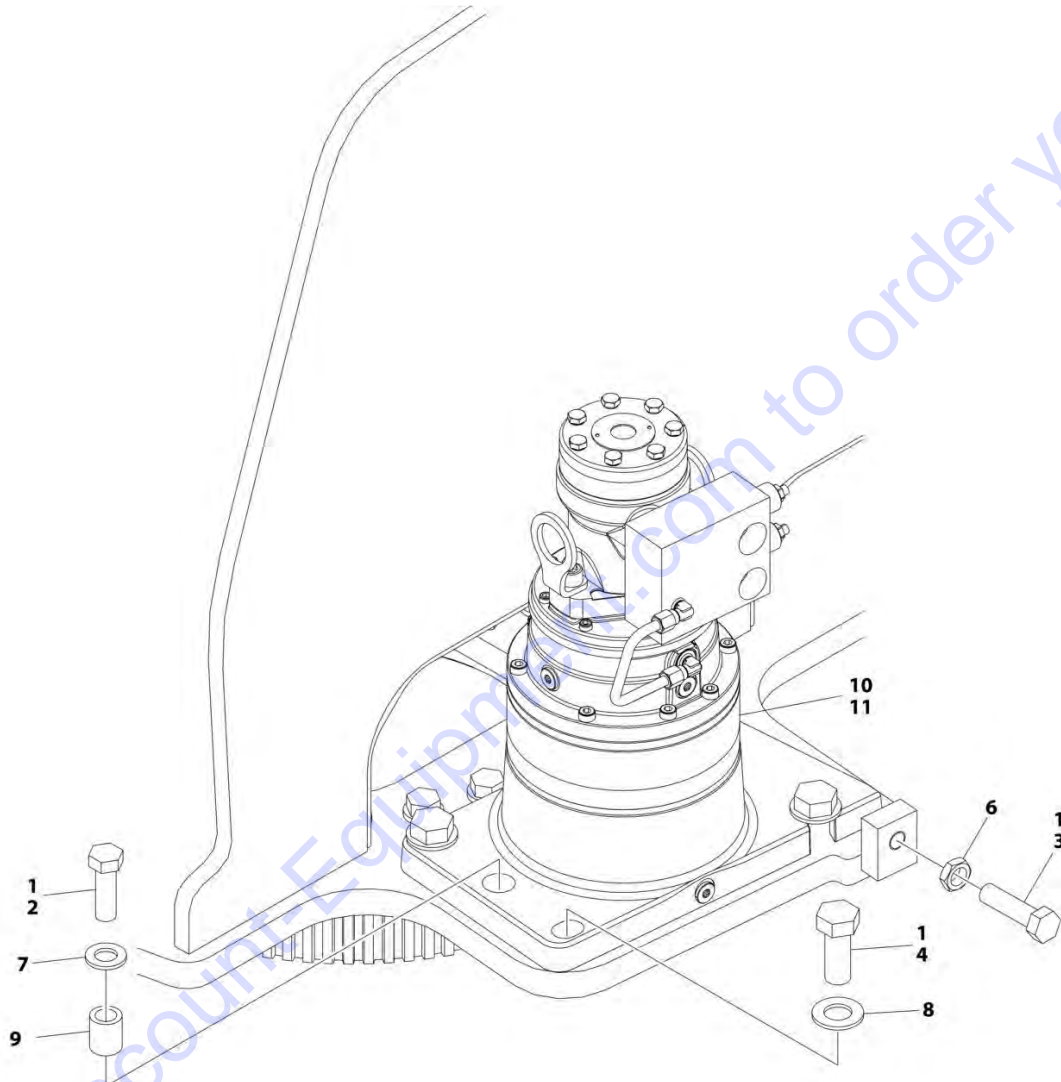
FIGURE 2-6. SWING DRIVE INSTALLATION (Prior to SN 0300249939)

ITEM	PART NUMBER	QTY	DESCRIPTION	REV
	1001169386	Ref	SWING DRIVE INSTALLATION	D
1	0100019	AR	Compound, Locking	
2	0772018	4	Bolt M20 x 50 (Grade 10.9)	
3	0761620	1	Bolt M16 x 60	
4	3291602	1	Nut M16	
5	0701618	1	Bolt M16 x 50	
6	5242000	4	Washer M20	
7	1001190964	1	Shim	
8	1001164942	1	Swing Hub/Motor Assembly (See SWING HUB/MOTOR ASSEMBLY for Breakdown)	
9	5241600	1	Washer M16	
10	1001134543	1	Sleeve, Spacer	

Go to Discount-Equipment.com to order your parts

SECTION 2 - TURNTABLE

FIGURE 2-7. SWING DRIVE INSTALLATION (SN 0300249939 to Present)



ART_1001228492

SECTION 2 - TURNTABLE

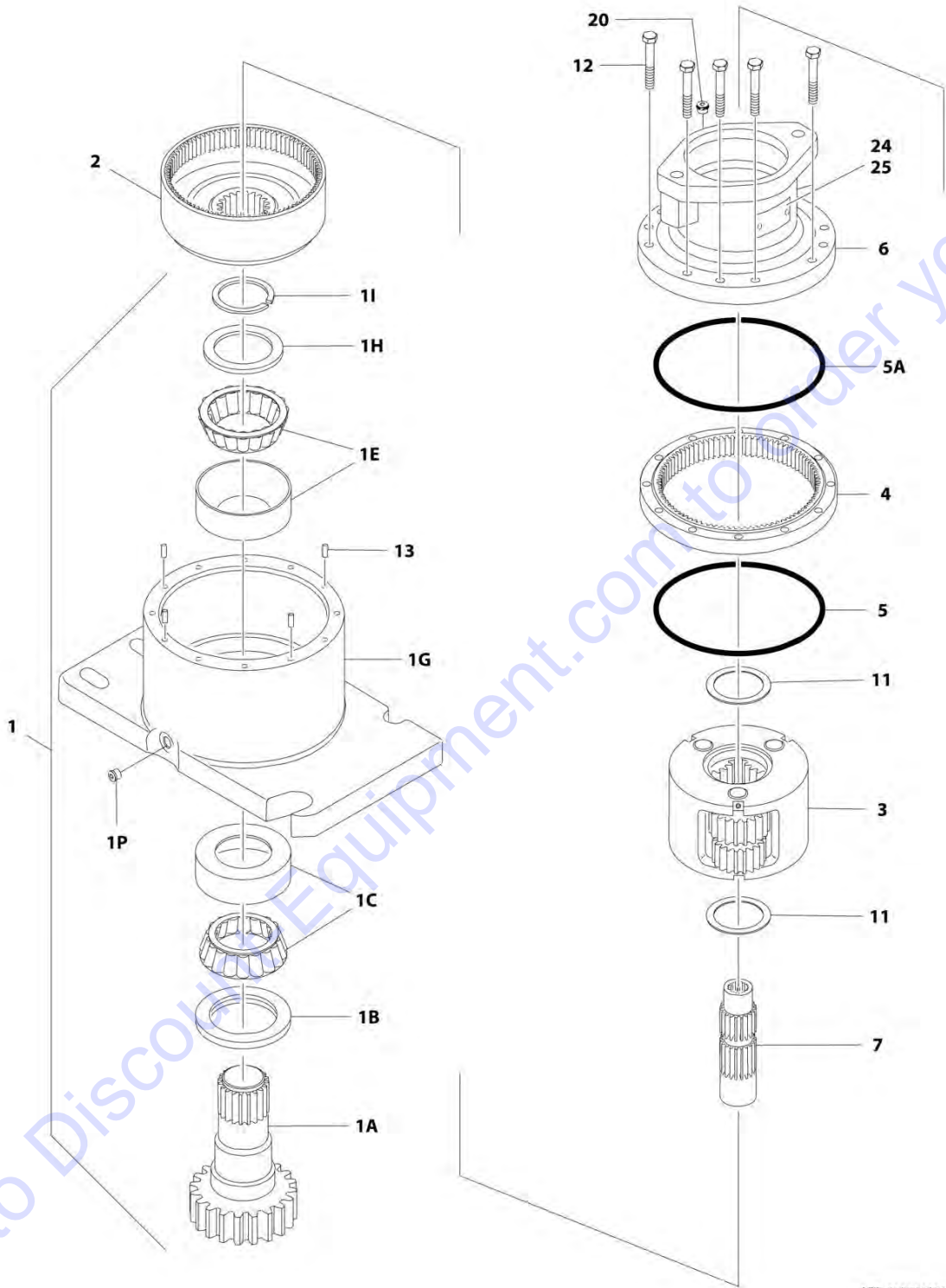
FIGURE 2-7. SWING DRIVE INSTALLATION (SN 0300249939 to Present)

ITEM	PART NUMBER	QTY	DESCRIPTION	REV
	1001228492	Ref	SWING DRIVE INSTALLATION	C
1	0100019	AR	Compound, Locking	
2	0701618	1	Bolt M16 x 50	
3	0761620	1	Bolt M16 x 60	
4	0772018	4	Bolt M20 x 50 Grade 10.9	
6	3291602	1	Nut M16	
7	5241600	1	Washer M16	
8	5242000	4	Washer M20	
9	1001134543	1	Sleeve, Spacer	
10	4071009	1	Shim	
11	1001228487	1	Swing Hub/Motor Assembly (See Separate Breakdown in this Section)	

Go to Discount-Equipment.com to order your parts

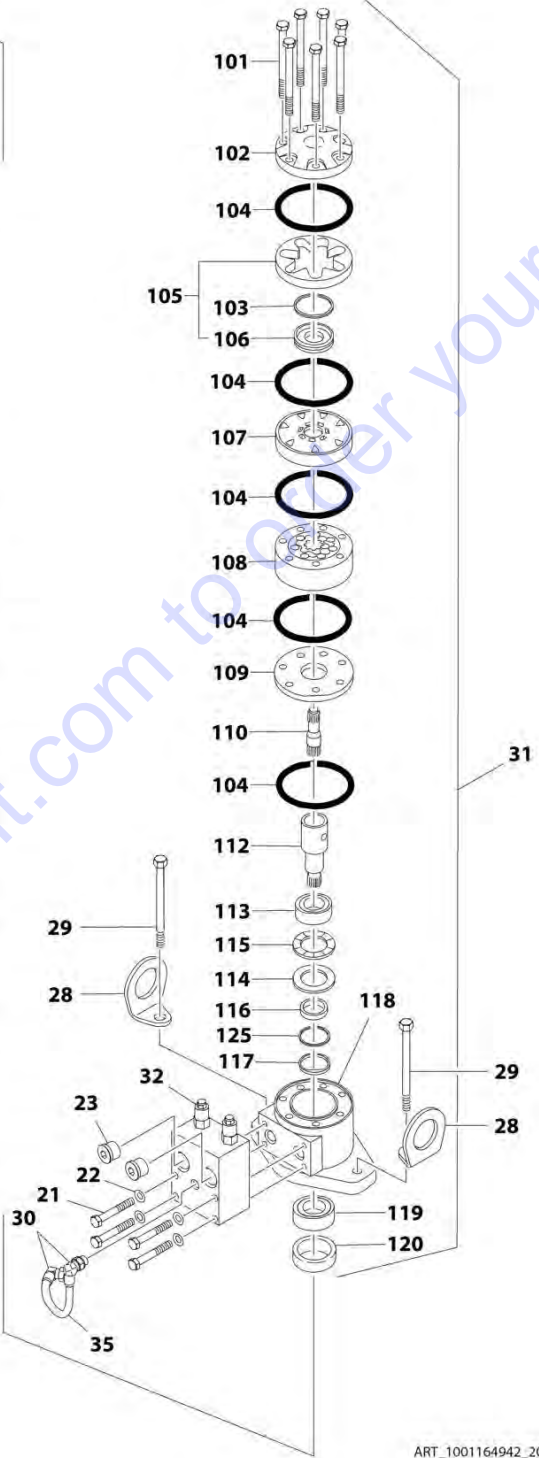
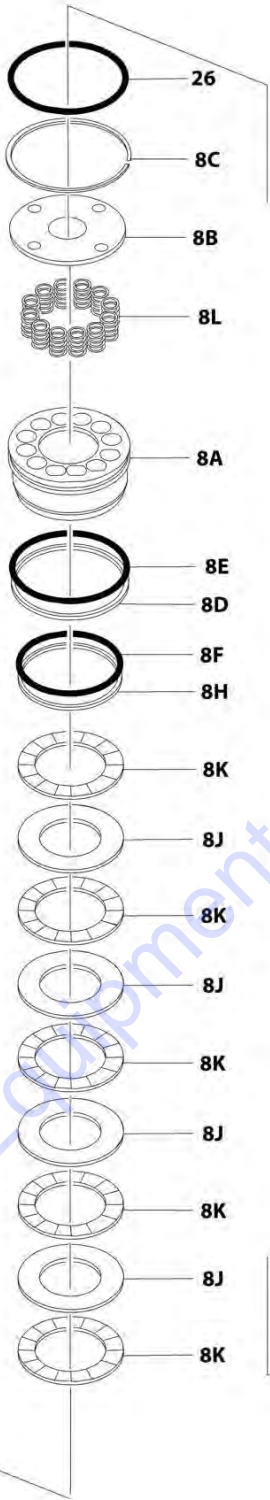
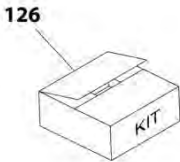
SECTION 2 - TURNTABLE

FIGURE 2-8. SWING HUB/MOTOR ASSEMBLY (Prior to SN 0300249939)



ART_1001164942_10F2

SECTION 2 - TURNTABLE



ART_1001164942_20F2

SECTION 2 - TURNTABLE

FIGURE 2-8. SWING HUB/MOTOR ASSEMBLY (Prior to SN 0300249939)

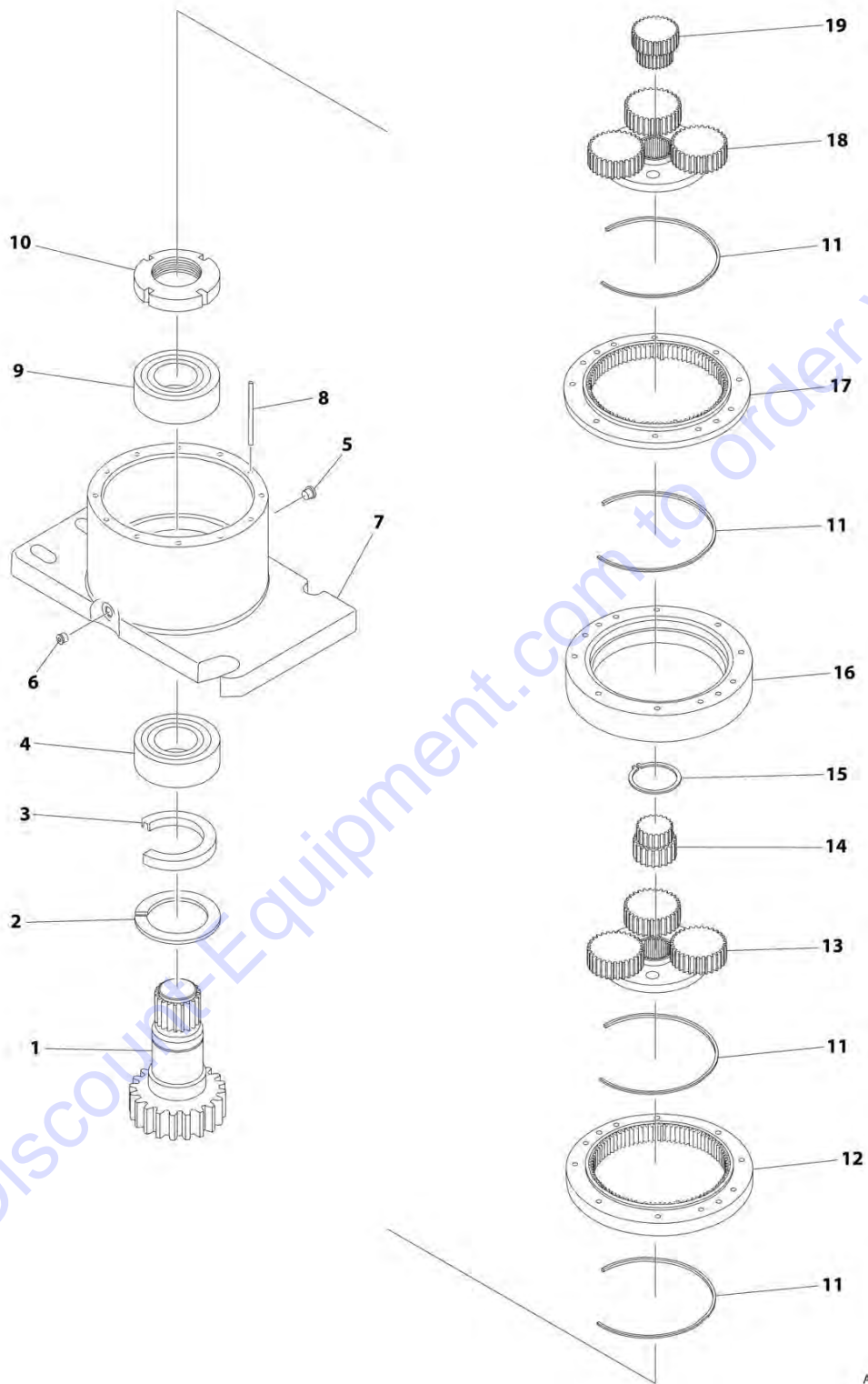
ITEM	PART NUMBER	QTY	DESCRIPTION	REV
	1001164942	Ref	SWING HUB/MOTOR ASSEMBLY	B
1	See Note	NSS	Housing/Shaft Assembly (Note: Not Available - Purchase Complete Swing Motor/Hub Assembly)	
1A	70005204	1	Shaft, Output	
1B	7000228	1	Seal, Lip	
1C	7000255	1	Bearing Kit (Includes Cup and Cone)	
1E	7000257	1	Bearing Kit (Includes Cup and Cone)	
1G	See Note	NSS	Housing (Note: Not Available for Purchase)	
1H	7007633	1	Thrustwasher	
1I	7000229	1	Ring, Retaining	
1P	7017072	1	Plug, Pipe	
2	7000246	1	Gear, Internal	
3	7000247	1	Carrier Assembly	
3A	7001931	1	Carrier	
3B	7001985	6	Washer, Tanged	
3C	7001909	96	Bearing, Needle	
3D	7000263	3	Thrustwasher	
3E	7001911	3	Shaft, Planet	
3F	7001912	3	Gear, Cluster	
3G	7010474	3	Roll Pin	
4	7000248	1	Gear, Ring	
5	7000230	1	O-Ring (Black)	
5A	7017070	1	O-Ring (White)	
6	See Note	NSS	Housing, Brake (Note: Not Available for Purchase)	
7	70005203	1	Gear, Sun	
8		Ref	Brake Components	
8A	70004037	1	Piston, Brake	
8B	7024743	1	Plate, Pressure	
8C	70004039	1	Ring, Retaining	
8D	70004041	1	O-Ring	
8E	70004044	1	Ring, Back-up	
8F	70004042	1	O-Ring	
8H	70004043	1	Ring, Back-up	
8J	See Note	NSS	Rotor, Brake (Note: Purchase p/n 70002085)	
8K	See Note	NSS	Stator, Brake (Note: Purchase p/n 70002085)	
8L	70002066	7	Spring, Brake	
11	7000253	2	Thrustwasher	
12	7000217	12	Bolt 5/16 x 2-1/4 (Grade 8)	
13	7017080	4	Pin, Dowel	
20	7017072	1	Plug, Pipe	
21	7024704	4	Bolt 5/16 x 2 (Grade 8)	
22	70004045	4	Washer, Lock	
23	7017023	2	Plug, Pipe	
24	See Note	NSS	Plate, ID (Note: Not Available for Purchase)	
25	See Note	NSS	Rivet	
26	7024763	1	O-Ring	
28	See Note	NSS	Lug, Lifting (Note: Not Available for Purchase)	
29	70004040	2	Bolt 1/2 x 1-1/2 (Grade 8)	
30	7017085	2	Elbow	
31	70004048	1	Motor Assembly (See Items 101-126 for Breakdown)	

SECTION 2 - TURNTABLE

ITEM	PART NUMBER	QTY	DESCRIPTION	REV
32	7024784	1	Valve (No Serviceable Parts)	
33	7017082	1	Plug, Pipe (Not Shown)	
35	70004047	1	Tube	
	70004048	Ref	Motor Assembly	
101	See Note	NSS	Bolt (Note: Not Available for Purchase)	
102	See Note	NSS	Cover, End (Note: Not Available for Purchase)	
103	See Note	1	Seal, Commutator (Note: Use p/n 7024389)	
104	See Note	5	Seal, Ring (Note: Use p/n 7024389)	
105	7024453	1	Commutator and Ring Assembly	
106	See Note	1	Ring (Note: Use p/n 7024453)	
107	7024379	1	Manifold	
108	See Note	NSS	Rotor Set (Note: Not Available for Purchase)	
109	7024380	1	Plate, Wear	
110	See Note	NSS	Link, Drive (Note: Not Available for Purchase)	
112	7024458	1	Shaft, Coupling	
113	7024381	1	Bushing, Bronze	
114	70004043	1	Thrustwasher	
115	70004044	1	Bearing, Thrust	
116	See Note	1	Seal, Inner (Note: Use p/n 7024389)	
117	See Note	1	Washer, Back-up (Note: Use p/n 7024389)	
118	See Note	NSS	Housing (Note: Not Available for Purchase)	
119	7024390	1	Bearing	
120	See Note	1	Seal (Note: Use p/n 7024389)	
125	See Note	1	Washer, Back-up (Note: Use p/n 7024389)	
126	7024389	1	Seal Kit, Motor (Includes Items 103, 104, 116, 117, 120 & 125)	

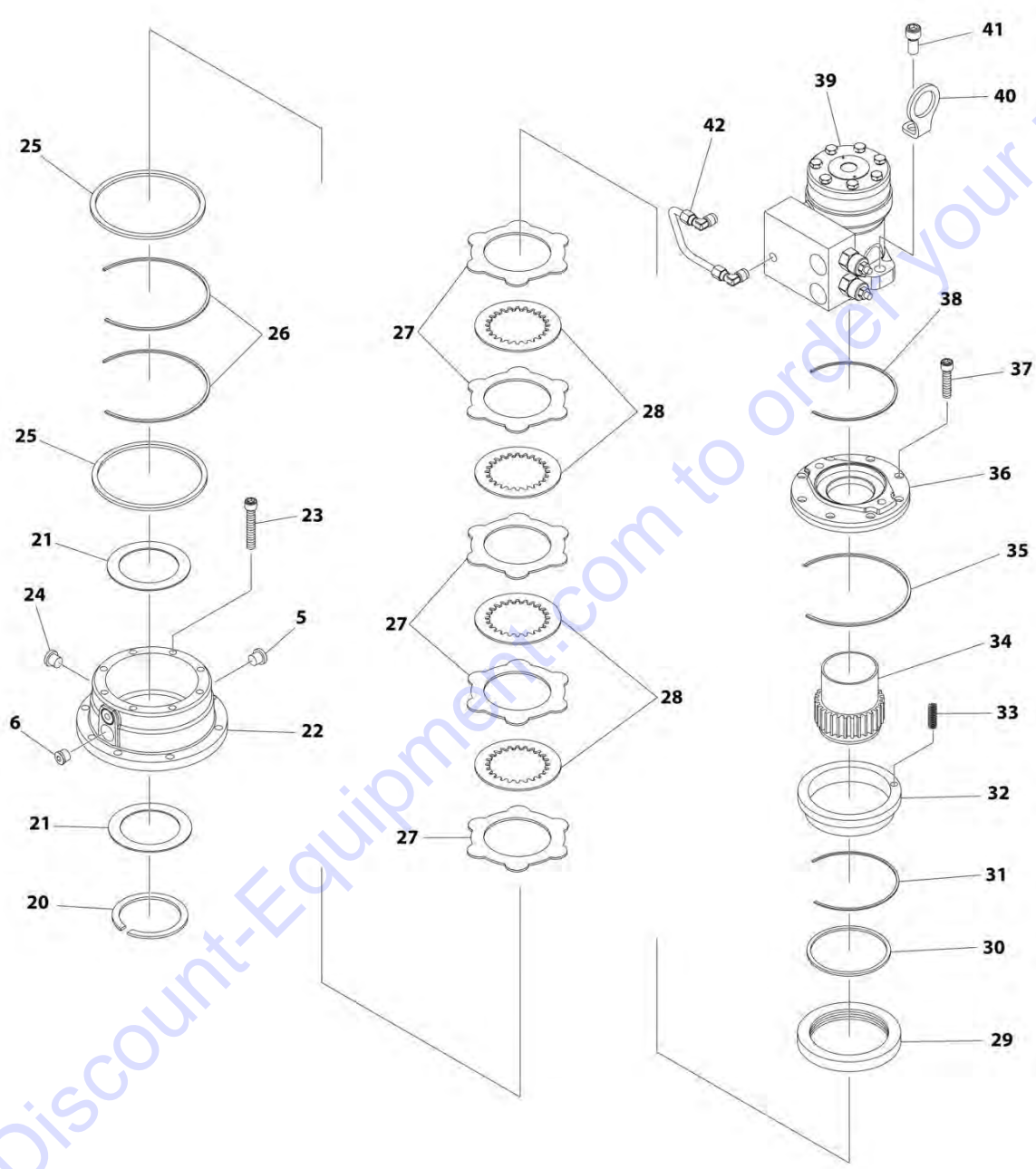
SECTION 2 - TURNTABLE

FIGURE 2-9. SWING HUB/MOTOR ASSEMBLY (SN 0300249939 to Present)



ART_1001228487_1OF2

SECTION 2 - TURNTABLE



ART_1001228487_2OF2

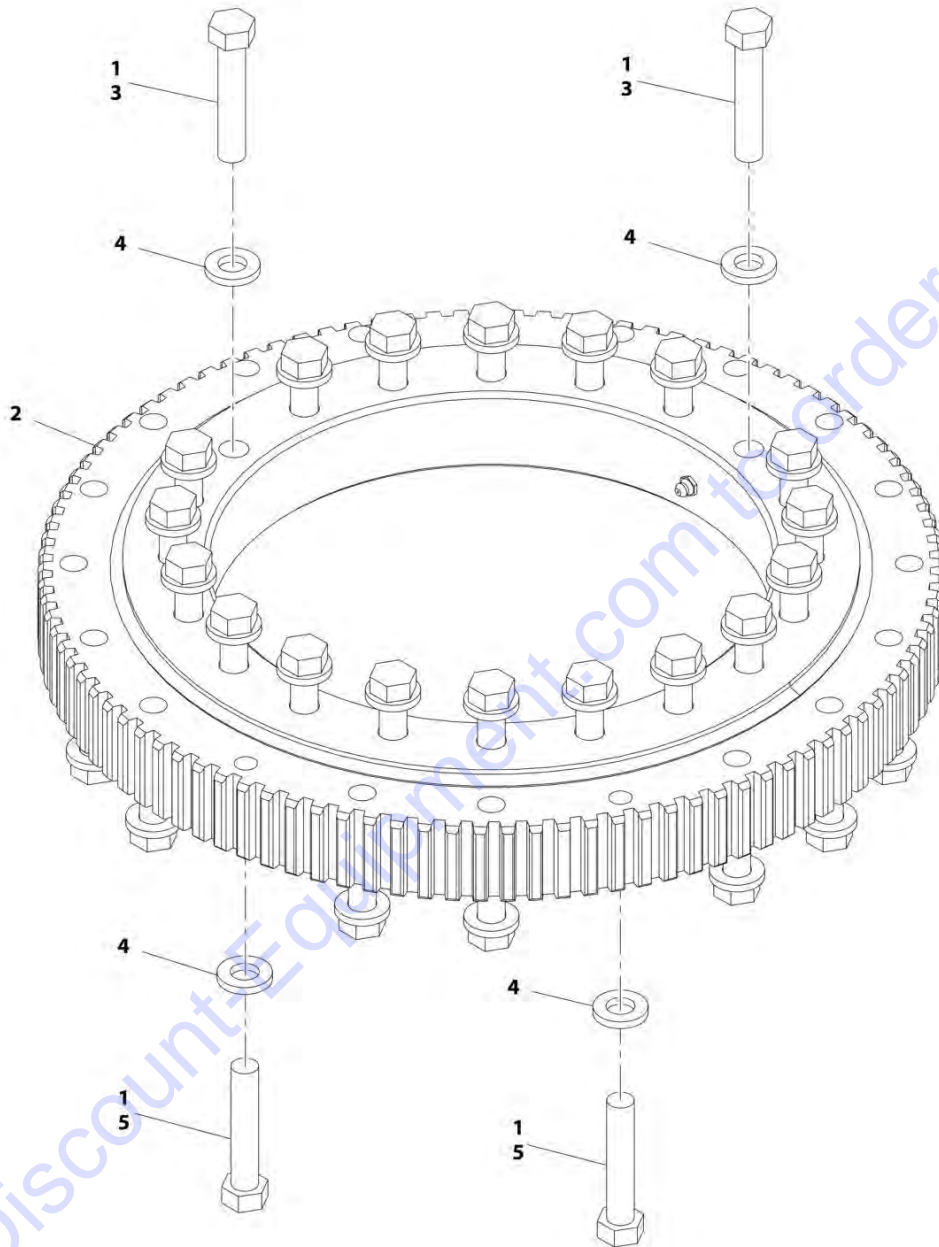
SECTION 2 - TURNTABLE

FIGURE 2-9. SWING HUB/MOTOR ASSEMBLY (SN 0300249939 to Present)

ITEM	PART NUMBER	QTY	DESCRIPTION	REV
	1001228487	Ref	SWING HUB/MOTOR ASSEMBLY	C
1	70007022	1	Output Shaft	
2	70007023	1	Ring	
3		Ref	Oil Seal	
4	70007024	1	Tapered Roller Bearing	
5	70004469	2	Magnetic Plug with O-Ring	
6	70002057	4	Plug with O-Ring	
7	NSS	1	Output Support	
8	70007025	2	Spring Pin	
9	70007026	1	Tapered Roller Bearing	
10	70007027	1	Ring Nut	
11		Ref	O-Ring	
12	70006990	1	Planetary Ring	
13	70007028	1	Complete Reduction	
14	70007029	1	Pinion	
15	70007030	1	Seeger	
16	70006994	1	Spacer	
17	70004481	1	Planetary Ring	
18	70004482	1	Complete Reduction	
19	70007031	1	Pinion	
20	70006997	1	Ring	
21	70006998	2	Washer	
22	NSS	1	Brake Housing	
23	70007032	8	Screw	
24	70006999	1	Level Oil Plug	
25		Ref	Parbak	
26		Ref	O-Ring	
27		Ref	Iron Disc	
28		Ref	Sintered Disc	
29	70005317	1	Brake Spacer	
30		Ref	Parbak	
31		Ref	O-Ring	
32	70005318	1	Brake Piston	
33		Ref	Brake Spring	
34	70007001	1	Input Shaft	
35		Ref	O-Ring	
36	70007002	1	Cover	
37	70007003	8	Screw	
38		Ref	O-Ring	
39		Ref	Motor with Valve	
40	NSS	2	Vertical Lift Support	
41	70004494	2	Screw	
42	70007004	1	Brake/Valve Adapter	
43	70007046	1	Seal Kit	
44	70007006	1	Kit, Brake Repair	

SECTION 2 - TURNTABLE

FIGURE 2-10. TURNTABLE BEARING INSTALLATION (WITHOUT TURNTABLE BEARING SPACER)



ART_1001202494

SECTION 2 - TURNTABLE

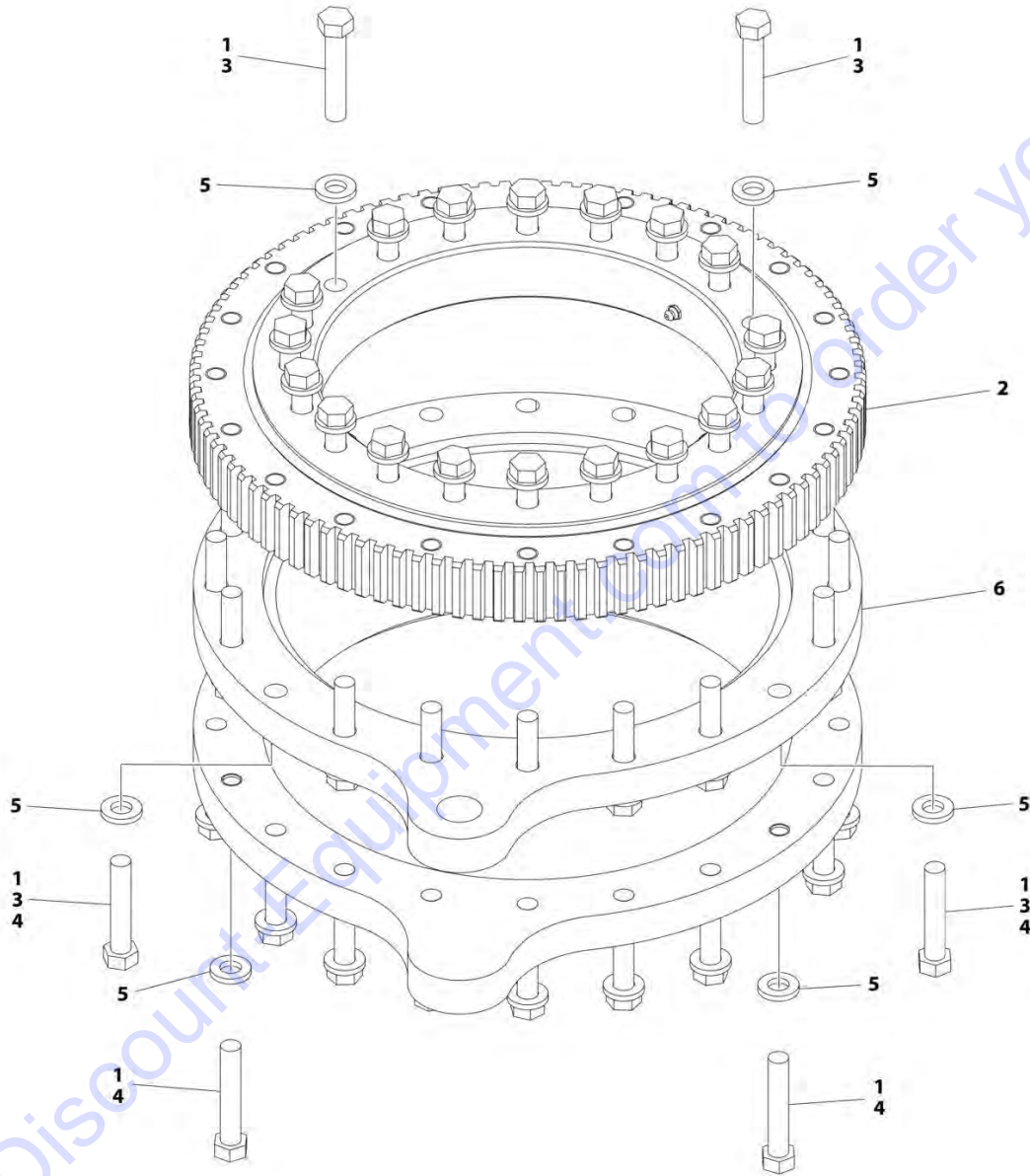
FIGURE 2-10. TURNTABLE BEARING INSTALLATION (WITHOUT TURNTABLE BEARING SPACER)

ITEM	PART NUMBER	QTY	DESCRIPTION	REV
	1001202494	Ref	TURNTABLE BEARING INSTALLATION (WITHOUT TURNTABLE BEARING SPACER)	A
1	0100019	AR	Compound, Locking	
2	0440240	1	Bearing, Turntable	
3	0682026	20	Bolt 5/8 x 3-1/4 (Grade 8)	
4	4892000	40	Washer 5/8	
5	0682034	20	Bolt 5/8 x 4-1/4	

Go to Discount-Equipment.com to order your parts

SECTION 2 - TURNTABLE

FIGURE 2-11. TURNTABLE BEARING INSTALLATION (WITH TURNTABLE BEARING SPACER)



ART_1001197251

SECTION 2 - TURNTABLE

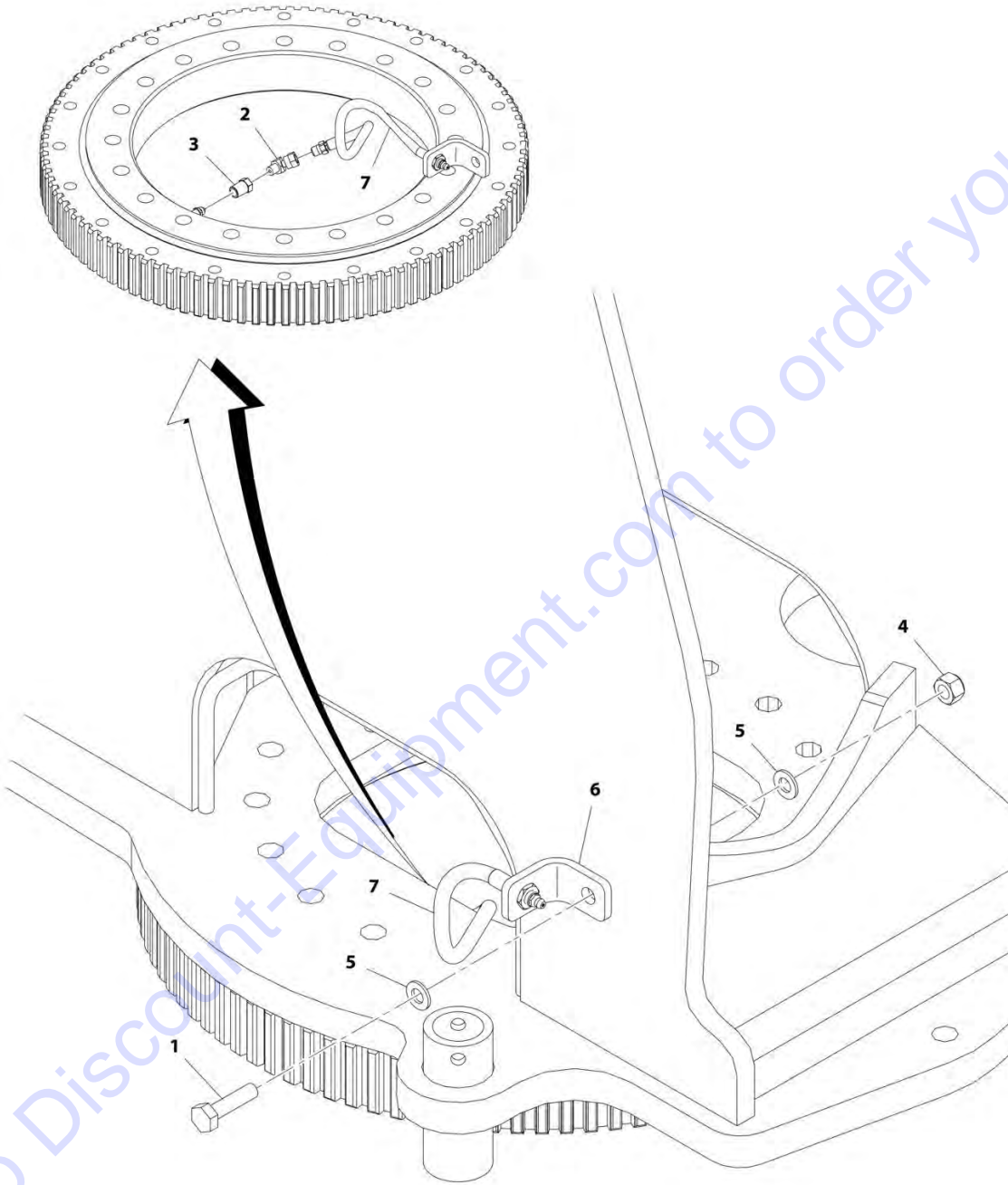
FIGURE 2-11. TURNTABLE BEARING INSTALLATION (WITH TURNTABLE BEARING SPACER)

ITEM	PART NUMBER	QTY	DESCRIPTION	REV
	1001197251	Ref	TURNTABLE BEARING INSTALLATION (WITH TURNTABLE BEARING SPACER)	B
1	0100019	AR	Compound, Locking	
2	0440240	1	Bearing, Turntable	
3	0682026	AR	Bolt 5/8 x 3-1/4 (Grade 8)	
4	0682028	AR	Bolt 5/8 x 3-1/2 (Grade 8)	
5	4892000	60	Washer 5/8	
6	1001197252	1	Spacer, Bearing	

Go to Discount-Equipment.com to order your parts

SECTION 2 - TURNTABLE

FIGURE 2-12. BEARING LUBE INSTALLATION



ART_1001169191

SECTION 2 - TURNTABLE

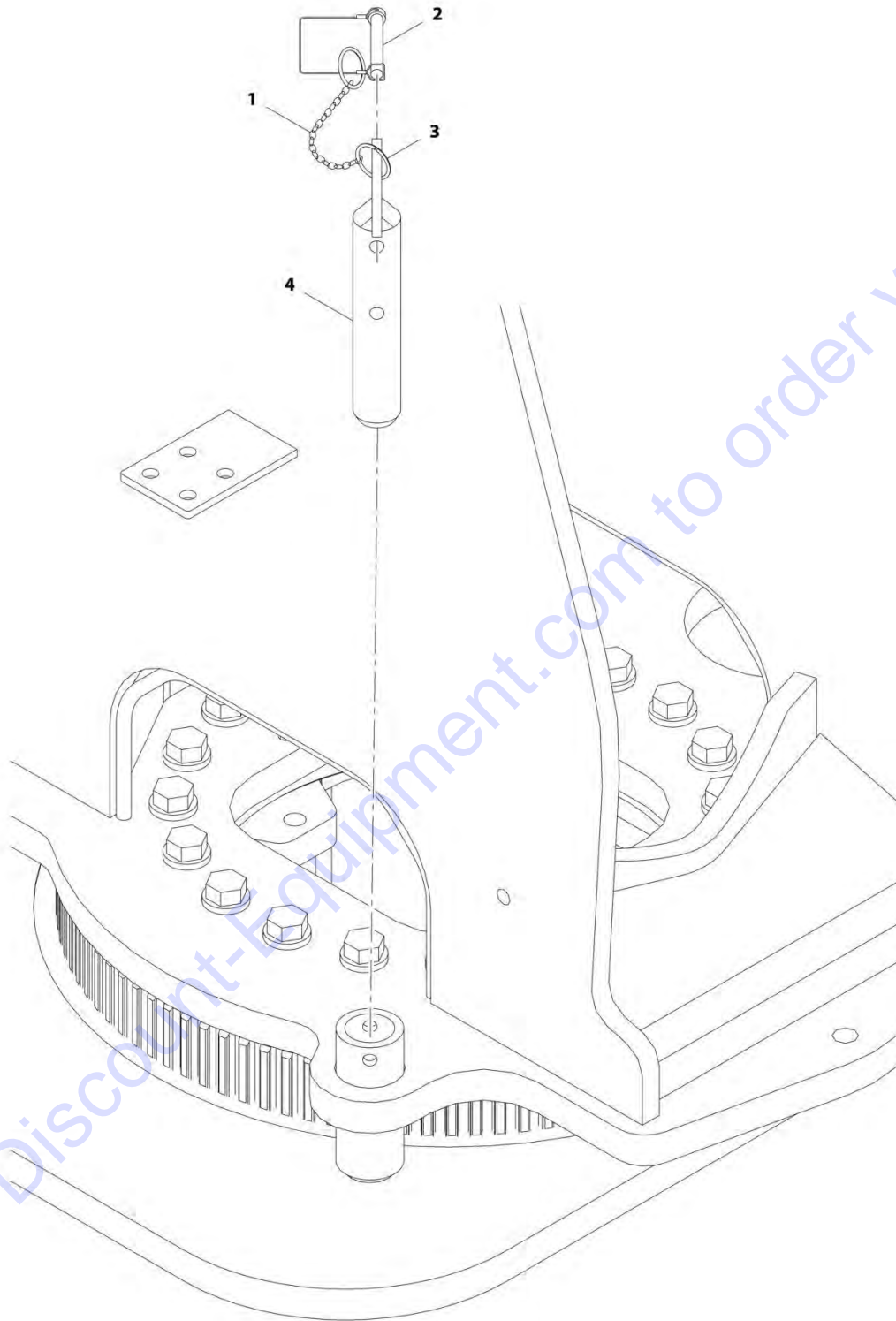
FIGURE 2-12. BEARING LUBE INSTALLATION

ITEM	PART NUMBER	QTY	DESCRIPTION	REV
	1001169191	Ref	BEARING LUBE INSTALLATION	A
1	0761016	1	Bolt M10 x 40	
2	2220124	1	Fitting, 45 1/8NPT	
3	2220273	1	Fitting, Straight FNPTF/NPTF	
4	3291005	1	Nut M10	
5	4812000	2	Washer M10	
6	1001169192	1	Mount, Bulkhead	
7	1001169193	1	Hose	

Go to Discount-Equipment.com to order your parts

SECTION 2 - TURNTABLE

FIGURE 2-13. TURNTABLE LOCK INSTALLATION



ART_1001169496

SECTION 2 - TURNTABLE

FIGURE 2-13. TURNTABLE LOCK INSTALLATION

ITEM	PART NUMBER	QTY	DESCRIPTION	REV
	1001169496	Ref	TURNTABLE LOCK INSTALLATION	B
1	1260017	1	Chain	
2	3421565	1	Pin, Snap	
3	3760170	2	Ring, Split	
4	1001169582	1	Pin	

Go to Discount-Equipment.com to order your parts

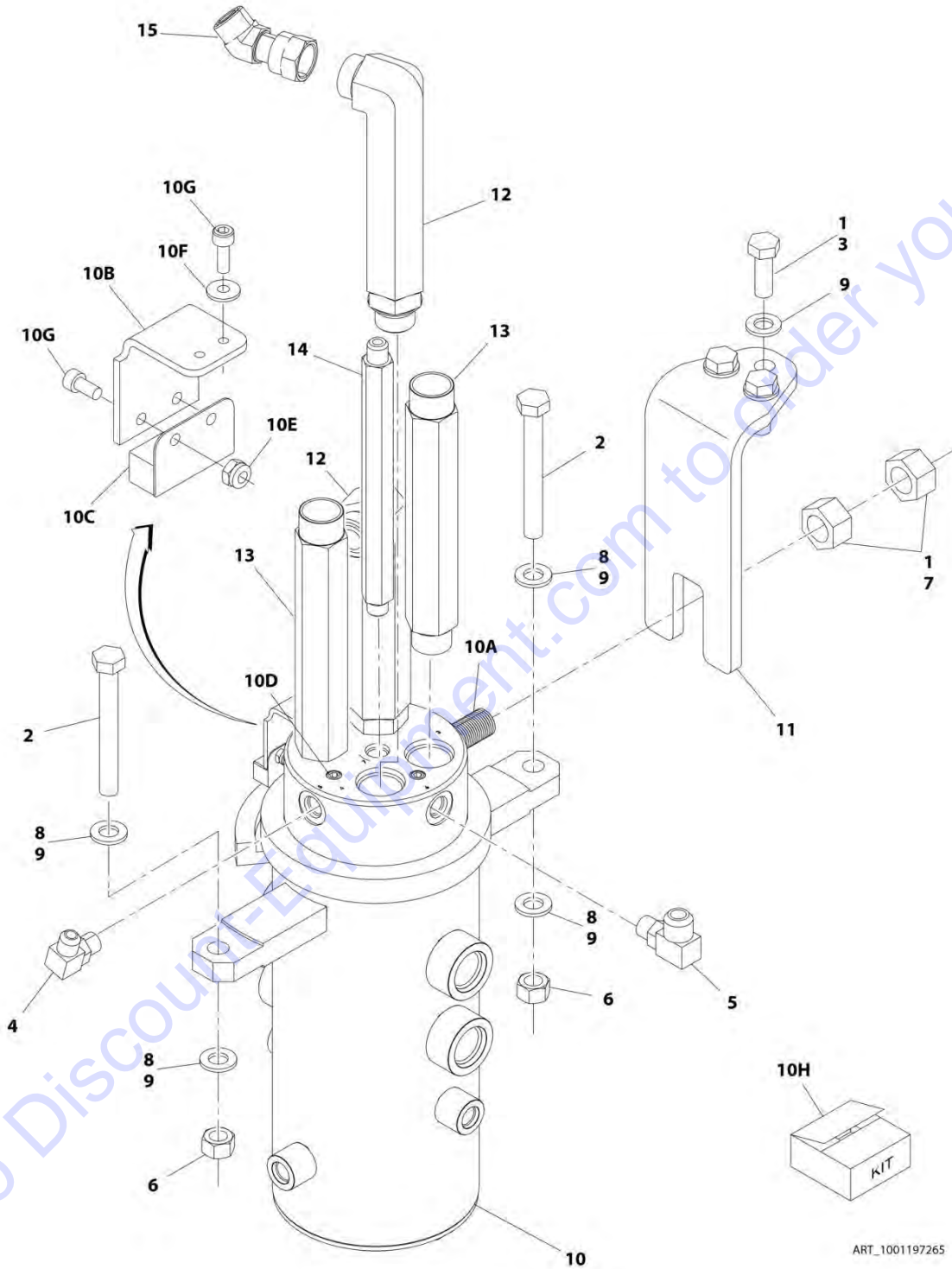
SECTION 2 - TURNTABLE

FIGURE 2-14. ROTARY COUPLING INSTALLATION (WITHOUT TURNTABLE BEARING SPACER)

ITEM	PART NUMBER	QTY	DESCRIPTION	REV
	1001189521	Ref	ROTARY COUPLING INSTALLATION (WITHOUT TURNTABLE BEARING SPACER)	G
1	0100011	AR	Compound, Locking	
2	0701224	3	Bolt M12 x 80	
3	0761227	2	Bolt M12 x 100 (Prior to SN 0300210279)	
3	0701225	2	Bolt M12 x 85 (SN 0300210279 to Present)	
4	3291207	2	Nut M12	
5	3322201	2	Nut 3/4	
6	4812100	7	Washer M12	
7	1001106837	1	Mount, Swivel	
8	1001189522	5	Shim, Swivel Mount	
9	1001189523	1	Coupling, Swivel 7 Port	
9A	70005244	1	Lug	
9B	70003454	1	Bracket, Switch Mounting	
9C	4360517	1	Switch, Proximity	
9D	2200221	2	Plug	
9E	3311005	2	Nut, Lock #10	
9F	4711000	2	Washer #10	
9G	3931008	2	Screw #10 x 1/2	
9H	70005322	1	Seal Kit - 1001189523 Coupling	
10	2111212	2	Adapter	
11	2131212	2	Fitting, 90 ORFS/ORB	
12	2220998	1	Fitting, 90 JIC/ORB	
13	2220473	1	Fitting, 90 JIC/ORB	
14	2220726	1	Fitting, 90 JIC/ORB	

SECTION 2 - TURNTABLE

FIGURE 2-15. ROTARY COUPLING INSTALLATION (WITH TURNTABLE BEARING SPACER)



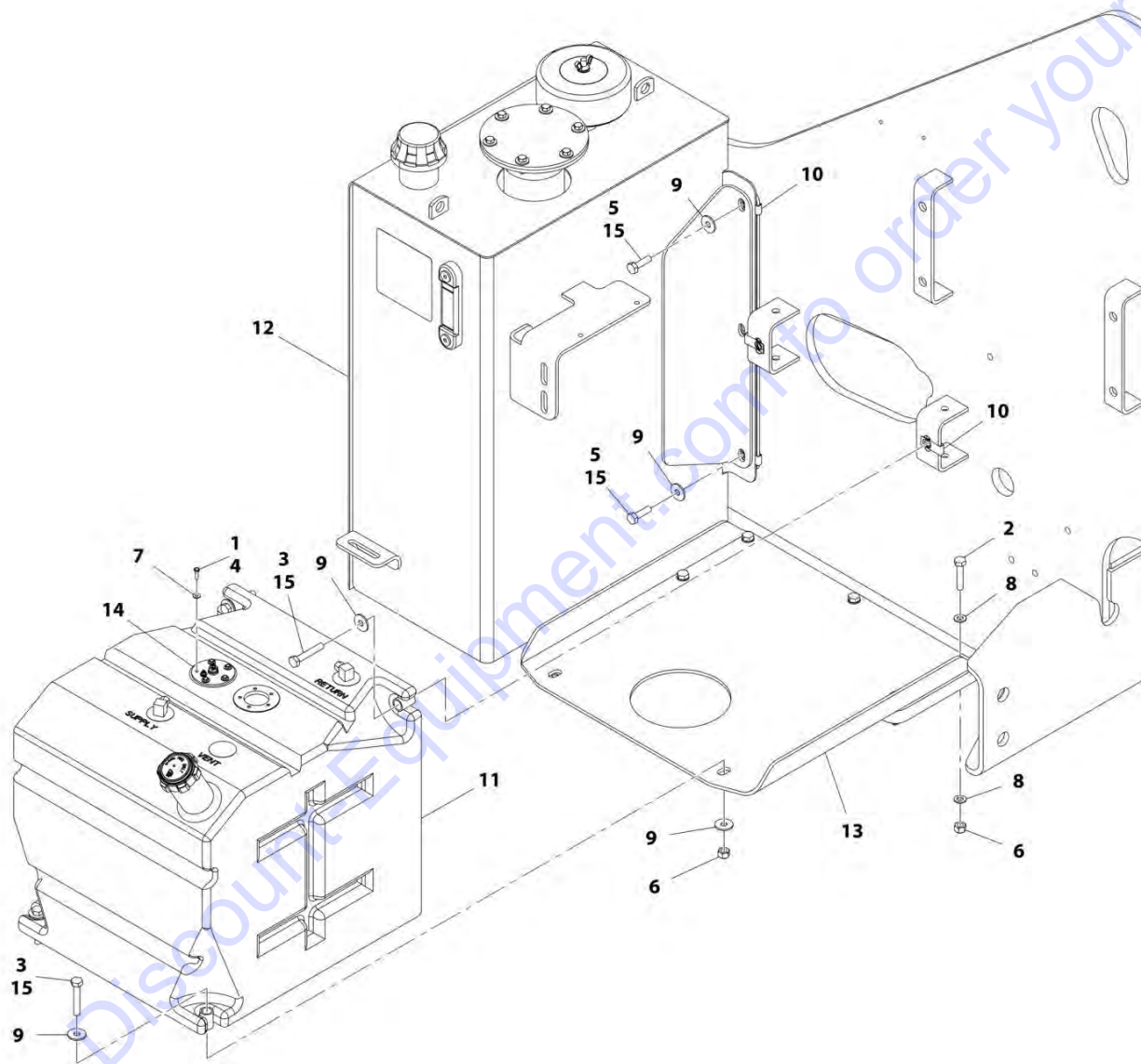
SECTION 2 - TURNTABLE

FIGURE 2-15. ROTARY COUPLING INSTALLATION (WITH TURNTABLE BEARING SPACER)

ITEM	PART NUMBER	QTY	DESCRIPTION	REV
	1001197265	Ref	ROTARY COUPLING INSTALLATION (WITH TURNTABLE BEARING SPACER)	F
1	0100011	AR	Compound, Locking	
2	0641830	2	Bolt 1/2 x 3-3/4 (Prior to SN 0300209808)	
2	0701225	2	Bolt 1/2 x 85 (SN 0300209808 to Present)	
3	0761215	3	Bolt M12 x 35	
4	2220473	1	Fitting, 90 JIC/ORB	
5	2220726	1	Fitting, 90 JIC/ORB	
6	3311805	2	Nut, 1/2 (Prior to SN 0300209808)	
6	3291207	2	Nut, M12 (SN 0300209808 to Present)	
7	3322201	2	Nut 3/4	
8	4711800	4	Washer 1/2 (Prior to SN 0300209808)	
9	4812100	7	Washer M12 (SN 0300209808 to Present)	
10	1001189523	1	Coupling, Rotary	
10A	70005244	1	Lug	
10B	70003454	1	Bracket, Switch Mounting	
10C	4360517	1	Switch, Proximity	
10D	2200221	2	Plug	
10E	3311005	2	Nut, Lock #10	
10F	4711000	2	Washer #10	
10G	3931008	4	Screw #10 x 1/2	
10H	70005322	1	Seal Kit - 1001189523 Coupling	
11	1001197255	1	Bracket, Mounting (Prior to SN 03000224020)	
11	1001211784	1	Bracket, Mounting (SN 0300224020 to Present)	
12	1001197256	2	Fitting, 90 ORFS/ORB	
13	1001197257	2	Fitting, Straight ORFS/ORB	
14	1001203089	1	Fitting, Straight JIC/ORB	
15	2172312	1	Nut, Swivel Elbow (SN 0300224020 to Present)	

SECTION 2 - TURNTABLE

FIGURE 2-16. TANKS INSTALLATION



ART_1001163939

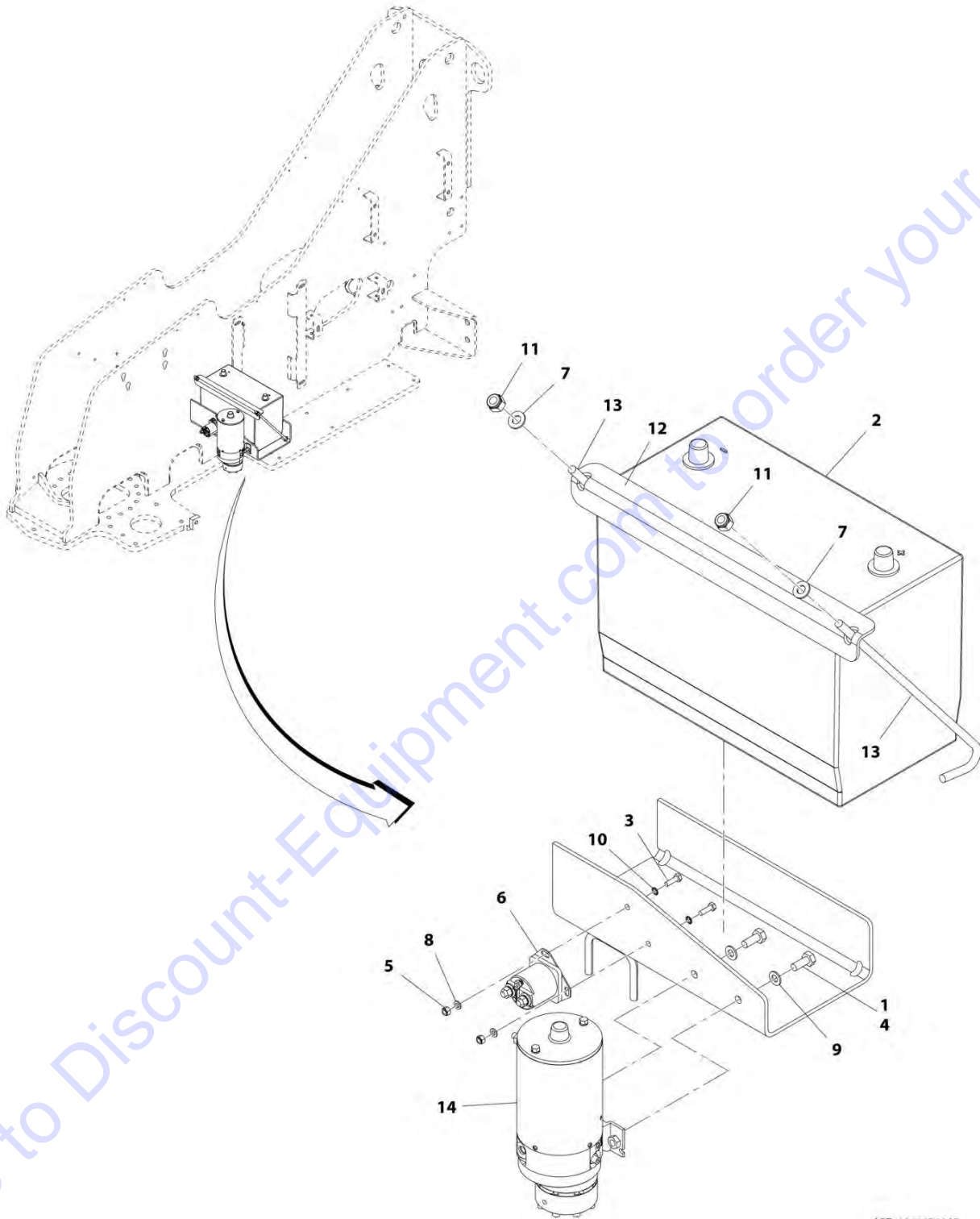
SECTION 2 - TURNTABLE

FIGURE 2-16. TANKS INSTALLATION

ITEM	PART NUMBER	QTY	DESCRIPTION	REV
	1001163939	Ref	TANKS INSTALLATION	G
1	0100035	AR	Compound, Locking	
2	0701018	5	Bolt M10 x 50	
3	0701020	4	Bolt M10 x 60	
4	0731005	5	Screw #10 x .625	
5	0761015	4	Bolt M10 x 35	
6	3291005	7	Nut M10	
7	4751000	5	Washer #10	
8	4812000	10	Washer M10	
9	4812002	10	Washer M10 (Prior to SN 0300215837)	
9	4812002	12	Washer M10 (SN 0300215837 to Present)	
10	1001118972	6	Nut M10	
11	1001163418	1	Tank, Fuel	
11	1001193336	1	Cap, Fill with Chain and Stop Spring	
11	70004794	1	Tube, Pick-up	
12	1001166031	1	Tank, Hydraulic	
12	70003614	1	Filter Kit (Includes Hydraulic Filter Element, Breather Element and Gasket)	
12	70002838	1	Cap, Fill (Includes Cap, Chain and Fill Basket)	
12	7024441	1	Gauge, Sight	
13	1001166710	1	Plate	
14	1001168762	1	Sensor, Fuel Level (Prior to SN 0300232895)	
14	1001231195	1	Sensor, Fuel Level (SN 0300232895 to Present)	
15	0100011	AR	Compound, Locking	

SECTION 2 - TURNTABLE

FIGURE 2-17. AUXILIARY PUMP AND BATTERY INSTALLATION (WITHOUT DISCONNECT)



ART_1001170145

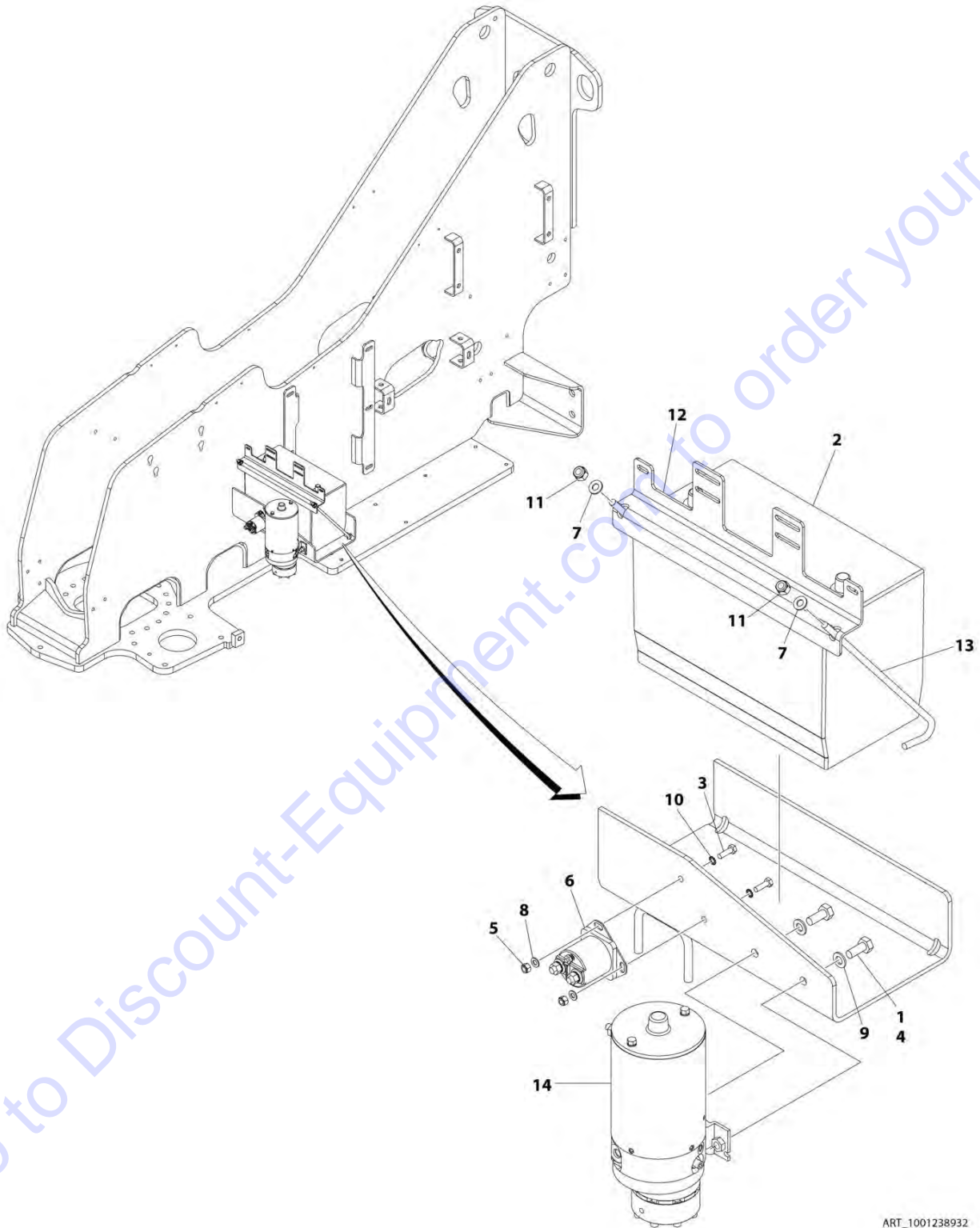
SECTION 2 - TURNTABLE

FIGURE 2-17. AUXILIARY PUMP AND BATTERY INSTALLATION (WITHOUT DISCONNECT)

ITEM	PART NUMBER	QTY	DESCRIPTION	REV
	1001170145	Ref	AUXILIARY PUMP AND BATTERY INSTALLATION (WITHOUT DISCONNECT)	C
1	0100011	AR	Compound, Locking	
2	0400075	1	Battery	
3	0760610	2	Bolt M6 x 20	
4	0761012	2	Bolt M10 x 25	
5	3290605	2	Nut M6	
6	3740067	1	Relay	
6	3300220	2	Nut 3/8	
6	3321001	1	Nut #10	
6	4761000	1	Washer #10	
6	1001111424	2	Washer 3/8	
7	4711500	2	Washer 5/16	
8	4811700	2	Washer M6	
9	4812000	2	Washer M10	
10	4871700	2	Washer M6	
11	88521205	2	Nut 5/16	
12	91401281	1	Bracket	
13	1001093382	2	J-Bolt	
14	1001185821	1	Auxiliary Pump Assembly (See AUXILIARY PUMP ASSEMBLY for Breakdown)	

SECTION 2 - TURNTABLE

FIGURE 2-18. AUXILIARY PUMP AND BATTERY INSTALLATION (WITH DISCONNECT) (SN 0300259635 to Present)



ART_1001238932

SECTION 2 - TURNTABLE

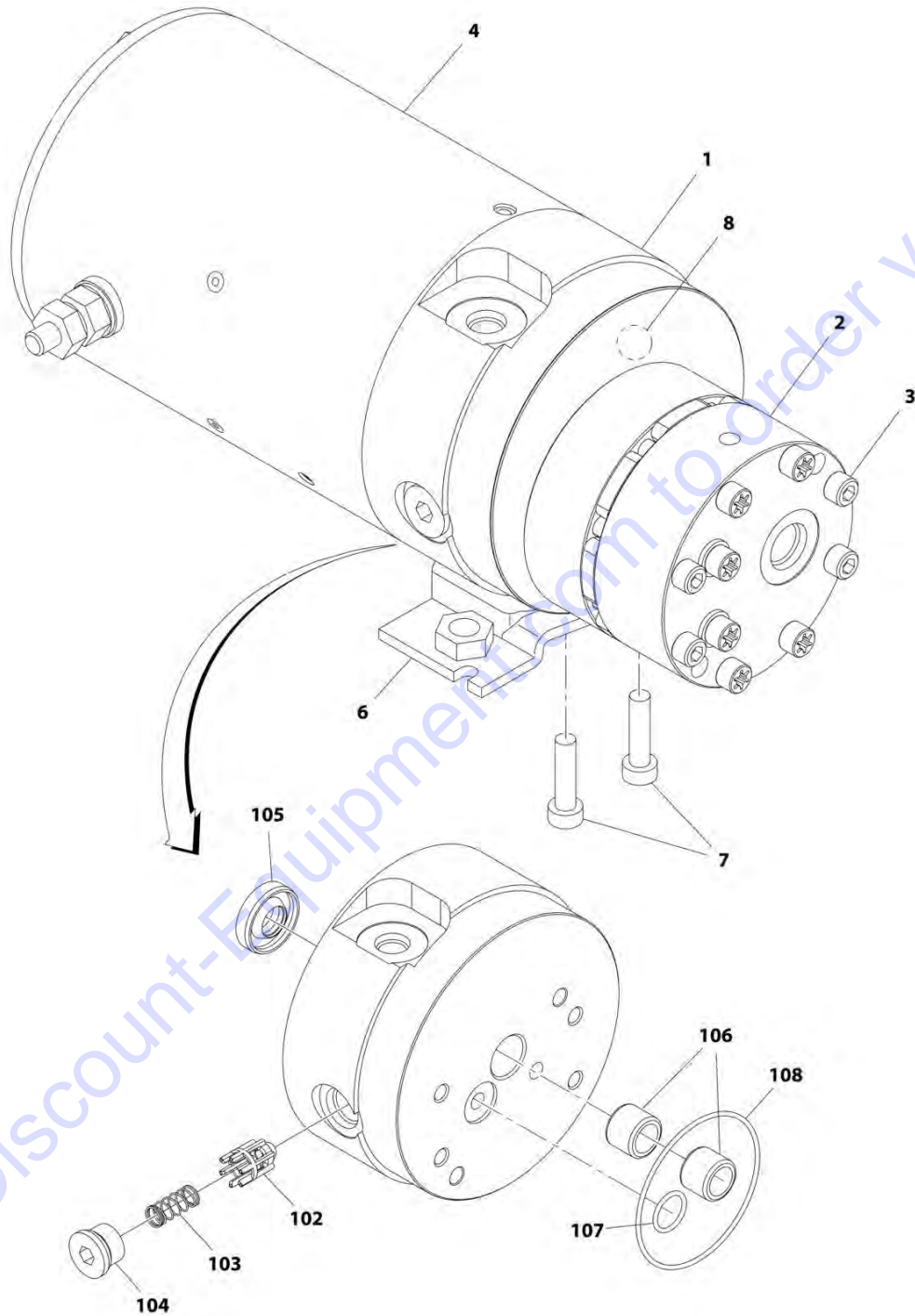
FIGURE 2-18. AUXILIARY PUMP AND BATTERY INSTALLATION (WITH DISCONNECT) (SN 0300259635 to Present)

ITEM	PART NUMBER	QTY	DESCRIPTION	REV
	1001238932	Ref	AUXILIARY PUMP AND BATTERY INSTALLATION WITH DISCONNECT	A
1	0100011	AR	Compound, Locking	
2	0400075	1	Battery	
3	0760610	2	Bolt M6 x 20	
4	0761012	2	Bolt M10 x 25	
5	3290605	2	Nut M6	
6	3740067	1	Relay	
6	3300220	2	Nut 3/8	
6	3321001	1	Nut #10	
6	4761000	1	Washer #10	
6	1001111424	2	Washer 3/8	
7	4711500	2	Washer 5/16	
8	4811700	2	Washer M6	
9	4812000	2	Washer M10	
10	4871700	2	Washer M6	
11	88521205	2	Nut 5/16	
12	1001236303	1	Bracket	
13	1001093382	2	J-Bolt	
14	1001185821	1	Auxiliary Pump Assembly (See Separate Breakdown in this Section)	

Go to Discount-Equipment.com to order your parts

SECTION 2 - TURNTABLE

FIGURE 2-19. AUXILIARY PUMP ASSEMBLY



ART_1001185821

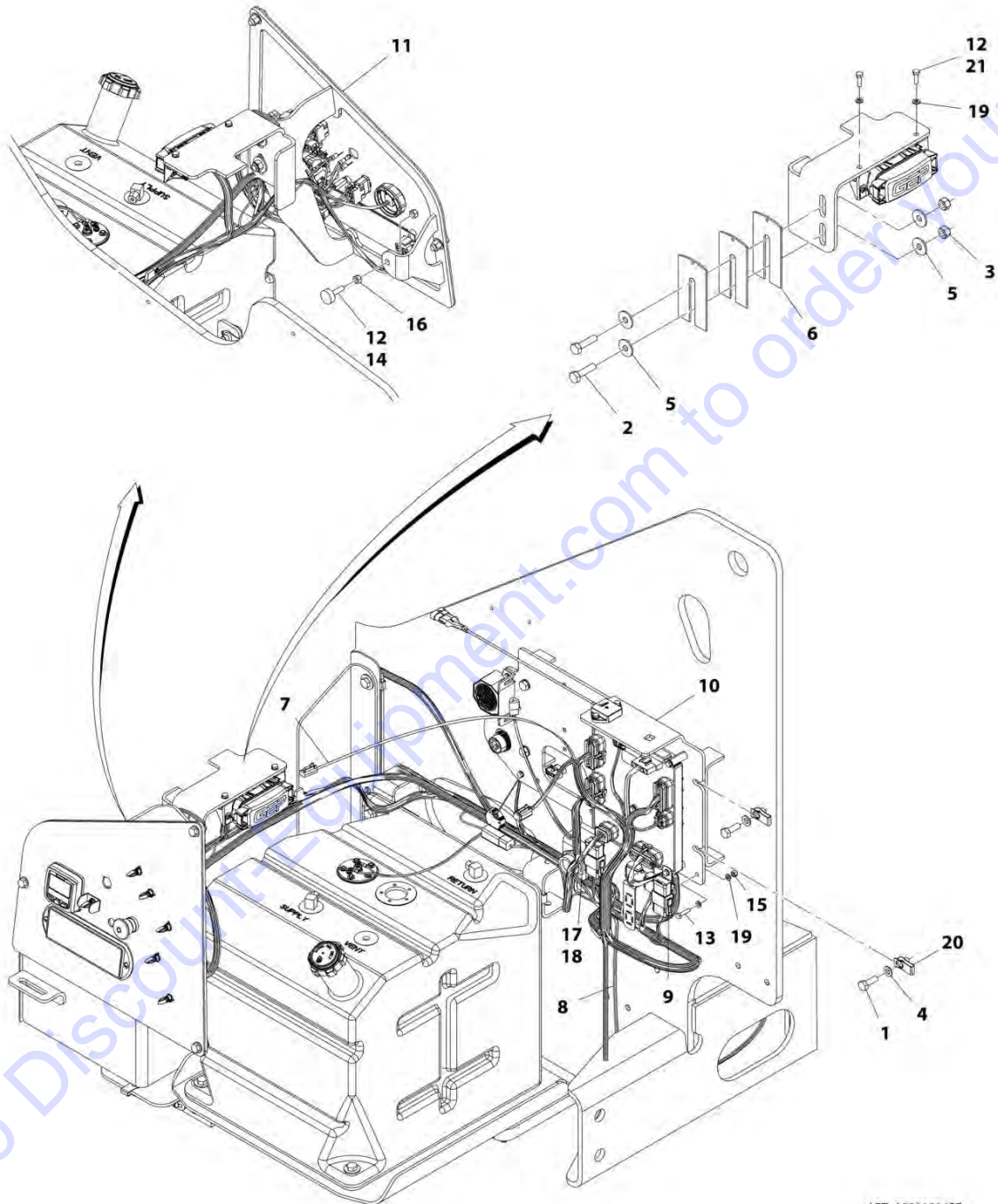
SECTION 2 - TURNTABLE

FIGURE 2-19. AUXILIARY PUMP ASSEMBLY

ITEM	PART NUMBER	QTY	DESCRIPTION	REV
	1001185821	Ref	AUXILIARY PUMP ASSEMBLY	B
1	70005065	1	Base Assembly (See Items 102-108 for Breakdown)	
2	70005066	1	Pump Assembly (Note: No Seal Kit or Internal Components are Available - Purchase Complete Pump Assembly)	
3	70005067	4	Capscrew 1/4 x 2-3/4	
4	70004013	1	Motor Assembly (Note: No Internal Components are Available - Purchase Complete Motor Assembly)	
6	70004014	1	Bracket	
7	70004000	2	Capscrew 3/8 x 1	
8	70005068	1	Relief Valve Assembly	
	70005065	Ref	BASE ASSEMBLY	
102	See Note	NSS	Poppet, Check (Note: Not Available - Purchase p/n 70005065)	
103	See Note	NSS	Spring (Note: Not Available - Purchase p/n 70005065)	
104	See Note	NSS	Plug (Note: Not Available - Purchase p/n 70005065)	
105	7026330	1	Seal, Shaft	
106	70005139	2	Bearing	
107	70003612	1	O-Ring	
108	70004267	1	O-Ring	

SECTION 2 - TURNTABLE

FIGURE 2-20. ELECTRICAL INSTALLATION - 400SC (Prior to SN 0300259635)



ART_1001191457

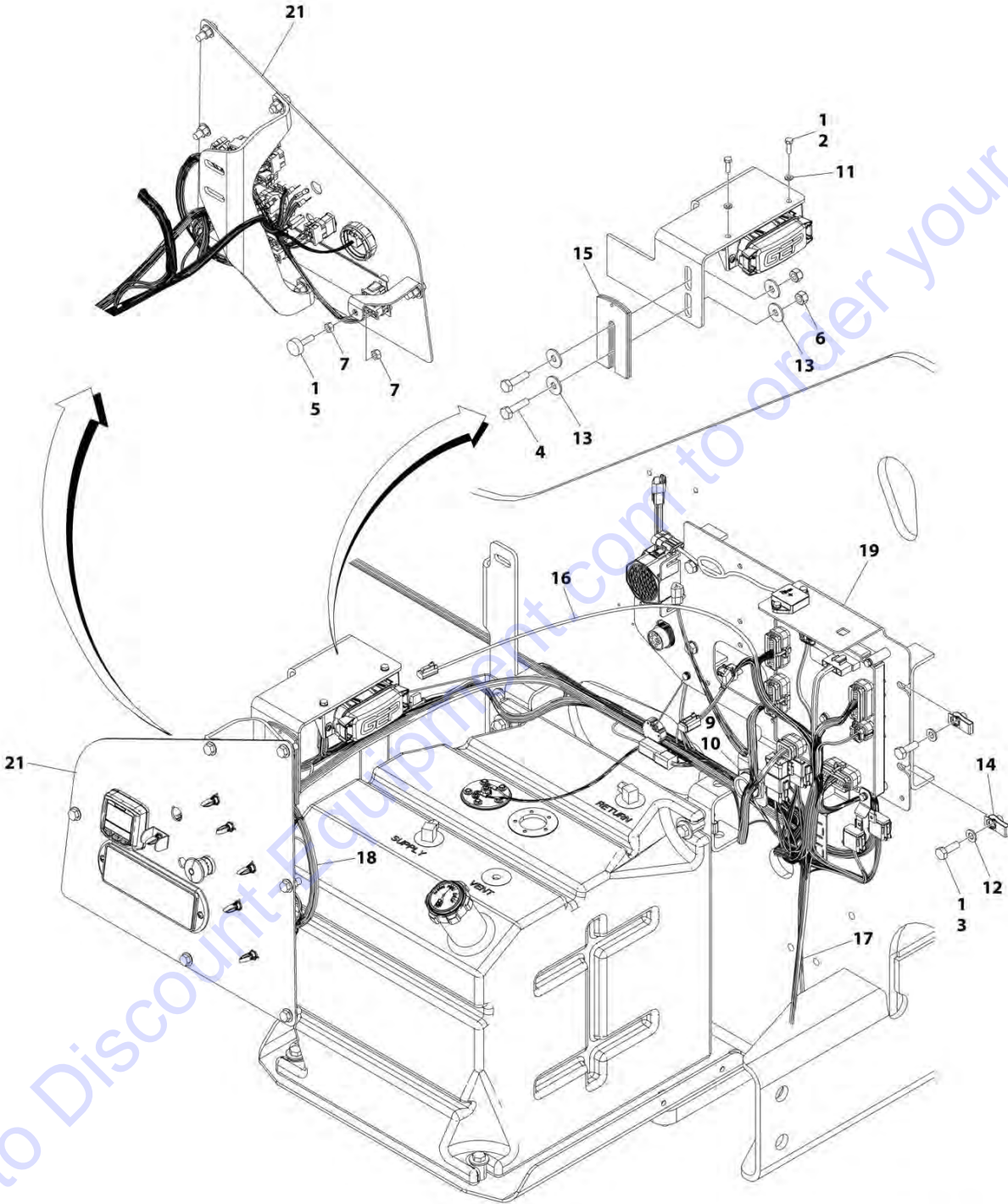
SECTION 2 - TURNTABLE

FIGURE 2-20. ELECTRICAL INSTALLATION - 400SC (Prior to SN 0300259635)

ITEM	PART NUMBER	QTY	DESCRIPTION	REV
	1001191457	Ref	ELECTRICAL INSTALLATION - 400SC	C
1	0761014	4	Bolt M10 x 30	
2	0761016	2	Bolt M10 x 40	
3	3291005	2	Nut M10	
4	4812000	4	Washer M10	
5	4812002	4	Washer M10	
6	1001150324	3	Shim 3	
7	1001191274	1	Harness, Turntable (See ELECTRICAL SECTION for Breakdown)	
8	1001196678	1	Harness, Main Valve (See ELECTRICAL SECTION for Breakdown)	
9	1001166964	1	Ground Control Box Harness (See ELECTRICAL SECTION for Breakdown)	
10	1001172757	1	Electrical Panel Assembly (See ELECTRICAL PANEL ASSEMBLY for Breakdown)	
11	1001173645	1	Ground Control Assembly (See GROUND CONTROL ASSEMBLY for Breakdown)	
12	0100011	AR	Compound, Locking	
13	0700612	1	Bolt M6 x 25	
14	0940049	1	Stopper, Hood	
15	3290605	1	Nut M6	
16	3311501	2	Nut 5/16	
17	4460470	1	Nut, Terminal	
18	4460471	1	Washer, Terminal	
19	4811700	4	Washer M6	
20	1001118972	4	Nut M10	
21	0760610	2	Bolt M6 x 20	
22	1001196637	1	Decal, Fuse Box (SN 0300224020 to Present)	

SECTION 2 - TURNTABLE

FIGURE 2-21. ELECTRICAL INSTALLATION - 400SC (SN 0300259635 to Present)



ART_1001238425

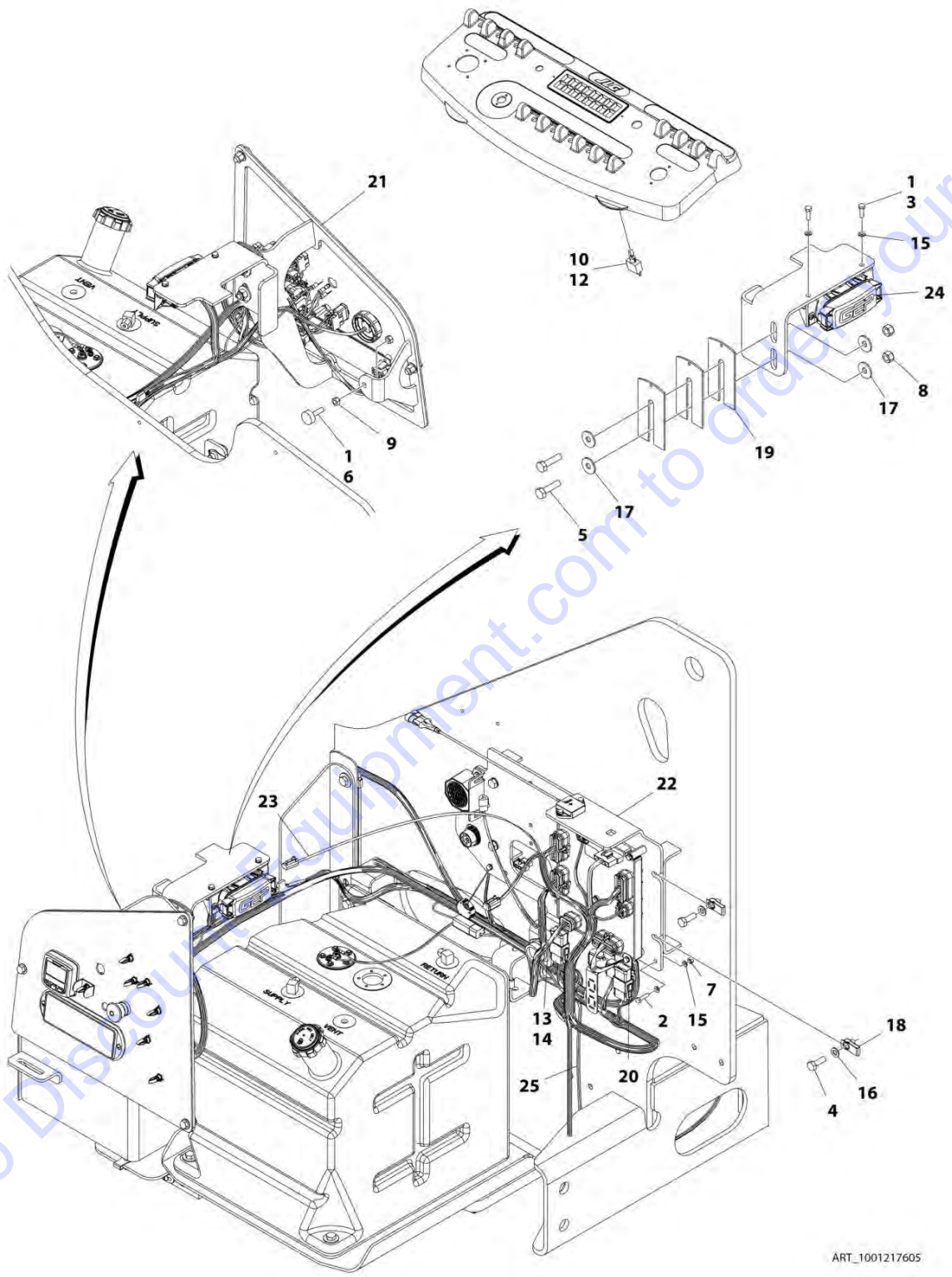
SECTION 2 - TURNTABLE

FIGURE 2-21. ELECTRICAL INSTALLATION - 400SC (SN 0300259635 to Present)

ITEM	PART NUMBER	QTY	DESCRIPTION	REV
	1001238425	Ref	ELECTRICAL INSTALLATION	A
1	0100011	AR	Compound, Locking	
2	0760610	2	Bolt M6 x 20	
3	0761014	4	Bolt M10 x 30	
4	0761016	2	Bolt M10 x 40	
5	0940049	1	Stopper, Hood	
6	3291005	2	Nut M10	
7	3311501	2	Nut 5/16	
8	4240099	AR	Tie-Strap (Not Shown)	
9	4460470	1	Nut, Terminal	
10	4460471	1	Washer, Terminal	
11	4811700	2	Washer M6	
12	4812000	4	Washer M10	
13	4812002	4	Washer M10	
14	1001118972	4	Nut M10	
15	1001150324	AR	Shim 3	
16	1001164818	1	Turntable Harness (See ELECTRICAL SECTION for Breakdown)	
17	1001166963	1	Valve Harness (See ELECTRICAL SECTION for Breakdown)	
18	1001166964	1	Ground Control Box Harness (See ELECTRICAL SECTION for Breakdown)	
19	1001172757	1	Electrical Panel Assembly (See ELECTRICAL PANEL ASSEMBLY for Breakdown)	
20	1001196637	1	Decal - Fuse Box (Not Shown)	
21	1001238890	1	Ground Control Assembly (See GROUND CONTROL ASSEMBLY - 400S (ANSI AND CSA SPECS) for Breakdown)	

SECTION 2 - TURNTABLE

FIGURE 2-22. ELECTRICAL INSTALLATION - 460SJC



ART_1001217605

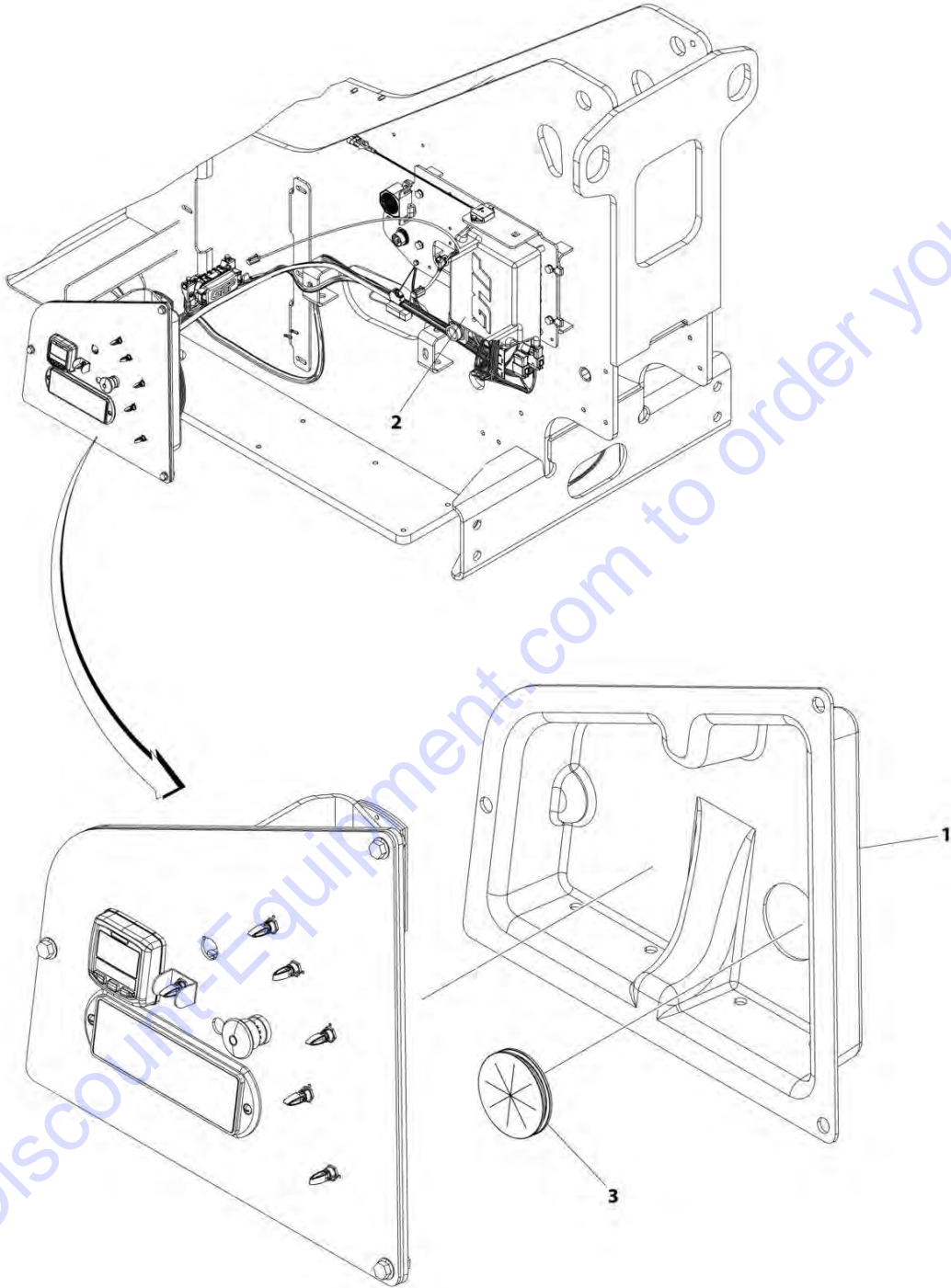
SECTION 2 - TURNTABLE

FIGURE 2-22. ELECTRICAL INSTALLATION - 460SJC

ITEM	PART NUMBER	QTY	DESCRIPTION	REV
	1001217605	Ref	ELECTRICAL INSTALLATION - 460SJC	A
1	0100011	AR	Compound, Locking	
2	0700612	1	Bolt M6 x 25	
3	0760610	2	Bolt M6 x 20	
4	0761014	4	Bolt M10 x 30	
5	0761016	2	Bolt M10 x 40	
6	0940049	1	Stopper, Hood	
7	3290605	1	Nut M6	
8	3291005	2	Nut M10	
9	3311501	2	Nut 5/16	
10	3790012	1	O-Ring	
11	4240099	AR	Tie-Strap (Not Shown)	
12	4360328	1	Switch, Toggle	
13	4460470	1	Nut, Terminal	
14	4460471	1	Washer, Lock	
15	4811700	4	Washer M6	
16	4812000	4	Washer M10	
17	4812002	4	Washer M10	
18	1001118972	4	Nut M10	
19	1001150324	3	Shim 3	
20	1001166964	1	Ground Control Box Harness (See ELECTRICAL SECTION for Breakdown)	
21	1001169164	1	Mount, Ground Control	
22	1001172757	1	Electrical Panel Assembly (See ELECTRICAL PANEL ASSEMBLY for Breakdown)	
23	1001191274	1	Harness, Turntable (See ELECTRICAL SECTION for Breakdown)	
24	1001196637	1	Decal, Fuse Box	
25	1001196678	1	Harness, Main Valve (See ELECTRICAL SECTION for Breakdown)	

SECTION 2 - TURNTABLE

FIGURE 2-23. TURNTABLE COVERS INSTALLATION (SN 0300227267 to Present)



ART_1001219130

SECTION 2 - TURNTABLE

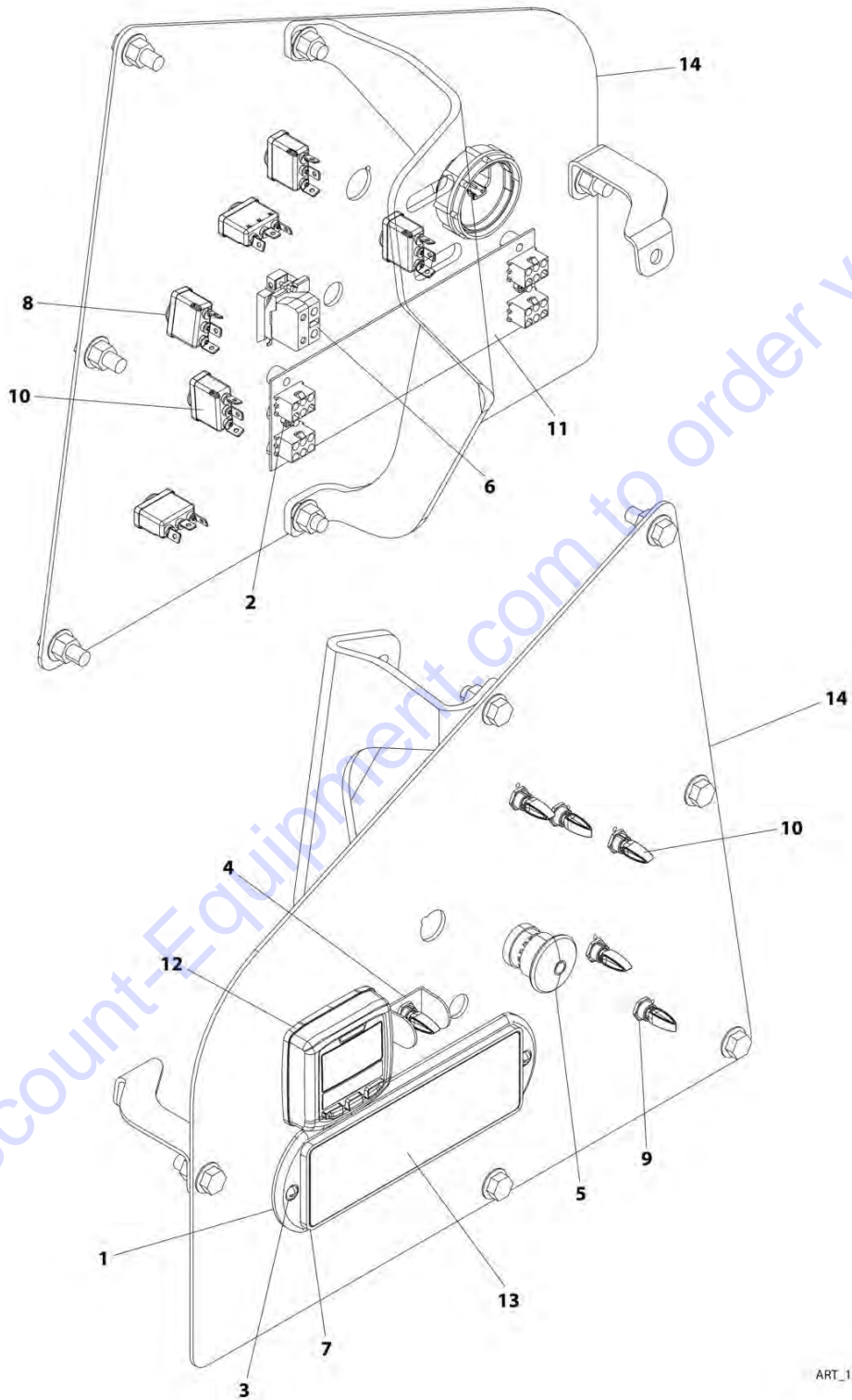
FIGURE 2-23. TURNTABLE COVERS INSTALLATION (SN 0300227267 to Present)

ITEM	PART NUMBER	QTY	DESCRIPTION	REV
	1001219130	Ref	TURNTABLE COVERS INSTALLATION (SN 0300227267 to Present)	B
1	1001218534	1	Cover, Control Panel (Prior to SN 0300259635)	
1	1001246087	1	Cover, Control Panel (SN 0300259635 to Present)	
2	1001218538	1	Cover, Controller	
3	1001218676	1	Grommet	

Go to Discount-Equipment.com to order your parts

SECTION 2 - TURNTABLE

FIGURE 2-24. GROUND CONTROL ASSEMBLY - 400SC (ANSI AND CSA SPECS) (SN 0300259635 to Present)



ART_1001238890

SECTION 2 - TURNTABLE

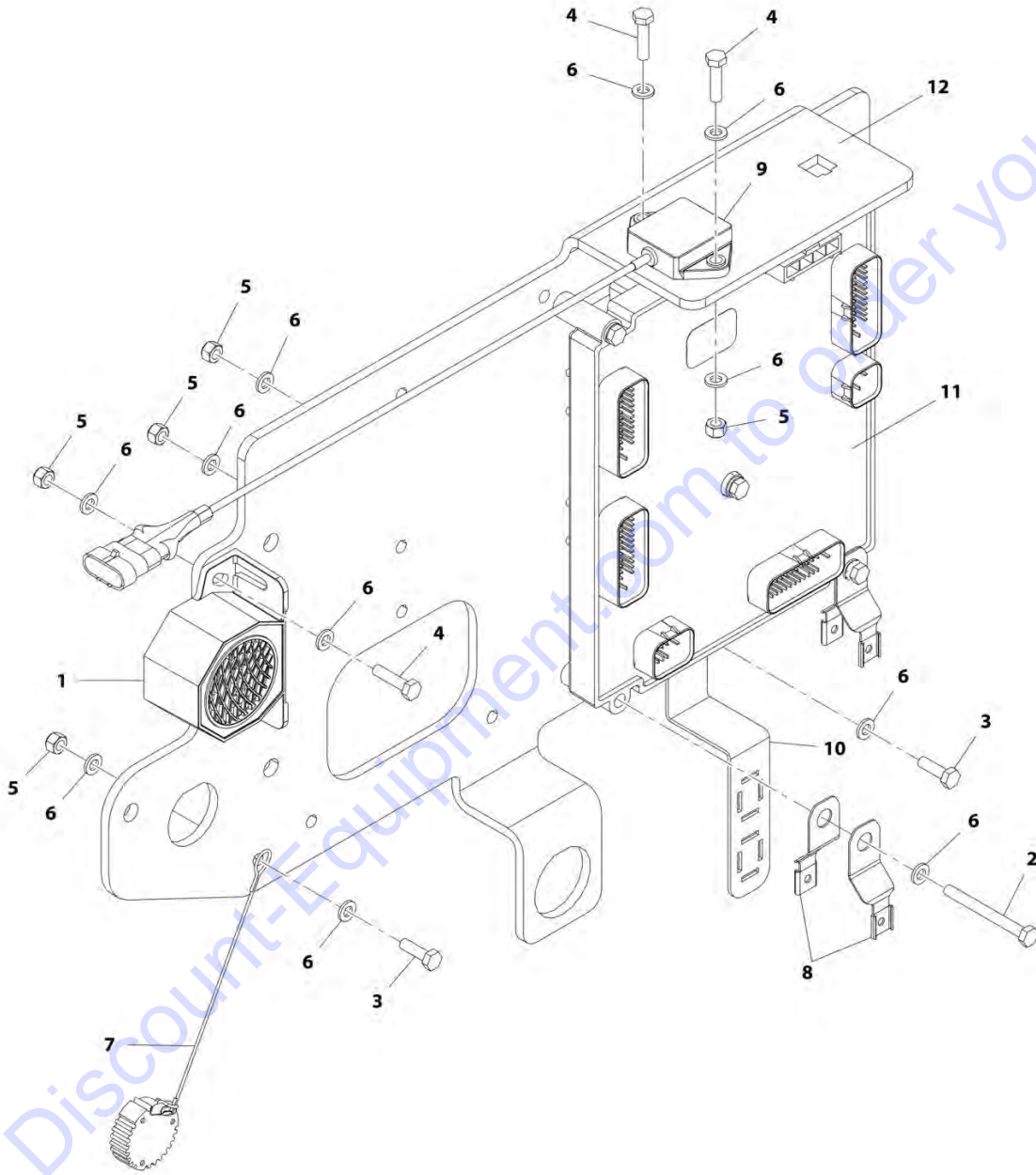
FIGURE 2-24. GROUND CONTROL ASSEMBLY - 400SC (ANSI AND CSA SPECS) (SN 0300259635 to Present)

ITEM	PART NUMBER	QTY	DESCRIPTION	REV
	1001238890	Ref	GROUND CONTROL ASSEMBLY	A
1	1670829	1	Cover	
2	3300408	2	Nut	
3	3911018	2	Screw #10 x 1-1/8	
4	4060906	1	Guard, Switch	
5	4360475	1	Switch, Emergency Stop	
6	4360476	1	Block, Contact	
7	1001146220	1	Housing, Display	
8	1001155043	6	Washer	
9	1001155044	6	Nut 15/32	
10	1001155045	6	Switch, Toggle	
11	1001170838	1	Panel, LED	
12	1001171482	1	Gauge	
13	1001216407	1	Decal - Display Panel	
14	1001238887	1	Mount, Ground Control Panel	

Go to Discount-Equipment.com to order your parts

SECTION 2 - TURNTABLE

FIGURE 2-25. ELECTRICAL PANEL ASSEMBLY



ART_1001172757

SECTION 2 - TURNTABLE

FIGURE 2-25. ELECTRICAL PANEL ASSEMBLY

ITEM	PART NUMBER	QTY	DESCRIPTION	REV
	1001172757	Ref	ELECTRICAL PANEL ASSEMBLY	E
1	0140043	1	Alarm	
1	4460536	1	Plug, Male - 3 Position	
1	4460943	3	Terminal	
2	0700620	5	Bolt M6 x 60	
3	0760610	2	Bolt M6 x 20	
4	0760612	4	Bolt M6 x 25	
5	3290605	11	Nut M6	
6	4811700	22	Washer M6	
7	1001106736	1	Cap, Dust	
8	1001120328	2	Clip, Mounting (Prior to SN 0300220076)	
8	1001120328	4	Clip, Mounting (SN 0300220076 to Present)	
9	1001181325	1	Sensor (Prior to SN 0300239154)	
9	1001219601	1	Sensor (SN 0300239154 to Present)	
9	See Note	1	Receptacle, Female - 4 Position	
9	See Note	4	Pin, Male	
10	1001159162	1	Bracket	
11	1001170094	1	Module, Ground Control	
		Ref	Note: Re-calibration Required when Replaced.	
12	1001172756	1	Plate (Prior to SN 0300220076)	
12	1001215373	1	Plate (SN 0300220076 to Present)	

PARTS FINDER

**Search Website
by Part Number**



**Search Manual
Library For Parts
Manual & Lookup Part
Numbers – Purchase
or Request Quote**

**Can't Find Part or
Manual? Request Help
by Manufacturer,
Model & Description**

Discount-Equipment.com is your online resource for quality parts & equipment.

Florida: **561-964-4949** Outside Florida TOLL FREE: **877-690-3101**

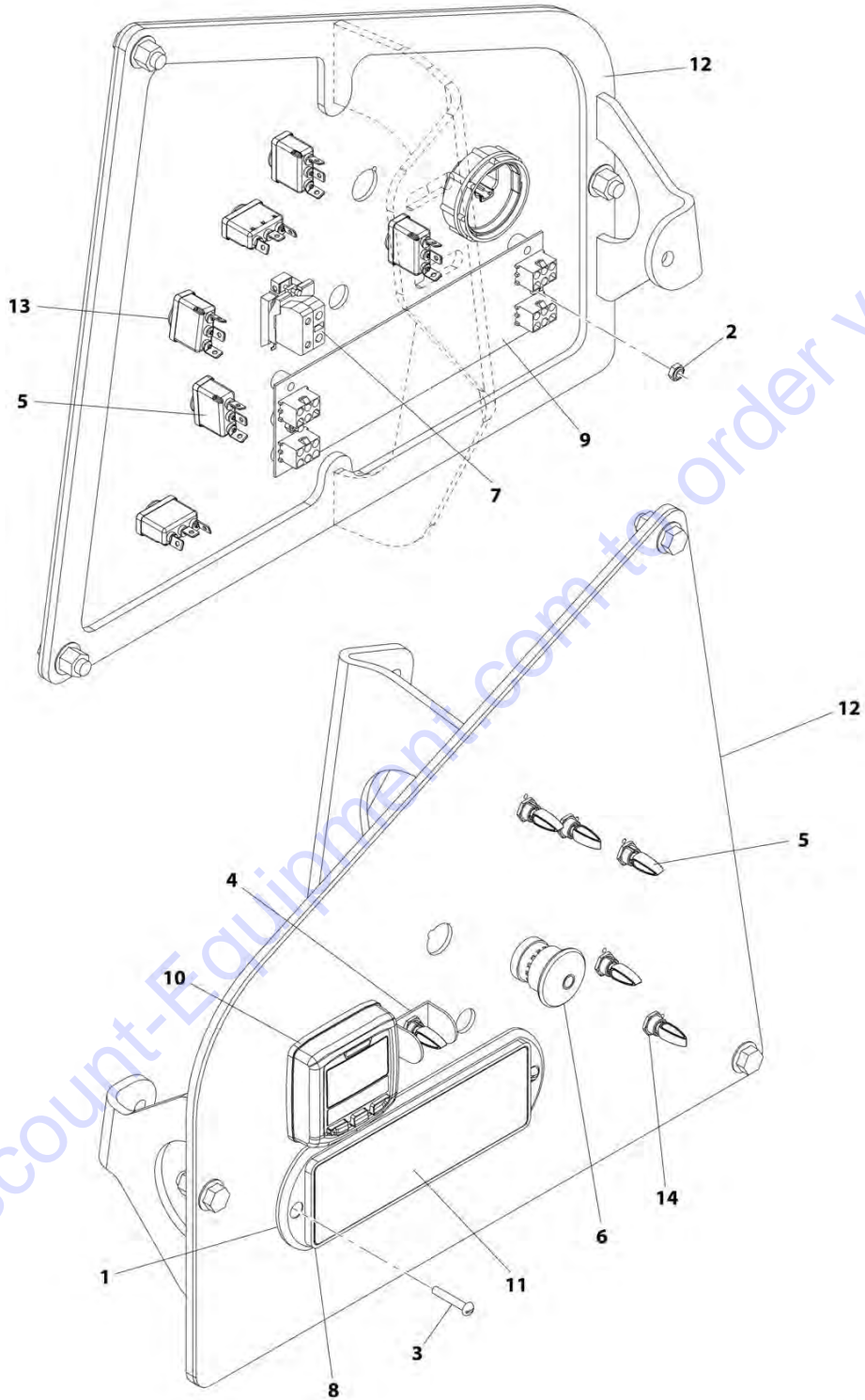
Need parts?

Click on this link: <http://www.discount-equipment.com/category/5443-parts/> and choose one of the options to help get the right parts and equipment you are looking for. Please have the machine model and serial number available in order to help us get you the correct parts. If you don't find the part on the website or on one of the online manuals, please fill out the request form and one of our experienced staff members will get back to you with a quote for the right part that your machine needs.

We sell worldwide for the brands: Genie, Terex, JLG, MultiQuip, Mikasa, Essick, Whiteman, Mayco, Toro Stone, Diamond Products, Generac Magnum, Airman, Haulotte, Barreto, Power Blanket, Nifty Lift, Atlas Copco, Chicago Pneumatic, Allmand, Miller Curber, Skyjack, Lull, Skytrak, Tsurumi, Husquvarna Target, Stow, Wacker, Sakai, Mi-T-M, Sullair, Basic, Dynapac, MBW, Weber, Bartell, Bennar Newman, Haulotte, Ditch Runner, Menegotti, Morrison, Contec, Buddy, Crown, Edco, Wyco, Bomag, Laymor, EZ Trench, Bil-Jax, F.S. Curtis, Gehl Pavers, Heli, Honda, ICS/PowerGrit, IHI, Partner, Imer, Clipper, MMD, Koshin, Rice, CH&E, General Equipment, Amida, Coleman, NAC, Gradall, Square Shooter, Kent, Stanley, Tamco, Toku, Hatz, Kohler, Robin, Wisconsin, Northrock, Oztec, Toker TK, Rol-Air, APT, Wylie, Ingersoll Rand / Doosan, Innovatech, Con X, Ammann, Mecalac, Makinex, Smith Surface Prep, Small Line, Wanco, Yanmar

SECTION 2 - TURNTABLE

FIGURE 2-26. GROUND CONTROL ASSEMBLY



ART_1001173645

SECTION 2 - TURNTABLE

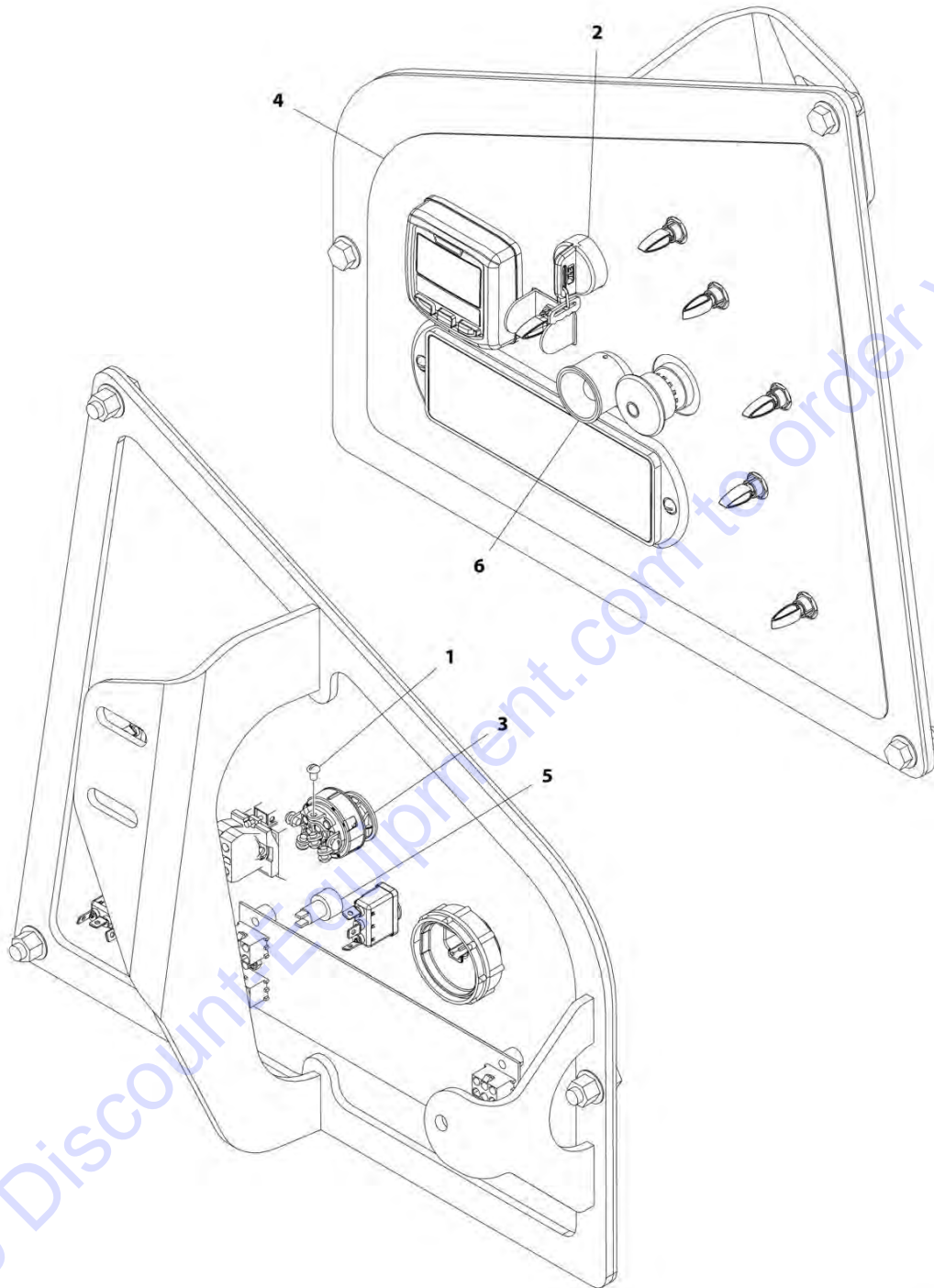
FIGURE 2-26. GROUND CONTROL ASSEMBLY

ITEM	PART NUMBER	QTY	DESCRIPTION	REV
	1001173645	Ref	GROUND CONTROL ASSEMBLY	C
1	1671176	1	Cover (Prior to SN 0300211862)	
1	1670829	1	Cover (SN 0300211862 to Present)	
2	3300408	2	Nut	
3	3911018	2	Screw #10 x 1-1/8	
4	4060906	1	Guard, Switch	
5	1001155045	6	Switch, Toggle	
6	4360475	1	Switch, Emergency Stop	
6	7020175	1	Cap	
6	7020176	1	Block, Contact	
7	4360476	1	Block, Contact	
8	1001146220	1	Housing, Display	
9	1001170838	1	Panel, LED	
10	1001171482	1	Gauge	
11	1001173529	1	Panel, Display	
12	1001173644	1	Panel, Ground Control	
13	1001155043	6	Washer	
14	1001155044	6	Nut 15/32	

Go to Discount-Equipment.com to order your parts

SECTION 2 - TURNTABLE

FIGURE 2-27. GROUND CONTROL DECAL AND KEY SWITCH INSTALLATION - 400SC (CE SPECS)



ART_1001191934

SECTION 2 - TURNTABLE

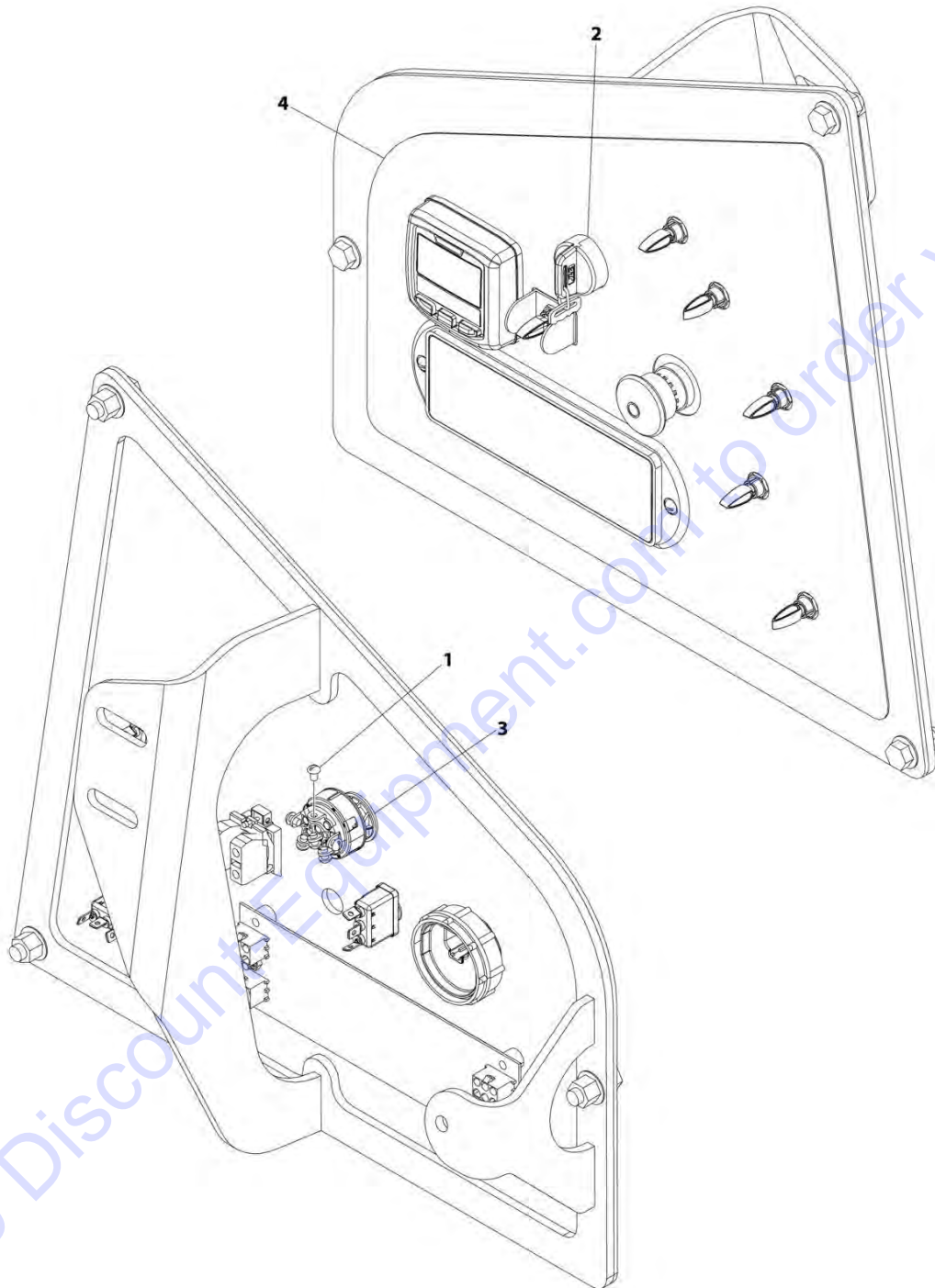
FIGURE 2-27. GROUND CONTROL DECAL AND KEY SWITCH INSTALLATION - 400SC (CE SPECS)

ITEM	PART NUMBER	QTY	DESCRIPTION	REV
	1001191934	Ref	GROUND CONTROL DECAL AND KEY SWITCH INSTALLATION - 400SC (CE SPECS)	A
1	3910804	6	Screw #8 x 1/4	
2	4360469	1	Switch, Key	
2	2860030	1	Key, Replacement	
3	1001151393	1	Shim .063	
4	1001182516	1	Decal - Ground Control	
5	4360387	1	Switch, Push Button	
6	1001176469	1	Shroud, Switch	

Go to Discount-Equipment.com to order your parts

SECTION 2 - TURNTABLE

FIGURE 2-28. GROUND CONTROL DECAL AND KEY SWITCH INSTALLATION - 400SC (ANSI EXPORT SPECS) (SN 0300224020 to Present)



ART_1001215594

SECTION 2 - TURNTABLE

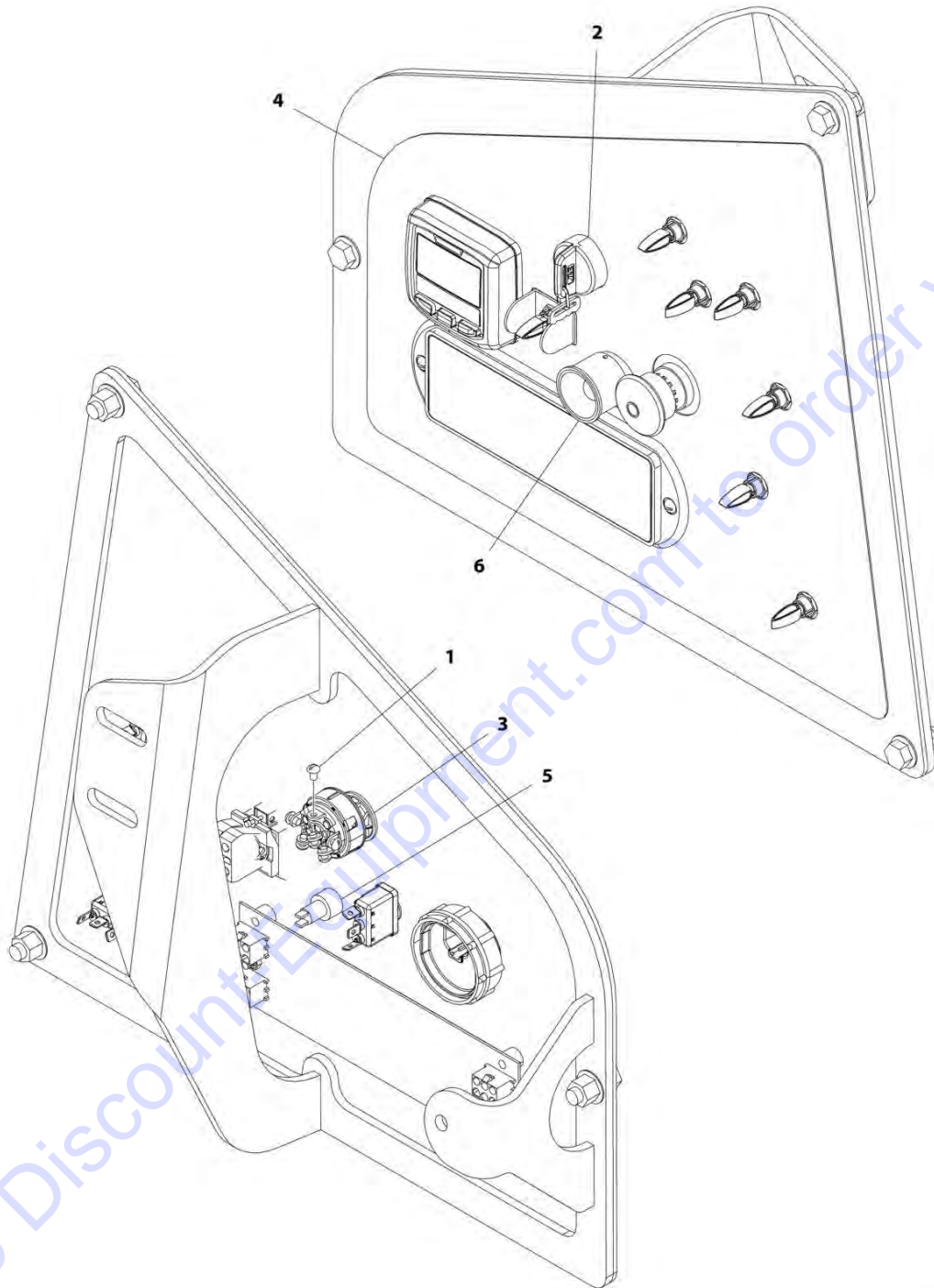
FIGURE 2-28. GROUND CONTROL DECAL AND KEY SWITCH INSTALLATION - 400SC (ANSI EXPORT SPECS) (SN 0300224020 to Present)

ITEM	PART NUMBER	QTY	DESCRIPTION	REV
	1001215594	Ref	GROUND CONTROL DECAL AND KEY SWITCH INSTALLATION - 400SC (ANSI EXPORT SPECS) (SN 0300224020 to Present)	A
1	3910804	6	Screw #8 x 1/4	
2	4360469	1	Switch, Key	
2	2860030	1	Key, Replacement	
3	1001151393	1	Shim .063	
4	1001215595	1	Decal - Ground Control	

Go to Discount-Equipment.com to order your parts

SECTION 2 - TURNTABLE

FIGURE 2-29. GROUND CONTROL DECAL AND KEY SWITCH INSTALLATION - 460SJC (CE SPECS)



ART_1001215592

SECTION 2 - TURNTABLE

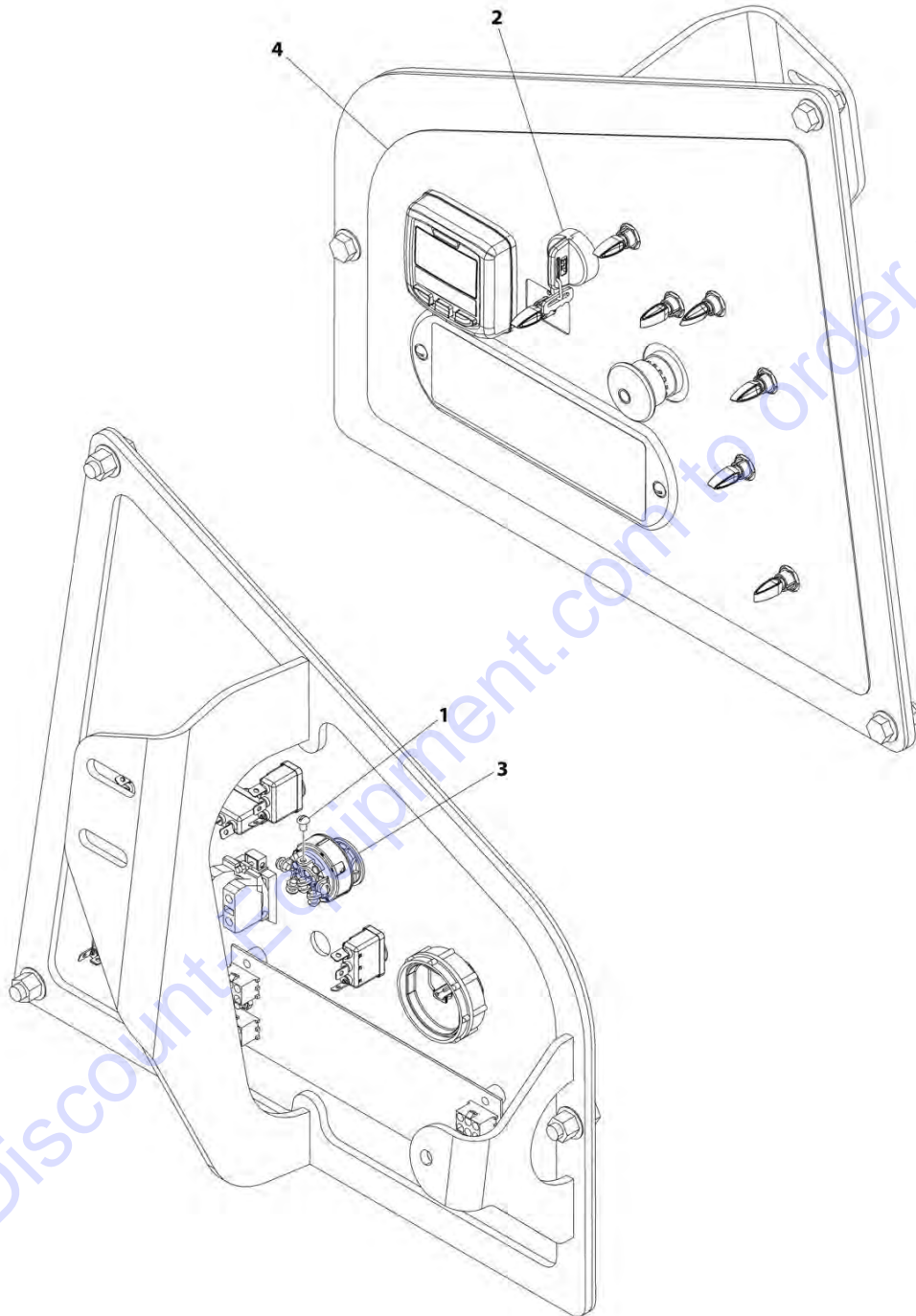
FIGURE 2-29. GROUND CONTROL DECAL AND KEY SWITCH INSTALLATION - 460SJC (CE SPECS)

ITEM	PART NUMBER	QTY	DESCRIPTION	REV
	1001215592	Ref	GROUND CONTROL DECAL AND KEY SWITCH INSTALLATION - 460SJC (CE SPECS)	A
1	3910804	6	Screw #8 x 1/4	
2	4360469	1	Switch, Key	
2	2860030	1	Key, Replacement	
3	1001151393	1	Shim .063	
4	1001215597	1	Decal - Ground Control	
5	4360387	1	Switch, Push Button	
6	1001176469	1	Shroud, Switch	

Go to Discount-Equipment.com to order your parts

SECTION 2 - TURNTABLE

FIGURE 2-30. GROUND CONTROL DECAL AND KEY SWITCH INSTALLATION - 460SJC (ANSI EXPORT SPECS) (SN 0300224020 to Present)



ART_1001215593

SECTION 2 - TURNTABLE

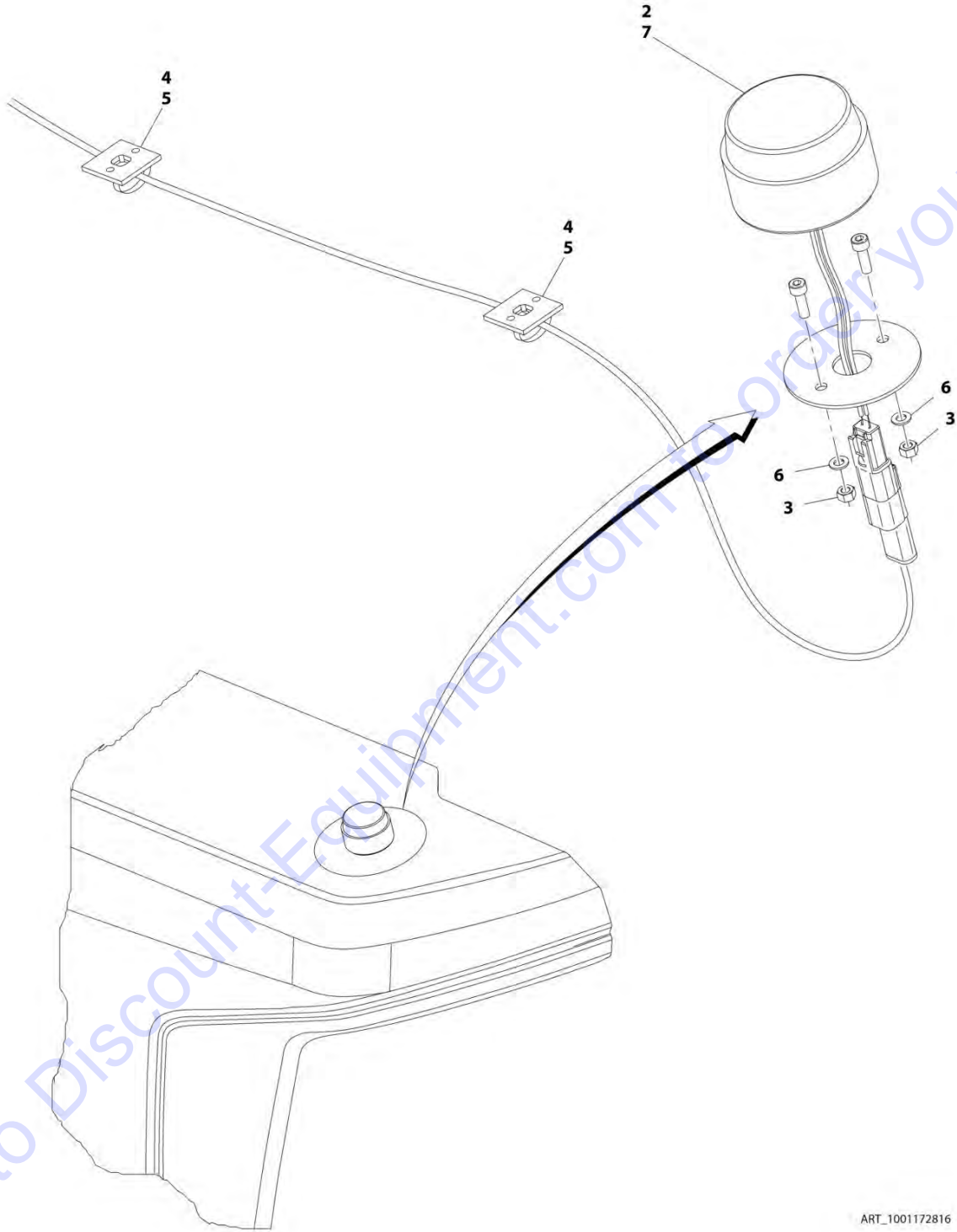
FIGURE 2-30. GROUND CONTROL DECAL AND KEY SWITCH INSTALLATION - 460SJC (ANSI EXPORT SPECS) (SN 0300224020 to Present)

ITEM	PART NUMBER	QTY	DESCRIPTION	REV
	1001215593	Ref	GROUND CONTROL DECAL AND KEY SWITCH INSTALLATION - 460SJC (ANSI EXPORT SPECS) (SN 0300224020 to Present)	A
1	3910804	6	Screw #8 x 1/4	
2	4360469	1	Switch, Key	
2	2860030	1	Key, Replacement	
3	1001151393	1	Shim .063	
4	1001215596	1	Decal - Ground Control	

Go to Discount-Equipment.com to order your parts

SECTION 2 - TURNTABLE

FIGURE 2-31. BEACON LIGHT INSTALLATION - AMBER



ART_1001172816

SECTION 2 - TURNTABLE

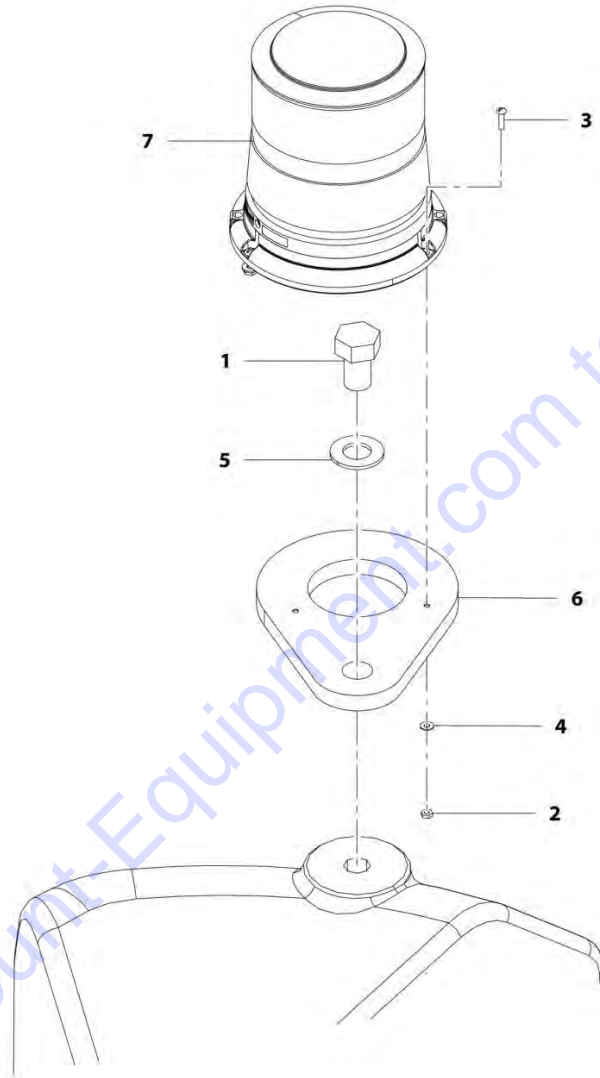
FIGURE 2-31. BEACON LIGHT INSTALLATION - AMBER

ITEM	PART NUMBER	QTY	DESCRIPTION	REV
	1001172816	Ref	BEACON LIGHT INSTALLATION - AMBER	C
1	0760408	2	Bolt M4 x 16 (Not Shown) (Prior to SN 0300215837)	
2	2920161	1	Light, Beacon (Prior to SN 0300215837)	
2	7016319	1	Bulb (Prior to SN 0300215837)	
2	7016372	1	Lens (Prior to SN 0300215837)	
2	4460891	1	Plug, Male - 2 Position (Prior to SN 0300215837)	
2	4460465	2	Socket, Female (Prior to SN 0300215837)	
2	1001181405	1	Light, Beacon (SN 0300215837 to Present)	
3	3290405	2	Nut M4 (Prior to SN 0300215837)	
3	3290505	2	Nut M5 (SN 0300215837 to Present)	
4	4240032	2	Tie-Strap	
5	4460234	2	Mount, Tie-Strap	
6	1001091102	2	Washer M4 (Prior to SN 0300215837)	
6	4811600	2	Washer M5 (SN 0300215837 to Present)	
7	0100048	1	Silicon, Compound (SN 0300215837 to Present)	

Go to Discount-Equipment.com to order your parts

SECTION 2 - TURNTABLE

FIGURE 2-32. BEACON LIGHT INSTALLATION - BLUE (Prior to SN 0300217319)



ART_1001189194

SECTION 2 - TURNTABLE

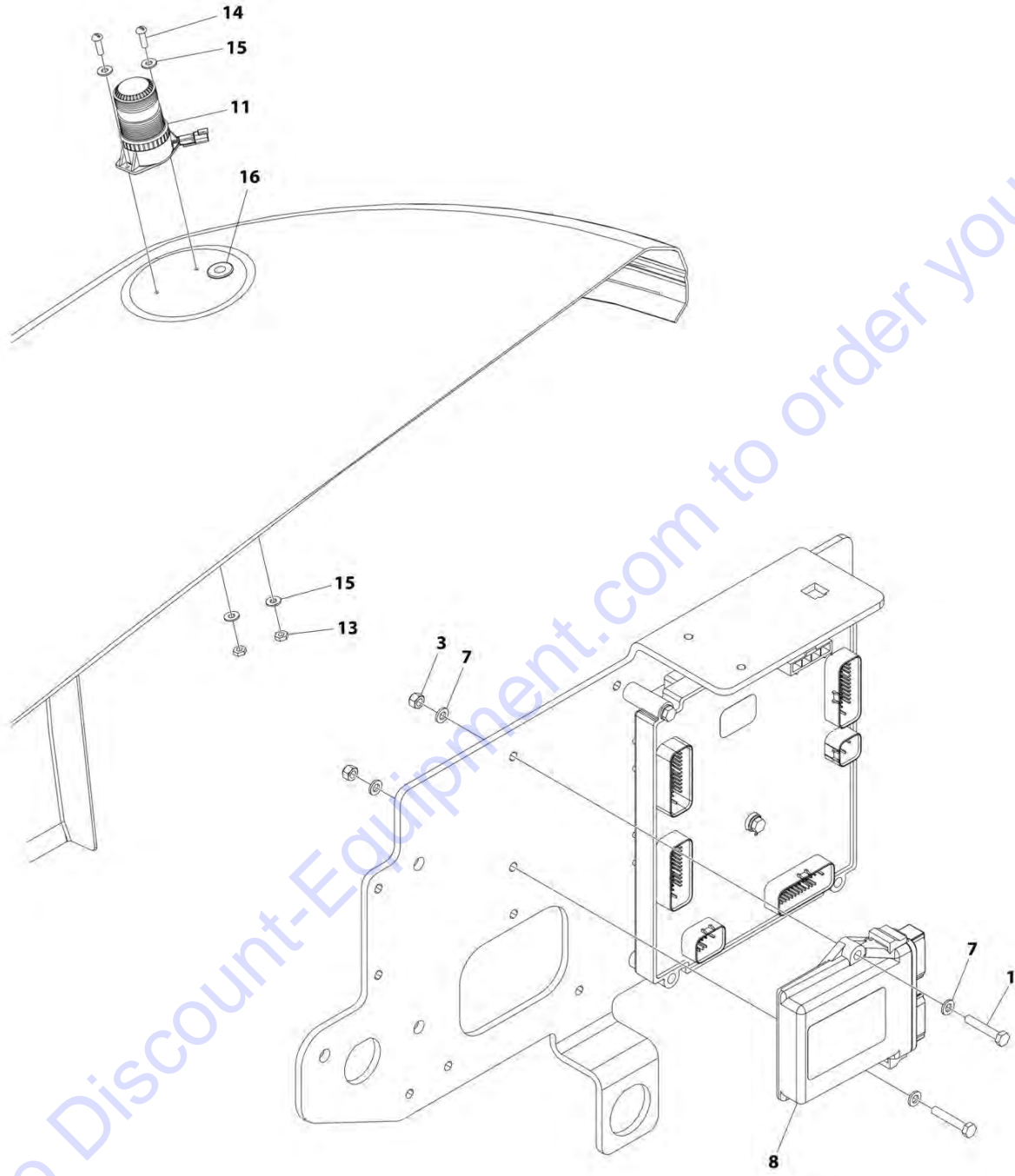
FIGURE 2-32. BEACON LIGHT INSTALLATION - BLUE (Prior to SN 0300217319)

ITEM	PART NUMBER	QTY	DESCRIPTION	REV
	1001189194	Ref	BEACON LIGHT INSTALLATION - BLUE (Prior to SN 0300217319)	A
1	0642612	1	Bolt 1 x 1-1/2	
2	3311005	3	Nut #10	
3	3911012	3	Screw #10 x 3/4	
4	4711000	3	Washer #10	
5	4712600	1	Washer 1	
6	1001142694	1	Bracket, Mounting	
7	1001143431	1	Light, Beacon	
7	4460897	1	Receptacle, Female - 2 Position	
7	4460943	2	Pin, Male	
8	1001149570	1	Beacon Harness (Not Shown - See ELECTRICAL SECTION for Breakdown)	

Go to Discount-Equipment.com to order your parts

SECTION 2 - TURNTABLE

FIGURE 2-33. BEACON LIGHT INSTALLATION - BLUE (SN 0300217319 through 0300259634)



ART_1001197424

SECTION 2 - TURNTABLE

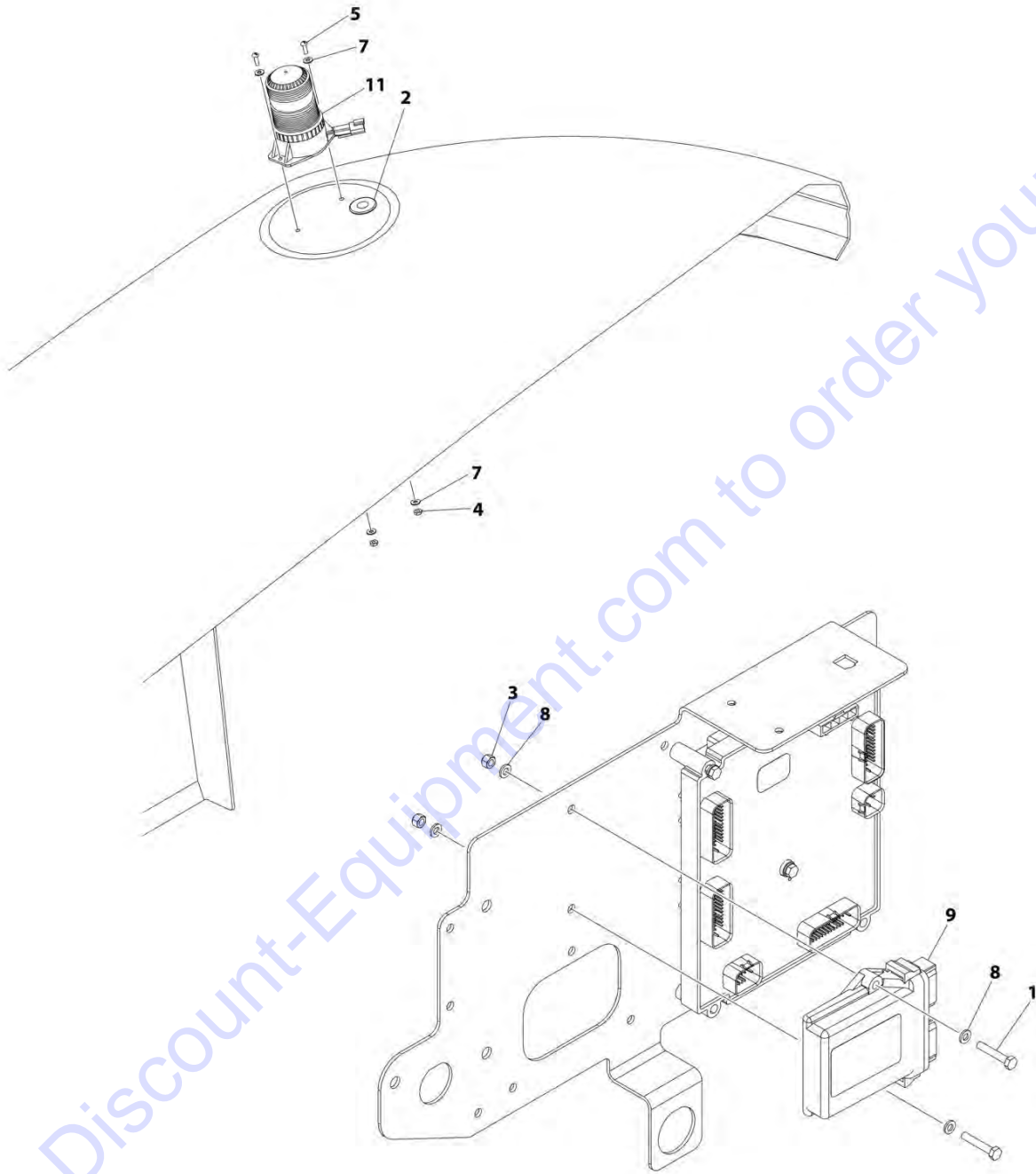
FIGURE 2-33. BEACON LIGHT INSTALLATION - BLUE (SN 0300217319 through 0300259634)

ITEM	PART NUMBER	QTY	DESCRIPTION	REV
	1001197424	Ref	BEACON LIGHT INSTALLATION - BLUE (SN 0300217319 to Present)	E
1	0760615	2	Bolt M6 x 35	
3	3290605	2	Nut M6	
5	4240099	AR	Tie-Strap (Not Shown)	
7	4811700	4	Washer M6	
8	1001142683	1	Control Module (Note: Re-calibration Required when Replaced)	
9	1001142736	1	Beacon Harness (Not Shown - See ELECTRICAL SECTION for Breakdown)	
11	1001200910	1	Light, Beacon	
11	4460897	1	Receptacle, Female - 2 Position	
11	4460943	2	Pin, Male	
13	3311005	2	Nut #10	
14	3911010	2	Screw #10 x 5/8	
15	4711000	4	Washer #10	
16	2540020	1	Grommet, Insulation	

Go to Discount-Equipment.com to order your parts

SECTION 2 - TURNTABLE

FIGURE 2-34. BEACON LIGHT INSTALLATION - BLUE (SN 0300259635 to Present)



ART_1001242851

SECTION 2 - TURNTABLE

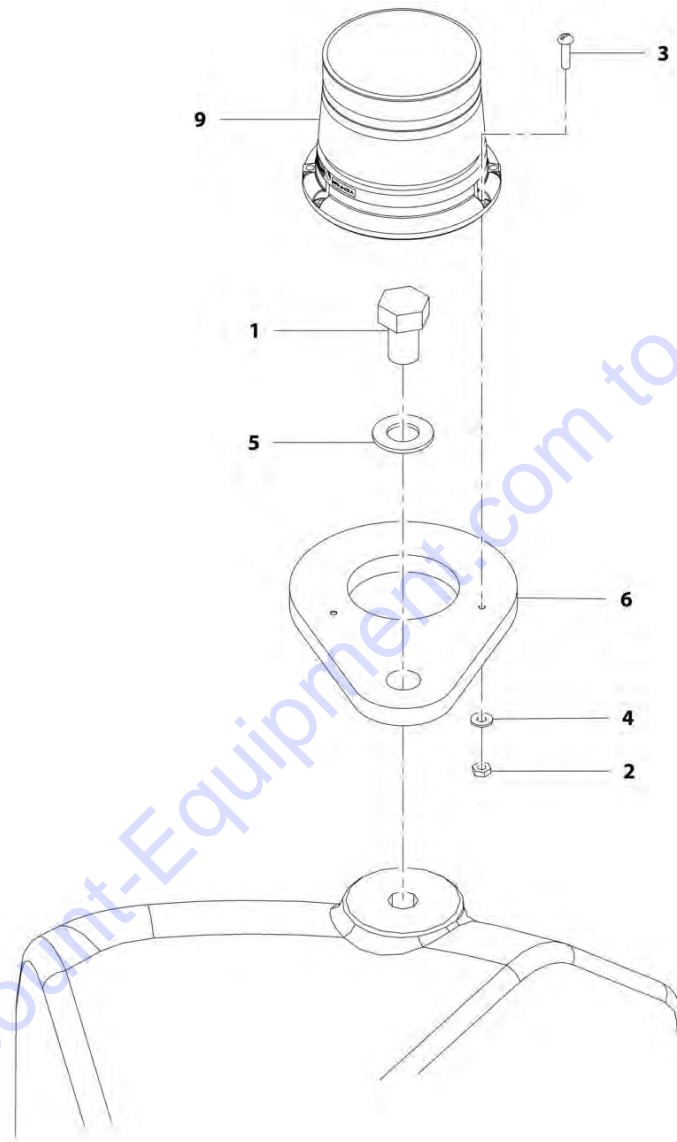
FIGURE 2-34. BEACON LIGHT INSTALLATION - BLUE (SN 0300259635 to Present)

ITEM	PART NUMBER	QTY	DESCRIPTION	REV
	1001242851	Ref	BEACON LIGHT INSTALLATION - BLUE	A
1	0760615	2	Bolt M6 x 35	
2	2540020	1	Grommet, Insulation	
3	3290605	2	Nut M6	
4	3311005	2	Nut #10	
5	3911010	2	Screw #10 x 5/8	
6	4240099	AR	Tie-Strap (Not Shown)	
7	4711000	4	Washer #10	
8	4811700	4	Washer M6	
9	1001142683	1	Control Module (Note: Re-calibration Required when Replaced)	
10	1001142736	1	Beacon Harness (Not Shown - See Separate Breakdown in ELECTRICAL SECTION)	
11	1001200910	1	Light, Beacon	
11	4460897	1	Receptacle, Female - 2 Position	
11	4460943	2	Pin, Male	

Go to Discount-Equipment.com to order your parts

SECTION 2 - TURNTABLE

FIGURE 2-35. BEACON LIGHT INSTALLATION - RED (Prior to SN 0300217319)



ART_1001207311

SECTION 2 - TURNTABLE

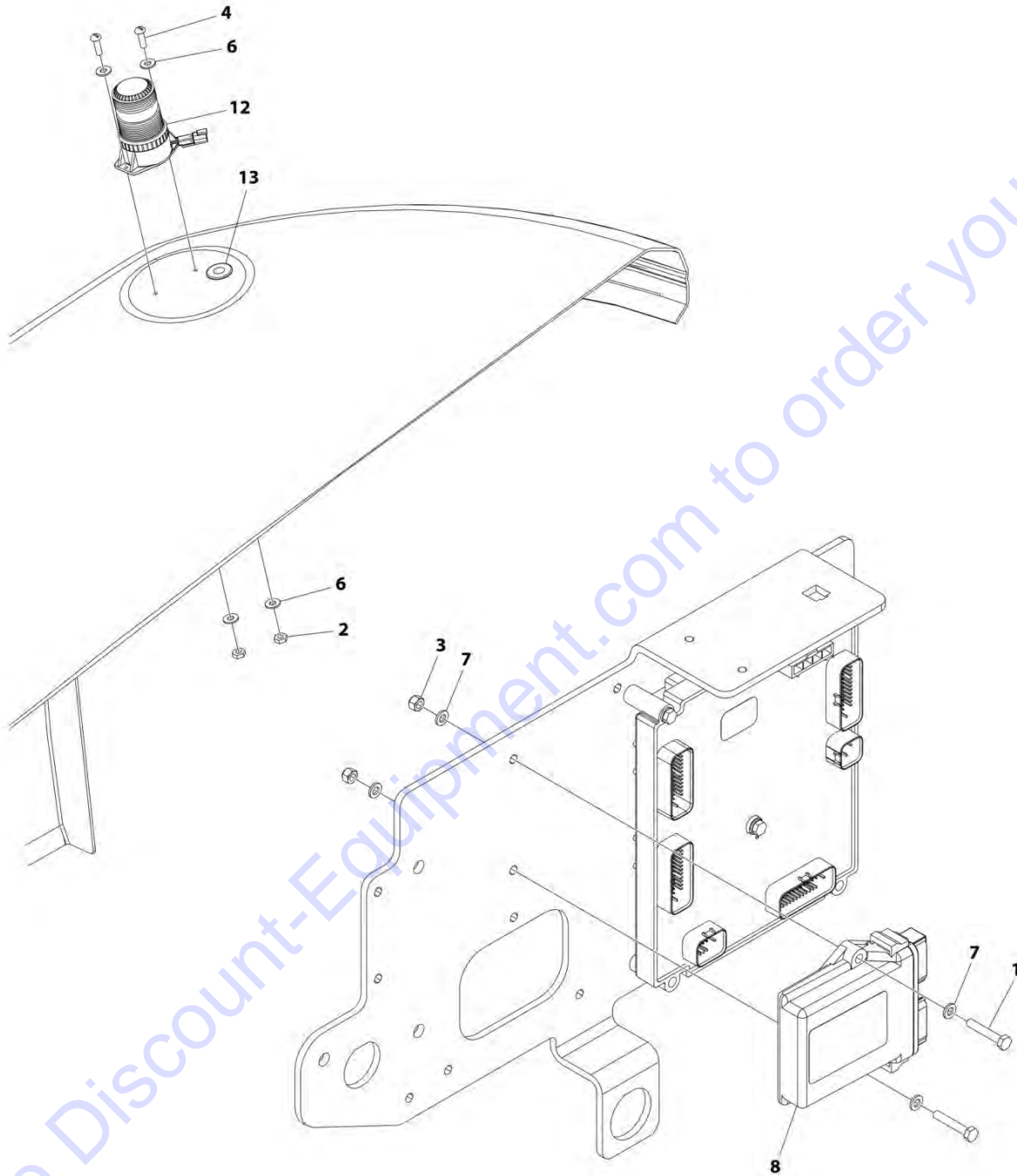
FIGURE 2-35. BEACON LIGHT INSTALLATION - RED (Prior to SN 0300217319)

ITEM	PART NUMBER	QTY	DESCRIPTION	REV
	1001207311	Ref	BEACON LIGHT INSTALLATION - RED (Prior to SN 0300217319)	A
1	0642612	1	Bolt 1 x 1-1/2	
2	3311005	3	Nut #10	
3	3911012	3	Screw #10 x 3/4	
4	4711000	3	Washer #10	
5	4712600	1	Washer 1	
6	1001142694	1	Bracket, Mounting	
7	1001149570	1	Beacon Harness (Not Shown - See ELECTRICAL SECTION for Breakdown)	
8	1001187508	1	SkyGuard System Installation (Not Shown - See SKYGUARD SYSTEM INSTALLATION for Breakdown)	
9	1001197067	1	Lamp, Beacon	

Go to Discount-Equipment.com to order your parts

SECTION 2 - TURNTABLE

FIGURE 2-36. BEACON LIGHT INSTALLATION - RED (SN 0300217319 through 0300259634)



ART_1001207316

SECTION 2 - TURNTABLE

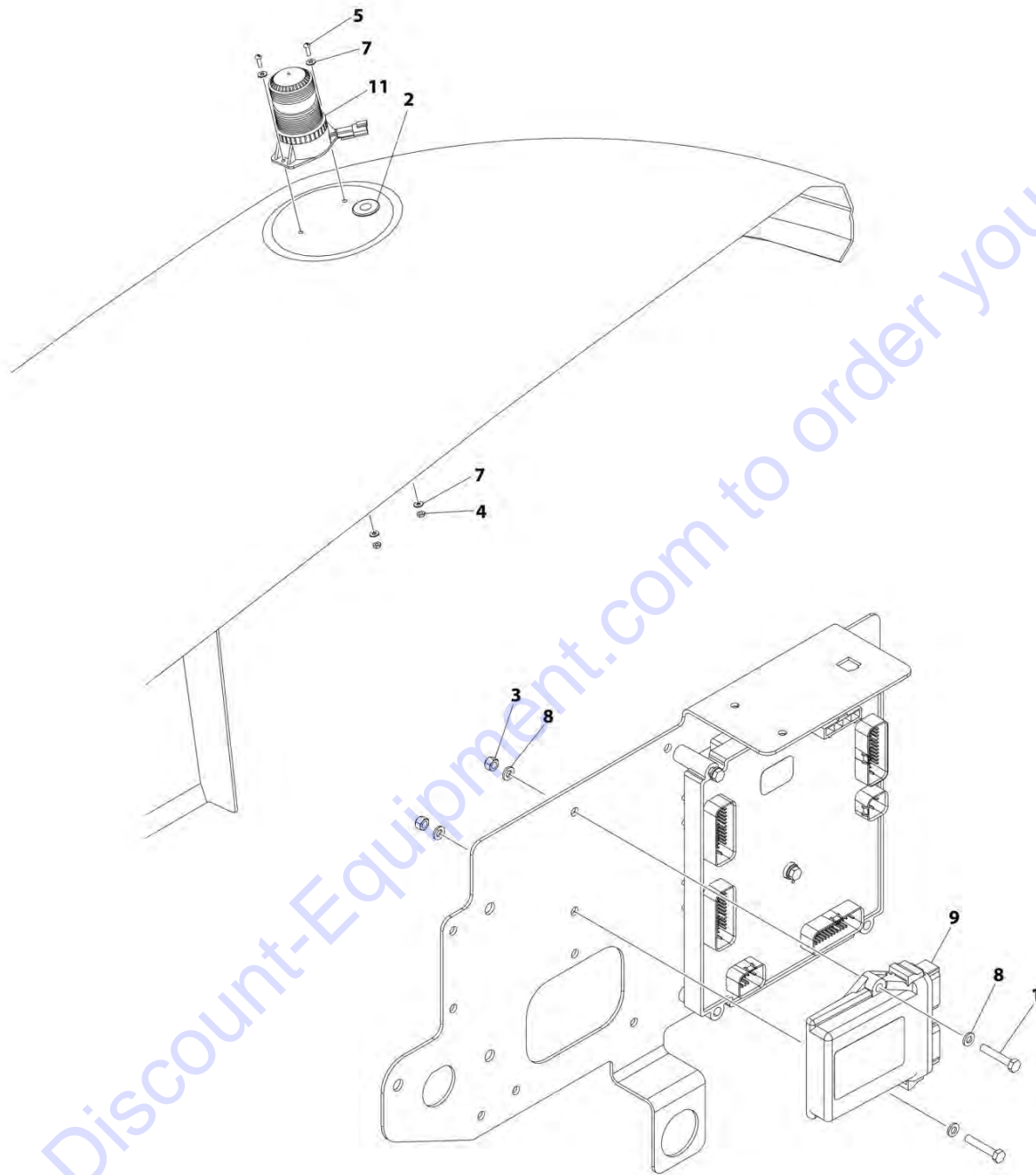
FIGURE 2-36. BEACON LIGHT INSTALLATION - RED (SN 0300217319 through 0300259634)

ITEM	PART NUMBER	QTY	DESCRIPTION	REV
	1001207316	Ref	BEACON LIGHT INSTALLATION - RED (SN 0300217319 to Present)	D
1	0760615	2	Bolt M6 x 35	
2	3311505	2	Nut #10	
3	3290605	2	Nut M6	
4	3911010	2	Screw #10 x 5/8	
5	4240099	AR	Tie-Strap (Not Shown)	
6	4711000	4	Washer #10	
7	4811700	4	Washer M6	
8	1001142683	1	Control Module (Note: Re-calibration Required when Replaced)	
9	1001142736	1	Beacon Harness (Not Shown - See ELECTRICAL SECTION for Breakdown)	
12	1001207004	1	Light, Red Beacon	
12	4460897	1	Receptacle, Female - 2 Position	
12	4460943	2	Pin, Male	
13	2540020	1	Grommet, Insulation	

Go to Discount-Equipment.com to order your parts

SECTION 2 - TURNTABLE

FIGURE 2-37. BEACON LIGHT INSTALLATION - RED (SN 0300259635 to Present)



ART_1001242852

SECTION 2 - TURNTABLE

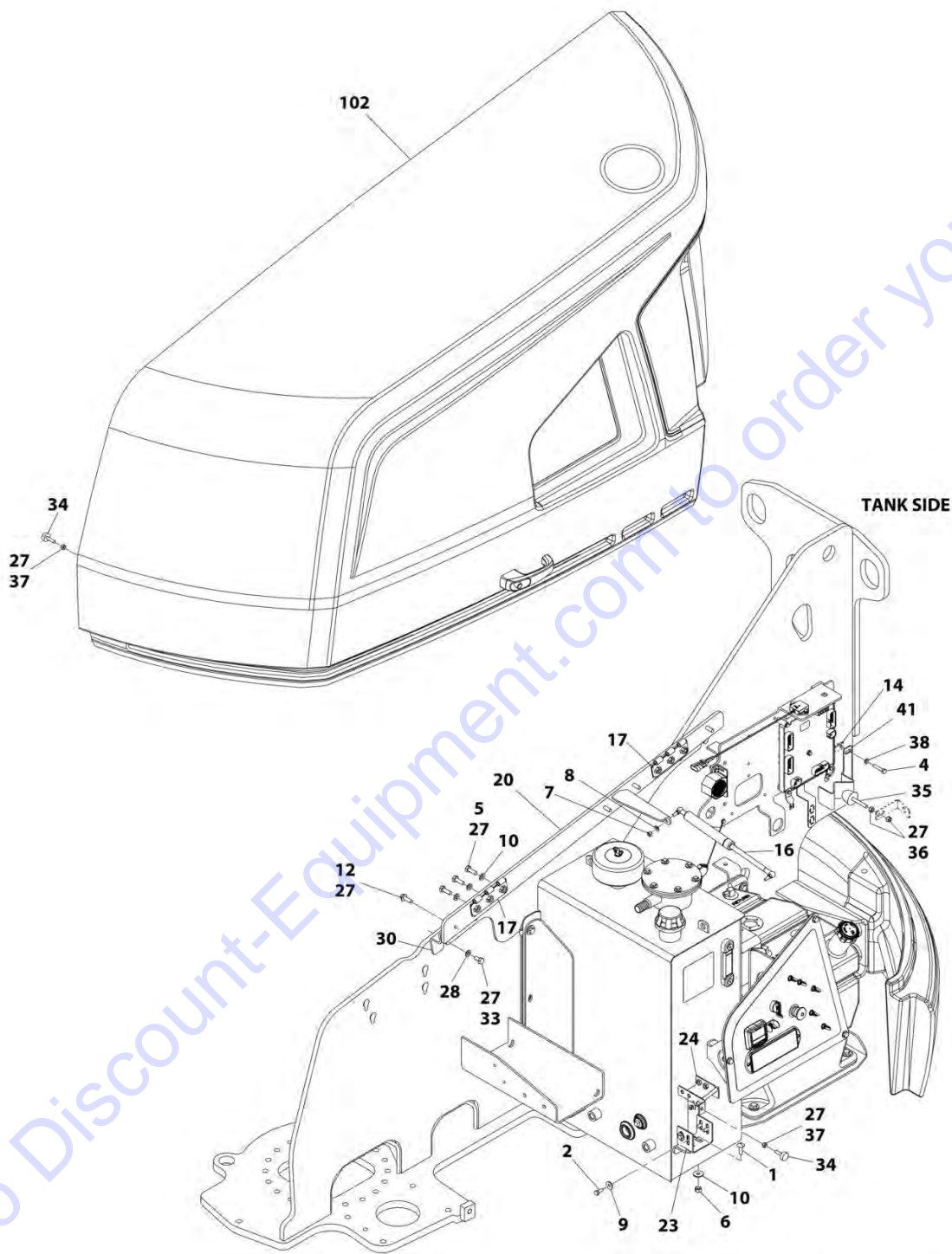
FIGURE 2-37. BEACON LIGHT INSTALLATION - RED (SN 0300259635 to Present)

ITEM	PART NUMBER	QTY	DESCRIPTION	REV
	1001242852	Ref	BEACON LIGHT INSTALLATION - RED	A
1	0760615	2	Bolt M6 x 35	
2	2540020	1	Grommet, Insulation	
3	3290605	2	Nut M6	
4	3311005	2	Nut #10	
5	3911010	2	Screw #10 x 5/8	
6	4240099	AR	Tie-Strap (Not Shown)	
7	4711000	4	Washer #10	
8	4811700	4	Washer M6	
9	1001142683	1	Control Module (Note: Re-calibration Required when Replaced)	
10	1001142736	1	Beacon Harness (Not Shown - See Separate Breakdown in ELECTRICAL SECTION)	
11	1001207004	1	Light, Red Beacon	
11	4460897	1	Receptacle, Female - 2 Position	
11	4460943	2	Pin, Male	

Go to Discount-Equipment.com to order your parts

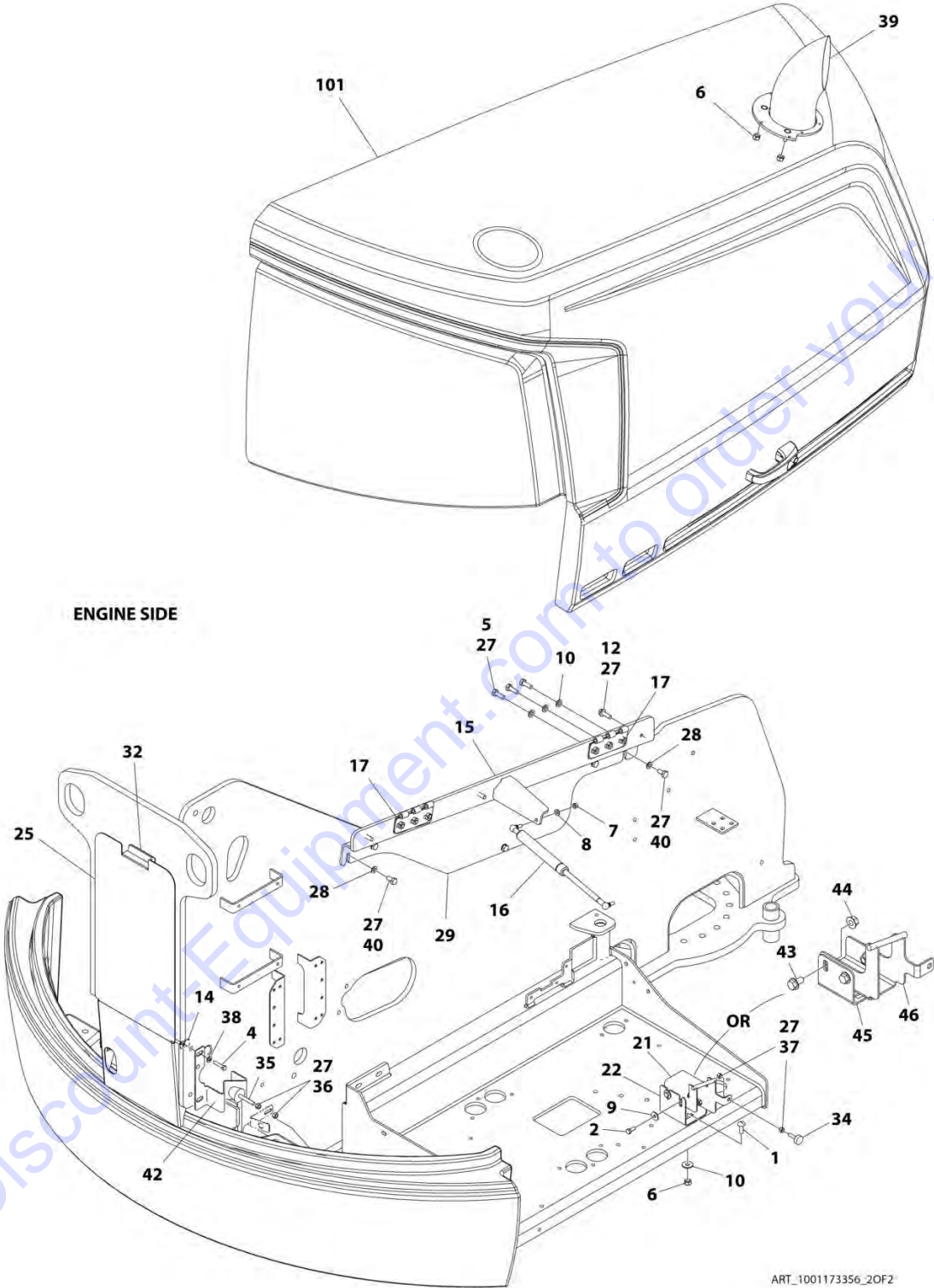
SECTION 2 - TURNTABLE

FIGURE 2-38. HOOD INSTALLATION



ART_1001173356_10F2

SECTION 2 - TURNTABLE



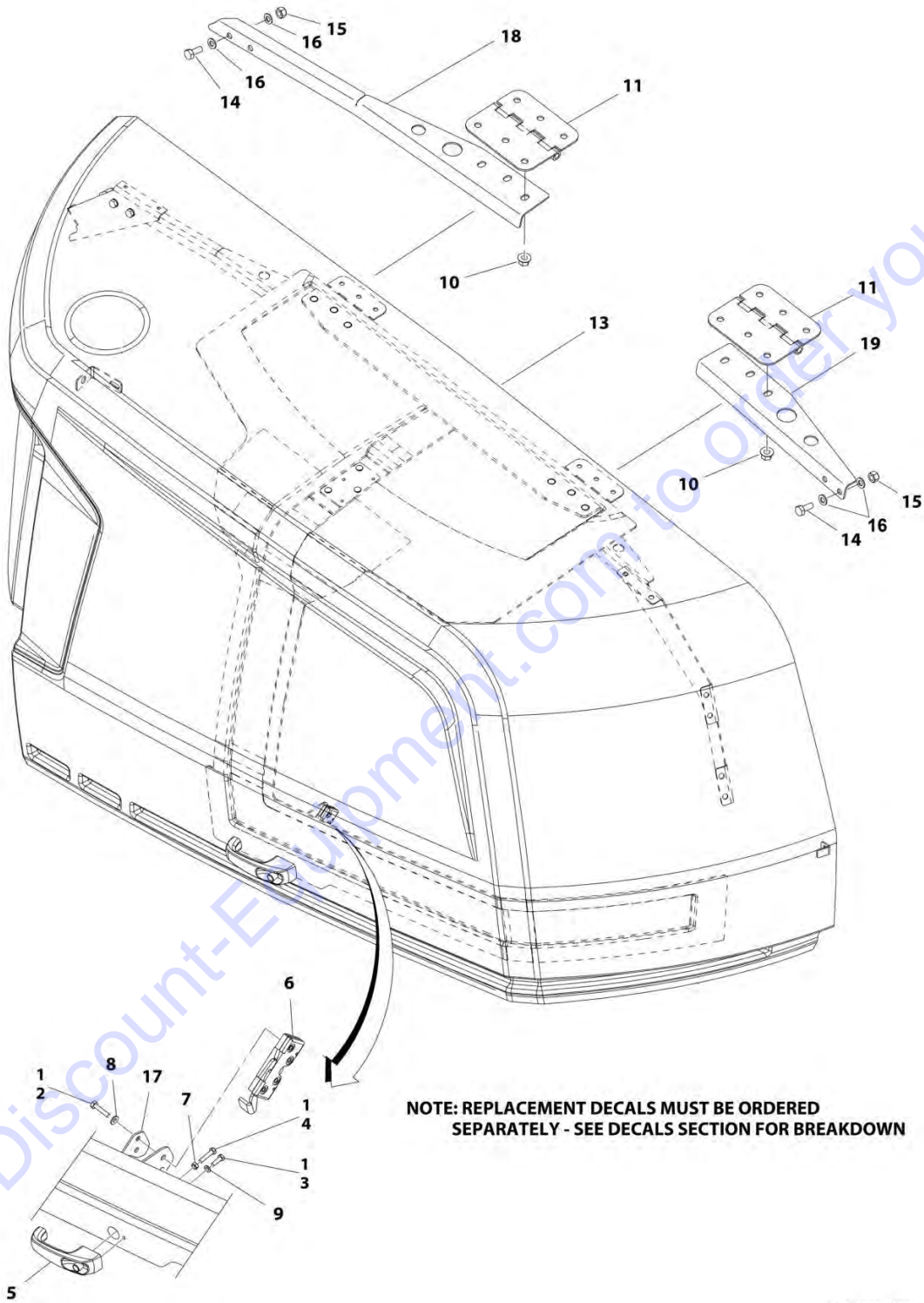
SECTION 2 - TURNTABLE

FIGURE 2-38. HOOD INSTALLATION

ITEM	PART NUMBER	QTY	DESCRIPTION	REV
	1001173356	Ref	HOOD INSTALLATION	J
1	0630613	4	Bolt M10 x 30	
2	0760810	8	Bolt M8 x 20	
4	0760816	4	Bolt M8 x 40	
5	0761014	12	Bolt M10 x 30	
6	3291005	7	Nut M10	
7	3311505	2	Nut 5/16	
8	4711500	2	Washer 5/16	
9	4811902	AR	Washer M8	
10	4812002	16	Washer M10	
12	5251014	8	Bolt M10 x 30	
14	1001149160	4	Nut, Tinnerman M8	
15	1001167159	1	Mount, Adjustment	
16	4160182	2	Spring, Gas	
17	1001169046	4	Nut	
20	1001170850	1	Mount, Adjustment	
21	1001172613	1	Support (Prior to SN 0300227266)	
22	1001172614	1	Mount, Latch (Prior to SN 0300227266)	
23	1001172615	1	Mount, Latch	
24	1001172617	1	Support	
25	1001173354	1	Cover	
27	0100011	AR	Compound, Locking	
28	4812000	10	Washer M10	
29	1001165060	1	Plate	
30	1001168173	1	Mount, Hinge	
32	90200755	AR	Tape, Gasket	
34	0940049	4	Stopper	
35	0940071	2	Bumper (Prior to SN 0300214985)	
35	1001206314	2	Bumper (SN 0300214985 to Present)	
36	3271601	4	Nut 3/8	
37	3311501	8	Nut 5/16	
38	4811900	4	Washer M8	
38	4811902	4	Washer M8	
39	1001174098	1	Outlet, Exhaust	
40	0761012	10	Bolt M10 x 25	
41	1001199207	1	Bracket, Bumper	
42	1001199901	1	Bracket, Bumper	
43	5251009	3	Bolt M10 x 18 (SN 0300227266 to Present)	
44	5261000	3	Nut M10 (SN 0300227266 to Present)	
45	1001223078	1	Mount, Latch (SN 0300227266 to Present)	
46	1001223161	1	Support (SN 0300227266 to Present)	
100	1001202298	1	Hood Kit (Not Shown) (Includes Items 101-102)	
101	1001170551	1	Hood Assembly - Engine Side (See HOOD ASSEMBLY - ENGINE SIDE for Breakdown)	
102	1001170552	1	Hood Assembly - Tank Side (See HOOD ASSEMBLY - TANK SIDE for Breakdown)	

SECTION 2 - TURNTABLE

FIGURE 2-39. HOOD ASSEMBLY - ENGINE SIDE



ART_1001170551

SECTION 2 - TURNTABLE

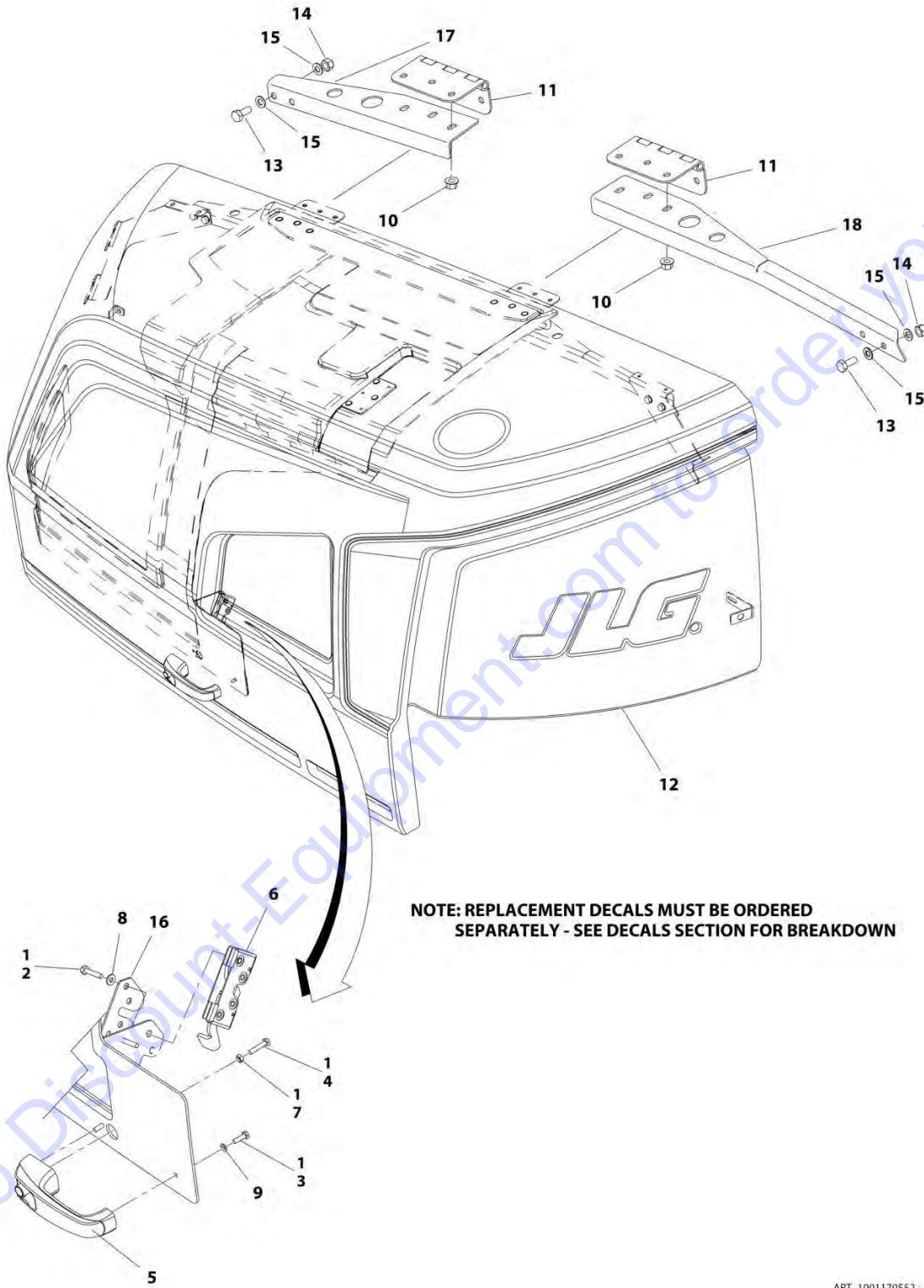
FIGURE 2-39. HOOD ASSEMBLY - ENGINE SIDE

ITEM	PART NUMBER	QTY	DESCRIPTION	REV
	1001170551	Ref	HOOD ASSEMBLY - ENGINE SIDE	F
1	0100011	AR	Compound, Locking	
2	0641410	4	Bolt 1/4 x 1-1/4	
3	0760610	2	Bolt M6 x 20	
4	0760614	1	Bolt M6 x 30	
5	2560187	1	Handle, Push Button	
6	2940173	1	Latch, Rotary	
7	3290601	1	Nut M6	
8	4711400	4	Washer 1/4	
9	4811700	2	Washer M6	
10	5261018	6	Nut M10 (Grade 10.9)	
11	1001139384	2	Hinge	
13	1001173461	1	Hood, Engine Side, Bonded Assembly	
14	0761012	4	Bolt M10 x 25	
15	3291005	4	Nut, Lock M10	
16	4812000	8	Washer M10	
17	1001200458	1	Plate	
18	1001201636	1	Bracket, Support	
19	1001201635	1	Bracket, Support	

Go to Discount-Equipment.com to order your parts

SECTION 2 - TURNTABLE

FIGURE 2-40. HOOD ASSEMBLY - TANK SIDE



ART_1001170552

SECTION 2 - TURNTABLE

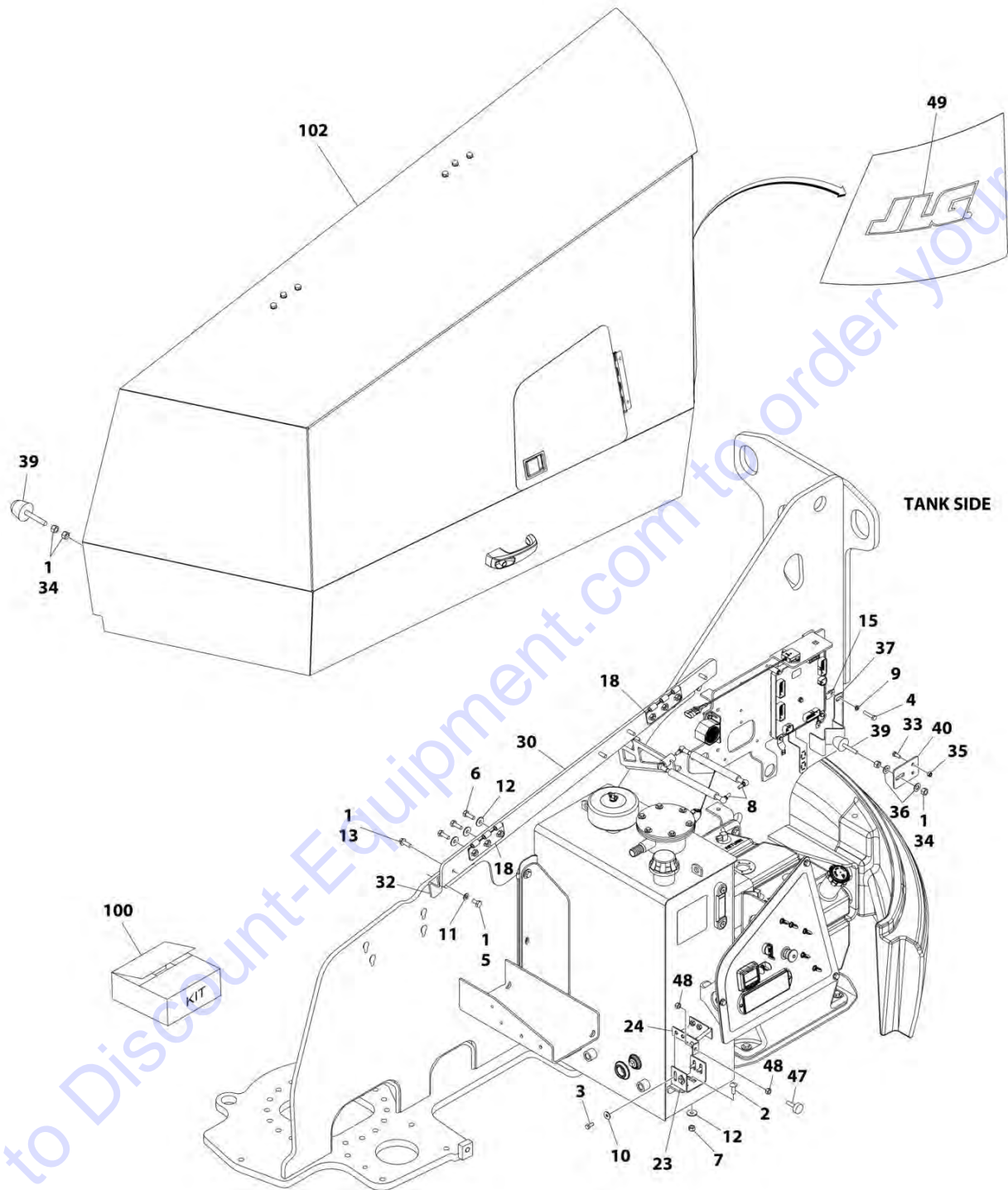
FIGURE 2-40. HOOD ASSEMBLY - TANK SIDE

ITEM	PART NUMBER	QTY	DESCRIPTION	REV
	1001170552	Ref	HOOD ASSEMBLY - TANK SIDE	D
1	0100011	AR	Compound, Locking	
2	0641410	4	Bolt 1/4 x 1-1/4	
3	0760610	2	Bolt M6 x 20	
4	0760614	1	Bolt M6 x 30	
5	2560187	1	Handle, Push Button	
6	2940173	1	Latch, Rotary	
7	3290601	1	Nut M6	
8	4711400	4	Washer 1/4	
9	4811700	2	Washer M6	
10	5261018	6	Nut M10 (Grade 10.9)	
11	1001139384	2	Hinge	
12	1001173466	1	Hood, Tank Side, Bonded Assembly	
13	0761012	4	Bolt M10 x 25	
14	3291005	4	Nut, Lock M10	
15	4812000	8	Washer M10	
16	1001200458	1	Plate	
17	1001201633	1	Bracket, Support	
18	1001201634	1	Bracket, Support	

Go to Discount-Equipment.com to order your parts

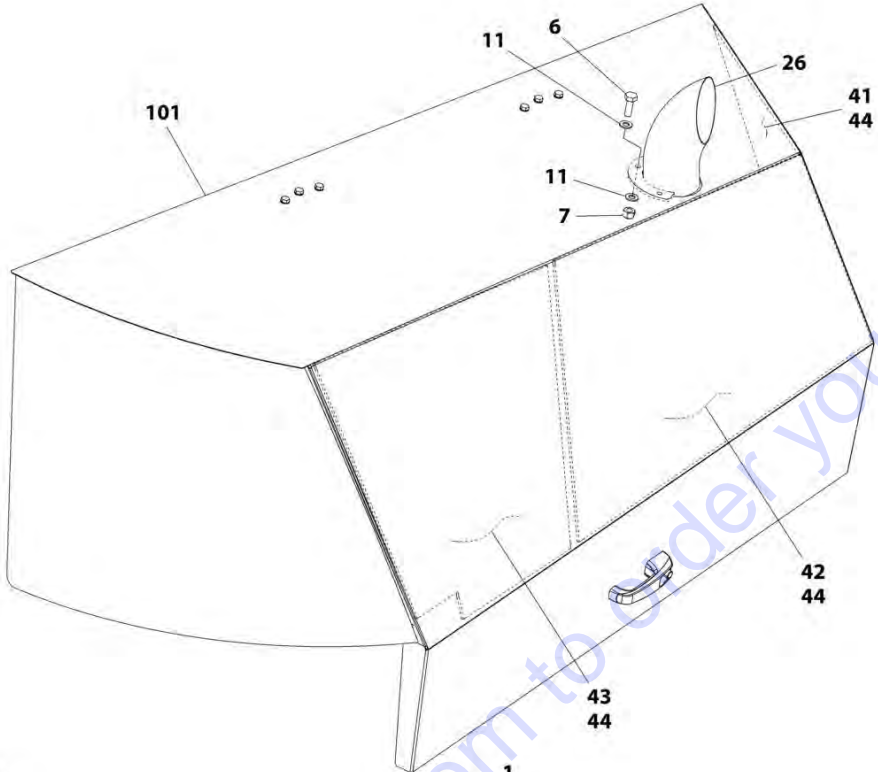
SECTION 2 - TURNTABLE

FIGURE 2-41. STEEL HOOD INSTALLATION (ANSI EXPORT SPECS) (SN 0300224020 to Present)

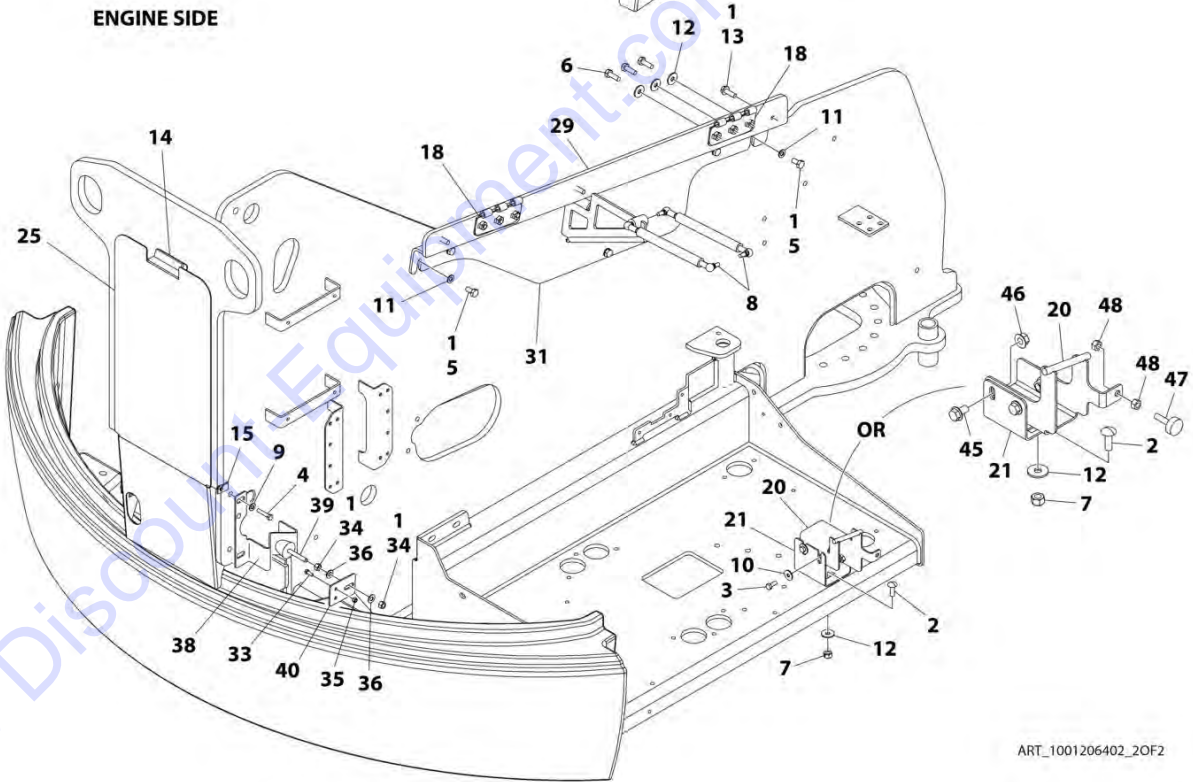


ART_1001206402_10F2

SECTION 2 - TURNTABLE



ENGINE SIDE



ART_1001206402_20F2

SECTION 2 - TURNTABLE

FIGURE 2-41. STEEL HOOD INSTALLATION (ANSI EXPORT SPECS) (SN 0300224020 to Present)

ITEM	PART NUMBER	QTY	DESCRIPTION	REV
	1001206402	Ref	STEEL HOOD INSTALLATION (ANSI EXPORT SPECS) (SN 0300224020 to Present)	G
1	0100011	AR	Compound, Locking	
2	0630613	4	Bolt M10 x 30	
3	0760810	8	Bolt M8 x 20 (SN 0300224020 through 0300227266)	
3	0760810	4	Bolt M8 x 20 (SN 0300227267 to Present)	
4	0760816	4	Bolt M8 x 40	
5	0761012	10	Bolt M10 x 25	
6	0761014	15	Bolt M10 x 30	
7	3291005	7	Nut M10	
8	4160182	4	Spring, Gas (SN 0300224020 through 0300227353)	
8	1001167918	4	Spring, Gas (SN 0300227354 to Present)	
9	4811900	4	Washer M8	
10	4811902	8	Washer M8 (SN 0300224020 through 0300227266)	
10	4811902	4	Washer M8 (SN 0300227267 to Present)	
11	4812000	16	Washer M10	
12	4812002	16	Washer M10	
13	5251012	8	Bolt M10 x 25	
14	90200755	AR	Tape, Gasket	
15	1001149160	4	Nut, Tinnerman M8	
18	1001169046	4	Nut	
20	1001172613	1	Support (SN 0300224020 through 0300227266)	
20	1001223161	1	Support (SN 0300227267 to Present)	
21	1001172614	1	Mount, Latch (SN 0300224020 through 0300227266)	
21	1001223078	1	Mount, Latch (SN 0300227267 to Present)	
23	1001172615	1	Mount, Latch	
24	1001172617	1	Support	
25	1001173354	1	Cover	
26	1001174098	1	Outlet, Exhaust	
29	1001211633	1	Plate	
30	1001211636	1	Plate	
31	1001212819	1	Mount, Hinge	
32	1001212822	1	Mount, Hinge	
33	0760608	4	Bolt M6 x 16	
34	3271601	8	Nut 3/8	
35	3290605	4	Nut M6	
36	4711600	4	Washer 3/8	
37	1001199207	1	Bracket, Bumper	
38	1001199901	1	Bracket, Bumper	
39	1001206314	4	Bumper	
40	1001219134	2	Plate, Bumper Mount	
41	1001222043	1	Insulate, Heat Shield	
42	1001222044	1	Insulate, Heat Shield	
43	1001223387	1	Insulate, Heat Shield	
44	1001117140	AR	Tape	
45	5251009	3	Bolt M10 x 18 (SN 0300227267 to Present)	
46	5261000	3	Nut M10 (SN 0300227267 to Present)	
47	0940049	2	Stopper (SN 0300227267 to Present)	
48	3311501	4	Nut (SN 0300227267 to Present)	
49	1001159323	1	Decal - JLG (SN 0300227267 to Present)	

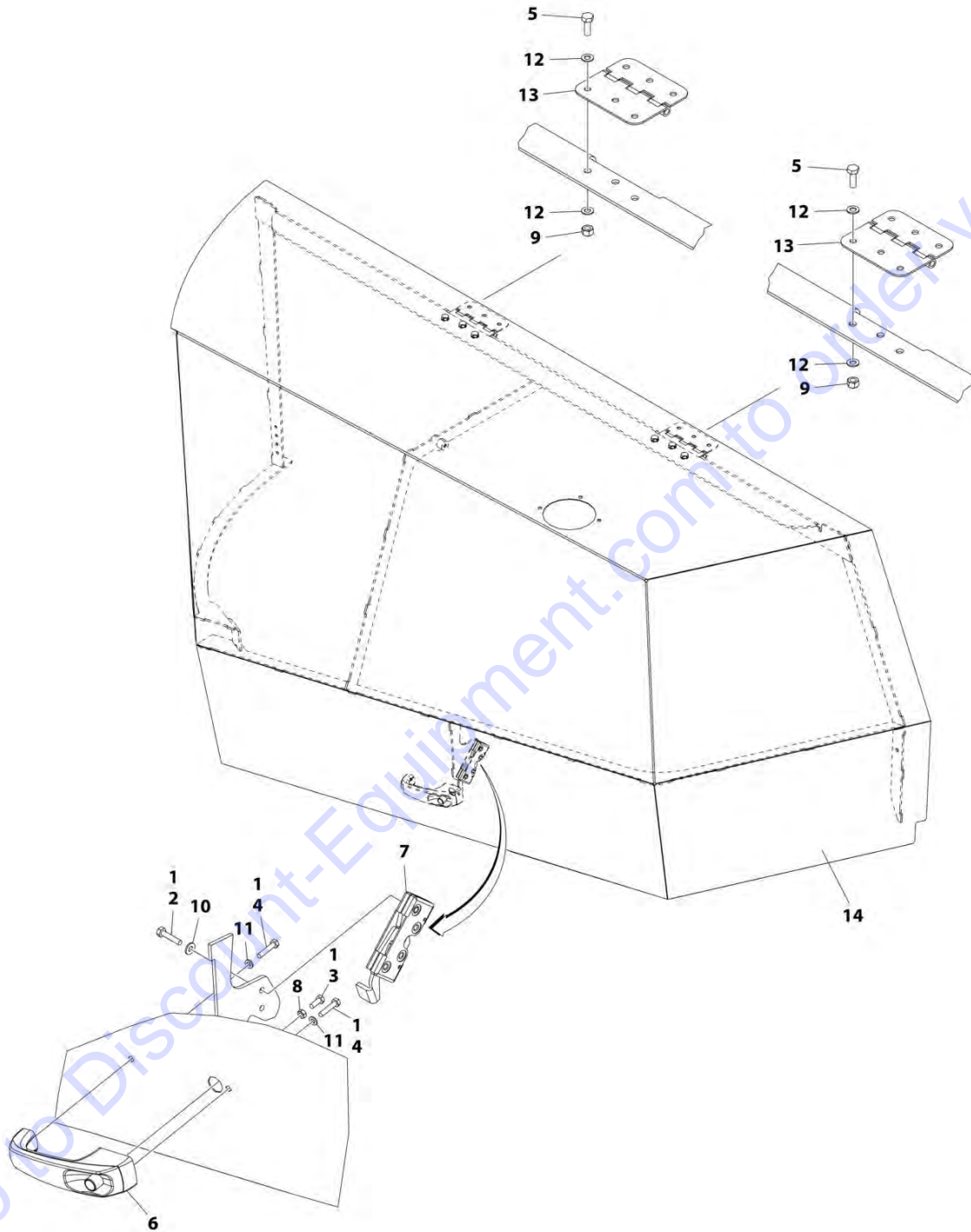
SECTION 2 - TURNTABLE

ITEM	PART NUMBER	QTY	DESCRIPTION	REV
50	1001113047	AR	Adhesive (Not Shown) (SN 0300227267 to Present)	
100	1001206403	1	Hood, Kit 400S/460SJ	
101	1001206404	1	Steel Hood Assembly - Engine Side (See STEEL HOOD ASSEMBLY - ENGINE SIDE for Breakdown)	
102	1001206418	1	Steel Hood Assembly - Tank Side (See STEEL HOOD ASSEMBLY - TANK SIDE for Breakdown)	

Go to Discount-Equipment.com to order your parts

SECTION 2 - TURNTABLE

FIGURE 2-42. STEEL HOOD ASSEMBLY - ENGINE SIDE (ANSI EXPORT SPECS) (SN 0300224020 to Present)



ART_1001206404

SECTION 2 - TURNTABLE

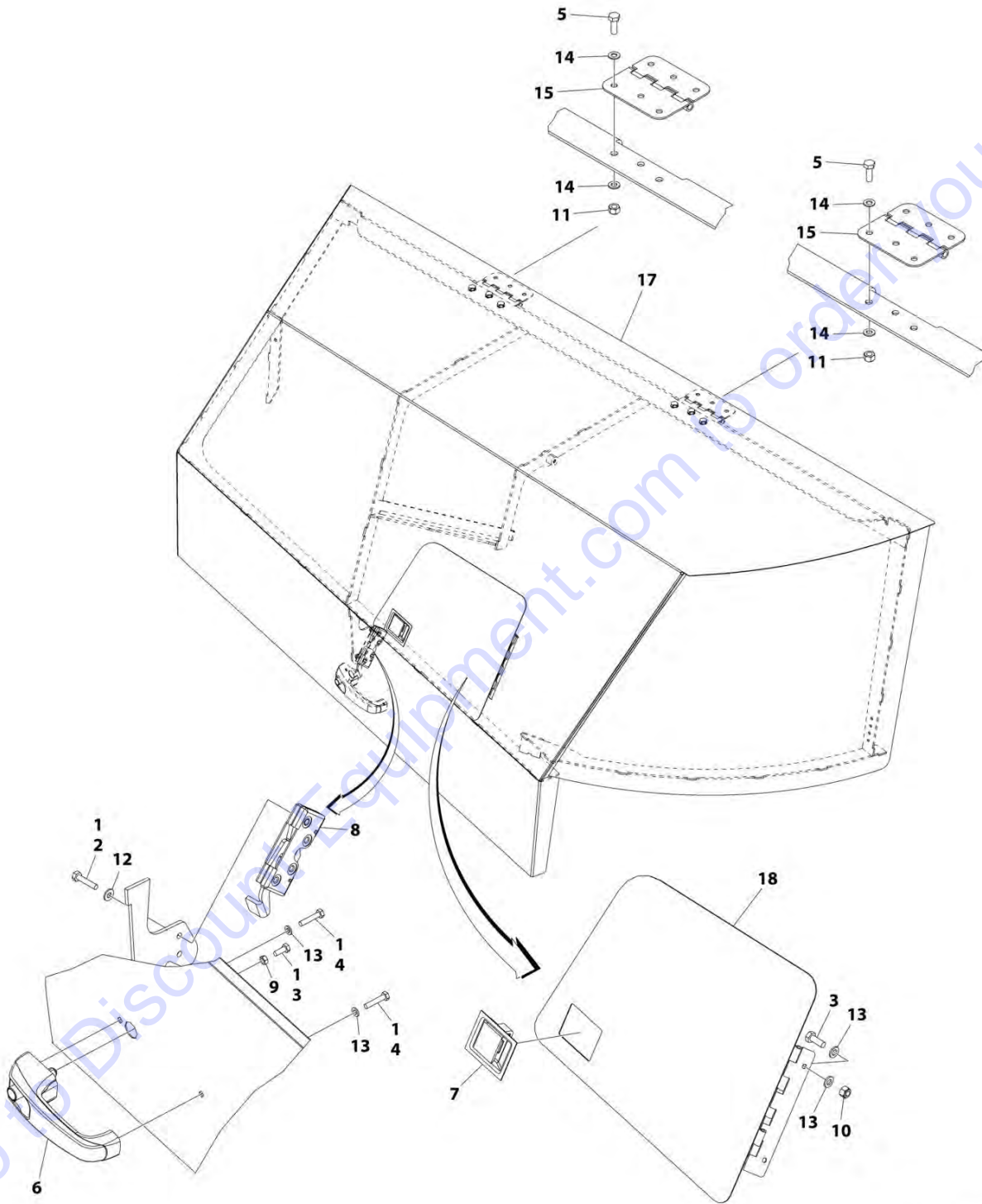
FIGURE 2-42. STEEL HOOD ASSEMBLY - ENGINE SIDE (ANSI EXPORT SPECS) (SN 0300224020 to Present)

ITEM	PART NUMBER	QTY	DESCRIPTION	REV
	1001206404	Ref	STEEL HOOD ASSEMBLY - ENGINE SIDE (ANSI EXPORT SPECS) (SN 0300224020 to Present)	C
1	0100011	AR	Compound, Locking	
2	0641410	4	Bolt 1/4 x 1-1/4	
3	0760608	1	Bolt M6 x 16	
4	0760614	2	Bolt M6 x 30	
5	0761014	6	Bolt M10 x 30	
6	2560187	1	Handle, Push Button	
7	2940173	1	Latch, Rotary	
8	3290601	1	Nut M6	
9	3291005	6	Nut M10	
10	4711400	4	Washer 1/4	
11	4811700	2	Washer M6	
12	4812000	12	Washer M10	
13	1001139384	2	Hinge	
14	1001206405	1	Hood, Engine Side Weldment	

Go to Discount-Equipment.com to order your parts

SECTION 2 - TURNTABLE

FIGURE 2-43. STEEL HOOD ASSEMBLY - TANK SIDE (ANSI EXPORT SPECS) (SN 0300224020 to Present)



ART_1001206418

SECTION 2 - TURNTABLE

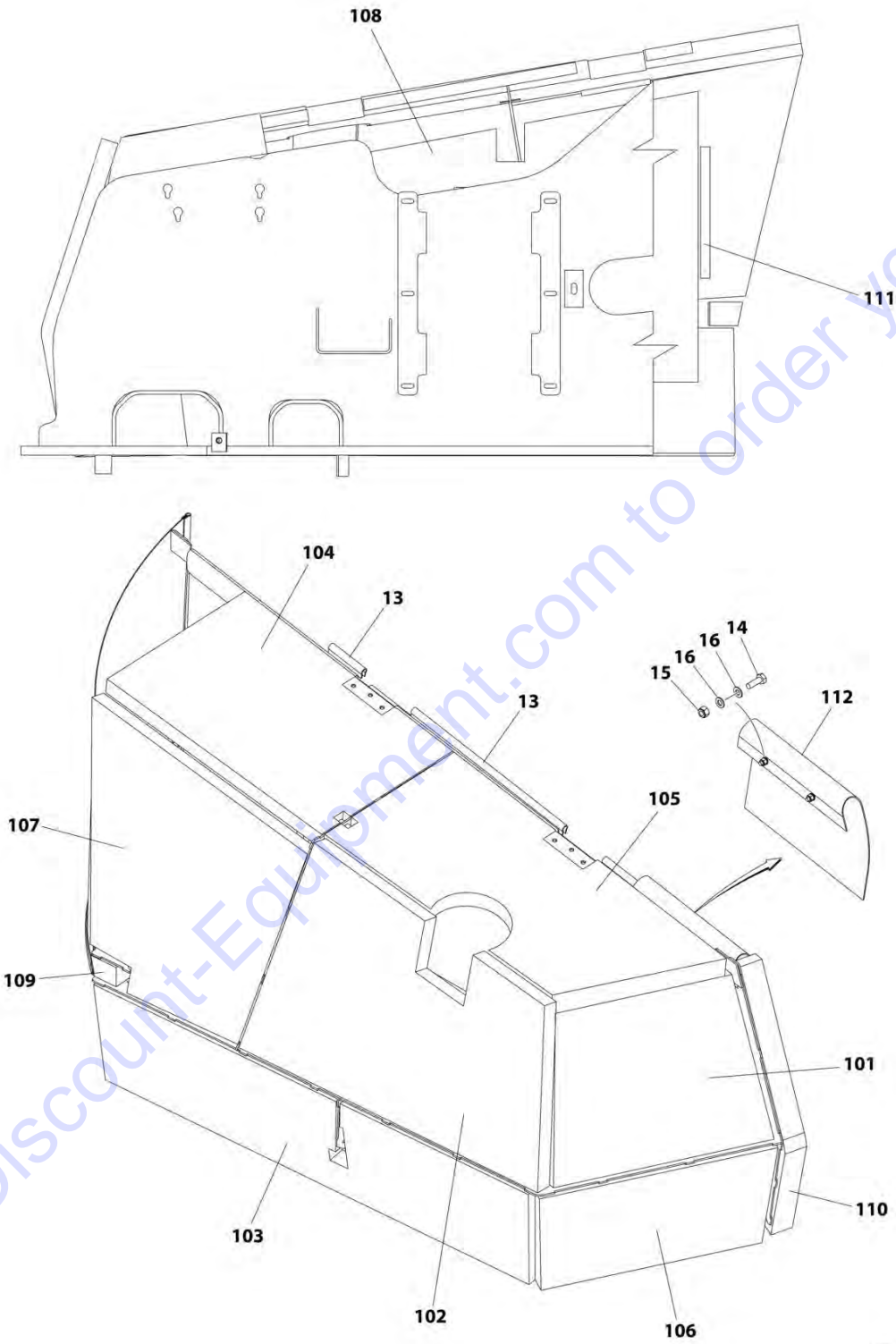
FIGURE 2-43. STEEL HOOD ASSEMBLY - TANK SIDE (ANSI EXPORT SPECS) (SN 0300224020 to Present)

ITEM	PART NUMBER	QTY	DESCRIPTION	REV
	1001206418	Ref	STEEL HOOD ASSEMBLY - TANK SIDE (ANSI EXPORT SPECS) (SN 0300224020 to Present)	C
1	0100011	AR	Compound, Locking	
2	0641410	4	Bolt 1/4 x 1-1/4	
3	0760608	3	Bolt M6 x 16	
4	0760614	2	Bolt M6 x 30	
5	0761014	6	Bolt M10 x 30	
6	2560187	1	Handle, Push Button	
7	2940045	1	Latch, Paddle	
8	2940173	1	Latch, Rotary	
9	3290601	1	Nut M6	
10	3290605	2	Nut M6	
11	3291005	6	Nut M10	
12	4711400	4	Washer 1/4	
13	4811700	6	Washer M6	
14	4812000	12	Washer M10	
15	1001139384	2	Hinge	
17	1001206419	1	Hood, Tank Side Weldment	
18	1001207726	1	Door, Ground Control Panel	

Go to Discount-Equipment.com to order your parts

SECTION 2 - TURNTABLE

FIGURE 2-44. SOUND REDUCTION INSTALLATION - WITH STEEL HOODS (OPTIONAL)



ART_1001233048

SECTION 2 - TURNTABLE

FIGURE 2-44. SOUND REDUCTION INSTALLATION - WITH STEEL HOODS (OPTIONAL)

ITEM	PART NUMBER	QTY	DESCRIPTION	REV
	1001233048	Ref	SOUND REDUCTION INSTALLATION	B
13	3960389	11 ft/ 3.4m	Flex-Trim	
14	0761014	2	Bolt M10 x 30	
15	3291005	2	Nut M10	
16	4812000	4	Washer M10	
100	1001237549	Ref	Sound Insulation Kit (Includes Item 101-112)	
101	1001232907	1	Shield, Sound	
102	1001232908	1	Shield, Sound	
103	1001232913	1	Shield, Sound	
104	1001232915	1	Shield, Sound	
105	1001232916	1	Shield, Sound	
106	1001232917	1	Shield, Sound	
107	1001233075	1	Shield, Sound	
108	1001233076	1	Shield, Sound	
109	1001233077	1	Shield, Sound	
110	1001233412	1	Shield, Sound	
111	1001233413	2	Shield, Sound	
112	1001233436	1	Baffle Rubber	

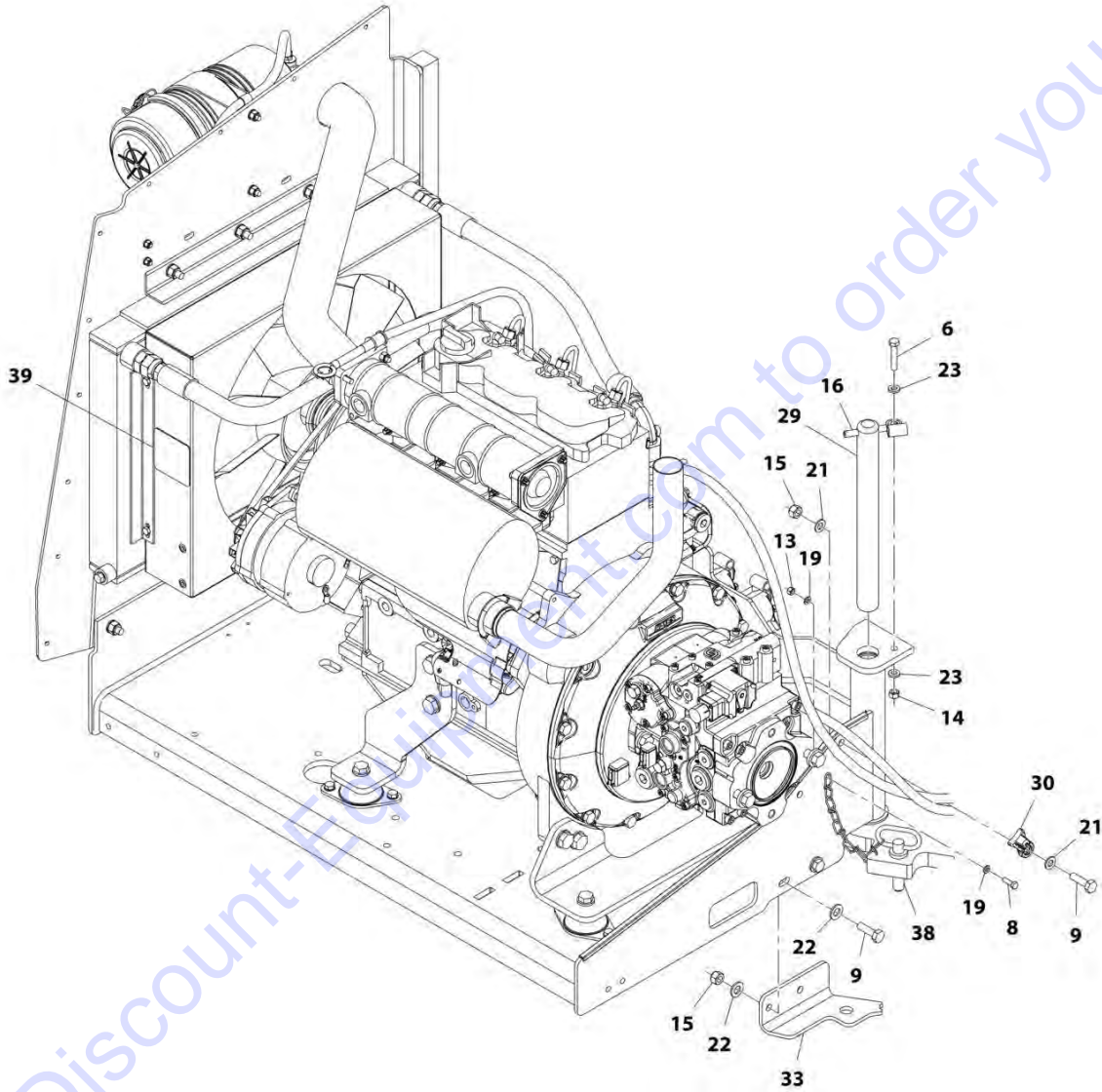
Go to Discount-Equipment.com to order your parts

SECTION 3 - ENGINE

Go to Discount-Equipment.com to order your parts

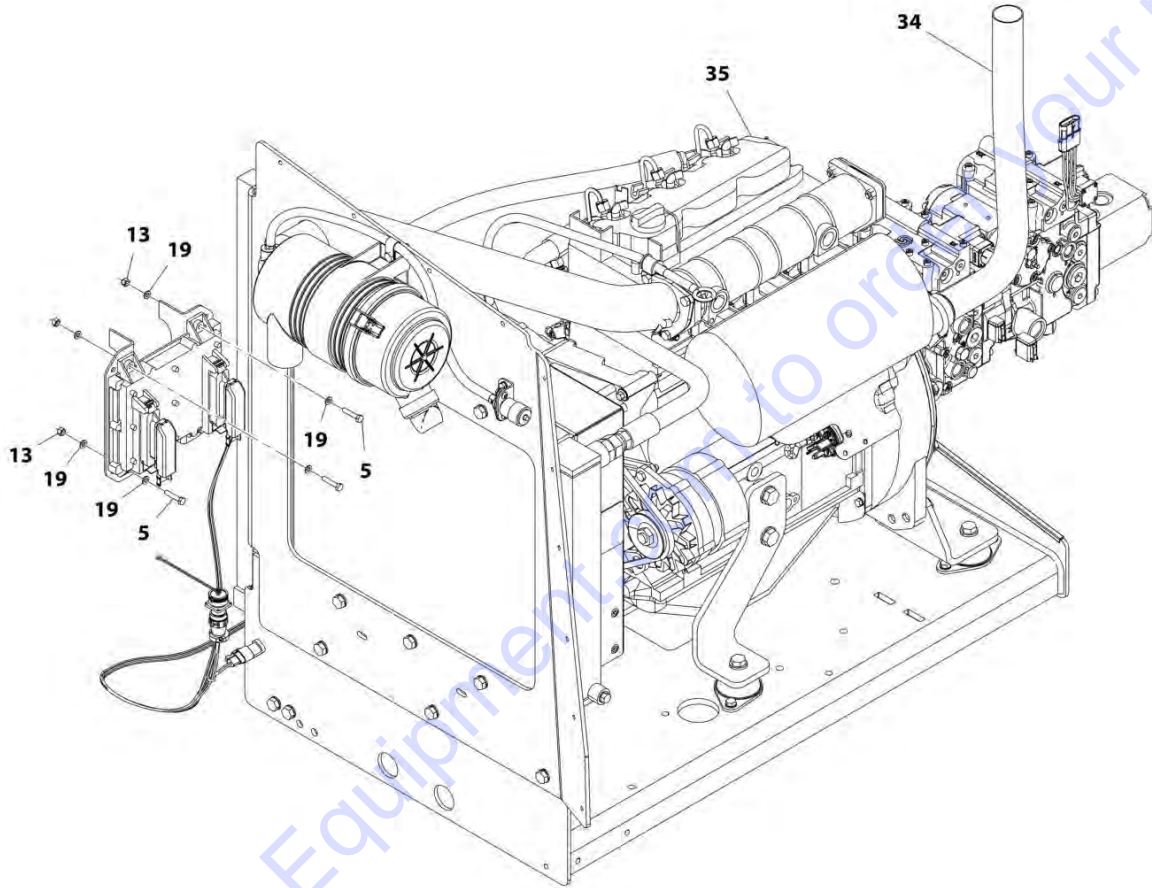
SECTION 3 - ENGINE

FIGURE 3-1. ENGINE INSTALLATION (DEUTZ 2011L03) (T4I) (CE SPECS)



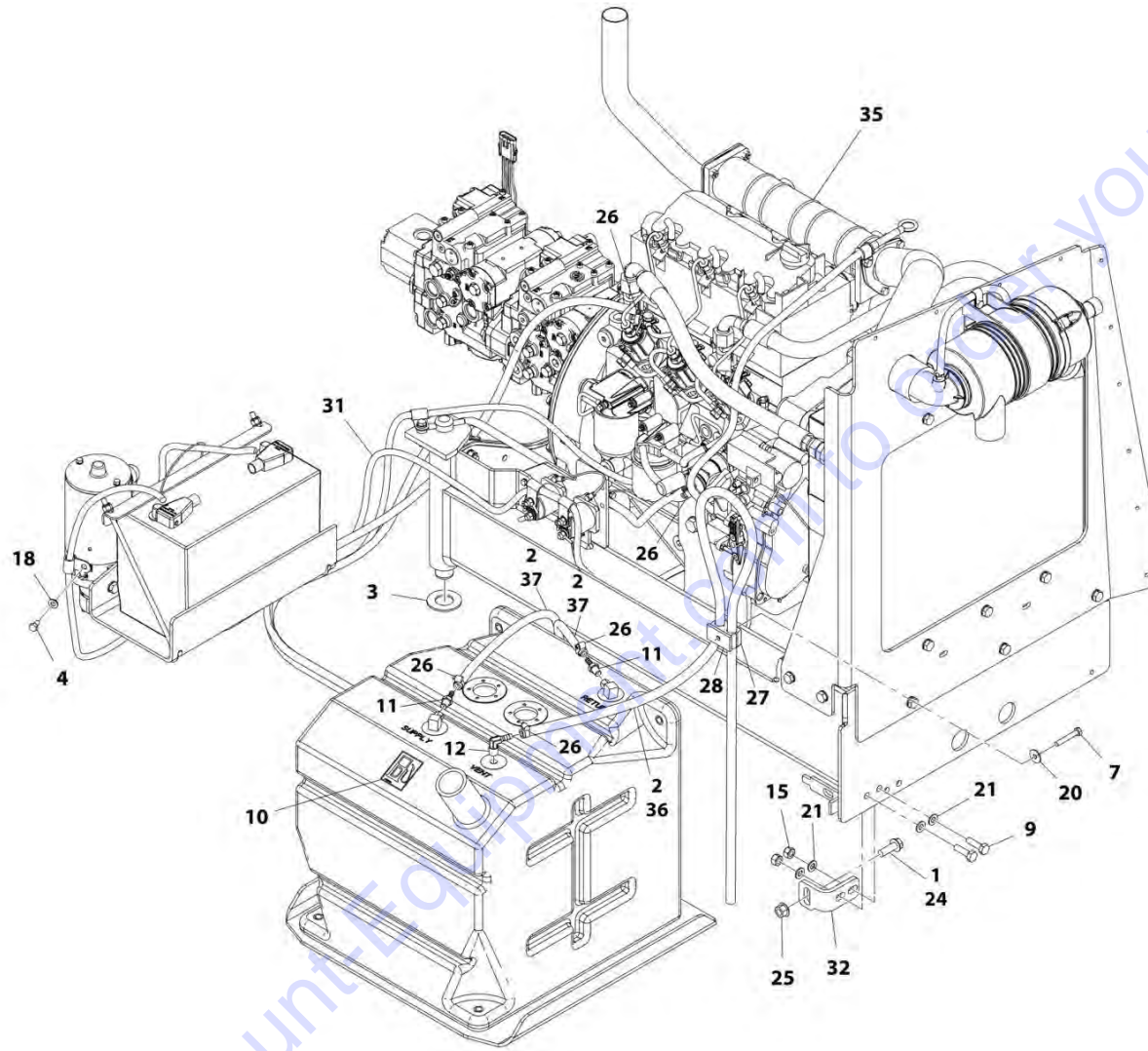
ART_1001190869_10F3

SECTION 3 - ENGINE



ART_1001190869_20F3

SECTION 3 - ENGINE



ART_1001190869_3OF3

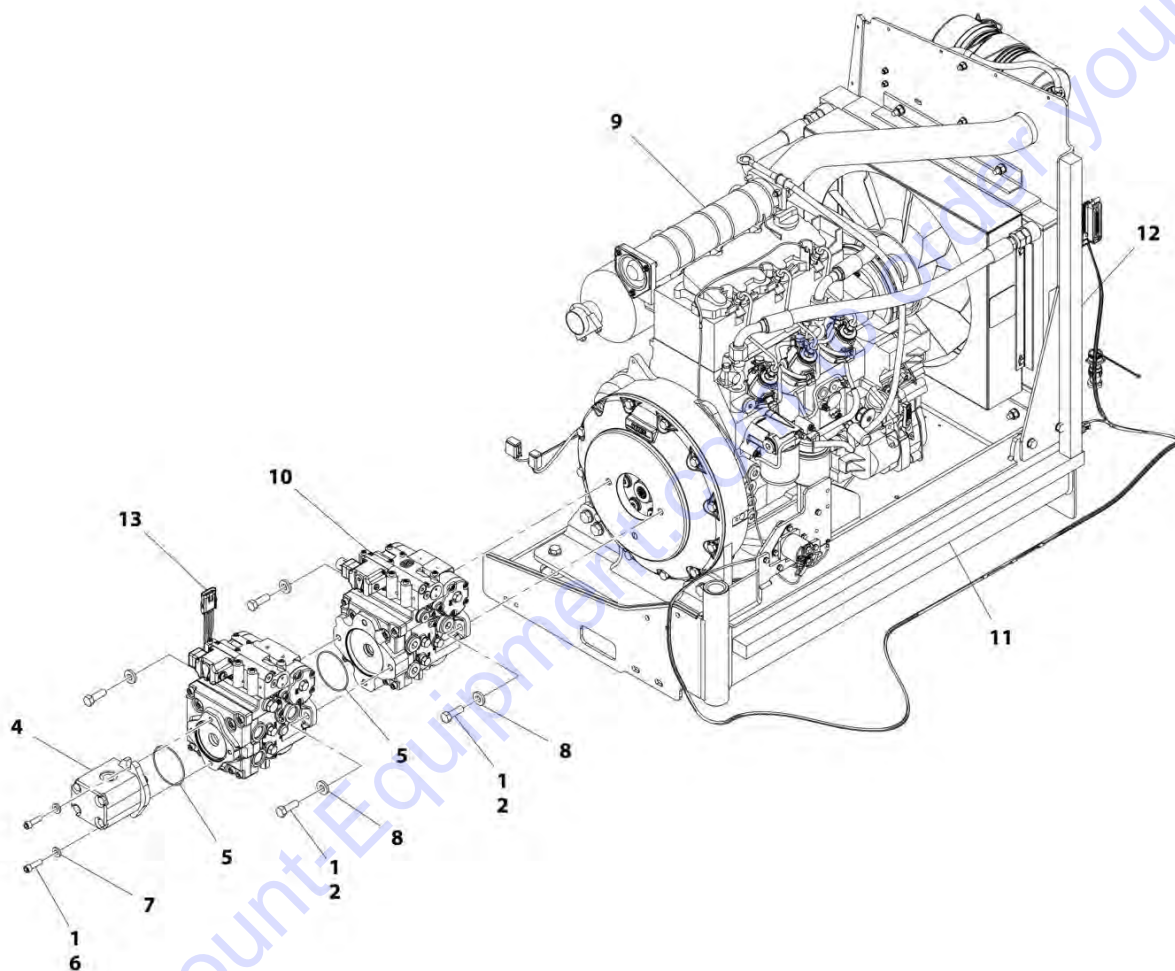
SECTION 3 - ENGINE

FIGURE 3-1. ENGINE INSTALLATION (DEUTZ 2011L03) (T4i) (CE SPECS)

ITEM	PART NUMBER	QTY	DESCRIPTION	REV
	1001190869	Ref	ENGINE INSTALLATION (DEUTZ 2011L03) (T4i) (CE SPECS)	F
1	0100011	AR	Compound, Locking	
2	0100020	AR	Sealant, Pipe	
3	0440162	1	Bearing	
4	0641504	1	Bolt 5/16 x 1/2	
5	0700614	4	Bolt M6 x 30	
6	0700817	1	Bolt M8 x 45	
7	0700818	1	Bolt M8 x 50	
8	0760610	1	Bolt M6 x 20	
9	0761015	5	Bolt M10 x 35	
10	1701505	1	Decal - Diesel Fuel	
11	2180348	2	Fitting, Barbed	
12	2220313	1	Fitting, Barbed 90	
13	3290605	5	Nut, Lock M6 x 1	
14	3290805	1	Nut, Lock M8 x 1.25	
15	3291005	5	Nut, Lock M10 x 1.5	
16	3841143	1	Pin	
17	4240099	AR	Tie-Strap (Not Shown)	
18	4711500	1	Washer 5/16	
19	4811700	10	Washer M6	
20	4811902	1	Washer M8	
21	4812000	6	Washer M10	
22	4812100	4	Washer M12	
23	5240800	2	Washer M8 Hardened	
24	5251215	1	Bolt M12 x 35	
25	5261200	1	Nut, Flange M12 (Class 10)	
26	8405009	5	Clamp	
27	8750014	1	Clamp	
28	8750031	1	Clamp	
29	1001135196	1	Pin	
30	1001156107	1	Holder, Cable	
31	1001167038	1	Battery Cable Kit	
32	1001167512	1	Bracket, Engine	
33	1001169823	1	Plate, Engine Lock	
34	1001172195	1	Pipe, Exhaust	
35	1001190868	1	Engine, Deutz T4i D2.3L3 W/ Pumps	
36	1001165035	6 ft/1.83m	Hose (Prior to SN 0300218550)	
36	2750532	5.5 ft /1.7m	Hose (SN 0300218550 to Present)	
37	2720058	17 ft /5.18m	Hose	
38	3422532	1	Pin	
39	1704972	1	Decal - Warning Explosion/Fire (Prior to SN 0300220386)	

SECTION 3 - ENGINE

FIGURE 3-2. ENGINE AND PUMP SUB-ASSEMBLY (DEUTZ 2011L03) (T4I) (CE SPECS)



ART_1001190868

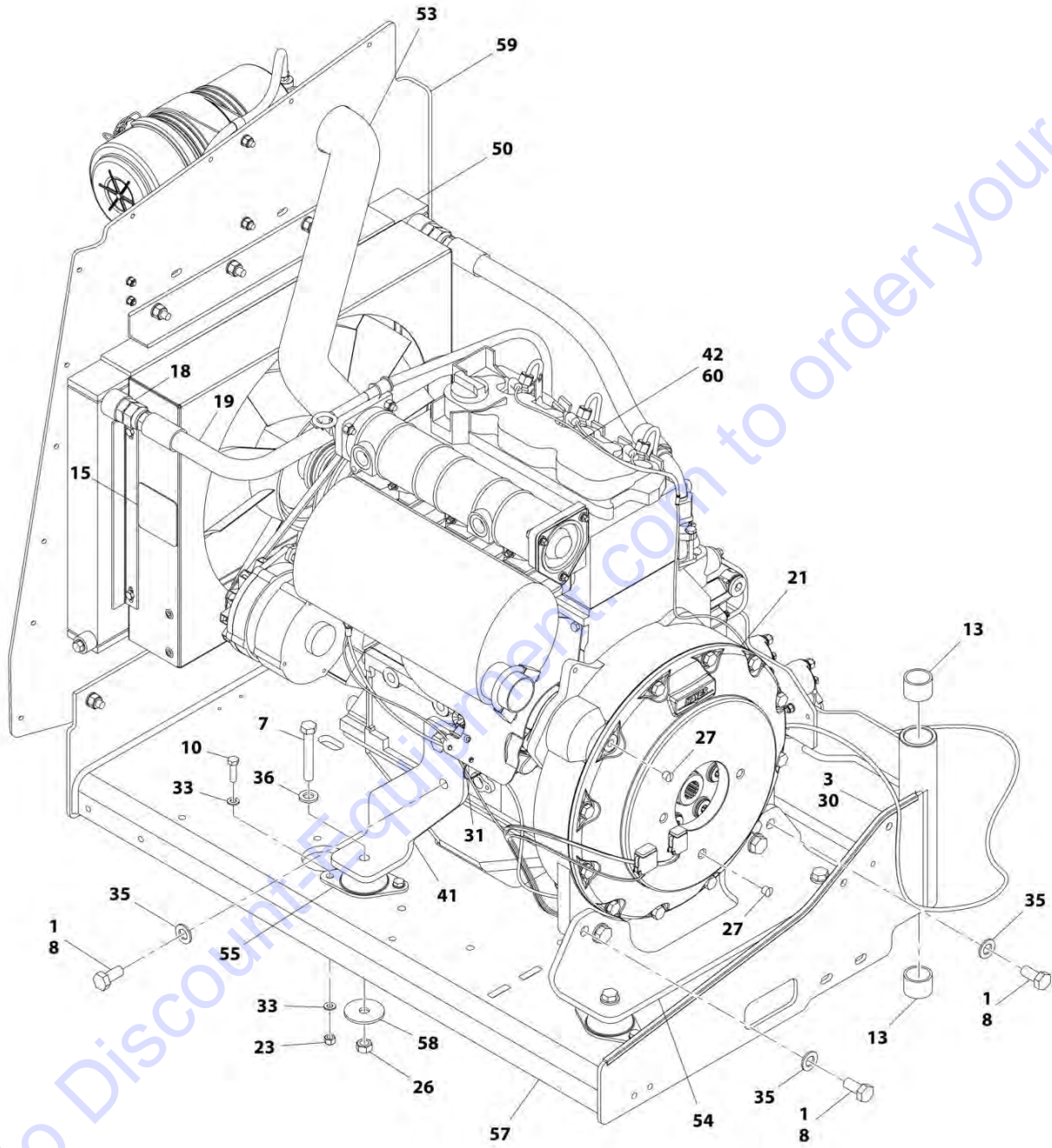
SECTION 3 - ENGINE

FIGURE 3-2. ENGINE AND PUMP SUB-ASSEMBLY (DEUTZ 2011L03) (T4I) (CE SPECS)

ITEM	PART NUMBER	QTY	DESCRIPTION	REV
	1001190868	Ref	ENGINE AND PUMP SUB-ASSEMBLY (DEUTZ 2011L03) (T4I) (CE SPECS)	D
1	0100011	AR	Compound, Locking	
2	0641812	4	Bolt 1/2 x 1-1/2	
3	3020037	AR	Lube	
4	3600242	1	Gear Pump Assembly (See GEAR PUMP ASSEMBLY for Breakdown)	
5	3790045	2	O-Ring	
6	3931620	2	Capscrew 3/8 x 1-1/4	
7	4891600	2	Washer 3/8 Hardened	
8	4891800	4	Washer 1/2 Hardened	
9	1001166020	1	Engine Assembly - Deutz D2.3L3 Engine (See ENGINE ASSEMBLY DEUTZ D2.3L3 ENGINE for Breakdown)	
10	1001189237	1	Piston Pump Assembly (Front) (See PISTON PUMP ASSEMBLY (FRONT) for Breakdown)	
11	1001171953	1	Seal	
12	1001171954	1	Seal	
13	1001189236	1	Piston Pump Assembly (Rear) (See PISTON PUMP ASSEMBLY (REAR) for Breakdown)	

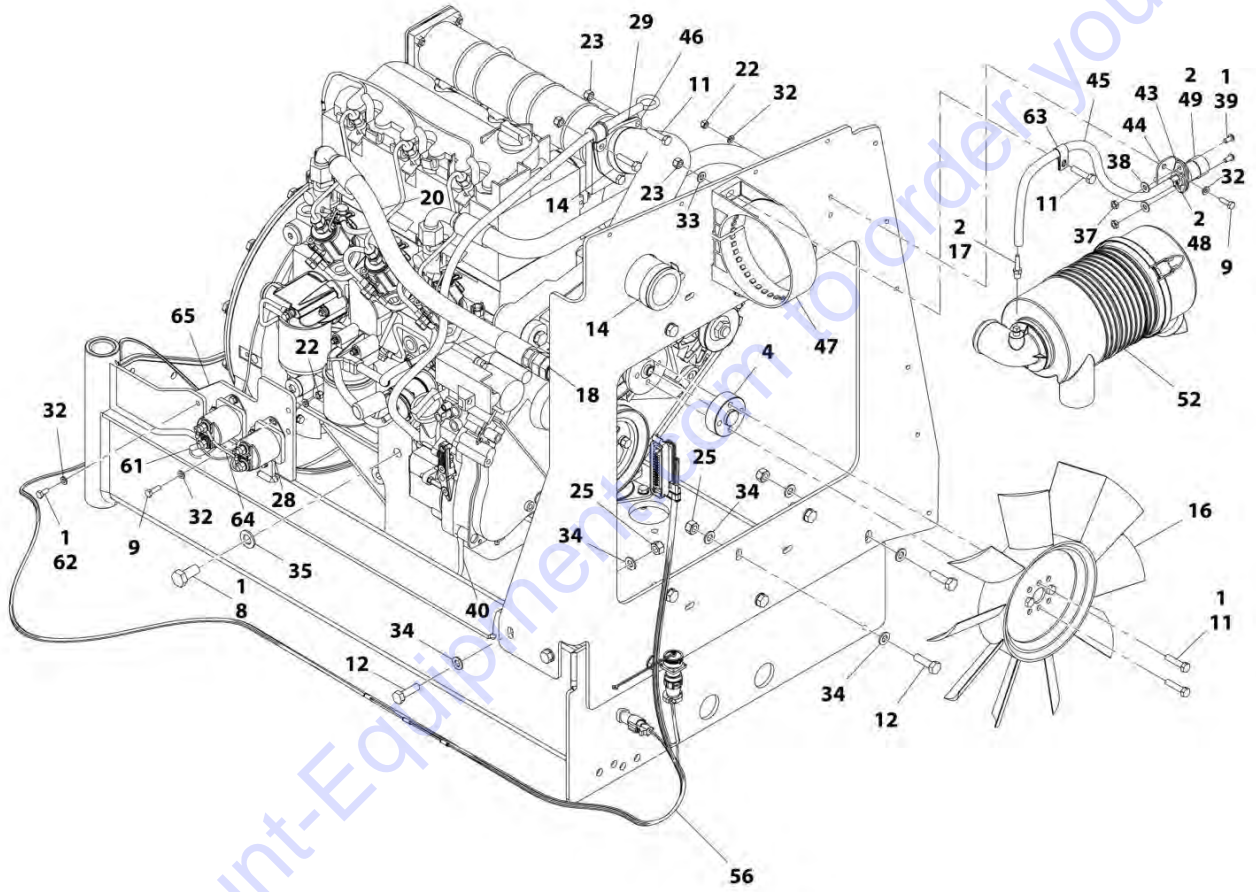
SECTION 3 - ENGINE

FIGURE 3-3. ENGINE ASSEMBLY (DEUTZ 2011L03) (T4I) (CE SPECS)



ART_1001166020_10F2

SECTION 3 - ENGINE



ART_1001166020_2OF2

SECTION 3 - ENGINE

FIGURE 3-3. ENGINE ASSEMBLY (DEUTZ 2011L03) (T4I) (CE SPECS)

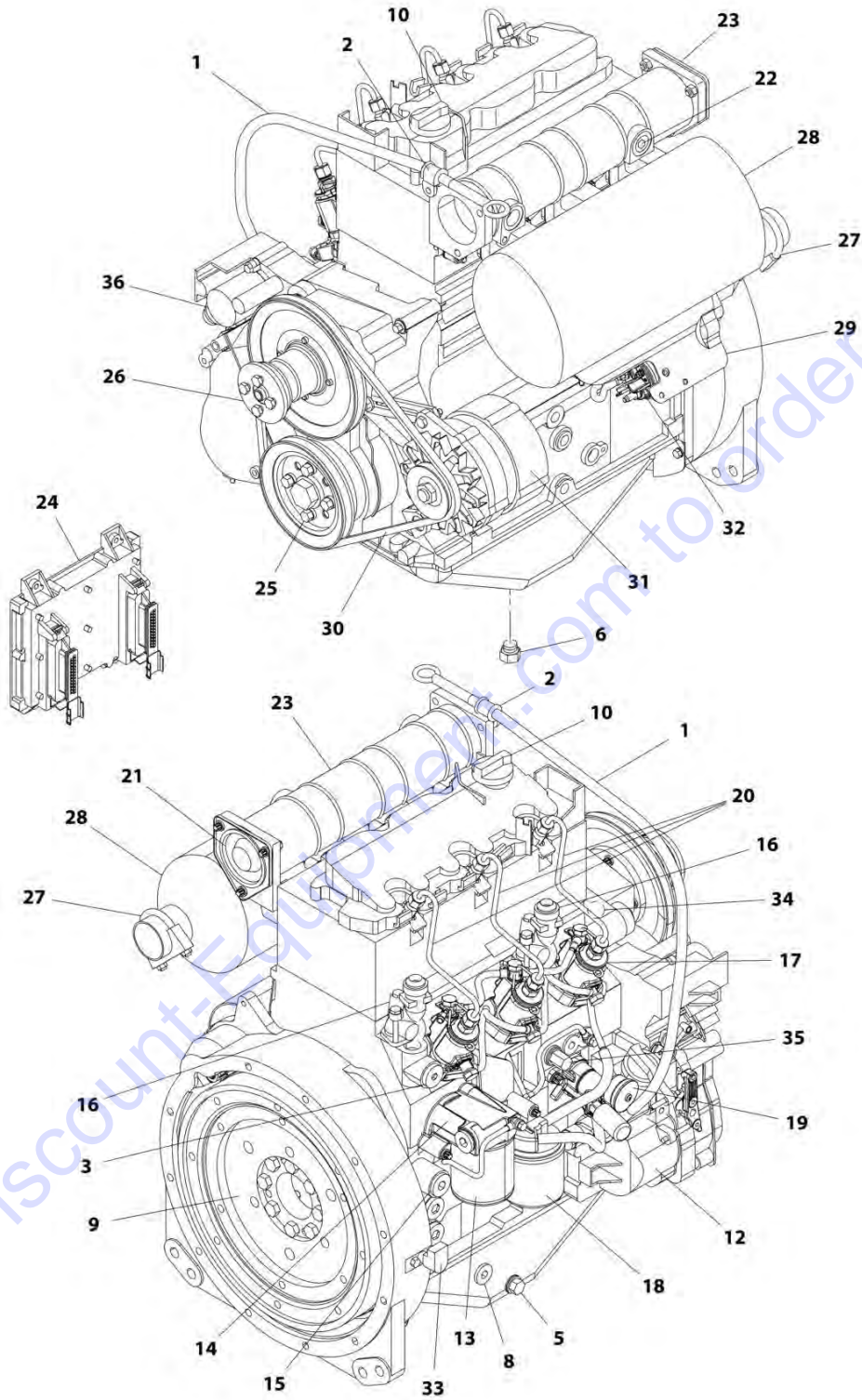
ITEM	PART NUMBER	QTY	DESCRIPTION	REV
	1001166020	Ref	ENGINE ASSEMBLY (DEUTZ 2011L03) (T4I) (CE SPECS)	I
1	0100011	AR	Compound, Locking	
2	0100020	AR	Sealant, Pipe	
3	0100081	AR	Adhesive	
4	0080231	1	Spacer, Fan	
7	0711224	4	Bolt M12 x 80 (Grade 10.9)	
8	0771414	8	Bolt M14 x 30	
9	0760610	6	Bolt M6 x 20	
10	0760814	8	Bolt M8 x 30	
11	0760815	9	Bolt M8 x 35	
12	0761015	11	Bolt M10 x 35	
13	0961951	2	Bushing	
14	1320016	2	Clamp	
15	1703162	2	Decal - Caution Fan	
16	2060025	1	Fan	
17	2220315	1	Fitting, Barbed	
18	2220451	2	Fitting, Straight JIC/ORB	
19	2720398	1	Hose	
20	2720447	1	Hose	
21	2902065	1	Pump Coupling Kit (See PUMP COUPLING KIT for Breakdown)	
22	3290605	6	Nut, Lock M6 x 1	
23	3290805	13	Nut, Lock M8 x 1.25	
25	3291005	11	Nut, Lock M10 x 1.5	
26	3331215	4	Nut, Lock M12 x 1.75	
27	3520054	2	Plug	
28	3740067	2	Relay Assembly	
28	3300220	2	Nut	
28	3321001	1	Nut #10	
28	3740140	1	Relay	
28	4761000	1	Washer, Lock #10	
28	1001111424	2	Washer	
29	3960407	1	Gasket	
30	4060805	2.25 ft /0.69m	Trim, Flex Shield	
31	4240099	AR	Tie-Strap	
32	4811700	15	Washer M6	
33	4811900	20	Washer M8	
34	4812000	22	Washer M10	
35	4812200	8	Washer M14	
36	5241200	4	Washer M12 Hardened	
37	8305401	2	Nut, Jam .250	
38	8307109	2	Washer .250	
39	8310548	2	Screw 1/4 x 1/2	
40	1001132195	1	Bracket, Engine Mount	
41	1001132196	1	Bracket, Engine Mount	
42	1001136079	2.8gal /10.5L	Oil, Motor	
43	1001138173	1	Support, Service Indicator	
44	1001138175	1	Bracket, Service Indicator	
45	1001138248	2 ft/0.61m	Tube	

SECTION 3 - ENGINE

ITEM	PART NUMBER	QTY	DESCRIPTION	REV
46	1001139819	1	Adapter, Air Intake	
47	1001141694	1	Clamp, Air Cleaner	
48	1001141995	1	Fitting, Barbed	
49	1001143390	1	Indicator	
50	1001150998	1	Radiator	
52	1001165388	1	Air Cleaner Assembly	
52	70003783	1	Element, Air Cleaner	
53	1001165389	1	Hose	
54	1001166717	1	Bracket, Engine Mount	
55	1001166718	4	Isolator, Engine Mount	
56	1001167111	1	Harness Engine - Deutz D2.3L3 (See ELECTRICAL SECTION for Breakdown)	
57	1001167520	1	Tray, Engine	
58	1001168018	4	Washer, Snubbing	
59	1001168059	1	Plate, Radiator Mounting	
60	1001170693	1	Engine, Deutz D2.3L3 (See ENGINE COMPONENTS - DEUTZ D2.3L3 ENGINE for Breakdown)	
61	4923451	1	Harness, Glow Plugs	
62	0760607	3	Bolt M6 x 14 (Prior to SN 0300216991)	
62	0760614	3	Bolt M6 x 30 (SN 0300216991 to Present)	
63	8406109	1	Clip	
64	1001178859	1	Cable, Alternator	
65	1001179903	1	Bracket (Prior to SN 0300216991)	
65	1001214975	1	Bracket (SN 0300216991 to Present)	

SECTION 3 - ENGINE

FIGURE 3-4. ENGINE COMPONENTS - DEUTZ D2.3L3 (CE SPECS)



ART_1001170693

SECTION 3 - ENGINE

FIGURE 3-4. ENGINE COMPONENTS - DEUTZ D2.3L3 (CE SPECS)

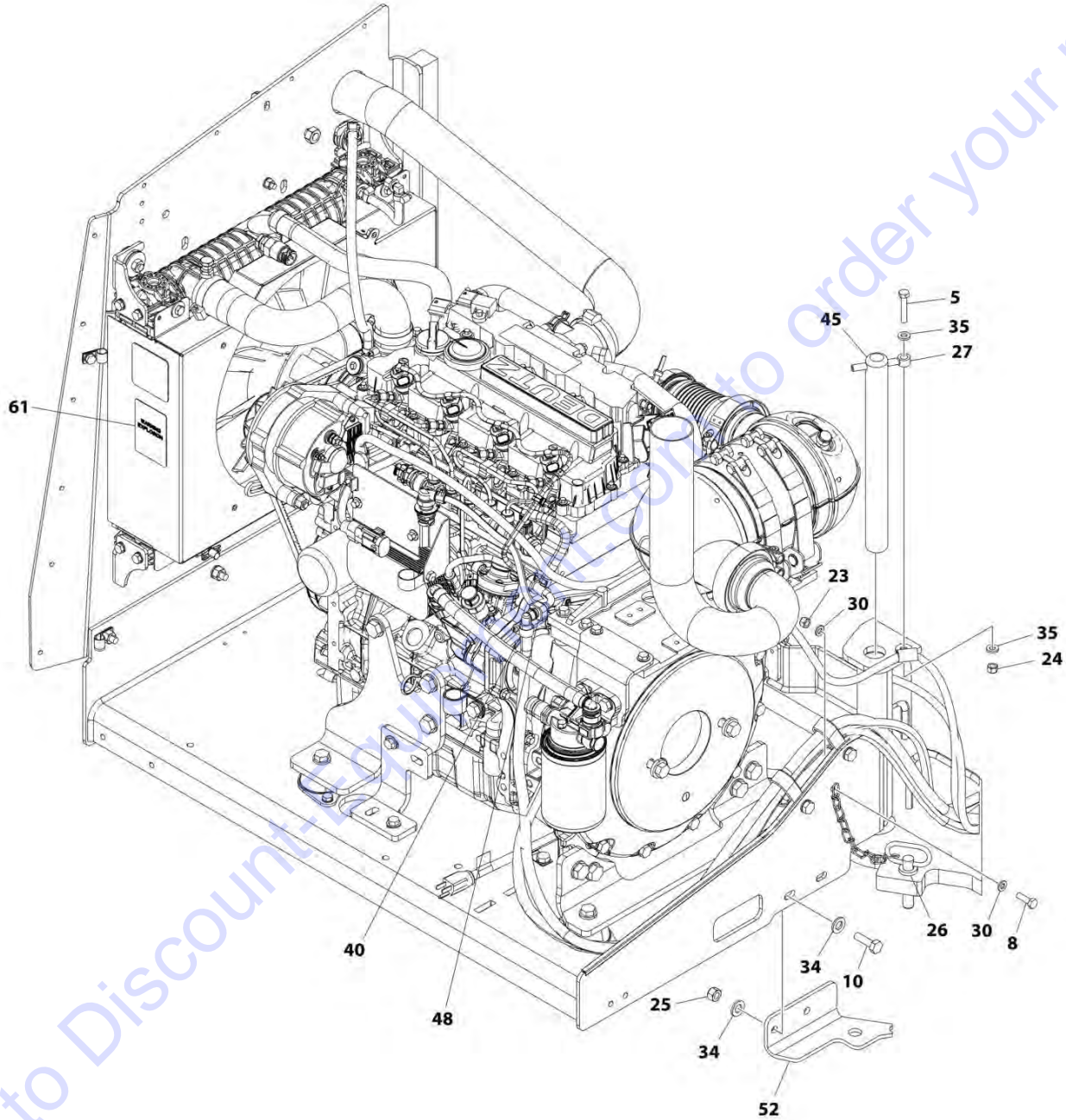
ITEM	PART NUMBER	QTY	DESCRIPTION	REV
	1001170693	Ref	ENGINE COMPONENTS - DEUTZ D2.3L3 (CE SPECS)	C
1	70001002	1	Tube, Dipstick	
1	7020403	1	Seal, Tube	
1	7020026	1	Dipstick	
2	70001654	1	Clamp	
2	70001655	1	Bolt	
3	70003475	1	Thermostat	
3	7020460	1	Spring	
4		Ref	Seal and Gasket Options (Not Shown):	
4	70002718	1	Seal, Rear Main	
4	7020430	1	Gasket, Valve Cover	
4	70003479	1	Gasket, Head- 1 Notch	
4	70003480	1	Gasket, Head- 2 Notch	
4	70003481	1	Gasket, Head- 3 Notch	
5	70025088	1	Plug	
6	70025667	1	Plug	
7	70025123	22	Bolt, Torx (Oil Pan Bolts) (Not Shown)	
8	7020492	1	Seal	
8	70025084	1	Plug	
9	70001870	1	Flywheel	
9	7024579	1	Ring Gear (Part of Flywheel)	
9	70025139	8	Bolt	
10	7020465	1	Cap, Oil Fill	
11	70000800	1	Timing Belt/Idler Kit (Includes Timing Belt, Tensioner and Tensioner Bolt) (Not Shown)	
12	70001850	1	Pump, Lubricating	
12	7020468	1	Seal, Pump to Engine Block (Not Shown)	
13	7016331	1	Filter, Oil	
14	70003472	1	Bracket, Oil Filter (Includes Plug with Seal, Temperature Sensor, Control Valve and Compression Spring)	
14	7027236	1	Sender, Temperature	
14	70025082	1	Seal, Plug	
14	70025091	1	Plug	
14	70003473	1	Gasket, Bracket to Engine Block (Not Shown)	
15	70001181	1	Valve	
15	70025091	1	Plug	
15	70025082	1	Seal, Plug	
16	70004268	2	Connector, Radiator Neck	
16	70004269	2	Seal, Radiator Neck to Engine Block	
17	70000912	3	Pump, Fuel Injector - A Spec	
17	70000913	3	Pump, Fuel Injector - B Spec	
17	70000914	3	Pump, Fuel Injector - C Spec	
17	70000915	3	Pump, Fuel Injector - D Spec	
17	70003464	3	O-Ring, Pump to Engine Block	
18	7020023	1	Filter, Fuel	
18	70003463	1	Filter, Fuel-RME Resistant	
18	70001423	1	Bracket, Fuel Filter	
19	70000916	1	Pump Fuel Supply	
19	70000917	1	O-Seal Between Fuel Pump and Engine Block	
19	70000918	1	Sealing Ring Between Hand Pump and Supply Pump	

SECTION 3 - ENGINE

ITEM	PART NUMBER	QTY	DESCRIPTION	REV
19	70000919	1	Pump, Hand	
19	70001435	1	Repair Kit	
19	70025694	2	Bolt, Torx	
20	70000931	3	Pipe, High Pressure	
21	70003469	1	Flange, Intake	
21	70003468	1	Seal	
22	70025084	1	Plug	
22	7020492	1	Seal, Plug	
23	7027903	1	Manifold, Air Intake	
23	70001871	3	Gasket Between Manifold and Engine Block	
24	See Note	1	Module, Engine Control (Note: Not Currently Available)	
24	7027796	1	Cable, Electrical Between Module and Engine Harness (Not Shown)	
24	70001872	1	Harness, Engine (Connects to p/n 70004060) (Not Shown)	
24	70004060	1	Plug, Connector Located on Cable Near Module (Not Shown)	
24	70004059	1	Plug, Analyzer (Not Shown)	
25	70025123	4	Bolt, Torx	
26	70000787	1	Support, Fan (Includes Support, Internal Shaft, Bearings and Circlip)	
27	70001844	1	Clamp	
28	See Note	1	Muffler (Note: See ENGINE ASSEMBLY)	
28	7020471	3	Gasket, Exhaust Between Muffler and Engine Block	
28	70004270	6	Stud, Muffler	
29	70001498	1	Shield, Starter	
29	70025693	3	Bolt	
30	70004102	1	V-Belt	
31	70004056	1	Alternator (Includes Voltage Regulator and Gaskets, Fan and Fan Mounting Hardware)	
31	70001868	1	Regulator, Voltage	
31	70001866	1	Gasket Set, Voltage Regulator	
31	70025131	1	Fan	
31	70025086	1	Nut, Fan	
31	70000851	1	Bracket, Alternator Mounting	
31	70002234	1	Bracket, Alternator Adjustment	
31	70004103	1	Harness, Alternator (Not Shown)	
32	7020479	1	Starter	
32	70025121	2	Bolt, Starter Mounting	
32	70004058	1	Relay	
32	70004062	1	Harness, Starter (Not Shown)	
33	7024565	1	Sensor, Speed	
33	70003931	1	Bolt	
33	70003932	1	Spacer, Sleeve	
34	7027791	1	Sender, Temperature	
35	7027790	1	Sensor, Oil Pressure	
36	7027792	1	Actuator	
37	70000345	3	Plug, Glow (Not Shown)	

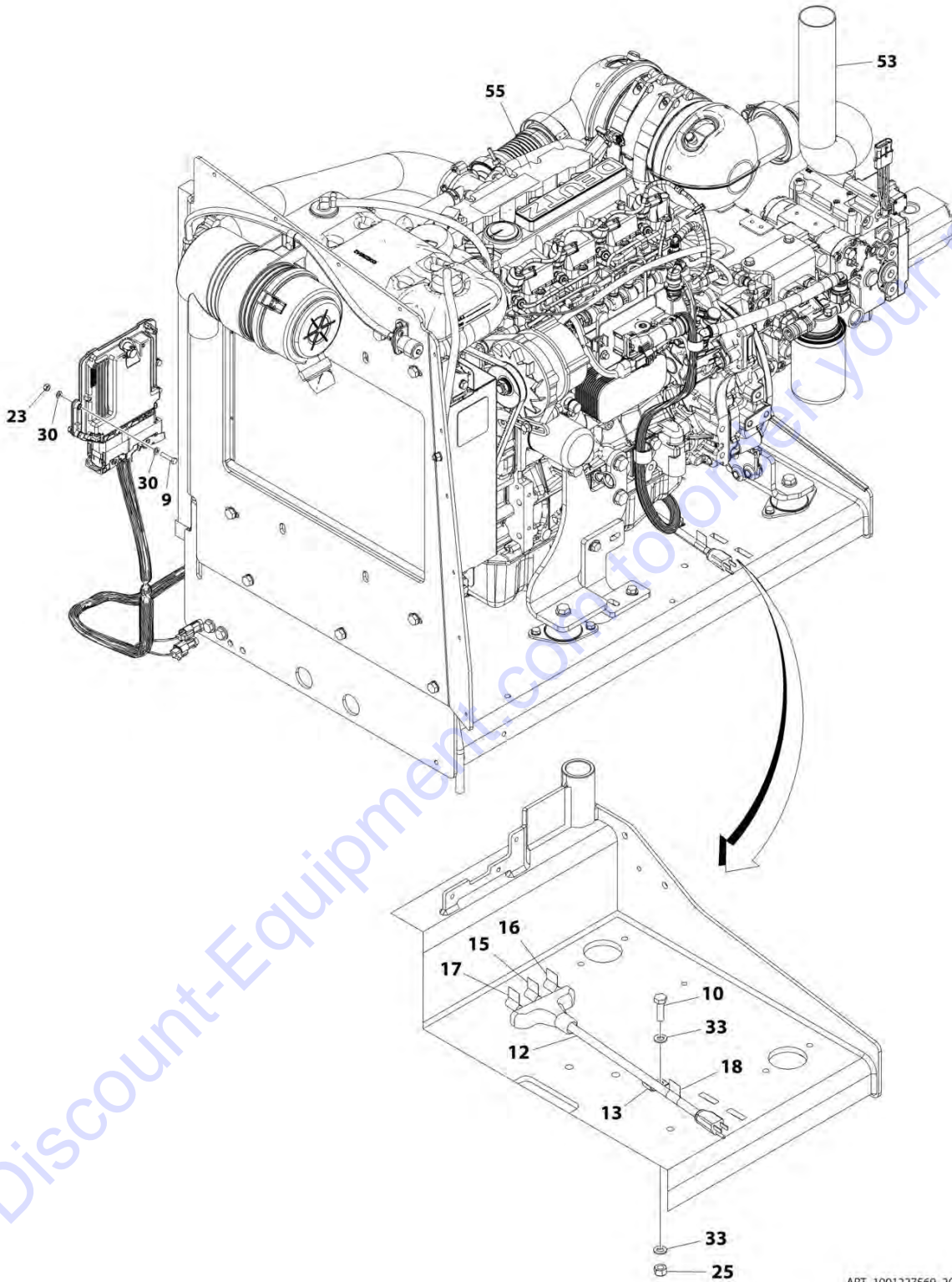
SECTION 3 - ENGINE

FIGURE 3-5. ENGINE INSTALLATION - DEUTZ D2.9L4 (T4F) (WITH ARCTIC PACKAGE) (ANSI AND CSA SPECS) (SN 0300234013 to Present)



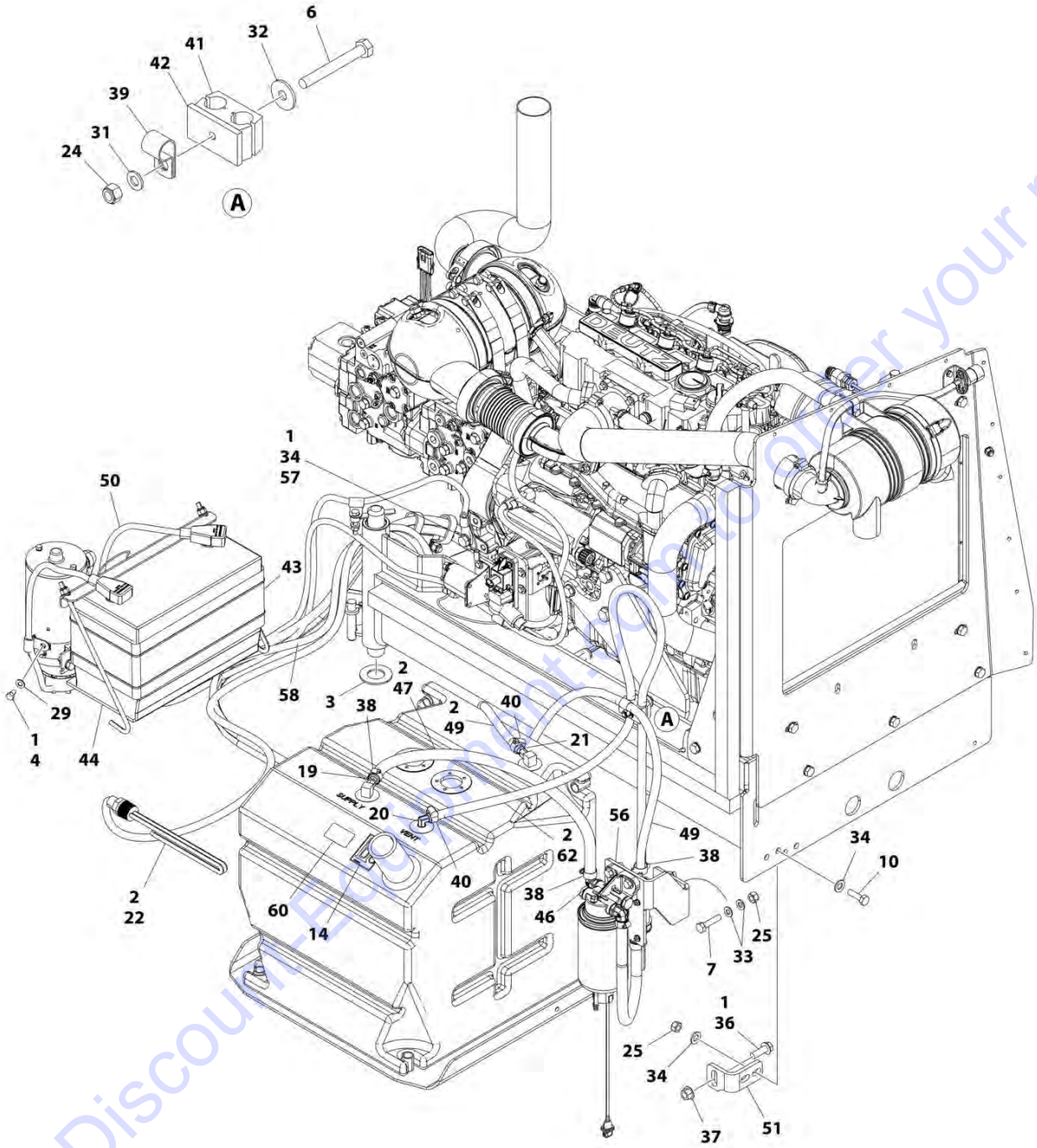
ART_1001227569_10F3

SECTION 3 - ENGINE



ART_1001227569_20F3

SECTION 3 - ENGINE



ART_1001227569_3OF3

SECTION 3 - ENGINE

FIGURE 3-5. ENGINE INSTALLATION - DEUTZ D2.9L4 (T4F) (WITH ARCTIC PACKAGE) (ANSI AND CSA SPECS) (SN 0300234013 to Present)

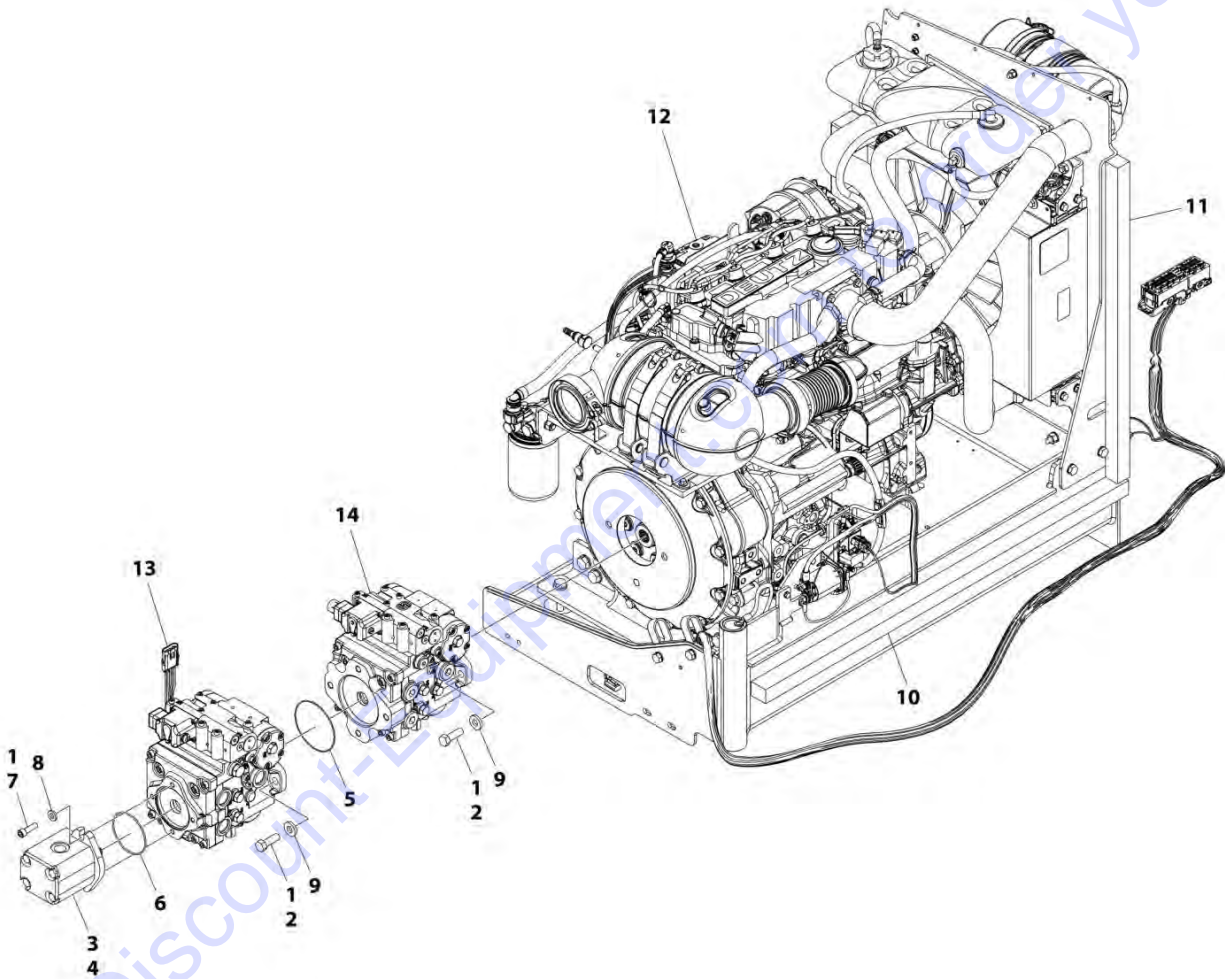
ITEM	PART NUMBER	QTY	DESCRIPTION	REV
	1001227569	Ref	ENGINE INSTALLATION - DEUTZ D2.9L4 (T4F) (WITH ARCTIC PACKAGE) (ANSI AND CSA SPECS) (SN 0300234013 to Present)	B
1	0100011	AR	Compound, Locking	
2	0100020	AR	Sealant, Pipe	
3	0440162	1	Bearing	
4	0641504	1	Bolt 5/16 x 1/2	
5	0700817	1	Bolt M8 x 45	
6	0700821	1	Bolt M8 x 65	
7	0701017	2	Bolt M10 x 45	
8	0760610	1	Bolt M6 x 20	
9	0760613	4	Bolt M6 x 28	
10	0761015	5	Bolt M10 x 35	
12	1060626	1	Plug, 3 Way	
13	1320223	1	Clip	
14	1701505	2	Decal - Diesel Fuel	
15	1702941	1	Decal - Battery Heater	
16	1702942	1	Decal - Engine Block Heater	
17	1702943	1	Decal - Hydraulic Tank Heater	
18	1702944	1	Decal - Heater Cord	
19	2180832	1	Fitting, Barbed	
20	2220313	1	Fitting, Barbed 90	
21	2220767	1	Fitting, Barbed	
22	1001188972	1	Heater, Hydraulic Tank	
23	3290605	5	Nut M6	
24	3290805	2	Nut M8	
25	3291005	7	Nut M10	
26	3422532	1	Pin	
27	3841143	1	Pin	
28	4240099	AR	Tie-Strap (Not Shown)	
29	4711500	1	Washer 5/16	
30	4811700	10	Washer M6	
31	4811900	1	Washer M8	
32	4811902	1	Washer M8	
33	4812000	6	Washer M10	
34	4812100	9	Washer M12	
35	5240800	2	Washer M8	
36	5251215	1	Bolt M12 x 35	
37	5261200	1	Nut, Flange M12 (Class 10)	
38	8405006	3	Gear Clamp	
39	8406101	1	Clip Tube	
40	8410013	4	Gear Clamp	
41	8750014	1	Clamp	
42	8750031	1	Plate	
43	2580024	1	Heater, Battery	
44	1001119278	1	Insulate	
45	1001135196	1	Pin	
46	1001142501	1	Fitting, Barbed 90	
47	1001154405	2.2 ft/ 0.7m	Hose	

SECTION 3 - ENGINE

ITEM	PART NUMBER	QTY	DESCRIPTION	REV
48	1001155823	1	Coupling, Quick Disconnect 90	
49	1001165035	21 ft/ 6.4m	Hose	
50	1001166970	1	Cable, Batt and Aux Pump Cables	
51	1001167512	1	Bracket, Engine Tray	
52	1001169823	1	Plate, Engine Lock	
53	1001223802	1	Pipe, Exhaust	
54	1001173342	1	Harness, Deutz Fuel (Not Shown - See Separate Breakdown in ELECTRICAL SECTION)	
55	1001227571	1	Engine and Pump Sub-Assembly (See Separate Breakdown in this Section)	
56	1001162335	1	Bracket, Fuel Pump/Filter Assembly	
57	0771212	1	Bolt M12 x 25	
58	1001150918	1	Cable, Extension Cord	
60	1001125387	1	Decal, Ultra Low Sulfur Fuel	
61	1704972	1	Decal - Warning Explosion/Fire	
62	2750532	5.5 ft/ 1.7m	Hose	
63	1001233763	1	Breather Heater Installation (Not Shown - See Separate Breakdown in this Section) (SN 0300245777 to Present)	

SECTION 3 - ENGINE

FIGURE 3-6. ENGINE AND PUMP SUB-ASSEMBLY - DEUTZ D2.9L4 (T4F) (WITH ARCTIC PACKAGE)
(ANSI AND CSA SPECS) (SN 0300234013 to Present)



ART_1001227571

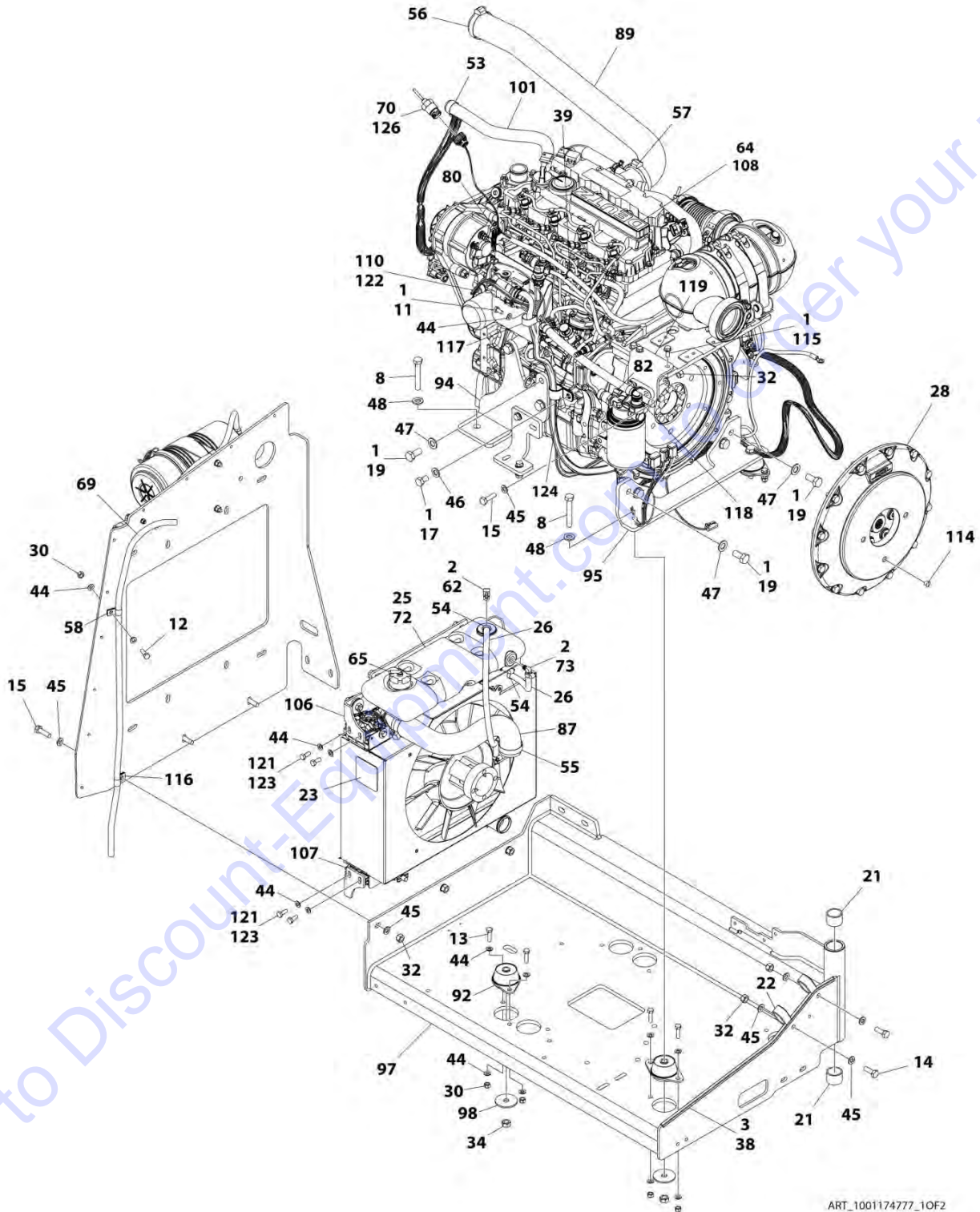
SECTION 3 - ENGINE

**FIGURE 3-6. ENGINE AND PUMP SUB-ASSEMBLY - DEUTZ D2.9L4 (T4F) (WITH ARCTIC PACKAGE)
(ANSI AND CSA SPECS) (SN 0300234013 to Present)**

ITEM	PART NUMBER	QTY	DESCRIPTION	REV
	1001227571	Ref	ENGINE AND PUMP SUB-ASSEMBLY - DEUTZ D2.9L4 (T4F) (WITH ARCTIC PACKAGE) (ANSI AND CSA SPECS) (SN 0300234013 to Present)	A
1	0100011	AR	Compound, Locking	
2	0641812	4	Bolt 1/2 x 1-1/2	
3	3020037	AR	Lube	
4	3600242	1	Gear Pump Assembly (See GEAR PUMP ASSEMBLY for Breakdown)	
5	3790045	1	O-Ring	
6	3790152	1	O-Ring	
7	3931620	2	Capscrew 3/8 x 1-1/4	
8	4891600	2	Washer 3/8 Hardened	
9	4891800	4	Washer 1/2 Hardened	
10	1001171953	1	Seal	
11	1001171954	1	Seal	
12	1001174777	1	Engine Assembly - Deutz D2.9L4 (See Separate Breakdown in this Section)	
13	1001189236	1	Piston Pump Assembly (Rear) (See Separate Breakdown in this Section)	
14	1001189237	1	Piston Pump Assembly (Front) (See Separate in this Section)	

SECTION 3 - ENGINE

FIGURE 3-7. ENGINE ASSEMBLY - DEUTZ D2.9L4 ENGINE (T4F) (WITH ARCTIC PACKAGE) (ANSI AND CSA SPECS) (SN 0300234013 to Present)



ART_1001174777_10F2

SECTION 3 - ENGINE

FIGURE 3-7. ENGINE ASSEMBLY - DEUTZ D2.9L4 ENGINE (T4F) (WITH ARCTIC PACKAGE) (ANSI AND CSA SPECS) (SN 0300234013 to Present)

ITEM	PART NUMBER	QTY	DESCRIPTION	REV
	1001174777	Ref	ENGINE ASSEMBLY - DEUTZ D2.9L4 ENGINE (T4F) (WITH ARCTIC PACKAGE) (ANSI AND CSA SPECS) (SN 0300234013 to Present)	P
1	0100011	AR	Compound, Locking	
2	0100020	AR	Sealant, Pipe	
3	0100081	AR	Adhesive	
7	0711214	1	Bolt M12 x 30	
8	0711224	4	Bolt M12 x 80	
9	0741606	2	Screw 3/8 x .75	
10	0760610	3	Bolt M6 x 20	
11	0760808	1	Bolt M8 x 16	
12	0760812	1	Bolt M8 x 25	
13	0760814	8	Bolt M8 x 30	
14	0761014	2	Bolt M10 x 30	
15	0761015	7	Bolt M10 x 35	
16	0761016	4	Bolt M10 x 40	
17	0761210	1	Bolt M12 x 20	
18	0761212	2	Bolt M12 x 25	
19	0771414	9	Bolt M14 x 30	
21	0961951	2	Bushing	
22	1321716	2	Clamp	
23	1703162	2	Decal - Caution Fan	
24	2220315	1	Fitting, Barbed	
25	2300041	3 gl/ 11.3L	Coolant	
26	2720015	2 ft/0.61m	Hose	
27	2720340	8 in/0.2m	Hose	
28	2902065	1	Pump Coupling Kit (See PUMP COUPLING KIT for Breakdown)	
29	3290605	7	Nut, Lock M6 x 1	
30	3290805	11	Nut, Lock M8 x 1.25	
31	3291001	4	Nut, M10 x 1.5	
32	3291005	9	Nut, Lock M10 x 1.5	
33	3310401	3	Nut #4	
34	3331215	4	Nut, M12 x 1.75	
35	3910408	3	Screw 4 x 1/2	
36	3931512	4	Capscrew 5/16 x 3/4	
37	4031914	4	Bolt M8 x 50	
38	4060805	2.25 ft/ 0.7m	Trim, Flex Shield	
39	4240099	AR	Tie-Strap	
40	4640751	1	Valve, Oil Drain	
41	4710400	3	Washer #4	
42	4711500	4	Washer, 5/16	
43	4811700	4	Washer, M6	
44	4811900	35	Washer, M8	
45	4812000	22	Washer, M10	
46	4812100	4	Washer, M12	
47	4812200	9	Washer, M14	
48	5241200	4	Washer, M12 Hardened	
49	8305401	2	Nut, Jam .250-20	

SECTION 3 - ENGINE

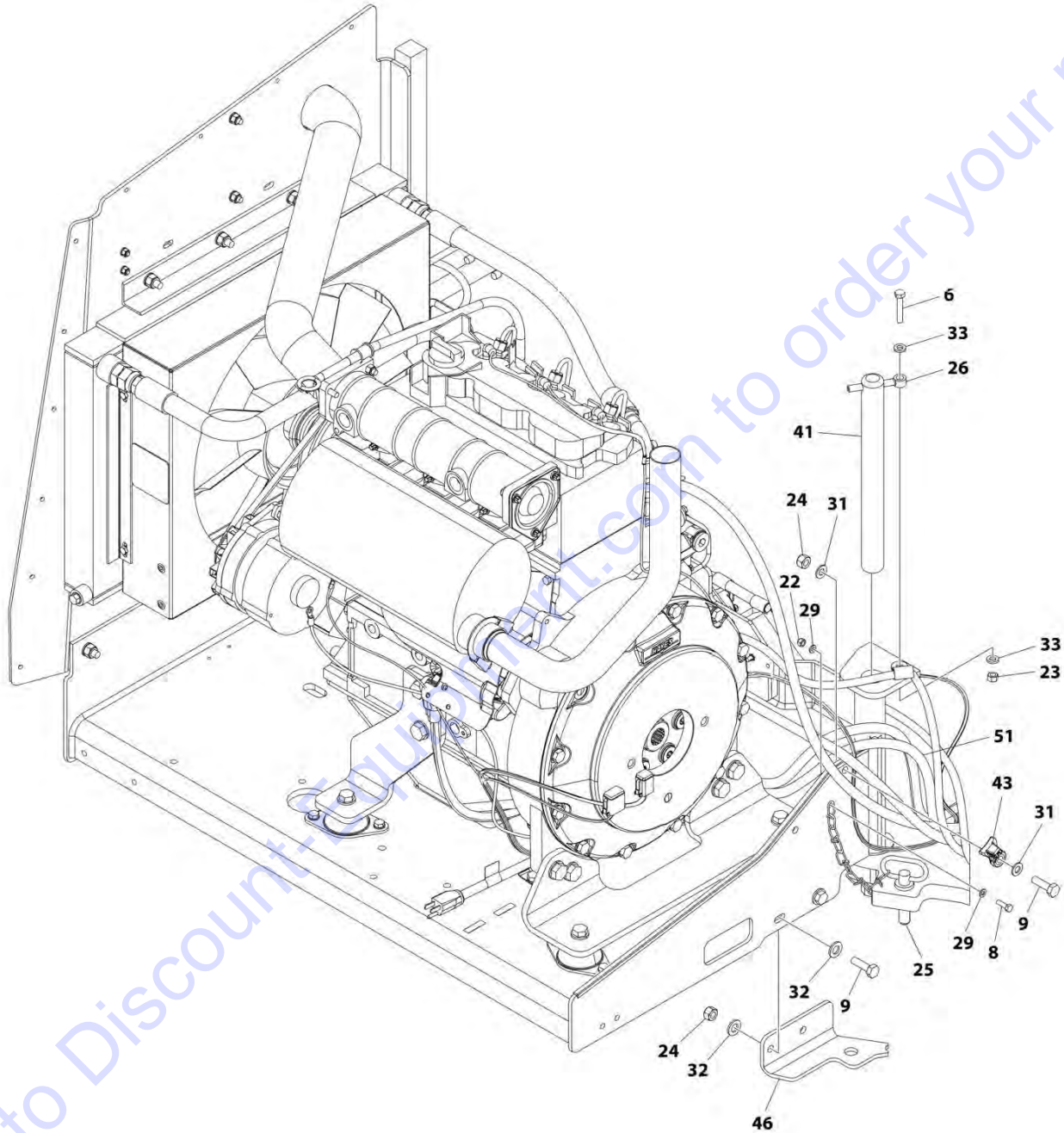
ITEM	PART NUMBER	QTY	DESCRIPTION	REV
50	8307109	2	Washer, .250	
51	8310548	2	Screw 1/4 x 1/2	
53	8405007	2	Clamp	
54	8405009	5	Clamp	
55	8405104	4	Clamp	
56	8405202	1	Clamp	
57	8405204	1	Clamp	
58	8406109	2	Clip	
60	1001117308	1	Relay, 200Amp	
60	3300220	2	Nut	
60	3321001	2	Nut #10	
60	4761000	2	Washer #10	
60	1001111424	2	Washer	
61	1001118878	1	Bolt M6 x 55	
62	1001134488	1	Fitting, Barbed 90 (SN 0300234013 through 0300239153)	
63	1001144116	1	Spacer, Fan	
64	1001136172	2.4 gal/9L	Oil, Motor	
65	1001136834	1	Cap, Tank	
66	1001138173	1	Support, Service Indicator	
67	1001138175	1	Bracket, Service Indicator	
68	1001138228	1	Relay, Power Module	
68	70023592	1	Fuse 20Amp	
68	70023593	1	Fuse 30Amp	
69	1001138248	5.25 ft/ 1.6m	Tube	
70	1001138827	1	Sensor, Coolant Level (SN 0300234013 through 0300239153)	
71	1001139240	1	Bracket	
72	1001140535	NLA	Tank, Surge (Use p/n 1001233635) (SN 0300234013 through 0300239153)	
72	1001230635	1	Tank, Surge (Includes Items 62, 70, & 73) (SN 0300239154 to Present)	
73	1001140564	1	Fitting, Barbed 90 (SN 0300234013 through 0300239153)	
74	1001141304	1	Harness, Glow Plug	
75	1001141694	1	Clamp, Air Cleaner	
76	1001141995	1	Fitting, Barbed	
78	1001143390	1	Indicator	
79	1001143797	1	Fitting, Barbed	
80	1001178788	1	Cable, Alternator	
82	1001152489	1	Fitting, Barbed 90	
86	1001165388	1	Air Cleaner Assembly	
86	70003783	1	Element, Air Cleaner	
87	1001165405	1	Hose, Upper Radiator	
88	1001165406	1	Hose, Lower Radiator	
89	1001165721	1	Hose, Air Intake	
90	1001165722	1	Radiator	
91	1001165849	1	Fan	
92	1001166718	4	Mount, Motor	
93	1001166921	1	Plate, Engine Mount	
94	1001166922	1	Plate, Engine Mount	
95	1001166924	1	Plate, Engine Mount	
96	1001167108	1	Harness Engine - Deutz D2.9L4 (See ELECTRICAL SECTION for Breakdown)	

SECTION 3 - ENGINE

ITEM	PART NUMBER	QTY	DESCRIPTION	REV
97	1001167520	1	Tray, Engine	
98	1001168018	4	Washer, Special	
99	1001168026	1	Plate, Radiator Mounting	
101	1001168099	1	Hose	
102	1001168166	2	Seal	
103	1001168950	1	Bracket	
104	1001169054	4	Isolator	
105	1001169138	4	Washer, Snubbing	
106	1001169967	2	Bracket	
107	1001170035	2	Bracket	
108	1001170617	1	Engine, Deutz D2.9L4 (See ENGINE COMPONENTS - DEUTZ D2.9L4 ENGINE for Breakdown)	
110	1001140312	1	Heater, Engine Block	
112	0760607	3	Bolt M6 x 14	
113	0760815	2	Bolt M8 x 35	
114	3520054	1	Plug	
115	5250810	2	Bolt M8 x 20	
116	8406110	1	Clip	
117	8406201	1	Clip	
118	1001177359	1	Hose	
119	1001178876	1	Mount, Fuel Filter	
120	1001179903	1	Bracket	
121	1001180620	AR	Adhesive	
122	1001181895	AR	Adhesive	
123	0760810	8	Bolt M8 x 20	
124	1001191620	1	Clamp	
125	4811702	12	Washer M6	
126	1001182997	1	Adhesive (SN 0300234013 through 0300239153)	

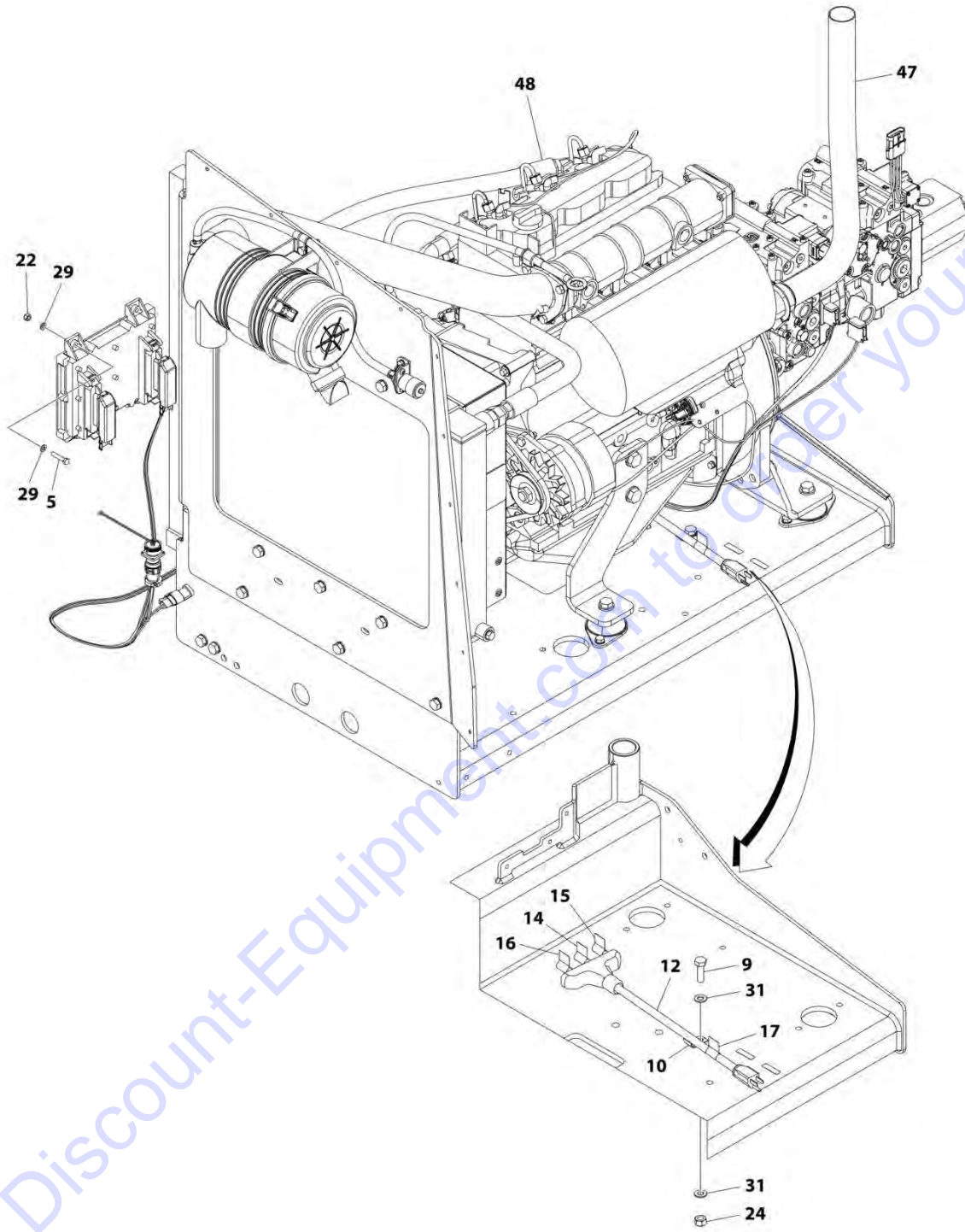
SECTION 3 - ENGINE

FIGURE 3-8. ENGINE INSTALLATION - DEUTZ D2.3L3 (T4I) (WITH ARCTIC PACKAGE) (ANSI EXPORT SPECS) (SN 0300234013 to Present)



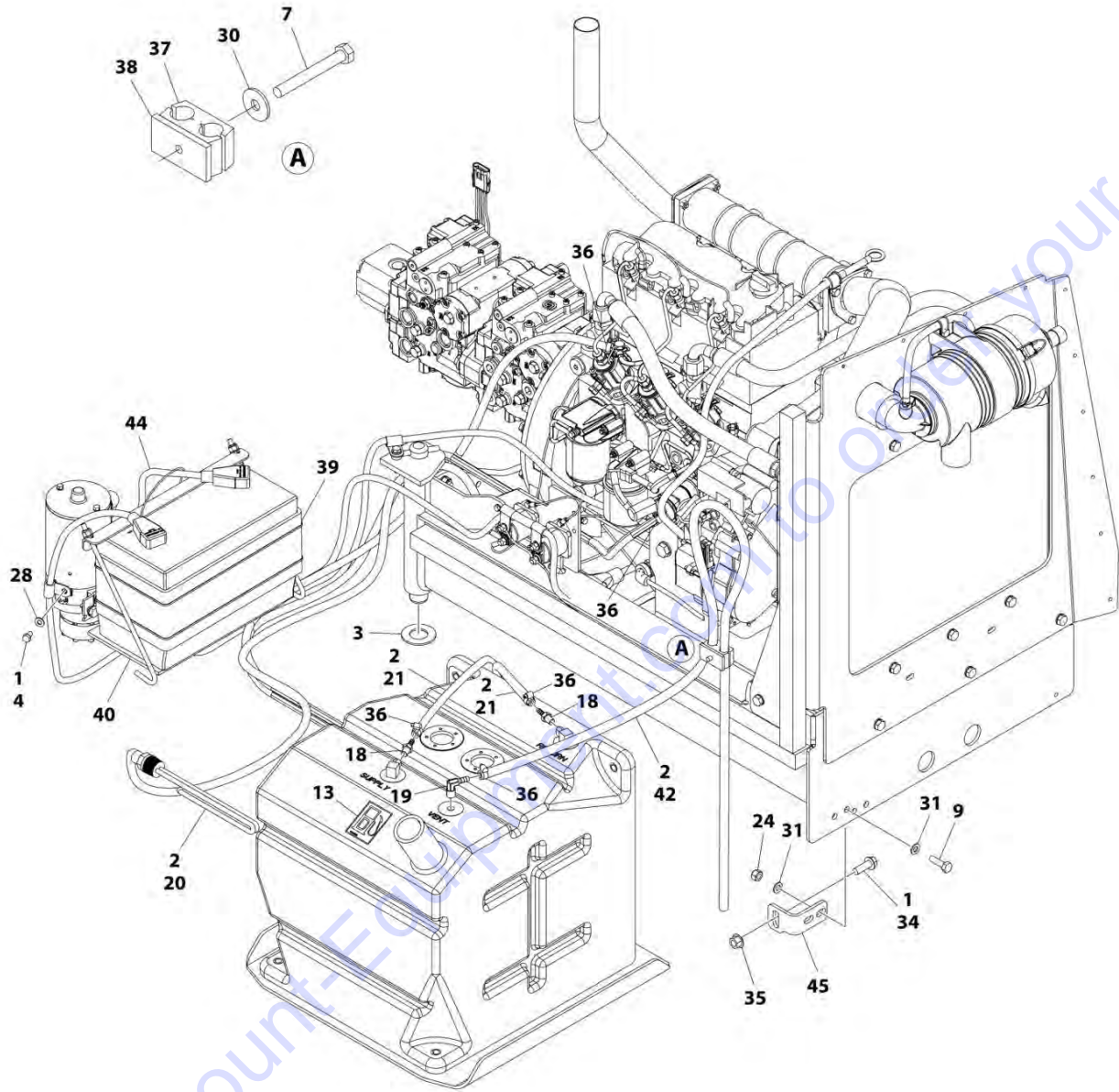
ART_1001227568_10F3

SECTION 3 - ENGINE



ART_1001227568_2OF3

SECTION 3 - ENGINE



ART_1001227568_30F3

SECTION 3 - ENGINE

FIGURE 3-8. ENGINE INSTALLATION - DEUTZ D2.3L3 (T4I) (WITH ARCTIC PACKAGE) (ANSI EXPORT SPECS) (SN 0300234013 to Present)

ITEM	PART NUMBER	QTY	DESCRIPTION	REV
	1001227568	Ref	ENGINE INSTALLATION - DEUTZ D2.3L3 (T4I) (WITH ARCTIC PACKAGE) (ANSI EXPORT SPECS) (SN 0300234013 to Present)	A
1	0100011	AR	Compound, Locking	
2	0100020	AR	Sealant, Pipe	
3	0440162	1	Bearing	
4	0641504	1	Bolt 5/16 x 1/2	
5	0700614	4	Bolt M6 x 30	
6	0700817	1	Bolt M8 x 45	
7	0700818	1	Bolt M8 x 50	
8	0760610	1	Bolt M6 x 20	
9	0761015	6	Bolt M10 x 35	
10	1320223	1	Clip	
12	1060626	1	Plug, 3 Way	
13	1701505	1	Decal - Diesel Fuel	
14	1702941	1	Decal - Battery Heater	
15	1702942	1	Decal - Engine Block Heater	
16	1702943	1	Decal - Hydraulic Tank Heater	
17	1702944	1	Decal - Heater Cord	
18	2180348	2	Fitting, Barbed	
19	2220313	1	Fitting, Barbed 90	
20	1001188972	1	Heater, Hydraulic Tank	
21	2720058	16.9 ft/ 5.2m	Hose	
22	3290605	5	Nut M6	
23	3290805	1	Nut M8	
24	3291005	6	Nut M10	
25	3422532	1	Pin	
26	3841143	1	Pin	
27	4240099	AR	Tie-Strap (Not Shown)	
28	4711500	1	Washer 5/16	
29	4811700	10	Washer M6	
30	4811902	1	Washer M8	
31	4812000	8	Washer M10	
32	4812100	4	Washer M12	
33	5240800	2	Washer M8	
34	5251215	1	Bolt M12 x 35	
35	5261200	1	Nut, Flange M12 (Class 10)	
36	8405009	5	Clamp	
37	8750014	1	Clamp	
38	8750031	1	Plate	
39	2580024	1	Heater, Battery	
40	1001119278	1	Insulate	
41	1001135196	1	Pin	
42	2750532	5.5 ft/ 1.7m	Hose	
43	1001156107	1	Holder, Cable	
44	1001167038	1	Battery Cable Kit	
44	70009004	1	Cable, Battery (Black) (Battery Negative, Auxiliary Power Pump, Turntable Ground to Engine Ground)	
44	70009005	1	Cable, Battery (Red) (Battery Positive, Auxiliary Power Relay,	

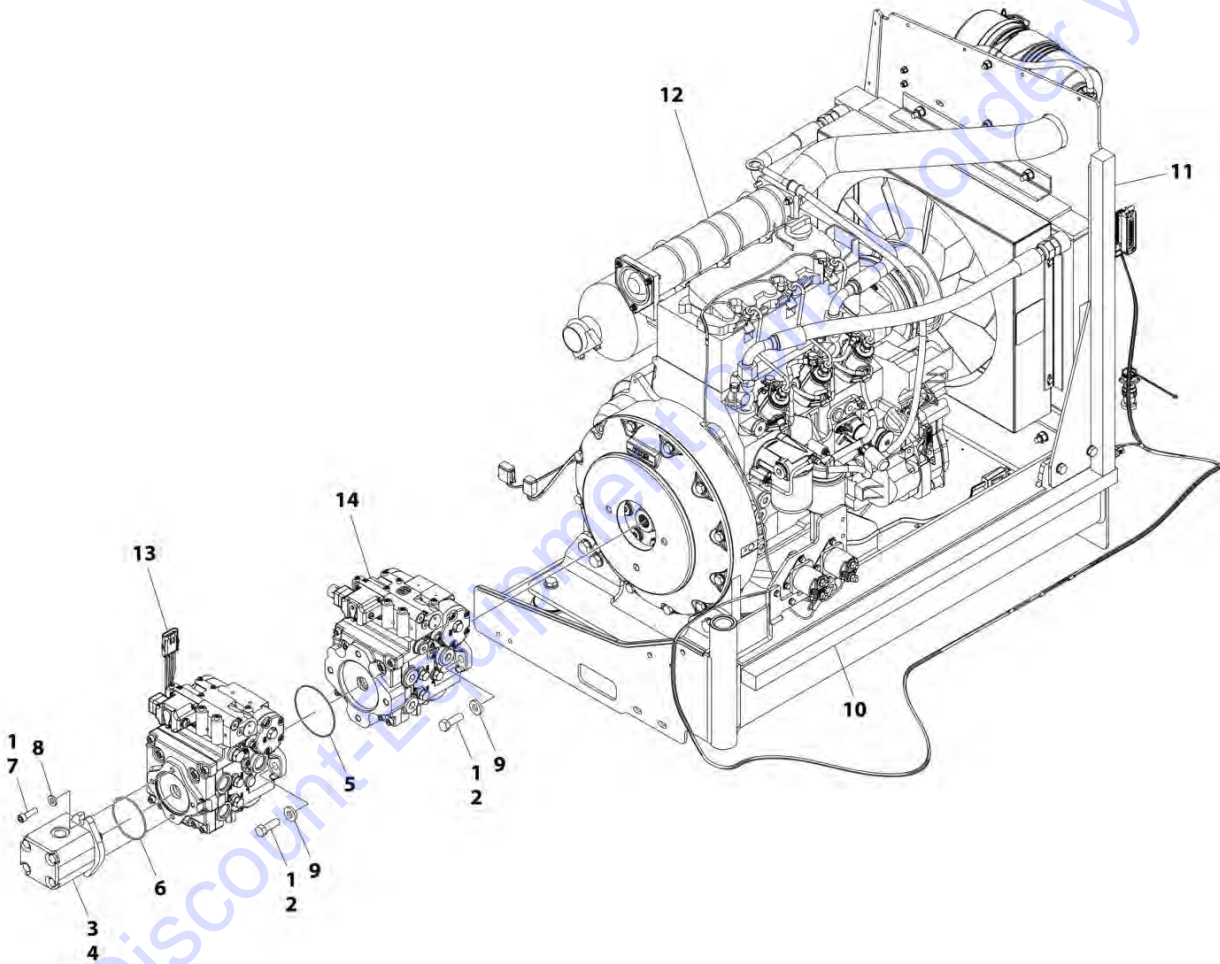
SECTION 3 - ENGINE

ITEM	PART NUMBER	QTY	DESCRIPTION	REV
44	70009002	1	Starter Relay to Starter) Cable, Battery (Red) (Auxiliary Power Relay to Auxiliary Power Pump)	
45	1001167512	1	Bracket, Engine	
46	1001169823	1	Plate, Engine Lock	
47	1001227576	1	Pipe, Exhaust	
48	1001227570	1	Engine and Pump Sub-Assembly (See Separate Breakdown in this Section)	
51	1001150918	1	Cable, Extension Cord	

Go to Discount-Equipment.com to order your parts

SECTION 3 - ENGINE

FIGURE 3-9. ENGINE AND PUMP SUB-ASSEMBLY - DEUTZ D2.3L3 (T4I) (WITH ARCTIC PACKAGE)
(ANSI EXPORT SPECS) (SN 0300234013 to Present)



ART_1001227570

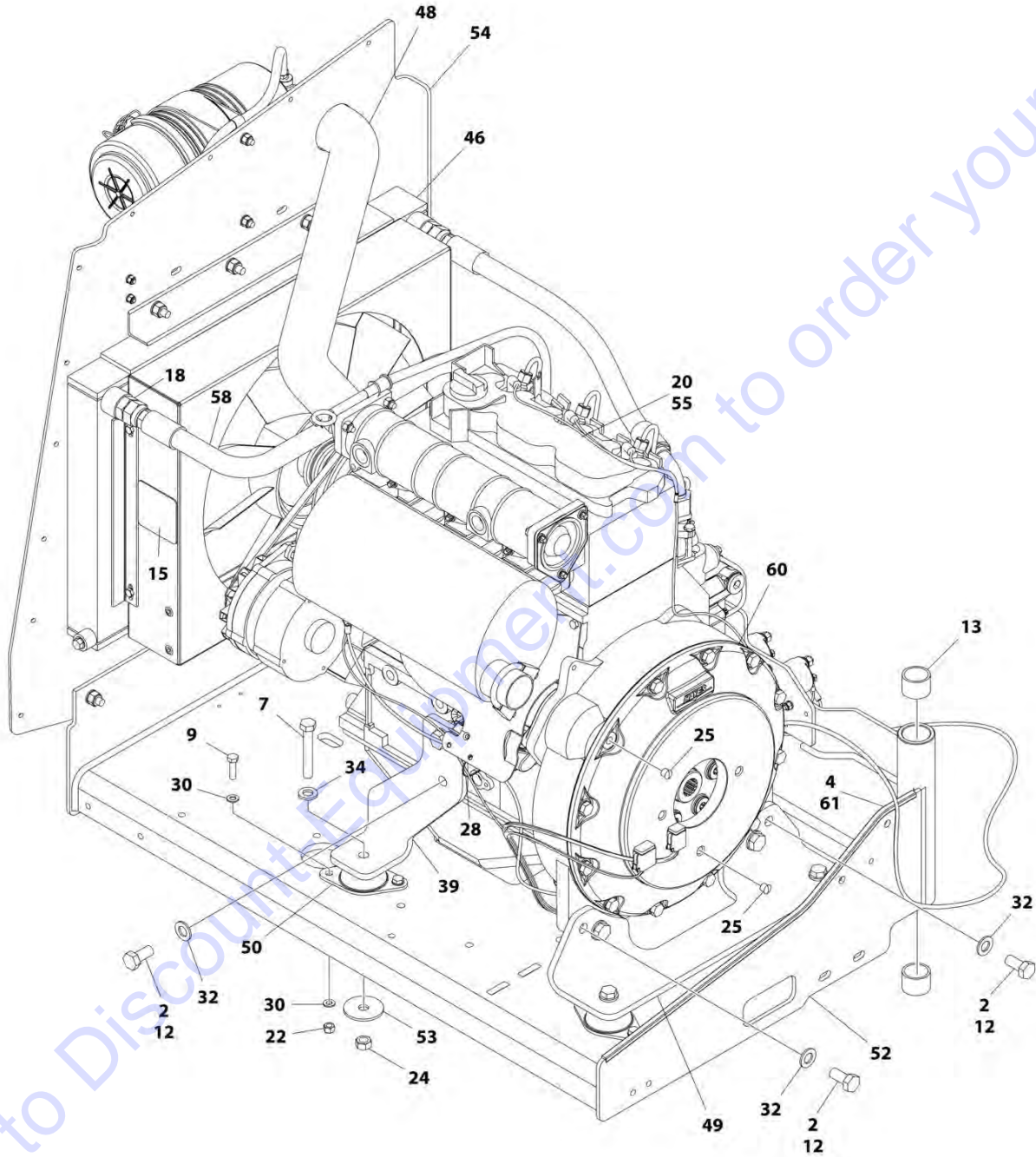
SECTION 3 - ENGINE

**FIGURE 3-9. ENGINE AND PUMP SUB-ASSEMBLY - DEUTZ D2.3L3 (T4I) (WITH ARCTIC PACKAGE)
(ANSI EXPORT SPECS) (SN 0300234013 to Present)**

ITEM	PART NUMBER	QTY	DESCRIPTION	REV
	1001227570	Ref	ENGINE AND PUMP SUB-ASSEMBLY - DEUTZ D2.3L3 (T4I) (WITH ARCTIC PACKAGE) (ANSI EXPORT SPECS) (SN 0300234013 to Present)	A
1	0100011	AR	Compound, Locking	
2	0641812	4	Bolt 1/2 x 1-1/2	
3	3020037	AR	Lube	
4	3600242	1	Gear Pump Assembly (See GEAR PUMP ASSEMBLY for Breakdown)	
5	3790045	1	O-Ring	
6	3790152	1	O-Ring	
7	3931620	2	Capscrew 3/8 x 1-1/4	
8	4891600	2	Washer 3/8 Hardened	
9	4891800	4	Washer 1/2 Hardened	
10	1001171953	1	Seal	
11	1001171954	1	Seal	
12	1001174783	1	Engine Assembly - Deutz D2.3L3 (See Separate Breakdown in this Section)	
13	1001189236	1	Piston Pump Assembly (Rear) (See Separate Breakdown in this Section)	
14	1001189237	1	Piston Pump Assembly (Front) (See Separate Breakdown in this Section)	

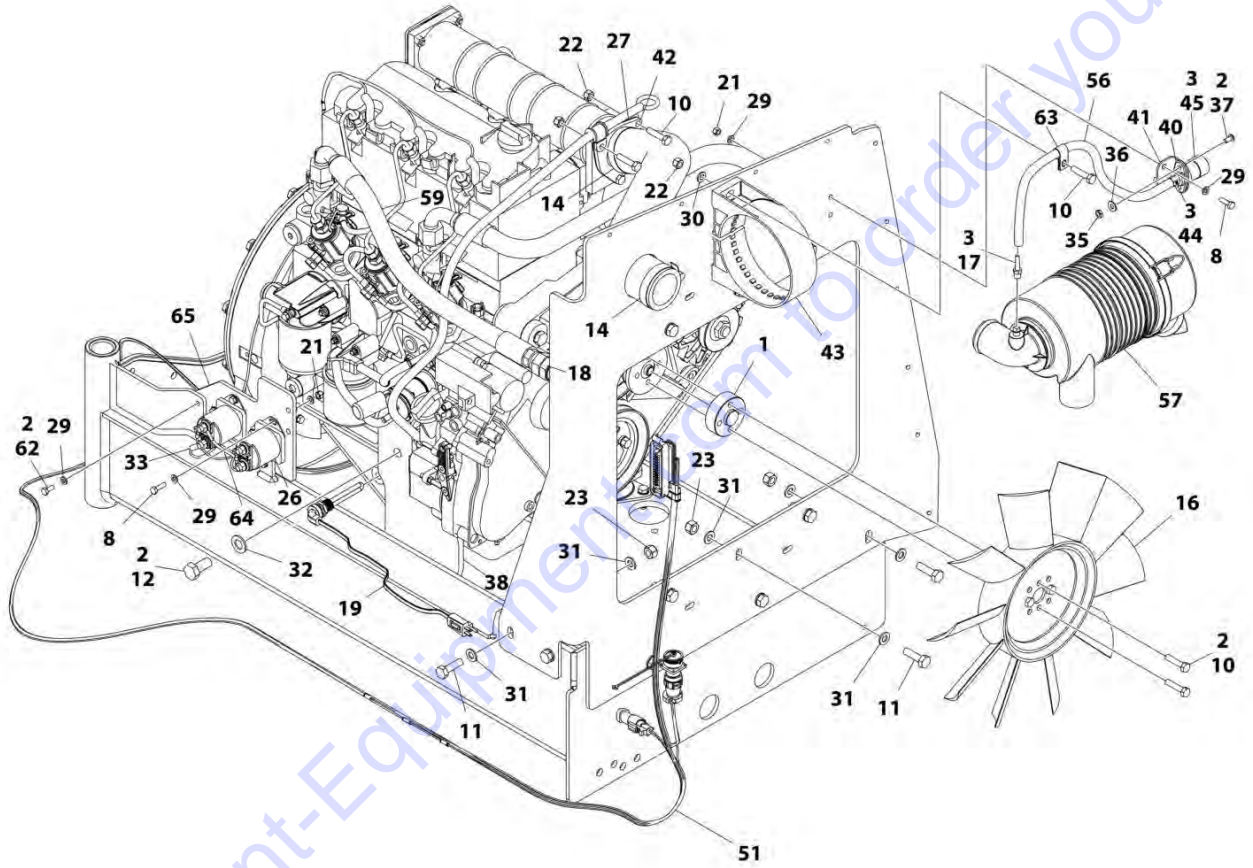
SECTION 3 - ENGINE

FIGURE 3-10. ENGINE ASSEMBLY - DEUTZ D2.3L3 ENGINE (T4I) (WITH ARCTIC PACKAGE) (ANSI EXPORT SPEC) (SN 0300234013 to Present)



ART_1001174783_10F2

SECTION 3 - ENGINE



ART_1001174783_20F2

SECTION 3 - ENGINE

FIGURE 3-10. ENGINE ASSEMBLY - DEUTZ D2.3L3 ENGINE (T4I) (WITH ARCTIC PACKAGE) (ANSI EXPORT SPEC) (SN 0300234013 to Present)

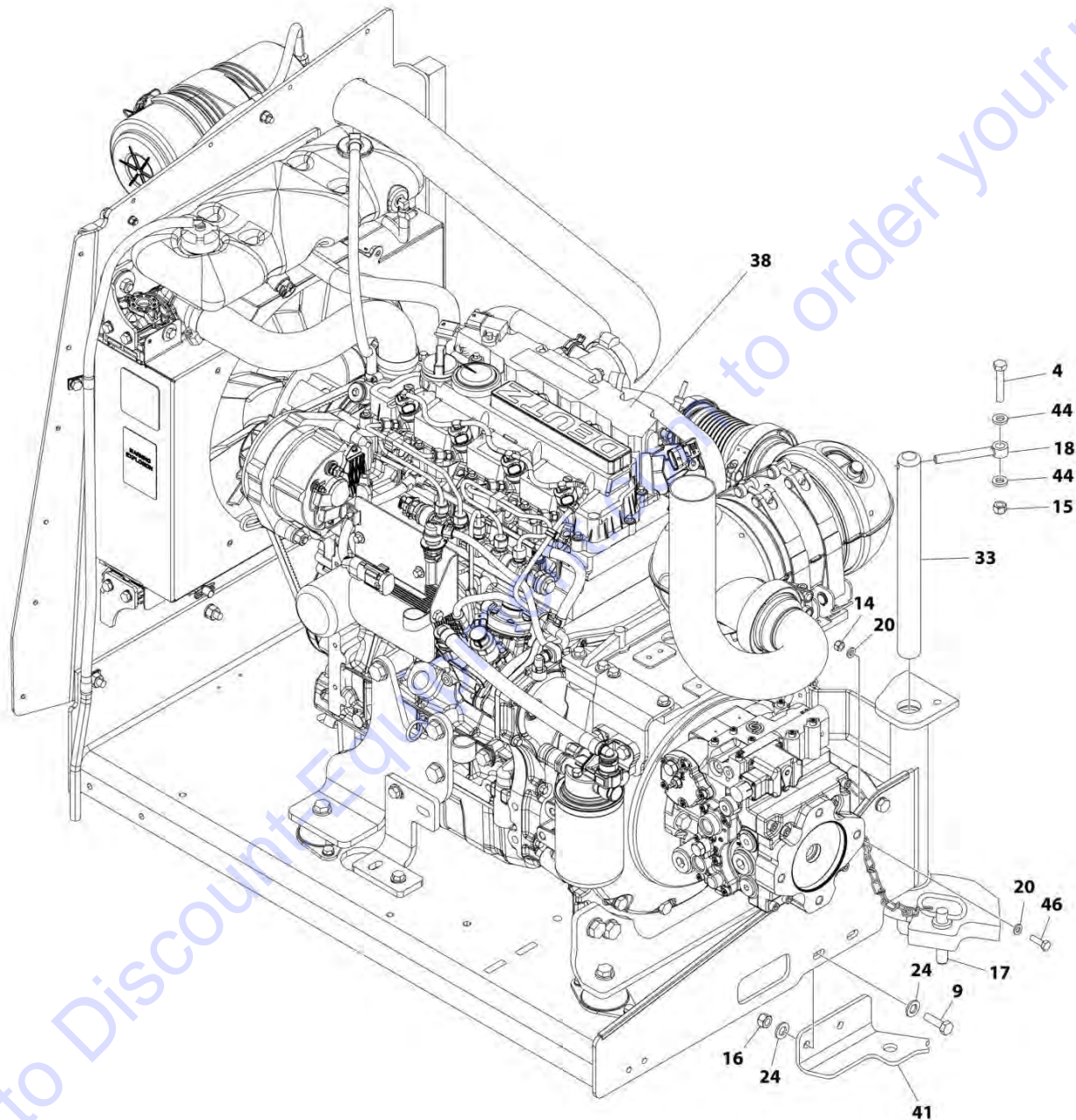
ITEM	PART NUMBER	QTY	DESCRIPTION	REV
	1001174783	Ref	ENGINE ASSEMBLY - DEUTZ D2.3L3 ENGINE (T4I) (WITH ARCTIC PACKAGE) (ANSI EXPORT SPEC) (SN 0300234013 to Present)	H
1	0080231	1	Spacer, Fan	
2	0100011	AR	Compound, Locking	
3	0100020	AR	Sealant, Pipe	
4	0100081	AR	Adhesive	
7	0711224	4	Bolt M12 x 80 Grade 10.9	
8	0760610	6	Bolt M6 x 20	
9	0760814	8	Bolt M8 x 30	
10	0760815	9	Bolt M8 x 35	
11	0761015	11	Bolt M10 x 35	
12	0771414	8	Bolt M14 x 30	
13	0961951	2	Bushing	
14	1320016	2	Clamp	
15	1703162	2	Decal - Caution Fan	
16	2060025	1	Fan	
17	2220315	1	Fitting, Barbed	
18	2220451	2	Fitting, Straight JIC/ORB	
19	2580062	1	Heater, Engine Block	
20	3020044	2.8 gal/ 10.5L	Oil, Motor	
21	3290605	6	Nut, Lock M6 x 1	
22	3290805	13	Nut, Lock M8 x 1.25	
23	3291005	11	Nut, Lock M10 x 1.5	
24	3331215	4	Nut, M12 x 1.75	
25	3520054	2	Plug	
26	3740067	2	Relay Assembly	
26	3300220	2	Nut	
26	3321001	1	Nut #10	
26	3740140	1	Relay	
26	4761000	1	Washer, Lock #10	
26	1001111424	2	Washer	
27	3960407	1	Gasket	
28	4240099	AR	Tie-Strap (Not Shown)	
29	4811700	15	Washer, M6	
30	4811900	20	Washer, M8	
31	4812000	22	Washer, M10	
32	4812200	8	Washer, M14	
33	4923451	1	Harness, Glow Plugs	
34	5241200	4	Washer, M12 Hardened	
35	8305401	2	Nut, Jam .250	
36	8307109	2	Washer, .250	
37	8310548	2	Screw, 1/4 x 1/2	
38	1001132195	1	Bracket, Engine Mount	
39	1001132196	1	Bracket, Engine Mount	
40	1001138173	1	Support, Service Indicator	
41	1001138175	1	Bracket, Service Indicator	
42	1001139819	1	Adapter, Air Intake	

SECTION 3 - ENGINE

ITEM	PART NUMBER	QTY	DESCRIPTION	REV
43	1001141694	1	Clamp, Air Cleaner	
44	1001141995	1	Fitting, Barbed	
45	1001143390	1	Indicator	
46	1001150998	1	Radiator	
48	1001165389	1	Hose	
49	1001166717	1	Bracket, Engine Mount	
50	1001166718	4	Isolator, Engine Mount	
51	1001167111	1	Harness Engine - Deutz D2.3L3 (See ELECTRICAL SECTION for Breakdown)	
52	1001167520	1	Tray, Engine	
53	1001168018	4	Washer, Snubbing	
54	1001168059	1	Plate, Radiator Mounting	
55	1001170693	1	Engine, Deutz D2.3L3 (See ENGINE COMPONENTS - DEUTZ D2.3L3 for Breakdown)	
56	1001138248	2 ft/ 0.6m	Tube	
57	1001165388	1	Air Cleaner Assembly	
57	70003783	1	Element, Air Cleaner	
58	2720398	1	Hose	
59	2720447	1	Hose	
60	2902065	1	Pump Coupling Kit (See PUMP COUPLING KIT for Breakdown)	
61	4060805	2.25 ft/ 0.7m	Trim, Flex Shield	
62	0760614	3	Bolt, M6 x 30	
63	8406109	1	Clip	
64	1001178859	1	Cable, Alternator	
65	1001179903	1	Bracket	
65	1001214975	1	Bracket	

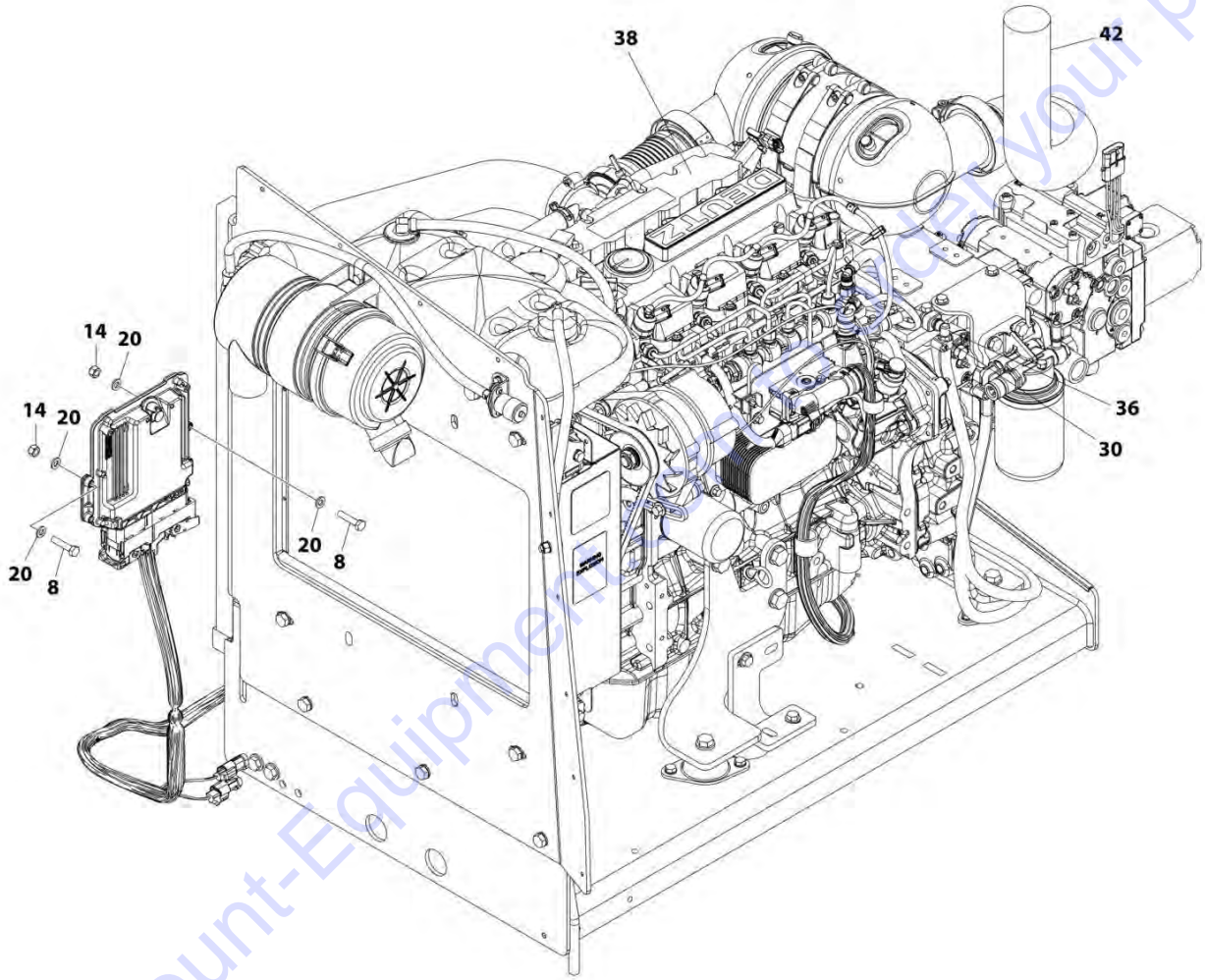
SECTION 3 - ENGINE

FIGURE 3-11. ENGINE INSTALLATION (DEUTZ D2.9L) (T4F) (ANSI, CSA AND ANSI EXPORT SPECS)
(SN 0300224020 to Present)



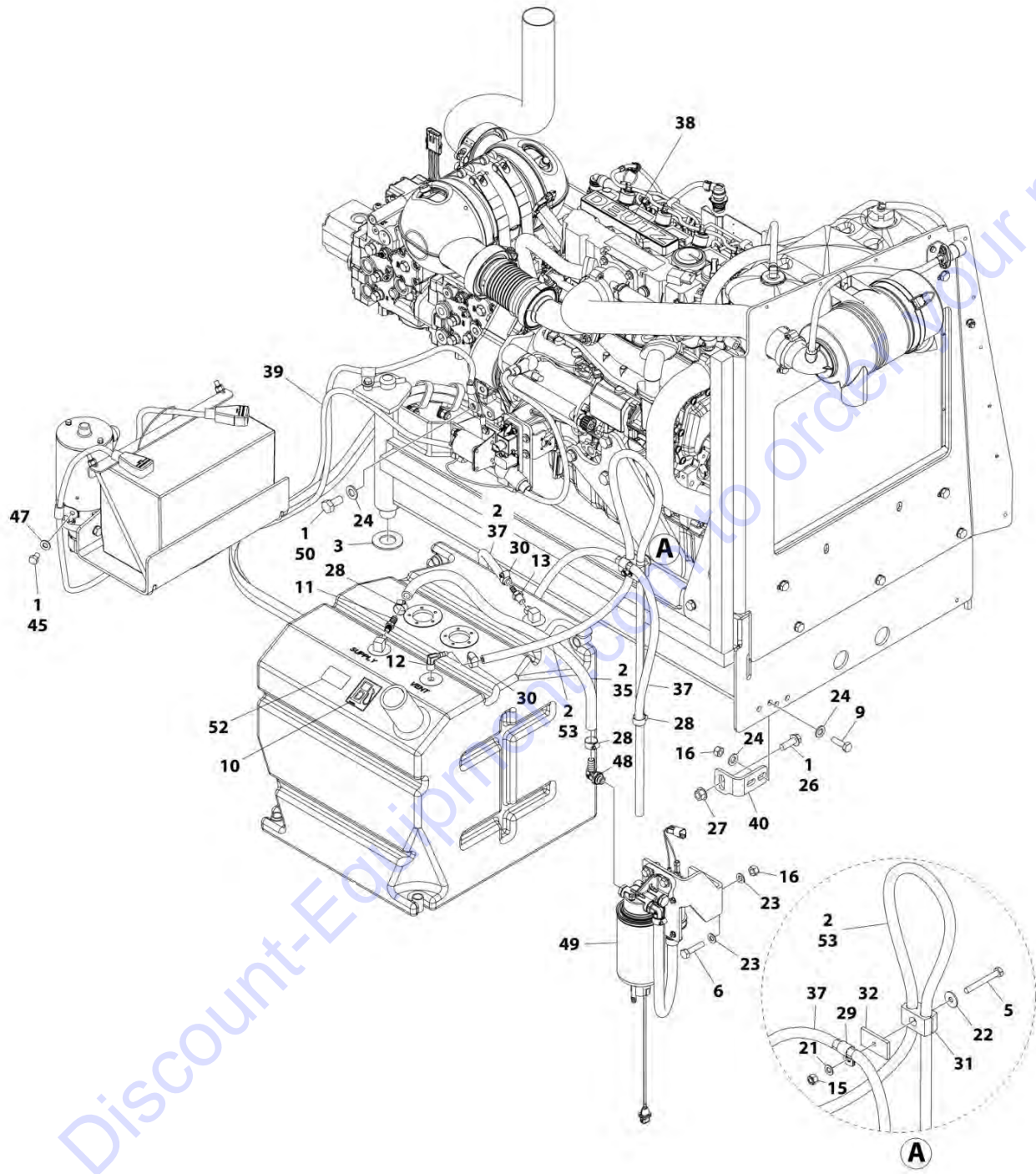
ART_1001214460_10F3

SECTION 3 - ENGINE



ART_1001214460_20F3

SECTION 3 - ENGINE



ART_1001214460_30F3

SECTION 3 - ENGINE

**FIGURE 3-11. ENGINE INSTALLATION (DEUTZ D2.9L) (T4F) (ANSI, CSA AND ANSI EXPORT SPECS)
(SN 0300224020 to Present)**

ITEM	PART NUMBER	QTY	DESCRIPTION	REV
	1001214460	Ref	ENGINE INSTALLATION (DEUTZ D2.9L) (T4F) (ANSI, CSA AND ANSI EXPORT SPECS) (SN 0300224020 to Present)	B
1	0100011	AR	Compound, Locking	
2	0100020	AR	Sealant, Pipe	
3	0440162	1	Bearing	
4	0700817	1	Bolt M8 x 45	
5	0700821	1	Bolt M8 x 65	
6	0701017	2	Bolt M10 x 45	
8	0760613	4	Bolt M6 x 28	
9	0761015	4	Bolt M10 x 35	
10	1701505	2	Decal - Diesel Fuel	
11	2180832	1	Fitting, Barbed	
12	2220313	1	Fitting, Barbed 90	
13	2220767	1	Fitting, Barbed	
14	3290605	5	Nut M6	
15	3290805	2	Nut M8	
16	3291005	6	Nut M10	
17	3422532	1	Pin	
18	3841143	1	Pin	
19	4240099	AR	Tie-Strap (Not Shown)	
20	4811700	10	Washer M6	
21	4811900	1	Washer M8	
22	4811902	1	Washer M8	
23	4812000	4	Washer M10	
24	4812100	9	Washer M12	
26	5251215	1	Bolt M12 x 35	
27	5261200	1	Nut, Flange M12 (Class 10)	
28	8405006	3	Gear Clamp	
29	8406101	1	Clip Tube	
30	8410013	4	Gear Clamp	
31	8750014	1	Clamp	
32	8750031	1	Plate	
33	1001135196	1	Pin	
35	1001154405	2.2 ft/ 0.7m	Hose	
36	1001155823	1	Coupling	
37	1001165035	21 ft/ 6.4m	Hose	
38	1001214459	1	Engine and Pump Sub-Assembly (See ENGINE AND PUMP SUB-ASSEMBLY (DEUTZ D2.9L) (T4F) for Breakdown)	
39	1001166970	1	Cable, Batt and Aux Pump Cables 400S/460SJ	
40	1001167512	1	Bracket, Engine	
41	1001169823	1	Plate, Engine Lock	
42	1001172594	1	Pipe, Exhaust (Prior to SN 0300226418)	
42	1001223802	1	Pipe, Exhaust (SN 0300226418 to Present)	
43	1001173342	1	Harness, Deutz Fuel (Not Shown - See ELECTRICAL SECTION for Breakdown)	
44	5240800	2	Washer M8 Hardened	
45	0641504	1	Bolt 5/16 x 1/2	
46	0760610	1	Bolt M6 x 20	

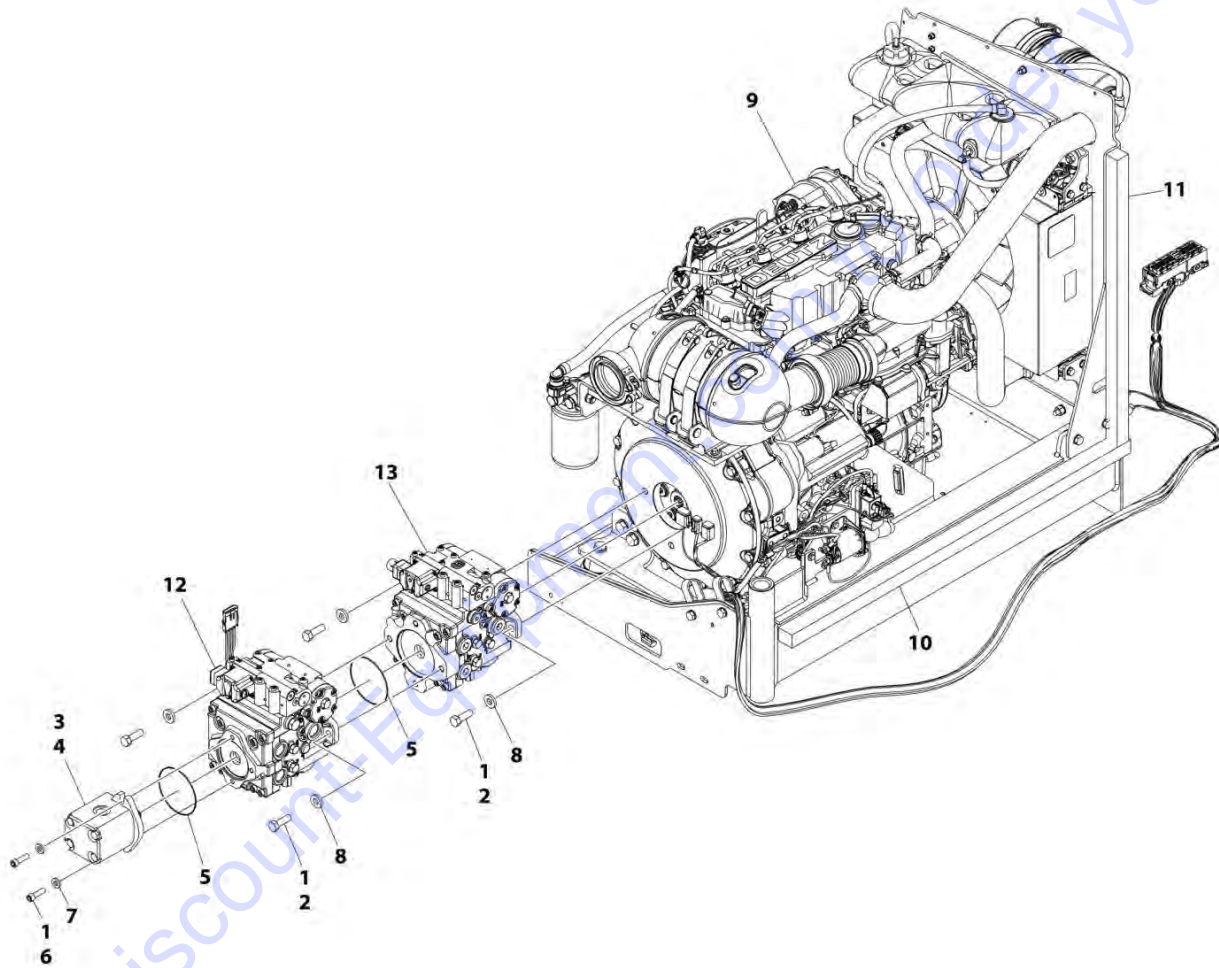
SECTION 3 - ENGINE

ITEM	PART NUMBER	QTY	DESCRIPTION	REV
47	4711500	1	Washer 5/16	
48	1001142501	1	Fitting, Barbed 90	
49	1001162335	1	Bracket, Fuel Pump/Filter Assembly	
50	0771212	1	Bolt M12 x 25	
52	1001125387	1	Decal, Ultra Low Sulfur Fuel	
53	2750532	5.5 ft/ 1.7m	Hose	

Go to Discount-Equipment.com to order your parts

SECTION 3 - ENGINE

FIGURE 3-12. ENGINE AND PUMP SUB-ASSEMBLY (DEUTZ D2.9L) (T4F) (ANSI, CSA AND ANSI EXPORT SPECS) (SN 0300224020 to Present)



ART_1001214459

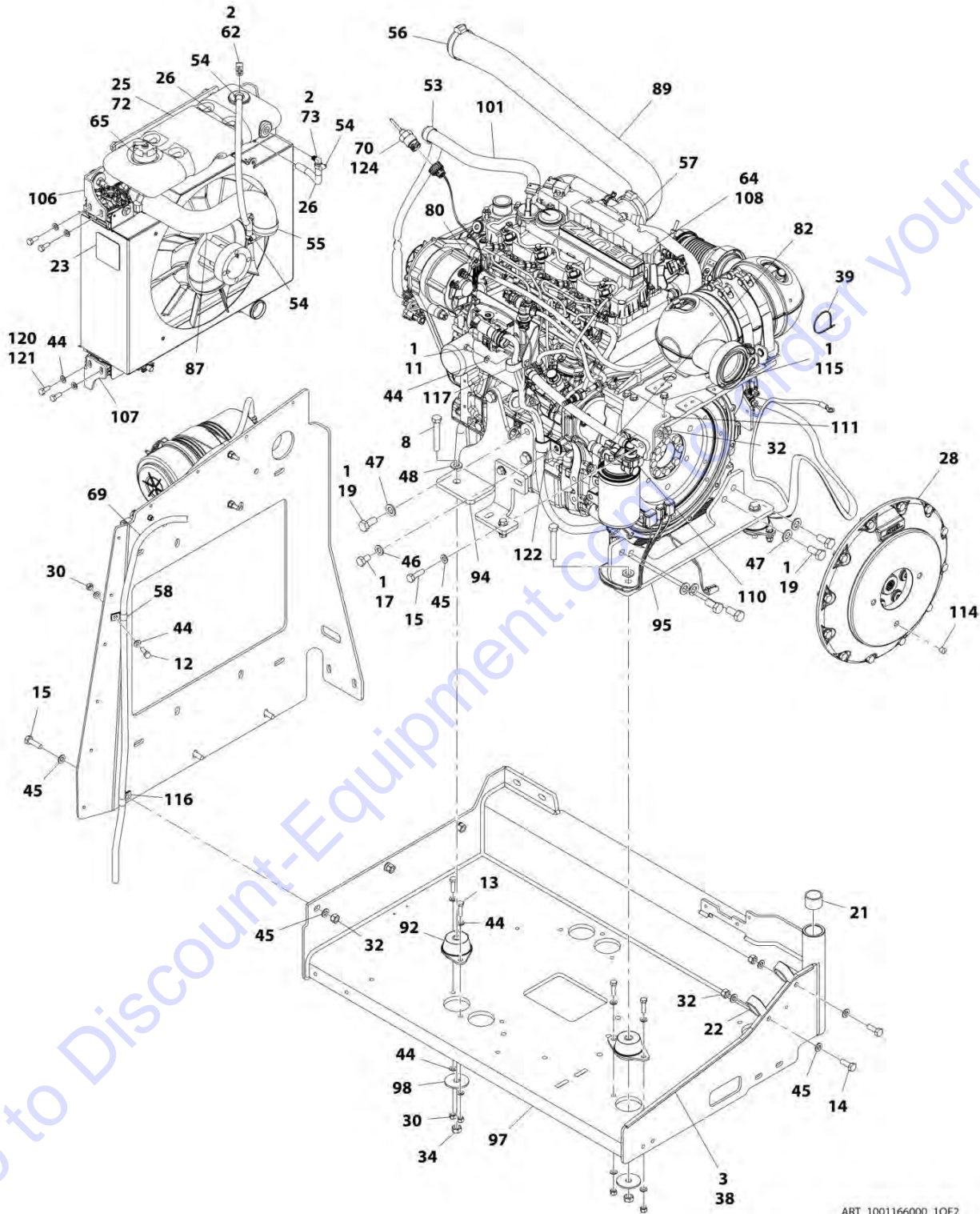
SECTION 3 - ENGINE

FIGURE 3-12. ENGINE AND PUMP SUB-ASSEMBLY (DEUTZ D2.9L) (T4F) (ANSI, CSA AND ANSI EXPORT SPECS) (SN 0300224020 to Present)

ITEM	PART NUMBER	QTY	DESCRIPTION	REV
	1001214459	Ref	ENGINE AND PUMP SUB-ASSEMBLY (DEUTZ D2.9L) (T4F) (ANSI, CSA AND ANSI EXPORT SPECS) (SN 0300224020 to Present)	A
1	0100011	AR	Compound, Locking	
2	0641812	4	Bolt 1/2 x 1-1/2	
3	3020037	AR	Lube	
4	3600242	1	Gear Pump Assembly (See GEAR PUMP ASSEMBLY for Breakdown)	
5	3790045	2	O-Ring	
6	3931620	2	Capscrew 3/8 x 1-1/4	
7	4891600	2	Washer 3/8 Hardened	
8	4891800	4	Washer 1/2 Hardened	
9	1001166000	1	Engine Assembly - Deutz D2.9L4 Engine (See ENGINE ASSEMBLY (DEUTZ D2.9L) (T4F) for Breakdown)	
10	1001171953	1	Seal	
11	1001171954	1	Seal	
12	1001189236	1	Piston Pump Assembly (Rear) (See PISTON PUMP ASSEMBLY (REAR) for Breakdown)	
13	1001189237	1	Piston Pump Assembly (Front) (See PISTON PUMP ASSEMBLY (FRONT) for Breakdown)	

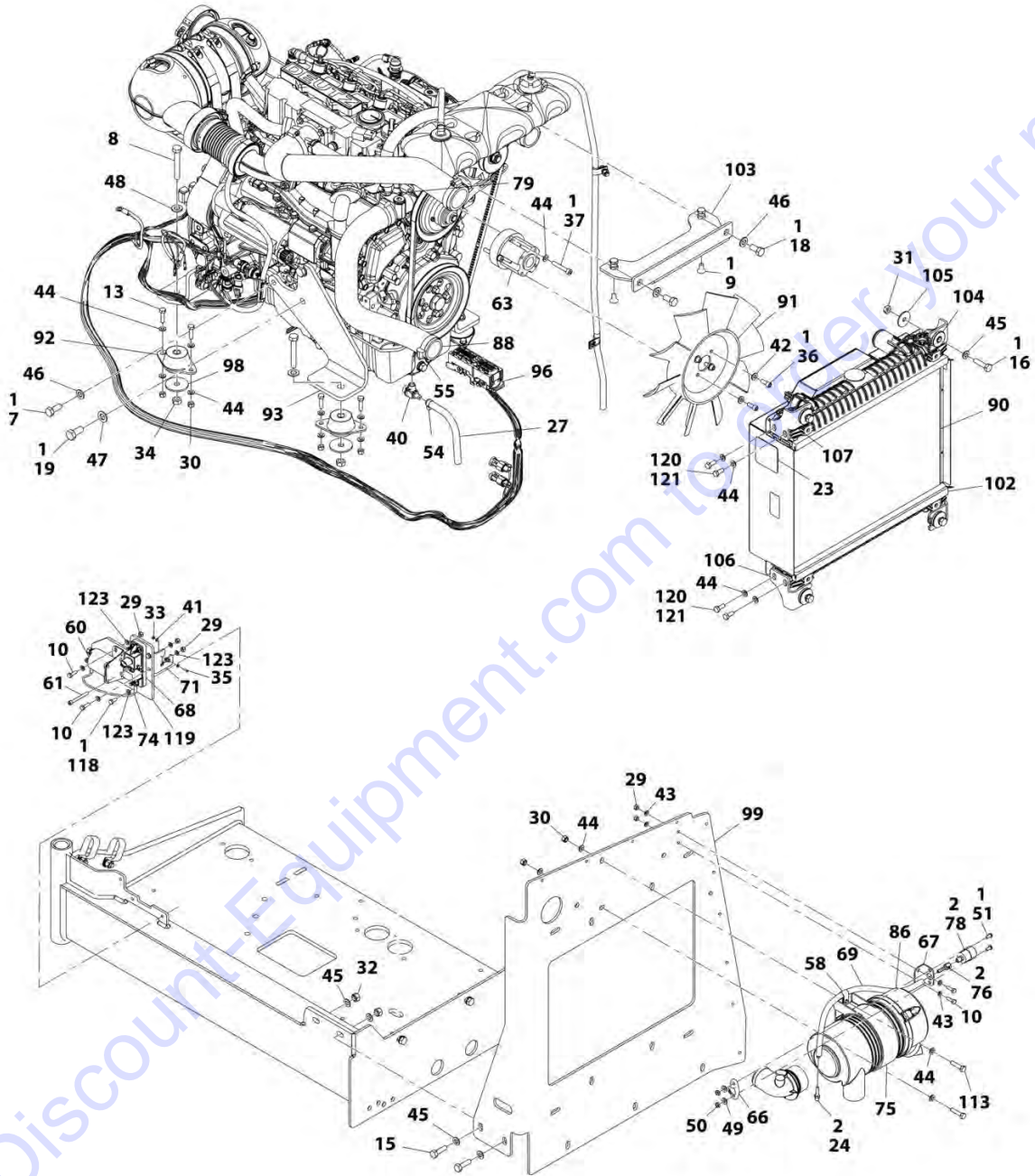
SECTION 3 - ENGINE

FIGURE 3-13. ENGINE ASSEMBLY - (DEUTZ D2.9L) (T4F) (ANSI, CSA AND ANSI EXPORT SPECS)
(SN 0300224020 to Present)



ART_1001166000_10F2

SECTION 3 - ENGINE



ART_1001166000_20F2

SECTION 3 - ENGINE

**FIGURE 3-13. ENGINE ASSEMBLY - (DEUTZ D2.9L) (T4F) (ANSI, CSA AND ANSI EXPORT SPECS)
(SN 0300224020 to Present)**

ITEM	PART NUMBER	QTY	DESCRIPTION	REV
	1001166000	Ref	ENGINE ASSEMBLY - (DEUTZ D2.9L) (T4F) (ANSI, CSA AND ANSI EXPORT SPECS) (SN 0300224020 to Present)	R
1	0100011	AR	Compound, Locking	
2	0100020	AR	Sealant, Pipe	
3	0100081	AR	Adhesive	
7	0711214	1	Bolt M12 x 30	
8	0711224	4	Bolt M12 x 80 Grade 10.9	
9	0741606	2	Screw 3/8 x .75	
10	0760610	6	Bolt M6 x 20	
11	0760808	1	Bolt M8 x 16	
12	0760812	1	Bolt M8 x 25	
13	0760814	8	Bolt M8 x 30	
14	0761014	2	Bolt M10 x 30	
15	0761015	7	Bolt M10 x 35	
16	0761016	4	Bolt M10 x 40	
17	0761210	1	Bolt M12 x 20	
18	0761212	2	Bolt M12 x 25	
19	0771414	9	Bolt M14 x 30	
21	0961951	2	Bushing	
22	1321716	2	Clamp	
23	1703162	2	Decal - Caution Fan	
24	2220315	1	Fitting, Straight Barbed	
25	2300004	3 gal/ 11.3L	Coolant	
26	2720015	2 ft/0.6m	Hose	
27	2720340	8 in/ 20.3cm	Hose	
28	2902065	1	Pump Coupling Kit (See PUMP COUPLING KIT for Breakdown)	
29	3290605	7	Nut M6	
30	3290805	11	Nut M8	
31	3291001	4	Nut M10	
32	3291005	9	Nut M10	
33	3310401	3	Nut #4	
34	3331215	4	Nut, M12 x 1.75	
35	3910408	3	Screw 4 x 1/2	
36	3931512	4	Capscrew 5/16 x 3/4	
37	4031914	4	Bolt M8 x 50	
38	4060805	2.3 ft/ 0.7m	Trim, Flex Shield	
39	4240099	AR	Tie-Strap	
40	4640751	1	Valve, Oil Drain	
41	4710400	3	Washer #4	
42	4711500	4	Washer 5/16	
43	4811700	4	Washer M6	
44	4811900	35	Washer M8	
45	4812000	22	Washer M10	
46	4812100	4	Washer M12	
47	4812200	9	Washer M14	
48	5241200	4	Washer M12 Hardened	
49	8305401	2	Nut Jam .250	

SECTION 3 - ENGINE

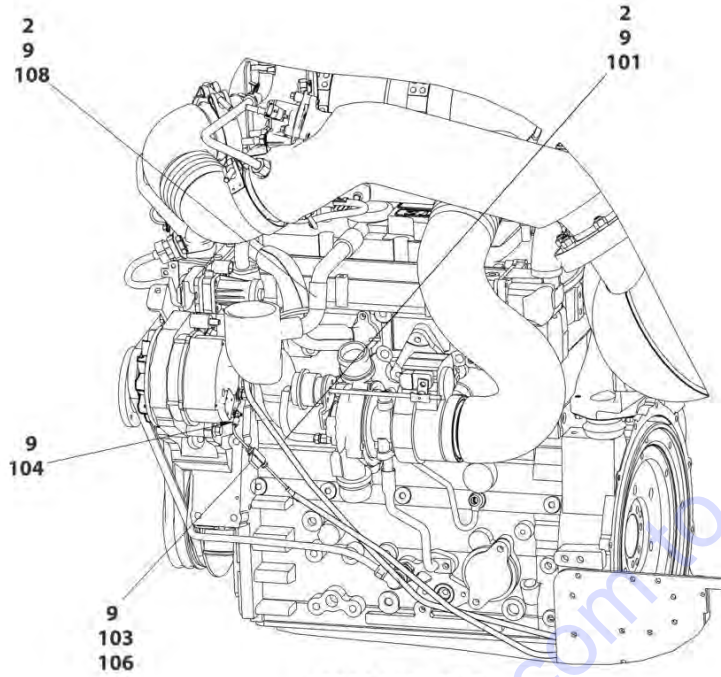
ITEM	PART NUMBER	QTY	DESCRIPTION	REV
50	8307109	2	Washer .250	
51	8310548	2	Screw 1/4 x 1/2	
53	8405007	2	Clamp	
54	8405009	5	Clamp	
55	8405104	4	Clamp	
56	8405202	1	Clamp	
57	8405204	1	Clamp	
58	8406109	2	Clip	
60	1001117308	1	Relay, 200Amp	
60	3300220	2	Nut 3/8	
60	3321001	2	Nut #10	
60	4761000	2	Washer #10	
60	1001111424	2	Washer 3/8	
61	1001118878	1	Bolt M6 x 55	
62	1001134488	1	Fitting, Barbed (SN 0300224020 through 0300239153)	
63	1001144116	1	Spacer, Fan	
64	1001136079	2.4 gal/ 9L	Oil Motor	
65	1001136834	1	Cap, Tank	
66	1001138173	1	Support, Service Indicator	
67	1001138175	1	Bracket, Service Indicator	
68	1001138228	1	Relay, Power Module	
68	70023592	1	Fuse 20Amp	
68	70023593	1	Fuse 30Amp	
69	1001138248	5.3 ft/ 1.6m	Tube	
70	1001138827	1	Sensor, Coolant Level (SN 0300224020 through 0300239153)	
71	1001139240	1	Bracket	
72	1001140535	NLA	Tank, Surge (Use p/n 1001233635) (SN 0300224020 through 0300239153)	
72	1001233635	1	Tank, Surge (Includes Items 62, 70, & 73) (SN 0300239154 to Present)	
73	1001140564	1	Fitting, Barbed 90 (SN 0300224020 through 0300239153)	
74	1001141304	1	Harness, Glow Plug	
75	1001141694	1	Clamp, Air Cleaner	
76	1001141995	1	Fitting, Barbed	
78	1001143390	1	Indicator	
79	1001143797	1	Fitting, Barbed	
80	1001178788	1	Cable, Alternator	
82	1001152489	1	Fitting, Barbed 90	
86	1001165388	1	Air Cleaner Assembly	
86	70003783	1	Element, Air Cleaner	
87	1001165405	1	Hose, Upper Radiator	
88	1001165406	1	Hose, Lower Radiator	
89	1001165721	1	Hose, Air Intake	
90	1001165722	1	Radiator	
91	1001165849	1	Fan	
92	1001166718	4	Mount, Motor	
93	1001166921	1	Plate, Engine Mount	
94	1001166922	1	Plate, Engine Mount	
95	1001166924	1	Plate, Engine Mount	
96	1001167108	1	Harness Engine - Deutz D2.9L4 (See ELECTRICAL SECTION for	

SECTION 3 - ENGINE

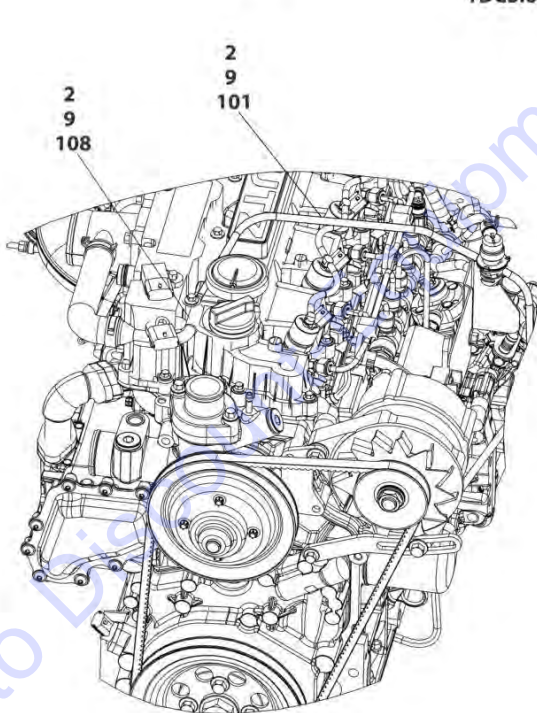
ITEM	PART NUMBER	QTY	DESCRIPTION	REV
			Breakdown)	
97	1001167520	1	Tray, Engine	
98	1001168018	4	Washer, Special	
99	1001168026	1	Plate, Radiator Mounting	
101	1001168099	1	Hose	
102	1001168166	2	Seal	
103	1001168950	1	Bracket	
104	1001169054	4	Isolator	
105	1001169138	4	Washer, Snubbing	
106	1001169967	2	Bracket	
107	1001170035	2	Bracket	
108	1001170617	1	Engine, Deutz D2.9L4 (See ENGINE COMPONENTS - DEUTZ D2.9L4 ENGINE for Breakdown)	
110	1001177359	1	Hose	
111	1001178876	1	Mount, Fuel Filter	
113	0760815	2	Bolt M8 x 35	
114	3520054	1	Plug	
115	5250810	2	Bolt M8 x 20	
116	8406110	1	Clip	
117	8406201	1	Clip	
118	0760607	3	Bolt M6 x 14	
119	1001179903	1	Bracket	
120	1001180620	AR	Adhesive	
121	0760810	8	Bolt M8 x 20	
122	1001191620	1	Clamp	
123	4811702	12	Washer M6	
124	1001182997	AR	Adhesive (SN 0300224020 through 0300239153)	

SECTION 3 - ENGINE

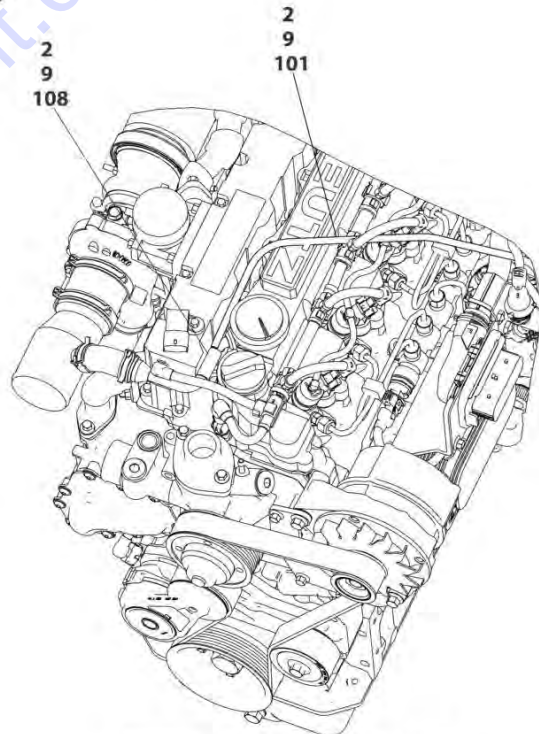
FIGURE 3-14. BREATHER HEATER INSTALLATION - DEUTZ D2.9L4 ENGINE WITH ARCTIC PACKAGE



TDC3.6 ENGINES



D2.9L4 ENGINES



TCD2.9L4 AND TD2.9L4 ENGINES

ART_1001233763

PARTS FINDER

**Search Website
by Part Number**



**Search Manual
Library For Parts
Manual & Lookup Part
Numbers – Purchase
or Request Quote**

A screenshot of the "Search Manuals" form on the website. The form is titled "Search Manuals" and contains several input fields for "Find", "Serial Number", "Year", "Make", "Model", "Part Number", and "Category". There is a "Search" button at the bottom of the form.

**Can't Find Part or
Manual? Request Help
by Manufacturer,
Model & Description**

A screenshot of the "Parts Order Form" on the website. The form is titled "Parts Order Form" and contains several input fields for "Manufacturer", "Model", "Description", "Part Number", "Quantity", "Price", and "Notes". There is a "Submit" button at the bottom of the form.

Discount-Equipment.com is your online resource for quality parts & equipment.

Florida: **561-964-4949** Outside Florida TOLL FREE: **877-690-3101**

Need parts?

Click on this link: <http://www.discount-equipment.com/category/5443-parts/> and choose one of the options to help get the right parts and equipment you are looking for. Please have the machine model and serial number available in order to help us get you the correct parts. If you don't find the part on the website or on one of the online manuals, please fill out the request form and one of our experienced staff members will get back to you with a quote for the right part that your machine needs.

We sell worldwide for the brands: Genie, Terex, JLG, MultiQuip, Mikasa, Essick, Whiteman, Mayco, Toro Stone, Diamond Products, Generac Magnum, Airman, Haulotte, Barreto, Power Blanket, Nifty Lift, Atlas Copco, Chicago Pneumatic, Allmand, Miller Curber, Skyjack, Lull, Skytrak, Tsurumi, Husquvarna Target, Stow, Wacker, Sakai, Mi-T-M, Sullair, Basic, Dynapac, MBW, Weber, Bartell, Bennar Newman, Haulotte, Ditch Runner, Menegotti, Morrison, Contec, Buddy, Crown, Edco, Wyco, Bomag, Laymor, EZ Trench, Bil-Jax, F.S. Curtis, Gehl Pavers, Heli, Honda, ICS/PowerGrit, IHI, Partner, Imer, Clipper, MMD, Koshin, Rice, CH&E, General Equipment, Amida, Coleman, NAC, Gradall, Square Shooter, Kent, Stanley, Tamco, Toku, Hatz, Kohler, Robin, Wisconsin, Northrock, Oztec, Toker TK, Rol-Air, APT, Wylie, Ingersoll Rand / Doosan, Innovatech, Con X, Ammann, Mecalac, Makinex, Smith Surface Prep, Small Line, Wanco, Yanmar

SECTION 3 - ENGINE

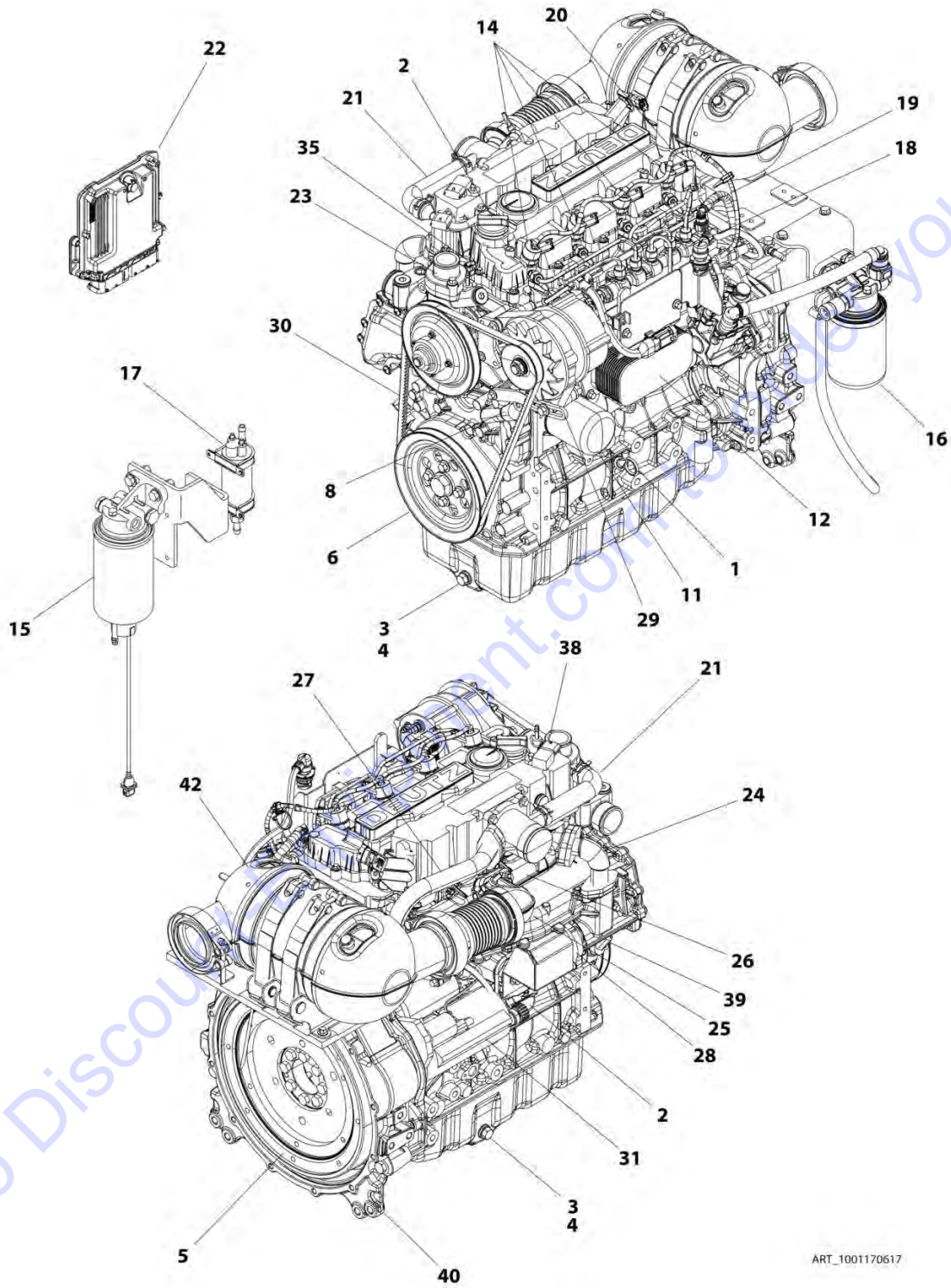
FIGURE 3-14. BREATHER HEATER INSTALLATION - DEUTZ D2.9L4 ENGINE WITH ARCTIC PACKAGE

ITEM	PART NUMBER	QTY	DESCRIPTION	REV
	1001233763	Ref	BREATHER HEATER INSTALLATION - DEUTZ ENGINES	C
2	4240099	AR	Tie-Strap	
9	1001243895	1	Breather Heater Harness	
101	2820035	10 ft/ 3m	Insulation	
103	2400060	1	Fuseholder with Cover	
104	4460043	1	Terminal, Ring	
105	4460722	1	Terminal, Ring (Not Shown)	
106	1001196634	1	Fuse - 2 Amp	
108	1001232842	1	Breather Heater Kit	

Go to Discount-Equipment.com to order your parts

SECTION 3 - ENGINE

FIGURE 3-15. ENGINE COMPONENTS - (DEUTZ D2.9L) (T4F) (ANSI EXPORT SPECS) (SN 0300224020 to Present)



ART_1001170617

SECTION 3 - ENGINE

FIGURE 3-15. ENGINE COMPONENTS - (DEUTZ D2.9L) (T4F) (ANSI EXPORT SPECS) (SN 0300224020 to Present)

ITEM	PART NUMBER	QTY	DESCRIPTION	REV
	1001170617	Ref	ENGINE COMPONENTS - DEUTZ D2.9L4 ENGINE (ANSI EXPORT SPECS) (SN 0300224020 to Present)	E
1	70024904	1	Dipstick	
1	70024905	1	O-Ring	
2	7020465	2	Cap, Filler	
3	70025088	2	Plug, Oil	
4	7020404	2	Ring, Sealing	
5	70001870	1	Flywheel	
5	7024579	1	Ring, Gear	
6	70025198	1	Pulley, Crank	
7	70024906	1	Gasket, Head (Not Shown)	
7	70025195	1	Gasket, Valve Cover (Not Shown)	
7	70005171	1	Gasket, Valve Cover (Not Shown)	
8	70025076	1	Valve	
8	70025091	1	Plug	
8	70025176	1	Spring	
8	70025082	1	Seal	
9	70004280	1	Seal, Crankshaft (Front) (Not Shown)	
9	70002718	1	Seal, Crankshaft (Rear) (Not Shown)	
10	70005172	1	Pump, Oil Lube (Not Shown)	
10	70025135	1	O-Ring (Not Shown)	
10	70005173	1	Gasket (Not Shown)	
11	7016331	1	Filter, Oil	
12	70004275	1	Cooler, Oil	
12	70024925	1	Gasket	
13	70025171	1	Pipe, Oil Suction (Not Shown)	
14	70004281	4	Injector, Fuel	
14	70025140	4	Washer, Sealing	
14	70025146	4	Clamp (Top of Injector)	
14	70025145	4	O-Ring	
14	70025154	4	Shoe, Clamping	
15	70024961	1	Bracket, Fuel Filter	
15	70025153	1	Filter, Fuel	
15	70024513	1	Cable, Sensor	
15	70025239	1	Seal	
16	70025160	1	Bracket, Fuel Filter	
16	70025161	1	Filter, Fuel	
16	70024504	1	Sensor, Pressure	
16	70024920	1	O-Ring	
16	70004513	2	Ring, Sealing	
17	70005174	NLA	Pump, Fuel (Use p/n 1001226098)	
17	70025144	2	Clamp	
18	70025151	1	Rail, Fuel	
18	70025235	1	Repair Kit	
18	70025240	1	O-Ring	
19	70025182	1	Line, Fuel (Cylinder 1 + 2)	
19	70025183	1	Line, Fuel (Cylinder 3 + 4)	
19	70025184	1	Line, Fuel (Fuel Rail to Pump)	
20	70024502	1	Fuel Return Pipe	

SECTION 3 - ENGINE

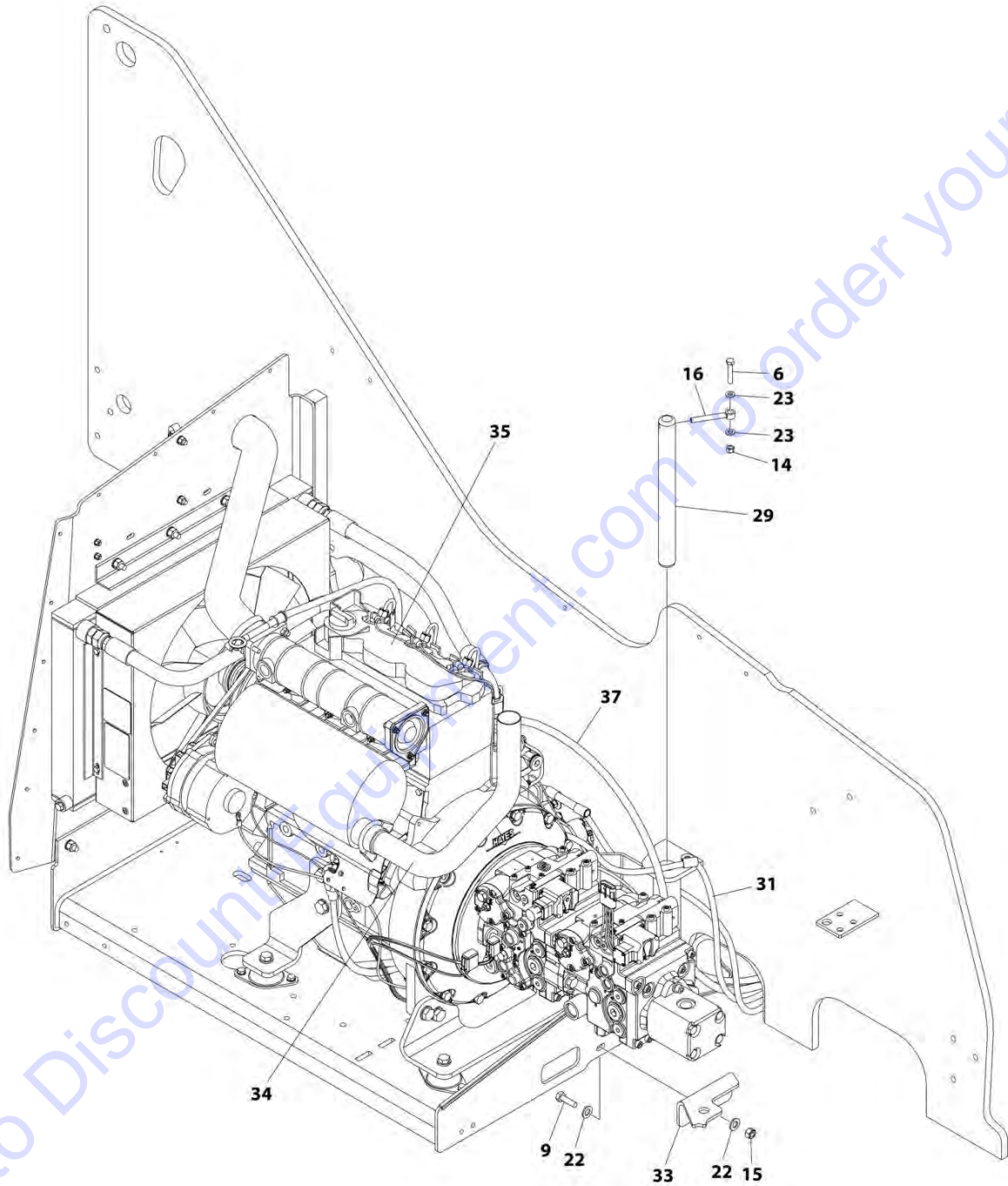
ITEM	PART NUMBER	QTY	DESCRIPTION	REV
20	70025185	1	Hose, Fuel	
20	70025101	2	Clamp	
20	70025109	2	Clamp	
20	70025115	1	Clamp, Pipe	
20	70025133	1	Hose	
20	70025148	1	Connector, Plug-in	
21	70005182	1	Elbow, Air Charger	
21	70005176	1	O-Ring	
21	70005177	1	Gasket	
21	70005180	1	Line, Breather	
21	70005181	1	O-Ring	
21	70005183	1	Line, Breather	
21	70025111	2	Clamp	
22	70025210	1	Module, ECU	
23	70024910	1	Pump, Water	
23	70025084	1	Plug	
23	7020492	1	O-Ring	
23	70025200	1	Seal	
23	70024473	1	Thermostat	
23	70005184	1	O-Ring (Thermostat)	
23	70025142	1	Cover, Thermostat	
23	70025159	1	Pulley, Water Pump	
24	70025177	1	Pipe	
24	70025179	1	Gasket	
25	70005185	1	Manifold	
25	70024912	1	Gasket	
26	70004282	1	Manifold, Exhaust	
26	70025164	1	Gasket, Exhaust Manifold	
27	70005186	1	Pipe	
27	70025179	1	Gasket (Two Hole)	
27	70025180	1	Gasket (Three Hole)	
28	70004283	1	Module, ERG	
28	70005188	1	Valve, Control	
28	70005189	1	Parts, Service	
29	70024914	1	Alternator	
29	70025149	1	Regulator	
29	70025131	1	Fan	
29	70025150	1	Pulley	
29	70025191	1	Plate, Retaining	
29	70025201	1	Bracket, Alternator	
30	70024913	1	V-Belt	
31	70024915	1	Starter	
32	70025231	1	Harness, Glow Plug (Not Shown)	
32	70025233	1	Connector (Not Shown)	
33	70025221	1	Connector, Plug-In (Not Shown)	
33	70025781	1	Connector, Plug-In (Not Shown)	
33	70025779	1	Ring, Fastening (Not Shown)	
34	70004284	1	Harness, Engine (Not Shown)	
34	70025165	1	Plate, Retaining (Not Shown)	
34	70025216	1	Adapter (Not Shown)	
34	70025215	1	Bracket, Fixing (Not Shown)	

SECTION 3 - ENGINE

ITEM	PART NUMBER	QTY	DESCRIPTION	REV
34	70025228	2	Bracket (Not Shown)	
34	70025226	1	Connector, Plug-In (Not Shown)	
34	70025220	5	Connector, Plug-In (Not Shown)	
34	70025222	3	Connector, Plug-In (Not Shown)	
34	70025223	1	Connector, Plug-In (Not Shown)	
34	70025219	1	Connector, Plug-In (Not Shown)	
34	70025238	1	Connector, Plug-In (Not Shown)	
34	70025221	2	Connector, Plug-In (Not Shown)	
34	70025217	8	Clamp (Not Shown)	
34	70025213	2	Clip (Not Shown)	
34	70025209	1	Bracket (Not Shown)	
34	70025225	1	Support (Not Shown)	
34	70025218	3	Clamp (Not Shown)	
34	70025237	1	Connector, Plug-In (Not Shown)	
34	70025214	1	Cap (Not Shown)	
34	70025224	2	Clamp (Not Shown)	
34	70025166	1	Support, Harness (Not Shown)	
34	70025211	1	Plate, Retaining (Not Shown)	
34	70025189	1	Plate, Retaining (Not Shown)	
34	70025236	1	Support, Harness (Not Shown)	
35	70024918	1	Sender, Temperature	
36	70024504	1	Sensor, Pressure (Not Shown - Located Left Side Front)	
36	70024920	1	O-Ring (Not Shown)	
37	70024503	1	Sensor, Speed (Not Shown)	
37	70005191	1	O-Ring	
38	70024507	1	Sensor, Pressure	
38	70025120	1	Seal	
39	70024503	1	Sensor, Speed	
39	70024917	1	Seal	
40	70025192	1	Housing	
40	70025113	2	Pin	
41	70000345	4	Plug, Glow (Not Shown)	
42	70004285	1	Outlet, Muffler	
42	70025241	1	Clip	
42	04600004	2	Gasket	
42	70004504	1	Compensator	
42	70024512	1	Clamp	
42	04603585	1	Clamp	

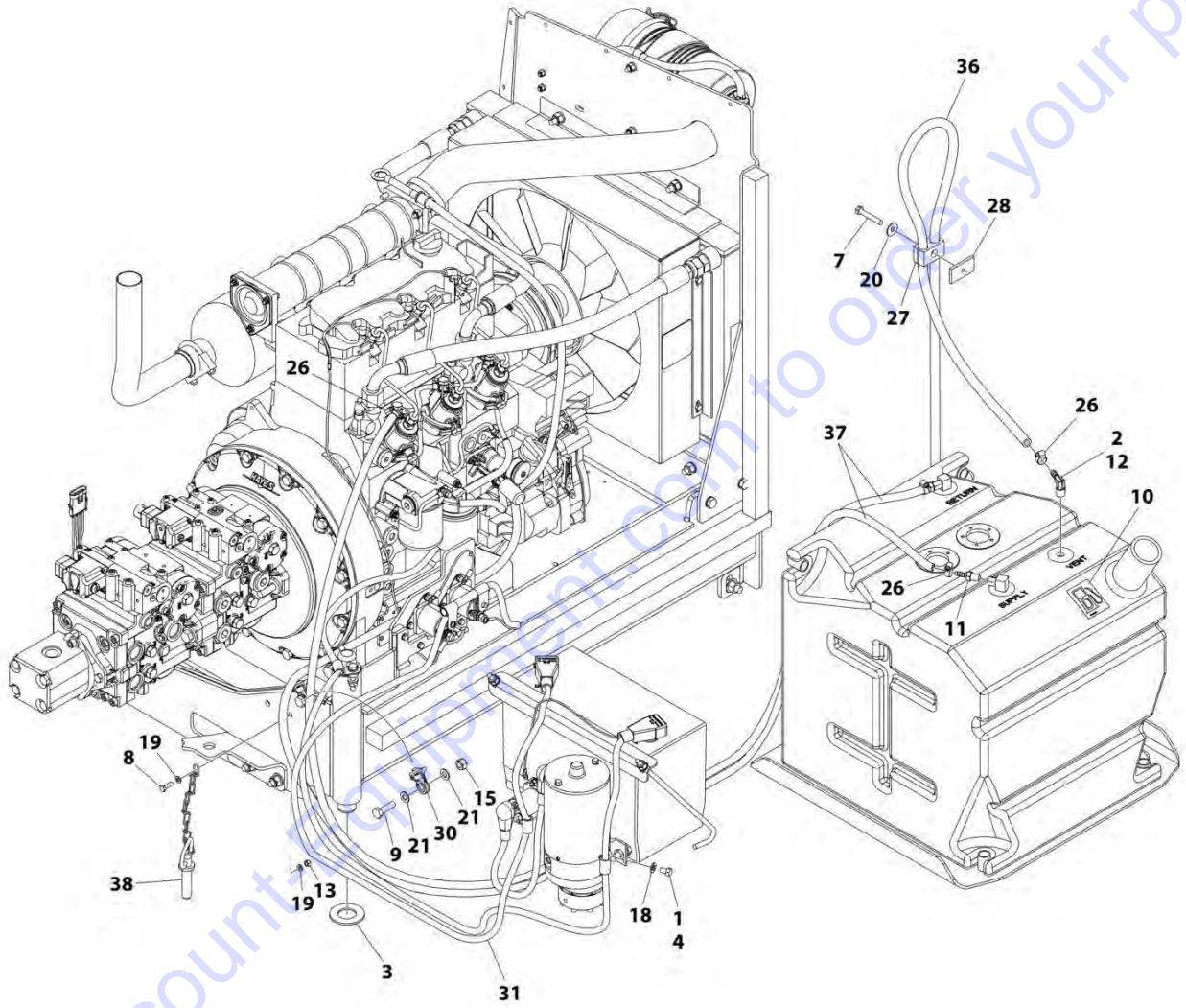
SECTION 3 - ENGINE

FIGURE 3-16. ENGINE INSTALLATION - DEUTZ T41 ENGINE (STAGE V) (WITHOUT ARCTIC PACKAGE) (CE SPECS)



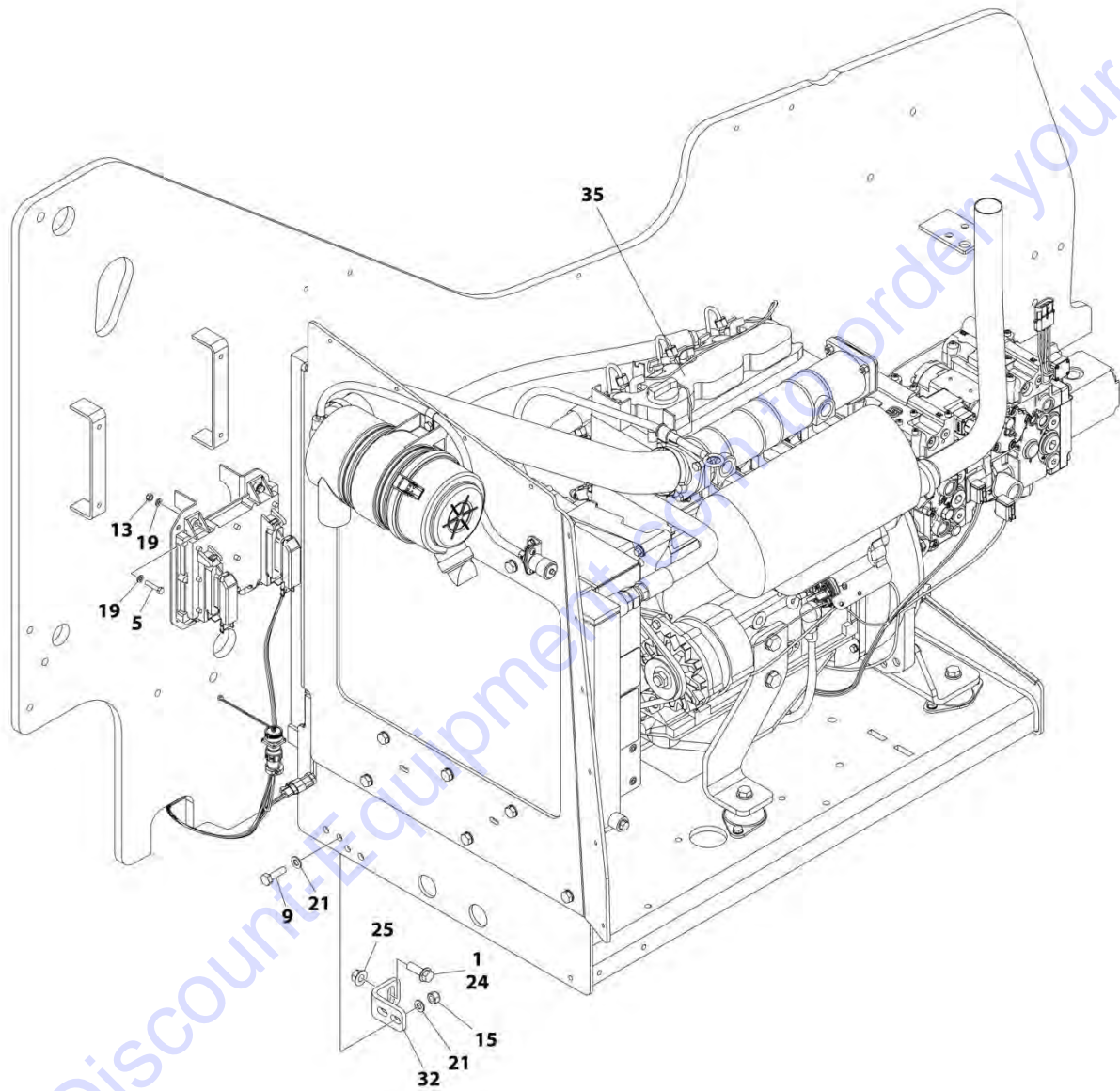
ART_1001235463_10F3

SECTION 3 - ENGINE



ART_1001235463_2OF3

SECTION 3 - ENGINE



ART_1001235463_30F3

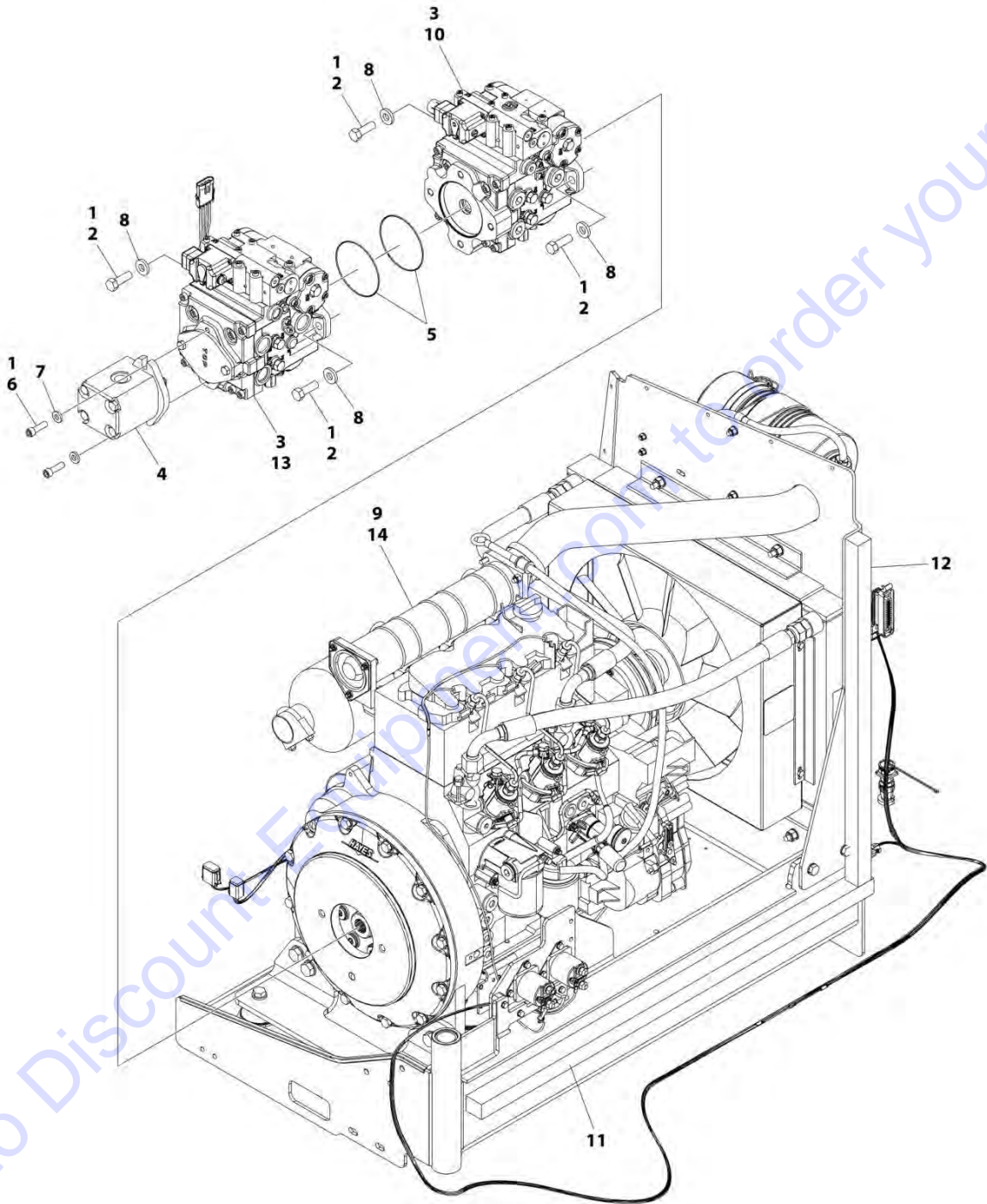
SECTION 3 - ENGINE

FIGURE 3-16. ENGINE INSTALLATION - DEUTZ T4I ENGINE (STAGE V) (WITHOUT ARCTIC PACKAGE) (CE SPECS)

ITEM	PART NUMBER	QTY	DESCRIPTION	REV
	1001235463	Ref	ENGINE INSTALLATION - DEUTZ T4I ENGINE (STAGE V) (WITHOUT ARCTIC PACKAGE)	B
1	0100011	AR	Compound, Locking	
2	0100020	AR	Sealant, Pipe	
3	0440162	1	Bearing	
4	0641504	1	Bolt 5/16 x 1/2	
5	0700614	4	Bolt M6 x 30	
6	0700817	1	Bolt M8 x 45	
7	0700818	1	Bolt M8 x 50	
8	0760610	1	Bolt M6 x 20	
9	0761015	5	Bolt M10 x 35	
10	1701505	1	Decal - Diesel Fuel	
11	2180348	2	Fitting, Barbed	
12	2220313	1	Fitting, Barbed 90	
13	3290605	5	Nut, Lock M6 x 1	
14	3290805	1	Nut, Lock M8 x 1.25	
15	3291005	5	Nut, Lock M10 x 1.5	
16	3841143	1	Pin	
17	4240099	AR	Tie-Strap (Not Shown)	
18	4711500	1	Washer 5/16	
19	4811700	10	Washer M6	
20	4811902	1	Washer M8	
21	4812000	6	Washer M10	
22	4812100	4	Washer M12	
23	5240800	2	Washer M8 Hardened	
24	5251215	1	Bolt M12 x 35	
25	5261200	1	Nut, Flange M12 (Class 10)	
26	8405009	5	Clamp	
27	8750014	1	Clamp	
28	8750031	1	Clamp	
29	1001135196	1	Pin	
30	1001156107	1	Holder, Cable	
31	1001167038	1	Battery Cable Kit	
32	1001167512	1	Bracket, Engine	
33	1001169823	1	Plate, Engine Lock	
34	1001172195	1	Pipe, Exhaust	
35	1001235464	1	Engine and Pump Sub-Assembly (See Separate Breakdown in this Section)	
36	2750532	5.5 ft/ 1.7m	Hose	
37	2720058	17 ft/ 5.18m	Hose	
38	3422532	1	Pin	
40	1001241835	0.184 l	Fluid, Diesel Fuel Additive (Not Shown)	

SECTION 3 - ENGINE

FIGURE 3-17. ENGINE AND PUMP SUB-ASSEMBLY - DEUTZ T4I (STAGE V) (WITHOUT ARCTIC PACKAGE) (CE SPECS)



ART_1001235464

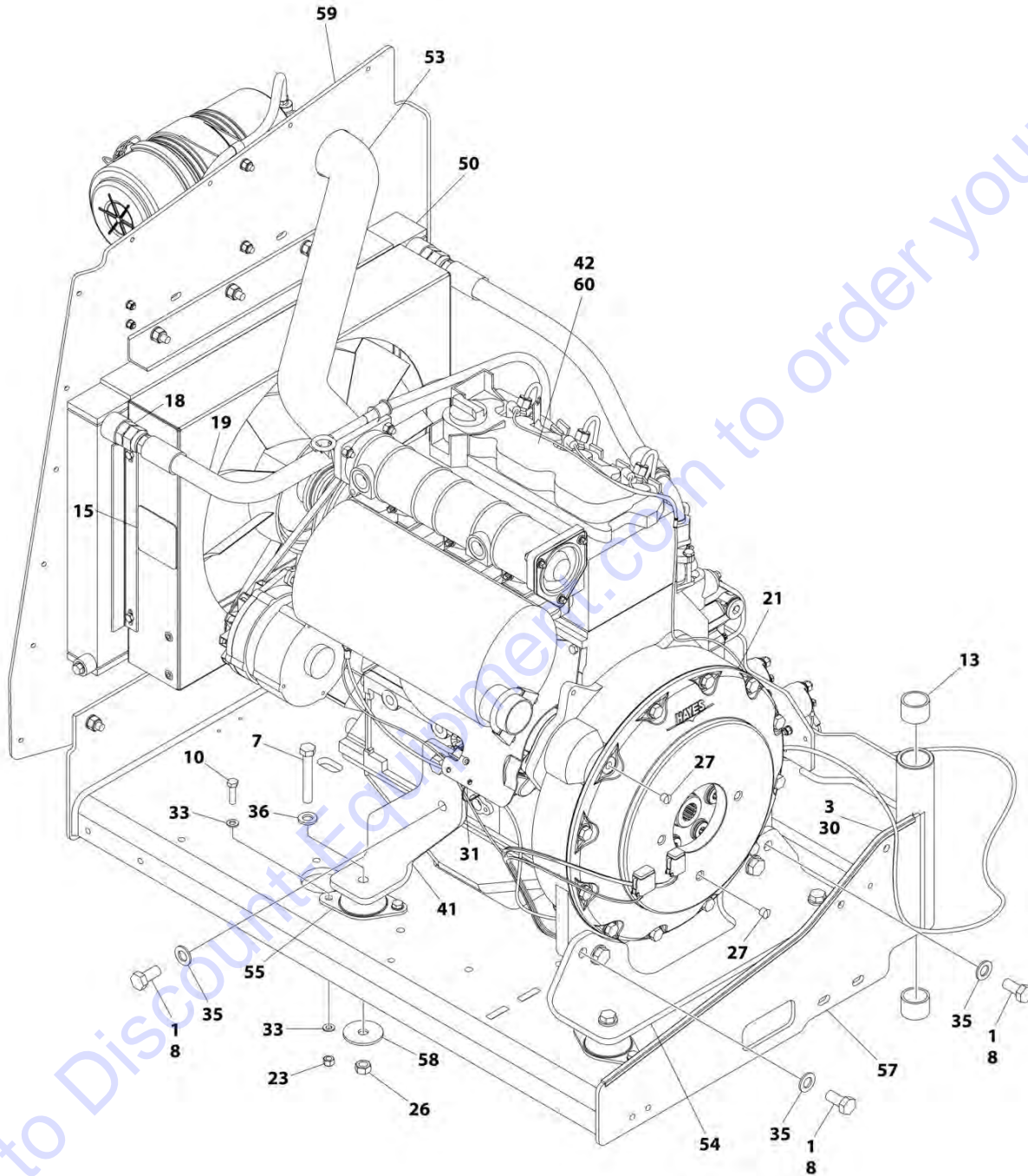
SECTION 3 - ENGINE

FIGURE 3-17. ENGINE AND PUMP SUB-ASSEMBLY - DEUTZ T4I (STAGE V) (WITHOUT ARCTIC PACKAGE) (CE SPECS)

ITEM	PART NUMBER	QTY	DESCRIPTION	REV
	1001235464	Ref	ENGINE AND PUMP SUB-ASSEMBLY - DEUTZ T4i (STAGE V) (WITHOUT ARCTIC PACKAGE)	B
1	0100011	AR	Compound, Locking	
2	0641812	4	Bolt 1/2 x 1-1/2	
3	3020037	AR	Lube	
4	3600242	1	Gear Pump Assembly (See Separate Breakdown in this Section)	
5	3790045	2	O-Ring	
6	3931620	2	Capscrew 3/8 x 1-1/4	
7	4891600	2	Washer 3/8 Hardened	
8	4891800	4	Washer 1/2 Hardened	
9	1001235462	1	Engine Assembly - Deutz T4i Engine (See Separate Breakdown in this Section)	
10	1001189237	1	Piston Pump Assembly (Front) (See Separate Breakdown in this Section)	
11	1001171953	1	Seal	
12	1001171954	1	Seal	
13	1001189236	1	Piston Pump Assembly (Rear) (See Separate Breakdown in this Section)	
14	1001235455	1	Engine, Deutz D2011 (Stage V) (See ENGINE COMPONENTS - DEUTZ D2011 ENGINE (STAGE V) for Breakdown) (SN 0300255433 to Present)	

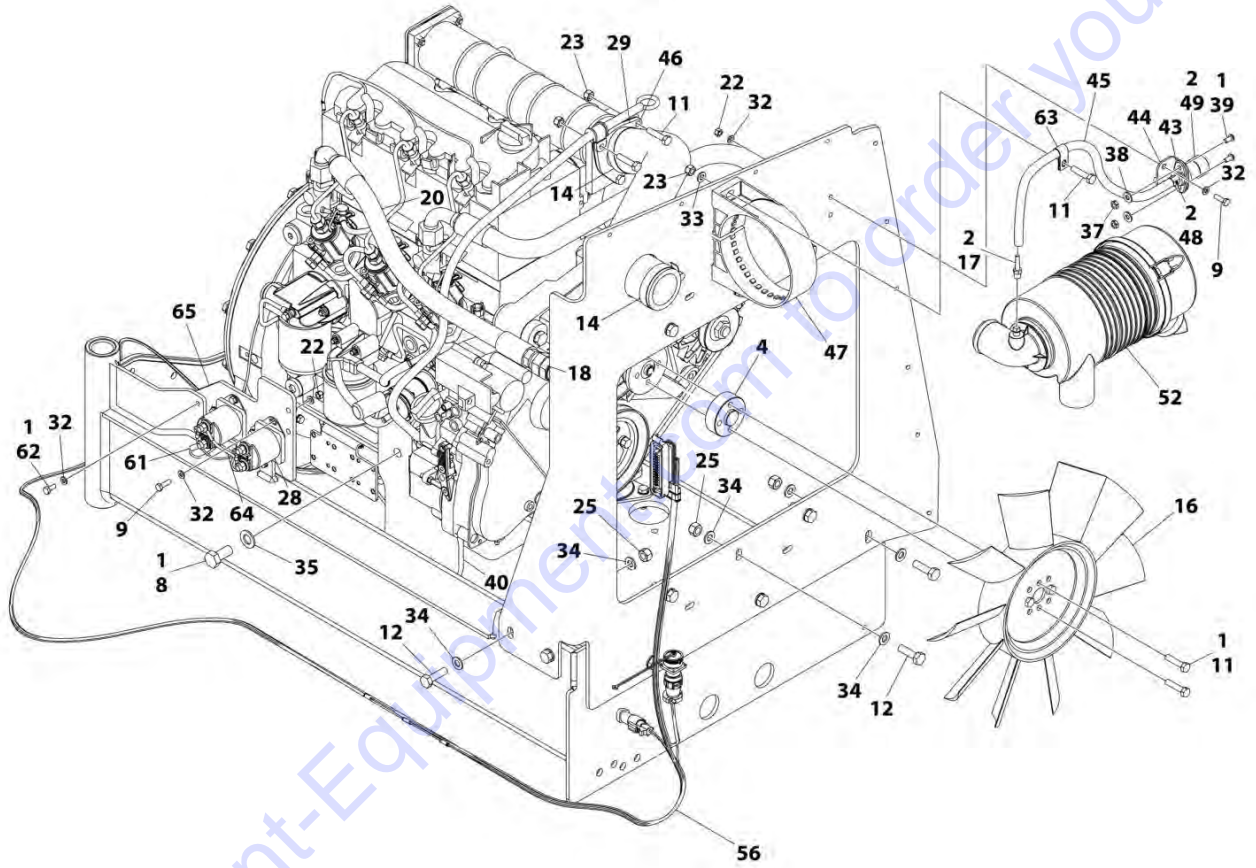
SECTION 3 - ENGINE

FIGURE 3-18. ENGINE ASSEMBLY - DEUTZ T4I ENGINE (STAGE V) (WITHOUT ARCTIC PACKAGE) (CE SPECS)



ART_1001235462_10F2

SECTION 3 - ENGINE



ART_1001235462_20F2

SECTION 3 - ENGINE

**FIGURE 3-18. ENGINE ASSEMBLY - DEUTZ T4I ENGINE (STAGE V) (WITHOUT ARCTIC PACKAGE)
(CE SPECS)**

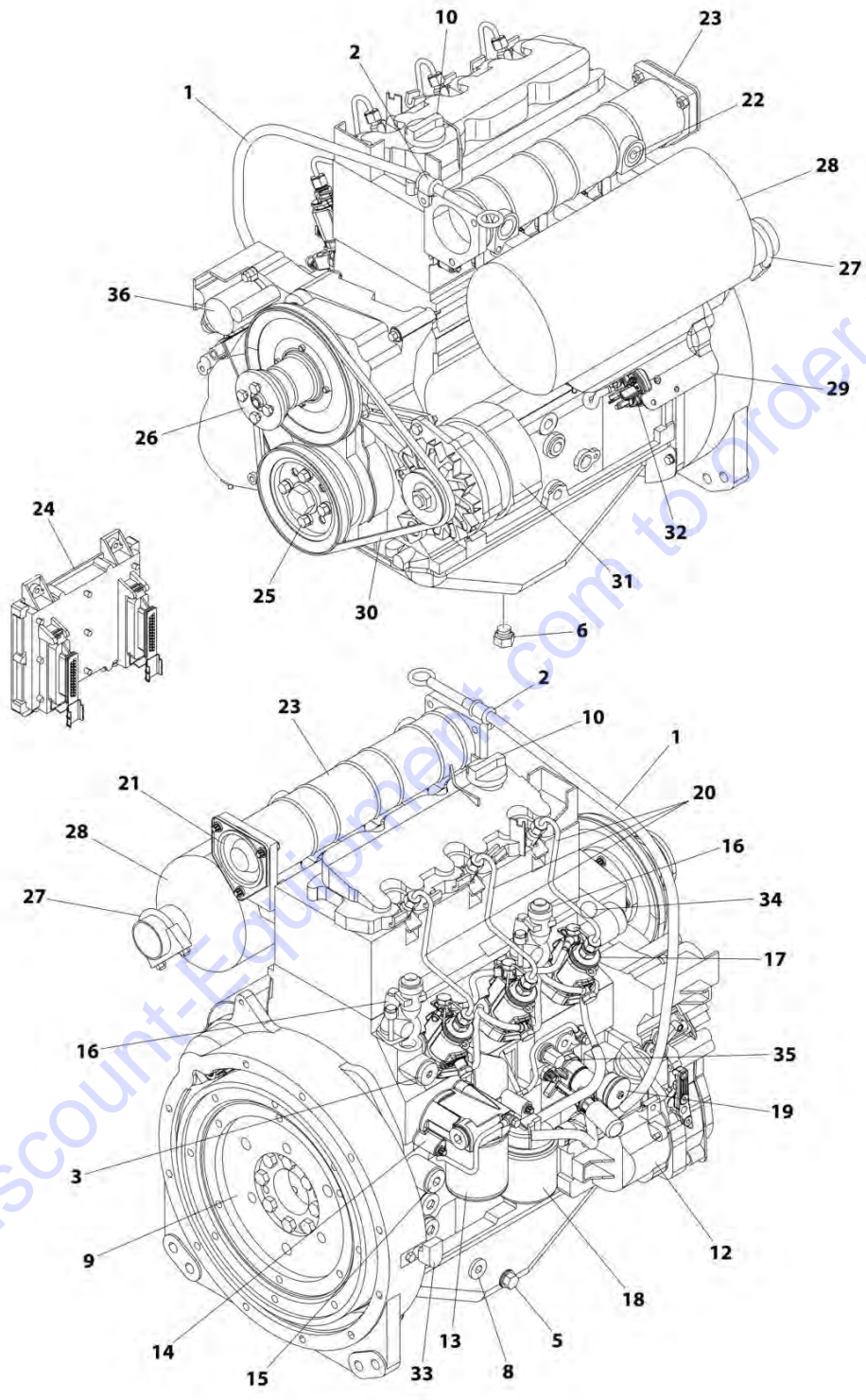
ITEM	PART NUMBER	QTY	DESCRIPTION	REV
	1001235462	Ref	ENGINE ASSEMBLY - DEUTZ D2011 ENGINE (STAGE V) (WITHOUT ARCTIC PACKAGE)	C
1	0100011	AR	Compound, Locking	
2	0100020	AR	Sealant, Pipe	
3	0100081	AR	Adhesive	
4	0080231	1	Spacer, Fan	
7	0711224	4	Bolt M12 x 80	
8	0771414	8	Bolt M14 x 30	
9	0760610	6	Bolt M6 x 20	
10	0760814	8	Bolt M8 x 30	
11	0760815	9	Bolt M8 x 35	
12	0761015	11	Bolt M10 x 35	
13	0961951	2	Bushing	
14	1320016	2	Clamp	
15	1703162	2	Decal - Caution Fan	
16	2060025	1	Fan	
17	2220315	1	Fitting, Barbed	
18	2220451	2	Fitting, Straight JIC/ORB	
19	2720398	1	Hose	
20	2720447	1	Hose	
21	2902065	1	Pump Coupling Kit (See PUMP COUPLING KIT for Breakdown)	
22	3290605	6	Nut M6	
23	3290805	13	Nut M8	
25	3291005	11	Nut M10	
26	3331215	4	Nut M12	
27	3520054	2	Plug	
28	3740067	2	Relay Assembly	
28	3300220	2	Nut	
28	3321001	1	Nut #10-32	
28	3740140	1	Relay	
28	4761000	1	Washer #10	
28	1001111424	2	Washer	
29	3960407	1	Gasket	
30	4060805	2.25 ft / 0.69m	Trim, Flex Shield	
31	4240099	AR	Tie-Strap	
32	4811700	15	Washer M6	
33	4811900	20	Washer M8	
34	4812000	22	Washer M10	
35	4812200	8	Washer M14	
36	5241200	4	Washer M12 Hardened	
37	8305401	2	Nut Jam .250-20	
38	8307109	2	Washer .250	
39	8310548	2	Screw 1/4 NC x 1/2	
40	1001132195	1	Bracket, Engine Mount	
41	1001132196	1	Bracket, Engine Mount	
42	1001136079	3 gal/ 11.3L	Oil, Motor	
43	1001138173	1	Support, Service Indicator	

SECTION 3 - ENGINE

ITEM	PART NUMBER	QTY	DESCRIPTION	REV
44	1001138175	1	Bracket, Service Indicator	
45	1001138248	2 ft /0.61m	Tube	
46	1001139819	1	Adapter, Air Intake	
47	1001141694	1	Clamp, Air Cleaner	
48	1001141995	1	Fitting, Barbed	
49	1001143390	1	Indicator	
50	1001150998	1	Radiator	
52	1001165388	1	Air Cleaner Assembly	
52	70003783	1	Element, Air Cleaner	
53	1001165389	1	Hose	
54	1001166717	1	Bracket, Engine Mount	
55	1001166718	4	Isolator, Engine Mount	
56	1001167111	1	Harness Engine - Deutz D2011 (See ELECTRICAL SECTION for Breakdown)	
57	1001167520	1	Tray, Engine	
58	1001168018	4	Washer, Snubbing	
59	1001168059	1	Plate, Radiator Mounting	
60	1001235455	1	Engine, Deutz D2011 (Stage V) (See ENGINE COMPONENTS - DEUTZ D2011 ENGINE (STAGE V) for Breakdown)	
61	4923451	1	Harness, Glow Plugs	
62	0760614	3	Bolt M6 x 30	
63	8406109	1	Clip	
64	1001178859	1	Cable, Alternator	
65	1001214975	1	Bracket	

SECTION 3 - ENGINE

FIGURE 3-19. ENGINE COMPONENTS - DEUTZ D2011 (STAGE V) (Prior to SN 0300255433)



ART_1001235455

SECTION 3 - ENGINE

FIGURE 3-19. ENGINE COMPONENTS - DEUTZ D2011 (STAGE V) (Prior to SN 0300255433)

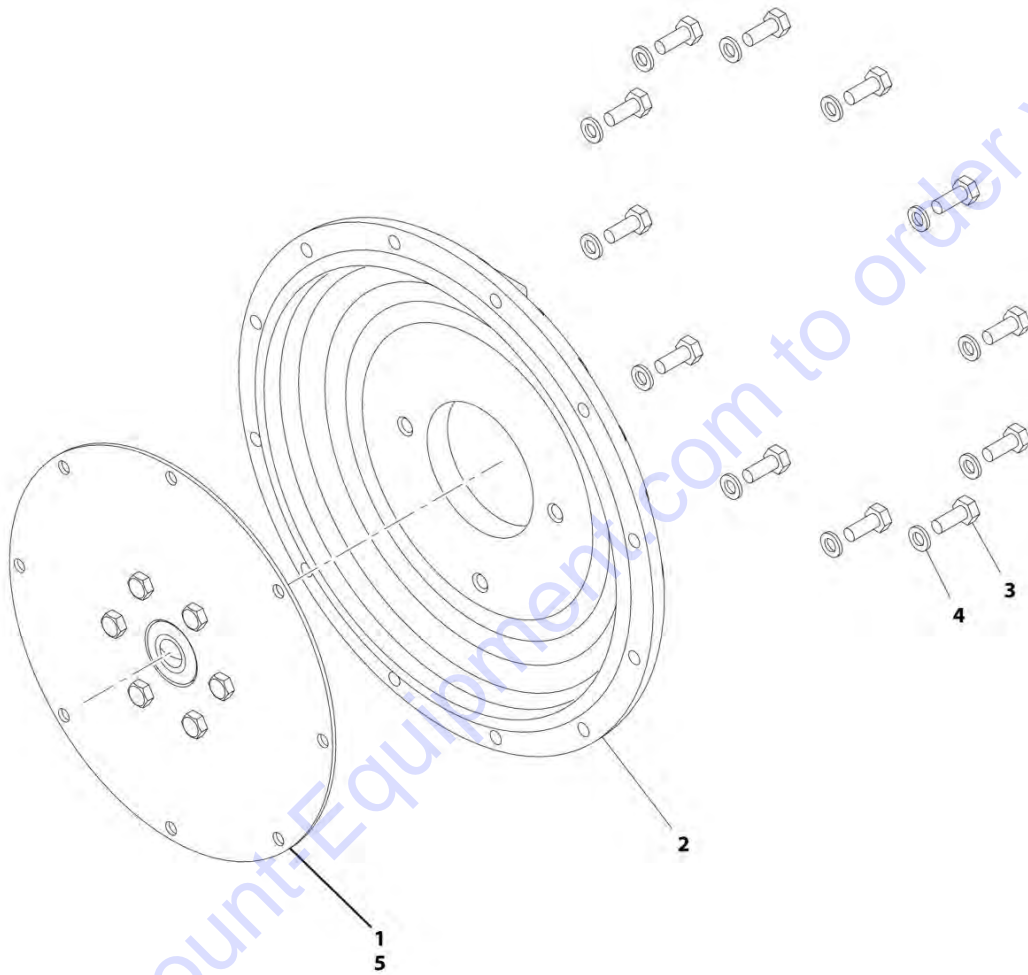
ITEM	PART NUMBER	QTY	DESCRIPTION	REV
	1001235455	Ref	ENGINE COMPONENTS - DEUTZ D2011 (STAGE V)	B
1	70001002	1	Tube, Dipstick	
1	7020403	1	Seal, Tube	
1	7020026	1	Dipstick	
2	70001654	1	Clamp	
2	70001655	1	Bolt	
3	70003475	1	Thermostat	
3	7020460	1	Spring	
4		Ref	Seal and Gasket Options (Not Shown):	
4	70002718	1	Seal, Rear Main	
4	7020430	1	Gasket, Valve Cover	
4	70003479	1	Gasket, Head - 1 Notch	
4	70003480	1	Gasket, Head - 2 Notch	
4	70003481	1	Gasket, Head - 3 Notch	
5	70025088	1	Plug	
6	70025667	1	Plug	
7	70025123	22	Bolt, Torx (Oil Pan Bolts) (Not Shown)	
8	7020492	1	Seal	
8	70025084	1	Plug	
9	70001870	1	Flywheel	
9	7024579	1	Ring Gear (Part of Flywheel)	
9	70025139	8	Bolt	
10	7020465	1	Cap, Oil Fill	
11	70000800	1	Timing Belt/Idler Kit (Includes Timing Belt, Tensioner and Tensioner Bolt) (Not Shown)	
12	70001850	1	Pump, Lubricating	
12	7020468	1	Seal, Pump to Engine Block (Not Shown)	
13	7016331	1	Filter, Oil	
14	70003472	1	Bracket, Oil Filter (Includes Plug with Seal, Temperature Sensor, Control Valve and Compression Spring)	
14	7027236	1	Sender, Temperature	
14	70025082	1	Seal, Plug	
14	70025091	1	Plug	
14	70003473	1	Gasket, Bracket to Engine Block (Not Shown)	
15	70001181	1	Valve	
15	70025091	1	Plug	
15	70025082	1	Seal, Plug	
16	70004268	2	Connector, Radiator Neck	
16	70004269	2	Seal, Radiator Neck to Engine Block	
17	70000912	3	Pump, Fuel Injector - A Spec	
17	70000913	3	Pump, Fuel Injector - B Spec	
17	70000914	3	Pump, Fuel Injector - C Spec	
17	70000915	3	Pump, Fuel Injector - D Spec	
17	70003464	3	O-Ring, Pump to Engine Block	
18	7020023	1	Filter, Fuel	
18	70003463	1	Filter, Fuel - RME Resistant	
18	70001423	1	Bracket, Fuel Filter	
19	70000916	1	Pump Fuel Supply	
19	70000917	1	O-Seal Between Fuel Pump and Engine Block	
19	70000918	1	Sealing Ring Between Hand Pump and Supply Pump	

SECTION 3 - ENGINE

ITEM	PART NUMBER	QTY	DESCRIPTION	REV
19	70000919	1	Pump, Hand	
19	70001435	1	Repair Kit	
19	70025694	2	Bolt, Torx	
20	70000931	3	Pipe, High Pressure	
21	70003469	1	Flange, Intake	
21	70003468	1	Seal	
22	70025084	1	Plug	
22	7020492	1	Seal, Plug	
23	7027903	1	Manifold, Air Intake	
23	70001871	3	Gasket Between Manifold and Engine Block	
24	7027795	1	Module, Engine Control	
24	7027796	1	Cable, Electrical Between Module and Engine Harness (Not Shown)	
24	70001872	1	Harness, Engine (Connects to p/n 70004060) (Not Shown)	
24	70004060	1	Plug, Connector Located on Cable Near Module (Not Shown)	
24	70004059	1	Plug, Analyzer (Not Shown)	
25	70025123	4	Bolt, Torx	
26	70000787	1	Support, Fan (Includes Support, Internal Shaft, Bearings and Circlip)	
27	70001844	1	Clamp	
28	See Note	1	Muffler (Note: See ENGINE ASSEMBLY)	
28	7020471	3	Gasket, Exhaust Between Muffler and Engine Block	
28	70004270	6	Stud, Muffler	
29	70001498	1	Shield, Starter	
29	70025693	3	Bolt	
30	70004102	1	V-Belt	
31	70004056	1	Alternator (Includes Voltage Regulator and Gaskets, Fan and Fan Mounting Hardware)	
31	70001868	1	Regulator, Voltage	
31	70001866	1	Gasket Set, Voltage Regulator	
31	70025131	1	Fan	
31	70025086	1	Nut, Fan	
31	70000851	1	Bracket, Alternator Mounting	
31	70002234	1	Bracket, Alternator Adjustment	
31	70004103	1	Harness, Alternator (Not Shown)	
32	7020479	1	Starter	
32	70025121	2	Bolt, Starter Mounting	
32	70004058	1	Relay	
32	70004062	1	Harness, Starter (Not Shown)	
33	7024565	1	Sensor, Speed	
33	70003931	1	Bolt	
33	70003932	1	Spacer, Sleeve	
34	7027791	1	Sender, Temperature	
35	7027790	1	Sensor, Oil Pressure	
36	7027792	1	Actuator	
37	70000345	3	Plug, Glow (Not Shown)	

SECTION 3 - ENGINE

FIGURE 3-20. PUMP COUPLING KIT



ART_2902065

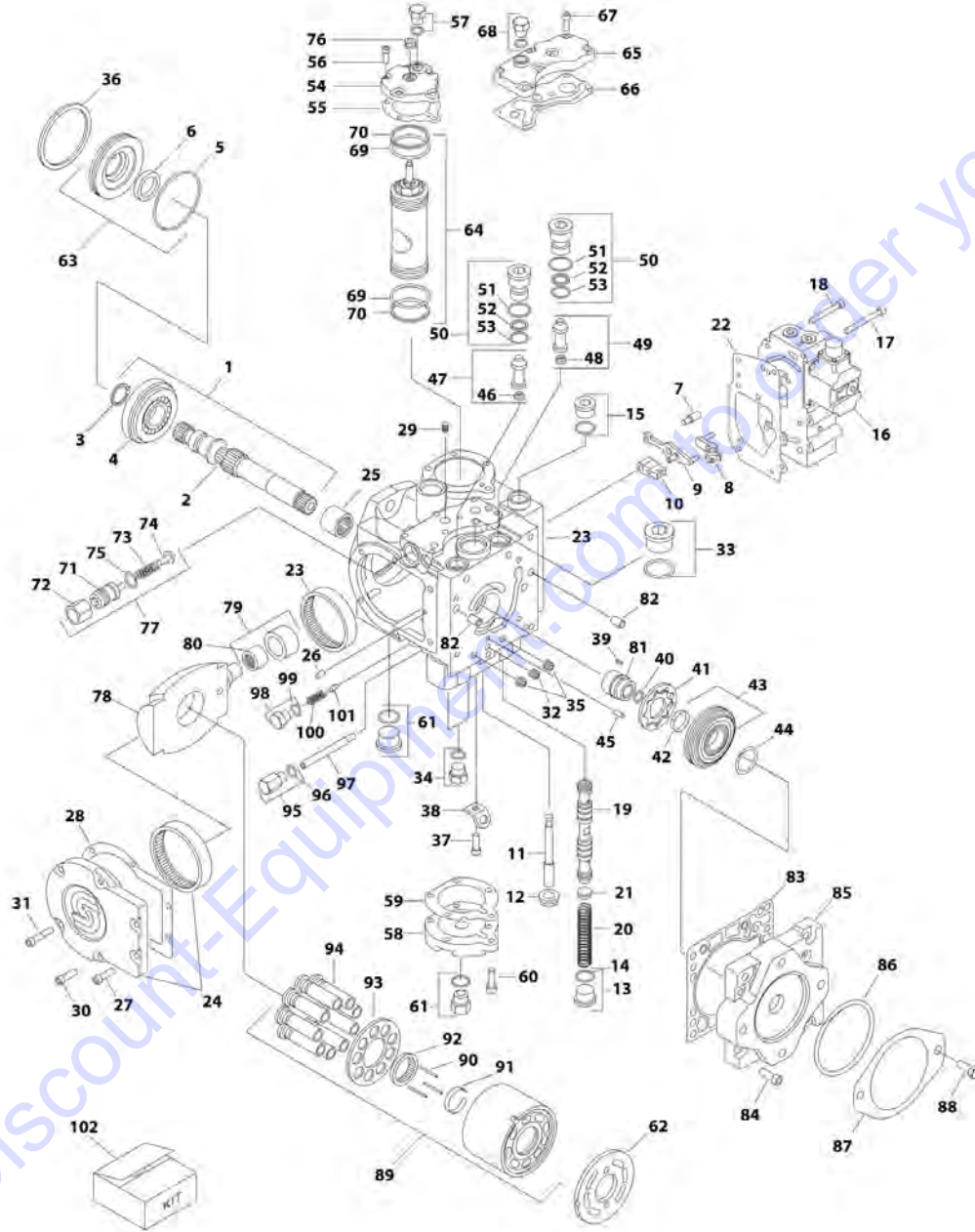
FIGURE 3-20. PUMP COUPLING KIT

ITEM	PART NUMBER	QTY	DESCRIPTION	REV
	2902065	Ref	PUMP COUPLING KIT	K
1	70000793	1	Coupling, Hayes	
2	See Note	NSS	Plate, Pump Adapter (Note: Purchase p/n 2902065)	
3	See Note	NSS	Bolt M10 (Grade 10.9) (Note: Purchase p/n 2902065)	
4	See Note	NSS	Washer M10 (Note: Purchase p/n 2902065)	
5	3020021	AR	Grease, Coupling	

Go to Discount-Equipment.com to order your parts

SECTION 3 - ENGINE

FIGURE 3-21. PISTON PUMP ASSEMBLY (FRONT)



ART 1001189237

SECTION 3 - ENGINE

FIGURE 3-21. PISTON PUMP ASSEMBLY (FRONT)

ITEM	PART NUMBER	QTY	DESCRIPTION	REV
	1001189237	Ref	PISTON PUMP ASSEMBLY (FRONT)	B
1	7021240	1	Shaft Assembly (Includes Items 2-4)	
2	7021237	1	Shaft	
3	7021238	1	Ring, Retaining	
4	7021239	1	Bearing, Roller	
5	See Note	NSS	O-Ring (Use Item 102)	
6	See Note	NSS	Seal, Lip (Use Item 102)	
7	70005245	1	Screw	
8	7022331	1	Link, Control Summing	
9	7022332	1	Link, Control Feedback	
10	7022333	1	Link, Neutral Adjust	
11	70005246	1	Screw, Neutral Adjust	
12	See Note	NSS	Nut, Seal (Use Item 102)	
13	70005247	1	Plug (Includes Item 14)	
14	7022322	1	O-Ring	
15	7022321	1	Plug Assembly	
16	70005248	1	Controller, Electrical	
17	70005249	4	Screw M6 x 50	
18	70005250	3	Screw M6 x 60	
19	7022336	1	Spool Assembly	
20	70005251	1	Spring	
21	70005252	1	Adapter	
22	7022338	1	Gasket, Control	
23	7023999	1	Housing Assembly (Includes Items 25, 29, 32 & 35)	
24	7021248	1	Side Cover Assembly	
25	7021249	1	Bearing, Needle	
26	70005253	1	Pin	
27	70004890	2	Screw M6 x 20	
28	See Note	NSS	Gasket, Side Cover (Use Item 102)	
29	70005254	1	Screen, Filter	
30	70004892	2	Screw M6 x 30	
31	70004892	2	Screw M6 x 30	
32	70005255	1	Plug	
33	7007419	2	Plug Assembly	
34	7007420	2	Plug	
35	70005255	2	Plug	
36	7021257	1	Ring, Retaining	
37	70004890	1	Screw	
38	7022340	1	Bracket, Lifting	
39	70004893	1	Key	
40	7022341	1	Ring, Retaining	
41	7022343	1	Gerotor Assembly	
42	7021259	1	Bearing, Journal	
43	70004894	1	Gerotor Cover Assembly (Includes Item 42)	
44	7021262	1	O-Ring	
45	70005257	1	Pin	
46	7024800	1	Spring	
47	70005258	1	Valve, SCR (Includes Item 46)	
48	7024800	1	Spring	
49	70005259	1	Valve, SCR (Includes Item 48)	

SECTION 3 - ENGINE

ITEM	PART NUMBER	QTY	DESCRIPTION	REV
50	See Note	NSS	Bypass Valve Assembly (Use Item 102)	
51	See Note	NSS	O-Ring (Use Item 102)	
52	See Note	NSS	Ring, Back-up (Use Item 102)	
53	See Note	NSS	O-Ring (Use Item 102)	
54	70005260	1	Cover, Servo	
55	See Note	NSS	Gasket, Servo Cover (Use Item 102)	
56	70004892	5	Screw	
57	7007420	1	Plug Assembly	
58	7021268	1	Cover, Servo	
59	See Note	NSS	Gasket, Servo Cover (Use Item 102)	
60	70004892	5	Screw	
61	7007420	2	Plug Assembly	
62	7021281	1	Plate, Valve	
63	70004896	1	Seal Kit - Shaft (Includes Items 5 & 6)	
64	7022351	1	Servo Piston Kit (Includes Items 69 & 70)	
65	7021285	1	Adapter, Remote Filter	
66	See Note	NSS	Gasket, Filter Adapter (Use Item 102)	
67	70004892	7	Screw	
68	7007420	1	Plug Assembly	
69	See Note	NSS	O-Ring (Use Item 102)	
70	See Note	NSS	Ring, Piston (Use Item 102)	
71	7022346	1	Adjuster	
72	7021290	1	Nut	
73	7022347	1	Spring	
74	70004901	1	Poppet	
75	See Note	NSS	O-Ring (Use Item 102)	
76	See Note	NSS	Nut, Seal (Use Item 102)	
77	70005261	1	Relief Valve, Charge (Includes Items 71-75)	
78	70005262	1	Swash Plate	
79	7021234	1	Cam Follower Bearing Assembly (Includes Item 80)	
80	70005263	1	Bearing, Needle	
81	70005264	1	Coupling	
82	7001481	2	Pin	
83	See Note	NSS	Gasket, Charge Pump (Use Item 102)	
84	70004906	8	Screw	
85	70005265	1	Cover, Charge Pump	
86	See Note	NSS	Seal (Use Item 102)	
87	7021229	1	Cover, Flange	
88	7024806	2	Screw	
89	70004909	1	Cylinder Block Kit (Includes Items 90-94)	
90	7021275	3	Pin, Slipper Hold Down	
91	7021276	1	Retainer, Pin	
92	7021277	1	Guide, Retainer	
93	7021278	1	Retainer, Slipper	
94	70004911	9	Piston Assembly	
95	70005266	1	Plug (Includes Item 96)	
96	See Note	NSS	O-Ring (Use Item 102)	
97	70005267	1	Spool, Loop Flushing	
98	70005268	1	Plug (Includes Item 99)	
99	See Note	NSS	O-Ring (Use Item 102)	
100	70005269	1	Spring	

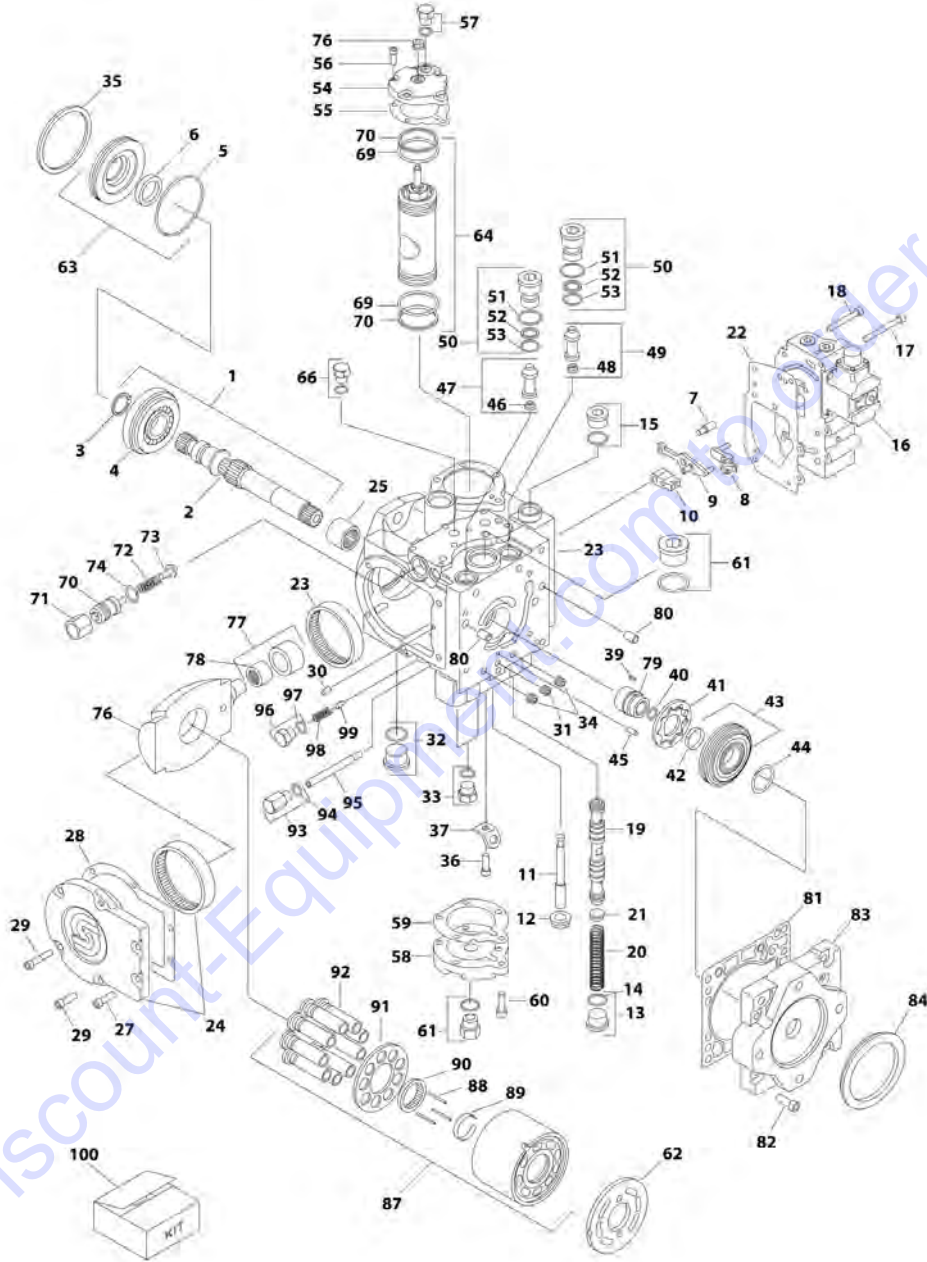
SECTION 3 - ENGINE

ITEM	PART NUMBER	QTY	DESCRIPTION	REV
101	70005270	1	Poppet	
102	70004899	1	Seal Kit - Complete (Includes Items 5, 6, 12, 28, 50, 51, 52, 53, 55, 59, 66, 70, 75, 76, 83, 86, 96 & 99)	

Go to Discount-Equipment.com to order your parts

SECTION 3 - ENGINE

FIGURE 3-22. PISTON PUMP ASSEMBLY (REAR)



ART 1001189236

SECTION 3 - ENGINE

FIGURE 3-22. PISTON PUMP ASSEMBLY (REAR)

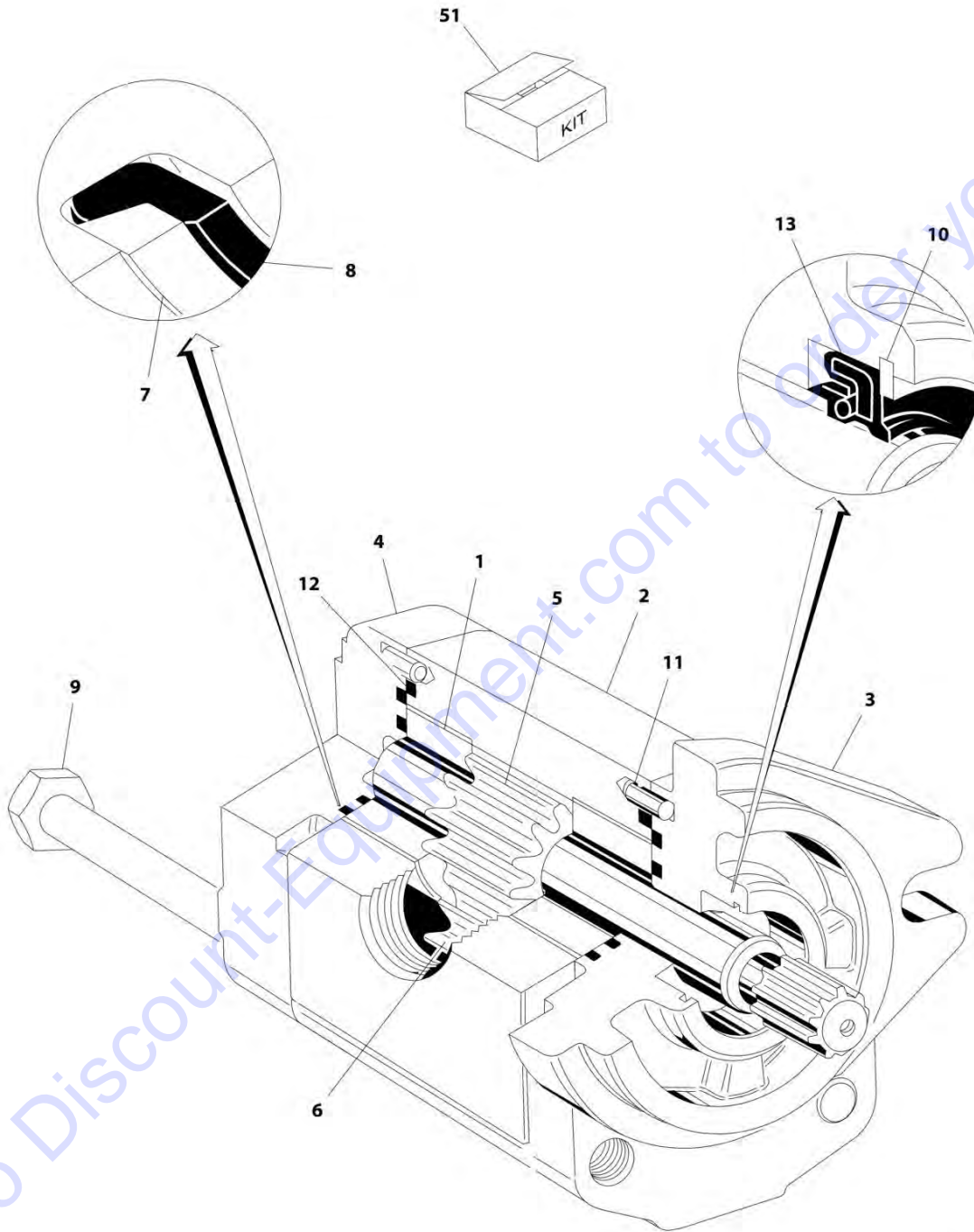
ITEM	PART NUMBER	QTY	DESCRIPTION	REV
	1001189236	Ref	PISTON PUMP ASSEMBLY (REAR)	D
1	7022355	1	Shaft Assembly (Includes Items 2-4)	
2	70005271	1	Shaft	
3	7021238	1	Ring, Retaining	
4	7021239	1	Bearing, Roller	
5	See Note	NSS	O-Ring (Use Item 100)	
6	See Note	NSS	Seal, Lip (Use Item 100)	
7	70005245	1	Screw	
8	7022331	1	Link, Control Summing	
9	7022332	1	Link, Control Feedback	
10	7022333	1	Link, Neutral Adjust	
11	70005246	1	Screw, Neutral Adjust	
12	See Note	NSS	Nut, Seal (Use Item 100)	
13	70005247	1	Plug (Includes Item 14)	
14	7022322	1	O-Ring	
15	7022321	1	Plug Assembly	
16	70005248	1	Controller, Electrical	
17	70005249	4	Screw M6 x 50	
18	70005250	3	Screw M6 x 60	
19	7022336	1	Spool Assembly	
20	70005251	1	Spring	
21	70005252	1	Adapter	
22	7022338	1	Gasket, Control	
23	See Note	1	Housing Assembly (Note: Not Available - Purchase Complete Rear Pump Assembly)	
24	7021248	1	Side Cover Assembly	
25	7021249	1	Bearing, Needle	
26	70005253	1	Pin	
27	70004890	2	Screw M6 x 20	
28	See Note	NSS	Gasket, Side Cover (Use Item 100)	
29	70004892	4	Screw M6 x 30	
30	70005254	1	Screen, Filter	
31	70005255	1	Plug	
32	7007419	2	Plug Assembly	
33	7007420	2	Plug	
34	70005255	2	Plug	
35	7021257	1	Ring, Retaining	
36	70004890	1	Screw	
37	7022340	1	Bracket, Lifting	
38	7007419	2	Plug Assembly (Not Shown)	
39	70004893	1	Key	
40	7022341	1	Ring, Retaining	
41	7022357	1	Spacer	
42	7021259	1	Bearing, Journal	
43	70004894	1	Gerotor Cover Assembly (Includes Item 42)	
44	7021262	1	O-Ring	
45	70005257	1	Pin	
46	7024800	1	Spring	
47	70005258	1	Valve, SCR (Includes Item 46)	
48	7024800	1	Spring	

SECTION 3 - ENGINE

ITEM	PART NUMBER	QTY	DESCRIPTION	REV
49	70005259	1	Valve, SCR (Includes Item 48)	
50	See Note	NSS	Bypass Valve Assembly (Use Item 100)	
51	See Note	NSS	O-Ring (Use Item 100)	
52	See Note	NSS	Ring, Back-up (Use Item 100)	
53	See Note	NSS	O-Ring (Use Item 100)	
54	70005260	1	Cover, Servo	
55	See Note	NSS	Gasket, Servo Cover (Use Item 100)	
56	70004892	5	Screw	
57	7007420	1	Plug Assembly	
58	7021268	1	Cover, Servo	
59	See Note	NSS	Gasket, Servo Cover (Use Item 100)	
60	70004892	5	Screw	
61	7007420	1	Plug Assembly	
62	7021281	1	Plate, Valve	
63	See Note	1	Seal Kit - Shaft (Use Item 100)	
64	See Note	1	Servo Piston Kit (Use Item 100)	
65	7022358	1	Plug Assembly (Not Shown)	
66	7007420	1	Plug Assembly	
67	7007420	1	Plug Assembly (Not Shown)	
68	See Note	NSS	O-Ring (Use Item 100)	
69	See Note	NSS	Ring, Piston (Use Item 100)	
70	7022346	1	Adjuster	
71	7021290	1	Nut	
72	7022347	1	Spring	
73	70004901	1	Poppet	
74	See Note	NSS	O-Ring (Use Item 100)	
75	See Note	NSS	Nut, Seal (Use Item 100)	
76	70005262	1	Swash Plate	
77	7021234	1	Cam Follower Bearing Assembly (Includes Item 78)	
78	70005263	1	Bearing, Needle	
79	70004905	1	Coupling	
80	7001481	2	Pin	
81	See Note	NSS	Gasket, Charge Pump (Use Item 100)	
82	70004906	8	Screw	
83	70004907	1	Cover, Charge Pump	
84	See Note	NSS	Seal (Use Item 100)	
87	70004909	1	Cylinder Block Kit (Includes Items 88-92)	
88	70004910	3	Pin, Slipper Hold Down	
89	7021276	1	Retainer, Pin	
90	7021277	1	Guide, Retainer	
91	7021278	1	Retainer, Slipper	
92	70004911	9	Piston Assembly	
93	70005266	1	Plug (Includes Item 94)	
94	See Note	NSS	O-Ring (Use Item 100)	
95	70005267	1	Spool, Loop Flushing	
96	70005268	1	Plug (Includes Item 97)	
97	See Note	NSS	O-Ring (Use Item 100)	
98	70005269	1	Spring	
99	70005270	1	Poppet	
100	70004899	1	Seal Kit - Complete (Includes Items 5, 6, 12, 28, 50, 52, 53, 55, 59, 63, 64, 68, 69, 74, 75, 81, 84, 94 & 97)	

SECTION 3 - ENGINE

FIGURE 3-23. GEAR PUMP ASSEMBLY



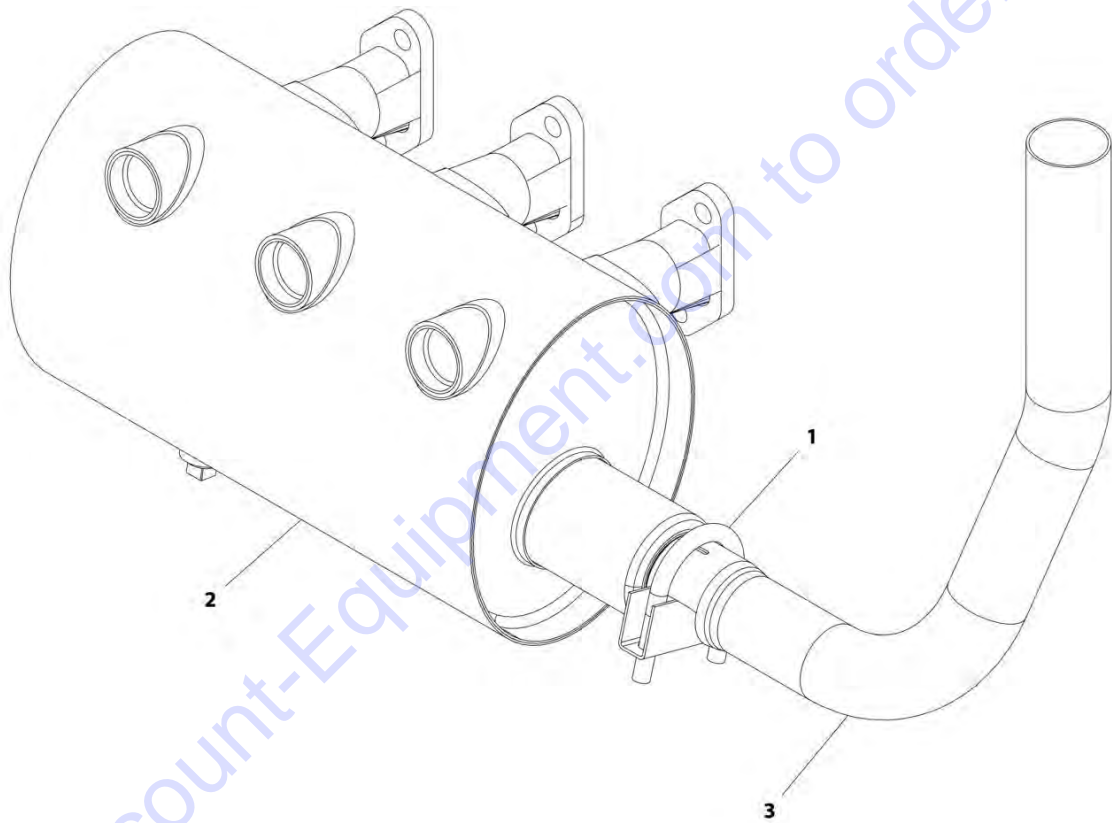
ART_3600242

FIGURE 3-23. GEAR PUMP ASSEMBLY

ITEM	PART NUMBER	QTY	DESCRIPTION	REV
	3600242	Ref	GEAR PUMP ASSEMBLY	
1	7010105	2	Bearing/Bushing	
2	See Note	NSS	Housing (Note: Not Available - Purchase Complete Assembly)	
3	See Note	NSS	Flange (Note: Not Available - Purchase Complete Assembly)	
4	7010103	1	Cover	
5	7012987	1	Gear, Drive	
6	7012988	1	Gear, Idler	
7	7007489	2	Ring, Anti-Extrusion	
8	7007489	2	Seal	
9	See Note	4	Bolt (Note: Not Available for Purchase)	
10	7010104	1	Ring, Retaining	
11	See Note	4	Pin, Dowel (Note: Not Available for Purchase)	
12	7007489	2	Seal, O-Ring	
13	7007489	1	Seal, Shaft	
51	7007489	1	Seal Kit (Includes Items 7, 8, 12 & 13)	

SECTION 3 - ENGINE

FIGURE 3-24. CATALYTIC SPARK ARRESTOR INSTALLATION - ANSI EXPORT AND CE SPECS



ART_1001175070

SECTION 3 - ENGINE

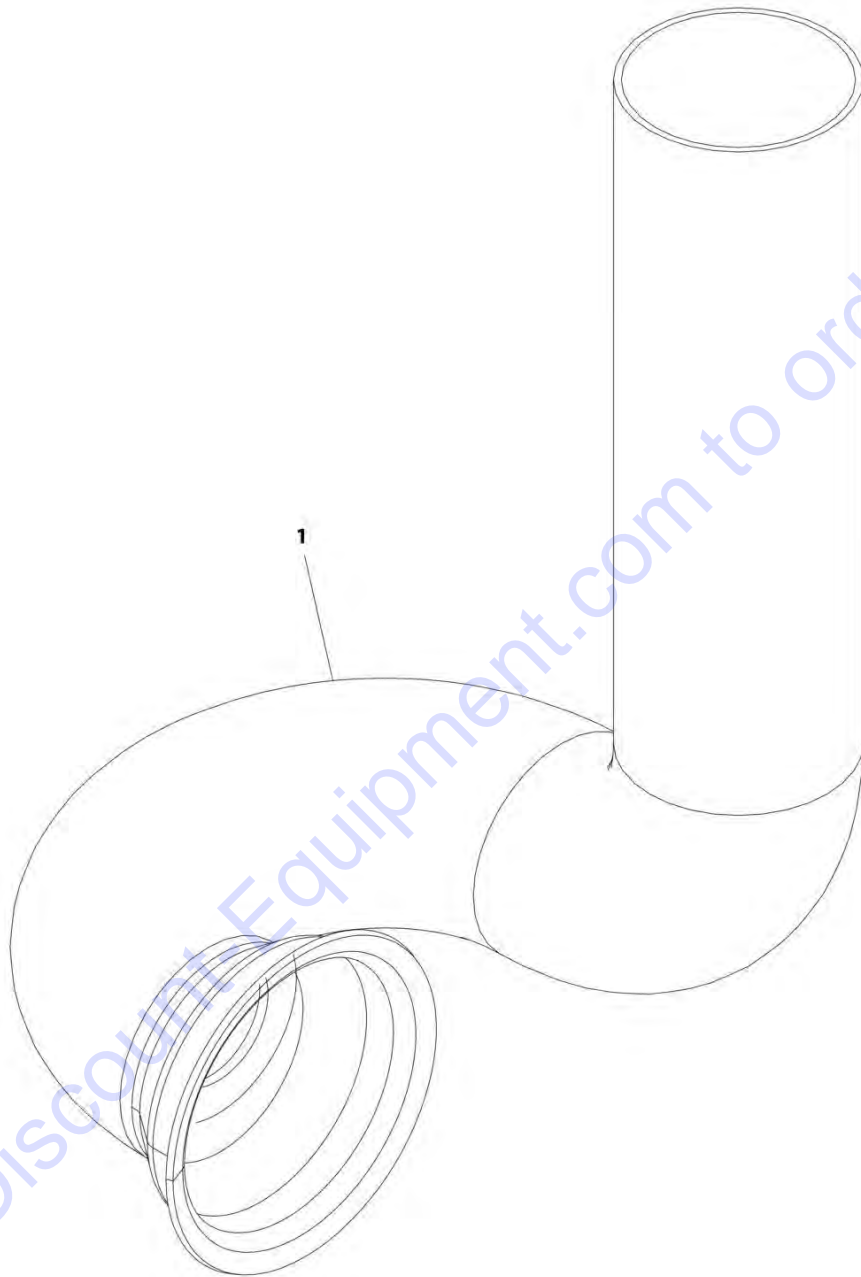
FIGURE 3-24. CATALYTIC SPARK ARRESTOR INSTALLATION - ANSI EXPORT AND CE SPECS

ITEM	PART NUMBER	QTY	DESCRIPTION	REV
	1001175070	Ref	CATALYTIC SPARK ARRESTOR INSTALLATION - ANSI EXPORT AND CE SPECS	A
1	1320176	1	Clamp	
2	1001170225	1	Muffler, Catalytic Spark Arresting	
3	1001175068	1	Pipe, Exhaust	

Go to Discount-Equipment.com to order your parts

SECTION 3 - ENGINE

FIGURE 3-25. SPARK ARRESTOR INSTALLATION - ANSI AND ANSI EXPORT SPECS (SN 0300234013 to Present)



ART_1001172750

SECTION 3 - ENGINE

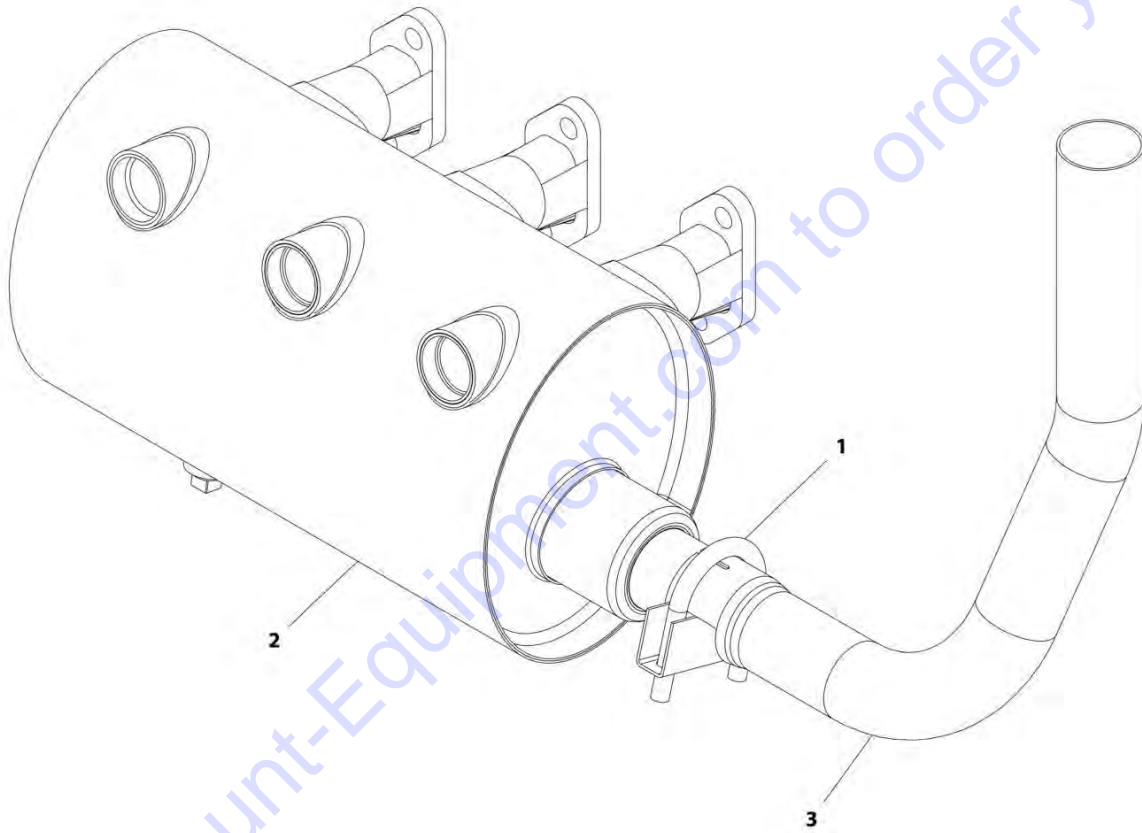
FIGURE 3-25. SPARK ARRESTOR INSTALLATION - ANSI AND ANSI EXPORT SPECS (SN 0300234013 to Present)

ITEM	PART NUMBER	QTY	DESCRIPTION	REV
	1001172750	Ref	SPARK ARRESTOR INSTALLATION - ANSI AND ANSI EXPORT SPECS (SN 0300234013 to Present)	A
1	1001172595	1	Muffler, Spark Arrestor	

Go to Discount-Equipment.com to order your parts

SECTION 3 - ENGINE

FIGURE 3-26. SPARK ARRESTOR INSTALLATION - ANSI EXPORT AND CE SPECS



ART_1001175071

SECTION 3 - ENGINE

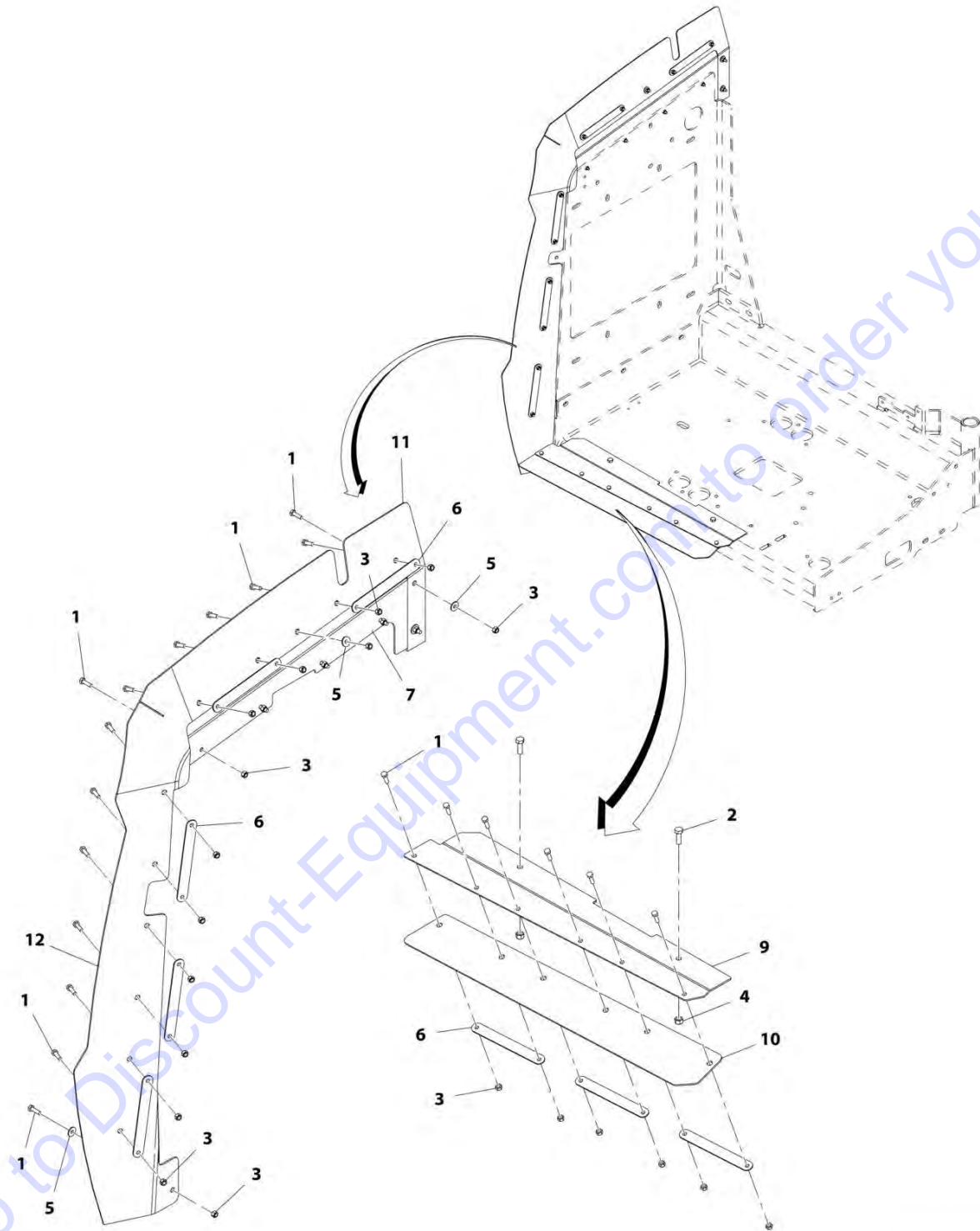
FIGURE 3-26. SPARK ARRESTOR INSTALLATION - ANSI EXPORT AND CE SPECS

ITEM	PART NUMBER	QTY	DESCRIPTION	REV
	1001175071	Ref	SPARK ARRESTOR INSTALLATION - ANSI EXPORT AND CE SPECS	A
1	1320176	1	Clamp	
2	1001170224	1	Muffler, Spark Arresting	
3	1001175068	1	Pipe, Exhaust	

Go to Discount-Equipment.com to order your parts

SECTION 3 - ENGINE

FIGURE 3-27. ENGINE Baffle INSTALLATION



ART_1001170662

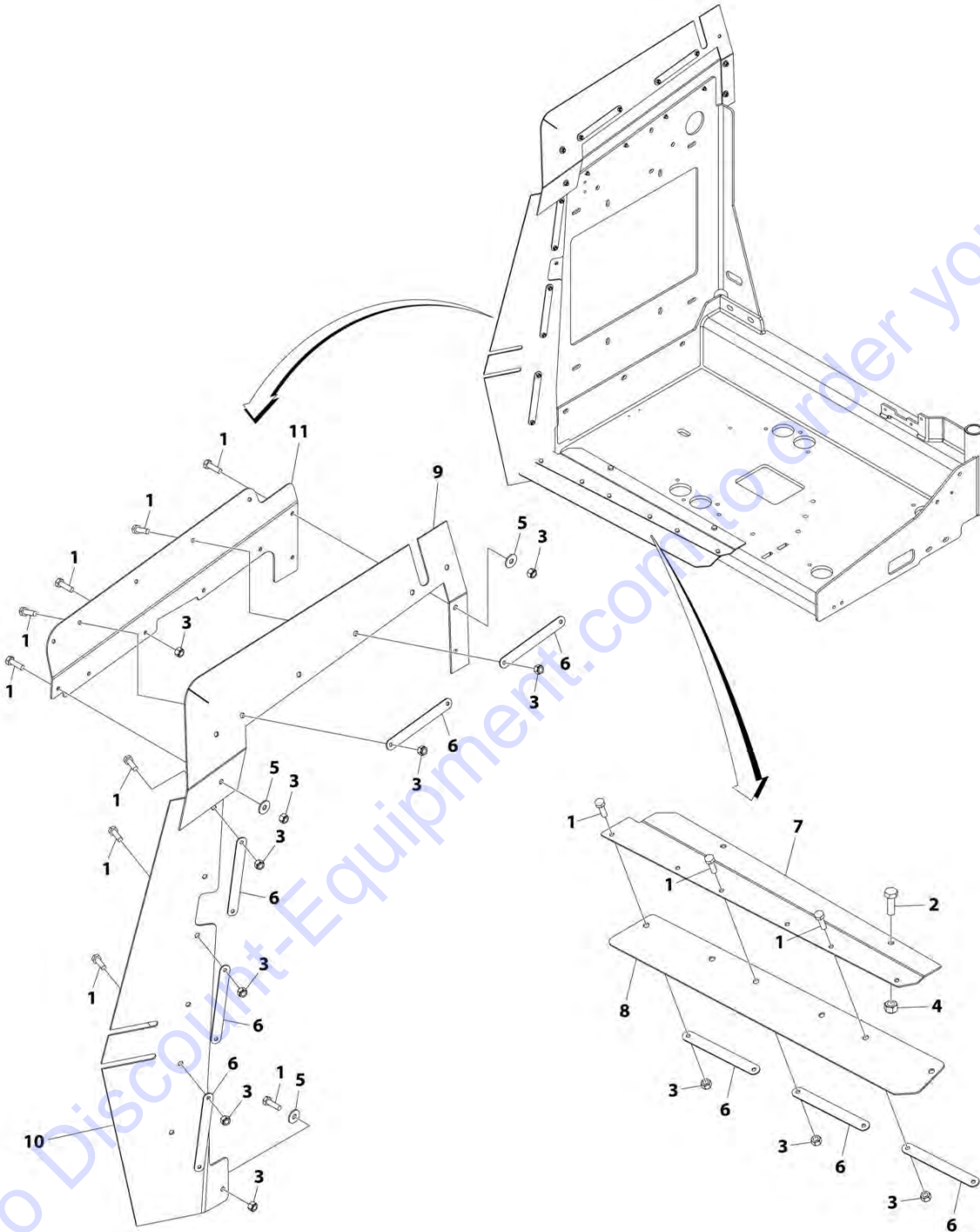
FIGURE 3-27. ENGINE BAFFLE INSTALLATION

ITEM	PART NUMBER	QTY	DESCRIPTION	REV
	1001170662	Ref	ENGINE BAFFLE INSTALLATION	F
1	0760610	24	Bolt M6 x 20	
2	0760812	2	Bolt M8 x 25	
3	3290605	24	Nut, Lock M6 x 1	
4	3290805	2	Nut, Lock M8 x 1.25	
5	4811702	4	Washer M6	
6	1001167164	8	Plate, Support	
7	1001170650	1	Bracket	
8	1001170651	1	Seal (Not Shown) (Prior to SN 0300220297)	
9	1001170663	1	Bracket	
10	1001170664	1	Seal	
11	1001211877	1	Seal (SN 0300220297 to Present)	
12	1001211878	1	Seal (SN 0300220297 to Present)	

Go to Discount-Equipment.com to order your parts

SECTION 3 - ENGINE

FIGURE 3-28. ENGINE Baffle Installation - Steel (SN 0300227267 to Present)



ART_1001223454

SECTION 3 - ENGINE

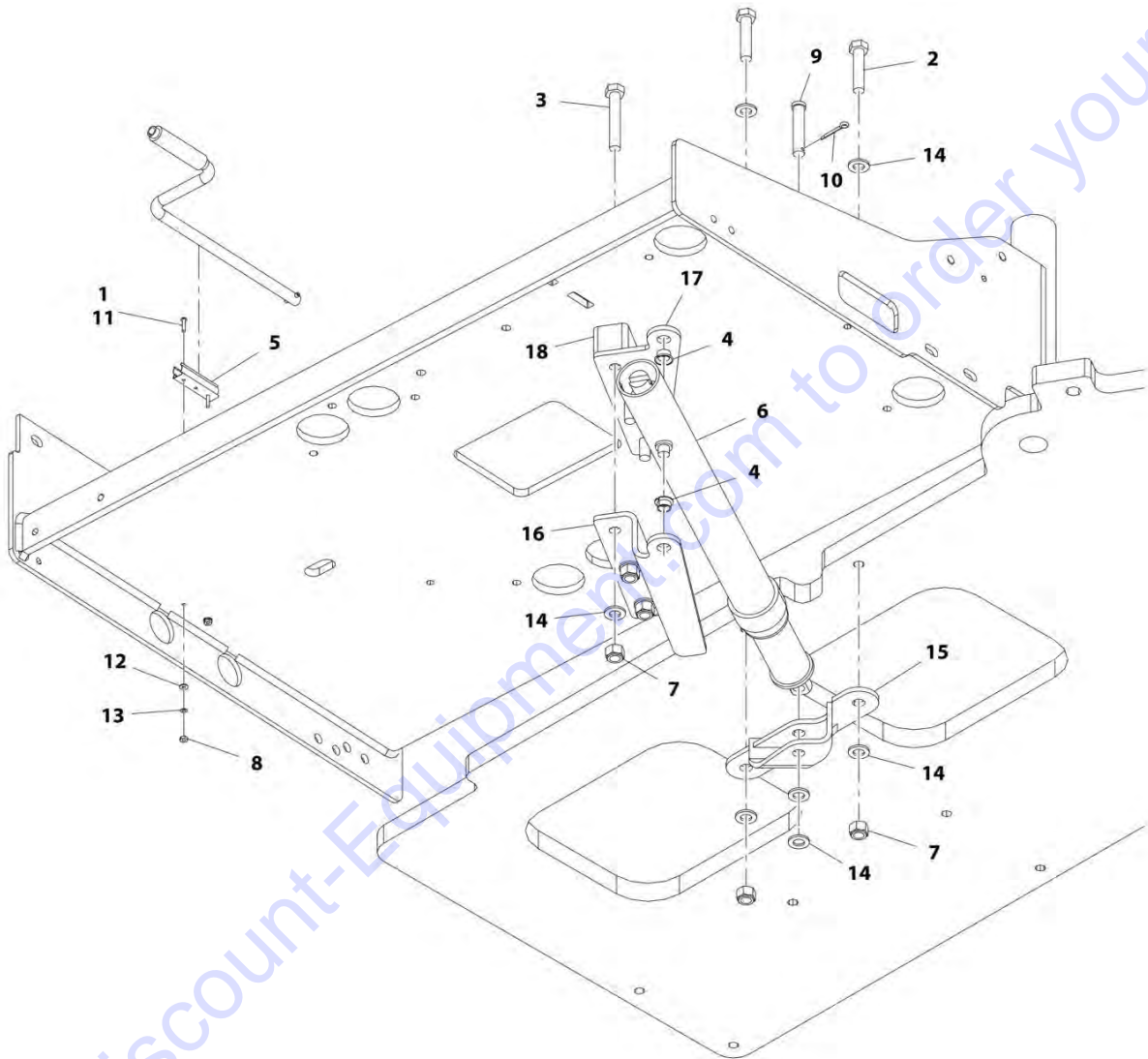
FIGURE 3-28. ENGINE BAFFLE INSTALLATION - STEEL (SN 0300227267 to Present)

ITEM	PART NUMBER	QTY	DESCRIPTION	REV
	1001223454	Ref	ENGINE BAFFLE INSTALLATION - STEEL (SN 0300227267 to Present)	A
1	0760610	25	Bolt M6 x 20	
2	0760812	2	Bolt M8 x 25	
3	3290605	25	Nut, Lock M6 x 1	
4	3290805	2	Nut, Lock M8 x 1.25	
5	4811702	5	Washer M6	
6	1001167164	8	Plate, Support	
7	1001170663	1	Bracket	
8	1001170664	1	Seal	
9	1001223309	1	Seal	
10	1001223310	1	Seal	
11	1001223328	1	Bracket	

Go to Discount-Equipment.com to order your parts

SECTION 3 - ENGINE

FIGURE 3-29. ENGINE TRAY JACK



ART_1001164202

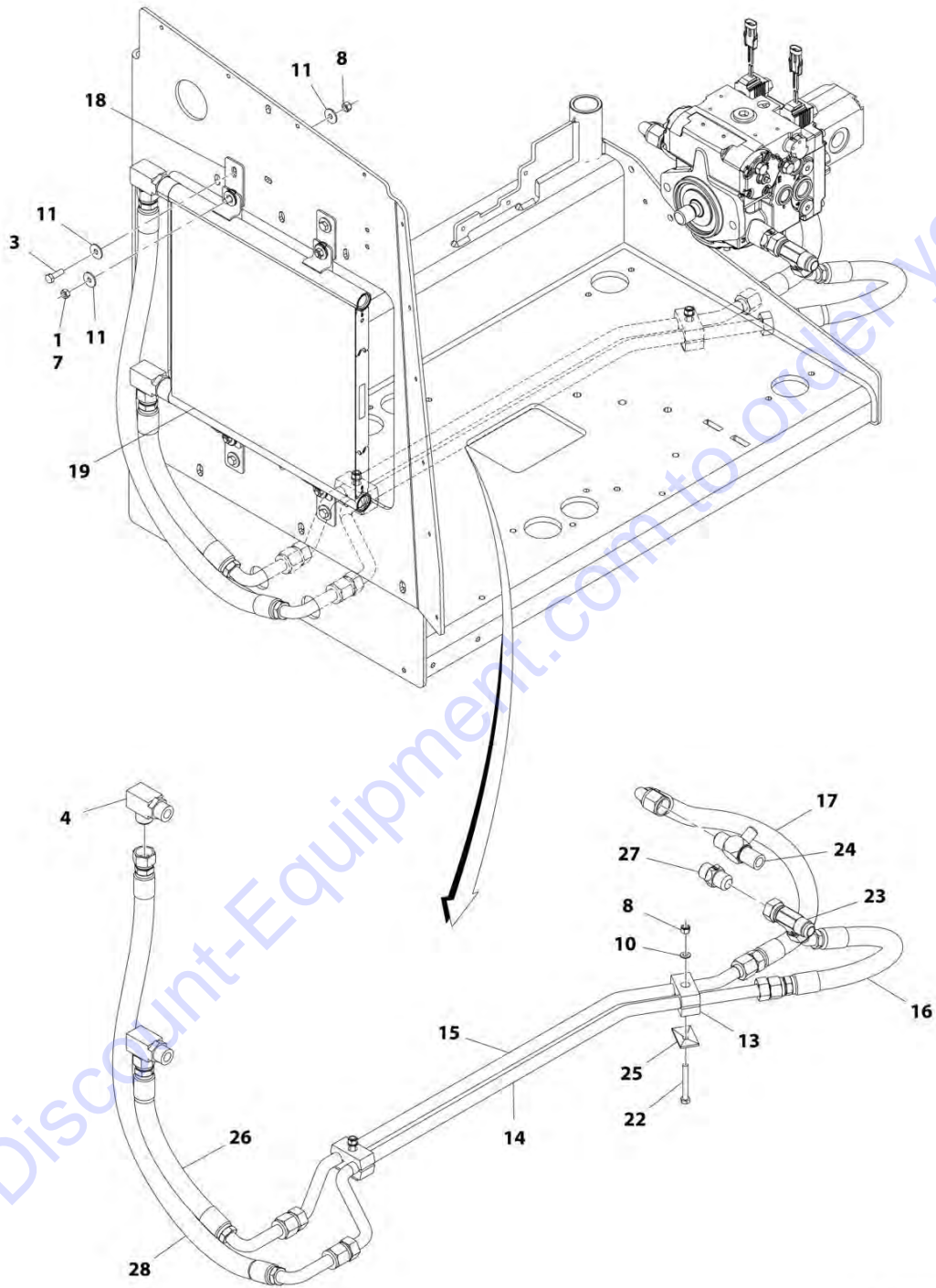
SECTION 3 - ENGINE

FIGURE 3-29. ENGINE TRAY JACK

ITEM	PART NUMBER	QTY	DESCRIPTION	REV
	1001164202	Ref	ENGINE TRAY JACK	C
1	0100011	AR	Compound, Locking	
2	0701219	2	Bolt M12 x 55	
3	0701223	3	Bolt	
4	0962051	2	Bearing	
5	1380147	1	Clip	
6	2840016	1	Screw Jack Assembly	
6	7024598	1	Handle	
6	7016322	1	Wiper	
7	3291205	5	Nut, Lock M12 x 1.75	
8	3310601	2	Nut #6	
9	3430820	1	Pin, Clevis	
10	3450404	1	Pin, Cotter	
11	3910610	2	Screw 6 x 5/8	
12	4750600	2	Washer #6	
13	4770600	2	Washer, Star #6	
14	4812100	9	Washer M12	
15	1001166894	1	Support, Engine Tray Jack	
16	1001175073	1	Support, Engine Tray Jack	
17	1001175074	1	Support, Engine Tray Jack	
18	1001175075	1	Shim	

SECTION 3 - ENGINE

FIGURE 3-30. OIL COOLER INSTALLATION (CE SPECS)



ART_1001173664

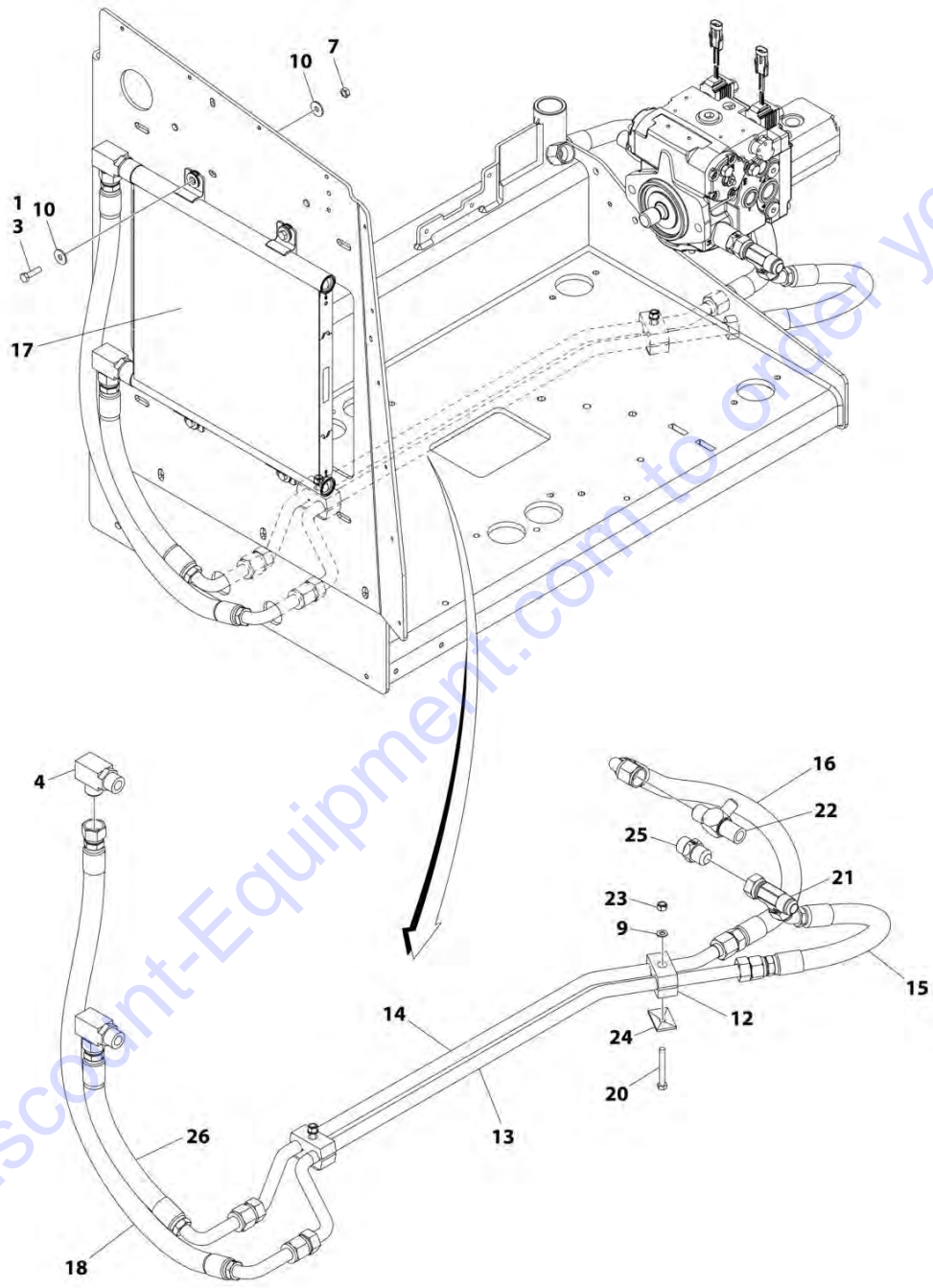
SECTION 3 - ENGINE

FIGURE 3-30. OIL COOLER INSTALLATION (CE SPECS)

ITEM	PART NUMBER	QTY	DESCRIPTION	REV
	1001173664	Ref	OIL COOLER INSTALLATION (CE SPECS)	D
1	0100011	AR	Compound, Locking	
3	0760812	4	Bolt M8 x 25	
4	2220578	2	Fitting, 90 JIC/ORB	
7	3290801	4	Nut M8 x 1.25	
8	3290805	6	Nut, Lock M8 x 1.25	
10	4811900	2	Washer M8	
11	4811902	12	Washer M8	
13	8769139	2	Clamp Set	
14	1001164487	1	Tube, Hydraulic Oil Cooler	
15	1001164489	1	Tube, Hydraulic Oil Cooler	
16	1001164491	1	Hose	
17	1001164492	1	Hose	
18	1001166338	4	Bracket, Mount	
19	1001177523	1	Radiator, Hyd Oil Cooler	
22	0700821	2	Bolt M8 x 65	
23	2220700	1	Fitting, Tee JIC/FSJIC/JIC	
24	2221063	1	Fitting, Tee JIC/ORB/JIC	
25	8769128	2	Cover Plate, Twin	
26	1001173657	1	Hose	
27	1001179156	1	Valve, Check	
28	1001179440	1	Hose	

SECTION 3 - ENGINE

FIGURE 3-31. OIL COOLER INSTALLATION (ANSI EXPORT SPECS) (SN 0300224020 to Present)



ART_1001164493

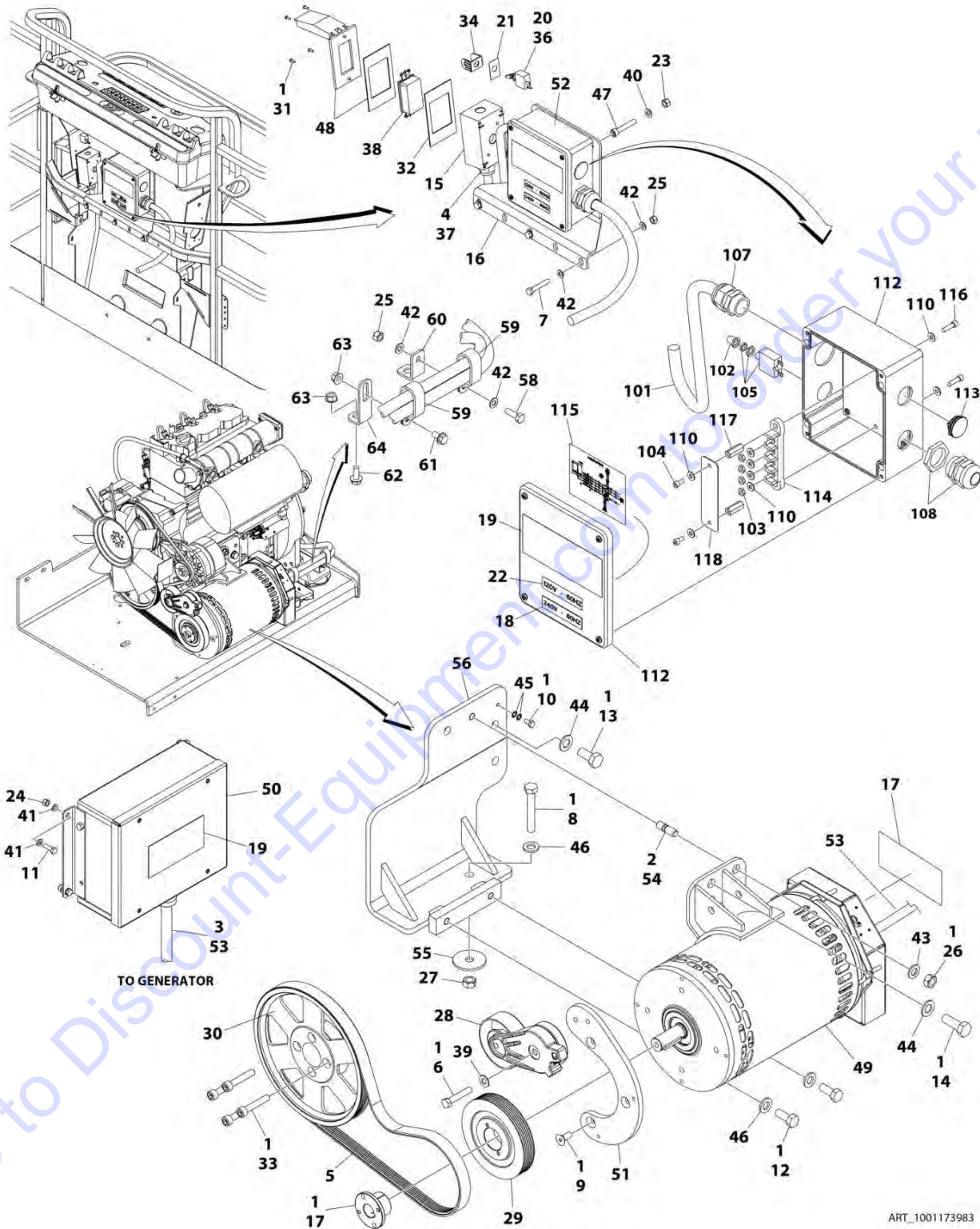
SECTION 3 - ENGINE

FIGURE 3-31. OIL COOLER INSTALLATION (ANSI EXPORT SPECS) (SN 0300224020 to Present)

ITEM	PART NUMBER	QTY	DESCRIPTION	REV
	1001164493	Ref	OIL COOLER INSTALLATION (ANSI EXPORT SPECS) (SN 0300224020 to Present)	D
1	0100011	AR	Compound, Locking	
3	0760814	4	Bolt M8 x 30	
4	2220578	2	Fitting, 90 JIC/ORB	
7	3290801	4	Nut M8 x 1.25	
9	4811900	2	Washer M8	
10	4811902	8	Washer M8	
12	8769139	2	Clamp Set	
13	1001164487	1	Tube, Hydraulic Oil Cooler	
14	1001164489	1	Tube, Hydraulic Oil Cooler	
15	1001164491	1	Hose	
16	1001164492	1	Hose	
17	1001167040	1	Radiator, Hydraulic Oil Cooler (Prior to SN 0300205271)	
17	1001177523	1	Radiator, Hydraulic Oil Cooler (SN 0300205271 to Present)	
18	1001173656	1	Hose	
20	0700821	2	Bolt M8 x 65	
21	2220700	1	Fitting, Tee JIC/FSJIC/JIC	
22	2221063	1	Fitting, Tee JIC/ORB/JIC	
23	3290805	2	Nut M8	
24	8769128	2	Cover Plate, Twin	
25	1001179156	1	Valve, Check	
26	1001179426	1	Hose	

SECTION 3 - ENGINE

FIGURE 3-32. GENERATOR INSTALLATION - 4000W/60HZ (DEUTZ D2.3L3 ENGINE) (ANSI EXPORT SEPC) (SN 0300234013 to Present)



SECTION 3 - ENGINE

FIGURE 3-32. GENERATOR INSTALLATION - 4000W/60HZ (DEUTZ D2.3L3 ENGINE) (ANSI EXPORT SEPC) (SN 0300234013 to Present)

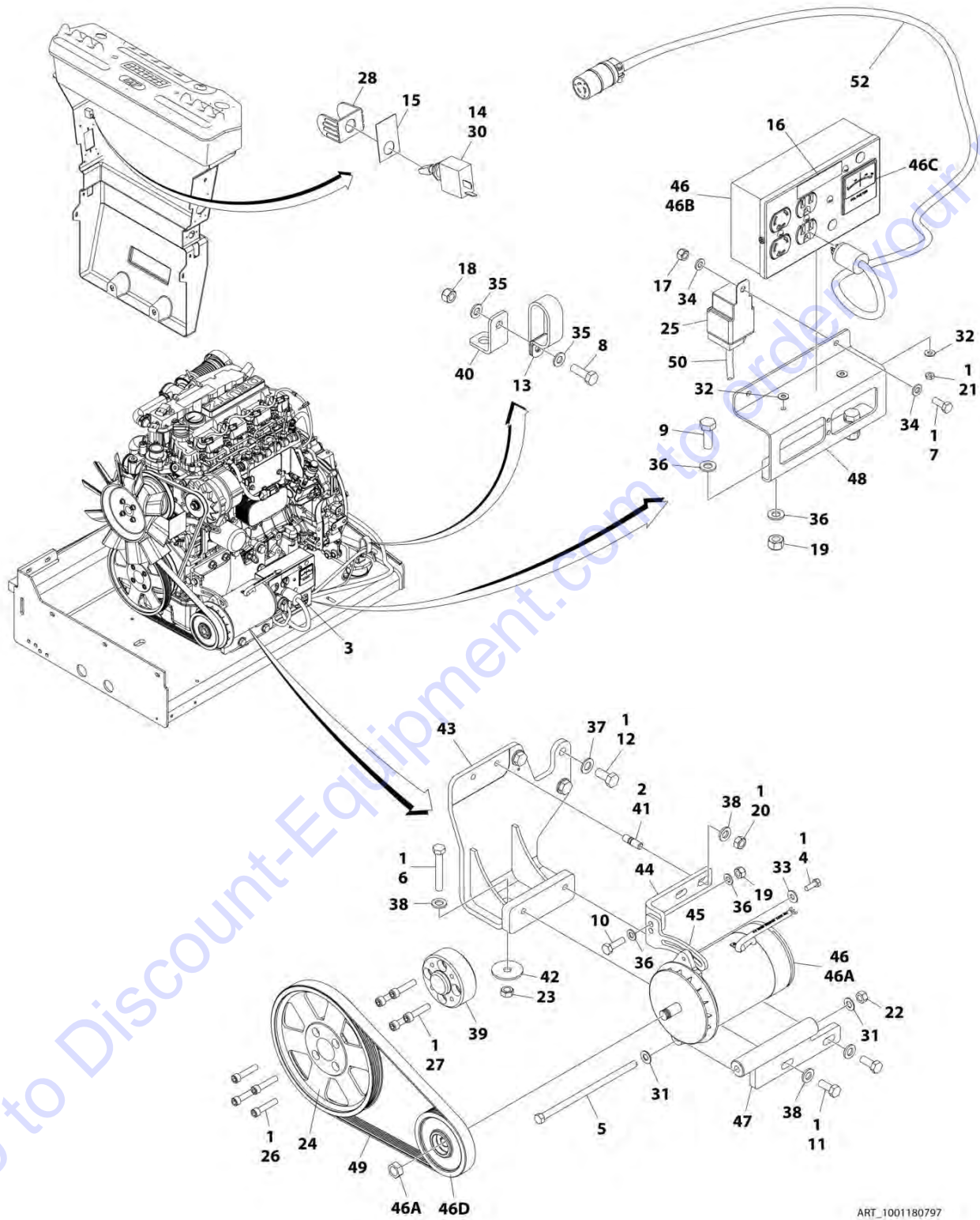
ITEM	PART NUMBER	QTY	DESCRIPTION	REV
	1001173983	Ref	GENERATOR INSTALLATION - 4000W/60HZ (DEUTZ D2.3L3 ENGINE) ANSI EXPORT SPECS (SN 0300234013 to Present)	E
1	0100011	AR	Compound, Locking	
2	0100019	AR	Compound, Locking	
3	0100048	AR	Grease, Dielectric	
4	0100079	AR	Sealant	
5	0480128	1	Belt	
6	0641616	1	Bolt 3/8 x 2	
7	0700818	3	Bolt M8 x 50	
8	0711224	1	Bolt M12 x 80 Grade 10.9	
9	0741607	3	Screw 3/8 x 7/8	
10	0760606	1	Bolt M6 x 12	
11	0760610	4	Bolt M6 x 20	
12	0761214	2	Bolt M12 x 30	
13	0771414	2	Bolt M14 x 30 Grade 10.9	
14	0771416	1	Bolt M14 x 40	
15	0860038	1	Box, Switch	
16	0902888	1	Bracket	
17	0962520	1	Bushing	
18	1705374	1	Decal - 240V-60Hz	
19	1705387	3	Decal - Hazardous Voltage	
20	2820031	AR	Heat Shrink	
21	See Note	1	Nameplate (Note: Not Available for Purchase)	
22	3251243	1	Nameplate 120V-60Hz	
23	3290505	4	Nut M5	
24	3290605	4	Nut M6	
25	3290805	4	Nut M8	
26	3291201	2	Nut M12	
27	3331211	1	Nut M12	
28	3580317	1	Pulley	
29	3580318	1	Pulley	
30	3580320	1	Pulley	
31	3910606	4	Screw #6 x 3/8	
32	3960422	1	Gasket	
33	4032015	4	Bolt M10 x 55	
34	4060802	1	Guard, Switch	
35	4240099	AR	Tie-Strap (Not Shown)	
36	4360336	1	Switch, Toggle	
37	4460071	1	Connector, Strain Relief	
38	4460346	1	Receptacle	
39	4711600	1	Washer 3/8	
40	4811600	4	Washer M5	
41	4811700	8	Washer M6	
42	4811900	8	Washer M8	
43	4812100	1	Washer M12	
44	4812200	3	Washer M14	
45	4871700	2	Washer M6	
46	5241200	3	Washer M12 Hardened	
47	1001104029	4	Screw M5 x 30	

SECTION 3 - ENGINE

ITEM	PART NUMBER	QTY	DESCRIPTION	REV
48	1001110873	1	Shield, Cover	
49	1001129858	1	Generator	
49	70003709	1	Ring, Retaining (External)	
49	70003708	1	Ring, Retaining (Internal)	
49	70001966	1	Bearing	
49	70004092	1	Endbell (Shaft End)	
49	70004171	1	Key	
49	70004676	1	Rotor	
49	70004684	1	Stator	
49	70004678	1	Endbell (Rear)	
49	70004679	1	Cover, Endbell (Rear)	
49	70004680	1	Enclosure, Wiring	
49	70004685	1	Cover, Enclosure	
49	70004682	1	Switch, Reset (Located on Enclosure Cover)	
49	70004098	1	Connector, Strain Relief (Located on Enclosure Cover)	
50	1001138566	1	Box, Control	
51	1001139357	1	Mount, Tensioner	
52	1001152457	1	Generator Junction Box Assembly (See Items 101-118 for Breakdown)	
53	1001152532	1	Harness, Generator (See ELECTRICAL SECTION for Breakdown)	
54	1001196382	1	Stud	
55	1001168018	1	Washer, Snubbing	
56	1001173925	1	Mount	
57	1001175631	1	Wiring Diagram (See ELECTRICAL SECTION for Breakdown)	
58	0760812	1	Bolt M8 x 25	
59	1321716	2	Clamp	
60	1001148641	1	Bracket	
61	5250808	1	Bolt M8 x 16	
62	5250810	1	Bolt M8 x 20	
63	5260800	2	Nut M8	
64	1001223122	1	Support	
	1001152457	Ref	GENERATOR JUNCTION BOX COMPONENTS	
101	1001179154	2.5 ft/ 0.8m	Cable, Electrical - 12/3	
102	3300396	1	Cover, Breaker	
103	3311001	4	Nut #10	
104	3900300	2	Screw	
105	4360070	1	Breaker, Circuit - 15Amp	
107	4460425	1	Connector, Strain Relief (LH Side)	
108	4460426	1	Connector, Strain Relief (RH Side)	
110	4711000	8	Washer #10	
112	1001152456	1	Box, Junction	
113	1001152525	1	Plug	
114	1001152530	1	Terminal, Block	
115	1001153260	1	Decal - Wiring Diagram	
116	3900267	2	Screw	
117	1001158008	2	Stand-Off	
118	1001158363	1	Cover, Terminal Block	

SECTION 3 - ENGINE

FIGURE 3-33. GENERATOR INSTALLATION - 2500W/60HZ (DEUTZ D2.9L4 ENGINE) (ANSI, ANSI EXPORT AND CSA SPECS) (SN 0300224020 to Present)



ART_1001180797

SECTION 3 - ENGINE

FIGURE 3-33. GENERATOR INSTALLATION - 2500W/60HZ (DEUTZ D2.9L4 ENGINE) (ANSI, ANSI EXPORT AND CSA SPECS) (SN 0300224020 to Present)

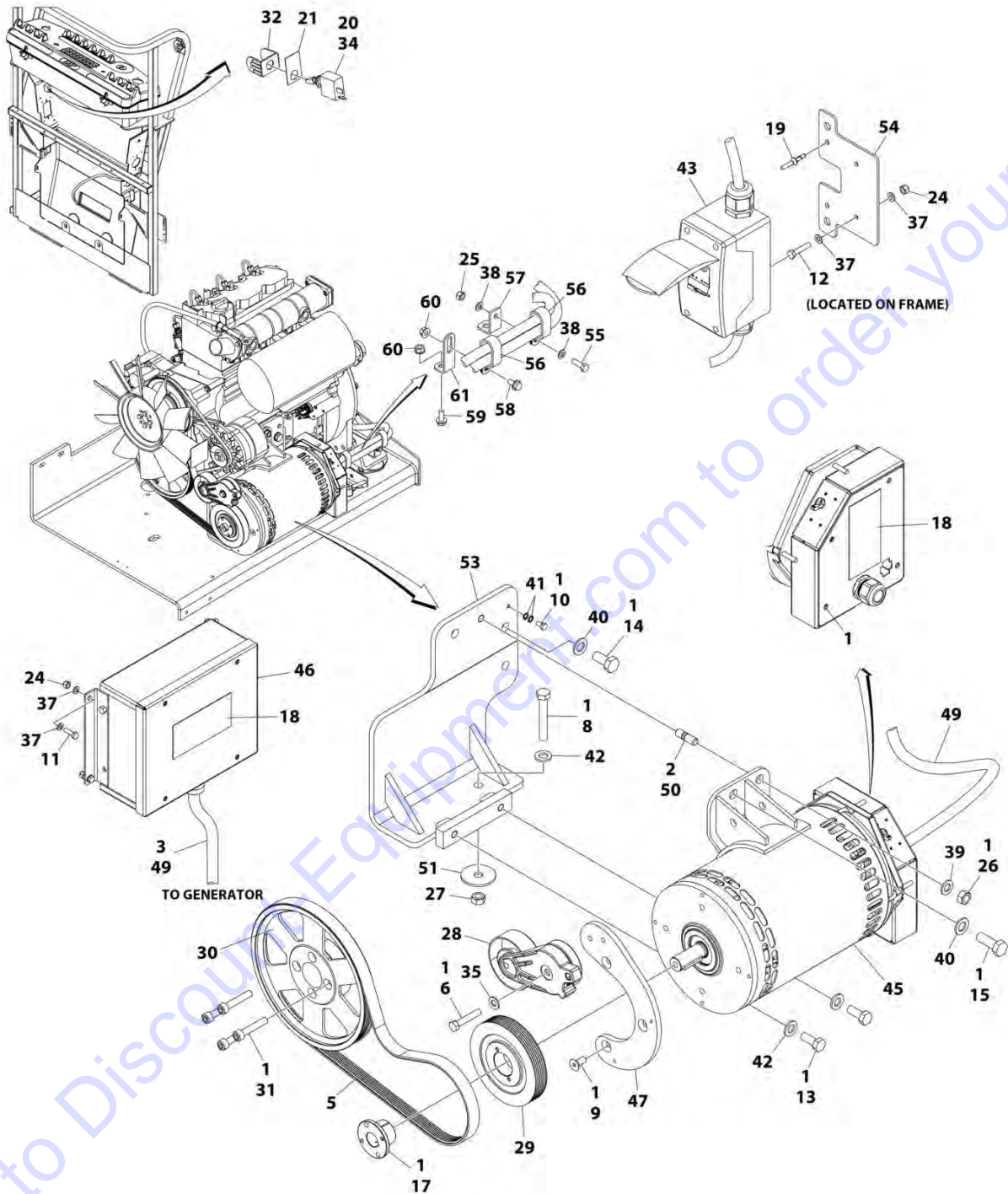
ITEM	PART NUMBER	QTY	DESCRIPTION	REV
	1001180797	Ref	GENERATOR INSTALLATION - 2500W/60HZ (DEUTZ D2.9L4 ENGINE) (ANSI, ANSI EXPORT AND CSA SPECS) (SN 0300224020 to Present)	E
1	0100011	AR	Compound, Locking	
2	0100019	AR	Compound, Locking	
3	0100048	AR	Grease, Dielectric	
4	0641507	1	Bolt 5/16 x 7/8	
5	0641772	1	Bolt 7/16 x 9	
6	0711224	1	Bolt M12 x 80 Grade 10.9	
7	0760608	1	Bolt M6 x 16	
8	0760812	1	Bolt M8 x 25	
9	0761014	2	Bolt M10 x 30	
10	0761015	1	Bolt M10 x 35	
11	0761214	2	Bolt M12 x 30	
12	0771414	3	Bolt M14 x 30 Grade 10.9	
13	1321716	1	Clamp	
14	2820031	AR	Heat Shrink	
15	See Note	1	Nameplate (Note: Not Available for Purchase)	
16	3251243	1	Nameplate 120V-60Hz	
17	3290605	1	Nut M6	
18	3290805	1	Nut M8	
19	3291005	3	Nut M10	
20	3291201	2	Nut M12	
21	3311001	2	Nut #10	
22	3311705	1	Nut 7/16	
23	3331211	1	Nut M12	
24	3580320	1	Pulley	
25	3740080	1	Relay	
26	3931628	4	Capscrew 3/8 x 1-3/4	
27	4032014	4	Bolt M10 x 50	
28	4060802	1	Guard, Switch	
29	4240099	AR	Tie-Strap (Not Shown)	
30	4360336	1	Switch, Toggle	
31	4711700	2	Washer 7/16	
32	4751000	4	Washer #10	
33	4751500	1	Washer 5/16	
34	4811700	2	Washer M6	
35	4811900	2	Washer M8	
36	4812000	AR	Washer M10	
37	4812200	3	Washer M14	
38	5241200	5	Washer M12 Hardened	
39	1001135679	1	Adapter	
40	1001148641	1	Bracket	
41	1001155041	2	Stud	
42	1001168018	1	Washer, Snubbing	
43	1001168207	1	Support	
44	1001179836	1	Mount, Upper Generator	
45	1001179837	1	Arm Adjustment	
46	1001180001	1	Generator	

SECTION 3 - ENGINE

ITEM	PART NUMBER	QTY	DESCRIPTION	REV
46A	7026199	1	Armature with Slip Rings	
46A	7012513	3	Cap, Brush Holder	
46A	7020108	4	Brush	
46A	7020109	4	Holder, Brush	
46A	7012514	1	Fan	
46A	7020110	1	Bell, Front	
46A	7020111	1	Bell, Rear	
46A	7020190	1	Bearing	
46B	7019680	1	Box, Control	
46B	4460190	1	Receptacle, Standard	
46B	4460027	1	Receptacle, Twistlock	
46B	4360542	1	Breaker, Circuit	
46B	3520028	1	Plug, Hole	
46B	4460961	1	Connector - 4 Position	
46B	4460705	4	Pin, Male	
46B	4460321	1	Connector - 4 Position (Note: Mate to p/n 4460961 Purchase Separately)	
46B	4460268	3	Socket, Female (Note: Mate to p/n 4460705 Purchase Separately)	
46C	2420203	1	Voltmeter	
46D	1001179893	1	Pulley	
46D	7027887	1	Key, Woodruff	
47	1001181243	1	Mount, Lower Generator	
48	1001183477	1	Support	
49	1001148138	1	Belt	
50	1001187522	1	Harness, Generator (See ELECTRICAL SECTION for Breakdown)	
51	1001188731	1	Wiring Diagram (Not Shown - See ELECTRICAL SECTION for Breakdown)	
52	1001182296	1	Harness, Inverter	
52	1060494	10 ft/3.5m	Cable, Electrical - 12/3	
52	4460134	1	Receptacle, Female	
52	4460138	1	Plug, Male	
		Ref	ELECTRICAL DIAGRAM COMPONENTS	
101	4922641	1	Generator Switch Harness (Not Shown)	

SECTION 3 - ENGINE

FIGURE 3-34. GENERATOR INSTALLATION - 4000W/50HZ (DEUTZ D2.3L3 ENGINE) (ANSI EXPORT AND CE SPECS) (Prior to SN 0300237337)



ART_1001173984

SECTION 3 - ENGINE

FIGURE 3-34. GENERATOR INSTALLATION - 4000W/50HZ (DEUTZ D2.3L3 ENGINE) (ANSI EXPORT AND CE SPECS) (Prior to SN 0300237337)

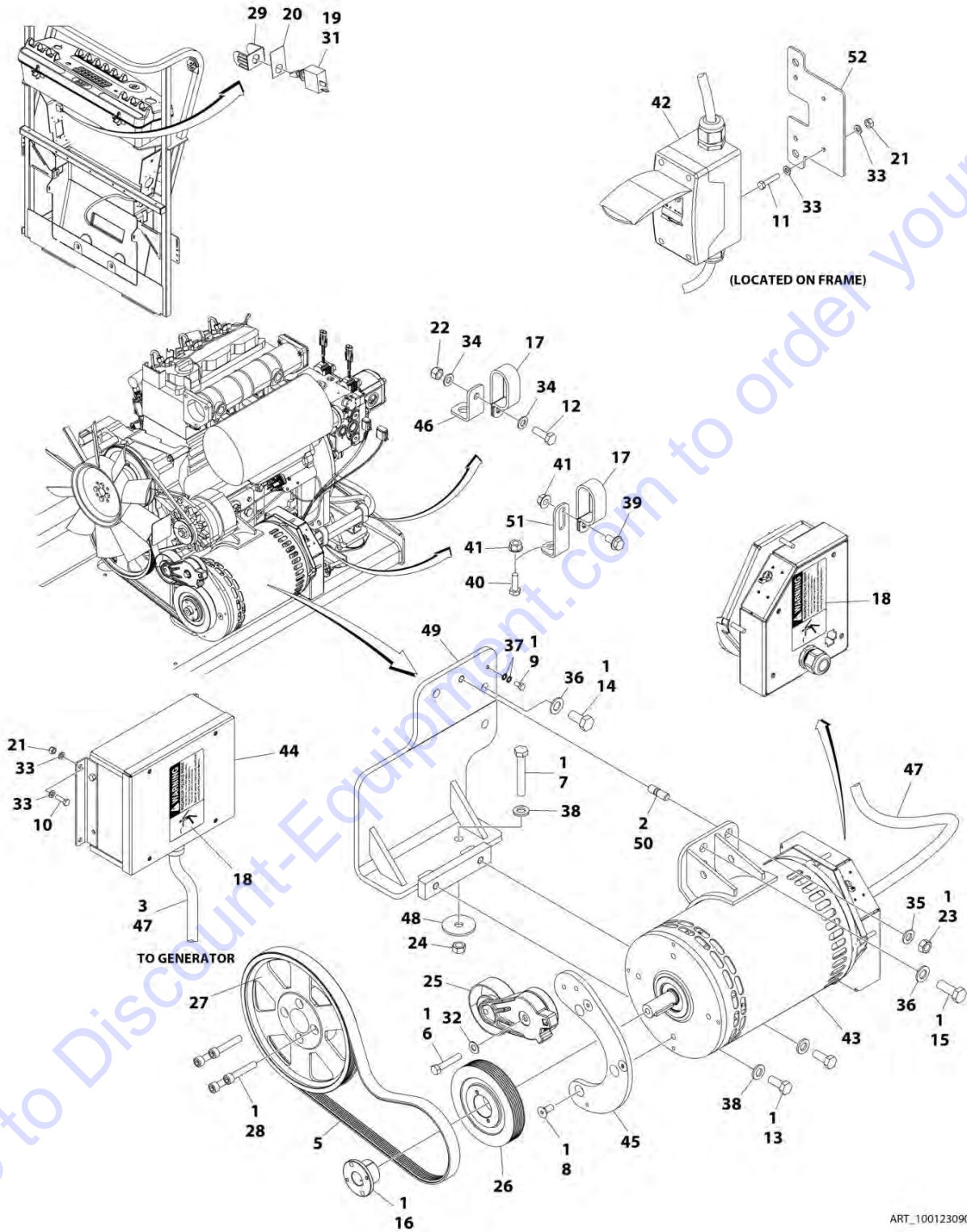
ITEM	PART NUMBER	QTY	DESCRIPTION	REV
	1001173984	Ref	GENERATOR INSTALLATION - 4000W/50HZ (DEUTZ D2.3L3 ENGINE) (ANSI EXPORT AND CE SPECS) (Prior to SN 0300237337)	H
1	0100011	AR	Compound, Locking	
2	0100019	AR	Compound, Locking	
3	0100048	AR	Grease, Dielectric	
4	0100079	AR	Sealant (Not Shown)	
5	0480126	1	Belt	
6	0641616	1	Bolt 3/8 x 2	
8	0711224	1	Bolt M12 x 80 Grade 10.9	
9	0741607	3	Screw 3/8 x 7/8	
10	0760606	1	Bolt M6 x 12	
11	0760610	4	Bolt M6 x 20	
12	0760614	2	Bolt M6 x 30	
13	0761214	2	Bolt M12 x 30	
14	0771414	2	Bolt M14 x 30 Grade 10.9	
15	0771416	1	Bolt M14 x 40	
17	0962520	1	Bushing	
18	1705489	AR	Decal - Hazardous Voltage	
19	2080040	2	Fastener, Huck	
20	2820031	AR	Heat Shrink	
21	See Note	1	Nameplate (Note: Not Available for Purchase)	
24	3290605	6	Nut M6	
25	3290805	AR	Nut M8	
26	3291201	1	Nut M12	
27	3331211	1	Nut M12	
28	3580317	1	Pulley	
29	3580319	1	Pulley	
30	3580320	1	Pulley	
31	4032015	4	Bolt M10 x 55	
32	4060802	1	Guard, Switch	
33	4240099	AR	Tie-Strap (Not Shown)	
34	4360336	1	Switch, Toggle	
35	4711600	1	Washer 3/8	
37	4811700	12	Washer M6	
38	4811900	AR	Washer M8	
39	4812100	1	Washer M12	
40	4812200	3	Washer M14	
41	4871700	2	Washer M6	
42	5241200	3	Washer M12 Hardened	
43	1001096070	1	Breaker Box Kit (50Hz) (See ELECTRICAL SECTION for Breakdown)	
45	1001138565	1	Generator Assembly	
45	70003709	1	Ring, Retaining (External)	
45	70003708	1	Ring, Retaining (Internal)	
45	70001966	1	Bearing	
45	70004092	1	Endbell (Shaft End)	
45	70004171	1	Key	
45	70004676	1	Rotor	

SECTION 3 - ENGINE

ITEM	PART NUMBER	QTY	DESCRIPTION	REV
45	70004677	1	Stator	
45	70004678	1	Endbell (Rear)	
45	70004679	1	Cover, Endbell (Rear)	
45	70004680	1	Enclosure, Wiring	
45	70004681	1	Cover, Enclosure	
45	70004682	1	Switch, Reset (Located on Enclosure Cover)	
45	70004683	1	Connector, Strain Relief (Located on Enclosure Cover)	
46	1001138566	1	Box, Control	
47	1001139357	1	Mount, Tensioner	
49	1001152532	1	Harness, Generator (See ELECTRICAL SECTION for Breakdown)	
50	1001196382	1	Stud	
51	1001168018	1	Washer, Snubbing	
53	1001173925	1	Mount	
54	1001174158	1	Mount	
55	0760812	1	Bolt M8 x 25	
56	1321716	1	Clamp (Prior to SN 0300227266)	
56	1321716	2	Clamp (SN 0300227266 to Present)	
57	1001148641	1	Bracket	
58	5250808	1	Bolt M8 x 16 (SN 0300227266 to Present)	
59	5250810	1	Bolt M8 x 20 (SN 0300227266 to Present)	
60	5260800	2	Flange Nut M8 (SN 0300227266 to Present)	
61	1001223122	1	Support, P-Clamp (SN 0300227266 to Present)	
		Ref	ELECTRICAL DIAGRAM COMPONENTS	
101	4922641	1	Generator Switch Harness (Not Shown)	

SECTION 3 - ENGINE

FIGURE 3-35. GENERATOR INSTALLATION - 4000W/50HZ (DEUTZ D2.3L3 ENGINE) (ANSI EXPORT AND CE SPECS) (SN 0300237337 to Present)



ART_1001230908

SECTION 3 - ENGINE

FIGURE 3-35. GENERATOR INSTALLATION - 4000W/50HZ (DEUTZ D2.3L3 ENGINE) (ANSI EXPORT AND CE SPECS) (SN 0300237337 to Present)

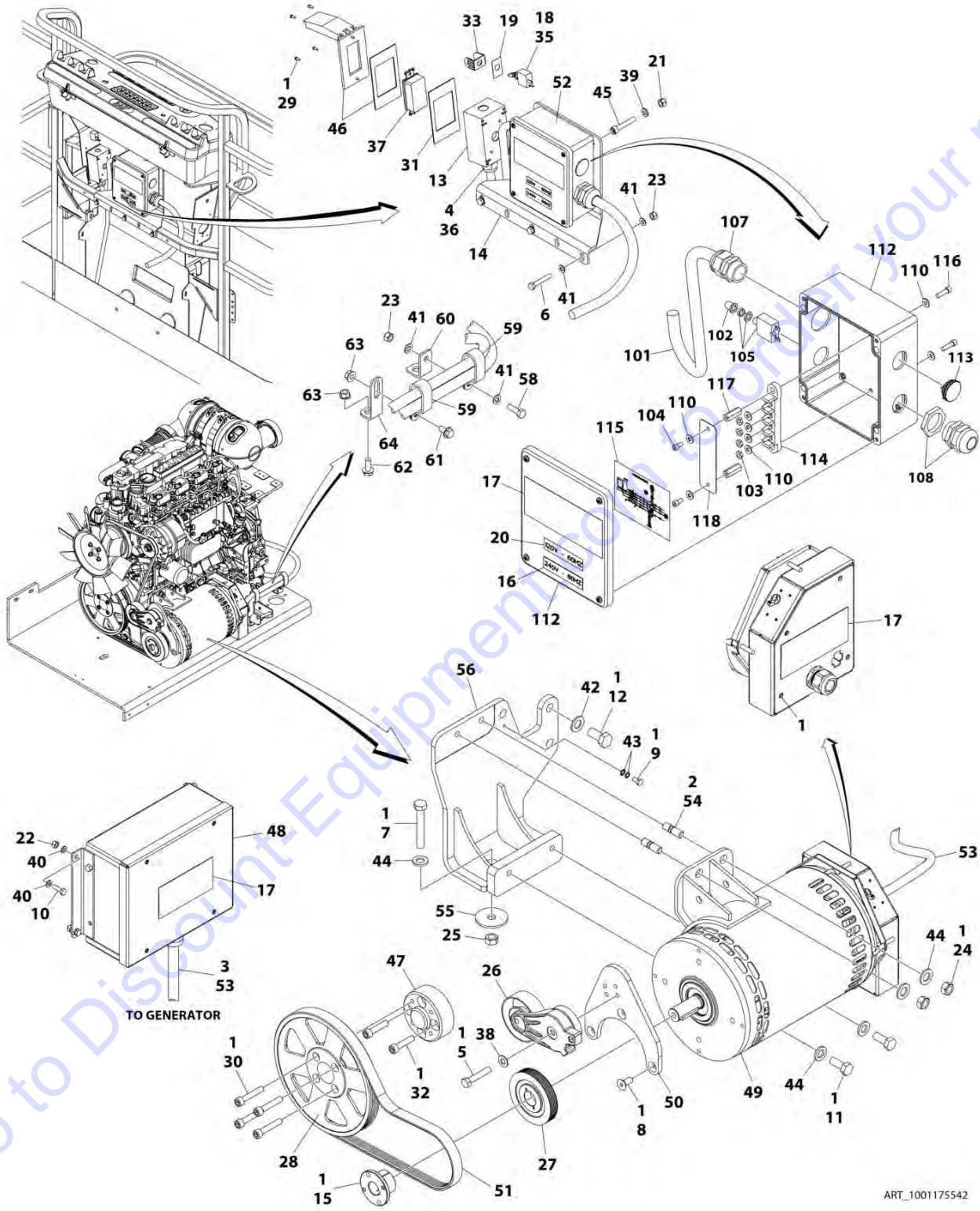
ITEM	PART NUMBER	QTY	DESCRIPTION	REV
	1001230908	Ref	GENERATOR INSTALLATION - 4000W/50HZ (DEUTZ D2.3L3 ENGINE) (ANSI EXPORT AND CE SPECS) (SN 0300237337 to Present)	A
1	0100011	AR	Compound, Locking	
2	0100019	AR	Compound, Locking	
3	0100048	AR	Grease, Dielectric	
4	0100079	AR	Sealant (Not Shown)	
5	0480126	1	Belt	
6	0641616	1	Bolt 3/8 x 2	
7	0711224	1	Bolt M12 x 80 Grade 10.9	
8	0741607	3	Screw 3/8 x 7/8	
9	0760606	1	Bolt M6 x 12	
10	0760610	4	Bolt M6 x 20	
11	0760614	2	Bolt M6 x 30	
12	0760812	1	Bolt M8 x 25	
13	0761214	2	Bolt M12 x 30	
14	0771414	2	Bolt M14 x 30 Grade 10.9	
15	0771416	1	Bolt M14 x 40	
16	0962520	1	Bushing	
17	1321716	2	Clamp	
18	1705489	2	Decal - Hazardous Voltage	
19	2820031	100 mm	Heat Shrink	
20	3251102	1	Nameplate, Generator	
21	3290605	6	Nut M6	
22	3290805	1	Nut M8	
23	3291201	1	Nut M12	
24	3331211	1	Nut M12	
25	3580317	1	Pulley	
26	3580319	1	Pulley	
27	3580320	1	Pulley	
28	4032015	4	Bolt M10 x 55	
29	4060802	1	Guard, Switch	
30	4240099	AR	Tie-Strap (Not Shown)	
31	4360336	1	Switch, Toggle	
32	4711600	1	Washer 3/8	
33	4811700	12	Washer M6	
34	4811900	2	Washer M8	
35	4812100	1	Washer M12	
36	4812200	3	Washer M14	
37	4871700	2	Washer M6	
38	5241200	3	Washer M12 Hardened	
39	5250808	1	Bolt M8 x 16	
40	5250810	1	Bolt M8 x 20	
41	5260800	2	Flange Nut M8	
42	1001096070	1	Breaker Box Kit (50Hz) (See ELECTRICAL SECTION for Breakdown)	
43	1001138565	1	Generator Assembly	
43	70003709	1	Ring, Retaining (External)	
43	70003708	1	Ring, Retaining (Internal)	

SECTION 3 - ENGINE

ITEM	PART NUMBER	QTY	DESCRIPTION	REV
43	70001966	1	Bearing	
43	70004092	1	Endbell (Shaft End)	
43	70004171	1	Key	
43	70004676	1	Rotor	
43	70004677	1	Stator	
43	70004678	1	Endbell (Rear)	
43	70004679	1	Cover, Endbell (Rear)	
43	70004680	1	Enclosure, Wiring	
43	70004681	1	Cover, Enclosure	
43	70004682	1	Switch, Reset (Located on Enclosure Cover)	
43	70004683	1	Connector, Strain Relief (Located on Enclosure Cover)	
44	1001138566	1	Box, Control	
45	1001139357	1	Mount, Tensioner	
46	1001148641	1	Bracket	
47	1001152532	1	Harness, Generator (See ELECTRICAL SECTION for Breakdown)	
48	1001168018	1	Washer, Snubbing	
49	1001173925	1	Mount	
50	1001196382	1	Stud	
51	1001223122	1	Support, P-Clamp	
52	1001230784	1	Bracket	

SECTION 3 - ENGINE

FIGURE 3-36. GENERATOR INSTALLATION - 4000W/60HZ (DEUTZ D2.9L4 ENGINE) (ANSI, ANSI EXPORT AND CSA SPECS) (SN 0300224020 to Present)



ART_1001175542

SECTION 3 - ENGINE

FIGURE 3-36. GENERATOR INSTALLATION - 4000W/60HZ (DEUTZ D2.9L4 ENGINE) (ANSI, ANSI EXPORT AND CSA SPECS) (SN 0300224020 to Present)

ITEM	PART NUMBER	QTY	DESCRIPTION	REV
	1001175542	Ref	GENERATOR INSTALLATION - 4000W/60HZ (DEUTZ D2.9L4 ENGINE) (ANSI, ANSI EXPORT AND CSA SPECS) (SN 0300224020 to Present)	H
1	0100011	AR	Compound, Locking	
2	0100019	AR	Compound, Locking	
3	0100048	AR	Grease, Dielectric	
4	0100079	AR	Sealant	
5	0641616	1	Bolt 3/8 x 2	
6	0700818	3	Bolt M8 x 50	
7	0711224	1	Bolt M12 x 80 Grade 10.9	
8	0741607	3	Screw 3/8 x 7/8	
9	0760606	1	Bolt M6 x 12	
10	0760610	4	Bolt M6 x 20	
11	0761212	2	Bolt M12 x 25	
12	0771414	3	Bolt M14 x 30 Grade 10.9	
13	0860038	1	Box, Switch	
14	0902888	1	Bracket	
15	0962520	1	Bushing	
16	1705374	1	Decal - 240V-60Hz	
17	1705387	3	Decal - Hazardous Voltage	
18	2820031	AR	Heat Shrink	
19	See Note	1	Nameplate (Note: Not Available for Purchase)	
20	3251243	1	Nameplate 120V-60Hz	
21	3290505	4	Nut M5	
22	3290605	4	Nut M6	
23	3290805	4	Nut M8	
24	3291201	2	Nut M12	
25	3331211	1	Nut M12	
26	3580317	1	Pulley	
27	3580318	1	Pulley	
28	3580320	1	Pulley	
29	3910606	4	Screw #6 x 3/8	
30	3931628	4	Capscrew 3/8 x 1-3/4	
31	3960422	1	Gasket	
32	4032014	4	Capscrew M10 x 50	
33	4060802	1	Guard, Switch	
34	4240099	AR	Tie-Strap (Not Shown)	
35	4360336	1	Switch, Toggle	
36	4460071	1	Connector, Strain Relief	
37	4460346	1	Receptacle	
38	4711600	1	Washer 3/8	
39	4811600	4	Washer M5	
40	4811700	8	Washer M6	
41	4811900	8	Washer M8	
42	4812200	3	Washer M14	
43	4871700	2	Washer M6	
44	5241200	5	Washer M12 Hardened	
45	1001104029	4	Screw M5 x 30	
46	1001110873	1	Shield, Cover	

SECTION 3 - ENGINE

ITEM	PART NUMBER	QTY	DESCRIPTION	REV
47	1001135679	1	Adapter	
48	1001138566	1	Box, Control	
49	1001140346	1	Generator Assembly	
49	70003709	1	Ring, Retaining (External)	
49	70003708	1	Ring, Retaining (Internal)	
49	70001966	1	Bearing	
49	70004092	1	Endbell (Shaft End)	
49	70004099	1	Key	
49	70004676	1	Rotor	
49	70004687	1	Stator	
49	70004678	1	Endbell (Rear)	
49	70004679	1	Cover, Endbell (Rear)	
49	70004680	1	Enclosure, Wiring	
49	70004685	1	Cover, Enclosure	
49	70004682	1	Switch, Reset (Located on Enclosure Cover)	
49	70004098	1	Connector, Strain Relief (Located on Enclosure Cover)	
50	1001142643	1	Support	
51	1001142646	1	Belt	
52	1001152457	1	Generator Junction Box Assembly (See Items 101-118 for Breakdown)	
53	1001152532	1	Harness, Generator (See ELECTRICAL SECTION for Breakdown)	
54	1001196382	2	Stud	
55	1001168018	1	Washer, Snubbing	
56	1001168207	1	Support	
57	1001175631	1	Wiring Diagram (Not Shown - See ELECTRICAL SECTION for Breakdown)	
58	0760812	1	Bolt M8 x 25	
59	1321716	1	Clamp (Prior to SN 0300227267)	
59	1321716	2	Clamp (SN 0300227267 to Present)	
60	1001148641	1	Bracket	
61	5250808	1	Bolt M8 x 16 (SN 0300227267 to Present)	
62	5250810	1	Bolt M8 x 20 (SN 0300227267 to Present)	
63	5260800	2	Nut M8 (SN 0300227267 to Present)	
64	1001223122	1	Support (SN 0300227267 to Present)	
65	4812000	AR	Washer M10 (SN 0300227267 to Present)	
	1001152457	Ref	GENERATOR JUNCTION BOX COMPONENTS	
101	1001179154	2.5 ft/ 0.8m	Cable, Electrical - 12/3	
102	3300396	1	Cover, Breaker	
103	3311001	4	Nut #10	
104	3900300	2	Screw	
105	4360070	1	Breaker, Circuit - 15Amp	
107	4460425	1	Connector, Strain Relief (LH Side)	
108	4460426	1	Connector, Strain Relief (RH Side)	
110	4711000	8	Washer #10	
112	1001152456	1	Box, Junction	
113	1001152525	1	Plug	
114	1001152530	1	Terminal, Block	
115	1001153260	1	Decal - Wiring Diagram	
116	3900267	2	Screw	
117	1001158008	2	Stand-Off	
118	1001158363	1	Cover, Terminal Block	

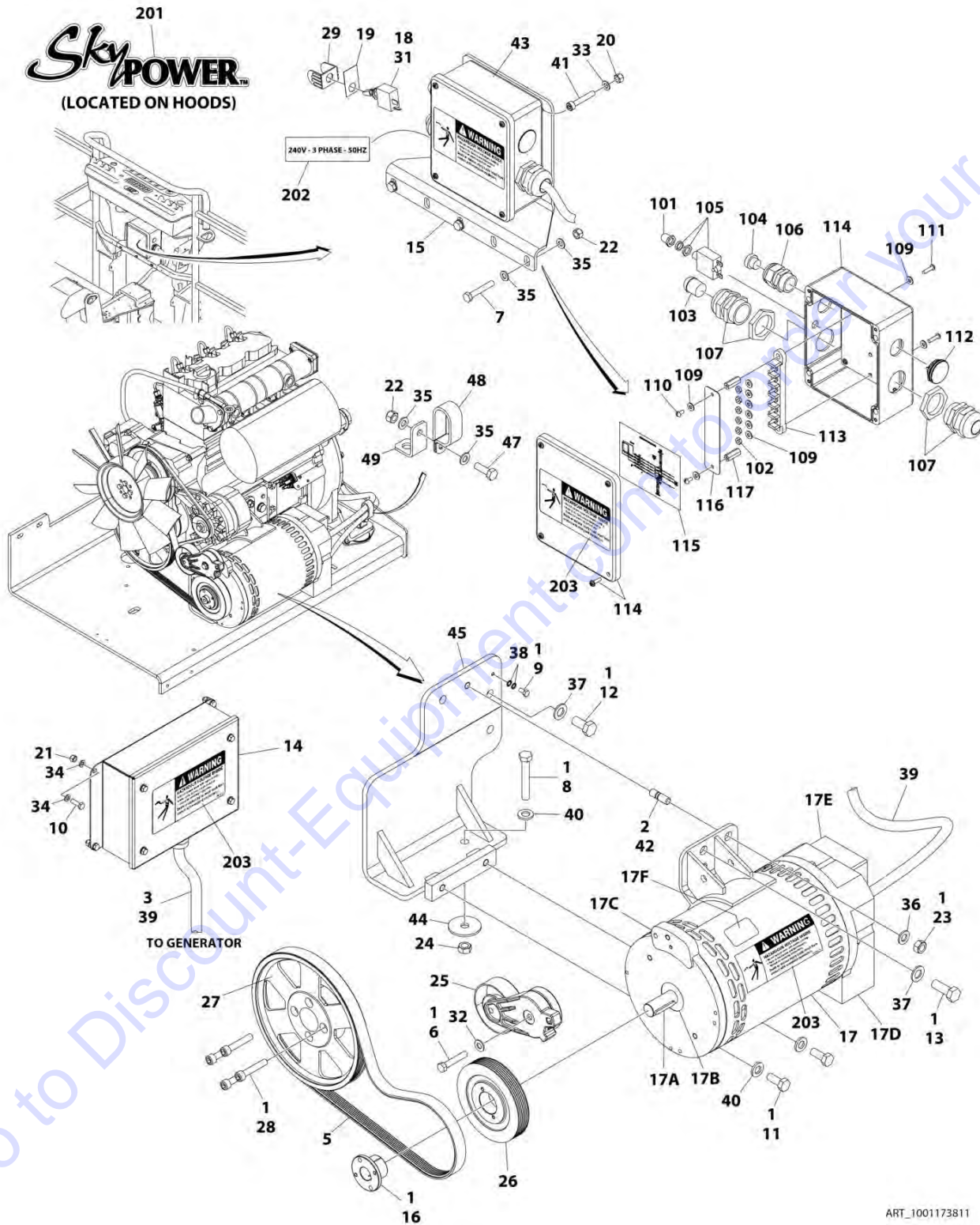
SECTION 3 - ENGINE

ITEM	PART NUMBER	QTY	DESCRIPTION	REV
201	4922641	Ref 1	ELECTRICAL DIAGRAM COMPONENTS Generator Switch Harness (Not Shown)	

Go to Discount-Equipment.com to order your parts

SECTION 3 - ENGINE

FIGURE 3-37. GENERATOR INSTALLATION - 7500W/50HZ (DEUTZ D2.3L3 ENGINE) (ANSI EXPORT AND CE SPECS)



SECTION 3 - ENGINE

FIGURE 3-37. GENERATOR INSTALLATION - 7500W/50HZ (DEUTZ D2.3L3 ENGINE) (ANSI EXPORT AND CE SPECS)

ITEM	PART NUMBER	QTY	DESCRIPTION	REV
	1001173811	Ref	GENERATOR INSTALLATION - 7500W/50HZ (DEUTZ D2.3L3 ENGINE) (ANSI EXPORT AND CE SPECS)	D
1	0100011	AR	Compound, Locking	
2	0100019	AR	Compound, Locking	
3	0100048	AR	Grease, Dielectric	
4	0100079	AR	Sealant (Not Shown)	
5	0480126	1	Belt	
6	0641616	1	Bolt 3/8 x 2	
7	0700818	3	Bolt M8 x 50	
8	0711224	1	Bolt M12 x 80 Grade 10.9	
9	0760606	1	Bolt M6 x 12	
10	0760610	4	Bolt M6 x 20	
11	0761214	2	Bolt M12 x 30	
12	0771414	2	Bolt M14 x 30 Grade 10.9	
13	0771416	1	Bolt M14 x 40	
14	0861572	1	Control Box Assembly	
14	7024488	1	Card, Circuit - Generator Power	
14	See Note	NSS	Fuse (Note: Not Available - Purchase Locally)	
14	7024489	1	Card, Circuit - Control	
14	70000619	1	Harness, Control Box (Internal)	
15	0902888	1	Bracket	
16	0962520	1	Bushing	
17	2460048	1	Generator Assembly	
17	70001100	1	Rotor (Includes p/n 70001384 & 70000863) (Not Shown)	
17	70001384	1	Bearing, Ball Radial (Not Shown)	
17	70000863	1	Fan (Not Shown)	
17	70002088	1	Stator (Not Shown)	
17	70002297	1	Stud	
17	70003631	1	Brushholder Assembly (Not Shown)	
17A	70004171	1	Key	
17B	70001966	1	Bearing, Ball Radial (Located in Belt Tensioner Endbell)	
17B	70003708	1	Ring, Internal Retaining (Located in Belt Tensioner Endbell)	
17B	70003709	1	Ring, External Retaining (Located in Belt Tensioner Endbell)	
17C	70001953	1	Endbell, Belt Tensioner	
17D	70004169	1	Endbell, Brush Block	
17E	70004169	1	Shroud	
17E	See Note	NSS	Insulator, Endbell (Note: Not Available for Purchase)	
17E	7027799	1	Block, Connector 6 Position (Not Shown)	
17E	70002460	1	Nut, Brass (Attaches p/n 7027799 to Cover) (Not Shown)	
17E	7024485	1	Breaker, Circuit 30Amp (Not Shown)	
17E	70001696	1	Boot, Breaker (Not Shown)	
17E	7026626	1	Connector, 6 Position (Includes Seal) (Not Shown - Plugs into Item 39)	
17E	7026597	1	Connector, with Leads (Not Shown)	
17E	7026188	1	Clamp, Cable (Not Shown)	
17E	70004169	1	Plate, End Panel	
17E	70001974	1	Decal - Terminal Connections	
17F	70001973	1	Decal - Warning Moving Parts	
18	2820031	AR	Heat Shrink	

SECTION 3 - ENGINE

ITEM	PART NUMBER	QTY	DESCRIPTION	REV
19	3252764	1	Nameplate	
20	3290505	4	Nut M5	
21	3290605	4	Nut M6	
22	3290805	4	Nut M8	
23	3291201	1	Nut M12	
24	3331211	1	Nut M12	
25	3580317	1	Pulley	
26	3580319	1	Pulley	
27	3580320	1	Pulley	
28	4032015	4	Bolt M10 x 55	
29	4060802	1	Guard, Switch	
30	4240099	AR	Tie-Strap (Not Shown)	
31	4360336	1	Switch, Toggle	
32	4711600	1	Washer 3/8	
33	4811600	4	Washer M5	
34	4811700	8	Washer M6	
35	4811900	8	Washer M8	
36	4812100	1	Washer M12	
37	4812200	3	Washer M14	
38	4871700	2	Washer M6	
39	4922925	1	Harness, Generator (See ELECTRICAL SECTION for Breakdown)	
39	4460225	1	Plug, Male 6 Position (Plugs into Generator)	
39	See Note	NSS	Socket, Female (Use with 4460225)	
39	See Note	NSS	Seal, Plug (Use with 4460225)	
39	See Note	NSS	Seal, Interface (Use with 4460225)	
40	5241200	3	Washer M12 Hardened	
41	1001104029	4	Screw M5 x 30	
42	1001196382	1	Stud	
43	1001157525	1	Junction Box Assembly (See Items 101-117 for Breakdown)	
44	1001168018	1	Washer, Snubbing	
45	1001173925	1	Mount	
46	1001174675	1	Wiring Diagram (Not Shown - See ELECTRICAL SECTION for Breakdown)	
47	0760812	1	Bolt M8 x 25	
48	1321716	1	Clamp	
49	1001148641	1	Bracket	
	1001157525	Ref	JUNCTION BOX ASSEMBLY	B
101	3300396	1	Cover, Fuse	
102	3311001	6	Nut #10	
103	3520189	1	Plug	
104	3520192	1	Plug	
105	4360070	1	Circuit Breaker - 15Amp	
106	4460425	1	Connector, Strain Relief	
107	4460426	2	Connector, Strain Relief	
109	4711000	10	Flatwasher, #10 Thin	
110	10702077	2	Screw #10 x 3/8	
111	10702082	2	Screw #10 x 3/4	
112	1001152525	1	Plug	
113	1001157520	1	Block, Terminal	
114	1001157521	1	Box, Junction	
115	1001157528	1	Decal - Wiring Schematic	
116	1001158007	1	Cover, PVC	

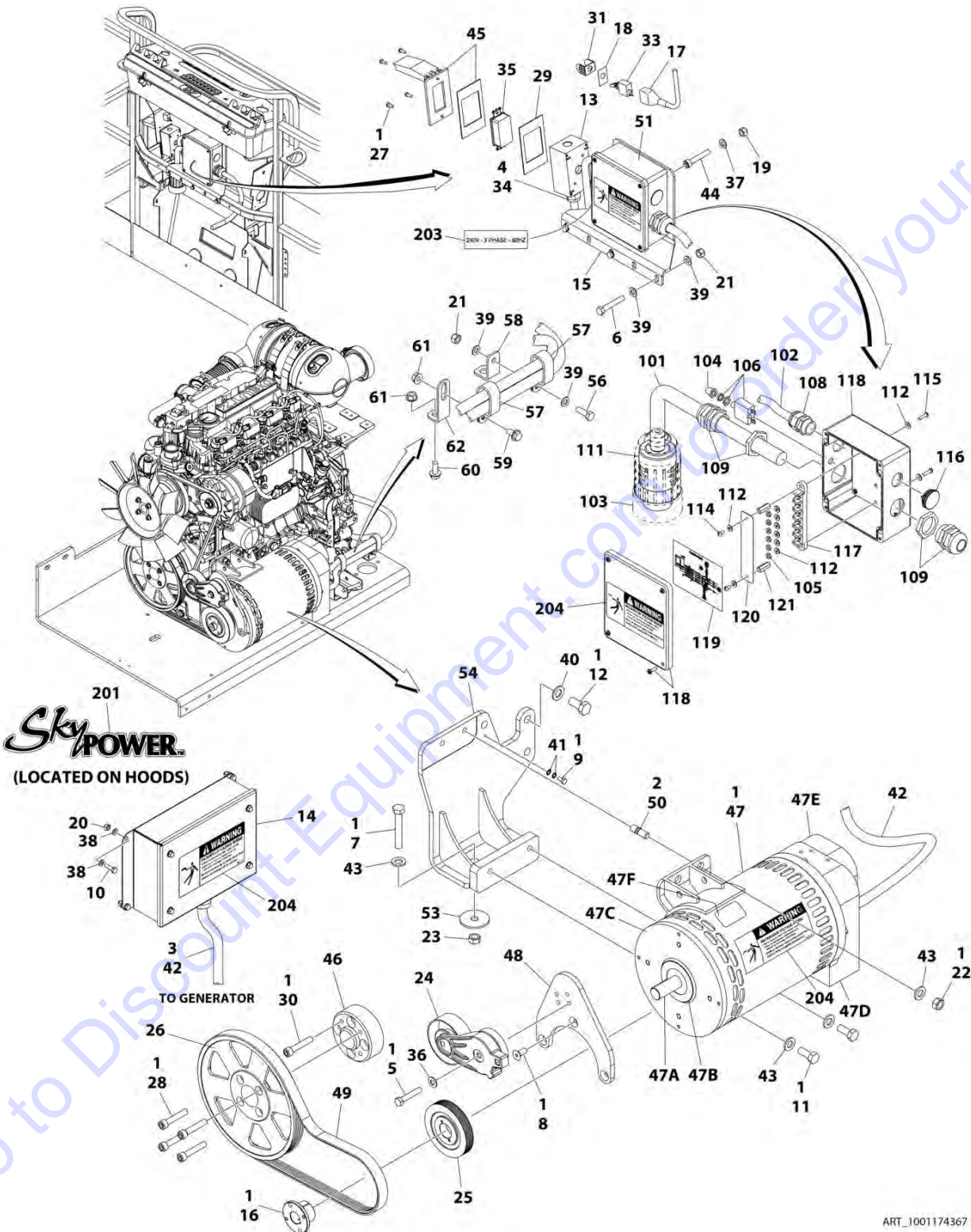
SECTION 3 - ENGINE

ITEM	PART NUMBER	QTY	DESCRIPTION	REV
117	1001158008	2	Stand-Off	A
	0272589	Ref	DECAL INSTALLATION	
201	1705460	2	Decal - SkyPower	
202	1705461	1	Decal - 240V - 3 Phase - 50Hz	
203	1705489	3	Decal - Hazardous Voltage	
		Ref	ELECTRICAL DIAGRAM COMPONENTS	
301	4922641	1	Generator Switch Harness (Not Shown)	

Go to Discount-Equipment.com to order your parts

SECTION 3 - ENGINE

FIGURE 3-38. GENERATOR INSTALLATION - 7500W/60HZ (DEUTZ D2.9L4) (ANSI, ANSI EXPORT AND CSA SPECS) (SN 0300224020 to Present)



SECTION 3 - ENGINE

FIGURE 3-38. GENERATOR INSTALLATION - 7500W/60HZ (DEUTZ D2.9L4) (ANSI, ANSI EXPORT AND CSA SPECS) (SN 0300224020 to Present)

ITEM	PART NUMBER	QTY	DESCRIPTION	REV
	1001174367	Ref	GENERATOR INSTALLATION - 7500W/60HZ (DEUTZ D2.9L4) (ANSI, ANSI EXPORT AND CSA SPECS) (SN 0300224020 to Present)	H
1	0100011	AR	Compound, Locking	
2	0100019	AR	Compound, Locking	
3	0100048	AR	Grease, Dielectric	
4	0100079	AR	Sealant	
5	0641616	1	Bolt 3/8 x 2	
6	0700818	3	Bolt M8 x 50	
7	0711224	1	Bolt M12 x 80 Grade 10.9	
8	0741607	3	Screw 3/8 x 7/8	
9	0760606	1	Bolt M6 x 12	
10	0760610	4	Bolt M6 x 20	
11	0761212	2	Bolt M12 x 25	
12	0771414	3	Bolt M14 x 30 Grade 10.9	
13	0860038	1	Box, Switch	
14	0861538	1	Control Box Assembly	
14	7024488	1	Card, Circuit - Generator Power	
14	See Note	NSS	Fuse (Note: Not Available - Purchase Locally)	
14	7024489	1	Card, Circuit - Control	
14	70000619	1	Harness, Control Box (Internal)	
15	0902888	1	Bracket	
16	0962520	1	Bushing	
17	2820031	AR	Heat Shrink	
18	3252764	1	Nameplate	
19	3290505	4	Nut M5	
20	3290605	4	Nut M6	
21	3290805	4	Nut M8	
22	3291201	2	Nut M12	
23	3331211	1	Nut M12	
24	3580317	1	Pulley	
25	3580318	1	Pulley	
26	3580320	1	Pulley	
27	3910606	4	Screw #6 x 3/8	
28	3931628	4	Capscrew 3/8 x 1-3/4	
29	3960422	1	Gasket	
30	4032014	4	Bolt M10 x 50	
31	4060802	1	Guard, Switch	
32	4240099	AR	Tie-Strap (Not Shown)	
33	4360336	1	Switch, Toggle	
34	4460071	1	Connector, Strain Relief	
35	4460346	1	Receptacle	
36	4711600	1	Washer 3/8	
37	4811600	4	Washer M5	
38	4811700	8	Washer M6	
39	4811900	8	Washer M8	
40	4812200	3	Washer M14	
41	4871700	2	Washer M6	
42	4922925	1	Harness, Generator (See ELECTRICAL SECTION for Breakdown)	

SECTION 3 - ENGINE

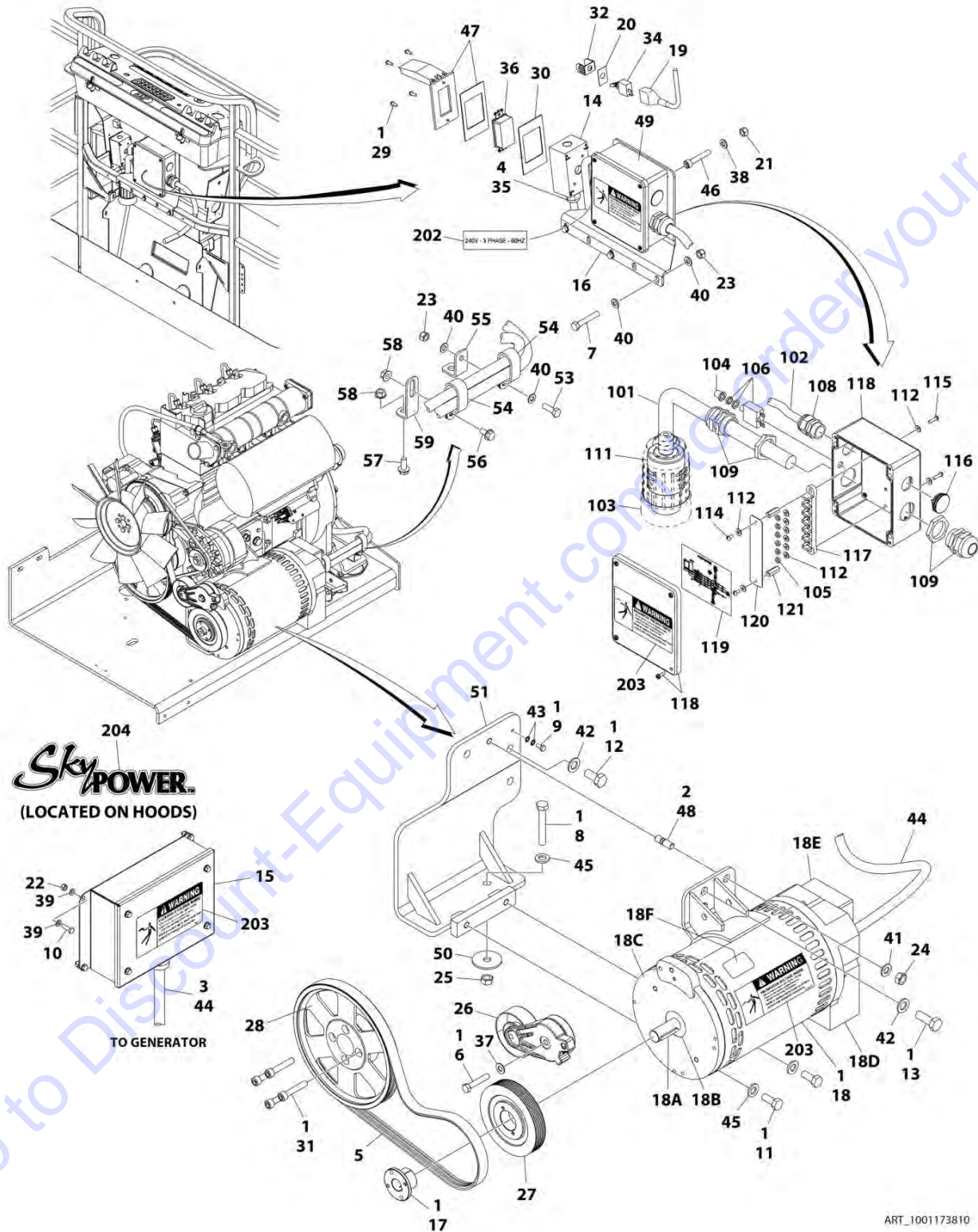
ITEM	PART NUMBER	QTY	DESCRIPTION	REV
42	4460225	1	Plug, Male 6 Position (Plugs into Generator)	
42	See Note	NSS	Socket, Female (Use with 4460225)	
42	See Note	NSS	Seal, Plug (Use with 4460225)	
42	See Note	NSS	Seal, Interface (Use with 4460225)	
43	5241200	5	Washer M12 Hardened	
44	1001104029	4	Screw M5 x 30	
45	1001110873	1	Shield, Cover	
46	1001135679	1	Adapter	
47	1001136988	NLA	Generator Assembly (Use p/n 1001212223) (Prior to SN 0300226251)	
47	1001212223	1	Generator Assembly (SN 0300226251 to Present)	
47	70001100	1	Rotor (Includes p/n 70001384 & 70000863) (Not Shown)	
47	70001384	1	Bearing, Ball Radial (Not Shown)	
47	70000863	1	Fan (Not Shown)	
47	70004093	1	Stator (Not Shown)	
47	70002297	1	Stud	
47	70003631	1	Brushholder Assembly (Not Shown)	
47A	70004099	1	Key	
47B	70001966	1	Bearing, Ball Radial (Located in Belt Tensioner Endbell)	
47B	70003708	1	Ring, Internal Retaining (Located in Belt Tensioner Endbell)	
47B	70003709	1	Ring, External Retaining (Located in Belt Tensioner Endbell)	
47C	70004092	1	Endbell, Belt Tensioner	
47D	70004094	1	Endbell, Brush Block	
47E	70004096	1	Shroud	
47E	70004097	1	Insulator, Endbell	
47E	7027799	1	Block, Connector 6 Position (Not Shown)	
47E	70002460	1	Nut, Brass (Attaches p/n 7027799 to Cover) (Not Shown)	
47E	7024485	1	Breaker, Circuit 30Amp (Not Shown)	
47E	70001696	1	Boot, Breaker (Not Shown)	
47E	7026626	1	Connector, 6 Position (Includes Seal) (Not Shown - Plugs into Item 36)	
47E	7026597	1	Connector, with Leads (Not Shown)	
47E	70004098	1	Clamp, Cable (Not Shown)	
47E	70004095	1	Plate, End Panel	
47E	70001974	1	Decal - Terminal Connections	
47F	70001973	1	Decal - Warning Moving Parts	
48	1001142643	1	Support	
49	1001142646	1	Belt	
50	1001155041	2	Stud	
51	1001157592	1	Junction Box Assembly Options (See Items 101-121 for Breakdown)	
53	1001168018	1	Washer, Snubbing	
54	1001168207	1	Support	
55	1001174675	1	Wiring Diagram (Not Shown - See ELECTRICAL SECTION for Breakdown)	
56	0760812	1	Bolt M8 x 25	
57	1321716	1	Clamp	
58	1001148641	1	Bracket	
59	5250808	1	Bolt M8 x 16 (SN 0300227267 to Present)	
60	5250810	1	Bolt M8 x 20 (SN 0300227267 to Present)	
61	5260800	2	Nut M8 (SN 0300227267 to Present)	
62	1001223122	1	Support (SN 0300227267 to Present)	

SECTION 3 - ENGINE

ITEM	PART NUMBER	QTY	DESCRIPTION	REV
63	4812000	AR	Washer M10	C
	1001157592	Ref	JUNCTION BOX ASSEMBLY	
101	1060343	1.5 ft/ 0.5m	Cable, Electrical 10/4	C
102	1001179154	2.5 ft/ 0.8m	Cable, Electrical 12/3	
103	1671092	1	Cover	C
104	3300396	1	Cover, Fuse	
105	3311001	6	Nut #10	C
106	4360070	1	Circuit Breaker - 15Amp	
108	4460425	1	Connector, Strain Relief	C
109	4460426	2	Connector, Strain Relief	
111	4460963	1	Connector	C
112	4711000	10	Washer #10	
114	10702077	2	Screw #10 x 3/8	C
115	10702082	2	Screw #10 x 3/4	
116	1001152525	1	Plug	C
117	1001157520	1	Block, Terminal	
118	1001157521	1	Box, Junction	C
119	1001157528	1	Decal - Wiring Schematic	
120	1001158007	1	Cover, PVC	C
121	1001158008	2	Stand-Off	
	0272435	Ref	DECAL INSTALLATION	B
201	1705460	2	Decal - SkyPower	
202	1705374	1	Decal - 240V - 60Hz (Not Shown)	B
203	1705375	1	Decal - 240V - 3 Phase - 60Hz	
204	1705387	3	Decal - Hazardous Voltage	B
		Ref	ELECTRICAL DIAGRAM COMPONENTS	
301	4922641	1	Generator Switch Harness (Not Shown)	B

SECTION 3 - ENGINE

FIGURE 3-39. GENERATOR INSTALLATION - 7500W/60HZ (DEUTZ D2.3L3 ENGINE) (ANSI EXPORT SPECS) (SN 0300234013 to Present)



SECTION 3 - ENGINE

FIGURE 3-39. GENERATOR INSTALLATION - 7500W/60HZ (DEUTZ D2.3L3 ENGINE) (ANSI EXPORT SPECS) (SN 0300234013 to Present)

ITEM	PART NUMBER	QTY	DESCRIPTION	REV
	1001173810	Ref	GENERATOR INSTALLATION - 7500W/60Hz (DEUTZ D2.3L3 ENGINE) (ANSI EXPORT SPECS) (SN 0300234013 to Present)	E
1	0100011	AR	Compound, Locking	
2	0100019	AR	Compound, Locking	
3	0100048	AR	Grease, Dielectric	
4	0100079	AR	Sealant	
5	0480128	1	Belt	
6	0641616	1	Bolt 3/8 x 2	
7	0700818	3	Bolt M8 x 50	
8	0711224	1	Bolt M12 x 80 Grade 10.9	
9	0760606	1	Bolt M6 x 12	
10	0760610	4	Bolt M6 x 20	
11	0761214	2	Bolt M12 x 30	
12	0771414	2	Bolt M14 x 30 Grade 10.9	
13	0771416	1	Bolt M14 x 40	
14	0860038	1	Box, Switch	
15	0861538	1	Control Box Assembly	
15	7024488	1	Card, Circuit - Generator Power	
15	See Note	NSS	Fuse (Note: Not Available - Purchase Locally)	
15	7024489	1	Card, Circuit - Control	
15	70000619	1	Harness, Control Box (Internal)	
16	0902888	1	Bracket	
17	0962520	1	Bushing	
18	2460048	1	Generator Assembly	
18	70001100	1	Rotor (Includes p/n 70001384 & 70000863) (Not Shown)	
18	70001384	1	Bearing, Ball Radial (Not Shown)	
18	70000863	1	Fan (Not Shown)	
18	70002088	1	Stator (Not Shown)	
18	70002297	1	Stud	
18	70003631	1	Brushholder Assembly (Not Shown)	
18A	70004171	1	Key	
18B	70001966	1	Bearing, Ball Radial (Located in Belt Tensioner Endbell)	
18B	70003708	1	Ring, Internal Retaining (Located in Belt Tensioner Endbell)	
18B	70003709	1	Ring, External Retaining (Located in Belt Tensioner Endbell)	
18C	70001953	1	Endbell, Belt Tensioner	
18D	70004169	1	Endbell, Brush Block	
18E	70004169	1	Shroud	
18E	See Note	NSS	Insulator, Endbell (Note: Not Available for Purchase)	
18E	7027799	1	Block, Connector 6 Position (Not Shown)	
18E	70002460	1	Nut, Brass (Attaches p/n 7027799 to Cover) (Not Shown)	
18E	7024485	1	Breaker, Circuit 30Amp (Not Shown)	
18E	70001696	1	Boot, Breaker (Not Shown)	
18E	7026626	1	Connector, 6 Position (Includes Seal) (Not Shown - Plugs into Item 39)	
18E	7026597	1	Connector, with Leads (Not Shown)	
18E	7026188	1	Clamp, Cable Options (Not Shown)	
18E	70004169	1	Plate, End Panel	
18E	70001974	1	Decal - Terminal Connections	
18F	70001973	1	Decal - Warning Moving Parts	

SECTION 3 - ENGINE

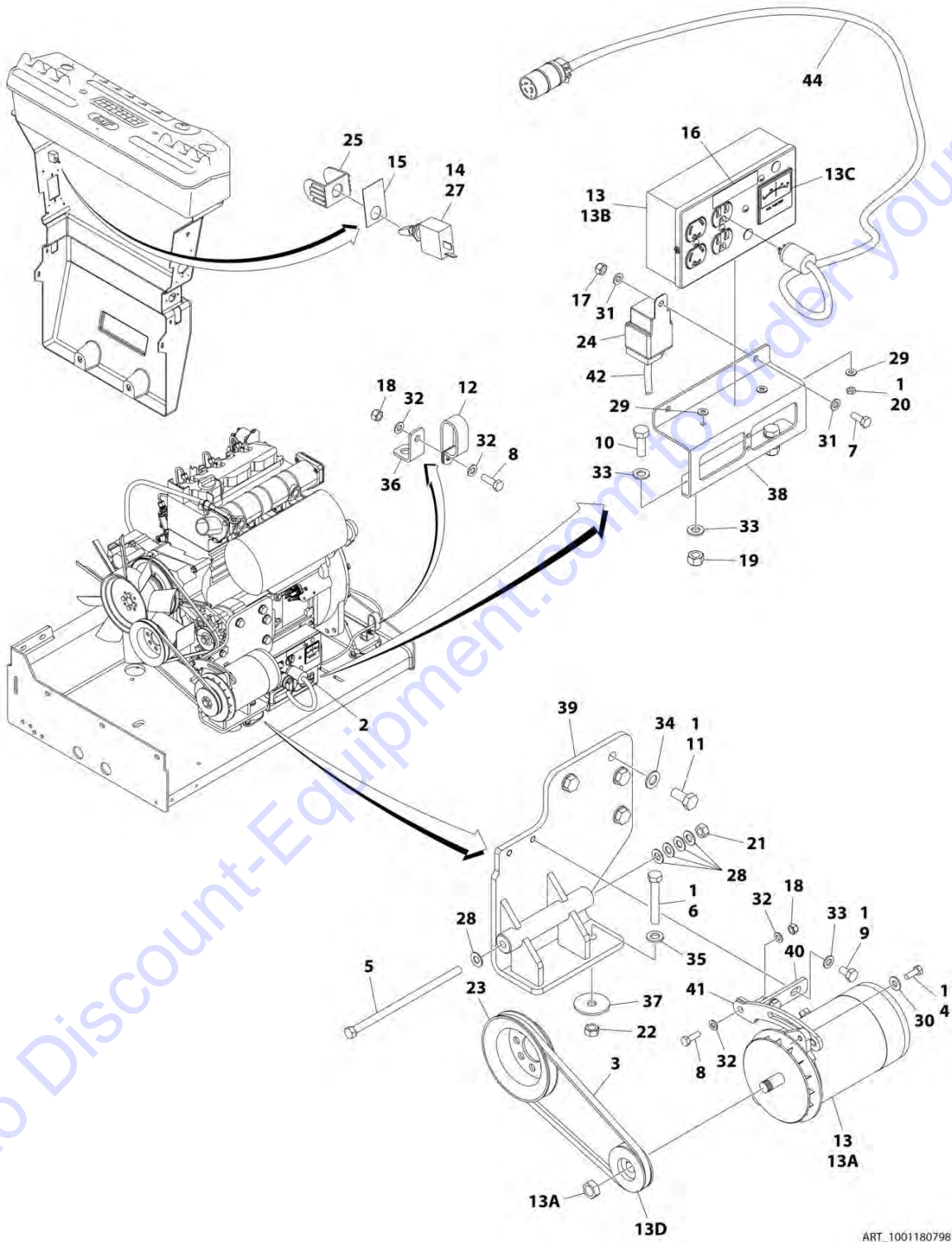
ITEM	PART NUMBER	QTY	DESCRIPTION	REV
19	2820031	AR	Heat Shrink	
20	3252764	1	Nameplate	
21	3290505	4	Nut M5	
22	3290605	4	Nut M6	
23	3290805	4	Nut M8	
24	3291201	1	Nut M12	
25	3331211	1	Nut M12	
26	3580317	1	Pulley	
27	3580318	1	Pulley	
28	3580320	1	Pulley	
29	3910606	4	Screw #6 x 3/8	
30	3960422	1	Gasket	
31	4032015	4	Bolt M10 x 55	
32	4060802	1	Guard, Switch	
33	4240099	AR	Tie-Strap (Not Shown)	
34	4360336	1	Switch, Toggle	
35	4460071	1	Connector, Strain Relief	
36	4460346	1	Receptacle	
37	4711600	1	Washer 3/8	
38	4811600	4	Washer M5	
39	4811700	8	Washer M6	
40	4811900	8	Washer M8	
41	4812100	1	Washer M12	
42	4812200	3	Washer M14	
43	4871700	2	Washer M6	
44	4922925	1	Harness, Generator (See ELECTRICAL SECTION for Breakdown)	
44	4460225	1	Plug, Male - 6 Position	
44	See Note	NSS	Socket, Female (Use with 4460225)	
44	See Note	NSS	Seal, Plug (Use with 4460225)	
44	See Note	NSS	Seal, Interface (Use with 4460225)	
45	5241200	3	Washer M12 Hardened	
46	1001104029	4	Screw M5 x 30	
47	1001110873	1	Shield, Cover	
48	1001196382	1	Stud	
49	1001157592	1	Junction Box Assembly Options (See Items 101-121 for Breakdown)	
50	1001168018	1	Washer, Snubbing	
51	1001173925	1	Mount	
52	1001174675	1	Wiring Diagram (Not Shown - See ELECTRICAL SECTION for Breakdown)	
53	0760812	1	Bolt M8 x 25	
54	1321716	2	Clamp	
55	1001148641	1	Bracket	
56	5250808	1	Bolt M8 x 16	
57	5250810	1	Bolt M8 x 20	
58	5260800	2	Nut M8	
59	1001223122	1	Support	
	1001157592	Ref	JUNCTION BOX ASSEMBLY	C
101	1060343	1.5 ft/ 0.5m	Cable, Electrical 10/4	
102	1001179154	2.5 ft/ 0.8m	Cable, Electrical 12/3	

SECTION 3 - ENGINE

ITEM	PART NUMBER	QTY	DESCRIPTION	REV
103	1671092	1	Cover	
104	3300396	1	Cover, Fuse	
105	3311001	6	Nut #10	
106	4360070	1	Circuit Breaker - 15Amp	
108	4460425	1	Connector, Strain Relief	
109	4460426	2	Connector, Strain Relief	
111	4460963	1	Connector	
112	4711000	10	Washer #10	
114	10702077	2	Screw #10 x 3/8	
115	10702082	2	Screw #10 x 3/4	
116	1001152525	1	Plug	
117	1001157520	1	Block, Terminal	
118	1001157521	1	Box, Junction	
119	1001157528	1	Decal - Wiring Schematic	
120	1001158007	1	Cover, PVC	
121	1001158008	2	Stand-Off	
	0273380	Ref	DECAL INSTALLATION	B
202	1705375	1	Decal - 240V - 3 Phase - 60Hz	
203	1705387	3	Decal - Hazardous Voltage	
204	1705460	2	Decal - SkyPower	

SECTION 3 - ENGINE

FIGURE 3-40. GENERATOR INSTALLATION - 2500W/60HZ (DEUTZ D2.3L3 ENGINE) (ANSI EXPORT SPEC) (SN 0300234013 to Present)



ART_1001180798

SECTION 3 - ENGINE

FIGURE 3-40. GENERATOR INSTALLATION - 2500W/60HZ (DEUTZ D2.3L3 ENGINE) (ANSI EXPORT SPEC) (SN 0300234013 to Present)

ITEM	PART NUMBER	QTY	DESCRIPTION	REV
	1001180798	Ref	GENERATOR INSTALLATION - 2500W/60HZ (DEUTZ D2.3L3 ENGINE) (ANSI EXPORT SPEC) (SN 0300234013 to Present)	B
1	0100011	AR	Compound, Locking	
2	0100048	AR	Grease, Dielectric	
3	0480122	1	Belt	
4	0641507	1	Bolt 5/16 x 7/8	
5	0641772	1	Bolt 7/16 x 9	
6	0711224	1	Bolt M12 x 80 Grade 10.9	
7	0760608	1	Bolt M6 x 16	
8	0760812	2	Bolt M8 x 25	
9	0761009	2	Bolt M10 x 18	
10	0761014	2	Bolt M10 x 30	
11	0771414	4	Bolt M14 x 30 Grade 10.9	
12	1321716	1	Clamp	
13	2460055	1	Generator and Control Box Assembly	
13A	7012558	1	Generator	
	See Note	Ref	Note: Replacement Generators come standard with p/n 3580134 pulley. This pulley may not be correct for all applications. Refer to pulley options below.	
13A	7026199	1	Armature with Slip Rings	
13A	7012513	3	Cap, Brush Holder	
13A	7020108	4	Brush	
13A	7020109	4	Holder, Brush	
13A	7012514	1	Fan	
13A	7020110	1	Bell, Front	
13A	7020111	1	Bell, Rear	
13A	7020190	1	Bearing	
13B	7019680	1	Box, Control	
13B	4460190	1	Receptacle, Standard	
13B	4460027	1	Receptacle, Twistlock	
13B	4360542	1	Breaker, Circuit	
13B	3520028	1	Plug, Hole	
13B	4460961	1	Connector - 4 Position	
13B	4460705	4	Pin, Male	
13B	4460321	1	Connector - 4 Position (Note: Mate to p/n 4460961 Purchase Separately)	
13B	4460268	3	Socket, Female (Note: Mate to p/n 4460705 Purchase Separately)	
13C	2420203	1	Voltmeter	
13D	3580276	1	Pulley	
13D	7027887	1	Key, Woodruff	
14	2820031	AR	Heat Shrink	
15	See Note	1	Nameplate (Note: Not Available for Purchase)	
16	3251243	1	Nameplate 120V-60Hz	
17	3290605	1	Nut M6	
18	3290805	2	Nut M8	
19	3291005	2	Nut M10	
20	3311001	2	Nut #10	
21	3311705	1	Nut 7/16	
22	3331211	1	Nut M12	
23	3580158	1	Pulley	

SECTION 3 - ENGINE

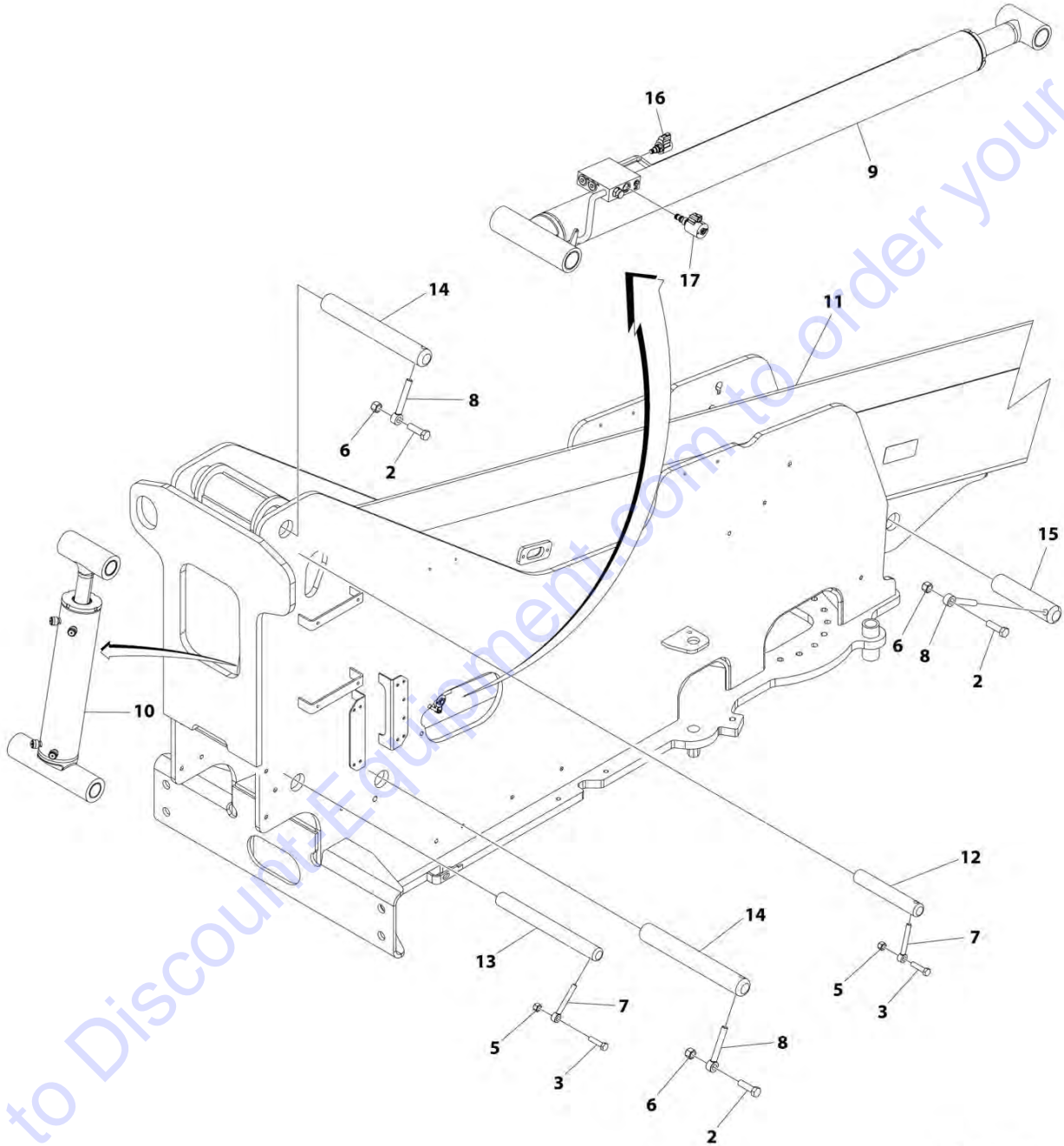
ITEM	PART NUMBER	QTY	DESCRIPTION	REV
24	3740080	1	Relay	
25	4060802	1	Guard, Switch	
26	4240099	AR	Tie-Strap (Not Shown)	
27	4360336	1	Switch, Toggle	
28	4711700	5	Washer 7/16	
29	4751000	4	Washer #10	
30	4751500	1	Washer 5/16	
31	4811700	2	Washer M6	
32	4811900	4	Washer M8	
33	4812000	6	Washer M10	
34	4812200	4	Washer M14	
35	5241200	1	Washer M12 Hardened	
36	1001148641	1	Bracket	
37	1001168018	1	Washer, Snubbing	
38	1001183477	1	Support	
39	1001184637	1	Mount, Engine	
40	1001184644	1	Support	
41	1001184645	1	Bracket	
42	1001187522	1	Harness, Generator (See ELECTRICAL SECTION for Breakdown)	
43	1001188731	1	Wiring Diagram (Not Shown - See ELECTRICAL SECTION for Breakdown)	
44	1001182296	1	Harness, Inverter	
44	1060494	10 ft/3.5m	Cable, Electrical - 12/3	
44	4460134	1	Receptacle, Female	
44	4460138	1	Plug, Male	

SECTION 4 - BOOM

Go to Discount-Equipment.com to order your parts

SECTION 4 - BOOM

FIGURE 4-1. BOOM AND CYLINDER INSTALLATION - 400SC



ART_1001169668

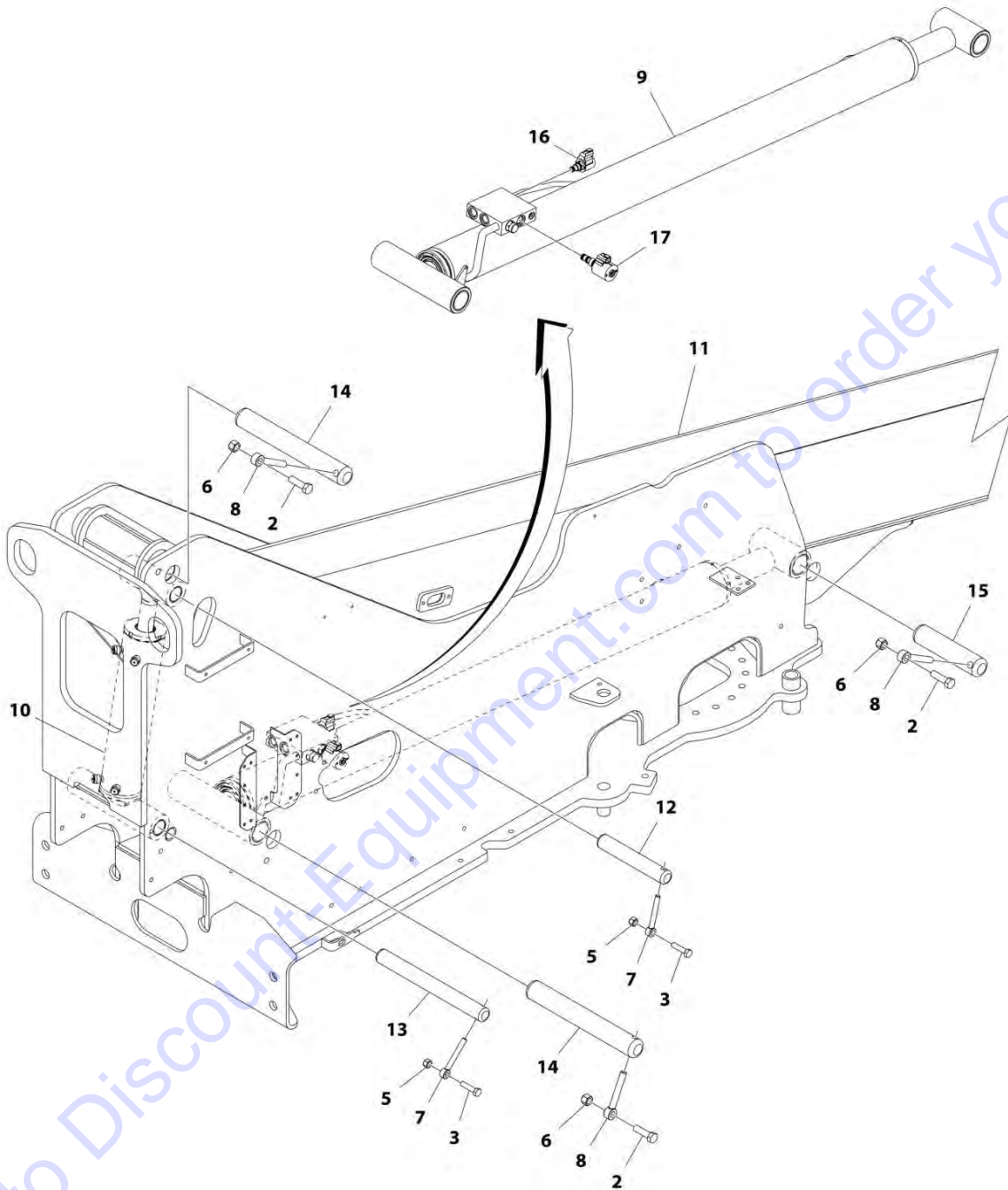
SECTION 4 - BOOM

FIGURE 4-1. BOOM AND CYLINDER INSTALLATION - 400SC

ITEM	PART NUMBER	QTY	DESCRIPTION	REV
	1001169668	Ref	BOOM AND CYLINDERS INSTALLATION - 400SC	G
2	0701619	3	Bolt M16 x 55	
3	0761218	2	Bolt M12 x 50	
5	3291205	2	Nut Lock M12 x 1.75	
6	3291605	3	Nut Lock M16 x 2	
7	3841203	2	Keeper, Pin	
8	3841258	3	Keeper, Pin	
9	1001163384	NLA	Lift Cylinder Assembly (Use p/n 1001198885) (See CYLINDER SECTION for Breakdown) (Prior to SN 0300205271)	
9	1001198885	1	Lift Cylinder Assembly (See CYLINDER SECTION for Breakdown) (SN 0300205271 through 0300226923)	
9	1001206321	NLA	Lift Cylinder Assembly (Use p/n 1001228092) (See CYLINDER SECTION for Breakdown) (SN 0300226924 through 0300239153)	
9	1001228092	1	Lift Cylinder Assembly (See CYLINDER SECTION for Breakdown) (SN 0300239154 to Present)	
10	1001163385	1	Master Cylinder Assembly (See CYLINDER SECTION for Breakdown)	
11	1001163458	1	Main Boom Assembly (See MAIN BOOM ASSEMBLY for Breakdown)	
12	1001168843	1	Pin	
13	1001168844	1	Pin	
14	1001168845	2	Pin	
15	1001168854	1	Pin	
16	1001148972	1	Valve, Poppet (Prior to SN 0300226924)	
16	70002401	1	Cartridge, Solenoid Valve	
16	7017496	1	Seal Kit - 70002401 Valve	
16	70003788	1	Coil	
16	1001206625	1	Valve, Poppet (SN 0300226924 through 0300239153)	
16	70006104	1	Cartridge, Solenoid Valve	
16	70006105	1	Seal Kit - 70002401 Valve	
16	70003788	1	Coil	
16	7022390	1	Coil Nut	
17	1001164709	1	Valve, Poppet (Normally Closed) (Prior to SN 0300239154)	
17	7017467	1	Cartridge, Solenoid Valve	
17	7012967	1	Seal Kit - 7017467 Valve	
17	70002386	1	Coil	

SECTION 4 - BOOM

FIGURE 4-2. BOOM AND CYLINDERS INSTALLATION - 460SJC



ART_1001169669

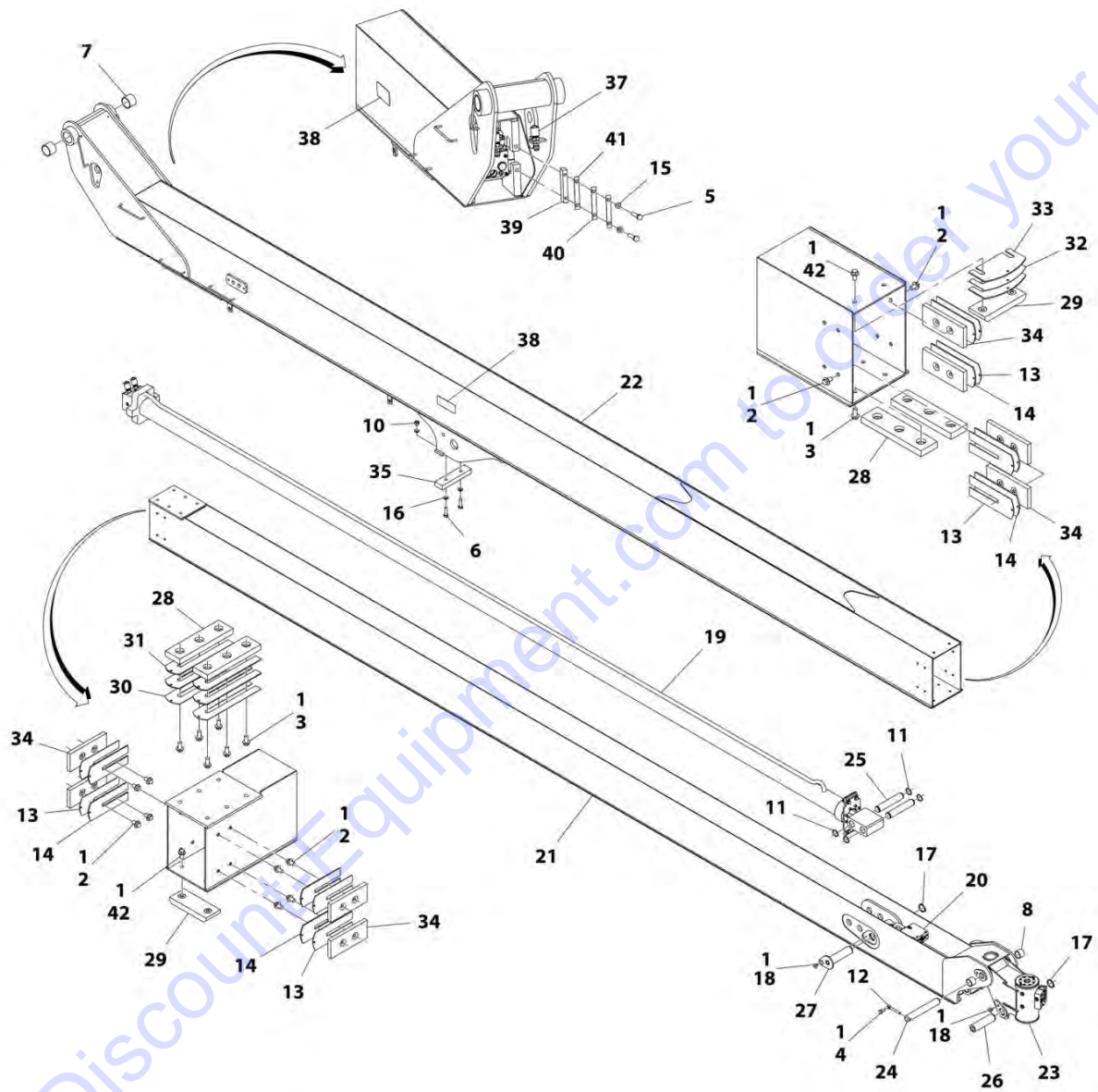
SECTION 4 - BOOM

FIGURE 4-2. BOOM AND CYLINDERS INSTALLATION - 460SJC

ITEM	PART NUMBER	QTY	DESCRIPTION	REV
	1001169669	Ref	BOOM AND CYLINDERS INSTALLATION - 460SJC	G
2	0701619	3	Bolt M16 x 55	
3	0761218	2	Bolt M12 x 50	
5	3291205	2	Nut M12	
6	3291605	3	Nut M16	
7	3841203	2	Keeper, Pin	
8	3841258	3	Keeper, Pin	
9	1001206321	NLA	Lift Cylinder Assembly (Use p/n 1001228092) (See CYLINDER SECTION for Breakdown) (Prior to SN 0300239154)	
9	1001228092	1	Lift Cylinder Assembly (See CYLINDER SECTION for Breakdown) (SN 0300239154 to Present)	
10	1001163385	1	Master Cylinder Assembly (See CYLINDER SECTION for Breakdown)	
11	1001163482	1	Main Boom Assembly - 460SJC (See MAIN BOOM ASSEMBLY - 460SJC for Breakdown)	
12	1001168843	1	Pin	
13	1001168844	1	Pin	
14	1001168845	2	Pin	
15	1001168854	1	Pin	
16	1001148972	1	Valve, Poppet (Prior to SN 0300226924)	
16	70002401	1	Cartridge, Solenoid Valve	
16	7017496	1	Seal Kit - 70002401 Valve	
16	70003788	1	Coil	
16	1001206625	1	Valve, Poppet (SN 0300226924 through 0300239153)	
16	70006104	1	Cartridge, Solenoid Valve	
16	70006105	1	Seal Kit - 70006104 Valve	
16	70003788	1	Coil	
16	7022390	1	Coil Nut	
17	1001164709	1	Valve, Poppet (Normally Closed) (Prior to SN 0300239154)	
17	7017467	1	Cartridge, Solenoid Valve	
17	7012967	1	Seal Kit - 7017467 Valve	
17	70002386	1	Coil	

SECTION 4 - BOOM

FIGURE 4-3. MAIN BOOM ASSEMBLY - 400SC



ART_1001163458

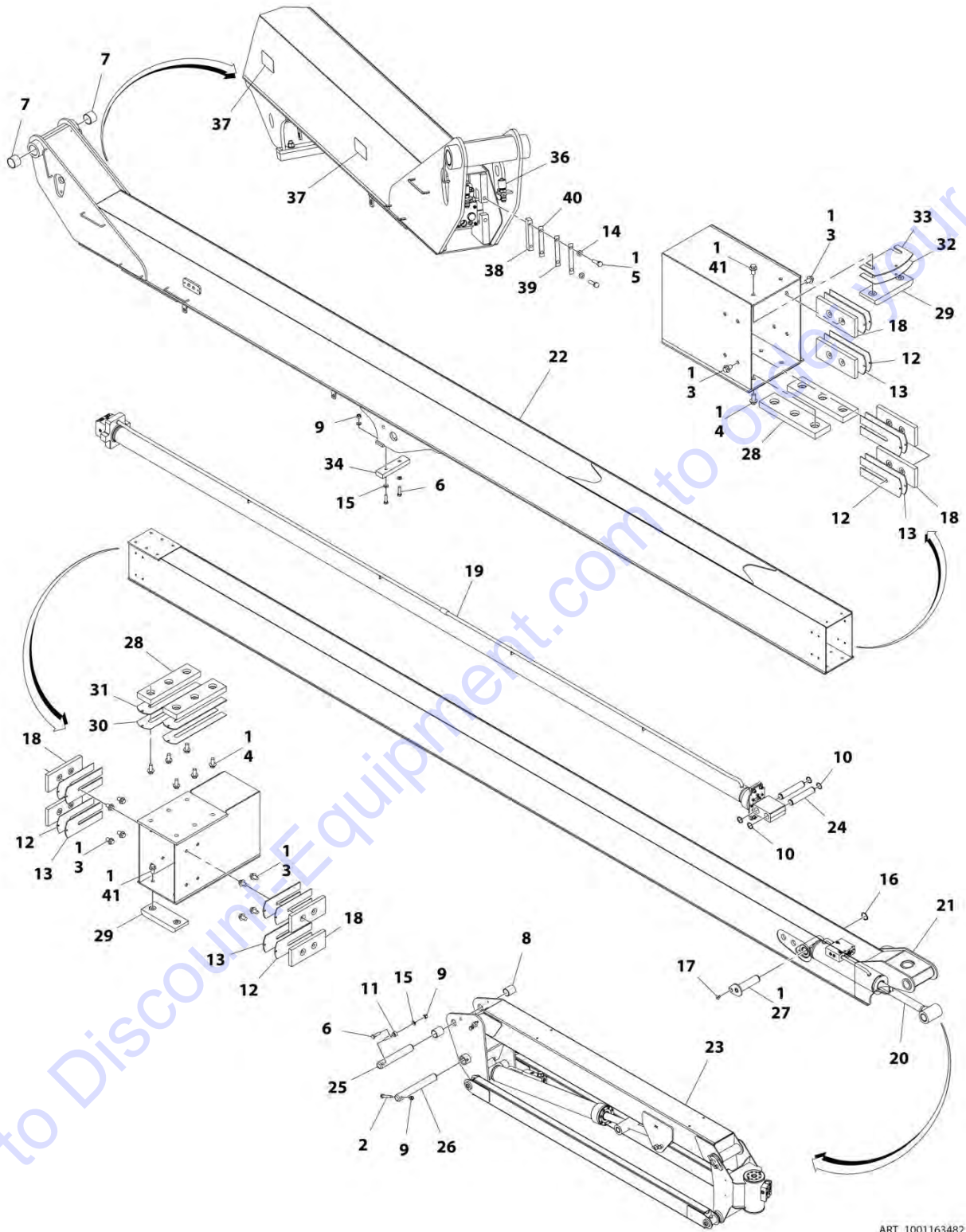
SECTION 4 - BOOM

FIGURE 4-3. MAIN BOOM ASSEMBLY - 400SC

ITEM	PART NUMBER	QTY	DESCRIPTION	REV
	1001163458	Ref	MAIN BOOM ASSEMBLY - 400SC	I
1	0100011	AR	Compound, Locking	
2	5251008	16	Bolt M10 x 16	
3	5251011	12	Bolt M10 x 22	
4	0761012	1	Bolt M10 x 55	
5	0761019	4	Bolt M10 x 55	
6	0761217	2	Bolt M12 x 45	
7	0961950	2	Bearing	
8	0961951	2	Bushing	
10	3291205	2	Nut M12	
11	3760133	4	Ring	
12	3841143	1	Keeper, Pin	
13	4070897	AR	Shim 18Ga	
14	4070898	AR	Shim 11Ga	
15	4812000	4	Washer M10	
16	4812100	4	Washer M12	
17	1001099560	2	Ring, Retaining	
18	1001137032	2	Screw M10 x 16	
19	1001163383	NLA	Telescope Cylinder Assembly (See CYLINDER SECTION for Breakdown) (Use p/n 1001228075) (Prior to SN 0300244379)	
19	1001228075	1	Telescope Cylinder Assembly (See CYLINDER SECTION for Breakdown) (SN 0300244379 to Present)	
20	1001163386	1	Level (Platform Slave) Cylinder Assembly (See CYLINDER SECTION for Breakdown)	
21	1001163459	1	Fly, Boom	
22	1001163470	1	Base, Boom	
23	1001168278	NLA	Platform Rotator Assembly (Use p/n 1001221927) (See PLATFORM ROTATOR ASSEMBLY for Breakdown) (Prior to SN 0300244379)	
23	1001221927	1	Platform Rotator Assembly (See PLATFORM ROTATOR ASSEMBLY for Breakdown) (SN 0300244379 to Present)	
24	1001168841	1	Pin	
25	1001168842	2	Pin	
26	1001168848	1	Pin	
27	1001168849	1	Pin	
28	1001169284	4	Pad	
29	1001169285	2	Pad	
30	1001169286	AR	Shim 1	
31	1001169287	AR	Shim 3	
32	1001169288	AR	Shim 1	
33	1001169289	AR	Shim 3	
34	1001169380	8	Pad	
35	1001171067	1	Pad	
37	1001171112	2	Hose	
38	1001171324	2	Cover	
39	1001171667	2	Bar	
40	1001171966	AR	Shim 20Ga	
41	1001171967	AR	Shim 16Ga	
42	5251009	4	Bolt M10 x 18	

SECTION 4 - BOOM

FIGURE 4-4. MAIN BOOM ASSEMBLY - 460SJC



ART_1001163482

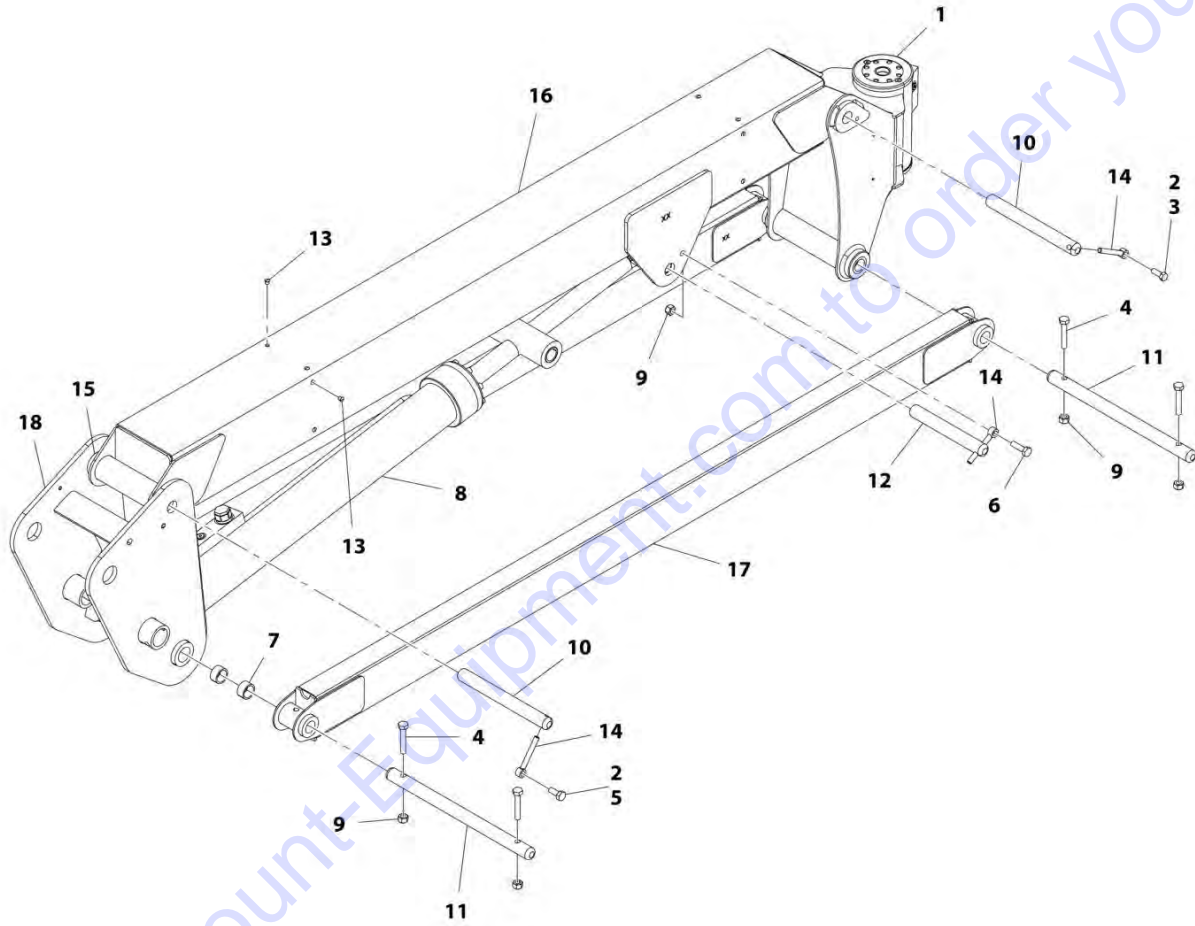
SECTION 4 - BOOM

FIGURE 4-4. MAIN BOOM ASSEMBLY - 460SJC

ITEM	PART NUMBER	QTY	DESCRIPTION	REV
	1001163482	Ref	MAIN BOOM ASSEMBLY - 460SJC	H
1	0100011	AR	Compound, Locking	
2	0701222	1	Bolt M12 x 70	
3	5251008	16	Bolt M10 x 16	
4	5251011	12	Bolt M10 x 22	
5	0761019	4	Bolt M10 x 55	
6	0761217	3	Bolt M12 x 45	
7	0961950	2	Bearing	
8	0962348	2	Bearing	
9	3291205	4	Nut M12	
10	3760133	4	Ring, Retaining	
11	3841203	1	Keeper, Pin	
12	4070897	AR	Shim, 18Ga	
13	4070898	AR	Shim, 11Ga	
14	4812000	4	Washer M10	
15	4812100	5	Washer M12	
16	1001099560	1	Ring, Retaining	
17	1001137032	1	Screw M10 x 16	
18	1001169380	8	Pad	
19	1001163383	NLA	Telescope Cylinder Assembly (See CYLINDER SECTION for Breakdown) (Use p/n 1001251075) (Prior to SN 0300244379)	
19	1001228075	NLA	Telescope Cylinder Assembly (Use p/n 1001251075) (See CYLINDER SECTION for Breakdown) (SN 0300244379 through 0300255432)	
19	1001251075	1	Telescope Cylinder Assembly (See CYLINDER SECTION for Breakdown) (SN 0300255433 to Present)	
20	1001163386	1	Level (Platform Slave) Cylinder Assembly (See CYLINDER SECTION for Breakdown)	
21	1001163483	1	Fly, Boom	
22	1001163492	1	Base, Boom	
23	1001167605	NLA	Jib Boom Assembly - 460SJC (Use p/n 1001247048) (See JIB BOOM ASSEMBLY - 460SJC for Breakdown)	
23	1001247048	1	Jib Boom Assembly - 460SJC (See JIB BOOM ASSEMBLY - 460SJC for Breakdown) (SN 0300262057 to Present)	
24	1001168842	2	Pin	
25	3422793	1	Pin	
26	1001168847	1	Pin	
27	1001168849	1	Pin	
28	1001169284	4	Pad	
29	1001169285	2	Pad	
30	1001169286	AR	Shim	
31	1001169287	AR	Shim	
32	1001169288	AR	Shim	
33	1001169289	AR	Shim	
34	1001171067	1	Pad	
36	1001171112	2	Hose	
37	1001171324	2	Cover	
38	1001171667	2	Bar	
39	1001171966	AR	Shim, 20Ga	
40	1001171967	AR	Shim, 16Ga	
41	5251009	4	Bolt M10 x 18	

SECTION 4 - BOOM

FIGURE 4-5. JIB BOOM ASSEMBLY - 460SJC (Prior to SN 0300262057)



ART_1001167605

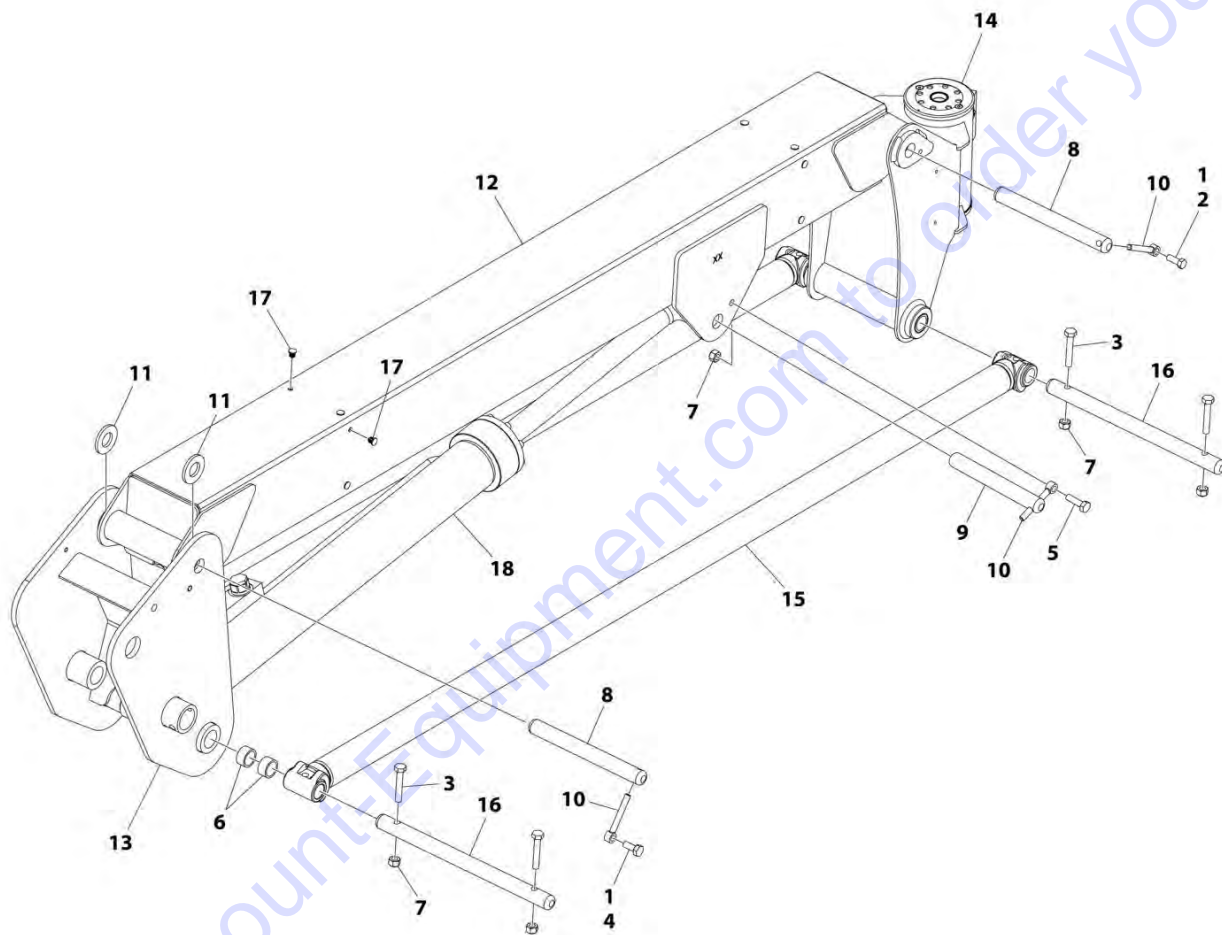
SECTION 4 - BOOM

FIGURE 4-5. JIB BOOM ASSEMBLY - 460SJC (Prior to SN 0300262057)

ITEM	PART NUMBER	QTY	DESCRIPTION	REV
	1001167605	Ref	JIB BOOM ASSEMBLY - 460SJC	H
1	1001181051	1	Rotator Assembly (See ROTATOR ASSEMBLY - 460SJ for Breakdown)	
2	0100011	AR	Compound, Locking	
3	0641608	1	Bolt 3/8 x 1	
4	0701020	4	Bolt M10 x 60	
5	0761012	1	Bolt M10 x 25	
6	0761015	1	Bolt M10 x 35	
7	0961947	4	Bearing	
8	1683609	NLA	Lift Cylinder Assembly - Jib - 460SJC (Use p/n 1001248012) (See CYLINDER SECTION for Breakdown) (Prior to SN 0300245226)	
8	1001228012	NLA	Lift Cylinder Assembly - Jib - 460SJC (Usage May Vary) (Use p/n 1001248012) (See CYLINDER SECTION for Breakdown) (SN 0300245226 through 0300245251)	
8	1001248012	1	Lift Cylinder Assembly - Jib - 460SJC (Usage May Vary) (See CYLINDER SECTION for Breakdown) (SN 0300245252 to Present)	
9	3291005	5	Nut M10	
10	3422860	2	Pin	
11	3422861	2	Pin	
12	3422867	1	Pin	
13	3520034	8	Plug (Prior to SN 0300230010)	
13	1001223899	8	Fastener (SN 0300230010 to Present)	
14	3841143	3	Keeper, Pin	
15	4740439	2	Washer, Thrust	
16	4844816	1	Tube (Upper)	
16	0962335	4	Bushing	
17	4844817	2	Tube, Lower	
18	1001165567	1	Pivot	

SECTION 4 - BOOM

FIGURE 4-6. JIB BOOM ASSEMBLY - 460SJC (SN 0300262057 to Present)



ART_1001247048

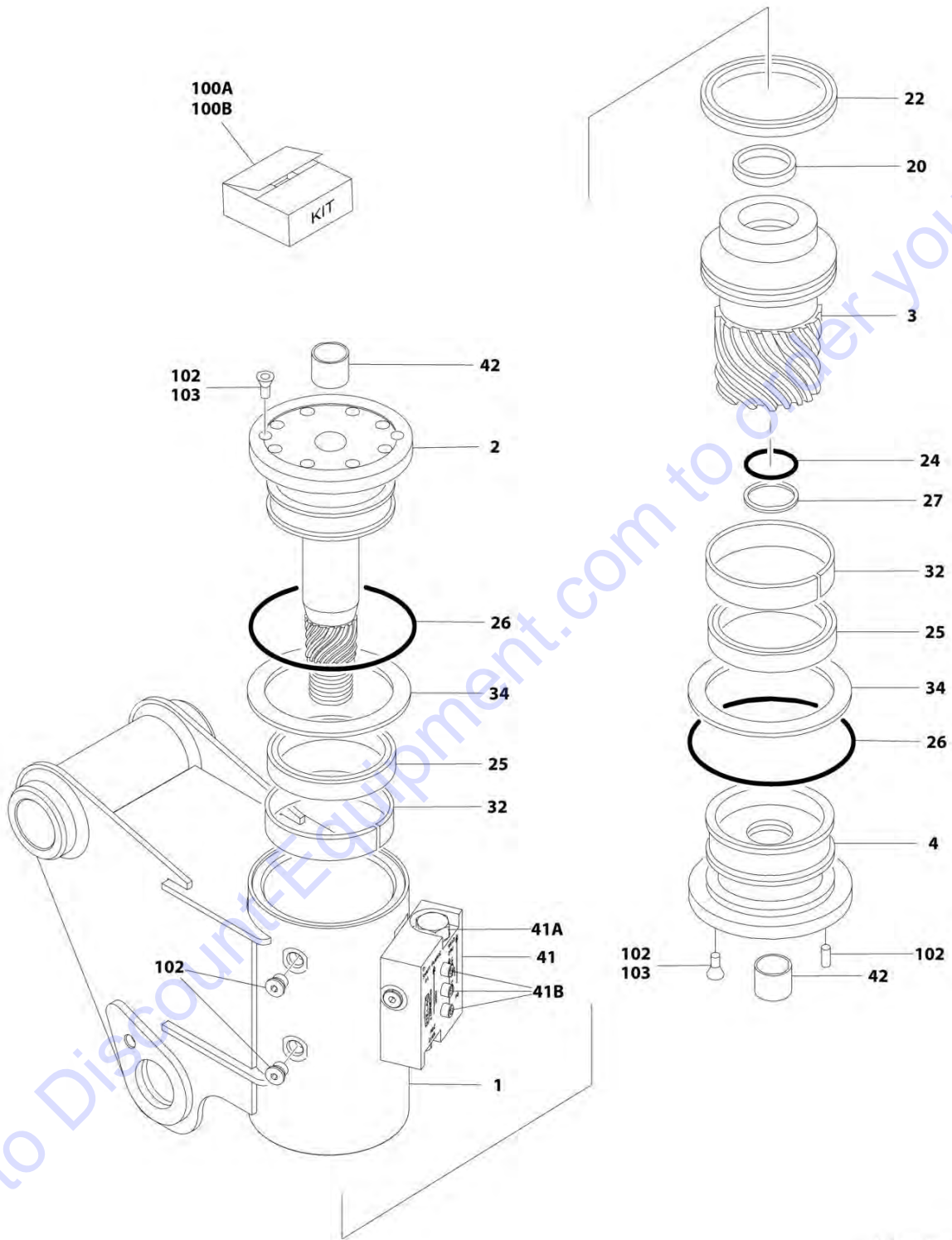
SECTION 4 - BOOM

FIGURE 4-6. JIB BOOM ASSEMBLY - 460SJC (SN 0300262057 to Present)

ITEM	PART NUMBER	QTY	DESCRIPTION	REV
	1001247048	Ref	JIB BOOM ASSEMBLY	A
1	0100011	AR	Compound, Locking	
2	0641608	1	Bolt 3/8 x 1	
3	0701020	4	Bolt M10 x 60	
4	0761012	1	Bolt M10 x 25	
5	0761015	1	Bolt M10 x 35	
6	0961947	4	Bearing	
7	3291005	5	Nut M10	
8	3422860	2	Pin	
9	3422867	1	Pin	
10	3841143	3	Keeper, Pin	
11	4740439	2	Washer, Thrust	
12	4844816	1	Tube (Upper)	
12	0962335	4	Bushing	
13	1001165567	1	Pivot	
14	1001181051	1	Rotator Assembly (See Separate Breakdown in this Section)	
15	1001181960	2	Tube, Lower	
16	1001182064	2	Pin	
17	1001223899	8	Fastener	
18	1001248012	1	Lift Cylinder Assembly - Jib (See CYLINDER SECTION for Breakdown)	

SECTION 4 - BOOM

FIGURE 4-7. ROTATOR ASSEMBLY - 400SC (Prior to SN 0300244379)



ART_1001168278

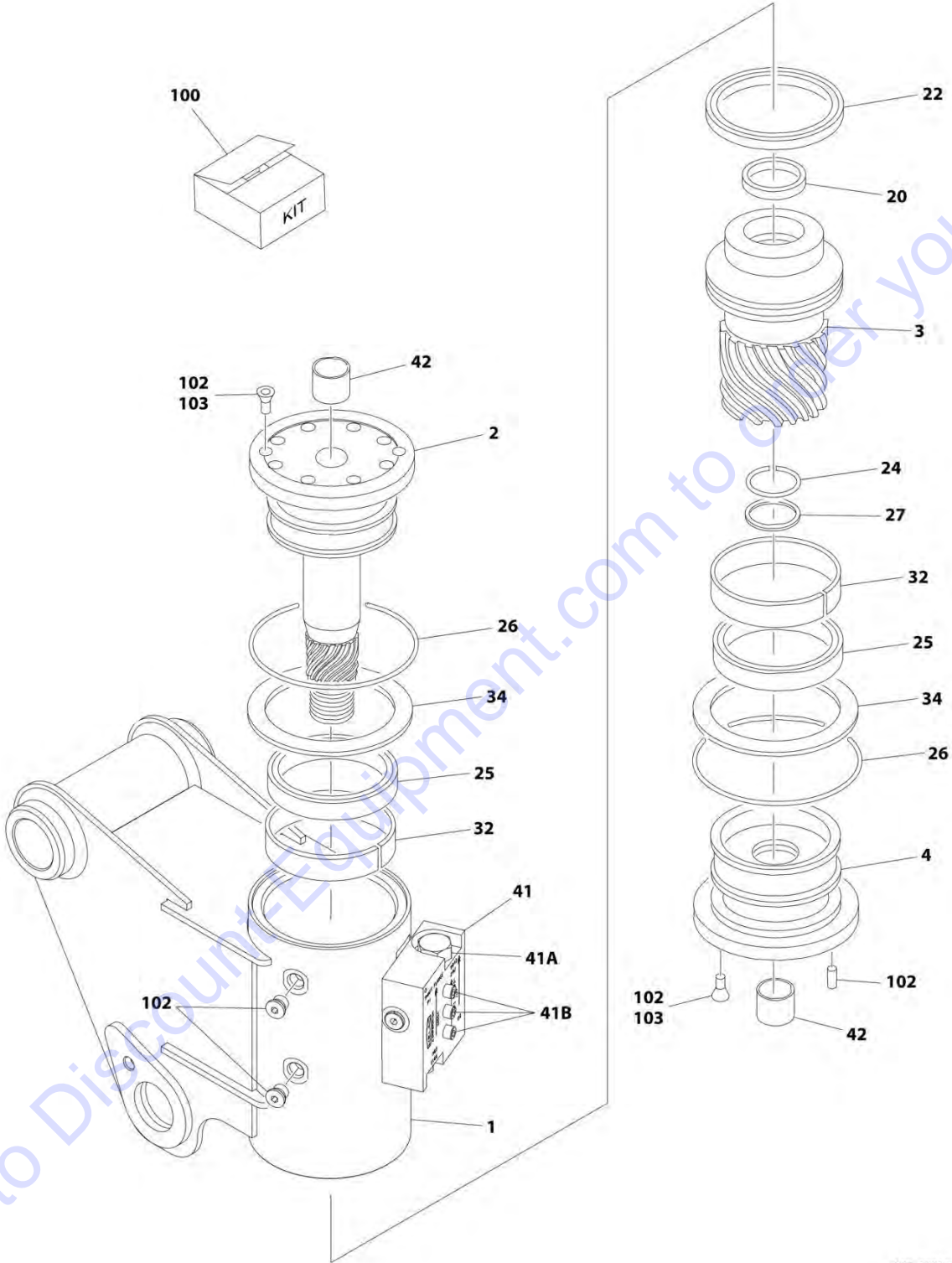
SECTION 4 - BOOM

FIGURE 4-7. ROTATOR ASSEMBLY - 400SC (Prior to SN 0300244379)

ITEM	PART NUMBER	QTY	DESCRIPTION	REV
	1001168278	Ref	ROTATOR ASSEMBLY - 400SC (Prior to SN 0300244379)	D
1	See Note	NSS	Housing/Ring Gear Assembly (Note: Not Available - Purchase Complete Rotator Assembly)	
2	7017162	1	Shaft Weldment	
3	7017163	1	Piston/Sleeve Assembly	
4	7017164	1	Cap, End	
20	See Note	NSS	T-Seal (Note: Use Item 100A or 100B)	
22	See Note	NSS	T-Seal (Note: Use Item 100A or 100B)	
24	See Note	NSS	O-Ring (Note: Use Item 100A or 100B)	
25	See Note	NSS	Seal (Note: Use Item 100A or 100B)	
26	See Note	NSS	O-Ring (Note: Use Item 100A or 100B)	
27	See Note	NSS	Ring, Back-up (Note: Use Item 100A or 100B)	
32	7017159	2	Ring, Wear	
34	7017159	2	Thrustwasher	
41	7017172	AR	Valve Assembly	
41A	7017192	2	Cartridge, Valve	
41A	See Note	NSS	Seal Kit - 7017192 Valve (Note: Not Available for Purchase)	
41B	See Note	3	Bolt 1/4 (Grade 8) (Note: Not Available - Purchase Locally)	
42	7017195	2	Bushing	
100A	7017158	1	Seal Kit - Standard (Includes Items 20, 22, 24, 25, 27 & 33)	
100B	70000342	1	Seal Kit - Low Temperature (Includes Items 20, 22, 24, 25, 27 & 33)	
101	7017159	1	Bearing Kit (Includes Items 32 & 34)	
102	7017142	1	Hardware Kit	
103	70001697	4	Screw, Countersunk 1/4 x 3/8 (Grade 8)	

SECTION 4 - BOOM

FIGURE 4-8. ROTATOR ASSEMBLY - 400SC (SN 0300244379 to Present)



ART_1001221927

SECTION 4 - BOOM

FIGURE 4-8. ROTATOR ASSEMBLY - 400SC (SN 0300244379 to Present)

ITEM	PART NUMBER	QTY	DESCRIPTION	REV
	1001221927	Ref	ROTATOR ASSEMBLY - 400SC	A
1	See Note	NSS	Housing/Ring Gear Assembly (Note: Not Available - Purchase Complete Rotator Assembly)	
2	7017162	1	Shaft Weldment	
3	7017163	1	Piston/Sleeve Assembly	
4	7017164	1	Cap, End	
20	See Note	NSS	T-Seal (Note: Use Item 100)	
22	See Note	NSS	T-Seal (Note: Use Item 100)	
24	See Note	NSS	O-Ring (Note: Use Item 100)	
25	See Note	NSS	Seal (Note: Use Item 100)	
26	See Note	NSS	O-Ring (Note: Use Item 100)	
27	See Note	NSS	Ring, Back-up (Note: Use Item 100)	
32	See Note	NSS	Ring, Wear (Note: Use Item 101)	
34	See Note	NSS	Washer, Thrust (Note: Use Item 101)	
40	70006580	1	Tube, Stop (Not Shown)	
41	7017172	AR	Valve Assembly	
41A	7017192	2	Cartridge, Valve	
41A	See Note	NSS	Seal Kit - 7017192 Valve (Note: Not Available for Purchase)	
41B	See Note	3	Bolt 1/4 x 1-1/2 (Grade 8) (Note: Not Available - Purchase Locally)	
42	7017195	2	Bushing	
100	70000342	1	Seal Kit (Includes Items 20, 22, 24, 25, 27)	
101	7017159	1	Bearing Kit (Includes Items 32 & 34)	
102	7017142	1	Hardware Kit	
103	70001697	4	Screw, Countersunk 1/4 x 3/8 Grade 8	

SECTION 4 - BOOM

FIGURE 4-9. ROTATOR ASSEMBLY - 460SJC

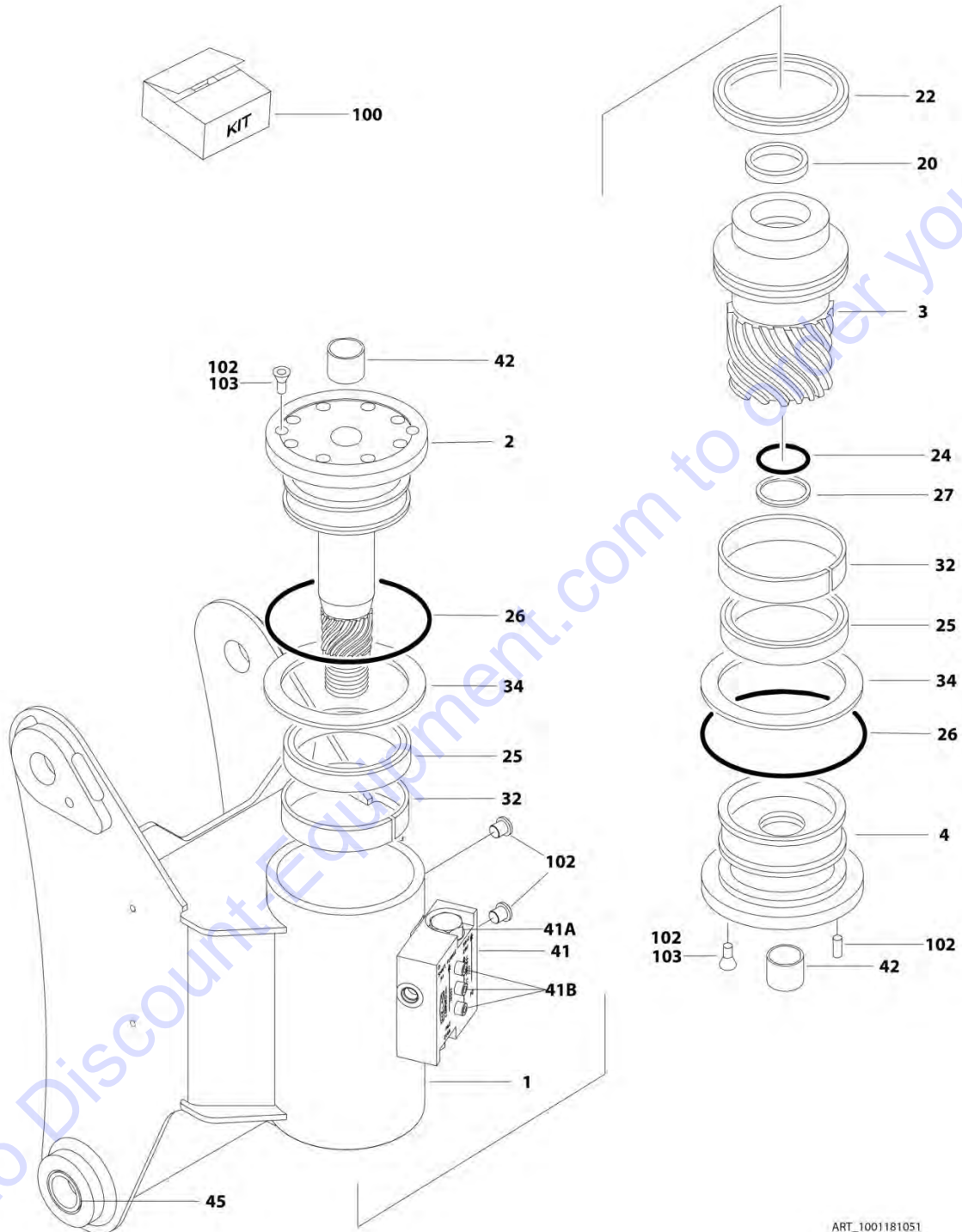
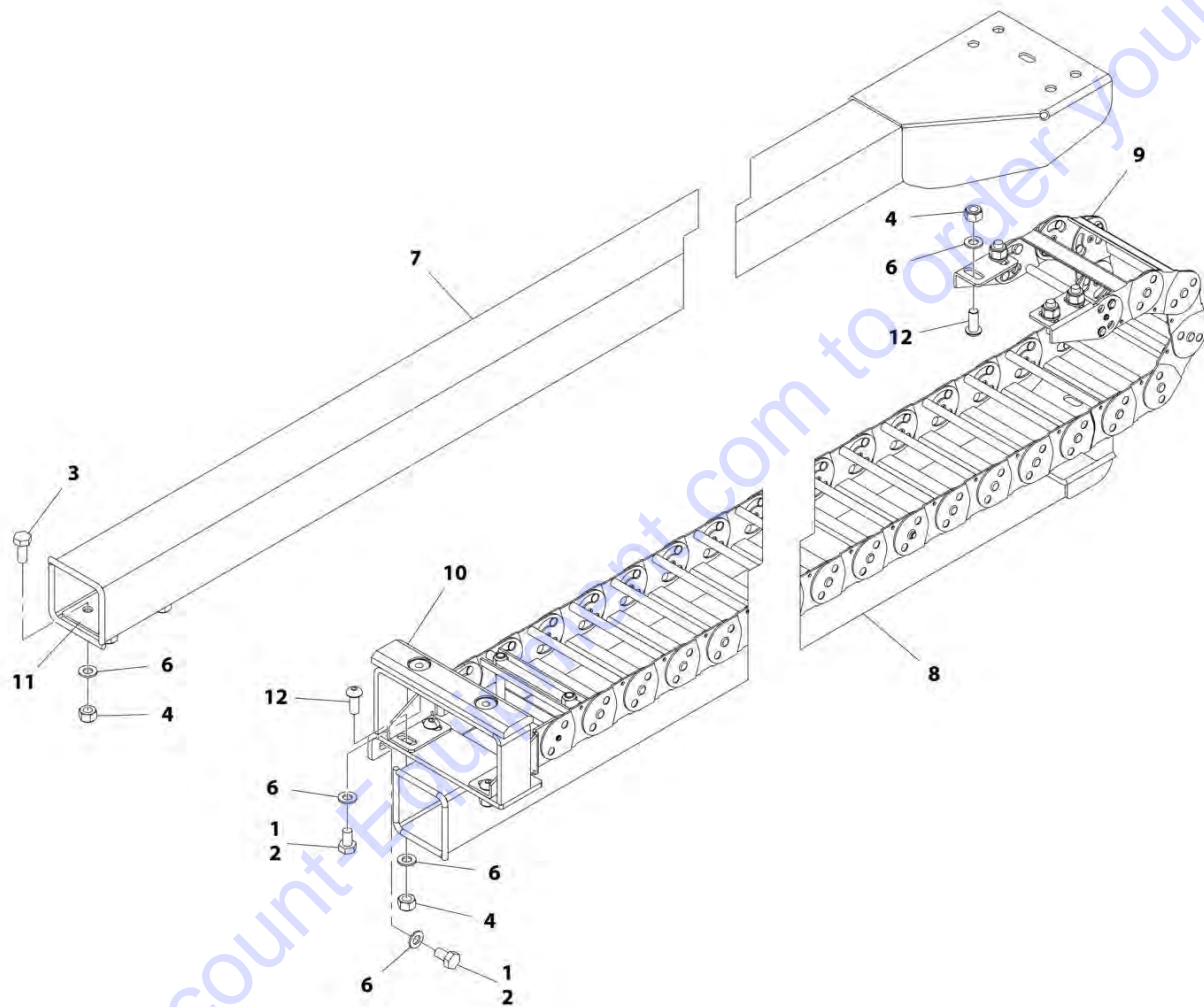


FIGURE 4-9. ROTATOR ASSEMBLY - 460SJC

ITEM	PART NUMBER	QTY	DESCRIPTION	REV
	1001181051	Ref	ROTATOR ASSEMBLY - 460SJC	A
1	See Note	NSS	Housing/Ring Gear Assembly (Note: Not Available - Purchase Complete Rotator Assembly)	
2	7017162	1	Shaft Weldment	
3	7017163	1	Piston/Sleeve Assembly	
4	7017164	1	Cap, End	
20	See Note	NSS	T-Seal (Note: Use Item 100)	
22	See Note	NSS	T-Seal (Note: Use Item 100)	
24	See Note	NSS	O-Ring (Note: Use Item 100)	
25	See Note	NSS	Seal (Note: Use Item 100)	
26	See Note	NSS	O-Ring (Note: Use Item 100)	
27	See Note	NSS	Ring, Back-up (Note: Use Item 100)	
32	See Note	NSS	Ring, Wear (Note: Use Item 101)	
34	See Note	NSS	Washer, Thrust (Note: Use Item 101)	
41	7017172	AR	Valve Assembly	
41A	7017192	2	Cartridge, Valve	
41A	See Note	NSS	Seal Kit - 7017192 Valve (Note: Not Available for Purchase)	
41B	See Note	3	Bolt 1/4-20NC x 1-1/2 Grade 8 (Note: Not Available - Purchase Locally)	
42	7017195	2	Bushing	
45	7017150	2	Bushing	
100	70000342	1	Seal Kit (Includes Items 20, 22, 24, 25, 27 & 33)	
101	7017159	1	Bearing Kit (Includes Items 32 & 34)	
102	7017142	1	Hardware Kit	
103	70001697	4	Screw, Countersunk 1/4 x 3/8 Grade 8	

SECTION 4 - BOOM

FIGURE 4-10. POWER TRACK INSTALLATION



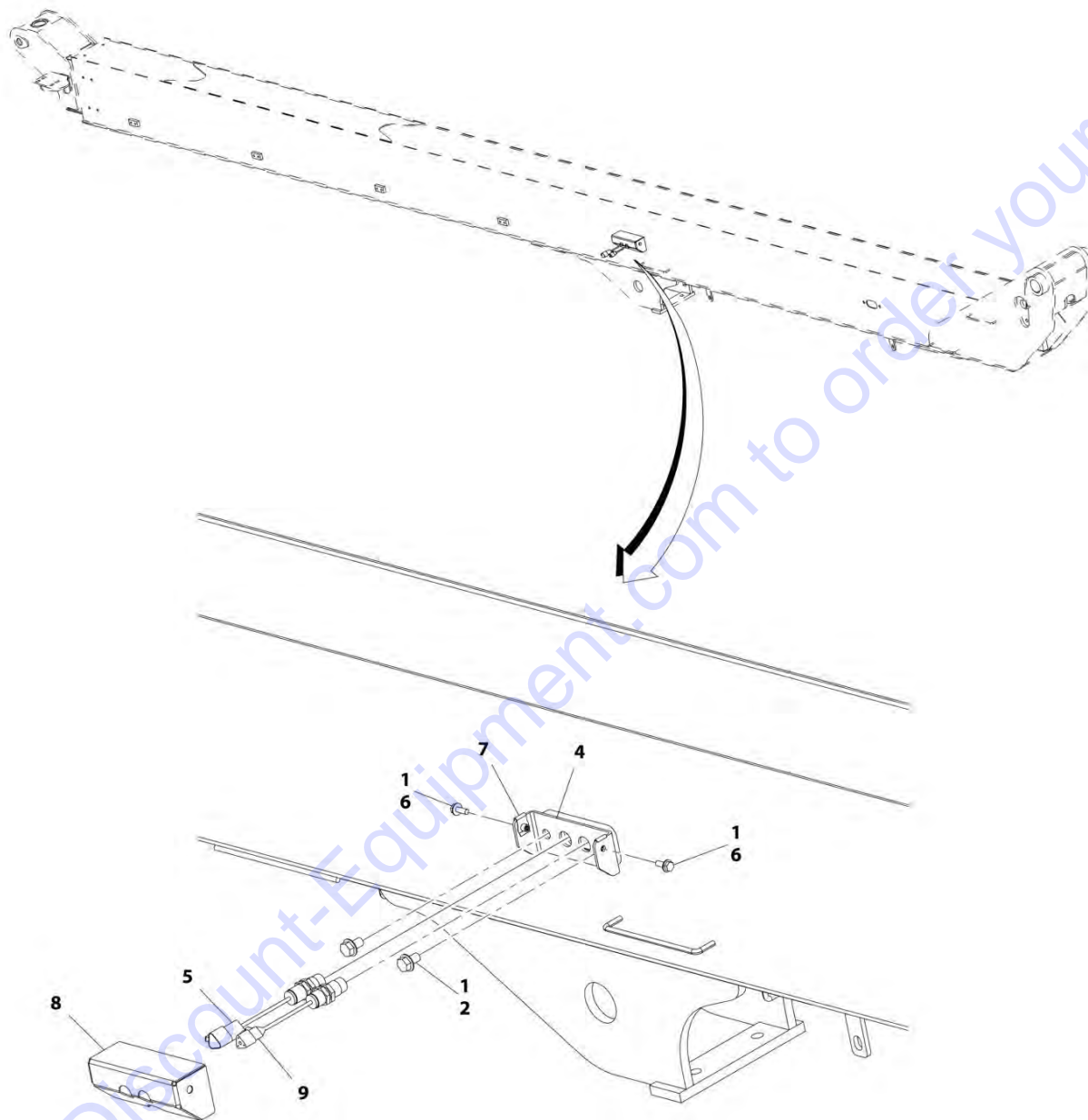
ART_1001165538

FIGURE 4-10. POWER TRACK INSTALLATION

ITEM	PART NUMBER	QTY	DESCRIPTION	REV
	1001165538	Ref	POWER TRACK INSTALLATION	D
1	0100011	AR	Compound, Locking	
2	0761009	10	Bolt M10 x 18	
3	0761012	4	Bolt M10 x 25	
4	3291005	12	Nut, Lock M10 x 1.5	
6	4812000	22	Washer M10	
7	1001165531	1	Tube, Push	
8	1001165534	1	Tube, Carrier	
9	1001165537	1	Power Track (Prior to SN 0300229722)	
9	1001224888	1	Power Track (SN 0300229722 to Present)	
9	70002011	1	Repair Section without Clamp -10 Links (1001165537 Power Track) (Prior to SN 0300229722)	
9	70005106	1	Repair Section with Clamp -10 Links (1001165537 Power Track) (Prior to SN 0300229722)	
9	70006255	1	Repair Section (1001224888 Power Track) (SN 0300229722 to Present)	
9	70005107	1	Feet, Mounting (Includes 1 each Left and Right Mounting Feet) (1001165537 Power Track) (Prior to SN 0300229722)	
9	70006270	1	Feet, Mounting (Includes 2 each Left and Right Mounting Feet) (1001224888 Power Track) (SN 0300229722 to Present)	
10	1001169611	1	Pad, Wear	
11	1001176899	1	Plate, Support	
12	1001173763	8	Screw M10 x 1.5 x 25	

SECTION 4 - BOOM

FIGURE 4-11. CAPACITY SWITCH INSTALLATION



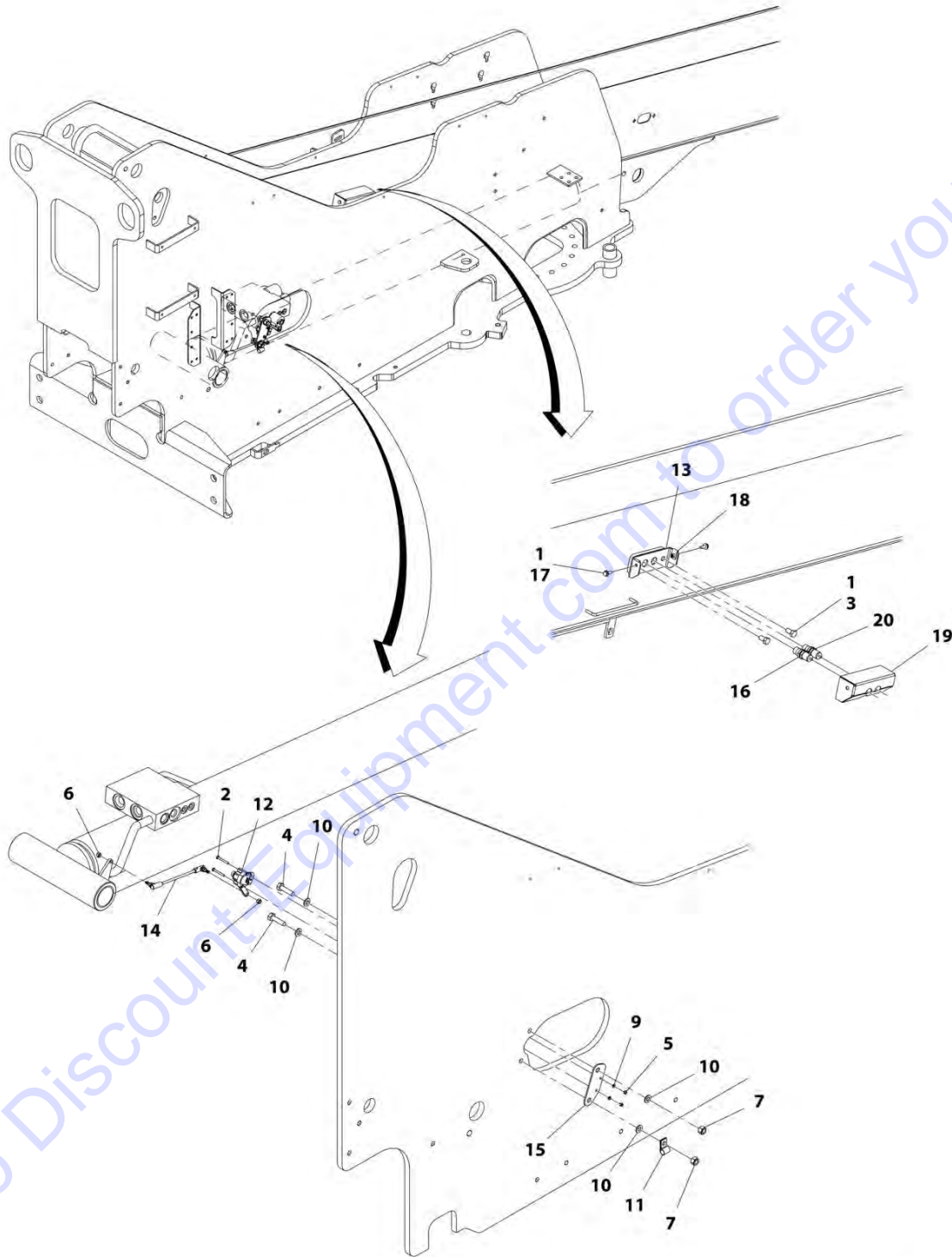
ART_1001173233

FIGURE 4-11. CAPACITY SWITCH INSTALLATION

ITEM	PART NUMBER	QTY	DESCRIPTION	REV
	1001173233	Ref	CAPACITY SWITCH INSTALLATION	D
1	0100011	AR	Compound, Locking	
2	5251008	2	Bolt M10 x 16	
4	1001165540	1	Plate, Mounting (Prior to SN 0300213500)	
5	1001170847	1	Sensor, Proximity	
5	4460536	1	Connector - 3 Position	
5	4460464	3	Pin, Male	
6	5250608	2	Bolt M6 x 16 (Prior to SN 0300213500)	
7	1001130220	2	Nut M6 Tinnerman (Prior to SN 0300213500)	
8	1001180608	1	Bracket, Cover (Prior to SN 0300213500)	
8	1001204715	1	Bracket, Cover (SN 0300213500 to Present)	
9	1001182570	1	Sensor, Proximity	
9	4460539	1	Connector 3 Position	
9	4460465	3	Socket, Female	

SECTION 4 - BOOM

FIGURE 4-12. TRANSPORT SWITCHES INSTALLATION



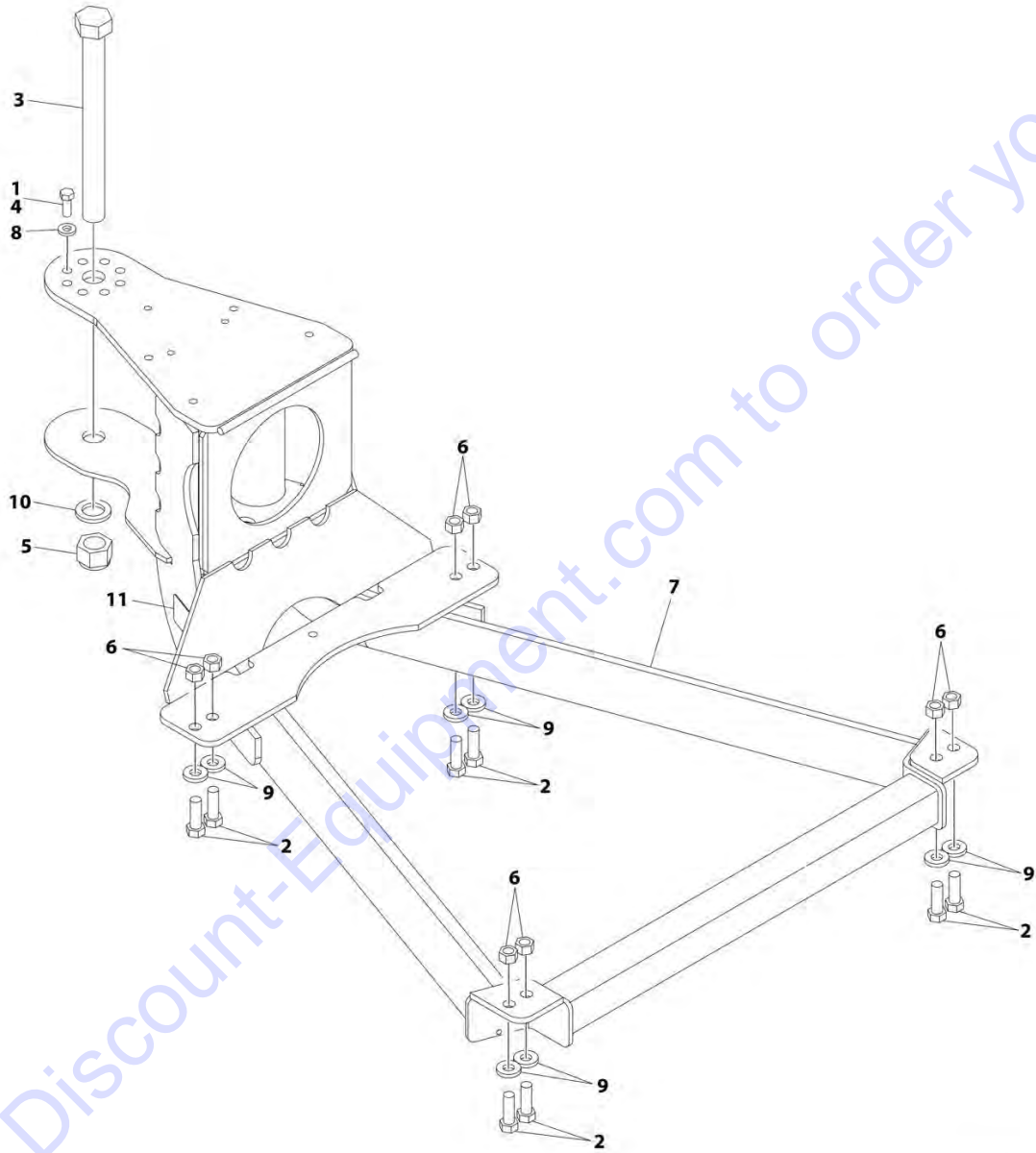
ART_1001170642

FIGURE 4-12. TRANSPORT SWITCHES INSTALLATION

ITEM	PART NUMBER	QTY	DESCRIPTION	REV
	1001170642	Ref	TRANSPORT SWITCHES INSTALLATION	F
1	0100011	AR	Compound, Locking	
2	0760415	2	Bolt M4 x 35	
3	5251008	2	Bolt M10 x 16	
4	0761016	2	Bolt M10 x 40	
5	3290405	2	Nut, Lock M4 x 0.7	
6	3290605	2	Nut, Lock M6 x 1	
7	3291005	2	Nut, Lock M10 x 1.5	
9	4811400	2	Washer M4	
10	4812000	4	Washer M10	
11	8406110	1	Clip	
12	1001118971	1	Angle, Sensor	
13	1001165540	1	Plate, Mounting (Prior to SN 0300213500)	
14	1001170564	1	Link, Sensor	
15	1001170565	1	Bracket	
16	1001170847	1	Sensor, Proximity	
16	4460536	1	Connector - 3 Position	
16	4460464	3	Pin, Male	
17	5250608	2	Bolt M6 x 16 (Prior to SN 0300213500)	
18	1001130220	2	Nut, Tinnerman M6 (Prior to SN 0300213500)	
19	1001180608	1	Bracket, Switch Cover (Prior to SN 0300213500)	
19	1001204715	1	Bracket, Switch Cover (SN 0300213500 to Present)	
20	1001182570	1	Sensor, Proximity	
20	4460539	1	Connector - 3 Position	
20	4460465	3	Socket, Female	

SECTION 4 - BOOM

FIGURE 4-13. PLATFORM SUPPORT INSTALLATION - WITHOUT LSS



ART_0272070

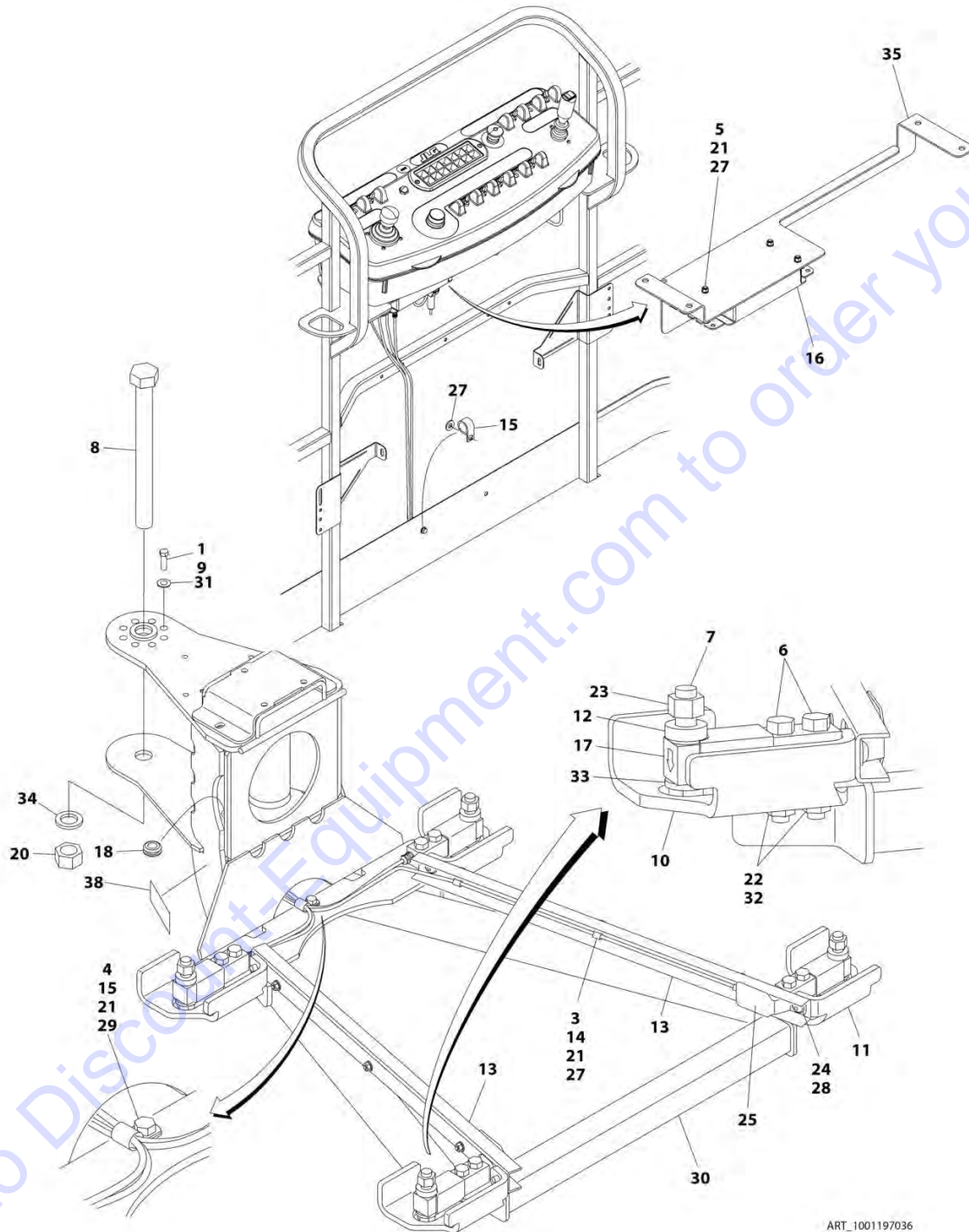
FIGURE 4-13. PLATFORM SUPPORT INSTALLATION - WITHOUT LSS

ITEM	PART NUMBER	QTY	DESCRIPTION	REV
	0272070	Ref	PLATFORM SUPPORT INSTALLATION - WITHOUT LSS	I
1	0100011	AR	Compound, Locking	
2	0641812	8	Bolt 1/2 x 1-1/2	
2	0761216	8	Bolt M12 x 40	
3	0642684	1	Bolt 1 x 10-1/2	
4	0681608	8	Bolt 3/8 x 1	
5	3300243	1	Nut 1	
6	3311805	8	Nut 1/2	
6	3291205	8	Nut M12	
7	4846573	1	Support	
8	4891600	8	Washer 3/8	
9	4891800	8	Washer 1/2	
9	5241200	8	Washer M12	
10	4892600	1	Washer 1	
11	1001216630	2	Decal - Tie Down/No Lift	

Go to Discount-Equipment.com to order your parts

SECTION 4 - BOOM

FIGURE 4-14. PLATFORM SUPPORT INSTALLATION - WITH 4 CELL LSS



ART_1001197036

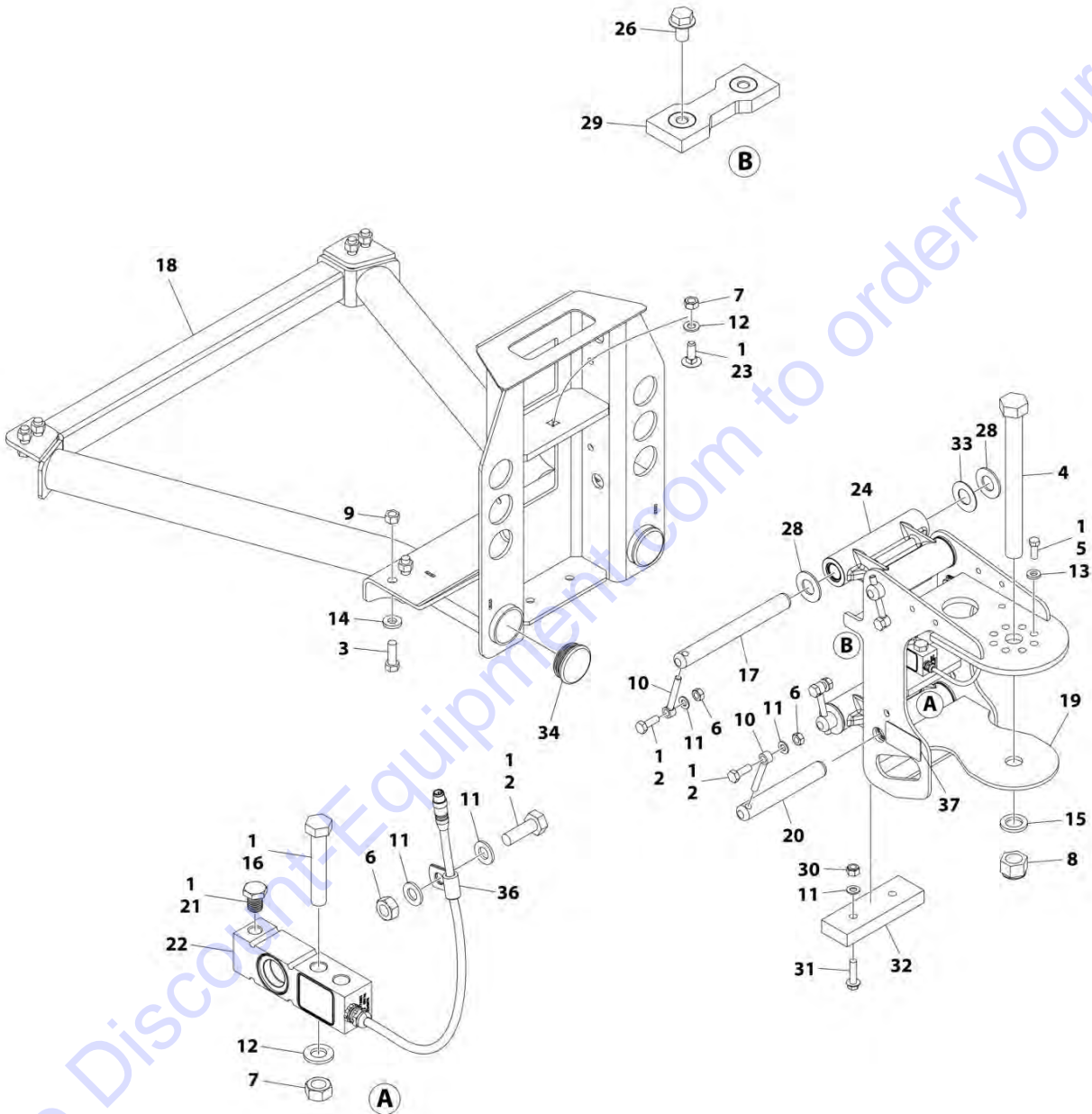
SECTION 4 - BOOM

FIGURE 4-14. PLATFORM SUPPORT INSTALLATION - WITH 4 CELL LSS

ITEM	PART NUMBER	QTY	DESCRIPTION	REV
	1001197036	Ref	PLATFORM SUPPORT INSTALLATION - WITH 4 CELL LSS	F
1	0100011	AR	Compound, Locking	
2	0100048	AR	Silicon, Compound (Not Shown)	
3	0641405	6	Bolt 1/4 x 5/8	
4	0641407	1	Bolt 1/4 x 7/8	
5	0641416	3	Bolt 1/4 x 2	
6	0641822	8	Bolt 1/2 x 2-3/4	
7	0642024	4	Bolt 5/8 x 3	
8	0642684	1	Bolt 1/8 x 10-1/2	
9	0681608	8	Bolt 3/8 x 1	
10	0902919	2	Bracket, LH	
11	0902920	2	Bracket, RH	
12	0962450	4	Bushing, Spacer	
13	1271538	2	Channel, Load Cell Wire	
14	1320136	6	Clamp, Cable	
15	1320224	2	Clamp, Cable	
16	1600387	1	Controller, Load Sense	
17	2420202	4	Gauge	
18	2540038	1	Grommet	
20	3272605	1	Nut 1	
21	3311405	10	Nut 1/4	
22	3311805	8	Nut 1/2	
23	3312005	4	Nut 5/8	
24	3900283	4	Screw 3/8 x 3/4	
25	4061054	2	Shield	
26	4240033	AR	Tie-Strap (Not Shown)	
27	4711400	13	Washer 1/4	
28	4711600	4	Washer 3/8	
29	4751400	1	Washer 1/4	
30	4846573	1	Weldment	
31	4891600	8	Washer 3/8	
32	4891800	8	Washer 1/2	
33	4892000	4	Washer 5/8	
34	4892600	1	Washer 1	
35	1001113483	1	Bracket	
36	1001120371	1	LSS Harness (Not Shown - See ELECTRICAL SECTION for Breakdown)	
37	4460428	1	Connector, Strain Relief (Not Shown)	
38	1001216630	2	Decal - Tie Down/No Lift	

SECTION 4 - BOOM

FIGURE 4-15. PLATFORM SUPPORT INSTALLATION - WITH 1 CELL LSS



ART_1001167596

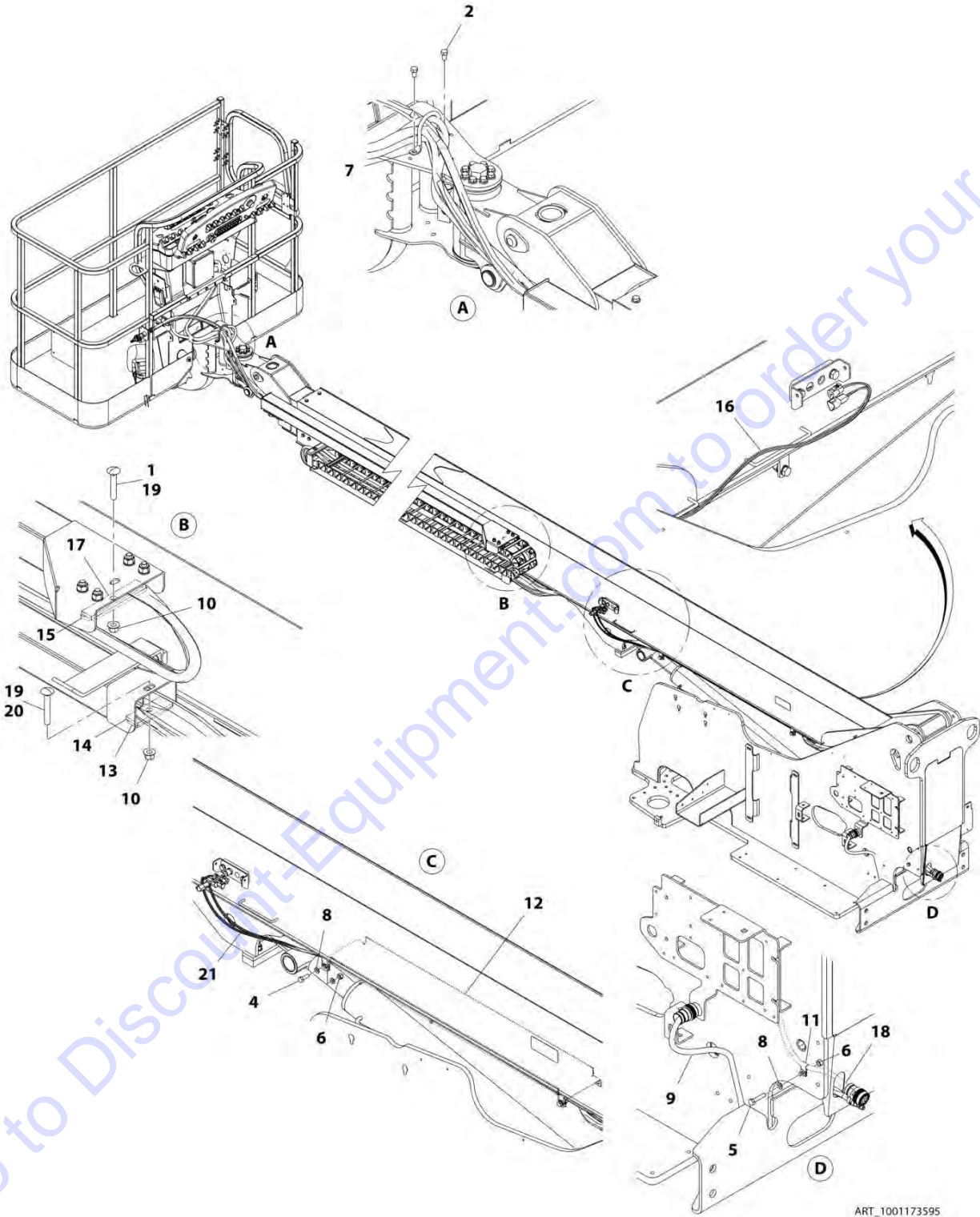
SECTION 4 - BOOM

FIGURE 4-15. PLATFORM SUPPORT INSTALLATION - WITH 1 CELL LSS

ITEM	PART NUMBER	QTY	DESCRIPTION	REV
	1001167596	Ref	PLATFORM SUPPORT INSTALLATION - WITH 1 CELL LSS	I
1	0100011	AR	Compound, Locking	
2	0761014	5	Bolt M10 x 30	
3	0761216	8	Bolt M12 x 40	
4	0642684	1	Bolt 1 x 10-1/2	
5	0681608	8	Bolt 3/8 x 1	
6	3291001	5	Nut M10	
7	3291201	3	Nut M12	
8	3300243	1	Nut 1	
9	3291205	8	Nut, Lock M12 x 1.75	
10	3841143	4	Keeper, Pin	
11	4812000	8	Washer M10	
12	4812100	3	Washer M12	
13	4891600	8	Washer 3/8	
14	5241200	8	Washer M12 Hardened	
15	4892600	1	Washer 1	
16	1001098828	2	Bolt M12 x 70 Grade 10.9	
17	1001167565	2	Pin	
18	1001200494	1	Support, Platform	
19	1001167567	1	Support, Rotator	
20	1001168402	2	Pin	
21	1001188622	1	Screw	
22	1001172663	1	Gauge, Load Sensing	
23	1001188844	1	Bolt M12 x 35	
24	1001201351	2	Link, LSS Assembly	
26	5251008	2	Bolt M10 x 16	
28	1001189002	8	Bearing	
29	1001190985	1	Pad, Wear	
30	3291005	2	Nut M10	
31	5251016	2	Bolt M10 x 40	
32	1001200491	1	Pad, Wear	
33	1001189001	4	Bearing	
34	1001204725	2	Plug	
36	91203039	1	Clamp	
37	1001216630	2	Decal - Tie Down/No Lift	

SECTION 4 - BOOM

FIGURE 4-16. CABLES AND CLAMPS INSTALLATION - 400SC



ART_1001173595

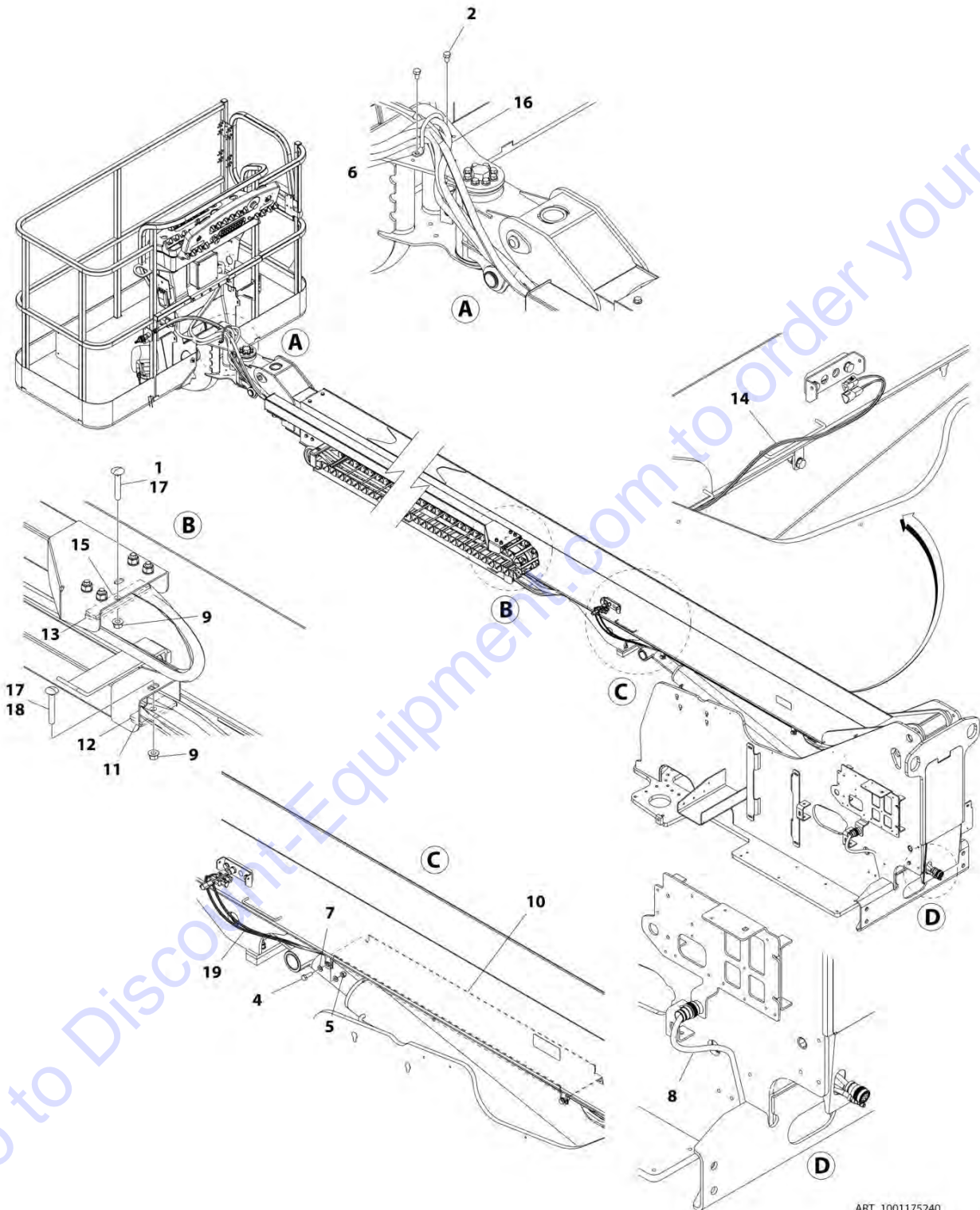
SECTION 4 - BOOM

FIGURE 4-16. CABLES AND CLAMPS INSTALLATION - 400SC

ITEM	PART NUMBER	QTY	DESCRIPTION	REV
	1001173595	Ref	CABLES AND CLAMPS INSTALLATION - 400SC	D
1	0630563	1	Bolt, Carriage M10 x 60	
2	0641605	2	Bolt 3/8 x 5/8	
4	0761014	4	Bolt M10 x 30	
5	0761018	1	Bolt M10 x 50	
6	3291005	5	Nut, Lock M10 x 1.5	
7	3841340	1	Hose Loop	
8	4812000	10	Washer M10	
9	1001176952	1	Harness, Main Boom Cable - 400SC (See ELECTRICAL SECTION for Breakdown)	
10	5261018	2	Nut, M10	
11	8406110	1	Clip	
12	1001172128	1	Bracket, Hose Cover	
13	1001173456	1	Clamp	
14	1001173665	1	Clamp	
15	1001173761	1	Bracket	
16	1001173808	1	Harness, Telescope In Proximity Sensors (See ELECTRICAL SECTION for Breakdown)	
17	1001173927	1	Clamp	
18	1060986	1	Cable, Electrical 12/3	
19	0100081	AR	Adhesive	
20	1001181329	1	Bolt, Carriage M10 x 70	
21	1001173807	1	Harness, Capacity Switch (See ELECTRICAL SECTION for Breakdown)	

SECTION 4 - BOOM

FIGURE 4-17. CABLES AND CLAMPS INSTALLATION - 4000W GENRATOR - 400SC (Prior to SN 0300214184)



ART_1001175240

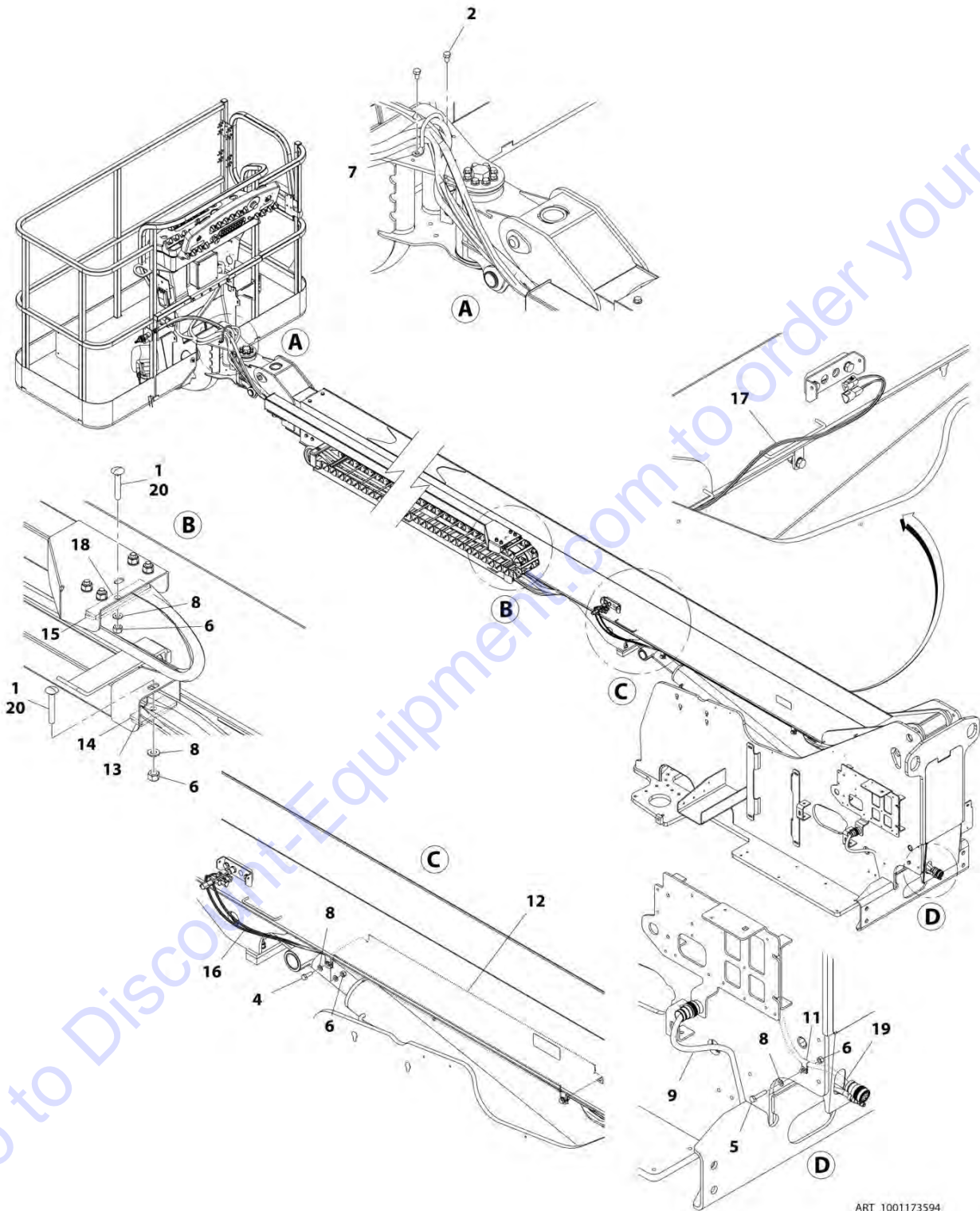
SECTION 4 - BOOM

FIGURE 4-17. CABLES AND CLAMPS INSTALLATION - 4000W GENRATOR - 400SC (Prior to SN 0300214184)

ITEM	PART NUMBER	QTY	DESCRIPTION	REV
	1001175240	Ref	CABLES AND CLAMPS INSTALLATION - 4000W GENRATOR - 400SC (Prior to SN 0300214184)	
1	0630563	1	Bolt, Carriage M10 x 60	
2	0641605	2	Bolt 5/16 x 1/2	
4	0761014	4	Bolt M10 x 30	
5	3291005	4	Nut M10 x 1.5	
6	3841340	1	Hose Loop	
7	4812000	8	Washer M10	
8	1001176952	1	Harness, Main Boom Cable - 400SC (See ELECTRICAL SECTION for Breakdown)	
9	5261018	2	Nut M10	
10	1001172128	1	Bracket, Hose Cover	
11	1001173456	1	Clamp	
12	1001173665	1	Clamp	
13	1001173761	1	Bracket	
14	1001173808	1	Harness, Telescope In Proximity Sensors (See ELECTRICAL SECTION for Breakdown)	
15	1001173927	1	Clamp	
16	1001175170	1	Cable, Electrical 12/3	
17	0100081	1	Adhesive	
18	1001181329	1	Bolt M10 x 70	
19	1001173807	1	Harness, Capacity Switch (See ELECTRICAL SECTION for Breakdown)	

SECTION 4 - BOOM

FIGURE 4-18. CABLES AND CLAMPS INSTALLATION - 4000W-50HZ GENRATOR - 400SC - ANSI EXPORT AND CE SPECS (SN 0300214184 to Present)



ART_1001173594

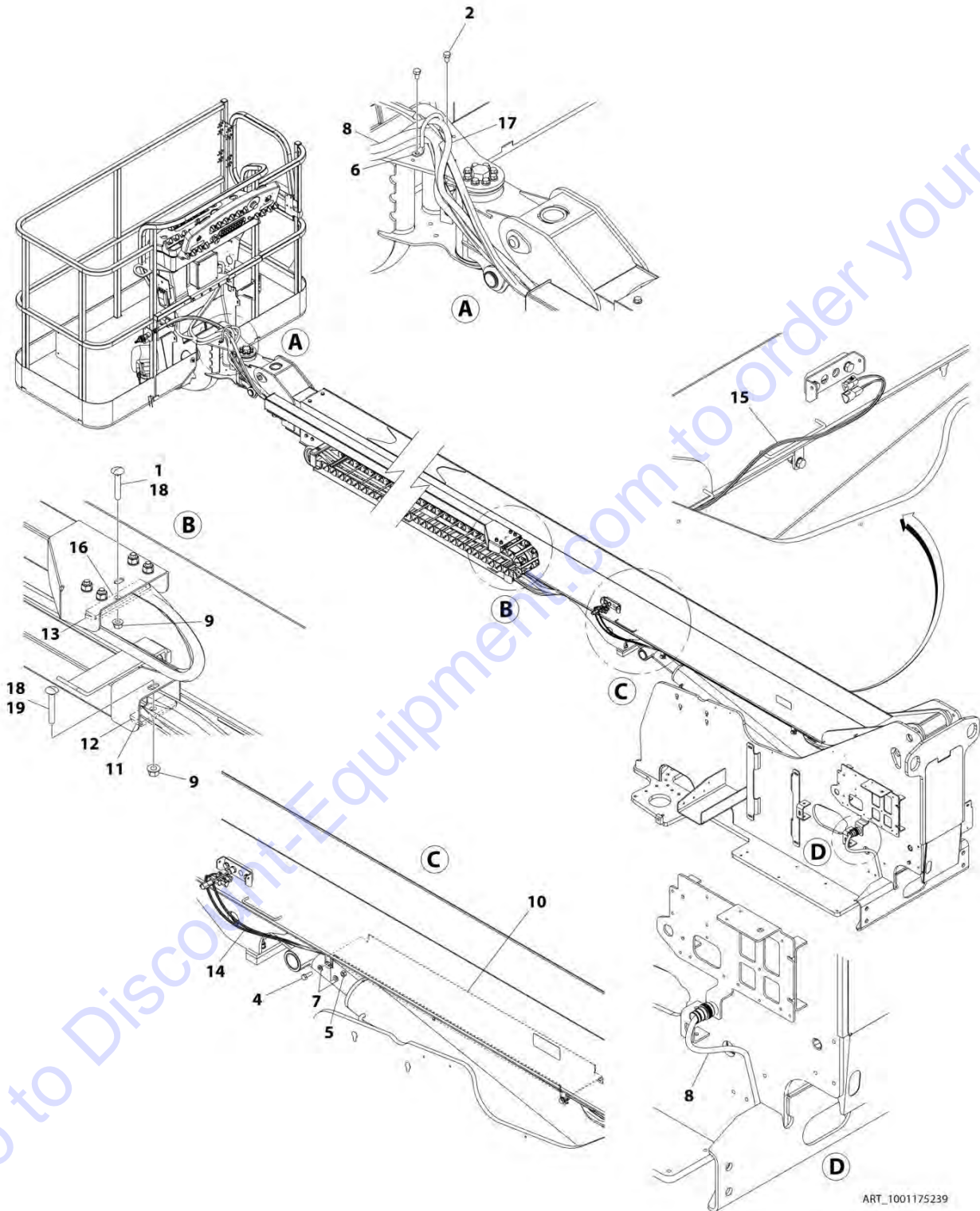
SECTION 4 - BOOM

FIGURE 4-18. CABLES AND CLAMPS INSTALLATION - 4000W-50HZ GENERATOR - 400SC - ANSI EXPORT AND CE SPECS (SN 0300214184 to Present)

ITEM	PART NUMBER	QTY	DESCRIPTION	REV
	1001173594	Ref	CABLES AND CLAMPS INSTALLATION - 4000W-50HZ GENERATOR - 400SC - ANSI EXPORT AND CE SPECS (SN 0300214184 to Present)	D
1	0630563	2	Bolt, Carriage M10 x 60	
2	0641504	2	Bolt 5/16 x 1/2	
4	0761014	4	Bolt M10 x 30	
5	0761018	1	Bolt M10 x 50	
6	3291005	7	Nut M10 x 1.5	
7	3841340	1	Hose Loop	
8	4812000	12	Washer M10	
9	1001176952	1	Harness, Main Boom Cable - 400SC (See ELECTRICAL SECTION for Breakdown)	
11	8406110	1	Clip	
12	1001172128	1	Bracket, Hose Cover	
13	1001173456	1	Clamp	
14	1001173665	1	Clamp	
15	1001173761	1	Bracket	
16	1001173807	1	Harness, Capacity Switch (See ELECTRICAL SECTION for Breakdown)	
17	1001173808	1	Harness, Telescope In Proximity Sensors (See ELECTRICAL SECTION for Breakdown)	
18	1001173927	1	Clamp	
19	1001203434	1	Cable, Electrical 12/3	
20	0100081	AR	Adhesive	

SECTION 4 - BOOM

FIGURE 4-19. CABLES AND CLAMPS INSTALLATION - 4000W-60HZ GENRATOR - 400SC - ANSI EXPORT SPECS (SN 0300224020 to Present)



ART_1001175239

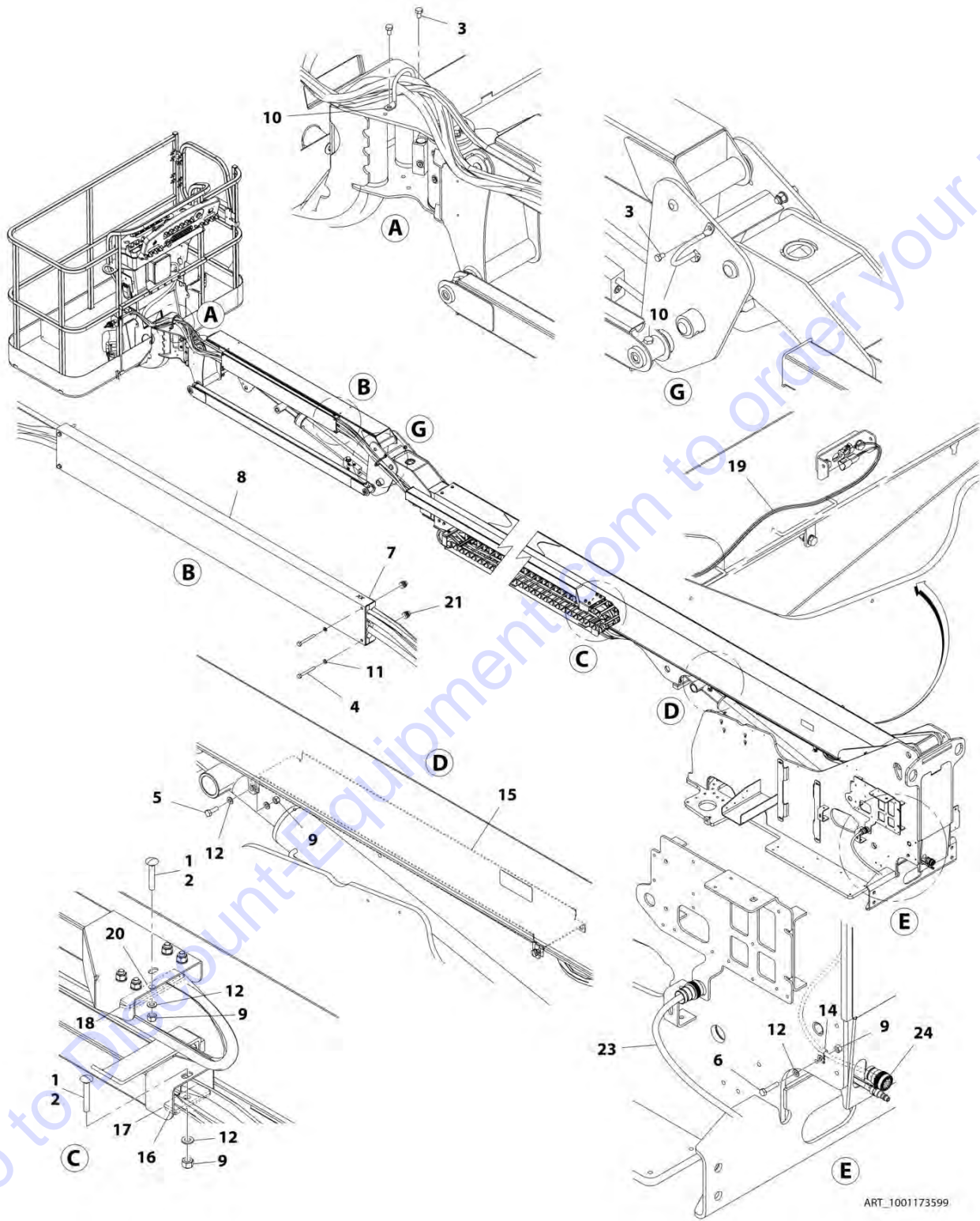
SECTION 4 - BOOM

FIGURE 4-19. CABLES AND CLAMPS INSTALLATION - 4000W-60HZ GENERATOR - 400SC - ANSI EXPORT SPECS (SN 0300224020 to Present)

ITEM	PART NUMBER	QTY	DESCRIPTION	REV
	1001175239	Ref	CABLES AND CLAMPS INSTALLATION - 4000W-60HZ GENERATOR - 400SC - ANSI EXPORT SPECS (SN 0300224020 to Present)	C
1	0630563	1	Bolt, Carriage M10 x 60	
2	0641605	2	Bolt 3/8 x 5/8	
4	0761014	4	Bolt M10 x 30	
5	3291005	4	Nut M10	
6	3841340	1	Hose Loop	
7	4812000	8	Washer M10	
8	1001176952	1	Harness, Main Boom Cable - 400SC (See ELECTRICAL SECTION for Breakdown)	
9	5261018	2	Nut M10	
10	1001172128	1	Bracket, Hose Cover	
11	1001173456	1	Clamp	
12	1001173665	1	Clamp	
13	1001173761	1	Bracket	
14	1001173807	1	Harness, Capacity Switch (See ELECTRICAL SECTION for Breakdown)	
15	1001173808	1	Harness, Telescope In Proximity Sensors (See ELECTRICAL SECTION for Breakdown)	
16	1001173927	1	Clamp	
17	1001175170	1	Cable, Electrical 12/3	
18	0100081	1	Adhesive	
19	1001181329	1	Bolt, Carriage M10 x 70	

SECTION 4 - BOOM

FIGURE 4-20. CABLES AND CLAMPS INSTALLATION - 460SJC - CE SPECS



ART_1001173599

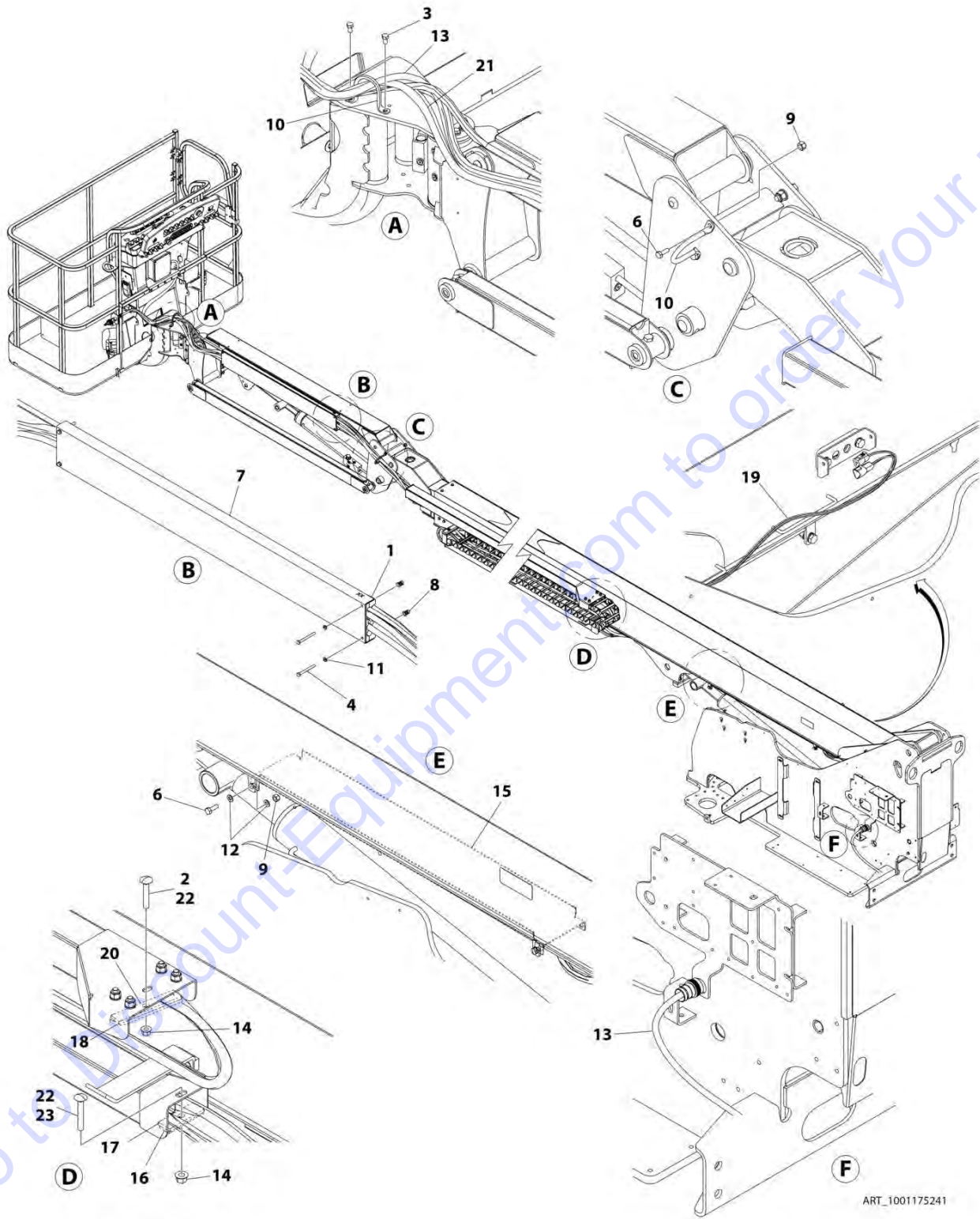
SECTION 4 - BOOM

FIGURE 4-20. CABLES AND CLAMPS INSTALLATION - 460SJC - CE SPECS

ITEM	PART NUMBER	QTY	DESCRIPTION	REV
	1001173599	Ref	CABLES AND CLAMPS INSTALLATION - 460SJC - CE SPECS	D
1	0100081	1	Adhesive	
2	0630563	2	Bolt, Carriage M10 x 60	
3	0641504	4	Bolt 5/16 x 1/2	
4	0641418	4	Bolt 1/4 x 2-1/4	
5	0761014	4	Bolt M10 x 30	
6	0761018	1	Bolt M10 x 50	
7	1001203459	2	Block, Clamp	
8	1670769	1	Cover	
9	3291005	7	Nut M10	
10	3841340	2	Hose Loop	
11	4811700	4	Washer M6	
12	4812000	12	Washer M10	
14	8406110	1	Clip	
15	1001172128	1	Bracket, Hose Cover	
16	1001173456	1	Clamp	
17	1001173665	1	Clamp	
18	1001173761	1	Bracket	
19	1001173808	1	Harness, Telescope In Proximity Sensors (See ELECTRICAL SECTION for Breakdown)	
20	1001173927	1	Clamp	
21	2080044	4	Nut 1/4	
23	1001176953	1	Harness, Main Boom Cable - 460SJC (See ELECTRICAL SECTION for Breakdown)	
24	1001203435	1	Cable, Electrical 12/3	

SECTION 4 - BOOM

FIGURE 4-21. CABLES AND CLAMPS INSTALLATION - 460SJC - ANSI EXPORT SPECS



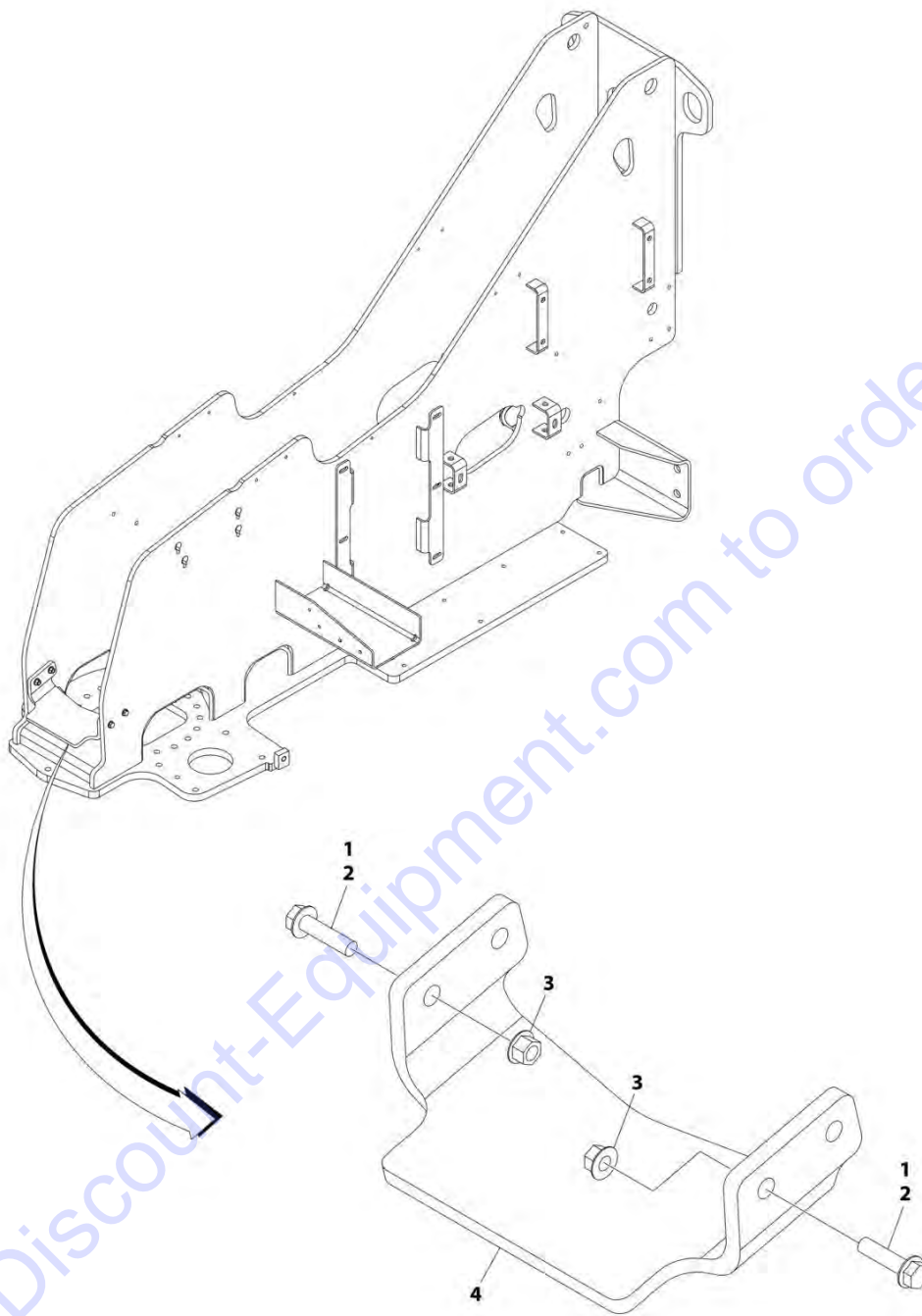
SECTION 4 - BOOM

FIGURE 4-21. CABLES AND CLAMPS INSTALLATION - 460SJC - ANSI EXPORT SPECS

ITEM	PART NUMBER	QTY	DESCRIPTION	REV
	1001175241	Ref	CABLES AND CLAMPS INSTALLATION - 460SJC - ANSI EXPORT SPECS	B
1	0561237	2	Block, Clamp	
2	0630563	1	Bolt, Carriage M10 x 60	
3	0641605	2	Bolt 3/8 x 5/8	
4	0700620	4	Bolt M6 x 60	
6	0761014	6	Bolt M10 x 30	
7	1670769	1	Cover	
8	1001176636	4	Nut M6	
9	3291005	6	Nut M10	
10	3841340	2	Hose Loop	
11	4811700	4	Washer M6	
12	4812000	8	Washer M10	
13	1001176953	1	Harness, Main Boom Cable - 460SJC (See ELECTRICAL SECTION for Breakdown)	
14	5261018	2	Nut M10	
15	1001172128	1	Bracket, Hose Cover	
16	1001173456	1	Clamp	
17	1001173665	1	Clamp	
18	1001173761	1	Bracket	
19	1001173808	1	Harness, Telescope in Proximity Sensors (See ELECTRICAL SECTION for Breakdown)	
20	1001173927	1	Clamp	
21	1001175171	1	Cable, Electrical 12/3	
22	0100081	1	Adhesive	
23	1001181329	1	Bolt, Carriage M10 x 70	

SECTION 4 - BOOM

FIGURE 4-22. BOOM REST INSTALLATION



Go to Discount-Equipment.com to order your parts

ART_1001209100

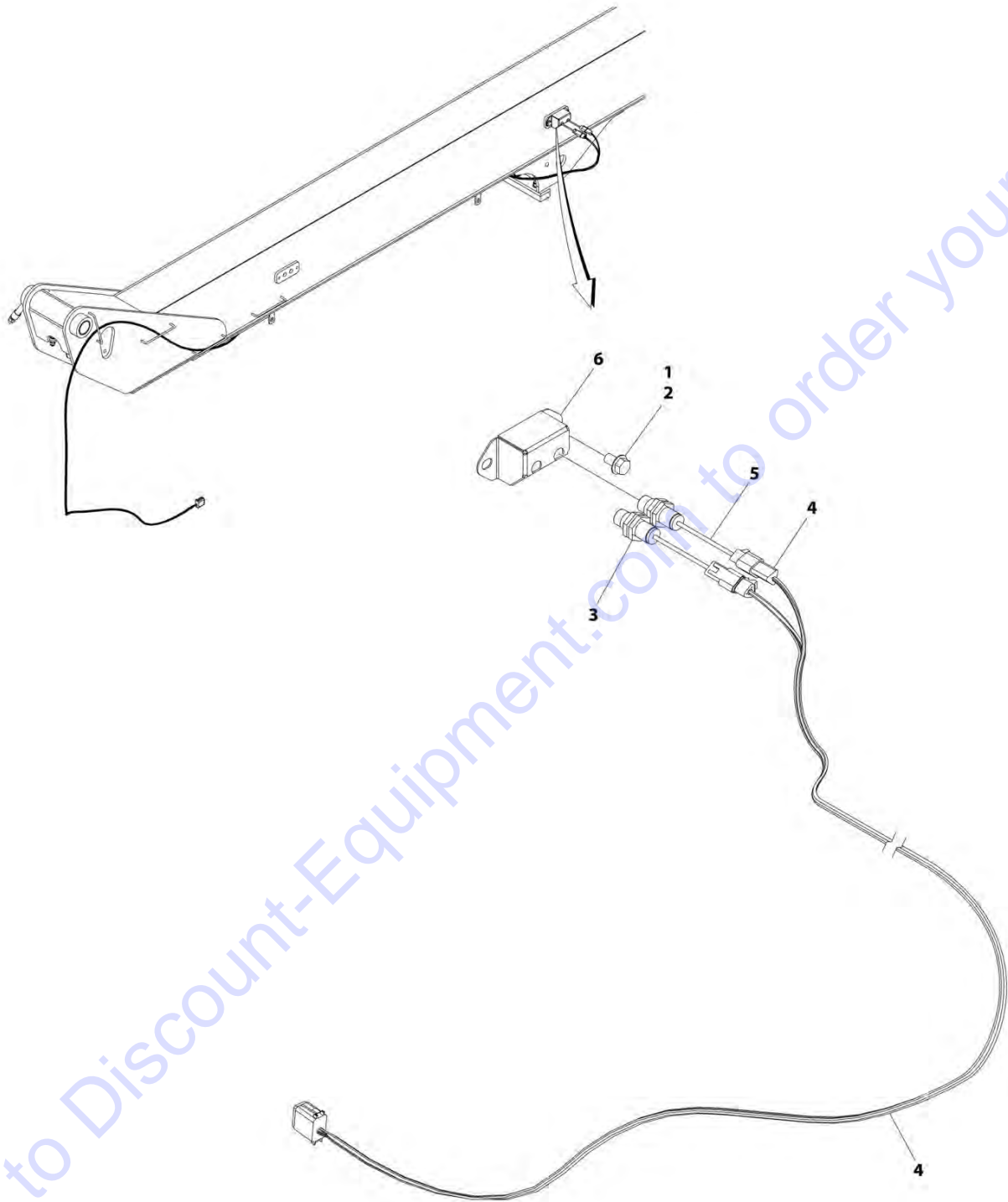
FIGURE 4-22. BOOM REST INSTALLATION

ITEM	PART NUMBER	QTY	DESCRIPTION	REV
	1001209100	Ref	Boom Rest Installation	A
1	0100011	AR	Loctite 242	
2	5251016	4	Bolt M10 x 40	
3	5261000	4	Nut M10	
4	1001209099	1	Support, Boom Rest	

Go to Discount-Equipment.com to order your parts

SECTION 4 - BOOM

FIGURE 4-23. DRIVE DISABLE SWITCH INSTALLATION (SN 0300239462 through 0300250672)



ART_1001231324

SECTION 4 - BOOM

FIGURE 4-23. DRIVE DISABLE SWITCH INSTALLATION (SN 0300239462 through 0300250672)

ITEM	PART NUMBER	QTY	DESCRIPTION	REV
	1001231324	Ref	DRIVE DISABLE SWITCH INSTALLATION (SN 0300239462 through 0300250672)	A
1	0100011	AR	Loctite	
2	5251008	2	Bolt M10 x 16	
3	1001170847	1	Sensor, Proximity	
4	1001173807	1	Harness, Capacity Switch (See ELECTRICAL SECTION for Breakdown)	
5	1001182570	1	Sensor, Proximity	
6	1001204715	1	Bracket, Switch Cover	

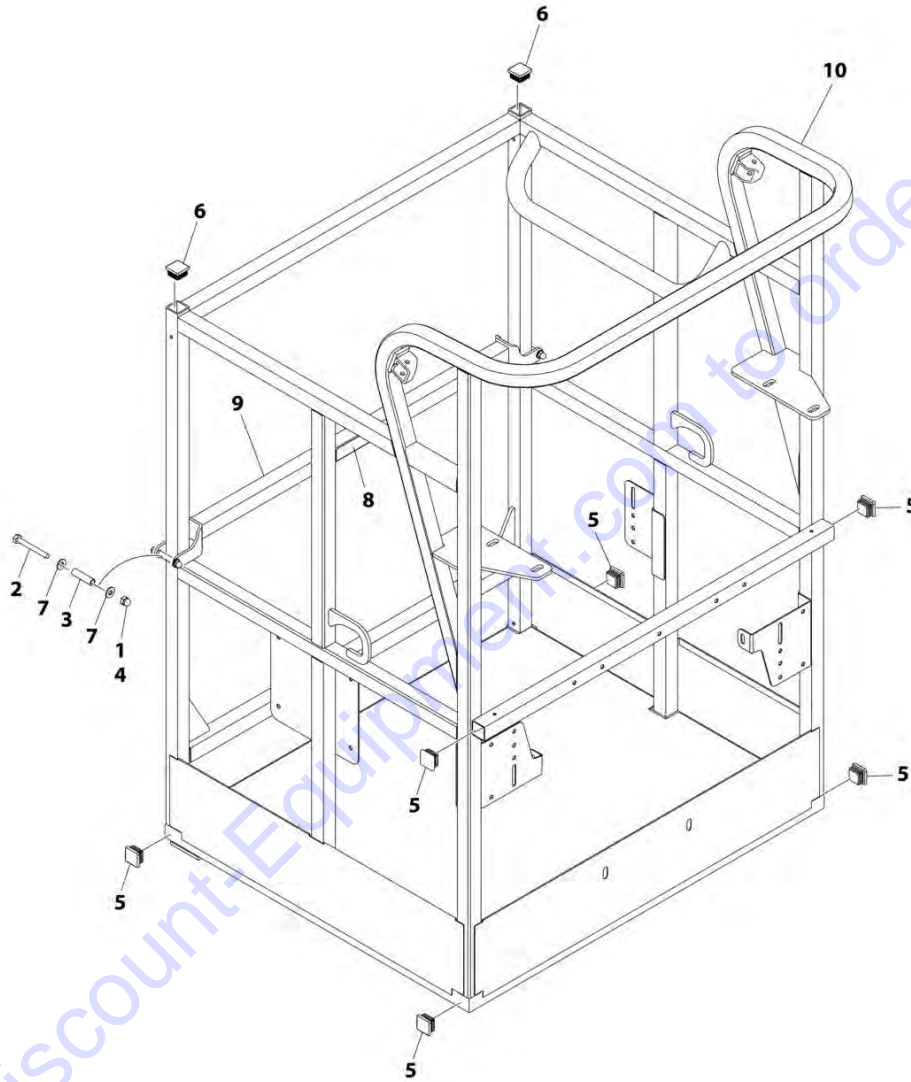
Go to Discount-Equipment.com to order your parts

SECTION 5 - PLATFORM

Go to Discount-Equipment.com to order your parts

SECTION 5 - PLATFORM

FIGURE 5-1. PLATFORM ASSEMBLY - 30IN X 3FT (76CM X .91M) - DROP BAR ENTRY



ART_1001228215

SECTION 5 - PLATFORM

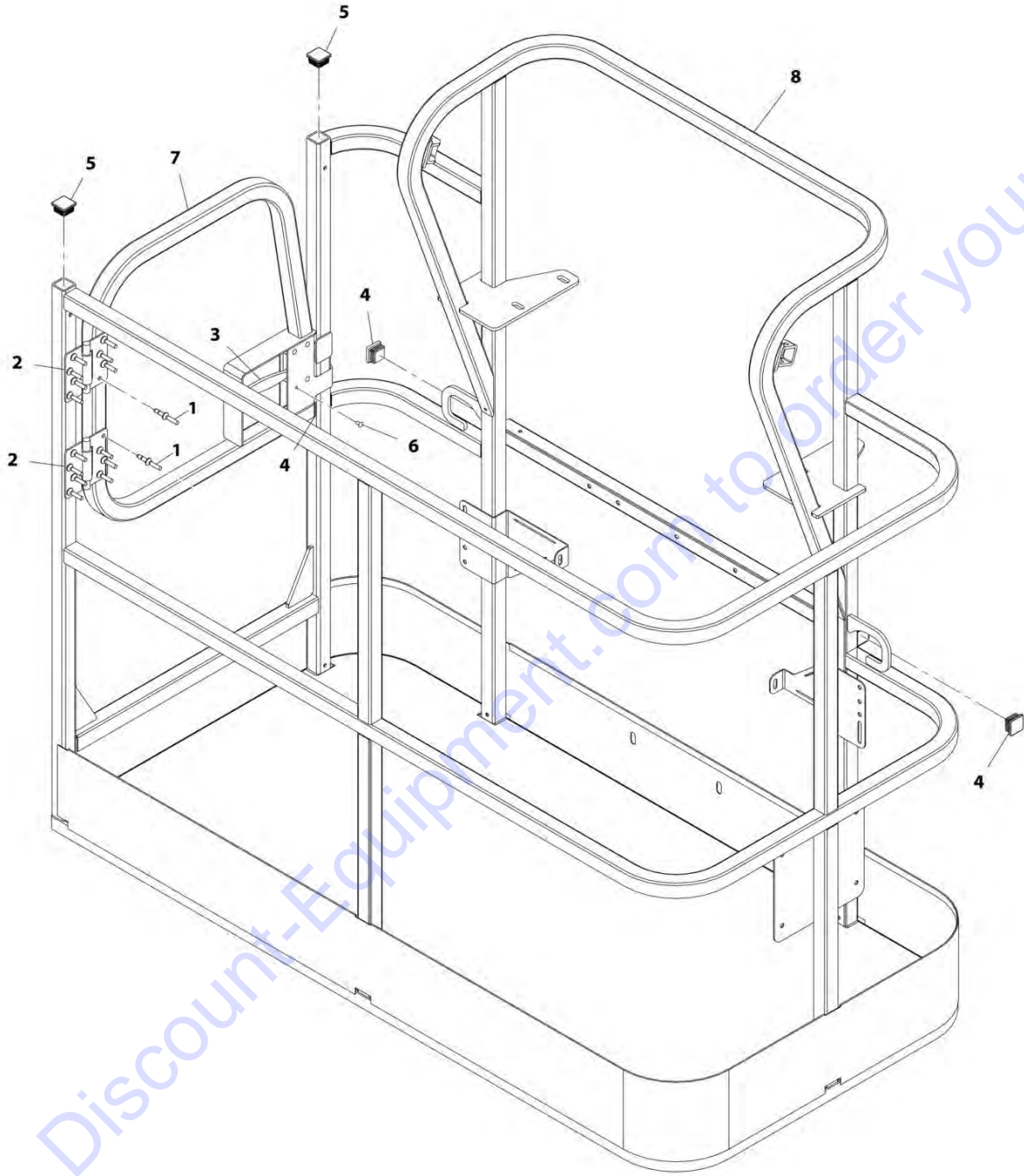
FIGURE 5-1. PLATFORM ASSEMBLY - 30IN X 3FT (76CM X .91M) - DROP BAR ENTRY

ITEM	PART NUMBER	QTY	DESCRIPTION	REV
	1001228215	Ref	PLATFORM ASSEMBLY - 30IN X 3FT (76CM X .91M) - DROP BAR ENTRY	A
	See Note	Ref	Note: Platform and Mesh must be ordered separately for Platforms with Mesh. See SPECIAL OPTIONS SECTION for Mesh Installations.	
	See Note	Ref	Note: Replacement Decals Must be Ordered Separately - See DECAL SECTION.	
1	0100011	AR	Compound, Locking	
2	0641418	2	Bolt 1/4 x 2-1/4	
3	0961845	2	Bushing	
4	3300151	2	Nut 1/4	
5	3520072	6	Cap, Plug	
6	3520198	2	Cap, Plug	
7	4711400	4	Washer 1/4	
8	1001140429	1	Decal - Drop Bar	
9	1001226872	1	Bar, Drop	
10	See Note	NSS	Platform, Weldment (Note: Not Available - Purchase Platform Assembly)	

Go to Discount-Equipment.com to order your parts

SECTION 5 - PLATFORM

FIGURE 5-2. PLATFORM ASSEMBLY - 30IN X 5FT (76.2CM X 1.5M) WITH SWING GATE



ART_1001186386

SECTION 5 - PLATFORM

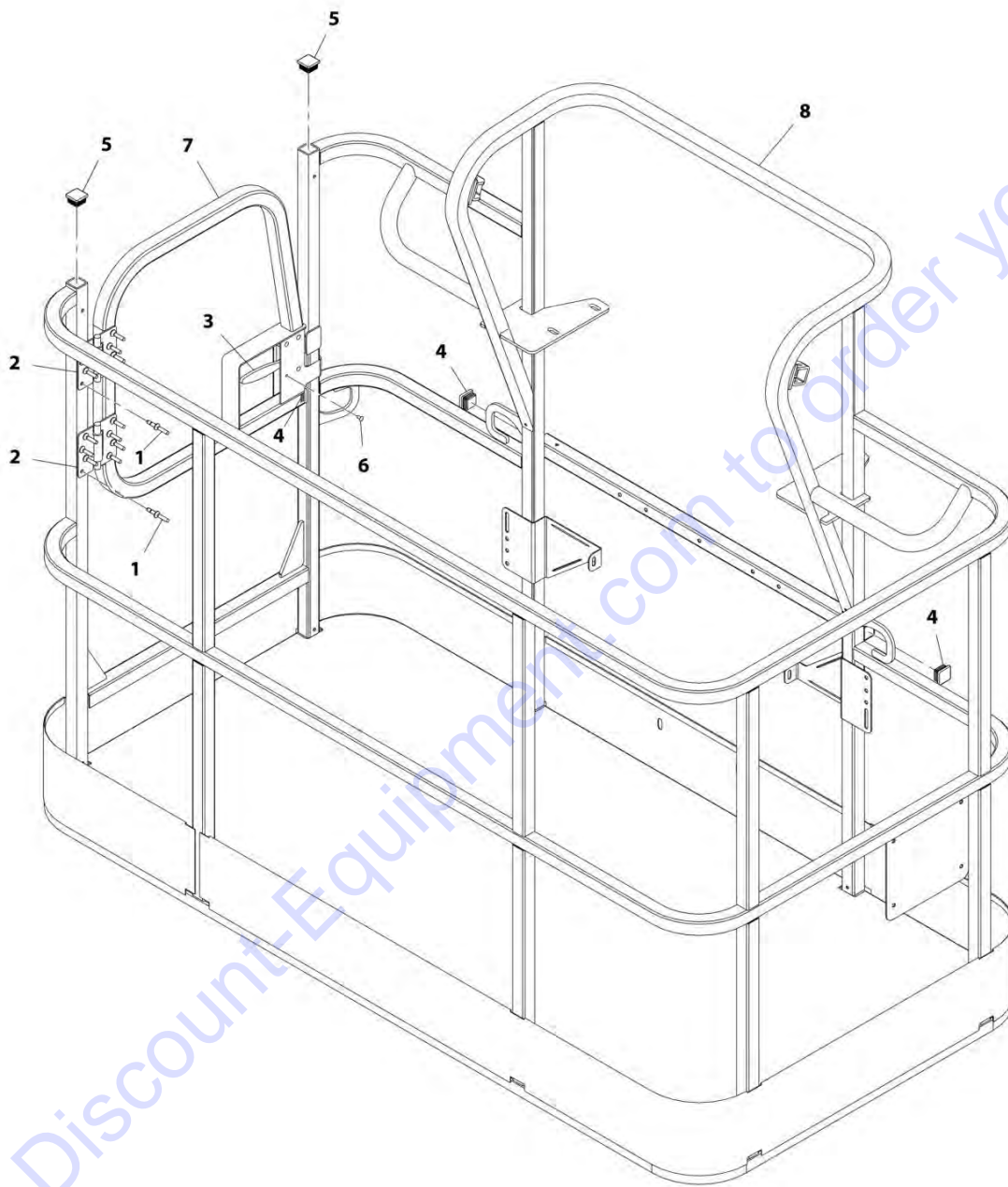
FIGURE 5-2. PLATFORM ASSEMBLY - 30IN X 5FT (76.2CM X 1.5M) WITH SWING GATE

ITEM	PART NUMBER	QTY	DESCRIPTION	REV
	1001186386	Ref	PLATFORM ASSEMBLY - 30IN X 5FT (76.2CM X 1.5M) WITH SWING GATE	C
	See Note	Ref	Note: Platform and Mesh must be ordered separately for Platforms with Mesh. See SPECIAL OPTIONS SECTION for Mesh Installations.	
	See Note	Ref	Note: Replacement Decals Must be Ordered Separately - See DECALS SECTION.	
1	2080040	16	Fastener, Huck	
2	2600281	2	Hinge	
3	2940074	1	Latch	
4	3520072	3	Plug	
5	3520198	2	Plug	
6	3820020	4	Rivet	
7	1001144629	1	Gate	
8	See Note	NSS	Platform (Note: Use p/n 1001186386)	

Go to Discount-Equipment.com to order your parts

SECTION 5 - PLATFORM

FIGURE 5-3. PLATFORM ASSEMBLY - 36IN X 6FT (91.5CM X 1.83M) WITH SWING GATE



ART_1001186384

SECTION 5 - PLATFORM

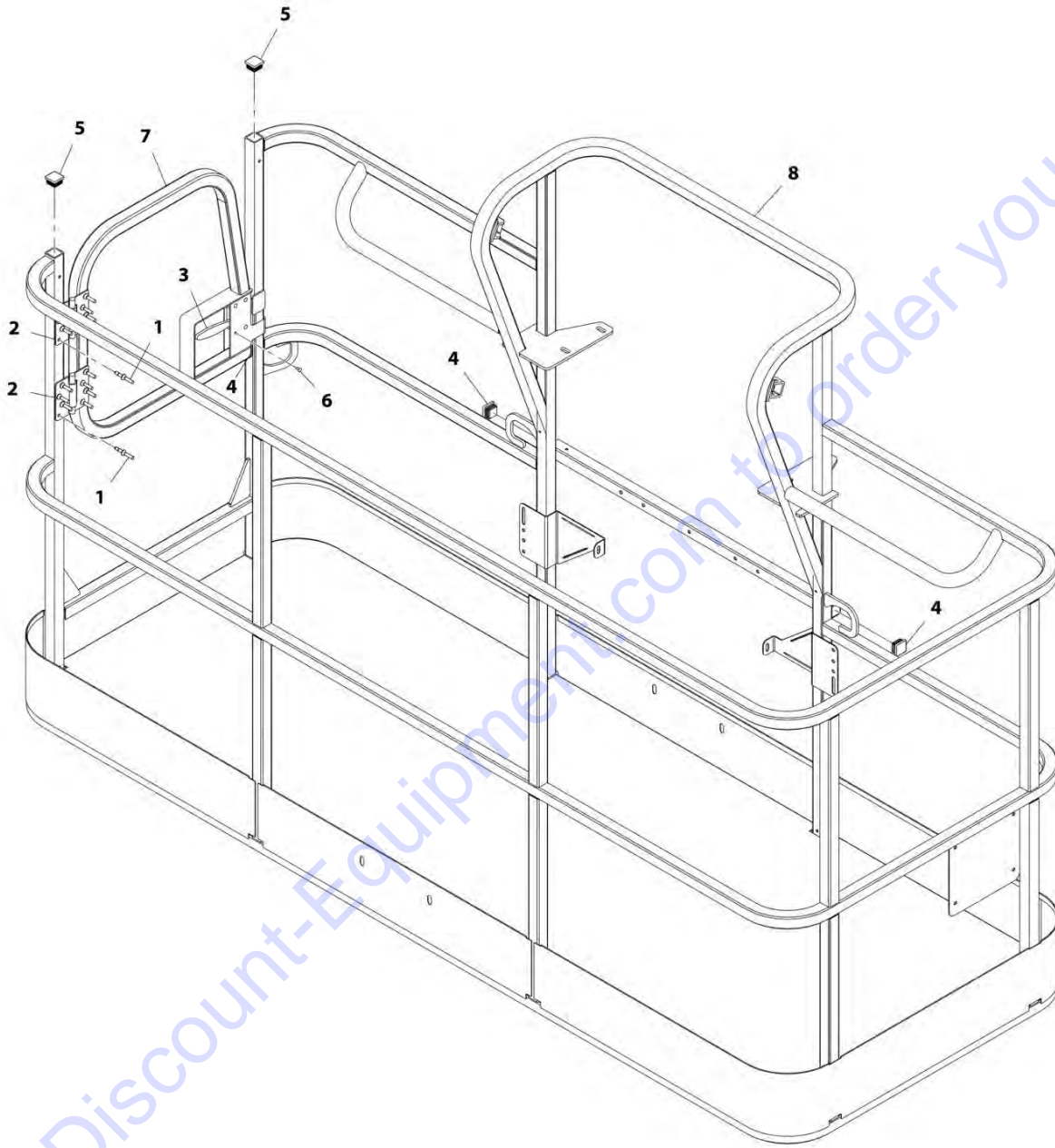
FIGURE 5-3. PLATFORM ASSEMBLY - 36IN X 6FT (91.5CM X 1.83M) WITH SWING GATE

ITEM	PART NUMBER	QTY	DESCRIPTION	REV
	1001186384	Ref	PLATFORM ASSEMBLY - 36IN X 6FT (91.5CM X 1.83M) WITH SWING GATE	C
	See Note	Ref	Note: Platform and Mesh must be ordered separately for Platforms with Mesh. See SPECIAL OPTIONS SECTION for Mesh Installations.	
	See Note	Ref	Note: Replacement Decals Must be Ordered Separately - See DECALS SECTION.	
1	2080040	16	Fastener, Huck	
2	2600281	2	Hinge	
3	2940074	1	Latch	
4	3520072	3	Plug	
5	3520198	2	Plug	
6	3820020	4	Rivet	
7	1001144629	1	Gate	
8	See Note	NSS	Platform (Note: Not Available - Purchase Platform Assembly)	

Go to Discount-Equipment.com to order your parts

SECTION 5 - PLATFORM

FIGURE 5-4. PLATFORM ASSEMBLY - 36IN X 8FT (91.5CM X 2.44M) WITH SWING GATE



ART_1001186383

SECTION 5 - PLATFORM

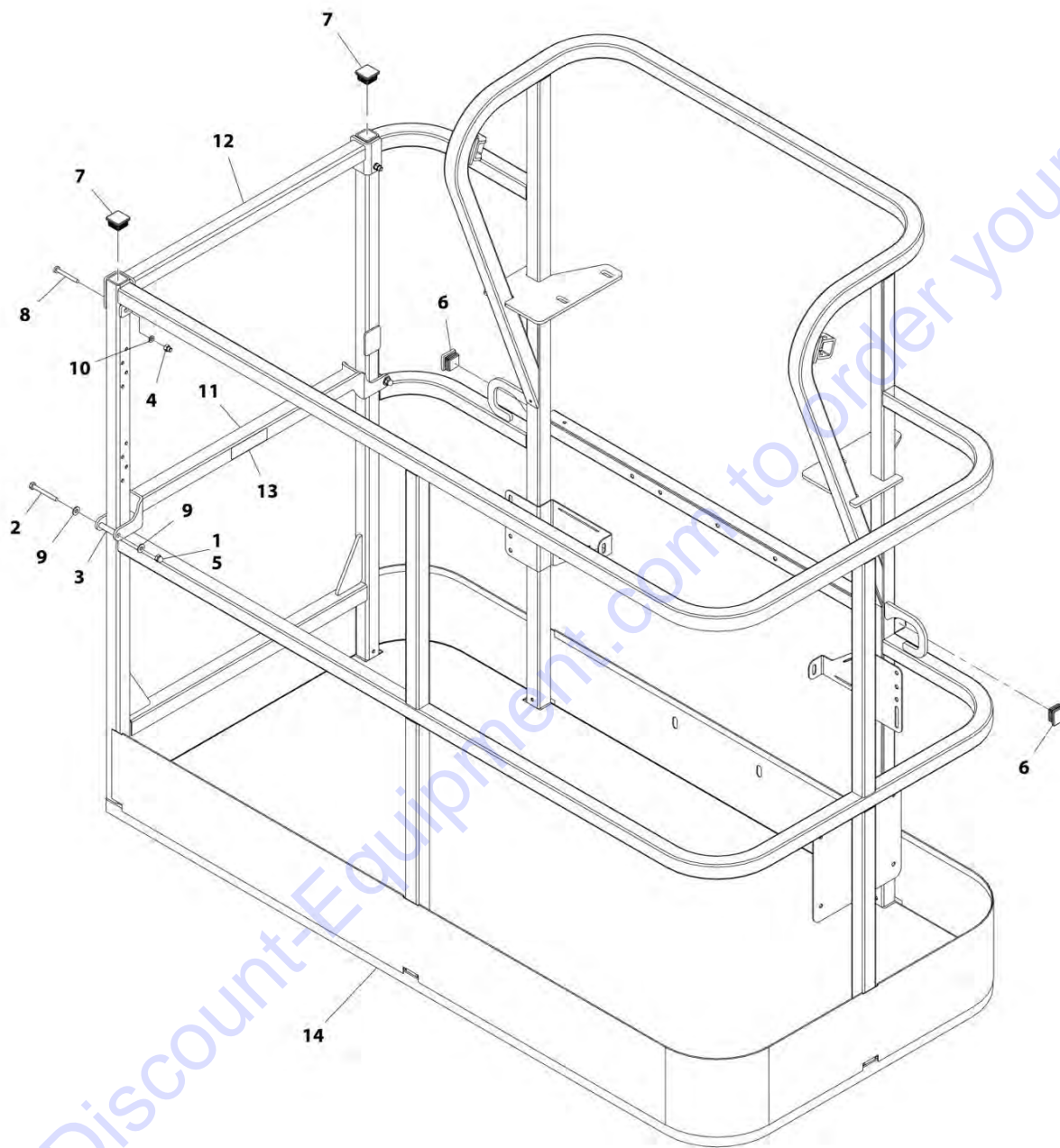
FIGURE 5-4. PLATFORM ASSEMBLY - 36IN X 8FT (91.5CM X 2.44M) WITH SWING GATE

ITEM	PART NUMBER	QTY	DESCRIPTION	REV
	1001186383	Ref	PLATFORM ASSEMBLY - 36IN X 8FT (91.5CM X 2.44M) WITH SWING GATE	D
	See Note	Ref	Note: Platform and Mesh must be ordered separately for Platforms with Mesh. See SPECIAL OPTIONS SECTION for Mesh Installations.	
	See Note	Ref	Note: Replacement Decals Must be Ordered Separately - See DECALS SECTION.	
1	2080040	16	Fastener, Huck	
2	2600281	2	Hinge	
3	2940074	1	Latch	
4	3520072	3	Plug	
5	3520198	2	Plug	
6	3820020	4	Rivet	
7	1001144629	1	Gate	
8	See Note	NSS	Platform (Note: Not Available - Purchase Platform Assembly)	

Go to Discount-Equipment.com to order your parts

SECTION 5 - PLATFORM

FIGURE 5-5. PLATFORM ASSEMBLY - 30IN X 5FT (76.2CM X 1.5M) WITH DROP BAR



ART_1001186377

SECTION 5 - PLATFORM

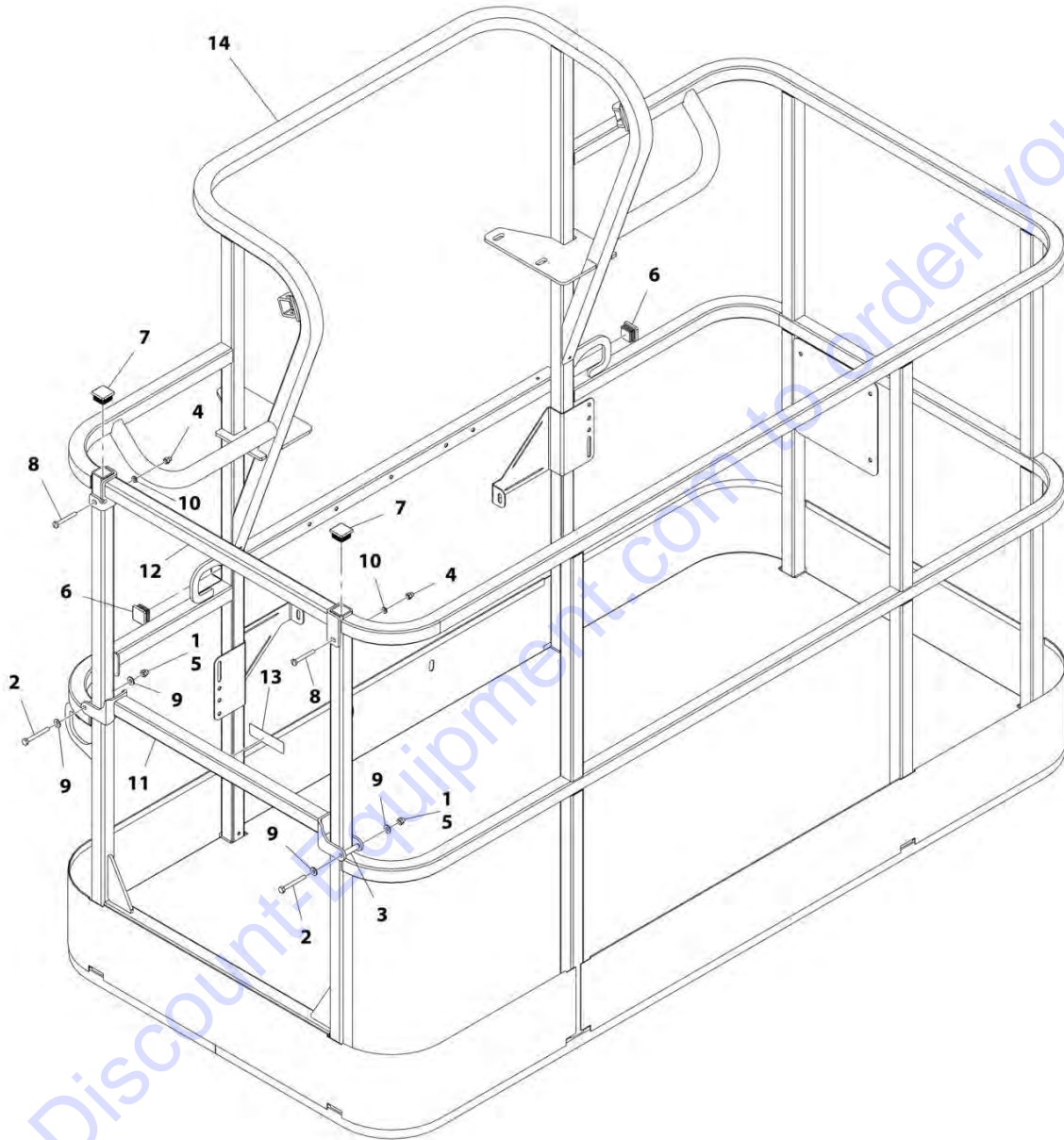
FIGURE 5-5. PLATFORM ASSEMBLY - 30IN X 5FT (76.2CM X 1.5M) WITH DROP BAR

ITEM	PART NUMBER	QTY	DESCRIPTION	REV
	1001186377	Ref	PLATFORM ASSEMBLY - 30IN X 5FT (76.2 X 1.5M) WITH DROP BAR	C
	See Note	Ref	Note: Platform and Mesh must be ordered separately for Platforms with Mesh. See SPECIAL OPTIONS SECTION for Mesh Installations.	
	See Note	Ref	Note: Replacement Decals Must be Ordered Separately - See DECALS SECTION.	
1	0100011	AR	Compound, Locking	
2	0641420	2	Bolt 1/4 x 2-1/2	
3	0961845	2	Bushing	
4	3290606	2	Nut M6 x 1	
5	3300151	2	Nut 1/4	
6	3520072	2	Plug	
7	3520198	2	Plug	
8	4010618	2	Screw M6 x 50	
9	4711400	4	Washer 1/4	
10	4811700	2	Washer M6	
11	1001138494	1	Bar, Drop	
12	1001138514	1	Rail (Top)	
13	1001140429	1	Decal - Drop Bar	
14	See Note	NSS	Platform (Use p/n 1001186377)	

Go to Discount-Equipment.com to order your parts

SECTION 5 - PLATFORM

FIGURE 5-6. PLATFORM ASSEMBLY - 36IN X 6FT (91.5CM X 1.83M) WITH DROP BAR



ART_1001186379

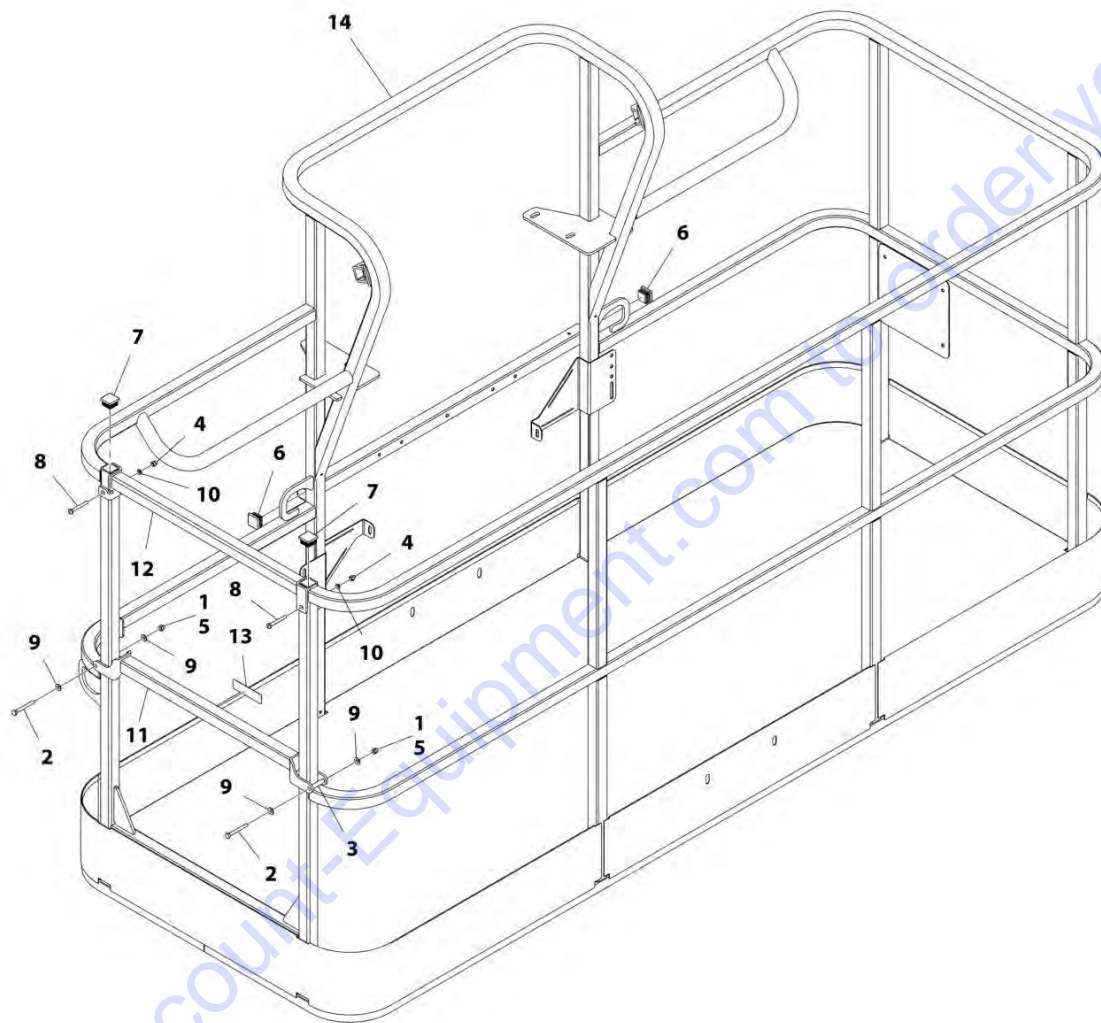
SECTION 5 - PLATFORM

FIGURE 5-6. PLATFORM ASSEMBLY - 36IN X 6FT (91.5CM X 1.83M) WITH DROP BAR

ITEM	PART NUMBER	QTY	DESCRIPTION	REV
	1001186379	Ref	PLATFORM ASSEMBLY - 36IN X 6FT (91.5CM X 1.83M) WITH DROP BAR	B
	See Note	Ref	Note: Platform and Mesh must be ordered separately for Platforms with Mesh. See SPECIAL OPTIONS SECTION for Mesh Installations.	
	See Note	Ref	Note: Replacement Decals Must be Ordered Separately - See DECALS SECTION.	
1	0100011	AR	Compound, Locking	
2	0641418	2	Bolt 1/4 x 2-1/4	
3	0961845	2	Bushing	
4	3290606	2	Nut M6 x 1	
5	3300151	2	Nut 1/4	
6	3520072	2	Plug	
7	3520198	2	Plug	
8	4010618	2	Screw M6 x 50	
9	4711400	4	Washer 1/4	
10	4811700	2	Washer M6	
11	1001138494	1	Bar, Drop	
12	1001138514	1	Rail (Top)	
13	1001140429	1	Decal - Drop Bar	
14	See Note	NSS	Platform (Note: Not Available - Purchase Platform Assembly)	

SECTION 5 - PLATFORM

FIGURE 5-7. PLATFORM ASSEMBLY - 36IN X 8FT (91.5CM X 2.44M) WITH DROP BAR



ART_1001186382

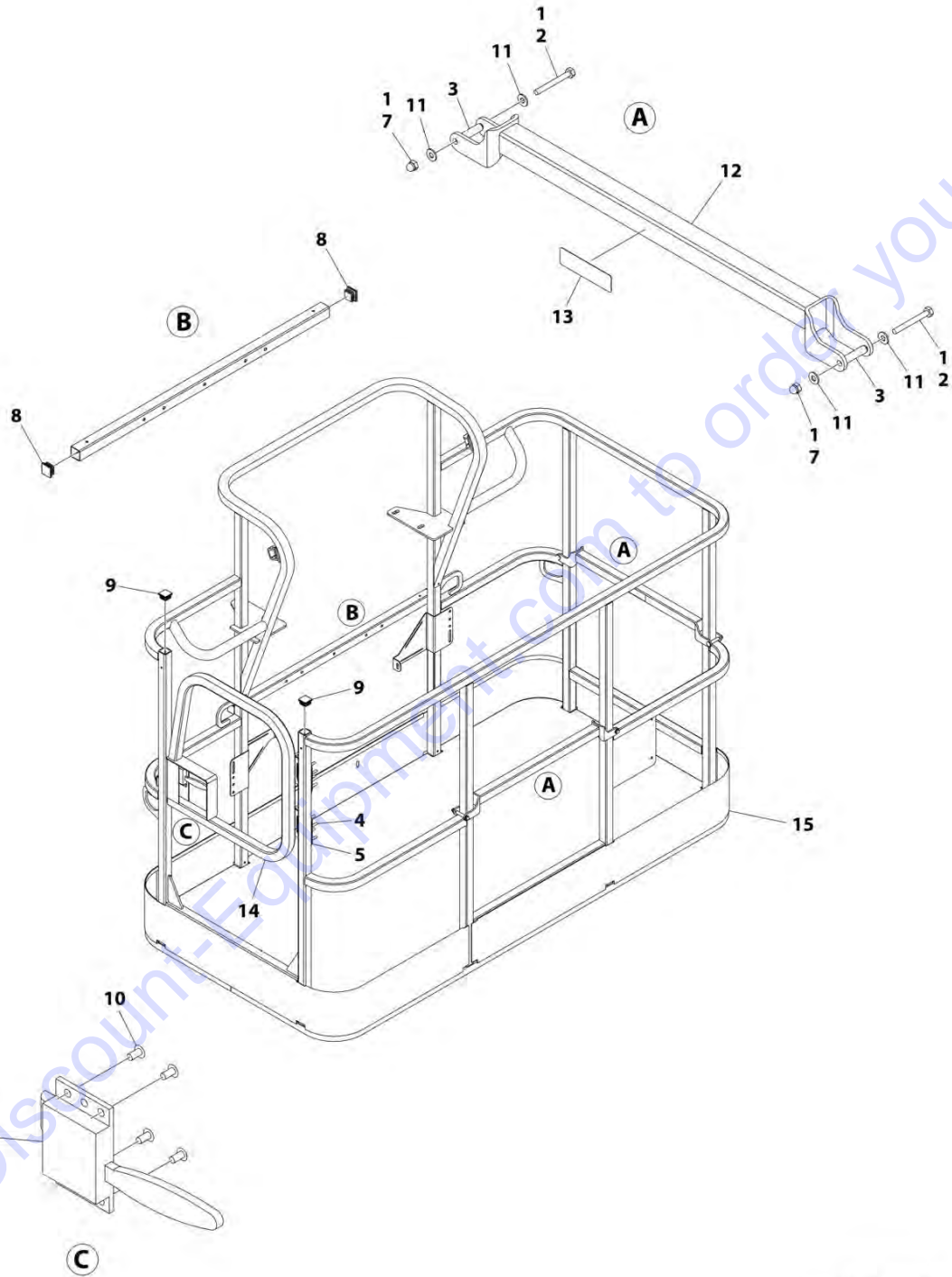
SECTION 5 - PLATFORM

FIGURE 5-7. PLATFORM ASSEMBLY - 36IN X 8FT (91.5CM X 2.44M) WITH DROP BAR

ITEM	PART NUMBER	QTY	DESCRIPTION	REV
	1001186382	Ref	PLATFORM ASSEMBLY - 36IN X 8FT (91.5CM X 2.44M) WITH DROP BAR	C
	See Note	Ref	Note: Platform and Mesh must be ordered separately for Platforms with Mesh. See SPECIAL OPTIONS SECTION for Mesh Installations.	
	See Note	Ref	Note: Replacement Decals Must be Ordered Separately - See DECALS SECTION.	
1	0100011	AR	Compound, Locking	
2	0641418	2	Bolt 1/4 x 2-1/4	
3	0961845	2	Bushing	
4	3290606	2	Nut M6 x 1	
5	3300151	2	Nut 1/4	
6	3520072	2	Plug	
7	3520198	2	Plug	
8	4010618	2	Screw M6 x 50	
9	4711400	4	Washer 1/4	
10	4811700	2	Washer M6	
11	1001138494	1	Bar, Drop	
12	1001138514	1	Rail (Top)	
13	1001140429	1	Decal - Drop Bar	
14	See Note	NSS	Platform (Note: Not Available - Purchase Platform Assembly)	

SECTION 5 - PLATFORM

FIGURE 5-8. PLATFORM ASSEMBLY - 36IN X 6FT (91.5CM X 1.83M) TRI-ENTRY WITH SWING GATE



ART_1001228376

SECTION 5 - PLATFORM

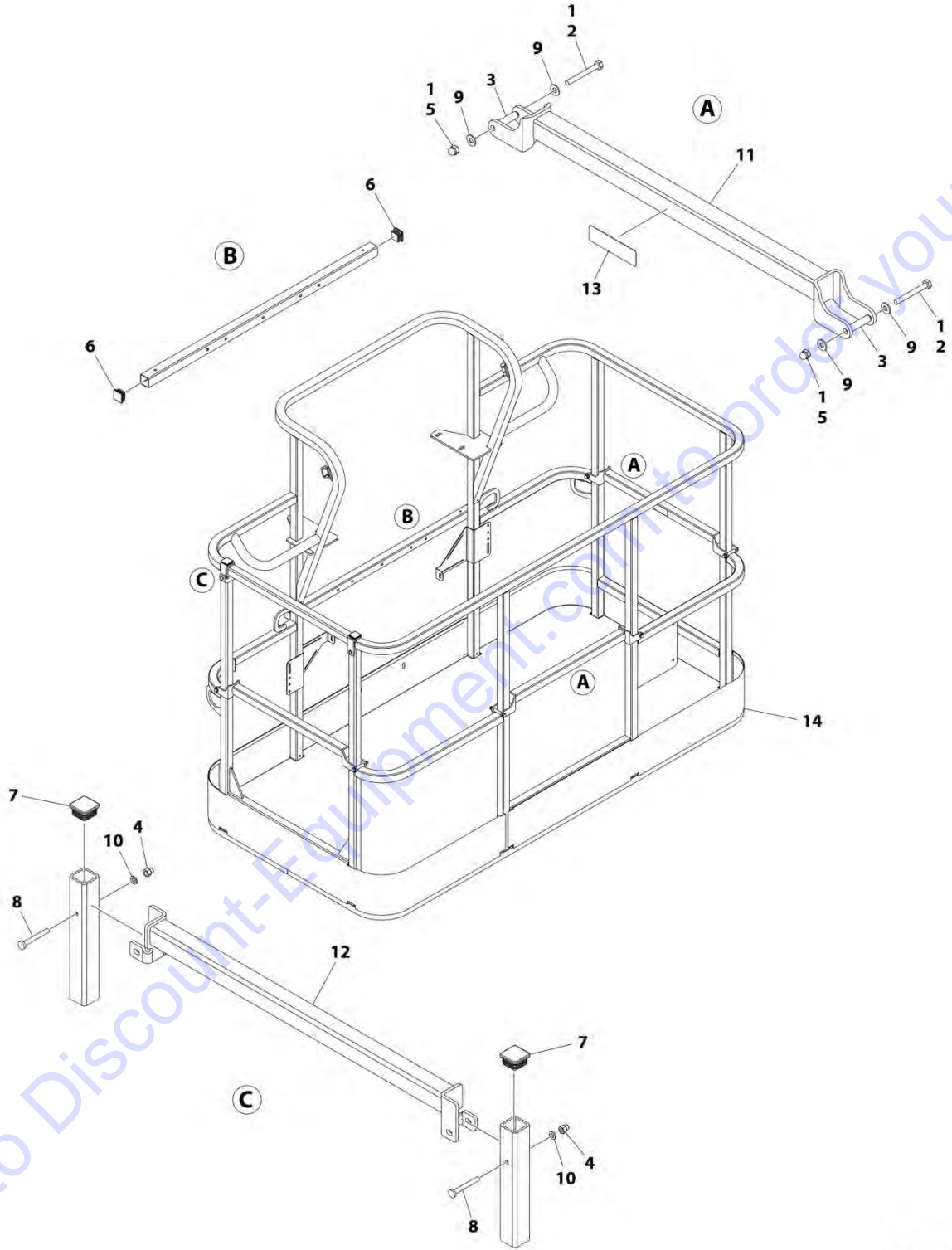
FIGURE 5-8. PLATFORM ASSEMBLY - 36IN X 6FT (91.5CM X 1.83M) TRI-ENTRY WITH SWING GATE

ITEM	PART NUMBER	QTY	DESCRIPTION	REV
	1001228376	Ref	PLATFORM ASSEMBLY - 36IN x 6FT (91.5CM x 1.83M)	A
		Ref	Note: Platform and Mesh must be ordered separately for Platforms with Mesh. See SPECIAL OPTIONS SECTION for Mesh Installations.	
		Ref	Note: Replacement Decals Must be Ordered Separately - See DECAL SECTION.	
1	0100011	AR	Compound, Locking	
2	0641418	4	Bolt 1/4 x 2-1/4	
3	0961845	4	Bushing	
4	2080040	16	Fastener	
5	2600281	2	Hinge	
6	2940074	1	Latch	
7	3300151	4	Nut 1/4	
8	3520072	3	Plug	
9	3520198	2	Plug	
10	3820020	4	Rivet	
11	4711400	8	Washer 1/4	
12	1001138494	2	Bar, Drop	
13	1001140429	2	Decal - Drop Bar	
14	1001144629	1	Gate	
15	See Note	NSS	Platform (Note: Not Available - Purchase Platform Assembly)	

Go to Discount-Equipment.com to order your parts

SECTION 5 - PLATFORM

FIGURE 5-9. PLATFORM ASSEMBLY - 36IN X 6FT (91.5CM X 1.83M) TRI-ENTRY WITH DROPBAR



ART_1001228377

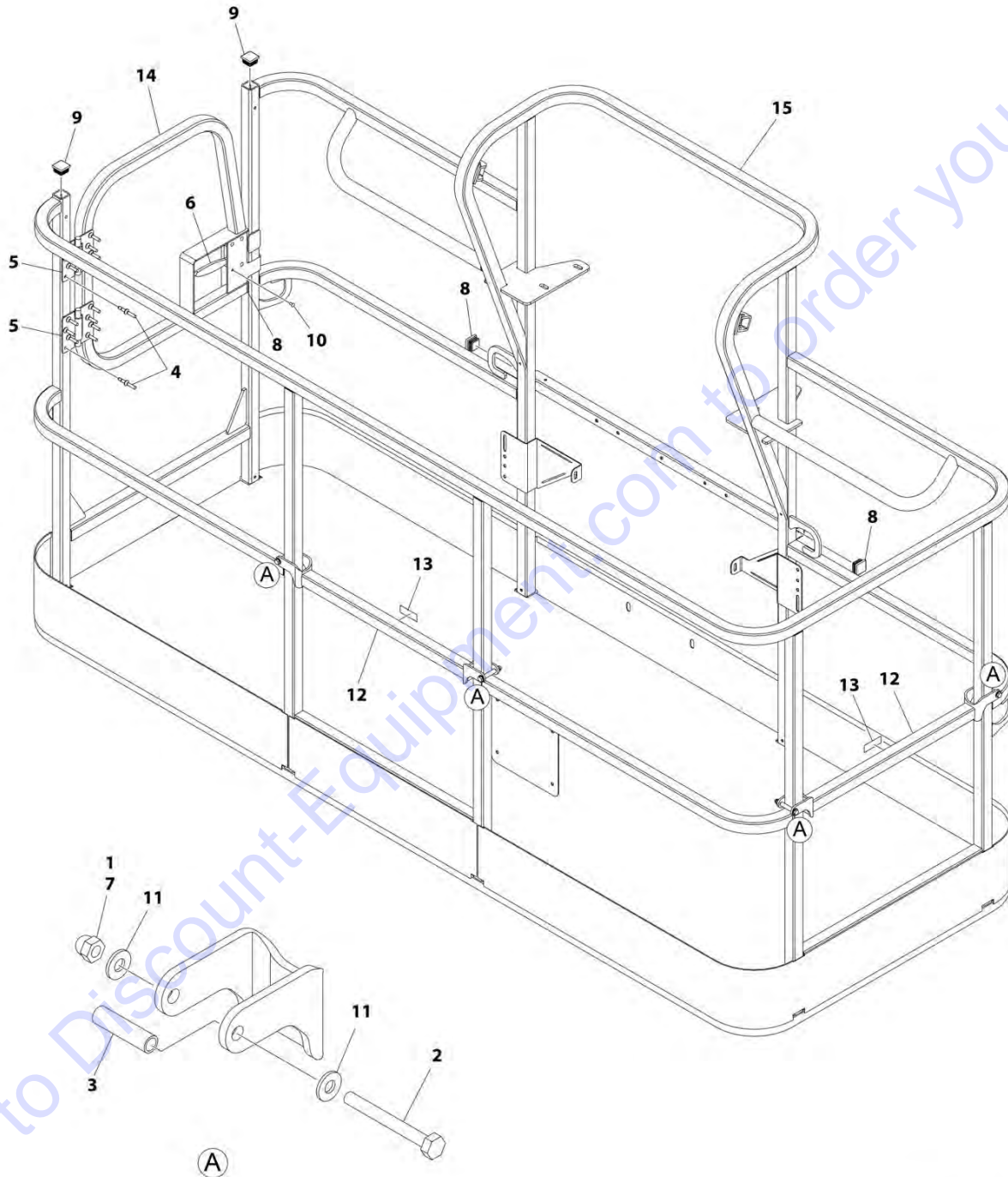
SECTION 5 - PLATFORM

FIGURE 5-9. PLATFORM ASSEMBLY - 36IN X 6FT (91.5CM X 1.83M) TRI-ENTRY WITH DROPBAR

ITEM	PART NUMBER	QTY	DESCRIPTION	REV
	1001228377	Ref	PLATFORM ASSEMBLY - 36IN x 6FT (91.5CM x 1.83M)	A
		Ref	Note: Platform and Mesh must be ordered separately for Platforms with Mesh. See SPECIAL OPTIONS SECTION for Mesh Installations.	
		Ref	Note: Replacement Decals Must be Ordered Separately - See DECAL SECTION.	
1	0100011	1	Compound, Locking	
2	0641418	6	Bolt 1/4 x 2-1/4	
3	0961845	6	Bushing	
4	3290606	2	Nut M6	
5	3300151	6	Nut 1/4	
6	3520072	2	Plug	
7	3520198	2	Plug	
8	4010618	2	Screw M6 x 50	
9	4711400	12	Washer 1/4	
10	4811700	2	Washer M6	
11	1001138494	3	Bar, Drop	
12	1001138514	1	Rail (Top)	
13	1001140429	3	Decal - Drop Bar	
14	See Note	NSS	Platform, Weldment (Note: Not Available - Purchase Platform Assembly)	

SECTION 5 - PLATFORM

FIGURE 5-10. PLATFORM ASSEMBLY - 36IN X 8FT (91.5CM X 2.44M) TRI-ENTRY WITH DROPBAR
(SN 0300261352 to Present)



ART_1001228243

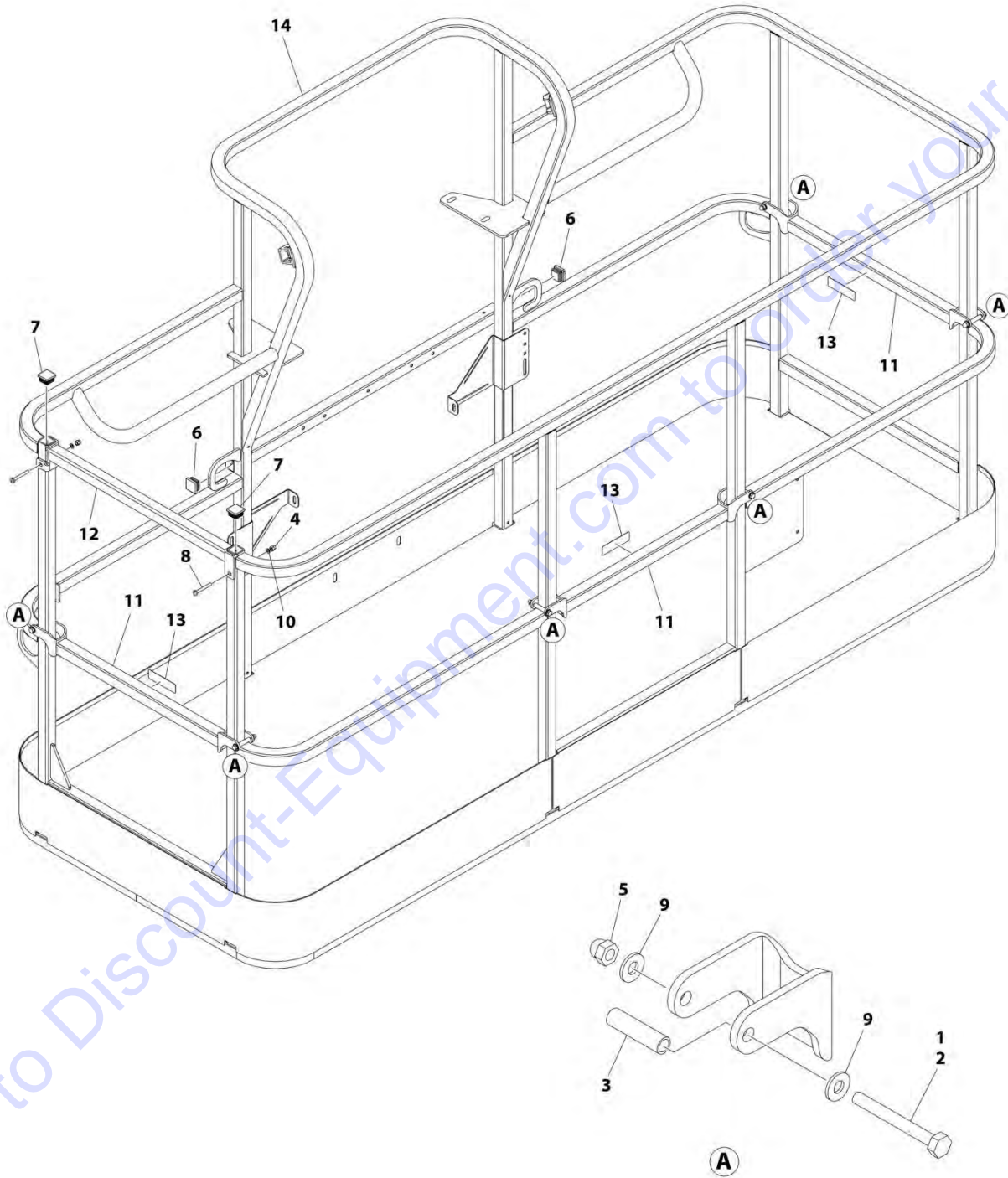
SECTION 5 - PLATFORM

**FIGURE 5-10. PLATFORM ASSEMBLY - 36IN X 8FT (91.5CM X 2.44M) TRI-ENTRY WITH DROPBAR
(SN 0300261352 to Present)**

ITEM	PART NUMBER	QTY	DESCRIPTION	REV
	1001228243	Ref	PLATFORM ASSEMBLY - 36IN x 8FT (91.5CM x 2.44M) TRI-ENTRY WITH DROPBAR	A
		Ref	Note: Platform and Mesh must be ordered separately for Platforms with Mesh. See SPECIAL OPTIONS SECTION for Mesh Installations.	
1	0100011	AR	Compound, Locking	
2	0641418	4	Bolt 1/4 x 2-1/4	
3	0961845	4	Bushing	
4	2080040	16	Fastener, Huck	
5	2600281	2	Hinge, Self-Closing	
6	2940074	1	Latch	
7	3300151	4	Nut 1/4	
8	3520072	3	Cap, Plug	
9	3520198	2	Cap, Plug	
10	3820020	4	Rivet	
11	4711400	8	Washer 1/4	
12	1001138494	2	Bar, Drop	
13	1001140429	2	Decal - Drop Bar	
14	1001144629	1	Gate, Weldment	
15	See Note	1	Platform (Note: Not Available - Purchase Platform Assembly)	

SECTION 5 - PLATFORM

FIGURE 5-11. PLATFORM ASSEMBLY - 36IN X 8FT (91.5CM X 2.44M) TRI-ENTRY WITH DROPGATE
(SN 0300261352 to Present)



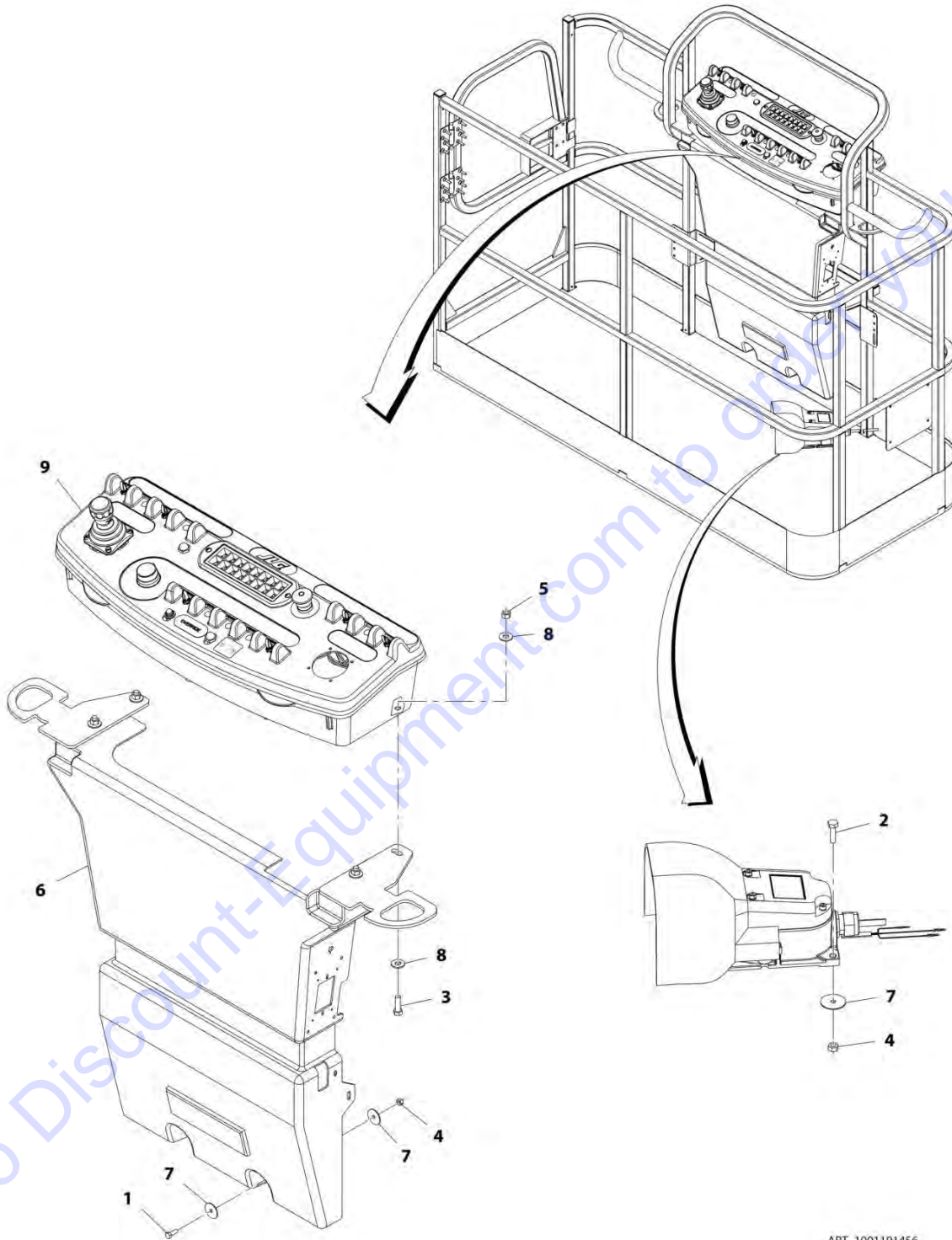
SECTION 5 - PLATFORM

**FIGURE 5-11. PLATFORM ASSEMBLY - 36IN X 8FT (91.5CM X 2.44M) TRI-ENTRY WITH DROPGATE
(SN 0300261352 to Present)**

ITEM	PART NUMBER	QTY	DESCRIPTION	REV
	1001228375	Ref	PLATFORM ASSEMBLY - 36IN x 8FT (91.5CM x 2.44M) TRI-ENTRY WITH DROPGATE	A
		Ref	Note: Platform and Mesh must be ordered separately for Platforms with Mesh. See SPECIAL OPTIONS SECTION for Mesh Installations.	
		Ref	Note: Replacement Decals Must be Ordered Separately - See DECAL SECTION.	
1	0100011	AR	Compound, Locking	
2	0641418	6	Bolt 1/4 x 2-1/4	
3	0961845	6	Bushing	
4	3290606	2	Nut M6 x 1	
5	3300151	6	Nut 1/4	
6	3520072	2	Cap, Plug	
7	3520198	2	Cap, Plug	
8	4010618	2	Screw M6 x 50	
9	4711400	12	Washer 1/4	
10	4811700	2	Washer M6	
11	1001138494	3	Bar, Drop	
12	1001138514	1	Rail (Top)	
13	1001140429	3	Decal - Drop Bar	
14	See Note	1	Platform (Note: Not Available - Purchase Platform Assembly)	

SECTION 5 - PLATFORM

FIGURE 5-12. CONSOLE BOX INSTALLATION (Prior to SN 0300259635)



ART_1001191456

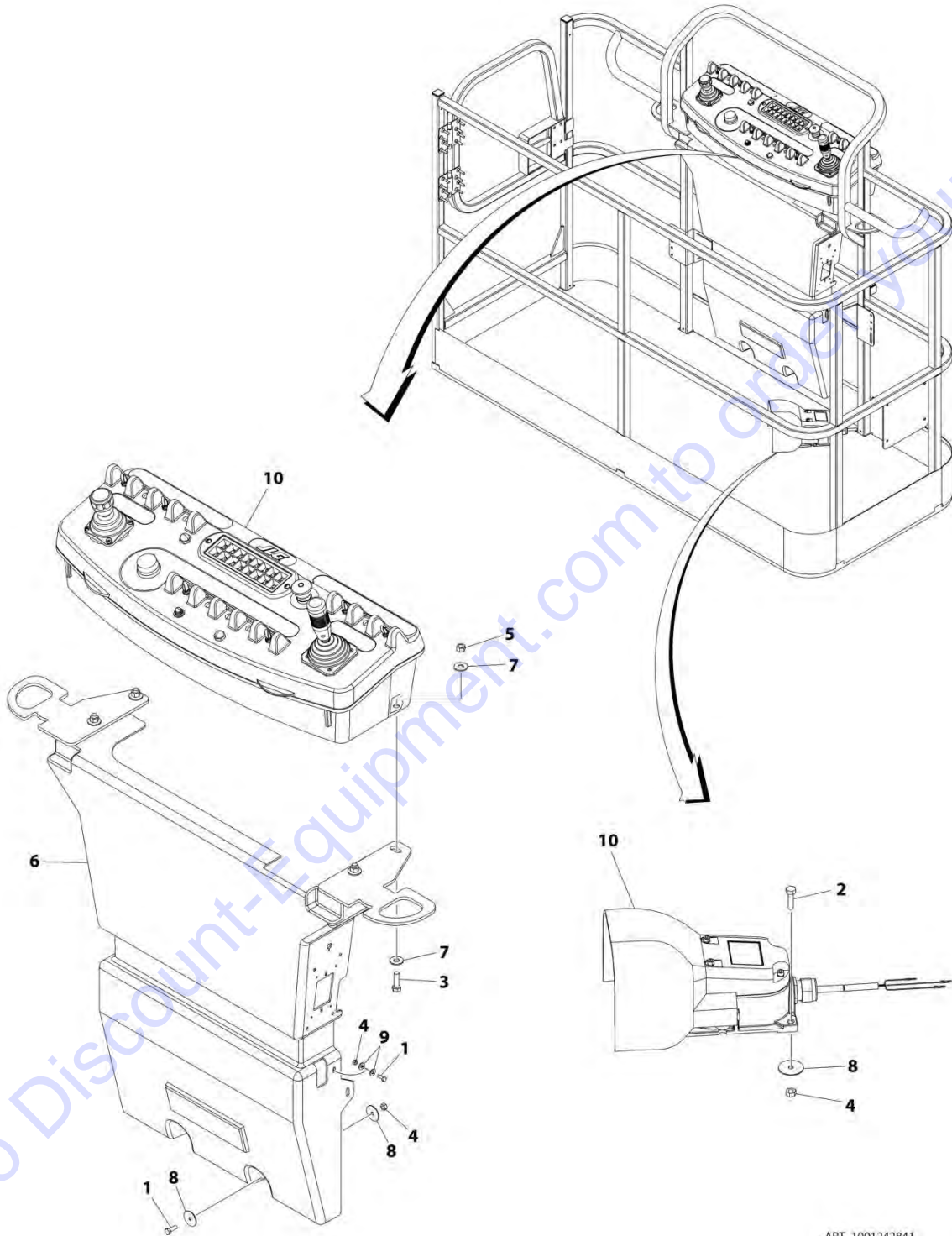
SECTION 5 - PLATFORM

FIGURE 5-12. CONSOLE BOX INSTALLATION (Prior to SN 0300259635)

ITEM	PART NUMBER	QTY	DESCRIPTION	REV
	1001191456	Ref	CONSOLE BOX INSTALLATION	B
1	0641406	2	Bolt 1/4 x 3/4	
2	0641408	3	Bolt 1/4 x 1	
3	0641610	4	Bolt 3/8 x 1-1/4	
4	3311405	5	Nut, Lock 1/4	
5	3311605	4	Nut, Lock 3/8	
6	3380434	1	Panel, Decal Mount	
7	4740362	7	Washer 1/4	
8	4751600	8	Washer 3/8	
9	1001191455	1	Platform Console Box Assembly (See PLATFORM CONSOLE BOX ASSEMBLY for Breakdown) (Prior to SN 0300220076)	
9	1001202594	1	Platform Console Box Assembly (See PLATFORM CONSOLE BOX ASSEMBLY for Breakdown) (SN 0300220076 to Present)	

SECTION 5 - PLATFORM

FIGURE 5-13. CONSOLE BOX INSTALLATION (SN 0300259635 to Present)



ART_1001242841

SECTION 5 - PLATFORM

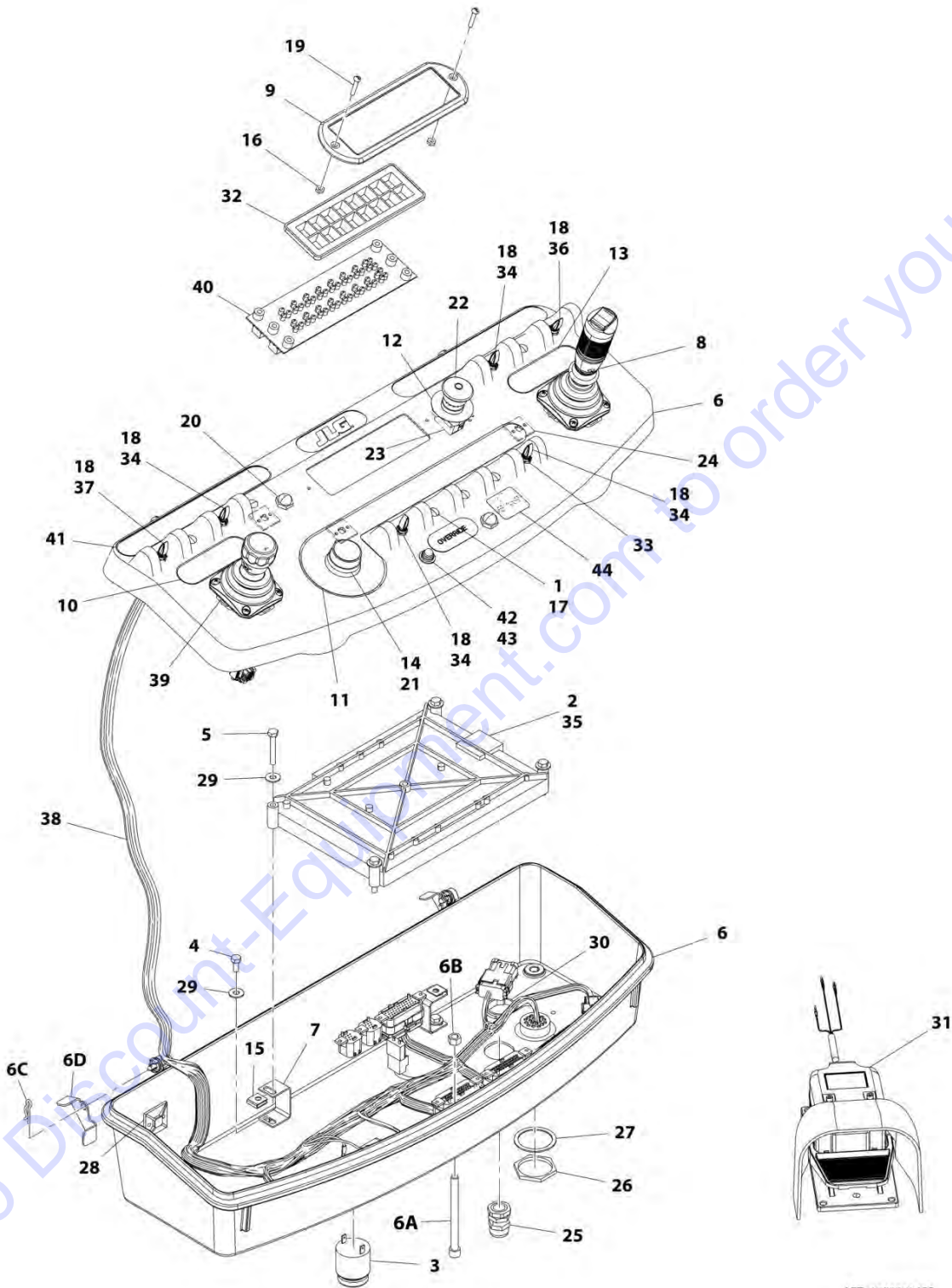
FIGURE 5-13. CONSOLE BOX INSTALLATION (SN 0300259635 to Present)

ITEM	PART NUMBER	QTY	DESCRIPTION	REV
	1001242841	Ref	CONSOLE BOX INSTALLATION	A
1	0641406	4	Capscrew 1/4 x 3/4	
2	0641408	3	Capscrew 1/4 x 1	
3	0641610	4	Capscrew 3/8 x 1/4	
4	3311405	7	Nut 1/4	
5	3311605	4	Nut 3/8	
6	3380434	1	Panel, Decal Mount	
7	4711600	8	Washer 3/8	
8	4740362	7	Washer	
9	4751400	4	Washer	
10	1001242846	1	Electric Assembly, Console Box	

Go to Discount-Equipment.com to order your parts

SECTION 5 - PLATFORM

FIGURE 5-14. CONSOLE BOX ASSEMBLY (Prior to SN 0300220076)



ART_1001191455

SECTION 5 - PLATFORM

FIGURE 5-14. CONSOLE BOX ASSEMBLY (Prior to SN 0300220076)

ITEM	PART NUMBER	QTY	DESCRIPTION	REV
	1001191455	Ref	CONSOLE BOX ASSEMBLY (Prior to SN 0300220076)	B
1	0100009	AR	Sealant	
2	0100081	AR	Adhesive	
3	0140011	1	Alarm	
4	0641405	4	Bolt 1/4 x 5/8	
5	0641414	4	Bolt 1/4 x 1-3/4	
6	1001190107	1	Platform Console Box	
6A	0630568	1	Capscrew 3/8 x 4-1/2	
6B	3311601	1	Nut 3/8	
6C	3470003	2	Hairpin	
6D	1001200575	2	Bracket, Stop	
7	0902751	4	Bracket	
8	1600359	1	Controller Assembly (Drive and Steer) (See CONTROLLER ASSEMBLY (DRIVE AND STEER) for Breakdown)	
9	1670829	1	Bezel	
10	1702566	1	Decal - Lift and Swing	
11	1702567	1	Decal - Function Speed	
12	1704260	1	Decal - EMS	
13	1704460	1	Decal - Drive and Steer	
14	2560136	1	Handle, Knob	
15	3300353	4	Nut, Tinnerman	
16	3300408	2	Nut, Lock	
17	3520054	6	Plug	
18	3790012	6	O-Ring	
19	3911018	2	Screw 10 x 1-1/8	
20	4360387	2	Switch, Pushbutton	
21	4360407	1	Switch, Potentiometer	
22	4360475	1	Switch, Emergency	
23	4360476	1	Block, Contact	
24	4460234	3	Terminal	
25	4460428	2	Connector, Strain Relief	
26	4460470	1	Nut, Terminal	
27	4460471	1	Washer, Lock	
28	4460488	1	Terminal, Mounting Base	
29	4751400	8	Washer 1/4	
30	1001110434	1	Plug	
31	1001117174	1	Footswitch Assembly (See FOOTSWITCH ASSEMBLY for Breakdown)	
32	1001146220	1	Housing, Display Light	
33	1001155044	6	Nut, Special 15/32	
34	1001155045	4	Switch, Toggle	
35	1001157196	1	Controller, Module (Note: Re-calibration Required when Replaced)	
36	1001159256	1	Switch, Toggle	
37	1001161709	1	Switch, Toggle DPDT	
38	1001164353	1	Harness, Platform Console Box (See ELECTRICAL SECTION for Breakdown)	
39	1001166539	1	Controller Assembly (Lift and Swing) (See CONTROLLER ASSEMBLY (LIFT AND SWING) for Breakdown)	
40	1001170838	1	Gauge, Led Panel	
41	1001184626	1	Decal, Horn	

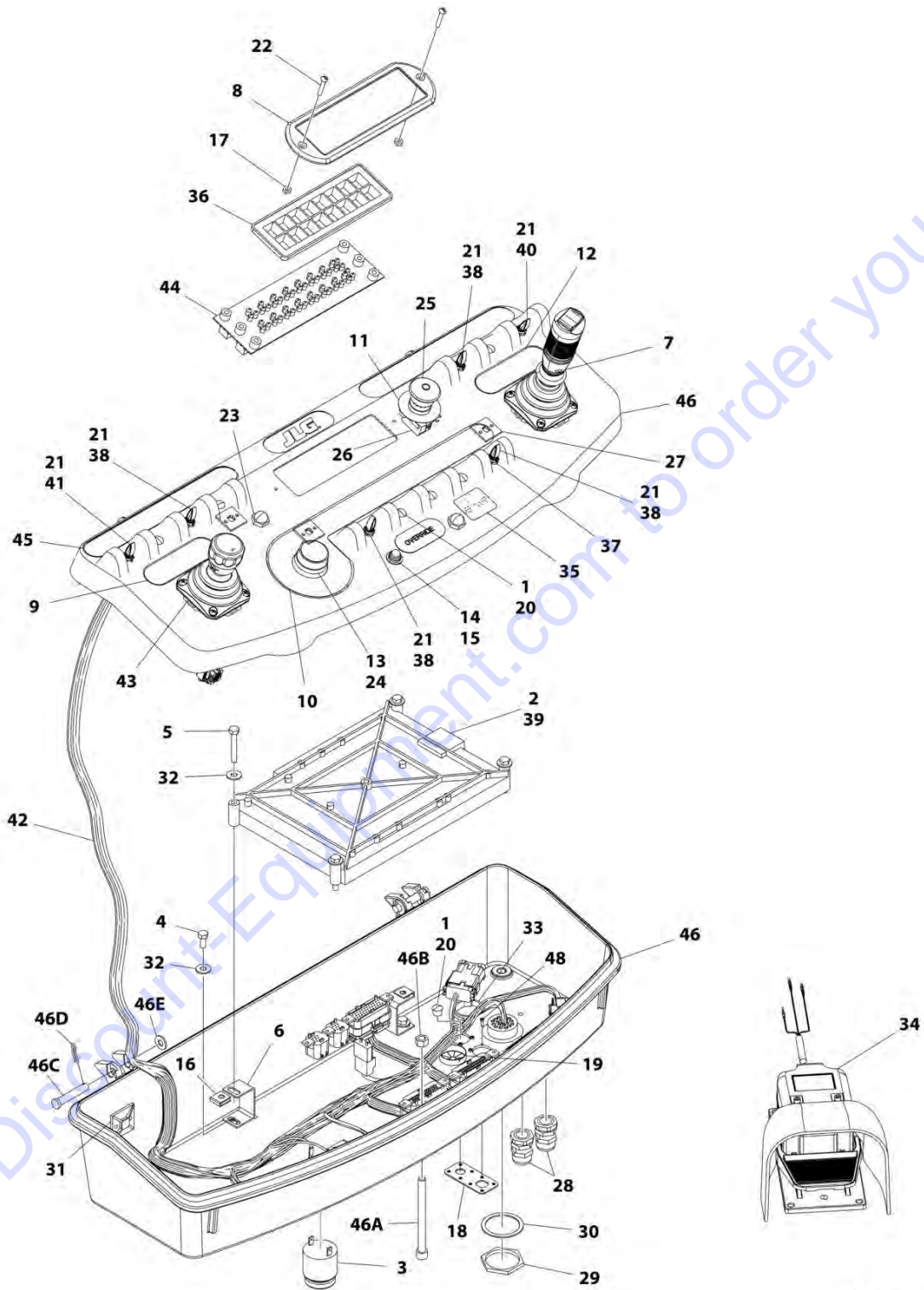
SECTION 5 - PLATFORM

ITEM	PART NUMBER	QTY	DESCRIPTION	REV
42	2920028	1	Light, Indicator	
43	2920029	1	Lamp, Bulb	
44	1001144433	1	Decal, No Weight SkyGuard	

Go to Discount-Equipment.com to order your parts

SECTION 5 - PLATFORM

FIGURE 5-15. CONSOLE BOX ASSEMBLY (SN 0300220076 through 0300259635)



ART_1001202594

SECTION 5 - PLATFORM

FIGURE 5-15. CONSOLE BOX ASSEMBLY (SN 0300220076 through 0300259635)

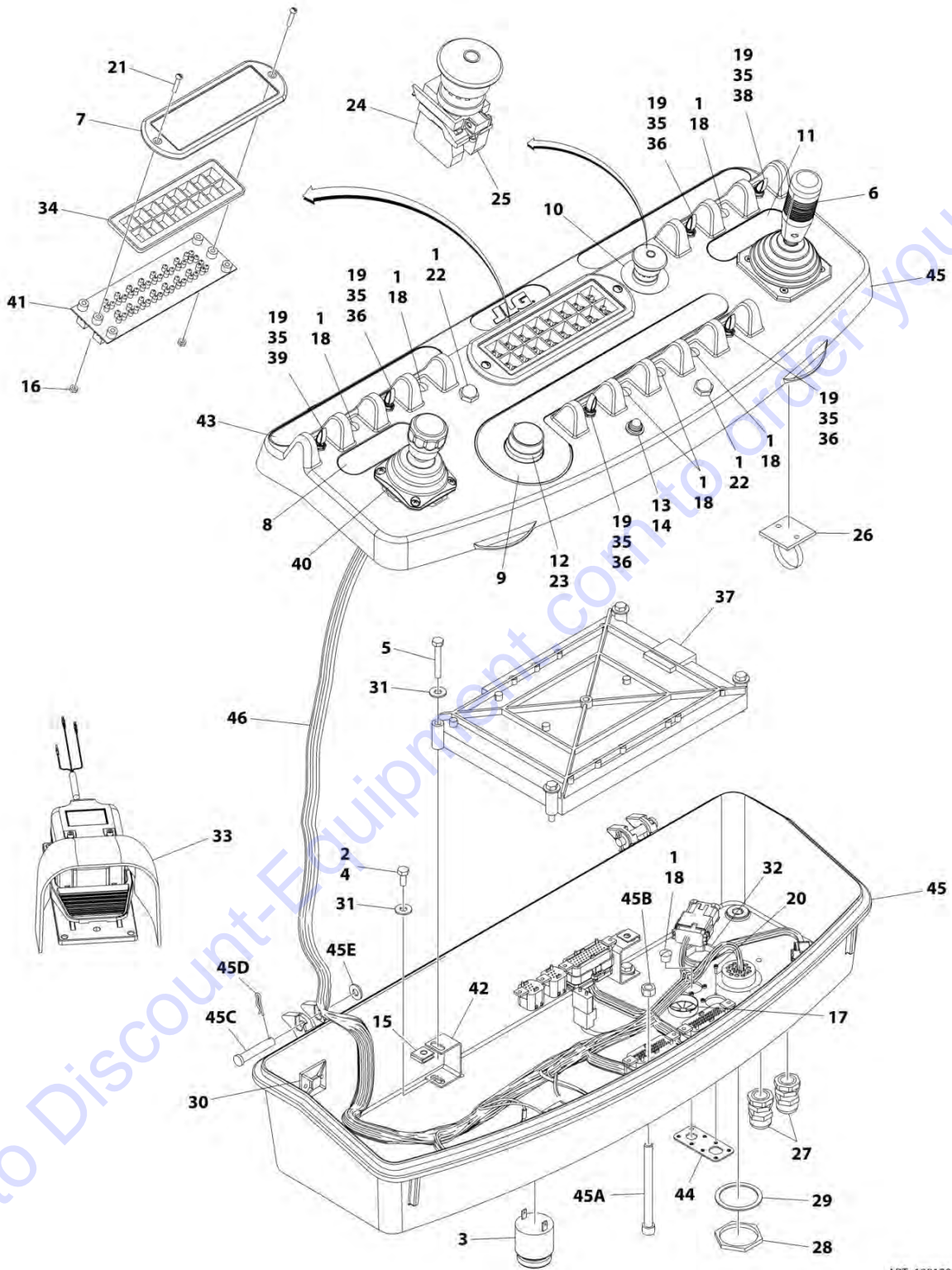
ITEM	PART NUMBER	QTY	DESCRIPTION	REV
	1001202594	Ref	CONSOLE BOX ASSEMBLY (SN 0300220076 to Present)	D
1	0100009	AR	Sealant	
2	0100081	AR	Adhesive	
3	0140011	1	Alarm	
4	0641405	4	Bolt 1/4 x 5/8	
5	0641414	4	Bolt 1/4 x 1-3/4	
6	0902751	4	Bracket (Prior to SN 0300242297)	
6	1001172760	4	Bracket (SN 0300242297 to Present)	
7	1600359	1	Controller Assembly (Drive and Steer) (See CONTROLLER ASSEMBLY (DRIVE AND STEER) for Breakdown)	
8	1670829	1	Bezel	
9	1702566	1	Decal - Lift and Swing	
10	1702567	1	Decal - Function Speed	
11	1704260	1	Decal - EMS	
12	1704460	1	Decal - Drive and Steer	
13	2560136	1	Handle, Knob	
14	2920028	1	Light, Indicator	
15	2920029	1	Lamp, Bulb	
16	3300353	4	Nut, Tinnerman	
17	3300408	2	Nut	
18	3520033	2	Hole, Plug (SN 0300220076 through 0300223249)	
18	1001213882	1	Connector Mount (SN 0300223250 to Present)	
19	3520035	1	Plug, Cap	
20	3520054	6	Plug (SN 0300220076 through 0300223249)	
20	3520054	7	Plug (SN 0300223250 to Present)	
21	3790012	6	O-Ring	
22	3911018	2	Screw 10 x 1-1/8	
23	4360387	2	Switch, Pushbutton	
24	4360407	1	Switch, Potentiometer	
25	4360475	1	Switch, Emergency	
26	4360476	1	Block, Contact	
27	4460234	3	Terminal	
28	4460428	2	Connector, Strain Relief	
29	4460470	1	Nut, Terminal	
30	4460471	1	Washer	
31	4460488	1	Terminal, Mounting Base	
32	4751400	8	Washer 1/4	
33	1001110434	1	Plug	
34	1001117174	1	Footswitch Assembly (See FOOTSWITCH ASSEMBLY for Breakdown)	
35	1001144433	1	Decal - No Weight SkyGuard	
36	1001146220	1	Housing, Display Light	
37	1001155044	6	Nut 15/32	
38	1001155045	4	Switch, Toggle	
39	1001157196	1	Controller, Module (Note: Re-calibration Required when Replaced)	
40	1001159256	1	Switch, Toggle	
41	1001161709	1	Switch, Toggle DPDT	
42	1001164353	1	Harness, Platform Console Box (See ELECTRICAL SECTION for Breakdown)	
43	1001166539	1	Controller Assembly (Lift and Swing) (See CONTROLLER	

SECTION 5 - PLATFORM

ITEM	PART NUMBER	QTY	DESCRIPTION	REV
			ASSEMBLY (LIFT AND SWING) for Breakdown)	
44	1001170838	1	Gauge, Led Panel	
45	1001184626	1	Decal - Horn	
46	1001201894	1	Platform Console Box (SN 0300220076 through 030023249)	
46	1001215229	1	Platform Console Box (SN 030023250 to Present)	
46A	0630568	1	Capscrew 3/8 x 4-1/2	
46B	3311601	1	Nut 3/8	
46C	3430616	2	Pin	
46D	3470003	2	Hairpin	
46E	4711600	2	Washer 3/8	
47	1001192292	1	Harness, SkyGuard (Not Shown - See ELECTRICAL SECTION for Breakdown) (SN 030023250 to Present)	
48	3900349	1	Screw M2.5 (SN 030023250 to Present)	

SECTION 5 - PLATFORM

FIGURE 5-16. CONSOLE BOX ASSEMBLY (SN 0300259635 to Present)



ART_1001202594

SECTION 5 - PLATFORM

FIGURE 5-16. CONSOLE BOX ASSEMBLY (SN 0300259635 to Present)

ITEM	PART NUMBER	QTY	DESCRIPTION	REV
	1001242846	Ref	CONSOLE BOX ASSEMBLY	A
1	0100009	AR	Sealant	
2	0100035	AR	Compound, Locking	
3	0140011	1	Alarm	
4	0641405	4	Bolt 1/4 x 5/8	
5	0641414	4	Bolt 1/4 x 1-3/4	
6	1600359	1	Controller Assembly (Drive and Steer) (See CONTROLLER ASSEMBLY (DRIVE AND STEER) for Breakdown)	
7	1670829	1	Bezel	
8	1702566	1	Decal - Lift and Swing	
9	1702567	1	Decal - Function Speed	
10	1704260	1	Decal - EMS	
11	1704460	1	Decal - Drive and Steer	
12	2560136	1	Handle, Knob	
13	2920028	1	Light, Indicator	
14	2920029	1	Lamp, Bulb	
15	3300353	4	Nut, Tinnerman	
16	3300408	2	Nut	
17	3520035	1	Plug, Cap	
18	3520054	7	Plug	
19	3790012	6	O-Ring	
20	3900349	8	Screw, M2.5	
21	3911018	2	Screw 10 x 1-1/8	
22	4360387	2	Switch, Pushbutton	
23	4360407	1	Switch, Potentiometer	
24	4360475	1	Switch, Emergency	
25	4360476	1	Block, Contact	
26	4460234	3	Terminal	
27	4460428	2	Connector, Strain Relief	
28	4460470	1	Nut, Terminal	
29	4460471	1	Washer	
30	4460488	1	Terminal, Mounting Base	
31	4751400	8	Washer 1/4	
32	1001110434	1	Plug	
33	1001117174	1	Footswitch Assembly (See FOOTSWITCH ASSEMBLY for Breakdown)	
34	1001146220	1	Housing, Display Light	
35	1001155044	6	Nut 15/32	
36	1001155045	4	Switch, Toggle	
37	1001157196	1	Controller, Module (Note: Re-calibration Required when Replaced)	
38	1001159256	1	Switch, Toggle	
39	1001161709	1	Switch, Toggle DPDT	
40	1001166539	1	Controller Assembly (Lift and Swing) (See CONTROLLER ASSEMBLY (LIFT AND SWING) for Breakdown)	
41	1001170838	1	Gauge, Led Panel	
42	1001172760	4	Decal, Horn	
43	1001184626	1	Decal, Horn	
44	1001213882	1	Mount	
45	1001215229	1	Platform Console Box	
45A	0630568	1	Capscrew 3/8 x 4-1/2	

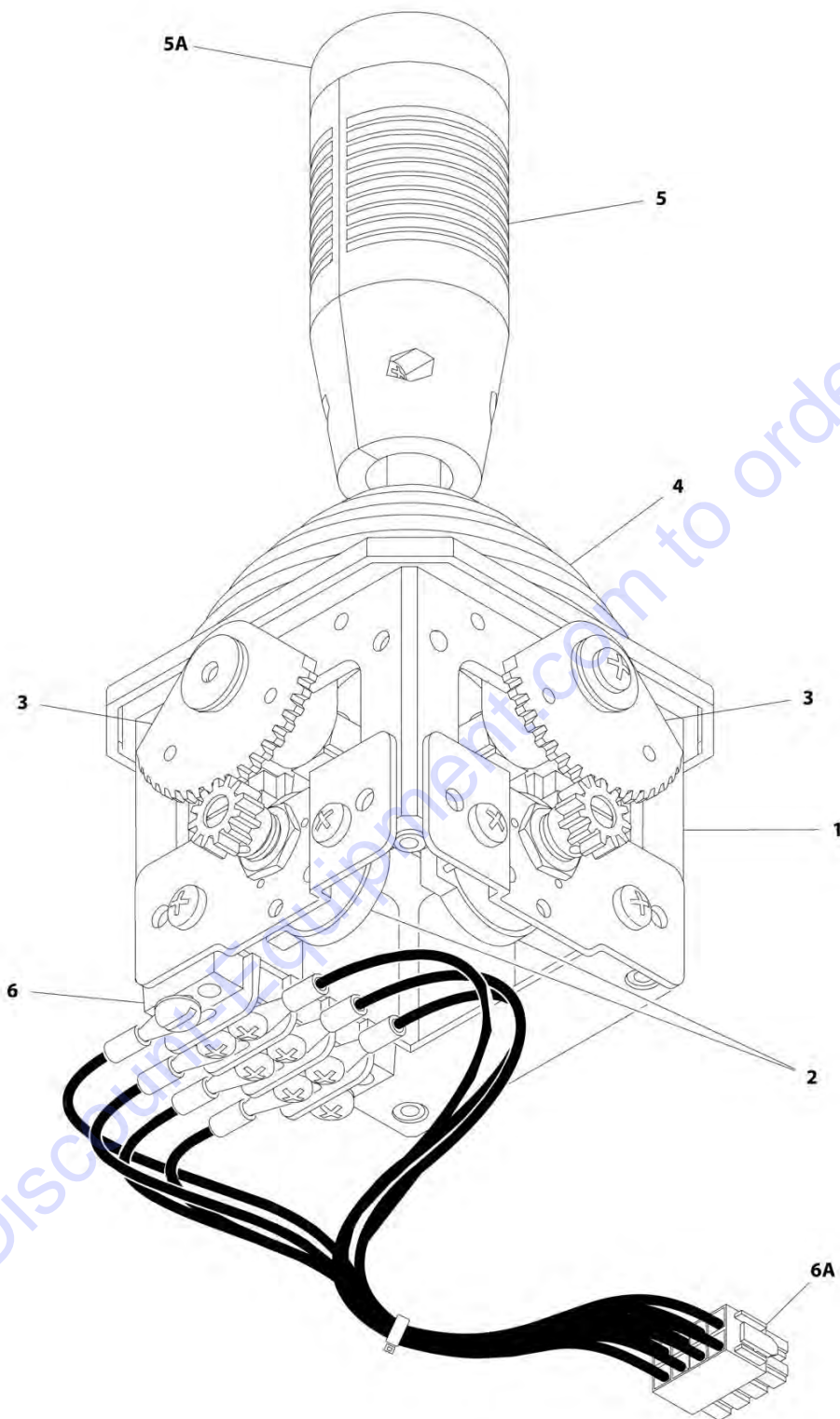
SECTION 5 - PLATFORM

ITEM	PART NUMBER	QTY	DESCRIPTION	REV
45B	3311601	1	Nut 3/8	
45C	3430616	2	Pin	
45D	3470003	2	Hair Pin	
45E	4711600	2	Washer 3/8	
46	1001243168	1	Harness	

Go to Discount-Equipment.com to order your parts

SECTION 5 - PLATFORM

FIGURE 5-17. CONTROLLER ASSEMBLY (DRIVE AND STEER)



ART_1600359

SECTION 5 - PLATFORM

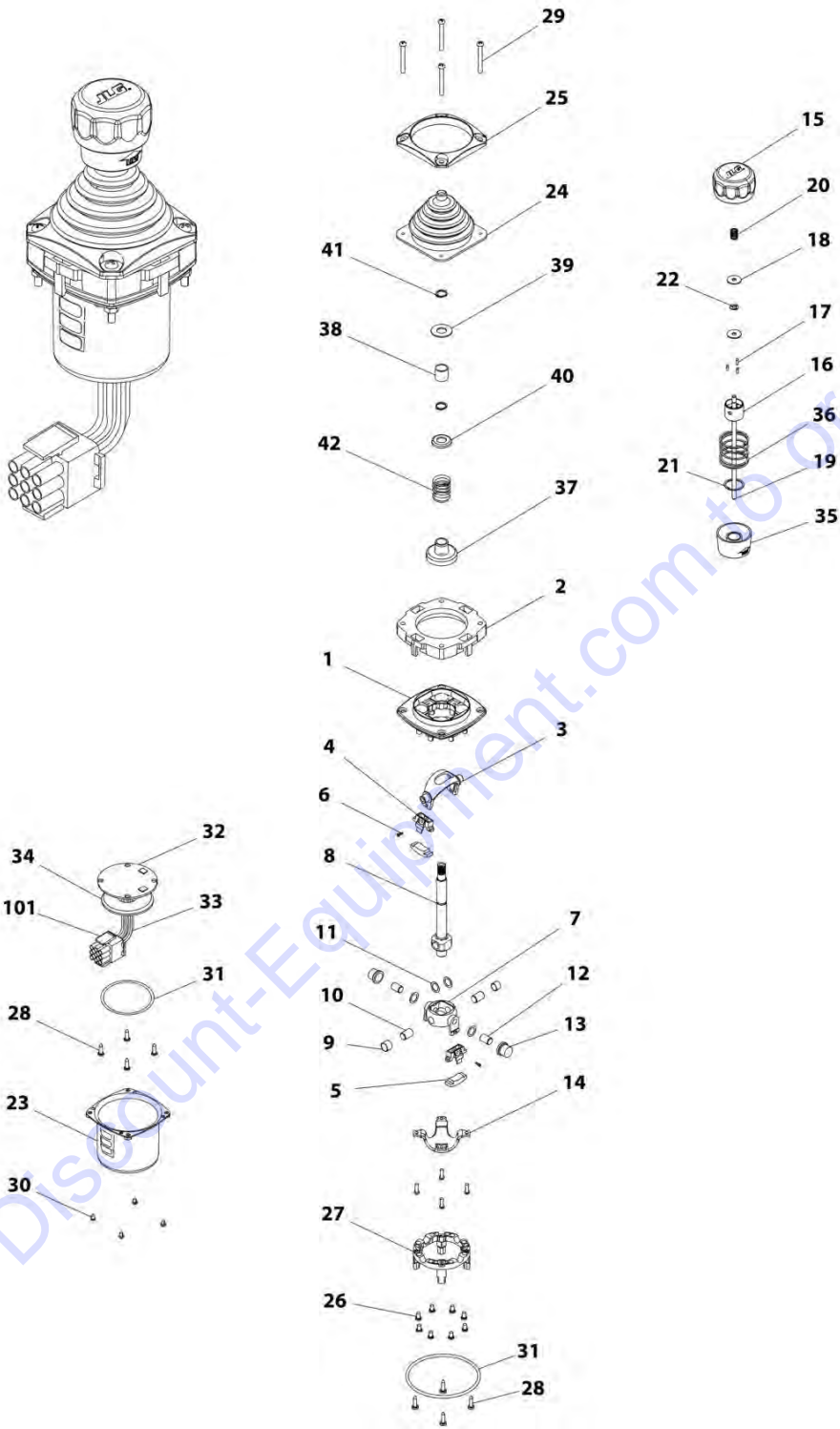
FIGURE 5-17. CONTROLLER ASSEMBLY (DRIVE AND STEER)

ITEM	PART NUMBER	QTY	DESCRIPTION	REV
	1600359	Ref	CONTROLLER ASSEMBLY	A
1	7022832	1	Housing Assembly (Includes Casting, Gimbles, etc)	
2	7022833	2	Potentiometer Plate	
2	7003974	2	Potentiometer	
3	7022834	2	Drive Gear Assembly	
4	7022835	1	Boot Assembly	
5	7022836	1	Handle Assembly	
5A	7022839	1	Cap, Rubber	
5A	7022838	1	Switch, Push Button	
6	7022837	1	Terminal Block/PC Board Assembly	
6A	See Note	1	Plug, Male 8 Position (Note: Not Available for Purchase)	
6A	4460871	6	Socket, Female	

Go to Discount-Equipment.com to order your parts

SECTION 5 - PLATFORM

FIGURE 5-18. CONTROLLER ASSEMBLY (LIFT AND SWING)



ART_1001166539

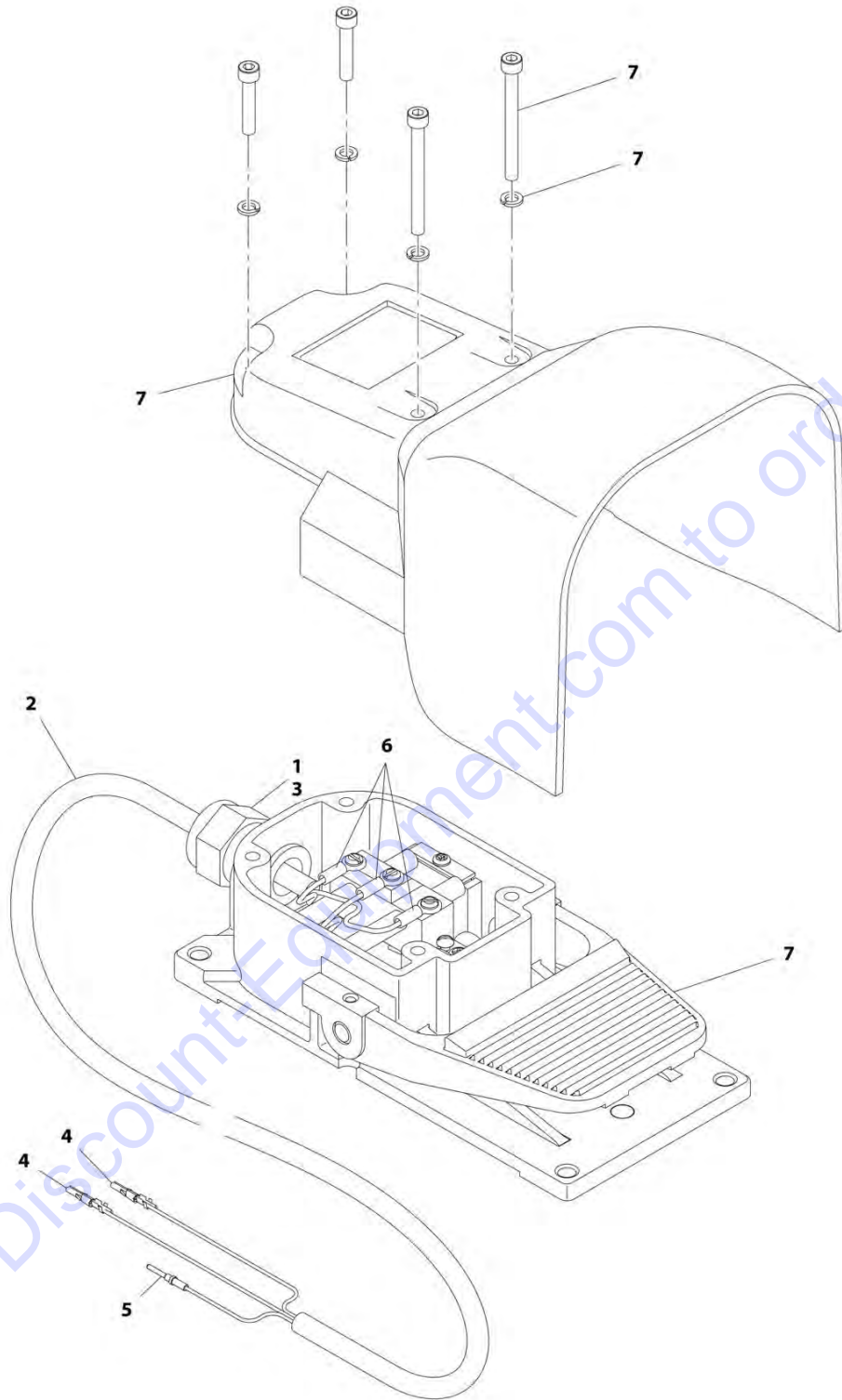
SECTION 5 - PLATFORM

FIGURE 5-18. CONTROLLER ASSEMBLY (LIFT AND SWING)

ITEM	PART NUMBER	QTY	DESCRIPTION	REV
	1001166539	Ref	CONTROLLER ASSEMBLY - LIFT AND SWING	D
1	See Note	NSS	Main Cast Body (Note: Not Available - Purchase Complete Assembly)	
2	70004752	1	Adapter	
3	See Note	NSS	Pivot Arm, Plastic (Note: Not Available - Purchase Complete Assembly)	
4	See Note	NSS	Holder, Magnet (Note: Not Available - Purchase Complete Assembly)	
5	See Note	NSS	Arc, Magnet (Note: Not Available - Purchase Complete Assembly)	
6	See Note	NSS	Screw (Note: Not Available for Purchase)	
7	See Note	NSS	Pivot Arm, Cast (Note: Not Available - Purchase Complete Assembly)	
8	See Note	NSS	Shaft, Main (Note: Not Available - Purchase Complete Assembly)	
9	See Note	NSS	Bearing (Note: Not Available - Purchase Complete Assembly)	
10	See Note	NSS	Pin (Note: Not Available - Purchase Complete Assembly)	
11	See Note	NSS	Shim (Note: Not Available - Purchase Complete Assembly)	
12	See Note	NSS	Pin (Note: Not Available - Purchase Complete Assembly)	
13	See Note	NSS	Bearing (Note: Not Available - Purchase Complete Assembly)	
14	See Note	NSS	Dome, Centering (Note: Not Available - Purchase Complete Assembly)	
15	70004753	1	Cap	
16	70004754	1	Insert, Cap	
17	70004755	3	Pin	
18	70004756	2	Washer	
19	70004757	1	Pin, Centering	
20	70004758	1	Spring	
21	70004759	1	Ring, Retaining	
22	70004760	1	E-Ring	
23	70004761	1	Can, Enclosure	
24	70004762	1	Boot	
25	70004763	1	Bezel	
26	See Note	8	Screw (Note: Not Available for Purchase)	
27	See Note	NSS	Base Mounting (Note: Not Available - Purchase Complete Assembly)	
28	See Note	4	Screw (Note: Not Available for Purchase)	
29	70004764	4	Screw	
30	70004765	4	Screw	
31	70004766	1	O-Ring	
32	See Note	NSS	Plate (Note: Not Available - Purchase Complete Assembly)	
33	See Note	NSS	Harness (Note: Not Available - Purchase Complete Assembly)	
34	70004767	1	Grommet, Rubber	
35	70004768	1	Housing	
36	70004769	1	Spring	
37	70004770	1	Stopper	
38	70004771	1	Spacer	
39	70004772	1	Washer	
40	70004773	1	Disc	
41	70004774	2	Ring, Retaining	
42	70004775	1	Spring	
101	4460265	1	Connector - 9 Position	
101	4460226	6	Socket, Female	

SECTION 5 - PLATFORM

FIGURE 5-19. FOOTSWITCH ASSEMBLY



ART_1001117174

SECTION 5 - PLATFORM

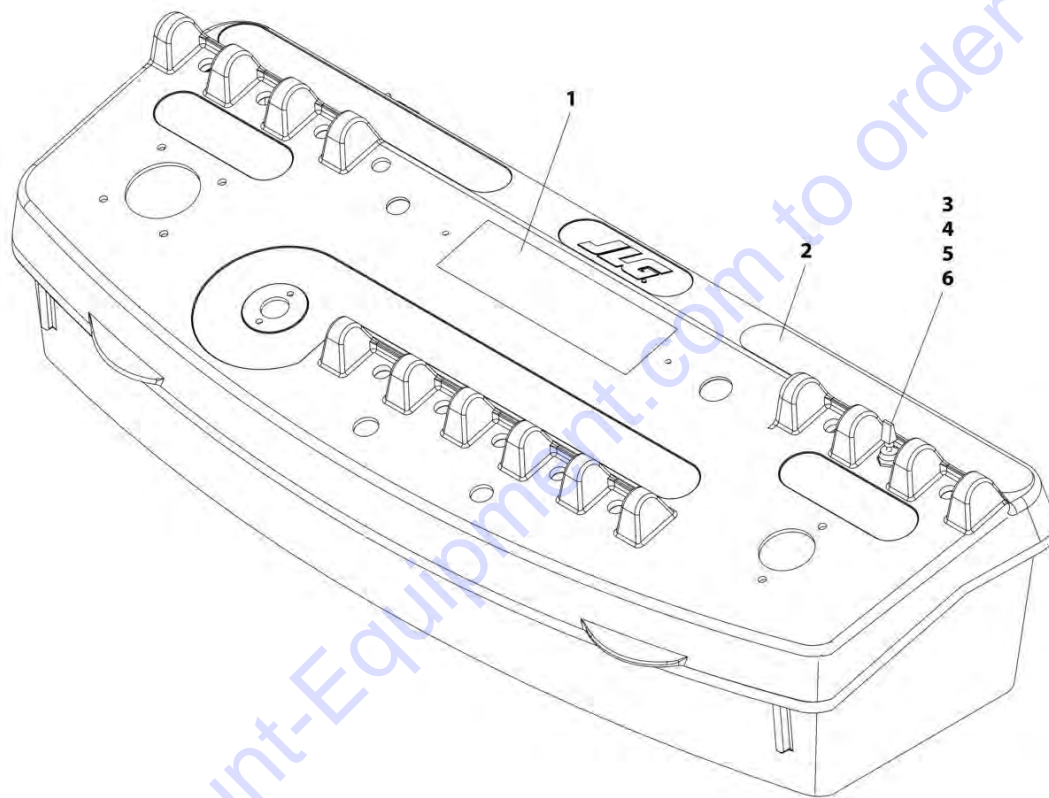
FIGURE 5-19. FOOTSWITCH ASSEMBLY

ITEM	PART NUMBER	QTY	DESCRIPTION	REV
	1001117174	Ref	FOOTSWITCH ASSEMBLY	B
1	0100020	AR	Sealant	
2	1060918	7.5 ft /2.29m	Cable, Electrical - 18/3	
3	4460071	1	Connector, Strain Relief	
4	4460226	2	Socket, Female	
5	4460464	1	Pin, Male	
6	1001098122	3	Terminal	
7	1001117172	1	Footswitch	
7	70002902	1	Switch, 20Amp	
7	70002903	1	Gasket	
7	70002905	1	Cover	
7	70002904	1	Kit, Replacement Bolt	

Go to Discount-Equipment.com to order your parts

SECTION 5 - PLATFORM

FIGURE 5-20. LIGHT PANEL INSTALLATION - 400SC (ANSI, ANSI EXPORT AND CSA SPECS) (SN 0300234013 to Present)



ART_1001167963

SECTION 5 - PLATFORM

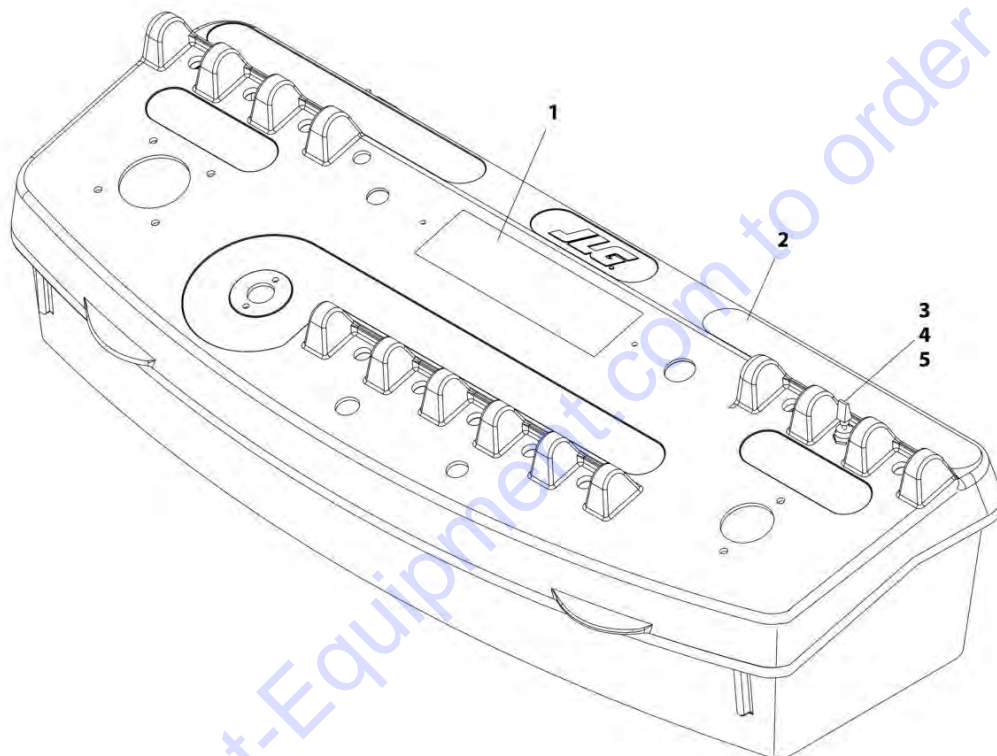
FIGURE 5-20. LIGHT PANEL INSTALLATION - 400SC (ANSI, ANSI EXPORT AND CSA SPECS) (SN 0300234013 to Present)

ITEM	PART NUMBER	QTY	DESCRIPTION	REV
	1001167963	Ref	LIGHT PANEL INSTALLATION - 400SC (ANSI, ANSI EXPORT AND CSA SPECS) (SN 0300234013 to Present)	C
1	1001167962	1	Decal - Platform Display	
2	1001195947	1	Decal - Stop and Auxiliary Power	
3	3790012	1	O-Ring	
4	1001155044	1	Nut 15/32	
5	1001161710	1	Switch, Toggle	

Go to Discount-Equipment.com to order your parts

SECTION 5 - PLATFORM

FIGURE 5-21. LIGHT PANEL INSTALLATION - 400SC (CE SPEC)



ART_1001184620

SECTION 5 - PLATFORM

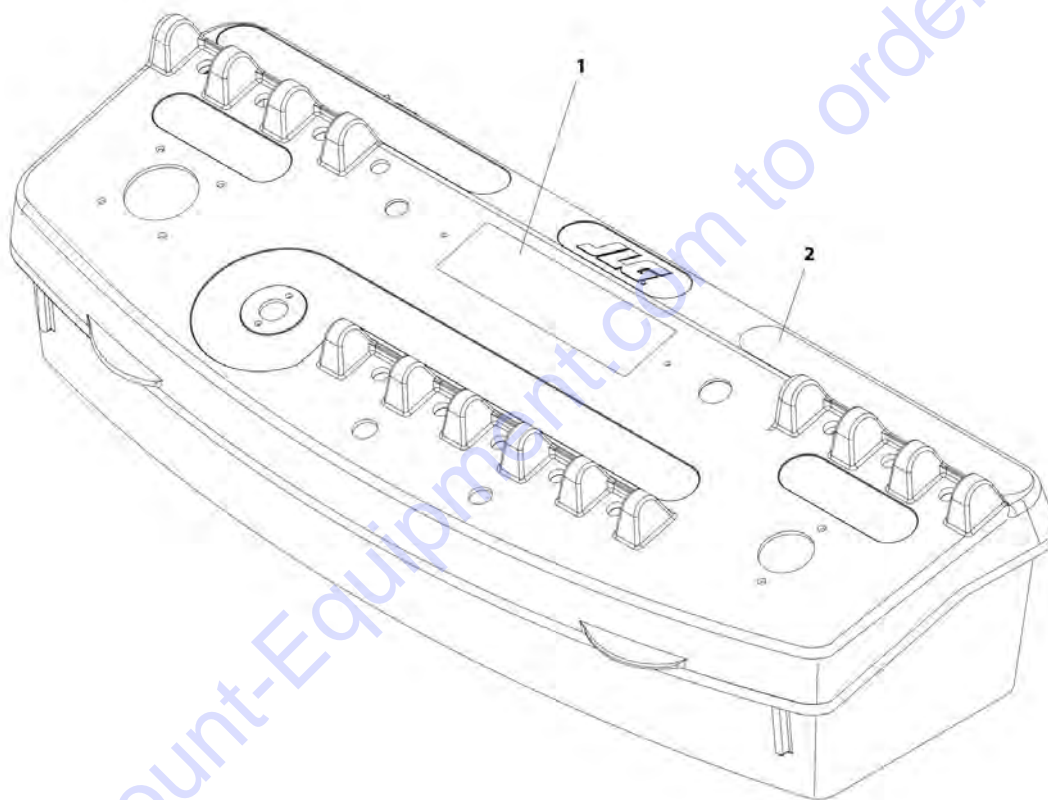
FIGURE 5-21. LIGHT PANEL INSTALLATION - 400SC (CE SPEC)

ITEM	PART NUMBER	QTY	DESCRIPTION	REV
	1001184620	Ref	LIGHT PANEL INSTALLATION - 400SC (CE SPEC)	A
1	1001184621	1	Decal - Platform Display	
2	1001184619	1	Decal - Stop and Auxiliary Power	
3	3790012	1	O-Ring	
4	1001155044	2	Nut, Special 15/32	
5	1001161710	1	Switch, Toggle	

Go to Discount-Equipment.com to order your parts

SECTION 5 - PLATFORM

FIGURE 5-22. LIGHT PANEL INSTALLATION - 460SJC



ART. 1001170084

SECTION 5 - PLATFORM

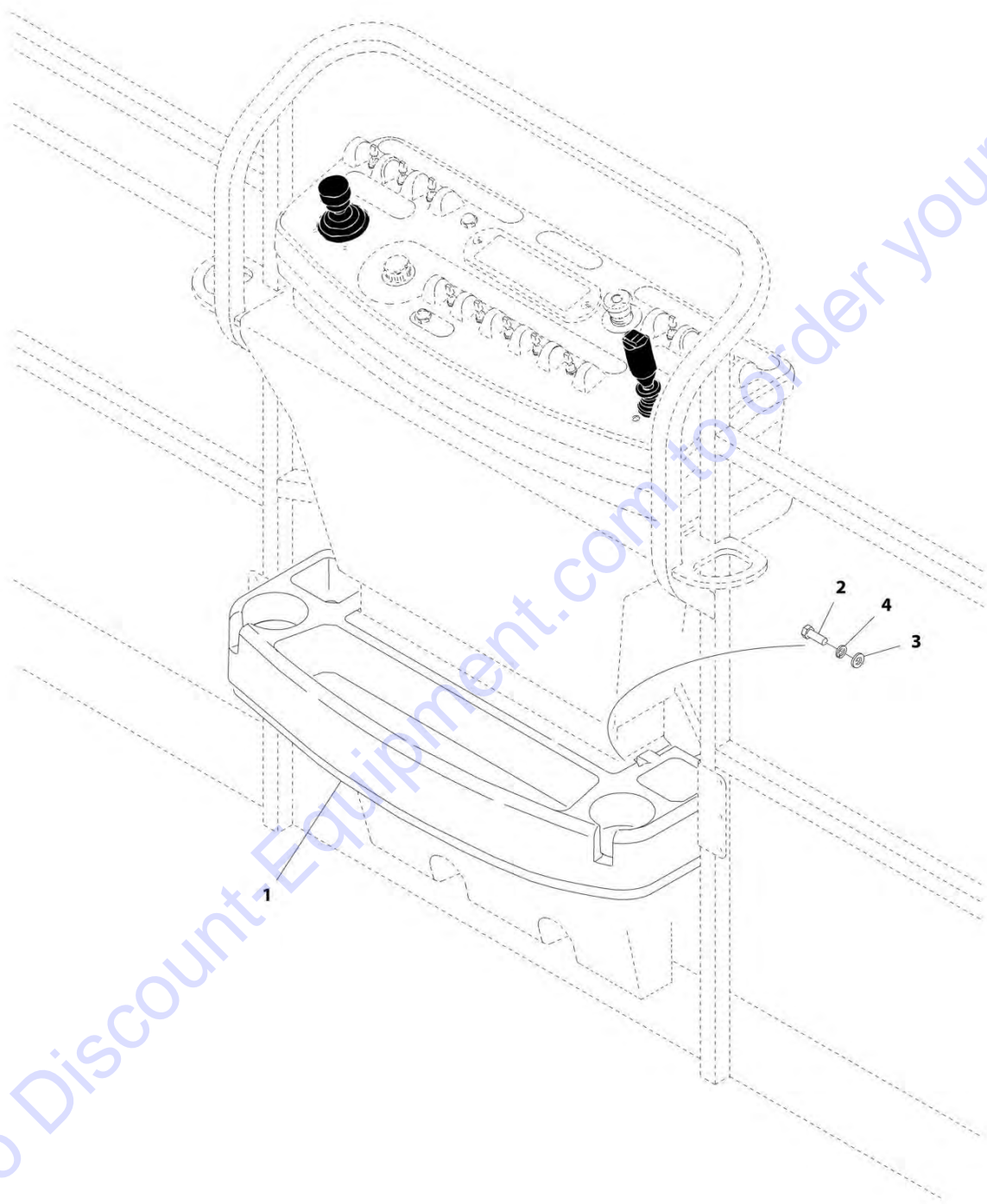
FIGURE 5-22. LIGHT PANEL INSTALLATION - 460SJC

ITEM	PART NUMBER	QTY	DESCRIPTION	REV
	1001170084	Ref	LIGHT PANEL INSTALLATION - 460SJC	B
1	1001170083	1	Decal - Platform Display	
2	1001184618	1	Decal - Stop and Auxiliary Power	

Go to Discount-Equipment.com to order your parts

SECTION 5 - PLATFORM

FIGURE 5-23. TRAY INSTALLATION



Go to Discount-Equipment.com to order your parts

ART_1580012

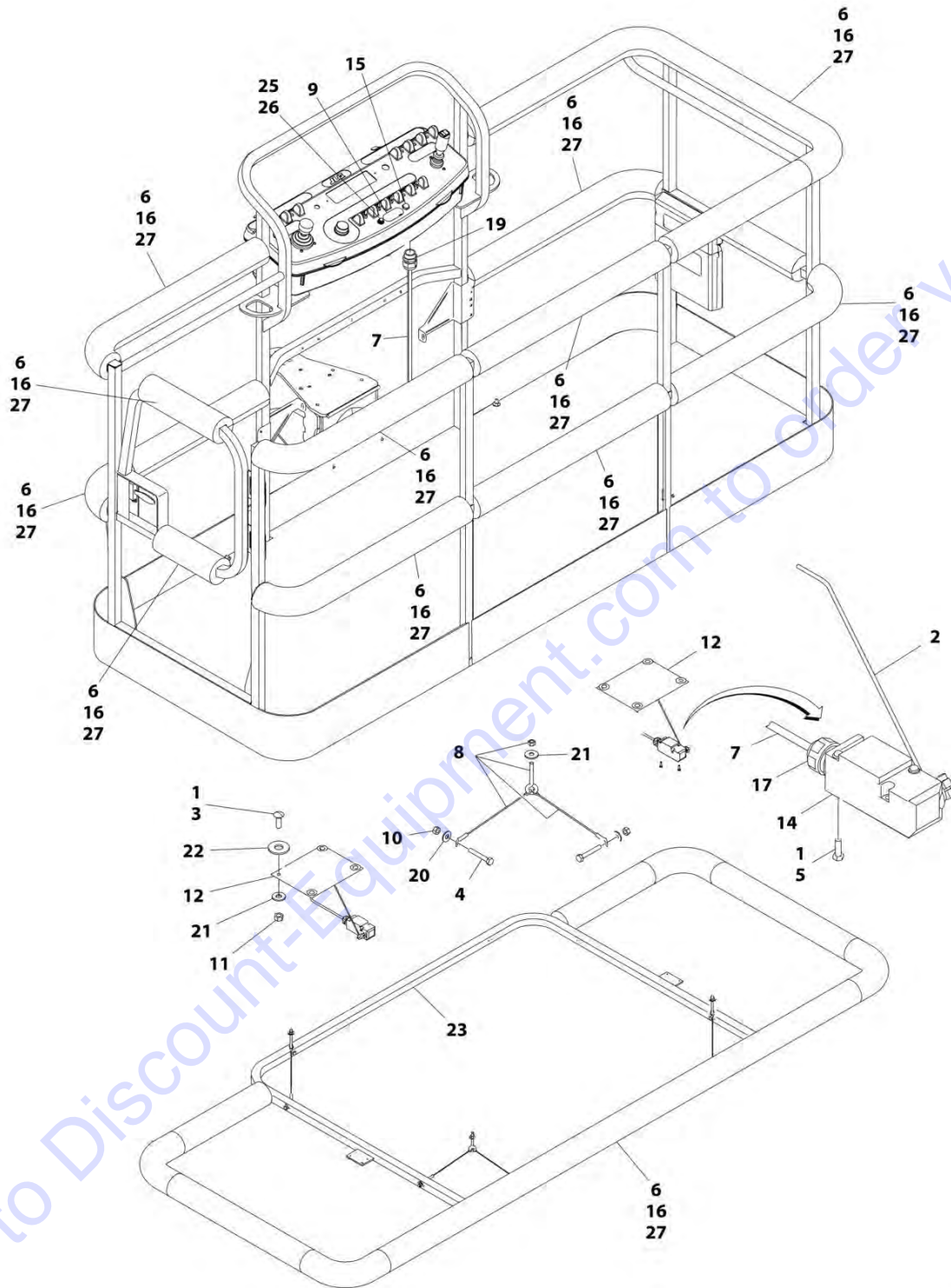
FIGURE 5-23. TRAY INSTALLATION

ITEM	PART NUMBER	QTY	DESCRIPTION	REV
		Ref	TRAY INSTALLATION	
1	1580012	1	Tray, Storage (Center)	
2	0641406	2	Bolt 1/4 x 3/4	
3	4751400	2	Washer 1/4	
4	4761400	2	Washer 1/4	

Go to Discount-Equipment.com to order your parts

SECTION 5 - PLATFORM

FIGURE 5-24. SOFT TOUCH INSTALLATION - 36IN X 8FT (91.5CM X 2.44M) PLATFORM (OPTIONAL)



ART_0272427

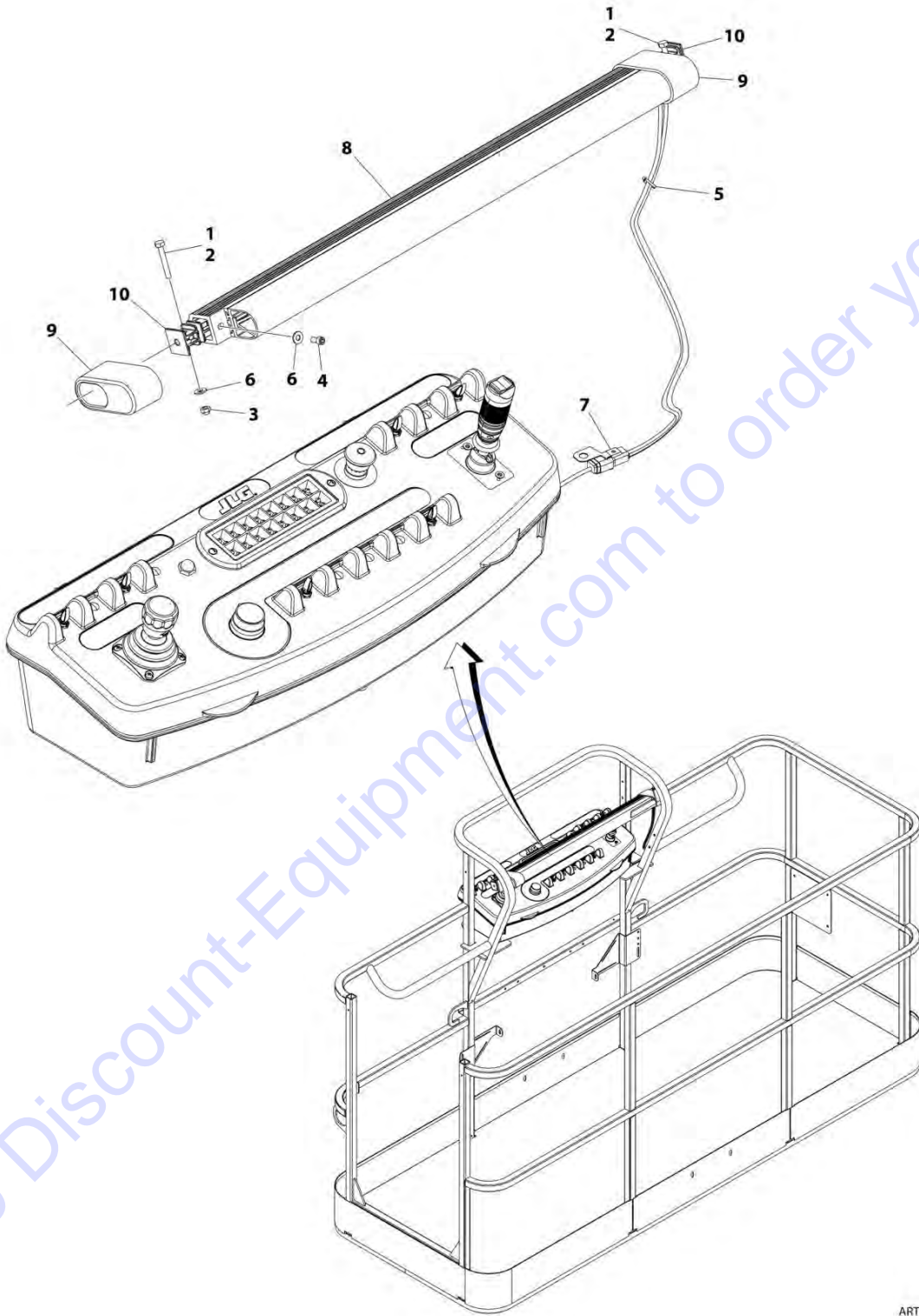
SECTION 5 - PLATFORM

FIGURE 5-24. SOFT TOUCH INSTALLATION - 36IN X 8FT (91.5CM X 2.44M) PLATFORM (OPTIONAL)

ITEM	PART NUMBER	QTY	DESCRIPTION	REV
	0272427	Ref	SOFT TOUCH INSTALLATION - 36IN X 8FT (91.5CM X 2.44M) PLATFORM (OPTIONAL)	G
1	0100011	AR	Compound, Locking	
2	0200048	2	Arm, Switch Activator	
3	0630462	8	Bolt, Carriage	
4	0641414	8	Bolt 1/4 x 1-3/4	
5	0731005	4	Screw, Machine #10 x 5/8	
6	0940103	1	Bumper Kit	
7	1060341	23 ft/7m	Cable, Electrical - 16/2	
8	1060903	4	Wire Rope and Eyebolt Assembly	
9	1702938	1	Decal - Soft Touch Override	
10	3311401	8	Nut 1/4	
11	3311501	8	Nut 5/16	
12	3574091	2	Plate, Striker	
13	4240099	7	Tie-Strap (Not Shown)	
14	4360057	2	Switch, Limit	
15	4360387	1	Switch, Push Button	
16	4420068	1	Tape, Yellow Adhesive (Prior to SN 0300234972)	
17	4460049	2	Connector, Strain Relief	
18	4460234	7	Base, Tie-Strap Mounting (Not Shown)	
19	4460425	1	Connector, Strain Relief (Not Shown - Located on Bottom of Platform)	
20	4751400	8	Washer 1/4	
21	4751500	12	Washer 5/16	
22	4751800	8	Washer 1/2	
23	4846673	1	Rail, Soft-Touch	
24	4933218	1	Soft Touch Wiring Diagram (Not Shown - See ELECTRICAL SECTION for Breakdown)	
25	2920028	1	Light, Indicator	
26	2920029	1	Bulb	
27	1001197017	AR	Tie Strap (Yellow)	

SECTION 5 - PLATFORM

FIGURE 5-25. SKYGUARD SYSTEM INSTALLATION (Prior to SN 0300259635)



ART_1001187508

SECTION 5 - PLATFORM

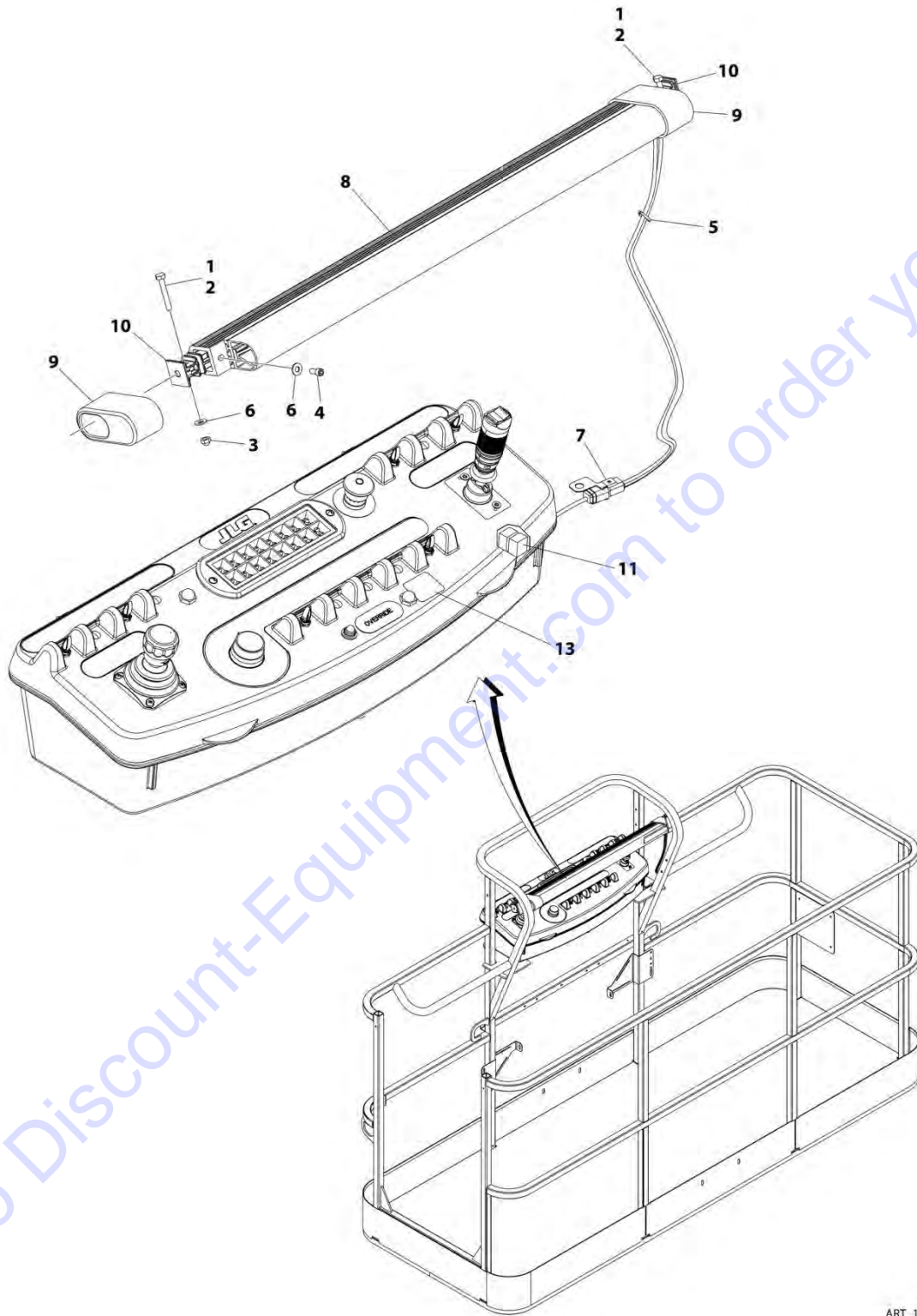
FIGURE 5-25. SKYGUARD SYSTEM INSTALLATION (Prior to SN 0300259635)

ITEM	PART NUMBER	QTY	DESCRIPTION	REV
	1001187508	Ref	SKYGUARD SYSTEM INSTALLATION	C
1	0100011	AR	Compound, Locking	
2	0641414	2	Bolt 1/4 x 1-3/4	
3	3300430	2	Nut, Acorn 1/4	
4	3931424	2	Capscrew 1/4 x 1-1/2	
4	3931408	2	Capscrew 1/4 x 1/2	
5	4240033	AR	Tie-Strap	
6	4711400	AR	Washer 1/4	
7	1001120328	1	Mount	
8	1001137673	1	Switch, SkyGuard Assembly	
9	1001186517	2	Cover, Platform Sensor	
10	1001188889	2	Support, Block (Prior to SN 0300246703)	
10	1001209664	2	Support, Block (SN 0300246703 to Present)	

Go to Discount-Equipment.com to order your parts

SECTION 5 - PLATFORM

FIGURE 5-26. SKYGUARD SYSTEM INSTALLATION (SN 0300259635 to Present)



ART_1001238495

SECTION 5 - PLATFORM

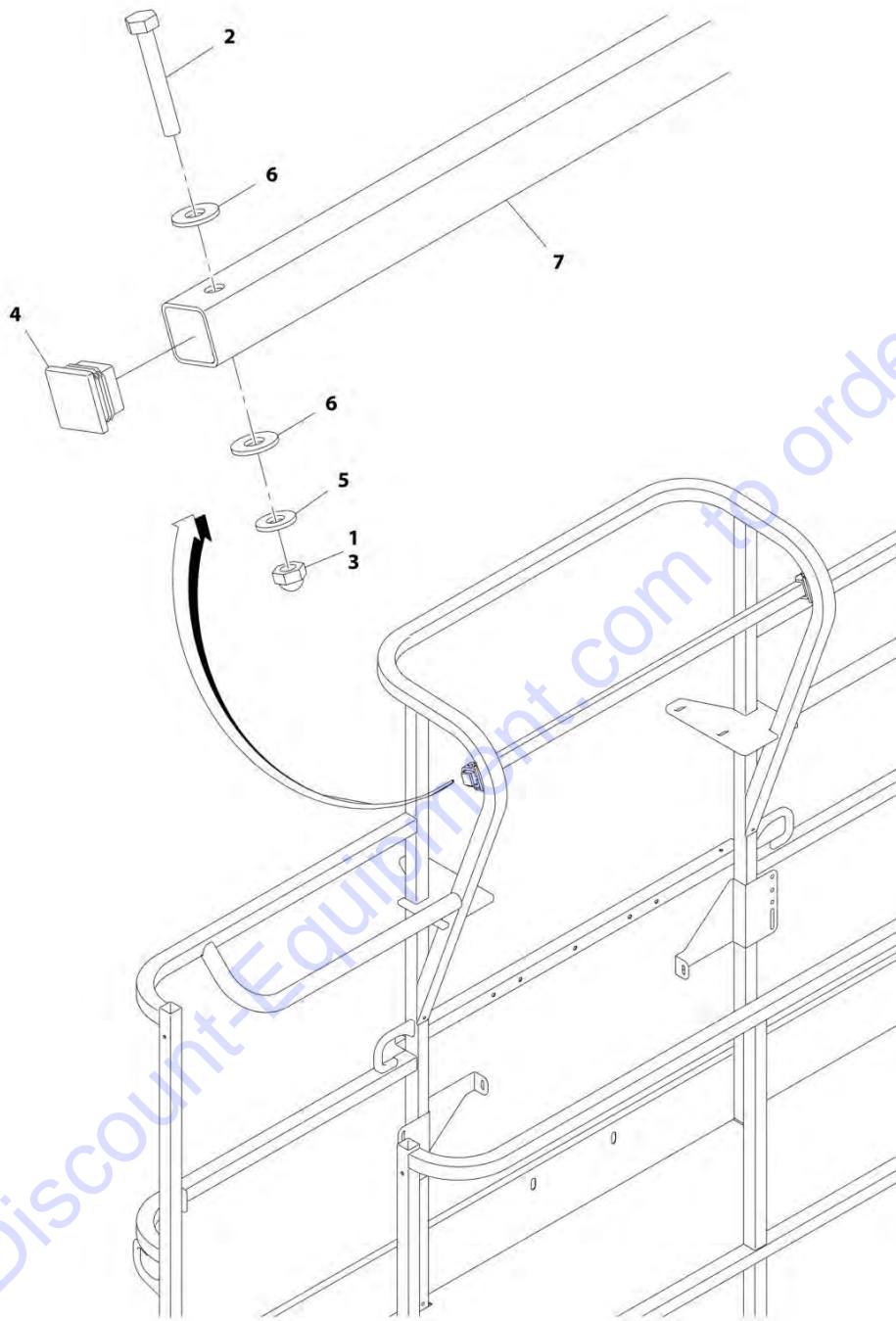
FIGURE 5-26. SKYGUARD SYSTEM INSTALLATION (SN 0300259635 to Present)

ITEM	PART NUMBER	QTY	DESCRIPTION	REV
	1001238495	Ref	SKYGUARD BAR INSTALLATION	A
1	0100011	AR	Compound, Locking	
2	0641414	2	Bolt 1/4 x 1-3/4	
3	3300430	2	Nut 1/4	
4	3931408	2	Capscrew 1/4 x 1/2	
5	4240033	8	Tie-Strap	
6	4711400	6	Washer 1/4	
7	1001120328	1	Mount	
8	1001137673	1	SkyGuard Switch Assembly	
9	1001186517	2	Cover, Platform Sensor	
10	1001209664	2	Support, Block	
11	1001186431	2	Relay	
12	1001225580	1	Interface Harness Assembly (Not Shown - Located Inside Console Box) (See Separate Breakdown in ELECTRICAL SECTION)	
13	1001144433	1	Decal - No Weight SkyGuard	

Go to Discount-Equipment.com to order your parts

SECTION 5 - PLATFORM

FIGURE 5-27. CROSS RAIL INSTALLATION



ART_1001182138

SECTION 5 - PLATFORM

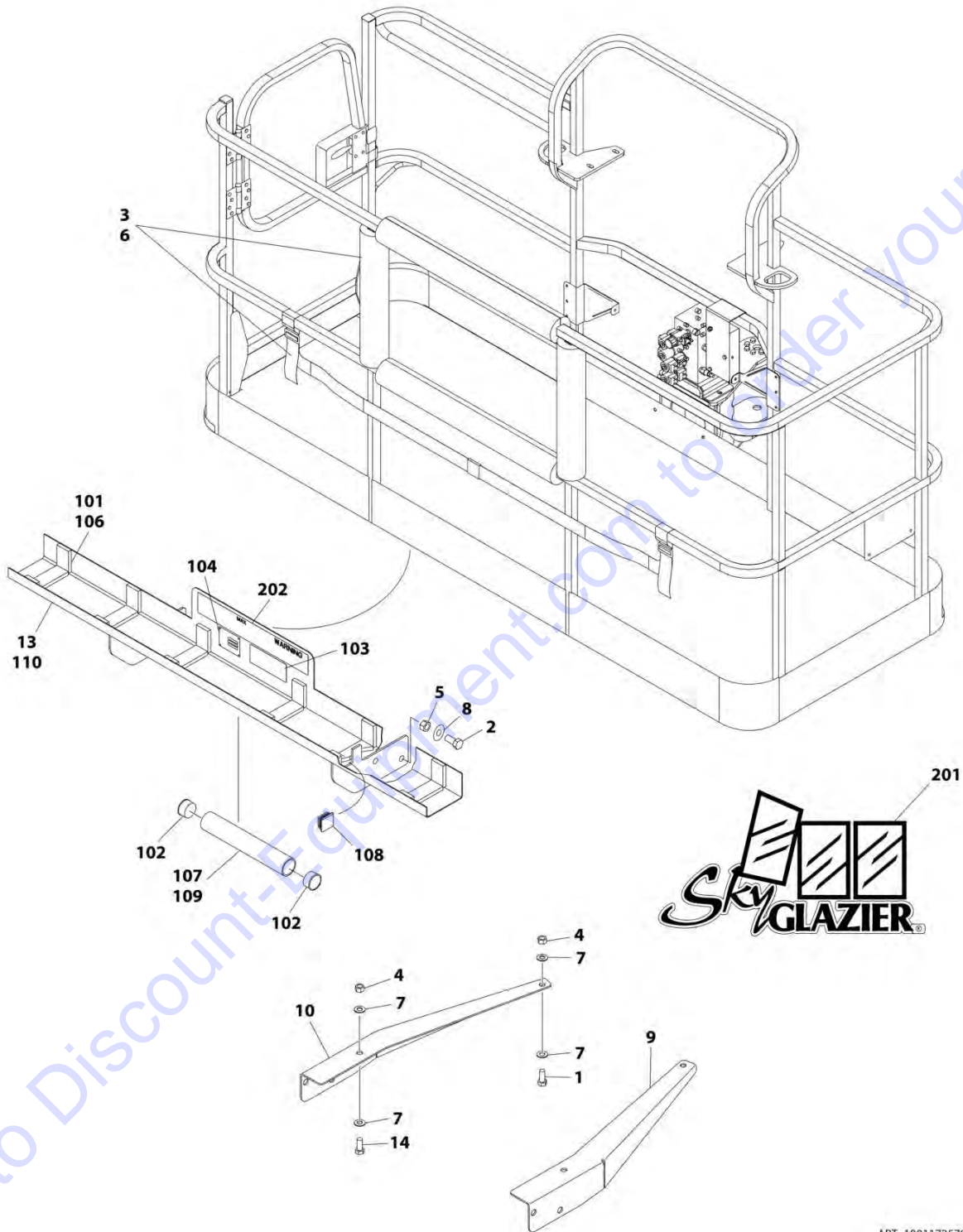
FIGURE 5-27. CROSS RAIL INSTALLATION

ITEM	PART NUMBER	QTY	DESCRIPTION	REV
		Ref	CROSS RAIL INSTALLATION	
	1001182138	Ref	CROSS RAIL INSTALLATION - 400SC - CE SPECS (Prior to SN 0300221183)	A
	1001182138	Ref	CROSS RAIL INSTALLATION - 460SJC - ANSI EXPORT SPECS (SN 0300224020 to Present)	A
1	0100071	AR	Compound, Locking	
2	0641414	2	Bolt 1/4 x 1-3/4	
3	3300430	2	Nut 1/4	
4	3520182	2	Plug	
5	4711400	2	Washer 1/4	
6	4751400	4	Washer 1/4	
7	1001191708	1	Bar	

Go to Discount-Equipment.com to order your parts

SECTION 5 - PLATFORM

FIGURE 5-28. SKYGLAZIER INSTALLATION



ART_1001172578

SECTION 5 - PLATFORM

FIGURE 5-28. SKYGLAZIER INSTALLATION

ITEM	PART NUMBER	QTY	DESCRIPTION	REV
	1001172578	Ref	SKYGLAZIER INSTALLATION (ANSI, ANSI EXPORT, CE AND CSA SPECS) (400SC ONLY)	C
	1001172578	Ref	SKYGLAZIER INSTALLATION (ANSI AND CSA SPECS) (460SJC ONLY)	C
1	0642012	2	Bolt 5/8 x 1-1/2	
2	0642212	4	Bolt 3/4 x 1-1/2	
3	2902212	1	Bumpers and Strap Kit	
3	0940102	1	Bumper Only	
3	4240149	1	Strap Only	
4	3312005	4	Nut 5/8	
5	3312205	4	Nut 3/4	
6	4420014	AR	Tape	
7	4712000	6	Washer 5/8	
8	4712200	8	Washer 3/4	
9	1001099366	1	Support	
10	1001099367	1	Support	
13	1001172577	1	Tray Assembly (See Items 101-110 for Breakdown)	
14	8310129	2	Bolt 5/8 x 2-1/2	
	1001172577	Ref	TRAY ASSEMBLY	B
101	0100081	AR	Adhesive	
102	1120555	2	Cap, Tube	
103	1701509	2	Decal - Manual	
104	See Note	NSS	Nameplate - Serial Number (Note: Not Available for Purchase)	
106	3340956	1	Pad Kit	
107	3460334	1	Tube	
108	3520071	2	Plug	
109	4420066	AR	Tape, Double Sided	
110	4846562	1	Weldment	
	1001172571	Ref	SKYGLAZIER DECAL INSTALLATION (SPANISH DECALS) (Prior to SN 0300224020)	B
	1001193135	Ref	SKYGLAZIER DECAL INSTALLATION (SPANISH DECALS) (SN 0300224020 to Present)	B
	1001172572	Ref	SKYGLAZIER DECAL INSTALLATION (PORTUGUESE DECALS) (Prior to SN 0300224020)	B
	1001193136	Ref	SKYGLAZIER DECAL INSTALLATION (PORTUGUESE DECALS) (SN 0300224020 to Present)	B
	1001172573	Ref	SKYGLAZIER DECAL INSTALLATION (FRENCH DECALS)	B
	1001172574	Ref	SKYGLAZIER DECAL INSTALLATION (GERMAN DECALS)	B
	1001172575	Ref	SKYGLAZIER DECAL INSTALLATION (ITALIAN DECALS)	B
	1001172576	Ref	SKYGLAZIER DECAL INSTALLATION (UK DECALS)	B
	1001172570	Ref	SKYGLAZIER DECAL INSTALLATION (ANSI, ANSI EXPORT AND CSA SPECS) (ENGLISH DECALS) (SN 0300234013 to Present)	C
201	1705358	1	Decal - SkyGlazier Capacity	
202	1001172564	1	Decal - SkyGlazier Capacity (Spanish) (Prior to SN 0300224020)	
202	1001193133	1	Decal - SkyGlazier Capacity (Spanish) (SN 0300224020 to Present)	
202	1001172565	1	Decal - SkyGlazier Capacity (Portuguese) (Prior to SN 0300224020)	
202	1001193134	1	Decal - SkyGlazier Capacity (Portuguese) (SN 0300224020 to Present)	
202	1001172566	1	Decal - SkyGlazier Capacity (French)	
202	1001172567	1	Decal - SkyGlazier Capacity (German)	

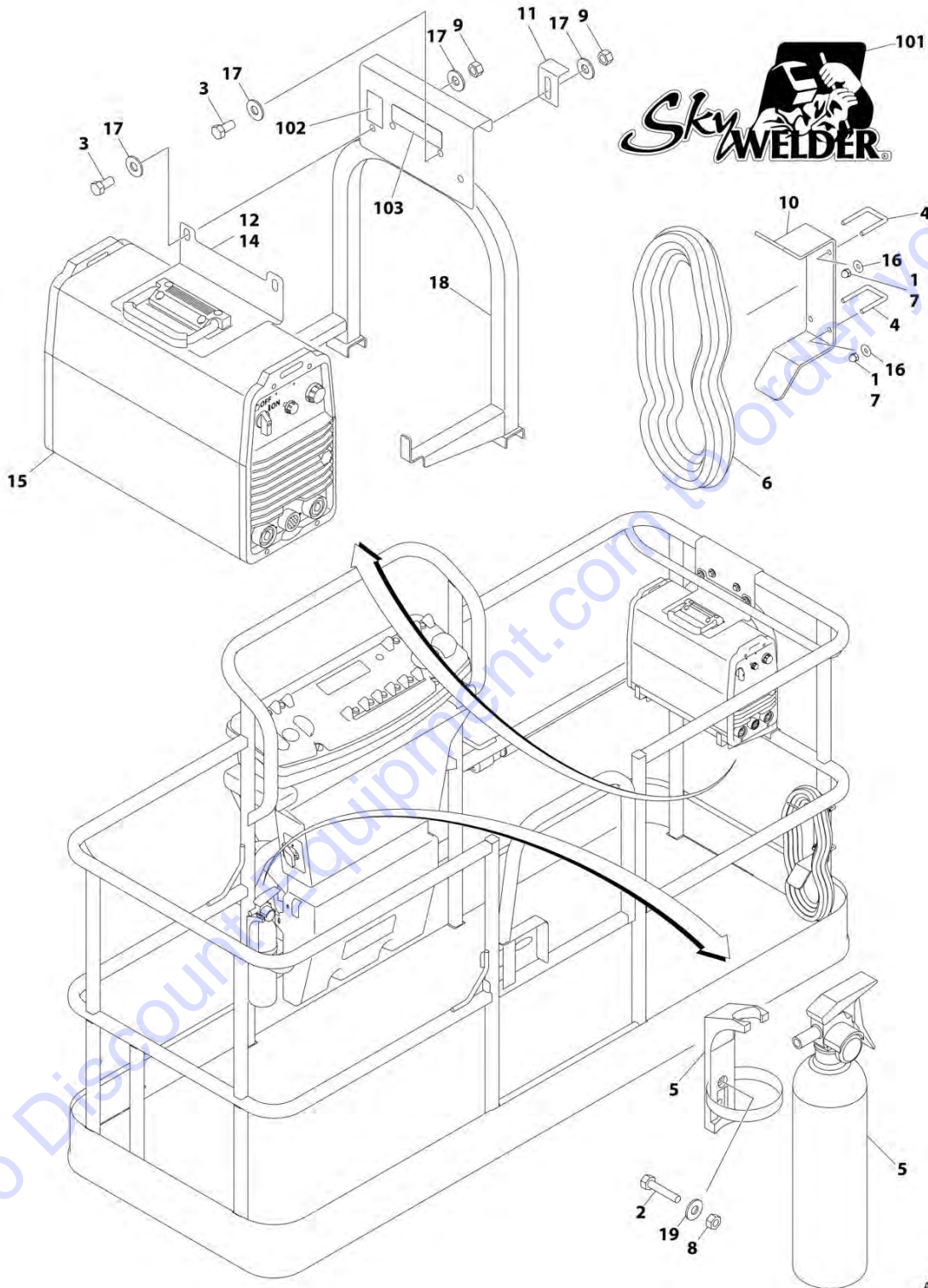
SECTION 5 - PLATFORM

ITEM	PART NUMBER	QTY	DESCRIPTION	REV
202	1001172568	1	Decal - SkyGlazier Capacity (Italian)	
202	1001172569	1	Decal - SkyGlazier Capacity (UK)	
202	1001199035	2	Decal - SkyGlazier Capacity (ANSI, ANSI Export and CSA Specs) (English Decals) (SN 0300234013 to Present)	

Go to Discount-Equipment.com to order your parts

SECTION 5 - PLATFORM

FIGURE 5-29. SKYWELDER INSTALLATION (50HZ)



ART_0272521

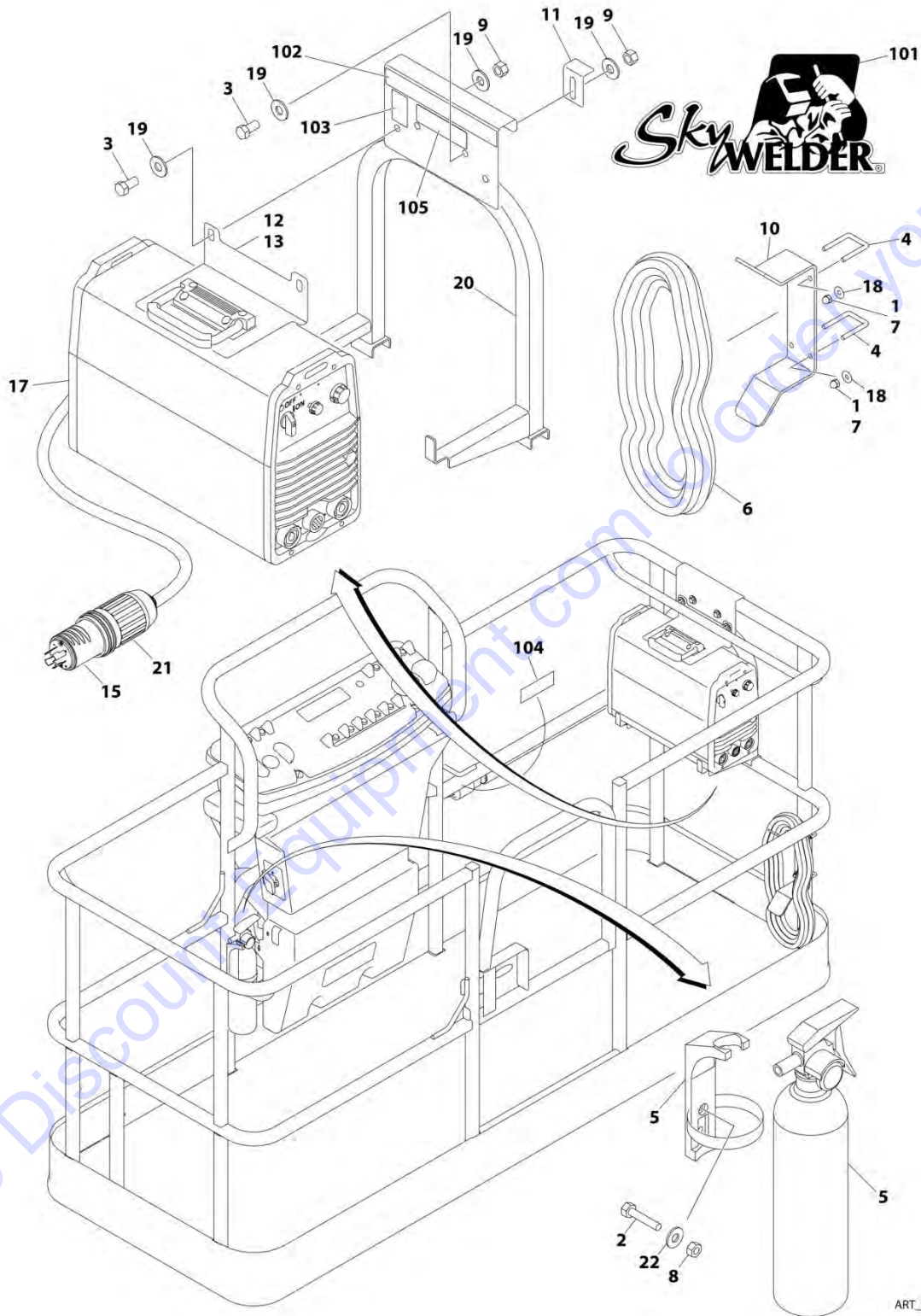
SECTION 5 - PLATFORM

FIGURE 5-29. SKYWELDER INSTALLATION (50HZ)

ITEM	PART NUMBER	QTY	DESCRIPTION	REV
	0272521	Ref	SKYWELDER INSTALLATION (50HZ)	F
1	0100011	AR	Compound, Locking	
2	0630518	2	Screw #10 x 3/4	
3	0641606	4	Bolt 3/8 x 3/4	
4	1320302	2	U-Clamp	
5	2030010	1	Extinguisher, Fire	
6	2902217	1	Weld Leads Kit	
7	3300151	4	Nut 1/4	
8	3311005	2	Nut #10	
9	3311605	4	Nut 3/8	
10	3573400	1	Bracket	
11	3577121	2	Angle	
12	3573642	1	Plate	
13	4240099	AR	Tie-Strap (Not Shown)	
14	4420037	AR	Tape	
15	4530028	1	Welder Assembly (See WELDER ASSEMBLY for Breakdown)	
16	4751400	4	Washer 1/4	
17	4751600	8	Washer 3/8	
18	4846627	1	Support	
19	4751000	2	Washer #10	
	0272588	Ref	SKYWELDER DECAL INSTALLATION	B
101	1705355	2	Decal - SkyWelder	
102	1705305	1	Decal - Weld Lead	
103	1705466	1	Decal - Weight (Prior to SN 0300234013)	
103	1001228988	1	Decal - Weight (SN 0300234013 to Present)	

SECTION 5 - PLATFORM

FIGURE 5-30. SKYWELDER INSTALLATION (60HZ) (ANSI EXPORT SPECS) (SN 0300224020 to Present)



ART_0272254

PARTS FINDER

**Search Website
by Part Number**



**Search Manual
Library For Parts
Manual & Lookup Part
Numbers – Purchase
or Request Quote**

Search Manuals

Part Number:

Serial Number:

Make:

Find:

Submit:

Search:

**Can't Find Part or
Manual? Request Help
by Manufacturer,
Model & Description**

Parts Order Form

Manufacturer:

Model:

Description:

Quantity:

Part Number:

Part Name:

Part Description:

Part Location:

Part Drawing:

Part Photo:

Part Notes:

Part Status:

Part Category:

Part Subcategory:

Part Unit of Measure:

Part Weight:

Part Length:

Part Width:

Part Height:

Part Diameter:

Part Thickness:

Part Material:

Part Finish:

Part Color:

Part Marking:

Part Identification:

Part Location:

Part Drawing:

Part Photo:

Part Notes:

Part Status:

Part Category:

Part Subcategory:

Part Unit of Measure:

Part Weight:

Part Length:

Part Width:

Part Height:

Part Diameter:

Part Thickness:

Part Material:

Part Finish:

Part Color:

Part Marking:

Part Identification:

Discount-Equipment.com is your online resource for quality parts & equipment.

Florida: **561-964-4949** Outside Florida TOLL FREE: **877-690-3101**

Need parts?

Click on this link: <http://www.discount-equipment.com/category/5443-parts/> and choose one of the options to help get the right parts and equipment you are looking for. Please have the machine model and serial number available in order to help us get you the correct parts. If you don't find the part on the website or on one of the online manuals, please fill out the request form and one of our experienced staff members will get back to you with a quote for the right part that your machine needs.

We sell worldwide for the brands: Genie, Terex, JLG, MultiQuip, Mikasa, Essick, Whiteman, Mayco, Toro Stone, Diamond Products, Generac Magnum, Airman, Haulotte, Barreto, Power Blanket, Nifty Lift, Atlas Copco, Chicago Pneumatic, Allmand, Miller Curber, Skyjack, Lull, Skytrak, Tsurumi, Husquvarna Target, Stow, Wacker, Sakai, Mi-T-M, Sullair, Basic, Dynapac, MBW, Weber, Bartell, Bennar Newman, Haulotte, Ditch Runner, Menegotti, Morrison, Contec, Buddy, Crown, Edco, Wyco, Bomag, Laymor, EZ Trench, Bil-Jax, F.S. Curtis, Gehl Pavers, Heli, Honda, ICS/PowerGrit, IHI, Partner, Imer, Clipper, MMD, Koshin, Rice, CH&E, General Equipment, Amida, Coleman, NAC, Gradall, Square Shooter, Kent, Stanley, Tamco, Toku, Hatz, Kohler, Robin, Wisconsin, Northrock, Oztec, Toker TK, Rol-Air, APT, Wylie, Ingersoll Rand / Doosan, Innovatech, Con X, Ammann, Mecalac, Makinex, Smith Surface Prep, Small Line, Wanco, Yanmar

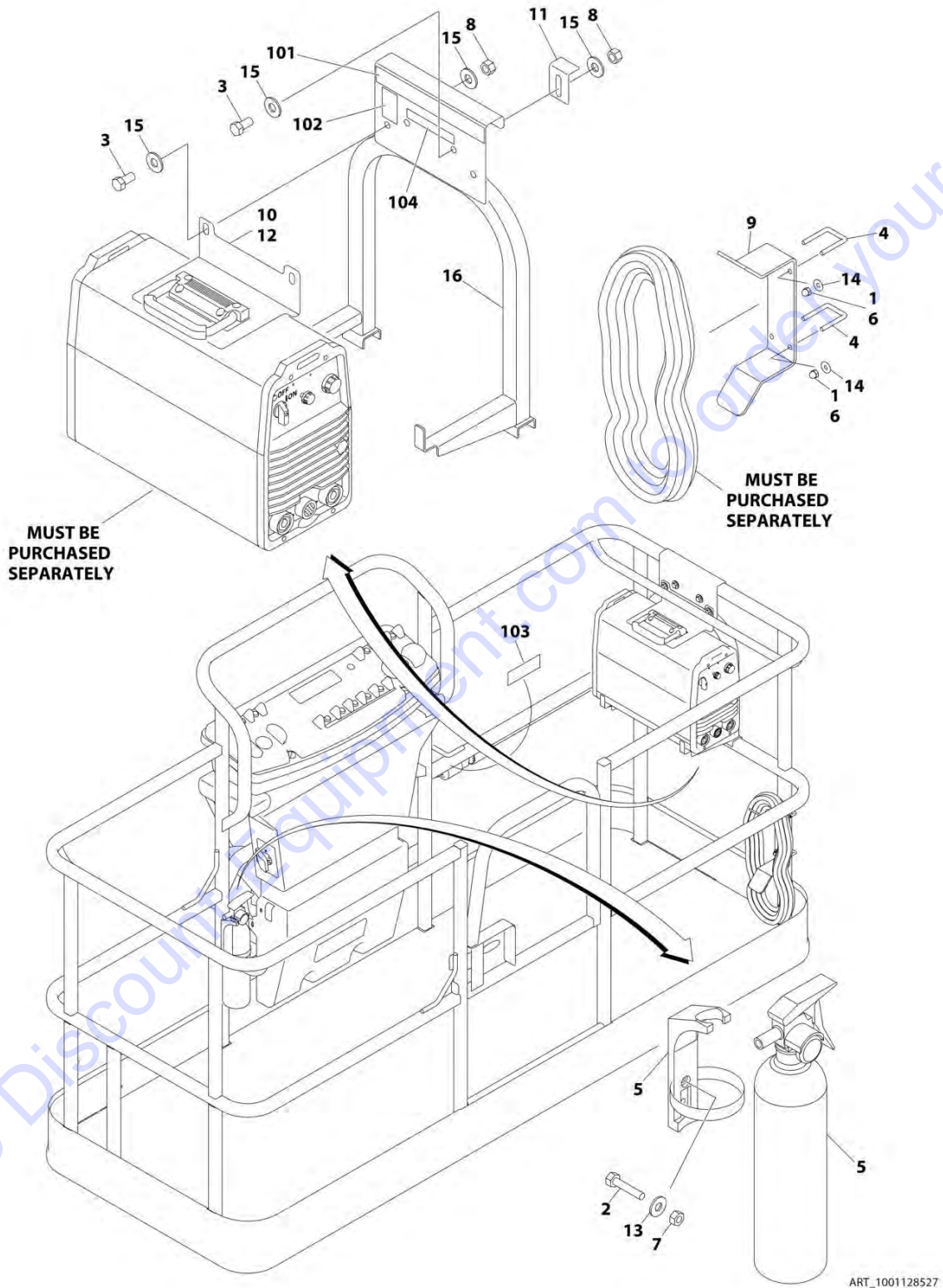
SECTION 5 - PLATFORM

FIGURE 5-30. SKYWELDER INSTALLATION (60HZ) (ANSI EXPORT SPECS) (SN 0300224020 to Present)

ITEM	PART NUMBER	QTY	DESCRIPTION	REV
	0272254	Ref	SKYWELDER INSTALLATION (60HZ) (ANSI EXPORT SPECS) (SN 0300224020 to Present)	I
1	0100011	AR	Compound, Locking	
2	0630518	2	Screw #10 x 3/4	
3	0641606	4	Bolt 3/8 x 3/4	
4	1320302	2	U-Clamp	
5	2030010	1	Extinguisher, Fire	
6	2902217	1	Weld Leads Kit	
7	3300151	4	Nut 1/4	
8	3311005	2	Nut #10	
9	3311605	4	Nut 3/8	
10	3573400	1	Bracket	
11	3577121	2	Angle	
12	3573642	1	Plate	
13	4420037	AR	Tape	
14	4240099	AR	Tie-Strap (Not Shown)	
15	4460962	1	Plug, Male Twistlock	
17	4530028	1	Welder Assembly (See WELDER ASSEMBLY for Breakdown)	
18	4751400	4	Washer 1/4	
19	4751600	8	Washer 3/8	
20	4846627	1	Support	
21	1671093	1	Cover, Plug	
22	4751000	2	Washer #10	
	0272448	Ref	SKYWELDER DECAL INSTALLATION	B
101	1705355	2	Decal - SkyWelder	
102	1702868	1	Decal - No Hands	
103	1705305	1	Decal - Weld Lead	
104	1705375	1	Decal - 240V - 3 Phase - 60Hz	
105	1705466	1	Decal - Weight (SN 0300224020 through 0300234013)	
105	1001228988	1	Decal - Weight (SN 0300234013 to Present)	

SECTION 5 - PLATFORM

FIGURE 5-31. SKYWELDER PREP PACKAGE (60HZ) (ANSI EXPORT SPECS) (SN 0300224020 to Present)



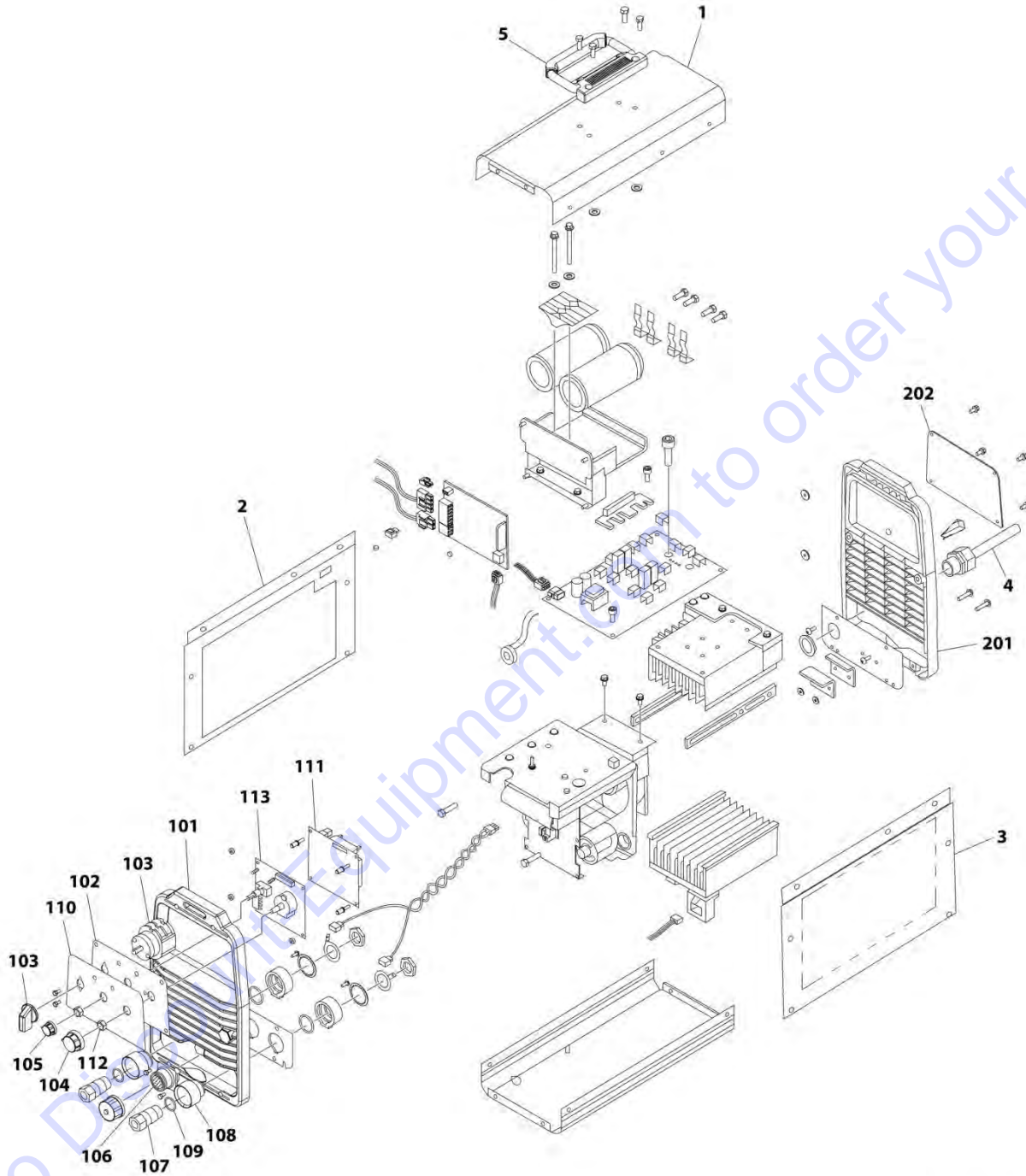
SECTION 5 - PLATFORM

FIGURE 5-31. SKYWELDER PREP PACKAGE (60HZ) (ANSI EXPORT SPECS) (SN 0300224020 to Present)

ITEM	PART NUMBER	QTY	DESCRIPTION	REV
	1001128527	Ref	SKYWELDER PREP PACKAGE (60HZ) (ANSI EXPORT SPECS) (SN 0300224020 to Present)	B
		Ref	Note: ANSI, ANSI Export and CSA Specs Only.	
1	0100011	AR	Compound, Locking	
2	0630518	2	Screw #10 x 3/4	
3	0641606	4	Bolt 3/8 x 3/4	
4	1320302	2	U-Clamp	
5	2030010	1	Extinguisher, Fire	
6	3300151	4	Nut 1/4	
7	3311005	2	Nut #10	
8	3311605	4	Nut 3/8	
9	3573400	1	Bracket	
10	3573642	1	Plate	
11	3577121	2	Angle	
12	4420037	AR	Tape	
13	4751000	2	Washer #10	
14	4751400	4	Washer 1/4	
15	4751600	8	Washer 3/8	
16	4846627	1	Support	
	1001128556	Ref	SKYWELDER DECAL INSTALLATION	A
101	1702868	1	Decal - No Hands	
102	1705305	1	Decal - Weld Lead	
103	1705375	1	Decal - 240V - 3 Phase - 60Hz	
104	1705466	1	Decal - Weight	

SECTION 5 - PLATFORM

FIGURE 5-32. WELDER ASSEMBLY



ART_4530028

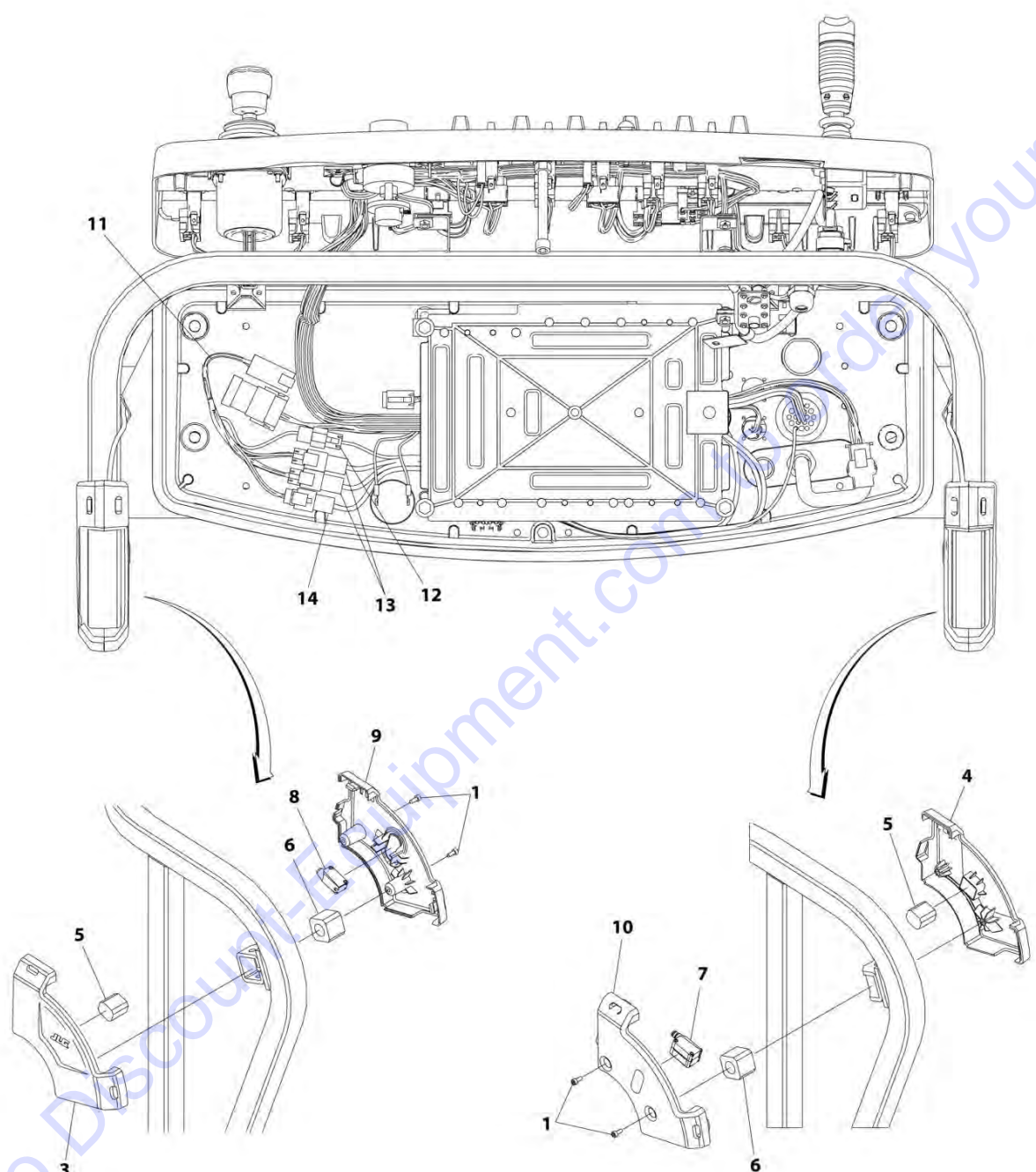
SECTION 5 - PLATFORM

FIGURE 5-32. WELDER ASSEMBLY

ITEM	PART NUMBER	QTY	DESCRIPTION	REV
	4530028	Ref	WELDER ASSEMBLY	B
		Ref	Note: For Other Components, contact your Miller Welder Dealer.	
1	7027773	1	Cover, Top	
1	7027774	1	Decal - Static Precautionary Warning	
2	See Note	NSS	Panel, LH Side (Note: Part of Item 1. Purchase Item 1)	
3	See Note	NSS	Panel, RH Side (Note: Part of Item 1. Purchase Item 1)	
4	7024467	1	Cable, Power	
4	7027775	1	Decal - Electrical Shock Warning (Not Shown)	
5	7027776	1	Handle, Carrying	
101	7024462	1	Panel, Front	
102	7024463	1	Panel, Console	
103	7024469	1	Switch with Lead	
104	7024470	1	Knob	
105	7024471	1	Knob	
106	7024472	1	Receptacle with Leads and Plugs	
107	7024473	2	Receptacle, Twistlock Female	
108	7024474	2	Insulator	
109	7024475	2	O-Ring	
110	7027777	1	Nameplate	
111	7027779	1	Circuit Card Assembly (Process Control)	
112	7024478	2	Nut	
113	7027778	1	Circuit Card Assembly (Operator Interface)	
201	7024462	1	Panel, Rear	
202	7027780	1	Panel, Cover	

SECTION 5 - PLATFORM

FIGURE 5-33. SKYEYE INSTALLATION



ART_1001229341

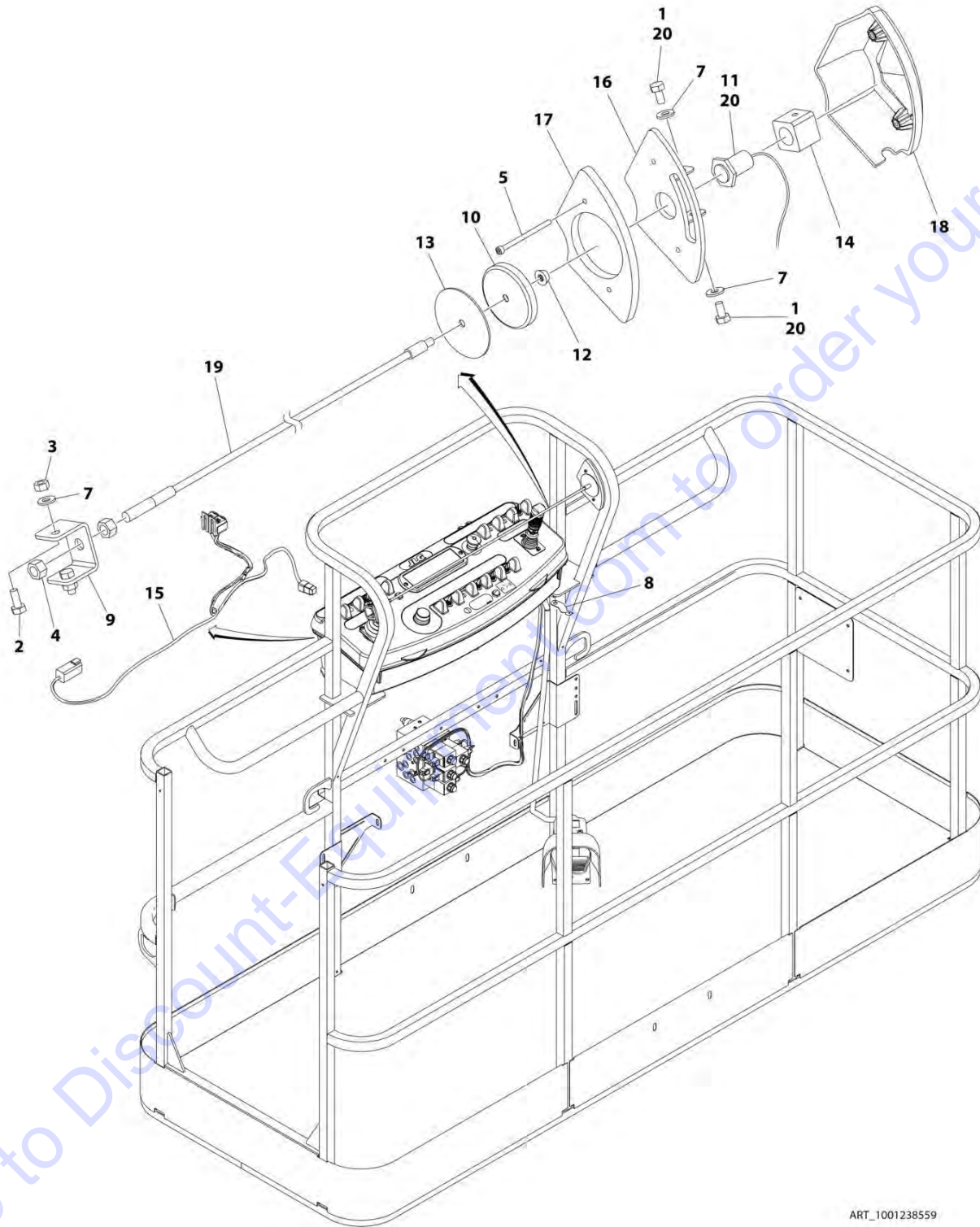
SECTION 5 - PLATFORM

FIGURE 5-33. SKYEYE INSTALLATION

ITEM	PART NUMBER	QTY	DESCRIPTION	REV
	1001229341	Ref	SKYEYE INSTALLATION	A
1	4031505	4	Bolt M4 x 10	
2	4240033	AR	Tie-Strap (Not Shown)	
3	1001227633	1	Housing, LH Outer	
4	1001227634	1	Housing, RH Outer	
5	1001227985	2	Shim	
6	1001227987	2	Shim	
7	1001228224	2	Sensor, Receiver	
8	1001228225	1	Sensor, Emitter	
9	1001232164	1	Housing, LH Inner	
10	1001232165	1	Housing, RH Inner	
11	1001237865	1	Harness, Skyeye Intermediate (See Separate Breakdown in ELECTRICAL SECTION)	
12	1001238319	1	Harness, Skyeye Drain Jumper	
12	1001187674	1	Plug, Male - 2 Position	
12	4460942	1	Terminal	
12	4460466	1	Plug, Terminal	
12	4460508	1	Pin, Male	
13	1001237863	2	Harness, Skyeye Receiver (See Separate Breakdown in ELECTRICAL SECTION)	
14	1001237864	1	Harness, Skyeye Emitter (See Separate Breakdown in ELECTRICAL SECTION)	

SECTION 5 - PLATFORM

FIGURE 5-34. SKYLINE INSTALLATION



ART_1001238559

SECTION 5 - PLATFORM

FIGURE 5-34. SKYLINE INSTALLATION

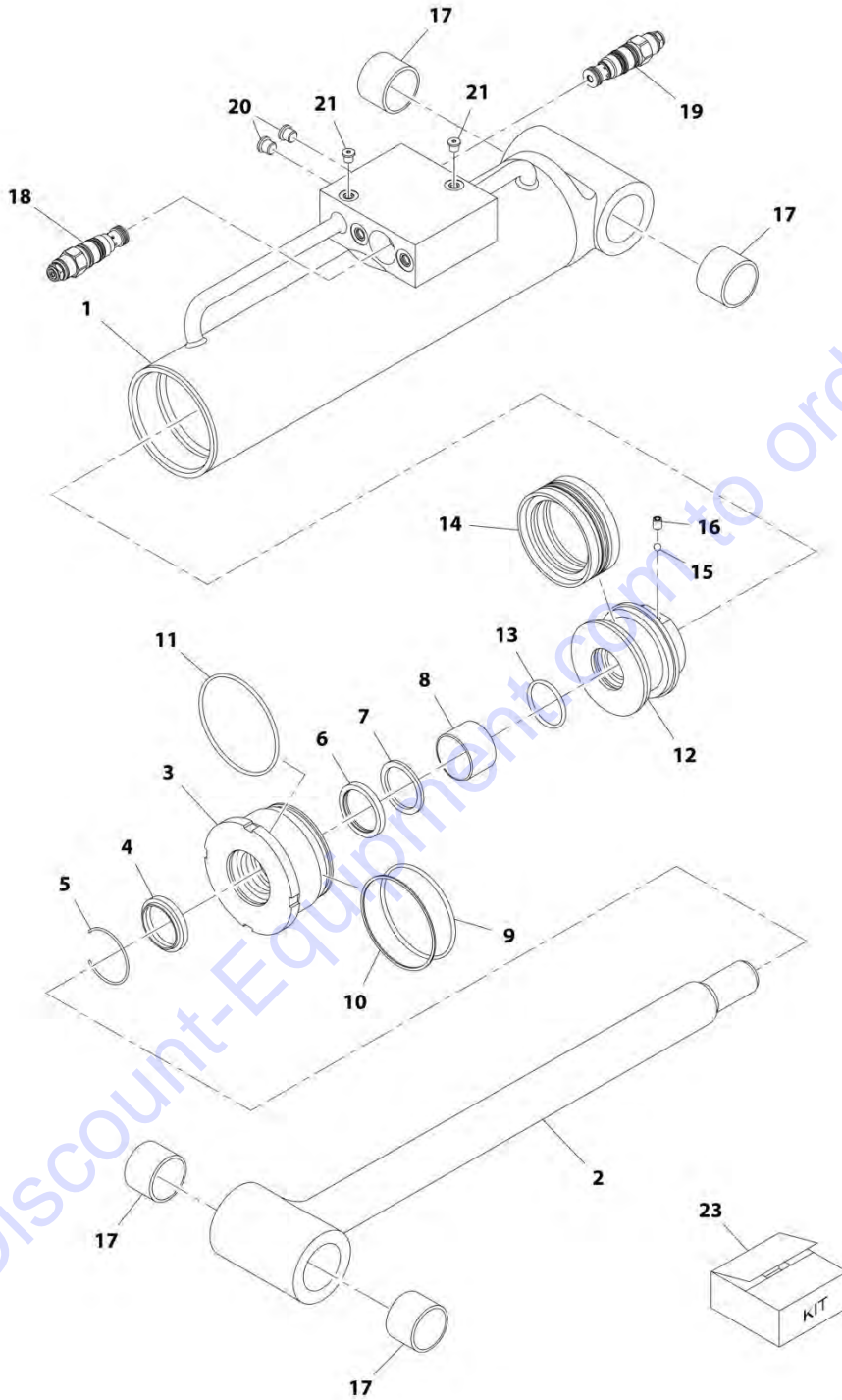
ITEM	PART NUMBER	QTY	DESCRIPTION	REV
	1001238559	Ref	SKYLINE INSTALLATION	B
1	0641404	2	Bolt 1/4 x 1/2	
2	0641405	2	Bolt 1/4 x 5/8	
3	3311405	2	Nut 1/4	
4	3311601	2	Nut 3/8	
5	4031516	2	Capscrew M4 x 60	
6	4240033	AR	Tie-Strap (Not Shown)	
7	4711400	4	Washer 1/4	
8	1001120328	1	Mount	
9	1001232642	1	Bracket	
10	1001232650	1	Magnet	
11	1001232667	1	Sensor, Proximity	
12	1001235011	1	Nut	
13	1001235013	1	Washer	
14	1001236552	1	Block	
15	1001238418	1	Harness, Skyline (See Separate Breakdown in ELECTRICAL SECTION)	
16	1001238472	1	Mount	
17	1001238477	1	Housing, LH	
18	1001241965	1	Housing, RH	
19	1001238824	1	Rope	
20	0100011	AR	Compound, Locking	

SECTION 6 - CYLINDER

Go to Discount-Equipment.com to order your parts

SECTION 6 - CYLINDER

FIGURE 6-1. LEVEL (PLATFORM SLAVE) CYLINDER ASSEMBLY



ART_1001163386

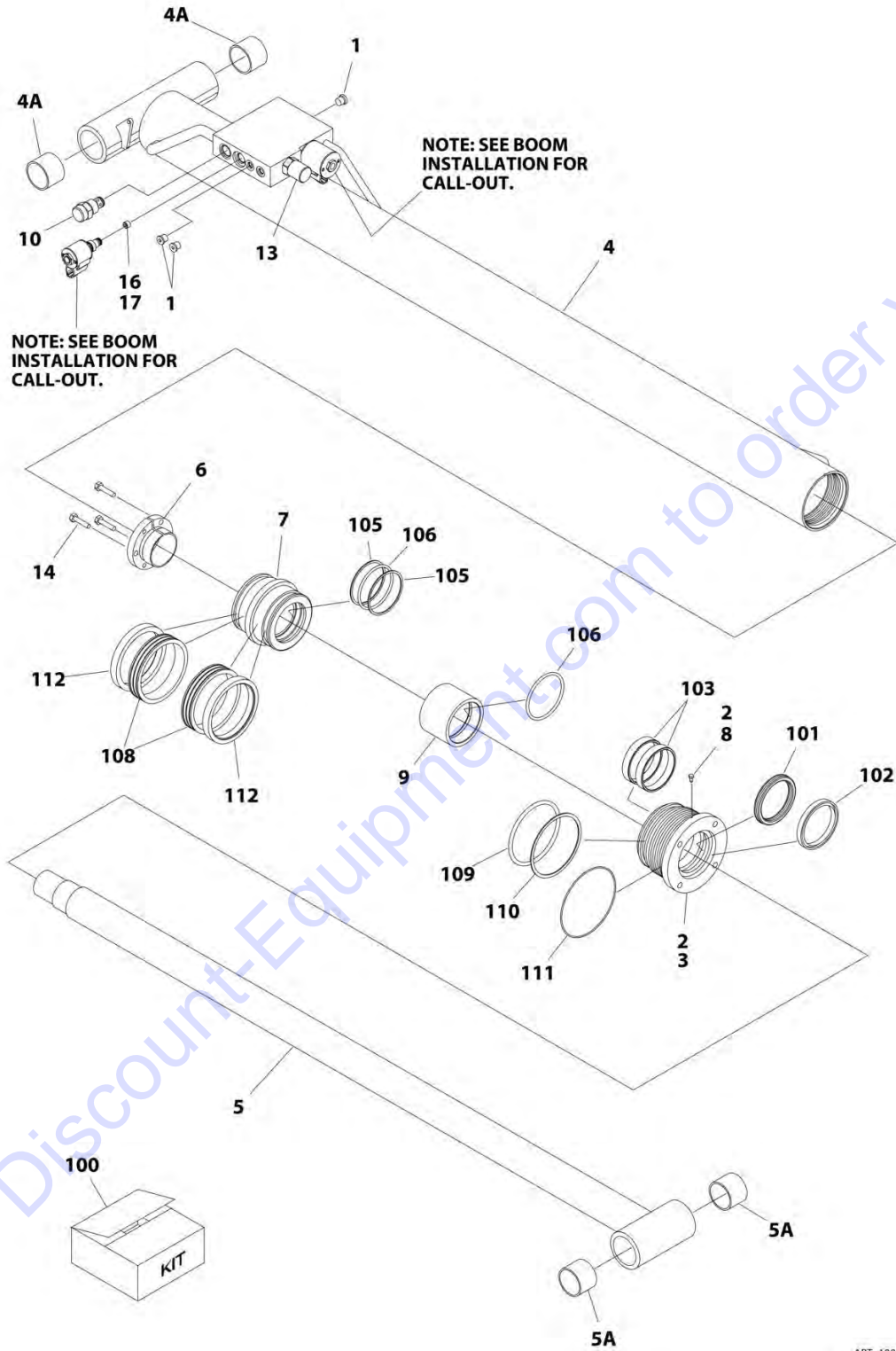
SECTION 6 - CYLINDER

FIGURE 6-1. LEVEL (PLATFORM SLAVE) CYLINDER ASSEMBLY

ITEM	PART NUMBER	QTY	DESCRIPTION	REV
	1001163386	Ref	LEVEL (PLATFORM SLAVE) CYLINDER ASSEMBLY	G
1	70005147	1	Barrel	
2	70005148	1	Rod	
3	70005142	1	Head	
4	See Note	NSS	Wiper (Note: Use Item 23)	
5	70002373	1	Ring, Retaining	
6	See Note	NSS	Seal, Rod (Note: Use Item 23)	
7	See Note	NSS	Ring, Back-up (Note: Use Item 23)	
8	70005143	1	Bearing, Dry	
9	See Note	NSS	O-Ring (Note: Use Item 23)	
10	See Note	NSS	Ring, Back-up (Note: Use Item 23)	
11	See Note	NSS	O-Ring (Note: Use Item 23)	
12	70005144	1	Piston	
13	See Note	NSS	O-Ring (Note: Use Item 23)	
14	See Note	NSS	Seal, Piston (Note: Use Item 23)	
15	70022564	1	Ball	
16	70023369	1	Setscrew	
17	70005145	4	Bearing	
18	1001168209	1	Cartridge, Valve	
18	2900770	1	Seal Kit - 1001168209 Valve	
19	1001168210	1	Cartridge, Valve	
19	2900770	1	Seal Kit - 1001168210 Valve	
20	70023370	1	Plug 7/16	
21	2220881	1	Plug, O-Ring 5/16	
23	70005149	1	Seal Kit - 1001163386 Cylinder (Includes Items 4, 6, 7, 9, 10, 11, 13 & 14)	

SECTION 6 - CYLINDER

FIGURE 6-2. LIFT CYLINDER ASSEMBLY - MAIN BOOM - 400SC (Prior to SN 0300205271)



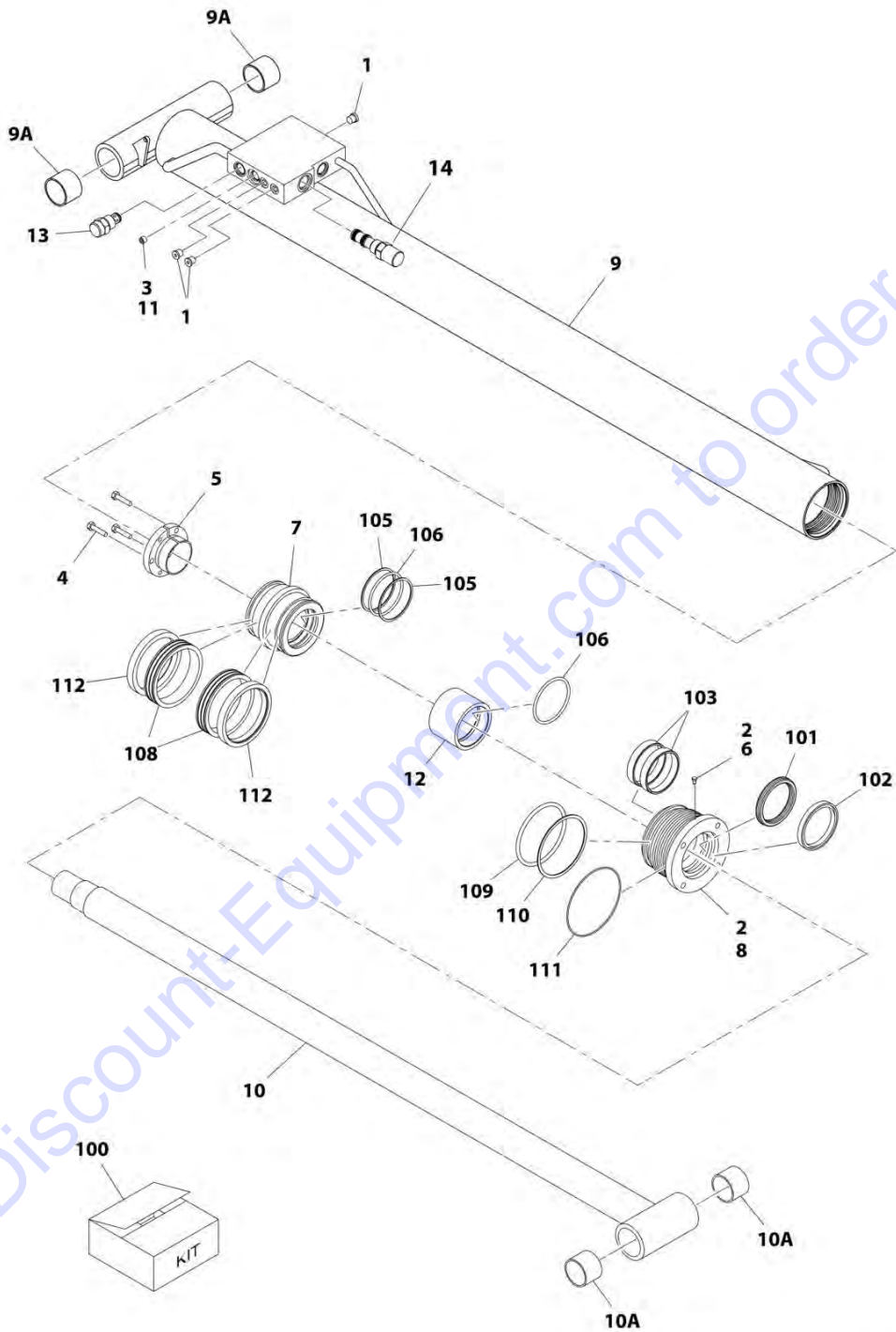
SECTION 6 - CYLINDER

FIGURE 6-2. LIFT CYLINDER ASSEMBLY - MAIN BOOM - 400SC (Prior to SN 0300205271)

ITEM	PART NUMBER	QTY	DESCRIPTION	REV
	1001163384	Ref	LIFT CYLINDER ASSEMBLY - MAIN BOOM - 400SC (Prior to SN 0300205271)	F
		Ref	Note: Original Cylinder May Have Been Replaced with Service Replacement. Identify PN Stamped on Cylinder Before Ordering Parts.	
1	2220883	3	Plug #4	
2	3020043	AR	Lubricant, Anti-Seize	
3	1001164582	1	Head, Cylinder	
4	1001164578	1	Barrel	
4A	0961950	2	Bearing	
5	1001164583	1	Rod	
5A	0961950	2	Bearing	
6	0961897	1	Bushing	
7	3480211	1	Piston	
8	1001125137	1	Screw #8	
9	1001164596	1	Spacer	
10	4641390	1	Cartridge, Check Valve	
10	7017496	1	Seal Kit - 4641390 Valve	
13	1001165131	1	Cartridge, Valve	
13	7012925	1	Seal Kit - 1001165131 Valve	
14	0641409	3	Bolt 1/4 x 1-1/8	
16	0100035	1	Compound, Locking	
17	1001170759	1	Orifice 0.047	
100	1001164585	1	Seal Kit - 1001163384 Cylinder (Includes Items 101-112)	
101	See Note	NSS	Seal, Rod (Note: Use Item 100)	
102	See Note	NSS	Wiper (Note: Use Item 100)	
103	See Note	NSS	Ring, Wear (Note: Use Item 100)	
105	See Note	NSS	Ring, Back-up (Note: Use Item 100)	
106	See Note	NSS	Seal (Note: Use Item 100)	
108	See Note	NSS	Ring, Lock (Note: Use Item 100)	
109	See Note	NSS	O-Ring (Note: Use Item 100)	
110	See Note	NSS	Ring, Back-up (Note: Use Item 100)	
111	See Note	NSS	O-Ring (Note: Use Item 100)	
112	See Note	NSS	Ring, Lock (Note: Use Item 100)	

SECTION 6 - CYLINDER

FIGURE 6-3. LIFT CYLINDER ASSEMBLY - MAIN BOOM - 400SC (SN 0300205271 through 0300226923)



ART_100119885

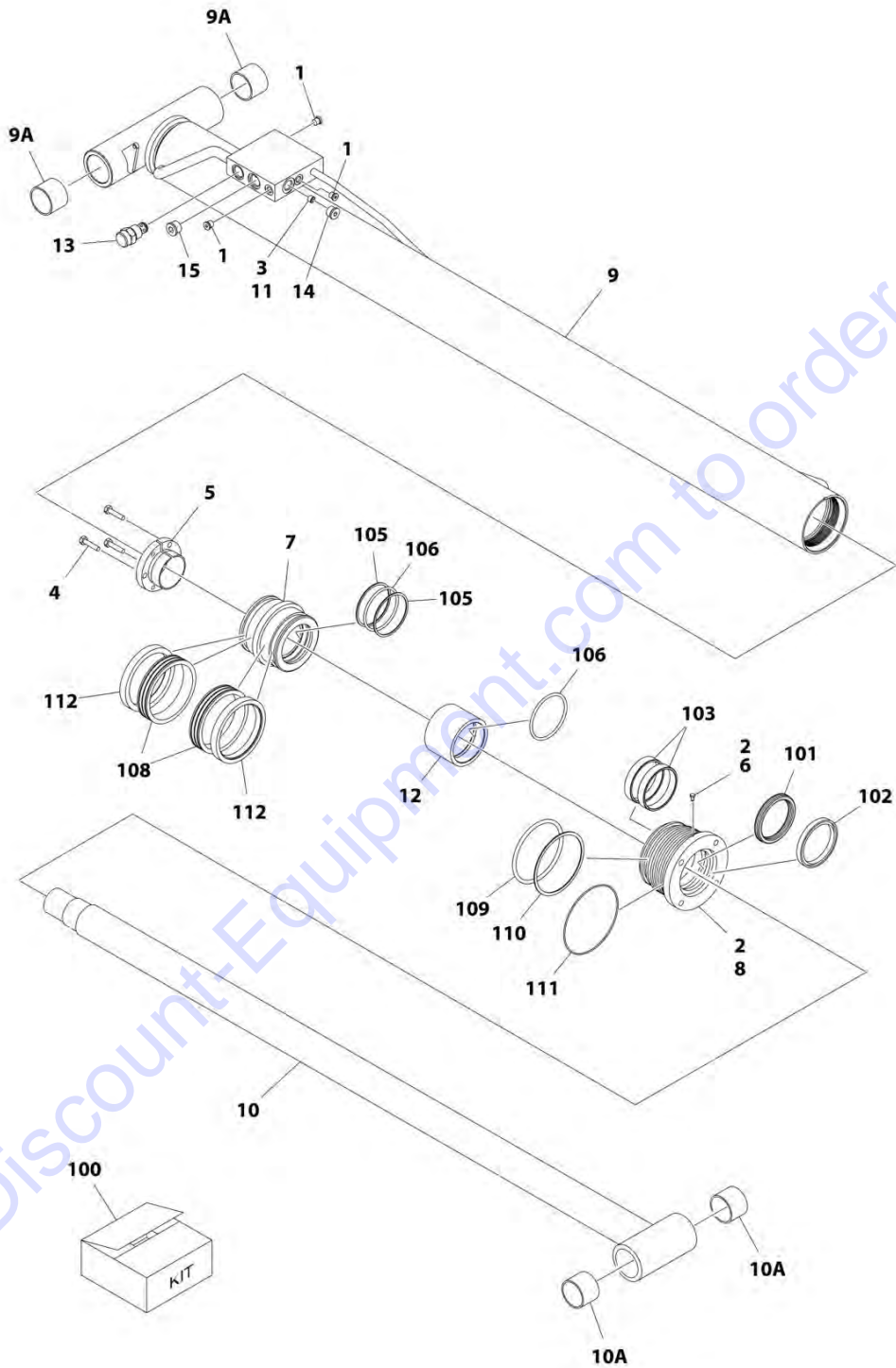
SECTION 6 - CYLINDER

FIGURE 6-3. LIFT CYLINDER ASSEMBLY - MAIN BOOM - 400SC (SN 0300205271 through 0300226923)

ITEM	PART NUMBER	QTY	DESCRIPTION	REV
	1001198885	Ref	LIFT CYLINDER ASSEMBLY - MAIN BOOM - 400SC (SN 0300205271 through 0300226923)	E
1	2220883	3	Plug #4	
2	3020043	AR	Lubricant, Anti-Seize	
3	0100035	1	Compound, Locking	
4	0641409	3	Bolt 1/4 x 1-1/8	
5	0961897	1	Bushing	
6	1001125137	1	Screw #8	
7	3480211	1	Piston	
8	1001164582	1	Head, Cylinder	
9	1001164578	1	Barrel	
9A	0961950	2	Bearing	
10	1001164583	1	Rod	
10A	0961950	2	Bearing	
11	1001170759	1	Orifice 0.047	
12	1001198886	1	Spacer	
13	4641390	1	Cartridge, Check Valve	
13	7017496	1	Seal Kit - 4641390 Valve	
14	1001165131	1	Cartridge, Valve (Prior to SN 0300210552)	
14	7012925	1	Seal Kit - 1001165131 Valve (Prior to SN 0300210552)	
14	1001203628	1	Cartridge, Valve (SN 0300210552 to Present)	
14	7012925	1	Seal Kit - 1001203628 Valve (SN 0300210552 to Present)	
100	1001164585	1	Seal Kit - 1001198885 Cylinder (Includes Item 101-112)	
101	See Note	NSS	Seal, Rod (Note: Use Item 100)	
102	See Note	NSS	Wiper (Note: Use Item 100)	
103	See Note	NSS	Ring, Wear (Note: Use Item 100)	
105	See Note	NSS	Ring, Back-up (Note: Use Item 100)	
106	See Note	NSS	Seal (Note: Use Item 100)	
108	See Note	NSS	Ring, Lock (Note: Use Item 100)	
109	See Note	NSS	O-Ring (Note: Use Item 100)	
110	See Note	NSS	Ring, Back-up (Note: Use Item 100)	
111	See Note	NSS	O-Ring (Note: Use Item 100)	
112	See Note	NSS	Ring, Lock (Note: Use Item 100)	

SECTION 6 - CYLINDER

FIGURE 6-4. LIFT CYLINDER ASSEMBLY - MAIN BOOM (400SC SN 0300226923 through 0300239153; 460SJC Prior to SN 0300239154)



ART_1001206321

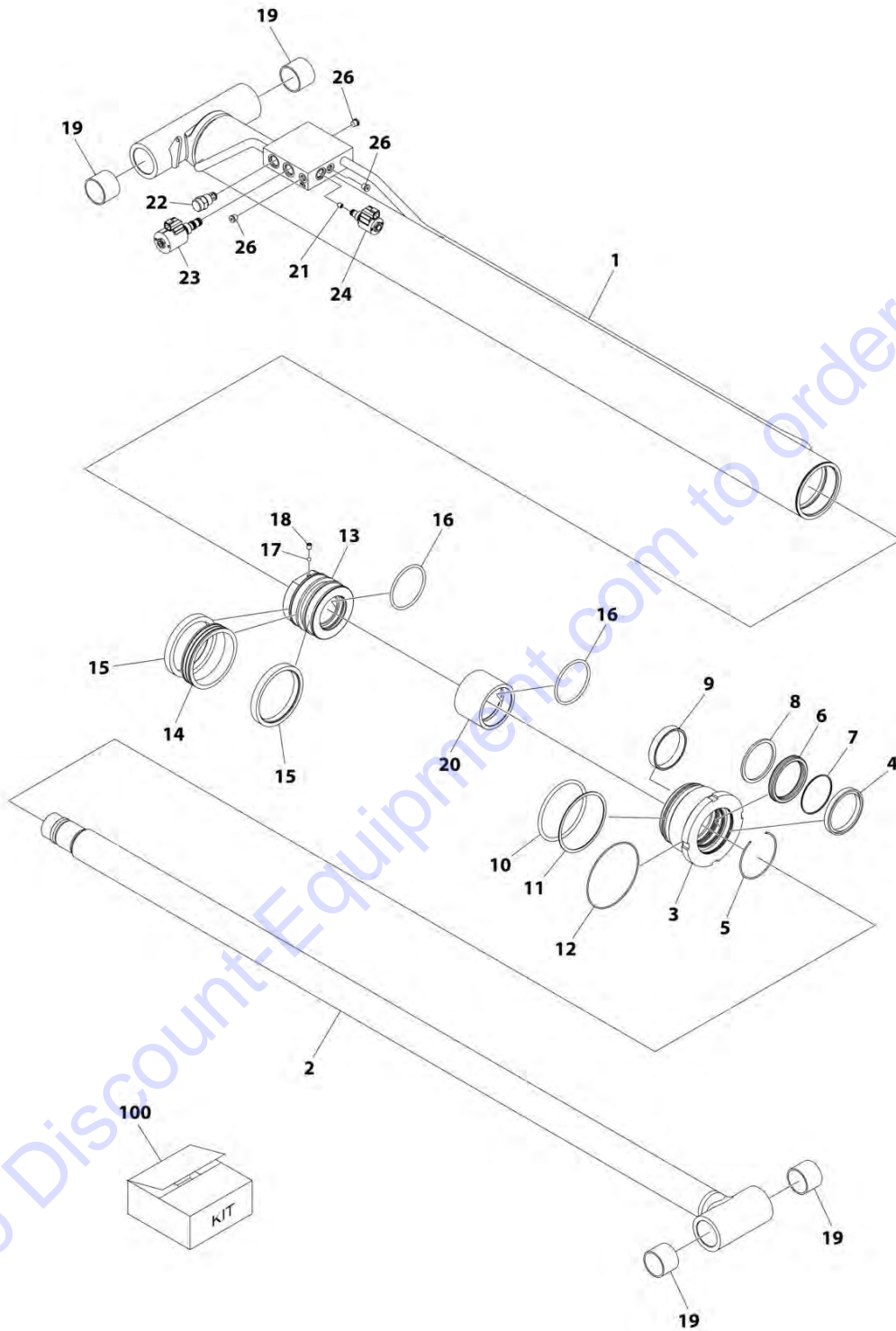
SECTION 6 - CYLINDER

**FIGURE 6-4. LIFT CYLINDER ASSEMBLY - MAIN BOOM (400SC SN 0300226923 through 0300239153;
460SJC Prior to SN 0300239154)**

ITEM	PART NUMBER	QTY	DESCRIPTION	REV
	1001206321	Ref	LIFT CYLINDER ASSEMBLY - MAIN BOOM	C
1	2220883	3	Plug #4	
2	3020043	AR	Lubricant, Anti-Seize	
3	0100035	1	Compound, Locking	
4	0641409	3	Bolt 1/4 x 1-1/8	
5	0961897	1	Bushing	
6	1001125137	1	Screw #8	
7	3480211	1	Piston	
8	1001164582	1	Head, Cylinder	
9	1001206442	1	Barrel	
9A	0961950	2	Bearing	
10	1001164583	1	Rod	
10A	0961950	2	Bearing	
11	2180380	1	Orifice 0.06 (Prior to SN 0300234647)	
11	1001170759	1	Orifice 0.047 (SN 0300234647 to Present)	
12	1001198886	1	Spacer	
13	4641390	1	Cartridge, Check Valve	
13	7017496	1	Seal Kit - 4641390 Valve	
14	2220886	1	Plug	
15	2220887	1	Adapter	
100	1001164585	1	Seal Kit - 1001206321 Cylinder (Includes Item 101-112)	
101	See Note	NSS	Seal, Rod (Note: Use Item 100)	
102	See Note	NSS	Wiper (Note: Use Item 100)	
103	See Note	NSS	Ring, Wear (Note: Use Item 100)	
105	See Note	NSS	Ring, Back-up (Note: Use Item 100)	
106	See Note	NSS	Seal (Note: Use Item 100)	
108	See Note	NSS	Ring, Lock (Note: Use Item 100)	
109	See Note	NSS	O-Ring (Note: Use Item 100)	
110	See Note	NSS	Ring, Back-up (Note: Use Item 100)	
111	See Note	NSS	O-Ring (Note: Use Item 100)	
112	See Note	NSS	Ring, Lock (Note: Use Item 100)	

SECTION 6 - CYLINDER

FIGURE 6-5. LIFT CYLINDER ASSEMBLY - MAIN BOOM (SN 0300239154 to Present)



ART_1001228092

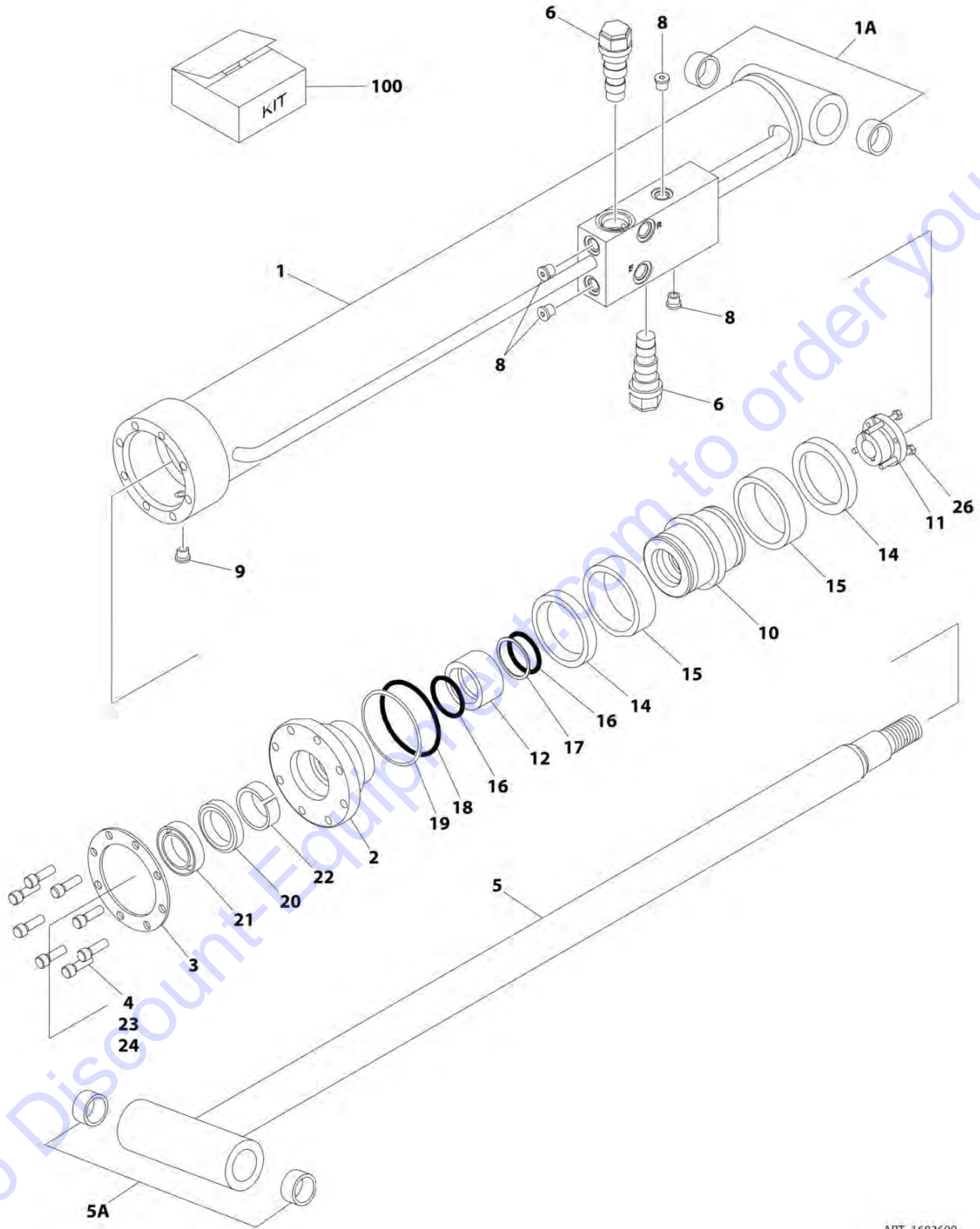
SECTION 6 - CYLINDER

FIGURE 6-5. LIFT CYLINDER ASSEMBLY - MAIN BOOM (SN 0300239154 to Present)

ITEM	PART NUMBER	QTY	DESCRIPTION	REV
	1001228092	Ref	LIFT CYLINDER ASSEMBLY - MAIN BOOM	A
		Ref	Note: Original Cylinder May Have Been Replaced with Service Replacement. Identify PN Stamped on Cylinder Before Ordering Parts.	
1	See Note	NSS	Barrel (Use p/n 1001228092)	
2	70006702	1	Rod	
3	70006703	1	Head	
4	See Note	NSS	Wiper (Note: Use Item 100)	
5	70050795	1	Ring, Retainer	
6	See Note	NSS	Seal, Rod (Note: Use Item 100)	
7	See Note	NSS	O-Ring (Note: Use Item 100)	
8	See Note	NSS	Ring (Note: Use Item 100)	
9	70006636	1	Ring, Wear	
10	See Note	NSS	O-Ring (Note: Use Item 100)	
11	See Note	NSS	Ring, Back-up (Note: Use Item 100)	
12	See Note	NSS	O-Ring (Note: Use Item 100)	
13	70006704	1	Piston	
14	See Note	NSS	Seal (Note: Use Item 100)	
15	See Note	NSS	Ring, Wear (Note: Use Item 100)	
16	See Note	NSS	Seal (Note: Use Item 100)	
17	70022564	1	Ball	
18	70023369	1	Setscrew M8 x 10	
19	0961950	4	Bearing	
20	70006705	1	Spacer	
21	70004231	1	Orifice	
22	4641390	1	Cartridge, Check Valve	
22	7017496	1	Seal Kit - 4641390 Valve	
23	1001206625	1	Cartridge, Valve (Includes Coil)	
23	70006104	1	Cartridge, Less Coil	
23	70006105	1	Seal Kit - 70006104 & 1001206625 Cartridges	
23	70003788	1	Coil	
23	7022390	1	Nut, Coil	
24	1001164709	1	Cartridge, Valve (Includes Coil)	
24	7017467	1	Cartridge, Less Coil	
24	7012998	1	Seal Kit - 7017467 & 1001164709 Cartridges	
24	70002386	1	Coil	
26	2220883	3	Plug #4	
100	70006706	1	Seal Kit - 1001228092 Cylinder (Includes Item 4, 6-8, 10-12 & 14-16)	

SECTION 6 - CYLINDER

FIGURE 6-6. LIFT CYLINDER ASSEMBLY - JIB - 460SJC (Prior to SN 0300245226)



ART_1683609

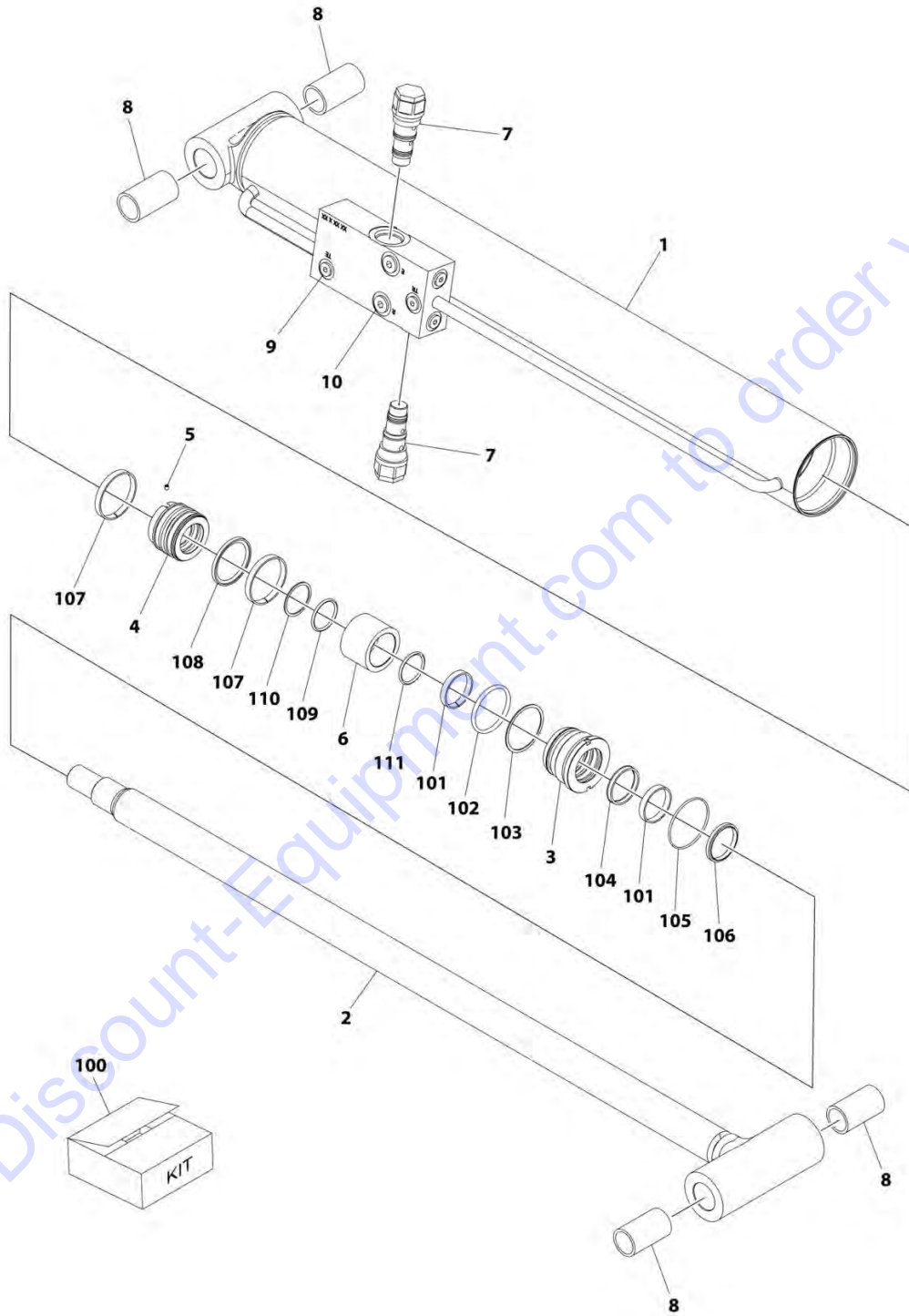
SECTION 6 - CYLINDER

FIGURE 6-6. LIFT CYLINDER ASSEMBLY - JIB - 460SJC (Prior to SN 0300245226)

ITEM	PART NUMBER	QTY	DESCRIPTION	REV
	1683609	Ref	LIFT CYLINDER ASSEMBLY - JIB - 460SJC	L
1	1683687	1	Barrel	
1A	0962336	2	Bushing	
2	1683053	1	Head	
3	3760368	1	Washer, Ring	
4	3931516	8	Capscrew 5/16 x 2	
5	1683261	1	Rod	
5A	0962336	2	Bushing	
6	4640509	2	Cartridge, Valve (Counterbalance Non-Vented)	
6	2900792	2	Seal Kit - 4640509 Valve	
8	2220883	4	Plug, O-Ring #4	
9	2220885	1	Plug, O-Ring	
10	3480210	1	Piston	
11	0961893	1	Bushing, Tapered	
12	4100100	1	Spacer	
14	See Note	NSS	Ring, Lock (Note: Use Item 100)	
15	See Note	NSS	Seal (Note: Use Item 100)	
16	See Note	NSS	O-Ring (Note: Use Item 100)	
17	See Note	NSS	Ring, Back-up (Note: Use Item 100)	
18	See Note	NSS	O-Ring (Note: Use Item 100)	
19	See Note	NSS	Ring, Back-up (Note: Use Item 100)	
20	See Note	NSS	Seal (Note: Use Item 100)	
21	See Note	NSS	Wiper (Note: Use Item 100)	
22	See Note	NSS	Ring, Wear (Note: Use Item 100)	
23	0100011	AR	Locking, Compound	
24	0100038	AR	Primer, Locking	
26	0630534	3	Capscrew #10 x 1	
100	2901303	1	Seal Kit -1683609 Cylinder (Includes Items 14-22)	

SECTION 6 - CYLINDER

FIGURE 6-7. LIFT CYLINDER ASSEMBLY - JIB - 460SJC (USAGE MAY VARY) (SN 0300245226 through 0300245251)



ART_1001228012

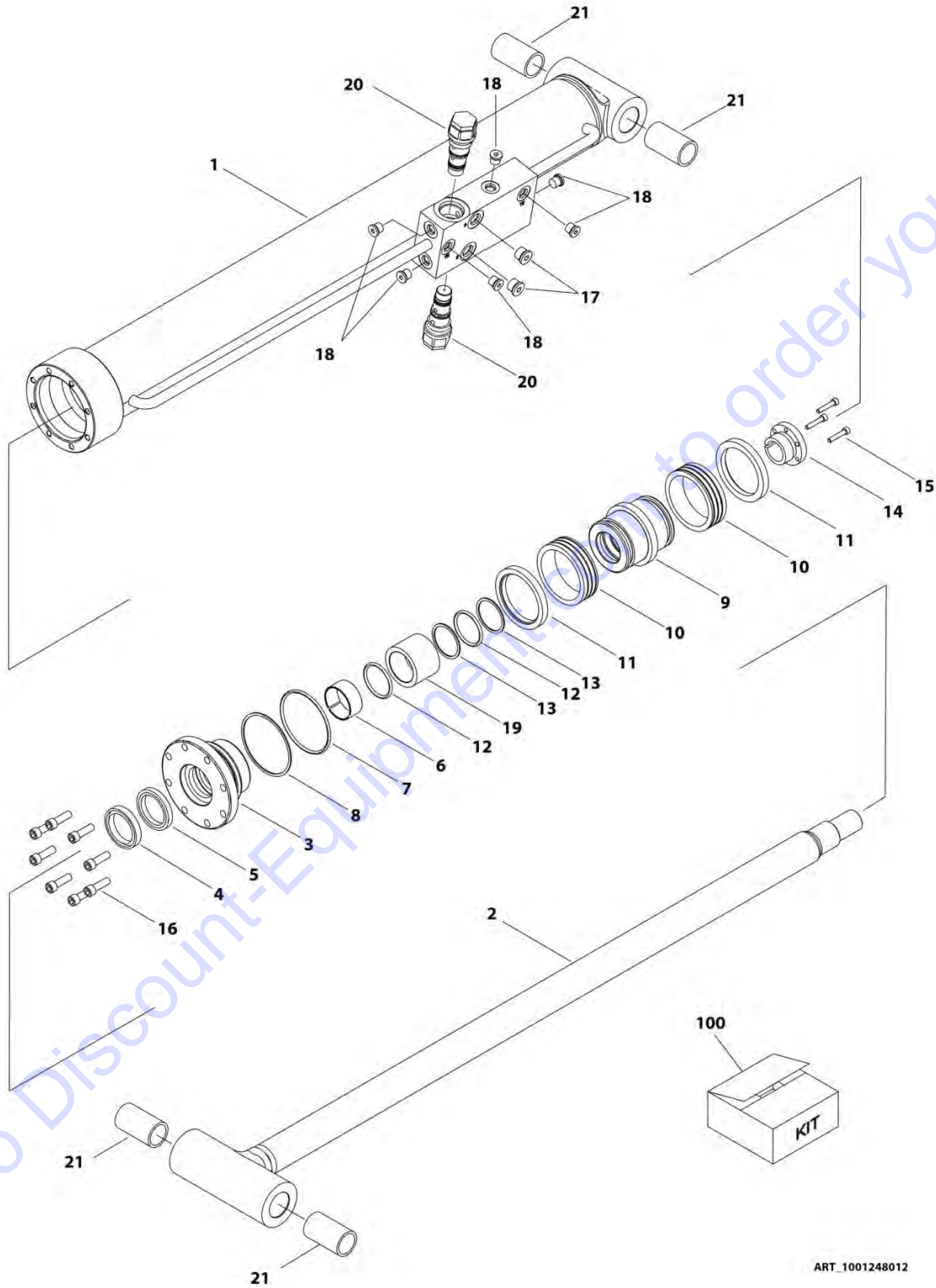
SECTION 6 - CYLINDER

FIGURE 6-7. LIFT CYLINDER ASSEMBLY - JIB - 460SJC (USAGE MAY VARY) (SN 0300245226 through 0300245251)

ITEM	PART NUMBER	QTY	DESCRIPTION	REV
	1001228012	Ref	LIFT CYLINDER ASSEMBLY - JIB	C
		Ref	Note: Original Cylinder May Have Been Replaced with Service Replacement. Identify PN Stamped on Cylinder Before Ordering Parts.	
1	See Note	NSS	Barrel (Note: Not Available for Purchase)	
2	70006572	1	Rod	
3	70006571	1	Head	
4	70006570	1	Piston	
5	70023915	1	Screw	
6	70006569	1	Spacer	
7	4640509	2	Cartridge, Valve	
7	2900792	2	Seal Kit - 4640509 Valve	
8	0962336	4	Bushing	
9	2220883	6	Plug, O-Ring	
10	2220885	2	Plug, O-Ring	
100	70006568	1	Seal Kit (Includes Items 101-111)	
101	See Note	NSS	Ring, Wear (Note: Use Item 100)	
102	See Note	NSS	O-Ring (Note: Use Item 100)	
103	See Note	NSS	Ring, Back-up (Note: Use Item 100)	
104	See Note	NSS	Seal, Rod (Note: Use Item 100)	
105	See Note	NSS	O-Ring (Note: Use Item 100)	
106	See Note	NSS	Wiper (Note: Use Item 100)	
107	See Note	NSS	Ring, Wear (Note: Use Item 100)	
108	See Note	NSS	Seal (Note: Use Item 100)	
109	See Note	NSS	O-Ring (Note: Use Item 100)	
110	See Note	NSS	Ring, Back-up (Note: Use Item 100)	
111	See Note	NSS	O-Ring (Note: Use Item 100)	

SECTION 6 - CYLINDER

FIGURE 6-8. LIFT CYLINDER ASSEMBLY - JIB - 460SJC (USAGE MAY VARY) (SN 0300245252 to Present)



ART_1001248012

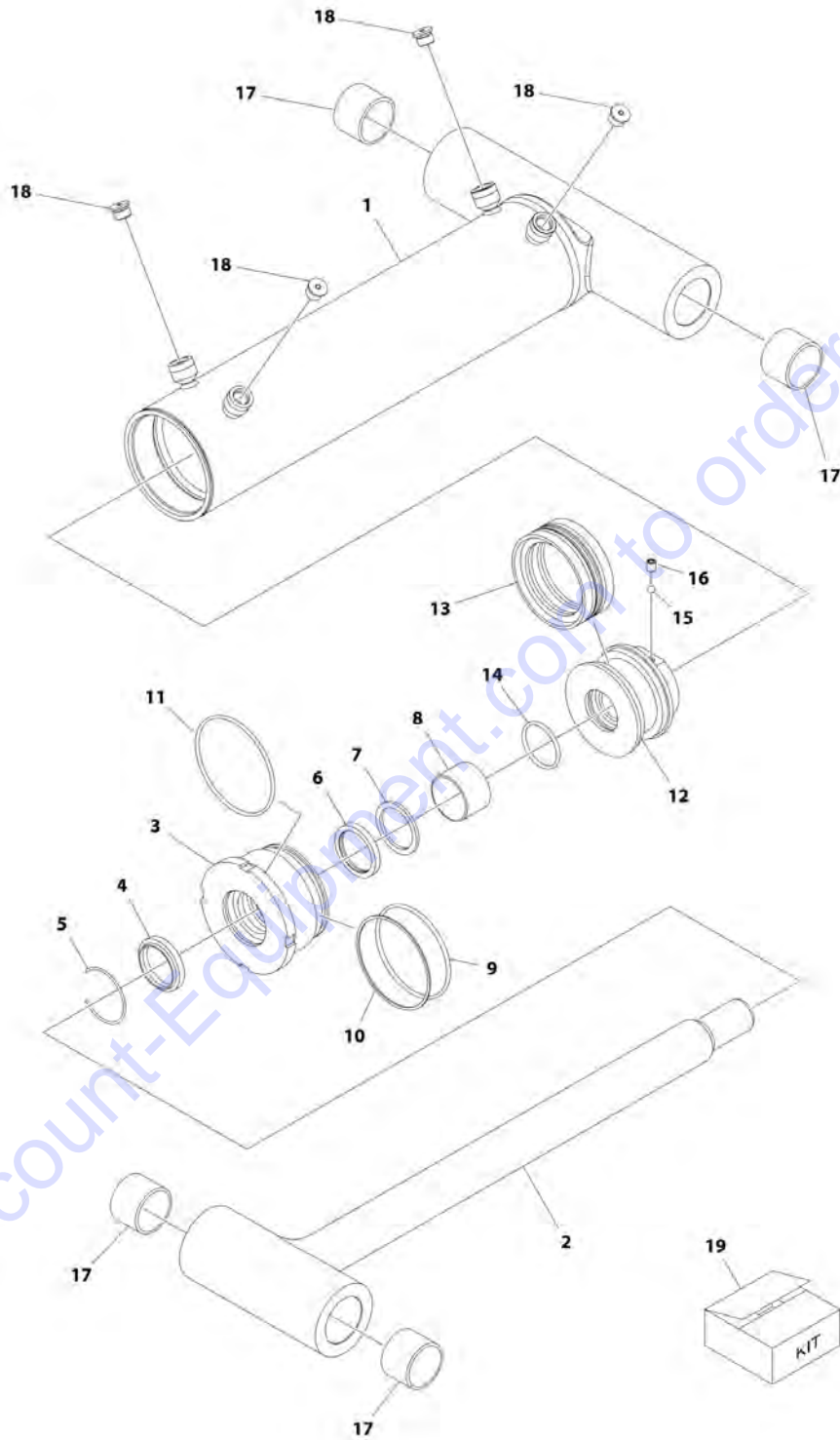
SECTION 6 - CYLINDER

FIGURE 6-8. LIFT CYLINDER ASSEMBLY - JIB - 460SJC (USAGE MAY VARY) (SN 0300245252 to Present)

ITEM	PART NUMBER	QTY	DESCRIPTION	REV
	1001248012	Ref	LIFT CYLINDER ASSEMBLY - JIB	B
		Ref	Note: Original Cylinder May Have Been Replaced with Service Replacement. Identify PN Stamped on Cylinder Before Ordering Parts.	
1	See Note	NSS	Barrel (Note: Not Available for Purchase)	
2	70006734	1	Rod	
3	70006649	1	Head	
4	See Note	NSS	Wiper (Note: Use Item 100)	
5	See Note	NSS	Seal, Rod (Note: Use Item 100)	
6	See Note	NSS	Ring, Wear (Note: Use Item 100)	
7	See Note	NSS	O-Ring (Note: Use Item 100)	
8	See Note	NSS	Ring, Back-up (Note: Use Item 100)	
9	70006650	1	Piston	
10	See Note	NSS	Seal (Note: Use Item 100)	
11	See Note	NSS	Ring, Lock (Note: Use Item 100)	
12	See Note	NSS	O-Ring (Note: Use Item 100)	
13	See Note	NSS	Ring, Back-up (Note: Use Item 100)	
14	0961893	1	Bushing, Tapered	
15	0630534	3	Capscrew, Socket Head #10 x 1	
16	70006735	8	Capscrew 5/16	
17	2220885	2	Plug, O-Ring	
18	2220883	6	Plug, O-Ring	
19	70006736	1	Spacer	
20	4640509	2	Cartridge, Valve	
20	2900792	2	Seal Kit - 4640509 Valve	
21	0962336	4	Bushing	
100	1001138795	1	Seal Kit (Includes Items 4-8 & 10-13)	

SECTION 6 - CYLINDER

FIGURE 6-9. MASTER CYLINDER ASSEMBLY



ART_1001163385

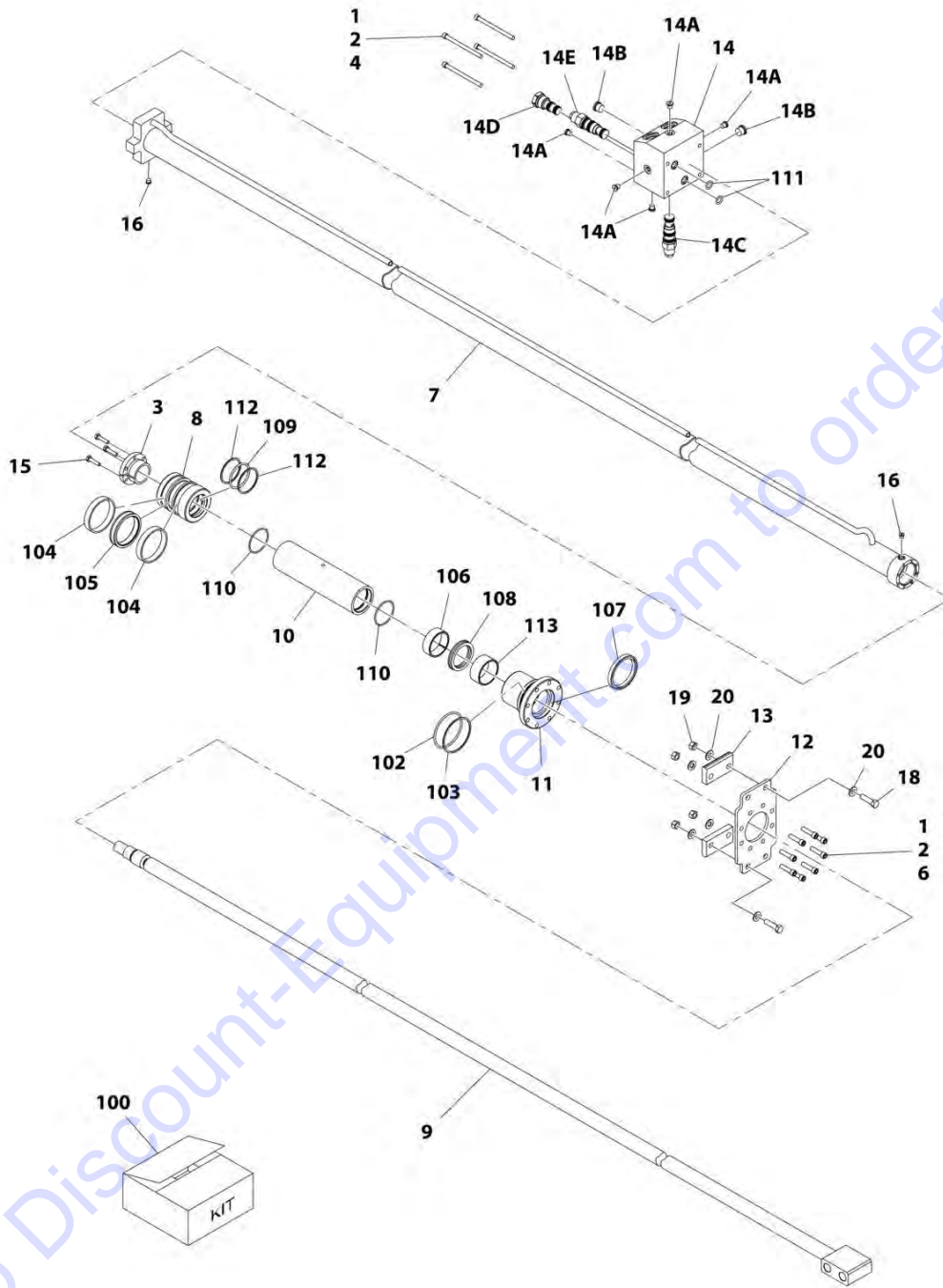
SECTION 6 - CYLINDER

FIGURE 6-9. MASTER CYLINDER ASSEMBLY

ITEM	PART NUMBER	QTY	DESCRIPTION	REV
	1001163385	Ref	MASTER CYLINDER ASSEMBLY	F
		Ref	Note: Original Cylinder May Have Been Replaced with Service Replacement. Identify PN Stamped on Cylinder Before Ordering Parts.	
1	70005140	1	Barrel	
2	70005141	1	Rod	
3	70005142	1	Head, Cylinder	
4	See Note	NSS	Wiper (Note: Use Item 19)	
5	70002373	1	Ring, Retaining	
6	See Note	NSS	Seal, Rod (Note: Use Item 19)	
7	See Note	NSS	Ring, Back-up (Note: Use Item 19)	
8	70005143	1	Bearing, Dry	
9	See Note	NSS	O-Ring (Note: Use Item 19)	
10	See Note	NSS	Ring, Back-up (Note: Use Item 19)	
11	See Note	NSS	O-Ring (Note: Use Item 19)	
12	70005144	1	Piston	
13	See Note	NSS	Seal, Piston	
14	See Note	NSS	O-Ring (Note: Use Item 19)	
15	70022564	1	Ball	
16	70023369	1	Setscrew M8 x 31.75	
17	70005145	4	Bearing	
18	700023371	4	Plug 9/16	
19	70005146	1	Seal Kit - 1001163385 Cylinder (Includes Items 4, 6, 7, 9, 10, 11, 13 & 14)	

SECTION 6 - CYLINDER

FIGURE 6-10. TELESCOPE CYLINDER ASSEMBLY (Prior to SN 0300244379)



ART_1001163383

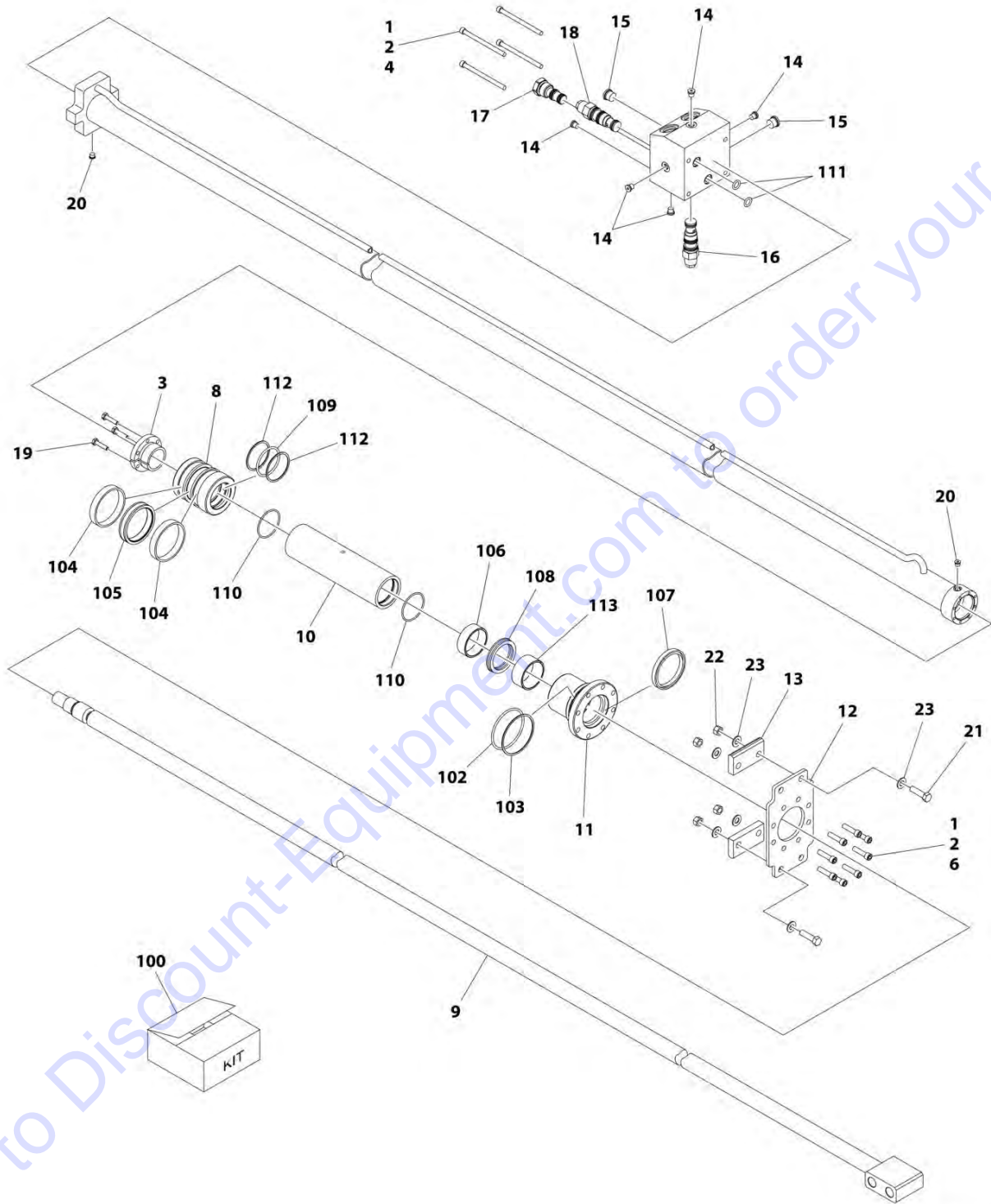
SECTION 6 - CYLINDER

FIGURE 6-10. TELESCOPE CYLINDER ASSEMBLY (Prior to SN 0300244379)

ITEM	PART NUMBER	QTY	DESCRIPTION	REV
	1001163383	Ref	TELESCOPE CYLINDER ASSEMBLY	K
1	0100011	AR	Compound, Locking	
2	0100038	AR	Primer, Locking	
3	0961896	1	Bushing	
4	3931456	4	Capscrew 1/4 x 3-1/2	
6	3931520	8	Capscrew 5/16 x 1-1/4	
7	1001164302	1	Barrel	
8	3480274	1	Piston	
9	1001164311	1	Rod	
10	1001164555	1	Spacer	
11	1001195206	1	Head	
12	1001165282	1	Plate	
13	1001165737	2	Pad, Wear	
14	1001166997	1	Valve Block Assembly	
14A	2220881	5	Plug, O-Ring	
14B	2220885	2	Plug, O-Ring #6	
14C	4640452	1	Cartridge, Counterbalance Valve	
14C	2900770	1	Seal Kit - 4640452 Valve	
14D	1001165363	1	Cartridge, Shuttle Valve	
14D	7012518	1	Seal Kit - 1001165363 Valve	
14E	1001168209	1	Cartridge, Counterbalance Valve	
14E	2900770	1	Seal Kit - 1001168209 Valve	
15	0630535	3	Bolt 1/4 x 1-1/8	
16	2220885	2	Plug, O-Ring #6	
18	0641611	4	Bolt 3/8 x 1-3/8	
19	3271605	4	Nut 3/8 Grade 8	
20	4711600	8	Washer 3/8	
100	1001164313	1	Seal Kit - 1001163383 Cylinder (Includes Items 102-113)	
102	See Note	NSS	O-Ring (Note: Use Item 100)	
103	See Note	NSS	Seal (Note: Use Item 100)	
104	See Note	NSS	Ring, Wear (Note: Use Item 100)	
105	See Note	NSS	Seal (Note: Use Item 100)	
106	See Note	NSS	Ring, Wear (Note: Use Item 100)	
107	See Note	NSS	Wiper (Note: Use Item 100)	
108	See Note	NSS	Seal (Note: Use Item 100)	
109	See Note	NSS	O-Ring (Note: Use Item 100)	
110	See Note	NSS	O-Ring (Note: Use Item 100)	
111	See Note	NSS	O-Ring (Note: Use Item 100)	
112	See Note	NSS	Ring, Back-up (Note: Use Item 100)	
113	See Note	NSS	Ring, Wear (Note: Use Item 100)	

SECTION 6 - CYLINDER

FIGURE 6-11. TELESCOPE CYLINDER ASSEMBLY (SN 0300244379 through 0300255432)



ART_1001228075

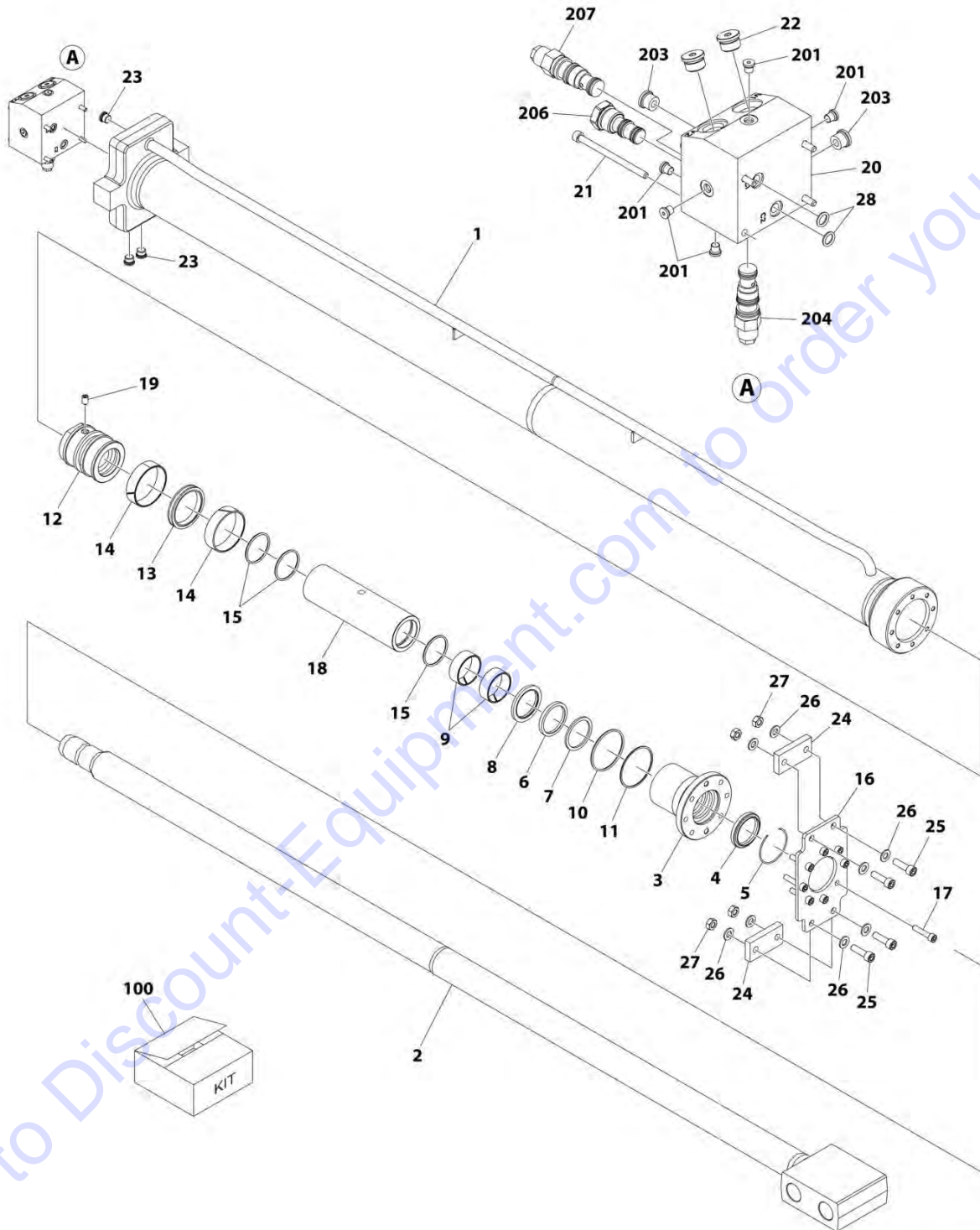
SECTION 6 - CYLINDER

FIGURE 6-11. TELESCOPE CYLINDER ASSEMBLY (SN 0300244379 through 0300255432)

ITEM	PART NUMBER	QTY	DESCRIPTION	REV
	1001228075	Ref	TELESCOPE CYLINDER ASSEMBLY	B
		Ref	Note: Original Cylinder May Have Been Replaced with Service Replacement. Identify PN Stamped on Cylinder Before Ordering Parts.	
1	0100011	AR	Compound, Locking	
2	0100038	AR	Primer, Locking	
3	70006360	1	Bushing	
4	3931456	4	Capscrew 1/4 x 3-1/2	
6	3931520	8	Capscrew 5/16 x 1-1/4	
8	70006420	1	Piston	
9	70006421	1	Rod	
10	70006418	1	Spacer	
11	70006419	1	Head	
12	70006416	1	Plate	
13	70006417	2	Pad, Wear	
14	2220881	5	Plug, O-Ring	
15	2220885	2	Plug, O-Ring #6	
16	4640452	1	Cartridge, Counterbalance Valve	
16	2900770	1	Seal Kit - 4640452 Valve	
17	1001165363	1	Cartridge, Shuttle Valve	
17	7012518	1	Seal Kit - 1001165363 Valve	
18	1001168209	1	Cartridge, Counterbalance Valve	
18	2900770	1	Seal Kit - 1001168209 Valve	
19	0630535	3	Bolt 1/4 x 1-1/8	
20	2220885	2	Plug, O-Ring #6	
21	0641611	4	Bolt 3/8 x 1-3/8	
22	3271605	4	Nut 3/8 Grade 8	
23	4711600	8	Washer 3/8	
100	1001164313	1	Seal Kit - 1001163383 Cylinder (Includes Items 102-113)	
102	See Note	NSS	O-Ring (Note: Use Item 100)	
103	See Note	NSS	Seal (Note: Use Item 100)	
104	See Note	NSS	Ring, Wear (Note: Use Item 100)	
105	See Note	NSS	Seal (Note: Use Item 100)	
106	See Note	NSS	Ring, Wear (Note: Use Item 100)	
107	See Note	NSS	Wiper (Note: Use Item 100)	
108	See Note	NSS	Seal (Note: Use Item 100)	
109	See Note	NSS	O-Ring (Note: Use Item 100)	
110	See Note	NSS	O-Ring (Note: Use Item 100)	
111	See Note	NSS	O-Ring (Note: Use Item 100)	
112	See Note	NSS	Ring, Back-up (Note: Use Item 100)	
113	See Note	NSS	Ring, Wear (Note: Use Item 100)	

SECTION 6 - CYLINDER

FIGURE 6-12. TELESCOPE CYLINDER ASSEMBLY (SN 0300255433 to Present)



ART_1001251075

SECTION 6 - CYLINDER

FIGURE 6-12. TELESCOPE CYLINDER ASSEMBLY (SN 0300255433 to Present)

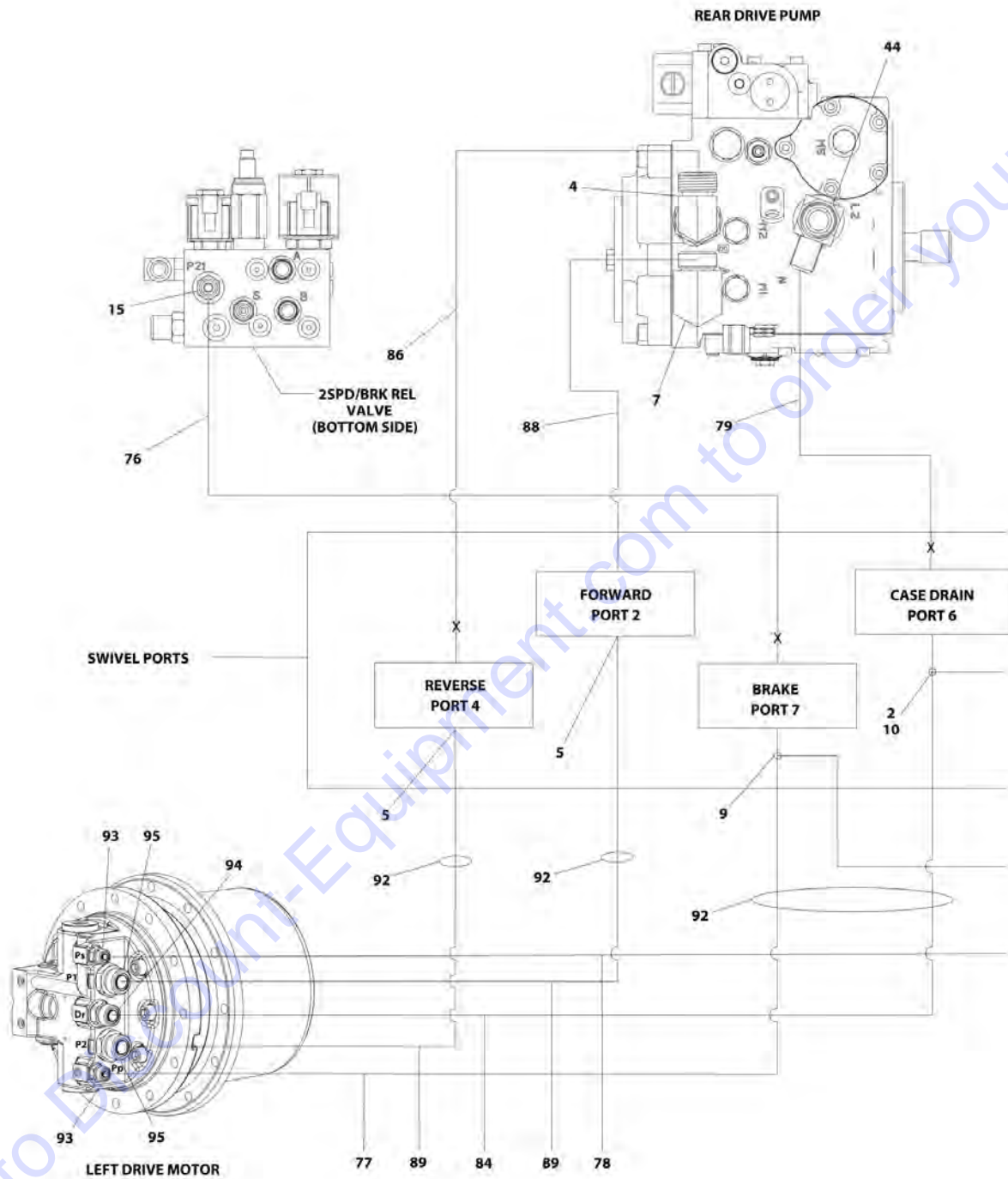
ITEM	PART NUMBER	QTY	DESCRIPTION	REV
	1001251075	Ref	TELESCOPE CYLINDER ASSEMBLY	A
		Ref	Note: Original Cylinder May Have Been Replaced with Service Replacement. Identify PN Stamped on Cylinder Before Ordering Parts.	
1	See Note	NSS	Barrel (Note: Purchase Complete Assembly)	
2	70007062	1	Rod	
3	70007063	1	Head	
4	See Note	NSS	Wiper (Note: Use Item 100)	
5	70002412	1	Ring, Retaining	
6	See Note	NSS	Seal (Note: Use Item 100)	
7	See Note	NSS	Ring, Back-up (Note: Use Item 100)	
8	See Note	NSS	Ring, Wear (Note: Use Item 100)	
9	See Note	NSS	Ring, Wear (Note: Use Item 100)	
10	See Note	NSS	O-Ring (Note: Use Item 100)	
11	See Note	NSS	Ring, Back-up (Note: Use Item 100)	
12	70007064	1	Piston	
13	See Note	NSS	Seal (Note: Use Item 100)	
14	See Note	NSS	Ring, Wear (Note: Use Item 100)	
15	See Note	NSS	O-Ring (Note: Use Item 100)	
16	70007065	1	Plate	
17	70007066	8	Capscrew	
18	70007067	1	Spacer	
19	70006817	1	Set Screw	
20	1001166997	1	Valve Block Assembly	
21	70007068	4	Capscrew	
22	2220886	2	Plug, O-Ring	
23	2220885	3	Plug	
24	70007069	2	Pad, Water	
25	70007070	4	Bolt	
26	70006344	8	Washer	
27	70007071	4	Nut	
28	See Note	NSS	O-Ring (Note: Use Item 100)	
100	70007072	1	Seal Kit - 1001251075 Cylinder (Includes Items 4, 6, 13-15 & 28)	
201	2220881	5	Plug	
203	2220885	2	Plug	
204	4640452	1	Cartridge, Counterbalance Valve	
204	2900770	1	Seal Kit - 4640452 Valve	
206	1001165363	1	Cartridge, Shuttle Valve	
206	7012518	1	Seal Kit - 1001165363 Valve	
207	1001168209	1	Cartridge, Counterbalance Valve	
207	2900770	1	Seal Kit - 1001168209 Valve	

SECTION 7 - HYDRAULIC

Go to Discount-Equipment.com to order your parts

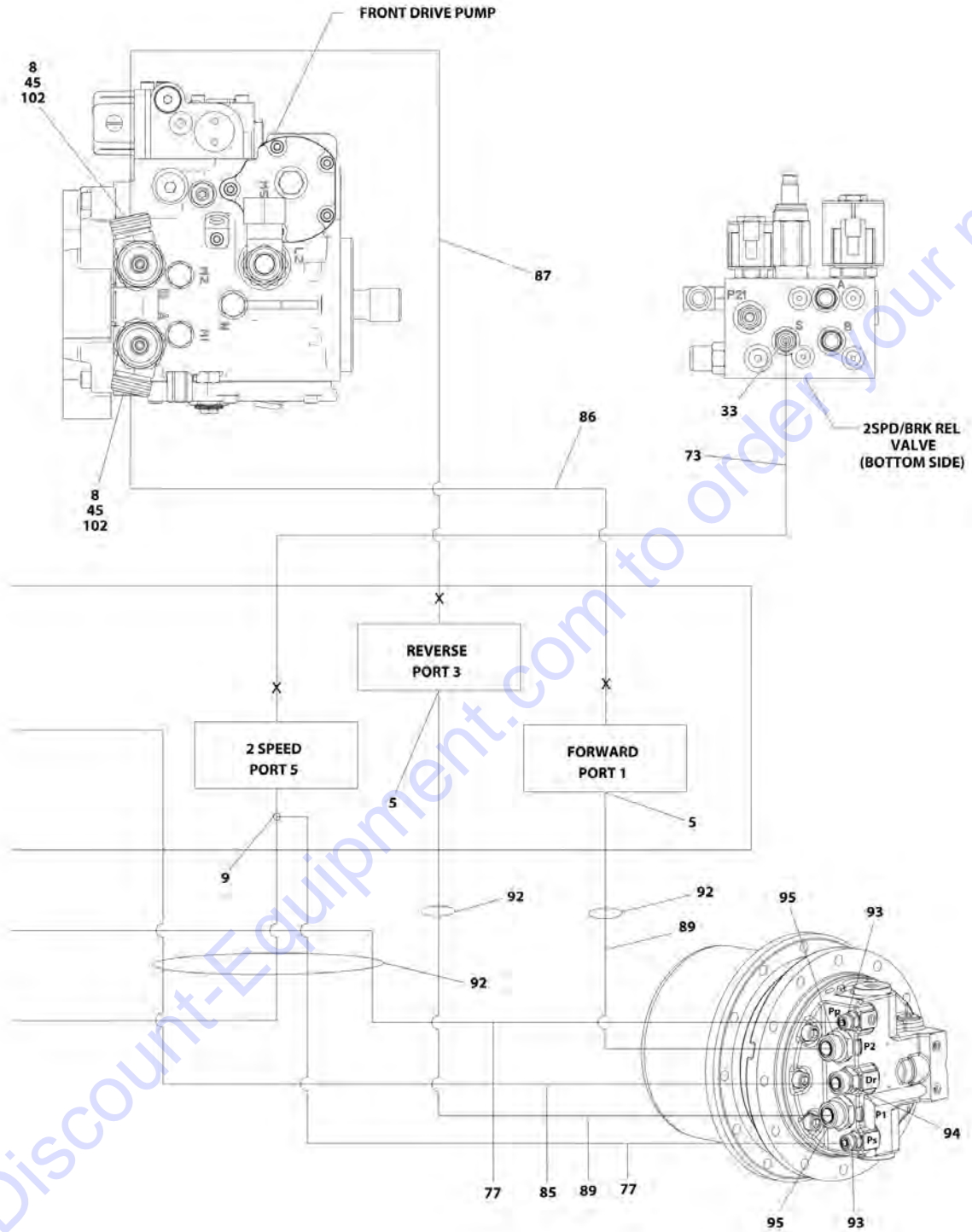
SECTION 7 - HYDRAULIC

FIGURE 7-1. HYDRAULIC DIAGRAM - 400SC



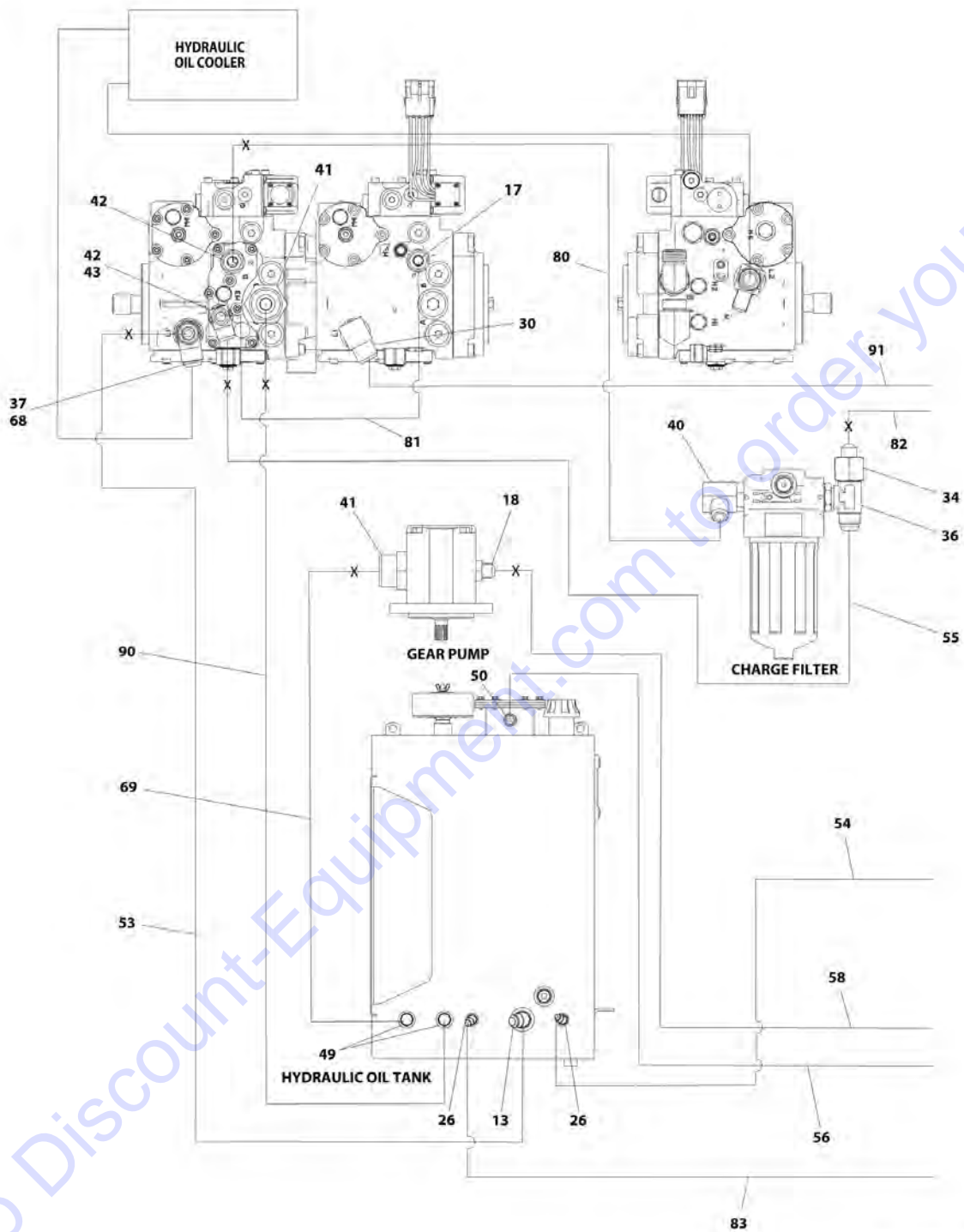
ART_100139151R_10P6

SECTION 7 - HYDRAULIC



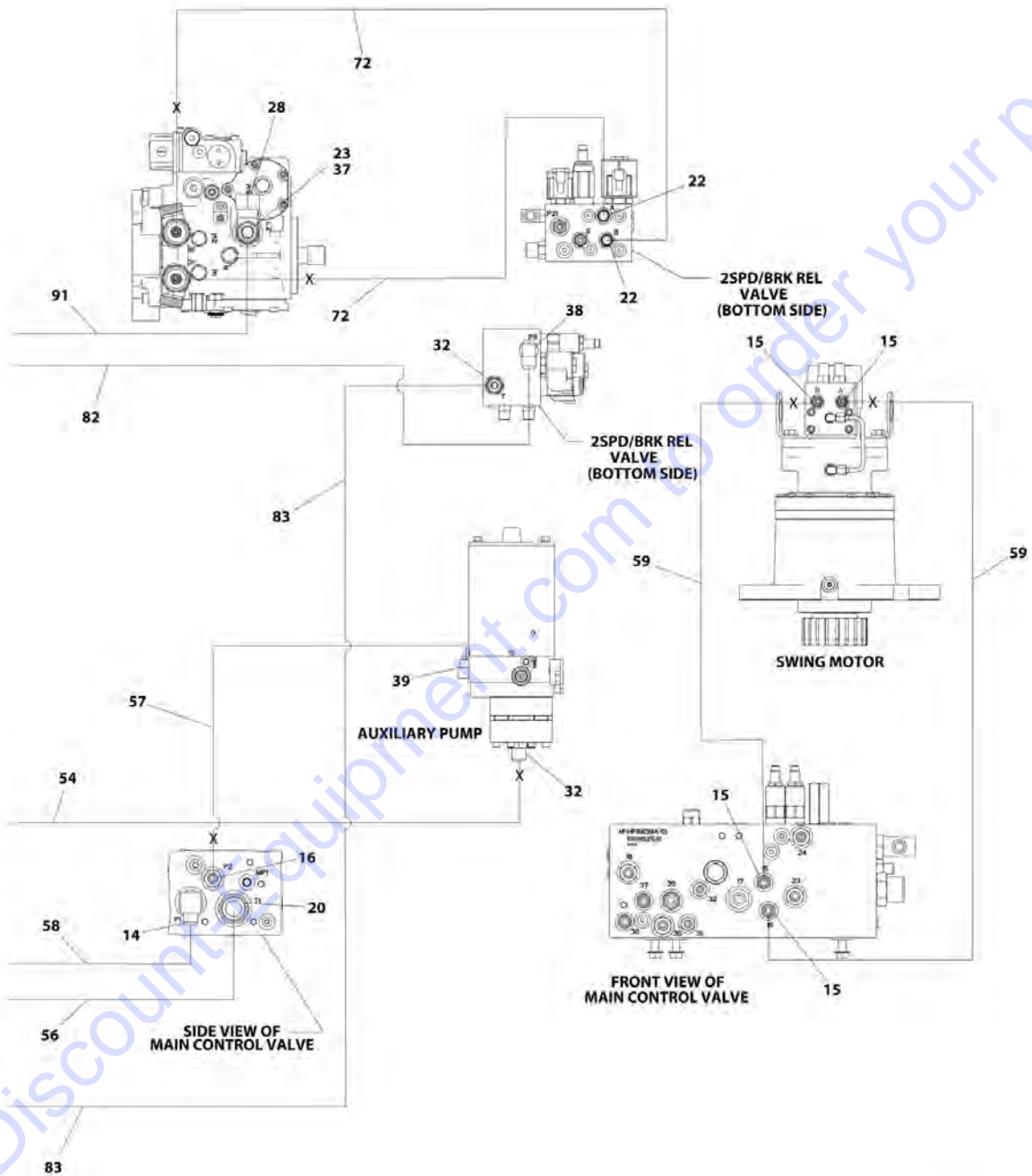
ART_10011015R8_20F6

SECTION 7 - HYDRAULIC



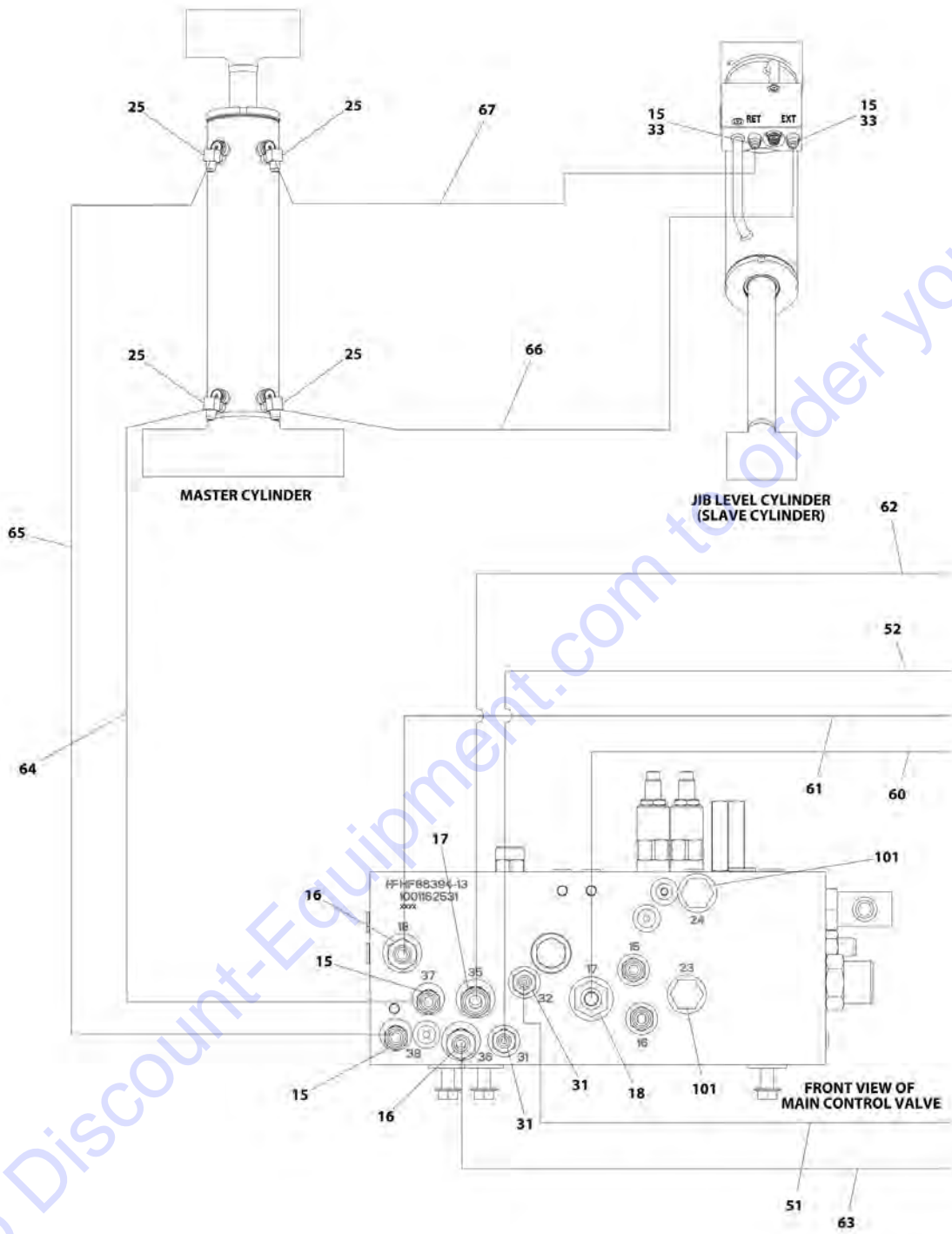
ART_1001191588_30F6

SECTION 7 - HYDRAULIC



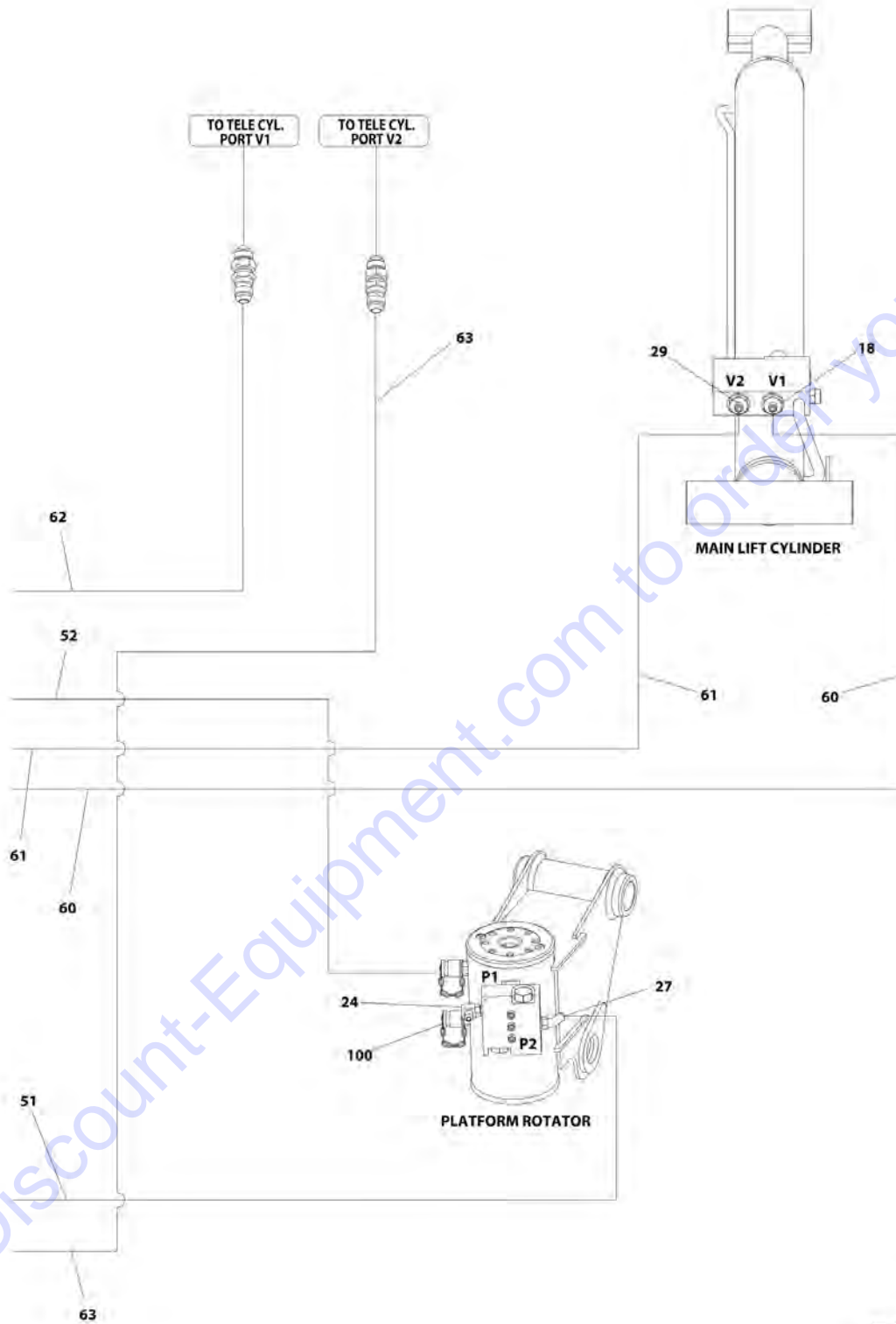
ART_1001191588_40F6

SECTION 7 - HYDRAULIC



ART_1001191588_S066

SECTION 7 - HYDRAULIC



ART_1001191586_ADP6

SECTION 7 - HYDRAULIC

FIGURE 7-1. HYDRAULIC DIAGRAM - 400SC

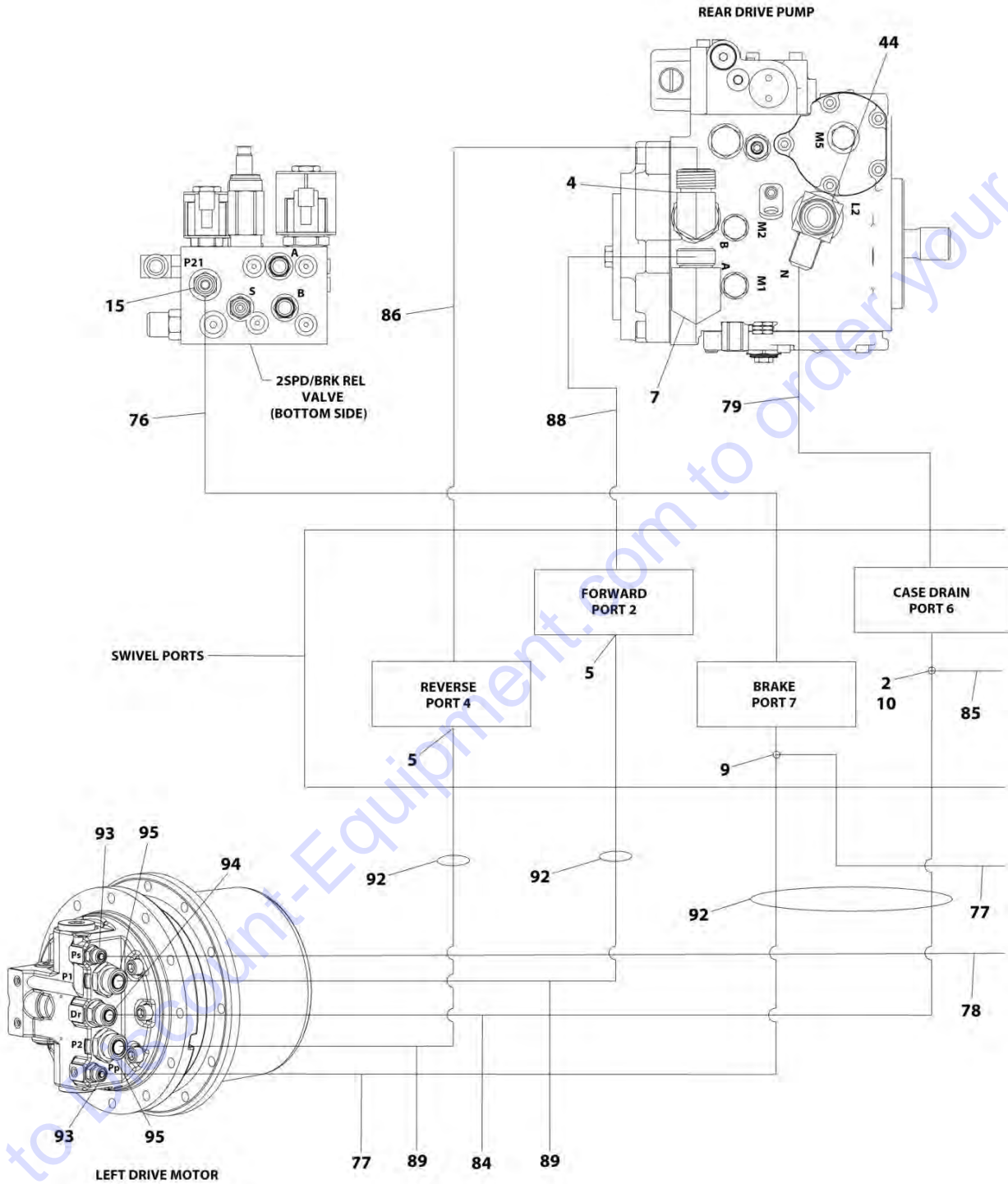
ITEM	PART NUMBER	QTY	DESCRIPTION	REV
	1001191588	Ref	HYDRAULIC DIAGRAM - 400SC	L
1	0760619	2	Bolt M6 x 55	
2	2110806	1	Fitting, Straight ORFS/ORB	
4	2131212	1	Fitting, 90 ORFS/ORB	
5	2151212	4	Fitting, 45 ORFS/ORB	
7	2170212	1	Fitting, 90 ORFS/ORB	
8	2170312	2	Fitting, Tee ORFS/ORB/ORFS (Prior to SN 0300211022)	
8	2111212	2	Fitting, Straight ORFS/ORB (SN 0300211022 to Present)	
9	2170406	2	Fitting, Tee ORFS/ORB/ORFS	
10	2170808	1	Fitting, Tee ORFS/FSORFS/FORFS	
13	2220365	1	Fitting, 45 JIC/ORB	
14	2220366	1	Fitting, 90 JIC/ORB	
15	2220371	9	Fitting, Straight JIC/ORB (Prior to SN 0300248163)	
15	2220371	7	Fitting, Straight JIC/ORB (SN 0300248163 to Present)	
16	2220372	3	Fitting, Straight JIC/ORB	
17	2220373	2	Fitting, Straight JIC/ORB	
18	2220374	2	Fitting, Straight JIC/ORB (Prior to SN 0300226924)	
18	2220374	3	Fitting, Straight JIC/ORB (SN 0300226924 to Present)	
19	2220375	1	Fitting, Straight JIC/ORB (Prior to SN 0300226924)	
20	2220377	1	Fitting, Straight JIC/ORB	
22	2110404	2	Fitting, Straight ORFS/ORB	
23	2220451	1	Fitting, Straight JIC/ORB	
24	2220466	1	Fitting, 90 JIC/ORB	
25	2220473	4	Fitting, 90 JIC/ORB	
26	2220500	2	Fitting, 45 JIC/ORB	
27	2220502	1	Fitting, 45 JIC/ORB	
28	2220518	1	Fitting, Cap FJIC	
29	2220577	NLA	Fitting, Straight JIC/ORB (Prior to SN 0300226924)	
29	2220497	1	Fitting, Straight JIC/ORB (SN 0300226924 to Present)	
30	2220578	1	Fitting, 90 JIC/ORB	
31	2220582	2	Fitting, Straight JIC/ORB	
32	2220600	2	Fitting, Straight JIC/ORB	
33	2220603	1	Fitting, Straight JIC/ORB (Prior to SN 0300248163)	
33	2220603	3	Fitting, Straight JIC/ORB (SN 0300248163 to Present)	
34	2220622	1	Fitting, Straight JIC/FSJIC	
35	2220635	1	Fitting, Tee JIC/FSJIC/JIC	
36	2220695	1	Fitting, Tee JIC/ORB/JIC	
37	2220700	2	Fitting, Tee JIC/FSJIC/JIC	
38	2220726	1	Fitting, 90 JIC/ORB	
39	2220775	1	Fitting, 90 JIC/ORB	
40	2220906	1	Fitting, 90 JIC/ORB	
41	2220946	2	Fitting, Straight JIC/ORB	
42	2220947	2	Fitting, Straight JIC/ORB	
43	2220948	1	Fitting, Tee JIC/FSJIC/JIC	
44	2221063	1	Fitting, Tee JIC/ORB/JIC	
45	2221221	2	Fitting, Straight ORFS/FSORFS	
46	3290601	2	Nut M6	
47	4240018	AR	Tie-Strap	
48	4811700	4	Washer M6	
49	80633030	2	Clamp	

SECTION 7 - HYDRAULIC

ITEM	PART NUMBER	QTY	DESCRIPTION	REV
50	1001098928	1	Clamp	
51	1001172694	1	Hose	
52	1001172696	1	Hose	
53	1001172715	1	Hose	
54	1001172716	1	Hose	
55	1001172719	1	Hose	
56	1001172720	1	Hose	
57	1001172721	1	Hose	
58	1001173899	1	Hose	
59	1001173900	2	Hose	
60	1001173901	1	Hose	
61	1001173902	1	Hose	
62	1001173903	1	Hose	
63	1001173904	1	Hose	
64	1001173907	1	Hose	
65	1001173908	1	Hose	
66	1001173909	1	Hose	
67	1001173937	1	Hose	
68	1001179156	1	Valve, Check	
69	1001193661	1	Hose	
70	1001191275	1	Clamp	
71	1001191276	1	Clamp	
72	1001193002	2	Hose	
73	1001193003	1	Hose	
76	1001193006	1	Hose	
77	1001193007	3	Hose	
78	1001193008	1	Hose	
79	1001193009	1	Hose	
80	1001193010	1	Hose	
81	1001193011	1	Hose	
82	1001193653	1	Hose	
83	1001193654	1	Hose	
84	1001193655	1	Hose	
85	1001193656	1	Hose	
86	1001193657	2	Hose	
87	1001193658	1	Hose	
88	1001193659	1	Hose	
89	1001193660	4	Hose	
90	1001172713	1	Hose	
91	1001110092	1	Hose	
92	4100026	24 ft /7.32m	Sleeve, Hose Protection	
93	1001191362	4	Fitting, Straight ORFS/ORB	
94	1001191364	2	Fitting, Straight ORFS/ORB	
95	1001191365	4	Fitting, Straight ORFS/ORB	
100	2221086	3	Fitting, Diagnostic Test Port (SN 0300211022 to Present)	
101	2220238	2	Plug (SN 0300211022 to Present)	
102	2170712	2	Fitting, Tee ORFS/FSORFS/ORFS (SN 0300211022 to Present)	

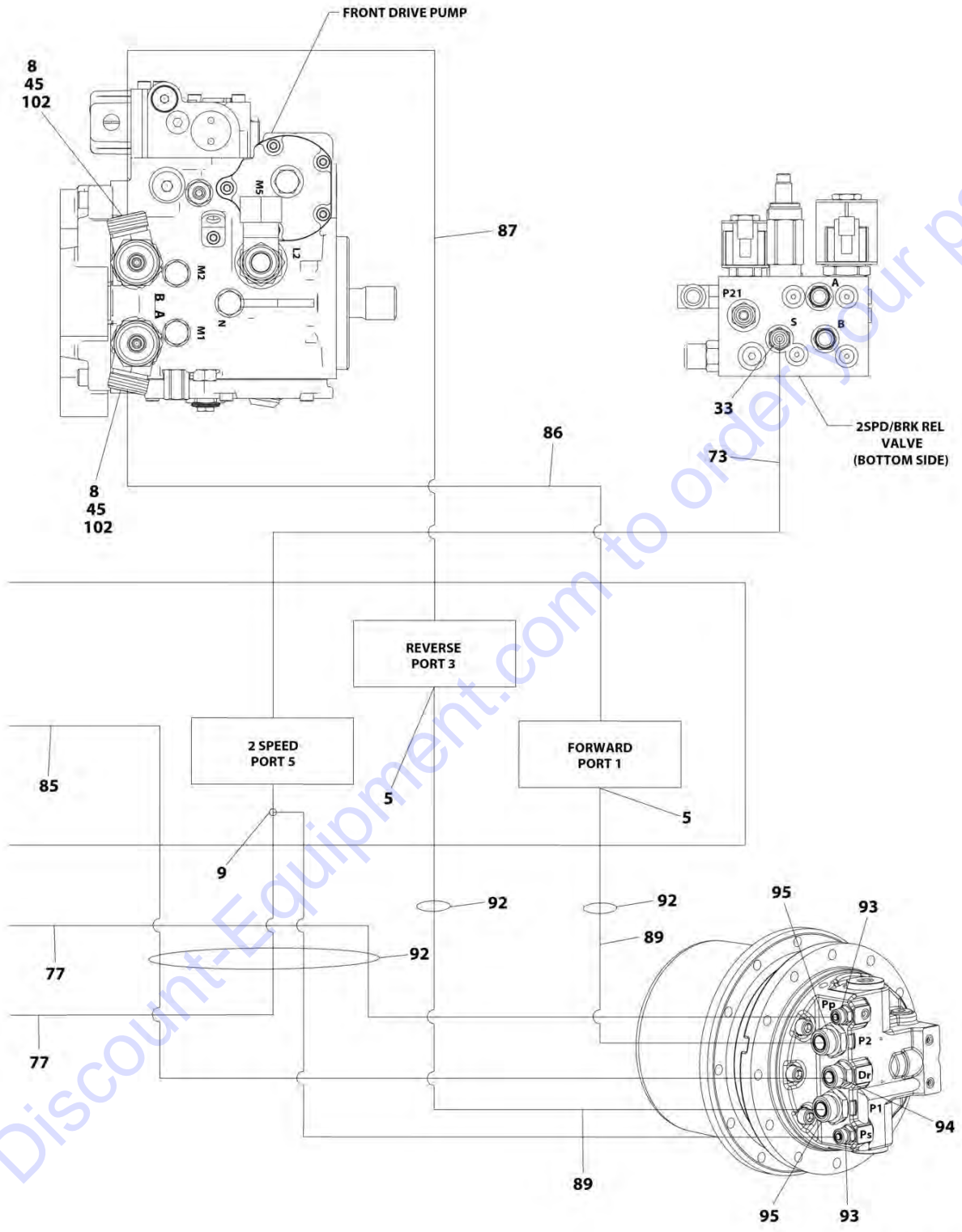
SECTION 7 - HYDRAULIC

FIGURE 7-2. HYDRAULIC DIAGRAM - 460SJC



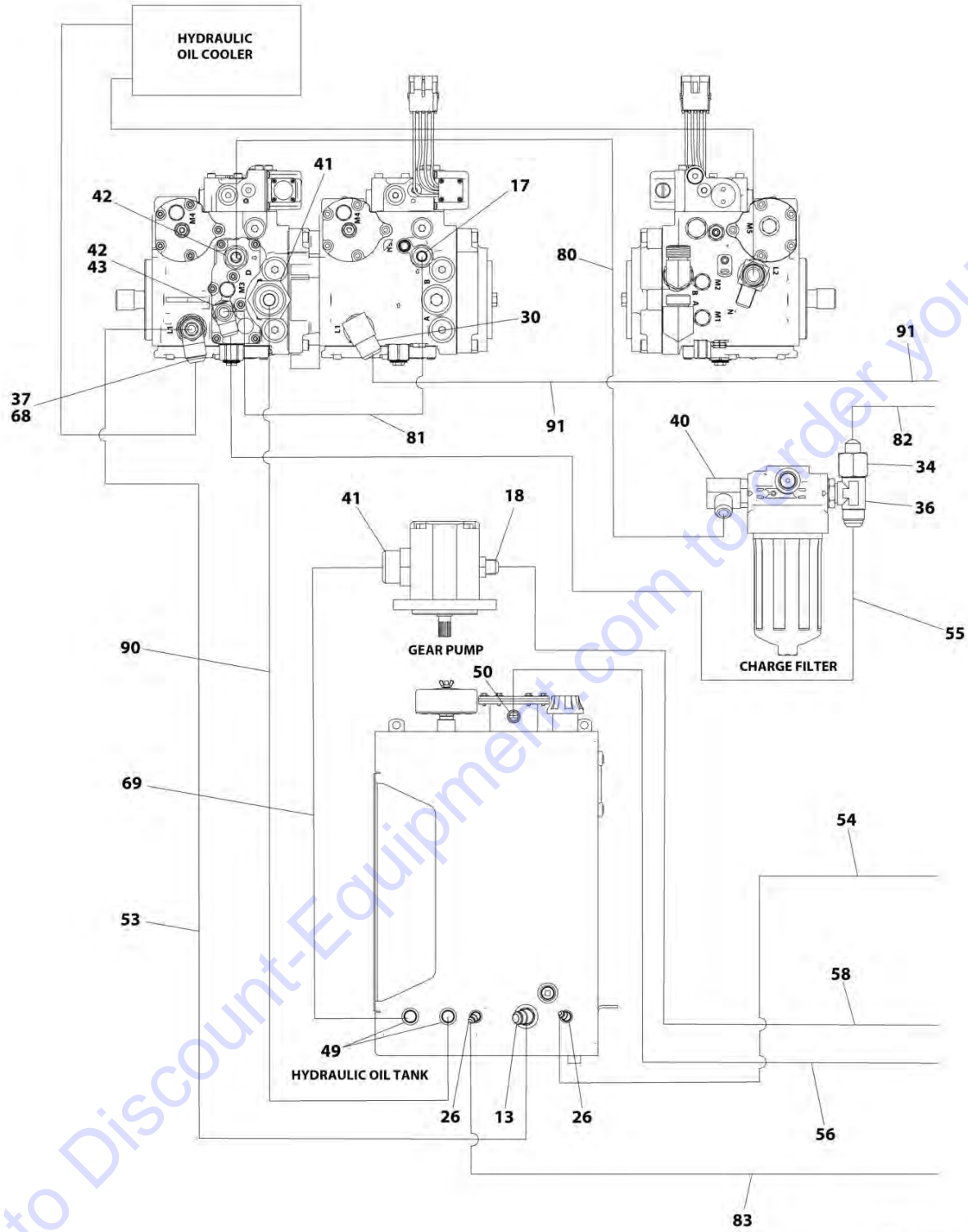
ART_1001218191_10F6

SECTION 7 - HYDRAULIC



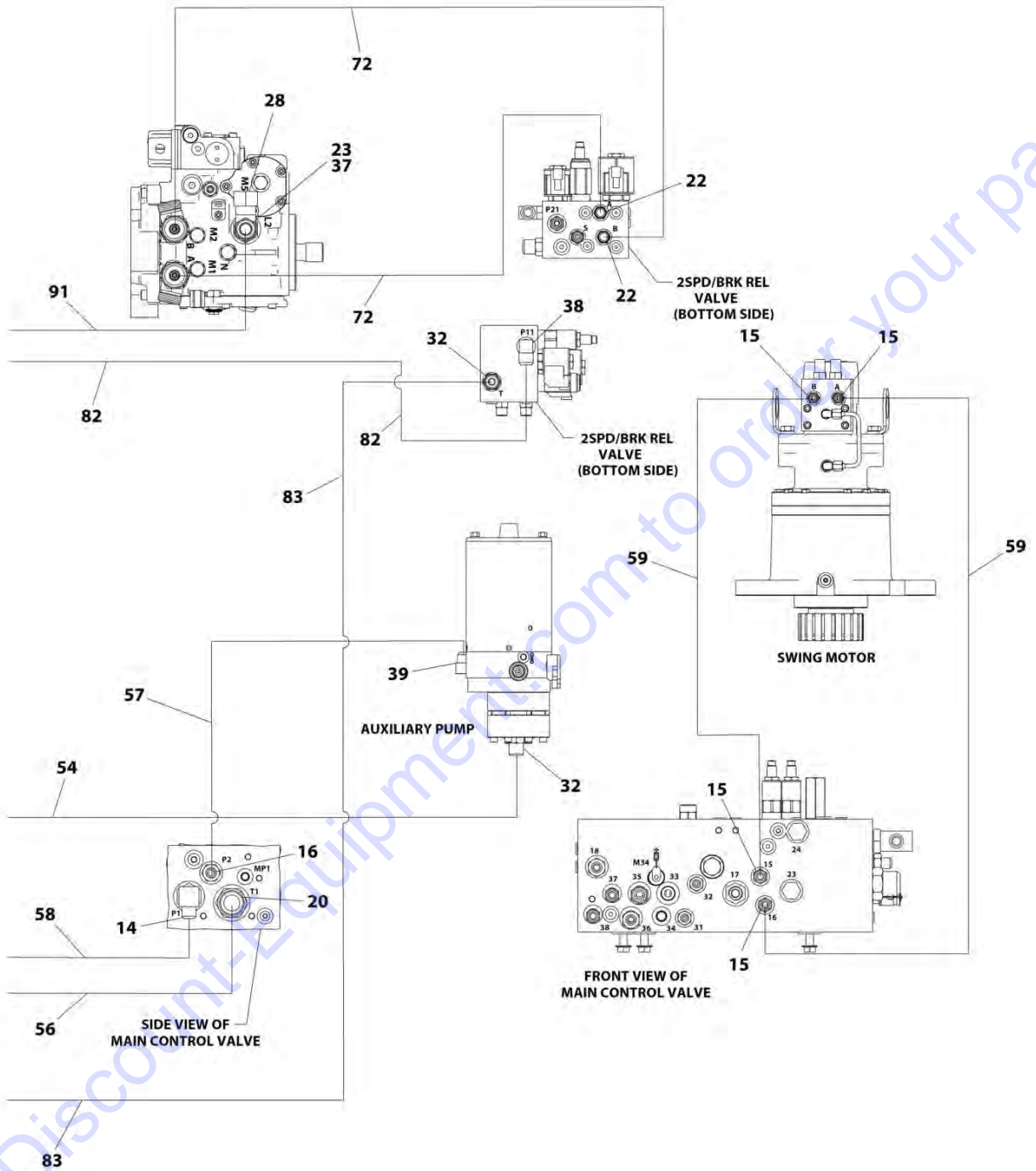
ART_1001218191_20F6

SECTION 7 - HYDRAULIC



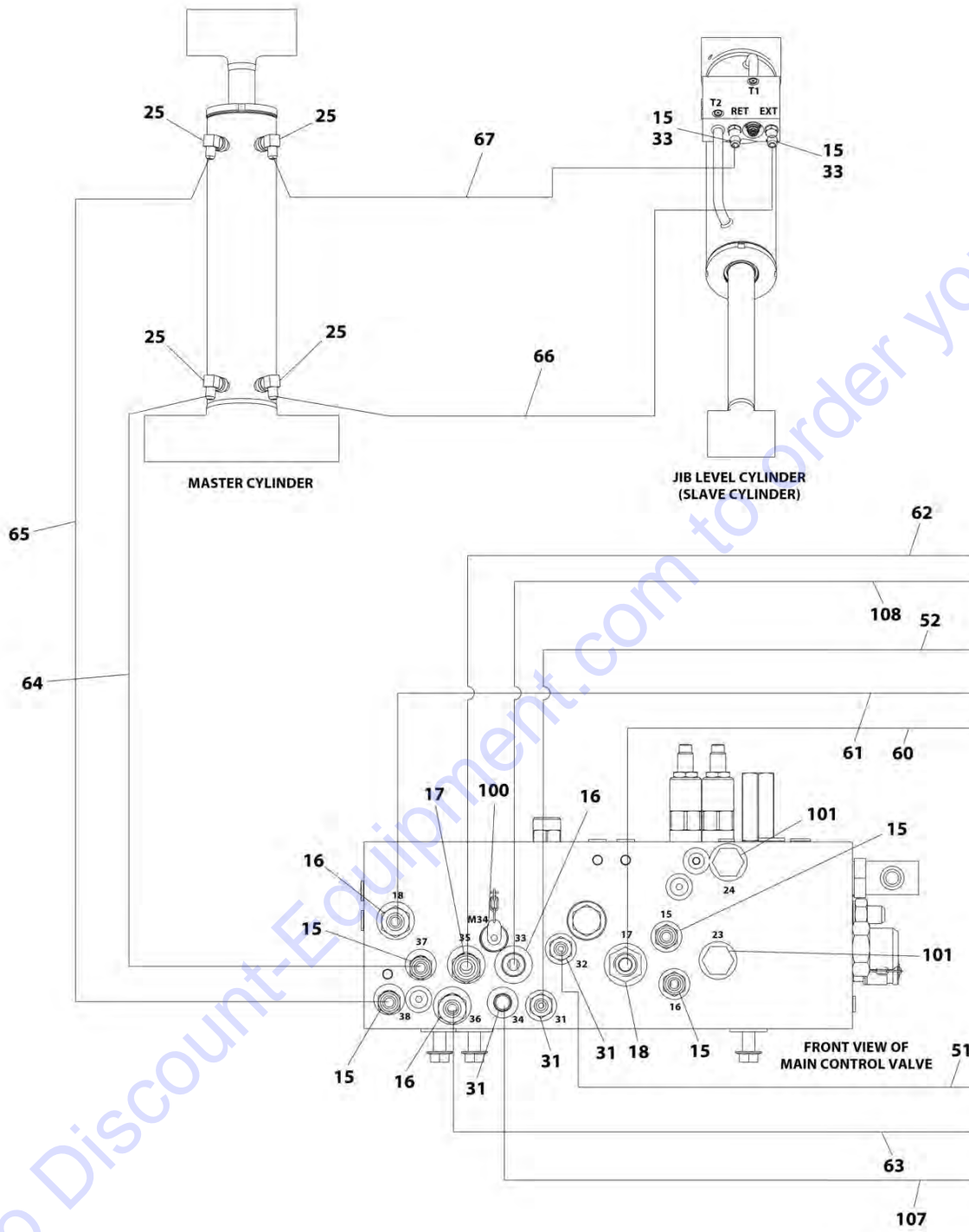
ART_1001218191_30F6

SECTION 7 - HYDRAULIC



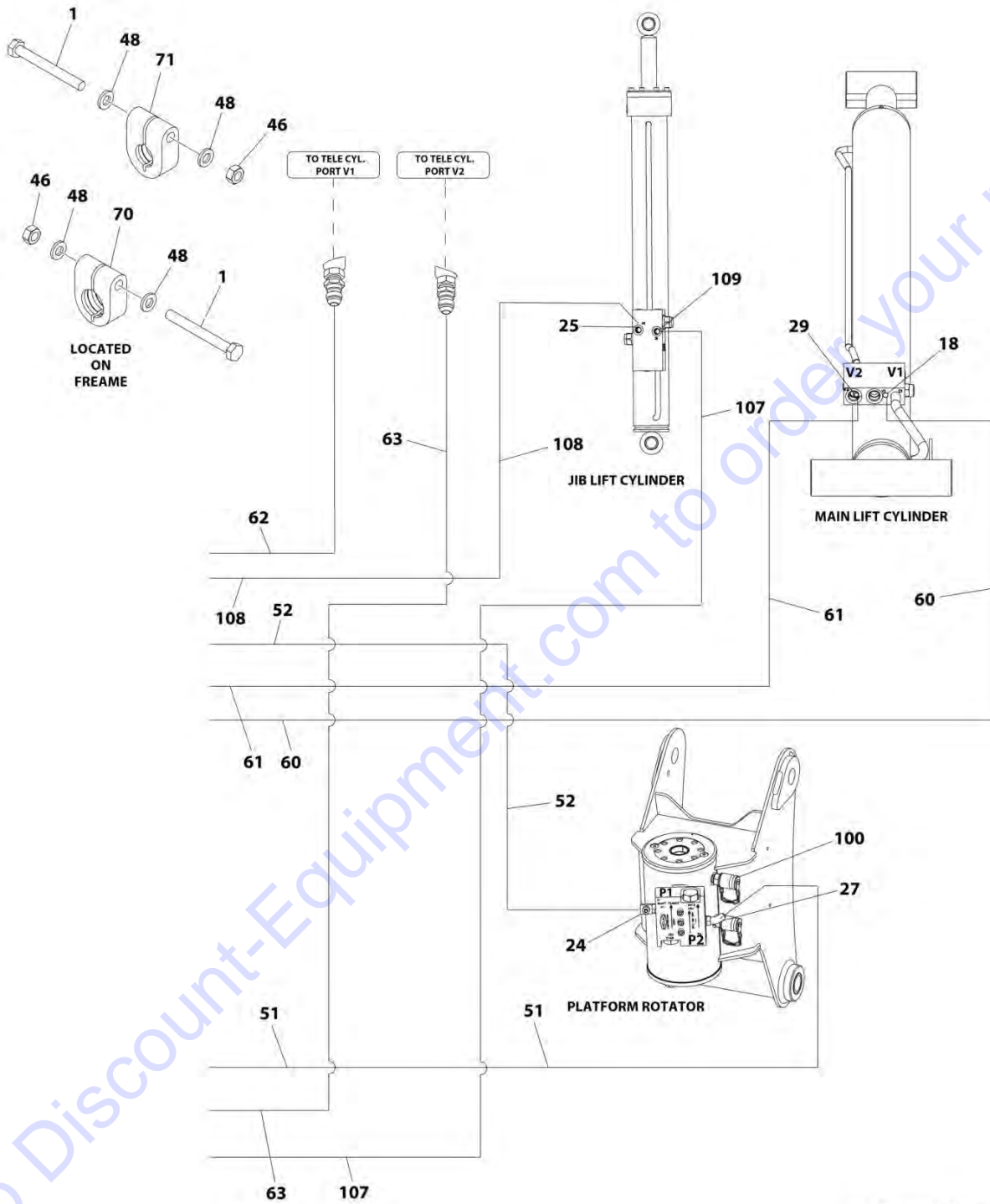
ART_1001218191_40F6

SECTION 7 - HYDRAULIC



ART_1001218191_SOF6

SECTION 7 - HYDRAULIC



ART_1001218191_60F6

SECTION 7 - HYDRAULIC

FIGURE 7-2. HYDRAULIC DIAGRAM - 460SJC

ITEM	PART NUMBER	QTY	DESCRIPTION	REV
	1001218191	Ref	HYDRAULIC DAIGRAM - 460SJC	D
1	0760619	2	Bolt M6 x 55	
2	2110806	1	Fitting, Straight ORFS/ORB	
4	2131212	1	Fitting, 90 ORFS/ORB	
5	2151212	4	Fitting, 45 ORFS/ORB	
7	2170212	1	Fitting, 90 ORFS/ORB	
8	2111212	2	Fitting, Straight ORFS/ORB	
9	2170406	2	Fitting, Tee ORFS/ORB/ORFS	
10	2170808	1	Fitting, Tee ORFS/FSORFS/FORFS	
13	2220365	1	Fitting, 45 JIC/ORB	
14	2220366	1	Fitting, 90 JIC/ORB	
15	2220371	9	Fitting, Straight JIC/ORB (Prior to SN 0300248163)	
15	2220371	7	Fitting, Straight JIC/ORB (SN 0300248163 to Present)	
16	2220372	4	Fitting, Straight JIC/ORB	
17	2220373	2	Fitting, Straight JIC/ORB	
18	2220374	2	Fitting, Straight JIC/ORB (Prior to SN 0300237337)	
18	2220374	3	Fitting, Straight JIC/ORB (SN 0300237337 to Present)	
19	2220375	1	Fitting, Straight JIC/ORB, (Not Shown) (Prior to SN 0300237337)	
20	2220377	1	Fitting, Straight JIC/ORB	
22	2110404	2	Fitting, Straight ORFS/ORB	
23	2220451	1	Fitting, Straight JIC/ORB	
24	2220466	1	Fitting, 90 JIC/ORB	
25	2220473	5	Fitting, 90 JIC/ORB	
26	2220500	2	Fitting, 45 JIC/ORB	
27	2220502	1	Fitting, 45 JIC/ORB	
28	2220518	1	Fitting, Cap FJIC	
29	2220577	1	Fitting, Straight JIC/ORB (Prior to SN 0300237337)	
29	2220497	1	Fitting, Straight JIC/ORB (SN 0300237337 to Present)	
30	2220578	1	Fitting, 90 JIC/ORB	
31	2220582	3	Fitting, Straight JIC/ORB	
32	2220600	2	Fitting, Straight JIC/ORB	
33	2220603	1	Fitting, Straight JIC/ORB (Prior to SN 0300248163)	
33	2220603	3	Fitting, Straight JIC/ORB (SN 0300248163 to Present)	
34	2220622	1	Fitting, Straight JIC/FSJIC	
36	2220695	1	Fitting, Tee JIC/ORB/JIC	
37	2220700	2	Fitting, Tee JIC/FSJIC/JIC	
38	2220726	1	Fitting, 90 JIC/ORB	
39	2220775	1	Fitting, 90 JIC/ORB	
40	2220906	1	Fitting, 90 JIC/ORB	
41	2220946	2	Fitting, Straight JIC/ORB	
42	2220947	2	Fitting, Straight JIC/ORB	
43	2220948	1	Fitting, Tee JIC/FSJIC/JIC	
44	2221063	1	Fitting, Tee JIC/ORB/JIC	
45	2221221	2	Fitting, Straight ORFS/FSORFS	
46	3290601	2	Nut M6	
48	4811700	4	Washer M6	
49	80633030	2	Clamp	
50	1001098928	1	Clamp	
51	1001173905	1	Hose	
52	1001181077	1	Hose	

SECTION 7 - HYDRAULIC

ITEM	PART NUMBER	QTY	DESCRIPTION	REV
53	1001172715	1	Hose	
54	1001172716	1	Hose	
55	1001172719	1	Hose	
56	1001172720	1	Hose	
57	1001172721	1	Hose	
58	1001173899	1	Hose	
59	1001173900	2	Hose	
60	1001173901	1	Hose	
61	1001173902	1	Hose	
62	1001173903	1	Hose	
63	1001173904	1	Hose	
64	1001173907	1	Hose	
65	1001173908	1	Hose	
66	1001173909	1	Hose	
67	1001173937	1	Hose	
68	1001179156	1	Valve, Check	
69	1001193661	1	Hose	
70	1001191275	1	Clamp	
71	1001191276	1	Clamp	
72	1001193002	2	Hose	
73	1001193003	1	Hose	
76	1001193006	1	Hose	
77	1001193007	3	Hose	
78	1001193008	1	Hose	
79	1001193009	1	Hose	
80	1001193010	1	Hose	
81	1001193011	1	Hose	
82	1001193653	1	Hose	
83	1001193654	1	Hose	
84	1001193655	1	Hose	
85	1001193656	1	Hose	
86	1001193657	2	Hose	
87	1001193658	1	Hose	
88	1001193659	1	Hose	
89	1001193660	4	Hose	
90	1001172713	1	Hose	
91	1001110092	1	Hose	
92	4100026	24 ft /7.3m	Sleeve, Hose Protection	
93	1001191362	4	Fitting, Straight ORFS/ORB	
94	1001191364	2	Fitting, Straight ORFS/ORB	
95	1001191365	4	Fitting, Straight ORFS/ORB	
100	2221086	4	Fitting, Diagnostic Test Port	
101	2220238	2	Plug	
102	2170712	2	Fitting, Tee ORFS/FSORFS/ORFS	
107	1001173906	1	Hose	
108	1001181076	1	Hose	
109	2220472	1	Fitting, 90 JIC/ORB	

SECTION 7 - HYDRAULIC

FIGURE 7-3. HYDRAULIC DIAGRAM LIST

ITEM	PART NUMBER	QTY	DESCRIPTION	REV
	1001178276	Ref Ref	Note: Diagrams are available from Discount-equipment.com. HYDRAULIC SCHEMATIC (Not Shown - See Service Manual)	

Go to Discount-Equipment.com to order your parts

SECTION 8 - ELECTRICAL

Go to Discount-Equipment.com to order your parts

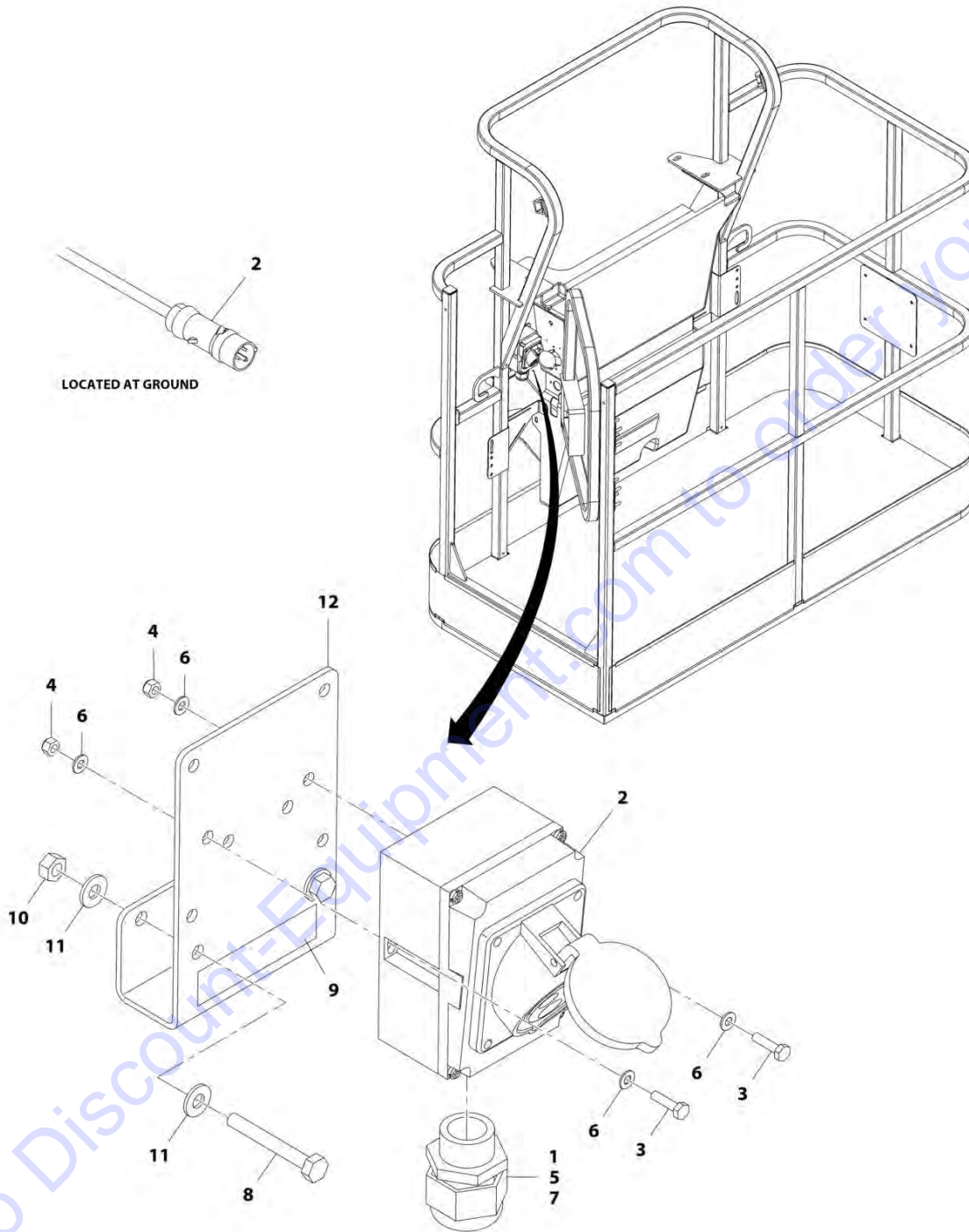
SECTION 8 - ELECTRICAL

FIGURE 8-1. ELECTRICAL DIAGRAM LIST

ITEM	PART NUMBER	QTY	DESCRIPTION	REV
		Ref	Note: For Information, Refer to Service Manual or go to Discount-equipment.com.	
	1001165354	Ref	Electrical Schematic	
	4933218	Ref	Wiring Diagram - Soft Touch	
	1001188731	Ref	Generator Electrical Diagram - 2500W Generator - 60Hz (ANSI Export Specs) (SN 0300224020 to Present)	
	1001175631	Ref	Generator Electrical Diagram - 4000W Generator - 60Hz (ANSI Export Specs) (SN 0300224020 to Present)	
	1001175632	Ref	Generator Electrical Diagram - 4000W Generator - 50Hz (CE Specs)	
	1001175633	Ref	Generator Electrical Diagram - 4000W Generator - 50Hz (CE Specs)	
	1001174675	Ref	Generator Electrical Diagram - 7500W SkyPower Generator	

SECTION 8 - ELECTRICAL

FIGURE 8-2. AC BOX AT PLATFORM - 110V IEC YELLOW (CE SPEC)



ART_1001091969

SECTION 8 - ELECTRICAL

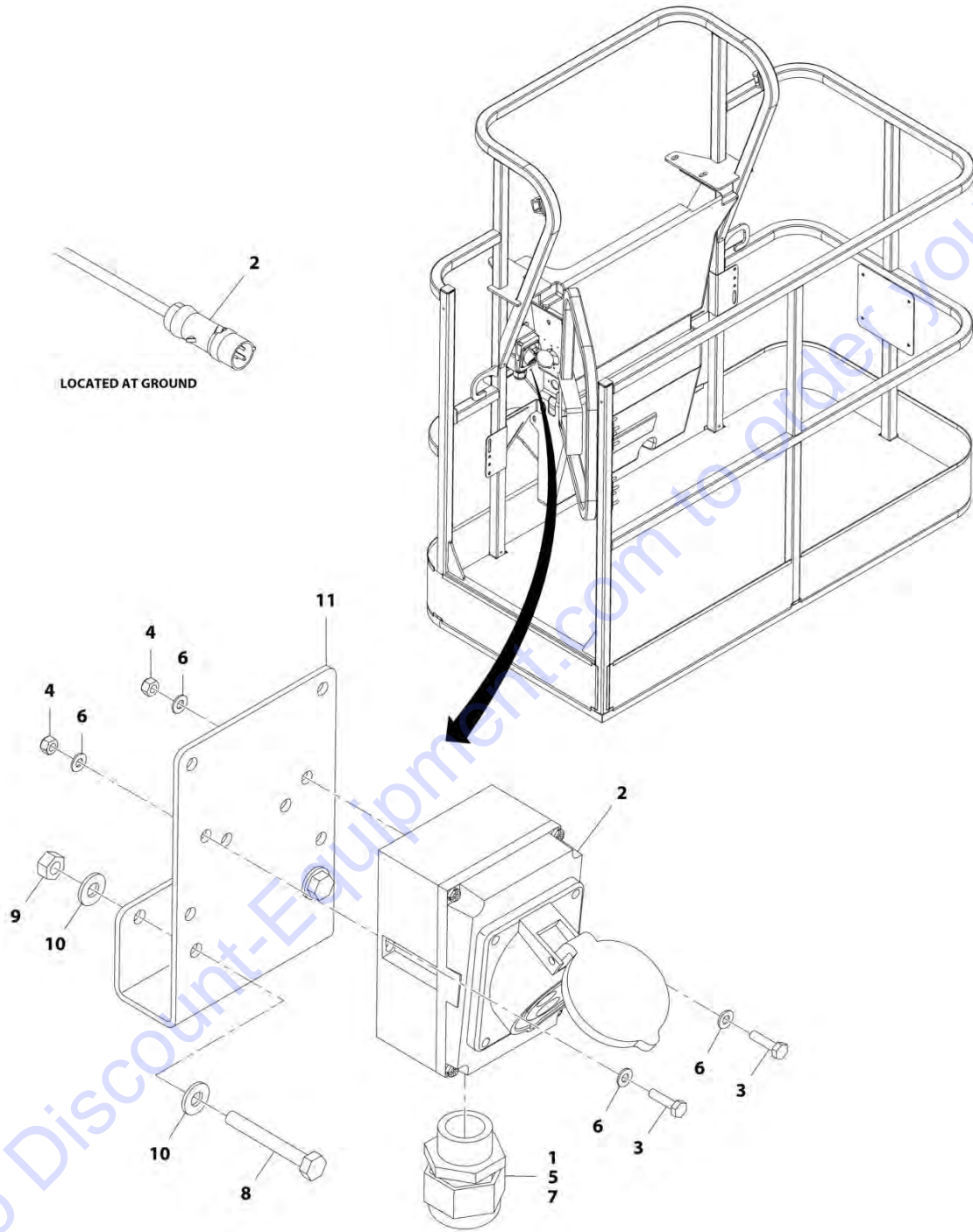
FIGURE 8-2. AC BOX AT PLATFORM - 110V IEC YELLOW (CE SPEC)

ITEM	PART NUMBER	QTY	DESCRIPTION	REV
	1001091969	Ref	AC BOX AT PLATFORM - 110V IEC YELLOW (CE SPEC)	C
1	0100020	AR	Sealant	
2	0275216	1	Receptacle Box Kit (See RECEPTACLE BOX KIT - 110V IEC YELLOW (CE SPEC) for Breakdown)	
3	0700408	2	Bolt M4 x 16	
4	3290405	2	Nut M4	
5	1001101196	1	Adapter	
6	4811400	4	Washer M4	
7	1001101191	1	Connector, Strain Relief	
8	0641416	2	Bolt 1/4 x 2	
9	1705325	1	Decal - 110V	
10	3311405	2	Nut 1/4	
11	4711400	4	Washer 1/4	
12	1001193018	1	Bracket	

Go to Discount-Equipment.com to order your parts

SECTION 8 - ELECTRICAL

FIGURE 8-3. AC BOX AT PLATFORM - 220V IEC BLUE (CE SPEC)



ART_1001091970

SECTION 8 - ELECTRICAL

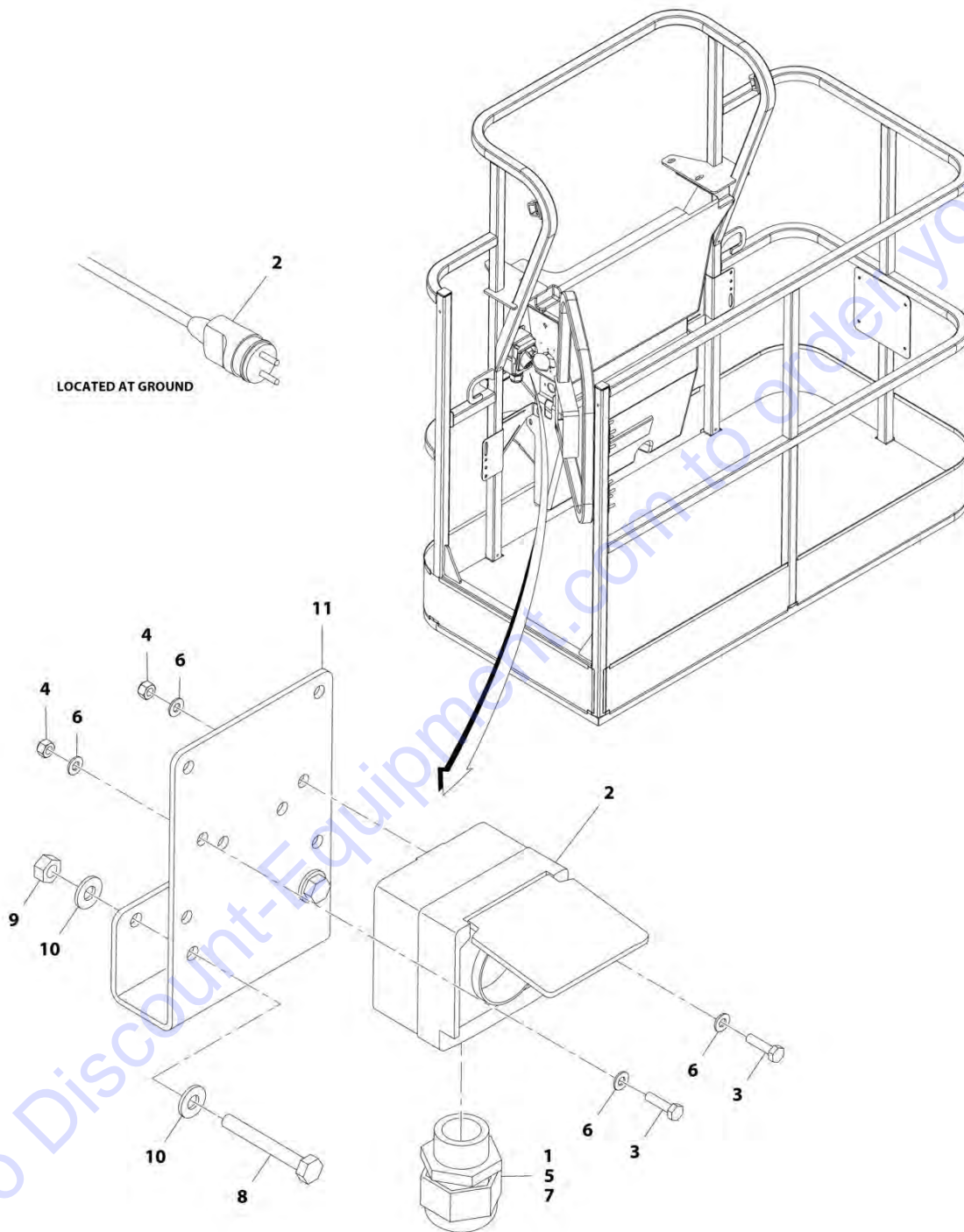
FIGURE 8-3. AC BOX AT PLATFORM - 220V IEC BLUE (CE SPEC)

ITEM	PART NUMBER	QTY	DESCRIPTION	REV
	1001091970	Ref	AC BOX AT PLATFORM - 230V IEC BLUE (CE SPEC)	C
1	0100020	AR	Sealant	
2	0275217	1	Receptacle Box Kit (See RECEPTACLE BOX KIT - 220V IEC BLUE (CE SPEC) for Breakdown)	
3	0700408	2	Bolt M4 x 16	
4	3290405	2	Nut M4	
5	1001101196	1	Adapter	
6	4811400	4	Washer M4	
7	1001101191	1	Connector, Strain Relief	
8	0641416	2	Bolt 1/4 x 2	
9	3311405	2	Nut 1/4	
10	4711400	4	Washer 1/4	
11	1001193018	1	Bracket	

Go to Discount-Equipment.com to order your parts

SECTION 8 - ELECTRICAL

FIGURE 8-4. AC BOX AT PLATFORM - 220V CEE7 70MM X 70MM POST GROUND (CE SPEC) (Prior to SN 0300214184)



ART_1001091971

SECTION 8 - ELECTRICAL

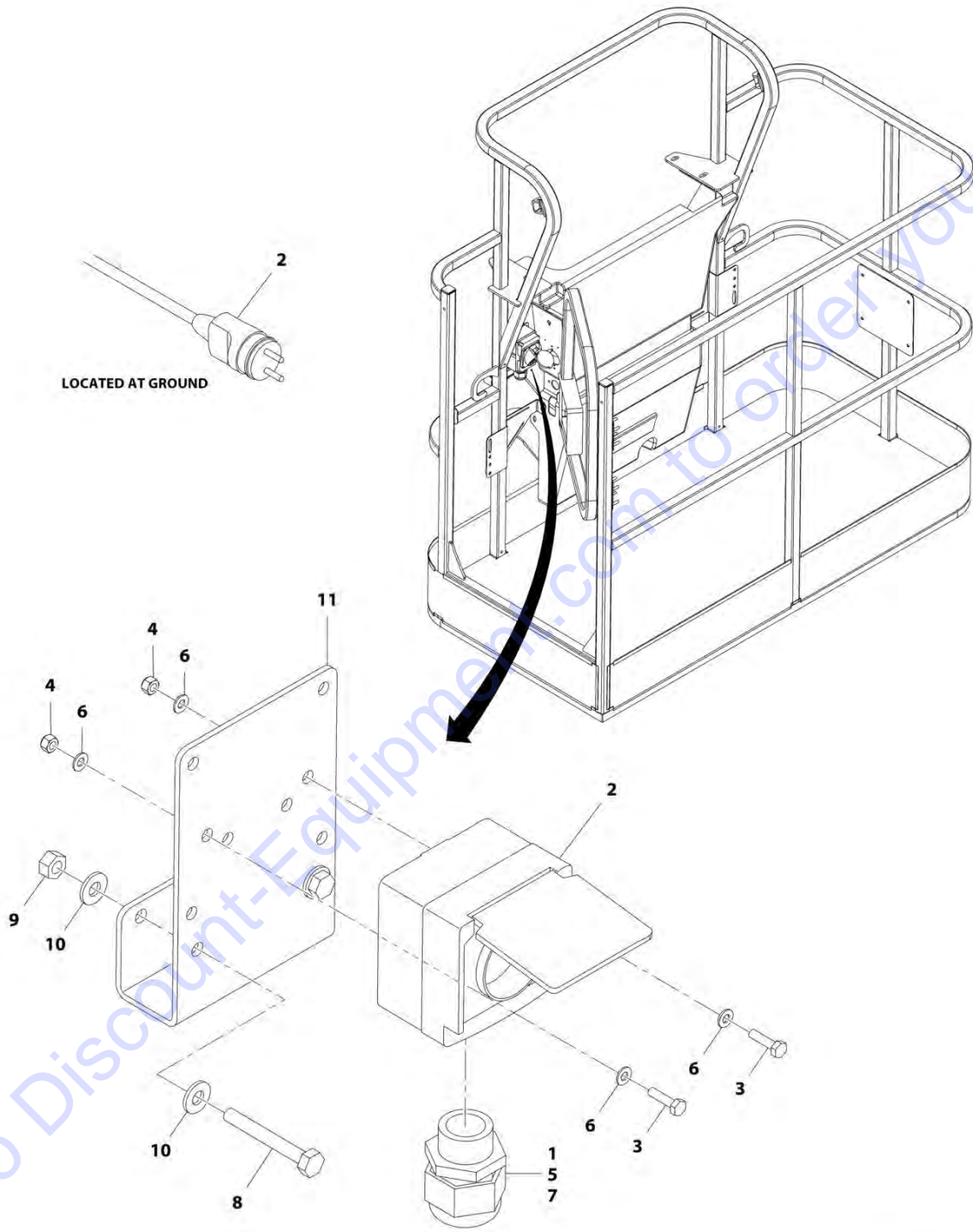
FIGURE 8-4. AC BOX AT PLATFORM - 220V CEE7 70MM X 70MM POST GROUND (CE SPEC) (Prior to SN 0300214184)

ITEM	PART NUMBER	QTY	DESCRIPTION	REV
	1001091971	Ref	AC BOX AT PLATFORM - 220V CEE7 70MM X 70MM POST GROUND (CE SPEC) (Prior to SN 0300214184)	C
1	0100020	AR	Sealant	
2	0275218	1	Receptacle Box Kit (See RECEPTACLE BOX KIT - 220V CEE7 70MM X 70MM POST GROUND (CE SPEC) for Breakdown)	
3	0700408	2	Bolt M4 x 16	
4	3290405	2	Nut M4	
5	1001101196	1	Adapter	
6	4811400	4	Washer M4	
7	1001101191	1	Connector, Strain Relief	
8	0641416	2	Bolt 1/4 x 2	
9	3311405	2	Nut 1/4	
10	4711400	4	Washer 1/4	
11	1001193018	1	Bracket	

Go to Discount-Equipment.com to order your parts

SECTION 8 - ELECTRICAL

FIGURE 8-5. AC BOX AT PLATFORM - 220V CEE7 70MM X 70MM SIDE GROUND (CE SPEC) (Prior to SN 0300214184)



ART_1001091972

SECTION 8 - ELECTRICAL

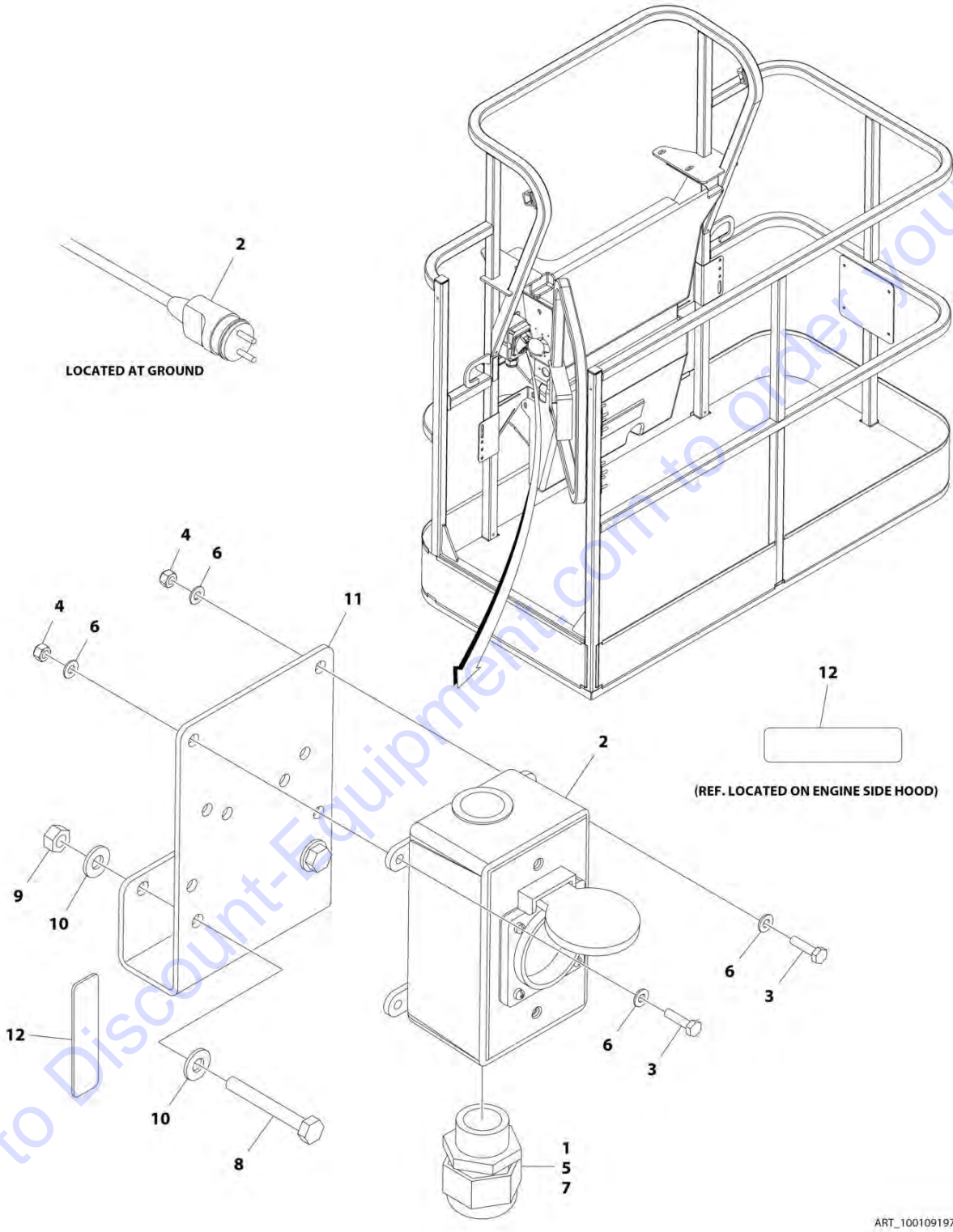
FIGURE 8-5. AC BOX AT PLATFORM - 220V CEE7 70MM X 70MM SIDE GROUND (CE SPEC) (Prior to SN 0300214184)

ITEM	PART NUMBER	QTY	DESCRIPTION	REV
	1001091972	Ref	AC BOX AT PLATFORM - 220V CEE7 70MMX70MM SIDE GROUND (CE SPEC) (Prior to SN 0300214184)	C
1	0100020	AR	Sealant	
2	0275219	1	Receptacle Box Kit (See RECEPTACLE BOX KIT - 220V CEE7 70MM X 70MM SIDE GROUND (CE SPEC) for Breakdown)	
3	0700408	2	Bolt M4 x 16	
4	3290405	2	Nut M4	
5	1001101196	1	Adapter	
6	4811400	4	Washer M4	
7	1001101191	1	Connector, Strain Relief	
8	0641416	2	Bolt 1/4 x 2	
9	3311405	2	Nut 1/4	
10	4711400	4	Washer 1/4	
11	1001193018	1	Bracket	

Go to Discount-Equipment.com to order your parts

SECTION 8 - ELECTRICAL

FIGURE 8-6. AC BOX AT PLATFORM - 220V CEE7 2IN X 4IN POST GROUND (CE SPEC)



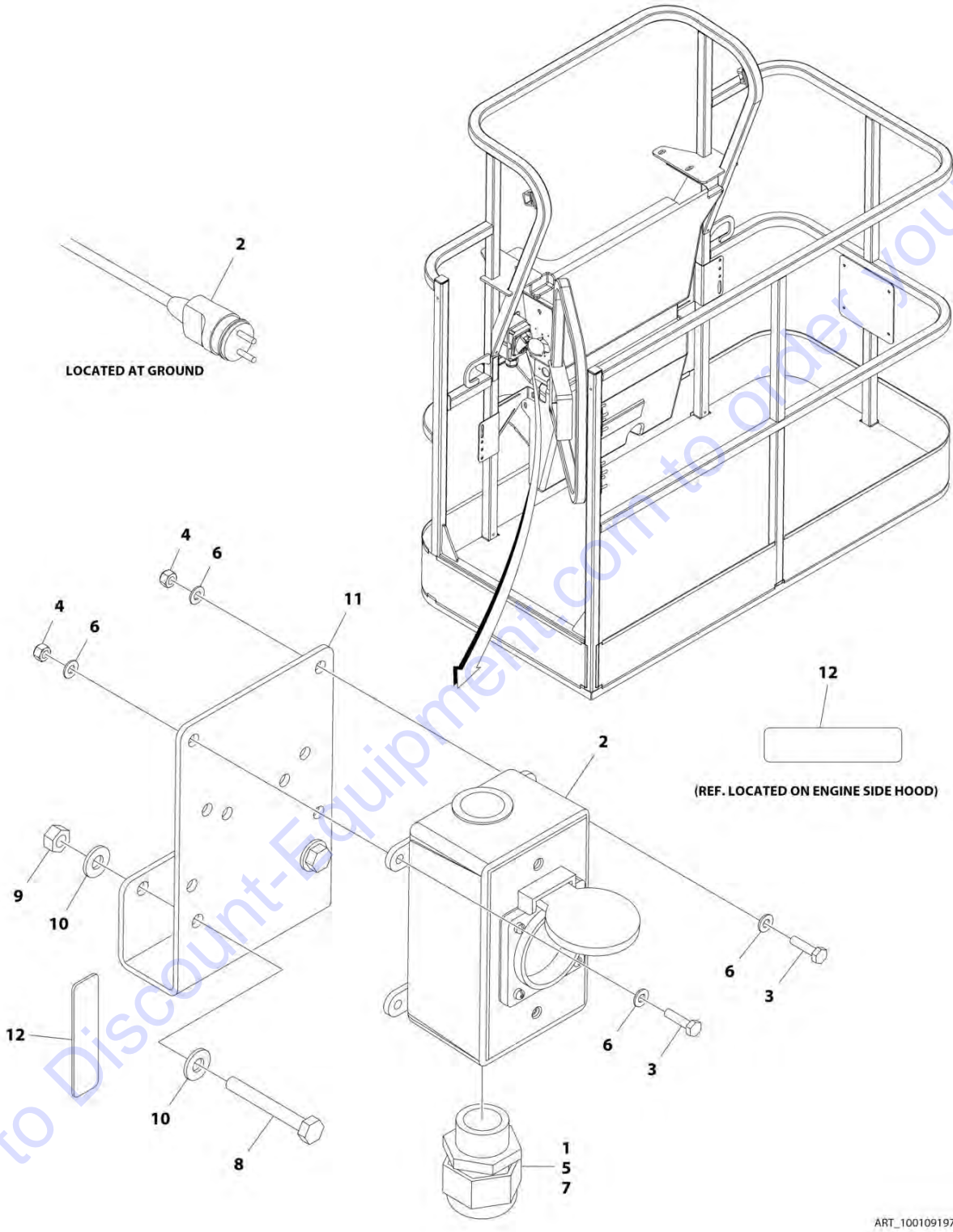
SECTION 8 - ELECTRICAL

FIGURE 8-6. AC BOX AT PLATFORM - 220V CEE7 2IN X 4IN POST GROUND (CE SPEC)

ITEM	PART NUMBER	QTY	DESCRIPTION	REV
	1001091973	Ref	AC BOX AT PLATFORM - 230V CEE7 2IN X 4IN POST GROUND (CE SPEC)	F
1	0100020	AR	Sealant	
2	0275452	1	Receptacle Box Kit (See RECEPTACLE BOX KIT - 230V CEE7 2IN X 4IN POST GROUND (CE SPEC) for Breakdown)	
3	0700408	4	Bolt M4 x 16	
4	3290405	4	Nut M4	
5	1001101196	1	Adapter	
6	4811400	8	Washer M4	
7	1001101191	1	Connector, Strain Relief	
8	0641416	2	Bolt 1/4 x 2	
9	3311405	2	Nut 1/4	
10	4711400	4	Washer 1/4	
11	1001193018	1	Bracket	
12	3251242	2	Decal, 240V / 50Hz (SN 0300240648 to Present)	
13	4460806	2	Terminal, Fork (Not Shown) (SN 0300240648 to Present)	
14	1001205958	1	Terminal, Wire Pin (Not Shown) (SN 0300240648 to Present)	

SECTION 8 - ELECTRICAL

FIGURE 8-7. AC BOX AT PLATFORM - 220V CEE7 2IN X 4IN SIDE GROUND (CE SPEC)



SECTION 8 - ELECTRICAL

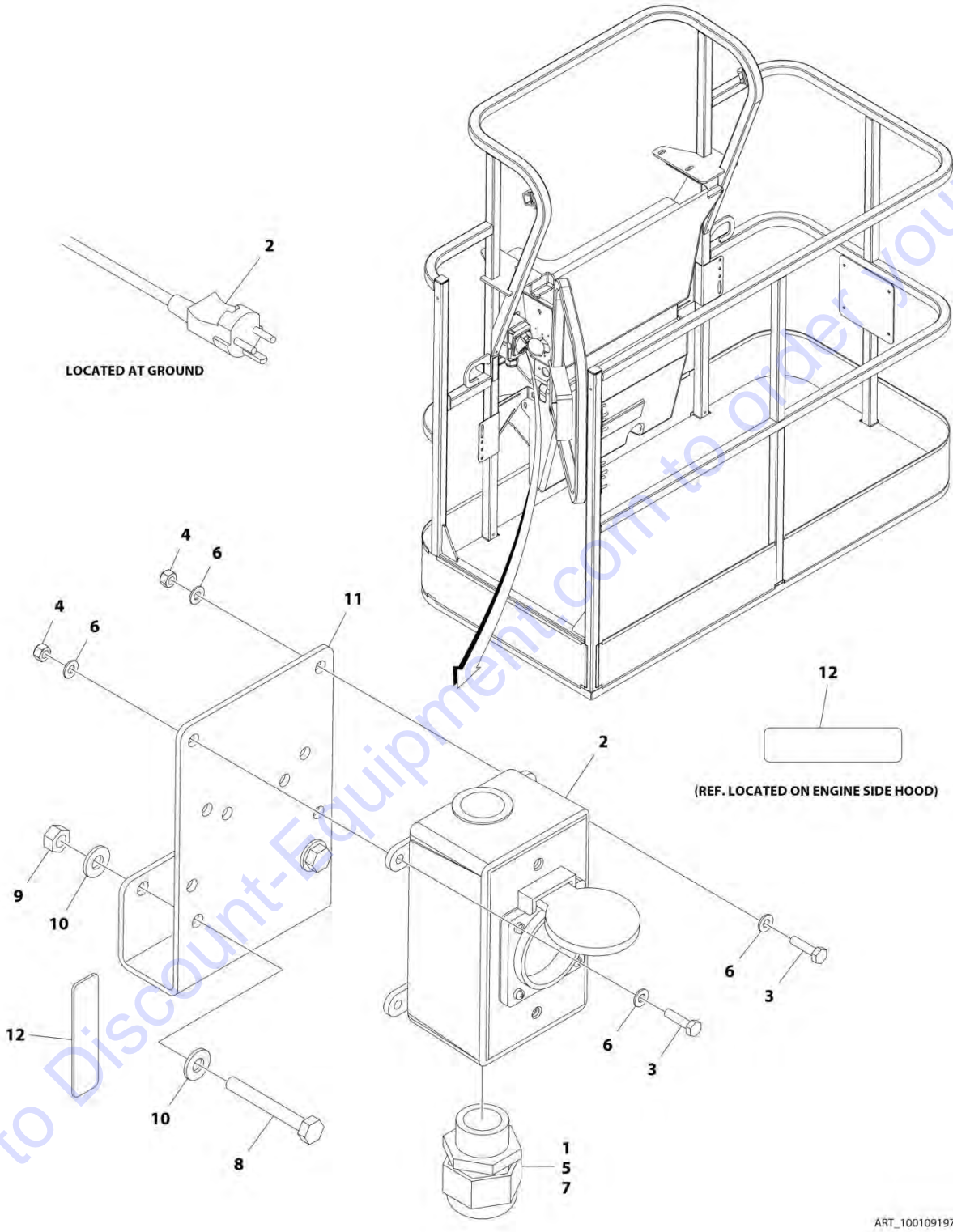
FIGURE 8-7. AC BOX AT PLATFORM - 220V CEE7 2IN X 4IN SIDE GROUND (CE SPEC)

ITEM	PART NUMBER	QTY	DESCRIPTION	REV
	1001091974	Ref	AC BOX AT PLATFORM - 230V CEE7 2IN X 4IN SIDE GROUND (CE SPEC)	F
1	0100020	AR	Sealant	
2	0275453	1	Receptacle Box Kit (See RECEPTACLE BOX KIT - 230V CEE7 2IN X 4IN SIDE GROUND (CE SPEC) for Breakdown)	
3	0700408	4	Bolt M4 x 16	
4	3290405	4	Nut M4	
5	1001101196	1	Adapter	
6	4811400	8	Washer M4	
7	1001101191	1	Connector, Strain Relief	
8	0641416	2	Bolt 1/4 x 2	
9	3311405	2	Nut 1/4	
10	4711400	4	Washer 1/4	
11	1001193018	1	Bracket	
12	3251242	2	Decal, 240V / 50Hz (SN 0300240648 to Present)	
13	4460806	2	Terminal, Fork (Not Shown) (SN 0300240648 to Present)	
14	1001205958	1	Terminal, Wire Pin (Not Shown) (SN 0300240648 to Present)	

Go to Discount-Equipment.com to order your parts

SECTION 8 - ELECTRICAL

FIGURE 8-8. AC BOX AT PLATFORM - 220V AFSINT107 (CE SPEC)



ART_1001091975

SECTION 8 - ELECTRICAL

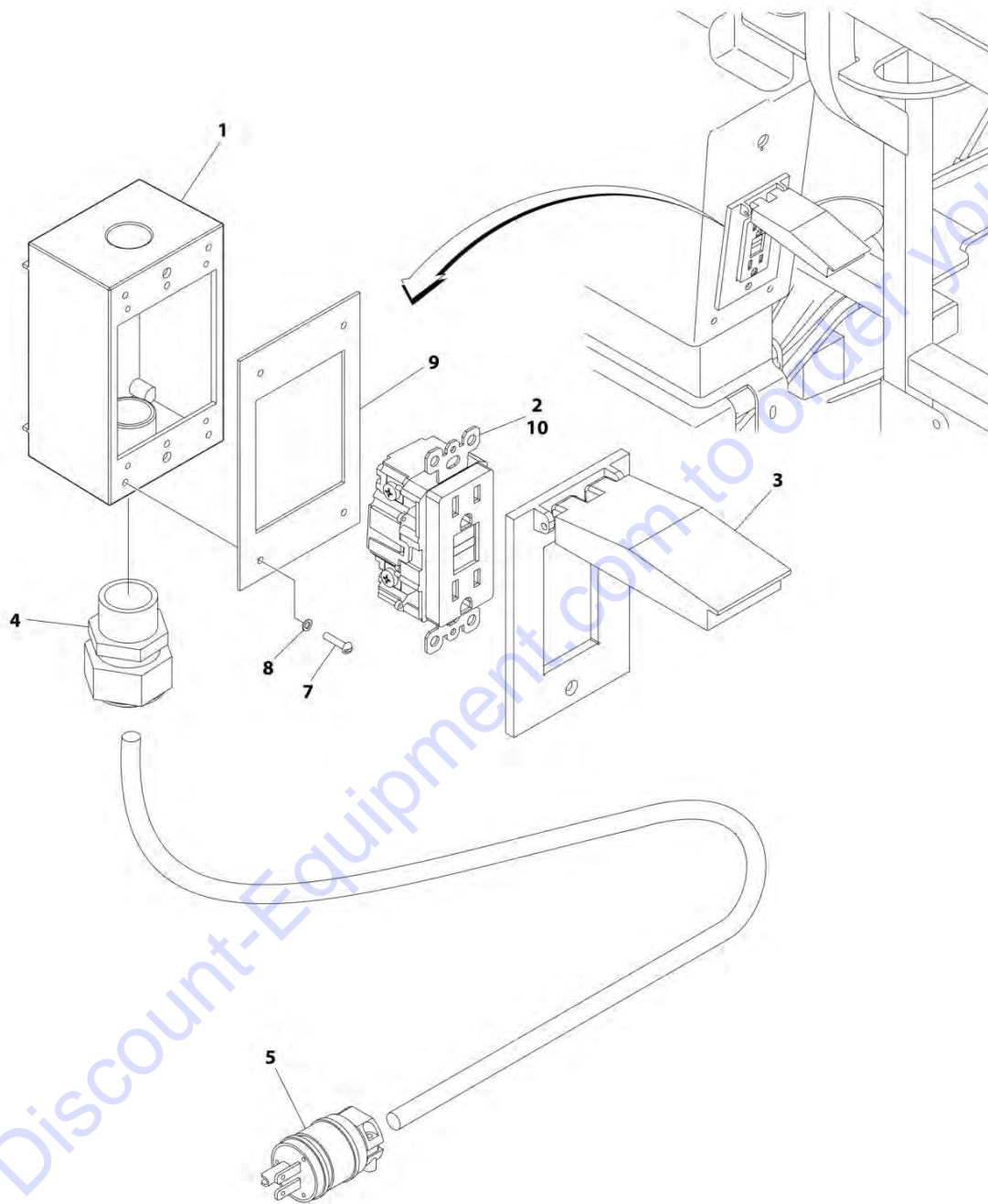
FIGURE 8-8. AC BOX AT PLATFORM - 220V AFSINT107 (CE SPEC)

ITEM	PART NUMBER	QTY	DESCRIPTION	REV
	1001091975	1	AC BOX AT PLATFORM - 230V AFSINT107 KEYED GROUND (CE SPEC)	F
1	0100020	AR	Sealant	
2	0275454	1	Receptacle Box Kit (See RECEPTACLE BOX KIT - 230V AFSINT107 (CE SPEC) for Breakdown)	
3	0700408	4	Bolt M4 x 16	
4	3290405	4	Nut M4	
5	1001101196	1	Adapter	
6	4811400	8	Washer M4	
7	1001101191	1	Connector, Strain Relief	
8	0641416	2	Bolt 1/4 x 2	
9	3311405	2	Nut 1/4	
10	4711400	4	Washer 1/4	
11	1001193018	1	Bracket	
12	3251242	2	Decal, 240V / 50Hz (SN 0300240648 to Present)	
13	1001205958	3	Terminal, Wire Pin (Not Shown) (SN 0300240648 to Present)	

Go to Discount-Equipment.com to order your parts

SECTION 8 - ELECTRICAL

FIGURE 8-9. AC BOX AT PLATFORM INSTALLATION - 110V (ANSI, ANSI EXPORT, AND CSA SPECS)
(SN 0300234013 to Present)



ART_0270022

SECTION 8 - ELECTRICAL

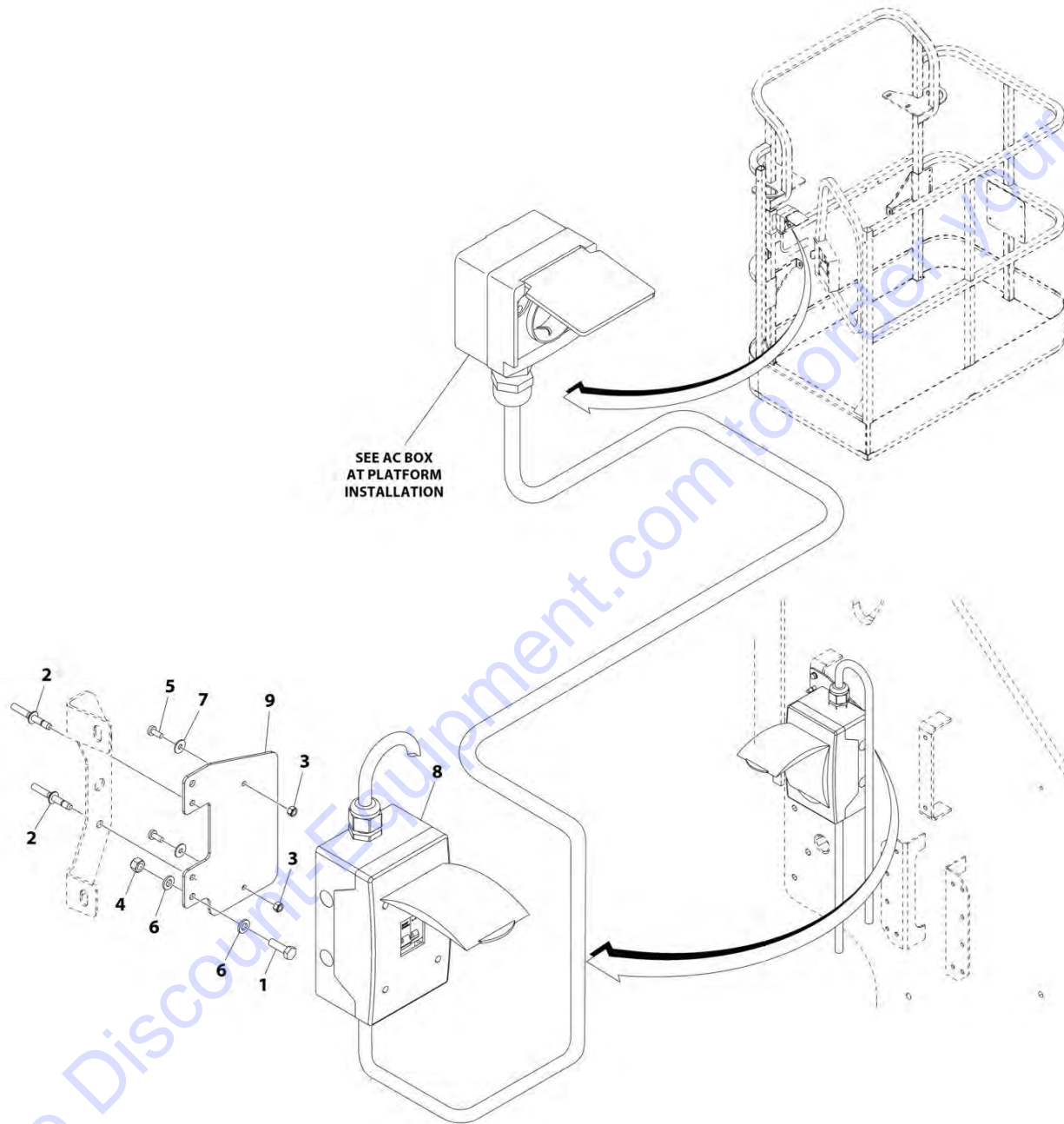
**FIGURE 8-9. AC BOX AT PLATFORM INSTALLATION - 110V (ANSI, ANSI EXPORT, AND CSA SPECS)
(SN 0300234013 to Present)**

ITEM	PART NUMBER	QTY	DESCRIPTION	REV
	0270022	Ref	AC BOX AT PLATFORM INSTALLATION - 110V (ANSI, ANSI EXPORT, AND CSA SPECS) (SN 0300234013 to Present)	4-B
1	0860038	1	Box, Switch	
2	4460346	1	Receptacle	
3	1001110873	1	Shield, Cover	
4	4460071	1	Connector, Strain Relief	
5	4460205	1	Plug, Male	
7	3910610	4	Screw #6 x 5/8	
8	4760600	4	Washer #6	
9	3960422	1	Gasket	
10	4460315	1	Terminal, Spade	

Go to Discount-Equipment.com to order your parts

SECTION 8 - ELECTRICAL

FIGURE 8-10. AC CABLE INSTALLATION - WITH THREE BREAKERS (CE SPECS)



ART_1001209677

SECTION 8 - ELECTRICAL

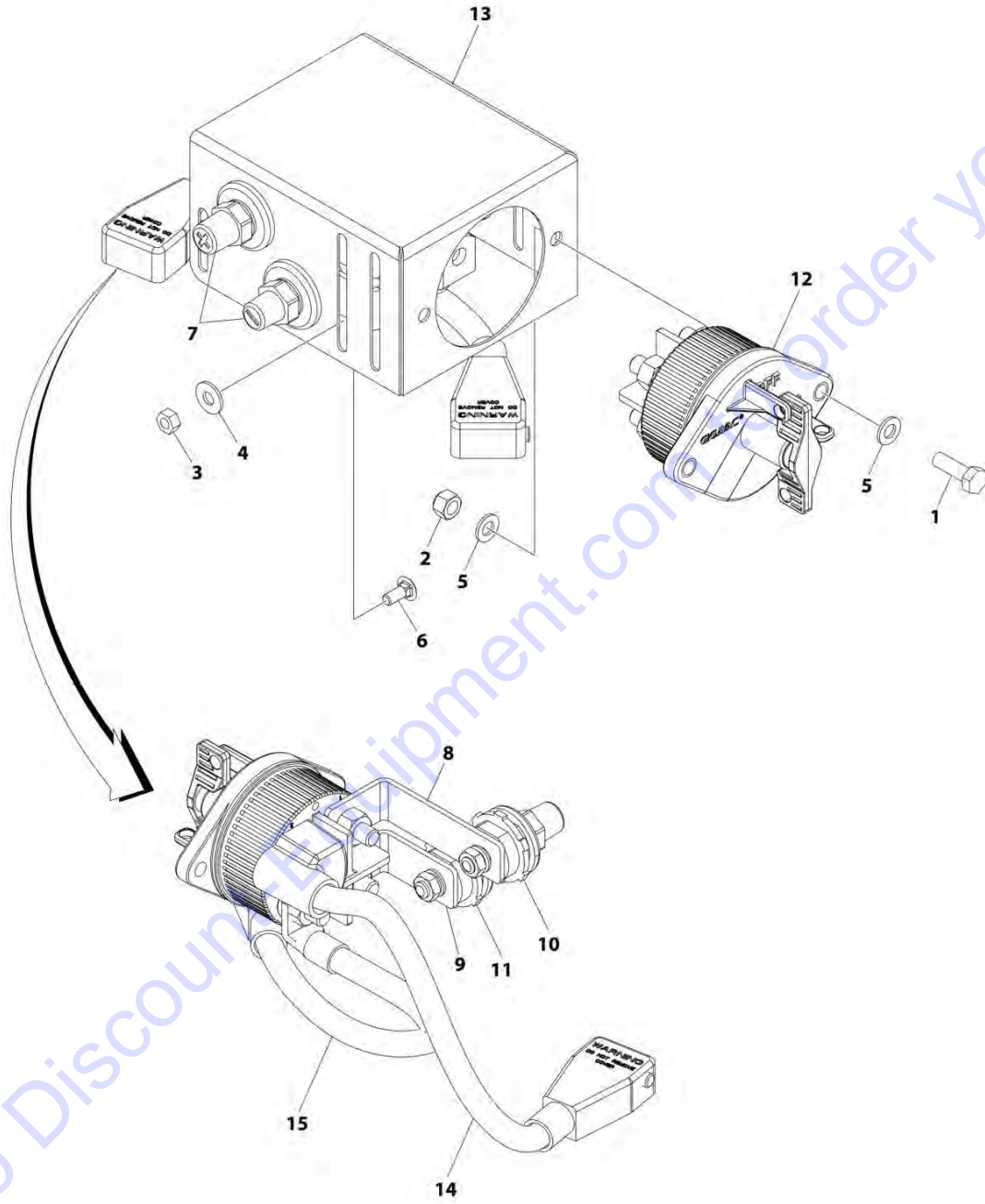
FIGURE 8-10. AC CABLE INSTALLATION - WITH THREE BREAKERS (CE SPECS)

ITEM	PART NUMBER	QTY	DESCRIPTION	REV
	1001209677	Ref	AC CABLE INSTALLATION - WITH THREE BREAKERS (CE SPECS)	A
1	0760610	2	Bolt M6 x 20	
2	2080040	2	Fastener, Huck	
3	3290405	2	Nut M4	
4	3290605	2	Nut M6	
5	4010405	2	Screw M4 x 10	
6	4811700	4	Washer M6	
7	1001091102	2	Washer M4	
8	1001152485	1	Breaker Box Kit - CE Spec (See BREAKER BOX KIT WITH THREE BREAKERS - CE SPEC for Breakdown)	
9	1001209832	1	Bracket	

Go to Discount-Equipment.com to order your parts

SECTION 8 - ELECTRICAL

FIGURE 8-11. BATTERY DISCONNECT SWITCH (SN 0300259635 to Present)



ART_1001236304

SECTION 8 - ELECTRICAL

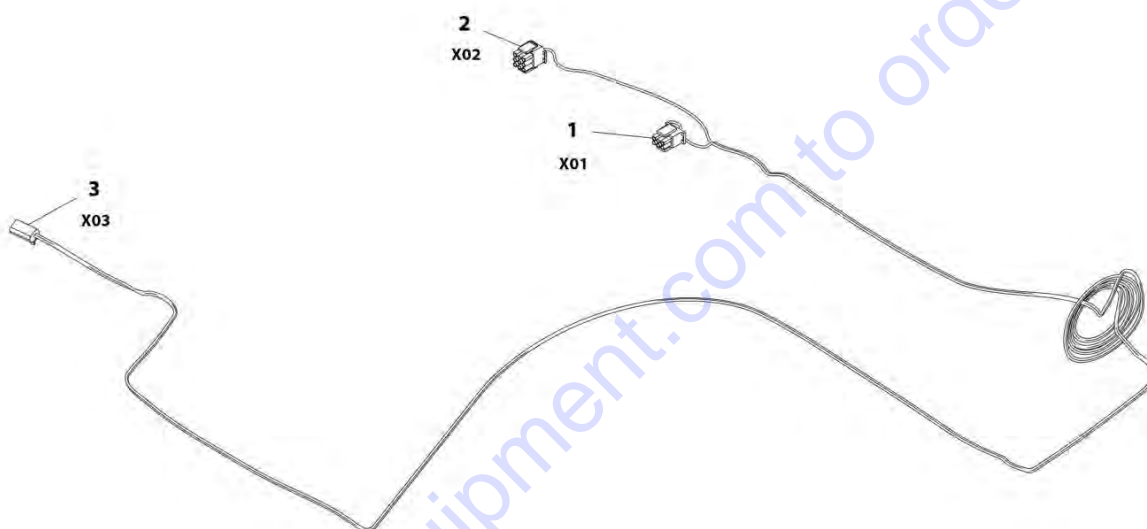
FIGURE 8-11. BATTERY DISCONNECT SWITCH (SN 0300259635 to Present)

ITEM	PART NUMBER	QTY	DESCRIPTION	REV
	1001236304	Ref	BATTERY DISCONNECT SWITCH INSTALLATION	A
1	0760812	2	Bolt M8 x 25	
2	3290805	2	Nut M8	
3	3311405	3	Nut 1/4	
4	4751400	3	Washer 1/4	
5	4811900	4	Washer M8	
6	88411013	3	Bolt 1/4 x 3/4	
7	1001206476	1	Connectors, Post	
8	1001209432	1	Bussbar	
9	1001209474	1	Bussbar	
10	1001214570	1	Connector (Red)	
11	1001214571	1	Connector (Black)	
12	1001225346	1	Switch, Battery	
13	1001226531	1	Mount	
14	1001236504	1	Cable, Battery (+)	
15	1001236505	1	Cable, Battery (-)	

Go to Discount-Equipment.com to order your parts

SECTION 8 - ELECTRICAL

FIGURE 8-12. BEACON HARNES (Prior to SN 0300217319)



ART_1001149570

SECTION 8 - ELECTRICAL

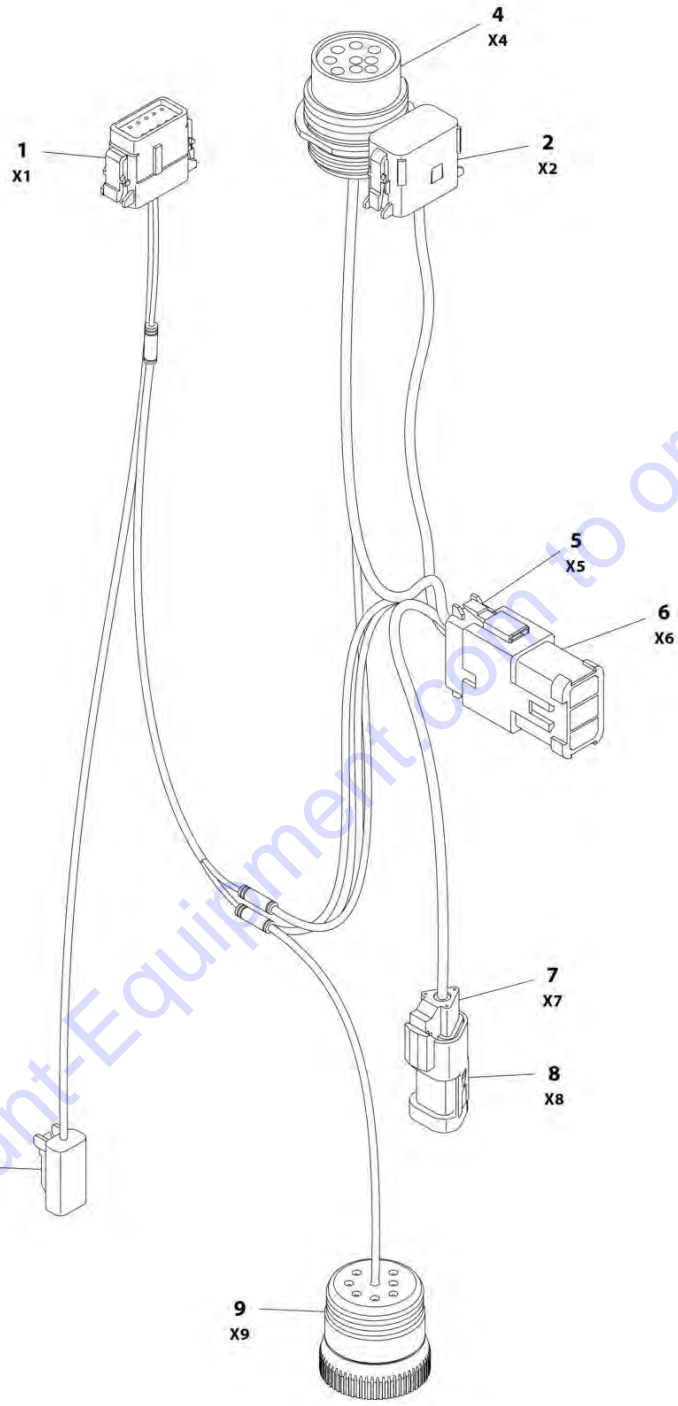
FIGURE 8-12. BEACON HARNESS (Prior to SN 0300217319)

ITEM	PART NUMBER	QTY	DESCRIPTION	REV
	1001149570	Ref	BEACON HARNESS (Prior to SN 0300217319)	C
1	4460225	1	Plug, Male - 6 Position	
1	4460268	1	Socket, Female	
2	4460265	1	Plug, Male - 9 Position	
2	4460267	1	Pin, Male	
3	4460891	1	Plug, Male - 2 Position	
3	4460465	2	Socket, Female	

Go to Discount-Equipment.com to order your parts

SECTION 8 - ELECTRICAL

FIGURE 8-13. BEACON HARNES (SN 0300217319 to Present)



ART_1001142736

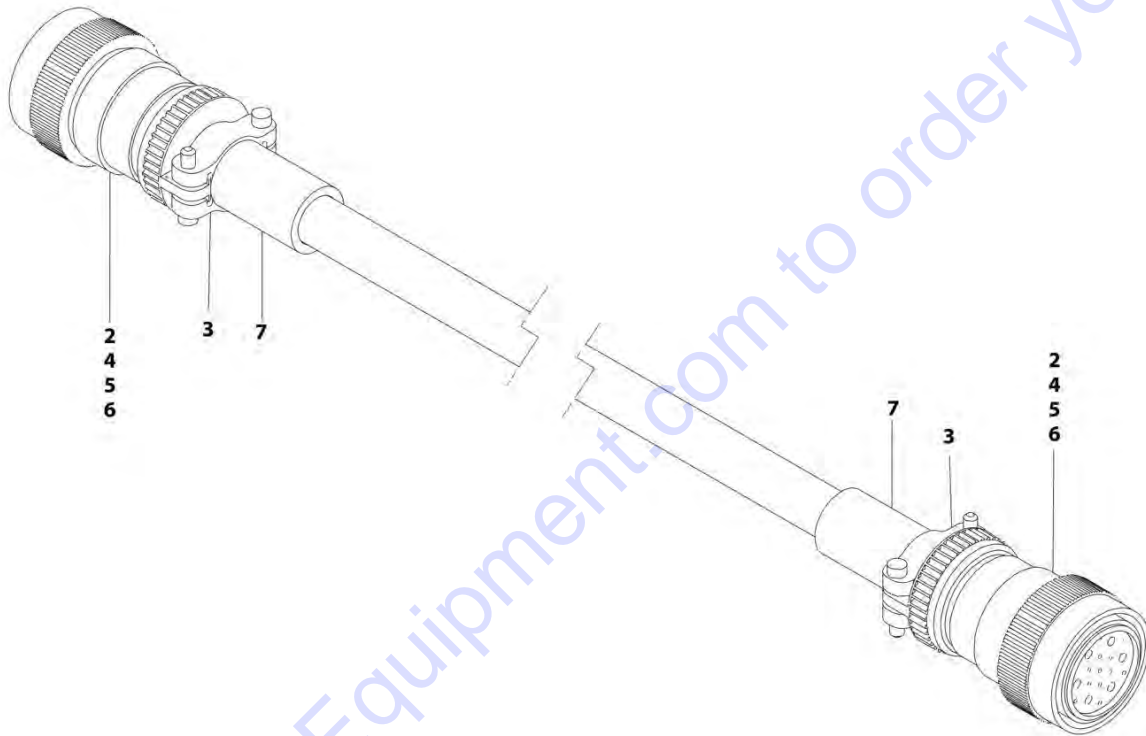
SECTION 8 - ELECTRICAL

FIGURE 8-13. BEACON HARNESS (SN 0300217319 to Present)

ITEM	PART NUMBER	QTY	DESCRIPTION	REV
	1001142736	Ref	BEACON HARNESS (SN 0300217319 to Present)	F
1	1001116808	1	Plug, Male - 12 Position	
1	4460928	3	Socket, Female	
1	4460518	9	Plug, Terminal	
2	1001116774	1	Plug, Male - 12 Position	
2	4460928	3	Socket, Female	
2	4460518	9	Plug, Terminal	
3	4460891	1	Plug, Male - 2 Position	
3	4460465	2	Socket, Female	
4	1001112612	1	Connector - 9 Position	
4	4460464	6	Pin, Male	
4	4460466	3	Plug, Terminal	
5	4460933	1	Plug, Male - 12 Position	
5	4460465	12	Socket, Female	
6	1001119020	1	Bussbar - 12 Position	
7	4461095	1	Plug, Male - 3 Position	
7	4460465	3	Socket, Female	
8	4461070	1	Bussbar - 3 Position	
9	1001112796	1	Connector - 9 Position	
9	4460465	6	Socket, Female	
9	4460466	3	Plug, Terminal	

SECTION 8 - ELECTRICAL

FIGURE 8-14. BOOM HARNESS - 400SC



ART_1001176952

SECTION 8 - ELECTRICAL

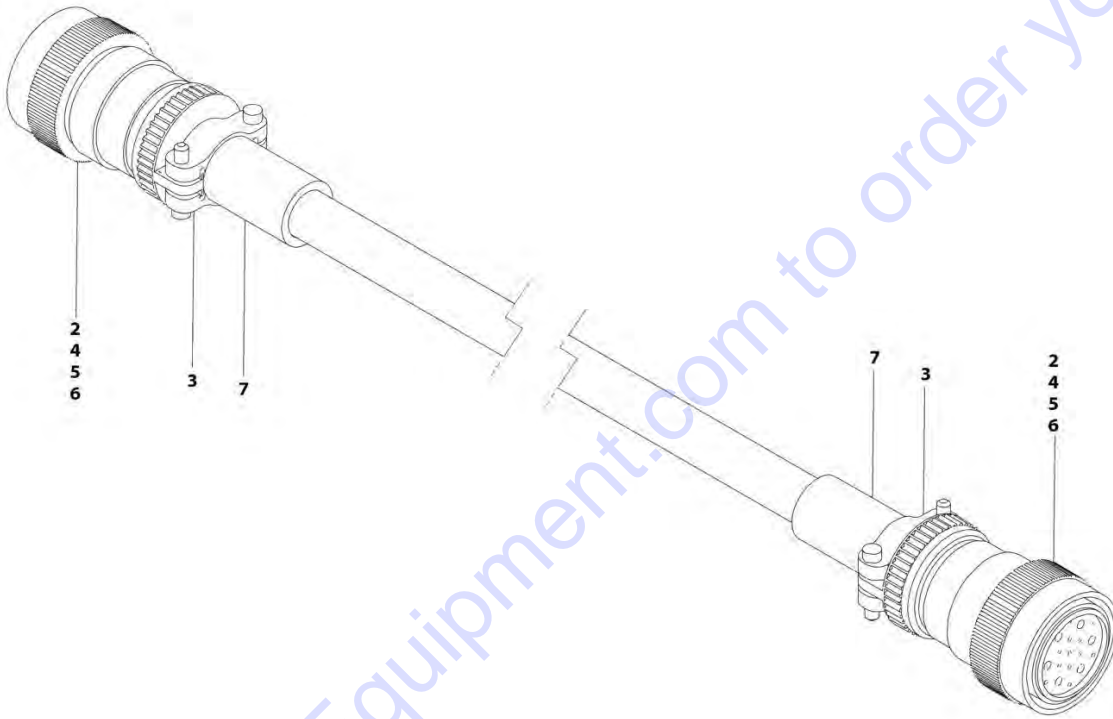
FIGURE 8-14. BOOM HARNESS - 400SC

ITEM	PART NUMBER	QTY	DESCRIPTION	REV
	1001176952	Ref	BOOM HARNESS - 400SC	C
2	4460865	2	Connector - 19 Position	
3	4460473	2	Clamp	
4	4460465	20	Socket, Female	
5	4460509	8	Socket, Female	
6	4460466	10	Plug, Socket	
7	1001226400	2	Insulate, Heat Shrink	

Go to Discount-Equipment.com to order your parts

SECTION 8 - ELECTRICAL

FIGURE 8-15. BOOM HARNESS - 460SJC



ART_1001176953

SECTION 8 - ELECTRICAL

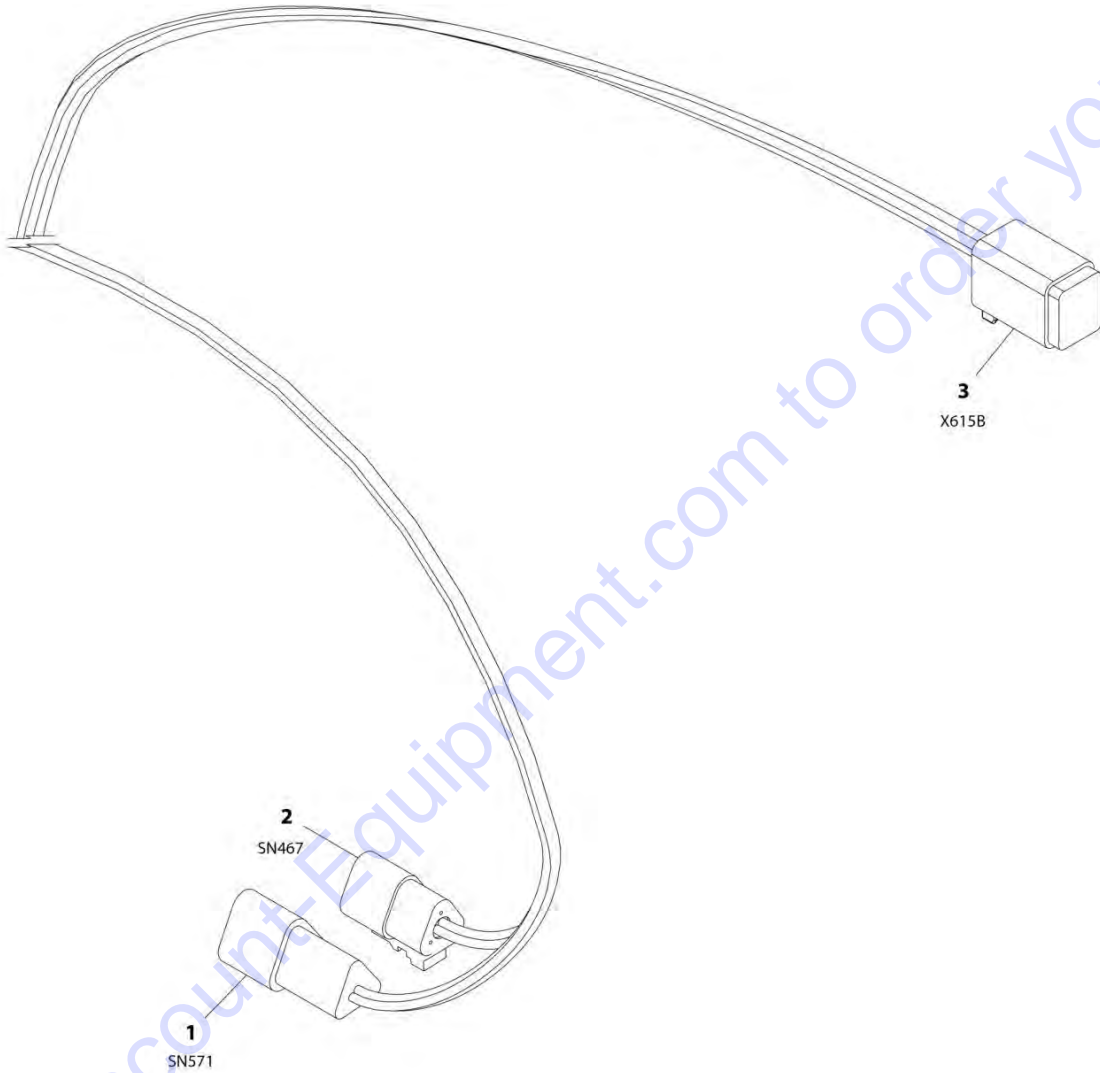
FIGURE 8-15. BOOM HARNESS - 460SJC

ITEM	PART NUMBER	QTY	DESCRIPTION	REV
	1001176953	Ref	BOOM HARNESS - 460SJC	C
2	4460865	2	Connector - 19 Position	
3	4460473	2	Clamp	
4	4460465	20	Socket, Female	
5	4460509	8	Socket, Female	
6	4460466	10	Plug, Socket	
7	1001226400	2	Insulate, Heat Shrink	

Go to Discount-Equipment.com to order your parts

SECTION 8 - ELECTRICAL

FIGURE 8-16. BOOM CAPACITY PROXIMITY SWITCH HARNESS



ART_1001173807

SECTION 8 - ELECTRICAL

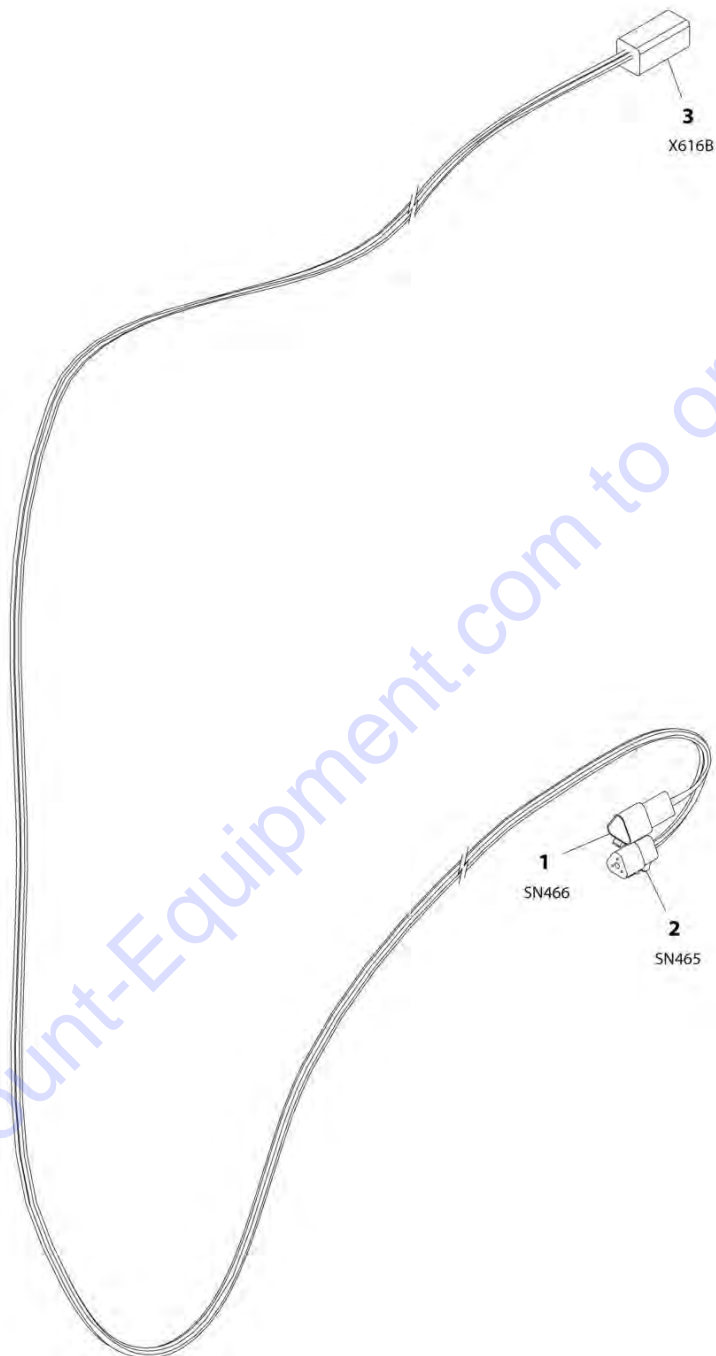
FIGURE 8-16. BOOM CAPACITY PROXIMITY SWITCH HARNESS

ITEM	PART NUMBER	QTY	DESCRIPTION	REV
	1001173807	Ref	BOOM CAPACITY PROXIMITY SWITCH HARNESS	C
1	4460536	1	Receptacle, Female - 3 Position	
1	4460464	3	Pin, Male	
2	4460539	1	Plug, Male - 3 Position	
2	4460465	1	Socket, Female	
3	4460930	1	Plug, Male - 8 Position	
3	4460465	6	Socket, Female	

Go to Discount-Equipment.com to order your parts

SECTION 8 - ELECTRICAL

FIGURE 8-17. BOOM TELE IN PROXIMITY SWITCH HARNESS BEACON HARNESS (BLUE BEACON LIGHT ONLY) BEACON HARNESS (BLUE BEACON LIGHT ONLY)



ART_1001173808

SECTION 8 - ELECTRICAL

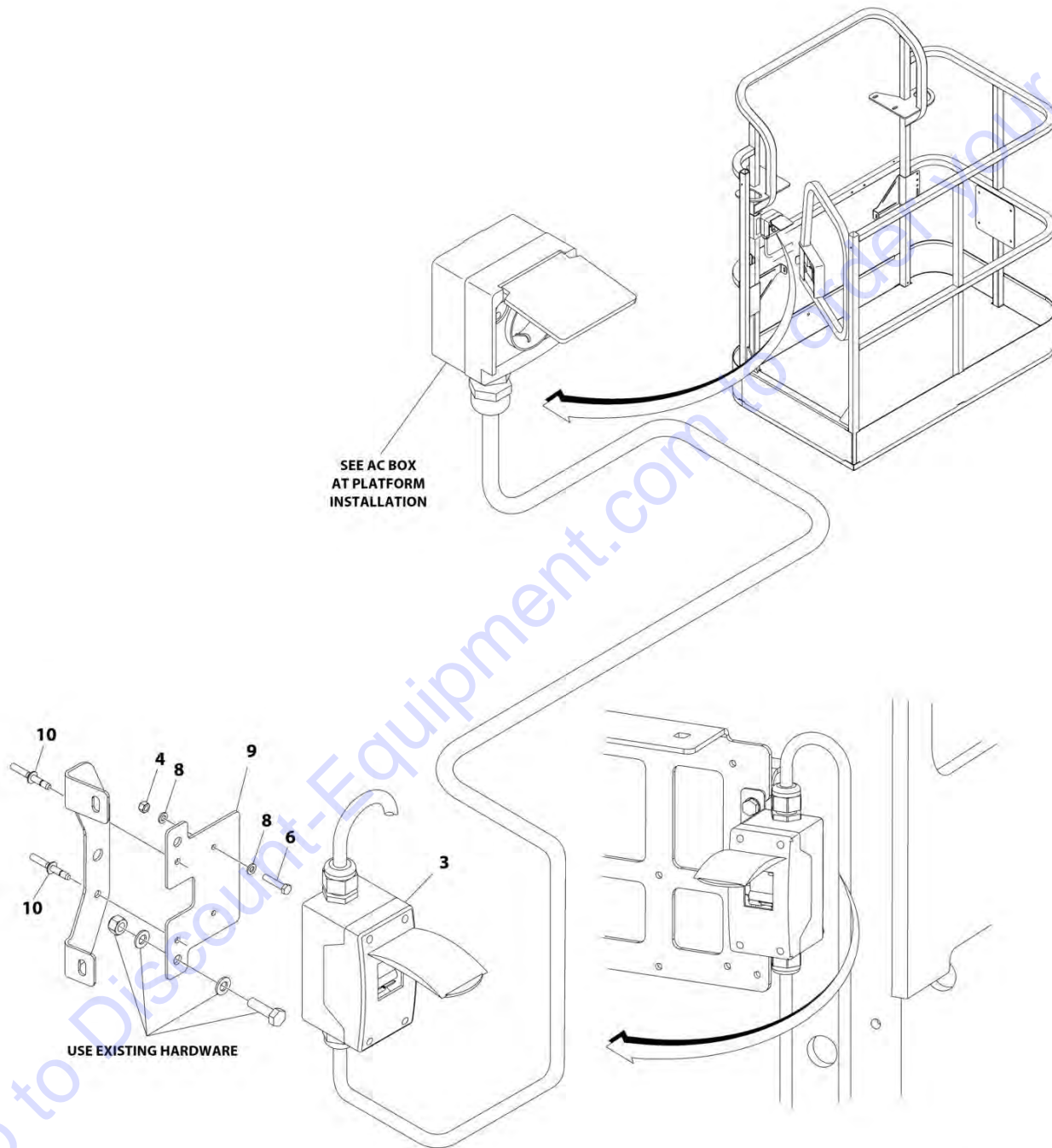
FIGURE 8-17. BOOM TELE IN PROXIMITY SWITCH HARNESS BEACON HARNESS (BLUE BEACON LIGHT ONLY) BEACON HARNESS (BLUE BEACON LIGHT ONLY)

ITEM	PART NUMBER	QTY	DESCRIPTION	REV
	1001173808	Ref	BOOM TELE IN PROXIMITY SWITCH HARNESS	C
1	4460536	1	Receptacle, Female - 3 Position	
1	4460464	3	Pin, Male	
2	4460539	1	Plug, Male - 3 Position	
2	4460465	1	Socket, Female	
3	4460899	1	Receptacle, Female - 6 Position	
3	4460464	1	Pin, Male	

Go to Discount-Equipment.com to order your parts

SECTION 8 - ELECTRICAL

FIGURE 8-18. BREAKER BOX INSTALLATION - 16AMP BREAKER (CE SPEC) (Prior to SN 0300237337)



ART_1001167312

SECTION 8 - ELECTRICAL

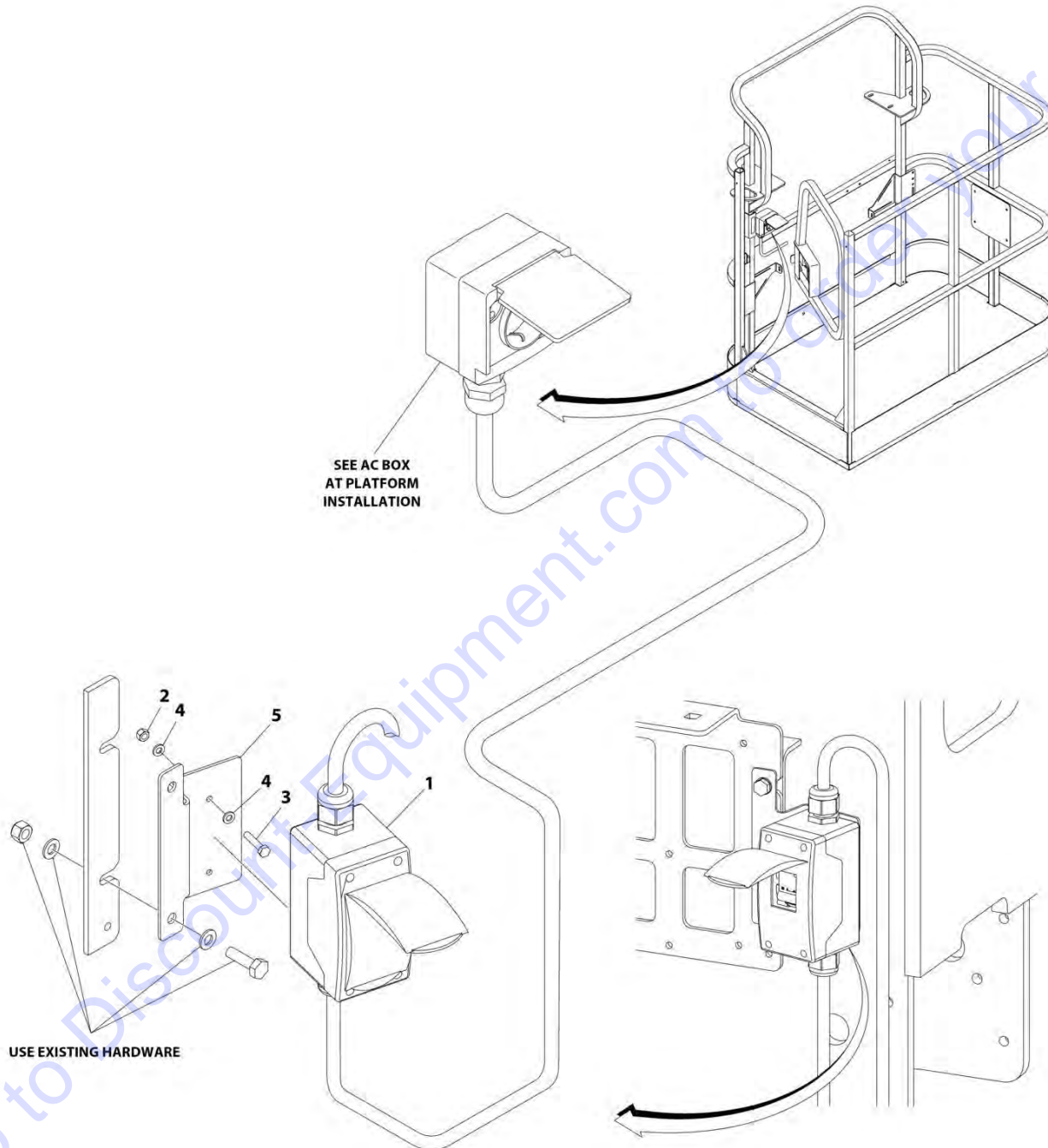
FIGURE 8-18. BREAKER BOX INSTALLATION - 16AMP BREAKER (CE SPEC) (Prior to SN 0300237337)

ITEM	PART NUMBER	QTY	DESCRIPTION	REV
	1001167312	Ref	BREAKER BOX INSTALLATION - 16AMP BREAKER (CE SPEC) (Prior to SN 0300237337)	F
3	2902549	1	Breaker Box Kit (See BREAKER BOX KIT - 16AMP BREAKER for Breakdown)	
4	3290405	2	Nut M4	
4	3290605	2	Nut M6	
6	4010405	2	Screw M4	
6	0760614	2	Screw M6 x 30	
8	1001091102	2	Washer	
8	4811700	4	Washer M6	
9	1001174158	1	Bracket	
10	2080040	2	Fastener, Blind (SN 0300220699 to Present)	

Go to Discount-Equipment.com to order your parts

SECTION 8 - ELECTRICAL

FIGURE 8-19. BREAKER BOX INSTALLATION - 16AMP BREAKER (CE SPEC) (SN 0300237337 to Present)



SECTION 8 - ELECTRICAL

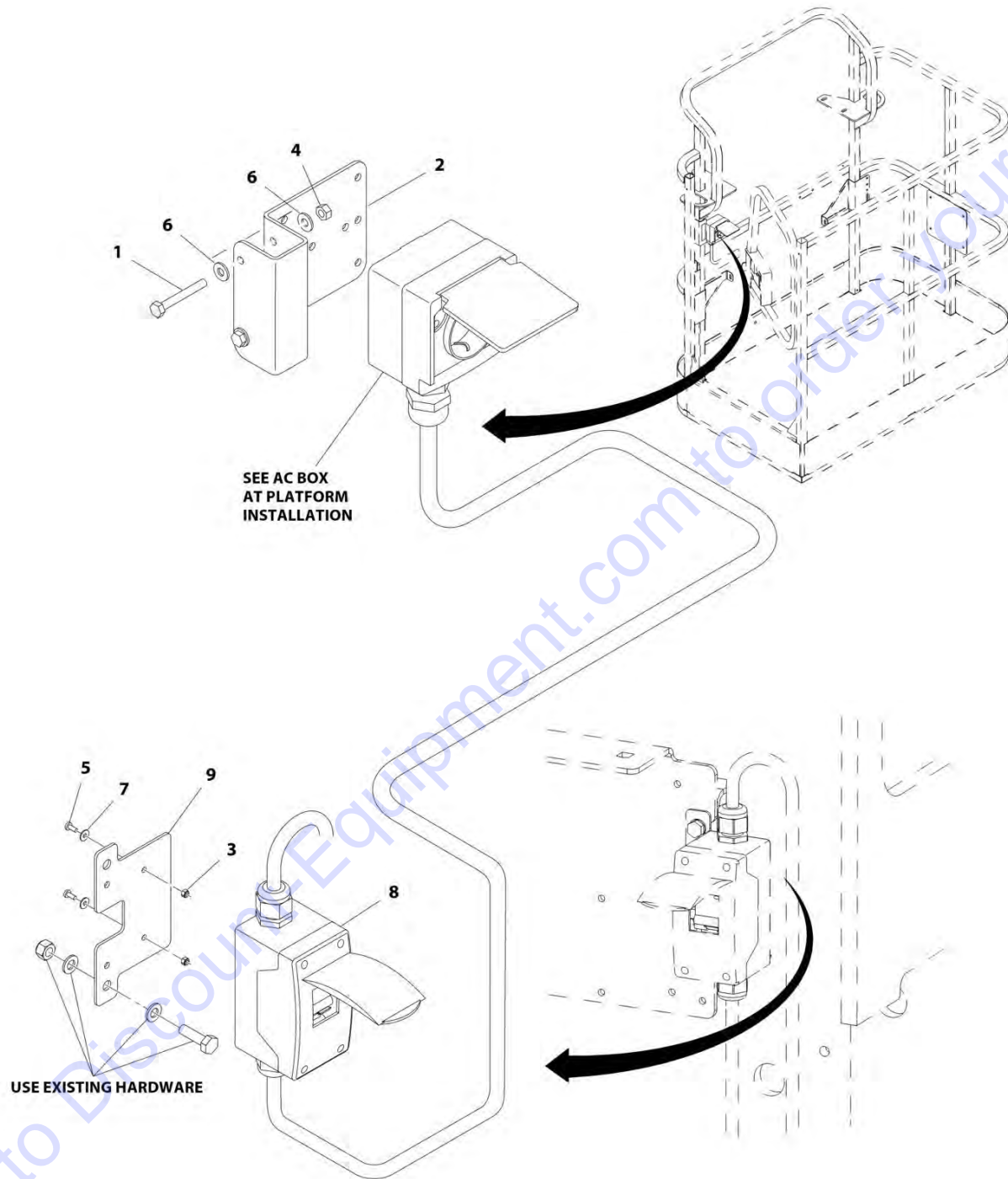
FIGURE 8-19. BREAKER BOX INSTALLATION - 16AMP BREAKER (CE SPEC) (SN 0300237337 to Present)

ITEM	PART NUMBER	QTY	DESCRIPTION	REV
	1001230907	Ref	BREAKER BOX INSTALLATION - 16AMP BREAKER (CE SPEC) (SN 0300237337 to Present)	B
1	2902549	1	Breaker Box Kit (See BREAKER BOX KIT - 16AMP BREAKER for Breakdown)	
2	3290405	2	Nut M4	
2	3290605	2	Nut M6	
3	4010405	2	Screw M4	
3	0760614	2	Screw M6 x 30	
4	1001091102	2	Washer	
4	4811700	4	Washer M6	
5	1001230784	1	Bracket	

Go to Discount-Equipment.com to order your parts

SECTION 8 - ELECTRICAL

FIGURE 8-20. BREAKER BOX INSTALLATION - 10AMP BREAKER (Prior to SN 0300214184)



ART_1001176963

SECTION 8 - ELECTRICAL

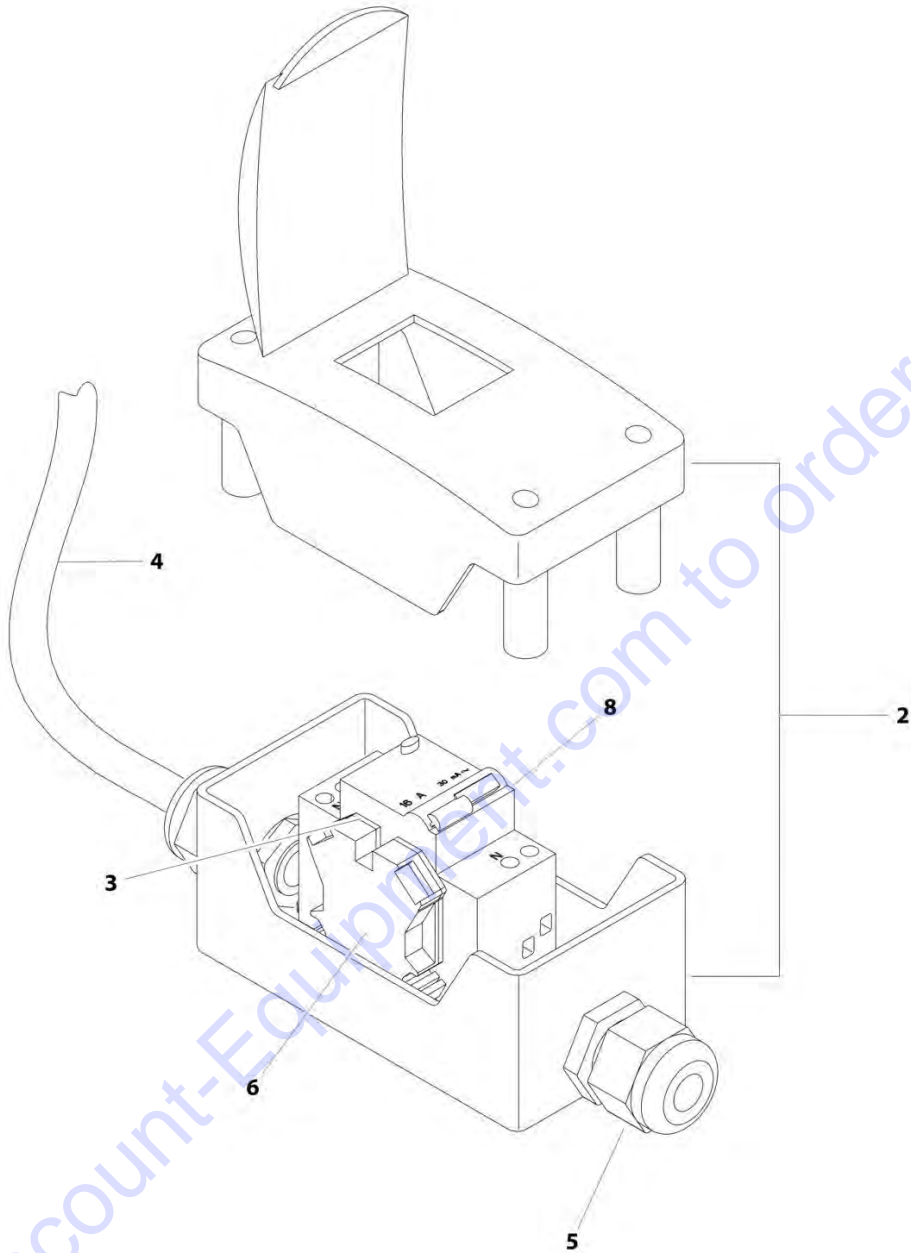
FIGURE 8-20. BREAKER BOX INSTALLATION - 10AMP BREAKER (Prior to SN 0300214184)

ITEM	PART NUMBER	QTY	DESCRIPTION	REV
	1001176963	Ref	BREAKER BOX INSTALLATION - 10AMP BREAKER (Prior to SN 0300214184)	A
1	0641416	2	Bolt 1/4 x 2	
2	0903484	1	Bracket	
3	3290405	2	Nut M4	
4	3311405	2	Nut, Lock 1/4	
5	4010405	2	Screw M4	
6	4711400	4	Washer 1/4	
7	1001091102	2	Washer	
8	1001109864	1	Breaker Box Kit (See BREAKER BOX KIT - 10AMP BREAKER for Breakdown)	
9	1001174158	1	Bracket	

Go to Discount-Equipment.com to order your parts

SECTION 8 - ELECTRICAL

FIGURE 8-21. BREAKER BOX KIT - 16AMP BREAKER



ART_2902549

SECTION 8 - ELECTRICAL

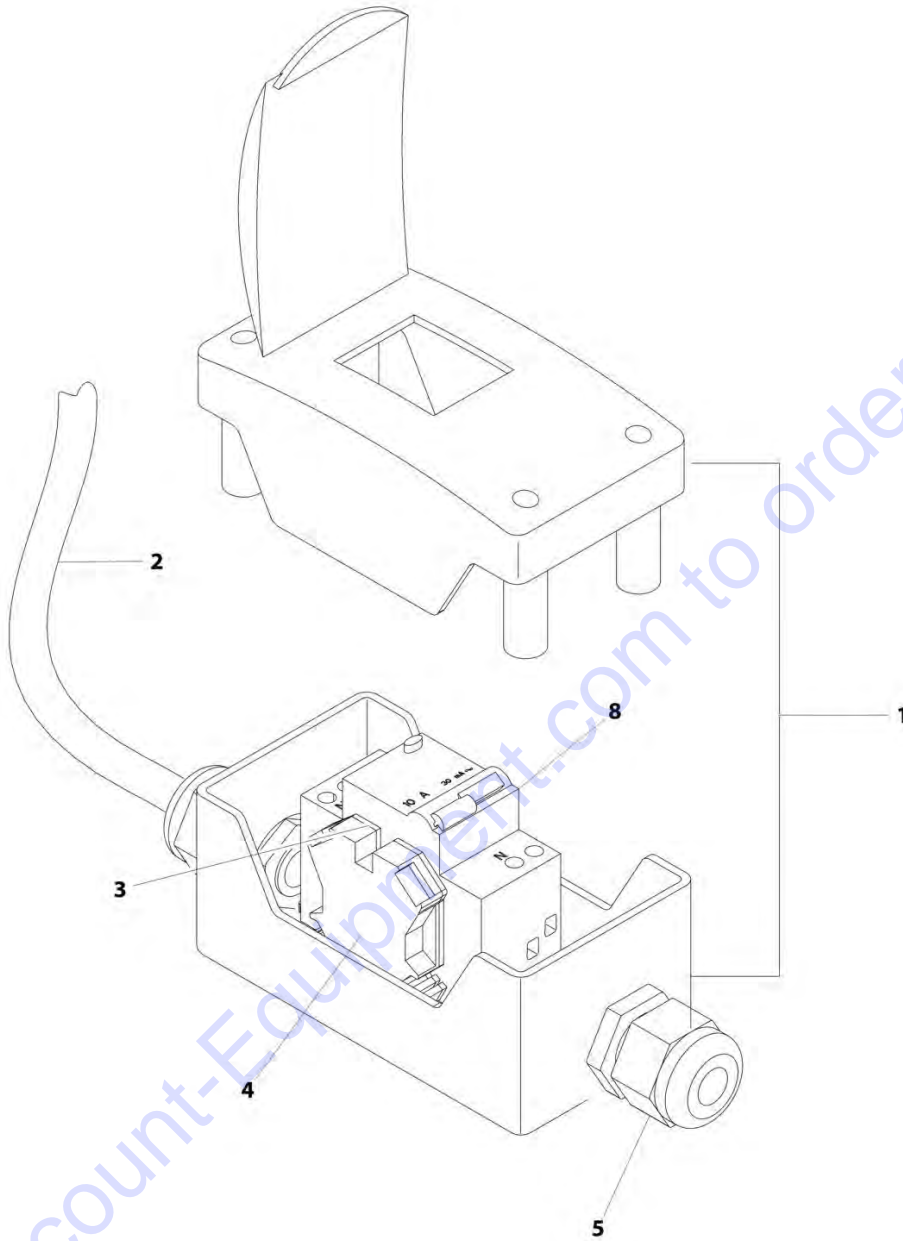
FIGURE 8-21. BREAKER BOX KIT - 16AMP BREAKER

ITEM	PART NUMBER	QTY	DESCRIPTION	REV
	2902549	Ref	BREAKER BOX KIT - 16AMP BREAKER	F
2	0861880	1	Box	
3	4460956	1	Barrier, Terminal	
4	1060908	6 ft/1.8m	Cable, 12/3	
5	1001097150	2	Connector, Strain Relief	
6	4460957	1	Block, Terminal	
8	1001181045	1	Breaker, Double 30mAmp/16Amp	

Go to Discount-Equipment.com to order your parts

SECTION 8 - ELECTRICAL

FIGURE 8-22. BREAKER BOX KIT - 10AMP BREAKER



ART_1001109864

SECTION 8 - ELECTRICAL

FIGURE 8-22. BREAKER BOX KIT - 10AMP BREAKER

ITEM	PART NUMBER	QTY	DESCRIPTION	REV
	1001109864	Ref	BREAKER BOX KIT - 10AMP BREAKER	B
1	0861880	1	Box	
2	1060908	6 ft/1.8m	Cable, 12/3	
3	4460956	1	Barrier, Terminal	
4	4460957	1	Block, Terminal	
5	1001097150	2	Connector, Strain Relief	
8	1001181046	1	Breaker, Double 30mAmp/10Amp	

Go to Discount-Equipment.com to order your parts

PARTS FINDER

**Search Website
by Part Number**



**Search Manual
Library For Parts
Manual & Lookup Part
Numbers – Purchase
or Request Quote**

**Can't Find Part or
Manual? Request Help
by Manufacturer,
Model & Description**

Discount-Equipment.com is your online resource for quality parts & equipment.

Florida: **561-964-4949** Outside Florida TOLL FREE: **877-690-3101**

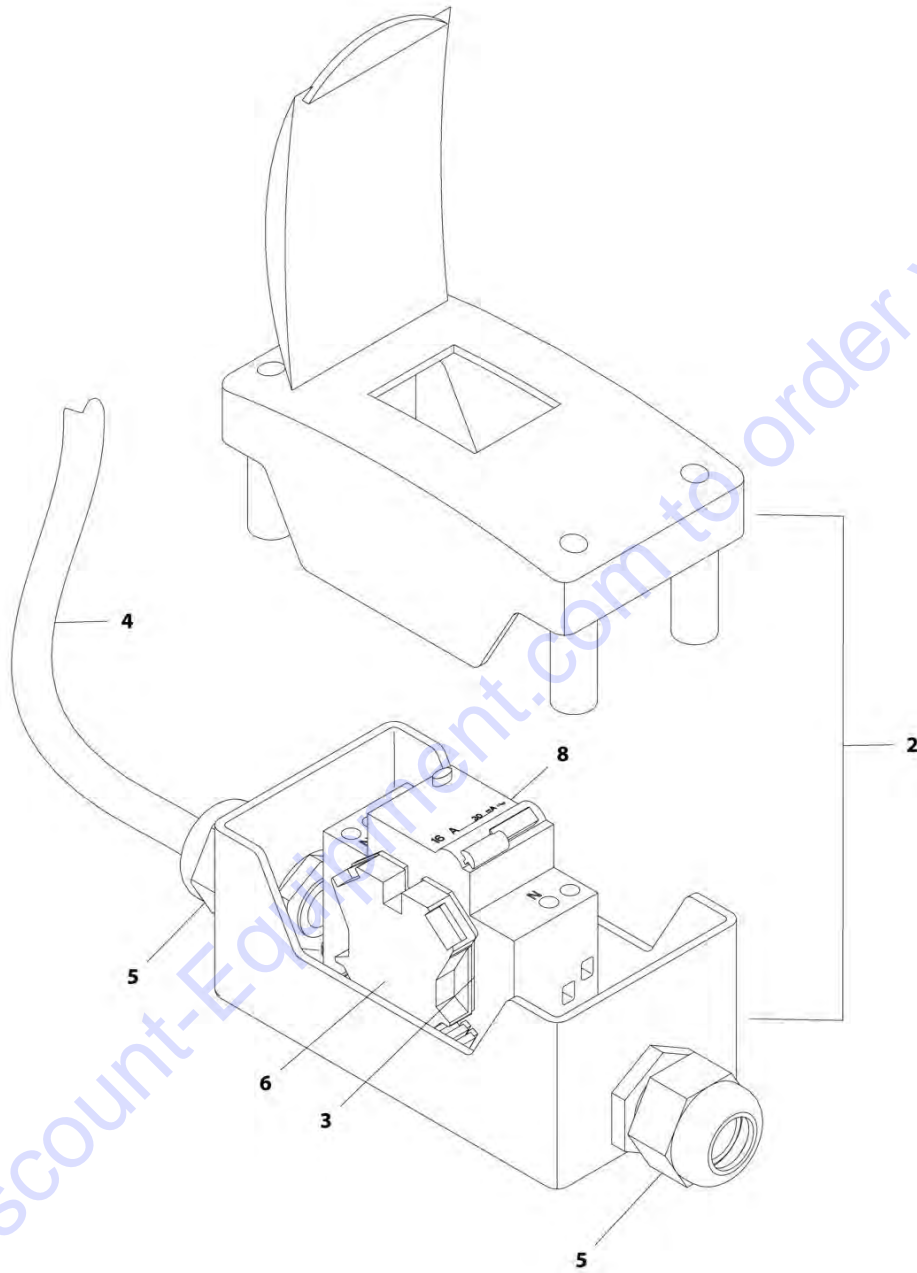
Need parts?

Click on this link: <http://www.discount-equipment.com/category/5443-parts/> and choose one of the options to help get the right parts and equipment you are looking for. Please have the machine model and serial number available in order to help us get you the correct parts. If you don't find the part on the website or on one of the online manuals, please fill out the request form and one of our experienced staff members will get back to you with a quote for the right part that your machine needs.

We sell worldwide for the brands: Genie, Terex, JLG, MultiQuip, Mikasa, Essick, Whiteman, Mayco, Toro Stone, Diamond Products, Generac Magnum, Airman, Haulotte, Barreto, Power Blanket, Nifty Lift, Atlas Copco, Chicago Pneumatic, Allmand, Miller Curber, Skyjack, Lull, Skytrak, Tsurumi, Husquvarna Target, Stow, Wacker, Sakai, Mi-T-M, Sullair, Basic, Dynapac, MBW, Weber, Bartell, Bennar Newman, Haulotte, Ditch Runner, Menegotti, Morrison, Contec, Buddy, Crown, Edco, Wyco, Bomag, Laymor, EZ Trench, Bil-Jax, F.S. Curtis, Gehl Pavers, Heli, Honda, ICS/PowerGrit, IHI, Partner, Imer, Clipper, MMD, Koshin, Rice, CH&E, General Equipment, Amida, Coleman, NAC, Gradall, Square Shooter, Kent, Stanley, Tamco, Toku, Hatz, Kohler, Robin, Wisconsin, Northrock, Oztec, Toker TK, Rol-Air, APT, Wylie, Ingersoll Rand / Doosan, Innovatech, Con X, Ammann, Mecalac, Makinex, Smith Surface Prep, Small Line, Wanco, Yanmar

SECTION 8 - ELECTRICAL

FIGURE 8-23. BREAKER BOX KIT - 30MA/16 AMP



ART_1001096070

SECTION 8 - ELECTRICAL

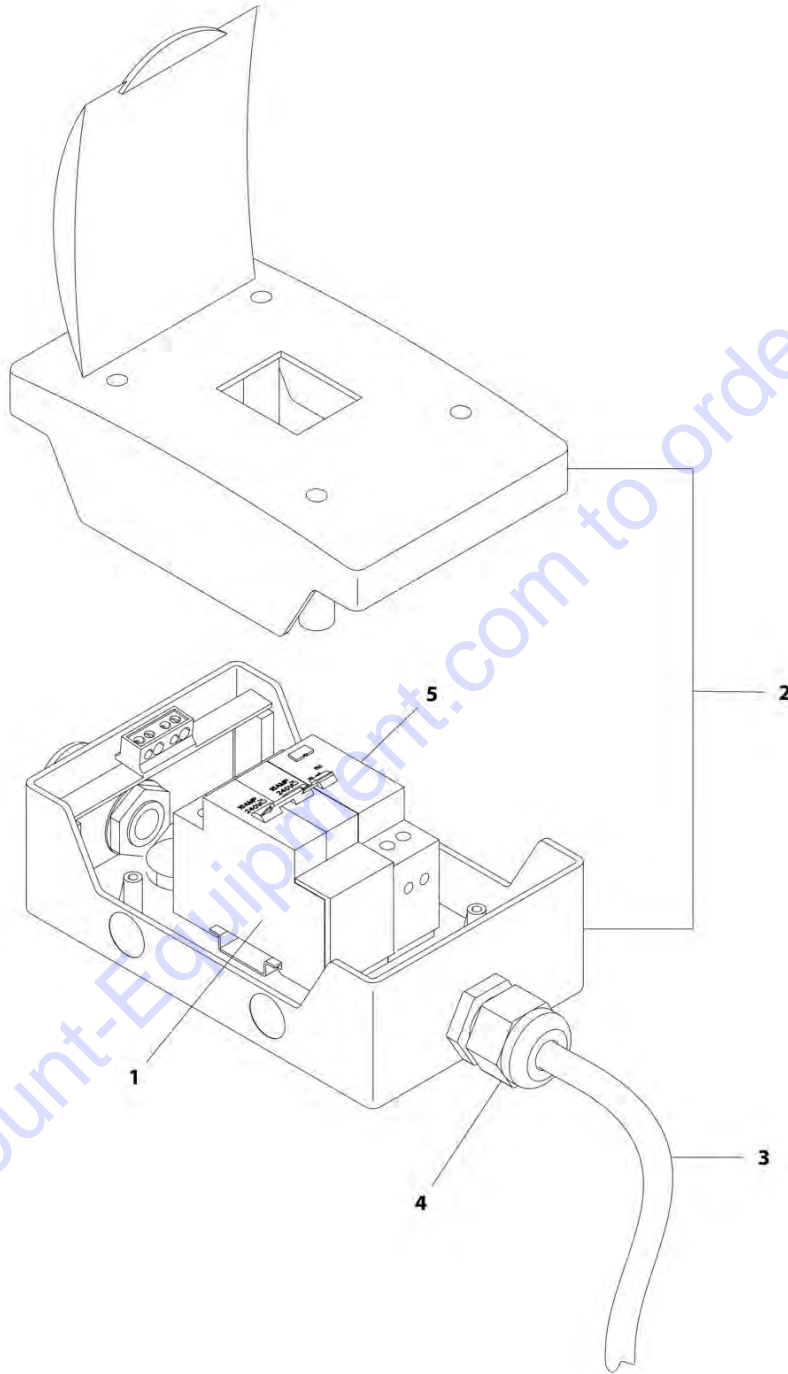
FIGURE 8-23. BREAKER BOX KIT - 30MA/16 AMP

ITEM	PART NUMBER	QTY	DESCRIPTION	REV
	1001096070	Ref	BREAKER BOX KIT - 30mA/16 AMP	E
2	0861880	1	Box, Breaker	
3	4460956	1	Barrier, Terminal Block End	
4	1060908	12 ft/3.6m	Cable, Electrical 12/3	
5	1001097150	2	Connector, Strain Relief	
6	4460957	1	Block, Terminal	
8	1001181045	1	Breaker, Double 30mA/16Amp	

Go to Discount-Equipment.com to order your parts

SECTION 8 - ELECTRICAL

FIGURE 8-24. BREAKER BOX KIT WITH THREE BREAKERS



ART_1001152485

SECTION 8 - ELECTRICAL

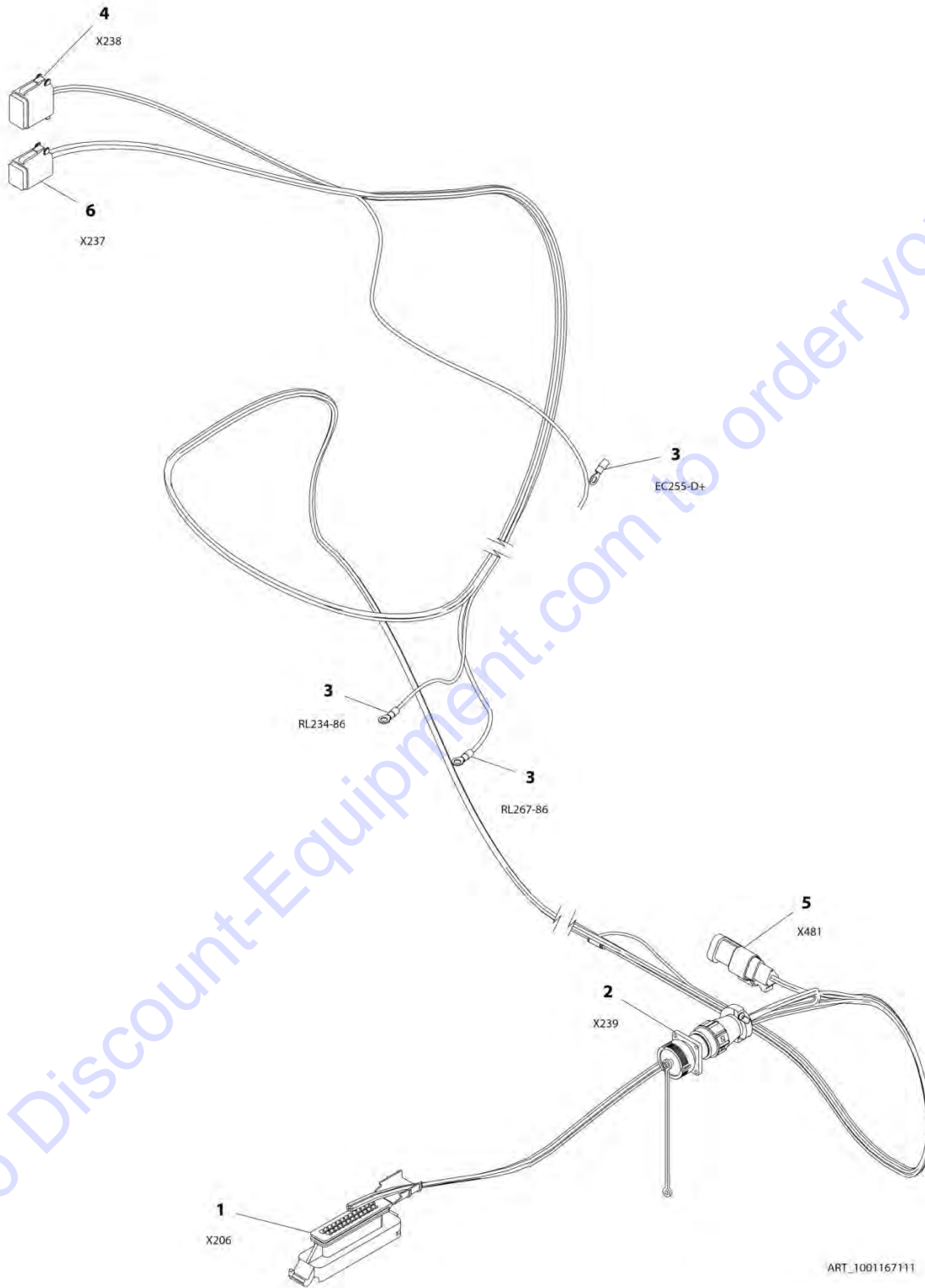
FIGURE 8-24. BREAKER BOX KIT WITH THREE BREAKERS

ITEM	PART NUMBER	QTY	DESCRIPTION	REV
	1001152485	Ref	BREAKER BOX KIT WITH THREE BREAKERS	A
1	1001152479	1	Breaker, 16 Amp, (Double)	
2	1001152483	1	Box	
3	1060908	6 ft/1.8m	Cable, 12/3	
4	1001097150	1	Connector, Strain Relief	
5	1001152482	1	Breaker, 30mA	

Go to Discount-Equipment.com to order your parts

SECTION 8 - ELECTRICAL

FIGURE 8-25. ENGINE HARNESS - DEUTZ D2.3L3



SECTION 8 - ELECTRICAL

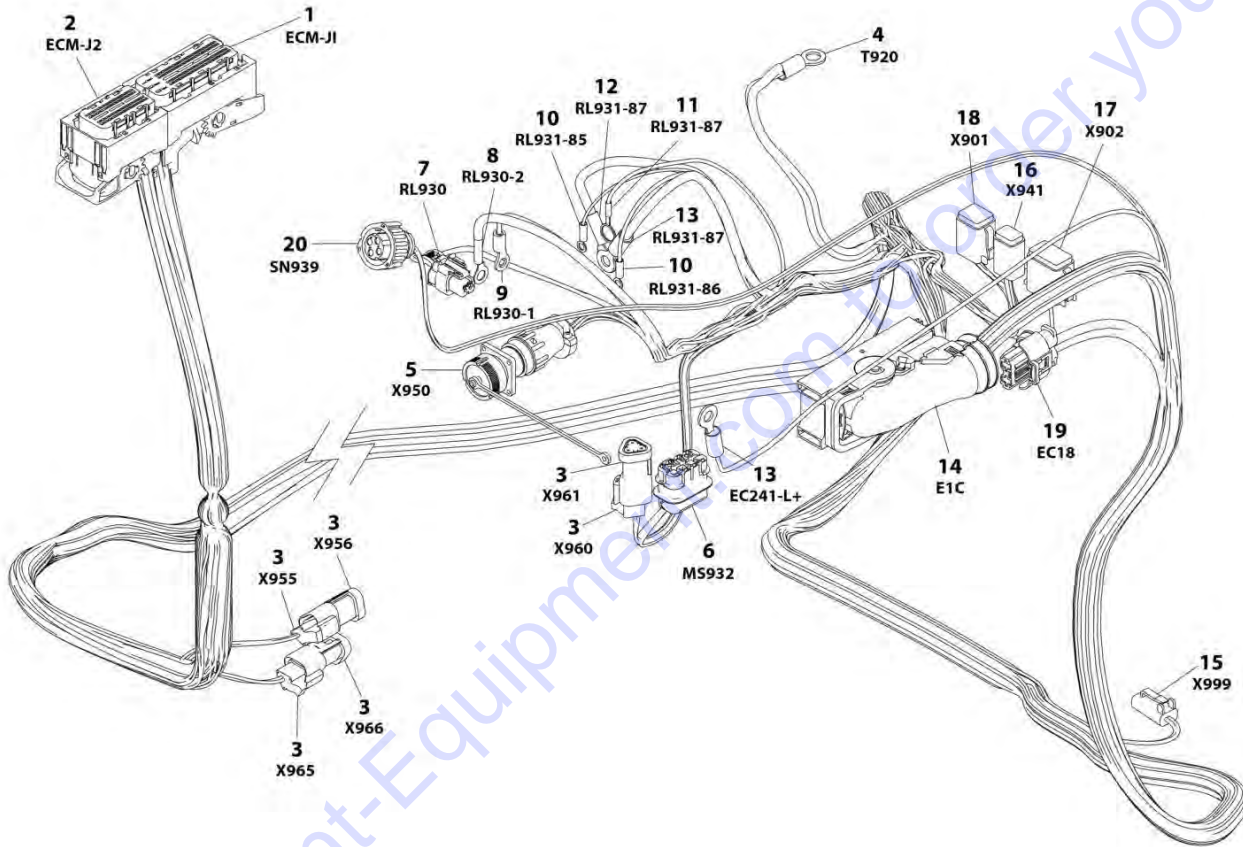
FIGURE 8-25. ENGINE HARNESS - DEUTZ D2.3L3

ITEM	PART NUMBER	QTY	DESCRIPTION	REV
	1001167111	Ref	ENGINE HARNESS - DEUTZ D2.3L3	B
1	4461052	1	Connector - 25 Position	
1	4461005	7	Terminal	
1	4461008	18	Plug, Terminal	
2	2902443	1	Receptacle Kit	
2	4461071	8	Socket, Female	
2	4461072	1	Receptacle with Flange - 8 Position	
2	4461073	1	Cap, Dust	
2	4461074	1	Shell, Black	
3	4460313	3	Terminal, Ring	
4	4460930	1	Plug, Male - 8 Position	
4	4460465	2	Socket, Female	
4	4460466	6	Seal, Terminal	
5	4461095	1	Plug, Male - 3 Position	
5	4460465	3	Socket, Female	
6	4460894	1	Plug, Male - 6 Position	
6	4460465	6	Socket, Female	

Go to Discount-Equipment.com to order your parts

SECTION 8 - ELECTRICAL

FIGURE 8-26. ENGINE HARNESS - DEUTZ D2.9L4



ART 1001167108

SECTION 8 - ELECTRICAL

FIGURE 8-26. ENGINE HARNESS - DEUTZ D2.9L4

ITEM	PART NUMBER	QTY	DESCRIPTION	REV
	1001167108	Ref	ENGINE HARNESS - DEUTZ D2.9L4	I
1	1001133956	1	Connector, 94 Position	
1	1001126352	6	Terminal	
1	1001126357	2	Seal, Terminal	
1	1001126356	63	Seal, Terminal	
1	1001126384	21	Terminal	
1	1001126351	2	Terminal	
2	1001133957	1	Connector - 60 Position	
2	1001126357	11	Seal, Terminal	
2	1001126351	13	Terminal	
2	1001126356	19	Seal, Terminal	
2	1001126384	17	Terminal	
3	4461095	3	Plug, Male - 3 Position	
3	4460944	6	Socket, Female	
3	4460466	3	Plug, Terminal	
3	4461070	3	Connector, Female with Resistor 3 Position	
4	8220115	1	Terminal, Ring	
5	2902443	1	Receptacle Kit	
5	4461071	8	Socket, Female	
5	4461072	1	Receptacle with Flange - 8 Position	
5	4461073	1	Cap, Dust	
5	4461074	1	Shell, Black	
6	80484084	1	Connector - 8 Position	
6	1001116727	4	Plug, Terminal	
6	1001116728	4	Terminal	
6	8229242	1	Fuse - 5Amp	
6	80983191	1	Fuse - 10Amp	
6	1001147264	1	Cap	
7	1001116952	1	Plug, Male - 2 Position	
7	4460465	2	Socket, Female	
8	1001117106	1	Terminal, Ring	
9	4460043	1	Terminal, Ring	
10	4460247	2	Terminal, Ring	
11	4460703	1	Terminal, Ring	
12	8220164	1	Terminal, Ring	
13	1001117107	2	Terminal, Ring	
14	1001126362	1	Connector - 62 Position	
14	1001126363	33	Terminal	
14	1001126391	23	Seal, Terminal	
14	4461008	4	Seal, Terminal	
14	1001126365	2	Terminal	
15	4460891	1	Plug, Male - 2 Position	
15	4460465	2	Socket, Female	
16	4460884	1	Plug, Male - 4 Position	
16	4460465	4	Socket, Female	
17	4460930	1	Plug, Male - 8 Position	
17	4460465	1	Socket, Female	
17	4460466	7	Seal, Terminal	
18	4460894	1	Plug, Male - 6 Position	
18	4460465	6	Socket, Female	

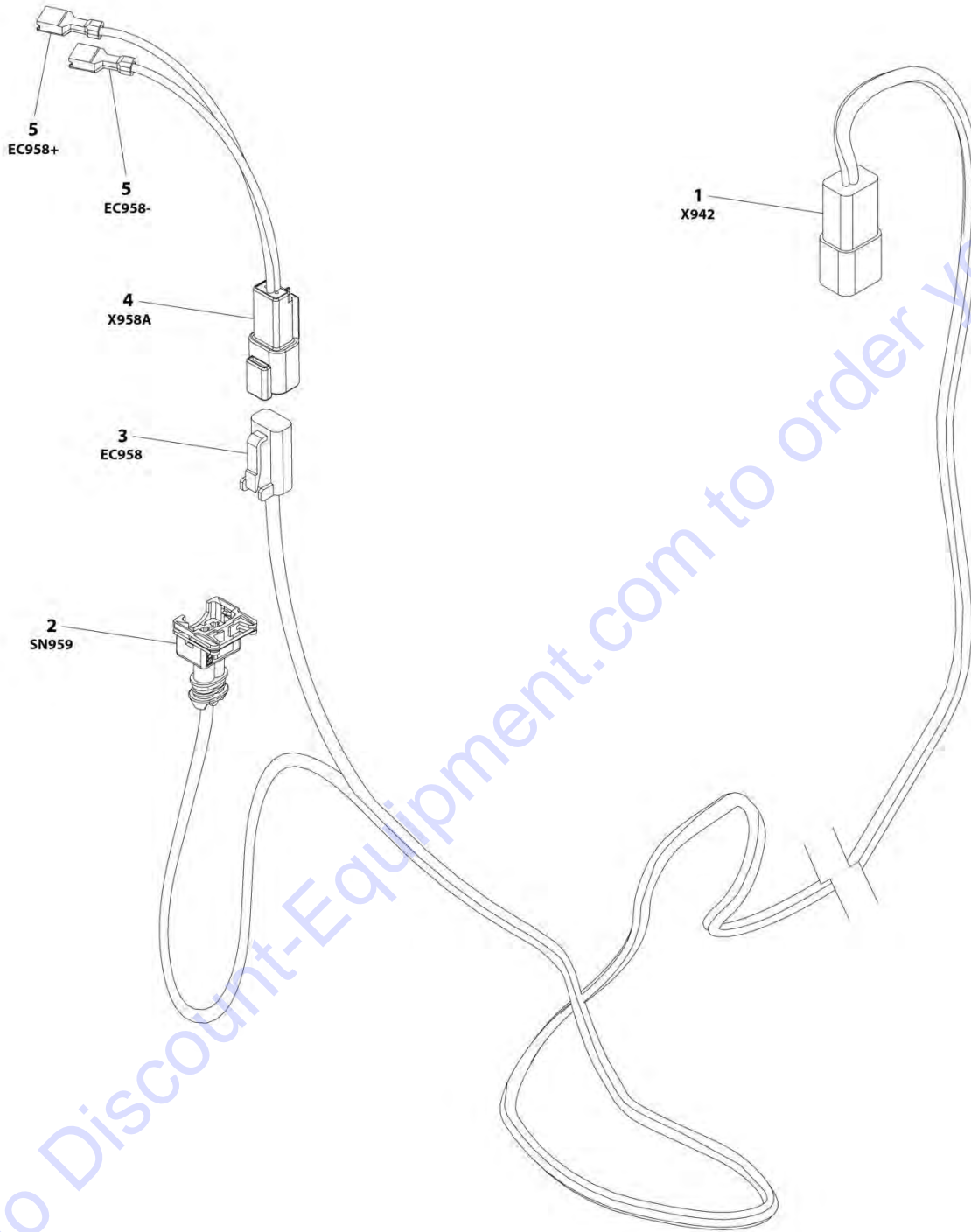
SECTION 8 - ELECTRICAL

ITEM	PART NUMBER	QTY	DESCRIPTION	REV
19	1001142938	1	Connector - 2 Position	
19	1001142940	2	Terminal	
20	1001133714	1	Plug, Male - 4 Position	
20	1001133715	3	Terminal	
20	1001135651	1	Plug, Terminal	

Go to Discount-Equipment.com to order your parts

SECTION 8 - ELECTRICAL

FIGURE 8-27. FUEL HARNESS - DEUTZ D2.9L4 ENGINE



ART_1001173342

SECTION 8 - ELECTRICAL

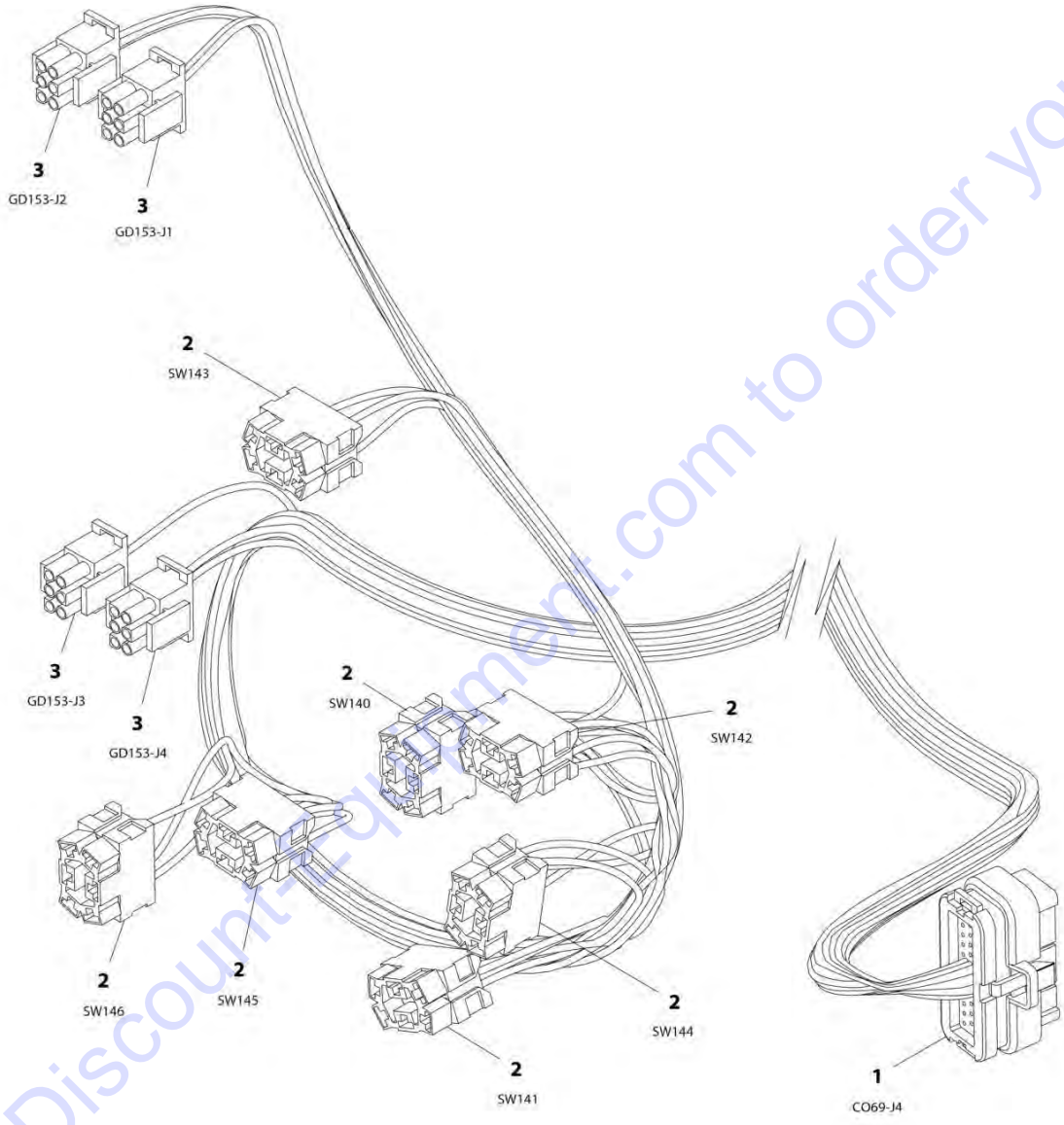
FIGURE 8-27. FUEL HARNESS - DEUTZ D2.9L4 ENGINE

ITEM	PART NUMBER	QTY	DESCRIPTION	REV
	1001173342	Ref	FUEL HARNESS - DEUTZ D2.9L4 ENGINE	C
1	4460932	1	Receptacle, Female - 4 Position	
1	4460464	2	Pin, Male	
1	4460941	2	Pin, Male	
2	1001116983	1	Plug, Male - 2 Position	
2	1001116710	2	Socket, Female	
3	4460891	1	Plug, Male - 2 Position	
3	4460942	2	Socket, Female	
4	4460897	1	Receptacle, Female - 2 Position	
4	4460941	2	Pin, Male	
5	4460042	2	Terminal, Ring (Prior to SN 0300234647)	
5	8220051	2	Coupler, Female (SN 0300234647 to Present)	

Go to Discount-Equipment.com to order your parts

SECTION 8 - ELECTRICAL

FIGURE 8-28. GROUND CONTROL BOX HARNESS



ART_1001166964

SECTION 8 - ELECTRICAL

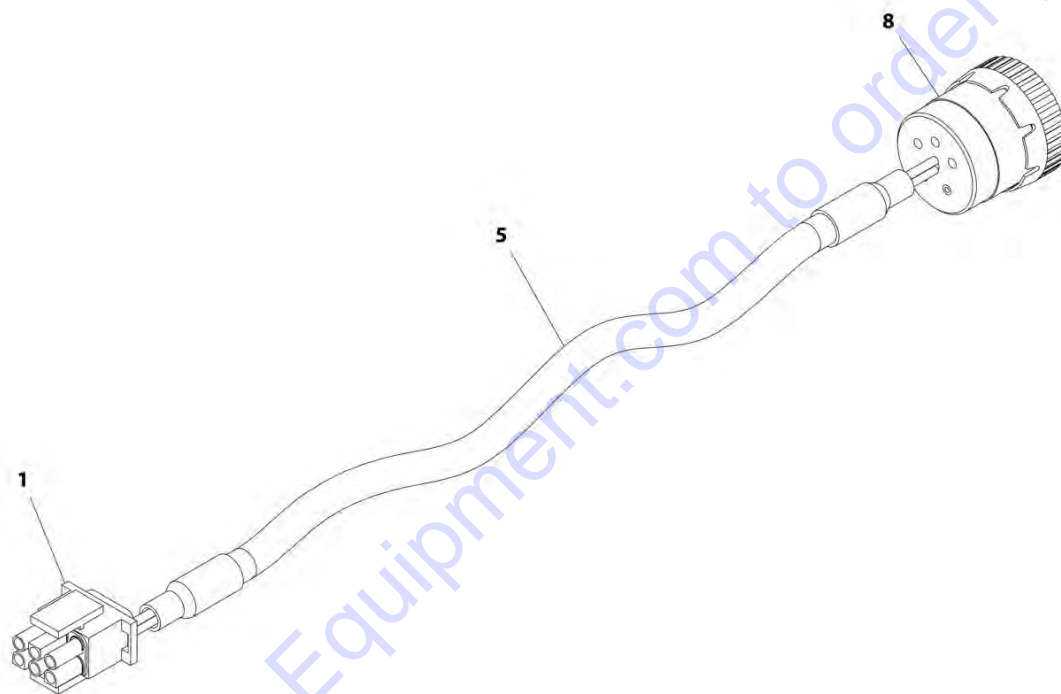
FIGURE 8-28. GROUND CONTROL BOX HARNESS

ITEM	PART NUMBER	QTY	DESCRIPTION	REV
	1001166964	Ref	GROUND CONTROL BOX HARNESS	C
1	4460876	1	Connector - 35 Position	
1	4460871	1	Socket, Female	
1	4460905	1	Plug, Terminal	
2	4460418	7	Connector - 6 Position	
2	4460419	27	Terminal	
3	4460225	4	Plug, Male - 6 Position	
3	4460268	9	Socket, Female	

Go to Discount-Equipment.com to order your parts

SECTION 8 - ELECTRICAL

FIGURE 8-29. GENERATOR HARNESS - 4000W GENERATOR



ART_1001152532

SECTION 8 - ELECTRICAL

FIGURE 8-29. GENERATOR HARNESS - 4000W GENERATOR

ITEM	PART NUMBER	QTY	DESCRIPTION	REV
	1001152532	Ref	GENERATOR HARNESS - 4000W GENERATOR	A
1	4460225	1	Connector - 6 Position	
1	4460268	2	Socket, Female	
1	4460807	1	Seal, Plug	
1	4460808	1	Seal, Plug	
5	1060341	13 ft/4m	Cable, 16/2	
8	77363233	1	Connector - 6 Position	
8	4460465	2	Socket, Female	

Go to Discount-Equipment.com to order your parts

SECTION 8 - ELECTRICAL

FIGURE 8-30. GENERATOR HARNESS - 2500W GENERATOR (60HZ)



ART_1001187522

SECTION 8 - ELECTRICAL

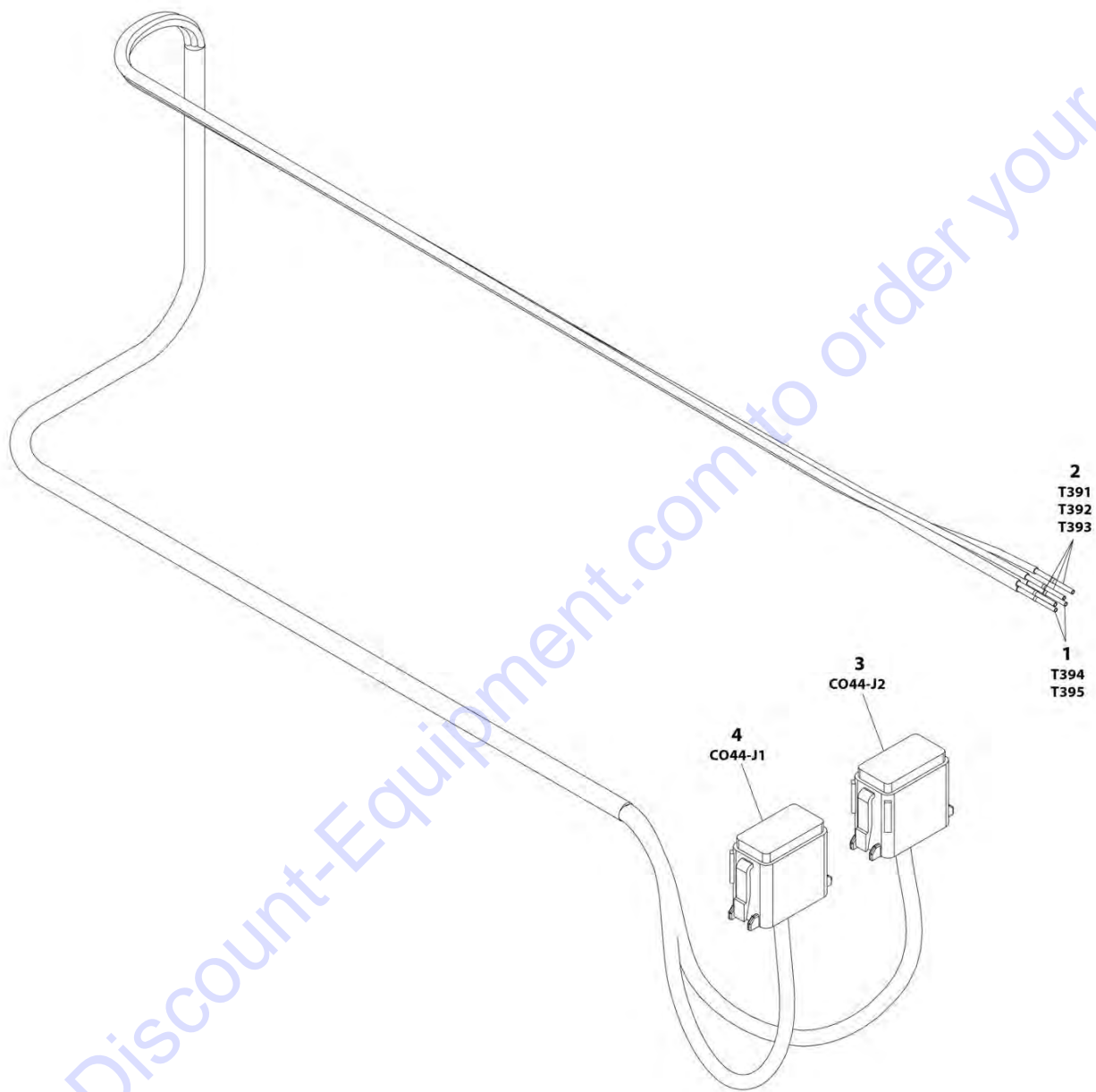
FIGURE 8-30. GENERATOR HARNESS - 2500W GENERATOR (60HZ)

ITEM	PART NUMBER	QTY	DESCRIPTION	REV
	1001187522	Ref	GENERATOR HARNESS - 2500W GENERATOR (60HZ)	B
1	2400060	1	Holder, Fuse - 30Amp (Includes Cover) (Prior to SN 0300239154)	
1	2400066	1	Holder, Fuse - 30Amp (Includes Cover) (SN 0300239154 to Present)	
1	8229245	1	Fuse 30Amp	
2	1001154726	1	Connector - 3 Position	
2	4460464	2	Pin, Male	
2	4460466	1	Plug, Terminal	
3	8220045	1	Terminal, Ring	
4	4460906	1	Socket, Female	
5	1001117057	1	Plug, Relay	
5	1001116734	2	Terminal	
5	1001116732	2	Terminal	

Go to Discount-Equipment.com to order your parts

SECTION 8 - ELECTRICAL

FIGURE 8-31. LSS HARNESS



ART_1001120371

SECTION 8 - ELECTRICAL

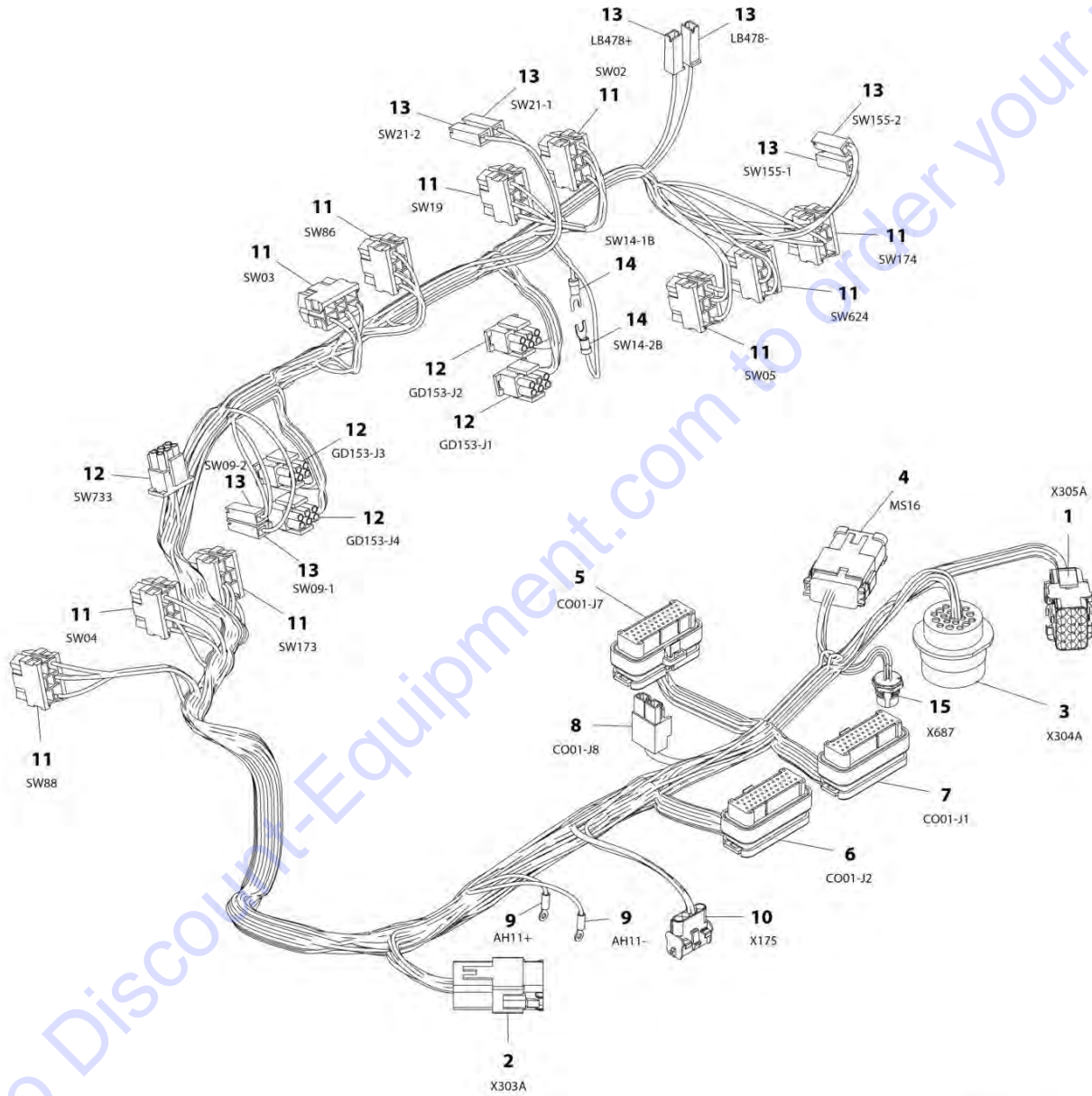
FIGURE 8-31. LSS HARNESS

ITEM	PART NUMBER	QTY	DESCRIPTION	REV
	1001120371	Ref	LSS HARNESS	B
1	4460465	2	Socket, Female	
2	4460944	3	Socket, Female	
3	4460836	1	Plug, Male - 12 Position	
3	4460466	9	Plug, Terminal	
3	4460944	3	Socket, Female	
3	0840055	1	Boot	
4	4460933	1	Plug, Male - 12 Position	
4	4460466	10	Plug, Terminal	
4	4460465	2	Socket, Female	
4	0840055	1	Boot	

Go to Discount-Equipment.com to order your parts

SECTION 8 - ELECTRICAL

FIGURE 8-32. PLATFORM CONSOLE BOX HARNESS (Prior to SN 0300259635)



ART_1001164353

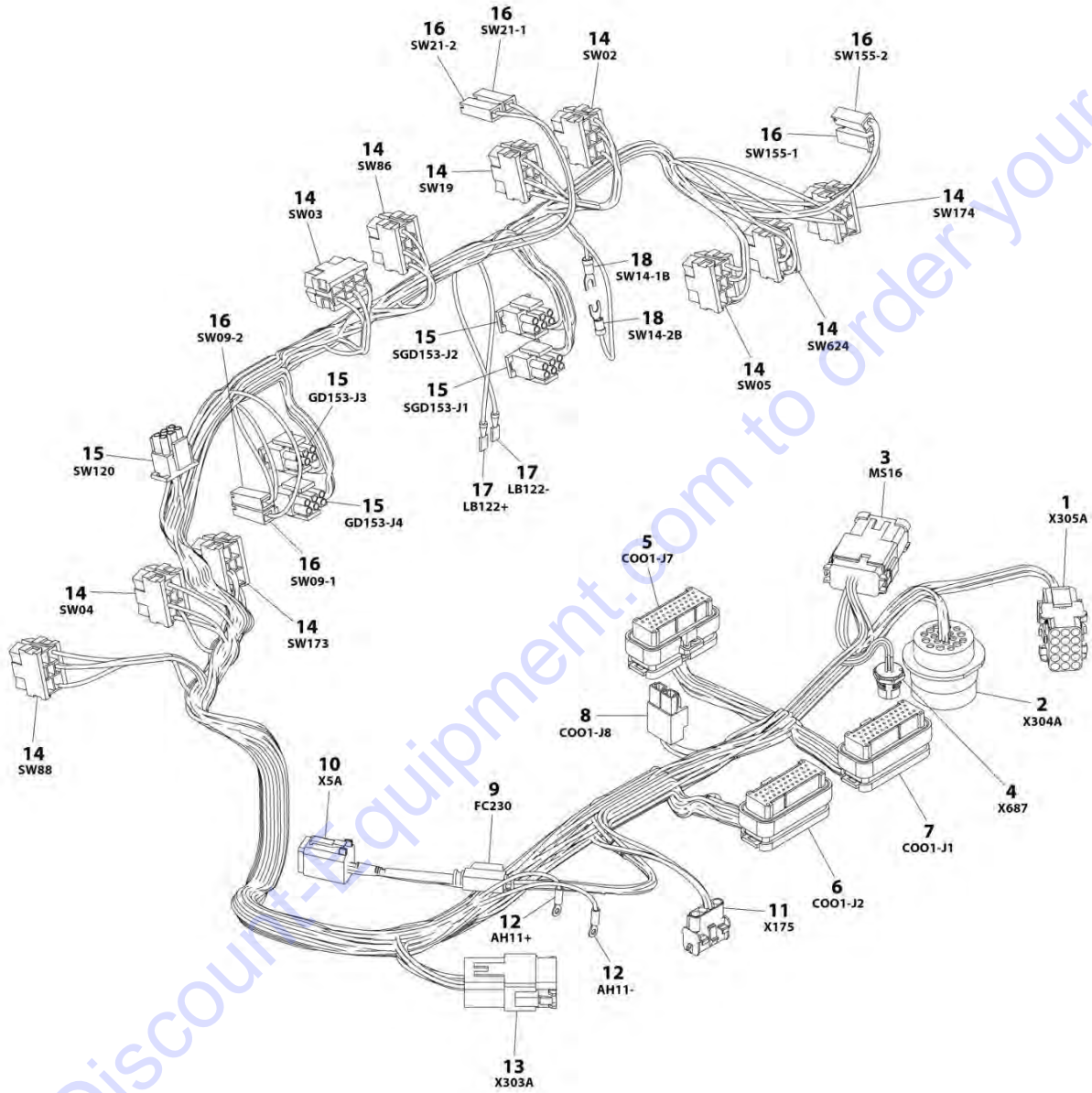
SECTION 8 - ELECTRICAL

FIGURE 8-32. PLATFORM CONSOLE BOX HARNESS (Prior to SN 0300259635)

ITEM	PART NUMBER	QTY	DESCRIPTION	REV
	1001164353	Ref	PLATFORM CONSOLE BOX HARNESS	J
1	4460434	1	Connector - 15 Position	
1	4460267	12	Pin, Male	
2	4460970	1	Receptacle, Female - 12 Position	
2	1001116693	11	Pin, Male	
2	4460466	1	Plug, Terminal	
2	4460933	1	Plug, Male - 12 Position	
3	4460866	1	Connector - 19 Position	
3	4460464	7	Pin, Male	
3	4460466	12	Plug, Terminal	
4	4460933	1	Plug, Male - 12 Position	
4	4460465	6	Socket, Female	
4	4460466	6	Plug, Terminal	
4	1001119020	1	Bussbar - 12 Position	
5	4460873	1	Connector - 35 Position	
5	4460871	21	Socket, Female	
5	4460905	14	Plug, Terminal	
6	4460875	1	Connector - 35 Position	
6	4460871	23	Socket, Female	
6	4460905	8	Plug, Terminal	
7	4460874	1	Connector - 35 Position	
7	4460871	25	Socket, Female	
7	4460905	10	Plug, Terminal	
8	4460879	1	Plug, Male - 2 Position	
8	4460887	2	Terminal	
9	1001098122	2	Terminal, Ring	
10	4460761	1	Receptacle, Female - 4 Position	
10	4460267	4	Pin, Male	
11	4460418	10	Connector - 6 Position	
11	4460419	35	Terminal	
11	4460259	6	Terminal (Note: Used only on Fuel Select)	
12	4460225	1	Plug, Male - 6 Position	
12	4460227	5	Pin, Male (Note: Used on Pump Potentiometer Connection Only)	
12	4460226	19	Socket, Female	
13	4460260	8	Housing, Terminal (Prior to SN 0300223250)	
13	4460259	8	Terminal (Prior to SN 0300223250)	
13	4460016	2	Housing, Terminal (SN 0300223250 to Present)	
13	See Note	NSS	Terminal (Note: Purchase p/n 4460016) (SN 0300223250 to Present)	
14	4460183	2	Terminal, Fork	
15	1001213447	1	Connector - 4 Position (SN 0300223250 to Present)	
15	See Note	NSS	Terminal (Note: Purchase p/n 1001213447) (SN 0300223250 to Present)	

SECTION 8 - ELECTRICAL

FIGURE 8-33. PLATFORM CONSOLE BOX HARNESS (SN 0300259635 to Present)



ART_1001243168

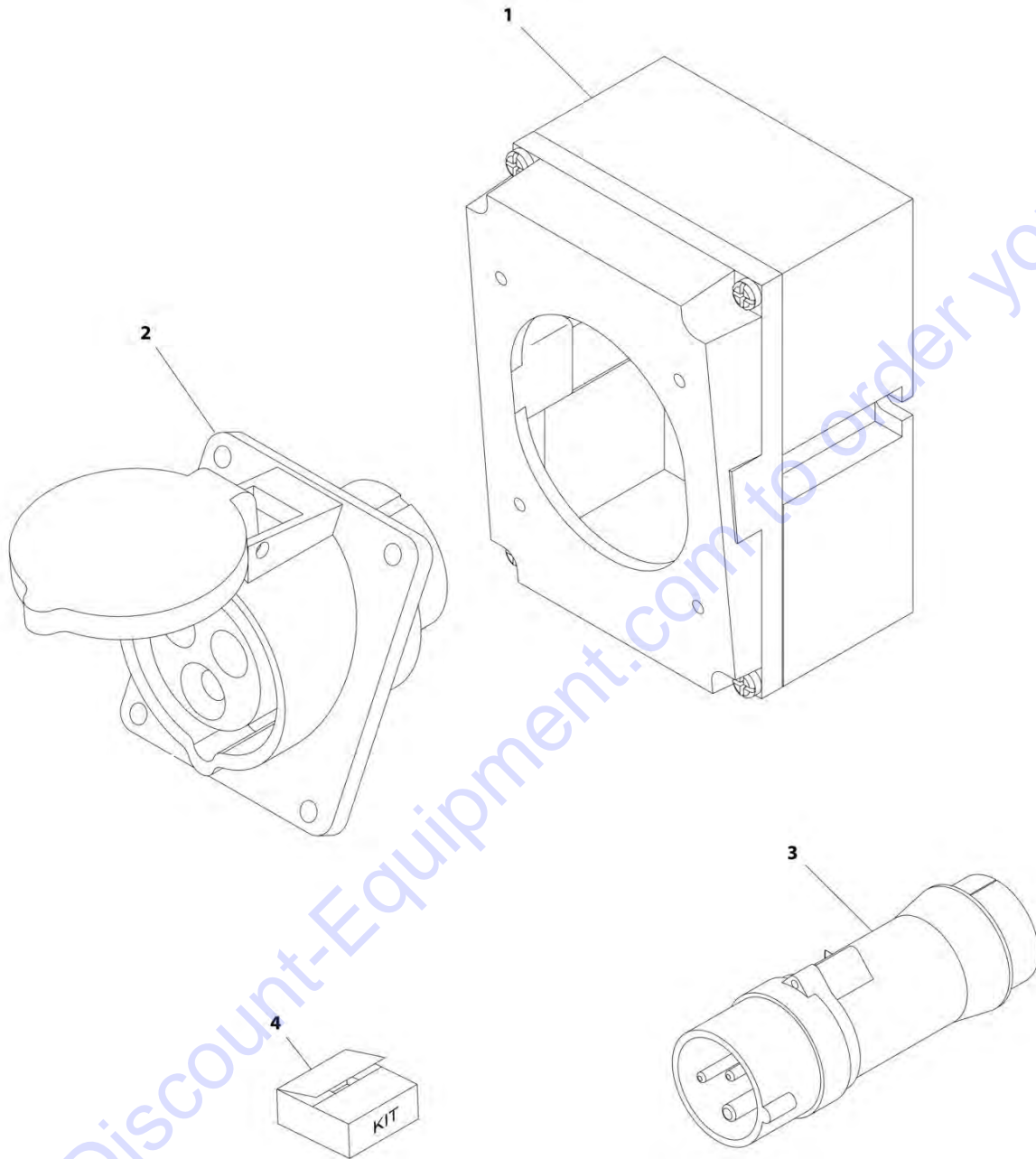
SECTION 8 - ELECTRICAL

FIGURE 8-33. PLATFORM CONSOLE BOX HARNESS (SN 0300259635 to Present)

ITEM	PART NUMBER	QTY	DESCRIPTION	REV
	1001243168	Ref	PLATFORM CONSOLE BOX HARNESS	A
1	4460434	1	Connector - 15 Position	
1	4460267	8	Pin, Male	
1	4460708	1	Connector - 15 Position	
2	4460866	1	Connector - 19 Position	
2	4460464	7	Pin, Male	
2	4460466	12	Plug, Terminal	
3	4460933	1	Plug, Male - 12 Position	
3	4460465	8	Socket, Female	
3	4460466	4	Plug, Terminal	
3	1001125677	1	Bussbar - 12 Position	
4	1001213447	1	Connector - 5 Position	
5	4460873	1	Connector - 35 Position	
5	4460871	21	Socket, Female	
5	4460905	14	Plug, Terminal	
6	4460875	1	Connector - 35 Position	
6	4460871	23	Socket, Female	
6	4460905	8	Plug, Terminal	
7	4460874	1	Connector - 35 Position	
7	4460871	26	Socket, Female	
7	4460905	9	Plug, Terminal	
8	4460879	1	Plug, Male - 2 Position	
8	4460887	2	Terminal	
9	4460260	1	Housing, Terminal	
9	8229242	1	Fuse 5Amp	
10	4460894	1	Plug, Male - 6 Position	
10	4460465	6	Socket, Female	
11	4460761	1	Receptacle, Female - 4 Position	
11	4460267	4	Pin, Male	
12	1001098122	2	Terminal, Ring	
13	4460970	1	Receptacle, Female - 12 Position	
13	1001116693	11	Pin, Male	
13	4460466	1	Plug, Terminal	
13	4460933	1	Plug, Male - 12 Position	
14	4460418	6	Connector - 6 Position	
14	4460419	22	Terminal	
14	4460259	6	Terminal (Note: Used only on Fuel Select)	
15	4460225	3	Plug, Male - 6 Position	
15	4460227	4	Pin, Male (Note: Used on Pump Potentiometer Connection Only)	
15	4460226	11	Socket, Female	
16	4460260	5	Housing, Terminal	
16	4460259	7	Terminal	
17	4460016	2	Terminal, Receptacle	
18	4460183	2	Terminal, Fork	

SECTION 8 - ELECTRICAL

FIGURE 8-34. RECEPTACLE BOX KIT - 110V IEC YELLOW (CE SPEC)



ART_0275216

SECTION 8 - ELECTRICAL

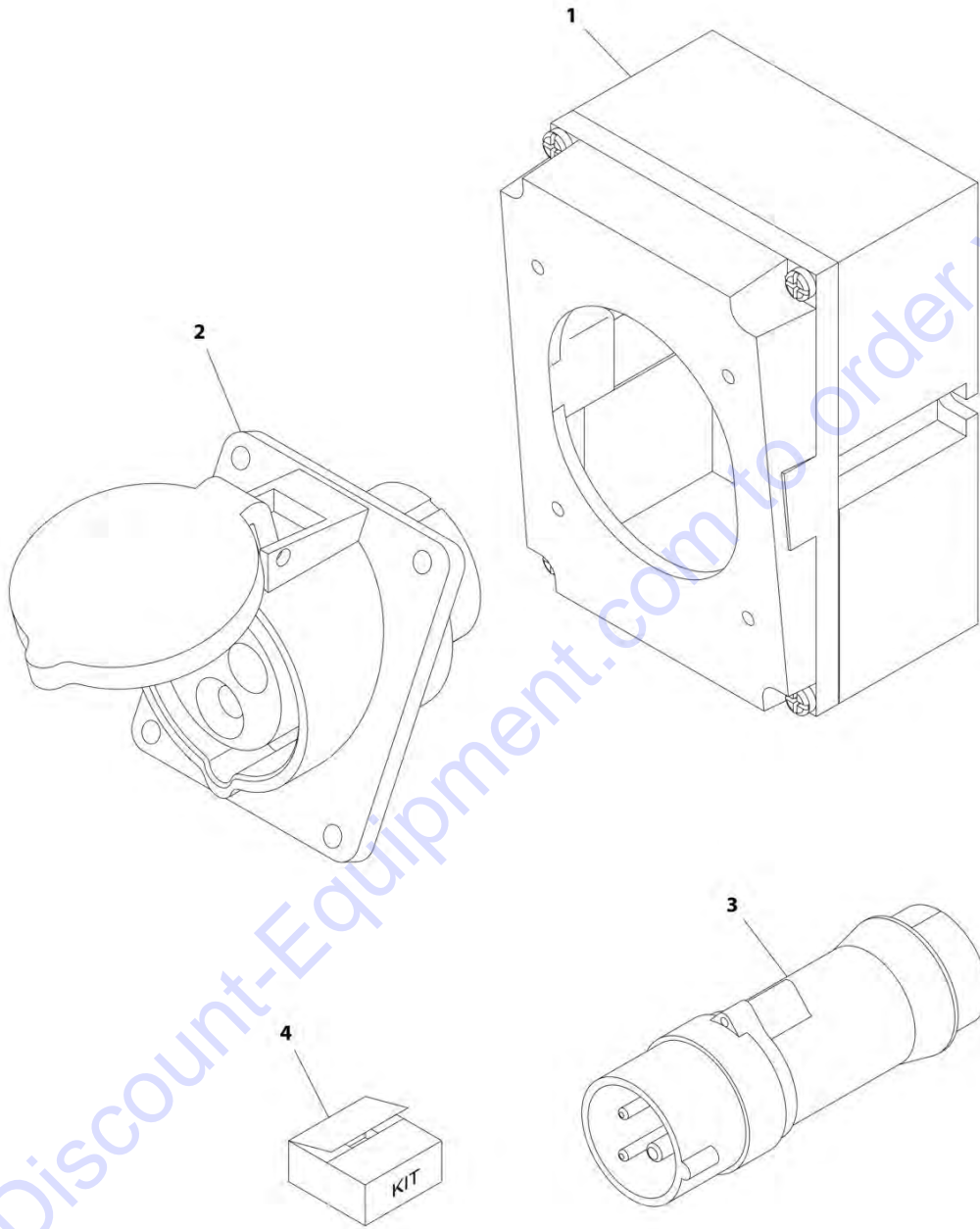
FIGURE 8-34. RECEPTACLE BOX KIT - 110V IEC YELLOW (CE SPEC)

ITEM	PART NUMBER	QTY	DESCRIPTION	REV
	0275216	Ref	RECEPTACLE BOX KIT - 110V IEC YELLOW (CE SPEC)	1
1	0861781	1	Box, Switch	
2	4461198	1	Receptacle	
3	4461196	1	Plug, Male	
4	1001100341	1	Plug and Socket Kit (Includes Items 1-3 and Female Plug p/n 4461197)	

Go to Discount-Equipment.com to order your parts

SECTION 8 - ELECTRICAL

FIGURE 8-35. RECEPTACLE BOX KIT - 220V IEC BLUE (CE SPEC)



ART_0275217

SECTION 8 - ELECTRICAL

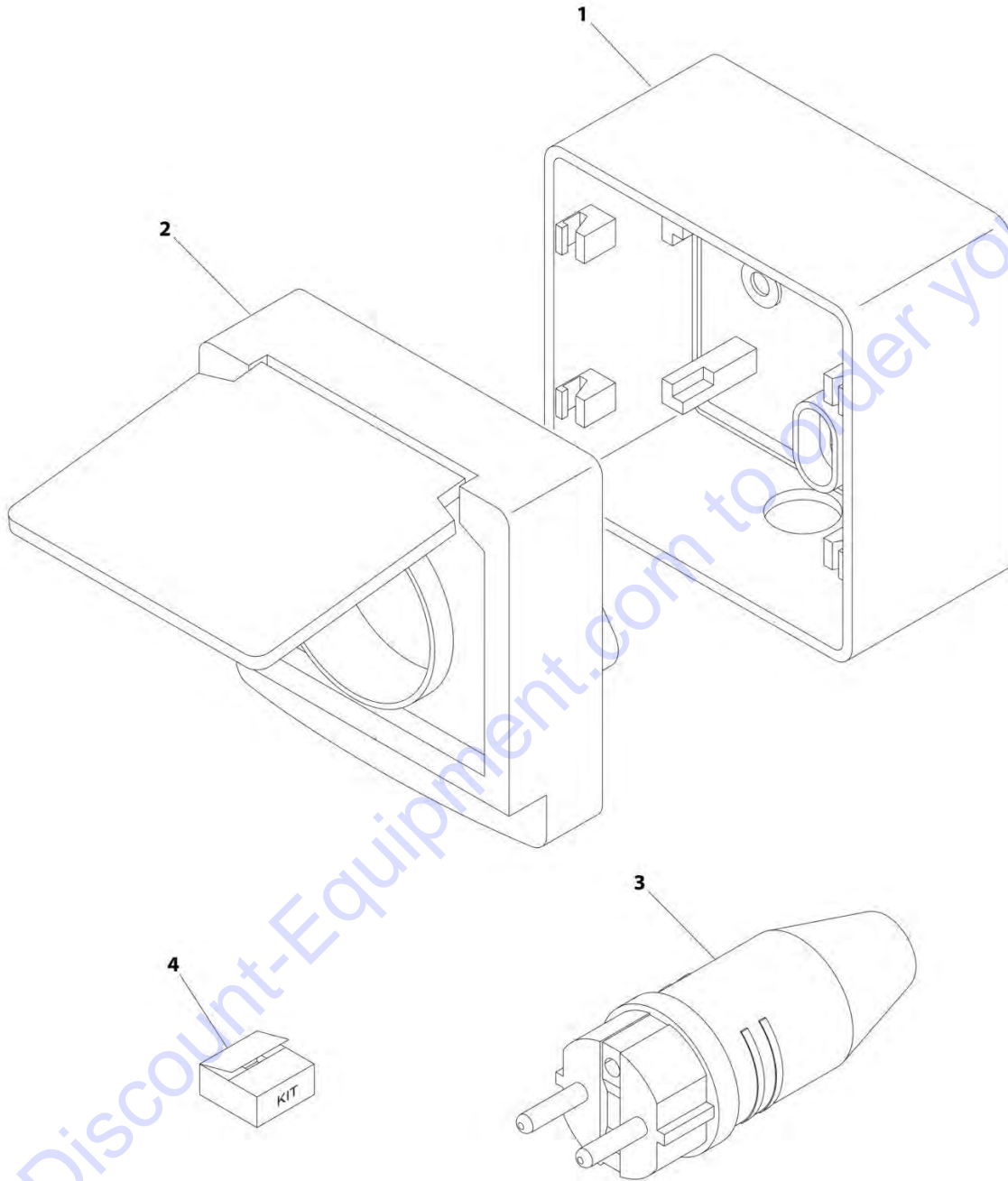
FIGURE 8-35. RECEPTACLE BOX KIT - 220V IEC BLUE (CE SPEC)

ITEM	PART NUMBER	QTY	DESCRIPTION	REV
	0275217	Ref	RECEPTACLE BOX KIT - 220V IEC BLUE (CE SPEC)	1
1	0861781	1	Box, Switch	
2	4461201	1	Receptacle	
3	4461199	1	Plug, Male	
4	1001100342	1	Plug and Socket Kit (Includes Items 1-3 and Female Plug p/n 4461200)	

Go to Discount-Equipment.com to order your parts

SECTION 8 - ELECTRICAL

FIGURE 8-36. RECEPTACLE BOX KIT - 220V CEE7 POST GROUND 70MM X 70MM (CE SPEC)



ART_0275218

SECTION 8 - ELECTRICAL

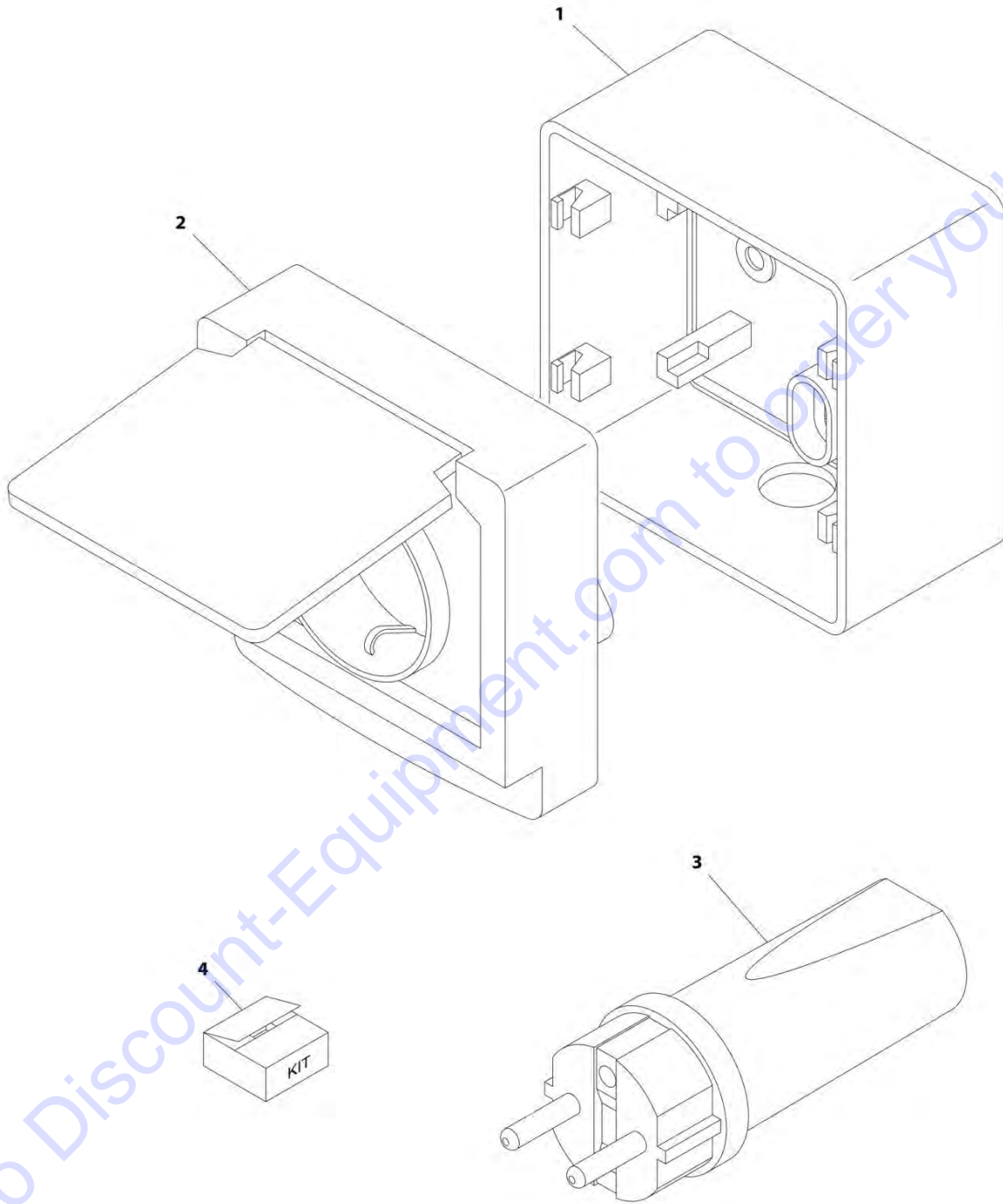
FIGURE 8-36. RECEPTACLE BOX KIT - 220V CEE7 POST GROUND 70MM X 70MM (CE SPEC)

ITEM	PART NUMBER	QTY	DESCRIPTION	REV
	0275218	Ref	RECEPTACLE BOX KIT - 220V CEE7 POST GROUND 70MM X 70MM BOX (CE SPEC)	C
1	1001141967	1	Box, Switch	
2	1001141968	1	Receptacle	
3	4461202	1	Plug, Male (Prior to SN 0300218550)	
3	4461205	1	Plug, Male (SN 0300218550 to Present)	
4	1001141971	1	Plug and Socket Kit (Includes Items 1-3 and Female Plug p/n 4461206)	

Go to Discount-Equipment.com to order your parts

SECTION 8 - ELECTRICAL

FIGURE 8-37. RECEPTACLE BOX KIT - 220V CEE7 SIDE GROUND 70MM X 70MM (CE SPEC)



ART_0275219

SECTION 8 - ELECTRICAL

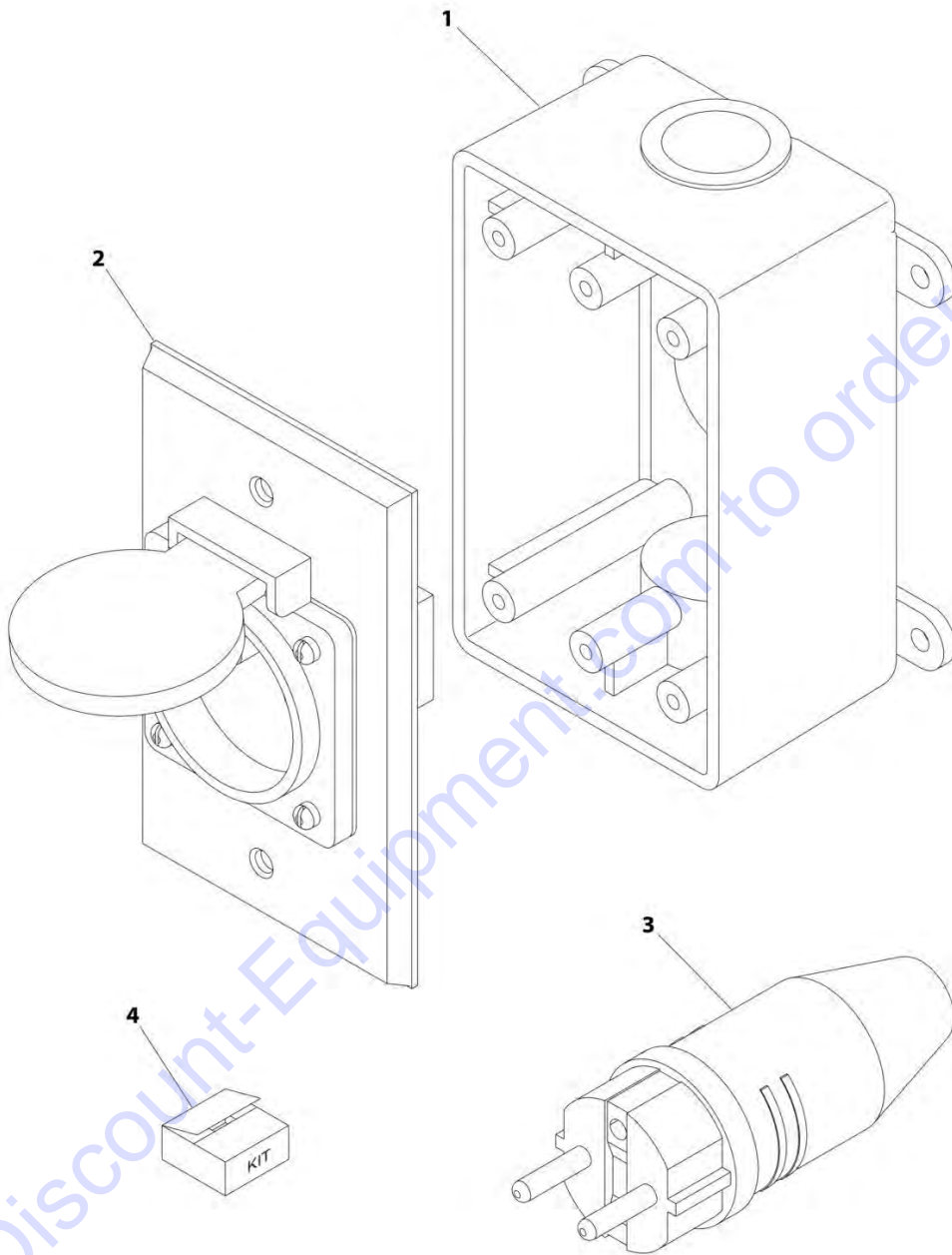
FIGURE 8-37. RECEPTACLE BOX KIT - 220V CEE7 SIDE GROUND 70MM X 70MM (CE SPEC)

ITEM	PART NUMBER	QTY	DESCRIPTION	REV
	0275219	Ref	RECEPTACLE BOX KIT - 220V CEE7 SIDE GROUND 70MM X 70MM BOX (CE SPEC)	B
1	1001141967	1	Box, Switch	
2	1001141969	1	Receptacle	
3	4461205	1	Plug, Male	
4	1001141970	1	Plug and Socket Kit (Includes Items 1-3 and Female Plug p/n 4461206)	

Go to Discount-Equipment.com to order your parts

SECTION 8 - ELECTRICAL

FIGURE 8-38. RECEPTACLE BOX KIT - 220V CEE7 POST GROUND 2IN X 4IN (CE SPEC)



ART_0275452

SECTION 8 - ELECTRICAL

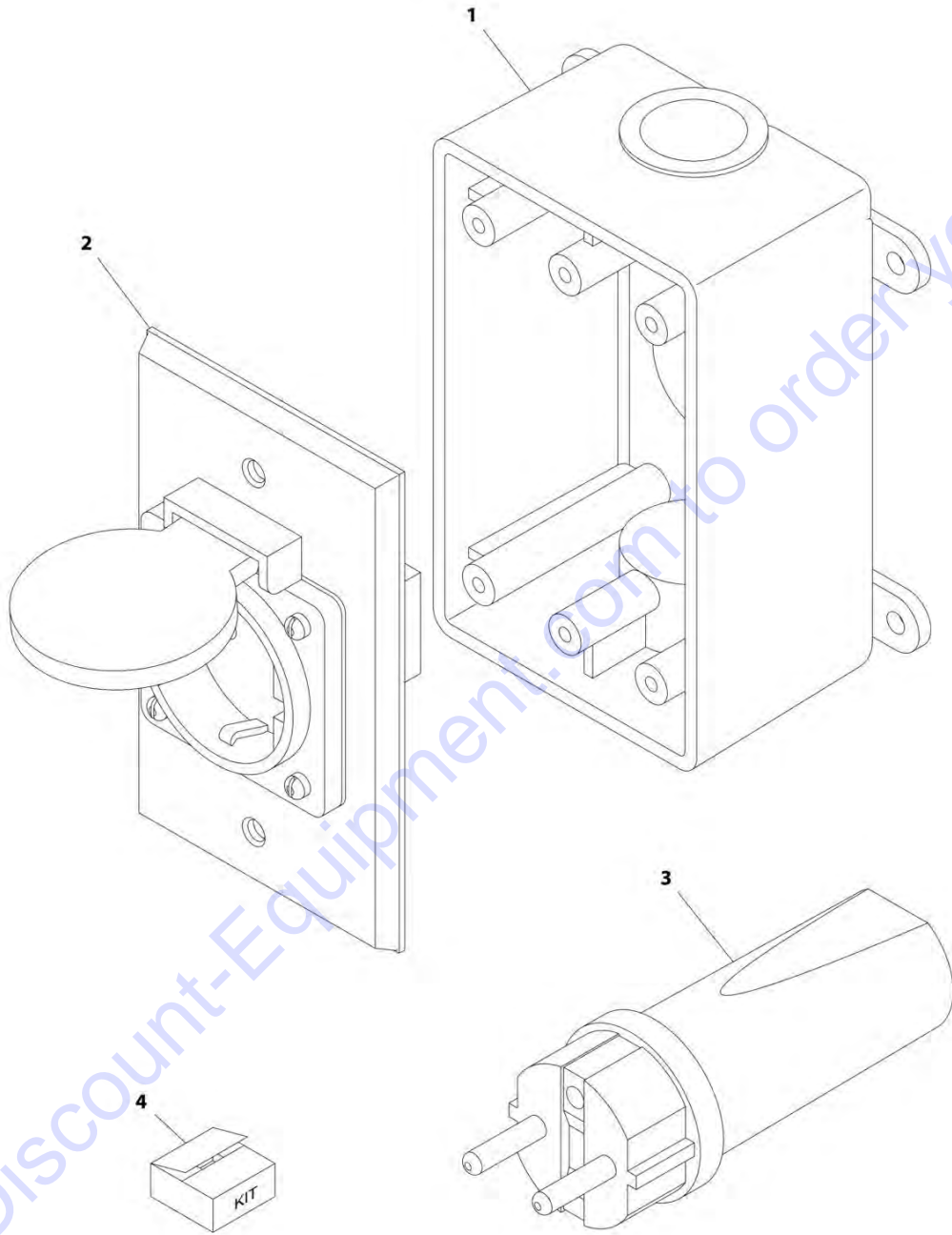
FIGURE 8-38. RECEPTACLE BOX KIT - 220V CEE7 POST GROUND 2IN X 4IN (CE SPEC)

ITEM	PART NUMBER	QTY	DESCRIPTION	REV
	0275452	Ref	RECEPTACLE BOX KIT - 220V CEE7 POST GROUND 2IN X 4IN, BOX (CE SPEC)	C
1	0861731	1	Box, Switch	
2	4461244	1	Receptacle	
3	4461202	1	Plug, Male (Prior to SN 0300218550)	
3	4461205	1	Plug, Male (SN 0300218550 to Present)	
4	1001100345	1	Plug and Socket Kit (Includes Items 1-3 and Female Plug p/n 4461206)	

Go to Discount-Equipment.com to order your parts

SECTION 8 - ELECTRICAL

FIGURE 8-39. RECEPTACLE BOX KIT - 220V CEE7 SIDE GROUND 2IN X 4IN (CE SPEC)



ART_0275453

SECTION 8 - ELECTRICAL

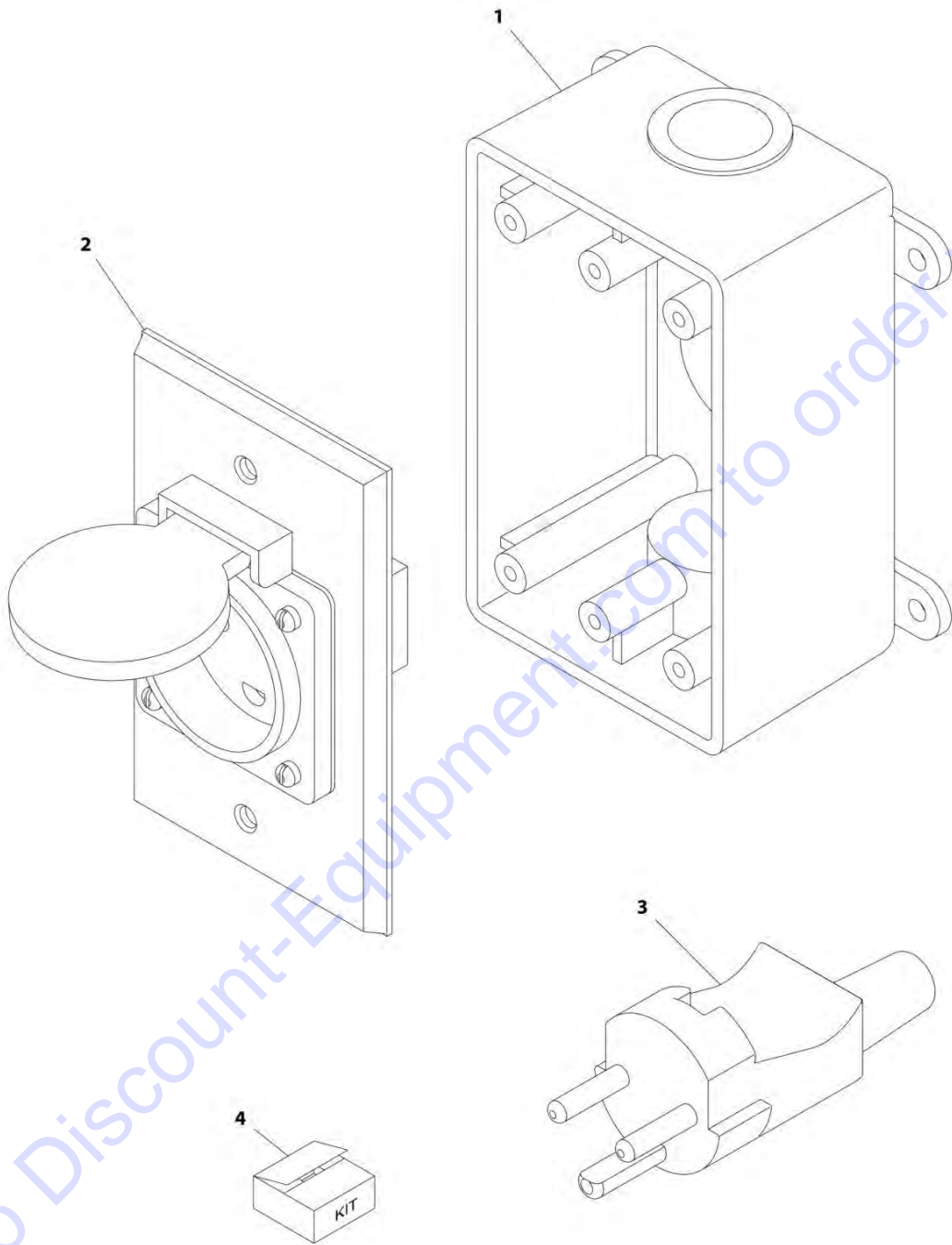
FIGURE 8-39. RECEPTACLE BOX KIT - 220V CEE7 SIDE GROUND 2IN X 4IN (CE SPEC)

ITEM	PART NUMBER	QTY	DESCRIPTION	REV
	0275453	Ref	RECEPTACLE BOX KIT - 220V CEE7 SIDE GROUND 2IN X 4IN BOX (CE SPEC)	1
1	0861731	1	Box, Switch	
2	4461245	1	Receptacle	
3	4461205	1	Plug, Male	
4	1001100347	1	Plug and Socket Kit (Includes Items 1-3 and Female Plug p/n 4461206)	

Go to Discount-Equipment.com to order your parts

SECTION 8 - ELECTRICAL

FIGURE 8-40. RECEPTACLE BOX KIT - 220V AFSINT 107 (CE SPEC)



ART_0275454

SECTION 8 - ELECTRICAL

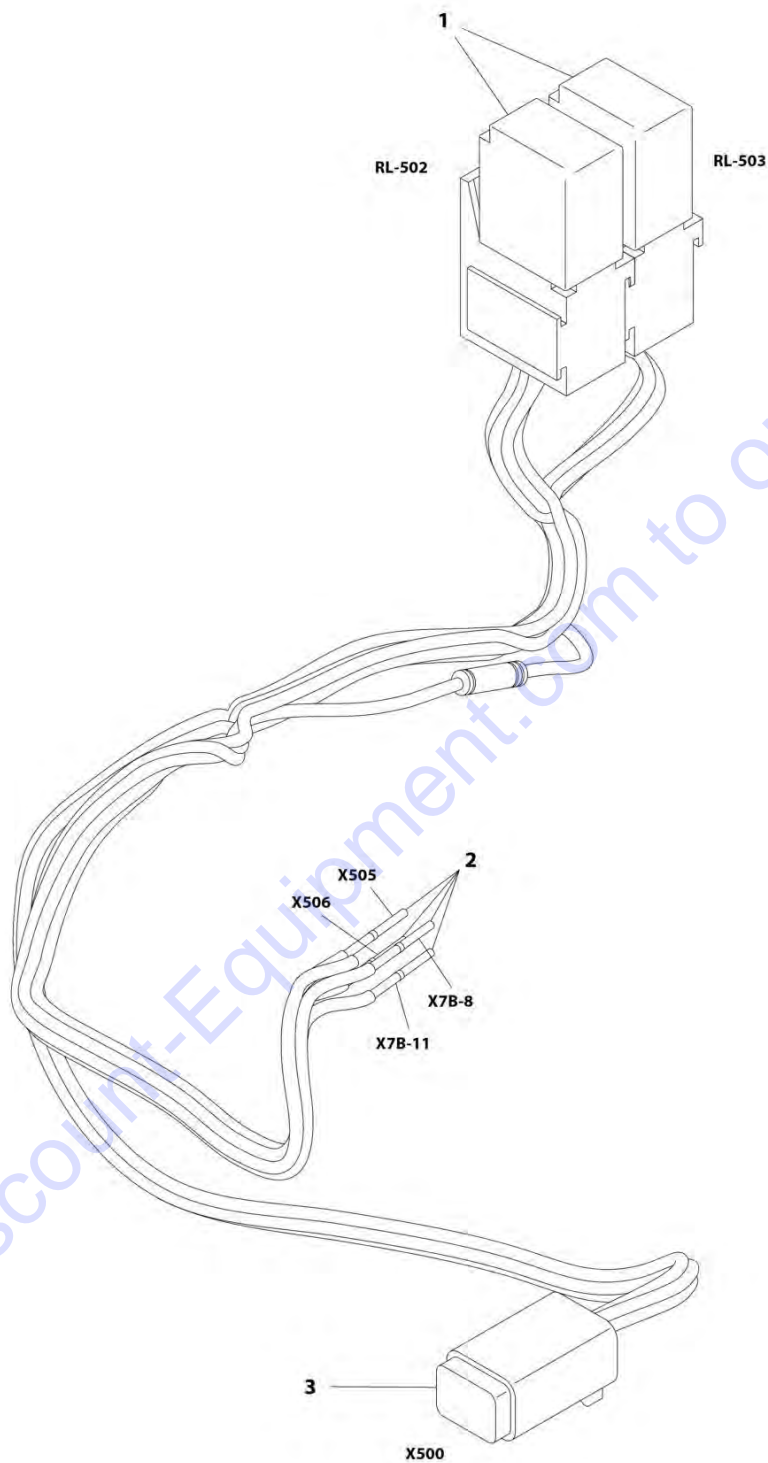
FIGURE 8-40. RECEPTACLE BOX KIT - 220V AFSINT 107 (CE SPEC)

ITEM	PART NUMBER	QTY	DESCRIPTION	REV
	0275454	Ref	RECEPTACLE BOX KIT - 220V AFSINT 107 (CE SPEC),	1
1	0861731	1	Box, Switch	
2	4461246	1	Receptacle	
3	4461249	1	Plug, Male	
4	1001100346	1	Plug and Socket Kit (Includes Items 1-3 and Female Plug p/n 4461250)	

Go to Discount-Equipment.com to order your parts

SECTION 8 - ELECTRICAL

FIGURE 8-41. SKYGUARD HARNESS



ART_1001192292

SECTION 8 - ELECTRICAL

FIGURE 8-41. SKYGUARD HARNESS

ITEM	PART NUMBER	QTY	DESCRIPTION	REV
	1001192292	Ref	SKYGUARD HARNESS	B
1	1001186432	2	Holder, Micro Relay	
1	1001186431	2	Relay, Micro 35 Amp	
1	1001116720	11	Terminal	
2	4460226	4	Socket, Female	
3	4460884	1	Plug, Male - 4 Position	
3	4460465	4	Socket, Female	

Go to Discount-Equipment.com to order your parts

SECTION 8 - ELECTRICAL

FIGURE 8-42. TURNTABLE HARNESS

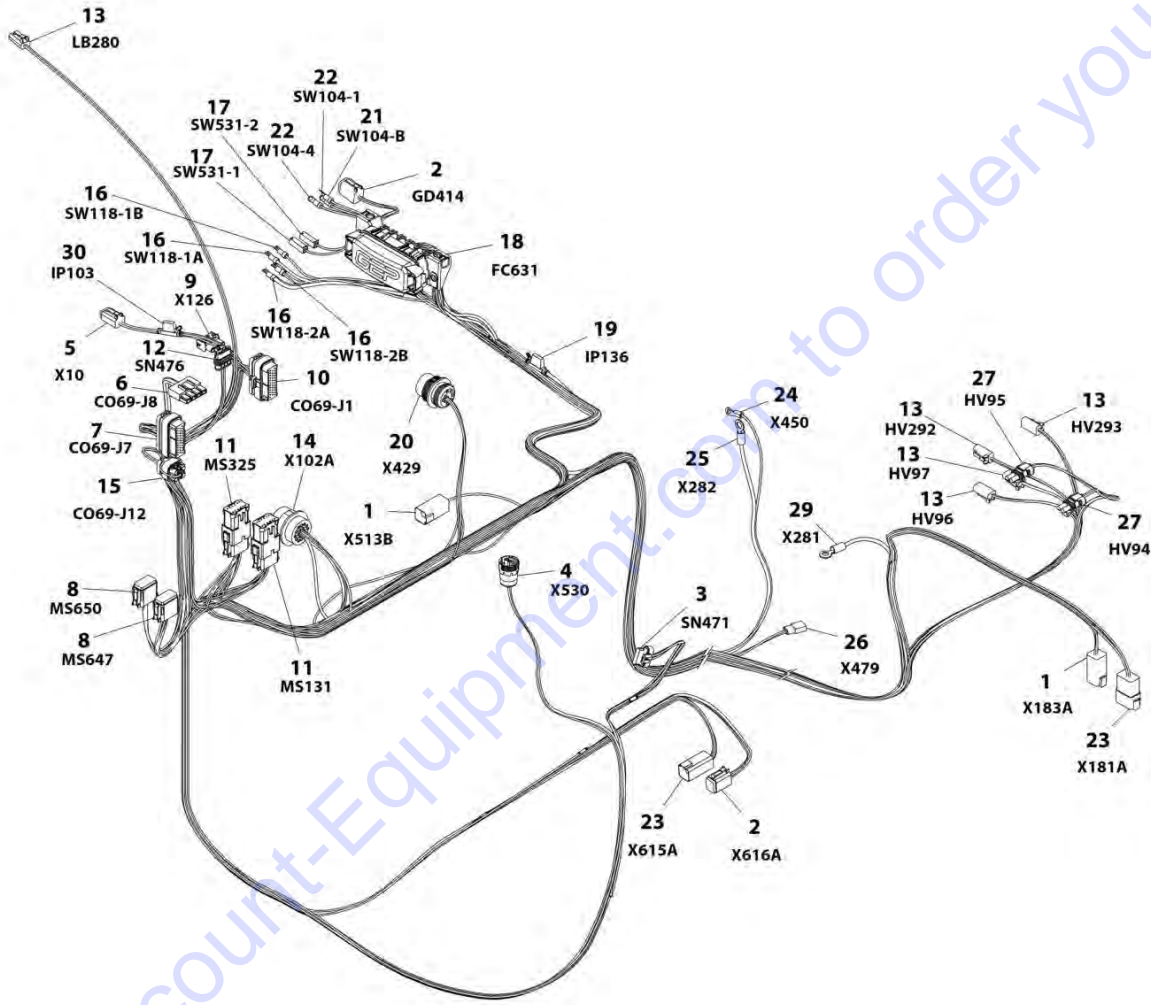
ITEM	PART NUMBER	QTY	DESCRIPTION	REV
	1001191274	Ref	TURNTABLE HARNESS	G
1	4460899	2	Receptacle, Female - 6 Position	
1	4460464	6	Pin, Male	
1	4460466	6	Plug, Terminal	
2	4460894	2	Plug, Male - 6 Position	
2	4460465	10	Socket, Female	
2	4460466	2	Plug, Terminal	
3	1001117064	1	Plug, Male - 6 Position (Prior to SN 0300232895)	
3	1001230931	1	Plug, Male - 6 Position (SN 0300232895 to Present)	
3	91554014	6	Terminal, Female (Prior to SN 0300232895)	
3	1001116748	6	Terminal, Female (SN 0300232895 to Present)	
3	4460608	6	Seal, Terminal	
4	4460967	1	Connector -3 Position	
4	4460465	3	Socket, Female	
5	4460884	1	Plug, Male - 4 Position	
5	4460465	4	Socket, Female	
5	1001192401	1	Cap, Dust	
6	4460878	1	Plug, Male - 4 Position	
6	1001196590	2	Terminal	
6	4460887	2	Terminal	
6	4461271	1	Terminal	
7	4460873	1	Connector - 35 Position	
7	4460871	24	Socket, Female	
7	4460905	11	Plug, Terminal	
8	4460836	2	Plug, Male - 12 Position	
8	4460465	12	Socket, Female	
8	4460466	5	Plug, Terminal	
8	4460837	2	Bussbar - 12 Position	
9	1001119032	1	Receptacle, Female - 4 Position	
9	1001118378	4	Pin, Male	
10	4460874	1	Connector - 35 Position	
10	4460871	18	Socket, Female	
10	4460905	17	Plug, Terminal	
11	4460933	2	Plug, Male - 12 Position	
11	4460465	14	Socket, Female	
11	4460466	10	Plug, Terminal	
11	1001119020	2	Bussbar - 12 Position	
12	1001103012	1	Plug, Male - 4 Position	
12	1001107854	2	Socket, Female	
12	1001196589	2	Terminal	
12	1001116763	2	Seal, Red	
12	1001104498	2	Seal, Yellow	
13	4460891	1	Plug, Male - 2 Position	
13	4460465	2	Socket, Female	
14	4460866	1	Connector - 19 Position	
14	4460464	6	Pin, Male	
14	4460508	2	Pin, Male	
14	4460466	11	Plug, Terminal	
15	1001113961	1	Plug, Male - 8 Position	
15	4460871	5	Socket, Female	

SECTION 8 - ELECTRICAL

ITEM	PART NUMBER	QTY	DESCRIPTION	REV
15	4460905	3	Plug, Terminal	
16	4460806	4	Terminal, Fork	
17	4460260	2	Housing, Terminal	
17	4460259	2	Terminal	
18	1001185964	1	Fuse Box Assembly	
18	1001116728	14	Terminal , Female	
18	8220125	8	Terminal , Female	
18	1001116747	1	Terminal , Female	
18	4460748	25	Plug, Terminal	
18	4460458	14	Seal, Terminal	
18	80963067	9	Seal, Terminal	
18	1001116816	1	Connector - 2 Position with Diode	
18	8229244	2	Fuse 15Amp	
18	8229242	4	Fuse 5Amp	
18	1001196635	1	Fuse 3Amp	
18	1001129285	4	Diode	
18	1001095704	1	Relay 35Amp	
19	2400060	1	Fuseholder with Cover and 30Amp Fuse	
19	8229245	1	Fuse 30Amp	
20	1001112612	1	Connector - 9 Position	
20	4460464	5	Pin, Male	
20	4460466	4	Plug, Terminal	
21	4460142	1	Terminal, Ring	
22	4460142	2	Terminal, Ring	
23	4460931	2	Receptacle, Female - 8 Position	
23	4460464	9	Pin, Male	
23	4460466	5	Plug, Terminal	
24	4460043	1	Terminal, Ring	
25	8220045	1	Terminal, Ring	
26	4460424	1	Plug, Male - 2 Position	
26	4460226	2	Socket, Female	
27	4460460	1	Terminal , Female	
27	4460475	4	Pin, Male	
27	4460458	4	Seal, Terminal	
28	1001117107	1	Terminal, Ring	
29	2400060	1	Fuseholder with Cover and 5Amp Fuse	
29	8229245	1	Fuse 5Amp	

SECTION 8 - ELECTRICAL

FIGURE 8-43. TURNTABLE HARNESS



ART_1001164818

SECTION 8 - ELECTRICAL

FIGURE 8-43. TURNTABLE HARNESS

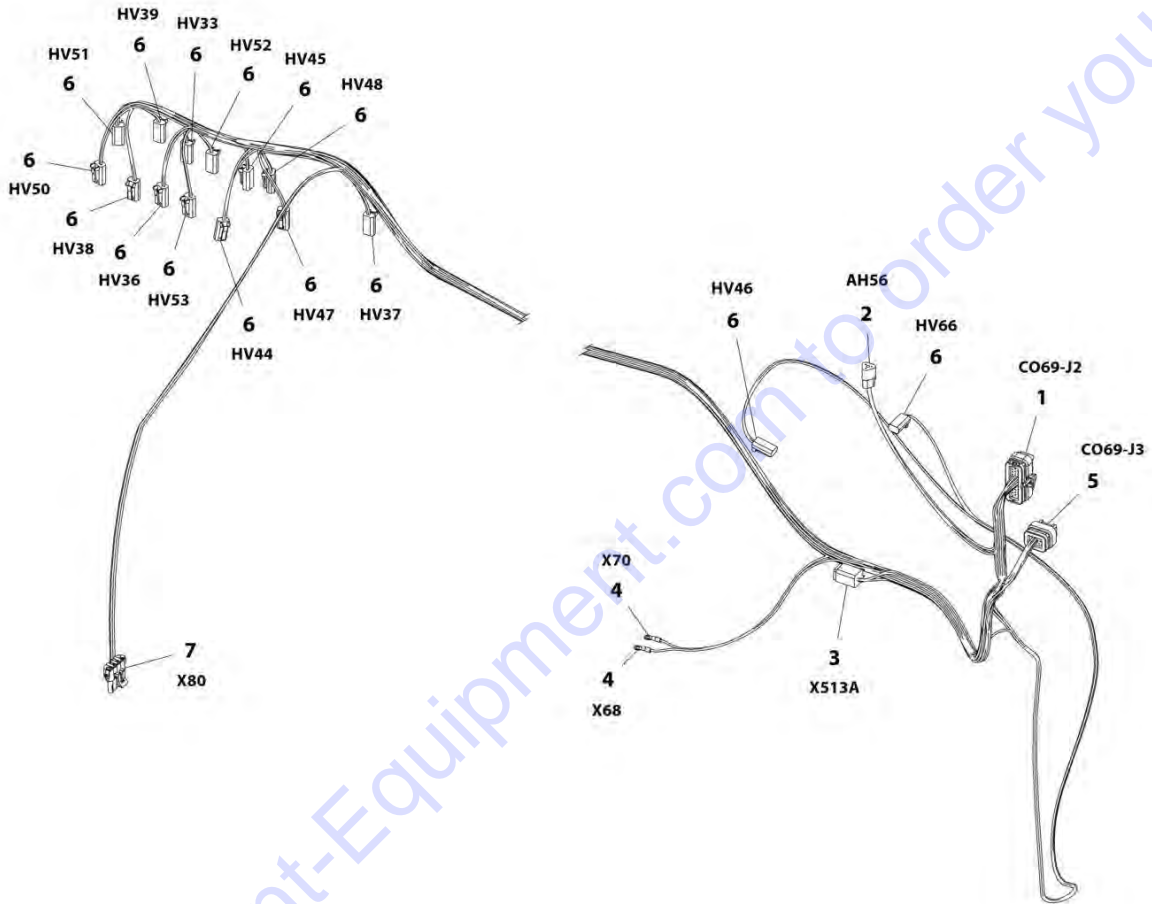
ITEM	PART NUMBER	QTY	DESCRIPTION	REV
	1001164818	Ref	TURNTABLE HARNESS	N
1	4460899	2	Receptacle, Female - 6 Position	
1	4460464	7	Pin, Male	
1	4460466	5	Plug, Terminal	
2	4460894	2	Plug, Male - 6 Position	
2	4460465	10	Socket, Female	
2	4460466	2	Plug, Terminal	
3	1001230931	1	Plug, Male - 6 Position	
3	1001116748	6	Terminal, Female	
4	4460967	1	Connector -3 Position	
4	4460465	3	Socket, Female	
5	4460884	1	Plug, Male - 4 Position	
5	4460465	4	Socket, Female	
5	1001192401	1	Cap, Dust	
6	4460878	1	Plug, Male - 4 Position	
6	1001196590	2	Terminal	
6	4460887	3	Terminal	
7	4460873	1	Connector - 35 Position	
7	4460871	24	Socket, Female	
7	4460905	11	Plug, Terminal	
8	4460836	2	Plug, Male - 12 Position	
8	4460465	13	Socket, Female	
8	4460466	11	Plug, Terminal	
8	4460837	2	Bussbar - 12 Position	
9	1001119032	1	Receptacle, Female - 4 Position	
9	1001118378	4	Pin, Male	
10	4460874	1	Connector - 35 Position	
10	4460871	20	Socket, Female	
10	4460905	15	Plug, Terminal	
11	4460933	2	Plug, Male - 12 Position	
11	4460465	14	Socket, Female	
11	4460466	10	Plug, Terminal	
11	1001119020	2	Bussbar - 12 Position	
12	1001103012	1	Plug, Male - 4 Position	
12	1001107854	2	Socket, Female	
12	1001196589	2	Terminal	
12	1001116763	2	Seal, Red	
12	1001104498	2	Seal, Yellow	
13	4460891	5	Plug, Male - 2 Position	
13	4460465	10	Socket, Female	
14	4460866	1	Connector - 19 Position	
14	4460464	6	Pin, Male	
14	4460508	2	Pin, Male	
14	4460466	11	Plug, Terminal	
15	1001113961	1	Plug, Male - 8 Position	
15	4460871	5	Socket, Female	
15	4460905	3	Plug, Terminal	
16	4460806	4	Terminal, Fork	
17	4460260	2	Housing, Terminal	
17	4460259	2	Terminal	

SECTION 8 - ELECTRICAL

ITEM	PART NUMBER	QTY	DESCRIPTION	REV
18	1001185964	1	Fuse Box Assembly	
18	1001116728	14	Terminal , Female	
18	8220125	AR	Terminal , Female	
18	1001116747	1	Terminal , Female	
18	4460748	AR	Plug, Terminal	
18	4460458	14	Seal, Terminal	
18	80963067	AR	Seal, Terminal	
18	1001116816	1	Connector - 2 Position with Diode	
18	8229244	2	Fuse 15Amp	
18	8229242	4	Fuse 5Amp	
18	1001129285	4	Diode	
18	1001095704	1	Relay 35Amp	
19	2400060	1	Fuseholder with Cover and 30Amp Fuse	
19	8229245	1	Fuse 30Amp	
20	1001112612	1	Connector - 9 Position	
20	4460464	5	Pin, Male	
20	4460466	4	Plug, Terminal	
21	4460042	1	Terminal, Ring	
22	4460068	1	Terminal, Ring	
23	4460931	2	Receptacle, Female - 8 Position	
23	4460464	9	Pin, Male	
23	4460466	5	Plug, Terminal	
24	4460043	1	Terminal, Ring	
25	8220045	1	Terminal, Ring	
26	4460424	1	Plug, Male - 2 Position	
26	4460226	2	Socket, Female	
27	4460742	2	Plug, Male - 2 Position	
27	4460457	4	Socket, Female	
28	4460247	1	Terminal, Ring (Not Shown)	
28	1001117107	1	Terminal, Ring	
29	2400060	1	Fuseholder with Cover and 5Amp Fuse	
30	8229242	1	Fuse 5Amp	

SECTION 8 - ELECTRICAL

FIGURE 8-44. VALVE HARNESS - MAIN VALVE



ART_1001196678

SECTION 8 - ELECTRICAL

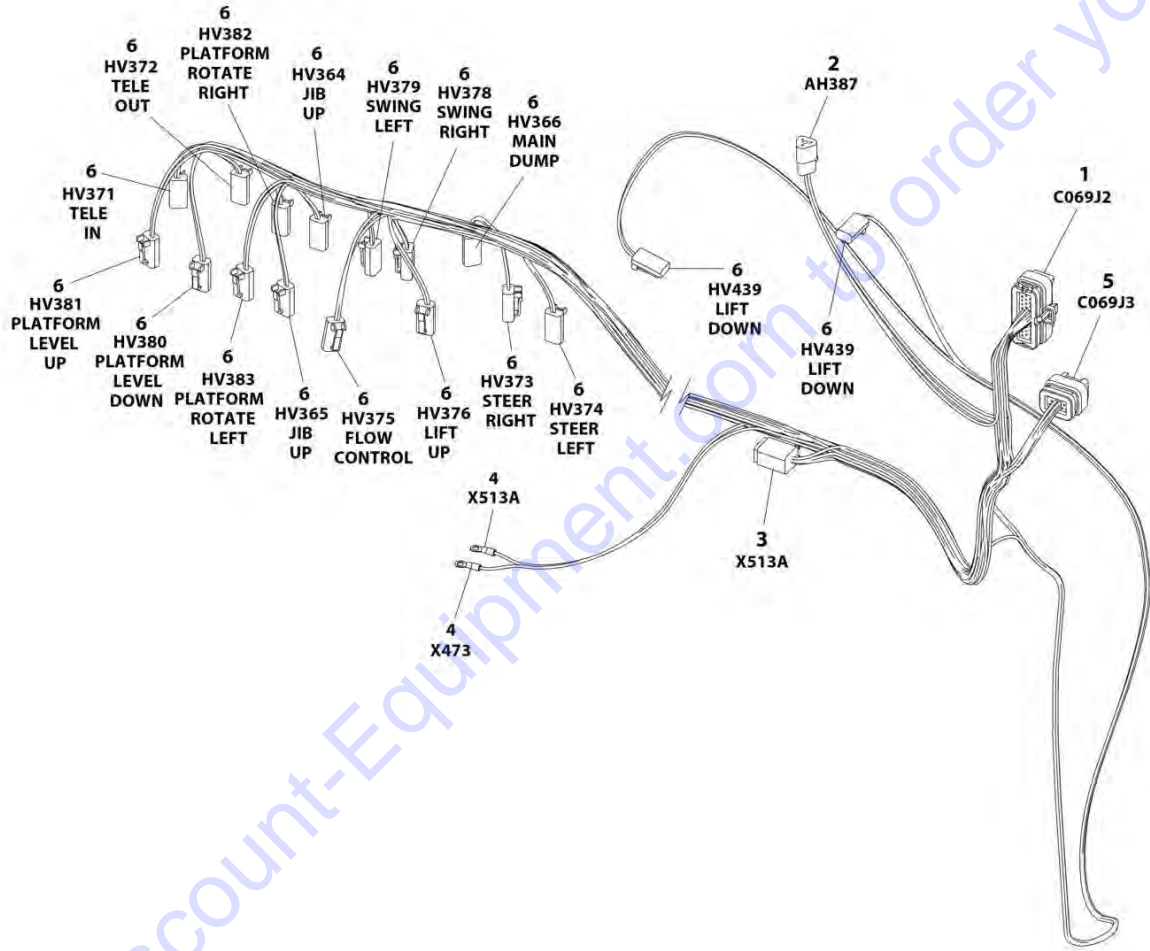
FIGURE 8-44. VALVE HARNESS - MAIN VALVE

ITEM	PART NUMBER	QTY	DESCRIPTION	REV
	1001196678	Ref	VALVE HARNESS-MAIN VALVE	B
1	4460875	1	Connector-35 Position	
1	4460871	25	Socket, Female	
1	4460905	10	Plug, Terminal	
2	4460539	1	Plug, Male-3 Position	
2	4460465	3	Socket, Female	
3	4460894	1	Plug, Male-6 Position	
3	4460465	3	Socket, Female	
3	4460466	3	Plug, Terminal	
4	4460313	2	Terminal, Ring	
5	4460872	1	Connector-14 Position	
5	4460871	8	Socket, Female	
5	4460905	6	Plug, Terminal	
6	4460891	15	Plug, Male-2 Position	
6	4460465	30	Socket, Female	
7	4460460	1	Terminal, Connector	
7	4460457	4	Socket, Female	
7	4460458	4	Terminal, Seal	

Go to Discount-Equipment.com to order your parts

SECTION 8 - ELECTRICAL

FIGURE 8-45. VALVE HARNESS - MAIN VALVE



ART_1001166963

SECTION 8 - ELECTRICAL

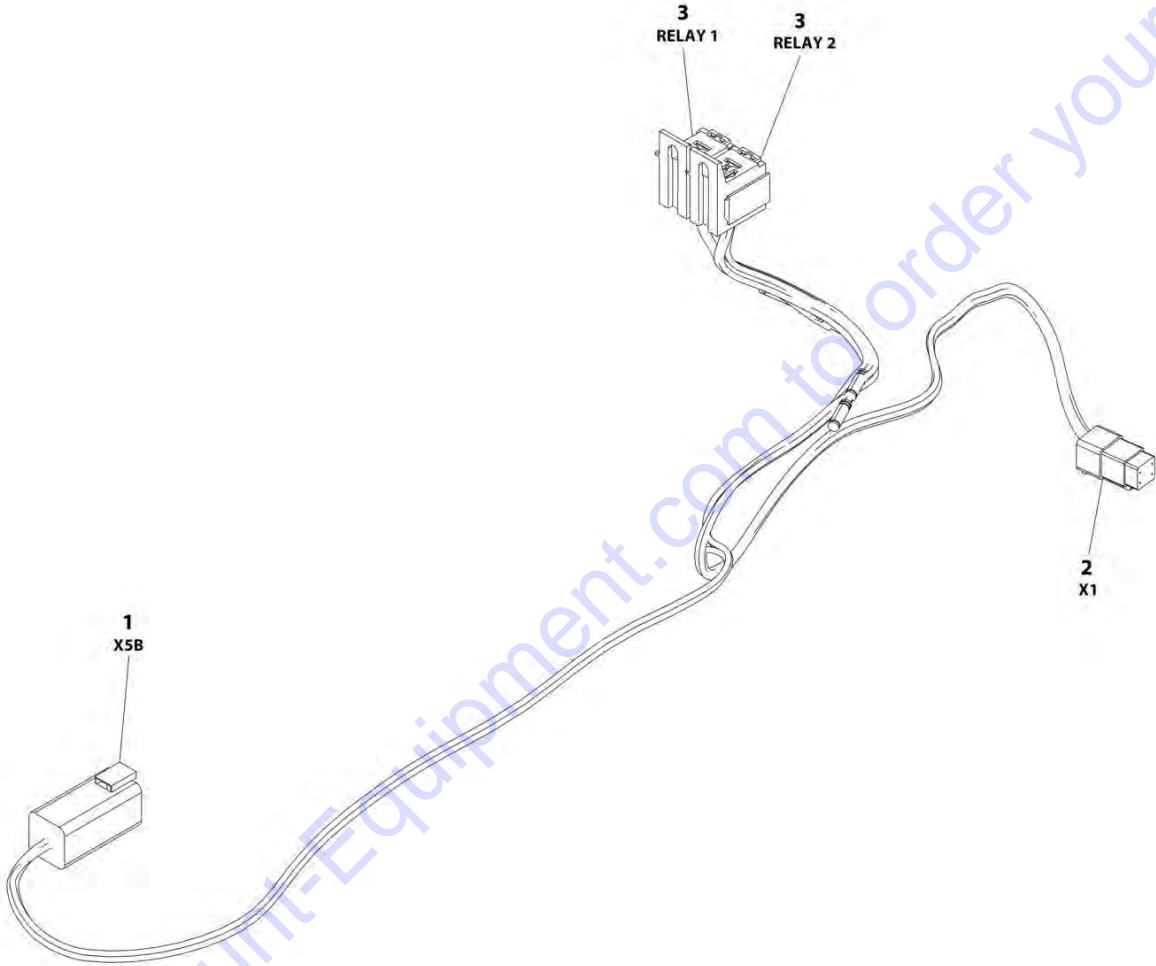
FIGURE 8-45. VALVE HARNESS - MAIN VALVE

ITEM	PART NUMBER	QTY	DESCRIPTION	REV
	1001166963	Ref	VALVE HARNESS - MAIN VALVE	G
1	4460875	1	Connector - 35 Position	
1	4460871	27	Socket, Female	
1	4460905	8	Plug, Terminal	
2	4460539	1	Plug, Male - 3 Position	
2	4460465	3	Socket, Female	
3	4460894	1	Plug, Male - 6 Position	
3	4460465	4	Socket, Female	
3	4460466	2	Plug, Terminal	
4	4460313	2	Terminal, Ring	
5	4460872	1	Connector - 14 Position	
5	4460871	8	Socket, Female	
5	4460905	6	Plug, Terminal	
6	4460891	17	Plug, Male - 2 Position	
6	4460465	34	Socket, Female	

Go to Discount-Equipment.com to order your parts

SECTION 8 - ELECTRICAL

FIGURE 8-46. SKYLINE HARNESS



ART_1001238418

SECTION 8 - ELECTRICAL

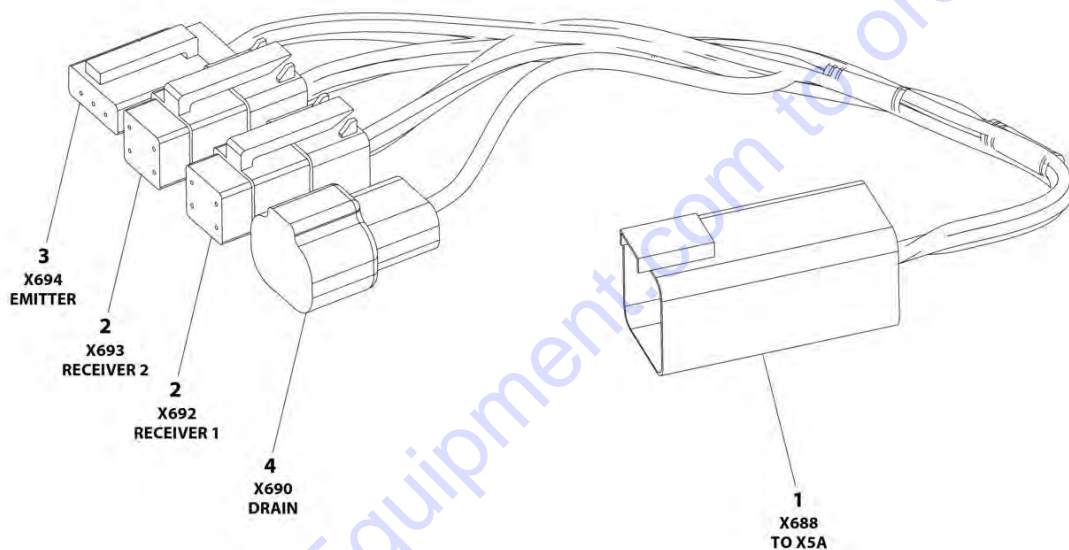
FIGURE 8-46. SKYLINE HARNESS

ITEM	PART NUMBER	QTY	DESCRIPTION	REV
	1001238418	Ref	SKYLINE HARNESS	A
1	4460899	1	Connector - 6 Position	
1	4460464	4	Pin, Male	
1	4460466	2	Plug, Terminal	
2	4461077	1	Connector - 4 Position	
2	1001126009	4	Socket, Female	
3	1001186432	2	Plug, Relay	
3	1001118388	5	Terminal	
3	1001118384	3	Terminal	
3	3740086	2	Relay	
3	3990013	2	Diode	

Go to Discount-Equipment.com to order your parts

SECTION 8 - ELECTRICAL

FIGURE 8-47. SKYEYE INTERMEDIATE HARNESS



ART_1001237865

SECTION 8 - ELECTRICAL

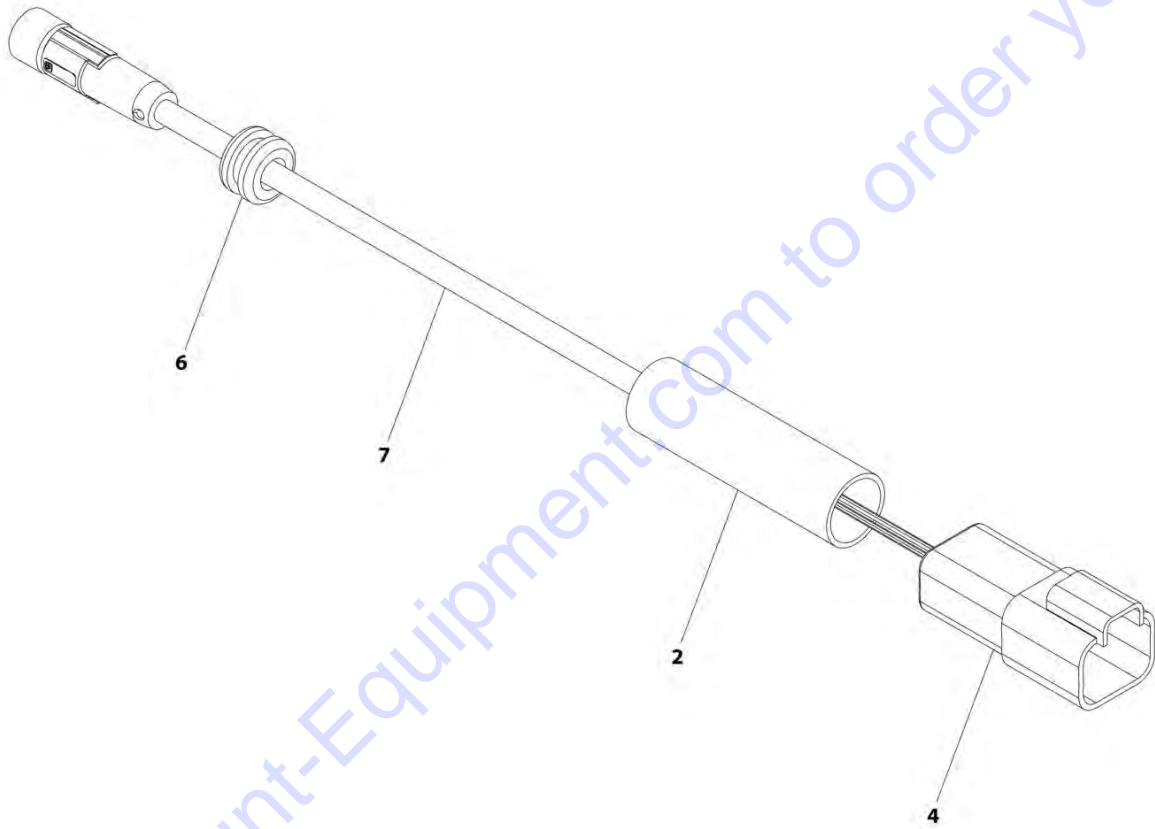
FIGURE 8-47. SKYEYE INTERMEDIATE HARNESS

ITEM	PART NUMBER	QTY	DESCRIPTION	REV
	1001237865	Ref	SKYEYE INTERMEDIATE HARNESS	A
1	4460899	1	Connector - 6 Position	
1	4460943	4	Pin, Male	
1	4460466	2	Plug, Terminal	
2	4461077	2	Connector - 4 Position	
2	1001119619	8	Socket, Female	
3	4460911	1	Connector - 3 Position	
3	1001119619	3	Socket, Female	
4	1001187681	1	Connector - 2 Position	
4	4460941	1	Pin, Male	
4	4460466	1	Plug, Terminal	

Go to Discount-Equipment.com to order your parts

SECTION 8 - ELECTRICAL

FIGURE 8-48. SKYEYE RECEIVER HARNESS



ART_1001237863

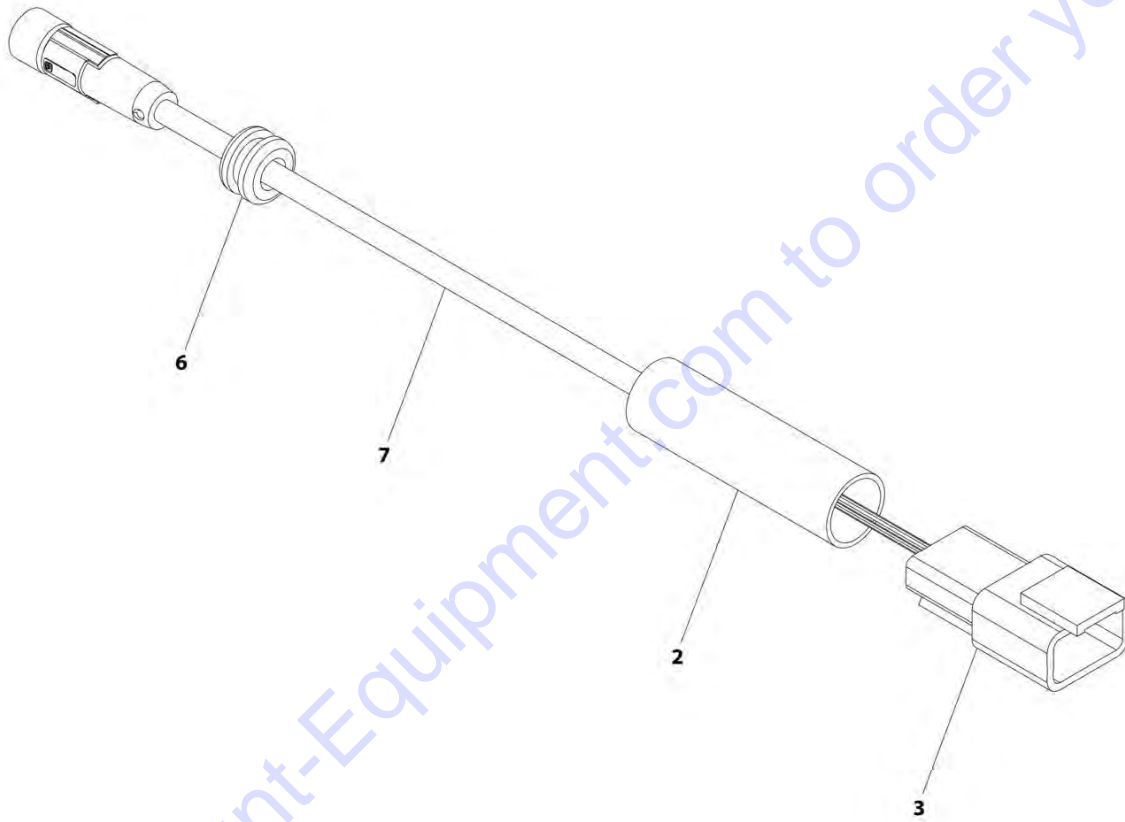
FIGURE 8-48. SKYEYE RECEIVER HARNESS

ITEM	PART NUMBER	QTY	DESCRIPTION	REV
	1001237863	Ref	SKYEYE RECEIVER HARNESS	A
2	2820247	AR	Tubing, Heat Shrink	
4	1001097051	1	Connector - 4 Position	
4	1001119620	4	Pin, Male	
6	1001227996	1	Grommet	
7	1001237862	1	Cable, M8 Female Cordset	

Go to Discount-Equipment.com to order your parts

SECTION 8 - ELECTRICAL

FIGURE 8-49. SKYEYE EMITTER HARNESS



ART_1001237864

SECTION 8 - ELECTRICAL

FIGURE 8-49. SKYEYE EMITTER HARNESS

ITEM	PART NUMBER	QTY	DESCRIPTION	REV
	1001237864	Ref	SKYEYE EMITTER HARNESS	A
2	2820247	AR	Tubing, Heat Shrink	
3	4460910	1	Connector - 3 Position	
3	1001119620	3	Pin, Male	
6	1001227996	1	Grommet	
7	1001237862	1	Cable, M8 Female Cordset	

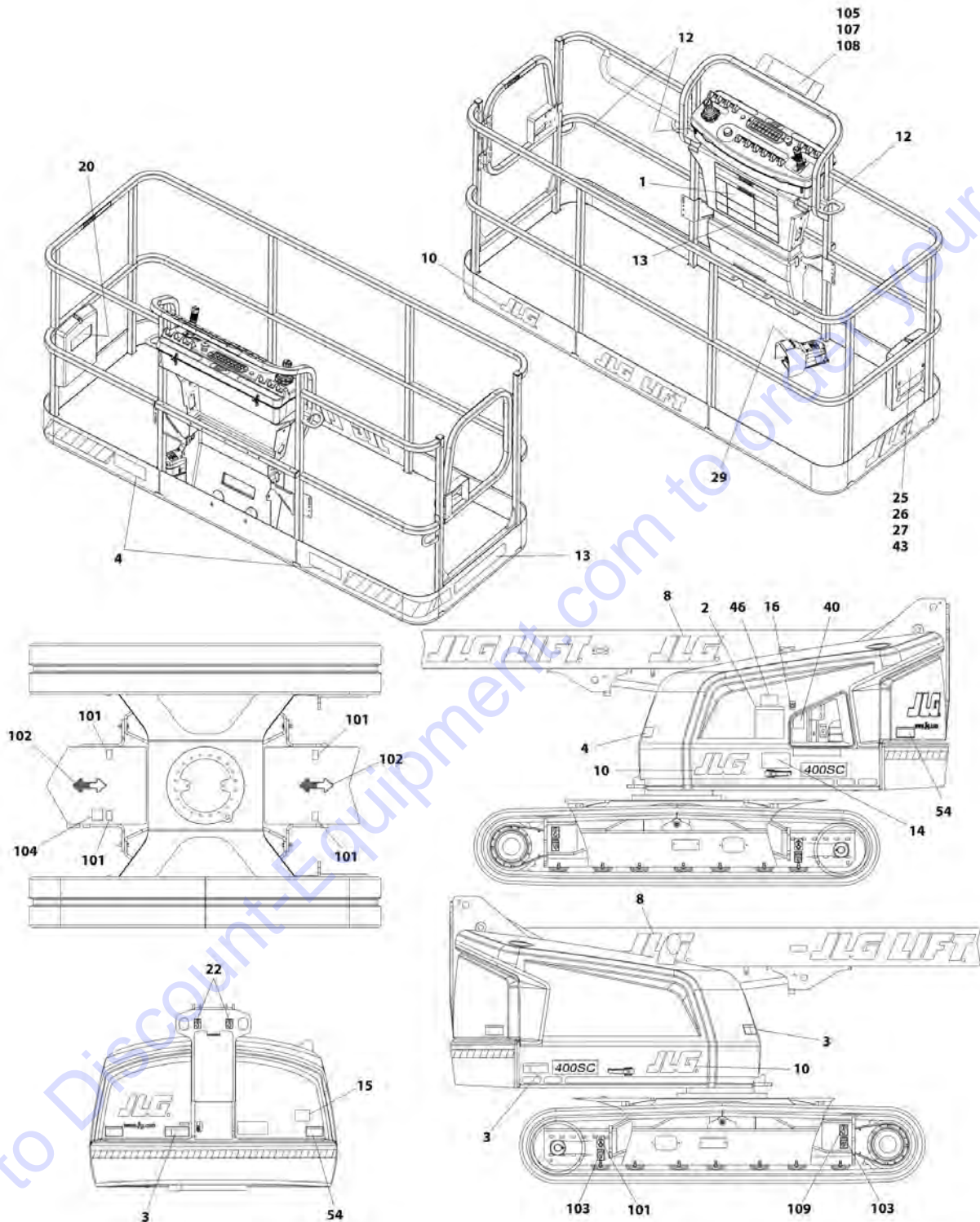
Go to Discount-Equipment.com to order your parts

SECTION 9 - DECALS

Go to Discount-Equipment.com to order your parts

SECTION 9 - DECALS

FIGURE 9-1. DECAL INSTALLATION - CE SPEC - 400SC



ART_1001192079

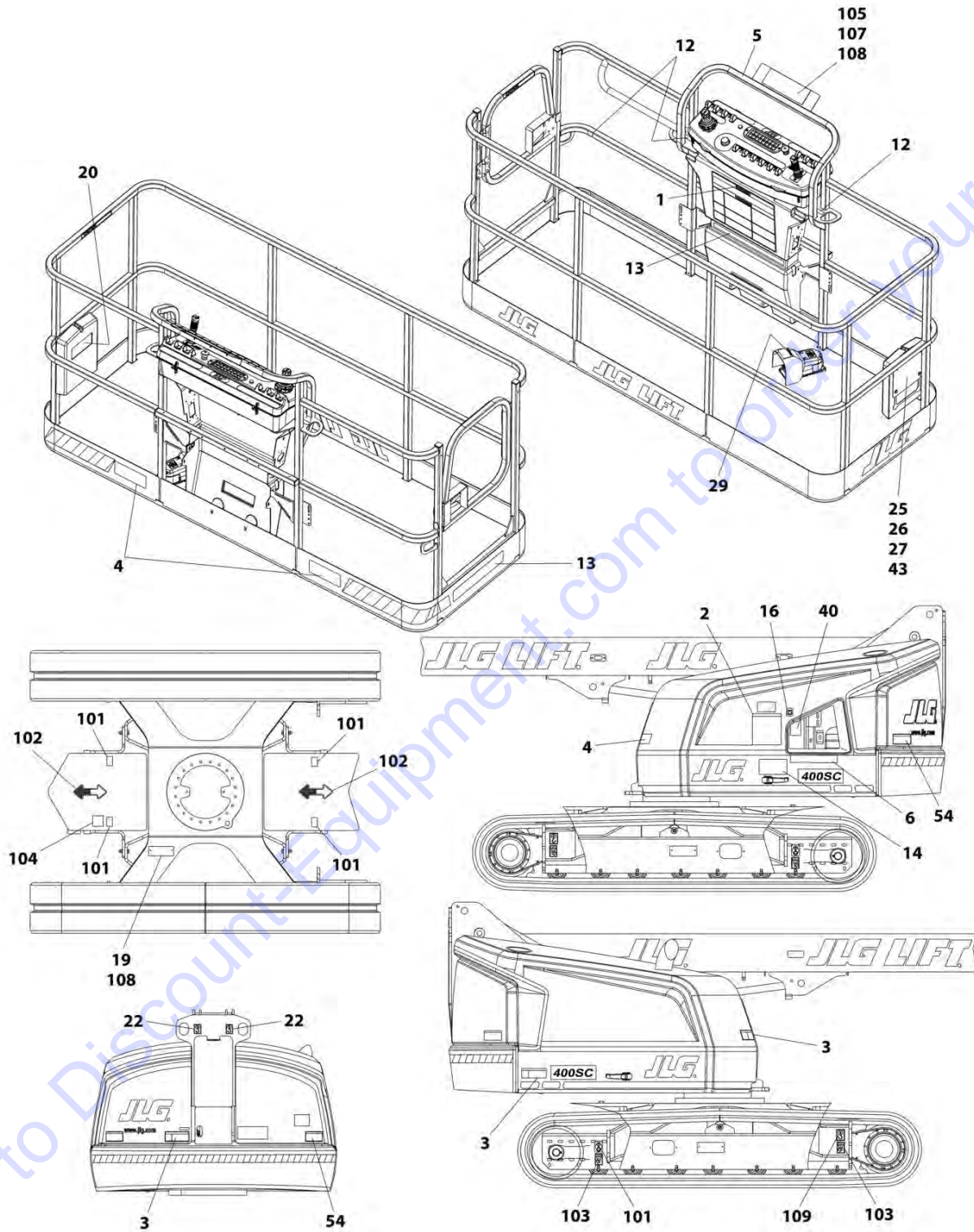
SECTION 9 - DECALS

FIGURE 9-1. DECAL INSTALLATION - CE SPEC - 400SC

ITEM	PART NUMBER	QTY	DESCRIPTION	REV
	1001192070	Ref	DECAL INSTALLATION - REFERENCE CHART	B
	1001171545	Ref	DECAL INSTALLATION - REFERENCE CHART (TURNTABLE) (Prior to SN 0300221466)	G
	1001217488	Ref	DECAL INSTALLATION - REFERENCE CHART (TURNTABLE) (SN 0300221466 to Present)	A
	1001190877	Ref	DECAL INSTALLATION - TURNTABLE	H
1	1705921	1	Decal - Tipping/Electrocution (Platform)	
2	1705822	1	Decal - Electrocution/Safety Manual	
3	1705961	3	Decal - Electrocution	
4	1701518	3	Decal - Warning Crushing	
8	1001159323	2	Decal - JLG 8 Black (SN 0300221466 to Present)	
10	1702773	3	Decal - JLG 5 (SN 0300221466 to Present)	
12	1704277	3	Decal - Attach Lanyard Here	
13	1001185237	2	Decal - Capacity (Platform)	
14	1001185237	1	Decal - Capacity (Ground Control)	
15	1705084	1	Decal - Sound Power Level (Prior to SN 0300221466)	
15	1001204510	1	Decal - Sound Power Level (SN 0300221466 to Present)	
16	1701504	1	Decal - Hydraulic Oil	
20	1701509	1	Decal - Manual	
22	1701500	2	Decal - Lift	
25	0860520	1	Box, Manual Storage	
26	4751400	4	Washer 1/4	
27	3311405	4	Nut, Lock 1/4	
29	1705828	1	Decal - Footswitch	
40	1704412	1	Decal - Hydraulic Oil Chart	
43	0641406	4	Bolt 1/4 x 3/4	
46	1001197408	1	Decal - MSSO	
54	1701518	2	Decal - Warning Crushing	
	1001190872	Ref	DECAL INSTALLATION - REFERENCE CHART (FRAME)	H
	1001191076	Ref	DECAL INSTALLATION - FRAME	E
101	1701499	6	Decal - No Lift	
102	1701529	2	Decal - Arrow	
103	1702300	4	Decal - Tie Down	
104	See Note	NSS	Decal - Bar Code (Note: Not Available for Purchase)	
105	1001202228	1	Decal - Machine Motion Hazard	
107	3572044	1	Plate, Decal Mounting (Prior to SN 0300227267)	
107	1001093553	1	Plate, Decal Mounting (SN 0300227267 to Present)	
108	3820001	5	Rivet	
109	1701500	2	Decal - Lift	

SECTION 9 - DECALS

FIGURE 9-2. DECAL INSTALLATION - ANSI EXPORT - 400SC (SN 0300224020 to Present)



ART_1001215297

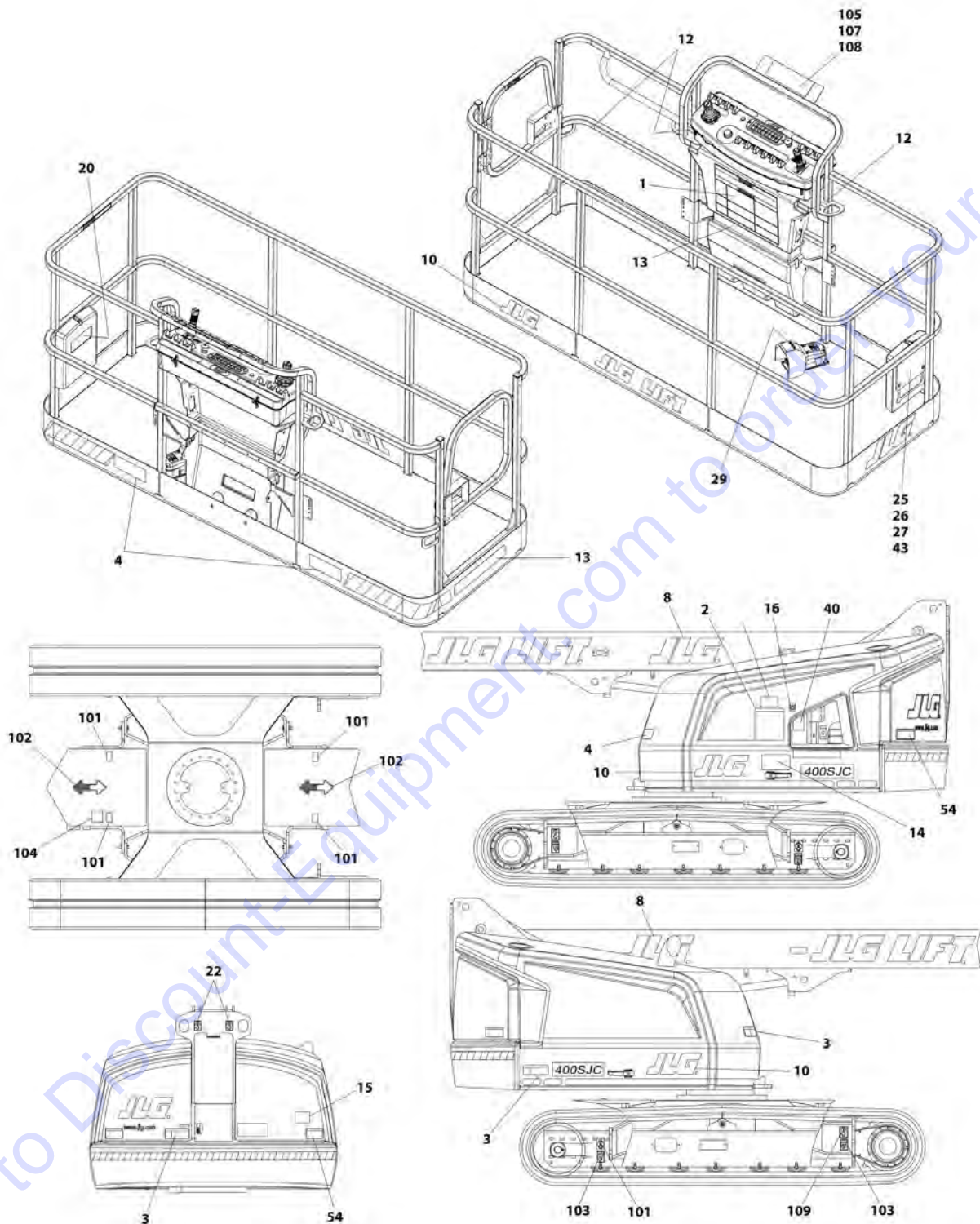
SECTION 9 - DECALS

FIGURE 9-2. DECAL INSTALLATION - ANSI EXPORT - 400SC (SN 0300224020 to Present)

ITEM	PART NUMBER	QTY	DESCRIPTION	REV
	1001215297	Ref	DECAL INSTALLATION - REFERENCE CHART	A
	1001171545	Ref	DECAL INSTALLATION - REFERENCE CHART (TURNTABLE)	M
	1001215292	Ref	DECAL INSTALLATION - TURNTABLE	C
1	1703926	1	Decal - Danger/ Warning (Platform)	
2	1703932	1	Decal - Danger/ Warning (MTB)	
3	1703938	3	Decal - Electrocutation	
4	1703950	3	Decal - Crushing	
5	1001173262	1	Decal - Legend (Platform) (SN 0300224020 through 0300230009)	
5	1001225647	1	Decal - Legend (Platform) (SN 0300230010 to Present)	
6	1001174313	1	Decal - Legend (MTB)	
12	1704277	3	Decal - Attach Lanyard Here	
13	1001171341	2	Decal - Warning Dual Cap	
14	1001171342	1	Decal - Warning Dual Cap	
16	1701504	1	Decal - Hydraulic Oil	
19	1706948	1	Decal - Nameplate Manufacturers	
20	1701509	1	Decal - Manual	
22	1701500	2	Decal - Lift	
25	0860520	1	Box, Manual Storage	
26	4751400	4	Washer 1/4	
27	3311405	4	Nut 1/4	
29	1703980	1	Decal - Footswitch	
40	1704412	1	Decal - Hydraulic Oil Chart	
43	0641406	4	Bolt 1/4 x 3/4	
54	1703944	2	Decal - Warning Crushing	
	1001190872	Ref	DECAL INSTALLATION - REFERENCE CHART (FRAME)	H
	1001215290	Ref	DECAL INSTALLATION - FRAME	B
101	1701499	6	Decal - No Lift	
102	1701529	2	Decal - Arrow	
103	1702300	4	Decal - Tie Down	
104	See Note	NSS	Decal - Bar Code (Note: Not Available for Purchase)	
105	1001215285	1	Decal - Machine Motion Hazard	
107	3572044	1	Plate, Decal Mounting (Prior to SN 0300227267)	
107	1001093553	1	Plate, Decal Mounting (SN 0300227267 to Present)	
108	3820001	5	Rivet	
109	1701500	2	Decal - Lift	

SECTION 9 - DECALS

FIGURE 9-3. DECAL INSTALLATION - CE SPEC - 460SJC



ART_1001212213

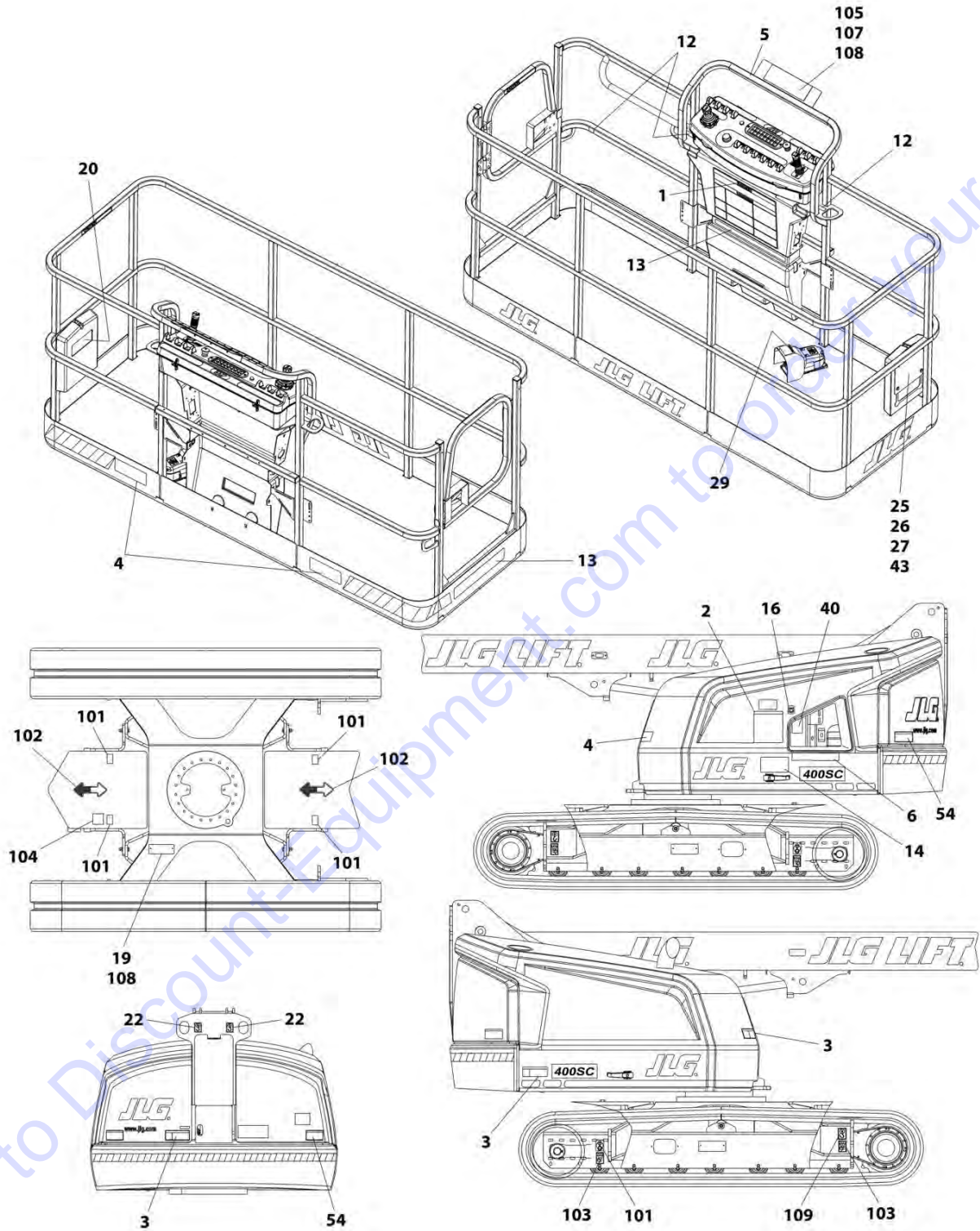
SECTION 9 - DECALS

FIGURE 9-3. DECAL INSTALLATION - CE SPEC - 460SJC

ITEM	PART NUMBER	QTY	DESCRIPTION	REV
	1001217213	Ref	DECAL INSTALLATION - REFERENCE CHART	A
	1001217488	Ref	DECAL INSTALLATION - REFERENCE CHART (TURNTABLE)	A
	1001217214	Ref	DECAL INSTALLATION - TURNTABLE	A
1	1705921	1	Decal - Tipping/Electrocution (Platform)	
2	1705822	1	Decal - Electrocution/Safety Manual	
3	1705961	3	Decal - Electrocution	
4	1701518	3	Decal - Warning Crushing	
8	1001159323	2	Decal - JLG 8 Black	
10	1702773	2	Decal - JLG 5	
12	1704277	3	Decal - Attach Lanyard Here	
13	1001171339	2	Decal - Capacity (Platform)	
14	1001171339	1	Decal - Capacity (Ground Control)	
15	1705084	1	Decal - Sound Power Level	
15	1001204510	1	Decal - Sound Power Level	
16	1701504	1	Decal - Hydraulic Oil	
20	1701509	1	Decal - Manual	
22	1701500	2	Decal - Lift	
25	0860520	1	Box, Manual Storage	
26	4751400	4	Washer 1/4	
27	3311405	4	Nut 1/4	
29	1705828	1	Decal - Footswitch	
40	1704412	1	Decal - Hydraulic Oil Chart	
43	0641406	4	Bolt 1/4 x 3/4	
46	1001197408	1	Decal - MSSO	
54	1701518	2	Decal - Warning Crushing	
	1001190872	Ref	DECAL INSTALLATION - REFERENCE CHART (FRAME)	H
	1001191076	Ref	DECAL INSTALLATION - FRAME	E
101	1701499	6	Decal - No Lift	
102	1701529	2	Decal - Arrow	
103	1702300	4	Decal - Tie Down	
104	See Note	NSS	Decal - Bar Code (Note: Not Available for Purchase)	
105	1001202228	1	Decal - Machine Motion Hazard	
107	3572044	1	Plate, Decal Mounting (Prior to SN 0300227267)	
107	1001093553	1	Plate, Decal Mounting (SN 0300227267 to Present)	
108	3820001	5	Rivet	
109	1701500	2	Decal - Lift	

SECTION 9 - DECALS

FIGURE 9-4. DECAL INSTALLATION - ANSI EXPORT - 460SJC (SN 0300224020 to Present)



ART_1001217201

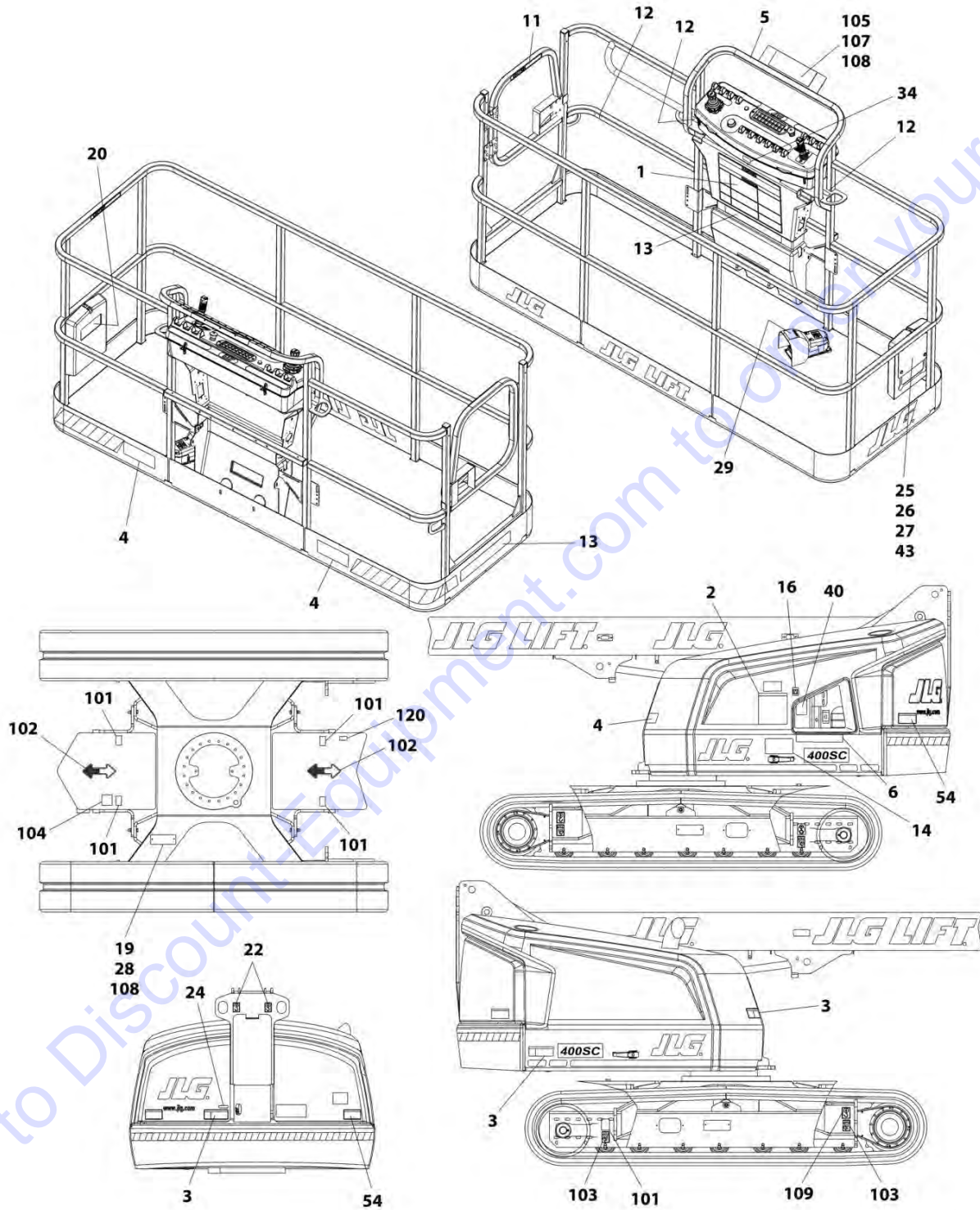
SECTION 9 - DECALS

FIGURE 9-4. DECAL INSTALLATION - ANSI EXPORT - 460SJC (SN 0300224020 to Present)

ITEM	PART NUMBER	QTY	DESCRIPTION	REV
	1001217201	Ref	DECAL INSTALLATION - REFERENCE CHART	A
	1001171545	Ref	DECAL INSTALLATION - REFERENCE CHART (TURNTABLE)	M
	1001217202	Ref	DECAL INSTALLATION - TURNTABLE	C
1	1703926	1	Decal - Danger/ Warning (Platform)	
2	1703932	1	Decal - Danger/ Warning (MTB)	
3	1703938	3	Decal - Electrocutation	
4	1703950	3	Decal - Crushing	
5	1001173262	1	Decal - Legend (Platform) (SN 0300224020 through 0300230009)	
5	1001225647	1	Decal - Legend (Platform) (SN 0300230010 to Present)	
6	1001174313	1	Decal - Legend (MTB)	
12	1704277	3	Decal - Attach Lanyard Here	
13	1001171343	2	Decal - Warning Dual Cap	
14	1001171343	1	Decal - Warning Dual Cap	
16	1701504	1	Decal - Hydraulic Oil	
19	1706948	1	Decal - Nameplate Manufacturers	
20	1701509	1	Decal - Manual	
22	1701500	2	Decal - Lift	
25	0860520	1	Box, Manual Storage	
26	4751400	4	Washer 1/4	
27	3311405	4	Nut 1/4	
29	1703980	1	Decal - Footswitch	
40	1704412	1	Decal - Hydraulic Oil Chart	
43	0641406	4	Bolt 1/4 x 3/4	
54	1703944	2	Decal - Warning Crushing	
	1001190872	Ref	DECAL INSTALLATION - REFERENCE CHART (FRAME)	H
	1001215290	Ref	DECAL INSTALLATION - FRAME	B
101	1701499	6	Decal - No Lift	
102	1701529	2	Decal - Arrow	
103	1702300	4	Decal - Tie Down	
104	See Note	NSS	Decal - Bar Code (Note: Not Available for Purchase)	
105	1001215285	1	Decal - Machine Motion Hazard	
107	3572044	1	Plate, Decal Mounting (Prior to SN 0300227267)	
107	1001093553	1	Plate, Decal Mounting (SN 0300227267 to Present)	
108	3820001	5	Rivet	
109	1701500	2	Decal - Lift	

SECTION 9 - DECALS

FIGURE 9-5. DECAL INSTALLATION - ANSI AND ANSI EXPORT SPECS - 400SC (SN 0300234013 to Present)



ART_1001227660

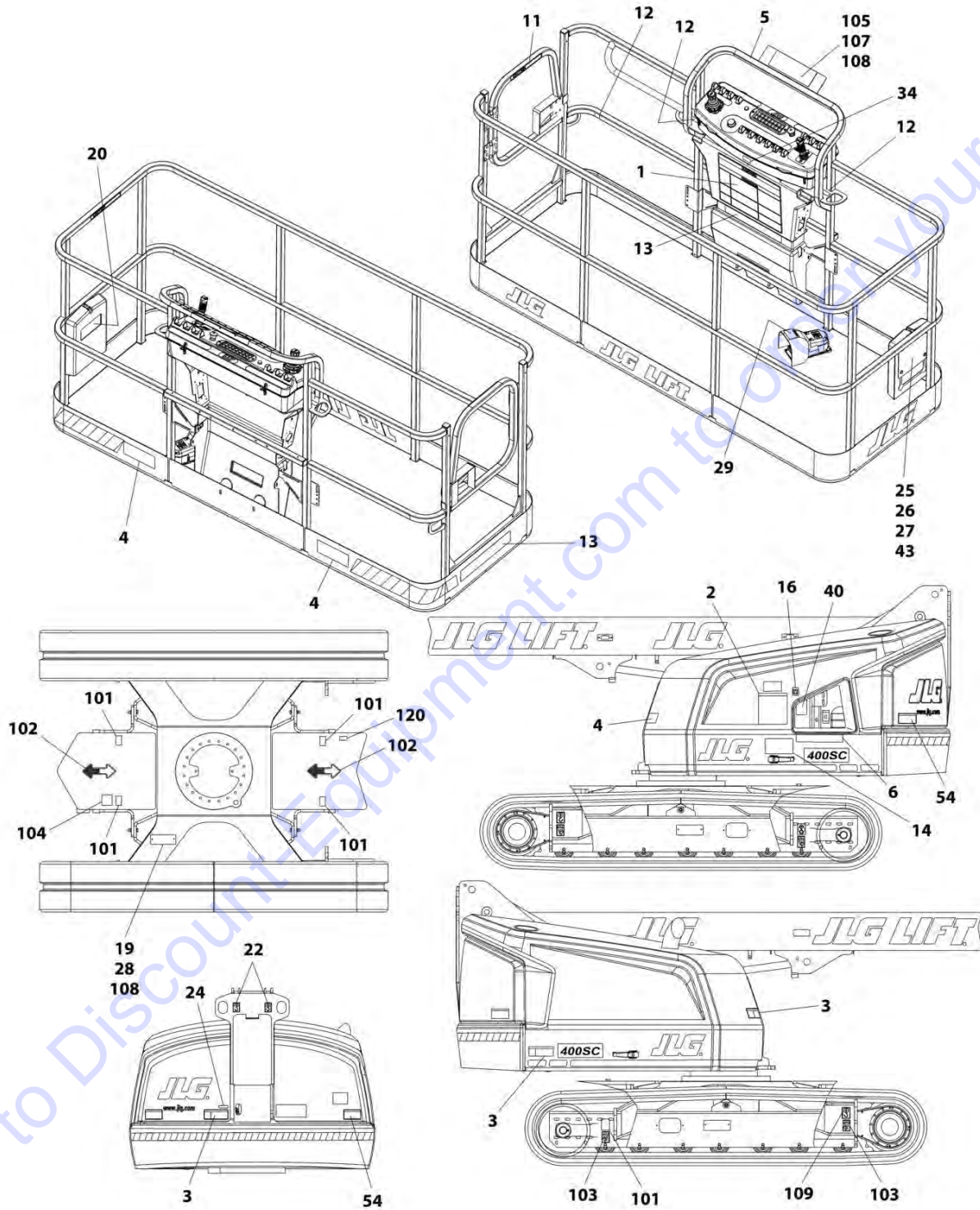
SECTION 9 - DECALS

FIGURE 9-5. DECAL INSTALLATION - ANSI AND ANSI EXPORT SPECS - 400SC (SN 0300234013 to Present)

ITEM	PART NUMBER	QTY	DESCRIPTION	REV
	1001227660	Ref	DECAL INSTALLATION - REFERENCE CHART	A
	1001171545	Ref	DECAL INSTALLATION - REFERENCE CHART (TURNTABLE)	M
	1001227663	Ref	DECAL INSTALLATION - TURNTABLE	A
1	1703797	1	Decal - Danger/Warning (Platform)	
2	1703798	1	Decal - Danger/Warning (MTB)	
3	1703805	3	Decal - Electrocutation	
4	1703804	3	Decal - Crushing	
5	1001225647	1	Decal - Legend (Platform)	
6	1001174313	1	Decal - Legend (MTB)	
11	1702868	2	Decal - No Hands	
12	1704277	3	Decal - Attach Lanyard Here	
13	1001171335	2	Decal - Capacity (Platform)	
14	1001171336	1	Decal - Capacity (Ground Control)	
16	1701504	1	Decal - Hydraulic Oil	
19	1706948	1	Decal - Nameplate Manufacturers	
20	1701509	1	Decal - Manual	
22	1701500	2	Decal - Lift	
24	3251243	1	Nameplate - 120V-60Hz	
25	0860520	1	Box, Manual Storage	
26	4751400	4	Washer 1/4	
27	3311405	4	Nut 1/4	
28	3820001	2	Rivet	
29	3252347	1	Decal - Footswitch	
34	1705514	1	CSA Spec Decals (English/French)	
40	1704412	1	Decal - Hydraulic Oil Chart	
43	0641406	4	Bolt 1/4 x 3/4	
54	1703953	2	Decal - Warning Crushing	
	1001190872	Ref	DECAL INSTALLATION - REFERENCE CHART (FRAME)	H
	1001227662	Ref	DECAL INSTALLATION - FRAME	B
101	1701499	6	Decal - No Lift	
102	1701529	2	Decal - Arrow	
103	1702300	4	Decal - Tie Down	
104	See Note	NSS	Decal - Bar Code (Note: Not Available for Purchase)	
105	1704468	1	Decal - Motion Hazard	
107	1001093553	1	Plate, Decal Mounting	
108	3820001	5	Rivet	
109	1701500	2	Decal - Lift	
120	1001223453	1	Decal - ICES (SN 0300239154 to Present)	

SECTION 9 - DECALS

FIGURE 9-6. DECAL INSTALLATION - ANSI AND ANSI EXPORT SPECS - 460SJC (SN 0300234013 to Present)



ART_1001227661

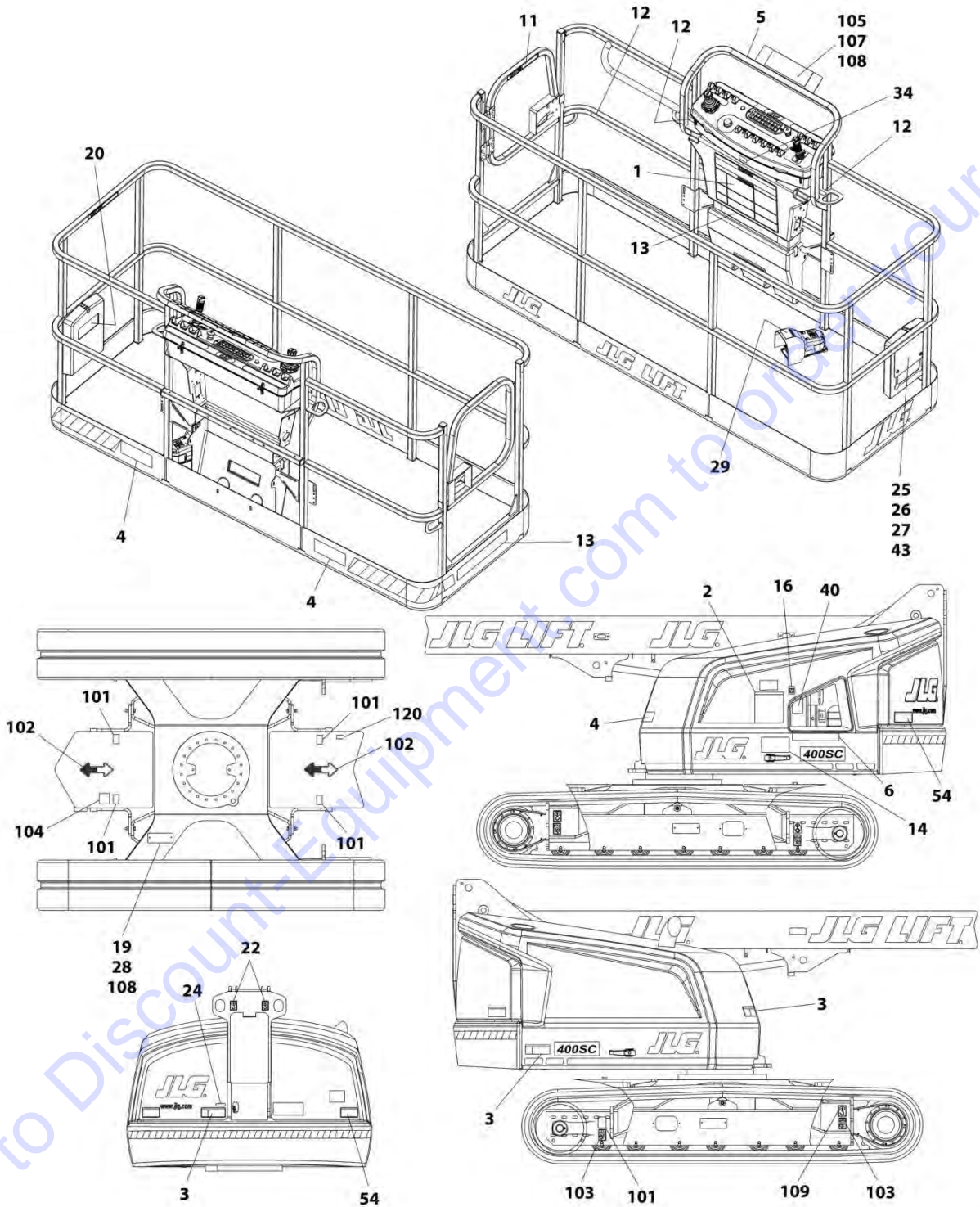
SECTION 9 - DECALS

FIGURE 9-6. DECAL INSTALLATION - ANSI AND ANSI EXPORT SPECS - 460SJC (SN 0300234013 to Present)

ITEM	PART NUMBER	QTY	DESCRIPTION	REV
	1001227661	Ref	DECAL INSTALLATION - REFERENCE CHART	A
	1001171545	Ref	DECAL INSTALLATION - REFERENCE CHART (TURNTABLE)	M
	1001227664	Ref	DECAL INSTALLATION - TURNTABLE	A
1	1703797	1	Decal - Danger/Warning (Platform)	
2	1703798	1	Decal - Danger/Warning (MTB)	
3	1703805	3	Decal - Electrocutation	
4	1703804	3	Decal - Crushing	
5	1001225647	1	Decal - Legend (Platform)	
6	1001174313	1	Decal - Legend (MTB)	
11	1702868	2	Decal - No Hands	
12	1704277	3	Decal - Attach Lanyard Here	
13	1001171337	2	Decal - Capacity (Platform)	
14	1001171337	1	Decal - Capacity (Ground Control)	
16	1705104	1	Decal - Hydraulic Oil	
19	1706948	1	Decal - Nameplate Manufacturers	
20	1701509	1	Decal - Manual	
22	1701500	2	Decal - Lift	
24	3251243	1	Nameplate - 120V-60Hz	
25	0860520	1	Box, Manual Storage	
26	4751400	4	Washer 1/4	
27	3311405	4	Nut 1/4	
28	3820001	2	Rivet	
29	3252347	1	Decal - Footswitch	
34	1705514	1	CSA Spec Decals (English/French)	
40	1704412	1	Decal - Hydraulic Oil Chart	
43	0641406	4	Bolt 1/4 x 3/4	
54	1703953	2	Decal - Warning Crushing	
	1001190872	Ref	DECAL INSTALLATION - REFERENCE CHART (FRAME)	H
	1001227662	Ref	DECAL INSTALLATION - FRAME	B
101	1701499	6	Decal - No Lift	
102	1701529	2	Decal - Arrow	
103	1702300	4	Decal - Tie Down	
104	See Note	NSS	Decal - Bar Code (Note: Not Available for Purchase)	
105	1704468	1	Decal - Motion Hazard	
107	1001093553	1	Plate, Decal Mounting	
108	3820001	5	Rivet	
109	1701500	2	Decal - Lift	
120	1001223453	1	Decal - ICES (SN 0300239154 to Present)	

SECTION 9 - DECALS

FIGURE 9-7. DECAL INSTALLATION - CSA SPEC - 400SC (SN 0300234013 to Present)



ART_1001227691

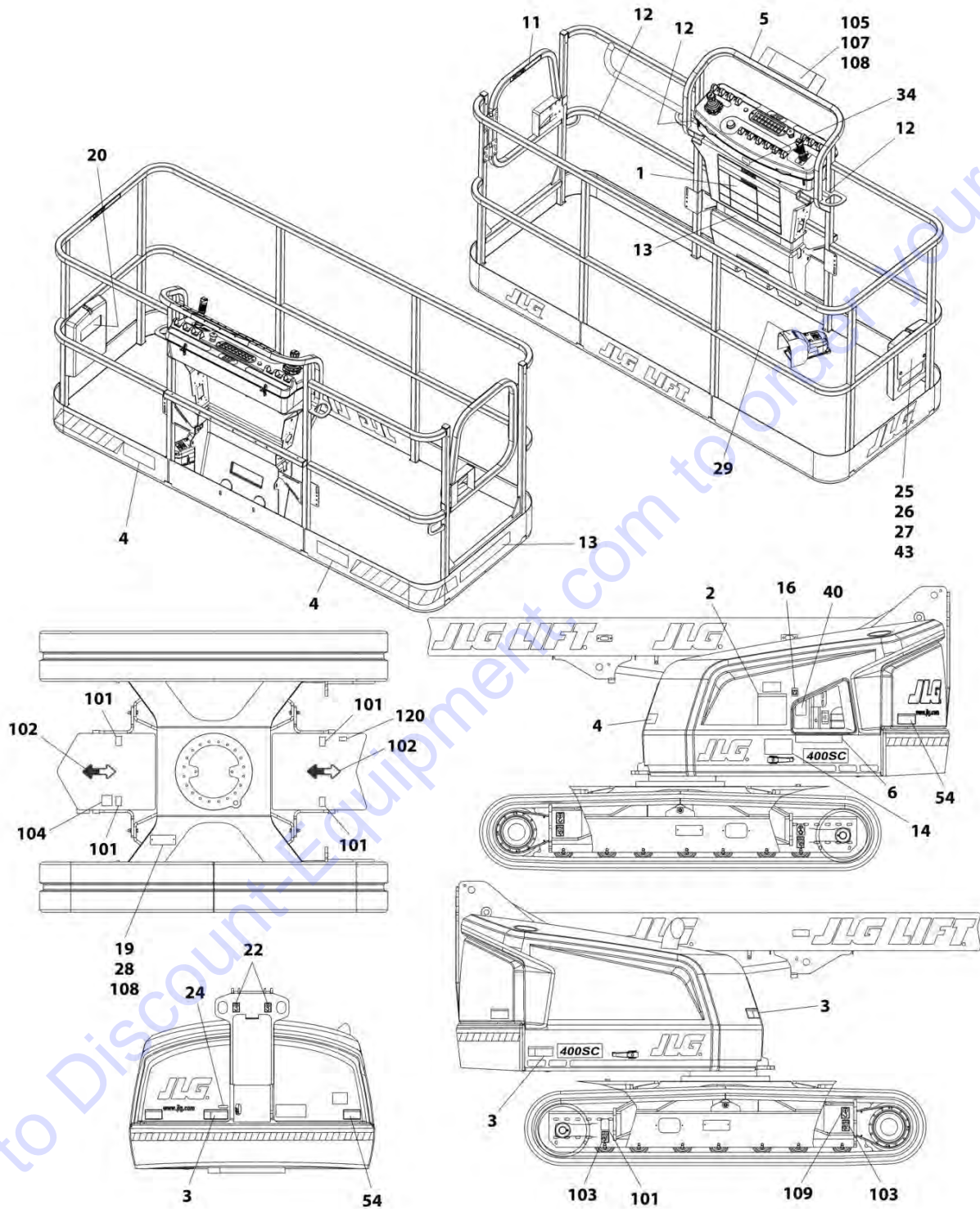
SECTION 9 - DECALS

FIGURE 9-7. DECAL INSTALLATION - CSA SPEC - 400SC (SN 0300234013 to Present)

ITEM	PART NUMBER	QTY	DESCRIPTION	REV
	1001227691	Ref	DECAL INSTALLATION - REFERENCE CHART	A
	1001171545	Ref	DECAL INSTALLATION - REFERENCE CHART (TURNTABLE)	M
	1001227696	Ref	DECAL INSTALLATION - TURNTABLE	A
1	1703924	1	Decal - Danger/Warning (Platform)	
2	1703930	1	Decal - Danger/Warning (MTB)	
3	1703936	3	Decal - Electrocutation	
4	1703948	3	Decal - Warning Crushing	
5	1001225647	1	Decal - Legend (Platform)	
6	1001174313	1	Decal - Legend (MTB)	
11	1704000	2	Decal - No Hands	
12	1704277	3	Decal - Attach Lanyard Here	
13	1001171351	2	Decal - Capacity (Platform)	
14	1001171352	2	Decal - Capacity (Ground Control)	
16	1701504	1	Decal - Hydraulic Oil	
19	1706948	1	Decal - Nameplate Manufacturers	
20	1701509	1	Decal - Manual	
22	1701500	2	Decal - Lift	
24	3251243	1	Nameplate - 120V-60Hz	
25	0860520	1	Box, Manual Storage	
26	4751400	4	Washer 1/4	
27	3311405	4	Nut 1/4	
28	3820001	2	Rivet	
29	1703984	1	Decal - Footswitch	
34	1705514	1	Decal - CSA	
40	1704412	1	Decal - Hydraulic Oil Chart	
43	0641406	4	Bolt 1/4 x 3/4	
54	1703942	2	Decal - Warning Crushing	
	1001190872	Ref	DECAL INSTALLATION - REFERENCE CHART (FRAME)	H
	1001227695	Ref	DECAL INSTALLATION - FRAME	B
101	1701499	6	Decal - No Lift	
102	1701529	2	Decal - Arrow	
103	1702300	4	Decal - Tie Down	
104	See Note	NSS	Decal - Bar Code (Note: Not Available for Purchase)	
105	1001093684	1	Decal - Machine Motion Hazard	
107	1001093553	1	Plate, Decal Mounting	
108	3820001	5	Rivet	
109	1701500	2	Decal - Lift	
120	1001223453	1	Decal - ICES (SN 0300239154 to Present)	

SECTION 9 - DECALS

FIGURE 9-8. DECAL INSTALLATION - CSA SPEC - 460SJC (SN 0300234013 to Present)



ART_1001227692

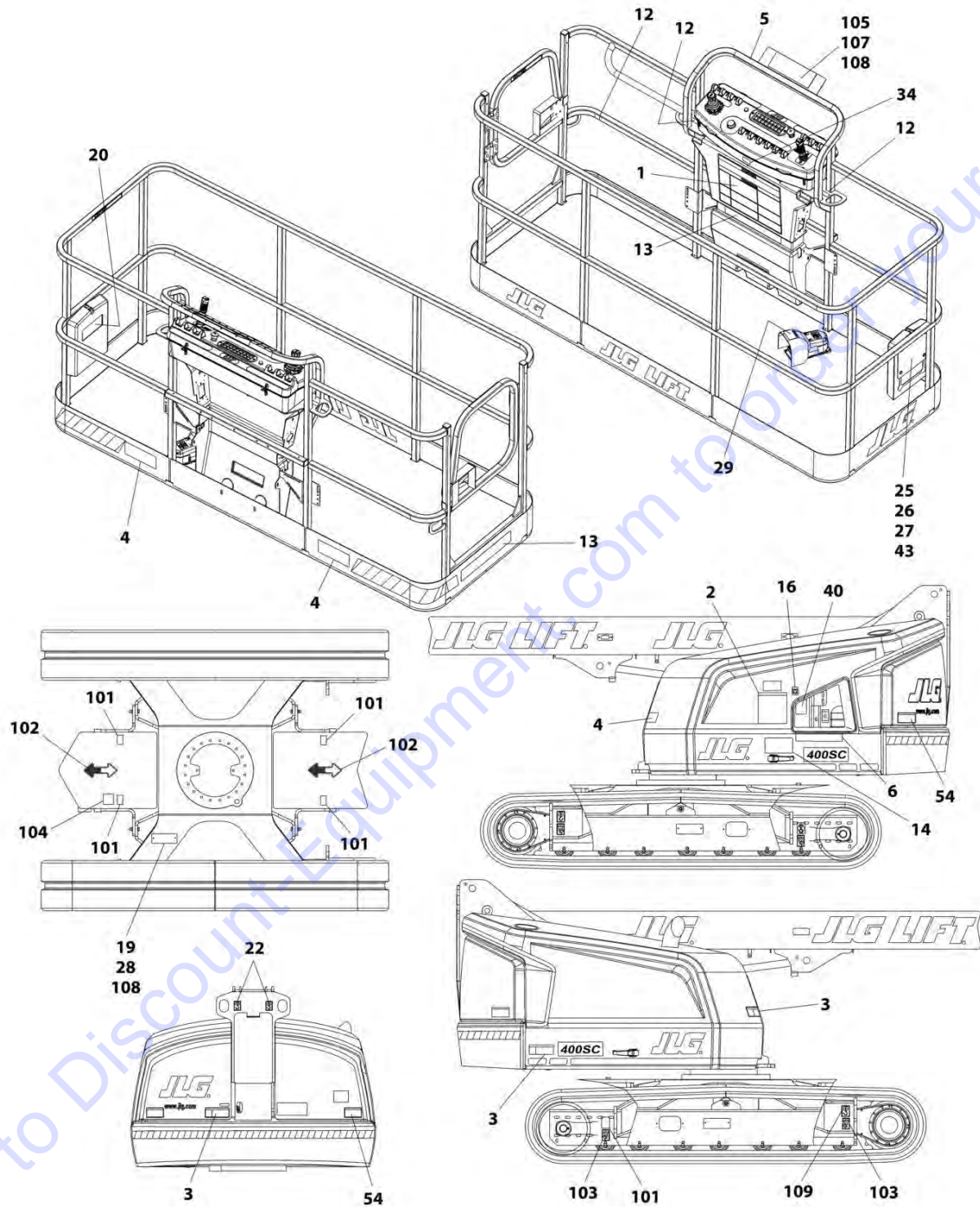
SECTION 9 - DECALS

FIGURE 9-8. DECAL INSTALLATION - CSA SPEC - 460SJC (SN 0300234013 to Present)

ITEM	PART NUMBER	QTY	DESCRIPTION	REV
	1001227692	Ref	DECAL INSTALLATION - REFERENCE CHART	A
	1001171545	Ref	DECAL INSTALLATION - REFERENCE CHART (TURNTABLE)	M
	1001227697	Ref	DECAL INSTALLATION - TURNTABLE	A
1	1703924	1	Decal - Danger/Warning (Platform)	
2	1703930	1	Decal - Danger/Warning (MTB)	
3	1703936	3	Decal - Electrocutation	
4	1703948	3	Decal - Warning Crushing	
5	1001225647	1	Decal - Legend (Platform)	
6	1001174313	1	Decal - Legend (MTB)	
11	1704000	2	Decal - No Hands	
12	1704277	3	Decal - Attach Lanyard Here	
13	1001171353	2	Decal - Capacity (Platform)	
14	1001171353	1	Decal - Capacity (Ground Control)	
16	1701504	1	Decal - Hydraulic Oil	
19	1706948	1	Decal - Nameplate Manufacturers	
20	1701509	1	Decal - Manual	
22	1701500	2	Decal - Lift	
24	3251243	1	Nameplate - 120V-60Hz	
25	0860520	1	Box, Manual Storage	
26	4751400	4	Washer 1/4	
27	3311405	4	Nut 1/4	
28	3820001	2	Rivet	
29	1703984	1	Decal - Nameplate Manufacturers	
34	1705514	1	Decal - CSA	
40	1704412	1	Decal - Hydraulic Oil Chart	
43	0641406	4	Bolt 1/4 x 3/4	
54	1703942	2	Decal - Warning Crushing	
	1001190872	Ref	DECAL INSTALLATION - REFERENCE CHART (FRAME)	H
	1001227695	Ref	DECAL INSTALLATION - FRAME	B
101	1701499	6	Decal - No Lift	
102	1701529	2	Decal - Arrow	
103	1702300	4	Decal - Tie Down	
104	See Note	NSS	Decal - Bar Code (Note: Not Available for Purchase)	
105	1001093684	1	Decal - Machine Motion Hazard	
107	1001093553	1	Plate, Decal Mounting	
108	3820001	5	Rivet	
109	1701500	2	Decal - Lift	
120	1001223453	1	Decal - ICES (SN 0300239154 to Present)	

SECTION 9 - DECALS

FIGURE 9-9. DECAL INSTALLATION - ANSI EXPORT SPEC - 400SC (SN 0300234013 to Present)



ART_1001227693

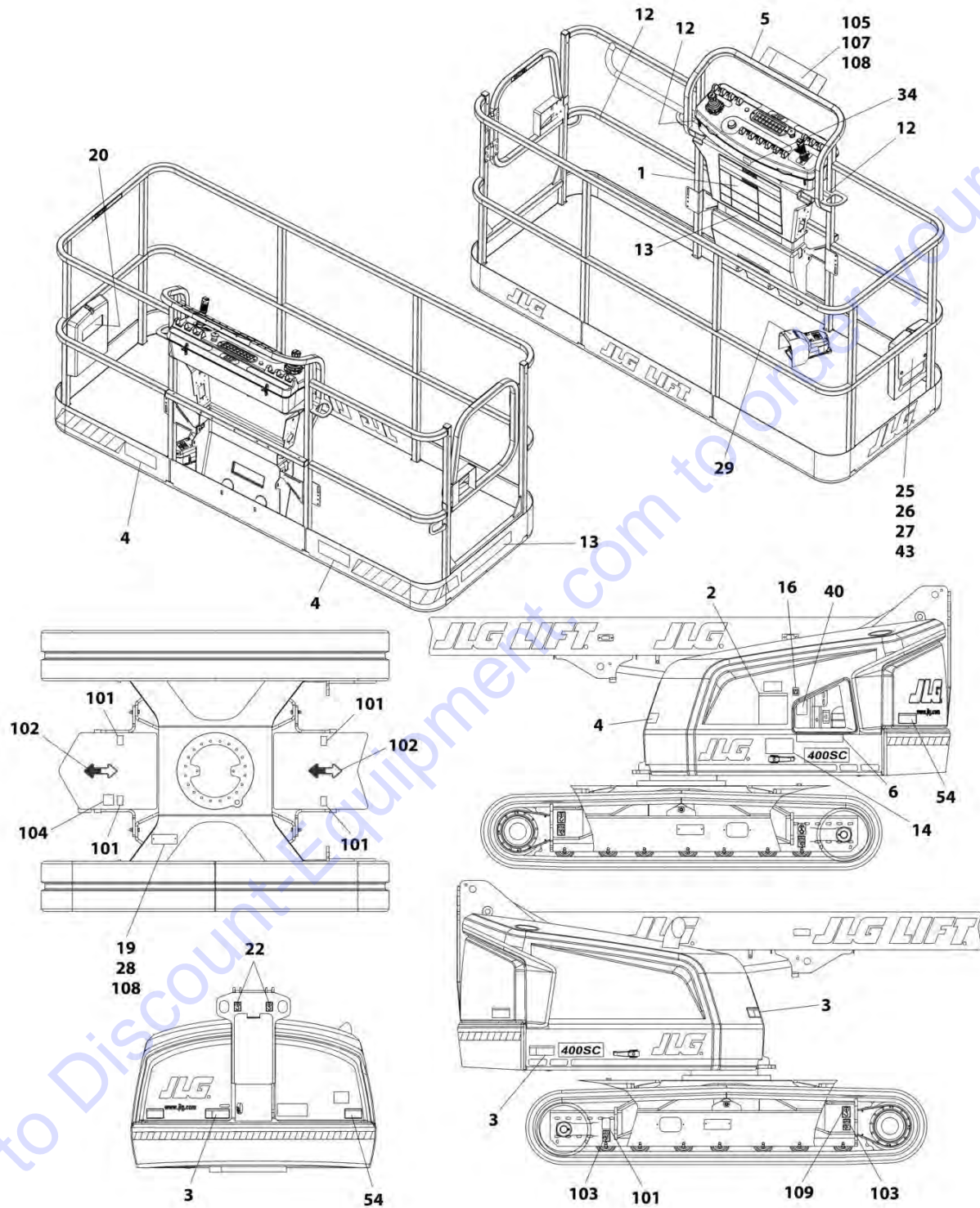
SECTION 9 - DECALS

FIGURE 9-9. DECAL INSTALLATION - ANSI EXPORT SPEC - 400SC (SN 0300234013 to Present)

ITEM	PART NUMBER	QTY	DESCRIPTION	REV
	1001227693	Ref	DECAL INSTALLATION - REFERENCE CHART	A
	1001171545	Ref	DECAL INSTALLATION - REFERENCE CHART (TURNTABLE)	M
	1001227699	Ref	DECAL INSTALLATION - TURNTABLE	A
1	1703927	1	Decal - Danger/Warning (Platform)	
2	1703933	1	Decal - Danger/Warning (MTB)	
3	1703939	3	Decal - Danger/Electrocution	
4	1703951	3	Decal - Warning Crushing	
5	1001225647	1	Decal - Legend (Platform)	
6	1001174313	1	Decal - Legend (MTB)	
12	1704277	3	Decal - Attach Lanyard Here	
13	1001171345	2	Decal - Capacity (Platform)	
14	1001171346	1	Decal - Capacity (Ground Control)	
16	1701504	1	Decal - Hydraulic Oil	
19	1706948	1	Decal - Nameplate Manufacturers	
20	1701509	1	Decal - Manual	
22	1701500	2	Decal - Lift	
25	0860520	1	Box, Manual Storage	
26	4751400	4	Washer 1/4	
27	3311405	4	Nut 1/4	
28	3820001	2	Rivet	
29	1703981	1	Decal - Footswitch	
34	1705514	1	CSA Spec Decals (English/French)	
40	1704412	1	Decal - Hydraulic Oil Chart	
43	0641406	4	Bolt 1/4 x 3/4	
54	1703945	2	Korean Spec Decals (Korean/English)	
	1001190872	Ref	DECAL INSTALLATION - REFERENCE CHART (FRAME)	H
	1001227698	Ref	DECAL INSTALLATION - FRAME	A
101	1701499	6	Decal - No Lift	
102	1701529	2	Decal - Arrow	
103	1702300	4	Decal - Tie Down	
104	See Note	NSS	Decal - Bar Code (Note: Not Available for Purchase)	
105	1001215286	1	Decal - Machine Motion Hazard	
107	1001093553	1	Plate, Decal Mounting	
108	3820001	5	Rivet	
109	1701500	2	Decal - Lift	

SECTION 9 - DECALS

FIGURE 9-10. DECAL INSTALLATION - ANSI EXPORT SPEC - 460SJC (SN 0300234013 to Present)



ART_1001227694

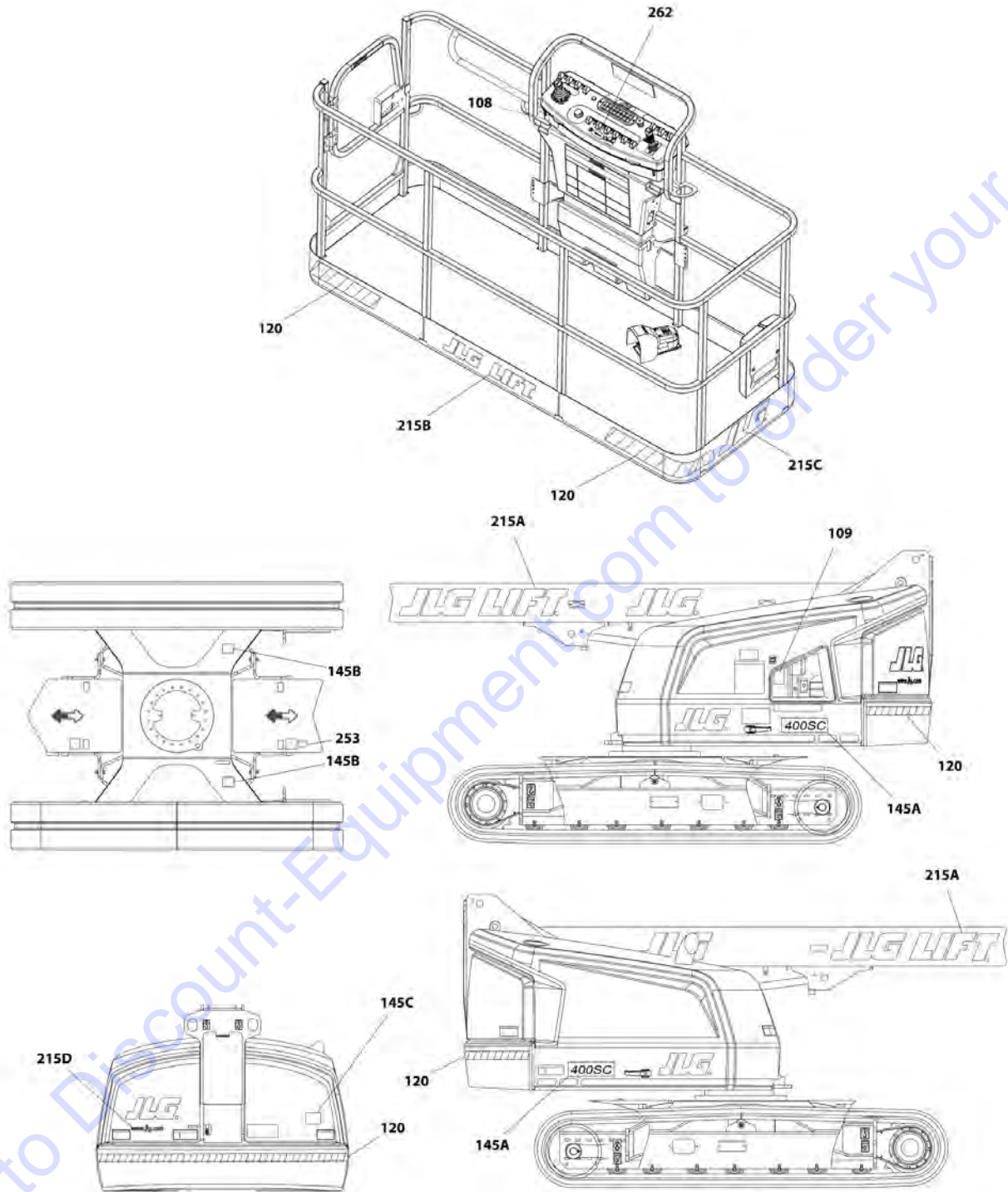
SECTION 9 - DECALS

FIGURE 9-10. DECAL INSTALLATION - ANSI EXPORT SPEC - 460SJC (SN 0300234013 to Present)

ITEM	PART NUMBER	QTY	DESCRIPTION	REV
	1001227694	Ref	DECAL INSTALLATION - REFERENCE CHART	A
	1001171545	Ref	DECAL INSTALLATION - REFERENCE CHART (TURNTABLE)	M
	1001227700	Ref	DECAL INSTALLATION - TURNTABLE	A
1	1703927	1	Decal - Danger/Warning (Platform)	
2	1703933	1	Decal - Danger/Warning (MTB)	
3	1703939	3	Decal - Danger/Electrocution	
4	1703951	3	Decal - Warning Crushing	
5	1001225647	1	Decal - Legend (Platform)	
6	1001174313	1	Decal - Legend (MTB)	
12	1704277	3	Decal - Attach Lanyard Here	
13	1001171347	2	Decal - Capacity (Platform)	
14	1001171347	1	Decal - Capacity (Ground Control)	
16	1701504	1	Decal - Hydraulic Oil	
19	1706948	1	Decal - Nameplate Manufacturers	
20	1701509	1	Decal - Manual	
22	1701500	2	Decal - Lift	
25	0860520	1	Box, Manual Storage	
26	4751400	4	Washer 1/4	
27	3311405	4	Nut 1/4	
28	3820001	2	Rivet	
29	1703981	1	Decal - Footswitch	
34	1705514	1	CSA Spec Decals (English/French)	
40	1704412	1	Decal - Hydraulic Oil Chart	
43	0641406	4	Bolt 1/4 x 3/4	
54	1703945	2	Korean Spec Decals (Korean/English)	
	1001190872	Ref	DECAL INSTALLATION - REFERENCE CHART (FRAME)	H
	1001227698	Ref	DECAL INSTALLATION - FRAME	A
101	1701499	6	Decal - No Lift	
102	1701529	2	Decal - Arrow	
103	1702300	4	Decal - Tie Down	
104	See Note	NSS	Decal - Bar Code (Note: Not Available for Purchase)	
105	1001215286	1	Decal - Machine Motion Hazard	
107	1001093553	1	Plate, Decal Mounting	
108	3820001	5	Rivet	
109	1701500	2	Decal - Lift	

SECTION 9 - DECALS

FIGURE 9-11. DECAL INSTALLATION - OPTIONS



ART_DECAL_OPTIONS

SECTION 9 - DECALS

FIGURE 9-11. DECAL INSTALLATION - OPTIONS

ITEM	PART NUMBER	QTY	DESCRIPTION	REV
	1001171545	Ref	DECAL INSTALLATION - REFERENCE CHART (TURNTABLE) (CE Specs Only) (Prior to SN 0300221466)	G
	1001217488	Ref	DECAL INSTALLATION - REFERENCE CHART (TURNTABLE) (CE Specs Only) (SN 0300221466 to Present)	A
	1001171545	Ref	DECAL INSTALLATION - REFERENCE CHART (TURNTABLE)	M
	1001190872	Ref	DECAL INSTALLATION - REFERENCE CHART (FRAME)	H
	1001192020	1	DECAL INSTALLATION - OPTIONS	
108	1001231801	1	Decal - Proposition 65 (Diesel Machines) (SN 0300246703 to Present)	
108	1001236338	1	Decal - Proposition 65 (Gas Machines) (SN 0300246703 through 0300257352)	
109	1702788	1	Decal - Biodegradable Hydraulic Fluid	
109	1703479	1	Decal - Biodegradable Hydraulic Fluid	
109	1704174	1	Decal - SYN Biodegradable Hydraulic Fluid	
109	1704175	1	Decal - SYN Biodegradable Hydraulic Fluid (German Spec)	
120	1001178415	Ref	Warning Strip Installation (CE Specs)	A
120	4420051	14.5 ft /4.42m	Tape, Safety	
145	1001190871	Ref	Decal - Model Designation - 400SC (Not Shown)	B
145	1001217211	Ref	Decal - Model Designation - 460SJC (Not Shown)	A
145A	1001190874	2	Decal - 400SC	
145A	1001217208	2	Decal - 460SJC	
145B	1001201127	2	Decal - Max Track Load - 400SC	
145B	1001217210	2	Decal - Max Track Load - 460SJC	
145C	1001190876	1	Decal - Lift Diagram - 400SC	
145C	1001217209	1	Decal - Lift Diagram - 460SJC	
205	See Note	1	Nameplate - Serial Number (Not Shown) (Note: Not Available for Purchase)	
215	1001178433	Ref	Decal Installation - JLG Logo (Not Shown) (Prior to SN 0300223710)	A
215A	1702861	2	Decal - JLG Lift	
215B	1702774	1	Decal - JLG Lift	
215C	1702773	1	Decal - JLG	
215D	1704885	1	Decal - Website	
226	1706098	1	Decal - Warning Explosion/Fire (CE Specs) (Not Shown)	
226	1706062	1	Decal - Warning Explosion/Fire (ANSI Export Specs) (Not Shown) (SN 0300224020 to Present)	
253	1001143852	1	Decal - Emission Compliance	
262	1001141300	1	Decal - SkyGuard Override	
262	1001141302	1	Decal - SkyGuard/Soft Touch Override	

SECTION 10 - RECOMMENDED SERVICE PARTS STOCK

SECTION 10 - RECOMMENDED SERVICE PARTS STOCK

Go to Discount-Equipment.com to order your parts

SECTION 10 - RECOMMENDED SERVICE PARTS STOCK

FIGURE 10-1. RECOMMENDED SERVICE PARTS STOCK

ITEM	PART NUMBER	QTY	DESCRIPTION	REV
		Ref	Note: The following list will service one machine (built to current production per date on the front cover) with emergency repair parts which can be installed in the field. Parts from the list should be replaced when inventory is depleted to keep service parts stock supplied. For further information, go to Discount-equipment.com.	
		Ref	STANDARD PARTS	
	70002386	1	Coil	
	70003788	1	Coil	
	70005219	1	Coil	
	70001977	1	Coil	
	1600359	1	Controller Assembly (Drive and Steer)	
	1001166539	1	Controller Assembly (Lift and Swing)	
	70010383	1	Element, Filter Charge Pump (Includes O-Ring)	
	70002838	1	Fill Cap Assembly (Includes Cap, Chain and Fill Basket)	
	70003614	1	Filter Kit (Includes Hydraulic Element, Breather Element and Gasket)	
	3740067	1	Relay	
	3740140	1	Relay	
	2860030	1	Key, Replacement	
	4360328	1	Switch, Toggle	
	4360387	1	Switch, Push Button	
	4360475	1	Switch, Emergency Stop	
	4360476	1	Switch, Contact Block	
	4360407	1	Switch, Potentiometer	
	1001155045	1	Switch, Toggle	
	1001159256	1	Switch, Toggle	
	1001161709	1	Switch, Toggle	
	1001161710	1	Switch, Toggle	
		Ref	VARIABLE PARTS	
	1001181045	1	Breaker, 30mA/16Amp	
	70003783	12	Element, Air Cleaner (Deutz 2.3L3 Engines)	
	7016331	12	Filter, Oil (Deutz Engines)	
	7020023	12	Filter, Fuel (Deutz 2.3L3 Engines)	
	70003463	12	Filter, Fuel - RME Resistant (Deutz 2.3L3 Engines)	
	2940074	1	Latch (Machines with Gate)	
	1001170094	1	Module, Ground Control	
	1001157196	1	Module, Platform Control	
	1001186431	1	Relay, Micro 35Amp (Machines with SkyGuard)	
	4360057	1	Switch, Limit (Soft Touch Option)	
	4360387	1	Switch, Toggle (Soft Touch Option)	
	1001137673	1	Switch, SkyGuard Assembly	

SECTION 11 - SPECIAL OPTIONS

Go to Discount-Equipment.com to order your parts

SECTION 11 - SPECIAL OPTIONS

FIGURE 11-1. SPECIAL OPTIONS

ITEM	PART NUMBER	QTY	DESCRIPTION	REV
		Ref	Note: This list is to accommodate machines ordered with special equipment. Options may not be applicable to all models. For more specific parts information go to Discount-equipment.com.	
		Ref	MISCELLANEOUS SPECIAL OPTIONS	
	1001173606	Ref	Airline Installation - 400SC (Prior to SN 0300223710)	
	1001174347	Ref	Airline Installation - 400SC (SN 0300223710 to Present)	
	1001174348	Ref	Airline Installation - 460SJC	
	1001204996	Ref	Arctic Package with SkyPower Installation Kit	
	1001204997	Ref	Arctic Package without SkyPower Installation Kit	
	1001209618	Ref	Alarm White Noise Installation	
	1001171499	Ref	Boom and Chassis Bellows Installation (400SC only) (Prior to SN 0300246703)	
	1001236541	Ref	Boom and Chassis Bellows Installation (400SC Only) (SN 0300246703 to Present)	
	1001171500	Ref	Boom and Chassis Bellows Installation (460SJC Only) (Prior to SN 0300246703)	
	1001236540	Ref	Boom and Chassis Bellows Installation (460SJC Only) (SN 0300246703 to Present)	
	1001234099	Ref	Boom Kit - Telematics (CE Specs)	
	1001206437	Ref	Boom Wear Pad Kit	
	1001172630	Ref	Boom Wiper Installation	
	1001173600	Ref	Cables and Clamps Installation - SkyPower (400SC Only)	
	1001173605	Ref	Cables and Clamps Installation - SkyPower (460SJC Only)	
	1001183206	Ref	Cold Weather Package (Deutz T4F Engine) (ANSI, ANSI Export and CSA Specs) (SN 0300224020 to Present)	
	1001183207	Ref	Cold Weather Package (Deutz T4i Engine) (ANSI Export Spec)	
	1001227453	Ref	ClearSky Installation Canbus (ANSI and CSA Specs)	
	1001228955	Ref	ClearSky Installation Canbus (ANSI Export and CE Specs) (SN 0300237337 to Present)	
	1001229107	Ref	ClearSky Installation 3-Wire (ANSI and CSA Specs)	
	1001233237	Ref	ClearSky Installation 3-Wire (ANSI Export and CE Specs) (SN 0300237337 to Present)	
	1001178435	Ref	Decal - ClearSky	
	1704000	Ref	Decal - No Hands (English and French Dual Language) (Used with Mesh to Top Rail Platform)	
	1001199862	Ref	Decal - Sunbelt Rentals Installation	
	1001178419	Ref	Decal - United Rentals Installation	
	1001231177	Ref	Decal - Herc Rentals Installation	
	1001178420	Ref	Decal - Hertz Rentals Installation	
	1001231178	Ref	Decal - Hertz Rentals Installation (Canada)	
	1001178421	Ref	Decal - National Equipment Services (NES)	
	1001178424	Ref	Decal - Head and Engquist Equipment L.L.C (H&E)	
	1001178426	Ref	Decal - Leavitt Installation	
	1001178428	Ref	Decal - Hewitt The Rental Store Installation (English Spec)	
	1001178429	Ref	Decal - Hewitt The Rental Store Installation (French Spec)	
	1001178430	Ref	Decal - Titan Rentals Installation	
	1001196717	Ref	Decal - Blueline Rentals Installation	
	1001196610	Ref	Decal - Ahern Rentals Installation	
	1001178431	Ref	Decal - Boels Rentals Installation	
	1001218717	Ref	Decal - Riwal Installation	
	0272589	Ref	Decal - SkyPower (50Hz)	

SECTION 11 - SPECIAL OPTIONS

ITEM	PART NUMBER	QTY	DESCRIPTION	REV
	1001246867	Ref	Enhanced Detection System (EDS) Level 1 (2 Bar) Installation Kit	
	1001246860	Ref	Enhanced Detection System (EDS) Level 2 (3 Bar) Installation Kit	
	1001148902	Ref	Electrical Connector Kit - Amp/Tyco Electrical Connectors	
	1001148903	Ref	Electrical Connector Kit - Deutsch DT Electrical Connectors	
	1001148904	Ref	Electrical Connector Kit - Deutsch HD Electrical Connectors	
	1001148905	Ref	Electrical Connector Kit - Packard Electrical Connectors	
	1001148906	Ref	Electrical Connector Kit - Various Electrical Connectors	
	1001172751	Ref	Fan Cover Installation - Deutz D2.9L4 Engines (ANSI Export Specs) (SN 0300224020 to Present)	
	1001204482	Ref	Filter Kit - Combined (Hydraulic Oil/Air & Engine Air/Fuel Oil) (Deutz)	
	1001117294	Ref	Footswitch Shield Installation	
	1001173984	Ref	Generator Installation - 4000W/50Hz	
	1001219794	Ref	Hose / Cable Protection	
	1001202941	Ref	Hose Kit - Boom (Prior to SN 0300248163)	
	1001202942	Ref	Hose Kit - Boom (SN 0300248163 to Present)	
	1001202940	Ref	Hose Kit - Boom (Upper)	
	1001210251	Ref	Hose Kit - Chassis	
	1001206439	Ref	Hose Kit - Power Track (Upper)	
	1001210254	Ref	Hose Kit - SC Engine	
	1001210253	Ref	Hose Kit - SC Swivel	
	1001210252	Ref	Hose Kit - SC Tank	
	1001202946	Ref	Hose Kit - Turntable	
	2300014	Ref	Hydraulic Fluid - Mobil #424	
	2300016	Ref	Hydraulic Fluid - Mobil DTE 13	
	2300021	Ref	Hydraulic Fluid - Union Carbide Ucon Hydrolube HP-5046D (Fire Resistant)	
	2300027	Ref	Hydraulic Fluid - Mobil EAL 224H Bio	
	2300029	Ref	Hydraulic Fluid - Mobil EAL Envirosyn H46 Bio	
	1001174925	Ref	Lights Installation - Headlights and Taillights	
	1001174926	Ref	Light Installation - Illumination	
	1001120466	Ref	Lights Installation - Platform Worklights	
	1001202749	Ref	Lockable Fuel Cap Cover - Black (SN 0300234013 to Present)	
	1001191395	Ref	Lockable Fuel Cap Cover - Green (ANSI, ANSI Export and CSA Specs) (SN 0300234013 to Present)	
	1001183407	Ref	Low Temperature Cutout Installation (Russian Specs)	
	0257728	Ref	Pipe Racks Installation	
	1001110974	Ref	Platform Cover Installation - Steel	
	1001195304	Ref	Platform Cover Installation - Steel	
	1580013	Ref	Platform Corner Storage Tray	
	0272733	Ref	Platform Rail Extension Installation - 36in x 72in Platforms	
	0272725	Ref	Platform Rail Extension Installation - 36in x 96in Platforms	
	1001194203	Ref	Receptacle Box Installation - 110V IEC Yellow (CE Spec)	
	1001194200	Ref	Receptacle Box Installation - 230V AFSINT 107 (CE Spec)	
	1001194197	Ref	Receptacle Box Installation - 230V CEE7 Post Ground (CE Spec)	
	1001194198	Ref	Receptacle Box Installation - 230V CEE7 Side Ground (CE Spec)	
	1001194204	Ref	Receptacle Box Installation - 230V IEC Blue (CE Spec)	
	1001194365	Ref	Receptacle Box with Cover Installation - 230V (ANSI Export Specs) (SN 0300224020 to Present)	
	1001171131	Ref	Receptacle with 240V GFI Installation - 4000W Generator	
	1001159121	Ref	Receptacle with 240V GFI Installation - 7500W Generator	
	1001213812	Ref	Rubber Carrier Track Installation Kit	

SECTION 11 - SPECIAL OPTIONS

ITEM	PART NUMBER	QTY	DESCRIPTION	REV
	1001213811	Ref	Rubber Excavator Track Installation Kit	
	1001247073	Ref	SkyEye Retrofit Kit	
	1001232643	Ref	SkyLine Kit	
	1001205673	Ref	Steel Track Installation	
	1001231235	Ref	Sky Welder Locking Bracket	
	1001210089	Ref	Telematics - Cat	
	1001228363	Ref	Telematics - Herc	
	1001209282	Ref	Telematics - Loxam	
	1001210090	Ref	Telematics - Riwal	
	1001195610	Ref	Telematics - United Rentals (M6)	
	1001210090	Ref	Telematics - United Rentals (M8)	
	2901443	Ref	Tools - Analyzer Kit	
	1001137005	Ref	Tools - Cable Kit, Software	
	7002821	Ref	Tools - Crimper, Wire	
	7002823	Ref	Tools - Pin Extractor - Universal (For Electrical Connectors with Pins and Sockets)	
	4460510	Ref	Tools - Pin Extractor - 12-14 Gauge (For Removal of Pin/Sockets from Deutsch Connectors)	
	4460467	Ref	Tools - Pin Extractor - 16-18 Gauge (For Removal of Pin/Sockets from Deutsch Connectors)	
	7016654	Ref	Tools - Screwdriver, Magnetic	
	7002822	Ref	Tools - Screwdriver, Potentiometer	
	7004275	Ref	Tools - Seal Tool 1in (For Cylinders)	
	7004276	Ref	Tools - Seal Tool 1-1/2in (For Cylinders)	
	7002828	Ref	Tools - Stripper, Wire	
	1001204397	Ref	Turntable Spacer Installation Kit	
	1001209059	Ref	Work Surface Installation (SN 0300234013 to Present)	

PART NUMBER INDEX

Go to Discount-Equipment.com to order your parts

PART NUMBER INDEX

0080231.....152, 182, 212	0440162... 147, 161, 175, 187, 207	0700614 147, 175, 207	0761014.. 89, 91, 93, 126, 134, 137, 139, 141, 168, 194, 251, 279, 311, 313, 315, 317, 319, 321, 323
0100009.....357, 361, 365	0440240 69, 71	0700620 99, 323	0761015..43, 45, 81, 147, 152, 161, 168, 175, 182, 187, 194, 207, 212, 251, 291, 293
0100011....43, 45, 77, 79, 81, 83, 85, 89, 91, 93, 126, 129, 131, 134, 137, 139, 147, 149, 152, 161, 165, 168, 175, 179, 182, 187, 191, 194, 207, 209, 212, 241, 243, 245, 247, 251, 255, 259, 263, 267, 271, 275, 279, 287, 289, 291, 293, 301, 303, 305, 307, 309, 311, 325, 327, 331, 339, 341, 343, 345, 347, 349, 351, 383, 385, 387, 395, 397, 399, 405, 419, 427, 429	04600004 203	0700817 ... 147, 161, 175, 187, 207	0761016....73, 89, 91, 93, 168, 194, 305
0100019....57, 59, 69, 71, 247, 251, 255, 259, 263, 267, 271, 275	04603585 203	0700818 ... 147, 175, 207, 247, 263, 267, 271, 275	0761018.....313, 317, 321
0100020....147, 152, 161, 168, 175, 182, 187, 194, 207, 212, 373, 455, 457, 459, 461, 463, 465, 467	0480122 279	0700821 ... 161, 187, 243, 245	0761019.....287, 289
0100035.....81, 365, 411, 413, 415	0480126 ... 255, 259, 267	0701017 161, 187	0761210.....168, 194
0100038....419, 427, 429	0480128 247, 275	0701018 81	0761212....168, 194, 263, 271
0100048....111, 247, 251, 255, 259, 263, 267, 271, 275, 279, 309	0561237 323	0701020 81, 291, 293	0761214....247, 251, 255, 259, 267, 275
0100071389	0630462 383	0701219 241	0761215.....79
0100079....247, 255, 259, 263, 267, 271, 275	0630518 ... 395, 397, 399	0701222 289	0761216.....307, 311
0100081....152, 168, 182, 194, 212, 313, 315, 317, 319, 321, 323, 357, 361, 391	0630534 419, 423	0701224 241	0761217.....287, 289
0140011....357, 361, 365	0630535 427, 429	0701225 77	0761218.....283, 285
0140043.....99	0630563 ... 313, 315, 317, 319, 321, 323	0701226 77, 79	0761227.....77
0200048.....383	0630568.... 357, 362, 365	0701618 57, 59	0761620.....57, 59
0257728.....585	0630613 126, 134	0701619 283, 285	0771212.....162, 188
0270022.....469	0641404 405	0711214 168, 194	0771414....152, 168, 182, 194, 212, 247, 251, 255, 259, 263, 267, 271, 275, 279
0272070.....307	0641405 ... 309, 357, 361, 365, 405	0711224 ... 152, 168, 182, 194, 212, 247, 251, 255, 259, 263, 267, 271, 275, 279	0840055.....515
0272254.....397	0641406 ... 353, 355, 381, 559, 561, 563, 565, 567, 569, 571, 573, 575, 577	0731005 81, 383	0860038....247, 263, 271, 275, 469
0272427.....383	0641407 309	0741606 168, 194	0860520....559, 561, 563, 565, 567, 569, 571, 573, 575, 577
0272435.....273	0641408 353, 355	0741607 ... 247, 255, 259, 263, 271	0861538.....271, 275
0272448.....397	0641409 411, 413, 415	0760408 111	0861572.....267
0272521.....395	0641410 ... 129, 131, 137, 139	0760415 305	0861731....529, 531, 533
0272588.....395	0641414 ... 357, 361, 365, 383, 385, 387, 389	0760606 ... 247, 255, 259, 263, 267, 271, 275	0861781.....521, 523
0272589.....269, 584	0641416 ... 309, 455, 457, 459, 461, 463, 465, 467, 491	0760607 153, 170, 196	0861880....493, 495, 497
0272725.....585	0641418 ... 321, 331, 341, 343, 345, 347, 349, 351	0760608 ... 134, 137, 139, 251, 279	0902751.....357, 361
0272733.....585	0641420 339	0760610 ... 83, 85, 89, 91, 93, 99, 129, 131, 147, 152, 161, 168, 175, 182, 187, 194, 207, 212, 237, 239, 247, 255, 259, 263, 267, 271, 275, 471	0902888....247, 263, 267, 271, 275
0273380.....277	0641504 ... 147, 161, 175, 187, 207, 317, 321	0760612 99	0902919.....309
0275216.....455, 521	0641507 251, 279	0760613 161, 187	0902920.....309
0275217.....457, 523	0641605 ... 313, 315, 319, 323	0760614 ... 129, 131, 137, 139, 153, 183, 213, 255, 259, 487, 489	0903484.....491
0275218.....459, 525	0641606 43, 45, 395, 397, 399	0760615 ... 115, 117, 121, 123	0940049..89, 91, 93, 126, 134
0275219.....461, 527	0641608 291, 293	0760619 440, 448	0940071.....126
0275452.....463, 529	0641610 353, 355	0760808 168, 194	0940102.....391
0275453.....465, 531	0641611 427, 429	0760810 ... 126, 134, 170, 196	0940103.....383
0275454.....467, 533	0641616 ... 247, 255, 259, 263, 267, 271, 275	0760812 ... 168, 194, 237, 239, 243, 248, 251, 256, 259, 264, 268, 272, 276, 279, 473	0961845....331, 339, 341, 343, 345, 347, 349, 351
0400075.....83, 85	0641772 251, 279	0760814 ... 152, 168, 182, 194, 212, 245	0961893.....419, 423
	0641812 ... 149, 165, 179, 191, 209, 307	0760815 ... 152, 170, 182, 196, 212	0961896.....427
	0641822 309	0760816 126, 134	0961897....411, 413, 415
	0641830 79	0761009 279, 301	0961947.....291, 293
	0642012 391	0761010 43, 45	0961950....287, 289, 411, 413, 415, 417
	0642024 309	0761012 83, 85, 126, 129, 131, 134, 287, 291, 293, 301	0961951....152, 168, 182, 194, 212, 287
	0642212 391		0962051.....241
	0642612 113, 119		0962335.....291, 293
	0642684 ... 307, 309, 311		
	0681608 ... 307, 309, 311		
	0682026 69, 71		
	0682028 71		
	0682034 69		
	0700408 ... 455, 457, 459, 461, 463, 465, 467		
	0700612 89, 93		

PART NUMBER INDEX

0962336 419, 421, 423	1001116727..... 503	1001133957..... 503	1001142938 504
0962348 289	1001116728..... 503, 538, 542	1001134488..... 169, 195	1001142940 504
0962450 309	1001116732..... 513	1001134543..... 57, 59	1001143390 153, 169, 183, 195, 213
0962520 ... 247, 255, 259, 263, 267, 271, 275	1001116734..... 513	1001135196..... 147, 161, 175, 187, 207	1001143431 113
1001091102 111, 471, 487, 489, 491	1001116747..... 538, 542	1001135651 504	1001143797 169, 195
1001091969 455	1001116748..... 537, 541	1001135679..... 251, 264, 272	1001143852 579
1001091970 457	1001116763..... 537, 541	1001136079..... 152, 195, 212	1001144116 169, 195
1001091971 459	1001116774..... 477	1001136172..... 169	1001144433 358, 361, 387
1001091972 461	1001116808..... 477	1001136834..... 169, 195	1001144629 333, 335, 337, 345, 349
1001091973 463	1001116816..... 538, 542	1001136988..... 272	1001146220 97, 101, 357, 361, 365
1001091974 465	1001116952..... 503	1001137005..... 586	1001147264 503
1001091975 467	1001116983..... 507	1001137032..... 287, 289	1001148138 252
1001093382 83, 85	1001117057..... 513	1001137673..... 385, 387, 582	1001148641 248, 251, 256, 260, 264, 268, 272, 276, 280
1001093553 559, 561, 563, 565, 567, 569, 571, 573, 575, 577	1001117064..... 537	1001138173..... 152, 169, 182, 195, 212	1001148902 585
1001093684 571, 573	1001117106..... 503	1001138175..... 152, 169, 182, 195, 213	1001148903 585
1001095704 538, 542	1001117107..... 503, 538, 542	1001138228..... 169, 195	1001148904 585
1001096070 255, 259, 497	1001117140..... 134	1001138248..... 152, 169, 183, 195, 213	1001148905 585
1001097051 553	1001117172..... 373	1001138494 339, 341, 343, 345, 347, 349, 351	1001148906 585
1001097150 493, 495, 497, 499	1001117174..... 357, 361, 365, 373	1001138514..... 339, 341, 343, 347, 351	1001148972 283, 285
1001098122 373, 517, 519	1001117294..... 585	1001138565..... 255, 259	1001149160 126, 134
1001098828 311	1001117308..... 169, 195	1001138566..... 248, 256, 260, 264	1001149570 113, 119, 475
1001098928 441, 448	1001118378..... 537, 541	1001138795..... 423	1001150324 ... 89, 91, 93
1001099366 391	1001118384..... 549	1001138827..... 169, 195	1001150918 162, 176
1001099367 391	1001118388..... 549	1001139240..... 169, 195	1001150998 153, 183, 213
1001099560 287, 289	1001118878..... 169, 195	1001139357..... 248, 256, 260	1001151393 103, 105, 107, 109
1001100341 521	1001118971..... 305	1001139384..... 129, 131, 137, 139	1001152456 248, 264
1001100342 523	1001118972..... 81, 89, 91, 93	1001139819..... 153, 182, 213	1001152457 248, 264
1001100345 529	1001119020..... 477, 517, 537, 541	1001140312..... 170	1001152479 499
1001100346 533	1001119032..... 537, 541	1001140346..... 264	1001152482 499
1001100347 531	1001119278..... 161, 175	1001140429..... 331, 339, 341, 343, 345, 347, 349, 351	1001152483 499
1001101191 455, 457, 459, 461, 463, 465, 467	1001119619..... 551	1001140535..... 169, 195	1001152485 471, 499
1001101196 455, 457, 459, 461, 463, 465, 467	1001119620..... 553, 555	1001140564..... 169, 195	1001152489 169, 195
1001102987 43, 45	1001120328 99, 385, 387, 405	1001141300..... 579	1001152525 248, 264, 268, 273, 277
1001103012 537, 541	1001120371..... 309, 515	1001141302..... 579	1001152530 248, 264
1001104029 247, 263, 268, 272, 276	1001120466..... 585	1001141304..... 169, 195	1001152532 248, 256, 260, 264, 511
1001104498 537, 541	1001125137..... 411, 413, 415	1001141694..... 153, 169, 183, 195, 213	1001153260 248, 264
1001106736 99	1001125387..... 162, 188	1001141967..... 525, 527	1001154405 161, 187
1001106837 77	1001125677..... 519	1001141968..... 525	1001154726 513
1001107854 537, 541	1001126009..... 549	1001141969..... 527	1001155041 251, 272
1001109864 491, 495	1001126351..... 503	1001141970..... 527	1001155043 97, 101
1001110092 441, 449	1001126352..... 503	1001141971..... 525	1001155044 97, 101, 357, 361, 365, 375, 377
1001110434 357, 361, 365	1001126356..... 503	1001141995..... 153, 169, 183, 195, 213	1001155045 97, 101, 357, 361, 365, 582
1001110873 248, 263, 272, 276, 469	1001126357..... 503	1001142501..... 161, 188	1001155823 162, 187
1001110974 585	1001126362..... 503	1001142643..... 264, 272	1001156107 147, 175, 207
1001111424 83, 85, 152, 169, 182, 195, 212	1001126365..... 503	1001142646..... 264, 272	1001157196 357, 361, 365, 582
1001112612 477, 538, 542	1001126384..... 503	1001142683..... 115, 117, 121, 123	1001157520 268, 273, 277
1001112796 477	1001126391..... 503	1001142694..... 113, 119	1001157521 268, 273, 277
1001113047 135	1001128527..... 399	1001142736..... 115, 117, 121, 123, 477	1001157525 268
1001113483 309	1001128556..... 399		1001157528 268, 273, 277
1001113961 537, 541	1001129285..... 538, 542		
1001116693 517, 519	1001129858..... 248		
1001116710 507	1001130220..... 303, 305		
1001116720 535	1001132195..... 152, 182, 212		
	1001132196..... 152, 182, 212		
	1001133714..... 504		
	1001133715..... 504		
	1001133956..... 503		

PART NUMBER INDEX

1001157592.....272, 273, 276	1001165388..... 153, 169, 183, 195, 213	1001168207 251, 264, 272	1001170847.....303, 305, 327
1001158007.....268, 273, 277	1001165389..... 153, 183, 213	1001168209 409, 427, 429, 431	1001170850..... 126
1001158008.....248, 264, 269, 273, 277	1001165405..... 169, 195	1001168210 409	1001171067.....287, 289
1001158363.....248, 264	1001165406..... 169, 195	1001168278 287, 295	1001171112.....287, 289
1001159121.....585	1001165531 301	1001168402 311	1001171131.....585
1001159162.....99	1001165534 301	1001168762 81	1001171324.....287, 289
1001159256.....357, 361, 365, 582	1001165537 301	1001168841 287	1001171335.....567
1001159323.....134, 559, 563	1001165538 301	1001168842 287, 289	1001171336.....567
1001161709.....357, 361, 365, 582	1001165540..... 303, 305	1001168843 283, 285	1001171337.....569
1001161710.....375, 377, 582	1001165567 291, 293	1001168844 283, 285	1001171339.....563
1001162335..... 162, 188	1001165721 169, 195	1001168845 283, 285	1001171341.....561
100116253143, 47	1001165722 169, 195	1001168847 289	1001171342.....561
100116253245, 51	1001165737 427	1001168848 287	1001171343.....565
1001163383.....287, 289, 427	1001165849 169, 195	1001168849 287, 289	1001171345.....575
1001163384.....283, 411	1001166000 191, 194	1001168854 283, 285	1001171346.....575
1001163385.....283, 285, 425	1001166020 149, 152	1001168950 170, 196	1001171347.....577
1001163386.....287, 289, 409	1001166031 81	1001169046 126, 134	1001171351.....571
1001163418.....81	1001166338 243	1001169054 170, 196	1001171352.....571
1001163458.....283, 287	1001166539..... 357, 361, 365, 371, 582	1001169138 170, 196	1001171353.....573
1001163459.....287	1001166710 81	1001169164 93	1001171482..... 97, 101
1001163470.....287	1001166717 153, 183, 213	1001169191 73	1001171499.....584
1001163482.....285, 289	1001166718 153, 169, 183, 195, 213	1001169192 73	1001171500.....584
1001163483.....289	1001166894 241	1001169193 73	1001171545.....559, 561, 565, 567, 569, 571, 573, 575, 577, 579
1001163484.....289	1001166921 169, 195	1001169284 287, 289	1001171667.....287, 289
1001163492.....289	1001166922 169, 195	1001169285 287, 289	1001171953..... 149, 165, 179, 191, 209
1001163939.....81	1001166924 169, 195	1001169286 287, 289	1001171954..... 149, 165, 179, 191, 209
1001164202.....241	1001166963 91, 547	1001169287 287, 289	1001171966.....287, 289
1001164302.....427	1001166964... 89, 91, 93, 509	1001169288 287, 289	1001171967.....287, 289
1001164311.....427	1001166970 162, 187	1001169289 287, 289	1001172128.....313, 315, 317, 319, 321, 323
1001164313.....427, 429	1001166997 427, 431	1001169380 287, 289	1001172195..... 147, 207
1001164353.....357, 361, 517	1001167038 147, 175, 207	1001169386 57	1001172564.....391
1001164487243, 245	1001167040 245	1001169496 75	1001172565.....391
1001164489.....243, 245	1001167108 169, 195, 503	1001169582 75	1001172566.....391
1001164491.....243, 245	1001167111 153, 183, 213, 501	1001169611 301	1001172567.....391
1001164492.....243, 245	1001167159 126	1001169668 283	1001172568.....392
1001164493.....245	1001167164 237, 239	1001169669 285	1001172569.....392
1001164555.....427	1001167312 487	1001169823 147, 162, 176, 187, 207	1001172570.....391
1001164578.....411, 413	1001167512 147, 162, 176, 187, 207	1001170035 170, 196	1001172571.....391
1001164582.....411, 413, 415	1001167520 153, 170, 183, 196, 213	1001170083 379	1001172572.....391
1001164583.....411, 413, 415	1001167565 311	1001170084 379	1001172573.....391
1001164585.....411, 413, 415	1001167567 311	1001170094 99, 582	1001172574.....391
1001164596.....411	1001167596 311	1001170145 83	1001172575.....391
1001164709.....283, 285, 417	1001167605 289, 291	1001170224 235	1001172576.....391
1001164818.....91, 541	1001167918 134	1001170225 231	1001172577.....391
1001164942.....57, 62	1001167962 375	1001170551 126, 129	1001172578.....391
1001165035.....147, 162, 187	1001167963 375	1001170552 126, 131	1001172579.....187
1001165060..... 126	1001168018 153, 170, 183, 196, 213, 248, 251, 256, 260, 264, 268, 272, 276, 280	1001170564 305	1001172595.....233
1001165131.....411, 413	1001168026 170, 196	1001170565 305	1001172613..... 126, 134
1001165282.....427	1001168059 153, 183, 213	1001170617 170, 196, 201	1001172614..... 126, 134
1001165354.....452	1001168099 170, 196	1001170642 305	1001172615..... 126, 134
1001165363.....427, 429, 431	1001168166 170, 196	1001170650 237	1001172617..... 126, 134
	1001168173 126	1001170651 237	1001172630.....584
		1001170662 237	1001172663.....311
		1001170663 237, 239	1001172694.....441
		1001170664 237, 239	1001172696.....441
		1001170693 153, 155, 183	1001172713..... 441, 449
		1001170759 411, 413, 415	1001172715..... 441, 449
		1001170838 97, 101, 357, 362, 365	1001172716..... 441, 449
			1001172719..... 441, 449
			1001172720..... 441, 449
			1001172721..... 441, 449

PART NUMBER INDEX

1001172750 233	1001174675.....268, 272, 276, 452	1001181046.....495	1001189804 ... 15, 17, 21, 25, 29, 33
1001172751 585	1001174777..... 165, 168	1001181051.....291, 293, 299	1001189805 29, 31, 33
1001172756 99	1001174783..... 179, 182	1001181076.....449	1001189807 21, 23
1001172757 ... 89, 91, 93, 99	1001174925.....585	1001181077.....448	1001190107 357
1001172760 361, 365	1001174926.....585	1001181243.....252	1001190868 147, 149
1001172816 111	1001175068..... 231, 235	1001181325.....99	1001190869 147
1001173233 303	1001175070.....231	1001181329.....313, 315, 319, 323	1001190871 579
1001173262 561, 565	1001175071.....235	1001181405.....111	1001190872 559, 561, 563, 565, 567, 569, 571, 573, 575, 577, 579
1001173342 162, 187, 507	1001175073.....241	1001181895.....170	1001190874 579
1001173354 126, 134	1001175074.....241	1001181960.....293	1001190876 579
1001173356 126	1001175075.....241	1001182064.....293	1001190877 559
1001173456 313, 315, 317, 319, 321, 323	1001175170..... 315, 319	1001182138.....389	1001190878 43
1001173461 129	1001175171.....323	1001182296.....252, 280	1001190964 57
1001173466 131	1001175239.....319	1001182516.....103	1001190968 15, 19
1001173529 101	1001175240.....315	1001182570.....303, 305, 327	1001190985 311
1001173594 317	1001175241.....323	1001182997 170, 196	1001191076 559, 563
1001173595 313	1001175542.....263	1001183206.....584	1001191274 .. 89, 93, 537
1001173599 321	1001175631.....248, 264, 452	1001183207.....584	1001191275 441, 449
1001173600 584	1001175632.....452	1001183407.....585	1001191276 441, 449
1001173605 584	1001175633.....452	1001183477 252, 280	1001191362 441, 449
1001173606 584	1001176469..... 103, 107	1001184618.....379	1001191364 441, 449
1001173644 101	1001176636.....323	1001184619.....377	1001191365 441, 449
1001173645 89, 101	1001176899.....301	1001184620.....377	1001191395 585
1001173656 245	1001176952..... 313, 315, 317, 319, 479	1001184621.....377	1001191455 353, 357
1001173657 243	1001176953..... 321, 323, 481	1001184626.....357, 362, 365	1001191456 353
1001173664 243	1001176963.....491	1001184637280	1001191457 89
1001173665 313, 315, 317, 319, 321, 323	1001177359..... 170, 196	1001184644280	1001191588 440
1001173761 313, 315, 317, 319, 321, 323	1001177523..... 243, 245	1001184645280	1001191620 170, 196
1001173763 301	1001178276.....450	1001185237559	1001191708 389
1001173807 313, 315, 317, 319, 327, 483	1001178415.....579	100118582183, 85, 87	1001191934 103
1001173808 313, 315, 317, 319, 321, 323, 485	1001178419.....584	1001185964.....538, 542	1001192020 579
1001173810 275	1001178420.....584	1001186377339	1001192070 559
1001173811 267	1001178421.....584	1001186379341	1001192292 362, 535
1001173899 441, 449	1001178422.....584	1001186382343	1001192401 537, 541
1001173900 441, 449	1001178424.....584	1001186383337	1001193002 441, 449
1001173901 441, 449	1001178426.....584	1001186384335	1001193003 441, 449
1001173902 441, 449	1001178428.....584	1001186386333	1001193006 441, 449
1001173903 441, 449	1001178429.....584	1001186386333	1001193007 441, 449
1001173904 441, 449	1001178430.....584	1001186431387, 535, 582	1001193008 441, 449
1001173905 448	1001178431.....584	1001186432535, 549	1001193009 441, 449
1001173906 449	1001178433.....579	1001186517385, 387	1001193010 441, 449
1001173907 441, 449	1001178435.....584	1001187508.....119, 385	1001193011 441, 449
1001173908 441, 449	1001178788..... 169, 195	1001187522.....252, 280, 513	1001193018 455, 457, 459, 461, 463, 465, 467
1001173909 441, 449	1001178859..... 153, 183, 213	1001187674403	1001193133 391
1001173925 248, 256, 260, 268, 276	1001178876..... 170, 196	1001187681551	1001193134 391
1001173927 313, 315, 317, 319, 321, 323	1001179154.....248, 264, 273, 276	1001188622311	1001193135 391
1001173937 441, 449	1001179156.....243, 245, 441, 449	1001188731252, 280, 452	1001193136 391
1001173983 247	1001179426.....245	1001188844311	1001193336 81
1001173984 255, 585	1001179440.....243	1001188889385	1001193653 441, 449
1001174098 126, 134	1001179836.....251	1001188972 161, 175	1001193654 441, 449
1001174158 256, 487, 491	1001179837.....251	1001189001311	1001193655 441, 449
1001174313 561, 565, 567, 569, 571, 573, 575, 577	1001179893.....252	1001189002311	1001193656 441, 449
1001174347 584	1001179903..... 153, 170, 183, 196	1001189194113	1001193657 441, 449
1001174348 584	1001180001.....251	1001189236..... 149, 165, 179, 191, 209, 225	1001193659 441, 449
1001174367 271	1001180608..... 303, 305	1001189237 149, 165, 179, 191, 209, 221	1001193660 441, 449
	1001180620..... 170, 196	100118952177	1001193661 441, 449
	1001180797.....251	100118952277	1001194197 585
	1001180798.....279	100118952377, 79	1001194198 585
	1001181045..... 493, 497, 582		1001194200 585
			1001194203 585
			1001194204 585
			1001194365 585

PART NUMBER INDEX

1001195206.....427	1001205958 463, 465, 467	1001215596 109	1001227661.....569
1001195304.....585	1001206314..... 126, 134	1001215597 107	1001227662.....567, 569
1001195610.....586	1001206321 283, 285, 415	1001216407 97	1001227663.....567
1001195947.....375	1001206402 134	1001216550 25, 27	1001227664.....569
1001196382.....248, 256, 260, 264, 268, 276	1001206403 135	1001216630 307, 309, 311	1001227691.....571
1001196589.....537, 541	1001206404 135, 137	1001217201 565	1001227692.....573
1001196590.....537, 541	1001206405 137	1001217202 565	1001227693.....575
1001196610.....584	1001206418 135, 139	1001217208 579	1001227694.....577
1001196634.....199	1001206419 139	1001217209 579	1001227695.....571, 573
1001196635.....538	1001206437 584	1001217210 579	1001227696.....571
1001196637.....89, 91, 93	1001206439 585	1001217211 579	1001227697.....573
1001196678.....89, 93, 545	1001206442 415	1001217213 563	1001227698.....575, 577
1001196717584	1001206476 473	1001217214 563	1001227699.....575
1001197017383	1001206625 283, 285, 417	1001217488 559, 563, 579	1001227700.....577
1001197036.....309	1001207004 121, 123	1001217605 93	1001227985.....403
1001197067119	1001207311 119	1001218140 45	1001227987.....403
100119725171	1001207316 121	1001218191 448	1001227996.....553, 555
100119725271	1001207726 139	1001218534 95	1001228012.....291, 421
100119725579	1001208874 43, 45	1001218538 95	1001228075.....287, 289, 429
100119725679	1001209059 586	1001218676 95	1001228092.....283, 285, 417
100119725779	1001209099 325	1001218717 584	1001228215.....331
1001197408.....559, 563	1001209100 325	1001219130 95	1001228224.....403
1001197424115	1001209282 586	1001219134 134	1001228225.....403
1001198885283, 413	1001209432 473	1001219601 99	1001228243.....349
1001198886413, 415	1001209474 473	1001219794 585	1001228363.....586
1001199035.....392	1001209618 584	1001219896 21	1001228375.....351
1001199207 126, 134	1001209664 385, 387	1001219897 15	1001228376.....345
1001199862584	1001209677 471	1001219898 25	1001228377.....347
1001199901 126, 134	1001209832 471	1001219899 29	1001228487.....59, 66
100120014843, 45, 55	1001210089 586	1001219900 33	1001228492.....59
1001200458 129, 131	1001210090 586	1001219904 33	1001228955.....584
1001200491311	1001210251 585	1001221927 287, 297	1001228988.....395, 397
1001200494311	1001210252 585	1001222043 134	1001229107.....584
1001200575357	1001210253 585	1001222044 134	1001229341.....403
1001200910 115, 117	1001210254 585	1001223078 126, 134	1001230635.....169
1001201127579	1001211633 134	1001223122 248, 256, 260, 264, 272, 276	1001230784.....260, 489
1001201351311	1001211636 134	1001223161 126, 134	1001230907.....489
1001201633131	1001211784 79	1001223309 239	1001230908.....259
1001201634131	1001211877 237	1001223310 239	1001230931.....537, 541
1001201635129	1001211878 237	1001223328 239	1001231177584
1001201636129	1001212223 272	1001223387 134	1001231178.....584
1001201894362	1001212819 134	1001223453 567, 569, 571, 573	1001231195.....81
1001202228559, 563	1001212822 134	1001223454 239	1001231235.....586
1001202298126	1001213447 517, 519	1001223802 162, 187	1001231324.....327
100120249469	1001213811 586	1001223899 291, 293	1001231801.....579
1001202594353, 361	1001213812 585	1001224888 301	1001232164.....403
1001202749585	1001213882 361, 365	1001225346 473	1001232165.....403
1001202940585	1001214459 187, 191	1001225580 387	1001232642.....405
1001202941585	1001214460 187	1001225647 561, 565, 567, 569, 571, 573, 575, 577	1001232643.....586
1001202942585	1001214570 473	1001226400 479, 481	1001232650.....405
1001202946585	1001214571 473	1001226531 473	1001232667.....405
100120308979	1001214975 153, 183, 213	1001226872 331	1001232842.....199
1001203434317	1001215229 362, 365	1001227453 584	1001232907.....141
1001203435321	1001215285 561, 565	1001227568 175	1001232908.....141
1001203459321	1001215286 575, 577	1001227569 161	1001232913.....141
1001203628413	1001215290 561, 565	1001227570 176, 179	1001232915.....141
1001204397586	1001215292 561	1001227571 162, 165	1001232916.....141
1001204482585	1001215297 561	1001227576 176	1001232917.....141
1001204482585	1001215373 99	1001227633 403	1001233048.....141
1001204510559, 563	1001215592 107	1001227634 403	1001233075.....141
1001204715303, 305, 327	1001215593 109	1001227660 567	1001233076.....141
1001204725311	1001215594 105		1001233077.....141
1001204996584	1001215595 105		1001233237.....584
1001204997584			1001233412.....141
1001205673586			1001233413.....141

PART NUMBER INDEX

1001233436	141	1320176	231, 235	1703930.....	571, 573	2170406	440, 448
1001233635	195	1320223	161, 175	1703932.....	561, 565	2170712	441, 449
1001233763	162, 199	1320224	309	1703933.....	575, 577	2170808	440, 448
1001234099	584	1320302	395, 397, 399	1703936.....	571, 573	2172312	79
1001235011	405	1321716 ...	168, 194, 248,	1703938.....	561, 565	2180348	147, 175, 207
1001235013	405	251, 256, 259, 264,		1703939.....	575, 577	2180380	415
1001235455	209, 213,	268, 272, 276, 279		1703942.....	571, 573	2180832	161, 187
215		1380147	241	1703944.....	561, 565	2200221	77, 79
1001235462	209, 212	1580012	381	1703945.....	575, 577	2220124	73
1001235463	207	1580013	585	1703948.....	571, 573	2220238	441, 449
1001235464	207, 209	1600359 ...	357, 361, 365,	1703950.....	561, 565	2220273	73
1001236303	85	369, 582		1703951.....	575, 577	2220313 ...	147, 161, 175,
1001236304	473	1600387	309	1703953.....	567, 569	187, 207	
1001236338	579	1670769	321, 323	1703980.....	561, 565	2220315 ...	152, 168, 182,
1001236504	473	1670829	97, 101, 357,	1703981.....	575, 577	194, 212	
1001236505	473	361, 365		1703984.....	571, 573	2220365	440, 448
1001236540	584	1671092	273, 277	1704000.....	571, 573, 584	2220366	440, 448
1001236541	584	1671093	397	1704174.....	579	2220371	440, 448
1001236552	405	1671176	101	1704175.....	579	2220372	440, 448
1001237549	141	1683053	419	1704260.....	357, 361, 365	2220373	440, 448
1001237862	553, 555	1683261	419	1704277	559, 561, 563,	2220374	440, 448
1001237863	403, 553	1683609	291, 419	565, 567, 569, 571,		2220375	440, 448
1001237864	403, 555	1683687	419	573, 575, 577		2220377	440, 448
1001237865	403, 551	1701499 ...	559, 561, 563,	1704412....	559, 561, 563,	2220451 ...	152, 182, 212,
1001238319	403	565, 567, 569, 571,		565, 567, 569, 571,		440, 448	
1001238418	405, 549	573, 575, 577		573, 575, 577		2220466	440, 448
1001238425	91	1701500 ...	559, 561, 563,	1704460.....	357, 361, 365	2220472	449
1001238472	405	565, 567, 569, 571,		1704468.....	567, 569	2220473	77, 79, 440, 448
1001238477	405	573, 575, 577		1704885.....	579	2220497	440, 448
1001238495	387	1701504 ...	559, 561, 563,	1704972.....	147, 162	2220500	440, 448
1001238559	405	565, 567, 571, 573,		1705084.....	559, 563	2220502	440, 448
1001238824	405	575, 577		1705104.....	569	2220518	440, 448
1001238887	97	1701505 ...	147, 161, 175,	1705305.....	395, 397, 399	2220577	440, 448
1001238890	91, 97	187, 207		1705325.....	455	2220578 ...	243, 245, 440,
1001238932	85	1701509 ...	391, 559, 561,	1705355.....	395, 397	448	
1001241835	207	563, 565, 567, 569,		1705358.....	391	2220582	440, 448
1001241965	405	571, 573, 575, 577		1705374.....	247, 263, 273	2220600	440, 448
1001242841	355	1701518	559, 563	1705375....	273, 277, 397,	2220603	440, 448
1001242846	355, 365	1701529 ...	559, 561, 563,	399		2220622	440, 448
1001242851	117	565, 567, 569, 571,		1705387....	247, 263, 273,	2220635	440
1001242852	123	573, 575, 577		277		2220695	440, 448
1001243168	366, 519	1702300 ...	559, 561, 563,	1705460.....	269, 273, 277	2220700 ...	243, 245, 440,
1001243895	199	565, 567, 569, 571,		1705461.....	269	448	
1001246087	95	573, 575, 577		1705466.....	395, 397, 399	2220726	77, 79, 440, 448
1001246860	585	1702566	357, 361, 365	1705489.....	255, 259, 269	2220767	161, 187
1001246867	585	1702567	357, 361, 365	1705514....	567, 569, 571,	2220775	440, 448
1001247048	289, 293	1702773	559, 563, 579	573, 575, 577		2220881	55, 409, 427,
1001247073	586	1702774	579	1705822.....	559, 563	429, 431	
1001248012	291, 293,	1702788	579	1705828.....	559, 563	2220883	48, 52, 55, 411,
423		1702861	579	1705921.....	559, 563	413, 415, 417, 419,	
1001251075	289, 431	1702868 ...	397, 399, 567,	1705961.....	559, 563	421, 423	
1060341	383, 511	569		1706062.....	579	2220885 ...	419, 421, 423,
1060343	273, 276	1702938	383	1706098.....	579	427, 429, 431	
1060494	252, 280	1702941	161, 175	1706948....	561, 565, 567,	2220886	415, 431
1060626	161, 175	1702942	161, 175	569, 571, 573, 575, 577		2220887	415
1060903	383	1702943	161, 175	2030010....	395, 397, 399	2220906	440, 448
1060908 ...	493, 495, 497,	1702944	161, 175	2060025....	152, 182, 212	2220946	440, 448
499		1703162 ...	152, 168, 182,	2080040....	255, 333, 335,	2220947	440, 448
1060918	373	194, 212		337, 345, 349, 471, 487		2220948	440, 448
1060986	313	1703479	579	2080044.....	321	2220998	77
10702077 ..	268, 273, 277	1703797	567, 569	2110404.....	440, 448	2221063 ...	243, 245, 440,
10702082 ..	268, 273, 277	1703798	567, 569	2110806.....	440, 448	448	
1120555	391	1703804	567, 569	2111212.....	77, 440, 448	2221086	441, 449
1260017	75	1703805	567, 569	2131212.....	77, 440, 448	2221221	440, 448
1271538	309	1703924	571, 573	2151212.....	440, 448	2300004	194
1320016	152, 182, 212	1703926	561, 565	2170212.....	440, 448	2300014	585
1320136	309	1703927	575, 577	2170312.....	440	2300016	585

PART NUMBER INDEX

2300021.....585	3252764 268, 271, 276	3311401 383	3580317.....247, 255, 259,
2300027.....585	3271601 126, 134	3311405 ... 309, 353, 355,	263, 268, 271, 276
2300029.....585	3271605 427, 429	405, 455, 457, 459,	3580318.....247, 263, 271,
2300041.....168	3272605 309	461, 463, 465, 467,	276
2400060....199, 513, 538,	3290405 ... 111, 305, 455,	473, 491, 559, 561,	3580319.....255, 259, 268
542	457, 459, 461, 463,	563, 565, 567, 569,	3580320....247, 251, 255,
2400066.....513	465, 467, 471, 487,	571, 573, 575, 577	259, 263, 268, 271, 276
2420202.....309	489, 491	3311501 .89, 91, 93, 126,	3600242....149, 165, 179,
2420203.....252, 279	3290505 ... 111, 247, 263,	134, 383	191, 209, 229
2460048.....267, 275	268, 271, 276	3311505 121, 126	3740067 83, 85, 152, 182,
2460055.....279	3290601 ... 129, 131, 137,	3311601 ... 357, 362, 366,	212, 582
2540020....115, 117, 121,	139, 440, 448	405	3740080.....251, 280
123	3290605 ... 83, 85, 89, 93,	3311605 ... 353, 355, 395,	3740086.....549
2540038.....309	99, 115, 117, 121, 123,	397, 399	3740140....152, 182, 212,
2560136....357, 361, 365	134, 139, 147, 152,	3311705 251, 279	582
2560187....129, 131, 137,	161, 168, 175, 182,	3311805 79, 307, 309	3760133.....287, 289
139	187, 194, 207, 212,	3312005 309, 391	3760170.....75
2580024.....161, 175	237, 239, 247, 251,	3312205 391	3760368.....419
2580062.....182	255, 259, 263, 268,	3321001 83, 85, 152, 169,	3790012.....93, 357, 361,
2600281....333, 335, 337,	271, 276, 279, 305,	182, 195, 212	365, 375, 377
345, 349	471, 487, 489	3322201 77, 79	3790045....149, 165, 179,
2720015.....168, 194	3290606 ... 339, 341, 343,	3331211 ... 247, 251, 255,	191, 209
2720058....147, 175, 207	347, 351	259, 263, 268, 271,	3790152.....165, 179
2720340.....168, 194	3290801 243, 245	276, 279	3820001....559, 561, 563,
2720398....152, 183, 212	3290805 ... 147, 152, 161,	3331215 ... 152, 168, 182,	565, 567, 569, 571,
2720447....152, 183, 212	168, 175, 182, 187,	194, 212	573, 575, 577
2750532....147, 162, 175,	194, 207, 212, 237,	3340956 391	3820020....333, 335, 337,
188, 207	239, 243, 245, 247,	3380434 353, 355	345, 349
2820031....247, 251, 255,	251, 255, 259, 263,	3421565 75	3841143....147, 161, 175,
259, 263, 267, 271,	268, 271, 276, 279, 473	3422532 ... 147, 161, 175,	187, 207, 287, 291,
276, 279	3291001 168, 194, 311	187, 207	293, 311
2820035.....199	3291005 ... 73, 81, 89, 91,	3422793 289	3841203....283, 285, 289
2820247.....553, 555	93, 126, 129, 131, 134,	3422860 291, 293	3841258.....283, 285
2840016.....241	137, 139, 141, 147,	3422861 291	3841340....313, 315, 317,
2860030....103, 105, 107,	152, 161, 168, 175,	3422867 291, 293	319, 321, 323
109, 582	182, 187, 194, 207,	3430616 362, 366	3900267.....248, 264
2900770..47, 51, 52, 409,	212, 251, 279, 291,	3430820 241	3900283.....309
427, 429, 431	293, 301, 305, 311,	3450404 241	3900300.....248, 264
2900792....419, 421, 423	313, 315, 317, 319,	3460334 391	3900349.....362, 365
2901303.....419	321, 323	3470003 ... 357, 362, 366	3910408.....168, 194
2901443.....586	3291201 ... 247, 251, 255,	3480210 419	3910606....247, 263, 271,
2902065....152, 168, 183,	259, 263, 268, 271,	3480211 411, 413, 415	276
194, 212, 219	276, 311	3480274 427	3910610.....241, 469
2902212.....391	3291205 ... 241, 283, 285,	3520028 252, 279	3910804....103, 105, 107,
2902217.....395, 397	287, 289, 307, 311	3520033 361	109
2902443.....501, 503	3291207 77, 79	3520034 291	3911010....115, 117, 121,
2902549....487, 489, 493	3291602 57, 59	3520035 361, 365	123
2920028....358, 361, 365,	3291605 283, 285	3520054 ... 152, 170, 182,	3911012.....113, 119
383	3300151 ... 331, 339, 341,	196, 212, 357, 361, 365	3911018.....97, 101, 357,
2920029....358, 361, 365,	343, 345, 347, 349,	3520071 391	361, 365
383	351, 395, 397, 399	3520072 ... 331, 333, 335,	3931008.....77, 79
2920161.....111	3300220 83, 85, 152, 169,	337, 339, 341, 343,	3931408.....385, 387
2940045.....139	182, 195, 212	345, 347, 349, 351	3931424.....385
2940074....333, 335, 337,	3300243 307, 311	3520182 389	3931456.....427, 429
345, 349, 582	3300353 ... 357, 361, 365	3520189 268	3931512.....168, 194
2940173....129, 131, 137,	3300396 ... 248, 264, 268,	3520192 268	3931516.....419
139	273, 277	3520198 ... 331, 333, 335,	3931520.....427, 429
3020021.....219	3300408 97, 101, 357,	337, 339, 341, 343,	3931620....149, 165, 179,
3020037....149, 165, 179,	361, 365	345, 347, 349, 351	191, 209
191, 209	3300430 385, 387, 389	3572044 ... 559, 561, 563,	3931628....251, 263, 271
3020043....411, 413, 415	3310401 168, 194	565	3960389.....141
3020044.....182	3310601 241	3573400 395, 397, 399	3960407....152, 182, 212
3251102.....259	3311001 ... 248, 251, 264,	3573642 395, 397, 399	3960422....247, 263, 271,
3251242....463, 465, 467	268, 273, 277, 279	3574091 383	276, 469
3251243....247, 251, 263,	3311005 77, 79, 113, 115,	3577121 395, 397, 399	3990013.....549
279, 567, 569, 571, 573	117, 119, 123, 395,	3580158 279	4010405....471, 487, 489,
3252347.....567, 569	397, 399	3580276 279	491

PART NUMBER INDEX

4010618 ... 339, 341, 343, 347, 351	4460138 252, 280	4460539..... 303, 305, 483, 485, 545, 547	4461005 501
4031505 403	4460142 538	4460608..... 537	4461008 501, 503
4031516 405	4460183 517, 519	4460703..... 503	4461052 501
4031914 168, 194	4460190 252, 279	4460705..... 252, 279	4461070 477, 503
4032014 ... 251, 263, 271	4460205 469	4460708..... 519	4461071 501, 503
4032015 ... 247, 255, 259, 268, 276	4460225 ... 268, 272, 276, 475, 509, 511, 517, 519	4460722..... 199	4461072 501, 503
4060802 ... 247, 251, 255, 259, 263, 268, 271, 276, 280	4460226 ... 371, 373, 517, 519, 535, 538, 542	4460742..... 542	4461073 501, 503
4060805 ... 152, 168, 183, 194, 212	4460227 517, 519	4460748..... 538, 542	4461077 549, 551
4060906 97, 101	4460234 ... 111, 357, 361, 365, 383	4460761..... 517, 519	4461095 ... 477, 501, 503
4061054 309	4460247 503, 542	4460806.... 463, 465, 538, 541	4461196 521
4070897 287, 289	4460259 ... 517, 519, 538, 541	4460807..... 511	4461198 521
4070898 287, 289	4460260 ... 517, 519, 538, 541	4460808..... 511	4461199 523
4071009 59	4460265 371, 475	4460836.... 515, 537, 541	4461201 523
4100026 441, 449	4460267 ... 475, 517, 519	4460837..... 537, 541	4461202 525, 529
4100100 419	4460268 ... 252, 279, 475, 509, 511	4460865..... 479, 481	4461205 ... 525, 527, 529, 531
4160182 126, 134	4460313 ... 501, 545, 547	4460866.... 517, 519, 537, 541	4461244 529
4240018 440	4460315 469	4460871 ... 369, 509, 517, 519, 537, 541, 545, 547	4461245 531
4240032 111	4460321 252, 279	4460872..... 545, 547	4461246 533
4240033 ... 309, 385, 387, 403, 405	4460346 ... 247, 263, 271, 276, 469	4460873.... 517, 519, 537, 541	4461249 533
424009991, 93, 115, 117, 121, 123, 147, 152, 161, 168, 175, 182, 187, 194, 199, 207, 212, 247, 251, 255, 259, 263, 268, 271, 276, 280, 383, 395, 397	4460418 ... 509, 517, 519	4460874.... 517, 519, 537, 541	4461271 537
4240149 391	4460419 ... 509, 517, 519	4460875.... 517, 519, 545, 547	4530028 ... 395, 397, 401
4360057 383, 582	4460424 538, 542	4460876..... 509	4640452 ... 427, 429, 431
4360070 ... 248, 264, 268, 273, 277	4460425 ... 248, 264, 268, 273, 277, 383	4460878..... 537, 541	4640509 ... 419, 421, 423
4360328 93, 582	4460426 ... 248, 264, 268, 273, 277	4460879..... 517, 519	4640751 168, 194
4360336 ... 247, 251, 255, 259, 263, 268, 271, 276, 280	4460428 ... 309, 357, 361, 365	4460884.... 503, 535, 537, 541	4641390 ... 411, 413, 415, 417
4360387 ... 103, 107, 357, 361, 365, 383, 582	4460434 517, 519	4460887.... 517, 519, 537, 541	4710400 168, 194
4360407 ... 357, 361, 365, 582	4460457 542, 545	4460889.... 485, 537, 541, 549, 551	471100077, 79, 113, 115, 117, 119, 121, 123, 248, 264, 268, 273, 277
4360469 ... 103, 105, 107, 109	4460458 ... 538, 542, 545	4460891.... 111, 475, 477, 503, 507, 537, 541, 545, 547	4711400 ... 129, 131, 137, 139, 309, 331, 339, 341, 343, 345, 347, 349, 351, 385, 387, 389, 405, 455, 457, 459, 461, 463, 465, 467, 491
4360475 97, 101, 357, 361, 365, 582	4460460 538, 545	4460894.... 501, 503, 519, 537, 541, 545, 547	471150083, 85, 126, 147, 161, 168, 175, 188, 194, 207
4360476 97, 101, 357, 361, 365, 582	4460464 ... 303, 305, 373, 477, 483, 485, 507, 513, 517, 519, 537, 538, 541, 542, 549	4460897.... 113, 115, 117, 121, 123, 507	471160043, 45, 134, 247, 255, 259, 263, 268, 271, 276, 309, 355, 362, 366, 427, 429
4360517 77, 79	4460465 ... 111, 303, 305, 475, 477, 479, 481, 483, 485, 501, 503, 511, 515, 517, 519, 535, 537, 541, 545, 547	4460899.... 485, 537, 541, 549, 551	4711700 251, 280
4360542 252, 279	4460466 ... 403, 477, 479, 481, 501, 503, 513, 515, 517, 519, 537, 538, 541, 542, 545, 547, 549, 551	4460905.... 509, 517, 519, 537, 538, 541, 545, 547	4711800 79
4420014 391	4460470 586	4460906..... 513	4712000 391
4420037 ... 395, 397, 399	4460471 . 89, 91, 93, 357, 361, 365	4460910..... 555	4712200 391
4420051 579	4460471 . 89, 91, 93, 357, 361, 365	4460911..... 551	4712600 113, 119
4420066 391	4460473 479, 481	4460928..... 477	4740362 353, 355
4420068 383	4460475 538	4460930.... 483, 501, 503	4740439 291, 293
4460016 517, 519	4460488 ... 357, 361, 365	4460931..... 538, 542	4750600 241
4460027 252, 279	4460508 ... 403, 537, 541	4460932..... 507	4751000 81, 251, 280, 395, 397, 399
4460042 507, 542	4460509 479, 481	4460933.... 477, 515, 517, 519, 537, 541	4751400 ... 309, 355, 357, 361, 365, 381, 383, 389, 395, 397, 399, 473, 559, 561, 563, 565, 567, 569, 571, 573, 575, 577
4460043 ... 199, 503, 538, 542	4460510 586	4460941..... 507, 551	4751500 251, 280, 383
4460049 383	4460518 477	4460942..... 403, 507	4751600 ... 353, 395, 397, 399
4460068 542	4460536 99, 303, 305, 483, 485	4460943.... 99, 113, 115, 117, 121, 123, 551	4751800 383
4460071 ... 247, 263, 271, 276, 373, 469		4460944..... 503, 515	4760600 469
4460134 252, 280		4460956.... 493, 495, 497	
		4460957.... 493, 495, 497	
		4460961..... 252, 279	
		4460962..... 397	
		4460963..... 273, 277	
		4460967..... 537, 541	
		4460970..... 517, 519	

PART NUMBER INDEX

476100083, 85, 152, 169, 182, 195, 212	4922925 268, 271, 276	70001872 156, 216	70004013..... 87
4761400..... 381	4923451 153, 182, 213	70001953 267, 275	70004014..... 87
4770600..... 241	4933218 383, 452	70001966 .. 248, 255, 260, 264, 267, 272, 275	70004037..... 62
4811400.... 305, 455, 457, 459, 461, 463, 465, 467	5240800 ... 147, 161, 175, 187, 207	70001973 .. 267, 272, 275	70004039..... 62
4811600.... 111, 247, 263, 268, 271, 276	5241200... 152, 168, 182, 194, 212, 247, 251, 255, 259, 263, 268,	70001974 .. 267, 272, 275	70004040..... 62
4811700.... 83, 85, 89, 91, 93, 99, 115, 117, 121, 123, 129, 131, 137, 139, 147, 152, 161, 168, 175, 182, 187, 194, 207, 212, 247, 251, 255, 259, 263, 268, 271, 276, 280, 321, 323, 339, 341, 343, 347, 351, 440, 448, 471, 487, 489	272, 276, 280, 307, 311	70001977 582	70004041..... 62
4811702.... 170, 196, 237, 239	5241600 57, 59	70002011 301	70004042..... 62
4811900.... 126, 134, 152, 161, 168, 182, 187, 194, 212, 243, 245, 247, 251, 255, 259, 263, 268, 271, 276, 280, 473	5242000 57, 59	70002057 66	70004043..... 62, 63
4811902.... 126, 134, 147, 161, 175, 187, 207, 243, 245	5250608 303, 305	70002066 62	70004044..... 62, 63
4812000.... 43, 45, 73, 81, 83, 85, 89, 91, 93, 126, 129, 131, 134, 137, 139, 141, 147, 152, 161, 168, 175, 182, 187, 194, 207, 212, 251, 264, 273, 280, 287, 289, 301, 305, 311, 313, 315, 317, 319, 321, 323	5250808 ... 248, 256, 259, 264, 272, 276	70002088 267, 275	70004045..... 62
4812002.... 43, 45, 81, 89, 91, 93, 126, 134	5250810 ... 170, 196, 248, 256, 259, 264, 272, 276	7000217 62	70004047..... 63
481210077, 79, 147, 161, 168, 175, 187, 194, 207, 241, 247, 255, 259, 268, 276, 287, 289, 311	5251008 ... 287, 289, 303, 305, 311, 327	70002234 156, 216	70004048..... 62, 63
4812200.... 152, 168, 182, 194, 212, 247, 251, 255, 259, 263, 268, 271, 276, 280	5251009 ... 126, 134, 287, 289	7000228 62	70004056..... 156, 216
4844816..... 291, 293	5251011 287, 289	7000229 62	70004058..... 156, 216
4844817..... 291	5251012 134	70002297 .. 267, 272, 275	70004059..... 156, 216
4846562..... 391	5251014 43, 45, 126	7000230 62	70004062..... 156, 216
4846573..... 307, 309	5251016 311, 325	700023371 425	70004092.. 248, 255, 260, 264, 272
4846627.... 395, 397, 399	5251215 ... 147, 161, 175, 187, 207	70002373 409, 425	70004093..... 272
4846673..... 383	5260800 ... 248, 256, 259, 264, 272, 276	70002386 48, 52, 55, 283, 285, 417, 582	70004094..... 272
487170083, 85, 247, 255, 259, 263, 268, 271, 276	5261000 126, 134, 325	70002401 283, 285	70004095..... 272
4891600.... 149, 165, 179, 191, 209, 307, 309, 311	5261018 ... 129, 131, 313, 315, 319, 323	70002412 431	70004096..... 272
4891800.... 149, 165, 179, 191, 209, 307, 309	5261200 ... 147, 161, 175, 187, 207	7000246 62	70004097..... 272
4892000..... 69, 71, 309	70000342 .. 295, 297, 299	70002460 .. 267, 272, 275	70004098... 248, 264, 272
4892600.... 307, 309, 311	70000345 .. 156, 203, 216	7000247 62	70004099..... 264, 272
4922641.... 252, 256, 265, 269, 273	70000619 .. 267, 271, 275	7000248 62	70004102..... 156, 216
	70000787 156, 216	7000253 62	70004103..... 156, 216
	70000793 219	7000255 62	70004169..... 267, 275
	70000800 155, 215	7000257 62	70004171.. 248, 255, 260, 267, 275
	70000851 156, 216	7000263 62	70004231..... 417
	70000863 .. 267, 272, 275	70002718 .. 155, 201, 215	70004267..... 87
	70000912 155, 215	70002838 81, 582	70004268..... 155, 215
	70000913 155, 215	70002902 373	70004269..... 155, 215
	70000914 155, 215	70002903 373	70004270..... 156, 216
	70000915 155, 215	70002904 373	70004275..... 201
	70000916 155, 215	70002905 373	70004280..... 201
	70000917 155, 215	70002974 47, 51	70004281..... 201
	70000918 155, 215	70003023 47, 51	70004282..... 202
	70000919 156, 216	70003024 47, 51	70004283..... 202
	70000931 156, 216	70003408 47, 51	70004284..... 202
	70001002 155, 215	70003454 77, 79	70004285..... 203
	70001100 .. 267, 272, 275	70003463 .. 155, 215, 582	70004469..... 66
	70001181 155, 215	70003464 155, 215	70004481..... 66
	70001384 .. 267, 272, 275	70003468 156, 216	70004482..... 66
	70001423 155, 215	70003469 156, 216	70004494..... 66
	70001435 156, 216	70003472 155, 215	70004504..... 203
	70001498 156, 216	70003473 155, 215	70004513..... 201
	70001654 155, 215	70003475 155, 215	70004676.. 248, 255, 260, 264
	70001655 155, 215	70003479 155, 215	70004677..... 256, 260
	70001696 .. 267, 272, 275	70003480 155, 215	70004678.. 248, 256, 260, 264
	70001697 .. 295, 297, 299	70003481 155, 215	70004679.. 248, 256, 260, 264
	70001844 156, 216	70003612 87	70004680.. 248, 256, 260, 264
	70001850 155, 215	70003614 81, 582	70004681..... 256, 260
	70001866 156, 216	70003631 .. 267, 272, 275	70004682.. 248, 256, 260, 264
	70001868 156, 216	70003708 .. 248, 255, 259, 264, 267, 272, 275	70004683..... 256, 260
	70001870 .. 155, 201, 215	70003709 .. 248, 255, 259, 264, 267, 272, 275	70004684..... 248
	70001871 156, 216	70003783 .. 153, 169, 183, 195, 213, 582	70004685..... 248, 264
		70003788 48, 52, 55, 283, 285, 417, 582	70004687..... 264
		70003931 156, 216	70004752..... 371
		70003932 156, 216	70004753..... 371
		70003977 47, 51	
		70004000 87	

PART NUMBER INDEX

70004754	371	70005108	47, 51	70005281	17	70006571	421
70004755	371	70005109	47, 52	70005282	17	70006572	421
70004756	371	70005139	87	70005283	17	70006580	297
70004757	371	70005140	425	70005284	17	70006636	417
70004758	371	70005141	425	70005285	17	70006649	423
70004759	371	70005142	409, 425	70005286	17	70006650	423
70004760	371	70005143	409, 425	70005287	17	70006702	417
70004761	371	70005144	409, 425	70005288	17	70006703	417
70004762	371	70005145	409, 425	70005289	17	70006704	417
70004763	371	70005146	425	70005290	17	70006705	417
70004764	371	70005147	409	70005291	17	70006706	417
70004765	371	70005148	409	70005317	66	70006734	423
70004766	371	70005149	409	70005318	66	70006735	423
70004767	371	70005171	201	70005322	77, 79	70006736	423
70004768	371	70005172	201	70005331	55	70006817	431
70004769	371	70005173	201	70005332	55	70006990	66
70004770	371	70005174	201	70005333	55	70006994	66
70004771	371	70005176	202	70005334	55	70006997	66
70004772	371	70005177	202	70005339	35	70006998	66
70004773	371	70005180	202	70005340	35	70006999	66
70004774	371	70005181	202	70005341	35	70007001	66
70004775	371	70005182	202	70005342	35	70007002	66
70004794	81	70005183	202	70005343	37	70007003	66
70004883	55	70005184	202	70005344	37	70007004	66
70004890	221, 225	70005185	202	70005345	37	70007006	66
70004892	221, 222, 225, 226	70005186	202	70005346	37	70007022	66
70004893	221, 225	70005188	202	70005347	37	70007023	66
70004894	221, 225	70005189	202	70005348	37	70007024	66
70004896	222	70005191	203	70005349	37	70007025	66
70004899	223, 226	70005203	62	70005350	37	70007026	66
70004901	222, 226	70005204	62	70005351	37	70007027	66
70004905	226	70005217	47, 51	70005352	37	70007028	66
70004906	222, 226	70005218	47, 51	70005353	37	70007029	66
70004907	226	70005219	48, 52, 582	70005354	37	70007030	66
70004909	222, 226	70005244	77, 79	70005355	37	70007031	66
70004910	226	70005245	221, 225	70005356	37, 39	70007032	66
70004911	222, 226	70005246	221, 225	70005357	39	70007046	66
70005065	87	70005247	221, 225	70005358	39	70007062	431
70005066	87	70005248	221, 225	70005359	39	70007063	431
70005067	87	70005249	221, 225	70005360	39	70007064	431
70005068	87	70005250	221, 225	70005361	39	70007065	431
70005069	47, 51	70005251	221, 225	70005362	39	70007066	431
70005071	47, 51	70005252	221, 225	70005363	39	70007067	431
70005072	47, 51	70005253	221, 225	70005364	39	70007068	431
70005073	47, 51	70005254	221, 225	70005365	39	70007069	431
70005074	47, 51	70005255	221, 225	70005366	39	70007070	431
70005075	47, 51	70005257	221, 225	70005367	31	70007071	431
70005076	47, 51	70005258	221, 225	70005368	31	70007072	431
70005077	47, 51	70005259	221, 226	70005369	31	70009002	176
70005078	47, 51	70005260	222, 226	70005370	31	70009004	175
70005079	47, 51	70005261	222	70005371	31	70009005	175
70005080	47, 51	70005262	222, 226	70005724	48, 52	70010383	43, 45, 582
70005081	47, 51	70005263	222, 226	70006104	283, 285, 417	7001481	222, 226
70005082	47, 51	70005264	222	70006105	283, 285, 417	7001909	62
70005084	47, 51	70005265	222	70006255	301	7001911	62
70005085	47, 51	70005266	222, 226	70006270	301	7001912	62
70005086	47, 51	70005267	222, 226	70006344	431	7001931	62
70005087	47, 51	70005268	222, 226	70006360	429	7001985	62
70005088	47, 51	70005269	222, 226	70006416	429	70022564	409, 417, 425
70005089	47, 51	70005270	223, 226	70006417	429	70023369	409, 417, 425
70005090	47, 51	70005271	225	70006418	429	70023370	409
70005091	47, 52	70005275	17, 37	70006419	429	70023592	169, 195
70005092	47, 51	70005276	17	70006420	429	70023593	169, 195
70005093	51	70005277	17, 35	70006421	429	70023915	421
70005106	301	70005278	17	70006568	421	70024473	202
70005107	301	70005279	17	70006569	421	70024502	201
		70005280	17	70006570	421	70024503	203

PART NUMBER INDEX

70024504.....201, 203	70025198..... 201	7016331 ... 155, 201, 215,	7022333.....221, 225
70024507.....203	70025200..... 202	582	7022336.....221, 225
70024512.....203	70025201..... 202	7016372 111	7022338.....221, 225
70024513.....201	70025209..... 203	7016654 586	7022340.....221, 225
70024904.....201	70025210..... 202	7017023 62	7022341.....221, 225
70024905.....201	70025211..... 203	7017070 62	7022343.....221
70024906.....201	70025213..... 203	7017072 62	7022346.....222, 226
70024910.....202	70025214..... 203	7017080 62	7022347.....222, 226
70024912.....202	70025215..... 202	7017082 63	7022351.....222
70024913.....202	70025216..... 202	7017085 62	7022355.....225
70024914.....202	70025217..... 203	7017142 ... 295, 297, 299	7022357.....225
70024915.....202	70025218..... 203	7017150 299	7022358.....226
70024917.....203	70025219..... 203	7017158 295	7022390 47, 51, 283, 285,
70024918.....203	70025220..... 203	7017159 ... 295, 297, 299	417
70024920.....201, 203	70025221..... 202, 203	7017162 ... 295, 297, 299	7022399.....47, 51
70024925.....201	70025222..... 203	7017163 ... 295, 297, 299	7022832.....369
70024961.....201	70025223..... 203	7017164 ... 295, 297, 299	7022833.....369
70025076.....201	70025224..... 203	7017172 ... 295, 297, 299	7022834.....369
70025082... 155, 201, 215	70025225..... 203	7017192 ... 295, 297, 299	7022835.....369
70025084.. 155, 156, 202,	70025226..... 203	7017195 ... 295, 297, 299	7022836.....369
215, 216	70025228..... 203	7017467 ... 283, 285, 417	7022837.....369
70025086..... 156, 216	70025231..... 202	7017480 55	7022838.....369
70025088... 155, 201, 215	70025233..... 202	7017496 ... 283, 285, 411,	7022839.....369
70025091... 155, 201, 215	70025235..... 201	413, 415, 417	7023900.....47, 51
70025101.....202	70025236..... 203	7019680 252, 279	7023936.....47, 51
70025109.....202	70025237..... 203	7020023 ... 155, 215, 582	7023999.....221
70025111.....202	70025238..... 203	7020026 155, 215	7024379.....63
70025113.....203	70025239..... 201	7020108 252, 279	7024380.....63
70025115.....202	70025240..... 201	7020109 252, 279	7024381.....63
70025120.....203	70025241..... 203	7020110 252, 279	7024389.....63
70025121..... 156, 216	70025667 155, 215	7020111 252, 279	7024390.....63
70025123.. 155, 156, 215,	70025693 156, 216	7020175 101	7024441.....81
216	70025694 156, 216	7020176 101	7024453.....63
70025131... 156, 202, 216	70025779..... 202	7020190 252, 279	7024458.....63
70025133.....202	70025781..... 202	7020403 155, 215	7024462.....401
70025135.....201	7002821 586	7020404 201	7024463.....401
70025139..... 155, 215	7002822 586	7020430 155, 215	7024467.....401
70025140.....201	7002823 586	7020460 155, 215	7024469.....401
70025142.....202	7002828 586	7020465 ... 155, 201, 215	7024470.....401
70025144.....201	7003974 369	7020468 155, 215	7024471.....401
70025145.....201	7004275 586	7020471 156, 216	7024472.....401
70025146.....201	7004276 586	7020479 156, 216	7024473.....401
70025148.....202	70050795 417	7020492 ... 155, 156, 202,	7024474.....401
70025149.....202	7007419 221, 225	215, 216	7024475.....401
70025150.....202	7007420 ... 221, 222, 225,	7021229 222	7024478.....401
70025151.....201	226	7021234 222, 226	7024485.....267, 272, 275
70025153.....201	7007489 229	7021237 221	7024488.....267, 271, 275
70025154.....201	7007633 62	7021238 221, 225	7024489.....267, 271, 275
70025159.....202	7010103 229	7021239 221, 225	7024565..... 156, 216
70025160.....201	7010104 229	7021240 221	7024579 ... 155, 201, 215
70025161.....201	7010105 229	7021248 221, 225	7024598.....241
70025164.....202	7010474 62	7021249 221, 225	7024704.....62
70025165.....202	7010543 55	7021257 221, 225	7024743.....62
70025166.....203	7012513 252, 279	7021259 221, 225	7024763.....62
70025171.....201	7012514 252, 279	7021262 221, 225	7024784.....63
70025176.....201	7012518 ... 427, 429, 431	7021268 222, 226	7024800.....221, 225
70025177.....202	7012558 279	7021275 222	7024806.....222
70025179.....202	7012925 411, 413	7021276 222, 226	7026188.....267, 275
70025180.....202	7012941 55	7021277 222, 226	7026199.....252, 279
70025182.....201	7012967 283, 285	7021278 222, 226	7026330.....87
70025183.....201	7012972 55	7021281 222, 226	7026597 ... 267, 272, 275
70025184.....201	7012973 55	7021285 222	7026626 ... 267, 272, 275
70025185.....202	7012987 229	7021290 222, 226	7027236..... 155, 215
70025189.....203	7012988 229	7022321 221, 225	7027773.....401
70025191.....202	7012998 55, 417	7022322 221, 225	7027774.....401
70025192.....203	7016319 111	7022331 221, 225	7027775.....401
70025195.....201	7016322 241	7022332 221, 225	7027776.....401

PART NUMBER INDEX

7027777	401	80983191	503	8310548.....	152, 169, 182, 195, 212	8750014 ...	147, 161, 175, 187, 207
7027778	401	8220045	513, 538, 542	8405006.....	161, 187	8750031 ...	147, 161, 175, 187, 207
7027779	401	8220051	507	8405007.....	169, 195	8769128	243, 245
7027780	401	8220115	503	8405009.....	147, 169, 175, 195, 207	8769139	243, 245
7027790	156, 216	8220125	538, 542	8405104.....	169, 195	88411013	473
7027791	156, 216	8220164	503	8405202.....	169, 195	88521205	83, 85
7027792	156, 216	8229242 ...	503, 519, 538, 542	8405204.....	169, 195	90200755	126, 134
7027795	216	8229244	538, 542	8406101.....	161, 187	91164057	48, 52
7027796	156, 216	8229245	513, 538, 542	8406109.....	153, 169, 183, 195, 213	91164059	48, 52
7027799	267, 272, 275	8305401 ...	152, 168, 182, 194, 212	8406110.....	170, 196, 305, 313, 317, 321	91164079	48, 52
7027887	252, 279	8307109 ...	152, 169, 182, 195, 212	8406201.....	170, 196	91203039.....	311
7027903	156, 216	8310129	391	8410013.....	161, 187	91401281	83
77363233	511					91554014	537
80484084	503						
80633030	440, 448						
80963067	538, 542						

Go to Discount-Equipment.com to order your parts

PARTS FINDER

**Search Website
by Part Number**



**Search Manual
Library For Parts
Manual & Lookup Part
Numbers – Purchase
or Request Quote**

**Can't Find Part or
Manual? Request Help
by Manufacturer,
Model & Description**

Discount-Equipment.com is your online resource for quality parts & equipment.

Florida: **561-964-4949** Outside Florida TOLL FREE: **877-690-3101**

Need parts?

Click on this link: <http://www.discount-equipment.com/category/5443-parts/> and choose one of the options to help get the right parts and equipment you are looking for. Please have the machine model and serial number available in order to help us get you the correct parts. If you don't find the part on the website or on one of the online manuals, please fill out the request form and one of our experienced staff members will get back to you with a quote for the right part that your machine needs.

We sell worldwide for the brands: Genie, Terex, JLG, MultiQuip, Mikasa, Essick, Whiteman, Mayco, Toro Stone, Diamond Products, Generac Magnum, Airman, Haulotte, Barreto, Power Blanket, Nifty Lift, Atlas Copco, Chicago Pneumatic, Allmand, Miller Curber, Skyjack, Lull, Skytrak, Tsurumi, Husquvarna Target, Stow, Wacker, Sakai, Mi-T-M, Sullair, Basic, Dynapac, MBW, Weber, Bartell, Bennar Newman, Haulotte, Ditch Runner, Menegotti, Morrison, Contec, Buddy, Crown, Edco, Wyco, Bomag, Laymor, EZ Trench, Bil-Jax, F.S. Curtis, Gehl Pavers, Heli, Honda, ICS/PowerGrit, IHI, Partner, Imer, Clipper, MMD, Koshin, Rice, CH&E, General Equipment, Amida, Coleman, NAC, Gradall, Square Shooter, Kent, Stanley, Tamco, Toku, Hatz, Kohler, Robin, Wisconsin, Northrock, Oztec, Toker TK, Rol-Air, APT, Wylie, Ingersoll Rand / Doosan, Innovatech, Con X, Ammann, Mecalac, Makinex, Smith Surface Prep, Small Line, Wanco, Yanmar