



---

# Illustrated Parts Manual

**Models**  
**400S**  
**460SJ**

**SN 0300203771\* to Present**  
**SN 1300007289 to SN 1300007393**  
**SN E300000100 to Present**

\* See Revision Log Page for exceptions

**P/N**  
**3121672**

December 21, 2018 - Rev P

**ANSI**

**CE**



**AS/NZS**



An Oshkosh Corporation Company





## REVISION LOG

NOTE: The 400S may be manufactured by JLG Industries in the following countries: USA & Romania. The country of manufacture may be determined by the serial number located on the serial number nameplate. Machines manufactured in the USA will have a prefix number of 03 (i. e. 03xxxxxxx). Machines manufactured in Romania will have a prefix number of E3 (i. e. E3xxxxxxx, or 13xxxxxxx).

NOTES;

List of SN exceptions:

Use Parts Manual 3121672 for these SNs also:

0300184729, 0300200144, 0300200145, 0300200476, 0300200477, 0300202446, 0300202447, 0300202448, 0300202449, 0300202450, 0300203261, 0300203262, 0300203307, 0300203308, 0300203351, 0300203352, 0300203394, 0300203395, 0300203439, 0300203440, 0300203580, 0300203581, 0300203582, 0300203583, 0300203584, 0300203628, 0300203629, 0300203630, 0300203631, 0300203632, 0300203677, 0300203678, 0300203679, 0300203680, 0300203681, 0300203724, 0300203725, 0300203727, 0300203728

REVISION LOG:

March 12, 2015 - A - Original Issue Of Manual (Edit to B/M 1001166224 Revision C)

April 15, 2015 - B - Revised Manual (Edit to B/M 1001166224 Revision G)

June 1, 2015 - C - Revised Manual (Edit to B/M 1001166224 Revision G) (Revision 1)

August 15, 2015 - D - Revised Manual (Edit to B/M 1001166224 Revision H) (Revision 4)

November 20, 2015 - E - Revised Manual (Edit to B/M 1001166224 Revision L) (Revision 4)

February 19, 2016 - F - Revised Manual (Edit to B/M 1001166224 Revision O) (Revision 3)

May 16, 2016 - G - Revised Manual (Edit to B/M 1001166224 Revision Q) (Revision 1)

August 1, 2016 - H - Revised Manual (Edit to B/M 1001166224 Revision V) (Revision 3)

November 15, 2016 - I - Revised Manual (Edit to B/M 1001166224 Revision X) (Revision 5)

February 15, 2017 - J - Revised Manual (Edit to B/M 1001166224 Revision AD) (Revision 1)

May 5, 2017 - K - Revised Manual (Edit to B/M 1001166224 Revision AE) (Revision 3)

November 2, 2017 - L - Revised Manual (Edit to B/M 1001166224 Revision AE) (Revision 5)

February 1, 2018 - M - Revised Manual (Edit to B/M 1001166224 Revision AH) (Revision 2)

May 11, 2018 - N - Revised Manual (Edit to B/M 1001166224 Revision AI) (Revision 2)

August 10, 2018 - O - Revised Manual (Edit to B/M 1001166224 Revision AN) (Revision 2)

December 21, 2018 - P - Revised Manual (Edited to B/M 1001166224 Revision AR) (Revision 2)

## GENERAL INFORMATION

**FIGURE 6-3. LIFT CYLINDER ASSEMBLY**

ITEM #	PART NUMBER	QTY.	DESCRIPTION	REV.
	1001140104	Ref.	LIFT CYLINDER ASSEMBLY	B
1	0100011	AR	Compound, Locking	
2	0630535	3	Cap screw 1/4-20 x 1-1/8	
3	0751003	1	Screw #10-24 x 3/8	
4	0961997	1	Bushing, Tapered	
5	1320136	1	Clamp, Cable	
6	1662063	1	Hoist	
7	2220883	1	Plug, O-Ring	
8	2220885	2	Plug, O-Ring	
9	2220886	1	Plug, O-Ring	
10	3020039	AR	Lubricant	
11	3480292	1	Piston	
12	3730371	1	Ring, Washer	
13	3931450	8	Cap screw 1/4-20 x 1-1/4	
14	3931824	8	Cap screw 1/2-13 x 1-1/2	
15	3951003	1	Screw #10-24 x 3/8	
16	4100099	1	Spacer	
17	4640999	1	Cartridge, Holding Valve (Non Vented)	
17	2900792	1	Kit, Seal - 4640999 Cartridge Valve	
18	4641248	1	Cartridge, Countertorque Valve (Non Vented)	
18	70004196	1	Kit, Seal - 4641248 Cartridge Valve	
19	100117991	1	Sensor, Cylinder Length	
20	100118070	1	Cap, Retainer	
21	100118064	1	Barrel	
21A	0961950	2	Bushing	
22	100118086	1	Rod	
22A	0961950	2	Bushing	
100	1001139956	1	Kit, Seal (Includes Items 101-109)	
101	See Note	2	Ring, Wear (Note: Use pin 1001139996)	
102	See Note	1	Ring, Back-Up (Note: Use pin 1001139996)	
103	See Note	2	Ring, Lock (Note: Use pin 1001139996)	
104	See Note	2	Ring, Back-Up (Note: Use pin 1001139996)	
105	See Note	2	O-Ring (Note: Use pin 1001139996)	
106	See Note	1	O-Ring (Note: Use pin 1001139996)	
107	See Note	1	Seal (Note: Use pin 1001139996)	
108	See Note	1	Wiper, Rod (Note: Use pin 1001139996)	
109	See Note	2	Seal (Note: Use pin 1001139996)	
200	100119105	1	Kit, Sensor Magnet (Includes Items 201-203)	
201	See Note	NSS	Sieve, Spacer (Note: Use pin 100119105)	
202	100118066	1	Magnet, Sensor	
203	100118069	1	Ring, Internal Retaining	

### 1) MACHINE IDENTIFICATION

Machines are identified by model and in some cases a combination of models, serial number (SN) or regional standard (i.e ANSI, CE, CSA). Components may also be identified by SN or manufacturer. Common components that may be identified by these characteristics are engines and hydraulic components.

### 2) PARTS MANUAL ORGANIZATION

Product information in this manual is organized under section titles. Frame, Cylinder, Hydraulic and Electrical are a few examples. Each section is organized by figure and page number. The information within the Figure is then organized by item number, part number, description and corresponding illustration(s).

### 3) TABLE OF CONTENTS

A table of contents is found toward the beginning of the manual. Figure number, description and page number are provided for quick reference to the page containing the related information.

### 4) RECOMMENDED SPARE PARTS

The Recommended Spare Parts, located near the end of the manual, reference most frequently used maintenance parts.

### 5) PART NUMBER INDEX

A numerical index listing all part numbers and the corresponding page number(s) appears at the back of the manual.

## GENERAL INFORMATION

### 6) NON-SERVICED PARTS

In some instances, it is necessary to display non-serviced parts, assemblies or installations. In the case of assemblies and installations there will be a Ref in the Qty column. In case of parts that are not available for service within assemblies or components, there will be a NSS (Not Sold Separately) or NLA (No Longer Available) listed in the Qty. column of the manual.

### 7) PARTS LIST ITEM NUMBERS

Numbers shown in the item# column correspond to numbers used in the associated illustration (s). Item numbers which are missing from the sequence in the parts list are not used on that page

### 8) INDENTED PARTS DESCRIPTION

An indented part description is included in the item under which it is indented.

### 9) ABB REVIATION AND SYMBOLS

AC.....	.. Alternating Current	LCD.....	.. Liquid Crystal Display
ADE.....	..Advanced Design Electronics	LED.....	.. Light Emitting Diodes
ANSI.....	..American National Standards Institute	LH.....	.. Left Hand
AR.....	..As Required	LSS.....	..Load Sensing System
ASSY.....	.. Assembly	M(m).....	.. Metric/Meter
AUX.....	..Auxiliary	MM (mm).....	..Milimeter
AWG.....	..American WireGauge	mA.....	.. Miliamps
B/M.....	..Bill of Material	NLA.....	..No Longer Available
CE.....	..European Conformity	NPT.....	.. National Pipe Threads
CCW.....	..Counter Clockwise	NSS.....	..Not Sold Separately
cm.....	..Centimeter	OD.....	..Outside Diameter
CW.....	..Clockwise	ORB.....	.. O-Ring Boss
CSA.....	..Canadian Standards Association	ORFS.....	.. O-Ring Face Seal
CYL.....	..Cylinder	OZ (oz).....	..Ounces
DIA.....	..Diameter	PG.....	..Page
DC.....	..Direct Current	P/N.....	..Part Number
EMS.....	..Emergency Stop	qt.....	..Quarts
ENG.....	..Engine	QTY.....	..Quantity
FT (ft).....	..Feet	REF.....	..Reference
GA(Ga).....	..Gauge	REV.....	..Revision Level
HYD.....	..Hydraulic	RH.....	.. Right Hand
HZ.....	..Hertz	SAE.....	.. Society of Automotive Engineers
ID.....	..Inside Diameter	SN.....	..Serial Number
in.....	..inches	SPEC(S).....	..Specifications
ISO.....	..International Organization for Standards	T/T.....	..Turntable
JIC.....	..Joint Industry Council	UGM.....	..Universal Ground Module
KG.....	..Kilogram	V.....	..Volts
L.....	..Liter	W.....	..Watts
LB.....	..Pounds	#.....	..Number

### 10) ILLUSTRATION REFERENCE LETTERS

When necessary, illustrations may contain reference letters that are intended to track information (i. e. hoses, harnesses) from one point to another or to track visual enlargement of components to show details that may be located in another area on the illustration.

*Note: Due to continuous product improvements, JLG Industries, Inc. reserves the right to make specification changes without prior notification. Contact JLG Industries, Inc. for updated information.*



# TABLE OF CONTENTS

SECTION 1 - FRAME.....	15
FIGURE 1-1. AXLE INSTALLATION .....	16
FIGURE 1-2. STEER INSTALLATION WITHOUT TOW PACKAGE .....	18
FIGURE 1-3. STEER INSTALLATION WITH TOW PACKAGE .....	20
FIGURE 1-4. WHEEL DRIVE INSTALLATION (2WD).....	22
FIGURE 1-5. WHEEL DRIVE INSTALLATION (4WD).....	24
FIGURE 1-6. DRIVE HUB AND BRAKE ASSEMBLY - REAR .....	26
FIGURE 1-7. DRIVE HUB ASSEMBLY - FRONT .....	30
FIGURE 1-8. HUB - SPINDLE ASSEMBLY (2WD) .....	32
FIGURE 1-9. DRIVE MOTOR ASSEMBLY (2WD) .....	34
FIGURE 1-10. DRIVE MOTOR ASSEMBLY (4WD).....	36
FIGURE 1-11. TRACTION VALVE ASSEMBLY (2WD).....	38
FIGURE 1-12. TRACTION VALVE ASSEMBLY (4WD).....	40
FIGURE 1-13. TIRE AND WHEEL INSTALLATION - 12 X 16.5 PNEUMATIC (AVAILABLE ON ANSI, ANSI EXPORT, CSA AND CHINA SPECS).....	42
FIGURE 1-14. TIRE AND WHEEL INSTALLATION - 12 X 16.5 PNEUMATIC WITH TIRE SEALANT (AVAILABLE ON ANSI, ANSI EXPORT, CSA AND CHINA SPECS).....	44
FIGURE 1-15. TIRE AND WHEEL INSTALLATION - 12 X 16.5 FOAM FILLED (AVAILABLE ON ALL SPECS).....	46
FIGURE 1-16. TIRE AND WHEEL INSTALLATION - 12 X 16.5 FF NON-MARKING (AVAILABLE ON ALL SPECS).....	48
FIGURE 1-17. TIRE AND WHEEL INSTALLATION - 14 X 17.5 PNEUMATIC (AVAILABLE ON ANSI, ANSI EXPORT, CSA AND CHINA SPECS).....	50
FIGURE 1-18. TIRE AND WHEEL INSTALLATION - 14 X 17.5 FOAM FILLED (AVAILABLE ON ALL SPECS).....	52
FIGURE 1-19. TIRE AND WHEEL INSTALLATION - 33 X 16LL X 16.1 PNEUMATIC TURF AND SAND (AVAILABLE ON ANSI, CSA, ANSI EXPORT AND CHINA SPECS).....	54
FIGURE 1-20. FRAME SHIELD INSTALLATION - WITHOUT TOW BAR.....	56
FIGURE 1-21. FRAME SHIELD INSTALLATION - WITH TOW BAR.....	58
FIGURE 1-22. TOW BAR INSTALLATION.....	60
FIGURE 1-23. TOW BAR ASSEMBLY.....	62
FIGURE 1-24. LP TANK BRACKETS INSTALLATION .....	64
SECTION 2 - TURNTABLE.....	67
FIGURE 2-1. CONTROL VALVES INSTALLATION - 400S.....	68
FIGURE 2-2. CONTROL VALVES INSTALLATION - 460SJ.....	70
FIGURE 2-3. MAIN VALVE ASSEMBLY - 400S.....	72
FIGURE 2-4. MAIN VALVE ASSEMBLY - 460SJ.....	76
FIGURE 2-5. AXLE VALVE ASSEMBLY .....	80
FIGURE 2-6. SWING DRIVE INSTALLATION .....	82
FIGURE 2-7. SWING HUB/MOTOR ASSEMBLY.....	84
FIGURE 2-8. TURNTABLE BEARING INSTALLATION .....	88
FIGURE 2-9. BEARING LUBE INSTALLATION .....	90
FIGURE 2-10. TURNTABLE LOCK INSTALLATION.....	92
FIGURE 2-11. ROTARY COUPLING INSTALLATION .....	94
FIGURE 2-12. TANKS INSTALLATION - DIESEL MACHINES (SN 0300203771 through 0300220609, SN E300000100 through E300004217, SN 1300007289 through 1300007393) .....	96
FIGURE 2-13. TANKS INSTALLATION - DIESEL MACHINES (SN 0300220610 to Present, SN E300004218 to Present).....	98
FIGURE 2-14. TANKS INSTALLATION - GAS MACHINES (SN 0300203771 through 0300220609).....	100
FIGURE 2-15. TANKS INSTALLATION - GAS MACHINES (SN 0300220610 to Present).....	102
FIGURE 2-16. HYDRAULIC TANK ASSEMBLY.....	104
FIGURE 2-17. AUXILIARY PUMP AND BATTERY INSTALLATION.....	106
FIGURE 2-18. AUXILIARY PUMP AND BATTERY WITH DISCONNECT SWITCH INSTALLATION.....	108
FIGURE 2-19. AUXILIARY PUMP ASSEMBLY.....	110
FIGURE 2-20. ELECTRICAL INSTALLATION - 400S (ALL SPECS EXCEPT AUSTRALIAN SPEC) (SN 0300203771 through 0300250355) .....	112
FIGURE 2-21. ELECTRICAL INSTALLATION - 400S (ALL SPECS EXCEPT AUSTRALIAN SPEC) (SN 0300250356 to Present).....	114
FIGURE 2-22. ELECTRICAL INSTALLATION - 400S (ANSI AND CSA SPECS) (SN 0300203771 through 0300250355).....	116
FIGURE 2-23. ELECTRICAL INSTALLATION - 400S (SN 0300250356 to Present).....	118
FIGURE 2-24. ELECTRICAL INSTALLATION - 460SJ (SN 0300203771 through 0300250355, SN E300000100 through E300006809).....	120
FIGURE 2-25. ELECTRICAL INSTALLATION - 460SJ (SN 0300250356 to Present, SN E300006810 to Present) .....	122
FIGURE 2-26. ELECTRICAL INSTALLATION - 460SJ (ANSI AND CSA SPECS) (SN 0300203771 through 0300250355) .....	124
FIGURE 2-27. ELECTRICAL INSTALLATION - 460SJ (ANSI AND CSA SPECS) (SN 0300250356 to Present).....	126
FIGURE 2-28. ELECTRICAL PANEL ASSEMBLY.....	128



# TABLE OF CONTENTS

FIGURE 2-29. GROUND CONTROL ASSEMBLY - 400S (ALL SPECS EXCEPT AUSTRALIAN SPEC) (SN 0300203771 through 0300250355)	130
FIGURE 2-30. GROUND CONTROL ASSEMBLY - 400S (SN 0300250356 to Present)	132
FIGURE 2-31. GROUND CONTROL ASSEMBLY - 400S (ANSI AND CSA SPECS) (SN 0300250356 to Present)	134
FIGURE 2-32. GROUND CONTROL ASSEMBLY - 400S (ANSI AND CSA SPECS)	136
FIGURE 2-33. GROUND CONTROL ASSEMBLY - 460SJ (SN 0300203771 through 0300250355, SN E300000100 through E300006809)	138
FIGURE 2-34. GROUND CONTROL ASSEMBLY - 460SJ (SN 0300250356 to Present, SN E300006810 to Present)	140
FIGURE 2-35. GROUND CONTROL ASSEMBLY - 460SJ (ANSI AND CSA SPECS) (SN 0300203771 through 0300250355)	142
FIGURE 2-36. GROUND CONTROL ASSEMBLY - 460SJ (ANSI AND CSA SPECS) (SN 0300250356 to Present)	144
FIGURE 2-37. GROUND CONTROL DECAL AND KEYSWITCH INSTALLATION - 400S (ALL SPECS EXCEPT CE SPEC)	146
FIGURE 2-38. GROUND CONTROL DECAL AND KEYSWITCH INSTALLATION - 400S (CE SPEC)	148
FIGURE 2-39. GROUND CONTROL DECAL AND KEYSWITCH INSTALLATION - 460SJ (ALL SPECS EXCEPT CE SPEC)	150
FIGURE 2-40. GROUND CONTROL DECAL AND KEYSWITCH INSTALLATION - 460SJ (CE SPEC)	152
FIGURE 2-41. BEACON LIGHT INSTALLATION - AMBER	154
FIGURE 2-42. BEACON LIGHT INSTALLATION - BLUE (SN 0300203771 through 0300259126, SN E300000100 to Present)	156
FIGURE 2-43. BEACON LIGHT INSTALLATION - BLUE (SN 0300259127 to Present)	158
FIGURE 2-44. BEACON LIGHT INSTALLATION - RED (SN 0300203771 through 0300259126, SN E300000100 to Present)	160
FIGURE 2-45. BEACON LIGHT INSTALLATION - RED (SN 0300259127 to Present)	162
FIGURE 2-46. HOOD INSTALLATION - ABS (DEUTZ & GM ENGINES)	164
FIGURE 2-47. HOOD INSTALLATION - ABS (KUBOTA ENGINES)	168
FIGURE 2-48. HOOD INSTALLATION - ABS (KUBOTA ENGINES) (CE SPECS)	172
FIGURE 2-49. ABS HOOD ASSEMBLY - ENGINE SIDE	176
FIGURE 2-50. ABS HOOD ASSEMBLY - ENGINE SIDE (CE SPEC)	178
FIGURE 2-51. ABS HOOD ASSEMBLY - TANK SIDE	180
FIGURE 2-52. ABS HOOD ASSEMBLY - TANK SIDE (CE SPEC)	182
FIGURE 2-53. HOOD INSTALLATION - STEEL	184
FIGURE 2-54. STEEL HOOD ASSEMBLY - ENGINE SIDE (ANSI EXPORT SPECS)	188
FIGURE 2-55. STEEL HOOD ASSEMBLY - TANK SIDE (ANSI EXPORT SPECS)	190
FIGURE 2-56. SOUND REDUCTION INSTALLATION - KUBOTA ENGINE MACHINES WITH STEEL HOODS	192
FIGURE 2-57. TURNTABLE COVERS INSTALLATION	194
<b>SECTION 3 - ENGINE</b>	<b>197</b>
FIGURE 3-1. ENGINE INSTALLATION - DEUTZ D2011 ENGINE (WITHOUT ARCTIC PACKAGE) (ANSI EXPORT, AUSTRALIAN, CE AND CHINA SPECS)	198
FIGURE 3-2. ENGINE AND PUMP SUB-ASSEMBLY - DEUTZ D2011 (WITHOUT ARCTIC PACKAGE) (ANSI EXPORT, AUSTRALIAN AND CE SPECS)	204
FIGURE 3-3. ENGINE ASSEMBLY - DEUTZ D2011 ENGINE (WITHOUT ARCTIC PACKAGE) (ANSI EXPORT, AUSTRALIAN AND CE SPECS)	206
FIGURE 3-4. ENGINE INSTALLATION - DEUTZ D2011 ENGINE (WITH ARCTIC PACKAGE) (ANSI EXPORT AND CHINA SPECS)	210
FIGURE 3-5. ENGINE AND PUMP SUB-ASSEMBLY - DEUTZ D2011 (WITH ARCTIC PACKAGE) (ANSI EXPORT SPEC)	216
FIGURE 3-6. ENGINE ASSEMBLY - DEUTZ D2011 ENGINE (WITH ARCTIC PACKAGE) (ANSI EXPORT SPEC)	218
FIGURE 3-7. ENGINE INSTALLATION - DEUTZ D2011 ENGINE (STAGE V) (WITHOUT ARCTIC PACKAGE) (CE SPECS)	222
FIGURE 3-8. ENGINE AND PUMP SUB-ASSEMBLY - DEUTZ D2011 (STAGE V) (WITHOUT ARCTIC PACKAGE) (CE SPECS)	228
FIGURE 3-9. ENGINE ASSEMBLY - DEUTZ D2011 ENGINE (STAGE V) (WITHOUT ARCTIC PACKAGE) (CE SPECS)	230
FIGURE 3-10. ENGINE COMPONENTS - DEUTZ D2011 (STAGE V)	234
FIGURE 3-11. ENGINE COMPONENTS - DEUTZ D2011	238
FIGURE 3-12. ENGINE INSTALLATION - DEUTZ D2.9L4 ENGINE (WITHOUT ARCTIC PACKAGE) (ANSI, CSA AND ANSI EXPORT SPECS)	242
FIGURE 3-13. ENGINE AND PUMP SUB-ASSEMBLY - DEUTZ D2.9L4 (WITHOUT ARCTIC PACKAGE) (ANSI, CSA AND ANSI EXPORT SPECS)	248
FIGURE 3-14. ENGINE ASSEMBLY - DEUTZ D2.9L4 ENGINE (WITHOUT ARCTIC PACKAGE) (ANSI, CSA AND ANSI EXPORT SPECS)	250
FIGURE 3-15. ENGINE INSTALLATION - DEUTZ D2.9L4 ENGINE (WITH ARCTIC PACKAGE) (ANSI AND CSA SPECS)	256
FIGURE 3-16. ENGINE AND PUMP SUB-ASSEMBLY - DEUTZ D2.9L4 (WITH ARCTIC PACKAGE) (ANSI AND CSA SPECS)	262
FIGURE 3-17. ENGINE ASSEMBLY - DEUTZ D2.9L4 ENGINE (WITH ARCTIC PACKAGE) (ANSI AND CSA SPECS)	264
FIGURE 3-18. BREATHER HEATER INSTALLATION - DEUTZ D2.9L4 ENGINE WITH ARCTIC PACKAGE	270
FIGURE 3-19. BRACKET ASSEMBLY - FUEL PUMP AND FILTER (DEUTZ D2.9L4 ENGINE)	272
FIGURE 3-20. ENGINE COMPONENTS - DEUTZ D2.9L4 ENGINE	274
FIGURE 3-21. ENGINE INSTALLATION - GM ENGINE (WITHOUT ARCTIC PACKAGE) (SN 0300203771 through 0300222291)	278
FIGURE 3-22. ENGINE INSTALLATION - GM ENGINE (WITHOUT ARCTIC PACKAGE) (SN 0300222292 to Present)	284

# TABLE OF CONTENTS

FIGURE 3-23. ENGINE AND PUMP SUB-ASSEMBLY - GM ENGINE (WITHOUT ARCTIC PACKAGE) (SN 0300203771 through 0300222291) .....	290
FIGURE 3-24. ENGINE AND PUMP SUB-ASSEMBLY - GM ENGINE (WITHOUT ARCTIC PACKAGE) (SN 0300222292 to Present) .....	292
FIGURE 3-25. ENGINE ASSEMBLY - GM ENGINE (WITHOUT ARCTIC PACKAGE) (SN 0300203771 through 0300222291) .....	294
FIGURE 3-26. ENGINE ASSEMBLY - GM ENGINE (WITHOUT ARCTIC PACKAGE) (SN 0300222292 to Present) .....	298
FIGURE 3-27. ENGINE INSTALLATION - GM ENGINE (WITH ARCTIC PACKAGE) (SN 0300203771 through 0300222291) ..	302
FIGURE 3-28. ENGINE INSTALLATION - GM ENGINE (WITH ARCTIC PACKAGE) (SN 0300222292 to Present) .....	308
FIGURE 3-29. ENGINE AND PUMP SUB-ASSEMBLY - GM ENGINE (WITH ARCTIC PACKAGE) (SN 0300203771 through 0300222291) .....	314
FIGURE 3-30. ENGINE AND PUMP SUB-ASSEMBLY - GM ENGINE (WITH ARCTIC PACKAGE) (SN 0300222292 to Present) .....	316
FIGURE 3-31. ENGINE ASSEMBLY - GM ENGINE (WITH ARCTIC PACKAGE) (SN 0300203771 through 0300222291) .....	318
FIGURE 3-32. ENGINE ASSEMBLY - GM ENGINE (WITH ARCTIC PACKAGE) (SN 0300222292 to Present) .....	322
FIGURE 3-33. FUEL SYSTEM MOUNTING - GM ENGINES .....	326
FIGURE 3-34. ENGINE INSTALLATION - KUBOTA ENGINE (WITHOUT ARCTIC PACKAGE) (SN 0300203771 through 0300241777) .....	328
FIGURE 3-35. ENGINE INSTALLATION - KUBOTA ENGINE (WITHOUT ARCTIC PACKAGE) (SN 0300241778 to Present) ..	334
FIGURE 3-36. ENGINE AND PUMP SUB-ASSEMBLY - KUBOTA ENGINE (WITHOUT ARCTIC PACKAGE) (SN 0300203771 through 0300241777) .....	340
FIGURE 3-37. ENGINE AND PUMP SUB-ASSEMBLY - KUBOTA ENGINE (WITHOUT ARCTIC PACKAGE) (SN 0300241778 to Present) .....	342
FIGURE 3-38. ENGINE ASSEMBLY - KUBOTA ENGINE (WITHOUT ARCTIC PACKAGE) (SN 0300203771 through 0300241777) .....	344
FIGURE 3-39. ENGINE ASSEMBLY - KUBOTA ENGINE (WITHOUT ARCTIC PACKAGE) (SN 0300241778 to Present) .....	350
FIGURE 3-40. PUMP COUPLING KIT - KUBOTA ENGINE .....	356
FIGURE 3-41. ENGINE INSTALLATION - KUBOTA ENGINE (WITH ARCTIC PACKAGE) (SN 0300203771 through 0300241777) .....	358
FIGURE 3-42. ENGINE INSTALLATION - KUBOTA ENGINE (WITH ARCTIC PACKAGE) (SN 0300241778 to Present) .....	364
FIGURE 3-43. ENGINE AND PUMP SUB-ASSEMBLY - KUBOTA ENGINE (WITH ARCTIC PACKAGE) (SN 0300203771 through 0300241777) .....	370
FIGURE 3-44. ENGINE AND PUMP SUB-ASSEMBLY - KUBOTA ENGINE (WITH ARCTIC PACKAGE) (SN 0300241778 to Present) .....	372
FIGURE 3-45. ENGINE ASSEMBLY - KUBOTA ENGINE (WITH ARCTIC PACKAGE) (SN 0300203771 through 0300241777) .....	374
FIGURE 3-46. ENGINE ASSEMBLY - KUBOTA ENGINE (WITH ARCTIC PACKAGE) (SN 0300241778 to Present) .....	380
FIGURE 3-47. ENGINE COMPONENTS - KUBOTA .....	386
FIGURE 3-48. PUMP COUPLING KIT (KUBOTA ENGINES) .....	390
FIGURE 3-49. GEAR PUMP ASSEMBLY .....	392
FIGURE 3-50. PISTON PUMP ASSEMBLY .....	394
FIGURE 3-51. SPARK ARRESTOR INSTALLATION - DEUTZ D2.9L4 ENGINE .....	398
FIGURE 3-52. CATALYTIC SPARK ARRESTOR INSTALLATION - DEUTZ D2011 ENGINE .....	400
FIGURE 3-53. SPARK ARRESTOR INSTALLATION - DEUTZ D2011 ENGINE .....	402
FIGURE 3-54. SPARK ARRESTOR INSTALLATION - KUBOTA ENGINE .....	404
FIGURE 3-55. ENGINE BAFFLE INSTALLATION - ABS HOODS (DEUTZ & GM ENGINES) .....	406
FIGURE 3-56. ENGINE BAFFLE INSTALLATION - ABS HOODS (KUBOTA ENGINES) .....	408
FIGURE 3-57. ENGINE BAFFLE INSTALLATION - STEEL HOODS .....	410
FIGURE 3-58. ENGINE TRAY JACK (SN 0300203771 to Present, SN E300000100 through E300007214) .....	412
FIGURE 3-59. ENGINE TRAY JACK (SN E300007215 to Present) .....	414
FIGURE 3-60. GENERATOR INSTALLATION - 2500W/60HZ (DEUTZ D2011 ENGINE) .....	416
FIGURE 3-61. GENERATOR INSTALLATION - 2500W/60HZ (DEUTZ D2.9L4 ENGINE) .....	420
FIGURE 3-62. GENERATOR INSTALLATION - 2500W/60HZ (GM ENGINE) .....	424
FIGURE 3-63. GENERATOR INSTALLATION - 2500W/60HZ (KUBOTA ENGINE) .....	428
FIGURE 3-64. GENERATOR INSTALLATION - 4000W/50HZ (DEUTZ D2011 ENGINE) .....	432
FIGURE 3-65. GENERATOR INSTALLATION - 4000W/60HZ (DEUTZ D2011 ENGINE) .....	436
FIGURE 3-66. GENERATOR INSTALLATION - 4000W/60HZ (DEUTZ D2.9L4 ENGINE) .....	440
FIGURE 3-67. GENERATOR INSTALLATION - 4000W/60HZ (GM ENGINE) .....	444
FIGURE 3-68. GENERATOR INSTALLATION - 7500W/50HZ (DEUTZ D2011 ENGINE) .....	448
FIGURE 3-69. GENERATOR INSTALLATION - 7500W/60HZ (DEUTZ D2011 ENGINE) .....	452
FIGURE 3-70. GENERATOR INSTALLATION - 7500W/60HZ (DEUTZ D2.9L4 ENGINE) .....	456
FIGURE 3-71. GENERATOR INSTALLATION - 7500W/60HZ (GM ENGINE) .....	460
FIGURE 3-72. GENERATOR INSTALLATION - 7500W/60HZ (KUBOTA ENGINE) .....	464
SECTION 4 - BOOM .....	469
FIGURE 4-1. BOOM AND CYLINDERS INSTALLATION - 400S (EUROPEAN BUILT) .....	470
FIGURE 4-2. BOOM AND CYLINDERS INSTALLATION - 400S (US BUILT) (SN 0300255280 to Present) .....	472

# TABLE OF CONTENTS

FIGURE 4-3. BOOM AND CYLINDERS INSTALLATION - 460SJ (SN 0300203771 to Present, SN E300000100 through E300004333).....	474
FIGURE 4-4. BOOM AND CYLINDERS INSTALLATION - 460SJ (SN E300004334 to Present, SN 1300007289 through 1300007393).....	476
FIGURE 4-5. MAIN BOOM ASSEMBLY - 400S.....	478
FIGURE 4-6. MAIN BOOM ASSEMBLY - 460SJ (SN 0300203771 to Present, SN E300000100 through E300004333).....	482
FIGURE 4-7. MAIN BOOM ASSEMBLY - 460SJ (SN E300004334 to Present, SN 1300007289 through 1300007393).....	486
FIGURE 4-8. MAIN BOOM ASSEMBLY - 400S (SN 0300255280 to Present).....	488
FIGURE 4-9. JIB BOOM ASSEMBLY (SN 0300203771 through 0300261548, SN E300000100 through E300004333).....	490
FIGURE 4-10. JIB BOOM ASSEMBLY (SN 0300261549 to Present).....	492
FIGURE 4-11. JIB BOOM ASSEMBLY - 460SJ (SN E300004334 through E300007170, SN 1300007289 through 1300007393).....	494
FIGURE 4-12. JIB BOOM ASSEMBLY - 460SJ (SN E300007171 to Present).....	496
FIGURE 4-13. ROTATOR ASSEMBLY - 400S (SN 0300203771 through 03002444182, SN E300000100 through E300005673, SN 1300007289 through 1300007393).....	498
FIGURE 4-14. ROTATOR ASSEMBLY - 400S (SN 0300244183 to Present, SN E300005674 to Present).....	500
FIGURE 4-15. ROTATOR ASSEMBLY - 460SJ.....	502
FIGURE 4-16. POWER TRACK INSTALLATION (SN 0300203771 to Present, SN E300000100 through E300003862).....	504
FIGURE 4-17. POWER TRACK INSTALLATION (SN E300003862 to Present, SN 1300007289 through 1300007393).....	506
FIGURE 4-18. CAPACITY SWITCH INSTALLATION.....	508
FIGURE 4-19. TRANSPORT SWITCHES INSTALLATION.....	510
FIGURE 4-20. PLATFORM SUPPORT INSTALLATION - WITHOUT LSS.....	512
FIGURE 4-21. PLATFORM SUPPORT INSTALLATION WITH 4 CELL LSS.....	514
FIGURE 4-22. PLATFORM SUPPORT INSTALLATION - WITH 1 CELL LSS.....	516
FIGURE 4-23. CABLES AND CLAMPS INSTALLATION - 400S (ANSI, ANSI EXPORT, CSA AND CHINA SPECS).....	518
FIGURE 4-24. CABLES AND CLAMPS INSTALLATION - 400S (CE SPECS) (SN 0300203771 through 0300212082).....	520
FIGURE 4-25. CABLES AND CLAMPS INSTALLATION - 400S (CE SPECS) (SN 0300212083 to Present, SN E300000100 to Present, SN 1300007289 through 1300007393).....	522
FIGURE 4-26. CABLES AND CLAMPS INSTALLATION - 460SJ (ANSI, ANSI EXPORT AND CSA SPECS) (SN 0300203771 through 0300212083).....	524
FIGURE 4-27. CABLES AND CLAMPS INSTALLATION - 460SJ (CE SPECS) (SN 0300203771 through 0300212083).....	526
FIGURE 4-28. CABLES AND CLAMPS INSTALLATION - 460SJ (ALL SPECS) (SN 0300212083 to Present, SN E300000100 to Present, SN 1300007289 through 1300007393).....	528
SECTION 5 - PLATFORM.....	531
FIGURE 5-1. PLATFORM ASSEMBLY - 30IN X 5FT (76.2CM X 1.52M) WITH SWING GATE (USA BUILT MACHINES).....	532
FIGURE 5-2. PLATFORM ASSEMBLY - 36IN X 6FT (91.5CM X 1.83M) WITH SWING GATE (USA BUILT MACHINES).....	534
FIGURE 5-3. PLATFORM ASSEMBLY - 36IN X 8FT (91.5CM X 2.44M) WITH SWING GATE (USA BUILT MACHINES).....	536
FIGURE 5-4. PLATFORM ASSEMBLY - 30IN X 5FT (76.2CM X 1.52M) WITH DROP BAR (USA BUILT MACHINES).....	538
FIGURE 5-5. PLATFORM ASSEMBLY - 36IN X 6FT (91.5CM X 1.83M) WITH DROP BAR (USA BUILT MACHINES).....	540
FIGURE 5-6. PLATFORM ASSEMBLY - 36IN X 8FT (91.5CM X 2.44M) WITH DROP BAR (USA BUILT MACHINES).....	542
FIGURE 5-7. PLATFORM ASSEMBLY - 36IN X 6FT (91.5CM X 1.83M) WITH FALL ARREST (ANSI, ANSI EXPORT AND CHINA SPECS) (USA BUILT MACHINES).....	544
FIGURE 5-8. PLATFORM ASSEMBLY - 30IN X 5FT (76CM X 1.52M) WITH SWING GATE (ROMANIAN BUILT MACHINES).....	546
FIGURE 5-9. PLATFORM ASSEMBLY - 36IN X 6FT (92CM X 1.83M) WITH SWING GATE (ROMANIAN BUILT MACHINES).....	548
FIGURE 5-10. PLATFORM ASSEMBLY - 36IN X 8FT (91.5CM X 2.44M) WITH SWING GATE (ROMANIAN BUILT MACHINES).....	550
FIGURE 5-11. PLATFORM ASSEMBLY - 36IN X 8FT (91.5CM X 2.44M) WITH DROP BAR (ROMANIAN BUILT MACHINES).....	552
FIGURE 5-12. PLATFORM ASSEMBLY - 30IN X 5FT (76CM X 1.52M) WITH DROP BAR (ROMANIAN BUILT MACHINES).....	554
FIGURE 5-13. PLATFORM ASSEMBLY - 36IN X 6FT (91.5CM X 1.83M) WITH DROP BAR (ROMANIAN BUILT MACHINES).....	556
FIGURE 5-14. PLATFORM ASSEMBLY - 36IN X 6FT (91.5CM X 1.83M) TRI-ENTRY WITH GATE.....	558
FIGURE 5-15. PLATFORM ASSEMBLY - 36IN X 6FT (91.5CM X 1.83M) TRI-ENTRY WITH DROPBAR.....	560
FIGURE 5-16. PLATFORM ASSEMBLY - 36IN X 8FT (91.5CM X 2.44M) WITH TRI-ENTRY (1 GATE/2 DROP BARS).....	562
FIGURE 5-17. PLATFORM ASSEMBLY - 36IN X 8FT (91.5CM X 2.44M) WITH TRI-ENTRY (3 DROP BARS).....	564
FIGURE 5-18. PLATFORM ASSEMBLY - 30IN X 3FT (76CM X .91M) - DROP BAR ENTRY.....	566
FIGURE 5-19. CONSOLE BOX INSTALLATION - WITHOUT SKYGUARD.....	568
FIGURE 5-20. CONSOLE BOX INSTALLATION - WITH SKYGUARD (SN 0300203771 through 0300259126, SN E300000100 to Present).....	570
FIGURE 5-21. CONSOLE BOX INSTALLATION - WITH SKYGUARD (SN 0300259127 to Present).....	572
FIGURE 5-22. CONSOLE BOX ASSEMBLY - WITHOUT SKYGUARD (SN 0300203771 through 0300220006).....	574
FIGURE 5-23. CONSOLE BOX ASSEMBLY - WITHOUT SKYGUARD (SN 0300220007 to Present, SN E300000100 to Present, SN 1300007289 through 1300007393).....	578
FIGURE 5-24. CONSOLE BOX ASSEMBLY - WITH SKYGUARD (SN 0300203771 through 0300220006).....	582
FIGURE 5-25. CONSOLE BOX ASSEMBLY - WITH SKYGUARD (SN 0300220007 through 0300259126, SN E300000100 to Present, SN 1300007289 through 1300007393).....	586
FIGURE 5-26. CONSOLE BOX ASSEMBLY - WITH SKYGUARD (SN 0300259127 to Present).....	590

# TABLE OF CONTENTS

FIGURE 5-27. CONTROLLER ASSEMBLY - DRIVE AND STEER.....	594
FIGURE 5-28. CONTROLLER ASSEMBLY - LIFT AND SWING.....	596
FIGURE 5-29. FOOTSWITCH ASSEMBLY.....	598
FIGURE 5-30. LIGHT PANEL INSTALLATION - 400S (ANSI, ANSI EXPORT AND CSA SPECS).....	600
FIGURE 5-31. LIGHT PANEL INSTALLATION - 400S (CE SPECS).....	602
FIGURE 5-32. LIGHT PANEL INSTALLATION - 460SJ.....	604
FIGURE 5-33. TRAY INSTALLATION.....	606
FIGURE 5-34. SOFT TOUCH INSTALLATION - 36IN X 8FT (91.5CM X 2.44M) PLATFORM (OPTIONAL).....	608
FIGURE 5-35. SKYGUARD SYSTEM INSTALLATION (SN 0300203771 through 0300259126, SN E300000100 to Present) ..	610
FIGURE 5-36. SKYGUARD BAR INSTALLATION (SN 0300259127 to Present).....	612
FIGURE 5-37. SKYEYE INSTALLATION.....	614
FIGURE 5-38. SKYLINE INSTALLATION.....	616
FIGURE 5-39. CROSS RAIL INSTALLATION.....	618
FIGURE 5-40. SKYGLAZIER INSTALLATION.....	620
FIGURE 5-41. SKYWELDER INSTALLATION (50HZ).....	624
FIGURE 5-42. SKYWELDER INSTALLATION (60HZ).....	626
FIGURE 5-43. SKYWELDER PREP PACKAGE (60HZ).....	628
FIGURE 5-44. WELDER ASSEMBLY.....	630
SECTION 6 - CYLINDER.....	633
FIGURE 6-1. AXLE LOCKOUT CYLINDER ASSEMBLY.....	634
FIGURE 6-2. LEVEL (PLATFORM SLAVE) CYLINDER ASSEMBLY.....	636
FIGURE 6-3. LIFT CYLINDER ASSEMBLY - MAIN BOOM (SN 0300203771 through 0300204034).....	638
FIGURE 6-4. LIFT CYLINDER ASSEMBLY - MAIN BOOM (SN 0300204035 through 0300226846, SN E300000100 through E3000004457).....	640
FIGURE 6-5. LIFT CYLINDER ASSEMBLY - MAIN BOOM (SN 0300226847 through 0300243703, SN E3000004458 through E300005607).....	642
FIGURE 6-6. LIFT CYLINDER ASSEMBLY - MAIN BOOM (SN 0300243704 to Present, SN E300005608 to Present).....	644
FIGURE 6-7. LIFT CYLINDER ASSEMBLY - JIB (460SJ ONLY) (SN 0300203771 through 0300244835, SN E300000100 through E300005748, SN 1300007289 through 1300007393).....	646
FIGURE 6-8. LIFT CYLINDER ASSEMBLY - JIB (460SJ ONLY) (SN 0300244835 through 0300244838, SN E300005748 to Present).....	648
FIGURE 6-9. LIFT CYLINDER ASSEMBLY - JIB (460SJ ONLY) (SN 0300244839 to Present, SN E300006010 to Present).....	650
FIGURE 6-10. MASTER CYLINDER ASSEMBLY.....	652
FIGURE 6-11. STEER CYLINDER ASSEMBLY.....	654
FIGURE 6-12. TELESCOPE CYLINDER ASSEMBLY (SN 0300255290 to Present, SN E300000100 through E300005908, SN 1300007289 through 1300007393).....	656
FIGURE 6-13. TELESCOPE CYLINDER ASSEMBLY (SN E300005674 through E300006467).....	658
FIGURE 6-14. TELESCOPE CYLINDER ASSEMBLY (SN E300006468 to Present).....	660
SECTION 7 - HYDRAULIC.....	663
FIGURE 7-1. 400S 2WD HYDRAULIC SYSTEM INSTALLATION (SN 0300203771 through 0300220609).....	664
FIGURE 7-2. 400S 2WD HYDRAULIC SYSTEM INSTALLATION (SN 0300220610 to Present).....	672
FIGURE 7-3. 400S 4WD HYDRAULIC SYSTEM INSTALLATION (WITHOUT ARCTIC PACKAGE) (SN 0300203771 through 0300214505).....	680
FIGURE 7-4. 400S 4WD HYDRAULIC SYSTEM INSTALLATION (WITH ARCTIC PACKAGE) (SN 0300203771 through 0300214505).....	688
FIGURE 7-5. 400S 4WD HYDRAULIC SYSTEM INSTALLATION (ALL MACHINES) (SN 0300214506 through 0300220609) ..	696
FIGURE 7-6. 400S 4WD HYDRAULIC SYSTEM INSTALLATION (ALL MACHINES) (SN 0300220610 to Present, SN E300000100 to Present, SN 1300007289 through 1300007393).....	704
FIGURE 7-7. 460SJ 2WD HYDRAULIC SYSTEM INSTALLATION (SN 0300203771 through 0300220609).....	712
FIGURE 7-8. 460SJ 2WD HYDRAULIC SYSTEM INSTALLATION (SN 0300220610 to Present).....	720
FIGURE 7-9. 460SJ 4WD HYDRAULIC SYSTEM INSTALLATION (WITHOUT ARCTIC PACKAGE) (SN 0300203771 through 0300214505).....	728
FIGURE 7-10. 460SJ 4WD HYDRAULIC SYSTEM INSTALLATION (WITH ARCTIC PACKAGE) (SN 0300203771 through 0300214505).....	736
FIGURE 7-11. 460SJ 4WD HYDRAULIC SYSTEM INSTALLATION (ALL MACHINES) (SN 0300214506 through 0300220609).....	744
FIGURE 7-12. 460SJ 4WD HYDRAULIC SYSTEM INSTALLATION (ALL MACHINES) (SN 0300220610 to Present, SN E300000100 to Present, SN 1300007289 through 1300007393).....	752
FIGURE 7-13. HYDRAULIC DIAGRAM LIST.....	760
SECTION 8 - ELECTRICAL.....	761
FIGURE 8-1. ELECTRICAL DIAGRAM LIST.....	762

# TABLE OF CONTENTS

FIGURE 8-2. AC BOX AT PLATFORM INSTALLATION - 110V (ANSI, ANSI EXPORT, CSA AND CHINA SPECS) .....	764
FIGURE 8-3. AC BOX AT PLATFORM INSTALLATION - 220V (ANSI, ANSI EXPORT AND CSA SPECS) (SN 0300203771 through 0300220609) .....	766
FIGURE 8-4. AC BOX AT PLATFORM - 110V IEC YELLOW (CE SPEC) .....	768
FIGURE 8-5. AC BOX AT PLATFORM - 220V IEC BLUE (CE SPEC) .....	770
FIGURE 8-6. AC BOX AT PLATFORM - 220V CEE7 70MM X 70MM POST GROUND (CE SPEC) (SN 0300203771 through 0300208696) .....	772
FIGURE 8-7. AC BOX AT PLATFORM - 220V CEE7 2IN X 4IN POST GROUND (CE SPEC) .....	774
FIGURE 8-8. AC BOX AT PLATFORM - 220V CEE7 70MM X 70MM SIDE GROUND (CE SPEC) (SN 0300203771 through 0300208696) .....	776
FIGURE 8-9. AC BOX AT PLATFORM - 220V CEE7 2IN X 4IN SIDE GROUND (CE SPEC) .....	778
FIGURE 8-10. AC BOX AT PLATFORM - 220V AFSINT107 (CE SPEC) .....	780
FIGURE 8-11. AC BOX AT PLATFORM INSTALLATION - 220V CUSTOMER SUPPLIED COMPONENTS (ANSI EXPORT, AUSTRALIAN, CE AND CHINA SPECS) .....	782
FIGURE 8-12. AC CABLE INSTALLATION - WITH THREE BREAKERS (CE SPECS) .....	784
FIGURE 8-13. BATTERY DISCONNECT SWITCH .....	786
FIGURE 8-14. BEACON HARNESS (BLUE BEACON LIGHT ONLY) .....	788
FIGURE 8-15. BEACON EXTENSION HARNESS (BLUE BEACON LIGHT ONLY) .....	790
FIGURE 8-16. BOOM HARNESS - 400S .....	792
FIGURE 8-17. BOOM HARNESS - 460SJ .....	794
FIGURE 8-18. BOOM CAPACITY PROXIMITY SWITCH HARNESS (400S ONLY) .....	796
FIGURE 8-19. BOOM TELE IN PROXIMITY SWITCH HARNESS .....	798
FIGURE 8-20. BREAKER BOX INSTALLATION - 110/220V 10AMP BREAKER (CE SPEC) (SN 0300203771 through 0300220609) .....	800
FIGURE 8-21. BREAKER BOX INSTALLATION - 110/220V 16AMP BREAKER (CE SPEC) (SN 0300203771 through 0300239571, SN E300000100 through E300005185, SN 1300007289 through 1300007393) .....	802
FIGURE 8-22. BREAKER BOX INSTALLATION - 110/220V 16AMP BREAKER (CE SPEC) (SN 0300239572 to Present, SN E300005186 to Present) .....	804
FIGURE 8-23. BREAKER BOX KIT - 110/220V 10AMP BREAKER (CE SPEC) .....	806
FIGURE 8-24. BREAKER BOX KIT - 110/220V 16AMP BREAKER (CE SPEC) .....	808
FIGURE 8-25. ENGINE HARNESS - DEUTZ D2011 .....	810
FIGURE 8-26. ENGINE HARNESS - DEUTZ D2.9L4 .....	812
FIGURE 8-27. ENGINE HARNESS - GM .....	816
FIGURE 8-28. ENGINE HARNESS - KUBOTA .....	818
FIGURE 8-29. FUEL HARNESS - DEUTZ D2.9L4 ENGINE .....	820
FIGURE 8-30. FUEL HARNESS - KUBOTA ENGINE .....	822
FIGURE 8-31. GENERATOR HARNESS - 2500W .....	824
FIGURE 8-32. GENERATOR HARNESS - 4000W .....	826
FIGURE 8-33. GROUND CONTROL BOX HARNESS .....	828
FIGURE 8-34. INTERFACE HARNESS - WITH 1 CELL LSS .....	830
FIGURE 8-35. LSS HARNESS .....	832
FIGURE 8-36. PLATFORM CONSOLE BOX HARNESS (SN 0300203771 through 0300259126, SN E300000100 to Present, SN 1300007289 through 1300007393) .....	834
FIGURE 8-37. PLATFORM CONSOLE BOX HARNESS (SN 0300259127 to Present) .....	836
FIGURE 8-38. RECEPTACLE BOX KIT - 110V IEC YELLOW (CE SPEC) .....	838
FIGURE 8-39. RECEPTACLE BOX KIT - 220V IEC BLUE (CE SPEC) .....	840
FIGURE 8-40. RECEPTACLE BOX KIT - 220V CEE7 POST GROUND 70MM X 70MM (CE SPEC) (SN 0300203771 through 0300208696) .....	842
FIGURE 8-41. RECEPTACLE BOX KIT - 220V CEE7 POST GROUND 2IN X 4IN (CE SPEC) .....	844
FIGURE 8-42. RECEPTACLE BOX KIT - 220V CEE7 SIDE GROUND 70MM X 70MM (CE SPEC) (SN 0300203771 through 0300208696) .....	846
FIGURE 8-43. RECEPTACLE BOX KIT - 220V CEE7 SIDE GROUND 2IN X 4IN (CE SPEC) .....	848
FIGURE 8-44. RECEPTACLE BOX KIT - 220V AFSINT 107 (CE SPEC) .....	850
FIGURE 8-45. SKYGUARD HARNESS .....	852
FIGURE 8-46. TURNTABLE HARNESS .....	854
FIGURE 8-47. VALVE HARNESS - MAIN VALVE .....	858
FIGURE 8-48. SKYLINE HARNESS .....	860
FIGURE 8-49. SKYEYE INTERMEDIATE HARNESS .....	862
FIGURE 8-50. SKYEYE RECEIVER HARNESS .....	864
FIGURE 8-51. SKYEYE EMITTER HARNESS .....	866
SECTION 9 - DECALS .....	869
FIGURE 9-1. DECAL INSTALLATION - ANSI, ANSI EXPORT AND CHINA SPECS - ENGLISH (400S WITH DEUTZ AND GM ENGINES) .....	870
FIGURE 9-2. DECAL INSTALLATION - ANSI SPECS - ENGLISH (400S WITH KUBOTA ENGINES) .....	872

# TABLE OF CONTENTS

FIGURE 9-3. DECAL INSTALLATION - ANSI, ANSI EXPORT AND CHINA SPECS - ENGLISH (460SJ WITH DEUTZ AND GM ENGINES) .....	874
FIGURE 9-4. DECAL INSTALLATION - ANSI SPECS - ENGLISH (460SJ WITH KUBOTA ENGINES).....	876
FIGURE 9-5. DECAL INSTALLATION - AUSTRALIAN SPEC (460SJ).....	878
FIGURE 9-6. DECAL INSTALLATION - CE SPEC (400S).....	880
FIGURE 9-7. DECAL INSTALLATION - CE SPEC (460SJ).....	882
FIGURE 9-8. DECAL INSTALLATION - BRAZIL SPEC (DUAL LANGUAGE - PORTUGUESE/SPANISH) (400S).....	884
FIGURE 9-9. DECAL INSTALLATION - BRAZIL SPEC (DUAL LANGUAGE - PORTUGUESE/SPANISH) (460SJ).....	886
FIGURE 9-10. DECAL INSTALLATION - CHINESE SPEC (DUAL LANGUAGE - ENGLISH/CHINESE) (400S).....	888
FIGURE 9-11. DECAL INSTALLATION - CHINESE SPEC (DUAL LANGUAGE - ENGLISH/CHINESE) (460SJ).....	890
FIGURE 9-12. DECAL INSTALLATION - CSA SPEC (DUAL LANGUAGE - ENGLISH/FRENCH) (400S WITH DEUTZ AND GM ENGINES) .....	892
FIGURE 9-13. DECAL INSTALLATION - CSA SPECS (ENGLISH) (400S WITH KUBOTA ENGINES) .....	894
FIGURE 9-14. DECAL INSTALLATION - CSA SPEC (DUAL LANGUAGE - ENGLISH/FRENCH) (460SJ WITH DEUTZ AND GM ENGINES) .....	896
FIGURE 9-15. DECAL INSTALLATION - CSA SPEC (DUAL LANGUAGE - ENGLISH/FRENCH) (460SJ WITH KUBOTA ENGINES) .....	898
FIGURE 9-16. DECAL INSTALLATION - JAPANESE SPEC (DUAL LANGUAGE - ENGLISH/JAPANESE) (400S).....	900
FIGURE 9-17. DECAL INSTALLATION - JAPANESE SPEC (DUAL LANGUAGE - ENGLISH/JAPANESE) (460SJ) .....	902
FIGURE 9-18. DECAL INSTALLATION - KOREAN SPEC (DUAL LANGUAGE - ENGLISH/KOREAN) (400S) .....	904
FIGURE 9-19. DECAL INSTALLATION - KOREAN SPEC (DUAL LANGUAGE - ENGLISH/KOREAN) (460SJ) .....	906
FIGURE 9-20. DECAL INSTALLATION - LATIN AMERICAN SPEC (DUAL LANGUAGE - ENGLISH/SPANISH) (400S).....	908
FIGURE 9-21. DECAL INSTALLATION - LATIN AMERICAN SPEC (DUAL LANGUAGE - ENGLISH/SPANISH) (460SJ).....	910
FIGURE 9-22. DECAL INSTALLATION - OPTIONS .....	912
SECTION 10 - RECOMMENDED SERVICE PARTS STOCK .....	915
FIGURE 10-1. RECOMMENDED SERVICE PARTS STOCK .....	916
SECTION 11 - SPECIAL OPTIONS .....	919
FIGURE 11-1. SPECIAL OPTIONS.....	920
PART NUMBER INDEX .....	925



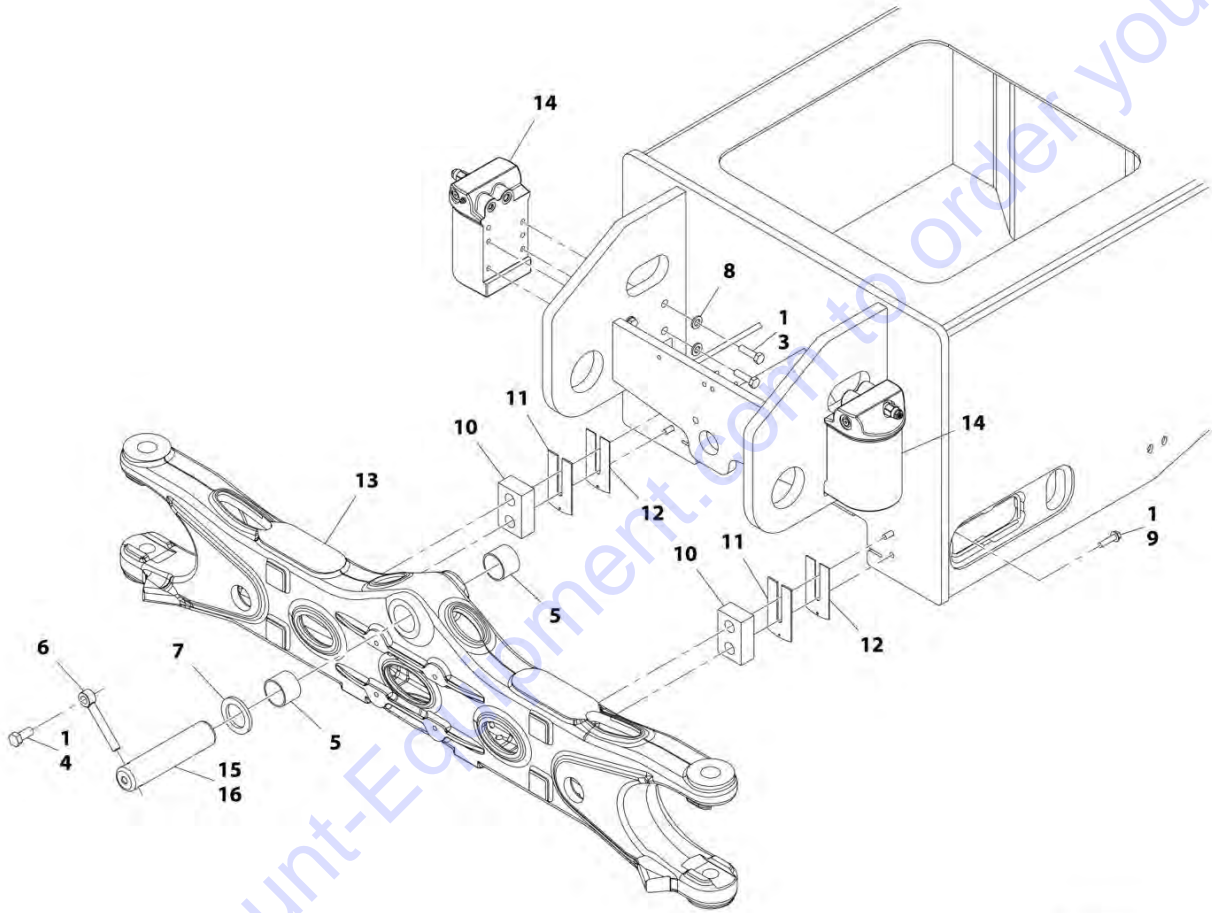
**SECTION 1 - FRAME**

Go to [Discount-Equipment.com](http://Discount-Equipment.com) to order your parts



# SECTION 1 - FRAME

## FIGURE 1-1. AXLE INSTALLATION



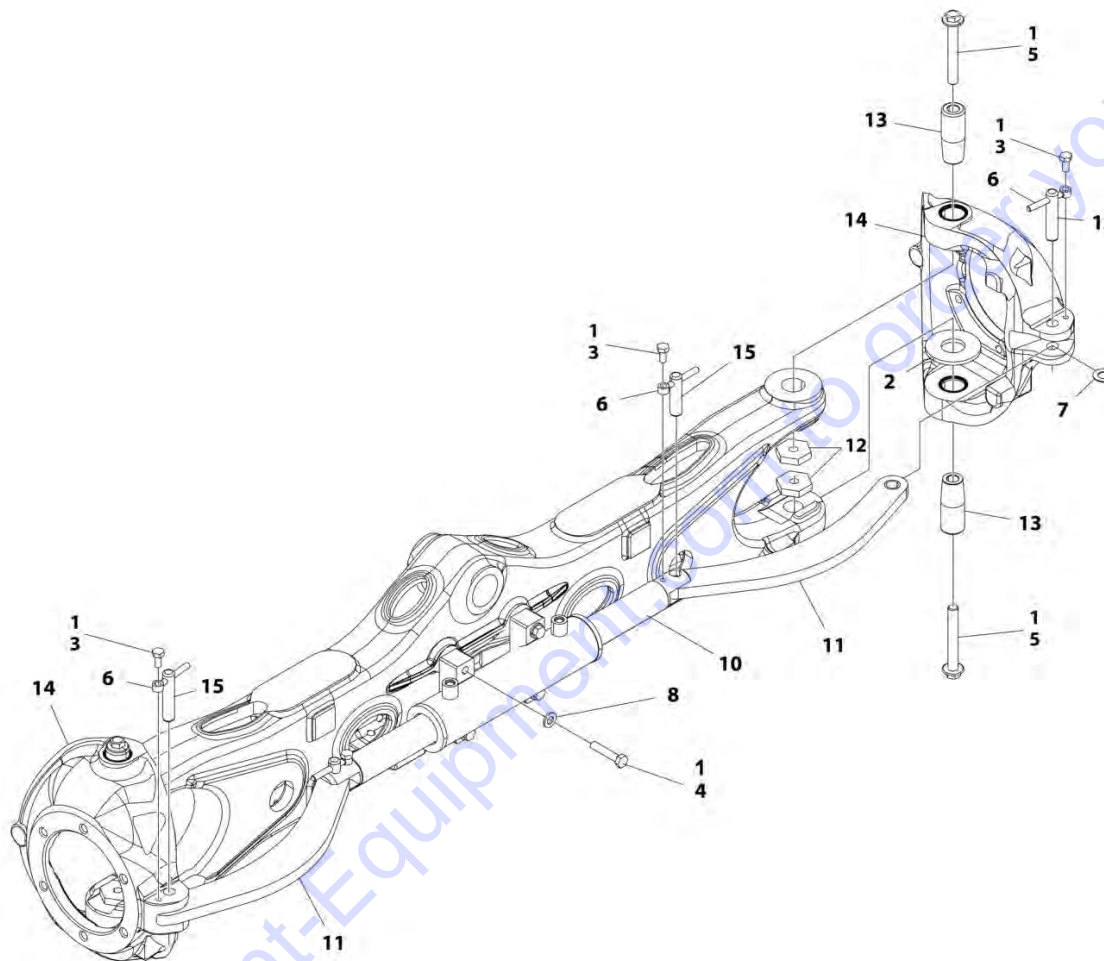
ART\_1001164094

FIGURE 1-1. AXLE INSTALLATION

ITEM	PART NUMBER	QTY	DESCRIPTION	REV
	1001164094	Ref	AXLE INSTALLATION	C
1	0100011	AR	Compound, Locking	
3	0701217	8	Bolt, M12 x 45	
4	0761615	1	Bolt, M16 x 35	
5	0961950	2	Bearing	
6	3841258	1	Keeper, Pin	
7	4740158	1	Washer	
8	5241200	8	Washer, M12	
9	5251016	4	Bolt, M10 x 40	
10	1001166563	2	Pad, Wear	
11	1001150324	2	Shim, 3	
12	1001150326	2	Shim, 1.2	
13	1001162995	1	Axle	
14	1001163580	2	Axle Lockout Cylinder Assembly (See CYLINDER SECTION for Breakdown)	
15	1001164552	1	Pin	
16	3020039	AR	Lube	

# SECTION 1 - FRAME

## FIGURE 1-2. STEER INSTALLATION WITHOUT TOW PACKAGE



ART\_1001164092

## SECTION 1 - FRAME

**FIGURE 1-2. STEER INSTALLATION WITHOUT TOW PACKAGE**

ITEM	PART NUMBER	QTY	DESCRIPTION	REV
	1001164092	Ref	STEER INSTALLATION WITHOUT TOW PACKAGE	F
1	0100011	AR	Compound, Locking	
2	0440271	2	Bearing, Thrust ( <b>SN 0300203771 through 0300226080, SN E300000100 through E300004064, SN 1300007289 through 1300007393</b> )	
2	1001233139	2	Bearing, Thrust ( <b>SN 0300226081 to Present, SN E300004065 to Present</b> )	
3	0761011	4	Bolt M10 x 22	
4	0711220	4	Bolt M12 x 60 Grade 10.9	
5	1001190368	4	Bolt M16 x 120	
6	3841143	4	Keeper, Pin	
7	4740086	4	Washer	
8	5241200	4	Washer M12	
10	1001163178	1	Steer Cylinder Assembly (See CYLINDER SECTION for Breakdown)	
11	1001163179	2	Link	
11	1001164209	4	Bearing (2 Per Link)	
12	1001176848	4	Nut M16	
13	1001163405	4	Kingpin	
14	1001163715	2	Spindle	
14	0961948	4	Bearing (2 Per Spindle)	
14	1001163716	8	Seal (4 Per Spindle)	
15	3423304	4	Pin	



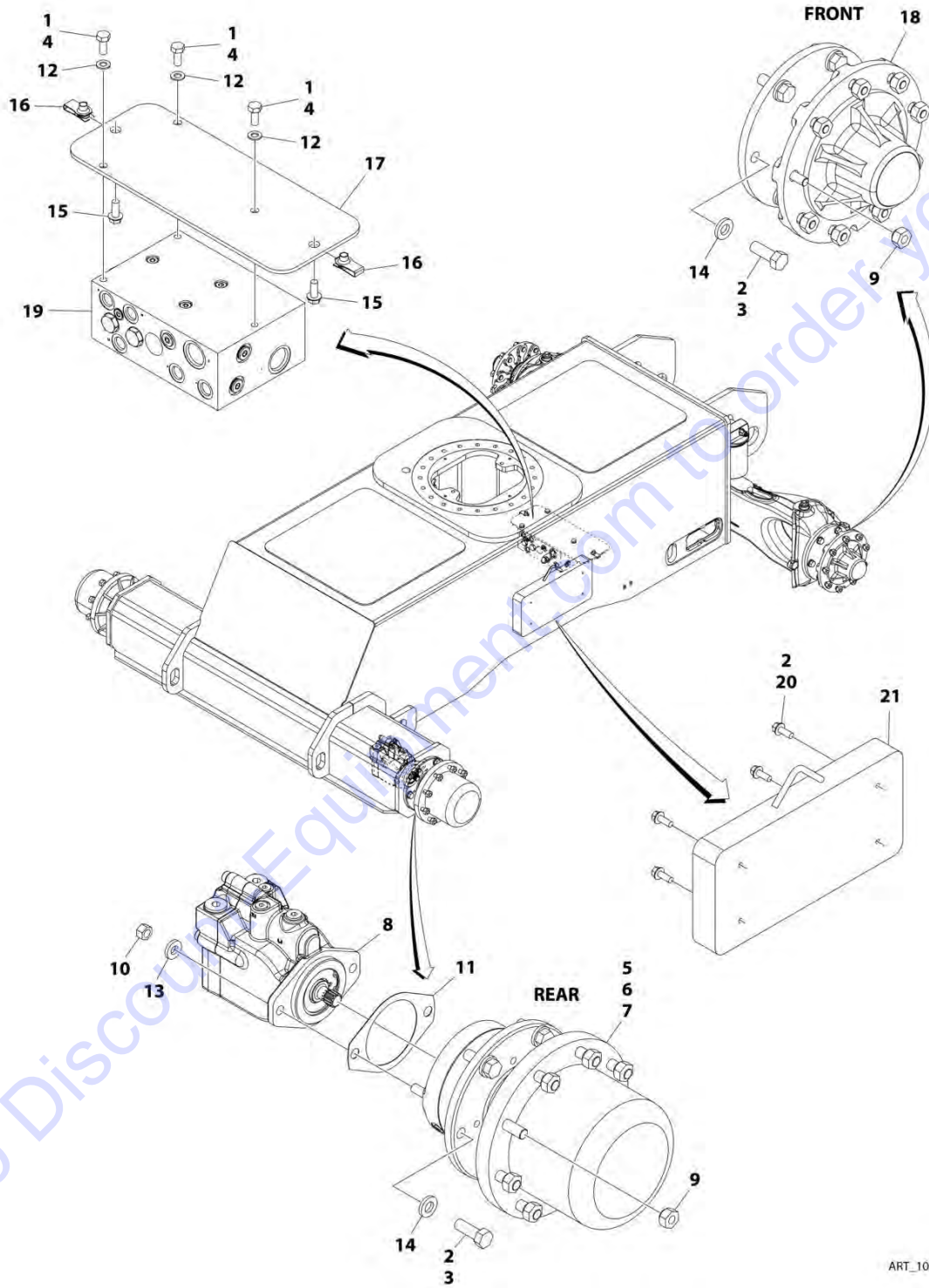
## SECTION 1 - FRAME

**FIGURE 1-3. STEER INSTALLATION WITH TOW PACKAGE**

ITEM	PART NUMBER	QTY	DESCRIPTION	REV
	1001164095	Ref	STEER INSTALLATION WITH TOW PACKAGE	D
1	0100011	AR	Compound, Locking	
2	0440271	2	Bearing, Thrust	
3	0761011	5	Bolt M10 x 22	
4	0701617	2	Bolt M16 x 45	
5	0711220	4	Bolt M12 x 60 Grade 10.9	
6	0711629	4	Bolt M16 x 120	
7	0962348	1	Bearing	
8	3422848	1	Pin	
9	3841143	5	Keeper, Pin	
10	3900295	2	Bolt 1 X 3	
11	4740086	4	Washer	
12	4740155	1	Washer	
13	4740491	2	Washer	
15	5241200	4	Washer M12	
16	1001139586	2	Pin	
17	1001163178	1	Steer Cylinder Assembly (See CYLINDER SECTION for Breakdown)	
18	1001163179	1	Link	
18	1001164209	2	Bearing	
19	1001176848	4	Nut M16	
20	1001163405	4	Kingpin	
21	1001163715	2	Spindle	
21	0961948	4	Bearing (2 per Spindle)	
21	1001163716	8	Seal (4 per Spindle)	
22	1001163717	1	Bracket, Tow	
23	1001163722	1	Plate	
24	1001163724	1	Link	
24	0962292	4	Bearing	
25	1001163726	1	Link	
25	1001164209	2	Bearing	
26	3423304	2	Pin	
27	1001190368	4	Bolt M16 x 120	
28	5241600	6	Washer M16	

# SECTION 1 - FRAME

## FIGURE 1-4. WHEEL DRIVE INSTALLATION (2WD)



ART\_1001214162

## SECTION 1 - FRAME

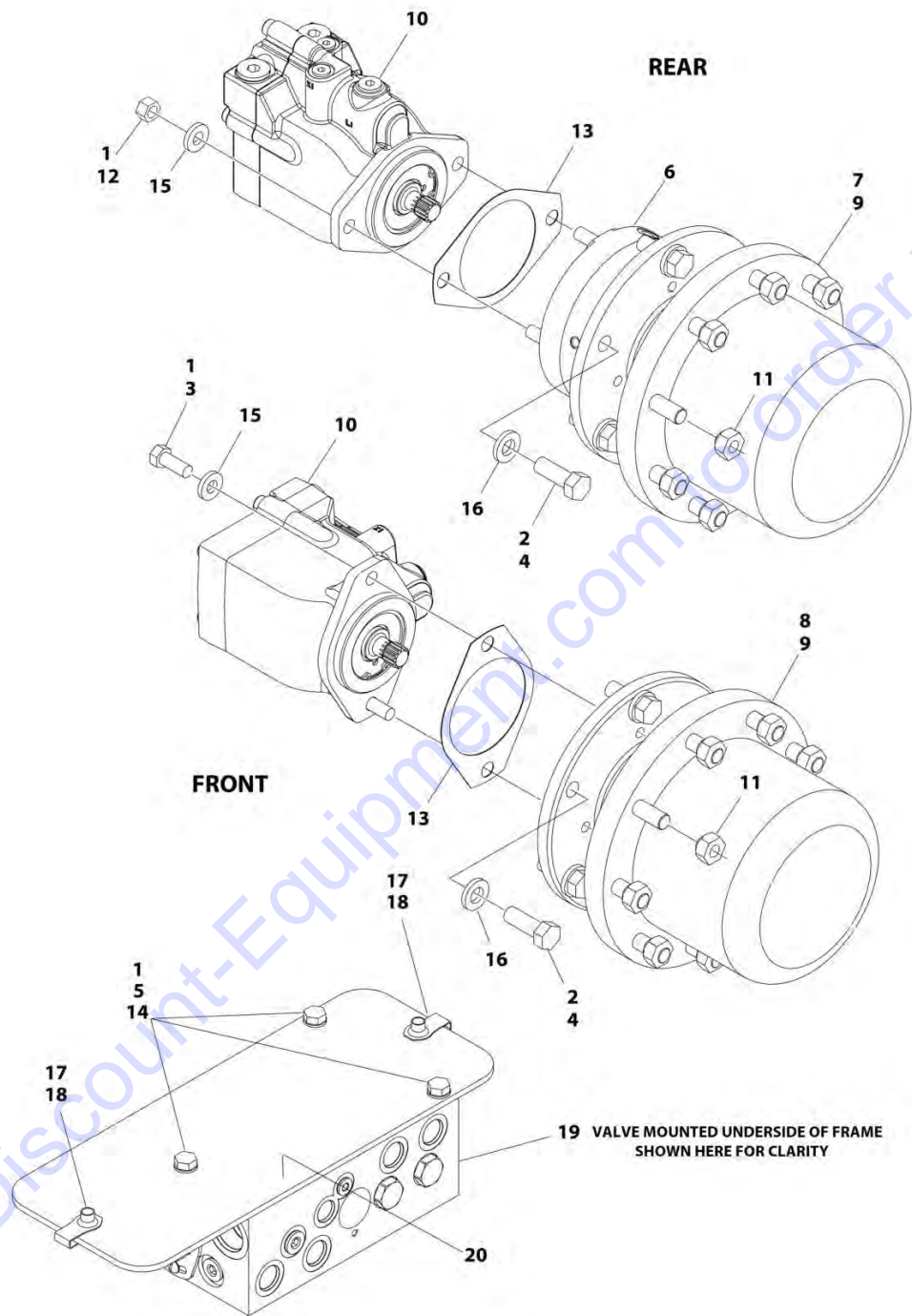
**FIGURE 1-4. WHEEL DRIVE INSTALLATION (2WD)**

ITEM	PART NUMBER	QTY	DESCRIPTION	REV
	1001214162	Ref	WHEEL DRIVE INSTALLATION (2WD)	B
1	0100011	AR	Compound, Locking	
2	0100019	AR	Compound, Locking	
3	0682014	24	Bolt, 5/8 x 1-3/4 (Grade 8)	
4	0761012	3	Bolt, M10 x 25	
5	2300016	AR	Fluid, Hydraulic	
6	2780267	2	Drive Hub Assembly - Rear (See DRIVE HUB AND BRAKE ASSEMBLY - REAR for Breakdown)	
7	3020008	AR	Lubricant	
8	3160351	2	Drive Motor Assembly (See DRIVE MOTOR ASSEMBLY (2WD) for Breakdown)	
9	3300106	36	Lugnut	
10	3311801	4	Nut, 1/2	
11	3960526	2	Gasket, Brake	
12	4812000	3	Washer, M10	
13	4891800	4	Washer, 1/2	
14	4892000	24	Washer, 5/8	
15	5251012	2	Bolt, M10 x 25	
16	1001118972	2	Nut, M10 x 1.5	
17	1001163959	1	Plate, Mounting	
18	1001214174	2	Hub Spindle Assembly - Front (See HUB SPINDAL ASSEMBLY for Breakdown)	
19	1001214317	1	Traction Valve Assembly - 2WD (See TRACTION VALVE ASSEMBLY - 2WD for Breakdown)	
20	0811608	8	Bolt 3/8 x 1	
21	1001215509	2	Weight	



# SECTION 1 - FRAME

## FIGURE 1-5. WHEEL DRIVE INSTALLATION (4WD)



ART\_1001169060

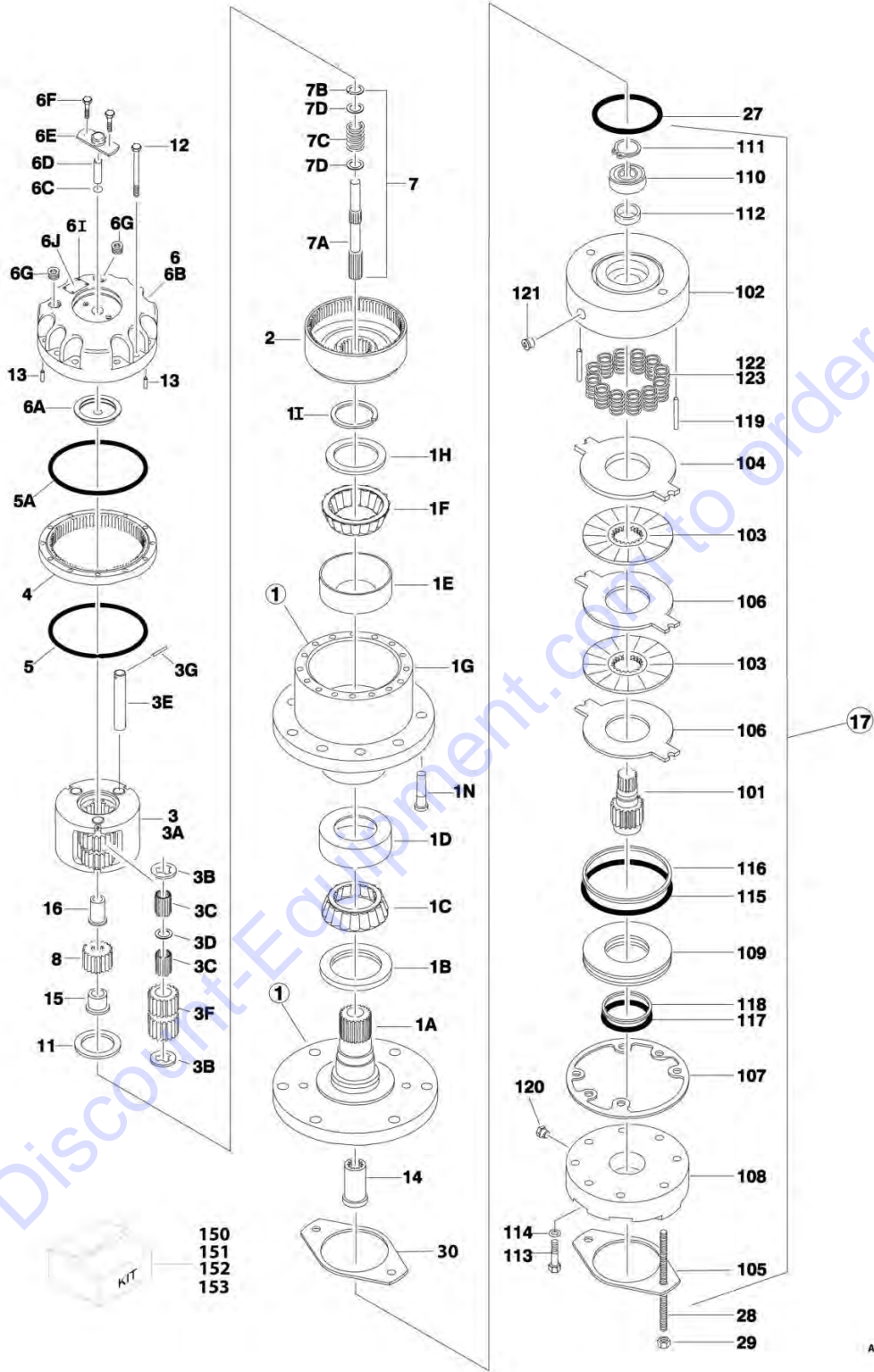
## SECTION 1 - FRAME

**FIGURE 1-5. WHEEL DRIVE INSTALLATION (4WD)**

ITEM	PART NUMBER	QTY	DESCRIPTION	REV
	1001169060	Ref	WHEEL DRIVE INSTALLATION (4WD)	C
1	0100011	AR	Compound, Locking	
2	0100019	AR	Compound, Locking	
3	0681810	4	Bolt, 1/2 x 1-1/4 (Grade 8)	
4	0682014	24	Bolt, 5/8 x 1-3/4 (Grade 8)	
5	0761012	3	Bolt, M10 x 25	
6	2300016	AR	Fluid, Hydraulic	
7	2780267	2	Drive Hub Assembly - Rear (See DRIVE HUB AND BRAKE ASSEMBLY - REAR for Breakdown)	
8	2780268	2	Drive Hub Assembly - Front (See DRIVE HUB ASSEMBLY - FRONT for Breakdown)	
9	3020008	AR	Lubricant	
10	3160348	4	Drive Motor Assembly (See DRIVE MOTOR ASSEMBLY (4WD) for Breakdown)	
11	3300106	36	Lugnut	
12	3311801	4	Nut, 1/2	
13	3960526	4	Gasket, Brake	
14	4812000	3	Washer, M10	
15	4891800	8	Washer, 1/2 Hardened	
16	4892000	24	Washer, 5/8	
17	5251012	2	Bolt, M10 x 25	
18	1001118972	2	Nut, M10 x 1.5	
19	1001162537	1	Traction Valve Assembly (See TRACTION VALVE ASSEMBLY for Breakdown)	
20	1001163959	1	Plate, Mounting	

# SECTION 1 - FRAME

FIGURE 1-6. DRIVE HUB AND BRAKE ASSEMBLY - REAR



## SECTION 1 - FRAME

### FIGURE 1-6. DRIVE HUB AND BRAKE ASSEMBLY - REAR

ITEM	PART NUMBER	QTY	DESCRIPTION	REV
	2780267	Ref	DRIVE HUB AND BRAKE ASSEMBLY - REAR	D
1	See Note	1	Spindle/Housing Assembly (Note: Purchase Individual Components)	
1A	7017059	1	Spindle	
1B	7001998	1	Seal	
1C	7010429	1	Cone, Bearing (Includes Item 1D)	
1D	7010429	1	Cup, Bearing (Includes Item 1C)	
1E	7000257	1	Cup, Bearing	
1F	7000258	1	Cone, Bearing	
1G	7007601	1	Housing/Ring Gear	
1H	7000232	1	Washer, Thrust	
1I	7000229	1	Ring, Retaining	
1N	7007640	9	Stud, Wheel	
2	7000246	1	Gear, Internal	
3	7024712	1	Carrier Assembly	
3A	See Note	NSS	Carrier (Note: Use p/n 7024712)	
3B	See Note	NSS	Ring, Retaining (Note: Use p/n 7024712)	
3C	See Note	NSS	Bearing, Needle (Note: Use p/n 7024712)	
3D	See Note	NSS	Washer, Thrust (Note: Use p/n 7024712)	
3E	See Note	NSS	Shaft, Planet (Note: Use p/n 7024712)	
3F	See Note	NSS	Gear, Planet (Note: Use p/n 7024712)	
3G	See Note	NSS	Roll Pin (Note: Not Available for Purchase)	
4	7000248	1	Ring Gear	
5	7000230	1	O-Ring	
5A	7017070	1	O-Ring	
6	70001349	1	Cover Assembly Kit	
6A	See Note	NSS	Spacer, Thrust (Note: Use p/n 70001349)	
6B	See Note	NSS	Plate, Cover (Note: Use p/n 70001349)	
6C	See Note	NSS	O-Ring (Note: Use p/n 70001349)	
6D	See Note	NSS	Rod, Disconnect (Note: Use p/n 70001349)	
6E	See Note	NSS	Cap, Disengage (Note: Use p/n 70001349)	
6F	See Note	NSS	Bolt (Note: Use p/n 70001349)	
6G	See Note	NSS	Plug, Pipe (Note: Use p/n 70001349)	
6I	See Note	NSS	Rivet (Note: Not Available for Purchase)	
6J	See Note	NSS	Plate, ID (Note: Not Available for Purchase)	
7		Ref	Input Shaft Assembly	
7A	7024714	1	Shaft	
7B	7000261	1	Ring, Retaining	
7C	7000262	1	Spring	
7D	7000263	2	Spacer, Thrust	
8	7024713	1	Gear, Sun	
11	7000253	1	Washer, Thrust	
12	7017067	12	Bolt	
13	7017080	4	Pin, Dowell	
14	7000206	1	Coupling	
15	7024715	1	Spacer, Input	
16	7024716	1	Spacer, Input	
17	7024182	1	Brake Assembly (See Items 101-153 for Breakdown)	
27	7024705	1	O-Ring	
28	7024717	2	Rod, Threaded	

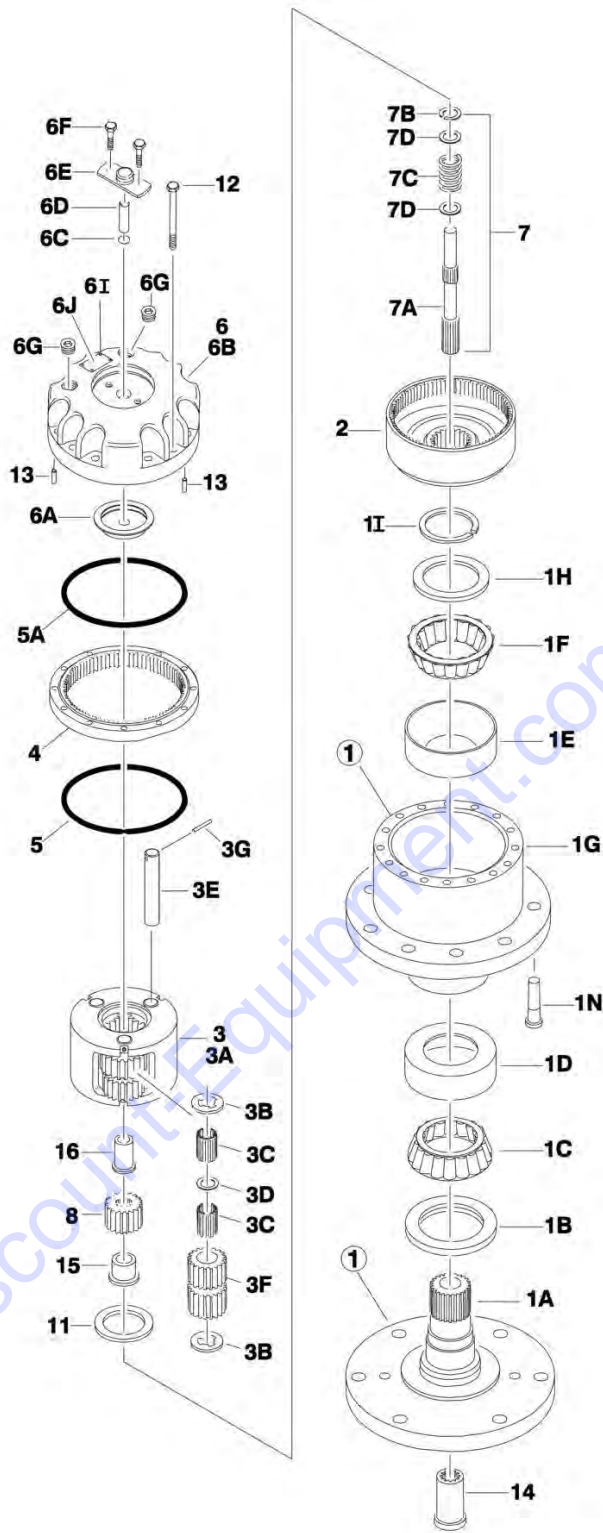
## SECTION 1 - FRAME

ITEM	PART NUMBER	QTY	DESCRIPTION	REV
29	7024718	2	Nut, 1/2	
30	70005483	1	Gasket	
	7024182	Ref	BRAKE ASSEMBLY	
101	7024189	1	Shaft	
102	See Note	NSS	Housing (Note: Use p/n 7024182)	
103	See Note	NSS	Plate, Friction (Note: Use p/n 7024193)	
104	See Note	NSS	Plate, Pressure (Note: Use p/n 7024193)	
105	7000731	1	Gasket	
106	See Note	NSS	Plate, Outer (Note: Use p/n 7024193)	
107	See Note	1	Gasket (Note: Use Item 150, 152 or 153)	
108	7024191	1	Cylinder	
109	7024192	1	Piston	
110	See Note	NSS	Bearing, Ball (Note: Use p/n 7024197)	
111	See Note	NSS	Ring, Retaining (Note: Use p/n 7024197)	
112	See Note	NSS	Seal, Shaft (Note: Use p/n 7024197)	
113	See Note	NSS	Capscrew (Note: Not Available for Purchase)	
114	See Note	NSS	Lockwasher (Note: Not Available for Purchase)	
115	See Note	NSS	O-Ring (Note: Not Available for Purchase)	
116	See Note	NSS	Ring, Back-up (Note: Not Available for Purchase)	
117	See Note	NSS	O-Ring (Note: Not Available for Purchase)	
118	See Note	NSS	Ring, Back-up (Note: Not Available for Purchase)	
119	7024190	2	Pin, Dowel	
120	See Note	NSS	Plug (Note: Not Available for Purchase)	
121	See Note	NSS	Plug (Note: Not Available for Purchase)	
122	See Note	NSS	Spring Kit (Natural) (Note: Use p/n 7024196)	
123	See Note	2	Spring Kit (Blue) (Note: Use p/n 7024196)	
150	7024194	1	Brake Seal Kit (Includes Items 105, 107 & 115-118)	
151	7024196	1	Brake Spring Kit (Includes 12 Natural Colored and 2 Blue Colored Springs Items 122 & 123)	
152	7024193	1	Brake Friction Disc Kit (Includes Items 103, 104, 106 & 107)	
153	7024197	1	Brake Bearing Kit (Includes Items 107 & 110-112)	



# SECTION 1 - FRAME

## FIGURE 1-7. DRIVE HUB ASSEMBLY - FRONT



ART\_2780268

## SECTION 1 - FRAME

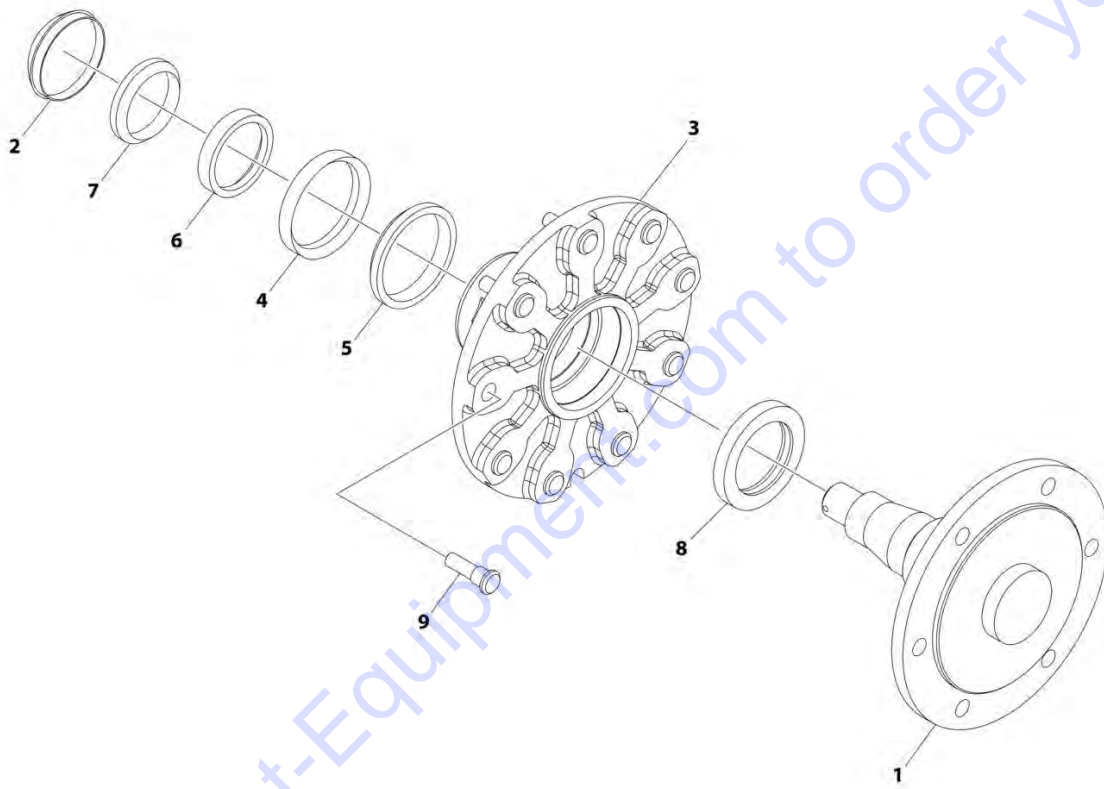
### FIGURE 1-7. DRIVE HUB ASSEMBLY - FRONT

ITEM	PART NUMBER	QTY	DESCRIPTION	REV
	2780268	Ref	DRIVE HUB ASSEMBLY - FRONT	A
1	See Note	1	Spindle/Housing Assembly (Note: Purchase Individual Components)	
1A	7017059	1	Spindle	
1B	7001998	1	Seal	
1C	7010429	1	Cone, Bearing (Includes Item 1D)	
1D	7010429	1	Cup, Bearing (Includes Item 1C)	
1E	7000257	1	Cup, Bearing	
1F	7000258	1	Cone, Bearing	
1G	7007601	1	Housing/Ring Gear	
1H	7000232	1	Washer, Thrust	
1I	7000229	1	Ring, Retaining	
1N	7007640	9	Stud, Wheel	
2	7000246	1	Gear, Internal	
3	7024712	1	Carrier Assembly	
3A	See Note	NSS	Carrier (Note: Use p/n 7024712)	
3B	See Note	NSS	Ring, Retaining (Note: Use p/n 7024712)	
3C	See Note	NSS	Bearing, Needle (Note: Use p/n 7024712)	
3D	See Note	NSS	Washer, Thrust (Note: Use p/n 7024712)	
3E	See Note	NSS	Shaft, Planet (Note: Use p/n 7024712)	
3F	See Note	NSS	Gear, Planet (Note: Use p/n 7024712)	
3G	See Note	NSS	Roll Pin (Note: Not Available for Purchase)	
4	7000248	1	Ring Gear	
5	7000230	1	O-Ring	
5A	7017070	1	O-Ring	
6	70001349	1	Cover Assembly Kit	
6A	See Note	NSS	Spacer, Thrust (Note: Use p/n 70001349)	
6B	See Note	NSS	Plate, Cover (Note: Use p/n 70001349)	
6C	See Note	NSS	O-Ring (Note: Use p/n 70001349)	
6D	See Note	NSS	Rod, Disconnect (Note: Use p/n 70001349)	
6E	See Note	NSS	Cap, Disengage (Note: Use p/n 70001349)	
6F	See Note	NSS	Bolt (Note: Use p/n 70001349)	
6G	See Note	NSS	Plug, Pipe (Note: Use p/n 70001349)	
6I	See Note	NSS	Rivet (Note: Not Available for Purchase)	
6J	See Note	NSS	Plate, ID (Note: Not Available for Purchase)	
7		Ref	Input Shaft Assembly	
7A	7024714	1	Shaft	
7B	7000261	1	Ring, Retaining	
7C	7000262	1	Spring	
7D	7000263	2	Spacer, Thrust	
8	7024713	1	Gear, Sun	
11	7000253	1	Washer, Thrust	
12	7017067	12	Bolt	
13	7017080	4	Pin, Dowell	
14	7000206	1	Coupling	
15	7024715	1	Spacer, Input	
16	7024716	1	Spacer, Input	



# SECTION 1 - FRAME

## FIGURE 1-8. HUB - SPINDLE ASSEMBLY (2WD)



ART\_1001214174

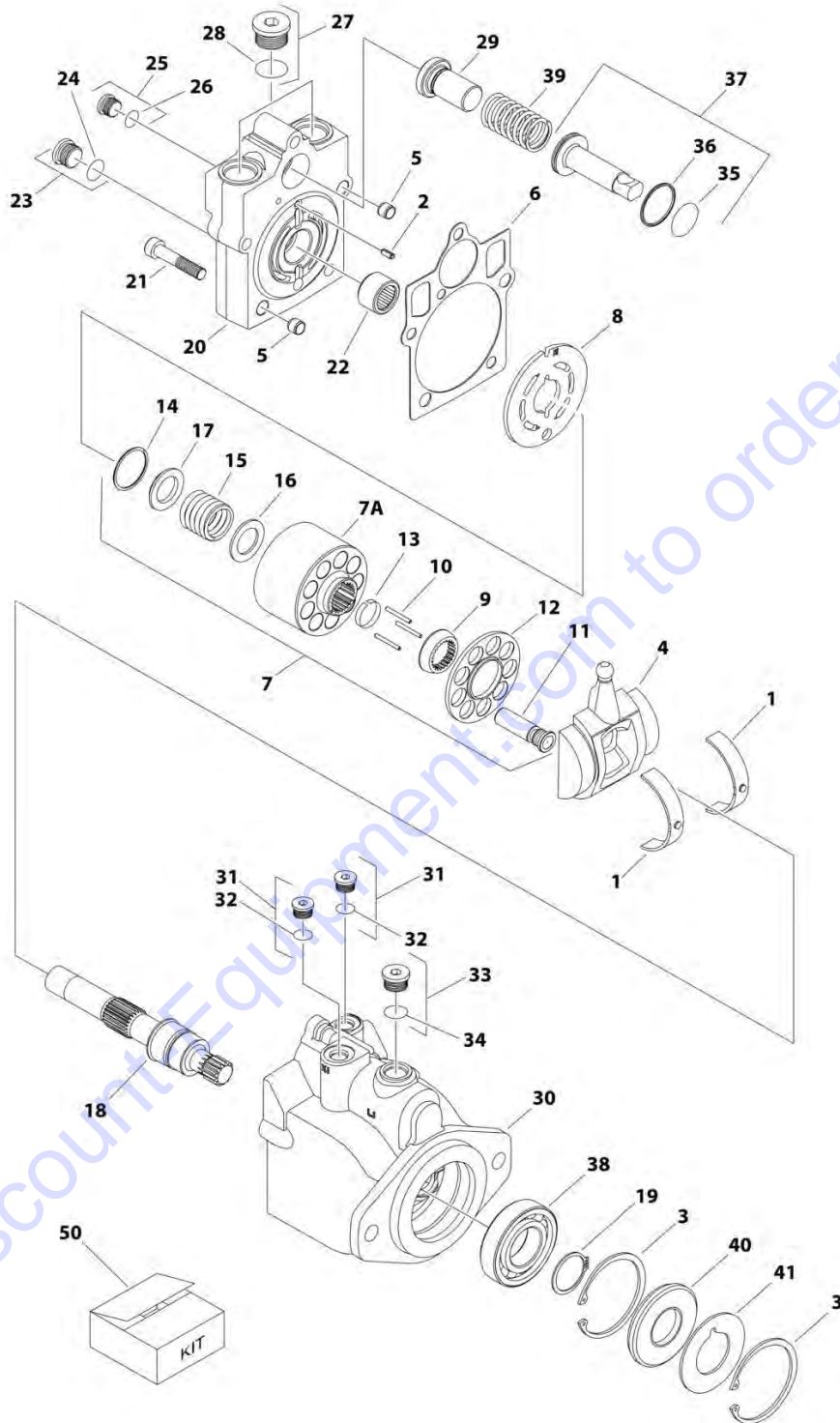
FIGURE 1-8. HUB - SPINDLE ASSEMBLY (2WD)

ITEM	PART NUMBER	QTY	DESCRIPTION	REV
	1001214174	Ref	HUB - SPINDLE ASSEMBLY (2WD)	C
1	See Note	NSS	Spindle, Adapter (Note: Not Available for Purchase)	
2	7020033	1	Cap, Dust	
3	7020035	1	Hub, Casting	
4	7020036	1	Cup, Bearing	
5	7020037	1	Cone, Bearing	
6	7020038	1	Cup, Bearing	
7	7020039	1	Cone, Bearing	
8	7020040	1	Seal	
9	7020041	9	Stud	

Go to Discount-Equipment.com to order your parts

# SECTION 1 - FRAME

## FIGURE 1-9. DRIVE MOTOR ASSEMBLY (2WD)



ART\_3160351

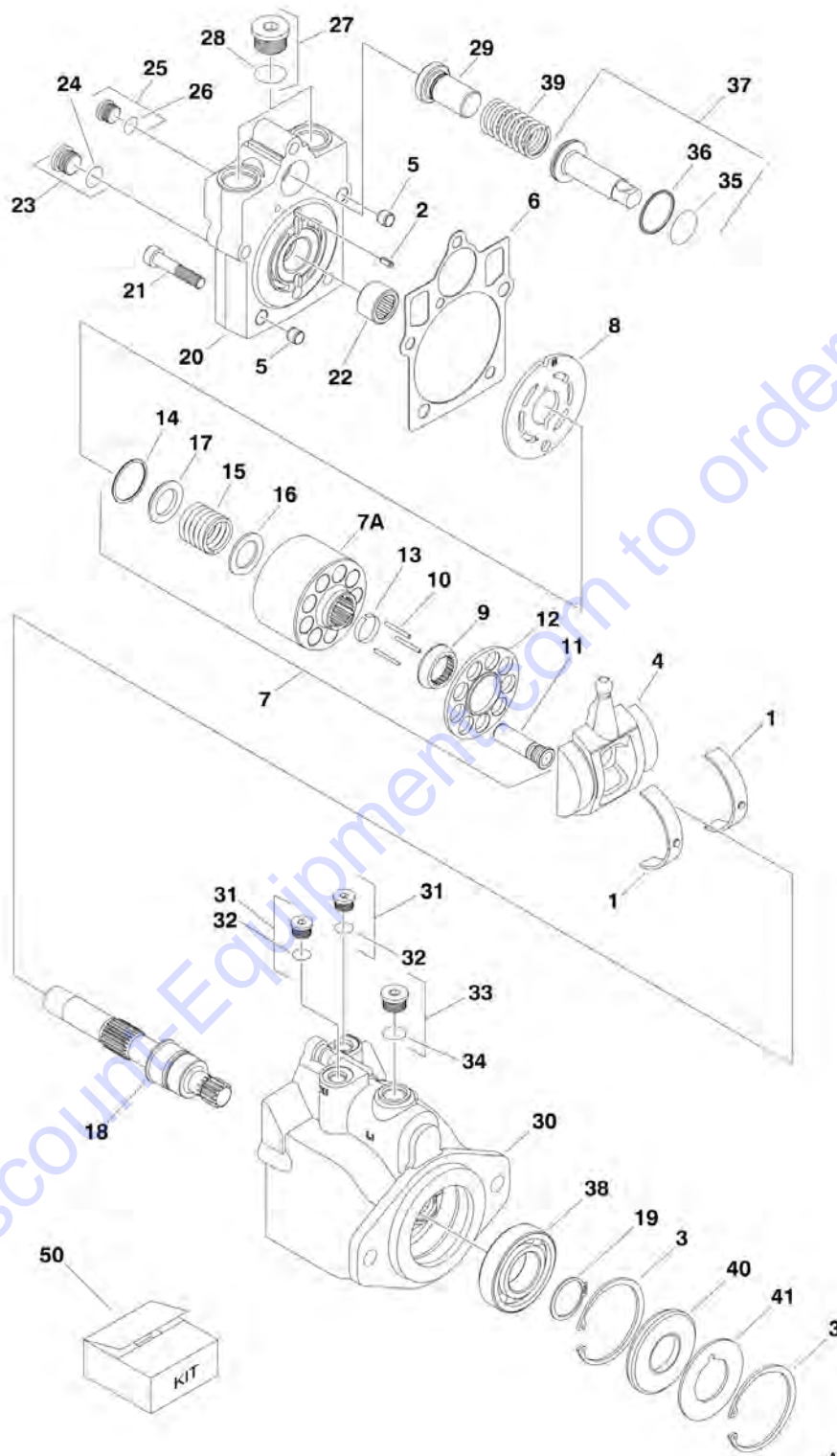
## SECTION 1 - FRAME

**FIGURE 1-9. DRIVE MOTOR ASSEMBLY (2WD)**

ITEM	PART NUMBER	QTY	DESCRIPTION	REV
	3160351	Ref	DRIVE MOTOR ASSEMBLY (2WD)	D
1	7022302	2	Bearing, Journal	
2	7007446	1	Pin	
3	7007438	2	Ring, Retaining	
4	7022305	1	Swashplate	
5	See Note	2	Pin (Note: Not Available for Purchase)	
6	7022328	1	Gasket	
7	7023907	1	Cylinder Block Kit (Includes Items 7A & 9-17)	
7A	7023907	1	Block, Cylinder	
8	7023908	1	Plate, Valve	
9	7021277	1	Guide, Slipper Retainer	
10	7021275	3	Pin, Slipper Hold Down	
11	7023907	9	Piston Assembly	
12	7021276	1	Retainer, Hold Down Pin	
13	7023907	1	Retainer, Slipper	
14	7022311	1	Ring, Retaining	
15	7022312	1	Spring	
16	7024868	1	Washer	
17	7022314	1	Retainer, Spring	
18	7023910	1	Shaft	
19	7007439	1	Ring, Retaining	
20	70000797	1	Cap, End - Axial	
21	7022368	5	Screw	
22	7021249	1	Bearing, Needle	
23	2220886	1	Plug (Includes Item 24)	
24	7022328	1	O-Ring	
25	2220883	1	Plug (Includes Item 26)	
26	7022328	1	O-Ring	
27	7027419	2	Plug (Includes Item 28)	
28	7022328	2	O-Ring	
29	7024853	1	Seat, Spring	
30	3160351	1	Housing	
31	2220883	2	Plug (Includes Item 32)	
32	7022328	2	O-Ring	
33	2220886	1	Plug (Includes Item 34)	
34	7022328	1	O-Ring	
35	7022328	1	O-Ring	
36	7022328	1	Ring, Seal	
37	7024854	1	Piston, Servo (Includes Items 35 & 36)	
38	7007437	1	Bearing	
39	7022326	1	Spring	
40	7022328	1	Seal, Lip	
41	7022371	1	Washer, Support	
50	7022328	1	Seal Kit (Includes Items 6, 24, 26, 28, 32, 34, 35, 36 & 40)	

# SECTION 1 - FRAME

## FIGURE 1-10. DRIVE MOTOR ASSEMBLY (4WD)



ART 3160348

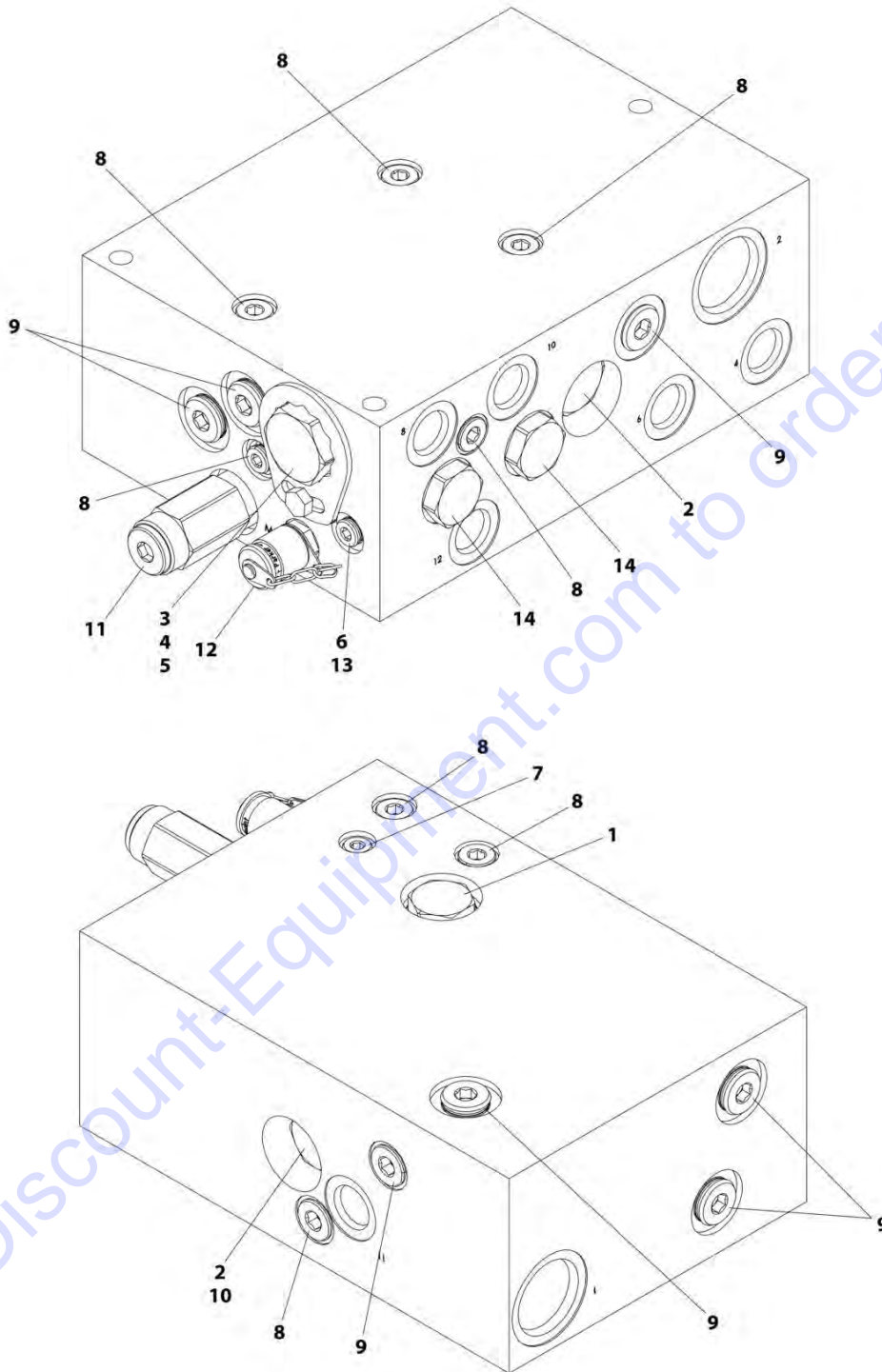
## SECTION 1 - FRAME

**FIGURE 1-10. DRIVE MOTOR ASSEMBLY (4WD)**

ITEM	PART NUMBER	QTY	DESCRIPTION	REV
	3160348	Ref	DRIVE MOTOR ASSEMBLY (4WD)	D
1	7022302	2	Bearing, Journal	
2	7007446	1	Pin	
3	7007438	2	Ring, Retaining	
4	7022305	1	Swash Plate	
5	See Note	2	Pin (Note: Not Available for Purchase)	
6	See Note	NSS	Gasket (Note: Use Item 50)	
7	7023907	1	Cylinder Block Kit (Includes Items 7A & 9-17)	
7A	See Note	NSS	Block, Cylinder (Note: Use p/n 7023907)	
8	7023908	1	Plate, Valve	
9	7021277	1	Guide, Slipper Retainer	
10	7021275	3	Pin, Slipper Hold Down	
11	See Note	NSS	Piston Assembly (Note: Use p/n 7023907)	
12	7021276	1	Retainer, Hold Down Pin	
13	7022310	1	Retainer, Slipper	
14	7022311	1	Ring, Retaining	
15	7022312	1	Spring	
16	7024868	1	Washer	
17	7022314	1	Retainer, Spring	
18	7023910	1	Shaft	
19	7007439	1	Ring, Retaining	
20	70000797	1	Cap, End - Axial	
21	7022368	5	Screw	
22	7021249	1	Bearing, Needle	
23	2220886	1	Plug (Includes Item 24)	
24	See Note	NSS	O-Ring (Note: Use Item 23 or 50)	
25	2220883	1	Plug (Includes Item 26)	
26	See Note	NSS	O-Ring (Note: Use Item 25 or 50)	
27	2220888	2	Plug (Includes Item 28)	
28	See Note	NSS	O-Ring (Note: Use Item 27 or 50)	
29	7022372	1	Seat, Spring	
30	See Note	NSS	Housing (Note: Use p/n 3160248)	
31	2220883	2	Plug (Includes Item 32)	
32	See Note	NSS	O-Ring (Note: Use Item 31 or 50)	
33	2220886	1	Plug (Includes Item 34)	
34	See Note	NSS	O-Ring (Note: Use Item 33 or 50)	
35	See Note	NSS	O-Ring (Note: Use Item 50)	
36	See Note	NSS	Seal, Ring (Note: Use Item 50)	
37	7024854	1	Piston, Servo (Includes Items 35 & 36)	
38	7007437	1	Bearing	
39	7022326	1	Spring	
40	See Note	NSS	Seal, Lip (Note: Use Item 50)	
41	7022371	1	Washer, Support	
50	7022328	1	Seal Kit (Includes Items 6, 24, 26, 28, 32, 34, 35, 36 & 40)	

# SECTION 1 - FRAME

## FIGURE 1-11. TRACTION VALVE ASSEMBLY (2WD)



ART\_1001214317

## SECTION 1 - FRAME

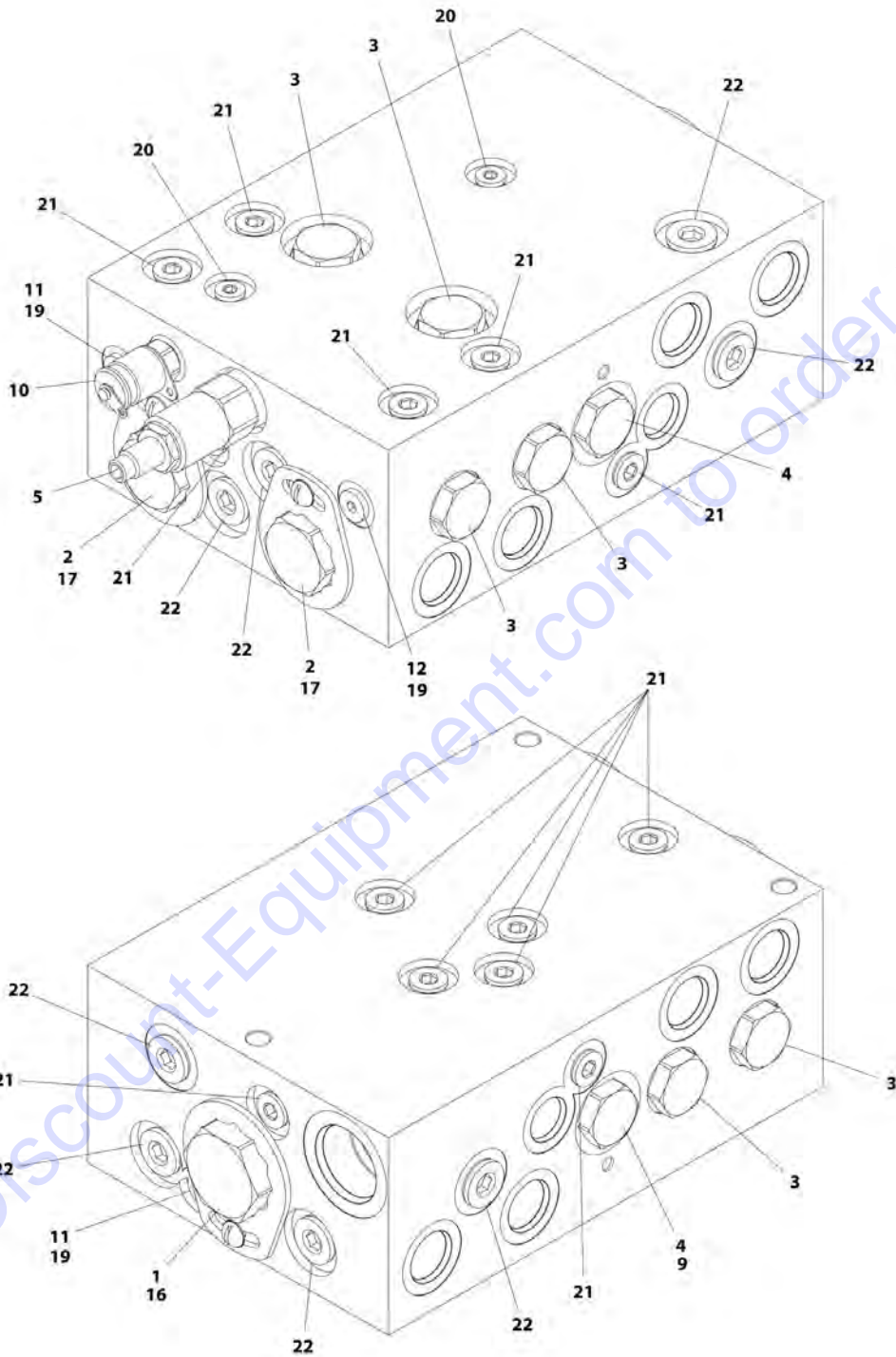
**FIGURE 1-11. TRACTION VALVE ASSEMBLY (2WD)**

ITEM	PART NUMBER	QTY	DESCRIPTION	REV
	1001214317	Ref	TRACTION VALVE ASSEMBLY (2WD)	D
1	7022397	1	Cartridge, Check Valve	
1	7022399	1	Seal Kit - 7022397 Valve	
2	70002390	2	Cartridge, Check Valve	
2	7022399	2	Seal Kit - 70002390 Valve	
3	70004885	1	Cartridge, Flow Divider Valve	
3	70004577	1	Seal Kit - 70004885 Valve	
4	70000781	1	Lockdown Kit	
5	70005827	1	Screw	
6	7024810	1	Orifice	
7	70005833	1	Plug #4	
8	70005830	8	Plug #6	
9	70005834	7	Plug	
10	7024881	1	Piston, Pilot	
11	70005831	1	Cartridge, Relief Valve	
11	7017496	1	Seal Kit - 70005831 Valve	
12	70005832	1	Fitting, Diagnostic	
13	2220883	1	Plug #4	
14	70026444	2	Cartridge, Check Valve	
14	7022399	2	Seal Kit - 70026444 Valve	



# SECTION 1 - FRAME

## FIGURE 1-12. TRACTION VALVE ASSEMBLY (4WD)



ART\_1001162537

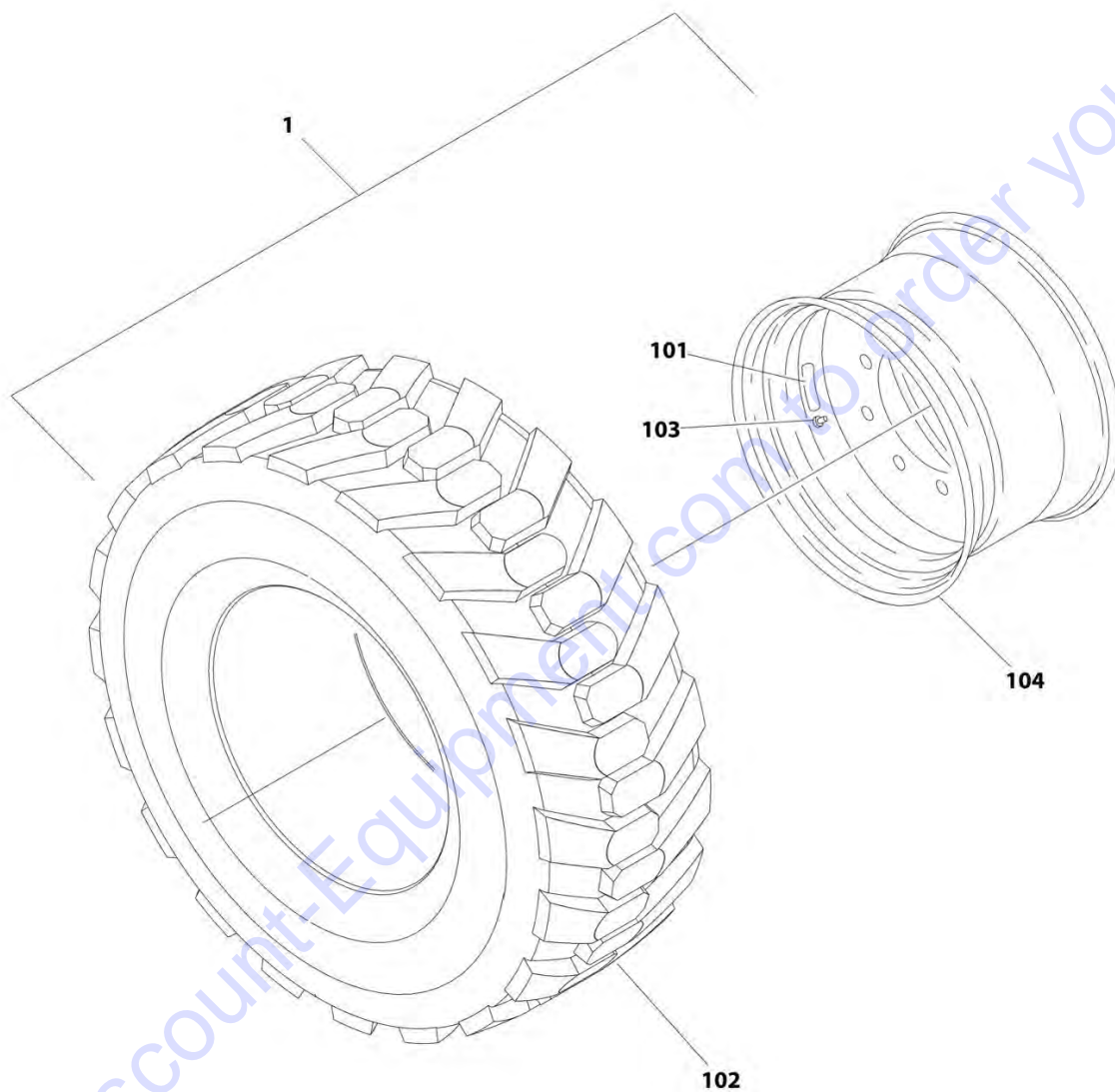
## SECTION 1 - FRAME

**FIGURE 1-12. TRACTION VALVE ASSEMBLY (4WD)**

ITEM	PART NUMBER	QTY	DESCRIPTION	REV
	1001162537	Ref	TRACTION VALVE ASSEMBLY (4WD)	E
1	70004017	1	Cartridge, Flow Divider Valve	
1	7021625	1	Seal Kit - 70004017 Valve	
2	70004885	2	Cartridge, Flow Divider Valve	
2	70004577	2	Seal Kit - 70004885 Valve	
3	7022397	6	Cartridge, Check Valve	
3	7022399	6	Seal Kit - 7022397 Valve	
4	7021639	2	Cartridge, Check Valve	
4	2900756	2	Seal Kit - 7021639 Valve	
5	70004886	1	Cartridge, Relief Valve	
5	7017496	1	Seal Kit - 70004886 Valve	
9	7024881	1	Piston, Pilot	
10	2221086	1	Fitting, Test Port	
11	70004884	2	Orifice	
12	70002209	1	Orifice	
16	70000781	1	Lockdown Kit	
17	70002962	2	Lockdown Kit	
19	2220883	3	Plug, #4	
20	See Note	NSS	Plug (Note: Not Available for Purchase)	
21	91164079	13	Plug	
22	91164057	8	Plug	

## SECTION 1 - FRAME

FIGURE 1-13. TIRE AND WHEEL INSTALLATION - 12 X 16.5 PNEUMATIC (AVAILABLE ON ANSI, ANSI EXPORT, CSA AND CHINA SPECS)



ART\_0270091

## SECTION 1 - FRAME

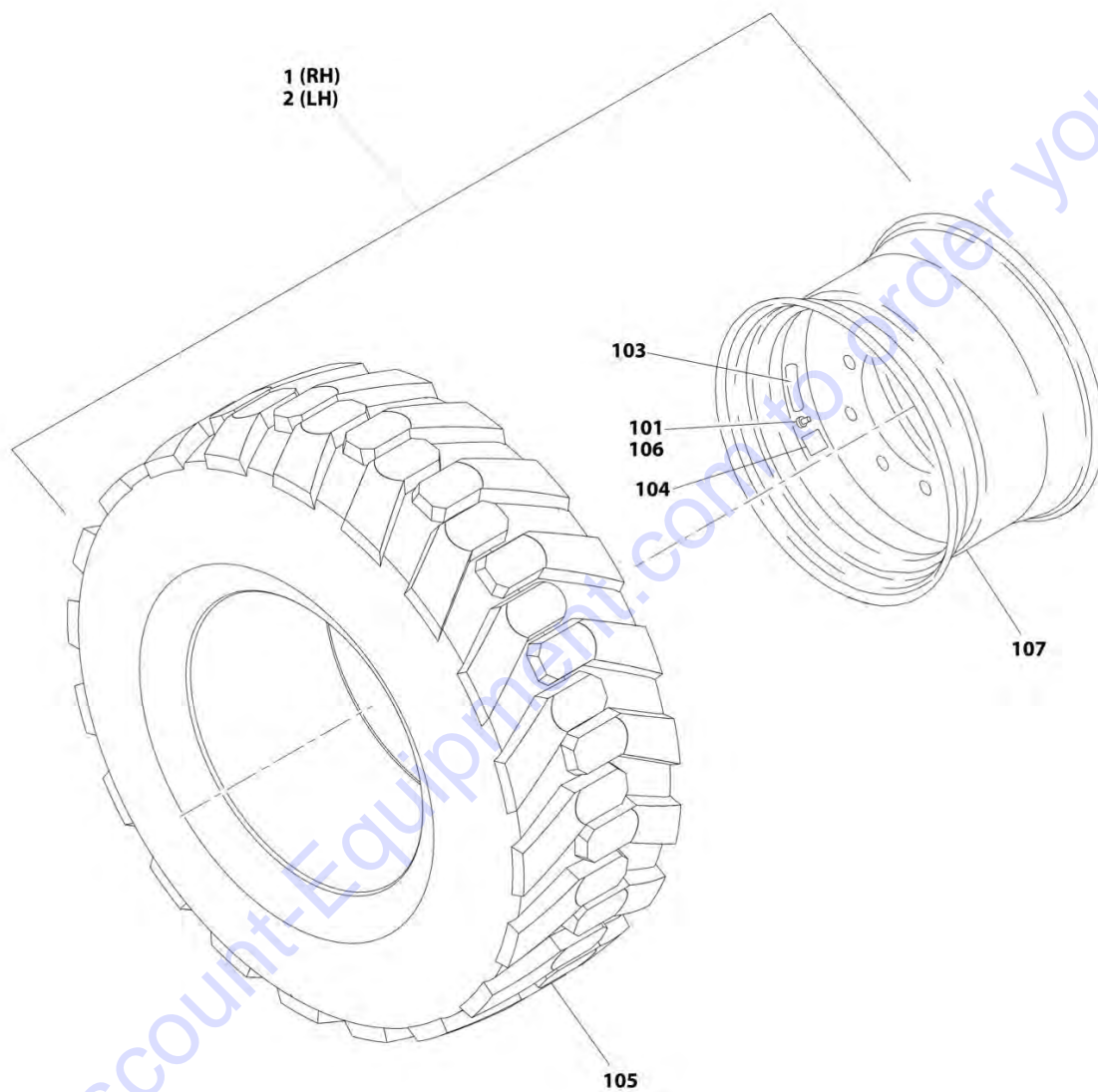
**FIGURE 1-13. TIRE AND WHEEL INSTALLATION - 12 X 16.5 PNEUMATIC (AVAILABLE ON ANSI, ANSI EXPORT, CSA AND CHINA SPECS)**

ITEM	PART NUMBER	QTY	DESCRIPTION	REV
	0270091	Ref	TIRE AND WHEEL INSTALLATION - 12 X 16.5 PNEUMATIC (AVAILABLE ON ANSI, ANSI EXPORT, CSA AND CHINA SPECS)	C
1	1001148863	Ref	Tire and Wheel Assembly - 12 x 16.5 (RH Side)	D
1	1001148864	Ref	Tire and Wheel Assembly - 12 x 16.5 (LH Side)	D
101	1702740	4	Decal - Tire Pressure	
102	4520216	4	Tire - 12 x 16.5	
103	4640113	4	Valve	
104	1001147274	4	Rim, Wheel	

Go to Discount-Equipment.com to order your parts

## SECTION 1 - FRAME

FIGURE 1-14. TIRE AND WHEEL INSTALLATION - 12 X 16.5 PNEUMATIC WITH TIRE SEALANT  
(AVAILABLE ON ANSI, ANSI EXPORT, CSA AND CHINA SPECS)



ART\_0272310

## SECTION 1 - FRAME

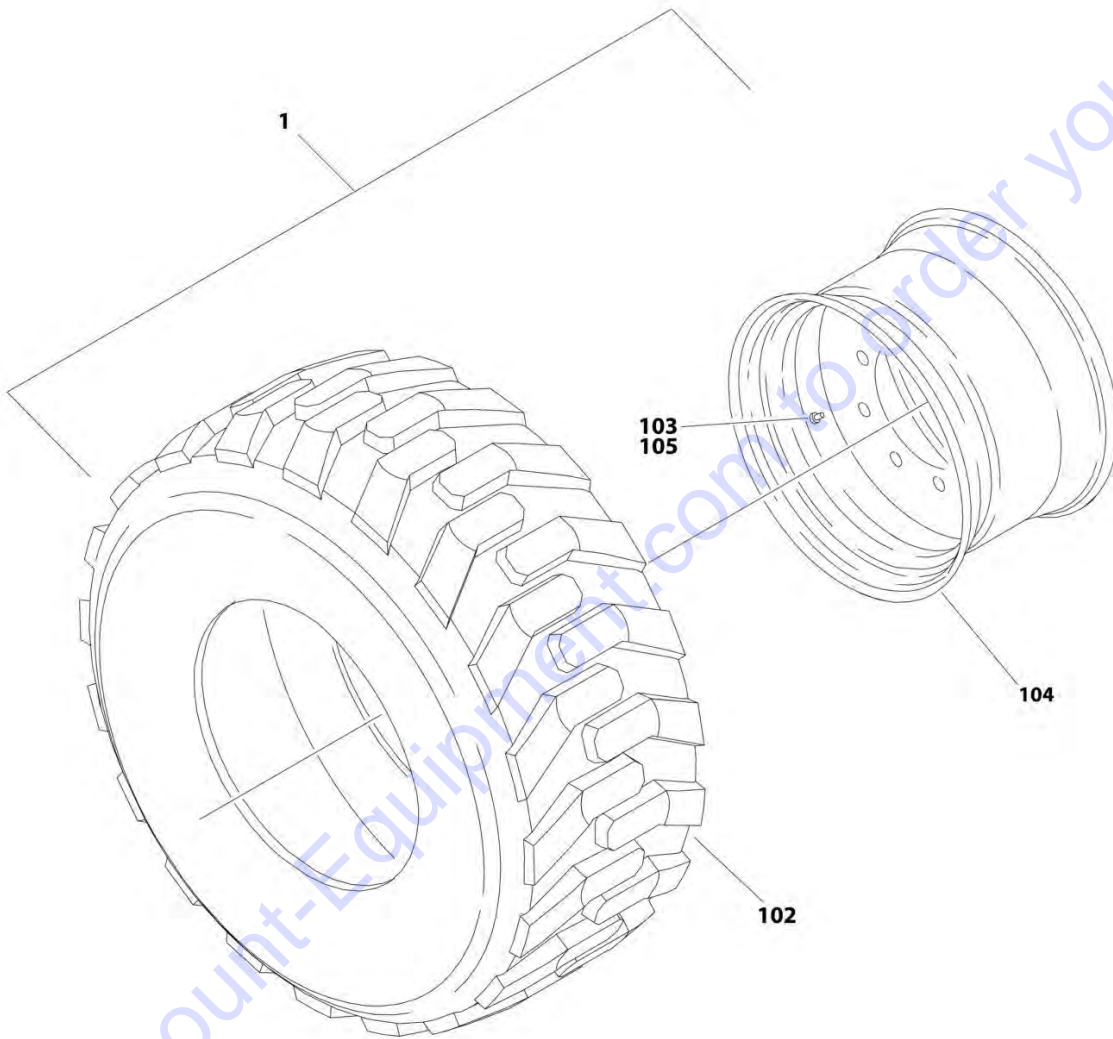
**FIGURE 1-14. TIRE AND WHEEL INSTALLATION - 12 X 16.5 PNEUMATIC WITH TIRE SEALANT  
(AVAILABLE ON ANSI, ANSI EXPORT, CSA AND CHINA SPECS)**

ITEM	PART NUMBER	QTY	DESCRIPTION	REV
	0272310	Ref	TIRE AND WHEEL INSTALLATION - 12 X 16.5 PNEUMATIC WITH TIRE SEALANT (AVAILABLE ON ANSI, ANSI EXPORT, CSA AND CHINA SPECS)	C
1	1001148871	2	Tire and Wheel Assembly (RH Side)	D
2	1001148872	2	Tire and Wheel Assembly (LH Side)	D
3	1705363	1	Decal - Tire Sealant (Not Shown - Located near Ground Controls)	
101	1120552	4	Cap, Valve Stem (Green)	
103	1702740	4	Decal - Tire Pressure	
104	1705364	4	Decal - Tire Sealant	
105	4520216	4	Tire 12 x 16.5	
106	4640113	4	Valve, Air	
107	1001147274	4	Rim, Wheel	

Go to Discount-Equipment.com to order your parts

# SECTION 1 - FRAME

FIGURE 1-15. TIRE AND WHEEL INSTALLATION - 12 X 16.5 FOAM FILLED (AVAILABLE ON ALL SPECS)



ART\_0270092

## SECTION 1 - FRAME

**FIGURE 1-15. TIRE AND WHEEL INSTALLATION - 12 X 16.5 FOAM FILLED (AVAILABLE ON ALL SPECS)**

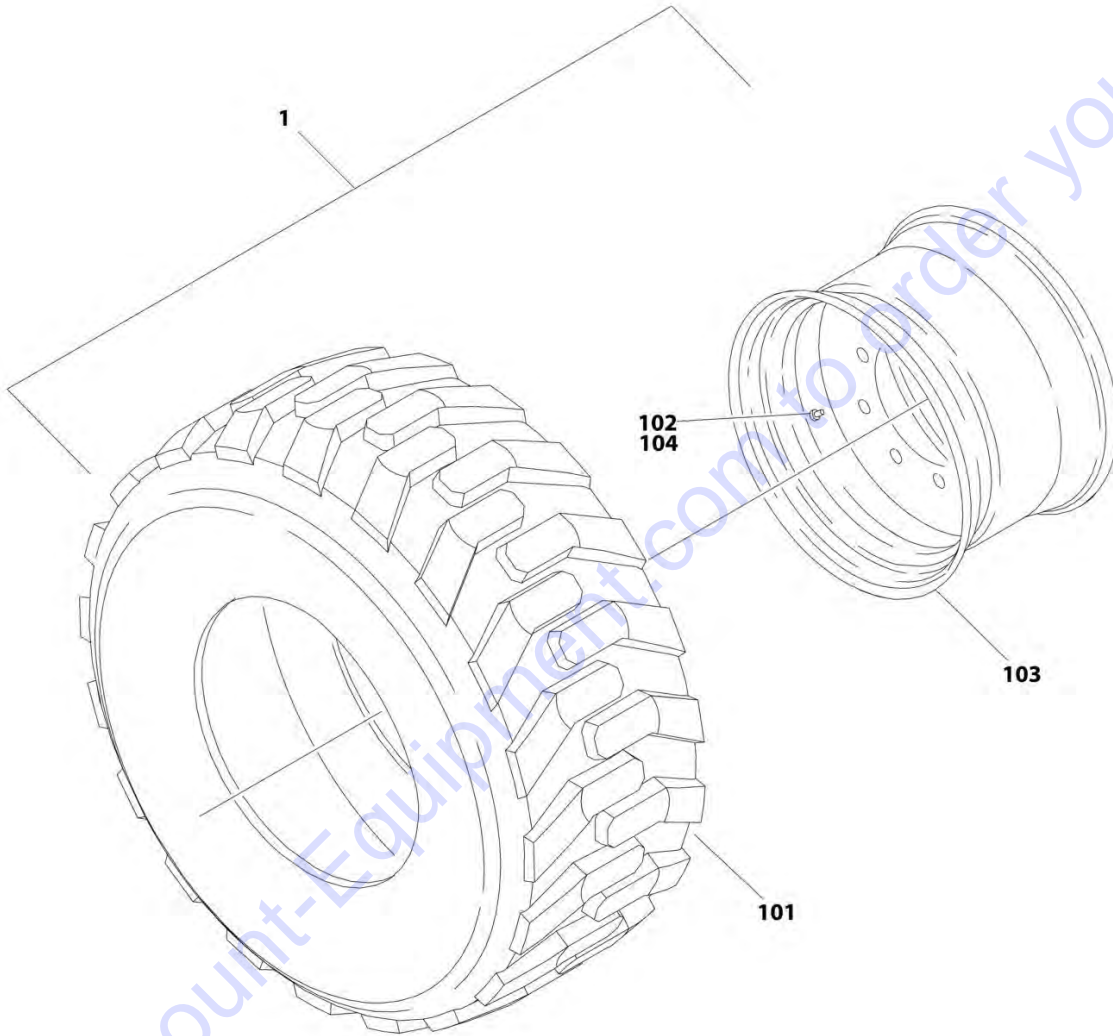
ITEM	PART NUMBER	QTY	DESCRIPTION	REV
	0270092	Ref	TIRE AND WHEEL INSTALLATION - 12 X 16.5 FOAM FILLED (AVAILABLE ON ALL SPECS)	C
		Ref	Note: Assemblies may require ballast/foam filling to manufacturer's specifications prior to installing on a machine. Refer to Operation and Safety or Service and Maintenance Manuals.	
		Ref	Note: Purchase individual tire and/or rim only if able to foam fill tire and wheel assembly, otherwise, purchase complete assembly.	
1	1001148865	2	Tire and Wheel Assembly - 12 x 16.5 (RH Side)	G
1	1001148866	2	Tire and Wheel Assembly - 12 x 16.5 (LH Side)	G
102	4520216	4	Tire - 12 x 16.5	
103	4641122	4	Valve	
104	1001147274	4	Rim, Wheel	
105	1001149953	4	Cap, Valve Stem	

Go to Discount-Equipment.com to order your parts



# SECTION 1 - FRAME

FIGURE 1-16. TIRE AND WHEEL INSTALLATION - 12 X 16.5 FF NON-MARKING (AVAILABLE ON ALL SPECS)



ART\_0270653

## SECTION 1 - FRAME

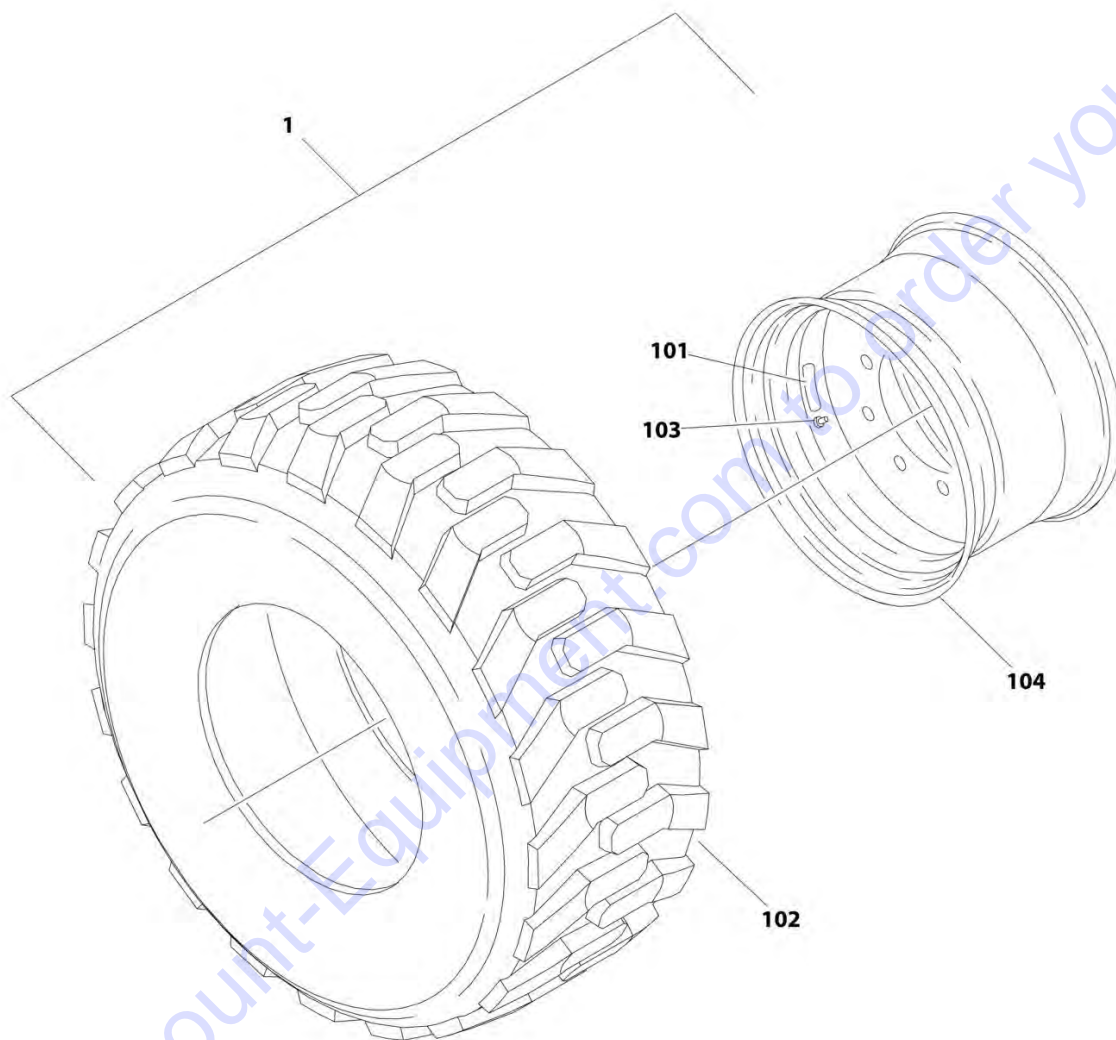
**FIGURE 1-16. TIRE AND WHEEL INSTALLATION - 12 X 16.5 FF NON-MARKING (AVAILABLE ON ALL SPECS)**

ITEM	PART NUMBER	QTY	DESCRIPTION	REV
	0270653	Ref	TIRE AND WHEEL INSTALLATION - 12 X 16.5 FOAM FILLED NON MARKING (AVAILABLE ON ALL SPECS)	B
		Ref	Note: Assemblies may require ballast/foam filling to manufacturer's specifications prior to installing on a machine. Refer to Operation and Safety or Service and Maintenance Manuals. Purchase individual tire and/or rim only if able to foam fill tire and wheel assembly, otherwise, purchase complete assembly.	
1	1001148869	2	Tire and Wheel Assembly - 12 x 16.5 Non Marking (RH Side)	H
1	1001148870	2	Tire and Wheel Assembly - 12 x 16.5 Non Marking (LH Side)	H
101	4520240	4	Tire 12 x 16.5 Non-Marking	
102	4641122	4	Valve	
103	1001147274	4	Rim, Wheel	
104	1001149953	4	Cap, Valve Stem	

Go to Discount-Equipment.com to order your parts

## SECTION 1 - FRAME

FIGURE 1-17. TIRE AND WHEEL INSTALLATION - 14 X 17.5 PNEUMATIC (AVAILABLE ON ANSI, ANSI EXPORT, CSA AND CHINA SPECS)



ART\_0271995

## SECTION 1 - FRAME

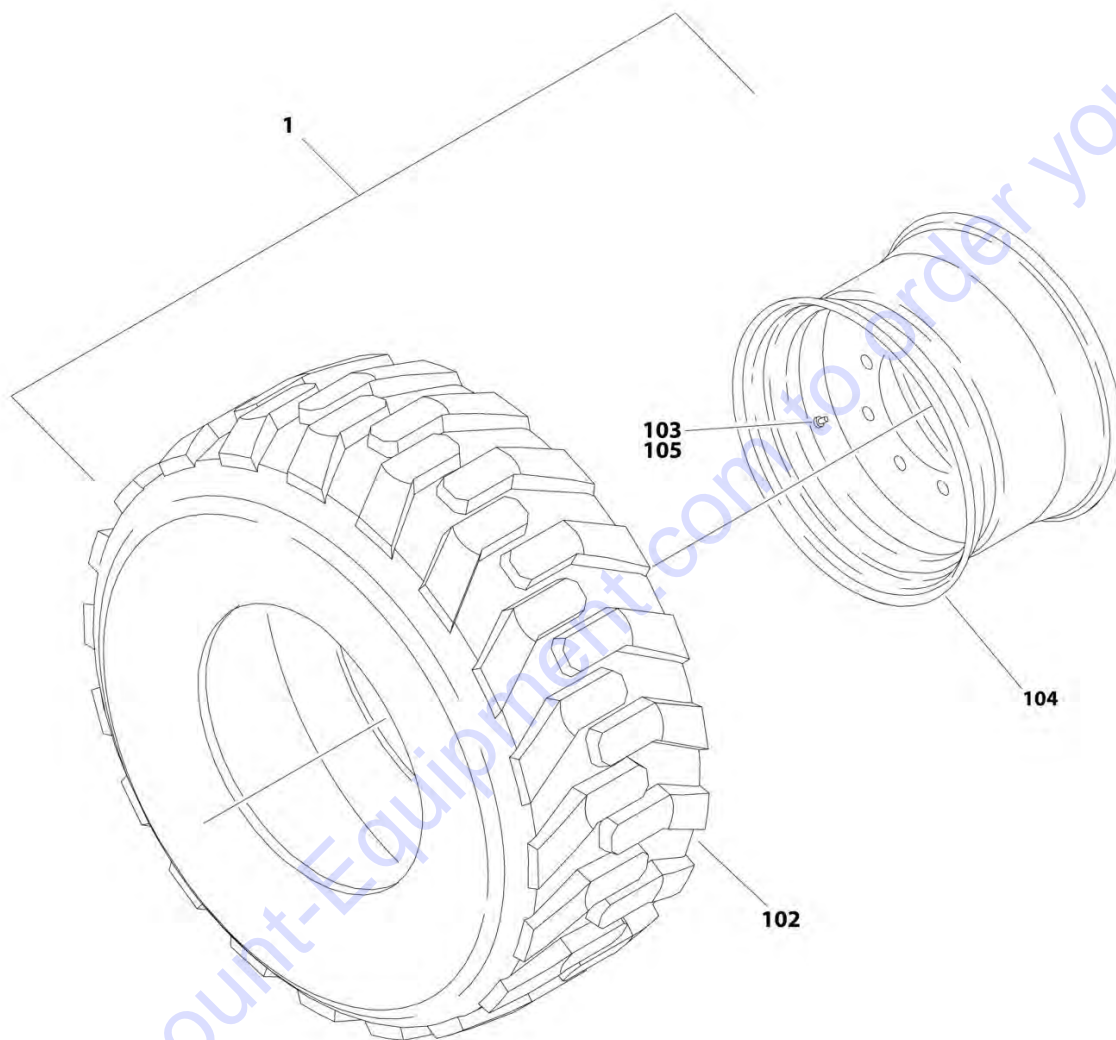
**FIGURE 1-17. TIRE AND WHEEL INSTALLATION - 14 X 17.5 PNEUMATIC (AVAILABLE ON ANSI, ANSI EXPORT, CSA AND CHINA SPECS)**

ITEM	PART NUMBER	QTY	DESCRIPTION	REV
	0271995	Ref	TIRE AND WHEEL INSTALLATION - 14 X 17.5 PNEUMATIC (AVAILABLE ON ANSI, ANSI EXPORT, CSA AND CHINA SPECS)	B
1	1001148873	Ref	Tire and Wheel Assembly - 14 x 17.5 (RH Side)	C
1	1001148874	Ref	Tire and Wheel Assembly - 14 x 17.5 (RH Side)	C
101	1702740	4	Decal - Tire Pressure	
102	4520259	4	Tire - 14 x 17.5	
103	4640113	4	Valve	
104	1001146397	4	Rim, Wheel	

Go to Discount-Equipment.com to order your parts

## SECTION 1 - FRAME

FIGURE 1-18. TIRE AND WHEEL INSTALLATION - 14 X 17.5 FOAM FILLED (AVAILABLE ON ALL SPECS)



ART\_0271998

## SECTION 1 - FRAME

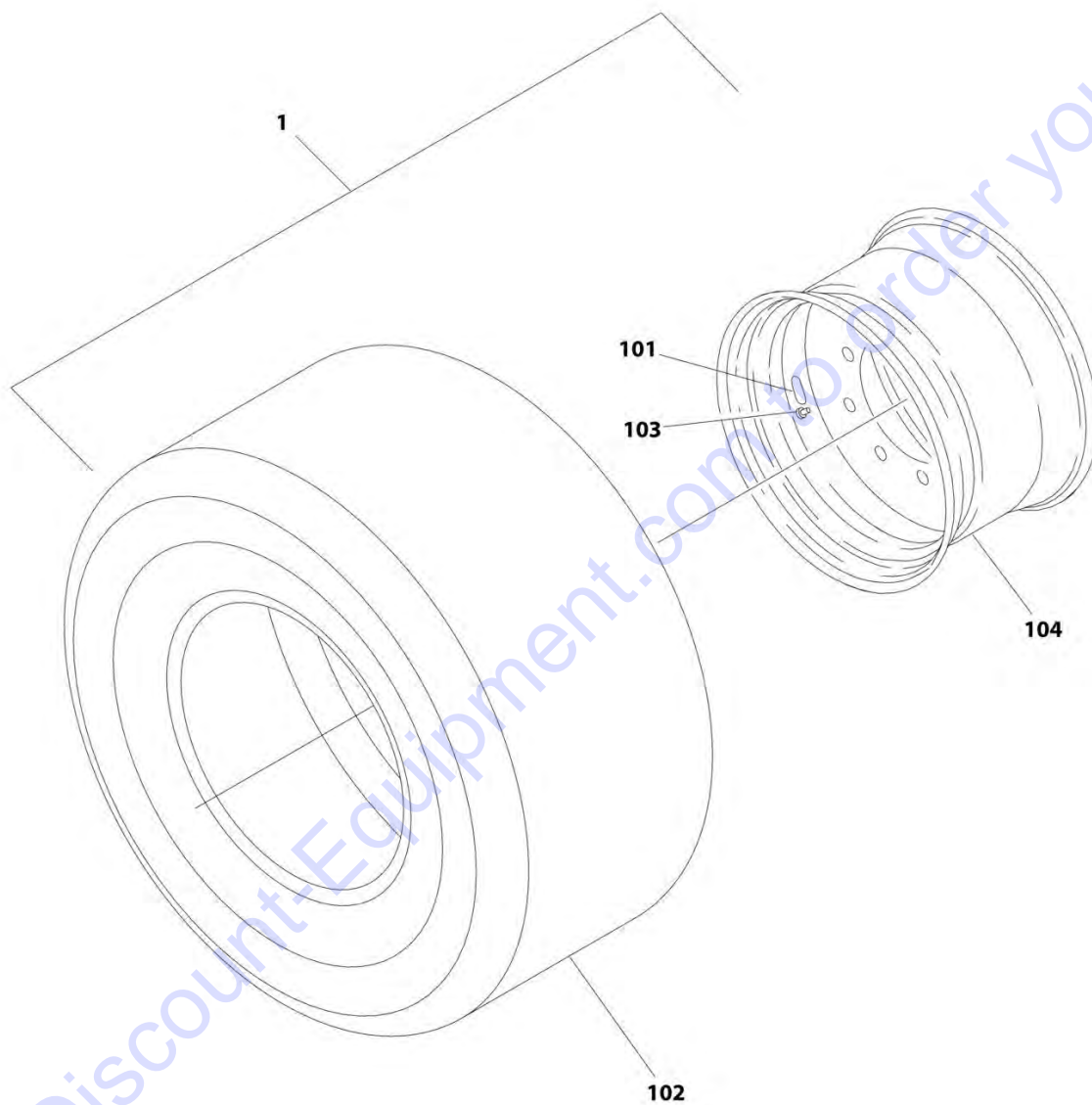
**FIGURE 1-18. TIRE AND WHEEL INSTALLATION - 14 X 17.5 FOAM FILLED (AVAILABLE ON ALL SPECS)**

ITEM	PART NUMBER	QTY	DESCRIPTION	REV
	0271998	Ref	TIRE AND WHEEL INSTALLATION - 14 X 17.5 FOAM FILLED (AVAILABLE ON ALL SPECS)	B
		Ref	Note: Assemblies may require ballast/foam filling to manufacturer's specifications prior to installing on a machine. Refer to Operation and Safety or Service and Maintenance Manuals. Purchase individual tire and/or rim only if able to foam fill tire and wheel assembly, otherwise, purchase complete assembly.	
1	1001148875	Ref	Tire and Wheel Assembly - 14 x 17.5 (RH Side)	F
1	1001148876	Ref	Tire and Wheel Assembly - 14 x 17.5 (LH Side)	F
102	4520259	4	Tire - 14 x 17.5	
103	4641122	4	Valve	
104	1001146397	4	Rim, Wheel	
105	1001149953	4	Cap, Valve Stem	

Go to Discount-Equipment.com to order your parts

## SECTION 1 - FRAME

FIGURE 1-19. TIRE AND WHEEL INSTALLATION - 33 X 16LL X 16.1 PNEUMATIC TURF AND SAND  
(AVAILABLE ON ANSI, CSA, ANSI EXPORT AND CHINA SPECS)



ART\_0270093

## SECTION 1 - FRAME

**FIGURE 1-19. TIRE AND WHEEL INSTALLATION - 33 X 16LL X 16.1 PNEUMATIC TURF AND SAND (AVAILABLE ON ANSI, CSA, ANSI EXPORT AND CHINA SPECS)**

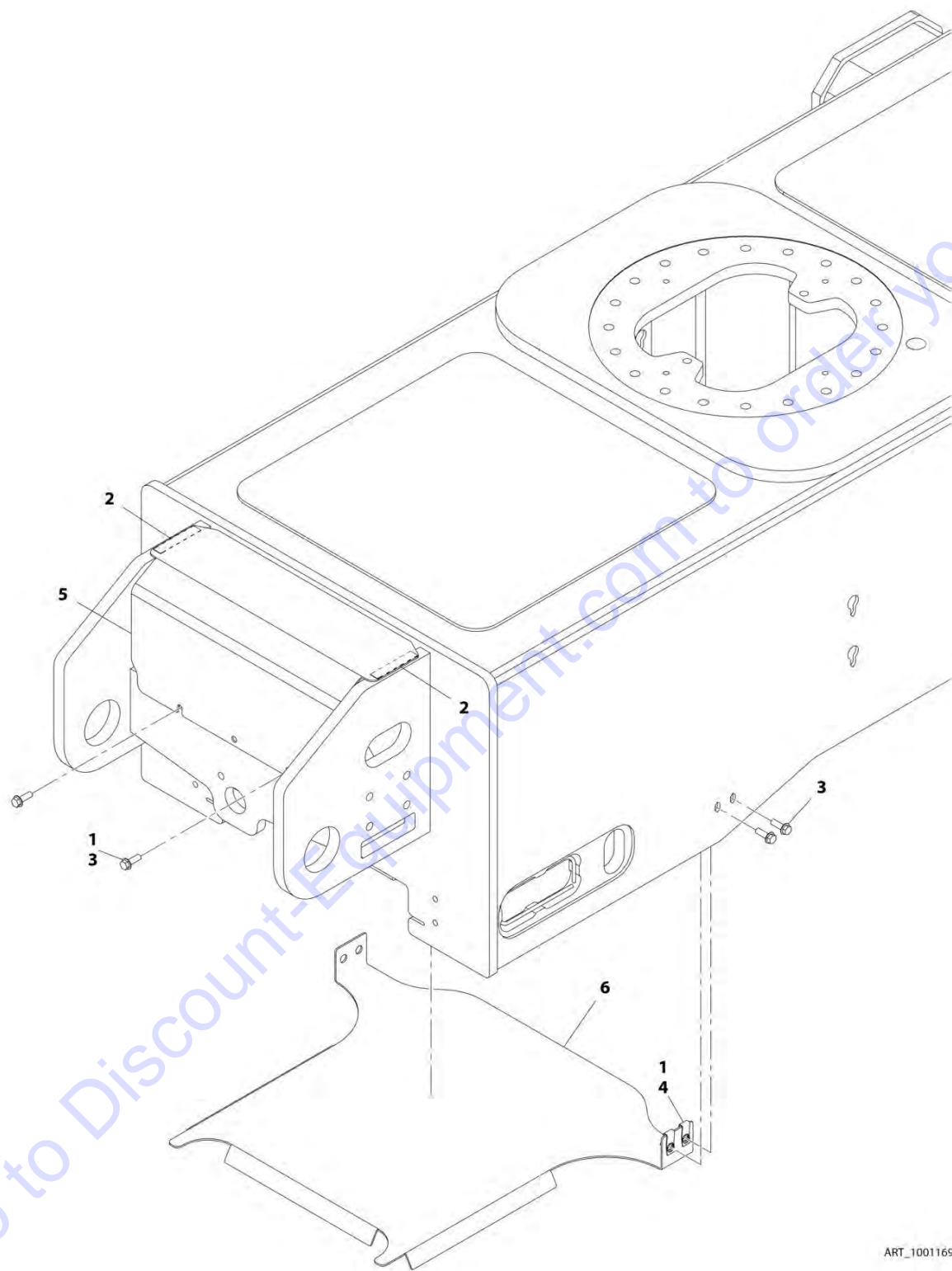
ITEM	PART NUMBER	QTY	DESCRIPTION	REV
	0270093	Ref	TIRE AND WHEEL INSTALLATION - 33 X 16LL X 16.1 PNEUMATIC TURF AND SAND (AVAILABLE ON ANSI, CSA, ANSI EXPORT AND CHINA SPECS)	A
		Ref	Note: Turf/Sand Tires required additional chassis counterweight. See SPECIAL OPTIONS SECTION before installing this option.	
1	0270078	Ref	TIRE AND WHEEL ASSEMBLY - 33 X 16LL X 16.1 PNEUMATIC TURF AND SAND	A
101	1703067	4	Decal - Tire Pressure	
102	4520212	4	Tire - 33 x 16 LL x 16.1	
103	4640113	4	Valve	
104	4860214	4	Rim, Wheel	

Go to Discount-Equipment.com to order your parts



# SECTION 1 - FRAME

## FIGURE 1-20. FRAME SHIELD INSTALLATION - WITHOUT TOW BAR



ART\_1001169973

## SECTION 1 - FRAME

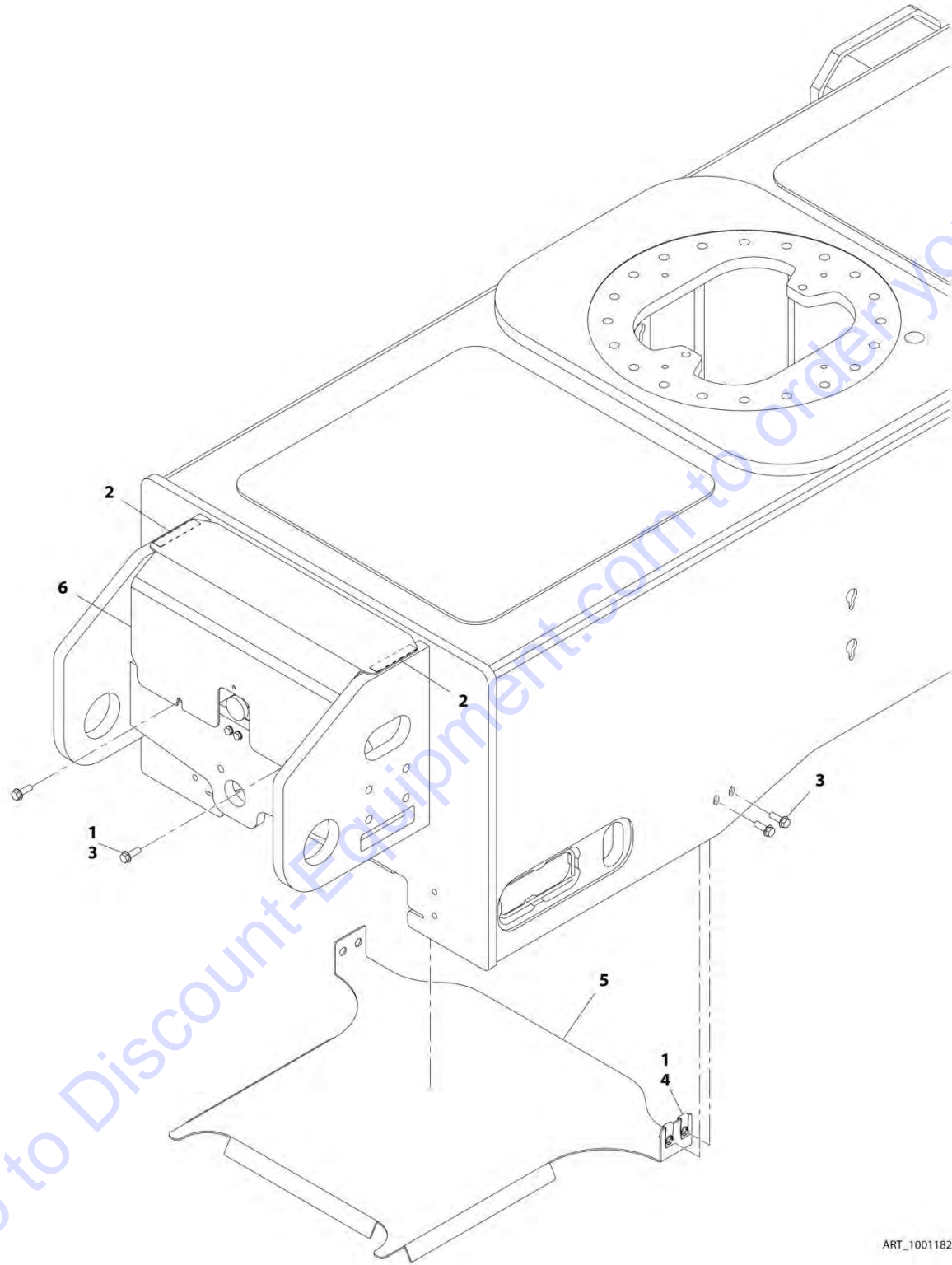
**FIGURE 1-20. FRAME SHIELD INSTALLATION - WITHOUT TOW BAR**

ITEM	PART NUMBER	QTY	DESCRIPTION	REV
	1001169973	Ref	FRAME SHIELD INSTALLATION - WITHOUT TOW BAR	E
1	0100011	AR	Compound, Locking	
2	4280296	8 in / 20.3cm	Strip, Wear	
3	5251014	6	Bolt, M10 x 30	
4	1001118972	4	Nut, M10 x 1.5	
5	1001169086	1	Plate, Cover	
6	1001169955	1	Plate, Valve Cover	

Go to Discount-Equipment.com to order your parts

# SECTION 1 - FRAME

FIGURE 1-21. FRAME SHIELD INSTALLATION - WITH TOW BAR



ART\_1001182245

## SECTION 1 - FRAME

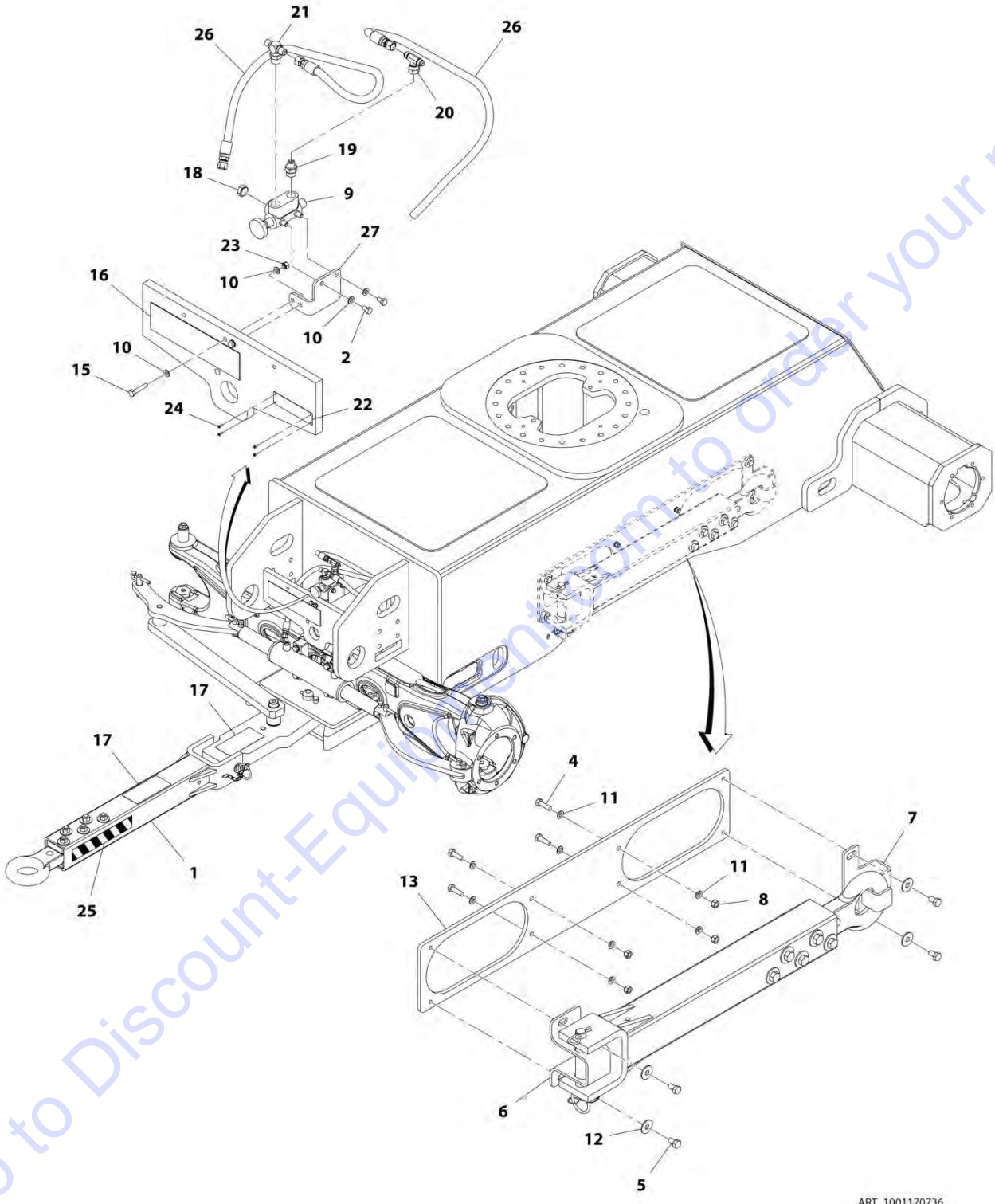
**FIGURE 1-21. FRAME SHIELD INSTALLATION - WITH TOW BAR**

ITEM	PART NUMBER	QTY	DESCRIPTION	REV
	1001182245	Ref	FRAME SHIELD INSTALLATION - WITH TOW BAR	C
1	0100011	AR	Compound, Locking	
2	4280296	8 in / 20.3cm	Strip, Wear	
3	5251014	6	Bolt, M10 x 30	
4	1001118972	4	Nut, M10 x 1.5	
5	1001169955	1	Plate, Valve Cover	
6	1001182250	1	Plate, Cover	

Go to Discount-Equipment.com to order your parts

# SECTION 1 - FRAME

## FIGURE 1-22. TOW BAR INSTALLATION



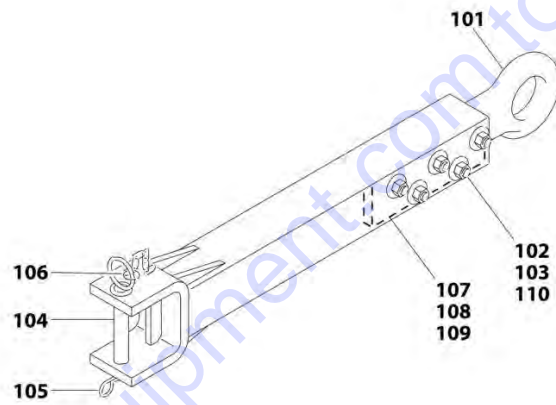
ART\_1001170736

FIGURE 1-22. TOW BAR INSTALLATION

ITEM	PART NUMBER	QTY	DESCRIPTION	REV
	1001170736	Ref	TOW BAR INSTALLATION	D
1	0363019	1	Tow Bar Assembly (See TOW BAR ASSEMBLY for Breakdown)	
2	0641504	2	Bolt, 5/16 x 1/2	
4	0761015	4	Bolt, M10 x 35 (SN 0300203771 through 0300217915)	
4	0641612	4	Bolt, 3/8 x 1-1/2 (SN 0300217916 to Present)	
5	0761210	4	Bolt, M12 x 20	
6	0902733	1	Bracket, Storage (Front)	
7	0902734	1	Bracket, Storage (Rear)	
8	3291005	4	Nut, Lock M10 x 1.5 (SN 0300203771 through 0300217915)	
8	3311605	4	Nut, 3/8 (SN 0300217916 to Present)	
9	4640261	1	Steer/Tow Select Valve	
10	4811900	6	Washer, M8	
11	4812000	8	Washer, M10 (SN 0300203771 through 0300217915)	
11	4891600	8	Washer, 3/8 (SN 0300217916 to Present)	
12	4812102	4	Washer, M12	
13	1001166478	1	Plate, Tow Bar Mount	
15	0760816	2	Bolt, M8 x 40	
16	1702968	1	Decal - Towing Instructions	
17	1704578	3	Decal - Crushing	
18	2220238	1	Plug ORB	
19	2220372	1	Fitting, Straight JIC/ORB	
20	2220579	1	Fitting, Tee JIC/FSJIC/JIC	
21	2221052	1	Fitting, Tee JIC/ORB/JIC	
22	3250872	1	Nameplate, Steer/Tow Select Valve	
23	3290805	2	Nut, Lock M8 x 1.25	
24	3820001	4	Rivet	
25	4420051	48 in /1.21m	Tape, Safety	
26	1001181913	2	Hose	
27	1001182155	1	Bracket, Valve Mounting	

# SECTION 1 - FRAME

## FIGURE 1-23. TOW BAR ASSEMBLY



ART\_0363019

FIGURE 1-23. TOW BAR ASSEMBLY

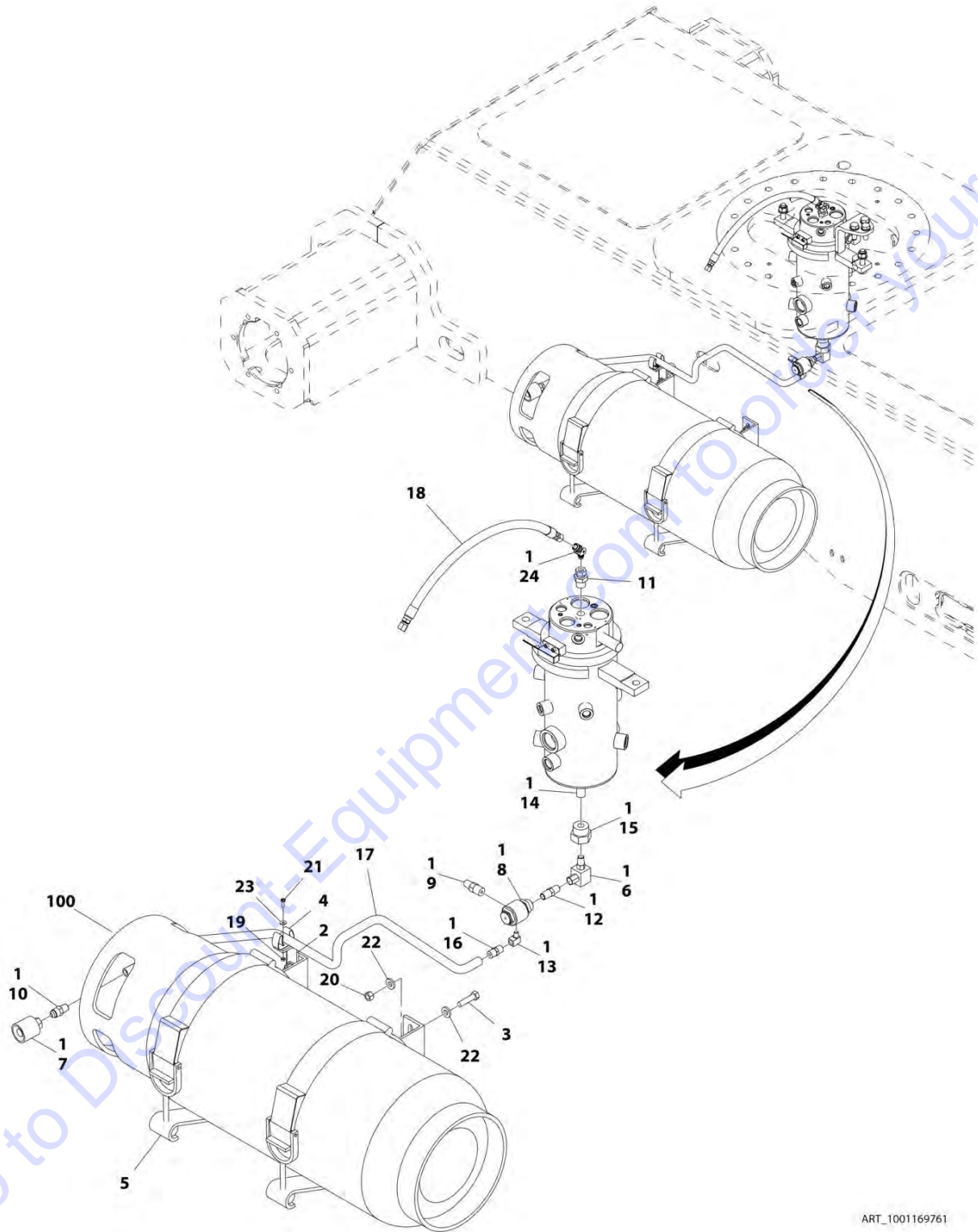
ITEM	PART NUMBER	QTY	DESCRIPTION	REV
	0363019	Ref	TOW BAR ASSEMBLY	B
101	0360406	1	Pintle, Draw Eye	
102	0682040	5	Bolt 5/8 x 5	
103	3312005	5	Nut 5/8	
104	3420352	1	Pin, Towing	
105	3420372	1	Hairpin	
106	3760170	1	Ring, Split	
107	4070450	2	Shim (.07)	
108	4070560	2	Shim (.88)	
109	4070561	2	Shim (.12)	
110	4752000	10	Washer 5/8	

Go to Discount-Equipment.com to order your parts



# SECTION 1 - FRAME

## FIGURE 1-24. LP TANK BRACKETS INSTALLATION



## SECTION 1 - FRAME

**FIGURE 1-24. LP TANK BRACKETS INSTALLATION**

ITEM	PART NUMBER	QTY	DESCRIPTION	REV
	1001169761	Ref	LP TANK BRACKETS INSTALLATION	E
1	0100020	AR	Sealant, Pipe	
2	0181949	1	Angle, Support	
4	1320218	1	Clamp	
5	1320220	1	Clamp	
6	2180125	1	Fitting, Swivel 90	
7	2180387	1	Fitting, Straight	
8	2180388	1	Fitting, Bulkhead	
9	2180389	1	Valve, Relief	
10	2180418	1	Fitting, Straight	
11	2220005	1	Fitting, Straight	
12	2220261	1	Fitting, Nipple	
13	2220648	1	Fitting, 90 FNPTF/NPTF	
14	2221018	1	Nipple, Pipe	
15	2221019	1	Fitting, Reducer	
16	2221024	1	Fitting, Nipple	
17	2720144	1	Hose	
18	2720392	1	Hose	
19	3290401	1	Nut, M4 x 0.7	
21	3900332	1	Screw, Special M4 x 14	
23	1001091102	1	Washer	
24	1001190804	1	Fitting, 45 (SN 0300203771 through 0300249768, SN E300000100 through E300006128)	
24	1001239802	1	Fitting, 45 (SN 0300249769 to Present, SN E300006129 to Present)	
25	3311601	4	Nut, 3/8	
26	4891600	8	Washer, 3/8 Hardened	
27	0641612	4	Bolt, 3/8 x 1-1/2	
100	4400275	1	Tank, LP 43.5 Lbs (Aluminum)	

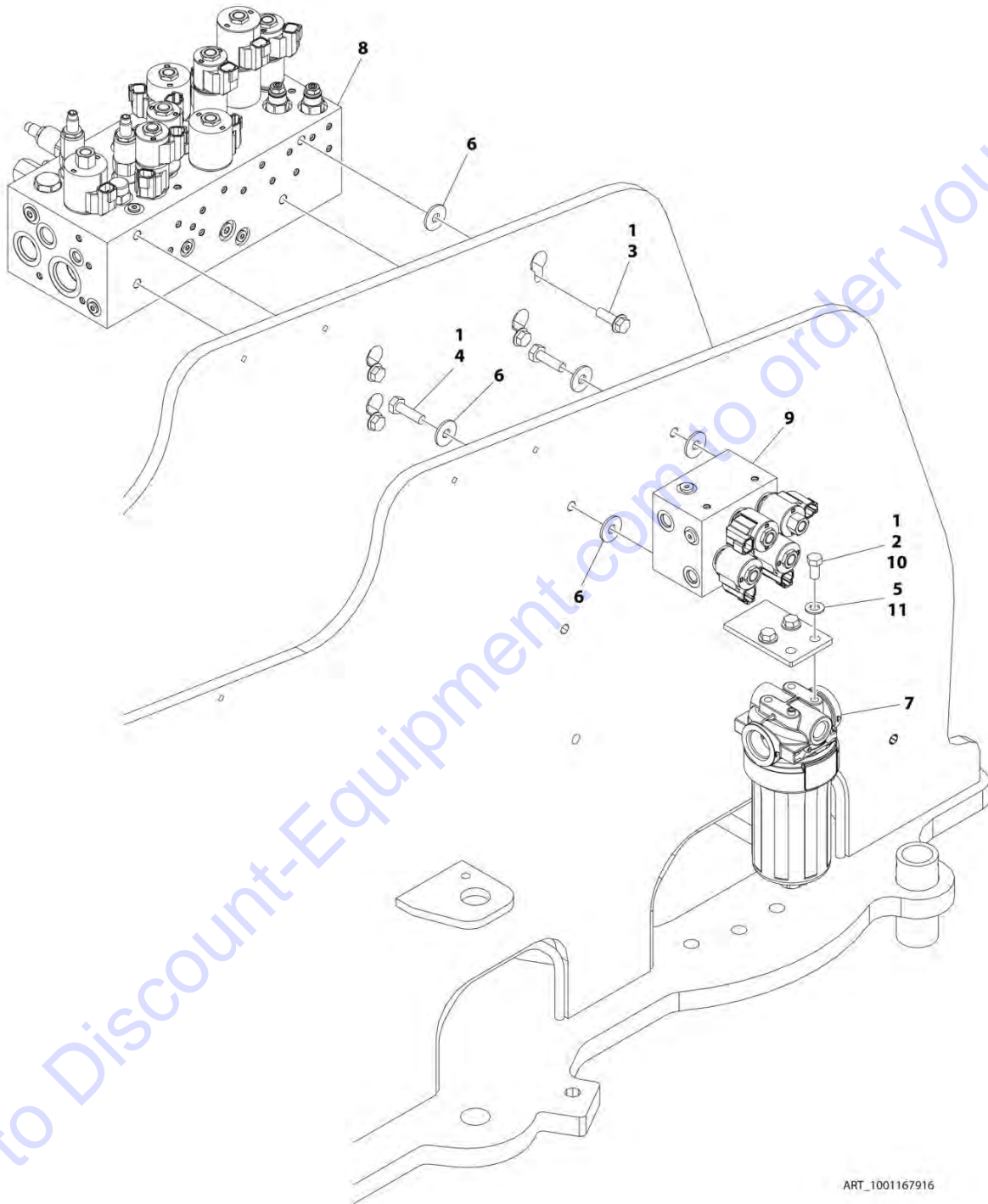


**SECTION 2 - TURNTABLE**

Go to Discount-Equipment.com to order your parts

# SECTION 2 - TURNTABLE

## FIGURE 2-1. CONTROL VALVES INSTALLATION - 400S



ART\_1001167916

**SECTION 2 - TURNTABLE**

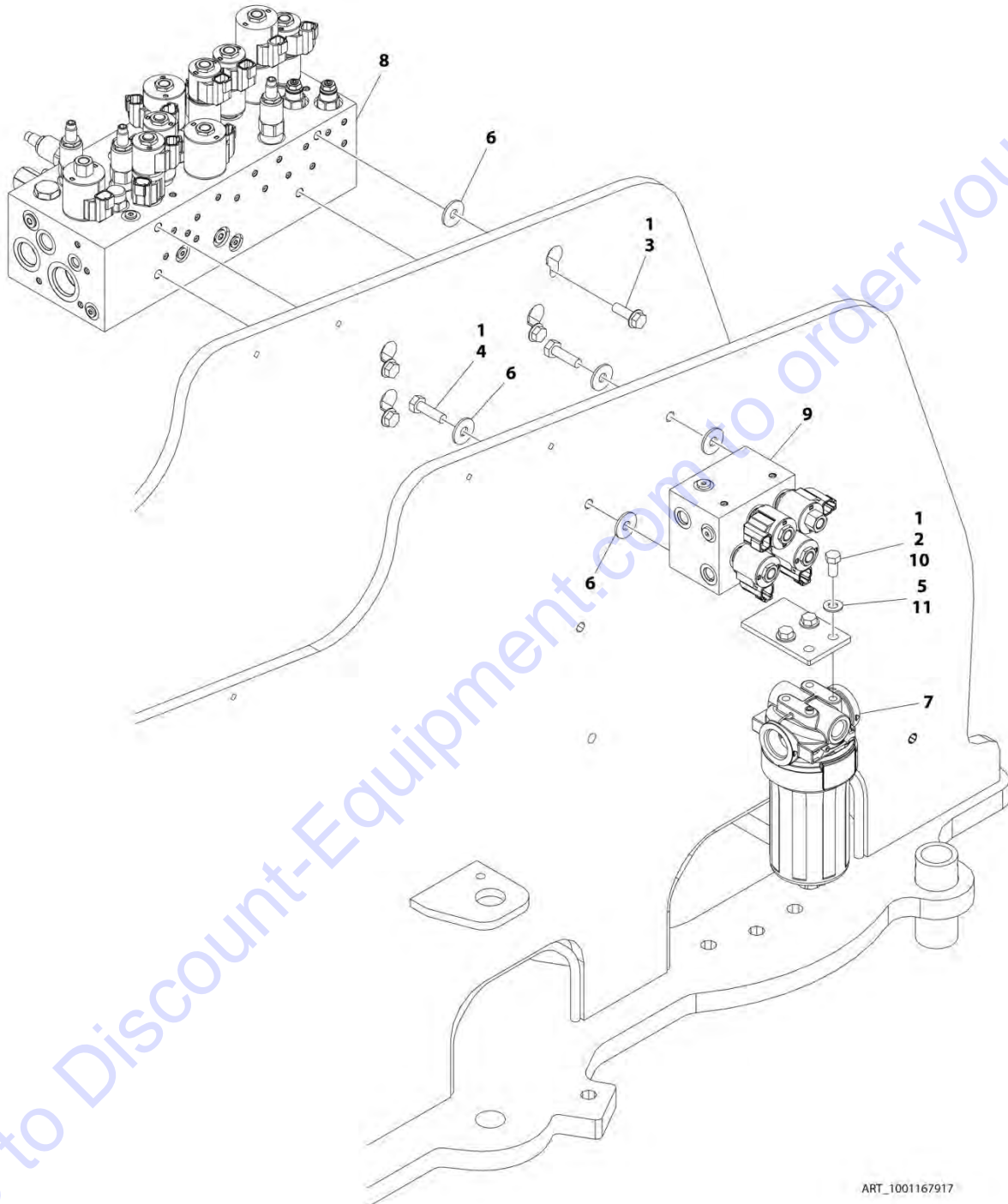
**FIGURE 2-1. CONTROL VALVES INSTALLATION - 400S**

ITEM	PART NUMBER	QTY	DESCRIPTION	REV
	1001167916	Ref	CONTROL VALVES INSTALLATION - 400S	F
1	0100011	AR	Compound, Locking	
2	0641606	AR	Bolt 3/8 x 3/4	
3	5251014	4	Bolt M10 x 30	
4	0761015	2	Bolt M10 x 35	
5	4711600	AR	Washer 3/8	
6	4812002	8	Washer M10	
7	1001102987	1	Filter, Charge Pump (SN 0300203771 through 0300237275, SN E300000100 through E300004969, SN 1300007289 through 1300007393)	
7	70010383	1	Element, Filter (Includes O-Ring)	
7	1001208874	1	Filter, Charge Pump (SN 0300237276 to Present, SN E300004970 to Present)	
8	1001162531	1	Main Valve Assembly (See MAIN VALVE ASSEMBLY - 400S for Breakdown)	
9	1001162538	1	Axle Valve Assembly (See AXLE VALVE ASSEMBLY for Breakdown)	
10	0761010	AR	Bolt M10 x 20	
11	4812000	AR	Washer M10	

Go to Discount-Equipment.com to order your parts

# SECTION 2 - TURNTABLE

## FIGURE 2-2. CONTROL VALVES INSTALLATION - 460SJ



ART\_1001167917

## SECTION 2 - TURNTABLE

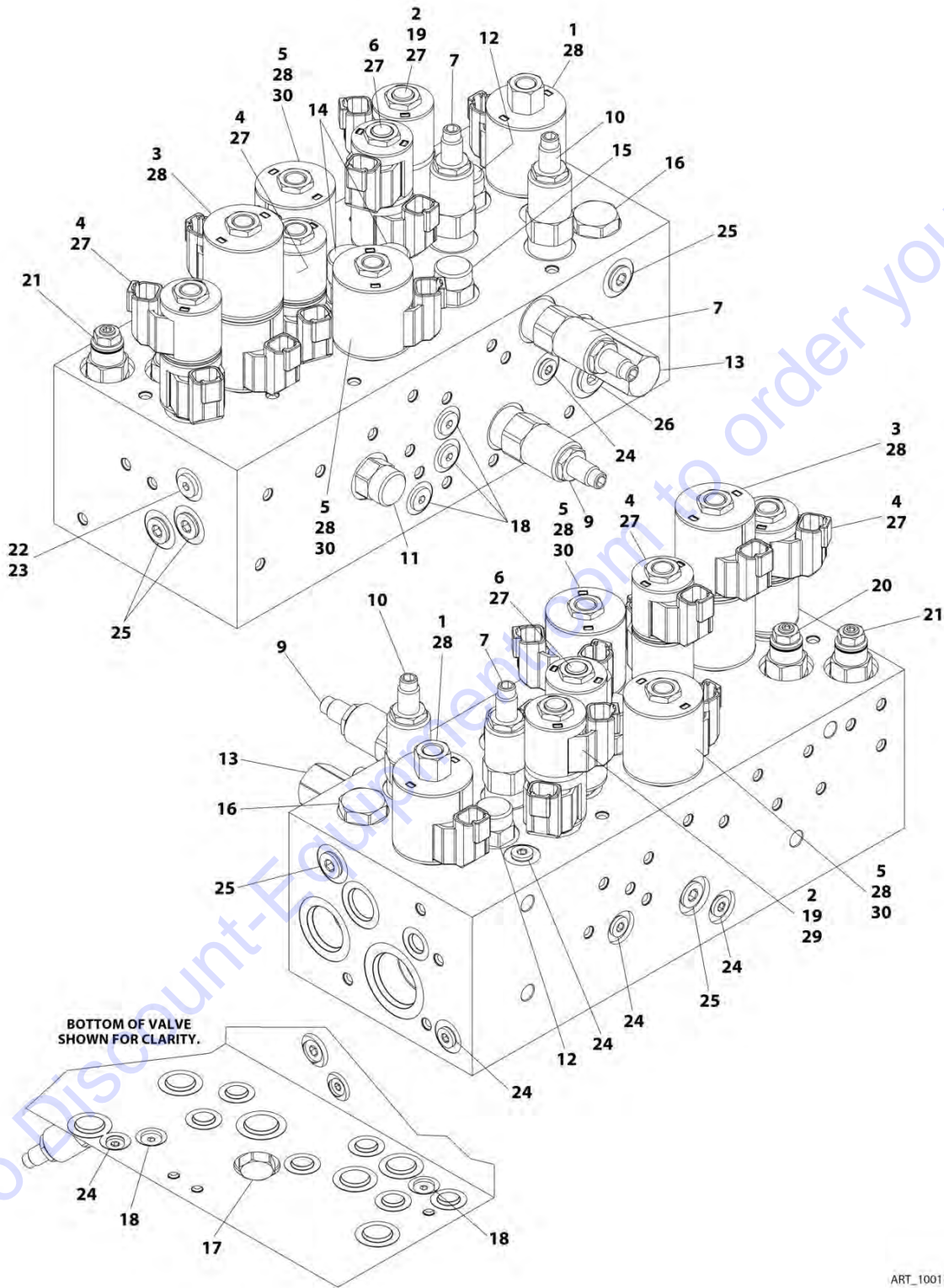
**FIGURE 2-2. CONTROL VALVES INSTALLATION - 460SJ**

ITEM	PART NUMBER	QTY	DESCRIPTION	REV
	1001167917	Ref	CONTROL VALVES INSTALLATION - 460SJ	F
1	0100011	AR	Compound, Locking	
2	0641606	AR	Bolt 3/8 x 3/4	
3	5251014	4	Bolt M10 x 30	
4	0761015	2	Bolt M10 x 35	
5	4711600	AR	Washer 3/8	
6	4812002	8	Washer M10	
7	1001102987	1	Filter, Charge Pump ( <b>SN 0300203771 through 0300237275, SN E300000100 through E300004969, SN 1300007289 through 1300007393</b> )	
7	70010383	1	Element, Filter (Includes O-Ring)	
7	1001208874	1	Filter, Charge Pump ( <b>SN 0300237276 to Present, SN E300004970 to Present</b> )	
8	1001162532	1	Main Valve Assembly (See MAIN VALVE ASSEMBLY - 460SJ for Breakdown)	
9	1001162538	1	Axle Valve Assembly (See AXLE VALVE ASSEMBLY for Breakdown)	
10	0761010	AR	Bolt M10 x 20	
11	4812000	AR	Washer M10	



# SECTION 2 - TURNTABLE

## FIGURE 2-3. MAIN VALVE ASSEMBLY - 400S



ART\_1001162531

## SECTION 2 - TURNTABLE

### FIGURE 2-3. MAIN VALVE ASSEMBLY - 400S

ITEM	PART NUMBER	QTY	DESCRIPTION	REV
	1001162531	Ref	MAIN VALVE ASSEMBLY - 400S	F
1	70005069	1	Cartridge, Solenoid Less Coil (Main Dump)	
1	7022399	1	Seal Kit - 70005069 Valve	
1	70003977	1	Nut, Coil	
2	70005217	1	Cartridge, Solenoid Less Coil (Steer)	
2	70005071	1	Seal Kit - 70005217 Valve	
2	7022390	1	Nut, Coil	
3	70005072	1	Cartridge, Solenoid Less Coil (Tele)	
3	70005073	1	Seal Kit - 70005072 Valve	
3	7022390	1	Nut, Coil	
3	70003024	1	Spacer, Coil	
4	70005074	2	Cartridge, Solenoid Valve Less Coil (Platform Level and Rotate)	
4	70005075	2	Seal Kit - 70005074 Valve	
4	7022390	2	Nut, Coil	
4	70003023	2	Spacer, Coil	
5	70005076	2	Cartridge, Solenoid Less Coil (Lift Up and Flow Control)	
5	7022399	2	Seal Kit - 70005076 Valve	
5	7022390	2	Nut, Coil	
6	70005077	1	Cartridge, Solenoid Valve Less Coil (Swing)	
6	70005071	1	Seal Kit - 70005077 Valve	
6	7022390	1	Nut, Coil	
6	70003023	1	Spacer, Coil	
7	70005078	2	Cartridge, Relief Valve	
7	7023936	2	Seal Kit - 70005078 Valve	
9	70005079	1	Cartridge, Relief Valve	
9	7023936	1	Seal Kit - 70005079 Valve	
10	70005080	1	Cartridge, Relief Valve	
10	7022399	1	Seal Kit - 70005080 Valve	
11	70005081	1	Cartridge, Valve	
11	70005082	1	Seal Kit - 70005081 Valve	
12	70005218	1	Cartridge, Valve	
12	70005082	1	Seal Kit - 70005218 Valve	
13	70005084	1	Cartridge, Valve	
13	70005085	1	Seal Kit - 70005084 Valve	
14	70005086	2	Cartridge, Valve	
14	70005087	2	Seal Kit - 70005086 Valve	
15	70005088	1	Cartridge, Valve	
15	7023900	1	Seal Kit - 70005088 Valve	
16	70003408	1	Cartridge, Valve	
16	7022399	1	Seal Kit - 70005100 Valve	
17	70005089	1	Cartridge, Check Valve	
17	7023936	1	Seal Kit - 70005089 Valve	
18	70005090	5	Cartridge, Check Valve	
18	70005092	5	Seal Kit - 70005090 Valve	
19	70002974	1	Disc, Check Valve	
20	70005108	1	Cartridge, Valve	
20	2900770	1	Seal Kit - 70005108 Valve	
21	70005109	1	Cartridge, Valve	
21	2900770	1	Seal Kit - 70005109 Valve	
22	70005091	1	Orifice	

## SECTION 2 - TURNTABLE

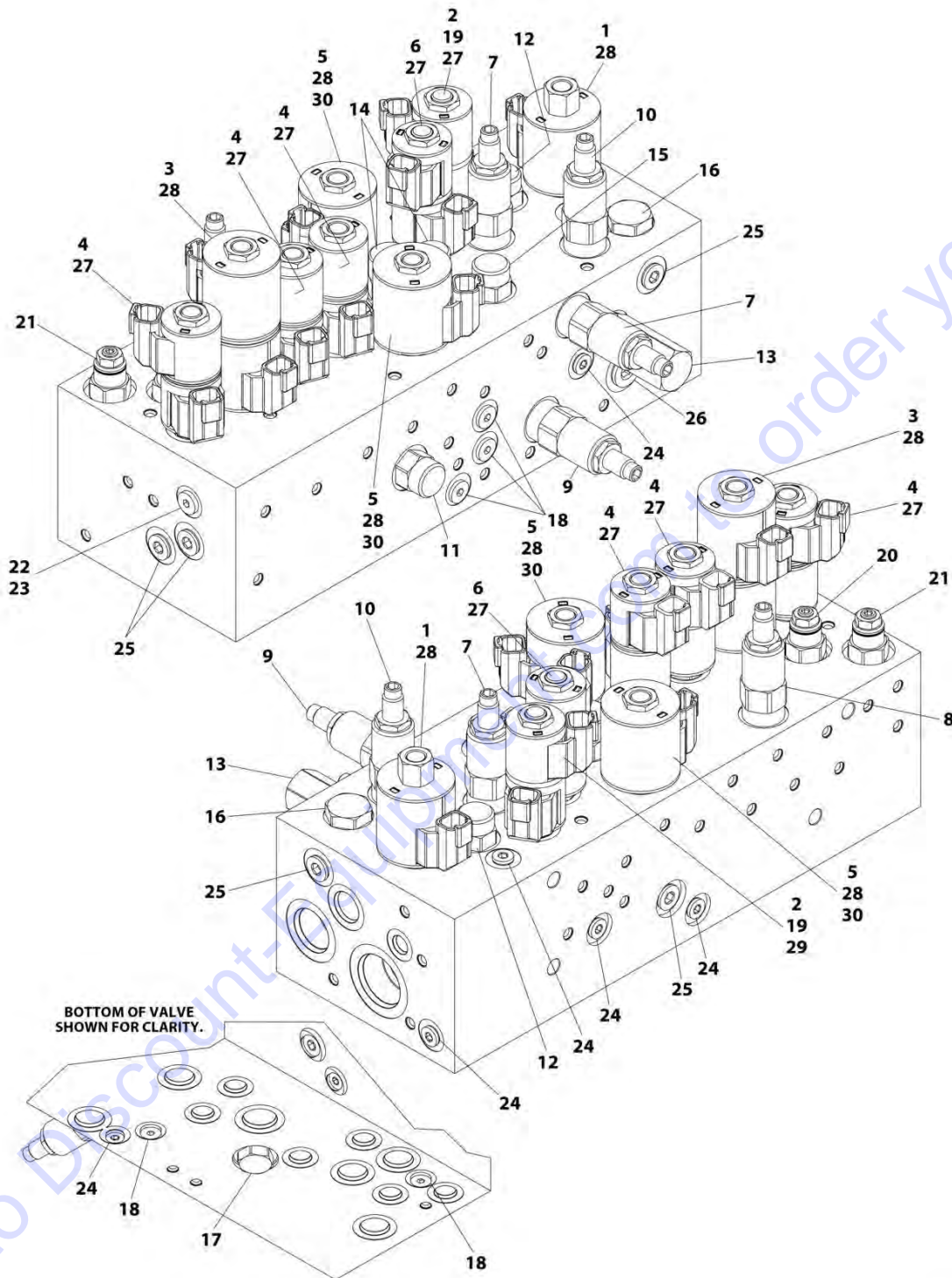
ITEM	PART NUMBER	QTY	DESCRIPTION	REV
23	2220883	1	Plug, O-Ring #4	
24	91164059	6	Plug	
25	91164079	6	Plug	
26	91164057	1	Plug	
27	70002386	6	Coil	
28	70003788	5	Coil	
29	70005219	2	Coil	
30	70005724	2	Lockdown Kit	

Go to Discount-Equipment.com to order your parts



# SECTION 2 - TURNTABLE

## FIGURE 2-4. MAIN VALVE ASSEMBLY - 460SJ



ART\_1001162532

## SECTION 2 - TURNTABLE

### FIGURE 2-4. MAIN VALVE ASSEMBLY - 460SJ

ITEM	PART NUMBER	QTY	DESCRIPTION	REV
	1001162532	Ref	MAIN VALVE ASSEMBLY - 460SJ	F
1	70005069	1	Cartridge, Solenoid Less Coil (Main Dump)	
1	7022399	1	Seal Kit - 70005069 Valve	
1	70003977	1	Nut, Coil	
2	70005217	1	Cartridge, Solenoid Less Coil (Steer)	
2	70005071	1	Seal Kit - 70005217 Valve	
2	7022390	1	Nut, Coil	
3	70005072	1	Cartridge, Solenoid Less Coil (Tele)	
3	70005073	1	Seal Kit - 70005072 Valve	
3	7022390	1	Nut, Coil	
3	70003024	1	Spacer, Coil	
4	70005074	3	Cartridge, Solenoid Valve Less Coil (Platform Level, Platform Rotate and Jib Lift)	
4	70005075	3	Seal Kit - 70005074 Valve	
4	7022390	3	Nut, Coil	
4	70003023	3	Spacer, Coil	
5	70005076	2	Cartridge, Solenoid Less Coil (Lift Up and Flow Control)	
5	7022399	2	Seal Kit - 70005076 Valve	
5	7022390	2	Nut, Coil	
6	70005077	1	Cartridge, Solenoid Valve Less Coil (Swing)	
6	70005071	1	Seal Kit - 70005077 Valve	
6	7022390	1	Nut, Coil	
6	70003023	1	Spacer, Coil	
7	70005078	2	Cartridge, Relief Valve	
7	7023936	2	Seal Kit - 70005078 Valve	
8	70005093	1	Cartridge, Valve	
8	7023936	1	Seal Kit - 70005093 Valve	
9	70005079	1	Cartridge, Relief Valve	
9	7023936	1	Seal Kit - 70005079 Valve	
10	70005080	1	Cartridge, Relief Valve	
10	7022399	1	Seal Kit - 70005080 Valve	
11	70005081	1	Cartridge, Valve	
11	70005082	1	Seal Kit - 70005081 Valve	
12	70005218	1	Cartridge, Valve	
12	70005082	1	Seal Kit - 70005218 Valve	
13	70005084	1	Cartridge, Valve	
13	70005085	1	Seal Kit - 70005084 Valve	
14	70005086	2	Cartridge, Valve	
14	70005087	2	Seal Kit - 70005086 Valve	
15	70005088	1	Cartridge, Valve	
15	7023900	1	Seal Kit - 70005088 Valve	
16	70003408	1	Cartridge, Valve	
16	7022399	1	Seal Kit - 70005100 Valve	
17	70005089	1	Cartridge, Check Valve	
17	7023936	1	Seal Kit - 70005089 Valve	
18	70005090	5	Cartridge, Check Valve	
18	70005092	5	Seal Kit - 70005090 Valve	
19	70002974	1	Disc, Check Valve	
20	70005108	1	Cartridge, Valve	
20	2900770	1	Seal Kit - 70005108 Valve	

## SECTION 2 - TURNTABLE

ITEM	PART NUMBER	QTY	DESCRIPTION	REV
21	70005109	1	Cartridge, Valve	
21	2900770	1	Seal Kit - 70005109 Valve	
22	70005091	1	Orifice	
23	2220883	1	Plug, O-Ring #4	
24	91164059	6	Plug	
25	91164079	6	Plug	
26	91164057	1	Plug	
27	70002386	8	Coil	
28	70003788	5	Coil	
29	70005219	2	Coil	
30	70005724	2	Lockdown Kit	

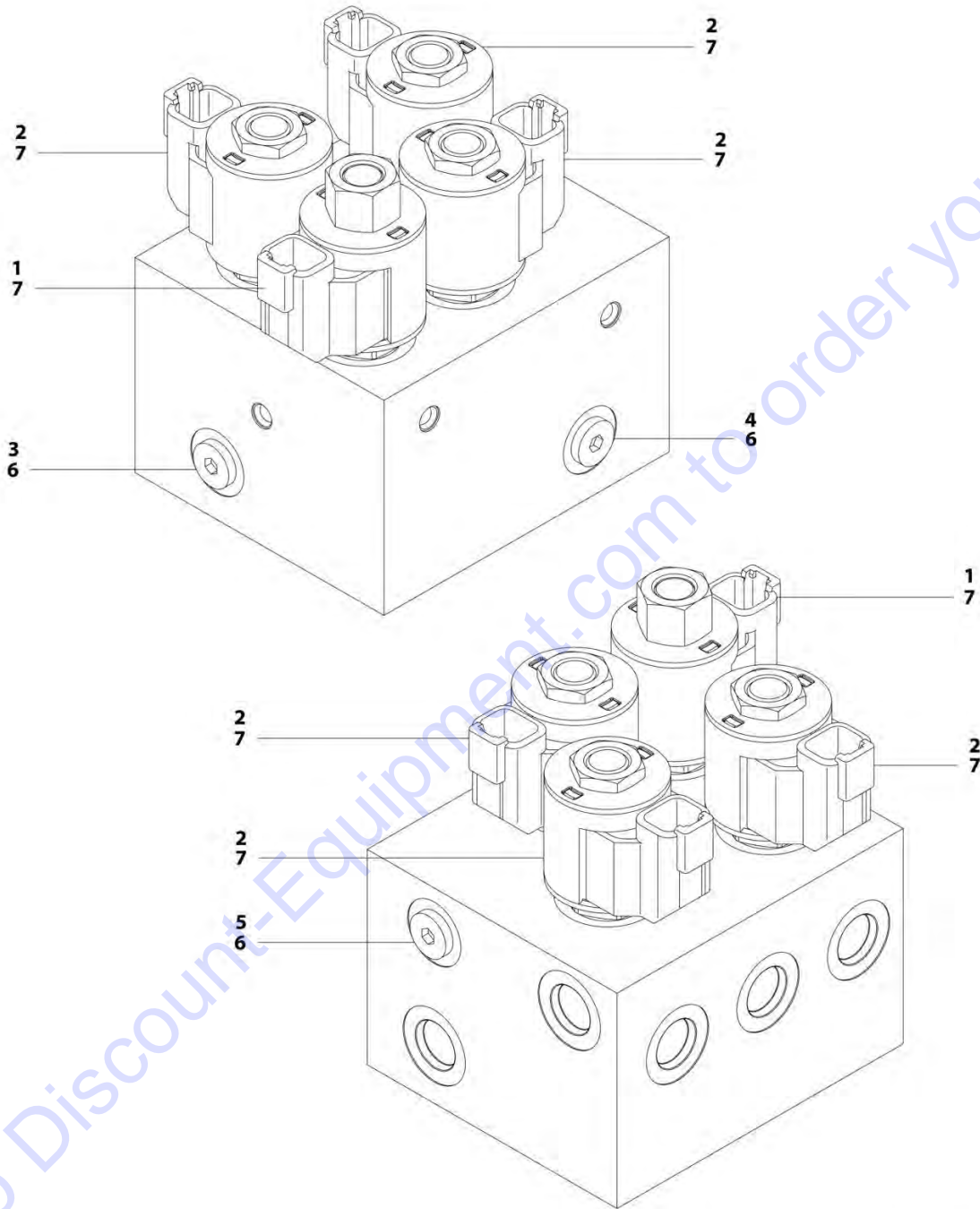
Go to Discount-Equipment.com to order your parts





# SECTION 2 - TURNTABLE

## FIGURE 2-5. AXLE VALVE ASSEMBLY



ART\_1001162538

**SECTION 2 - TURNTABLE**

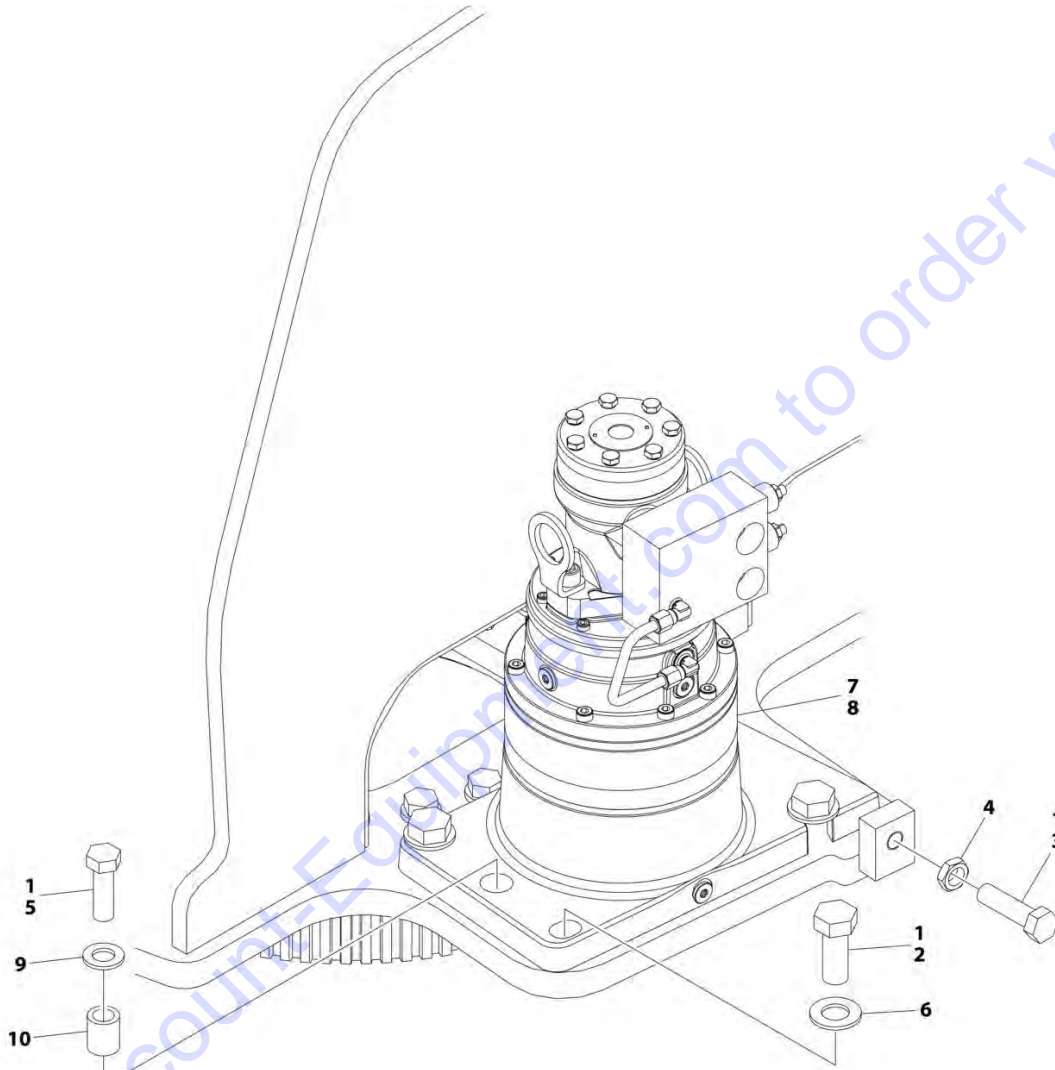
**FIGURE 2-5. AXLE VALVE ASSEMBLY**

ITEM	PART NUMBER	QTY	DESCRIPTION	REV
	1001162538	Ref	AXLE VALVE ASSEMBLY	D
1	7017410	1	Cartridge, Solenoid Valve Less Coil (Secondary Axle Release)	
1	7012967	1	Seal Kit - 7017410 Valve	
2	7012941	3	Cartridge, Solenoid Valve Less Coil (Brake Release, Primary Axle Release and 2 Speed)	
2	7010543	3	Seal Kit - 7012941 Valve	
3	70004883	1	Orifice	
4	70004884	1	Orifice	
5	70002063	1	Orifice	
6	2220883	3	Plug, O-Ring #4	
7	70002386	4	Coil	

Go to Discount-Equipment.com to order your parts

## SECTION 2 - TURNTABLE

FIGURE 2-6. SWING DRIVE INSTALLATION



ART\_1001169386

**SECTION 2 - TURNTABLE**

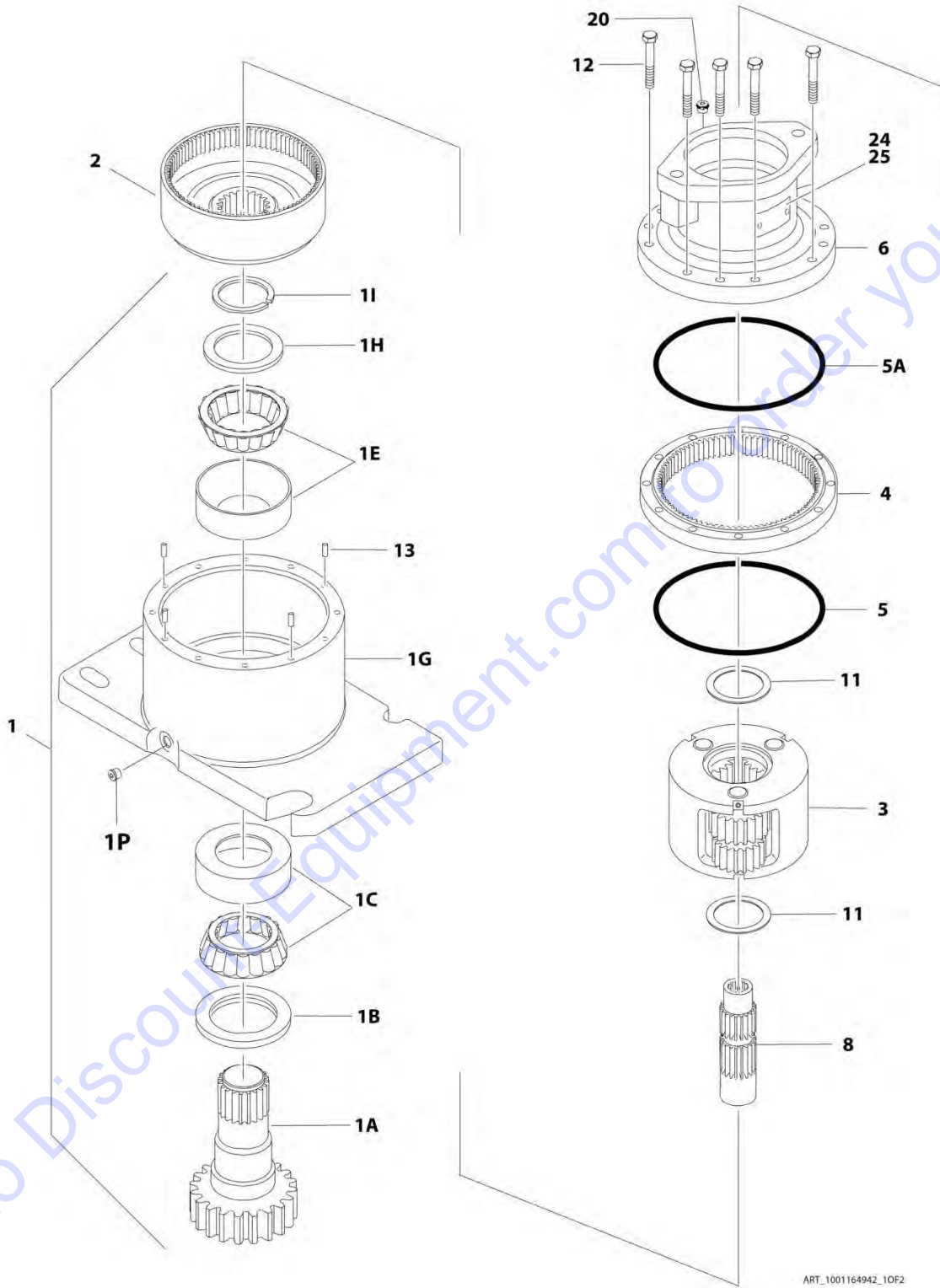
**FIGURE 2-6. SWING DRIVE INSTALLATION**

ITEM	PART NUMBER	QTY	DESCRIPTION	REV
	1001169386	Ref	SWING DRIVE INSTALLATION	D
1	0100019	AR	Compound, Locking	
2	0772018	4	Bolt M20 x 50 Grade 10.9	
3	0761620	1	Bolt M16 x 60	
4	3291602	1	Nut M16	
5	0701618	1	Bolt M16 x 50	
6	5242000	4	Washer M20	
7	1001190964	1	Shim	
8	1001164942	1	Swing Hub/Motor Assembly (See SWING HUB/MOTOR ASSEMBLY for Breakdown)	
9	5241600	1	Washer M16	
10	1001134543	1	Sleeve, Spacer	

Go to Discount-Equipment.com to order your parts

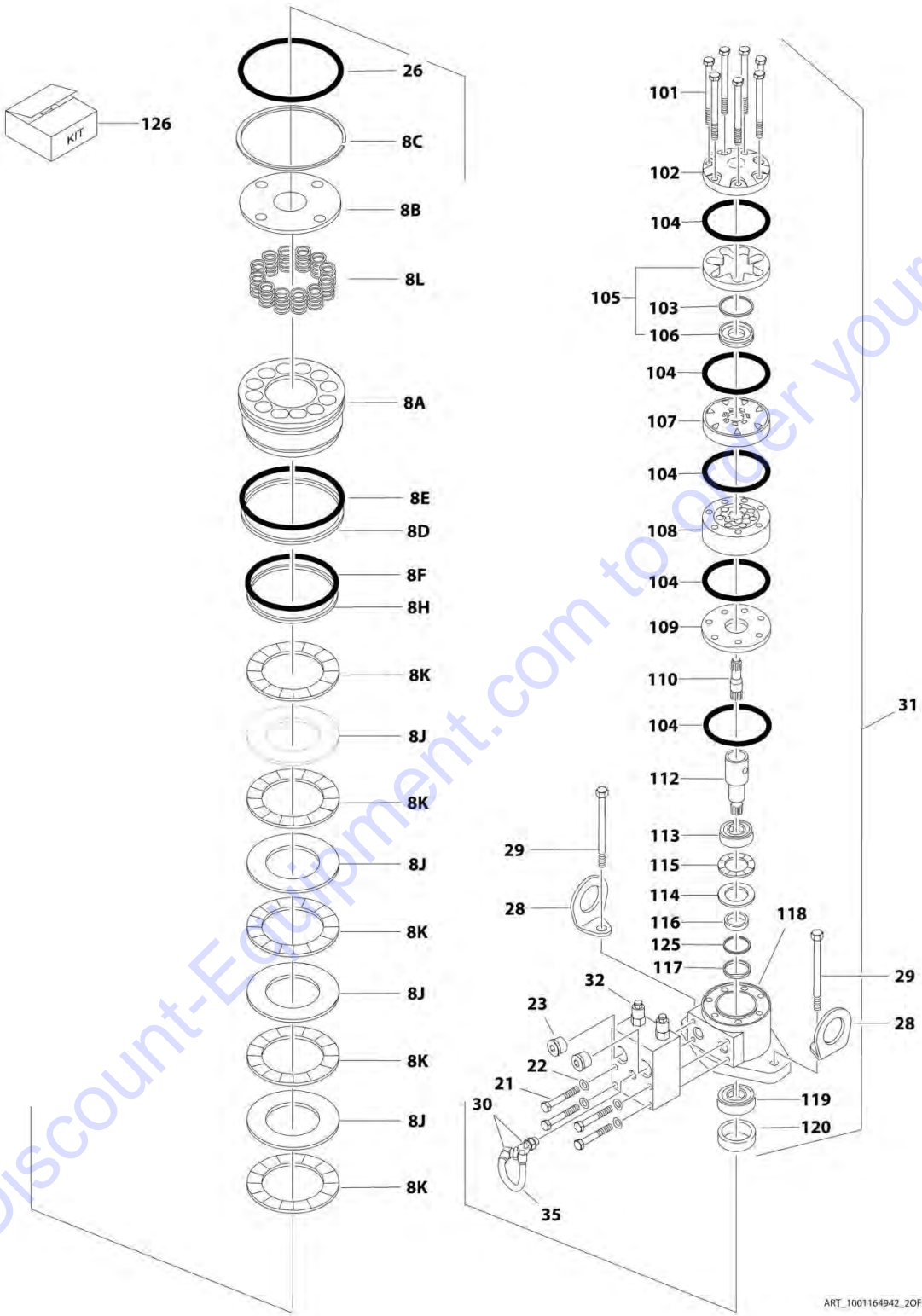
# SECTION 2 - TURNTABLE

## FIGURE 2-7. SWING HUB/MOTOR ASSEMBLY



ART\_1001164942\_10F2

# SECTION 2 - TURNTABLE



ART\_1001164942\_20F2

## SECTION 2 - TURNTABLE

FIGURE 2-7. SWING HUB/MOTOR ASSEMBLY

ITEM	PART NUMBER	QTY	DESCRIPTION	REV
	1001164942	Ref	SWING HUB/MOTOR ASSEMBLY	B
1	See Note	NSS	Housing/Shaft Assembly (Note: Not Available - Purchase Complete Swing Motor/Hub Assembly)	
1A	70005204	1	Shaft, Output	
1B	7000228	1	Seal, Lip	
1C	7000255	1	Bearing Kit (Includes Cup and Cone)	
1E	7000257	1	Bearing Kit (Includes Cup and Cone)	
1G	See Note	NSS	Housing (Note: Not Available for Purchase)	
1H	7007633	1	Thrustwasher	
1I	7000229	1	Ring, Retaining	
1P	7017072	1	Plug, Pipe	
2	7000246	1	Gear, Internal	
3	7000247	1	Carrier Assembly	
3A	7001931	1	Carrier	
3B	7001985	6	Washer, Tanged	
3C	7001909	96	Bearing, Needle	
3D	7000263	3	Thrustwasher	
3E	7001911	3	Shaft, Planet	
3F	7001912	3	Gear, Cluster	
3G	7010474	3	Roll Pin	
4	7000248	1	Gear, Ring	
5	7000230	1	O-Ring (Black)	
5A	7017070	1	O-Ring (White)	
6	See Note	NSS	Housing, Brake (Note: Not Available for Purchase)	
7	70005203	1	Gear, Sun	
8		Ref	Brake Components	
8A	70004037	1	Piston, Brake	
8B	7024743	1	Plate, Pressure	
8C	70004039	1	Ring, Retaining	
8D	70004041	1	O-Ring	
8E	70004044	1	Ring, Back-up	
8F	70004042	1	O-Ring	
8H	70004043	1	Ring, Back-up	
8J	See Note	NSS	Rotor, Brake (Note: Use p/n 70002085)	
8K	See Note	NSS	Stator, Brake (Note: Use p/n 70002085)	
8L	70002066	7	Spring, Brake	
11	7000253	2	Thrustwasher	
12	7000217	12	Bolt, 5/16 x 2-1/4 Grade 8	
13	7017080	4	Pin, Dowel	
20	7017072	1	Plug, Pipe	
21	7024704	4	Bolt 5/16 x 2 Grade 8	
22	70004045	4	Lockwasher	
23	7017023	2	Plug, Pipe	
24	See Note	NSS	Plate, ID (Note: Not Available for Purchase)	
25	See Note	NSS	Rivet	
26	7024763	1	O-Ring	
28	See Note	NSS	Lug, Lifting (Note: Not Available for Purchase)	
29	70004040	2	Bolt, 1/2 x 1-1/2 Grade 8	
30	7017085	2	Elbow	
31	70004048	1	Motor Assembly (See Items 101-126 for Breakdown)	

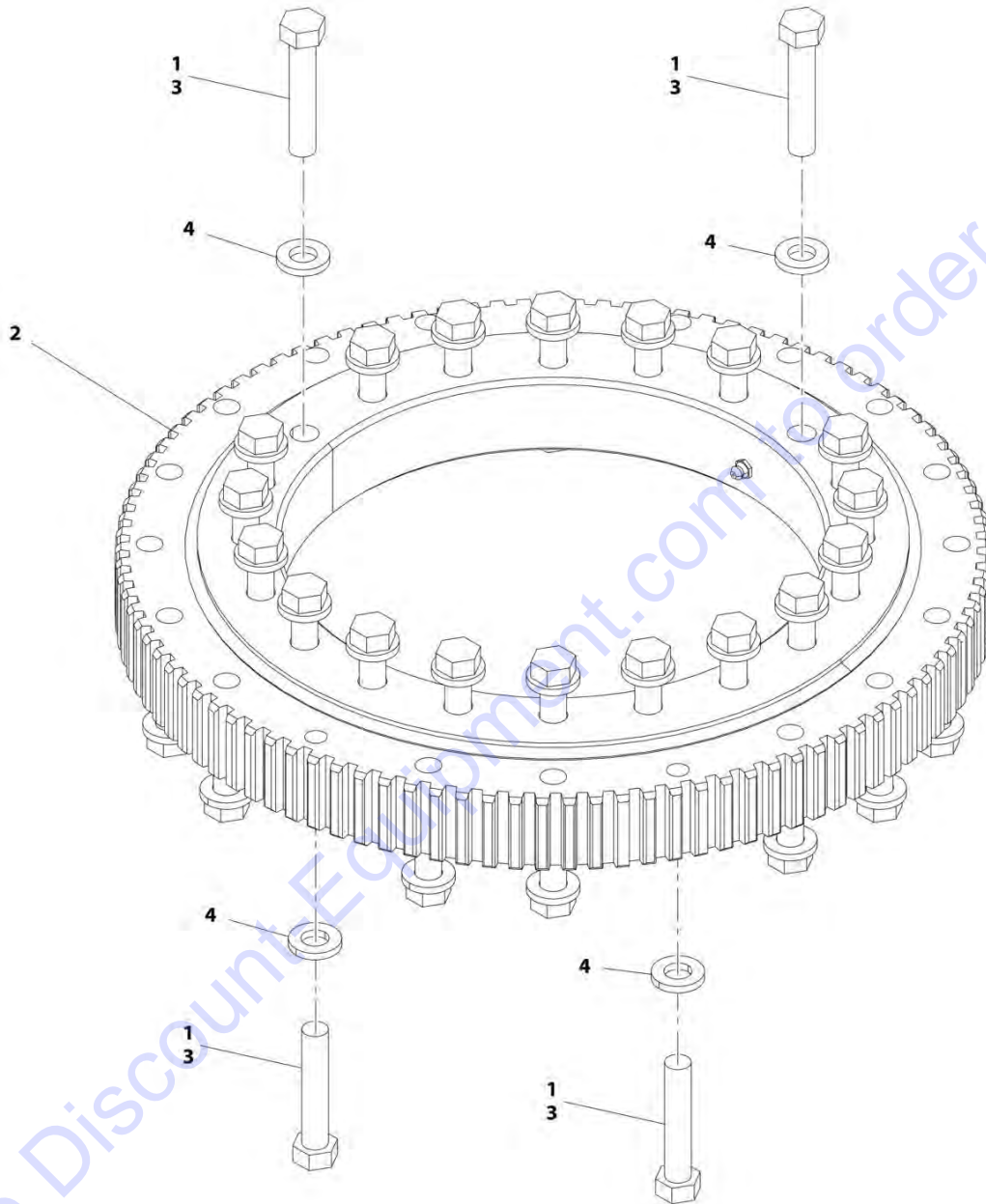
**SECTION 2 - TURNTABLE**

ITEM	PART NUMBER	QTY	DESCRIPTION	REV
32	7024784	1	Valve (No Serviceable Parts)	
33	7017082	1	Plug, Pipe (Not Shown)	
35	70004047	1	Tube	
	70004048	Ref	Motor Assembly	
101	See Note	NSS	Bolt (Note: Not Available for Purchase)	
102	See Note	NSS	Cover, End (Note: Not Available for Purchase)	
103	See Note	1	Seal, Commutator (Note: Use p/n 7024389)	
104	See Note	5	Seal, Ring (Note: Use p/n 7024389)	
105	7024453	1	Commutator and Ring Assembly	
106	See Note	1	Ring (Note: Use p/n 7024453)	
107	7024379	1	Manifold	
108	See Note	NSS	Rotor Set (Note: Not Available for Purchase)	
109	7024380	1	Plate, Wear	
110	See Note	NSS	Link, Drive (Note: Not Available for Purchase)	
112	7024458	1	Shaft, Coupling	
113	7024381	1	Bushing, Bronze	
114	7004043	1	Thrustwasher	
115	7004044	1	Bearing, Thrust	
116	See Note	1	Seal, Inner (Note: Use p/n 7024389)	
117	See Note	1	Washer, Back-up (Note: Use p/n 7024389)	
118	See Note	NSS	Housing (Note: Not Available for Purchase)	
119	7024390	1	Bearing	
120	See Note	1	Seal (Note: Use p/n 7024389)	
125	See Note	1	Washer, Back-up (Note: Use p/n 7024389)	
126	7024389	1	Seal Kit, Motor (Includes Items 103, 104, 116, 117, 120 & 125)	



## SECTION 2 - TURNTABLE

FIGURE 2-8. TURNTABLE BEARING INSTALLATION



ART\_1001168992

**SECTION 2 - TURNTABLE**

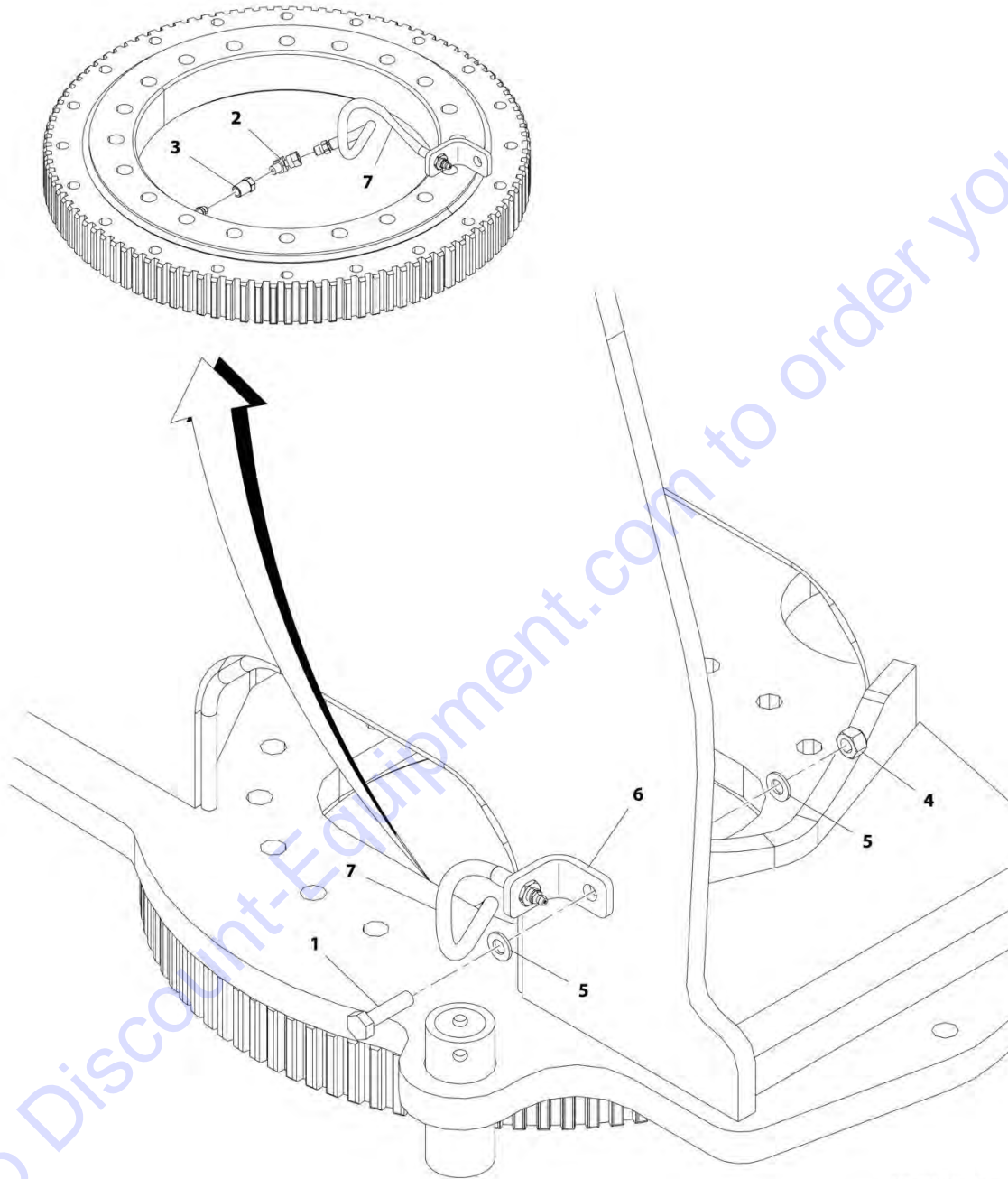
**FIGURE 2-8. TURNTABLE BEARING INSTALLATION**

ITEM	PART NUMBER	QTY	DESCRIPTION	REV
	1001168992	Ref	TURNTABLE BEARING INSTALLATION	A
1	0100019	AR	Compound, Locking	
2	0440240	1	Bearing, Turntable	
3	0682026	40	Bolt 5/8 x 3-1/4 Grade 8	
4	4892000	40	Washer 5/8	

Go to Discount-Equipment.com to order your parts

## SECTION 2 - TURNTABLE

FIGURE 2-9. BEARING LUBE INSTALLATION



ART\_1001169191

**SECTION 2 - TURNTABLE**

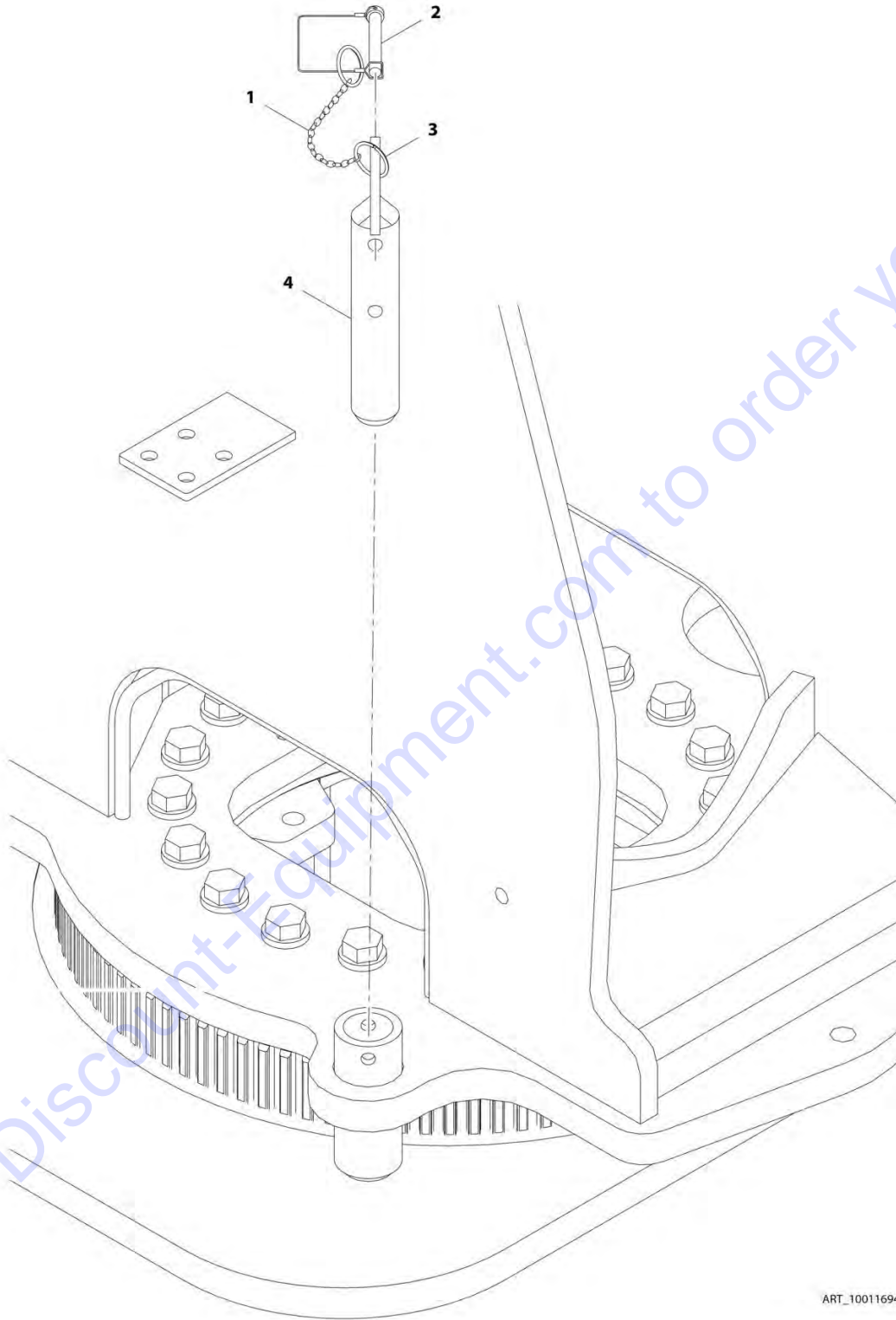
**FIGURE 2-9. BEARING LUBE INSTALLATION**

ITEM	PART NUMBER	QTY	DESCRIPTION	REV
	1001169191	Ref	BEARING LUBE INSTALLATION	A
1	0761016	1	Bolt M10 x 40	
2	2220124	1	Fitting, 45 1/8NPT	
3	2220273	1	Fitting, Straight FNPTF/NPTF	
4	3291005	1	Nut M10	
5	4812000	2	Washer M10	
6	1001169192	1	Mount, Bulkhead	
7	1001169193	1	Hose	

Go to Discount-Equipment.com to order your parts

## SECTION 2 - TURNTABLE

FIGURE 2-10. TURNTABLE LOCK INSTALLATION



ART\_1001169496

**SECTION 2 - TURNTABLE**

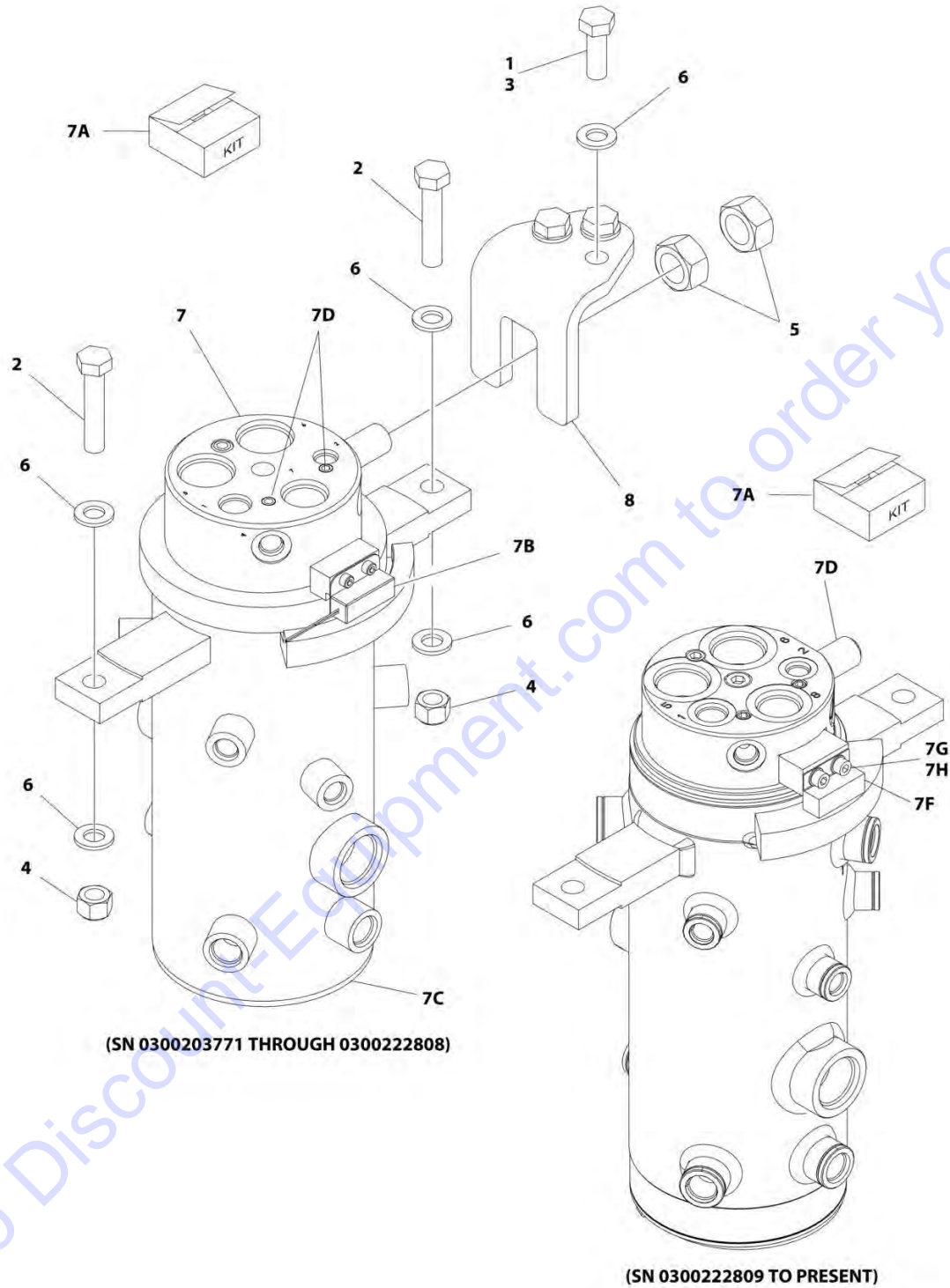
**FIGURE 2-10. TURNTABLE LOCK INSTALLATION**

ITEM	PART NUMBER	QTY	DESCRIPTION	REV
	1001169496	Ref	TURNTABLE LOCK INSTALLATION	B
1	1260017	1	Chain	
2	3421565	1	Pin, Snap	
3	3760170	2	Ring, Split	
4	1001169582	1	Pin	

Go to Discount-Equipment.com to order your parts

# SECTION 2 - TURNTABLE

## FIGURE 2-11. ROTARY COUPLING INSTALLATION



(SN 0300203771 THROUGH 0300222808)

(SN 0300222809 TO PRESENT)

ART\_1001168855

## SECTION 2 - TURNTABLE

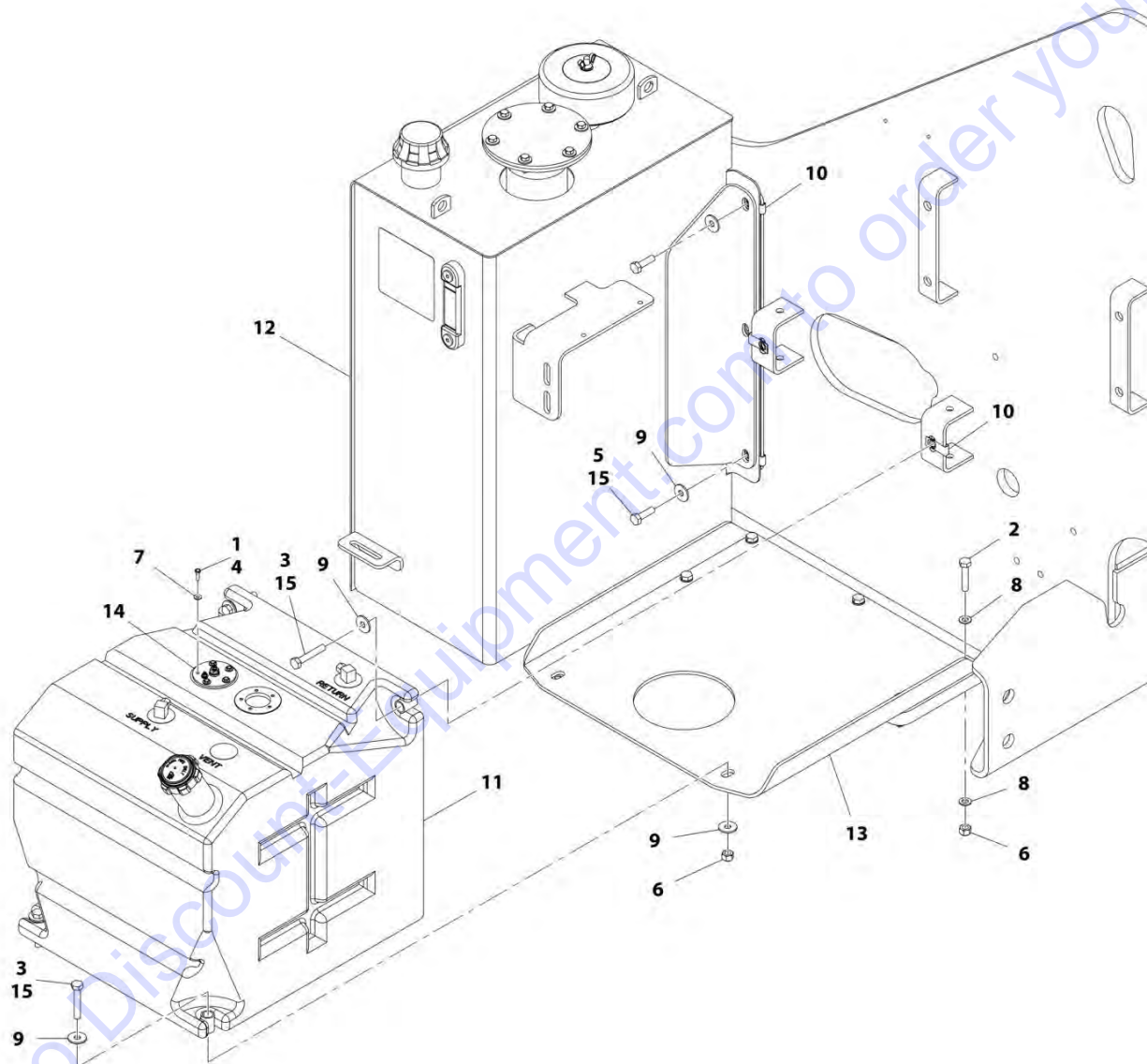
### FIGURE 2-11. ROTARY COUPLING INSTALLATION

ITEM	PART NUMBER	QTY	DESCRIPTION	REV
	1001168855	Ref	ROTARY COUPLING INSTALLATION	C
1	0100011	AR	Compound, Locking	
2	0701220	2	Bolt M12 x 60	
3	0761215	3	Bolt M12 x 35	
4	3291205	AR	Nut M12	
4	3291201	AR	Nut M12	
5	3292001	2	Nut M20	
6	4812100	7	Washer M12	
7	1001168722	1	Rotary Coupling Assembly (SN 0300203771 through 0300222808)	
7A	70004983	1	Seal Kit - 1001168722 Coupling	
7B	4360517	1	Switch, Proximity	
7B	4460320	1	Plug, Male - 2 Position	
7B	4460227	2	Terminal	
7C	7026503	2	Ring, Thrust	
7C	7026504	1	Ring, Retaining	
7D	80934561	2	Plug 1/8	
7	1001188334	1	Rotary Coupling Assembly (SN 0300222809 to Present, SN E300000100 to Present, SN 1300007289 through 1300007393)	
7A	70005716	1	Seal Kit - 1001188334 Coupling	
7B	70005710	1	Spacer (Not Shown)	
7C	70005711	1	Spacer (Not Shown)	
7D	70005712	1	Threaded Spigot	
7E	70005713	1	Circlip (Not Shown)	
7F	4360517	1	Switch, Proximity	
7G	70005714	1	Bolt	
7H	70005715	1	Washer	
8	1001169185	1	Mount	
9	2220238	1	Fitting, Plug ORB (Not Shown)	



## SECTION 2 - TURNTABLE

FIGURE 2-12. TANKS INSTALLATION - DIESEL MACHINES (SN 0300203771 through 0300220609, SN E300000100 through E300004217, SN 1300007289 through 1300007393)



ART\_1001163939

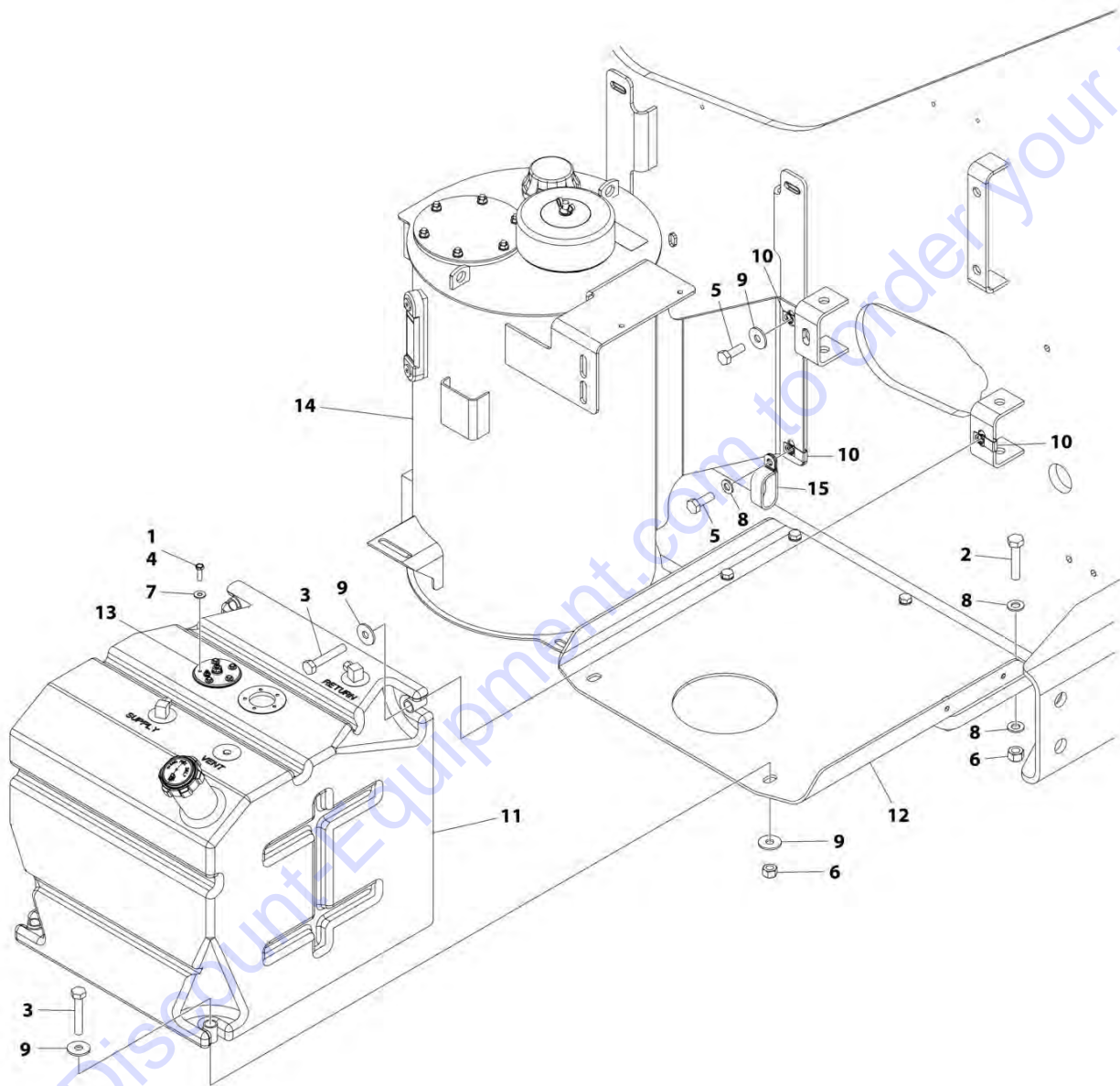
## SECTION 2 - TURNTABLE

**FIGURE 2-12. TANKS INSTALLATION - DIESEL MACHINES (SN 0300203771 through 0300220609, SN E300000100 through E300004217, SN 1300007289 through 1300007393)**

ITEM	PART NUMBER	QTY	DESCRIPTION	REV
	1001163939	Ref	TANKS INSTALLATION - DIESEL MACHINES	G
1	0100035	AR	Compound, Locking	
2	0701018	5	Bolt M10 x 50	
3	0701020	4	Bolt M10 x 60	
4	0731005	5	Screw #10 x .625	
5	0761015	4	Bolt M10 x 35	
6	3291005	7	Nut M10	
7	4751000	5	Washer #10	
8	4812000	10	Washer M10	
9	4812002	AR	Washer M10	
10	1001118972	6	Nut M10	
11	1001163418	1	Tank, Fuel	
11	1001193336	1	Cap, Fill with Chain and Stop Spring	
11	70004794	1	Tube, Pick-up	
12	1001166031	1	Tank, Hydraulic	
12	70003614	1	Filter Kit (Includes Hydraulic Filter Element, Breather Element and Gasket)	
12	70002838	1	Cap, Fill (Includes Cap, Chain and Fill Basket)	
12	7024441	1	Gauge, Sight	
12	70005708	1	Breather Assembly	
13	1001166710	1	Plate	
14	1001168762	NLA	Sensor, Fuel Level (Use p/n 1001231195) <b>(SN 0300220610 through 0300237910, SN E300000100 through E300005049, SN 1300007289 through 1300007393)</b>	
14	1001231195	1	Sensor, Fuel Level <b>(SN 0300237911 to Present, SN E300005050 to Present, SN 1300007394 to Present)</b>	
15	0100011	AR	Compound, Locking	

## SECTION 2 - TURNTABLE

FIGURE 2-13. TANKS INSTALLATION - DIESEL MACHINES (SN 0300220610 to Present, SN E300004218 to Present)



ART\_1001207349

## SECTION 2 - TURNTABLE

**FIGURE 2-13. TANKS INSTALLATION - DIESEL MACHINES (SN 0300220610 to Present, SN E300004218 to Present)**

ITEM	PART NUMBER	QTY	DESCRIPTION	REV
	1001207349	Ref	TANKS INSTALLATION - DIESEL MACHINES	C
1	0100035	AR	Compound, Locking	
2	0701018	5	Bolt M10 x 50	
3	0701020	4	Bolt M10 x 60	
4	0731005	5	Screw #10 x .625	
5	0761014	4	Bolt M10 x 30	
6	3291005	7	Nut M10	
7	4751000	5	Washer #10	
8	4812000	AR	Washer M10	
9	4812002	AR	Washer M10	
10	1001118972	6	Nut M10	
11	1001163418	1	Tank, Fuel	
11	1001193336	1	Cap, Fill with Chain and Stop Spring	
11	70004794	1	Tube, Pick-up	
12	1001166710	1	Plate	
13	1001168762	NLA	Sensor, Fuel Level (Use p/n 1001231195) <b>(SN 0300220610 through 0300237910, SN E300004218 through E300005049)</b>	
13	1001231195	1	Sensor, Fuel Level <b>(SN 0300237911 to Present, SN E300005050 to Present)</b>	
14	1001206917	1	Tank, Hydraulic (See Separate Breakdown in this Section)	
15	1321716	2	Clamp	

# PARTS FINDER

**Search Website  
by Part Number**



**Search Manual  
Library For Parts  
Manual & Lookup Part  
Numbers – Purchase  
or Request Quote**

**Can't Find Part or  
Manual? Request Help  
by Manufacturer,  
Model & Description**

Discount-Equipment.com is your online resource for quality parts & equipment.

Florida: **561-964-4949** Outside Florida TOLL FREE: **877-690-3101**

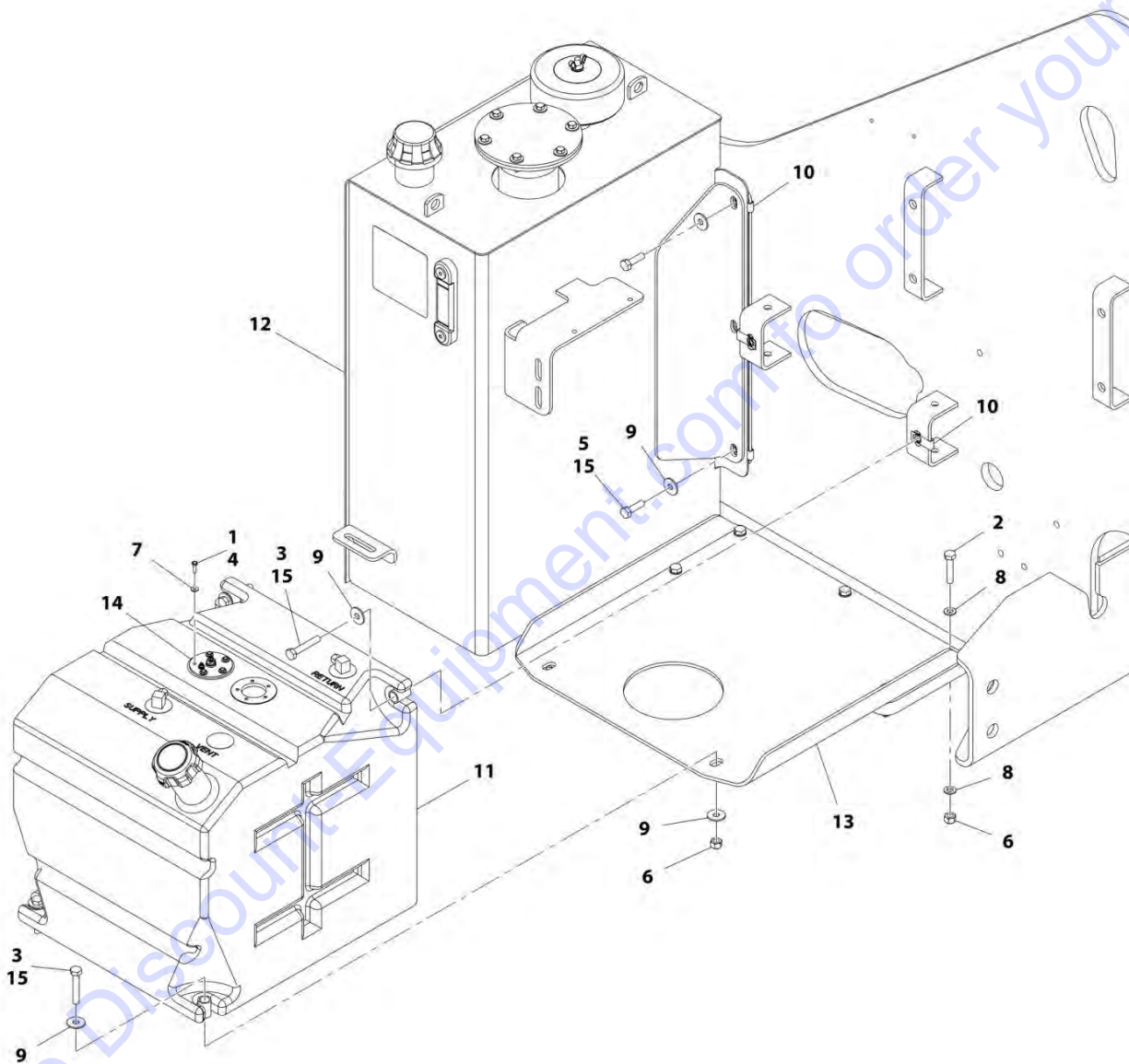
**Need parts?**

Click on this link: <http://www.discount-equipment.com/category/5443-parts/> and choose one of the options to help get the right parts and equipment you are looking for. Please have the machine model and serial number available in order to help us get you the correct parts. If you don't find the part on the website or on one of the online manuals, please fill out the request form and one of our experienced staff members will get back to you with a quote for the right part that your machine needs.

We sell worldwide for the brands: Genie, Terex, JLG, MultiQuip, Mikasa, Essick, Whiteman, Mayco, Toro Stone, Diamond Products, Generac Magnum, Airman, Haulotte, Barreto, Power Blanket, Nifty Lift, Atlas Copco, Chicago Pneumatic, Allmand, Miller Curber, Skyjack, Lull, Skytrak, Tsurumi, Husquvarna Target, Stow, Wacker, Sakai, Mi-T-M, Sullair, Basic, Dynapac, MBW, Weber, Bartell, Bennar Newman, Haulotte, Ditch Runner, Menegotti, Morrison, Contec, Buddy, Crown, Edco, Wyco, Bomag, Laymor, EZ Trench, Bil-Jax, F.S. Curtis, Gehl Pavers, Heli, Honda, ICS/PowerGrit, IHI, Partner, Imer, Clipper, MMD, Koshin, Rice, CH&E, General Equipment, Amida, Coleman, NAC, Gradall, Square Shooter, Kent, Stanley, Tamco, Toku, Hatz, Kohler, Robin, Wisconsin, Northrock, Oztec, Toker TK, Rol-Air, APT, Wylie, Ingersoll Rand / Doosan, Innovatech, Con X, Ammann, Mecalac, Makinex, Smith Surface Prep, Small Line, Wanco, Yanmar

## SECTION 2 - TURNTABLE

FIGURE 2-14. TANKS INSTALLATION - GAS MACHINES (SN 0300203771 through 0300220609)



ART\_1001166319

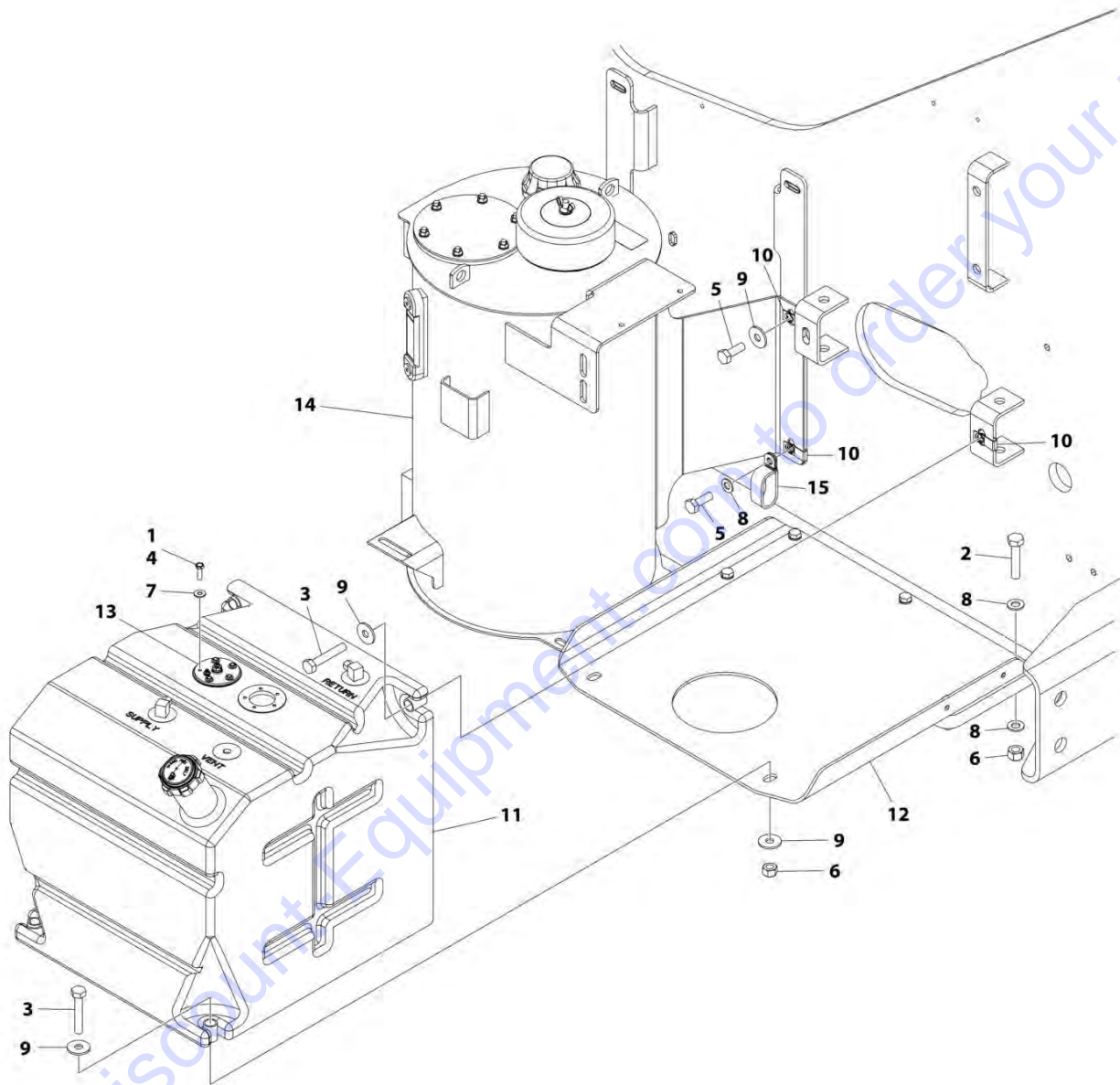
## SECTION 2 - TURNTABLE

**FIGURE 2-14. TANKS INSTALLATION - GAS MACHINES (SN 0300203771 through 0300220609)**

ITEM	PART NUMBER	QTY	DESCRIPTION	REV
	1001166319	Ref	TANKS INSTALLATION - GAS MACHINES	G
1	0100035	AR	Compound, Locking	
2	0701018	5	Bolt M10 x 50	
3	0701020	4	Bolt M10 x 60	
4	0731005	5	Screw #10 x .625	
5	0761015	4	Bolt M10 x 35	
6	3291005	7	Nut M10	
7	4751000	5	Washer #10	
8	4812000	10	Washer M10	
9	4812002	AR	Washer M10	
10	1001118972	6	Nut M10	
11	1001163671	1	Tank, Fuel	
11	1001188197	1	Cap, Fill with Lanyard and Stop	
11	70004794	2	Tube, Pick-up	
12	1001166031	1	Tank, Hydraulic	
12	70003614	1	Filter Kit (Includes Hydraulic Filter Element, Breather Element and Gasket)	
12	70002838	1	Cap, Fill (Includes Cap, Chain and Fill Basket)	
12	7024441	1	Gauge, Sight	
12	70005708	1	Breather Assembly	
13	1001166710	1	Plate	
14	1001168762	1	Sensor, Fuel Level	
15	0100011	AR	Compound, Locking	

## SECTION 2 - TURNTABLE

FIGURE 2-15. TANKS INSTALLATION - GAS MACHINES (SN 0300220610 to Present)



ART\_1001207350



## SECTION 2 - TURNTABLE

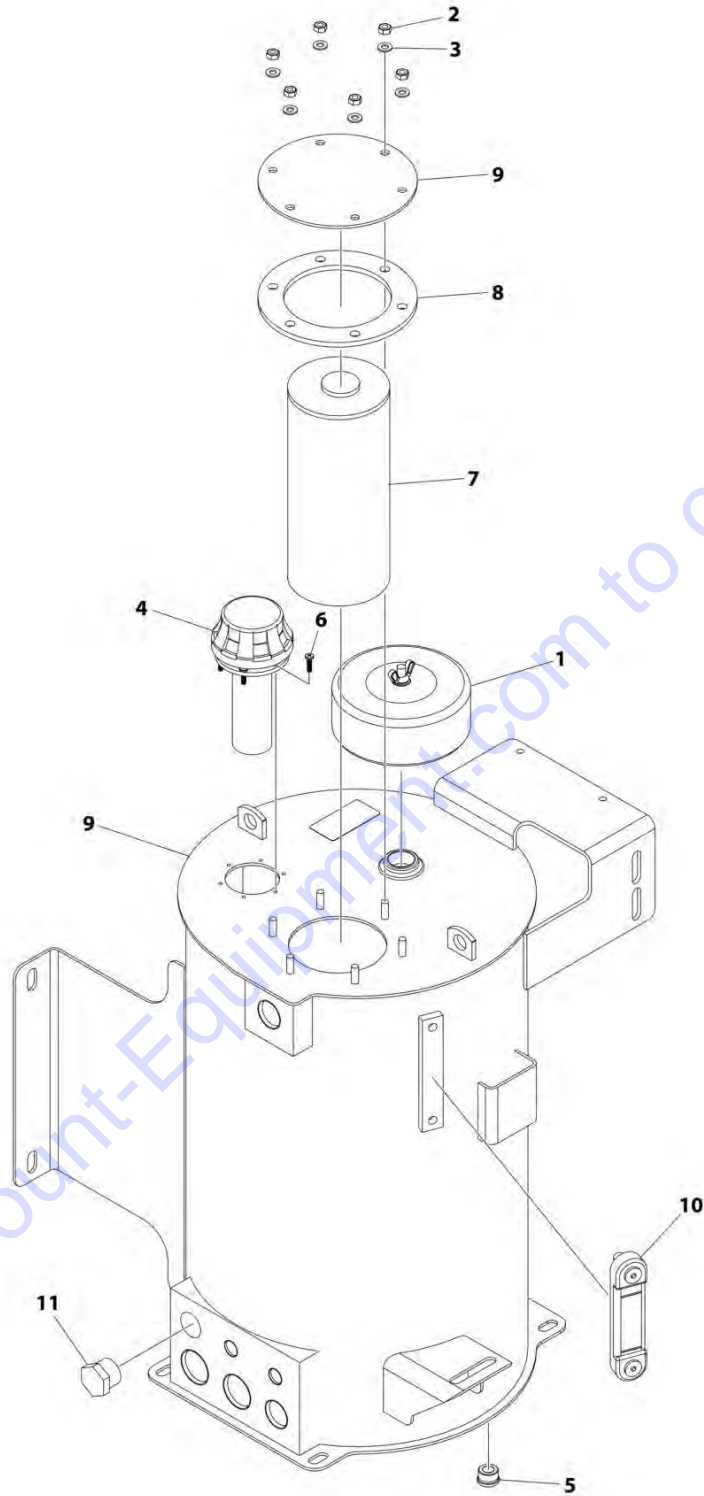
**FIGURE 2-15. TANKS INSTALLATION - GAS MACHINES (SN 0300220610 to Present)**

ITEM	PART NUMBER	QTY	DESCRIPTION	REV
	1001207350	Ref	TANKS INSTALLATION - GAS MACHINES	D
1	0100035	AR	Compound, Locking	
2	0701018	5	Bolt M10 x 50	
3	0701020	4	Bolt M10 x 60	
4	0731005	5	Screw #10 x .625	
5	0761014	4	Bolt M10 x 30	
6	3291005	7	Nut M10	
7	4751000	5	Washer #10	
8	4812000	AR	Washer M10	
9	4812002	AR	Washer M10	
10	1001118972	6	Nut M10	
11	1001163671	1	Tank, Fuel	
11	1001188197	1	Cap, Fill with Lanyard and Stop	
11	70004794	2	Tube, Pick up	
12	1001166710	1	Plate	
13	1001168762	NLA	Sensor, Fuel Level (Use p/n 1001231195) <b>(SN 0300220610 through 0300237910)</b>	
13	1001231195	1	Sensor, Fuel Level <b>(SN 0300237911 to Present)</b>	
14	1001206917	1	Tank, Hydraulic (See Separate Breakdown in this Section)	
15	1321716	2	Clamp	

Go to Discount-Equipment.com to order your parts

# SECTION 2 - TURNTABLE

## FIGURE 2-16. HYDRAULIC TANK ASSEMBLY



ART\_1001206917

**SECTION 2 - TURNTABLE**

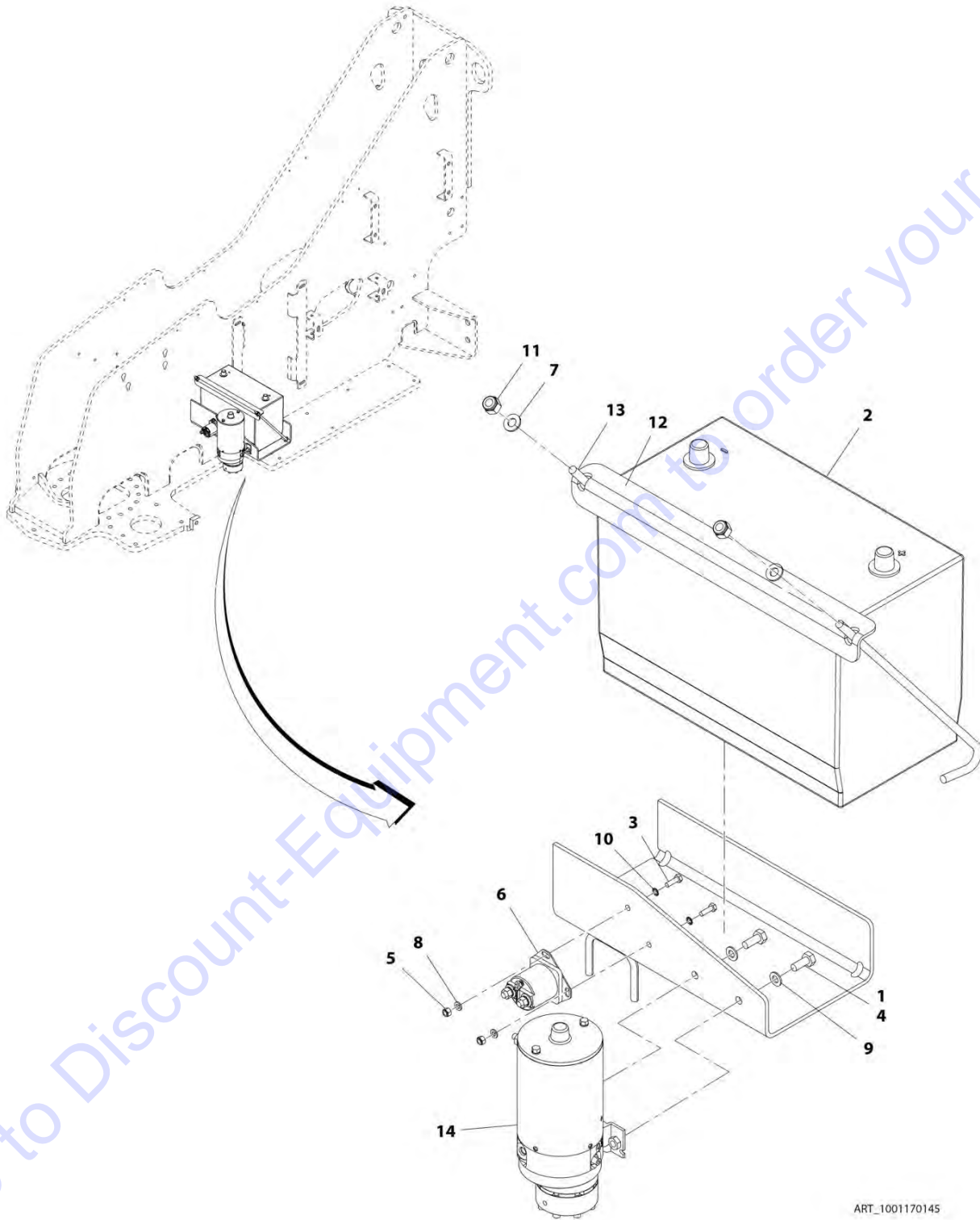
**FIGURE 2-16. HYDRAULIC TANK ASSEMBLY**

ITEM	PART NUMBER	QTY	DESCRIPTION	REV
	1001206917	Ref	HYDRAULIC TANK ASSEMBLY	A
1	See Note	NSS	Breather Assembly (Note: Use p/n 70003614)	
2	3311501	6	Nut 5/16	
3	4751400	6	Washer 1/4	
4	70002838	1	Cap, Fill	
5	70002112	1	Plug	
6	See Note	NSS	Screw #10 x 3/4 (Note: Not Available for purchase)	
7	See Note	NSS	Element, Filter (Note: Use p/n 70003614)	
8	1001199177	1	Gasket	
9	See Note	NSS	Reservoir (Note: Not Available for purchase)	
10	7024441	1	Gauge, Level	
11	2220887	1	Plug	

Go to Discount-Equipment.com to order your parts

## SECTION 2 - TURNTABLE

FIGURE 2-17. AUXILIARY PUMP AND BATTERY INSTALLATION



ART\_1001170145

**SECTION 2 - TURNTABLE**

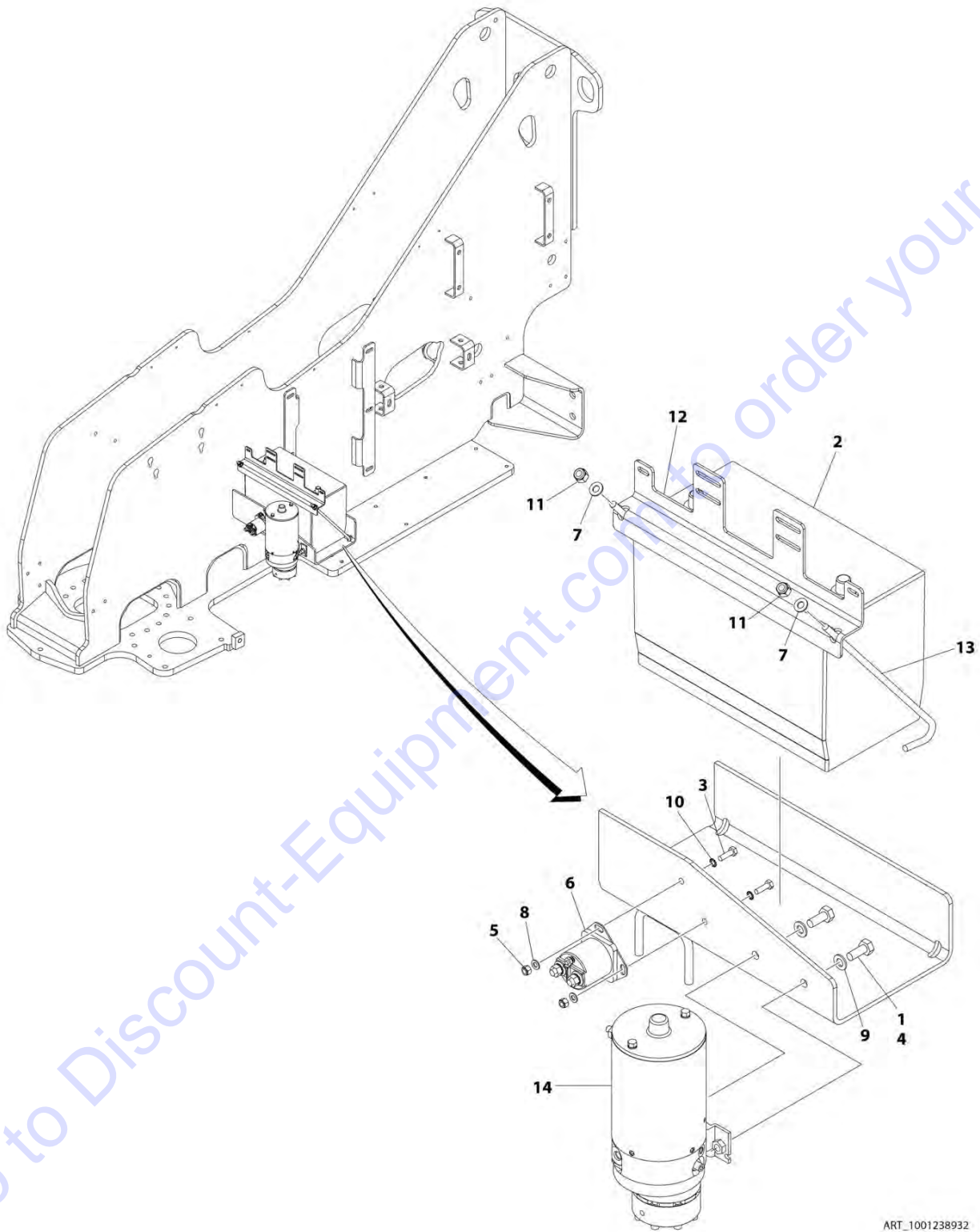
**FIGURE 2-17. AUXILIARY PUMP AND BATTERY INSTALLATION**

ITEM	PART NUMBER	QTY	DESCRIPTION	REV
	1001170145	Ref	AUXILIARY PUMP AND BATTERY INSTALLATION	C
1	0100011	AR	Compound, Locking	
2	0400075	1	Battery	
3	0760610	2	Bolt M6 x 20	
4	0761012	2	Bolt M10 x 25	
5	3290605	2	Nut M6	
6	3740067	1	Relay	
6	3300220	2	Nut 3/8	
6	3321001	1	Nut #10	
6	4761000	1	Washer #10	
6	1001111424	2	Washer 3/8	
7	4711500	2	Washer 5/16	
8	4811700	2	Washer M6	
9	4812000	2	Washer M10	
10	4871700	2	Washer M6	
11	88521205	2	Nut 5/16	
12	91401281	1	Bracket	
13	1001093382	2	J-Bolt	
14	1001185821	1	Auxiliary Pump Assembly (See AUXILIARY PUMP ASSEMBLY for Breakdown)	

Go to Discount-Equipment.com to order your parts

## SECTION 2 - TURNTABLE

FIGURE 2-18. AUXILIARY PUMP AND BATTERY WITH DISCONNECT SWITCH INSTALLATION



ART\_1001238932

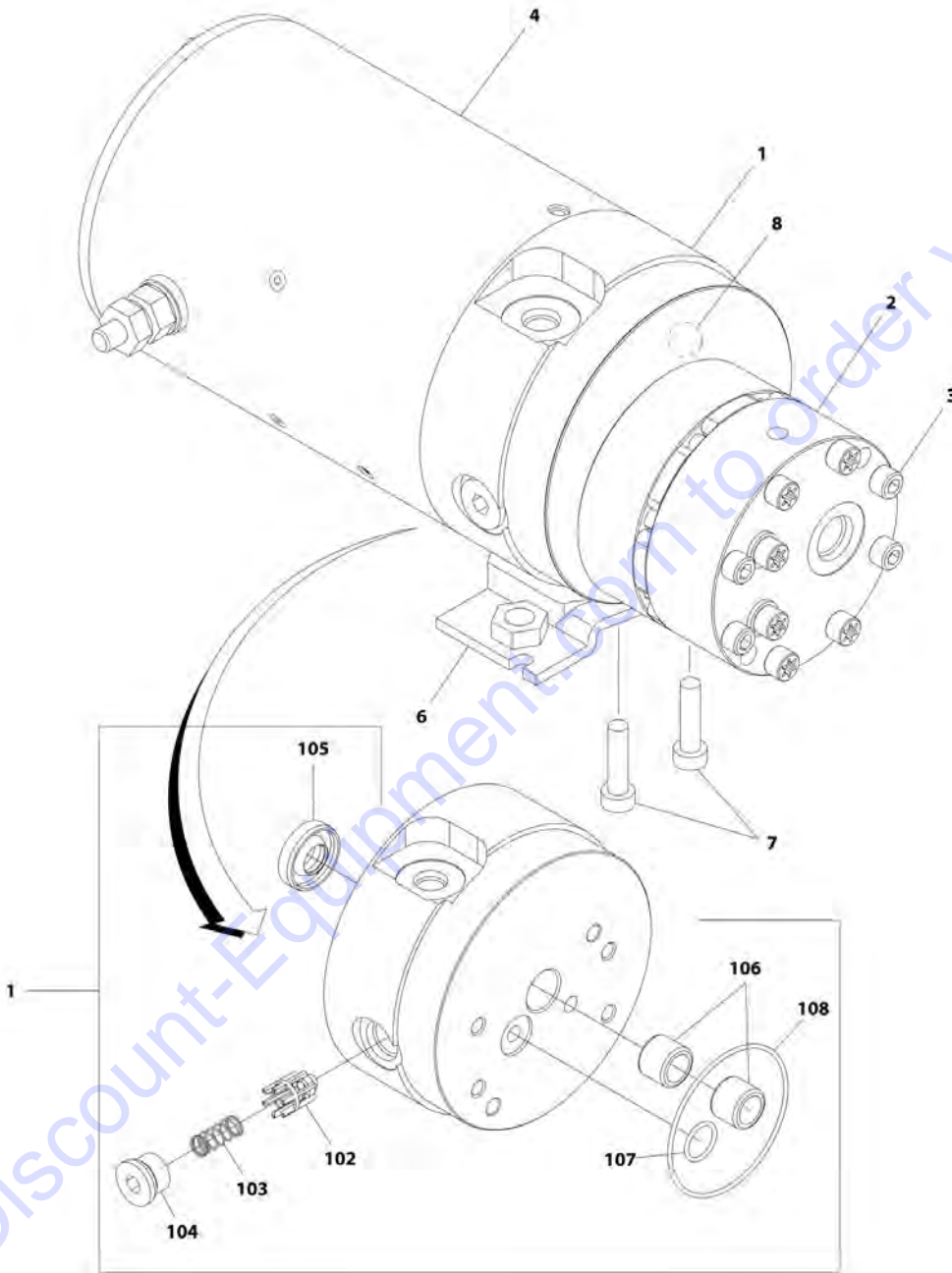
## SECTION 2 - TURNTABLE

**FIGURE 2-18. AUXILIARY PUMP AND BATTERY WITH DISCONNECT SWITCH INSTALLATION**

ITEM	PART NUMBER	QTY	DESCRIPTION	REV
	1001238932	Ref	AUXILIARY PUMP AND BATTERY INSTALLATION WITH DISCONNECT	A
1	0100011	AR	Compound, Locking	
2	0400075	1	Battery	
3	0760610	2	Bolt M6 x 20	
4	0761012	2	Bolt M10 x 25	
5	3290605	2	Nut M6	
6	3740067	1	Relay	
6	3300220	2	Nut 3/8	
6	3321001	1	Nut #10	
6	4761000	1	Washer #10	
6	1001111424	2	Washer 3/8	
7	4711500	2	Washer 5/16	
8	4811700	2	Washer M6	
9	4812000	2	Washer M10	
10	4871700	2	Washer M6	
11	88521205	2	Nut 5/16	
12	1001236303	1	Bracket	
13	1001093382	2	J-Bolt	
14	1001185821	1	Auxiliary Pump Assembly (See Separate Breakdown in this Section)	

# SECTION 2 - TURNTABLE

## FIGURE 2-19. AUXILIARY PUMP ASSEMBLY



ART\_100185R21



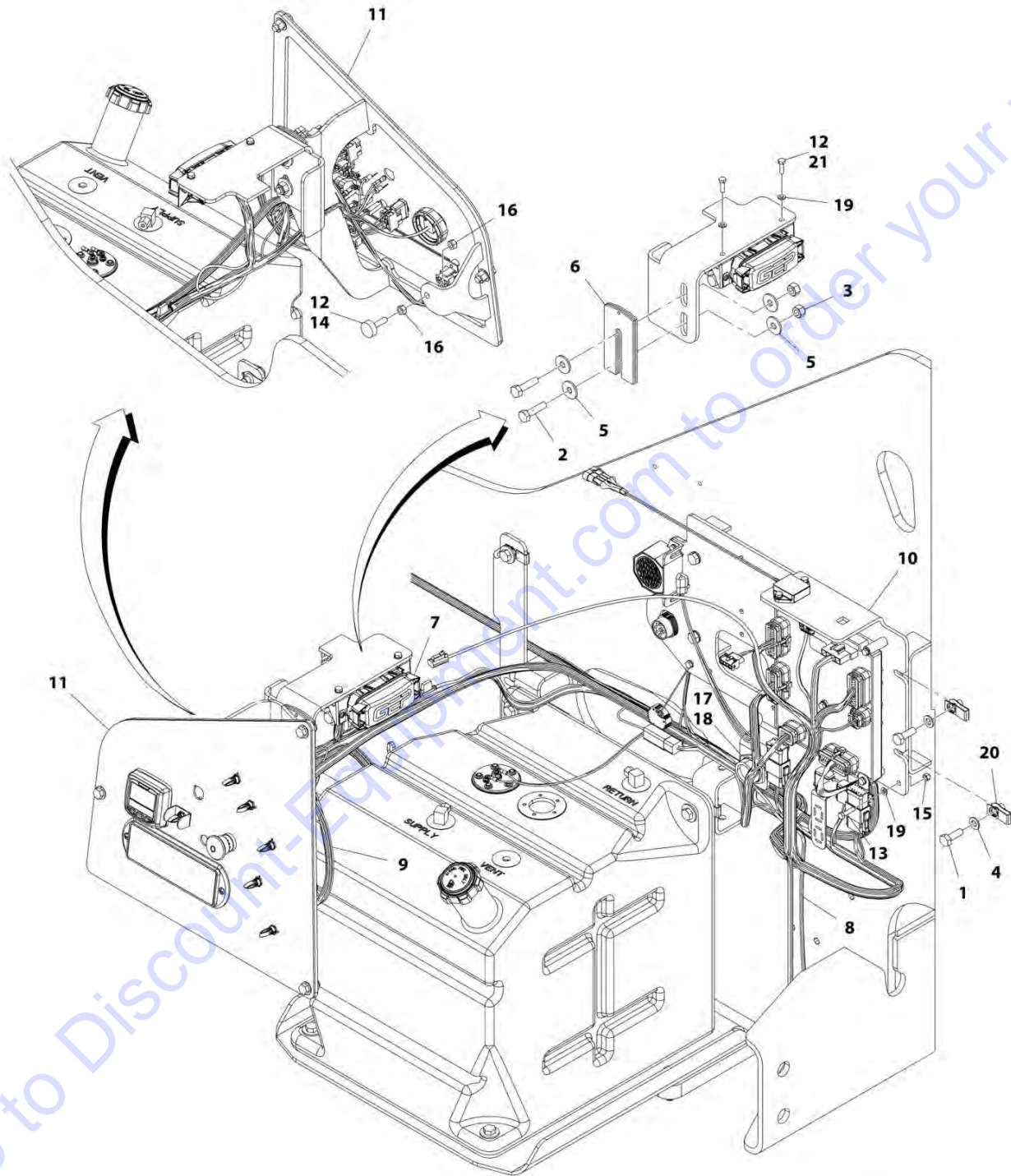
## SECTION 2 - TURNTABLE

### FIGURE 2-19. AUXILIARY PUMP ASSEMBLY

ITEM	PART NUMBER	QTY	DESCRIPTION	REV
	1001185821	Ref	AUXILIARY PUMP ASSEMBLY	B
1	70005065	1	Base Assembly (See Items 102-108 for Breakdown)	
2	70005066	1	Pump Assembly (Note: No Seal Kit or Internal Components are Available - Purchase Complete Pump Assembly)	
3	70005067	4	Capscrew 1/4 x 2-3/4	
4	70004013	1	Motor Assembly (Note: No Internal Components are Available - Purchase Complete Motor Assembly)	
6	70004014	1	Bracket	
7	70004000	2	Capscrew 3/8 x 1	
8	70005068	1	Relief Valve Assembly	
	70005065	Ref	BASE ASSEMBLY	
102	See Note	NSS	Poppet, Check (Note: Use p/n 70005065)	
103	See Note	NSS	Spring (Note: Use p/n 70005065)	
104	See Note	NSS	Plug (Note: Use p/n 70005065)	
105	7026330	1	Seal, Shaft	
106	70005139	2	Bearing	
107	70003612	1	O-Ring	
108	70004267	1	O-Ring	

## SECTION 2 - TURNTABLE

FIGURE 2-20. ELECTRICAL INSTALLATION - 400S (ALL SPECS EXCEPT AUSTRALIAN SPEC) (SN 0300203771 through 0300250355)



ART\_1001173646

## SECTION 2 - TURNTABLE

**FIGURE 2-20. ELECTRICAL INSTALLATION - 400S (ALL SPECS EXCEPT AUSTRALIAN SPEC) (SN 0300203771 through 0300250355)**

ITEM	PART NUMBER	QTY	DESCRIPTION	REV
	1001173646	Ref	ELECTRICAL INSTALLATION - 400S (ALL SPECS EXCEPT AUSTRALIAN SPEC)	I
1	0761014	4	Bolt M10 x 30	
2	0761016	2	Bolt M10 x 40	
3	3291005	2	Nut M10	
4	4812000	4	Washer M10	
5	4812002	4	Washer M10	
6	1001150324	AR	Shim 3	
7	1001164818	1	Turntable Harness (See ELECTRICAL SECTION for Breakdown)	
8	1001166963	1	Valve Harness (See ELECTRICAL SECTION for Breakdown)	
9	1001166964	1	Ground Control Box Harness (See ELECTRICAL SECTION for Breakdown)	
10	1001172757	1	Electrical Panel Assembly (See ELECTRICAL PANEL ASSEMBLY for Breakdown)	
11	1001173645	1	Ground Control Assembly (See GROUND CONTROL ASSEMBLY - 400S for Breakdown)	
12	0100011	AR	Compound, Locking	
13	0700612	AR	Bolt M6 x 25	
14	0940049	AR	Stopper, Hood	
15	3290605	1	Nut M6	
16	3311501	2	Nut 5/16	
17	4460470	1	Nut, Terminal	
18	4460471	1	Washer, Terminal	
19	4811700	4	Washer M6	
20	1001118972	4	Nut M10	
21	0760610	2	Bolt M6 x 20	
22	4240099	AR	Tie-Strap (Not Shown)	
23	1001196637	1	Decal - Fuse Box	



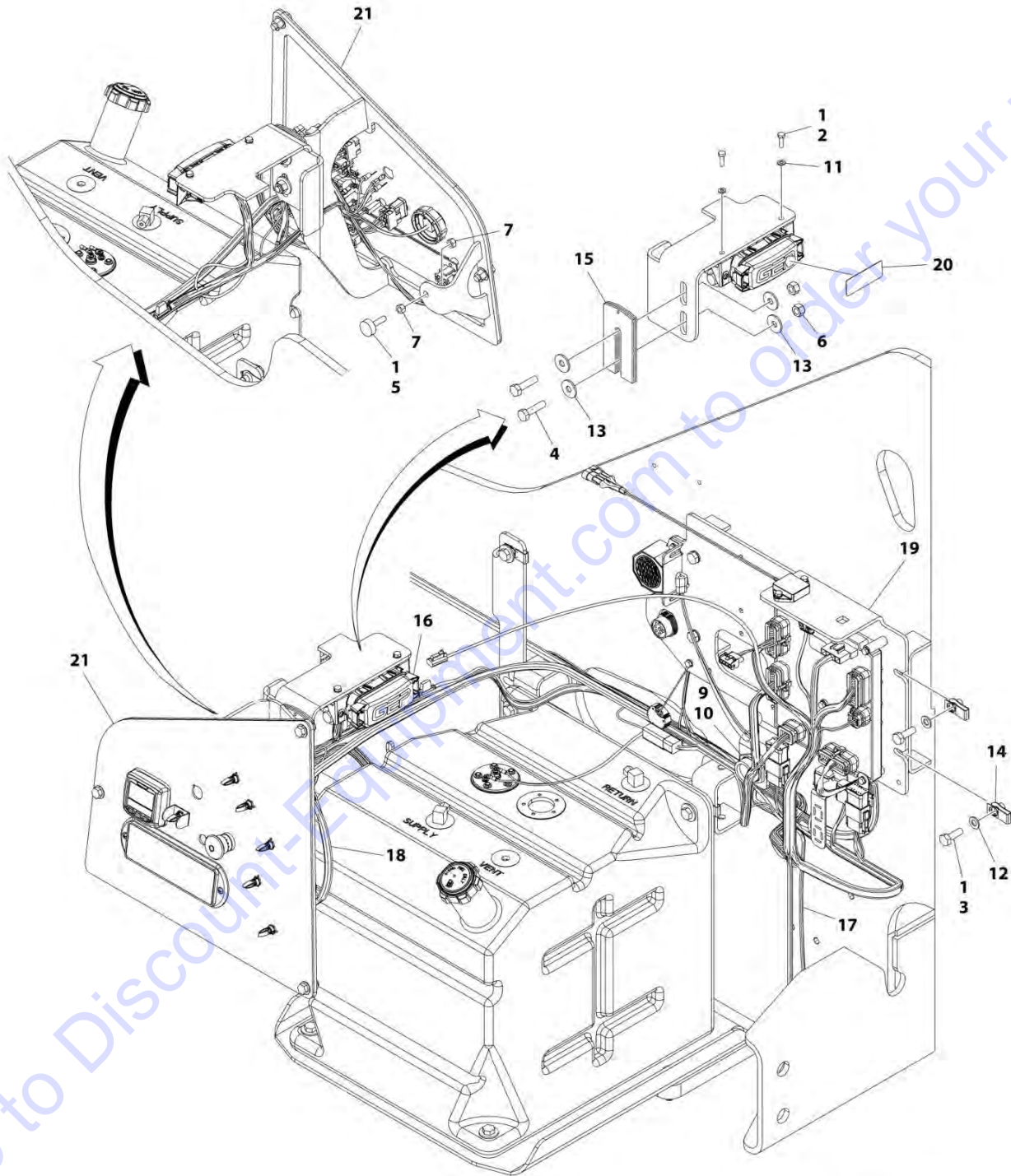
## SECTION 2 - TURNTABLE

**FIGURE 2-21. ELECTRICAL INSTALLATION - 400S (ALL SPECS EXCEPT AUSTRALIAN SPEC) (SN 0300250356 to Present)**

ITEM	PART NUMBER	QTY	DESCRIPTION	REV
	1001238424	Ref	ELECTRICAL INSTALLATION - 400S	B
1	0100011	AR	Compound, Locking	
2	0760610	2	Bolt M6 x 20	
3	0761014	4	Bolt M10 x 30	
4	0761016	2	Bolt M10 x 40	
5	0940049	1	Stopper, Hood	
6	3291005	2	Nut M10	
7	3311501	2	Nut 5/16	
8	4240099	AR	Tie-Strap (Not Shown)	
9	4460470	1	Nut, Terminal	
10	4460471	1	Washer, Terminal	
11	4811700	2	Washer M6	
12	4812000	4	Washer M10	
13	4812002	4	Washer M10	
14	1001118972	4	Nut M10	
15	1001150324	AR	Shim 3	
16	1001164818	1	Turntable Harness (See ELECTRICAL SECTION for Breakdown)	
17	1001166963	1	Valve Harness (See ELECTRICAL SECTION for Breakdown)	
18	1001166964	1	Ground Control Box Harness (See ELECTRICAL SECTION for Breakdown)	
19	1001172757	1	Electrical Panel Assembly (See ELECTRICAL PANEL ASSEMBLY for Breakdown)	
20	1001196637	1	Decal - Fuse Box (Not Shown)	
21	1001238888	1	Ground Control Assembly (See GROUND CONTROL ASSEMBLY - 400S (ANSI AND CSA SPECS) for Breakdown)	

## SECTION 2 - TURNTABLE

FIGURE 2-22. ELECTRICAL INSTALLATION - 400S (ANSI AND CSA SPECS) (SN 0300203771 through 0300250355)



ART\_1001220381

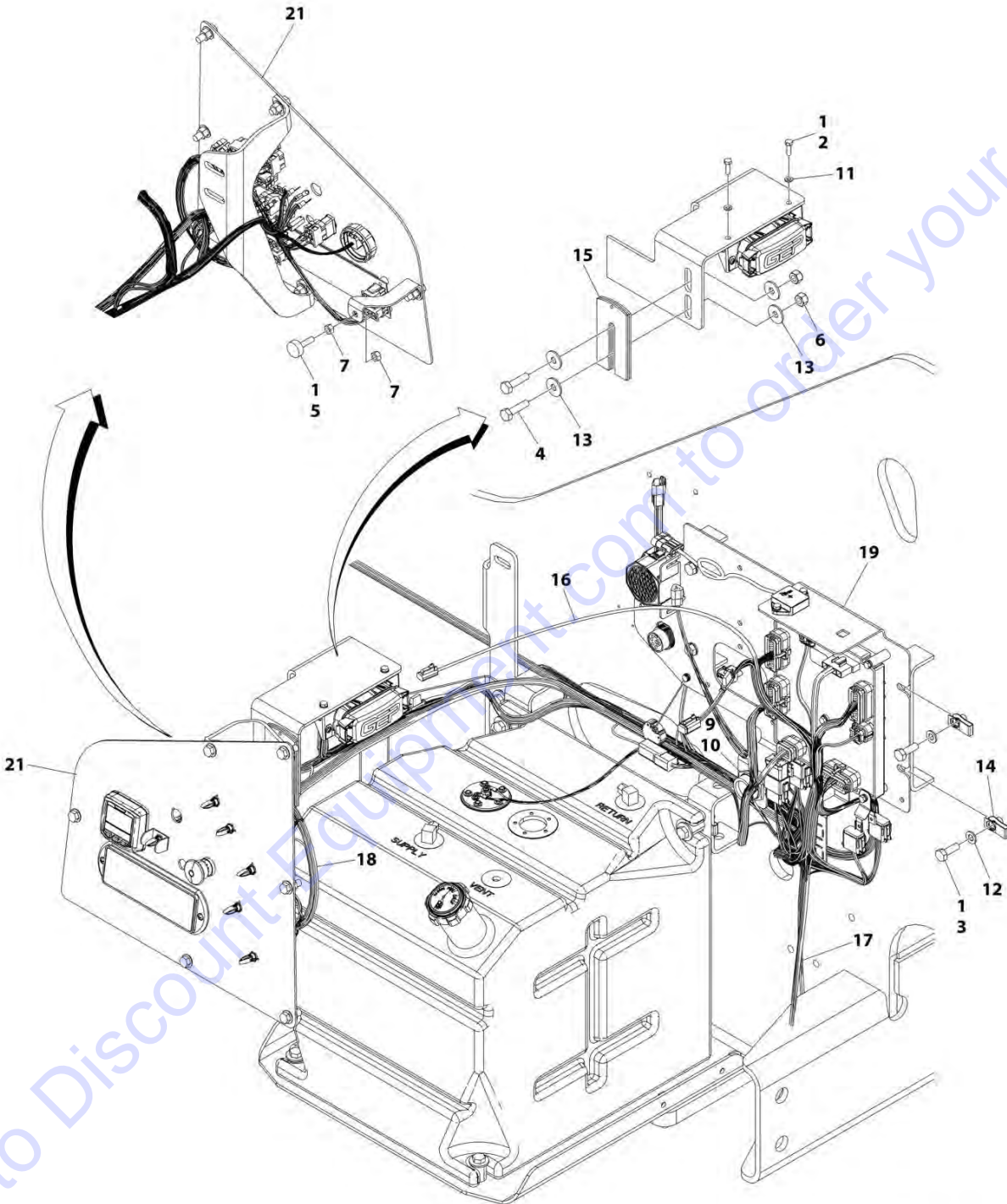
## SECTION 2 - TURNTABLE

**FIGURE 2-22. ELECTRICAL INSTALLATION - 400S (ANSI AND CSA SPECS) (SN 0300203771 through 0300250355)**

ITEM	PART NUMBER	QTY	DESCRIPTION	REV
	1001220381	Ref	ELECTRICAL INSTALLATION - 400S (ANSI AND CSA SPECS)	B
1	0100011	AR	Compound, Locking	
2	0760610	2	Bolt M6 x 20	
3	0761014	4	Bolt M10 x 30	
4	0761016	2	Bolt M10 x 40	
5	0940049	1	Stopper, Hood	
6	3291005	2	Nut M10	
7	3311501	2	Nut 5/16	
8	4240099	AR	Tie-Strap (Not Shown)	
9	4460470	1	Nut, Terminal	
10	4460471	1	Washer, Terminal	
11	4811700	2	Washer M6	
12	4812000	4	Washer M10	
13	4812002	4	Washer M10	
14	1001118972	4	Nut M10	
15	1001150324	AR	Shim 3	
16	1001164818	1	Turntable Harness (See ELECTRICAL SECTION for Breakdown)	
17	1001166963	1	Valve Harness (See ELECTRICAL SECTION for Breakdown)	
18	1001166964	1	Ground Control Box Harness (See ELECTRICAL SECTION for Breakdown)	
19	1001172757	1	Electrical Panel Assembly (See ELECTRICAL PANEL ASSEMBLY for Breakdown)	
20	1001196637	1	Decal - Fuse Box	
21	1001216653	1	Ground Control Assembly (See GROUND CONTROL ASSEMBLY - 400S (ANSI AND CSA SPECS) for Breakdown)	

## SECTION 2 - TURNTABLE

FIGURE 2-23. ELECTRICAL INSTALLATION - 400S (SN 0300250356 to Present)



ART\_1001238425



## SECTION 2 - TURNTABLE

**FIGURE 2-23. ELECTRICAL INSTALLATION - 400S (SN 0300250356 to Present)**

ITEM	PART NUMBER	QTY	DESCRIPTION	REV
	1001238425	Ref	ELECTRICAL INSTALLATION	A
1	0100011	AR	Compound, Locking	
2	0760610	2	Bolt M6 x 20	
3	0761014	4	Bolt M10 x 30	
4	0761016	2	Bolt M10 x 40	
5	0940049	1	Stopper, Hood	
6	3291005	2	Nut M10	
7	3311501	2	Nut 5/16	
8	4240099	AR	Tie-Strap (Not Shown)	
9	4460470	1	Nut, Terminal	
10	4460471	1	Washer, Terminal	
11	4811700	2	Washer M6	
12	4812000	4	Washer M10	
13	4812002	4	Washer M10	
14	1001118972	4	Nut M10	
15	1001150324	AR	Shim 3	
16	1001164818	1	Turntable Harness (See ELECTRICAL SECTION for Breakdown)	
17	1001166963	1	Valve Harness (See ELECTRICAL SECTION for Breakdown)	
18	1001166964	1	Ground Control Box Harness (See ELECTRICAL SECTION for Breakdown)	
19	1001172757	1	Electrical Panel Assembly (See ELECTRICAL PANEL ASSEMBLY for Breakdown)	
20	1001196637	1	Decal - Fuse Box (Not Shown)	
21	1001238890	1	Ground Control Assembly (See GROUND CONTROL ASSEMBLY - 400S (ANSI AND CSA SPECS) for Breakdown)	



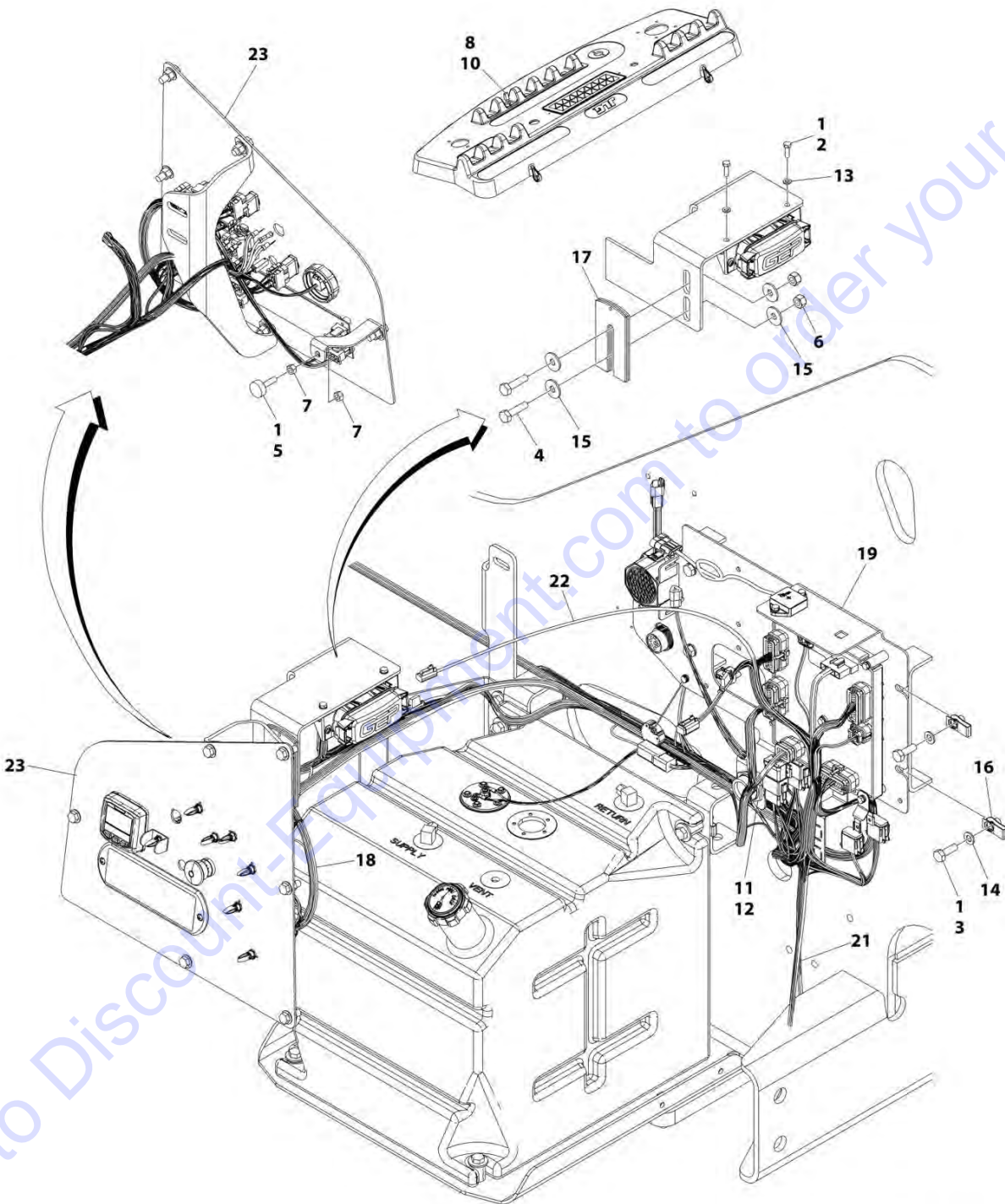
## SECTION 2 - TURNTABLE

**FIGURE 2-24. ELECTRICAL INSTALLATION - 460SJ (SN 0300203771 through 0300250355, SN E300000100 through E300006809)**

ITEM	PART NUMBER	QTY	DESCRIPTION	REV
	1001168010	Ref	ELECTRICAL INSTALLATION - 460SJ	I
1	0761014	4	Bolt M10 x 30	
2	0761016	2	Bolt M10 x 40	
3	3291005	2	Nut M10	
4	4812000	4	Washer M10	
5	4812002	4	Washer M10	
8	1001150324	AR	Shim 3	
9	1001164818	1	Turntable Harness (See ELECTRICAL SECTION for Breakdown)	
10	1001166963	1	Valve Harness (See ELECTRICAL SECTION for Breakdown)	
11	1001166964	1	Ground Control Box Harness (See ELECTRICAL SECTION for Breakdown)	
12	1001169164	1	Ground Control Assembly (See GROUND CONTROL ASSEMBLY - 460SJ for Breakdown)	
13	1001172757	1	Electrical Panel Assembly (See ELECTRICAL PANEL ASSEMBLY for Breakdown)	
15	0100011	AR	Compound, Locking	
16	0940049	1	Stopper, Hood	
17	3311501	2	Nut 5/16	
18	4460470	1	Nut, Terminal	
19	4460471	1	Washer, Terminal	
20	1001118972	4	Nut M10	
21	0700612	AR	Bolt M6 x 25	
22	3290605	AR	Nut M6	
23	4811700	2	Washer M6	
24	0760610	2	Bolt M6 x 20	
25	4240099	AR	Tie-Strap (Not Shown)	
26	4360328	1	Switch, Toggle	
27	3790012	1	O-Ring	
28	1001196637	1	Decal - Fuse Box	

## SECTION 2 - TURNTABLE

FIGURE 2-25. ELECTRICAL INSTALLATION - 460SJ (SN 0300250356 to Present, SN E300006810 to Present)



ART\_1001235534

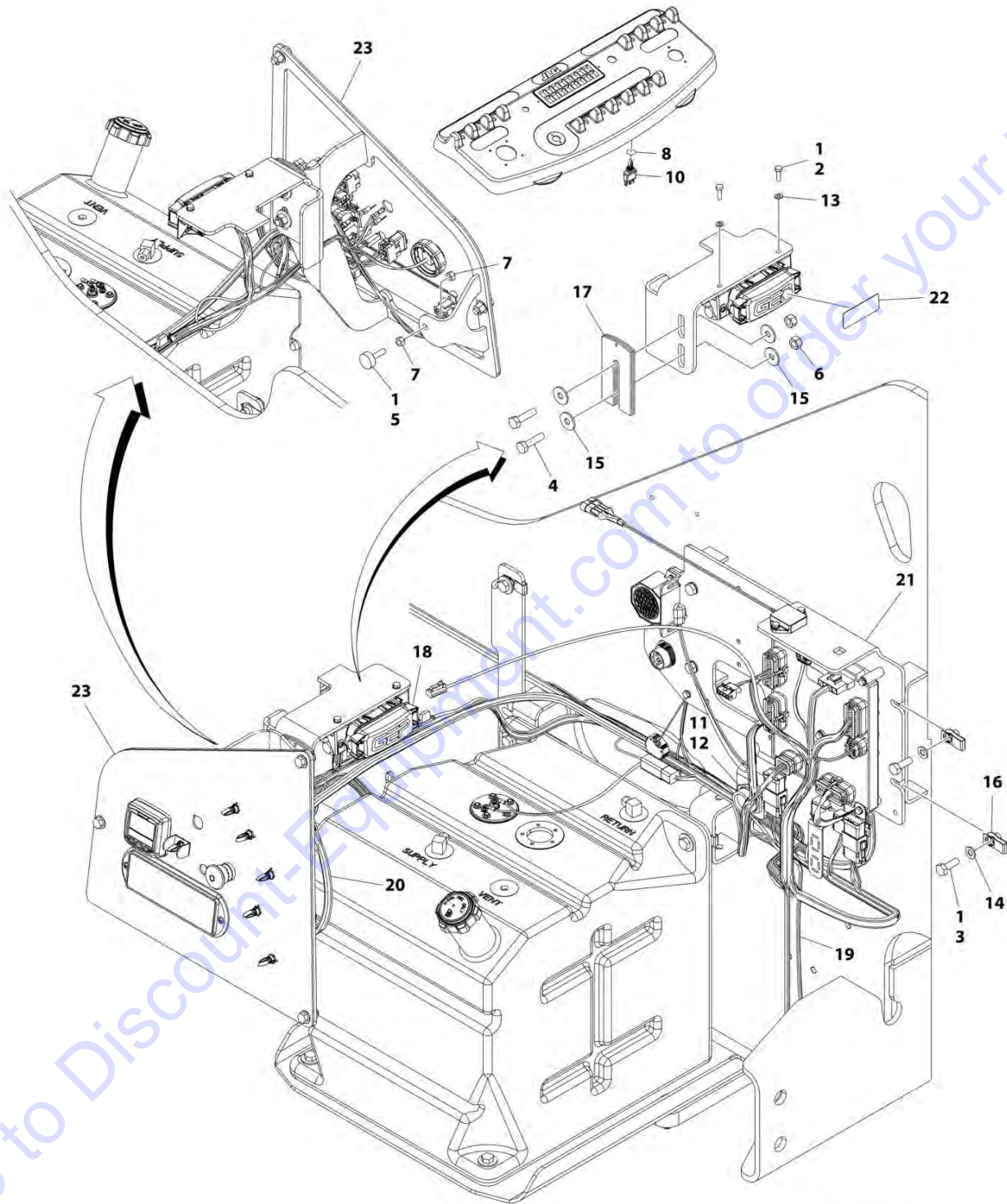
## SECTION 2 - TURNTABLE

**FIGURE 2-25. ELECTRICAL INSTALLATION - 460SJ (SN 0300250356 to Present, SN E300006810 to Present)**

ITEM	PART NUMBER	QTY	DESCRIPTION	REV
	1001235534	Rev	ELECTRICAL INSTALLATION	B
1	0100011	AR	Compound, Locking	
2	0760610	2	Bolt M6 x 20	
3	0761014	4	Bolt M10 x 30	
4	0761016	2	Bolt M10 x 40	
5	0940049	1	Stopper, Hood	
6	3291005	2	Nut M10	
7	3311501	2	Nut 5/16	
8	3790012	1	O-Ring	
9	4240099	AR	Tie-Strap (Not Shown)	
10	4360328	1	Switch, Toggle	
11	4460470	2	Nut, Terminal	
12	4460471	2	Washer, Terminal	
13	4811700	2	Washer M6	
14	4812000	4	Washer M10	
15	4812002	4	Washer M10	
16	1001118972	4	Nut M10	
17	1001150324	AR	Shim 3	
18	1001166964	1	Ground Control Box Harness (See ELECTRICAL SECTION for Breakdown)	
19	1001172757	1	Electrical Panel Assembly (See ELECTRICAL PANEL ASSEMBLY for Breakdown)	
20	1001196637	1	Decal - Fuse Box (Not Shown)	
21	1001166963	1	Valve Harness (See ELECTRICAL SECTION for Breakdown)	
22	1001164818	1	Turntable Harness (See ELECTRICAL SECTION for Breakdown)	
23	1001235533	1	Mount, Ground Control	

## SECTION 2 - TURNTABLE

FIGURE 2-26. ELECTRICAL INSTALLATION - 460SJ (ANSI AND CSA SPECS) (SN 0300203771 through 0300250355)



ART\_1001219866

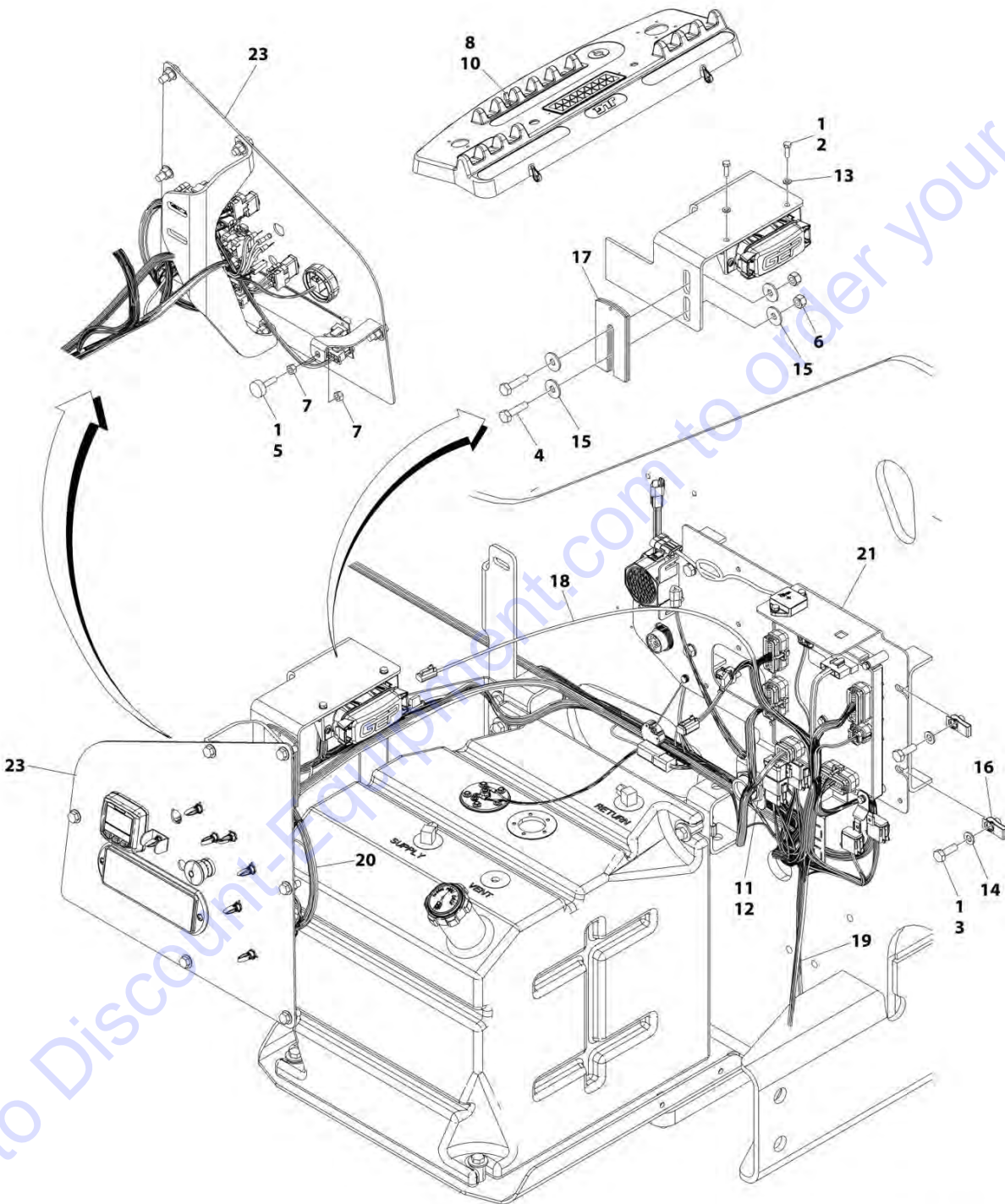
## SECTION 2 - TURNTABLE

**FIGURE 2-26. ELECTRICAL INSTALLATION - 460SJ (ANSI AND CSA SPECS) (SN 0300203771 through 0300250355)**

ITEM	PART NUMBER	QTY	DESCRIPTION	REV
	1001219866	Ref	ELECTRICAL INSTALLATION - 460SJ (ANSI AND CSA SPECS)	A
1	0100011	AR	Compound, Locking	
2	0760610	2	Bolt M6 x 20	
3	0761014	4	Bolt M10 x 30	
4	0761016	2	Bolt M10 x 40	
5	0940049	1	Stopper, Hood	
6	3291005	2	Nut M10	
7	3311501	2	Nut 5/16	
8	3790012	1	O-Ring	
9	4240099	AR	Tie-Strap (Not Shown)	
10	4360328	1	Switch, Toggle	
11	4460470	2	Nut, Terminal	
12	4460471	2	Washer, Terminal	
13	4811700	2	Washer M6	
14	4812000	4	Washer M10	
15	4812002	4	Washer M10	
16	1001118972	4	Nut M10	
17	1001150324	AR	Shim 3	
18	1001164818	1	Turntable Harness (See ELECTRICAL SECTION for Breakdown)	
19	1001166963	1	Valve Harness (See ELECTRICAL SECTION for Breakdown)	
20	1001166964	1	Ground Control Box Harness (See ELECTRICAL SECTION for Breakdown)	
21	1001172757	1	Electrical Panel Assembly (See ELECTRICAL PANEL ASSEMBLY for Breakdown)	
22	1001196637	1	Decal - Fuse Box	
23	1001220287	1	Ground Control Assembly (See GROUND CONTROL ASSEMBLY - 460SJ (ANSI AND CSA SPECS) for Breakdown)	

## SECTION 2 - TURNTABLE

FIGURE 2-27. ELECTRICAL INSTALLATION - 460SJ (ANSI AND CSA SPECS) (SN 0300250356 to Present)



ART\_1001238426



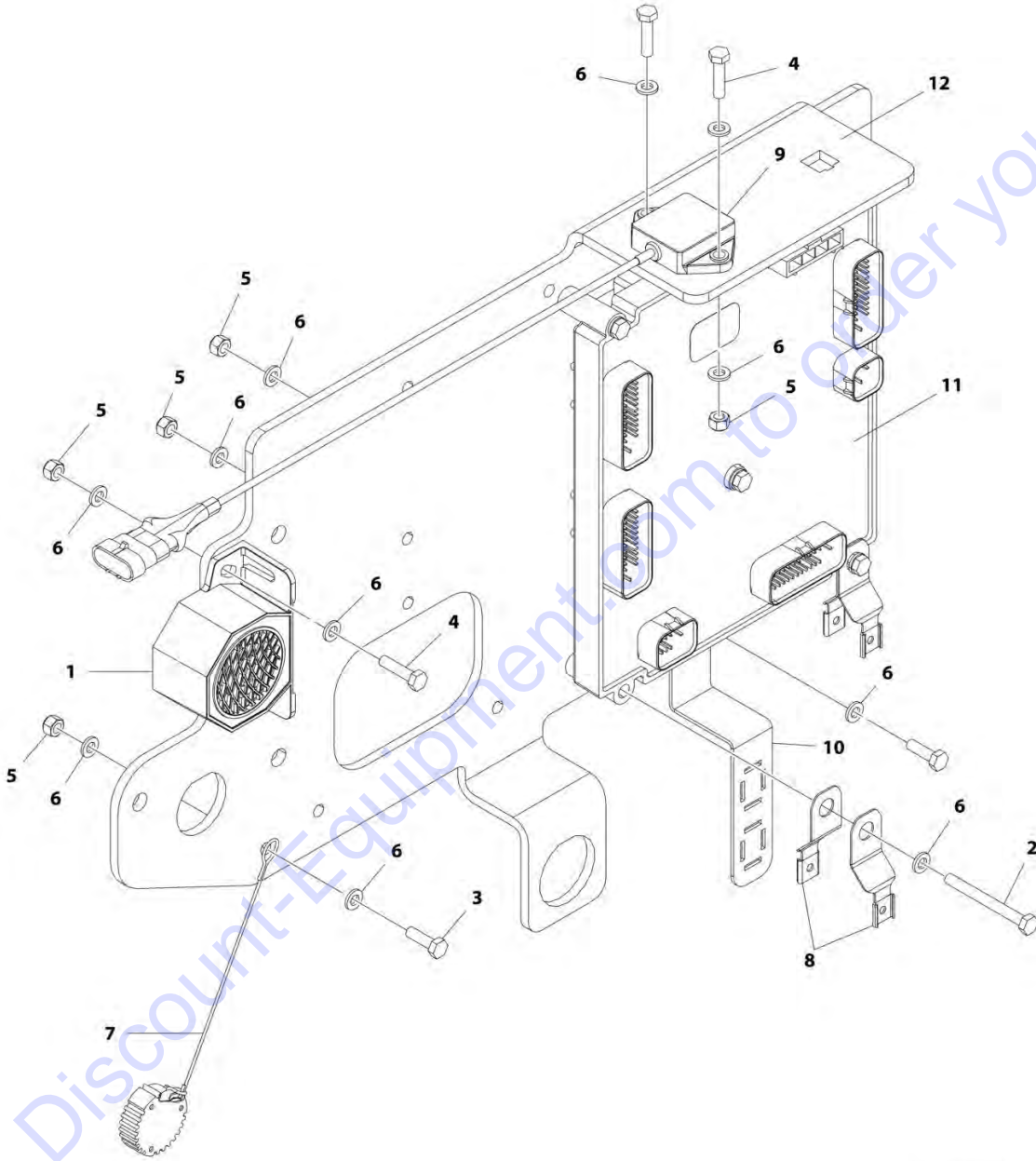
## SECTION 2 - TURNTABLE

**FIGURE 2-27. ELECTRICAL INSTALLATION - 460SJ (ANSI AND CSA SPECS) (SN 0300250356 to Present)**

ITEM	PART NUMBER	QTY	DESCRIPTION	REV
	1001238426	Rev	ELECTRICAL INSTALLATION - 460SJ	B
1	0100011	AR	Compound, Locking	
2	0760610	2	Bolt M6 x 20	
3	0761014	4	Bolt M10 x 30	
4	0761016	2	Bolt M10 x 40	
5	0940049	1	Stopper, Hood	
6	3291005	2	Nut M10	
7	3311501	2	Nut 5/16	
8	3790012	1	O-Ring	
9	4240099	AR	Tie-Strap (Not Shown)	
10	4360328	1	Switch, Toggle	
11	4460470	2	Nut, Terminal	
12	4460471	2	Washer, Terminal	
13	4811700	2	Washer M6	
14	4812000	4	Washer M10	
15	4812002	4	Washer M10	
16	1001118972	4	Nut M10	
17	1001150324	AR	Shim 3	
18	1001164818	1	Turntable Harness (See ELECTRICAL SECTION for Breakdown)	
19	1001166963	1	Valve Harness (See ELECTRICAL SECTION for Breakdown)	
20	1001166964	1	Ground Control Box Harness (See ELECTRICAL SECTION for Breakdown)	
21	1001172757	1	Electrical Panel Assembly (See ELECTRICAL PANEL ASSEMBLY for Breakdown)	
22	1001196637	1	Decal - Fuse Box (Not Shown)	
23	1001238889	1	Support, Ground Control	

# SECTION 2 - TURNTABLE

## FIGURE 2-28. ELECTRICAL PANEL ASSEMBLY



ART\_1001172757

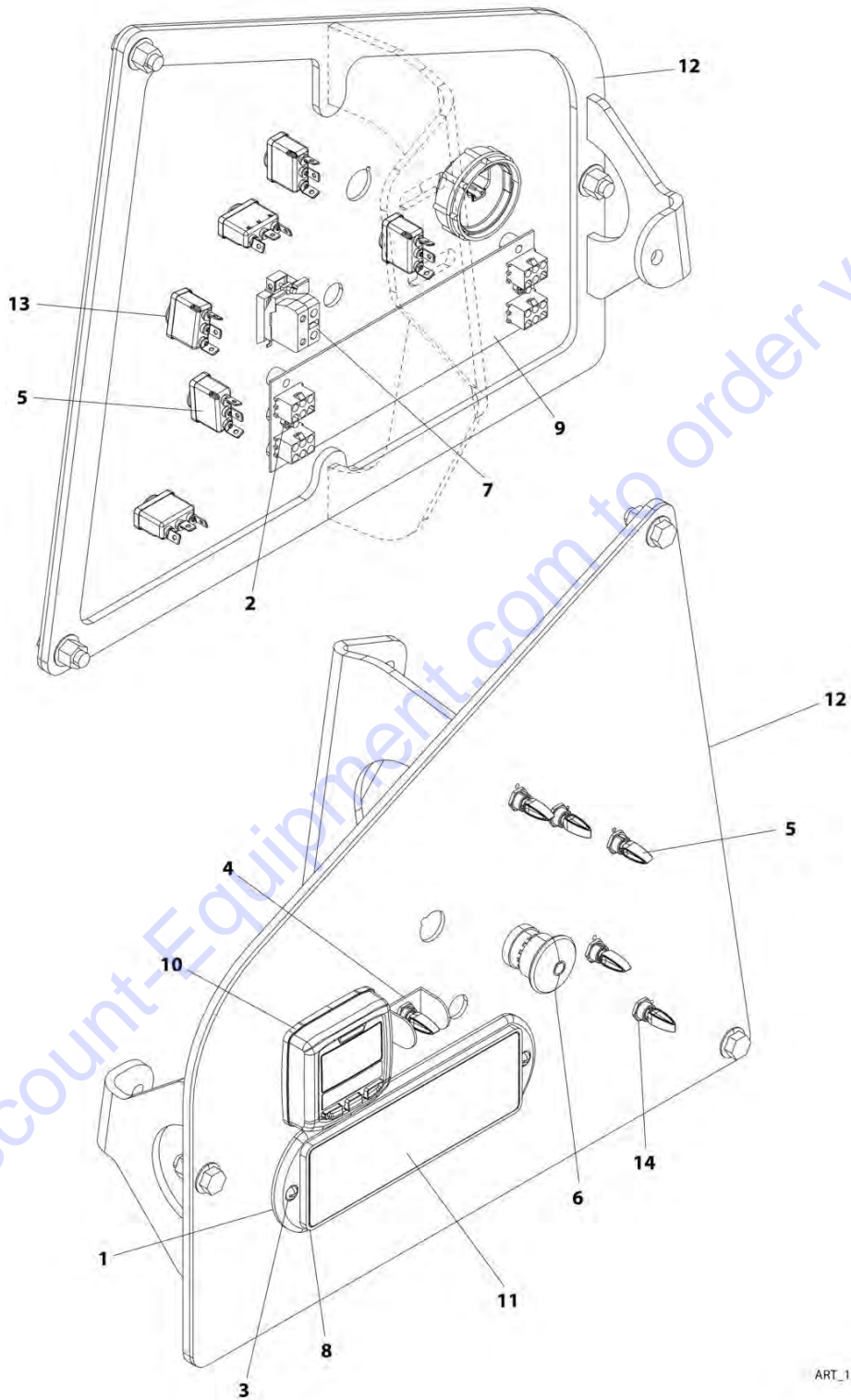
**SECTION 2 - TURNTABLE**

**FIGURE 2-28. ELECTRICAL PANEL ASSEMBLY**

ITEM	PART NUMBER	QTY	DESCRIPTION	REV
	1001172757	Ref	ELECTRICAL PANEL ASSEMBLY	E
1	0140043	1	Alarm	
1	4460536	1	Plug, Male - 3 Position	
1	4460943	3	Terminal	
2	0700620	5	Bolt M6 x 60	
3	0760610	2	Bolt M6 x 20	
4	0760612	4	Bolt M6 x 25	
5	3290605	11	Nut M6	
6	4811700	22	Washer M6	
7	1001106736	1	Cap, Dust	
8	1001120328	2	Clip, Mounting (SN 0300203771 through 0300220006)	
8	1001120328	4	Clip, Mounting (SN 0300220007 to Present, SN E300000100 to Present, SN 1300007289 through 130007393)	
9	1001181325	1	Sensor (SN 0300203771 through 0300243702, SN E300000100 through E300005370, SN 1300007289 through 130007393)	
9	1001219601	1	Sensor (SN 0300243703 to Present, SN E300005371 to Present)	
10	1001159162	1	Bracket	
11	1001170094	1	Module, Ground Control	
		Ref	Note: Re-calibration Required when Replaced.	
12	1001172756	1	Plate (SN 0300203771 through 0300220006)	
12	1001215373	1	Plate (SN 0300220007 to Present, SN E300000100 to Present, SN 1300007289 through 130007393)	

## SECTION 2 - TURNTABLE

FIGURE 2-29. GROUND CONTROL ASSEMBLY - 400S (ALL SPECS EXCEPT AUSTRALIAN SPEC)  
(SN 0300203771 through 0300250355)



**SECTION 2 - TURNTABLE**

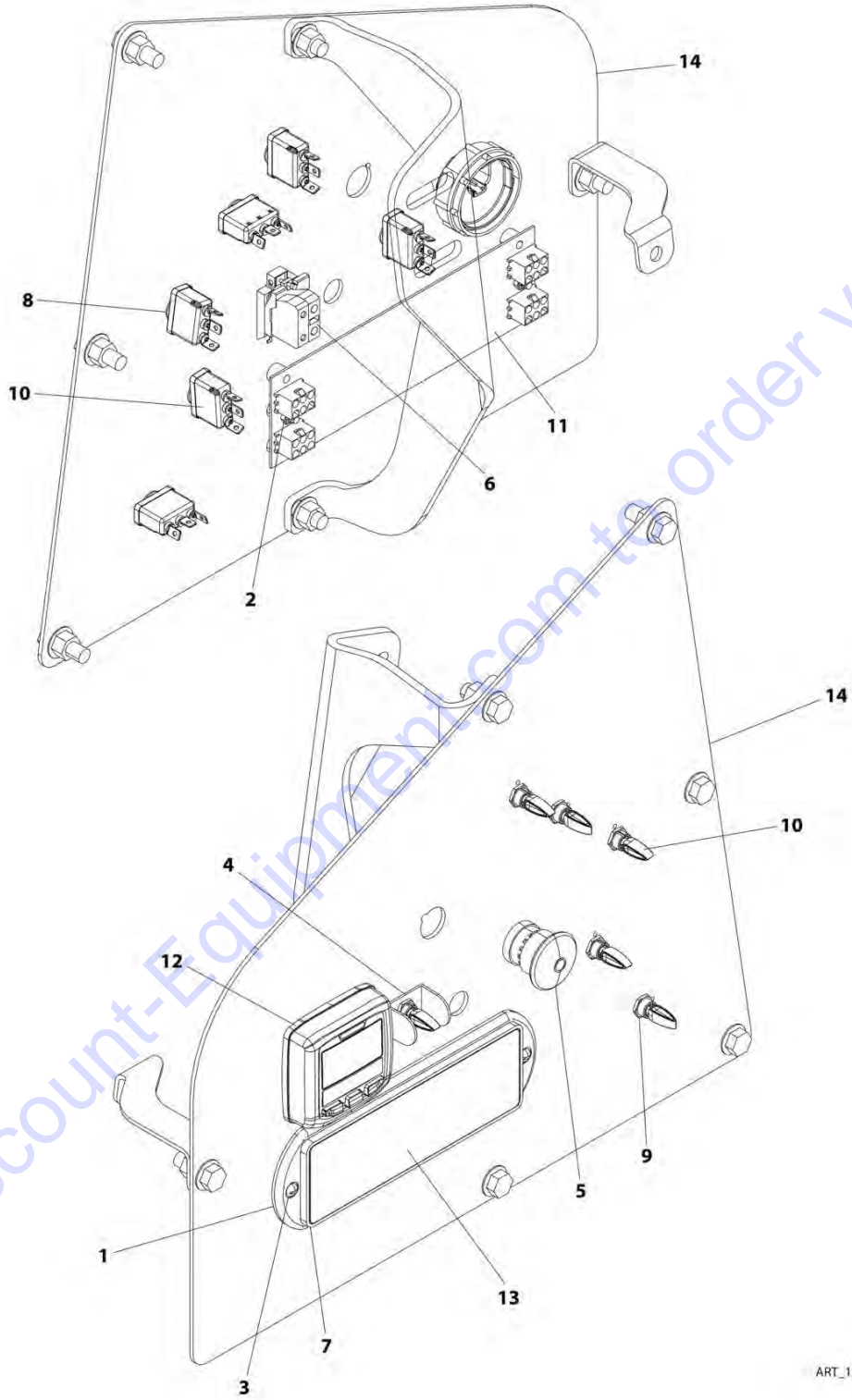
**FIGURE 2-29. GROUND CONTROL ASSEMBLY - 400S (ALL SPECS EXCEPT AUSTRALIAN SPEC)  
(SN 0300203771 through 0300250355)**

ITEM	PART NUMBER	QTY	DESCRIPTION	REV
	1001173645	Ref	GROUND CONTROL ASSEMBLY - 400S	C
1	1671176	1	Cover (SN 0300203771 through 0300211863)	
1	1670829	1	Cover (SN 0300211863 through 0300250355)	
2	3300408	2	Nut	
3	3911018	2	Screw #10 x 1-1/8	
4	4060906	1	Guard, Switch	
5	1001155045	6	Switch, Toggle	
6	4360475	1	Switch, Emergency Stop	
6	7020175	1	Cap	
6	7020176	1	Block, Contact	
7	4360476	1	Block, Contact	
8	1001146220	1	Housing, Display	
9	1001170838	1	Panel, LED	
10	1001171482	1	Gauge	
11	1001173529	1	Panel, Display	
12	1001173644	1	Panel, Ground Control (Note: See Keyswitch Installations for Panel Decal call-out)	
13	1001155043	6	Washer	
14	1001155044	6	Nut 15/32	

Go to Discount-Equipment.com to order your parts

## SECTION 2 - TURNTABLE

FIGURE 2-30. GROUND CONTROL ASSEMBLY - 400S (SN 0300250356 to Present)



ART\_1001238888

**SECTION 2 - TURNTABLE**

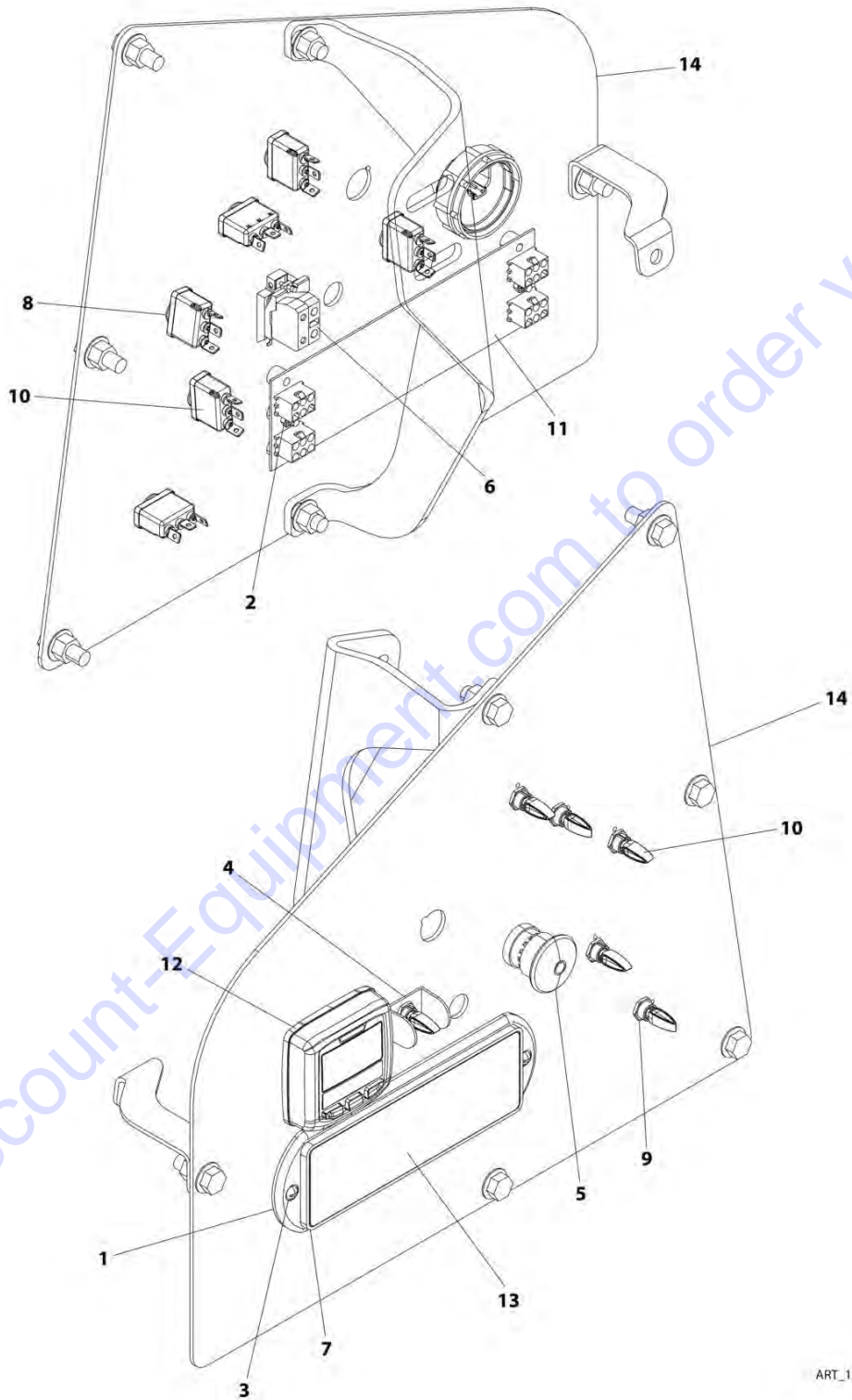
**FIGURE 2-30. GROUND CONTROL ASSEMBLY - 400S (SN 0300250356 to Present)**

ITEM	PART NUMBER	QTY	DESCRIPTION	REV
	1001238888	Ref	GROUND CONTROL ASSEMBLY	B
1	1670829	1	Cover	
2	3300408	2	Nut	
3	3911018	2	Screw #10 x 1-1/8	
4	4060906	1	Guard, Switch	
5	4360475	1	Switch, Emergency Stop	
6	4360476	1	Block, Contact	
7	1001146220	1	Housing, Display	
8	1001155043	6	Washer	
9	1001155044	6	Nut 15/32	
10	1001155045	6	Switch, Toggle	
11	1001170838	1	Panel, LED	
12	1001171482	1	Gauge	
13	1001173529	1	Panel, Display	
14	1001238887	1	Mount, Ground Control Panel	

Go to Discount-Equipment.com to order your parts

## SECTION 2 - TURNTABLE

FIGURE 2-31. GROUND CONTROL ASSEMBLY - 400S (ANSI AND CSA SPECS) (SN 0300250356 to Present)



ART\_1001238890



**SECTION 2 - TURNTABLE**

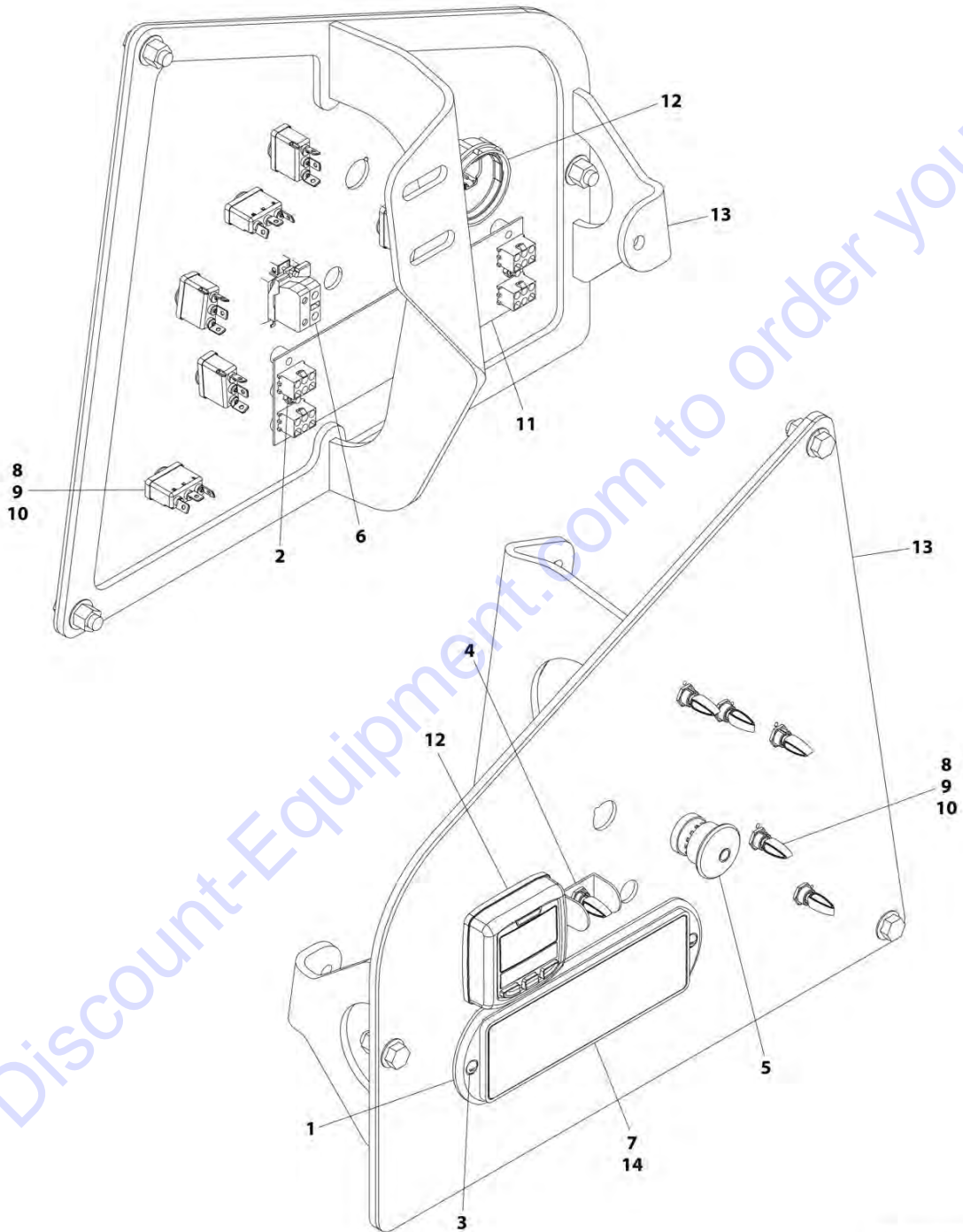
**FIGURE 2-31. GROUND CONTROL ASSEMBLY - 400S (ANSI AND CSA SPECS) (SN 0300250356 to Present)**

ITEM	PART NUMBER	QTY	DESCRIPTION	REV
	1001238890	Ref	GROUND CONTROL ASSEMBLY	A
1	1670829	1	Cover	
2	3300408	2	Nut	
3	3911018	2	Screw #10 x 1-1/8	
4	4060906	1	Guard, Switch	
5	4360475	1	Switch, Emergency Stop	
6	4360476	1	Block, Contact	
7	1001146220	1	Housing, Display	
8	1001155043	6	Washer	
9	1001155044	6	Nut 15/32	
10	1001155045	6	Switch, Toggle	
11	1001170838	1	Panel, LED	
12	1001171482	1	Gauge	
13	1001216407	1	Decal - Display Panel	
14	1001238887	1	Mount, Ground Control Panel	

Go to Discount-Equipment.com to order your parts

## SECTION 2 - TURNTABLE

FIGURE 2-32. GROUND CONTROL ASSEMBLY - 400S (ANSI AND CSA SPECS)



ART\_1001216653

**SECTION 2 - TURNTABLE**

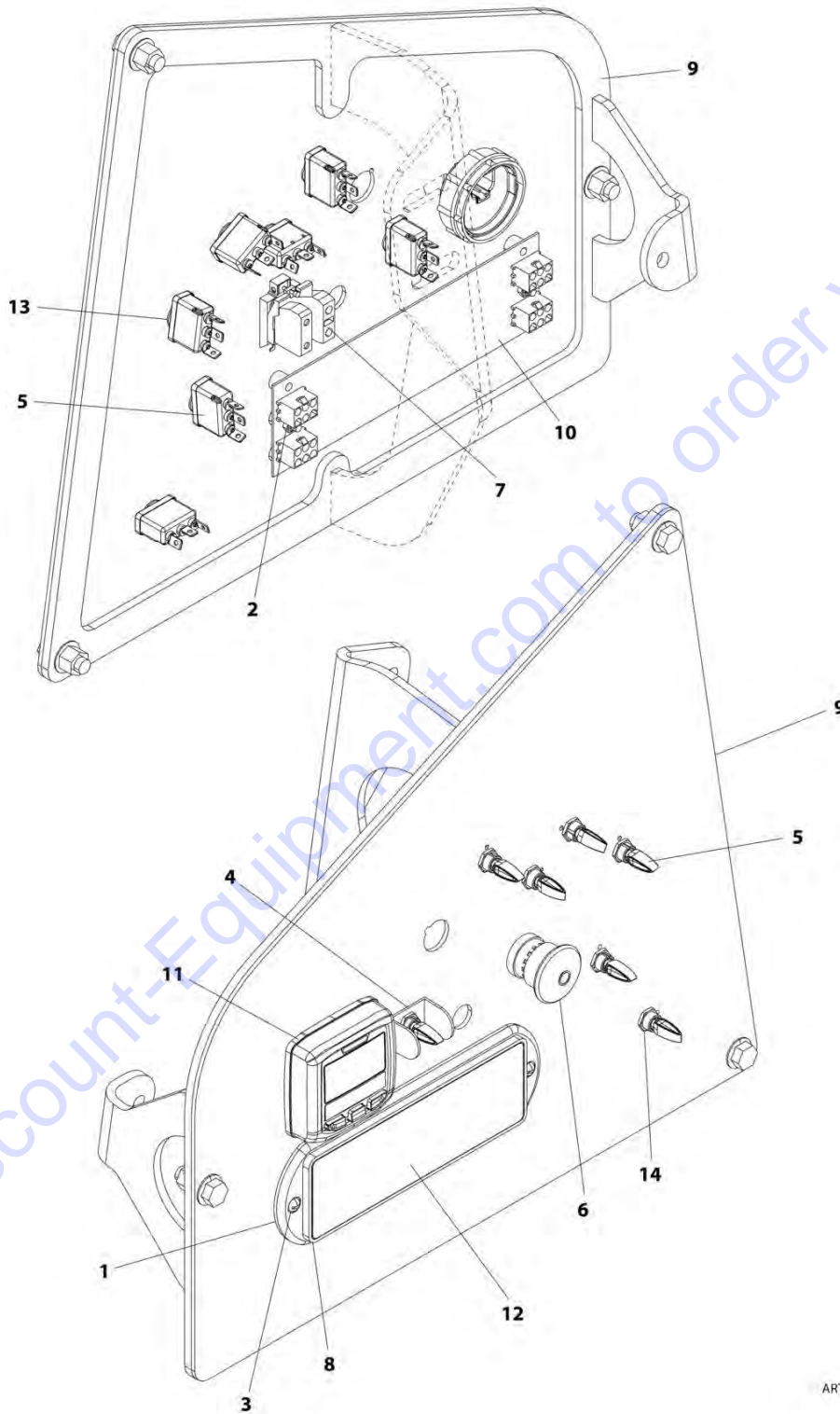
**FIGURE 2-32. GROUND CONTROL ASSEMBLY - 400S (ANSI AND CSA SPECS)**

ITEM	PART NUMBER	QTY	DESCRIPTION	REV
	1001216653	Ref	GROUND CONTROL ASSEMBLY - 400S (ANSI AND CSA SPECS)	A
1	1670829	1	Cover	
2	3300408	2	Nut	
3	3911018	2	Screw #10 x 1-1/8	
4	4060906	1	Guard, Switch	
5	4360475	1	Switch, Emergency Stop	
5	7020175	1	Cap	
5	7020176	1	Block, Contact	
6	4360476	1	Block, Contact	
7	1001146220	1	Housing, Display	
8	1001155043	6	Washer	
9	1001155044	6	Nut 15/32	
10	1001155045	6	Switch, Toggle	
11	1001170838	1	Panel, LED	
12	1001171482	1	Gauge	
13	1001173644	1	Panel, Ground Control (Note: See Keyswitch Installations for Panel Decal call-out)	
14	1001216407	1	Decal - Display Panel	

Go to Discount-Equipment.com to order your parts

## SECTION 2 - TURNTABLE

FIGURE 2-33. GROUND CONTROL ASSEMBLY - 460SJ (SN 0300203771 through 0300250355, SN E300000100 through E300006809)



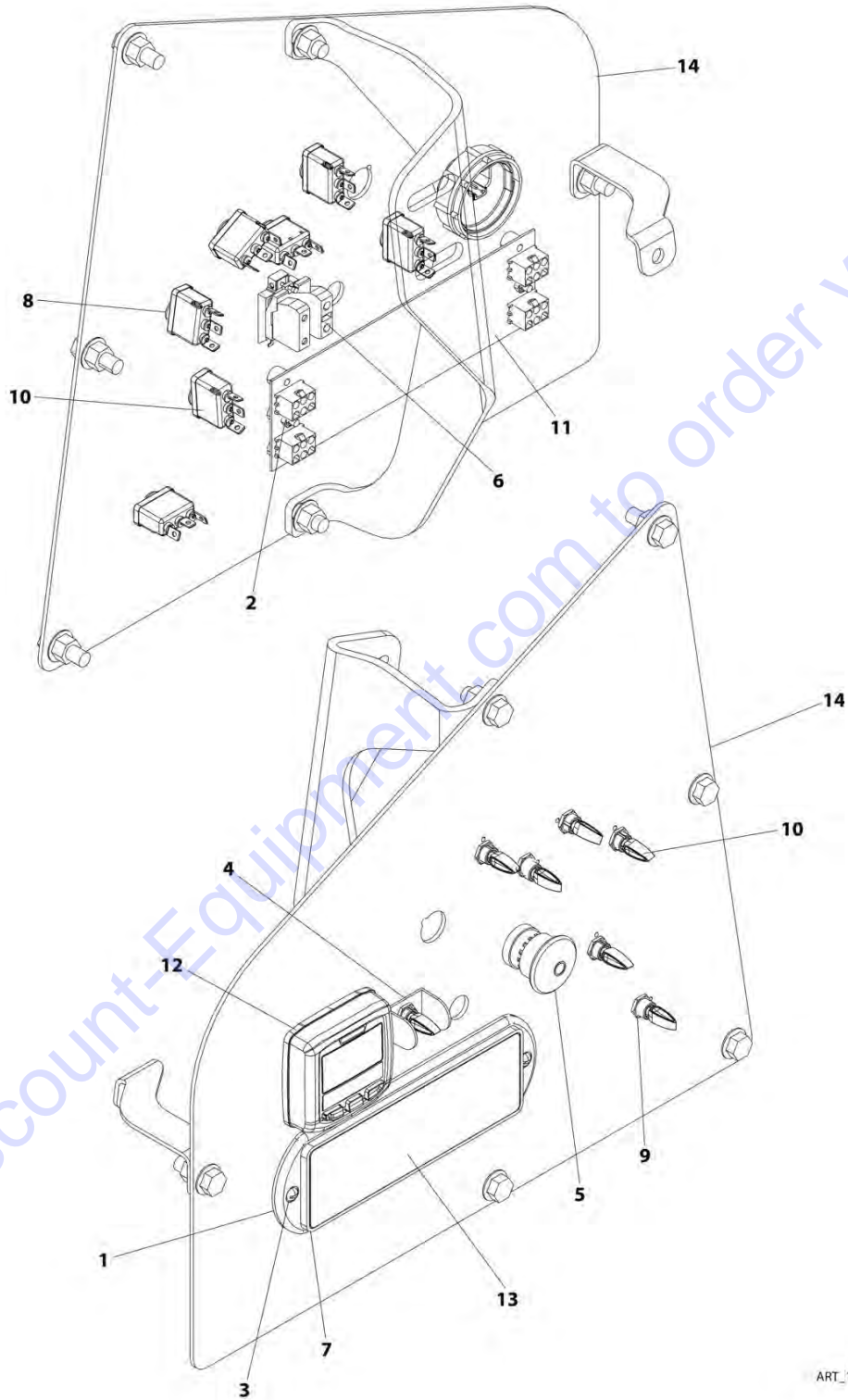
## SECTION 2 - TURNTABLE

**FIGURE 2-33. GROUND CONTROL ASSEMBLY - 460SJ (SN 0300203771 through 0300250355, SN E300000100 through E300006809)**

ITEM	PART NUMBER	QTY	DESCRIPTION	REV
	1001169164	Ref	GROUND CONTROL ASSEMBLY - 460SJ	C
1	1671176	1	Cover (SN 0300203771 through 0300211862)	
1	1670829	1	Cover (SN 0300211863 through 0300250355, SN E300000100 through E300006809)	
2	3300408	2	Nut	
3	3911018	2	Screw #10 x 1-1/8	
4	4060906	1	Guard, Switch	
5	1001155045	7	Switch, Toggle	
6	4360475	1	Switch, Emergency Stop	
6	7020175	1	Cap	
6	7020176	1	Block, Contact	
7	4360476	1	Block, Contact	
8	1001146220	1	Housing, Display	
9	1001169163	1	Panel, Ground Control (Note: See Keyswitch Installations for Panel Decal call-out)	
10	1001170838	1	Panel, LED	
11	1001171482	1	Gauge	
12	1001173529	1	Panel, Display	
13	1001155043	7	Washer	
14	1001155044	7	Nut 15/32	

## SECTION 2 - TURNTABLE

FIGURE 2-34. GROUND CONTROL ASSEMBLY - 460SJ (SN 0300250356 to Present, SN E300006810 to Present)



ART\_1001235533

**SECTION 2 - TURNTABLE**

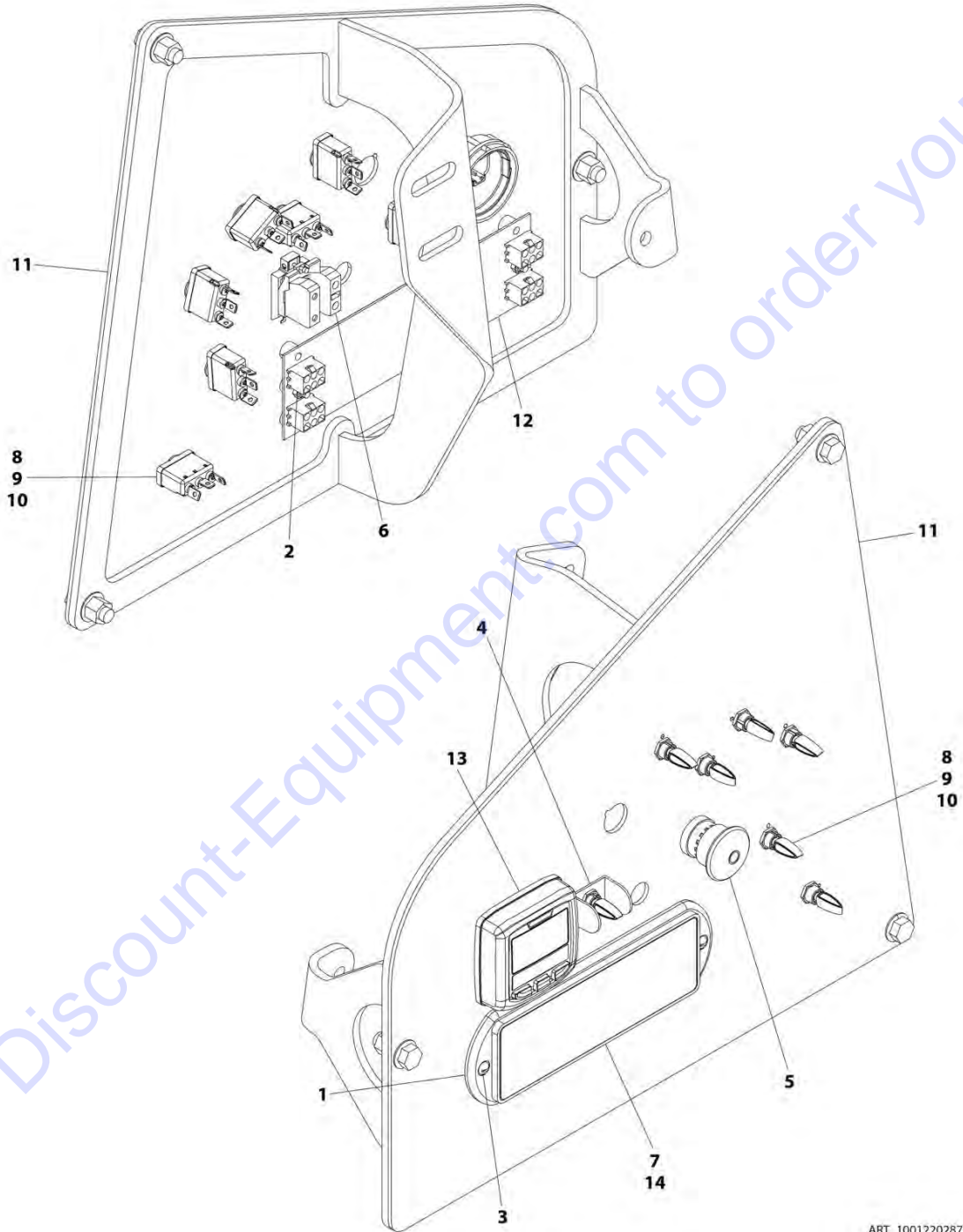
**FIGURE 2-34. GROUND CONTROL ASSEMBLY - 460SJ (SN 0300250356 to Present, SN E300006810 to Present)**

ITEM	PART NUMBER	QTY	DESCRIPTION	REV
	1001235533	Ref	GROUND CONTROL ASSEMBLY	A
1	1670829	1	Cover	
2	3300408	2	Nut	
3	3911018	2	Screw #10 x 1-1/8	
4	4060906	1	Guard, Switch	
5	4360475	1	Switch, Emergency Stop	
6	4360476	1	Block, Contact	
7	1001146220	1	Housing, Display	
8	1001155043	7	Washer	
9	1001155044	7	Nut 15/32	
10	1001155045	7	Switch, Toggle	
11	1001170838	1	Panel, LED	
12	1001171482	1	Gauge	
13	1001173529	1	Panel, Display	
14	1001235531	1	Mount, Ground Control Panel	

Go to Discount-Equipment.com to order your parts

## SECTION 2 - TURNTABLE

FIGURE 2-35. GROUND CONTROL ASSEMBLY - 460SJ (ANSI AND CSA SPECS) (SN 0300203771 through 0300250355)



ART\_1001220287



**SECTION 2 - TURNTABLE**

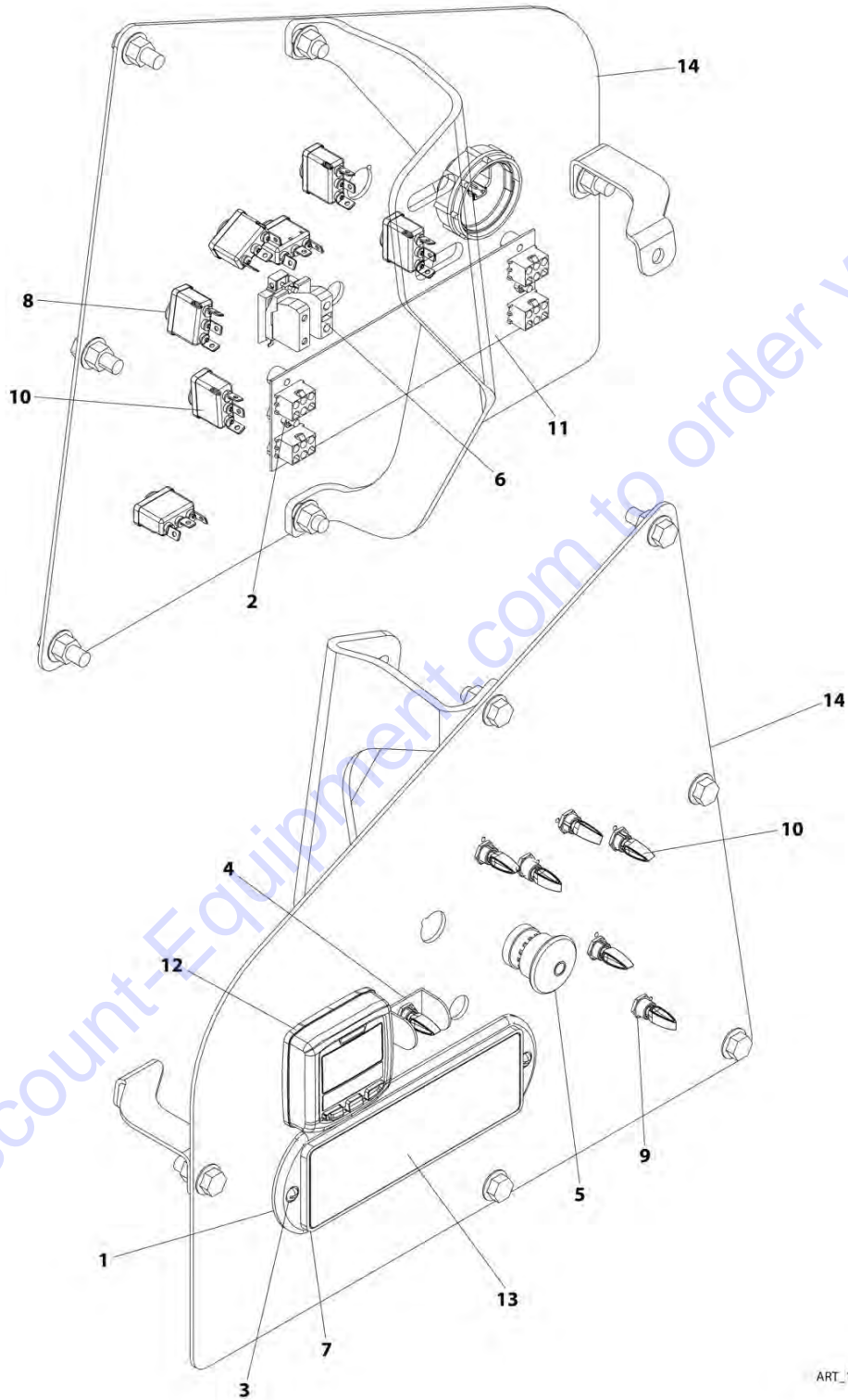
**FIGURE 2-35. GROUND CONTROL ASSEMBLY - 460SJ (ANSI AND CSA SPECS) (SN 0300203771 through 0300250355)**

ITEM	PART NUMBER	QTY	DESCRIPTION	REV
	1001220287	Ref	GROUND CONTROL ASSEMBLY - 460SJ (ANSI AND CSA SPECS)	A
1	1670829	1	Cover	
2	3300408	2	Nut	
3	3911018	2	Screw #10 x 1-1/8	
4	4060906	1	Guard, Switch	
5	4360475	1	Switch, Emergency Stop	
5	7020175	1	Cap	
5	7020176	1	Block, Contact	
6	4360476	1	Block, Contact	
7	1001146220	1	Housing, Display	
8	1001155043	7	Washer	
9	1001155044	7	Nut 15/32	
10	1001155045	7	Switch, Toggle	
11	1001169163	1	Panel, Ground Control (Note: See Keyswitch Installations for Panel Decal call-out)	
12	1001170838	1	Panel, LED	
13	1001171482	1	Gauge	
14	1001216407	1	Decal - Display Panel	

Go to Discount-Equipment.com to order your parts

## SECTION 2 - TURNTABLE

FIGURE 2-36. GROUND CONTROL ASSEMBLY - 460SJ (ANSI AND CSA SPECS) (SN 0300250356 to Present)



ART\_1001238889

**SECTION 2 - TURNTABLE**

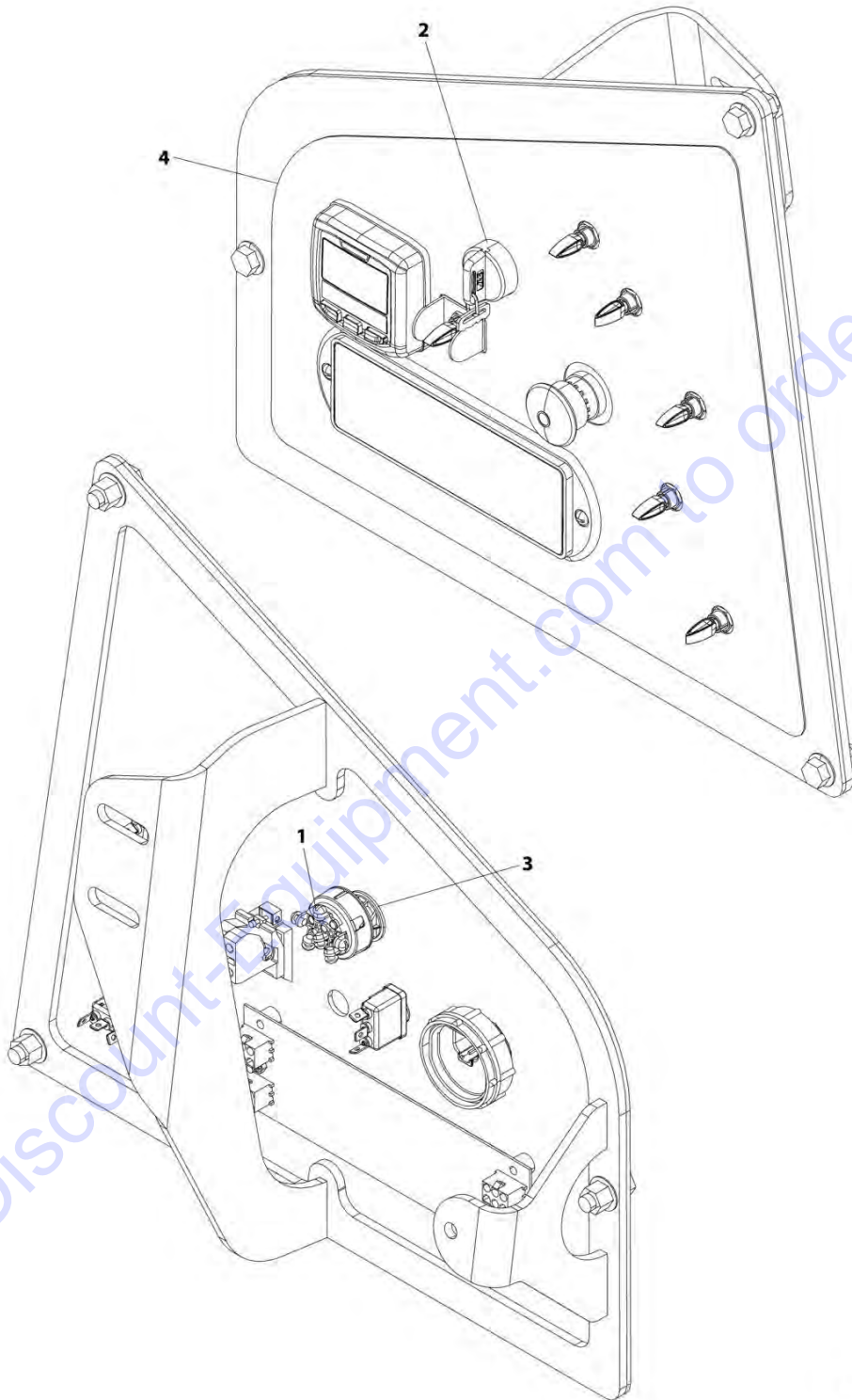
**FIGURE 2-36. GROUND CONTROL ASSEMBLY - 460SJ (ANSI AND CSA SPECS) (SN 0300250356 to Present)**

ITEM	PART NUMBER	QTY	DESCRIPTION	REV
	1001238889	Ref	GROUND CONTROL ASSEMBLY	B
1	1670829	1	Cover	
2	3300408	2	Nut	
3	3911018	2	Screw #10 x 1-1/8	
4	4060906	1	Guard, Switch	
5	4360475	1	Switch, Emergency Stop	
6	4360476	1	Block, Contact	
7	1001146220	1	Housing, Display	
8	1001155043	7	Washer	
9	1001155044	7	Nut 15/32	
10	1001155045	7	Switch, Toggle	
11	1001170838	1	Panel, LED	
12	1001171482	1	Gauge	
13	1001216407	1	Decal - Display Panel	
14	1001235531	1	Mount, Ground Control Panel	

Go to Discount-Equipment.com to order your parts

## SECTION 2 - TURNTABLE

FIGURE 2-37. GROUND CONTROL DECAL AND KEYSWITCH INSTALLATION - 400S (ALL SPECS EXCEPT CE SPEC)



ART\_1001170557

**SECTION 2 - TURNTABLE**

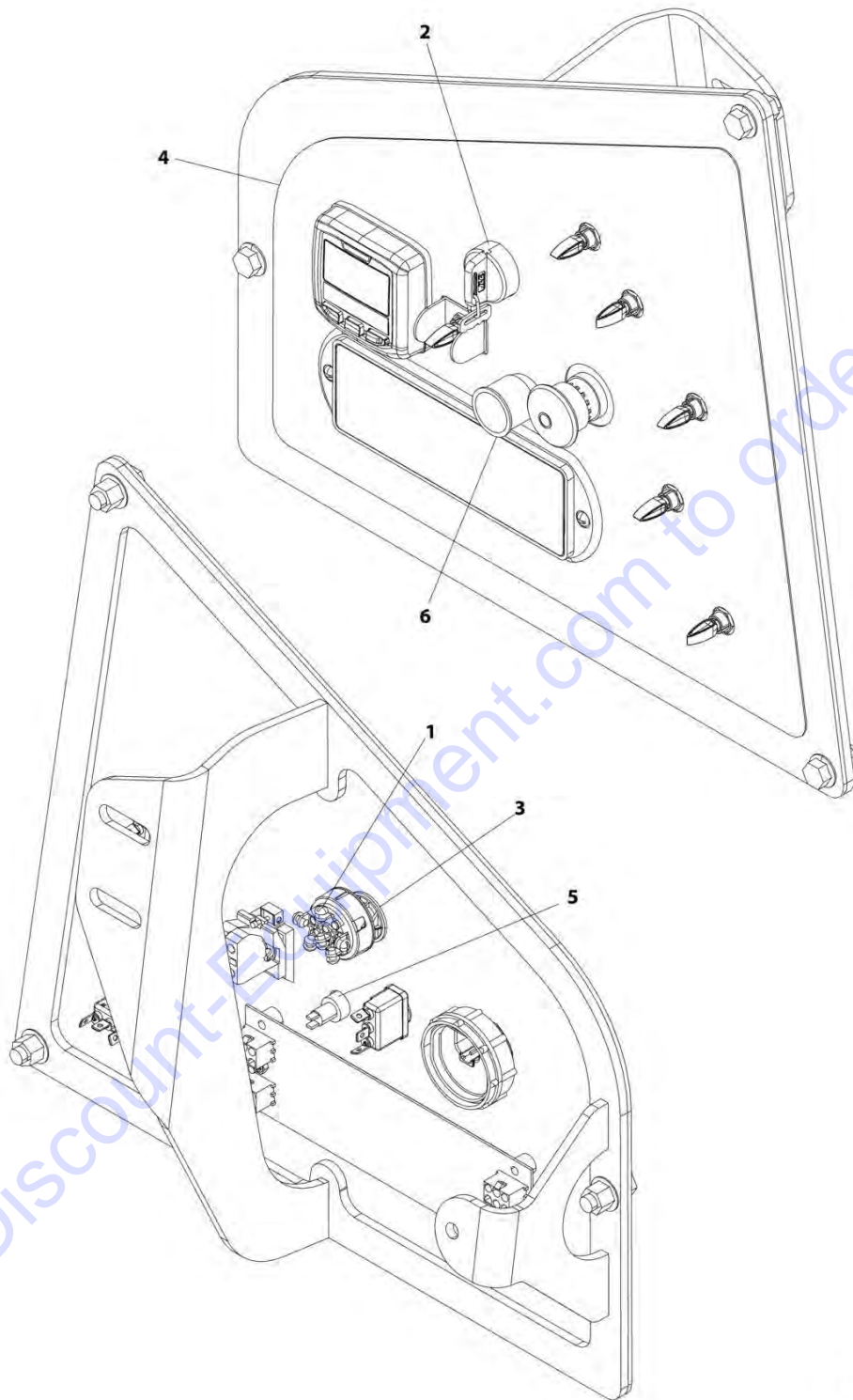
**FIGURE 2-37. GROUND CONTROL DECAL AND KEYSWITCH INSTALLATION - 400S (ALL SPECS EXCEPT CE SPEC)**

ITEM	PART NUMBER	QTY	DESCRIPTION	REV
	1001170557	Ref	GROUND CONTROL DECAL AND KEYSWITCH INSTALLATION - 400S (ALL SPECS EXCEPT CE SPEC)	B
1	3910804	6	Screw #8 x 1/4	
2	4360469	1	Switch, Key	
2	2860030	1	Key, Replacement	
3	1001151393	1	Shim .063	
4	1001173643	1	Decal - Ground Control	

Go to Discount-Equipment.com to order your parts

## SECTION 2 - TURNTABLE

FIGURE 2-38. GROUND CONTROL DECAL AND KEYSWITCH INSTALLATION - 400S (CE SPEC)



ART\_1001182563

**SECTION 2 - TURNTABLE**

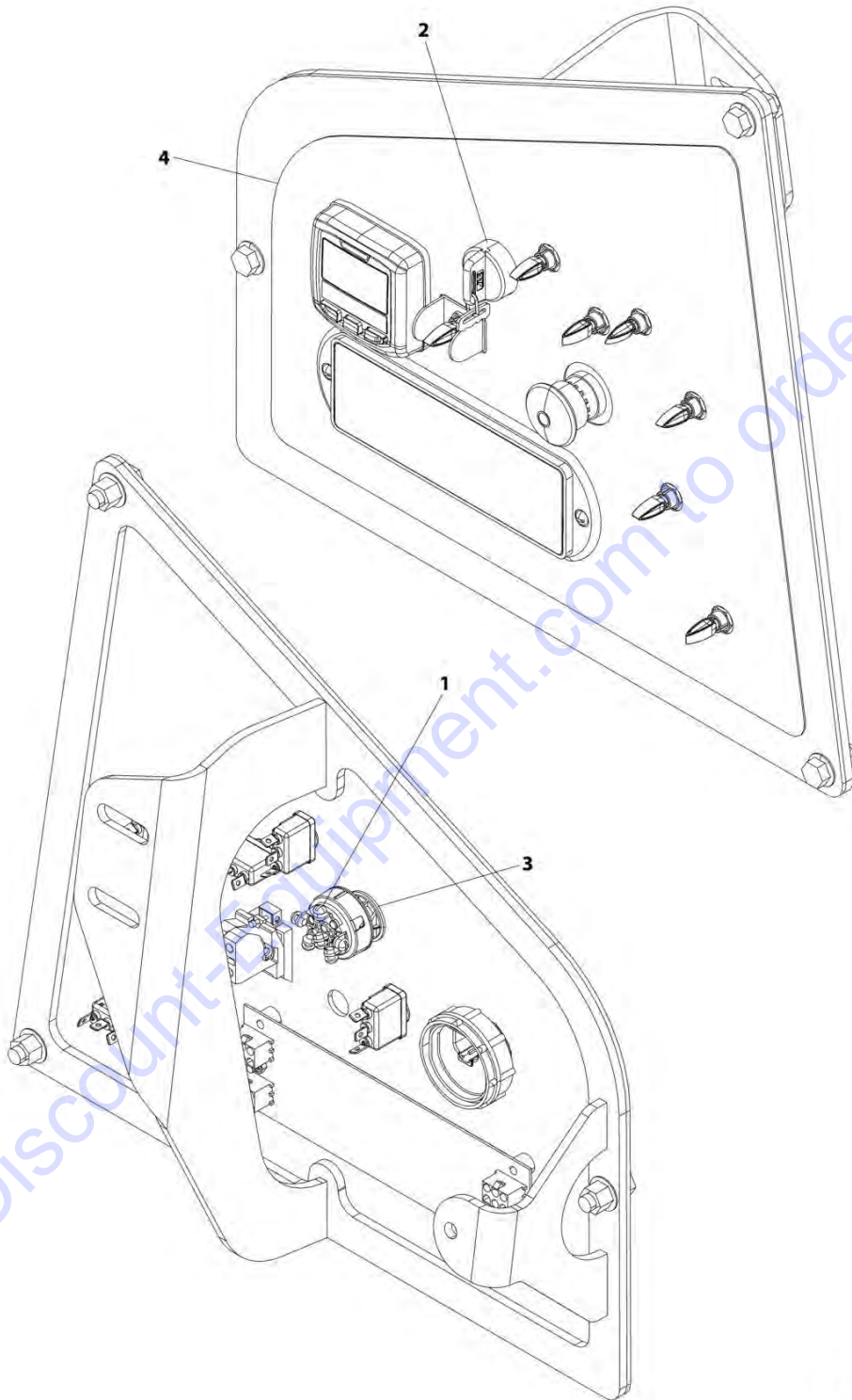
**FIGURE 2-38. GROUND CONTROL DECAL AND KEYSWITCH INSTALLATION - 400S (CE SPEC)**

ITEM	PART NUMBER	QTY	DESCRIPTION	REV
	1001182563	Ref	GROUND CONTROL DECAL AND KEYSWITCH INSTALLATION - 400S (CE SPEC)	A
1	3910804	6	Screw #8 x 1/4	
2	4360469	1	Switch, Key	
2	2860030	1	Key, Replacement	
3	1001151393	1	Shim .063	
4	1001182516	1	Decal - Ground Control	
5	4360387	1	Switch, Push Button	
6	1001176469	1	Shroud, Switch	

Go to Discount-Equipment.com to order your parts

## SECTION 2 - TURNTABLE

FIGURE 2-39. GROUND CONTROL DECAL AND KEYSWITCH INSTALLATION - 460SJ (ALL SPECS EXCEPT CE SPEC)



ART\_1001170558



**SECTION 2 - TURNTABLE**

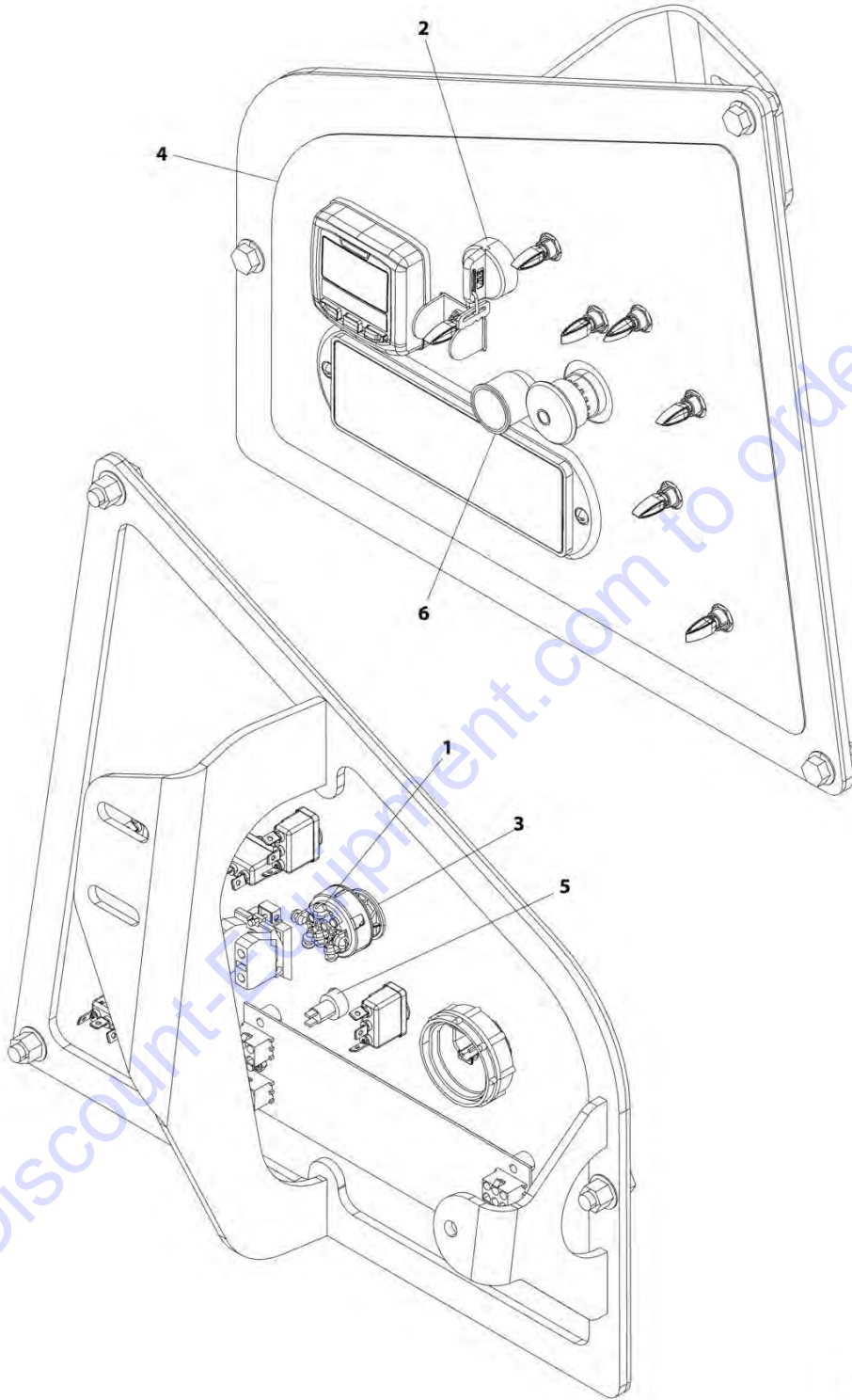
**FIGURE 2-39. GROUND CONTROL DECAL AND KEYSWITCH INSTALLATION - 460SJ (ALL SPECS EXCEPT CE SPEC)**

ITEM	PART NUMBER	QTY	DESCRIPTION	REV
	1001170558	Ref	GROUND CONTROL DECAL AND KEYSWITCH INSTALLATION - 460SJ (ALL SPECS EXCEPT CE SPEC)	B
1	3910804	6	Screw #8 x 1/4	
2	4360469	1	Switch, Key	
2	2860030	1	Key, Replacement	
3	1001151393	1	Shim .063	
4	1001172653	1	Decal - Ground Control	

Go to Discount-Equipment.com to order your parts

## SECTION 2 - TURNTABLE

FIGURE 2-40. GROUND CONTROL DECAL AND KEYSWITCH INSTALLATION - 460SJ (CE SPEC)



ART\_1001182564

## SECTION 2 - TURNTABLE

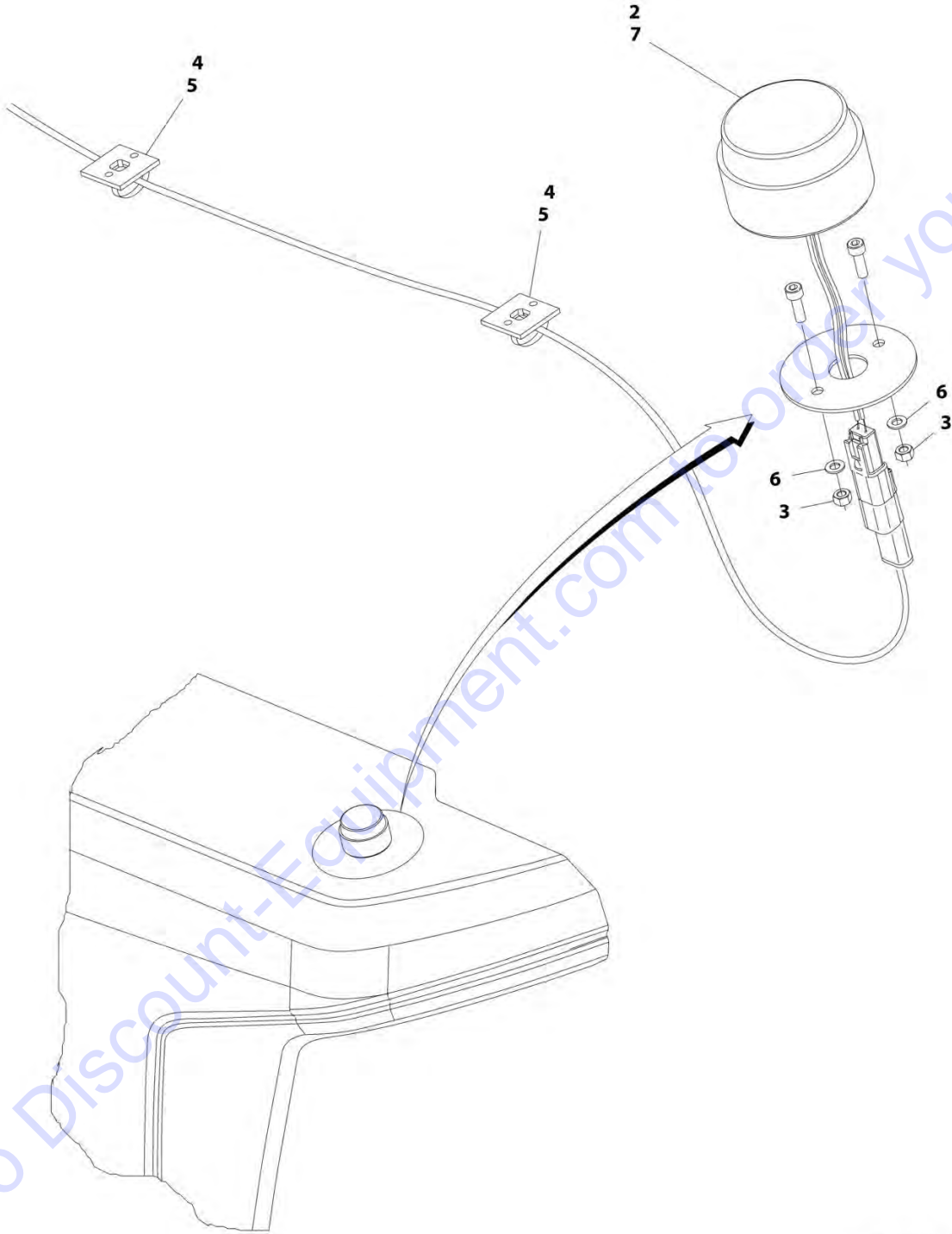
**FIGURE 2-40. GROUND CONTROL DECAL AND KEYSWITCH INSTALLATION - 460SJ (CE SPEC)**

ITEM	PART NUMBER	QTY	DESCRIPTION	REV
	1001182564	Ref	GROUND CONTROL DECAL AND KEYSWITCH INSTALLATION - 460SJ (CE SPEC)	A
1	3910804	6	Screw #8 x 1/4	
2	4360469	1	Switch, Key	
2	2860030	1	Key, Replacement	
3	1001151393	1	Shim .063	
4	1001182515	1	Decal - Ground Control	
5	4360387	1	Switch, Push Button	
6	1001176469	1	Shroud, Switch	

Go to Discount-Equipment.com to order your parts

## SECTION 2 - TURNTABLE

FIGURE 2-41. BEACON LIGHT INSTALLATION - AMBER



ART\_1001172816

**SECTION 2 - TURNTABLE**

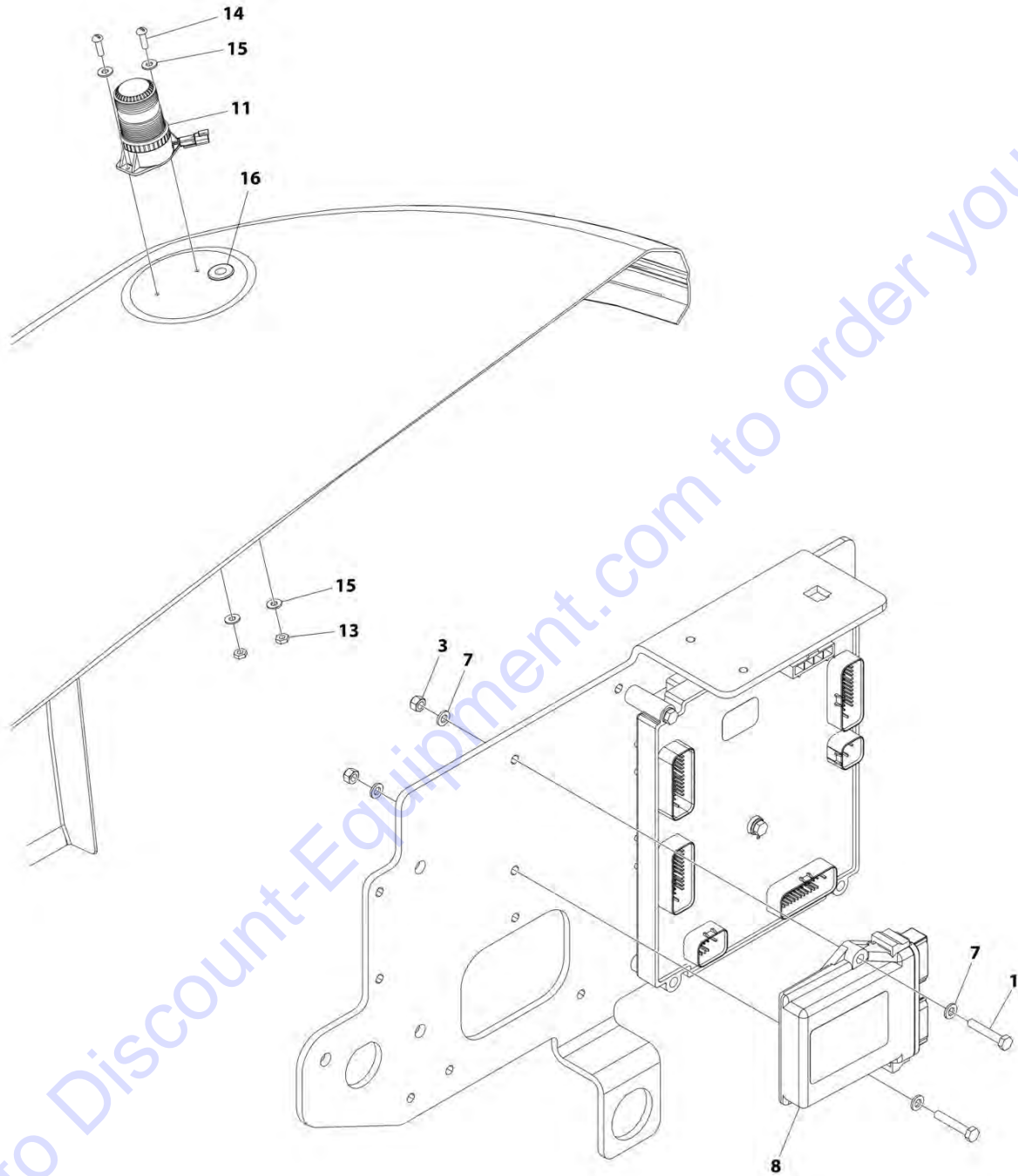
**FIGURE 2-41. BEACON LIGHT INSTALLATION - AMBER**

ITEM	PART NUMBER	QTY	DESCRIPTION	REV
	1001172816	Ref	BEACON LIGHT INSTALLATION - AMBER	C
2	1001181405	1	Light, Strobe (Amber)	
2	4460897	1	Receptacle, Female - 2 Position	
2	4460464	2	Pin, Male	
3	3290505	2	Nut M5	
4	4240032	2	Tie-Strap	
5	4460234	2	Mount, Tie-Strap	
6	4811600	2	Washer M5	
7	0100048	1	Grease, Terminal	

Go to Discount-Equipment.com to order your parts

## SECTION 2 - TURNTABLE

FIGURE 2-42. BEACON LIGHT INSTALLATION - BLUE (SN 0300203771 through 0300259126, SN E300000100 to Present)



ART\_1001197424

## SECTION 2 - TURNTABLE

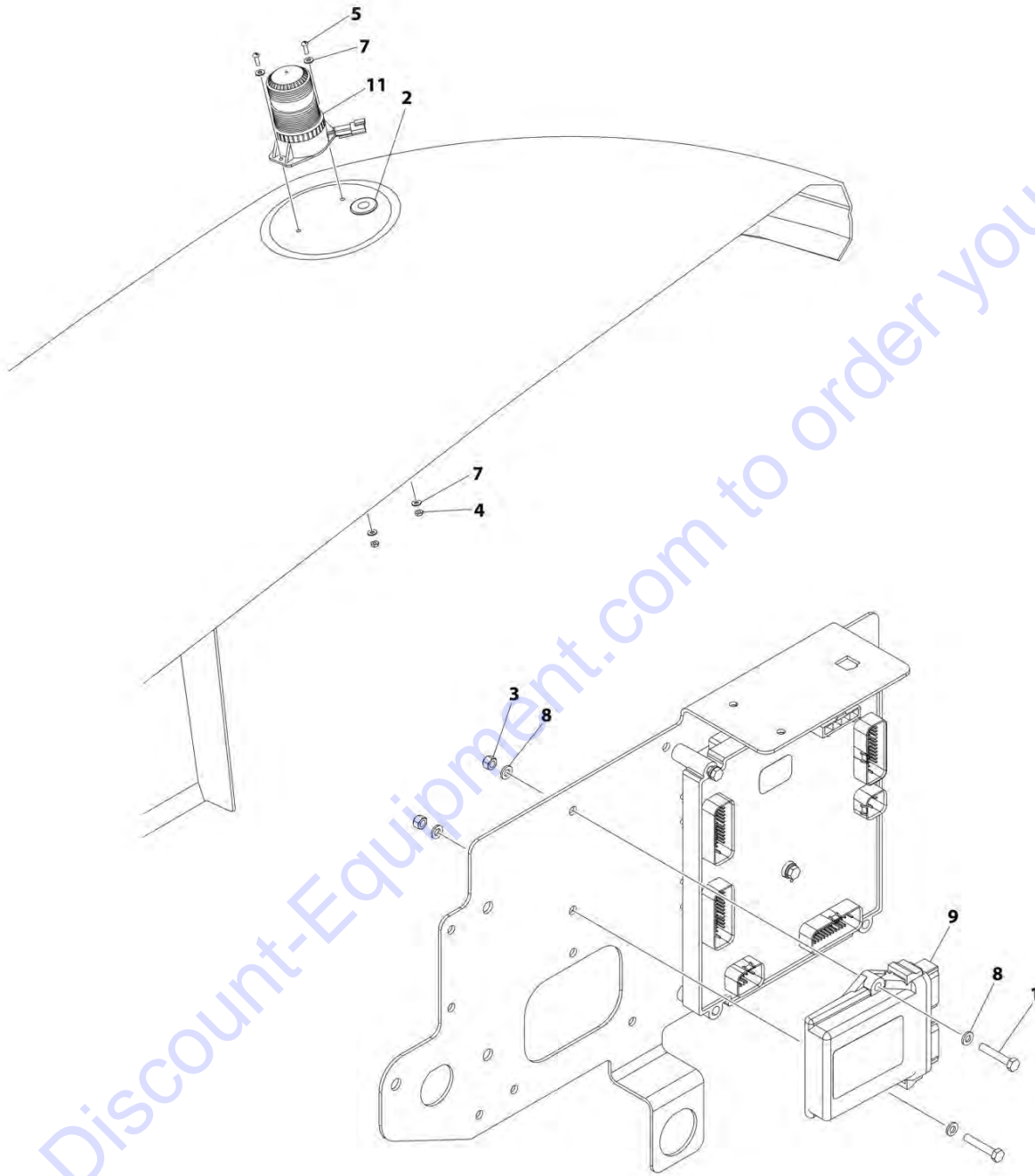
**FIGURE 2-42. BEACON LIGHT INSTALLATION - BLUE (SN 0300203771 through 0300259126, SN E300000100 to Present)**

ITEM	PART NUMBER	QTY	DESCRIPTION	REV
	1001197424	Ref	BEACON LIGHT INSTALLATION - BLUE	E
1	0760615	2	Bolt M6 x 35	
3	3290605	2	Nut M6	
5	4240099	AR	Tie-Strap (Not Shown)	
7	4811700	4	Washer M6	
8	1001142683	1	Control Module (Note: Re-calibration Required when Replaced)	
9	1001142736	1	Beacon Harness (Not Shown - See ELECTRICAL SECTION for Breakdown)	
11	1001200910	1	Light, Beacon	
11	4460897	1	Receptacle, Female - 2 Position	
11	4460943	2	Pin, Male	
13	3311005	2	Nut #10	
14	3911010	2	Screw #10 x 5/8	
15	4711000	4	Washer #10	
16	2540020	1	Grommet, Insulation	

Go to Discount-Equipment.com to order your parts

## SECTION 2 - TURNTABLE

FIGURE 2-43. BEACON LIGHT INSTALLATION - BLUE (SN 0300259127 to Present)



ART\_1001242851



**SECTION 2 - TURNTABLE**

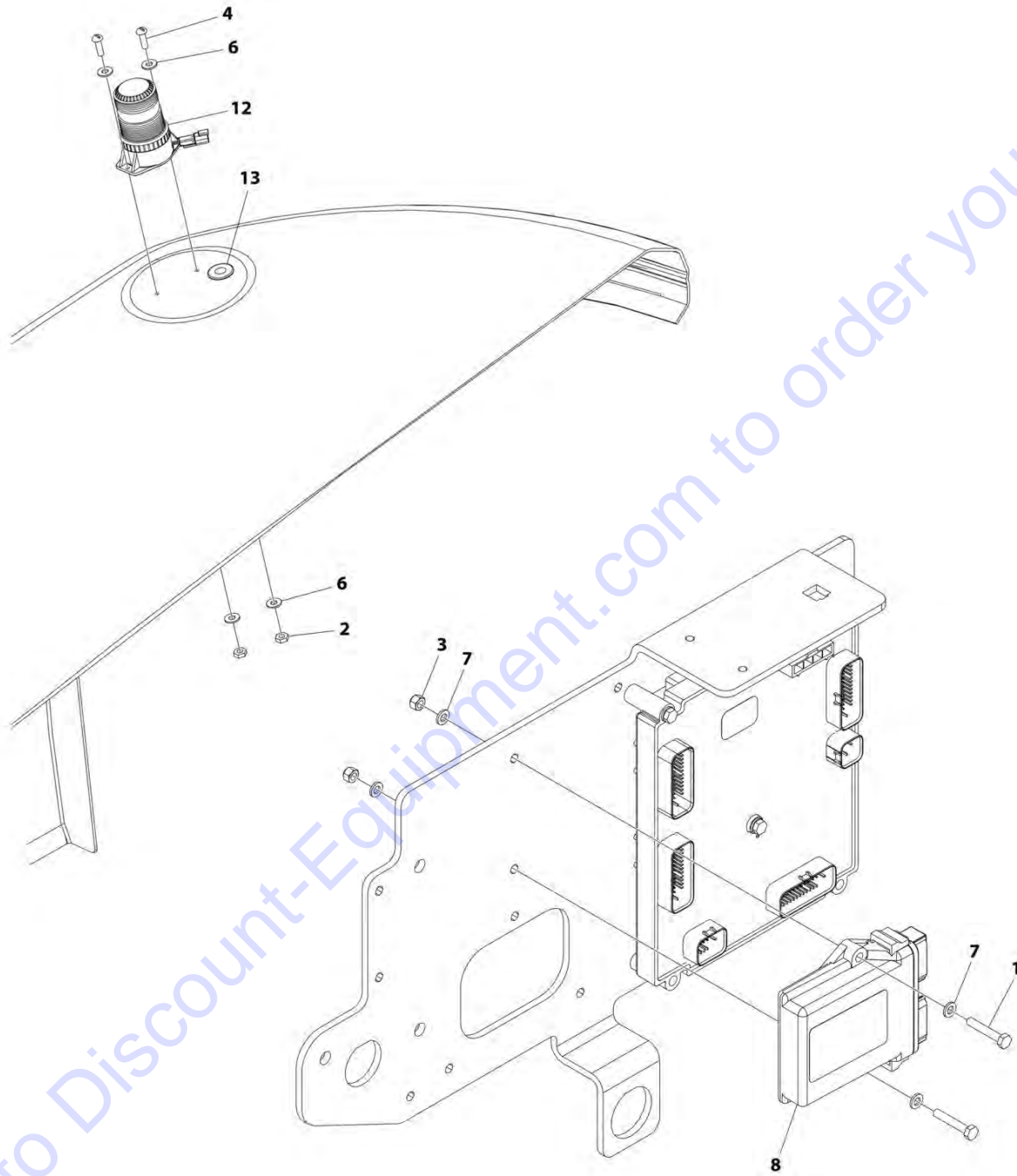
**FIGURE 2-43. BEACON LIGHT INSTALLATION - BLUE (SN 0300259127 to Present)**

ITEM	PART NUMBER	QTY	DESCRIPTION	REV
	1001242851	Ref	BEACON LIGHT INSTALLATION - BLUE	A
1	0760615	2	Bolt M6 x 35	
2	2540020	1	Grommet, Insulation	
3	3290605	2	Nut M6	
4	3311005	2	Nut #10	
5	3911010	2	Screw #10 x 5/8	
6	4240099	AR	Tie-Strap (Not Shown)	
7	4711000	4	Washer #10	
8	4811700	4	Washer M6	
9	1001142683	1	Control Module (Note: Re-calibration Required when Replaced)	
10	1001142736	1	Beacon Harness (Not Shown - See Separate Breakdown in ELECTRICAL SECTION)	
11	1001200910	1	Light, Beacon	
11	4460897	1	Receptacle, Female - 2 Position	
11	4460943	2	Pin, Male	

Go to Discount-Equipment.com to order your parts

## SECTION 2 - TURNTABLE

FIGURE 2-44. BEACON LIGHT INSTALLATION - RED (SN 0300203771 through 0300259126, SN E300000100 to Present)



ART\_1001207316

**SECTION 2 - TURNTABLE**

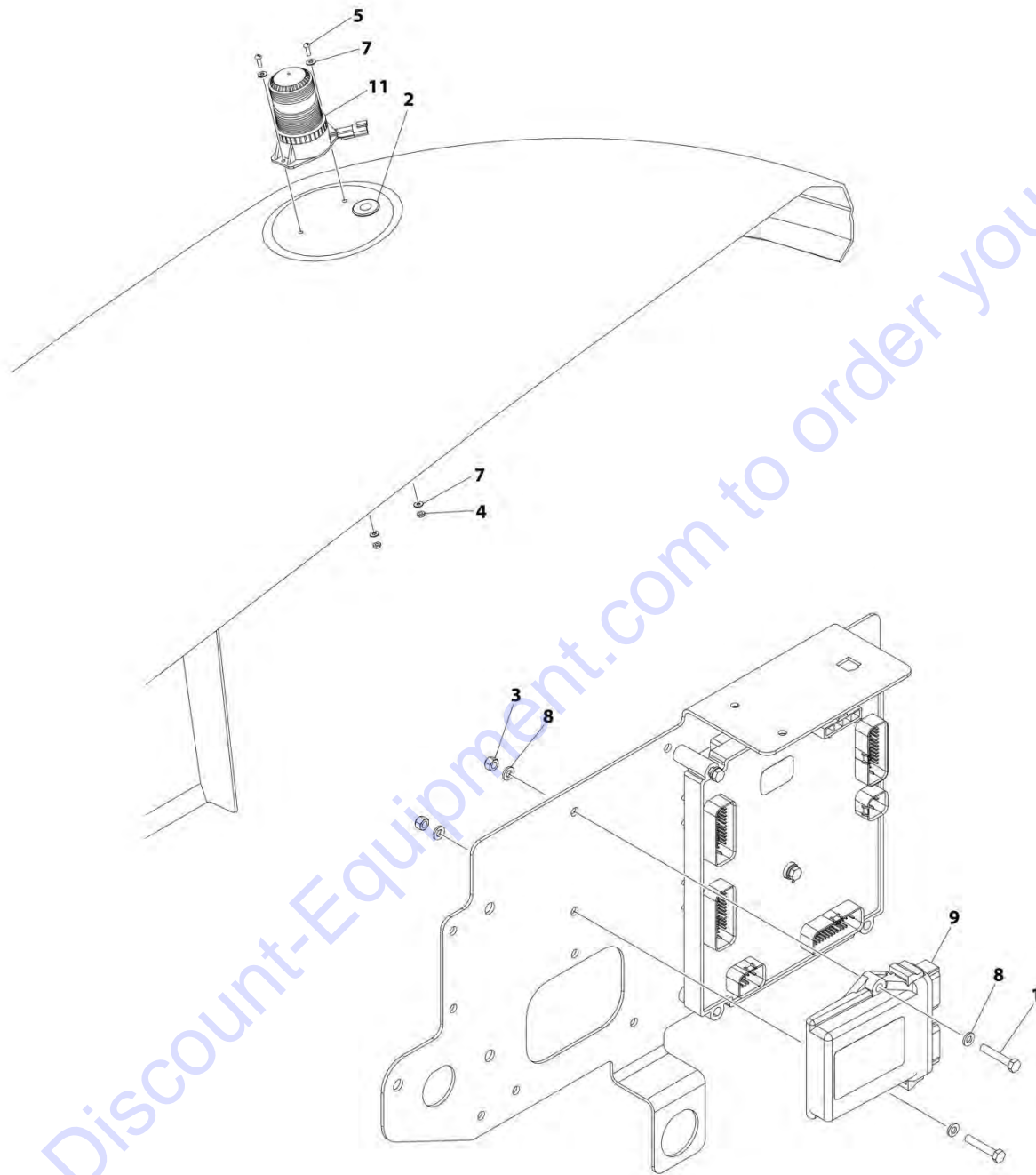
**FIGURE 2-44. BEACON LIGHT INSTALLATION - RED (SN 0300203771 through 0300259126, SN E300000100 to Present)**

ITEM	PART NUMBER	QTY	DESCRIPTION	REV
	1001207316	Ref	BEACON LIGHT INSTALLATION - RED	D
1	0760615	2	Bolt M6 x 35	
2	3311005	2	Nut #10	
3	3290605	2	Nut M6	
4	3911010	2	Screw #10 x 5/8	
5	4240099	AR	Tie, Wire (Not Shown)	
6	4711000	4	Washer #10	
7	4811700	4	Washer M6	
8	1001142683	1	Control Module (Note: Re-calibration Required when Replaced)	
9	1001142736	1	Beacon Harness (Not Shown - See ELECTRICAL SECTION for Breakdown)	
12	1001207004	1	Light, Red Beacon	
12	4460897	1	Receptacle, Female - 2 Position	
12	4460943	2	Pin, Male	
13	2540020	1	Grommet, Insulation	

Go to Discount-Equipment.com to order your parts

## SECTION 2 - TURNTABLE

FIGURE 2-45. BEACON LIGHT INSTALLATION - RED (SN 0300259127 to Present)



ART\_1001242852

**SECTION 2 - TURNTABLE**

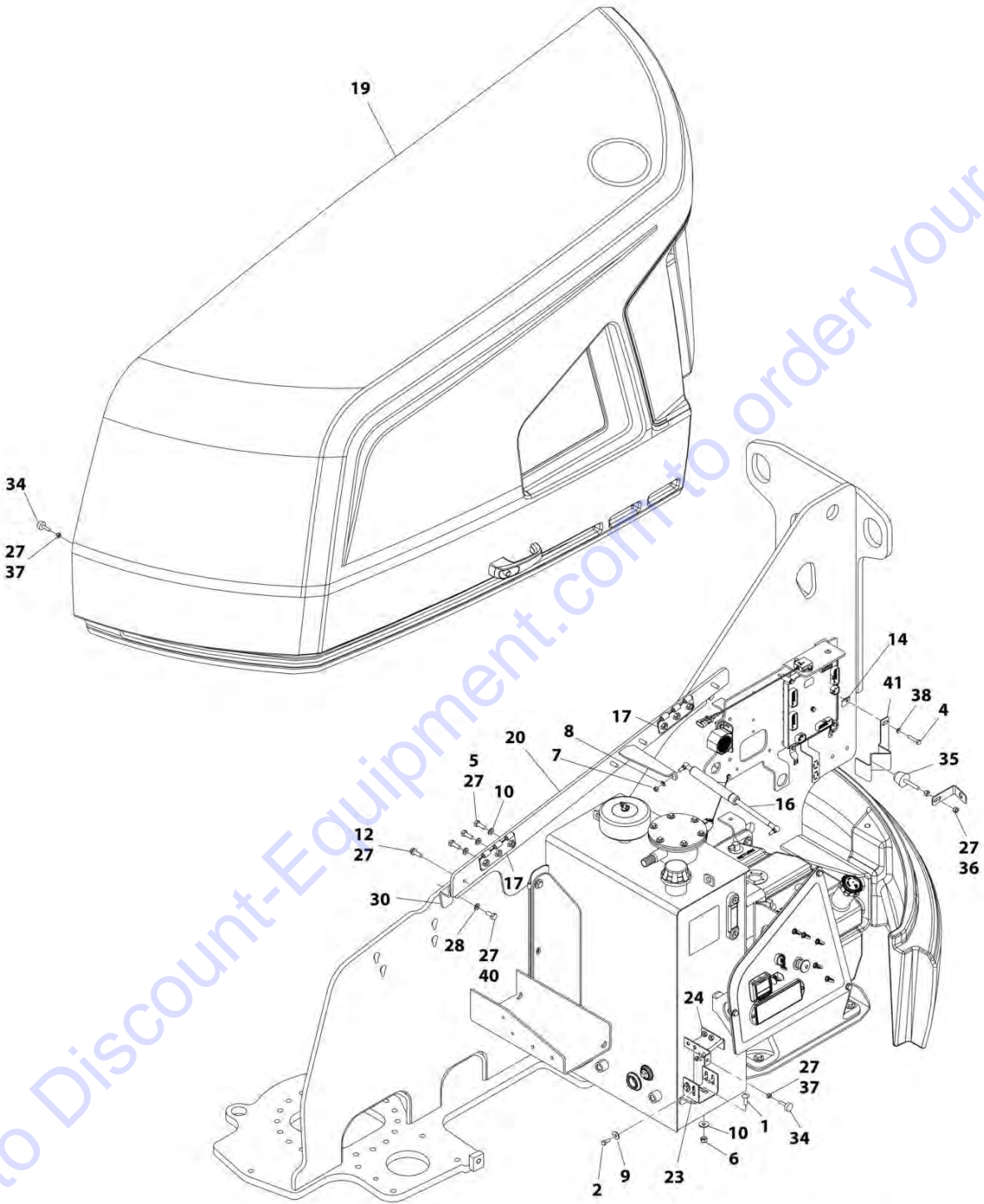
**FIGURE 2-45. BEACON LIGHT INSTALLATION - RED (SN 0300259127 to Present)**

ITEM	PART NUMBER	QTY	DESCRIPTION	REV
	1001242852	Ref	BEACON LIGHT INSTALLATION - RED	A
1	0760615	2	Bolt M6 x 35	
2	2540020	1	Grommet, Insulation	
3	3290605	2	Nut M6	
4	3311005	2	Nut #10	
5	3911010	2	Screw #10 x 5/8	
6	4240099	AR	Tie-Strap (Not Shown)	
7	4711000	4	Washer #10	
8	4811700	4	Washer M6	
9	1001142683	1	Control Module (Note: Re-calibration Required when Replaced)	
10	1001142736	1	Beacon Harness (Not Shown - See Separate Breakdown in ELECTRICAL SECTION)	
11	1001207004	1	Light, Red Beacon	
11	4460897	1	Receptacle, Female - 2 Position	
11	4460943	2	Pin, Male	

Go to Discount-Equipment.com to order your parts

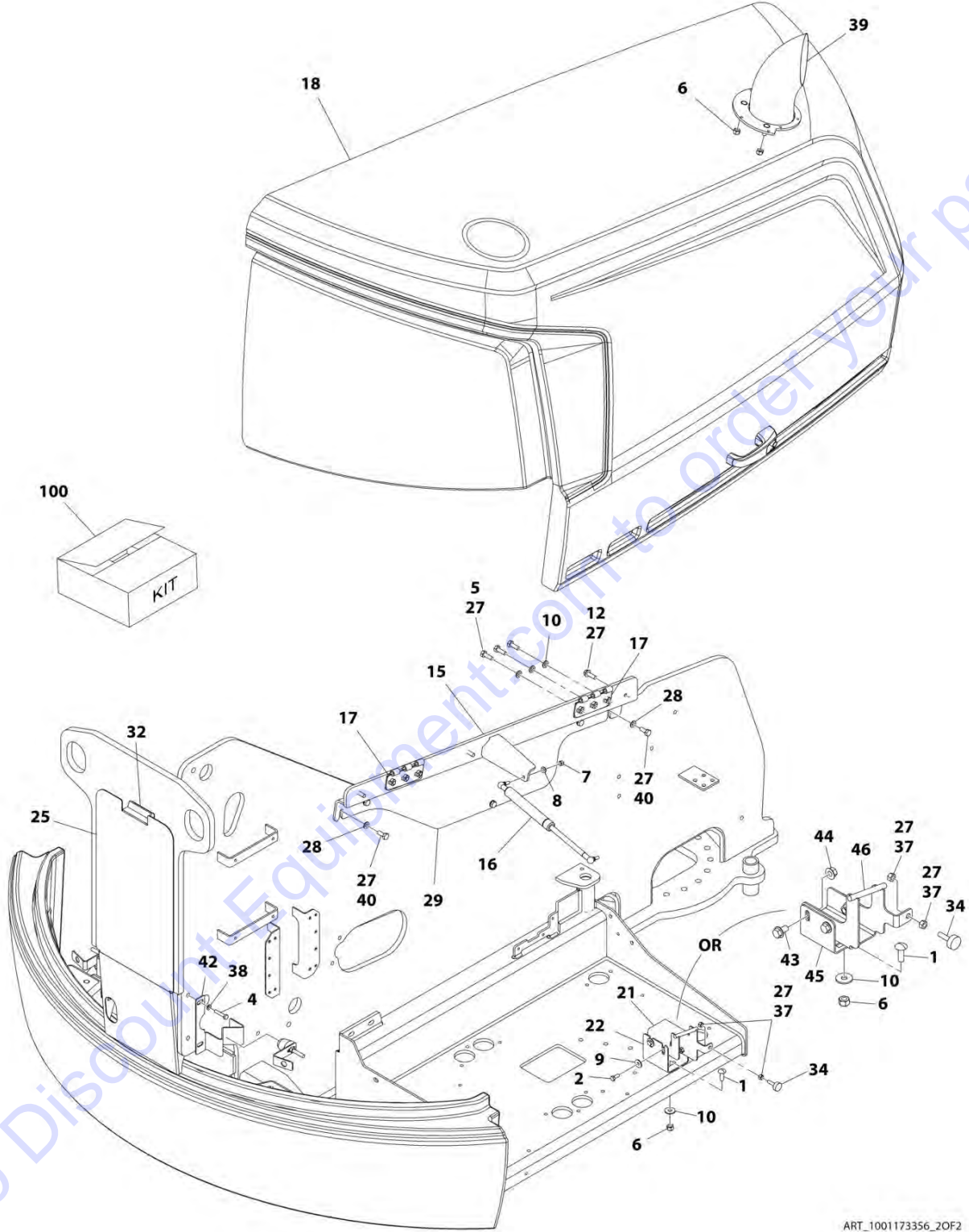
## SECTION 2 - TURNTABLE

FIGURE 2-46. HOOD INSTALLATION - ABS (DEUTZ & GM ENGINES)



ART\_1001173356\_10F2

SECTION 2 - TURNTABLE



ART\_1001173356\_20F2

## SECTION 2 - TURNTABLE

FIGURE 2-46. HOOD INSTALLATION - ABS (DEUTZ & GM ENGINES)

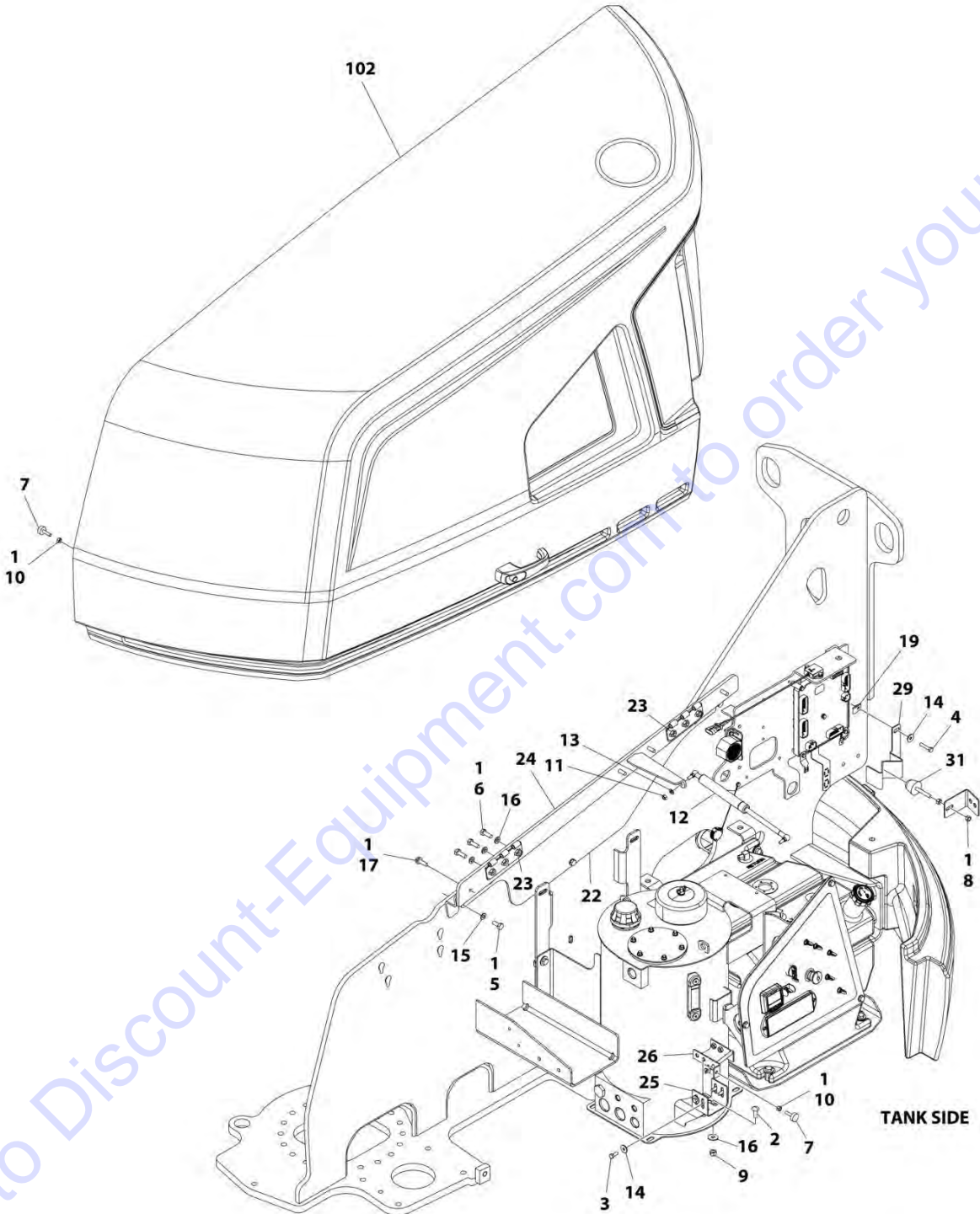
ITEM	PART NUMBER	QTY	DESCRIPTION	REV
	1001173356	Ref	HOOD INSTALLATION	J
1	0630613	4	Bolt M10 x 30	
2	0760810	AR	Bolt M8 x 20	
4	0760816	4	Bolt M8 x 40	
5	0761014	12	Bolt M10 x 30	
6	3291005	7	Nut M10	
7	3311505	2	Nut 5/16	
8	4711500	2	Washer 5/16	
9	4811902	8	Washer M8	
10	4812002	16	Washer M10	
12	5251014	8	Bolt M10 x 30	
14	1001149160	4	Nut, Tinnerman M8	
15	1001167159	1	Mount, Adjustment	
16	4160182	2	Spring, Gas	
17	1001169046	4	Nut	
18	1001170551	1	Hood Assembly - Engine Side (See HOOD ASSEMBLY - ENGINE SIDE for Breakdown)	
19	1001170552	1	Hood Assembly - Tank Side (See HOOD ASSEMBLY - TANK SIDE for Breakdown)	
20	1001170850	1	Mount, Adjustment	
21	1001172613	1	Support (SN 0300203771 through 0300226843, SN E300000100 through E300004185)	
22	1001172614	1	Mount, Latch (SN 0300203771 through 0300226843, SN E300000100 through E300004185)	
23	1001172615	1	Mount, Latch	
24	1001172617	1	Support	
25	1001173354	1	Cover	
27	0100011	AR	Compound, Locking	
28	4812000	10	Washer M10	
29	1001165060	1	Plate	
30	1001168173	1	Mount, Hinge	
32	90200755	AR	Tape, Gasket	
34	0940049	4	Stopper	
35	0940071	2	Bumper (SN 0300203771 through 0300214760, SN E300000100 through E300003114)	
35	1001206314	2	Bumper (SN 0300214761 to Present, SN E300003115 to Present, SN 1300007289 through 130007393)	
36	3271601	4	Nut 3/8	
37	3311501	8	Nut 5/16	
38	4811900	AR	Washer M8	
39	1001174098	1	Outlet, Exhaust	
40	0761012	10	Bolt M10 x 25	
41	1001199207	1	Bracket, Bumper	
42	1001199901	1	Bracket, Bumper	
43	5251009	AR	Bolt M10 x 18	
44	5261000	AR	Nut M10	
45	1001223078	1	Mount, Hood Latch (SN 0300226844 to Present, SN E300004186 to Present, SN 1300007289 through 130007393)	
46	1001223161	1	Support, Striker (SN 0300226844 to Present, SN E300004186 to Present, SN 1300007289 through 130007393)	
100	1001202298	1	Hood Kit (Includes Items 18 & 19)	





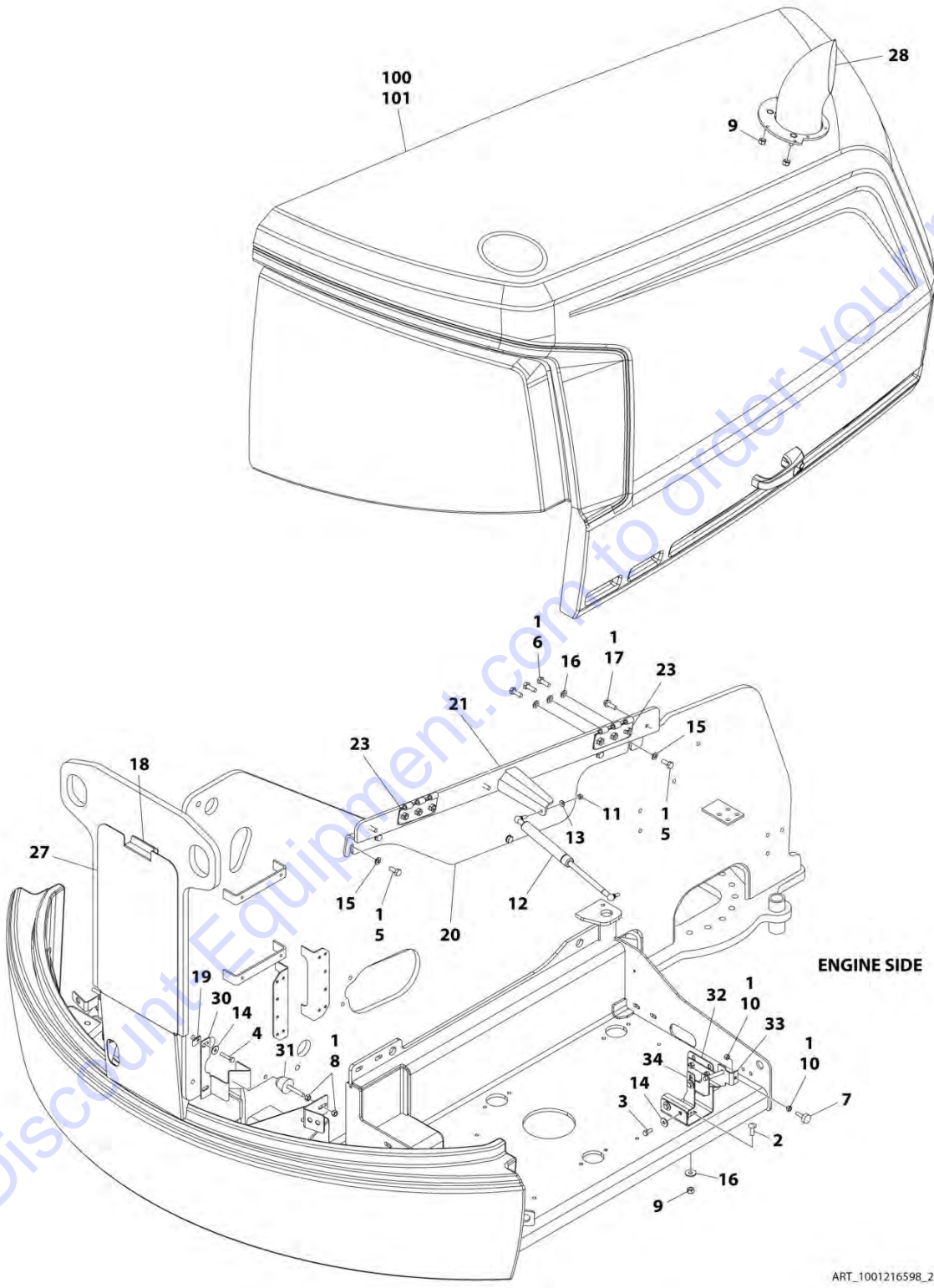
# SECTION 2 - TURNTABLE

## FIGURE 2-47. HOOD INSTALLATION - ABS (KUBOTA ENGINES)



ART\_1001216598\_10F2

SECTION 2 - TURNTABLE



ART\_1001216598\_ZOF2

## SECTION 2 - TURNTABLE

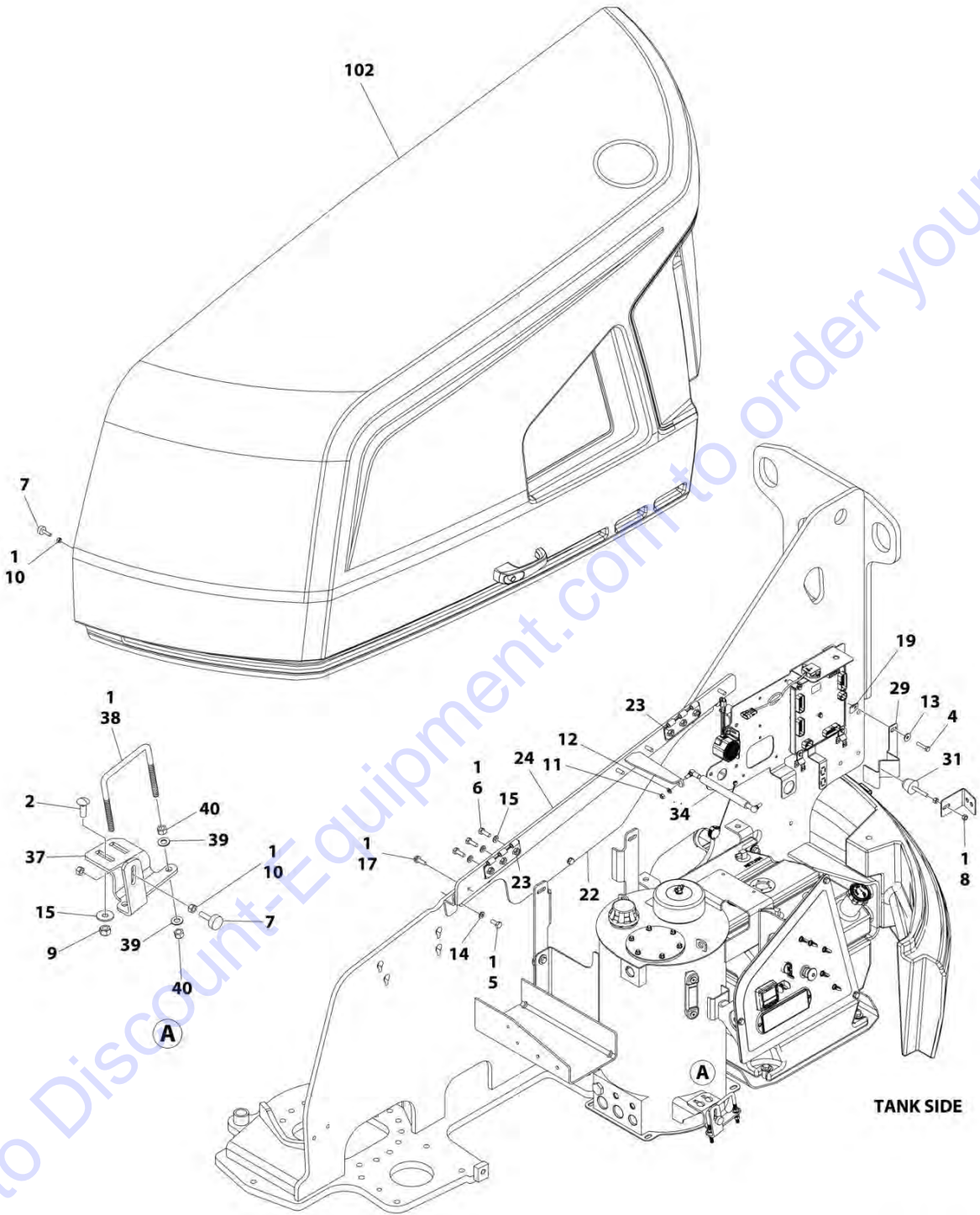
FIGURE 2-47. HOOD INSTALLATION - ABS (KUBOTA ENGINES)

ITEM	PART NUMBER	QTY	DESCRIPTION	REV
	1001216598	Ref	KUBOTA HOOD INSTALLATION	A
1	0100011	AR	Compound, Locking	
2	0630613	4	Bolt M10 x 30	
3	0760810	9	Bolt M8 x 20	
4	0760816	4	Bolt M8 x 40	
5	0761012	10	Bolt M10 x 25	
6	0761014	12	Bolt M10 x 30	
7	0940049	4	Stopper	
8	3271601	4	Nut 3/8	
9	3291005	7	Nut M10	
10	3311501	8	Nut 5/16	
11	3311505	2	Nut 5/16	
12	4160182	2	Spring, Gas	
13	4711500	2	Washer 5/16	
14	4811902	13	Washer M8	
15	4812000	10	Washer M10	
16	4812002	16	Washer M10	
17	5251014	8	Bolt M10 x 30	
18	90200755	AR	Tape, Gasket	
19	1001149160	4	Nut, Tinnerman M8	
20	1001165060	1	Plate	
21	1001167159	1	Mount, Adjustment	
22	1001168173	1	Mount, Hinge	
23	1001169046	4	Nut	
24	1001170850	1	Mount, Adjustment	
25	1001172615	1	Mount, Latch	
26	1001172617	1	Support	
27	1001173354	1	Cover	
28	1001174098	1	Outlet, Exhaust	
29	1001199207	1	Bracket, Bumper	
30	1001199901	1	Bracket, Bumper	
31	1001206314	2	Bumper	
32	1001215634	1	Mount, Hood Latch	
33	1001216325	1	Support, Striker Weldment	
34	1001216326	1	Mount, Hood Latch Weldment	
100	1001202298	1	Hood Kit (Includes Items 101 & 102)	
101	1001170551	1	Hood Assembly - Engine Side (See HOOD ASSEMBLY - ENGINE SIDE for Breakdown)	
102	1001170552	1	Hood Assembly - Tank Side (See HOOD ASSEMBLY - TANK SIDE for Breakdown)	



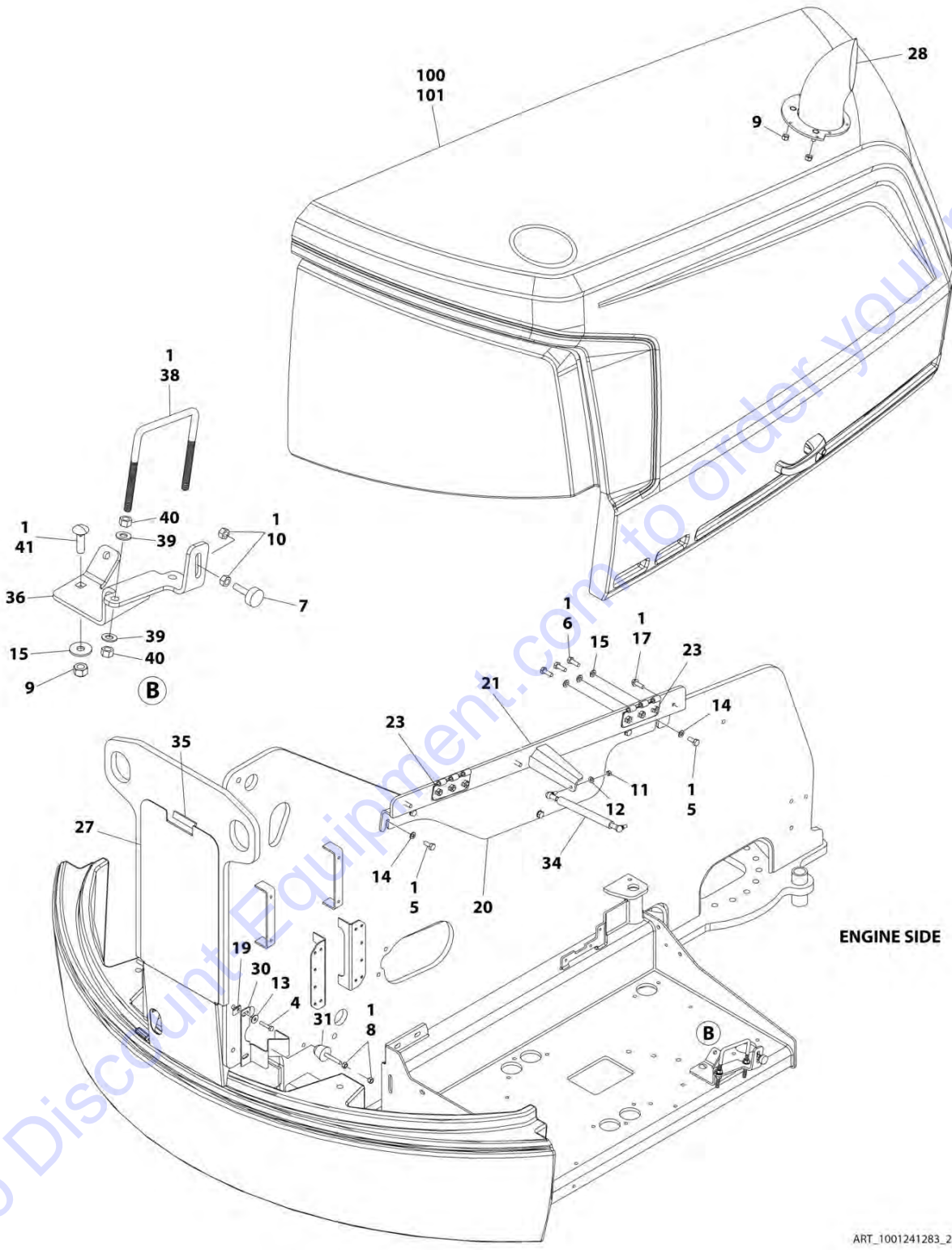
# SECTION 2 - TURNTABLE

## FIGURE 2-48. HOOD INSTALLATION - ABS (KUBOTA ENGINES) (CE SPECS)



ART\_1001241283\_10F2

SECTION 2 - TURNTABLE



ART\_1001241283\_2OF2

## SECTION 2 - TURNTABLE

FIGURE 2-48. HOOD INSTALLATION - ABS (KUBOTA ENGINES) (CE SPECS)

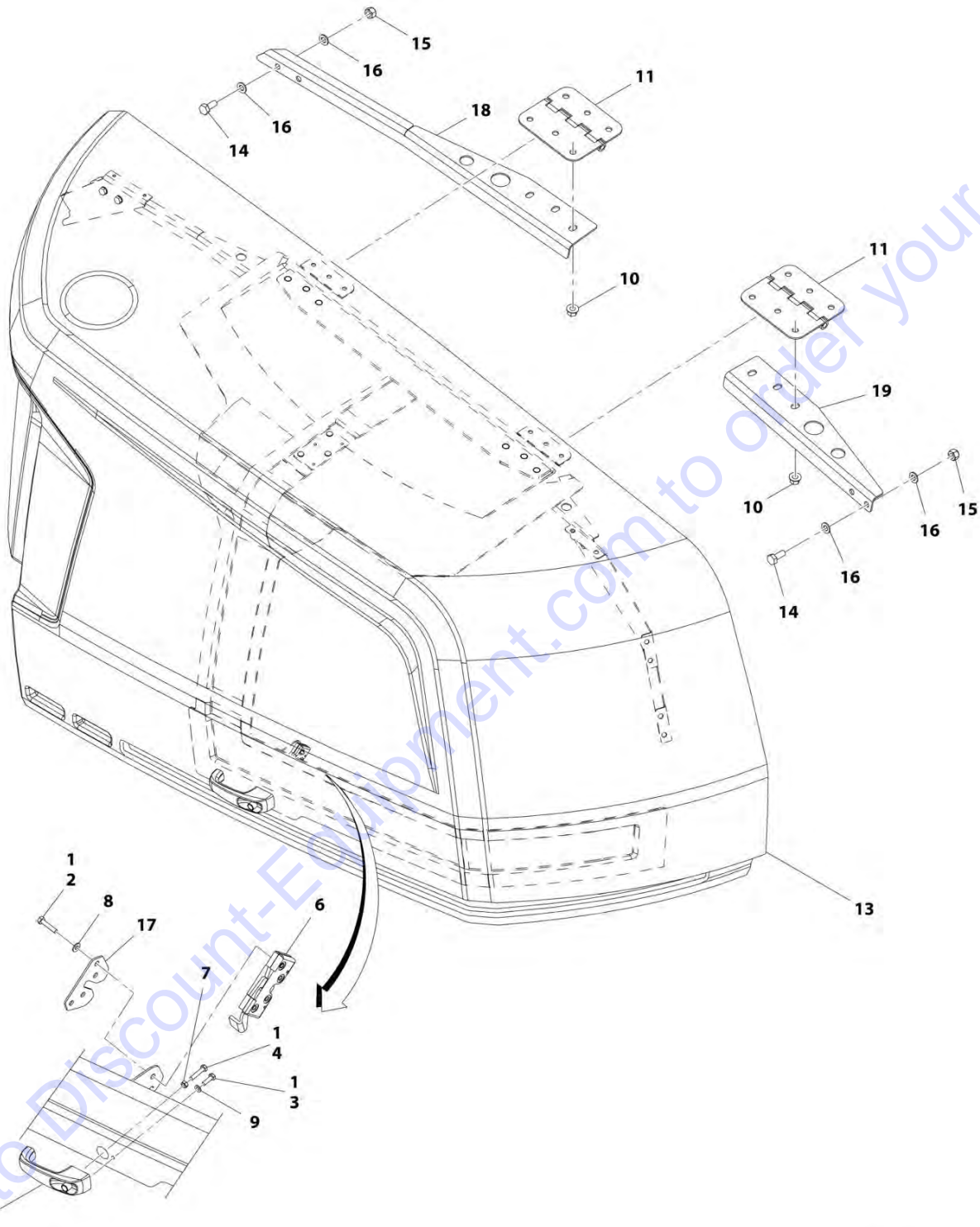
ITEM	PART NUMBER	QTY	DESCRIPTION	REV
	1001241283	Ref	KUBOTA HOOD INSTALLATION	B
1	0100011	AR	Compound, Locking	
2	0630613	2	Bolt M10 x 30	
4	0760816	4	Bolt M8 x 40	
5	0761012	10	Bolt M10 x 25	
6	0761014	12	Bolt M10 x 30	
7	0940049	4	Stopper	
8	3271601	4	Nut 3/8	
9	3291005	7	Nut M10 x 1.5	
10	3311501	8	Nut 5/16	
11	3311505	2	Nut 5/16	
12	4711500	2	Washer 5/16	
13	4811902	4	Washer M8	
14	4812000	10	Washer M10	
15	4812002	16	Washer M10	
17	5251014	8	Bolt, M10 x 30	
19	1001149160	4	Nut, Tinnerman M8	
20	1001165060	1	Plate	
21	1001167159	1	Mount, Adjustment	
22	1001168173	1	Mount, Hinge	
23	1001169046	4	Nut	
24	1001170850	1	Mount, Adjustment	
27	1001173354	1	Cover	
28	1001174098	1	Outlet, Exhaust	
29	1001199207	1	Bracket, Bumper	
30	1001199901	1	Bracket, Bumper	
31	1001206314	2	Bumper	
34	4160182	2	Spring, Gas	
35	90200755	AR	Tape, Gasket	
36	1001250287	1	Bracket	
37	1001250289	1	Bracket	
38	1001243414	2	Bolt 3/8 x 4 x 4 5/8	
39	4711600	8	Washer 3/8	
40	3311601	8	Nut 3/8	
41	1001228406	2	Bolt M10 x 35	
100	1001241288	1	Hood Kit (Includes Items 101 & 102)	
101	1001241291	1	Hood Assembly - Engine Side (See Separate Breakdown in this Section)	
102	1001241292	1	Hood Assembly - Tank Side (See Separate Breakdown in this Section)	





# SECTION 2 - TURNTABLE

## FIGURE 2-49. ABS HOOD ASSEMBLY - ENGINE SIDE



ART\_1001170551

## SECTION 2 - TURNTABLE

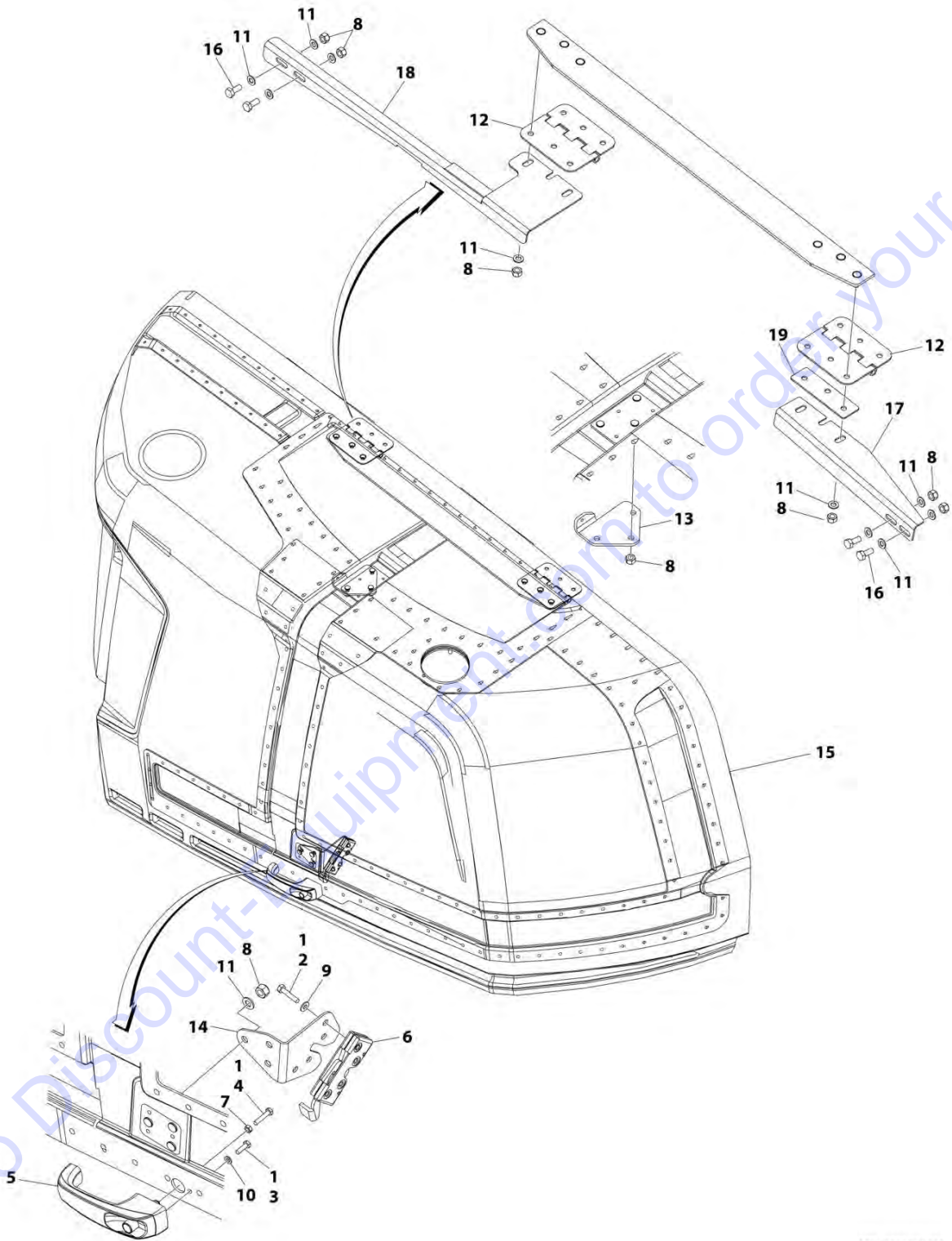
**FIGURE 2-49. ABS HOOD ASSEMBLY - ENGINE SIDE**

ITEM	PART NUMBER	QTY	DESCRIPTION	REV
	1001170551	Ref	HOOD ASSEMBLY - ENGINE SIDE	F
1	0100011	AR	Compound, Locking	
2	0641410	4	Bolt 1/4 x 1-1/4	
3	0760610	2	Bolt M6 x 20	
4	0760614	1	Bolt M6 x 30	
5	2560187	1	Handle, Push Button	
6	2940173	1	Latch, Rotary	
7	3290601	1	Nut M6	
8	4711400	4	Washer 1/4	
9	4811700	2	Washer M6	
10	5261018	6	Nut M10 Grade 10.9	
11	1001139384	2	Hinge	
13	1001173461	1	Hood - Engine Side, Bonded Assembly	
14	0761012	4	Bolt M10 x 25	
15	3291005	4	Nut M10	
16	4812000	8	Washer M10	
17	1001200458	1	Plate	
18	1001201636	1	Hood Support	
19	1001201635	1	Hood Support	

Go to Discount-Equipment.com to order your parts

# SECTION 2 - TURNTABLE

## FIGURE 2-50. ABS HOOD ASSEMBLY - ENGINE SIDE (CE SPEC)



ART\_1001241291

**SECTION 2 - TURNTABLE**

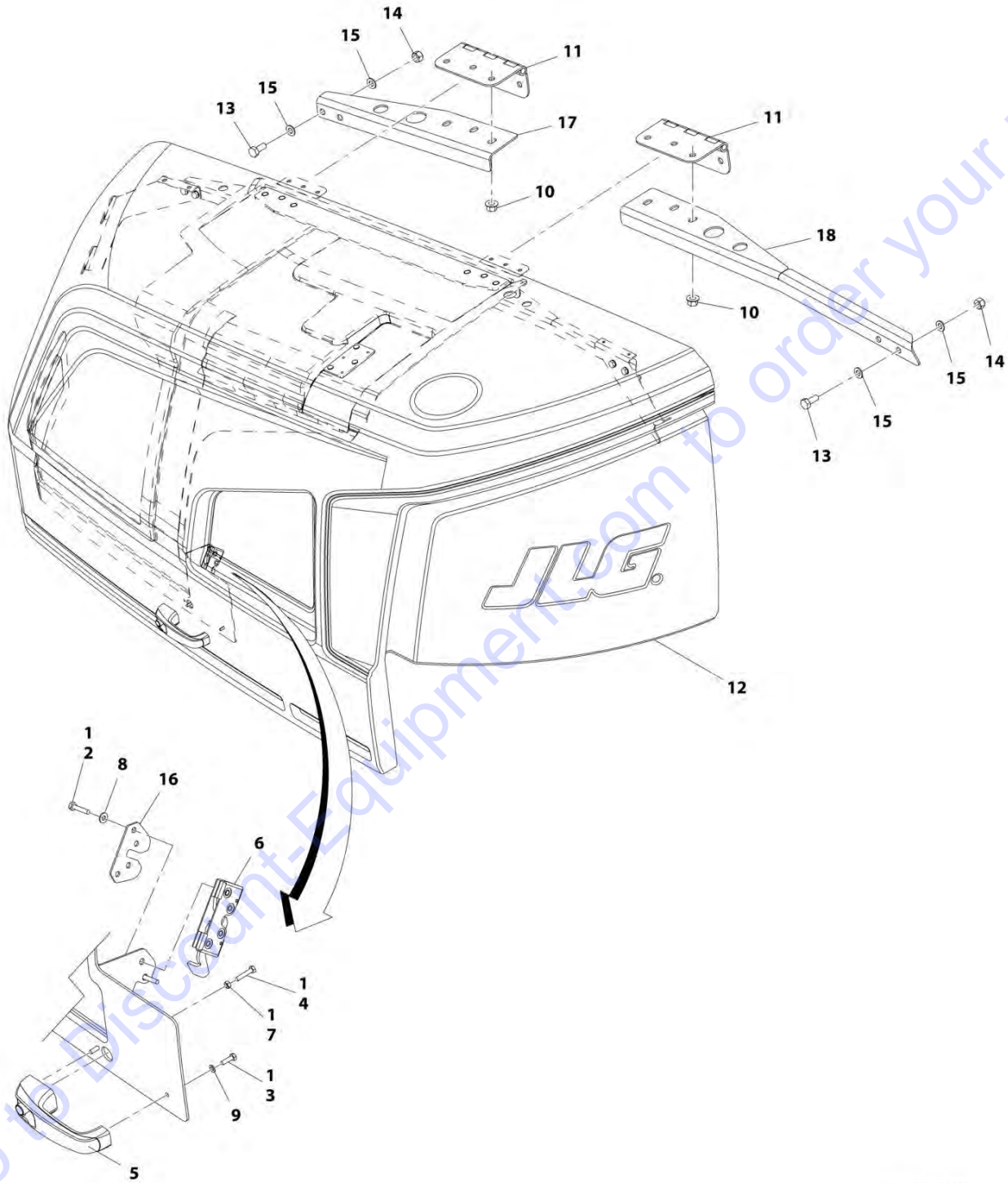
**FIGURE 2-50. ABS HOOD ASSEMBLY - ENGINE SIDE (CE SPEC)**

ITEM	PART NUMBER	QTY	DESCRIPTION	REV
	1001241291	Ref	HOOD ASSEMBLY - ENGINE SIDE	B
1	0100011	AR	Compound, Locking	
2	0641410	4	Bolt 1/4 x 1-1/4	
3	0760610	2	Bolt M6 x 20	
4	0760614	1	Bolt M6 x 30	
5	2560187	1	Handle, Push Button	
6	2940173	1	Latch, Rotary	
7	3290601	1	Nut M6	
8	3291005	16	Nut M10	
9	4711400	4	Washer 1/4	
10	4811700	2	Washer M6	
11	4812000	17	Washer M10	
12	1001139384	2	Hinge	
13	1001178228	1	Bracket, Engine	
14	1001202830	1	Hood Support	
15	1001241293	1	Hood - Engine Side, Bonded Assembly	
16	0761012	4	Bolt M10 x 25	
17	1001253892	1	Support	
18	1001253896	1	Support	
19	1001253903	1	Plate	

Go to Discount-Equipment.com to order your parts

# SECTION 2 - TURNTABLE

## FIGURE 2-51. ABS HOOD ASSEMBLY - TANK SIDE



ART\_1001170552

## SECTION 2 - TURNTABLE

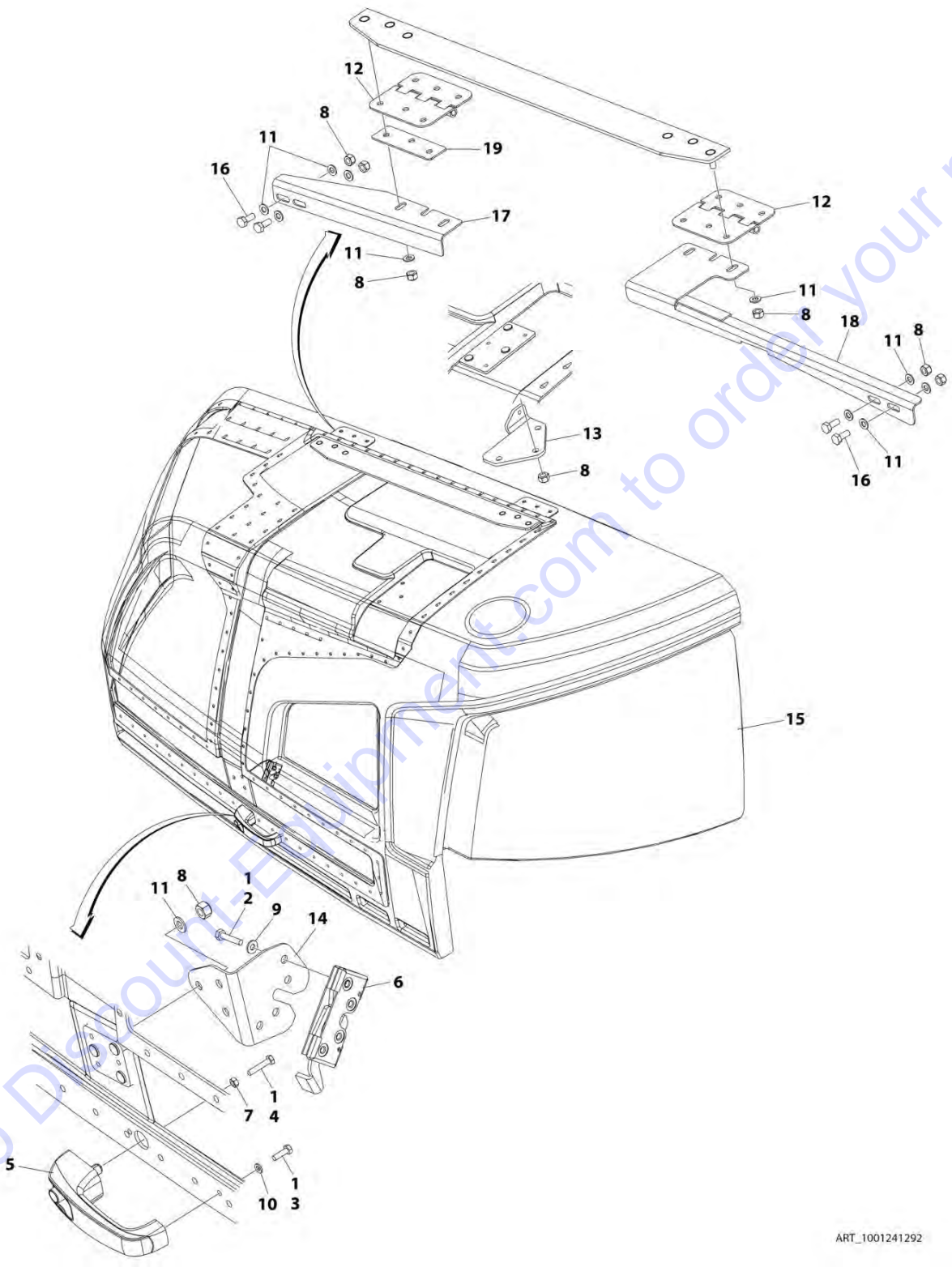
**FIGURE 2-51. ABS HOOD ASSEMBLY - TANK SIDE**

ITEM	PART NUMBER	QTY	DESCRIPTION	REV
	1001170552	Ref	HOOD ASSEMBLY - TANK SIDE	D
1	0100011	AR	Compound, Locking	
2	0641410	4	Bolt 1/4 x 1-1/4	
3	0760610	2	Bolt M6 x 20	
4	0760614	1	Bolt M6 x 30	
5	2560187	1	Handle, Push Button	
6	2940173	1	Latch, Rotary	
7	3290601	1	Nut M6	
8	4711400	4	Washer 1/4	
9	4811700	2	Washer M6	
10	5261018	6	Nut M10 Grade 10.9	
11	1001139384	2	Hinge	
12	1001173466	1	Hood - Engine Side, Bonded Assembly	
13	0761012	4	Bolt M10 x 25	
14	3291005	4	Nut M10	
15	4812000	8	Washer M10	
16	1001200458	1	Plate	
17	1001201633	1	Hood Support	
18	1001201634	1	Hood Support	

Go to Discount-Equipment.com to order your parts

# SECTION 2 - TURNTABLE

## FIGURE 2-52. ABS HOOD ASSEMBLY - TANK SIDE (CE SPEC)



ART\_1001241292



**SECTION 2 - TURNTABLE**

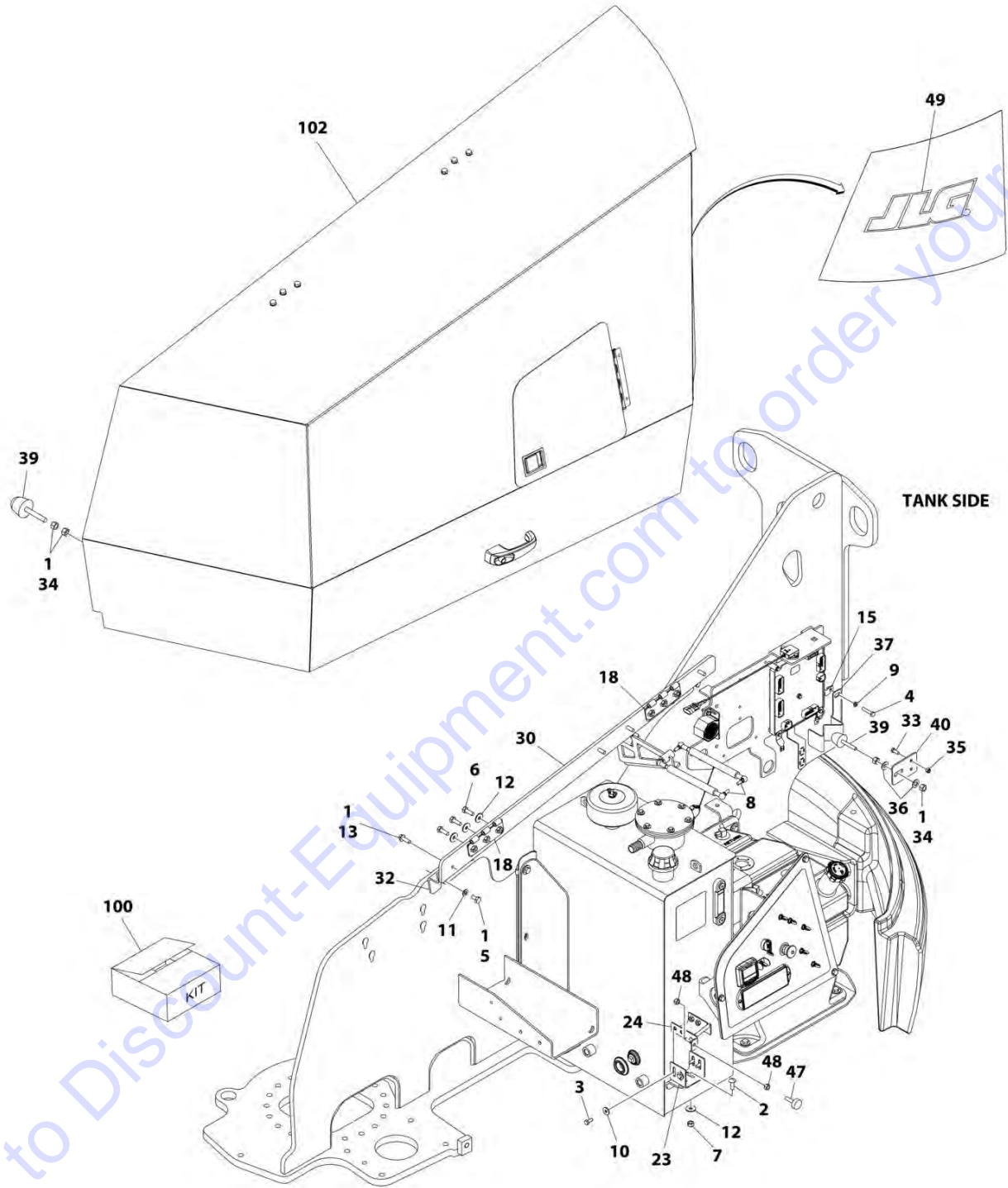
**FIGURE 2-52. ABS HOOD ASSEMBLY - TANK SIDE (CE SPEC)**

ITEM	PART NUMBER	QTY	DESCRIPTION	REV
	1001241292	Ref	HOOD ASSEMBLY - TANK SIDE	B
1	0100011	AR	Compound, Locking	
2	0641410	4	Bolt 1/4 x 1-1/4	
3	0760610	2	Bolt M6 x 20	
4	0760614	1	Bolt M6 x 30	
5	2560187	1	Handle, Push Button	
6	2940173	1	Latch, Rotary	
7	3290601	1	Nut M6	
8	3291005	16	Nut M10	
9	4711400	4	Washer 1/4	
10	4811700	2	Washer M6	
11	4812000	17	Washer M10	
12	1001139384	2	Hinge	
13	1001170475	1	Bracket, Engine	
14	1001202831	1	Hood Support	
15	1001241294	1	Hood - Engine Side, Bonded Assembly	
16	0761012	4	Bolt M10 x 25	
17	1001253893	1	Support	
18	1001253897	1	Support	
19	1001253903	1	Plate	

Go to Discount-Equipment.com to order your parts

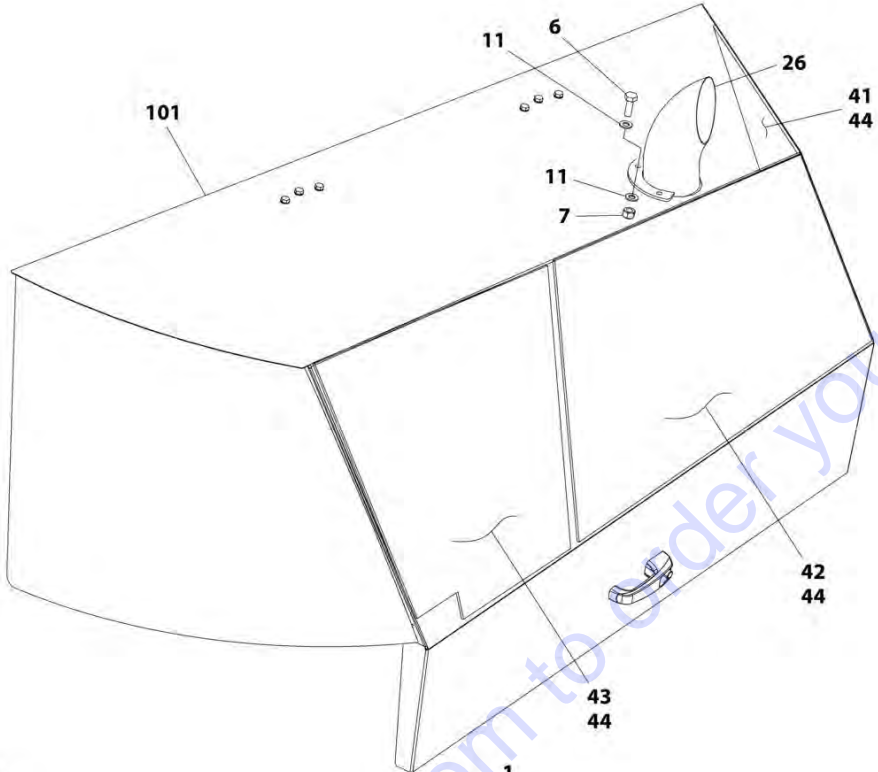
# SECTION 2 - TURNTABLE

## FIGURE 2-53. HOOD INSTALLATION - STEEL

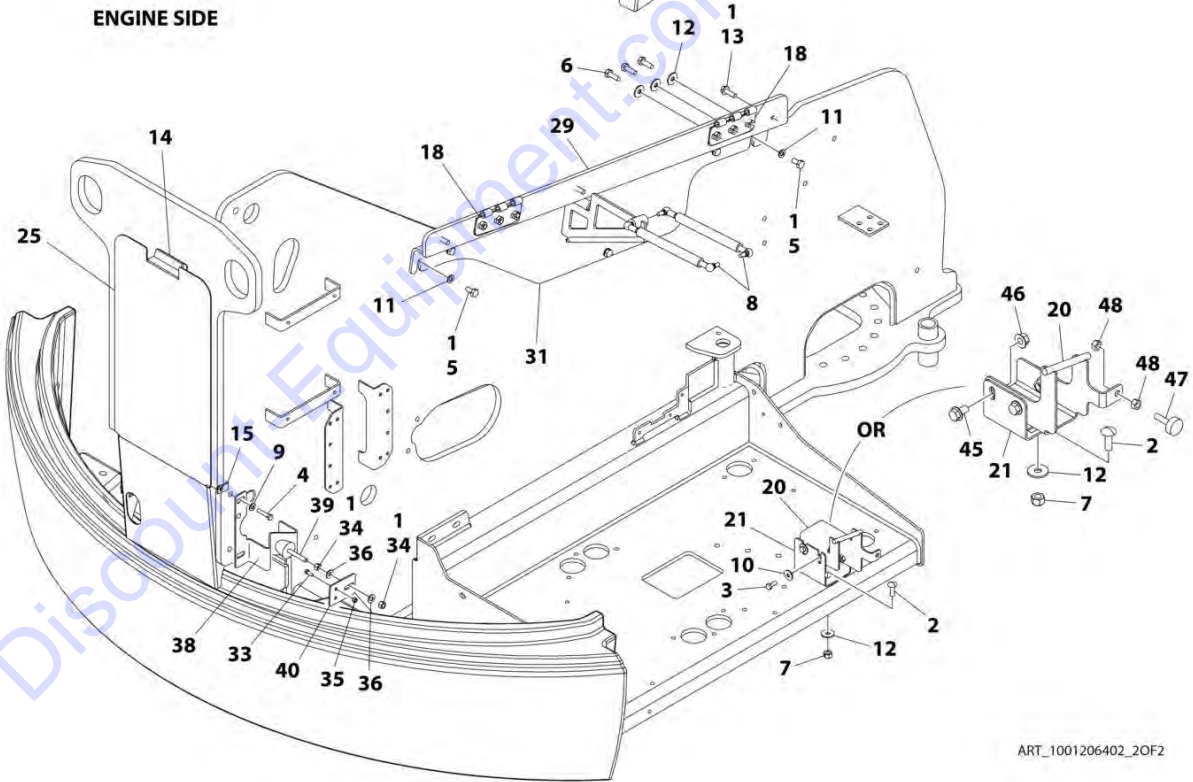


ART\_1001206402\_10F2

SECTION 2 - TURNTABLE



ENGINE SIDE



ART\_1001206402\_20F2

## SECTION 2 - TURNTABLE

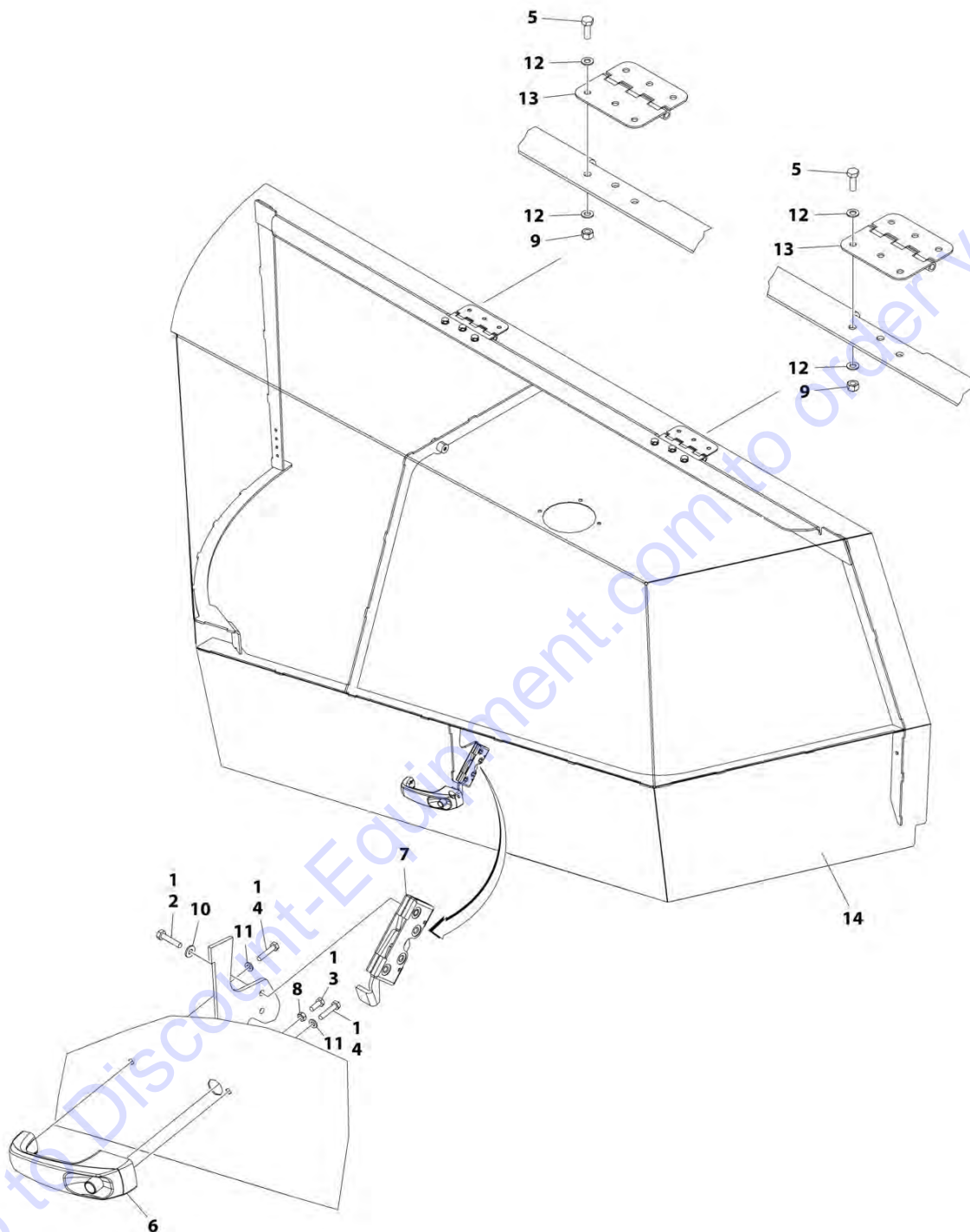
FIGURE 2-53. HOOD INSTALLATION - STEEL

ITEM	PART NUMBER	QTY	DESCRIPTION	REV
	1001206402	Ref	STEEL HOOD INSTALLATION	G
1	0100011	AR	Compound, Locking	
2	0630613	4	Bolt M10 x 30	
3	0760810	4	Bolt M8 x 20	
4	0760816	4	Bolt M8 x 40	
5	0761012	10	Bolt M10 x 25	
6	0761014	15	Bolt M10 x 30	
7	3291005	7	Nut M10	
8	1001167918	4	Spring, Gas	
9	4811900	4	Washer M8	
10	4811902	4	Washer M8	
11	4812000	16	Washer M10	
12	4812002	16	Washer M10	
13	5251012	8	Bolt M10 x 25	
14	90200755	85 mm	Tape, Gasket	
15	1001149160	4	Nut, Tinnerman M8	
18	1001169046	4	Nut	
20	1001223161	1	Support	
21	1001223078	1	Mount, Latch	
23	1001172615	1	Mount, Latch	
24	1001172617	1	Support	
25	1001173354	1	Cover	
26	1001174098	1	Outlet, Exhaust	
29	1001211633	1	Plate	
30	1001211636	1	Plate	
31	1001212819	1	Mount, Hinge	
32	1001212822	1	Mount, Hinge	
33	0760608	4	Bolt M6 x 16	
34	3271601	8	Nut 3/8	
35	3290605	4	Nut M6	
36	4711600	4	Washer 3/8	
37	1001199207	1	Bracket, Bumper	
38	1001199901	1	Bracket, Bumper	
39	1001206314	4	Bumper	
40	1001219134	2	Plate, Bumper Mount	
41	1001222043	1	Insulate, Heat Shield	
42	1001222044	1	Insulate, Heat Shield	
43	1001223387	1	Insulate, Heat Shield	
44	1001117140	AR	Tape	
45	5251009	3	Bolt M10 x 18	
46	5261000	3	Nut M10	
47	0940049	2	Stopper	
48	3311501	4	Nut	
49	1001159323	1	Decal - JLG	
50	1001113047	AR	Adhesive (Not Shown)	
100	1001206403	1	Hood, Kit 400S/460SJ	
101	1001206404	1	Steel Hood Assembly - Engine Side (See STEEL HOOD ASSEMBLY - ENGINE SIDE for Breakdown)	
102	1001206418	1	Steel Hood Assembly - Tank Side (See STEEL HOOD ASSEMBLY - TANK SIDE for Breakdown)	



## SECTION 2 - TURNTABLE

FIGURE 2-54. STEEL HOOD ASSEMBLY - ENGINE SIDE (ANSI EXPORT SPECS)



ART\_1001206404

**SECTION 2 - TURNTABLE**

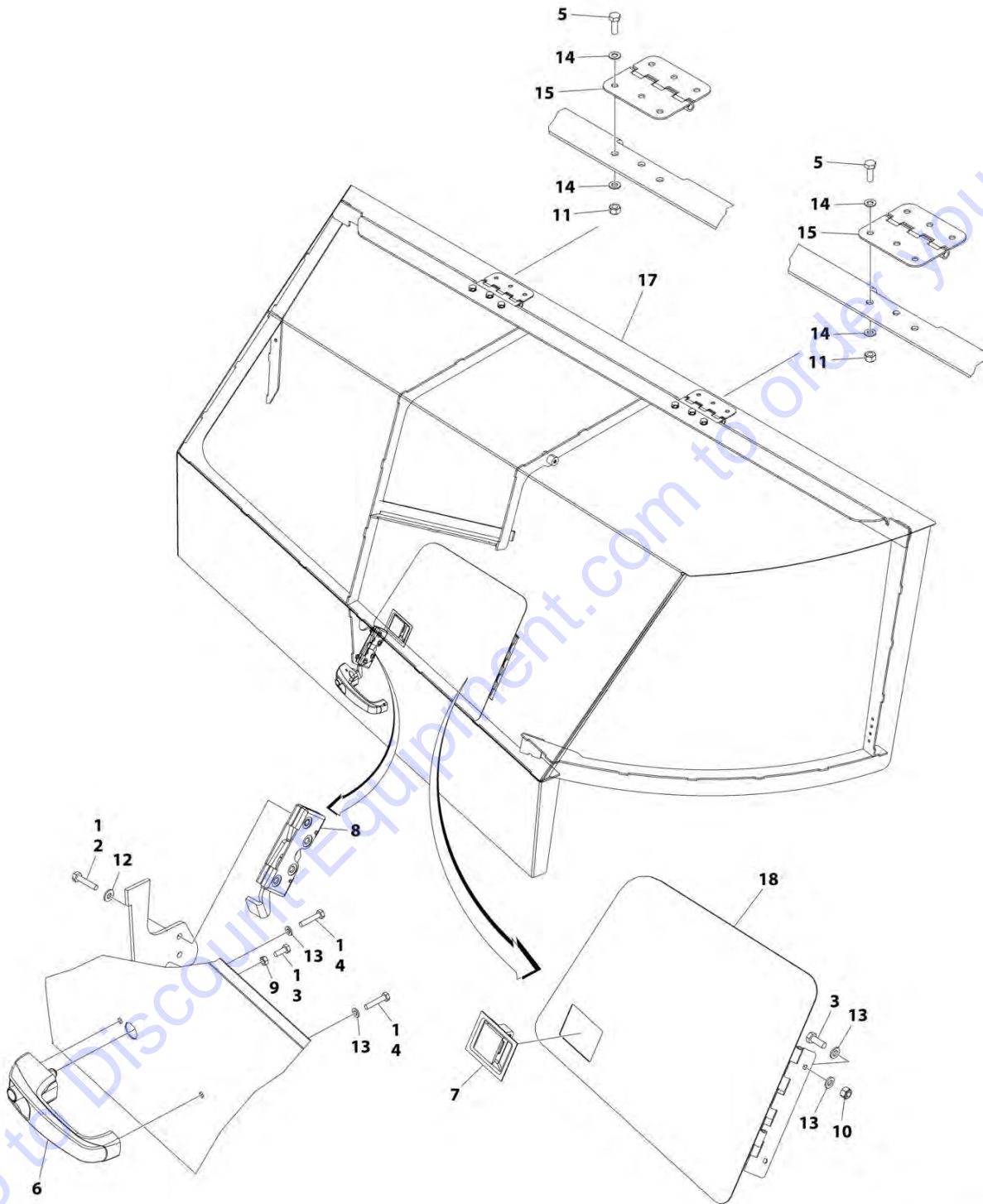
**FIGURE 2-54. STEEL HOOD ASSEMBLY - ENGINE SIDE (ANSI EXPORT SPECS)**

ITEM	PART NUMBER	QTY	DESCRIPTION	REV
	1001206404	Ref	STEEL HOOD ASSEMBLY - ENGINE SIDE (ANSI EXPORT SPECS)	C
1	0100011	AR	Compound, Locking	
2	0641410	4	Bolt 1/4 x 1-1/4	
3	0760608	1	Bolt M6 x 16	
4	0760614	2	Bolt M6 x 30	
5	0761014	6	Bolt M10 x 30	
6	2560187	1	Handle, Push Button	
7	2940173	1	Latch, Rotary	
8	3290601	1	Nut M6	
9	3291005	6	Nut M10	
10	4711400	4	Washer 1/4	
11	4811700	2	Washer M6	
12	4812000	12	Washer M10	
13	1001139384	2	Hinge	
14	1001206405	1	Hood, Engine Side Weldment	

Go to Discount-Equipment.com to order your parts

## SECTION 2 - TURNTABLE

FIGURE 2-55. STEEL HOOD ASSEMBLY - TANK SIDE (ANSI EXPORT SPECS)



ART\_1001206418



**SECTION 2 - TURNTABLE**

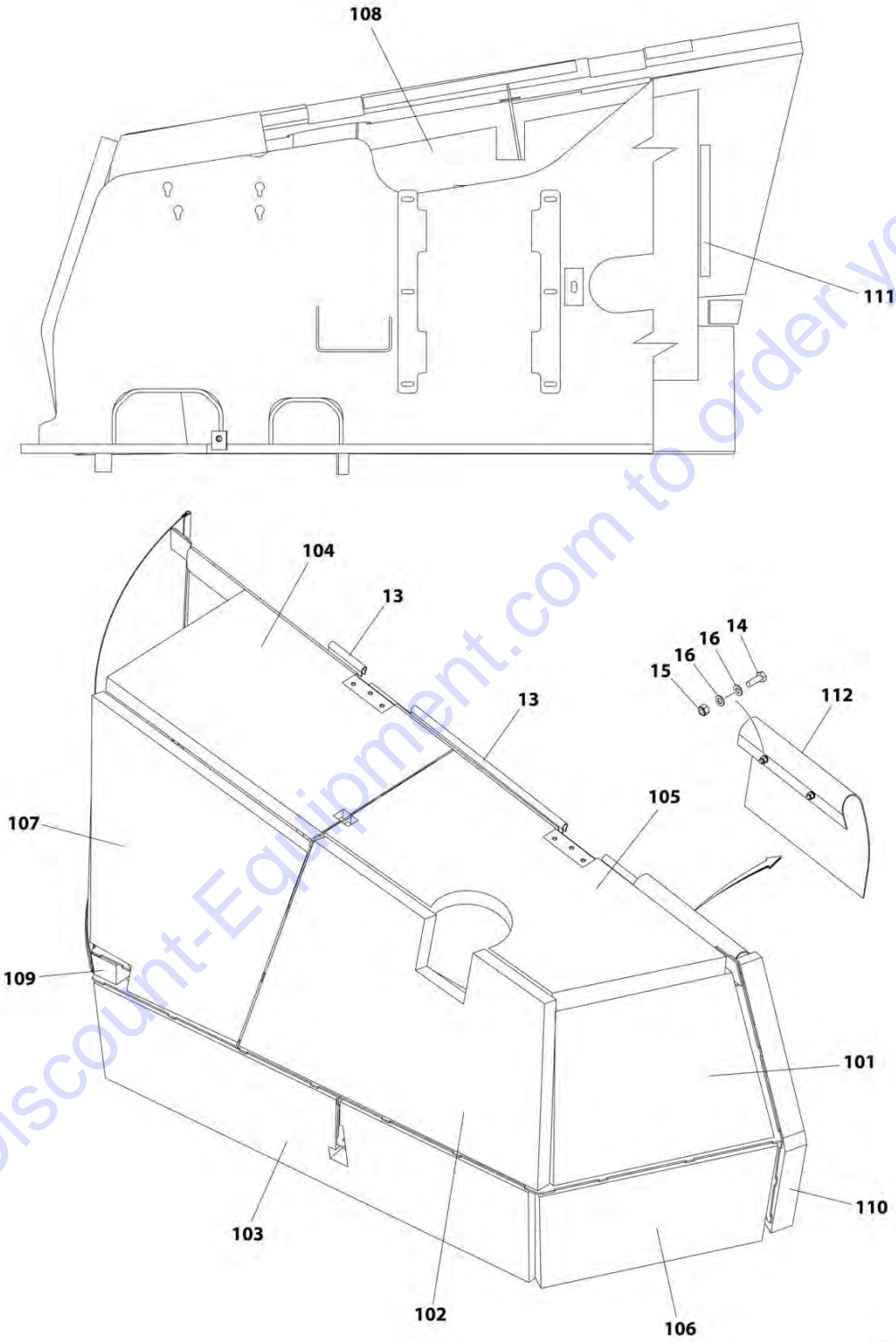
**FIGURE 2-55. STEEL HOOD ASSEMBLY - TANK SIDE (ANSI EXPORT SPECS)**

ITEM	PART NUMBER	QTY	DESCRIPTION	REV
	1001206418	Ref	STEEL HOOD ASSEMBLY - TANK SIDE (ANSI EXPORT SPECS)	C
1	0100011	AR	Compound, Locking	
2	0641410	4	Bolt 1/4 x 1-1/4	
3	0760608	3	Bolt M6 x 16	
4	0760614	2	Bolt M6 x 30	
5	0761014	6	Bolt M10 x 30	
6	2560187	1	Handle, Push Button	
7	2940045	1	Latch, Paddle	
8	2940173	1	Latch, Rotary	
9	3290601	1	Nut M6	
10	3290605	2	Nut M6	
11	3291005	6	Nut M10	
12	4711400	4	Washer 1/4	
13	4811700	6	Washer M6	
14	4812000	12	Washer M10	
15	1001139384	2	Hinge	
17	1001206419	1	Hood, Tank Side Weldment	
18	1001207726	1	Door, Ground Control Panel	

Go to Discount-Equipment.com to order your parts

## SECTION 2 - TURNTABLE

FIGURE 2-56. SOUND REDUCTION INSTALLATION - KUBOTA ENGINE MACHINES WITH STEEL HOODS



ART\_1001233048

**SECTION 2 - TURNTABLE**

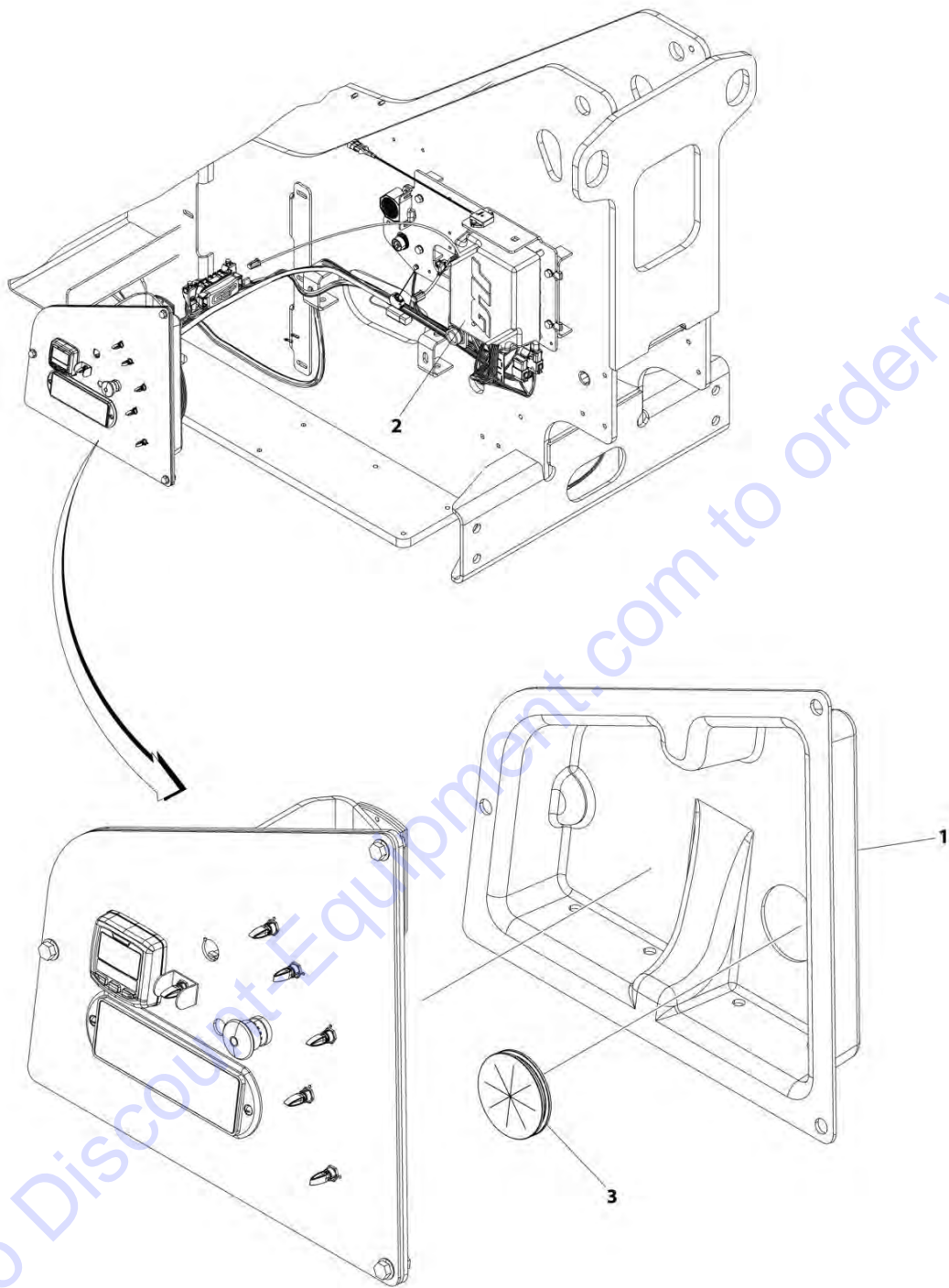
**FIGURE 2-56. SOUND REDUCTION INSTALLATION - KUBOTA ENGINE MACHINES WITH STEEL HOODS**

ITEM	PART NUMBER	QTY	DESCRIPTION	REV
	1001233048	Ref	SOUND REDUCTION INSTALLATION	B
13	3960389	11 ft/ 3.4m	Flex-Trim	
14	0761014	2	Bolt M10 x 30	
15	3291005	2	Nut M10	
16	4812000	4	Washer M10	
100	1001237549	Ref	Sound Insulation Kit (Includes Item 101-112)	
101	1001232907	1	Shield, Sound	
102	1001232908	1	Shield, Sound	
103	1001232913	1	Shield, Sound	
104	1001232915	1	Shield, Sound	
105	1001232916	1	Shield, Sound	
106	1001232917	1	Shield, Sound	
107	1001233075	1	Shield, Sound	
108	1001233076	1	Shield, Sound	
109	1001233077	1	Shield, Sound	
110	1001233412	1	Shield, Sound	
111	1001233413	2	Shield, Sound	
112	1001233436	1	Baffle Rubber	

Go to Discount-Equipment.com to order your parts

## SECTION 2 - TURNTABLE

FIGURE 2-57. TURNTABLE COVERS INSTALLATION



ART\_1001219130

**SECTION 2 - TURNTABLE**

**FIGURE 2-57. TURNTABLE COVERS INSTALLATION**

ITEM	PART NUMBER	QTY	DESCRIPTION	REV
	1001219130	Ref	TURNTABLE COVERS INSTALLATION	A
1	1001218534	1	Cover, Control Panel	
2	1001218538	1	Cover, Controller	
3	1001218676	1	Grommet	

Go to Discount-Equipment.com to order your parts

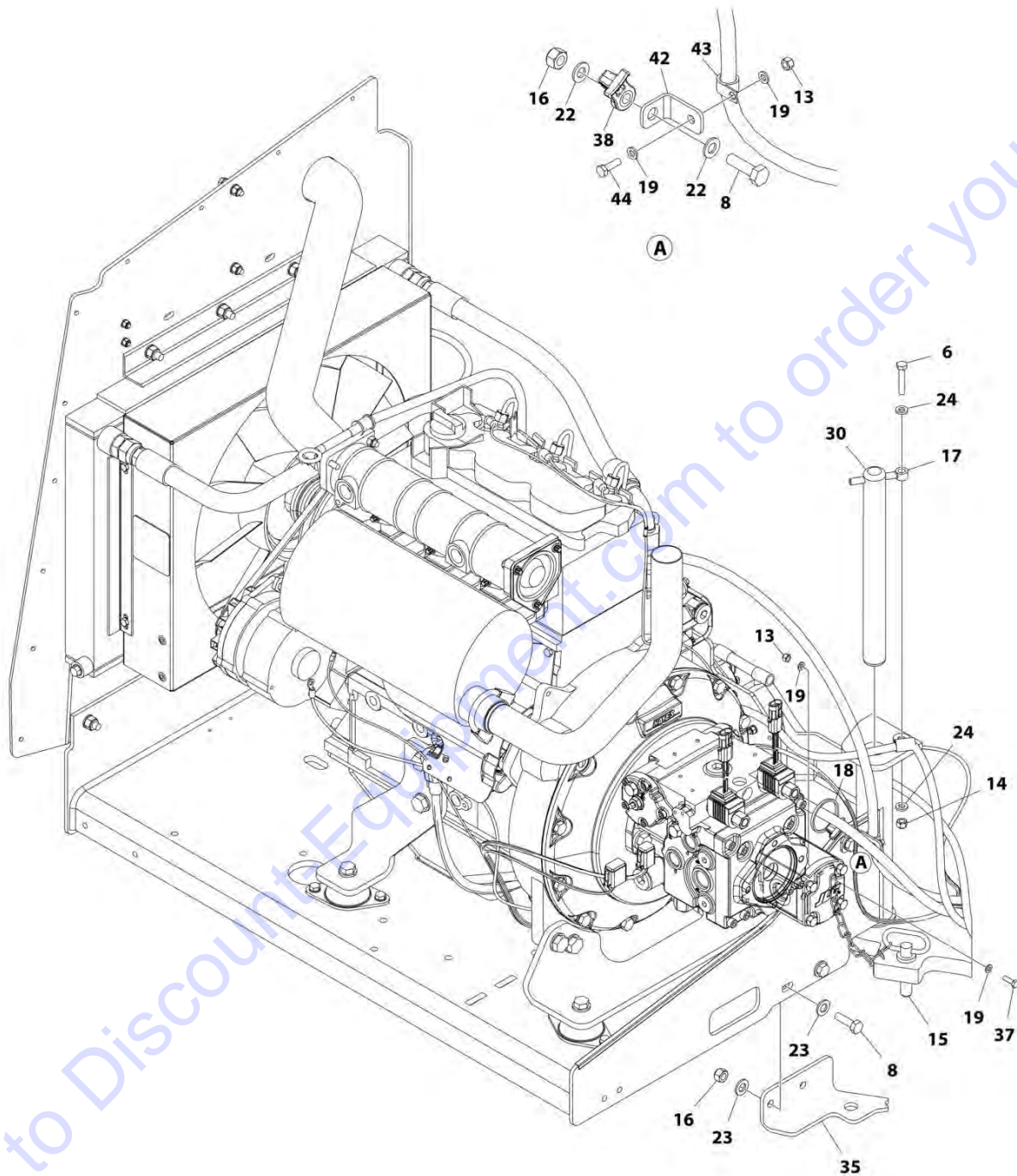


**SECTION 3 - ENGINE**

Go to Discount-Equipment.com to order your parts

# SECTION 3 - ENGINE

FIGURE 3-1. ENGINE INSTALLATION - DEUTZ D2011 ENGINE (WITHOUT ARCTIC PACKAGE) (ANSI EXPORT, AUSTRALIAN, CE AND CHINA SPECS)



ART\_1001166022\_10F3



# PARTS FINDER

**Search Website  
by Part Number**



**Search Manual  
Library For Parts  
Manual & Lookup Part  
Numbers – Purchase  
or Request Quote**

**Can't Find Part or  
Manual? Request Help  
by Manufacturer,  
Model & Description**

Discount-Equipment.com is your online resource for quality parts & equipment.

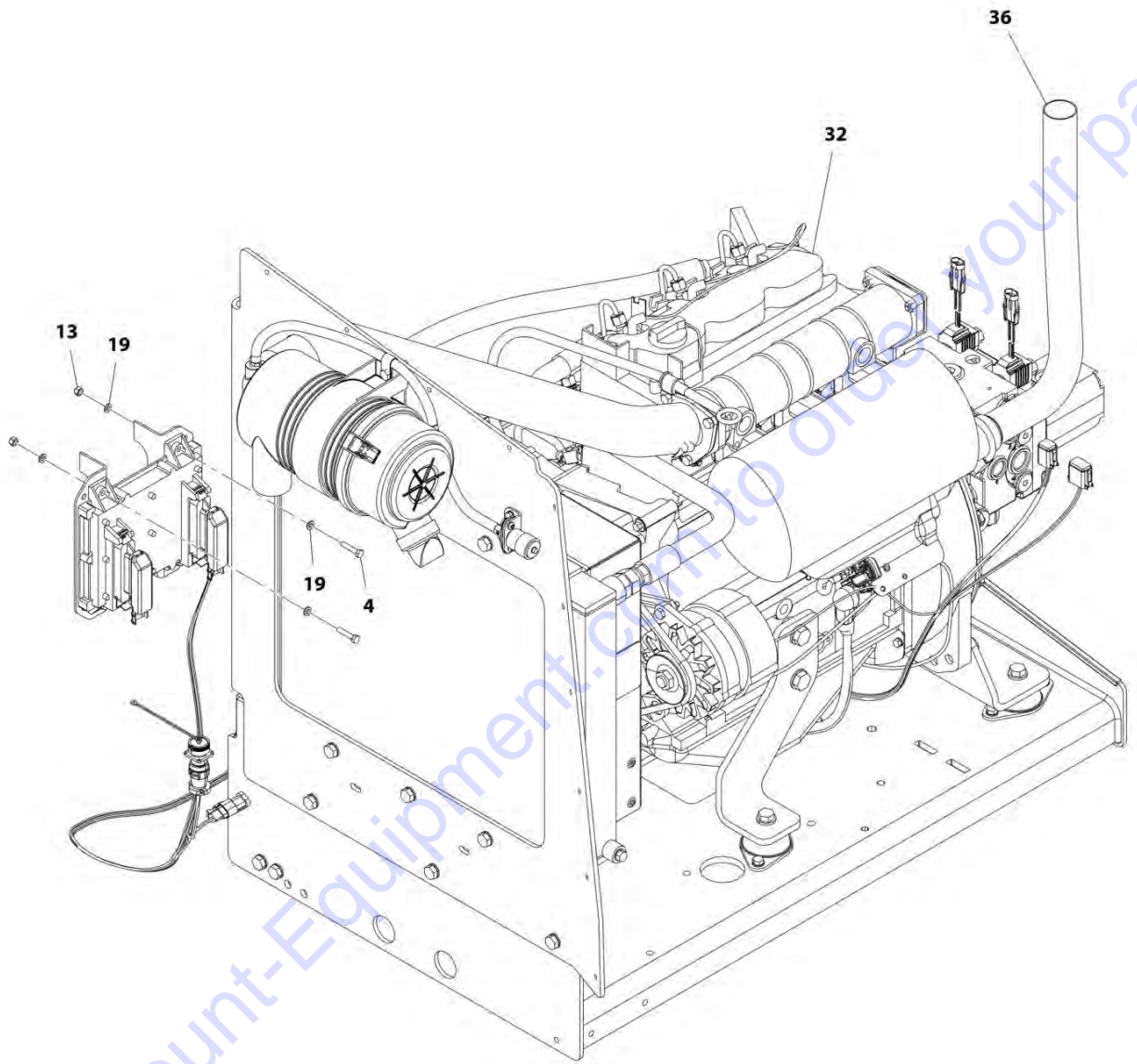
Florida: **561-964-4949** Outside Florida TOLL FREE: **877-690-3101**

**Need parts?**

Click on this link: <http://www.discount-equipment.com/category/5443-parts/> and choose one of the options to help get the right parts and equipment you are looking for. Please have the machine model and serial number available in order to help us get you the correct parts. If you don't find the part on the website or on one of the online manuals, please fill out the request form and one of our experienced staff members will get back to you with a quote for the right part that your machine needs.

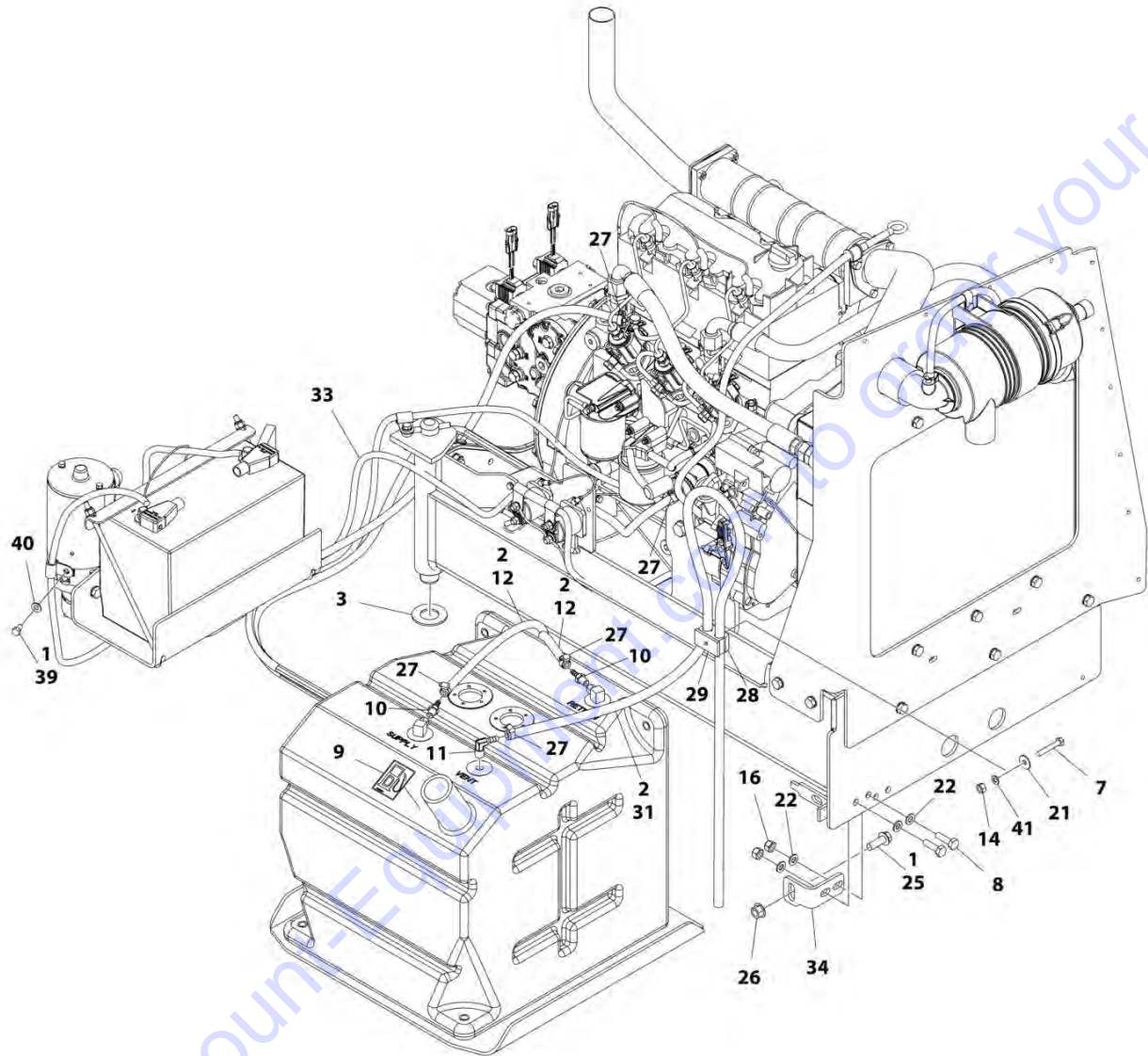
We sell worldwide for the brands: Genie, Terex, JLG, MultiQuip, Mikasa, Essick, Whiteman, Mayco, Toro Stone, Diamond Products, Generac Magnum, Airman, Haulotte, Barreto, Power Blanket, Nifty Lift, Atlas Copco, Chicago Pneumatic, Allmand, Miller Curber, Skyjack, Lull, Skytrak, Tsurumi, Husquvarna Target, Stow, Wacker, Sakai, Mi-T-M, Sullair, Basic, Dynapac, MBW, Weber, Bartell, Bennar Newman, Haulotte, Ditch Runner, Menegotti, Morrison, Contec, Buddy, Crown, Edco, Wyco, Bomag, Laymor, EZ Trench, Bil-Jax, F.S. Curtis, Gehl Pavers, Heli, Honda, ICS/PowerGrit, IHI, Partner, Imer, Clipper, MMD, Koshin, Rice, CH&E, General Equipment, Amida, Coleman, NAC, Gradall, Square Shooter, Kent, Stanley, Tamco, Toku, Hatz, Kohler, Robin, Wisconsin, Northrock, Oztec, Toker TK, Rol-Air, APT, Wylie, Ingersoll Rand / Doosan, Innovatech, Con X, Ammann, Mecalac, Makinex, Smith Surface Prep, Small Line, Wanco, Yanmar

# SECTION 3 - ENGINE



ART\_1001166022\_2OF3

# SECTION 3 - ENGINE



ART\_1001166022\_30F3

## SECTION 3 - ENGINE

**FIGURE 3-1. ENGINE INSTALLATION - DEUTZ D2011 ENGINE (WITHOUT ARCTIC PACKAGE) (ANSI EXPORT, AUSTRALIAN, CE AND CHINA SPECS)**

ITEM	PART NUMBER	QTY	DESCRIPTION	REV
	1001166022	Ref	ENGINE INSTALLATION - DEUTZ D2011 ENGINE (WITHOUT ARCTIC PACKAGE) (ANSI EXPORT, AUSTRALIAN, CE AND CHINA SPECS)	I
1	0100011	AR	Compound, Locking	
2	0100020	AR	Sealant, Pipe	
3	0440162	1	Bearing	
4	0700614	4	Bolt M6 x 30	
6	0700817	1	Bolt M8 x 45	
7	0700818	AR	Bolt M8 x 50	
7	0700821	AR	Bolt M8 x 65	
8	0761015	5	Bolt M10 x 35	
9	1701505	1	Decal - Diesel Fuel	
10	2180348	2	Fitting, Barbed	
11	2220313	1	Fitting, Barbed 90	
12	2720058	17 ft / 5.18m	Hose	
13	3290605	5	Nut M6	
14	3290805	AR	Nut M8	
15	3422532	1	Pin	
16	3291005	5	Nut M10	
17	3841143	1	Pin	
18	4240099	AR	Tie-Strap	
19	4811700	AR	Washer M6	
21	4811902	AR	Washer M8	
22	4812000	AR	Washer M10	
23	4812100	AR	Washer M12	
24	5240800	AR	Washer M8 Hardened	
25	5251215	1	Bolt M12 x 35	
26	5261200	1	Nut, Flange M12 Class10	
27	8405009	5	Clamp	
28	8750014	1	Clamp (SN 0300203771 through 0300243703, SN E300000100 through E300005371, SN 1300007289 through 1300007393)	
28	1320187	1	Clamp (SN 0300243704 to Present, SN E300005372 to Present)	
29	8750031	1	Clamp (SN 0300203771 through 0300243703, SN E300000100 through E300005371, SN 1300007289 through 1300007393)	
29	1320190	1	Clamp (SN 0300243704 to Present, SN E300005372 to Present)	
30	1001135196	1	Pin	
31	1001165035	6 ft/ 1.83m	Hose (SN 0300203771 through 0300218460)	
31	2750532	6 ft/ 1.83m	Hose (SN 0300218461 to Present, SN E300000100 to Present, SN 1300007289 through 1300007393)	
32	1001166021	1	Engine and Pump Sub-Assembly - Deutz D2011 (Without Arctic Package) (ANSI Export, Australian and CE Specs) (See ENGINE AND PUMP SUB-ASSEMBLY - DEUTZ D2011 (WITHOUT ARCTIC PACKAGE) (ANSI EXPORT, AUSTRALIAN AND CE SPECS for Breakdown)	
33	1001167038	1	Battery Cable Kit	F
33	70009004	1	Cable, Battery (Black) (Battery Negative, Auxiliary Power Pump, Turntable Ground to Engine Ground)	
33	70009005	1	Cable, Battery (Red) (Battery Positive, Auxiliary Power Relay, Starter Relay to Starter)	

### SECTION 3 - ENGINE

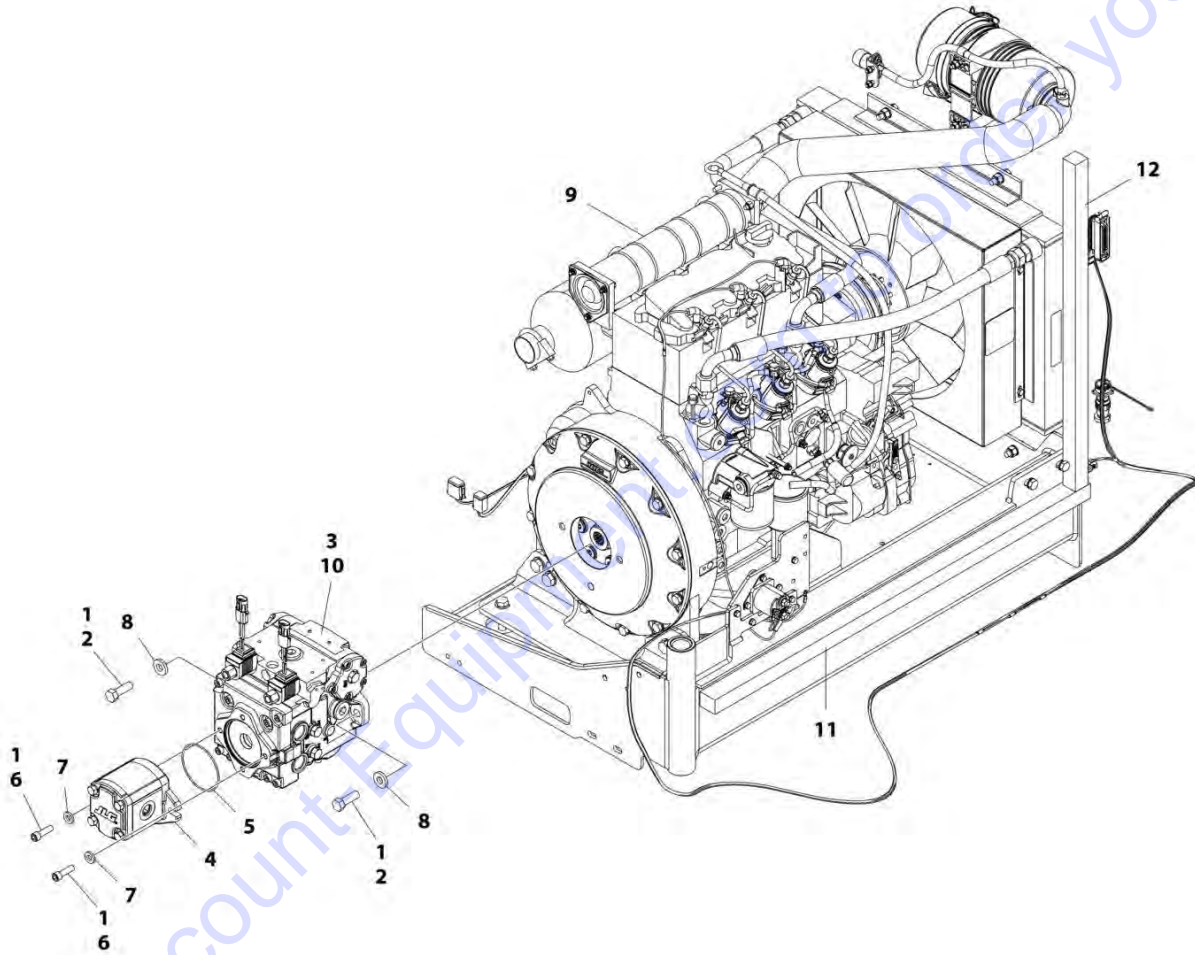
ITEM	PART NUMBER	QTY	DESCRIPTION	REV
33	70009002	1	Cable, Battery (Red) (Auxiliary Power Relay to Auxiliary Power Pump)	
34	1001167512	1	Bracket, Engine	
35	1001169823	1	Plate, Engine Lock	
36	1001172195	1	Pipe, Exhaust	
37	0760610	1	Bolt M6 x 20	
38	1001156107	1	Holder, Cable	
39	0641504	1	Bolt 5/16 x 1/2	
40	4711500	1	Washer 5/16	
41	4811900	AR	Washer M8	
42	1001148641	1	Bracket, Clamp Mounting	
43	1320224	1	Clamp, Cable	
44	0700610	1	Bolt M6 x 20	

Go to Discount-Equipment.com to order your parts



## SECTION 3 - ENGINE

FIGURE 3-2. ENGINE AND PUMP SUB-ASSEMBLY - DEUTZ D2011 (WITHOUT ARCTIC PACKAGE)  
(ANSI EXPORT, AUSTRALIAN AND CE SPECS)



ART\_1001166021

## SECTION 3 - ENGINE

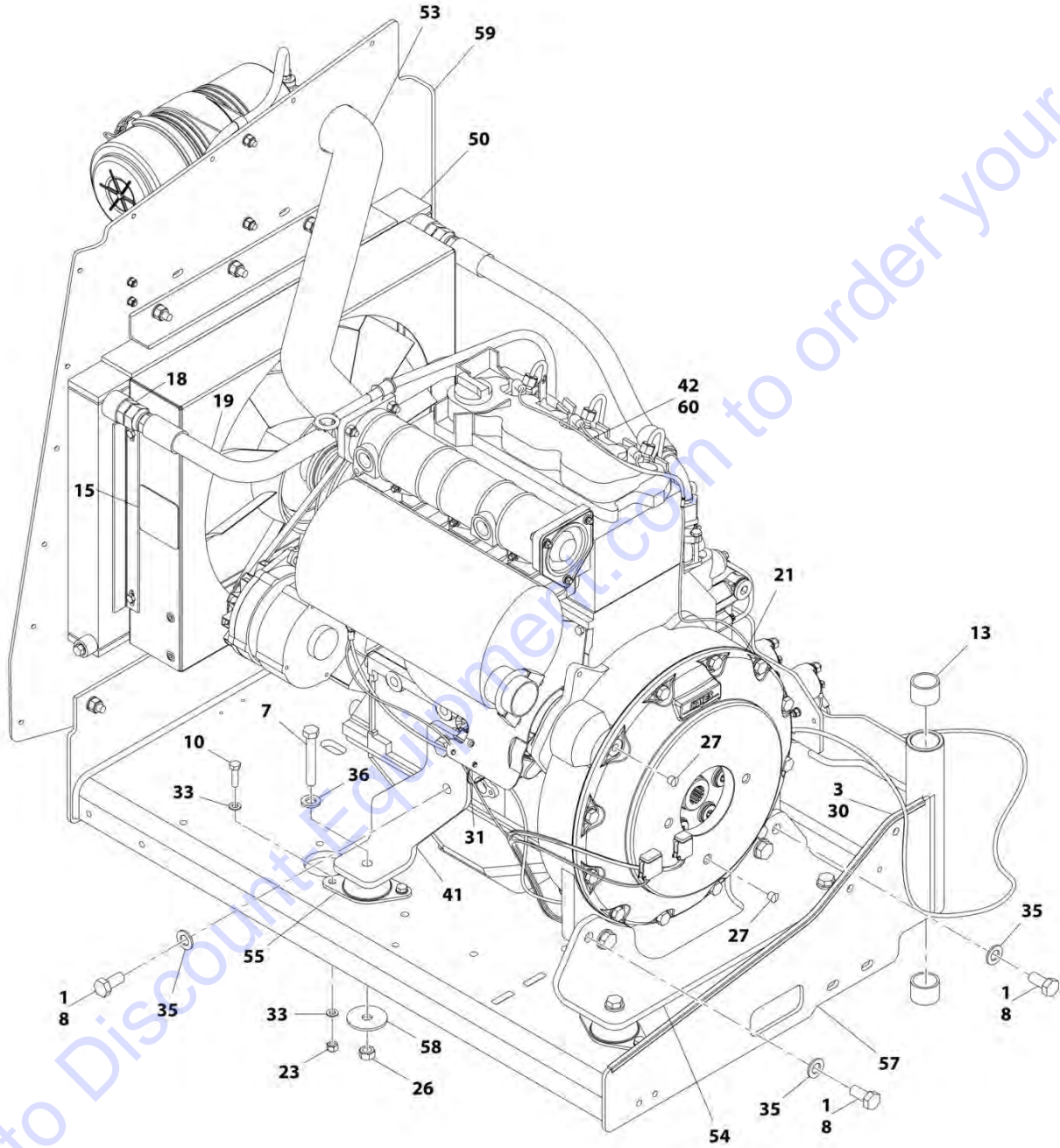
**FIGURE 3-2. ENGINE AND PUMP SUB-ASSEMBLY - DEUTZ D2011 (WITHOUT ARCTIC PACKAGE)  
(ANSI EXPORT, AUSTRALIAN AND CE SPECS)**

ITEM	PART NUMBER	QTY	DESCRIPTION	REV
	1001166021	Ref	ENGINE AND PUMP SUB-ASSEMBLY - DEUTZ D2011 (WITHOUT ARCTIC PACKAGE) (ANSI EXPORT, AUSTRALIAN AND CE SPECS)	E
1	0100011	AR	Compound, Locking	
2	0641812	2	Bolt 1/2 x 1-1/2	
3	3020037	AR	Lube	
4	3600242	1	Gear Pump Assembly (See GEAR PUMP ASSEMBLY for Breakdown) (SN 0300203771 through 0300233151, SN E300000100 through E300004772)	
4	1001214207	1	Gear Pump Assembly (SN 0300233152 to Present, SN E300004773 to Present, SN 1300007298 through 1300007393)	
4	70006356	1	Seal Kit	
5	3790152	1	O-Ring	
6	3931620	AR	Capscrew 3/8 x 1-1/4	
6	3931618	AR	Capscrew 3/8 x 1-1/8	
7	4891600	2	Washer, 3/8 Hardened	
8	4891800	2	Washer, 1/2 Hardened	
9	1001166020	1	Engine Assembly - Deutz D2011 Engine (Without Arctic Package) (ANSI Export, Australian and CE Specs) (See ENGINE ASSEMBLY - DEUTZ D2011 ENGINE (WITHOUT ARCTIC PACKAGE) (ANSI EXPORT, AUSTRALIAN AND CE SPECS) for Breakdown)	
10	1001167036	1	Piston Pump Assembly (See PISTON PUMP ASSEMBLY for Breakdown)	
11	1001171953	1	Seal	
12	1001171954	1	Seal	



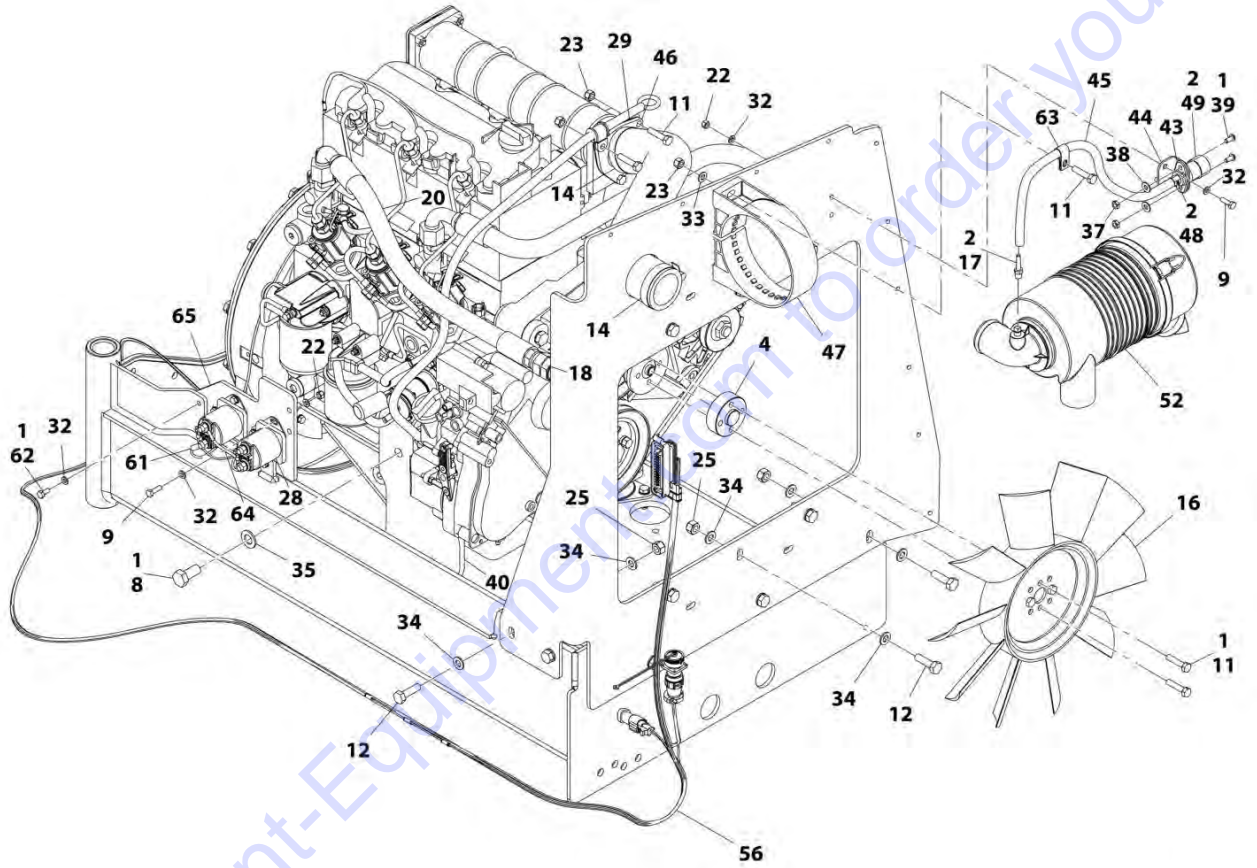
# SECTION 3 - ENGINE

FIGURE 3-3. ENGINE ASSEMBLY - DEUTZ D2011 ENGINE (WITHOUT ARCTIC PACKAGE) (ANSI EXPORT, AUSTRALIAN AND CE SPECS)



ART\_1001166020\_10F2

# SECTION 3 - ENGINE



ART\_1001166020\_2OF2

## SECTION 3 - ENGINE

**FIGURE 3-3. ENGINE ASSEMBLY - DEUTZ D2011 ENGINE (WITHOUT ARCTIC PACKAGE) (ANSI EXPORT, AUSTRALIAN AND CE SPECS)**

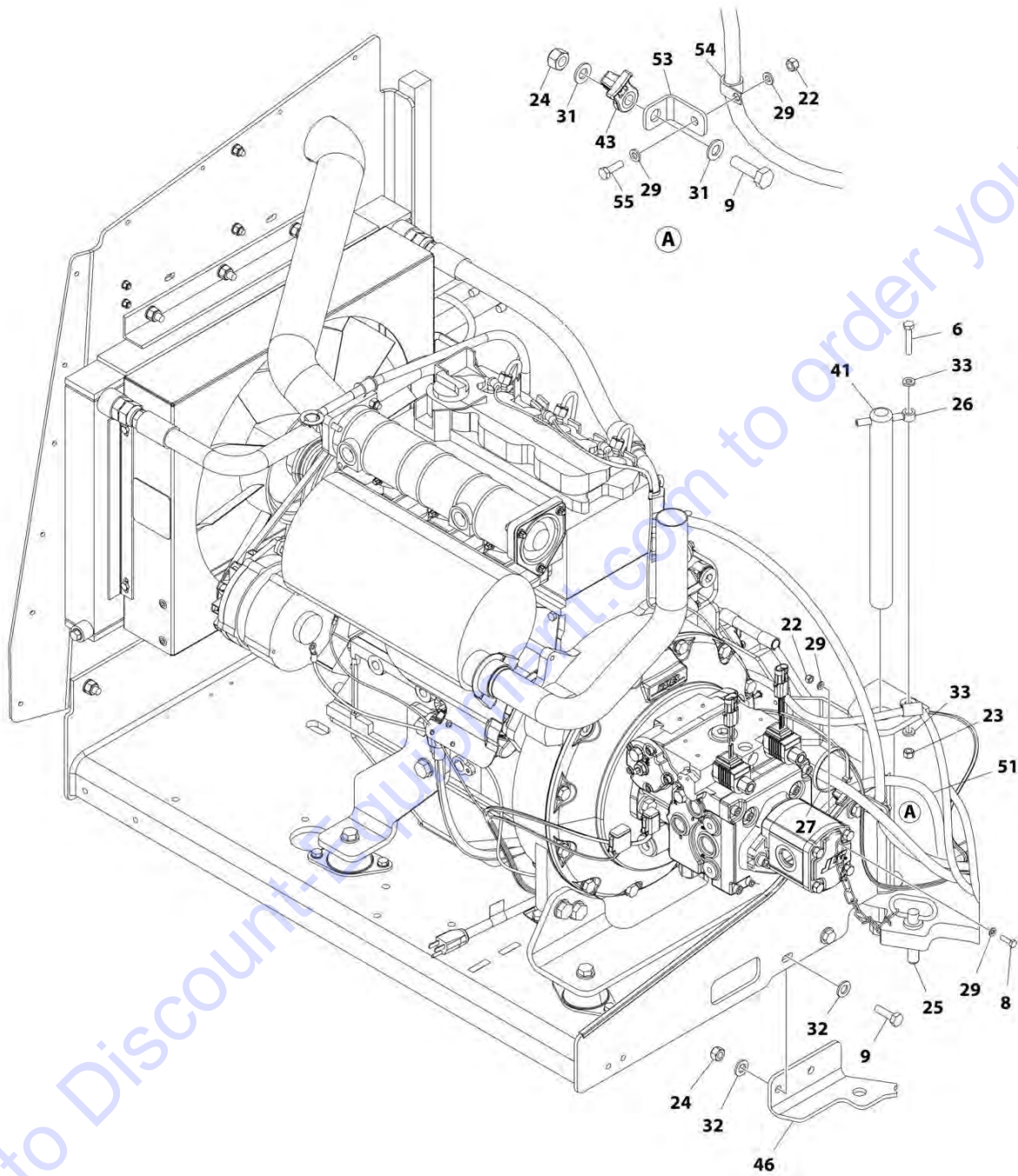
ITEM	PART NUMBER	QTY	DESCRIPTION	REV
	1001166020	Ref	ENGINE ASSEMBLY - DEUTZ D2011 ENGINE (WITHOUT ARCTIC PACKAGE) (ANSI EXPORT, AUSTRALIAN AND CE SPECS)	I
1	0100011	AR	Compound, Locking	
2	0100020	AR	Sealant, Pipe	
3	0100081	AR	Adhesive	
4	0080231	1	Spacer, Fan	
7	0711224	4	Bolt M12 x 80 Grade 10.9	
8	0771414	8	Bolt M14 x 30	
9	0760610	6	Bolt M6 x 20	
10	0760814	8	Bolt M8 x 30	
11	0760815	9	Bolt M8 x 35	
12	0761015	11	Bolt M10 x 35	
13	0961951	2	Bushing	
14	1320016	2	Clamp	
15	1703162	2	Decal - Caution Fan	
16	2060025	1	Fan	
17	2220315	1	Fitting, Barbed	
18	2220451	2	Fitting, Straight JIC/ORB	
19	2720398	1	Hose	
20	2720447	1	Hose	
21	2902065	1	Pump Coupling Kit (See PUMP COUPLING KIT for Breakdown)	
22	3290605	6	Nut, Lock, M6 x 1	
23	3290805	13	Nut, Lock M8 x 1.25	
25	3291005	11	Nut, Lock M10 x 1.5	
26	3331215	4	Nut, M12 x 1.75	
27	3520054	2	Plug	
28	3740067	2	Relay Assembly	
28	3300220	2	Nut	
28	3321001	1	Nut, #10	
28	3740140	1	Relay	
28	4761000	1	Washer, Lock #10	
28	1001111424	2	Washer	
29	3960407	1	Gasket	
30	4060805	2.25 ft/ 0.69m	Trim, Flex Shield	
31	4240099	AR	Tie-Strap	
32	4811700	15	Washer, M6	
33	4811900	20	Washer, M8	
34	4812000	22	Washer, M10	
35	4812200	8	Washer, M14	
36	5241200	4	Washer, M12 Hardened	
37	8305401	2	Nut, Jam .250	
38	8307109	2	Washer, .250	
39	8310548	2	Screw, 1/4 x 1/2	
40	1001132195	1	Bracket, Engine Mount	
41	1001132196	1	Bracket, Engine Mount	
42	1001136079	2.8 gal/ 10.5L	Oil, Motor	
43	1001138173	1	Support, Service Indicator	

## SECTION 3 - ENGINE

ITEM	PART NUMBER	QTY	DESCRIPTION	REV
44	1001138175	1	Bracket, Service Indicator	
45	1001138248	2 ft/ 0.61m	Tube	
46	1001139819	1	Adapter, Air Intake	
47	1001141694	1	Clamp, Air Cleaner	
48	1001141995	1	Fitting, Barbed	
49	1001143390	1	Indicator	
50	1001150998	1	Radiator	
52	1001165388	1	Air Cleaner Assembly	
52	70003783	1	Element, Air Cleaner	
53	1001165389	1	Hose	
54	1001166717	1	Bracket, Engine Mount	
55	1001166718	4	Isolator, Engine Mount	
56	1001167111	1	Harness Engine - Deutz D2011 (See ELECTRICAL SECTION for Breakdown)	
57	1001167520	1	Tray, Engine	
58	1001168018	4	Washer, Snubbing	
59	1001168059	1	Plate, Radiator Mounting	
60	1001170693	1	Engine, Deutz D2011 (See ENGINE COMPONENTS - DEUTZ D2011 for Breakdown)	
61	4923451	1	Harness, Glow Plugs	
62	0760614	3	Bolt, M6 x 30	
63	8406109	1	Clip	
64	1001178859	1	Cable, Alternator	
65	1001179903	1	Bracket (SN 0300201991 through 0300229928, SN E300002833 through E300004457)	
65	1001214975	1	Bracket (SN 0300229929 to Present, SN E300004458 to Present, SN 1300007289 through 1300007393)	

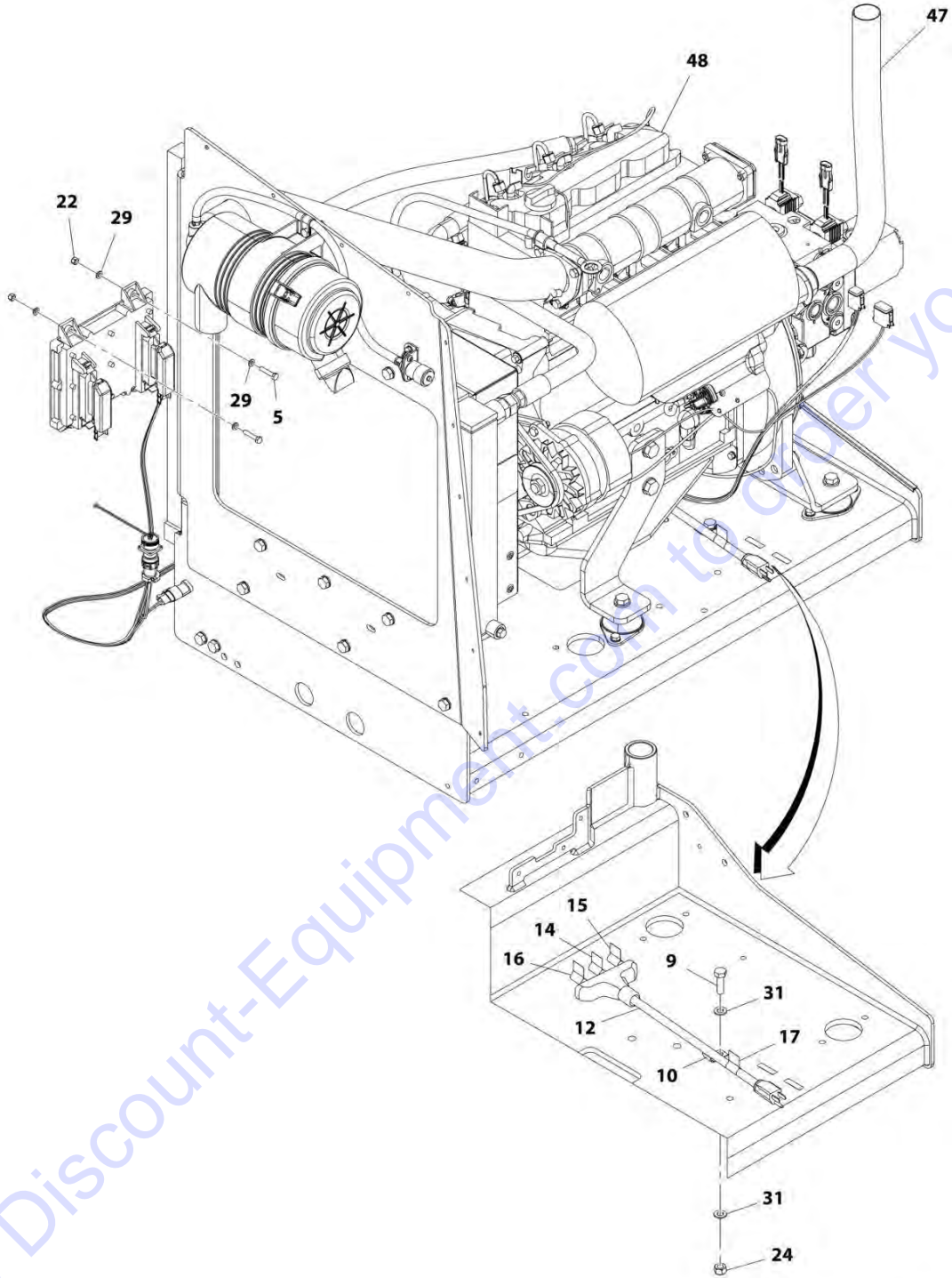
# SECTION 3 - ENGINE

FIGURE 3-4. ENGINE INSTALLATION - DEUTZ D2011 ENGINE (WITH ARCTIC PACKAGE) (ANSI EXPORT AND CHINA SPECS)



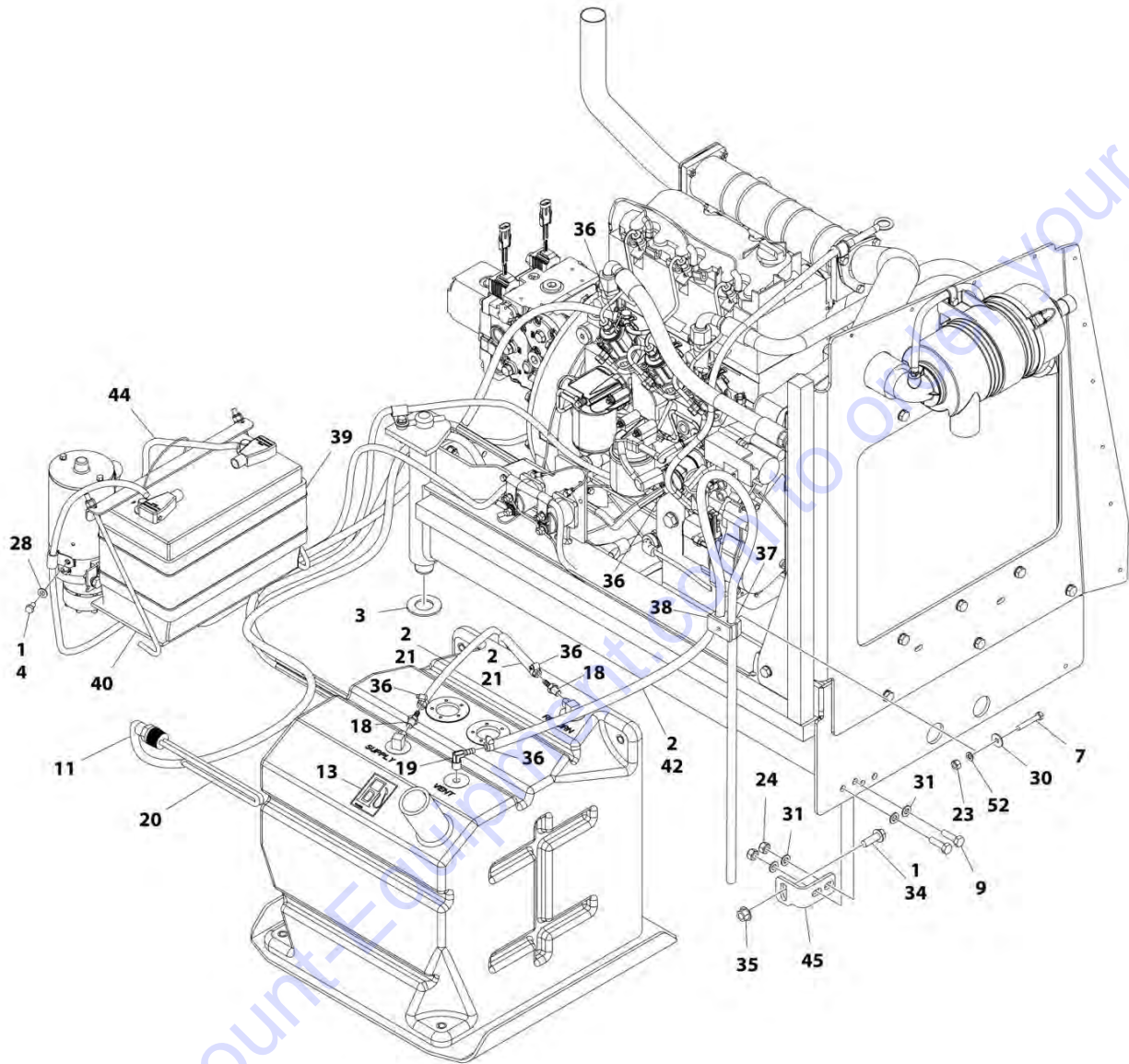
ART\_1001166023\_10F3

# SECTION 3 - ENGINE



ART\_1001166023\_20F3

# SECTION 3 - ENGINE



ART\_1001166023\_30F3

## SECTION 3 - ENGINE

**FIGURE 3-4. ENGINE INSTALLATION - DEUTZ D2011 ENGINE (WITH ARCTIC PACKAGE) (ANSI EXPORT AND CHINA SPECS)**

ITEM	PART NUMBER	QTY	DESCRIPTION	REV
	1001166023	Ref	ENGINE INSTALLATION - DEUTZ D2011 ENGINE (WITH ARCTIC PACKAGE) (ANSI EXPORT AND CHINA SPECS)	G
1	0100011	AR	Compound, Locking	
2	0100020	AR	Sealant, Pipe	
3	0440162	1	Bearing	
4	0641504	1	Bolt 5/16 x 1/2	
5	0700614	4	Bolt M6 x 30	
6	0700817	1	Bolt M8 x 45	
7	0700818	AR	Bolt M8 x 50	
7	0700821	AR	Bolt M8 x 65	
8	0760610	1	Bolt M6 x 20	
9	0761015	6	Bolt M10 x 35	
10	1320223	1	Clip	
11	1060625	1	Cable, Immersion Heater	
12	1060626	1	Plug, 3 Way	
13	1701505	1	Decal - Diesel Fuel	
14	1702941	1	Decal - Battery Heater	
15	1702942	1	Decal - Engine Block Heater	
16	1702943	1	Decal - Hydraulic Tank Heater	
17	1702944	1	Decal - Heater Cord	
18	2180348	2	Fitting, Barbed	
19	2220313	1	Fitting, Barbed 90	
20	2580050	1	Heater, Hydraulic Tank	
21	2720058	17 ft / 5.18m	Hose	
22	3290605	AR	Nut, Lock M6 x 1	
23	3290805	AR	Nut, Lock M8	
24	3291005	6	Nut M10	
25	3422532	1	Pin	
26	3841143	1	Keeper, Pin	
27	4240099	AR	Tie-Strap	
28	4711500	AR	Washer, 5/16	
29	4811700	AR	Washer, M6	
30	4811902	AR	Washer, M8	
31	4812000	AR	Washer, M10	
32	4812100	AR	Washer, M12	
33	5240800	AR	Washer, M8 Hardened	
34	5251215	1	Bolt M12 x 35	
35	5261200	1	Nut, Flange M12 Class10	
36	8405009	5	Clamp	
37	8750014	1	Clamp (SN 0300203771 through 0300243703, SN E300000100 through E300005371, SN 1300007289 through 1300007393)	
37	1320187	1	Clamp (SN 0300243704 to Present, SN E300005372 to Present)	
38	8750031	1	Clamp (SN 0300203771 through 0300243703, SN E300000100 through E300005371, SN 1300007289 through 1300007393)	
38	1320190	1	Clamp (SN 0300243704 to Present, SN E300005372 to Present)	
39	1001097000	1	Heater, Battery	
40	1001119278	1	Insulate	
41	1001135196	1	Pin	
42	1001165035	6 ft/	Hose (SN 0300203771 through 0300218460)	



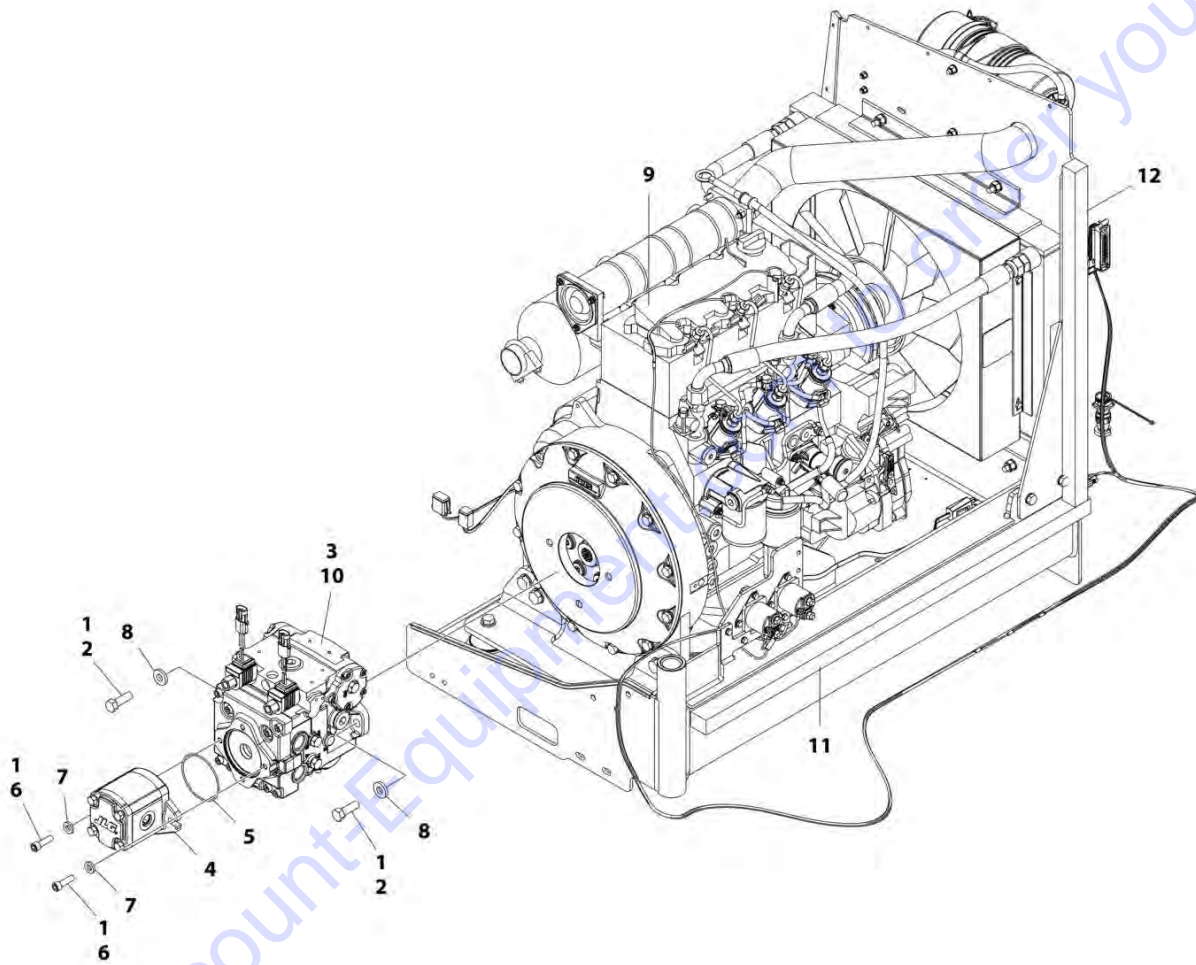
## SECTION 3 - ENGINE

ITEM	PART NUMBER	QTY	DESCRIPTION	REV
42	2750532	1.83m 6 ft/ 1.83m	Hose (SN 0300218461 to Present, SN E300000100 to Present, SN 1300007289 through 1300007393)	
43	1001156107	1	Holder, Cable	
44	1001167038	1	Battery Cable Kit	
44	70009004	1	Cable, Battery (Black) (Battery Negative, Auxiliary Power Pump, Turntable Ground to Engine Ground)	
44	70009005	1	Cable, Battery (Red) (Battery Positive, Auxiliary Power Relay, Starter Relay to Starter)	
44	70009002	1	Cable, Battery (Red) (Auxiliary Power Relay to Auxiliary Power Pump)	
45	1001167512	1	Bracket, Engine	
46	1001169823	1	Plate, Engine Lock	
47	1001172195	1	Pipe, Exhaust	
48	1001174784	1	Engine and Pump Sub-Assembly - Deutz D2011 (With Arctic Package) (ANSI Export Spec) (See ENGINE AND PUMP SUB-ASSEMBLY - DEUTZ D2011 (WITH ARCTIC PACKAGE) (ANSI EXPORT SPEC) for Breakdown)	
51	1001150918	1	Cable, Extension Cord	
52	4811900	AR	Washer M8	
53	1001148641	1	Bracket, Clamp Mounting	
54	1320224	1	Clamp, Cable	
55	0700610	1	Bolt M6 x 20	



# SECTION 3 - ENGINE

FIGURE 3-5. ENGINE AND PUMP SUB-ASSEMBLY - DEUTZ D2011 (WITH ARCTIC PACKAGE) (ANSI EXPORT SPEC)



ART\_1001174784

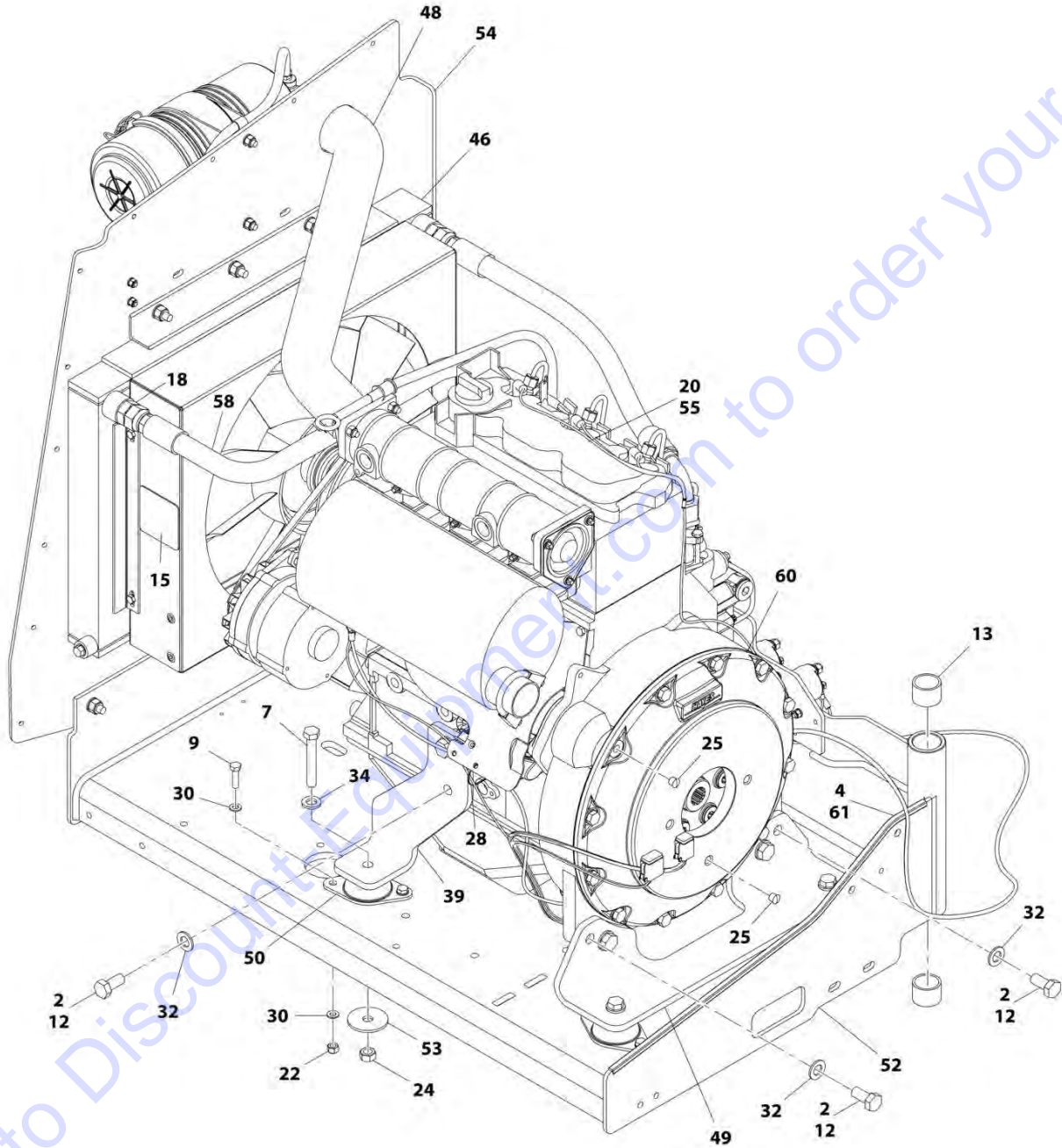
## SECTION 3 - ENGINE

**FIGURE 3-5. ENGINE AND PUMP SUB-ASSEMBLY - DEUTZ D2011 (WITH ARCTIC PACKAGE) (ANSI EXPORT SPEC)**

ITEM	PART NUMBER	QTY	DESCRIPTION	REV
	1001174784	Ref	ENGINE AND PUMP SUB-ASSEMBLY - DEUTZ D2011 (WITH ARCTIC PACKAGE) (ANSI EXPORT SPEC)	E
1	0100011	AR	Compound, Locking	
2	0641812	2	Bolt 1/2 x 1-1/2	
3	3020037	AR	Lube	
4	3600242	1	Gear Pump Assembly (See GEAR PUMP ASSEMBLY for Breakdown) (SN 0300203771 through 0300233151, SN E300000100 through E300004772)	
4	1001214207	1	Gear Pump Assembly (SN 0300233152 to Present, SN E300004773 to Present, SN 1300007289 through 1300007393)	
4	70006356	1	Seal Kit	
5	3790152	1	O-Ring	
6	3931620	AR	Capscrew 3/8 x 1-1/4	
6	3931618	AR	Capscrew 3/8 x 1 1/8	
7	4891600	2	Washer 3/8 Hardened	
8	4891800	2	Washer 1/2 Hardened	
9	1001174783	1	Engine Assembly - Deutz D2011 Engine (With Arctic Package) (ANSI Export Spec) (See ENGINE ASSEMBLY - DEUTZ D2011 ENGINE (WITH ARCTIC PACKAGE) (ANSI EXPORT SPEC) for Breakdown)	
10	1001167036	1	Piston Pump Assembly (See PISTON PUMP ASSEMBLY for Breakdown)	
11	1001171953	1	Seal	
12	1001171954	1	Seal	

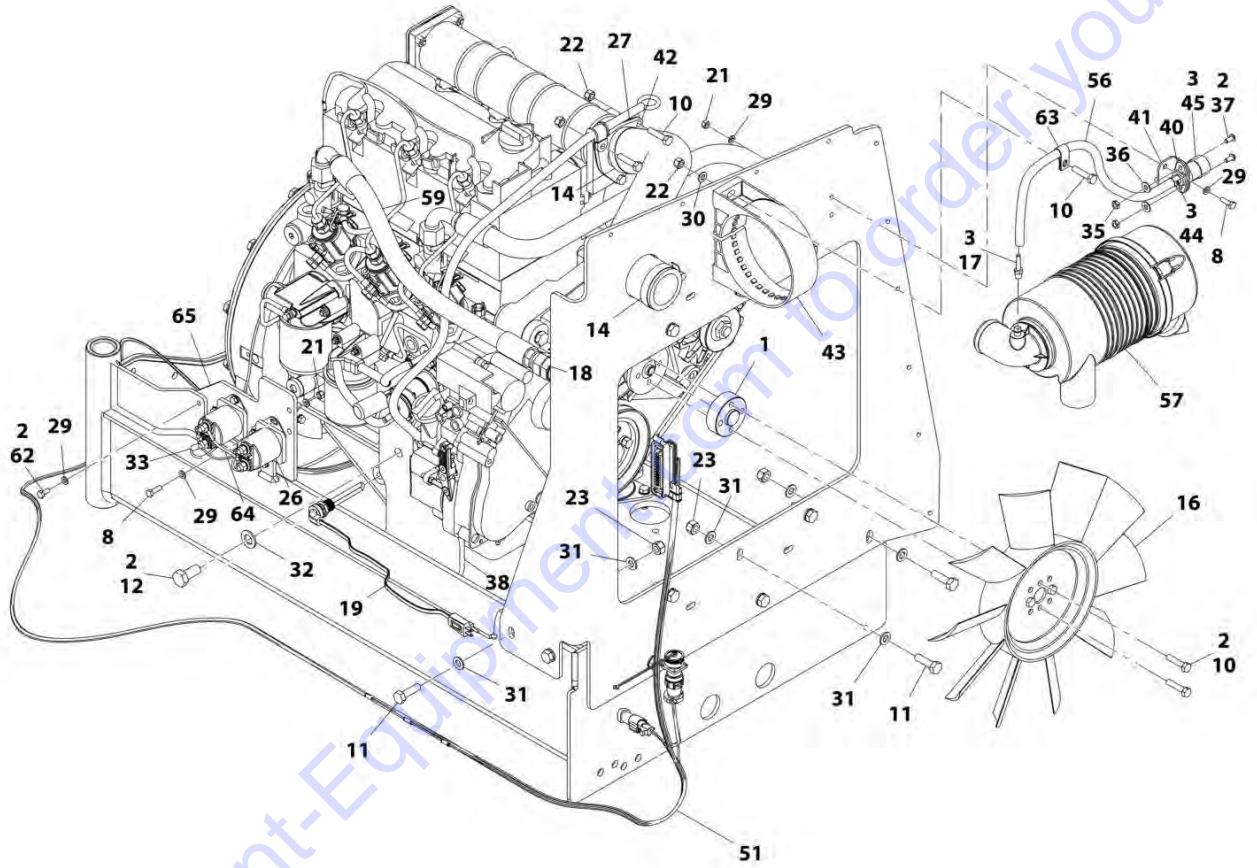
# SECTION 3 - ENGINE

FIGURE 3-6. ENGINE ASSEMBLY - DEUTZ D2011 ENGINE (WITH ARCTIC PACKAGE) (ANSI EXPORT SPEC)



ART\_1001174783\_10F2

# SECTION 3 - ENGINE



ART\_1001174783\_20F2

## SECTION 3 - ENGINE

**FIGURE 3-6. ENGINE ASSEMBLY - DEUTZ D2011 ENGINE (WITH ARCTIC PACKAGE) (ANSI EXPORT SPEC)**

ITEM	PART NUMBER	QTY	DESCRIPTION	REV
	1001174783	Ref	ENGINE ASSEMBLY - DEUTZ D2011 ENGINE (WITH ARCTIC PACKAGE) (ANSI EXPORT SPEC)	H
1	0080231	1	Spacer, Fan	
2	0100011	AR	Compound, Locking	
3	0100020	AR	Sealant, Pipe	
4	0100081	AR	Adhesive	
7	0711224	4	Bolt M12 x 80 Grade 10.9	
8	0760610	6	Bolt M6 x 20	
9	0760814	8	Bolt M8 x 30	
10	0760815	9	Bolt M8 x 35	
11	0761015	11	Bolt M10 x 35	
12	0771414	8	Bolt M14 x 30	
13	0961951	2	Bushing	
14	1320016	2	Clamp	
15	1703162	2	Decal - Caution Fan	
16	2060025	1	Fan	
17	2220315	1	Fitting, Barbed	
18	2220451	2	Fitting, Straight JIC/ORB	
19	2580062	1	Heater, Engine Block	
20	3020044	2.8 gal / 10.5L	Oil, Motor	
21	3290605	6	Nut, Lock M6 x 1	
22	3290805	13	Nut, Lock M8 x 1.25	
23	3291005	11	Nut, Lock M10 x 1.5	
24	3331215	4	Nut, M12 x 1.75	
25	3520054	2	Plug	
26	3740067	2	Relay Assembly	
26	3300220	2	Nut	
26	3321001	1	Nut, #10	
26	3740140	1	Relay	
26	4761000	1	Washer, Lock #10	
26	1001111424	2	Washer	
27	3960407	1	Gasket	
28	4240099	AR	Tie-Strap (Not Shown)	
29	4811700	15	Washer, M6	
30	4811900	20	Washer, M8	
31	4812000	22	Washer, M10	
32	4812200	8	Washer, M14	
33	4923451	1	Harness, Glow Plugs	
34	5241200	4	Washer, M12 Hardened	
35	8305401	2	Nut, Jam .250	
36	8307109	2	Washer, .250	
37	8310548	2	Screw, 1/4 x 1/2	
38	1001132195	1	Bracket, Engine Mount	
39	1001132196	1	Bracket, Engine Mount	
40	1001138173	1	Support, Service Indicator	
41	1001138175	1	Bracket, Service Indicator	
42	1001139819	1	Adapter, Air Intake	
43	1001141694	1	Clamp, Air Cleaner	

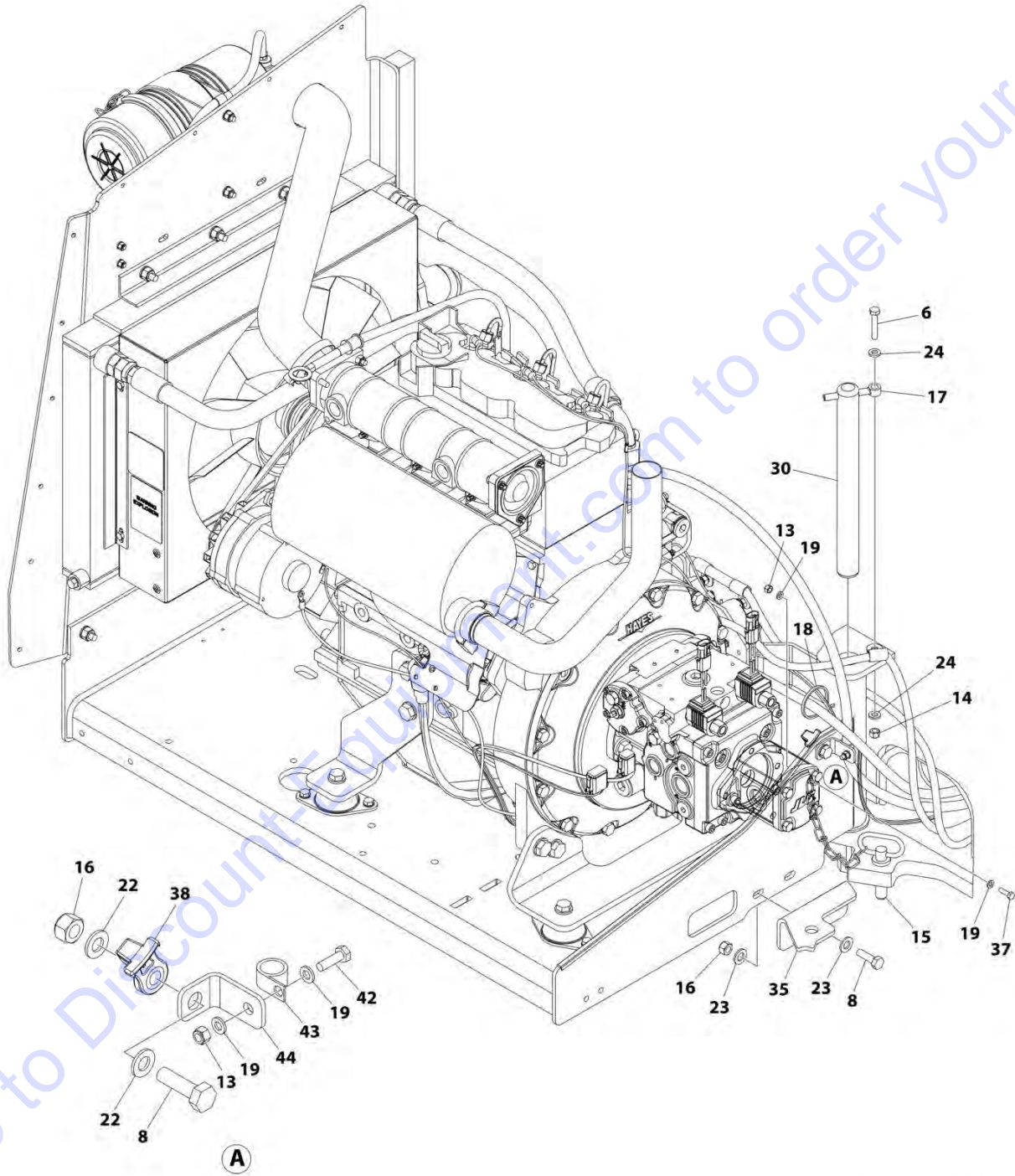
## SECTION 3 - ENGINE

ITEM	PART NUMBER	QTY	DESCRIPTION	REV
44	1001141995	1	Fitting, Barbed	
45	1001143390	1	Indicator	
46	1001150998	1	Radiator	
48	1001165389	1	Hose	
49	1001166717	1	Bracket, Engine Mount	
50	1001166718	4	Isolator, Engine Mount	
51	1001167111	1	Harness Engine - Deutz D2011 (See ELECTRICAL SECTION for Breakdown)	
52	1001167520	1	Tray, Engine	
53	1001168018	4	Washer, Snubbing	
54	1001168059	1	Plate, Radiator Mounting	
55	1001170693	1	Engine, Deutz D2011 (See ENGINE COMPONENTS - DEUTZ D2011 for Breakdown)	
56	1001138248	2 ft/ 0.61m	Tube	
57	1001165388	1	Air Cleaner Assembly	
57	70003783	1	Element, Air Cleaner	
58	2720398	1	Hose	
59	2720447	1	Hose	
60	2902065	1	Pump Coupling Kit (See PUMP COUPLING KIT for Breakdown)	
61	4060805	2.25 ft/ 0.69m	Trim, Flex Shield	
62	0760614	3	Bolt, M6 x 30	
63	8406109	1	Clip	
64	1001178859	1	Cable, Alternator	
65	1001179903	1	Bracket (SN 0300201991 through 0300229928, SN E300002833 through E300004457)	
65	1001214975	1	Bracket (SN 0300229929 to Present, SN E300004458 to Present, SN 1300007289 through 1300007393)	



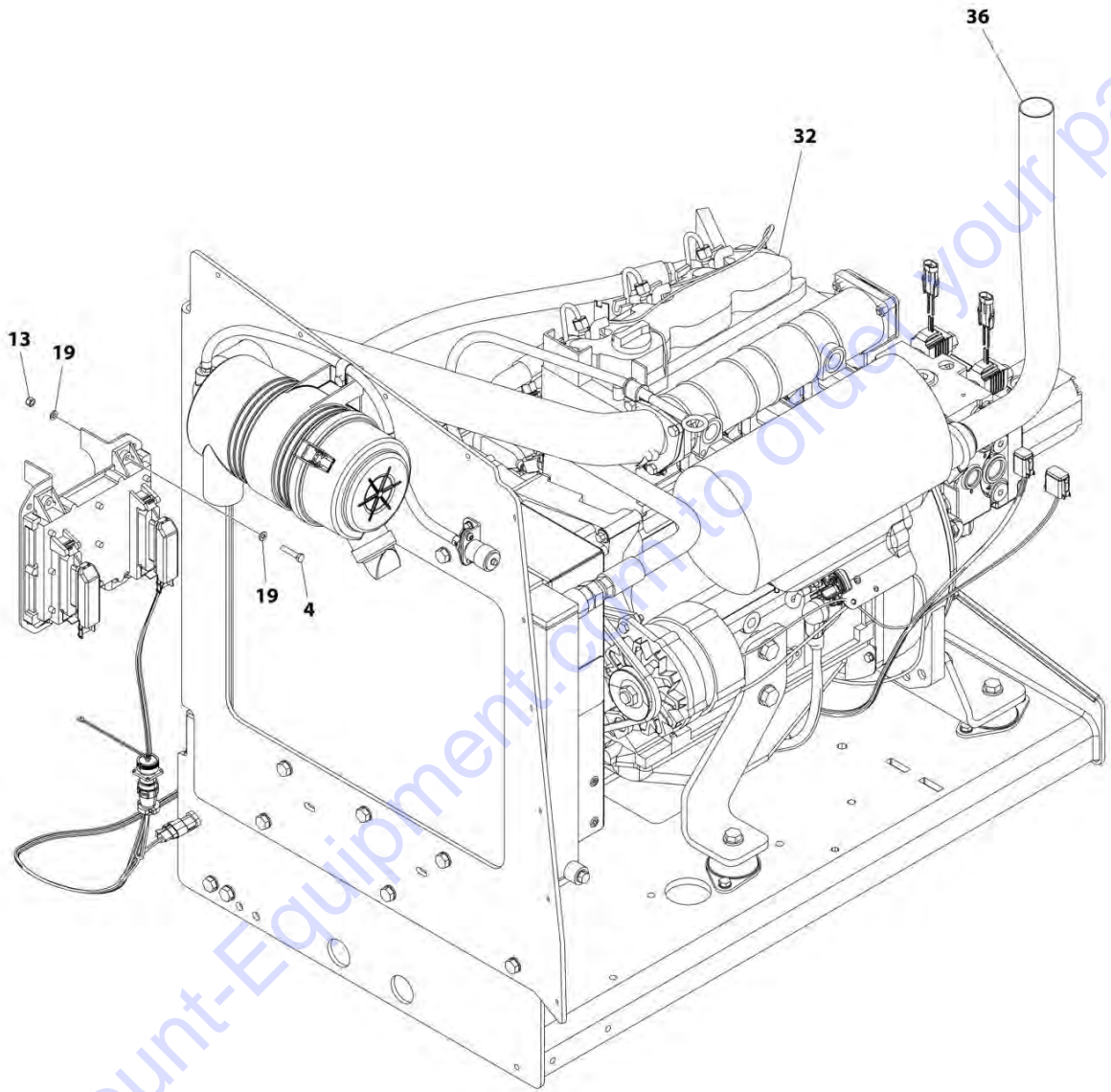
# SECTION 3 - ENGINE

## FIGURE 3-7. ENGINE INSTALLATION - DEUTZ D2011 ENGINE (STAGE V) (WITHOUT ARCTIC PACKAGE) (CE SPECS)



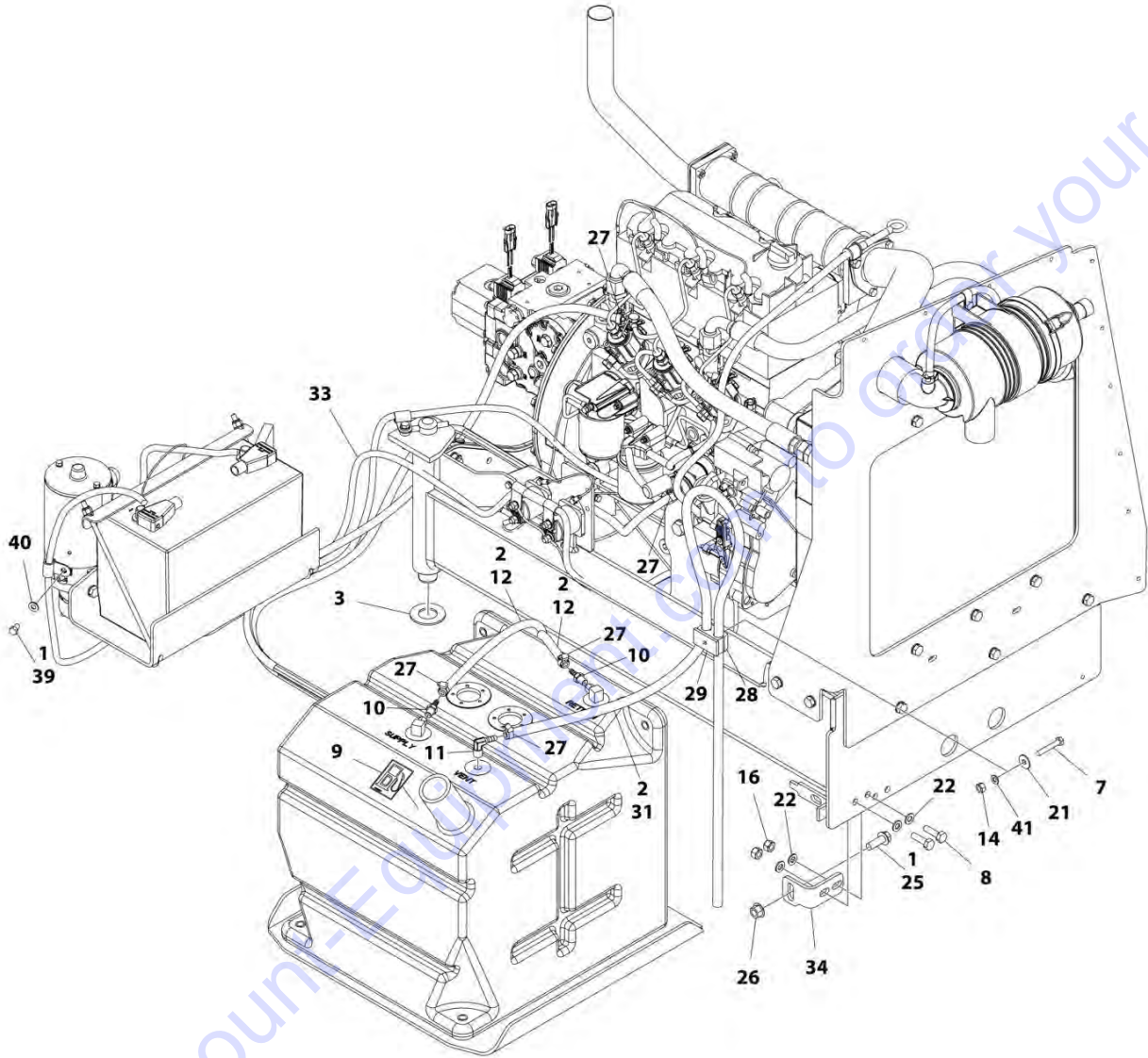
ART\_1001235460\_10F3

# SECTION 3 - ENGINE



ART\_1001235460\_2OF3

# SECTION 3 - ENGINE



ART\_1001235460\_30F3

## SECTION 3 - ENGINE

**FIGURE 3-7. ENGINE INSTALLATION - DEUTZ D2011 ENGINE (STAGE V) (WITHOUT ARCTIC PACKAGE) (CE SPECS)**

ITEM	PART NUMBER	QTY	DESCRIPTION	REV
	1001235460	Ref	ENGINE INSTALLATION - DEUTZ D2011 ENGINE (STAGE V) (WITHOUT ARCTIC PACKAGE)	B
1	0100011	AR	Compound, Locking	
2	0100020	AR	Sealant, Pipe	
3	0440162	1	Bearing	
4	0700614	4	Bolt M6 x 30	
6	0700817	1	Bolt M8 x 45	
7	0700821	1	Bolt M8 x 65	
8	0761015	5	Bolt M10 x 35	
9	1701505	1	Decal - Diesel Fuel	
10	2180348	2	Fitting, Barbed	
11	2220313	1	Fitting, Barbed 90	
12	2720058	17 ft / 5.18m	Hose	
13	3290605	6	Nut M6	
14	3290805	2	Nut M8	
15	3422532	1	Pin	
16	3291005	5	Nut M10	
17	3841143	1	Pin	
18	4240099	AR	Tie-Strap	
19	4811700	12	Washer M6	
21	4811902	1	Washer M8	
22	4812000	6	Washer M10	
23	4812100	4	Washer M12	
24	5240800	2	Washer M8 Hardened	
25	5251215	1	Bolt M12 x 35	
26	5261200	1	Nut, Flange M12 Class10	
27	8405009	5	Clamp	
28	1320187	1	Clamp	
29	1320190	1	Clamp	
30	1001135196	1	Pin	
31	2750532	6 ft/ 1.83m	Hose	
32	1001235461	1	Engine and Pump Sub-Assembly - Deutz D2011 (Without Arctic Package) (CE Specs) (See ENGINE AND PUMP SUB-ASSEMBLY - DEUTZ D2011 (STAGE V) (WITHOUT ARCTIC PACKAGE) (CE SPECS for Breakdown)	
33	1001167038	1	Battery Cable Kit	
33	70009004	1	Cable, Battery (Black) (Battery Negative, Auxiliary Power Pump, Turntable Ground to Engine Ground)	
33	70009005	1	Cable, Battery (Red) (Battery Positive, Auxiliary Power Relay, Starter Relay to Starter)	
33	70009002	1	Cable, Battery (Red) (Auxiliary Power Relay to Auxiliary Power Pump)	
34	1001167512	1	Bracket, Engine	
35	1001169823	1	Plate, Engine Lock	
36	1001172195	1	Pipe, Exhaust	
37	0760610	1	Bolt M6 x 20	
38	1001156107	1	Holder, Cable	
39	0641504	1	Bolt 5/16 x 1/2	
40	4711500	1	Washer 5/16	

### SECTION 3 - ENGINE

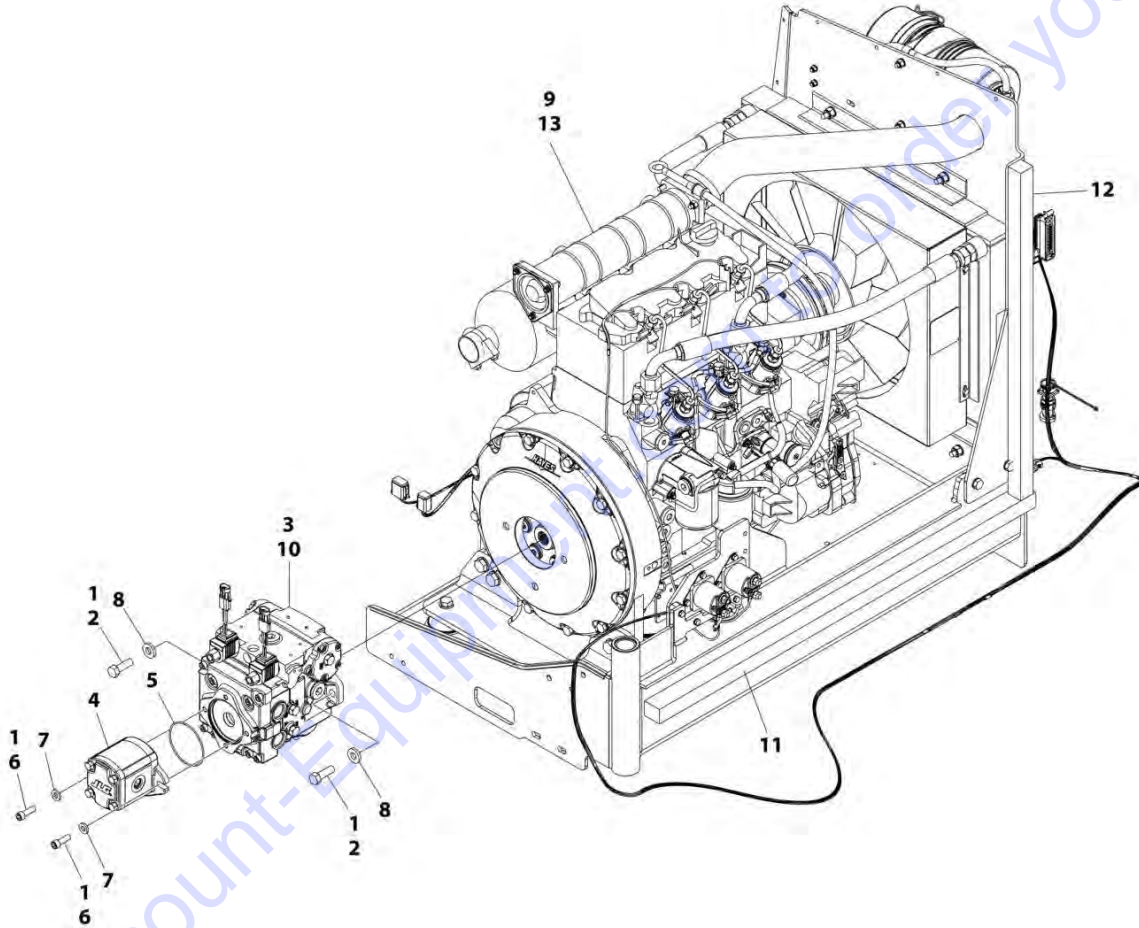
ITEM	PART NUMBER	QTY	DESCRIPTION	REV
41	4811900	1	Washer M8	
42	0700610	1	Bolt M6 x 20	
43	1320224	1	Clamp, Cable	
44	1001148641	1	Bracket, Clamp Mounting	
45	1001241835	0.2 l	Fluid, Diesel Fuel Additive (Not Shown)	

Go to Discount-Equipment.com to order your parts



## SECTION 3 - ENGINE

FIGURE 3-8. ENGINE AND PUMP SUB-ASSEMBLY - DEUTZ D2011 (STAGE V) (WITHOUT ARCTIC PACKAGE) (CE SPECS)



ART\_1001235461

## SECTION 3 - ENGINE

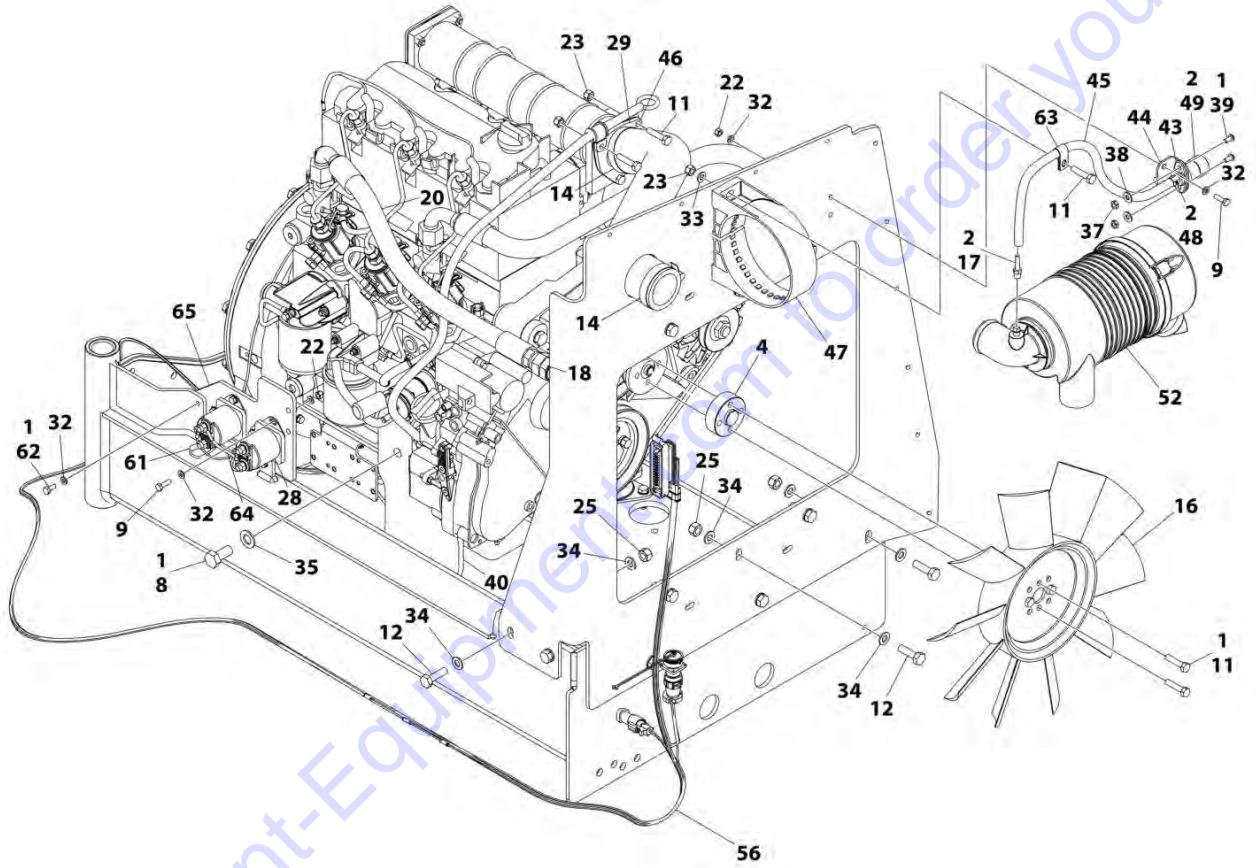
**FIGURE 3-8. ENGINE AND PUMP SUB-ASSEMBLY - DEUTZ D2011 (STAGE V) (WITHOUT ARCTIC PACKAGE) (CE SPECS)**

ITEM	PART NUMBER	QTY	DESCRIPTION	REV
	1001235461	Ref	ENGINE AND PUMP SUB-ASSEMBLY - DEUTZ D2011 (STAGE V) (WITHOUT ARCTIC PACKAGE)	B
1	0100011	AR	Compound, Locking	
2	0641812	2	Bolt 1/2 x 1-1/2	
3	3020037	AR	Lube	
4	1001214207	1	Gear Pump Assembly	
4	70006356	1	Seal Kit - 1001214207 Pump	
5	3790152	1	O-Ring	
6	3931618	2	Capscrew 3/8 x 1-1/8	
7	4891600	2	Washer 3/8 Hardened	
8	4891800	2	Washer 1/2 Hardened	
9	1001235462	1	Engine Assembly - Deutz D2011 Engine (Stage V) (Without Arctic Package) (CE Specs) (See ENGINE ASSEMBLY - DEUTZ D2011 (STAGE V) ENGINE (WITHOUT ARCTIC PACKAGE) (CE SPECS) for Breakdown)	
10	1001167036	1	Piston Pump Assembly (See PISTON PUMP ASSEMBLY for Breakdown)	
11	1001171953	1	Seal	
12	1001171954	1	Seal	
13	1001235455	1	Engine, Deutz D2011 (Stage V) (See ENGINE COMPONENTS - DEUTZ D2011 ENGINE (STAGE V) for Breakdown)	





# SECTION 3 - ENGINE



ART\_1001235462\_20F2

## SECTION 3 - ENGINE

**FIGURE 3-9. ENGINE ASSEMBLY - DEUTZ D2011 ENGINE (STAGE V) (WITHOUT ARCTIC PACKAGE)  
(CE SPECS)**

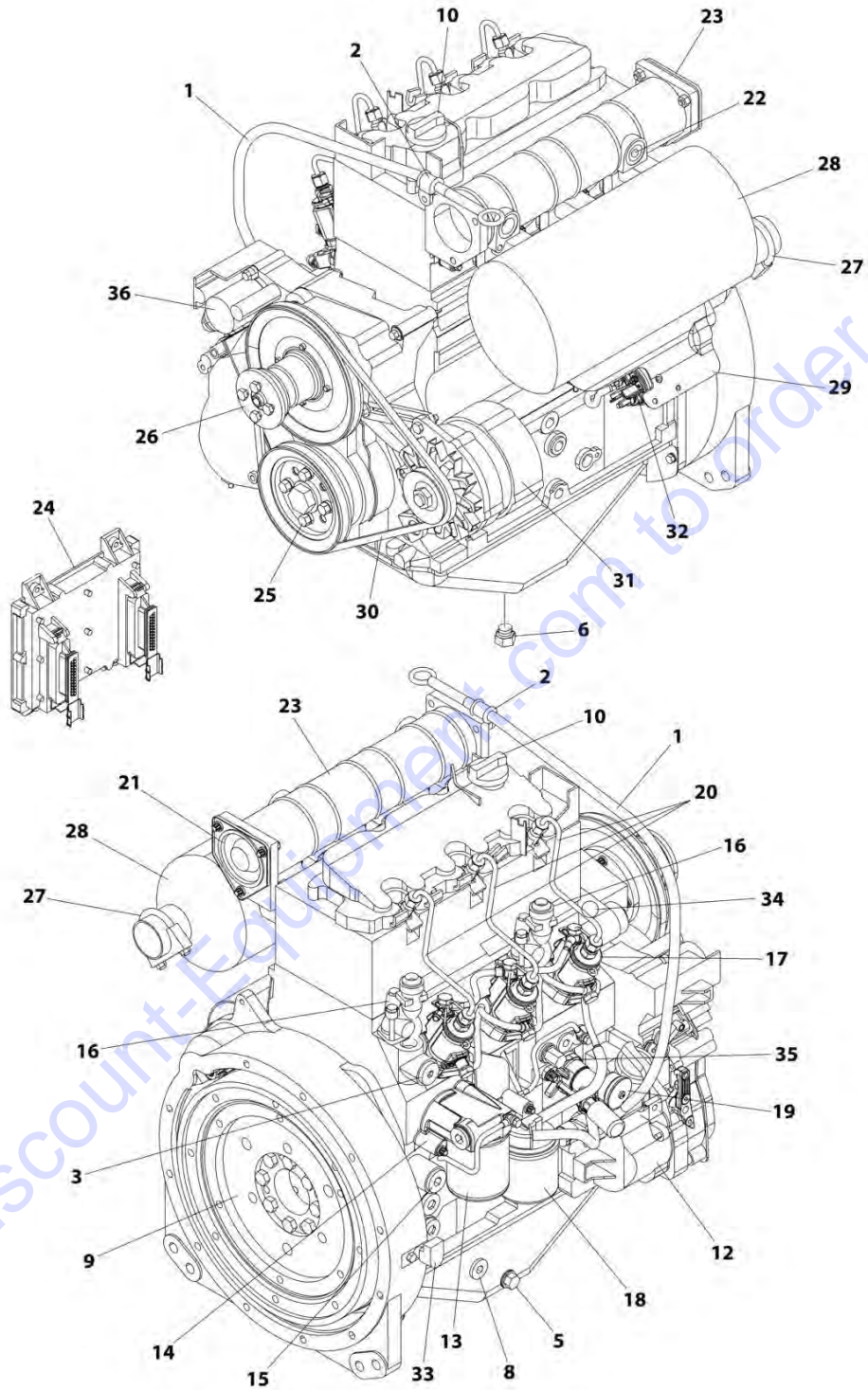
ITEM	PART NUMBER	QTY	DESCRIPTION	REV
	1001235462	Ref	ENGINE ASSEMBLY - DEUTZ D2011 ENGINE (STAGE V) (WITHOUT ARCTIC PACKAGE)	C
1	0100011	AR	Compound, Locking	
2	0100020	AR	Sealant, Pipe	
3	0100081	AR	Adhesive	
4	0080231	1	Spacer, Fan	
7	0711224	4	Bolt M12 x 80	
8	0771414	8	Bolt M14 x 30	
9	0760610	6	Bolt M6 x 20	
10	0760814	8	Bolt M8 x 30	
11	0760815	9	Bolt M8 x 35	
12	0761015	11	Bolt M10 x 35	
13	0961951	2	Bushing	
14	1320016	2	Clamp	
15	1703162	2	Decal - Caution Fan	
16	2060025	1	Fan	
17	2220315	1	Fitting, Barbed	
18	2220451	2	Fitting, Straight JIC/ORB	
19	2720398	1	Hose	
20	2720447	1	Hose	
21	2902065	1	Pump Coupling Kit (See PUMP COUPLING KIT for Breakdown)	
22	3290605	6	Nut M6	
23	3290805	13	Nut M8	
25	3291005	11	Nut M10	
26	3331215	4	Nut M12	
27	3520054	2	Plug	
28	3740067	2	Relay Assembly	
28	3300220	2	Nut	
28	3321001	1	Nut #10-32	
28	3740140	1	Relay	
28	4761000	1	Washer #10	
28	1001111424	2	Washer	
29	3960407	1	Gasket	
30	4060805	2.25 ft / 0.69m	Trim, Flex Shield	
31	4240099	AR	Tie-Strap	
32	4811700	15	Washer M6	
33	4811900	20	Washer M8	
34	4812000	22	Washer M10	
35	4812200	8	Washer M14	
36	5241200	4	Washer M12 Hardened	
37	8305401	2	Nut Jam .250-20	
38	8307109	2	Washer .250	
39	8310548	2	Screw 1/4 NC x 1/2	
40	1001132195	1	Bracket, Engine Mount	
41	1001132196	1	Bracket, Engine Mount	
42	1001136079	3 gal/ 11.3L	Oil, Motor	
43	1001138173	1	Support, Service Indicator	

## SECTION 3 - ENGINE

ITEM	PART NUMBER	QTY	DESCRIPTION	REV
44	1001138175	1	Bracket, Service Indicator	
45	1001138248	2 ft /0.61m	Tube	
46	1001139819	1	Adapter, Air Intake	
47	1001141694	1	Clamp, Air Cleaner	
48	1001141995	1	Fitting, Barbed	
49	1001143390	1	Indicator	
50	1001150998	1	Radiator	
52	1001165388	1	Air Cleaner Assembly	
52	70003783	1	Element, Air Cleaner	
53	1001165389	1	Hose	
54	1001166717	1	Bracket, Engine Mount	
55	1001166718	4	Isolator, Engine Mount	
56	1001167111	1	Harness Engine - Deutz D2011 (See ELECTRICAL SECTION for Breakdown)	
57	1001167520	1	Tray, Engine	
58	1001168018	4	Washer, Snubbing	
59	1001168059	1	Plate, Radiator Mounting	
60	1001235455	1	Engine, Deutz D2011 (Stage V) (See ENGINE COMPONENTS - DEUTZ D2011 ENGINE (STAGE V) for Breakdown)	
61	4923451	1	Harness, Glow Plugs	
62	0760614	3	Bolt M6 x 30	
63	8406109	1	Clip	
64	1001178859	1	Cable, Alternator	
65	1001214975	1	Bracket	

# SECTION 3 - ENGINE

FIGURE 3-10. ENGINE COMPONENTS - DEUTZ D2011 (STAGE V)



ART\_1001235455

## SECTION 3 - ENGINE

**FIGURE 3-10. ENGINE COMPONENTS - DEUTZ D2011 (STAGE V)**

ITEM	PART NUMBER	QTY	DESCRIPTION	REV
	1001235455	Ref	ENGINE COMPONENTS - DEUTZ D2011 (STAGE V)	B
1	70001002	1	Tube, Dipstick	
1	7020403	1	Seal, Tube	
1	7020026	1	Dipstick	
2	70001654	1	Clamp	
2	70001655	1	Bolt	
3	70003475	1	Thermostat	
3	7020460	1	Spring	
4		Ref	Seal and Gasket Options (Not Shown):	
4	70002718	1	Seal, Rear Main	
4	7020430	1	Gasket, Valve Cover	
4	70003479	1	Gasket, Head - 1 Notch	
4	70003480	1	Gasket, Head - 2 Notch	
4	70003481	1	Gasket, Head - 3 Notch	
5	70025088	1	Plug	
6	70025667	1	Plug	
7	70025123	22	Bolt, Torx (Oil Pan Bolts) (Not Shown)	
8	7020492	1	Seal	
8	70025084	1	Plug	
9	70001870	1	Flywheel	
9	7024579	1	Ring Gear (Part of Flywheel)	
9	70025139	8	Bolt	
10	7020465	1	Cap, Oil Fill	
11	70000800	1	Timing Belt/Idler Kit (Includes Timing Belt, Tensioner and Tensioner Bolt) (Not Shown)	
12	70001850	1	Pump, Lubricating	
12	7020468	1	Seal, Pump to Engine Block (Not Shown)	
13	7016331	1	Filter, Oil	
14	70003472	1	Bracket, Oil Filter (Includes Plug with Seal, Temperature Sensor, Control Valve and Compression Spring)	
14	7027236	1	Sender, Temperature	
14	70025082	1	Seal, Plug	
14	70025091	1	Plug	
14	70003473	1	Gasket, Bracket to Engine Block (Not Shown)	
15	70001181	1	Valve	
15	70025091	1	Plug	
15	70025082	1	Seal, Plug	
16	70004268	2	Connector, Radiator Neck	
16	70004269	2	Seal, Radiator Neck to Engine Block	
17	70000912	3	Pump, Fuel Injector - A Spec	
17	70000913	3	Pump, Fuel Injector - B Spec	
17	70000914	3	Pump, Fuel Injector - C Spec	
17	70000915	3	Pump, Fuel Injector - D Spec	
17	70003464	3	O-Ring, Pump to Engine Block	
18	7020023	1	Filter, Fuel	
18	70003463	1	Filter, Fuel - RME Resistant	
18	70001423	1	Bracket, Fuel Filter	
19	70000916	1	Pump Fuel Supply	
19	70000917	1	O-Seal Between Fuel Pump and Engine Block	
19	70000918	1	Sealing Ring Between Hand Pump and Supply Pump	

## SECTION 3 - ENGINE

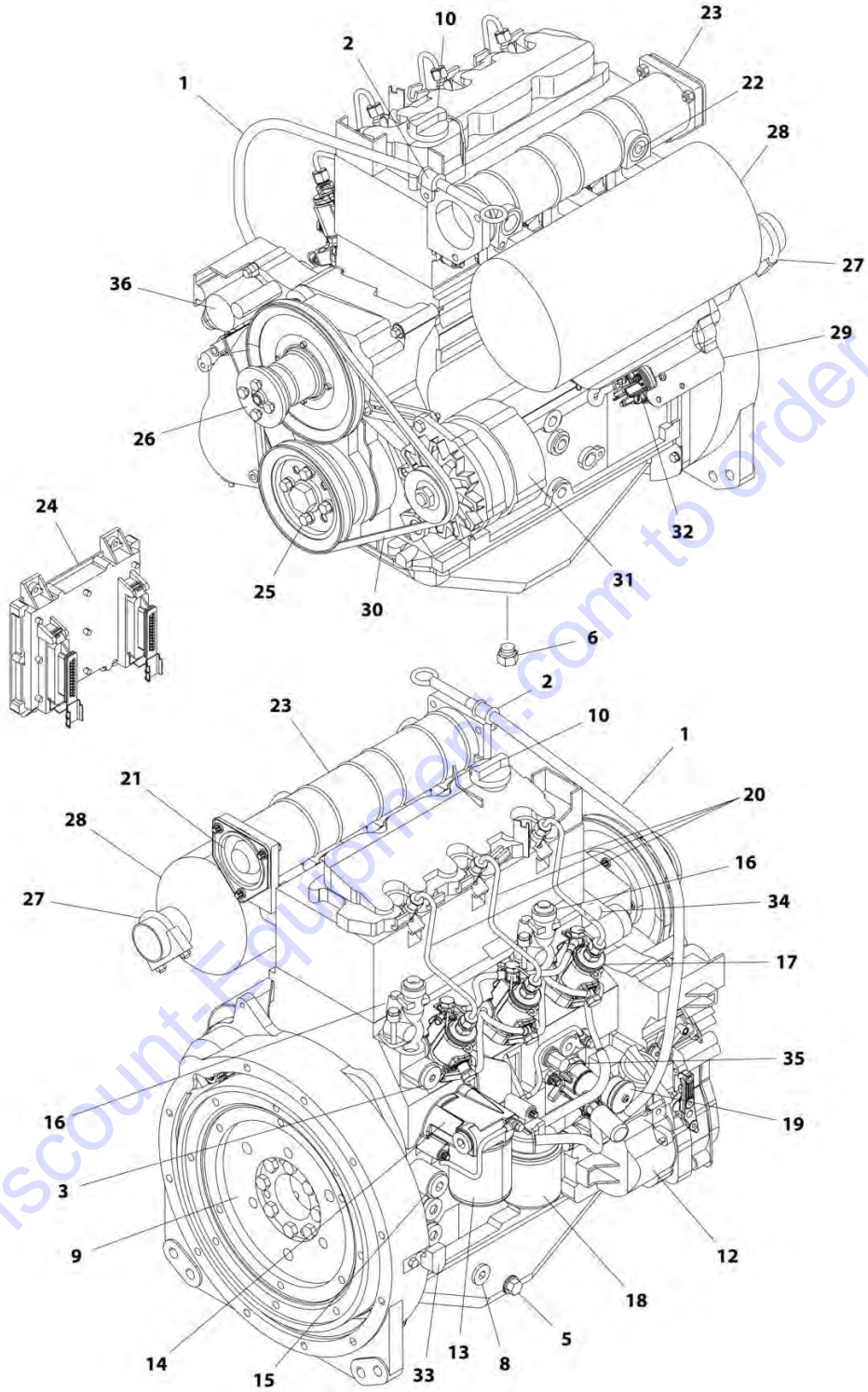
ITEM	PART NUMBER	QTY	DESCRIPTION	REV
19	70000919	1	Pump, Hand	
19	70001435	1	Repair Kit	
19	70025694	2	Bolt, Torx	
20	70000931	3	Pipe, High Pressure	
21	70003469	1	Flange, Intake	
21	70003468	1	Seal	
22	70025084	1	Plug	
22	7020492	1	Seal, Plug	
23	7027903	1	Manifold, Air Intake	
23	70001871	3	Gasket Between Manifold and Engine Block	
24	7027795	1	Module, Engine Control	
24	7027796	1	Cable, Electrical Between Module and Engine Harness (Not Shown)	
24	70001872	1	Harness, Engine (Connects to p/n 70004060) (Not Shown)	
24	70004060	1	Plug, Connector Located on Cable Near Module (Not Shown)	
24	70004059	1	Plug, Analyzer (Not Shown)	
25	70025123	4	Bolt, Torx	
26	70000787	1	Support, Fan (Includes Support, Internal Shaft, Bearings and Circlip)	
27	70001844	1	Clamp	
28	See Note	1	Muffler (Note: See ENGINE ASSEMBLY)	
28	7020471	3	Gasket, Exhaust Between Muffler and Engine Block	
28	70004270	6	Stud, Muffler	
29	70001498	1	Shield, Starter	
29	70025693	3	Bolt	
30	70004102	1	V-Belt	
31	70004056	1	Alternator (Includes Voltage Regulator and Gaskets, Fan and Fan Mounting Hardware)	
31	70001868	1	Regulator, Voltage	
31	70001866	1	Gasket Set, Voltage Regulator	
31	70025131	1	Fan	
31	70025086	1	Nut, Fan	
31	70000851	1	Bracket, Alternator Mounting	
31	70002234	1	Bracket, Alternator Adjustment	
31	70004103	1	Harness, Alternator (Not Shown)	
32	7020479	1	Starter	
32	70025121	2	Bolt, Starter Mounting	
32	70004058	1	Relay	
32	70004062	1	Harness, Starter (Not Shown)	
33	7024565	1	Sensor, Speed	
33	70003931	1	Bolt	
33	70003932	1	Spacer, Sleeve	
34	7027791	1	Sender, Temperature	
35	7027790	1	Sensor, Oil Pressure	
36	7027792	1	Actuator	
37	70000345	3	Plug, Glow (Not Shown)	





# SECTION 3 - ENGINE

## FIGURE 3-11. ENGINE COMPONENTS - DEUTZ D2011



ART\_1001170693

## SECTION 3 - ENGINE

**FIGURE 3-11. ENGINE COMPONENTS - DEUTZ D2011**

ITEM	PART NUMBER	QTY	DESCRIPTION	REV
	1001170693	Ref	ENGINE COMPONENTS - DEUTZ D2011	C
1	70001002	1	Tube, Dipstick	
1	7020403	1	Seal, Tube	
1	7020026	1	Dipstick	
2	70001654	1	Clamp	
2	70001655	1	Bolt	
3	70003475	1	Thermostat	
3	7020460	1	Spring	
4		Ref	Seal and Gasket Options (Not Shown):	
4	70002718	1	Seal, Rear Main	
4	7020430	1	Gasket, Valve Cover	
4	70003479	1	Gasket, Head - 1 Notch	
4	70003480	1	Gasket, Head - 2 Notch	
4	70003481	1	Gasket, Head - 3 Notch	
5	70025088	1	Plug	
6	70025667	1	Plug	
7	70025123	22	Bolt, Torx (Oil Pan Bolts) (Not Shown)	
8	7020492	1	Seal	
8	70025084	1	Plug	
9	70001870	1	Flywheel	
9	7024579	1	Ring Gear (Part of Flywheel)	
9	70025139	8	Bolt	
10	7020465	1	Cap, Oil Fill	
11	70000800	1	Timing Belt/Idler Kit (Includes Timing Belt, Tensioner and Tensioner Bolt) (Not Shown)	
12	70001850	1	Pump, Lubricating	
12	7020468	1	Seal, Pump to Engine Block (Not Shown)	
13	7016331	1	Filter, Oil	
14	70003472	1	Bracket, Oil Filter (Includes Plug with Seal, Temperature Sensor, Control Valve and Compression Spring)	
14	7027236	1	Sender, Temperature	
14	70025082	1	Seal, Plug	
14	70025091	1	Plug	
14	70003473	1	Gasket, Bracket to Engine Block (Not Shown)	
15	70001181	1	Valve	
15	70025091	1	Plug	
15	70025082	1	Seal, Plug	
16	70004268	2	Connector, Radiator Neck	
16	70004269	2	Seal, Radiator Neck to Engine Block	
17	70000912	3	Pump, Fuel Injector - A Spec	
17	70000913	3	Pump, Fuel Injector - B Spec	
17	70000914	3	Pump, Fuel Injector - C Spec	
17	70000915	3	Pump, Fuel Injector - D Spec	
17	70003464	3	O-Ring, Pump to Engine Block	
18	7020023	1	Filter, Fuel	
18	70003463	1	Filter, Fuel - RME Resistant	
18	70001423	1	Bracket, Fuel Filter	
19	70000916	1	Pump Fuel Supply	
19	70000917	1	O-Seal Between Fuel Pump and Engine Block	
19	70000918	1	Sealing Ring Between Hand Pump and Supply Pump	

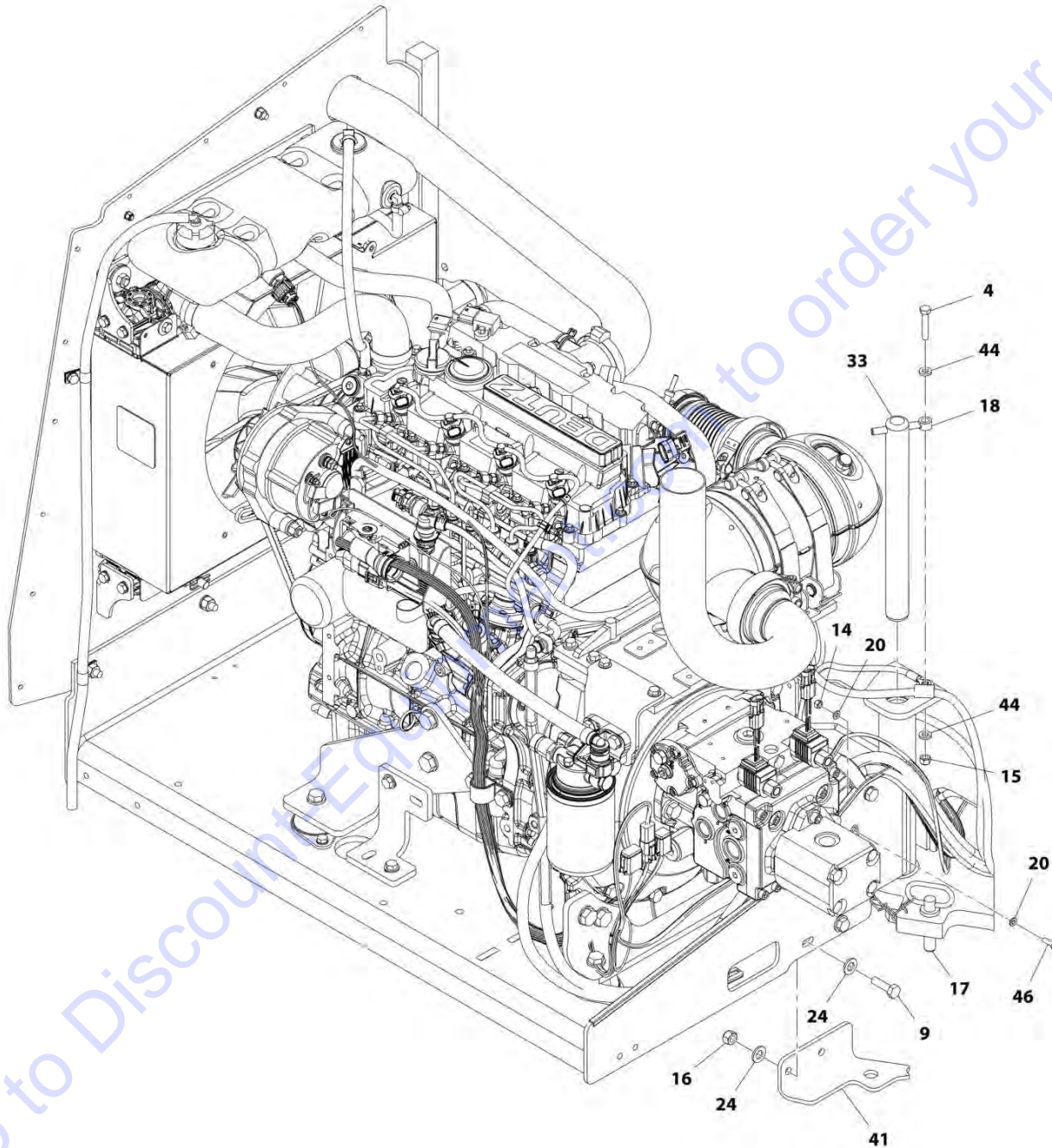
## SECTION 3 - ENGINE

ITEM	PART NUMBER	QTY	DESCRIPTION	REV
19	70000919	1	Pump, Hand	
19	70001435	1	Repair Kit	
19	70025694	2	Bolt, Torx	
20	70000931	3	Pipe, High Pressure	
21	70003469	1	Flange, Intake	
21	70003468	1	Seal	
22	70025084	1	Plug	
22	7020492	1	Seal, Plug	
23	7027903	1	Manifold, Air Intake	
23	70001871	3	Gasket Between Manifold and Engine Block	
24	See Note	1	Module, Engine Control (Note: Not Currently Available)	
24	7027796	1	Cable, Electrical Between Module and Engine Harness (Not Shown)	
24	70001872	1	Harness, Engine (Connects to p/n 70004060) (Not Shown)	
24	70004060	1	Plug, Connector Located on Cable Near Module (Not Shown)	
24	70004059	1	Plug, Analyzer (Not Shown)	
25	70025123	4	Bolt, Torx	
26	70000787	1	Support, Fan (Includes Support, Internal Shaft, Bearings and Circlip)	
27	70001844	1	Clamp	
28	See Note	1	Muffler (Note: See ENGINE ASSEMBLY for Breakdown)	
28	7020471	3	Gasket, Exhaust Between Muffler and Engine Block	
28	70004270	6	Stud, Muffler	
29	70001498	1	Shield, Starter	
29	70025693	3	Bolt	
30	70004102	1	V-Belt	
31	70004056	1	Alternator (Includes Voltage Regulator and Gaskets, Fan and Fan Mounting Hardware)	
31	70001868	1	Regulator, Voltage	
31	70001866	1	Gasket Set, Voltage Regulator	
31	70025131	1	Fan	
31	70025086	1	Nut, Fan	
31	70000851	1	Bracket, Alternator Mounting	
31	70002234	1	Bracket, Alternator Adjustment	
31	70004103	1	Harness, Alternator (Not Shown)	
32	7020479	1	Starter	
32	70025121	2	Bolt, Starter Mounting	
32	70004058	1	Relay	
32	70004062	1	Harness, Starter (Not Shown)	
33	7024565	1	Sensor, Speed	
33	70003931	1	Bolt	
33	70003932	1	Spacer, Sleeve	
34	7027791	1	Sender, Temperature	
35	7027790	1	Sensor, Oil Pressure	
36	7027792	1	Actuator	
37	70000345	3	Plug, Glow (Not Shown)	



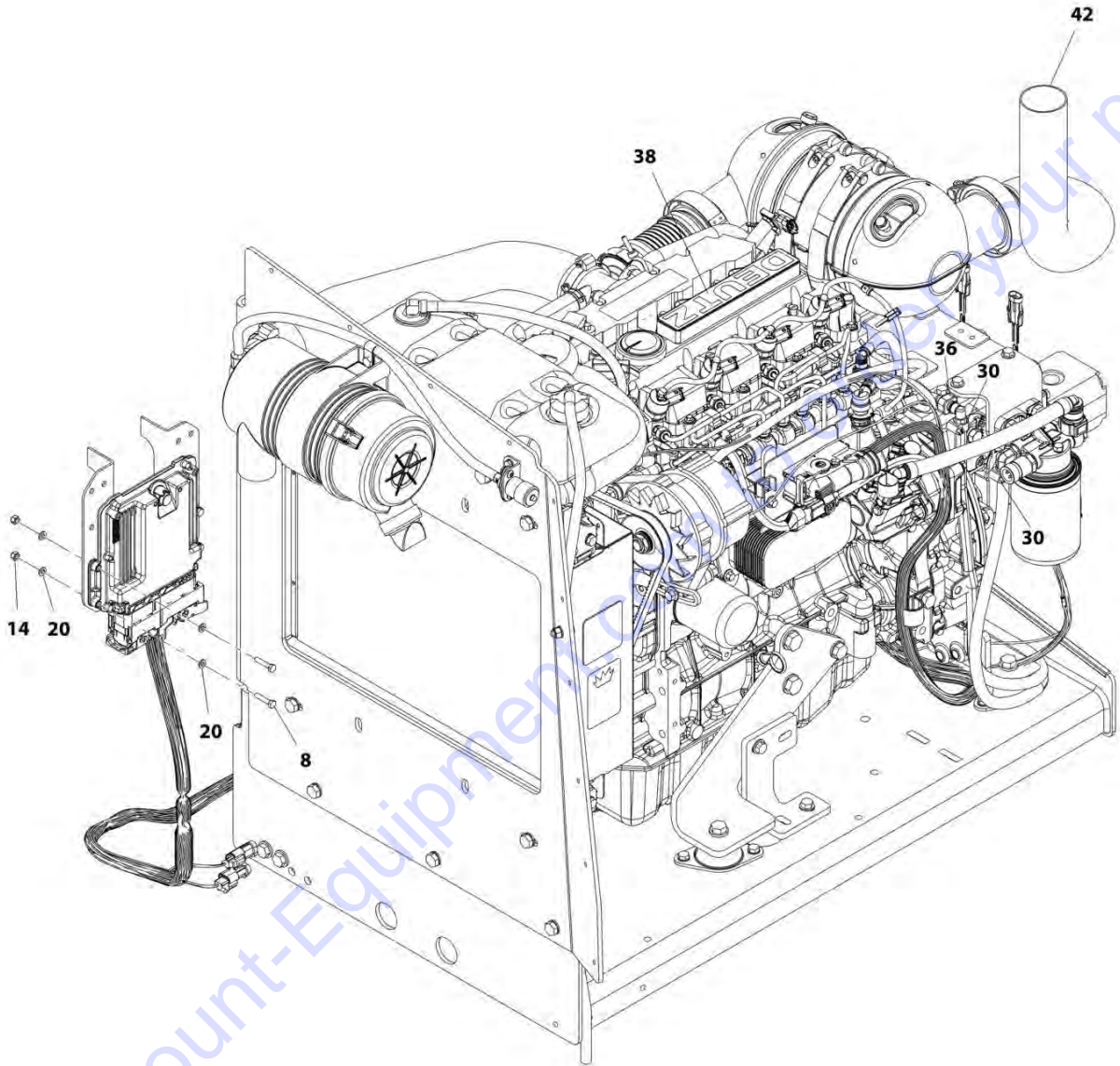
# SECTION 3 - ENGINE

FIGURE 3-12. ENGINE INSTALLATION - DEUTZ D2.9L4 ENGINE (WITHOUT ARCTIC PACKAGE)  
(ANSI, CSA AND ANSI EXPORT SPECS)



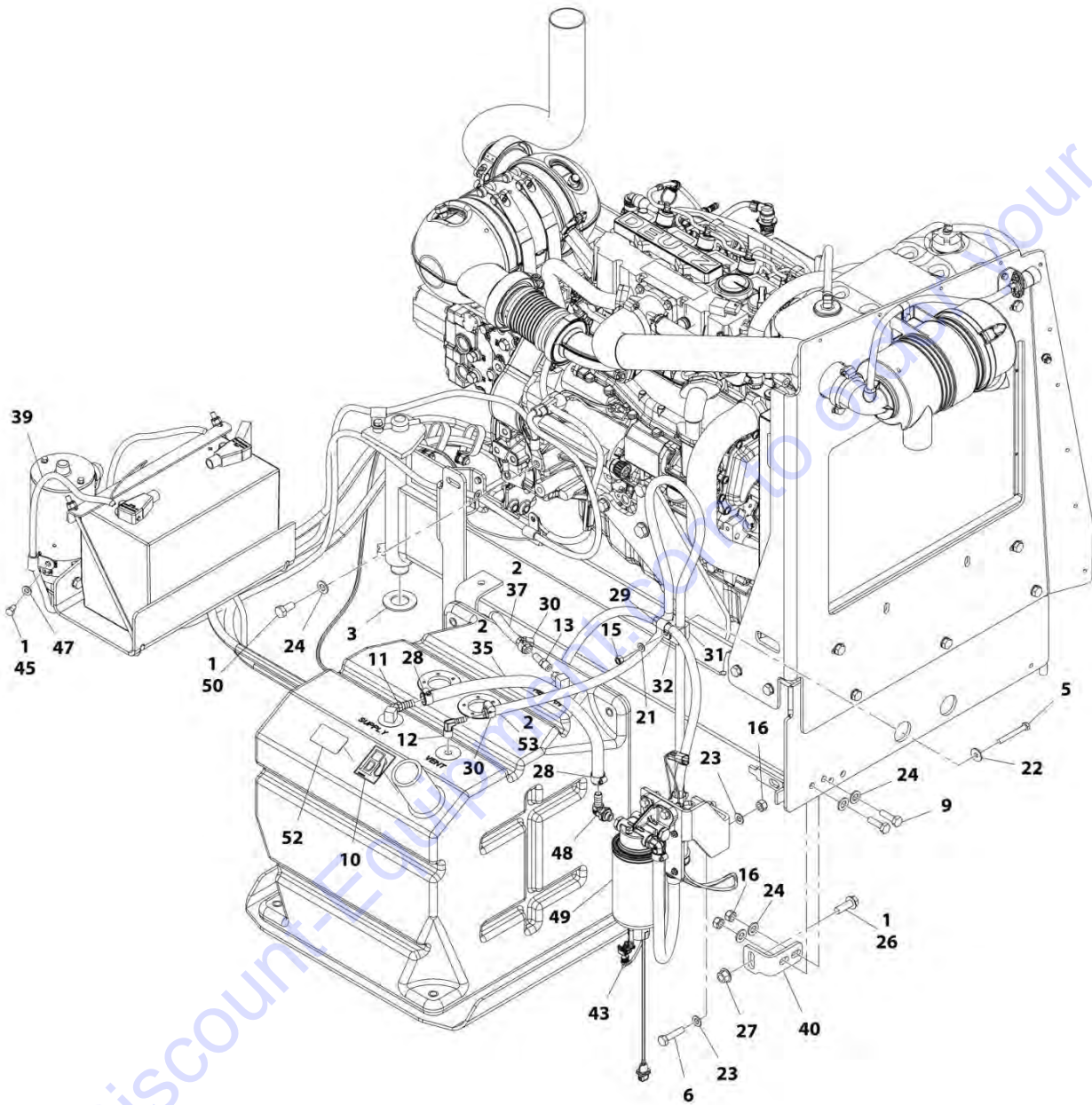
ART\_1001166002\_1OF3

# SECTION 3 - ENGINE



ART\_1001166002\_20F3

# SECTION 3 - ENGINE



ART\_1001166002\_3OF3

## SECTION 3 - ENGINE

**FIGURE 3-12. ENGINE INSTALLATION - DEUTZ D2.9L4 ENGINE (WITHOUT ARCTIC PACKAGE)  
(ANSI, CSA AND ANSI EXPORT SPECS)**

ITEM	PART NUMBER	QTY	DESCRIPTION	REV
	1001166002	Ref	ENGINE INSTALLATION - DEUTZ D2.9L4 ENGINE (WITHOUT ARCTIC PACKAGE) (ANSI, CSA AND ANSI EXPORT SPECS)	I
1	0100011	AR	Compound, Locking	
2	0100020	AR	Sealant, Pipe	
3	0440162	1	Bearing	
4	0700817	1	Bolt M8 x 45	
5	0700821	1	Bolt M8 x 65	
6	0701017	2	Bolt M10 x 45	
8	0760613	4	Bolt M6 x 28	
9	0761015	4	Bolt M10 x 35	
10	1701505	2	Decal - Diesel Fuel	
11	2180832	1	Fitting, Barbed	
12	2220313	1	Fitting, Barbed 90	
13	2220767	1	Fitting, Barbed	
14	3290605	5	Nut, Lock M6 x 1	
15	3290805	2	Bolt, M8 x 1.25	
16	3291005	6	Nut, Lock M10 x 1.5	
17	3422532	1	Pin	
18	3841143	1	Keeper, Pin	
19	4240099	AR	Tie-Strap	
20	4811700	10	Washer, M6	
21	4811900	1	Washer, M8	
22	4811902	1	Washer, M8	
23	4812000	4	Washer, M10	
24	4812100	9	Washer, M12	
26	5251215	1	Bolt M12 x 35	
27	5261200	1	Nut, Flange M12	
28	8405006	3	Clamp	
29	8406101	1	Clip	
30	8410013	4	Clamp	
31	8750014	1	Clamp	
32	8750031	1	Clamp	
33	1001135196	1	Pin	
35	1001154405	27.56 in /70cm	Hose	
36	1001155823	1	Coupling, Quick Disconnect 90	
37	1001165035	26 ft /7.93m	Hose <b>(SN 0300203771 through 0300218460)</b>	
37	1001165035	21 ft /6.42m	Hose <b>(SN 0300218461 to Present)</b>	
38	1001166001	1	Engine and Pump Sub-Assembly - Deutz D2.9L4 (Without Arctic Package) (ANSI, CSA AND ANSI Export Specs) (See ENGINE AND PUMP SUB-ASSEMBLY - DEUTZ D2.9L4 (WITHOUT ARCTIC PACKAGE) (ANSI, CSA AND ANSI EXPORT SPECS) for Breakdown)	
39	1001166970	1	Battery and Auxiliary Power Pump Cable Kit	
39	70009006	1	Cable, Battery (Black) (Battery to Ground)	
39	70009002	1	Cable, Battery (Red) (Auxiliary Power Relay to Auxiliary Power Pump)	
39	70009007	1	Cable, Battery (Red) (Battery to Auxiliary Power Relay)	
40	1001167512	1	Bracket, Engine Tray	



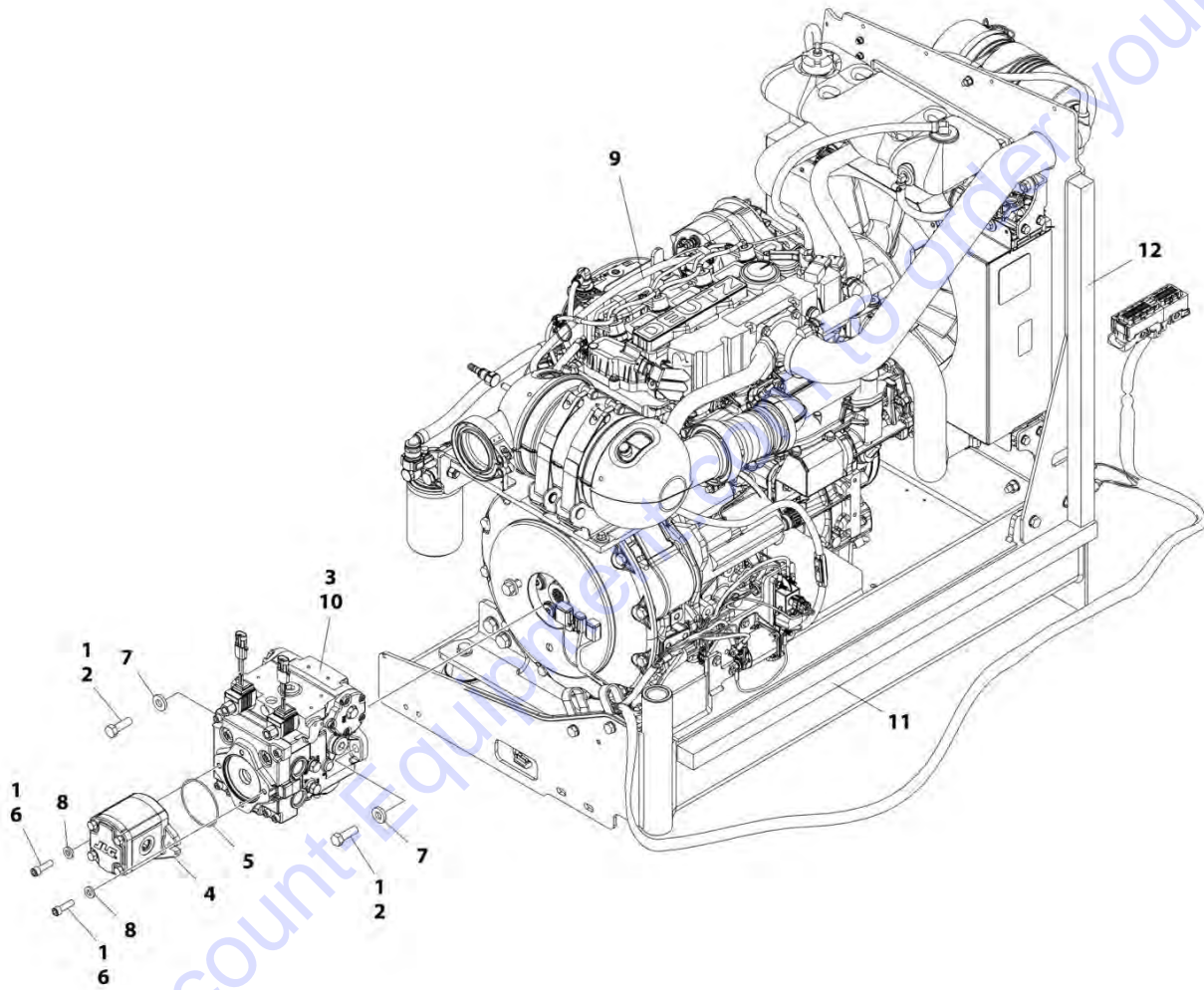
## SECTION 3 - ENGINE

ITEM	PART NUMBER	QTY	DESCRIPTION	REV
41	1001169823	1	Plate, Engine Lock	
42	1001172594	1	Pipe, Exhaust	
43	1001173342	1	Harness, Fuel Pump (See ELECTRICAL SECTION for Breakdown)	
44	5240800	2	Washer, M8 Hardened	
45	0641504	1	Bolt 5/16 x 1/2	
46	0760610	1	Bolt M6 x 20	
47	4711500	1	Washer, 5/16	
48	1001142501	1	Fitting, Barbed 90	
49	1001162335	1	Bracket Assembly - Fuel Pump/Filter (See BRACKET ASSEMBLY - FUEL PUMP AND FILTER (DEUTZ D2.9L4 ENGINE) for Breakdown)	
50	0771212	1	Bolt M12 x 25	
52	1001125387	1	Decal - Ultra Low Sulfur Fuel	
53	2750532	5.54 ft /1.69m	Hose <b>(SN 0300218461 to Present)</b>	



## SECTION 3 - ENGINE

FIGURE 3-13. ENGINE AND PUMP SUB-ASSEMBLY - DEUTZ D2.9L4 (WITHOUT ARCTIC PACKAGE)  
(ANSI, CSA AND ANSI EXPORT SPECS)



ART\_1001166001

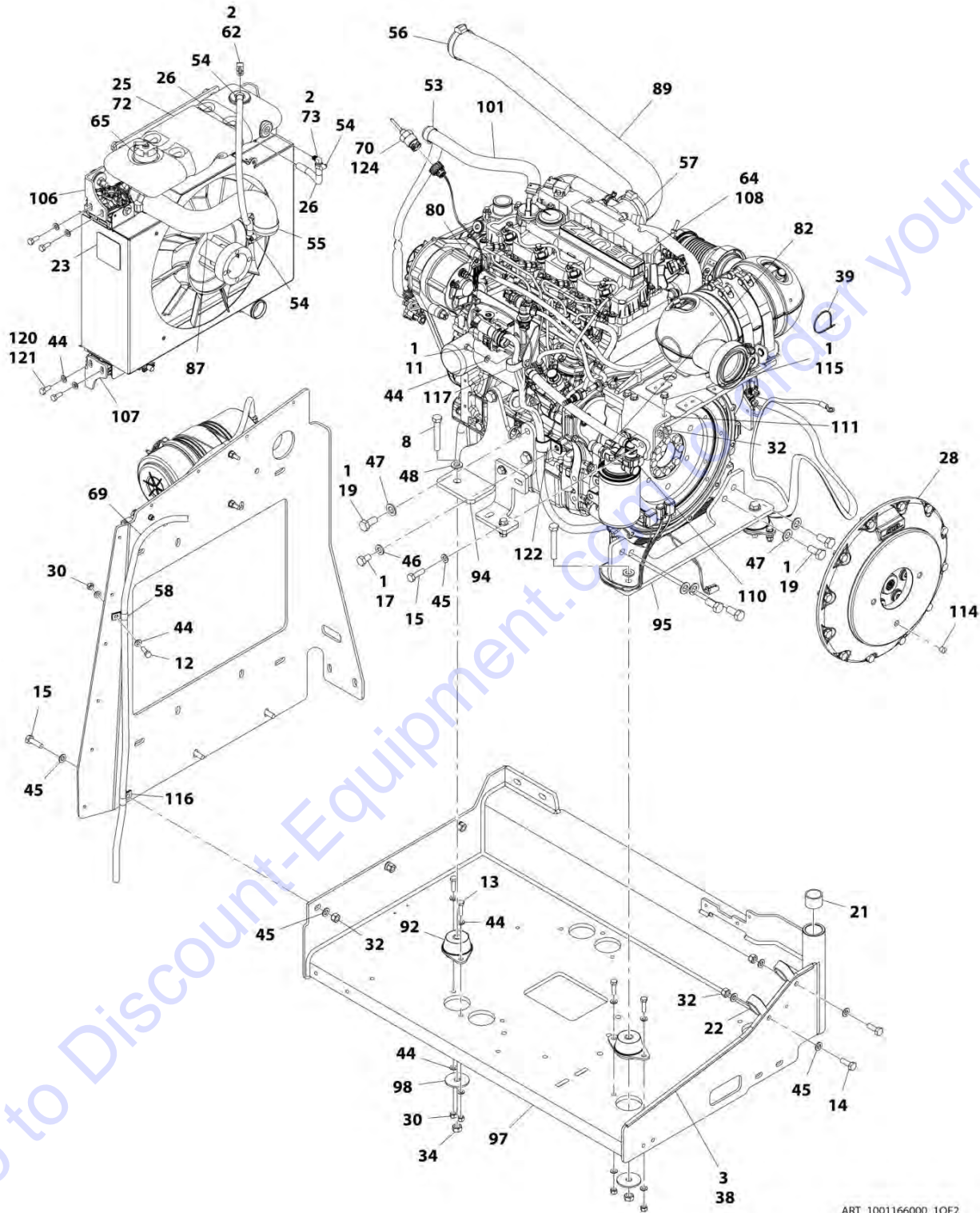
## SECTION 3 - ENGINE

**FIGURE 3-13. ENGINE AND PUMP SUB-ASSEMBLY - DEUTZ D2.9L4 (WITHOUT ARCTIC PACKAGE)  
(ANSI, CSA AND ANSI EXPORT SPECS)**

ITEM	PART NUMBER	QTY	DESCRIPTION	REV
	1001166001	Ref	ENGINE AND PUMP SUB-ASSEMBLY - DEUTZ D2.9L4 (WITHOUT ARCTIC PACKAGE) (ANSI, CSA AND ANSI EXPORT SPECS)	G
1	0100011	AR	Compound, Locking	
2	0641812	2	Bolt, 1/2 x 1-1/2	
3	3020037	AR	Lube	
4	3600242	1	Gear Pump Assembly (See GEAR PUMP ASSEMBLY for Breakdown) <b>(SN 0300203771 through 0300233151)</b>	
4	1001214207	1	Gear Pump Assembly <b>(SN 0300233152 to Present)</b>	
4	70006356	1	Seal Kit	
5	3790152	1	O-Ring	
6	3931620	AR	Capscrew, 3/8 x 1-1/4	
6	3931618	AR	Capscrew, 3/8 x 1 1/8	
7	4891800	2	Washer 1/2 Hardened	
8	4891600	2	Washer, 3/8 Hardened	
9	1001166000	1	Engine Assembly - Deutz D2.9L4 Engine (Without Arctic Package) (ANSI, CSA and ANSI Export Specs) (See ENGINE ASSEMBLY - DEUTZ D2.9L4 ENGINE (WITHOUT ARCTIC PACKAGE) (ANSI, CSA AND ANSI EXPORT SPECS) for Breakdown)	
10	1001167036	1	Piston Pump Assembly (See PISTON PUMP ASSEMBLY for Breakdown)	
11	1001171953	1	Seal	
12	1001171954	1	Seal	

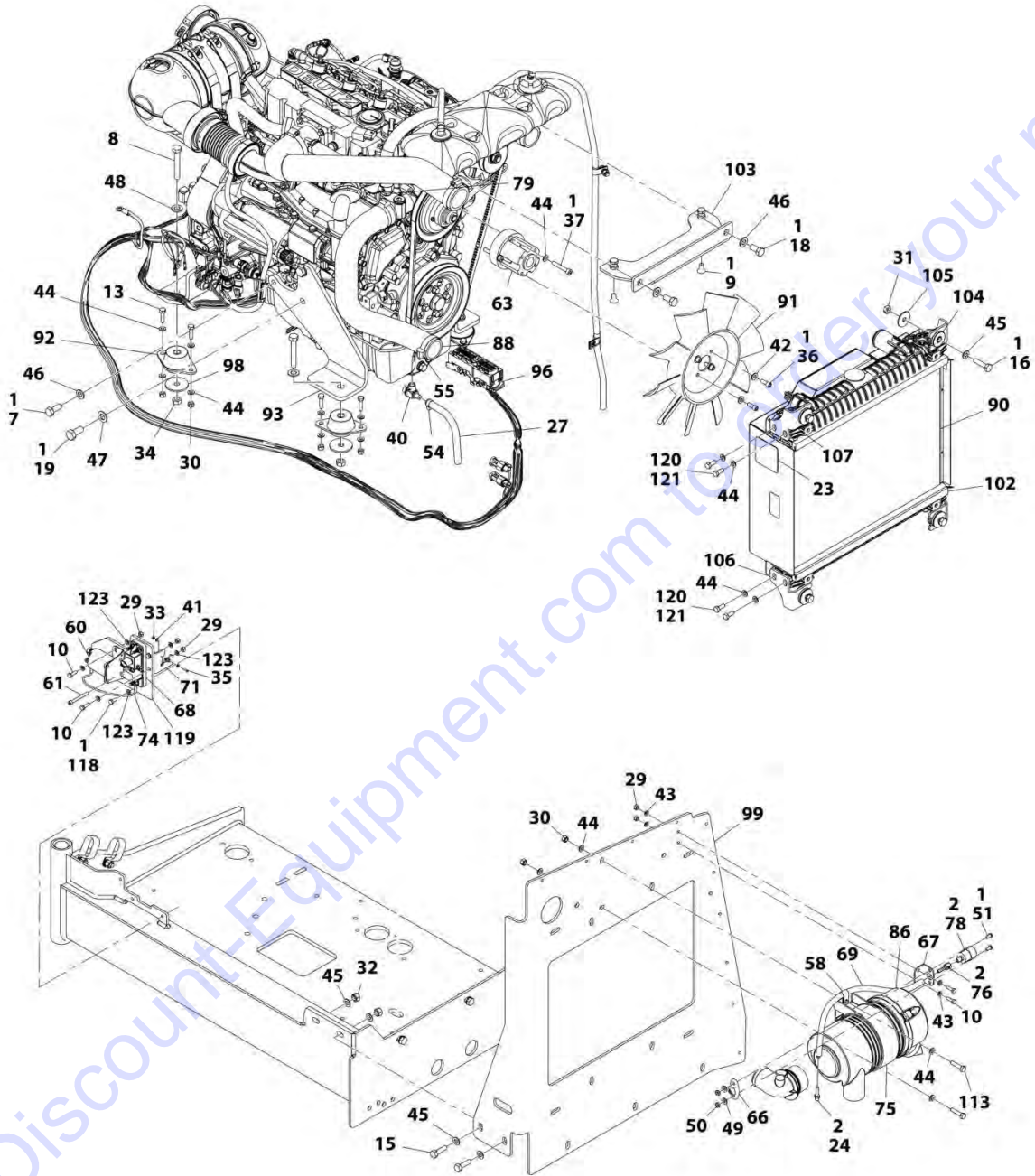
# SECTION 3 - ENGINE

FIGURE 3-14. ENGINE ASSEMBLY - DEUTZ D2.9L4 ENGINE (WITHOUT ARCTIC PACKAGE) (ANSI, CSA AND ANSI EXPORT SPECS)



ART\_1001166000\_10F2

# SECTION 3 - ENGINE



ART\_1001166000\_20F2

## SECTION 3 - ENGINE

**FIGURE 3-14. ENGINE ASSEMBLY - DEUTZ D2.9L4 ENGINE (WITHOUT ARCTIC PACKAGE) (ANSI, CSA AND ANSI EXPORT SPECS)**

ITEM	PART NUMBER	QTY	DESCRIPTION	REV
	1001166000	Ref	ENGINE ASSEMBLY - DEUTZ D2.9L4 ENGINE (WITHOUT ARCTIC PACKAGE) (ANSI, CSA AND ANSI EXPORT SPECS)	Q
1	0100011	AR	Compound, Locking	
2	0100020	AR	Sealant, Pipe	
3	0100081	AR	Adhesive	
7	0711214	AR	Bolt M12 x 30	
8	0711224	4	Bolt M12 x 80 Grade 10.9	
9	0741606	2	Screw 3/8 x .75	
10	0760610	6	Bolt M6 x 20	
11	0760808	1	Bolt M8 x 16	
12	0760812	1	Bolt M8 x 25	
13	0760814	8	Bolt M8 x 30	
14	0761014	2	Bolt M10 x 30	
15	0761015	7	Bolt M10 x 35	
16	0761016	4	Bolt M10 x 40	
17	0761210	1	Bolt M12 x 20	
18	0761212	2	Bolt M12 x 25	
19	0771414	AR	Bolt M14 x 30	
21	0961951	2	Bushing	
22	1321716	2	Clamp	
23	1703162	2	Decal - Caution Fan	
24	2220315	1	Fitting, Straight Barbed	
25	2300004	3 gal/ 11.3L	Coolant	
26	2720015	2 ft/ 0.61m	Hose	
27	2720340	8 in/ 20.3cm	Hose	
28	2902065	1	Pump Coupling Kit (See PUMP COUPLING KIT for Breakdown)	
29	3290605	7	Nut, Lock M6 x 1	
30	3290805	11	Nut, Lock M8 x 1.25	
31	3291001	4	Nut, M10 x 1.5	
32	3291005	9	Nut, Lock M10 x 1.5	
33	3310401	3	Nut, #4	
34	3331215	4	Nut, M12 x 1.75	
35	3910408	3	Screw 4 x 1/2	
36	3931512	4	Capscrew 5/16 x 3/4	
37	4031914	4	Bolt M8 x 50	
38	4060805	2.25 ft/ 0.69m	Trim, Flex Shield	
39	4240099	AR	Tie-Strap	
40	4640751	1	Valve, Oil Drain	
41	4710400	3	Washer, #4	
42	4711500	4	Washer, 5/16	
43	4811700	AR	Washer, M6	
44	4811900	35	Washer, M8	
45	4812000	22	Washer, M10	
46	4812100	AR	Washer, M12	
47	4812200	AR	Washer, M14	
48	5241200	4	Washer, M12 Hardened	

## SECTION 3 - ENGINE

ITEM	PART NUMBER	QTY	DESCRIPTION	REV
49	8305401	2	Nut, Jam .250	
50	8307109	2	Washer, .250	
51	8310548	2	Screw, 1/4 x 1/2	
53	8405007	2	Clamp	
54	8405009	5	Clamp	
55	8405104	4	Clamp	
56	8405202	1	Clamp	
57	8405204	1	Clamp	
58	8406109	2	Clip	
60	1001117308	1	Relay, 200Amp	
60	3300220	2	Nut	
60	3321001	2	Nut, #10	
60	4761000	2	Washer, Lock #10	
60	1001111424	2	Washer	
61	1001118878	1	Bolt M6 x 55	
62	1001134488	1	Fitting, Barbed (SN 0300203771 through 0300241775)	
63	1001144116	1	Spacer, Fan	
64	1001136079	2.4 gal/9L	Oil Motor	
65	1001136834	1	Cap, Tank	
66	1001138173	1	Support, Service Indicator	
67	1001138175	1	Bracket, Service Indicator	
68	1001138228	1	Relay, Power Module	
68	70023592	1	Fuse 20Amp	
68	70023593	1	Fuse 30Amp	
69	1001138248	5.25 ft/ 1.6m	Tube	
70	1001138827	1	Sensor, Coolant Level (SN 0300203771 through 0300241775)	
71	1001139240	1	Bracket	
72	1001140535	NLA	Tank, Surge (Use p/n 1001230635) (SN 0300203771 through 0300241775)	
72	1001230635	1	Tank, Surge (Includes Items 62, 70, & 73) (SN 0300241775 to Present)	
73	1001140564	1	Fitting, Barbed 90 (SN 0300203771 through 0300241775)	
74	1001141304	1	Harness, Glow Plug	
75	1001141694	1	Clamp, Air Cleaner	
76	1001141995	1	Fitting, Barbed	
78	1001143390	1	Indicator	
79	1001143797	1	Fitting, Barbed	
80	1001178788	1	Cable, Alternator	
82	1001152489	1	Fitting, Barbed 90	
86	1001165388	1	Air Cleaner Assembly	
86	70003783	1	Element, Air Cleaner	
87	1001165405	1	Hose, Upper Radiator	
88	1001165406	1	Hose, Lower Radiator	
89	1001165721	1	Hose, Air Intake	
90	1001165722	1	Radiator	
91	1001165849	1	Fan	
92	1001166718	4	Mount, Motor	
93	1001166921	1	Plate, Engine Mount	
94	1001166922	1	Plate, Engine Mount	
95	1001166924	1	Plate, Engine Mount	
96	1001167108	1	Harness Engine - Deutz D2.9L4 (See ELECTRICAL SECTION for	



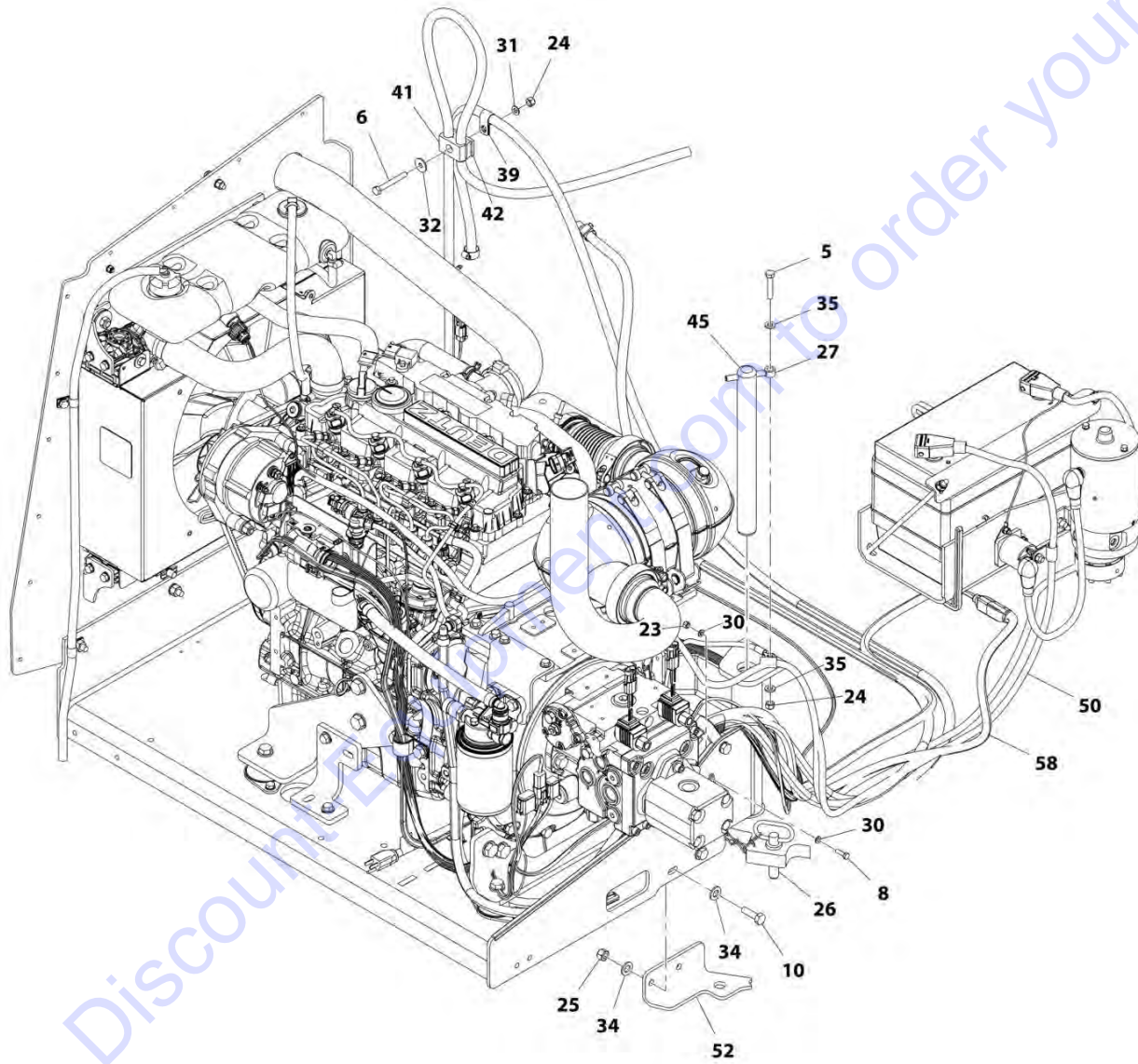
## SECTION 3 - ENGINE

ITEM	PART NUMBER	QTY	DESCRIPTION	REV
			Breakdown)	
97	1001167520	1	Tray, Engine	
98	1001168018	4	Washer, Special	
99	1001168026	1	Plate, Radiator Mounting	
101	1001168099	1	Hose	
102	1001168166	2	Seal	
103	1001168950	1	Bracket	
104	1001169054	4	Isolator	
105	1001169138	4	Washer, Snubbing	
106	1001169967	2	Bracket	
107	1001170035	2	Bracket	
108	1001170617	1	Engine, Deutz D2.9L4 (See ENGINE COMPONENTS - DEUTZ D2.9L4 ENGINE for Breakdown)	
110	1001177359	1	Hose	
111	1001178876	1	Mount, Fuel Filter	
113	0760815	2	Bolt M8 x 35	
114	3520054	1	Plug	
115	5250810	2	Bolt M8 x 20	
116	8406110	1	Clip	
117	8406201	1	Clip	
118	0760607	3	Bolt M6 x 14	
119	1001179903	1	Bracket	
120	1001180620	AR	Adhesive	
121	0760810	8	Bolt M8 x 20	
122	1001191620	1	Clamp	
123	4811702	AR	Washer M6	
124	1001182997	AR	Adhesive	



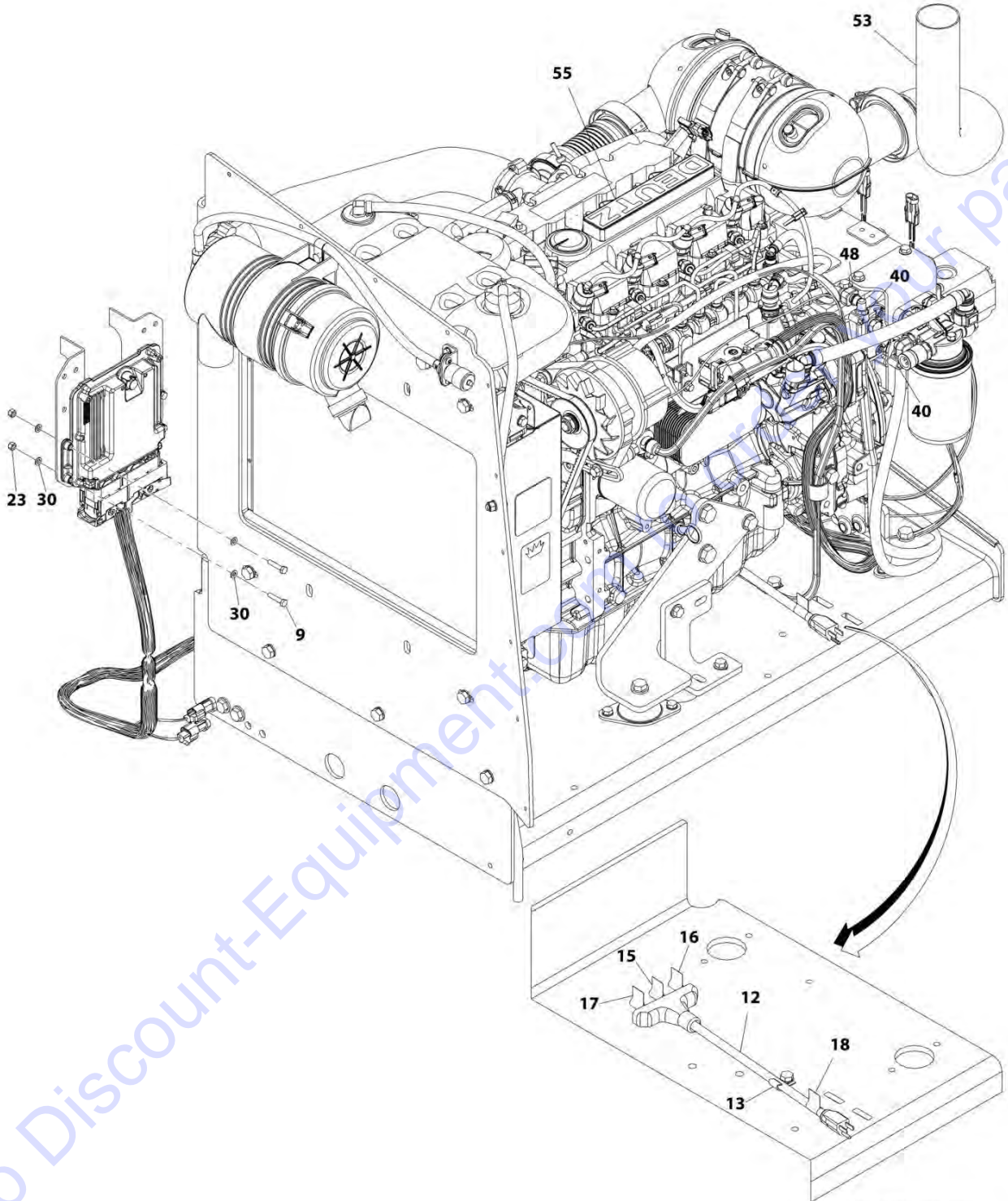
# SECTION 3 - ENGINE

FIGURE 3-15. ENGINE INSTALLATION - DEUTZ D2.9L4 ENGINE (WITH ARCTIC PACKAGE) (ANSI AND CSA SPECS)



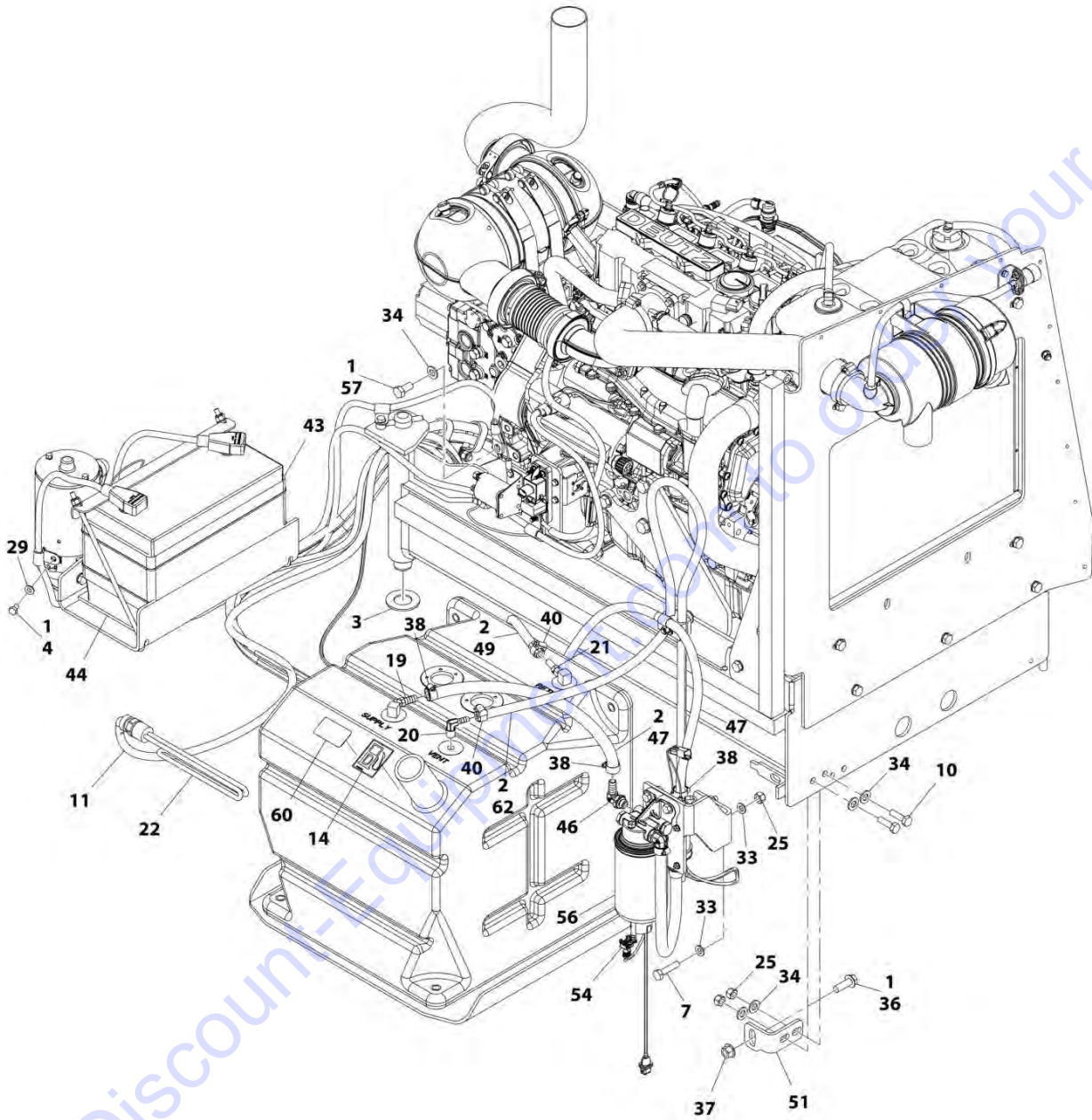
ART\_1001166003\_10F3

# SECTION 3 - ENGINE



ART\_1001166003\_20F3

# SECTION 3 - ENGINE



ART\_1001166003\_30F3

## SECTION 3 - ENGINE

**FIGURE 3-15. ENGINE INSTALLATION - DEUTZ D2.9L4 ENGINE (WITH ARCTIC PACKAGE) (ANSI AND CSA SPECS)**

ITEM	PART NUMBER	QTY	DESCRIPTION	REV
	1001166003	Ref	ENGINE INSTALLATION - DEUTZ D2.9L4 ENGINE (WITH ARCTIC PACKAGE) (ANSI AND CSA SPECS)	J
1	0100011	AR	Compound, Locking	
2	0100020	AR	Sealant, Pipe	
3	0440162	1	Bearing	
4	0641504	1	Bolt 5/16 x 1/2	
5	0700817	1	Bolt M8 x 45	
6	0700821	1	Bolt M8 x 65	
7	0701017	2	Bolt M10 x 45	
8	0760610	1	Bolt M6 x 20	
9	0760613	4	Bolt M6 x 28	
10	0761015	5	Bolt M10 x 35	
11	1060625	1	Cable, Immersion Heater (SN 0300203771 through 0300208326)	
12	1060626	1	Plug, 3 Way	
13	1320223	1	Clamp	
14	1701505	2	Decal - Diesel Fuel	
15	1702941	1	Decal - Battery Heater	
16	1702942	1	Decal - Engine Block Heater	
17	1702943	1	Decal - Hydraulic Tank Heater	
18	1702944	1	Decal - Heater Cord	
19	2180832	1	Fitting, Barbed	
20	2220313	1	Fitting, Barbed 90	
21	2220767	1	Fitting, Barbed	
22	2580050	1	Heater, Hydraulic Tank (SN 0300203771 through 0300208326)	
22	1001188972	1	Heater, Hydraulic Tank (SN 0300208327 to Present)	
23	3290605	5	Nut, Lock M6 x 1	
24	3290805	2	Nut, Lock M8 x 1.25	
25	3291005	7	Nut, Lock M10 x 1.5	
26	3422532	1	Pin	
27	3841143	1	Keeper, Pin	
28	4240099	AR	Tie-Strap	
29	4711500	1	Washer, 5/16	
30	4811700	10	Washer, M6	
31	4811900	1	Washer, M8	
32	4811902	1	Washer, M8	
33	4812000	6	Washer, M10	
34	4812100	9	Washer, M12	
35	5240800	2	Washer, M8 Hardened	
36	5251215	1	Bolt M12 x 35	
37	5261200	1	Nut, Flange M12 Class10	
38	8405006	3	Clamp	
39	8406101	1	Clip	
40	8410013	4	Clamp	
41	8750014	1	Clamp (SN 0300203771 through 0300243704)	
41	1320187	1	Clamp (SN 0300243704 to Present)	
42	8750031	1	Clamp (SN 0300203771 through 0300243704)	
42	1320190	1	Clamp (SN 0300243704 to Present)	
43	1001097000	1	Heater, Battery (SN 0300203771 through 0300208326)	
43	2580024	1	Heater, Battery (SN 0300208327 to Present)	

## SECTION 3 - ENGINE

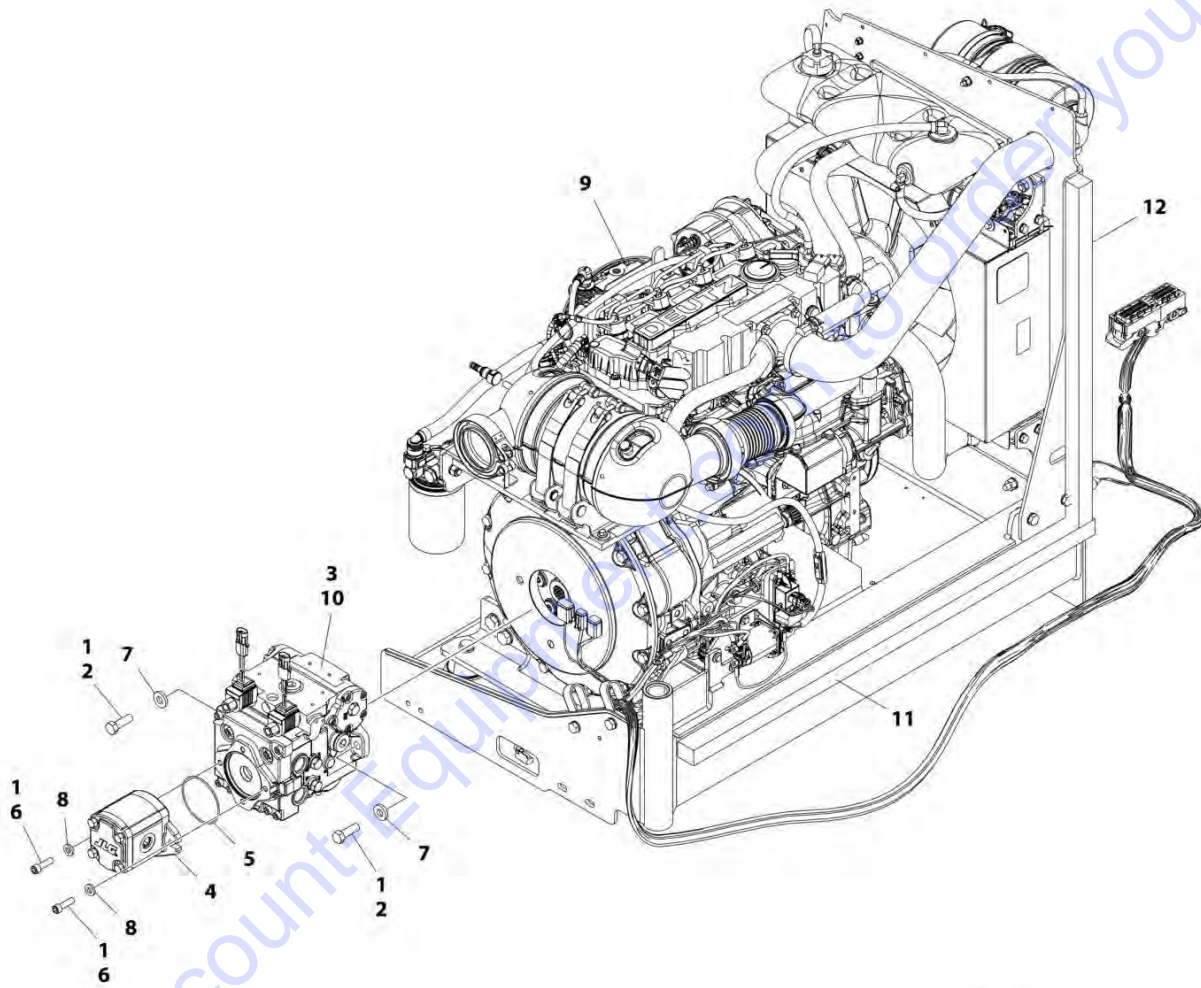
ITEM	PART NUMBER	QTY	DESCRIPTION	REV
44	1001119278	1	Insulate	
45	1001135196	1	Pin	
46	1001142501	1	Fitting, Barbed 90	
47	1001154405	28 in/.7m	Hose	
48	1001155823	1	Coupling, Quick Disconnect 90	
49	1001165035	26 ft /7.93m	Hose <b>(SN 0300203771 through 0300218460)</b>	
49	1001165035	21 ft /6.42m	Hose <b>(SN 0300218461 to Present)</b>	
50	1001166970	1	Battery and Auxiliary Power Pump Cable Kit	
50	70009006	1	Cable, Battery (Black) (Battery to Ground)	
50	70009002	1	Cable, Battery (Red) (Auxiliary Power Relay to Auxiliary Power Pump)	
50	70009007	1	Cable, Battery (Red) (Battery to Auxiliary Power Relay)	
51	1001167512	1	Bracket, Engine Tray	
52	1001169823	1	Plate, Engine Lock	
53	1001172594	1	Pipe, Exhaust	
54	1001173342	1	Harness, Fuel Pump (See ELECTRICAL SECTION for Breakdown)	
55	1001174778	1	Engine and Pump Sub-Assembly - Deutz D2.9L4 (With Arctic Package) (ANSI and CSA Specs) (See ENGINE AND PUMP SUB-ASSEMBLY - DEUTZ D2.9L4 (WITH ARCTIC PACKAGE) (ANSI AND CSA SPECS) for Breakdown)	
56	1001162335	1	Bracket Assembly - Fuel Pump/Filter (See BRACKET ASSEMBLY - FUEL PUMP AND FILTER (DEUTZ D2.9L4 ENGINE) for Breakdown)	
57	0771212	1	Bolt M12 x 25	
58	1001150918	1	Cable, Extension Cord	
60	1001125387	1	Decal - Ultra Low Sulfur Fuel	
62	2750532	5.54 ft /1.69m	Hose <b>(SN 0300218461 to Present)</b>	
63	1001233763	1	Breather Heater Installation (Not Shown - See Separate Breakdown in this Section) <b>(SN 0300245668 to Present, SN E00005754 to Present)</b>	





## SECTION 3 - ENGINE

FIGURE 3-16. ENGINE AND PUMP SUB-ASSEMBLY - DEUTZ D2.9L4 (WITH ARCTIC PACKAGE)  
(ANSI AND CSA SPECS)



ART\_1001174778

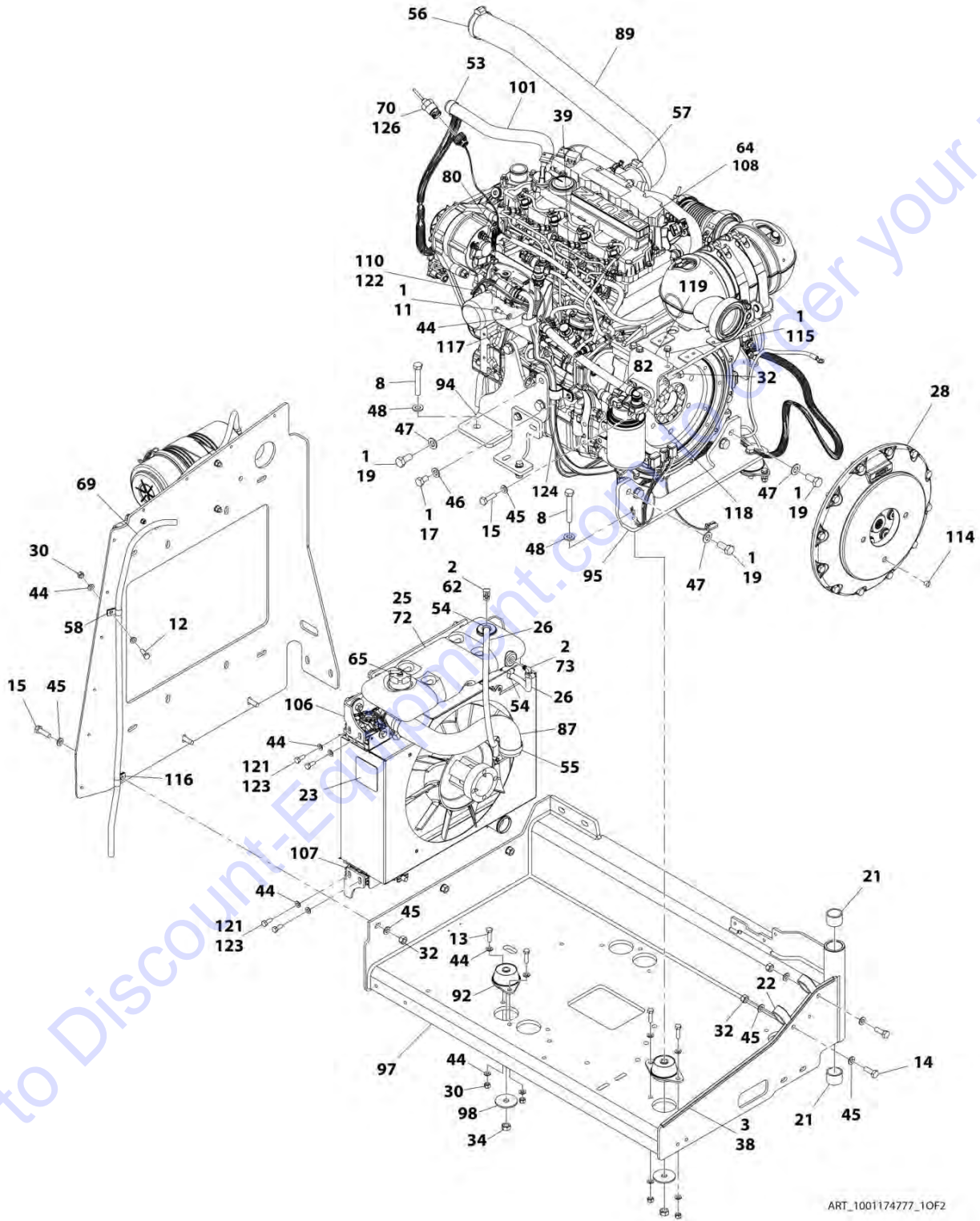
## SECTION 3 - ENGINE

**FIGURE 3-16. ENGINE AND PUMP SUB-ASSEMBLY - DEUTZ D2.9L4 (WITH ARCTIC PACKAGE)  
(ANSI AND CSA SPECS)**

ITEM	PART NUMBER	QTY	DESCRIPTION	REV
	1001174778	Ref	ENGINE AND PUMP SUB-ASSEMBLY - DEUTZ D2.9L4 (WITH ARCTIC PACKAGE) (ANSI AND CSA SPECS)	F
1	0100011	AR	Compound, Locking	
2	0641812	2	Bolt, 1/2 x 1-1/2	
3	3020037	AR	Lube	
4	3600242	1	Gear Pump Assembly (See GEAR PUMP ASSEMBLY for Breakdown) <b>(SN 0300203771 through 0300233151)</b>	
4	1001214207	1	Gear Pump Assembly <b>(SN 0300233152 to Present)</b>	
4	70006356	1	Seal Kit	
5	3790152	1	O-Ring	
6	3931620	AR	Capscrew, 3/8 x 1-1/4	
6	3931618	AR	Capscrew, 3/8 x 1 1/8	
7	4891800	2	Washer, 1/2 Hardened	
8	4891600	2	Washer, 3/8 ID Hardened	
9	1001174777	1	Engine Assembly - Deutz D2.9L4 Engine (With Arctic Package) (ANSI and CSA Specs) (See ENGINE ASSEMBLY - DEUTZ D2.9L4 ENGINE (WITH ARCTIC PACKAGE) (ANSI AND CSA SPECS) for Breakdown)	
10	1001167036	1	Piston Pump Assembly (See PISTON PUMP ASSEMBLY for Breakdown)	
11	1001171953	1	Seal	
12	1001171954	1	Seal	

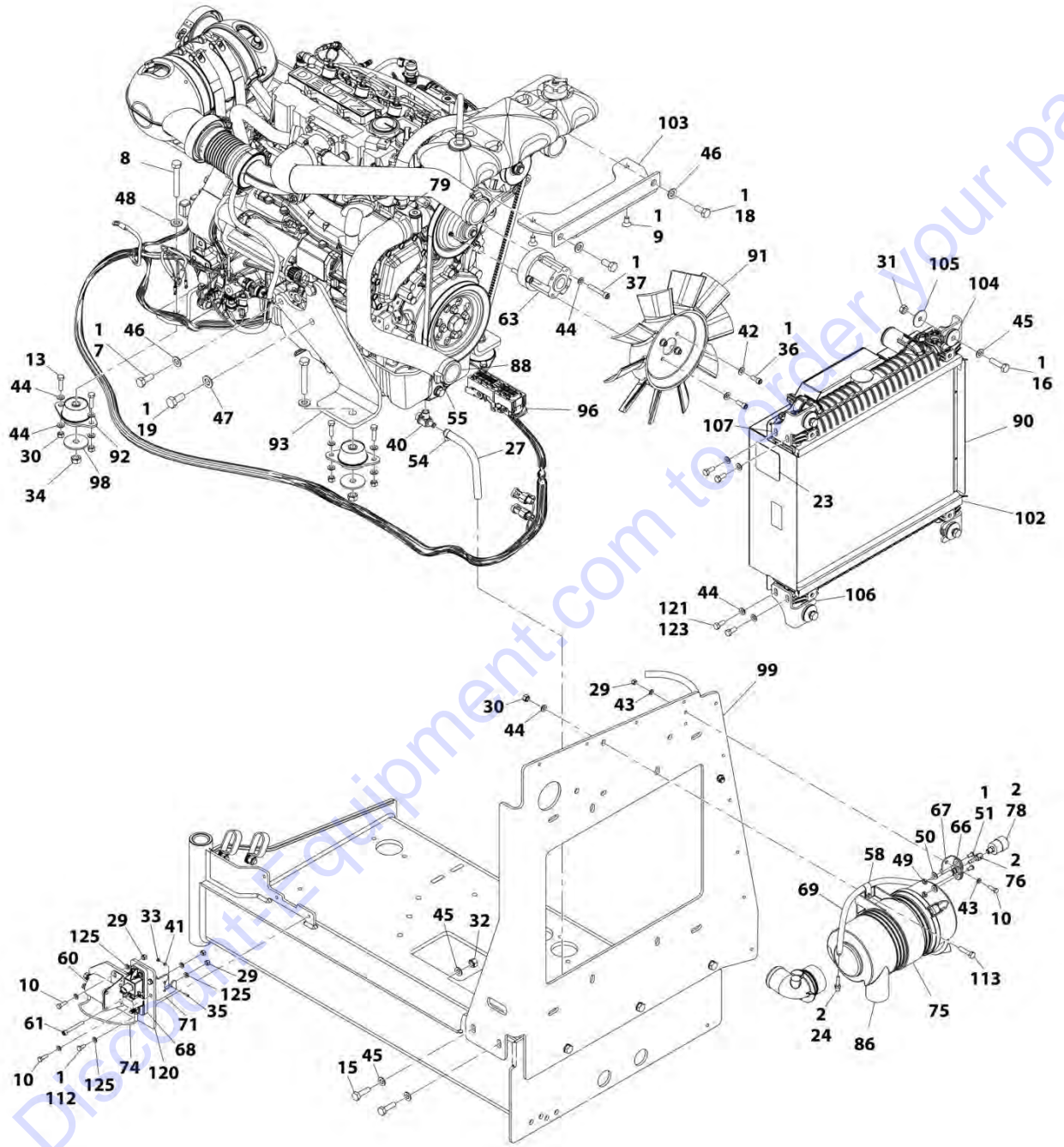
# SECTION 3 - ENGINE

FIGURE 3-17. ENGINE ASSEMBLY - DEUTZ D2.9L4 ENGINE (WITH ARCTIC PACKAGE) (ANSI AND CSA SPECS)



ART\_1001174777\_10F2

# SECTION 3 - ENGINE



ART\_1001174777\_20F2

## SECTION 3 - ENGINE

**FIGURE 3-17. ENGINE ASSEMBLY - DEUTZ D2.9L4 ENGINE (WITH ARCTIC PACKAGE) (ANSI AND CSA SPECS)**

ITEM	PART NUMBER	QTY	DESCRIPTION	REV
	1001174777	Ref	ENGINE ASSEMBLY - DEUTZ D2.9L4 ENGINE (WITH ARCTIC PACKAGE) (ANSI AND CSA SPECS)	N
1	0100011	AR	Compound, Locking	
2	0100020	AR	Sealant, Pipe	
3	0100081	AR	Adhesive	
7	0711214	2	Bolt M12 x 30 (SN 0300203771 through 0300214760)	
7	0711214	1	Bolt M12 x 30 (SN 0300214761 to Present)	
8	0711224	4	Bolt M12 x 80	
9	0741606	2	Screw 3/8 x .75	
10	0760610	6	Bolt M6 x 20	
11	0760808	1	Bolt M8 x 16	
12	0760812	1	Bolt M8 x 25	
13	0760814	8	Bolt M8 x 30	
14	0761014	2	Bolt M10 x 30	
15	0761015	7	Bolt M10 x 35	
16	0761016	4	Bolt M10 x 40	
17	0761210	1	Bolt M12 x 20	
18	0761212	2	Bolt M12 x 25	
19	0771414	8	Bolt M14 x 30 (SN 0300203771 through 0300214760)	
19	0771414	9	Bolt M14 x 30 (SN 0300214761 to Present)	
21	0961951	2	Bushing	
22	1321716	2	Clamp	
23	1703162	2	Decal - Caution Fan	
24	2220315	1	Fitting, Barbed	
25	2300041	3 gal/ 11.3L	Coolant	
26	2720015	2 ft/0.61m	Hose	
27	2720340	8 in /0.2m	Hose	
28	2902065	1	Pump Coupling Kit (See PUMP COUPLING KIT for Breakdown)	
29	3290605	7	Nut, Lock M6 x 1	
30	3290805	11	Nut, Lock M8 x 1.25	
31	3291001	4	Nut, M10 x 1.5	
32	3291005	9	Nut, Lock M10 x 1.5	
33	3310401	3	Nut, #4	
34	3331215	4	Nut, M12 x 1.75	
35	3910408	3	Screw 4 x 1/2	
36	3931512	4	Capscrew 5/16 x 3/4	
37	4031914	4	Bolt M8 x 50	
38	4060805	2.25 ft/ 0.69m	Trim, Flex Shield	
39	4240099	AR	Tie-Strap	
40	4640751	1	Valve, Oil Drain	
41	4710400	3	Washer, #4	
42	4711500	4	Washer, 5/16	
43	4811700	16	Washer, M6 (SN 0300203771 through 0300214760)	
43	4811700	4	Washer, M6 (SN 0300214761 to Present)	
44	4811900	35	Washer, M8	
45	4812000	22	Washer, M10	
46	4812100	5	Washer, M12 (SN 0300203771 through 0300214760)	

## SECTION 3 - ENGINE

ITEM	PART NUMBER	QTY	DESCRIPTION	REV
46	4812100	4	Washer, M12 (SN 0300214761 to Present)	
47	4812200	8	Washer, M14 (SN 0300203771 through 0300214760)	
47	4812200	9	Washer, M14 (SN 0300214761 to Present)	
48	5241200	4	Washer, M12 Hardened	
49	8305401	2	Nut, Jam .250-20	
50	8307109	2	Washer, .250	
51	8310548	2	Screw 1/4 x 1/2	
53	8405007	2	Clamp	
54	8405009	5	Clamp	
55	8405104	4	Clamp	
56	8405202	1	Clamp	
57	8405204	1	Clamp	
58	8406109	2	Clip	
60	1001117308	1	Relay, 200Amp	
60	3300220	2	Nut	
60	3321001	2	Nut, #10	
60	4761000	2	Washer, Lock #10	
60	1001111424	2	Washer	
61	1001118878	1	Bolt M6 x 55	
62	1001134488	1	Fitting, Barbed 90	
63	1001144116	1	Spacer, Fan	
64	1001136172	2.4 gal /9L	Oil, Motor	
65	1001136834	1	Cap, Tank	
66	1001138173	1	Support, Service Indicator	
67	1001138175	1	Bracket, Service Indicator	
68	1001138228	1	Relay, Power Module	
68	70023592	1	Fuse 20Amp	
68	70023593	1	Fuse 30Amp	
69	1001138248	5.25 ft/ 1.6m	Tube	
70	1001138827	1	Sensor, Coolant Level	
71	1001139240	1	Bracket	
72	1001140535	NLA	Tank, Surge (Use p/n 1001230635) (SN 0300203771 through 0300241775)	
72	1001230635	1	Tank, Surge (Includes Items 62, 70 & 73) (SN 0300241775 to Present)	
73	1001140564	1	Fitting, Barbed 90	
74	1001141304	1	Harness, Glow Plug	
75	1001141694	1	Clamp, Air Cleaner	
76	1001141995	1	Fitting, Barbed	
78	1001143390	1	Indicator	
79	1001143797	1	Fitting, Barbed	
80	1001178788	1	Cable, Alternator	
82	1001152489	1	Fitting, Barbed 90	
86	1001165388	1	Air Cleaner Assembly	
86	70003783	1	Element, Air Cleaner	
87	1001165405	1	Hose, Upper Radiator	
88	1001165406	1	Hose, Lower Radiator	
89	1001165721	1	Hose, Air Intake	
90	1001165722	1	Radiator	
91	1001165849	1	Fan	
92	1001166718	4	Mount, Motor	

## SECTION 3 - ENGINE

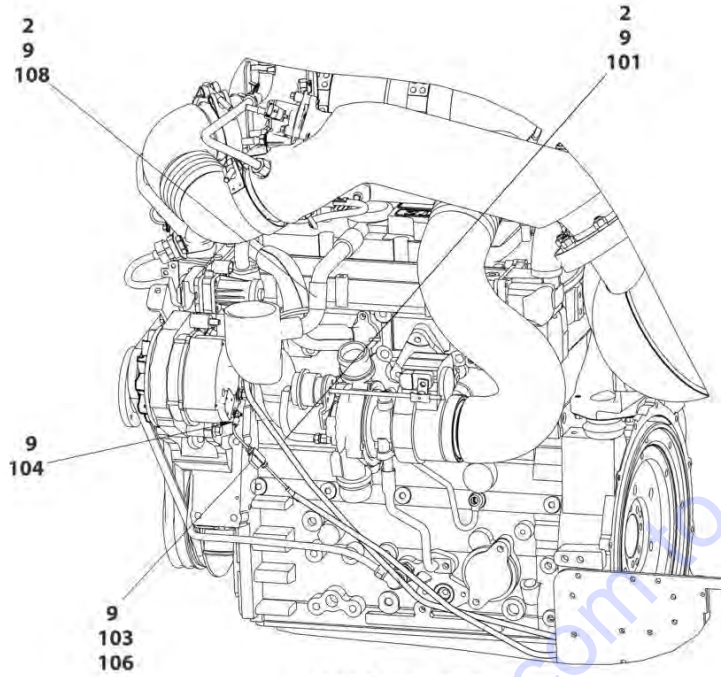
ITEM	PART NUMBER	QTY	DESCRIPTION	REV
93	1001166921	1	Plate, Engine Mount	
94	1001166922	1	Plate, Engine Mount	
95	1001166924	1	Plate, Engine Mount	
96	1001167108	1	Harness Engine - Deutz D2.9L4 (See ELECTRICAL SECTION for Breakdown)	
97	1001167520	1	Tray, Engine	
98	1001168018	4	Washer, Special	
99	1001168026	1	Plate, Radiator Mounting	
101	1001168099	1	Hose	
102	1001168166	2	Seal	
103	1001168950	1	Bracket	
104	1001169054	4	Isolator	
105	1001169138	4	Washer, Snubbing	
106	1001169967	2	Bracket	
107	1001170035	2	Bracket	
108	1001170617	1	Engine, Deutz D2.9L4 (See ENGINE COMPONENTS - DEUTZ D2.9L4 ENGINE for Breakdown)	
110	1001140312	1	Heater, Engine Block	
112	0760607	3	Bolt M6 x 14	
113	0760815	2	Bolt M8 x 35	
114	3520054	1	Plug	
115	5250810	2	Bolt M8 x 20	
116	8406110	1	Clip	
117	8406201	1	Clip	
118	1001177359	1	Hose	
119	1001178876	1	Mount, Fuel Filter	
120	1001179903	1	Bracket	
121	1001180620	AR	Adhesive	
122	1001181895	AR	Adhesive	
123	0760810	8	Bolt M8 x 20	
124	1001191620	1	Clamp	
125	4811702	AR	Washer M6	
126	1001182997	AR	Adhesive	



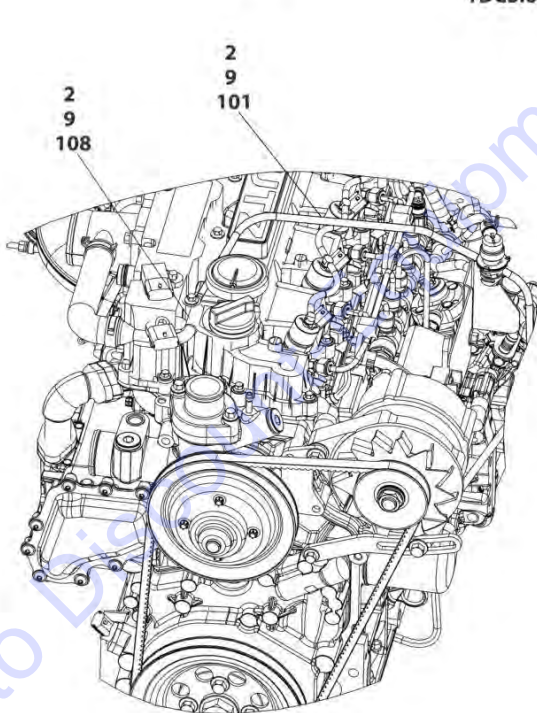


# SECTION 3 - ENGINE

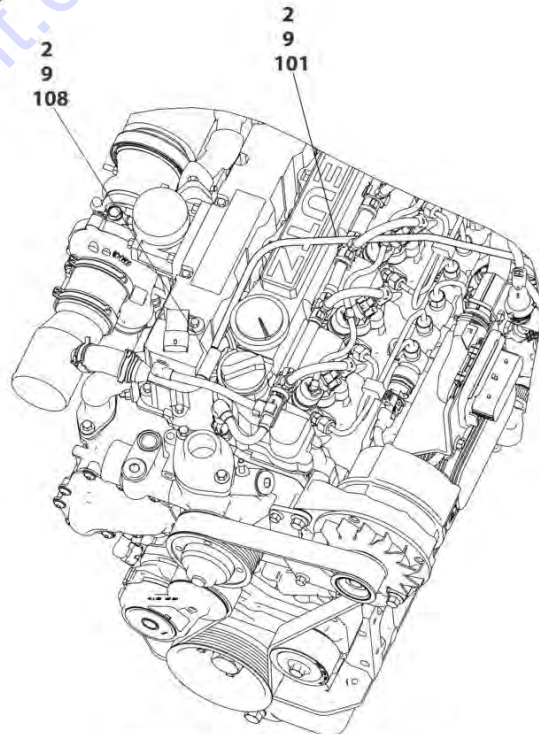
## FIGURE 3-18. BREATHER HEATER INSTALLATION - DEUTZ D2.9L4 ENGINE WITH ARCTIC PACKAGE



TDC3.6 ENGINES



D2.9L4 ENGINES



TCD2.9L4 AND TD2.9L4 ENGINES

ART\_1001233763

## SECTION 3 - ENGINE

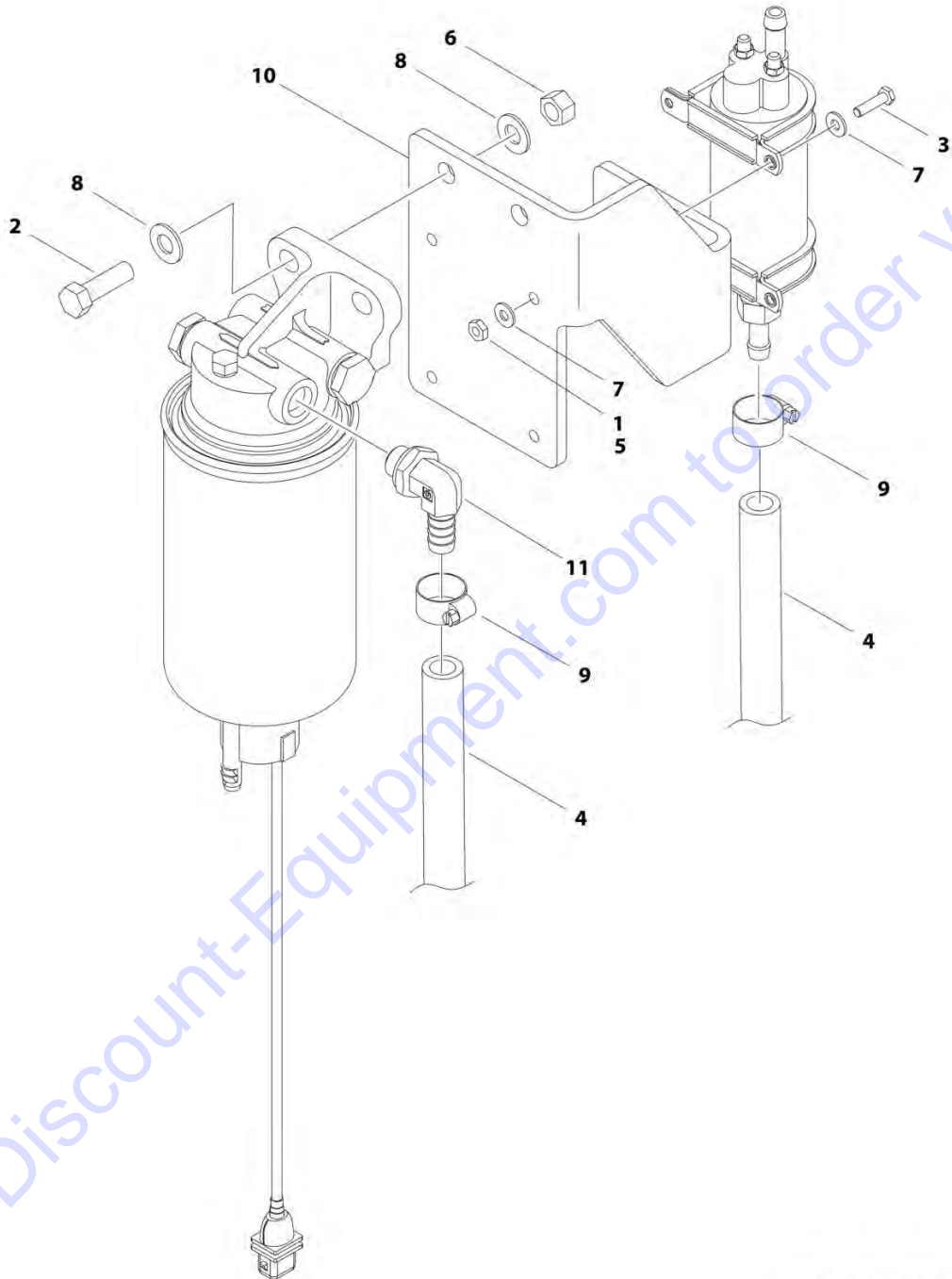
**FIGURE 3-18. BREATHER HEATER INSTALLATION - DEUTZ D2.9L4 ENGINE WITH ARCTIC PACKAGE**

ITEM	PART NUMBER	QTY	DESCRIPTION	REV
	1001233763	Ref	BREATHER HEATER INSTALLATION - DEUTZ ENGINES	C
2	4240099	AR	Tie-Strap	
9	1001243895	1	Breather Heater Harness	
101	2820035	10 ft/ 3m	Insulation	
103	2400060	1	Fuseholder with Cover	
104	4460043	1	Terminal, Ring	
105	4460722	1	Terminal, Ring (Not Shown)	
106	1001196634	1	Fuse - 2 Amp	
108	1001232842	1	Breather Heater Kit	

Go to Discount-Equipment.com to order your parts

## SECTION 3 - ENGINE

FIGURE 3-19. BRACKET ASSEMBLY - FUEL PUMP AND FILTER (DEUTZ D2.9L4 ENGINE)



ART\_1001162335

## SECTION 3 - ENGINE

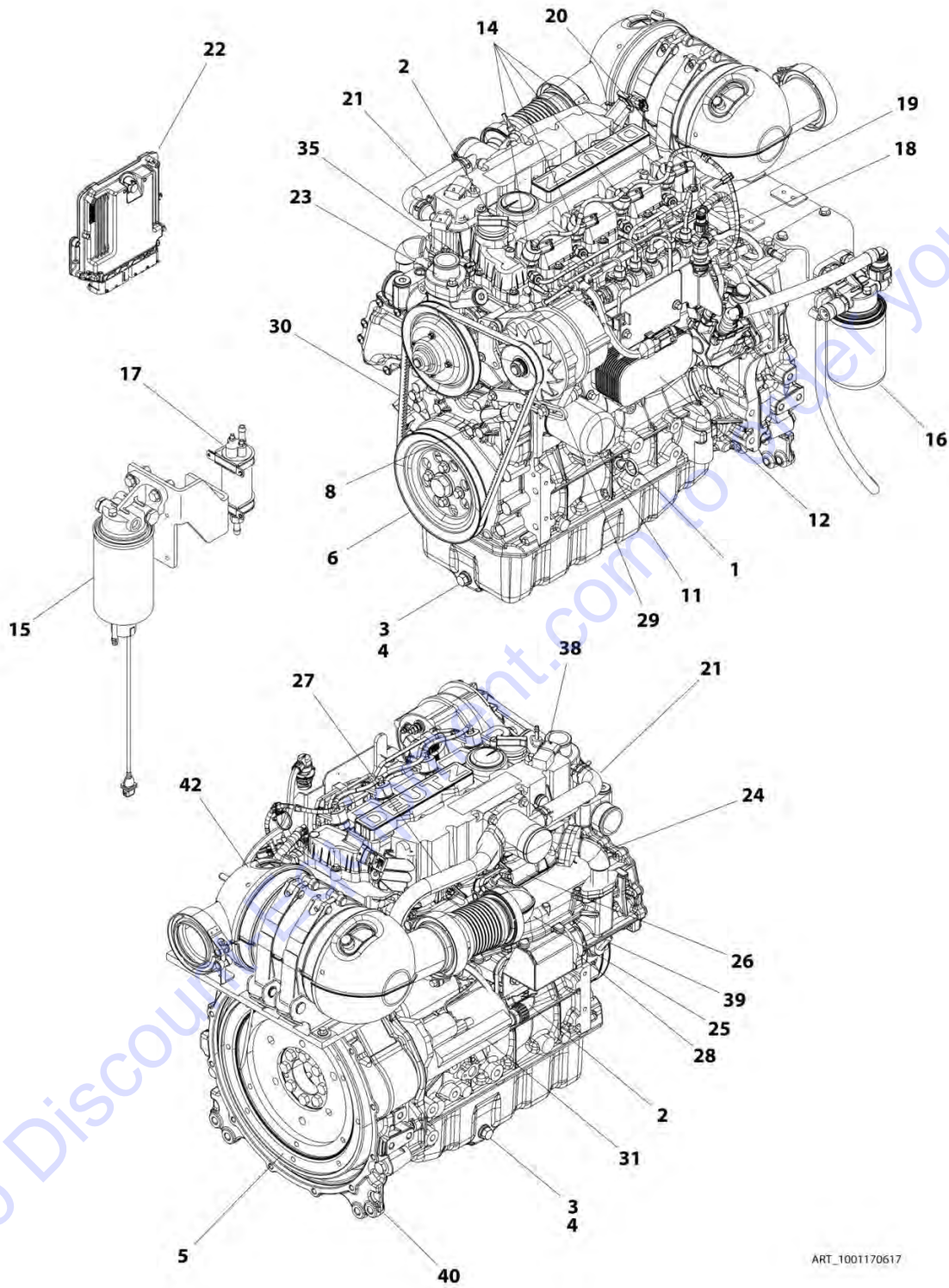
**FIGURE 3-19. BRACKET ASSEMBLY - FUEL PUMP AND FILTER (DEUTZ D2.9L4 ENGINE)**

ITEM	PART NUMBER	QTY	DESCRIPTION	REV
	1001162335	Ref	BRACKET ASSEMBLY - FUEL PUMP AND FILTER (DEUTZ D2.9L4 ENGINE)	D
1	0100011	AR	Compound, Locking	
2	0641610	2	Bolt, 3/8 x 1-1/4	
3	0721006	4	Bolt, #10 x 3/4	
4	1001154405	1.5 ft /0.4m	Hose	
5	3311001	4	Nut, #10	
6	3311605	2	Nut, Lock 3/8	
7	4711000	8	Washer #10	
8	4711600	4	Washer, 3/8	
9	8405006	2	Clamp	
10	1001141870	1	Plate, Fuel Pump Mounting	
11	1001142501	1	Fitting, Elbow Barbed	

Go to Discount-Equipment.com to order your parts

# SECTION 3 - ENGINE

## FIGURE 3-20. ENGINE COMPONENTS - DEUTZ D2.9L4 ENGINE



## SECTION 3 - ENGINE

**FIGURE 3-20. ENGINE COMPONENTS - DEUTZ D2.9L4 ENGINE**

ITEM	PART NUMBER	QTY	DESCRIPTION	REV
	1001170617	Ref	ENGINE COMPONENTS - DEUTZ D2.9L4 ENGINE	D
1	70024904	1	Dipstick	
1	70024905	1	O-Ring	
2	7020465	2	Cap, Filler	
3	70025088	2	Plug, Oil	
4	7020404	2	Ring, Sealing	
5	70001870	1	Flywheel	
5	7024579	1	Ring, Gear	
6	70025198	1	Pulley, Crank	
7	70024906	1	Gasket, Head (Not Shown)	
7	70025195	1	Gasket, Valve Cover (Not Shown)	
7	70005171	1	Gasket, Valve Cover (Not Shown)	
8	70025076	1	Valve	
8	70025091	1	Plug	
8	70025176	1	Spring	
8	70025082	1	Seal	
9	70004280	1	Seal, Crankshaft (Front) (Not Shown)	
9	70002718	1	Seal, Crankshaft (Rear) (Not Shown)	
10	70005172	1	Pump, Oil Lube (Not Shown)	
10	70025135	1	O-Ring (Not Shown)	
10	70005173	1	Gasket (Not Shown)	
11	7016331	1	Filter, Oil	
12	70004275	1	Cooler, Oil	
12	70024925	1	Gasket	
13	70025171	1	Pipe, Oil Suction (Not Shown)	
14	70004281	4	Injector, Fuel	
14	70025140	4	Washer, Sealing	
14	70025146	4	Clamp (Top of Injector)	
14	70025145	4	O-Ring	
14	70025154	4	Shoe, Clamping	
15	70024961	1	Bracket, Fuel Filter	
15	70025153	1	Filter, Fuel	
15	70024513	1	Cable, Sensor	
15	70025239	1	Seal	
16	70025160	1	Bracket, Fuel Filter	
16	70025161	1	Filter, Fuel	
16	70024504	1	Sensor, Pressure	
16	70024920	1	O-Ring	
16	70004513	2	Ring, Sealing	
17	70005174	NLA	Pump, Fuel (Use p/n 1001226098)	
17	70025144	2	Clamp	
18	70025151	1	Rail, Fuel	
18	70025235	1	Repair Kit	
18	70025240	1	O-Ring	
19	70025182	1	Line, Fuel (Cylinder 1 + 2)	
19	70025183	1	Line, Fuel (Cylinder 3 + 4)	
19	70025184	1	Line, Fuel (Fuel Rail to Pump)	
20	70024502	1	Fuel Return Pipe	
20	70025185	1	Hose, Fuel	
20	70025101	2	Clamp	

## SECTION 3 - ENGINE

ITEM	PART NUMBER	QTY	DESCRIPTION	REV
20	70025109	2	Clamp	
20	70025115	1	Clamp, Pipe	
20	70025133	1	Hose	
20	70025148	1	Connector, Plug-in	
21	70005182	1	Elbow, Air Charger	
21	70005176	1	O-Ring	
21	70005177	1	Gasket	
21	70005180	1	Line, Breather	
21	70005181	1	O-Ring	
21	70005183	1	Line, Breather	
21	70025111	2	Clamp	
22	70025210	1	Module, ECU	
23	70024910	1	Pump, Water	
23	70025084	1	Plug	
23	7020492	1	O-Ring	
23	70025200	1	Seal	
23	70024473	1	Thermostat	
23	70005184	1	O-Ring (Thermostat)	
23	70025142	1	Cover, Thermostat	
23	70025159	1	Pulley, Water Pump	
24	70025177	1	Pipe	
24	70025179	1	Gasket	
25	70005185	1	Manifold	
25	70024912	1	Gasket	
26	70004282	1	Manifold, Exhaust	
26	70025164	1	Gasket, Exhaust Manifold	
27	70005186	1	Pipe	
27	70025179	1	Gasket (Two Hole)	
27	70025180	1	Gasket (Three Hole)	
28	70004283	1	Module, ERG	
28	70005188	1	Valve, Control	
28	70005189	1	Parts, Service	
29	70024914	1	Alternator	
29	70025149	1	Regulator	
29	70025131	1	Fan	
29	70025150	1	Pulley	
29	70025191	1	Plate, Retaining	
29	70025201	1	Bracket, Alternator	
30	70024913	1	V-Belt	
31	70024915	1	Starter	
32	70025231	1	Harness, Glow Plug (Not Shown)	
32	70025233	1	Connector (Not Shown)	
33	70025221	1	Connector, Plug-In (Not Shown)	
33	70025781	1	Connector, Plug-In (Not Shown)	
33	70025779	1	Ring, Fastening (Not Shown)	
34	70004284	1	Harness, Engine (Not Shown)	
34	70025165	1	Plate, Retaining (Not Shown)	
34	70025216	1	Adapter (Not Shown)	
34	70025215	1	Bracket, Fixing (Not Shown)	
34	70025228	2	Bracket (Not Shown)	
34	70025226	1	Connector, Plug-In (Not Shown)	

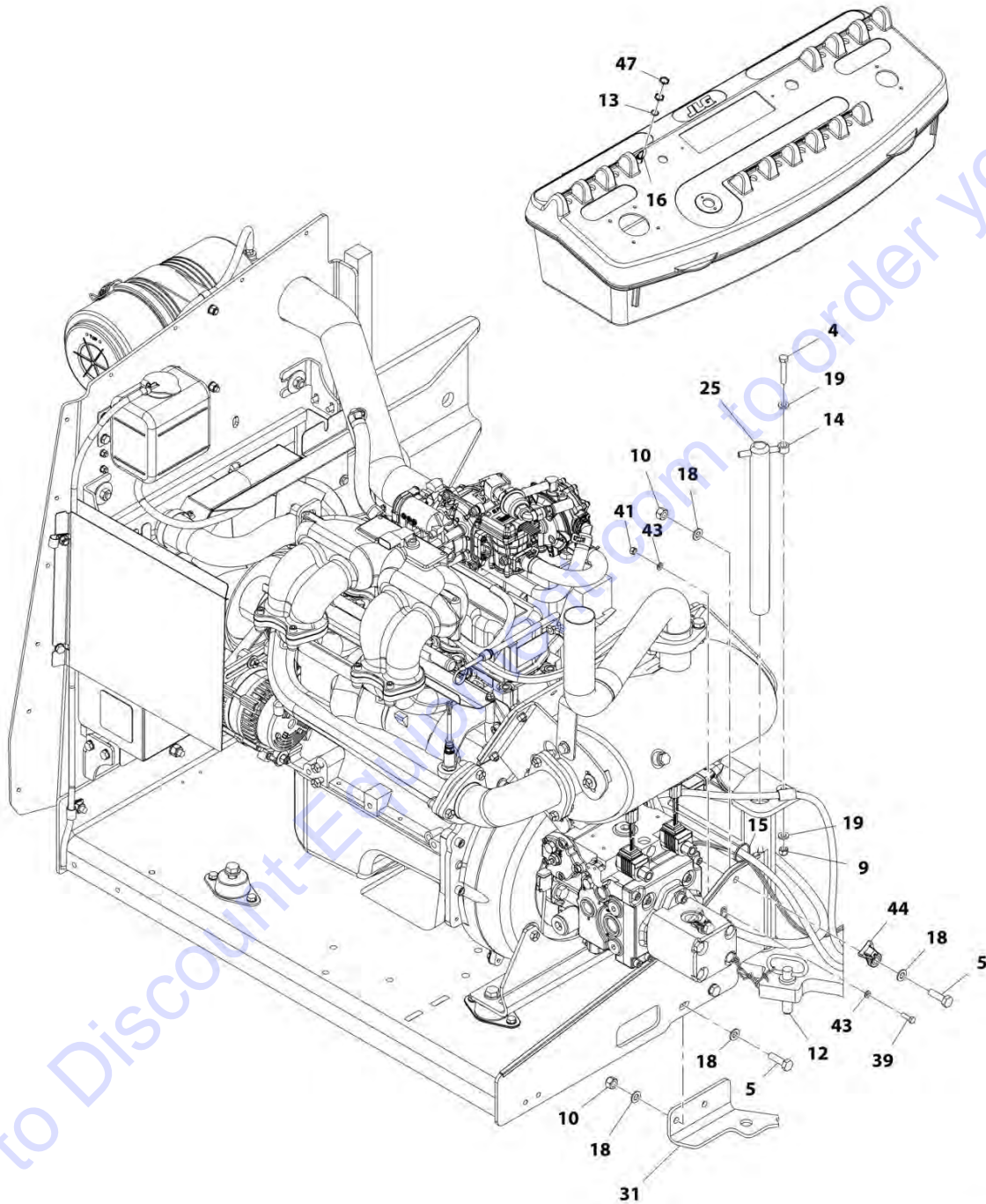
## SECTION 3 - ENGINE

ITEM	PART NUMBER	QTY	DESCRIPTION	REV
34	70025220	5	Connector, Plug-In (Not Shown)	
34	70025222	3	Connector, Plug-In (Not Shown)	
34	70025223	1	Connector, Plug-In (Not Shown)	
34	70025219	1	Connector, Plug-In (Not Shown)	
34	70025238	1	Connector, Plug-In (Not Shown)	
34	70025221	2	Connector, Plug-In (Not Shown)	
34	70025217	8	Clamp (Not Shown)	
34	70025213	2	Clip (Not Shown)	
34	70025209	1	Bracket (Not Shown)	
34	70025225	1	Support (Not Shown)	
34	70025218	3	Clamp (Not Shown)	
34	70025237	1	Connector, Plug-In (Not Shown)	
34	70025214	1	Cap (Not Shown)	
34	70025224	2	Clamp (Not Shown)	
34	70025166	1	Support, Harness (Not Shown)	
34	70025211	1	Plate, Retaining (Not Shown)	
34	70025189	1	Plate, Retaining (Not Shown)	
34	70025236	1	Support, Harness (Not Shown)	
35	70024918	1	Sender, Temperature	
36	70024504	1	Sensor, Pressure (Not Shown - Located Left Side Front)	
36	70024920	1	O-Ring (Not Shown)	
37	70024503	1	Sensor, Speed (Not Shown)	
37	70005191	1	O-Ring	
38	70024507	1	Sensor, Pressure	
38	70025120	1	Seal	
39	70024503	1	Sensor, Speed	
39	70024917	1	Seal	
40	70025192	1	Housing	
40	70025113	2	Pin	
41	70000345	4	Plug, Glow (Not Shown)	
42	70004285	1	Outlet, Muffler	
42	70025241	1	Clip	
42	04600004	2	Gasket	
42	70004504	1	Compensator	
42	70024512	1	Clamp	
42	04603585	1	Clamp	



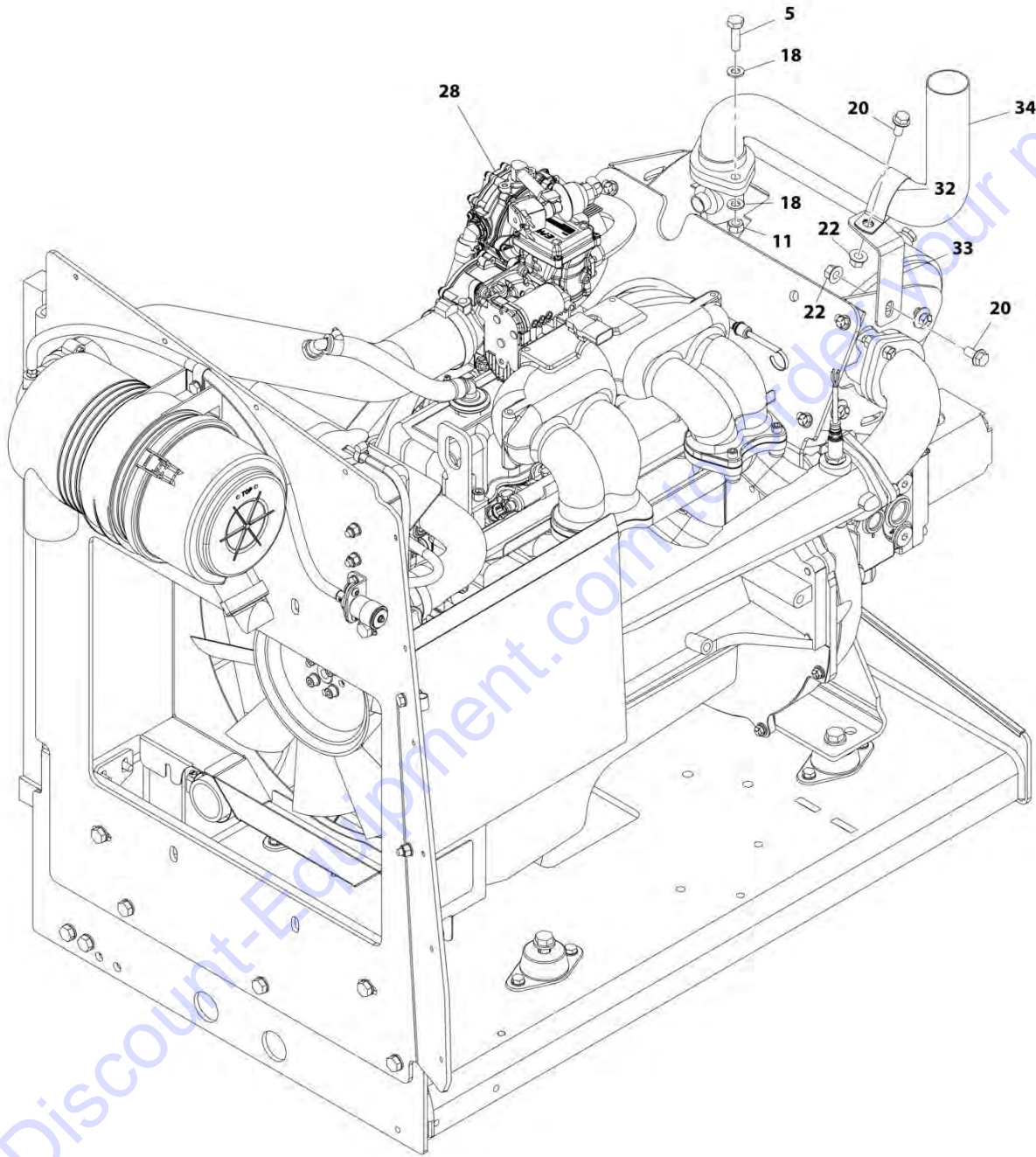
# SECTION 3 - ENGINE

FIGURE 3-21. ENGINE INSTALLATION - GM ENGINE (WITHOUT ARCTIC PACKAGE) (SN 0300203771 through 030022291)



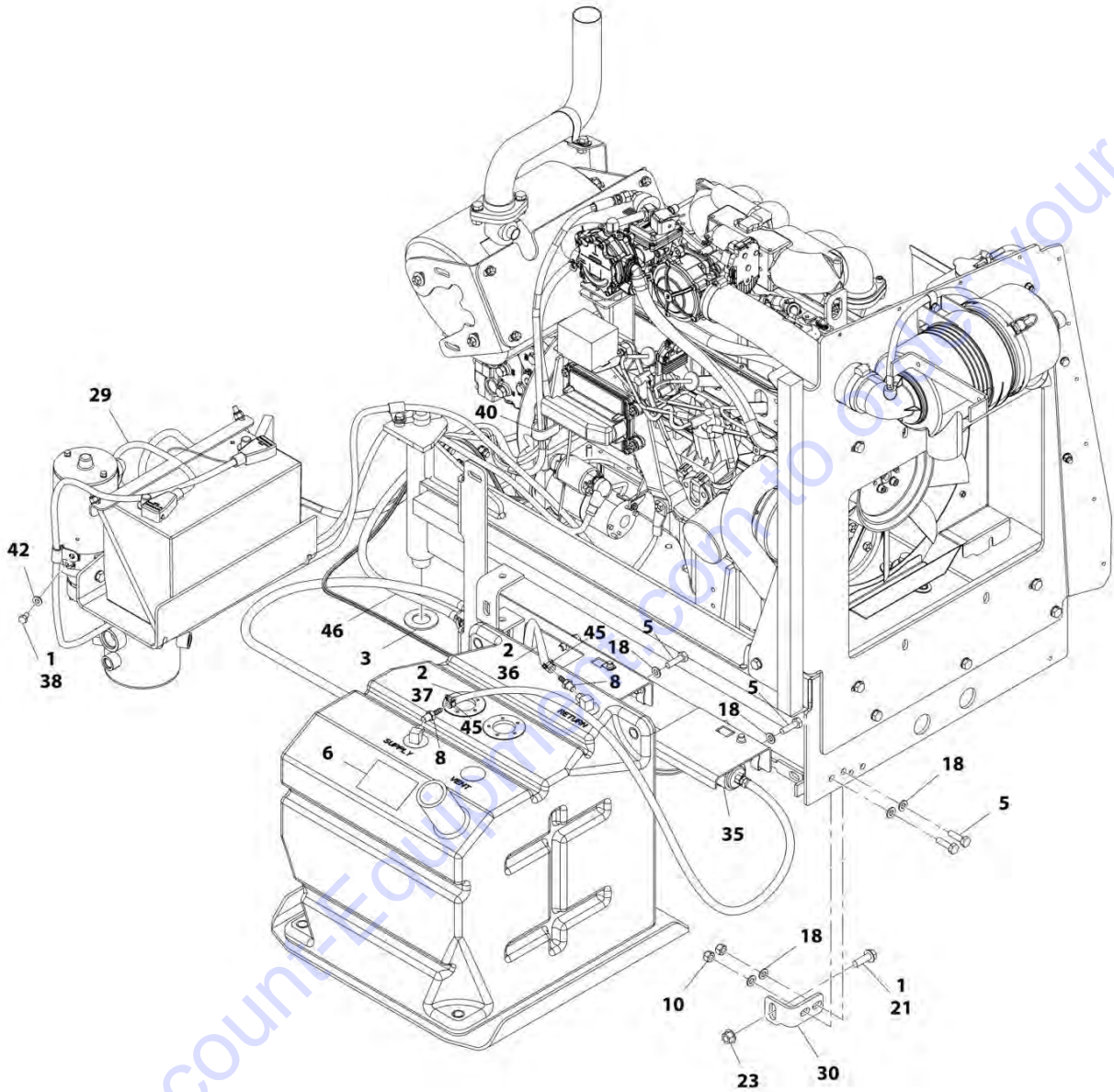
ART\_1001169775\_1OF3

# SECTION 3 - ENGINE



ART\_1001169775\_2OF3

# SECTION 3 - ENGINE



ART\_1001169775\_30F3

## SECTION 3 - ENGINE

**FIGURE 3-21. ENGINE INSTALLATION - GM ENGINE (WITHOUT ARCTIC PACKAGE) (SN 0300203771 through 0300222291)**

ITEM	PART NUMBER	QTY	DESCRIPTION	REV
	1001169775	Ref	ENGINE INSTALLATION - GM ENGINE (WITHOUT ARCTIC PACKAGE) (SN 0300203771 through 0300222291)	F
1	0100011	AR	Compound, Locking	
2	0100020	AR	Sealant, Pipe	
3	0440162	1	Bearing	
4	0700817	1	Bolt M8 x 45	
5	0761015	12	Bolt M10 x 35	
6	1701542	1	Decal - Gas (SN 0300203771 through 0300214760)	
6	1701542	2	Decal - Gas (SN 0300214761 through 0300222291)	
7	1701543	1	Decal - LPG	
8	2180348	2	Fitting, Barbed	
9	3290805	1	Nut, Lock M8 x 1.25	
10	3291005	6	Nut, Lock, M10 x 1.5	
11	3291007	2	Nut, Lock M10 x 1.5	
12	3422532	1	Pin	
13	3790012	1	O-Ring	
14	3841143	1	Keeper, Pin	
15	4240099	AR	Tie-Strap	
16	1001161710	1	Switch, Toggle	
18	4812000	20	Washer M10	
19	5240800	2	Washer M8 Hardened	
20	5251010	2	Bolt M10 x 20	
21	5251215	1	Bolt M12 x 35	
22	5261018	2	Nut, Flange M10	
23	5261200	1	Nut M12 Grade 10.9	
25	1001135196	1	Pin	
28	1001166202	1	Engine and Pump Sub-Assembly - GM Engine (Without Arctic Package) (See ENGINE AND PUMP SUB-ASSEMBLY - GM ENGINE (WITHOUT ARCTIC PACKAGE) for Breakdown)	
29	1001167039	1	Battery Cable Kit	
29	70009001	1	Cable, Battery (Black) (Battery Negative, Engine Ground, Auxiliary Power Pump to Turntable Ground)	
29	70009002	1	Cable, Battery (Red) (Auxiliary Power Relay to Auxiliary Power Pump)	
29	70009003	1	Cable, Battery (Red) (Battery Positive, Auxiliary Power Relay to Starter)	
30	1001167512	1	Bracket, Engine Tray Stow	
31	1001169823	1	Plate, Engine Lock	
32	1001170719	1	Clamp	
33	1001172003	1	Support, Muffler	
34	1001172791	1	Pipe, Exhaust	
35	1001190920	1	Fuel System Mounting (See FUEL SYSTEM MOUNTING - GM ENGINES for Breakdown)	
36	1001175021	1	Hose	
37	1001175022	1	Hose	
38	0641504	1	Bolt 5/16 x 1/2	
39	0760610	1	Bolt, M6 x 20	
40	1321716	1	Clamp (SN 0300203771 through 0300214760)	
41	3290605	1	Nut, Lock M6 x 1	
42	4711500	1	Washer, 5/16	

### SECTION 3 - ENGINE

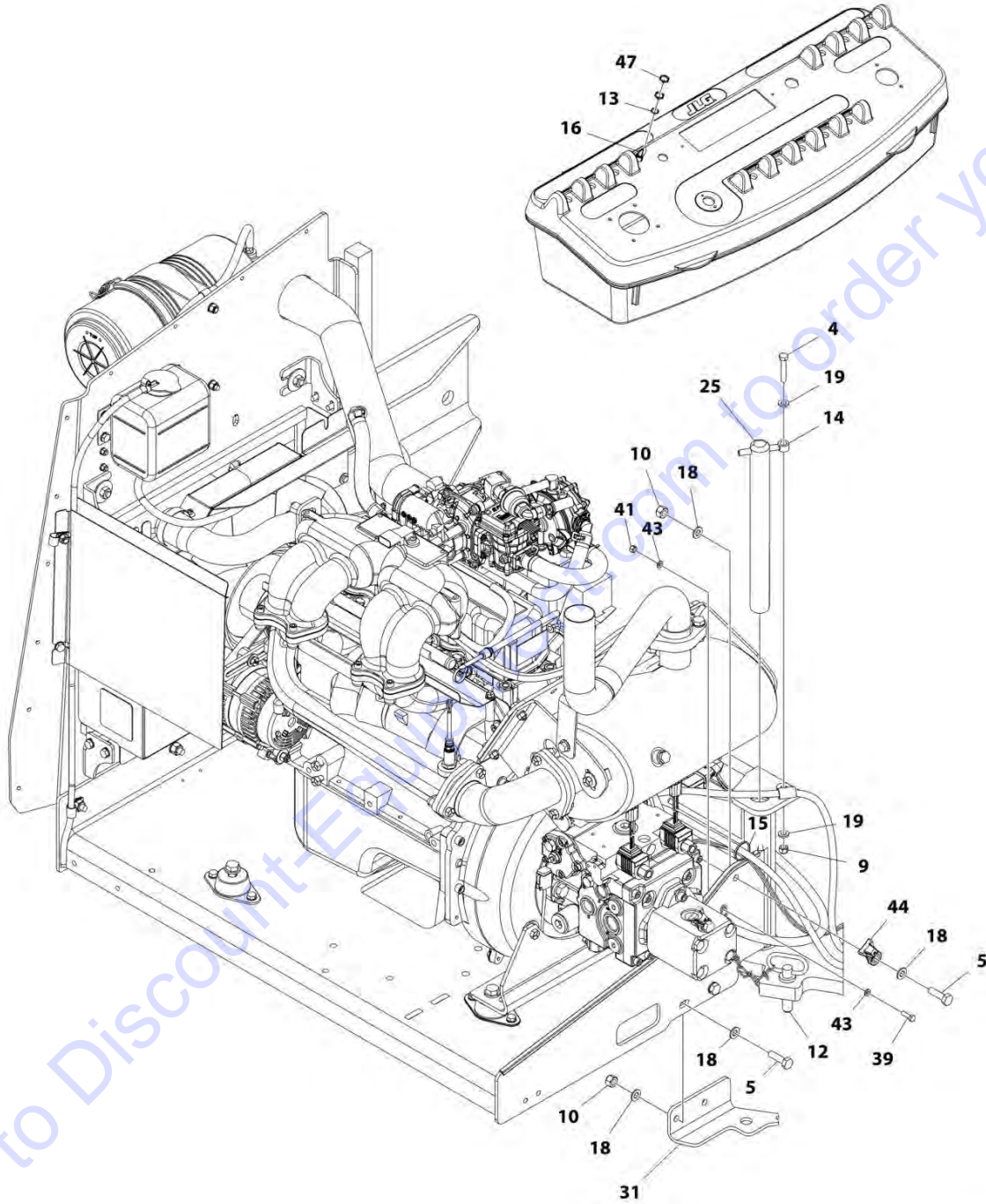
ITEM	PART NUMBER	QTY	DESCRIPTION	REV
43	4811700	2	Washer, M6	
44	1001156107	2	Holder, Cable	
45	1001174486	2	Clamp	
46	1001181366	1	Hose	
47	1001155044	2	Nut, Special 15/32	

Go to Discount-Equipment.com to order your parts



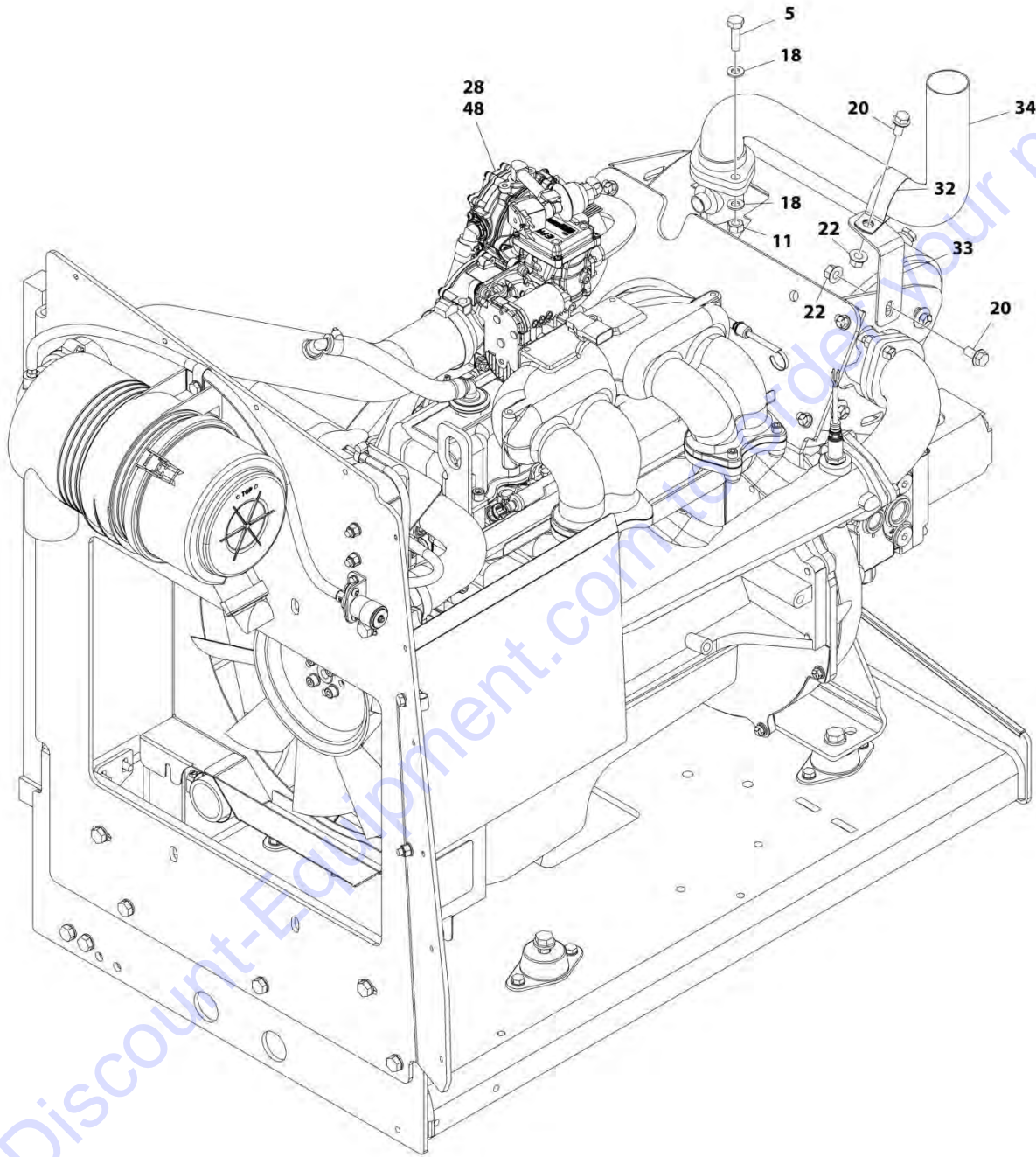
# SECTION 3 - ENGINE

FIGURE 3-22. ENGINE INSTALLATION - GM ENGINE (WITHOUT ARCTIC PACKAGE) (SN 030022292 to Present)



ART\_1001216226\_1OF3

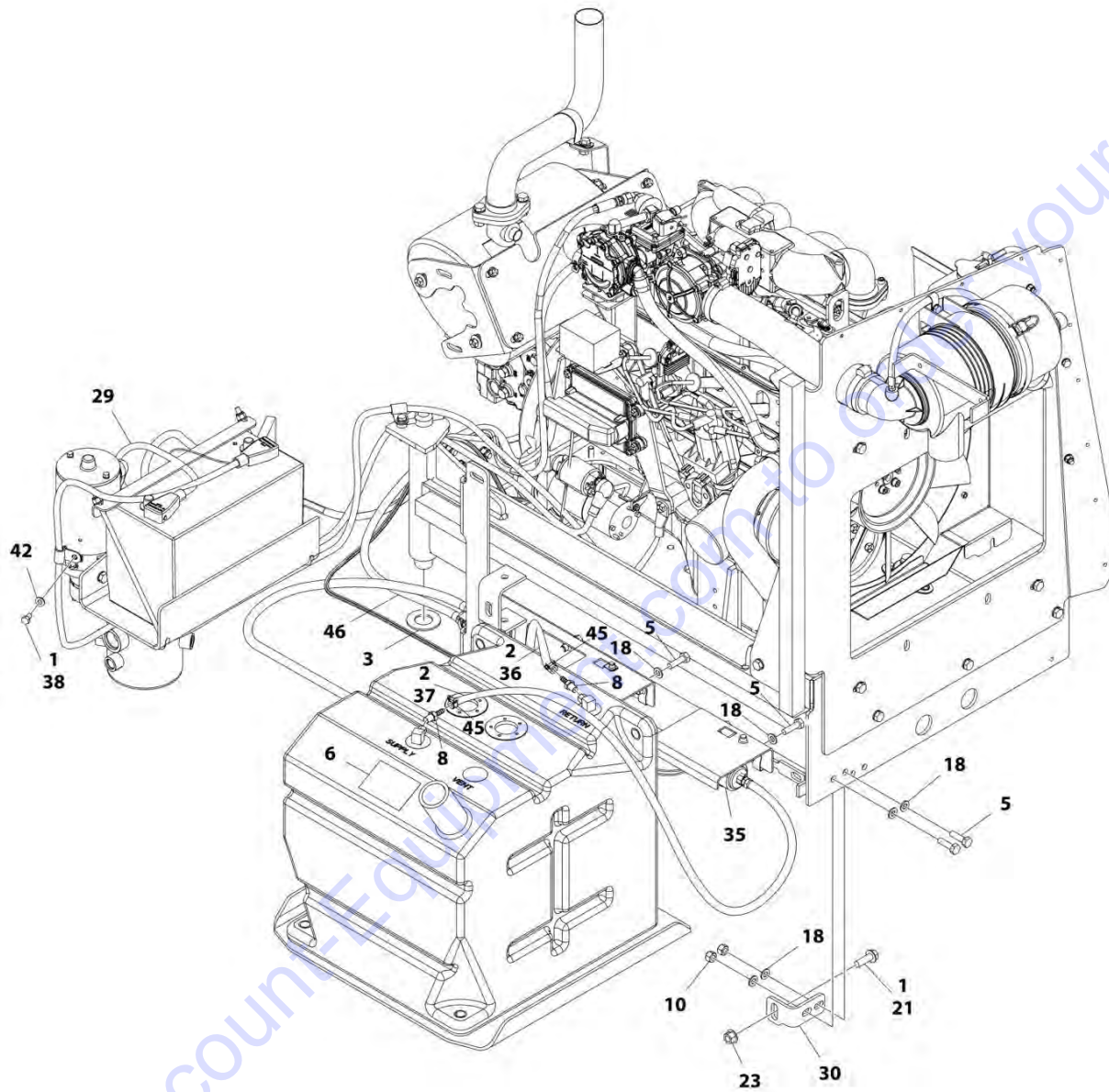
# SECTION 3 - ENGINE



ART\_1001216226\_20F3



# SECTION 3 - ENGINE



ART\_1001216226\_30F3

## SECTION 3 - ENGINE

**FIGURE 3-22. ENGINE INSTALLATION - GM ENGINE (WITHOUT ARCTIC PACKAGE) (SN 0300222292 to Present)**

ITEM	PART NUMBER	QTY	DESCRIPTION	REV
	1001216226	Ref	ENGINE INSTALLATION - GM ENGINE (WITHOUT ARCTIC PACKAGE) (SN 0300222292 to Present)	C
1	0100011	AR	Compound, Locking	
2	0100020	AR	Sealant, Pipe	
3	0440162	1	Bearing	
4	0700817	1	Bolt M8 x 45	
5	0761015	12	Bolt M10 x 35	
6	1701542	2	Decal - Gas	
7	1701543	1	Decal - LPG (Not Shown)	
8	2180348	2	Fitting, Barbed	
9	3290805	1	Nut, Lock M8 x 1.25	
10	3291005	6	Nut, Lock, M10 x 1.5	
11	3291007	2	Nut, Lock M10 x 1.5	
12	3422532	1	Pin	
13	3790012	1	O-Ring	
14	3841143	1	Keeper, Pin	
15	4240099	AR	Tie-Strap	
16	1001161710	1	Switch, Toggle	
18	4812000	20	Washer M10	
19	5240800	2	Washer M8 Hardened	
20	5251010	2	Bolt M10 x 20	
21	5251215	1	Bolt M12 x 35	
22	5261018	1	Nut, Flange M10	
23	5261200	2	Nut M12 Grade 10.9	
25	1001135196	1	Pin	
28	1001216224	1	Engine and Pump Sub-Assembly - GM Engine (Without Arctic Package) (See ENGINE AND PUMP SUB-ASSEMBLY - GM ENGINE (WITHOUT ARCTIC PACKAGE) for Breakdown)	
29	1001167039	1	Battery Cable Kit	
29	70009001	1	Cable, Battery (Black) (Battery Negative, Engine Ground, Auxiliary Power Pump to Turntable Ground)	
29	70009002	1	Cable, Battery (Red) (Auxiliary Power Relay to Auxiliary Power Pump)	
29	70009003	1	Cable, Battery (Red) (Battery Positive, Auxiliary Power Relay to Starter)	
30	1001167512	1	Bracket, Engine Tray Stow	
31	1001169823	1	Plate, Engine Lock	
32	1001170719	1	Clamp	
33	1001172003	1	Support, Muffler	
34	1001172791	1	Pipe, Exhaust	
35	1001190920	1	Fuel System Mounting (See FUEL SYSTEM MOUNTING - GM ENGINES for Breakdown)	
36	1001175021	1	Hose	
37	1001175022	1	Hose	
38	0641504	1	Bolt 5/16 x 1/2	
39	0760610	1	Bolt, M6 x 20	
40	0100011	AR	Compound, Locking (Not Shown)	
41	3290605	1	Nut, Lock M6 x 1	
42	4711500	1	Washer, 5/16	
43	4811700	2	Washer, M6	

### SECTION 3 - ENGINE

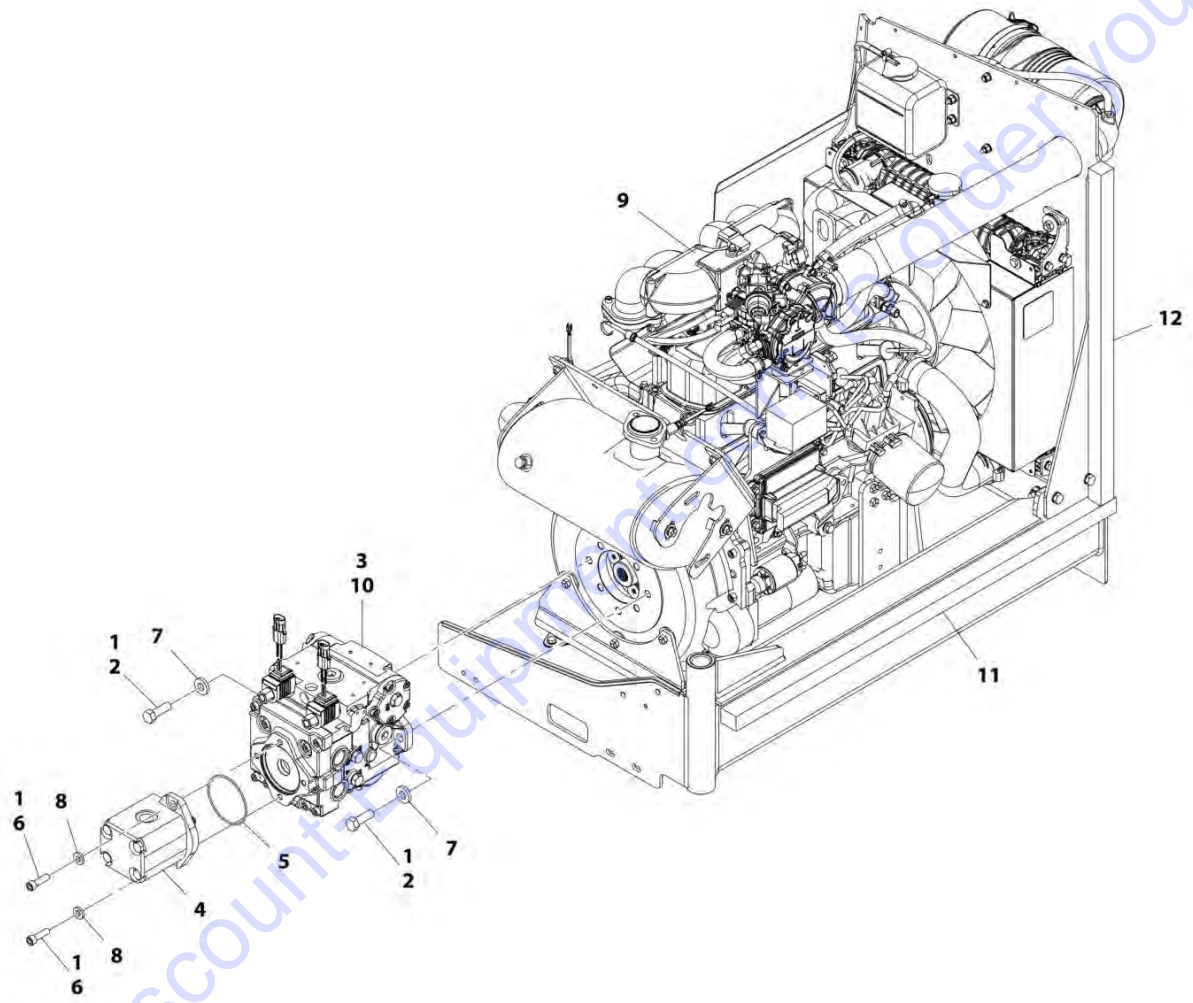
ITEM	PART NUMBER	QTY	DESCRIPTION	REV
44	1001156107	2	Holder, Cable	
45	1001174486	2	Clamp	
46	1001181366	1	Hose	
47	1001155044	2	Nut, Special 15/32	
48	1001214862	1	Engine - GM Engine	

Go to Discount-Equipment.com to order your parts



# SECTION 3 - ENGINE

FIGURE 3-23. ENGINE AND PUMP SUB-ASSEMBLY - GM ENGINE (WITHOUT ARCTIC PACKAGE)  
(SN 0300203771 through 030022291)



ART\_1001166202

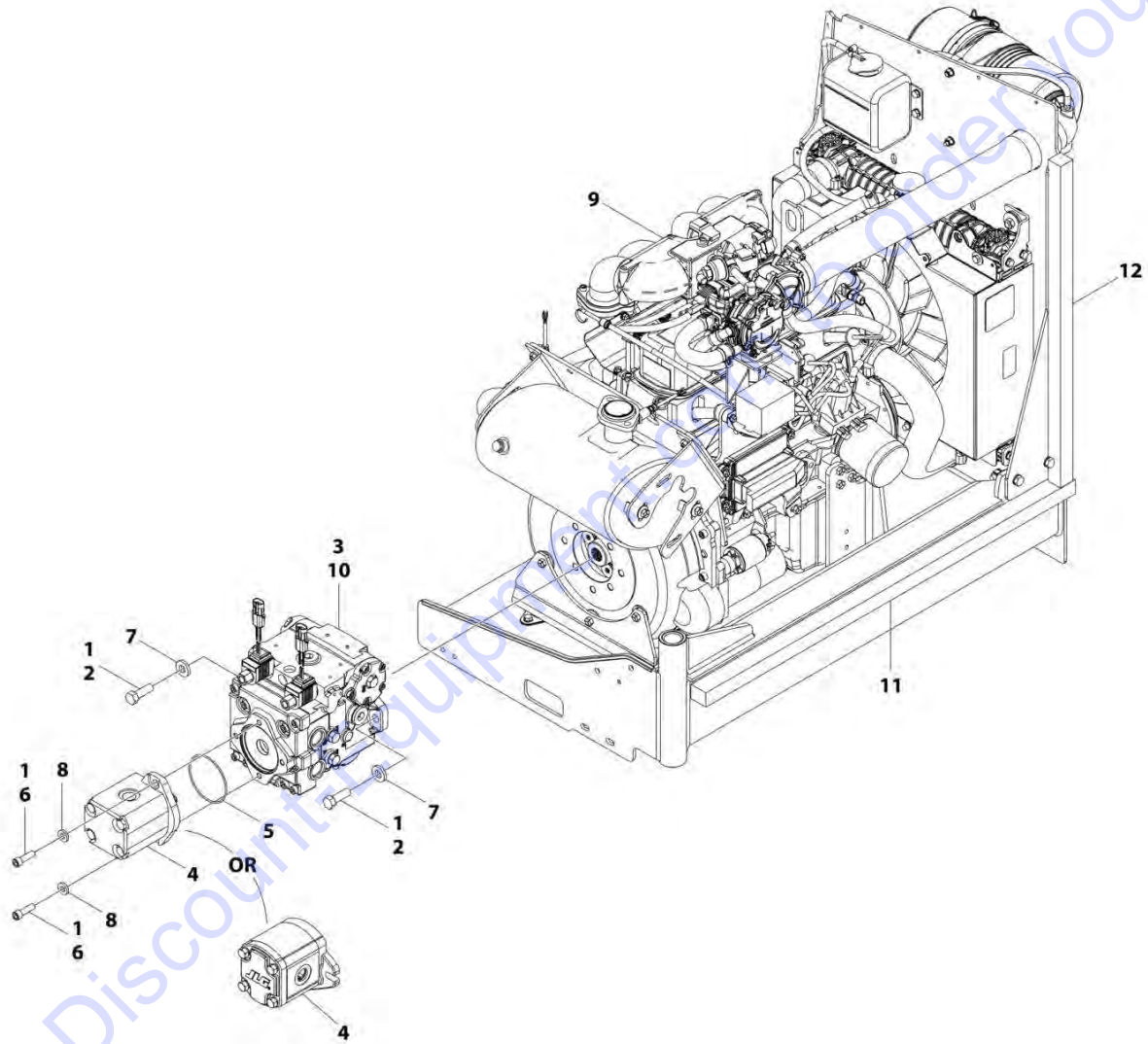
## SECTION 3 - ENGINE

**FIGURE 3-23. ENGINE AND PUMP SUB-ASSEMBLY - GM ENGINE (WITHOUT ARCTIC PACKAGE)  
(SN 0300203771 through 0300222291)**

ITEM	PART NUMBER	QTY	DESCRIPTION	REV
	1001166202	Ref	ENGINE AND PUMP SUB-ASSEMBLY - GM ENGINE (WITHOUT ARCTIC PACKAGE) (SN 0300203771 through 0300222291)	J
1	0100011	AR	Compound, Locking	
2	0641812	2	Bolt, 1/2 x 1-1/2	
3	3020037	AR	Lube	
4	3600242	1	Gear Pump Assembly (See GEAR PUMP ASSEMBLY for Breakdown)	
5	3790152	1	O-Ring	
6	3931620	2	Capscrew, 3/8 x 1-1/4	
7	4891800	2	Washer, 1/2 Hardened	
8	4891600	2	Washer, 3/8 Hardened	
9	1001166203	1	Engine Assembly - GM Engine (Without Arctic Package) (See ENGINE ASSEMBLY - GM ENGINE (WITHOUT ARCTIC PACKAGE) for Breakdown)	
10	1001167036	1	Piston Pump Assembly (See PISTON PUMP ASSEMBLY for Breakdown)	
11	1001171953	1	Seal	
12	1001171954	1	Seal	

# SECTION 3 - ENGINE

FIGURE 3-24. ENGINE AND PUMP SUB-ASSEMBLY - GM ENGINE (WITHOUT ARCTIC PACKAGE)  
(SN 0300222292 to Present)



ART\_1001216224

## SECTION 3 - ENGINE

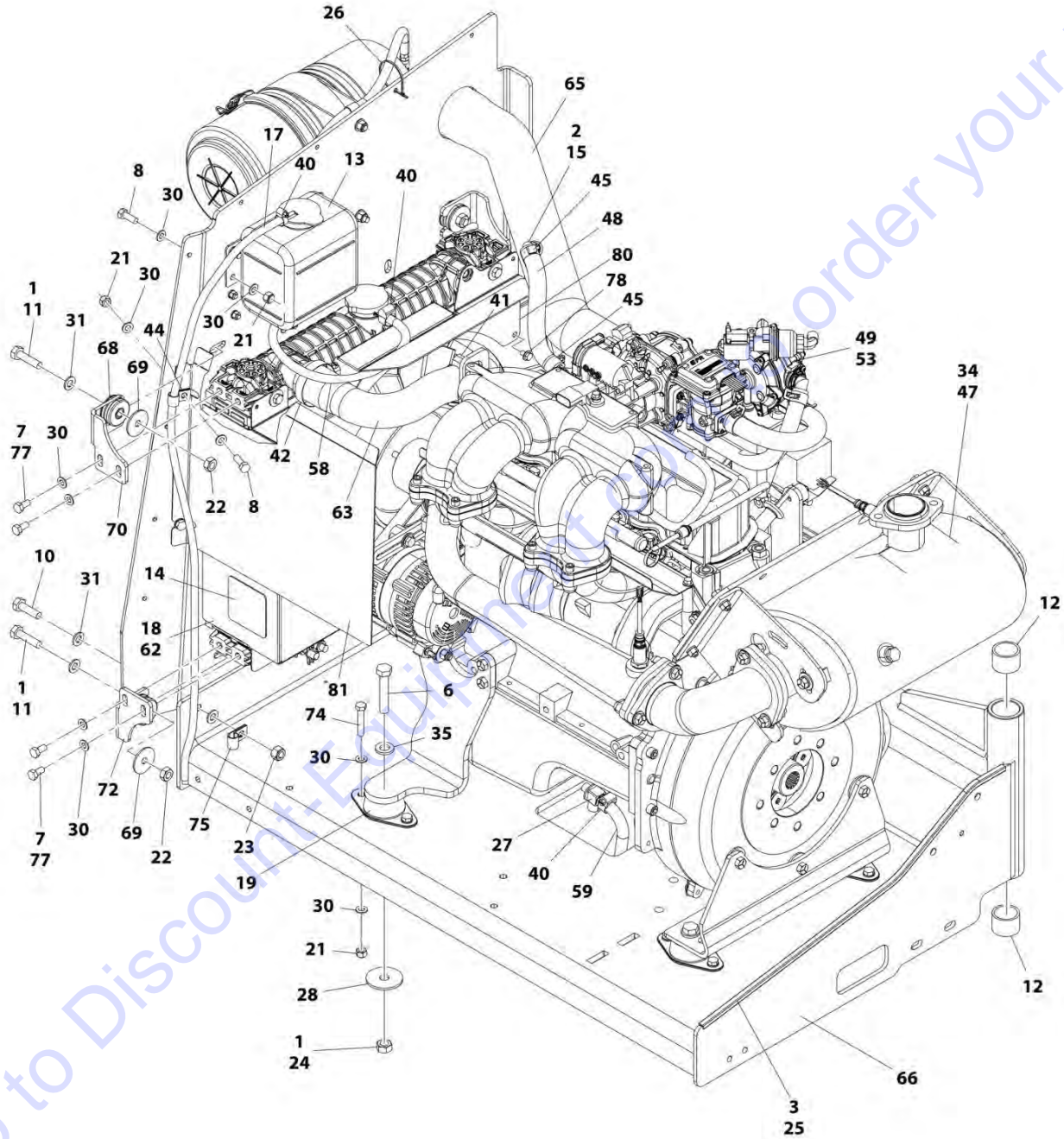
**FIGURE 3-24. ENGINE AND PUMP SUB-ASSEMBLY - GM ENGINE (WITHOUT ARCTIC PACKAGE)  
(SN 030022292 to Present)**

ITEM	PART NUMBER	QTY	DESCRIPTION	REV
	1001216224	Ref	ENGINE AND PUMP SUB-ASSEMBLY - GM ENGINE (WITHOUT ARCTIC PACKAGE) (SN 030022292 to Present)	F
1	0100011	AR	Compound, Locking	
2	0641812	2	Bolt, 1/2 x 1-1/2	
3	3020037	AR	Lube	
4	3600242	1	Gear Pump Assembly (See GEAR PUMP ASSEMBLY for Breakdown) (SN 030022292 through 0300237046)	
4	1001214207	1	Gear Pump Assembly (SN 0300237046 to Present)	
4	70006356	1	Seal Kit - 1001214207 Pump	
5	3790152	1	O-Ring	
6	3931620	2	Capscrew, 3/8 x 1-1/4	
6	3931618	2	Capscrew, 3/8 x 1-1/8	
7	4891800	2	Washer, 1/2 Hardened	
8	4891600	2	Washer, 3/8 Hardened	
9	1001216222	1	Engine Assembly - GM Engine (Without Arctic Package) (See ENGINE ASSEMBLY - GM ENGINE (WITHOUT ARCTIC PACKAGE) for Breakdown)	
10	1001167036	1	Piston Pump Assembly (See PISTON PUMP ASSEMBLY for Breakdown)	
11	1001171953	1	Seal	
12	1001171954	1	Seal	



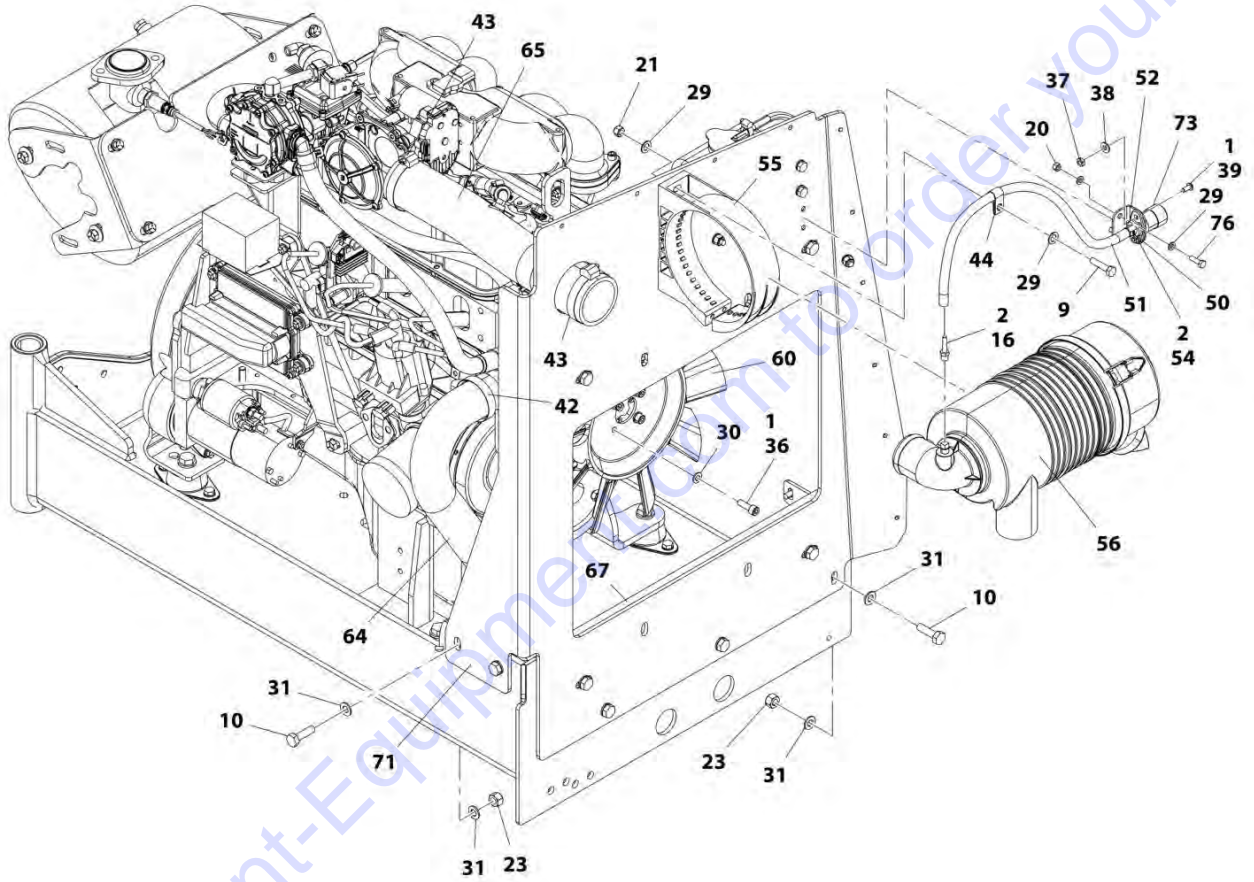
# SECTION 3 - ENGINE

FIGURE 3-25. ENGINE ASSEMBLY - GM ENGINE (WITHOUT ARCTIC PACKAGE) (SN 0300203771 through 030022291)



ART\_1001166203\_10F2

# SECTION 3 - ENGINE



ART\_1001166203\_2OF2

## SECTION 3 - ENGINE

**FIGURE 3-25. ENGINE ASSEMBLY - GM ENGINE (WITHOUT ARCTIC PACKAGE) (SN 0300203771 through 030022291)**

ITEM	PART NUMBER	QTY	DESCRIPTION	REV
	1001166203	Ref	ENGINE ASSEMBLY - GM ENGINE (WITHOUT ARCTIC PACKAGE) (SN 0300203771 through 030022291)	J
1	0100011	AR	Compound, Locking	
2	0100020	AR	Sealant, Pipe	
3	0100081	AR	Adhesive	
6	0711221	4	Bolt M12 x 65	
7	0760808	8	Bolt M8 x 16	
8	0760812	6	Bolt M8 x 25	
9	0760815	2	Bolt M8 x 35	
10	0761015	5	Bolt M10 x 35	
11	0761016	4	Bolt M10 x 40	
12	0961951	2	Bushing	
13	1580011	1	Container, Coolant Overflow	
14	1703162	2	Decal - Caution Fan	
15	2180877	1	Fitting, Barbed 90	
16	2220315	1	Fitting, Barbed	
17	2720271	38.5 in /97.8cm	Hose	
18	2300004	2.7 gal /10.2L	Coolant, Anti-Freeze	
19	3200406	4	Mount, Rubber	
20	3290607	2	Nut, Lock M6 x 1	
21	3290805	16	Nut, Lock M8 x 1.25	
22	3291001	4	Nut, Lock M10 x 1.5	
23	3291005	5	Nut, Lock M10 x 1.5	
24	3331211	4	Nut, Lock M12 x 1.75	
25	4060805	2.25 ft /0.69m	Trim, Flex Shield	
26	4240099	AR	Tie-Strap (Not Shown)	
27	4640952	1	Valve, Oil Drain	
28	4740274	4	Washer, Snubbing	
29	4811700	4	Washer, M6	
30	4811900	44	Washer, M8	
31	4812000	14	Washer, M10	
34	4920385	10 ft	Wire, Safety	
35	5241200	4	Washer, M12 Hardened	
36	5271809	4	Bolt M8 x 25	
37	8305401	2	Nut, Jam .250	
38	8307109	2	Washer, .250	
39	8310548	2	Screw 1/4 x 1/2	
40	8405009	4	Clamp	
41	8405103	1	Clamp	
42	8405201	3	Clamp	
43	8405203	2	Clamp	
44	8406109	2	Clip	
45	8410009	2	Clamp	
47	1001091794	1	Insulation, Muffler	
48	1001091892	8 in /20cm	Hose	
49	1001190775	4.5 qt /4.3L	Oil, Engine	

## SECTION 3 - ENGINE

ITEM	PART NUMBER	QTY	DESCRIPTION	REV
50	1001138173	1	Support, Service Indicator	
51	1001138248	2 ft /0.61m	Hose	
52	1001138175	1	Bracket, Service Indicator	
53	1001181430	1	Engine, GM 3.0L (See GM Engine Supplement p/n 3121245 for Breakdown of Additional Components)	
53A	7027965	1	Filter, Oil	
54	1001141995	1	Fitting, Barbed	
55	1001147812	1	Clamp, Air Cleaner	
56	1001147813	1	Air Cleaner Assembly Including Filter Element	
56	70004020	1	Element, Filter (Not Shown)	
58	1001156819	14.5 in /37cm	Hose	
59	1001165035	8 in /20.3cm	Hose	
60	1001165849	1	Fan <b>(SN 0300203771 through 0300211991)</b>	
60	2060025	1	Fan <b>(SN 0300211991 through 0300222291)</b>	
62	1001167193	1	Radiator	
63	1001167382	1	Hose, Upper Radiator	
64	1001167383	1	Hose, Lower Radiator	
65	1001167384	1	Hose, Air Intake	
66	1001167895	1	Tray, Engine	
67	1001168166	2	Seal	
68	1001169054	4	Isolator, Radiator	
69	1001169138	4	Washer, Snubbing	
70	1001169967	2	Bracket	
71	1001169974	1	Plate, Radiator Mounting <b>(SN 0300203771 through 0300211991)</b>	
71	1001195714	1	Plate, Radiator Mounting <b>(SN 0300211991 through 0300222291)</b>	
72	1001170035	2	Bracket	
73	1001170981	1	Indicator	
74	0760814	8	Bolt M8 x 30	
75	8406110	1	Clip	
76	0760610	2	Bolt M6 x 20	
77	1001180620	AR	Adhesive	
78	5250605	2	Bolt M6 x 10 <b>(SN 0300211991 through 0300222291)</b>	
80	1001195699	1	Plate, Air Deflector <b>(SN 0300211991 through 0300222291)</b>	
81	1001195700	1	Plate, Air Deflector <b>(SN 0300211991 through 0300222291)</b>	

# PARTS FINDER

**Search Website  
by Part Number**



**Search Manual  
Library For Parts  
Manual & Lookup Part  
Numbers – Purchase  
or Request Quote**

**Can't Find Part or  
Manual? Request Help  
by Manufacturer,  
Model & Description**

Discount-Equipment.com is your online resource for quality parts & equipment.

Florida: **561-964-4949** Outside Florida TOLL FREE: **877-690-3101**

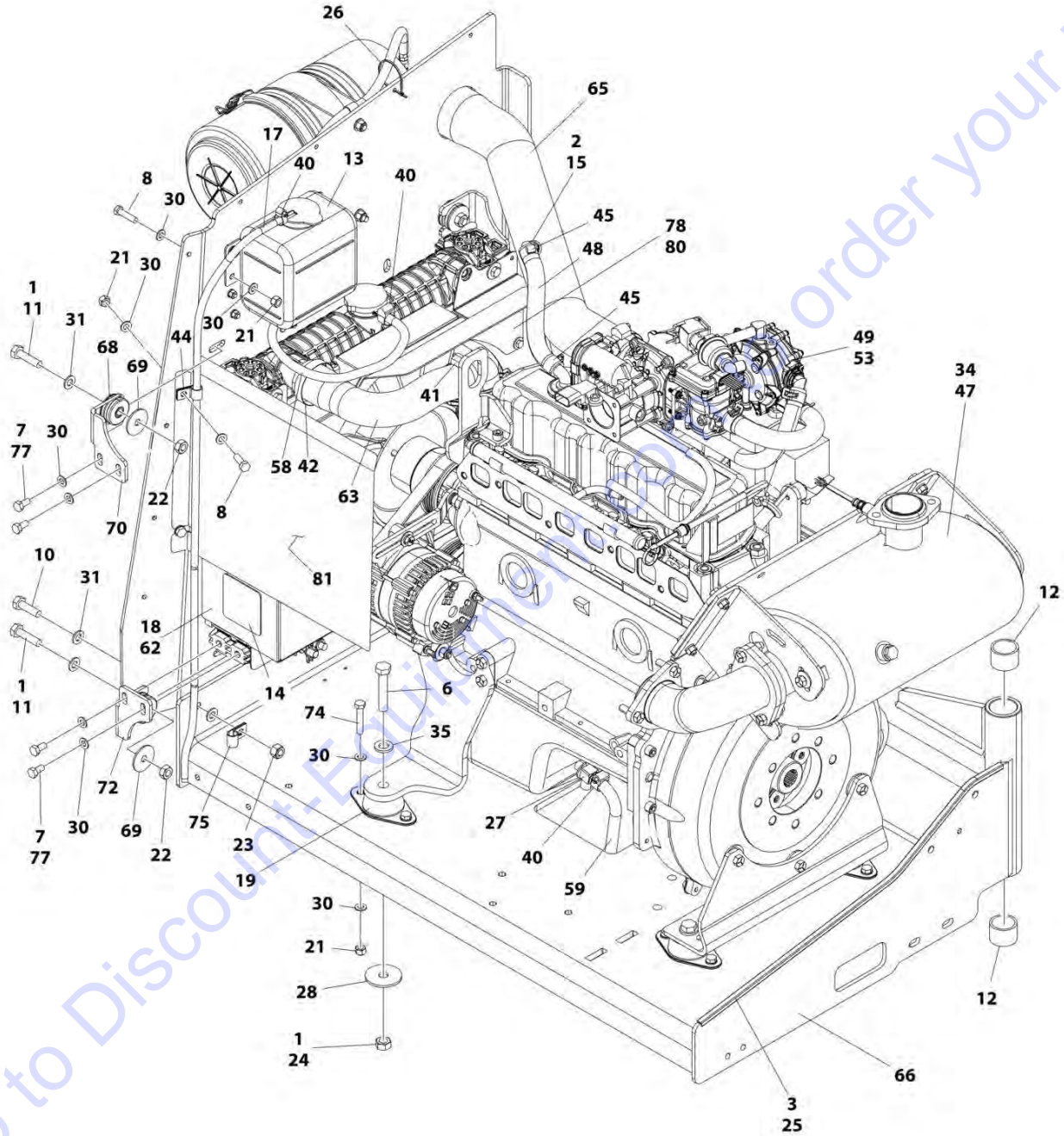
**Need parts?**

Click on this link: <http://www.discount-equipment.com/category/5443-parts/> and choose one of the options to help get the right parts and equipment you are looking for. Please have the machine model and serial number available in order to help us get you the correct parts. If you don't find the part on the website or on one of the online manuals, please fill out the request form and one of our experienced staff members will get back to you with a quote for the right part that your machine needs.

We sell worldwide for the brands: Genie, Terex, JLG, MultiQuip, Mikasa, Essick, Whiteman, Mayco, Toro Stone, Diamond Products, Generac Magnum, Airman, Haulotte, Barreto, Power Blanket, Nifty Lift, Atlas Copco, Chicago Pneumatic, Allmand, Miller Curber, Skyjack, Lull, Skytrak, Tsurumi, Husquvarna Target, Stow, Wacker, Sakai, Mi-T-M, Sullair, Basic, Dynapac, MBW, Weber, Bartell, Bennar Newman, Haulotte, Ditch Runner, Menegotti, Morrison, Contec, Buddy, Crown, Edco, Wyco, Bomag, Laymor, EZ Trench, Bil-Jax, F.S. Curtis, Gehl Pavers, Heli, Honda, ICS/PowerGrit, IHI, Partner, Imer, Clipper, MMD, Koshin, Rice, CH&E, General Equipment, Amida, Coleman, NAC, Gradall, Square Shooter, Kent, Stanley, Tamco, Toku, Hatz, Kohler, Robin, Wisconsin, Northrock, Oztec, Toker TK, Rol-Air, APT, Wylie, Ingersoll Rand / Doosan, Innovatech, Con X, Ammann, Mecalac, Makinex, Smith Surface Prep, Small Line, Wanco, Yanmar

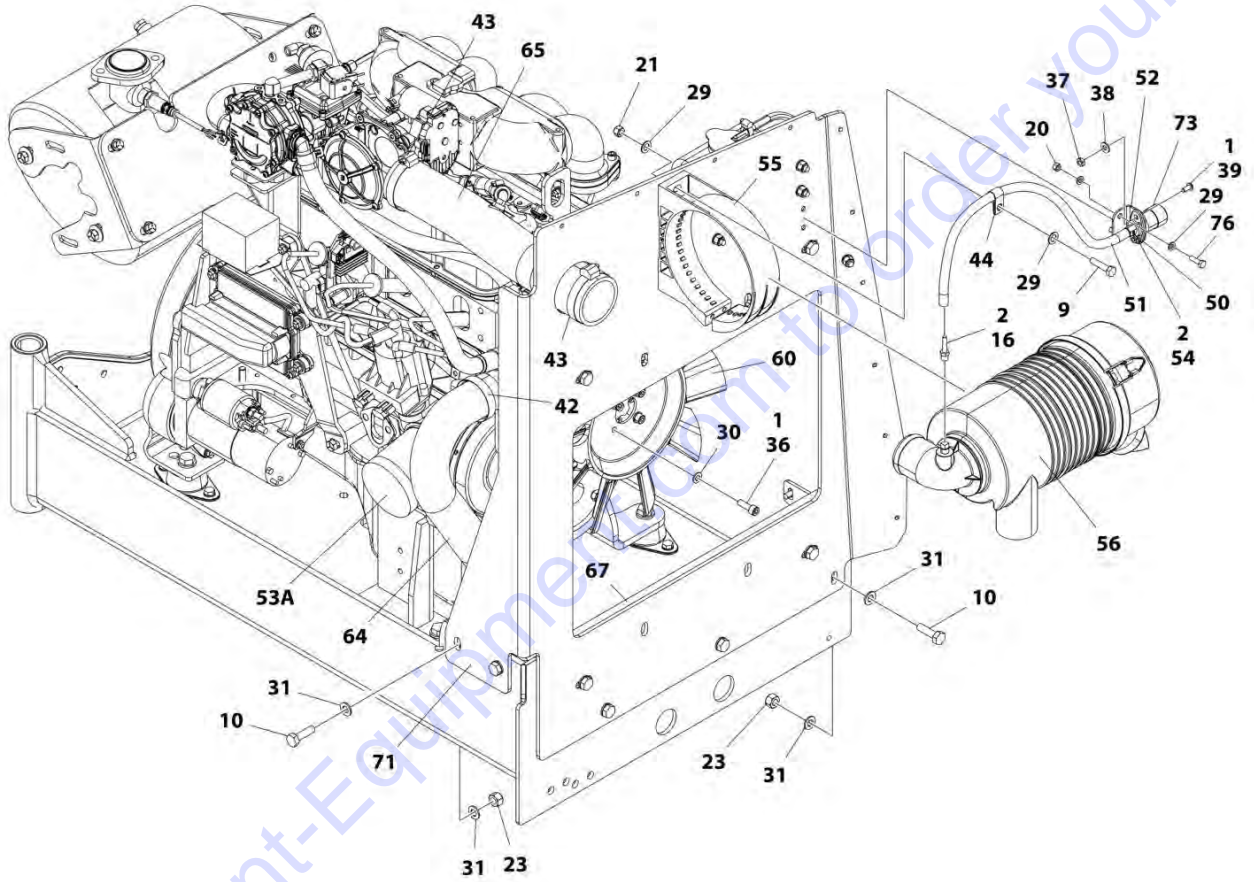
# SECTION 3 - ENGINE

FIGURE 3-26. ENGINE ASSEMBLY - GM ENGINE (WITHOUT ARCTIC PACKAGE) (SN 030022292 to Present)



ART\_1001216222\_10F2

# SECTION 3 - ENGINE



ART\_1001216222\_2OF2

## SECTION 3 - ENGINE

FIGURE 3-26. ENGINE ASSEMBLY - GM ENGINE (WITHOUT ARCTIC PACKAGE) (SN 030022292 to Present)

ITEM	PART NUMBER	QTY	DESCRIPTION	REV
	1001216222	Ref	ENGINE ASSEMBLY - GM ENGINE (WITHOUT ARCTIC PACKAGE)	B
1	0100011	AR	Compound, Locking	
2	0100020	AR	Sealant, Pipe	
3	0100081	AR	Adhesive	
6	0711221	4	Bolt M12 x 65	
7	0760808	8	Bolt M8 x 16	
8	0760812	6	Bolt M8 x 25	
9	0760815	2	Bolt M8 x 35	
10	0761015	5	Bolt M10 x 35	
11	0761016	4	Bolt M10 x 40	
12	0961951	2	Bushing	
13	1580011	1	Container, Coolant Overflow	
14	1703162	2	Decal - Caution Fan	
15	2180877	1	Fitting, Barbed 90	
16	2220315	1	Fitting, Barbed	
17	2720271	38.3 in /97.5cm	Hose	
18	2300004	2.4 gal /9.1L	Coolant, Anti-Freeze	
19	3200406	4	Mount, Rubber	
20	3290607	2	Nut, Lock M6 x 1	
21	3290805	16	Nut, Lock M8 x 1.25	
22	3291001	4	Nut, Lock M10 x 1.5	
23	3291005	5	Nut, Lock M10 x 1.5	
24	3331211	4	Nut, Lock M12 x 1.75	
25	4060805	2.02 ft /0.61m	Trim, Flex Shield	
26	4240099	AR	Tie-Strap	
27	4640952	1	Valve, Oil Drain	
28	4740274	4	Washer, Snubbing	
29	4811700	4	Washer, M6	
30	4811900	44	Washer, M8	
31	4812000	14	Washer, M10	
34	4920385	10 ft/3.0m	Wire, Safety	
35	5241200	4	Washer, M12 Hardened	
36	5271809	4	Bolt M8 x 25	
37	8305401	2	Nut, Jam .250	
38	8307109	2	Washer, .250	
39	8310548	2	Screw 1/4 x 1/2	
40	8405009	4	Clamp	
41	8405103	1	Clamp	
42	8405201	3	Clamp	
43	8405203	2	Clamp	
44	8406109	2	Clip	
45	8410009	2	Clamp	
47	1001091794	1	Insulation, Muffler	
48	1001091892	7.6 in /19.4cm	Hose	
49	1001190775	4.5 qt	Oil, Engine	

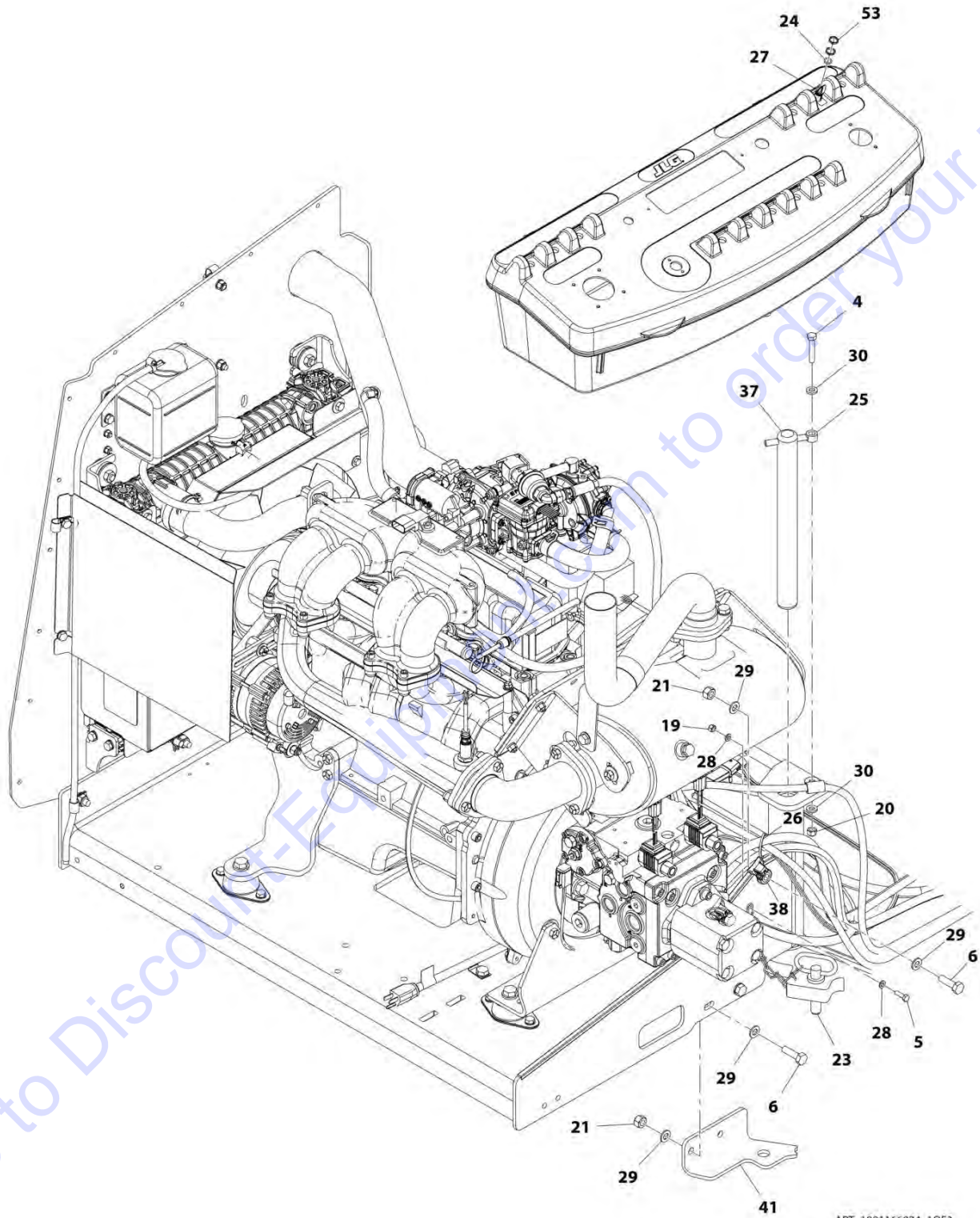


## SECTION 3 - ENGINE

ITEM	PART NUMBER	QTY	DESCRIPTION	REV
		/4.3L		
50	1001138173	1	Support, Service Indicator	
51	1001138248	1.9 ft /0.57m	Hose	
52	1001138175	1	Bracket, Service Indicator	
53	1001216219	1	Engine, GM 3.0L	
53A	7027965	1	Filter, Oil	
54	1001141995	1	Fitting, Barbed	
55	1001147812	1	Clamp, Air Cleaner	
56	1001147813	1	Air Cleaner Assembly Including Filter Element	
56	70004020	1	Element, Filter (Not Shown)	
58	1001156819	14.5 in /37cm	Hose	
59	1001165035	7.8 in /20cm	Hose	
60	2060025	1	Fan	
62	1001167193	1	Radiator	
63	1001167382	1	Hose, Upper Radiator	
64	1001167383	1	Hose, Lower Radiator	
65	1001167384	1	Hose, Air Intake	
66	1001167895	1	Tray, Engine	
67	1001168166	2	Seal	
68	1001169054	4	Isolator, Radiator	
69	1001169138	4	Washer, Snubbing	
70	1001169967	2	Bracket	
71	1001195714	1	Plate, Radiator Mounting	
72	1001170035	2	Bracket	
73	1001170981	1	Indicator	
74	0760814	8	Bolt M8 x 30	
75	8406110	1	Clip	
76	0760610	2	Bolt M6 x 20	
77	1001180620	AR	Adhesive	
78	5250605	2	Bolt M6 x 10	
80	1001195699	1	Plate, Air Deflector	
81	1001195700	1	Plate, Air Deflector	

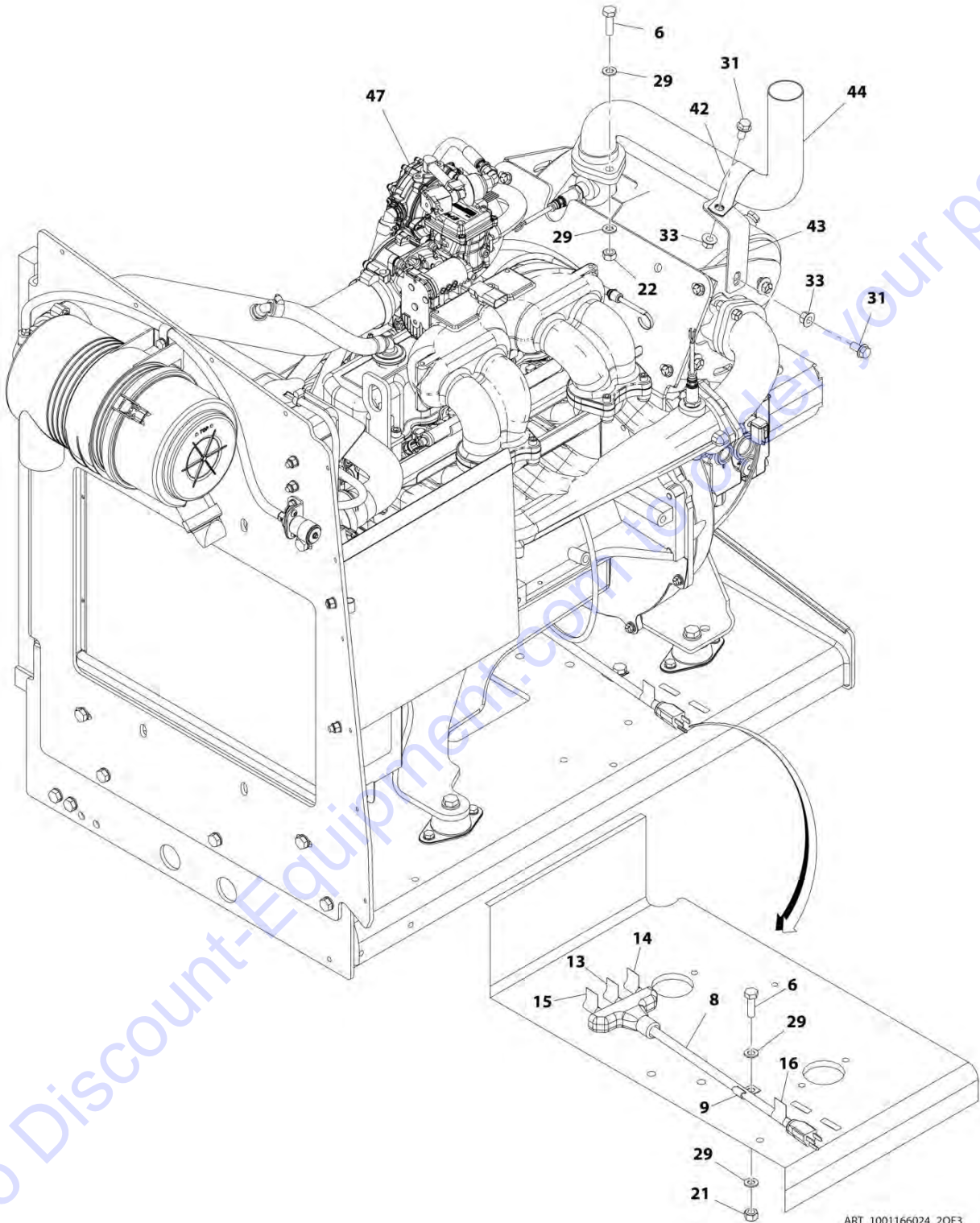
# SECTION 3 - ENGINE

FIGURE 3-27. ENGINE INSTALLATION - GM ENGINE (WITH ARCTIC PACKAGE) (SN 0300203771 through 030022291)



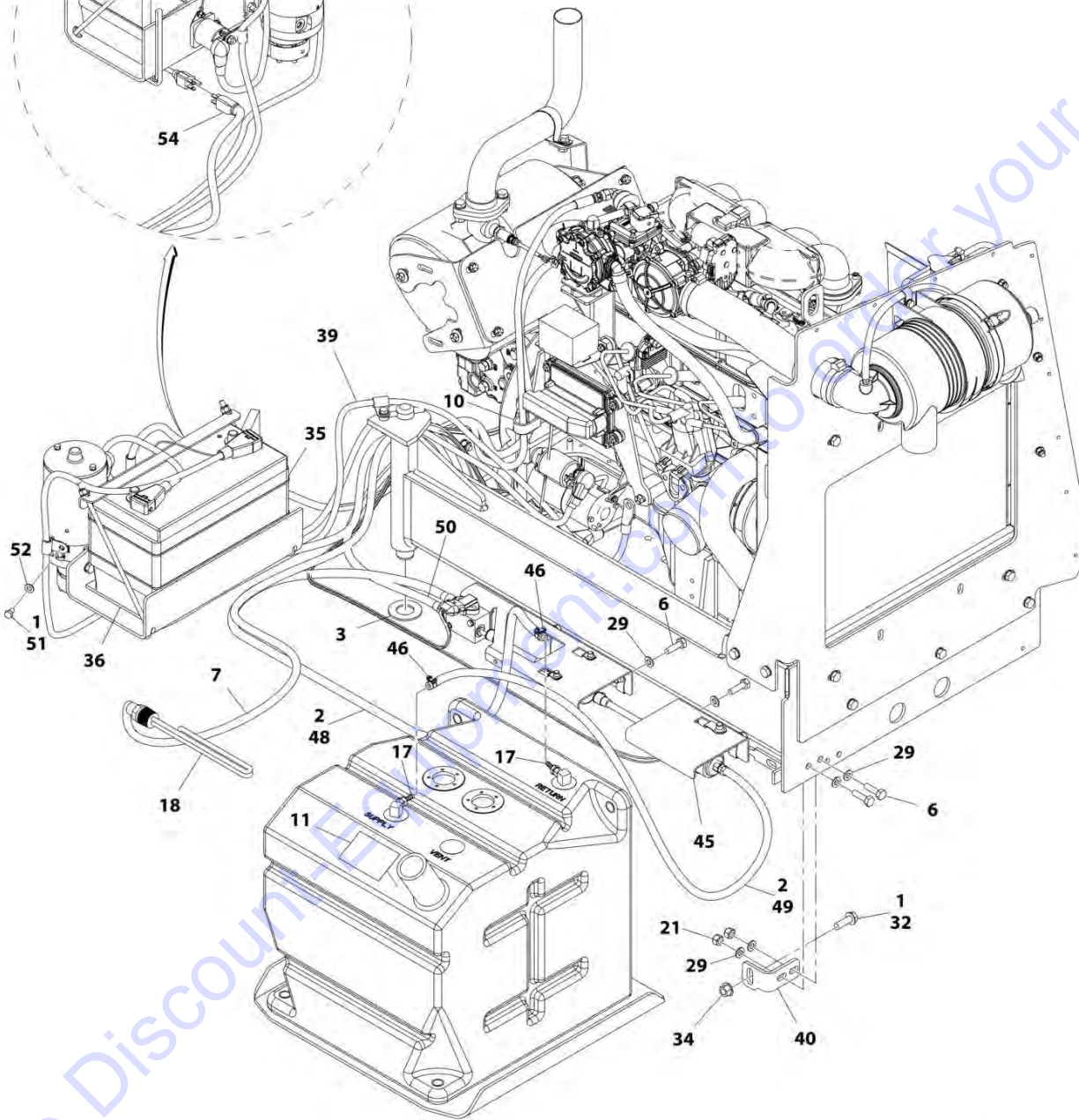
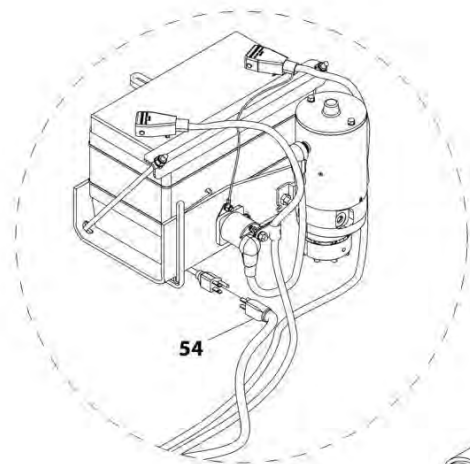
ART\_1001166024\_10F3

# SECTION 3 - ENGINE



ART\_1001166024\_20F3

# SECTION 3 - ENGINE



ART\_1001166024\_3OF3

## SECTION 3 - ENGINE

**FIGURE 3-27. ENGINE INSTALLATION - GM ENGINE (WITH ARCTIC PACKAGE) (SN 0300203771 through 0300222291)**

ITEM	PART NUMBER	QTY	DESCRIPTION	REV
	1001166024	Ref	ENGINE INSTALLATION - GM ENGINE (WITH ARCTIC PACKAGE) (SN 0300203771 through 0300222291)	E
1	0100011	AR	Compound, Locking	
2	0100020	AR	Sealant, Pipe	
3	0440162	1	Bearing	
4	0700817	1	Bolt M8 x 45	
5	0760610	1	Bolt M6 x 20	
6	0761015	13	Bolt M10 x 35	
7	1060625	1	Cable, Immersion Heater (SN 0300203771 through 0300208326)	
8	1060626	1	Cord, 3 Way Extension	
9	1320223	1	Clamp	
10	1321716	1	Clamp (SN 0300203771 through 0300214760)	
11	1701542	1	Decal - Gas (SN 0300203771 through 0300214760)	
11	1701542	2	Decal - Gas (SN 0300214761 through 0300222291)	
12	1701543	1	Decal - LPG	
13	1702941	1	Decal - Battery Heater	
14	1702942	1	Decal - Engine Block Heater	
15	1702943	1	Decal - Hydraulic Tank Heater	
16	1702944	1	Decal - Heater Cord	
17	2180348	2	Fitting, Barbed	
18	2580050	1	Heater, Hydraulic Tank (SN 0300203771 through 0300208326)	
18	1001188972	1	Heater, Hydraulic Tank (SN 0300208327 through 0300222291)	
19	3290605	1	Nut, Lock M6 x 1	
20	3290805	1	Nut, Lock M8 x 1.25	
21	3291005	7	Nut, Lock M10 x 1.5	
22	3291007	2	Nut, Lock M10 x 1.5	
23	3422532	1	Pin	
24	3790012	1	O-Ring	
25	3841143	1	Keeper, Pin	
26	4240099	AR	Tie-Strap	
27	1001161710	1	Switch, Toggle	
28	4811700	2	Washer, M6	
29	4812000	22	Washer, M10	
30	5240800	2	Washer, M8 Hardened	
31	5251010	2	Bolt M10 x 20	
32	5251215	1	Bolt M12 x 35	
33	5261018	2	Nut, Flange M10	
34	5261200	1	Nut, Flange M12 (Grade 10.9)	
35	1001097000	1	Heater, Battery (SN 0300203771 through 0300208326)	
35	2580024	1	Heater, Battery (SN 0300208327 through 0300222291)	
36	1001119278	1	Insulate	
37	1001135196	1	Pin	
38	1001156107	2	Holder, Cable	
39	1001167039	1	Battery Cable Kit	
39	70009001	1	Cable, Battery (Black) (Battery Negative, Engine Ground, Auxiliary Power Pump to Turntable Ground)	
39	70009002	1	Cable, Battery (Red) (Auxiliary Power Relay to Auxiliary Power Pump)	
39	70009003	1	Cable, Battery (Red) (Battery Positive, Auxiliary Power Relay to Starter)	

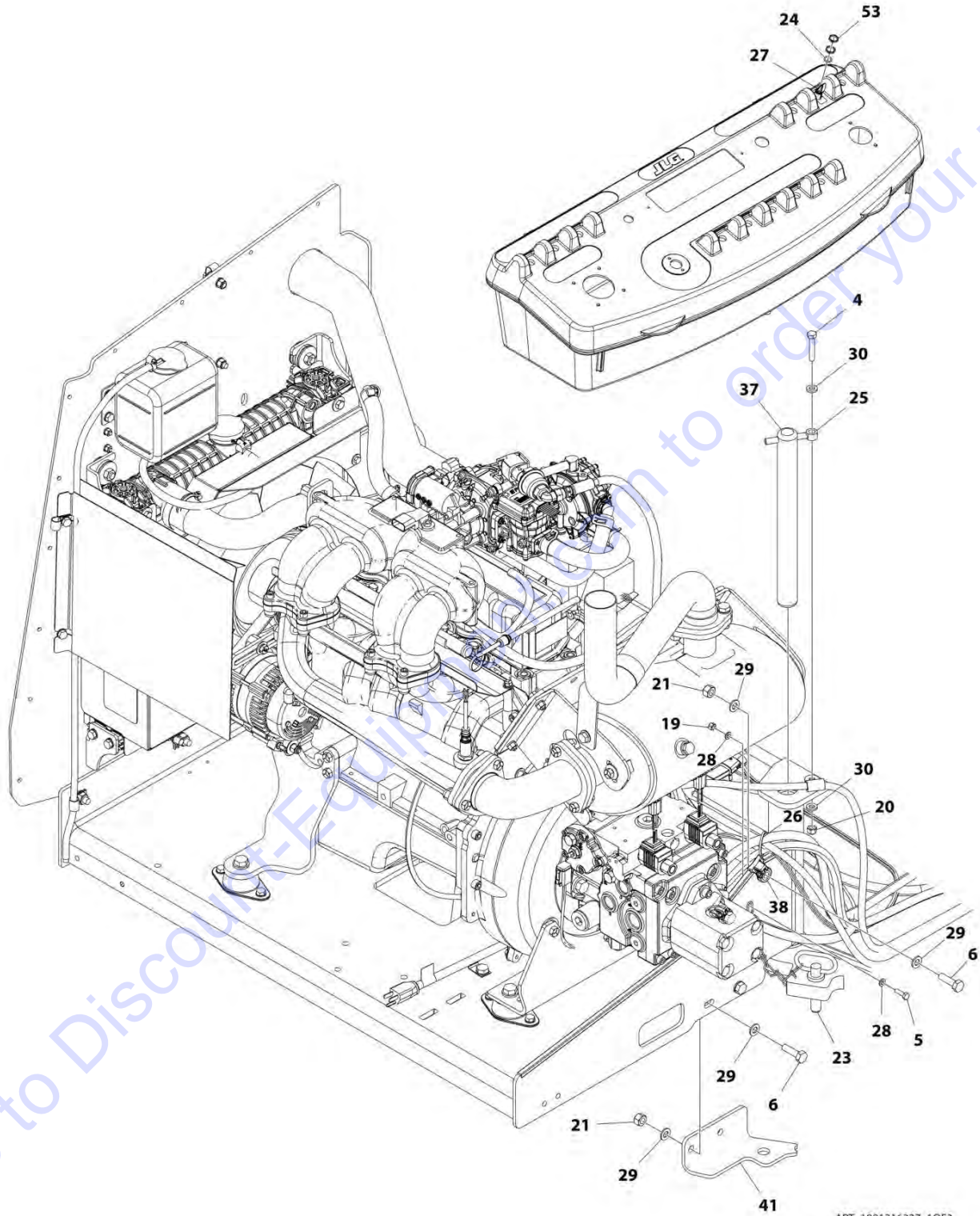
## SECTION 3 - ENGINE

ITEM	PART NUMBER	QTY	DESCRIPTION	REV
40	1001167512	1	Bracket, Engine Tray Stow	
41	1001169823	1	Plate, Engine Lock	
42	1001170719	1	Clamp	
43	1001172003	1	Support, Muffler	
44	1001172791	1	Pipe, Exhaust	
45	1001190920	1	Fuel System Mounting (See FUEL SYSTEM MOUNTING - GM ENGINES for Breakdown)	
46	1001174486	2	Clamp	
47	1001174781	1	Engine and Pump Sub-Assembly - GM Engine (With Arctic Package) (See ENGINE AND PUMP SUB-ASSEMBLY - GM ENGINE (WITH ARCTIC PACKAGE) for Breakdown)	
48	1001175021	1	Hose	
49	1001175022	1	Hose	
50	1001181366	1	Hose	
51	0641504	1	Bolt 5/16 x 1/2	
52	4711500	1	Washer, 5/16	
53	1001155044	2	Nut, Special 15/32-32	
54	1001159018	1	Cable, Extension Cord	



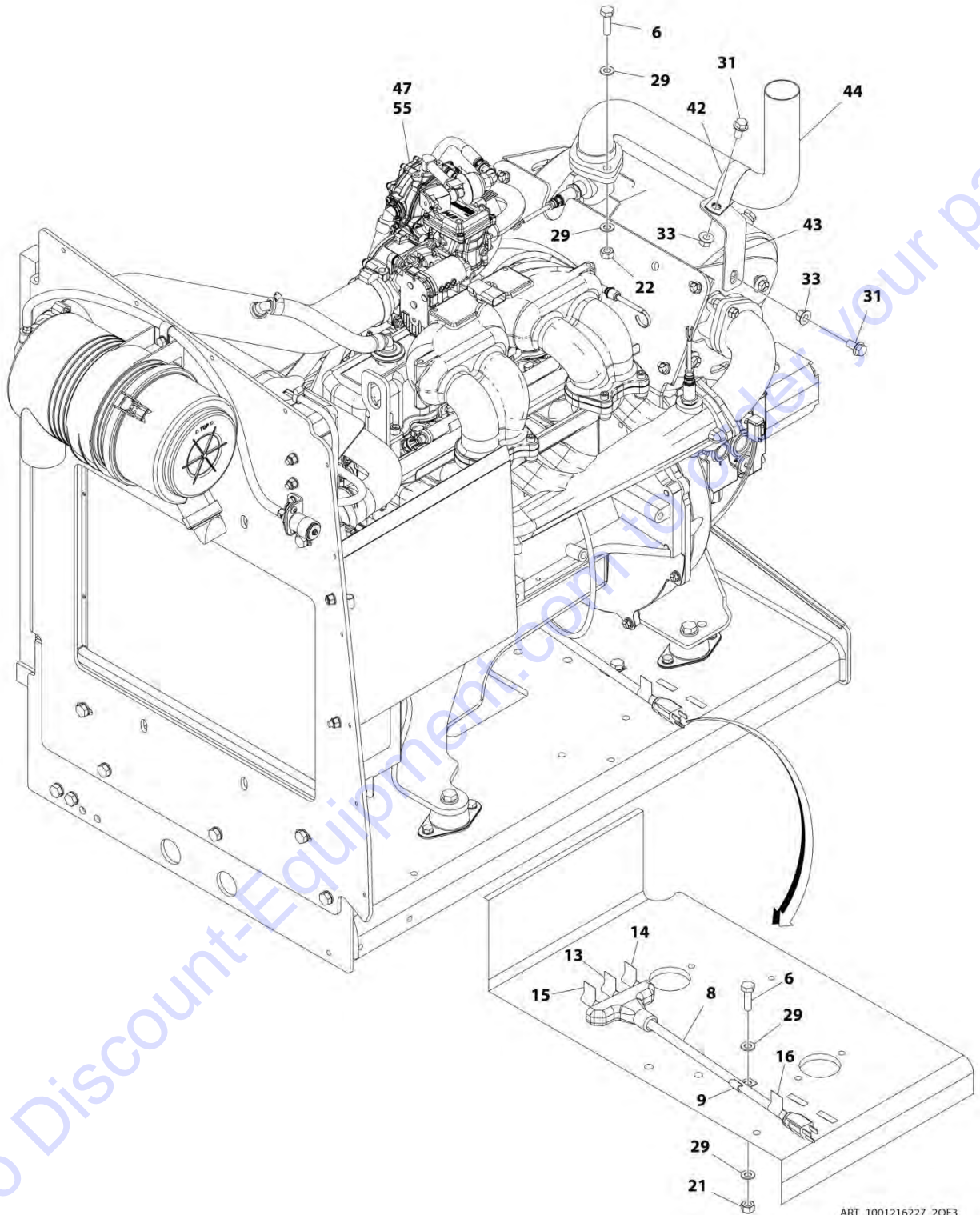
# SECTION 3 - ENGINE

FIGURE 3-28. ENGINE INSTALLATION - GM ENGINE (WITH ARCTIC PACKAGE) (SN 0300222292 to Present)



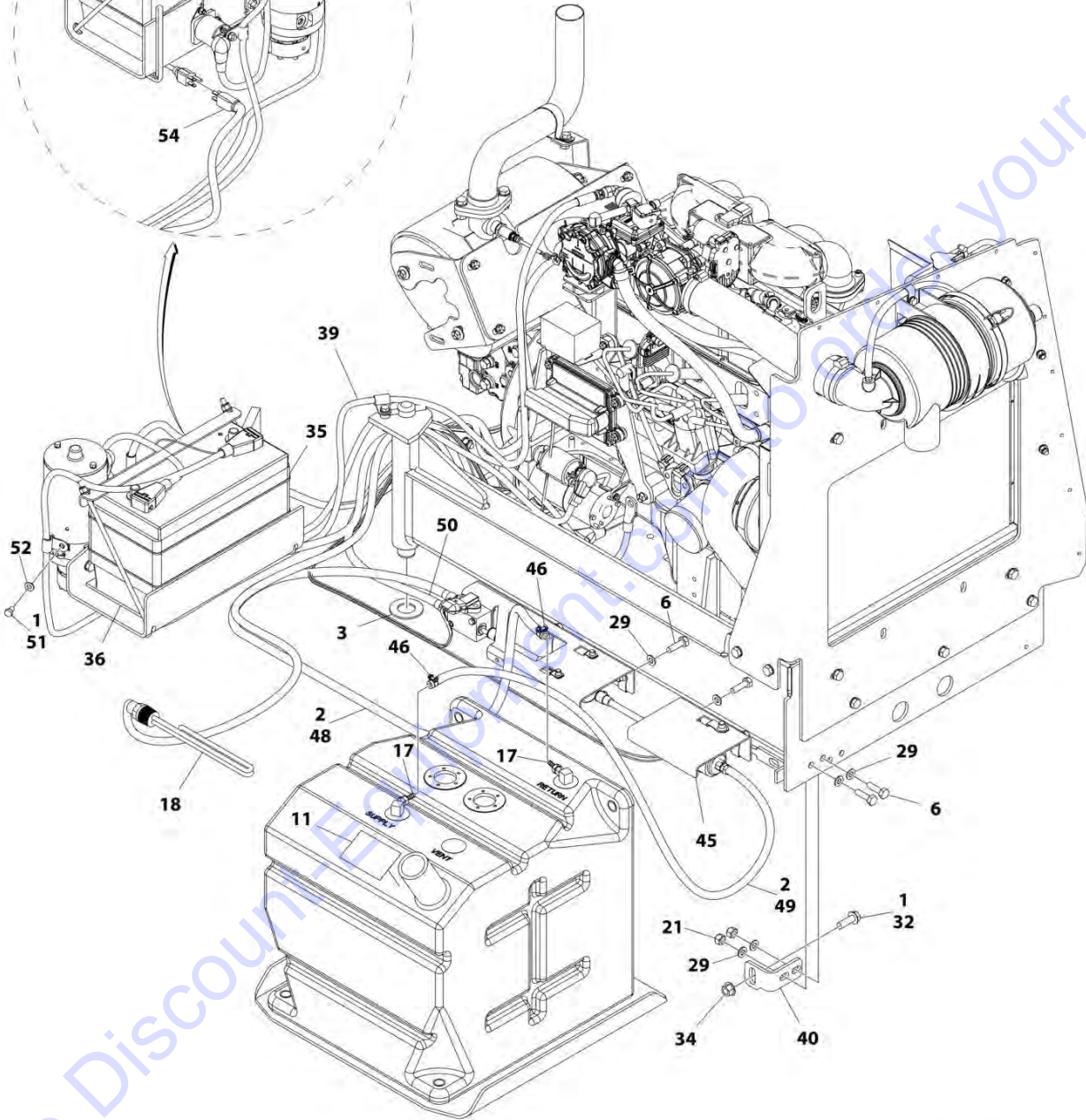
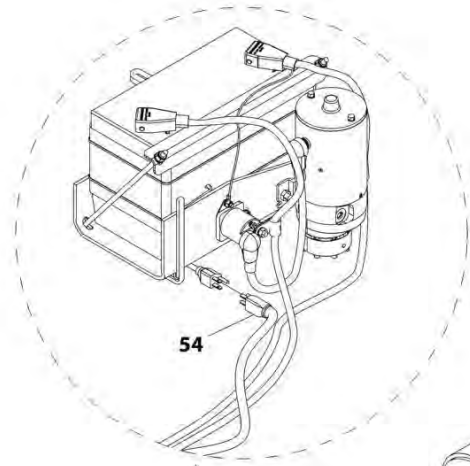


# SECTION 3 - ENGINE



ART\_1001216227\_2OF3

# SECTION 3 - ENGINE



ART\_1001216227\_3OF3

## SECTION 3 - ENGINE

**FIGURE 3-28. ENGINE INSTALLATION - GM ENGINE (WITH ARCTIC PACKAGE) (SN 0300222292 to Present)**

ITEM	PART NUMBER	QTY	DESCRIPTION	REV
	1001216227	Ref	ENGINE INSTALLATION - GM ENGINE (WITH ARCTIC PACKAGE) (SN 0300222292 to Present)	B
1	0100011	AR	Compound, Locking	
2	0100020	AR	Sealant, Pipe	
3	0440162	1	Bearing	
4	0700817	1	Bolt M8 x 45	
5	0760610	1	Bolt M6 x 20	
6	0761015	13	Bolt M10 x 35	
8	1060626	1	Cord, 3 Way Extension	
9	1320223	1	Clamp	
11	1701542	2	Decal - Gas	
12	1701543	1	Decal - LPG (Not Shown)	
13	1702941	1	Decal - Battery Heater	
14	1702942	1	Decal - Engine Block Heater	
15	1702943	1	Decal - Hydraulic Tank Heater	
16	1702944	1	Decal - Heater Cord	
17	2180348	2	Fitting, Barbed	
18	1001188972	1	Heater, Hydraulic Tank	
19	3290605	1	Nut, Lock M6 x 1	
20	3290805	1	Nut, Lock M8 x 1.25	
21	3291005	7	Nut, Lock M10 x 1.5	
22	3291007	2	Nut, Lock M10 x 1.5	
23	3422532	1	Pin	
24	3790012	1	O-Ring	
25	3841143	1	Keeper, Pin	
26	4240099	AR	Tie-Strap	
27	1001161710	1	Switch, Toggle	
28	4811700	2	Washer, M6	
29	4812000	22	Washer, M10	
30	5240800	2	Washer, M8 Hardened	
31	5251010	2	Bolt M10 x 20	
32	5251215	1	Bolt M12 x 35	
33	5261018	2	Nut, Flange M10	
34	5261200	1	Nut, Flange M12 (Grade 10.9)	
35	2580024	1	Heater, Battery	
36	1001119278	1	Insulate	
37	1001135196	1	Pin	
38	1001156107	2	Holder, Cable	
39	1001167039	1	Battery Cable Kit	
39	70009001	1	Cable, Battery (Black) (Battery Negative, Engine Ground, Auxiliary Power Pump to Turntable Ground)	
39	70009002	1	Cable, Battery (Red) (Auxiliary Power Relay to Auxiliary Power Pump)	
39	70009003	1	Cable, Battery (Red) (Battery Positive, Auxiliary Power Relay to Starter)	
40	1001167512	1	Bracket, Engine Tray Stow	
41	1001169823	1	Plate, Engine Lock	
42	1001170719	1	Clamp	
43	1001172003	1	Support, Muffler	
44	1001172791	1	Pipe, Exhaust	

## SECTION 3 - ENGINE

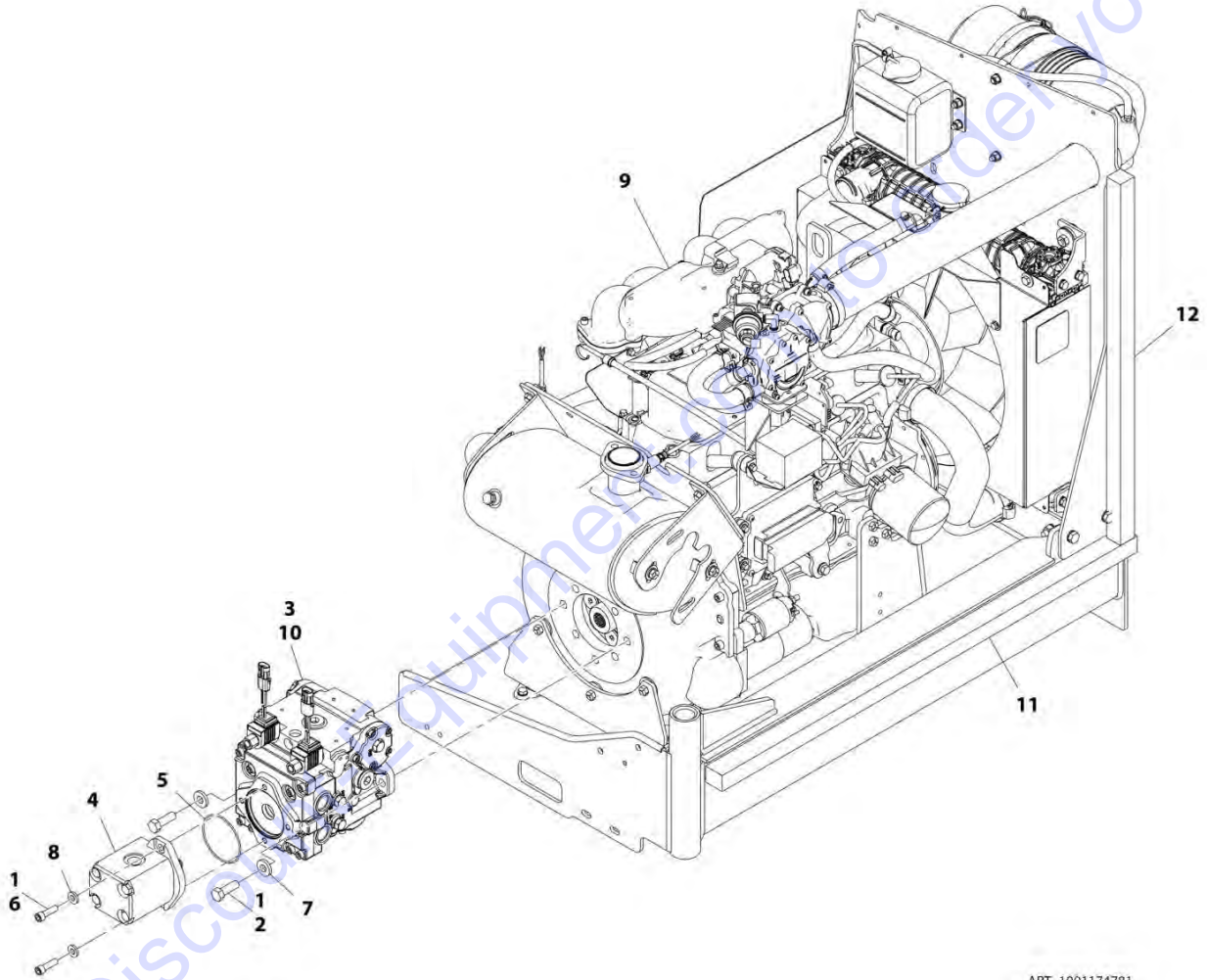
ITEM	PART NUMBER	QTY	DESCRIPTION	REV
45	1001190920	1	Fuel System Mounting (See FUEL SYSTEM MOUNTING - GM ENGINES for Breakdown)	
46	1001174486	2	Clamp	
47	1001216225	1	Engine and Pump Sub-Assembly - GM Engine (With Arctic Package) (See ENGINE AND PUMP SUB-ASSEMBLY - GM ENGINE (WITH ARCTIC PACKAGE) for Breakdown)	
48	1001175021	1	Hose	
49	1001175022	1	Hose	
50	1001181366	1	Hose	
51	0641504	1	Bolt 5/16 x 1/2	
52	4711500	1	Washer, 5/16	
53	1001155044	2	Nut, Special 15/32-32	
54	1001150918	1	Cable, Extension Cord	
55	1001214862	1	Engine - GM Engine	

Go to Discount-Equipment.com to order your parts



## SECTION 3 - ENGINE

FIGURE 3-29. ENGINE AND PUMP SUB-ASSEMBLY - GM ENGINE (WITH ARCTIC PACKAGE) (SN 0300203771 through 0300222291)



ART\_1001174781

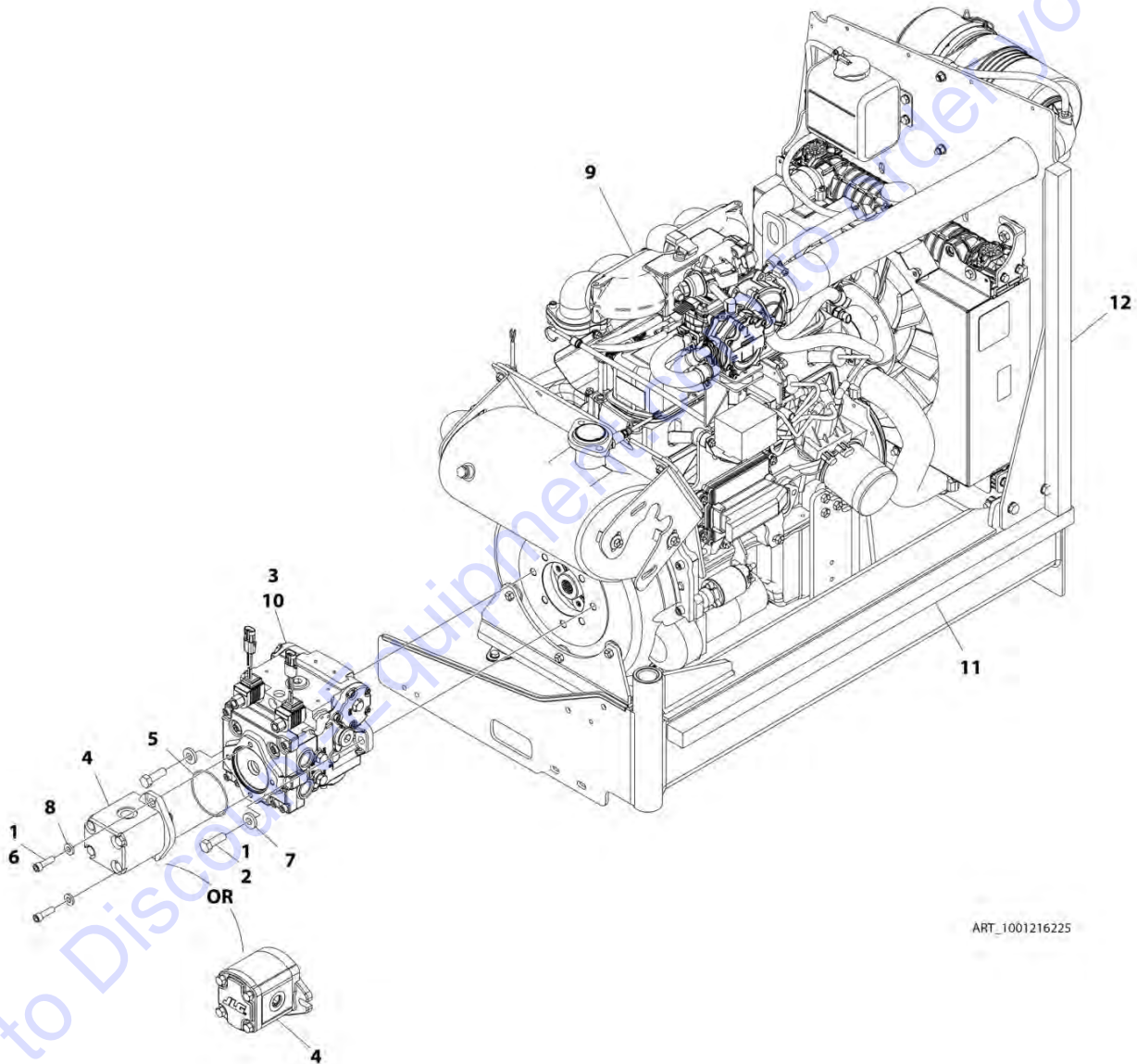
## SECTION 3 - ENGINE

**FIGURE 3-29. ENGINE AND PUMP SUB-ASSEMBLY - GM ENGINE (WITH ARCTIC PACKAGE) (SN 0300203771 through 0300222291)**

ITEM	PART NUMBER	QTY	DESCRIPTION	REV
	1001174781	Ref	ENGINE AND PUMP SUB-ASSEMBLY - GM ENGINE (WITH ARCTIC PACKAGE) (SN 0300203771 through 0300222291)	J
1	0100011	AR	Compound, Locking	
2	0641812	2	Bolt, 1/2 x 1-1/2	
3	3020037	AR	Lube	
4	3600242	1	Gear Pump Assembly (See GEAR PUMP ASSEMBLY for Breakdown)	
5	3790152	1	O-Ring	
6	3931620	2	Capscrew, 3/8 x 1-1/4	
7	4891800	2	Washer, 1/2 Hardened	
8	4891600	2	Washer, 3/8 Hardened	
9	1001174780	1	Engine Assembly - GM Engine (With Arctic Package) (See ENGINE ASSEMBLY - GM ENGINE (WITH ARCTIC PACKAGE) for Breakdown)	
10	1001167036	1	Piston Pump Assembly (See PISTON PUMP ASSEMBLY for Breakdown)	
11	1001171953	1	Seal	
12	1001171954	1	Seal	

# SECTION 3 - ENGINE

FIGURE 3-30. ENGINE AND PUMP SUB-ASSEMBLY - GM ENGINE (WITH ARCTIC PACKAGE) (SN 0300222292 to Present)



ART\_1001216225



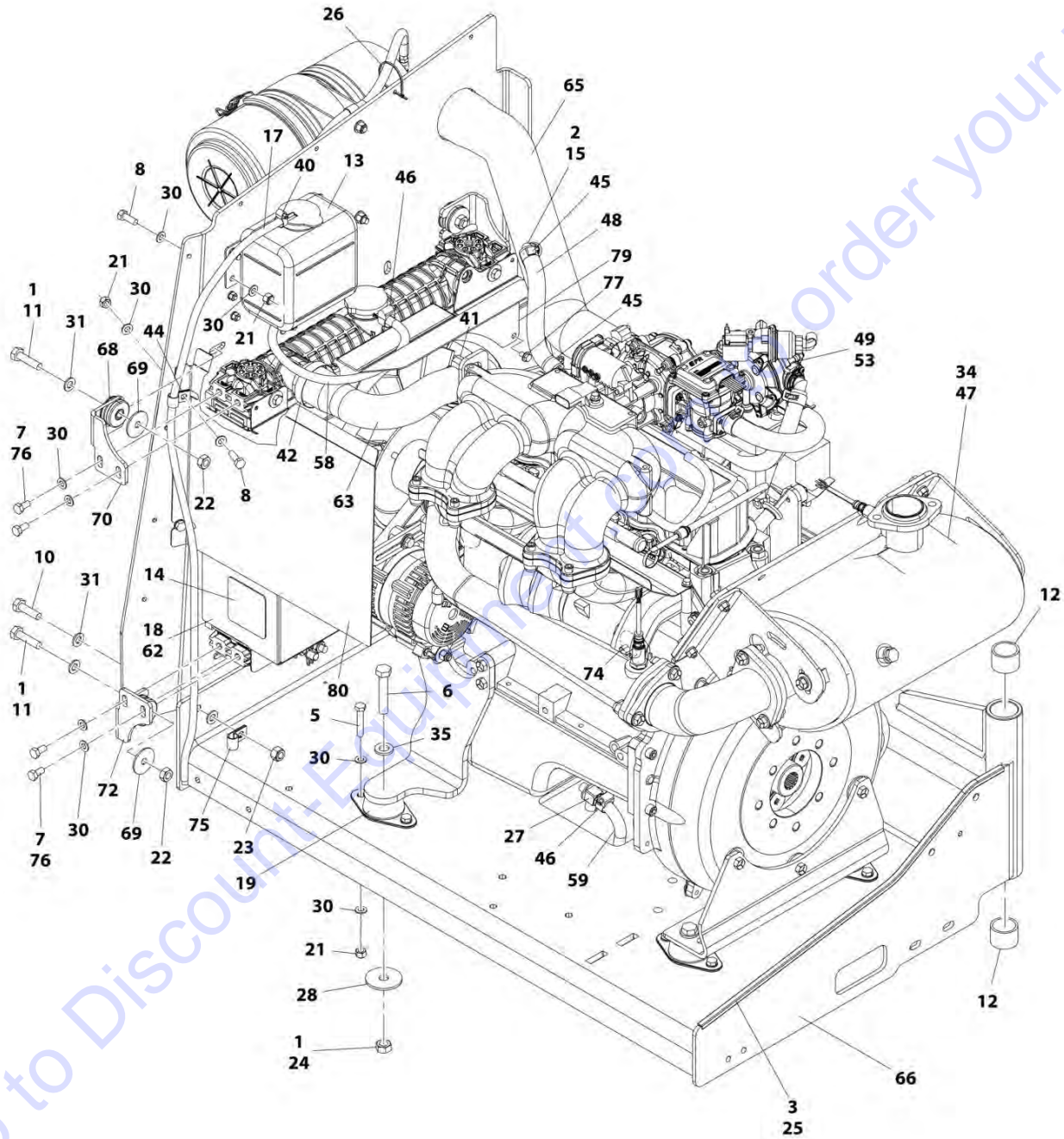
## SECTION 3 - ENGINE

**FIGURE 3-30. ENGINE AND PUMP SUB-ASSEMBLY - GM ENGINE (WITH ARCTIC PACKAGE) (SN 030022292 to Present)**

ITEM	PART NUMBER	QTY	DESCRIPTION	REV
	1001216225	Ref	ENGINE AND PUMP SUB-ASSEMBLY - GM ENGINE (WITH ARCTIC PACKAGE) (SN 030022292 to Present)	F
1	0100011	AR	Compound, Locking	
2	0641812	2	Bolt, 1/2 x 1-1/2	
3	3020037	AR	Lube	
4	3600242	1	Gear Pump Assembly (See GEAR PUMP ASSEMBLY for Breakdown) (SN 030022292 through 0300237046)	
4	1001214207	1	Gear Pump Assembly (SN 0300237046 to Present)	
4	70006356	1	Seal Kit - 1001214207 Pump	
5	3790152	1	O-Ring	
6	3931620	AR	Capscrew, 3/8 x 1-1/4	
6	3931618	AR	Capscrew, 3/8 x 1 1/8	
7	4891800	2	Washer, 1/2 Hardened	
8	4891600	2	Washer, 3/8 Hardened	
9	1001216223	1	Engine Assembly - GM Engine (With Arctic Package) (See ENGINE ASSEMBLY - GM ENGINE (WITH ARCTIC PACKAGE) for Breakdown)	
10	1001167036	1	Piston Pump Assembly (See PISTON PUMP ASSEMBLY for Breakdown)	
11	1001171953	1	Seal	
12	1001171954	1	Seal	

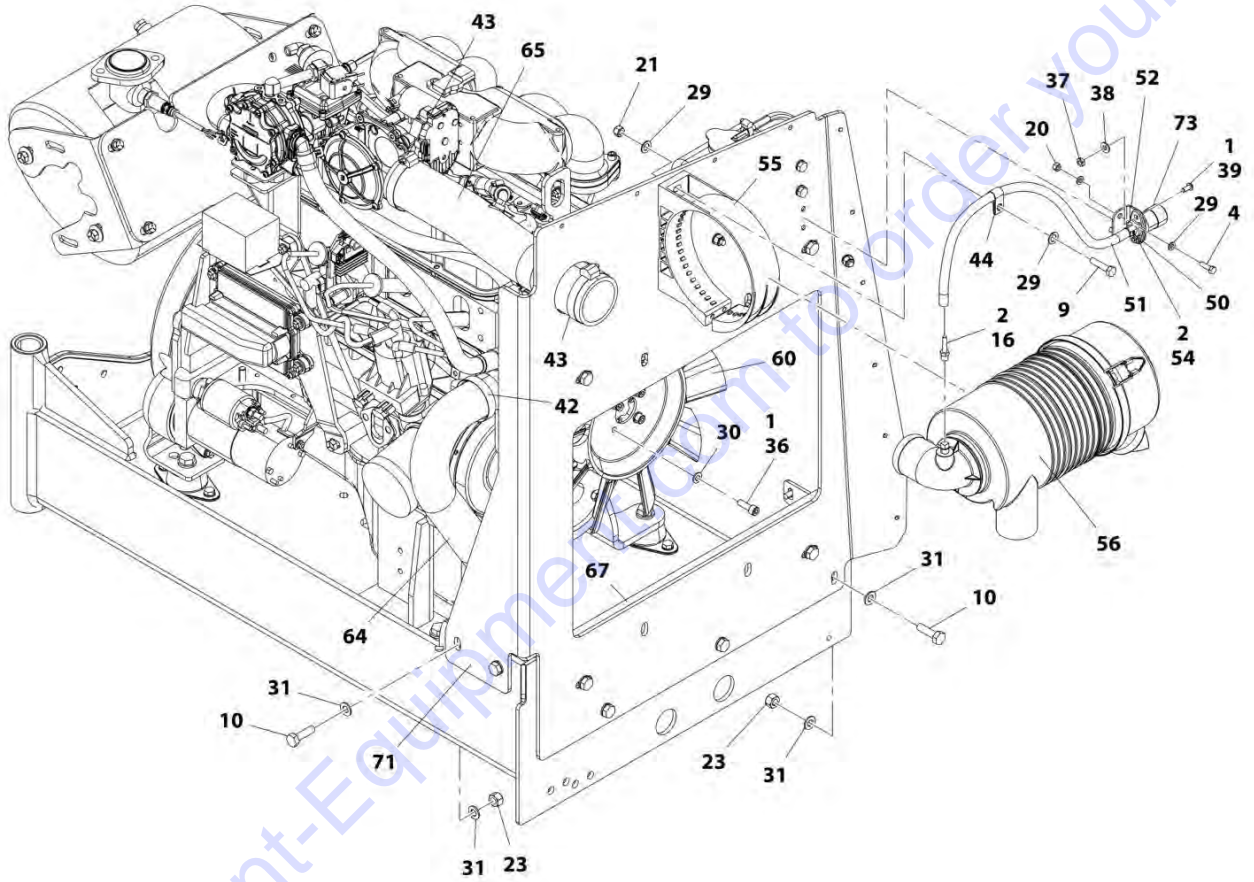
# SECTION 3 - ENGINE

FIGURE 3-31. ENGINE ASSEMBLY - GM ENGINE (WITH ARCTIC PACKAGE) (SN 0300203771 through 030022291)



ART\_1001174780\_10F2

# SECTION 3 - ENGINE



ART\_1001174780\_2OF2

## SECTION 3 - ENGINE

**FIGURE 3-31. ENGINE ASSEMBLY - GM ENGINE (WITH ARCTIC PACKAGE) (SN 0300203771 through 030022291)**

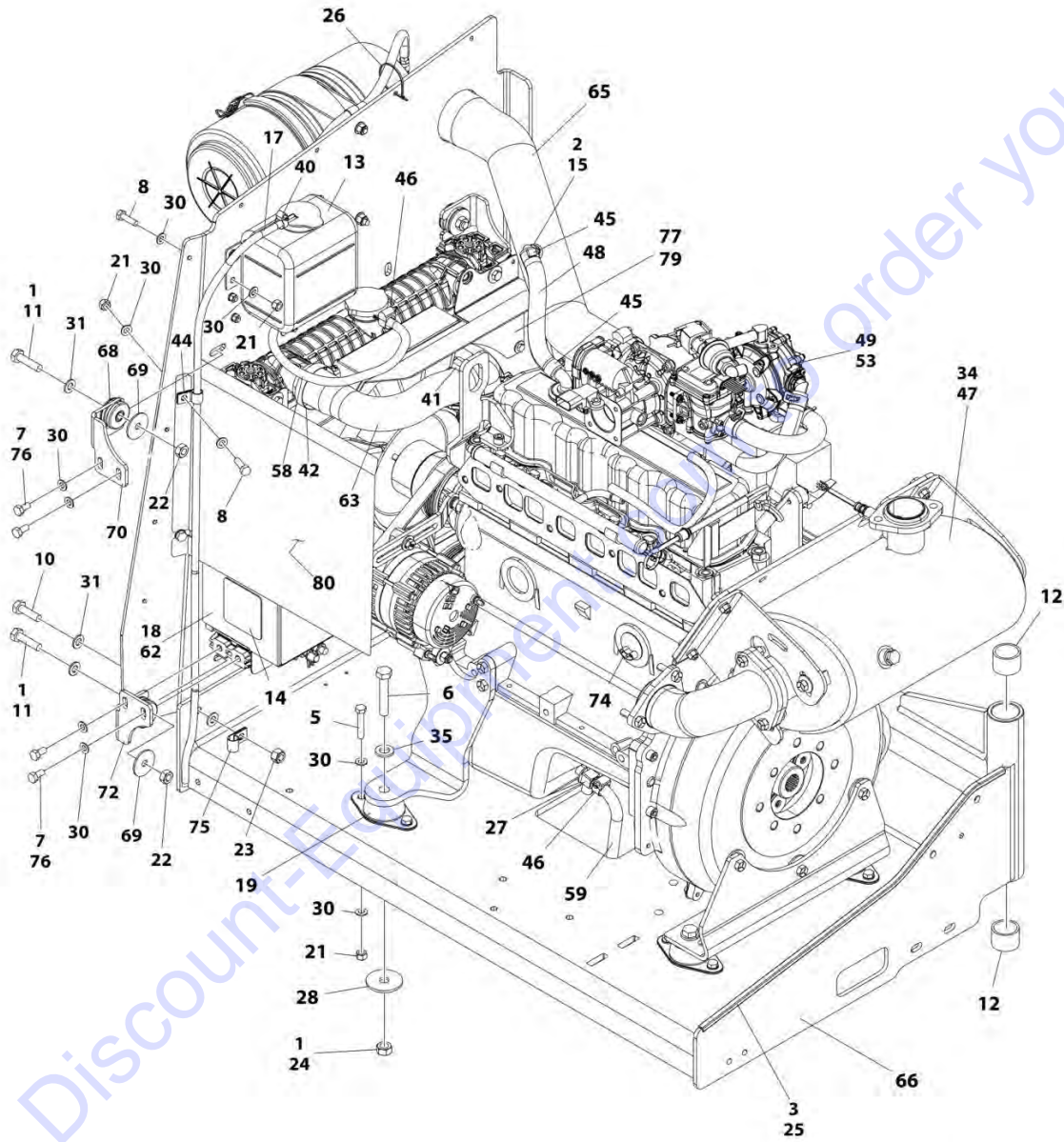
ITEM	PART NUMBER	QTY	DESCRIPTION	REV
	1001174780	Ref	ENGINE ASSEMBLY - GM ENGINE (WITH ARCTIC PACKAGE) (SN 0300203771 through 030022291)	J
1	0100011	AR	Compound, Locking	
2	0100020	AR	Sealant, Pipe	
3	0100081	AR	Adhesive	
4	0760610	2	Bolt M6 x 20	
5	0760814	8	Bolt M8 x 30	
6	0711221	4	Bolt M12 x 65	
7	0760808	8	Bolt M8 x 16	
8	0760812	6	Bolt M8 x 25	
9	0760815	2	Bolt M8 x 35	
10	0761015	5	Bolt M10 x 35	
11	0761016	4	Bolt M10 x 40	
12	0961951	2	Bushing	
13	1580011	1	Container, Coolant Overflow	
14	1703162	2	Decal - Caution Fan	
15	2180877	1	Fitting, Elbow	
16	2220315	1	Fitting, Barbed	
17	2720271	38.5 in /97.8cm	Hose	
18	2300041	2.7 gal /10.2L	Coolant, Anti-Freeze	
19	3200406	4	Mount, Rubber	
20	3290607	2	Nut, Lock M6 x 1	
21	3290805	16	Nut, Lock M8 x 1.25	
22	3291001	4	Nut, M10 x 1.5	
23	3291005	5	Nut, Lock M10 x 1.5	
24	3331211	4	Nut, M12 x 1.75	
25	4060805	2.25 ft /0.69m	Trim, Flex Shield	
26	4240099	AR	Tie-Strap (Not Shown)	
27	4640952	1	Valve, Oil Drain	
28	4740274	4	Washer, Snubbing	
29	4811700	4	Washer, M6	
30	4811900	44	Washer, M8	
31	4812000	14	Washer, M10	
34	4920385	10 ft/3m	Wire, Safety	
35	5241200	4	Washer, M12 Hardened	
36	5271809	4	Bolt M8 x 25	
37	8305401	2	Nut, Jam .250	
38	8307109	2	Washer, .250	
39	8310548	2	Screw 1/4 x 1/2	
40	8405009	1	Clamp	
41	8405103	1	Clamp	
42	8405201	3	Clamp	
43	8405203	2	Clamp	
44	8406109	2	Clip	
45	8410009	2	Clamp	
46	8410013	3	Clamp	
47	1001091794	1	Insulation, Muffler	

## SECTION 3 - ENGINE

ITEM	PART NUMBER	QTY	DESCRIPTION	REV
48	1001091892	8 in /20cm	Hose	
49	1001115931	4.5 qt /4.3L	Oil, Motor	
50	1001138173	1	Support, Service Indicator	
51	1001138248	2 ft /0.61m	Hose	
52	1001138175	1	Bracket, Service Indicator	
53	1001181430	1	Engine, GM 3.0L (See GM Engine Supplement p/n 3121245 for Breakdown of Additional Components) <b>(SN 0300203771 through 0300222291)</b>	
53	1001216219	1	Engine, GM 3.0L <b>(SN 0300222292 to Present)</b>	
53	7027972	1	Filter, Fuel (Not Shown - Located on Tank of Machine)	
53	70002895	1	Module, ECU	
53A	7027965	1	Filter, Oil	
54	1001141995	1	Fitting, Barbed	
55	1001147812	1	Clamp, Air Cleaner	
56	1001147813	1	Air Cleaner Assembly Including Filter Element	
56	70004020	1	Element, Filter (Not Shown)	
58	1001156819	14.5 in /37cm	Hose	
59	1001165035	8 in /20.3cm	Hose	
60	1001165849	1	Fan <b>(SN 0300203771 through 0300211991)</b>	
60	2060025	1	Fan <b>(SN 0300211991 to Present)</b>	
62	1001167193	1	Radiator	
63	1001167382	1	Hose, Upper Radiator	
64	1001167383	1	Hose, Lower Radiator	
65	1001167384	1	Hose, Air Intake	
66	1001167895	1	Tray, Engine	
67	1001168166	2	Seal	
68	1001169054	4	Isolator, Radiator	
69	1001169138	4	Washer, Snubbing	
70	1001169967	2	Bracket	
71	1001169974	1	Plate, Radiator Mounting <b>(SN 0300203771 through 0300211991)</b>	
71	1001195714	1	Plate, Radiator Mounting <b>(SN 0300211991 to Present)</b>	
72	1001170035	2	Bracket	
73	1001170981	1	Indicator	
74	2580063	1	Heater, Engine Block	
75	8406110	1	Clip	
76	1001180620	AR	Adhesive	
77	5250605	2	Bolt M6 x 10 <b>(SN 0300211991 to Present)</b>	
79	1001195699	1	Plate, Air Deflector <b>(SN 0300211991 to Present)</b>	
80	1001195700	1	Plate, Air Deflector <b>(SN 0300211991 to Present)</b>	

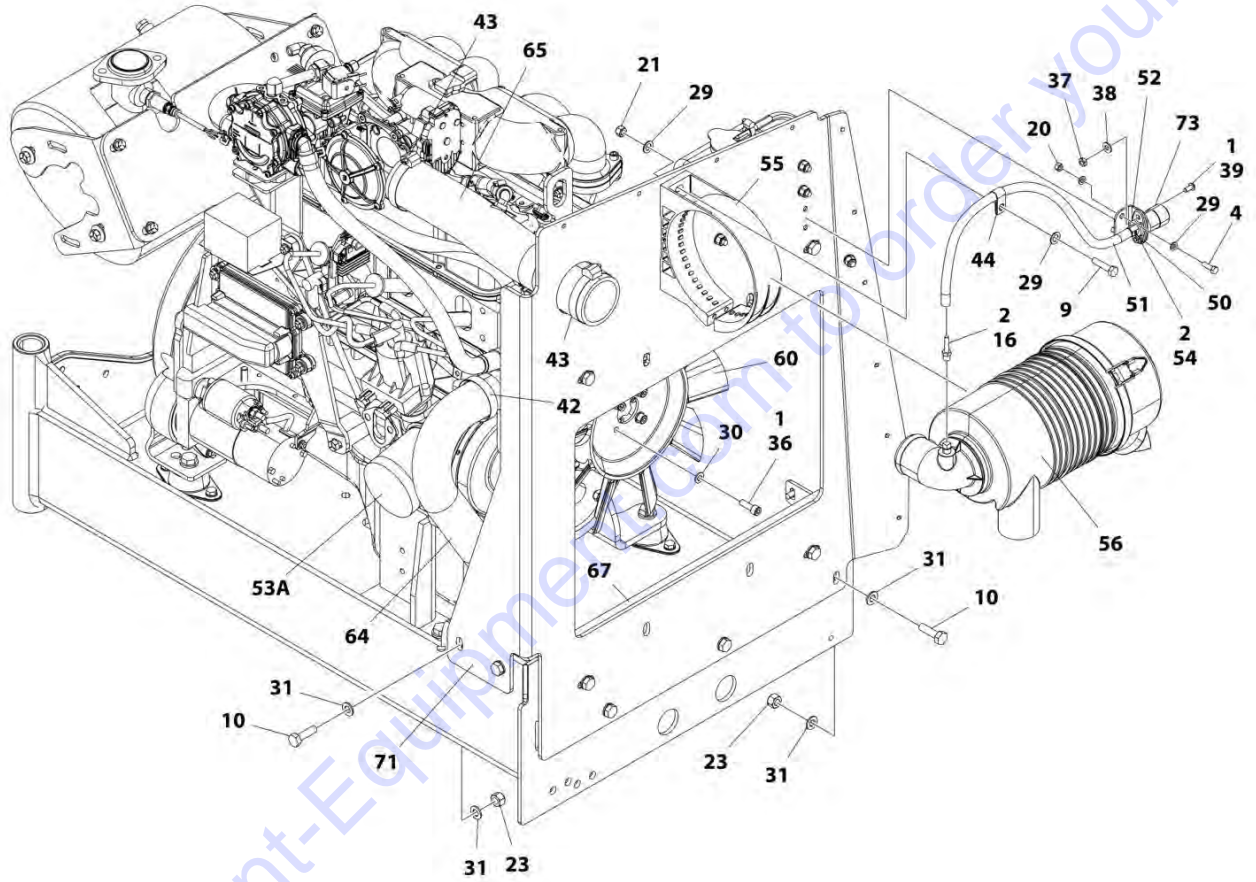
# SECTION 3 - ENGINE

FIGURE 3-32. ENGINE ASSEMBLY - GM ENGINE (WITH ARCTIC PACKAGE) (SN 0300222292 to Present)



ART\_1001216223\_10F2

# SECTION 3 - ENGINE



ART\_1001216223\_2OF2

## SECTION 3 - ENGINE

**FIGURE 3-32. ENGINE ASSEMBLY - GM ENGINE (WITH ARCTIC PACKAGE) (SN 0300222292 to Present)**

ITEM	PART NUMBER	QTY	DESCRIPTION	REV
	1001216223	Ref	ENGINE ASSEMBLY - GM ENGINE (WITH ARCTIC PACKAGE) (SN 0300222292 to Present)	B
1	0100011	AR	Compound, Locking	
2	0100020	AR	Sealant, Pipe	
3	0100081	AR	Adhesive	
4	0760610	2	Bolt M6 x 20	
5	0760814	8	Bolt M8 x 30	
6	0711221	4	Bolt M12 x 65	
7	0760808	8	Bolt M8 x 16	
8	0760812	6	Bolt M8 x 25	
9	0760815	2	Bolt M8 x 35	
10	0761015	5	Bolt M10 x 35	
11	0761016	4	Bolt M10 x 40	
12	0961951	2	Bushing	
13	1580011	1	Container, Coolant Overflow	
14	1703162	2	Decal - Caution Fan	
15	2180877	1	Fitting, Elbow	
16	2220315	1	Fitting, Barbed	
17	2720271	31.2 in /97.5cm	Hose	
18	2300041	2.0 gal /9.1L	Coolant, Anti-Freeze	
19	3200406	4	Mount, Rubber	
20	3290607	2	Nut, Lock M6 x 1	
21	3290805	16	Nut, Lock M8 x 1.25	
22	3291001	4	Nut, M10 x 1.5	
23	3291005	5	Nut, Lock M10 x 1.5	
24	3331211	4	Nut, M12 x 1.75	
25	4060805	2 ft /0.61m	Trim, Flex Shield	
26	4240099	AR	Tie-Strap	
27	4640952	1	Valve, Oil Drain	
28	4740274	4	Washer, Snubbing	
29	4811700	4	Washer, M6	
30	4811900	44	Washer, M8	
31	4812000	14	Washer, M10	
34	4920385	10 ft/3m	Wire, Safety	
35	5241200	4	Washer, M12 Hardened	
36	5271809	4	Bolt M8 x 25	
37	8305401	2	Nut, Jam .250	
38	8307109	2	Washer, .250	
39	8310548	2	Screw 1/4 x 1/2	
40	8405009	1	Clamp	
41	8405103	1	Clamp	
42	8405201	3	Clamp	
43	8405203	2	Clamp	
44	8406109	2	Clip	
45	8410009	2	Clamp	
46	8410013	3	Clamp	
47	1001091794	1	Insulation, Muffler	

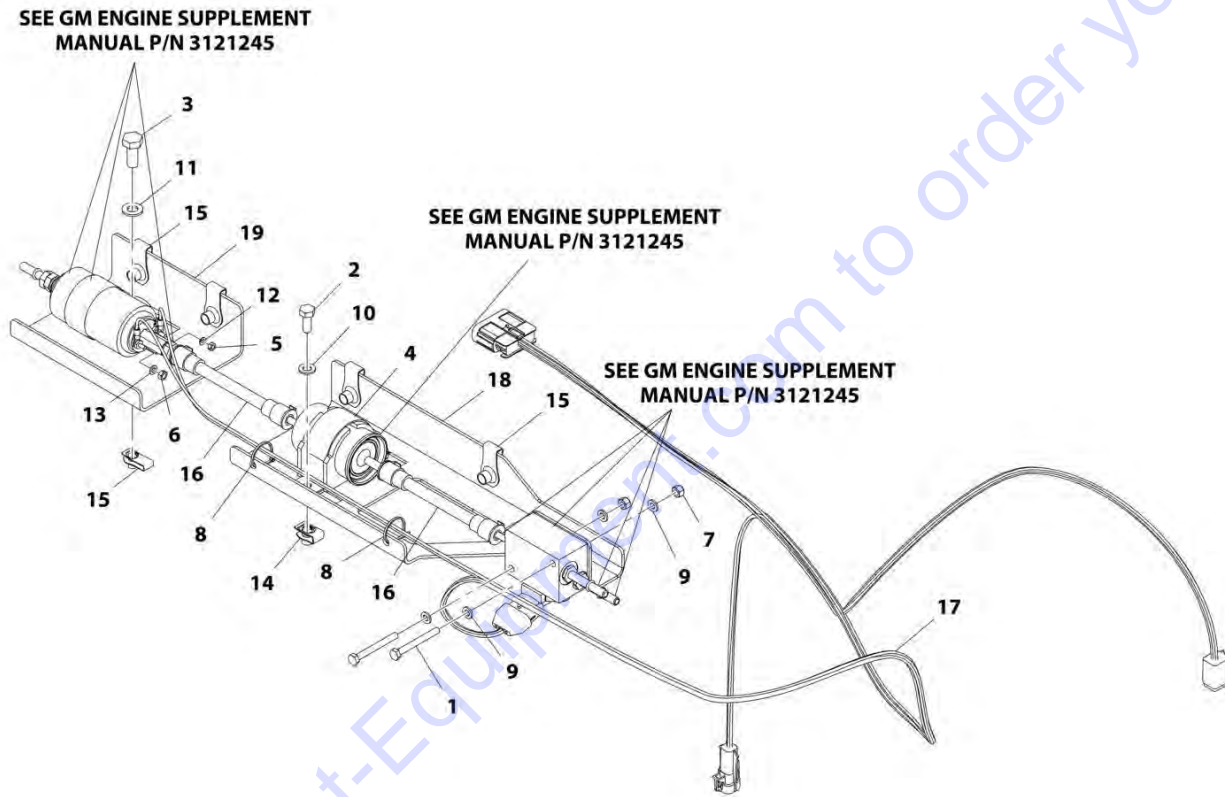


## SECTION 3 - ENGINE

ITEM	PART NUMBER	QTY	DESCRIPTION	REV
48	1001091892	7.6 in /19.4cm	Hose	
49	1001115931	4.5 qt /4.3L	Oil, Motor	
50	1001138173	1	Support, Service Indicator	
51	1001138248	1.9 ft /0.58m	Hose	
52	1001138175	1	Bracket, Service Indicator	
53	1001216219	1	Engine, GM 3.0L	
53	7027972	1	Filter, Fuel (Not Shown - Located on Tank of Machine)	
53	70002895	1	Module, ECU	
53A	7027965	1	Filter, Oil	
54	1001141995	1	Fitting, Barbed	
55	1001147812	1	Clamp, Air Cleaner	
56	1001147813	1	Air Cleaner Assembly Including Filter Element	
58	1001156819	8 in /20.3cm	Hose	
59	1001165035	7.8 in /20cm	Hose	
60	2060025	1	Fan	
62	1001167193	1	Radiator	
63	1001167382	1	Hose, Upper Radiator	
64	1001167383	1	Hose, Lower Radiator	
65	1001167384	1	Hose, Air Intake	
66	1001167895	1	Tray, Engine	
67	1001168166	2	Seal	
68	1001169054	4	Isolator, Radiator	
69	1001169138	4	Washer, Snubbing	
70	1001169967	2	Bracket	
71	1001195714	1	Plate, Radiator Mounting	
72	1001170035	2	Bracket	
73	1001170981	1	Indicator	
74	2580063	1	Heater, Engine Block	
75	8406110	1	Clip	
76	1001180620	AR	Adhesive	
77	5250605	2	Bolt M6 x 10	
79	1001195699	1	Plate, Air Deflector	
80	1001195700	1	Plate, Air Deflector	

# SECTION 3 - ENGINE

## FIGURE 3-33. FUEL SYSTEM MOUNTING - GM ENGINES



ART\_1001190920

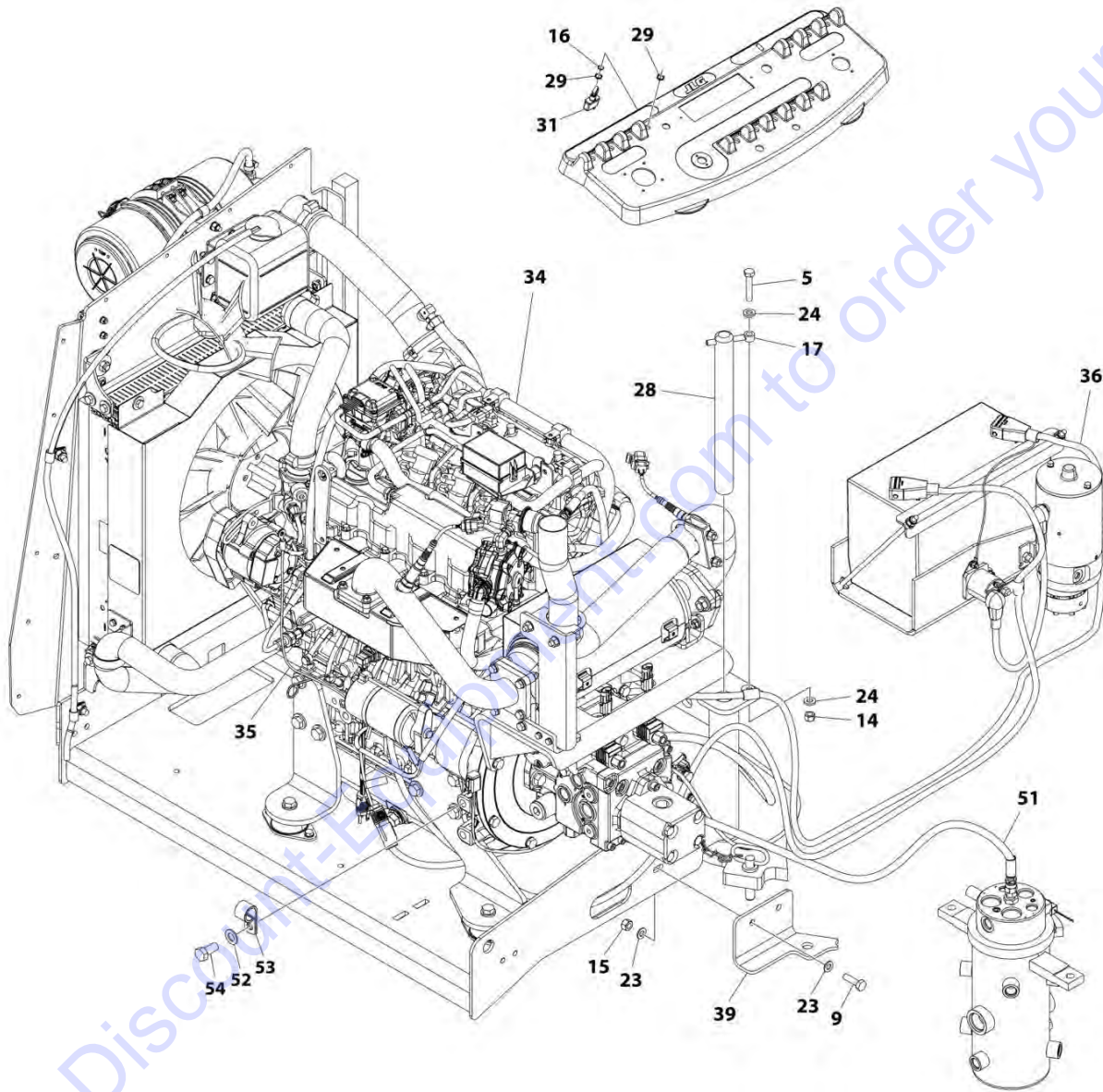
## SECTION 3 - ENGINE

**FIGURE 3-33. FUEL SYSTEM MOUNTING - GM ENGINES**

ITEM	PART NUMBER	QTY	DESCRIPTION	REV
	1001190920	Ref	FUEL SYSTEM MOUNTING - GM ENGINES	B
1	0700619	2	Bolt M6 x 55	
2	0760810	2	Bolt M8 x 20	
3	0761012	1	Bolt M10 x 25	
4	1320323	1	Clamp	
5	3290401	1	Nut, M4 x 0.7	
6	3290501	1	Nut, M5 x 0.8	
7	3290605	2	Nut, Lock M6 x 1	
8	4240099	1	Tie-Strap	
9	4811700	4	Washer, M6	
10	4811900	2	Washer, M8	
11	4812000	1	Washer, M10	
12	4831400	1	Washer, Lock M4	
13	4831600	1	Washer, Lock M5	
14	1001118274	2	Nut, Special M8 x 1.25	
15	1001118972	5	Nut, Special M10 x 1.5	
16	1001156823	2	Hose	
17	1001167112	1	Harness Engine (See ELECTRICAL SECTION for Breakdown)	
18	1001190919	1	Plate	
19	1001190918	1	Plate	

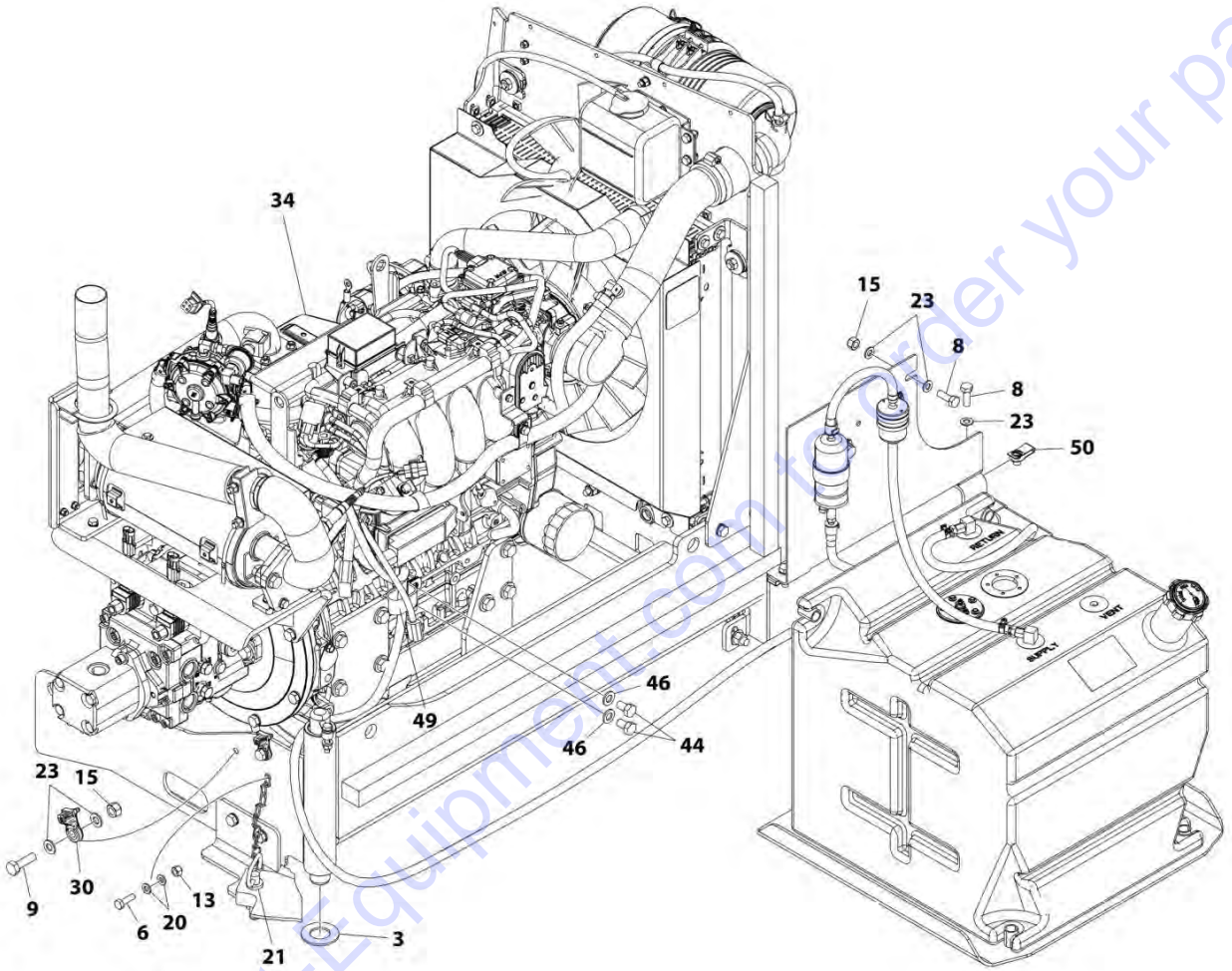
# SECTION 3 - ENGINE

FIGURE 3-34. ENGINE INSTALLATION - KUBOTA ENGINE (WITHOUT ARCTIC PACKAGE) (SN 0300203771 through 0300241777)



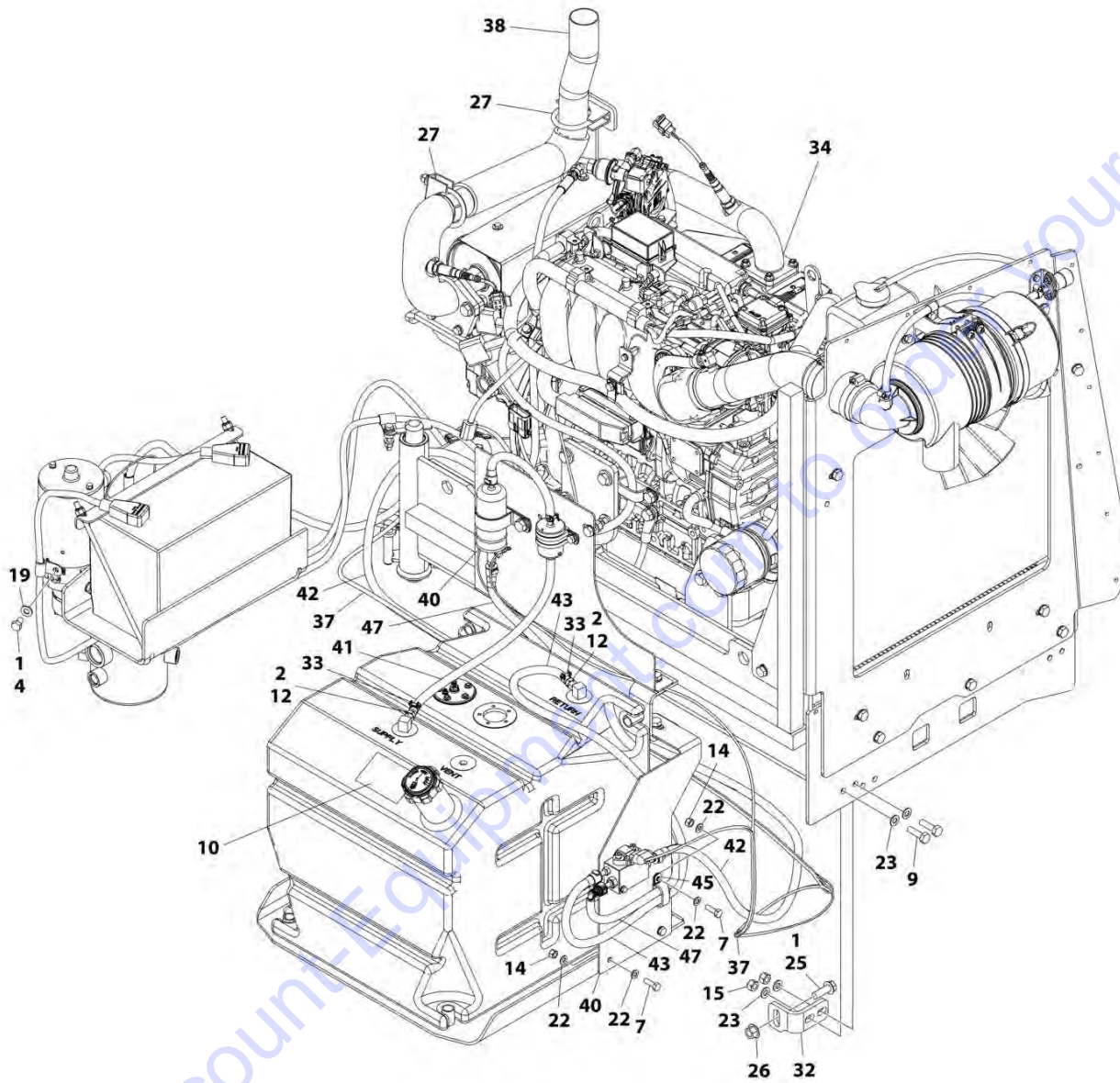
ART\_1001214803\_10F3

# SECTION 3 - ENGINE



ART\_1001214803\_ZOF3

# SECTION 3 - ENGINE



ART\_1001214803\_30F3

## SECTION 3 - ENGINE

**FIGURE 3-34. ENGINE INSTALLATION - KUBOTA ENGINE (WITHOUT ARCTIC PACKAGE) (SN 0300203771 through 0300241777)**

ITEM	PART NUMBER	QTY	DESCRIPTION	REV
	1001214803	Ref	ENGINE INSTALLATION - KUBOTA ENGINE (WITHOUT ARCTIC PACKAGE)	G
1	0100011	AR	Compound, Locking	
2	0100020	AR	Sealant, Pipe	
3	0440162	1	Bearing	
4	0641504	1	Bolt, 5/16 x 1/2	
5	0700817	1	Bolt M8 x 45	
6	0760610	1	Bolt M6 x 20	
7	0760812	3	Bolt M8 x 25	
8	0761014	4	Bolt M10 x 30	
9	0761015	AR	Bolt M10 x 35	
10	1701542	2	Decal - Gas	
11	1701543	1	Decal - LPG (Not Shown)	
12	2180348	2	Fitting, Barbed	
13	3290605	1	Nut M6	
14	3290805	4	Nut M8	
15	3291005	AR	Nut M10	
16	3790012	1	O-Ring	
17	3841143	1	Keeper, Pin	
18	4240099	AR	Tie-Strap (Not Shown)	
19	4711500	1	Washer, 5/16	
20	4811700	2	Washer, M6	
21	3422532	1	Pin	
22	4811900	6	Washer, M8	
23	4812000	AR	Washer, M10	
24	5240800	2	Washer, M8 Hardened	
25	5251215	1	Bolt M12 x 35	
26	5261200	1	Nut, Flange M12 (Grade 10.9)	
27	1001217785	2	Clamp, Muffler	
28	1001135196	1	Pin	
29	1001155044	2	Nut, Special 15/32-32	
30	1001156107	2	Holder, Cable (SN 0300203771 through 0300229351)	
31	1001161710	1	Switch, Toggle	
32	1001167512	1	Bracket, Engine Tray Stow	
33	1001174486	2	Clamp	
34	1001210765	1	Engine and Pump Sub-Assembly - Kubota Engine (Without Arctic Package) (See ENGINE AND PUMP SUB-ASSEMBLY - KUBOTA ENGINE (WITHOUT ARCTIC PACKAGE) for Breakdown)	
35	1001212257	1	Cable, Kubota Alternator	
36	1001213062	1	Cable, Battery Cable Kit	
37	1001213599	1	Harness Engine - Kubota Engine (Not Shown - See ELECTRICAL SECTION for Breakdown)	
38	1001214502	1	Pipe, Tail Pipe	
39	1001215259	1	Plate, Engine Lock	
40	1001215801	1	Mount, Fuel System	
41	1001156819	20.9 in/ 53cm	Hose	
42	1001216396	1	Hose	
43	1001216397	1	Hose	
44	1001217494	2	Capscrew M12	

## SECTION 3 - ENGINE

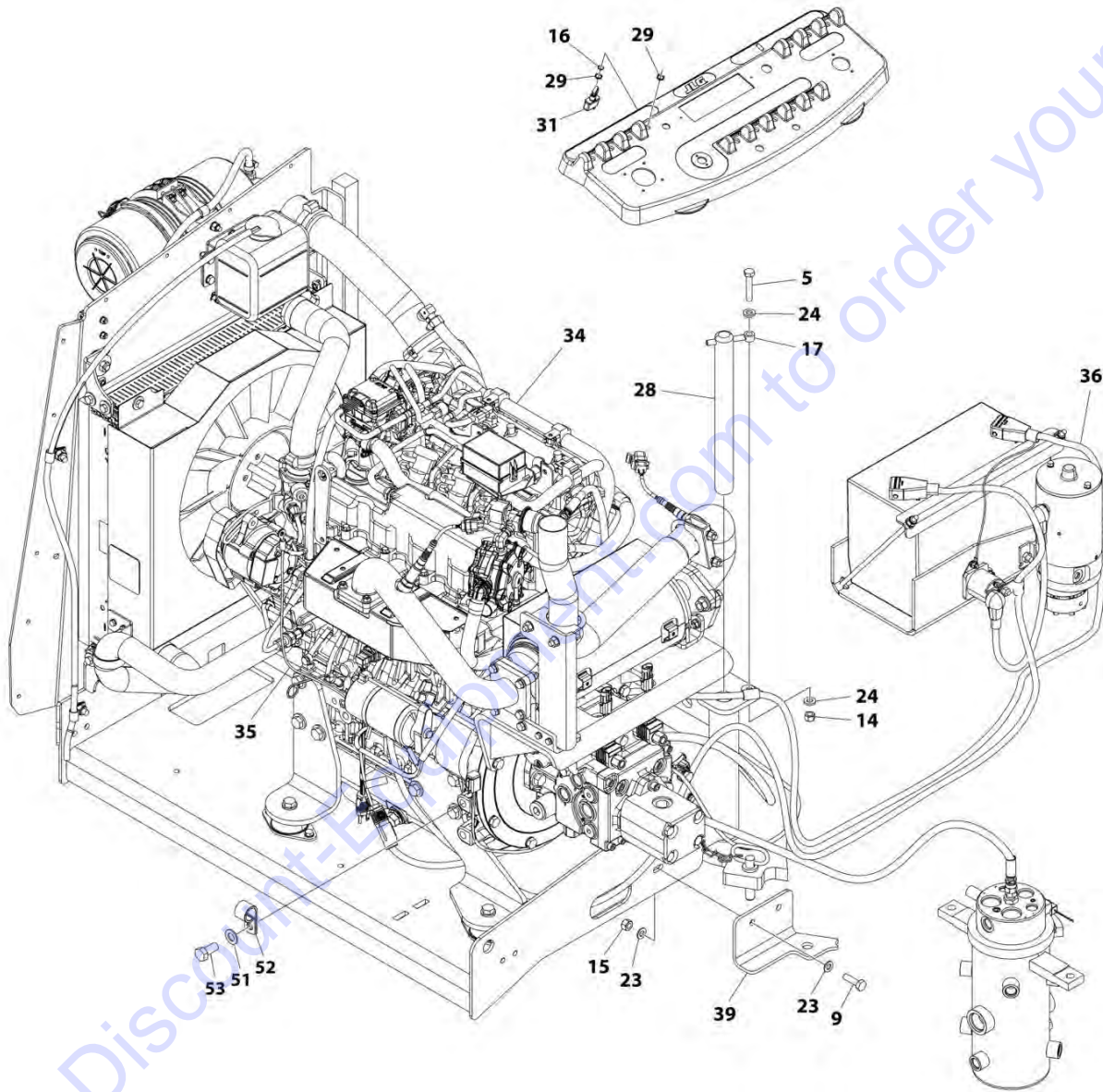
ITEM	PART NUMBER	QTY	DESCRIPTION	REV
45	1321283	1	Clamp	
46	4812100	2	Washer, M12	
47	1001216399	1	Hose	
49	1321716	1	Clamp (SN 0300203771 through 0300229351)	
49	1001195039	1	Clamp (SN 0300229352 through 0300241777)	
50	1001118972	3	Nut M10	
51	1001219348	1	Hose (SN 0300203771 through 0300237483)	
52	4812200	AR	Washer, M14	
53	24431386	1	Support, Clamp (SN 0300229352 through 0300241777)	
54	1001217345	AR	Bolt M14 x 30	
55	1001229798	1	Harness - Kubota B6 D/F Power (Not Shown - See ELECTRICAL SECTION for Breakdown)	
56	4460466	8	Terminal, Sealing Plug (Not Shown)	
57	4460930	1	Plug, Male - 8 Position (Deutsch) (Not Shown)	





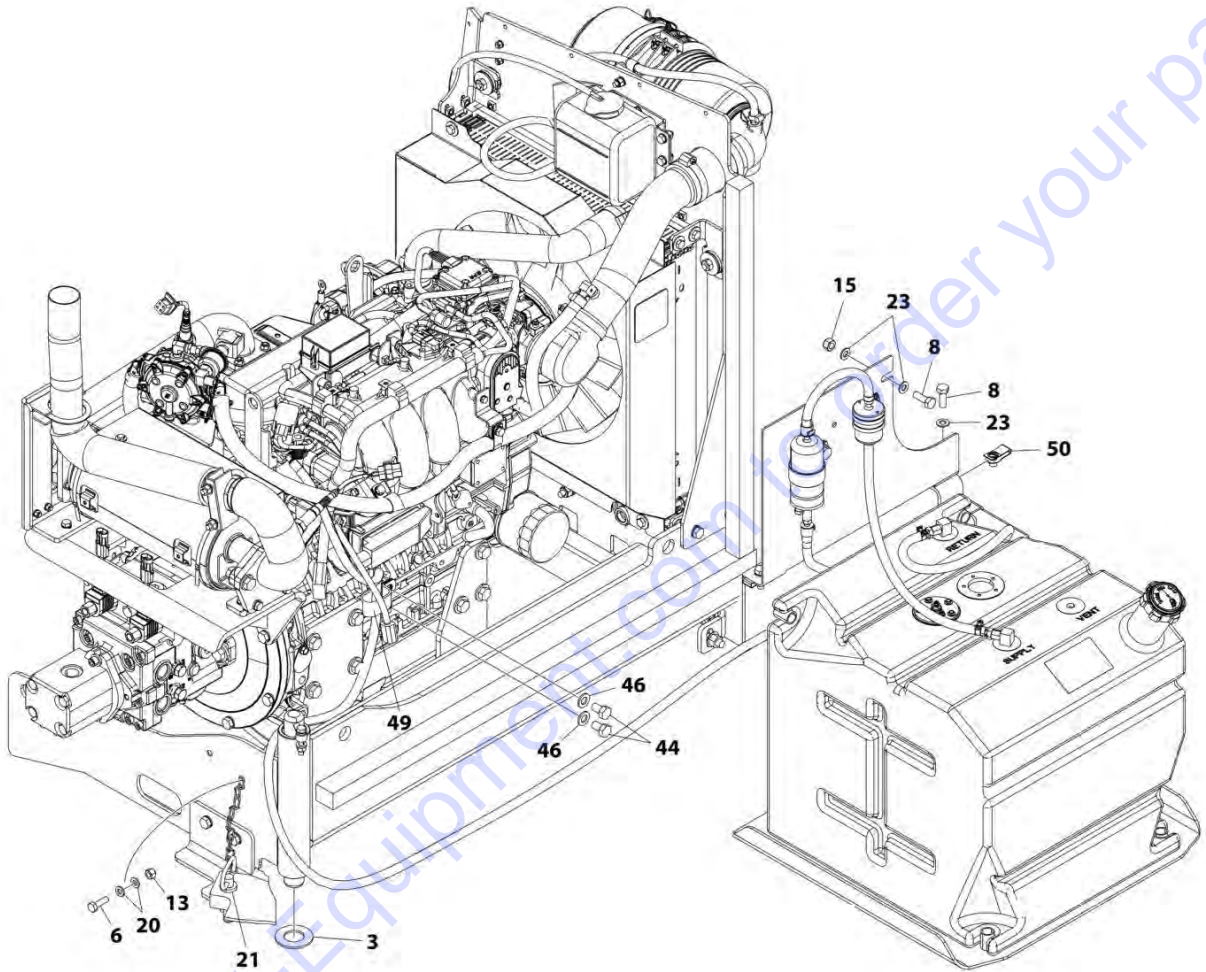
# SECTION 3 - ENGINE

FIGURE 3-35. ENGINE INSTALLATION - KUBOTA ENGINE (WITHOUT ARCTIC PACKAGE) (SN 0300241778 to Present)



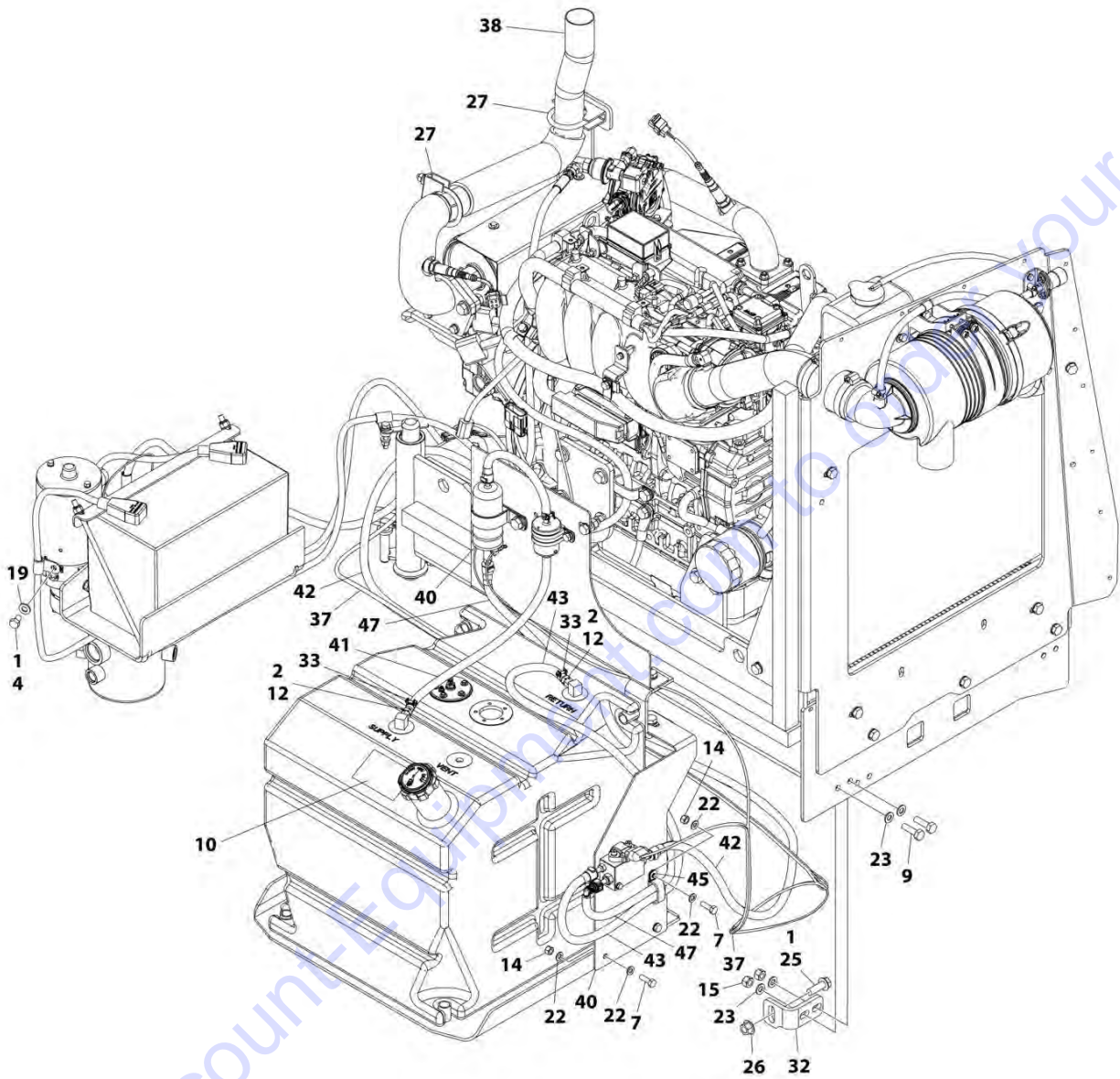
ART\_1001236250\_10F3

# SECTION 3 - ENGINE



ART\_1001236250\_ZOF3

# SECTION 3 - ENGINE



ART\_1001236250\_30F3

## SECTION 3 - ENGINE

**FIGURE 3-35. ENGINE INSTALLATION - KUBOTA ENGINE (WITHOUT ARCTIC PACKAGE) (SN 0300241778 to Present)**

ITEM	PART NUMBER	QTY	DESCRIPTION	REV
	1001236250	Ref	ENGINE INSTALLATION - KUBOTA ENGINE (WITHOUT ARCTIC PACKAGE)	A
1	0100011	AR	Compound, Locking	
2	0100020	AR	Sealant, Pipe	
3	0440162	1	Bearing	
4	0641504	1	Bolt 5/16 x 1/2	
5	0700817	1	Bolt M8 x 45	
6	0760610	1	Bolt M6 x 20	
7	0760812	3	Bolt M8 x 25	
8	0761014	4	Bolt M10 x 30	
9	0761015	4	Bolt M10 x 35	
10	1701542	2	Decal - Gas	
11	1701543	1	Decal - LPG (Not Shown)	
12	2180348	2	Fitting, Barbed	
13	3290605	1	Nut, Lock M6 x 1	
14	3290805	4	Nut, Lock M8 x 1.25	
15	3291005	5	Nut, Lock M10 x 1.5	
16	3790012	1	O-Ring	
17	3841143	1	Keeper, Pin	
18	4240099	AR	Tie-Strap (Not Shown)	
19	4711500	1	Washer 5/16	
20	4811700	2	Washer M6	
21	3422532	1	Pin	
22	4811900	6	Washer M8	
23	4812000	13	Washer M10	
24	5240800	2	Washer M8 Hardened	
25	5251215	1	Bolt M12 x 35	
26	5261200	1	Nut, Flange M12 (Grade 10.9)	
27	1001217785	2	Clamp, Muffler	
28	1001135196	1	Pin	
29	1001155044	2	Nut, Special 15/32-32	
31	1001161710	1	Switch, Toggle	
32	1001167512	1	Bracket, Engine Tray Stow	
33	1001174486	2	Clamp	
34	1001236254	1	Engine and Pump Sub-Assembly - Kubota Engine (Without Arctic Package) (See ENGINE AND PUMP SUB-ASSEMBLY - KUBOTA ENGINE (WITHOUT ARCTIC PACKAGE) for Breakdown)	
35	1001212257	1	Cable, Kubota Alternator	
36	1001213062	1	Cable, Battery Cable Kit	
37	1001213599	1	Harness Engine - Kubota Engine (See ELECTRICAL SECTION for Breakdown)	
38	1001214502	1	Pipe, Tail Pipe	
39	1001215259	1	Plate, Engine Lock	
40	1001215801	1	Mount, Fuel System	
41	1001156819	20 in/ 53cm	Hose	
42	1001216396	1	Hose	
43	1001216397	1	Hose	
44	1001217494	2	Bolt M12 x 20	
45	1321283	1	Clamp	

## SECTION 3 - ENGINE

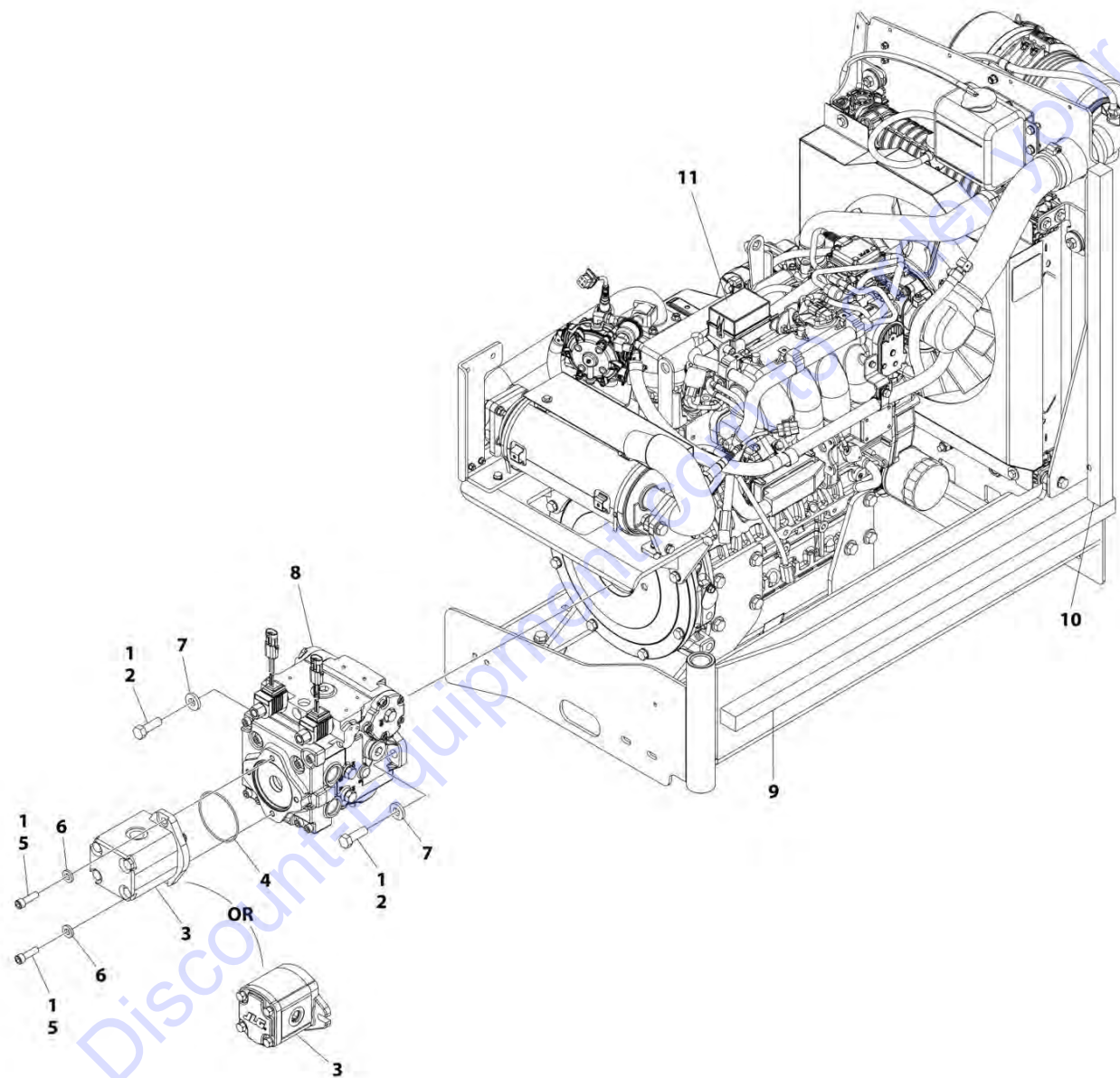
ITEM	PART NUMBER	QTY	DESCRIPTION	REV
46	4812100	2	Washer M12	
47	1001216399	1	Hose	
49	1001195039	1	Clamp	
50	1001118972	3	Nut M10 x 1.5	
51	4812200	1	Washer M14	
52	24431386	1	Support Clamp 15/16	
53	1001217345	1	Bolt M14 x 30	
54	1001229798	1	Harness - Kubota B6 D/F Power (Not Shown - See ELECTRICAL SECTION for Breakdown)	
55	4460466	8	Terminal, Sealing Plug (Not Shown)	
56	4460930	1	Plug, Male - 8 Position (Deutsch) (Not Shown)	

Go to Discount-Equipment.com to order your parts



# SECTION 3 - ENGINE

FIGURE 3-36. ENGINE AND PUMP SUB-ASSEMBLY - KUBOTA ENGINE (WITHOUT ARCTIC PACKAGE) (SN 0300203771 through 0300241777)



ART\_1001210765



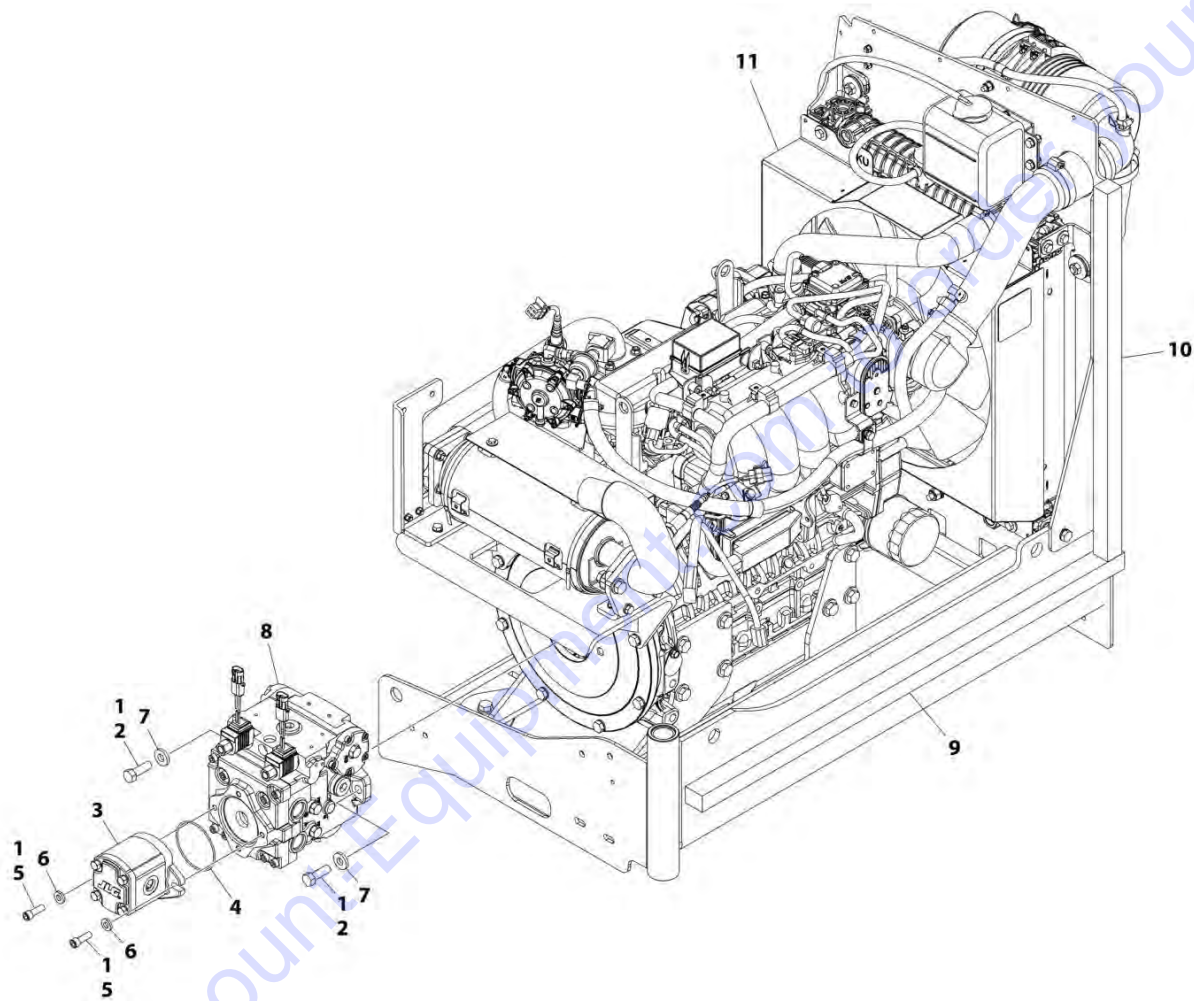
## SECTION 3 - ENGINE

**FIGURE 3-36. ENGINE AND PUMP SUB-ASSEMBLY - KUBOTA ENGINE (WITHOUT ARCTIC PACKAGE) (SN 0300203771 through 0300241777)**

ITEM	PART NUMBER	QTY	DESCRIPTION	REV
	1001210765	Ref	ENGINE AND PUMP SUB-ASSEMBLY - KUBOTA ENGINE (WITHOUT ARCTIC PACKAGE)	E
1	0100011	AR	Compound, Locking	
2	0641812	2	Bolt, 1/2-13 x 1-1/2	
3	3600242	1	Gear Pump Assembly (See GEAR PUMP ASSEMBLY for Breakdown) (SN 0300203771 through 0300237045)	
3	1001214207	1	Gear Pump Assembly (SN 0300237046 through 0300241777)	
3	70006356	1	Seal Kit - 1001214207 Pump	
4	3790152	1	O-Ring	
5	3931620	AR	Capscrew 3/8 x 1-1/4	
5	3931618	AR	Capscrew 3/8 x 1-1/8	
6	4891600	2	Washer, 3/8 Hardened	
7	4891800	2	Washer, 1/2 Hardened	
8	1001167036	1	Piston Pump Assembly (See PISTON PUMP ASSEMBLY for Breakdown)	
9	1001171953	1	Seal	
10	1001171954	1	Seal	
11	1001210421	1	Engine Assembly - Kubota Engine (Without Arctic Package) (See ENGINE ASSEMBLY - KUBOTA ENGINE (WITHOUT ARCTIC PACKAGE) for Breakdown)	

## SECTION 3 - ENGINE

FIGURE 3-37. ENGINE AND PUMP SUB-ASSEMBLY - KUBOTA ENGINE (WITHOUT ARCTIC PACKAGE) (SN 0300241778 to Present)



ART\_1001236254

## SECTION 3 - ENGINE

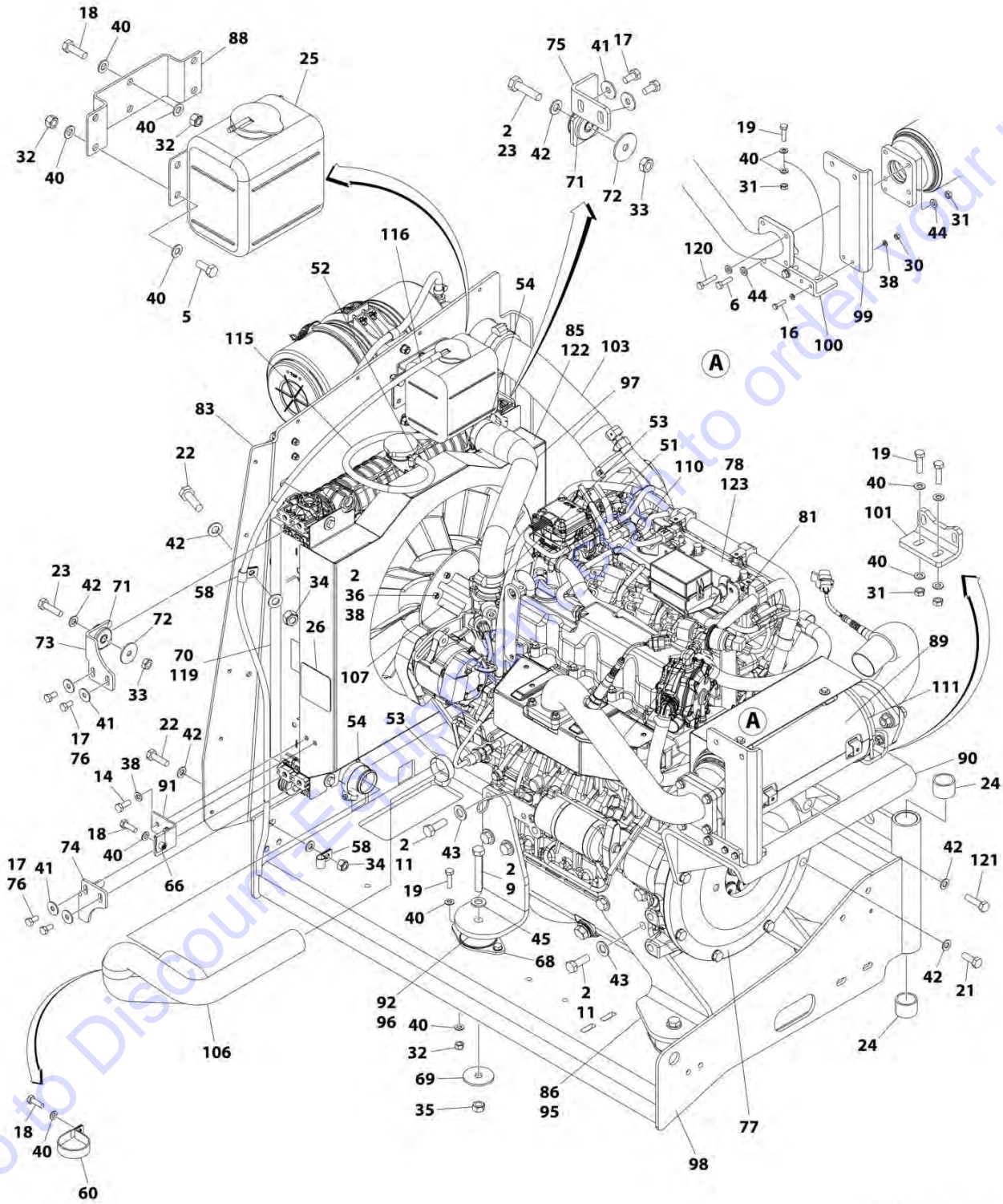
**FIGURE 3-37. ENGINE AND PUMP SUB-ASSEMBLY - KUBOTA ENGINE (WITHOUT ARCTIC PACKAGE) (SN 0300241778 to Present)**

ITEM	PART NUMBER	QTY	DESCRIPTION	REV
	1001236254	Ref	ENGINE AND PUMP SUB-ASSEMBLY - KUBOTA ENGINE (WITHOUT ARCTIC PACKAGE) (SN 0300241778 to Present)	A
1	0100011	AR	Loctite	
2	0641812	2	Bolt 1/2 x 1-1/2	
3	1001214207	1	Pump, Gear	
4	3790152	1	O-Ring	
5	3931618	2	Bolt 3/8 x 1-1/8	
6	4891600	2	Washer 3/8	
7	4891800	2	Washer 1/2	
8	1001167036	1	Pump	
9	1001171953	1	Seal, Gasket	
10	1001171954	1	Seal, Gasket	
11	1001236256	1	Engine Assembly - Kubota Engine (Without Arctic Package) (See ENGINE ASSEMBLY - KUBOTA ENGINE (WITHOUT ARCTIC PACKAGE) for Breakdown)	

Go to Discount-Equipment.com to order your parts

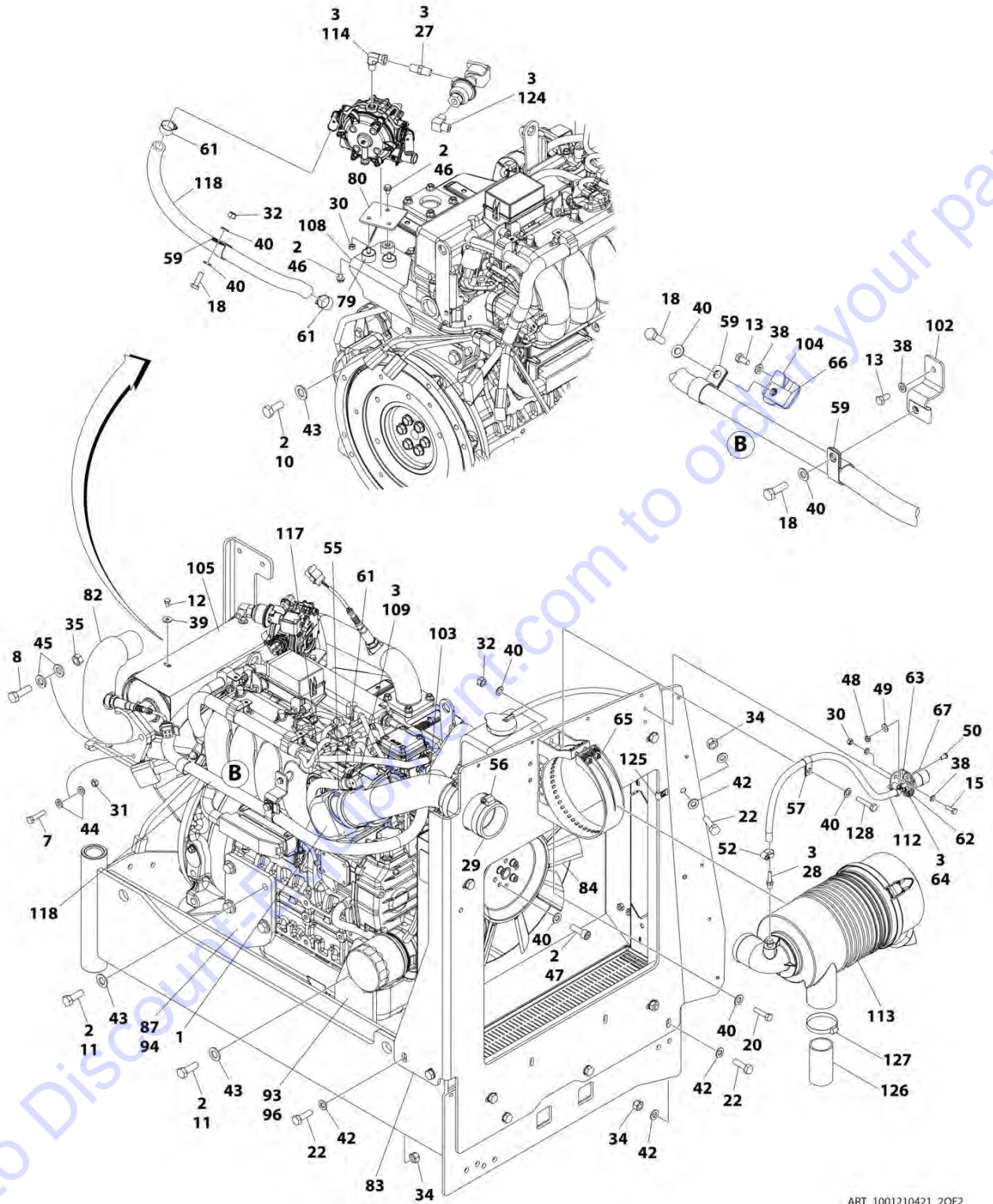
# SECTION 3 - ENGINE

FIGURE 3-38. ENGINE ASSEMBLY - KUBOTA ENGINE (WITHOUT ARCTIC PACKAGE) (SN 0300203771 through 0300241777)



ART\_1001210421\_10F2

# SECTION 3 - ENGINE



## SECTION 3 - ENGINE

**FIGURE 3-38. ENGINE ASSEMBLY - KUBOTA ENGINE (WITHOUT ARCTIC PACKAGE) (SN 0300203771 through 0300241777)**

ITEM	PART NUMBER	QTY	DESCRIPTION	REV
	1001210421	Ref	ENGINE ASSEMBLY - KUBOTA ENGINE (WITHOUT ARCTIC PACKAGE)	H
1	0080201	1	Adapter, 90	
2	0100011	AR	Compound, Locking	
3	0100020	AR	Sealant, Pipe	
5	0700810	4	Bolt M8 x 20	
6	0700814	2	Bolt M8 x 30	
7	0700815	2	Bolt M8 x 35	
8	0701216	2	Bolt M12 x 40	
9	0701224	4	Bolt M12 x 80	
10	0711214	AR	Bolt M12 x 30	
10	1001217494	AR	Bolt M12 x 20	
11	1001217343	14	Bolt M12 x 35	
12	0760605	4	Bolt M6 x 10	
13	0760606	2	Bolt M6 x 12	
14	0760608	2	Bolt M6 x 16	
15	0760610	2	Bolt M6 x 20	
16	0760612	2	Bolt M6 x 25	
17	0760808	8	Bolt M8 x 16	
18	0760812	6	Bolt M8 x 25	
19	0760814	12	Bolt M8 x 30	
20	0760815	AR	Bolt M8 x 35	
21	0761014	4	Bolt M10 x 30	
22	0761015	6	Bolt M10 x 35	
23	0761016	4	Bolt M10 x 40	
24	0961951	2	Bushing	
25	1580011	1	Container, Coolant Overflow	
26	1703162	2	Decal - Caution Fan	
27	2220261	1	Fitting, Nipple NPTF/NPTF	
28	2220315	1	Fitting, Barbed	
29	2720644	1	Hose	
30	3290607	5	Nut M6	
31	3290801	10	Nut M8	
32	3290805	17	Nut M8	
33	3291001	4	Nut M10	
34	3291005	6	Nut M10	
35	3291201	6	Nut M12	
36	4031711	4	Bolt M6 x 35	
37	4240099	AR	Tie-Strap (Not Shown)	
38	4811700	16	Washer M6	
39	4811702	4	Washer M6	
40	4811900	49	Washer M8	
41	4811902	8	Washer M8	
42	4812000	24	Washer M10	
43	4812200	AR	Washer M14	
43	5241400	AR	Washer M14	
44	5240800	14	Washer, M8 Hardened	
45	5241200	8	Washer, M12 Hardened	
46	5250605	3	Bolt M6 x 10	

## SECTION 3 - ENGINE

ITEM	PART NUMBER	QTY	DESCRIPTION	REV
47	5271809	4	Bolt, M8 x 25mm	
48	8305401	2	Nut, Jam .250-20	
49	8307109	2	Washer, .250	
50	8310548	2	Screw, 1/4 NC x 1/2	
51	8405007	2	Clamp (SN 0300203771 through 0300228655)	
51	1001173535	2	Clamp (SN 0300228656 to Present)	
52	8405009	4	Clamp	
53	8405102	2	Clamp	
54	8405104	2	Clamp	
55	8405202	1	Clamp	
56	8405203	3	Clamp	
57	8406109	1	Clip	
58	8406110	1	Clip	
59	8406201	3	Clip	
60	8410001	1	Clamp	
61	8410009	6	Clamp	
62	1001138173	1	Support, Service Indicator	
63	1001138175	1	Bracket, Service Indicator	
64	1001141995	1	Fitting, Barbed	
65	1001147812	1	Clamp, Air Cleaner	
66	1001149160	3	Nut M8	
67	1001149639	1	Indicator, Air Intake	
68	1001166718	4	Isolator, Engine Mount	
69	1001168018	4	Washer, Snubbing	
70	1001168166	2	Seal	
71	1001169054	4	Isolator, Radiator	
72	1001169138	4	Washer, Snubbing	
73	1001169967	2	Bracket	
74	1001170035	1	Bracket	
75	1001176330	1	Bracket	
76	1001180620	AR	Adhesive	
77	1001209844	1	Pump Coupling Kit (See PUMP COUPLING KIT for Breakdown)	
78	1001210763	1	Engine, Kubota	
79	1001211794	3	Mount	
80	1001211797	1	Mount	
81	1001212989	1	Pipe, Exhaust (Inlet)	
82	1001212993	1	Pipe Exhaust (Outlet)	
83	1001213305	1	Plate, Mounting	
84	1001213357	1	Fan	
85	1001213423	1	Radiator	
86	1001213425	1	Plate, Engine Mount (Left Rear)	
87	1001213426	1	Plate, Engine Mount (Right Rear)	
88	1001213482	1	Bracket	
89	1001213824	1	Insulation	
90	1001214138	1	Bracket	
91	1001214205	1	Support	
92	1001214233	1	Plate (Front Left)	
93	1001214234	1	Plate (Front Right)	
94	1001214276	1	Shim	
95	1001214277	1	Shim	
96	1001214278	2	Shim	

## SECTION 3 - ENGINE

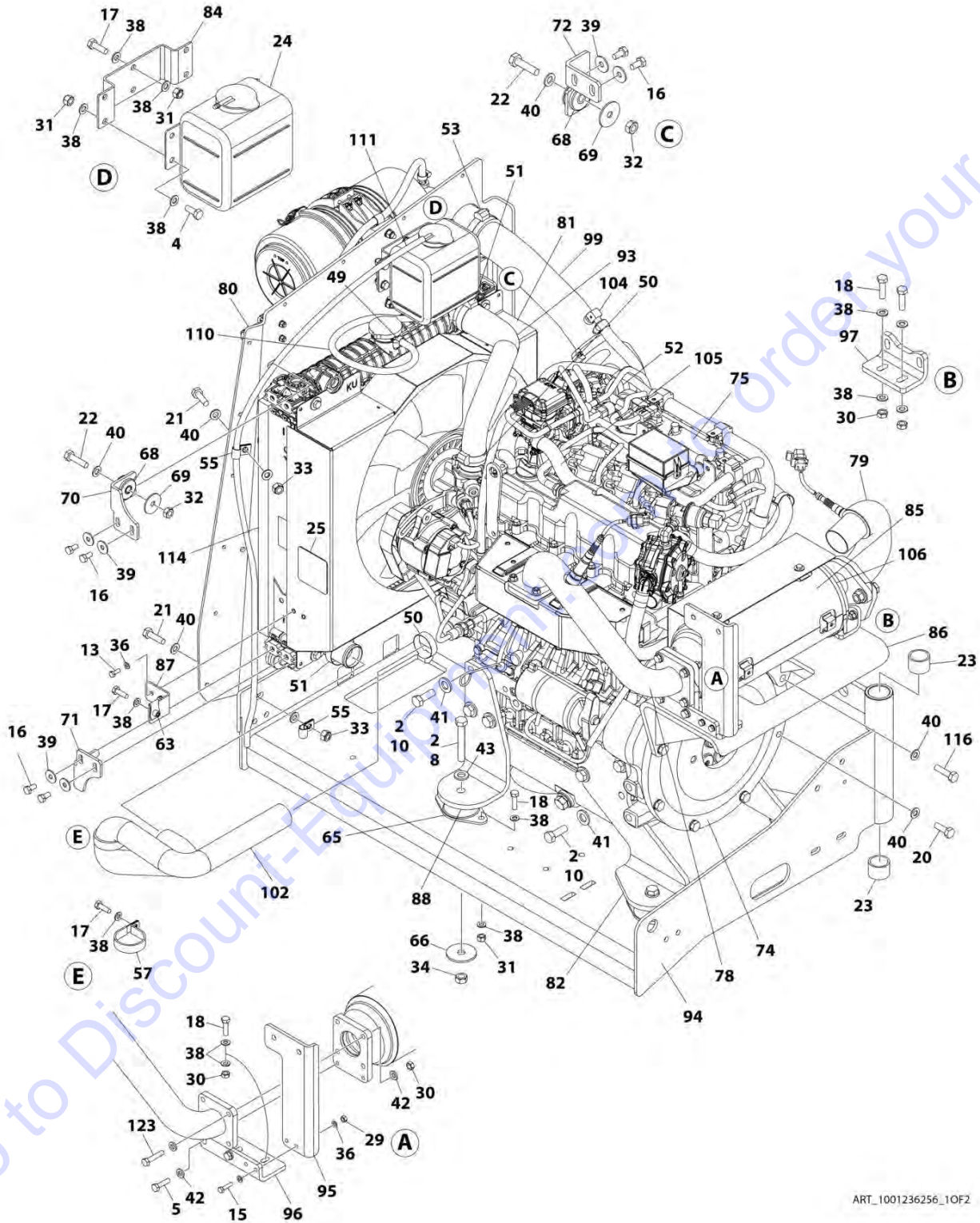
ITEM	PART NUMBER	QTY	DESCRIPTION	REV
97	1001214307	1	Hose	
98	1001214508	1	Support	
99	1001214553	1	Support	
100	1001214555	1	Bracket	
101	1001214556	1	Bracket	
102	1001214558	1	Bracket	
103	1001214598	1	Tube	
104	1001214599	1	Bracket	
105	1001214664	1	Cover	
106	1001214694	1	Hose	
107	1001214729	1	Spacer	
108	1001214841	1	Bracket	
109	1001215125	1	Fitting, 90	
110	1001215869	1	Hose	
111	1001137336	2	Strap	
112	1001138248	2 ft/ 0.61m	Tube	
113	1001147813	1	Air Cleaner Assembly Including Filter Element	
113	70004020	1	Element, Filter (Not Shown)	
114	2220064	1	Fitting, 90 FSNPSM/NPTF	
115	2720058	1.75 ft/ 0.53m	Hose	
116	2720271	4 ft/ 1.22m	Hose	
117	2720615	1.25 ft/ 0.38m	Hose	
118	82033995	5.5 ft/ 1.68m	Hose	
119	1001216825	2	Seal	
120	0700816	4	Bolt M8 x 40	
121	0701016	4	Bolt M10 x 40	
122	2300004	2.7 gal/ 10.2L	Coolant, Anti-Freeze	
123	1001190775	10 qt/ 9.4L	Oil, Engine	
124	2180504	1	Fitting, Barbed	
125	1001118274	1	Nut, Special M8	
126	1001001939	1	Tube, Flex	
127	8410011	1	Clamp	
128	0760816	AR	Bolt M8 x 40	





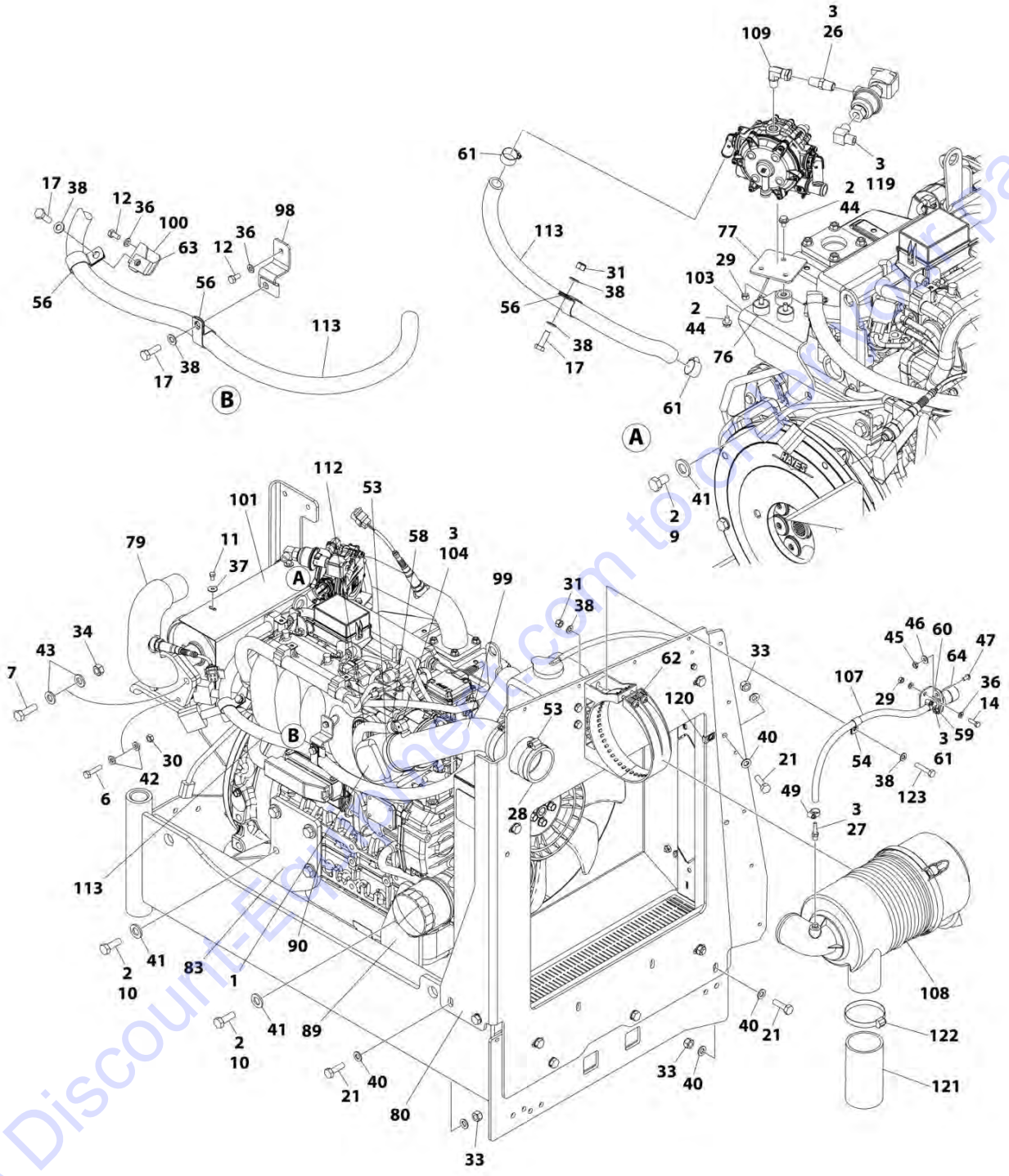
# SECTION 3 - ENGINE

## FIGURE 3-39. ENGINE ASSEMBLY - KUBOTA ENGINE (WITHOUT ARCTIC PACKAGE) (SN 0300241778 to Present)



ART\_1001236256\_10F2

# SECTION 3 - ENGINE



ART\_1001236256\_20F2

## SECTION 3 - ENGINE

**FIGURE 3-39. ENGINE ASSEMBLY - KUBOTA ENGINE (WITHOUT ARCTIC PACKAGE) (SN 0300241778 to Present)**

ITEM	PART NUMBER	QTY	DESCRIPTION	REV
	1001236256	Ref	ENGINE ASSEMBLY - KUBOTA ENGINE (WITHOUT ARCTIC PACKAGE)	A
1	0080201	1	Adapter, 90	
2	0100011	AR	Compound, Locking	
3	0100020	AR	Sealant, Pipe	
4	0700810	4	Bolt M8 x 20	
5	0700814	2	Bolt M8 x 30	
6	0700815	2	Bolt M8 x 35	
7	0701216	2	Bolt M12 x 40	
8	0701224	4	Bolt M12 x 80	
9	1001217494	2	Bolt M12 x 20	
10	1001217343	14	Bolt M12 x 35	
11	0760605	4	Bolt M6 x 10	
12	0760606	2	Bolt M6 x 12	
13	0760608	2	Bolt M6 x 16	
14	0760610	2	Bolt M6 x 20	
15	0760612	2	Bolt M6 x 25	
16	0760808	8	Bolt M8 x 16	
17	0760812	6	Bolt M8 x 25	
18	0760814	12	Bolt M8 x 30	
19	0760815	1	Bolt M8 x 35	
20	0761014	4	Bolt M10 x 30	
21	0761015	6	Bolt M10 x 35	
22	0761016	4	Bolt M10 x 40	
23	0961951	2	Bushing	
24	1580011	1	Container, Coolant Overflow	
25	1703162	2	Decal - Caution Fan	
26	2220261	1	Fitting, Nipple NPTF/NPTF	
27	2220315	1	Fitting, Barbed	
28	2720644	1	Hose	
29	3290607	5	Nut, Lock M6 x 1	
30	3290801	10	Nut, M8	
31	3290805	17	Nut, Lock M8 x 1.25	
32	3291001	4	Nut, Lock M10 x 1.5	
33	3291005	6	Nut, Lock M10 x 1.5	
34	3291201	6	Nut M12	
35	4240099	AR	Tie-Strap (Not Shown)	
36	4811700	12	Washer, M6	
37	4811702	4	Washer, M6	
38	4811900	45	Washer, M8	
39	4811902	8	Washer, M8	
40	4812000	24	Washer, M10	
41	5241400	16	Washer, M14	
42	5240800	14	Washer, M8 Hardened	
43	5241200	8	Washer, M12 Hardened	
44	5250605	3	Bolt M6 x 10	
45	8305401	2	Nut, Jam .250-20	
46	8307109	2	Washer, .250	
47	8310548	2	Screw, 1/4 NC x 1/2	

## SECTION 3 - ENGINE

ITEM	PART NUMBER	QTY	DESCRIPTION	REV
48	1001173535	2	Clamp	
49	8405009	4	Clamp	
50	8405102	2	Clamp	
51	8405104	2	Clamp	
52	8405202	1	Clamp	
53	8405203	3	Clamp	
54	8406109	1	Clip	
55	8406110	2	Clip	
56	8406201	3	Clip	
57	8410001	1	Clamp	
58	8410009	6	Clamp	
59	1001138173	1	Support, Service Indicator	
60	1001138175	1	Bracket, Service Indicator	
61	1001141995	1	Fitting, Barbed	
62	1001147812	1	Clamp, Air Cleaner	
63	1001149160	3	Nut M8	
64	1001149639	1	Indicator, Air Intake	
65	1001166718	4	Isolator, Engine Mount	
66	1001168018	4	Washer, Snubbing	
67	1001168166	2	Seal	
68	1001169054	4	Isolator, Radiator	
69	1001169138	4	Washer, Snubbing	
70	1001169967	2	Bracket	
71	1001170035	1	Bracket	
72	1001176330	1	Bracket	
73	1001180620	AR	Adhesive	
74	1001209844	1	Pump Coupling Kit (See Separate Breakdown in this Section)	
75	1001236393	1	Engine, Kubota (See Separate Breakdown in this Section)	
76	1001211794	3	Mount	
77	1001211797	1	Mount	
78	1001212989	1	Pipe, Exhaust (Inlet)	
79	1001212993	1	Pipe Exhaust (Outlet)	
80	1001213305	1	Plate, Mounting	
81	1001236257	1	Radiator	
82	1001213425	1	Plate, Engine Mount (Left Rear)	
83	1001213426	1	Plate, Engine Mount (Right Rear)	
84	1001213482	1	Bracket	
85	1001213824	1	Insulation	
86	1001214138	1	Bracket	
87	1001214205	1	Support	
88	1001214233	1	Plate (Front Left)	
89	1001214234	1	Plate (Front Right)	
90	1001214276	1	Shim	
91	1001214277	1	Shim	
92	1001214278	2	Shim	
93	1001214307	1	Hose	
94	1001214508	1	Support	
95	1001214553	1	Support	
96	1001214555	1	Bracket	
97	1001214556	1	Bracket	
98	1001214558	1	Bracket	

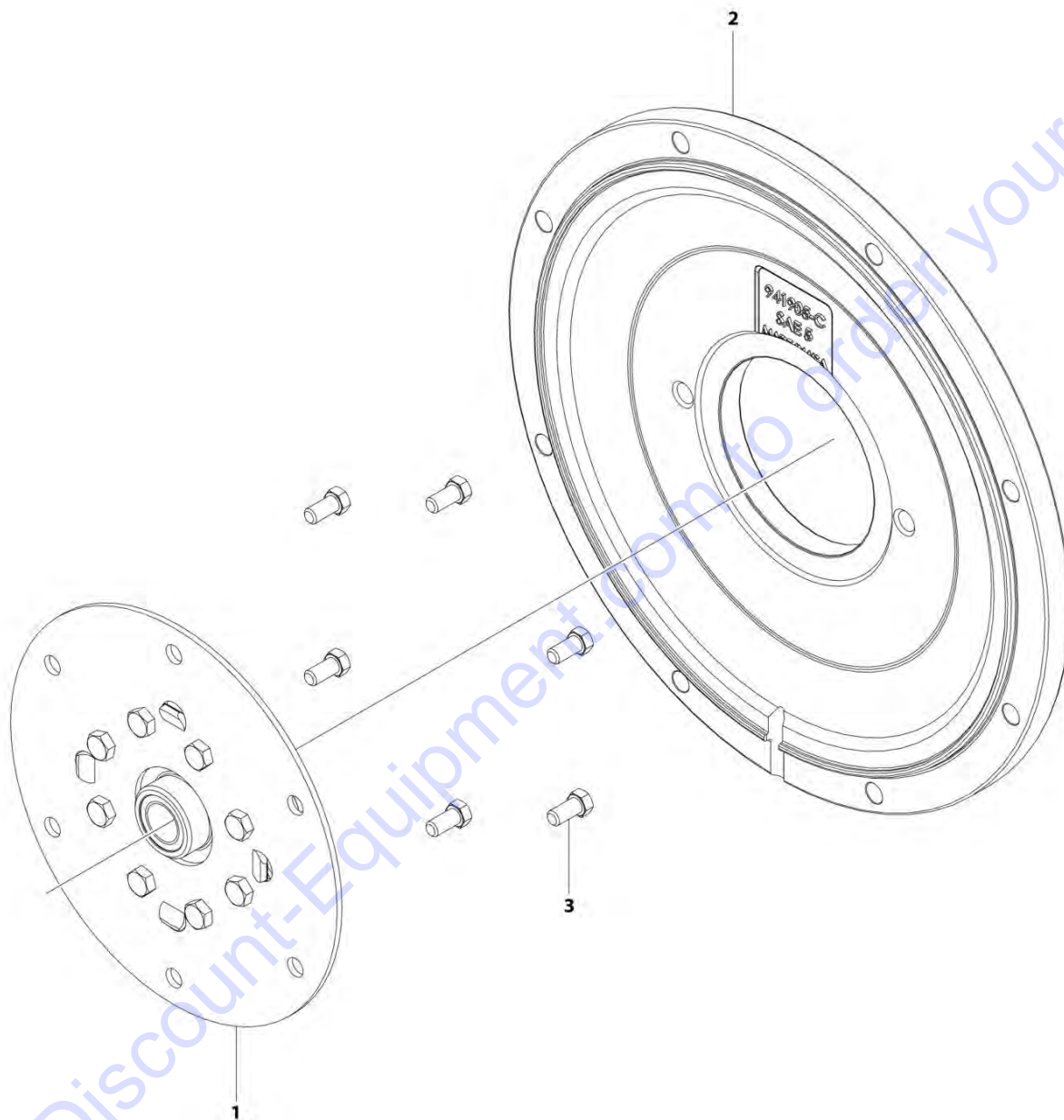
## SECTION 3 - ENGINE

ITEM	PART NUMBER	QTY	DESCRIPTION	REV
99	1001214598	1	Tube	
100	1001214599	1	Bracket	
101	1001214664	1	Cover	
102	1001214694	1	Hose	
103	1001214841	1	Bracket	
104	1001215125	1	Fitting, 90	
105	1001215869	1	Hose	
106	1001137336	2	Strap	
107	1001138248	2 ft/ 0.61m	Tube	
108	1001147813	1	Air Cleaner Assembly Including Filter Element	
109	2220064	1	Fitting, 90 FSNPSM/NPTF	
110	2720058	1.75 ft/ 0.53m	Hose	
111	2720271	4 ft/ 1.22m	Hose	
112	2720615	1.25 ft/ 0.38m	Hose	
113	82033995	5.5 ft/ 1.68m	Hose	
114	1001216825	2	Seal	
115	0700816	4	Bolt M8 x 40	
116	0701016	4	Bolt M10 x 40	
117	2300004	2.7 gal/ 10.2L	Coolant, Anti-Freeze	
118	1001190775	10 qt/ 9.4L	Oil, Engine	
119	2180504	1	Fitting, Barbed	
120	1001118274	1	Nut, Special M8	
121	1001001939	1	Tube, Flex	
122	8410011	1	Clamp	
123	0760816	1	Bolt M8 x 40	



# SECTION 3 - ENGINE

## FIGURE 3-40. PUMP COUPLING KIT - KUBOTA ENGINE



ART\_1001209844



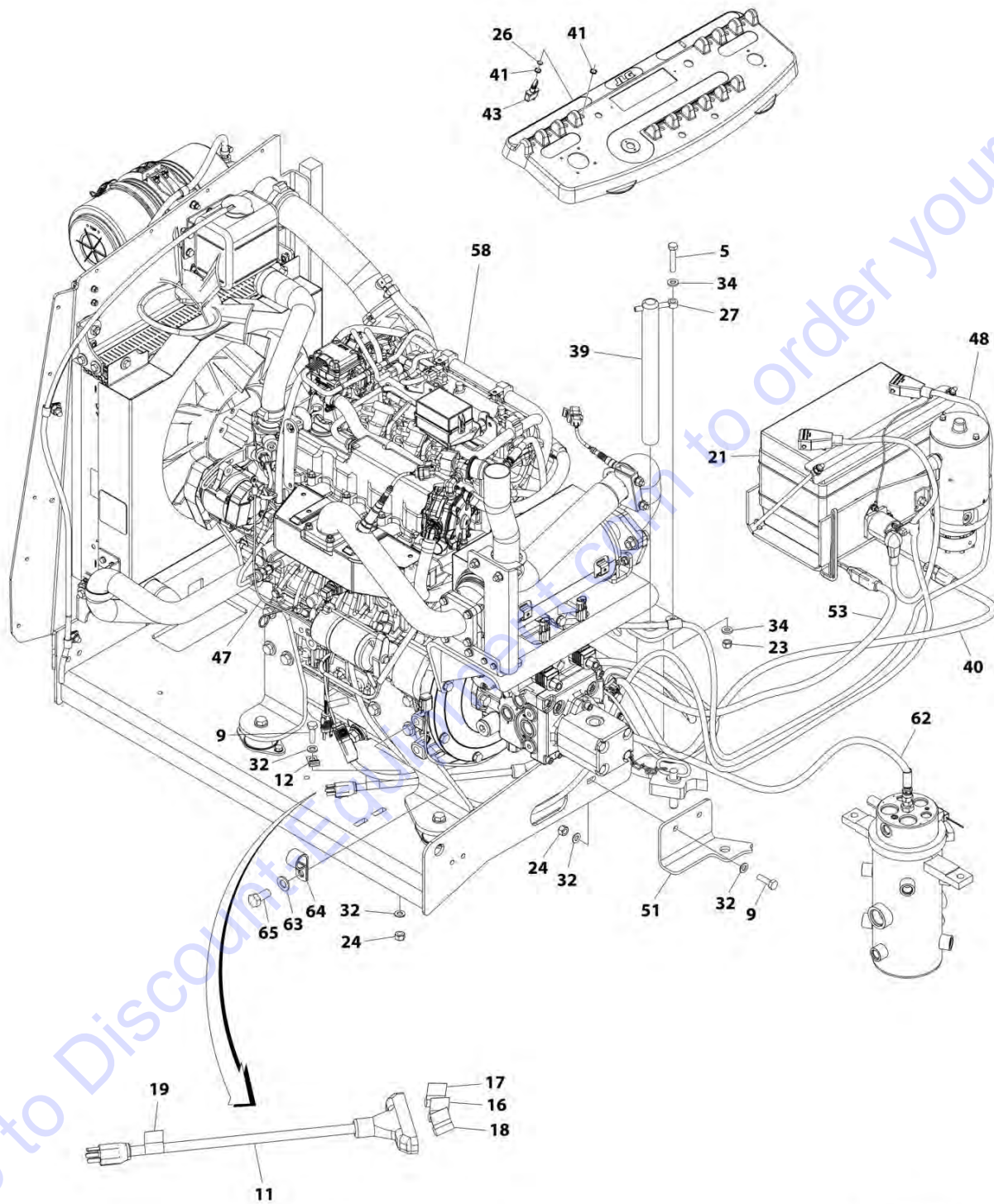
FIGURE 3-40. PUMP COUPLING KIT - KUBOTA ENGINE

ITEM	PART NUMBER	QTY	DESCRIPTION	REV
	1001209844	Ref	PUMP COUPLING KIT - KUBOTA ENGINE	B
1	70006010	1	Coupling Assembly, Hayes	
2	70006011	1	Plate, Pump Adapter	
3	70006012	1	Bolt Kit	

Go to Discount-Equipment.com to order your parts

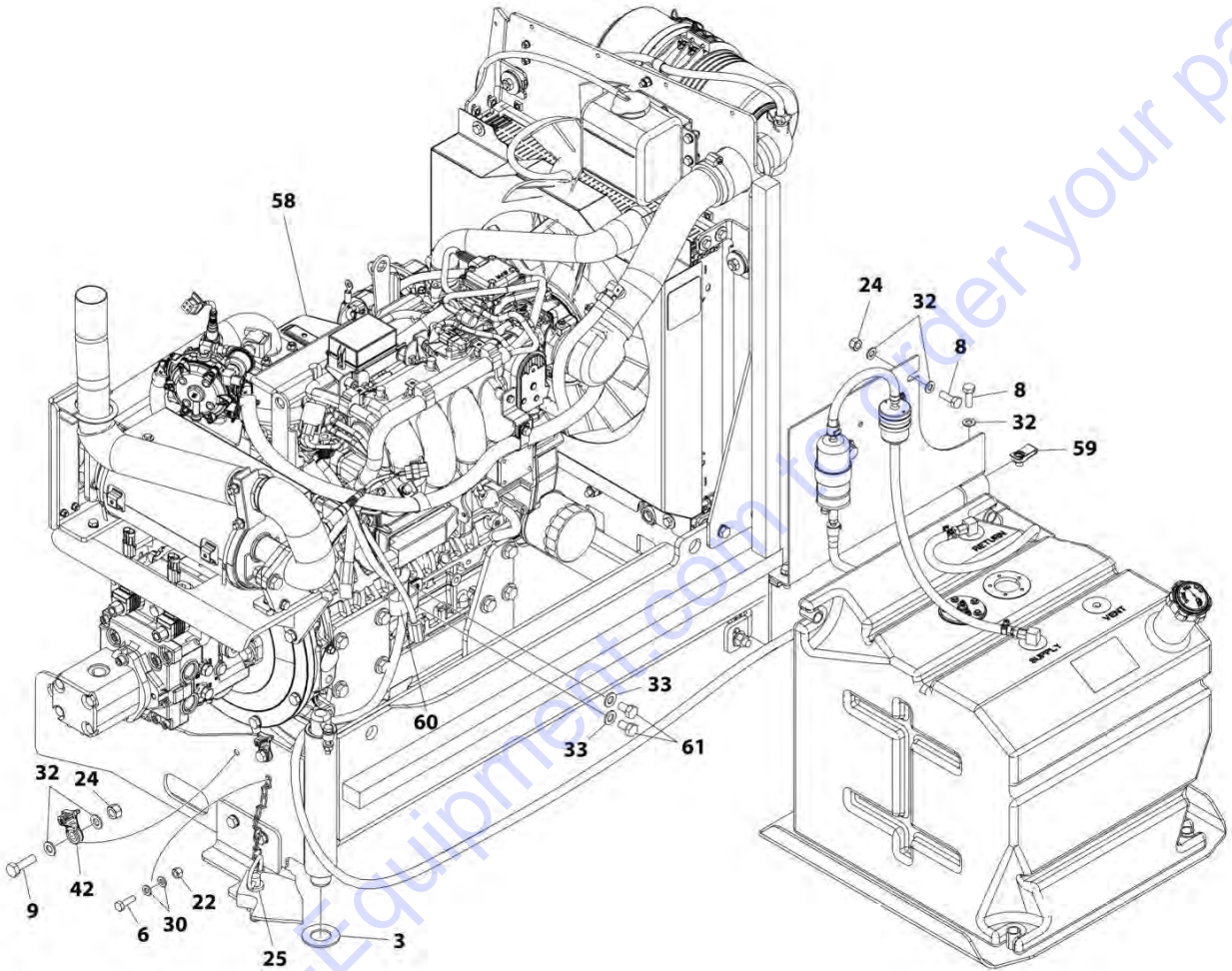
# SECTION 3 - ENGINE

FIGURE 3-41. ENGINE INSTALLATION - KUBOTA ENGINE (WITH ARCTIC PACKAGE) (SN 0300203771 through 0300241777)



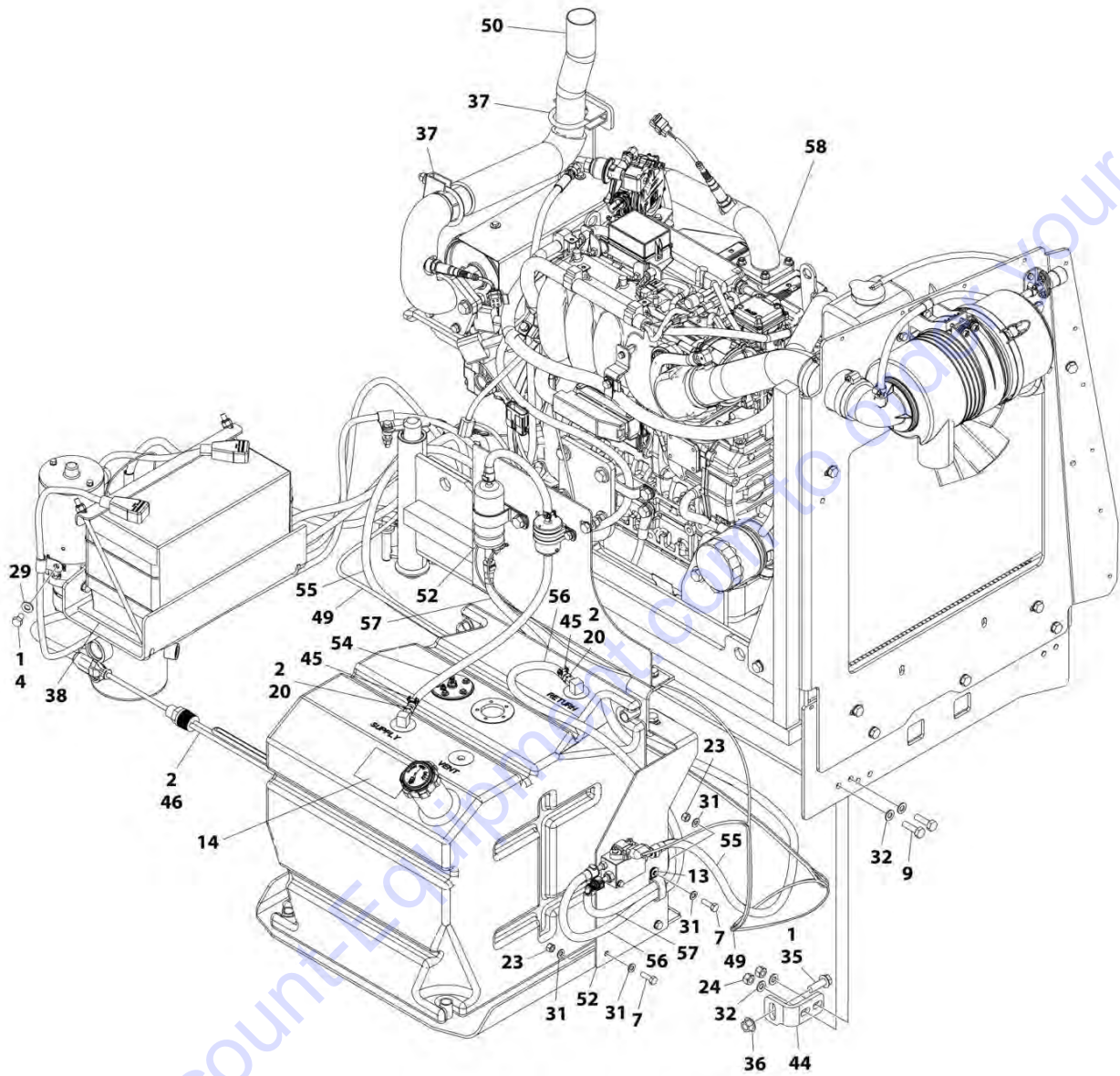
ART\_1001216842\_10F3

# SECTION 3 - ENGINE



ART\_1001216842\_ZOF3

# SECTION 3 - ENGINE



ART\_1001216842\_30F3

## SECTION 3 - ENGINE

**FIGURE 3-41. ENGINE INSTALLATION - KUBOTA ENGINE (WITH ARCTIC PACKAGE) (SN 0300203771 through 0300241777)**

ITEM	PART NUMBER	QTY	DESCRIPTION	REV
	1001216842	Ref	ENGINE INSTALLATION - KUBOTA ENGINE (WITH ARCTIC PACKAGE)	E
1	0100011	AR	Compound, Locking	
2	0100020	AR	Sealant, Pipe	
3	0440162	1	Bearing	
4	0641504	1	Bolt, 5/16 x 1/2	
5	0700817	1	Bolt M8 x 45	
6	0760610	1	Bolt M6 x 20	
7	0760812	3	Bolt M8 x 25	
8	0761014	4	Bolt M10 x 30	
9	0761015	AR	Bolt M10 x 35	
11	1060626	1	Plug, 3 Way	
12	1320223	1	Clamp	
13	1321283	1	Clamp	
14	1701542	2	Decal - Gas	
15	1701543	1	Decal - LPG (Not Shown)	
16	1702941	1	Decal - Battery Heater	
17	1702942	1	Decal - Engine Block Heater	
18	1702943	1	Decal - Hydraulic Tank Heater	
19	1702944	1	Decal - Heater Cord	
20	2180348	2	Fitting, Barbed	
21	2580024	1	Heater, Battery	
22	3290605	1	Nut M6	
23	3290805	4	Nut M8	
24	3291005	AR	Nut M10	
25	3422532	1	Pin	
26	3790012	1	O-Ring	
27	3841143	1	Keeper, Pin	
28	4240099	AR	Tie-Strap (Not Shown)	
29	4711500	1	Washer, 5/16	
30	4811700	2	Washer, M6	
31	4811900	6	Washer, M8	
32	4812000	AR	Washer M10	
33	4812100	2	Washer M12	
34	5240800	2	Washer, M8 Hardened	
35	5251215	1	Bolt M12 x 35	
36	5261200	1	Nut, Flange M12 Class10	
37	1001217785	2	Clamp, Muffler	
38	1001119278	1	Insulate	
39	1001135196	1	Pin	
40	1001150918	1	Cable, Extension Cord	
41	1001155044	2	Nut, Special 15/32	
42	1001156107	2	Holder, Cable (SN 0300203771 through 0300229351)	
43	1001161710	1	Switch, Toggle	
44	1001167512	1	Bracket, Engine Tray Stow	
45	1001174486	2	Clamp	
46	1001188972	1	Heater, Hydraulic Tank	
47	1001212257	1	Cable, Kubota Alternator	
48	1001213062	1	Cable, Battery Cable Kit Kubota	

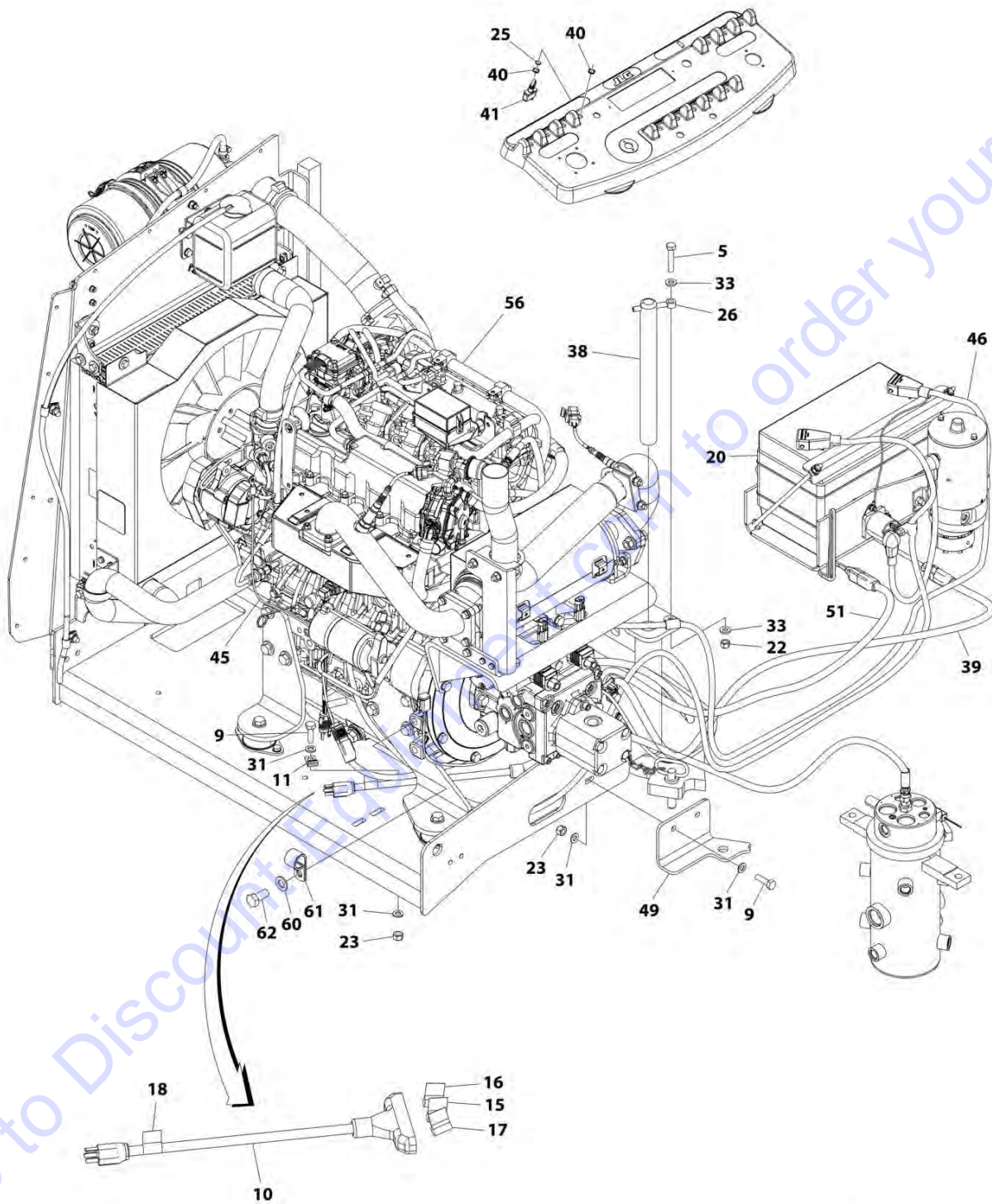
## SECTION 3 - ENGINE

ITEM	PART NUMBER	QTY	DESCRIPTION	REV
49	1001213599	1	Harness Engine - Kubota Engine (Not Shown - See ELECTRICAL SECTION for Breakdown)	
50	1001214502	1	Pipe, Tail Pipe	
51	1001215259	1	Plate, Engine Lock	
52	1001215801	1	Mount, Fuel System (Kubota)	
53	1001216080	2	Cable, Extension Cord	
54	1001156819	20.9 in/ 53cm	Hose	
55	1001216396	1	Hose	
56	1001216397	1	Hose	
57	1001216399	1	Hose	
58	1001216827	1	Engine and Pump Sub-Assembly - Kubota Engine (With Arctic Package) (See ENGINE AND PUMP SUB-ASSEMBLY - KUBOTA ENGINE (WITH ARCTIC PACKAGE) for Breakdown)	
59	1001118972	3	Nut, Special M10 x 1.5	
60	1321716	1	Clamp (SN 0300203771 through 0300229351)	
60	1001195039	1	Clamp (SN 0300229352 through 0300241777)	
61	1001217494	2	Capscrew M12	
62	1001219348	1	Hose (SN 0300203771 through 0300237483)	
63	4812200	AR	Washer, M14	
64	24431386	1	Support, Clamp (SN 0300229352 through 0300241777)	
65	1001217345	AR	Bolt M14 x 30	
66	1001229798	1	Harness - Kubota B6 D/F Power (Not Shown - See ELECTRICAL SECTION for Breakdown)	
67	4460466	8	Terminal, Sealing Plug (Not Shown)	
68	4460930	1	Plug, Male - 8 Position (Deutsch) (Not Shown)	



# SECTION 3 - ENGINE

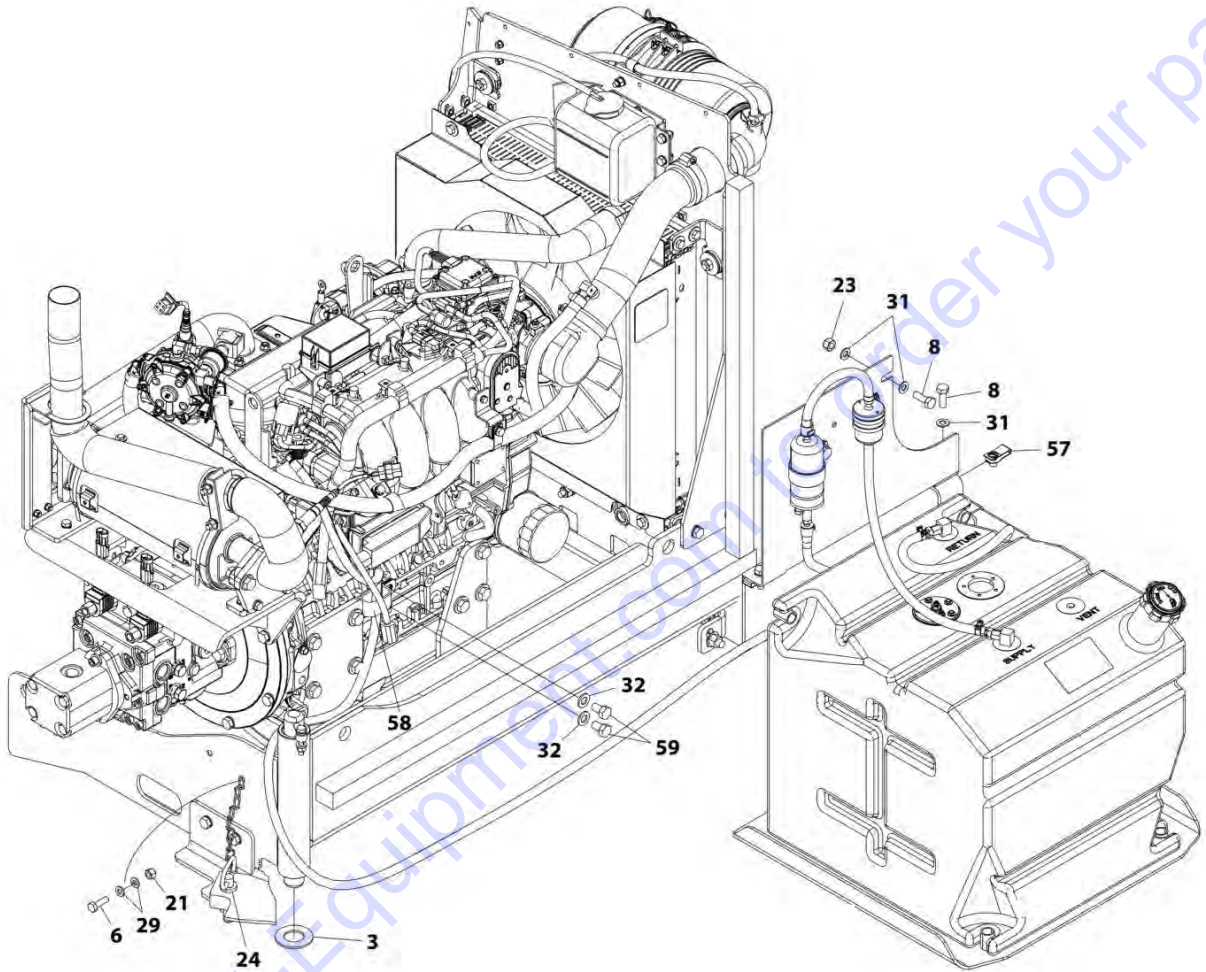
FIGURE 3-42. ENGINE INSTALLATION - KUBOTA ENGINE (WITH ARCTIC PACKAGE) (SN 0300241778 to Present)



ART\_1001236252\_10F3

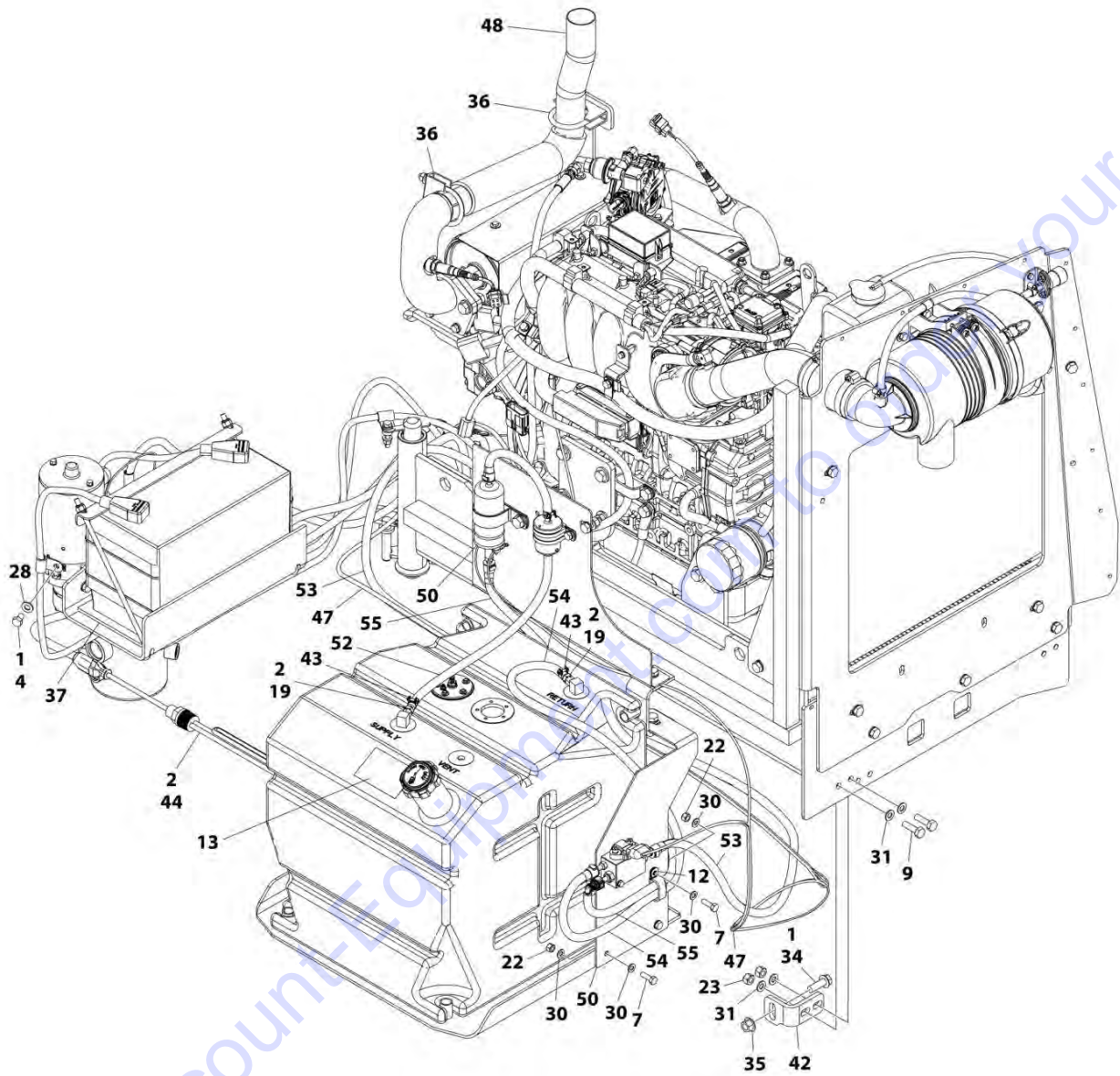


# SECTION 3 - ENGINE



ART\_1001236252\_ZOF3

# SECTION 3 - ENGINE



ART\_1001236252\_30F3

## SECTION 3 - ENGINE

**FIGURE 3-42. ENGINE INSTALLATION - KUBOTA ENGINE (WITH ARCTIC PACKAGE) (SN 0300241778 to Present)**

ITEM	PART NUMBER	QTY	DESCRIPTION	REV
	1001236252	Ref	ENGINE INSTALLATION - KUBOTA ENGINE (WITH ARCTIC PACKAGE)	A
1	0100011	AR	Compound, Locking	
2	0100020	AR	Sealant, Pipe	
3	0440162	1	Bearing	
4	0641504	1	Bolt, 5/16 x 1/2	
5	0700817	1	Bolt M8 x 45	
6	0760610	1	Bolt M6 x 20	
7	0760812	3	Bolt M8 x 25	
8	0761014	4	Bolt M10 x 30	
9	0761015	5	Bolt M10 x 35	
10	1060626	1	Plug, 3 Way	
11	1320223	1	Clamp	
12	1321283	1	Clamp	
13	1701542	2	Decal - Gas	
14	1701543	1	Decal - LPG (Not Shown)	
15	1702941	1	Decal - Battery Heater	
16	1702942	1	Decal - Engine Block Heater	
17	1702943	1	Decal - Hydraulic Tank Heater	
18	1702944	1	Decal - Heater Cord	
19	2180348	2	Fitting, Barbed	
20	2580024	1	Heater, Battery	
21	3290605	1	Nut, Lock M6 x 1	
22	3290805	4	Nut, Lock M8 x 1.25	
23	3291005	6	Nut, Lock M10 x 1.5	
24	3422532	1	Pin	
25	3790012	1	O-Ring	
26	3841143	1	Keeper, Pin	
27	4240099	AR	Tie-Strap (Not Shown)	
28	4711500	1	Washer, 5/16	
29	4811700	2	Washer, M6	
30	4811900	6	Washer, M8	
31	4812000	15	Washer M10	
32	4812100	2	Washer M12	
33	5240800	2	Washer, M8 Hardened	
34	5251215	1	Bolt M12 x 35	
35	5261200	1	Nut, Flange M12 Class10	
36	1001217785	2	Clamp, Muffler	
37	1001119278	1	Insulate	
38	1001135196	1	Pin	
39	1001150918	1	Cable, Extension Cord	
40	1001155044	2	Nut, Special 15/32	
41	1001161710	1	Switch, Toggle	
42	1001167512	1	Bracket, Engine Tray Stow	
43	1001174486	2	Clamp	
44	1001188972	1	Heater, Hydraulic Tank	
45	1001212257	1	Cable, Kubota Alternator	
46	1001213062	1	Cable, Battery Cable Kit Kubota	
47	1001213599	1	Harness Engine - Kubota Engine (See ELECTRICAL SECTION for	

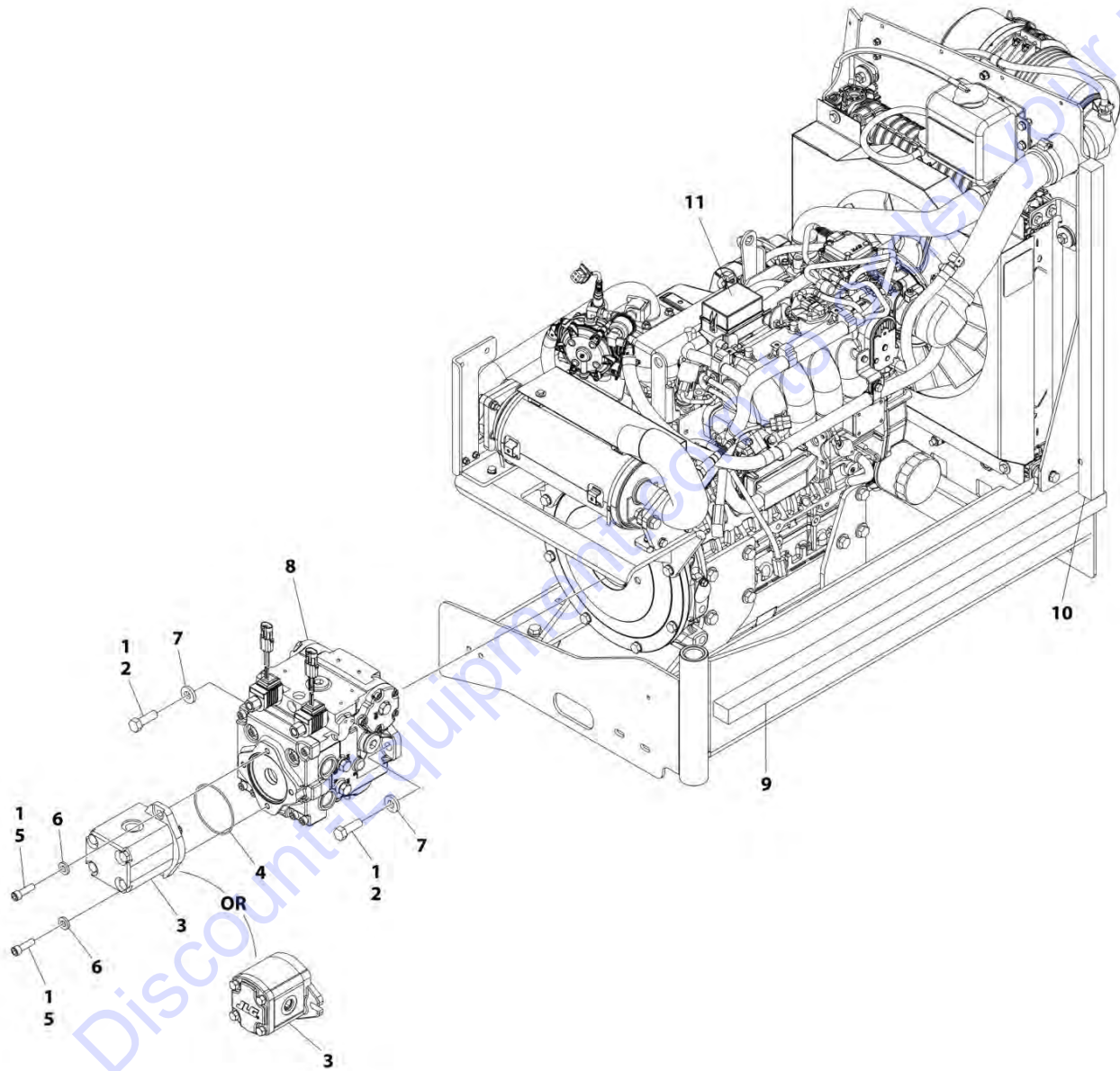
## SECTION 3 - ENGINE

ITEM	PART NUMBER	QTY	DESCRIPTION	REV
			Breakdown)	
48	1001214502	1	Pipe, Tail Pipe	
49	1001215259	1	Plate, Engine Lock	
50	1001215801	1	Mount, Fuel System (Kubota)	
51	1001216080	2	Cable, Extension Cord	
52	1001156819	20.9 in/ 53cm	Hose	
53	1001216396	1	Hose	
54	1001216397	1	Hose	
55	1001216399	1	Hose	
56	1001236258	1	Engine and Pump Sub-Assembly - Kubota Engine (With Arctic Package) (See ENGINE AND PUMP SUB-ASSEMBLY - KUBOTA ENGINE (WITH ARCTIC PACKAGE) for Breakdown)	
57	1001118972	3	Nut, Special M10 x 1.5	
58	1001195039	1	Clamp	
59	1001217494	2	Capscrew M12	
60	4812200	1	Washer, M14	
61	24431386	1	Support, Clamp	
62	1001217345	1	Bolt M14 x 30	
63	1001229798	1	Harness - Kubota B6 D/F Power (Not Shown - See ELECTRICAL SECTION for Breakdown)	
64	4460466	8	Terminal, Sealing Plug (Not Shown)	
65	4460930	1	Plug, Male - 8 Position (Deutsch) (Not Shown)	



# SECTION 3 - ENGINE

FIGURE 3-43. ENGINE AND PUMP SUB-ASSEMBLY - KUBOTA ENGINE (WITH ARCTIC PACKAGE)  
(SN 0300203771 through 0300241777)



ART\_1001216827

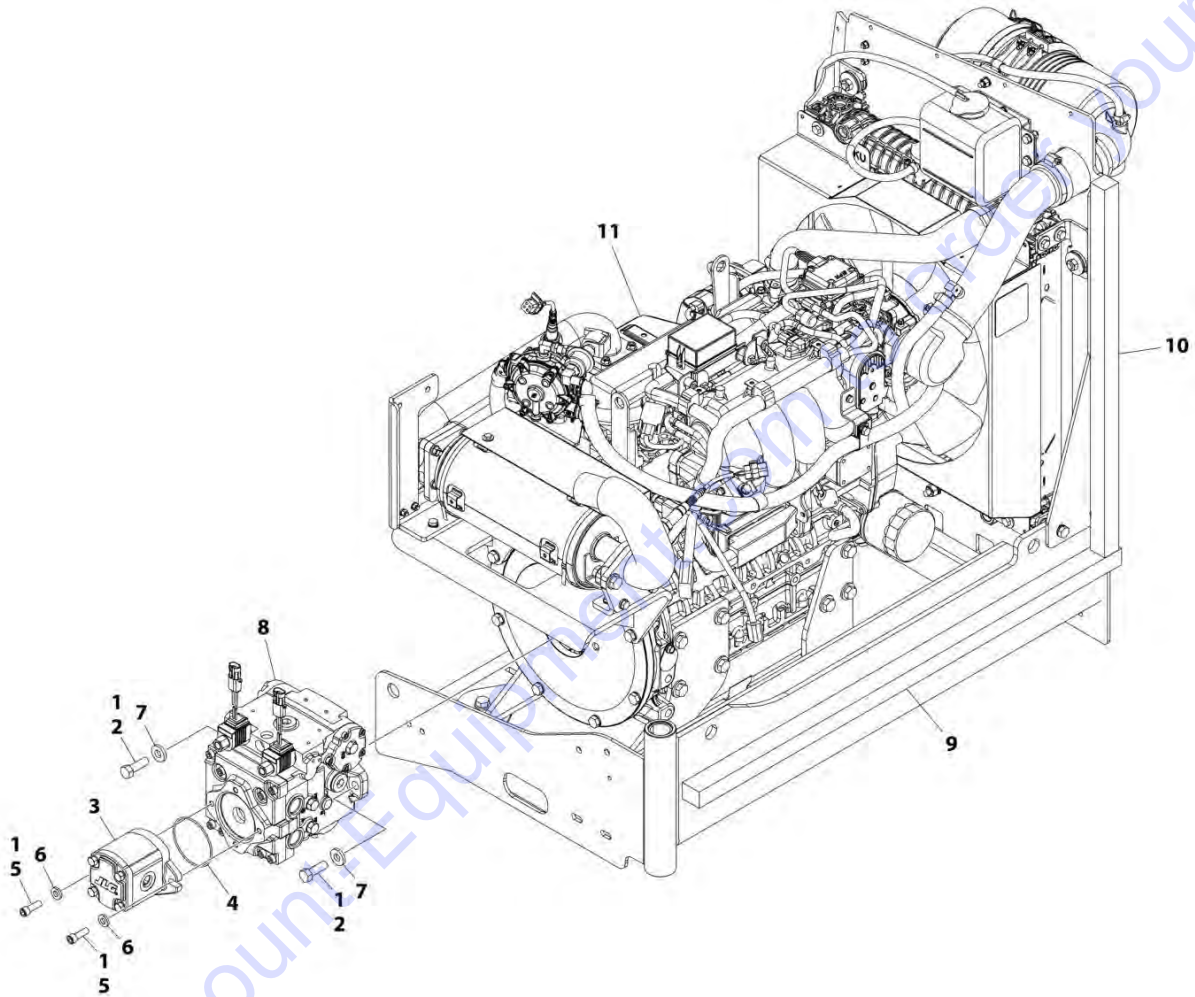
## SECTION 3 - ENGINE

**FIGURE 3-43. ENGINE AND PUMP SUB-ASSEMBLY - KUBOTA ENGINE (WITH ARCTIC PACKAGE)  
(SN 0300203771 through 0300241777)**

ITEM	PART NUMBER	QTY	DESCRIPTION	REV
	1001216827	Ref	ENGINE AND PUMP SUB-ASSEMBLY - KUBOTA ENGINE (WITH ARCTIC PACKAGE)	E
1	0100011	AR	Compound, Locking	
2	0641812	2	Bolt 1/2 x 1-1/2	
3	3600242	1	Gear Pump Assembly (See GEAR PUMP ASSEMBLY for Breakdown) (SN 0300203771 through 0300237045)	
3	1001214207	1	Gear Pump Assembly (SN 0300237046 through 0300241777)	
3	70006356	1	Seal Kit - 1001214207 Pump	
4	3790152	1	O-Ring	
5	3931620	AR	Capscrew 3/8 x 1-1/4	
5	3931618	AR	Capscrew 3/8 x 1-1/8	
6	4891600	2	Washer 3/8	
7	4891800	2	Washer 1/2	
8	1001167036	1	Piston Pump Assembly (See PISTON PUMP ASSEMBLY for Breakdown)	
9	1001171953	1	Seal	
10	1001171954	1	Seal	
11	1001216826	1	Engine Assembly - Kubota Engine (With Arctic Package) (See ENGINE ASSEMBLY - KUBOTA ENGINE (WITH ARCTIC PACKAGE) for Breakdown)	

## SECTION 3 - ENGINE

FIGURE 3-44. ENGINE AND PUMP SUB-ASSEMBLY - KUBOTA ENGINE (WITH ARCTIC PACKAGE)  
(SN 0300241778 to Present)



ART\_1001236258



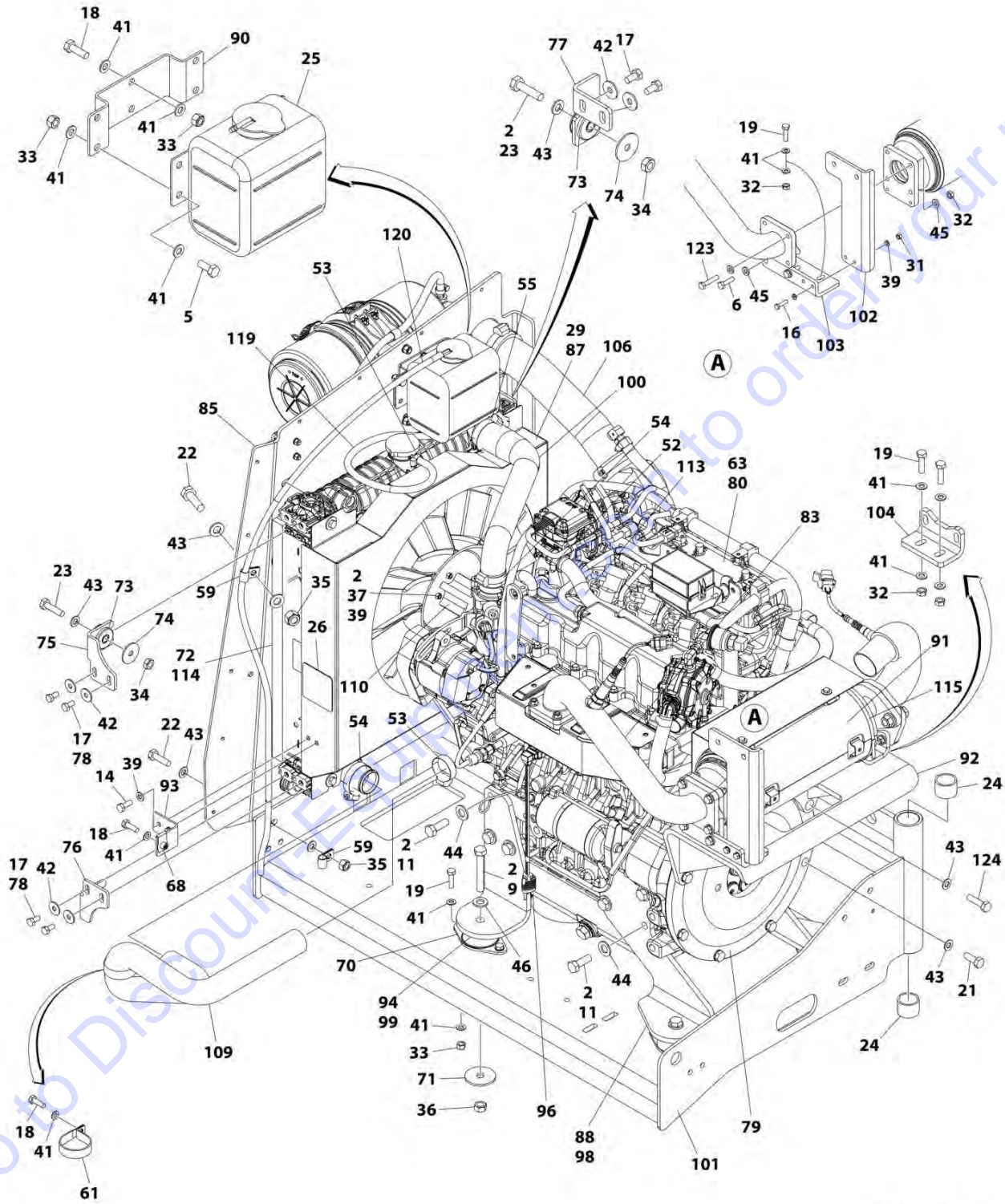
## SECTION 3 - ENGINE

**FIGURE 3-44. ENGINE AND PUMP SUB-ASSEMBLY - KUBOTA ENGINE (WITH ARCTIC PACKAGE)  
(SN 0300241778 to Present)**

ITEM	PART NUMBER	QTY	DESCRIPTION	REV
	1001236258	Ref	ENGINE AND PUMP SUB-ASSEMBLY - KUBOTA ENGINE (WITH ARCTIC PACKAGE)	A
1	0100011	AR	Compound, Locking	
2	0641812	2	Bolt 1/2 x 1-1/2	
3	1001214207	1	Gear Pump Assembly	
3	70006356	1	Seal Kit - 1001214207 Pump	
4	3790152	1	O-Ring	
5	3931618	2	Capscrew 3/8 x 1-1/8	
6	4891600	2	Washer 3/8	
7	4891800	2	Washer 1/2	
8	1001167036	1	Piston Pump Assembly (See PISTON PUMP ASSEMBLY for Breakdown)	
9	1001171953	1	Seal	
10	1001171954	1	Seal	
11	1001236259	1	Engine Assembly - Kubota Engine (With Arctic Package) (See ENGINE ASSEMBLY - KUBOTA ENGINE (WITH ARCTIC PACKAGE) for Breakdown)	

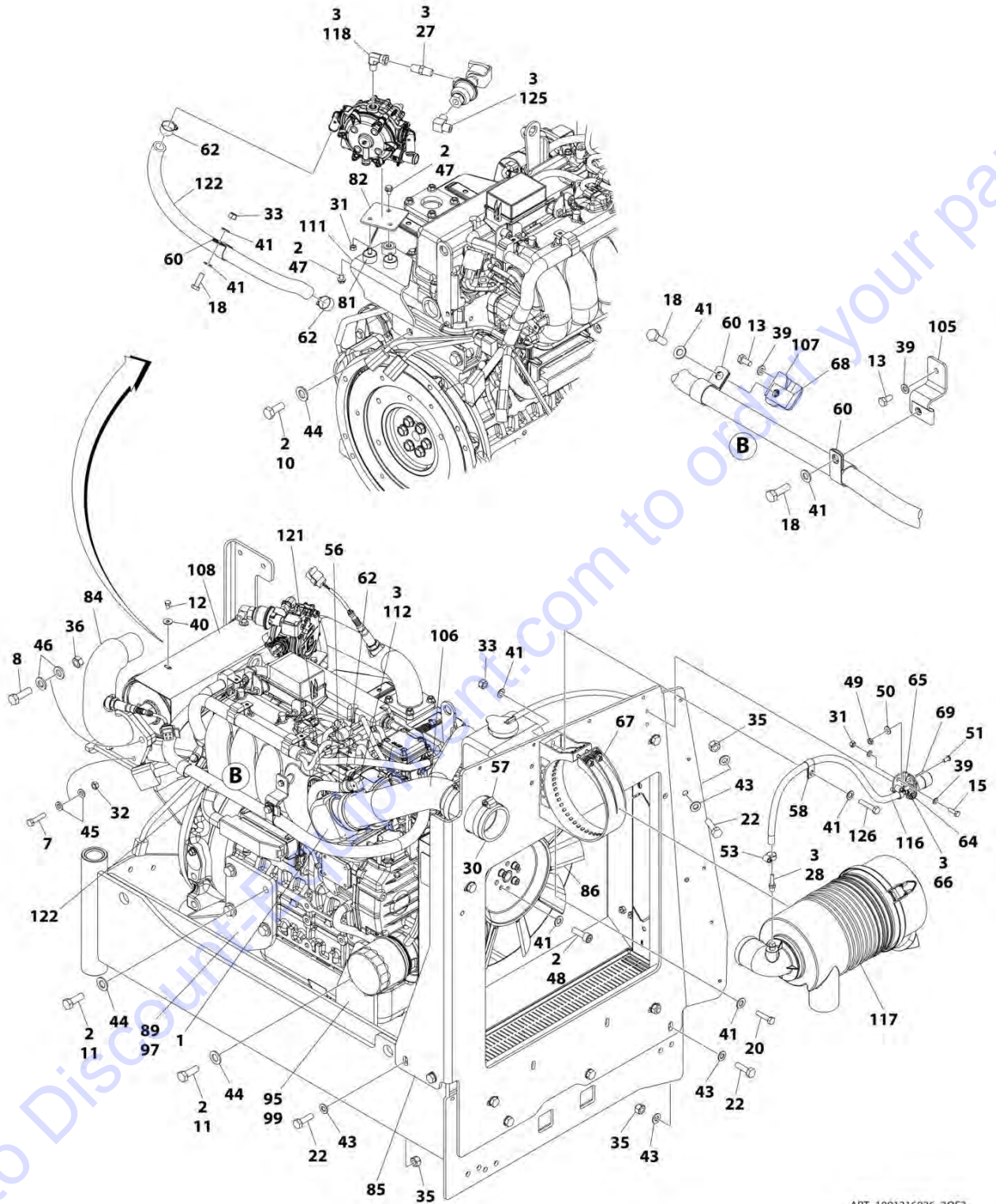
# SECTION 3 - ENGINE

FIGURE 3-45. ENGINE ASSEMBLY - KUBOTA ENGINE (WITH ARCTIC PACKAGE) (SN 0300203771 through 0300241777)



ART\_1001216826\_1OF2

# SECTION 3 - ENGINE



ART\_1001216826\_2OF2

## SECTION 3 - ENGINE

**FIGURE 3-45. ENGINE ASSEMBLY - KUBOTA ENGINE (WITH ARCTIC PACKAGE) (SN 0300203771 through 0300241777)**

ITEM	PART NUMBER	QTY	DESCRIPTION	REV
	1001216826	Ref	ENGINE ASSEMBLY - KUBOTA ENGINE (WITH ARCTIC PACKAGE)	E
1	0080201	1	Adapter, 90	
2	0100011	AR	Compound, Locking	
3	0100020	AR	Sealant, Pipe	
5	0700810	4	Bolt M8 x 20	
6	0700814	2	Bolt M8 x 30	
7	0700815	2	Bolt M8 x 35	
8	0701216	2	Bolt M12 x 40	
9	0701224	4	Bolt M12 x 80	
10	0711214	AR	Bolt M12 x 30	
10	1001217494	AR	Bolt M12 x 20	
11	1001217343	14	Bolt M12 x 35	
12	0760605	4	Bolt M6 x 10	
13	0760606	2	Bolt M6 x 12	
14	0760608	2	Bolt M6 x 16	
15	0760610	2	Bolt M6 x 20	
16	0760612	2	Bolt M6 x 25	
17	0760808	8	Bolt M8 x 16	
18	0760812	6	Bolt M8 x 25	
19	0760814	12	Bolt M8 x 30	
20	0760815	AR	Bolt M8 x 35	
21	0761014	4	Bolt M10 x 30	
22	0761015	6	Bolt M10 x 35	
23	0761016	4	Bolt M10 x 40	
24	0961951	2	Bushing	
25	1580011	1	Container, Coolant Overflow	
26	1703162	2	Decal - Caution Fan	
27	2220261	1	Fitting, Nipple NPTF/NPTF	
28	2220315	1	Fitting, Barbed	
29	2300041	2.2 gal/ 8.5L	Coolant, Anti-Freeze	
30	2720644	1	Hose	
31	3290607	5	Nut M6	
32	3290801	10	Nut M8	
33	3290805	17	Nut M8	
34	3291001	4	Nut M10	
35	3291005	6	Nut M10	
36	3291201	6	Nut M12	
37	4031711	4	Bolt M6 x 35	
38	4240099	AR	Tie-Strap (Not Shown)	
39	4811700	16	Washer, M6	
40	4811702	4	Washer, M6	
41	4811900	49	Washer, M8	
42	4811902	8	Washer, M8	
43	4812000	24	Washer, M10	
44	4812200	AR	Washer, M14	
44	5241400	AR	Washer, M14	
45	5240800	14	Washer, M8	

## SECTION 3 - ENGINE

ITEM	PART NUMBER	QTY	DESCRIPTION	REV
46	5241200	8	Washer, M12	
47	5250605	3	Bolt M6 x 10	
48	5271809	4	Bolt M8 x 25	
49	8305401	2	Nut, Jam .250-20	
50	8307109	2	Washer, .250	
51	8310548	2	Screw 1/4 x 1/2	
52	8405007	2	Clamp (SN 0300203771 through 0300228655)	
52	1001173535	2	Clamp (SN 0300228656 through 0300241777)	
53	8405009	4	Clamp	
54	8405102	2	Clamp	
55	8405104	2	Clamp	
56	8405202	1	Clamp	
57	8405203	3	Clamp	
58	8406109	1	Clip	
59	8406110	2	Clip	
60	8406201	3	Clip	
61	8410001	1	Clamp	
62	8410009	6	Clamp	
63	1001190775	10 qt/ 9.4L	Oil, Engine	
64	1001138173	1	Support, Service Indicator	
65	1001138175	1	Bracket, Service Indicator	
66	1001141995	1	Fitting, Barbed	
67	1001147812	1	Clamp, Air Cleaner	
68	1001149160	3	Nut M8	
69	1001149639	1	Indicator, Air Intake	
70	1001166718	4	Isolator, Engine Mount	
71	1001168018	4	Washer, Snubbing	
72	1001168166	2	Seal	
73	1001169054	4	Isolator, Radiator	
74	1001169138	4	Washer, Snubbing	
75	1001169967	2	Bracket	
76	1001170035	1	Bracket	
77	1001176330	1	Bracket	
78	1001180620	AR	Adhesive	
79	1001209844	1	Pump Coupling Kit (See PUMP COUPLING KIT for Breakdown)	
80	1001210763	1	Engine, Kubota	
81	1001211794	3	Mount	
82	1001211797	1	Mount	
83	1001212989	1	Pipe, Exhaust (Inlet)	
84	1001212993	1	Pipe, Exhaust (Outlet)	
85	1001213305	1	Plate, Mounting	
86	1001213357	1	Fan	
87	1001213423	1	Radiator	
88	1001213425	1	Plate, Engine Mount (Left Rear)	
89	1001213426	1	Plate, Engine Mount (Right Rear)	
90	1001213482	1	Bracket	
91	1001213824	1	Insulation	
92	1001214138	1	Bracket	
93	1001214205	1	Support	
94	1001214233	1	Plate (Front Left)	
95	1001214234	1	Plate (Front Right)	

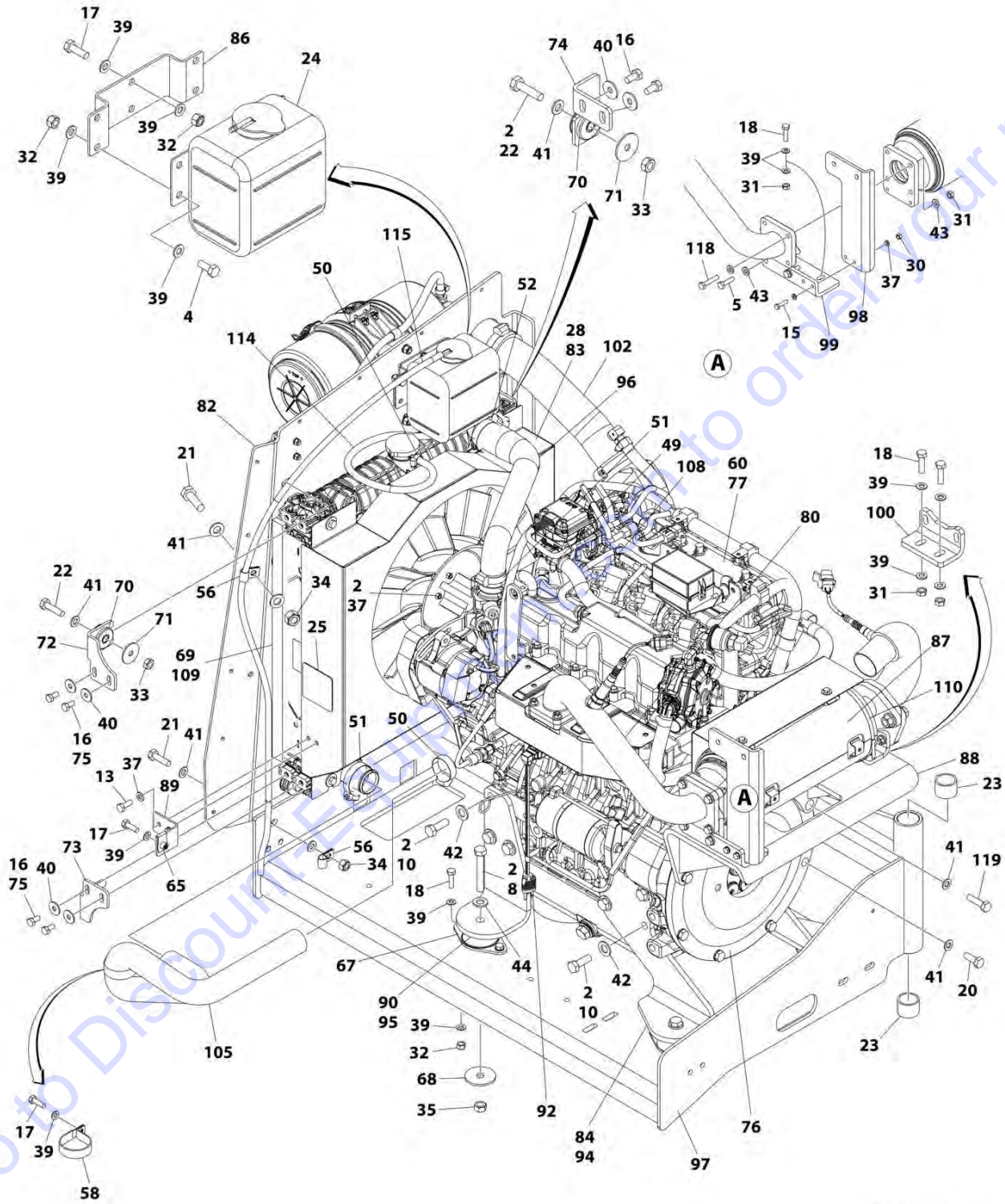
## SECTION 3 - ENGINE

ITEM	PART NUMBER	QTY	DESCRIPTION	REV
96	1001214269	1	Heater, Block	
97	1001214276	1	Shim	
98	1001214277	1	Shim	
99	1001214278	2	Shim	
100	1001214307	1	Hose	
101	1001214508	1	Support	
102	1001214553	1	Support	
103	1001214555	1	Bracket	
104	1001214556	1	Bracket	
105	1001214558	1	Bracket	
106	1001214598	1	Tube	
107	1001214599	1	Bracket	
108	1001214664	1	Cover	
109	1001214694	1	Hose	
110	1001214729	1	Spacer	
111	1001214841	1	Bracket	
112	1001215125	1	Fitting, 90	
113	1001215869	1	Hose	
114	1001216825	2	Seal	
115	1001137336	2	Strap	
116	1001138248	2 ft/0.6m	Tube	
117	1001147813	1	Air Cleaner Assembly Including Filter Element	
117	70004020	1	Element, Filter (Not Shown)	
118	2220064	1	Fitting, 90 FSNPSM/NPTF	
119	2720058	1.8 ft/ 0.5m	Hose	
120	2720271	4 ft/1.2m	Hose	
121	2720615	1.2 ft/ 0.4m	Hose	
122	82033995	5.5 ft/ 1.7m	Hose	
123	0700816	4	Bolt M8 x 40	
124	0701016	4	Bolt M10 x 40	
125	2180504	1	Fitting, Barbed	
126	0760816	AR	Bolt M8 x 40	



# SECTION 3 - ENGINE

FIGURE 3-46. ENGINE ASSEMBLY - KUBOTA ENGINE (WITH ARCTIC PACKAGE) (SN 0300241778 to Present)



ART\_1001236259\_1OF2





## SECTION 3 - ENGINE

**FIGURE 3-46. ENGINE ASSEMBLY - KUBOTA ENGINE (WITH ARCTIC PACKAGE) (SN 0300241778 to Present)**

ITEM	PART NUMBER	QTY	DESCRIPTION	REV
	1001236259	Ref	ENGINE ASSEMBLY - KUBOTA ENGINE (WITH ARCTIC PACKAGE) (SN 0300241778 to Present)	A
1	0080201	1	Adapter, 90	
2	0100011	AR	Compound, Locking	
3	0100020	AR	Sealant, Pipe	
4	0700810	4	Bolt M8 x 20	
5	0700814	2	Bolt M8 x 30	
6	0700815	2	Bolt M8 x 35	
7	0701216	2	Bolt M12 x 40	
8	0701224	4	Bolt M12 x 80	
9	1001217494	2	Bolt M12 x 20	
10	1001217343	14	Bolt M12 x 35	
11	0760605	4	Bolt M6 x 10	
12	0760606	2	Bolt M6 x 12	
13	0760608	2	Bolt M6 x 16	
14	0760610	2	Bolt M6 x 20	
15	0760612	2	Bolt M6 x 25	
16	0760808	8	Bolt M8 x 16	
17	0760812	6	Bolt M8 x 25	
18	0760814	12	Bolt M8 x 30	
19	0760815	1	Bolt M8 x 35	
20	0761014	4	Bolt M10 x 30	
21	0761015	6	Bolt M10 x 35	
22	0761016	4	Bolt M10 x 40	
23	0961951	2	Bushing	
24	1580011	1	Container, Coolant Overflow	
25	1703162	2	Decal - Caution Fan	
26	2220261	1	Fitting, Nipple NPTF/NPTF	
27	2220315	1	Fitting, Barbed	
28	2300041	2.2 gal/ 8.5L	Coolant, Anti-Freeze	
29	2720644	1	Hose	
30	3290607	5	Nut M6 x 1	
31	3290801	10	Nut M8	
32	3290805	17	Nut M8 x 1.25	
33	3291001	4	Nut M10 x 1.5	
34	3291005	6	Nut M10 x 1.5	
35	3291201	6	Nut M12	
36	4240099	AR	Tie-Strap (Not Shown)	
37	4811700	16	Washer M6	
38	4811702	4	Washer M6	
39	4811900	45	Washer M8	
40	4811902	8	Washer M8	
41	4812000	24	Washer M10	
42	5241400	16	Washer M14	
43	5240800	14	Washer M8	
44	5241200	8	Washer M12	
45	5250605	3	Bolt M6 x 10	
46	8305401	2	Nut, Jam .250-20	

## SECTION 3 - ENGINE

ITEM	PART NUMBER	QTY	DESCRIPTION	REV
47	8307109	2	Washer, .250	
48	8310548	2	Screw 1/4 x 1/2	
49	1001173535	2	Clamp	
50	8405009	4	Clamp	
51	8405102	2	Clamp	
52	8405104	2	Clamp	
53	8405202	1	Clamp	
54	8405203	3	Clamp	
55	8406109	1	Clip	
56	8406110	2	Clip	
57	8406201	3	Clip	
58	8410001	1	Clamp	
59	8410009	6	Clamp	
60	1001190775	10 qt/ 9.4L	Oil, Engine	
61	1001138173	1	Support, Service Indicator	
62	1001138175	1	Bracket, Service Indicator	
63	1001141995	1	Fitting, Barbed	
64	1001147812	1	Clamp, Air Cleaner	
65	1001149160	3	Nut M8	
66	1001149639	1	Indicator, Air Intake	
67	1001166718	4	Isolator, Engine Mount	
68	1001168018	4	Washer, Snubbing	
69	1001168166	2	Seal	
70	1001169054	4	Isolator, Radiator	
71	1001169138	4	Washer, Snubbing	
72	1001169967	2	Bracket	
73	1001170035	1	Bracket	
74	1001176330	1	Bracket	
75	1001180620	AR	Adhesive	
76	1001209844	1	Pump Coupling Kit (See Separate Breakdown in this Section)	
77	1001236393	1	Engine, Kubota (See Separate Breakdown in this Section)	
78	1001211794	3	Mount	
79	1001211797	1	Mount	
80	1001212989	1	Pipe, Exhaust (Inlet)	
81	1001212993	1	Pipe, Exhaust (Outlet)	
82	1001213305	1	Plate, Mounting	
83	1001236257	1	Radiator	
84	1001213425	1	Plate, Engine Mount (Left Rear)	
85	1001213426	1	Plate, Engine Mount (Right Rear)	
86	1001213482	1	Bracket	
87	1001213824	1	Insulation	
88	1001214138	1	Bracket	
89	1001214205	1	Support	
90	1001214233	1	Plate (Front Left)	
91	1001214234	1	Plate (Front Right)	
92	1001214269	1	Heater, Block	
93	1001214276	1	Shim	
94	1001214277	1	Shim	
95	1001214278	2	Shim	
96	1001214307	1	Hose	
97	1001214508	1	Support	

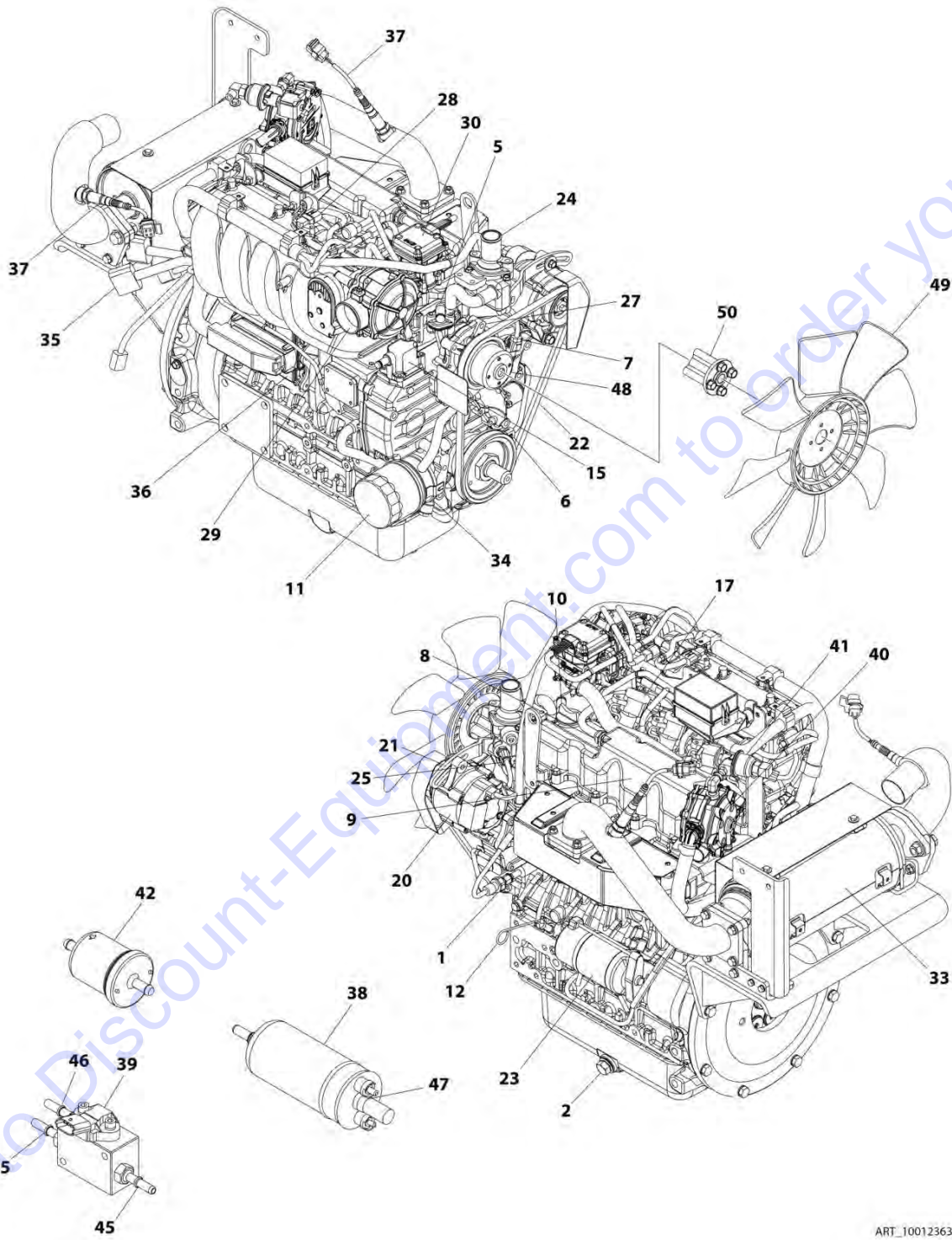
## SECTION 3 - ENGINE

ITEM	PART NUMBER	QTY	DESCRIPTION	REV
98	1001214553	1	Support	
99	1001214555	1	Bracket	
100	1001214556	1	Bracket	
101	1001214558	1	Bracket	
102	1001214598	1	Tube	
103	1001214599	1	Bracket	
104	1001214664	1	Cover	
105	1001214694	1	Hose	
106	1001214841	1	Bracket	
107	1001215125	1	Fitting, 90	
108	1001215869	1	Hose	
109	1001216825	2	Seal	
110	1001137336	2	Strap	
111	1001138248	2 ft/ 0.6m	Tube	
112	1001147813	1	Air Cleaner Assembly Including Filter Element	
112	70004020	1	Element, Filter (Not Shown)	
113	2220064	1	Fitting, 90 FSNPSM/NPTF	
114	2720058	1.8 ft/ 0.5m	Hose	
115	2720271	4 ft/ 1.2m	Hose	
116	2720615	1.2 ft/ 0.4m	Hose	
117	82033995	5.5 ft/ 1.7m	Hose	
118	0700816	4	Bolt M8 x 40	
119	0701016	4	Bolt M10 x 40	
120	2180504	1	Fitting, Barbed	
121	0760816	1	Bolt M8 x 40	



# SECTION 3 - ENGINE

## FIGURE 3-47. ENGINE COMPONENTS - KUBOTA



ART\_1001236393

## SECTION 3 - ENGINE

**FIGURE 3-47. ENGINE COMPONENTS - KUBOTA**

ITEM	PART NUMBER	QTY	DESCRIPTION	REV
	1001236393	Ref	ENGINE COMPONENTS - KUBOTA	A
1	70005745	1	Switch, Oil	
1	70006013	1	Adapter	
2	7023154	1	Plug, Drain	
2	7017904	1	Gasket, Oil Pan Drain	
3	70006014	1	Gasket, Cylinder Head (Not Shown)	
4	70006015	1	Sensor (Knock) (Not Shown - Located on Left Side of Engine)	
5	70006016	1	Flange Assembly (Water Return)	
5	70002316	1	Pipe	
5	70006017	1	Gasket	
6	70005737	1	Sensor Stick Assembly	
7	70006018	1	Sensor	
8	70006019	1	Valve (PCV)	
8	70006020	1	Seal	
9	7017932	3	Element, Breather	
9	70006021	1	Gasket	
10	70002318	1	Oil Filler Cap	
10	70006022	1	O-Ring	
11	70006023	1	Filter, Oil	
12	70006024	1	Dipstick	
13	70006025	1	Pump Assembly, Oil (Not Shown - Located Under Front Cover)	
13	70006026	1	Gasket	
13	70006027	1	Key	
14	70006028	1	Flywheel (Not Shown - Located Behind Coupling Plate)	
14	70006029	1	Ring Gear (Part of Flywheel)	
15	70006030	1	Flange Assembly (Breather)	
15	70002316	1	Pipe	
15	70006031	1	Gasket	
16	70006035	1	Pipe Assembly (Not Shown)	
16	70005727	1	Gasket	
17	70006034	4	Coil	
17	70006033	4	Spark Plug	
18	70006032	1	Gasket (Not Shown)	
19	70005751	4	Injector (Not Shown)	
20	70006036	1	Alternator (Includes Voltage Regulator and Gaskets, Fan and Fan Mounting Hardware)	
21	70006037	1	Bracket	
22	70006038	1	Belt	
23	70006039	1	Starter	
24	70006041	1	Thermostat	
24	70002326	1	Gasket	
25	70005726	1	Sensor	
25	70006042	1	O-Ring	
26	70006040	1	Gasket (Not Shown - Located Between Engine Head and Water Flange)	
27	70006043	1	Water Pump Assembly	
27	70004829	1	Pipe	
27	70006044	1	Gasket	
28	70005746	1	Sensor (TMAP)	
28	70005747	1	O-Ring	

## SECTION 3 - ENGINE

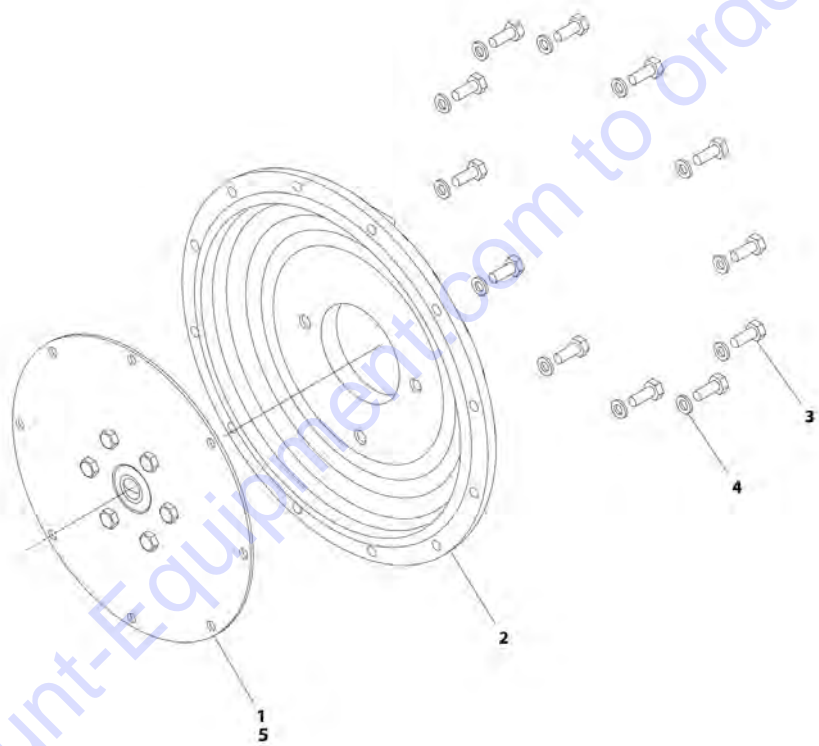
ITEM	PART NUMBER	QTY	DESCRIPTION	REV
29	70006049	1	Mixer Assembly	
29	70006050	1	Seal, Rubber	
29	70006045	1	Throttle Body	
29	70006046	1	Gasket	
29	70006047	1	Adapter	
29	70006048	1	O-Ring	
30	70006051	1	Regulator Assembly	
30	70006052	1	Seal, Rubber	
30	70006053	1	Seal, Rubber	
30	70006054	1	Seal, Rubber	
31	70006055	1	Gasket (Not Shown - Located Between Intake Manifold and Engine Head)	
32	70006056	1	Gasket (Not Shown - Located Between Exhaust Manifold and Engine Head)	
33	70006057	1	Muffler	
33	70006065	1	Gasket	
33	70006066	1	Gasket	
33	70006072	1	Gasket	
34	70006058	1	Oil Cooler Assembly	
34	70006059	1	Seal	
34	7017959	2	Clamp	
35	70006060	1	Engine Harness	
36	70006061	1	Module, Engine Control	
37	70006062	2	Sensor (O2)	
38	70006063	1	Pump, Fuel	
39	70006064	1	Manifold (FPM)	
40	70006067	1	Regulator Assembly	
40	70006068	1	Connector	
40	70006069	3	Clip	
40	70006070	2	Connector	
41	70006071	1	Valve, Lockoff	
41	70006078	1	Valve, Lockoff Kit	
42	7017992	1	Filter, Fuel	
43	70006079	1	Gasket Kit (Upper) (Not Shown)	
44	70006080	1	Gasket Kit (Lower) (Not Shown)	
45	70006074	2	Joint (Includes O-Ring)	
46	70006075	1	Joint (Includes O-Ring)	
47	70006076	1	Joint (Includes O-Ring)	
47	70006077	1	Gasket	
48	70006379	1	Pulley	
49	70006639	1	Fan	
50	70006640	1	Collar, Fan	





# SECTION 3 - ENGINE

## FIGURE 3-48. PUMP COUPLING KIT (KUBOTA ENGINES)



ART. 2902065

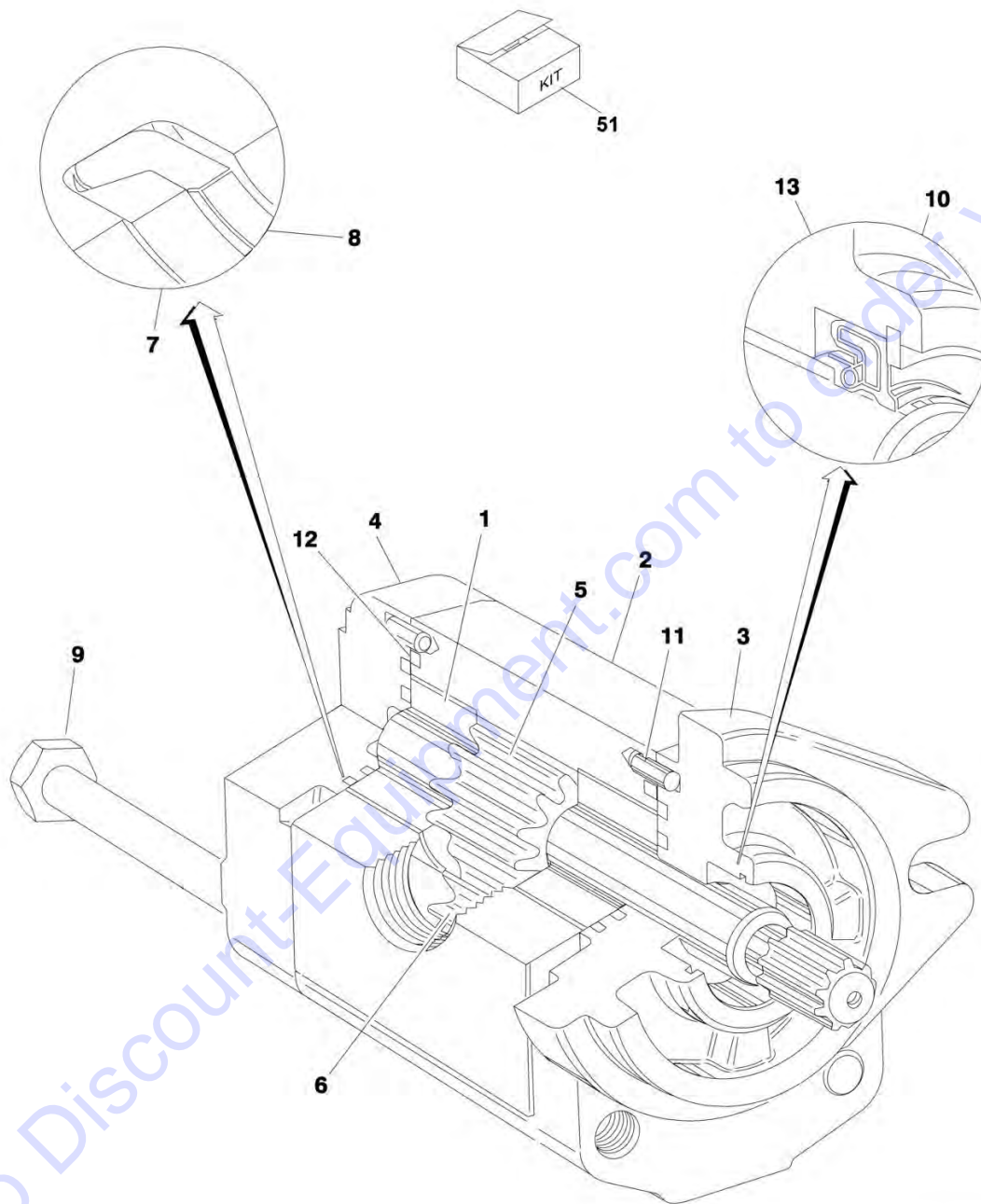
FIGURE 3-48. PUMP COUPLING KIT (KUBOTA ENGINES)

ITEM	PART NUMBER	QTY	DESCRIPTION	REV
	2902065	Ref	PUMP COUPLING KIT	K
1	70000793	1	Coupling, Hayes	
2	See Note	NSS	Plate, Pump Adapter (Note: Use p/n 2902065)	
3	See Note	NSS	Bolt M10 x 20 Grade 10.9 (Note: Use p/n 2902065)	
4	See Note	NSS	Washer, M10 (Note: Use p/n 2902065)	
5	3020021	AR	Grease, Coupling	

Go to Discount-Equipment.com to order your parts

# SECTION 3 - ENGINE

## FIGURE 3-49. GEAR PUMP ASSEMBLY



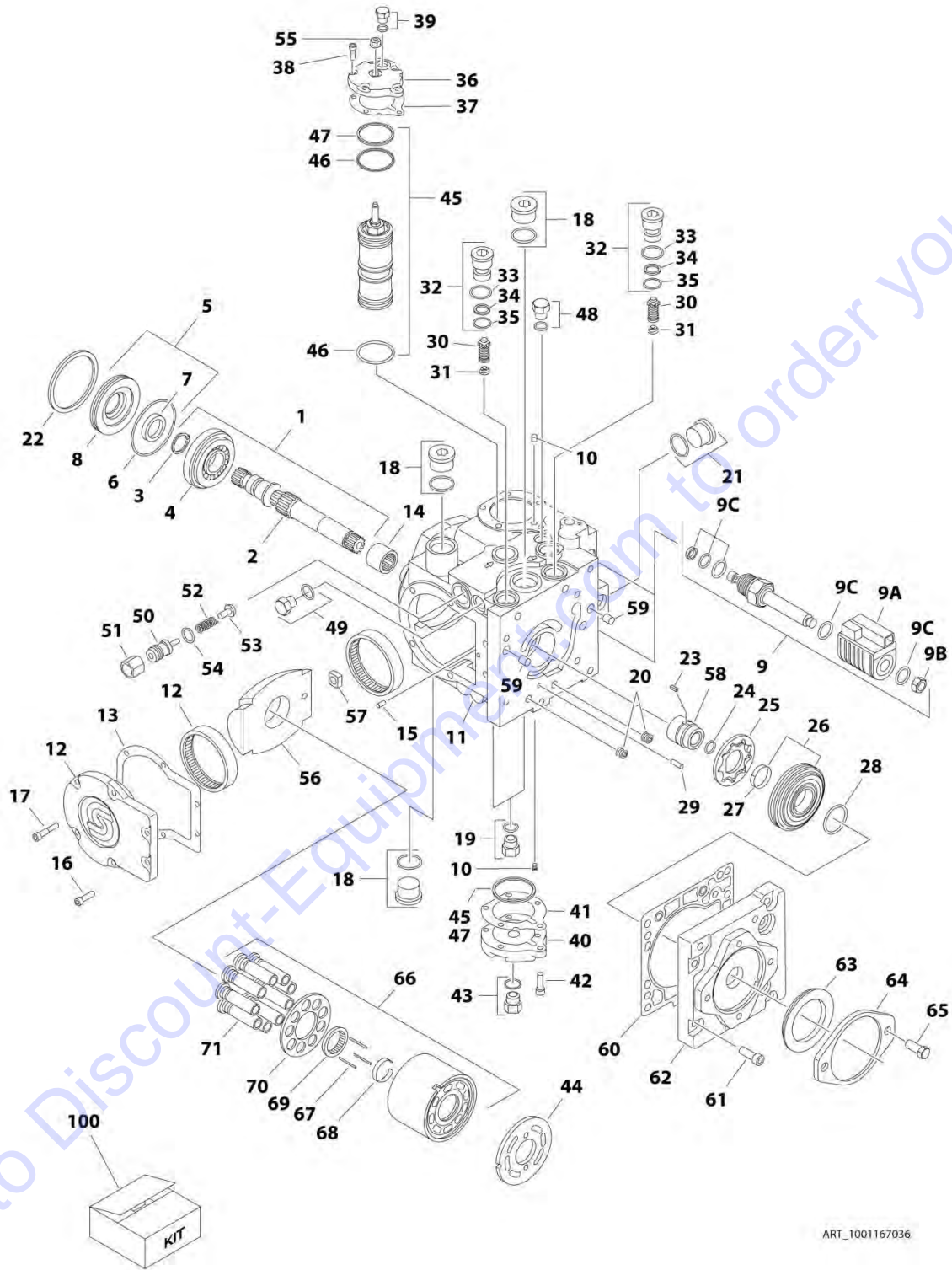
ART\_3600242

FIGURE 3-49. GEAR PUMP ASSEMBLY

ITEM	PART NUMBER	QTY	DESCRIPTION	REV
	3600242	Ref	GEAR PUMP ASSEMBLY	
1	7010105	2	Bearing/Bushing	
2	See Note	NSS	Housing (Note: Not Available - Purchase Complete Assembly)	
3	See Note	NSS	Flange (Note: Not Available - Purchase Complete Assembly)	
4	7010103	1	Cover	
5	7012987	1	Gear, Drive	
6	7012988	1	Gear, Idler	
7	7007489	2	Ring, Anti-Extrusion	
8	7007489	2	Seal	
9	See Note	4	Bolt (Note: Not Available for Purchase)	
10	7010104	1	Ring, Retaining	
11	See Note	4	Pin, Dowel (Note: Not Available for Purchase)	
12	7007489	2	Seal, O-Ring	
13	7007489	1	Seal, Shaft	
51	7007489	1	Seal Kit (Includes Items 7, 8, 12 & 13)	

# SECTION 3 - ENGINE

## FIGURE 3-50. PISTON PUMP ASSEMBLY



ART\_1001167036

**SECTION 3 - ENGINE**

**FIGURE 3-50. PISTON PUMP ASSEMBLY**

ITEM	PART NUMBER	QTY	DESCRIPTION	REV
	1001167036	Ref	PISTON PUMP ASSEMBLY	B
1	7021240	1	Shaft Assembly (Includes Items 2-4)	
2	7021237	1	Shaft	
3	7021238	1	Ring, Retaining	
4	7021239	1	Bearing, Roller	
5	70004896	1	Shaft Seal Kit (Includes Items 6-8)	
6	7021241	1	O-Ring	
7	7021242	1	Seal, Lip	
8	7021243	1	Carrier, Seal Shaft	
9	7024855	2	Solenoid Assembly	
9A	70004897	2	Coil (1 Per Assembly)	
9B	7024857	2	Nut (1 Per Assembly)	
9C	7024858	2	Seal Kit - 7024855 Cartridge (1 Per Assembly)	
10	70004889	2	Orifice	
11	See Note	NSS	Housing Assembly (Note: Not Available for Purchase)	
12	7021248	1	Side Cover Assembly (Includes Item 13)	
13	70004891	1	Gasket	
14	7021249	1	Bearing, Needle	
15	See Note	NSS	Pin (Note: Not Available for Purchase)	
16	70004890	2	Screw	
17	70004892	4	Screw	
18	7007419	2	Plug Assembly (Includes O-Ring)	
19	7007420	2	Plug Assembly (Includes O-Ring)	
20	See Note	NSS	Plug (Note: Not Available for Purchase)	
21	7007419	1	Plug Assembly (Includes O-Ring)	
22	7021257	1	Ring, Retaining	
23	70004893	1	Key	
24	7022341	1	Ring, Retaining	
25	7021258	1	Gerotor	
26	70004894	1	Gerotor Cover Assembly (Includes Item 27)	
27	7021259	1	Bearing, Journal	
28	7021262	1	O-Ring	
29	See Note	NSS	Pin (Note: Not Available for Purchase)	
30	7021263	2	Bypass Valve Assembly	
31	7024800	2	Spring	
32	7021265	2	Bypass Valve Assembly (Includes Items 32-34)	
33	7007415	2	O-Ring	
34	7021293	2	Ring, Back-up	
35	7022300	2	O-Ring	
36	70004895	1	Cover, Servo	
37	7021253	1	Gasket	
38	70004892	5	Screw	
39	7007420	1	Plug Assembly (Includes O-Ring)	
40	7021268	1	Cover, Servo	
41	7021253	1	Gasket	
42	70004892	5	Screw	
43	7007420	1	Plug Assembly (Includes O-Ring)	
44	7021281	1	Plate, Valve	
45	70004898	1	Servo Piston Kit (Includes Items 46 & 47)	
46	7007495	2	O-Ring	

## SECTION 3 - ENGINE

ITEM	PART NUMBER	QTY	DESCRIPTION	REV
47	7007493	2	O-Ring	
48	7007420	1	Plug Assembly (Includes O-Ring)	
49	70004900	1	Plug Assembly (Includes O-Ring)	
50	7022346	1	Adjuster	
51	7021290	1	Nut	
52	7022347	1	Spring	
53	70004901	1	Poppet	
54	7007415	1	O-Ring	
55	70004902	1	Nut, Seal	
56	70004903	1	Swash Plate	
57	70004904	1	Bearing Assembly	
58	70004905	1	Coupling	
59	7001481	2	Pin	
60	70002257	1	Gasket	
61	70004906	8	Screw	
62	70004907	1	Cover, Charge Pump	
63	70004908	1	Seal	
64	7021299	1	Plate, Cover	
65	7007289	2	Screw	
66	70004909	1	Cylinder Block Assembly (Includes Items 67-71)	
67	70004910	3	Pin, Slipper Hold Down	
68	7021276	1	Retainer, Hold Down Pin	
69	7021277	1	Guide, Slipper Retainer	
70	7021278	1	Retainer, Slipper	
71	70004911	1	Piston Assembly	
100	70004899	1	Seal Kit (Includes Items 5-8, 33-35, 37, 41, 46, 47 & 54)	



# PARTS FINDER

**Search Website  
by Part Number**



**Search Manual  
Library For Parts  
Manual & Lookup Part  
Numbers – Purchase  
or Request Quote**

**Can't Find Part or  
Manual? Request Help  
by Manufacturer,  
Model & Description**

Discount-Equipment.com is your online resource for quality parts & equipment.

Florida: **561-964-4949** Outside Florida TOLL FREE: **877-690-3101**

**Need parts?**

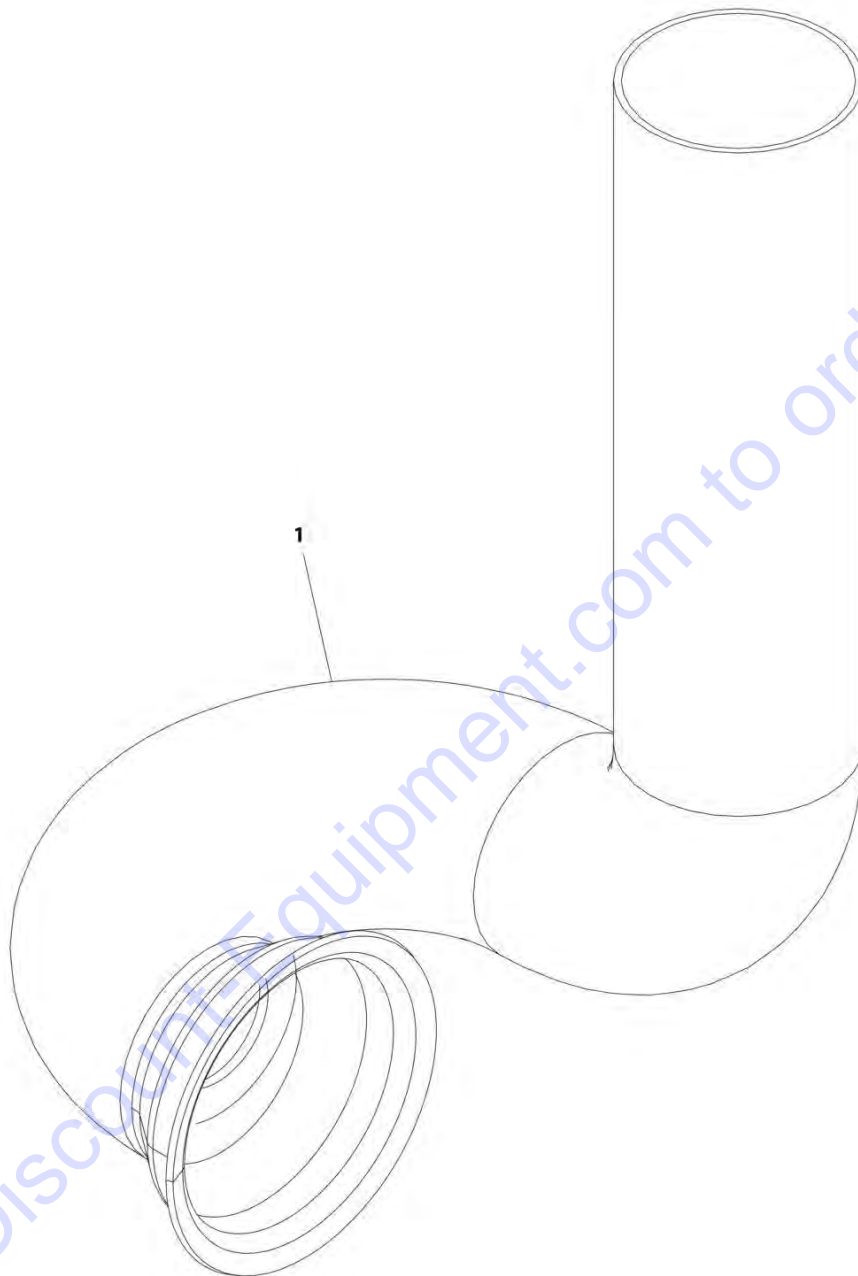
Click on this link: <http://www.discount-equipment.com/category/5443-parts/> and choose one of the options to help get the right parts and equipment you are looking for. Please have the machine model and serial number available in order to help us get you the correct parts. If you don't find the part on the website or on one of the online manuals, please fill out the request form and one of our experienced staff members will get back to you with a quote for the right part that your machine needs.

We sell worldwide for the brands: Genie, Terex, JLG, MultiQuip, Mikasa, Essick, Whiteman, Mayco, Toro Stone, Diamond Products, Generac Magnum, Airman, Haulotte, Barreto, Power Blanket, Nifty Lift, Atlas Copco, Chicago Pneumatic, Allmand, Miller Curber, Skyjack, Lull, Skytrak, Tsurumi, Husquvarna Target, Stow, Wacker, Sakai, Mi-T-M, Sullair, Basic, Dynapac, MBW, Weber, Bartell, Bennar Newman, Haulotte, Ditch Runner, Menegotti, Morrison, Contec, Buddy, Crown, Edco, Wyco, Bomag, Laymor, EZ Trench, Bil-Jax, F.S. Curtis, Gehl Pavers, Heli, Honda, ICS/PowerGrit, IHI, Partner, Imer, Clipper, MMD, Koshin, Rice, CH&E, General Equipment, Amida, Coleman, NAC, Gradall, Square Shooter, Kent, Stanley, Tamco, Toku, Hatz, Kohler, Robin, Wisconsin, Northrock, Oztec, Toker TK, Rol-Air, APT, Wylie, Ingersoll Rand / Doosan, Innovatech, Con X, Ammann, Mecalac, Makinex, Smith Surface Prep, Small Line, Wanco, Yanmar



## SECTION 3 - ENGINE

FIGURE 3-51. SPARK ARRESTOR INSTALLATION - DEUTZ D2.9L4 ENGINE



ART\_1001172750

## SECTION 3 - ENGINE

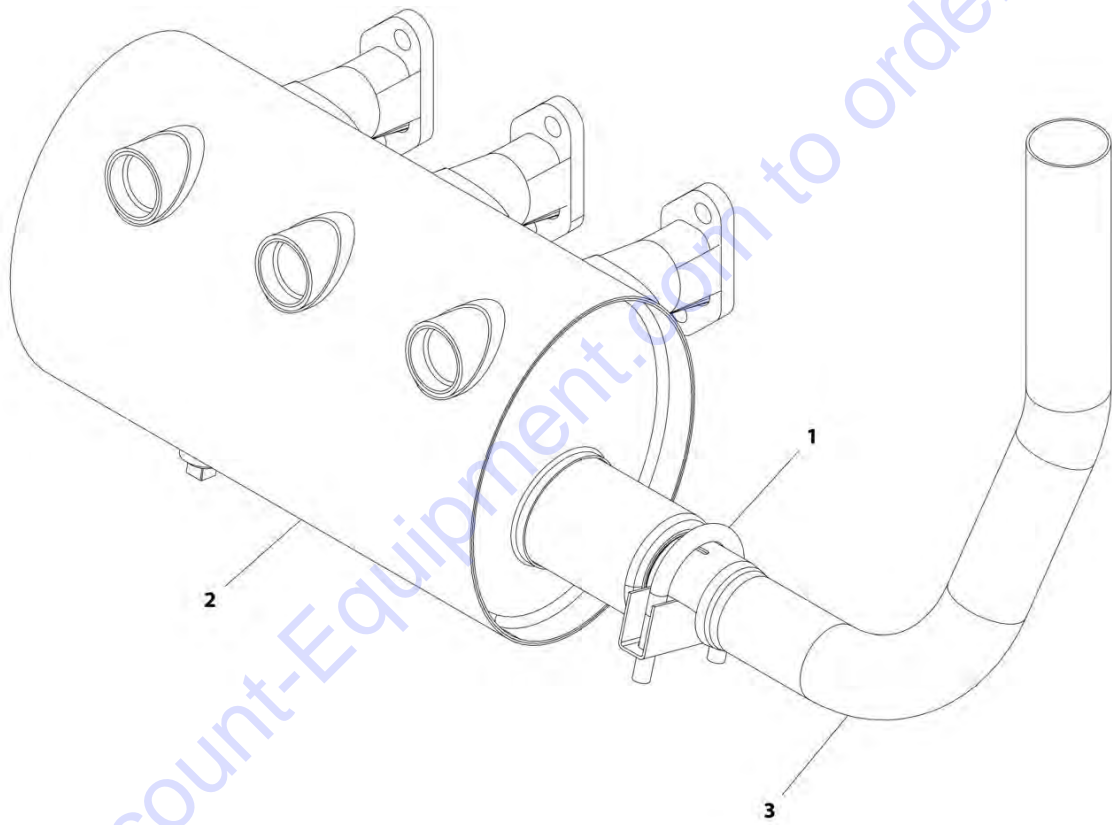
**FIGURE 3-51. SPARK ARRESTOR INSTALLATION - DEUTZ D2.9L4 ENGINE**

ITEM	PART NUMBER	QTY	DESCRIPTION	REV
1	1001172750	Ref	SPARK ARRESTOR INSTALLATION - DEUTZ D2.9L4 ENGINE	A
	1001172595	1	Muffler, Spark Arrestor	

Go to Discount-Equipment.com to order your parts

## SECTION 3 - ENGINE

FIGURE 3-52. CATALYTIC SPARK ARRESTOR INSTALLATION - DEUTZ D2011 ENGINE



ART\_1001175070

## SECTION 3 - ENGINE

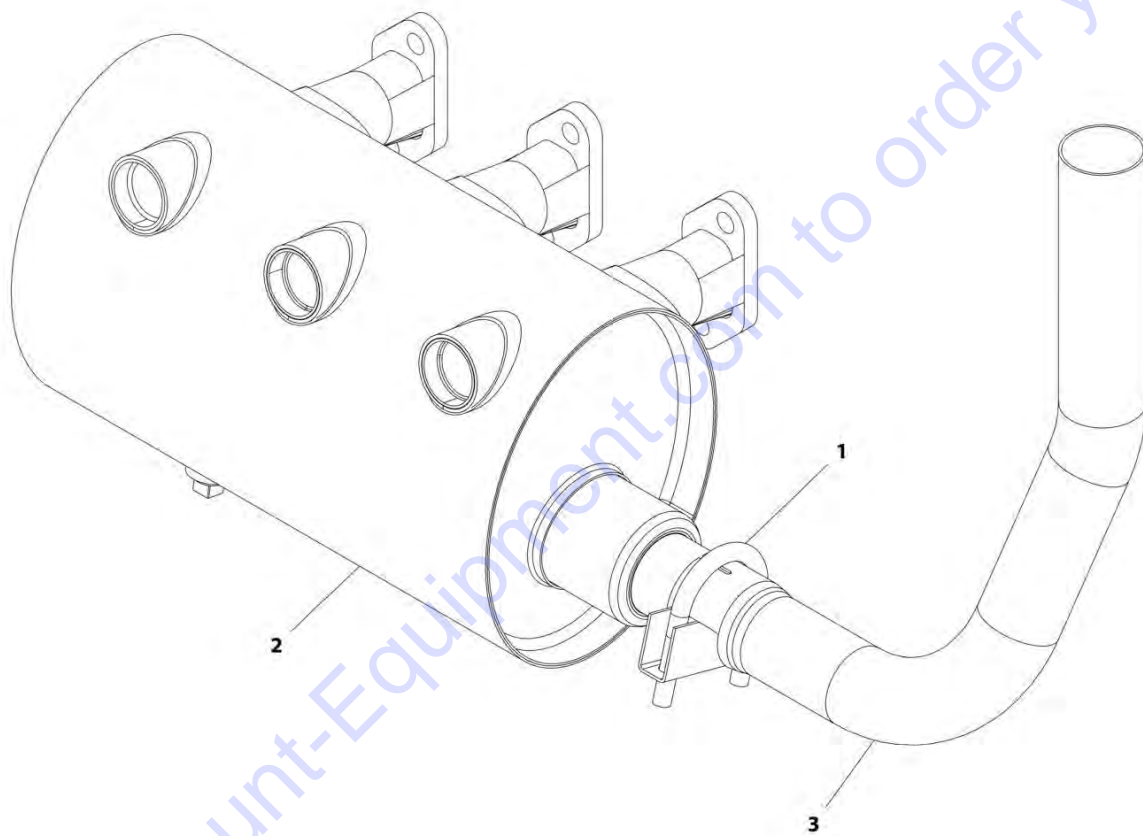
FIGURE 3-52. CATALYTIC SPARK ARRESTOR INSTALLATION - DEUTZ D2011 ENGINE

ITEM	PART NUMBER	QTY	DESCRIPTION	REV
	1001175070	Ref	CATALYTIC SPARK ARRESTOR INSTALLATION - DEUTZ D2011 ENGINE	A
1	1320176	1	Clamp	
2	1001170225	1	Muffler, Catalytic Spark Arresting	
3	1001175068	1	Pipe, Exhaust	

Go to Discount-Equipment.com to order your parts

## SECTION 3 - ENGINE

FIGURE 3-53. SPARK ARRESTOR INSTALLATION - DEUTZ D2011 ENGINE



ART\_1001175071

## SECTION 3 - ENGINE

**FIGURE 3-53. SPARK ARRESTOR INSTALLATION - DEUTZ D2011 ENGINE**

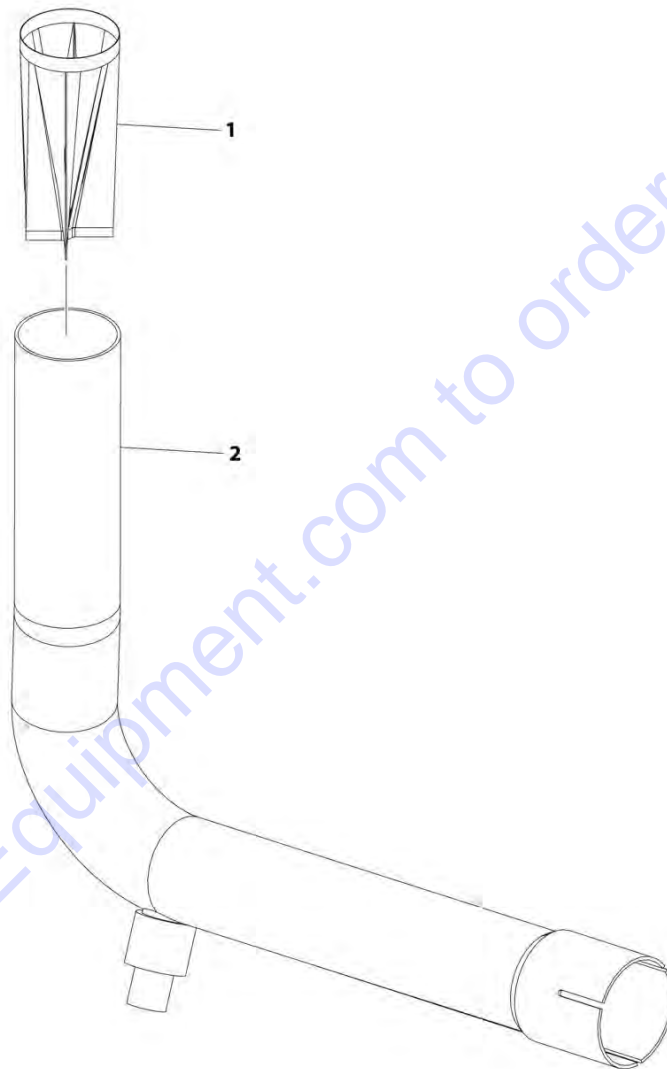
ITEM	PART NUMBER	QTY	DESCRIPTION	REV
	1001175071	Ref	SPARK ARRESTOR INSTALLATION - DEUTZ D2011 ENGINE	A
1	1320176	1	Clamp	
2	1001170224	1	Muffler, Spark Arresting	
3	1001175068	1	Pipe, Exhaust	

Go to Discount-Equipment.com to order your parts



## SECTION 3 - ENGINE

FIGURE 3-54. SPARK ARRESTOR INSTALLATION - KUBOTA ENGINE



ART\_1001214837

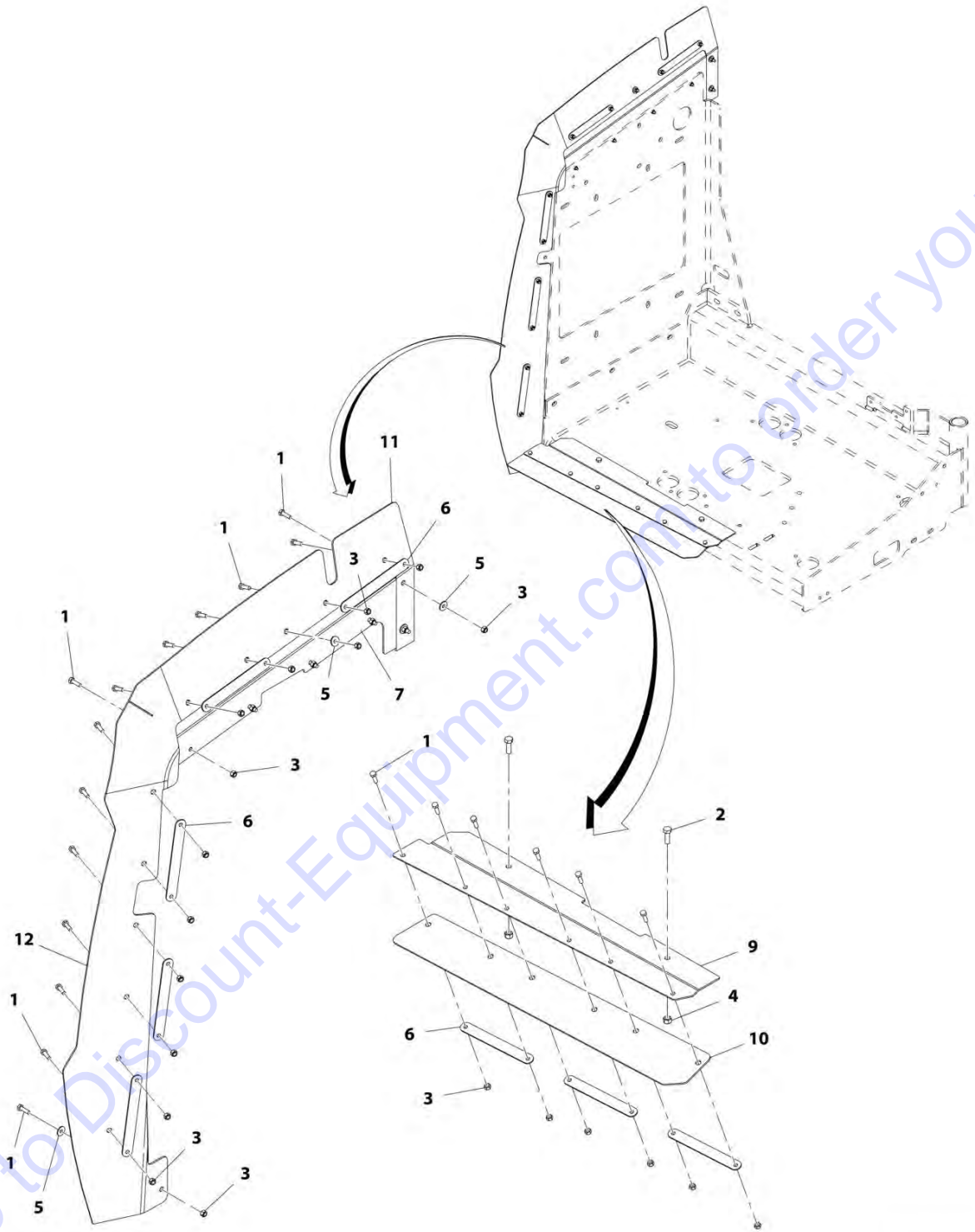
**FIGURE 3-54. SPARK ARRESTOR INSTALLATION - KUBOTA ENGINE**

ITEM	PART NUMBER	QTY	DESCRIPTION	REV
	1001214837	Ref	SPARK ARRESTOR INSTALLATION - KUBOTA ENGINE	B
1	1001214355	1	Muffler, Spark Arrestor	
2	1001214838	1	Pipe, Exhaust	

Go to Discount-Equipment.com to order your parts

# SECTION 3 - ENGINE

## FIGURE 3-55. ENGINE Baffle INSTALLATION - ABS HOODS (DEUTZ & GM ENGINES)



ART\_1001170662

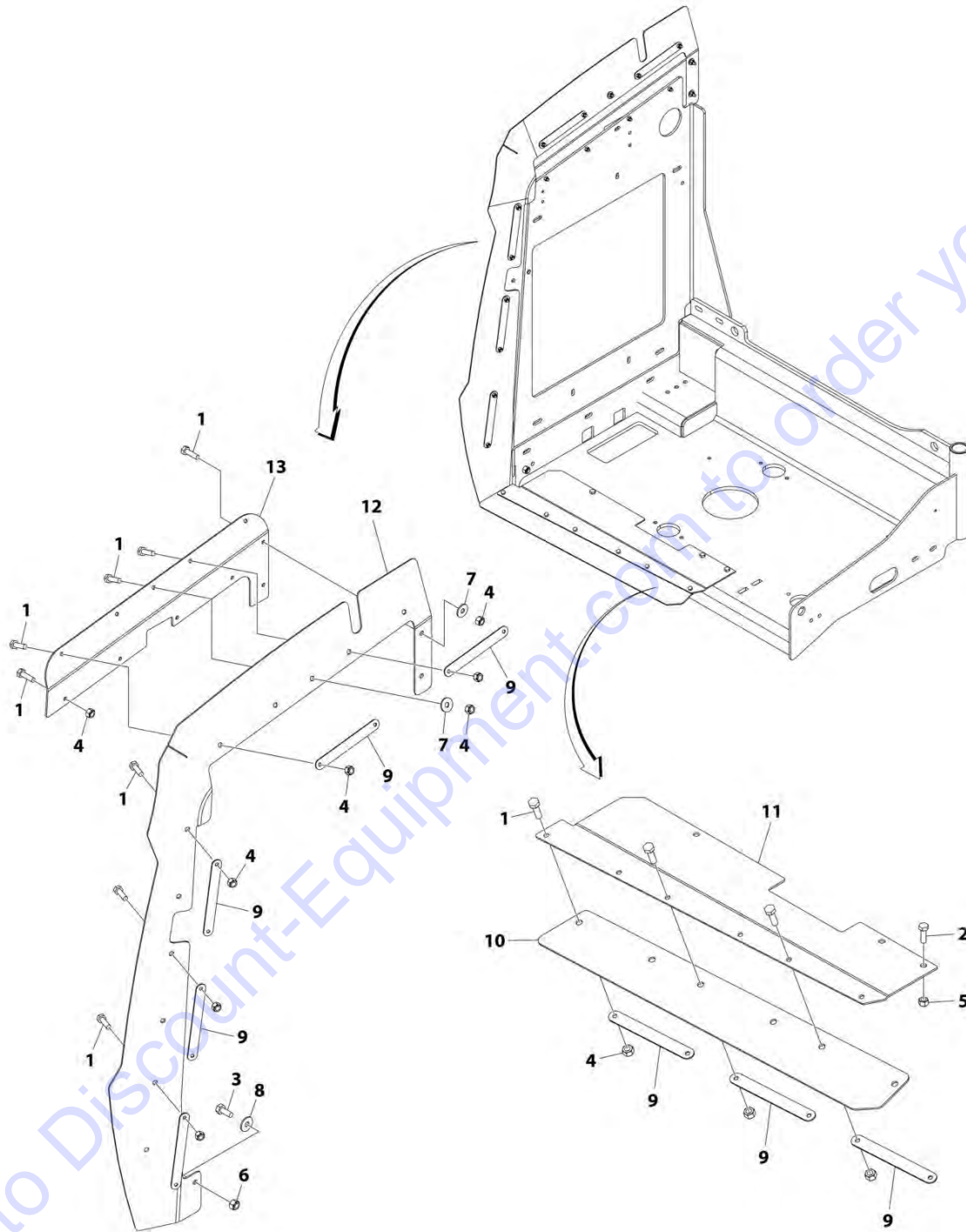
## SECTION 3 - ENGINE

**FIGURE 3-55. ENGINE BAFFLE INSTALLATION - ABS HOODS (DEUTZ & GM ENGINES)**

ITEM	PART NUMBER	QTY	DESCRIPTION	REV
	1001170662	Ref	ENGINE BAFFLE INSTALLATION	F
1	0760610	24	Bolt M6 x 20	
2	0760812	2	Bolt M8 x 25	
3	3290605	24	Nut, Lock M6 x 1	
4	3290805	2	Nut, Lock M8 x 1.25	
5	4811702	4	Washer, M6	
6	1001167164	8	Plate, Support	
7	1001170650	1	Bracket	
8	1001170651	1	Seal (Not Shown) (SN 0300203771 through 0300220296, SN E300000100 through E300003485)	
9	1001170663	1	Bracket	
10	1001170664	1	Seal	
11	1001211877	1	Seal (SN 0300220297 to Present, SN E300003486 to Present, SN 1300007289 through 1300007393)	
12	1001211878	1	Seal (SN 0300220297 to Present, SN E300003486 to Present, SN 1300007289 through 1300007393)	

# SECTION 3 - ENGINE

## FIGURE 3-56. ENGINE Baffle INSTALLATION - ABS HOODS (KUBOTA ENGINES)



ART\_1001216547

## SECTION 3 - ENGINE

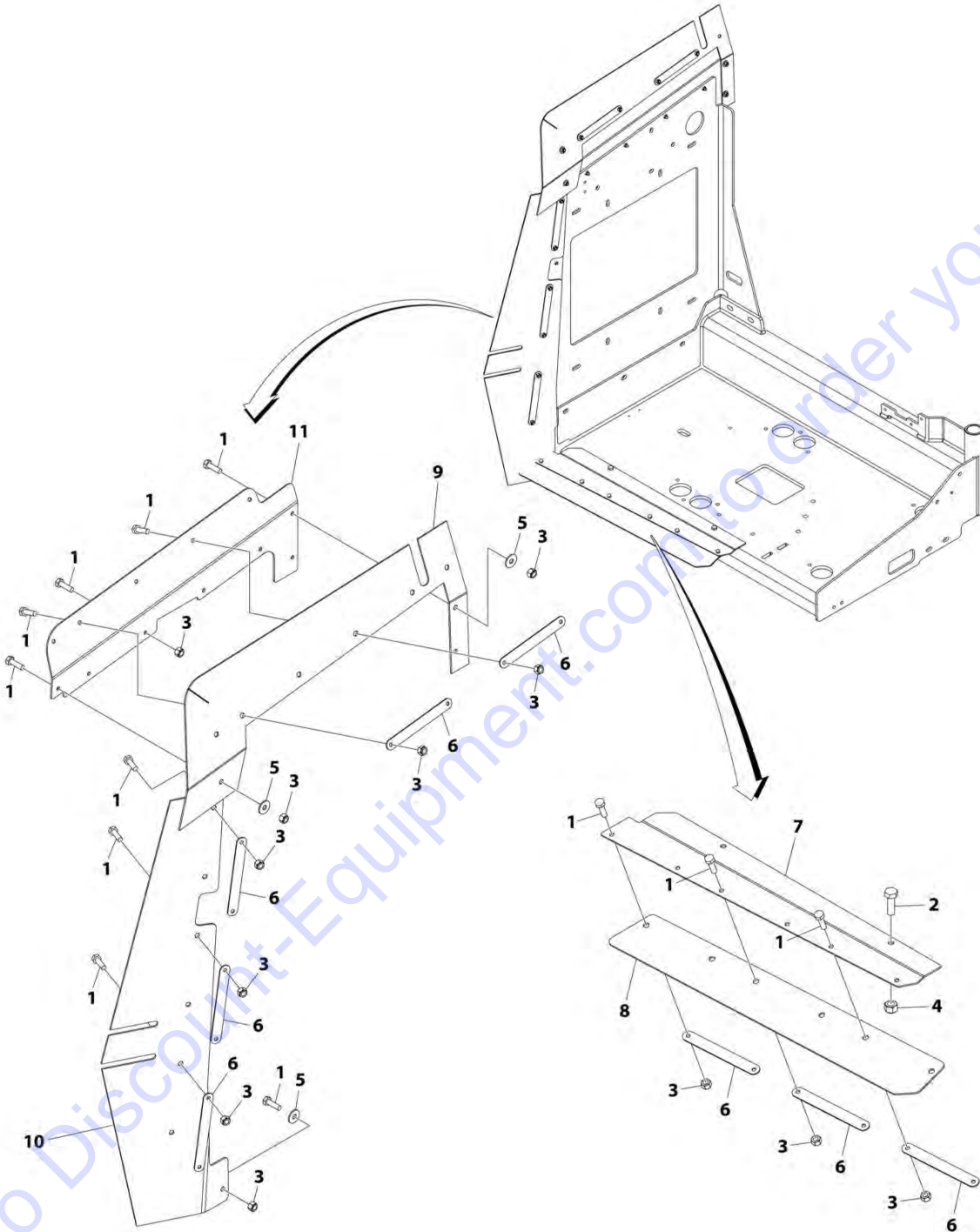
**FIGURE 3-56. ENGINE BAFFLE INSTALLATION - ABS HOODS (KUBOTA ENGINES)**

ITEM	PART NUMBER	QTY	DESCRIPTION	REV
	1001216547	Ref	KUBOTA ENGINE BAFFLE INSTALLATION	B
1	0760610	24	Bolt M6 x 20	
2	0760812	3	Bolt M8 x 25	
3	0761012	1	Bolt M10 x 25	
4	3290605	23	Nut, Lock M6 x 1	
5	3290805	3	Nut, Lock M8 x 1.25	
6	3291005	1	Nut M10	
7	4811702	3	Washer, M6	
8	4812002	1	Washer M10	
9	1001167164	8	Plate, Support	
10	1001170664	1	Seal	
11	1001216512	1	Bracket	
12	1001216548	1	Seal	
13	1001216549	1	Bracket	

Go to Discount-Equipment.com to order your parts

# SECTION 3 - ENGINE

## FIGURE 3-57. ENGINE Baffle INSTALLATION - STEEL HOODS



ART\_1001223454

## SECTION 3 - ENGINE

### FIGURE 3-57. ENGINE BAFFLE INSTALLATION - STEEL HOODS

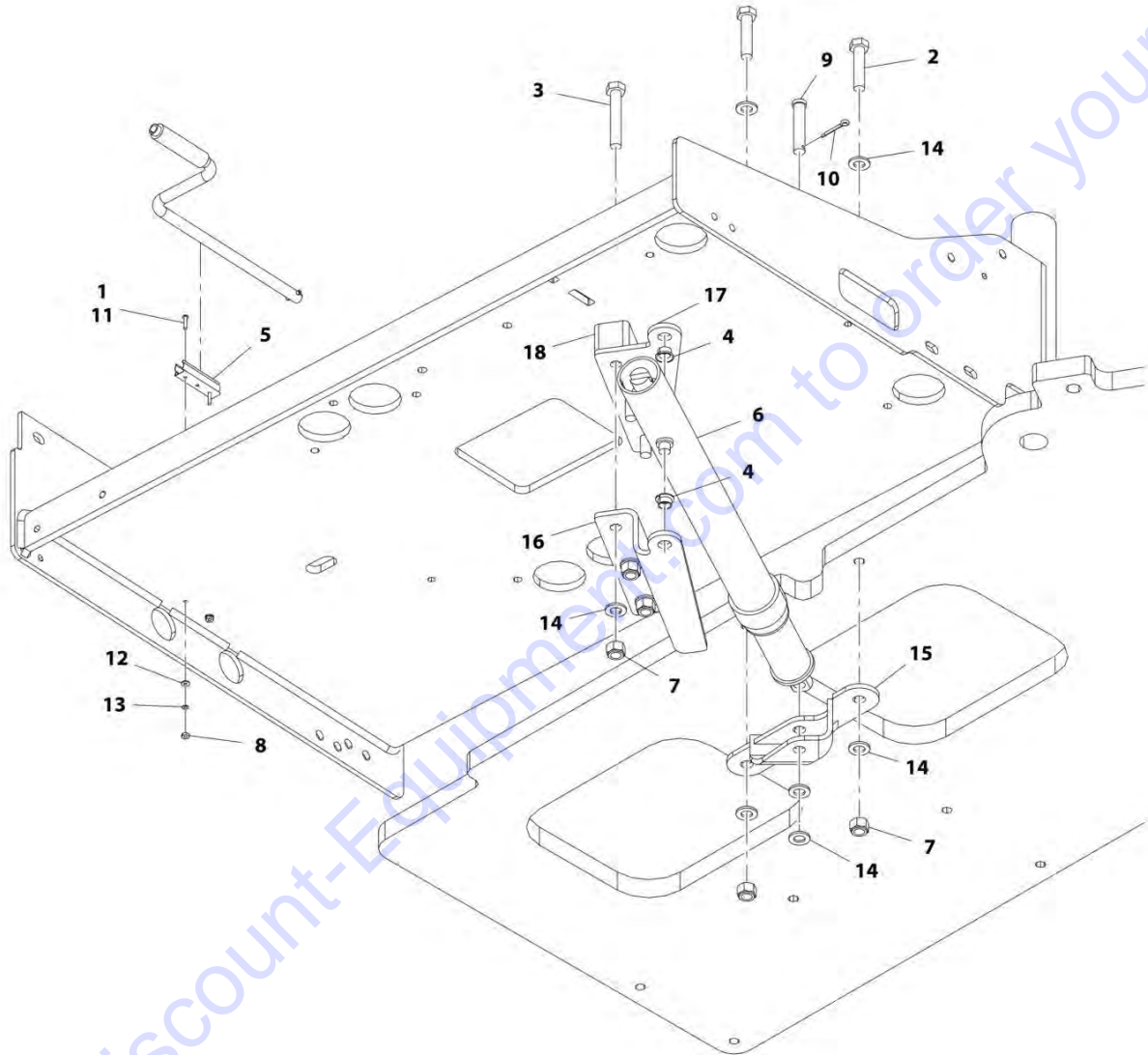
ITEM	PART NUMBER	QTY	DESCRIPTION	REV
	1001223454	Ref	STEEL HOOD ENGINE BAFFLE INSTALLATION	A
1	0760610	25	Bolt M6 x 20	
2	0760812	2	Bolt M8 x 25	
3	3290605	25	Nut, Lock M6 x 1	
4	3290805	2	Nut, Lock M8 x 1.25	
5	4811702	5	Washer M6	
6	1001167164	8	Plate, Support	
7	1001170663	1	Bracket	
8	1001170664	1	Seal	
9	1001223309	1	Seal	
10	1001223310	1	Seal	
11	1001223328	1	Bracket	

Go to Discount-Equipment.com to order your parts



# SECTION 3 - ENGINE

FIGURE 3-58. ENGINE TRAY JACK (SN 0300203771 to Present, SN E300000100 through E300007214)



ART\_1001164202

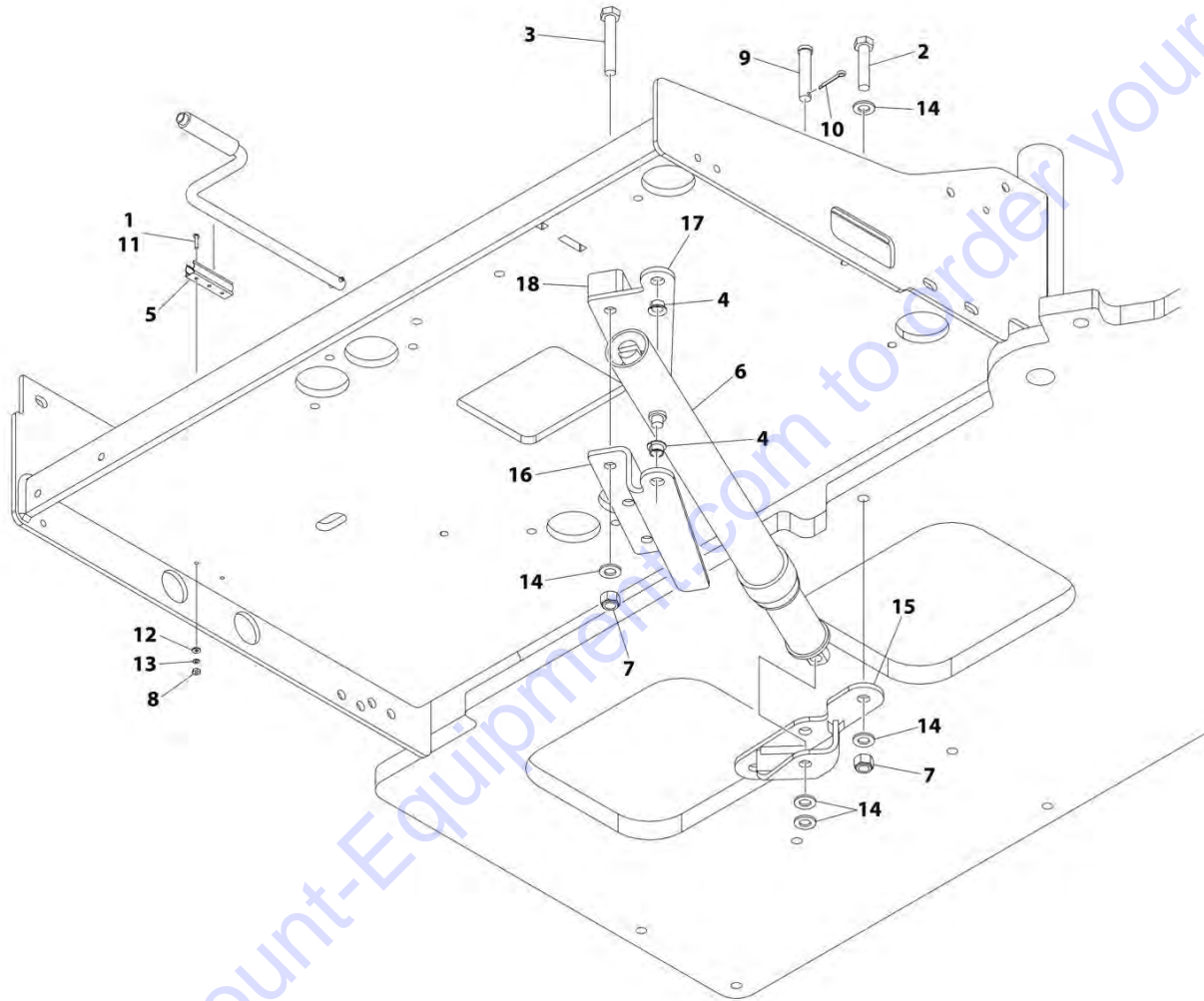
## SECTION 3 - ENGINE

**FIGURE 3-58. ENGINE TRAY JACK (SN 0300203771 to Present, SN E300000100 through E300007214)**

ITEM	PART NUMBER	QTY	DESCRIPTION	REV
	1001164202	Ref	ENGINE TRAY JACK	C
1	0100011	AR	Compound, Locking	
2	0701219	2	Bolt M12 x 55	
3	0701223	3	Bolt	
4	0962051	2	Bearing	
5	1380147	1	Clip	
6	2840016	1	Screw Jack Assembly	
6	7024598	1	Handle	
6	7016322	1	Wiper	
7	3291205	5	Nut M12	
8	3310601	2	Nut #6	
9	3430820	1	Pin, Clevis	
10	3450404	1	Pin, Cotter	
11	3910610	2	Screw 6 x 5/8	
12	4750600	2	Washer #6	
13	4770600	2	Washer #6	
14	4812100	9	Washer M12	
15	1001166894	1	Support, Engine Tray Jack	
16	1001175073	1	Support, Engine Tray Jack	
17	1001175074	1	Support, Engine Tray Jack	
18	1001175075	1	Shim	

# SECTION 3 - ENGINE

FIGURE 3-59. ENGINE TRAY JACK (SN E30007215 to Present)



ART\_1001243870

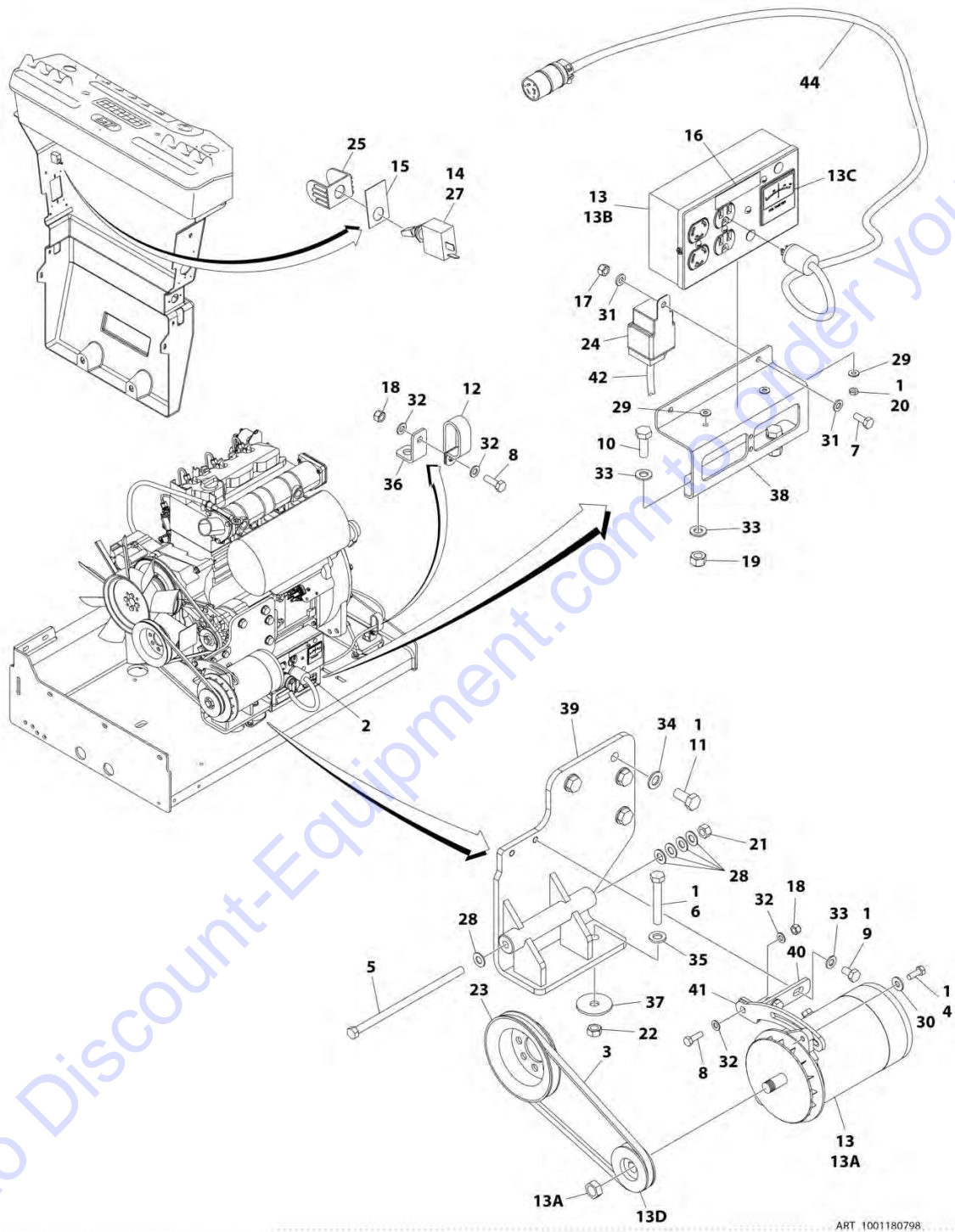
## SECTION 3 - ENGINE

**FIGURE 3-59. ENGINE TRAY JACK (SN E300007215 to Present)**

ITEM	PART NUMBER	QTY	DESCRIPTION	REV
	1001243870	Ref	ENGINE TRAY JACK	A
1	0100011	AR	Compound, Locking	
2	0701219	2	Bolt M12 x 55	
3	0701223	3	Bolt	
4	0962051	2	Bearing	
5	1380147	1	Clip	
6	2840016	1	Screw Jack Assembly	
6	7024598	1	Handle	
6	7016322	1	Wiper	
7	3291205	5	Nut M12 x 1.75	
8	3310601	2	Nut #6	
9	3430820	1	Pin, Clevis	
10	3450404	1	Pin, Cotter	
11	3910610	2	Screw 6 x 5/8	
12	4750600	2	Washer #6	
13	4770600	2	Washer #6	
14	4812100	9	Washer M12	
15	1001166894	1	Support, Engine Tray Jack	
16	1001175073	1	Support, Engine Tray Jack	
17	1001175074	1	Support, Engine Tray Jack	
18	1001243869	1	Shim	

# SECTION 3 - ENGINE

## FIGURE 3-60. GENERATOR INSTALLATION - 2500W/60HZ (DEUTZ D2011 ENGINE)



## SECTION 3 - ENGINE

**FIGURE 3-60. GENERATOR INSTALLATION - 2500W/60HZ (DEUTZ D2011 ENGINE)**

ITEM	PART NUMBER	QTY	DESCRIPTION	REV
	1001180798	Ref	GENERATOR INSTALLATION - 2500W/60HZ (DEUTZ D2011 ENGINE)	B
1	0100011	AR	Compound, Locking	
2	0100048	AR	Grease, Dielectric	
3	0480122	1	Belt	
4	0641507	1	Bolt 5/16 x 7/8	
5	0641772	1	Bolt 7/16 x 9	
6	0711224	1	Bolt M12 x 80 Grade 10.9	
7	0760608	1	Bolt M6 x 16	
8	0760812	2	Bolt M8 x 25	
9	0761009	2	Bolt M10 x 18	
10	0761014	2	Bolt M10 x 30	
11	0771414	4	Bolt M14 x 30 Grade 10.9	
12	1321716	1	Clamp	
13	2460055	1	Generator and Control Box Assembly	
13A	7012558	1	Generator	
	See Note	Ref	Note: Replacement Generators come standard with p/n 3580134 pulley. This pulley may not be correct for all applications. Refer to pulley options below.	
13A	7026199	1	Armature with Slip Rings	
13A	7012513	3	Cap, Brush Holder	
13A	7020108	4	Brush	
13A	7020109	4	Holder, Brush	
13A	7012514	1	Fan	
13A	7020110	1	Bell, Front	
13A	7020111	1	Bell, Rear	
13A	7020190	1	Bearing	
13B	7019680	1	Box, Control	
13B	4460190	1	Receptacle, Standard	
13B	4460027	1	Receptacle, Twistlock	
13B	4360542	1	Breaker, Circuit	
13B	3520028	1	Plug, Hole	
13B	4460961	1	Connector - 4 Position	
13B	4460705	4	Pin, Male	
13B	4460321	1	Connector - 4 Position (Note: Mate to p/n 4460961 Purchase Separately)	
13B	4460268	3	Socket, Female (Note: Mate to p/n 4460705 Purchase Separately)	
13C	2420203	1	Voltmeter	
13D	3580276	1	Pulley	
13D	7027887	1	Key, Woodruff	
14	2820031	AR	Heat Shrink	
15	See Note	1	Nameplate (Note: Not Available for Purchase)	
16	3251243	1	Nameplate 120V-60Hz	
17	3290605	1	Nut M6	
18	3290805	2	Nut M8	
19	3291005	2	Nut M10	
20	3311001	2	Nut #10	
21	3311705	1	Nut 7/16	
22	3331211	1	Nut M12	
23	3580158	1	Pulley	

## SECTION 3 - ENGINE

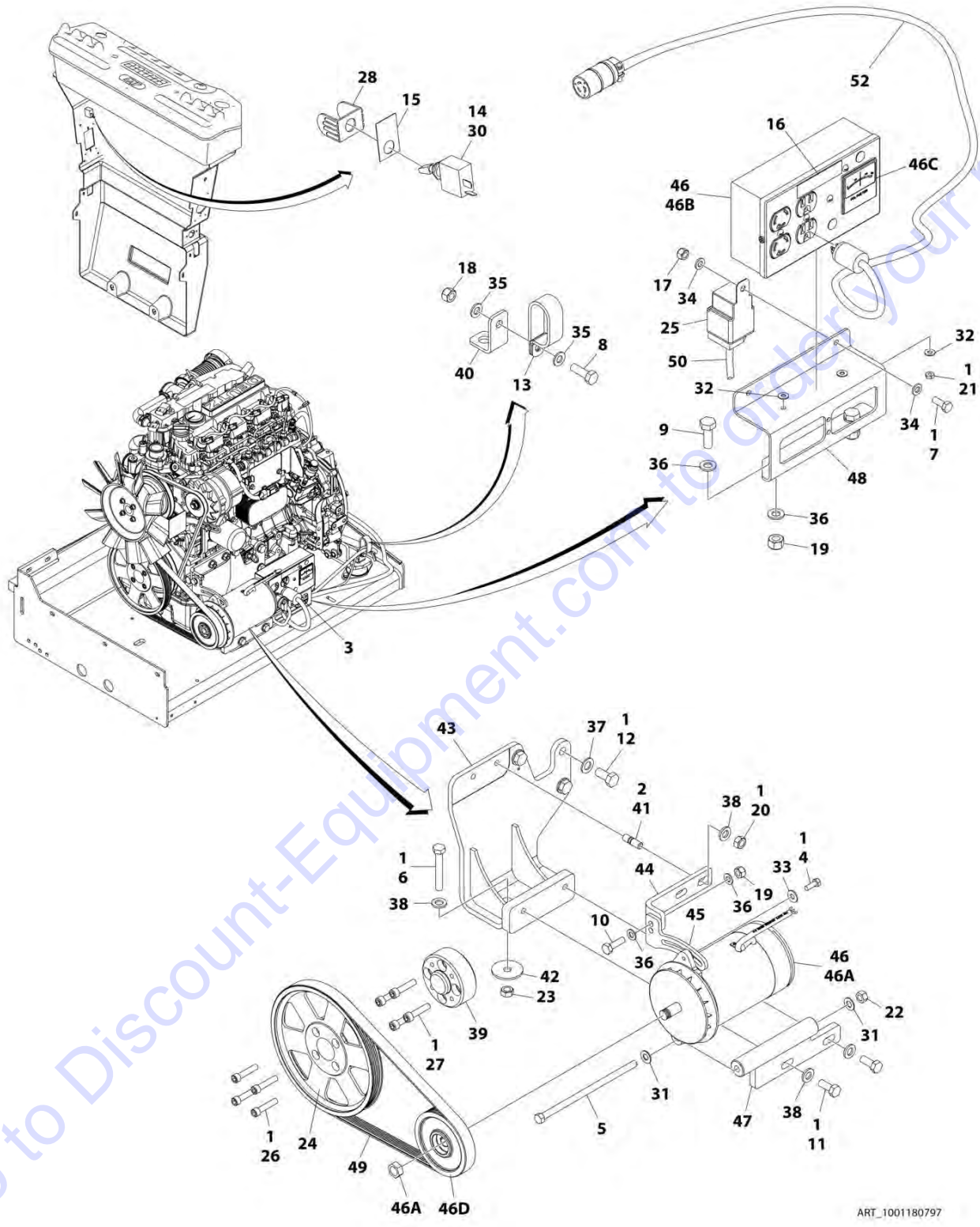
ITEM	PART NUMBER	QTY	DESCRIPTION	REV
24	3740080	1	Relay	
25	4060802	1	Guard, Switch	
26	4240099	AR	Tie-Strap (Not Shown)	
27	4360336	1	Switch, Toggle	
28	4711700	5	Washer 7/16	
29	4751000	4	Washer #10	
30	4751500	1	Washer 5/16	
31	4811700	2	Washer M6	
32	4811900	4	Washer M8	
33	4812000	6	Washer M10	
34	4812200	4	Washer M14	
35	5241200	1	Washer M12 Hardened	
36	1001148641	1	Bracket	
37	1001168018	1	Washer, Snubbing	
38	1001183477	1	Support	
39	1001184637	1	Mount, Engine	
40	1001184644	1	Support	
41	1001184645	1	Bracket	
42	1001187522	1	Harness, Generator (See ELECTRICAL SECTION for Breakdown)	
43	1001188731	1	Wiring Diagram (Not Shown - See ELECTRICAL SECTION for Breakdown)	
44	1001182296	1	Harness, Inverter	
44	1060494	10 ft/3.5m	Cable, Electrical - 12/3	
44	4460134	1	Receptacle, Female	
44	4460138	1	Plug, Male	





# SECTION 3 - ENGINE

## FIGURE 3-61. GENERATOR INSTALLATION - 2500W/60HZ (DEUTZ D2.9L4 ENGINE)



ART\_1001180797

## SECTION 3 - ENGINE

**FIGURE 3-61. GENERATOR INSTALLATION - 2500W/60HZ (DEUTZ D2.9L4 ENGINE)**

ITEM	PART NUMBER	QTY	DESCRIPTION	REV
	1001180797	Ref	GENERATOR INSTALLATION - 2500W/60HZ (DEUTZ D2.9L4 ENGINE)	D
1	0100011	AR	Compound, Locking	
2	0100019	AR	Compound, Locking	
3	0100048	AR	Grease, Dielectric	
4	0641507	1	Bolt 5/16 x 7/8	
5	0641772	1	Bolt 7/16 x 9	
6	0711224	1	Bolt M12 x 80 Grade 10.9	
7	0760608	1	Bolt M6 x 16	
8	0760812	1	Bolt M8 x 25	
9	0761014	2	Bolt M10 x 30	
10	0761015	1	Bolt M10 x 35	
11	0761214	2	Bolt M12 x 30	
12	0771414	3	Bolt M14 x 30 Grade 10.9	
13	1321716	1	Clamp	
14	2820031	AR	Heat Shrink	
15	See Note	1	Nameplate (Note: Not Available for Purchase)	
16	3251243	1	Nameplate 120V-60Hz	
17	3290605	1	Nut M6	
18	3290805	1	Nut M8	
19	3291005	3	Nut M10	
20	3291201	2	Nut M12	
21	3311001	2	Nut #10	
22	3311705	1	Nut 7/16	
23	3331211	1	Nut M12	
24	3580320	1	Pulley	
25	3740080	1	Relay	
26	3931628	4	Capscrew 3/8 x 1-3/4	
27	4032014	4	Bolt M10 x 50	
28	4060802	1	Guard, Switch	
29	4240099	AR	Tie-Strap (Not Shown)	
30	4360336	1	Switch, Toggle	
31	4711700	2	Washer 7/16	
32	4751000	4	Washer #10	
33	4751500	1	Washer 5/16	
34	4811700	2	Washer M6	
35	4811900	2	Washer M8	
36	4812000	AR	Washer M10	
37	4812200	3	Washer M14	
38	5241200	5	Washer M12 Hardened	
39	1001135679	1	Adapter	
40	1001148641	1	Bracket	
41	1001155041	2	Stud	
42	1001168018	1	Washer, Snubbing	
43	1001168207	1	Support	
44	1001179836	1	Mount, Upper Generator	
45	1001179837	1	Arm Adjustment	
46	1001180001	1	Generator	
46A	7026199	1	Armature with Slip Rings	
46A	7012513	3	Cap, Brush Holder	

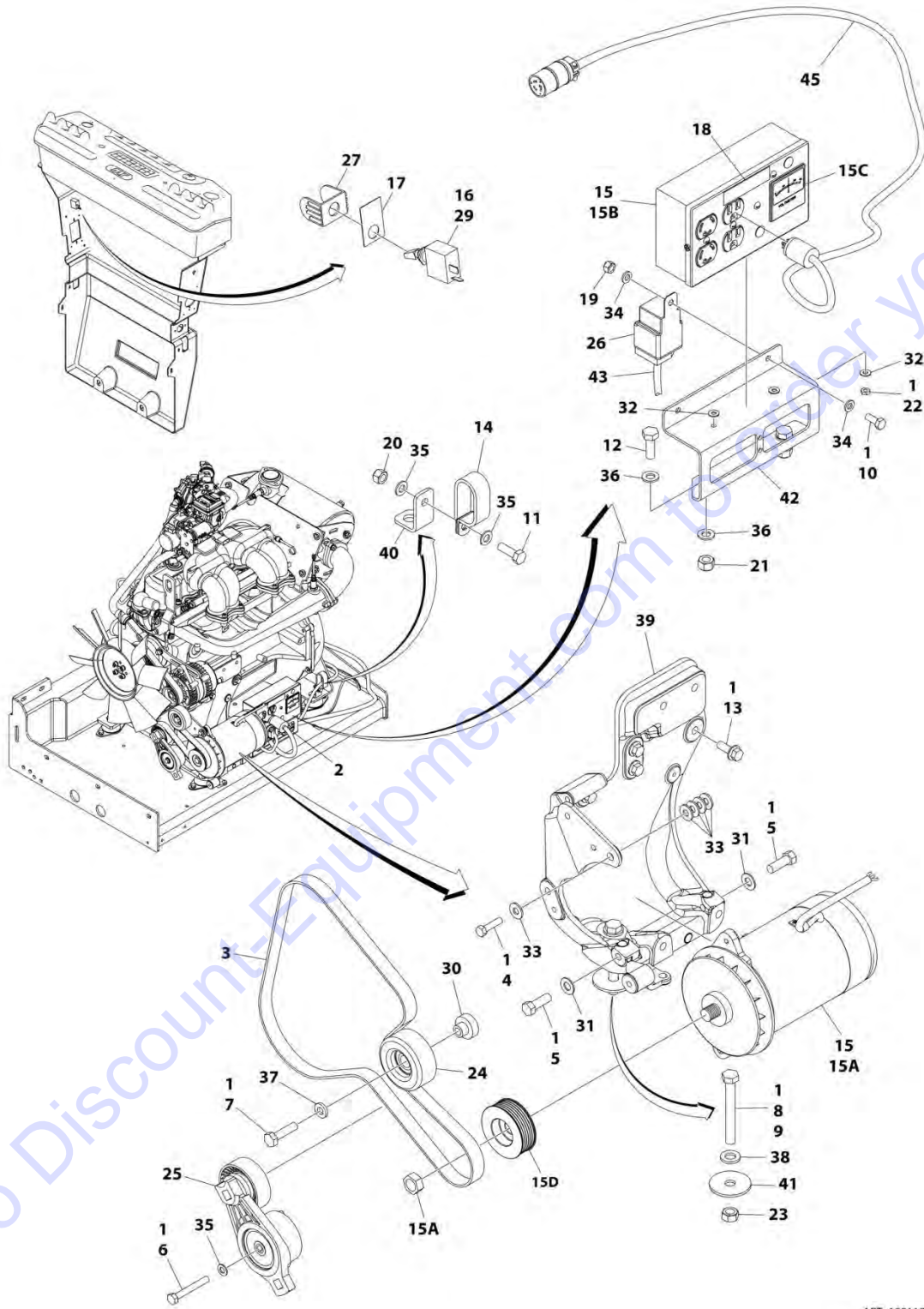
## SECTION 3 - ENGINE

ITEM	PART NUMBER	QTY	DESCRIPTION	REV
46A	7020108	4	Brush	
46A	7020109	4	Holder, Brush	
46A	7012514	1	Fan	
46A	7020110	1	Bell, Front	
46A	7020111	1	Bell, Rear	
46A	7020190	1	Bearing	
46B	7019680	1	Box, Control	
46B	4460190	1	Receptacle, Standard	
46B	4460027	1	Receptacle, Twistlock	
46B	4360542	1	Breaker, Circuit	
46B	3520028	1	Plug, Hole	
46B	4460961	1	Connector - 4 Position	
46B	4460705	4	Pin, Male	
46B	4460321	1	Connector - 4 Position (Note: Mate to p/n 4460961 Purchase Separately)	
46B	4460268	3	Socket, Female (Note: Mate to p/n 4460705 Purchase Separately)	
46C	2420203	1	Voltmeter	
46D	1001179893	1	Pulley	
46D	7027887	1	Key, Woodruff	
47	1001181243	1	Mount, Lower Generator	
48	1001183477	1	Support	
49	1001148138	1	Belt	
50	1001187522	1	Harness, Generator (See ELECTRICAL SECTION for Breakdown)	
51	1001188731	1	Wiring Diagram (Not Shown - See ELECTRICAL SECTION for Breakdown)	
52	1001182296	1	Harness, Inverter	
52	1060494	10 ft/3.5m	Cable, Electrical - 12/3	
52	4460134	1	Receptacle, Female	
52	4460138	1	Plug, Male	



# SECTION 3 - ENGINE

## FIGURE 3-62. GENERATOR INSTALLATION - 2500W/60HZ (GM ENGINE)



ART\_1001180800

## SECTION 3 - ENGINE

**FIGURE 3-62. GENERATOR INSTALLATION - 2500W/60HZ (GM ENGINE)**

ITEM	PART NUMBER	QTY	DESCRIPTION	REV
	1001180800	Ref	GENERATOR INSTALLATION - 2500W/60HZ (GM ENGINE)	B
1	0100011	AR	Compound, Locking	
2	0100048	AR	Grease, Dielectric	
3	0480142	1	Belt	
4	0641510	1	Bolt 5/16 x 1-1/4	
5	0641710	2	Bolt 7/16 x 1-1/4	
6	0700820	1	Bolt M8 x 60	
7	0701016	1	Bolt M10 x 40	
8	0711221	1	Bolt M12 x 65 Grade 10.9	
9	0711227	1	Bolt M12 x 100	
10	0760608	1	Bolt M6 x 16	
11	0760812	1	Bolt M8 x 25	
12	0761014	2	Bolt M10 x 30	
13	0811608	4	Screw 3/8 x 1	
14	1321716	1	Clamp	
15	2460051	1	Generator and Control Box Assembly	
15A	7012558	1	Generator - 110V/60Hz	
15A	7026199	1	Armature with Slip Rings	
15A	7012513	4	Cap, Brush Holder	
15A	7020108	4	Brush	
15A	7020109	4	Holder, Brush	
15A	7012514	1	Fan	
15A	7020110	1	Bell, Front	
15A	7020111	1	Bell, Rear	
15A	7020190	2	Bearing	
15B	7019680	1	Box, Control - 110V/60Hz	
15B	4460190	1	Receptacle, Standard (110V Only)	
15B	4460027	1	Receptacle, Twistlock (110V Only)	
15B	4360542	1	Breaker, Circuit	
15B	3520028	1	Plug, Hole	
15B	4460961	1	Connector - 4 Position	
15B	4460705	4	Pin, Male	
15B	4460321	1	Connector - 4 Position (Note: Mate to p/n 4460961 Purchase Separately)	
15B	4460268	3	Socket, Female (Note: Mate to p/n 4460705 Purchase Separately)	
15C	2420203	1	Voltmeter	
15D	3580324	1	Pulley	
15D	7027887	1	Key, Woodruff	
16	2820031	AR	Heat Shrink	
17	See Note	1	Nameplate (Note: Not Available for Purchase)	
18	3251243	1	Nameplate 120V-60Hz	
19	3290605	1	Nut M6	
20	3290805	1	Nut M8	
21	3291005	2	Nut M10	
22	3311001	2	Nut #10	
23	3331211	1	Nut M12	
24	3580312	1	Pulley	
25	3580348	1	Pulley	
26	3740080	1	Relay	
27	4060802	1	Guard, Switch	

## SECTION 3 - ENGINE

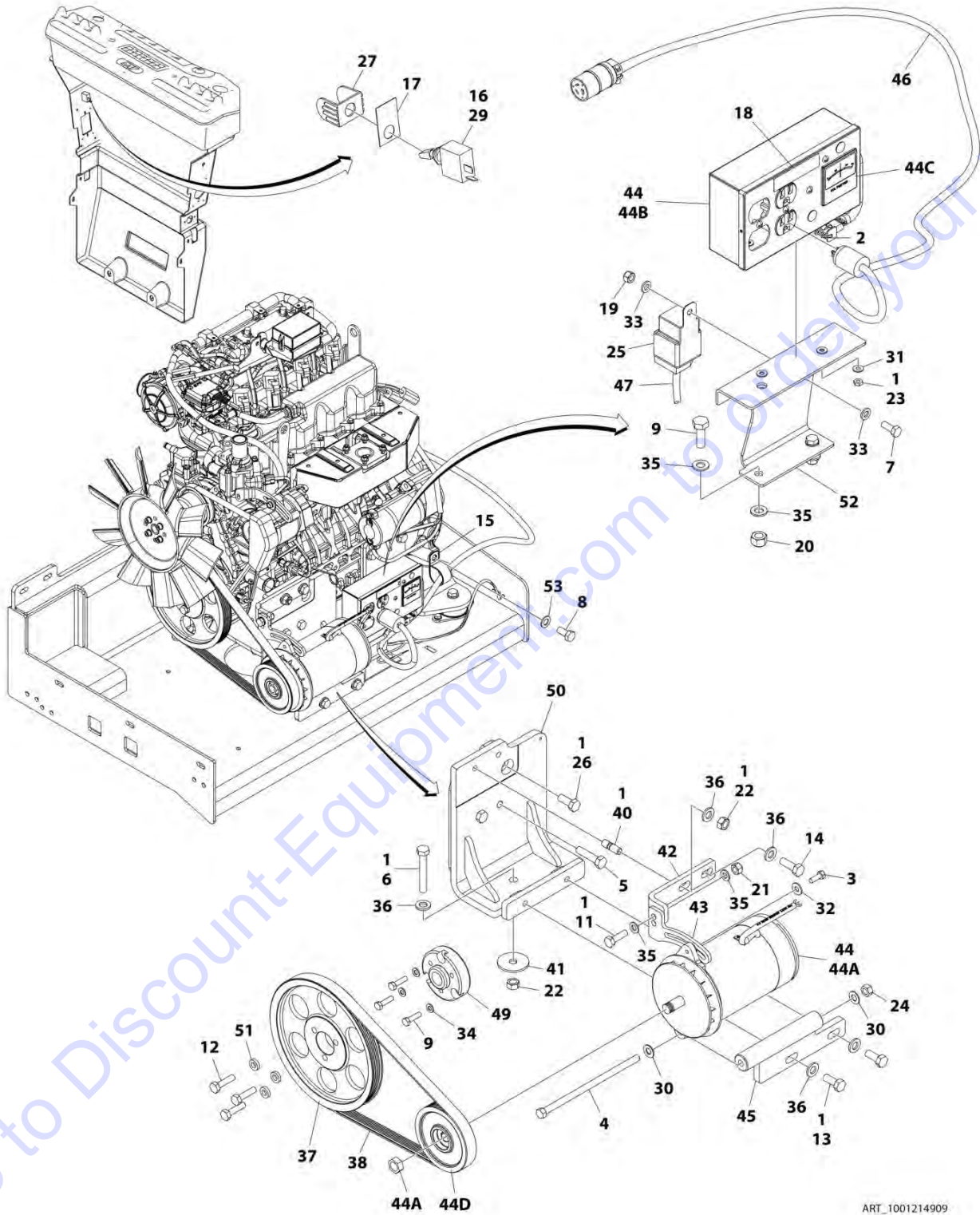
ITEM	PART NUMBER	QTY	DESCRIPTION	REV
28	4240099	AR	Tie-Strap (Not Shown)	
29	4360336	1	Switch, Toggle	
30	4568735	1	Spacer	
31	4711700	2	Washer 7/16	
32	4751000	4	Washer #10	
33	4751500	5	Washer 5/16	
34	4811700	2	Washer M6	
35	4811900	3	Washer M8	
36	4812000	4	Washer M10	
37	4891600	1	Washer 3/8	
38	5241200	1	Washer M12 Hardened	
39	1001141181	1	Support	
40	1001148641	1	Bracket	
41	1001168018	1	Washer, Snubbing	
42	1001183477	1	Support	
43	1001187522	1	Harness, Generator (See ELECTRICAL SECTION for Breakdown)	
44	1001188731	1	Wiring Diagram (Not Shown - See ELECTRICAL SECTION for Breakdown)	
45	1001182296	1	Harness, Inverter	
45	1060494	10 ft/3.5m	Cable, Electrical - 12/3	
45	4460134	1	Receptacle, Female	
45	4460138	1	Plug, Male	





# SECTION 3 - ENGINE

## FIGURE 3-63. GENERATOR INSTALLATION - 2500W/60HZ (KUBOTA ENGINE)



ART\_1001214909

## SECTION 3 - ENGINE

**FIGURE 3-63. GENERATOR INSTALLATION - 2500W/60HZ (KUBOTA ENGINE)**

ITEM	PART NUMBER	QTY	DESCRIPTION	REV
	1001214909	Ref	GENERATOR INSTALLATION - 2500W/60Hz (KUBOTA ENGINE)	D
1	0100011	AR	Compound, Locking	
2	0100048	AR	Grease, Dielectric	
3	0641507	1	Bolt 5/16 x 7/8	
4	0641772	1	Bolt 7/16 x 9	
5	1001217344	2	Bolt M12 x 50	
6	0711224	AR	Bolt M12 x 80 Grade 10.9	
6	0701224	AR	Bolt M12 x 80	
7	0760608	1	Bolt M6 x 16	
8	1001217345	1	Bolt M14 x 30	
9	0760814	5	Bolt M8 x 30	
11	0761015	1	Bolt M10 x 35	
12	0761016	3	Bolt M10 x 40	
13	0761214	2	Bolt M12 x 30	
14	0761215	1	Bolt M12 x 35	
15	84521061	1	Clamp	
16	2820031	AR	Heat Shrink	
17	See Note	1	Nameplate (Note: Not Available for Purchase)	
18	3251243	1	Nameplate 120V-60Hz	
19	3290605	1	Nut M6	
20	3290805	2	Nut M8	
21	3291005	1	Nut M10	
22	3291201	2	Nut M12	
23	3311001	2	Nut #10	
24	3311705	1	Nut 7/16	
25	3740080	1	Relay	
26	1001217342	1	Bolt M12 x 30	
27	4060802	1	Guard, Switch	
28	4240099	AR	Tie-Strap (Not Shown)	
29	4360336	1	Switch, Toggle	
30	4711700	2	Washer 7/16	
31	4751000	4	Washer #10	
32	4751500	1	Washer 5/16	
33	4811700	2	Washer M6	
34	4811900	5	Washer M8	
35	4812000	4	Washer M10	
36	5241200	1	Washer M12 Hardened	
37	1001147233	1	Pulley	
38	1001148138	1	Belt	
40	1001155041	1	Stud	
41	1001168018	1	Washer, Snubbing	
42	1001179836	1	Mount, Upper Generator	
43	1001179837	1	Arm Adjustment	
44	1001180001	1	Generator	
44A	7026199	1	Armature with Slip Rings	
44A	7012513	3	Cap, Brush Holder	
44A	7020108	4	Brush	
44A	7020109	4	Holder, Brush	
44A	7012514	1	Fan	
44A	7020110	1	Bell, Front	

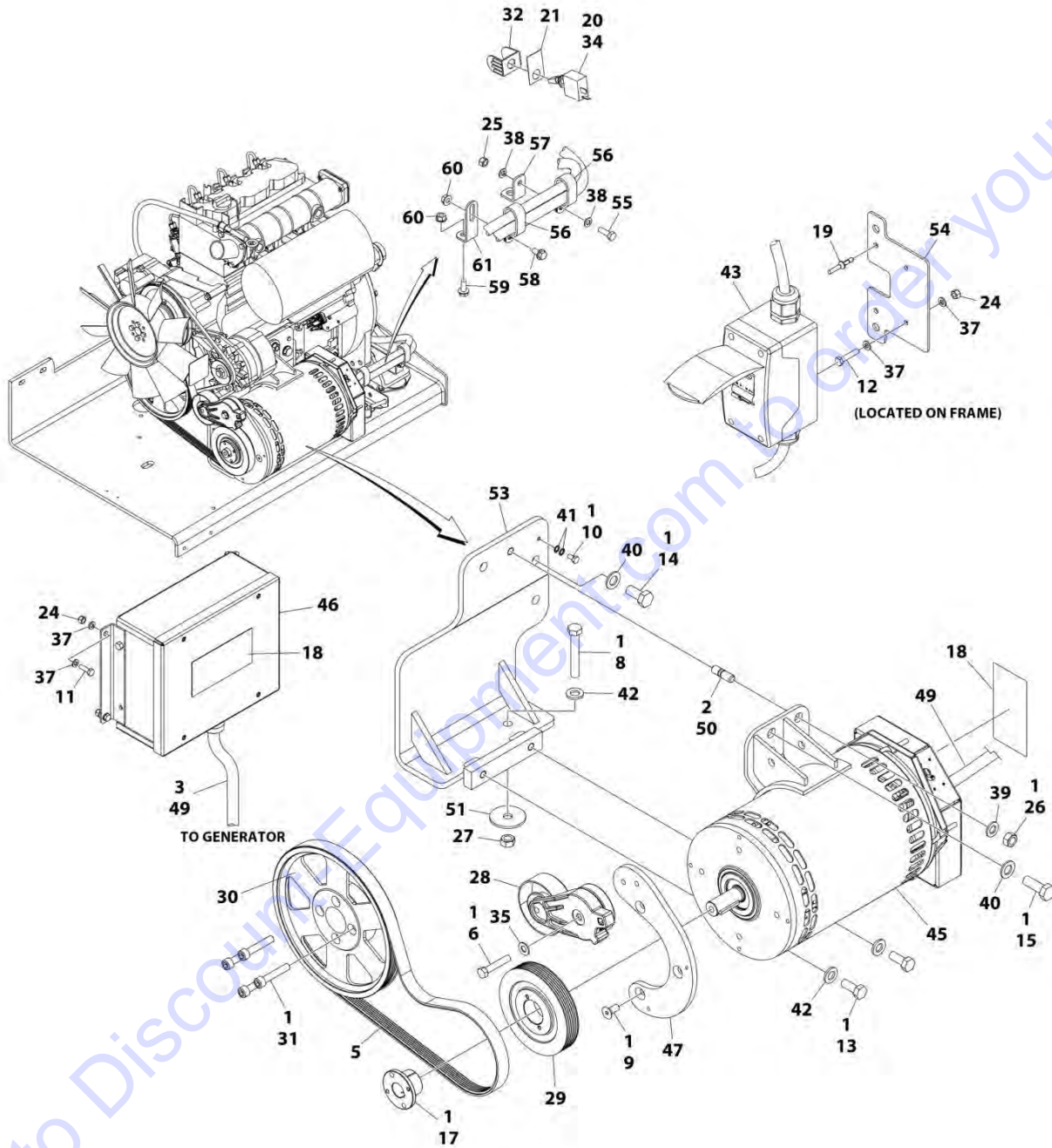
## SECTION 3 - ENGINE

ITEM	PART NUMBER	QTY	DESCRIPTION	REV
44A	7020111	1	Bell, Rear	
44A	7020190	1	Bearing	
44B	7019680	1	Box, Control	
44B	4460190	1	Receptacle, Standard	
44B	4460027	1	Receptacle, Twistlock	
44B	4360542	1	Breaker, Circuit	
44B	3520028	1	Plug, Hole	
44B	4460961	1	Connector - 4 Position	
44B	4460705	4	Pin, Male	
44B	4460321	1	Connector - 4 Position (Note: Mate to p/n 4460961 Purchase Separately)	
44B	4460268	3	Socket, Female (Note: Mate to p/n 4460705 Purchase Separately)	
44C	2420203	1	Voltmeter	
44D	1001179893	1	Pulley	
44D	7027887	1	Key, Woodruff	
45	1001181243	1	Mount, Lower Generator	
46	1001182296	1	Harness, Inverter	
46	1060494	10 ft/ 3.5m	Cable, Electrical - 12/3	
46	4460134	1	Receptacle, Female	
46	4460138	1	Plug, Male	
47	1001187522	1	Harness, Generator (See ELECTRICAL SECTION for Breakdown)	
48	1001188731	1	Wiring Diagram (Not Shown - See ELECTRICAL SECTION for Breakdown)	
49	1001213029	1	Adapter, Pulley	
50	1001214546	1	Support	
51	1001216805	1	Spacer	
52	1001216840	1	Support	
53	4812200	1	Washer M14	



# SECTION 3 - ENGINE

## FIGURE 3-64. GENERATOR INSTALLATION - 4000W/50HZ (DEUTZ D2011 ENGINE)



ART\_1001173984

## SECTION 3 - ENGINE

**FIGURE 3-64. GENERATOR INSTALLATION - 4000W/50HZ (DEUTZ D2011 ENGINE)**

ITEM	PART NUMBER	QTY	DESCRIPTION	REV
	1001173984	Ref	GENERATOR INSTALLATION - 4000W/50HZ (DEUTZ D2011 ENGINE)	G
1	0100011	AR	Compound, Locking	
2	0100019	AR	Compound, Locking	
3	0100048	AR	Grease, Dielectric	
4	0100079	AR	Sealant (Not Shown)	
5	0480126	1	Belt	
6	0641616	1	Bolt 3/8 x 2	
8	0711224	1	Bolt M12 x 80 Grade 10.9	
9	0741607	3	Screw 3/8 x 7/8	
10	0760606	1	Bolt M6 x 12	
11	0760610	4	Bolt M6 x 20	
12	0760614	2	Bolt M6 x 30	
13	0761214	2	Bolt M12 x 30	
14	0771414	2	Bolt M14 x 30 Grade 10.9	
15	0771416	1	Bolt M14 x 40	
17	0962520	1	Bushing	
18	1705489	AR	Decal - Hazardous Voltage	
19	2080040	2	Fastener, Huck	
20	2820031	AR	Heat Shrink	
21	See Note	1	Nameplate (Note: Not Available for Purchase)	
24	3290605	6	Nut M6	
25	3290805	AR	Nut M8	
26	3291201	1	Nut M12	
27	3331211	1	Nut M12	
28	3580317	1	Pulley	
29	3580319	1	Pulley	
30	3580320	1	Pulley	
31	4032015	4	Bolt M10 x 55	
32	4060802	1	Guard, Switch	
33	4240099	AR	Tie-Strap (Not Shown)	
34	4360336	1	Switch, Toggle	
35	4711600	1	Washer 3/8	
37	4811700	12	Washer M6	
38	4811900	AR	Washer M8	
39	4812100	1	Washer M12	
40	4812200	3	Washer M14	
41	4871700	2	Washer M6	
42	5241200	3	Washer M12 Hardened	
43	1001096070	1	Breaker Box Kit (50Hz) (See ELECTRICAL SECTION for Breakdown)	
45	1001138565	1	Generator Assembly	
45	70003709	1	Ring, Retaining (External)	
45	70003708	1	Ring, Retaining (Internal)	
45	70001966	1	Bearing	
45	70004092	1	Endbell (Shaft End)	
45	70004171	1	Key	
45	70004676	1	Rotor	
45	70004677	1	Stator	
45	70004678	1	Endbell (Rear)	

## SECTION 3 - ENGINE

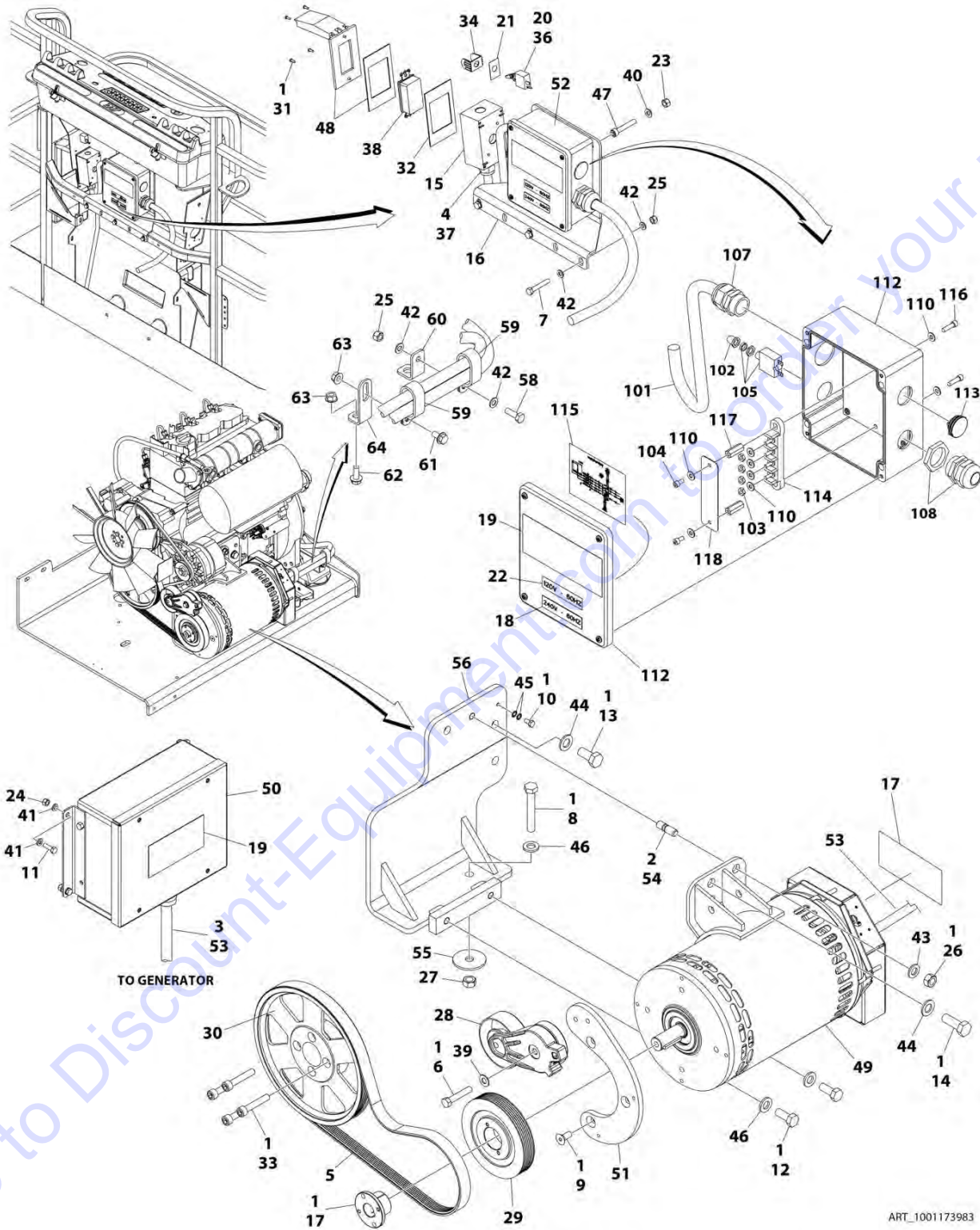
ITEM	PART NUMBER	QTY	DESCRIPTION	REV
45	70004679	1	Cover, Endbell (Rear)	
45	70004680	1	Enclosure, Wiring	
45	70004681	1	Cover, Enclosure	
45	70004682	1	Switch, Reset (Located on Enclosure Cover)	
45	70004683	1	Connector, Strain Relief (Located on Enclosure Cover)	
46	1001138566	1	Box, Control	
47	1001139357	1	Mount, Tensioner	
49	1001152532	1	Harness, Generator (See ELECTRICAL SECTION for Breakdown)	
50	1001196382	1	Stud	
51	1001168018	1	Washer, Snubbing	
53	1001173925	1	Mount	
54	1001174158	1	Mount	
55	0760812	1	Bolt M8 x 25	
56	1321716	AR	Clamp	
57	1001148641	1	Bracket	
58	5250808	AR	Bolt M8 x 16	
59	5250810	AR	Bolt M8 x 20	
60	5260800	AR	Nut M8	
61	1001223122	1	Support (SN 0300226844 to Present, SN E300004186 to Present, SN 1300007289 through 1300007393)	





# SECTION 3 - ENGINE

## FIGURE 3-65. GENERATOR INSTALLATION - 4000W/60HZ (DEUTZ D2011 ENGINE)



ART\_1001173983

## SECTION 3 - ENGINE

**FIGURE 3-65. GENERATOR INSTALLATION - 4000W/60HZ (DEUTZ D2011 ENGINE)**

ITEM	PART NUMBER	QTY	DESCRIPTION	REV
	1001173983	Ref	GENERATOR INSTALLATION - 4000W/60HZ (DEUTZ D2011 ENGINE)	E
1	0100011	AR	Compound, Locking	
2	0100019	AR	Compound, Locking	
3	0100048	AR	Grease, Dielectric	
4	0100079	AR	Sealant	
5	0480128	1	Belt	
6	0641616	1	Bolt 3/8 x 2	
7	0700818	3	Bolt M8 x 50	
8	0711224	1	Bolt M12 x 80 Grade 10.9	
9	0741607	3	Screw 3/8 x 7/8	
10	0760606	1	Bolt M6 x 12	
11	0760610	4	Bolt M6 x 20	
12	0761214	2	Bolt M12 x 30	
13	0771414	2	Bolt M14 x 30 Grade 10.9	
14	0771416	1	Bolt M14 x 40	
15	0860038	1	Box, Switch	
16	0902888	1	Bracket	
17	0962520	1	Bushing	
18	1705374	1	Decal - 240V-60Hz	
19	1705387	3	Decal - Hazardous Voltage	
20	2820031	AR	<b>Heat Shrink</b>	
21	See Note	1	Nameplate (Note: Not Available for Purchase)	
22	3251243	1	Nameplate 120V-60Hz	
23	3290505	4	Nut M5	
24	3290605	4	Nut M6	
25	3290805	4	Nut M8	
26	3291201	2	Nut M12	
27	3331211	1	Nut M12	
28	3580317	1	Pulley	
29	3580318	1	Pulley	
30	3580320	1	Pulley	
31	3910606	4	Screw #6 x 3/8	
32	3960422	1	Gasket	
33	4032015	4	Bolt M10 x 55	
34	4060802	1	Guard, Switch	
35	4240099	AR	Tie-Strap (Not Shown)	
36	4360336	1	Switch, Toggle	
37	4460071	1	Connector, Strain Relief	
38	4460346	1	Receptacle	
39	4711600	1	Washer 3/8	
40	4811600	4	Washer M5	
41	4811700	8	Washer M6	
42	4811900	8	Washer M8	
43	4812100	1	Washer M12	
44	4812200	3	Washer M14	
45	4871700	2	Washer M6	
46	5241200	3	Washer M12 Hardened	
47	1001104029	4	Screw M5 x 30	
48	1001110873	1	Shield, Cover	

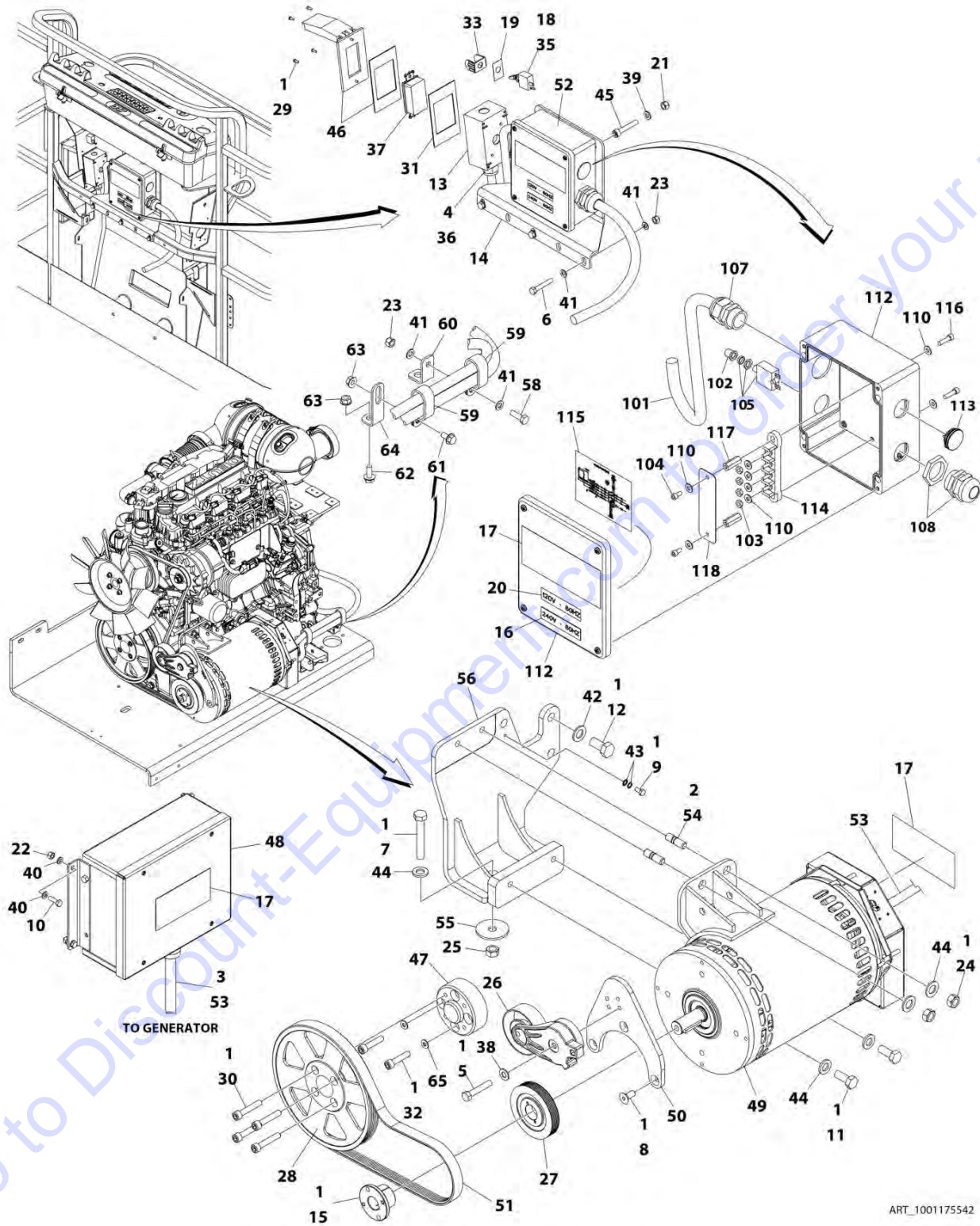
## SECTION 3 - ENGINE

ITEM	PART NUMBER	QTY	DESCRIPTION	REV
49	1001129858	1	Generator	
49	70003709	1	Ring, Retaining (External)	
49	70003708	1	Ring, Retaining (Internal)	
49	70001966	1	Bearing	
49	70004092	1	Endbell (Shaft End)	
49	70004171	1	Key	
49	70004676	1	Rotor	
49	70004684	1	Stator	
49	70004678	1	Endbell (Rear)	
49	70004679	1	Cover, Endbell (Rear)	
49	70004680	1	Enclosure, Wiring	
49	70004685	1	Cover, Enclosure	
49	70004682	1	Switch, Reset (Located on Enclosure Cover)	
49	70004098	1	Connector, Strain Relief (Located on Enclosure Cover)	
50	1001138566	1	Box, Control	
51	1001139357	1	Mount, Tensioner	
52	1001152457	1	Generator Junction Box Assembly (See Items 101-118 for Breakdown)	
53	1001152532	1	Harness, Generator (See ELECTRICAL SECTION for Breakdown)	
54	1001196382	1	Stud	
55	1001168018	1	Washer, Snubbing	
56	1001173925	1	Mount	
57	1001175631	1	Wiring Diagram (See ELECTRICAL SECTION for Breakdown) (SN 0300203771 through 0300208696)	
58	0760812	1	Bolt M8 x 25	
59	1321716	AR	Clamp	
60	1001148641	1	Bracket	
61	5250808	AR	Bolt M8 x 16	
62	5250810	AR	Bolt M8 x 20	
63	5260800	AR	Nut M8	
64	1001223122	1	Support (SN 0300226844 to Present, SN E300004186 to Present, SN 1300007289 through 1300007393)	
	1001152457	Ref	GENERATOR JUNCTION BOX COMPONENTS	
101	1001179154	2.5 ft/ 0.8m	Cable, Electrical - 12/3	
102	3300396	1	Cover, Breaker	
103	3311001	4	Nut #10	
104	3900300	2	Screw	
105	4360070	1	Breaker, Circuit - 15Amp	
107	4460425	1	Connector, Strain Relief (LH Side)	
108	4460426	1	Connector, Strain Relief (RH Side)	
110	4711000	8	Washer #10	
112	1001152456	1	Box, Junction	
113	1001152525	1	Plug	
114	1001152530	1	Terminal, Block	
115	1001153260	1	Decal - Wiring Diagram	
116	3900267	2	Screw	
117	1001158008	2	Stand-Off	
118	1001158363	1	Cover, Terminal Block	



# SECTION 3 - ENGINE

## FIGURE 3-66. GENERATOR INSTALLATION - 4000W/60HZ (DEUTZ D2.9L4 ENGINE)



ART\_1001175542

## SECTION 3 - ENGINE

**FIGURE 3-66. GENERATOR INSTALLATION - 4000W/60HZ (DEUTZ D2.9L4 ENGINE)**

ITEM	PART NUMBER	QTY	DESCRIPTION	REV
	1001175542	Ref	GENERATOR INSTALLATION - 4000W/60HZ (DEUTZ D2.9L4 ENGINE)	H
1	0100011	AR	Compound, Locking	
2	0100019	AR	Compound, Locking	
3	0100048	AR	Grease, Dielectric	
4	0100079	AR	Sealant	
5	0641616	1	Bolt 3/8 x 2	
6	0700818	3	Bolt M8 x 50	
7	0711224	1	Bolt M12 x 80 Grade 10.9	
8	0741607	3	Screw 3/8 x 7/8	
9	0760606	1	Bolt M6 x 12	
10	0760610	4	Bolt M6 x 20	
11	0761212	2	Bolt M12 x 25	
12	0771414	3	Bolt M14 x 30 Grade 10.9	
13	0860038	1	Box, Switch	
14	0902888	1	Bracket	
15	0962520	1	Bushing	
16	1705374	1	Decal - 240V-60Hz	
17	1705387	3	Decal - Hazardous Voltage	
18	2820031	AR	Heat Shrink	
19	See Note	1	Nameplate (Note: Not Available for Purchase)	
20	3251243	1	Nameplate 120V-60Hz	
21	3290505	4	Nut M5	
22	3290605	4	Nut M6	
23	3290805	4	Nut M8	
24	3291201	2	Nut M12	
25	3331211	1	Nut M12	
26	3580317	1	Pulley	
27	3580318	1	Pulley	
28	3580320	1	Pulley	
29	3910606	4	Screw #6 x 3/8	
30	3931628	4	Capscrew 3/8 x 1-3/4	
31	3960422	1	Gasket	
32	4032014	AR	Capscrew M10 x 50	
33	4060802	1	Guard, Switch	
34	4240099	AR	Tie-Strap (Not Shown)	
35	4360336	1	Switch, Toggle	
36	4460071	1	Connector, Strain Relief	
37	4460346	1	Receptacle	
38	4711600	1	Washer 3/8	
39	4811600	4	Washer M5	
40	4811700	8	Washer M6	
41	4811900	8	Washer M8	
42	4812200	3	Washer M14	
43	4871700	2	Washer M6	
44	5241200	5	Washer M12 Hardened	
45	1001104029	4	Screw M5 x 30	
46	1001110873	1	Shield, Cover	
47	1001135679	1	Adapter	
48	1001138566	1	Box, Control	

## SECTION 3 - ENGINE

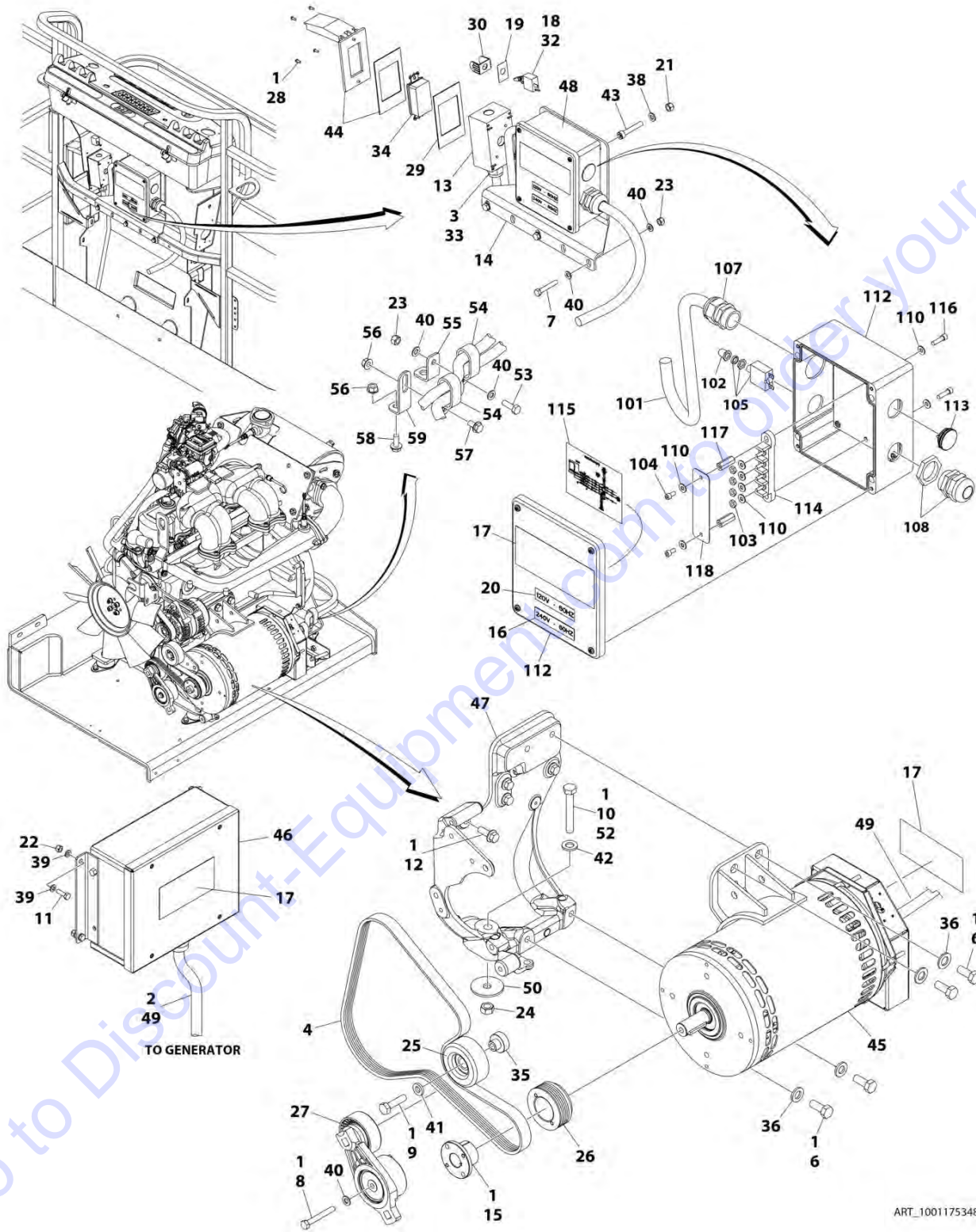
ITEM	PART NUMBER	QTY	DESCRIPTION	REV
49	1001140346	1	Generator Assembly	
49	70003709	1	Ring, Retaining (External)	
49	70003708	1	Ring, Retaining (Internal)	
49	70001966	1	Bearing	
49	70004092	1	Endbell (Shaft End)	
49	70004099	1	Key	
49	70004676	1	Rotor	
49	70004687	1	Stator	
49	70004678	1	Endbell (Rear)	
49	70004679	1	Cover, Endbell (Rear)	
49	70004680	1	Enclosure, Wiring	
49	70004685	1	Cover, Enclosure	
49	70004682	1	Switch, Reset (Located on Enclosure Cover)	
49	70004098	1	Connector, Strain Relief (Located on Enclosure Cover)	
50	1001142643	1	Support	
51	1001142646	1	Belt	
52	1001152457	1	Generator Junction Box Assembly (See Items 101-118 for Breakdown)	
53	1001152532	1	Harness, Generator (See ELECTRICAL SECTION for Breakdown)	
54	1001196382	2	Stud	
55	1001168018	1	Washer, Snubbing	
56	1001168207	1	Support	
57	1001175631	1	Wiring Diagram (Not Shown - See ELECTRICAL SECTION for Breakdown) (SN 0300203771 through 0300208696)	
58	0760812	1	Bolt M8 x 25	
59	1321716	AR	Clamp	
60	1001148641	1	Bracket	
61	5250808	AR	Bolt M8 x 16	
62	5250810	AR	Bolt M8 x 20	
63	5260800	AR	Nut M8	
64	1001223122	1	Support (SN 0300226844 to Present, SN E300004186 to Present, SN 1300007289 through 1300007393)	
65	4812000	AR	Washer M10	
	1001152457	Ref	GENERATOR JUNCTION BOX COMPONENTS	
101	1001179154	2.5 ft/ 0.8m	Cable, Electrical - 12/3	
102	3300396	1	Cover, Breaker	
103	3311001	4	Nut #10	
104	3900300	2	Screw	
105	4360070	1	Breaker, Circuit - 15Amp	
107	4460425	1	Connector, Strain Relief (LH Side)	
108	4460426	1	Connector, Strain Relief (RH Side)	
110	4711000	8	Washer #10	
112	1001152456	1	Box, Junction	
113	1001152525	1	Plug	
114	1001152530	1	Terminal, Block	
115	1001153260	1	Decal - Wiring Diagram	
116	3900267	2	Screw	
117	1001158008	2	Stand-Off	
118	1001158363	1	Cover, Terminal Block	





# SECTION 3 - ENGINE

## FIGURE 3-67. GENERATOR INSTALLATION - 4000W/60HZ (GM ENGINE)



## SECTION 3 - ENGINE

**FIGURE 3-67. GENERATOR INSTALLATION - 4000W/60HZ (GM ENGINE)**

ITEM	PART NUMBER	QTY	DESCRIPTION	REV
	1001175348	Ref	GENERATOR INSTALLATION - 4000W/60HZ (GM ENGINE)	E
1	0100011	AR	Compound, Locking	
2	0100048	AR	Grease, Dielectric	
3	0100079	AR	Sealant	
4	0480142	1	Belt	
6	0641808	4	Bolt 1/2 x 1	
7	0700818	3	Bolt M8 x 50	
8	0700820	1	Bolt M8 x 60	
9	0701016	1	Bolt M10 x 40	
10	0711227	1	Bolt M12 x 100	
11	0760610	4	Bolt M6 x 20	
12	0811608	4	Screw 3/8 x 1	
13	0860038	1	Box, Switch	
14	0902888	1	Bracket	
15	0962520	1	Bushing	
16	1705374	1	Decal - 240V-60Hz	
17	1705387	3	Decal - Hazardous Voltage	
18	2820031	AR	Heat Shrink	
19	See Note	1	Nameplate (Note: Not Available for Purchase)	
20	3251243	1	Nameplate 120V-60Hz	
21	3290505	4	Nut M5	
22	3290605	4	Nut M6	
23	3290805	4	Nut M8	
24	3331211	1	Nut M12	
25	3580312	1	Pulley	
26	3580314	1	Pulley	
27	3580348	1	Pulley	
28	3910606	4	Screw #6 x 3/8	
29	3960422	1	Gasket	
30	4060802	1	Guard, Switch	
31	4240099	AR	Tie-Strap (Not Shown)	
32	4360336	1	Switch, Toggle	
33	4460071	1	Connector, Strain Relief	
34	4460346	1	Receptacle	
35	4568735	1	Spacer	
36	4711800	4	Washer 1/2	
38	4811600	4	Washer M5	
39	4811700	8	Washer M6	
40	4811900	9	Washer M8	
41	4891600	1	Washer 3/8	
42	5241200	1	Washer M12 Hardened	
43	1001104029	4	Screw M5 x 30	
44	1001110873	1	Shield, Cover	
45	1001129858	1	Generator	
45	70003709	1	Ring, Retaining (External)	
45	70003708	1	Ring, Retaining (Internal)	
45	70001966	1	Bearing	
45	70004092	1	Endbell (Shaft End)	
45	70004171	1	Key	
45	70004676	1	Rotor	

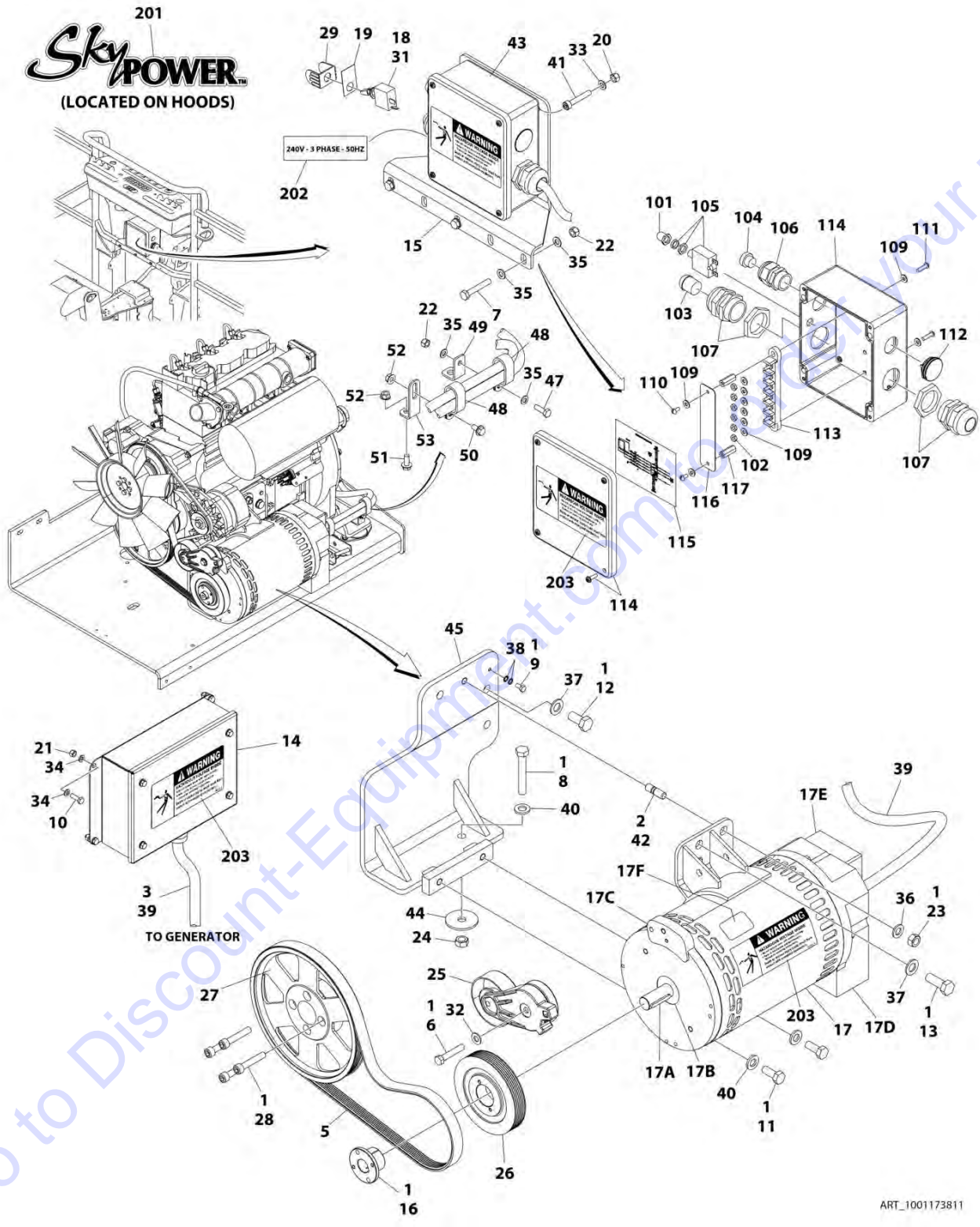
## SECTION 3 - ENGINE

ITEM	PART NUMBER	QTY	DESCRIPTION	REV
45	70004684	1	Stator	
45	70004678	1	Endbell (Rear)	
45	70004679	1	Cover, Endbell (Rear)	
45	70004680	1	Enclosure, Wiring	
45	70004685	1	Cover, Enclosure	
45	70004682	1	Switch, Reset (Located on Enclosure Cover)	
45	70004098	1	Connector, Strain Relief (Located on Enclosure Cover)	
46	1001138566	1	Box, Control	
47	1001141181	1	Support	
48	1001152457	1	Generator Junction Box Assembly (See Items 101-118 for Breakdown)	
49	1001152532	1	Harness, Generator (See ELECTRICAL SECTION for Breakdown)	
50	1001168018	1	Washer, Snubbing	
51	1001175631	1	Wiring Diagram (Not Shown - See ELECTRICAL SECTION for Breakdown) <b>(SN 0300203771 through 0300208696)</b>	
52	0711221	1	Bolt M12 x 65 Grade 10.9	
53	0760812	1	Bolt M8 x 25	
54	1321716	AR	Clamp	
55	1001148641	1	Bracket	
56	5260800	AR	Nut M8	
57	5250808	AR	Bolt M8 x 16	
58	5250810	AR	Bolt M8 x 20	
59	1001223122	1	Support <b>(SN 0300226844 to Present)</b>	
	1001152457	Ref	GENERATOR JUNCTION BOX COMPONENTS	
101	1001179154	2.5 ft/ 0.8m	Cable, Electrical - 12/3	
102	3300396	1	Cover, Breaker	
103	3311001	4	Nut #10	
104	3900300	2	Screw	
105	4360070	1	Breaker, Circuit - 15Amp	
107	4460425	1	Connector, Strain Relief (LH Side)	
108	4460426	1	Connector, Strain Relief (RH Side)	
110	4711000	8	Washer #10	
112	1001152456	1	Box, Junction	
113	1001152525	1	Plug	
114	1001152530	1	Terminal, Block	
115	1001153260	1	Decal - Wiring Diagram	
116	3900267	2	Screw	
117	1001158008	2	Stand-Off	
118	1001158363	1	Cover, Terminal Block	



# SECTION 3 - ENGINE

## FIGURE 3-68. GENERATOR INSTALLATION - 7500W/50HZ (DEUTZ D2011 ENGINE)



ART\_1001173811

## SECTION 3 - ENGINE

**FIGURE 3-68. GENERATOR INSTALLATION - 7500W/50HZ (DEUTZ D2011 ENGINE)**

ITEM	PART NUMBER	QTY	DESCRIPTION	REV
	1001173811	Ref	GENERATOR INSTALLATION - 7500W/50HZ (DEUTZ D2011 ENGINE)	E
1	0100011	AR	Compound, Locking	
2	0100019	AR	Compound, Locking	
3	0100048	AR	Grease, Dielectric	
4	0100079	AR	Sealant (Not Shown)	
5	0480126	1	Belt	
6	0641616	1	Bolt 3/8 x 2	
7	0700818	3	Bolt M8 x 50	
8	0711224	1	Bolt M12 x 80 Grade 10.9	
9	0760606	1	Bolt M6 x 12	
10	0760610	4	Bolt M6 x 20	
11	0761214	2	Bolt M12 x 30	
12	0771414	2	Bolt M14 x 30 Grade 10.9	
13	0771416	1	Bolt M14 x 40	
14	0861572	1	Control Box Assembly	
14	7024488	1	Card, Circuit - Generator Power	
14	See Note	NSS	Fuse (Note: Not Available - Purchase Locally)	
14	7024489	1	Card, Circuit - Control	
14	70000619	1	Harness, Control Box (Internal)	
15	0902888	1	Bracket	
16	0962520	1	Bushing	
17	2460048	1	Generator Assembly	
17	70001100	1	Rotor (Includes p/n 70001384 & 70000863) (Not Shown)	
17	70001384	1	Bearing, Ball Radial (Not Shown)	
17	70000863	1	Fan (Not Shown)	
17	70002088	1	Stator (Not Shown)	
17	70002297	1	Stud	
17	70003631	1	Brushholder Assembly (Not Shown)	
17A	70004171	1	Key	
17B	70001966	1	Bearing, Ball Radial (Located in Belt Tensioner Endbell)	
17B	70003708	1	Ring, Internal Retaining (Located in Belt Tensioner Endbell)	
17B	70003709	1	Ring, External Retaining (Located in Belt Tensioner Endbell)	
17C	70001953	1	Endbell, Belt Tensioner	
17D	70004169	1	Endbell, Brush Block	
17E	70004169	1	Shroud	
17E	See Note	NSS	Insulator, Endbell (Note: Not Available for Purchase)	
17E	7027799	1	Block, Connector 6 Position (Not Shown)	
17E	70002460	1	Nut, Brass (Attaches p/n 7027799 to Cover) (Not Shown)	
17E	7024485	1	Breaker, Circuit 30Amp (Not Shown)	
17E	70001696	1	Boot, Breaker (Not Shown)	
17E	7026626	1	Connector, 6 Position (Includes Seal) (Not Shown - Plugs into Item 39)	
17E	7026597	1	Connector, with Leads (Not Shown)	
17E	7026188	1	Clamp, Cable Options (Not Shown)	
17E	70004169	1	Plate, End Panel	
17E	70001974	1	Decal - Terminal Connections	
17F	70001973	1	Decal - Warning Moving Parts	
18	2820031	AR	Heat Shrink	
19	3252764	1	Nameplate	

## SECTION 3 - ENGINE

ITEM	PART NUMBER	QTY	DESCRIPTION	REV
20	3290505	4	Nut M5	
21	3290605	4	Nut M6	
22	3290805	4	Nut M8	
23	3291201	1	Nut M12	
24	3331211	1	Nut M12	
25	3580317	1	Pulley	
26	3580319	1	Pulley	
27	3580320	1	Pulley	
28	4032015	4	Bolt M10 x 55	
29	4060802	1	Guard, Switch	
30	4240099	AR	Tie-Strap (Not Shown)	
31	4360336	1	Switch, Toggle	
32	4711600	1	Washer 3/8	
33	4811600	4	Washer M5	
34	4811700	8	Washer M6	
35	4811900	8	Washer M8	
36	4812100	1	Washer M12	
37	4812200	3	Washer M14	
38	4871700	2	Washer M6	
39	4922925	1	Harness, Generator	
39	4460225	1	Plug, Male 6 Position (Plugs into Generator)	
39	See Note	NSS	Socket, Female (Use with 4460225)	
39	See Note	NSS	Seal, Plug (Use with 4460225)	
39	See Note	NSS	Seal, Interface (Use with 4460225)	
40	5241200	3	Washer M12 Hardened	
41	1001104029	4	Screw M5 x 30	
42	1001196382	1	Stud	
43	1001157525	1	Junction Box Assembly (See Items 101-117 for Breakdown)	
44	1001168018	1	Washer, Snubbing	
45	1001173925	1	Mount	
46	1001174675	1	Wiring Diagram (Not Shown)	
47	0760812	1	Bolt M8 x 25	
48	1321716	AR	Clamp	
49	1001148641	1	Bracket	
50	5250808	AR	Bolt M8 x 16	
51	5250810	AR	Bolt M8 x 20	
52	5260800	AR	Nut M8	
53	1001223122	1	Support (SN 0300226844 to Present, SN E300004186 to Present, SN 1300007289 through 1300007393)	
	1001157525	Ref	JUNCTION BOX ASSEMBLY	B
101	3300396	1	Cover, Fuse	
102	3311001	6	Nut #10-24NC	
103	3520189	1	Plug	
104	3520192	1	Plug	
105	4360070	1	Circuit Breaker - 15Amp	
106	4460425	1	Connector, Strain Relief	
107	4460426	2	Connector, Strain Relief	
109	4711000	10	Flatwasher, #10 Thin	
110	10702077	2	Screw #10-32NF x 3/8in	
111	10702082	2	Screw #10-32NF x 3/4in	
112	1001152525	1	Plug	
113	1001157520	1	Block, Terminal	

**SECTION 3 - ENGINE**

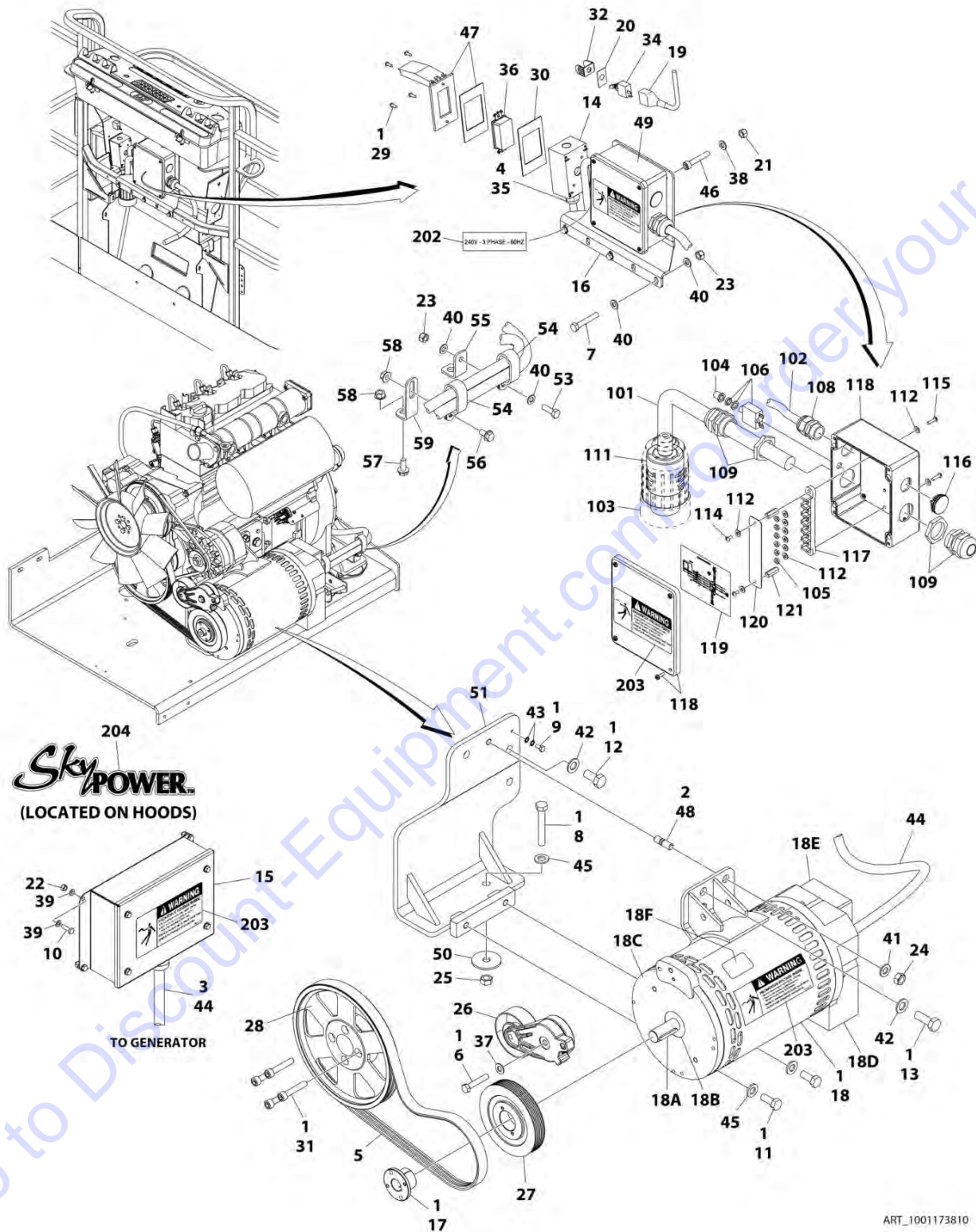
ITEM	PART NUMBER	QTY	DESCRIPTION	REV
114	1001157521	1	Box, Junction	A
115	1001157528	1	Decal - Wiring Schematic	
116	1001158007	1	Cover, PVC	
117	1001158008	2	Stand-Off	
	0272589	Ref	DECAL INSTALLATION	
201	1705460	2	Decal - SkyPower	
202	1705461	1	Decal - 240V - 3 Phase - 50Hz	
203	1705489	3	Decal - Hazardous Voltage	

Go to Discount-Equipment.com to order your parts



# SECTION 3 - ENGINE

## FIGURE 3-69. GENERATOR INSTALLATION - 7500W/60HZ (DEUTZ D2011 ENGINE)



## SECTION 3 - ENGINE

**FIGURE 3-69. GENERATOR INSTALLATION - 7500W/60HZ (DEUTZ D2011 ENGINE)**

ITEM	PART NUMBER	QTY	DESCRIPTION	REV
	1001173810	Ref	GENERATOR INSTALLATION - 7500W/60Hz (DEUTZ D2011 ENGINE)	E
1	0100011	AR	Compound, Locking	
2	0100019	AR	Compound, Locking	
3	0100048	AR	Grease, Dielectric	
4	0100079	AR	Sealant	
5	0480128	1	Belt	
6	0641616	1	Bolt 3/8 x 2	
7	0700818	3	Bolt M8 x 50	
8	0711224	1	Bolt M12 x 80 Grade 10.9	
9	0760606	1	Bolt M6 x 12	
10	0760610	4	Bolt M6 x 20	
11	0761214	2	Bolt M12 x 30	
12	0771414	2	Bolt M14 x 30 Grade 10.9	
13	0771416	1	Bolt M14 x 40	
14	0860038	1	Box, Switch	
15	0861538	1	Control Box Assembly	
15	7024488	1	Card, Circuit - Generator Power	
15	See Note	NSS	Fuse (Note: Not Available - Purchase Locally)	
15	7024489	1	Card, Circuit - Control	
15	70000619	1	Harness, Control Box (Internal)	
16	0902888	1	Bracket	
17	0962520	1	Bushing	
18	2460048	1	Generator Assembly	
18	70001100	1	Rotor (Includes p/n 70001384 & 70000863) (Not Shown)	
18	70001384	1	Bearing, Ball Radial (Not Shown)	
18	70000863	1	Fan (Not Shown)	
18	70002088	1	Stator (Not Shown)	
18	70002297	1	Stud	
18	70003631	1	Brushholder Assembly (Not Shown)	
18A	70004171	1	Key	
18B	70001966	1	Bearing, Ball Radial (Located in Belt Tensioner Endbell)	
18B	70003708	1	Ring, Internal Retaining (Located in Belt Tensioner Endbell)	
18B	70003709	1	Ring, External Retaining (Located in Belt Tensioner Endbell)	
18C	70001953	1	Endbell, Belt Tensioner	
18D	70004169	1	Endbell, Brush Block	
18E	70004169	1	Shroud	
18E	See Note	NSS	Insulator, Endbell (Note: Not Available for Purchase)	
18E	7027799	1	Block, Connector 6 Position (Not Shown)	
18E	70002460	1	Nut, Brass (Attaches p/n 7027799 to Cover) (Not Shown)	
18E	7024485	1	Breaker, Circuit 30Amp (Not Shown)	
18E	70001696	1	Boot, Breaker (Not Shown)	
18E	7026626	1	Connector, 6 Position (Includes Seal) (Not Shown - Plugs into Item 39)	
18E	7026597	1	Connector, with Leads (Not Shown)	
18E	7026188	1	Clamp, Cable Options (Not Shown)	
18E	70004169	1	Plate, End Panel	
18E	70001974	1	Decal - Terminal Connections	
18F	70001973	1	Decal - Warning Moving Parts	
19	2820031	AR	Heat Shrink	

## SECTION 3 - ENGINE

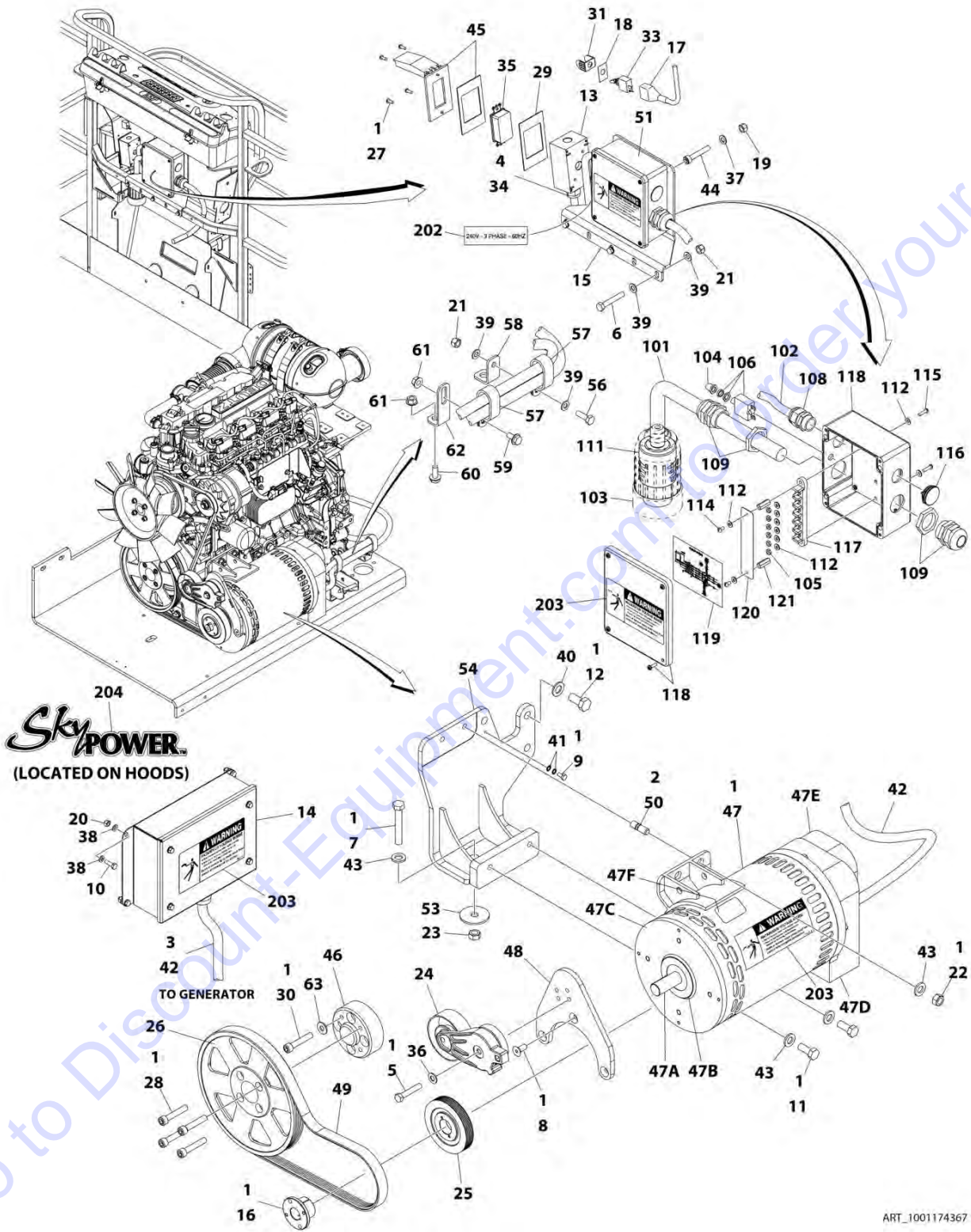
ITEM	PART NUMBER	QTY	DESCRIPTION	REV
20	3252764	1	Nameplate	
21	3290505	4	Nut M5	
22	3290605	4	Nut M6	
23	3290805	4	Nut M8	
24	3291201	1	Nut M12	
25	3331211	1	Nut M12	
26	3580317	1	Pulley	
27	3580318	1	Pulley	
28	3580320	1	Pulley	
29	3910606	4	Screw #6 x 3/8	
30	3960422	1	Gasket	
31	4032015	4	Bolt M10 x 55	
32	4060802	1	Guard, Switch	
33	4240099	AR	Tie-Strap (Not Shown)	
34	4360336	1	Switch, Toggle	
35	4460071	1	Connector, Strain Relief	
36	4460346	1	Receptacle	
37	4711600	1	Washer 3/8	
38	4811600	4	Washer M5	
39	4811700	8	Washer M6	
40	4811900	8	Washer M8	
41	4812100	1	Washer M12	
42	4812200	3	Washer M14	
43	4871700	2	Washer M6	
44	4922925	1	Harness, Generator (See ELECTRICAL SECTION for Breakdown)	
44	4460225	1	Plug, Male 6 Position (Plugs into Generator)	
44	See Note	NSS	Socket, Female (Use with 4460225)	
44	See Note	NSS	Seal, Plug (Use with 4460225)	
44	See Note	NSS	Seal, Interface (Use with 4460225)	
45	5241200	3	Washer M12 Hardened	
46	1001104029	4	Screw M5 x 30	
47	1001110873	1	Shield, Cover	
48	1001196382	1	Stud	
49	1001157592	1	Junction Box Assembly Options (See Items 101-121 for Breakdown)	
50	1001168018	1	Washer, Snubbing	
51	1001173925	1	Mount	
52	1001174675	1	Wiring Diagram (Not Shown - See ELECTRICAL SECTION for Breakdown)	
53	0760812	1	Bolt M8 x 25	
54	1321716	AR	Clamp	
55	1001148641	1	Bracket	
56	5250808	AR	Bolt M8 x 16	
57	5250810	AR	Bolt M8 x 20	
58	5260800	AR	Nut M8	
59	1001223122	1	Support (SN 0300226844 to Present, SN E300004186 to Present, SN 1300007289 through 1300007393)	
	1001157592	Ref	JUNCTION BOX ASSEMBLY	C
101	1060343	1.5 ft /0.5m	Cable, Electrical 10/4	
102	1001179154	2.5 ft /0.8m	Cable, Electrical 12/3	

## SECTION 3 - ENGINE

ITEM	PART NUMBER	QTY	DESCRIPTION	REV
103	1671092	1	Cover	
104	3300396	1	Cover, Fuse	
105	3311001	6	Nut #10-24NC	
106	4360070	1	Circuit Breaker - 15Amp	
108	4460425	1	Connector, Strain Relief	
109	4460426	2	Connector, Strain Relief	
111	4460963	1	Connector	
112	4711000	10	Flatwasher, #10 Thin	
114	10702077	2	Screw #10-32NF x 3/8in	
115	10702082	2	Screw #10-32NF x 3/4in	
116	1001152525	1	Plug	
117	1001157520	1	Block, Terminal	
118	1001157521	1	Box, Junction	
119	1001157528	1	Decal - Wiring Schematic	
120	1001158007	1	Cover, PVC	
121	1001158008	2	Stand-Off	
	0273380	Ref	DECAL INSTALLATION	B
202	1705375	1	Decal - 240V - 3 Phase - 60Hz	
203	1705387	3	Decal - Hazardous Voltage	
204	1705460	2	Decal - SkyPower	

# SECTION 3 - ENGINE

## FIGURE 3-70. GENERATOR INSTALLATION - 7500W/60HZ (DEUTZ D2.9L4 ENGINE)



## SECTION 3 - ENGINE

**FIGURE 3-70. GENERATOR INSTALLATION - 7500W/60HZ (DEUTZ D2.9L4 ENGINE)**

ITEM	PART NUMBER	QTY	DESCRIPTION	REV
	1001174367	Ref	GENERATOR INSTALLATION - 7500W/60Hz (DEUTZ D2.9L4 ENGINE)	H
1	0100011	AR	Compound, Locking	
2	0100019	AR	Compound, Locking	
3	0100048	AR	Grease, Dielectric	
4	0100079	AR	Sealant	
5	0641616	1	Bolt 3/8 x 2	
6	0700818	3	Bolt M8 x 50	
7	0711224	1	Bolt M12 x 80 Grade 10.9	
8	0741607	3	Screw 3/8 x 7/8	
9	0760606	1	Bolt M6 x 12	
10	0760610	4	Bolt M6 x 20	
11	0761212	2	Bolt M12 x 25	
12	0771414	3	Bolt M14 x 30 Grade 10.9	
13	0860038	1	Box, Switch	
14	0861538	1	Control Box Assembly	
14	7024488	1	Card, Circuit - Generator Power	
14	See Note	NSS	Fuse (Note: Not Available - Purchase Locally)	
14	7024489	1	Card, Circuit - Control	
14	70000619	1	Harness, Control Box (Internal)	
15	0902888	1	Bracket	
16	0962520	1	Bushing	
17	2820031	AR	Heat Shrink	
18	3252764	1	Nameplate	
19	3290505	4	Nut M5	
20	3290605	4	Nut M6	
21	3290805	4	Nut M8	
22	3291201	2	Nut M12	
23	3331211	1	Nut M12	
24	3580317	1	Pulley	
25	3580318	1	Pulley	
26	3580320	1	Pulley	
27	3910606	4	Screw #6 x 3/8	
28	3931628	4	Capscrew 3/8 x 1-3/4	
29	3960422	1	Gasket	
30	4032014	4	Bolt M10 x 50	
31	4060802	1	Guard, Switch	
32	4240099	AR	Tie-Strap (Not Shown)	
33	4360336	1	Switch, Toggle	
34	4460071	1	Connector, Strain Relief	
35	4460346	1	Receptacle	
36	4711600	1	Washer 3/8	
37	4811600	4	Washer M5	
38	4811700	8	Washer M6	
39	4811900	8	Washer M8	
40	4812200	3	Washer M14	
41	4871700	2	Washer M6	
42	4922925	1	Harness, Generator (See ELECTRICAL SECTION for Breakdown)	
42	4460225	1	Plug, Male 6 Position (Plugs into Generator)	
42	See Note	NSS	Socket, Female (Use with 4460225)	

## SECTION 3 - ENGINE

ITEM	PART NUMBER	QTY	DESCRIPTION	REV
42	See Note	NSS	Seal, Plug (Use with 4460225)	
42	See Note	NSS	Seal, Interface (Use with 4460225)	
43	5241200	5	Washer M12 Hardened	
44	1001104029	4	Screw M5 x 30	
45	1001110873	1	Shield, Cover	
46	1001135679	1	Adapter	
47	1001136988	NLA	Generator Assembly (Use p/n 1001212223) <b>(SN 0300203771 through 0300226192)</b>	
47	1001212223	1	Generator Assembly <b>(SN 0300226193 to Present)</b>	
47	70001100	1	Rotor (Includes p/n 70001384 & 70000863) (Not Shown)	
47	70001384	1	Bearing, Ball Radial (Not Shown)	
47	70000863	1	Fan (Not Shown)	
47	70004093	1	Stator (Not Shown) (1001136988 Generator)	
47	70006093	1	Stator (Not Shown) (1001212223 Generator)	
47	70002297	1	Stud	
47	70003631	1	Brushholder Assembly (Not Shown)	
47A	70004099	1	Key	
47B	70001966	1	Bearing, Ball Radial (Located in Belt Tensioner Endbell)	
47B	70003708	1	Ring, Internal Retaining (Located in Belt Tensioner Endbell)	
47B	70003709	1	Ring, External Retaining (Located in Belt Tensioner Endbell)	
47C	70004092	1	Endbell, Belt Tensioner	
47D	70004094	1	Endbell, Brush Block	
47E	70004096	1	Shroud (1001136988 Generator)	
47E	70006094	1	Shroud (1001212223 Generator)	
47E	70004097	1	Insulator, Endbell (1001136988 Generator)	
47E	70002291	1	Insulator, Endbell (1001212223 Generator)	
47E	7027799	1	Block, Connector 6 Position (Not Shown)	
47E	70002460	1	Nut, Brass (Attaches p/n 7027799 to Cover) (Not Shown)	
47E	7024485	1	Breaker, Circuit 30Amp (Not Shown) (1001136988 Generator)	
47E	70006095	1	Breaker, Circuit 30Amp (Not Shown) (1001212223 Generator)	
47E	70001696	1	Boot, Breaker (Not Shown) (1001136988 Generator)	
47E	70006096	1	Guard, Breaker (Not Shown) (1001212223 Generator)	
47E	7026626	1	Connector, 6 Position (Includes Seal) (Not Shown - Plugs into Item 36)	
47E	7026597	1	Connector, with Leads (Not Shown)	
47E	70004098	1	Clamp, Cable (Not Shown)	
47E	70004095	1	Plate, End Panel (1001136988 Generator)	
47E	70006097	1	Plate, End Panel (1001212223 Generator)	
47E	70001974	1	Decal - Terminal Connections	
47F	70001973	1	Decal - Warning Moving Parts	
48	1001142643	1	Support	
49	1001142646	1	Belt	
50	1001155041	2	Stud	
51	1001157592	1	Junction Box Assembly Options (See Items 101-121 for Breakdown)	
53	1001168018	1	Washer, Snubbing	
54	1001168207	1	Support	
55	1001174675	1	Wiring Diagram (Not Shown - See ELECTRICAL SECTION for Breakdown)	
56	0760812	1	Bolt M8 x 25	
57	1321716	AR	Clamp	
58	1001148641	1	Bracket	

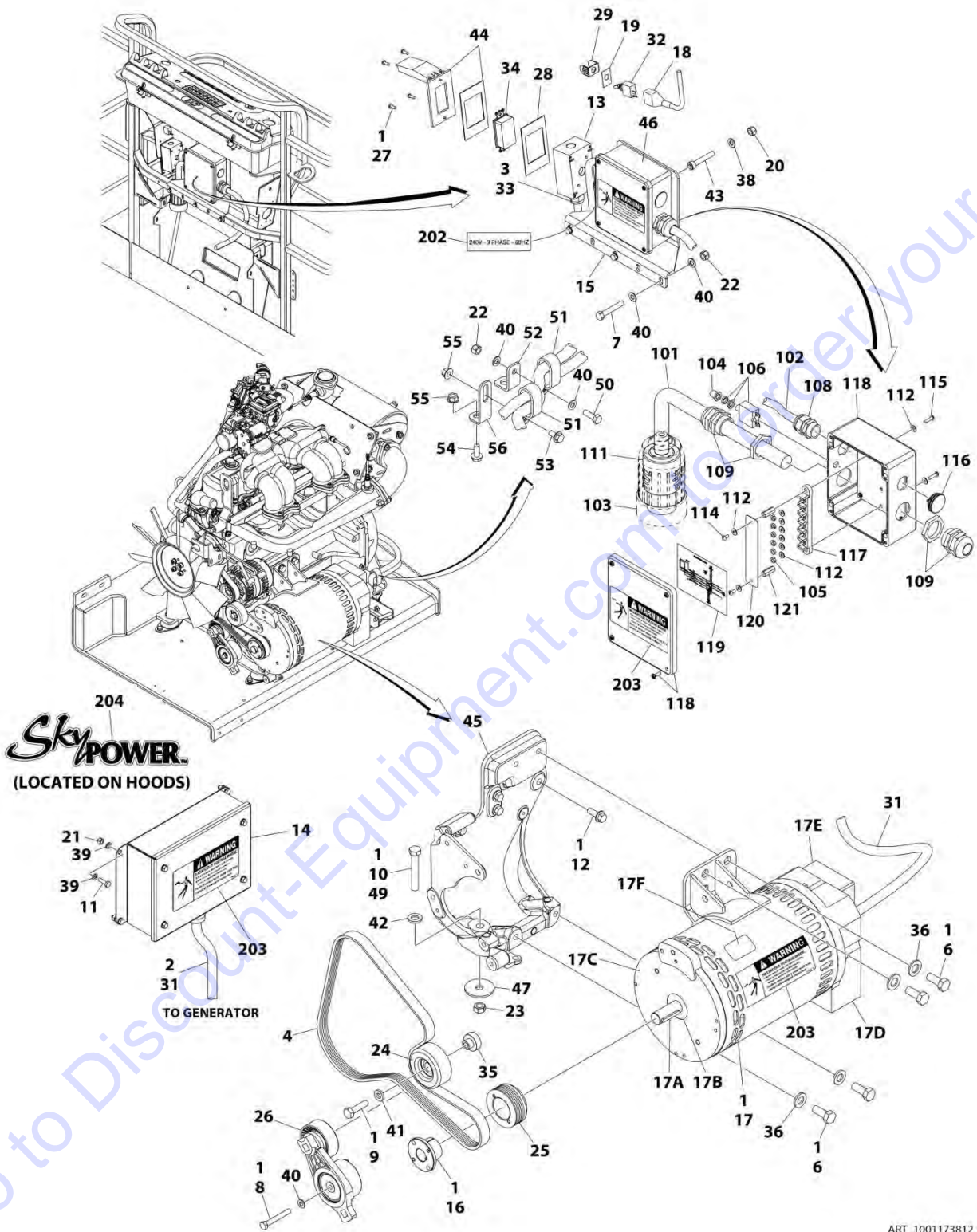
## SECTION 3 - ENGINE

ITEM	PART NUMBER	QTY	DESCRIPTION	REV
59	5250808	AR	Bolt M8 x 16	C
60	5250810	AR	Bolt M8 x 20	
61	5260800	AR	Nut M8	
62	1001223122	1	Support <b>(SN 0300226844 to Present)</b>	
63	4812000	AR	Washer M10	
	1001157592	Ref	JUNCTION BOX ASSEMBLY	
101	1060343	1.5 ft/ 0.5m	Cable, Electrical 10/4	
102	1001179154	2.5 ft/ 0.8m	Cable, Electrical 12/3	
103	1671092	1	Cover	
104	3300396	1	Cover, Fuse	
105	3311001	6	Nut #10-24NC	
106	4360070	1	Circuit Breaker - 15Amp	
108	4460425	1	Connector, Strain Relief	
109	4460426	2	Connector, Strain Relief	
111	4460963	1	Connector	
112	4711000	10	Flatwasher, #10 Thin	
114	10702077	2	Screw #10-32NF x 3/8in	
115	10702082	2	Screw #10-32NF x 3/4in	
116	1001152525	1	Plug	
117	1001157520	1	Block, Terminal	
118	1001157521	1	Box, Junction	
119	1001157528	1	Decal - Wiring Schematic	
120	1001158007	1	Cover, PVC	
121	1001158008	2	Stand-Off	B
	0273380	Ref	DECAL INSTALLATION	
202	1705375	1	Decal - 240V - 3 Phase - 60Hz	
203	1705387	3	Decal - Hazardous Voltage	
204	1705460	2	Decal - SkyPower	



# SECTION 3 - ENGINE

## FIGURE 3-71. GENERATOR INSTALLATION - 7500W/60HZ (GM ENGINE)



## SECTION 3 - ENGINE

**FIGURE 3-71. GENERATOR INSTALLATION - 7500W/60HZ (GM ENGINE)**

ITEM	PART NUMBER	QTY	DESCRIPTION	REV
	1001173812	Ref	GENERATOR INSTALLATION - 7500W/60HZ (GM ENGINE)	E
1	0100011	AR	Compound, Locking	
2	0100048	AR	Grease, Dielectric	
3	0100079	AR	Sealant	
4	0480142	1	Belt	
6	0641808	4	Bolt 1/2 x 1	
7	0700818	3	Bolt M8 x 50	
8	0700820	1	Bolt M8 x 60	
9	0701016	1	Bolt M10 x 40	
10	0711227	1	Bolt M12 x 100	
11	0760610	4	Bolt M6 x 20	
12	0811608	4	Screw 3/8 x 1	
13	0860038	1	Box, Switch	
14	0861538	1	Control Box Assembly	
14	7024488	1	Card, Circuit - Generator Power	
14	See Note	NSS	Fuse (Note: Not Available - Purchase Locally)	
14	7024489	1	Card, Circuit - Control	
14	70000619	1	Harness, Control Box (Internal)	
15	0902888	1	Bracket	
16	0962520	1	Bushing	
17	2460048	1	Generator Assembly	
17	70001100	1	Rotor (Includes p/n 70001384 & 70000863) (Not Shown)	
17	70001384	1	Bearing, Ball Radial (Not Shown)	
17	70000863	1	Fan (Not Shown)	
17	70002088	1	Stator (Not Shown)	
17	70002297	1	Stud	
17	70003631	1	Brushholder Assembly (Not Shown)	
17A	70004171	1	Key	
17B	70001966	1	Bearing, Ball Radial (Located in Belt Tensioner Endbell)	
17B	70003708	1	Ring, Internal Retaining (Located in Belt Tensioner Endbell)	
17B	70003709	1	Ring, External Retaining (Located in Belt Tensioner Endbell)	
17C	70001953	1	Endbell, Belt Tensioner	
17D	70004169	1	Endbell, Brush Block	
17E	70004169	1	Shroud	
17E	See Note	NSS	Insulator, Endbell (Note: Not Available for Purchase)	
17E	7027799	1	Block, Connector - 6 Position (Not Shown)	
17E	70002460	1	Nut, Brass (Attaches p/n 7027799 to Cover) (Not Shown)	
17E	7024485	1	Breaker, Circuit 30Amp (Not Shown)	
17E	70001696	1	Boot, Breaker (Not Shown)	
17E	7026626	1	Connector - 6 Position (Includes Seal) (Not Shown - Plugs into Item 39)	
17E	7026597	1	Connector, with Leads (Not Shown)	
17E	7026188	1	Clamp, Cable Options (Not Shown)	
17E	70004169	1	Plate, End Panel	
17E	70001974	1	Decal - Terminal Connections	
17F	70001973	1	Decal - Warning Moving Parts	
18	2820031	AR	Heat Shrink	
19	3252764	1	Nameplate	
20	3290505	4	Nut M5	
21	3290605	4	Nut M6	

## SECTION 3 - ENGINE

ITEM	PART NUMBER	QTY	DESCRIPTION	REV
22	3290805	4	Nut M8	
23	3331211	1	Nut M12	
24	3580312	1	Pulley	
25	3580314	1	Pulley	
26	3580348	1	Pulley	
27	3910606	4	Screw #6 x 3/8	
28	3960422	1	Gasket	
29	4060802	1	Guard, Switch	
30	4240099	AR	Tie-Strap (Not Shown)	
31	4922925	1	Harness, Generator (See ELECTRICAL SECTION for Breakdown)	
31	4460225	1	Plug, Male - 6 Position (Plugs into Generator)	
31	See Note	NSS	Socket, Female (Use with 4460225)	
31	See Note	NSS	Seal, Plug (Use with 4460225)	
31	See Note	NSS	Seal, Interface (Use with 4460225)	
32	4360336	1	Switch, Toggle	
33	4460071	1	Connector, Strain Relief	
34	4460346	1	Receptacle	
35	4568735	1	Spacer	
36	4711800	4	Washer 1/2	
38	4811600	4	Washer M5	
39	4811700	8	Washer M6	
40	4811900	9	Washer M8	
41	4891600	1	Washer 3/8	
42	5241200	1	Washer M12 Hardened	
43	1001104029	4	Screw M5 x 30	
44	1001110873	1	Shield, Cover	
45	1001141181	1	Support	
46	1001157592	1	Junction Box Assembly Options (See Items 101-121 for Breakdown)	
47	1001168018	1	Washer, Snubbing	
48	1001174675	1	Wiring Diagram (Not Shown - See ELECTRICAL SECTION for Breakdown)	
49	0711221	1	Bolt M12 x 65 Grade 10.9	
50	0760812	1	Bolt M8 x 25	
51	1321716	AR	Clamp	
52	1001148641	1	Bracket	
53	5250808	AR	Bolt M8 x 16	
54	5250810	AR	Bolt M8 x 20	
55	5260800	AR	Nut M8	
56	1001223122	1	Support	
	1001157592	Ref	JUNCTION BOX ASSEMBLY	C
101	1060343	1.5 ft /0.5m	Cable, Electrical 10/4	
102	1001179154	2.5 ft /0.8m	Cable, Electrical 12/3	
103	1671092	1	Cover	
104	3300396	1	Cover, Fuse	
105	3311001	6	Nut #10-24NC	
106	4360070	1	Circuit Breaker - 15Amp	
108	4460425	1	Connector, Strain Relief	
109	4460426	2	Connector, Strain Relief	
111	4460963	1	Connector	

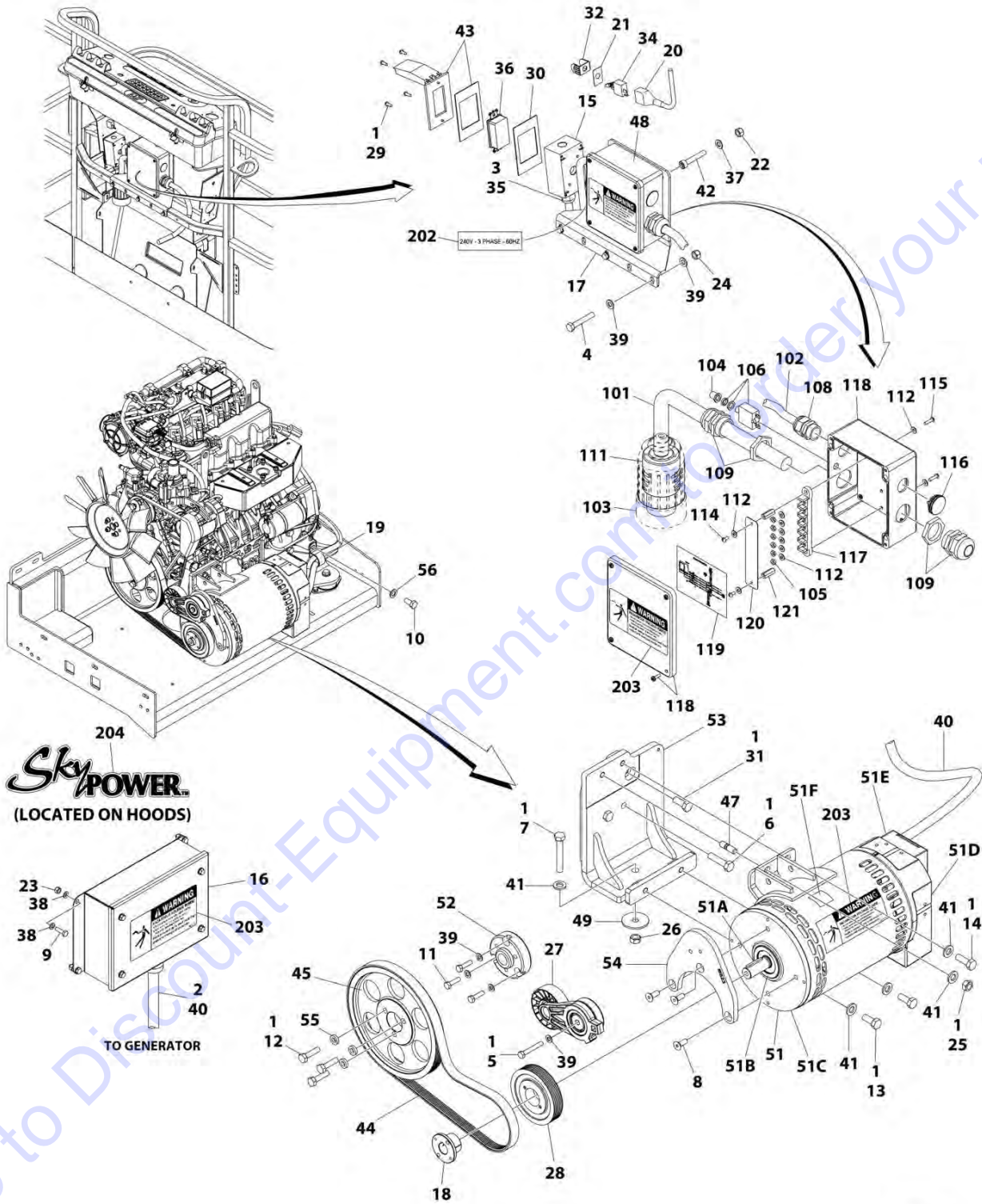
## SECTION 3 - ENGINE

ITEM	PART NUMBER	QTY	DESCRIPTION	REV
112	4711000	10	Flatwasher, #10 Thin	
114	10702077	2	Screw #10-32NF x 3/8in	
115	10702082	2	Screw #10-32NF x 3/4in	
116	1001152525	1	Plug	
117	1001157520	1	Block, Terminal	
118	1001157521	1	Box, Junction	
119	1001157528	1	Decal - Wiring Schematic	
120	1001158007	1	Cover, PVC	
121	1001158008	2	Stand-Off	
	0273380	Ref	DECAL INSTALLATION	B
202	1705375	1	Decal - 240V-3 Phase-60Hz	
203	1705387	3	Decal - Hazardous Voltage	
204	1705460	2	Decal - SkyPower	

Go to Discount-Equipment.com to order your parts

# SECTION 3 - ENGINE

## FIGURE 3-72. GENERATOR INSTALLATION - 7500W/60HZ (KUBOTA ENGINE)



ART\_1001214910

## SECTION 3 - ENGINE

**FIGURE 3-72. GENERATOR INSTALLATION - 7500W/60HZ (KUBOTA ENGINE)**

ITEM	PART NUMBER	QTY	DESCRIPTION	REV
	1001214910	Ref	GENERATOR INSTALLATION - 7500W/60HZ (KUBOTA ENGINE)	C
1	0100011	AR	Compound, Locking	
2	0100048	AR	Grease, Dielectric	
3	0100079	AR	Sealant	
4	0700818	3	Bolt M8 x 50	
5	0700819	1	Bolt M8 x 55	
6	1001217344	2	Bolt M12 x 50	
7	0711224	AR	Bolt M12 x 80 Grade 10.9	
7	0701224	AR	Bolt M12 x 80	
8	0741608	3	Screw 3/8 x 1	
9	0760610	4	Bolt M6 x 20	
10	1001217345	1	Bolt M14 x 30	
11	0760814	3	Bolt M8 x 30	
12	0701016	3	Bolt M10 x 40	
13	0761214	2	Bolt M12 x 30	
14	0761215	1	Bolt M12 x 35	
15	0860038	1	Box, Switch	
16	0861538	1	Control Box Assembly	
16	7024488	1	Card, Circuit - Generator Power	
16	See Note	NSS	Fuse (Note: Not Available - Purchase Locally)	
16	7024489	1	Card, Circuit - Control	
16	70000619	1	Harness, Control Box (Internal)	
17	0902888	1	Bracket	
18	0962520	1	Bushing	
19	84521062	1	Clamp	
20	2820031	AR	Heat Shrink	
21	3252764	1	Nameplate	
22	3290505	4	Nut M5	
23	3290605	4	Nut M6	
24	3290805	3	Nut M8	
25	3291201	AR	Nut M12	
26	3331211	AR	Nut M12	
27	3580317	1	Pulley	
28	3580318	1	Pulley	
29	3910606	4	Screw #6 x 3/8	
30	3960422	1	Gasket	
31	1001217342	1	Bolt M12 x 30	
32	4060802	1	Guard, Switch	
33	4240099	AR	Tie-Strap (Not Shown)	
34	4360336	1	Switch, Toggle	
35	4460071	1	Connector, Strain Relief	
36	4460346	1	Receptacle	
37	4811600	4	Washer M5	
38	4811700	8	Washer M6	
39	4811900	10	Washer M8	
40	4922925	1	Harness, Generator	
40	4460225	1	Plug, Male - 6 Position (Plugs into Generator)	
40	See Note	NSS	Socket, Female (Use with 4460225)	
40	See Note	NSS	Seal, Plug (Use with 4460225)	
40	See Note	NSS	Seal, Interface (Use with 4460225)	

## SECTION 3 - ENGINE

ITEM	PART NUMBER	QTY	DESCRIPTION	REV
41	5241200	5	Washer M12 Hardened	
42	1001104029	4	Screw M5 x 30	
43	1001110873	1	Shield, Cover	
44	0480129	1	Belt	
45	1001147233	1	Pulley	
47	1001155041	1	Stud	
48	1001157592	1	Junction Box Assembly (See Items 101-121 for Breakdown)	
49	1001168018	1	Washer, Snubbing	
50	1001174675	1	Wiring Diagram (Not Shown - See ELECTRICAL SECTION for Breakdown)	
51	1001212223	1	Generator Assembly	
51	70001100	1	Rotor (Includes p/n 70001384 & 70000863) (Not Shown)	
51	70001384	1	Bearing, Ball Radial (Not Shown)	
51	70000863	1	Fan (Not Shown)	
51	70006093	1	Stator (Not Shown)	
51	70002297	1	Stud	
51	70003631	1	Brushholder Assembly (Not Shown)	
51A	70004099	1	Key	
51B	70001966	1	Bearing, Ball Radial (Located in Belt Tensioner Endbell)	
51B	70003708	1	Ring, Internal Retaining (Located in Belt Tensioner Endbell)	
51B	70003709	1	Ring, External Retaining (Located in Belt Tensioner Endbell)	
51C	70004092	1	Endbell, Belt Tensioner	
51D	70004094	1	Endbell, Brush Block	
51E	70006094	1	Shroud	
51E	70002291	1	Insulator, Endbell	
51E	7027799	1	Block, Connector 6 Position (Not Shown)	
51E	70002460	1	Nut, Brass (Attaches p/n 7027799 to Cover) (Not Shown)	
51E	70006095	1	Breaker, Circuit 30Amp (Not Shown)	
51E	70006096	1	Guard, Breaker (Not Shown)	
51E	7026626	1	Connector, 6 Position (Includes Seal) (Not Shown - Plugs into Item 36)	
51E	70004098	1	Clamp, Cable (Not Shown)	
51E	70006097	1	Plate, End Panel	
51E	70001974	1	Decal - Terminal Connections	
51F	70001973	1	Decal - Warning Moving Parts	
52	1001213029	1	Adapter, Pulley	
53	1001214546	1	Support	
54	1001215523	1	Support	
55	1001216805	3	Spacer	
56	4812200	1	Washer M14	
	1001157592	Ref	JUNCTION BOX ASSEMBLY	C
101	1060343	1.5 ft/ 0.5m	Cable, Electrical 10/4	
102	1001179154	2.5 ft/ 0.8m	Cable, Electrical 12/3	
103	1671092	1	Cover	
104	3300396	1	Cover, Fuse	
105	3311001	6	Nut #10	
106	4360070	1	Circuit Breaker - 15Amp	
108	4460425	1	Connector, Strain Relief	
109	4460426	2	Connector, Strain Relief	
111	4460963	1	Connector	

## SECTION 3 - ENGINE

ITEM	PART NUMBER	QTY	DESCRIPTION	REV
112	4711000	10	Washer #10	
114	10702077	2	Screw #10 x 3/8in	
115	10702082	2	Screw #10 x 3/4in	
116	1001152525	1	Plug	
117	1001157520	1	Block, Terminal	
118	1001157521	1	Box, Junction	
119	1001157528	1	Decal - Wiring Schematic	
120	1001158007	1	Cover, PVC	
121	1001158008	2	Stand-Off	
	0273380	Ref	DECAL INSTALLATION	B
202	1705375	1	Decal - 240V-3 Phase-60Hz	
203	1705387	3	Decal - Hazardous Voltage	
204	1705460	2	Decal - SkyPower	

Go to Discount-Equipment.com to order your parts



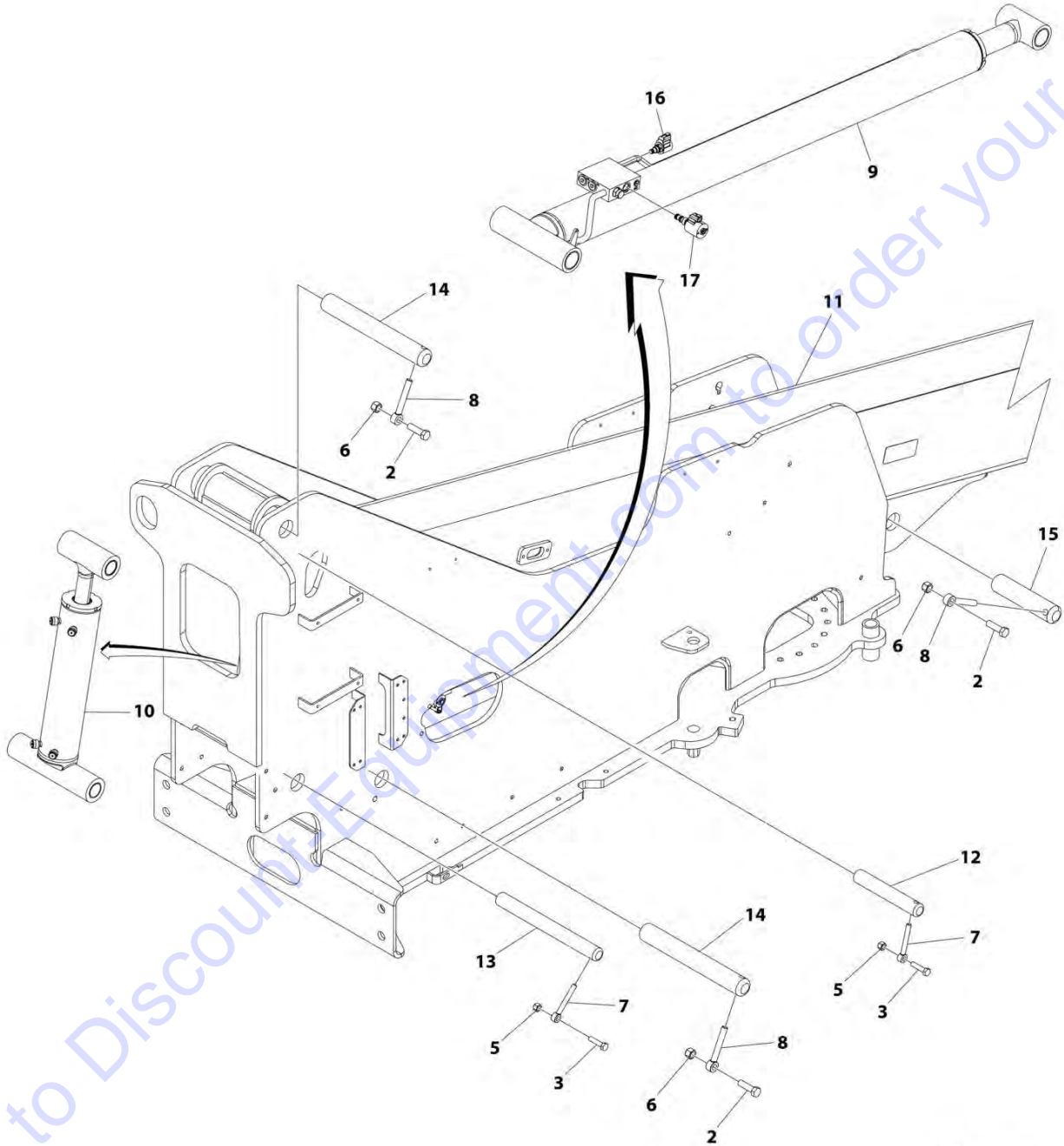


**SECTION 4 - BOOM**

Go to [Discount-Equipment.com](http://Discount-Equipment.com) to order your parts

# SECTION 4 - BOOM

## FIGURE 4-1. BOOM AND CYLINDERS INSTALLATION - 400S (EUROPEAN BUILT)



ART\_1001169668

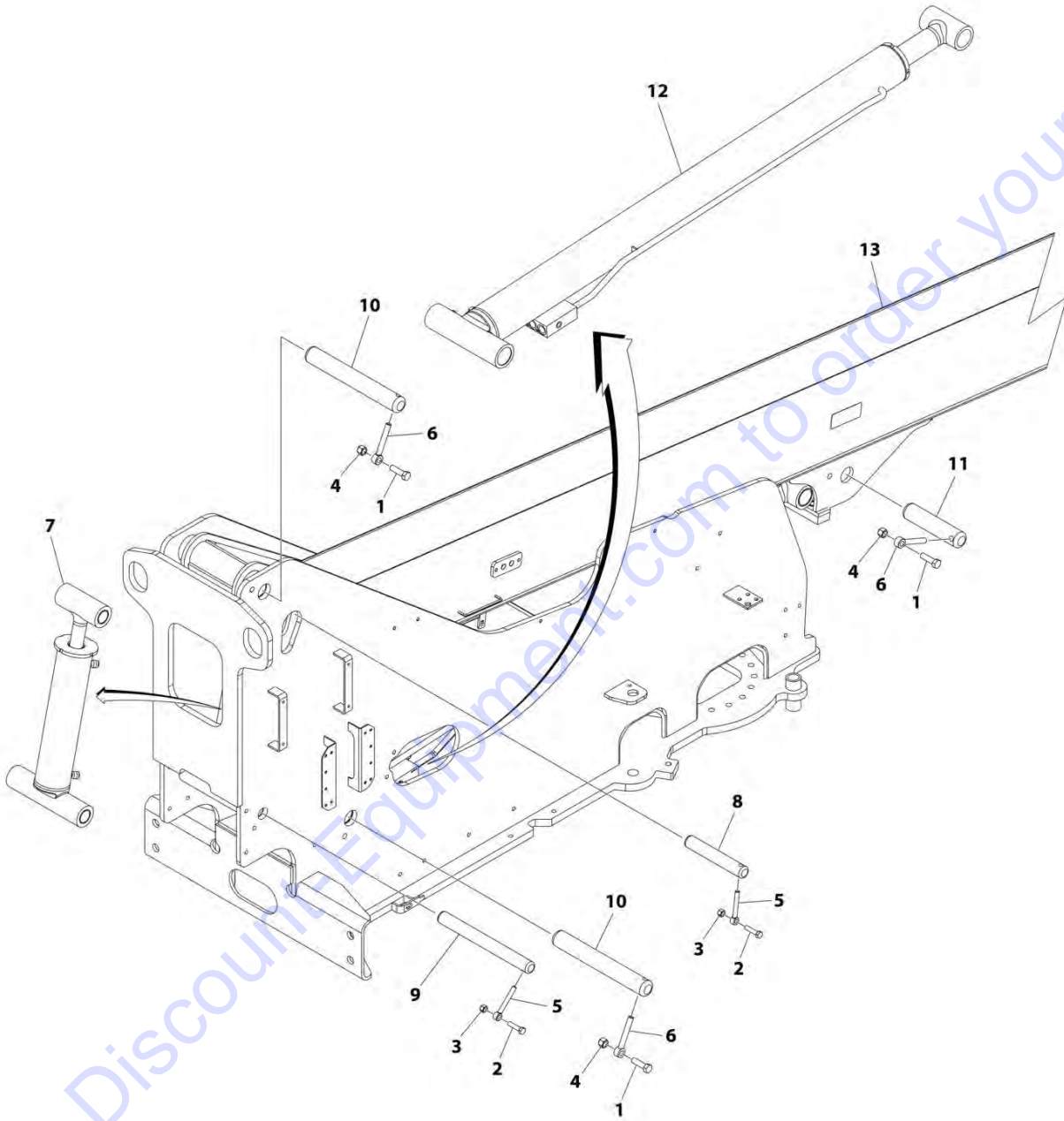
## SECTION 4 - BOOM

**FIGURE 4-1. BOOM AND CYLINDERS INSTALLATION - 400S (EUROPEAN BUILT)**

ITEM	PART NUMBER	QTY	DESCRIPTION	REV
	1001169668	Ref	BOOM AND CYLINDERS INSTALLATION - 400S	G
2	0701619	3	Bolt, M16 x 55	
3	0761218	2	Bolt, M12 x 50	
5	3291205	2	Nut, Lock M12 x 1.75	
6	3291605	3	Nut, Lock M16 x 2	
7	3841203	2	Keeper, Pin	
8	3841258	3	Keeper, Pin	
9	1001163384	NLA	Lift Cylinder Assembly (Use p/n 1001198885) (See CYLINDER SECTION for Breakdown) <b>(SN 0300203771 through 0300204034)</b>	
9	1001198885	1	Lift Cylinder Assembly (See CYLINDER SECTION for Breakdown) <b>(SN 0300204035 through 0300226846, SN E300000100 through E3000004457)</b>	
9	1001206321	NLA	Lift Cylinder Assembly (Use p/n 1001228092) (See CYLINDER SECTION for Breakdown) <b>(SN 0300226847 through 0300243703, SN E3000004458 through E300005607, SN 1300007289 through 1300007393)</b>	
9	1001228092	1	Lift Cylinder Assembly (See CYLINDER SECTION for Breakdown) <b>(SN 0300243704 to Present, SN E300005608 to Present)</b>	
10	1001163385	1	Master Cylinder Assembly (See CYLINDER SECTION for Breakdown)	
11	1001163458	1	Main Boom Assembly - 400S (See MAIN BOOM ASSEMBLY - 400S for Breakdown)	
12	1001168843	1	Pin	
13	1001168844	1	Pin	
14	1001168845	2	Pin	
15	1001168854	1	Pin	
16	1001148972	1	Valve, Poppet <b>(SN 0300203771 through 0300226846, SN E300000100 through E300004457)</b>	
16	70002401	1	Cartridge, Solenoid Valve	
16	7017496	1	Seal Kit - 70002401 Valve	
16	70003788	1	Coil	
16	1001206625	1	Valve, Solenoid Cartridge with Coil <b>(SN 0300226847 through 0300243703, SN E3000004458 through E300005607, SN 1300007289 through 1300007393)</b>	
16	70006104	1	Valve, Solenoid Cartridge Less Coil	
16	70006105	1	Seal Kit - 70006104 & 1001206625 Valves	
16	70003788	1	Coil	
16	7022390	1	Nut, Coil	
17	1001164709	1	Valve, Poppet (Normally Closed) <b>(SN 0300203771 through 0300243703, SN E300000100 through E300005607)</b>	
17	7017467	1	Cartridge, Solenoid Valve	
17	7012967	1	Seal Kit - 7017467 Valve	
17	70002386	1	Coil	

# SECTION 4 - BOOM

FIGURE 4-2. BOOM AND CYLINDERS INSTALLATION - 400S (US BUILT) (SN 0300255280 to Present)



ART\_1001244873

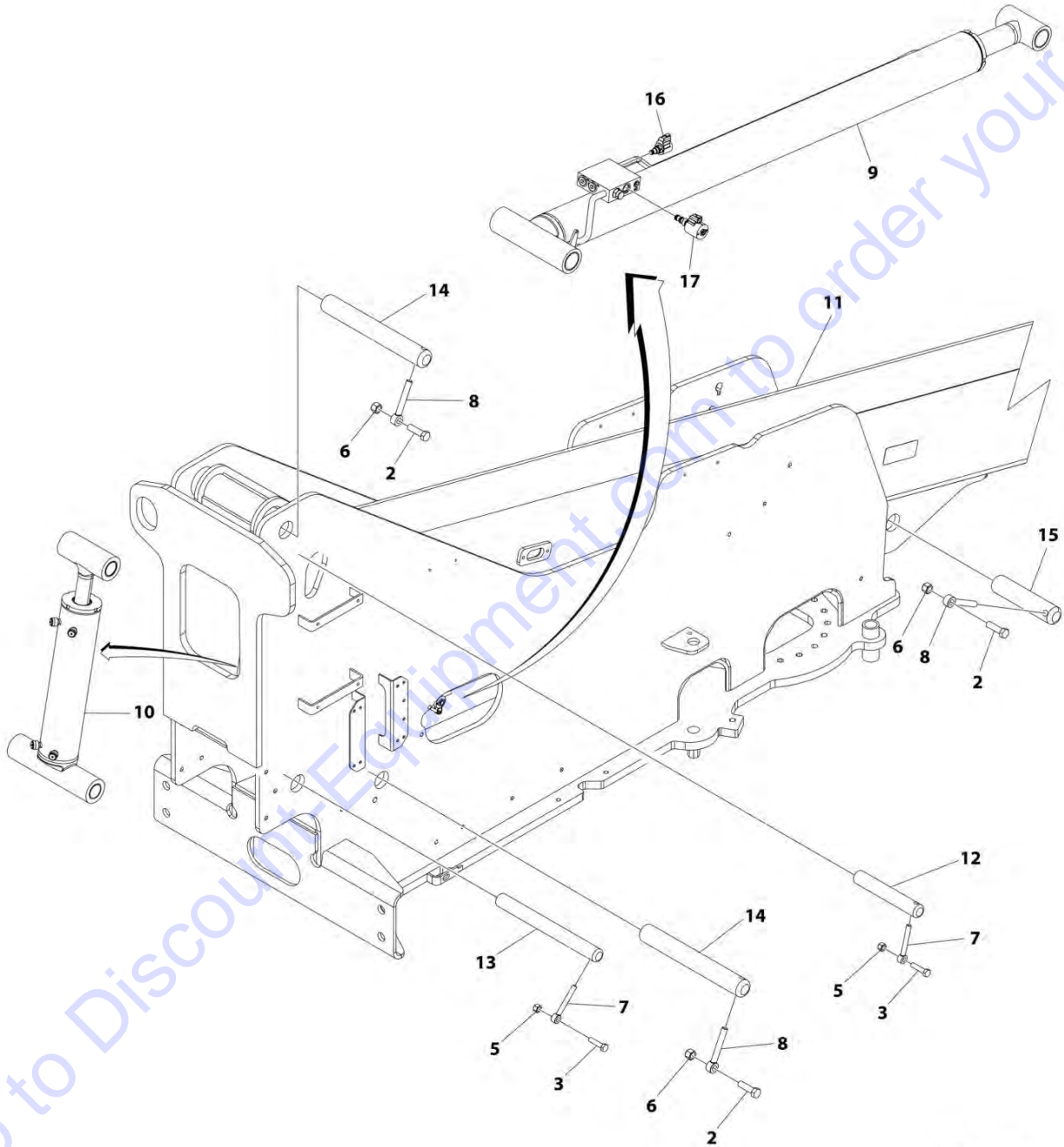
## SECTION 4 - BOOM

**FIGURE 4-2. BOOM AND CYLINDERS INSTALLATION - 400S (US BUILT) (SN 0300255280 to Present)**

ITEM	PART NUMBER	QTY	DESCRIPTION	REV
	1001244873	Ref	BOOM AND CYLINDERS INSTALLATION – 400S	A
1	0701619	3	Bolt, M16 x 55	
2	0761218	2	Bolt, M12 x 50	
3	3291205	2	Nut, Lock M12 x 1.75	
4	3291605	3	Nut, Lock M16 x 2	
5	3841203	2	Keeper, Pin	
6	3841258	3	Keeper, Pin	
7	1001163385	1	Master Cylinder Assembly (See Separate Breakdown in CYLINDER SECTION)	
8	1001168843	1	Pin	
9	1001168844	1	Pin	
10	1001168845	2	Pin	
11	1001168854	1	Pin	
12	1001228092	1	Lift Cylinder Assembly (See Separate Breakdown in CYLINDER SECTION)	
13	1001244874	1	Main Boom Assembly - 400S (See Separate Breakdown in this Section)	

# SECTION 4 - BOOM

FIGURE 4-3. BOOM AND CYLINDERS INSTALLATION - 460SJ (SN 0300203771 to Present, SN E300000100 through E300004333)



ART\_1001169669

## SECTION 4 - BOOM

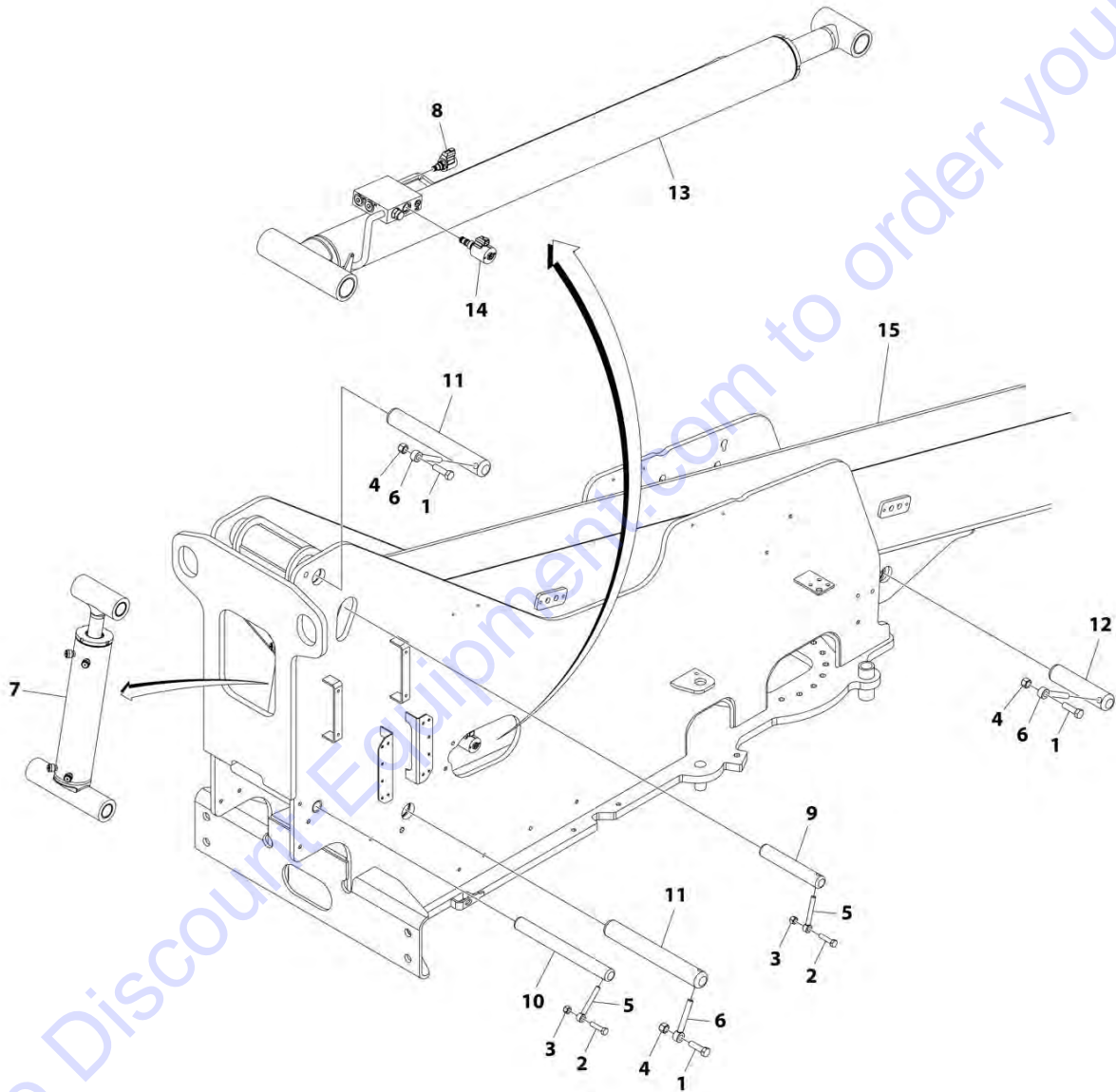
**FIGURE 4-3. BOOM AND CYLINDERS INSTALLATION - 460SJ (SN 0300203771 to Present, SN E300000100 through E300004333)**

ITEM	PART NUMBER	QTY	DESCRIPTION	REV
	1001169669	Ref	BOOM AND CYLINDERS INSTALLATION - 460SJ	G
2	0701619	3	Bolt M16 x 55	
3	0761218	2	Bolt M12 x 50	
5	3291205	2	Nut, Lock M12 x 1.75	
6	3291605	3	Nut, Lock M16 x 2	
7	3841203	2	Keeper, Pin	
8	3841258	3	Keeper, Pin	
9	1001163384	NLA	Lift Cylinder Assembly (Use p/n 1001198885) (See CYLINDER SECTION for Breakdown) <b>(SN 0300203771 through 0300204034)</b>	
9	1001198885	1	Lift Cylinder Assembly (See CYLINDER SECTION for Breakdown) <b>(SN 0300204035 through 0300226846, SN E300000100 through E300004333)</b>	
9	1001206321	NLA	Lift Cylinder Assembly (Use p/n 1001228092) (See CYLINDER SECTION for Breakdown) <b>(SN 0300226847 through 0300243703)</b>	
9	1001228092	1	Lift Cylinder Assembly (See CYLINDER SECTION for Breakdown) <b>(SN 0300243704 to Present)</b>	
10	1001163385	1	Master Cylinder Assembly (See CYLINDER SECTION for Breakdown)	
11	1001163482	1	Main Boom Assembly - 460SJ (See MAIN BOOM ASSEMBLY - 460SJ for Breakdown)	
12	1001168843	1	Pin	
13	1001168844	1	Pin	
14	1001168845	2	Pin	
15	1001168854	1	Pin	
16	1001148972	1	Valve, Poppet <b>(SN 0300203771 through 0300226846, SN E300000100 through E300004333)</b>	
16	70002401	1	Cartridge, Solenoid Valve	
16	7017496	1	Seal Kit - 70002401 Valve	
16	70003788	1	Coil	
16	1001206625	1	Valve, Solenoid Cartridge with Coil <b>(SN 0300226847 through 0300243703)</b>	
16	70006104	1	Valve, Solenoid Cartridge Less Coil	
16	70006105	1	Seal Kit - 70006104 & 1001206625 Valves	
16	70003788	1	Coil	
16	7022390	1	Nut, Coil	
17	1001164709	1	Valve, Poppet (Normally Closed) <b>(SN 0300203771 through 0300243703, SN E300000100 through E300004333)</b>	
17	7017467	1	Cartridge, Solenoid Valve	
17	7012967	1	Seal Kit - 7017467 Valve	
17	70002386	1	Coil	



# SECTION 4 - BOOM

FIGURE 4-4. BOOM AND CYLINDERS INSTALLATION - 460SJ (SN E300004334 to Present, SN 1300007289 through 1300007393)



ART\_1001221481

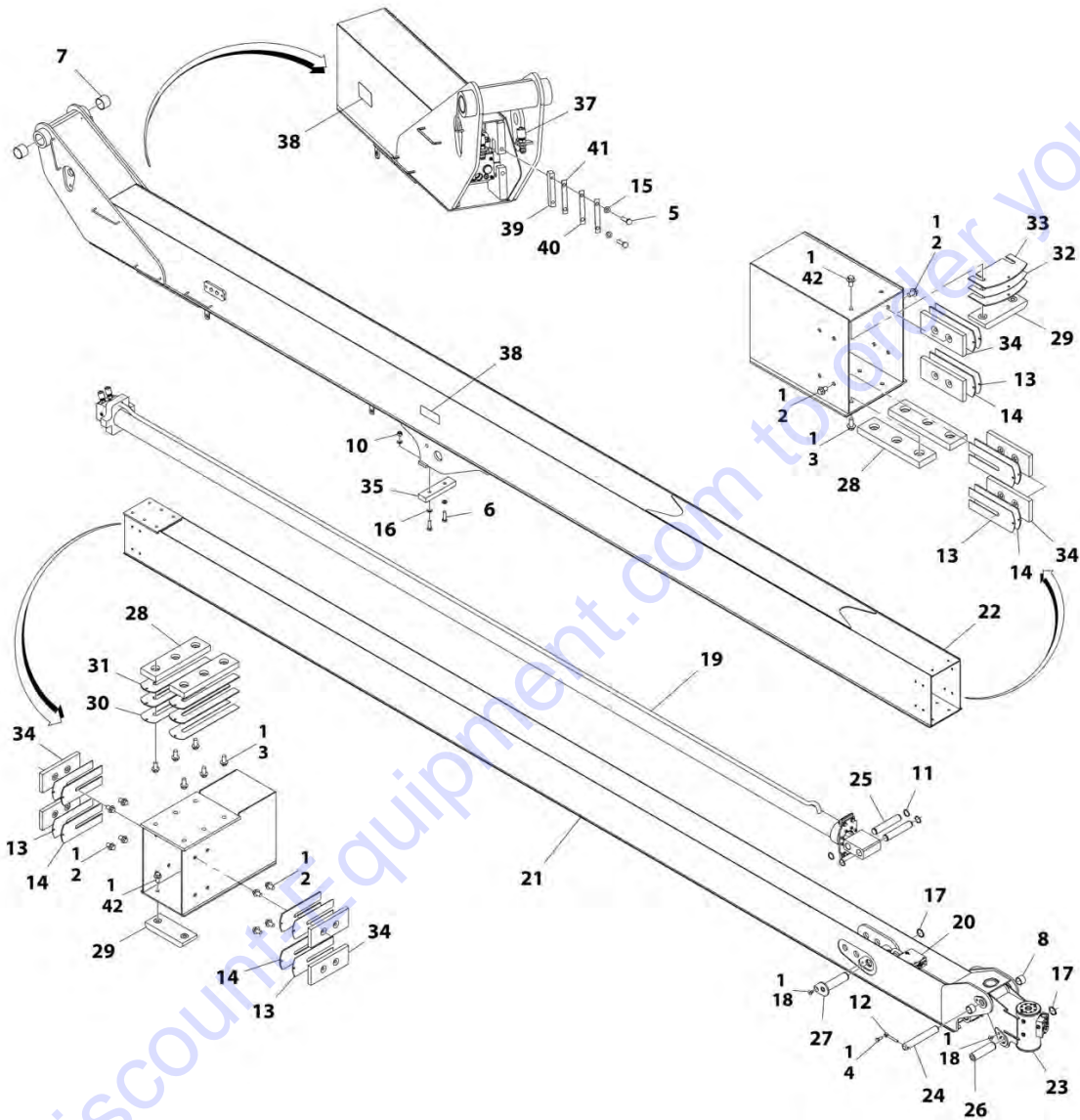
## SECTION 4 - BOOM

**FIGURE 4-4. BOOM AND CYLINDERS INSTALLATION - 460SJ (SN E300004334 to Present, SN 1300007289 through 1300007393)**

ITEM	PART NUMBER	QTY	DESCRIPTION	REV
	1001221481	Ref	BOOM AND CYLINDERS INSTALLATION - 460SJ	C
1	0701619	3	Bolt, M16 x 55	
2	0761218	2	Bolt, M12 x 50	
3	3291205	2	Nut, Lock M12 x 1.75	
4	3291605	3	Nut, Lock M16 x 2	
5	3841203	2	Keeper, Pin	
6	3841258	3	Keeper, Pin	
7	1001163385	1	Master Cylinder Assembly (See CYLINDER SECTION for Breakdown)	
8	1001164709	1	Valve, Poppet (Normally Closed) <b>(SN E300004334 through E300005607)</b>	
8	7017467	1	Cartridge, Solenoid Valve	
8	7012967	1	Seal Kit - 7017467 Valve	
8	70002386	1	Coil	
9	1001168843	1	Pin	
10	1001168844	1	Pin	
11	1001168845	2	Pin	
12	1001168854	1	Pin	
13	1001206321	NLA	Lift Cylinder Assembly (Use p/n 1001228092) (See CYLINDER SECTION for Breakdown) <b>(SN 1300007289 through 1300007393, SN E3000004334 through E300005607)</b>	
13	1001228092	1	Lift Cylinder Assembly (See CYLINDER SECTION for Breakdown) <b>(SN E300005608 to Present)</b>	
14	1001206625	1	Valve, Solenoid Cartridge with Coil <b>(SN 1300007289 through 1300007393, SN E300004334 through E300005607)</b>	
14	70006104	1	Valve, Solenoid Cartridge Less Coil	
14	70006105	1	Seal Kit - 1001206625 Valves	
14	70003788	1	Coil	
14	7022390	1	Nut, Coil	
15	1001221482	1	Main Boom Assembly - 460SJ (See MAIN BOOM ASSEMBLY - 460SJ for Breakdown)	

# SECTION 4 - BOOM

## FIGURE 4-5. MAIN BOOM ASSEMBLY - 400S



ART\_1001163458

## SECTION 4 - BOOM

FIGURE 4-5. MAIN BOOM ASSEMBLY - 400S

ITEM	PART NUMBER	QTY	DESCRIPTION	REV
	1001163458	Ref	MAIN BOOM ASSEMBLY - 400S	I
1	0100011	AR	Compound, Locking	
2	5251008	16	Bolt M10 x 16	
3	5251011	12	Bolt M10 x 22	
4	0761012	1	Bolt M10 x 25	
5	0761019	4	Bolt M10 x 55	
6	0761217	2	Bolt M12 x 45	
7	0961950	2	Bearing	
8	0961951	2	Bushing	
10	3291205	2	Nut M12	
11	3760133	4	Ring	
12	3841143	1	Keeper, Pin	
13	4070897	AR	Shim 18 Ga	
14	4070898	AR	Shim 11 Ga	
15	4812000	4	Washer M10	
16	4812100	4	Washer M12	
17	1001099560	2	Ring, Retaining	
18	1001137032	2	Screw M10 x 16	
19	1001163383	NLA	Telescope Cylinder Assembly (See CYLINDER SECTION for Breakdown) (Use p/n 1001228075) <b>(SN 0300203771 to Present, SN 1300007289 through 1300007393, SN E300000100 through E300005673)</b>	
19	1001228075	1	Telescope Cylinder Assembly (See CYLINDER SECTION for Breakdown) <b>(SN E300005674 to Present)</b>	
20	1001163386	1	Level (Platform Slave) Cylinder Assembly (See CYLINDER SECTION for Breakdown)	
21	1001163459	1	Fly, Boom	
22	1001163470	1	Base, Boom	
23	1001168278	NLA	Platform Rotator Assembly (See ROTATOR ASSEMBLY - 400S for Breakdown) (Use p/n 1001221927) <b>(SN 0300203771 through 0300244182, SN 1300007289 through 1300007393, SN E300000100 through E300005673)</b>	
23	1001221927	1	Platform Rotator Assembly (See ROTATOR ASSEMBLY - 400S for Breakdown) <b>(SN 0300244183 to Present, SN E300005674 to Present)</b>	
24	1001168841	1	Pin	
25	1001168842	2	Pin	
26	1001168848	1	Pin	
27	1001168849	1	Pin	
28	1001169284	4	Pad	
29	1001169285	2	Pad	
30	1001169286	AR	Shim	
31	1001169287	AR	Shim	
32	1001169288	AR	Shim	
33	1001169289	AR	Shim	
34	1001169380	8	Pad	
35	1001171067	1	Pad	
37	1001171112	2	Hose	
38	1001171324	2	Cover	
39	1001171667	2	Bar	
40	1001171966	AR	Shim 20Ga	
41	1001171967	AR	Shim 16Ga	

## SECTION 4 - BOOM

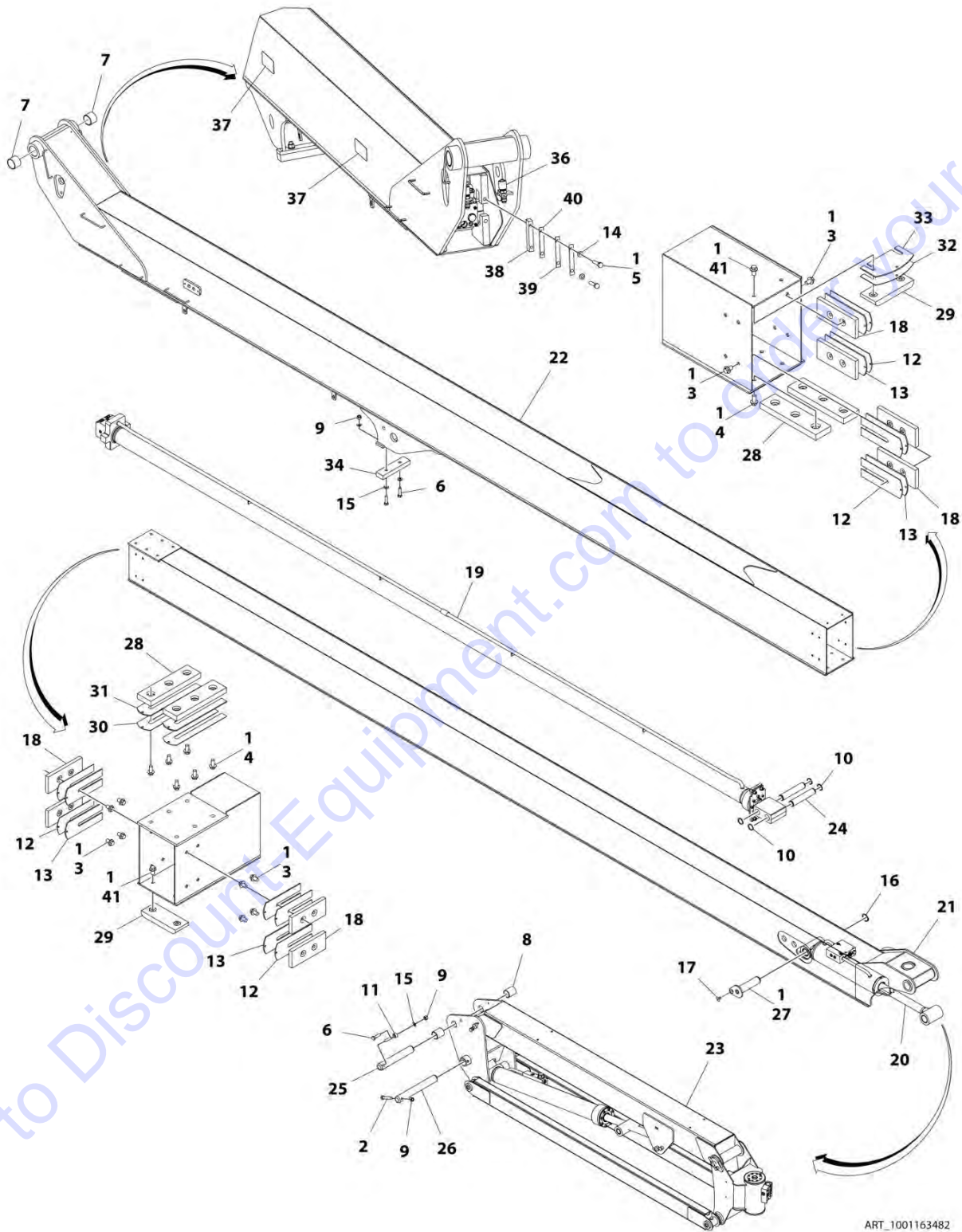
ITEM	PART NUMBER	QTY	DESCRIPTION	REV
42	5251009	4	Bolt M10 x 18	

Go to Discount-Equipment.com to order your parts



# SECTION 4 - BOOM

FIGURE 4-6. MAIN BOOM ASSEMBLY - 460SJ (SN 0300203771 to Present, SN E300000100 through E300004333)



ART\_1001163482

## SECTION 4 - BOOM

**FIGURE 4-6. MAIN BOOM ASSEMBLY - 460SJ (SN 0300203771 to Present, SN E300000100 through E300004333)**

ITEM	PART NUMBER	QTY	DESCRIPTION	REV
	1001163482	Ref	MAIN BOOM ASSEMBLY - 460SJ	I
1	0100011	AR	Compound, Locking	
2	0701222	1	Bolt, M12 x 70	
3	5251008	16	Bolt, M10 x 16	
4	5251011	12	Bolt, M10 x 22	
5	0761019	4	Bolt, M10 x 55	
6	0761217	3	Bolt, M12 x 45	
7	0961950	2	Bearing	
8	0962348	2	Bearing	
9	3291205	4	Nut, Lock M12 x 1.75	
10	3760133	4	Ring, Retaining	
11	3841203	1	Keeper, Pin	
12	4070897	AR	Shim, 18Ga	
13	4070898	AR	Shim, 11Ga	
14	4812000	4	Washer, M10	
15	4812100	5	Washer, M12	
16	1001099560	1	Ring, Retaining	
17	1001137032	1	Screw M10 x 16	
18	1001169380	8	Pad	
19	1001163383	NLA	Telescope Cylinder Assembly (See CYLINDER SECTION for Breakdown) (Use p/n 1001251075) <b>(SN 0300203771 through 0300244183, SN E300000100 through E300004333)</b>	
19	1001228075	NLA	Telescope Cylinder Assembly (See CYLINDER SECTION for Breakdown) (Use p/n 1001251075) <b>(SN 0300244183 through 0300255279)</b>	
19	1001251075	1	Telescope Cylinder Assembly (See CYLINDER SECTION for Breakdown) <b>(SN 0300255280 to Present)</b>	
20	1001163386	1	Level (Platform Slave) Cylinder Assembly (See CYLINDER SECTION for Breakdown)	
21	1001163483	1	Fly, Boom	
22	1001163492	1	Base, Boom	
23	1001167605	NLA	Jib Boom Assembly (Use p/n 1001247048) (See JIB BOOM ASSEMBLY for Breakdown) <b>(SN 0300203771 through 0300261548, SN E300000100 through E300004333)</b>	
23	1001247048	1	Jib Boom Assembly (See Separate Breakdown in this Section) <b>(SN 0300261549 to Present)</b>	
24	1001168842	2	Pin	
25	1001168846	1	Pin <b>(SN 0300203771 through 0300213436)</b>	
25	3422793	1	Pin <b>(SN 0300213437 to Present)</b>	
26	1001168847	1	Pin	
27	1001168849	1	Pin	
28	1001169284	4	Pad	
29	1001169285	2	Pad	
30	1001169286	AR	Shim	
31	1001169287	AR	Shim	
32	1001169288	AR	Shim	
33	1001169289	AR	Shim	
34	1001171067	1	Pad	
36	1001171112	2	Hose	
37	1001171324	1	Cover <b>(SN 0300203771 through 0300220923)</b>	
37	1001171324	2	Cover <b>(SN 0300220924 to Present)</b>	



## SECTION 4 - BOOM

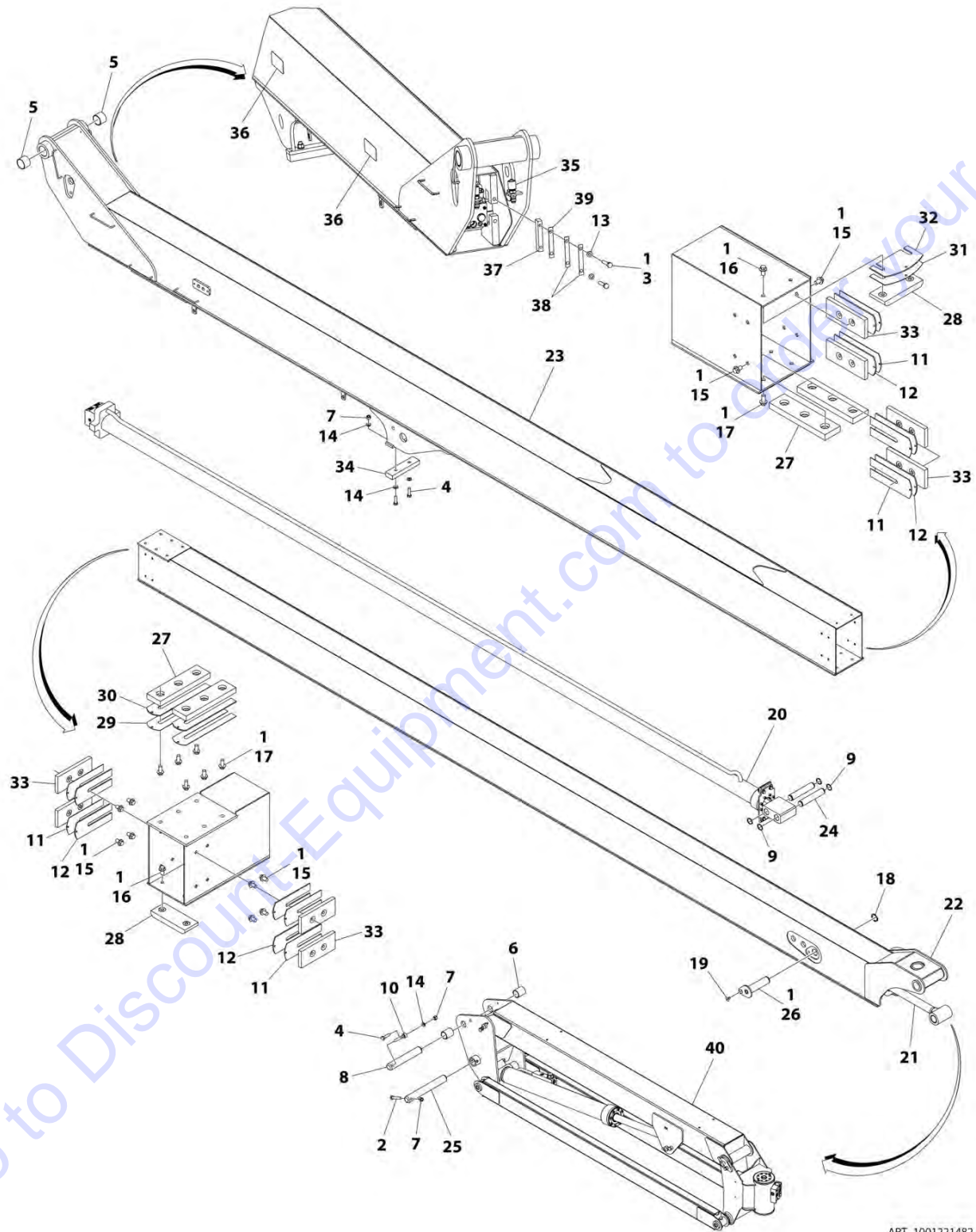
ITEM	PART NUMBER	QTY	DESCRIPTION	REV
38	1001171667	2	Bar	
39	1001171966	AR	Shim, 20Ga	
40	1001171967	AR	Shim, 16Ga	
41	5251009	4	Bolt, M10 x 18	

Go to Discount-Equipment.com to order your parts



# SECTION 4 - BOOM

FIGURE 4-7. MAIN BOOM ASSEMBLY - 460SJ (SN E30004334 to Present, SN 130007289 through 130007393)



ART\_1001221482

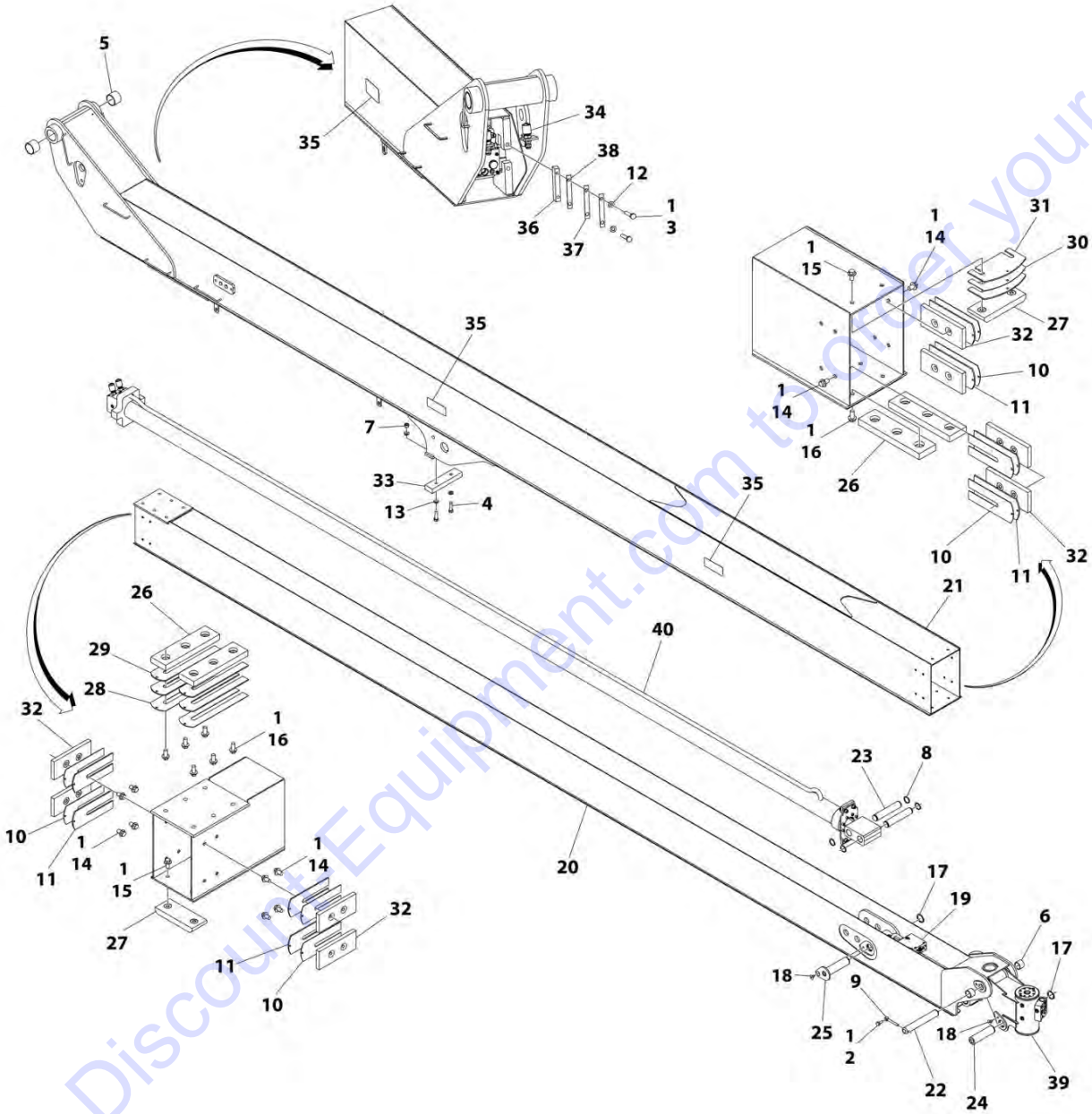
## SECTION 4 - BOOM

**FIGURE 4-7. MAIN BOOM ASSEMBLY - 460SJ (SN E300004334 to Present, SN 1300007289 through 1300007393)**

ITEM	PART NUMBER	QTY	DESCRIPTION	REV
	1001221482	Ref	MAIN BOOM ASSEMBLY - 460SJ	D
1	0100011	AR	Compound, Locking	
2	0701222	1	Bolt, M12 x 70	
3	0761019	4	Bolt, M10 x 55	
4	0761217	3	Bolt, M12 x 45	
5	0961950	2	Bearing	
6	0962348	2	Bearing	
7	3291205	4	Nut, Lock M12 x 1.75	
8	3422793	1	Pin	
9	3760133	4	Ring, Retaining	
10	3841203	1	Keeper, Pin	
11	4070897	AR	Shim, 18Ga	
12	4070898	AR	Shim, 11Ga	
13	4812000	4	Washer, M10	
14	4812100	5	Washer, M12	
15	5251008	16	Bolt, M10 x 16	
16	5251009	4	Bolt, M10 x 18	
17	5251011	12	Bolt, M10 x 22	
18	1001099560	1	Ring, Retaining	
19	1001137032	1	Screw M10 x 16	
20	1001163383	NLA	Telescope Cylinder Assembly (See CYLINDER SECTION for Breakdown) (Use p/n 1001228075) <b>(SN 1300007289 through 1300007393, SN E300004334 through E300005673)</b>	
20	1001228075	1	Telescope Cylinder Assembly (See CYLINDER SECTION for Breakdown) <b>(SN E300005674 to Present)</b>	
21	1001163386	1	Level (Platform Slave) Cylinder Assembly (See CYLINDER SECTION for Breakdown)	
22	1001163483	1	Fly, Boom	
23	1001163492	1	Base, Boom	
24	1001168842	2	Pin	
25	1001168847	1	Pin	
26	1001168849	1	Pin	
27	1001169284	4	Pad	
28	1001169285	2	Pad	
29	1001169286	AR	Shim	
30	1001169287	AR	Shim	
31	1001169288	AR	Shim	
32	1001169289	AR	Shim	
33	1001169380	8	Pad	
34	1001171067	1	Pad	
35	1001171112	2	Hose	
36	1001171324	AR	Cover	
37	1001171667	2	Bar	
38	1001171966	AR	Shim, 20Ga	
39	1001171967	AR	Shim, 16Ga	
40	1001221483	NLA	Jib Boom Assembly (Use p/n 1001247623) (See Separate Breakdown in this Section) <b>(SN 1300007289 through 1300007393, SN E300004334 through E300007170)</b>	
40	1001247623	1	Jib Boom Assembly (See Separate Breakdown in this Section) <b>(SN E300007171 to Present)</b>	

# SECTION 4 - BOOM

FIGURE 4-8. MAIN BOOM ASSEMBLY - 400S (SN 0300255280 to Present)



ART\_1001244874

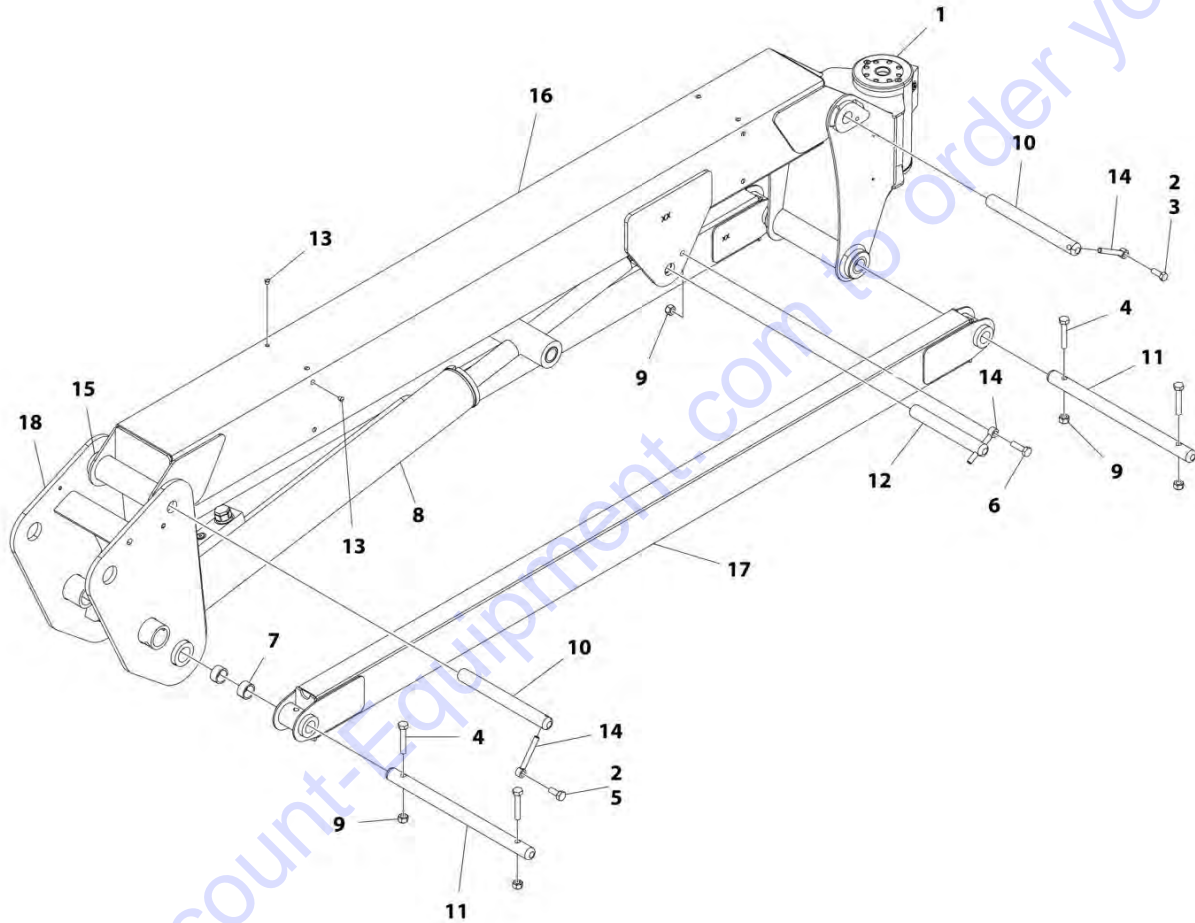
## SECTION 4 - BOOM

**FIGURE 4-8. MAIN BOOM ASSEMBLY - 400S (SN 0300255280 to Present)**

ITEM	PART NUMBER	QTY	DESCRIPTION	REV
	1001244874	Ref	MAIN BOOM ASSEMBLY - 400S	A
1	0100011	AR	Compound, Locking	
2	0761012	1	Bolt, M10 x 25	
3	0761019	4	Bolt M10 x 55	
4	0761217	2	Bolt M12 x 45	
5	0961950	2	Bearing	
6	0961951	2	Bushing	
7	3291205	2	Nut M12	
8	3760133	4	Ring	
9	3841143	1	Keeper, Pin	
10	4070897	AR	Shim 18 Ga	
11	4070898	AR	Shim 11 Ga	
12	4812000	4	Washer M10	
13	4812100	4	Washer M12	
14	5251008	16	Bolt M10 x 16	
15	5251009	4	Bolt M10 x 18	
16	5251011	12	Bolt, M10 x 22	
17	1001099560	2	Ring, Retaining	
18	1001137032	2	Screw M10 x 16	
19	1001163386	1	Level (Platform Slave) Cylinder Assembly (See Separate Breakdown in CYLINDER SECTION)	
20	1001163459	1	Fly, Boom	
21	1001163470	1	Base, Boom	
22	1001168841	1	Pin	
23	1001168842	2	Pin	
24	1001168848	1	Pin	
25	1001168849	1	Pin	
26	1001169284	4	Pad	
27	1001169285	2	Pad	
28	1001169286	AR	Shim	
29	1001169287	AR	Shim	
30	1001169288	AR	Shim	
31	1001169289	AR	Shim	
32	1001169380	8	Pad	
33	1001171067	1	Pad	
34	1001171112	2	Hose	
35	1001171324	4	Cover	
36	1001171667	2	Bar	
37	1001171966	AR	Shim 20Ga	
38	1001171967	AR	Shim 16Ga	
39	1001221927	1	Platform Rotator Assembly	
40	1001251075	1	Telescope Cylinder Assembly (See Separate Breakdown in CYLINDER SECTION)	

# SECTION 4 - BOOM

FIGURE 4-9. JIB BOOM ASSEMBLY (SN 0300203771 through 0300261548, SN E300000100 through E300004333)



ART\_1001167605

## SECTION 4 - BOOM

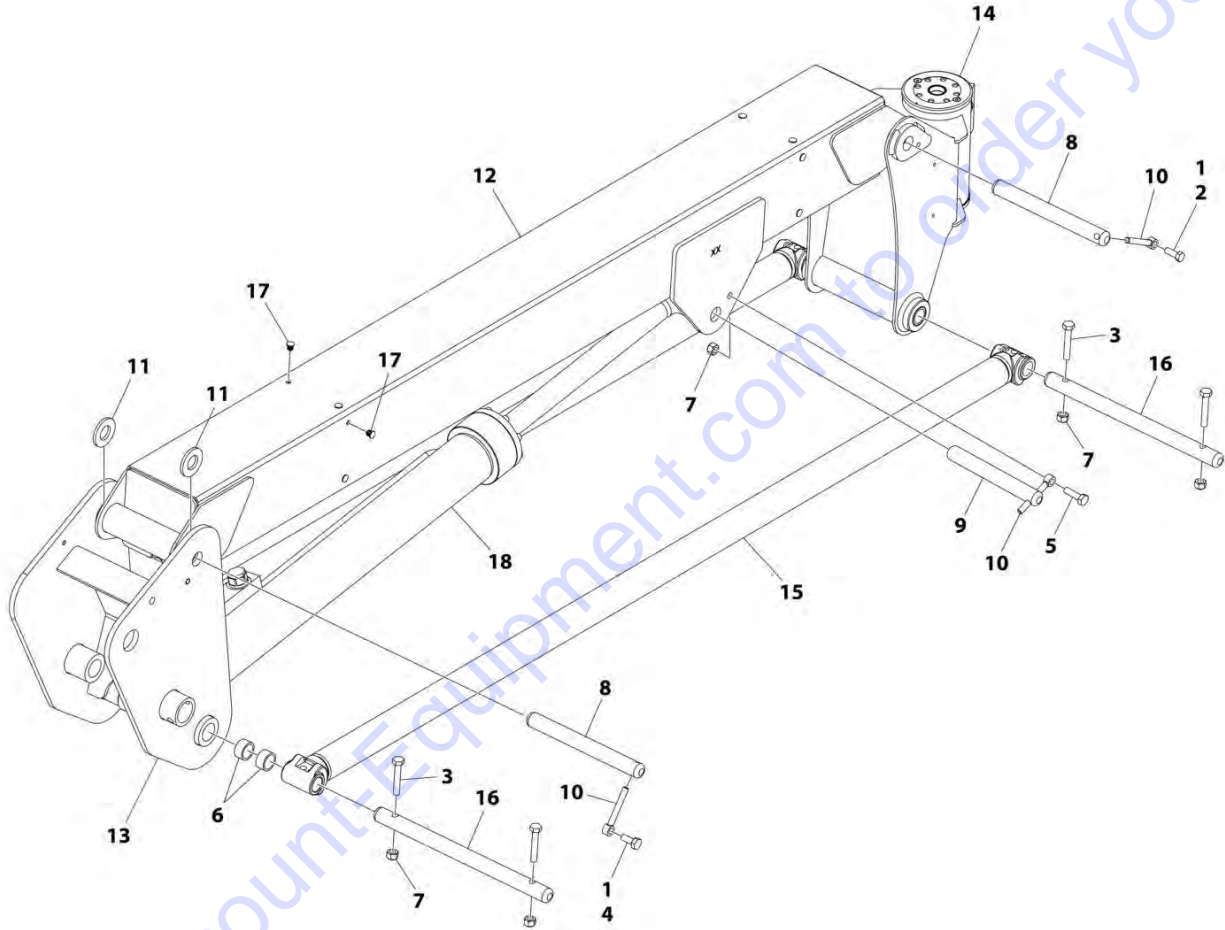
**FIGURE 4-9. JIB BOOM ASSEMBLY (SN 0300203771 through 0300261548, SN E300000100 through E300004333)**

ITEM	PART NUMBER	QTY	DESCRIPTION	REV
	1001167605	Ref	JIB BOOM ASSEMBLY	I
1	1001181051	1	Rotator Assembly (See ROTATOR ASSEMBLY - 460SJ for Breakdown)	
2	0100011	AR	Compound, Locking	
3	0641608	1	Bolt, 3/8 x 1	
4	0701020	4	Bolt, M10 x 60	
5	0761012	1	Bolt, M10 x 25	
6	0761015	1	Bolt, M10 x 35	
7	0961947	4	Bearing	
8	1683609	NLA	Lift Cylinder Assembly - Jib (Use p/n 1001248012) (See CYLINDER SECTION for Breakdown) <b>(SN 0300203771 through 0300244835, SN E300000100 through E300004333)</b>	
8	1001228012	NLA	Lift Cylinder Assembly - Jib (Use p/n 1001248012) (See CYLINDER SECTION for Breakdown) <b>(SN 0300244836 through 0300244838, SN E300000100 through E300004333)</b>	
8	1001248012	1	Lift Cylinder Assembly - Jib (See CYLINDER SECTION for Breakdown) <b>(SN 0300244839 through 0300261548)</b>	
9	3291005	5	Nut M10	
10	3422860	2	Pin	
11	3422861	2	Pin	
12	3422867	1	Pin	
13	3520034	8	Plug <b>(SN 0300203771 through 0300229918, SN E300000100 through E300004333)</b>	
13	1001223899	8	Fastener <b>(SN 0300229919 through 0300261548, SN E300000100 through E300004333)</b>	
14	3841143	3	Keeper, Pin	
15	4740439	2	Washer, Thrust	
16	4844816	1	Tube (Upper)	
16	0962335	4	Bushing	
17	4844817	2	Tube, Lower	
18	1001165567	1	Pivot	



# SECTION 4 - BOOM

FIGURE 4-10. JIB BOOM ASSEMBLY (SN 0300261549 to Present)



ART\_1001247048

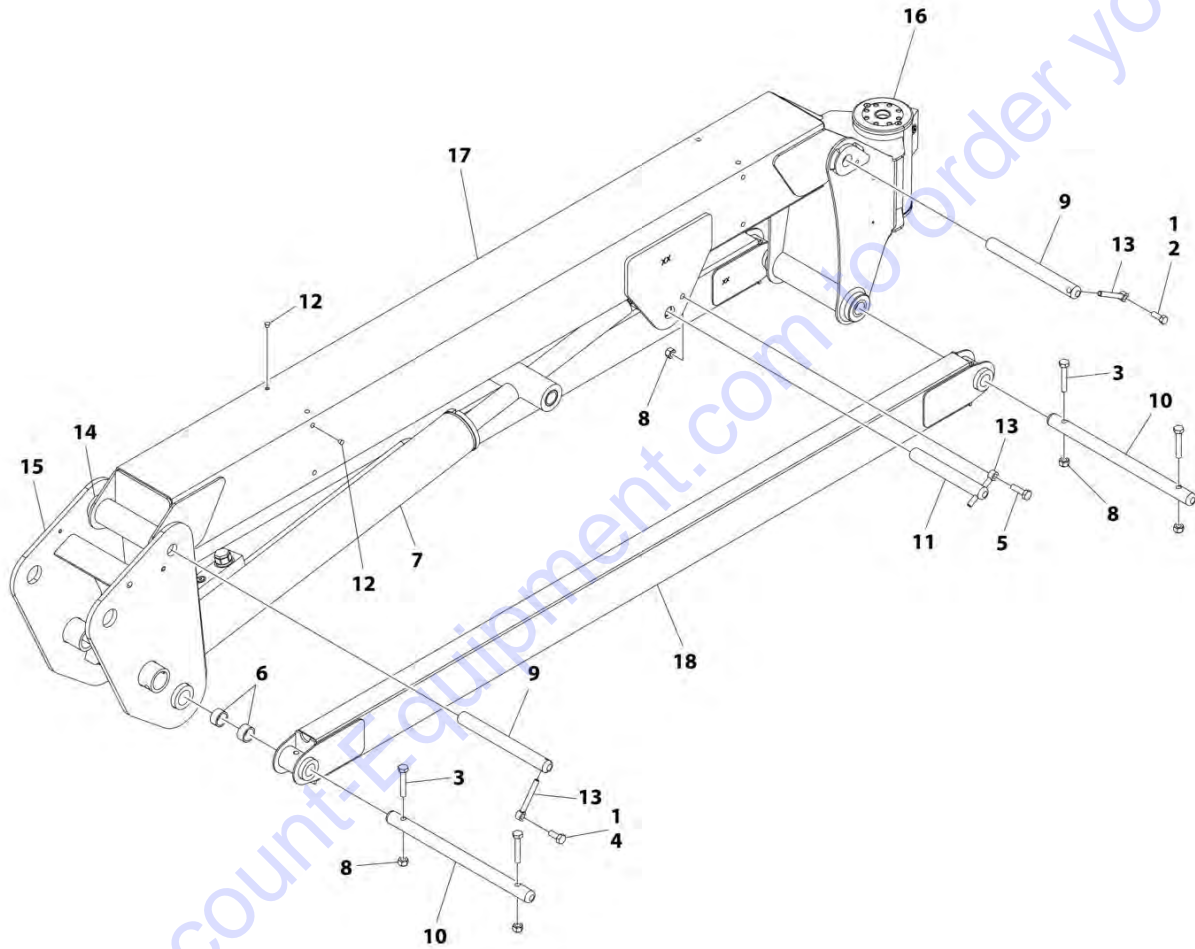
## SECTION 4 - BOOM

**FIGURE 4-10. JIB BOOM ASSEMBLY (SN 0300261549 to Present)**

ITEM	PART NUMBER	QTY	DESCRIPTION	REV
	1001247048	Ref	JIB BOOM ASSEMBLY	A
1	0100011	AR	Compound, Locking	
2	0641608	1	Bolt 3/8 x 1	
3	0701020	4	Bolt M10 x 60	
4	0761012	1	Bolt M10 x 25	
5	0761015	1	Bolt M10 x 35	
6	0961947	4	Bearing	
7	3291005	5	Nut M10	
8	3422860	2	Pin	
9	3422867	1	Pin	
10	3841143	3	Keeper, Pin	
11	4740439	2	Washer, Thrust	
12	4844816	1	Tube (Upper)	
12	0962335	4	Bushing	
13	1001165567	1	Pivot	
14	1001181051	1	Rotator Assembly (See Separate Breakdown in this Section)	
15	1001181960	2	Tube, Lower	
16	1001182064	2	Pin	
17	1001223899	8	Fastener	
18	1001248012	1	Lift Cylinder Assembly - Jib (See CYLINDER SECTION for Breakdown)	

# SECTION 4 - BOOM

FIGURE 4-11. JIB BOOM ASSEMBLY - 460SJ (SN E300004334 through E300007170, SN 1300007289 through 1300007393)



ART\_1001221483

## SECTION 4 - BOOM

**FIGURE 4-11. JIB BOOM ASSEMBLY - 460SJ (SN E300004334 through E300007170, SN 1300007289 through 1300007393)**

ITEM	PART NUMBER	QTY	DESCRIPTION	REV
	1001221483	Ref	JIB BOOM ASSEMBLY - 460SJ	E
1	0100011	AR	Compound, Locking	
2	0641608	1	Bolt, 3/8 x 1	
3	0701020	4	Bolt, M10 x 60	
4	0761012	1	Bolt, M10 x 25	
5	0761015	1	Bolt, M10 x 35	
6	0961947	4	Bearing	
7	1683609	NLA	Lift Cylinder Assembly - Jib (See CYLINDER SECTION for Breakdown) (Use p/n 1001228012) <b>(SN 1300007289 through 1300007393, SN E30004334 through E300005748)</b>	
7	1001228012	NLA	Lift Cylinder Assembly - Jib (See CYLINDER SECTION for Breakdown) <b>(SN E300004334 through E300006009)</b>	
7	1001248012	1	Lift Cylinder Assembly - Jib (See CYLINDER SECTION for Breakdown) <b>(SN E300006010 through E300007170)</b>	
8	3291005	5	Nut M10	
9	3422860	2	Pin	
10	3422861	2	Pin	
11	3422867	1	Pin	
12	3520034	8	Plug	
13	3841143	3	Keeper, Pin	
14	4740439	2	Washer, Thrust	
15	1001165567	1	Pivot	
16	1001181051	1	Rotator Assembly (See ROTATOR ASSEMBLY - 460SJ for Breakdown)	
17	1001221484	1	Tube (Upper)	
17	0962335	4	Bushing	
18	1001221486	2	Tube, Lower	

# PARTS FINDER

**Search Website  
by Part Number**



**Search Manual  
Library For Parts  
Manual & Lookup Part  
Numbers – Purchase  
or Request Quote**

**Can't Find Part or  
Manual? Request Help  
by Manufacturer,  
Model & Description**

Discount-Equipment.com is your online resource for quality parts & equipment.

Florida: **561-964-4949** Outside Florida TOLL FREE: **877-690-3101**

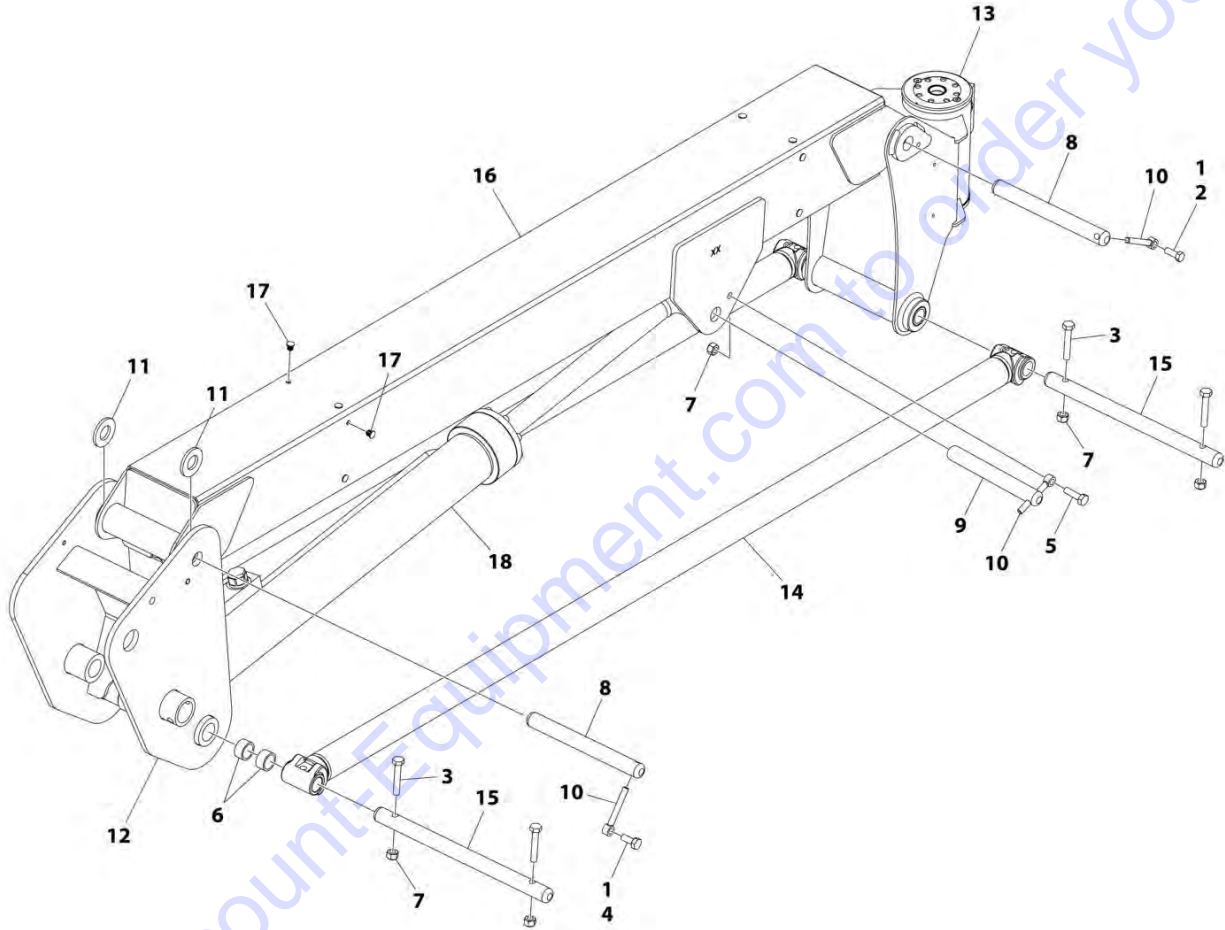
**Need parts?**

Click on this link: <http://www.discount-equipment.com/category/5443-parts/> and choose one of the options to help get the right parts and equipment you are looking for. Please have the machine model and serial number available in order to help us get you the correct parts. If you don't find the part on the website or on one of the online manuals, please fill out the request form and one of our experienced staff members will get back to you with a quote for the right part that your machine needs.

We sell worldwide for the brands: Genie, Terex, JLG, MultiQuip, Mikasa, Essick, Whiteman, Mayco, Toro Stone, Diamond Products, Generac Magnum, Airman, Haulotte, Barreto, Power Blanket, Nifty Lift, Atlas Copco, Chicago Pneumatic, Allmand, Miller Curber, Skyjack, Lull, Skytrak, Tsurumi, Husquvarna Target, Stow, Wacker, Sakai, Mi-T-M, Sullair, Basic, Dynapac, MBW, Weber, Bartell, Bennar Newman, Haulotte, Ditch Runner, Menegotti, Morrison, Contec, Buddy, Crown, Edco, Wyco, Bomag, Laymor, EZ Trench, Bil-Jax, F.S. Curtis, Gehl Pavers, Heli, Honda, ICS/PowerGrit, IHI, Partner, Imer, Clipper, MMD, Koshin, Rice, CH&E, General Equipment, Amida, Coleman, NAC, Gradall, Square Shooter, Kent, Stanley, Tamco, Toku, Hatz, Kohler, Robin, Wisconsin, Northrock, Oztec, Toker TK, Rol-Air, APT, Wylie, Ingersoll Rand / Doosan, Innovatech, Con X, Ammann, Mecalac, Makinex, Smith Surface Prep, Small Line, Wanco, Yanmar

# SECTION 4 - BOOM

FIGURE 4-12. JIB BOOM ASSEMBLY - 460SJ (SN E300007171 to Present)



ART\_1001247623

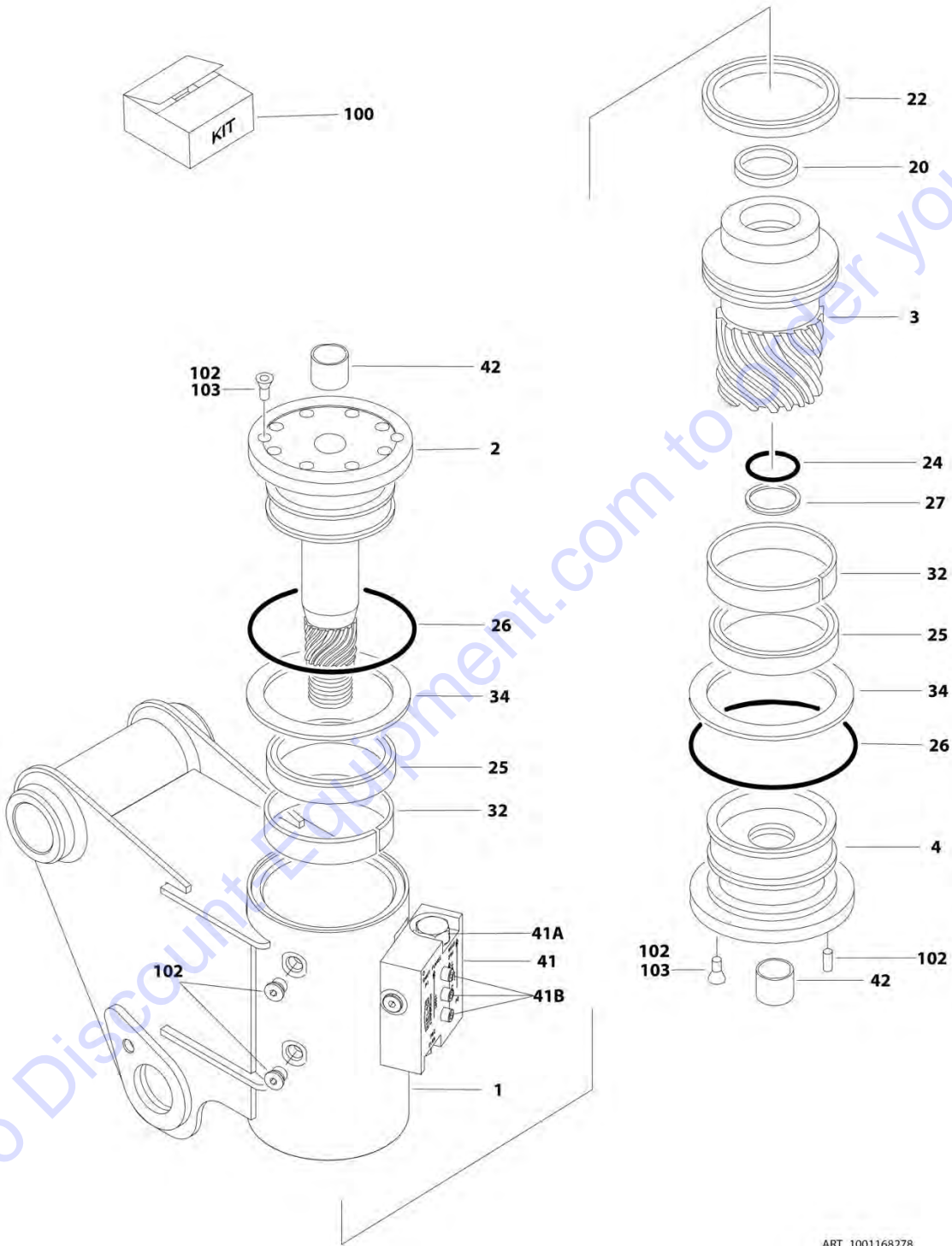
## SECTION 4 - BOOM

**FIGURE 4-12. JIB BOOM ASSEMBLY - 460SJ (SN E300007171 to Present)**

ITEM	PART NUMBER	QTY	DESCRIPTION	REV
	1001247623	Ref	JIB BOOM ASSEMBLY	A
1	0100011	AR	Compound, Locking	
2	0641608	1	Bolt 3/8 x 1	
3	0701020	4	Bolt M10 x 60	
4	0761012	1	Bolt M10 x 25	
5	0761015	1	Bolt M10 x 35	
6	0961947	4	Bearing	
7	3291005	5	Nut M10	
8	3422860	2	Pin	
9	3422867	1	Pin	
10	3841143	3	Keeper, Pin	
11	4740439	2	Washer, Thrust	
12	1001165567	1	Pivot	
13	1001181051	1	Rotator Assembly (See Separate Breakdown in this Section)	
14	1001181960	2	Tube, Lower	
15	1001182064	2	Pin	
16	1001221484	1	Tube (Upper)	
16	0962335	4	Bushing	
17	1001223899	8	Fastener	
18	1001248012	1	Lift Cylinder Assembly - Jib (See CYLINDER SECTION for Breakdown)	

# SECTION 4 - BOOM

FIGURE 4-13. ROTATOR ASSEMBLY - 400S (SN 0300203771 through 03002444182, SN E300000100 through E300005673, SN 1300007289 through 1300007393)





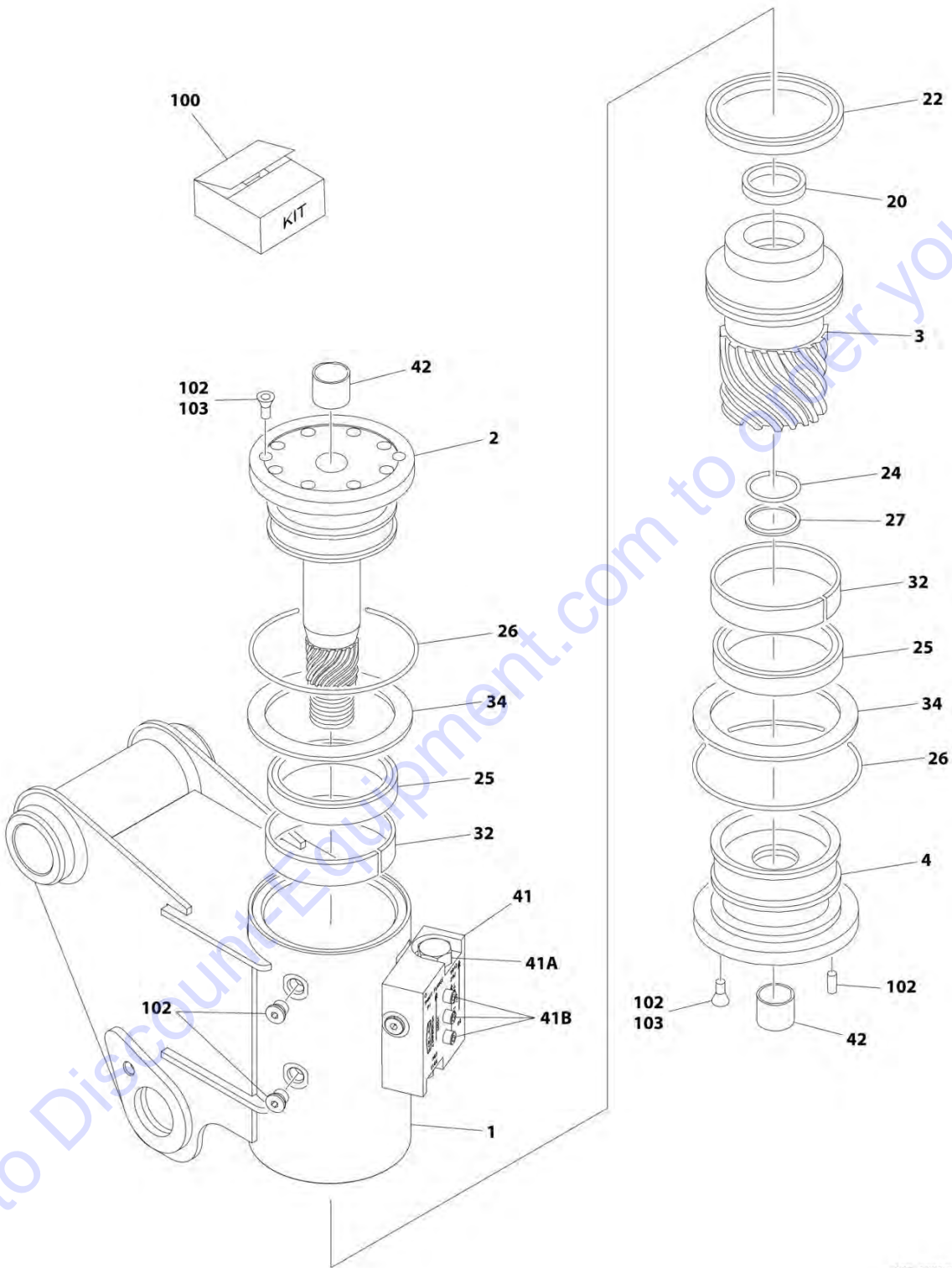
## SECTION 4 - BOOM

**FIGURE 4-13. ROTATOR ASSEMBLY - 400S (SN 0300203771 through 03002444182, SN E300000100 through E300005673, SN 1300007289 through 1300007393)**

ITEM	PART NUMBER	QTY	DESCRIPTION	REV
	1001168278	Ref	ROTATOR ASSEMBLY - 400S	D
1	See Note	NSS	Housing/Ring Gear Assembly (Note: Not Available - Purchase Complete Rotator Assembly)	
2	7017162	1	Shaft Weldment	
3	7017163	1	Piston/Sleeve Assembly	
4	7017164	1	Cap, End	
20	See Note	NSS	T-Seal (Note: Use Item 100)	
22	See Note	NSS	T-Seal (Note: Use Item 100)	
24	See Note	NSS	O-Ring (Note: Use Item 100)	
25	See Note	NSS	Seal (Note: Use Item 100)	
26	See Note	NSS	O-Ring (Note: Use Item 100)	
27	See Note	NSS	Ring, Back-up (Note: Use Item 100)	
32	See Note	NSS	Ring, Wear (Note: Use Item 101)	
34	See Note	NSS	Washer, Thrust (Note: Use Item 101)	
41	7017172	AR	Valve Assembly	
41A	7017192	2	Cartridge, Valve	
41A	See Note	NSS	Seal Kit - 7017192 Valve (Note: Not Available for Purchase)	
41B	See Note	3	Bolt 1/4-20NC x 1-1/2 (Grade 8) (Note: Not Available - Purchase Locally)	
42	7017195	2	Bushing	
100	70000342	1	Seal Kit (Includes Items 20, 22, 24, 25, 27 & 33)	
101	7017159	1	Bearing Kit (Includes Items 32 & 34)	
102	7017142	1	Hardware Kit	
103	70001697	4	Screw, Countersunk 1/4 x 3/8 Grade 8	

# SECTION 4 - BOOM

FIGURE 4-14. ROTATOR ASSEMBLY - 400S (SN 0300244183 to Present, SN E300005674 to Present)



ART\_1001221927

## SECTION 4 - BOOM

**FIGURE 4-14. ROTATOR ASSEMBLY - 400S (SN 0300244183 to Present, SN E300005674 to Present)**

ITEM	PART NUMBER	QTY	DESCRIPTION	REV
	1001221927	Ref	ROTATOR ASSEMBLY - 400S (SN 0300244183 to Present, SN E300005674 to Present)	A
1	See Note	NSS	Housing/Ring Gear Assembly (Note: Not Available - Purchase Complete Rotator Assembly)	
2	7017162	1	Shaft Weldment	
3	7017163	1	Piston/Sleeve Assembly	
4	7017164	1	Cap, End	
20	See Note	NSS	T-Seal (Note: Use Item 100)	
22	See Note	NSS	T-Seal (Note: Use Item 100)	
24	See Note	NSS	O-Ring (Note: Use Item 100)	
25	See Note	NSS	Seal (Note: Use Item 100)	
26	See Note	NSS	O-Ring (Note: Use Item 100)	
27	See Note	NSS	Ring, Back-up (Note: Use Item 100)	
32	See Note	NSS	Ring, Wear (Note: Use Item 101)	
34	See Note	NSS	Washer, Thrust (Note: Use Item 101)	
40	70006580	1	Tube, Stop (Not Shown)	
41	7017172	AR	Valve Assembly	
41A	7017192	2	Cartridge, Valve	
41A	See Note	NSS	Seal Kit - 7017192 Valve (Note: Not Available for Purchase)	
41B	See Note	3	Bolt 1/4 x 1-1/2 (Grade 8) (Note: Not Available - Purchase Locally)	
42	7017195	2	Bushing	
100	70000342	1	Seal Kit (Includes Items 20, 22, 24, 25, 27)	
101	7017159	1	Bearing Kit (Includes Items 32 & 34)	
102	7017142	1	Hardware Kit	
103	70001697	4	Screw, Countersunk 1/4 x 3/8 Grade 8	

# SECTION 4 - BOOM

## FIGURE 4-15. ROTATOR ASSEMBLY - 460SJ

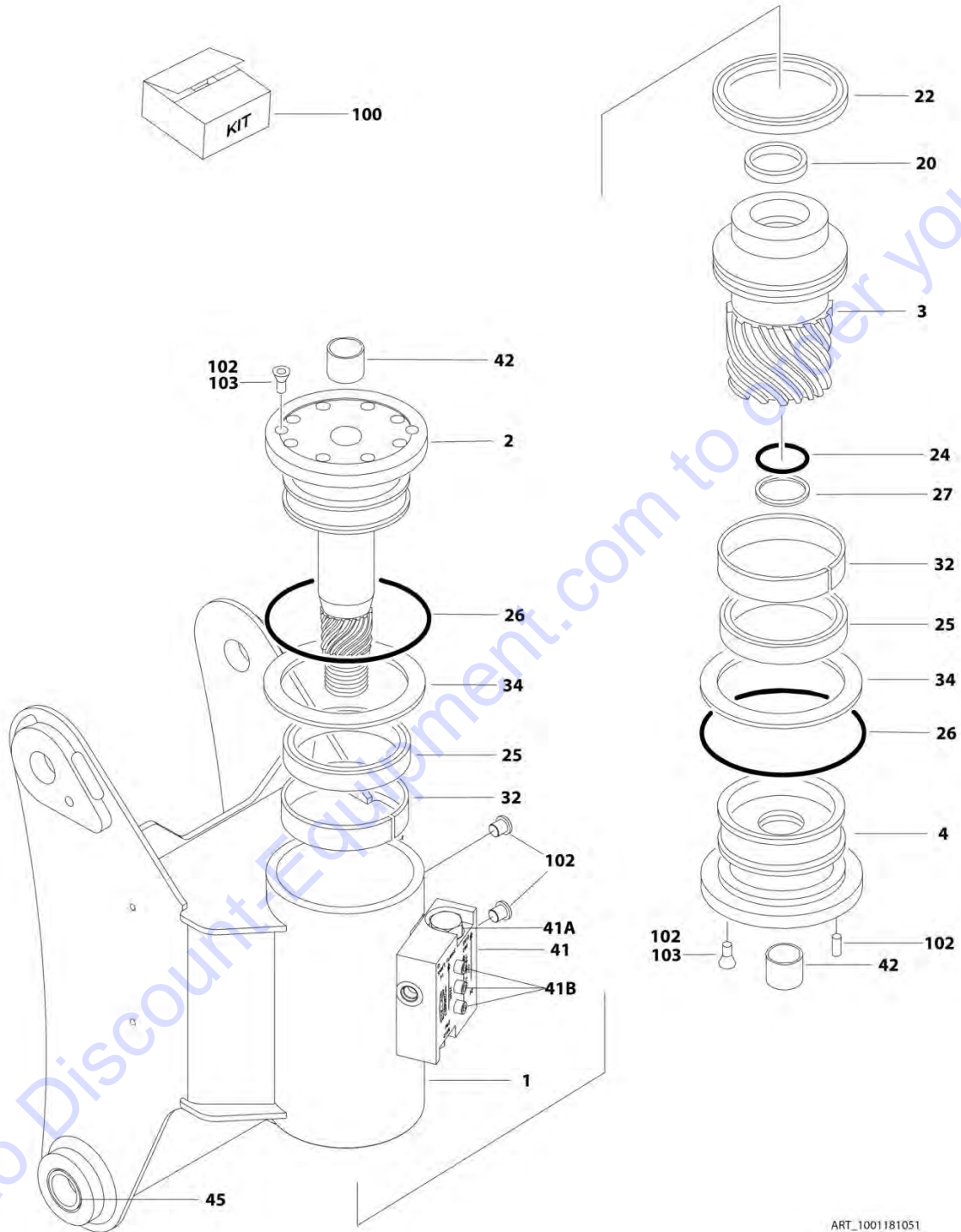
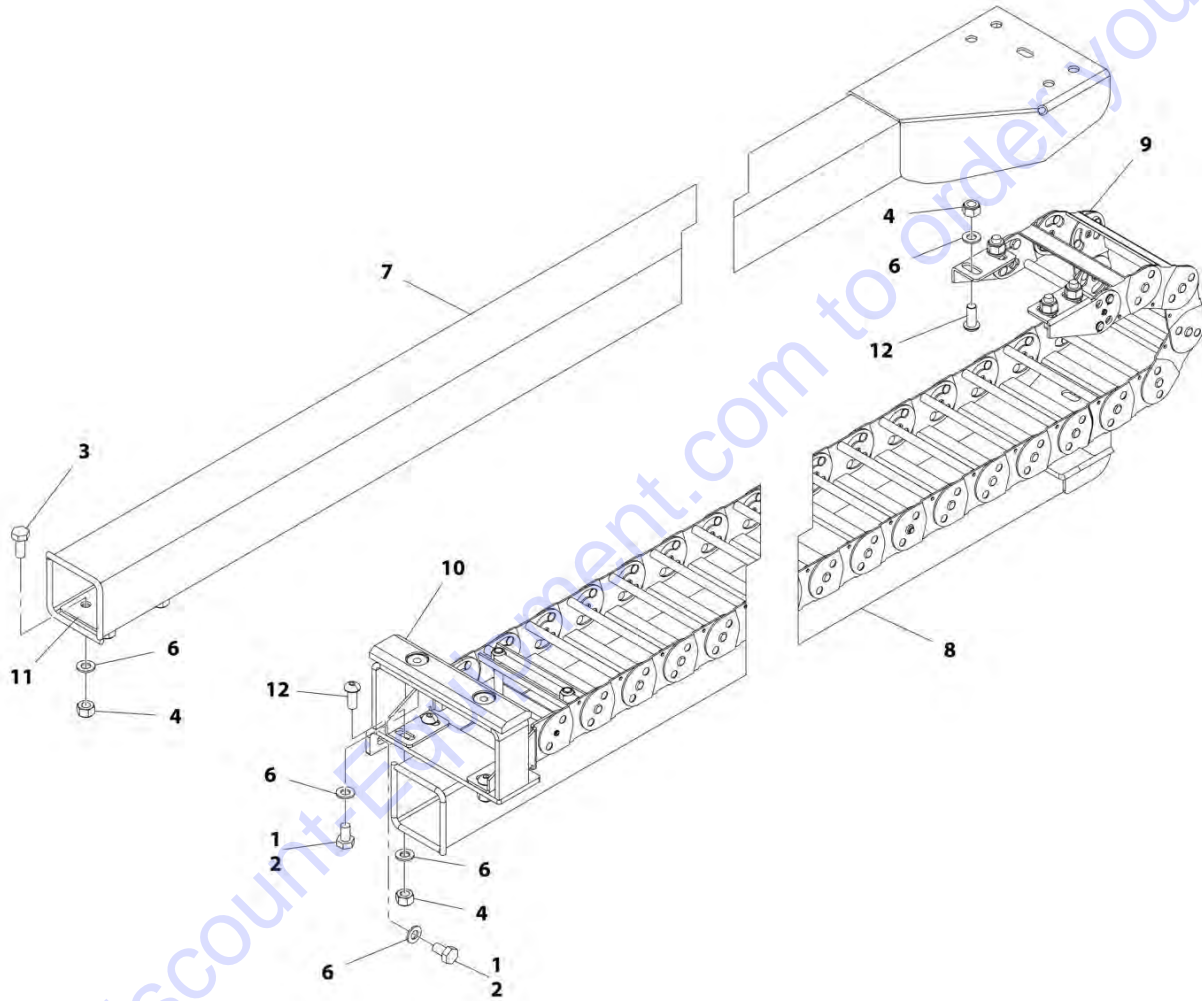


FIGURE 4-15. ROTATOR ASSEMBLY - 460SJ

ITEM	PART NUMBER	QTY	DESCRIPTION	REV
	1001181051	Ref	ROTATOR ASSEMBLY - 460SJ	A
1	See Note	NSS	Housing/Ring Gear Assembly (Note: Not Available - Purchase Complete Rotator Assembly)	
2	7017162	1	Shaft Weldment	
3	7017163	1	Piston/Sleeve Assembly	
4	7017164	1	Cap, End	
20	See Note	NSS	T-Seal (Note: Use Item 100)	
22	See Note	NSS	T-Seal (Note: Use Item 100)	
24	See Note	NSS	O-Ring (Note: Use Item 100)	
25	See Note	NSS	Seal (Note: Use Item 100)	
26	See Note	NSS	O-Ring (Note: Use Item 100)	
27	See Note	NSS	Ring, Back-up (Note: Use Item 100)	
32	See Note	NSS	Ring, Wear (Note: Use Item 101)	
34	See Note	NSS	Washer, Thrust (Note: Use Item 101)	
41	7017172	AR	Valve Assembly	
41A	7017192	2	Cartridge, Valve	
41A	See Note	NSS	Seal Kit - 7017192 Valve (Note: Not Available for Purchase)	
41B	See Note	3	Bolt 1/4-20NC x 1-1/2 Grade 8 (Note: Not Available - Purchase Locally)	
42	7017195	2	Bushing	
45	7017150	2	Bushing	
100	70000342	1	Seal Kit (Includes Items 20, 22, 24, 25, 27 & 33)	
101	7017159	1	Bearing Kit (Includes Items 32 & 34)	
102	7017142	1	Hardware Kit	
103	70001697	4	Screw, Countersunk 1/4 x 3/8 Grade 8	

# SECTION 4 - BOOM

FIGURE 4-16. POWER TRACK INSTALLATION (SN 0300203771 to Present, SN E300000100 through E300003862)



ART\_1001165538

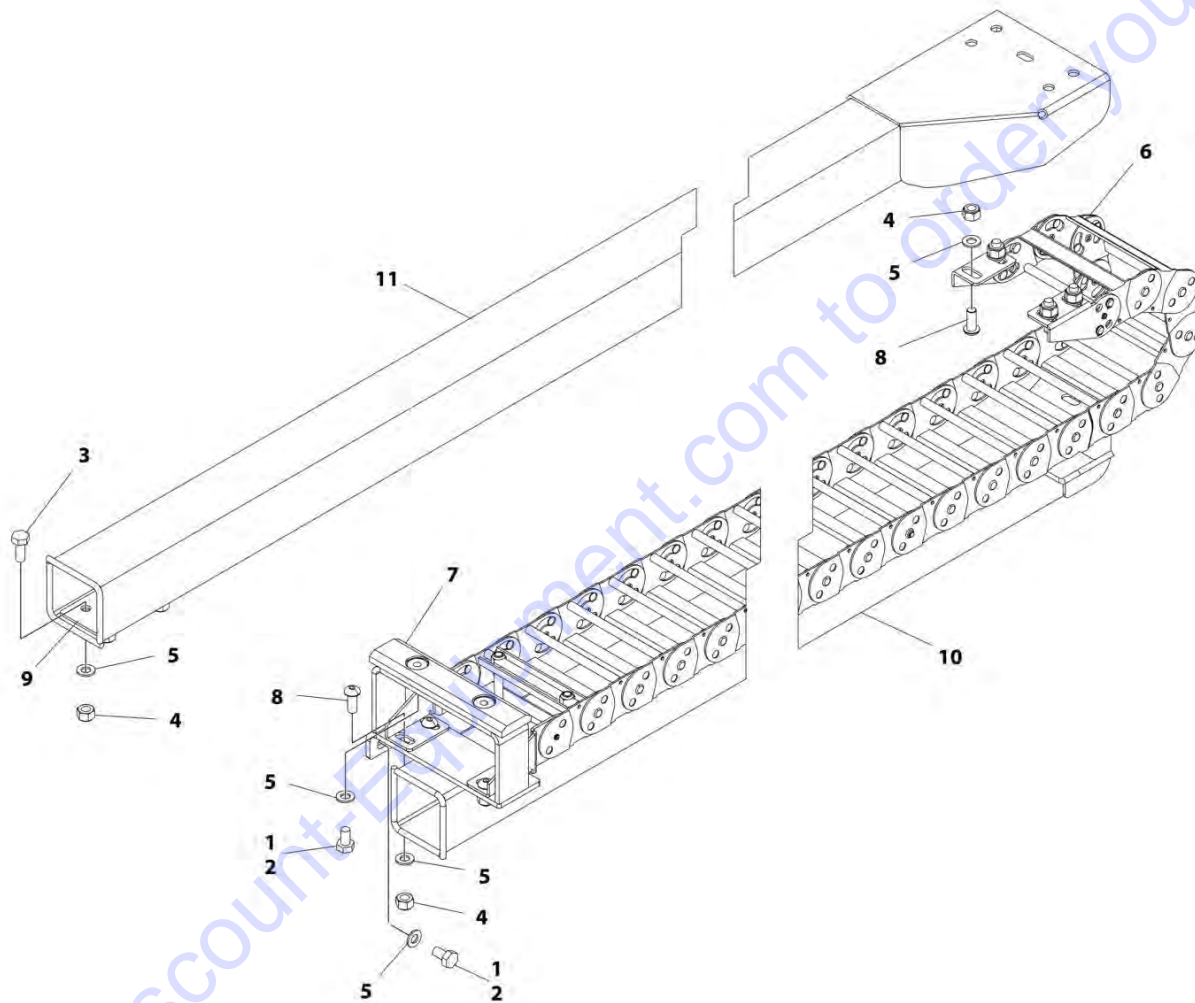
## SECTION 4 - BOOM

**FIGURE 4-16. POWER TRACK INSTALLATION (SN 0300203771 to Present, SN E300000100 through E300003862)**

ITEM	PART NUMBER	QTY	DESCRIPTION	REV
	1001165538	Ref	POWER TRACK INSTALLATION	D
1	0100011	AR	Compound, Locking	
2	0761009	10	Bolt, M10 x 18	
3	0761012	4	Bolt, M10 x 25	
4	3291005	12	Nut M10	
6	4812000	22	Washer, M10	
7	1001165531	1	Tube, Push	
8	1001165534	1	Tube, Carrier	
9	1001165537	1	Power Track (SN 0300203771 through 0300229632, SN 1300007289 through 1300007393, SN E300000100 through E300003862)	
9	1001224888	1	Power Track (SN 0300229633 to Present, SN E30004417 through E30004333)	
9	70002011	1	Repair Section without Clamp - 10 Links (1001165537 Power Track) (SN 0300203771 through 0300229632, SN 1300007289 through 1300007393, SN E300000100 through E300003862)	
9	70005106	1	Repair Section with Clamp - 10 Links (1001165537 Power Track) (SN 0300203771 through 0300229632, SN 1300007289 through 1300007393, SN E300000100 through E300003862)	
9	70006255	1	Repair Section (1001224888 Power Track) (SN 0300229633 to Present, SN E30004417 through E30004333)	
9	70005107	1	Feet, Mounting (Includes 1 each Left and Right Mounting Feet)(1001165537 Power Track) (SN 0300203771 through 0300229632, SN 1300007289 through 1300007393, SN E300000100 through E300003862)	
9	70006270	1	Feet, Mounting (Includes 2 each Left and Right Mounting Feet)(1001224888 Power Track) (SN 0300229633 to Present, SN E30004417 through E30004333)	
10	1001169611	1	Pad, Wear	
11	1001176899	1	Plate, Support	
12	1001173763	8	Screw, M10 x 25	

# SECTION 4 - BOOM

FIGURE 4-17. POWER TRACK INSTALLATION (SN E300003862 to Present, SN 1300007289 through 1300007393)



ART\_1001220920



## SECTION 4 - BOOM

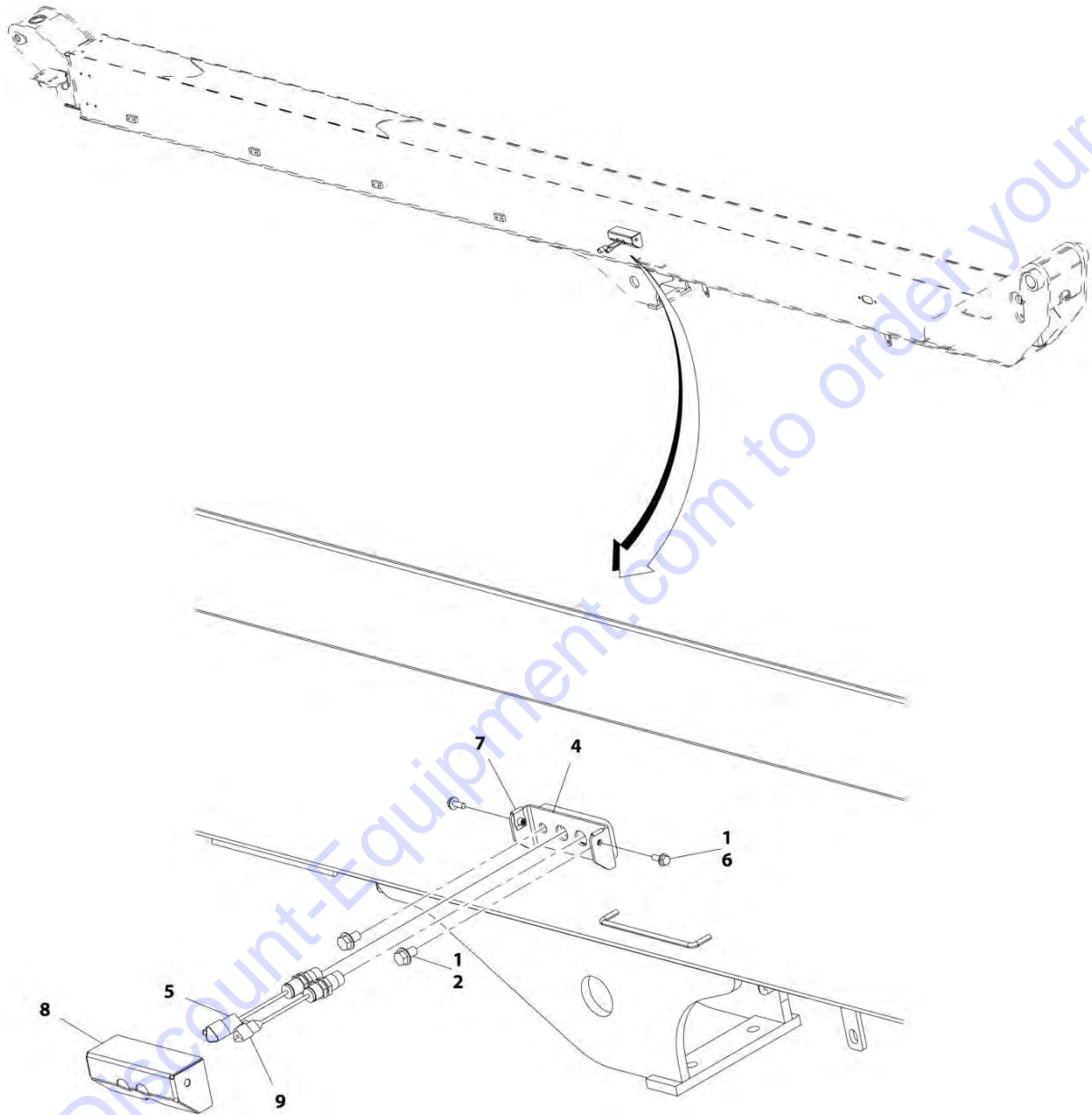
**FIGURE 4-17. POWER TRACK INSTALLATION (SN E300003862 to Present, SN 1300007289 through 1300007393)**

ITEM	PART NUMBER	QTY	DESCRIPTION	REV
	1001220920	Ref	POWER TRACK INSTALLATION	B
1	0100011	AR	Compound, Locking	
2	0761009	10	Bolt, M10 x 18	
3	0761012	4	Bolt, M10 x 25	
4	3291005	12	Nut M10	
5	4812000	22	Washer, M10	
6	1001165537	1	Power Track <b>(SN E300003862 through E300004500)</b>	
6	1001224888	1	Power Track <b>(SN E300004501 to Present, SN 1300007289 through 1300007393)</b>	
6	70002011	1	Repair Section without Clamp - 10 Links	
6	70005106	1	Repair Section with Clamp - 10 Links	
6	70005107	1	Feet, Mounting (Includes 1 each Left and Right Mounting Feet)	
7	1001169611	1	Pad, Wear	
8	1001173763	8	Screw, M10 x 25	
9	1001176899	1	Plate, Support	
10	1001220921	1	Tube, Carrier	
11	1001220924	1	Tube, Push	

Go to Discount-Equipment.com to order your parts

# SECTION 4 - BOOM

## FIGURE 4-18. CAPACITY SWITCH INSTALLATION



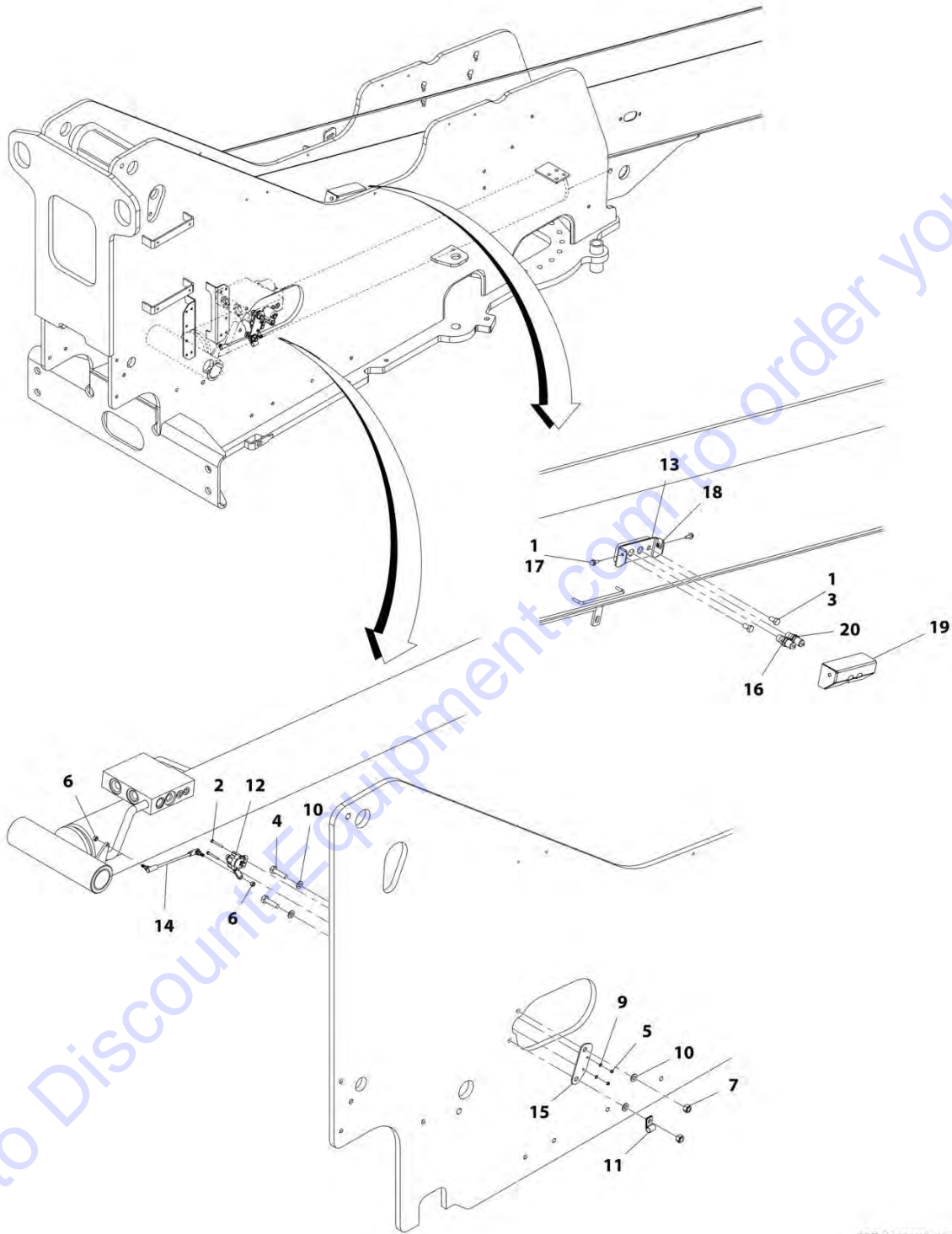
ART\_1001173233

FIGURE 4-18. CAPACITY SWITCH INSTALLATION

ITEM	PART NUMBER	QTY	DESCRIPTION	REV
	1001173233	Ref	CAPACITY SWITCH INSTALLATION	D
1	0100011	AR	Compound, Locking	
2	5251008	2	Bolt, M10 x 16	
4	1001165540	1	Plate, Mounting (SN 0300203771 through 0300213436)	
5	1001170847	1	Sensor, Proximity	
5	4460536	1	Connector - 3 Position	
5	4460464	3	Pin, Male	
6	5250608	2	Bolt, M6 x 16 (SN 0300203771 through 0300213436)	
7	1001130220	2	Nut, M6 Tinnerman (SN 0300203771 through 0300213436)	
8	1001180608	1	Bracket, Cover (SN 0300203771 through 0300213436)	
8	1001204715	1	Bracket, Cover (SN 0300213437 to Present, SN E300000100 to Present, SN 1300007289 through 1300007393)	
9	1001182570	1	Sensor, Proximity	
9	4460539	1	Connector 3 Position	
9	4460465	3	Socket, Female	

# SECTION 4 - BOOM

## FIGURE 4-19. TRANSPORT SWITCHES INSTALLATION



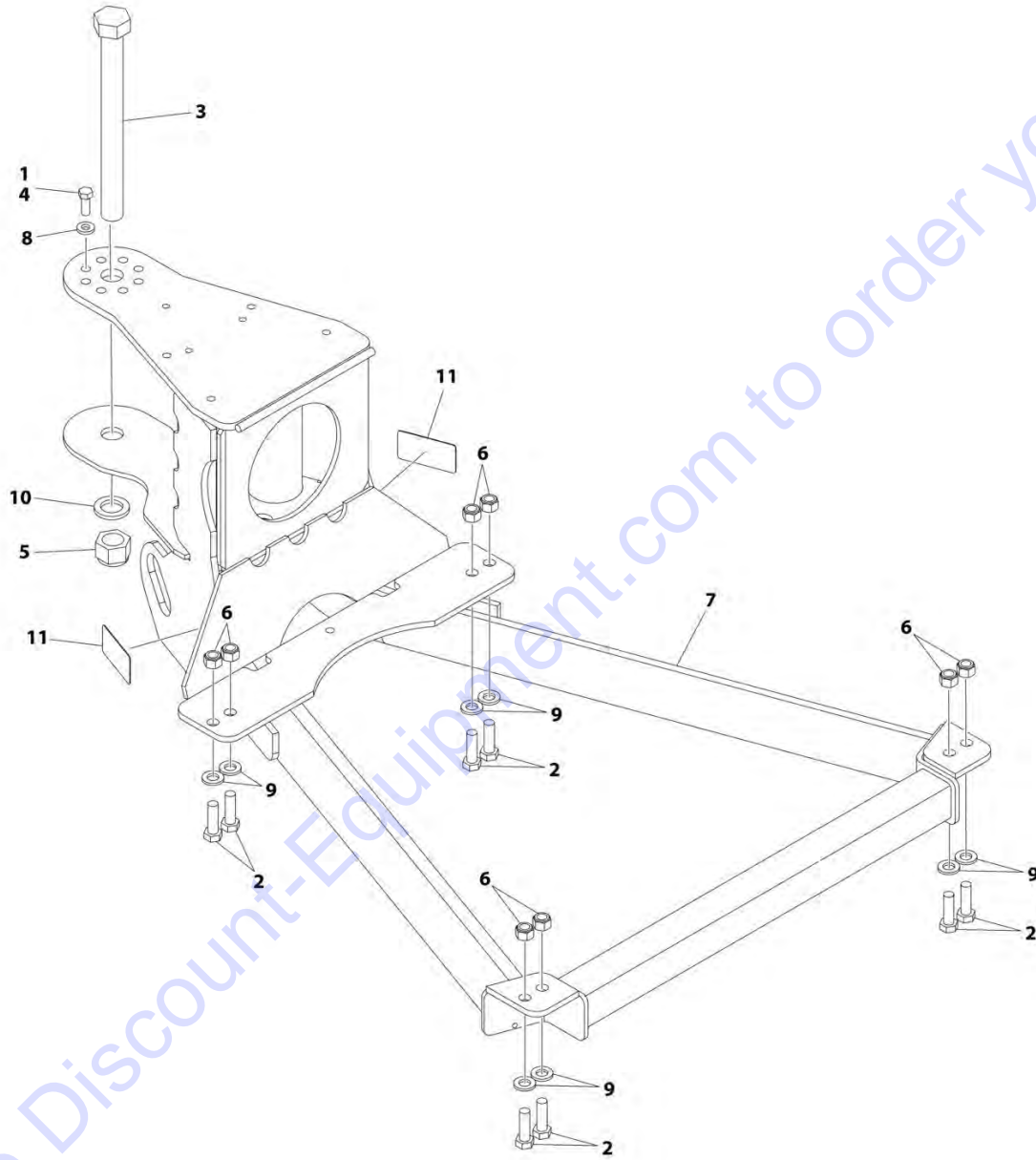
ART\_1001170642

FIGURE 4-19. TRANSPORT SWITCHES INSTALLATION

ITEM	PART NUMBER	QTY	DESCRIPTION	REV
	1001170642	Ref	TRANSPORT SWITCHES INSTALLATION	F
1	0100011	AR	Compound, Locking	
2	0760415	2	Bolt, M4 x 35	
3	5251008	2	Bolt, M10 x 16	
4	0761016	2	Bolt, M10 x 40	
5	3290405	2	Nut, Lock M4 x 0.7	
6	3290605	2	Nut, Lock M6 x 1	
7	3291005	2	Nut, Lock M10 x 1.5	
9	4811400	2	Washer, M4	
10	4812000	4	Washer, M10	
11	8406110	1	Clip	
12	1001118971	1	Angle, Sensor	
13	1001165540	1	Plate, Mounting (SN 0300203771 through 0300213436)	
14	1001170564	1	Link, Sensor	
15	1001170565	1	Bracket	
16	1001170847	1	Sensor, Proximity	
16	4460536	1	Connector - 3 Position	
16	4460464	3	Pin, Male	
17	5250608	2	Bolt, M6 x 16 (SN 0300203771 through 0300213436)	
18	1001130220	2	Nut, Tinnerman M6 (SN 0300203771 through 0300213436)	
19	1001180608	1	Bracket, Switch Cover (SN 0300203771 through 0300213436)	
19	1001204715	1	Bracket, Switch Cover (SN 0300213437 to Present, SN E300000100 to Present, SN 1300007289 through 1300007393)	
20	1001182570	1	Sensor, Proximity	
20	4460539	1	Connector - 3 Position	
20	4460465	3	Socket, Female	

# SECTION 4 - BOOM

## FIGURE 4-20. PLATFORM SUPPORT INSTALLATION - WITHOUT LSS



ART\_0272070

## SECTION 4 - BOOM

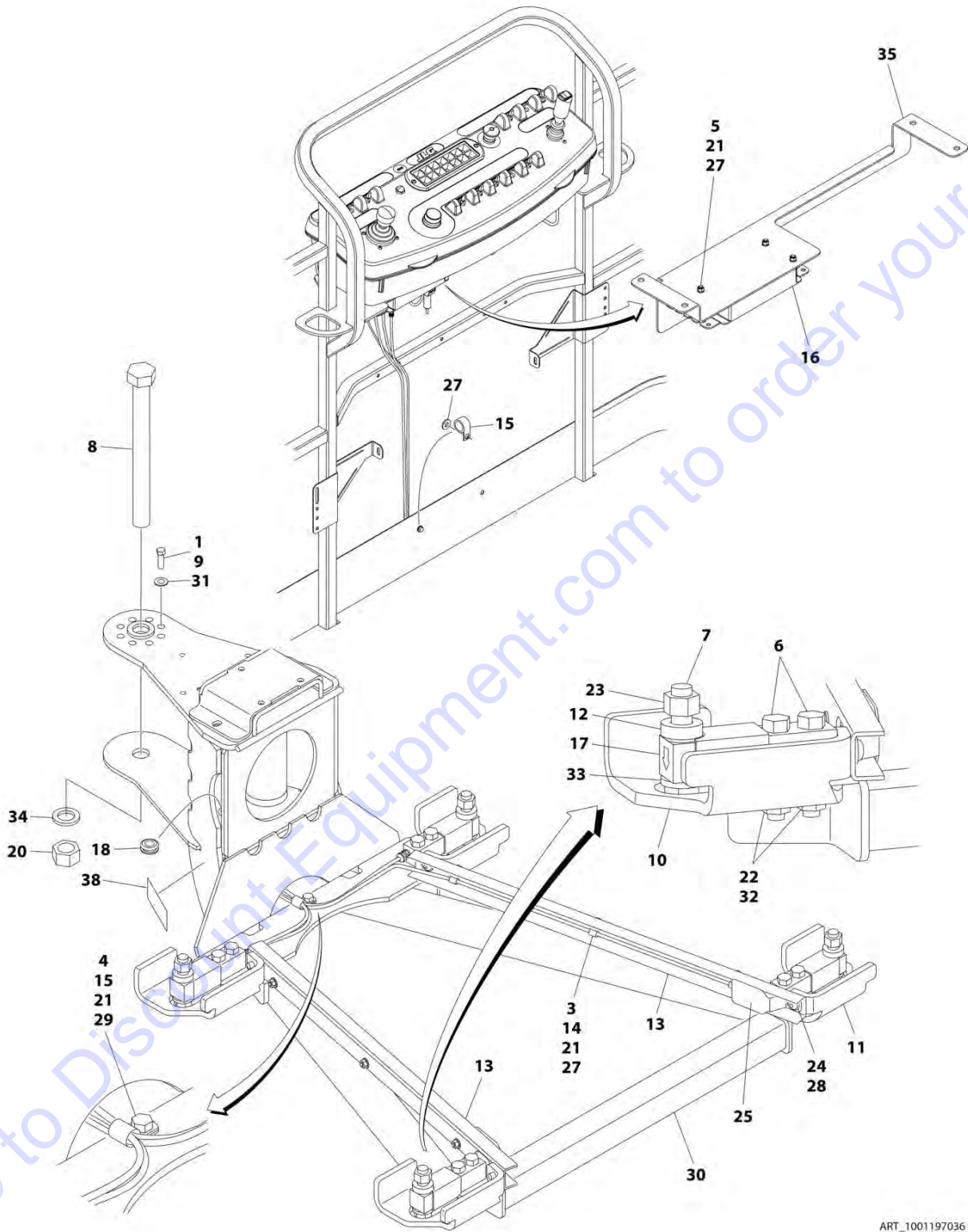
**FIGURE 4-20. PLATFORM SUPPORT INSTALLATION - WITHOUT LSS**

ITEM	PART NUMBER	QTY	DESCRIPTION	REV
	0272070	Ref	PLATFORM SUPPORT INSTALLATION - WITHOUT LSS	I
1	0100011	AR	Compound, Locking	
2	0641812	AR	Bolt 1/2 x 1-1/2	
2	0761216	AR	Bolt M12 x 40	
3	0642684	1	Bolt 1 x 10-1/2	
4	0681608	8	Bolt 3/8 x 1	
5	3300243	1	Nut 1	
6	3311805	AR	Nut 1/2	
6	3291205	AR	Nut M12	
7	4846573	1	Support	
8	4891600	8	Washer 3/8	
9	4891800	AR	Washer 1/2	
9	5241200	AR	Washer M12	
10	4892600	1	Washer 1	
11	1001216630	2	Decal - Tie Down/No Lift	

Go to Discount-Equipment.com to order your parts

# SECTION 4 - BOOM

## FIGURE 4-21. PLATFORM SUPPORT INSTALLATION WITH 4 CELL LSS



ART\_1001197036



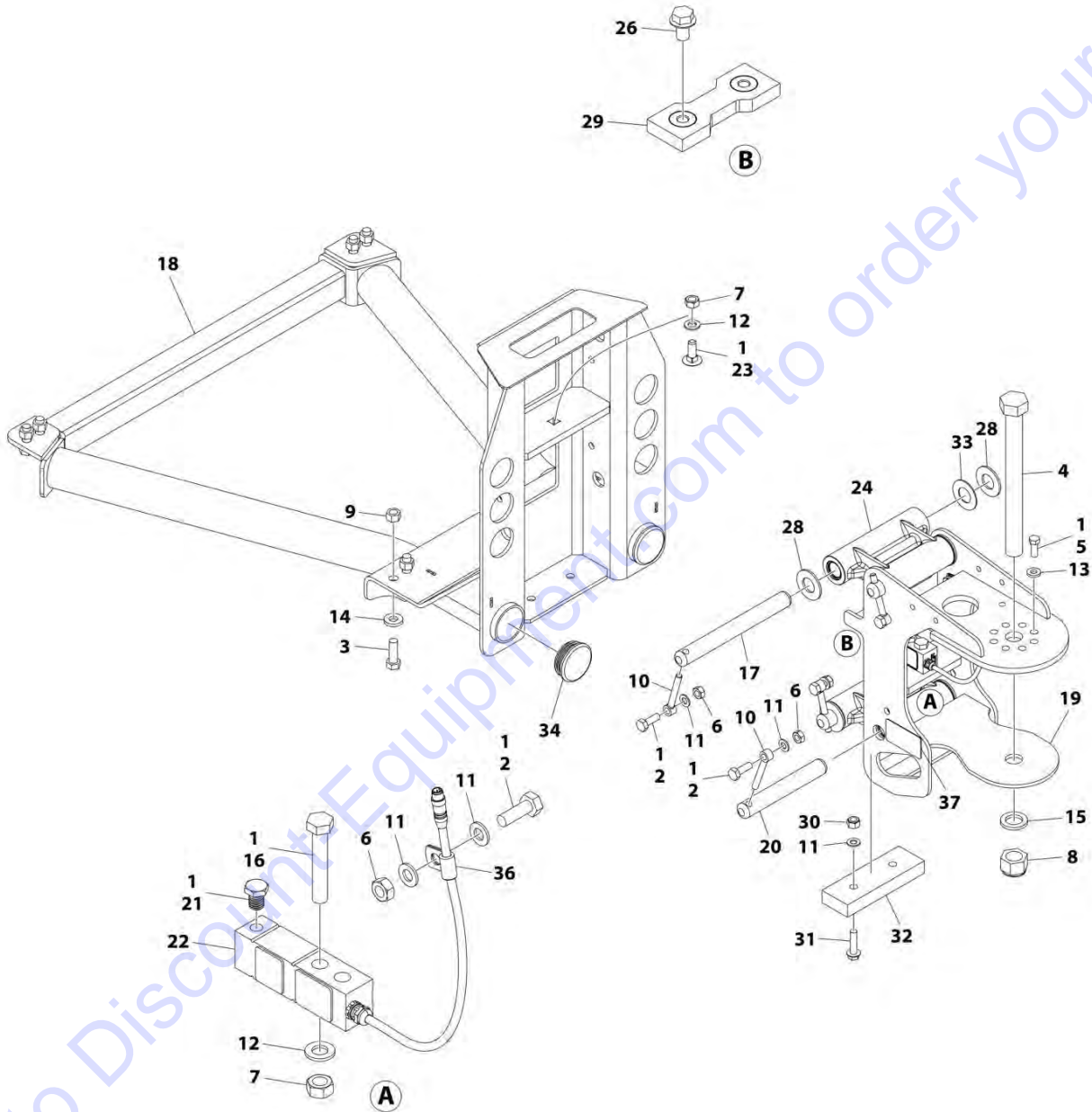
## SECTION 4 - BOOM

**FIGURE 4-21. PLATFORM SUPPORT INSTALLATION WITH 4 CELL LSS**

ITEM	PART NUMBER	QTY	DESCRIPTION	REV
	1001197036	Ref	PLATFORM SUPPORT INSTALLATION WITH 4 CELL LSS	E
1	0100011	AR	Compound, Locking	
2	0100048	AR	Silicon, Compound (Not Shown)	
3	0641405	6	Bolt 1/4 x 5/8	
4	0641407	1	Bolt 1/4 x 7/8	
5	0641416	3	Bolt 1/4 x 2	
6	0641822	8	Bolt 1/2 x 2-3/4	
7	0642024	4	Bolt 5/8 x 3	
8	0642684	1	Bolt 1/8 x 10-1/2	
9	0681608	8	Bolt 3/8 x 1	
10	0902919	2	Bracket, LH	
11	0902920	2	Bracket, RH	
12	0962450	4	Bushing, Spacer	
13	1271538	2	Channel, Load Cell Wire	
14	1320136	6	Clamp, Cable	
15	1320224	2	Clamp, Cable	
16	1600387	1	Controller, Load Sense	
17	2420202	4	Gauge	
18	2540038	1	Grommet	
20	3272605	1	Nut 1	
21	3311405	10	Nut 1/4	
22	3311805	8	Nut 1/2	
23	3312005	4	Nut 5/8	
24	3900283	4	Screw 3/8 x 3/4	
25	4061054	2	Shield	
26	4240033	AR	Tie-Strap (Not Shown)	
27	4711400	13	Washer 1/4	
28	4711600	4	Washer 3/8	
29	4751400	1	Washer 1/4	
30	4846573	1	Weldment	
31	4891600	8	Washer 3/8	
32	4891800	8	Washer 1/2	
33	4892000	4	Washer 5/8	
34	4892600	1	Washer 1	
35	1001113483	1	Bracket	
36	1001120371	1	LSS Harness (Not Shown - See ELECTRICAL SECTION for Breakdown)	
37	4460428	1	Connector, Strain Relief (Not Shown)	
38	1001216630	2	Decal - Tie Down/No Lift	

# SECTION 4 - BOOM

## FIGURE 4-22. PLATFORM SUPPORT INSTALLATION - WITH 1 CELL LSS



ART\_1001167596

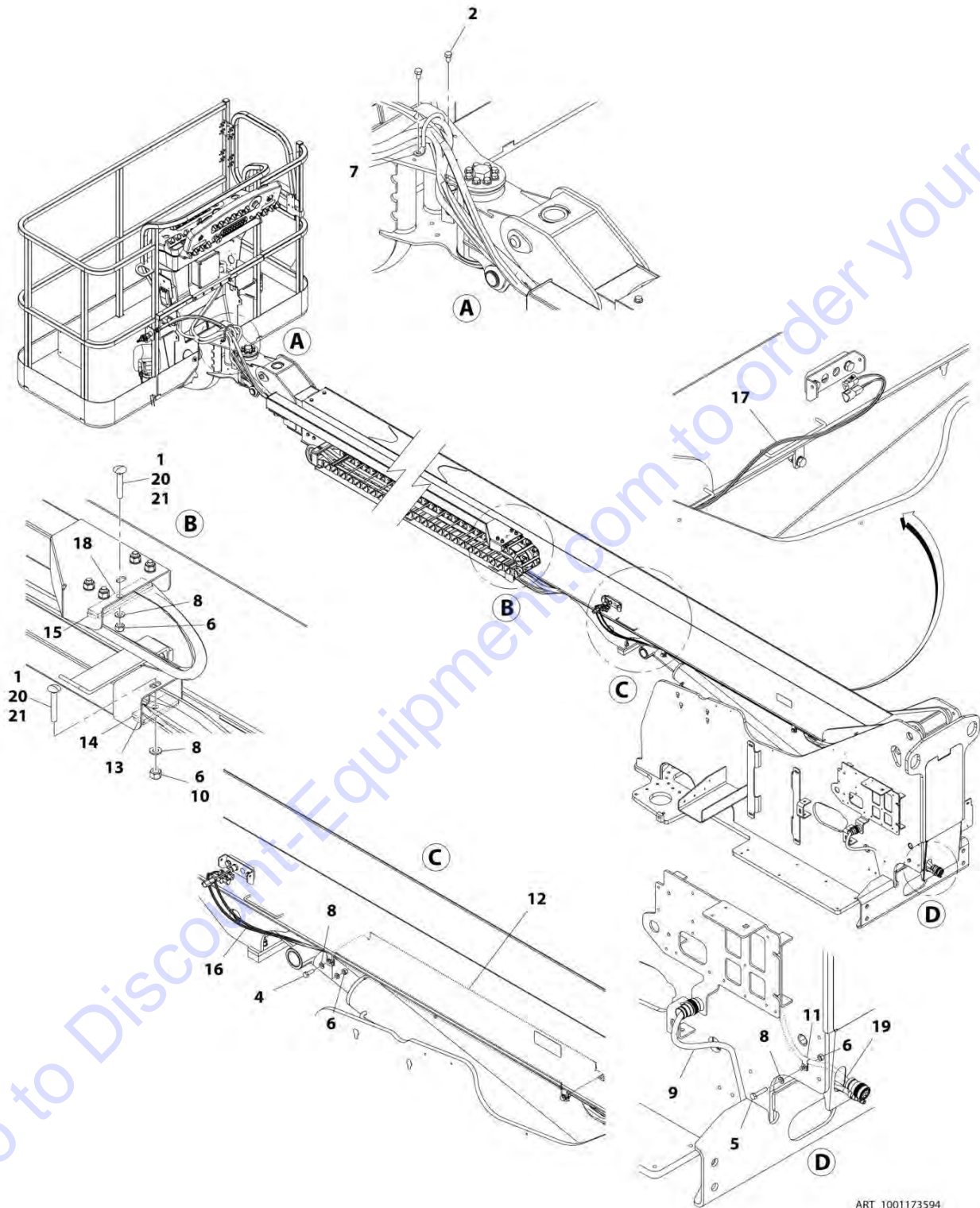
## SECTION 4 - BOOM

**FIGURE 4-22. PLATFORM SUPPORT INSTALLATION - WITH 1 CELL LSS**

ITEM	PART NUMBER	QTY	DESCRIPTION	REV
	1001167596	Ref	PLATFORM SUPPORT INSTALLATION - WITH 1 CELL LSS	K
1	0100011	AR	Compound, Locking	
2	0761014	AR	Bolt M10 x 30	
3	0641812	8	Bolt 1/2 x 1-1/2	
3	0761216	8	Bolt M12 x 40	
4	0642684	1	Bolt 1 x 10-1/2	
5	0681608	8	Bolt 3/8 x 1	
6	3291001	AR	Nut M10	
7	3291201	3	Nut M12	
8	3300243	1	Nut 1	
9	3311805	8	Nut 1/2	
9	3291205	8	Nut M12	
10	3841143	4	Keeper	
11	4812000	AR	Washer M10	
12	4812100	3	Washer M12	
13	4891600	8	Washer 3/8	
14	4891800	8	Washer 1/2	
14	5241200	8	Washer M12	
15	4892600	1	Washer 1	
16	1001098828	2	Bolt M12 x 70 Grade 10.9	
17	1001167565	2	Pin	
18	1001200494	1	Support	
19	1001167567	1	Platform Support	
20	1001168402	2	Pin	
21	1001188622	1	Screw M12	
22	1001172663	1	Gauge, Load Sensing	
23	1001188844	1	Bolt M12 x 35	
24	1001201351	2	LSS Link Assembly	
24	1001187382	4	Bearing	
24	1001187383	4	Seal	
26	5251008	2	Bolt M10 x 16	
27	1001175244	1	Harness, LSS (Not Shown) <b>(SN 0300203771 through 0300222801, SN E300000100 through E300003814)</b>	
28	1001189002	8	Bearing	
29	1001190985	1	Pad, Wear	
30	3291005	2	Nut M10	
31	5251016	1	Bolt M10 x 40	
32	1001200491	1	Plate	
33	1001189001	4	Bearing	
34	1001204725	2	Plug	
35	4460428	1	Connector, Strain Relief (Not Shown) <b>(SN 0300203771 through 0300222801, SN E300000100 through E300003814)</b>	
36	91203039	1	Clamp <b>(SN 0300222802 to Present, SN E300003815 to Present, SN 1300007289 through 1300007393)</b>	
37	1001216630	2	Decal - Tie Down/No Lift <b>(SN 0300222802 to Present, SN E300003815 to Present, SN 1300007289 through 1300007393)</b>	
38	1001238421	Ref	Kit, Platform Leveling (Not Shown) <b>(SN E300006390 to Present)</b>	

# SECTION 4 - BOOM

FIGURE 4-23. CABLES AND CLAMPS INSTALLATION - 400S (ANSI, ANSI EXPORT, CSA AND CHINA SPECS)



ART\_1001173594

## SECTION 4 - BOOM

**FIGURE 4-23. CABLES AND CLAMPS INSTALLATION - 400S (ANSI, ANSI EXPORT, CSA AND CHINA SPECS)**

ITEM	PART NUMBER	QTY	DESCRIPTION	REV
	1001173594	Ref	CABLES AND CLAMPS INSTALLATION - 400S (ANSI, ANSI EXPORT, CSA AND CHINA SPECS)	D
1	0630563	2	Bolt, Carriage M10 x 60	
2	0641605	AR	Bolt, 3/8 x 5/8	
2	0641504	AR	Bolt, 5/16 x 1/2	
4	0761014	4	Bolt, M10 x 30	
5	0761018	1	Bolt, M10 x 50	
6	3291005	7	Nut, Lock M10 x 1.5	
7	3841340	1	Hose Loop	
8	4812000	12	Washer, M10	
9	1001176952	1	Harness, Main Boom Cable (See ELECTRICAL SECTION for Breakdown)	
10	5261018	AR	Nut, M10	
11	8406110	1	Clip	
12	1001172128	1	Bracket, Hose Cover	
13	1001173456	1	Clamp	
14	1001173665	1	Clamp	
15	1001173761	1	Bracket	
16	1001173807	1	Harness, Capacity Switch (See ELECTRICAL SECTION for Breakdown)	
17	1001173808	1	Harness, Telescope In Proximity Sensors (See ELECTRICAL SECTION for Breakdown)	
18	1001173927	1	Clamp	
19	1060985	1	Cable, Electrical 12/3 (SN 0300203771 through 0300212083)	
19	1001203434	1	Cable, Electrical 12/3 (SN 0300212083 to Present)	
20	0100081	AR	Adhesive	
21	1001181329	AR	Bolt, Carriage M10 x 70	



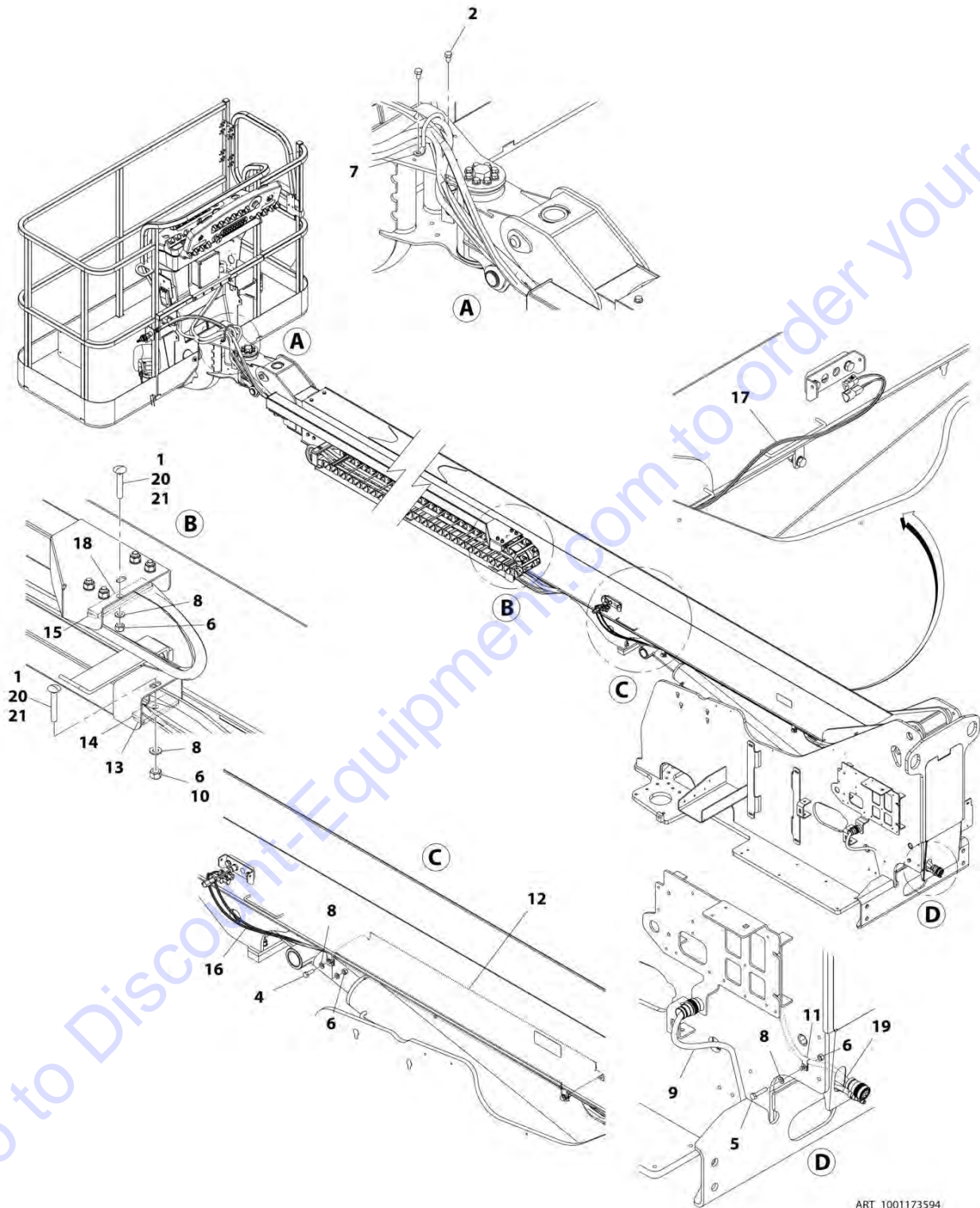
## SECTION 4 - BOOM

**FIGURE 4-24. CABLES AND CLAMPS INSTALLATION - 400S (CE SPECS) (SN 0300203771 through 0300212082)**

ITEM	PART NUMBER	QTY	DESCRIPTION	REV
	1001173595	Ref	CABLES AND CLAMPS INSTALLATION - 400S (CE SPECS)	D
1	0630563	1	Bolt, Carriage M10 x 60	
2	0641605	2	Bolt, 3/8 x 5/8	
4	0761014	4	Bolt, M10 x 30	
5	0761018	1	Bolt, M10 x 50	
6	3291005	5	Nut, Lock M10 x 1.5	
7	3841340	1	Hose Loop	
8	4812000	10	Washer, M10	
9	1001176952	1	Harness, Main Boom Cable (See ELECTRICAL SECTION for Breakdown)	
10	5261018	2	Nut, M10	
11	8406110	1	Clip	
12	1001172128	1	Bracket, Hose Cover	
13	1001173456	1	Clamp	
14	1001173665	1	Clamp	
15	1001173761	1	Bracket	
16	1001173808	1	Harness, Telescope In Proximity Sensors (See ELECTRICAL SECTION for Breakdown)	
17	1001173927	1	Clamp	
18	1060986	1	Cable, Electrical 12/3	
19	0100081	AR	Adhesive	
20	1001181329	1	Bolt, Carriage M10 x 70	
21	1001173807	1	Harness, Capacity Switch (See ELECTRICAL SECTION for Breakdown)	

# SECTION 4 - BOOM

FIGURE 4-25. CABLES AND CLAMPS INSTALLATION - 400S (CE SPECS) (SN 0300212083 to Present, SN E300000100 to Present, SN 1300007289 through 1300007393)



ART\_1001173594



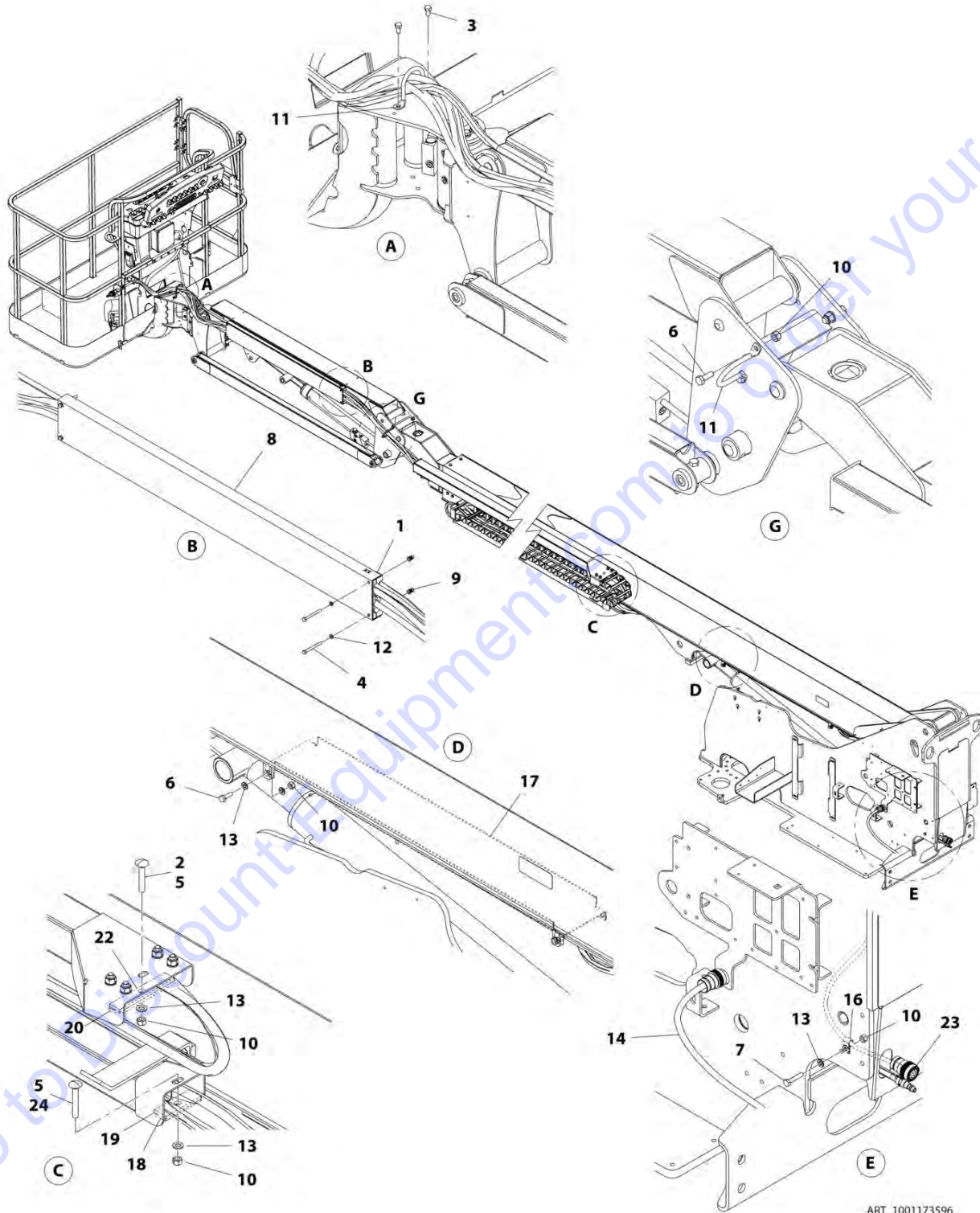
## SECTION 4 - BOOM

**FIGURE 4-25. CABLES AND CLAMPS INSTALLATION - 400S (CE SPECS) (SN 0300212083 to Present, SN E300000100 to Present, SN 1300007289 through 1300007393)**

ITEM	PART NUMBER	QTY	DESCRIPTION	REV
	1001173594	Ref	CABLES AND CLAMPS INSTALLATION - 400S (CE SPECS)	D
1	0630563	2	Bolt, Carriage M10 x 60	
2	0641605	AR	Bolt, 3/8 x 5/8	
2	0641504	AR	Bolt, 5/16 x 1/2	
4	0761014	4	Bolt, M10 x 30	
5	0761018	1	Bolt, M10 x 50	
6	3291005	7	Nut, Lock M10 x 1.5	
7	3841340	1	Hose Loop	
8	4812000	12	Washer, M10	
9	1001176952	1	Harness, Main Boom Cable (See ELECTRICAL SECTION for Breakdown)	
10	5261018	AR	Nut, M10	
11	8406110	1	Clip	
12	1001172128	1	Bracket, Hose Cover	
13	1001173456	1	Clamp	
14	1001173665	1	Clamp	
15	1001173761	1	Bracket	
16	1001173807	1	Harness, Capacity Switch (See ELECTRICAL SECTION for Breakdown)	
17	1001173808	1	Harness, Telescope In Proximity Sensors (See ELECTRICAL SECTION for Breakdown)	
18	1001173927	1	Clamp	
19	1001203434	1	Cable, Electrical 12/3	
20	0100081	AR	Adhesive	
21	1001181329	AR	Bolt, Carriage M10 x 70	

# SECTION 4 - BOOM

FIGURE 4-26. CABLES AND CLAMPS INSTALLATION - 460SJ (ANSI, ANSI EXPORT AND CSA SPECS) (SN 0300203771 through 0300212083)



ART\_1001173596

## SECTION 4 - BOOM

**FIGURE 4-26. CABLES AND CLAMPS INSTALLATION - 460SJ (ANSI, ANSI EXPORT AND CSA SPECS) (SN 0300203771 through 0300212083)**

ITEM	PART NUMBER	QTY	DESCRIPTION	REV
	1001173596	Ref	CABLES AND CLAMPS INSTALLATION - 460SJ (ANSI, ANSI EXPORT AND CSA SPECS)	C
1	0561237	2	Block, Clamp	
2	0630563	1	Bolt, Carriage M10 x 60	
3	0641605	2	Bolt, 3/8 x 5/8	
4	0700620	4	Bolt, M6 x 60	
5	0100081	1	Adhesive	
6	0761014	6	Bolt, M10 x 30	
7	0761018	1	Bolt, M10 x 50	
8	1670769	1	Cover	
9	1001176636	4	Nut, Rivet M6	
10	3291005	7	Nut, Lock M10 x 1.5	
11	3841340	2	Hose Loop	
12	4811700	4	Washer, M6	
13	4812000	10	Washer, M10	
14	1001176953	1	Harness, Main Boom Cable (See ELECTRICAL SECTION for Breakdown)	
15	5261018	2	Nut, Flange M10	
16	8406110	1	Clip	
17	1001172128	1	Bracket, Hose Cover	
18	1001173456	1	Clamp	
19	1001173665	1	Clamp	
20	1001173761	1	Bracket	
21	1001173808	1	Harness, Telescope In Proximity Sensors (See ELECTRICAL SECTION for Breakdown)	
22	1001173927	1	Clamp	
23	1060983	1	Cable, Electrical 12/3	
24	1001181329	1	Bolt, Carriage M10 x 70	



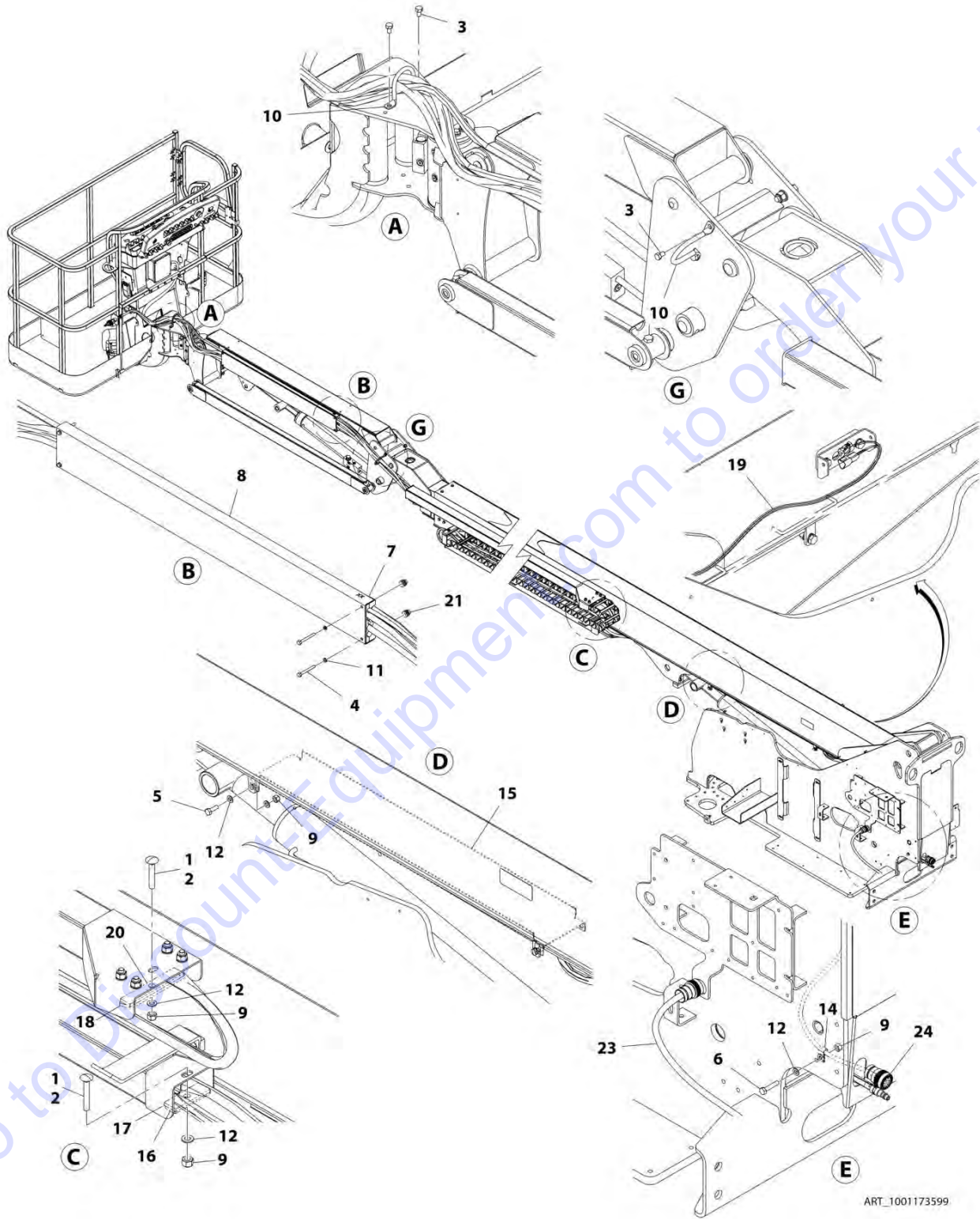
## SECTION 4 - BOOM

**FIGURE 4-27. CABLES AND CLAMPS INSTALLATION - 460SJ (CE SPECS) (SN 0300203771 through 0300212083)**

ITEM	PART NUMBER	QTY	DESCRIPTION	REV
	1001173654	Ref	CABLES AND CLAMPS INSTALLATION - 460SJ (CE SPECS)	C
1	0561237	2	Block, Clamp	
2	0630563	1	Bolt, Carriage M10 x 60	
3	0641605	2	Bolt, 3/8 x 5/8	
4	0700620	4	Bolt, M6 x 60	
6	0761014	6	Bolt, M10 x 30	
7	0761018	1	Bolt, M10 x 50	
8	1670769	1	Cover	
9	1001176636	4	Nut, Rivet M6	
10	3291005	7	Nut, Lock M10 X 1.5	
11	3841340	2	Hose Loop	
12	4811700	4	Washer, M6	
13	4812000	10	Washer, M10	
14	1001176953	1	Harness, Main Boom Cable (See ELECTRICAL SECTION for Breakdown)	
15	5261018	2	Nut, Flange M10	
16	8406110	1	Clip	
17	1001172128	1	Bracket, Hose Cover	
18	1001173456	1	Clamp	
19	1001173665	1	Clamp	
20	1001173761	1	Bracket	
21	1001173808	1	Harness, Telescope In Proximity Sensors (See ELECTRICAL SECTION for Breakdown)	
22	1001173927	1	Clamp	
24	1060984	1	Cable, Electrical 12/3	
25	0100081	1	Adhesive	
26	1001181329	1	Bolt, Carriage M10 x 70	

# SECTION 4 - BOOM

FIGURE 4-28. CABLES AND CLAMPS INSTALLATION - 460SJ (ALL SPECS) (SN 0300212083 to Present, SN E300000100 to Present, SN 1300007289 through 1300007393)



## SECTION 4 - BOOM

**FIGURE 4-28. CABLES AND CLAMPS INSTALLATION - 460SJ (ALL SPECS) (SN 0300212083 to Present, SN E300000100 to Present, SN 1300007289 through 1300007393)**

ITEM	PART NUMBER	QTY	DESCRIPTION	REV
	1001173599	Ref	CABLES AND CLAMPS INSTALLATION - 460SJ (ALL SPECS)	D
1	0100081	1	Adhesive	
2	0630563	2	Bolt, Carriage M10 x 60	
3	0641605	2	Bolt, 3/6 x 5/8 (SN 0300203771 through 0300212083)	
3	0641504	4	Bolt, 5/16 x 1/2 (SN 0300212083 to Present)	
4	0700620	4	Bolt, M6 x 60 (SN 0300203771 through 0300212083)	
4	0641418	4	Bolt, 1/4 x 2-1/4 (SN 0300212083 to Present)	
5	0761014	4	Bolt, M10 x 30	
6	0761018	1	Bolt, M10 x 50	
7	1321700	2	Block, Clamp (SN 0300203771 through 0300212083)	
7	1001203459	2	Block, Clamp (SN 0300212083 to Present)	
8	1670769	1	Cover	
9	3291005	7	Nut, Lock M10 x 1.5	
10	3841340	2	Hose Loop	
11	4811700	4	Washer, M6	
12	4812000	12	Washer, M10	
13	5261018	2	Nut, Flange M10 (SN 0300203771 through 0300212083)	
14	8406110	1	Clip	
15	1001172128	1	Bracket, Hose Cover	
16	1001173456	1	Clamp	
17	1001173665	1	Clamp	
18	1001173761	1	Bracket	
19	1001173808	1	Harness, Telescope In Proximity Sensors (See ELECTRICAL SECTION for Breakdown)	
20	1001173927	1	Clamp	
21	1001176636	4	Nut, Rivet M6 (SN 0300203771 through 0300212083)	
21	2080044	4	Nut, Rivet 1/4 (SN 0300212083 to Present)	
22	1001181329	1	Bolt, Carriage M10 x 70 (SN 0300203771 through 0300212083)	
23	1001176953	1	Harness, Main Boom Cable (See ELECTRICAL SECTION for Breakdown)	
24	1060983	1	Cable, Electrical 12/3 (SN 0300203771 through 0300212083)	
24	1001203435	1	Cable, Electrical 12/3 (SN 0300212083 to Present)	



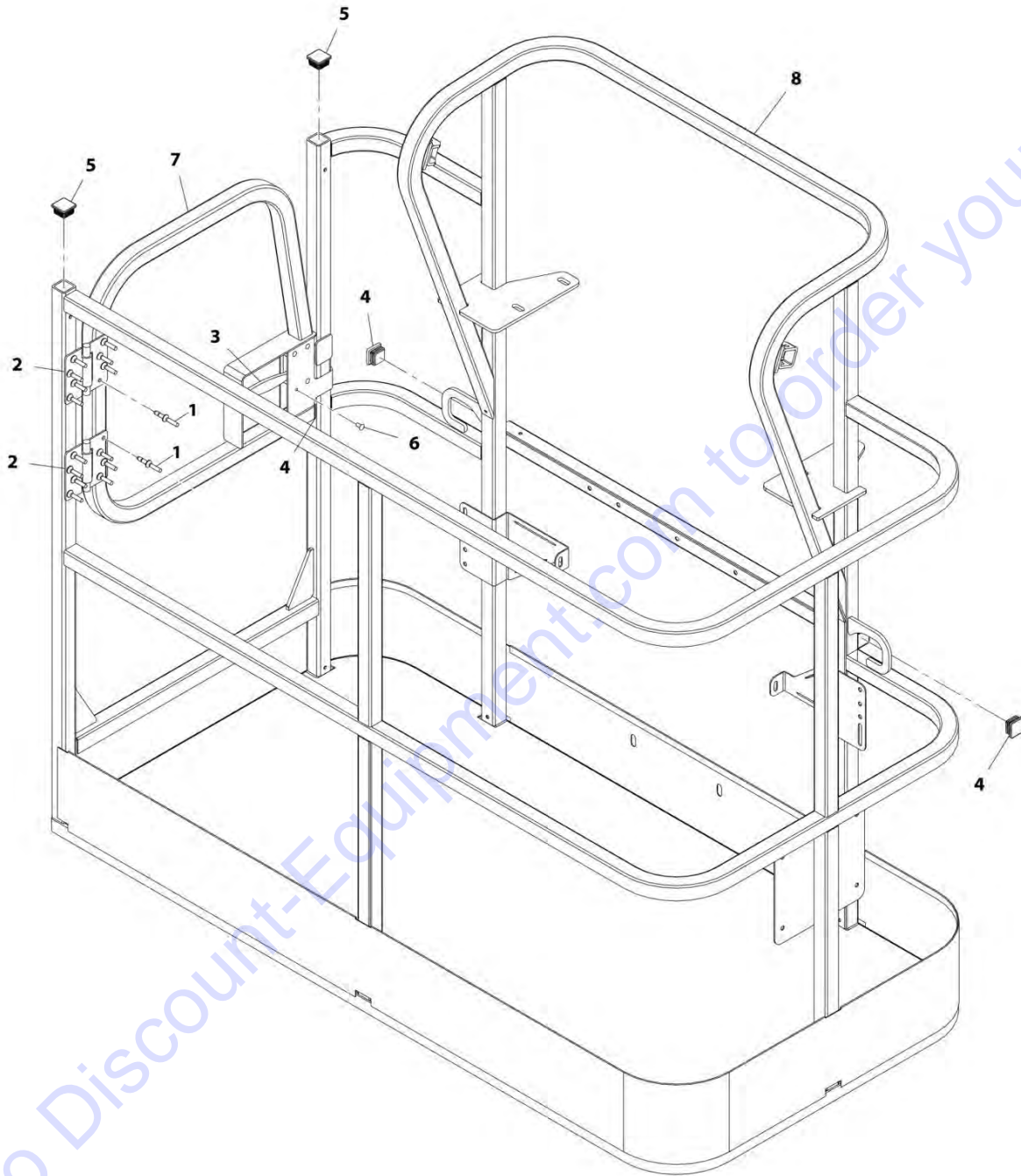


**SECTION 5 - PLATFORM**

Go to Discount-Equipment.com to order your parts

## SECTION 5 - PLATFORM

FIGURE 5-1. PLATFORM ASSEMBLY - 30IN X 5FT (76.2CM X 1.52M) WITH SWING GATE (USA BUILT MACHINES)



ART\_1001186386

## SECTION 5 - PLATFORM

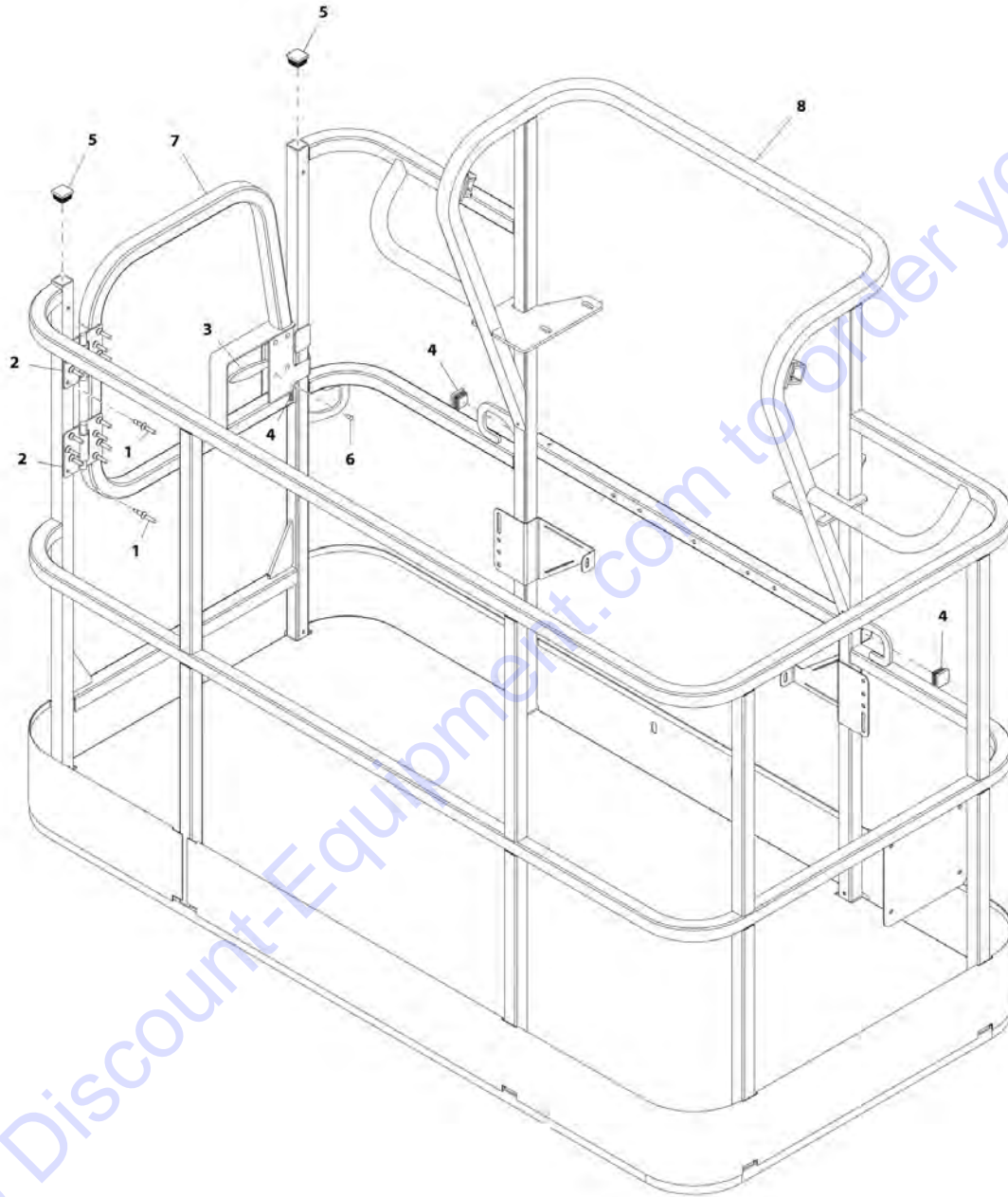
**FIGURE 5-1. PLATFORM ASSEMBLY - 30IN X 5FT (76.2CM X 1.52M) WITH SWING GATE (USA BUILT MACHINES)**

ITEM	PART NUMBER	QTY	DESCRIPTION	REV
	1001186386	Ref	PLATFORM ASSEMBLY - 30IN X 5FT (76.2CM X 1.52M) WITH SWING GATE (USA BUILT MACHINES)	C
	See Note	Ref	Note: Platform and Mesh must be ordered separately for Platforms with Mesh. See SPECIAL OPTIONS SECTION for Mesh Installations.	
	See Note	Ref	Note: Replacement Decals Must be Ordered Separately - See DECALS SECTION.	
1	2080040	16	Fastener, Huck	
2	2600281	2	Hinge	
3	2940074	1	Latch	
4	3520072	3	Plug	
5	3520198	2	Plug	
6	3820020	4	Rivet	
7	1001144629	1	Gate	
8	See Note	NSS	Platform (Note: Use p/n 1001186386)	

Go to Discount-Equipment.com to order your parts

## SECTION 5 - PLATFORM

FIGURE 5-2. PLATFORM ASSEMBLY - 36IN X 6FT (91.5CM X 1.83M) WITH SWING GATE (USA BUILT MACHINES)



ART. 100116384

## SECTION 5 - PLATFORM

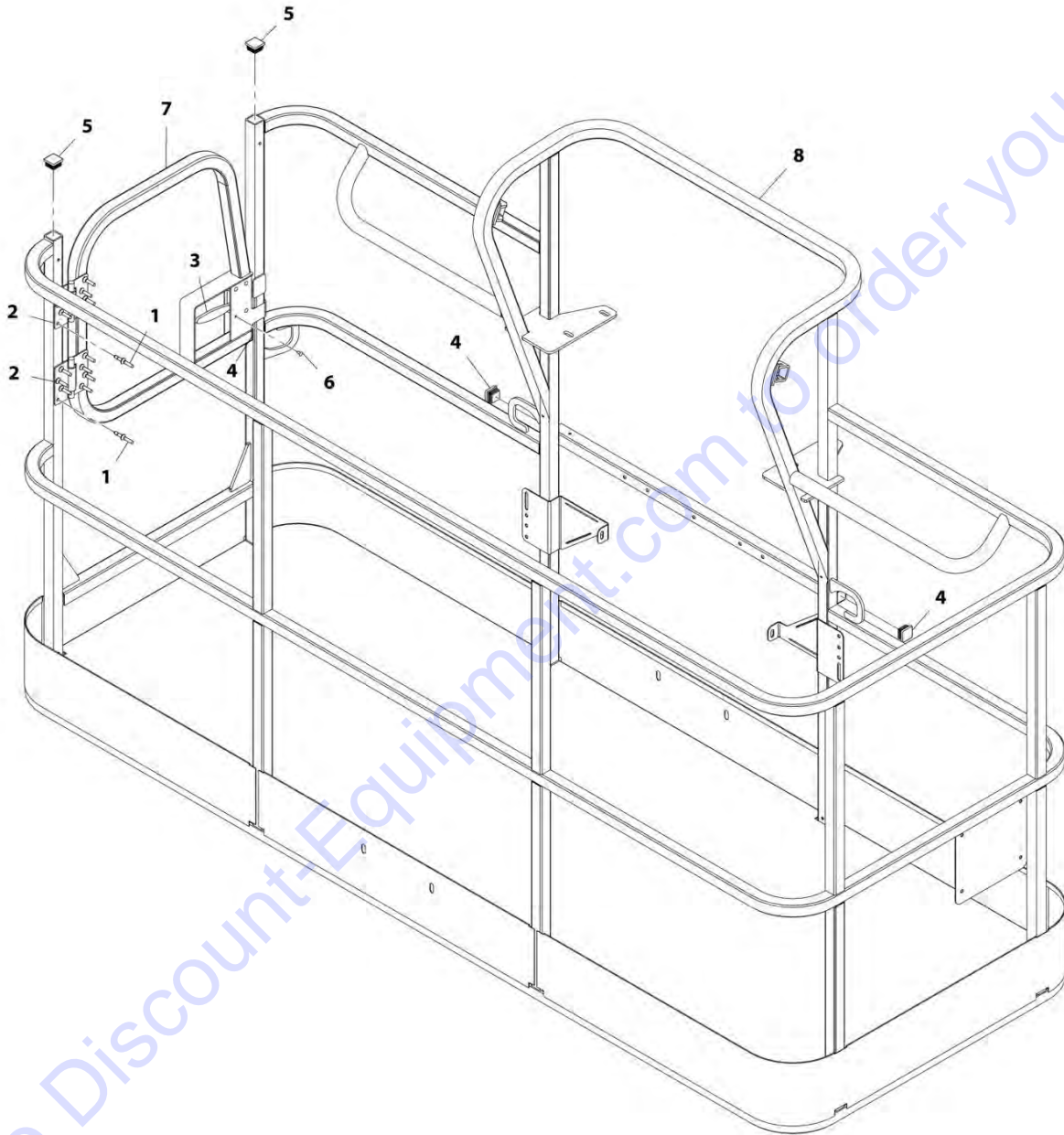
**FIGURE 5-2. PLATFORM ASSEMBLY - 36IN X 6FT (91.5CM X 1.83M) WITH SWING GATE (USA BUILT MACHINES)**

ITEM	PART NUMBER	QTY	DESCRIPTION	REV
	1001186384	Ref	PLATFORM ASSEMBLY - 36IN X 6FT (91.5CM X 1.83M) WITH SWING GATE (USA BUILT MACHINES)	C
	See Note	Ref	Note: Platform and Mesh must be ordered separately for Platforms with Mesh. See SPECIAL OPTIONS SECTION for Mesh Installations.	
	See Note	Ref	Note: Replacement Decals Must be Ordered Separately - See DECALS SECTION.	
1	2080040	16	Fastener, Huck	
2	2600281	2	Hinge	
3	2940074	1	Latch	
4	3520072	3	Plug	
5	3520198	2	Plug	
6	3820020	4	Rivet	
7	1001144629	1	Gate	
8	See Note	NSS	Platform (Note: Not Available - Purchase Platform Assembly)	

Go to Discount-Equipment.com to order your parts

# SECTION 5 - PLATFORM

FIGURE 5-3. PLATFORM ASSEMBLY - 36IN X 8FT (91.5CM X 2.44M) WITH SWING GATE (USA BUILT MACHINES)



ART\_1001186383

## SECTION 5 - PLATFORM

**FIGURE 5-3. PLATFORM ASSEMBLY - 36IN X 8FT (91.5CM X 2.44M) WITH SWING GATE (USA BUILT MACHINES)**

ITEM	PART NUMBER	QTY	DESCRIPTION	REV
	1001186383	Ref	PLATFORM ASSEMBLY - 36IN X 8FT (91.5CM X 2.44M) WITH SWING GATE (USA BUILT MACHINES)	D
	See Note	Ref	Note: Platform and Mesh must be ordered separately for Platforms with Mesh. See SPECIAL OPTIONS SECTION for Mesh Installations.	
	See Note	Ref	Note: Replacement Decals Must be Ordered Separately - See DECALS SECTION.	
1	2080040	16	Fastener, Huck	
2	2600281	2	Hinge	
3	2940074	1	Latch	
4	3520072	3	Plug	
5	3520198	2	Plug	
6	3820020	4	Rivet	
7	1001144629	1	Gate	
8	See Note	NSS	Platform (Note: Not Available - Purchase Platform Assembly)	

Go to Discount-Equipment.com to order your parts





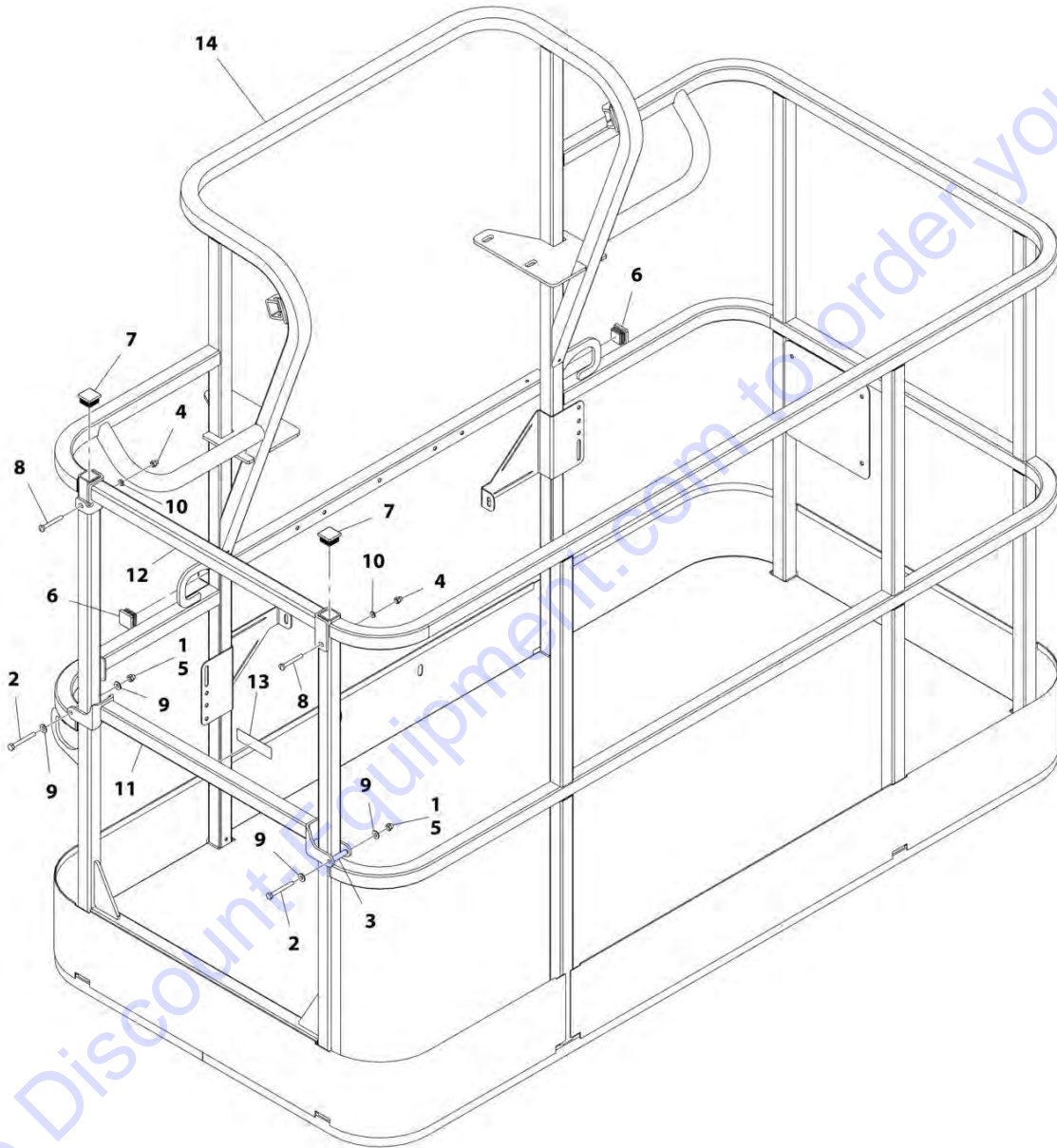
## SECTION 5 - PLATFORM

**FIGURE 5-4. PLATFORM ASSEMBLY - 30IN X 5FT (76.2CM X 1.52M) WITH DROP BAR (USA BUILT MACHINES)**

ITEM	PART NUMBER	QTY	DESCRIPTION	REV
	1001186377	Ref	PLATFORM ASSEMBLY - 30IN X 5FT (76.2CM X 1.52M) WITH DROP BAR (USA BUILT MACHINES)	C
	See Note	Ref	Note: Platform and Mesh must be ordered separately for Platforms with Mesh. See SPECIAL OPTIONS SECTION for Mesh Installations.	
	See Note	Ref	Note: Replacement Decals Must be Ordered Separately - See DECALS SECTION.	
1	0100011	AR	Compound, Locking	
2	0641420	2	Bolt 1/4 x 2-1/2	
3	0961845	2	Bushing	
4	3290606	2	Nut M6	
5	3300151	2	Nut 1/4	
6	3520072	2	Plug	
7	3520198	2	Plug	
8	4010618	2	Screw M6 x 50	
9	4711400	4	Washer 1/4	
10	4811700	2	Washer M6	
11	1001138494	1	Bar, Drop	
12	1001138514	1	Rail (Top)	
13	1001140429	1	Decal - Drop Bar	
14	See Note	NSS	Platform (Note: Use p/n 100186377)	

# SECTION 5 - PLATFORM

FIGURE 5-5. PLATFORM ASSEMBLY - 36IN X 6FT (91.5CM X 1.83M) WITH DROP BAR (USA BUILT MACHINES)



ART\_1001186379

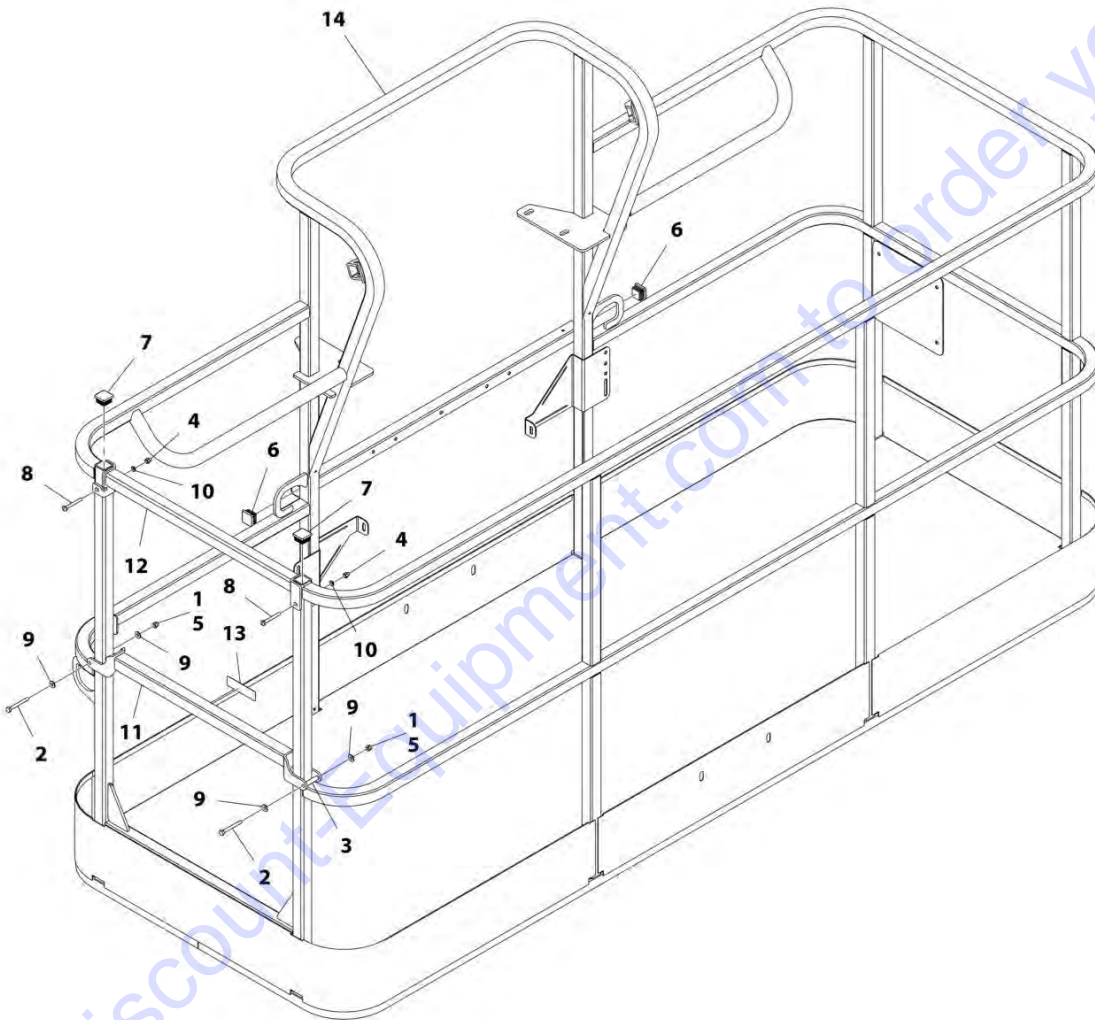
## SECTION 5 - PLATFORM

**FIGURE 5-5. PLATFORM ASSEMBLY - 36IN X 6FT (91.5CM X 1.83M) WITH DROP BAR (USA BUILT MACHINES)**

ITEM	PART NUMBER	QTY	DESCRIPTION	REV
	1001186379	Ref	PLATFORM ASSEMBLY - 36IN X 6FT (91.5CM X 1.83M) WITH DROP BAR (USA BUILT MACHINES)	B
	See Note	Ref	Note: Platform and Mesh must be ordered separately for Platforms with Mesh. See SPECIAL OPTIONS SECTION for Mesh Installations.	
	See Note	Ref	Note: Replacement Decals Must be Ordered Separately - See DECALS SECTION.	
1	0100011	AR	Compound, Locking	
2	0641418	2	Bolt 1/4 x 2-1/4	
3	0961845	2	Bushing	
4	3290606	2	Nut M6	
5	3300151	2	Nut 1/4	
6	3520072	2	Plug	
7	3520198	2	Plug	
8	4010618	2	Screw M6 x 50	
9	4711400	4	Washer 1/4	
10	4811700	2	Washer M6	
11	1001138494	1	Bar, Drop	
12	1001138514	1	Rail (Top)	
13	1001140429	1	Decal - Drop Bar	
14	See Note	NSS	Platform (Note: Not Available - Purchase Platform Assembly)	

## SECTION 5 - PLATFORM

FIGURE 5-6. PLATFORM ASSEMBLY - 36IN X 8FT (91.5CM X 2.44M) WITH DROP BAR (USA BUILT MACHINES)



ART\_1001186382

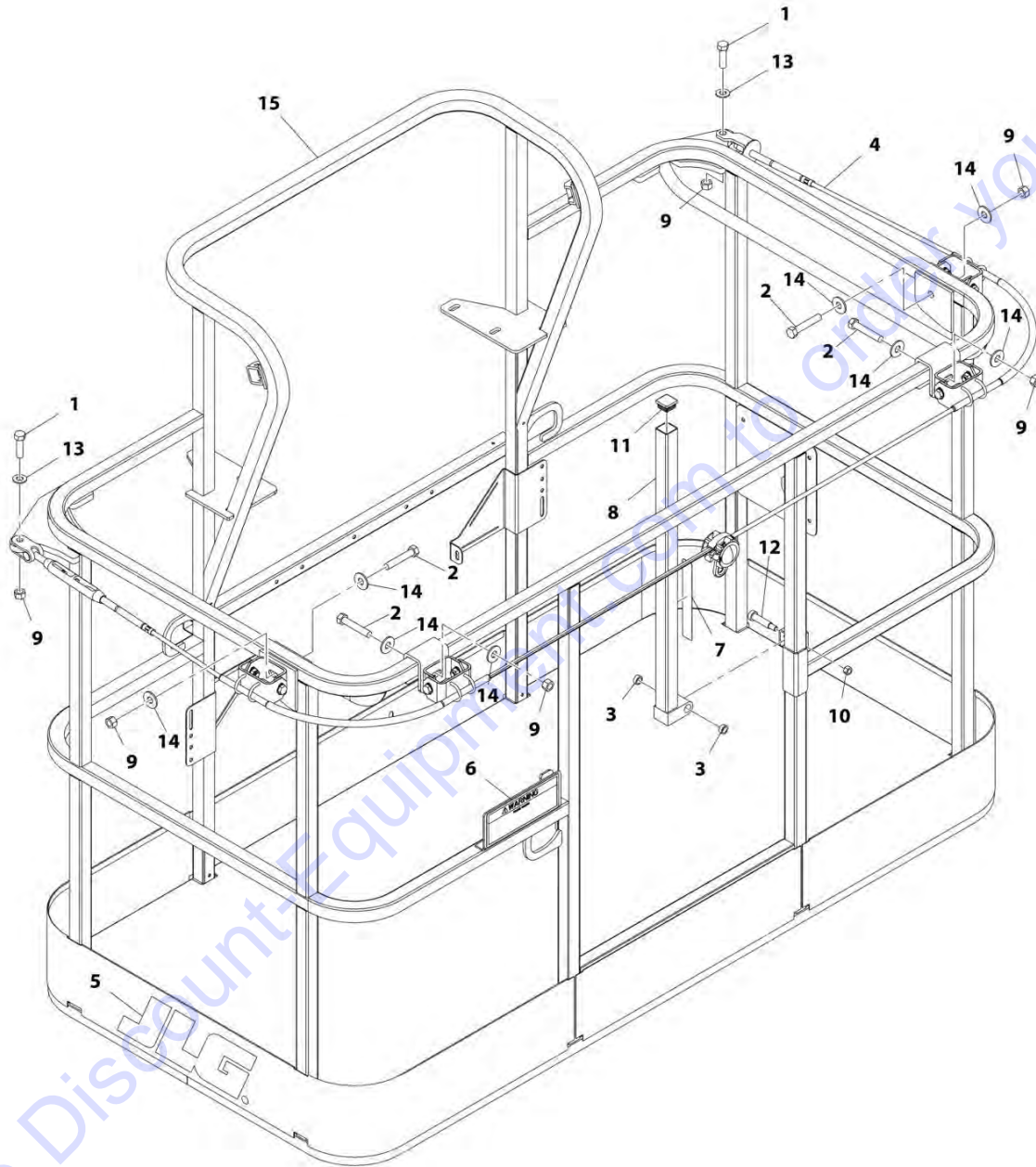
## SECTION 5 - PLATFORM

**FIGURE 5-6. PLATFORM ASSEMBLY - 36IN X 8FT (91.5CM X 2.44M) WITH DROP BAR (USA BUILT MACHINES)**

ITEM	PART NUMBER	QTY	DESCRIPTION	REV
	1001186382	Ref	PLATFORM ASSEMBLY - 36IN X 8FT (91.5CM X 2.44M) WITH DROP BAR (USA BUILT MACHINES)	C
	See Note	Ref	Note: Platform and Mesh must be ordered separately for Platforms with Mesh. See SPECIAL OPTIONS SECTION for Mesh Installations.	
	See Note	Ref	Note: Replacement Decals Must be Ordered Separately - See DECALS SECTION.	
1	0100011	AR	Compound, Locking	
2	0641418	2	Bolt 1/4 x 2-1/4	
3	0961845	2	Bushing	
4	3290606	2	Nut M6	
5	3300151	2	Nut 1/4	
6	3520072	2	Plug	
7	3520198	2	Plug	
8	4010618	2	Screw M6 x 50	
9	4711400	4	Washer 1/4	
10	4811700	2	Washer M6	
11	1001138494	1	Bar, Drop	
12	1001138514	1	Rail (Top)	
13	1001140429	1	Decal - Drop Bar	
14	See Note	NSS	Platform (Note: Not Available - Purchase Platform Assembly)	

# SECTION 5 - PLATFORM

FIGURE 5-7. PLATFORM ASSEMBLY - 36IN X 6FT (91.5CM X 1.83M) WITH FALL ARREST (ANSI, ANSI EXPORT AND CHINA SPECS) (USA BUILT MACHINES)



ART\_T001186333

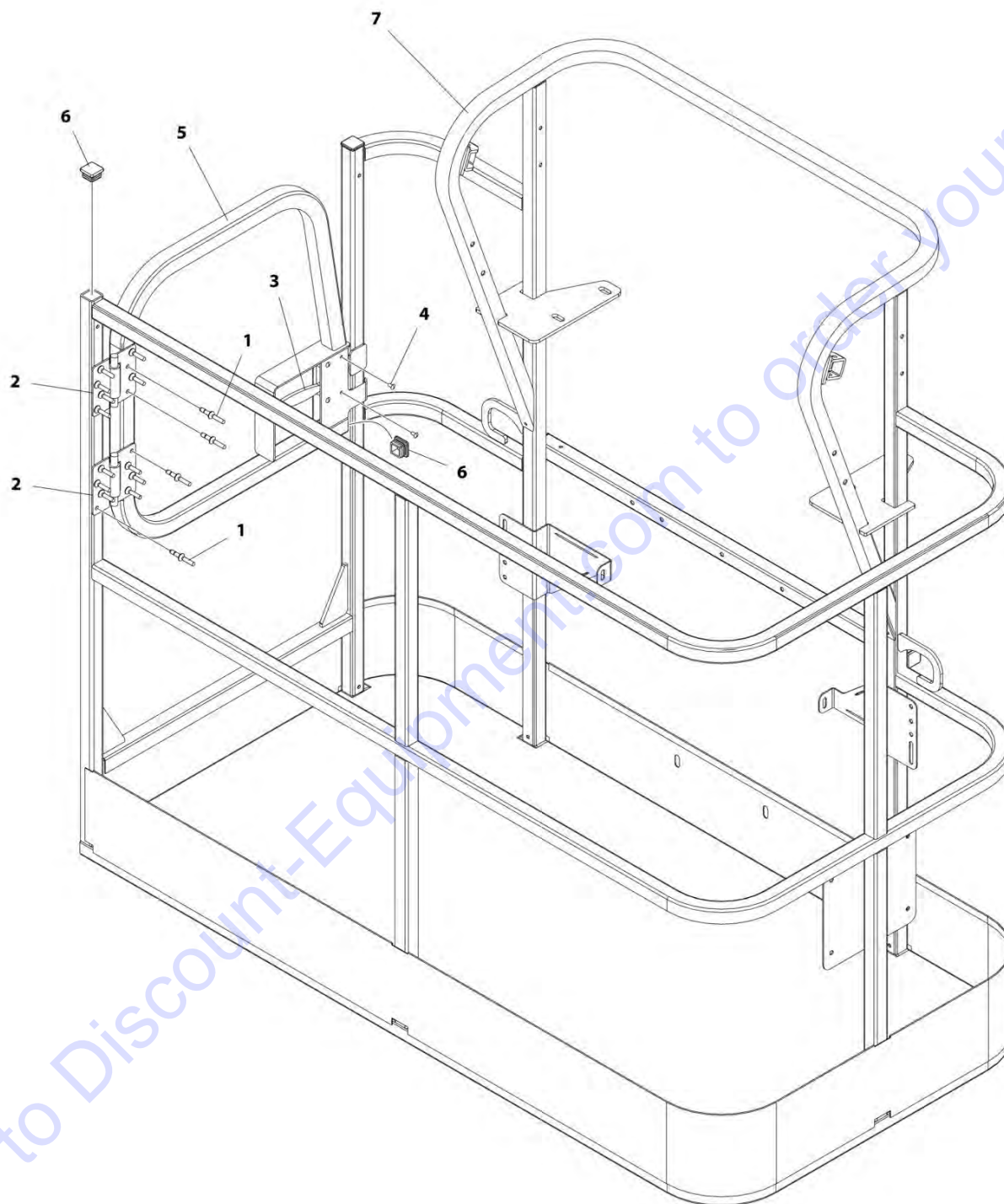
## SECTION 5 - PLATFORM

**FIGURE 5-7. PLATFORM ASSEMBLY - 36IN X 6FT (91.5CM X 1.83M) WITH FALL ARREST (ANSI, ANSI EXPORT AND CHINA SPECS) (USA BUILT MACHINES)**

ITEM	PART NUMBER	QTY	DESCRIPTION	REV
	1001186333	Ref	PLATFORM ASSEMBLY - 36IN X 6FT (91.5CM X 1.83M) WITH FALL ARREST (USA BUILT MACHINES) (ANSI, ANSI EXPORT AND CHINA SPECS)	C
	See Note	Ref	Note: Fall Arrest Not Available on Australian & CE Spec Platform Assembly.	
	See Note	Ref	Note: Replacement Decals Must be Ordered Separately - See DECALS SECTION.	
1	0681814	2	Bolt 1/2 x 1-3/4 Grade 8	
2	0681822	4	Bolt 1/2 x 2-3/4 Grade 8	
3	0962270	2	Bearing	
4	1060919	1	Cable, Fall Arrest	
5	1702773	1	Decal - JLG	
6	1705014	1	Decal - Safety	
7	1706385	1	Decal - Drop Bar	
8	2410014	1	Gate	
9	3271805	6	Nut 1/2 Grade 8	
10	3311605	1	Nut 3/8	
11	3520072	1	Plug	
12	3900054	1	Bolt 1/2 x 1-3/4	
13	4711800	2	Washer 1/2	
14	4751800	8	Washer 1/2	
15	See Note	NSS	Platform (Note: Not Available - Purchase Platform Assembly)	

## SECTION 5 - PLATFORM

FIGURE 5-8. PLATFORM ASSEMBLY - 30IN X 5FT (76CM X 1.52M) WITH SWING GATE (ROMANIAN BUILT MACHINES)



ART\_1001188315



## SECTION 5 - PLATFORM

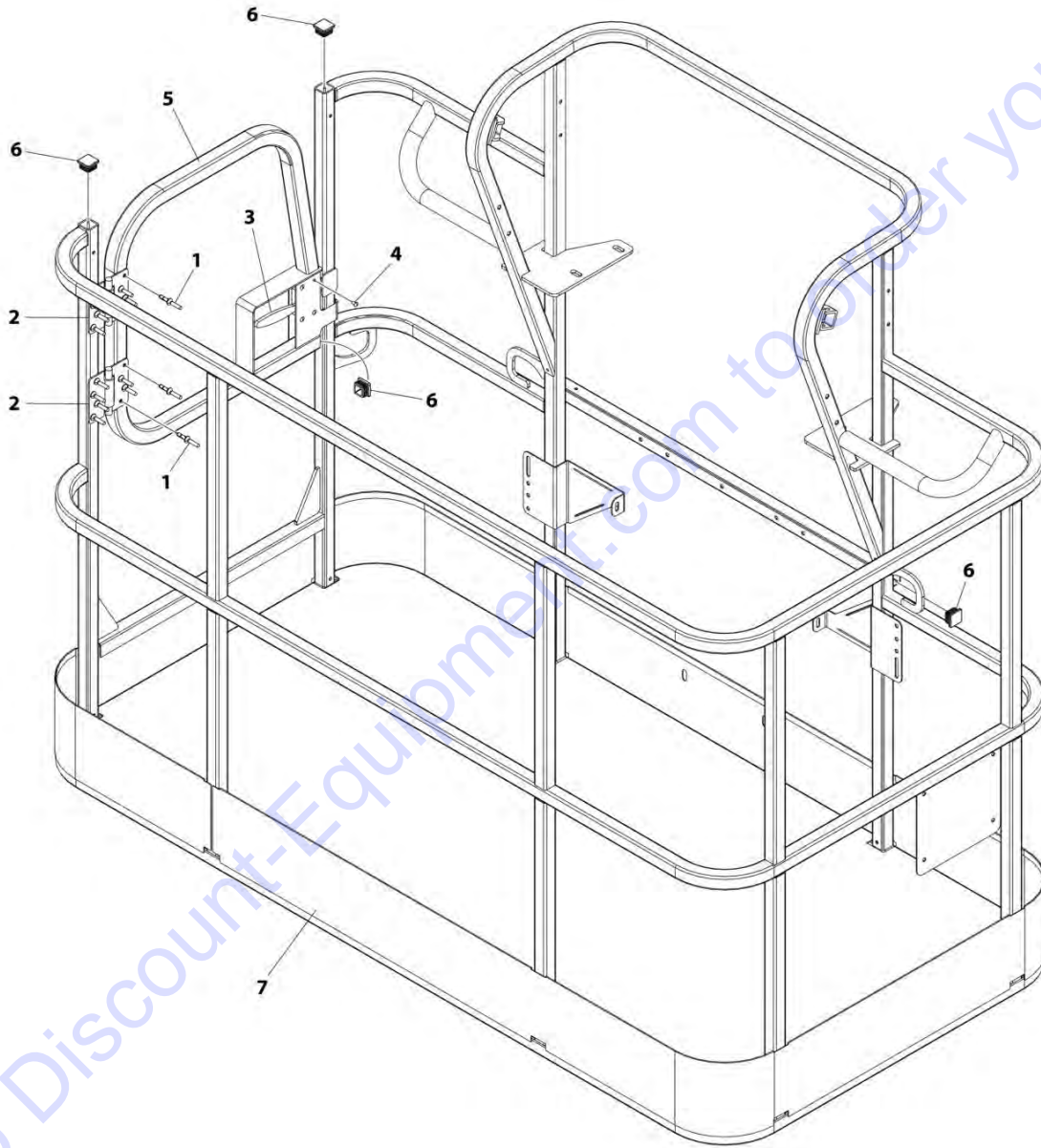
**FIGURE 5-8. PLATFORM ASSEMBLY - 30IN X 5FT (76CM X 1.52M) WITH SWING GATE (ROMANIAN BUILT MACHINES)**

ITEM	PART NUMBER	QTY	DESCRIPTION	REV
	1001188315	Ref	PLATFORM ASSEMBLY - 30IN X 5FT (76CM X 1.52M) WITH SWING GATE (ROMANIAN BUILT MACHINES)	D
	See Note	Ref	Note: Platform and Mesh must be ordered separately for Platforms with Mesh. See SPECIAL OPTIONS SECTION for Mesh Installations.	
	See Note	Ref	Note: Replacement Decals Must be Ordered Separately - See DECALS SECTION.	
1	2080040	16	Fastener, Huck	
2	2600281	2	Hinge	
3	2940074	1	Latch	
4	3820020	4	Rivet	
5	1001144629	1	Gate	
6	1001145781	5	Plug	
7	See Note	NSS	Platform (Note: Not Available - Purchase Platform Assembly)	

Go to Discount-Equipment.com to order your parts

## SECTION 5 - PLATFORM

FIGURE 5-9. PLATFORM ASSEMBLY - 36IN X 6FT (92CM X 1.83M) WITH SWING GATE (ROMANIAN BUILT MACHINES)



ART\_1001188305

## SECTION 5 - PLATFORM

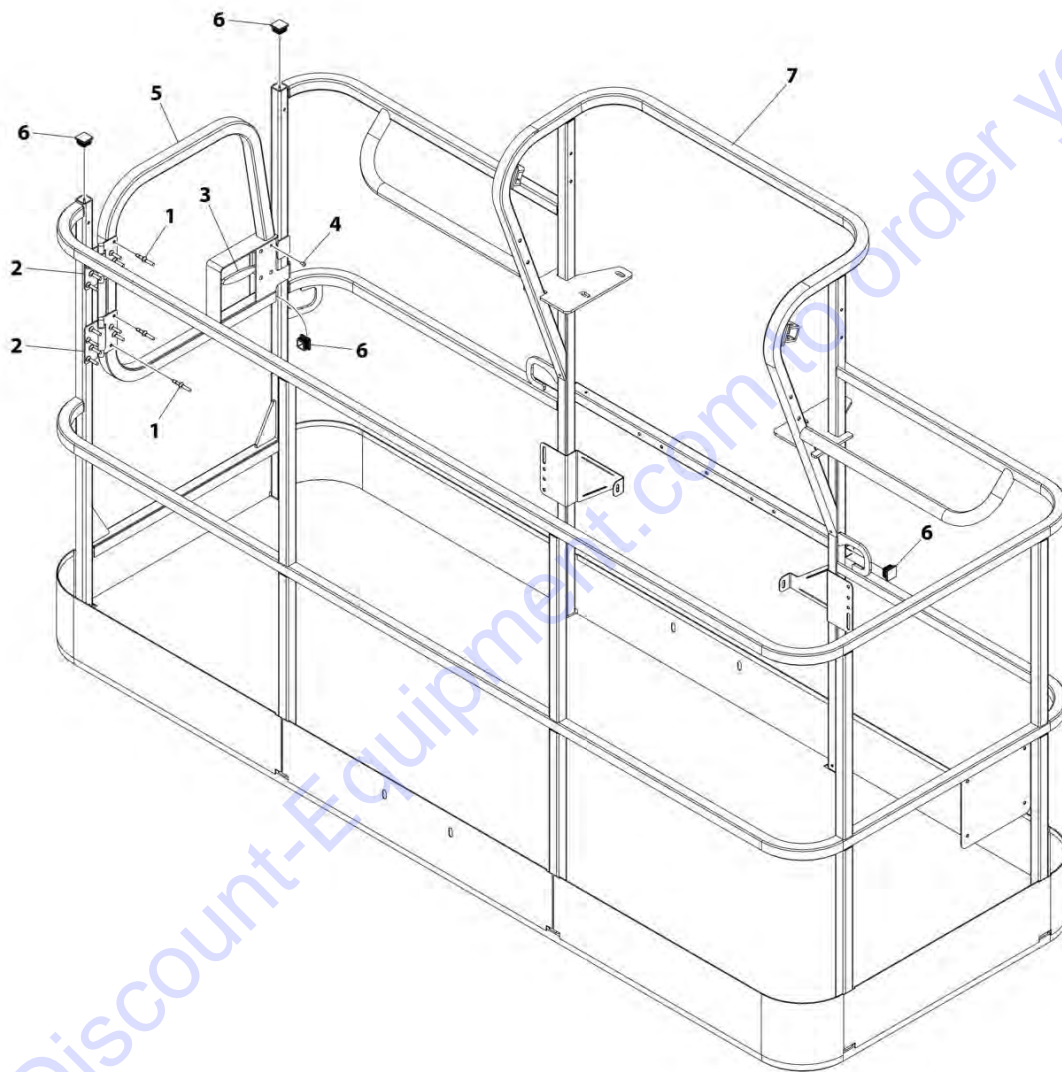
**FIGURE 5-9. PLATFORM ASSEMBLY - 36IN X 6FT (92CM X 1.83M) WITH SWING GATE (ROMANIAN BUILT MACHINES)**

ITEM	PART NUMBER	QTY	DESCRIPTION	REV
	1001188305	Ref	PLATFORM ASSEMBLY - 36IN X 6FT (91.5CM X 1.83M) WITH SWING GATE (ROMANIAN BUILT MACHINES)	C
	See Note	Ref	Note: Platform and Mesh must be ordered separately for Platforms with Mesh. See SPECIAL OPTIONS SECTION for Mesh Installations.	
	See Note	Ref	Note: Replacement Decals Must be Ordered Separately - See DECALS SECTION.	
1	2080040	16	Fastener, Huck	
2	2600281	2	Hinge	
3	2940074	1	Latch	
4	3820020	4	Rivet	
5	1001144629	1	Gate	
6	1001145781	5	Plug	
7	See Note	NSS	Platform (Note: Not Available - Purchase Platform Assembly)	

Go to Discount-Equipment.com to order your parts

## SECTION 5 - PLATFORM

FIGURE 5-10. PLATFORM ASSEMBLY - 36IN X 8FT (91.5CM X 2.44M) WITH SWING GATE  
(ROMANIAN BUILT MACHINES)



ART\_1001188308

## SECTION 5 - PLATFORM

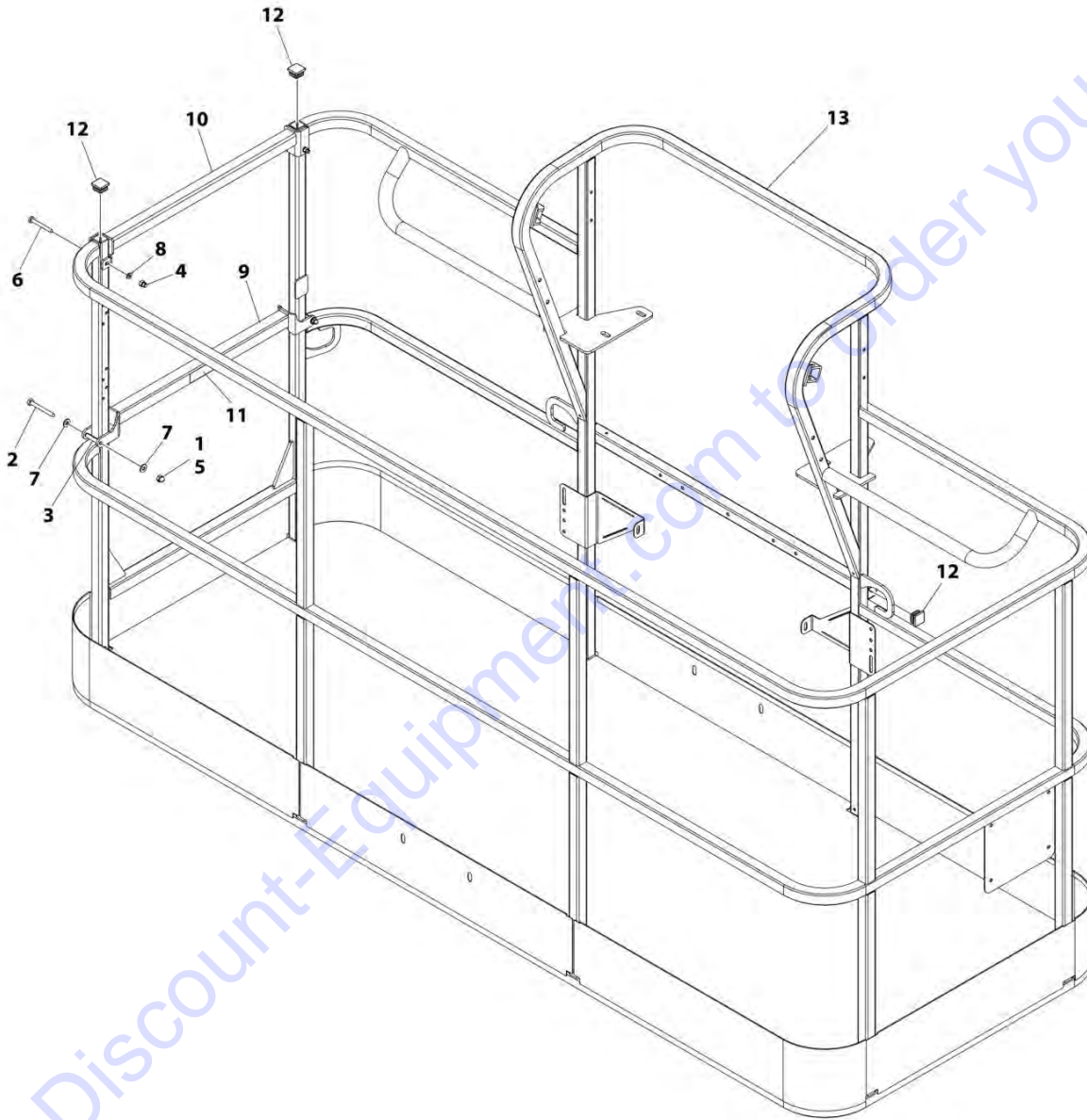
**FIGURE 5-10. PLATFORM ASSEMBLY - 36IN X 8FT (91.5CM X 2.44M) WITH SWING GATE  
(ROMANIAN BUILT MACHINES)**

ITEM	PART NUMBER	QTY	DESCRIPTION	REV
	1001188308	Ref	PLATFORM ASSEMBLY - 36IN X 8FT (91.5CM X 2.44M) WITH SWING GATE (ROMANIAN BUILT MACHINES)	C
	See Note	Ref	Note: Platform and Mesh must be ordered separately for Platforms with Mesh. See SPECIAL OPTIONS SECTION for Mesh Installations.	
	See Note	Ref	Note: Replacement Decals Must be Ordered Separately - See DECALS SECTION.	
1	2080040	16	Fastener, Huck	
2	2600281	2	Hinge	
3	2940074	1	Latch	
4	3820020	4	Rivet	
5	1001144629	1	Gate	
6	1001145781	5	Plug	
7	See Note	NSS	Platform (Note: Not Available - Purchase Platform Assembly)	

Go to Discount-Equipment.com to order your parts

## SECTION 5 - PLATFORM

FIGURE 5-11. PLATFORM ASSEMBLY - 36IN X 8FT (91.5CM X 2.44M) WITH DROP BAR (ROMANIAN BUILT MACHINES)



ART\_1001188309

## SECTION 5 - PLATFORM

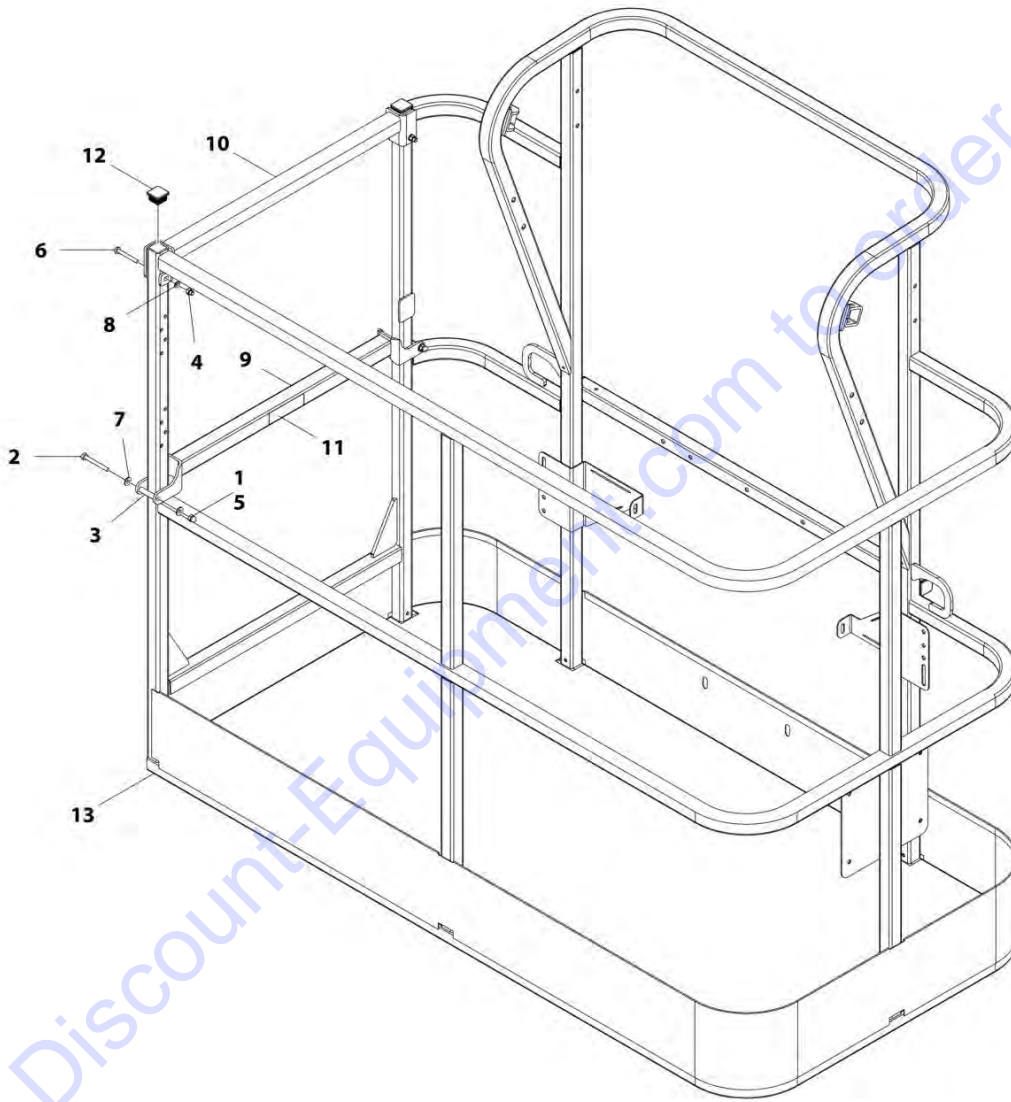
**FIGURE 5-11. PLATFORM ASSEMBLY - 36IN X 8FT (91.5CM X 2.44M) WITH DROP BAR (ROMANIAN BUILT MACHINES)**

ITEM	PART NUMBER	QTY	DESCRIPTION	REV
	1001188309	Ref	PLATFORM ASSEMBLY - 36IN X 8FT (91.5CM X 2.44M) WITH DROP BAR (ROMANIAN BUILT MACHINES)	B
	See Note	Ref	Note: Platform and Mesh must be ordered separately for Platforms with Mesh. See SPECIAL OPTIONS SECTION for Mesh Installations.	
	See Note	Ref	Note: Replacement Decals Must be Ordered Separately - See DECALS SECTION.	
1	0100011	AR	Compound, Locking	
2	0641418	2	Bolt 1/4 x 2-1/4	
3	0961845	2	Bushing	
4	3290606	2	Nut M6	
5	3300151	2	Nut 1/4	
6	4010618	2	Screw M6 x 50	
7	4711400	4	Washer 1/4	
8	4811700	2	Washer M6	
9	1001138494	1	Bar, Drop	
10	1001138514	1	Rail (Top)	
11	1001140429	1	Decal - Drop Bar	
12	1001145781	4	Plug	
13	See Note	NSS	Platform (Note: Not Available - Purchase Platform Assembly)	

Go to Discount-Equipment.com to order your parts

## SECTION 5 - PLATFORM

FIGURE 5-12. PLATFORM ASSEMBLY - 30IN X 5FT (76CM X 1.52M) WITH DROP BAR (ROMANIAN BUILT MACHINES)



ART\_1001188314



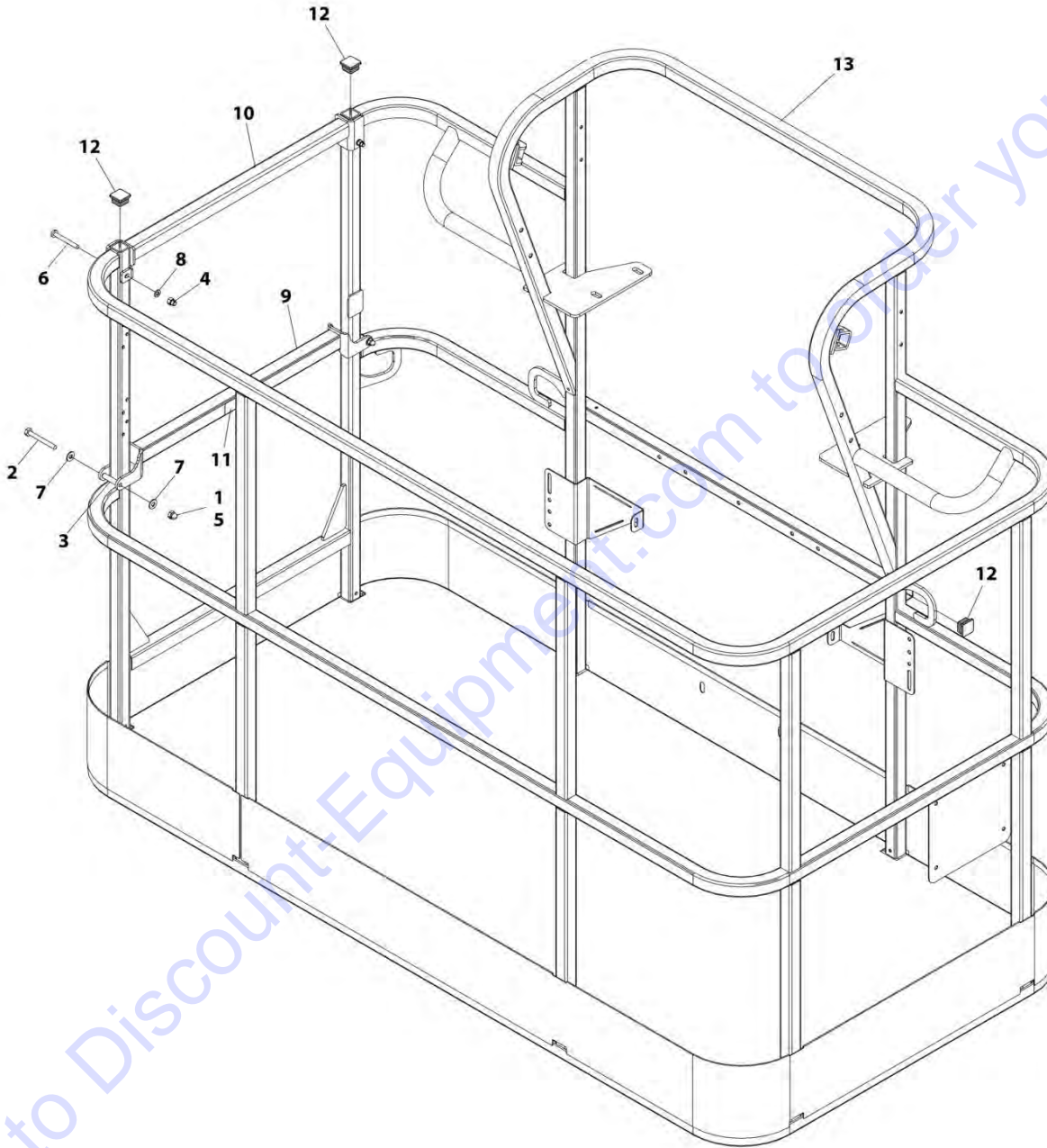
## SECTION 5 - PLATFORM

**FIGURE 5-12. PLATFORM ASSEMBLY - 30IN X 5FT (76CM X 1.52M) WITH DROP BAR (ROMANIAN BUILT MACHINES)**

ITEM	PART NUMBER	QTY	DESCRIPTION	REV
	1001188314	Ref	PLATFORM ASSEMBLY – 30IN X 5FT (76CM X 1.52M) WITH DROP BAR (ROMANIAN BUILT MACHINES)	B
	See Note	Ref	Note: Platform and Mesh must be ordered separately for Platforms with Mesh. See SPECIAL OPTIONS SECTION for Mesh Installations.	
	See Note	Ref	Note: Replacement Decals Must be Ordered Separately - See DECALS SECTION.	
1	0100011	AR	Compound, Locking	
2	0641418	2	Bolt 1/4 x 2-1/4	
3	0961845	2	Bushing	
4	3290606	2	Nut M6	
5	3300151	2	Nut 1/4	
6	4010618	2	Screw M6 x 50	
7	4711400	4	Washer 1/4	
8	4811700	2	Washer M6	
9	1001138494	1	Bar, Drop	
10	1001138514	1	Rail (Top)	
11	1001140429	1	Decal - Drop Bar	
12	1001145781	4	Plug	
13	See Note	NSS	Platform (Note: Not Available - Purchase Platform Assembly)	

## SECTION 5 - PLATFORM

FIGURE 5-13. PLATFORM ASSEMBLY - 36IN X 6FT (91.5CM X 1.83M) WITH DROP BAR (ROMANIAN BUILT MACHINES)



ART\_1001188306

## SECTION 5 - PLATFORM

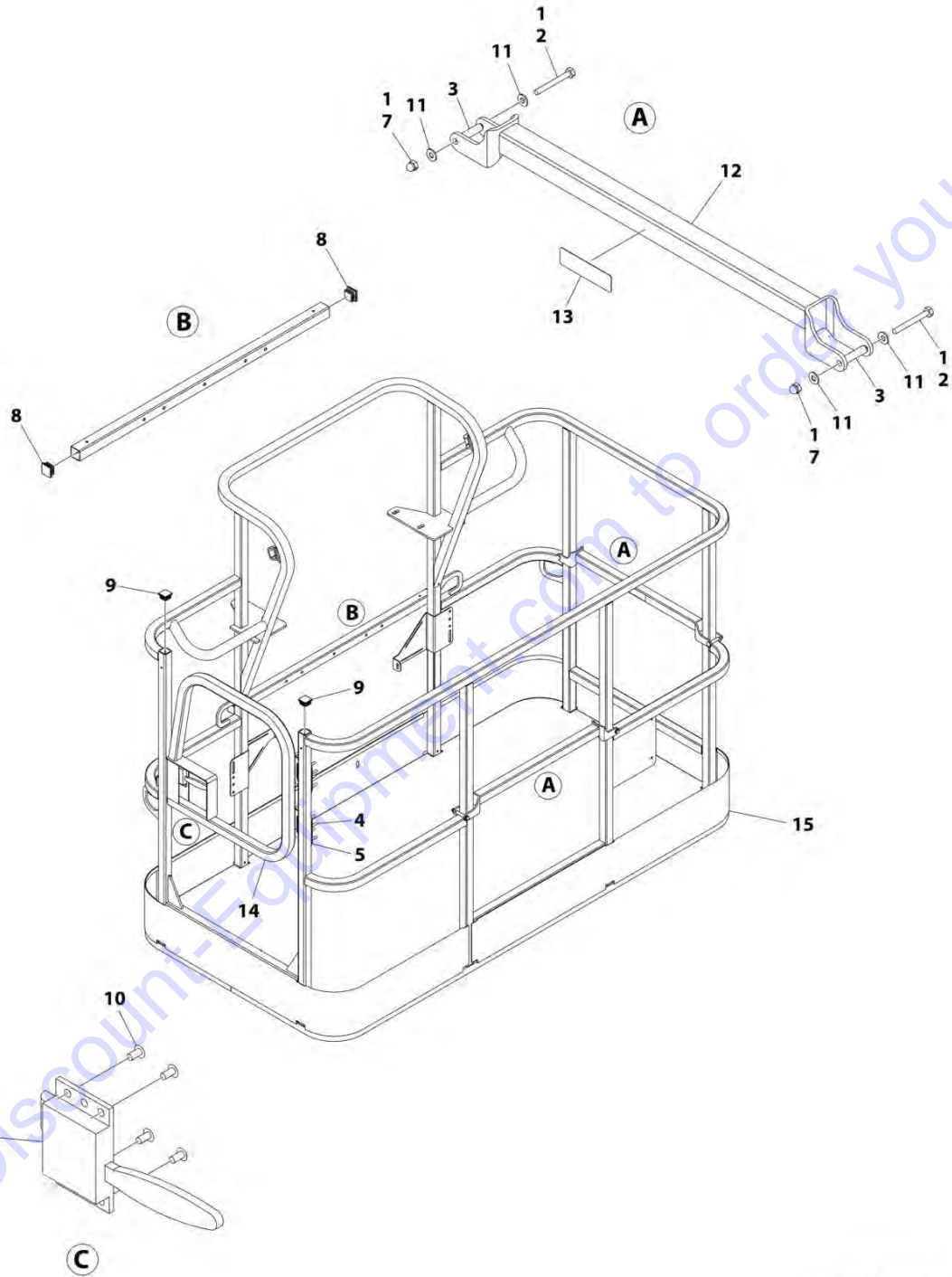
**FIGURE 5-13. PLATFORM ASSEMBLY - 36IN X 6FT (91.5CM X 1.83M) WITH DROP BAR (ROMANIAN BUILT MACHINES)**

ITEM	PART NUMBER	QTY	DESCRIPTION	REV
	1001188306	Ref	PLATFORM ASSEMBLY - 36IN X 6FT (91.5CM X 1.83M) WITH DROP BAR (ROMANIAN BUILT MACHINES)	B
	See Note	Ref	Note: Platform and Mesh must be ordered separately for Platforms with Mesh. See SPECIAL OPTIONS SECTION for Mesh Installations.	
	See Note	Ref	Note: Replacement Decals Must be Ordered Separately - See DECALS SECTION.	
1	0100011	AR	Compound, Locking	
2	0641418	2	Bolt 1/4 x 2-1/4	
3	0961845	2	Bushing	
4	3290606	2	Nut M6	
5	3300151	2	Nut 1/4	
6	4010618	2	Screw M6 x 50	
7	4711400	4	Washer 1/4	
8	4811700	2	Washer M6	
9	1001138494	1	Bar, Drop	
10	1001138514	1	Rail (Top)	
11	1001140429	1	Decal - Drop Bar	
12	1001145781	4	Plug	
13	See Note	NSS	Platform (Note: Not Available - Purchase Platform Assembly)	

Go to Discount-Equipment.com to order your parts

# SECTION 5 - PLATFORM

FIGURE 5-14. PLATFORM ASSEMBLY - 36IN X 6FT (91.5CM X 1.83M) TRI-ENTRY WITH GATE



ART\_1001228376

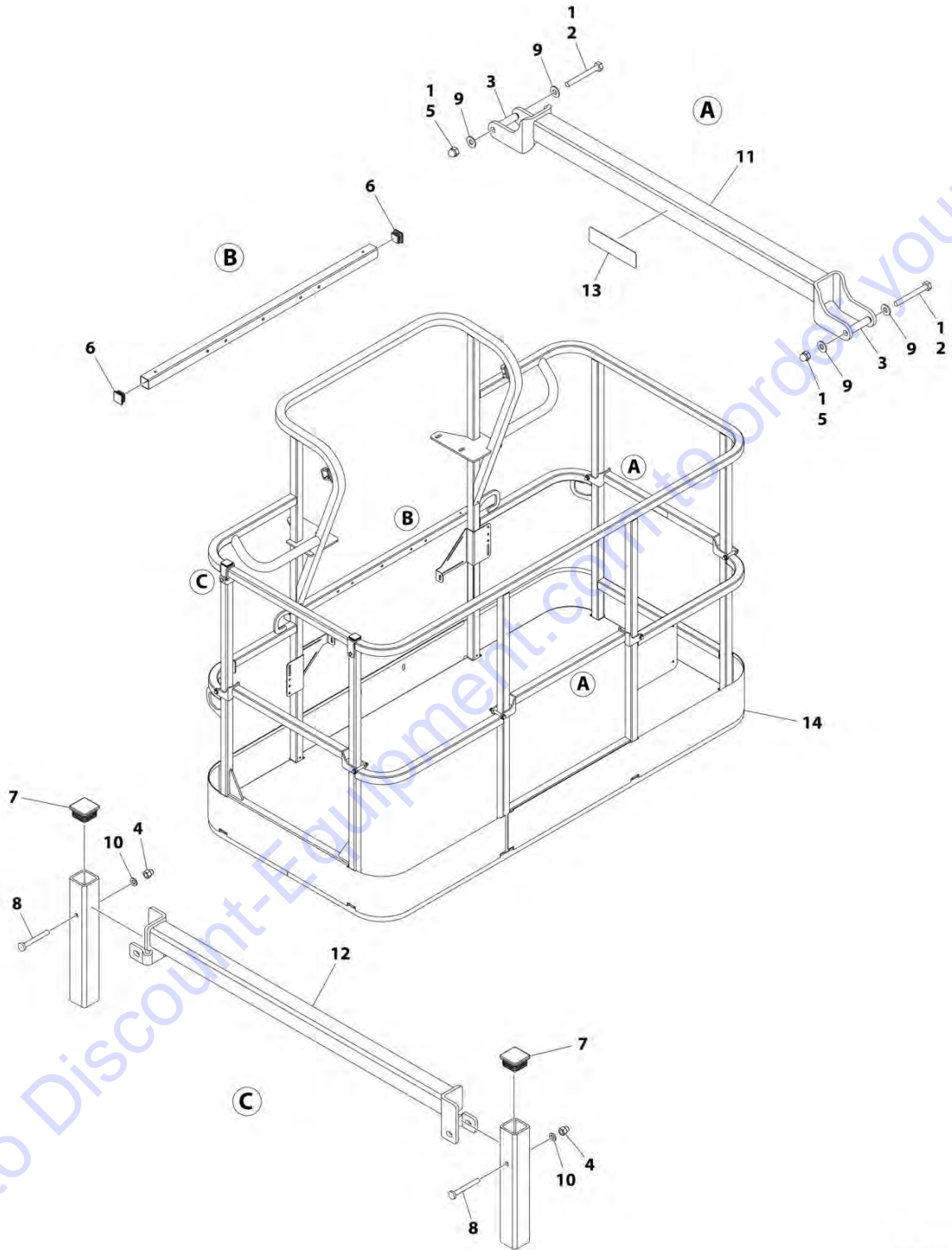
## SECTION 5 - PLATFORM

**FIGURE 5-14. PLATFORM ASSEMBLY - 36IN X 6FT (91.5CM X 1.83M) TRI-ENTRY WITH GATE**

ITEM	PART NUMBER	QTY	DESCRIPTION	REV
	1001228376	Ref	PLATFORM ASSEMBLY - 36IN x 6FT (91.5CM x 1.83M)	A
		Ref	Note: Platform and Mesh must be ordered separately for Platforms with Mesh. See SPECIAL OPTIONS SECTION for Mesh Installations.	
		Ref	Note: Replacement Decals Must be Ordered Separately - See DECAL SECTION.	
1	0100011	AR	Compound, Locking	
2	0641418	4	Bolt 1/4 x 2-1/4	
3	0961845	4	Bushing	
4	2080040	16	Fastener	
5	2600281	2	Hinge	
6	2940074	1	Latch	
7	3300151	4	Nut 1/4	
8	3520072	3	Plug	
9	3520198	2	Plug	
10	3820020	4	Rivet	
11	4711400	8	Washer 1/4	
12	1001138494	2	Bar, Drop	
13	1001140429	2	Decal - Drop Bar	
14	1001144629	1	Gate	
15	See Note	NSS	Platform (Note: Not Available - Purchase Platform Assembly)	

# SECTION 5 - PLATFORM

FIGURE 5-15. PLATFORM ASSEMBLY - 36IN X 6FT (91.5CM X 1.83M) TRI-ENTRY WITH DROPBAR



ART\_1001228377

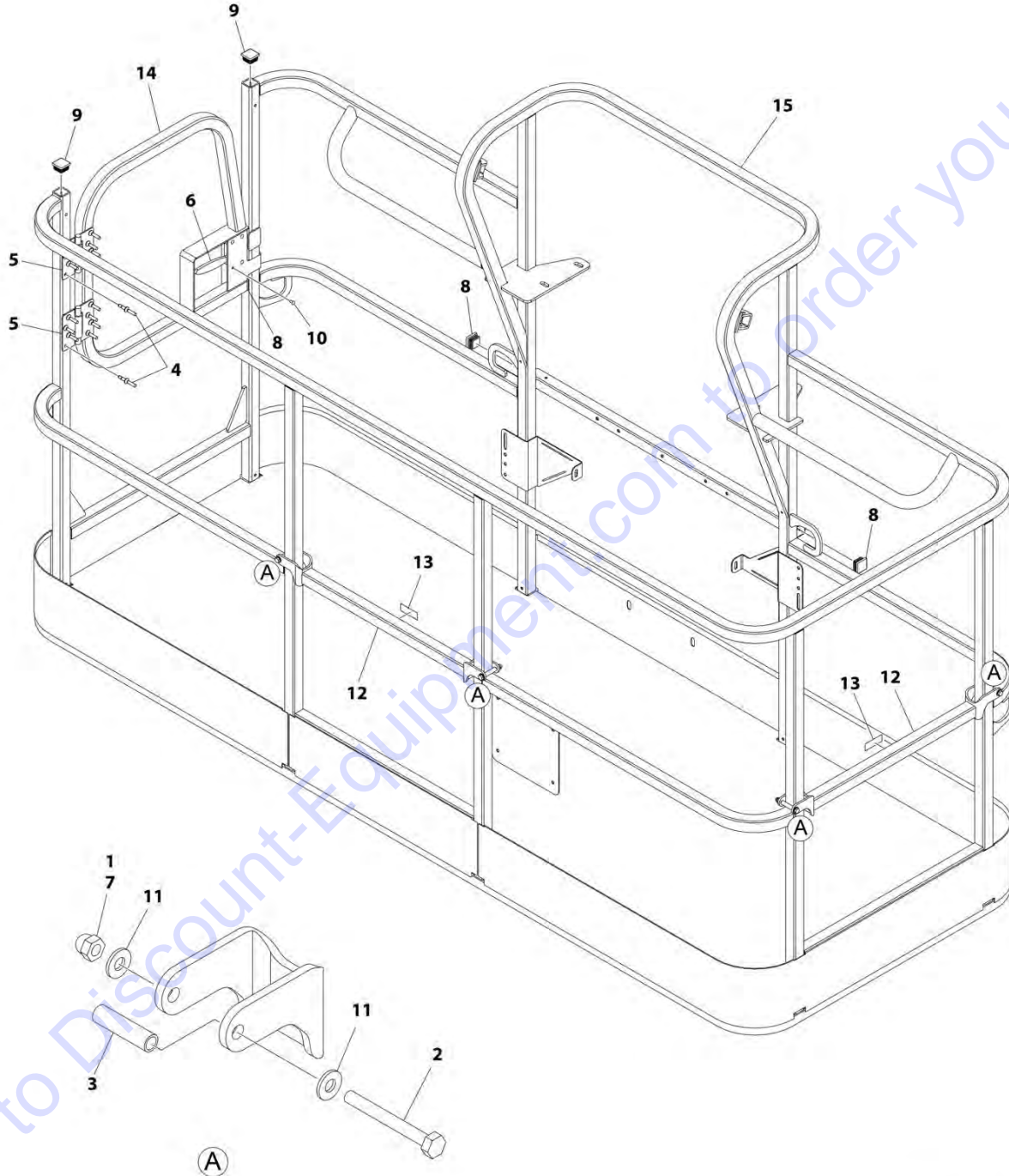
## SECTION 5 - PLATFORM

**FIGURE 5-15. PLATFORM ASSEMBLY - 36IN X 6FT (91.5CM X 1.83M) TRI-ENTRY WITH DROPBAR**

ITEM	PART NUMBER	QTY	DESCRIPTION	REV
	1001228377	Ref	PLATFORM ASSEMBLY - 36IN x 6FT (91.5CM x 1.83M)	A
		Ref	Note: Platform and Mesh must be ordered separately for Platforms with Mesh. See SPECIAL OPTIONS SECTION for Mesh Installations.	
		Ref	Note: Replacement Decals Must be Ordered Separately - See DECAL SECTION.	
1	0100011	1	Compound, Locking	
2	0641418	6	Bolt 1/4 x 2-1/4	
3	0961845	6	Bushing	
4	3290606	2	Nut M6	
5	3300151	6	Nut 1/4	
6	3520072	2	Plug	
7	3520198	2	Plug	
8	4010618	2	Screw M6 x 50	
9	4711400	12	Washer 1/4	
10	4811700	2	Washer M6	
11	1001138494	3	Bar, Drop	
12	1001138514	1	Rail (Top)	
13	1001140429	3	Decal - Drop Bar	
14	See Note	NSS	Platform, Weldment (Note: Not Available - Purchase Platform Assembly)	

# SECTION 5 - PLATFORM

FIGURE 5-16. PLATFORM ASSEMBLY - 36IN X 8FT (91.5CM X 2.44M) WITH TRI-ENTRY (1 GATE/2 DROP BARS)



ART\_1001228243



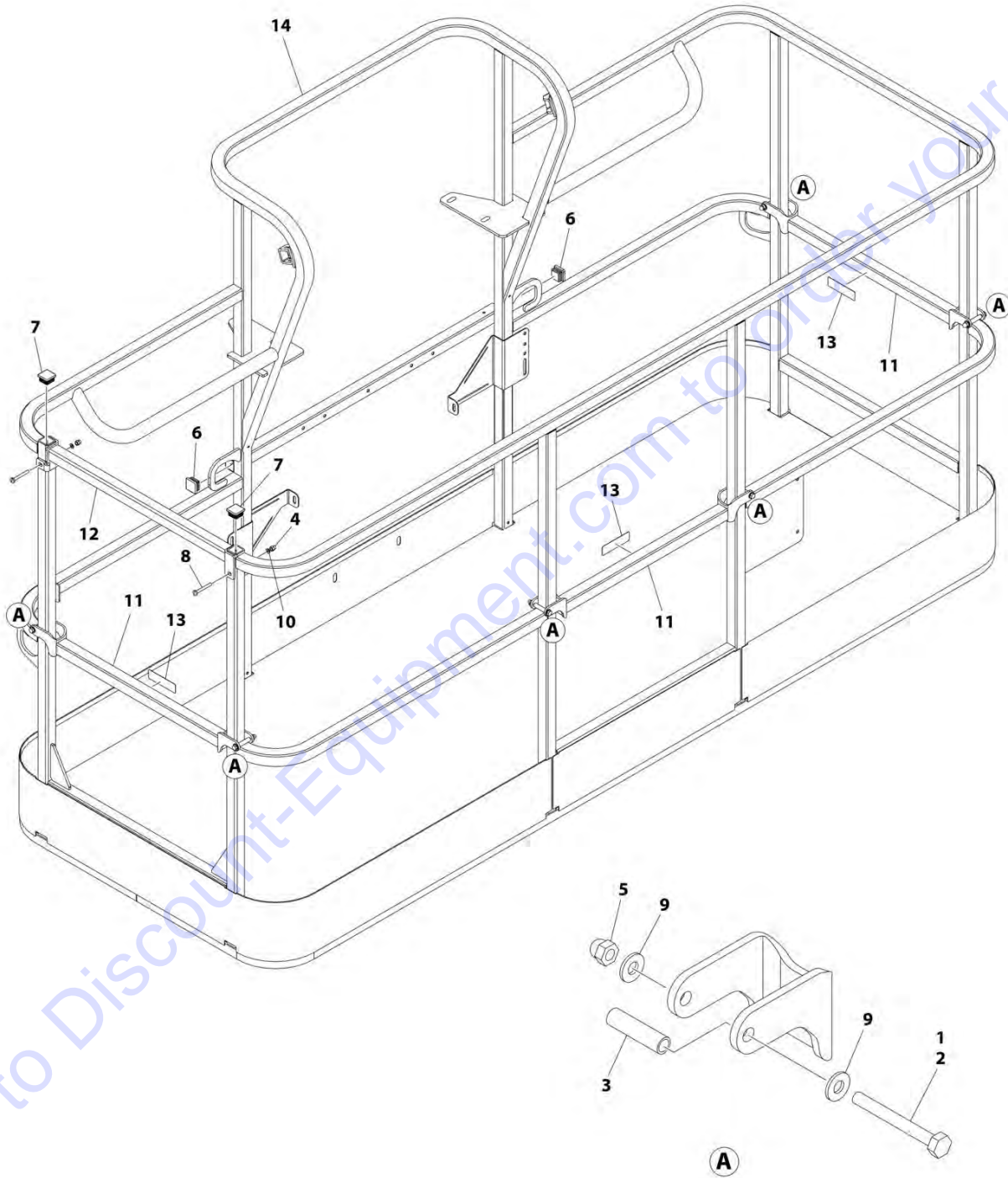
## SECTION 5 - PLATFORM

**FIGURE 5-16. PLATFORM ASSEMBLY - 36IN X 8FT (91.5CM X 2.44M) WITH TRI-ENTRY (1 GATE/2 DROP BARS)**

ITEM	PART NUMBER	QTY	DESCRIPTION	REV
	1001228243	Ref	PLATFORM ASSEMBLY - 36IN x 8FT (91.5CM x 2.44M) TRI-ENTRY WITH DROPBAR	A
		Ref	Note: Platform and Mesh must be ordered separately for Platforms with Mesh. See SPECIAL OPTIONS SECTION for Mesh Installations.	
1	0100011	AR	Compound, Locking	
2	0641418	4	Bolt 1/4 x 2-1/4	
3	0961845	4	Bushing	
4	2080040	16	Fastener, Huck	
5	2600281	2	Hinge, Self-Closing	
6	2940074	1	Latch	
7	3300151	4	Nut 1/4	
8	3520072	3	Cap, Plug	
9	3520198	2	Cap, Plug	
10	3820020	4	Rivet	
11	4711400	8	Washer 1/4	
12	1001138494	2	Bar, Drop	
13	1001140429	2	Decal - Drop Bar	
14	1001144629	1	Gate, Weldment	
15	See Note	1	Platform (Note: Not Available - Purchase Platform Assembly)	

# SECTION 5 - PLATFORM

FIGURE 5-17. PLATFORM ASSEMBLY - 36IN X 8FT (91.5CM X 2.44M) WITH TRI-ENTRY (3 DROP BARS)



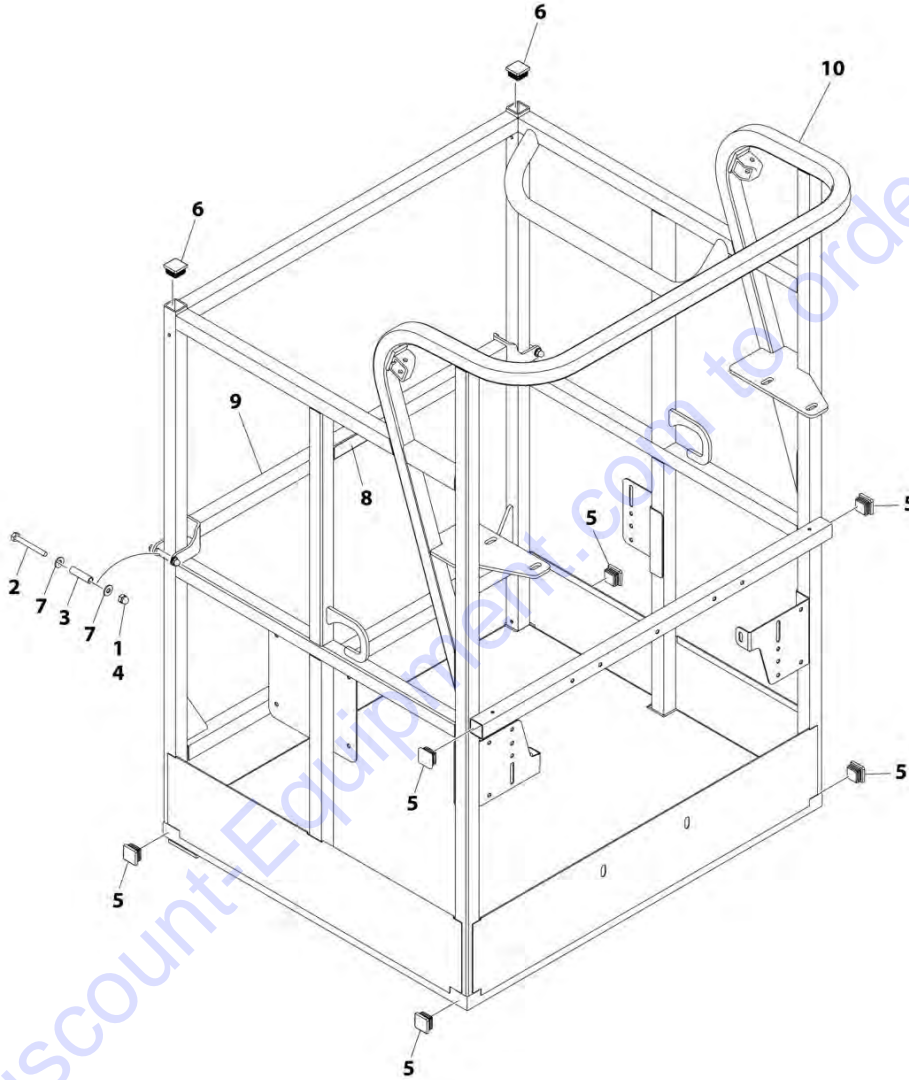
## SECTION 5 - PLATFORM

**FIGURE 5-17. PLATFORM ASSEMBLY - 36IN X 8FT (91.5CM X 2.44M) WITH TRI-ENTRY (3 DROP BARS)**

ITEM	PART NUMBER	QTY	DESCRIPTION	REV
	1001228375	Ref	PLATFORM ASSEMBLY - 36IN x 8FT (91.5CM x 2.44M) TRI-ENTRY WITH DROPGATE	A
		Ref	Note: Platform and Mesh must be ordered separately for Platforms with Mesh. See SPECIAL OPTIONS SECTION for Mesh Installations.	
		Ref	Note: Replacement Decals Must be Ordered Separately - See DECAL SECTION.	
1	0100011	AR	Compound, Locking	
2	0641418	6	Bolt 1/4 x 2-1/4	
3	0961845	6	Bushing	
4	3290606	2	Nut M6 x 1	
5	3300151	6	Nut 1/4	
6	3520072	2	Cap, Plug	
7	3520198	2	Cap, Plug	
8	4010618	2	Screw M6 x 50	
9	4711400	12	Washer 1/4	
10	4811700	2	Washer M6	
11	1001138494	3	Bar, Drop	
12	1001138514	1	Rail (Top)	
13	1001140429	3	Decal - Drop Bar	
14	See Note	1	Platform (Note: Not Available - Purchase Platform Assembly)	

# SECTION 5 - PLATFORM

FIGURE 5-18. PLATFORM ASSEMBLY - 30IN X 3FT (76CM X .91M) - DROP BAR ENTRY



ART\_1001228215

## SECTION 5 - PLATFORM

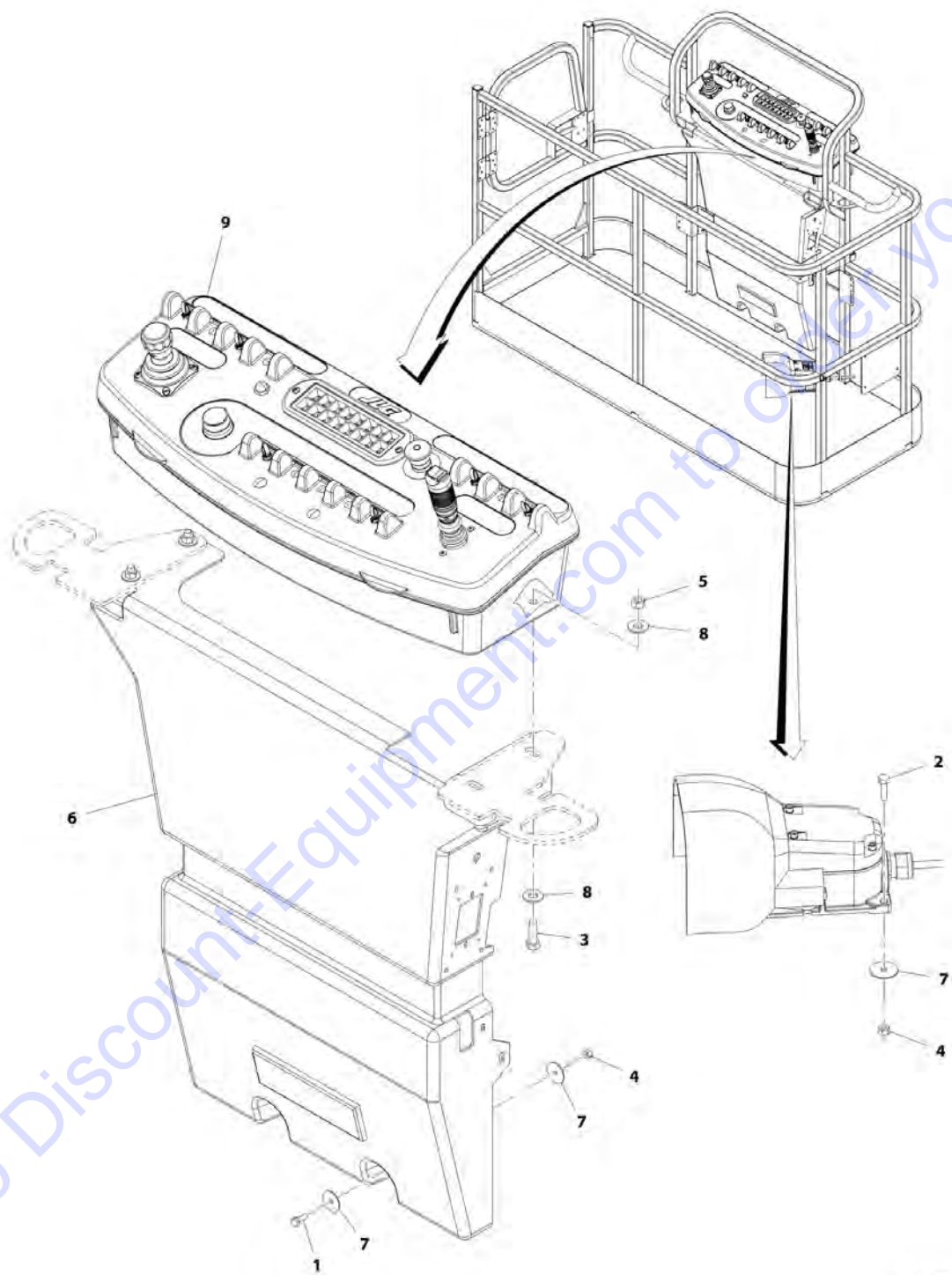
**FIGURE 5-18. PLATFORM ASSEMBLY - 30IN X 3FT (76CM X .91M) - DROP BAR ENTRY**

ITEM	PART NUMBER	QTY	DESCRIPTION	REV
	1001228215	Ref	PLATFORM ASSEMBLY - 30IN X 3FT (76CM X .91M) - DROP BAR ENTRY	A
	See Note	Ref	Note: Platform and Mesh must be ordered separately for Platforms with Mesh. See SPECIAL OPTIONS SECTION for Mesh Installations.	
	See Note	Ref	Note: Replacement Decals Must be Ordered Separately - See DECAL SECTION.	
1	0100011	AR	Compound, Locking	
2	0641418	2	Bolt 1/4 x 2-1/4	
3	0961845	2	Bushing	
4	3300151	2	Nut 1/4	
5	3520072	6	Cap, Plug	
6	3520198	2	Cap, Plug	
7	4711400	4	Washer 1/4	
8	1001140429	1	Decal - Drop Bar	
9	1001226872	1	Bar, Drop	
10	See Note	NSS	Platform, Weldment (Note: Not Available - Purchase Platform Assembly)	

Go to Discount-Equipment.com to order your parts

# SECTION 5 - PLATFORM

## FIGURE 5-19. CONSOLE BOX INSTALLATION - WITHOUT SKYGUARD



ART. 310317/3200

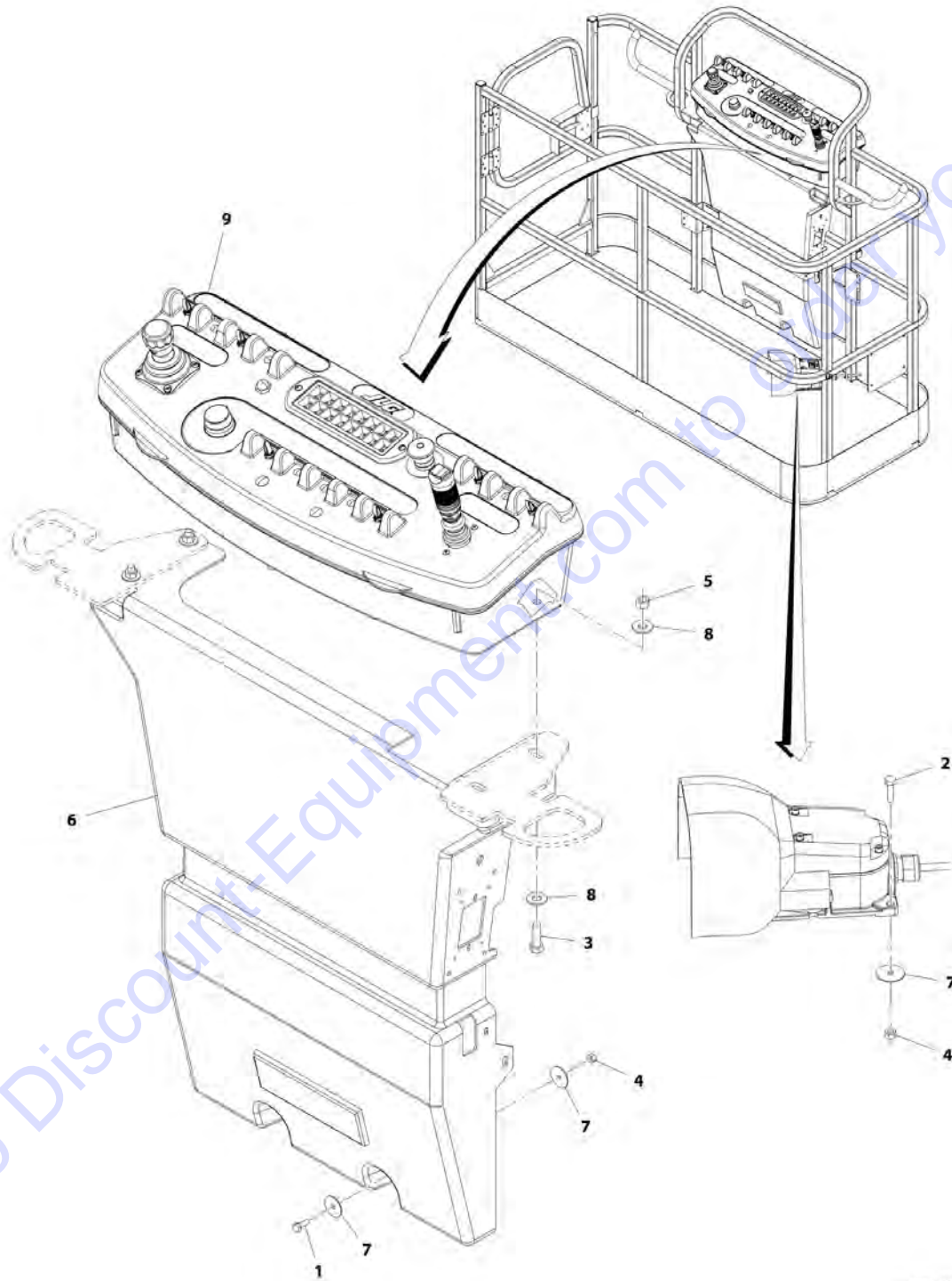
## SECTION 5 - PLATFORM

**FIGURE 5-19. CONSOLE BOX INSTALLATION - WITHOUT SKYGUARD**

ITEM	PART NUMBER	QTY	DESCRIPTION	REV
	1001173290	Ref	CONSOLE BOX INSTALLATION - WITHOUT SKYGUARD	B
1	0641406	2	Bolt, 1/4 x 3/4	
2	0641408	3	Bolt, 1/4 x 1	
3	0641610	4	Bolt, 3/8 x 1-1/4	
4	3311405	5	Nut, Lock 1/4	
5	3311605	4	Nut, Lock 3/8	
6	3380434	1	Panel, Decal Mount	
7	4740362	7	Washer, 1/4	
8	4751600	8	Washer, 3/8	
9	1001173289	1	Platform Console Box Assembly (See CONSOLE BOX ASSEMBLY - WITHOUT SKYGUARD for Breakdown) <b>(SN 0300203771 through 0300220006)</b>	
9	1001202591	1	Platform Console Box Assembly (See CONSOLE BOX ASSEMBLY - WITHOUT SKYGUARD for Breakdown) <b>(SN 0300220007 to Present, SN E300000100 to Present, SN 1300007289 through 1300007393)</b>	

# SECTION 5 - PLATFORM

FIGURE 5-20. CONSOLE BOX INSTALLATION - WITH SKYGUARD (SN 0300203771 through 0300259126, SN E300000100 to Present)





## SECTION 5 - PLATFORM

**FIGURE 5-20. CONSOLE BOX INSTALLATION - WITH SKYGUARD (SN 0300203771 through 0300259126, SN E300000100 to Present)**

ITEM	PART NUMBER	QTY	DESCRIPTION	REV
	1001193731	Ref	CONSOLE BOX INSTALLATION - WITH SKYGUARD	B
1	0641406	2	Bolt, 1/4 x 3/4	
2	0641408	3	Bolt, 1/4 x 1	
3	0641610	4	Bolt, 3/8 x 1-1/4	
4	3311405	5	Nut, Lock 1/4	
5	3311605	4	Nut, Lock 3/8	
6	3380434	1	Panel, Decal Mount	
7	4740362	7	Washer, 1/4	
8	4751600	8	Washer, 3/8	
9	1001193732	NLA	Platform Console Box Assembly (Use p/n 1001242845) (See CONSOLE BOX ASSEMBLY - WITH SKYGUARD for Breakdown) <b>(SN 0300203771 through 0300220006)</b>	
9	1001202557	NLA	Platform Console Box Assembly (Use p/n 1001242845) (See CONSOLE BOX ASSEMBLY - WITH SKYGUARD for Breakdown) <b>(SN 0300220007 through 0300259126, SN E300000100 to Present, SN 1300007289 through 1300007393)</b>	



## SECTION 5 - PLATFORM

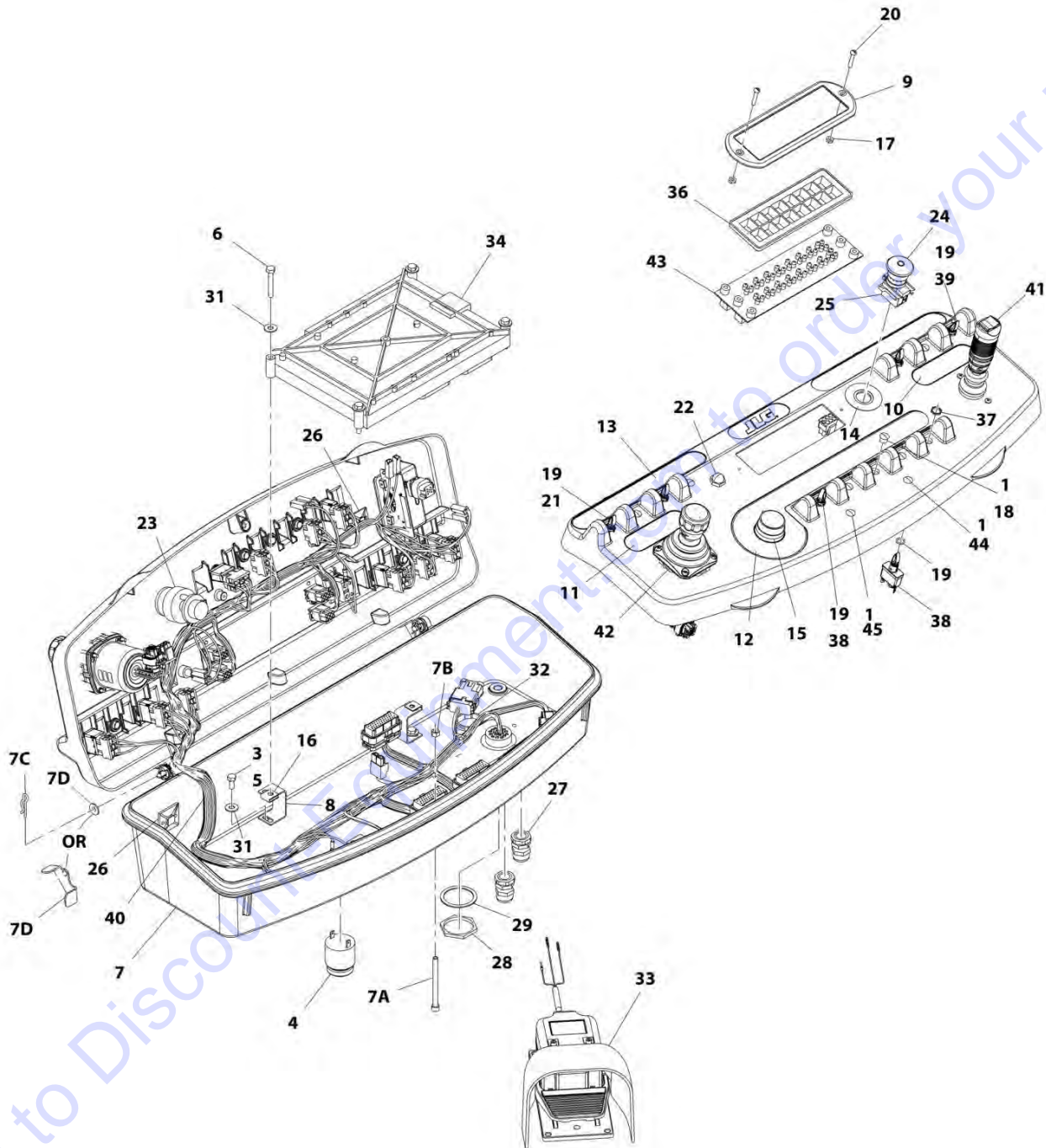
**FIGURE 5-21. CONSOLE BOX INSTALLATION - WITH SKYGUARD (SN 0300259127 to Present)**

ITEM	PART NUMBER	QTY	DESCRIPTION	REV
	1001242840	Ref	CONSOLE BOX INSTALLATION - WITH SKYGUARD	A
1	0641406	4	Bolt, 1/4 x 3/4	
2	0641408	3	Bolt, 1/4 x 1	
3	0641610	4	Bolt, 3/8 x 1-1/4	
4	3311405	7	Nut, Lock 1/4	
5	3311605	4	Nut, Lock 3/8	
6	3380434	1	Panel, Decal Mount	
7	4711600	8	Washer, 3/8	
8	4740362	7	Washer, 1/4	
9	4751400	4	Washer, 1/4	
10	1001242845	1	Platform Console Box Assembly (See Separate Breakdown in this Section)	

Go to Discount-Equipment.com to order your parts

# SECTION 5 - PLATFORM

FIGURE 5-22. CONSOLE BOX ASSEMBLY - WITHOUT SKYGUARD (SN 0300203771 through 0300220006)



ART\_1001173289

## SECTION 5 - PLATFORM

**FIGURE 5-22. CONSOLE BOX ASSEMBLY - WITHOUT SKYGUARD (SN 0300203771 through 0300220006)**

ITEM	PART NUMBER	QTY	DESCRIPTION	REV
	1001173289	Ref	CONSOLE BOX ASSEMBLY - WITHOUT SKYGUARD	H
1	0100009	AR	Sealant	
3	0100081	AR	Adhesive	
4	0140011	1	Alarm	
5	0641405	4	Bolt, 1/4 x 5/8	
6	0641414	4	Bolt, 1/4 x 1-3/4	
7	1001184324	1	Platform Console Box	
7A	0630568	1	Capscrew 3/8 x 4-1/2	
7B	3311601	1	Nut 3/8	
7C	3470003	2	Hairpin	
7D	4711500	AR	Flatwasher 5/16	
7D	1001200575	AR	Bracket, Stop	
8	0902751	4	Bracket (SN 0300203771 through 0300207028)	
8	1001172760	4	Bracket (SN 0300207029 through 0300220006)	
9	1670829	1	Bezel	
10	1702565	1	Decal - Drive and Steer	
11	1702566	1	Decal - Lift and Swing	
12	1702567	1	Decal - Function Speed	
13	1001184626	1	Decal - Horn	
14	1704260	1	Decal - EMS	
15	2560136	1	Handle, Knob	
16	3300353	4	Nut, Tinnerman	
17	3300408	2	Nut, Lock	
18	3520054	6	Plug	
19	3790012	6	O-Ring	
20	3911018	2	Screw, 10 x 1-1/8	
21	1001161709	1	Switch, Toggle	
22	4360387	1	Switch, Pushbutton	
23	4360407	1	Switch, Potentiometer	
24	4360475	1	Switch, Emergency	
24	7020175	1	Cap, Red	
24	7020176	1	Contact Block	
25	4360476	1	Block, Contact	
26	4460234	4	Terminal	
27	4460428	2	Connector, Strain Relief	
28	4460470	1	Nut, Terminal	
29	4460471	1	Washer, Lock	
31	4751400	8	Washer, 1/4	
32	1001110434	1	Plug	
33	1001117174	1	Footswitch Assembly (See FOOTSWITCH ASSEMBLY for Breakdown)	
34	1001157196	1	Controller, Module (Note: Re-calibration Required when Replaced)	
36	1001146220	1	Housing, Display Light	
37	1001155044	6	Nut, Special 15/32-32	
38	1001155045	4	Switch, Toggle	
39	1001159256	1	Switch, Toggle	
40	1001164353	1	Harness, Platform Console Box (See ELECTRICAL SECTION for Breakdown)	
41	1001166538	NLA	Controller Assembly (Drive and Steer) (Use p/n 1001212415) (See	

## SECTION 5 - PLATFORM

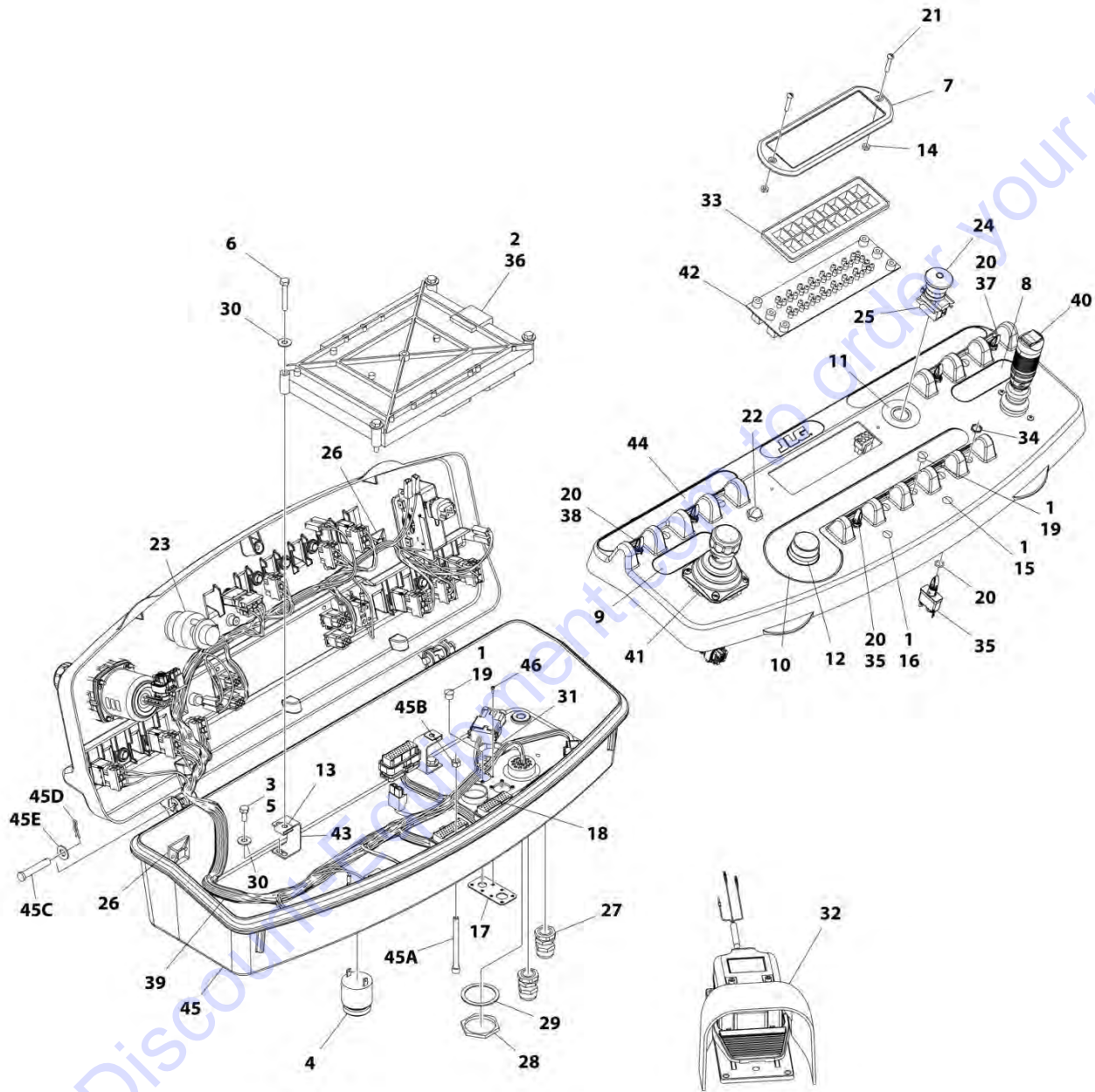
ITEM	PART NUMBER	QTY	DESCRIPTION	REV
42	1001166539	1	CONTROLLER ASSEMBLY (DRIVE AND STEER) for Breakdown) Controller Assembly (Lift and Swing) (See CONTROLLER ASSEMBLY (LIFT AND SWING) for Breakdown)	
43	1001170838	1	Gauge, Led Panel	
44	3520026	1	Plug, Hole	
45	3520027	1	Plug, Hole	

Go to Discount-Equipment.com to order your parts



# SECTION 5 - PLATFORM

FIGURE 5-23. CONSOLE BOX ASSEMBLY - WITHOUT SKYGUARD (SN 0300220007 to Present, SN E300000100 to Present, SN 1300007289 through 1300007393)



ART\_1001202591



## SECTION 5 - PLATFORM

**FIGURE 5-23. CONSOLE BOX ASSEMBLY - WITHOUT SKYGUARD (SN 0300220007 to Present, SN E300000100 to Present, SN 1300007289 through 1300007393)**

ITEM	PART NUMBER	QTY	DESCRIPTION	REV
	1001202591	Ref	CONSOLE BOX ASSEMBLY - WITHOUT SKYGUARD	C
1	0100009	AR	Sealant	
2	0100048	AR	Adhesive	
3	0100081	AR	Loctite #454	
4	0140011	1	Alarm	
5	0641405	4	Bolt 1/4 x 5/8	
6	0641414	4	Bolt 1/4 x 1-3/4	
7	1670829	1	Bezel	
8	1702565	1	Decal - Drive and Steer	
9	1702566	1	Decal - Lift and Swing	
10	1702567	1	Decal - Function Speed	
11	1704260	1	Decal - EMS	
12	2560136	1	Handle, Knob	
13	3300353	4	Nut, Tinnerman	
14	3300408	2	Nut	
15	3520026	1	Plug, Hole	
16	3520027	1	Plug, Hole	
17	3520033	AR	Plug, Hole	
17	1001213882	AR	Connector Mount	
18	3520035	1	Plug, Cap	
19	3520054	AR	Plug	
20	3790012	6	O-Ring	
21	3911018	2	Screw 10 x 1-1/8	
22	4360387	1	Switch, Pushbutton	
23	4360407	1	Switch, Potentiometer	
24	4360475	1	Switch, Emergency	
24	7020175	1	Cap, Red	
24	7020176	1	Contact Block	
25	4360476	1	Block, Contact	
26	4460234	4	Terminal	
27	4460428	2	Connector, Strain Relief	
28	4460470	1	Nut, Terminal	
29	4460471	1	Washer	
30	4751400	8	Washer 1/4	
31	1001110434	1	Plug	
32	1001117174	1	Footswitch Assembly (See FOOTSWITCH ASSEMBLY for Breakdown)	
33	1001146220	1	Housing, Display Light	
34	1001155044	6	Nut 15/32	
35	1001155045	4	Switch, Toggle	
36	1001157196	1	Controller, Module (Note: Re-calibration Required when Replaced)	
37	1001159256	1	Switch, Toggle	
38	1001161709	1	Switch, Toggle	
39	1001164353	1	Harness, Platform Console Box (See ELECTRICAL SECTION for Breakdown)	
40	1001166538	NLA	Controller Assembly (Drive and Steer) (Use p/n 1001212415) (See CONTROLLER ASSEMBLY (DRIVE AND STEER) for Breakdown)	
41	1001166539	1	Controller Assembly (Lift and Swing) (See CONTROLLER ASSEMBLY (LIFT AND SWING) for Breakdown)	
42	1001170838	1	Gauge, Led Panel	

## SECTION 5 - PLATFORM

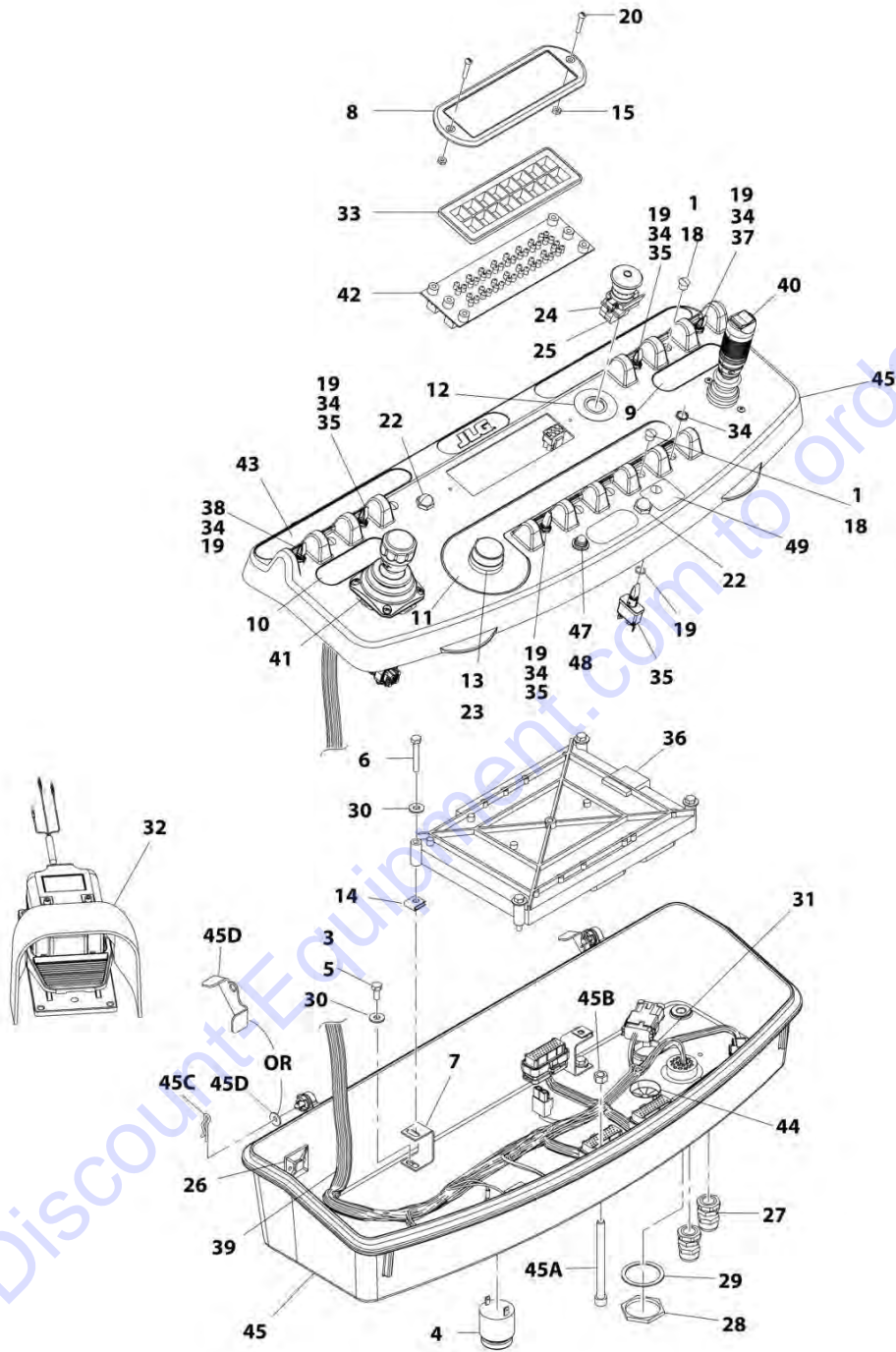
ITEM	PART NUMBER	QTY	DESCRIPTION	REV
43	1001172760	4	Bracket	
44	1001184626	1	Decal - Horn	
45	1001201891	1	Platform Console Box (SN 0300203771 through 0300222801)	
45	1001215228	1	Platform Console Box (SN 0300222802 to Present, SN E300000100 to Present, SN 1300007289 through 1300007393)	
45A	0630568	1	Capscrew 3/8 x 4-1/2	
45B	3311601	1	Nut 3/8	
45C	3430616	2	Pin	
45D	3470003	2	Hairpin	
45E	4711600	2	Washer 3/8	
46	3900349	AR	Screw M2.5	

Go to Discount-Equipment.com to order your parts



# SECTION 5 - PLATFORM

FIGURE 5-24. CONSOLE BOX ASSEMBLY - WITH SKYGUARD (SN 0300203771 through 0300220006)



ART\_1001193732

## SECTION 5 - PLATFORM

**FIGURE 5-24. CONSOLE BOX ASSEMBLY - WITH SKYGUARD (SN 0300203771 through 0300220006)**

ITEM	PART NUMBER	QTY	DESCRIPTION	REV
	1001193732	Ref	CONSOLE BOX ASSEMBLY - WITH SKYGUARD (SN 0300203771 through 0300220006)	D
1	0100009	AR	Sealant	
2	0100048	AR	Grease, Dielectric (Not Shown)	
3	0100081	AR	Adhesive	
4	0140011	1	Alarm	
5	0641405	4	Bolt, 1/4 x 5/8	
6	0641414	4	Bolt, 1/4 x 1-3/4	
7	0902751	4	Bracket (SN 0300203771 through 0300207028)	
7	1001172760	4	Bracket (SN 0300207029 through 0300220006)	
8	1670829	1	Bezel	
9	1702565	1	Decal - Drive and Steer	
10	1702566	1	Decal - Lift and Swing	
11	1702567	1	Decal - Function Speed	
12	1704260	1	Decal - EMS	
13	2560136	1	Handle, Knob	
14	3300353	4	Nut, Tinnerman	
15	3300408	2	Nut, Lock	
18	3520054	6	Plug	
19	3790012	6	O-Ring	
20	3911018	2	Screw, 10 x 1-1/8	
21	4240099	AR	Tie-Strap (Not Shown)	
22	4360387	2	Switch, Pushbutton	
23	4360407	1	Switch, Potentiometer	
24	4360475	1	Switch, Emergency	
24	7020175	1	Cap, Red	
24	7020176	1	Contact Block	
25	4360476	1	Block, Contact	
26	4460234	6	Terminal	
27	4460428	2	Connector, Strain Relief	
28	4460470	1	Nut, Terminal	
29	4460471	1	Washer, Lock	
30	4751400	8	Washer, 1/4	
31	1001110434	1	Plug	
32	1001117174	1	Footswitch Assembly (See FOOTSWITCH ASSEMBLY for Breakdown)	
33	1001146220	1	Housing, Display Light	
34	1001155044	6	Nut, Special 15/32-32	
35	1001155045	4	Switch, Toggle	
36	1001157196	1	Controller, Module (Note: Re-calibration Required when Replaced)	
37	1001159256	1	Switch, Toggle	
38	1001161709	1	Switch, Toggle	
39	1001164353	1	Harness, Platform Console Box (See ELECTRICAL SECTION for Breakdown)	
40	1001166538	NLA	Controller Assembly (Drive and Steer) (Use p/n 1001212415) (See CONTROLLER ASSEMBLY (DRIVE AND STEER) for Breakdown)	
41	1001166539	1	Controller Assembly (Lift and Swing) (See CONTROLLER ASSEMBLY - LIFT AND SWING for Breakdown)	
42	1001170838	1	Gauge, Led Panel	
43	1001184626	1	Decal - Horn	
44	1001185281	1	Plug	

## SECTION 5 - PLATFORM

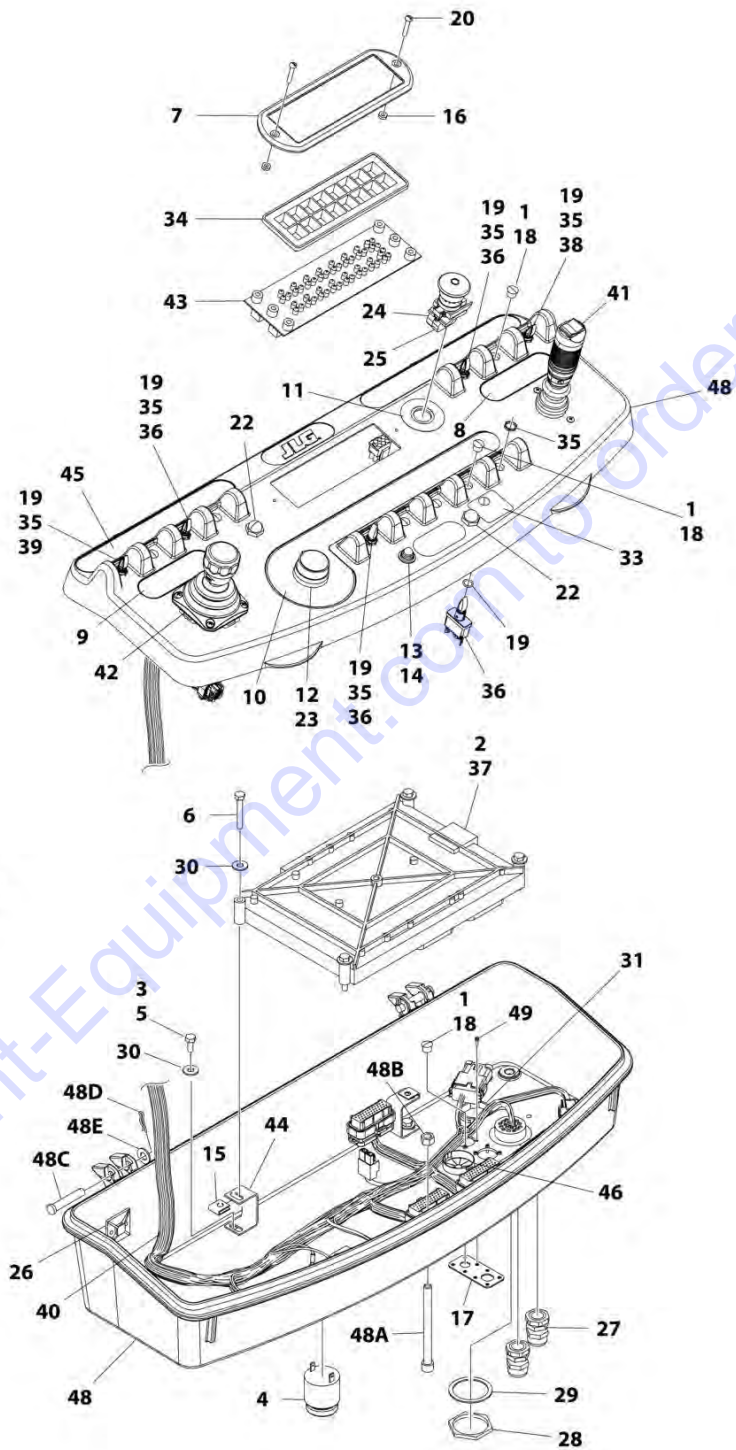
ITEM	PART NUMBER	QTY	DESCRIPTION	REV
45	1001193730	1	Platform Console Box	
45A	0630568	1	Capscrew 3/8 x 4-1/2	
45B	3311601	1	Nut 3/8	
45C	3470003	2	Hairpin	
45D	4711500	AR	Flatwasher 5/16	
45D	1001200575	AR	Bracket, Stop	
46	1001192292	1	Harness, SkyGuard (Not Shown - See ELECTRICAL SECTION for Breakdown)	
47	2920028	1	Light, Indicator	
48	2920029	1	Bulb, Light	
49	1001144433	1	Decal - No Weight	

Go to Discount-Equipment.com to order your parts



# SECTION 5 - PLATFORM

FIGURE 5-25. CONSOLE BOX ASSEMBLY - WITH SKYGUARD (SN 0300220007 through 0300259126, SN E300000100 to Present, SN 1300007289 through 1300007393)



ART\_1001202557



## SECTION 5 - PLATFORM

**FIGURE 5-25. CONSOLE BOX ASSEMBLY - WITH SKYGUARD (SN 0300220007 through 0300259126, SN E300000100 to Present, SN 1300007289 through 1300007393)**

ITEM	PART NUMBER	QTY	DESCRIPTION	REV
	1001202557	Ref	CONSOLE BOX ASSEMBLY - WITH SKYGUARD	C
1	0100009	AR	Sealant	
2	0100048	AR	Adhesive	
3	0100081	AR	Adhesive	
4	0140011	1	Alarm	
5	0641405	4	Bolt 1/4 x 5/8	
6	0641414	4	Bolt 1/4 x 1-3/4	
7	1670829	1	Bezel	
8	1702565	1	Decal - Drive and Steer	
9	1702566	1	Decal - Lift and Swing	
10	1702567	1	Decal - Function Speed	
11	1704260	1	Decal - EMS	
12	2560136	1	Handle, Knob	
13	2920028	1	Light, Indicator	
14	2920029	1	Bulb, Light	
15	3300353	4	Nut, Tinnerman	
16	3300408	2	Nut	
17	3520033	AR	Plug, Hole	
17	1001213882	AR	Connector Mount	
18	3520054	AR	Plug	
19	3790012	6	O-Ring	
20	3911018	2	Screw 10 x 1-1/8	
21	4240099	AR	Tie-Strap (Not Shown)	
22	4360387	2	Switch, Pushbutton	
23	4360407	1	Switch, Potentiometer	
24	4360475	1	Switch, Emergency	
24	7020175	1	Cap, Red	
24	7020176	1	Contact Block	
25	4360476	1	Block, Contact	
26	4460234	6	Terminal	
27	4460428	2	Connector, Strain Relief	
28	4460470	1	Nut, Terminal	
29	4460471	1	Washer	
30	4751400	8	Washer 1/4	
31	1001110434	1	Plug	
32	1001117174	1	Footswitch Assembly (See FOOTSWITCH ASSEMBLY for Breakdown)	
33	1001144433	1	Decal - No Weight	
34	1001146220	1	Housing, Display Light	
35	1001155044	6	Nut 15/32	
36	1001155045	4	Switch, Toggle	
37	1001157196	1	Controller, Module (Note: Re-calibration Required when Replaced)	
38	1001159256	1	Switch, Toggle	
39	1001161709	1	Switch, Toggle	
40	1001164353	1	Harness, Platform Console Box (See ELECTRICAL SECTION for Breakdown)	
41	1001166538	NLA	Controller Assembly (Drive and Steer) (Use p/n 1001212415) (See CONTROLLER ASSEMBLY (DRIVE AND STEER) for Breakdown)	
42	1001166539	1	Controller Assembly (Lift and Swing) (See CONTROLLER ASSEMBLY - LIFT AND SWING for Breakdown)	

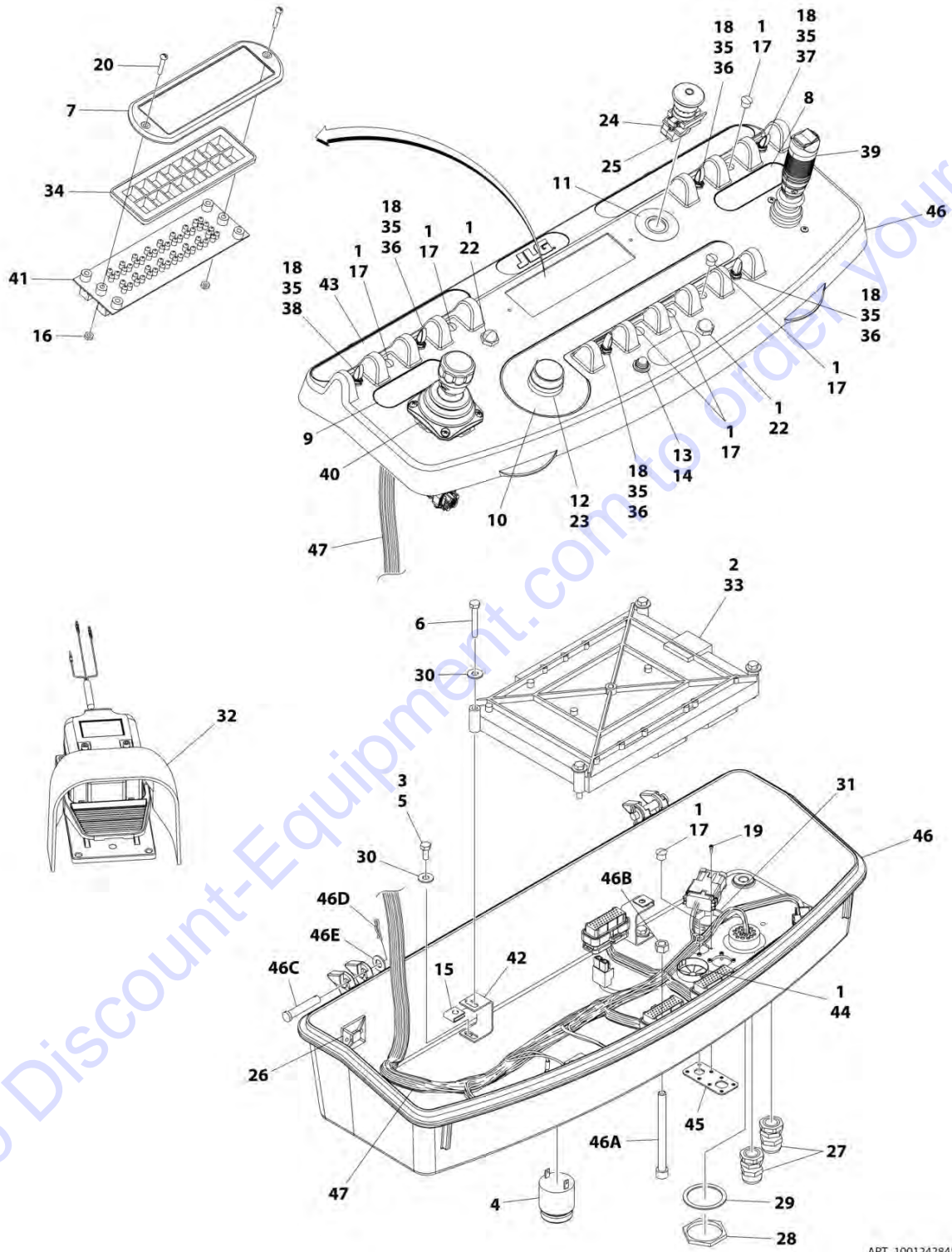
## SECTION 5 - PLATFORM

ITEM	PART NUMBER	QTY	DESCRIPTION	REV
43	1001170838	1	Gauge, Led Panel	
44	1001172760	4	Bracket	
45	1001184626	1	Decal - Horn	
46	1001185281	1	Plug	
47	1001192292	1	Harness, SkyGuard (Not Shown - See ELECTRICAL SECTION for Breakdown)	
48	1001201891	1	Platform Console Box (SN 0300203771 through 0300222801)	
48	1001215228	1	Platform Console Box (SN 0300222802 through 0300259126, SN E300000100 to Present, SN 1300007289 through 1300007393)	
48A	0630568	1	Capscrew 3/8 x 4-1/2	
48B	3311601	1	Nut 3/8	
48C	3430616	2	Pin	
48D	3470003	2	Hairpin	
48E	4711600	2	Washer 3/8	
49	3900349	AR	Screw M2.5	



# SECTION 5 - PLATFORM

FIGURE 5-26. CONSOLE BOX ASSEMBLY - WITH SKYGUARD (SN 0300259127 to Present)



ART\_1001242845

## SECTION 5 - PLATFORM

**FIGURE 5-26. CONSOLE BOX ASSEMBLY - WITH SKYGUARD (SN 0300259127 to Present)**

ITEM	PART NUMBER	QTY	DESCRIPTION	REV
	1001242845	Ref	CONSOLE BOX ASSEMBLY - WITH SKYGUARD	A
1	0100009	AR	Sealant	
2	0100048	AR	Adhesive	
3	0100035	AR	Compound, Locking	
4	0140011	1	Alarm	
5	0641405	4	Bolt 1/4 x 5/8	
6	0641414	4	Bolt 1/4 x 1-3/4	
7	1670829	1	Bezel	
8	1702565	1	Decal - Drive and Steer	
9	1702566	1	Decal - Lift and Swing	
10	1702567	1	Decal - Function Speed	
11	1704260	1	Decal - EMS	
12	2560136	1	Handle, Knob	
13	2920028	1	Light, Indicator	
14	2920029	1	Bulb, Light	
15	3300353	4	Nut, Tinnerman	
16	3300408	2	Nut	
17	3520054	7	Plug	
18	3790012	6	O-Ring	
19	3900349	8	Screw M2.5	
20	3911018	2	Screw 10 x 1-1/8	
21	4240099	AR	Tie-Strap (Not Shown)	
22	4360387	2	Switch, Pushbutton	
23	4360407	1	Switch, Potentiometer	
24	4360475	1	Switch, Emergency	
24	7020175	1	Cap, Red	
24	7020176	1	Contact Block	
25	4360476	1	Block, Contact	
26	4460234	6	Terminal	
27	4460428	2	Connector, Strain Relief	
28	4460470	1	Nut, Terminal	
29	4460471	1	Washer	
30	4751400	8	Washer 1/4	
31	1001110434	1	Plug	
32	1001117174	1	Footswitch Assembly (See FOOTSWITCH ASSEMBLY for Breakdown)	
33	1001157196	1	Controller, Module (Note: Re-calibration Required when Replaced)	
34	1001146220	1	Housing, Display Light	
35	1001155044	6	Nut 15/32	
36	1001155045	4	Switch, Toggle	
37	1001159256	1	Switch, Toggle	
38	1001161709	1	Switch, Toggle	
39	1001166538	NLA	Controller Assembly (Drive and Steer) (Use p/n 1001212415) (See CONTROLLER ASSEMBLY (DRIVE AND STEER) for Breakdown)	
40	1001166539	1	Controller Assembly (Lift and Swing) (See CONTROLLER ASSEMBLY - LIFT AND SWING for Breakdown)	
41	1001170838	1	Gauge, Led Panel	
42	1001172760	4	Bracket	
43	1001184626	1	Decal - Horn	
44	1001185281	1	Plug	

## SECTION 5 - PLATFORM

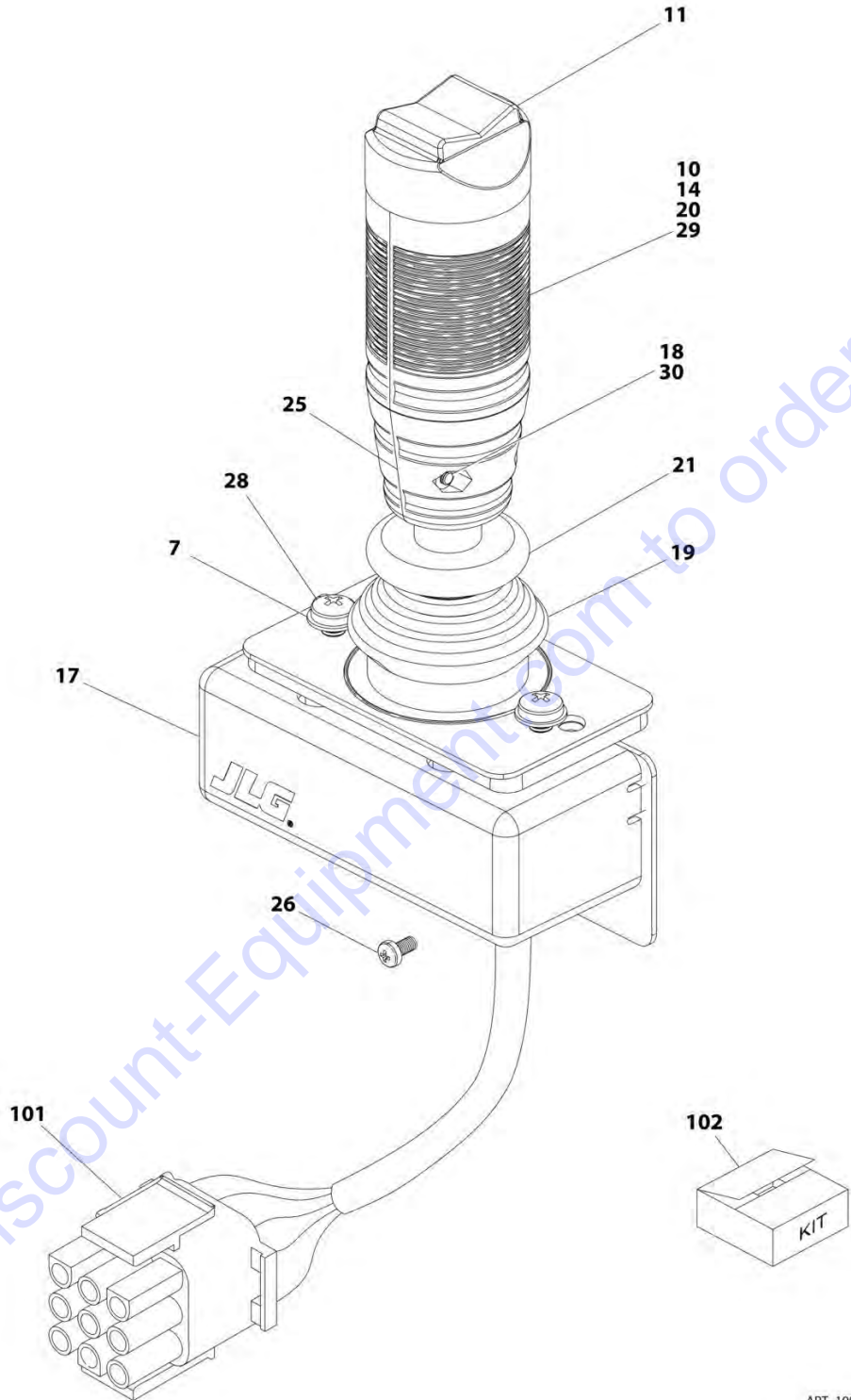
ITEM	PART NUMBER	QTY	DESCRIPTION	REV
45	1001213882	1	Connector Mount	
46	1001215228	1	Platform Console Box	
46A	0630568	1	Capscrew 3/8 x 4-1/2	
46B	3311601	1	Nut 3/8	
46C	3430616	2	Pin	
46D	3470003	2	Hairpin	
46E	4711600	2	Washer 3/8	
47	1001243168	1	Harness, Platform Console Box (See ELECTRICAL SECTION for Breakdown)	

Go to Discount-Equipment.com to order your parts



# SECTION 5 - PLATFORM

## FIGURE 5-27. CONTROLLER ASSEMBLY - DRIVE AND STEER



ART\_1001166538



# PARTS FINDER

**Search Website  
by Part Number**



**Search Manual  
Library For Parts  
Manual & Lookup Part  
Numbers – Purchase  
or Request Quote**

**Can't Find Part or  
Manual? Request Help  
by Manufacturer,  
Model & Description**

Discount-Equipment.com is your online resource for quality parts & equipment.

Florida: **561-964-4949** Outside Florida TOLL FREE: **877-690-3101**

## Need parts?

Click on this link: <http://www.discount-equipment.com/category/5443-parts/> and choose one of the options to help get the right parts and equipment you are looking for. Please have the machine model and serial number available in order to help us get you the correct parts. If you don't find the part on the website or on one of the online manuals, please fill out the request form and one of our experienced staff members will get back to you with a quote for the right part that your machine needs.

We sell worldwide for the brands: Genie, Terex, JLG, MultiQuip, Mikasa, Essick, Whiteman, Mayco, Toro Stone, Diamond Products, Generac Magnum, Airman, Haulotte, Barreto, Power Blanket, Nifty Lift, Atlas Copco, Chicago Pneumatic, Allmand, Miller Curber, Skyjack, Lull, Skytrak, Tsurumi, Husquvarna Target, Stow, Wacker, Sakai, Mi-T-M, Sullair, Basic, Dynapac, MBW, Weber, Bartell, Bennar Newman, Haulotte, Ditch Runner, Menegotti, Morrison, Contec, Buddy, Crown, Edco, Wyco, Bomag, Laymor, EZ Trench, Bil-Jax, F.S. Curtis, Gehl Pavers, Heli, Honda, ICS/PowerGrit, IHI, Partner, Imer, Clipper, MMD, Koshin, Rice, CH&E, General Equipment, Amida, Coleman, NAC, Gradall, Square Shooter, Kent, Stanley, Tamco, Toku, Hatz, Kohler, Robin, Wisconsin, Northrock, Oztec, Toker TK, Rol-Air, APT, Wylie, Ingersoll Rand / Doosan, Innovatech, Con X, Ammann, Mecalac, Makinex, Smith Surface Prep, Small Line, Wanco, Yanmar

## SECTION 5 - PLATFORM

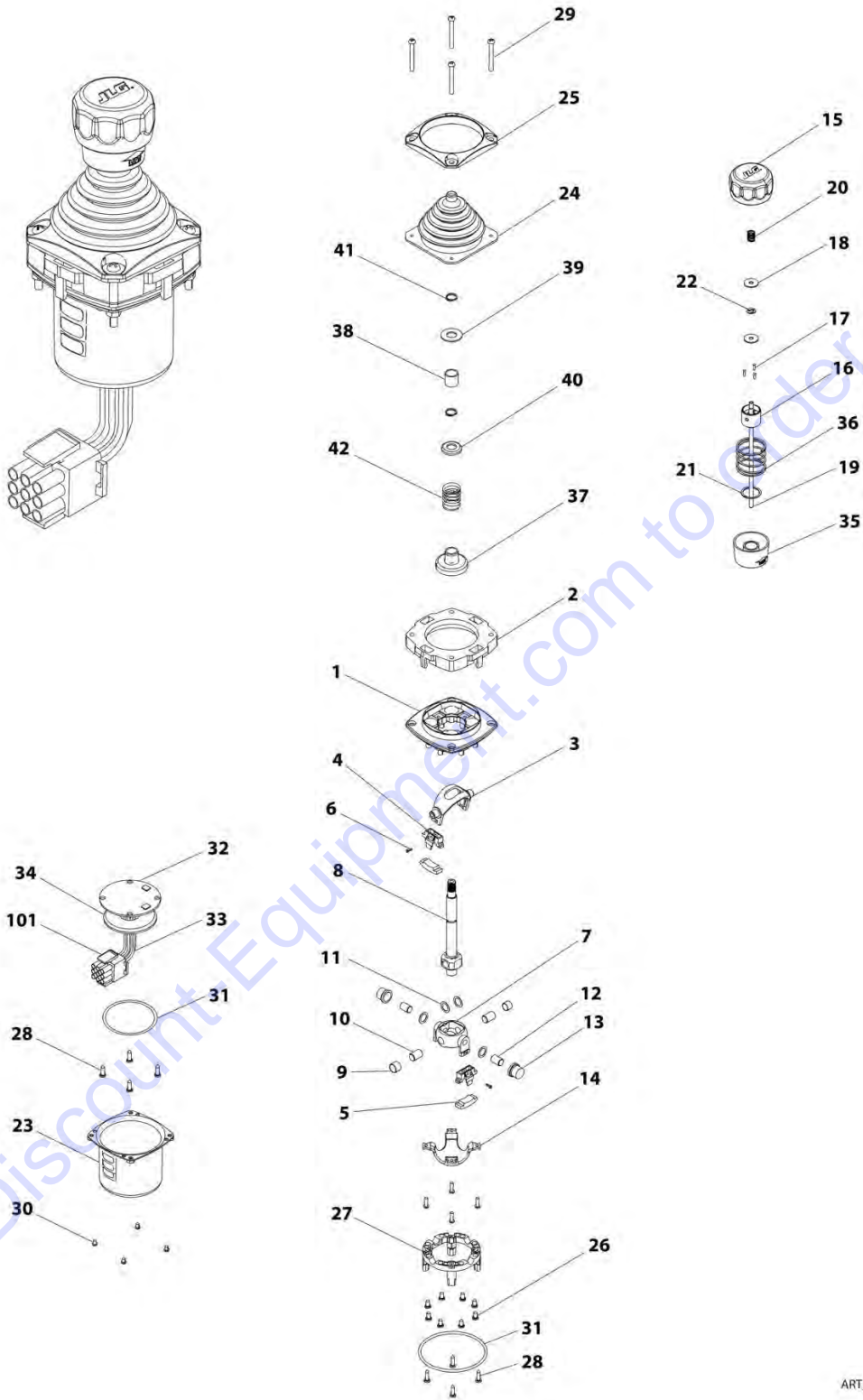
**FIGURE 5-27. CONTROLLER ASSEMBLY - DRIVE AND STEER**

ITEM	PART NUMBER	QTY	DESCRIPTION	REV
	1001166538	Ref	CONTROLLER ASSEMBLY - DRIVE AND STEER	G
	Note	Ref	Note: Use p/n 1001212415 for Replacement.	
7	70004738	2	Washer	
10	70004739	1	Roller	
11	70004740	1	Boot, Switch	
14	70004741	2	Half, Handle	
17	70004742	1	Enclosure	
18	70004743	4	Nut	
19	70004744	NSS	Boot, Controller (Use Item 102)	
20	70004745	NSS	Tube, Locking (Use Item 102)	
21	70004746	NSS	Disc, Locking (Use Item 102)	
25	70004747	2	Seal, Rope	
26	70004748	1	Screw, M3 x 6	
28	70004749	2	Screw, M5 x 20	
29	70004750	1	Pin, Dowel	
30	70004751	4	Screw, M3 x 16	
101	4460265	1	Connector - 9 Position	
101	4460226	7	Socket, Female	
102	70005230	1	Boot Kit (Include Items 19-21)	

Go to Discount-Equipment.com to order your parts

# SECTION 5 - PLATFORM

## FIGURE 5-28. CONTROLLER ASSEMBLY - LIFT AND SWING



ART\_1001166539

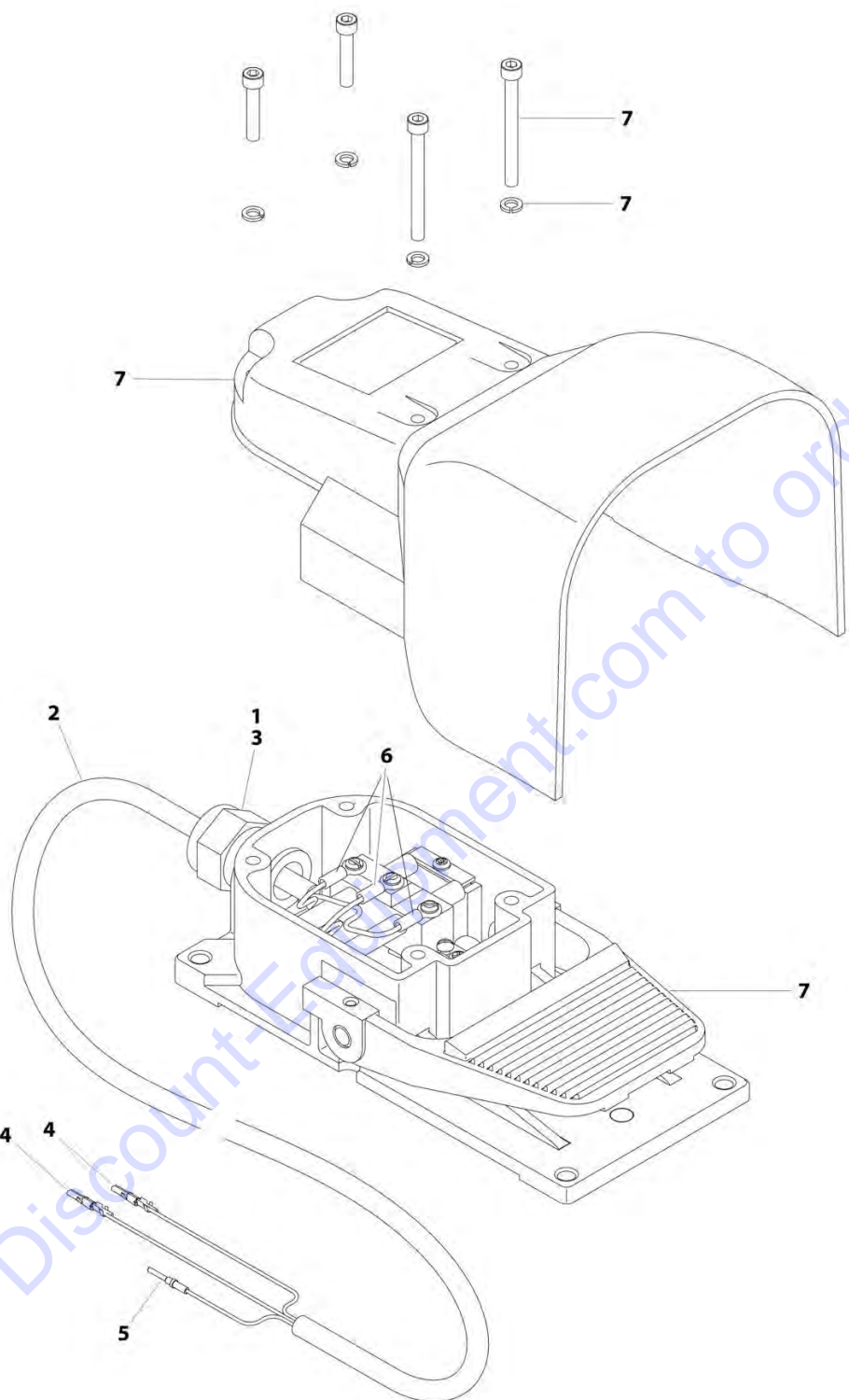
## SECTION 5 - PLATFORM

**FIGURE 5-28. CONTROLLER ASSEMBLY - LIFT AND SWING**

ITEM	PART NUMBER	QTY	DESCRIPTION	REV
	1001166539	Ref	CONTROLLER ASSEMBLY - LIFT AND SWING	D
1	See Note	NSS	Main Cast Body (Note: Not Available - Purchase Complete Assembly)	
2	70004752	1	Adapter	
3	See Note	NSS	Pivot Arm, Plastic (Note: Not Available - Purchase Complete Assembly)	
4	See Note	NSS	Holder, Magnet (Note: Not Available - Purchase Complete Assembly)	
5	See Note	NSS	Arc, Magnet (Note: Not Available - Purchase Complete Assembly)	
6	See Note	NSS	Screw (Note: Not Available for Purchase)	
7	See Note	NSS	Pivot Arm, Cast (Note: Not Available - Purchase Complete Assembly)	
8	See Note	NSS	Shaft, Main (Note: Not Available - Purchase Complete Assembly)	
9	See Note	NSS	Bearing (Note: Not Available - Purchase Complete Assembly)	
10	See Note	NSS	Pin (Note: Not Available - Purchase Complete Assembly)	
11	See Note	NSS	Shim (Note: Not Available - Purchase Complete Assembly)	
12	See Note	NSS	Pin (Note: Not Available - Purchase Complete Assembly)	
13	See Note	NSS	Bearing (Note: Not Available - Purchase Complete Assembly)	
14	See Note	NSS	Dome, Centering (Note: Not Available - Purchase Complete Assembly)	
15	70004753	1	Cap	
16	70004754	1	Insert, Cap	
17	70004755	3	Pin	
18	70004756	2	Washer	
19	70004757	1	Pin, Centering	
20	70004758	1	Spring	
21	70004759	1	Ring, Retaining	
22	70004760	1	E-Ring	
23	70004761	1	Can, Enclosure	
24	70004762	1	Boot	
25	70004763	1	Bezel	
26	See Note	8	Screw (Note: Not Available for Purchase)	
27	See Note	NSS	Base Mounting (Note: Not Available - Purchase Complete Assembly)	
28	See Note	4	Screw (Note: Not Available for Purchase)	
29	70004764	4	Screw	
30	70004765	4	Screw	
31	70004766	1	O-Ring	
32	See Note	NSS	Plate (Note: Not Available - Purchase Complete Assembly)	
33	See Note	NSS	Harness (Note: Not Available - Purchase Complete Assembly)	
34	70004767	1	Grommet, Rubber	
35	70004768	1	Housing	
36	70004769	1	Spring	
37	70004770	1	Stopper	
38	70004771	1	Spacer	
39	70004772	1	Washer	
40	70004773	1	Disc	
41	70004774	2	Ring, Retaining	
42	70004775	1	Spring	
101	4460265	1	Connector - 9 Position	
101	4460226	6	Socket, Female	

# SECTION 5 - PLATFORM

## FIGURE 5-29. FOOTSWITCH ASSEMBLY



ART\_1001117174

## SECTION 5 - PLATFORM

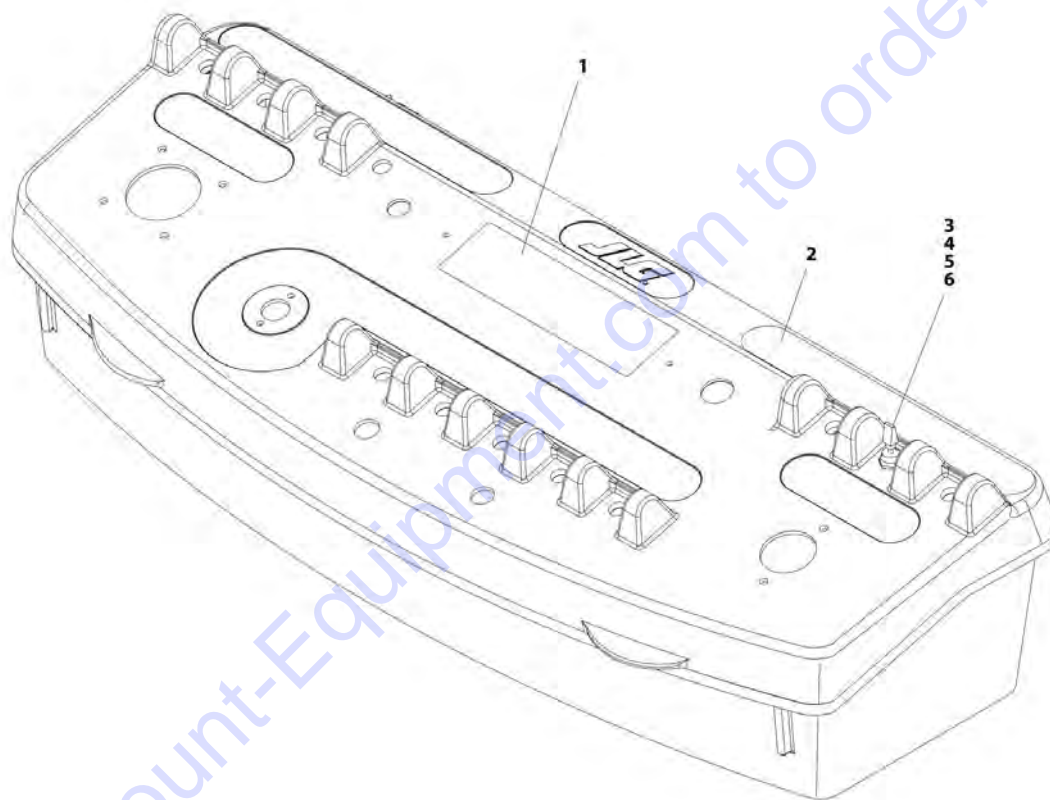
**FIGURE 5-29. FOOTSWITCH ASSEMBLY**

ITEM	PART NUMBER	QTY	DESCRIPTION	REV
	1001117174	Ref	FOOTSWITCH ASSEMBLY	B
1	0100020	AR	Sealant	
2	1060918	7.5 ft /2.29m	Cable, Electrical - 18/3	
3	4460071	1	Connector, Strain Relief	
4	4460226	2	Socket, Female	
5	4460464	1	Pin, Male	
6	1001098122	3	Terminal	
7	1001117172	1	Footswitch	
7	70002902	1	Switch, 20Amp	
7	70002903	1	Gasket	
7	70002905	1	Cover	
7	70002904	1	Kit, Replacement Bolt	

Go to Discount-Equipment.com to order your parts

## SECTION 5 - PLATFORM

FIGURE 5-30. LIGHT PANEL INSTALLATION - 400S (ANSI, ANSI EXPORT AND CSA SPECS)



ART. 1001167963

## SECTION 5 - PLATFORM

**FIGURE 5-30. LIGHT PANEL INSTALLATION - 400S (ANSI, ANSI EXPORT AND CSA SPECS)**

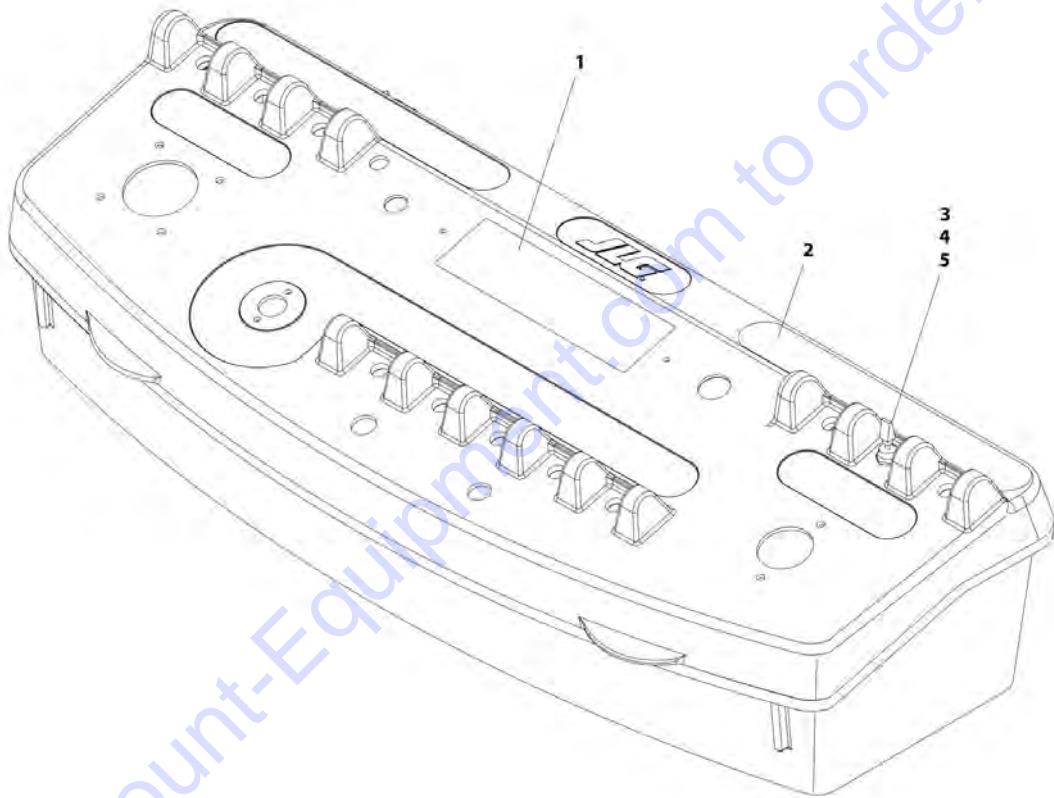
ITEM	PART NUMBER	QTY	DESCRIPTION	REV
	1001167963	Ref	LIGHT PANEL INSTALLATION - 400S (ANSI, ANSI EXPORT AND CSA SPECS)	D
1	1001167962	1	Decal - Platform Display	
2	1001195947	1	Decal - Stop and Auxiliary Power	
3	3790012	1	O-Ring	
4	1001155044	1	Nut, Special 15/32-32	
5	1001161710	1	Switch, Toggle	
6	4740397	1	Spacer <b>(SN 0300233912 to Present)</b>	

Go to Discount-Equipment.com to order your parts



## SECTION 5 - PLATFORM

FIGURE 5-31. LIGHT PANEL INSTALLATION - 400S (CE SPECS)



ART. 1001184620

## SECTION 5 - PLATFORM

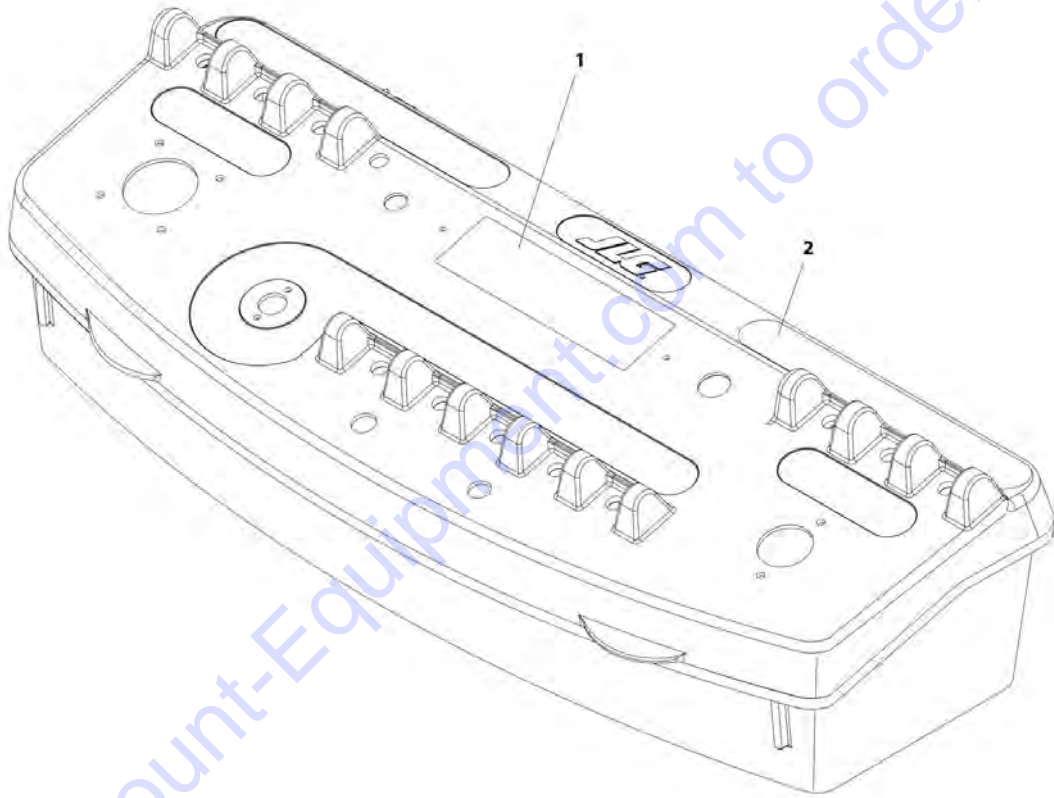
**FIGURE 5-31. LIGHT PANEL INSTALLATION - 400S (CE SPECS)**

ITEM	PART NUMBER	QTY	DESCRIPTION	REV
	1001184620	Ref	LIGHT PANEL INSTALLATION - 400S (CE SPECS)	A
1	1001184621	1	Decal - Platform Display	
2	1001184619	1	Decal - Stop and Auxiliary Power	
3	3790012	1	O-Ring	
4	1001155044	2	Nut, Special 15/32-32	
5	1001161710	1	Switch, Toggle	

Go to Discount-Equipment.com to order your parts

# SECTION 5 - PLATFORM

FIGURE 5-32. LIGHT PANEL INSTALLATION - 460SJ



ART. 1001170084

## SECTION 5 - PLATFORM

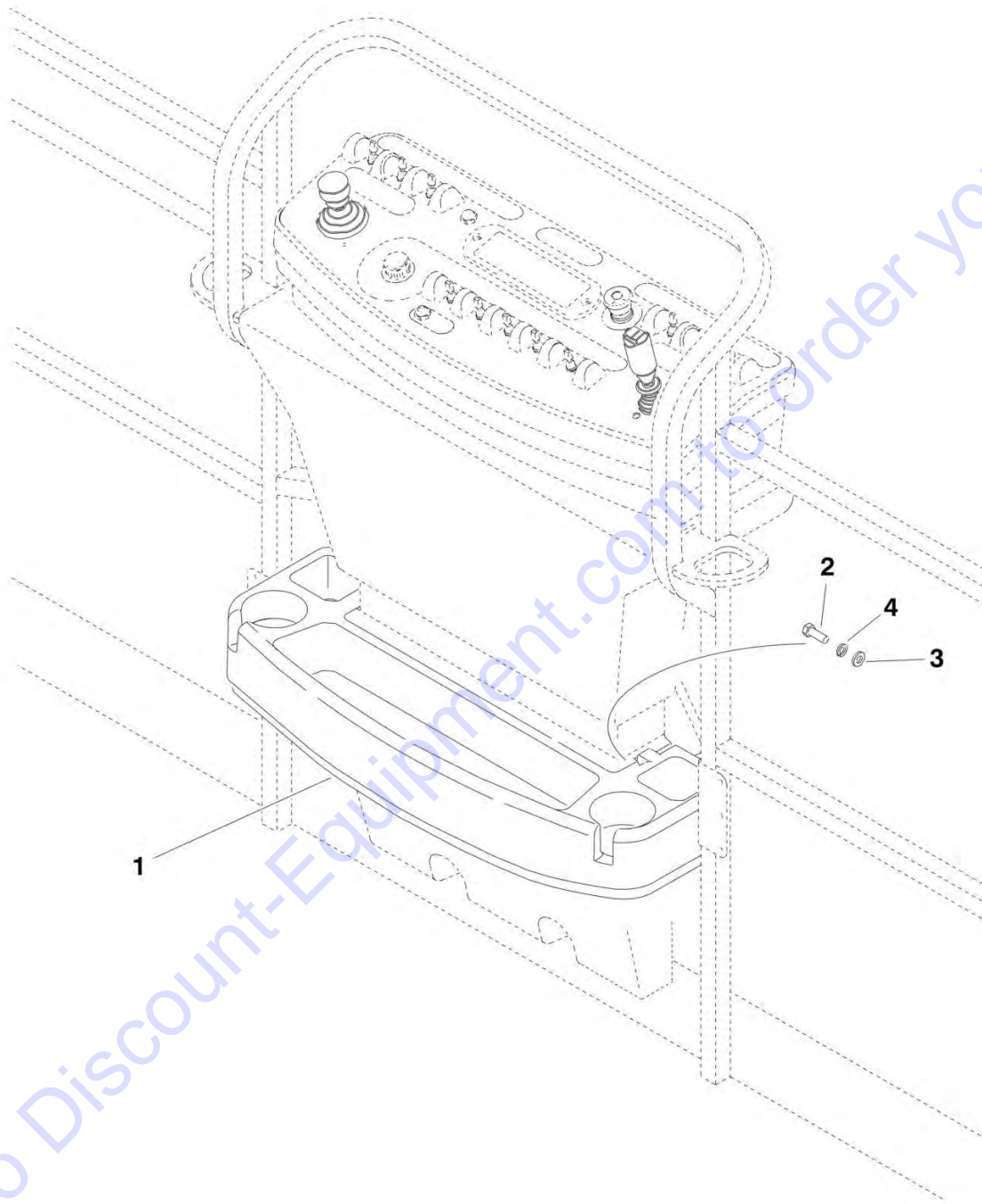
FIGURE 5-32. LIGHT PANEL INSTALLATION - 460SJ

ITEM	PART NUMBER	QTY	DESCRIPTION	REV
	1001170084	Ref	LIGHT PANEL INSTALLATION - 460SJ	B
1	1001170083	1	Decal - Platform Display	
2	1001184618	1	Decal - Stop and Auxiliary Power	

Go to Discount-Equipment.com to order your parts

# SECTION 5 - PLATFORM

## FIGURE 5-33. TRAY INSTALLATION



ART\_1580012

## SECTION 5 - PLATFORM

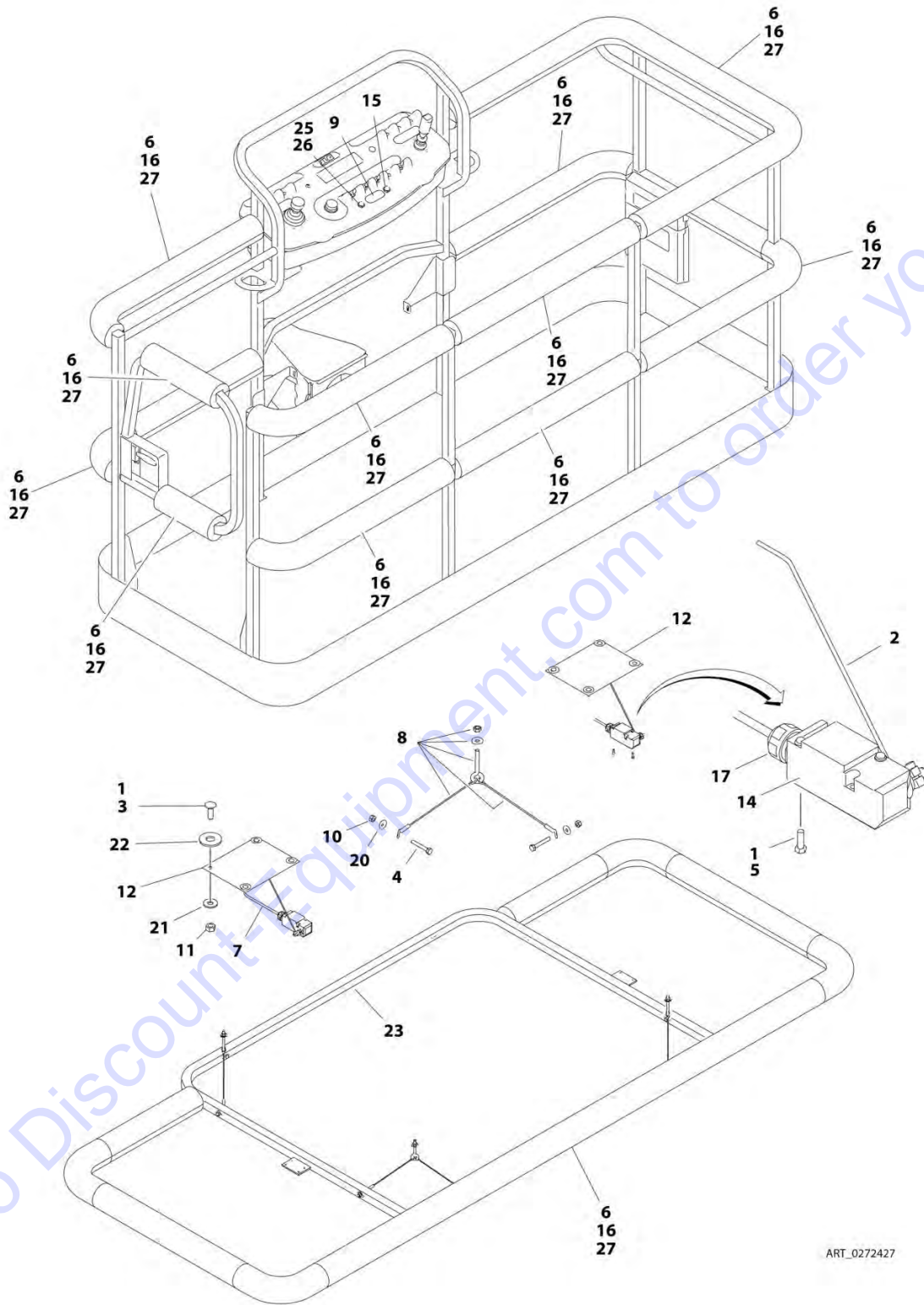
### FIGURE 5-33. TRAY INSTALLATION

ITEM	PART NUMBER	QTY	DESCRIPTION	REV
		Ref	TRAY INSTALLATION	C
1	1580012	1	Tray, Storage (Center)	
2	0641406	2	Bolt 1/4 x 3/4	
3	4751400	2	Washer 1/4	
4	4761400	2	Washer 1/4	

Go to Discount-Equipment.com to order your parts

# SECTION 5 - PLATFORM

FIGURE 5-34. SOFT TOUCH INSTALLATION - 36IN X 8FT (91.5CM X 2.44M) PLATFORM (OPTIONAL)



ART\_0272427

## SECTION 5 - PLATFORM

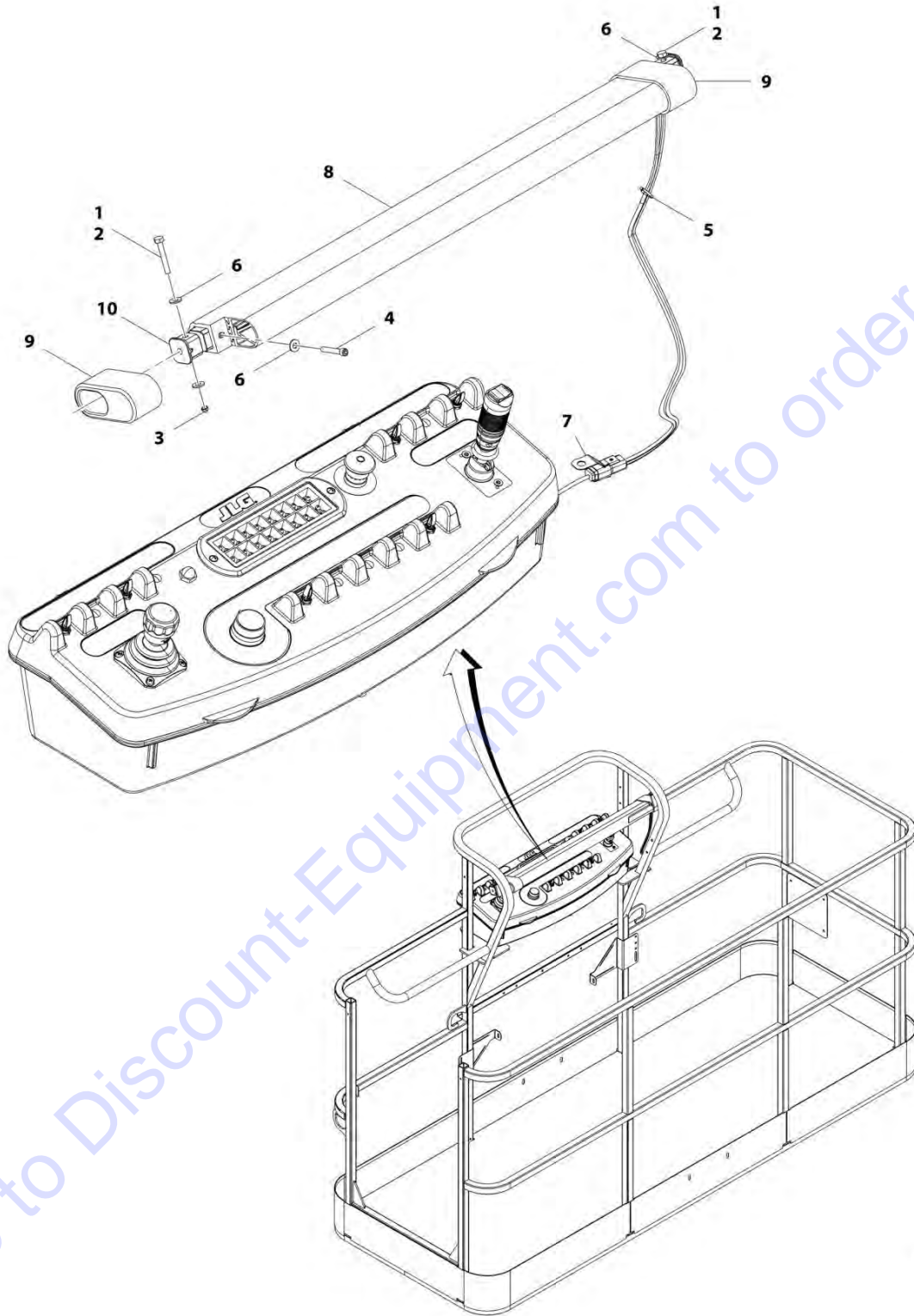
**FIGURE 5-34. SOFT TOUCH INSTALLATION - 36IN X 8FT (91.5CM X 2.44M) PLATFORM (OPTIONAL)**

ITEM	PART NUMBER	QTY	DESCRIPTION	REV
	0272427	Ref	SOFT TOUCH INSTALLATION - 36IN X 8FT (91.5CM X 2.44M) PLATFORM (OPTIONAL)	G
1	0100011	AR	Compound, Locking	
2	0200048	2	Arm, Switch Activator	
3	0630462	8	Bolt, Carriage	
4	0641414	8	Bolt 1/4 x 1-3/4	
5	0731005	4	Screw, Machine #10 x 5/8	
6	0940103	1	Bumper Kit	
7	1060341	23 ft/7m	Cable, Electrical - 16/2	
8	1060903	4	Wire Rope and Eyebolt Assembly	
9	1702938	1	Decal - Soft Touch Override	
10	3311401	8	Nut, 1/4	
11	3311501	8	Nut, 5/16	
12	3574091	2	Plate, Striker	
13	4240099	7	Tie-Strap (Not Shown)	
14	4360057	2	Switch, Limit	
15	4360387	1	Switch, Push Button	
16	4420068	1	Tape, Yellow Adhesive (SN 0300203771 through 0300239021, SN E300000100 through E300005116)	
17	4460049	2	Connector, Strain Relief	
18	4460234	7	Base, Tie-Strap Mounting (Not Shown)	
19	4460425	1	Connector, Strain Relief (Not Shown - Located on Bottom of Platform)	
20	4751400	8	Washer, 1/4	
21	4751500	12	Washer, 5/16	
22	4751800	8	Washer, 1/2	
23	4846673	1	Rail, Soft Touch	
24	4933218	1	Soft Touch Wiring Diagram (Not Shown - See ELECTRICAL SECTION for Breakdown)	
25	2920028	1	Light, Indicator	
26	2920029	1	Bulb	
27	1001197017	AR	Strap, Cable Tie (Yellow)	



## SECTION 5 - PLATFORM

FIGURE 5-35. SKYGUARD SYSTEM INSTALLATION (SN 0300203771 through 0300259126, SN E300000100 to Present)



ART\_1001187508

## SECTION 5 - PLATFORM

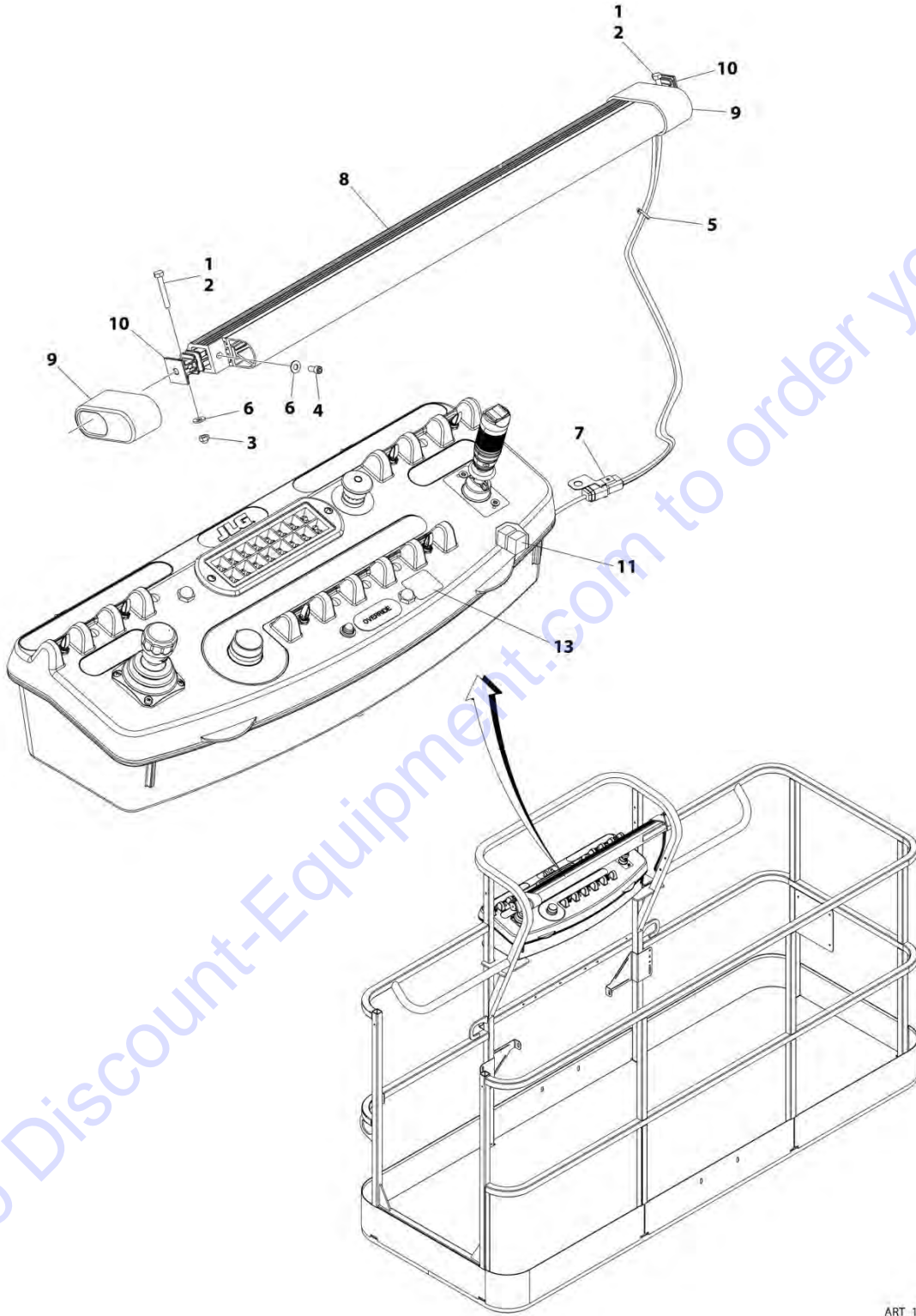
**FIGURE 5-35. SKYGUARD SYSTEM INSTALLATION (SN 0300203771 through 0300259126, SN E300000100 to Present)**

ITEM	PART NUMBER	QTY	DESCRIPTION	REV
	1001187508	Ref	SKYGUARD SYSTEM INSTALLATION	C
1	0100011	AR	Compound, Locking	
2	0641414	2	Bolt, 1/4 x 1-3/4	
3	3300430	2	Nut, Acorn 1/4	
4	3931424	AR	Capscrew, 1/4 x 1-1/2	
4	3931408	AR	Capscrew, 1/4 x 1/2	
5	4240033	AR	Tie-Strap	
6	4711400	AR	Washer, 1/4	
7	1001120328	1	Mount	
8	1001137673	1	Switch, SkyGuard Assembly	
9	1001186517	2	Cover, Platform Sensor	
10	1001188889	2	Support, Block (SN 0300203771 through 0300244524, SN E300000100 through E300005711, SN 1300007289 through 1300007393)	
10	1001209664	2	Support, Block (SN 0300244525 through 0300259126, SN E300005712 to Present)	

Go to Discount-Equipment.com to order your parts

# SECTION 5 - PLATFORM

FIGURE 5-36. SKYGUARD BAR INSTALLATION (SN 0300259127 to Present)



ART\_1001238495

## SECTION 5 - PLATFORM

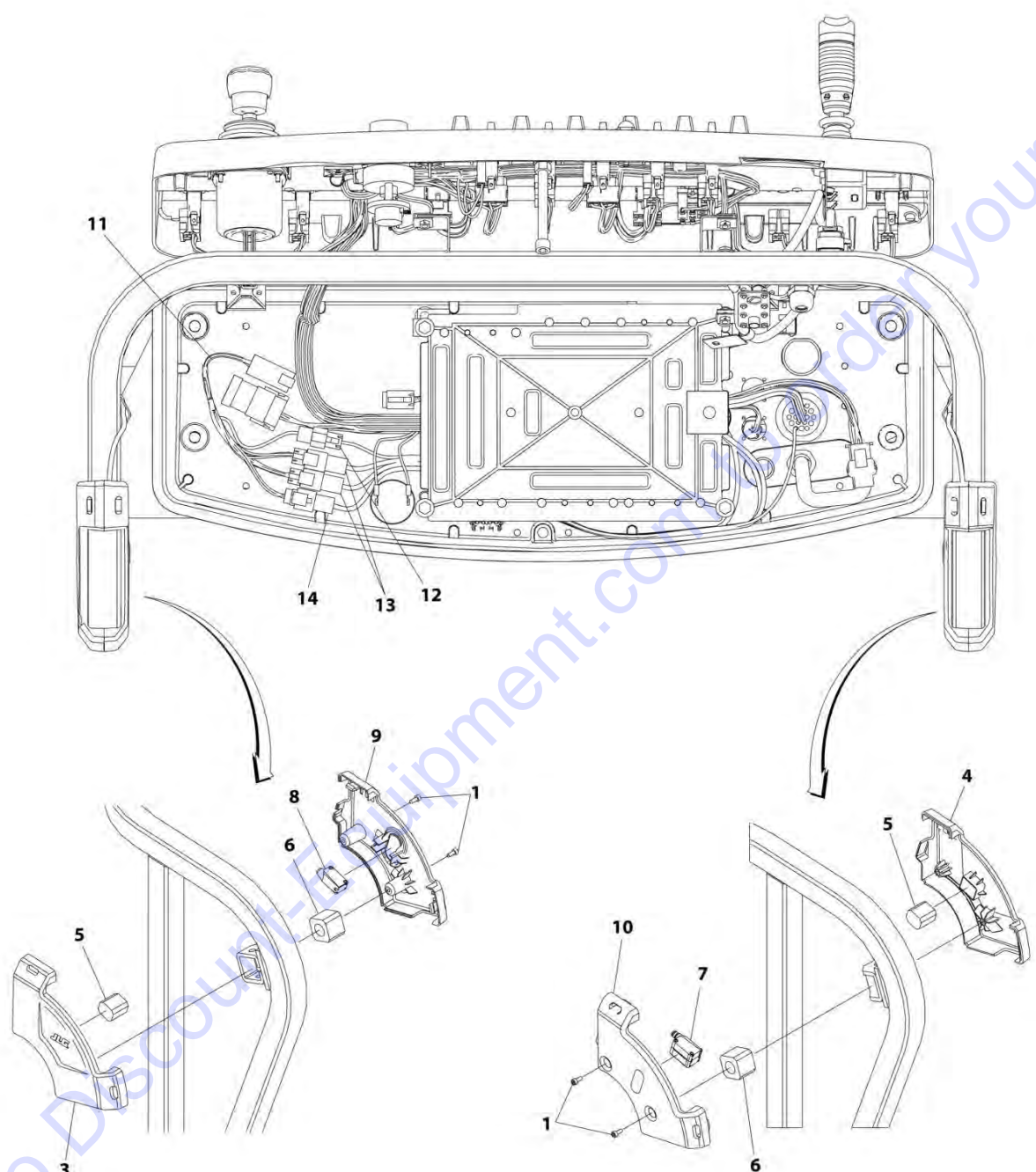
**FIGURE 5-36. SKYGUARD BAR INSTALLATION (SN 0300259127 to Present)**

ITEM	PART NUMBER	QTY	DESCRIPTION	REV
	1001238495	Ref	SKYGUARD BAR INSTALLATION	A
1	0100011	AR	Compound, Locking	
2	0641414	2	Bolt 1/4 x 1-3/4	
3	3300430	2	Nut 1/4	
4	3931408	2	Capscrew 1/4 x 1/2	
5	4240033	8	Tie-Strap	
6	4711400	6	Washer 1/4	
7	1001120328	1	Mount	
8	1001137673	1	SkyGuard Switch Assembly	
9	1001186517	2	Cover, Platform Sensor	
10	1001209664	2	Support, Block	
11	1001186431	2	Relay	
12	1001225580	1	Interface Harness Assembly (Not Shown - Located Inside Console Box) (See Separate Breakdown in ELECTRICAL SECTION)	
13	1001144433	1	Decal - No Weight SkyGuard	

Go to Discount-Equipment.com to order your parts

# SECTION 5 - PLATFORM

## FIGURE 5-37. SKYEYE INSTALLATION



ART\_1001229341

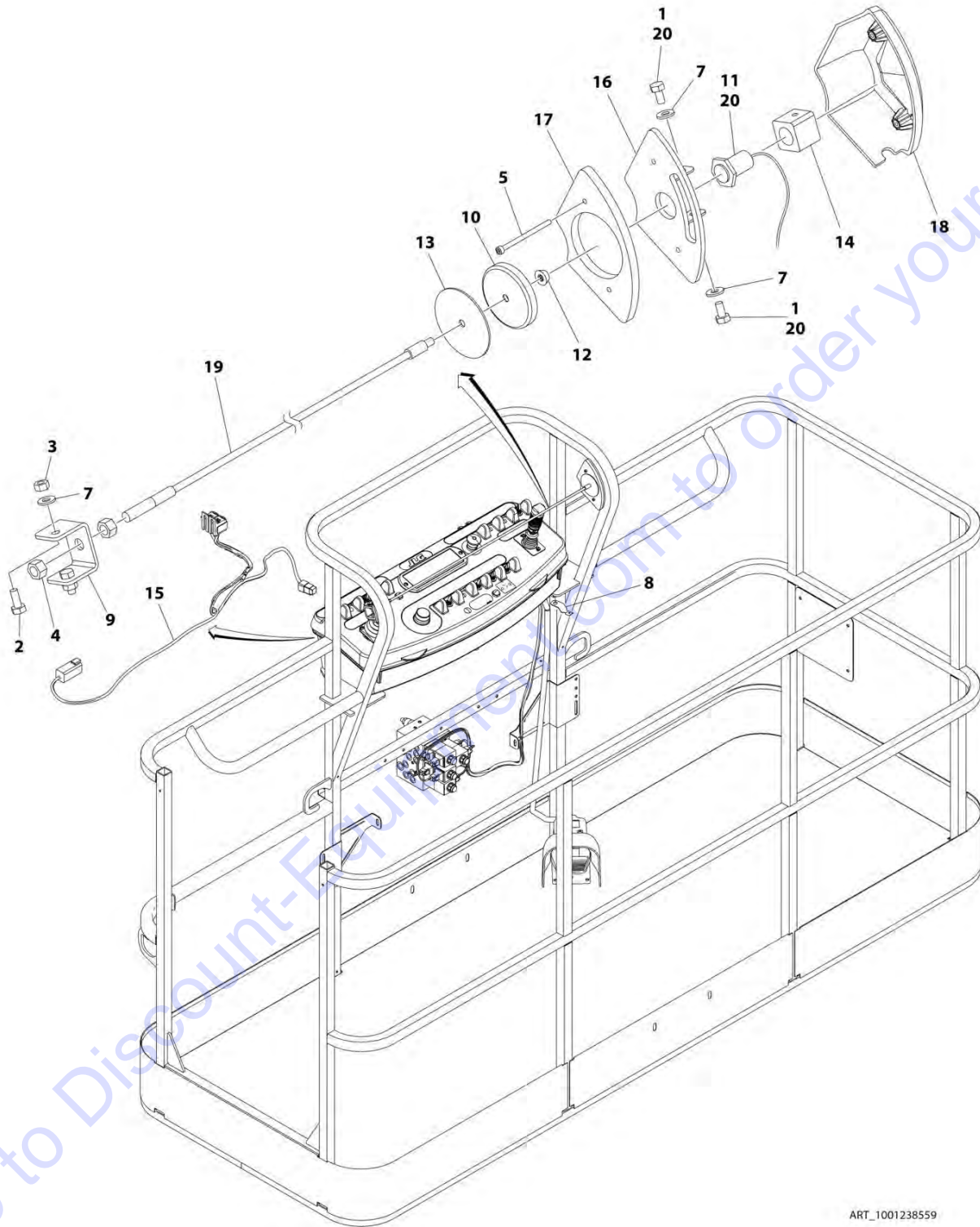
## SECTION 5 - PLATFORM

**FIGURE 5-37. SKYEYE INSTALLATION**

ITEM	PART NUMBER	QTY	DESCRIPTION	REV
	1001229341	Ref	SKYEYE INSTALLATION	A
1	4031505	4	Bolt M4 x 10	
2	4240033	AR	Tie-Strap (Not Shown)	
3	1001227633	1	Housing, LH Outer	
4	1001227634	1	Housing, RH Outer	
5	1001227985	2	Shim	
6	1001227987	2	Shim	
7	1001228224	2	Sensor, Receiver	
8	1001228225	1	Sensor, Emitter	
9	1001232164	1	Housing, LH Inner	
10	1001232165	1	Housing, RH Inner	
11	1001237865	1	Harness, Skyeye Intermediate (See Separate Breakdown in ELECTRICAL SECTION)	
12	1001238319	1	Harness, Skyeye Drain Jumper	
12	1001187674	1	Plug, Male - 2 Position	
12	4460942	1	Terminal	
12	4460466	1	Plug, Terminal	
12	4460508	1	Pin, Male	
13	1001237863	2	Harness, Skyeye Receiver (See Separate Breakdown in ELECTRICAL SECTION)	
14	1001237864	1	Harness, Skyeye Emitter (See Separate Breakdown in ELECTRICAL SECTION)	

# SECTION 5 - PLATFORM

## FIGURE 5-38. SKYLINE INSTALLATION



ART\_1001238559

## SECTION 5 - PLATFORM

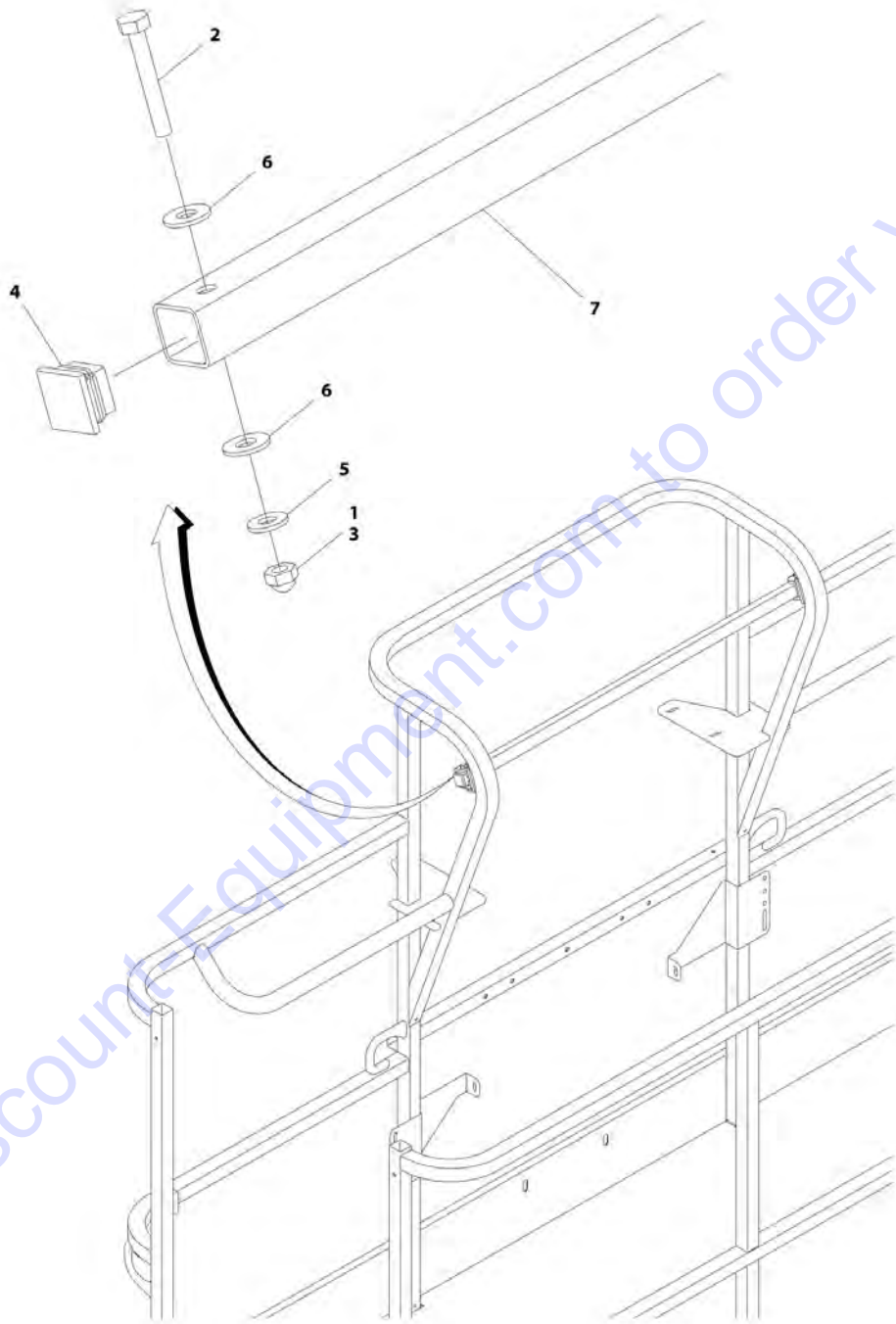
**FIGURE 5-38. SKYLINE INSTALLATION**

ITEM	PART NUMBER	QTY	DESCRIPTION	REV
	1001238559	Ref	SKYLINE INSTALLATION	B
1	0641404	2	Bolt 1/4 x 1/2	
2	0641405	2	Bolt 1/4 x 5/8	
3	3311405	2	Nut 1/4	
4	3311601	2	Nut 3/8	
5	4031516	2	Capscrew M4 x 60	
6	4240033	AR	Tie-Strap (Not Shown)	
7	4711400	4	Washer 1/4	
8	1001120328	1	Mount	
9	1001232642	1	Bracket	
10	1001232650	1	Magnet	
11	1001232667	1	Sensor, Proximity	
12	1001235011	1	Nut	
13	1001235013	1	Washer	
14	1001236552	1	Block	
15	1001238418	1	Harness, Skyline (See Separate Breakdown in ELECTRICAL SECTION)	
16	1001238472	1	Mount	
17	1001238477	1	Housing, LH	
18	1001241965	1	Housing, RH	
19	1001238824	1	Rope	
20	0100011	AR	Compound, Locking	



# SECTION 5 - PLATFORM

## FIGURE 5-39. CROSS RAIL INSTALLATION



ART\_1001182138

## SECTION 5 - PLATFORM

### FIGURE 5-39. CROSS RAIL INSTALLATION

ITEM	PART NUMBER	QTY	DESCRIPTION	REV
	1001182138	Ref	CROSS RAIL INSTALLATION	A
1	0100071	AR	Compound, Locking	
2	0641414	2	Bolt 1/4 x 1-3/4	
3	3300430	2	Nut 1/4	
4	3520182	2	Plug	
5	4711400	2	Washer 1/4	
6	4751400	4	Washer 1/4	
7	1001191708	1	Bar	

Go to Discount-Equipment.com to order your parts



## SECTION 5 - PLATFORM

**FIGURE 5-40. SKYGLAZIER INSTALLATION**

ITEM	PART NUMBER	QTY	DESCRIPTION	REV
	1001172578	Ref	SKYGLAZIER INSTALLATION (ANSI, ANSI EXPORT, CE, CSA AND CHINA SPECS) (400S ONLY)	C
	1001172578	Ref	SKYGLAZIER INSTALLATION (CSA AND AUSTRALIAN SPECS) (460SJ ONLY)	C
1	0642012	2	Bolt 5/8 x 1-1/2	
2	0642212	4	Bolt 3/4 x 1-1/2	
3	2902212	1	Bumpers and Strap Kit	
3	0940102	1	Bumper Only	
3	4240149	1	Strap Only	
4	3312005	4	Nut 5/8	
5	3312205	4	Nut 3/4	
6	4420014	AR	Tape	
7	4712000	6	Washer 5/8	
8	4712200	8	Washer 3/4	
9	1001099366	1	Support	
10	1001099367	1	Support	
13	1001172577	1	Tray Assembly (All Spec except Brazil and Latin American Specs) (See Items 101-110 for Breakdown)	
14	8310129	2	Bolt 5/8 x 2-1/2	
	1001172577	Ref	TRAY ASSEMBLY	B
101	0100081	AR	Adhesive	
102	1120555	2	Cap, Tube	
103	1701509	2	Decal - Manual	
104	See Note	NSS	Nameplate - Serial Number (Note: Not Available for Purchase)	
106	3340956	1	Pad Kit	
107	3460334	1	Tube	
108	3520071	2	Plug	
109	4420066	AR	Tape, Double Sided	
110	4846562	1	Weldment	
	1001172570	Ref	SKYGLAZIER DECAL INSTALLATION (ANSI AND CSA SPECS) (ENGLISH DECALS) (AVAILABLE ON 400S & 460SJ)	C
	1001172571	Ref	SKYGLAZIER DECAL INSTALLATION (ANSI EXPORT AND CHINA SPECS) (SPANISH DECALS) (AVAILABLE ON 400S ONLY)	B
	1001172572	Ref	SKYGLAZIER DECAL INSTALLATION (ANSI EXPORT AND CHINA SPECS) (PORTUGUESE DECALS) (AVAILABLE ON 400S ONLY)	B
	1001172573	Ref	SKYGLAZIER DECAL INSTALLATION (CE SPEC) (FRENCH DECALS) (AVAILABLE ON 400S ONLY)	B
	1001172574	Ref	SKYGLAZIER DECAL INSTALLATION (CE SPEC) (GERMAN DECALS) (AVAILABLE ON 400S ONLY)	B
	1001172575	Ref	SKYGLAZIER DECAL INSTALLATION (CE SPEC) (ITALIAN DECALS) (AVAILABLE ON 400S ONLY)	B
	1001172576	Ref	SKYGLAZIER DECAL INSTALLATION (CE SPEC) (UK DECALS) (AVAILABLE ON 400S ONLY)	B
	1001172620	Ref	SKYGLAZIER DECAL INSTALLATION (AUSTRALIAN SPEC) (AUSTRALIAN DECALS) (AVAILABLE ON 460SJ ONLY)	C
	1001193135	Ref	SKYGLAZIER DECAL INSTALLATION (CE SPEC) (SPANISH DECALS) (AVAILABLE ON 400S ONLY)	B
	1001193136	Ref	SKYGLAZIER DECAL INSTALLATION (CE SPEC) (PORTUGUESE DECALS) (AVAILABLE ON 400S ONLY)	B
201	1705358	2	Decal - SkyGlazier Capacity	
202	1001199035	2	Decal - SkyGlazier Capacity (ANSI and CSA Specs) (English)	

## SECTION 5 - PLATFORM

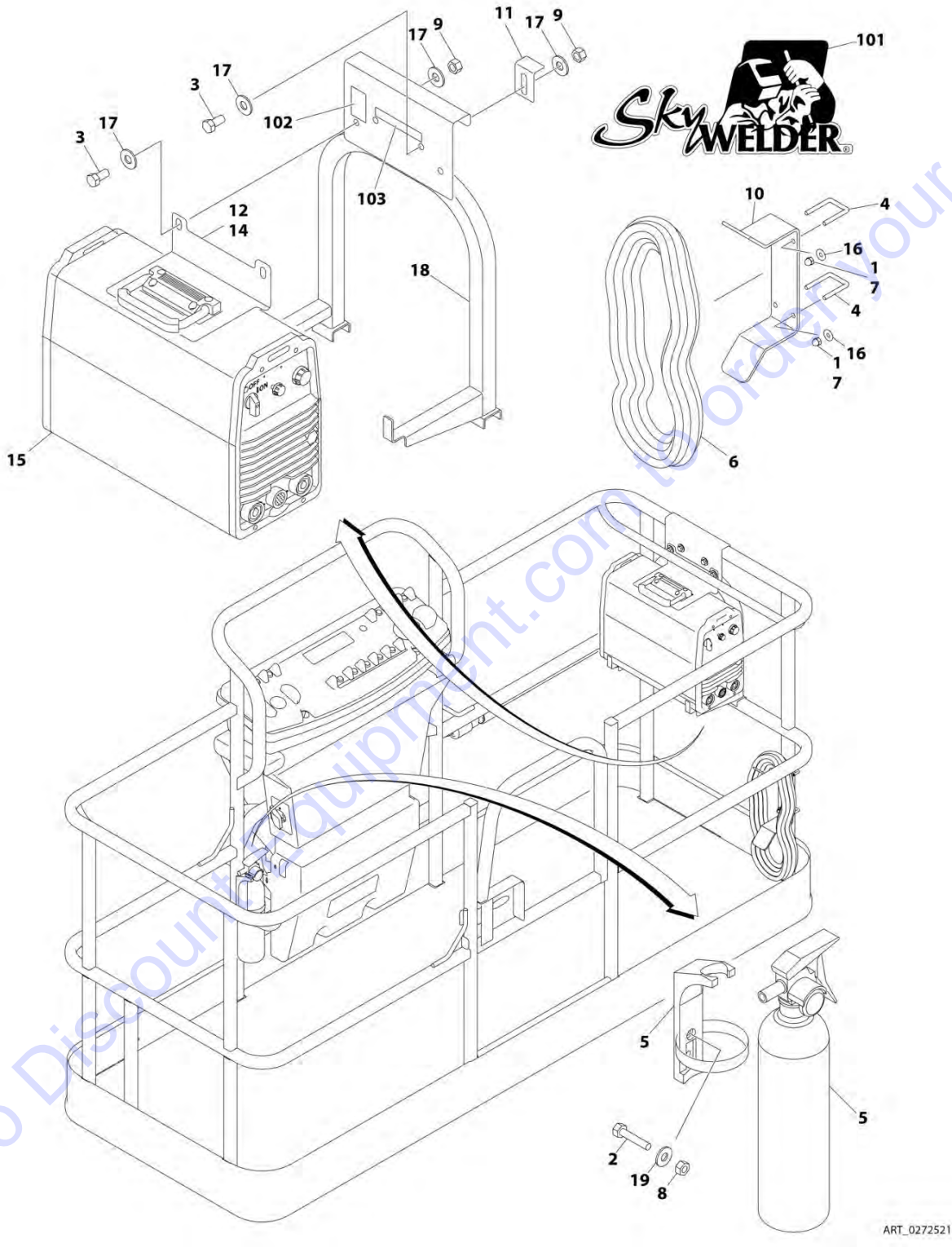
ITEM	PART NUMBER	QTY	DESCRIPTION	REV
202	1001172564	2	Decal - SkyGlazier Capacity (ANSI Export Spec) (Spanish)	
202	1001172565	2	Decal - SkyGlazier Capacity (ANSI Export Spec) (Portuguese)	
202	1001172566	2	Decal - SkyGlazier Capacity (CE Spec) (French)	
202	1001172567	2	Decal - SkyGlazier Capacity (CE Spec) (German)	
202	1001172568	2	Decal - SkyGlazier Capacity (CE Spec) (Italian)	
202	1001172569	2	Decal - SkyGlazier Capacity (CE Spec) (UK)	
202	1001199036	2	Decal - SkyGlazier Capacity (Australian Spec) (Australian)	
202	1001193133	2	Decal - SkyGlazier Capacity (CE Spec) (Spanish)	
202	1001193134	2	Decal - SkyGlazier Capacity (CE Spec) (Portuguese)	

Go to [Discount-Equipment.com](http://Discount-Equipment.com) to order your parts



# SECTION 5 - PLATFORM

## FIGURE 5-41. SKYWELDER INSTALLATION (50HZ)



## SECTION 5 - PLATFORM

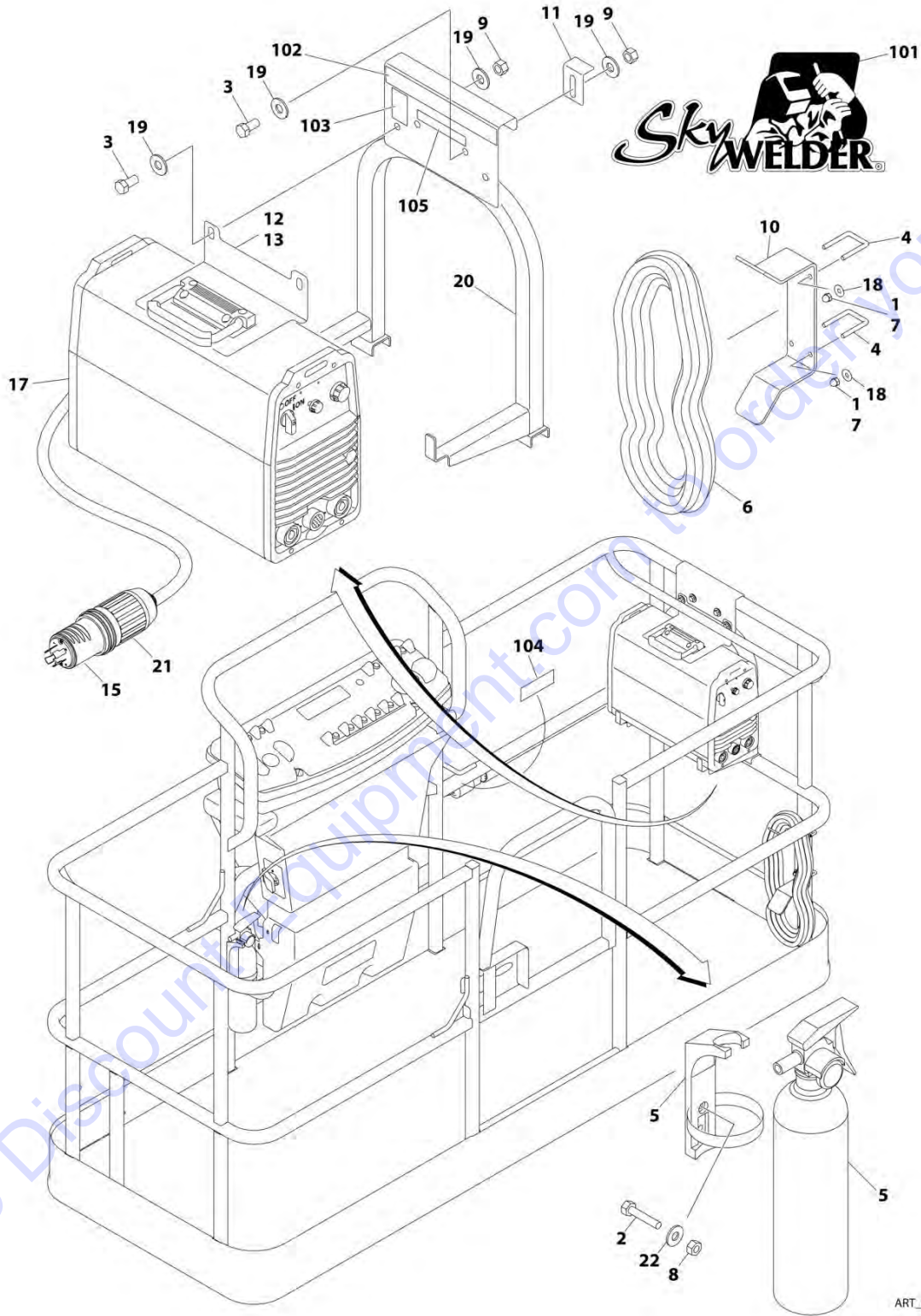
**FIGURE 5-41. SKYWELDER INSTALLATION (50HZ)**

ITEM	PART NUMBER	QTY	DESCRIPTION	REV
	0272521	Ref	SKYWELDER INSTALLATION (50HZ)	F
		Ref	Note: ANSI Export, Australian, CE and Japanese Specs Only.	
1	0100011	AR	Compound, Locking	
2	0630518	2	Screw #10 x 3/4	
3	0641606	4	Bolt 3/8 x 3/4	
4	1320302	2	U-Clamp	
5	2030010	1	Extinguisher, Fire	
6	2902217	1	Weld Leads Kit	
7	3300151	4	Nut 1/4	
8	3311005	2	Nut #10	
9	3311605	4	Nut 3/8	
10	3573400	1	Bracket	
11	3577121	2	Angle	
12	3573642	1	Plate	
13	4240099	AR	Tie-Strap (Not Shown)	
14	4420037	AR	Tape	
15	4530028	1	Welder Assembly (See WELDER ASSEMBLY for Breakdown)	
16	4751400	4	Washer 1/4	
17	4751600	8	Washer 3/8	
18	4846627	1	Support	
19	4751000	2	Washer #10	
	0272588	Ref	SKYWELDER DECAL INSTALLATION	B
101	1705355	2	Decal - SkyWelder	
102	1705305	1	Decal - Weld Lead	
103	1705466	1	Decal - Weight (SN 0300203771 through 0300233533, SN E300000100 through E300004808)	
103	1001228988	1	Decal - Weight (SN 0300233534 to Present, SN E300004809 to Present, SN 1300007289 through 1300007393)	



# SECTION 5 - PLATFORM

## FIGURE 5-42. SKYWELDER INSTALLATION (60HZ)



ART\_0272254

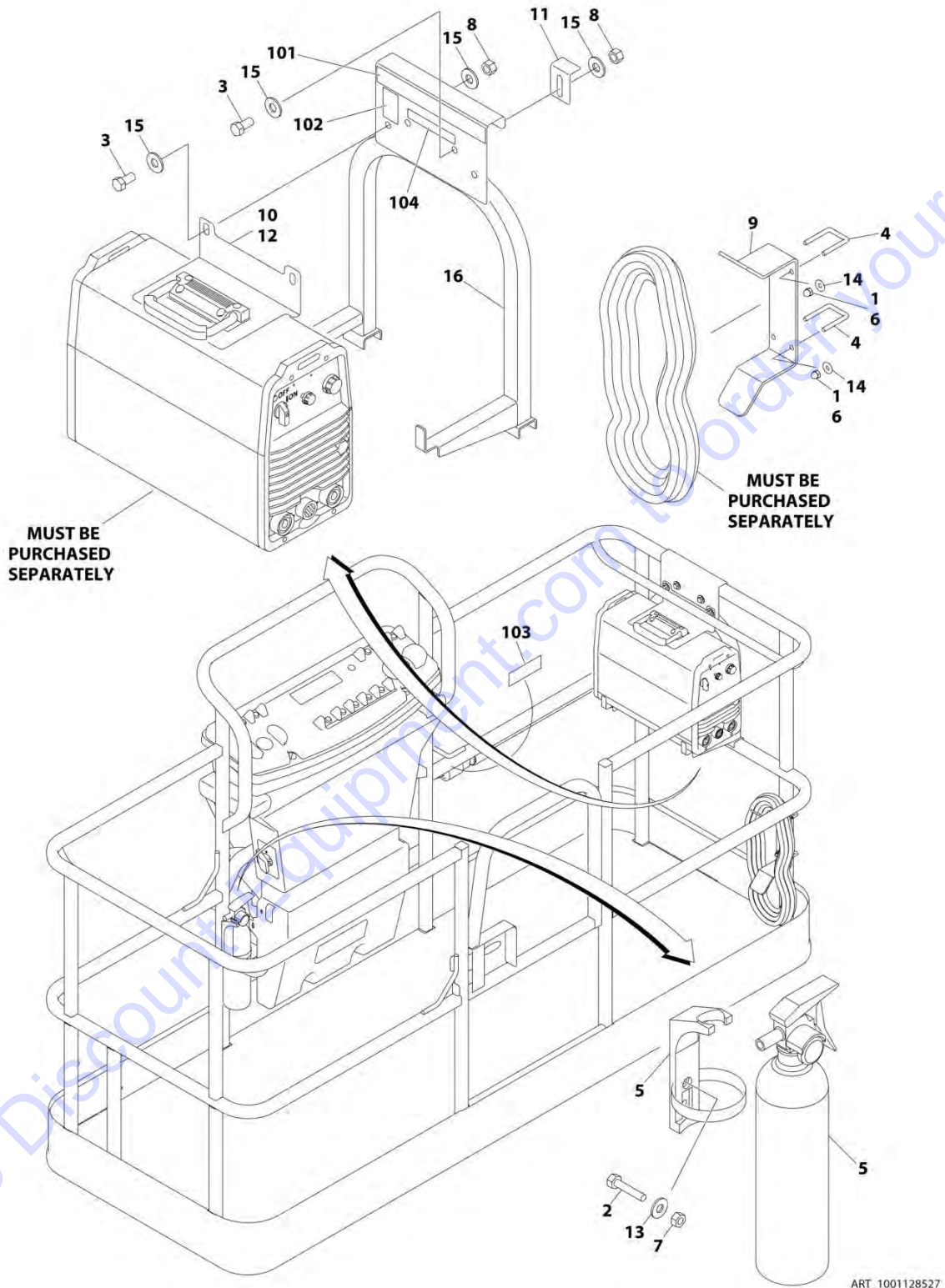
## SECTION 5 - PLATFORM

**FIGURE 5-42. SKYWELDER INSTALLATION (60HZ)**

ITEM	PART NUMBER	QTY	DESCRIPTION	REV
	0272254	Ref	SKYWELDER INSTALLATION (60HZ)	I
		Ref	Note: ANSI, ANSI Export and CSA Specs Only.	
1	0100011	AR	Compound, Locking	
2	0630518	2	Screw #10 x 3/4	
3	0641606	4	Bolt 3/8 x 3/4	
4	1320302	2	U-Clamp	
5	2030010	1	Extinguisher, Fire	
6	2902217	1	Weld Leads Kit	
7	3300151	4	Nut 1/4	
8	3311005	2	Nut #10	
9	3311605	4	Nut 3/8	
10	3573400	1	Bracket	
11	3577121	2	Angle	
12	3573642	1	Plate	
13	4420037	AR	Tape	
14	4240099	AR	Tie-Strap (Not Shown)	
15	4460962	1	Plug, Male Twistlock	
17	4530028	1	Welder Assembly (See WELDER ASSEMBLY for Breakdown)	
18	4751400	4	Washer 1/4	
19	4751600	8	Washer 3/8	
20	4846627	1	Support	
21	1671093	1	Cover, Plug	
22	4751000	2	Washer #10	
	0272448	Ref	SKYWELDER DECAL INSTALLATION	B
101	1705355	2	Decal - SkyWelder	
102	1702868	1	Decal - No Hands	
103	1705305	1	Decal - Weld Lead	
104	1705375	1	Decal - 240V - 3 Phase - 60Hz	
105	1705466	1	Decal - Weight (SN 0300203771 through 0300233533)	
105	1001228988	1	Decal - Weight (SN 0300233534 to Present)	

# SECTION 5 - PLATFORM

## FIGURE 5-43. SKYWELDER PREP PACKAGE (60HZ)



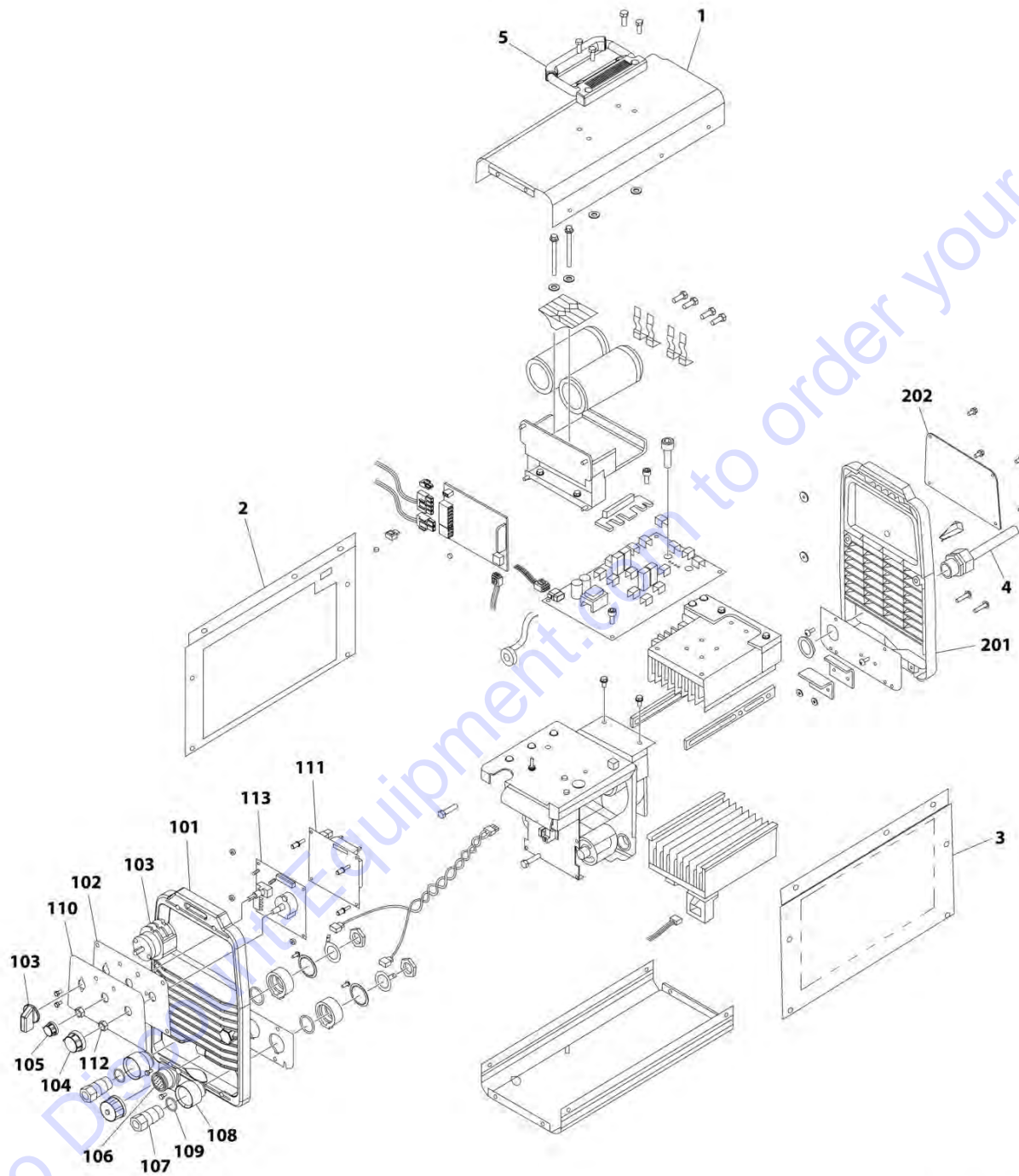
## SECTION 5 - PLATFORM

**FIGURE 5-43. SKYWELDER PREP PACKAGE (60HZ)**

ITEM	PART NUMBER	QTY	DESCRIPTION	REV
	1001128527	Ref	SKYWELDER PREP PACKAGE (60HZ)	B
		Ref	Note: ANSI, ANSI Export and CSA Specs Only.	
1	0100011	AR	Compound, Locking	
2	0630518	2	Screw #10 x 3/4	
3	0641606	4	Bolt 3/8 x 3/4	
4	1320302	2	U-Clamp	
5	2030010	1	Extinguisher, Fire	
6	3300151	4	Nut 1/4	
7	3311005	2	Nut #10	
8	3311605	4	Nut 3/8	
9	3573400	1	Bracket	
10	3573642	1	Plate	
11	3577121	2	Angle	
12	4420037	AR	Tape	
13	4751000	2	Washer #10	
14	4751400	4	Washer 1/4	
15	4751600	8	Washer 3/8	
16	4846627	1	Support	
	1001128556	Ref	SKYWELDER DECAL INSTALLATION	B
101	1702868	1	Decal - No Hands	
102	1705305	1	Decal - Weld Lead	
103	1705375	1	Decal - 240V - 3 Phase - 60Hz	
104	1705466	1	Decal - Weight <b>(SN 0300203771 through 0300233533)</b>	
104	1001228988	1	Decal - Weight <b>(SN 0300233534 to Present)</b>	

# SECTION 5 - PLATFORM

## FIGURE 5-44. WELDER ASSEMBLY



ART\_4530028

## SECTION 5 - PLATFORM

### FIGURE 5-44. WELDER ASSEMBLY

ITEM	PART NUMBER	QTY	DESCRIPTION	REV
	4530028	Ref	WELDER ASSEMBLY	B
		Ref	Note: For Other Components, contact your Miller Welder Dealer.	
1	7027773	1	Cover, Top	
1	7027774	1	Decal - Static Precautionary Warning	
2	See Note	NSS	Panel, LH Side (Note: Part of Item 1. Purchase Item 1)	
3	See Note	NSS	Panel, RH Side (Note: Part of Item 1. Purchase Item 1)	
4	7024467	1	Cable, Power	
4	7027775	1	Decal - Electrical Shock Warning (Not Shown)	
5	7027776	1	Handle, Carrying	
101	7024462	1	Panel, Front	
102	7024463	1	Panel, Console	
103	7024469	1	Switch with Lead	
104	7024470	1	Knob	
105	7024471	1	Knob	
106	7024472	1	Receptacle with Leads and Plugs	
107	7024473	2	Receptacle, Twistlock Female	
108	7024474	2	Insulator	
109	7024475	2	O-Ring	
110	7027777	1	Nameplate	
111	7027779	1	Circuit Card Assembly (Process Control)	
112	7024478	2	Nut	
113	7027778	1	Circuit Card Assembly (Operator Interface)	
201	7024462	1	Panel, Rear	
202	7027780	1	Panel, Cover	



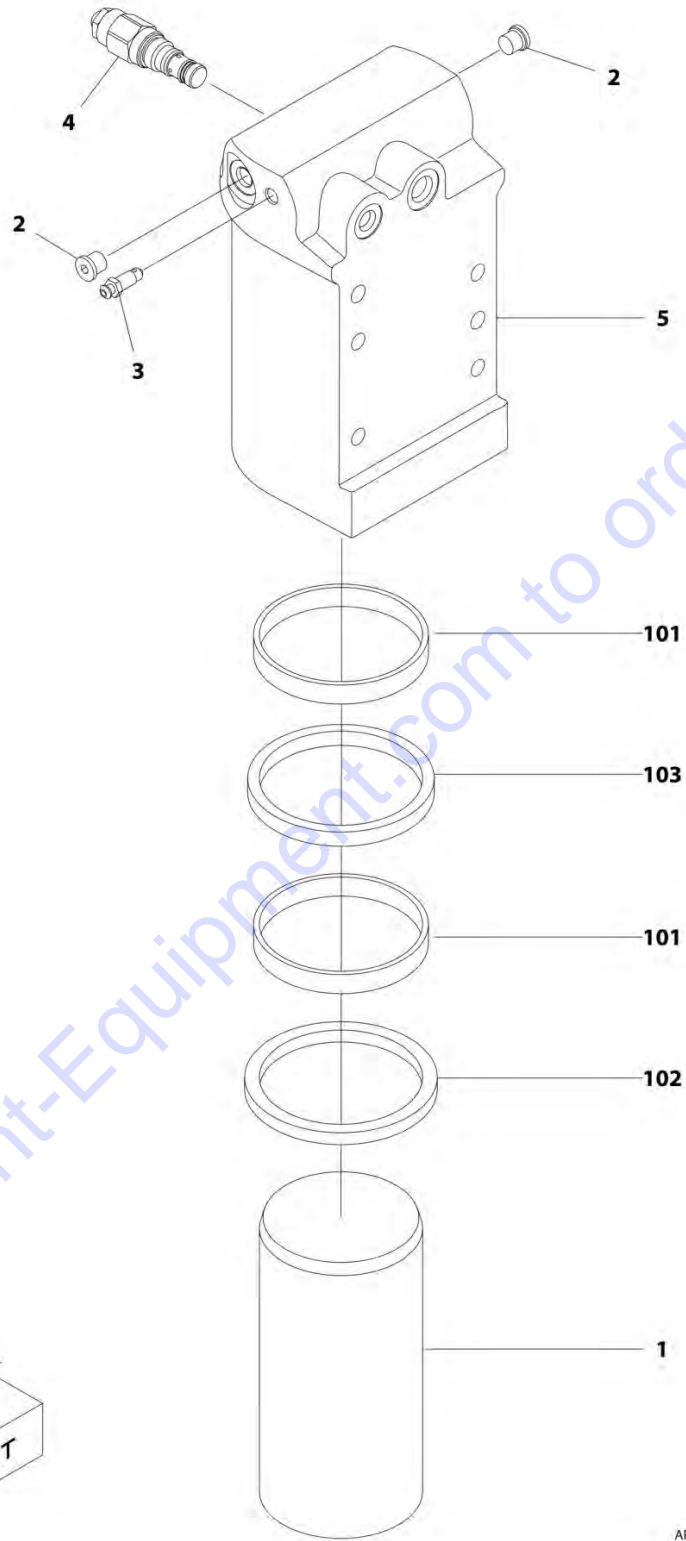
**SECTION 6 - CYLINDER**

Go to Discount-Equipment.com to order your parts



# SECTION 6 - CYLINDER

## FIGURE 6-1. AXLE LOCKOUT CYLINDER ASSEMBLY



ART\_1001163580

## SECTION 6 - CYLINDER

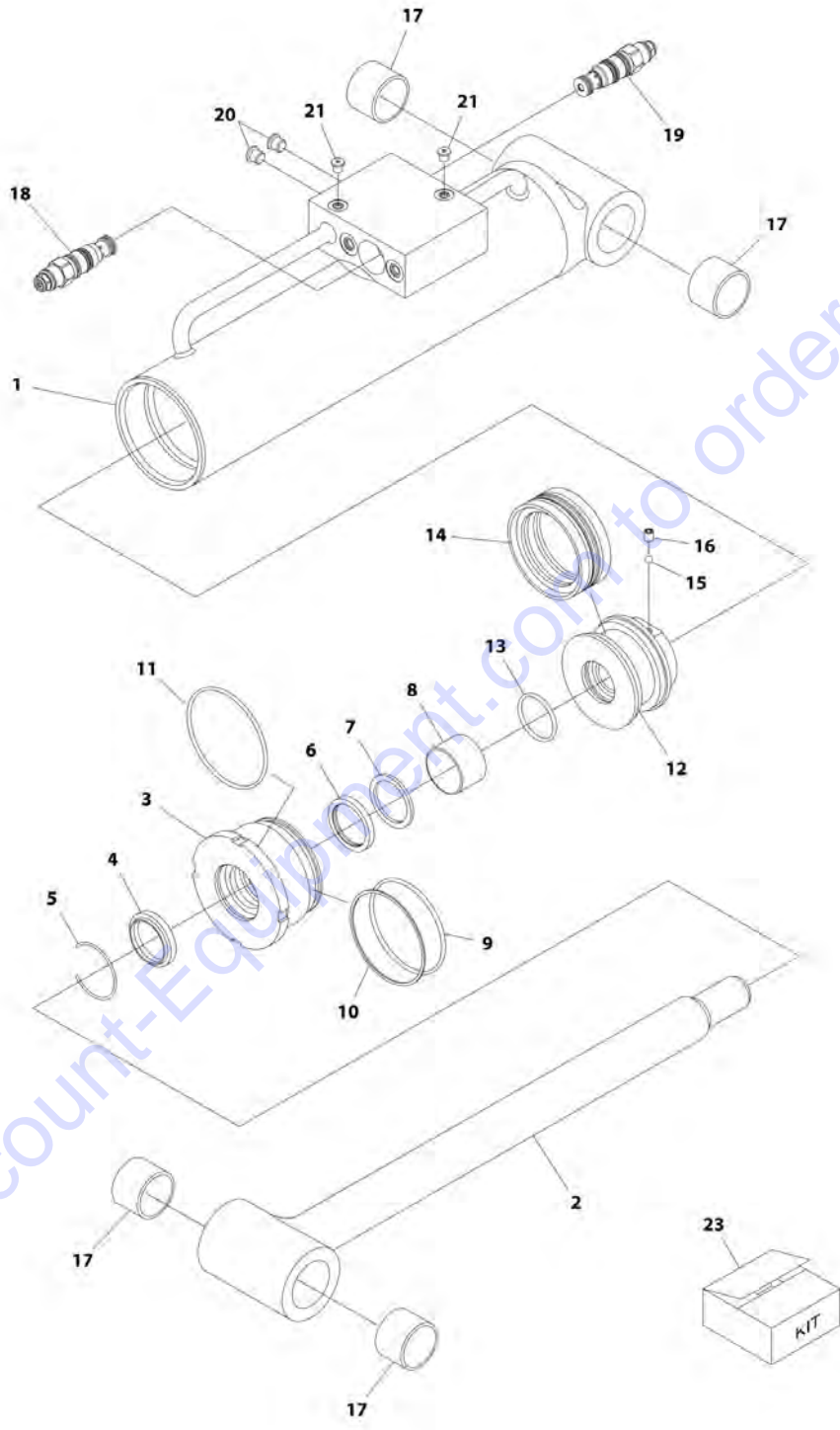
**FIGURE 6-1. AXLE LOCKOUT CYLINDER ASSEMBLY**

ITEM	PART NUMBER	QTY	DESCRIPTION	REV
	1001163580	Ref	AXLE LOCKOUT CYLINDER ASSEMBLY	G
		Ref	Note: Original Cylinder May Have Been Replaced with Service Replacement. Identify PN Stamped on Cylinder Before Ordering Parts.	
1	1684290	1	Rod	
2	2220883	2	Plug #4	
3	4640858	1	Valve, Bleeder	
4	1001117372	1	Cartridge, Valve	
4	70002842	1	Seal Kit - 1001117372 Valve	
5	1001164817	1	Barrel	
100	2902266	1	Seal Kit - 1001163590 Cylinder (Includes Items 101-103)	
101	See Note	NSS	Ring, Wear	
102	See Note	NSS	Seal	
103	See Note	NSS	Wiper	

Go to Discount-Equipment.com to order your parts

# SECTION 6 - CYLINDER

## FIGURE 6-2. LEVEL (PLATFORM SLAVE) CYLINDER ASSEMBLY



ART\_1001163306

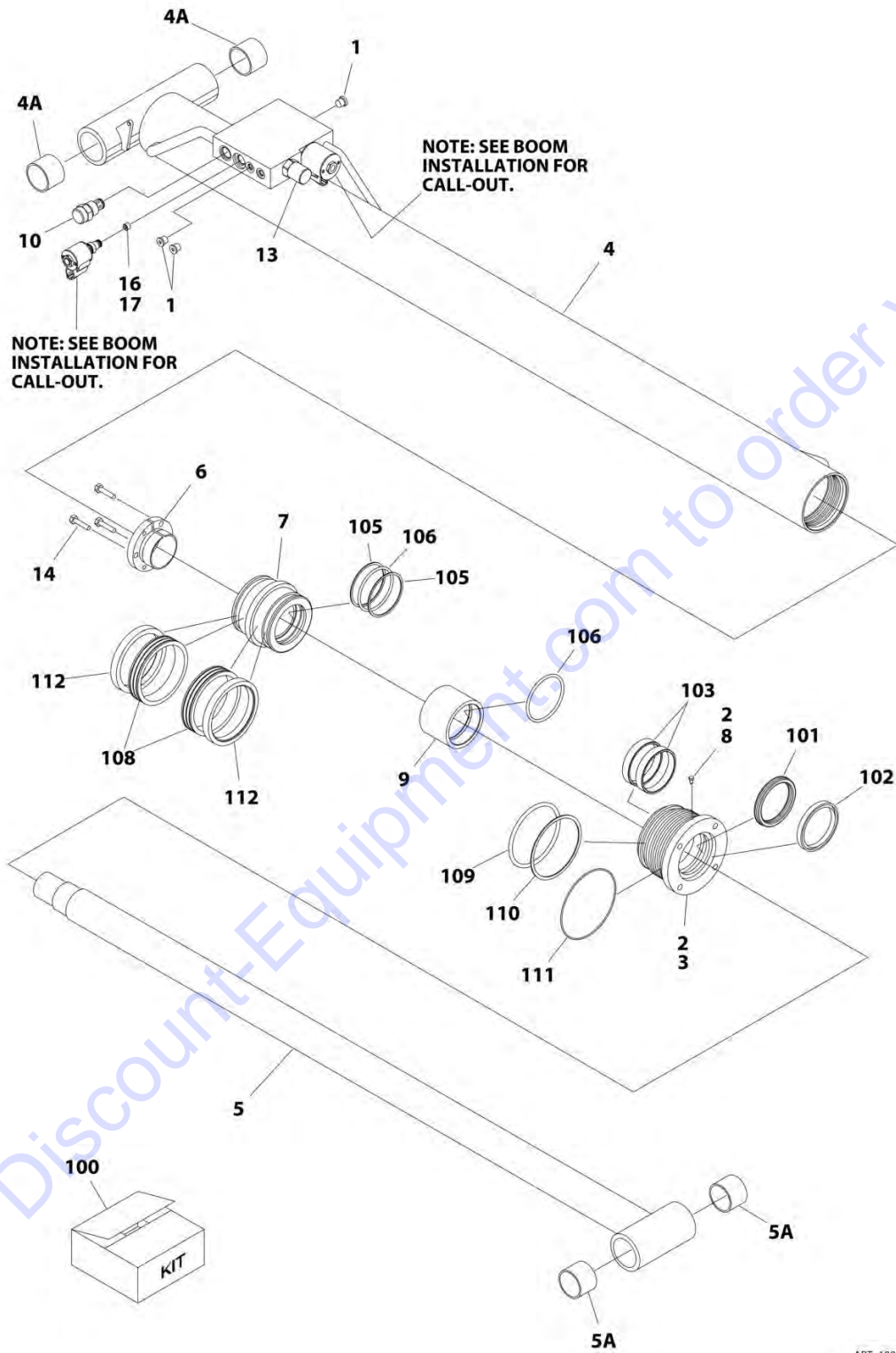
## SECTION 6 - CYLINDER

**FIGURE 6-2. LEVEL (PLATFORM SLAVE) CYLINDER ASSEMBLY**

ITEM	PART NUMBER	QTY	DESCRIPTION	REV
	1001163386	Ref	LEVEL (PLATFORM SLAVE) CYLINDER ASSEMBLY	G
		Ref	Note: Original Cylinder May Have Been Replaced with Service Replacement. Identify PN Stamped on Cylinder Before Ordering Parts.	
1	70005147	1	Barrel	
2	70005148	1	Rod	
3	70005142	1	Head	
4	See Note	NSS	Wiper (Note: Use Item 23)	
5	70002373	1	Ring, Retaining	
6	See Note	NSS	Seal, Rod (Note: Use Item 23)	
7	See Note	NSS	Ring, Back-up (Note: Use Item 23)	
8	70005143	1	Bearing, Dry	
9	See Note	NSS	O-Ring (Note: Use Item 23)	
10	See Note	NSS	Ring, Back-up (Note: Use Item 23)	
11	See Note	NSS	O-Ring (Note: Use Item 23)	
12	70005144	1	Piston	
13	See Note	NSS	O-Ring (Note: Use Item 23)	
14	See Note	NSS	Seal, Piston (Note: Use Item 23)	
15	70022564	1	Ball	
16	70023369	1	Setscrew	
17	70005145	4	Bearing	
18	1001168209	1	Cartridge, Valve	
18	2900770	1	Seal Kit - 1001168209 Valve	
19	1001168210	1	Cartridge, Valve	
19	2900770	1	Seal Kit - 1001168210 Valve	
20	70023370	1	Plug 7/16	
21	2220881	1	Plug, O-Ring 5/16	
23	70005149	1	Seal Kit - 1001163386 Cylinder (Includes Items 4, 6, 7, 9, 10, 11, 13 & 14)	

# SECTION 6 - CYLINDER

FIGURE 6-3. LIFT CYLINDER ASSEMBLY - MAIN BOOM (SN 0300203771 through 0300204034)



ART\_1001163384

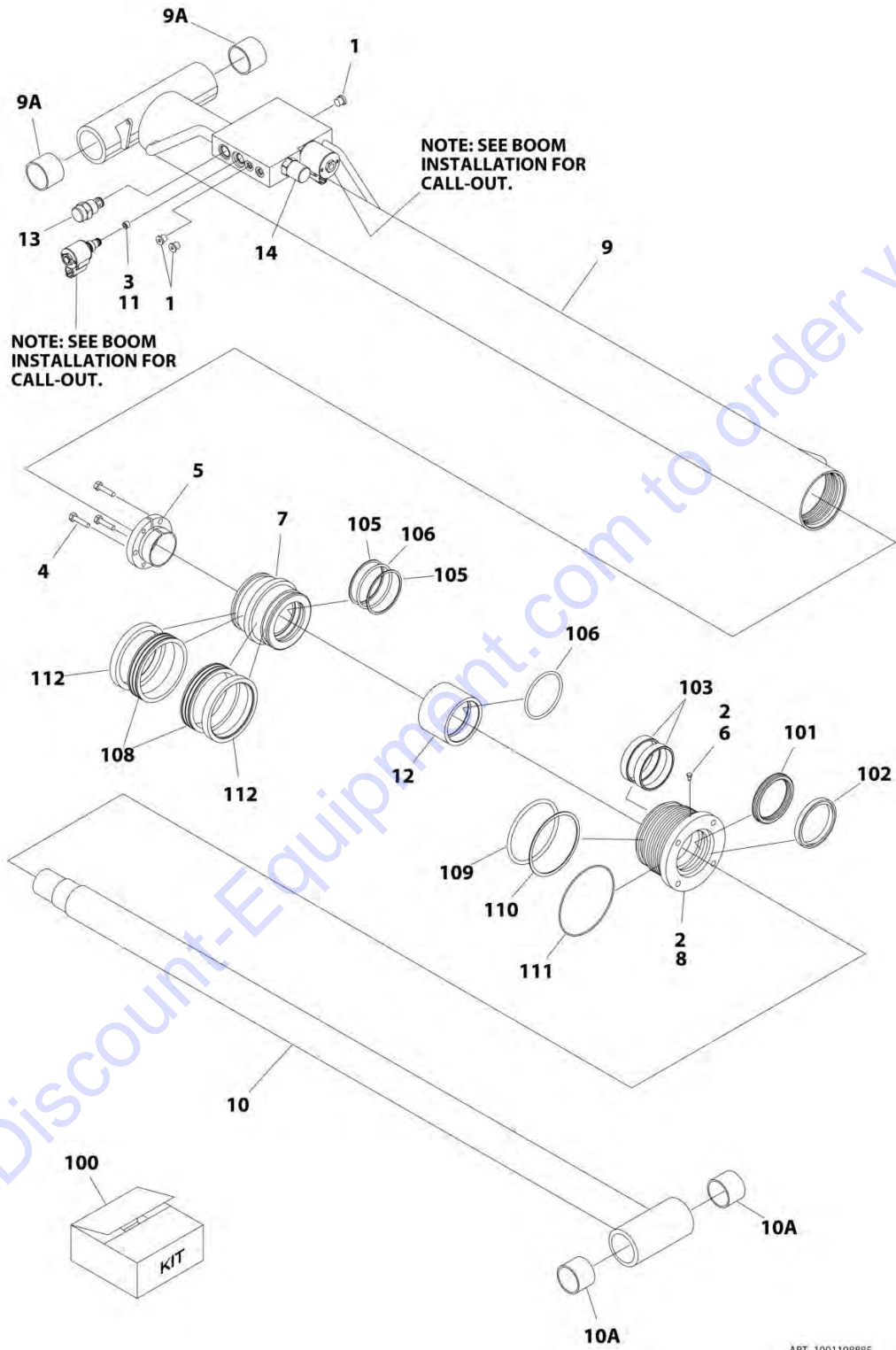
## SECTION 6 - CYLINDER

**FIGURE 6-3. LIFT CYLINDER ASSEMBLY - MAIN BOOM (SN 0300203771 through 0300204034)**

ITEM	PART NUMBER	QTY	DESCRIPTION	REV
	1001163384	Ref	LIFT CYLINDER ASSEMBLY - MAIN BOOM (SN 0300203771 through 0300204034)	F
		Ref	Note: Original Cylinder May Have Been Replaced with Service Replacement. Identify PN Stamped on Cylinder Before Ordering Parts.	
1	2220883	3	Plug #4	
2	3020043	AR	Lubricant, Anti-Seize	
3	1001164582	1	Head, Cylinder	
4	1001164578	1	Barrel	
4A	0961950	2	Bearing	
5	1001164583	1	Rod	
5A	0961950	2	Bearing	
6	0961897	1	Bushing	
7	3480211	1	Piston	
8	1001125137	1	Screw #8	
9	1001164596	1	Spacer	
10	4641390	1	Cartridge, Check Valve	
10	7017496	1	Seal Kit - 4641390 Valve	
13	1001165131	1	Cartridge, Valve	
13	7012925	1	Seal Kit - 1001165131 Valve	
14	0641409	3	Bolt 1/4 x 1-1/8	
16	0100035	1	Compound, Locking	
17	1001170759	1	Orifice 0.047	
100	1001164585	1	Seal Kit - 1001163384 Cylinder (Includes Items 101-112)	
101	See Note	NSS	Seal, Rod (Note: Use Item 100)	
102	See Note	NSS	Wiper (Note: Use Item 100)	
103	See Note	NSS	Ring, Wear (Note: Use Item 100)	
105	See Note	NSS	Ring, Back-up (Note: Use Item 100)	
106	See Note	NSS	Seal (Note: Use Item 100)	
108	See Note	NSS	Ring, Lock (Note: Use Item 100)	
109	See Note	NSS	O-Ring (Note: Use Item 100)	
110	See Note	NSS	Ring, Back-up (Note: Use Item 100)	
111	See Note	NSS	O-Ring (Note: Use Item 100)	
112	See Note	NSS	Ring, Lock (Note: Use Item 100)	

# SECTION 6 - CYLINDER

FIGURE 6-4. LIFT CYLINDER ASSEMBLY - MAIN BOOM (SN 0300204035 through 0300226846, SN E300000100 through E3000004457)



## SECTION 6 - CYLINDER

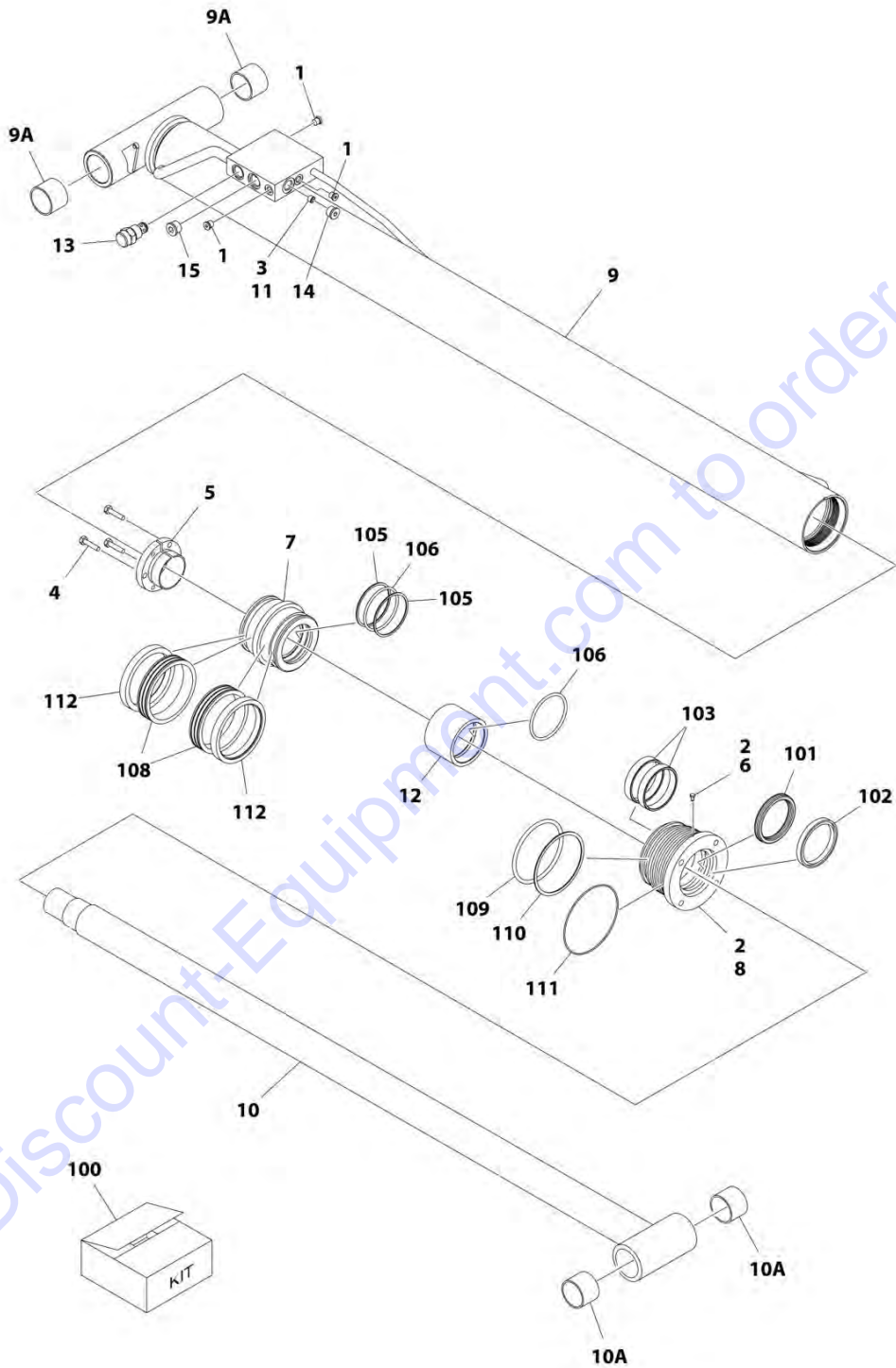
**FIGURE 6-4. LIFT CYLINDER ASSEMBLY - MAIN BOOM (SN 0300204035 through 0300226846, SN E300000100 through E3000004457)**

ITEM	PART NUMBER	QTY	DESCRIPTION	REV
	1001198885	Ref	LIFT CYLINDER ASSEMBLY - MAIN BOOM (SN 0300204035 through 0300226846, SN E300000100 through E3000004457)	E
		Ref	Note: Original Cylinder May Have Been Replaced with Service Replacement. Identify PN Stamped on Cylinder Before Ordering Parts.	
1	2220883	3	Plug #4	
2	3020043	AR	Lubricant, Anti-Seize	
3	0100035	1	Compound, Locking	
4	0641409	3	Bolt 1/4 x 1-1/8	
5	0961897	1	Bushing	
6	1001125137	1	Screw #8	
7	3480211	1	Piston	
8	1001164582	1	Head, Cylinder	
9	1001164578	1	Barrel	
9A	0961950	2	Bearing	
10	1001164583	1	Rod	
10A	0961950	2	Bearing	
11	1001170759	1	Orifice 0.047	
12	1001198886	1	Spacer	
13	4641390	1	Cartridge, Check Valve	
13	7017496	1	Seal Kit - 4641390 Valve	
14	1001165131	1	Cartridge, Valve (SN 0300203771 through 0300210552)	
14	7012925	1	Seal Kit - 1001165131 Valve (SN 0300203771 through 0300210552)	
14	1001203628	1	Cartridge, Valve (SN 0300210552 to Present)	
14	7012925	1	Seal Kit - 1001203628 Valve (SN 0300210552 to Present)	
100	1001164585	1	Seal Kit - 1001163384 Cylinder (Includes Items 101-112)	
101	See Note	NSS	Seal, Rod (Note: Use Item 100)	
102	See Note	NSS	Wiper (Note: Use Item 100)	
103	See Note	NSS	Ring, Wear (Note: Use Item 100)	
105	See Note	NSS	Ring, Back-up (Note: Use Item 100)	
106	See Note	NSS	Seal (Note: Use Item 100)	
108	See Note	NSS	Ring, Lock (Note: Use Item 100)	
109	See Note	NSS	O-Ring (Note: Use Item 100)	
110	See Note	NSS	Ring, Back-up (Note: Use Item 100)	
111	See Note	NSS	O-Ring (Note: Use Item 100)	
112	See Note	NSS	Ring, Lock (Note: Use Item 100)	



# SECTION 6 - CYLINDER

FIGURE 6-5. LIFT CYLINDER ASSEMBLY - MAIN BOOM (SN 0300226847 through 0300243703, SN E3000004458 through E300005607)



ART\_1001206321

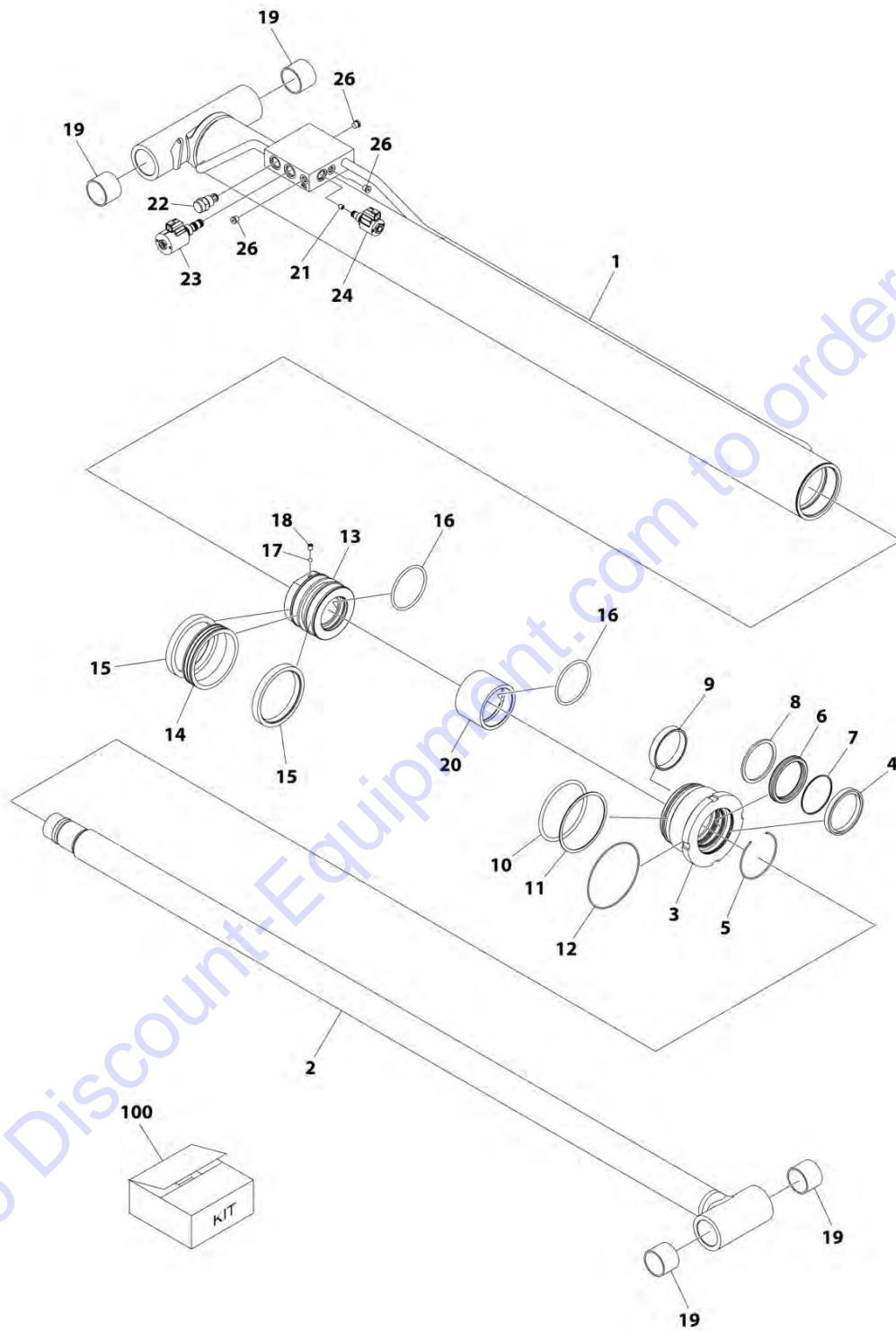
## SECTION 6 - CYLINDER

**FIGURE 6-5. LIFT CYLINDER ASSEMBLY - MAIN BOOM (SN 0300226847 through 0300243703, SN E300004458 through E300005607)**

ITEM	PART NUMBER	QTY	DESCRIPTION	REV
	1001206321	Ref	LIFT CYLINDER ASSEMBLY - MAIN BOOM	C
		Ref	Note: Original Cylinder May Have Been Replaced with Service Replacement. Identify PN Stamped on Cylinder Before Ordering Parts.	
1	2220883	3	Plug #4	
2	3020043	AR	Lubricant, Anti-Seize	
3	0100035	AR	Compound, Locking	
4	0641409	3	Bolt 1/4 x 1-1/8	
5	0961897	1	Bushing	
6	1001125137	1	Screw #8	
7	3480211	1	Piston	
8	1001164582	1	Head, Cylinder	
9	1001206442	1	Barrel	
9A	0961950	2	Bearing	
10	1001164583	1	Rod	
10A	0961950	2	Bearing	
11	2180380	1	Orifice 0.06 (SN 0300226847 through 0300234499, SN E300004458 through E300004936, SN 1300007289 through 1300007393)	
11	1001170759	1	Orifice 0.047 (SN 0300234500 through 0300243703, SN E300004937 through E300005607)	
12	1001198886	1	Spacer	
13	4641390	1	Cartridge, Check Valve	
13	7017496	1	Seal Kit - 4641390 Valve	
14	2220886	1	Plug	
15	2220887	1	Adapter	
100	1001164585	1	Seal Kit - 1001206321 Cylinder (Includes Item 101-112)	
101	See Note	NSS	Seal, Rod (Note: Use Item 100)	
102	See Note	NSS	Wiper (Note: Use Item 100)	
103	See Note	NSS	Ring, Wear (Note: Use Item 100)	
105	See Note	NSS	Ring, Back-up (Note: Use Item 100)	
106	See Note	NSS	Seal (Note: Use Item 100)	
108	See Note	NSS	Seal (Note: Use Item 100)	
109	See Note	NSS	O-Ring (Note: Use Item 100)	
110	See Note	NSS	Ring, Back-up (Note: Use Item 100)	
111	See Note	NSS	O-Ring (Note: Use Item 100)	
112	See Note	NSS	Ring, Lock (Note: Use Item 100)	

# SECTION 6 - CYLINDER

FIGURE 6-6. LIFT CYLINDER ASSEMBLY - MAIN BOOM (SN 0300243704 to Present, SN E300005608 to Present)



ART\_1001228092

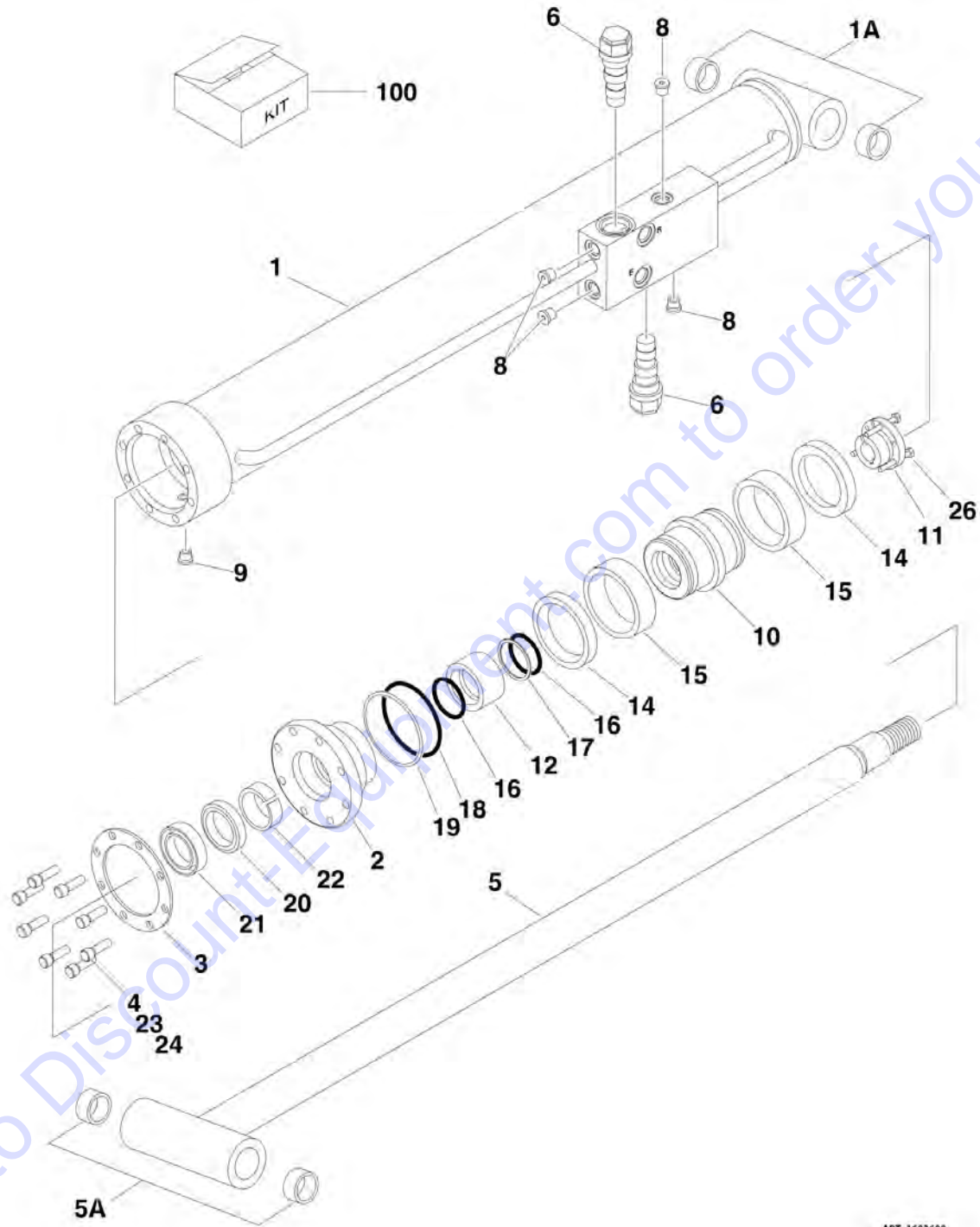
## SECTION 6 - CYLINDER

**FIGURE 6-6. LIFT CYLINDER ASSEMBLY - MAIN BOOM (SN 0300243704 to Present, SN E300005608 to Present)**

ITEM	PART NUMBER	QTY	DESCRIPTION	REV
	1001228092	Ref	LIFT CYLINDER ASSEMBLY - MAIN BOOM	A
		Ref	Note: Original Cylinder May Have Been Replaced with Service Replacement. Identify PN Stamped on Cylinder Before Ordering Parts.	
1	See Note	NSS	Barrel (Use p/n 1001228092)	
2	70006702	1	Rod	
3	70006703	1	Head	
4	See Note	NSS	Wiper (Note: Use Item 100)	
5	70050795	1	Ring, Retainer	
6	See Note	NSS	Seal, Rod (Note: Use Item 100)	
7	See Note	NSS	O-Ring (Note: Use Item 100)	
8	See Note	NSS	Ring (Note: Use Item 100)	
9	70006636	1	Ring, Wear	
10	See Note	NSS	O-Ring (Note: Use Item 100)	
11	See Note	NSS	Ring, Back-up (Note: Use Item 100)	
12	See Note	NSS	O-Ring (Note: Use Item 100)	
13	70006704	1	Piston	
14	See Note	NSS	Seal (Note: Use Item 100)	
15	See Note	NSS	Ring, Wear (Note: Use Item 100)	
16	See Note	NSS	Seal (Note: Use Item 100)	
17	70022564	1	Ball	
18	70023369	1	Setscrew M8 x 10	
19	0961950	4	Bearing	
20	70006705	1	Spacer	
21	70004231	1	Orifice	
22	4641390	1	Cartridge, Check Valve	
22	7017496	1	Seal Kit - 4641390 Valve	
23	1001206625	1	Cartridge, Valve (Includes Coil)	
23	70006104	1	Cartridge, Less Coil	
23	70006105	1	Seal Kit - 70006104 & 1001206625 Cartridges	
23	70003788	1	Coil	
23	7022390	1	Nut, Coil	
24	1001164709	1	Cartridge, Valve (Includes Coil)	
24	7017467	1	Cartridge, Less Coil	
24	7012998	1	Seal Kit - 7017467 & 1001164709 Cartridges	
24	70002386	1	Coil	
26	2220883	3	Plug #4	
100	70006706	1	Seal Kit - 1001228092 Cylinder (Includes Item 4, 6-8, 10-12 & 14-16)	

# SECTION 6 - CYLINDER

FIGURE 6-7. LIFT CYLINDER ASSEMBLY - JIB (460SJ ONLY) (SN 0300203771 through 0300244835, SN E300000100 through E300005748, SN 1300007289 through 1300007393)



ART 1683609

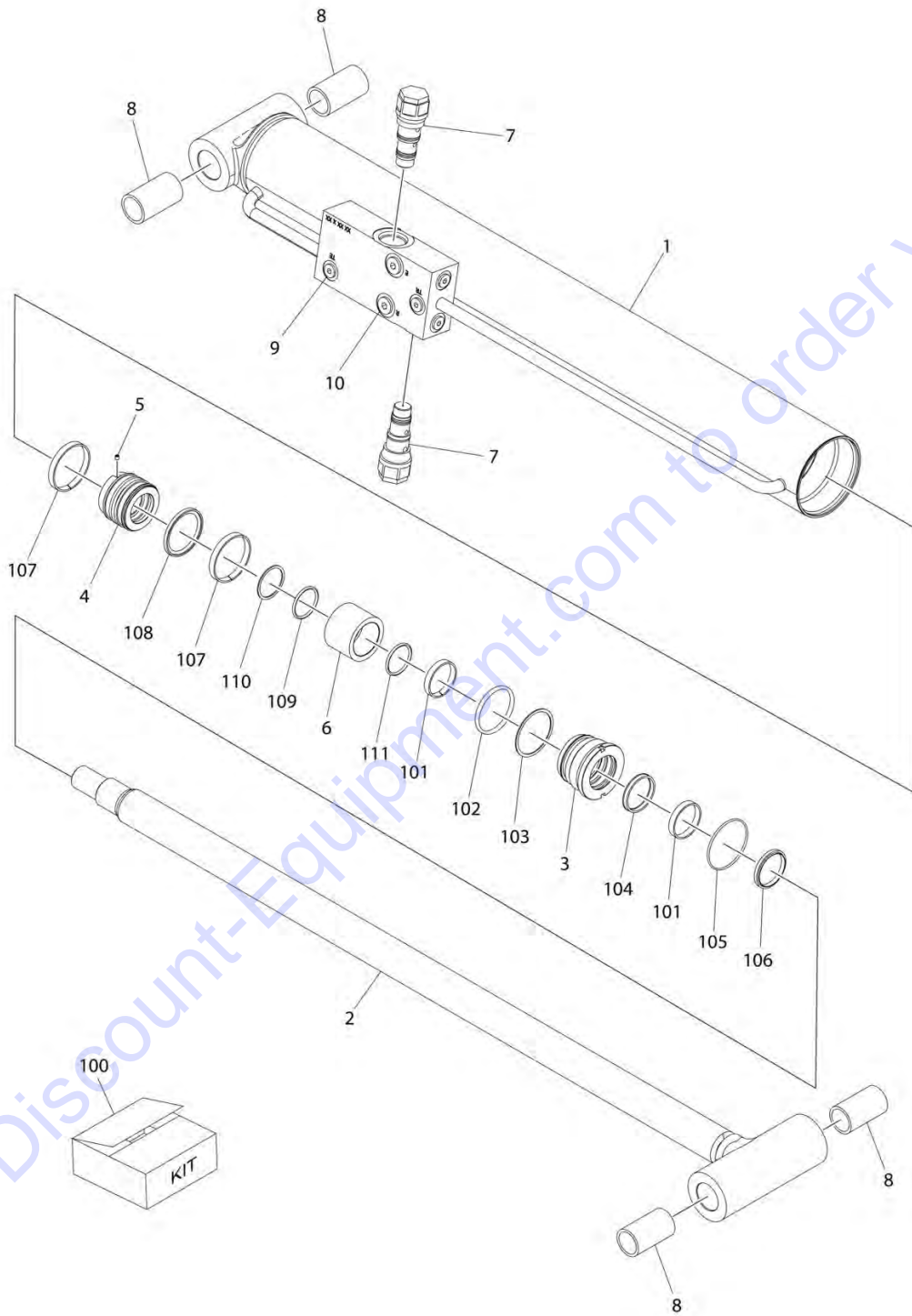
## SECTION 6 - CYLINDER

**FIGURE 6-7. LIFT CYLINDER ASSEMBLY - JIB (460SJ ONLY) (SN 0300203771 through 0300244835, SN E300000100 through E300005748, SN 1300007289 through 1300007393)**

ITEM	PART NUMBER	QTY	DESCRIPTION	REV
	1683609	Ref	LIFT CYLINDER ASSEMBLY - JIB	L
		Ref	Note: Original Cylinder May Have Been Replaced with Service Replacement. Identify PN Stamped on Cylinder Before Ordering Parts.	
1	1683687	1	Barrel	
1A	0962336	2	Bushing	
2	1683053	1	Head	
3	3760368	1	Washer, Ring	
4	3931516	8	Capscrew 5/16 x 2	
5	1683261	1	Rod	
5A	0962336	2	Bushing	
6	4640509	2	Cartridge, Valve (Counterbalance Non-Vented)	
6	2900792	2	Seal Kit - 4640509 Valve	
8	2220883	4	Plug, O-Ring #4	
9	2220885	1	Plug, O-Ring	
10	3480210	1	Piston	
11	0961893	1	Bushing, Tapered	
12	4100100	1	Spacer	
14	See Note	NSS	Ring, Lock (Includes Item 100)	
15	See Note	NSS	Seal (Includes Item 100)	
16	See Note	NSS	O-Ring (Includes Item 100)	
17	See Note	NSS	Ring, Back-up (Includes Item 100)	
18	See Note	NSS	O-Ring (Includes Item 100)	
19	See Note	NSS	Ring, Back-up (Includes Item 100)	
20	See Note	NSS	Seal (Includes Item 100)	
21	See Note	NSS	Wiper (Includes Item 100)	
22	See Note	NSS	Ring, Wear (Includes Item 100)	
23	0100011	AR	Locking, Compound	
24	0100038	AR	Primer, Locking	
26	0630534	3	Capscrew #10 x 1	
100	2901303	1	Seal Kit -1683609 Cylinder (Includes Items 14-22)	

# SECTION 6 - CYLINDER

FIGURE 6-8. LIFT CYLINDER ASSEMBLY - JIB (460SJ ONLY) (SN 0300244835 through 0300244838, SN E300005748 to Present)



ART\_1001228012

## SECTION 6 - CYLINDER

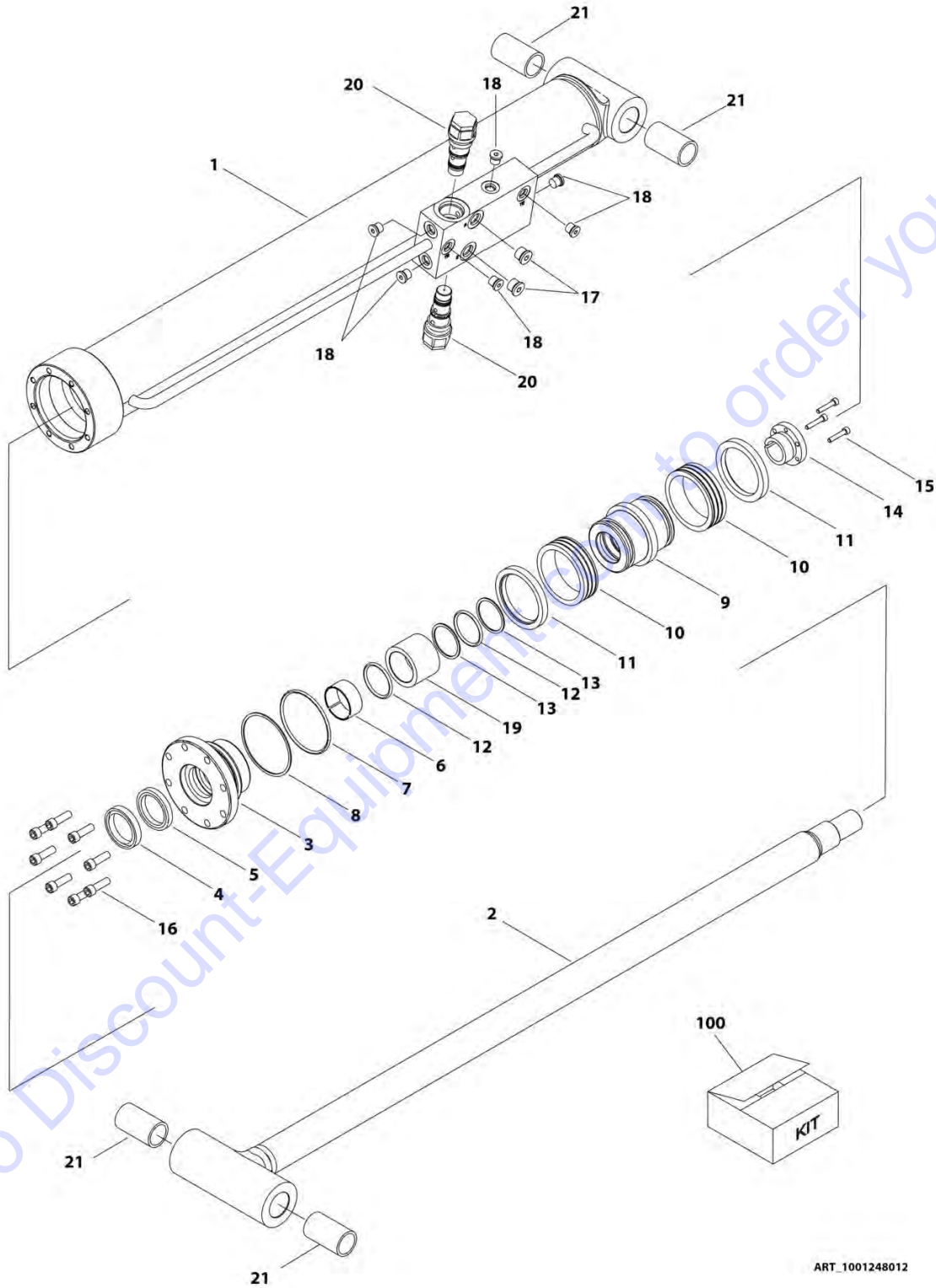
**FIGURE 6-8. LIFT CYLINDER ASSEMBLY - JIB (460SJ ONLY) (SN 0300244835 through 0300244838, SN E300005748 to Present)**

ITEM	PART NUMBER	QTY	DESCRIPTION	REV
	1001228012	Ref	LIFT CYLINDER ASSEMBLY - JIB	C
		Ref	Note: Original Cylinder May Have Been Replaced with Service Replacement. Identify PN Stamped on Cylinder Before Ordering Parts.	
1	See Note	NSS	Barrel (Note: Not Available for Purchase)	
2	70006572	1	Rod	
3	70006571	1	Head	
4	70006570	1	Piston	
5	70023915	1	Screw	
6	70006569	1	Spacer	
7	4640509	2	Cartridge, Valve	
7	2900792	2	Seal Kit - 4640509 Valve	
8	0962336	4	Bushing	
9	2220883	6	Plug, O-Ring	
10	2220885	2	Plug, O-Ring	
100	70006568	1	Seal Kit (Includes Items 101-111)	
101	See Note	NSS	Ring, Wear (Note: Use Item 100)	
102	See Note	NSS	O-Ring (Note: Use Item 100)	
103	See Note	NSS	Ring, Back-up (Note: Use Item 100)	
104	See Note	NSS	Seal, Rod (Note: Use Item 100)	
105	See Note	NSS	O-Ring (Note: Use Item 100)	
106	See Note	NSS	Wiper (Note: Use Item 100)	
107	See Note	NSS	Ring, Wear (Note: Use Item 100)	
108	See Note	NSS	Seal (Note: Use Item 100)	
109	See Note	NSS	O-Ring (Note: Use Item 100)	
110	See Note	NSS	Ring, Back-up (Note: Use Item 100)	
111	See Note	NSS	O-Ring (Note: Use Item 100)	



# SECTION 6 - CYLINDER

FIGURE 6-9. LIFT CYLINDER ASSEMBLY - JIB (460SJ ONLY) (SN 0300244839 to Present, SN E300006010 to Present)



ART\_1001248012

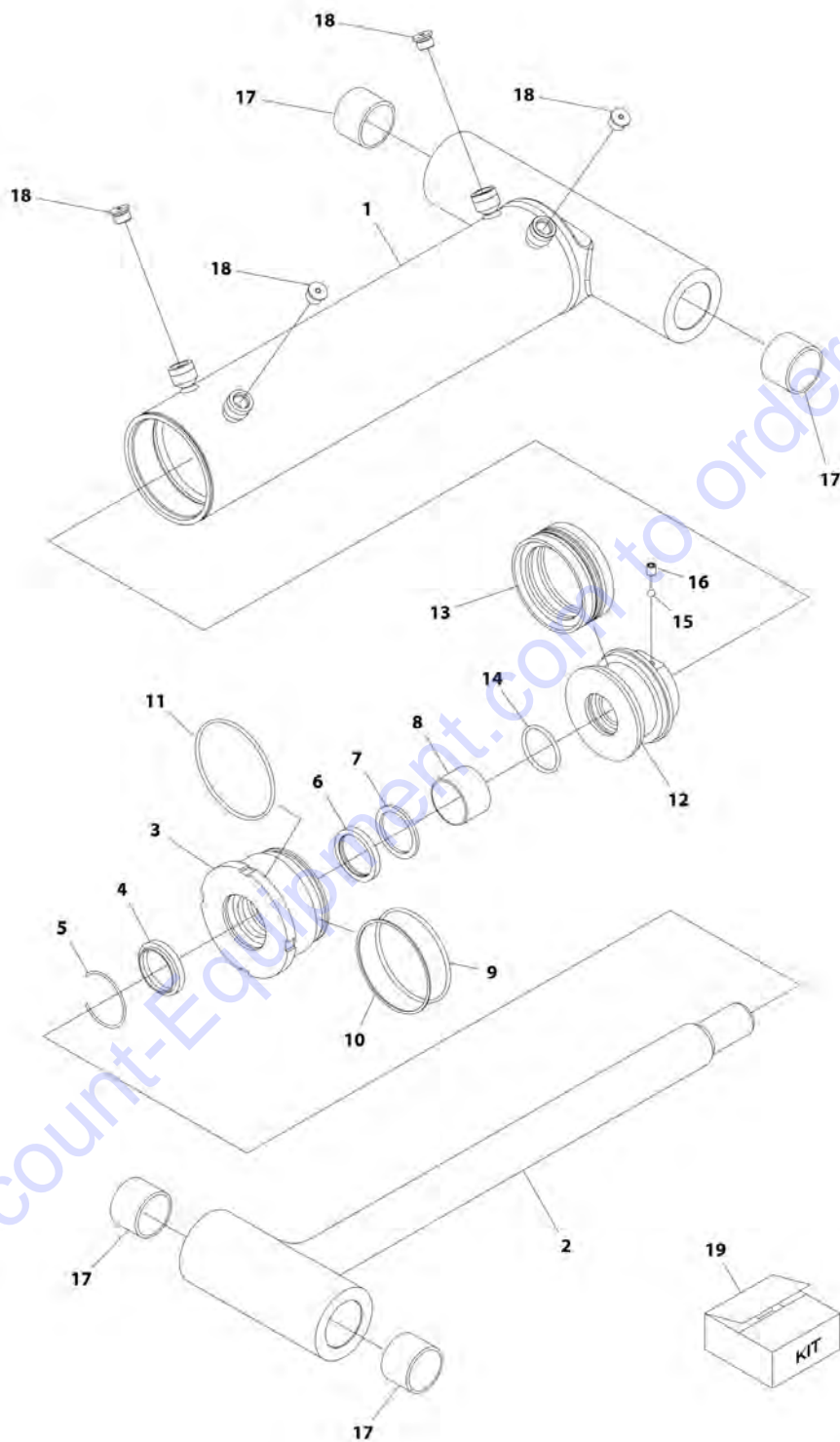
## SECTION 6 - CYLINDER

**FIGURE 6-9. LIFT CYLINDER ASSEMBLY - JIB (460SJ ONLY) (SN 0300244839 to Present, SN E300006010 to Present)**

ITEM	PART NUMBER	QTY	DESCRIPTION	REV
	1001248012	Ref	LIFT CYLINDER ASSEMBLY - JIB	B
		Ref	Note: Original Cylinder May Have Been Replaced with Service Replacement. Identify PN Stamped on Cylinder Before Ordering Parts.	
1	See Note	NSS	Barrel (Note: Not Available for Purchase)	
2	70006734	1	Rod	
3	70006649	1	Head	
4	See Note	NSS	Wiper (Note: Use Item 100)	
5	See Note	NSS	Seal, Rod (Note: Use Item 100)	
6	See Note	NSS	Ring, Wear (Note: Use Item 100)	
7	See Note	NSS	O-Ring (Note: Use Item 100)	
8	See Note	NSS	Ring, Back-up (Note: Use Item 100)	
9	70006650	1	Piston	
10	See Note	NSS	Seal (Note: Use Item 100)	
11	See Note	NSS	Ring, Lock (Note: Use Item 100)	
12	See Note	NSS	O-Ring (Note: Use Item 100)	
13	See Note	NSS	Ring, Back-up (Note: Use Item 100)	
14	0961893	1	Bushing, Tapered	
15	0630534	3	Capscrew, Socket Head #10 x 1	
16	70006735	8	Capscrew 5/16	
17	2220885	2	Plug, O-Ring	
18	2220883	6	Plug, O-Ring	
19	70006736	1	Spacer	
20	4640509	2	Cartridge, Valve	
20	2900792	2	Seal Kit - 4640509 Valve	
21	0962336	4	Bushing	
100	1001138795	1	Seal Kit (Includes Items 4-8 & 10-13)	

# SECTION 6 - CYLINDER

## FIGURE 6-10. MASTER CYLINDER ASSEMBLY



ART\_1001163385

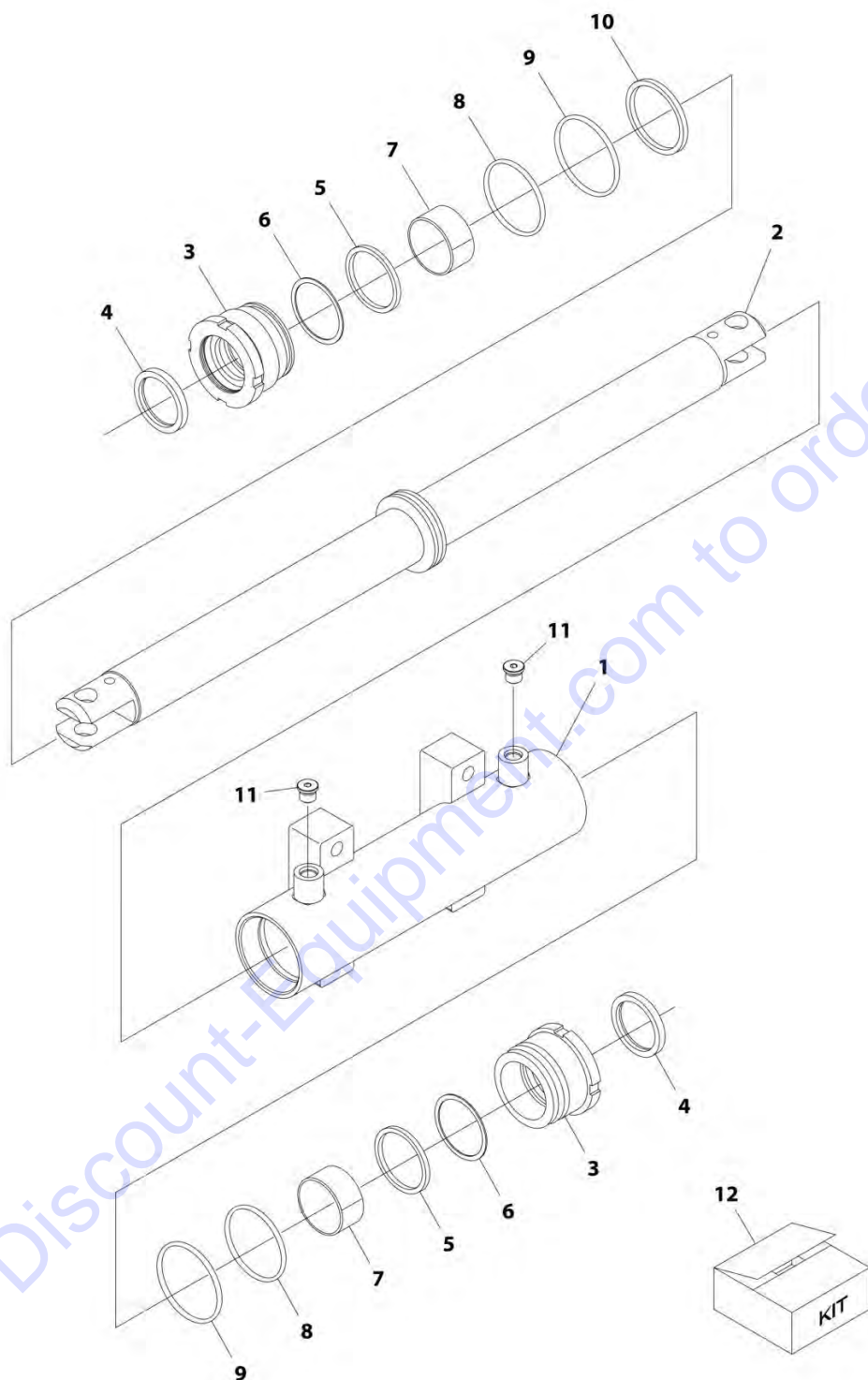
## SECTION 6 - CYLINDER

**FIGURE 6-10. MASTER CYLINDER ASSEMBLY**

ITEM	PART NUMBER	QTY	DESCRIPTION	REV
	1001163385	Ref	MASTER CYLINDER ASSEMBLY	F
		Ref	Note: Original Cylinder May Have Been Replaced with Service Replacement. Identify PN Stamped on Cylinder Before Ordering Parts.	
1	70005140	1	Barrel	
2	70005141	1	Rod	
3	70005142	1	Head, Cylinder	
4	See Note	NSS	Wiper (Note: Use Item 19)	
5	70002373	1	Ring, Retaining	
6	See Note	NSS	Seal, Rod (Note: Use Item 19)	
7	See Note	NSS	Ring, Back-up (Note: Use Item 19)	
8	70005143	1	Bearing, Dry	
9	See Note	NSS	O-Ring (Note: Use Item 19)	
10	See Note	NSS	Ring, Back-up (Note: Use Item 19)	
11	See Note	NSS	O-Ring (Note: Use Item 19)	
12	70005144	1	Piston	
13	See Note	NSS	Seal, Piston	
14	See Note	NSS	O-Ring (Note: Use Item 19)	
15	70022564	1	Ball	
16	70023369	1	Setscrew M8 x 31.75	
17	70005145	4	Bearing	
18	700023371	4	Plug 9/16	
19	70005146	1	Seal Kit - 1001163385 Cylinder (Includes Items 4, 6, 7, 9, 10, 11, 13 & 14)	

# SECTION 6 - CYLINDER

## FIGURE 6-11. STEER CYLINDER ASSEMBLY



ART\_1001163178

## SECTION 6 - CYLINDER

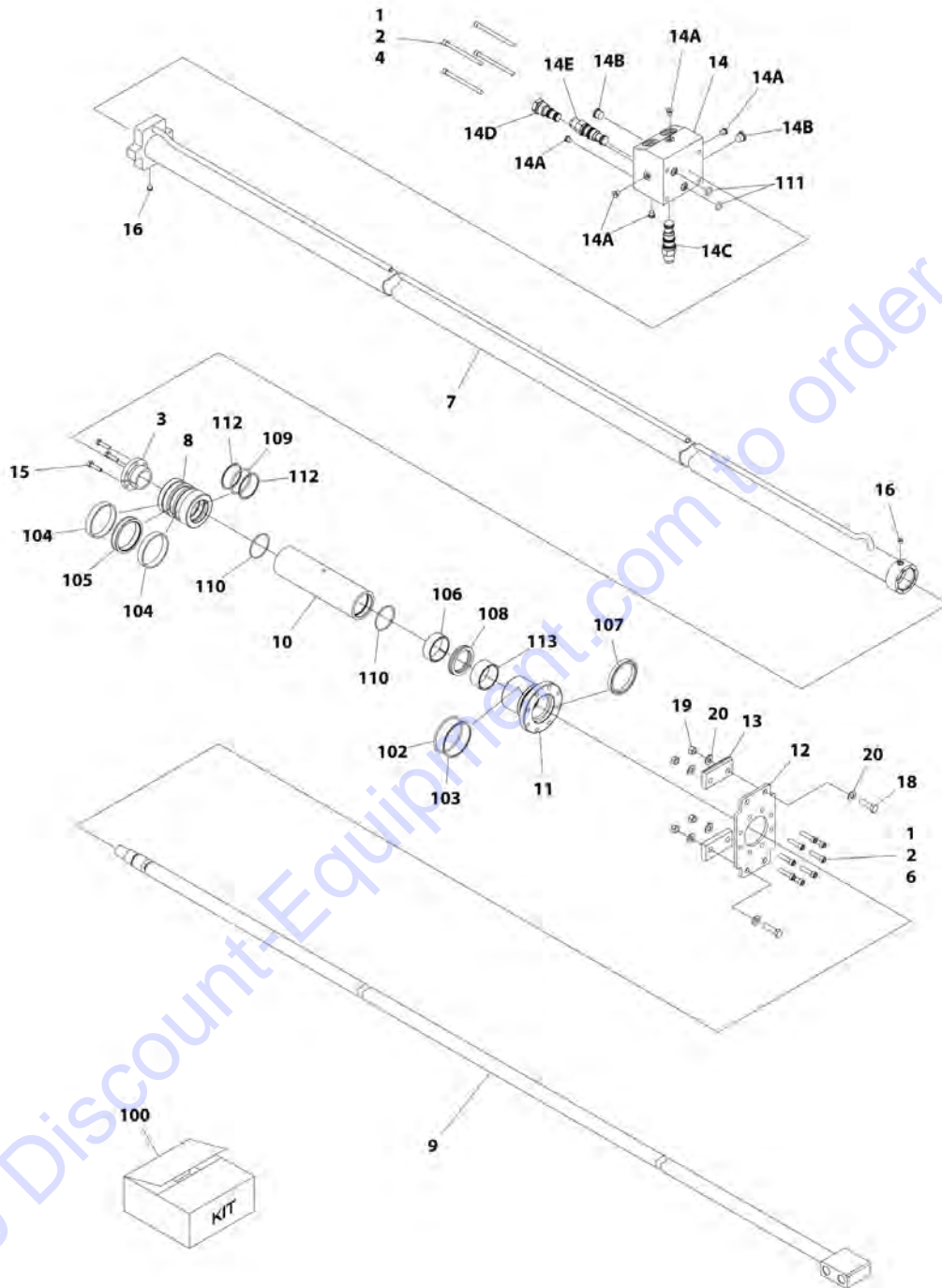
**FIGURE 6-11. STEER CYLINDER ASSEMBLY**

ITEM	PART NUMBER	QTY	DESCRIPTION	REV
	1001163178	Ref	STEER CYLINDER ASSEMBLY	D
		Ref	Note: Original Cylinder May Have Been Replaced with Service Replacement. Identify PN Stamped on Cylinder Before Ordering Parts.	
1	70005150	1	Barrel	
2	70005151	1	Rod	
3	70005152	2	Head	
4	See Note	NSS	Wiper (Note: Use Item 12)	
5	See Note	NSS	Seal, Rod (Note: Use Item 12)	
6	See Note	NSS	Ring, Back-up (Note: Use Item 12)	
7	70005153	2	Bearing, Dry	
8	See Note	NSS	O-Ring (Note: Use Item 12)	
9	See Note	NSS	O-Ring (Note: Use Item 12)	
10	See Note	NSS	Seal, Piston (Note: Use Item 12)	
11	See Note	2	Plug 9/16 (Note: Not Available for Purchase)	
12	70005154	1	Seal Kit - 1001163178 Cylinder (Includes Items 4-6 & 8-10)	

Go to Discount-Equipment.com to order your parts

# SECTION 6 - CYLINDER

FIGURE 6-12. TELESCOPE CYLINDER ASSEMBLY (SN 0300255290 to Present, SN E300000100 through E300005908, SN 1300007289 through 1300007393)



ART\_1001163883

## SECTION 6 - CYLINDER

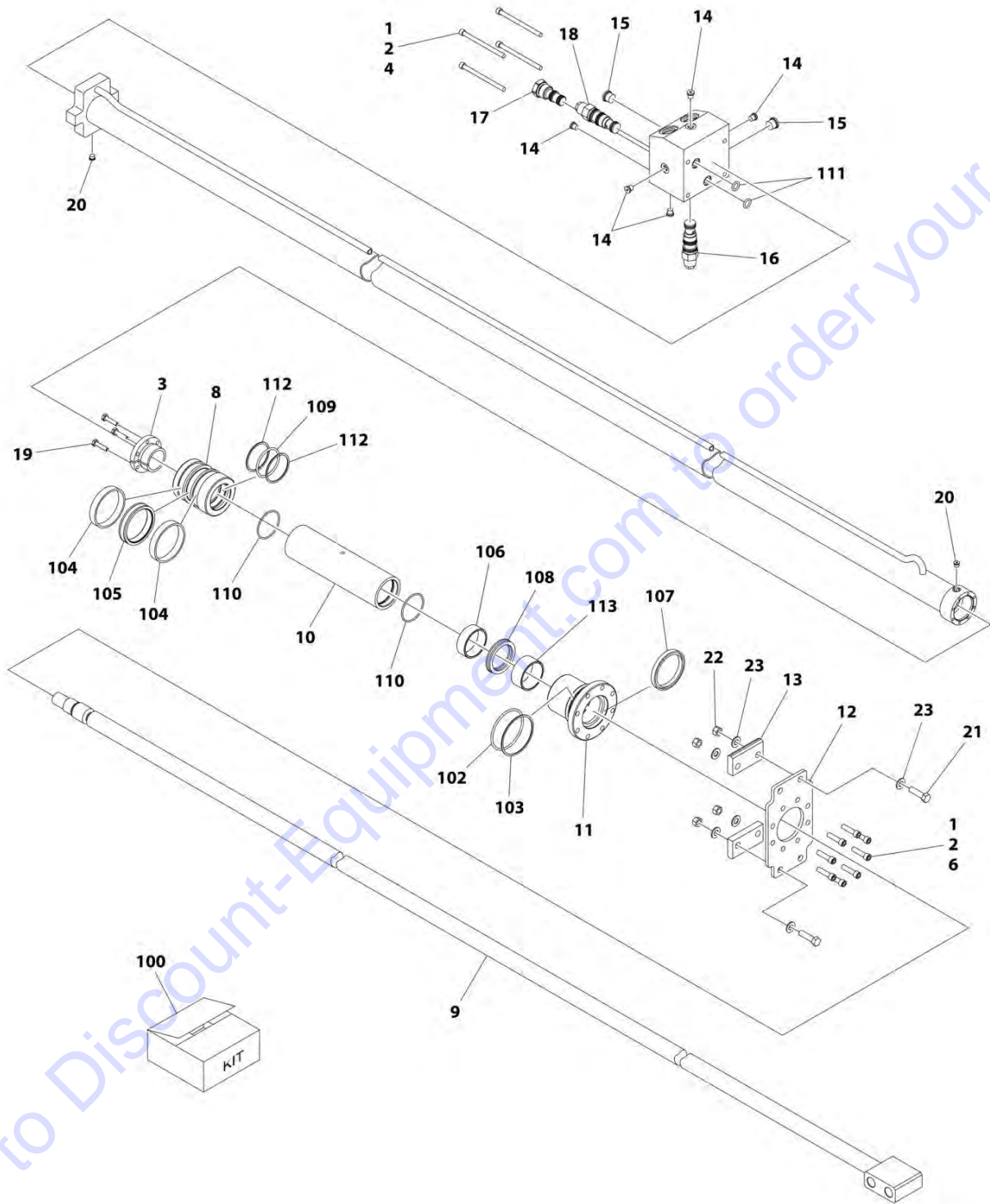
**FIGURE 6-12. TELESCOPE CYLINDER ASSEMBLY (SN 0300255290 to Present, SN E300000100 through E300005908, SN 1300007289 through 1300007393)**

ITEM	PART NUMBER	QTY	DESCRIPTION	REV
	1001163383	Ref	TELESCOPE CYLINDER ASSEMBLY	K
		Ref	Note: Original Cylinder May Have Been Replaced with Service Replacement. Identify PN Stamped on Cylinder Before Ordering Parts.	
1	0100011	AR	Compound, Locking	
2	0100038	AR	Primer, Locking	
3	0961896	1	Bushing	
4	3931456	4	Capscrew 1/4 x 3-1/2	
6	3931520	8	Capscrew 5/16 x 1-1/4	
7	1001164302	1	Barrel	
8	3480274	1	Piston	
9	1001164311	1	Rod	
10	1001164555	1	Spacer	
11	1001195206	1	Head	
12	1001165282	1	Plate	
13	1001165737	2	Pad, Wear	
14	1001166997	1	Valve Block Assembly	
14A	2220881	5	Plug, O-Ring	
14B	2220885	2	Plug, O-Ring #6	
14C	4640452	1	Cartridge, Counterbalance Valve	
14C	2900770	1	Seal Kit - 4640452 Valve	
14D	1001165363	1	Cartridge, Shuttle Valve	
14D	7012518	1	Seal Kit - 1001165363 Valve	
14E	1001168209	1	Cartridge, Counterbalance Valve	
14E	2900770	1	Seal Kit - 1001168209 Valve	
15	0630535	3	Bolt 1/4 x 1-1/8	
16	2220885	2	Plug, O-Ring #6	
18	0641611	4	Bolt 3/8 x 1-3/8	
19	3271605	4	Nut 3/8 Grade 8	
20	4711600	8	Washer 3/8	
100	1001164313	1	Seal Kit - 1001163383 Cylinder (Includes Items 102-113)	
102	See Note	NSS	O-Ring (Note: Use Item 100)	
103	See Note	NSS	Seal (Note: Use Item 100)	
104	See Note	NSS	Ring, Wear (Note: Use Item 100)	
105	See Note	NSS	Seal (Note: Use Item 100)	
106	See Note	NSS	Ring, Wear (Note: Use Item 100)	
107	See Note	NSS	Wiper (Note: Use Item 100)	
108	See Note	NSS	Seal (Note: Use Item 100)	
109	See Note	NSS	O-Ring (Note: Use Item 100)	
110	See Note	NSS	O-Ring (Note: Use Item 100)	
111	See Note	NSS	O-Ring (Note: Use Item 100)	
112	See Note	NSS	Ring, Back-up (Note: Use Item 100)	
113	See Note	NSS	Ring, Wear (Note: Use Item 100)	



# SECTION 6 - CYLINDER

FIGURE 6-13. TELESCOPE CYLINDER ASSEMBLY (SN E300005674 through E300006467)



ART\_1001228075

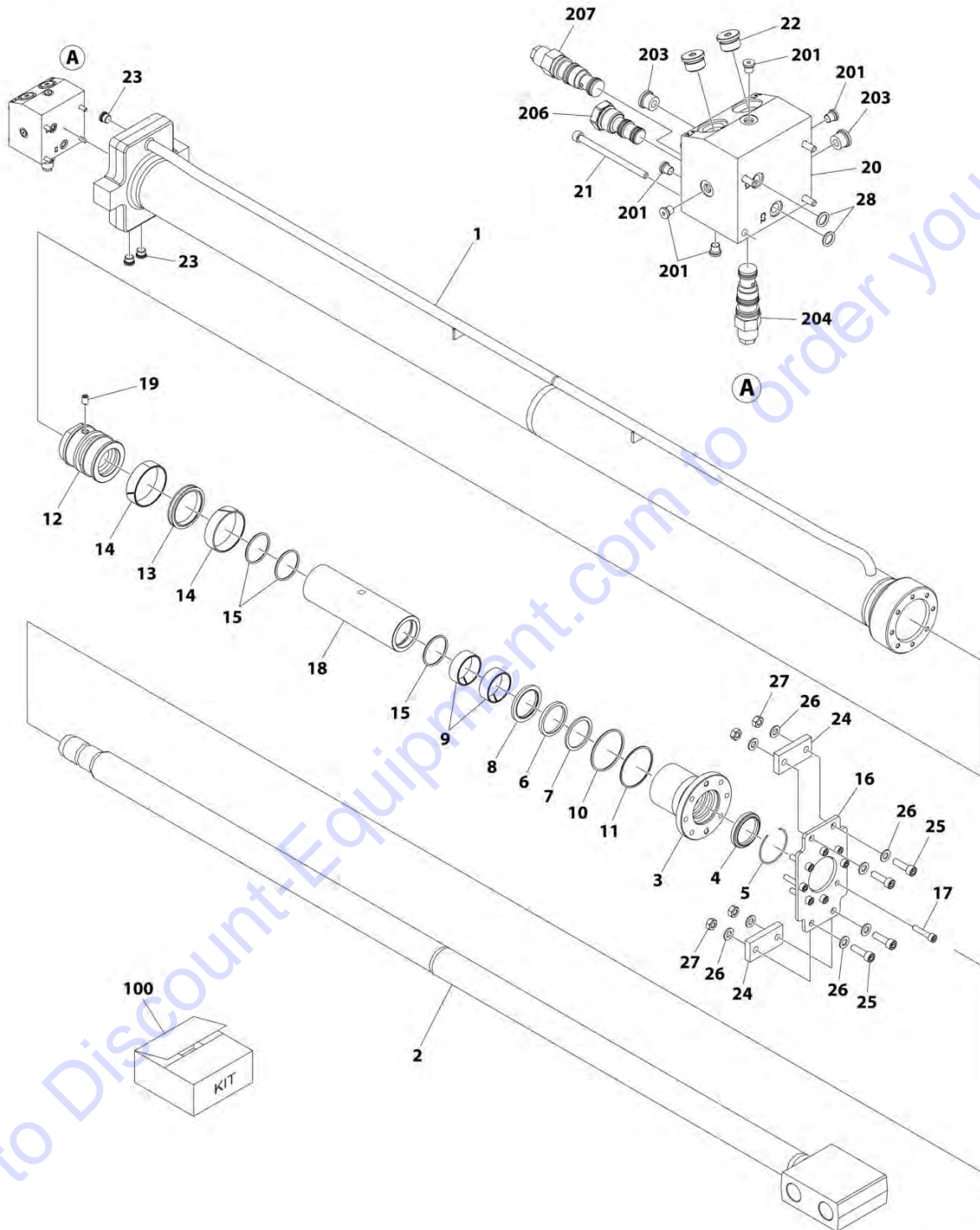
## SECTION 6 - CYLINDER

**FIGURE 6-13. TELESCOPE CYLINDER ASSEMBLY (SN E300005674 through E300006467)**

ITEM	PART NUMBER	QTY	DESCRIPTION	REV
	1001228075	Ref	TELESCOPE CYLINDER ASSEMBLY	B
		Ref	Note: Original Cylinder May Have Been Replaced with Service Replacement. Identify PN Stamped on Cylinder Before Ordering Parts.	
1	0100011	AR	Compound, Locking	
2	0100038	AR	Primer, Locking	
3	70006360	1	Bushing	
4	3931456	4	Capscrew 1/4 x 3-1/2	
6	3931520	8	Capscrew 5/16 x 1-1/4	
8	70006420	1	Piston	
9	70006421	1	Rod	
10	70006418	1	Spacer	
11	70006419	1	Head	
12	70006416	1	Plate	
13	70006417	2	Pad, Wear	
14	2220881	5	Plug, O-Ring	
15	2220885	2	Plug, O-Ring #6	
16	4640452	1	Cartridge, Counterbalance Valve	
16	2900770	1	Seal Kit - 4640452 Valve	
17	1001165363	1	Cartridge, Shuttle Valve	
17	7012518	1	Seal Kit - 1001165363 Valve	
18	1001168209	1	Cartridge, Counterbalance Valve	
18	2900770	1	Seal Kit - 1001168209 Valve	
19	0630535	3	Bolt 1/4 x 1-1/8	
20	2220885	2	Plug, O-Ring #6	
21	0641611	4	Bolt 3/8 x 1-3/8	
22	3271605	4	Nut 3/8 Grade 8	
23	4711600	8	Washer 3/8	
100	1001164313	1	Seal Kit - 1001163383 Cylinder (Includes Items 102-113)	
102	See Note	NSS	O-Ring (Note: Use Item 100)	
103	See Note	NSS	Seal (Note: Use Item 100)	
104	See Note	NSS	Ring, Wear (Note: Use Item 100)	
105	See Note	NSS	Seal (Note: Use Item 100)	
106	See Note	NSS	Ring, Wear (Note: Use Item 100)	
107	See Note	NSS	Wiper (Note: Use Item 100)	
108	See Note	NSS	Seal (Note: Use Item 100)	
109	See Note	NSS	O-Ring (Note: Use Item 100)	
110	See Note	NSS	O-Ring (Note: Use Item 100)	
111	See Note	NSS	O-Ring (Note: Use Item 100)	
112	See Note	NSS	Ring, Back-up (Note: Use Item 100)	
113	See Note	NSS	Ring, Wear (Note: Use Item 100)	

# SECTION 6 - CYLINDER

FIGURE 6-14. TELESCOPE CYLINDER ASSEMBLY (SN E30006468 to Present)



ART\_1001251075

## SECTION 6 - CYLINDER

**FIGURE 6-14. TELESCOPE CYLINDER ASSEMBLY (SN E300006468 to Present)**

ITEM	PART NUMBER	QTY	DESCRIPTION	REV
	1001251075	Ref	TELESCOPE CYLINDER ASSEMBLY	A
		Ref	Note: Original Cylinder May Have Been Replaced with Service Replacement. Identify PN Stamped on Cylinder Before Ordering Parts.	
1	See Note	NSS	Barrel (Note: Purchase Complete Assembly)	
2	70007062	1	Rod	
3	70007063	1	Head	
4	See Note	NSS	Wiper (Note: Use Item 100)	
5	70002412	1	Ring, Retaining	
6	See Note	NSS	Seal (Note: Use Item 100)	
7	See Note	NSS	Ring, Back-up (Note: Use Item 100)	
8	See Note	NSS	Ring, Wear (Note: Use Item 100)	
9	See Note	NSS	Ring, Wear (Note: Use Item 100)	
10	See Note	NSS	O-Ring (Note: Use Item 100)	
11	See Note	NSS	Ring, Back-up (Note: Use Item 100)	
12	70007064	1	Piston	
13	See Note	NSS	Seal (Note: Use Item 100)	
14	See Note	NSS	Ring, Wear (Note: Use Item 100)	
15	See Note	NSS	O-Ring (Note: Use Item 100)	
16	70007065	1	Plate	
17	70007066	8	Capscrew	
18	70007067	1	Spacer	
19	70006817	1	Set Screw	
20	1001166997	1	Valve Block Assembly	
21	70007068	4	Capscrew	
22	2220886	2	Plug, O-Ring	
23	2220885	3	Plug	
24	70007069	2	Pad, Water	
25	70007070	4	Bolt	
26	70006344	8	Washer	
27	70007071	4	Nut	
28	See Note	NSS	O-Ring (Note: Use Item 100)	
100	70007072	1	Seal Kit - 1001251075 Cylinder (Includes Items 4, 6, 13-15 & 28)	
201	2220881	5	Plug	
203	2220885	2	Plug	
204	4640452	1	Cartridge, Counterbalance Valve	
204	2900770	1	Seal Kit - 4640452 Valve	
206	1001165363	1	Cartridge, Shuttle Valve	
206	7012518	1	Seal Kit - 1001165363 Valve	
207	1001168209	1	Cartridge, Counterbalance Valve	
207	2900770	1	Seal Kit - 1001168209 Valve	

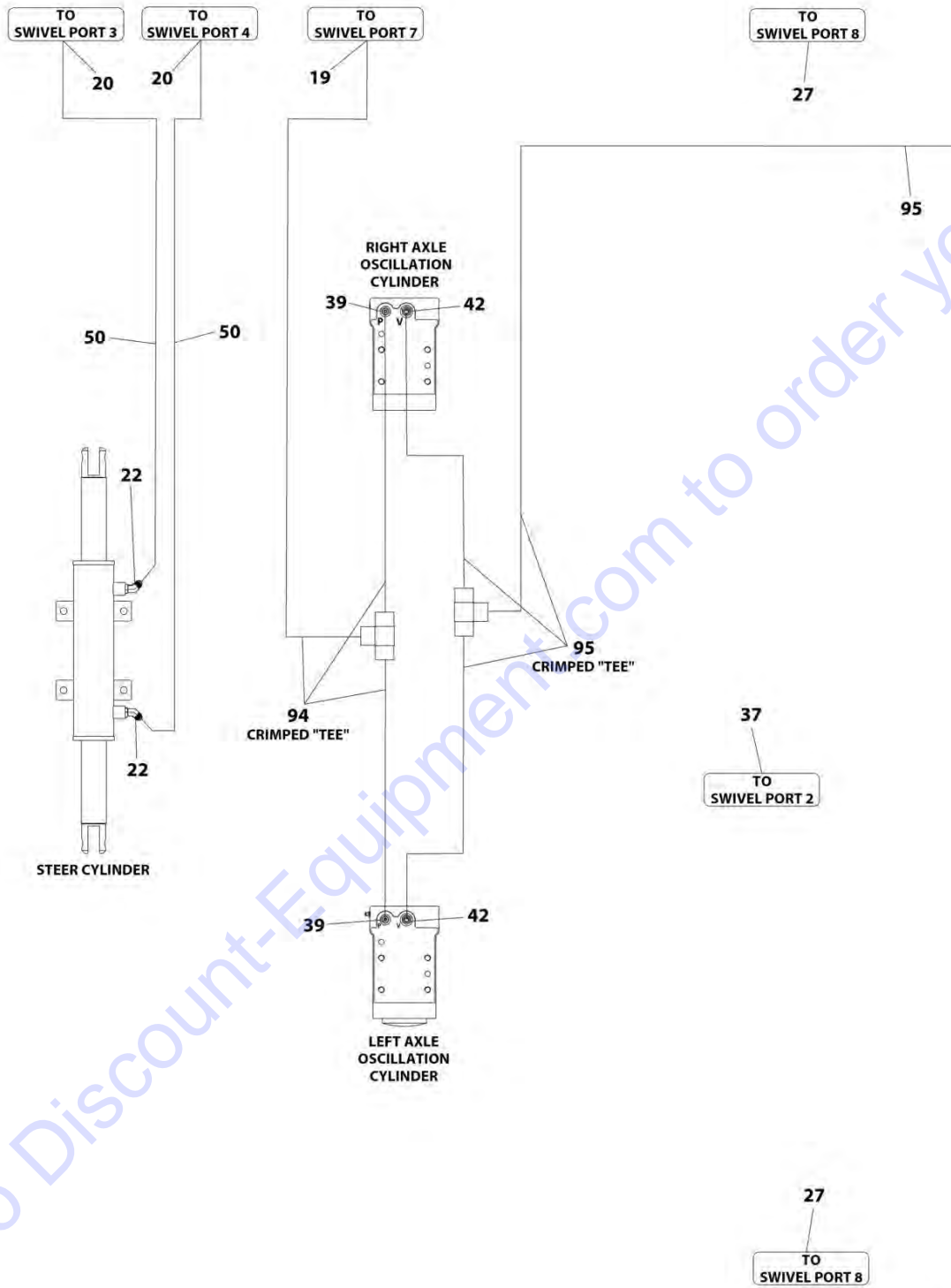


**SECTION 7 - HYDRAULIC**

Go to Discount-Equipment.com to order your parts

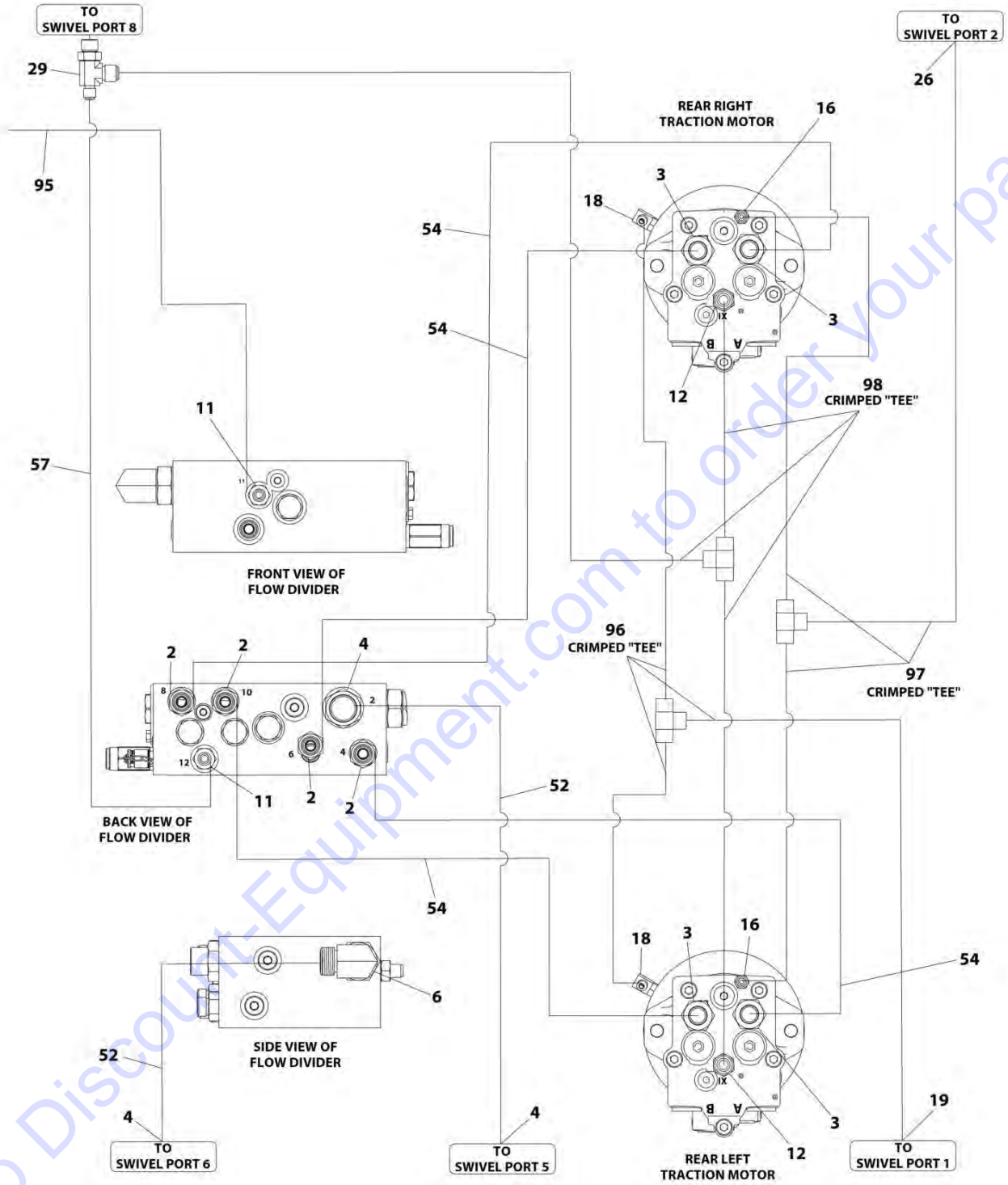
# SECTION 7 - HYDRAULIC

FIGURE 7-1. 400S 2WD HYDRAULIC SYSTEM INSTALLATION (SN 0300203771 through 0300220609)



ART\_1001214165\_1OF6

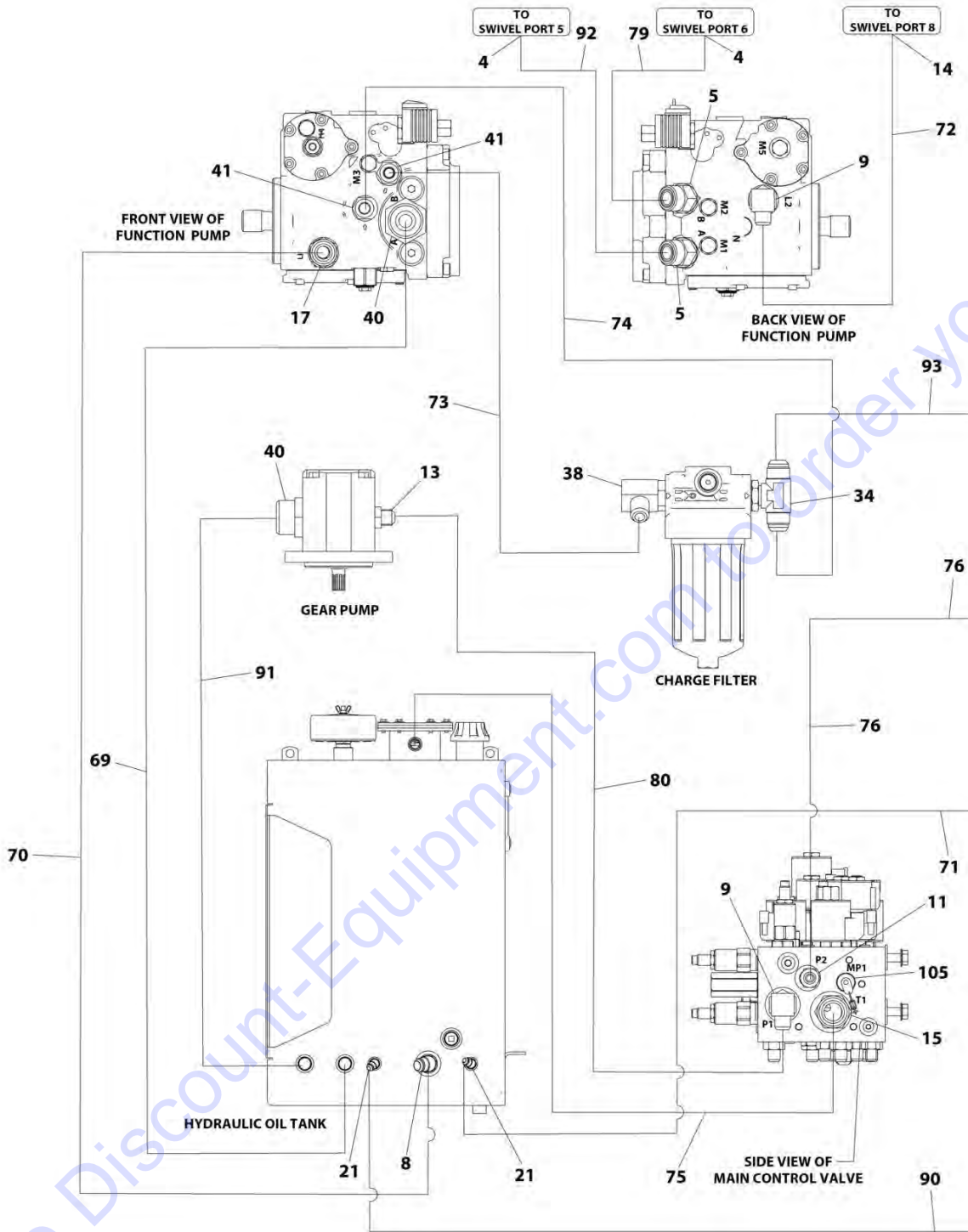
# SECTION 7 - HYDRAULIC



ART\_1001214165\_20F6

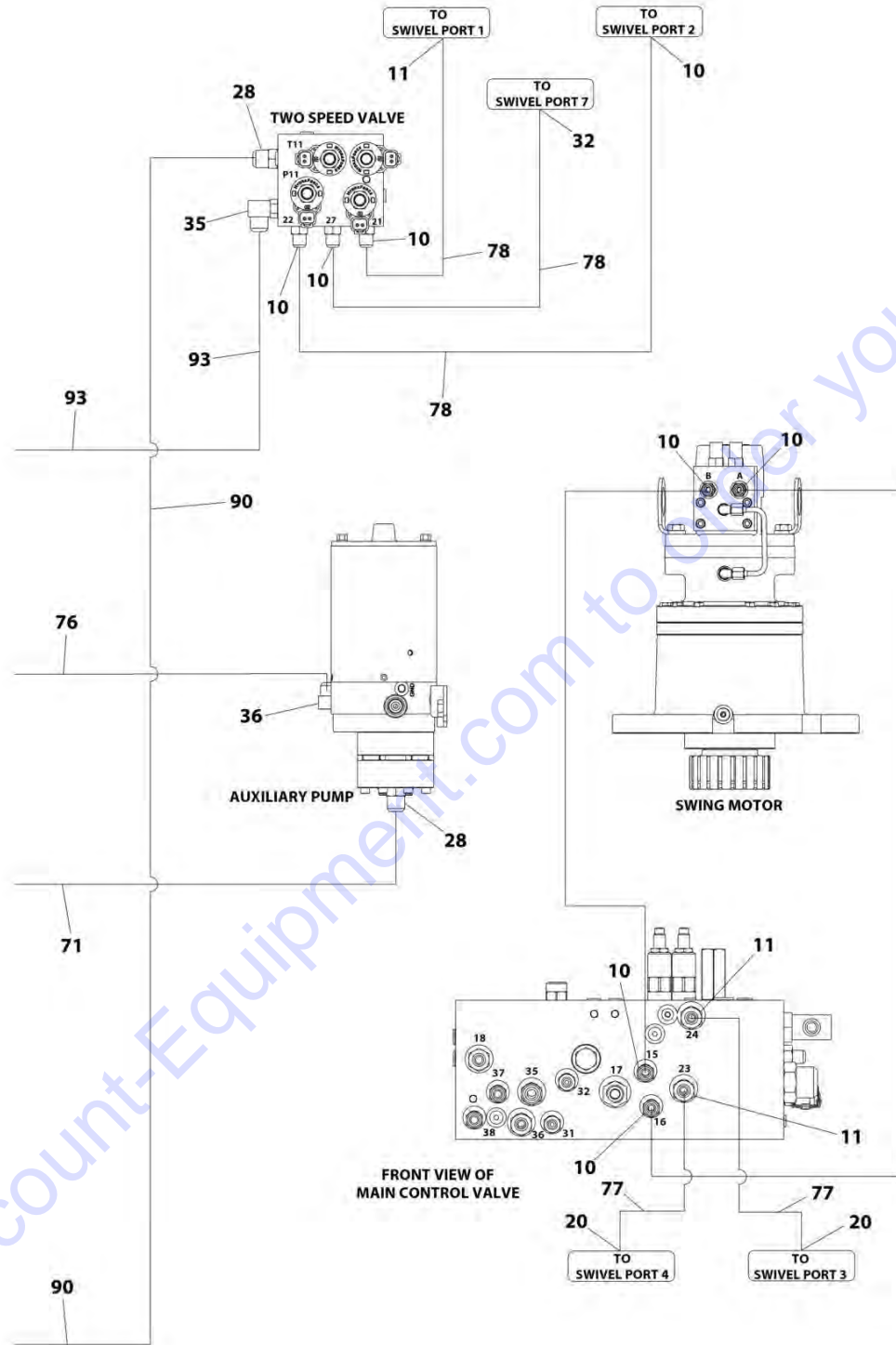


# SECTION 7 - HYDRAULIC



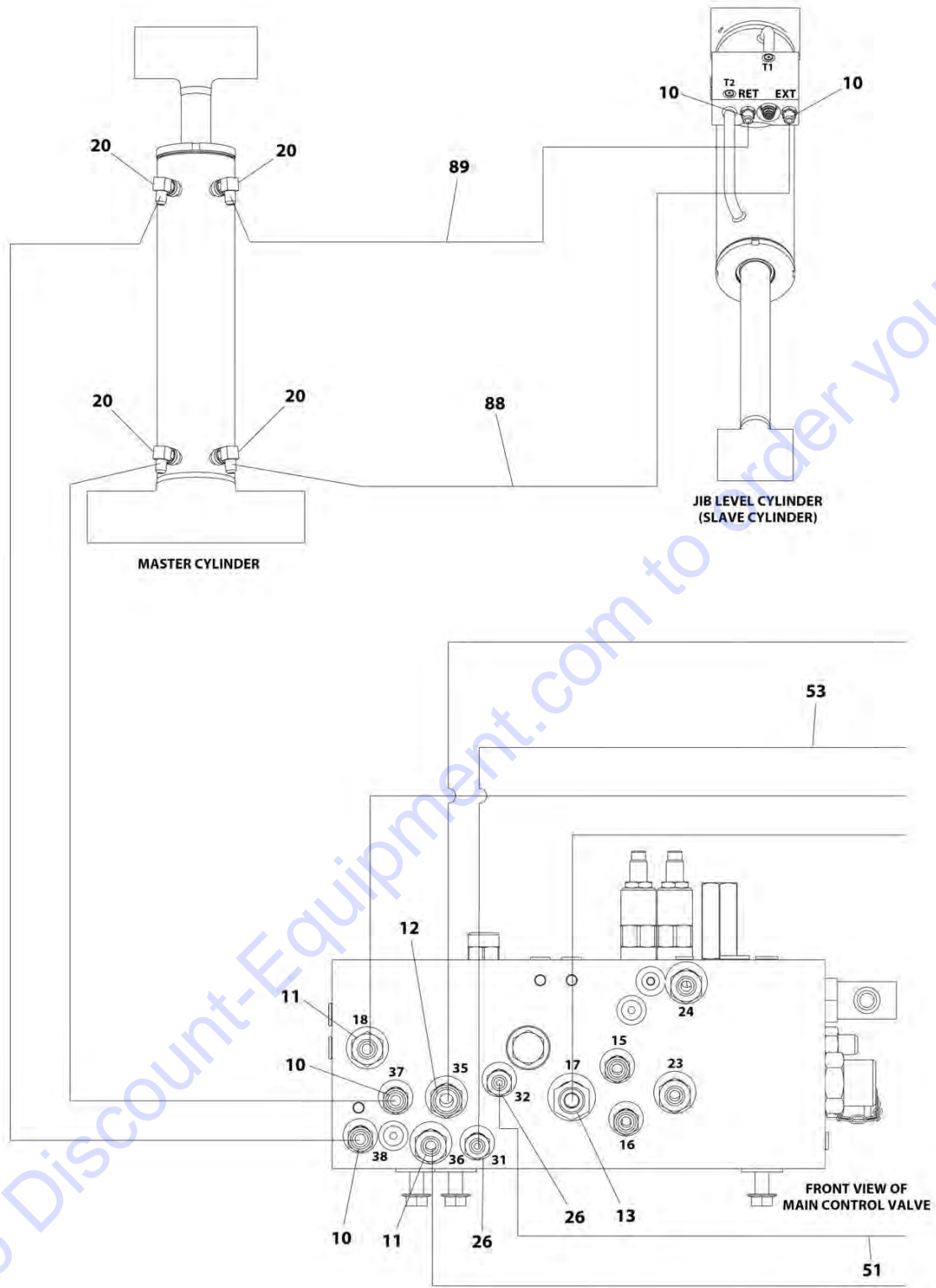
ART\_1001214165\_30F6

# SECTION 7 - HYDRAULIC



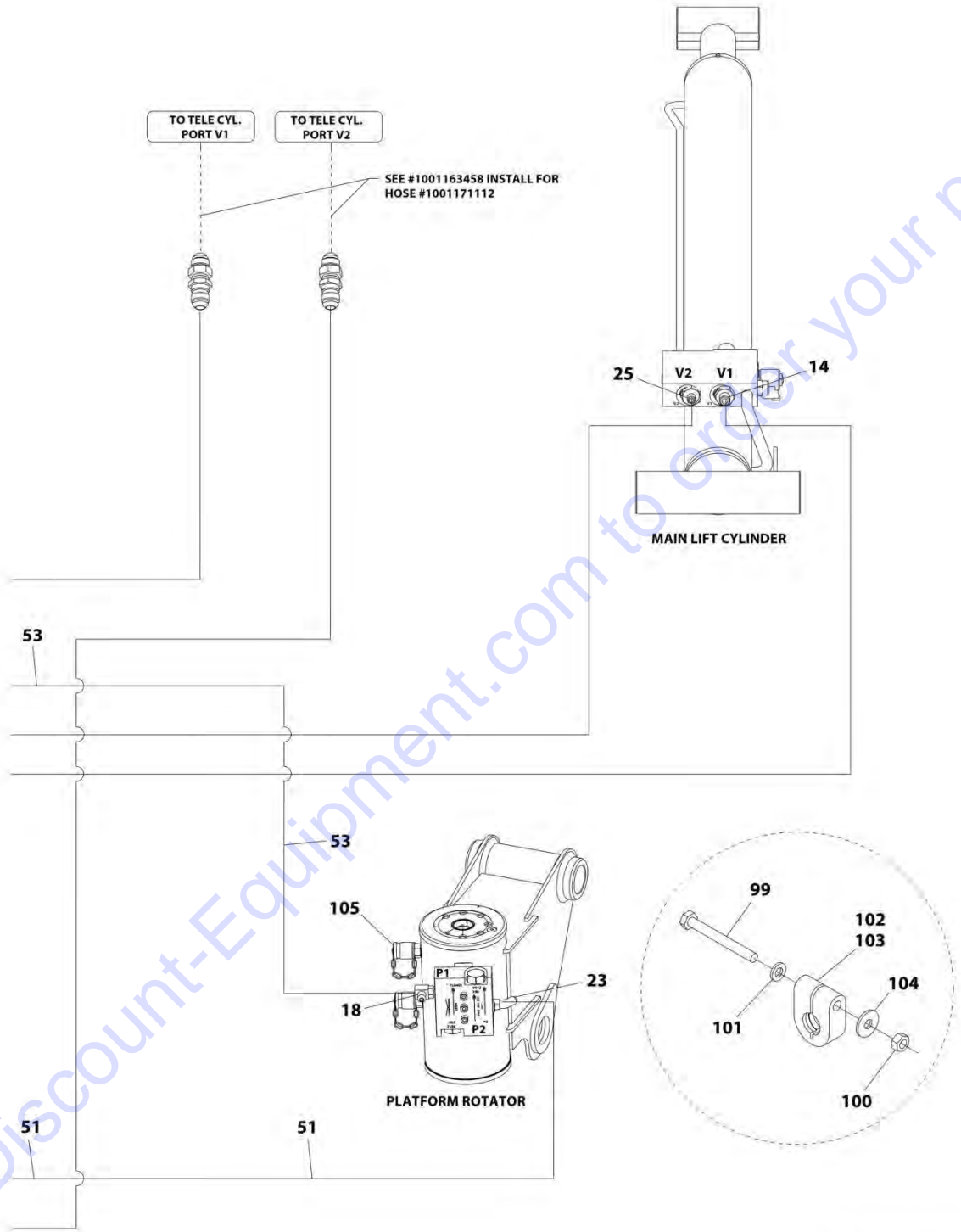
ART\_1001214165\_40F6

# SECTION 7 - HYDRAULIC



ART\_1001214165\_50F6

# SECTION 7 - HYDRAULIC



ART\_1001214165\_60F6

## SECTION 7 - HYDRAULIC

FIGURE 7-1. 400S 2WD HYDRAULIC SYSTEM INSTALLATION (SN 0300203771 through 0300220609)

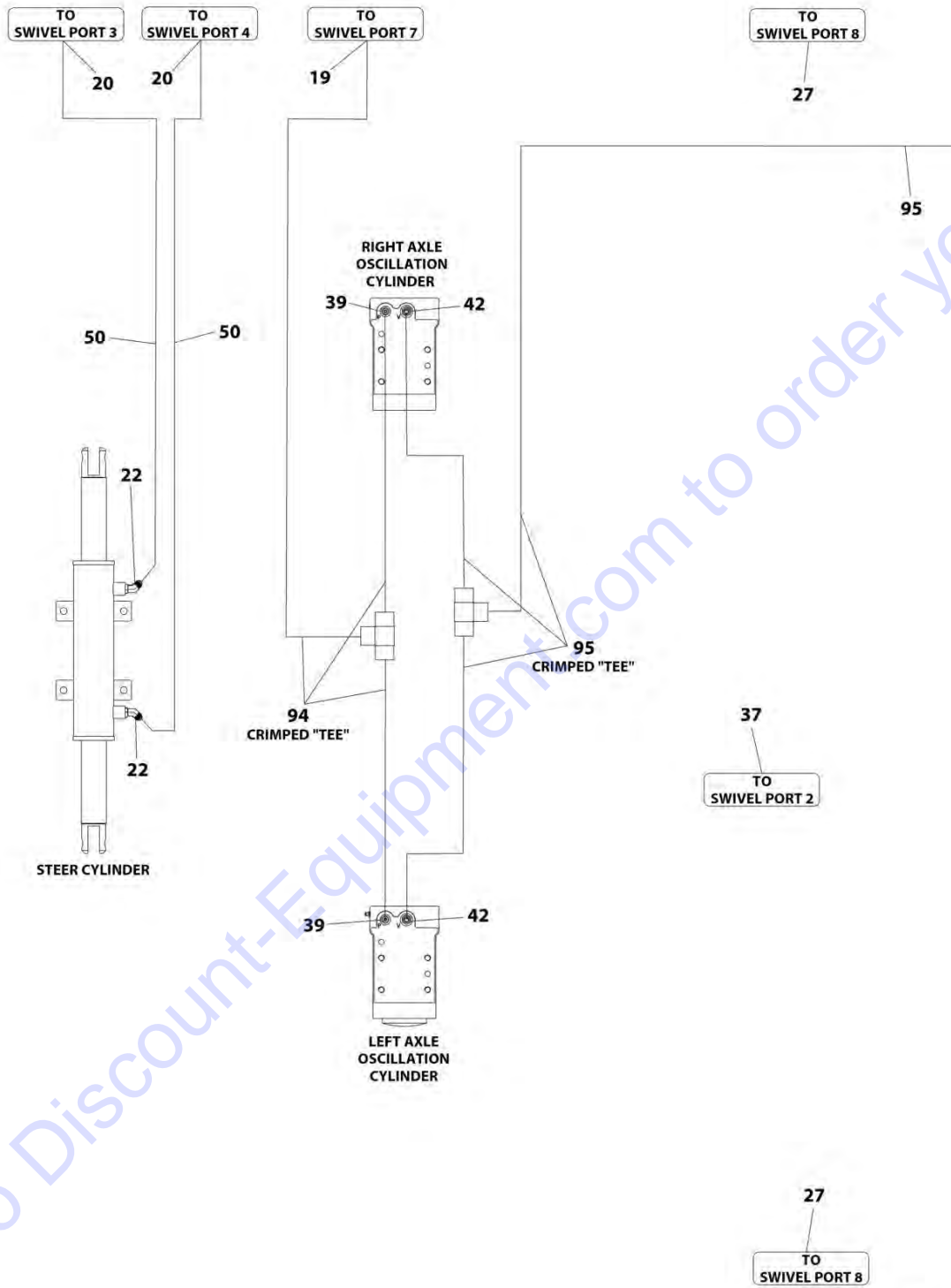
ITEM	PART NUMBER	QTY	DESCRIPTION	REV
	1001214165	Ref	400S 2WD HYDRAULIC SYSTEM INSTALLATION	B
2	2110810	4	Fitting, Straight ORFS/ORB	
3	2110812	4	Fitting, Straight ORFS/ORB	
4	2111216	5	Fitting, Straight ORFS/ORB	
5	2151212	2	Fitting, 45 JIC/ORB	
6	2131216	1	Fitting, 90 ORFS/ORB	
8	2220365	1	Fitting, 45 JIC/ORB	
9	2220366	2	Fitting, 90 JIC/ORB	
10	2220371	12	Fitting, Straight JIC/ORB	
11	2220372	8	Fitting, Straight JIC/ORB	
12	2220373	3	Fitting, Straight JIC/ORB	
13	2220374	2	Fitting, Straight JIC/ORB	
14	2220375	2	Fitting, Straight JIC/ORB	
15	2220377	1	Fitting, Straight JIC/ORB	
16	2220415	2	Fitting, Straight JIC/ORB	
17	2220451	1	Fitting, Straight JIC/ORB	
18	2220466	3	Fitting, 90 JIC/ORB	
19	2220468	2	Fitting, Straight JIC/ORB	
20	2220473	8	Fitting, 90 JIC/ORB	
21	2220500	2	Fitting, 45 JIC/ORB	
22	2220501	2	Fitting, 45 JIC/ORB	
23	2220502	1	Fitting, 45 JIC/ORB	
25	2220577	1	Fitting, Straight JIC/ORB	
26	2220582	3	Fitting, Straight JIC/ORB	
27	2220238	2	Fitting, Plug ORB	
28	2220600	2	Fitting, Straight JIC/ORB	
29	1001197272	1	Fitting, Tee JIC/ORB/JIC	
32	2220628	1	Fitting, 90 JIC/ORB	
34	2220695	1	Fitting, Tee JIC/ORB/JIC	
35	2220726	1	Fitting, 90 JIC/ORB	
36	2220775	1	Fitting, 90 JIC/ORB	
37	2220237	1	Fitting, Plug ORB	
38	2220906	1	Fitting, 90 JIC/ORB	
39	2220923	2	Fitting, Straight JIC/ORB	
40	2220946	2	Fitting, Straight JIC/ORB	
41	2220947	2	Fitting, Straight JIC/ORB	
42	2220998	2	Fitting, Straight JIC/ORB	
44	4240018	13	Tie-Strap (Not Shown)	
47	80633030	2	Clamp (Not Shown)	
49	1001098928	1	Clamp (Not Shown)	
50	1001172692	2	Hose	
51	1001172694	1	Hose	
52	1001172695	2	Hose	
53	1001172696	1	Hose	
54	1001172697	4	Hose	
57	1001197284	1	Hose	
69	1001172713	1	Hose	
70	1001172715	1	Hose	
71	1001172716	1	Hose	
72	1001172717	1	Hose	

## SECTION 7 - HYDRAULIC

ITEM	PART NUMBER	QTY	DESCRIPTION	REV
73	1001172718	1	Hose	
74	1001172719	1	Hose	
75	1001172720	1	Hose	
76	1001172721	1	Hose	
77	1001172722	2	Hose	
78	1001172723	3	Hose	
79	1001173898	1	Hose	
80	1001173899	1	Hose	
88	1001173909	1	Hose	
89	1001173937	1	Hose	
90	1001173938	1	Hose	
91	1001181073	1	Hose	
92	1001181074	1	Hose	
93	1001181075	1	Hose	
94	1001184542	1	Hose	
95	1001184543	1	Hose	
96	1001184561	1	Hose	
97	1001184562	1	Hose	
98	1001184563	1	Hose	
99	0700619	2	Bolt, M6 x 55	
100	3290601	2	Nut, M6 x 1	
101	4811700	2	Washer, M6	
102	1001191275	1	Clamp	
103	1001191276	1	Clamp	
104	4811702	2	Washer, M6	
105	2221086	3	Fitting, Diagnostic Test Port	

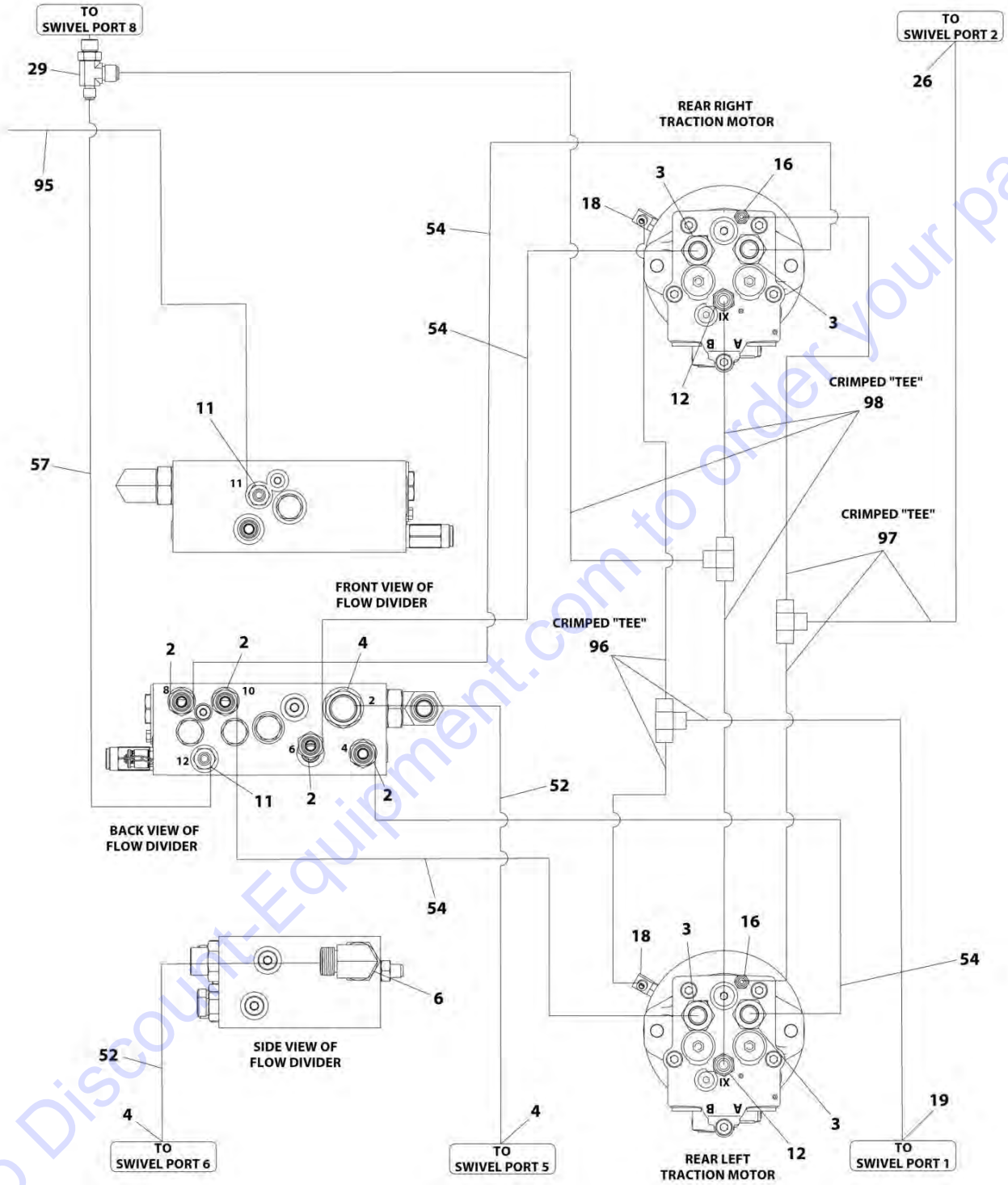
# SECTION 7 - HYDRAULIC

FIGURE 7-2. 400S 2WD HYDRAULIC SYSTEM INSTALLATION (SN 0300220610 to Present)



ART\_1001216801\_10F6

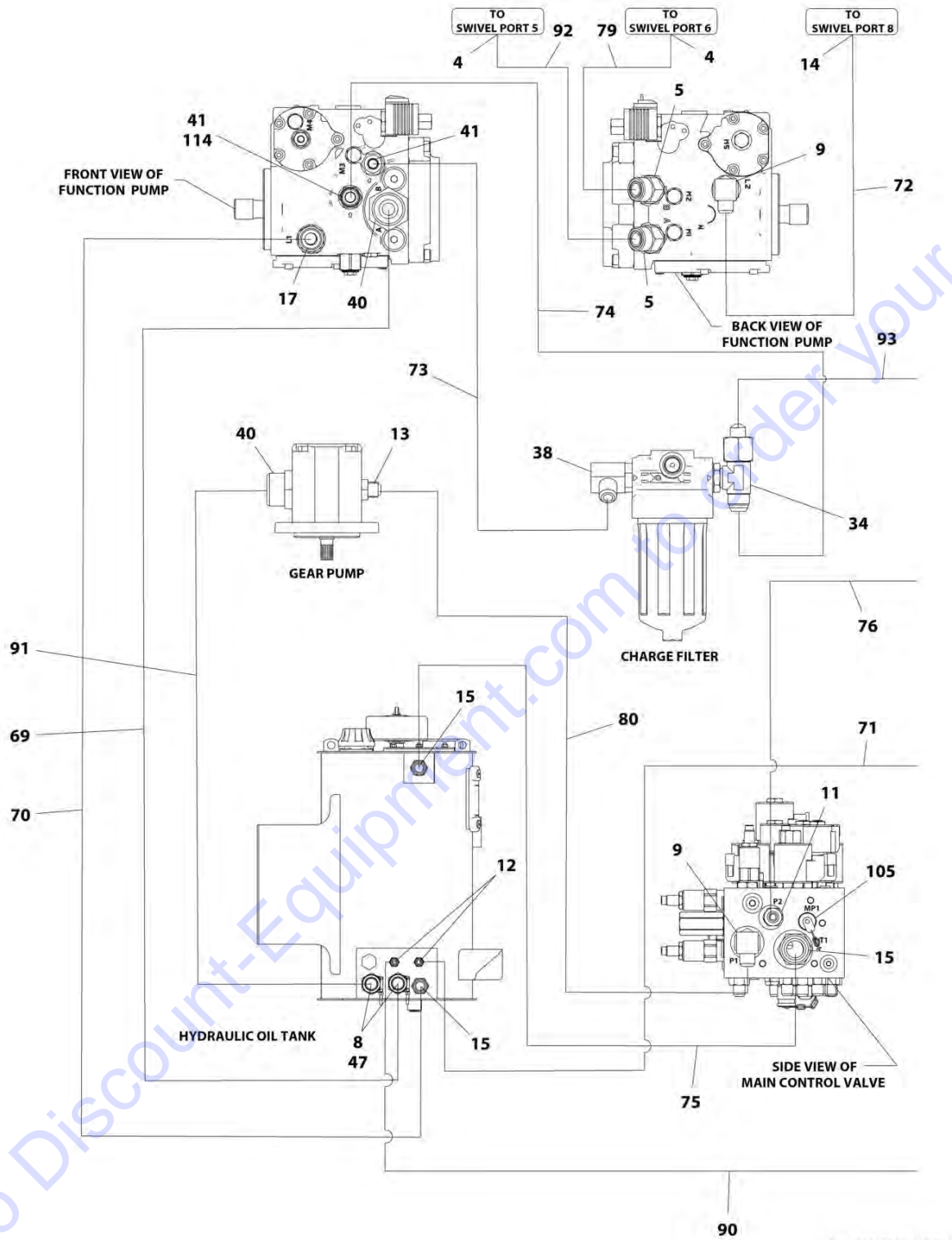
# SECTION 7 - HYDRAULIC



ART\_1001216801\_20F6

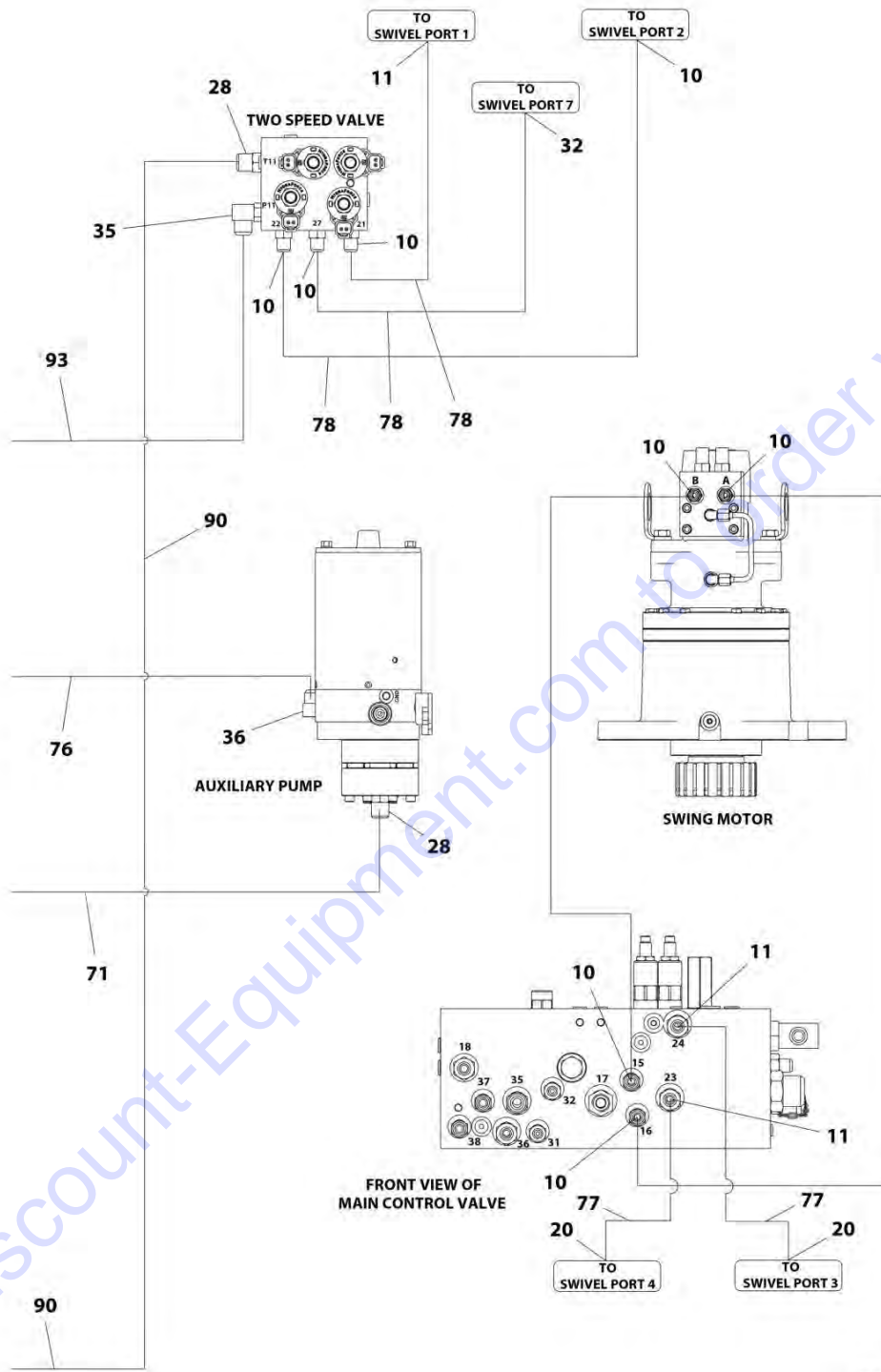


# SECTION 7 - HYDRAULIC



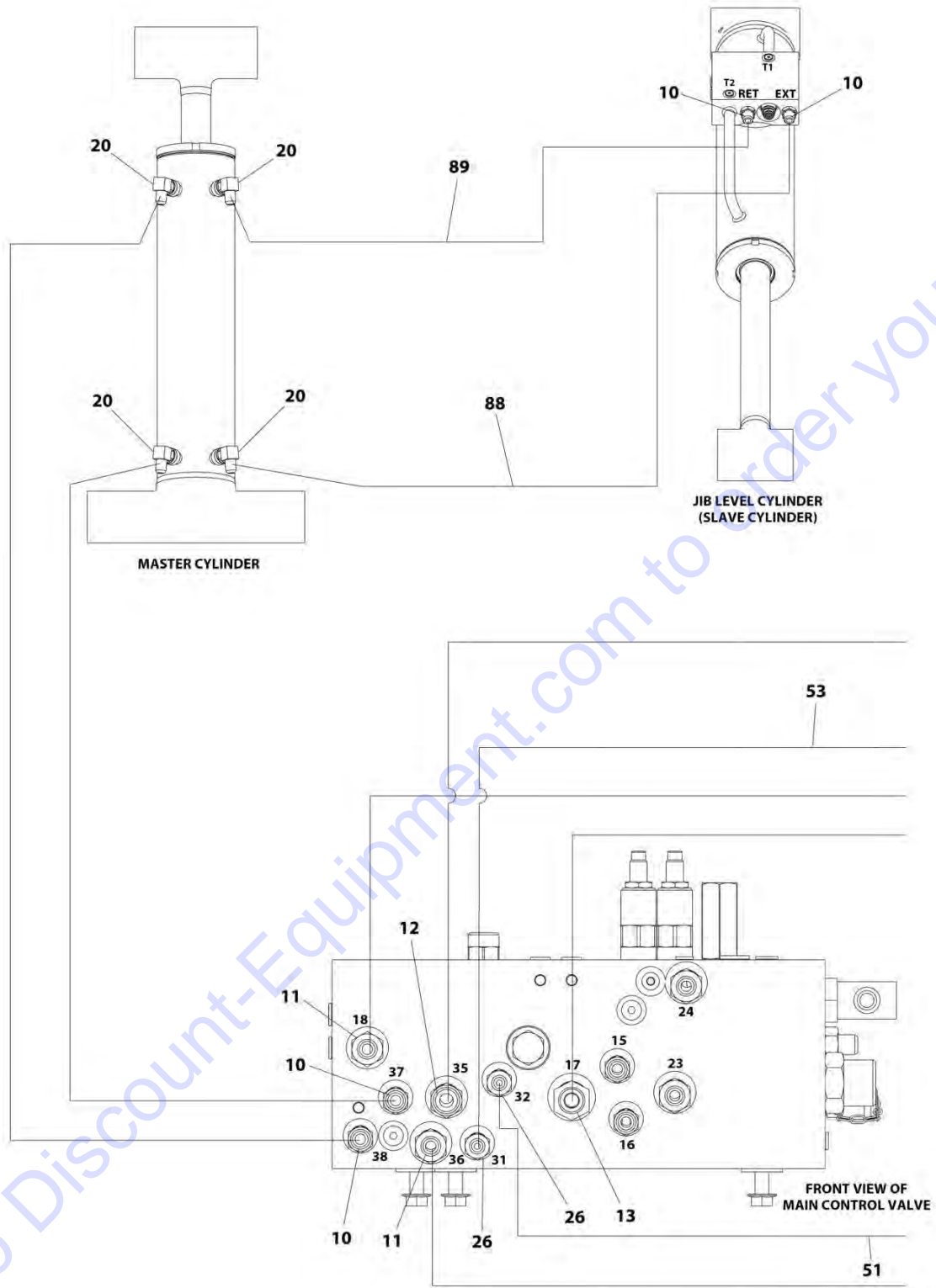
ART\_1001216801\_30F6

# SECTION 7 - HYDRAULIC

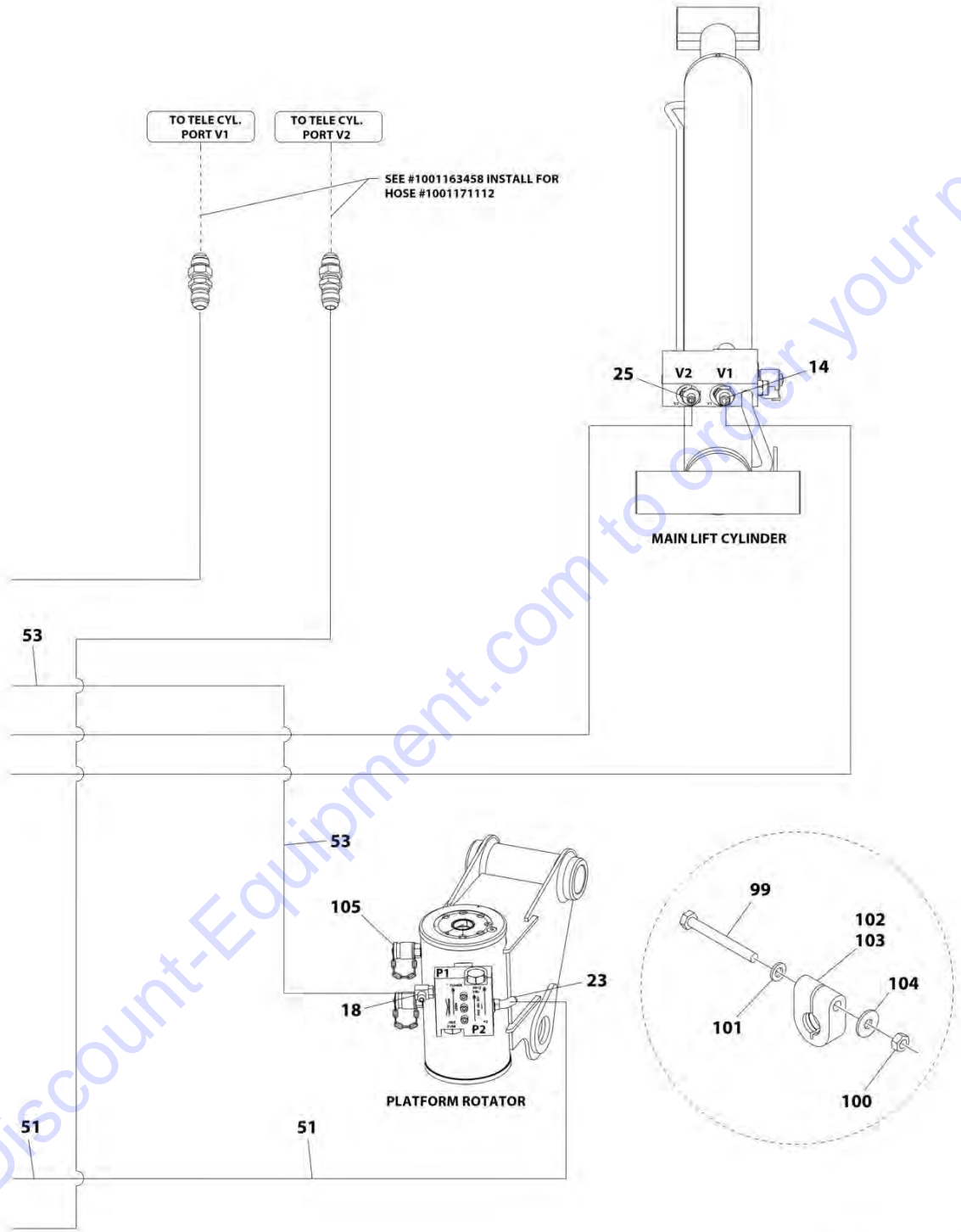


ART\_1001216801\_4OF6

# SECTION 7 - HYDRAULIC



# SECTION 7 - HYDRAULIC



ART\_1001216801\_60F6

## SECTION 7 - HYDRAULIC

FIGURE 7-2. 400S 2WD HYDRAULIC SYSTEM INSTALLATION (SN 0300220610 to Present)

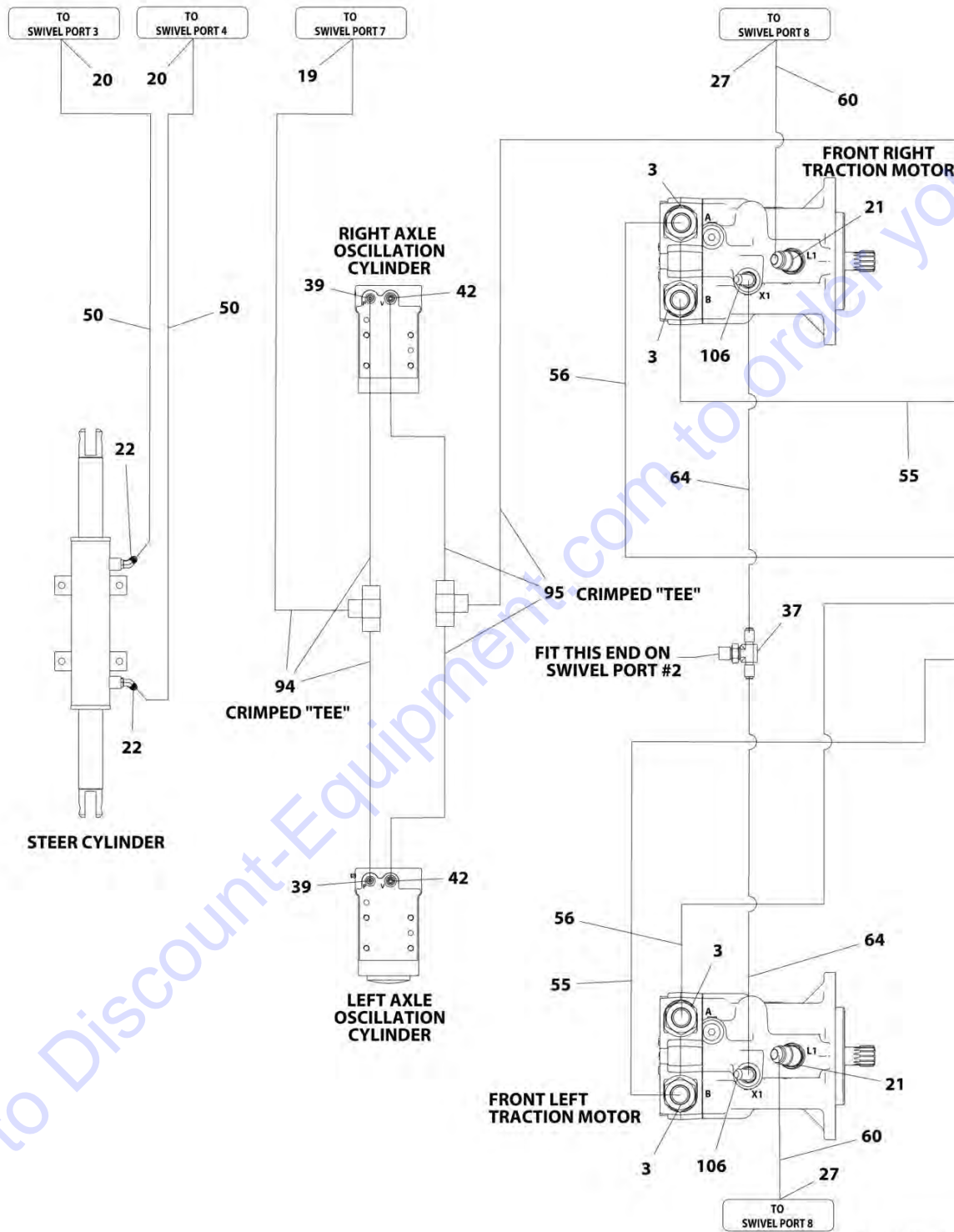
ITEM	PART NUMBER	QTY	DESCRIPTION	REV
	1001216801	Ref	400S 2WD HYDRAULIC SYSTEM INSTALLATION	D
2	2110810	4	Fitting, Straight ORFS/ORB	
3	2110812	4	Fitting, Straight ORFS/ORB	
4	2111216	5	Fitting, Straight ORFS/ORB	
5	2131212	2	Fitting, 90 ORFS/ORB	
6	2131216	1	Fitting, 90 ORFS/ORB	
8	1001202910	2	Fitting, Straight MORB	
9	2220366	2	Fitting, 90 JIC/ORB	
10	2220371	12	Fitting, Straight JIC/ORB	
11	2220372	8	Fitting, Straight JIC/ORB	
12	2220373	5	Fitting, Straight JIC/ORB	
13	2220374	2	Fitting, Straight JIC/ORB (SN 0300220610 through 0300226846)	
13	2220374	3	Fitting, Straight JIC/ORB (SN 0300226847 to Present)	
14	2220375	2	Fitting, Straight JIC/ORB (SN 0300220610 through 0300226846)	
14	2220375	1	Fitting, Straight JIC/ORB (SN 0300226847 to Present)	
15	2220377	3	Fitting, Straight JIC/ORB	
16	2220415	2	Fitting, Straight JIC/ORB	
17	2220451	1	Fitting, Straight JIC/ORB	
18	2220466	3	Fitting, 90 JIC/ORB	
19	2220468	2	Fitting, Straight JIC/ORB	
20	2220473	8	Fitting, 90 JIC/ORB	
22	2220501	2	Fitting, 45 JIC/ORB	
23	2220502	1	Fitting, 45 JIC/ORB	
25	2220577	1	Fitting, Straight JIC/ORB (SN 0300220610 through 0300226846)	
25	2220497	1	Fitting, Straight JIC/ORB (SN 0300226847 to Present)	
26	2220582	3	Fitting, Straight JIC/ORB	
27	2220238	2	Plug ORB	
28	2220600	2	Fitting, Straight JIC/ORB	
29	1001197272	1	Fitting, Tee JIC/ORB/JIC	
32	2220628	1	Fitting, 90 JIC/ORB	
34	2220695	1	Fitting, Tee JIC/ORB/JIC	
35	2220726	1	Fitting, 90 JIC/ORB	
36	2220775	1	Fitting, 90 JIC/ORB	
37	2220237	1	Plug ORB	
38	2220906	1	Fitting, 90 JIC/ORB	
39	2220923	2	Fitting, Straight JIC/ORB	
40	2220946	2	Fitting, Straight JIC/ORB	
41	2220947	2	Fitting, Straight JIC/ORB (SN 0300220610 through 0300222808)	
41	2220947	1	Fitting, Straight JIC/ORB (SN 0300222809 to Present)	
42	2220998	2	Fitting, Straight JIC/ORB	
44	4240018	13	Tie-Strap (Not Shown)	
47	80633030	2	Clamp	
49	1001098928	1	Clamp (Not Shown)	
50	1001172692	2	Hose	
51	1001172694	1	Hose	
52	1001172695	2	Hose	
53	1001172696	1	Hose	
54	1001172697	4	Hose	
57	1001197284	1	Hose	
69	1001207332	1	Hose	

## SECTION 7 - HYDRAULIC

ITEM	PART NUMBER	QTY	DESCRIPTION	REV
70	1001216655	1	Hose	
71	1001172716	1	Hose	
72	1001172717	1	Hose	
73	1001172718	1	Hose	
74	1001172719	1	Hose	
75	1001207333	1	Hose	
76	1001172721	1	Hose	
77	1001172722	2	Hose	
78	1001172723	3	Hose	
79	1001173898	1	Hose	
80	1001173899	1	Hose (SN 0300220610 through 0300222808)	
80	2752500	1	Hose (SN 0300222809 to Present)	
88	1001173909	1	Hose	
89	1001173937	1	Hose	
90	1001193654	1	Hose	
91	1001207331	1	Hose (SN 0300220610 through 0300222808)	
91	1001172713	1	Hose (SN 0300222809 through 0300226923)	
91	1001207332	1	Hose (SN 0300226924 to Present)	
92	1001181074	1	Hose	
93	1001181075	1	Hose	
94	1001184542	1	Hose	
95	1001184543	1	Hose	
96	1001184561	1	Hose	
97	1001184562	1	Hose	
98	1001184563	1	Hose	
99	0700619	2	Bolt M6 x 55	
100	3290601	2	Nut M6 x 1	
101	4811700	2	Washer M6	
102	1001191275	1	Clamp	
103	1001191276	1	Clamp	
104	4811702	2	Washer M6	
105	2221086	3	Fitting, Diagnostic Test Port	
114	88662037	1	Fitting, Straight JIC/ORB (SN 0300222809 to Present)	

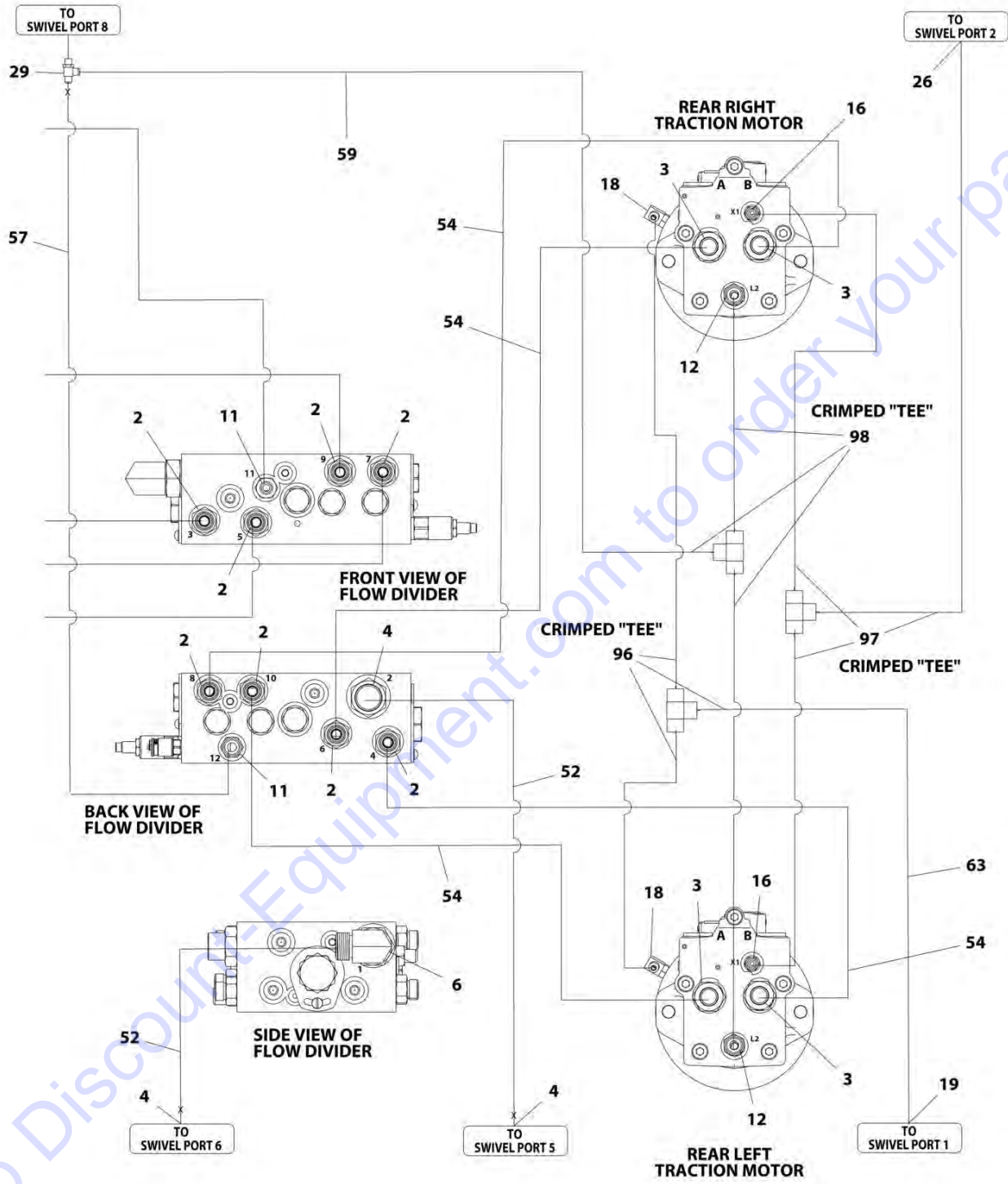
# SECTION 7 - HYDRAULIC

FIGURE 7-3. 400S 4WD HYDRAULIC SYSTEM INSTALLATION (WITHOUT ARCTIC PACKAGE) (SN 0300203771 through 0300214505)



ART\_1001173135\_10F6

# SECTION 7 - HYDRAULIC



ART\_1001173135\_20F6

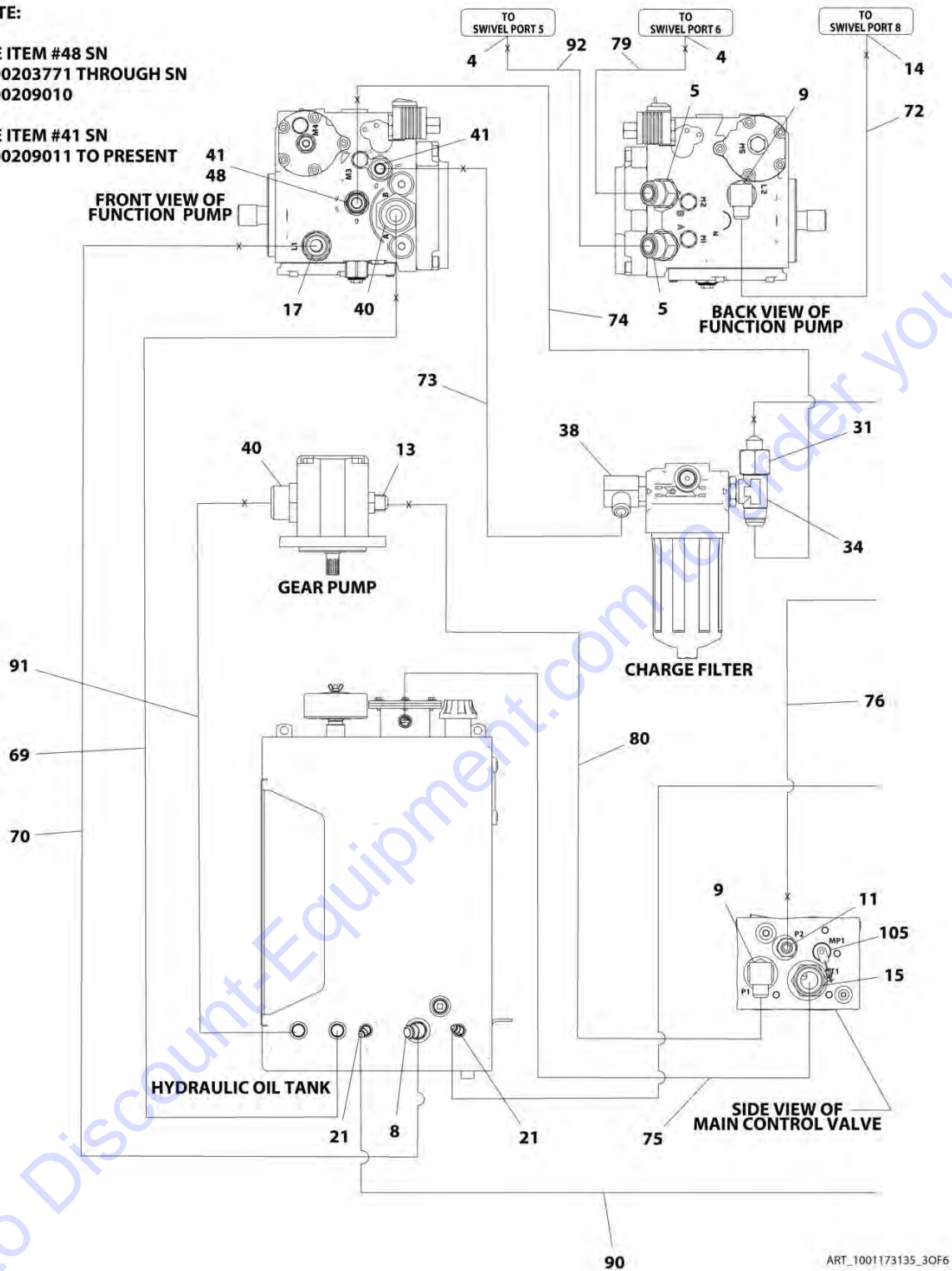


# SECTION 7 - HYDRAULIC

NOTE:

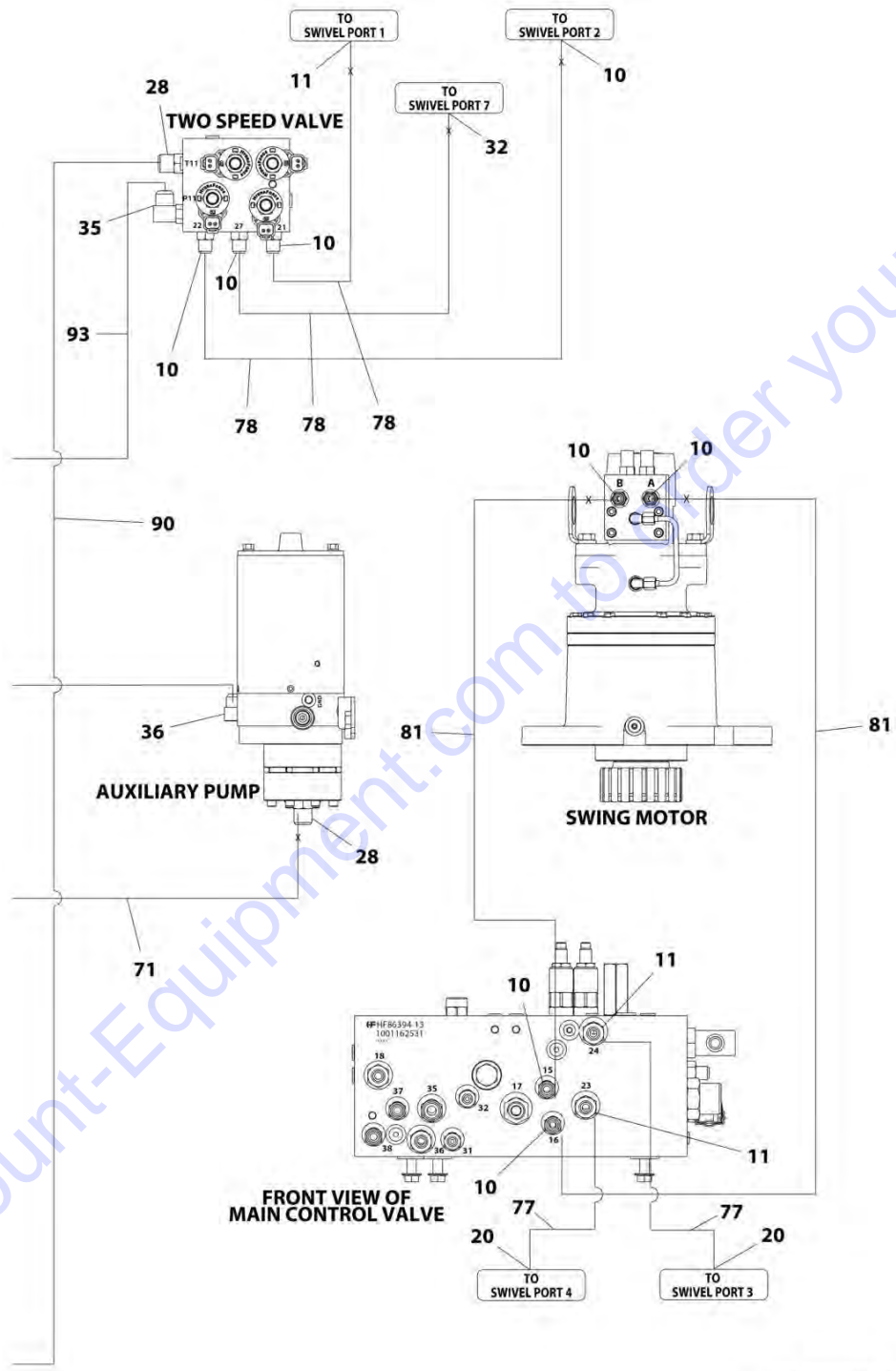
USE ITEM #48 SN  
0300203771 THROUGH SN  
0300209010

USE ITEM #41 SN  
0300209011 TO PRESENT



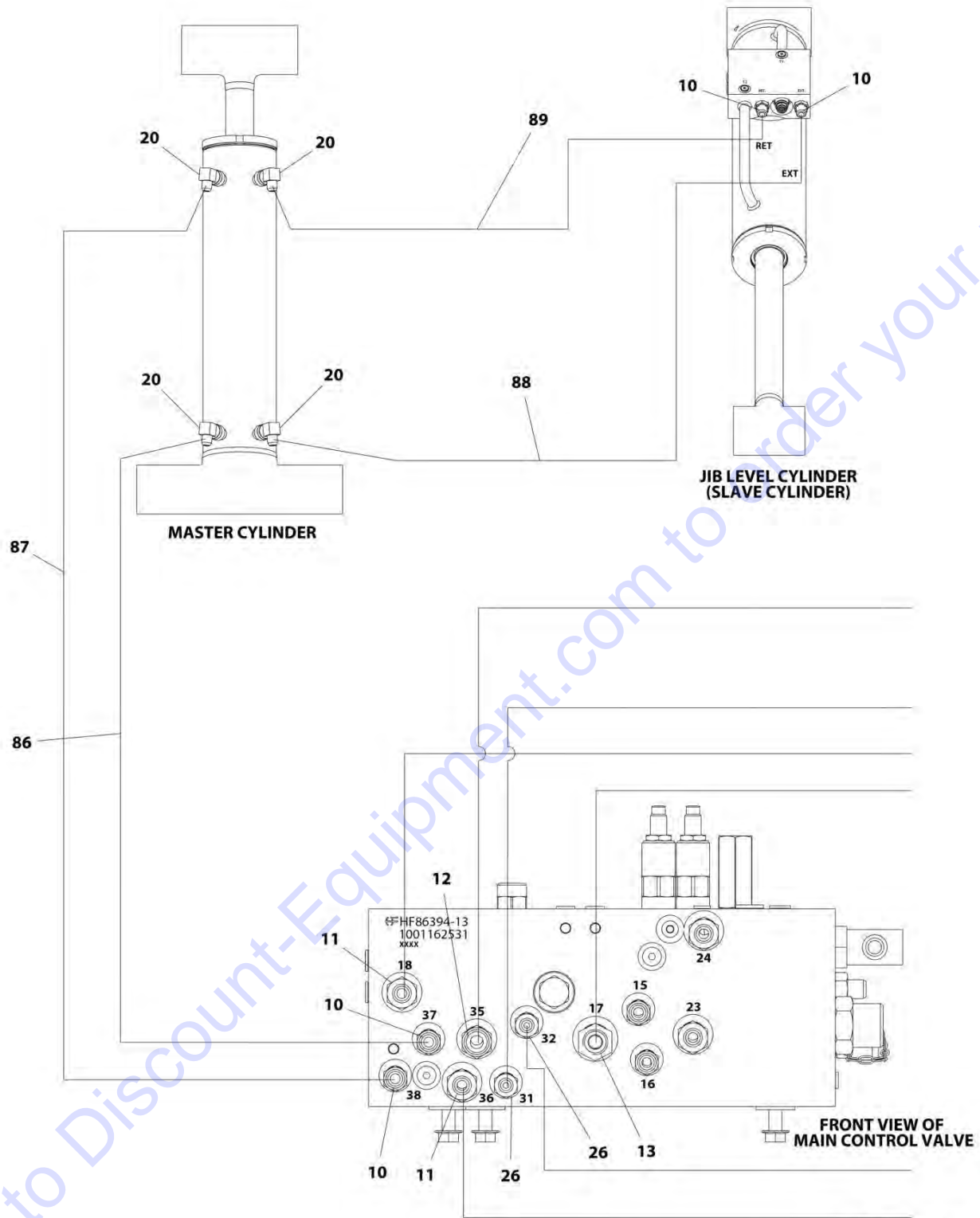
ART\_1001173135\_30F6

# SECTION 7 - HYDRAULIC



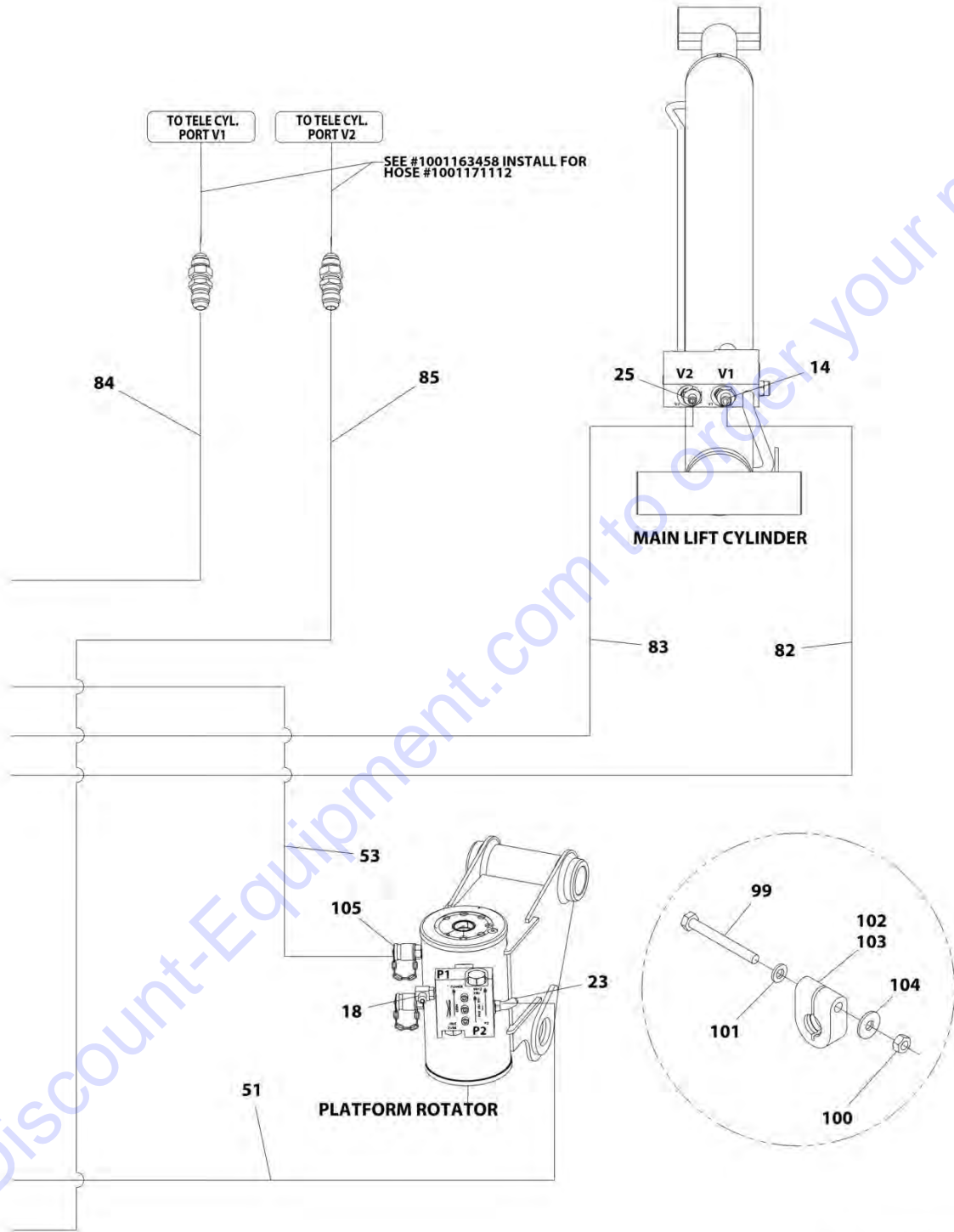
ART\_1001173135\_4OF6

# SECTION 7 - HYDRAULIC



ART\_1001173135\_50F6

# SECTION 7 - HYDRAULIC



ART\_1001173135\_60F6

## SECTION 7 - HYDRAULIC

**FIGURE 7-3. 400S 4WD HYDRAULIC SYSTEM INSTALLATION (WITHOUT ARCTIC PACKAGE) (SN 0300203771 through 0300214505)**

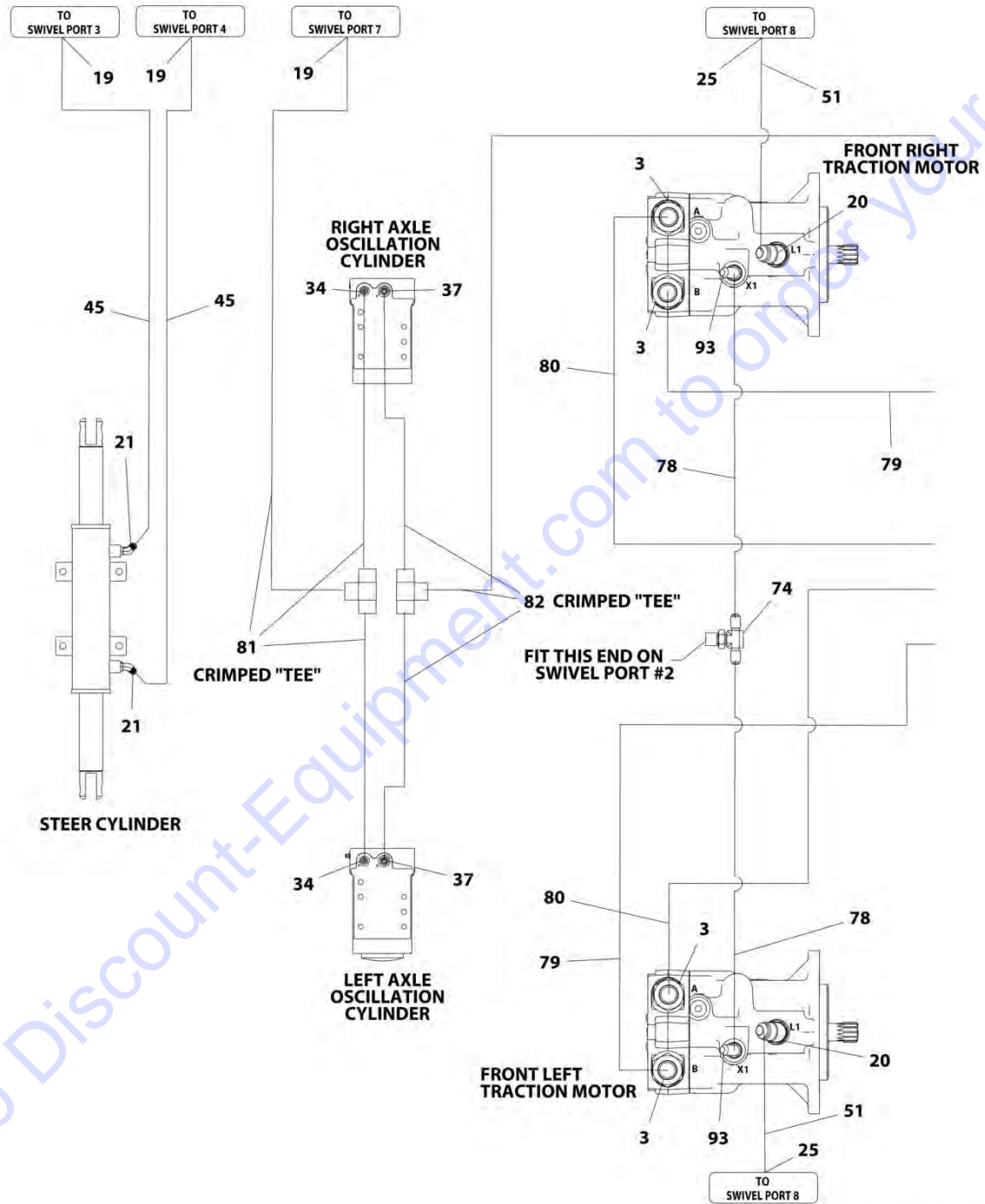
ITEM	PART NUMBER	QTY	DESCRIPTION	REV
	1001173135	Ref	400S 4WD HYDRAULIC SYSTEM INSTALLATION	K
2	2110810	8	Fitting, Straight ORFS/ORB	
3	2110812	8	Fitting, Straight ORFS/ORB	
4	2111216	5	Fitting, Straight ORFS/ORB	
5	2131212	2	Fitting, 90 ORFS/ORB (SN 0300203771 through 0300209010)	
5	2151212	2	Fitting, 45 JIC/ORB (SN 0300209011 through 0300214505)	
6	2131216	1	Fitting, 90 ORFS/ORB	
8	2220365	1	Fitting, 45 JIC/ORB	
9	2220366	2	Fitting, 90 JIC/ORB	
10	2220371	12	Fitting, Straight JIC/ORB	
11	2220372	8	Fitting, Straight JIC/ORB	
12	2220373	3	Fitting, Straight JIC/ORB	
13	2220374	2	Fitting, Straight JIC/ORB	
14	2220375	2	Fitting, Straight JIC/ORB	
15	2220377	1	Fitting, Straight JIC/ORB	
16	2220415	2	Fitting, Straight JIC/ORB	
17	2220451	1	Fitting, Straight JIC/ORB	
18	2220466	3	Fitting, 90 JIC/ORB	
19	2220468	2	Fitting, Straight JIC/ORB	
20	2220473	8	Fitting, 90 JIC/ORB	
21	2220500	4	Fitting, 45 JIC/ORB	
22	2220501	2	Fitting, 45 JIC/ORB	
23	2220502	1	Fitting, 45 JIC/ORB	
25	2220577	1	Fitting, Straight JIC/ORB	
26	2220582	3	Fitting, Straight JIC/ORB	
27	2220596	2	Fitting, 90 JIC/ORB	
28	2220600	2	Fitting, Straight JIC/ORB	
29	1001197272	1	Fitting, Tee JIC/ORB/JIC	
31	2220622	1	Fitting, Straight JIC/FSJIC (SN 0300203771 through 0300209010)	
32	2220628	1	Fitting, 90 JIC/ORB	
34	2220695	1	Fitting, Tee JIC/ORB/JIC	
35	2220726	1	Fitting, 90 JIC/ORB	
36	2220775	1	Fitting, 90 JIC/ORB	
37	1001175024	1	Fitting, Tee JIC/JIC/ORB	
38	2220906	1	Fitting, 90 JIC/ORB	
39	2220923	2	Fitting, Straight JIC/ORB	
40	2220946	2	Fitting, Straight JIC/ORB	
41	2220947	2	Fitting, Straight JIC/ORB	
42	2220998	2	Fitting, Straight JIC/ORB	
44	4240018	20	Tie-Strap	
47	80633030	2	Clamp	
48	88662037	1	Fitting, Straight JIC/ORB (SN 0300203771 through 0300209010)	
49	1001098928	1	Clamp	
50	1001172692	2	Hose	
51	1001172694	1	Hose	
52	1001172695	2	Hose	
53	1001172696	1	Hose	
54	1001172697	4	Hose	
55	1001172698	2	Hose	

## SECTION 7 - HYDRAULIC

ITEM	PART NUMBER	QTY	DESCRIPTION	REV
56	1001172699	2	Hose	
57	1001197284	1	Hose	
60	1001172703	2	Hose	
64	1001172707	2	Hose	
69	1001172713	1	Hose	
70	1001172715	1	Hose	
71	1001172716	1	Hose	
72	1001172717	1	Hose	
73	1001172718	1	Hose	
74	1001172719	1	Hose	
75	1001172720	1	Hose	
76	1001172721	1	Hose	
77	1001172722	2	Hose	
78	1001172723	3	Hose	
79	1001173898	1	Hose	
80	1001173899	1	Hose	
81	1001173900	2	Hose	
82	1001173901	1	Hose	
83	1001173902	1	Hose	
84	1001173903	1	Hose	
85	1001173904	1	Hose	
86	1001173907	1	Hose	
87	1001173908	1	Hose	
88	1001173909	1	Hose	
89	1001173937	1	Hose	
90	1001173938	1	Hose	
91	1001181073	1	Hose	
92	1001181074	1	Hose	
93	1001181075	1	Hose	
94	1001184542	1	Hose	
95	1001184543	1	Hose	
96	1001184561	1	Hose	
97	1001184562	1	Hose	
98	1001184563	1	Hose	
99	0700619	2	Bolt, M6 x 55	
100	3290601	2	Nut, M6 x 1	
101	4811700	2	Washer, M6	
102	1001191275	1	Clamp	
103	1001191276	1	Clamp	
104	4811702	2	Washer, M6	
105	2221086	3	Fitting, Diagnostic Test Port	
106	2221040	2	Fitting, 45 JIC/ORB (SN 0300209011 through 0300214505)	

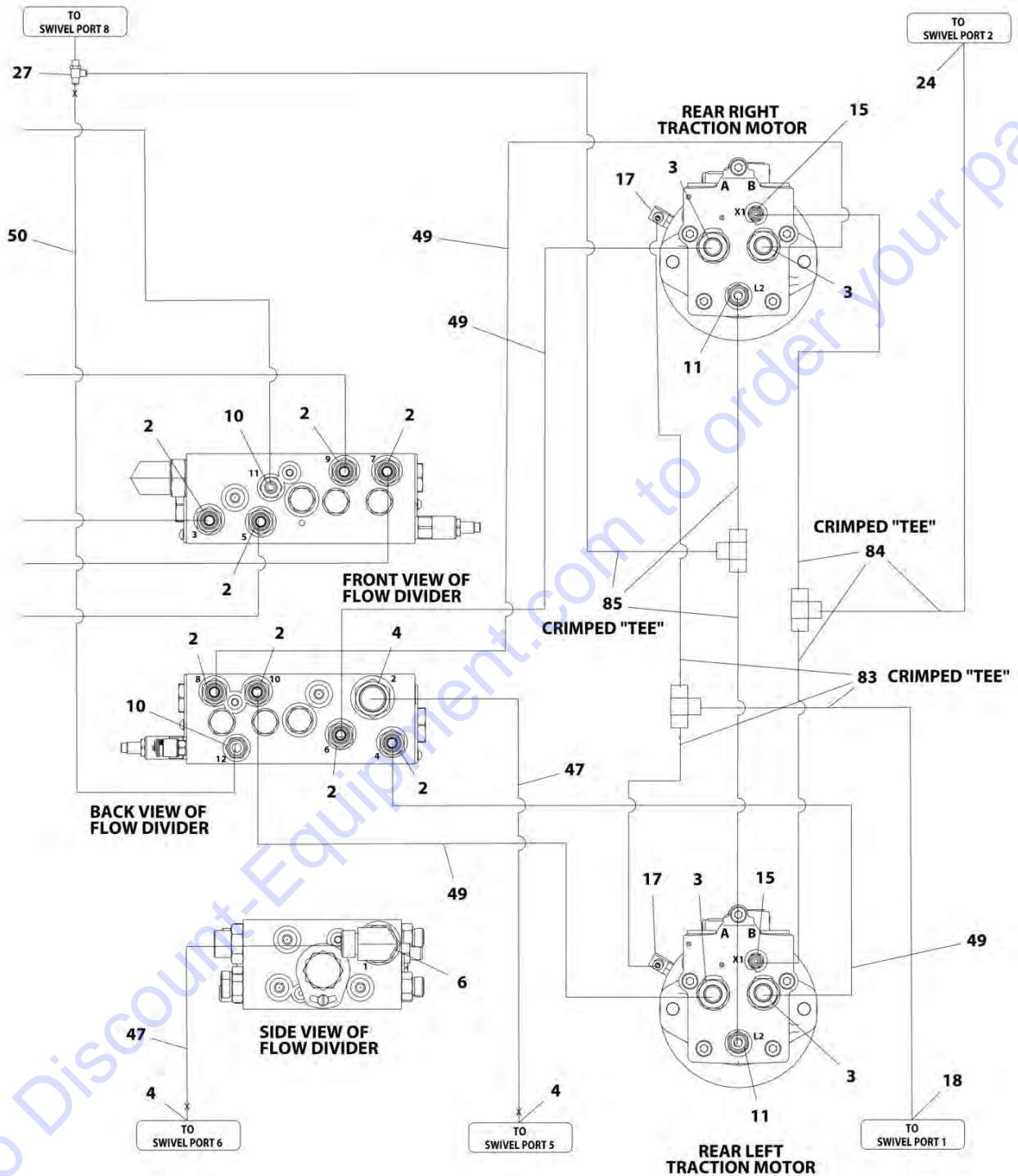
# SECTION 7 - HYDRAULIC

**FIGURE 7-4. 400S 4WD HYDRAULIC SYSTEM INSTALLATION (WITH ARCTIC PACKAGE) (SN 0300203771 through 0300214505)**



ART\_1001178498\_1OF6

# SECTION 7 - HYDRAULIC



ART\_1001178498\_20F6

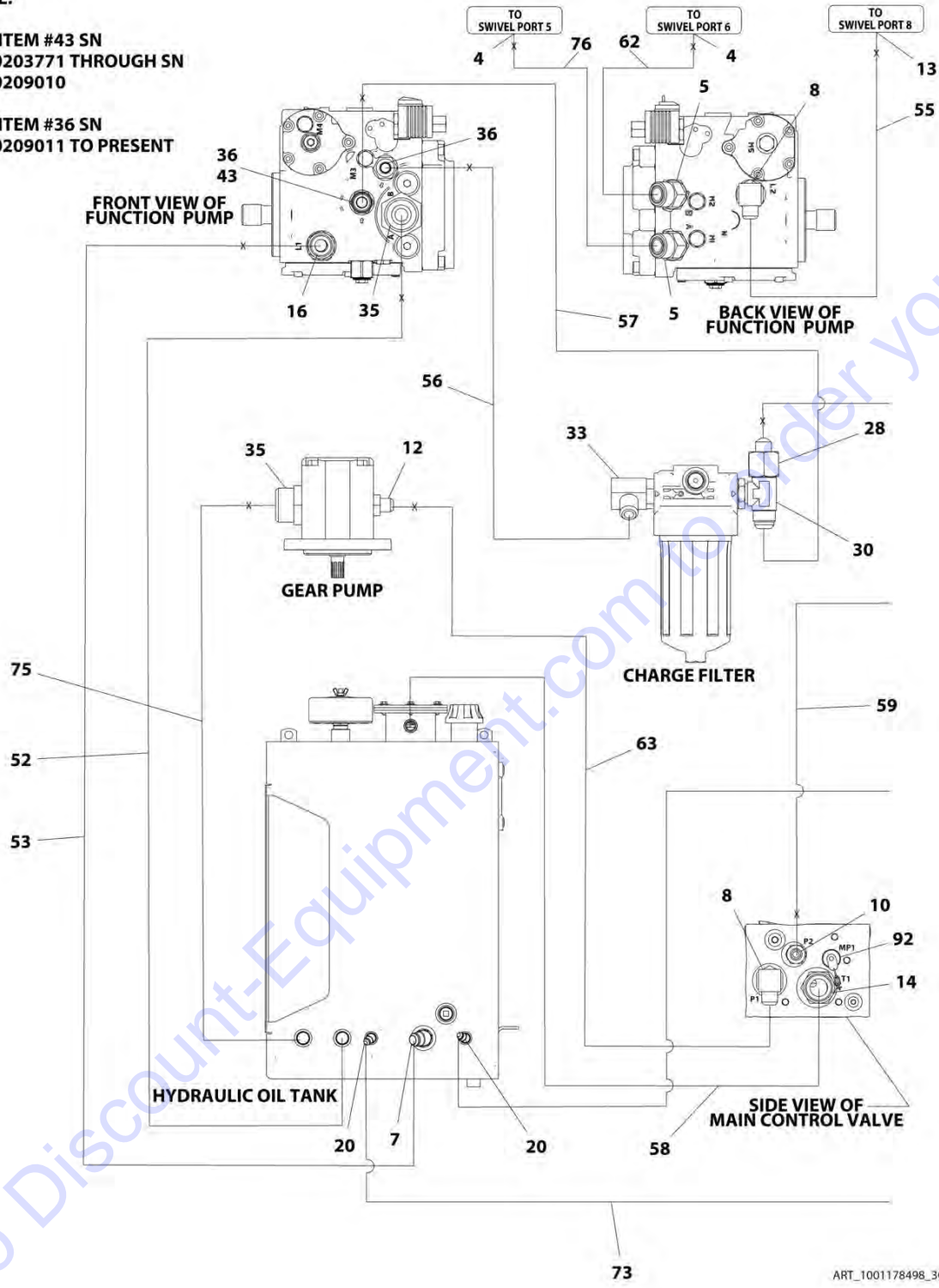


# SECTION 7 - HYDRAULIC

**NOTE:**

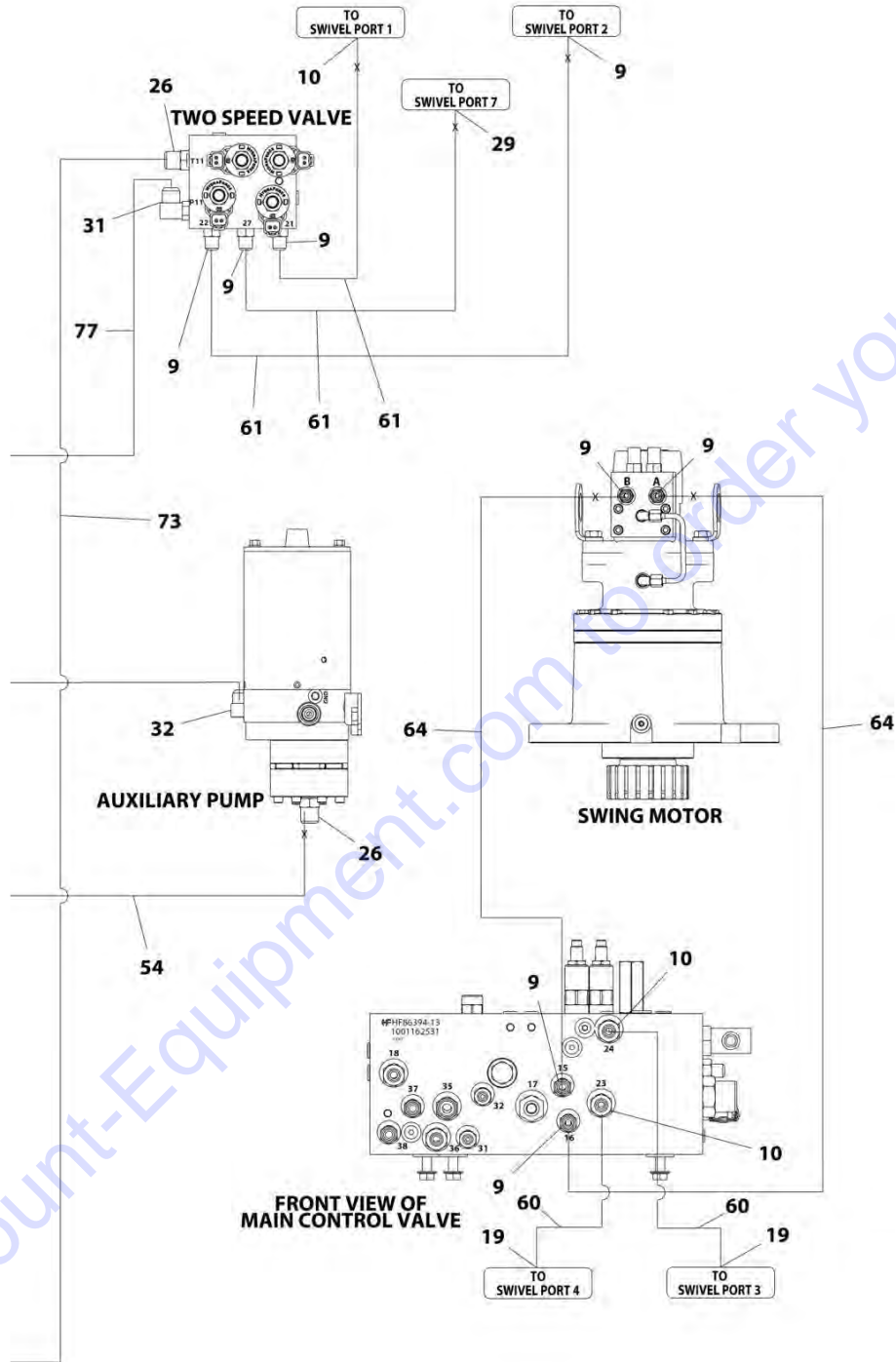
USE ITEM #43 SN  
0300203771 THROUGH SN  
0300209010

USE ITEM #36 SN  
0300209011 TO PRESENT



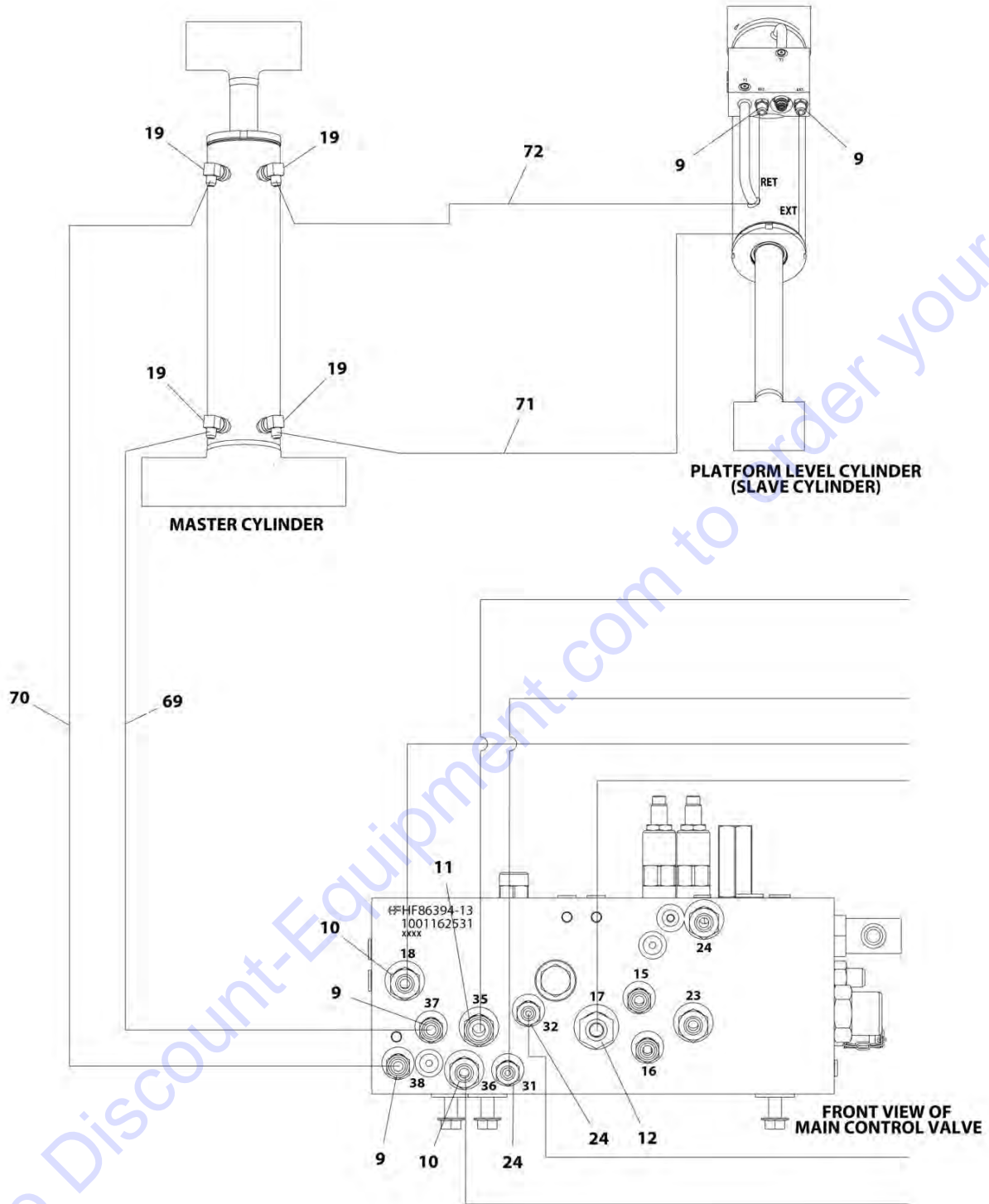
ART\_1001178498\_30F6

# SECTION 7 - HYDRAULIC



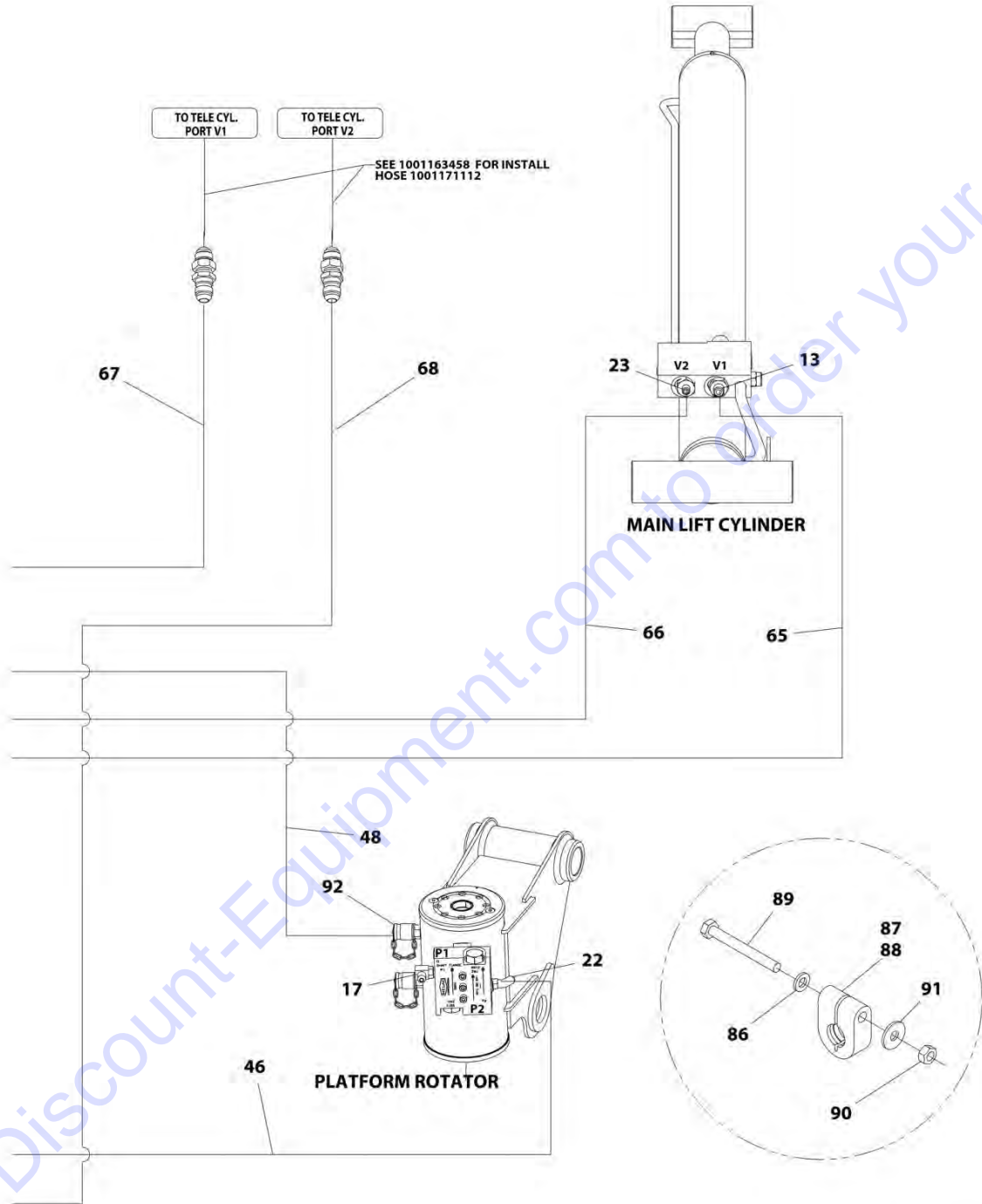
ART\_1001178498\_4OF6

# SECTION 7 - HYDRAULIC



ART\_1001178498\_50F6

# SECTION 7 - HYDRAULIC



ART\_1001178498\_60F6

# PARTS FINDER

**Search Website  
by Part Number**



**Search Manual  
Library For Parts  
Manual & Lookup Part  
Numbers – Purchase  
or Request Quote**

**Can't Find Part or  
Manual? Request Help  
by Manufacturer,  
Model & Description**

Discount-Equipment.com is your online resource for quality parts & equipment.

Florida: **561-964-4949** Outside Florida TOLL FREE: **877-690-3101**

**Need parts?**

Click on this link: <http://www.discount-equipment.com/category/5443-parts/> and choose one of the options to help get the right parts and equipment you are looking for. Please have the machine model and serial number available in order to help us get you the correct parts. If you don't find the part on the website or on one of the online manuals, please fill out the request form and one of our experienced staff members will get back to you with a quote for the right part that your machine needs.

We sell worldwide for the brands: Genie, Terex, JLG, MultiQuip, Mikasa, Essick, Whiteman, Mayco, Toro Stone, Diamond Products, Generac Magnum, Airman, Haulotte, Barreto, Power Blanket, Nifty Lift, Atlas Copco, Chicago Pneumatic, Allmand, Miller Curber, Skyjack, Lull, Skytrak, Tsurumi, Husquvarna Target, Stow, Wacker, Sakai, Mi-T-M, Sullair, Basic, Dynapac, MBW, Weber, Bartell, Bennar Newman, Haulotte, Ditch Runner, Menegotti, Morrison, Contec, Buddy, Crown, Edco, Wyco, Bomag, Laymor, EZ Trench, Bil-Jax, F.S. Curtis, Gehl Pavers, Heli, Honda, ICS/PowerGrit, IHI, Partner, Imer, Clipper, MMD, Koshin, Rice, CH&E, General Equipment, Amida, Coleman, NAC, Gradall, Square Shooter, Kent, Stanley, Tamco, Toku, Hatz, Kohler, Robin, Wisconsin, Northrock, Oztec, Toker TK, Rol-Air, APT, Wylie, Ingersoll Rand / Doosan, Innovatech, Con X, Ammann, Mecalac, Makinex, Smith Surface Prep, Small Line, Wanco, Yanmar

## SECTION 7 - HYDRAULIC

**FIGURE 7-4. 400S 4WD HYDRAULIC SYSTEM INSTALLATION (WITH ARCTIC PACKAGE) (SN 0300203771 through 0300214505)**

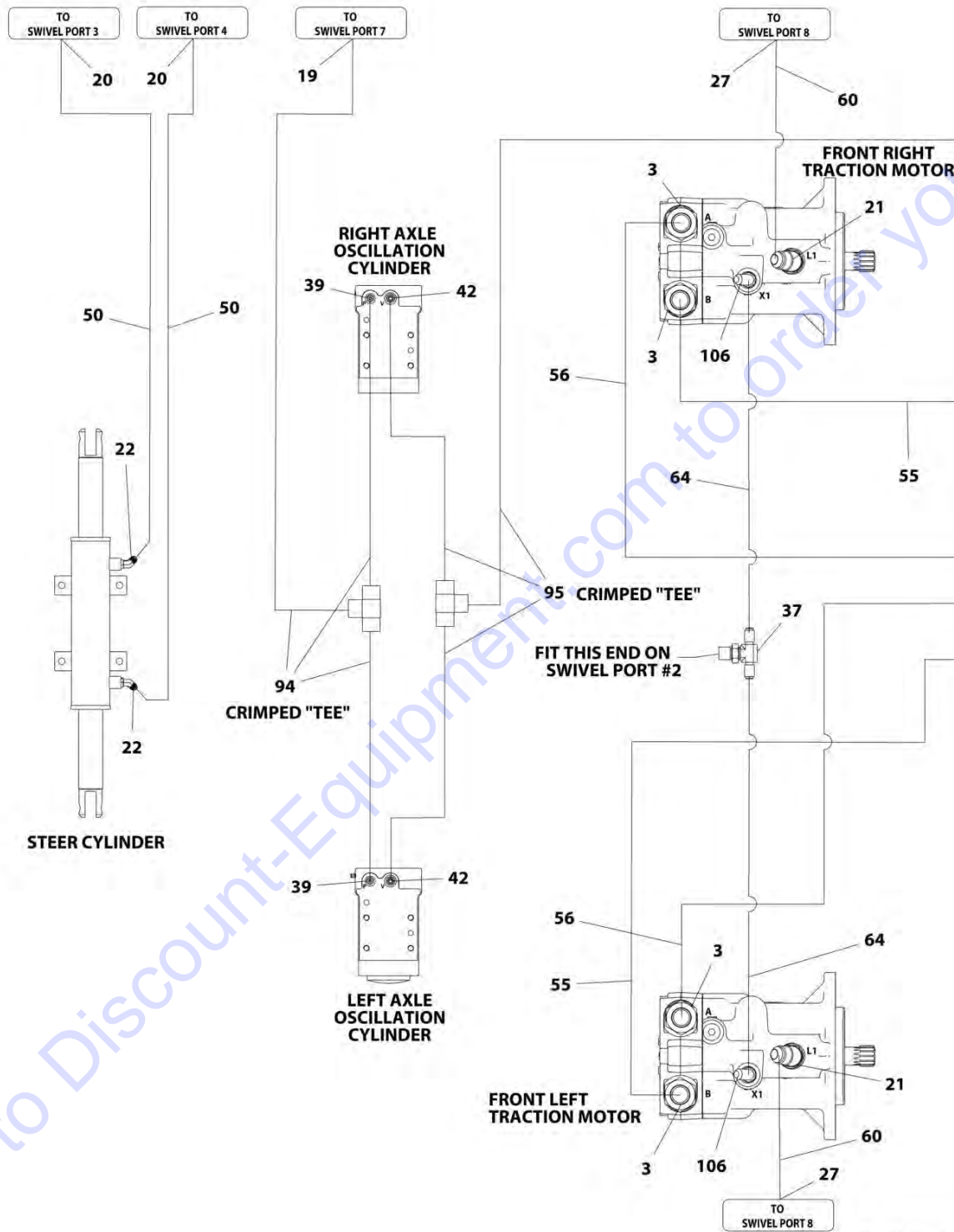
ITEM	PART NUMBER	QTY	DESCRIPTION	REV
	1001178498	Ref	HYDRAULIC SYSTEM INSTALLATION - 400S (WITH ARCTIC PACKAGE) (SN 0300203771 through 0300214505)	G
2	2110810	8	Fitting, Straight ORFS/ORB	
3	2110812	8	Fitting, Straight ORFS/ORB	
4	2111216	5	Fitting, Straight ORFS/ORB	
5	2131212	2	Fitting, 90 ORFS/ORB (SN 0300203771 through 0300209010)	
5	2151212	2	Fitting, 45 JIC/ORB (SN 0300209011 to Present)	
6	2131216	1	Fitting, 90 ORFS/ORB	
7	2220365	1	Fitting, 45 JIC/ORB	
8	2220366	2	Fitting, 90 JIC/ORB	
9	2220371	12	Fitting, Straight JIC/ORB	
10	2220372	8	Fitting, Straight JIC/ORB	
11	2220373	3	Fitting, Straight JIC/ORB	
12	2220374	2	Fitting, Straight JIC/ORB	
13	2220375	2	Fitting, Straight JIC/ORB	
14	2220377	1	Fitting, Straight JIC/ORB	
15	2220415	2	Fitting, Straight JIC/ORB	
16	2220451	1	Fitting, Straight JIC/ORB	
17	2220466	3	Fitting, 90 JIC/ORB	
18	2220468	2	Fitting, Straight JIC/ORB	
19	2220473	8	Fitting, 90 JIC/ORB	
20	2220500	4	Fitting, 45 JIC/ORB	
21	2220501	2	Fitting, 45 JIC/ORB	
22	2220502	1	Fitting, 45 JIC/ORB	
23	2220577	1	Fitting, Straight JIC/ORB	
24	2220582	3	Fitting, Straight JIC/ORB	
25	2220596	2	Fitting, 90 JIC/ORB	
26	2220600	2	Fitting, Straight JIC/ORB	
27	1001197272	1	Fitting, Tee JIC/ORB/JIC	
28	2220622	1	Fitting, Straight JIC/FSJIC (SN 0300203771 through 0300209010)	
29	2220628	1	Fitting, 90 JIC/ORB	
30	2220695	1	Fitting, Tee JIC/ORB/JIC	
31	2220726	1	Fitting, 90 JIC/ORB	
32	2220775	1	Fitting, 90 JIC/ORB	
33	2220906	1	Fitting, 90 JIC/ORB	
34	2220923	2	Fitting, Straight JIC/ORB	
35	2220946	2	Fitting, Straight JIC/ORB	
36	2220947	2	Fitting, Straight JIC/ORB	
37	2220998	2	Fitting, Straight JIC/ORB	
39	4240018	10	Tie-Strap	
42	80633030	2	Clamp	
43	88662037	1	Fitting, Straight JIC/ORB (SN 0300203771 through 0300209010)	
44	1001098928	1	Clamp	
45	1001172692	2	Hose	
46	1001172694	1	Hose	
47	1001172695	2	Hose	
48	1001172696	1	Hose	
49	1001172697	4	Hose	
50	1001197284	1	Hose	

## SECTION 7 - HYDRAULIC

ITEM	PART NUMBER	QTY	DESCRIPTION	REV
51	1001172703	2	Hose	
52	1001172713	1	Hose	
53	1001172715	1	Hose	
54	1001172716	1	Hose	
55	1001172717	1	Hose	
56	1001172718	1	Hose	
57	1001172719	1	Hose	
58	1001172720	1	Hose	
59	1001172721	1	Hose	
60	1001172722	2	Hose	
61	1001172723	3	Hose	
62	1001173898	1	Hose	
63	1001173899	1	Hose	
64	1001173900	2	Hose	
65	1001173901	1	Hose	
66	1001173902	1	Hose	
67	1001173903	1	Hose	
68	1001173904	1	Hose	
69	1001173907	1	Hose	
70	1001173908	1	Hose	
71	1001173909	1	Hose	
72	1001173937	1	Hose	
73	1001173938	1	Hose	
74	1001175024	1	Fitting, Tee JIC/JIC/ORB	
75	1001181073	1	Hose	
76	1001181074	1	Hose	
77	1001181075	1	Hose	
78	1001183216	2	Hose	
79	1001183217	2	Hose	
80	1001183218	2	Hose	
81	1001184542	1	Hose	
82	1001184543	1	Hose	
83	1001184561	1	Hose	
84	1001184562	1	Hose	
85	1001184563	1	Hose	
86	4811700	2	Washer, M6	
87	1001191275	1	Clamp	
88	1001191276	1	Clamp	
89	0700619	2	Bolt, M6 x 55	
90	3290601	2	Nut, M6 x 1	
91	4811702	2	Washer, M6	
92	2221086	3	Fitting, Diagnostic Test Port	
93	2221040	2	Fitting, 45 JIC/ORB (SN 0300209011 through 0300214505)	

# SECTION 7 - HYDRAULIC

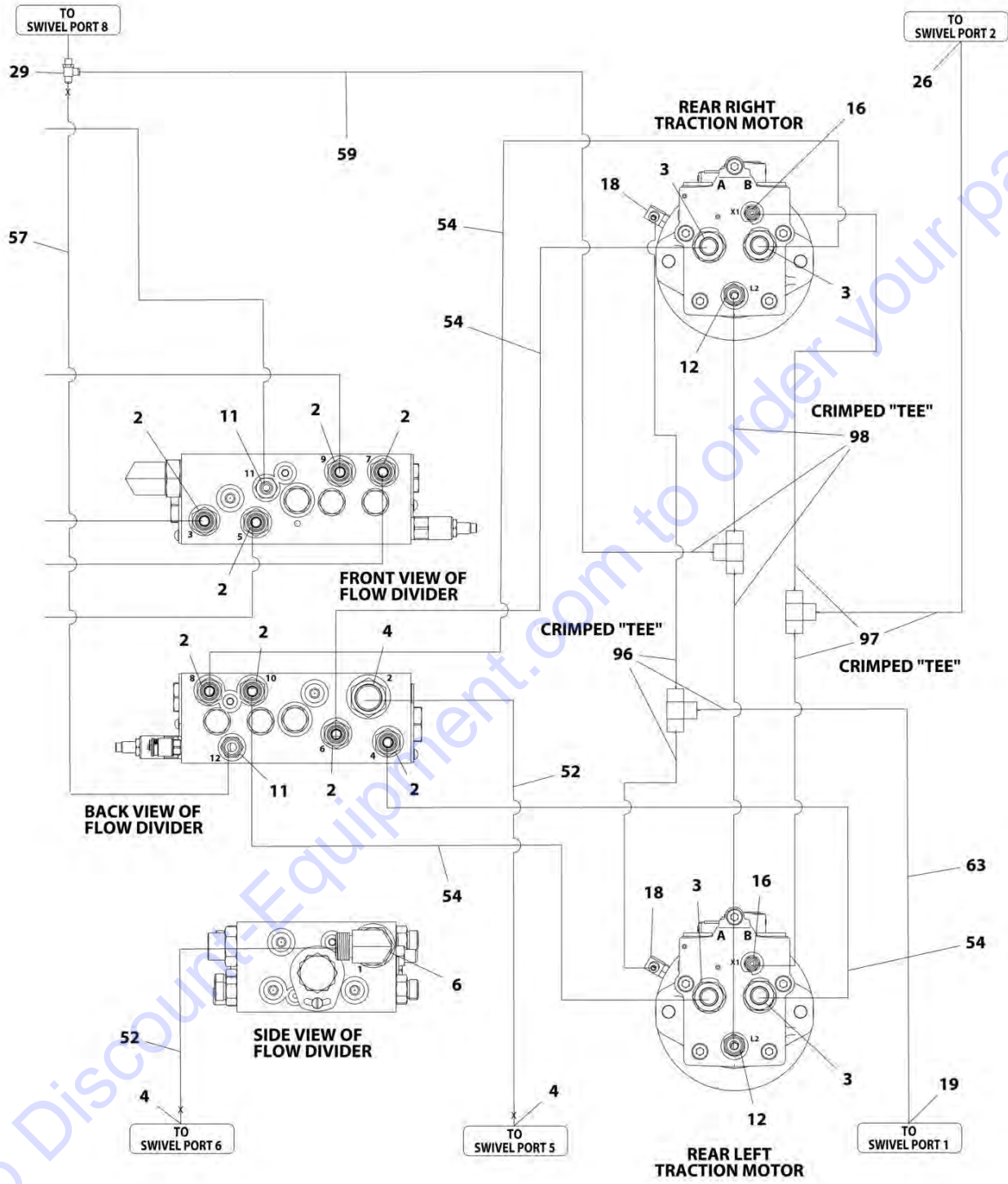
FIGURE 7-5. 400S 4WD HYDRAULIC SYSTEM INSTALLATION (ALL MACHINES) (SN 0300214506 through 0300220609)



ART\_1001173135\_10F6



# SECTION 7 - HYDRAULIC



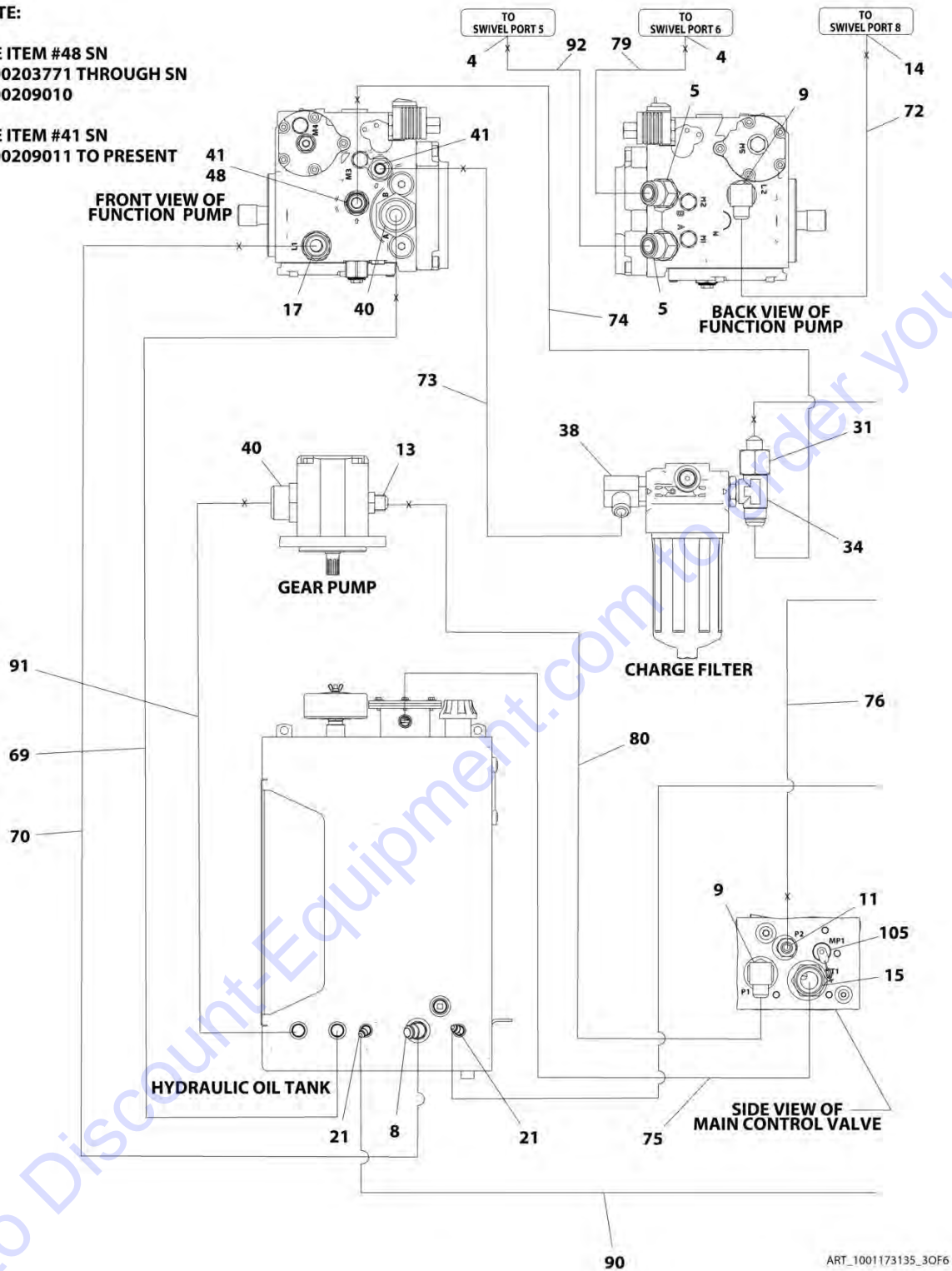
ART\_1001173135\_20F6

# SECTION 7 - HYDRAULIC

NOTE:

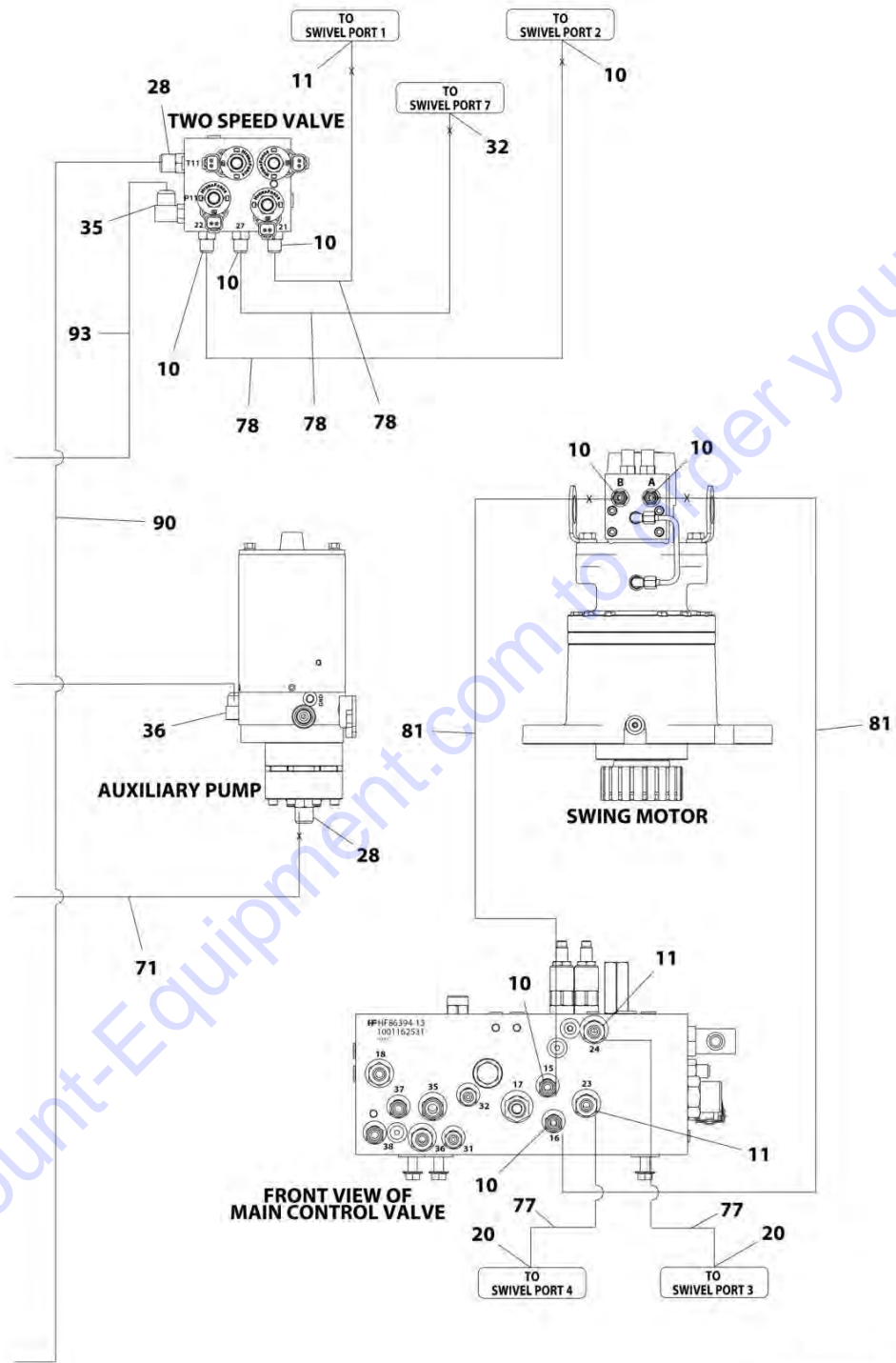
USE ITEM #48 SN  
0300203771 THROUGH SN  
0300209010

USE ITEM #41 SN  
0300209011 TO PRESENT



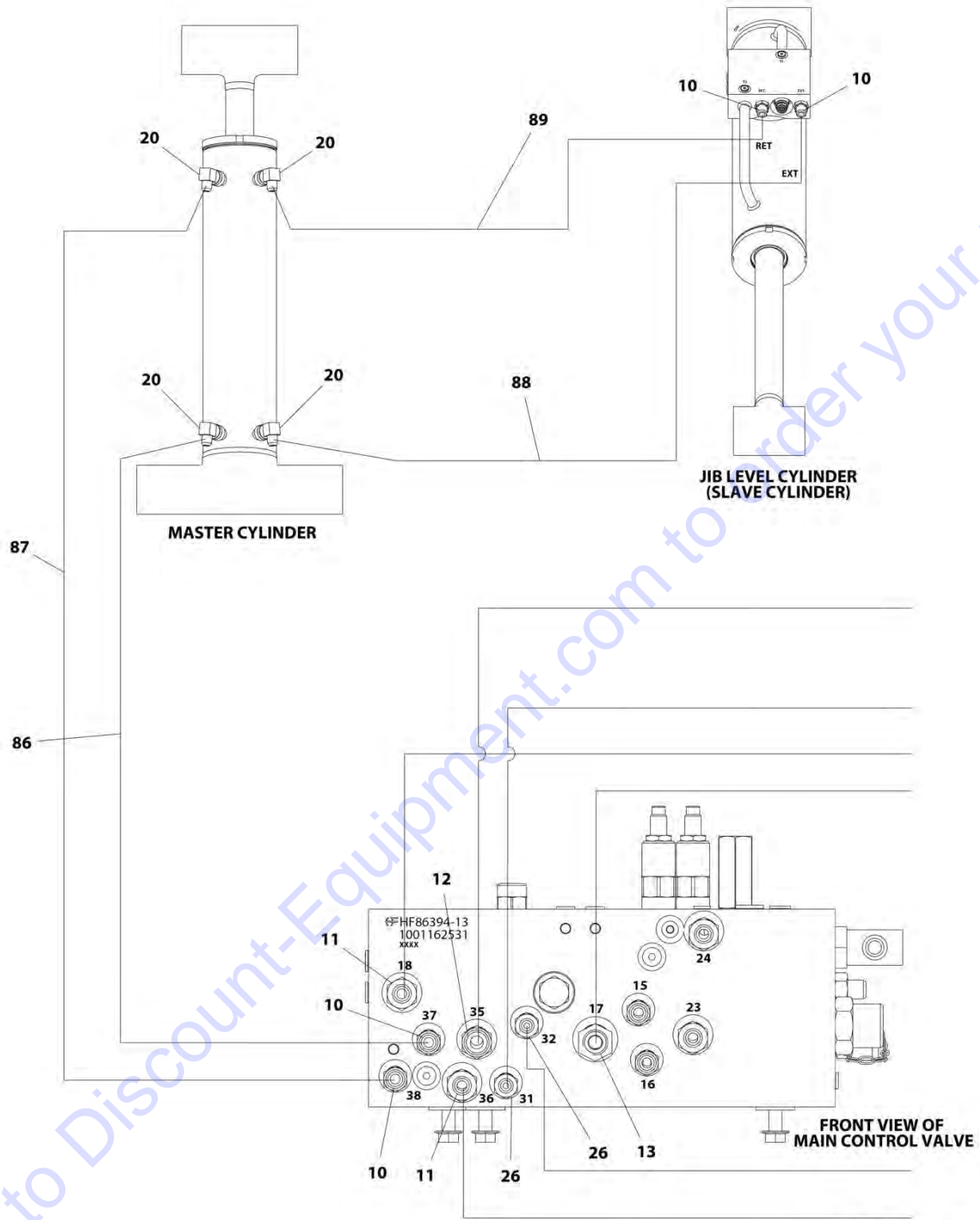
ART\_1001173135\_30F6

# SECTION 7 - HYDRAULIC



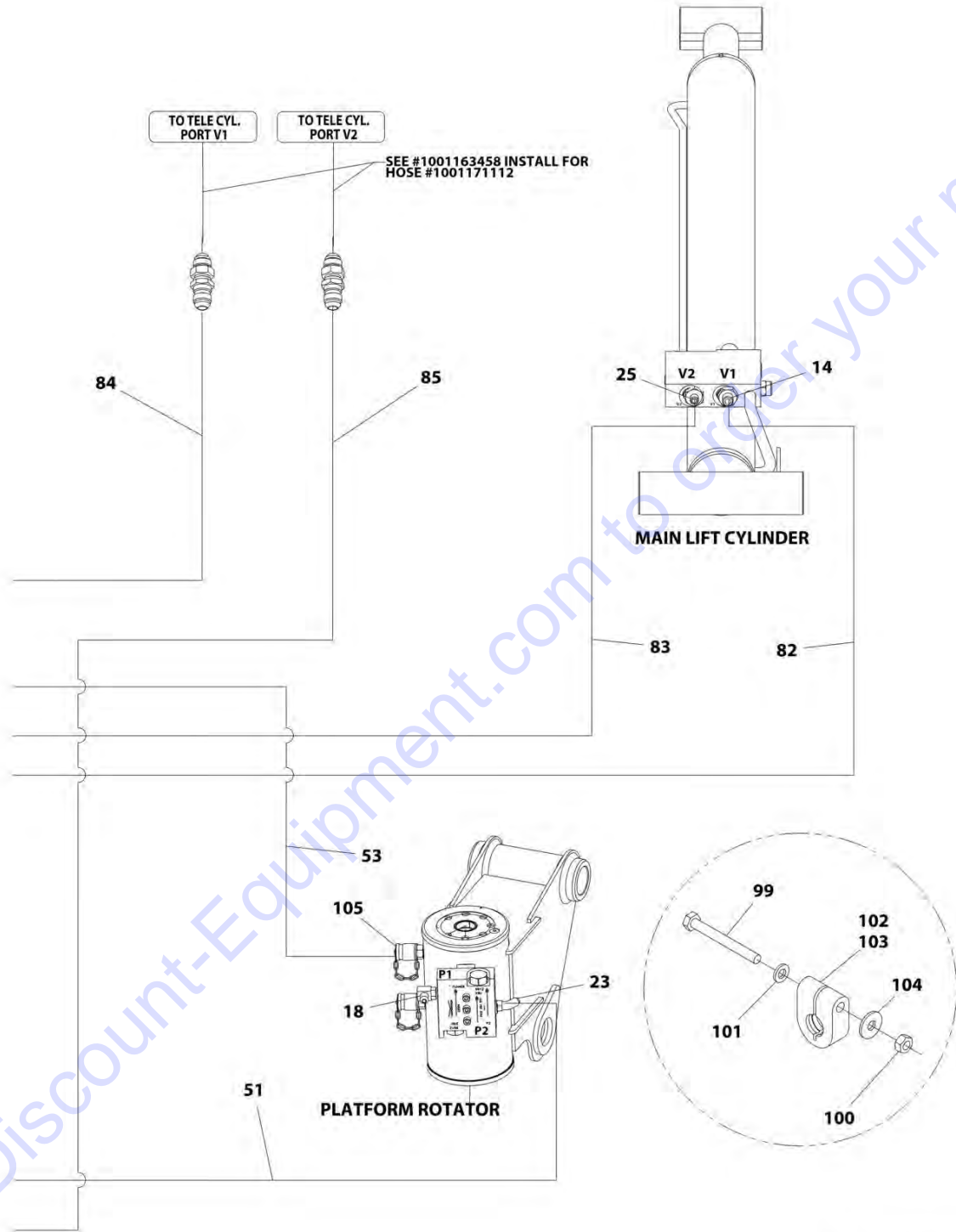
ART\_1001173135\_4OF6

# SECTION 7 - HYDRAULIC



ART\_1001173135\_50F6

# SECTION 7 - HYDRAULIC



ART\_1001173135\_60F6

## SECTION 7 - HYDRAULIC

**FIGURE 7-5. 400S 4WD HYDRAULIC SYSTEM INSTALLATION (ALL MACHINES) (SN 0300214506 through 0300220609)**

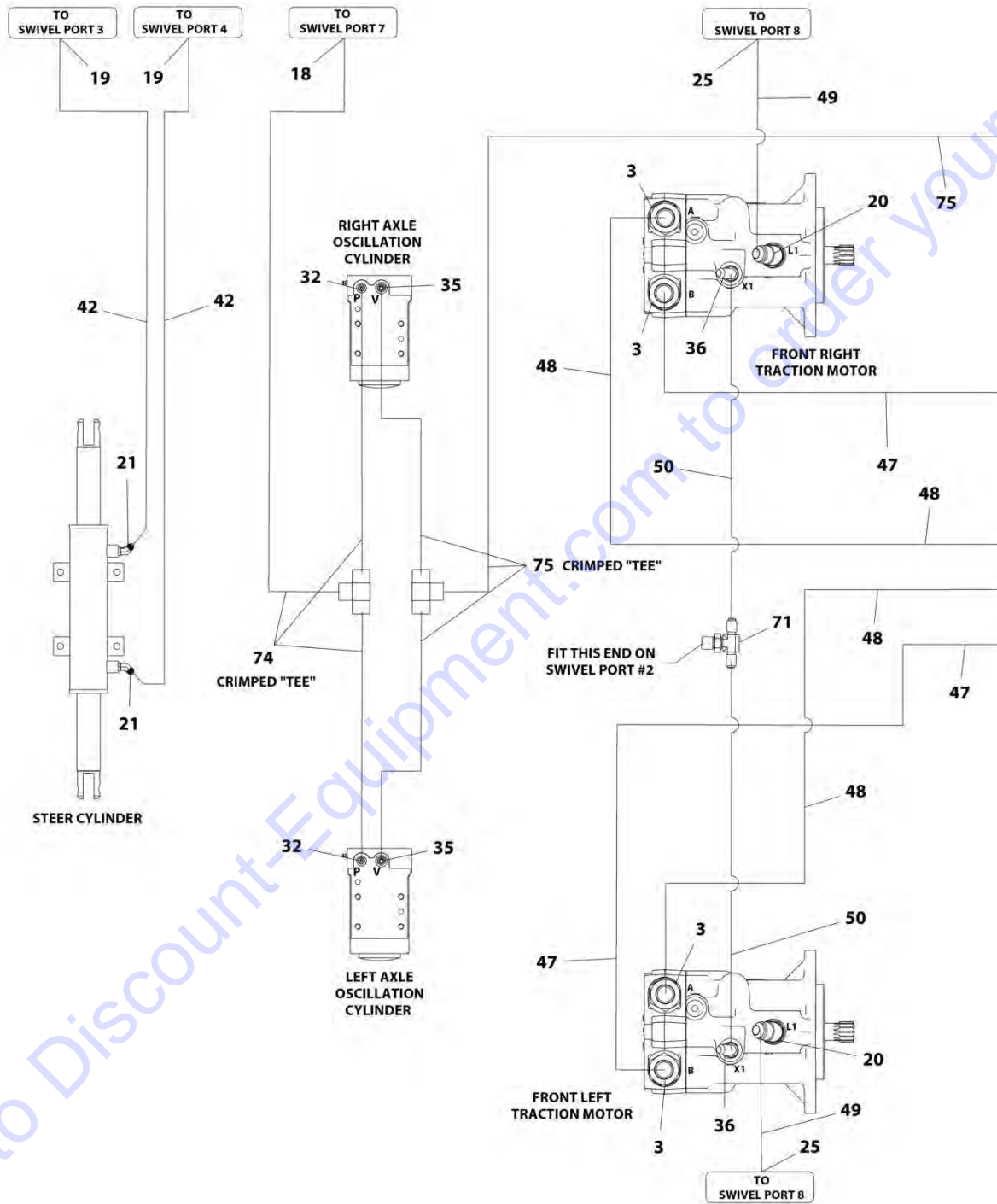
ITEM	PART NUMBER	QTY	DESCRIPTION	REV
	1001173135	Ref	400S 4WD HYDRAULIC SYSTEM INSTALLATION	K
2	2110810	8	Fitting, Straight ORFS/ORB	
3	2110812	8	Fitting, Straight ORFS/ORB	
4	2111216	5	Fitting, Straight ORFS/ORB	
5	2151212	2	Fitting, 45 JIC/ORB	
6	2131216	1	Fitting, 90 ORFS/ORB	
8	2220365	1	Fitting, 45 JIC/ORB	
9	2220366	2	Fitting, 90 JIC/ORB	
10	2220371	12	Fitting, Straight JIC/ORB	
11	2220372	8	Fitting, Straight JIC/ORB	
12	2220373	3	Fitting, Straight JIC/ORB	
13	2220374	2	Fitting, Straight JIC/ORB	
14	2220375	2	Fitting, Straight JIC/ORB	
15	2220377	1	Fitting, Straight JIC/ORB	
16	2220415	2	Fitting, Straight JIC/ORB	
17	2220451	1	Fitting, Straight JIC/ORB	
18	2220466	3	Fitting, 90 JIC/ORB	
19	2220468	2	Fitting, Straight JIC/ORB	
20	2220473	8	Fitting, 90 JIC/ORB	
21	2220500	4	Fitting, 45 JIC/ORB	
22	2220501	2	Fitting, 45 JIC/ORB	
23	2220502	1	Fitting, 45 JIC/ORB	
25	2220577	1	Fitting, Straight JIC/ORB	
26	2220582	3	Fitting, Straight JIC/ORB	
27	2220596	2	Fitting, 90 JIC/ORB	
28	2220600	2	Fitting, Straight JIC/ORB	
29	1001197272	1	Fitting, Tee JIC/ORB/JIC	
31	2220622	1	Fitting, Straight JIC/FSJIC	
32	2220628	1	Fitting, 90 JIC/ORB	
34	2220695	1	Fitting, Tee JIC/ORB/JIC	
35	2220726	1	Fitting, 90 JIC/ORB	
36	2220775	1	Fitting, 90 JIC/ORB	
37	1001175024	1	Fitting, Tee JIC/JIC/ORB	
38	2220906	1	Fitting, 90 JIC/ORB	
39	2220923	2	Fitting, Straight JIC/ORB	
40	2220946	2	Fitting, Straight JIC/ORB	
41	2220947	2	Fitting, Straight JIC/ORB	
42	2220998	2	Fitting, Straight JIC/ORB	
44	4240018	20	Tie-Strap	
47	80633030	2	Clamp	
48	88662037	1	Fitting, Straight JIC/ORB	
49	1001098928	1	Clamp	
50	1001172692	2	Hose	
51	1001172694	1	Hose	
52	1001172695	2	Hose	
53	1001172696	1	Hose	
54	1001172697	4	Hose	
55	1001172698	2	Hose	
56	1001172699	2	Hose	

## SECTION 7 - HYDRAULIC

ITEM	PART NUMBER	QTY	DESCRIPTION	REV
57	1001197284	1	Hose	
60	1001172703	2	Hose	
64	1001172707	2	Hose	
69	1001172713	1	Hose	
70	1001172715	1	Hose	
71	1001172716	1	Hose	
72	1001172717	1	Hose	
73	1001172718	1	Hose	
74	1001172719	1	Hose	
75	1001172720	1	Hose	
76	1001172721	1	Hose	
77	1001172722	2	Hose	
78	1001172723	3	Hose	
79	1001173898	1	Hose	
80	1001173899	1	Hose	
81	1001173900	2	Hose	
82	1001173901	1	Hose	
83	1001173902	1	Hose	
84	1001173903	1	Hose	
85	1001173904	1	Hose	
86	1001173907	1	Hose	
87	1001173908	1	Hose	
88	1001173909	1	Hose	
89	1001173937	1	Hose	
90	1001173938	1	Hose	
91	1001181073	1	Hose	
92	1001181074	1	Hose	
93	1001181075	1	Hose	
94	1001184542	1	Hose	
95	1001184543	1	Hose	
96	1001184561	1	Hose	
97	1001184562	1	Hose	
98	1001184563	1	Hose	
99	0700619	2	Bolt, M6 x 55	
100	3290601	2	Nut, M6 x 1	
101	4811700	2	Washer, M6	
102	1001191275	1	Clamp	
103	1001191276	1	Clamp	
104	4811702	2	Washer, M6	
105	2221086	3	Fitting, Diagnostic Test Port	
106	2221040	2	Fitting, 45 JIC/ORB	

# SECTION 7 - HYDRAULIC

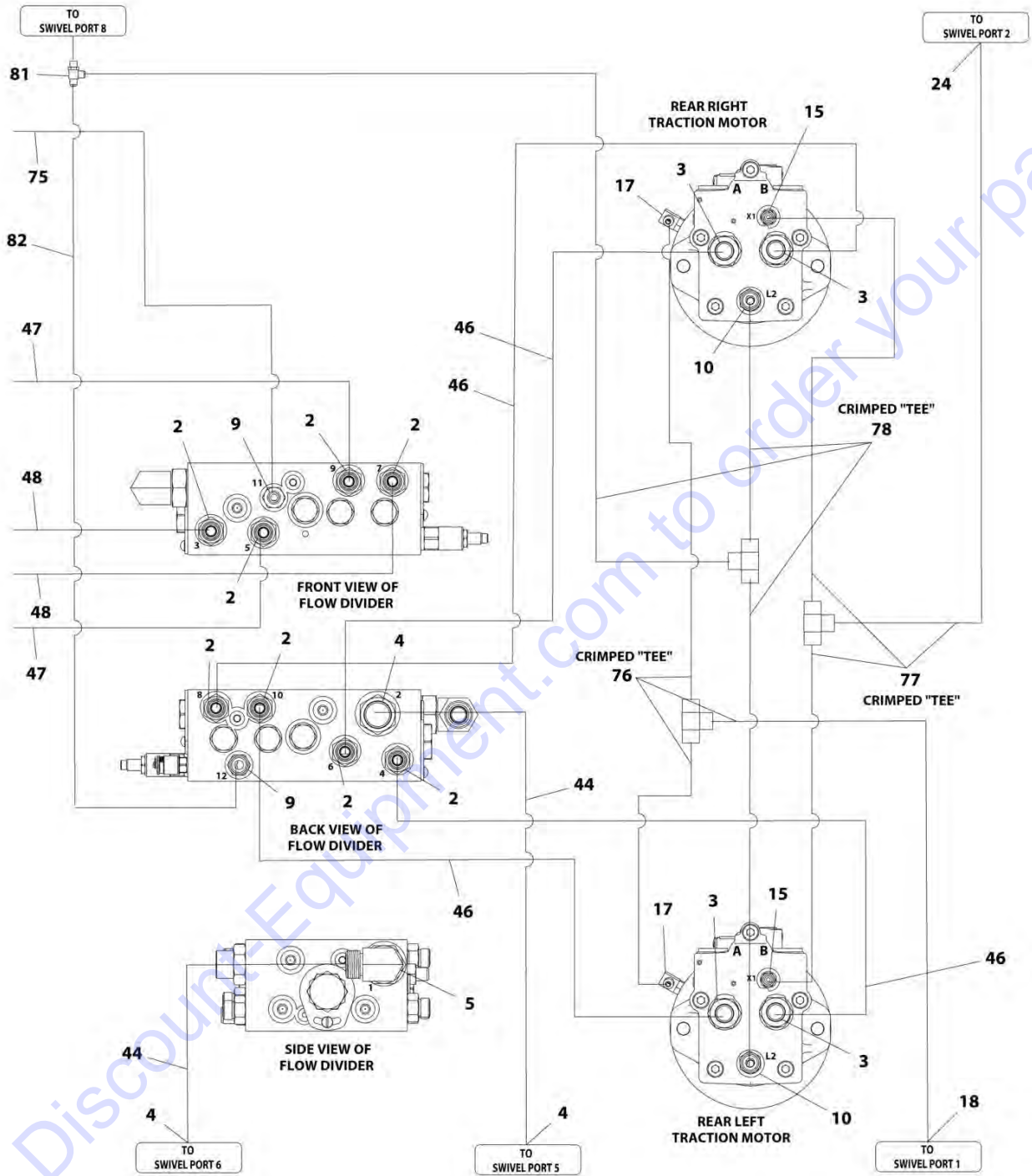
**FIGURE 7-6. 400S 4WD HYDRAULIC SYSTEM INSTALLATION (ALL MACHINES) (SN 0300220610 to Present, SN E300000100 to Present, SN 1300007289 through 1300007393)**



ART\_1001207340\_10F6

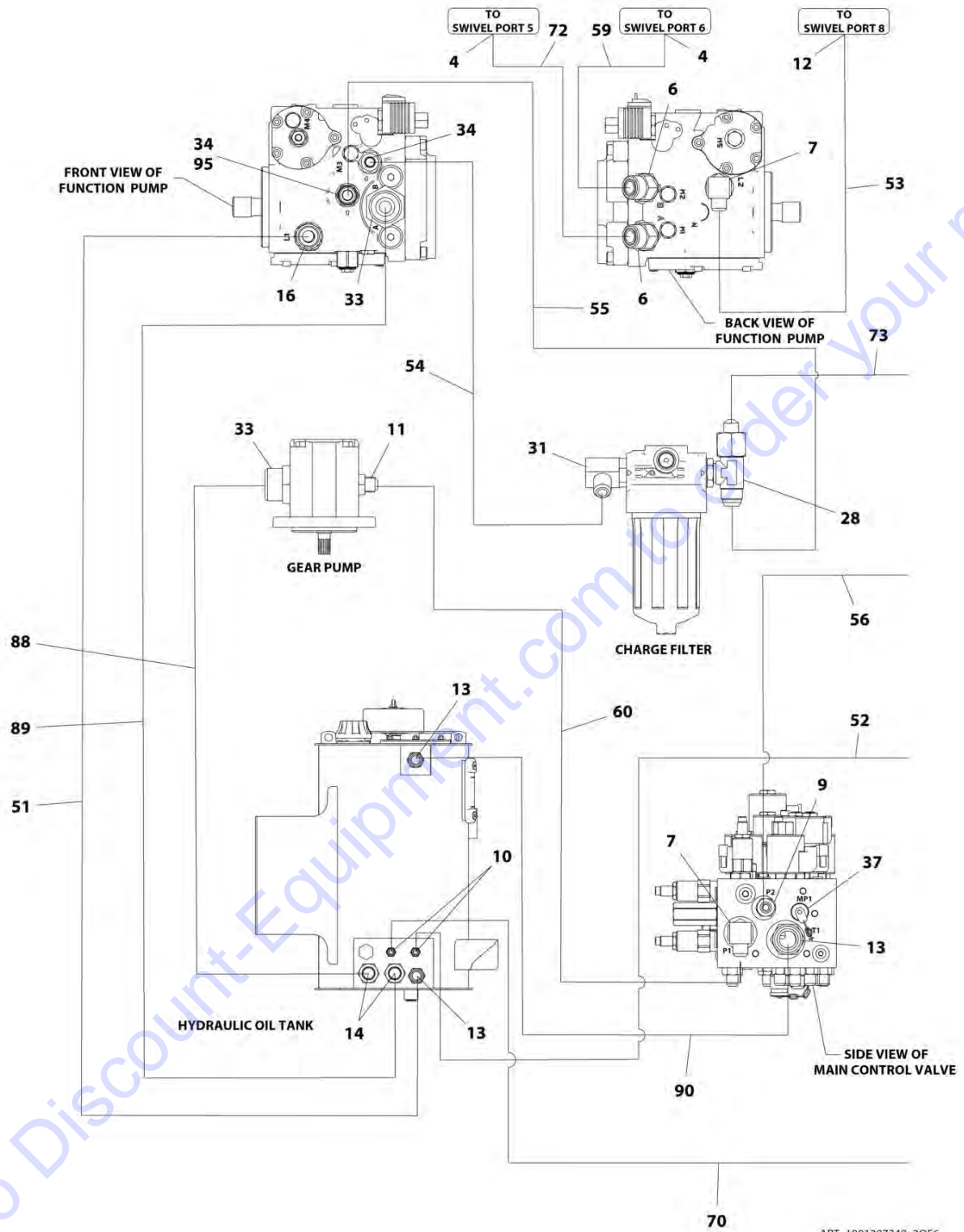


# SECTION 7 - HYDRAULIC



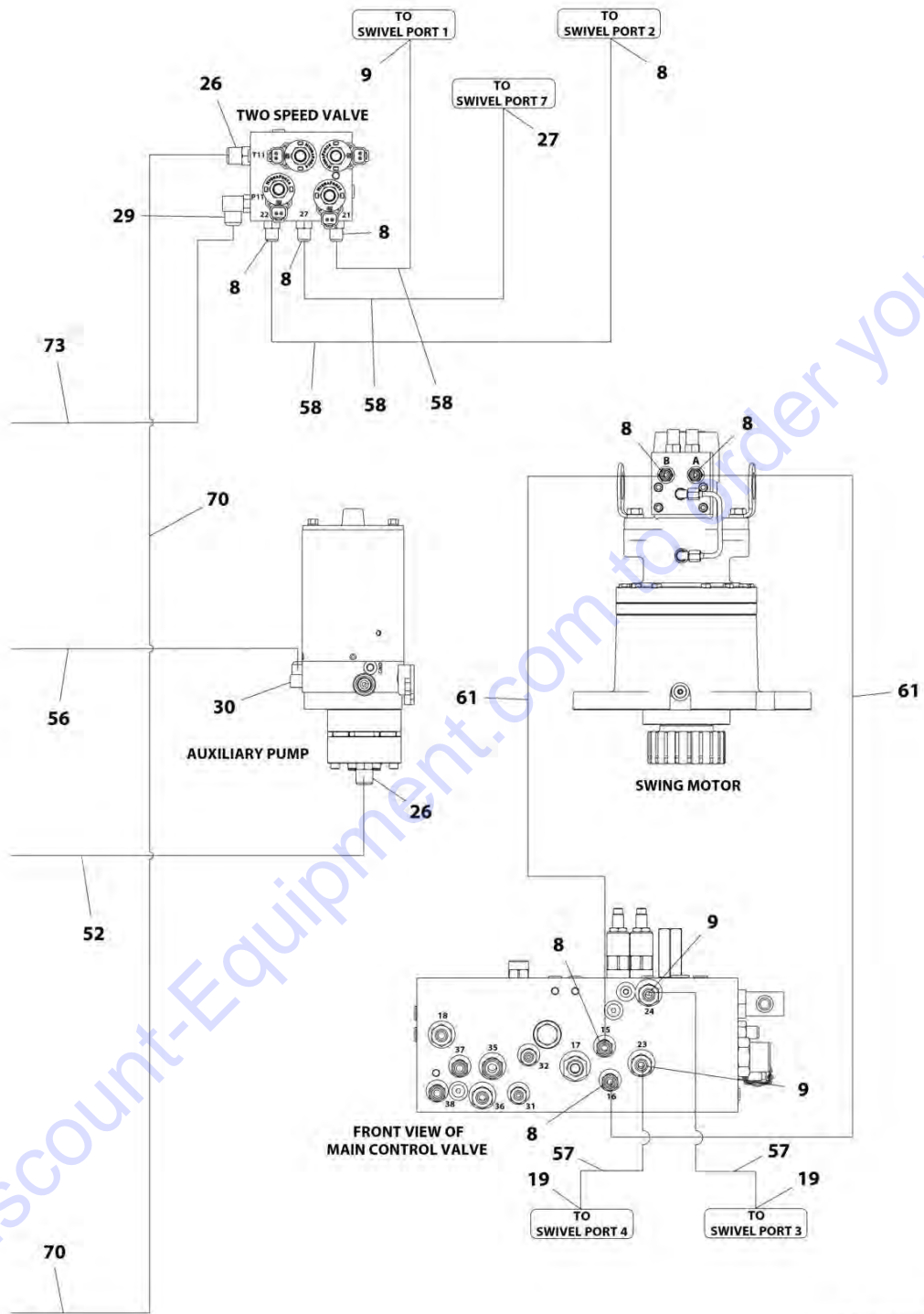
ART\_1001207340\_20F6

# SECTION 7 - HYDRAULIC



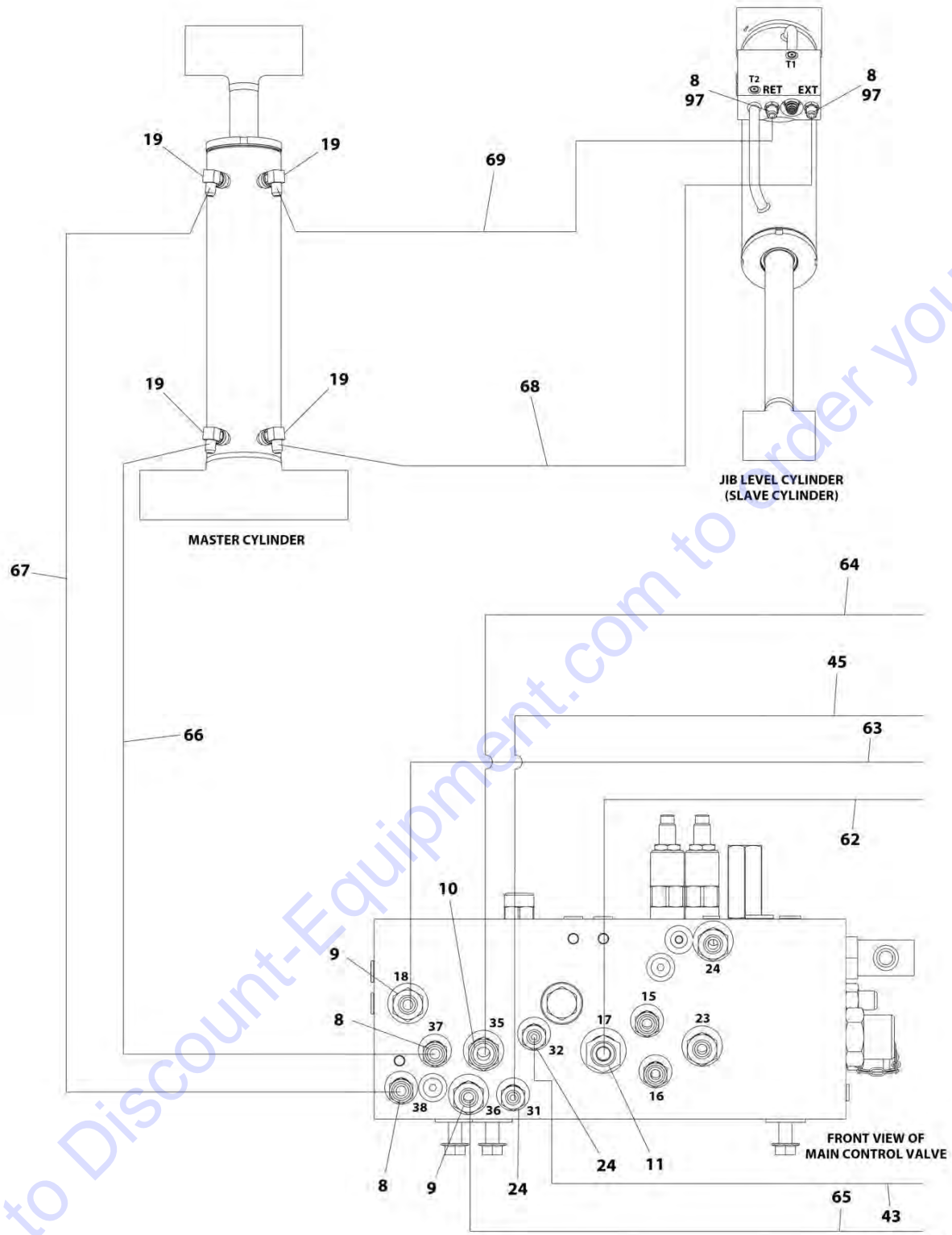
ART\_1001207340\_30F6

# SECTION 7 - HYDRAULIC

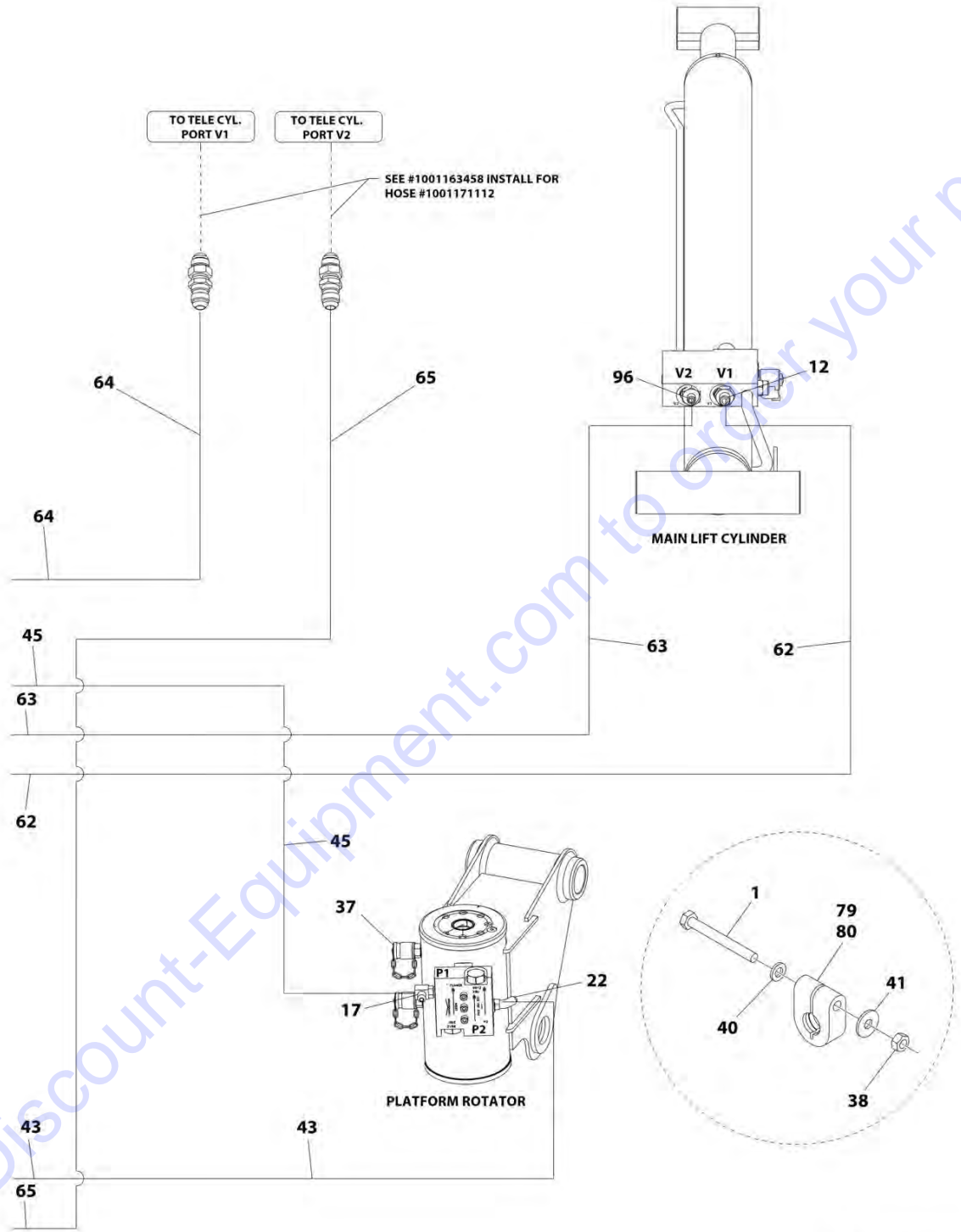


ART\_1001207340\_40F6

# SECTION 7 - HYDRAULIC



# SECTION 7 - HYDRAULIC



ART\_1001207340\_60F6

## SECTION 7 - HYDRAULIC

**FIGURE 7-6. 400S 4WD HYDRAULIC SYSTEM INSTALLATION (ALL MACHINES) (SN 0300220610 to Present, SN E300000100 to Present, SN 1300007289 through 1300007393)**

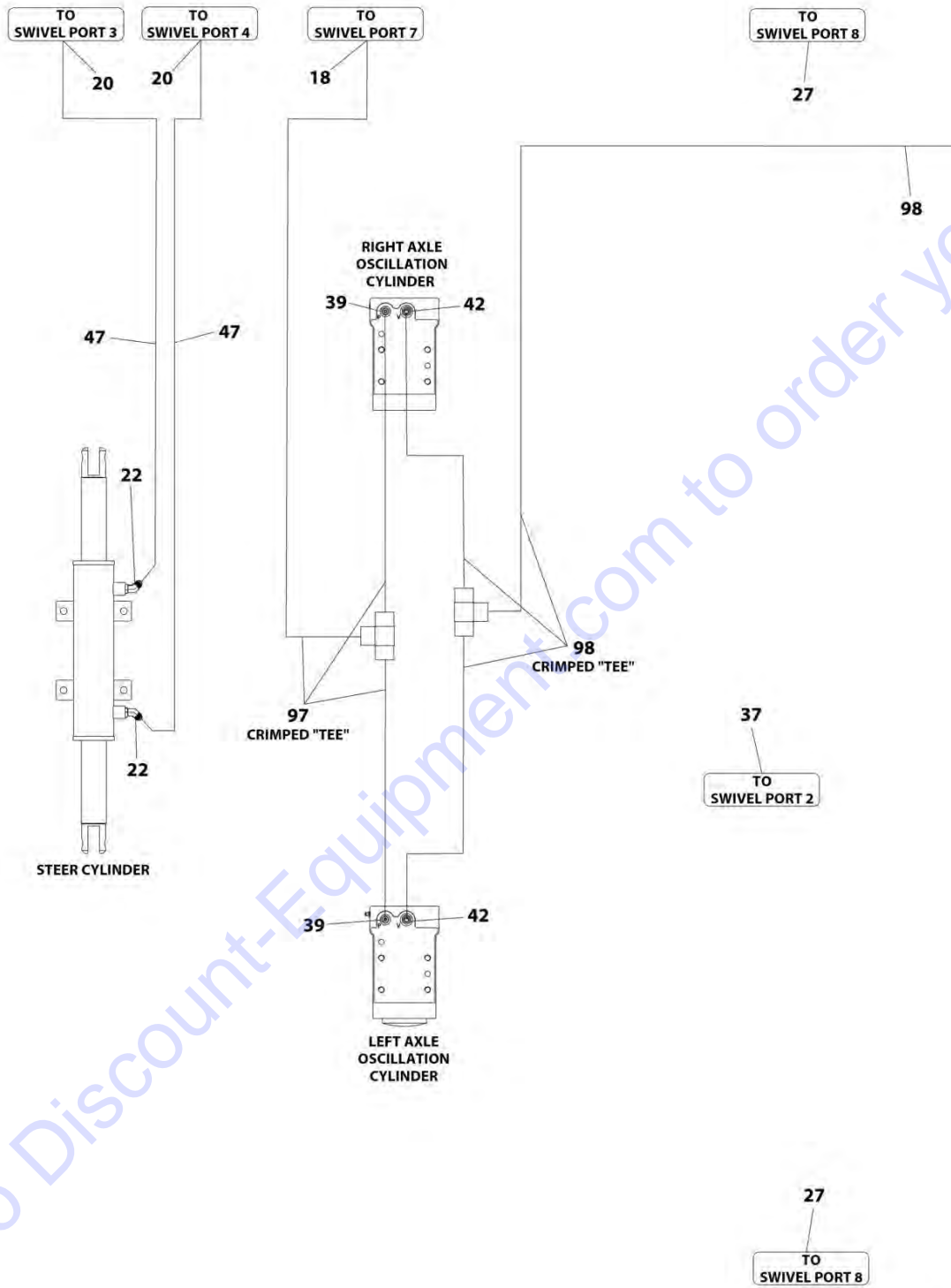
ITEM	PART NUMBER	QTY	DESCRIPTION	REV
	1001207340	Ref	400S 4WD HYDRAULIC SYSTEM INSTALLATION - 400S (WITHOUT ARCTIC PACKAGE)	F
1	0700619	2	Bolt, M6 x 55	
2	2110810	8	Fitting, Straight ORFS/ORB	
3	2110812	8	Fitting, Straight ORFS/ORB	
4	2111216	5	Fitting, Straight ORFS/ORB	
5	2131216	1	Fitting, 90 ORFS/ORB	
6	2131212	2	Fitting, 90 ORFS/ORB	
7	2220366	2	Fitting, 90 JIC/ORB	
8	2220371	AR	Fitting, Straight JIC/ORB	
9	2220372	8	Fitting, Straight JIC/ORB	
10	2220373	5	Fitting, Straight JIC/ORB	
11	2220374	AR	Fitting, Straight JIC/ORB	
12	2220375	AR	Fitting, Straight JIC/ORB	
13	2220377	3	Fitting, Straight JIC/ORB	
14	1001202910	2	Fitting, Straight MORB	
15	2220415	2	Fitting, Straight JIC/ORB	
16	2220451	1	Fitting, Straight JIC/ORB	
17	2220466	3	Fitting, 90 JIC/ORB	
18	2220468	2	Fitting, Straight JIC/ORB	
19	2220473	8	Fitting, 90 JIC/ORB	
20	2220500	2	Fitting, 45 JIC/ORB	
21	2220501	2	Fitting, 45 JIC/ORB	
22	2220502	1	Fitting, 45 JIC/ORB	
23	2220577	1	Fitting, Straight JIC/ORB (Not Shown) <b>(SN 0300220610 through 0300226846)</b>	
24	2220582	3	Fitting, Straight JIC/ORB	
25	2220596	2	Fitting, 90 JIC/ORB	
26	2220600	2	Fitting, Straight JIC/ORB	
27	2220628	1	Fitting, 90 JIC/ORB	
28	2220695	1	Fitting, Tee JIC/ORB/JIC	
29	2220726	1	Fitting, 90 JIC/ORB	
30	2220775	1	Fitting, 90 JIC/ORB	
31	2220906	1	Fitting, 90 JIC/ORB	
32	2220923	2	Fitting, Straight JIC/ORB	
33	2220946	2	Fitting, Straight JIC/ORB	
34	2220947	AR	Fitting, Straight JIC/ORB	
35	2220998	2	Fitting, Straight JIC/ORB	
36	2221040	2	Fitting, 45 JIC/ORB	
37	2221086	3	Fitting, Diagnostic Test Port	
38	3290601	2	Nut, M6 x 1	
39	4240018	20	Tie-Strap (Not Shown)	
40	4811700	2	Washer, M6	
41	4811702	2	Washer, M6	
42	1001172692	2	Hose	
43	1001172694	1	Hose	
44	1001172695	2	Hose	
45	1001172696	1	Hose	
46	1001172697	4	Hose	

## SECTION 7 - HYDRAULIC

ITEM	PART NUMBER	QTY	DESCRIPTION	REV
47	1001172698	2	Hose	
48	1001172699	2	Hose	
49	1001172703	2	Hose	
50	1001172707	2	Hose	
51	1001216655	1	Hose	
52	1001172716	1	Hose	
53	1001172717	1	Hose	
54	1001172718	1	Hose	
55	1001172719	1	Hose	
56	1001172721	1	Hose	
57	1001172722	2	Hose	
58	1001172723	3	Hose	
59	1001173898	1	Hose	
60	1001173899	1	Hose (SN 0300220610 through 0300222808)	
60	2752500	1	Hose (SN 0300222809 to Present, SN E300000100 to Present, SN 1300007289 through 300007393)	
61	1001173900	2	Hose	
62	1001173901	1	Hose	
63	1001173902	1	Hose	
64	1001173903	1	Hose	
65	1001173904	1	Hose	
66	1001173907	1	Hose	
67	1001173908	1	Hose	
68	1001173909	1	Hose	
69	1001173937	1	Hose	
70	1001193654	1	Hose	
71	1001175024	1	Fitting, Tee JIC/JIC/ORB	
72	1001181074	1	Hose	
73	1001181075	1	Hose	
74	1001184542	1	Hose	
75	1001184543	1	Hose	
76	1001184561	1	Hose	
77	1001184562	1	Hose	
78	1001184563	1	Hose	
79	1001191275	1	Clamp	
80	1001191276	1	Clamp	
81	1001197272	1	Fitting, Tee JIC/ORB/JIC	
82	1001197284	1	Hose	
88	1001207331	1	Hose (SN 0300220610 through 0300222808)	
88	1001172713	1	Hose (SN 0300222809 through 0300226923)	
88	1001207332	1	Hose (SN 0300226924 to Present, SN E300000100 to Present, SN 1300007289 through 300007393)	
89	1001207332	1	Hose	
90	1001207333	1	Hose	
94	80633030	2	Clamp, Hose (Not Shown)	
95	88662037	AR	Fitting, Straight JIC/ORB (SN 0300222809 to Present, SN E300000100 to Present, SN 1300007289 through 300007393)	
96	2220497	AR	Fitting, Straight JIC/ORB (SN 0300226847 to Present, SN E300000100 to Present, SN 1300007289 through 300007393)	
97	2220603	AR	Fitting, Straight JIC/ORB (SN 0300247698 to Present)	

# SECTION 7 - HYDRAULIC

FIGURE 7-7. 460SJ 2WD HYDRAULIC SYSTEM INSTALLATION (SN 0300203771 through 0300220609)

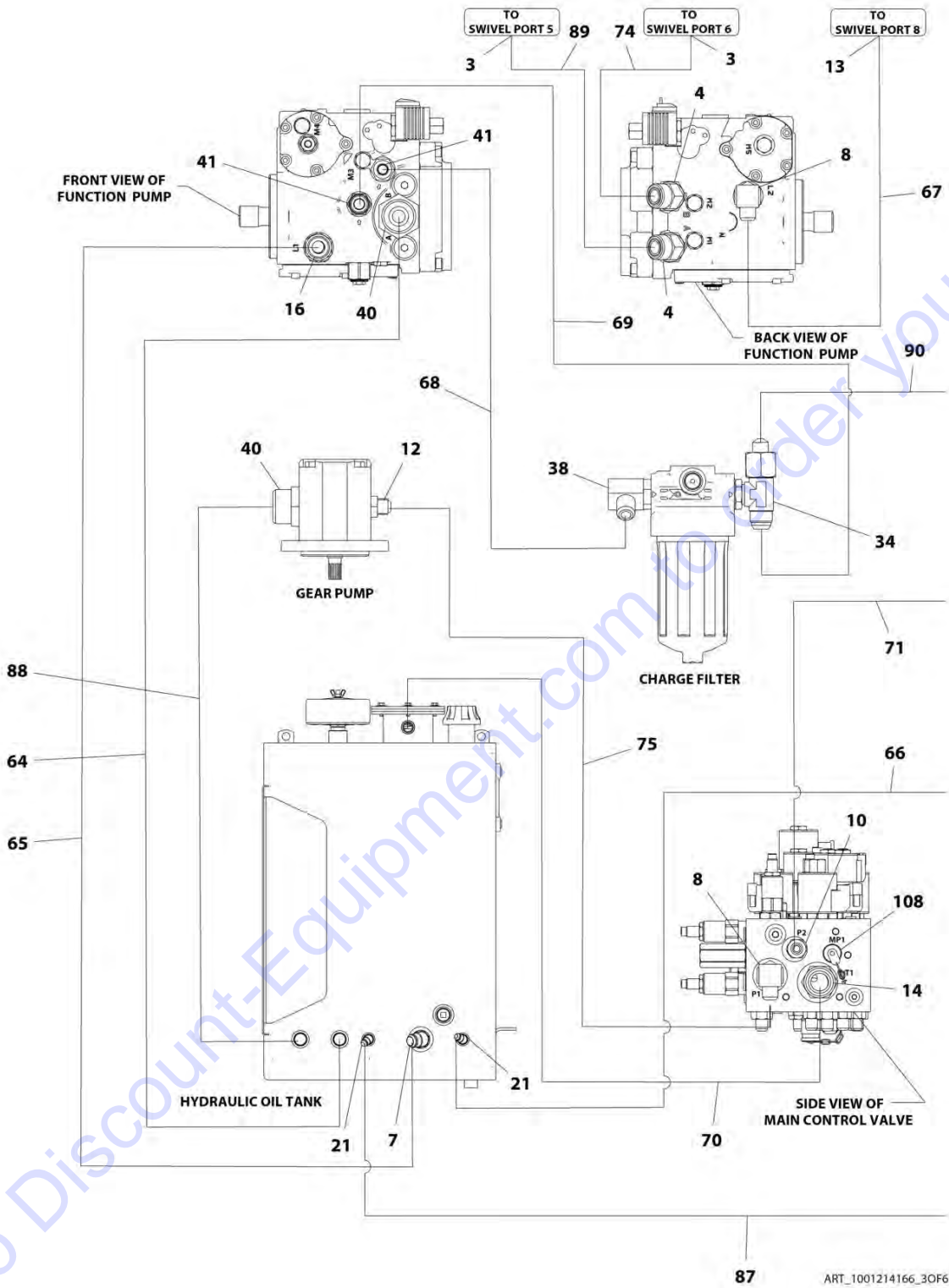


ART\_1001214166\_1OF6



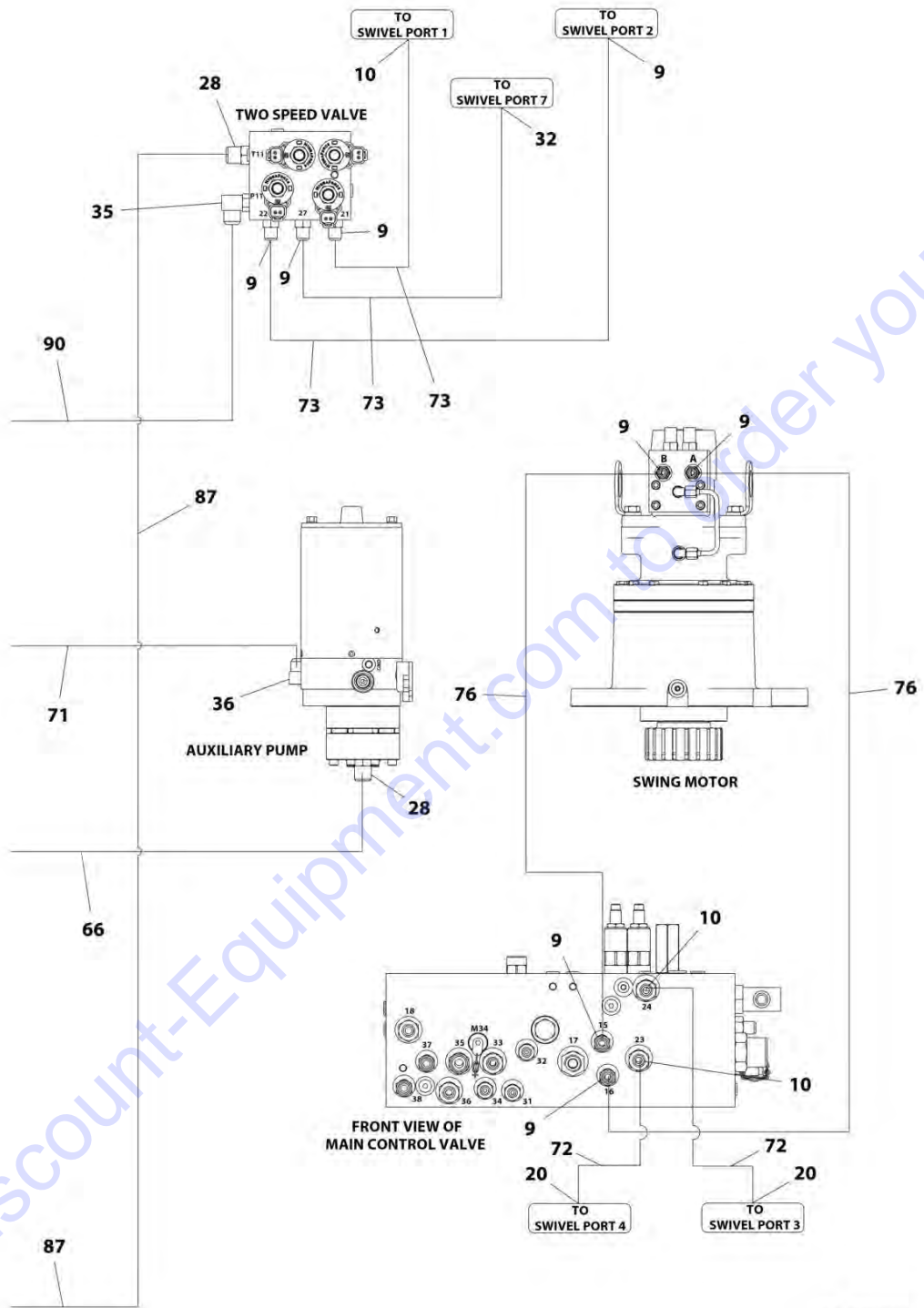


# SECTION 7 - HYDRAULIC



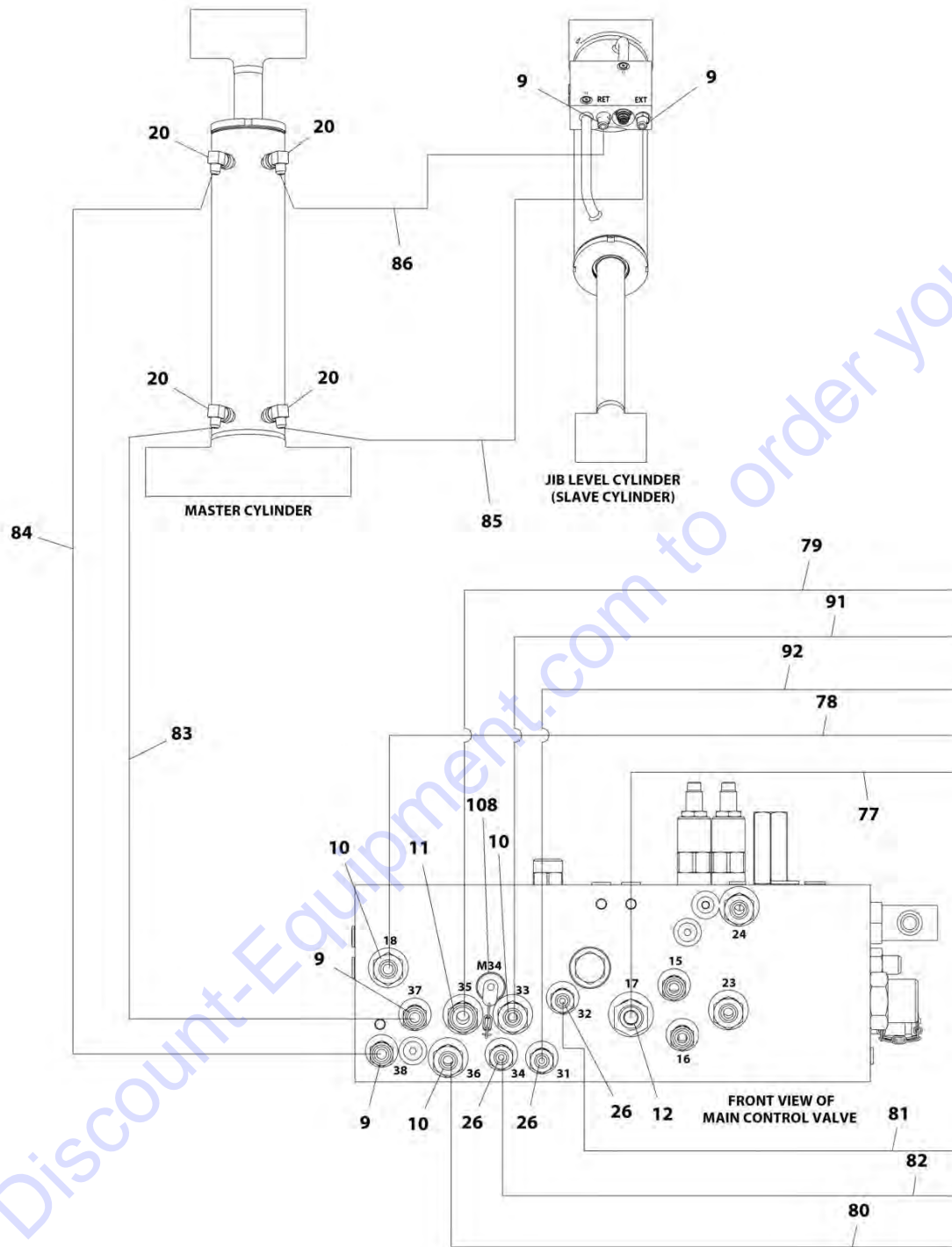
ART\_1001214166\_30F6

# SECTION 7 - HYDRAULIC



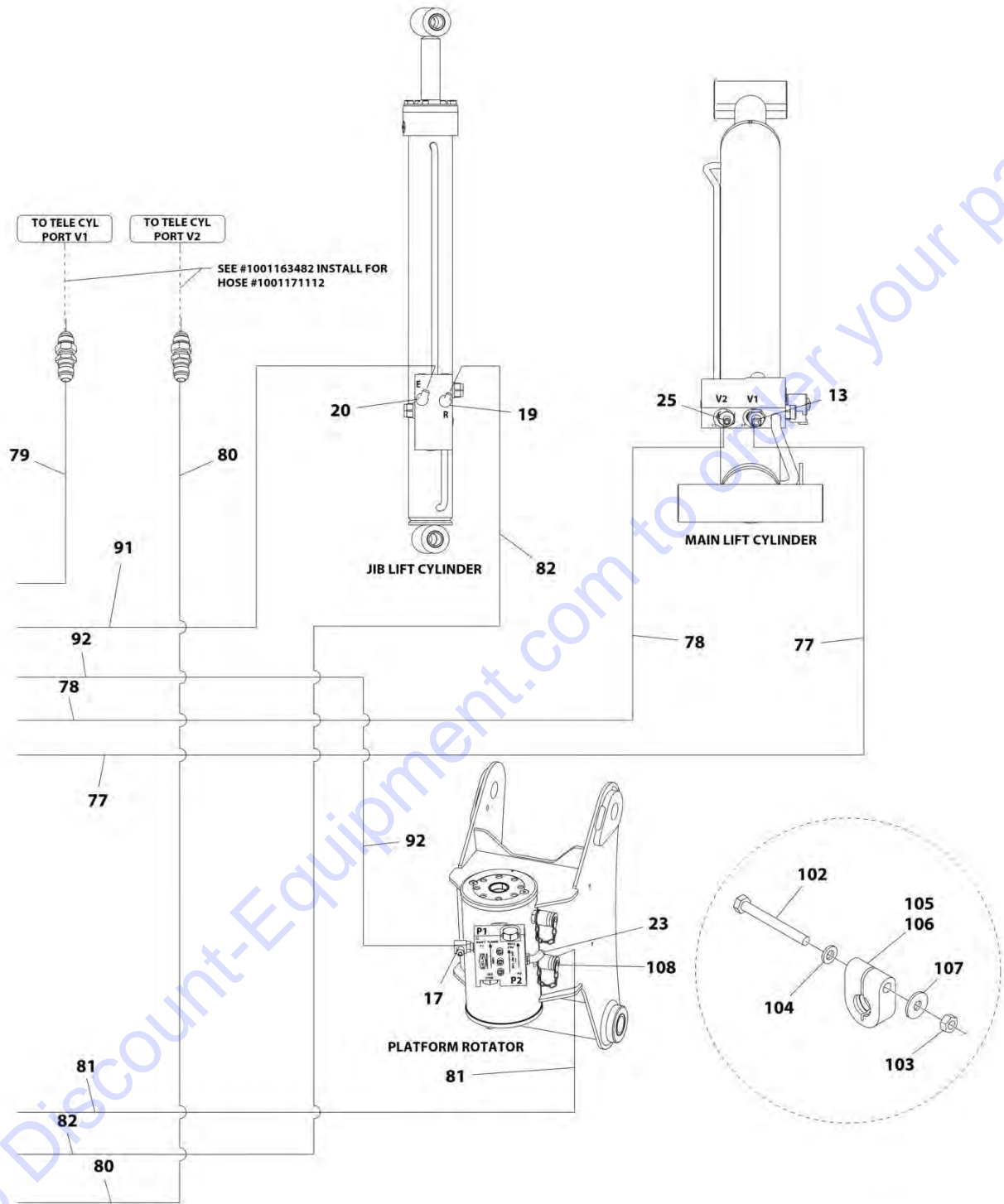
ART\_1001214166\_40F6

# SECTION 7 - HYDRAULIC



ART\_1001214166\_50F6

# SECTION 7 - HYDRAULIC



ART\_1001214166\_60F6

## SECTION 7 - HYDRAULIC

FIGURE 7-7. 460SJ 2WD HYDRAULIC SYSTEM INSTALLATION (SN 0300203771 through 0300220609)

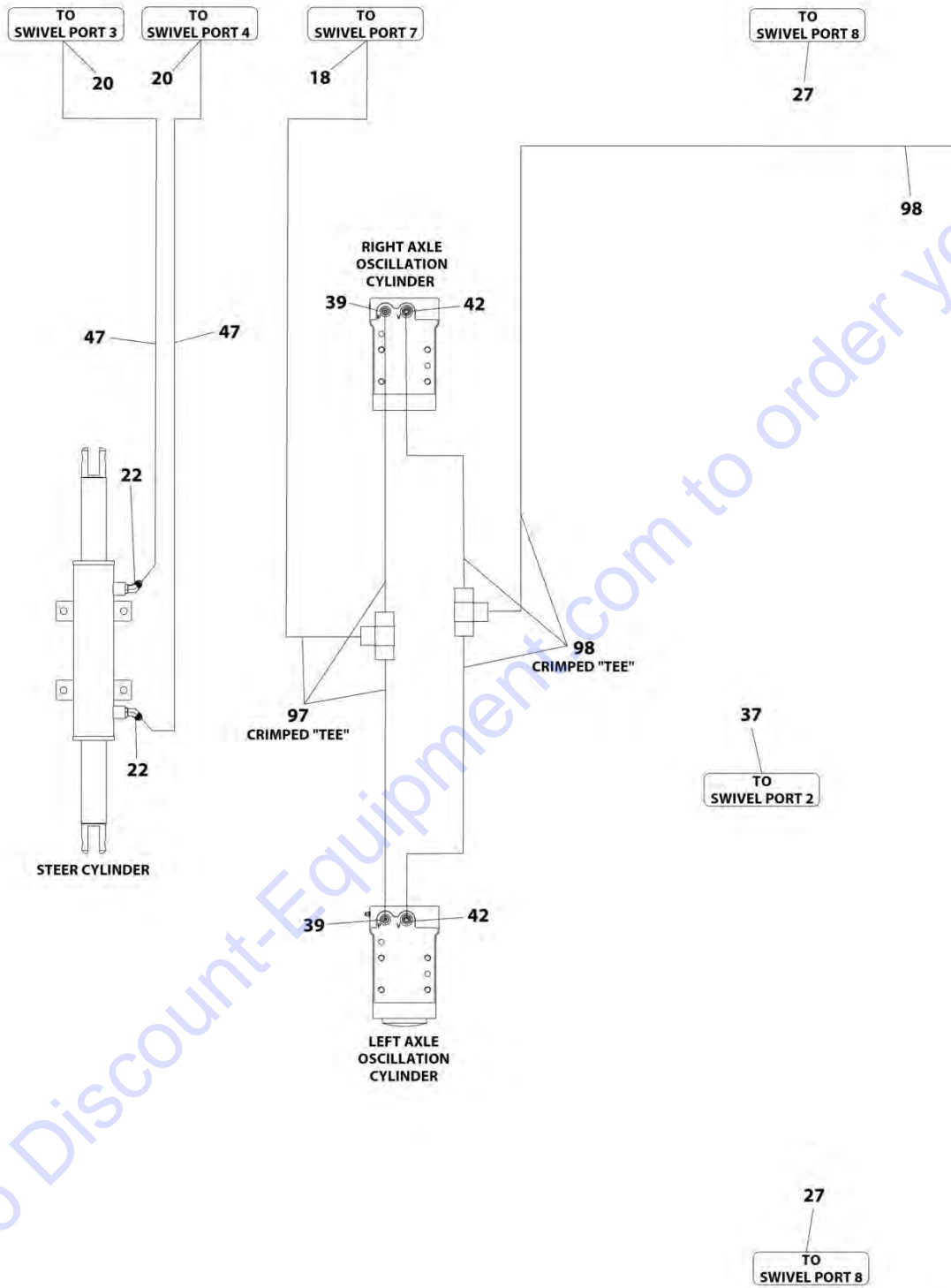
ITEM	PART NUMBER	QTY	DESCRIPTION	REV
	1001214166	Ref	460SJ 2WD HYDRAULIC SYSTEM INSTALLATION	B
1	2110810	4	Fitting, Straight ORFS/ORB	
2	2110812	4	Fitting, Straight ORFS/ORB	
3	2111216	5	Fitting, Straight ORFS/ORB	
4	2151212	2	Fitting, 45 ORFS/ORB	
5	2131216	1	Fitting, 45 ORFS/ORB	
7	2220365	1	Fitting, 45 JIC/ORB	
8	2220366	2	Fitting, 90 JIC/ORB	
9	2220371	12	Fitting, Straight JIC/ORB	
10	2220372	9	Fitting, Straight JIC/ORB	
11	2220373	3	Fitting, Straight JIC/ORB	
12	2220374	2	Fitting, Straight JIC/ORB	
13	2220375	2	Fitting, Straight JIC/ORB	
14	2220377	1	Fitting, Straight JIC/ORB	
15	2220415	2	Fitting, Straight JIC/ORB	
16	2220451	1	Fitting, Straight JIC/ORB	
17	2220466	3	Fitting, 90 JIC/ORB	
18	2220468	2	Fitting, Straight JIC/ORB	
19	2220472	1	Fitting, 90 JIC/ORB	
20	2220473	9	Fitting, 90 JIC/ORB	
21	2220500	2	Fitting, 45 JIC/ORB	
22	2220501	1	Fitting, 45 JIC/ORB	
23	2220502	1	Fitting, 45 JIC/ORB	
25	2220577	1	Fitting, Straight JIC/ORB	
26	2220582	4	Fitting, Straight JIC/ORB	
27	2220238	2	Plug	
28	2220600	2	Fitting, Straight JIC/ORB	
29	1001197272	1	Fitting, Tee JIC/ORB/JIC	
32	2220628	1	Fitting, 90 JIC/ORB	
34	2220695	1	Fitting, Tee JIC/ORB/JIC	
35	2220726	1	Fitting, 90 JIC/ORB	
36	2220775	1	Fitting, 90 JIC/ORB	
37	2220237	1	Plug	
38	2220906	1	Fitting, 90 JIC/ORB	
39	2220923	2	Fitting, Straight JIC/ORB	
40	2220946	2	Fitting, Straight JIC/ORB	
41	2220947	2	Fitting, Straight JIC/ORB	
42	2220998	2	Fitting, Straight JIC/ORB	
43	4240018	15	Tie-Strap (Not Shown)	
44	80633030	2	Clamp (Not Shown)	
46	1001098928	1	Clamp (Not Shown)	
47	1001172692	2	Hose	
48	1001172695	2	Hose	
49	1001172697	4	Hose	
52	1001197284	1	Hose	
64	1001172713	1	Hose	
65	1001172715	1	Hose	
66	1001172716	1	Hose	
67	1001172717	1	Hose	
68	1001172718	1	Hose	

## SECTION 7 - HYDRAULIC

ITEM	PART NUMBER	QTY	DESCRIPTION	REV
69	1001172719	1	Hose	
70	1001172720	1	Hose	
71	1001172721	1	Hose	
72	1001172722	2	Hose	
73	1001172723	3	Hose	
74	1001173898	1	Hose	
75	1001173899	1	Hose	
76	1001173900	2	Hose	
77	1001173901	1	Hose	
78	1001173902	1	Hose	
79	1001173903	1	Hose	
80	1001173904	1	Hose	
81	1001173905	1	Hose	
82	1001173906	1	Hose	
83	1001173907	1	Hose	
84	1001173908	1	Hose	
85	1001173909	1	Hose	
86	1001173937	1	Hose	
87	1001173938	1	Hose	
88	1001181073	1	Hose	
89	1001181074	1	Hose	
90	1001181075	1	Hose	
91	1001181076	1	Hose	
92	1001181077	1	Hose	
97	1001184542	1	Hose	
98	1001184543	1	Hose	
99	1001184561	1	Hose	
100	1001184562	1	Hose	
101	1001184563	1	Hose	
102	0700619	2	Bolt, M6 x 55	
103	3290601	2	Nut, M6 x 1	
104	4811700	2	Washer, M6	
105	1001191275	1	Clamp	
106	1001191276	1	Clamp	
107	4811702	2	Washer, M6	
108	2221086	4	Fitting, Diagnostic Test Port	

# SECTION 7 - HYDRAULIC

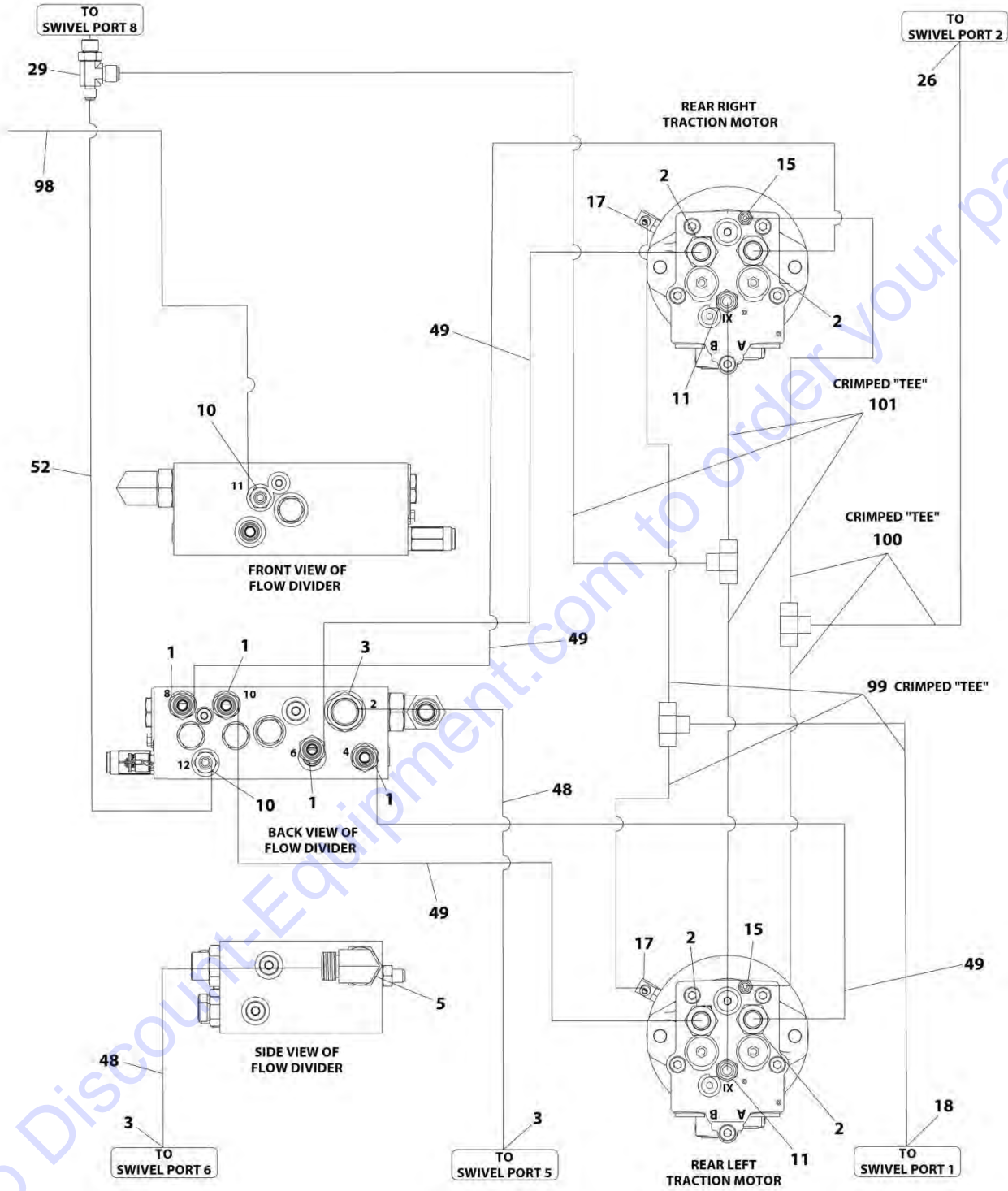
FIGURE 7-8. 460SJ 2WD HYDRAULIC SYSTEM INSTALLATION (SN 0300220610 to Present)



ART\_1001216800\_1OF6

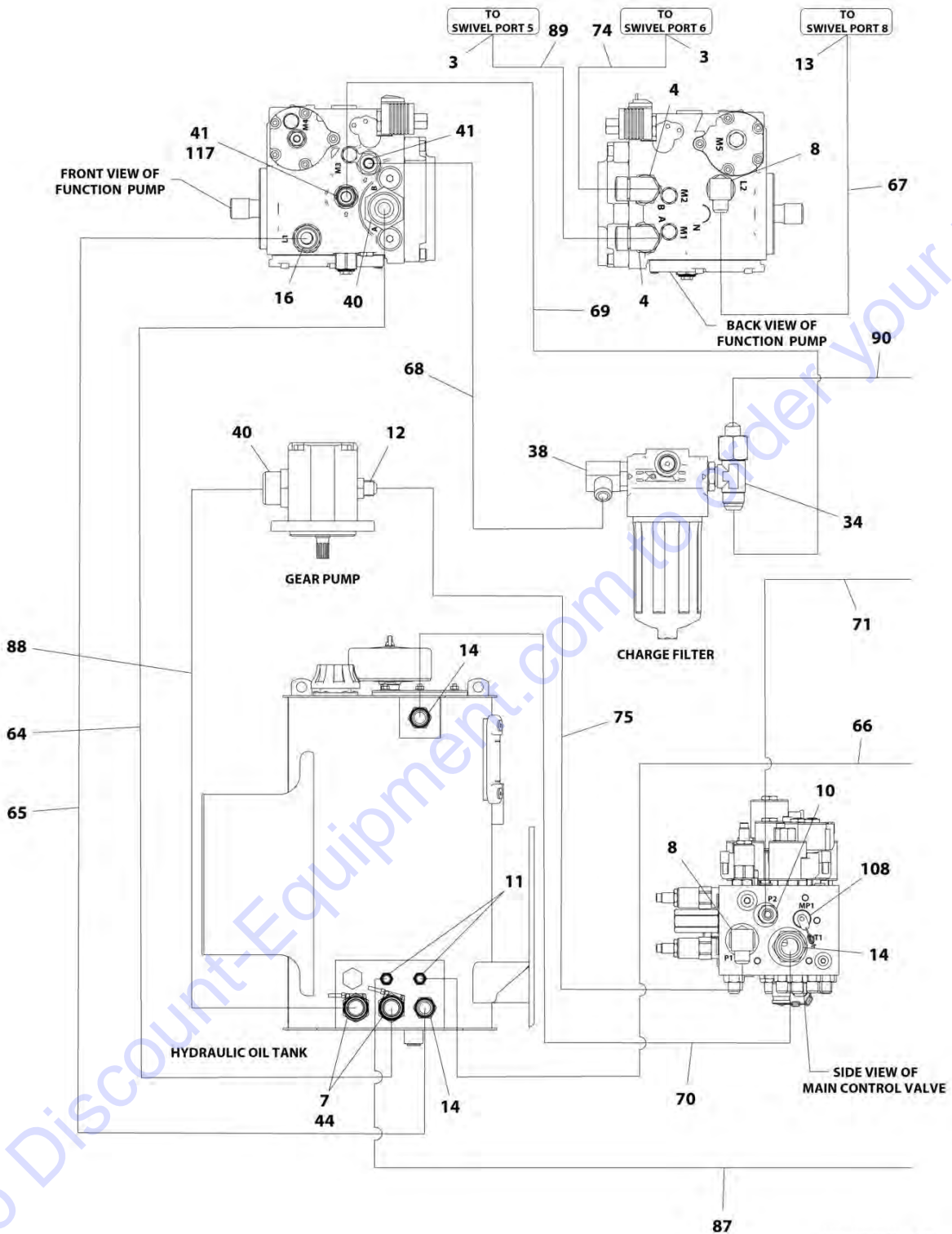


# SECTION 7 - HYDRAULIC



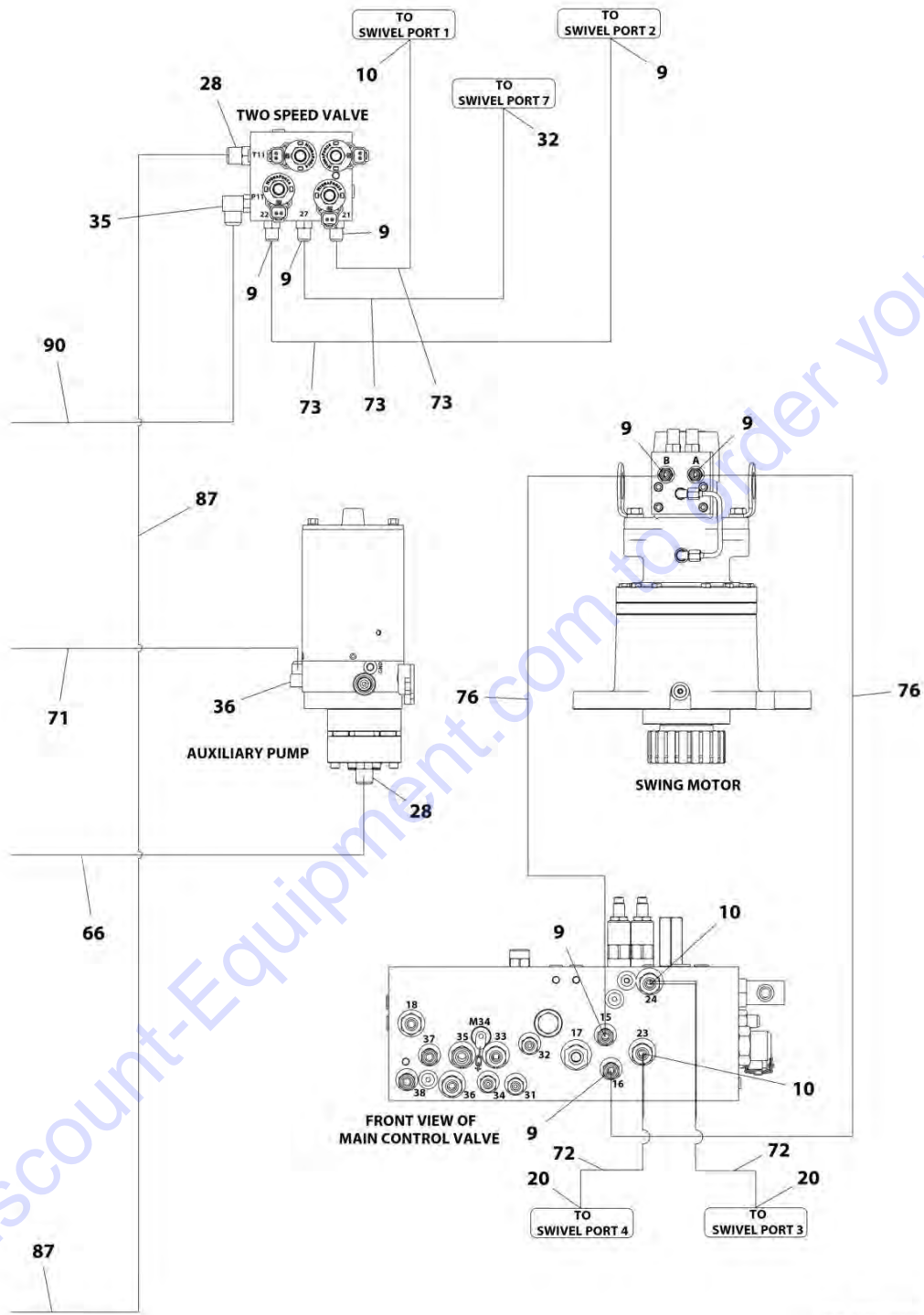
ART\_1001216800\_20F6

# SECTION 7 - HYDRAULIC



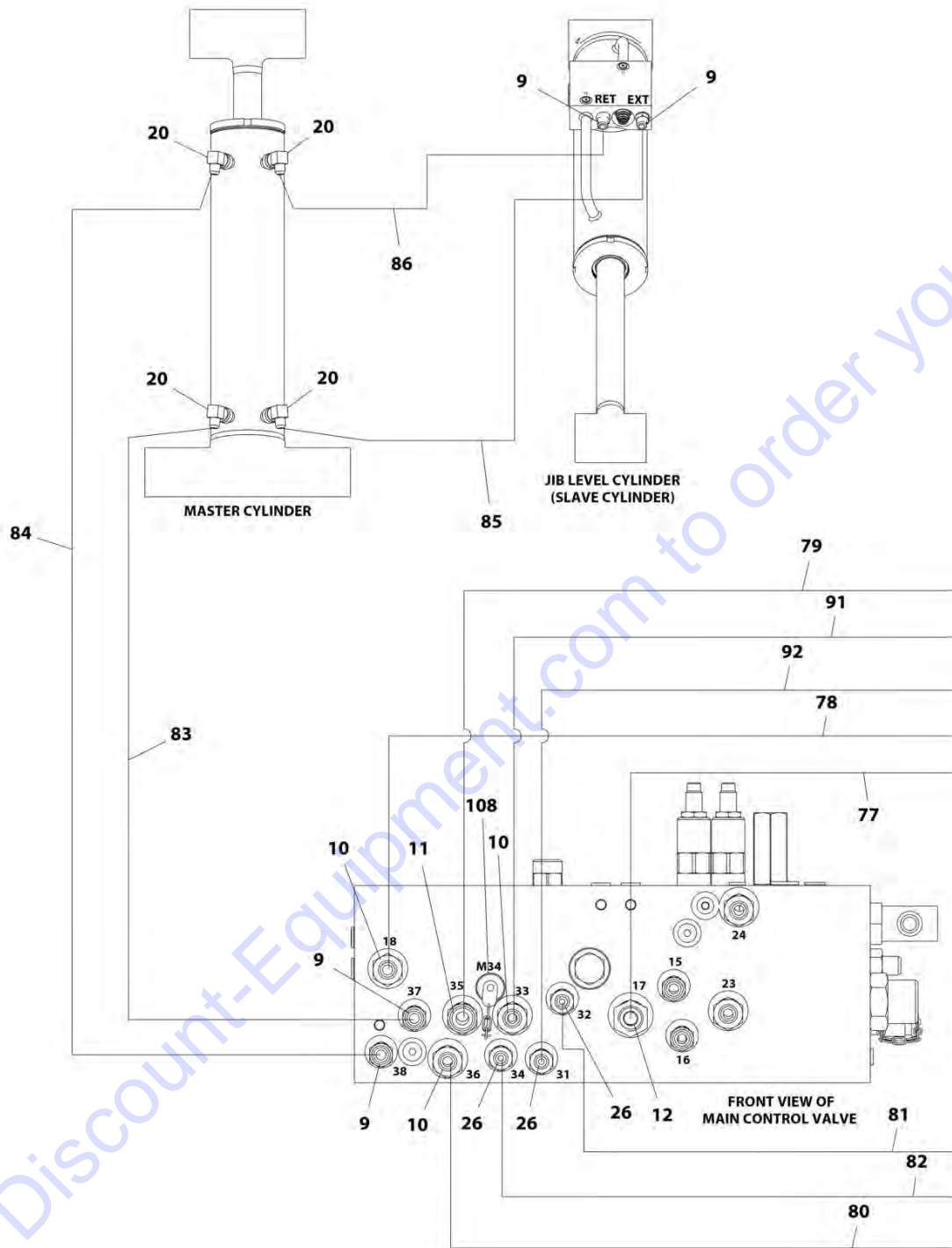
ART\_1001216800\_30F6

# SECTION 7 - HYDRAULIC



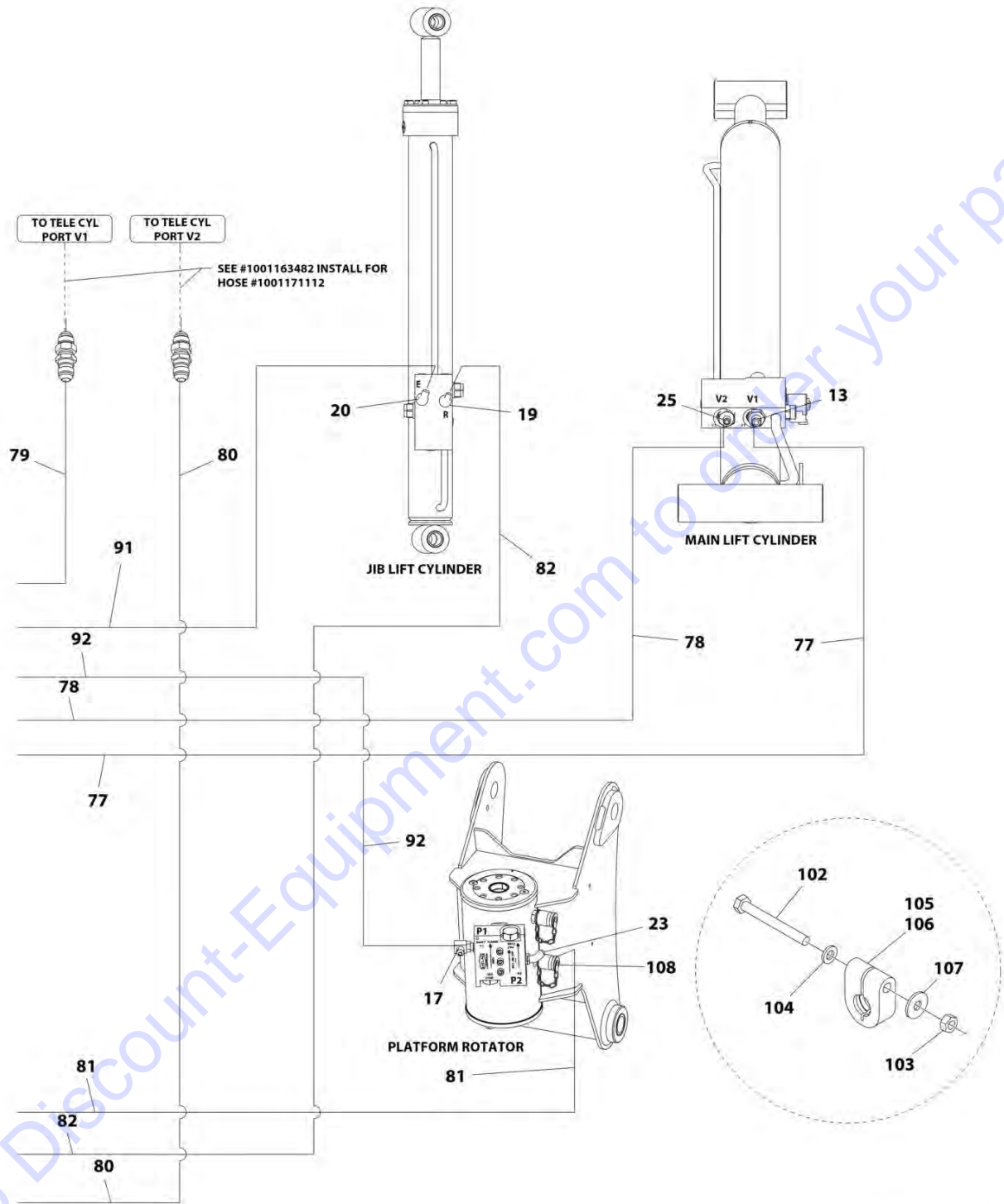
ART\_1001216800\_40F6

# SECTION 7 - HYDRAULIC



ART\_1001216800\_50F6

# SECTION 7 - HYDRAULIC



ART\_1001216800\_60F6

## SECTION 7 - HYDRAULIC

FIGURE 7-8. 460SJ 2WD HYDRAULIC SYSTEM INSTALLATION (SN 0300220610 to Present)

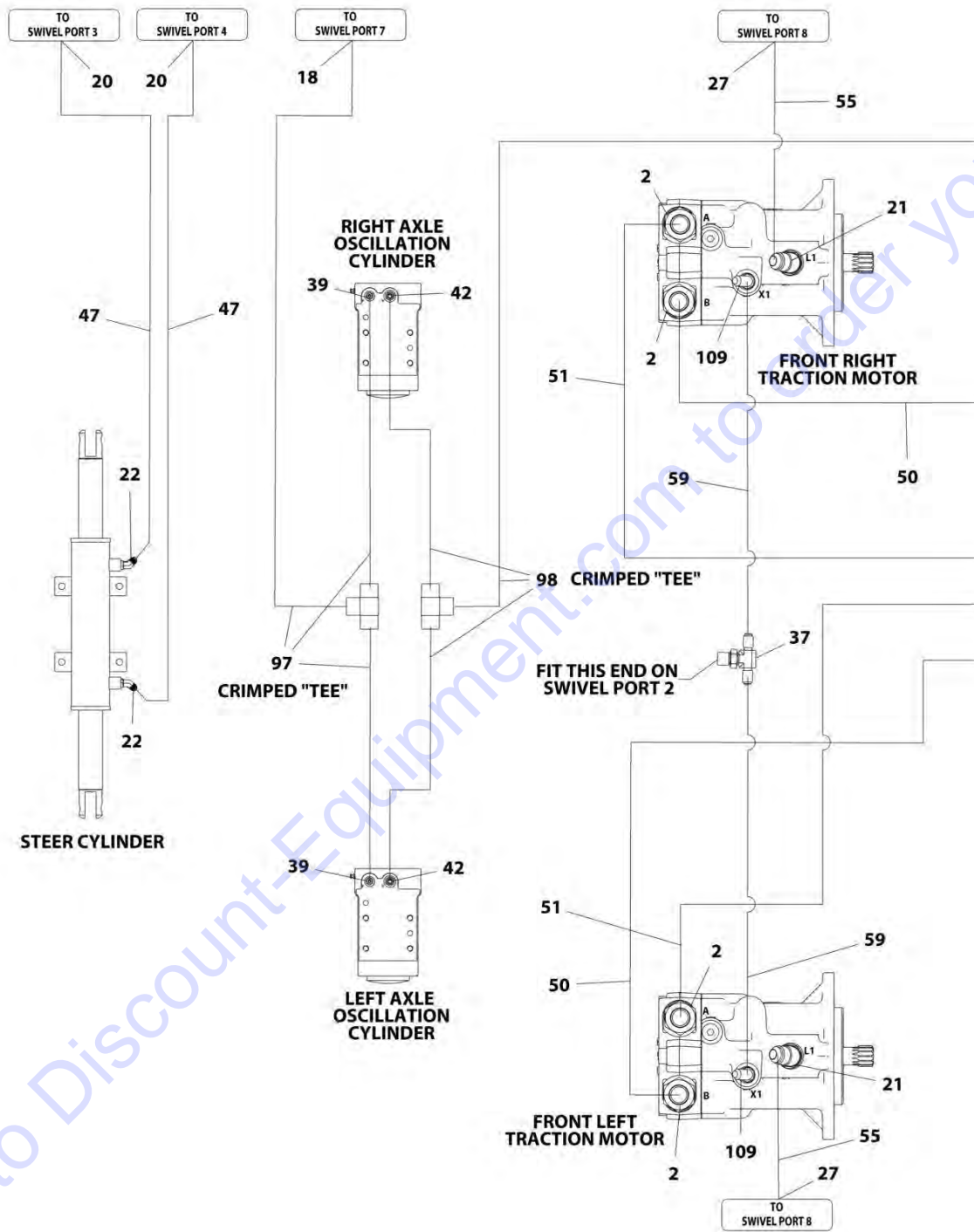
ITEM	PART NUMBER	QTY	DESCRIPTION	REV
	1001216800	Ref	460SJ 2WD HYDRAULIC SYSTEM INSTALLATION	D
1	2110810	4	Fitting, Straight ORFS/ORB	
2	2110812	4	Fitting, Straight ORFS/ORB	
3	2111216	5	Fitting, Straight ORFS/ORB	
4	2131212	2	Fitting, 90 ORFS/ORB	
5	2131216	1	Fitting, 90 ORFS/ORB	
7	1001202910	2	Fitting, Straight MORB	
8	2220366	2	Fitting, 90 JIC/ORB	
9	2220371	12	Fitting, Straight JIC/ORB	
10	2220372	9	Fitting, Straight JIC/ORB	
11	2220373	5	Fitting, Straight JIC/ORB	
12	2220374	2	Fitting, Straight JIC/ORB (SN 0300220610 through 0300226846)	
12	2220374	3	Fitting, Straight JIC/ORB (SN 0300226847 to Present)	
13	2220375	2	Fitting, Straight JIC/ORB (SN 0300220610 through 0300226846)	
13	2220375	1	Fitting, Straight JIC/ORB (SN 0300226847 to Present)	
14	2220377	3	Fitting, Straight JIC/ORB	
15	2220415	2	Fitting, Straight JIC/ORB	
16	2220451	1	Fitting, Straight JIC/ORB	
17	2220466	3	Fitting, 90 JIC/ORB	
18	2220468	2	Fitting, Straight JIC/ORB	
19	2220472	1	Fitting, 90 JIC/ORB	
20	2220473	9	Fitting, 90 JIC/ORB	
22	2220501	2	Fitting, 45 JIC/ORB	
23	2220502	1	Fitting, 45 JIC/ORB	
25	2220577	1	Fitting, Straight JIC/ORB (SN 0300220610 through 0300226846)	
25	2220497	1	Fitting, Straight JIC/ORB (SN 0300226847 to Present)	
26	2220582	4	Fitting, Straight JIC/ORB	
27	2220238	2	Plug	
28	2220600	2	Fitting, Straight JIC/ORB	
29	1001197272	1	Fitting, Tee JIC/ORB/JIC	
32	2220628	1	Fitting, 90 JIC/ORB	
34	2220695	1	Fitting, Tee JIC/ORB/JIC	
35	2220726	1	Fitting, 90 JIC/ORB	
36	2220775	1	Fitting, 90 JIC/ORB	
37	2220237	1	Plug #6	
38	2220906	1	Fitting, 90 JIC/ORB	
39	2220923	2	Fitting, Straight JIC/ORB	
40	2220946	2	Fitting, Straight JIC/ORB	
41	2220947	2	Fitting, Straight JIC/ORB (SN 0300220610 through 0300222808)	
41	2220947	1	Fitting, Straight JIC/ORB (SN 0300222809 to Present)	
42	2220998	2	Fitting, Straight JIC/ORB	
43	4240018	15	Tie-Strap (Not Shown)	
44	80633030	2	Clamp	
46	1001098928	1	Clamp (Not Shown)	
47	1001172692	2	Hose	
48	1001172695	2	Hose	
49	1001172697	4	Hose	
52	1001197284	1	Hose	
64	1001207332	1	Hose	
65	1001216655	1	Hose	

## SECTION 7 - HYDRAULIC

ITEM	PART NUMBER	QTY	DESCRIPTION	REV
66	1001172716	1	Hose	
67	1001172717	1	Hose	
68	1001172718	1	Hose	
69	1001172719	1	Hose	
70	1001207333	1	Hose	
71	1001172721	1	Hose	
72	1001172722	2	Hose	
73	1001172723	3	Hose	
74	1001173898	1	Hose	
75	1001173899	1	Hose (SN 0300220610 through 0300222808)	
75	2752500	1	Hose (SN 0300222809 to Present)	
76	1001173900	2	Hose	
77	1001173901	1	Hose	
78	1001173902	1	Hose	
79	1001173903	1	Hose	
80	1001173904	1	Hose	
81	1001173905	1	Hose	
82	1001173906	1	Hose	
83	1001173907	1	Hose	
84	1001173908	1	Hose	
85	1001173909	1	Hose	
86	1001173937	1	Hose	
87	1001193654	1	Hose	
88	1001207331	1	Hose (SN 0300220610 through 0300222808)	
88	1001172713	1	Hose (SN 0300222809 through 0300226923)	
88	1001207332	1	Hose (SN 0300226924 to Present)	
89	1001181074	1	Hose	
90	1001181075	1	Hose	
91	1001181076	1	Hose	
92	1001181077	1	Hose	
97	1001184542	1	Hose	
98	1001184543	1	Hose	
99	1001184561	1	Hose	
100	1001184562	1	Hose	
101	1001184563	1	Hose	
102	0700619	2	Bolt, M6 x 55	
103	3290601	2	Nut, M6 x 1	
104	4811700	2	Washer, M6	
105	1001191275	1	Clamp	
106	1001191276	1	Clamp	
107	4811702	1	Washer, M6	
108	2221086	4	Fitting, Diagnostic Test Port	
117	88662037	1	Fitting, Straight JIC/ORB (SN 0300222809 to Present)	

# SECTION 7 - HYDRAULIC

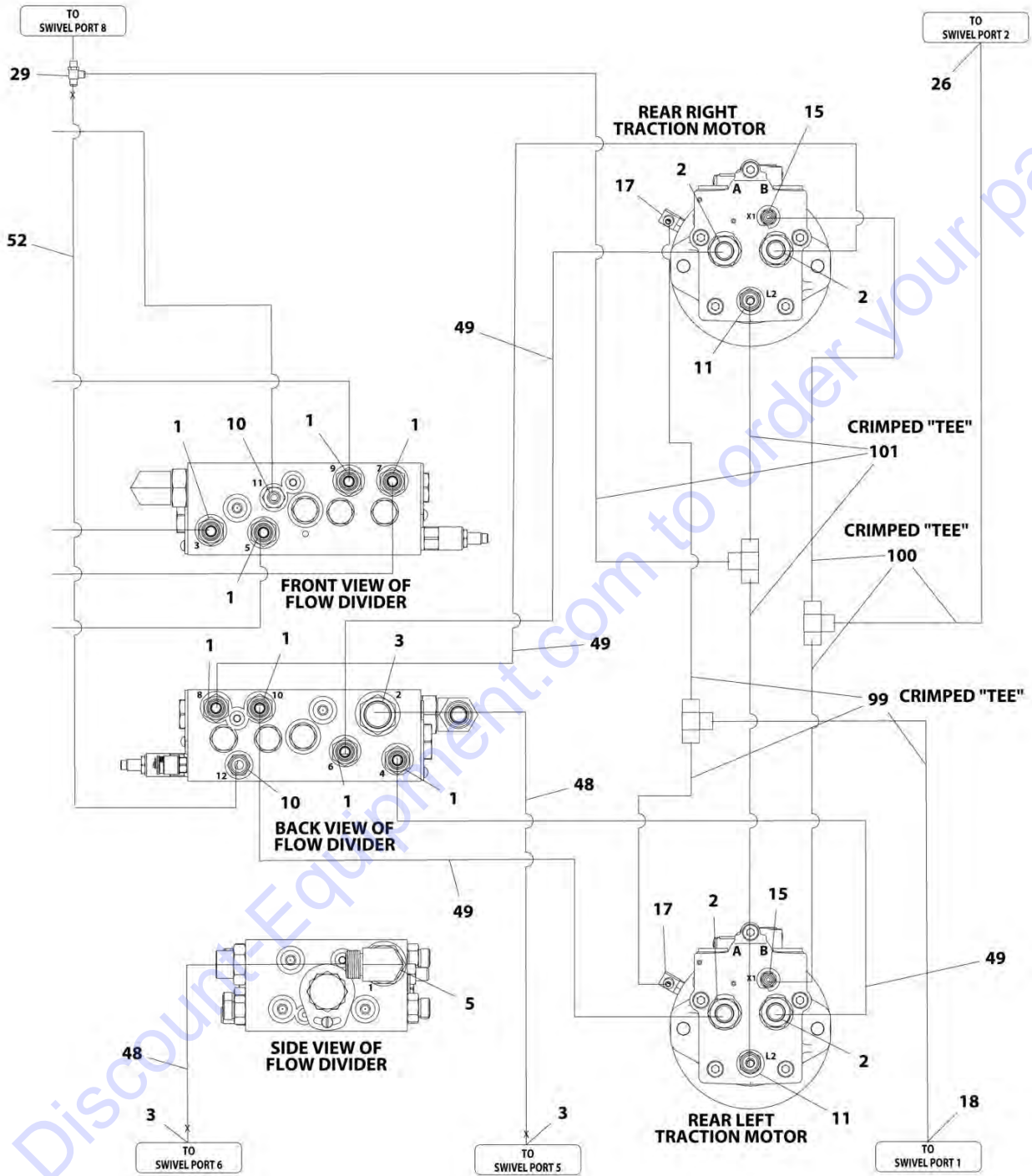
FIGURE 7-9. 460SJ 4WD HYDRAULIC SYSTEM INSTALLATION (WITHOUT ARCTIC PACKAGE) (SN 0300203771 through 0300214505)



ART\_1001173136\_10F6



# SECTION 7 - HYDRAULIC



ART\_1001173136\_20F6

# SECTION 7 - HYDRAULIC

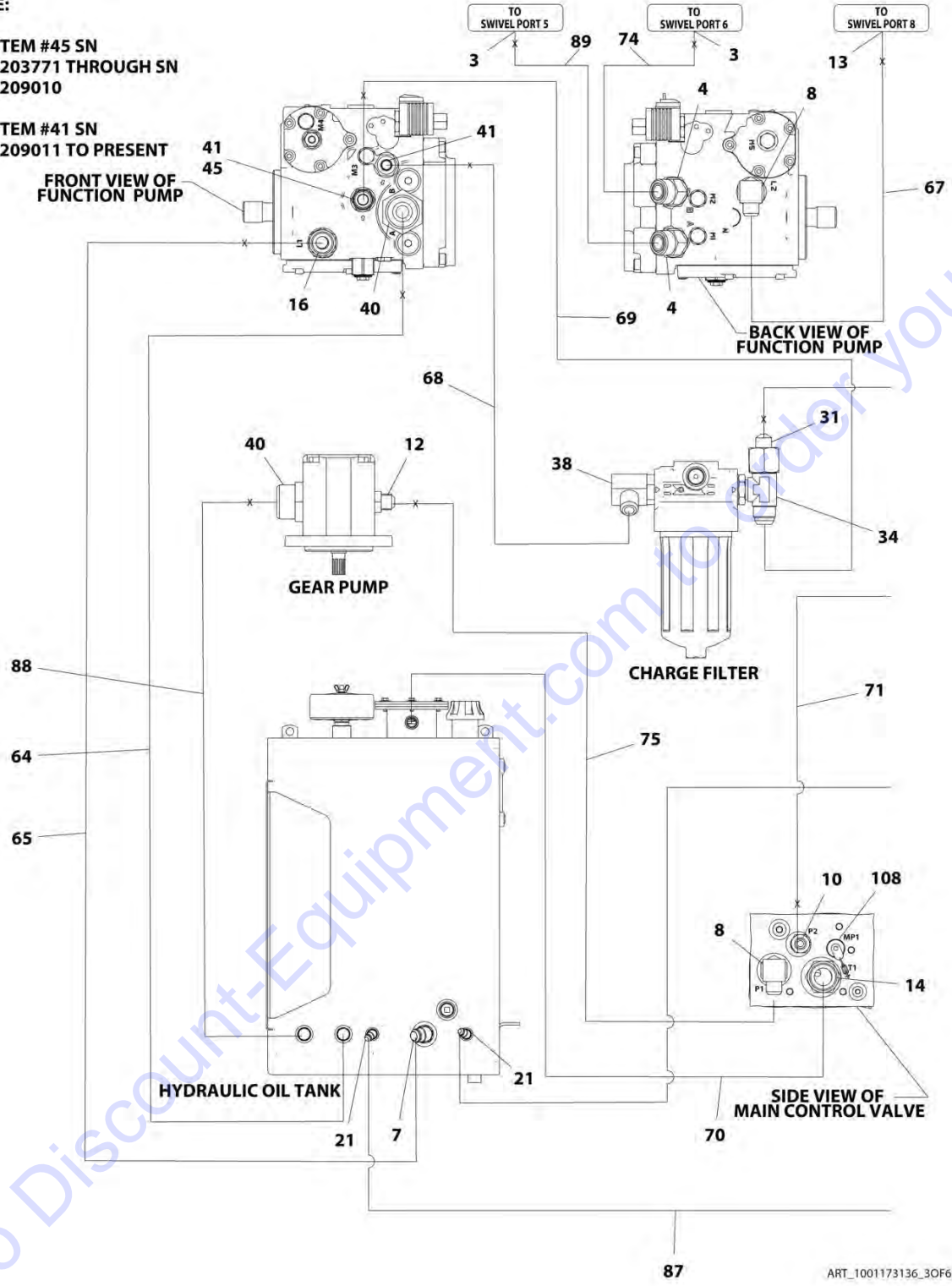
**NOTE:**

USE ITEM #45 SN  
0300203771 THROUGH SN  
0300209010

USE ITEM #41 SN  
0300209011 TO PRESENT

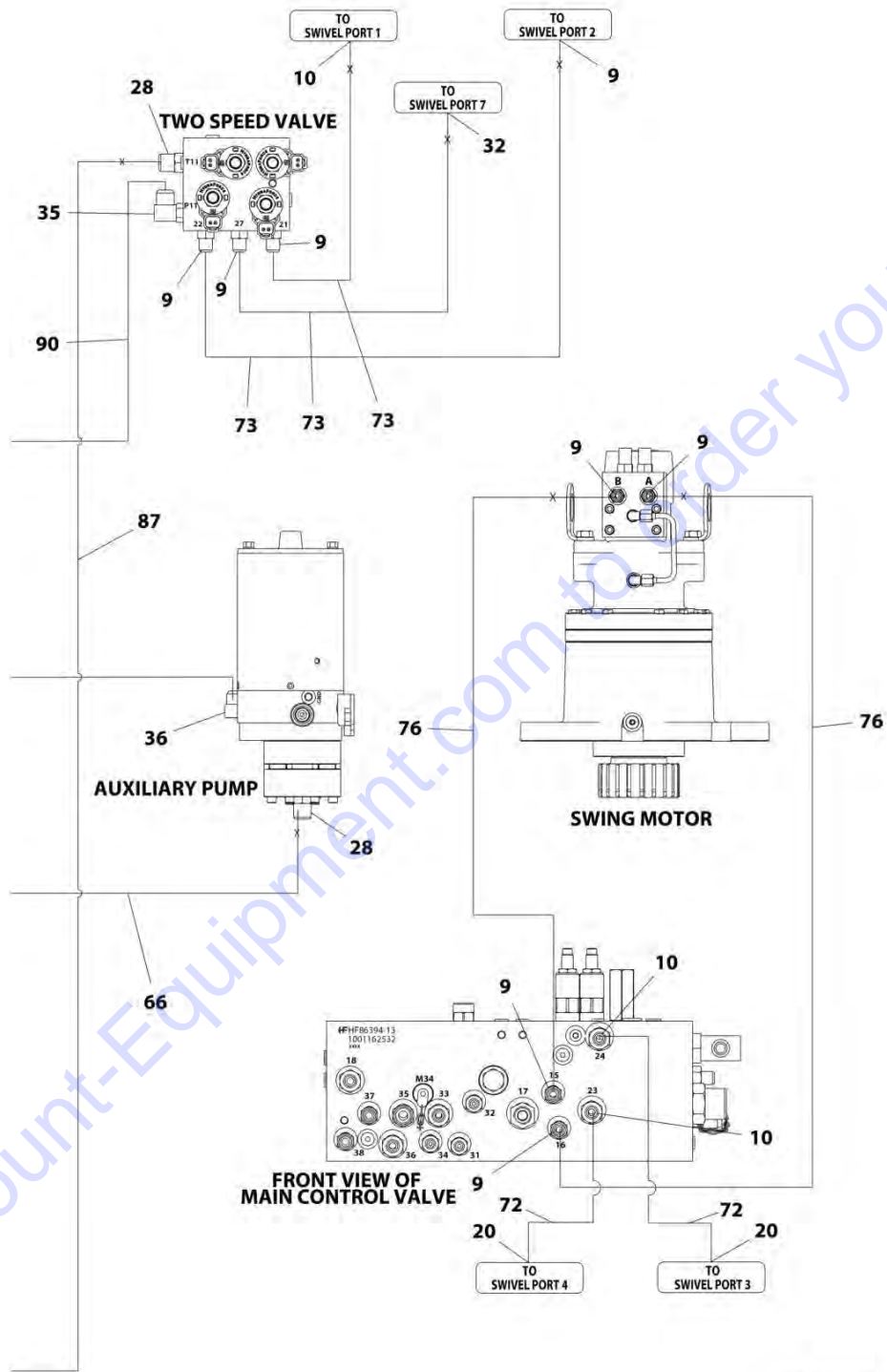
**FRONT VIEW OF  
FUNCTION PUMP**

TO SWIVEL PORT 5  
TO SWIVEL PORT 6  
TO SWIVEL PORT 8



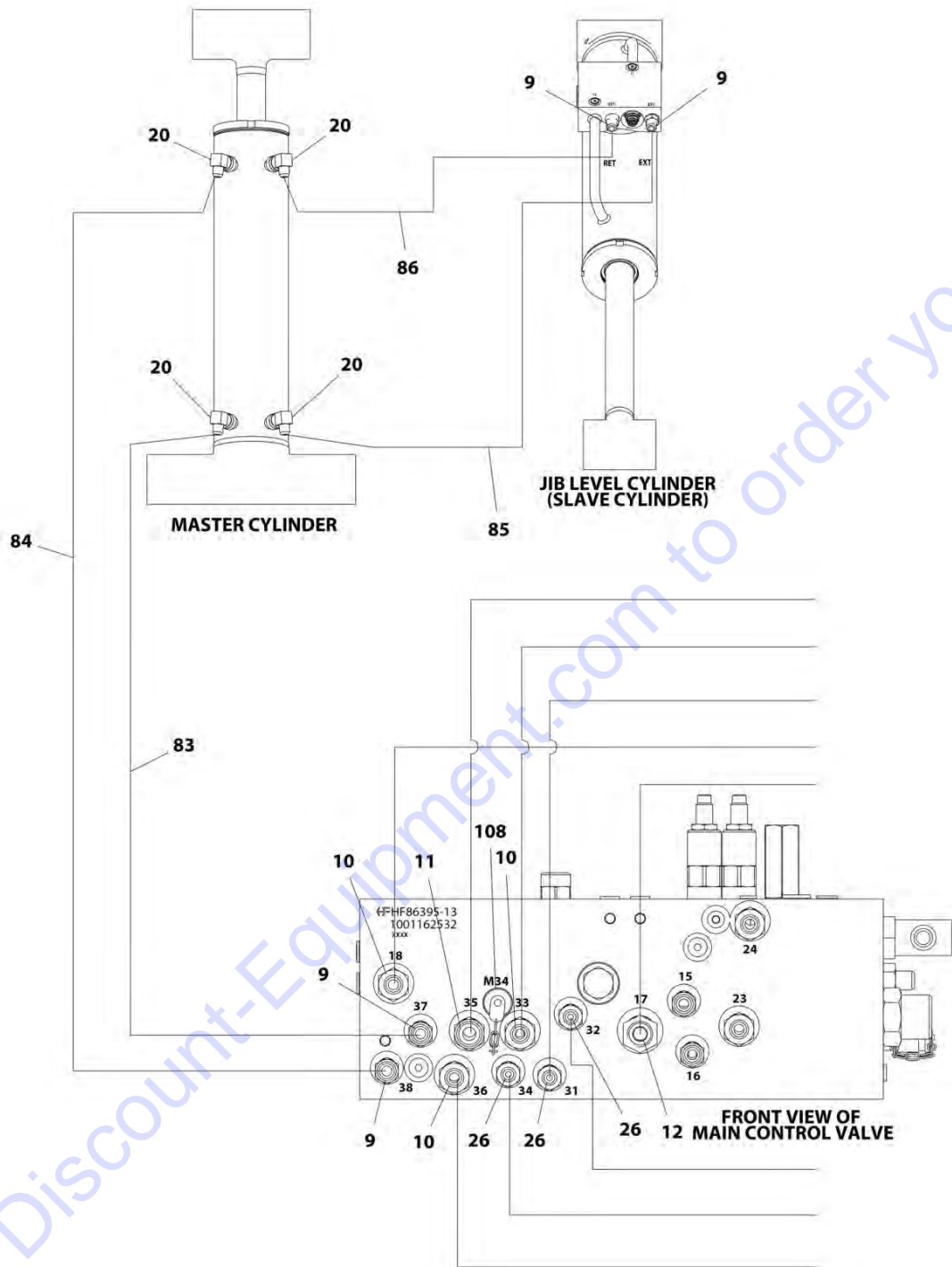
ART\_1001173136\_30F6

# SECTION 7 - HYDRAULIC



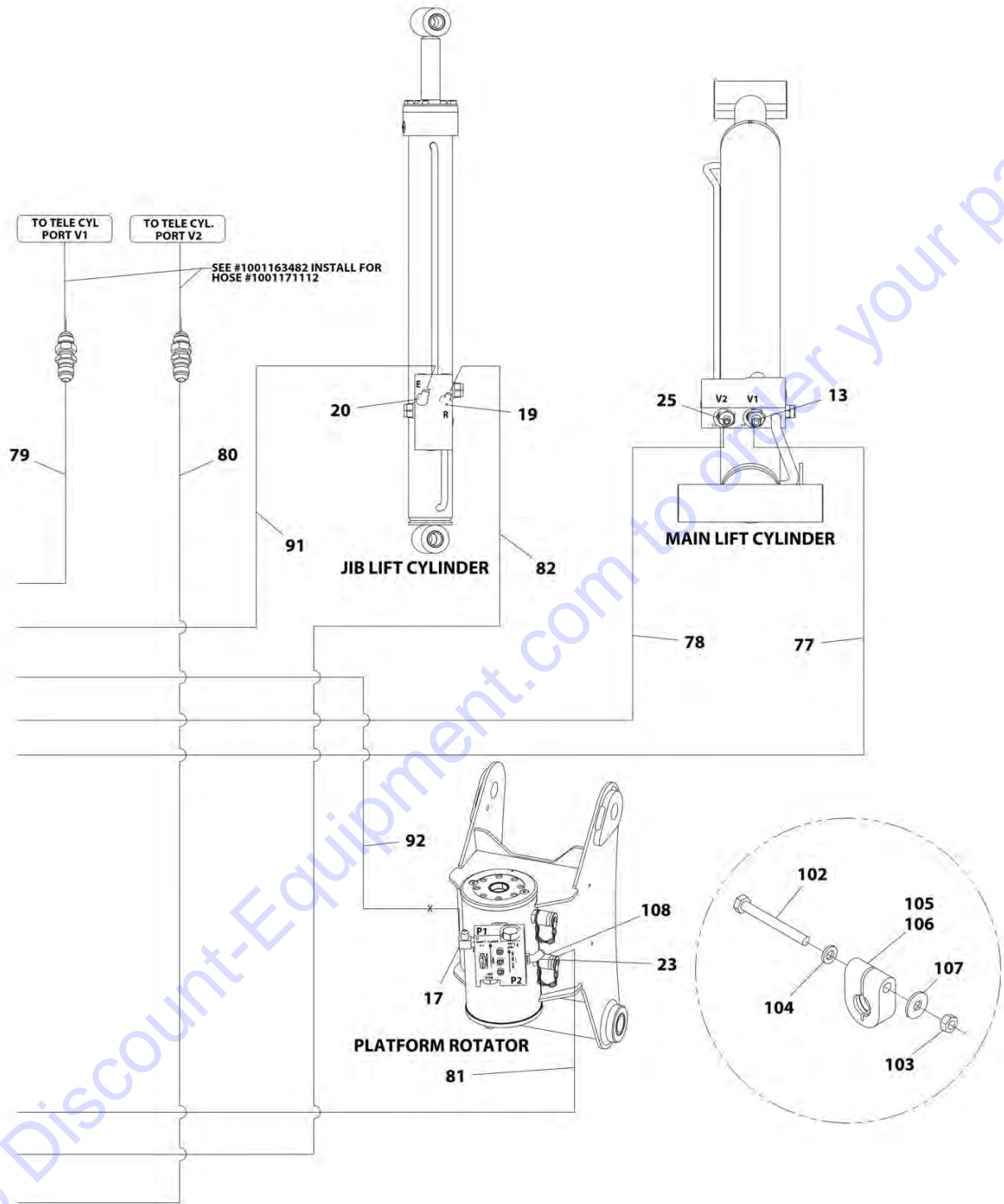
ART\_1001173136\_40F6

# SECTION 7 - HYDRAULIC



ART\_1001173136\_50F6

# SECTION 7 - HYDRAULIC



ART\_1001173136\_60F6

## SECTION 7 - HYDRAULIC

**FIGURE 7-9. 460SJ 4WD HYDRAULIC SYSTEM INSTALLATION (WITHOUT ARCTIC PACKAGE) (SN 0300203771 through 0300214505)**

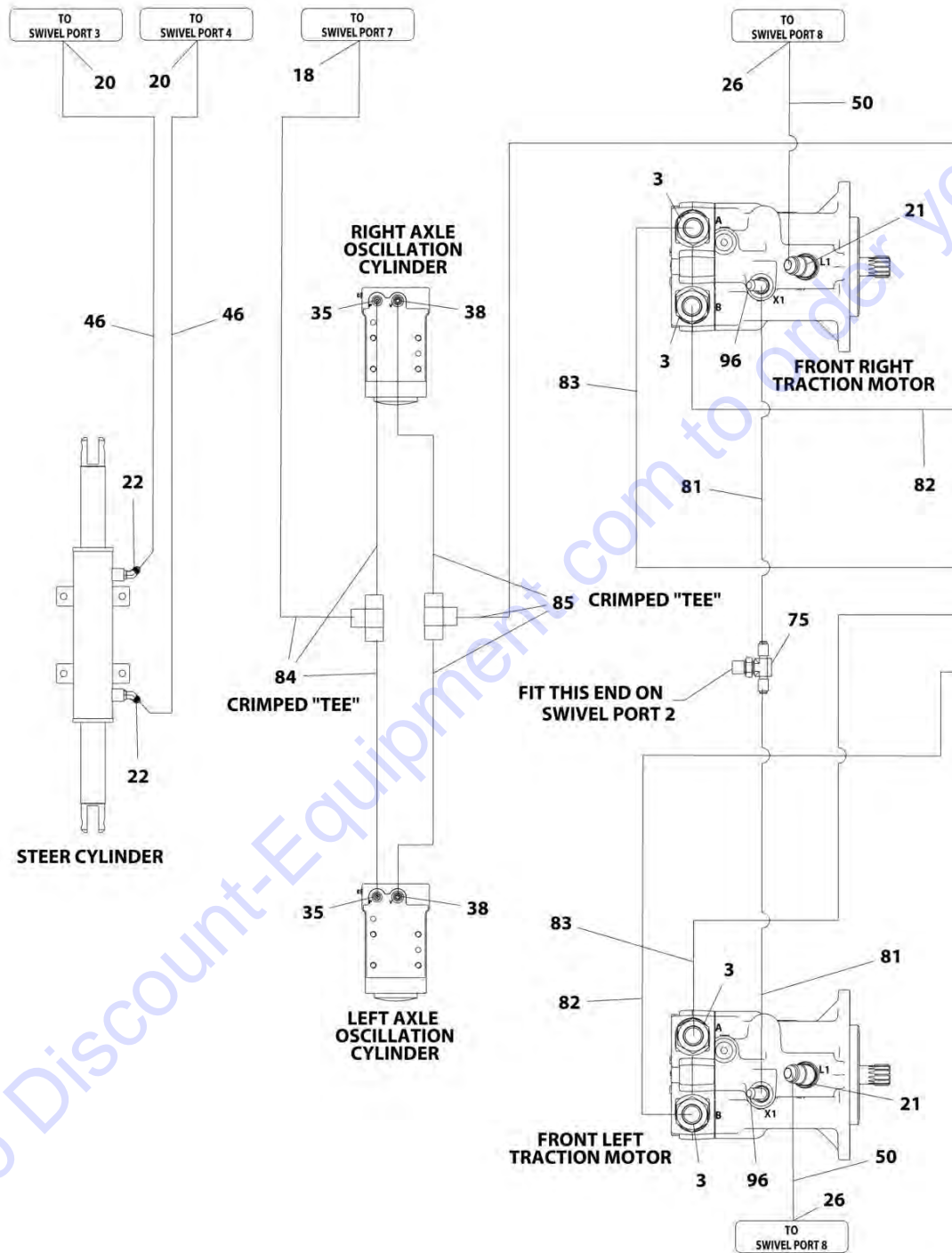
ITEM	PART NUMBER	QTY	DESCRIPTION	REV
	1001173136	Ref	460SJ 4WD HYDRAULIC SYSTEM INSTALLATION	K
1	2110810	8	Fitting, Straight ORFS/ORB	
2	2110812	8	Fitting, Straight ORFS/ORB	
3	2111216	5	Fitting, Straight ORFS/ORB	
4	2131212	AR	Fitting, 90 ORFS/ORB	
5	2131216	1	Fitting, 90 ORFS/ORB	
7	2220365	1	Fitting, 45 JIC/ORB	
8	2220366	2	Fitting, 90 JIC/ORB	
9	2220371	12	Fitting, Straight JIC/ORB	
10	2220372	9	Fitting, Straight JIC/ORB	
11	2220373	3	Fitting, Straight JIC/ORB	
12	2220374	2	Fitting, Straight JIC/ORB	
13	2220375	2	Fitting, Straight JIC/ORB	
14	2220377	1	Fitting, Straight JIC/ORB	
15	2220415	2	Fitting, Straight JIC/ORB	
16	2220451	1	Fitting, Straight JIC/ORB	
17	2220466	3	Fitting, 90 JIC/ORB	
18	2220468	2	Fitting, Straight JIC/ORB	
19	2220472	1	Fitting, 90 JIC/ORB	
20	2220473	9	Fitting, 90 JIC/ORB	
21	2220500	4	Fitting, 45 JIC/ORB	
22	2220501	2	Fitting, 45 JIC/ORB	
23	2220502	1	Fitting, 45 JIC/ORB	
25	2220577	1	Fitting, Straight JIC/ORB	
26	2220582	4	Fitting, Straight JIC/ORB	
27	2220596	2	Fitting, 90 JIC/ORB	
28	2220600	2	Fitting, Straight JIC/ORB	
29	1001197272	1	Fitting, Tee JIC/ORB/JIC	
31	2220622	AR	Fitting, Straight JIC/FSJIC	
32	2220628	1	Fitting, 90 JIC/ORB	
34	2220695	1	Fitting, Tee JIC/ORB/JIC	
35	2220726	1	Fitting, 90 JIC/ORB	
36	2220775	1	Fitting, 90 JIC/ORB	
37	1001175024	1	Fitting, Tee JIC/JIC/ORB	
38	2220906	1	Fitting, 90 JIC/ORB	
39	2220923	2	Fitting, Straight JIC/ORB	
40	2220946	2	Fitting, Straight JIC/ORB	
41	2220947	2	Fitting, Straight JIC/ORB	
42	2220998	2	Fitting, Straight JIC/ORB	
43	4240018	22	Tie-Strap	
44	80633030	2	Clamp	
45	88662037	AR	Fitting, Straight JIC/ORB	
46	1001098928	1	Clamp	
47	1001172692	2	Hose	
48	1001172695	2	Hose	
49	1001172697	4	Hose	
50	1001172698	2	Hose	
51	1001172699	2	Hose	
52	1001197284	1	Hose	

## SECTION 7 - HYDRAULIC

ITEM	PART NUMBER	QTY	DESCRIPTION	REV
55	1001172703	2	Hose	
59	1001172707	2	Hose	
64	1001172713	1	Hose	
65	1001172715	1	Hose	
66	1001172716	1	Hose	
67	1001172717	1	Hose	
68	1001172718	1	Hose	
69	1001172719	1	Hose	
70	1001172720	1	Hose	
71	1001172721	1	Hose	
72	1001172722	2	Hose	
73	1001172723	3	Hose	
74	1001173898	1	Hose	
75	1001173899	1	Hose	
76	1001173900	2	Hose	
77	1001173901	1	Hose	
78	1001173902	1	Hose	
79	1001173903	1	Hose	
80	1001173904	1	Hose	
81	1001173905	1	Hose	
82	1001173906	1	Hose	
83	1001173907	1	Hose	
84	1001173908	1	Hose	
85	1001173909	1	Hose	
86	1001173937	1	Hose	
87	1001173938	1	Hose	
88	1001181073	1	Hose	
89	1001181074	1	Hose	
90	1001181075	1	Hose	
91	1001181076	1	Hose	
92	1001181077	1	Hose	
97	1001184542	1	Hose	
98	1001184543	1	Hose	
99	1001184561	1	Hose	
100	1001184562	1	Hose	
101	1001184563	1	Hose	
102	0700619	2	Bolt, M6 x 55	
103	3290601	2	Nut, M6 x 1	
104	4811700	2	Washer, M6	
105	1001191275	1	Clamp	
106	1001191276	1	Clamp	
107	4811702	2	Washer, M6	
108	2221086	4	Fitting, Diagnostic Test Port	
109	2221040	2	Fitting, 45 JIC/ORB (SN 0300209011 through 0300214505)	

# SECTION 7 - HYDRAULIC

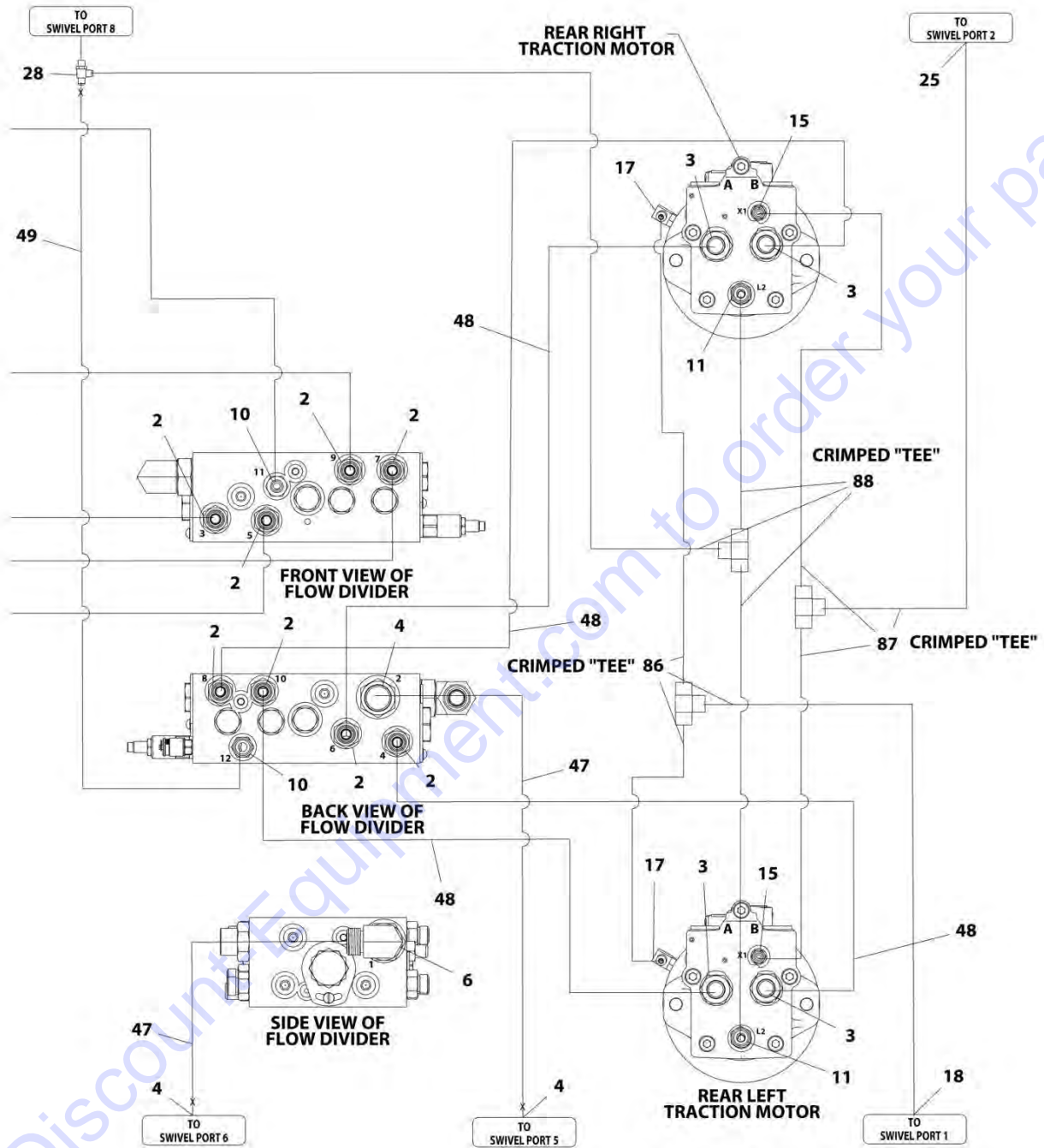
FIGURE 7-10. 460SJ 4WD HYDRAULIC SYSTEM INSTALLATION (WITH ARCTIC PACKAGE) (SN 0300203771 through 0300214505)



ART\_1001178499\_10F6



# SECTION 7 - HYDRAULIC



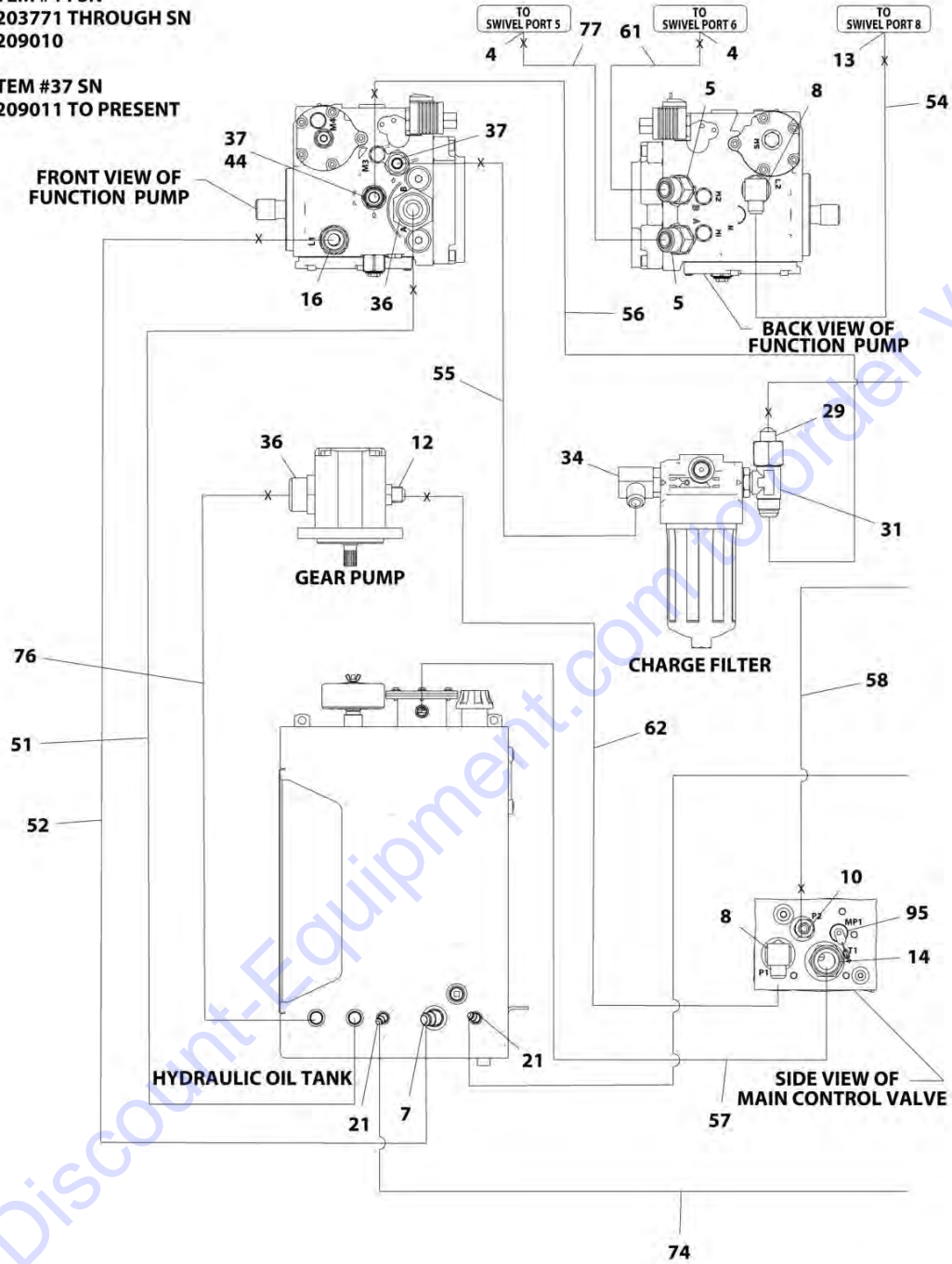
ART\_1001178499\_20F6

# SECTION 7 - HYDRAULIC

NOTE:

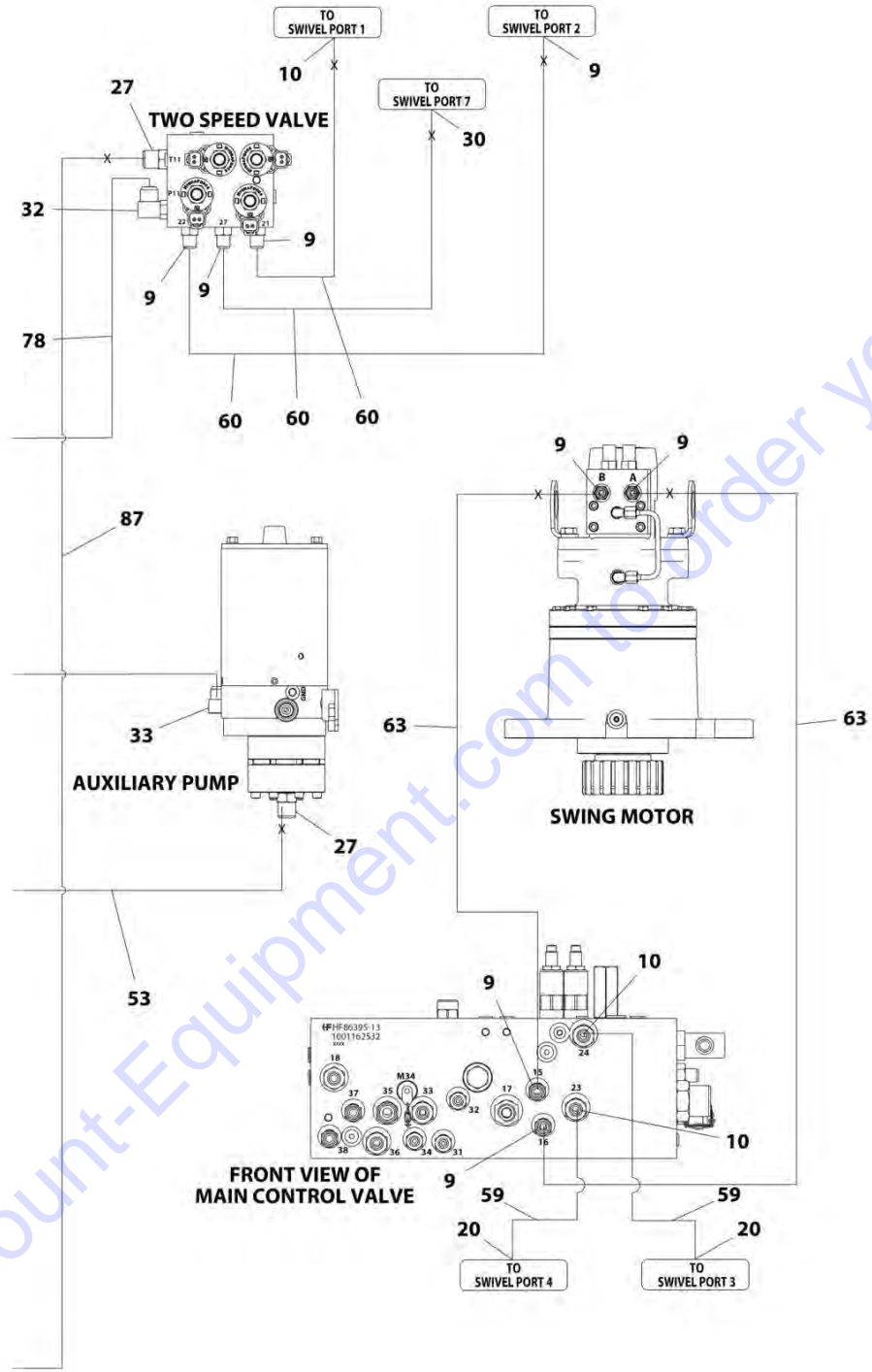
USE ITEM #44 SN  
0300203771 THROUGH SN  
0300209010

USE ITEM #37 SN  
0300209011 TO PRESENT



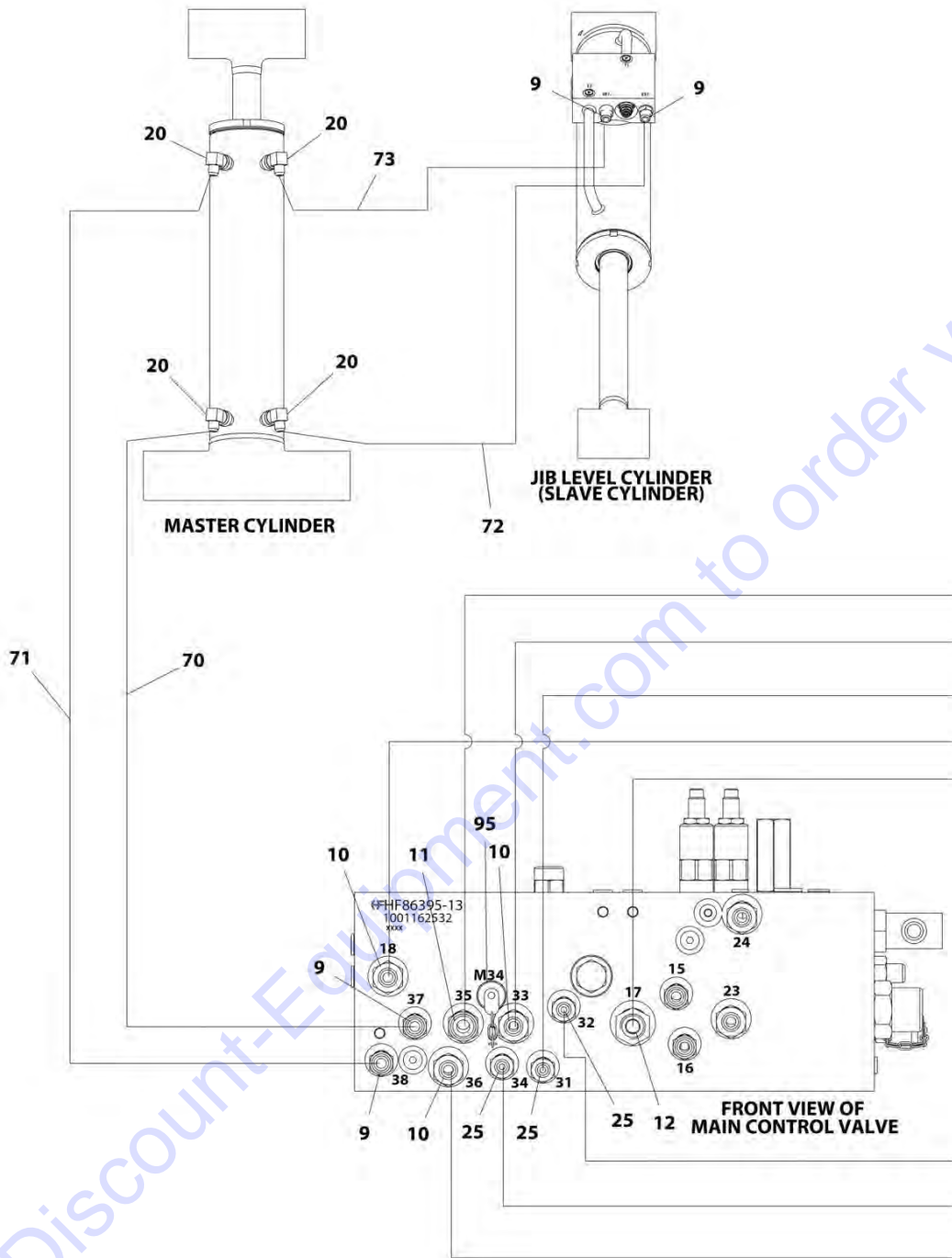
ART\_1001178499\_30F6

# SECTION 7 - HYDRAULIC



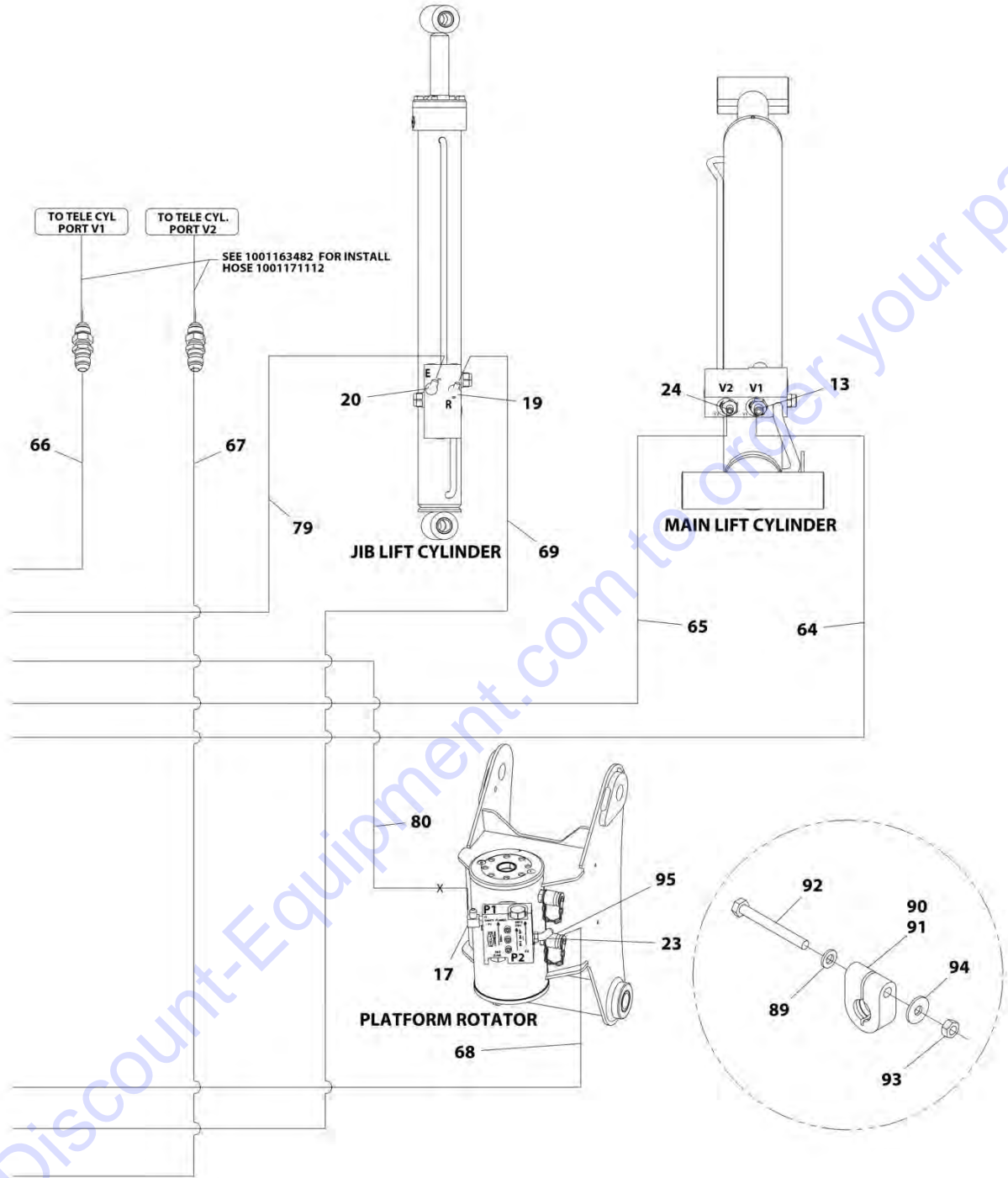
ART\_1001178499\_4OF6

# SECTION 7 - HYDRAULIC



ART\_1001178499\_50F6

# SECTION 7 - HYDRAULIC



ART\_1001178499\_6QF6

## SECTION 7 - HYDRAULIC

**FIGURE 7-10. 460SJ 4WD HYDRAULIC SYSTEM INSTALLATION (WITH ARCTIC PACKAGE) (SN 0300203771 through 0300214505)**

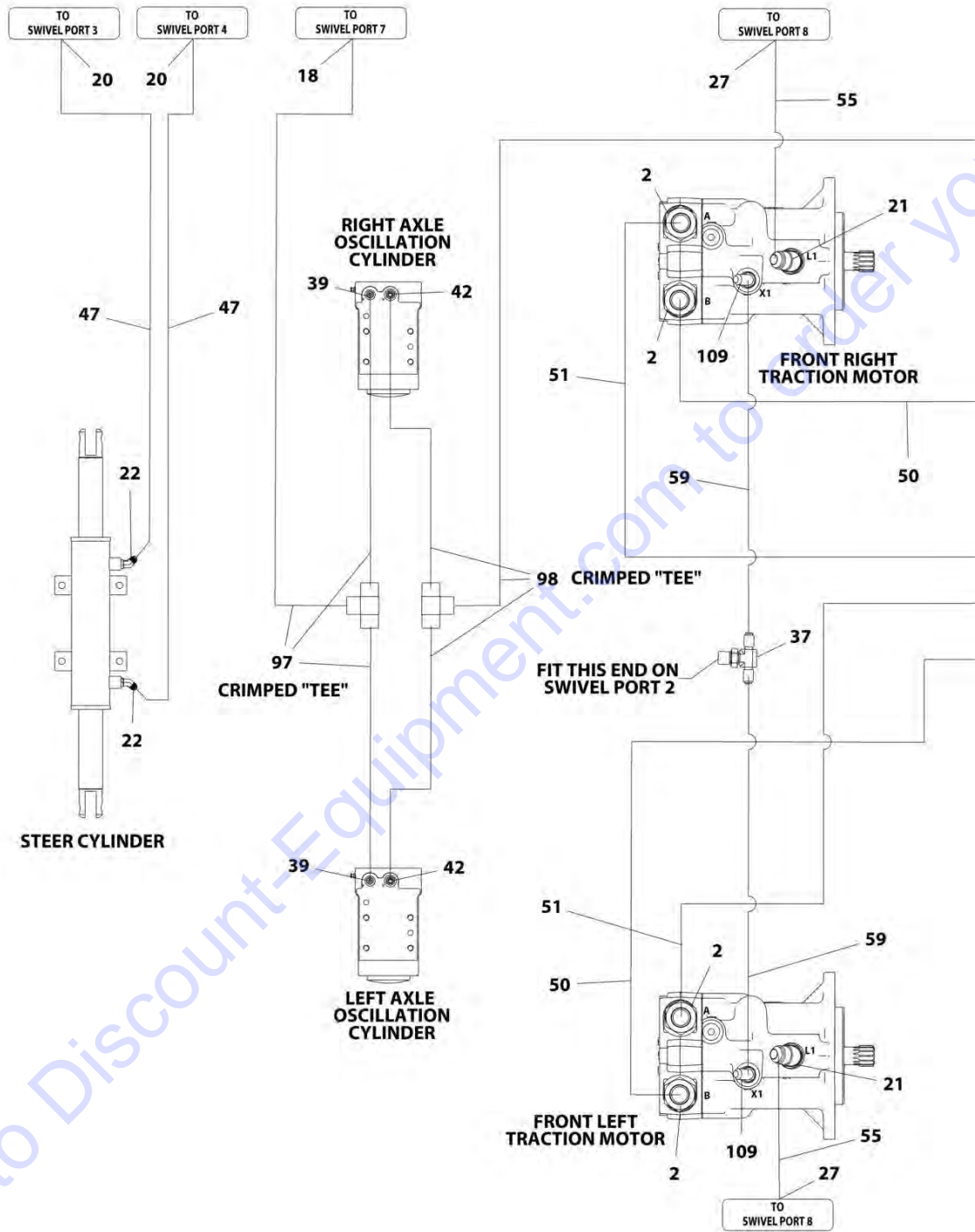
ITEM	PART NUMBER	QTY	DESCRIPTION	REV
	1001178499	Ref	460SJ 4WD HYDRAULIC SYSTEM INSTALLATION	G
2	2110810	8	Fitting, Straight ORFS/ORB	
3	2110812	8	Fitting, Straight ORFS/ORB	
4	2111216	5	Fitting, Straight ORFS/ORB	
5	2131212	2	Fitting, 90 ORFS/ORB (SN 0300203771 through 0300209010)	
5	2151212	2	Fitting, 45 JIC/ORB (SN 0300209011 through 0300214505)	
6	2131216	1	Fitting, 90 ORFS/ORB	
7	2220365	1	Fitting, 45 JIC/ORB	
8	2220366	2	Fitting, 90 JIC/ORB	
9	2220371	12	Fitting, Straight JIC/ORB	
10	2220372	9	Fitting, Straight JIC/ORB	
11	2220373	3	Fitting, Straight JIC/ORB	
12	2220374	2	Fitting, Straight JIC/ORB	
13	2220375	2	Fitting, Straight JIC/ORB	
14	2220377	1	Fitting, Straight JIC/ORB	
15	2220415	2	Fitting, Straight JIC/ORB	
16	2220451	1	Fitting, Straight JIC/ORB	
17	2220466	3	Fitting, 90 JIC/ORB	
18	2220468	2	Fitting, Straight JIC/ORB	
19	2220472	1	Fitting, 90 JIC/ORB	
20	2220473	9	Fitting, 90 JIC/ORB	
21	2220500	4	Fitting, 45 JIC/ORB	
22	2220501	2	Fitting, 45 JIC/ORB	
23	2220502	1	Fitting, 45 JIC/ORB	
24	2220577	1	Fitting, Straight JIC/ORB	
25	2220582	4	Fitting, Straight JIC/ORB	
26	2220596	2	Fitting, 90 JIC/ORB	
27	2220600	2	Fitting, Straight JIC/ORB	
28	1001197272	1	Fitting, Tee JIC/ORB/JIC	
29	2220622	1	Fitting, Straight JIC/FSJIC (SN 0300203771 through 0300209010)	
30	2220628	1	Fitting, 90 JIC/ORB	
31	2220695	1	Fitting, Tee JIC/ORB/JIC	
32	2220726	1	Fitting, 90 JIC/ORB	
33	2220775	1	Fitting, 90 JIC/ORB	
34	2220906	1	Fitting, 90 JIC/ORB	
35	2220923	2	Fitting, Straight JIC/ORB	
36	2220946	2	Fitting, Straight JIC/ORB	
37	2220947	2	Fitting, Straight JIC/ORB	
38	2220998	2	Fitting, Straight JIC/ORB	
40	4240018	22	Tie-Strap	
43	80633030	2	Clamp	
44	88662037	1	Fitting, Straight JIC/ORB (SN 0300203771 through 0300209010)	
45	1001098928	1	Clamp	
46	1001172692	2	Hose	
47	1001172695	2	Hose	
48	1001172697	4	Hose	
49	1001197284	1	Hose	
50	1001172703	2	Hose	
51	1001172713	1	Hose	

## SECTION 7 - HYDRAULIC

ITEM	PART NUMBER	QTY	DESCRIPTION	REV
52	1001172715	1	Hose	
53	1001172716	1	Hose	
54	1001172717	1	Hose	
55	1001172718	1	Hose	
56	1001172719	1	Hose	
57	1001172720	1	Hose	
58	1001172721	1	Hose	
59	1001172722	2	Hose	
60	1001172723	3	Hose	
61	1001173898	1	Hose	
62	1001173899	1	Hose	
63	1001173900	2	Hose	
64	1001173901	1	Hose	
65	1001173902	1	Hose	
66	1001173903	1	Hose	
67	1001173904	1	Hose	
68	1001173905	1	Hose	
69	1001173906	1	Hose	
70	1001173907	1	Hose	
71	1001173908	1	Hose	
72	1001173909	1	Hose	
73	1001173937	1	Hose	
74	1001173938	1	Hose	
75	1001175024	1	Fitting, Tee JIC/JIC/ORB	
76	1001181073	1	Hose	
77	1001181074	1	Hose	
78	1001181075	1	Hose	
79	1001181076	1	Hose	
80	1001181077	1	Hose	
81	1001183216	2	Hose	
82	1001183217	2	Hose	
83	1001183218	2	Hose	
84	1001184542	1	Hose	
85	1001184543	1	Hose	
86	1001184561	1	Hose	
87	1001184562	1	Hose	
88	1001184563	1	Hose	
89	4811700	2	Washer, M6	
90	1001191275	1	Clamp	
91	1001191276	1	Clamp	
92	0760619	2	Bolt, M6 x 55	
93	3290601	2	Nut, M6 x 1	
94	4811702	2	Washer, M6	
95	2221086	4	Fitting, Diagnostic Test Port	
96	2221040	2	Fitting, 45 JIC/ORB (SN 0300209011 through 0300214505)	

# SECTION 7 - HYDRAULIC

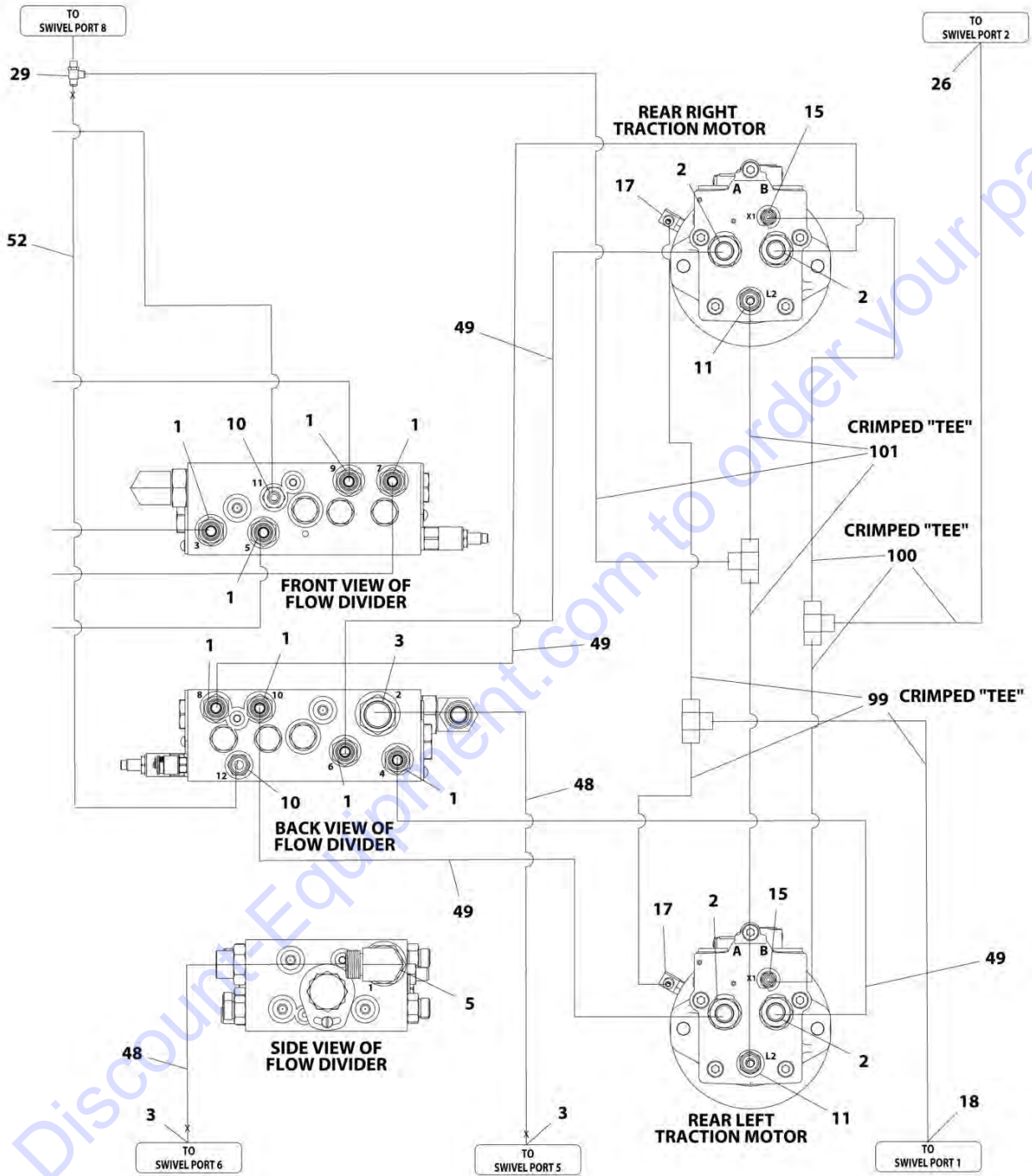
FIGURE 7-11. 460SJ 4WD HYDRAULIC SYSTEM INSTALLATION (ALL MACHINES) (SN 0300214506 through 0300220609)



ART\_1001173136\_10F6



# SECTION 7 - HYDRAULIC



ART\_1001173136\_20F6

# SECTION 7 - HYDRAULIC

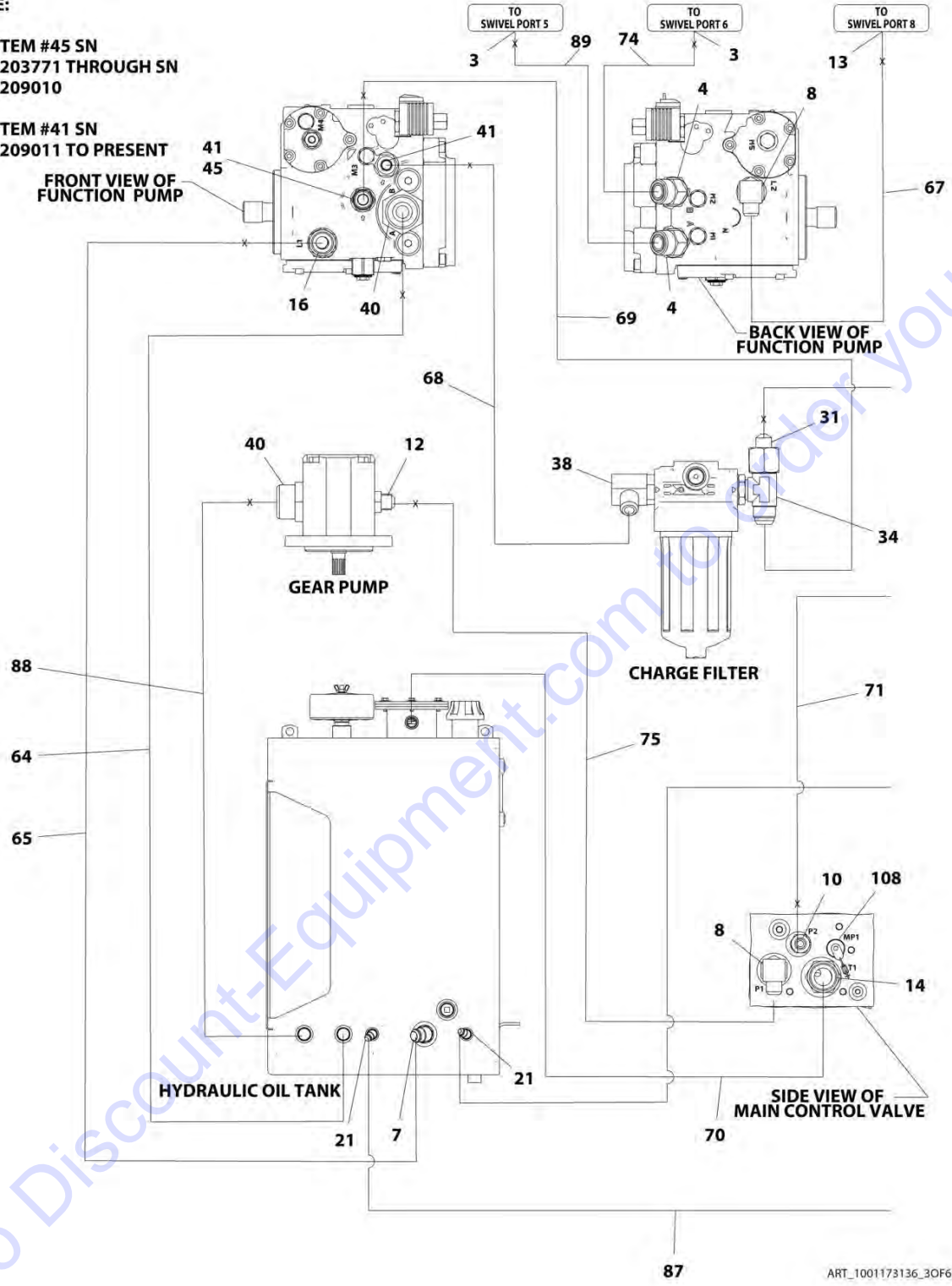
NOTE:

USE ITEM #45 SN  
0300203771 THROUGH SN  
0300209010

USE ITEM #41 SN  
0300209011 TO PRESENT

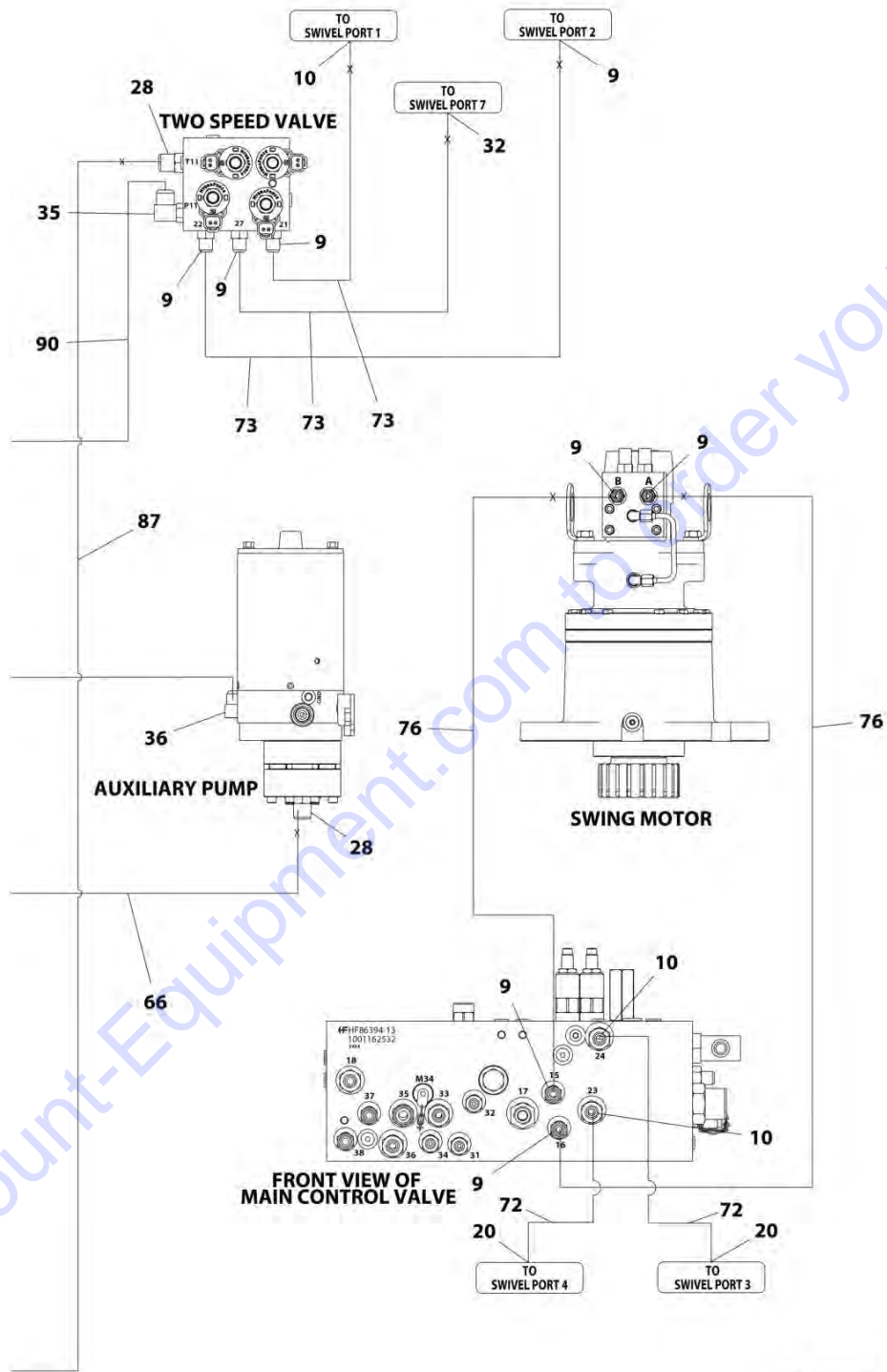
FRONT VIEW OF  
FUNCTION PUMP

TO SWIVEL PORT 5  
TO SWIVEL PORT 6  
TO SWIVEL PORT 8



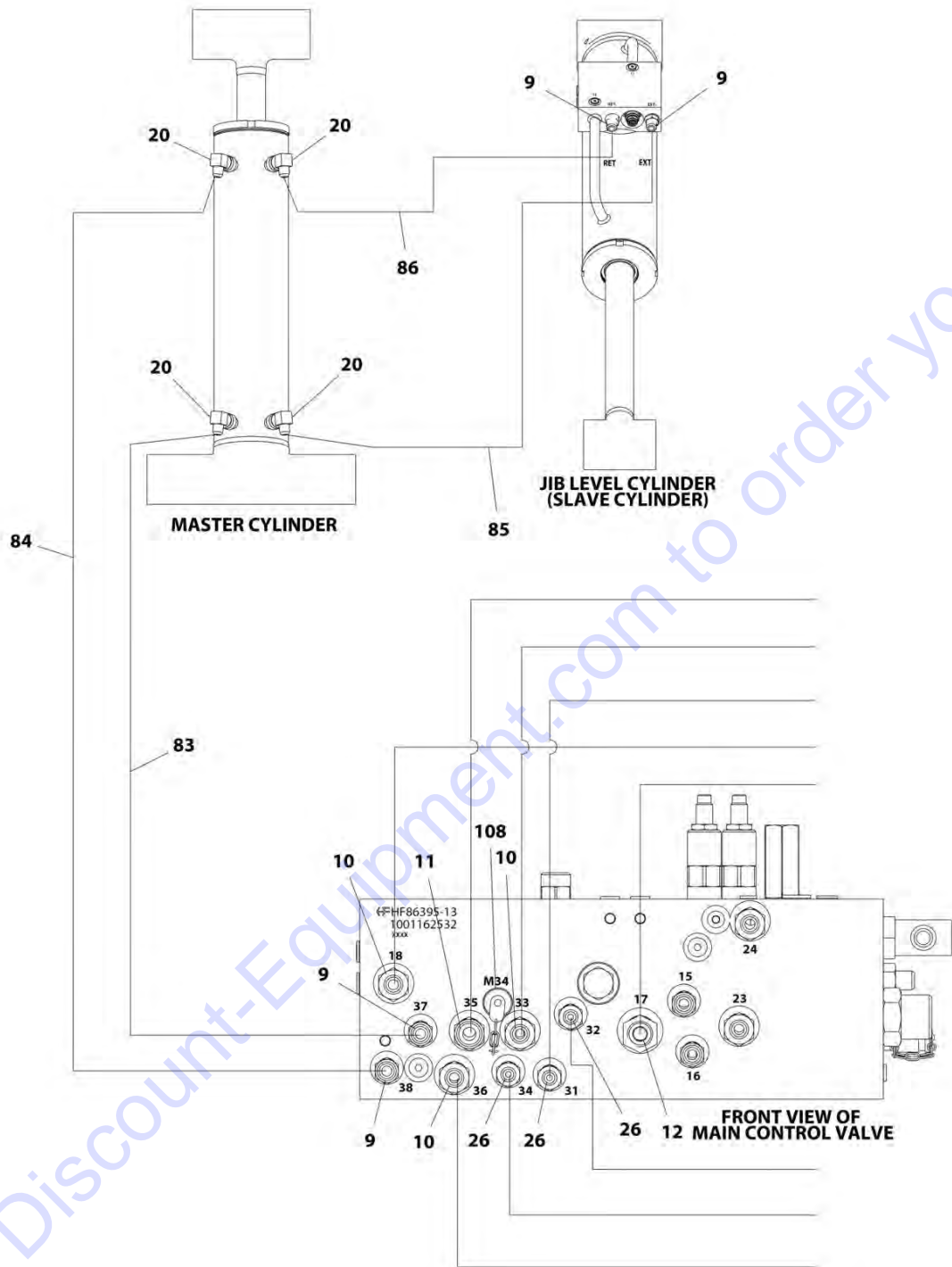
Go to Discount-Equipment.com to order your parts

# SECTION 7 - HYDRAULIC



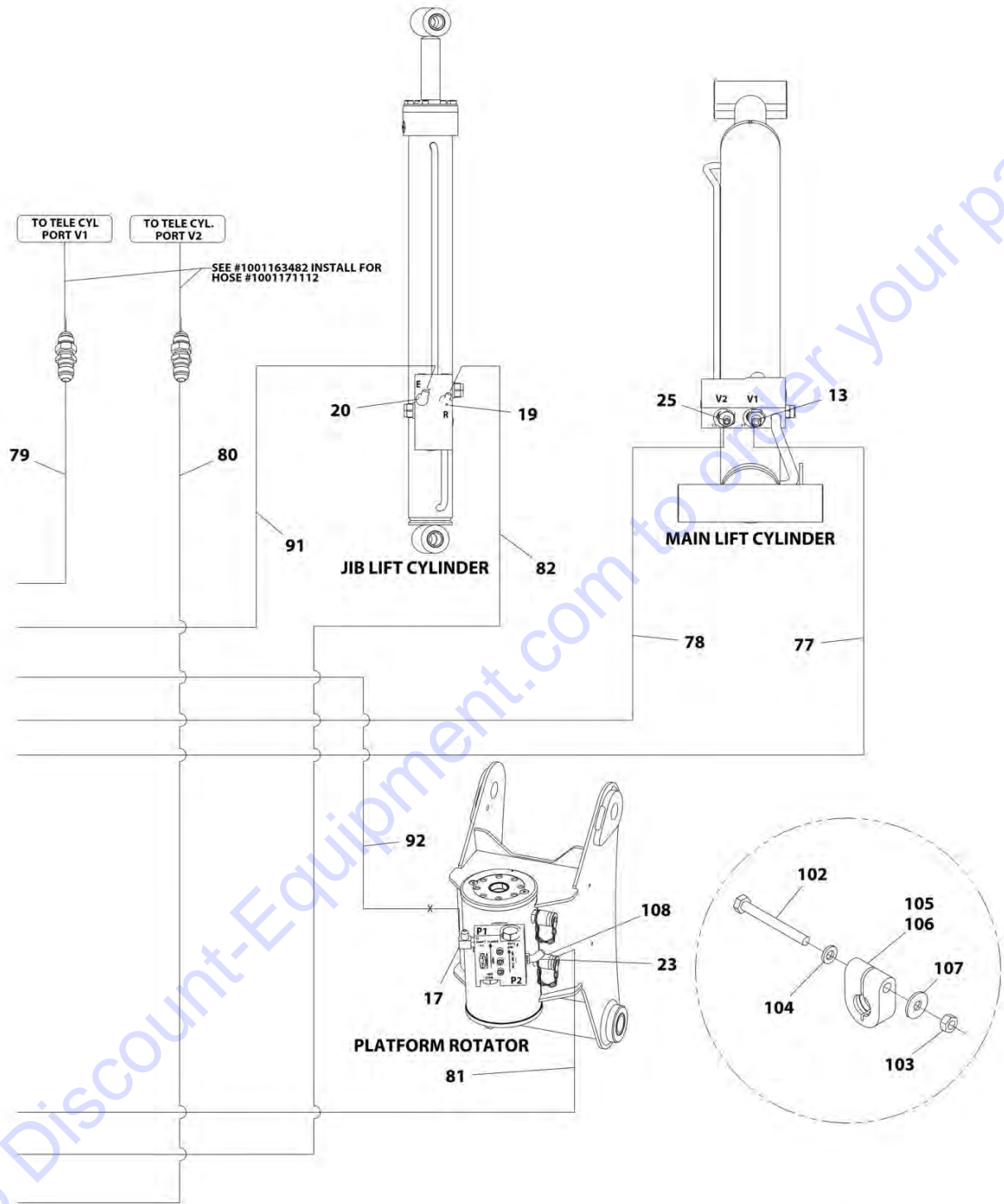
ART\_1001173136\_40F6

# SECTION 7 - HYDRAULIC



ART\_1001173136\_50F6

# SECTION 7 - HYDRAULIC



ART\_1001173136\_60F6

## SECTION 7 - HYDRAULIC

**FIGURE 7-11. 460SJ 4WD HYDRAULIC SYSTEM INSTALLATION (ALL MACHINES) (SN 0300214506 through 0300220609)**

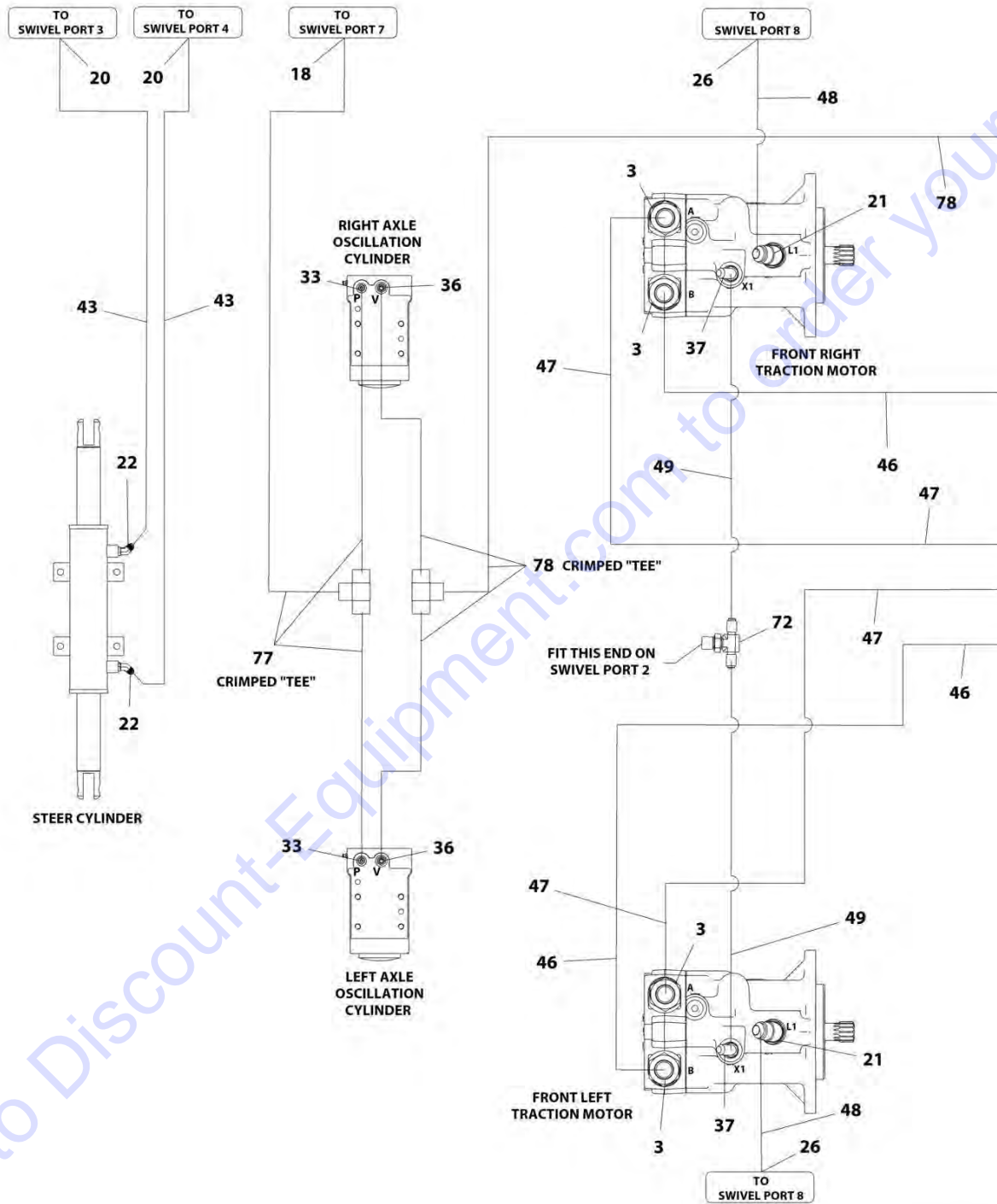
ITEM	PART NUMBER	QTY	DESCRIPTION	REV
	1001173136	Ref	460SJ 4WD HYDRAULIC SYSTEM INSTALLATION	K
1	2110810	8	Fitting, Straight ORFS/ORB	
2	2110812	8	Fitting, Straight ORFS/ORB	
3	2111216	5	Fitting, Straight ORFS/ORB	
4	2131212	AR	Fitting, 90 ORFS/ORB	
5	2131216	1	Fitting, 90 ORFS/ORB	
7	2220365	1	Fitting, 45 JIC/ORB	
8	2220366	2	Fitting, 90 JIC/ORB	
9	2220371	12	Fitting, Straight JIC/ORB	
10	2220372	9	Fitting, Straight JIC/ORB	
11	2220373	3	Fitting, Straight JIC/ORB	
12	2220374	2	Fitting, Straight JIC/ORB	
13	2220375	2	Fitting, Straight JIC/ORB	
14	2220377	1	Fitting, Straight JIC/ORB	
15	2220415	2	Fitting, Straight JIC/ORB	
16	2220451	1	Fitting, Straight JIC/ORB	
17	2220466	3	Fitting, 90 JIC/ORB	
18	2220468	2	Fitting, Straight JIC/ORB	
19	2220472	1	Fitting, 90 JIC/ORB	
20	2220473	9	Fitting, 90 JIC/ORB	
21	2220500	4	Fitting, 45 JIC/ORB	
22	2220501	2	Fitting, 45 JIC/ORB	
23	2220502	1	Fitting, 45 JIC/ORB	
25	2220577	1	Fitting, Straight JIC/ORB	
26	2220582	4	Fitting, Straight JIC/ORB	
27	2220596	2	Fitting, 90 JIC/ORB	
28	2220600	2	Fitting, Straight JIC/ORB	
29	1001197272	1	Fitting, Tee JIC/ORB/JIC	
31	2220622	AR	Fitting, Straight JIC/FSJIC	
32	2220628	1	Fitting, 90 JIC/ORB	
34	2220695	1	Fitting, Tee JIC/ORB/JIC	
35	2220726	1	Fitting, 90 JIC/ORB	
36	2220775	1	Fitting, 90 JIC/ORB	
37	1001175024	1	Fitting, Tee JIC/JIC/ORB	
38	2220906	1	Fitting, 90 JIC/ORB	
39	2220923	2	Fitting, Straight JIC/ORB	
40	2220946	2	Fitting, Straight JIC/ORB	
41	2220947	2	Fitting, Straight JIC/ORB	
42	2220998	2	Fitting, Straight JIC/ORB	
43	4240018	22	Tie-Strap	
44	80633030	2	Clamp	
45	88662037	AR	Fitting, Straight JIC/ORB	
46	1001098928	1	Clamp	
47	1001172692	2	Hose	
48	1001172695	2	Hose	
49	1001172697	4	Hose	
50	1001172698	2	Hose	
51	1001172699	2	Hose	
52	1001197284	1	Hose	

## SECTION 7 - HYDRAULIC

ITEM	PART NUMBER	QTY	DESCRIPTION	REV
55	1001172703	2	Hose	
59	1001172707	2	Hose	
64	1001172713	1	Hose	
65	1001172715	1	Hose	
66	1001172716	1	Hose	
67	1001172717	1	Hose	
68	1001172718	1	Hose	
69	1001172719	1	Hose	
70	1001172720	1	Hose	
71	1001172721	1	Hose	
72	1001172722	2	Hose	
73	1001172723	3	Hose	
74	1001173898	1	Hose	
75	1001173899	1	Hose	
76	1001173900	2	Hose	
77	1001173901	1	Hose	
78	1001173902	1	Hose	
79	1001173903	1	Hose	
80	1001173904	1	Hose	
81	1001173905	1	Hose	
82	1001173906	1	Hose	
83	1001173907	1	Hose	
84	1001173908	1	Hose	
85	1001173909	1	Hose	
86	1001173937	1	Hose	
87	1001173938	1	Hose	
88	1001181073	1	Hose	
89	1001181074	1	Hose	
90	1001181075	1	Hose	
91	1001181076	1	Hose	
92	1001181077	1	Hose	
97	1001184542	1	Hose	
98	1001184543	1	Hose	
99	1001184561	1	Hose	
100	1001184562	1	Hose	
101	1001184563	1	Hose	
102	0700619	2	Bolt, M6 x 55	
103	3290601	2	Nut, M6 x 1	
104	4811700	2	Washer, M6	
105	1001191275	1	Clamp	
106	1001191276	1	Clamp	
107	4811702	2	Washer, M6	
108	2221086	4	Fitting, Diagnostic Test Port	
109	2221040	2	Fitting, 45 JIC/ORB	

# SECTION 7 - HYDRAULIC

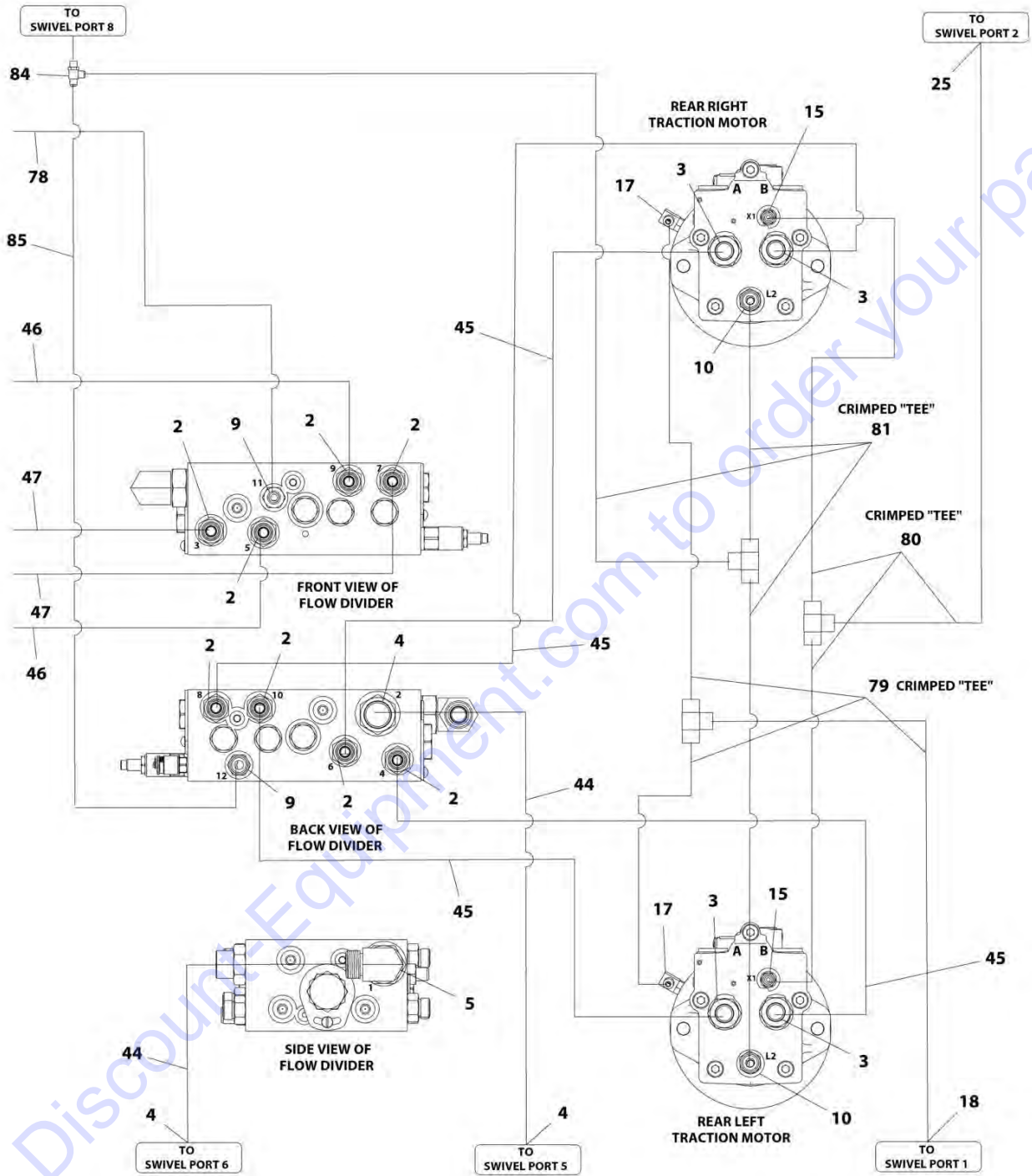
FIGURE 7-12. 460SJ 4WD HYDRAULIC SYSTEM INSTALLATION (ALL MACHINES) (SN 0300220610 to Present, SN E300000100 to Present, SN 1300007289 through 1300007393)



ART\_1001207341\_1OF6

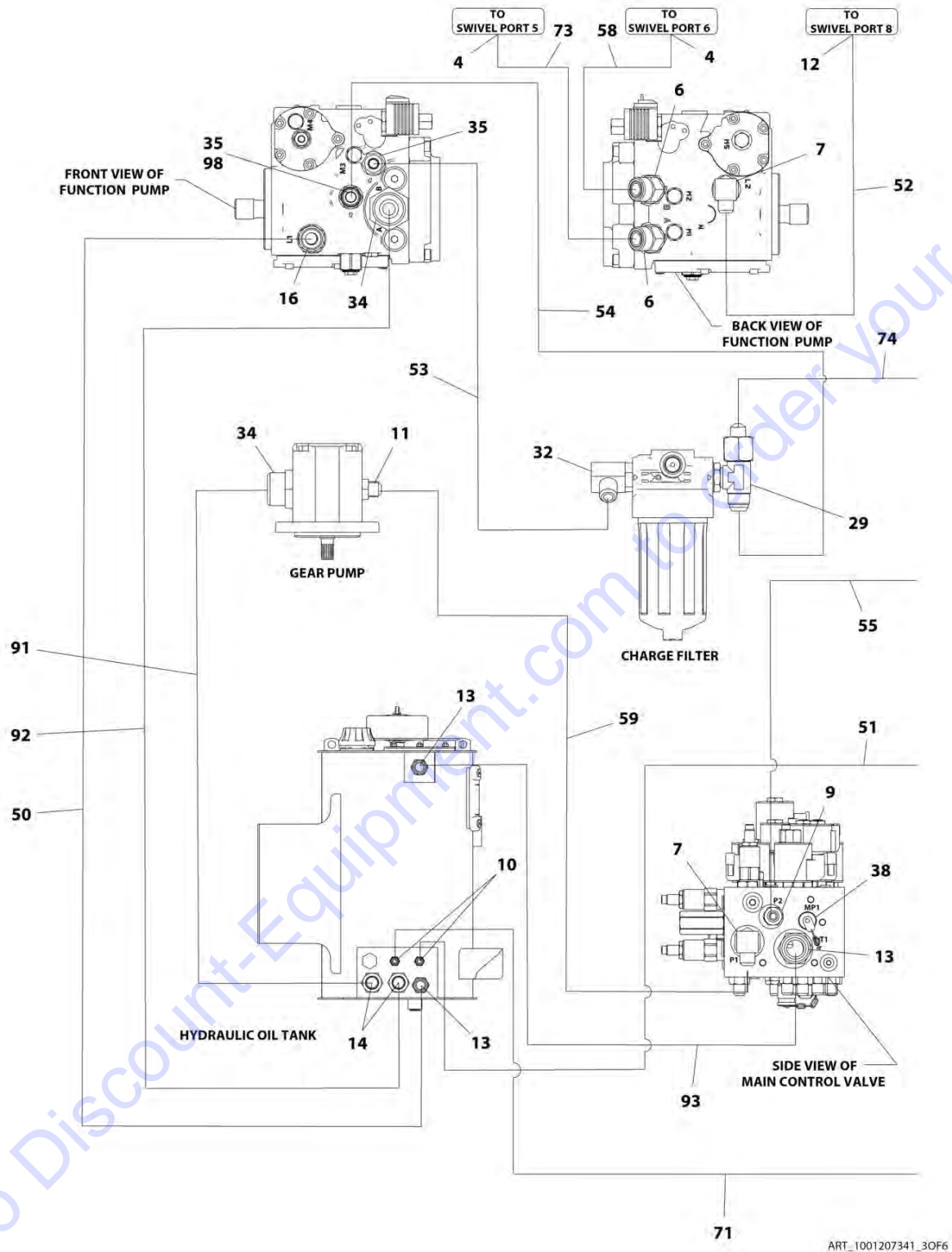


# SECTION 7 - HYDRAULIC



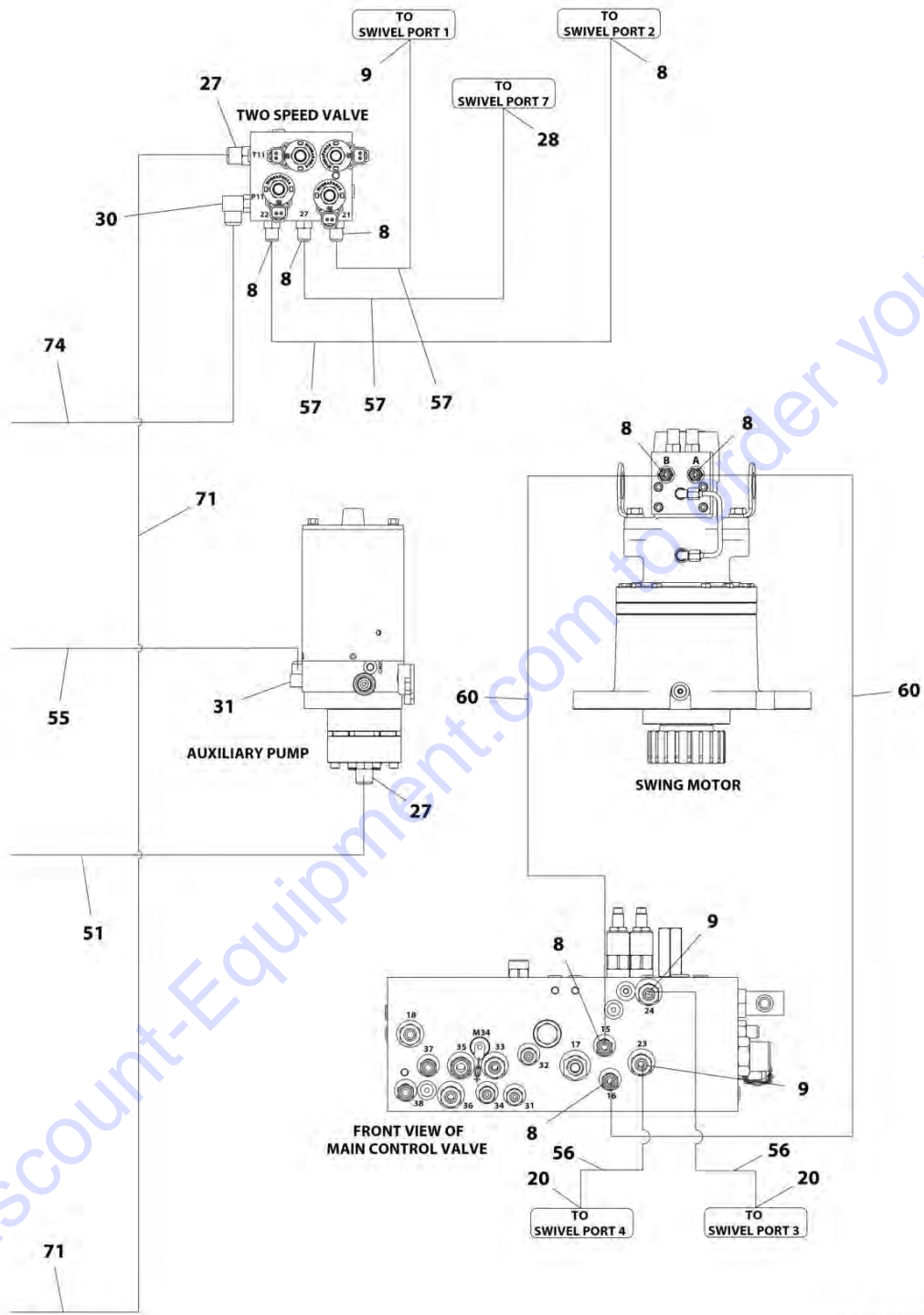
ART\_1001207341\_20F6

# SECTION 7 - HYDRAULIC



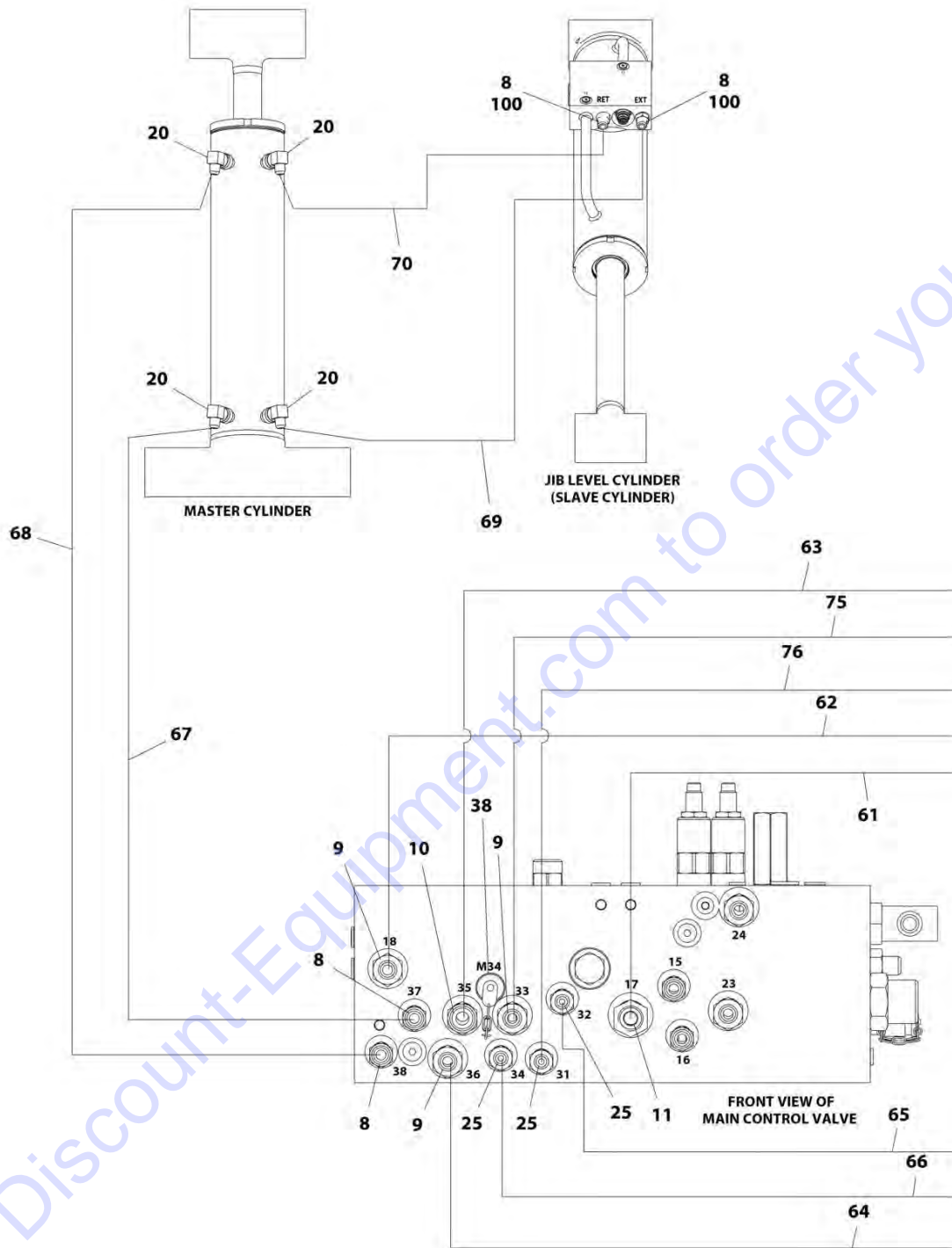
ART\_1001207341\_30F6

# SECTION 7 - HYDRAULIC



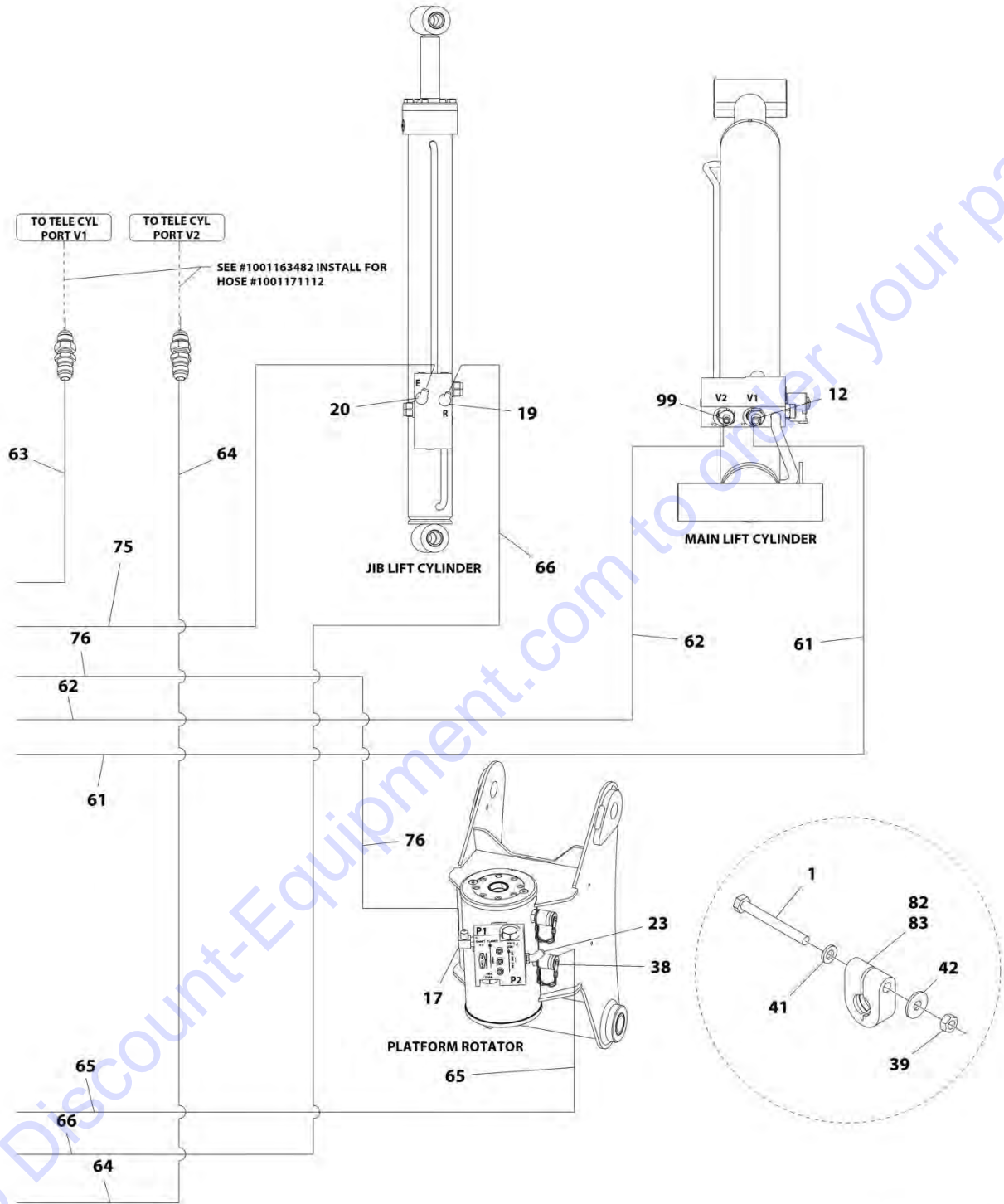
ART\_1001207341\_40F6

# SECTION 7 - HYDRAULIC



ART\_1001207341\_50F6

# SECTION 7 - HYDRAULIC



ART\_1001207341\_60F6

## SECTION 7 - HYDRAULIC

**FIGURE 7-12. 460SJ 4WD HYDRAULIC SYSTEM INSTALLATION (ALL MACHINES) (SN 0300220610 to Present, SN E300000100 to Present, SN 1300007289 through 1300007393)**

ITEM	PART NUMBER	QTY	DESCRIPTION	REV
	1001207341	Ref	460SJ 4WD HYDRAULIC SYSTEM INSTALLATION	F
1	0760619	2	Bolt, M6 x 55	
2	2110810	8	Fitting, Straight ORFS/ORB	
3	2110812	8	Fitting, Straight ORFS/ORB	
4	2111216	5	Fitting, Straight ORFS/ORB	
5	2131216	1	Fitting, 90 ORFS/ORB	
6	2131212	2	Fitting, 90 ORFS/ORB	
7	2220366	2	Fitting, 90 JIC/ORB	
8	2220371	AR	Fitting, Straight JIC/ORB	
9	2220372	9	Fitting, Straight JIC/ORB	
10	2220373	5	Fitting, Straight JIC/ORB	
11	2220374	AR	Fitting, Straight JIC/ORB	
12	2220375	AR	Fitting, Straight JIC/ORB	
13	2220377	3	Fitting, Straight JIC/ORB	
14	1001202910	2	Fitting, Straight MORB	
15	2220415	2	Fitting, Straight JIC/ORB	
16	2220451	1	Fitting, Straight JIC/ORB	
17	2220466	3	Fitting, 90 JIC/ORB	
18	2220468	2	Fitting, Straight JIC/ORB	
19	2220472	1	Fitting, 90 JIC/ORB	
20	2220473	9	Fitting, 90 JIC/ORB	
21	2220500	2	Fitting, 45 JIC/ORB	
22	2220501	2	Fitting, 45 JIC/ORB	
23	2220502	1	Fitting, 45 JIC/ORB	
24	2220577	1	Fitting, Straight JIC/ORB (Not Shown) (SN 0300220610 through 0300226846)	
25	2220582	4	Fitting, Straight JIC/ORB	
26	2220596	2	Fitting, 90 JIC/ORB	
27	2220600	2	Fitting, Straight JIC/ORB	
28	2220628	1	Fitting, 90 JIC/ORB	
29	2220695	1	Fitting, Tee JIC/ORB/JIC	
30	2220726	1	Fitting, 90 JIC/ORB	
31	2220775	1	Fitting, 90 JIC/ORB	
32	2220906	1	Fitting, 90 JIC/ORB	
33	2220923	2	Fitting, Straight JIC/ORB	
34	2220946	2	Fitting, Straight JIC/ORB	
35	2220947	AR	Fitting, Straight JIC/ORB	
36	2220998	2	Fitting, Straight JIC/ORB	
37	2221040	2	Fitting, 45 JIC/ORB	
38	2221086	4	Fitting, Diagnostic Test Port	
39	3290601	2	Nut, M6 x 1	
40	4240018	22	Tie-Strap (Not Shown)	
41	4811700	2	Washer, M6	
42	4811702	2	Washer, M6	
43	1001172692	2	Hose	
44	1001172695	1	Hose	
45	1001172697	4	Hose	
46	1001172698	2	Hose	
47	1001172699	2	Hose	

## SECTION 7 - HYDRAULIC

ITEM	PART NUMBER	QTY	DESCRIPTION	REV
48	1001172703	2	Hose	
49	1001172707	2	Hose	
50	1001216655	1	Hose	
51	1001172716	1	Hose	
52	1001172717	1	Hose	
53	1001172718	1	Hose	
54	1001172719	1	Hose	
55	1001172721	1	Hose	
56	1001172722	2	Hose	
57	1001172723	3	Hose	
58	1001173898	1	Hose	
59	1001173899	1	Hose (SN 0300220610 through 0300222808)	
59	2752500	1	Hose (SN 0300222809 to Present, SN E300000100 to Present, SN 1300007289 through 1300007393)	
60	1001173900	2	Hose	
61	1001173901	1	Hose	
62	1001173902	1	Hose	
63	1001173903	1	Hose	
64	1001173904	1	Hose	
65	1001173905	1	Hose	
66	1001173906	1	Hose	
67	1001173907	1	Hose	
68	1001173908	1	Hose	
69	1001173909	1	Hose	
70	1001173937	1	Hose	
71	1001193654	1	Hose	
72	1001175024	1	Fitting, Tee JIC/JIC/ORB	
73	1001181074	1	Hose	
74	1001181075	1	Hose	
75	1001181076	1	Hose	
76	1001181077	1	Hose	
77	1001184542	1	Hose	
78	1001184543	1	Hose	
79	1001184561	1	Hose	
80	1001184562	1	Hose	
81	1001184563	1	Hose	
82	1001191275	1	Clamp	
83	1001191276	1	Clamp	
84	1001197272	1	Fitting, Tee JIC/ORB/JIC	
85	1001197284	1	Hose	
91	1001207331	1	Hose (SN 0300220610 through 0300222808)	
91	1001172713	1	Hose (SN 0300222809 through 0300226923)	
91	1001207332	1	Hose (SN 0300226924 to Present, SN E300000100 to Present, SN 1300007289 through 1300007393)	
92	1001207332	1	Hose	
93	1001207333	1	Hose	
97	80633030	2	Clamp (Not Shown)	
98	88662037	1	Fitting, Straight JIC/ORB (SN 0300222809 to Present, SN E300000100 to Present, SN 1300007289 through 1300007393)	
99	2220497	1	Fitting, Straight JIC/ORB (SN 0300226847 to Present, SN E300000100 to Present, SN 1300007289 through 1300007393)	
100	2220603	AR	Fitting, Straight JIC/ORB (SN 0300247698 to Present)	

## SECTION 7 - HYDRAULIC

FIGURE 7-13. HYDRAULIC DIAGRAM LIST

ITEM	PART NUMBER	QTY	DESCRIPTION	REV
		Ref	HYDRAULIC DIAGRAM LIST	
	1001214165	Ref	HYDRAULIC SYSTEM INSTALLATION - 400S 2WD (SN 0300203771 through 0300220609)	
	1001216801	Ref	HYDRAULIC SYSTEM INSTALLATION - 400S 2WD (SN 0300220610 to Present)	
	1001173135	Ref	HYDRAULIC SYSTEM INSTALLATION - 400S 4WD (WITHOUT ARCTIC PACKAGE) (SN 0300203771 through 0300214505)	
	1001178498	Ref	HYDRAULIC SYSTEM INSTALLATION - 400S 4WD (WITH ARCTIC PACKAGE) (SN 0300203771 through 0300214505)	
	1001173135	Ref	HYDRAULIC SYSTEM INSTALLATION - 400S 4WD (ALL MACHINES) (SN 0300214506 through 0300220609)	
	1001207340	Ref	HYDRAULIC SYSTEM INSTALLATION - 400S 4WD (ALL MACHINES) (SN 0300220610 to Present, SN E300000100 to Present, SN 1300007289 through 1300007393)	
	1001214166	Ref	HYDRAULIC SYSTEM INSTALLATION - 460SJ 2WD (SN 0300203771 through 0300220609)	
	1001216801	Ref	HYDRAULIC SYSTEM INSTALLATION - 460SJ 2WD (SN 0300220610 to Present)	
	1001173136	Ref	HYDRAULIC SYSTEM INSTALLATION - 460SJ 4WD (WITHOUT ARCTIC PACKAGE) (SN 0300203771 through 0300214505)	
	1001178499	Ref	HYDRAULIC SYSTEM INSTALLATION - 460SJ 4WD (WITH ARCTIC PACKAGE) (SN 0300203771 through 0300214505)	
	1001173136	Ref	HYDRAULIC SYSTEM INSTALLATION - 460SJ 4WD (ALL MACHINES) (SN 0300214506 through 0300220609)	
	1001207341	Ref	HYDRAULIC SYSTEM INSTALLATION - 460SJ 4WD (ALL MACHINES) (SN 0300220610 to Present, SN E300000100 to Present, SN 1300007289 through 1300007393)	
	1001178276	Ref	HYDRAULIC SCHEMATIC (Not Shown - See Service Manual)	



**SECTION 8 - ELECTRICAL**

Go to [Discount-Equipment.com](http://Discount-Equipment.com) to order your parts

## SECTION 8 - ELECTRICAL

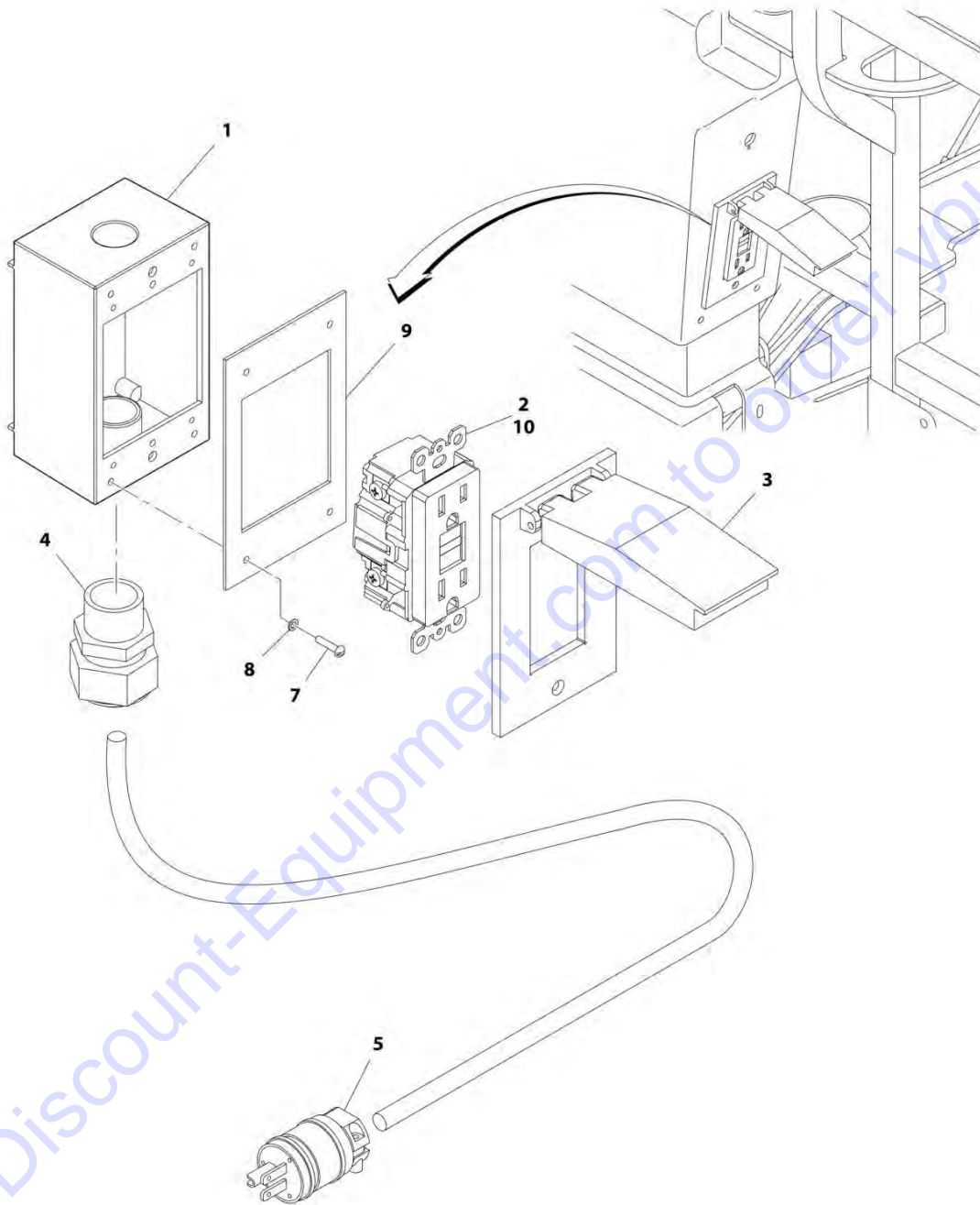
FIGURE 8-1. ELECTRICAL DIAGRAM LIST

ITEM	PART NUMBER	QTY	DESCRIPTION	REV
		Ref	Note: Diagrams not shown are available from the JLG Service Department. Schematics shown in the Service and Maintenance Manual.	
		Ref	ELECTRICAL DIAGRAM LIST	
	1001165354	Ref	Electrical Schematic - 400S/460SJ	
	1001188731	Ref	Generator Electrical Diagram - 2500W Generator - 60Hz (Deutz & GM Engines) (ANSI, ANSI Export and CSA Specs)	
	1001188732	Ref	Generator Electrical Diagram - 2500W Generator - 50Hz (Deutz Engines) (ANSI Export Specs)	
	1001175632	Ref	Generator Electrical Diagram - 4000W Generator - 50Hz (ANSI Export Specs) <b>(SN 0300203771 through 0300208696)</b>	
	1001175632	Ref	Generator Electrical Diagram - 4000W Generator - 50Hz (CE Specs)	
	1001197998	Ref	Generator Electrical Diagram - 4000W Generator - 50Hz (ANSI Export Specs) <b>(SN 0300208697 to Present)</b>	
	1001175634	Ref	Generator Electrical Diagram - 4000W Generator - 50Hz (Australian Specs)	
	1001175633	Ref	Generator Electrical Diagram - 4000W Generator - 50Hz (UK Specs)	
	1001175631	Ref	Generator Electrical Diagram - 4000W Generator - 60Hz (ANSI, ANSI Export and CSA Specs) <b>(SN 0300203771 through 0300208696)</b>	
	1001174675	Ref	Generator Electrical Diagram - 7500W SkyPower Generator	
	4933218	Ref	Soft Touch Electrical Diagram	



## SECTION 8 - ELECTRICAL

FIGURE 8-2. AC BOX AT PLATFORM INSTALLATION - 110V (ANSI, ANSI EXPORT, CSA AND CHINA SPECS)



ART\_0270022

## SECTION 8 - ELECTRICAL

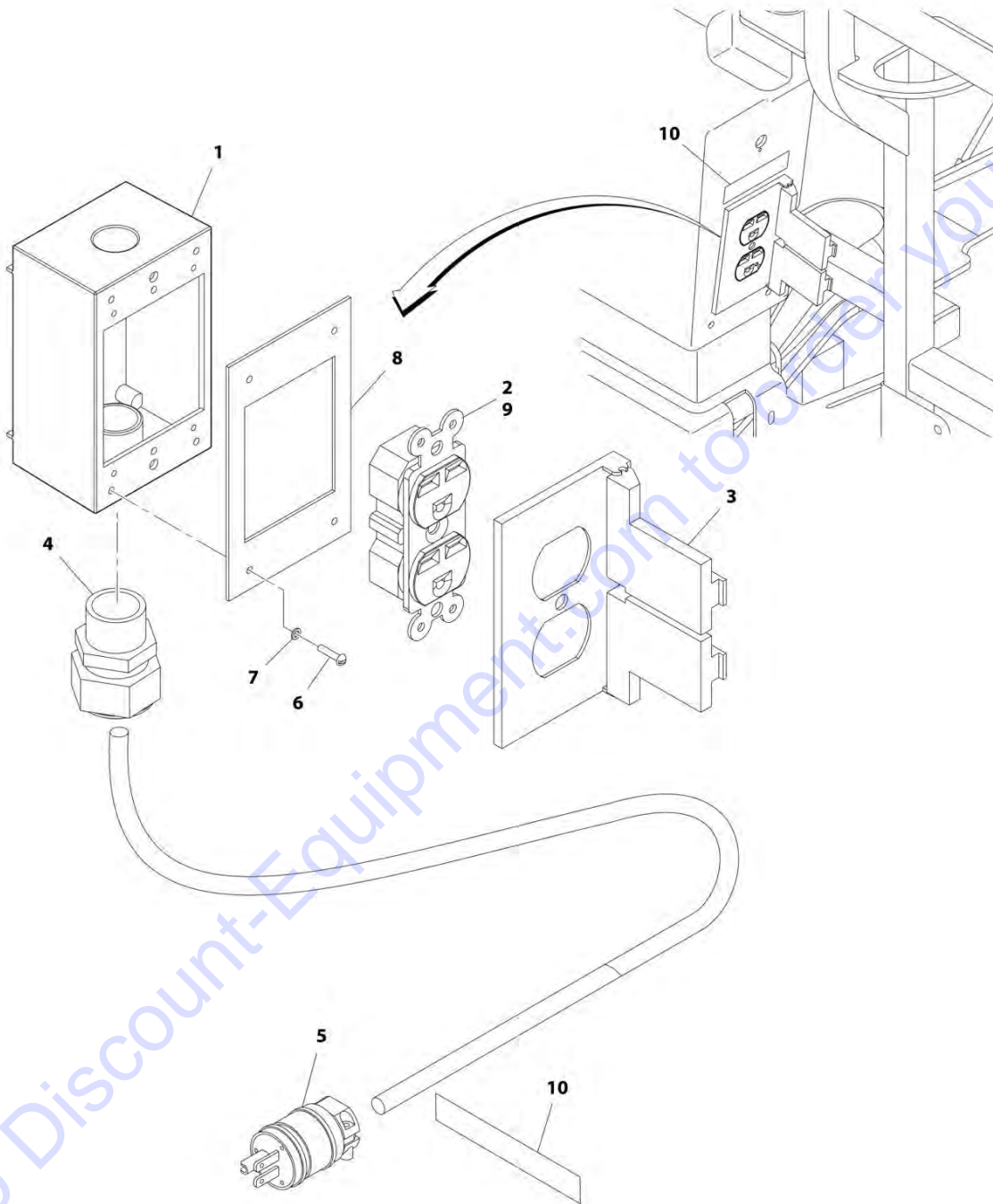
**FIGURE 8-2. AC BOX AT PLATFORM INSTALLATION - 110V (ANSI, ANSI EXPORT, CSA AND CHINA SPECS)**

ITEM	PART NUMBER	QTY	DESCRIPTION	REV
	0270022	Ref	AC BOX AT PLATFORM INSTALLATION - 110V (ANSI, ANSI EXPORT, CSA AND CHINA SPECS)	4-B
1	0860038	1	Box, Switch	
2	4460346	1	Receptacle	
3	1001110873	1	Shield, Cover	
4	4460071	1	Connector, Strain Relief	
5	4460205	1	Plug, Male	
7	3910610	4	Screw #6 x 5/8	
8	4760600	4	Washer #6	
9	3960422	1	Gasket	
10	4460315	1	Terminal, Spade	

Go to Discount-Equipment.com to order your parts

## SECTION 8 - ELECTRICAL

FIGURE 8-3. AC BOX AT PLATFORM INSTALLATION - 220V (ANSI, ANSI EXPORT AND CSA SPECS)  
(SN 0300203771 through 0300220609)



ART\_0270024

## SECTION 8 - ELECTRICAL

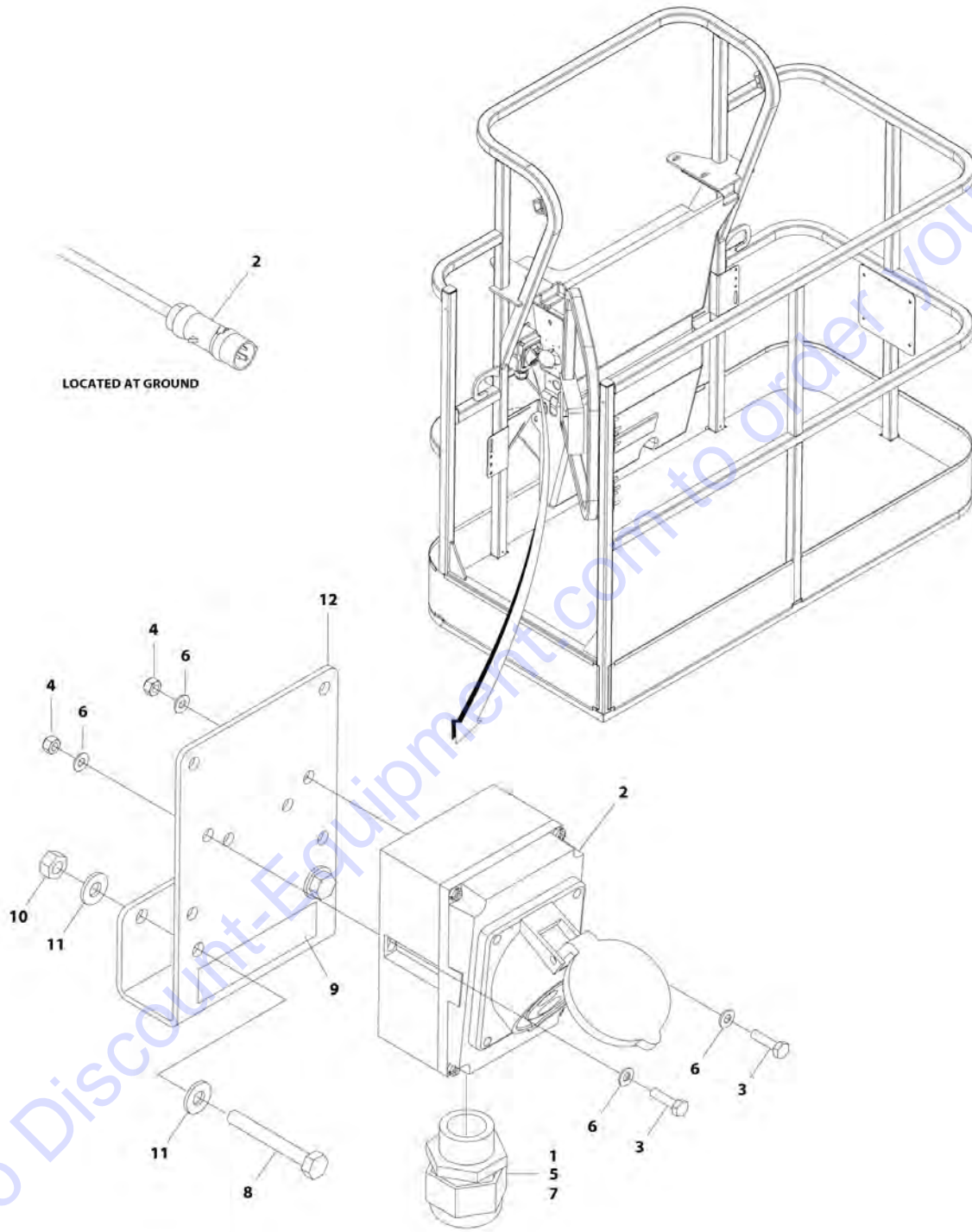
**FIGURE 8-3. AC BOX AT PLATFORM INSTALLATION - 220V (ANSI, ANSI EXPORT AND CSA SPECS)  
(SN 0300203771 through 0300220609)**

ITEM	PART NUMBER	QTY	DESCRIPTION	REV
	0270024	Ref	AC BOX AT PLATFORM INSTALLATION - 220V (ANSI, ANSI EXPORT AND CSA SPECS) (SN 0300203771 through 0300220609)	3-B
1	0860038	1	Box, Switch	
2	4460125	1	Receptacle	
3	4060092	1	Shield	
4	4460071	1	Connector, Strain Relief	
5	4460233	1	Plug, Male	
6	3910610	4	Screw #6 x 5/8	
7	4760600	4	Washer #6	
8	3960422	1	Gasket	
9	4460315	1	Terminal, Spade	
10	3252507	1	Decal - Voltage	

Go to Discount-Equipment.com to order your parts

# SECTION 8 - ELECTRICAL

## FIGURE 8-4. AC BOX AT PLATFORM - 110V IEC YELLOW (CE SPEC)



ART. 1001091969



## SECTION 8 - ELECTRICAL

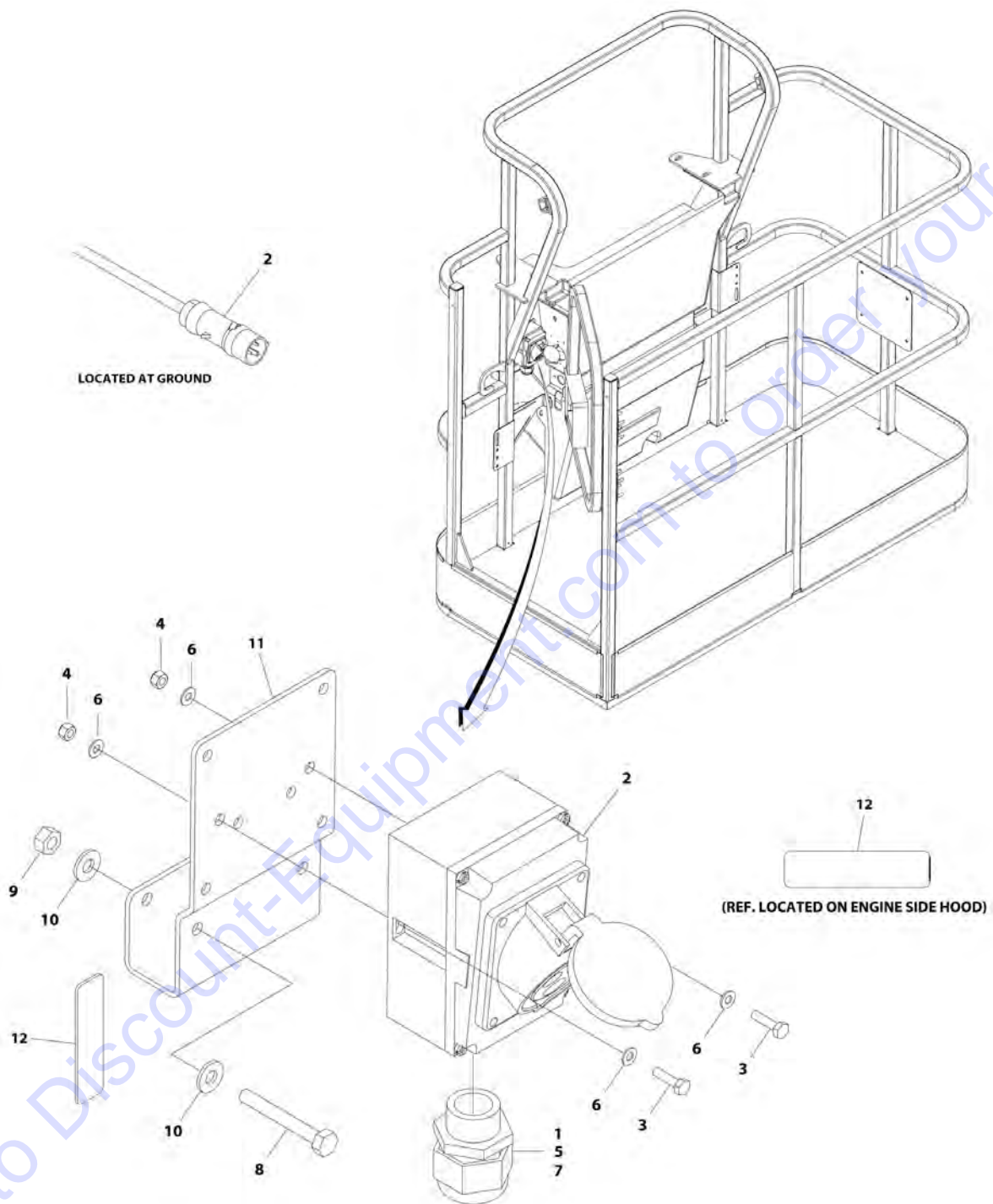
**FIGURE 8-4. AC BOX AT PLATFORM - 110V IEC YELLOW (CE SPEC)**

ITEM	PART NUMBER	QTY	DESCRIPTION	REV
	1001091969	Ref	AC BOX AT PLATFORM - 110V IEC YELLOW (CE SPEC)	D
1	0100020	AR	Sealant	
2	0275216	1	Receptacle Box Kit (See RECEPTACLE BOX KIT - 110V IEC YELLOW (CE SPEC) for Breakdown)	
3	0700408	2	Bolt M4 x 16	
4	3290405	2	Nut M4	
5	1001101196	1	Adapter	
6	4811400	4	Washer M4	
7	1001101191	1	Connector, Strain Relief	
8	0641416	2	Bolt 1/4 x 2	
9	1705325	2	Decal - 110V	
10	3311405	2	Nut 1/4	
11	4711400	4	Washer 1/4	
12	1001193018	1	Bracket	

Go to Discount-Equipment.com to order your parts

# SECTION 8 - ELECTRICAL

## FIGURE 8-5. AC BOX AT PLATFORM - 220V IEC BLUE (CE SPEC)



ART. 10010919/0

## SECTION 8 - ELECTRICAL

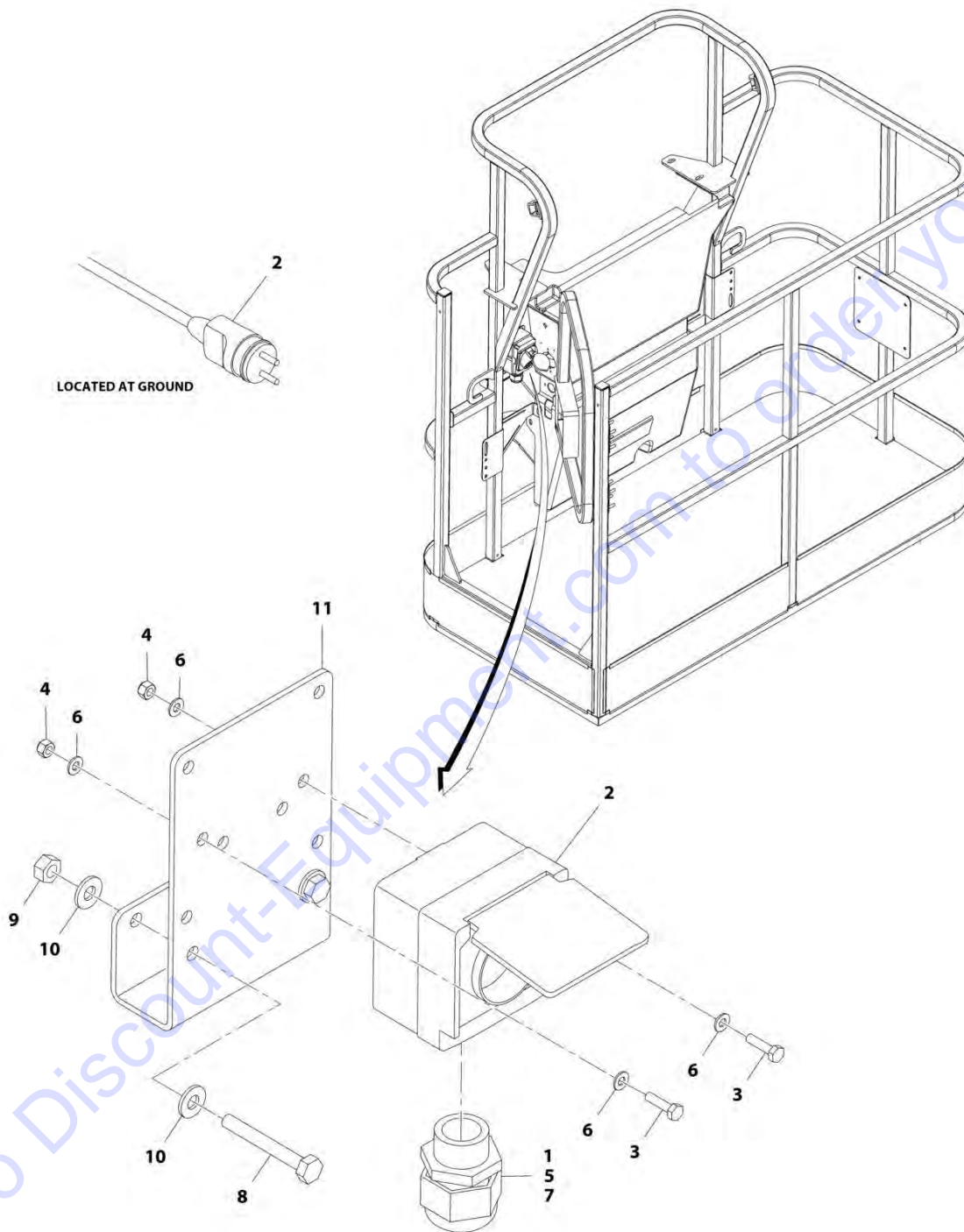
**FIGURE 8-5. AC BOX AT PLATFORM - 220V IEC BLUE (CE SPEC)**

ITEM	PART NUMBER	QTY	DESCRIPTION	REV
	1001091970	Ref	AC BOX AT PLATFORM - 220V IEC BLUE (CE SPEC)	D
1	0100020	AR	Sealant	
2	0275217	1	Receptacle Box Kit (See RECEPTACLE BOX KIT - 220V IEC BLUE (CE SPEC) for Breakdown)	
3	0700408	2	Bolt M4 x 16	
4	3290405	2	Nut M4	
5	1001101196	1	Adapter	
6	4811400	4	Washer M4	
7	1001101191	1	Connector, Strain Relief	
8	0641416	2	Bolt 1/4 x 2	
9	3311405	2	Nut 1/4	
10	4711400	4	Washer 1/4	
11	1001193018	1	Bracket	
12	3251242	2	Decal - 240V/50Hz	

Go to Discount-Equipment.com to order your parts

# SECTION 8 - ELECTRICAL

FIGURE 8-6. AC BOX AT PLATFORM - 220V CEE7 70MM X 70MM POST GROUND (CE SPEC) (SN 0300203771 through 0300208696)



ART\_1001091971

## SECTION 8 - ELECTRICAL

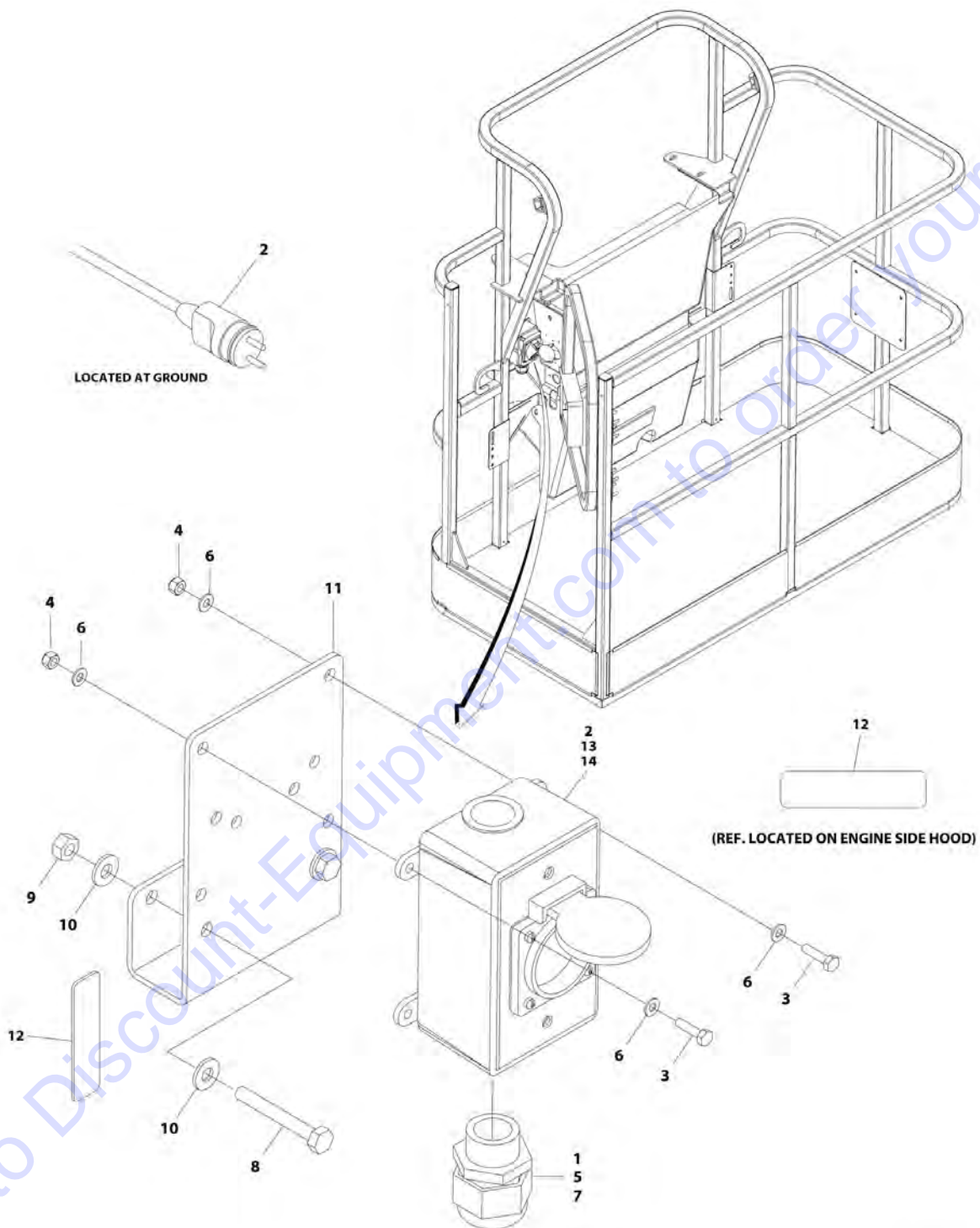
**FIGURE 8-6. AC BOX AT PLATFORM - 220V CEE7 70MM X 70MM POST GROUND (CE SPEC) (SN 0300203771 through 0300208696)**

ITEM	PART NUMBER	QTY	DESCRIPTION	REV
	1001091971	Ref	AC BOX AT PLATFORM - 220V CEE7 70MM X 70MM POST GROUND (CE SPEC) (SN 0300203771 through 0300208696)	C
1	0100020	AR	Sealant	
2	0275218	1	Receptacle Box Kit (See RECEPTACLE BOX KIT - 220V CEE7 70MM X 70MM POST GROUND (CE SPEC) for Breakdown)	
3	0700408	2	Bolt M4 x 16	
4	3290405	2	Nut M4	
5	1001101196	1	Adapter	
6	4811400	4	Washer M4	
7	1001101191	1	Connector, Strain Relief	
8	0641416	2	Bolt 1/4 x 2	
9	3311405	2	Nut 1/4	
10	4711400	4	Washer 1/4	
11	1001193018	1	Bracket	

Go to Discount-Equipment.com to order your parts

# SECTION 8 - ELECTRICAL

## FIGURE 8-7. AC BOX AT PLATFORM - 220V CEE7 2IN X 4IN POST GROUND (CE SPEC)



## SECTION 8 - ELECTRICAL

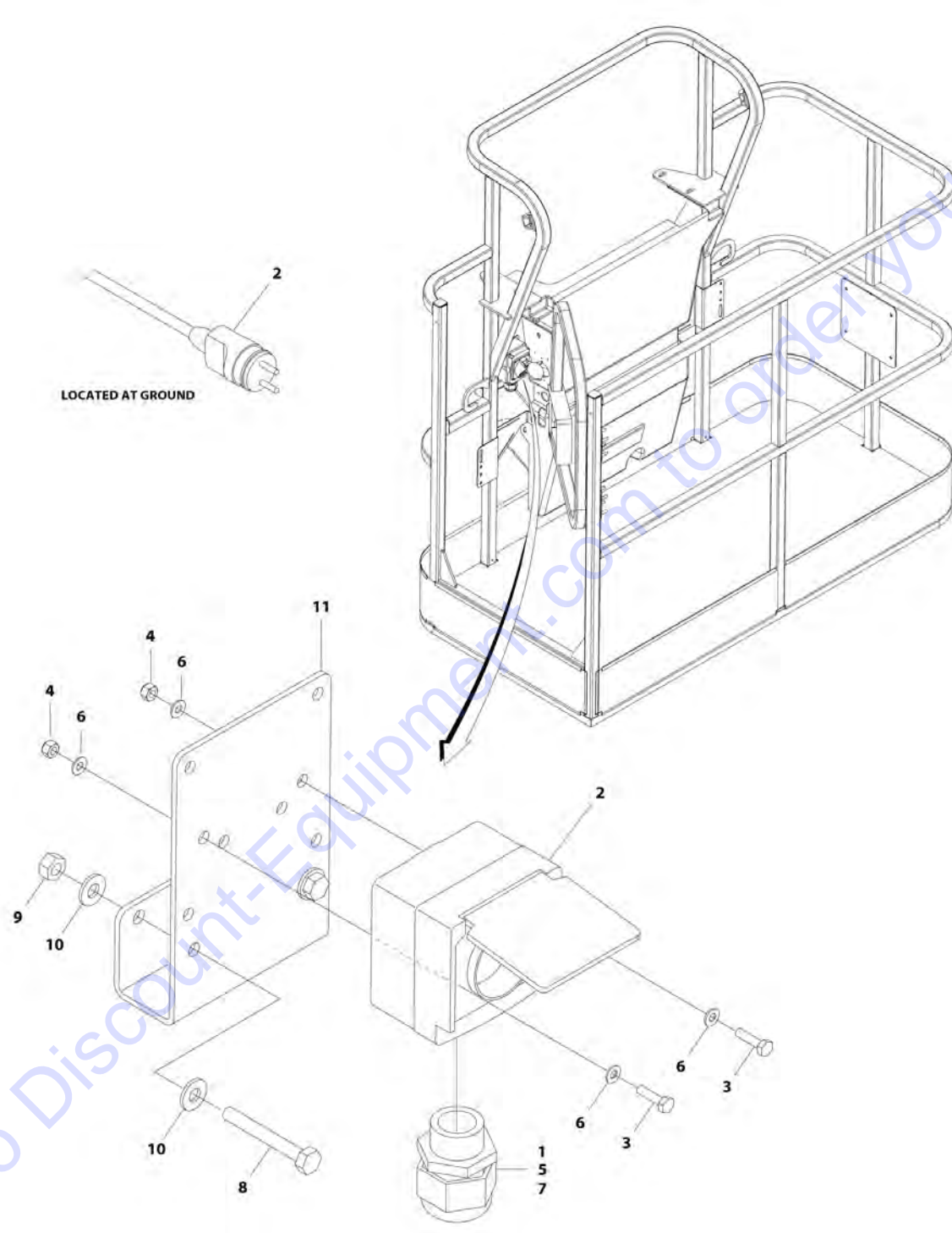
**FIGURE 8-7. AC BOX AT PLATFORM - 220V CEE7 2IN X 4IN POST GROUND (CE SPEC)**

ITEM	PART NUMBER	QTY	DESCRIPTION	REV
	1001091973	Ref	AC BOX AT PLATFORM - 220V CEE7 2IN X 4IN POST GROUND (CE SPEC)	F
1	0100020	AR	Sealant	
2	0275452	1	Receptacle Box Kit (See RECEPTACLE BOX KIT - 220V CEE7 POST GROUND 2IN X 4IN (CE SPEC) for Breakdown)	
3	0700408	4	Bolt M4 x 16	
4	3290405	4	Nut M4	
5	1001101196	1	Adapter	
6	4811400	8	Washer M4	
7	1001101191	1	Connector, Strain Relief	
8	0641416	2	Bolt 1/4 x 2	
9	3311405	2	Nut 1/4	
10	4711400	4	Washer 1/4	
11	1001193018	1	Bracket	
12	3251242	2	Decal, 240V/50HZ (SN E3000004823 to Present)	
13	4460806	2	Terminal, Fork (SN E3000005300 to Present)	
14	1001205958	1	Terminal, Wire Pin (SN E3000005300 to Present)	

Go to Discount-Equipment.com to order your parts

# SECTION 8 - ELECTRICAL

FIGURE 8-8. AC BOX AT PLATFORM - 220V CEE7 70MM X 70MM SIDE GROUND (CE SPEC) (SN 0300203771 through 0300208696)



ART\_1001091972



## SECTION 8 - ELECTRICAL

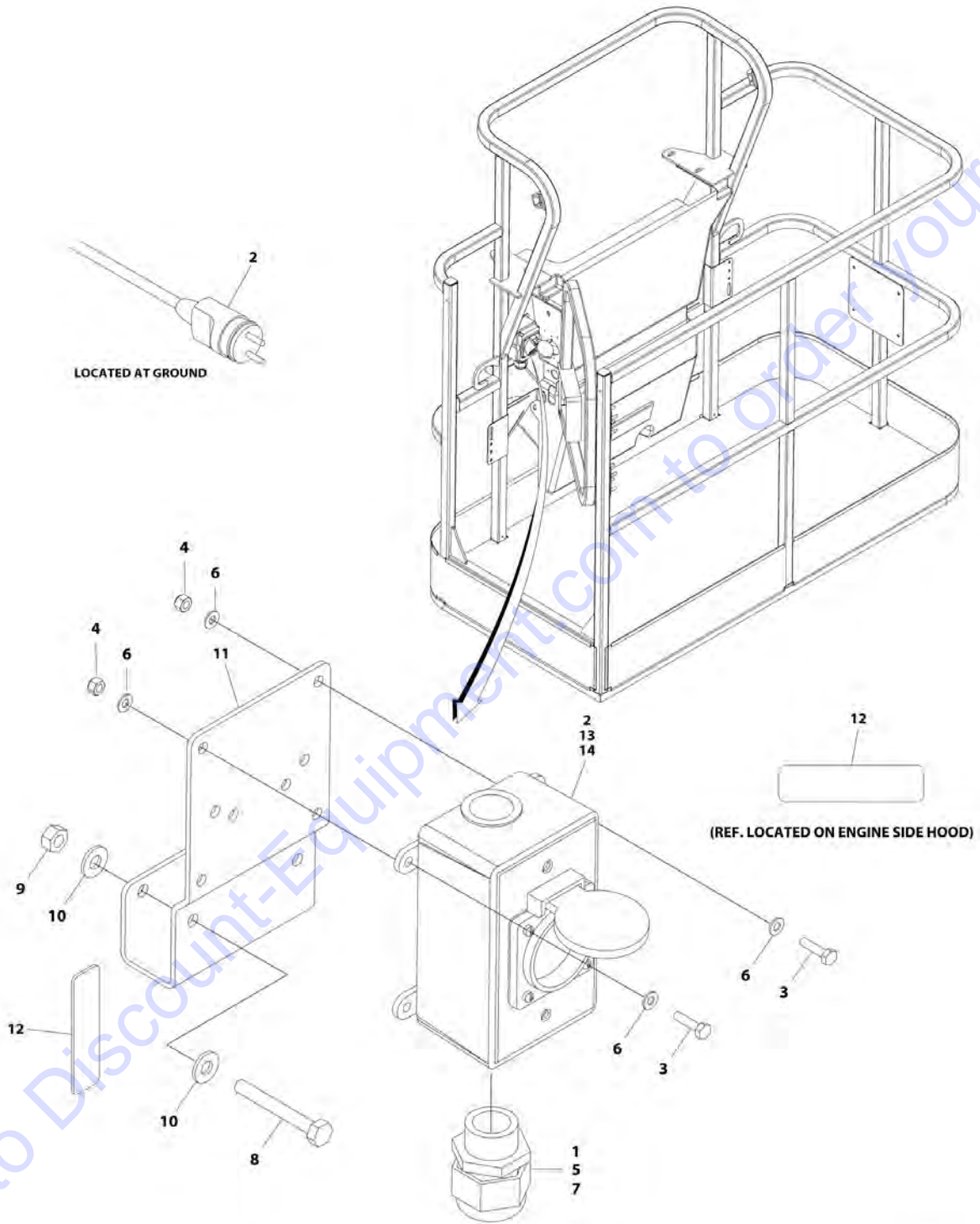
**FIGURE 8-8. AC BOX AT PLATFORM - 220V CEE7 70MM X 70MM SIDE GROUND (CE SPEC) (SN 0300203771 through 0300208696)**

ITEM	PART NUMBER	QTY	DESCRIPTION	REV
	1001091972	Ref	AC BOX AT PLATFORM - 220V CEE7 70MM X 70MM SIDE GROUND (CE SPEC) (SN 0300203771 through 0300208696)	C
1	0100020	AR	Sealant	
2	0275219	1	Receptacle Box Kit (See RECEPTACLE BOX KIT - 220V CEE7 70MM x 70MM SIDE GROUND (CE SPEC) for Breakdown)	
3	0700408	2	Bolt M4 x 16	
4	3290405	2	Nut M4	
5	1001101196	1	Adapter	
6	4811400	4	Washer M4	
7	1001101191	1	Connector, Strain Relief	
8	0641416	2	Bolt 1/4 x 2	
9	3311405	2	Nut 1/4	
10	4711400	4	Washer 1/4	
11	1001193018	1	Bracket	

Go to Discount-Equipment.com to order your parts

# SECTION 8 - ELECTRICAL

## FIGURE 8-9. AC BOX AT PLATFORM - 220V CEE7 2IN X 4IN SIDE GROUND (CE SPEC)



ART. 1001091974

## SECTION 8 - ELECTRICAL

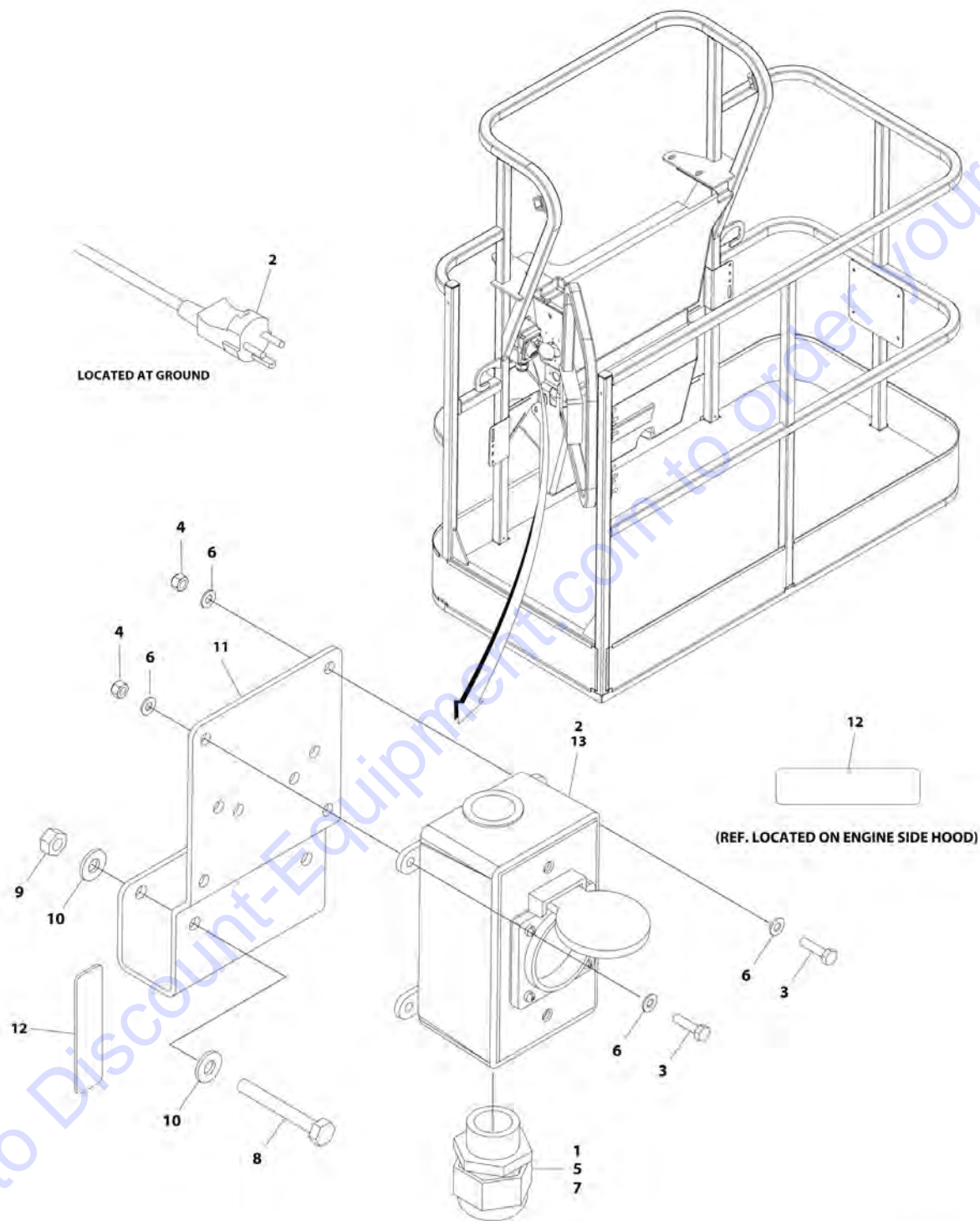
**FIGURE 8-9. AC BOX AT PLATFORM - 220V CEE7 2IN X 4IN SIDE GROUND (CE SPEC)**

ITEM	PART NUMBER	QTY	DESCRIPTION	REV
	1001091974	Ref	AC BOX AT PLATFORM - 220V CEE7 2IN X 4IN SIDE GROUND (CE SPEC)	F
1	0100020	AR	Sealant	
2	0275453	1	Receptacle Box Kit (See RECEPTACLE BOX KIT - 220V CEE7 SIDE GROUND 2IN X 4IN (CE SPEC) for Breakdown)	
3	0700408	4	Bolt M4 x 16	
4	3290405	4	Nut M4	
5	1001101196	1	Adapter	
6	4811400	8	Washer M4	
7	1001101191	1	Connector, Strain Relief	
8	0641416	2	Bolt 1/4 x 2	
9	3311405	2	Nut 1/4	
10	4711400	4	Washer 1/4	
11	1001193018	1	Bracket	
12	3251242	2	Decal - 240V/50HZ	
13	4460806	2	Terminal, Fork	
14	1001205958	1	Terminal, Wire Pin	

Go to Discount-Equipment.com to order your parts

# SECTION 8 - ELECTRICAL

## FIGURE 8-10. AC BOX AT PLATFORM - 220V AFSINT107 (CE SPEC)



## SECTION 8 - ELECTRICAL

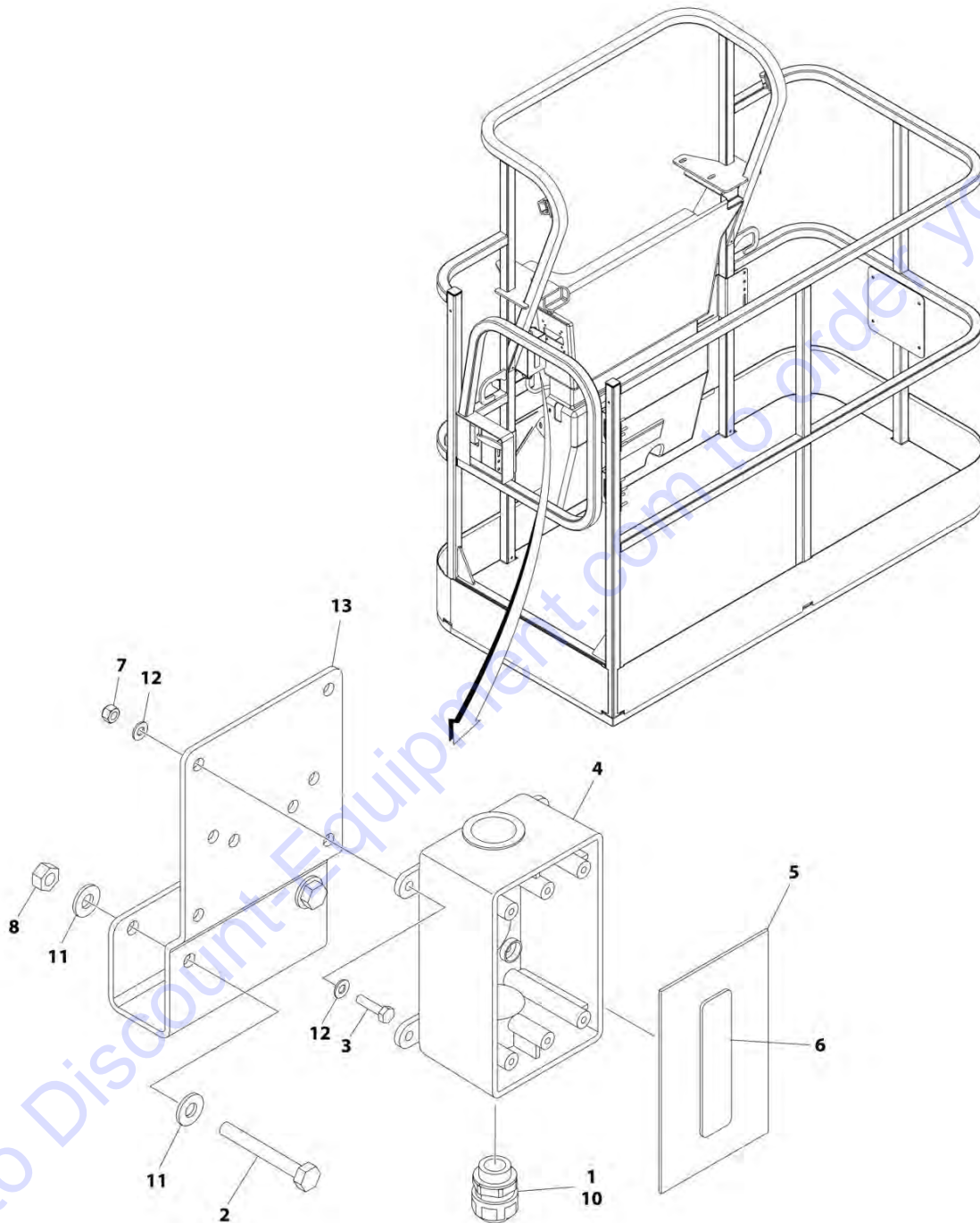
**FIGURE 8-10. AC BOX AT PLATFORM - 220V AFSINT107 (CE SPEC)**

ITEM	PART NUMBER	QTY	DESCRIPTION	REV
	1001091975	Ref	AC BOX AT PLATFORM - 220V AFSINT107 (CE SPEC)	F
1	0100020	AR	Sealant	
2	0275454	1	Receptacle Box Kit (See RECEPTACLE BOX KIT - 220V AFSINT107 (CE SPEC) for Breakdown)	
3	0700408	4	Bolt M4 x 16	
4	3290405	4	Nut M4	
5	1001101196	1	Adapter	
6	4811400	8	Washer M4	
7	1001101191	1	Connector, Strain Relief	
8	0641416	2	Bolt 1/4 x 2	
9	3311405	2	Nut 1/4	
10	4711400	4	Washer 1/4	
11	1001193018	1	Bracket	
12	3251242	2	Decal - 240V/50HZ	
13	1001205958	3	Terminal, Wire Pin	

Go to Discount-Equipment.com to order your parts

## SECTION 8 - ELECTRICAL

FIGURE 8-11. AC BOX AT PLATFORM INSTALLATION - 220V CUSTOMER SUPPLIED COMPONENTS  
(ANSI EXPORT, AUSTRALIAN, CE AND CHINA SPECS)



ART\_1001194365

## SECTION 8 - ELECTRICAL

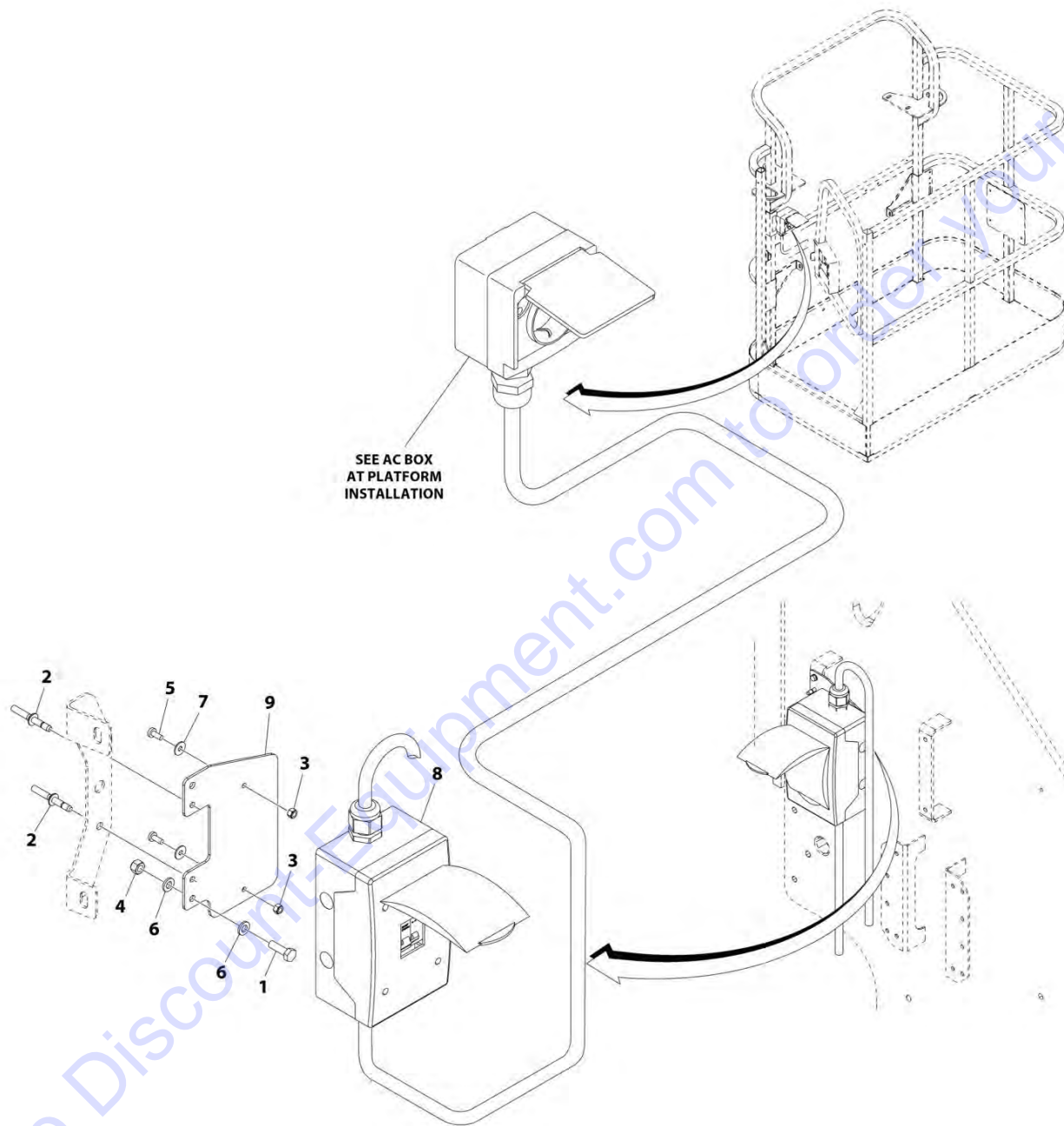
**FIGURE 8-11. AC BOX AT PLATFORM INSTALLATION - 220V CUSTOMER SUPPLIED COMPONENTS  
(ANSI EXPORT, AUSTRALIAN, CE AND CHINA SPECS)**

ITEM	PART NUMBER	QTY	DESCRIPTION	REV
	1001194365	Ref	AC BOX AT PLATFORM INSTALLATION	A
1	0100020	AR	Sealant	
2	0641416	2	Bolt 1/4 x 2	
3	0700408	4	Bolt M4 x 16	
4	0861731	1	Box, Receptacle	
5	1670603	1	Cover	
6	3251242	1	Decal - 240V/50Hz	
7	3290405	4	Nut M4	
8	3311405	2	Nut 1/4	
10	4460662	1	Connector, Strain Relief	
11	4711400	4	Washer 1/4	
12	4811400	8	Washer M4	
13	1001193018	1	Bracket	

Go to Discount-Equipment.com to order your parts

# SECTION 8 - ELECTRICAL

## FIGURE 8-12. AC CABLE INSTALLATION - WITH THREE BREAKERS (CE SPECS)



ART\_1001209677



## SECTION 8 - ELECTRICAL

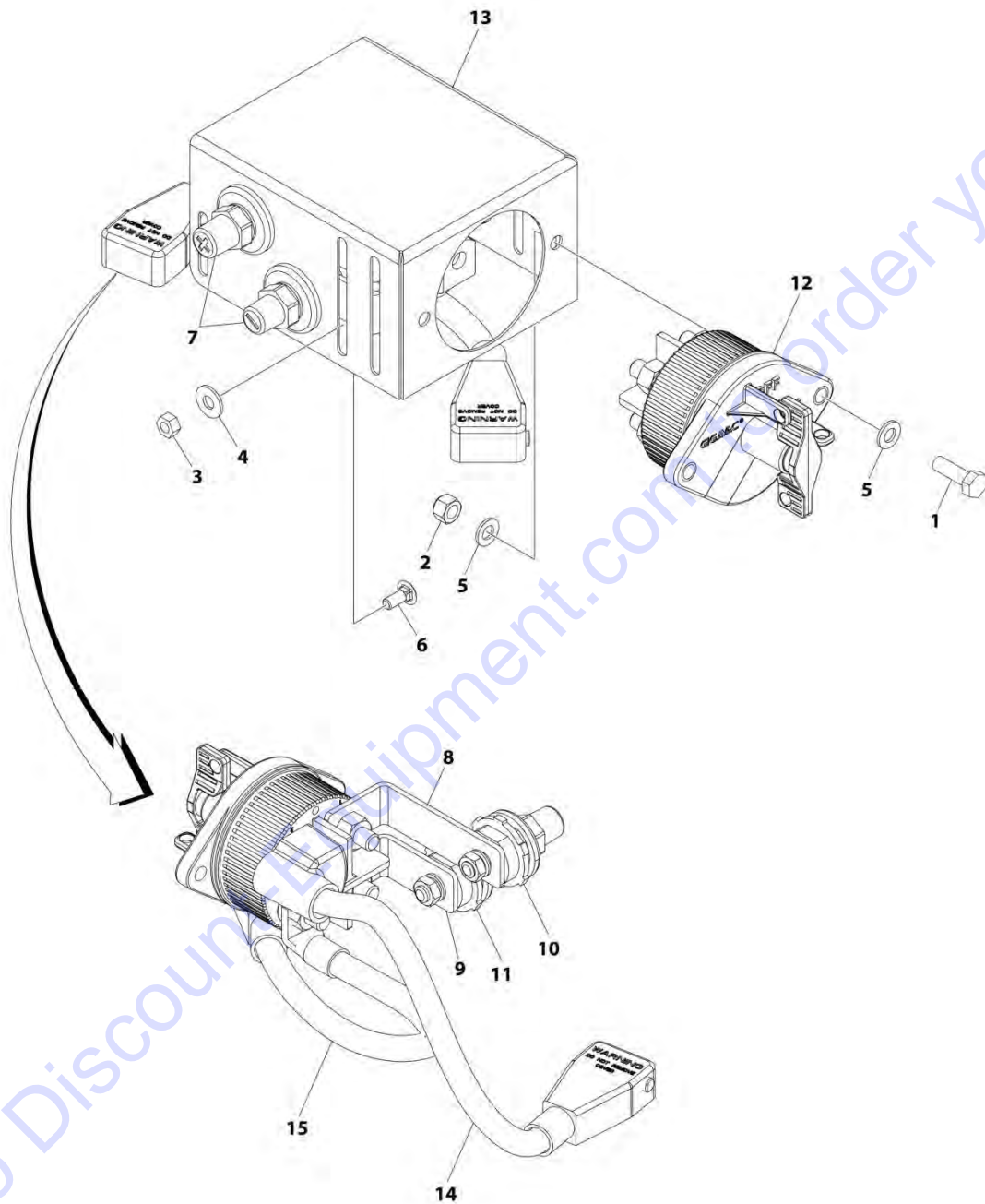
**FIGURE 8-12. AC CABLE INSTALLATION - WITH THREE BREAKERS (CE SPECS)**

ITEM	PART NUMBER	QTY	DESCRIPTION	REV
	1001209677	Ref	AC CABLE INSTALLATION - WITH THREE BREAKERS (CE SPECS)	A
1	0760610	2	Bolt M6 x 20	
2	2080040	2	Fastener, Huck	
3	3290405	2	Nut M4	
4	3290605	2	Nut M6	
5	4010405	2	Screw M4 x 10	
6	4811700	4	Washer M6	
7	1001091102	2	Washer M4	
8	1001152485	1	Breaker Box Kit - CE Spec (See BREAKER BOX KIT WITH THREE BREAKERS - CE SPEC for Breakdown)	
9	1001209832	1	Bracket	

Go to Discount-Equipment.com to order your parts

# SECTION 8 - ELECTRICAL

## FIGURE 8-13. BATTERY DISCONNECT SWITCH



ART\_1001236304

## SECTION 8 - ELECTRICAL

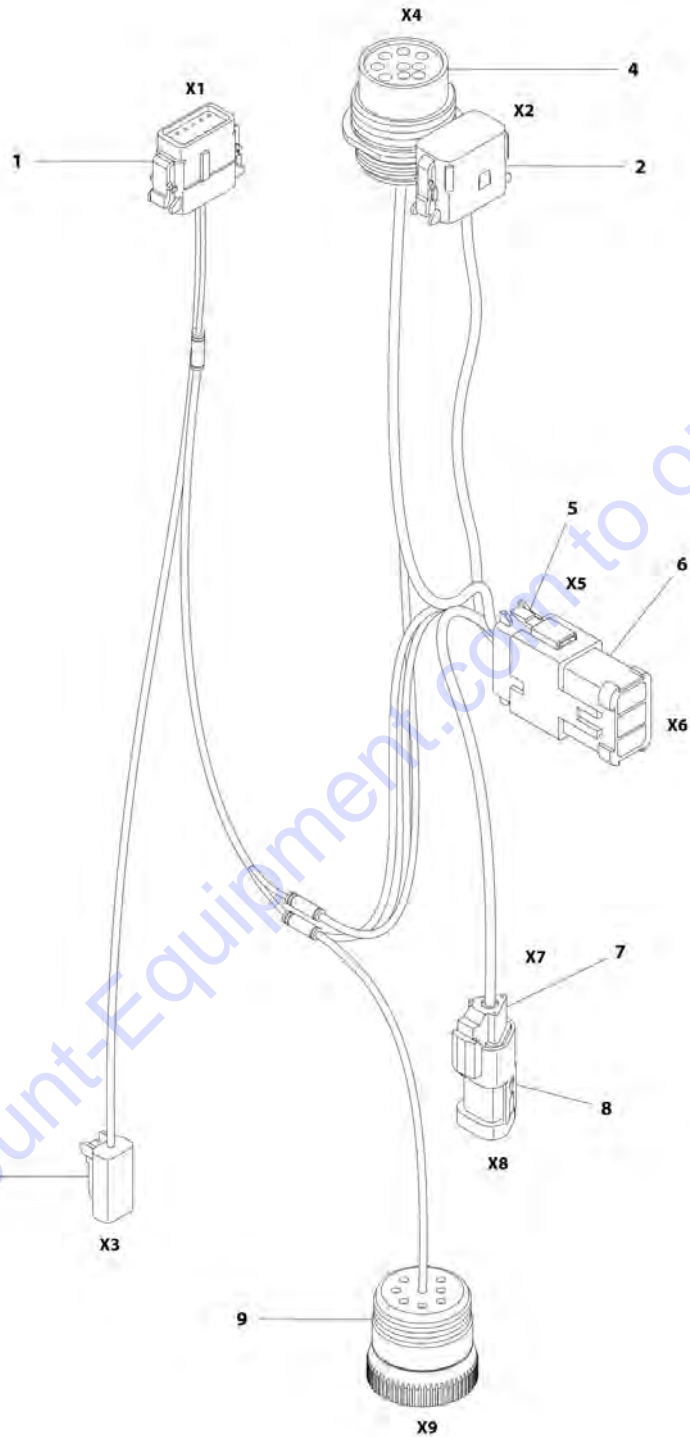
**FIGURE 8-13. BATTERY DISCONNECT SWITCH**

ITEM	PART NUMBER	QTY	DESCRIPTION	REV
	1001236304	Ref	BATTERY DISCONNECT SWITCH INSTALLATION	A
1	0760812	2	Bolt M8 x 25	
2	3290805	2	Nut M8	
3	3311405	3	Nut 1/4	
4	4751400	3	Washer 1/4	
5	4811900	4	Washer M8	
6	88411013	3	Bolt 1/4 x 3/4	
7	1001206476	1	Connectors, Post	
8	1001209432	1	Bussbar	
9	1001209474	1	Bussbar	
10	1001214570	1	Connector (Red)	
11	1001214571	1	Connector (Black)	
12	1001225346	1	Switch, Battery	
13	1001226531	1	Mount	
14	1001236504	1	Cable, Battery (+)	
15	1001236505	1	Cable, Battery (-)	

Go to Discount-Equipment.com to order your parts

# SECTION 8 - ELECTRICAL

## FIGURE 8-14. BEACON HARNESS (BLUE BEACON LIGHT ONLY)



ART\_1001142736

## SECTION 8 - ELECTRICAL

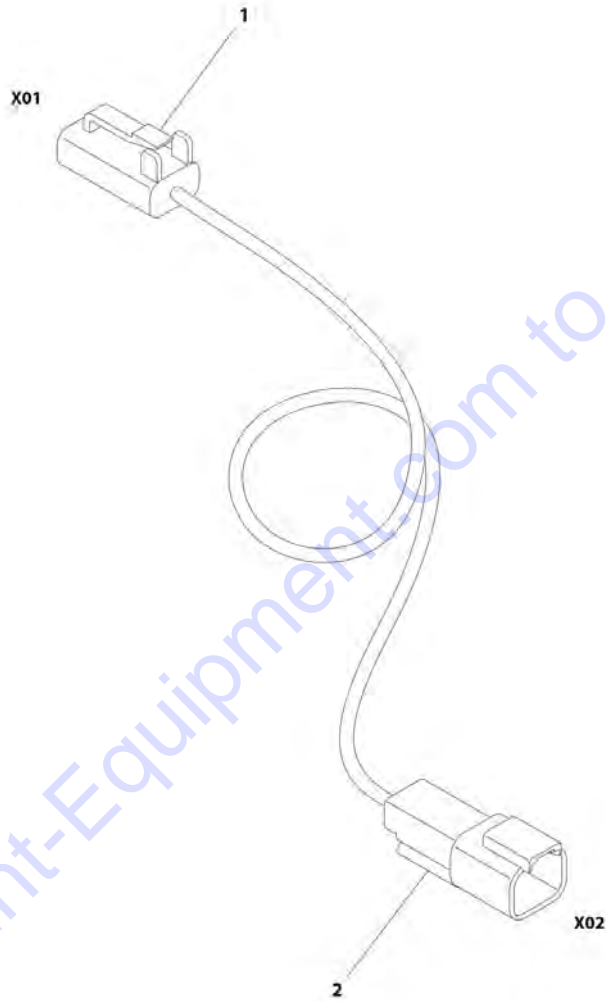
**FIGURE 8-14. BEACON HARNESS (BLUE BEACON LIGHT ONLY)**

ITEM	PART NUMBER	QTY	DESCRIPTION	REV
	1001142736	Ref	BEACON HARNESS (BLUE BEACON LIGHT ONLY)	E
1	1001116808	1	Plug, Male - 12 Position	
1	4460928	3	Socket, Female	
1	4460518	9	Plug, Terminal	
2	1001116774	1	Plug, Male - 12 Position	
2	4460928	3	Socket, Female	
2	4460518	9	Plug, Terminal	
3	4460891	1	Plug, Male - 2 Position	
3	4460465	2	Socket, Female	
4	1001112612	1	Connector - 9 Position	
4	4460464	6	Pin, Male	
4	4460466	3	Plug, Terminal	
5	4460933	1	Plug, Male - 12 Position	
5	4460465	12	Socket, Female	
6	1001119020	1	Bussbar - 12 Position	
7	4461095	1	Plug, Male - 3 Position	
7	4460465	3	Socket, Female	
8	4461070	1	Bussbar - 3 Position	
9	1001112796	1	Connector - 9 Position	
9	4460465	6	Socket, Female	
9	4460466	3	Plug, Terminal	

Go to Discount-Equipment.com to order your parts

## SECTION 8 - ELECTRICAL

FIGURE 8-15. BEACON EXTENSION HARNESS (BLUE BEACON LIGHT ONLY)



ART\_1001196458

## SECTION 8 - ELECTRICAL

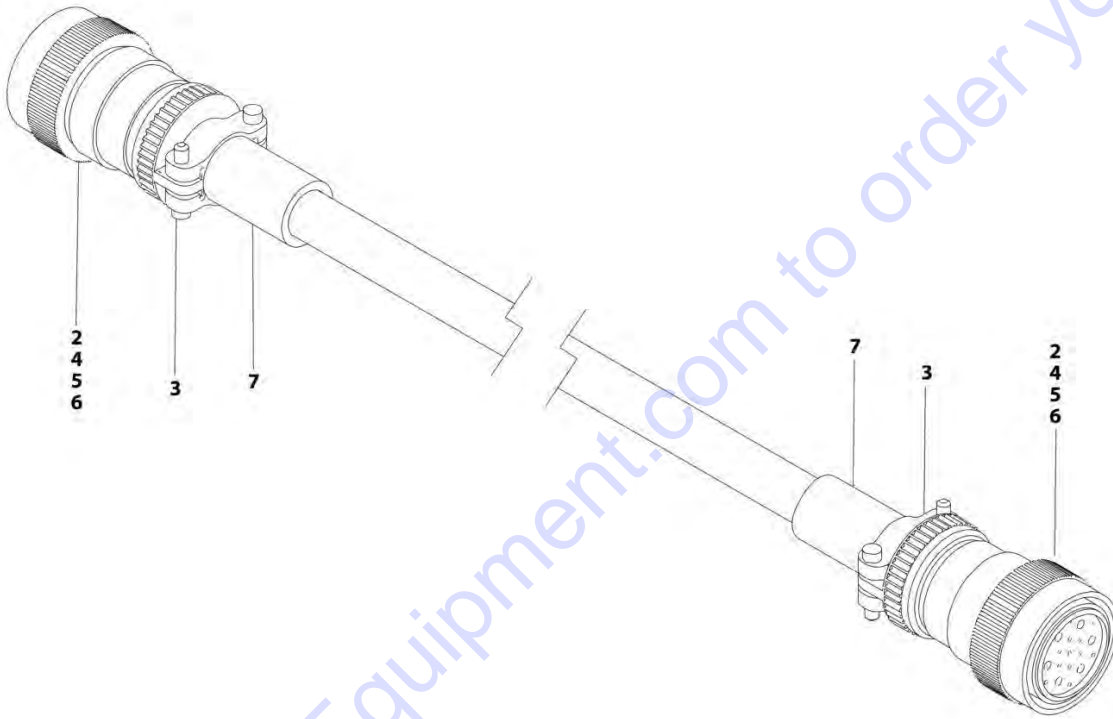
**FIGURE 8-15. BEACON EXTENSION HARNESS (BLUE BEACON LIGHT ONLY)**

ITEM	PART NUMBER	QTY	DESCRIPTION	REV
	1001196458	Ref	BEACON EXTENSION HARNESS (BLUE BEACON LIGHT ONLY)	B
1	4460891	1	Plug, Male - 2 Position	
1	4460465	2	Socket, Female	
2	4460897	1	Receptacle, Female	
2	4460464	2	Pin, Male	

Go to Discount-Equipment.com to order your parts

# SECTION 8 - ELECTRICAL

## FIGURE 8-16. BOOM HARNESS - 400S



ART\_1001176952



# PARTS FINDER

**Search Website  
by Part Number**



**Search Manual  
Library For Parts  
Manual & Lookup Part  
Numbers – Purchase  
or Request Quote**

**Can't Find Part or  
Manual? Request Help  
by Manufacturer,  
Model & Description**

Discount-Equipment.com is your online resource for quality parts & equipment.

Florida: **561-964-4949** Outside Florida TOLL FREE: **877-690-3101**

## Need parts?

Click on this link: <http://www.discount-equipment.com/category/5443-parts/> and choose one of the options to help get the right parts and equipment you are looking for. Please have the machine model and serial number available in order to help us get you the correct parts. If you don't find the part on the website or on one of the online manuals, please fill out the request form and one of our experienced staff members will get back to you with a quote for the right part that your machine needs.

We sell worldwide for the brands: Genie, Terex, JLG, MultiQuip, Mikasa, Essick, Whiteman, Mayco, Toro Stone, Diamond Products, Generac Magnum, Airman, Haulotte, Barreto, Power Blanket, Nifty Lift, Atlas Copco, Chicago Pneumatic, Allmand, Miller Curber, Skyjack, Lull, Skytrak, Tsurumi, Husquvarna Target, Stow, Wacker, Sakai, Mi-T-M, Sullair, Basic, Dynapac, MBW, Weber, Bartell, Bennar Newman, Haulotte, Ditch Runner, Menegotti, Morrison, Contec, Buddy, Crown, Edco, Wyco, Bomag, Laymor, EZ Trench, Bil-Jax, F.S. Curtis, Gehl Pavers, Heli, Honda, ICS/PowerGrit, IHI, Partner, Imer, Clipper, MMD, Koshin, Rice, CH&E, General Equipment, Amida, Coleman, NAC, Gradall, Square Shooter, Kent, Stanley, Tamco, Toku, Hatz, Kohler, Robin, Wisconsin, Northrock, Oztec, Toker TK, Rol-Air, APT, Wylie, Ingersoll Rand / Doosan, Innovatech, Con X, Ammann, Mecalac, Makinex, Smith Surface Prep, Small Line, Wanco, Yanmar

## SECTION 8 - ELECTRICAL

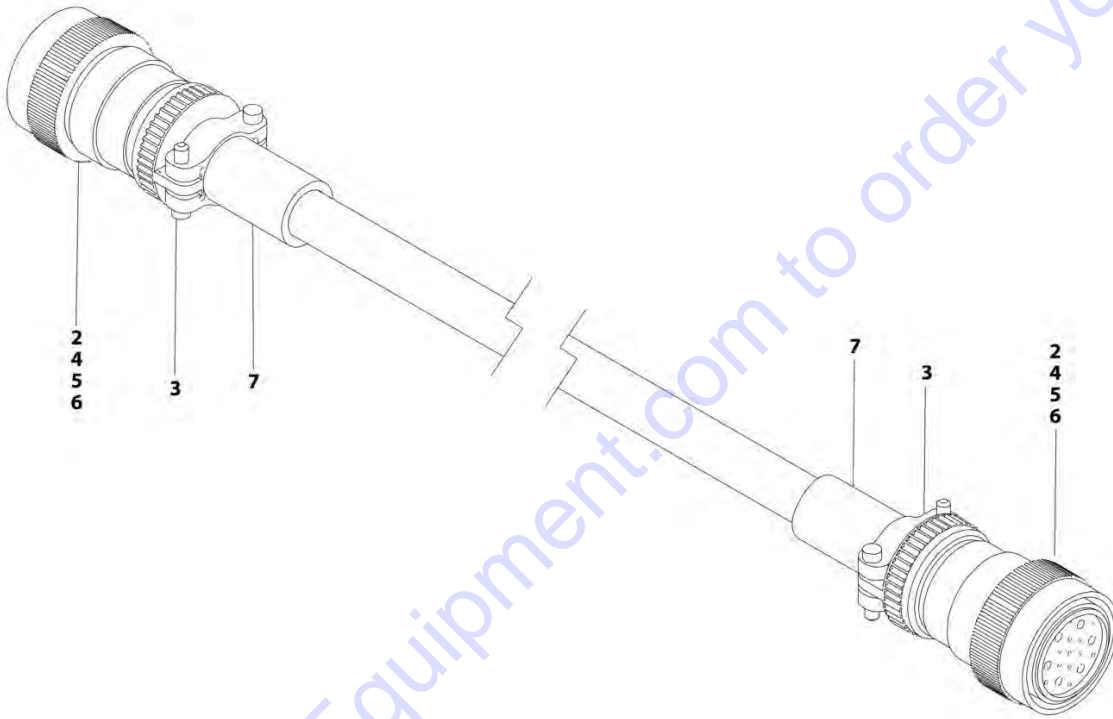
### FIGURE 8-16. BOOM HARNESS - 400S

ITEM	PART NUMBER	QTY	DESCRIPTION	REV
	1001176952	Ref	BOOM HARNESS - 400S	C
2	4460865	2	Connector - 19 Position	
3	4460473	2	Clamp	
4	4460465	20	Socket, Female	
5	4460509	8	Socket, Female	
6	4460466	10	Plug, Socket	
7	1001226400	AR	Heat Shrink	

Go to Discount-Equipment.com to order your parts

# SECTION 8 - ELECTRICAL

## FIGURE 8-17. BOOM HARNESS - 460SJ



ART\_1001176953

## SECTION 8 - ELECTRICAL

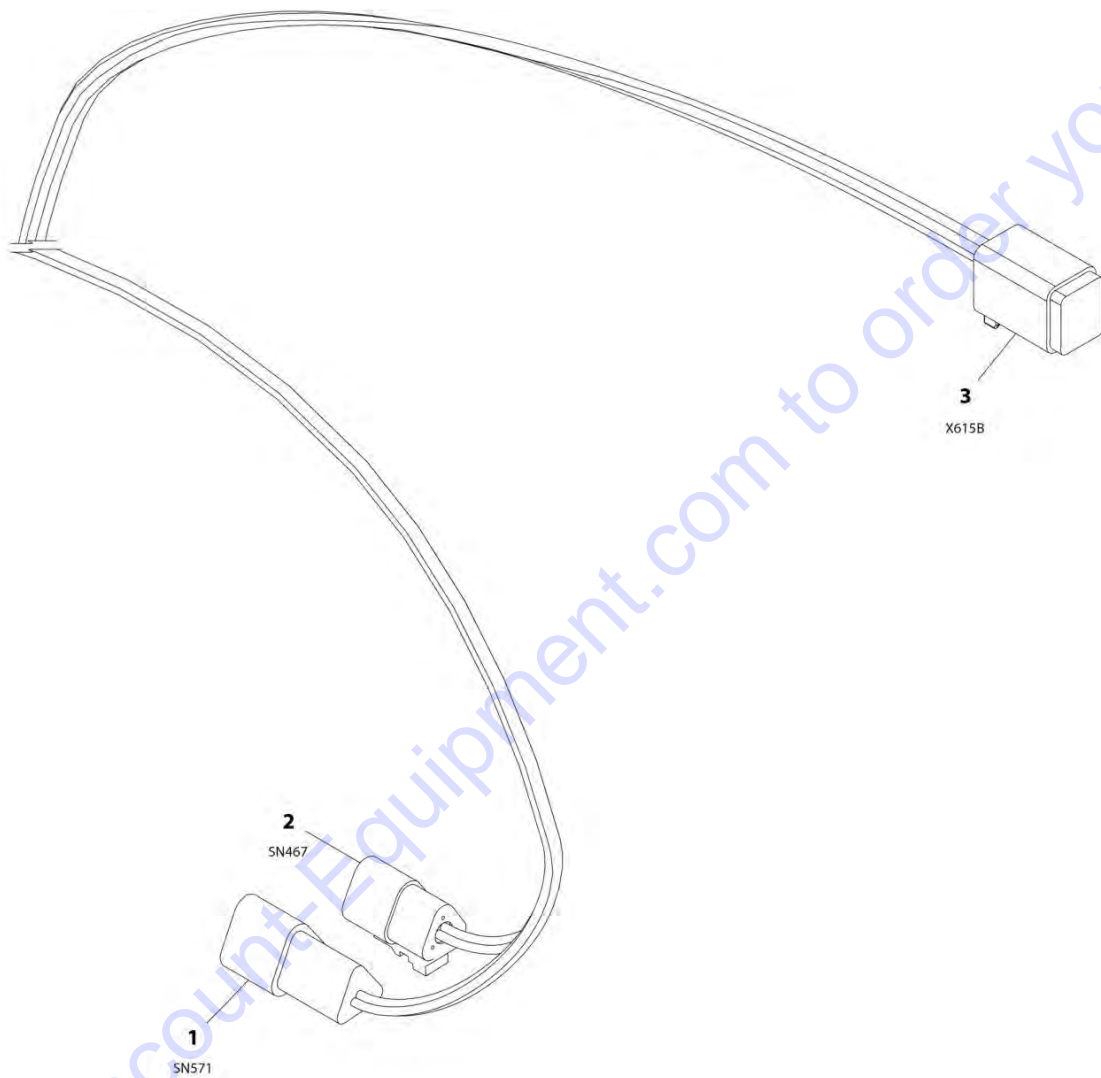
### FIGURE 8-17. BOOM HARNESS - 460SJ

ITEM	PART NUMBER	QTY	DESCRIPTION	REV
	1001176953	Ref	BOOM HARNESS - 460SJ	C
2	4460865	2	Connector - 19 Position	
3	4460473	2	Clamp	
4	4460465	20	Socket, Female	
5	4460509	8	Socket, Female	
6	4460466	10	Plug, Socket	
7	1001226400	AR	Heat Shrink	

Go to Discount-Equipment.com to order your parts

## SECTION 8 - ELECTRICAL

FIGURE 8-18. BOOM CAPACITY PROXIMITY SWITCH HARNESS (400S ONLY)



ART\_1001173807

## SECTION 8 - ELECTRICAL

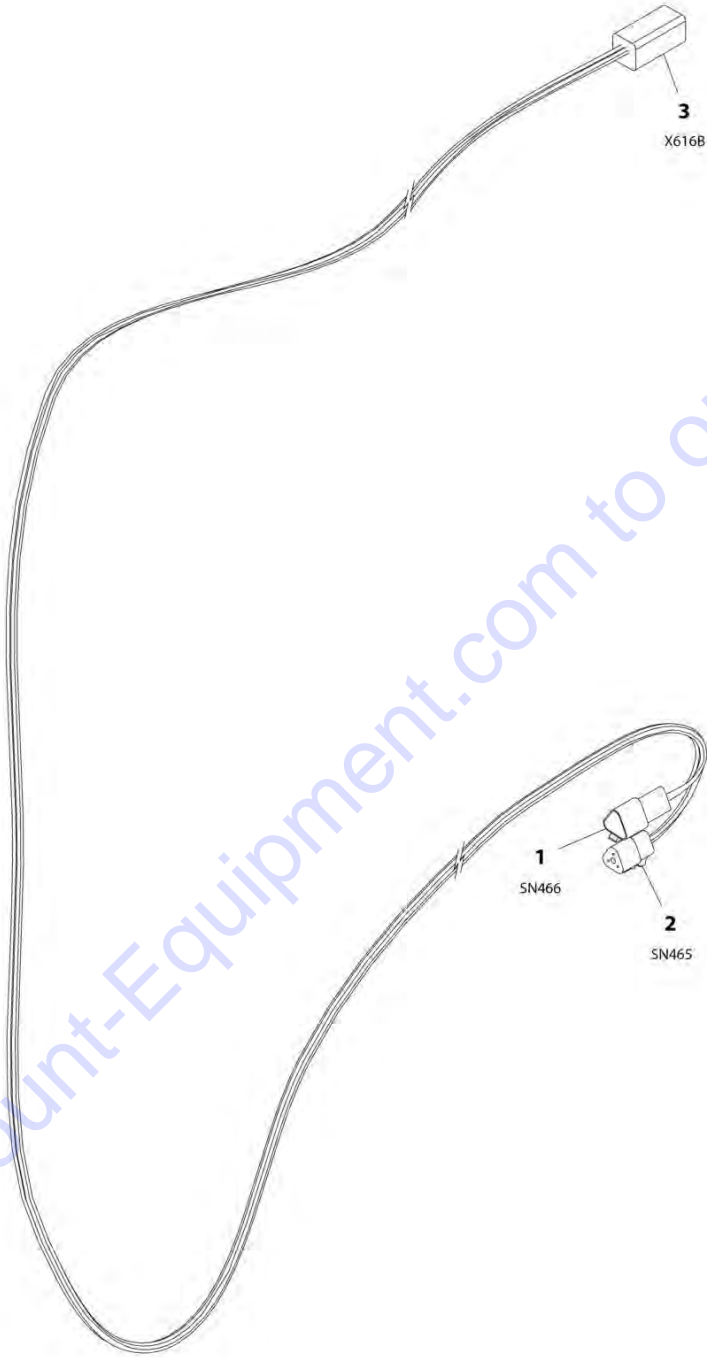
**FIGURE 8-18. BOOM CAPACITY PROXIMITY SWITCH HARNESS (400S ONLY)**

ITEM	PART NUMBER	QTY	DESCRIPTION	REV
	1001173807	Ref	BOOM CAPACITY PROXIMITY SWITCH HARNESS (400S ONLY)	C
1	4460536	1	Receptacle, Female - 3 Position	
1	4460464	3	Pin, Male	
2	4460539	1	Plug, Male - 3 Position	
2	4460465	1	Socket, Female	
3	4460930	1	Plug, Male - 6 Position	
3	4460465	6	Socket, Female	

Go to Discount-Equipment.com to order your parts

# SECTION 8 - ELECTRICAL

FIGURE 8-19. BOOM TELE IN PROXIMITY SWITCH HARNESS



ART\_1001173808

## SECTION 8 - ELECTRICAL

**FIGURE 8-19. BOOM TELE IN PROXIMITY SWITCH HARNESS**

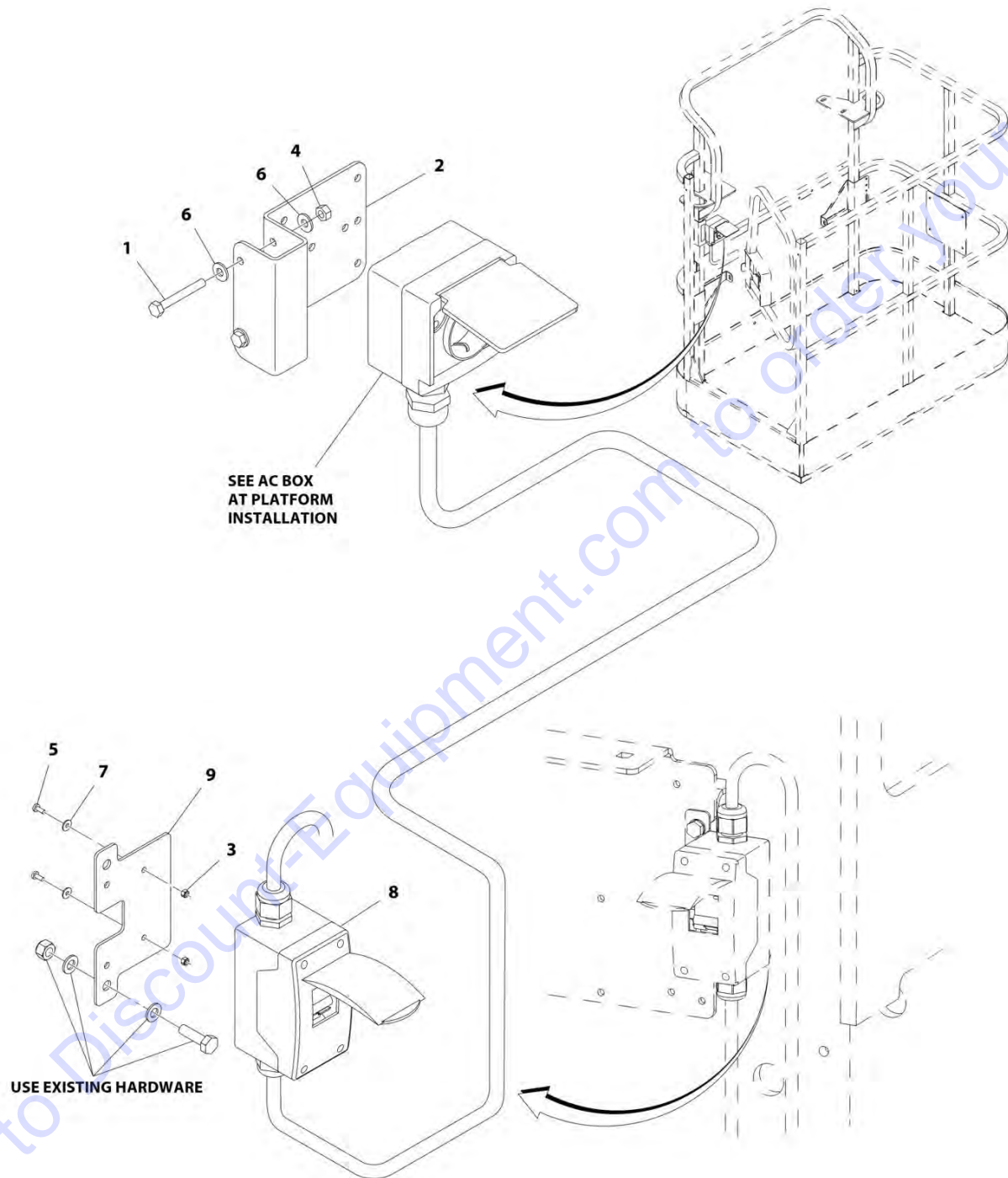
ITEM	PART NUMBER	QTY	DESCRIPTION	REV
	1001173808	Ref	BOOM TELE IN PROXIMITY SWITCH HARNESS	C
1	4460536	1	Receptacle, Female - 3 Position	
1	4460464	3	Pin, Male	
2	4460539	1	Plug, Male - 3 Position	
2	4460465	1	Socket, Female	
3	4460899	1	Receptacle, Female - 6 Position	
3	4460464	1	Pin, Male	

Go to Discount-Equipment.com to order your parts



# SECTION 8 - ELECTRICAL

FIGURE 8-20. BREAKER BOX INSTALLATION - 110/220V 10AMP BREAKER (CE SPEC) (SN 0300203771 through 0300220609)



ART\_1001176963

## SECTION 8 - ELECTRICAL

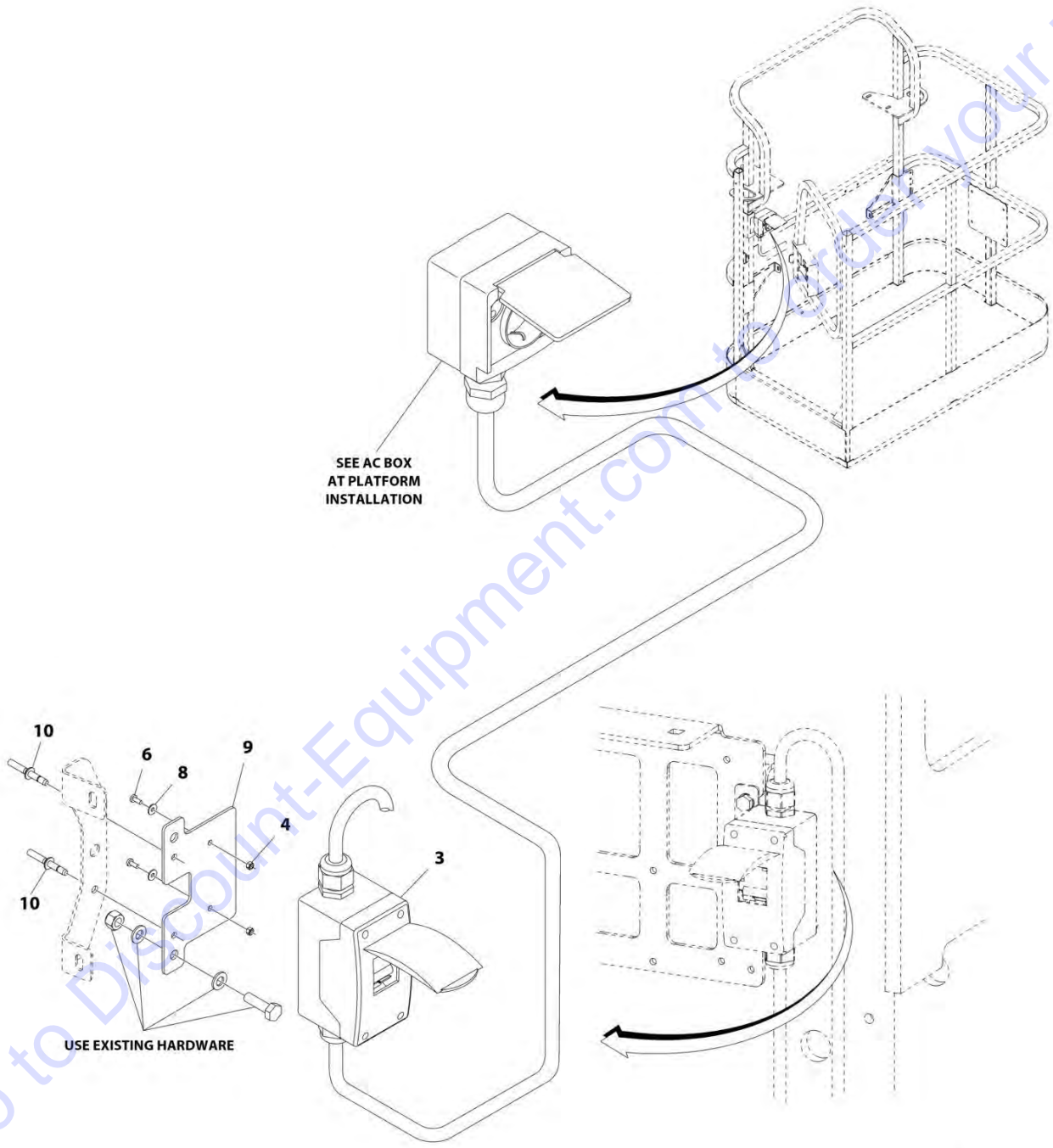
**FIGURE 8-20. BREAKER BOX INSTALLATION - 110/220V 10AMP BREAKER (CE SPEC) (SN 0300203771 through 0300220609)**

ITEM	PART NUMBER	QTY	DESCRIPTION	REV
	1001176963	Ref	BREAKER BOX INSTALLATION - 110/220V 10AMP BREAKER (CE SPEC) (SN 0300203771 through 0300220609)	A
1	0641416	2	Bolt M1/4 x 2	
2	0903484	1	Bracket	
3	3290405	2	Nut M4	
4	3311405	2	Nut 1/4	
5	4010405	2	Screw M4	
6	4711400	2	Washer	
7	1001091102	2	Washer M4	
8	1001109864	1	Breaker Box Kit (See BREAKER BOX KIT - 110/220V 10AMP BREAKER (CE SPEC) for Breakdown)	
9	1001174158	1	Bracket	

Go to Discount-Equipment.com to order your parts

## SECTION 8 - ELECTRICAL

**FIGURE 8-21. BREAKER BOX INSTALLATION - 110/220V 16AMP BREAKER (CE SPEC) (SN 0300203771 through 0300239571, SN E300000100 through E300005185, SN 1300007289 through 1300007393)**



ART\_1001167312

## SECTION 8 - ELECTRICAL

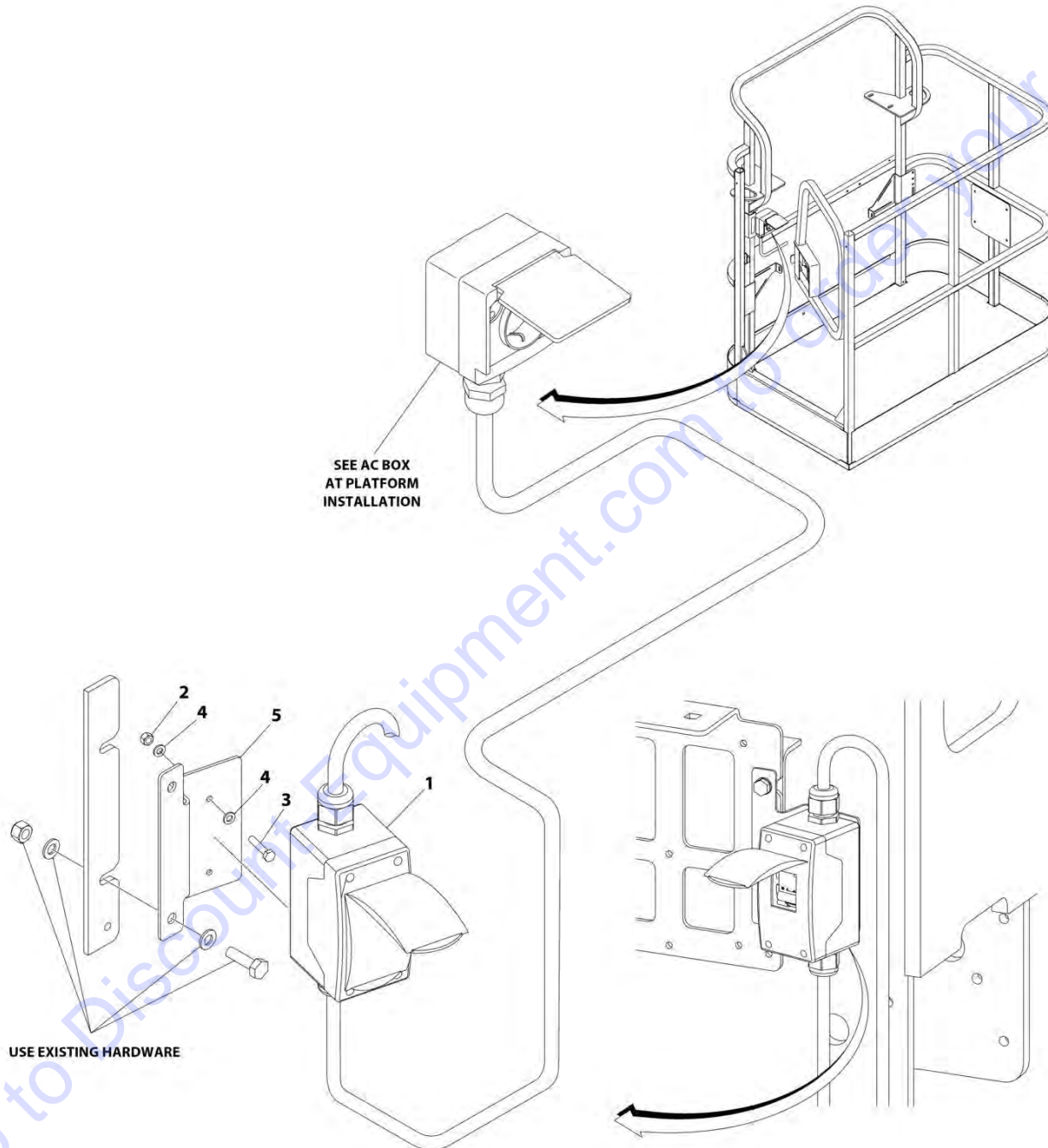
**FIGURE 8-21. BREAKER BOX INSTALLATION - 110/220V 16AMP BREAKER (CE SPEC) (SN 0300203771 through 0300239571, SN E300000100 through E300005185, SN 1300007289 through 1300007393)**

ITEM	PART NUMBER	QTY	DESCRIPTION	REV
	1001167312	Ref	BREAKER BOX INSTALLATION - 110/220V 16AMP BREAKER (CE SPEC)	F
3	2902549	1	Breaker Box Kit (See BREAKER BOX KIT - 110/220V 16AMP BREAKER (CE SPEC) for Breakdown)	
4	3290405	AR	Nut M4	
4	3290605	AR	Nut M6	
6	4010405	AR	Screw M4 x 10	
6	0760614	AR	Screw M6 x 30	
8	1001091102	AR	Washer M4	
8	4811700	AR	Washer M6	
9	1001174158	1	Bracket	
10	2080040	2	Fastener, Blind	

Go to Discount-Equipment.com to order your parts

## SECTION 8 - ELECTRICAL

FIGURE 8-22. BREAKER BOX INSTALLATION - 110/220V 16AMP BREAKER (CE SPEC) (SN 0300239572 to Present, SN E300005186 to Present)



ART\_1001230907

## SECTION 8 - ELECTRICAL

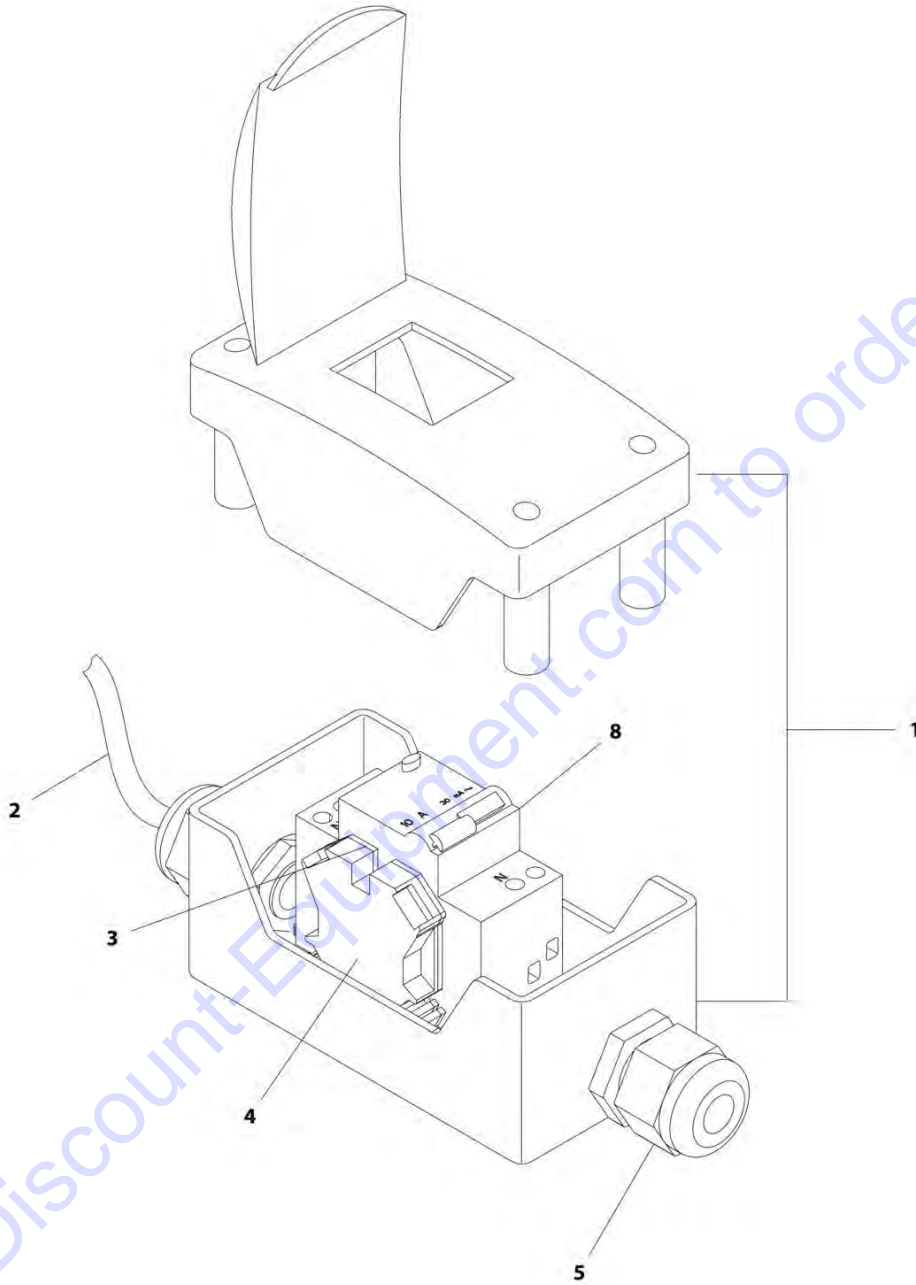
**FIGURE 8-22. BREAKER BOX INSTALLATION - 110/220V 16AMP BREAKER (CE SPEC) (SN 0300239572 to Present, SN E300005186 to Present)**

ITEM	PART NUMBER	QTY	DESCRIPTION	REV
	1001230907	Ref	BREAKER BOX INSTALLATION - 110/220V 16AMP BREAKER (CE SPEC)	B
1	2902549	1	Breaker Box Kit (See BREAKER BOX KIT - 110/220V 16AMP BREAKER (CE SPECS) for Breakdown)	
2	3290405	AR	Nut M4	
2	3290605	AR	Nut M6	
3	4010405	AR	Screw M4 x 10	
3	0760614	AR	Screw M6 x 30	
4	1001091102	AR	Washer M4	
4	4811700	AR	Washer M6	
5	1001230784	1	Bracket	

Go to Discount-Equipment.com to order your parts

## SECTION 8 - ELECTRICAL

FIGURE 8-23. BREAKER BOX KIT - 110/220V 10AMP BREAKER (CE SPEC)



ART\_1001109864

## SECTION 8 - ELECTRICAL

**FIGURE 8-23. BREAKER BOX KIT - 110/220V 10AMP BREAKER (CE SPEC)**

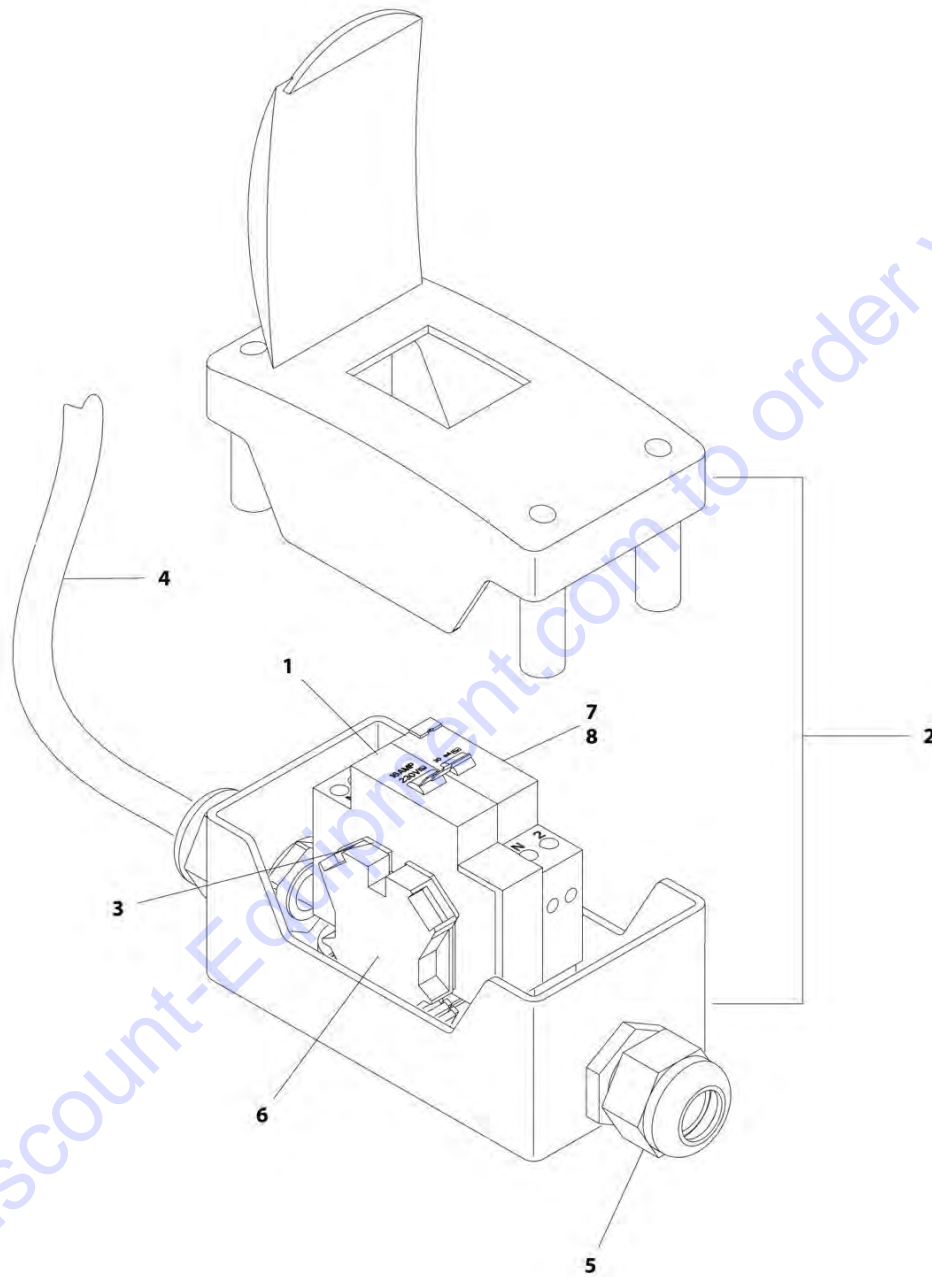
ITEM	PART NUMBER	QTY	DESCRIPTION	REV
	1001109864	Ref	BREAKER BOX KIT - 110/220V 10AMP BREAKER (CE SPEC)	B
1	0861880	1	Box	
2	1060908	6 ft/1.8m	Cable, 12/3	
3	4460956	1	Barrier, Terminal	
4	4460957	1	Block, Terminal	
5	1001097150	2	Connector, Strain Relief	
8	1001181046	1	Breaker, 10A/30mA Combination	

Go to Discount-Equipment.com to order your parts



# SECTION 8 - ELECTRICAL

FIGURE 8-24. BREAKER BOX KIT - 110/220V 16AMP BREAKER (CE SPEC)



ART\_2902549

## SECTION 8 - ELECTRICAL

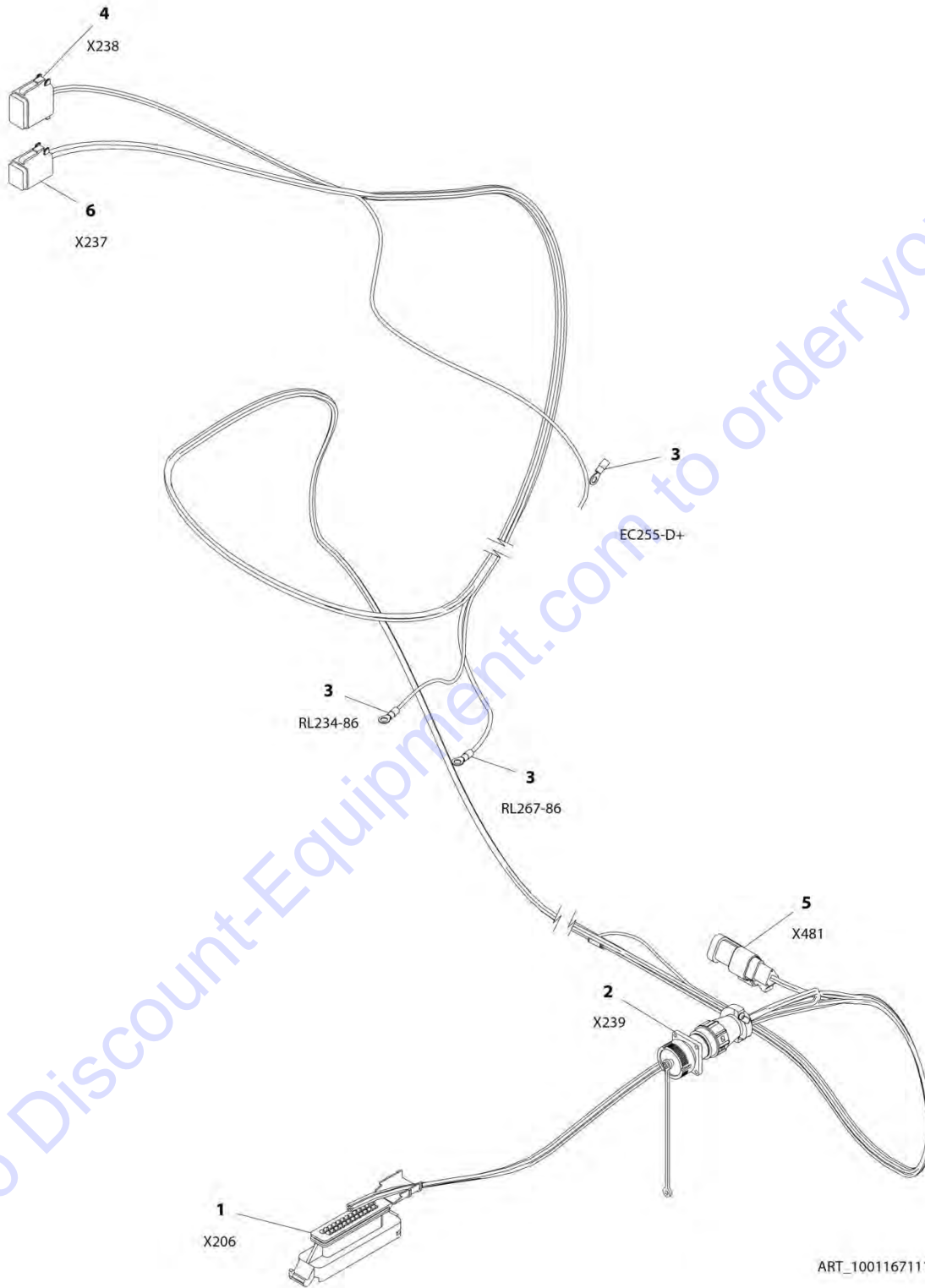
**FIGURE 8-24. BREAKER BOX KIT - 110/220V 16AMP BREAKER (CE SPEC)**

ITEM	PART NUMBER	QTY	DESCRIPTION	REV
	2902549	Ref	BREAKER BOX KIT - 110/220V 16AMP BREAKER (CE SPEC)	F
1	1001109475	NLA	Breaker, 16 Amp (Use p/n 1001181045)	
2	0861880	1	Box	
3	4460956	1	Barrier, Terminal	
4	1060908	6 ft/1.8m	Cable, 12/3	
5	1001097150	2	Connector, Strain Relief	
6	4460957	1	Block, Terminal	
7	1001109482	NLA	Breaker, 30mA (Use p/n 1001181045)	
8	1001181045	1	Breaker, 16A/30mA Combination <b>(SN 0300204390 to Present)</b>	

Go to Discount-Equipment.com to order your parts

# SECTION 8 - ELECTRICAL

## FIGURE 8-25. ENGINE HARNESS - DEUTZ D2011



## SECTION 8 - ELECTRICAL

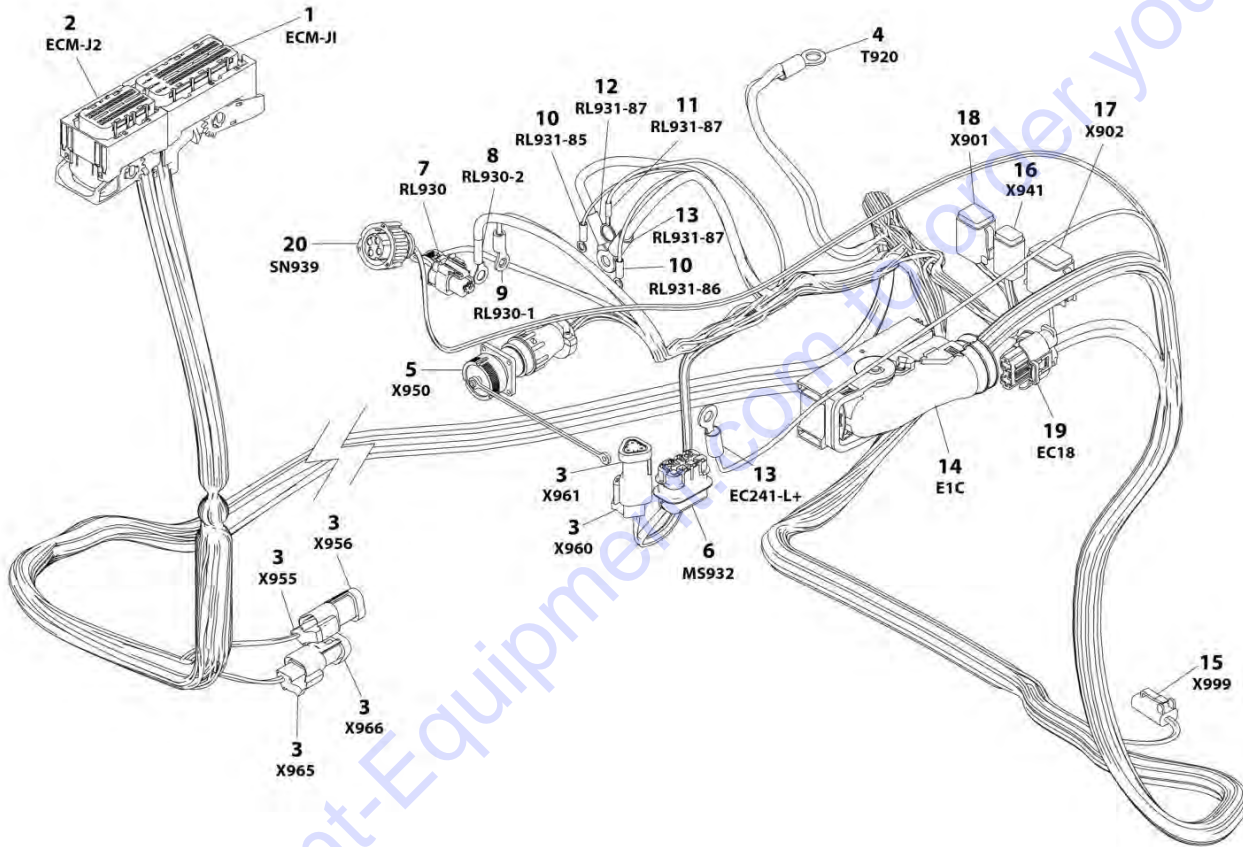
**FIGURE 8-25. ENGINE HARNESS - DEUTZ D2011**

ITEM	PART NUMBER	QTY	DESCRIPTION	REV
	1001167111	Ref	ENGINE HARNESS - DEUTZ D2011	B
1	4461052	1	Connector - 25 Position	
1	4461005	7	Terminal	
1	4461008	18	Plug, Terminal	
2	2902443	1	Receptacle Kit	
2	4461071	8	Socket, Female	
2	4461072	1	Receptacle with Flange - 8 Position	
2	4461073	1	Cap, Dust	
2	4461074	1	Shell, Black	
3	4460313	3	Terminal, Ring	
4	4460930	1	Plug, Male - 8 Position	
4	4460465	2	Socket, Female	
4	4460466	6	Seal, Terminal	
5	4461095	1	Plug, Male - 3 Position	
5	4460465	3	Socket, Female	
6	4460894	1	Plug, Male - 6 Position	
6	4460465	6	Socket, Female	

Go to Discount-Equipment.com to order your parts

# SECTION 8 - ELECTRICAL

## FIGURE 8-26. ENGINE HARNESS - DEUTZ D2.9L4



ART 1001167108

## SECTION 8 - ELECTRICAL

**FIGURE 8-26. ENGINE HARNESS - DEUTZ D2.9L4**

ITEM	PART NUMBER	QTY	DESCRIPTION	REV
	1001167108	Ref	ENGINE HARNESS - DEUTZ D2.9L4	I
1	1001133956	1	Connector, 94 Position	
1	1001126352	6	Terminal	
1	1001126357	2	Seal, Terminal	
1	1001126356	63	Seal, Terminal	
1	1001126384	21	Terminal	
1	1001126351	2	Terminal	
2	1001133957	1	Connector - 60 Position	
2	1001126357	11	Seal, Terminal	
2	1001126351	13	Terminal	
2	1001126356	19	Seal, Terminal	
2	1001126384	17	Terminal	
3	4461095	3	Plug, Male - 3 Position	
3	4460944	6	Socket, Female	
3	4460466	3	Plug, Terminal	
3	4461070	3	Connector, Female with Resistor 3 Position	
4	8220115	1	Terminal, Ring	
5	2902443	1	Receptacle Kit	
5	4461071	8	Socket, Female	
5	4461072	1	Receptacle with Flange - 8 Position	
5	4461073	1	Cap, Dust	
5	4461074	1	Shell, Black	
6	80484084	1	Connector - 8 Position	
6	1001116727	4	Plug, Terminal	
6	1001116728	4	Terminal	
6	8229242	1	Fuse - 5Amp	
6	80983191	1	Fuse - 10Amp	
6	1001147264	1	Cap	
7	1001116952	1	Plug, Male - 2 Position	
7	4460465	2	Socket, Female	
8	1001117106	1	Terminal, Ring	
9	4460043	1	Terminal, Ring	
10	4460247	2	Terminal, Ring	
11	4460703	1	Terminal, Ring	
12	8220164	1	Terminal, Ring	
13	1001117107	2	Terminal, Ring	
14	1001126362	1	Connector - 62 Position	
14	1001126363	33	Terminal	
14	1001126391	23	Seal, Terminal	
14	4461008	4	Seal, Terminal	
14	1001126365	2	Terminal	
15	4460891	1	Plug, Male - 2 Position	
15	4460465	2	Socket, Female	
16	4460884	1	Plug, Male - 4 Position	
16	4460465	4	Socket, Female	
17	4460930	1	Plug, Male - 8 Position	
17	4460465	1	Socket, Female	
17	4460466	7	Seal, Terminal	
18	4460894	1	Plug, Male - 6 Position	
18	4460465	6	Socket, Female	

## SECTION 8 - ELECTRICAL

ITEM	PART NUMBER	QTY	DESCRIPTION	REV
19	1001142938	1	Connector - 2 Position	
19	1001142940	2	Terminal	
20	1001133714	1	Plug, Male - 4 Position	
20	1001133715	3	Terminal	
20	1001135651	1	Plug, Terminal	

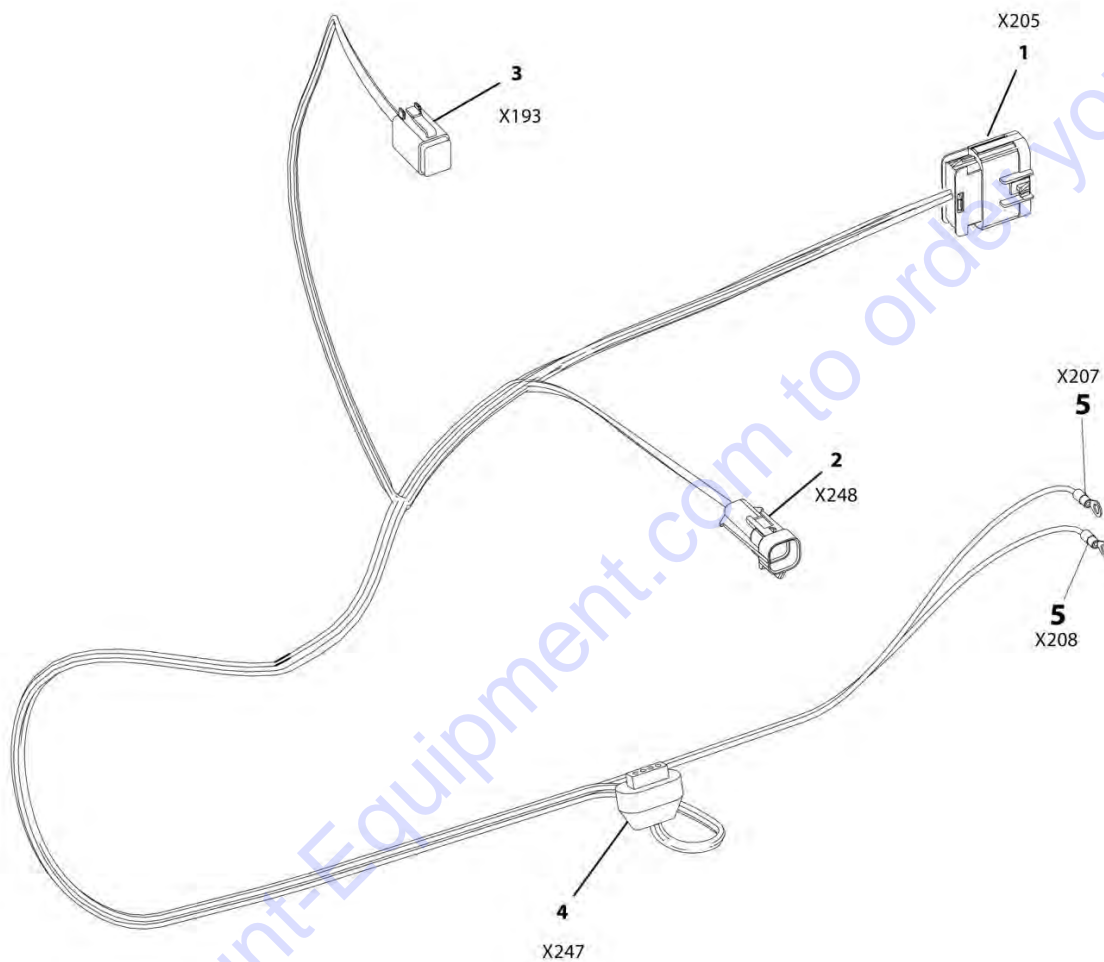
Go to Discount-Equipment.com to order your parts





# SECTION 8 - ELECTRICAL

## FIGURE 8-27. ENGINE HARNESS - GM



ART\_1001167112

## SECTION 8 - ELECTRICAL

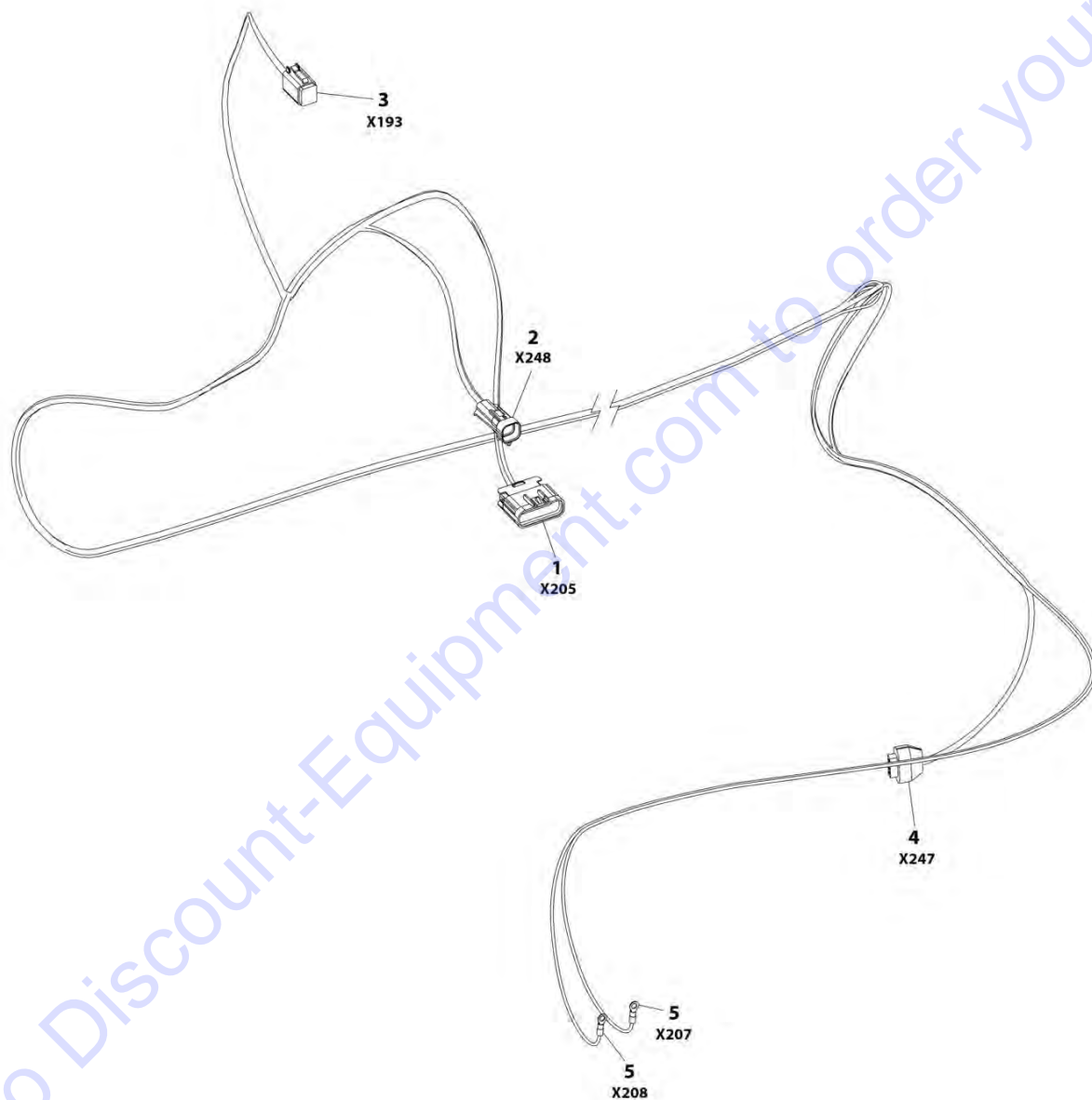
### FIGURE 8-27. ENGINE HARNESS - GM

ITEM	PART NUMBER	QTY	DESCRIPTION	REV
	1001167112	Ref	ENGINE HARNESS - GM	A
1	4461109	1	Plug, Male - 16 Position	
1	4461111	7	Pin, Male	
2	4461124	1	Connector - 4 Position	
2	4460693	4	Terminal	
3	4460894	1	Plug, Male - 6 Position	
3	4460465	5	Socket, Female	
3	4460466	1	Plug, Terminal	
4	4461121	1	Plug, Male - 4 Position	
4	4461122	4	Terminal	
5	4460313	2	Terminal, Ring	

Go to Discount-Equipment.com to order your parts

# SECTION 8 - ELECTRICAL

## FIGURE 8-28. ENGINE HARNESS - KUBOTA



ART\_1001213599

## SECTION 8 - ELECTRICAL

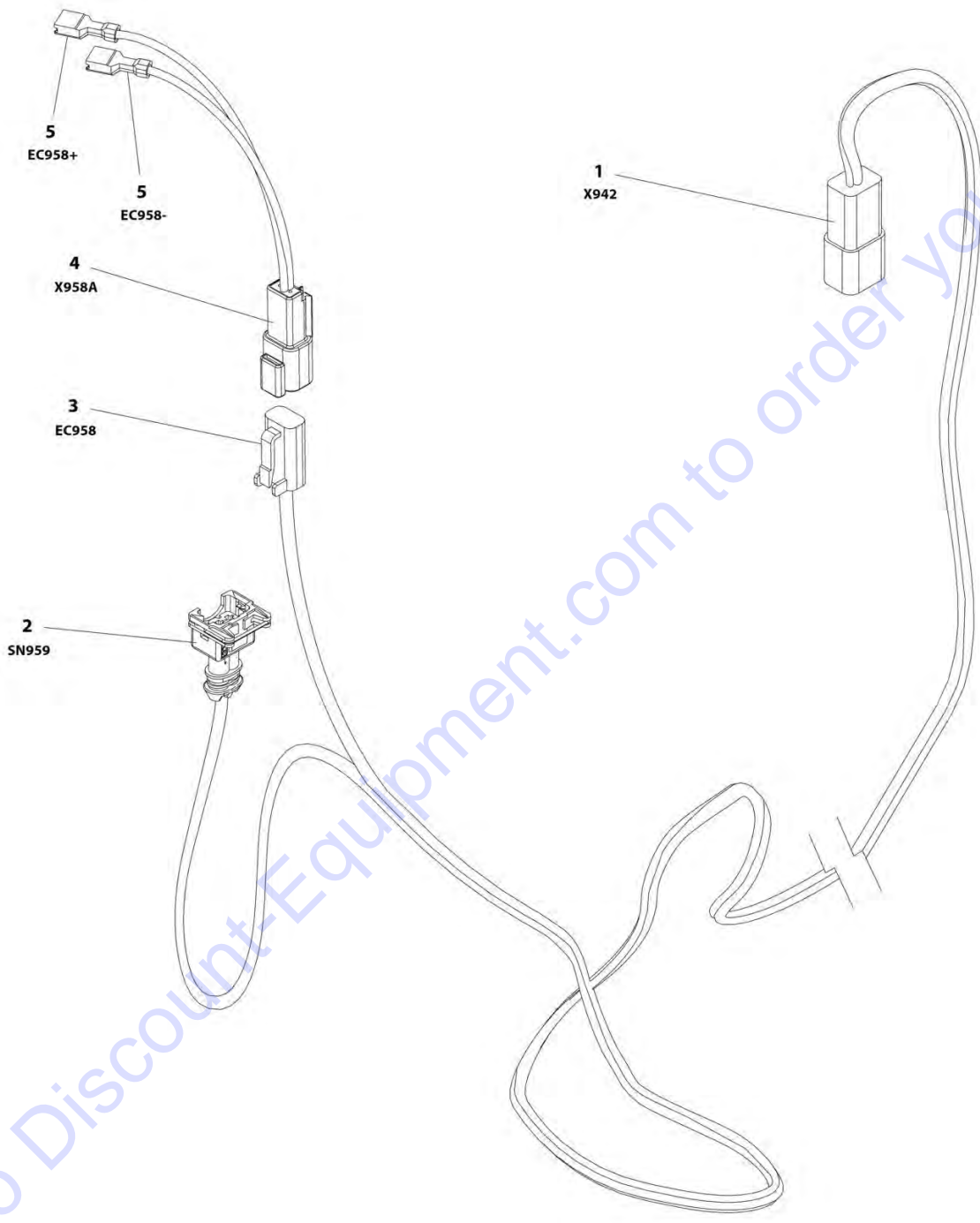
**FIGURE 8-28. ENGINE HARNESS - KUBOTA**

ITEM	PART NUMBER	QTY	DESCRIPTION	REV
	1001213599	Ref	ENGINE HARNESS - KUBOTA	C
1	4461109	1	Plug, Male - 16 Position	
1	4461111	7	Terminal	
1	4461113	9	Plug	
2	4461124	1	Connector - 4 Position	
2	4460693	4	Terminal	
3	4460894	1	Plug, Male - 6 Position	
3	4460465	5	Socket, Female	
3	4460466	1	Plug, Terminal	
4	4461121	1	Plug, Male - 4 Position	
4	4461122	4	Terminal	
4	4461123	4	Seal	
5	4460042	2	Terminal, Ring	

Go to Discount-Equipment.com to order your parts

# SECTION 8 - ELECTRICAL

## FIGURE 8-29. FUEL HARNESS - DEUTZ D2.9L4 ENGINE



ART\_1001173342

## SECTION 8 - ELECTRICAL

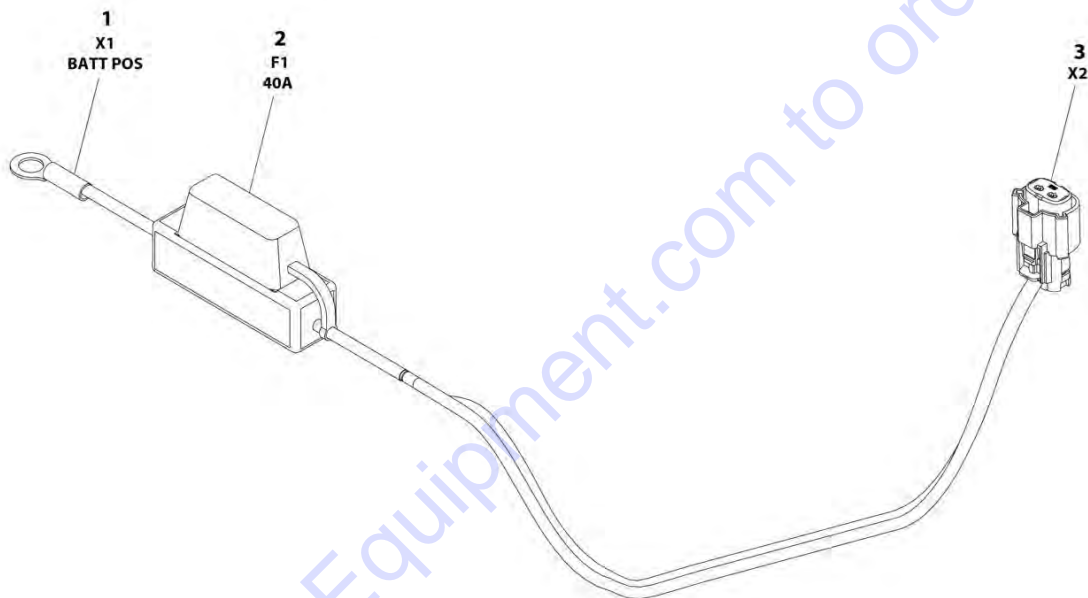
**FIGURE 8-29. FUEL HARNESS - DEUTZ D2.9L4 ENGINE**

ITEM	PART NUMBER	QTY	DESCRIPTION	REV
	1001173342	Ref	FUEL HARNESS - DEUTZ D2.9L4 ENGINE	C
1	4460932	1	Receptacle, Female - 4 Position	
1	4460464	2	Pin, Male	
1	4460941	2	Pin, Male	
2	1001116983	1	Plug, Male - 2 Position	
2	1001116710	2	Socket, Female	
3	4460891	1	Plug, Male - 2 Position	
3	4460942	2	Socket, Female	
4	4460897	1	Receptacle, Female - 2 Position	
4	4460941	2	Pin, Male	
5	4460042	2	Terminal, Ring (SN 0300203771 through 0300234499)	
5	8220051	2	Coupler, Female (SN 0300234500 to Present)	

Go to Discount-Equipment.com to order your parts

# SECTION 8 - ELECTRICAL

## FIGURE 8-30. FUEL HARNESS - KUBOTA ENGINE



ART\_1001229798

## SECTION 8 - ELECTRICAL

### FIGURE 8-30. FUEL HARNESS - KUBOTA ENGINE

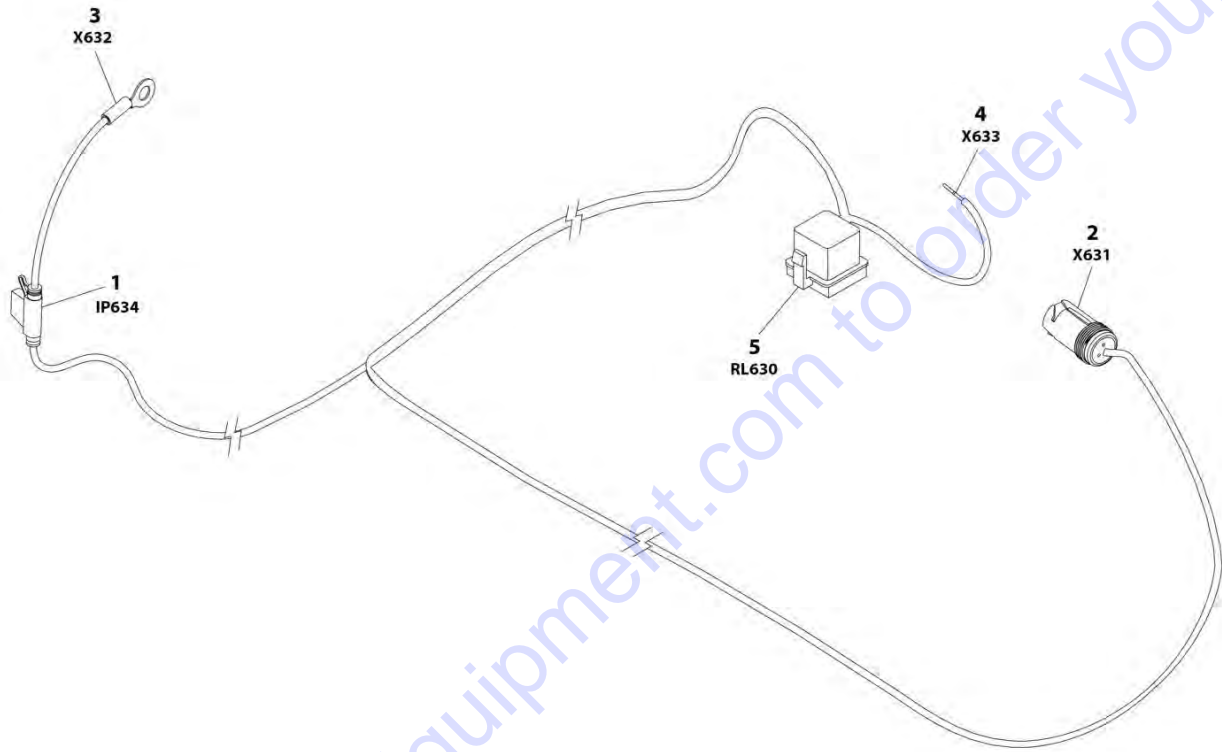
ITEM	PART NUMBER	QTY	DESCRIPTION	REV
	1001229798	Ref	FUEL HARNESS - KUBOTA ENGINE	A
1	4460977	1	Terminal, Ring	
2	2400082	1	Fuse 40Amp	
3	1001229795	1	Connector - 2 Position	
3	1001229796	1	Socket, Female	

Go to Discount-Equipment.com to order your parts



# SECTION 8 - ELECTRICAL

FIGURE 8-31. GENERATOR HARNESS - 2500W



ART\_1001187522

Go to Discount-Equipment.com to order your parts

## SECTION 8 - ELECTRICAL

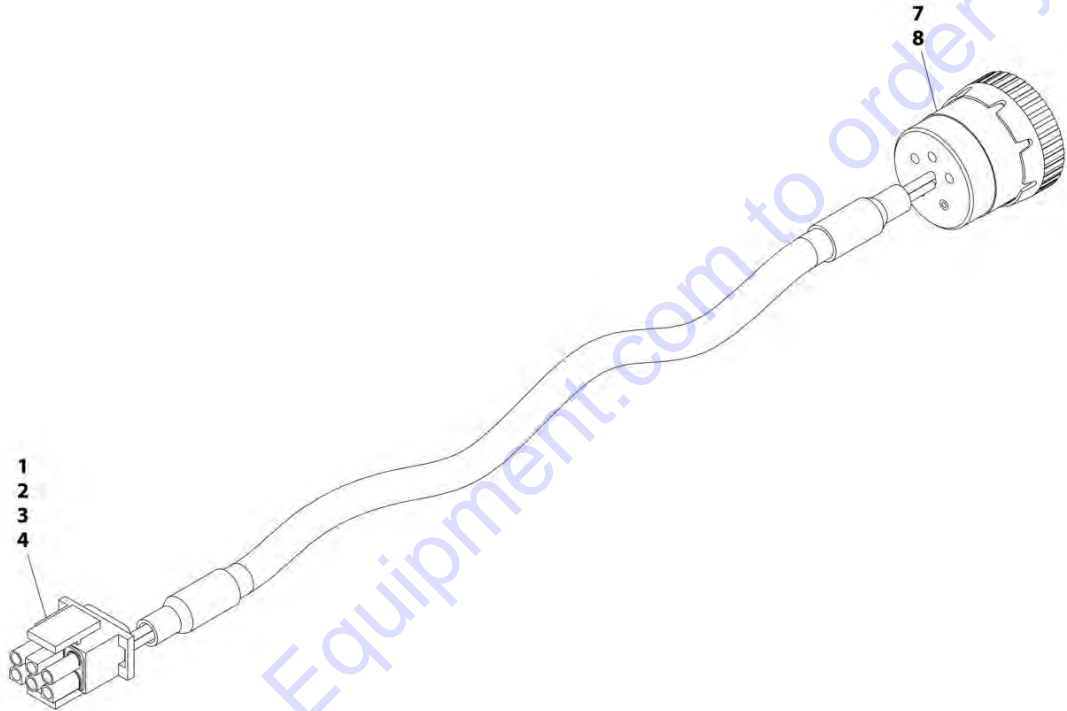
**FIGURE 8-31. GENERATOR HARNESS - 2500W**

ITEM	PART NUMBER	QTY	DESCRIPTION	REV
	1001187522	Ref	GENERATOR HARNESS - 2500W	B
1	2400060	1	Fuseholder - 30Amp (Includes Cover) (SN 0300203771 through 0300241624, SN E300000100 through E300005869, SN 1300007289 through 1300007393)	
1	2400066	1	Fuseholder - 30Amp (Includes Cover) (SN 0300241625 to Present, SN E300005870 to Present)	
1	8229245	1	Fuse 30Amp	
2	1001154726	1	Receptacle, Female - 3 Position	
2	4460464	2	Pin, Male	
2	4460466	1	Plug, Terminal	
3	8220045	1	Terminal, Ring	
4	4460906	1	Socket, Female	
5	1001117057	1	Connector, Relay	
5	1001116734	2	Terminal	
5	1001116732	2	Terminal	
5	3740080	1	Relay	

Go to Discount-Equipment.com to order your parts

**SECTION 8 - ELECTRICAL**

**FIGURE 8-32. GENERATOR HARNESS - 4000W**



ART\_1001152532

## SECTION 8 - ELECTRICAL

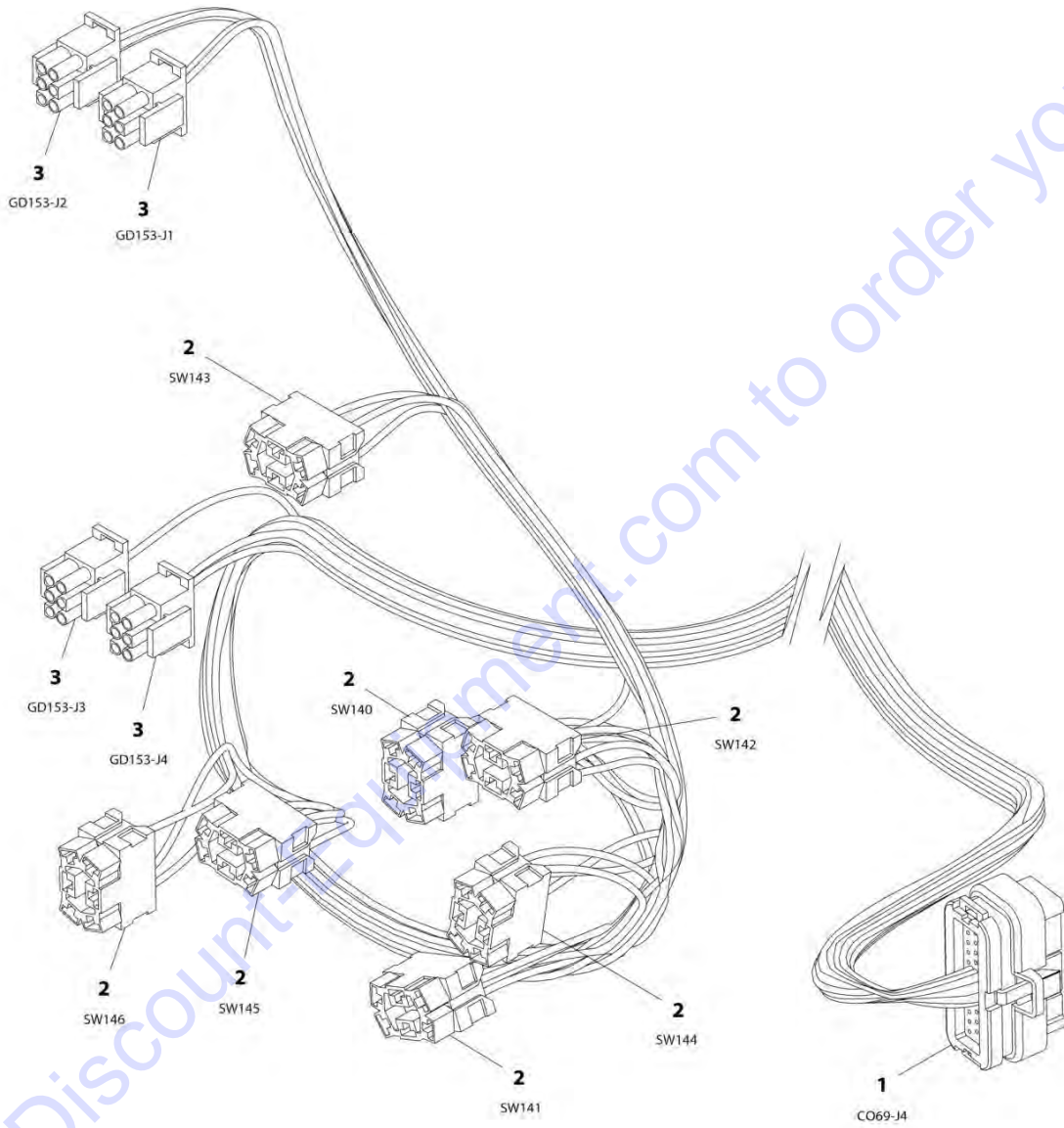
### FIGURE 8-32. GENERATOR HARNESS - 4000W

ITEM	PART NUMBER	QTY	DESCRIPTION	REV
	1001152532	Ref	GENERATOR HARNESS	A
1	4460225	1	Plug, Male - 2 Position	
2	4460268	2	Socket, Female	
3	4460807	1	Seal	
4	4460808	1	Seal	
7	4460465	2	Socket, Female	
8	77363233	1	Connector - 6 Position	

Go to Discount-Equipment.com to order your parts

# SECTION 8 - ELECTRICAL

## FIGURE 8-33. GROUND CONTROL BOX HARNESS



ART\_1001166964

## SECTION 8 - ELECTRICAL

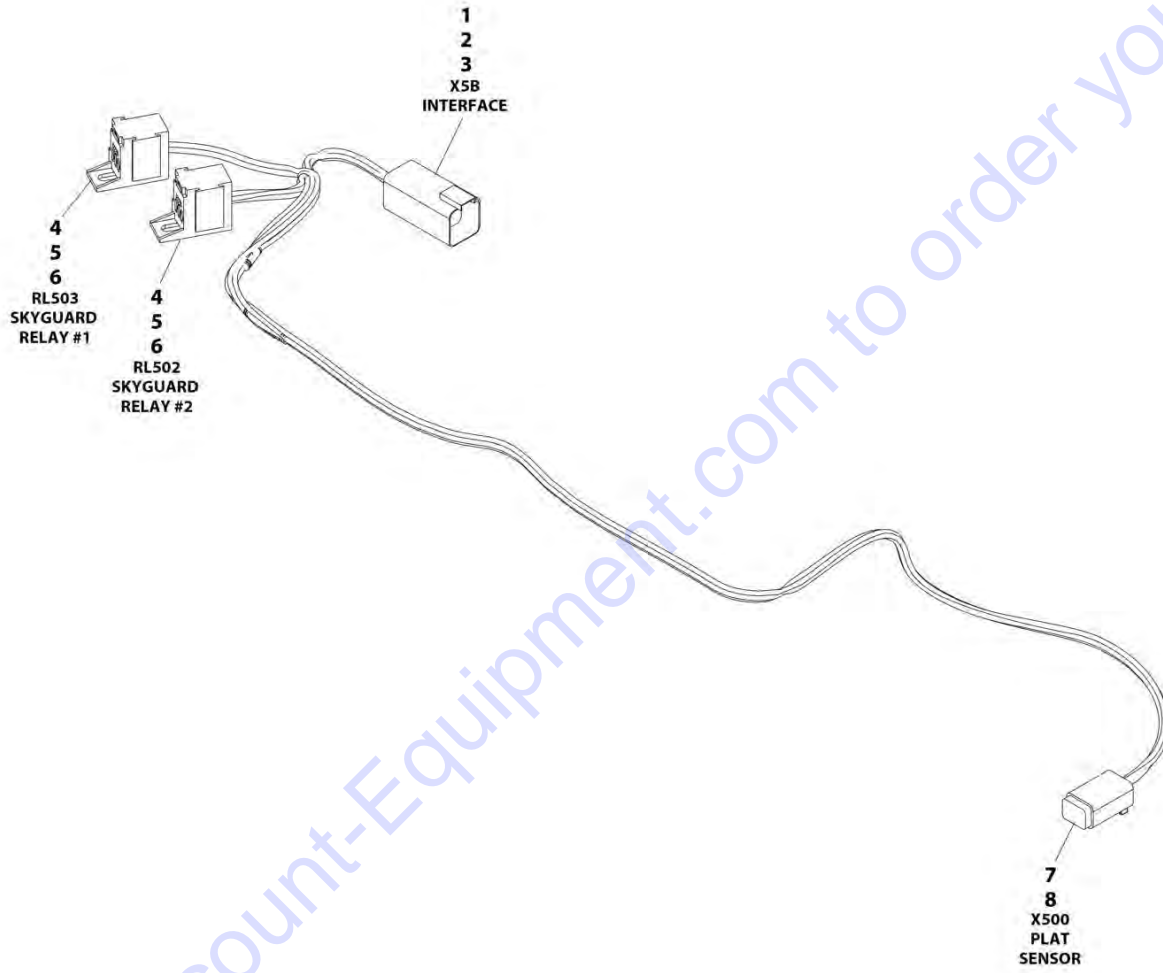
### FIGURE 8-33. GROUND CONTROL BOX HARNESS

ITEM	PART NUMBER	QTY	DESCRIPTION	REV
	1001166964	Ref	GROUND CONTROL BOX HARNESS	C
1	4460876	1	Connector - 35 Position	
1	4460871	1	Socket, Female	
1	4460905	1	Plug, Terminal	
2	4460418	7	Connector - 6 Position	
2	4460419	27	Terminal	
3	4460225	4	Plug, Male - 6 Position	
3	4460268	9	Socket, Female	

Go to Discount-Equipment.com to order your parts

# SECTION 8 - ELECTRICAL

FIGURE 8-34. INTERFACE HARNESS - WITH 1 CELL LSS



ART\_1001225580

## SECTION 8 - ELECTRICAL

FIGURE 8-34. INTERFACE HARNESS - WITH 1 CELL LSS

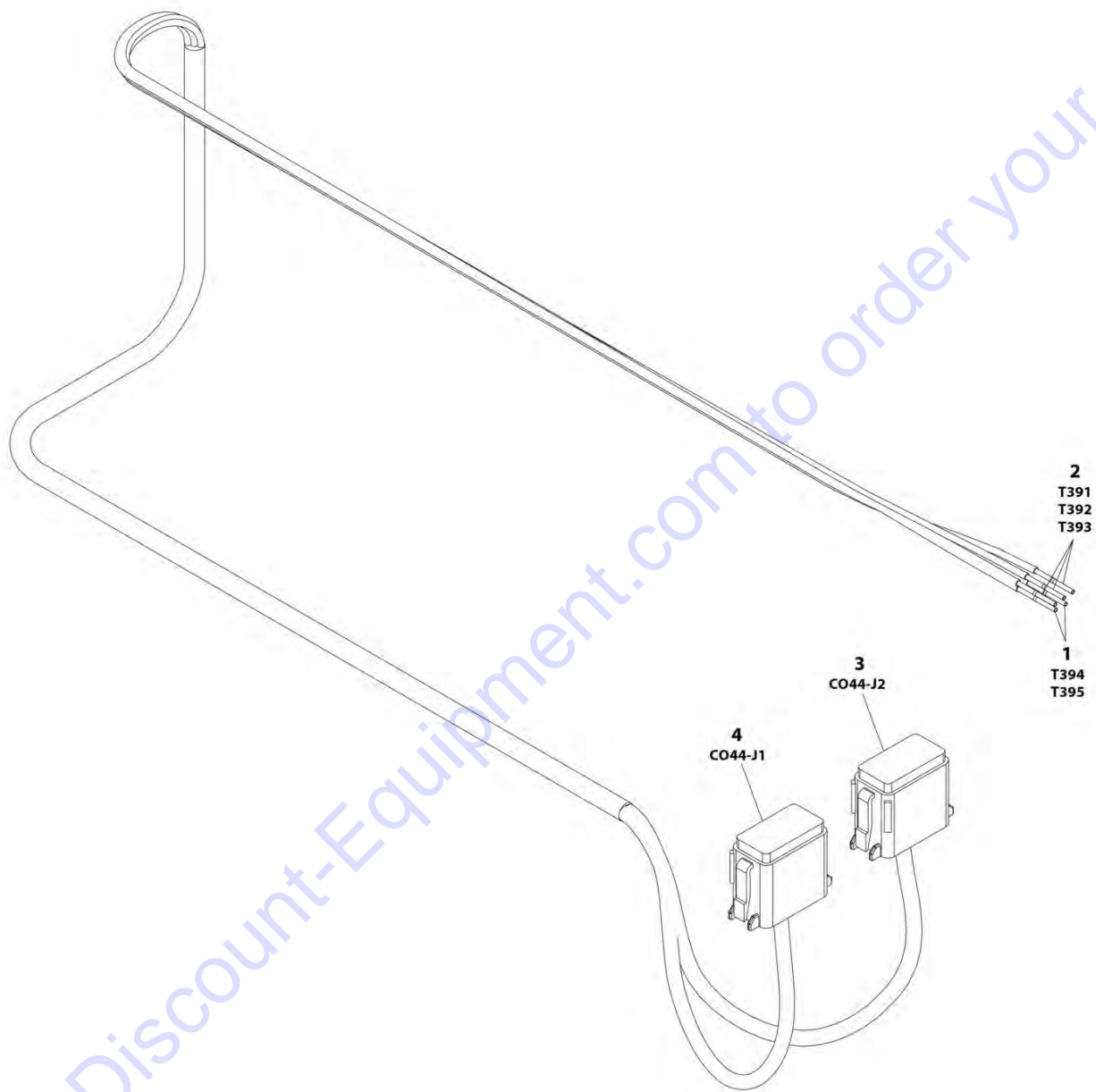
ITEM	PART NUMBER	QTY	DESCRIPTION	REV
	1001225580	Ref	INTERFACE HARNESS - WITH 1 CELL LSS	D
1	4460899	1	Connector	
2	4460464	4	Terminal	
3	4460466	2	Plug	
4	1001186432	2	Connector	
5	1001116720	4	Terminal	
6	1001118388	4	Terminal	
7	4460844	1	Connector	
8	4460465	4	Terminal	

Go to Discount-Equipment.com to order your parts



# SECTION 8 - ELECTRICAL

## FIGURE 8-35. LSS HARNESS



ART\_1001120371

## SECTION 8 - ELECTRICAL

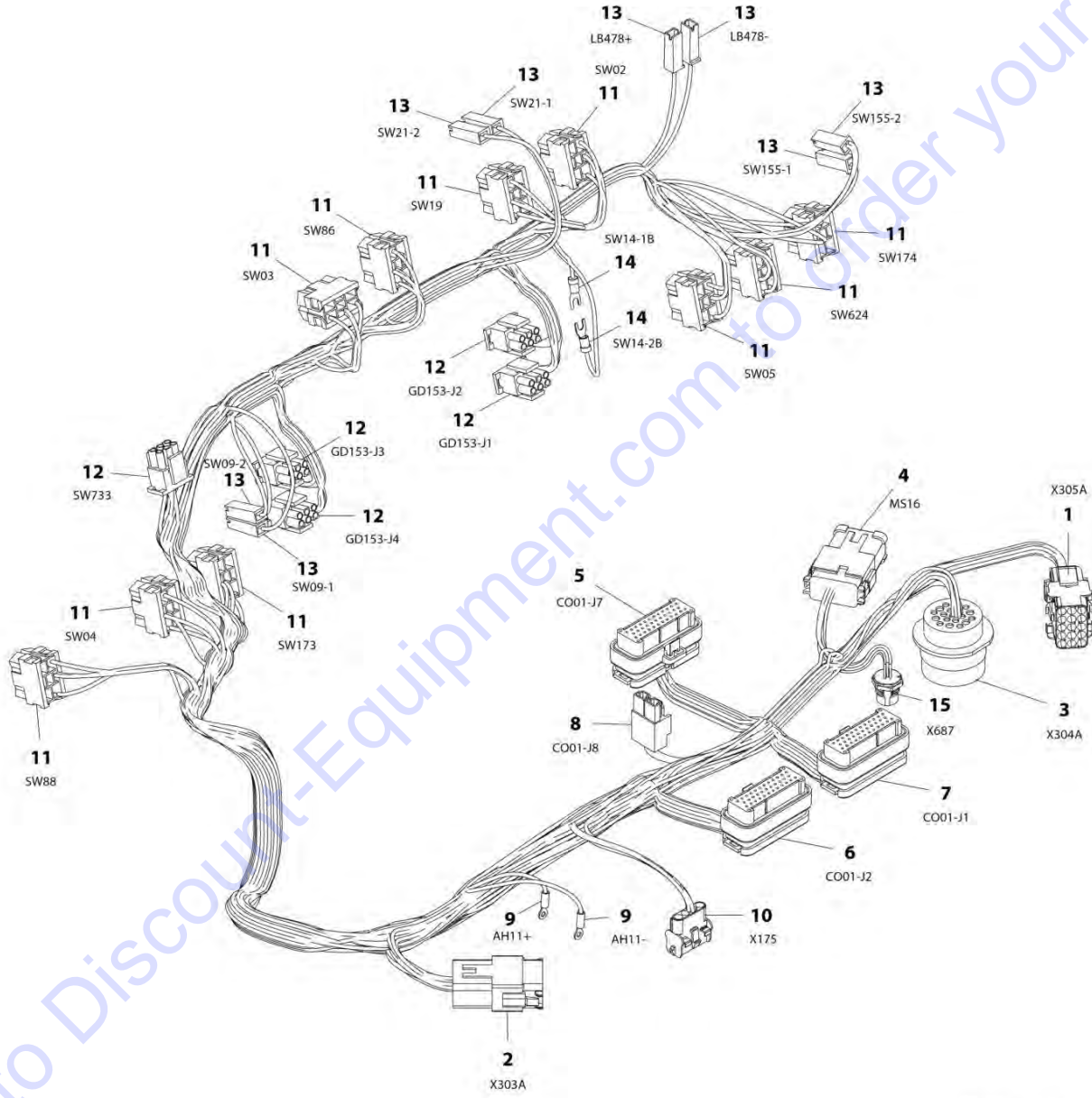
**FIGURE 8-35. LSS HARNESS**

ITEM	PART NUMBER	QTY	DESCRIPTION	REV
	1001120371	Ref	LSS HARNESS	B
1	4460465	2	Socket, Female	
2	4460944	3	Socket, Female	
3	4460836	1	Plug, Male - 12 Position	
3	4460466	9	Plug, Terminal	
3	4460944	3	Socket, Female	
3	0840055	1	Boot	
4	4460933	1	Plug, Male - 12 Position	
4	4460466	10	Plug, Terminal	
4	4460465	2	Socket, Female	
4	0840055	1	Boot	

Go to Discount-Equipment.com to order your parts

# SECTION 8 - ELECTRICAL

FIGURE 8-36. PLATFORM CONSOLE BOX HARNESS (SN 0300203771 through 0300259126, SN E300000100 to Present, SN 1300007289 through 1300007393)



ART\_1001164353

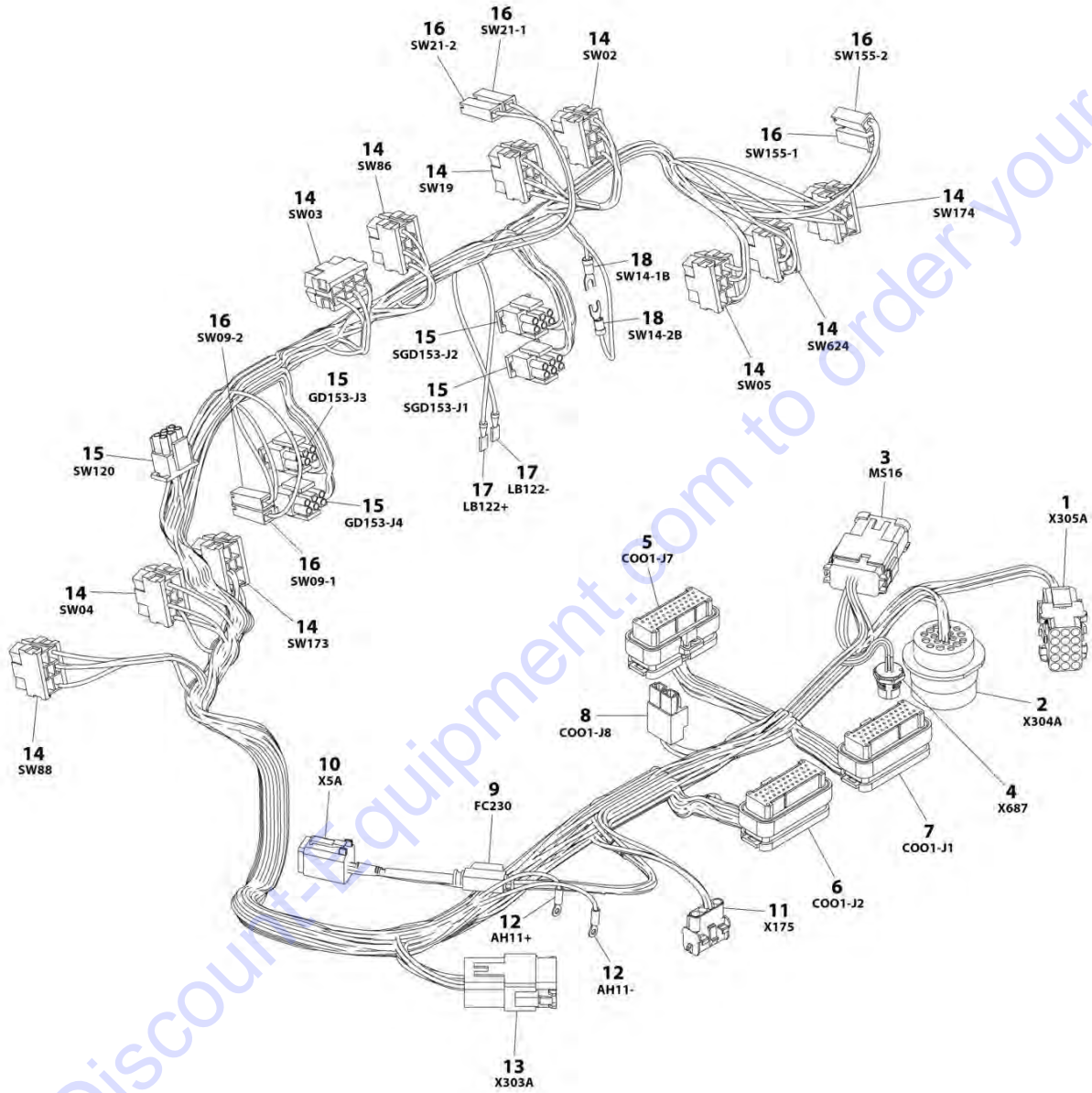
## SECTION 8 - ELECTRICAL

**FIGURE 8-36. PLATFORM CONSOLE BOX HARNESS (SN 0300203771 through 0300259126, SN E300000100 to Present, SN 1300007289 through 1300007393)**

ITEM	PART NUMBER	QTY	DESCRIPTION	REV
	1001164353	Ref	PLATFORM CONSOLE BOX HARNESS	I
1	4460434	1	Connector - 15 Position	
1	4460267	12	Pin, Male	
2	4460970	1	Receptacle, Female - 12 Position	
2	1001116693	11	Pin, Male	
2	4460466	1	Plug, Terminal	
2	4460933	1	Plug, Male - 12 Position	
3	4460866	1	Connector - 19 Position	
3	4460464	7	Pin, Male	
3	4460466	12	Plug, Terminal	
4	4460933	1	Plug, Male - 12 Position	
4	4460465	6	Socket, Female	
4	4460466	6	Plug, Terminal	
4	1001119020	1	Bussbar - 12 Position	
5	4460873	1	Connector - 35 Position	
5	4460871	21	Socket, Female	
5	4460905	14	Plug, Terminal	
6	4460875	1	Connector - 35 Position	
6	4460871	23	Socket, Female	
6	4460905	8	Plug, Terminal	
7	4460874	1	Connector - 35 Position	
7	4460871	25	Socket, Female	
7	4460905	10	Plug, Terminal	
8	4460879	1	Plug, Male - 2 Position	
8	4460887	2	Terminal	
9	1001098122	2	Terminal, Ring	
10	4460761	1	Receptacle, Female - 4 Position	
10	4460267	4	Pin, Male	
11	4460418	10	Connector - 6 Position	
11	4460419	35	Terminal	
11	4460259	6	Terminal (Note: Used only on Fuel Select)	
12	4460225	1	Plug, Male - 6 Position	
12	4460227	5	Pin, Male (Note: Used on Pump Potentiometer Connection Only)	
12	4460226	19	Socket, Female	
13	4460260	8	Housing, Terminal (SN 0300203771 through 0300222801)	
13	4460259	8	Terminal (SN 0300203771 through 0300222801)	
13	4460016	2	Housing, Terminal (SN 0300222802 through 0300259126, SN E300000100 to Present, SN 1300007289 through 1300007393)	
13	See Note	NSS	Terminal (Note: Purchase p/n 4460016) (SN 0300222802 through 0300259126, SN E300000100 to Present, SN 1300007289 through 1300007393)	
14	4460183	2	Terminal, Fork	
15	1001213447	1	Connector - 4 Position (SN 0300222802 through 0300259126, SN E300000100 to Present, SN 1300007289 through 1300007393)	
15	See Note	NSS	Terminal (Note: Purchase p/n 1001213447) (SN 0300222802 through 0300259126, SN E300000100 to Present, SN 1300007289 through 1300007393)	

# SECTION 8 - ELECTRICAL

## FIGURE 8-37. PLATFORM CONSOLE BOX HARNESS (SN 0300259127 to Present)



ART\_1001243168

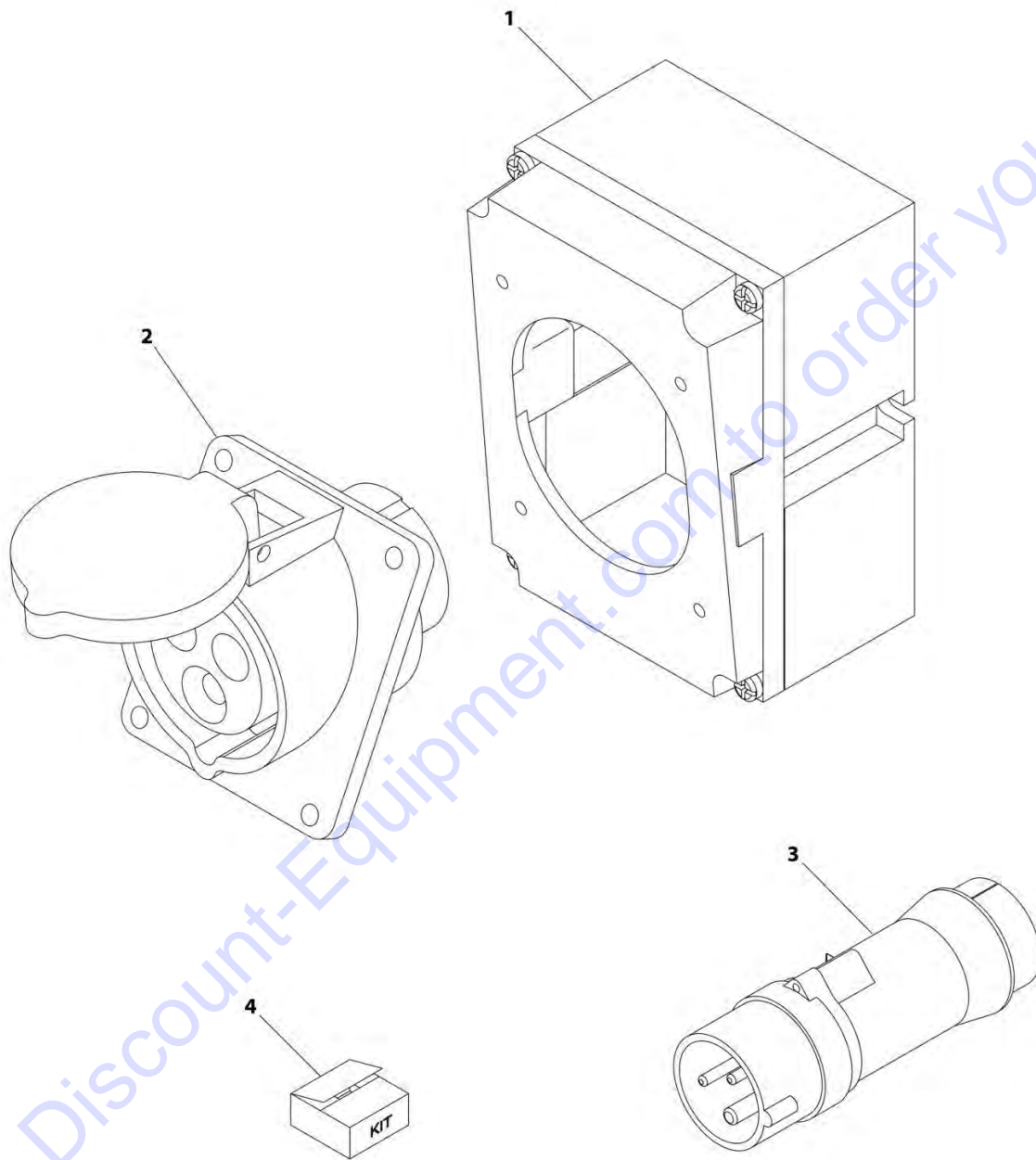
## SECTION 8 - ELECTRICAL

**FIGURE 8-37. PLATFORM CONSOLE BOX HARNESS (SN 0300259127 to Present)**

ITEM	PART NUMBER	QTY	DESCRIPTION	REV
	1001243168	Ref	PLATFORM CONSOLE BOX HARNESS	A
1	4460434	1	Connector - 15 Position	
1	4460267	8	Pin, Male	
1	4460708	1	Connector - 15 Position	
2	4460866	1	Connector - 19 Position	
2	4460464	7	Pin, Male	
2	4460466	12	Plug, Terminal	
3	4460933	1	Plug, Male - 12 Position	
3	4460465	8	Socket, Female	
3	4460466	4	Plug, Terminal	
3	1001125677	1	Bussbar - 12 Position	
4	1001213447	1	Connector - 5 Position	
5	4460873	1	Connector - 35 Position	
5	4460871	21	Socket, Female	
5	4460905	14	Plug, Terminal	
6	4460875	1	Connector - 35 Position	
6	4460871	23	Socket, Female	
6	4460905	8	Plug, Terminal	
7	4460874	1	Connector - 35 Position	
7	4460871	26	Socket, Female	
7	4460905	9	Plug, Terminal	
8	4460879	1	Plug, Male - 2 Position	
8	4460887	2	Terminal	
9	4460260	1	Housing, Terminal	
9	8229242	1	Fuse 5Amp	
10	4460894	1	Plug, Male - 6 Position	
10	4460465	6	Socket, Female	
11	4460761	1	Receptacle, Female - 4 Position	
11	4460267	4	Pin, Male	
12	1001098122	2	Terminal, Ring	
13	4460970	1	Receptacle, Female - 12 Position	
13	1001116693	11	Pin, Male	
13	4460466	1	Plug, Terminal	
13	4460933	1	Plug, Male - 12 Position	
14	4460418	6	Connector - 6 Position	
14	4460419	22	Terminal	
14	4460259	6	Terminal (Note: Used only on Fuel Select)	
15	4460225	3	Plug, Male - 6 Position	
15	4460227	4	Pin, Male (Note: Used on Pump Potentiometer Connection Only)	
15	4460226	11	Socket, Female	
16	4460260	5	Housing, Terminal	
16	4460259	7	Terminal	
17	4460016	2	Terminal, Receptacle	
18	4460183	2	Terminal, Fork	

## SECTION 8 - ELECTRICAL

FIGURE 8-38. RECEPTACLE BOX KIT - 110V IEC YELLOW (CE SPEC)



ART\_0275216

## SECTION 8 - ELECTRICAL

**FIGURE 8-38. RECEPTACLE BOX KIT - 110V IEC YELLOW (CE SPEC)**

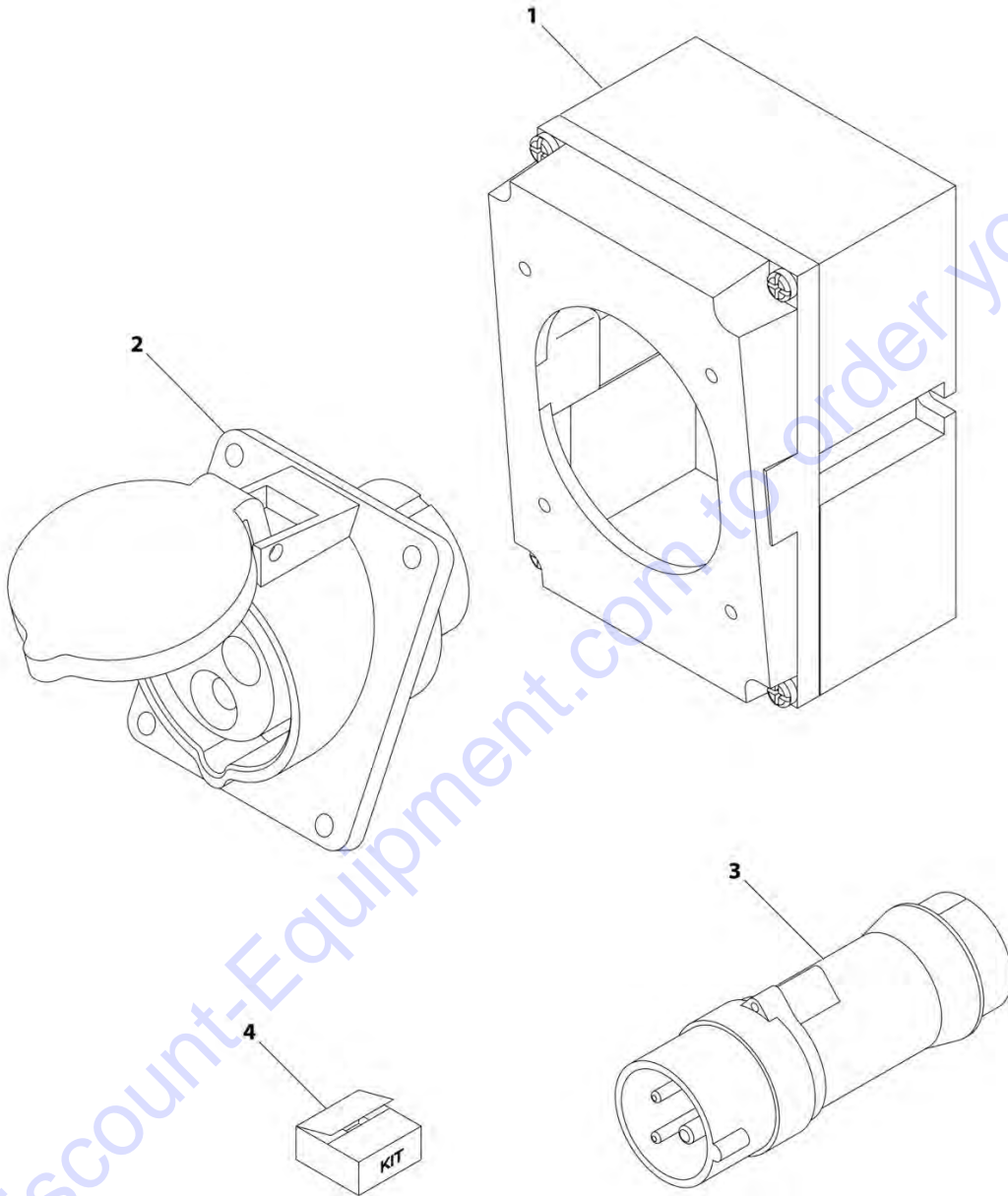
ITEM	PART NUMBER	QTY	DESCRIPTION	REV
	0275216	Ref	RECEPTACLE BOX KIT - 110V IEC YELLOW (CE SPEC)	1
1	0861781	1	Box, Switch	
2	4461198	1	Receptacle	
3	4461196	1	Plug, Male	
4	1001100341	1	Plug and Socket Kit (Includes Items 1-3 and Female Plug p/n 4461197)	

Go to Discount-Equipment.com to order your parts



## SECTION 8 - ELECTRICAL

FIGURE 8-39. RECEPTACLE BOX KIT - 220V IEC BLUE (CE SPEC)



ART\_0275217

## SECTION 8 - ELECTRICAL

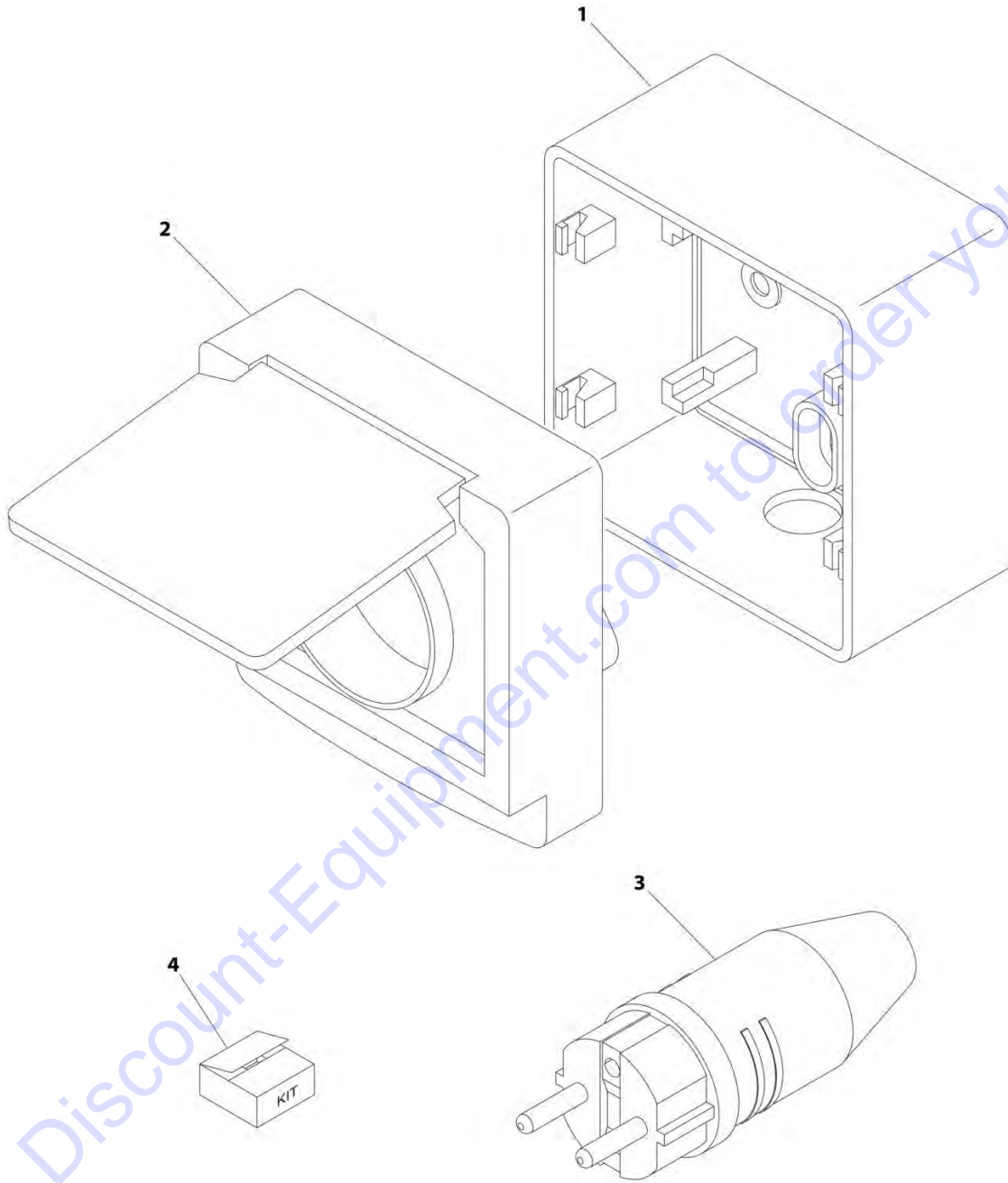
**FIGURE 8-39. RECEPTACLE BOX KIT - 220V IEC BLUE (CE SPEC)**

ITEM	PART NUMBER	QTY	DESCRIPTION	REV
	0275217	Ref	RECEPTACLE BOX KIT - 220V IEC BLUE (CE SPEC)	1
1	0861781	1	Box, Switch	
2	4461201	1	Receptacle	
3	4461199	1	Plug, Male	
4	1001100342	1	Plug and Socket Kit (Includes Items 1-3 and Female Plug p/n 4461200)	

Go to Discount-Equipment.com to order your parts

## SECTION 8 - ELECTRICAL

FIGURE 8-40. RECEPTACLE BOX KIT - 220V CEE7 POST GROUND 70MM X 70MM (CE SPEC) (SN 0300203771 through 0300208696)



ART\_0275218

## SECTION 8 - ELECTRICAL

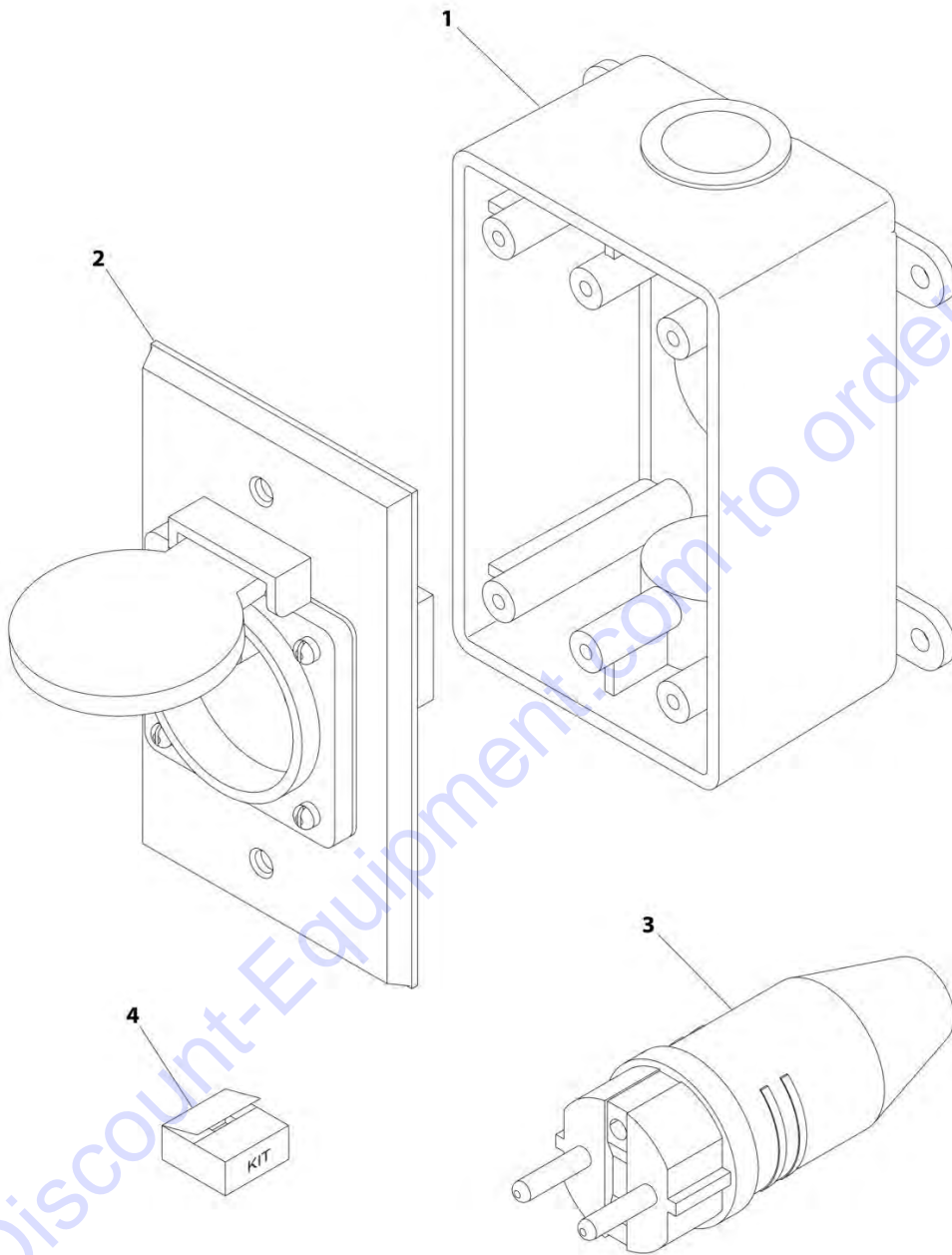
**FIGURE 8-40. RECEPTACLE BOX KIT - 220V CEE7 POST GROUND 70MM X 70MM (CE SPEC) (SN 0300203771 through 0300208696)**

ITEM	PART NUMBER	QTY	DESCRIPTION	REV
	0275218	Ref	RECEPTACLE BOX KIT - 220V CEE7 POST GROUND 70MM X 70MM BOX (CE SPEC) (SN 0300203771 through 0300208696)	C
1	1001141967	1	Box, Switch	
2	1001141968	1	Receptacle	
3	4461202	NLA	Plug, Male (Use p/n 4461205) (SN 0300203771 through 0300218460)	
3	4461205	1	Plug, Male (SN 0300218461 to Present)	
4	1001141971	1	Plug and Socket Kit (Includes Items 1-3 and Female Plug p/n 4461206)	

Go to Discount-Equipment.com to order your parts

# SECTION 8 - ELECTRICAL

FIGURE 8-41. RECEPTACLE BOX KIT - 220V CEE7 POST GROUND 2IN X 4IN (CE SPEC)



ART\_0275452

## SECTION 8 - ELECTRICAL

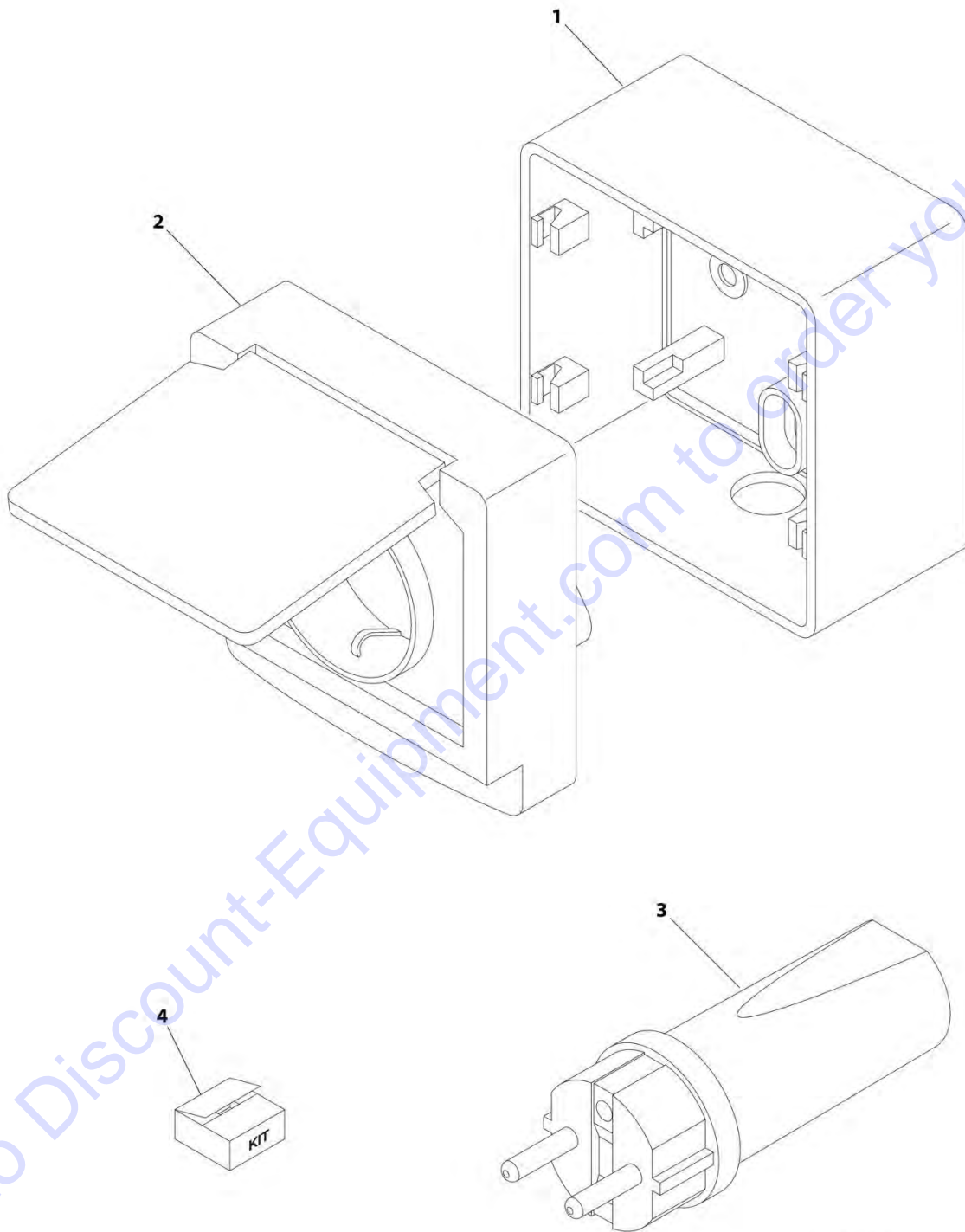
**FIGURE 8-41. RECEPTACLE BOX KIT - 220V CEE7 POST GROUND 2IN X 4IN (CE SPEC)**

ITEM	PART NUMBER	QTY	DESCRIPTION	REV
	0275452	Ref	RECEPTACLE BOX KIT - 220V CEE7 POST GROUND 2IN X 4IN BOX (CE SPEC)	C
1	0861731	1	Box, Switch	
2	4461244	1	Receptacle	
3	4461202	NLA	Plug, Male (Use p/n 4461205) <b>(SN 0300203771 through 0300218460)</b>	
3	4461205	1	Plug, Male <b>(SN 0300218461 to Present)</b>	
4	1001100345	1	Plug and Socket Kit (Includes Items 1-3 and Female Plug p/n 4461206)	

Go to Discount-Equipment.com to order your parts

## SECTION 8 - ELECTRICAL

FIGURE 8-42. RECEPTACLE BOX KIT - 220V CEE7 SIDE GROUND 70MM X 70MM (CE SPEC) (SN 0300203771 through 0300208696)



## SECTION 8 - ELECTRICAL

**FIGURE 8-42. RECEPTACLE BOX KIT - 220V CEE7 SIDE GROUND 70MM X 70MM (CE SPEC) (SN 0300203771 through 0300208696)**

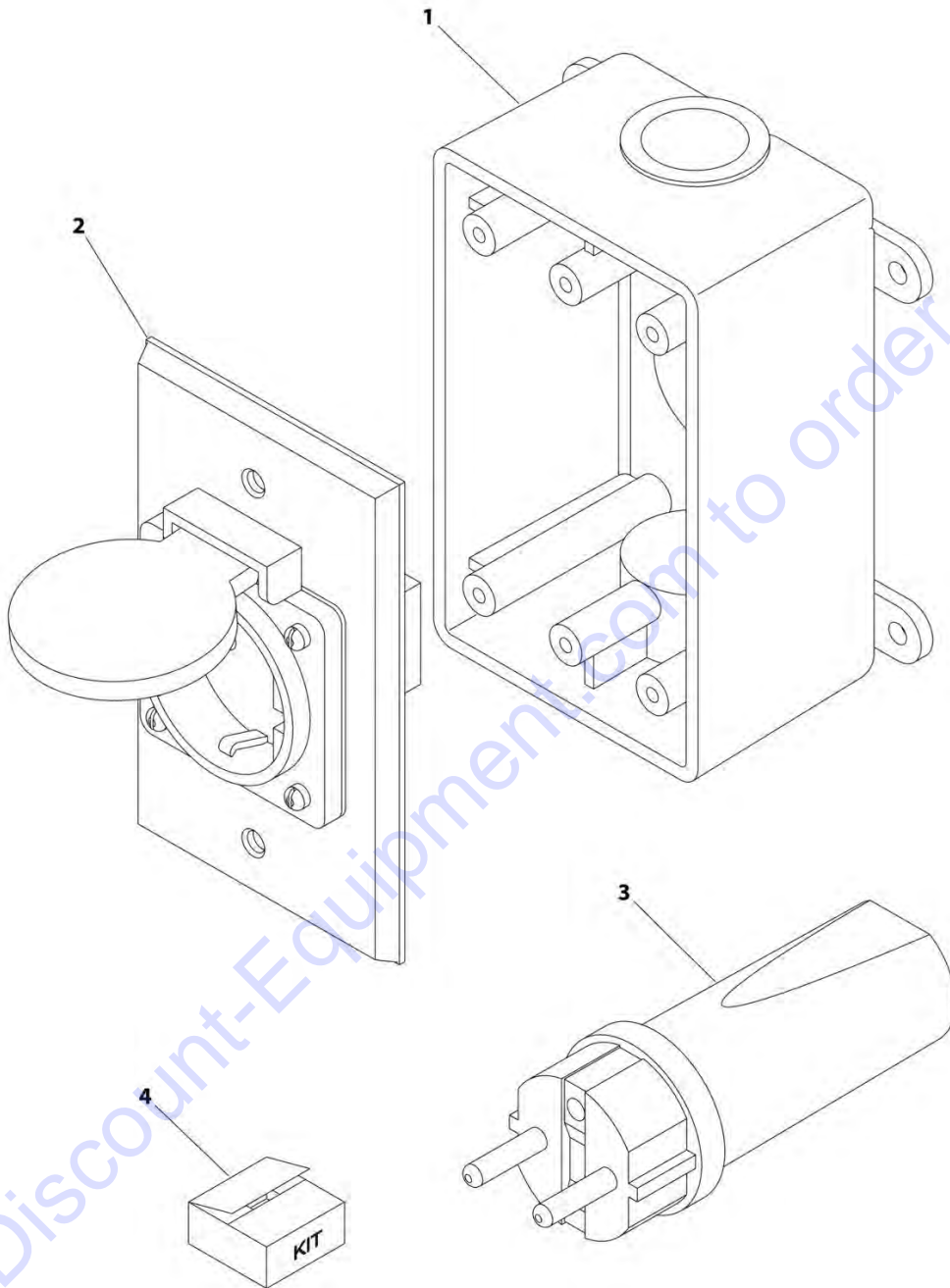
ITEM	PART NUMBER	QTY	DESCRIPTION	REV
	0275219	Ref	RECEPTACLE BOX KIT - 220V CEE7 SIDE GROUND 70MM X 70MM BOX (CE SPEC) (SN 0300203771 through 0300208696)	B
1	1001141967	1	Box, Switch	
2	1001141969	1	Receptacle	
3	4461205	1	Plug, Male	
4	1001141970	1	Plug and Socket Kit (Includes Items 1-3 and Female Plug p/n 4461206)	

Go to Discount-Equipment.com to order your parts



## SECTION 8 - ELECTRICAL

FIGURE 8-43. RECEPTACLE BOX KIT - 220V CEE7 SIDE GROUND 2IN X 4IN (CE SPEC)



ART\_0275453

## SECTION 8 - ELECTRICAL

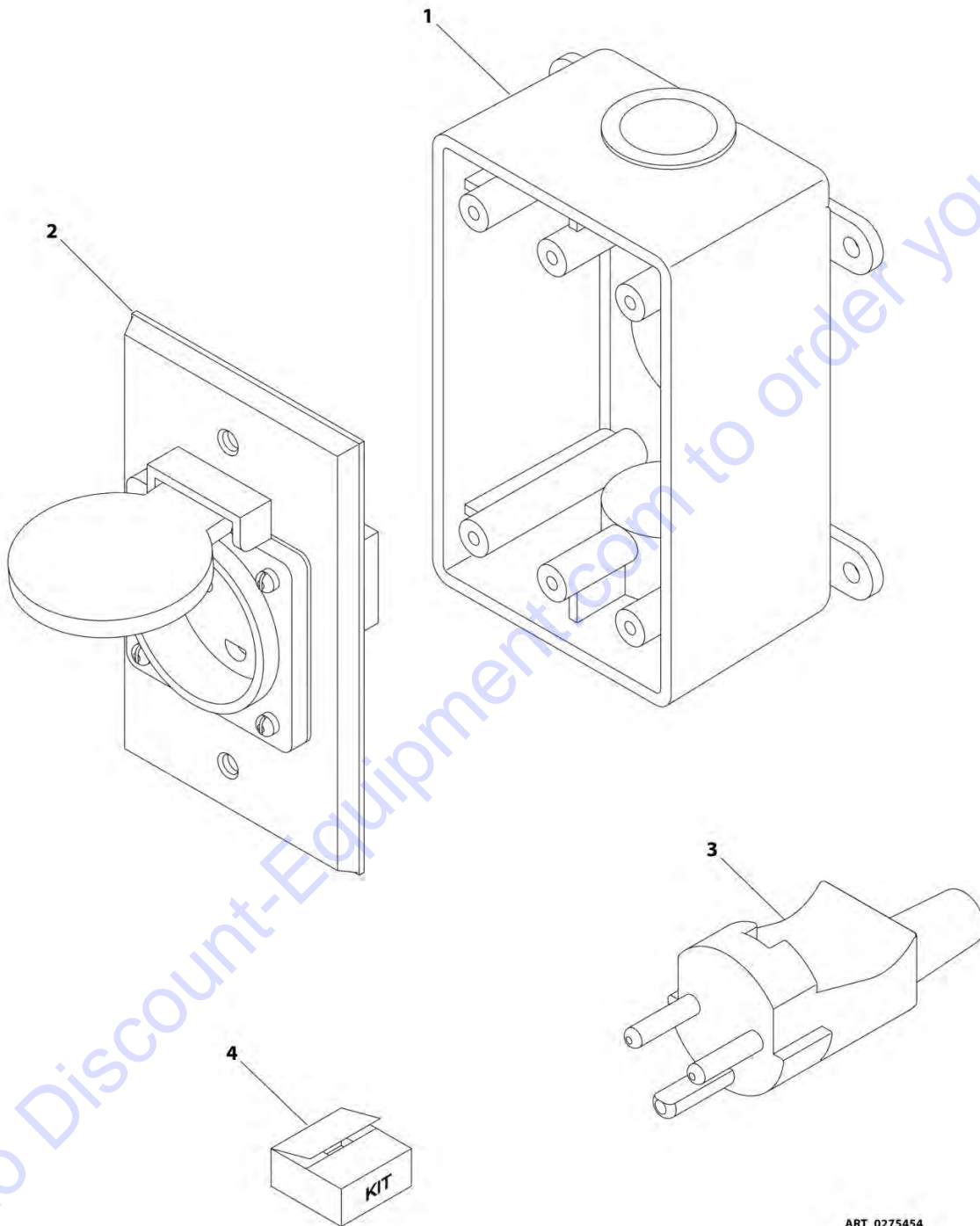
**FIGURE 8-43. RECEPTACLE BOX KIT - 220V CEE7 SIDE GROUND 2IN X 4IN (CE SPEC)**

ITEM	PART NUMBER	QTY	DESCRIPTION	REV
	0275453	Ref	RECEPTACLE BOX KIT - 220V CEE7 SIDE GROUND 2IN X 4IN BOX (CE SPEC)	1
1	0861731	1	Box, Switch	
2	4461245	1	Receptacle	
3	4461205	1	Plug, Male	
4	1001100347	1	Plug and Socket Kit (Includes Items 1-3 and Female Plug p/n 4461206)	

Go to Discount-Equipment.com to order your parts

# SECTION 8 - ELECTRICAL

FIGURE 8-44. RECEPTACLE BOX KIT - 220V AFSINT 107 (CE SPEC)



ART\_0275454

## SECTION 8 - ELECTRICAL

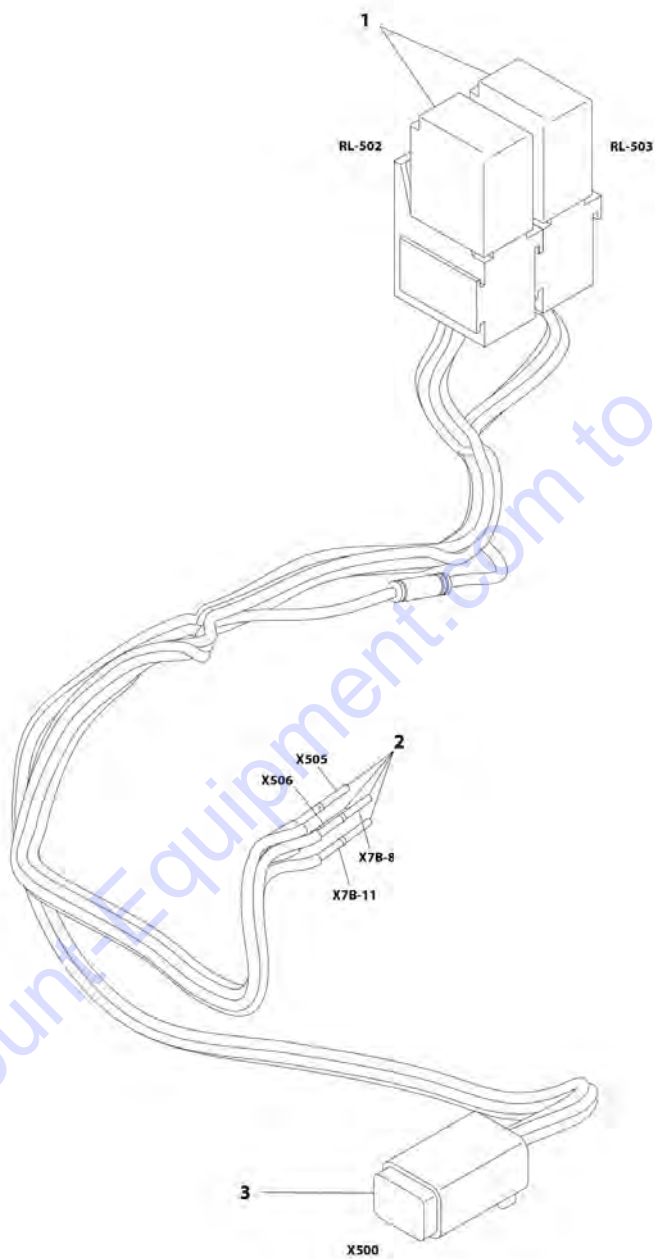
**FIGURE 8-44. RECEPTACLE BOX KIT - 220V AFSINT 107 (CE SPEC)**

ITEM	PART NUMBER	QTY	DESCRIPTION	REV
	0275454	Ref	RECEPTACLE BOX KIT - 220V AFSINT 107 (CE SPEC)	1
1	0861731	1	Box, Switch	
2	4461246	1	Receptacle	
3	4461249	1	Plug, Male	
4	1001100346	1	Plug and Socket Kit (Includes Items 1-3 and Female Plug p/n 4461250)	

Go to Discount-Equipment.com to order your parts

# SECTION 8 - ELECTRICAL

## FIGURE 8-45. SKYGUARD HARNESS



ART\_1001192292

## SECTION 8 - ELECTRICAL

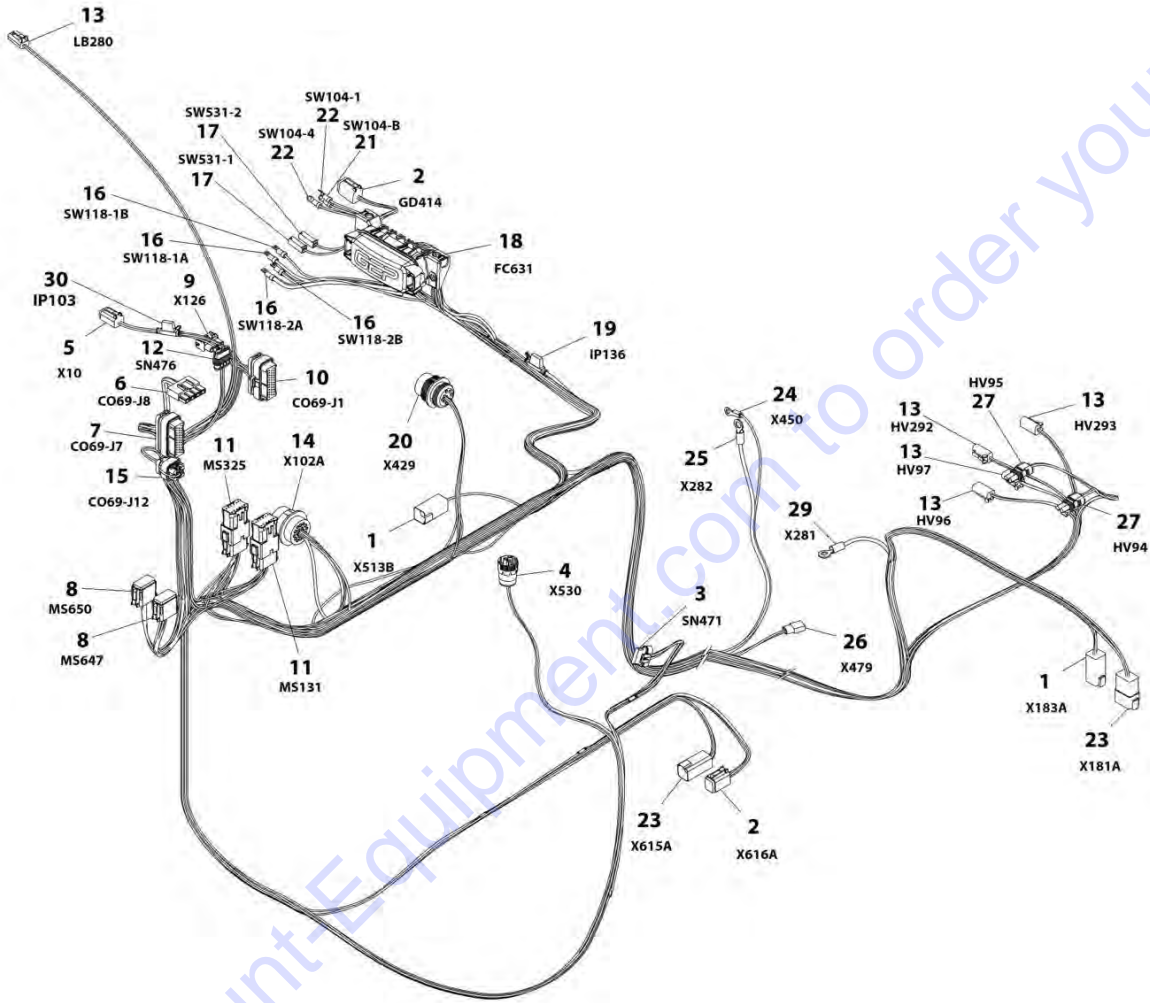
### FIGURE 8-45. SKYGUARD HARNESS

ITEM	PART NUMBER	QTY	DESCRIPTION	REV
	1001192292	Ref	SKYGUARD HARNESS	B
1	1001186432	2	Holder, Micro Relay	
1	1001186431	2	Relay, Micro 35 Amp	
1	1001116720	11	Terminal	
2	4460226	4	Socket, Female	
3	4460884	1	Plug, Male - 4 Position	
3	4460465	4	Socket, Female	

Go to Discount-Equipment.com to order your parts

# SECTION 8 - ELECTRICAL

## FIGURE 8-46. TURNTABLE HARNESS



ART\_1001164818

## SECTION 8 - ELECTRICAL

### FIGURE 8-46. TURNTABLE HARNESS

ITEM	PART NUMBER	QTY	DESCRIPTION	REV
	1001164818	Ref	TURNTABLE HARNESS	N
1	4460899	2	Receptacle, Female - 6 Position	
1	4460464	7	Pin, Male	
1	4460466	5	Plug, Terminal	
2	4460894	2	Plug, Male - 6 Position	
2	4460465	10	Socket, Female	
2	4460466	2	Plug, Terminal	
3	1001117064	1	Plug, Male - 6 Position (SN 0300203771 through 0300237491, SN E300000100 through E300005001)	
3	1001230931	1	Plug, Male - 6 Position (SN 0300237492 to Present, SN E300005002 to Present, SN 1300007289 through 1300007393)	
3	91554014	6	Terminal, Female (SN 0300203771 through 0300237491, SN E300000100 through E300005001)	
3	1001116748	6	Terminal, Female (SN 0300237492 to Present, SN E300005002 to Present, SN 1300007289 through 1300007393)	
3	4460608	6	Seal, Terminal (SN 0300203771 through 0300228068)	
4	4460967	1	Connector -3 Position	
4	4460465	3	Socket, Female	
5	4460884	1	Plug, Male - 4 Position	
5	4460465	4	Socket, Female	
5	1001192401	1	Cap, Dust	
6	4460878	1	Plug, Male - 4 Position	
6	1001196590	2	Terminal	
6	4460887	3	Terminal	
7	4460873	1	Connector - 35 Position	
7	4460871	24	Socket, Female	
7	4460905	11	Plug, Terminal	
8	4460836	2	Plug, Male - 12 Position	
8	4460465	13	Socket, Female	
8	4460466	11	Plug, Terminal	
8	4460837	2	Bussbar- 12 Position	
9	1001119032	1	Receptacle, Female - 4 Position	
9	1001118378	4	Pin, Male	
10	4460874	1	Connector - 35 Position	
10	4460871	20	Socket, Female	
10	4460905	15	Plug, Terminal	
11	4460933	2	Plug, Male - 12 Position	
11	4460465	14	Socket, Female	
11	4460466	10	Plug, Terminal	
11	1001119020	2	Bussbar - 12 Position	
12	1001103012	1	Plug, Male - 4 Position	
12	1001107854	2	Socket, Female	
12	1001196589	2	Terminal	
12	1001116763	2	Seal, Red	
12	1001104498	2	Seal, Yellow	
13	4460891	5	Plug, Male - 2 Position	
13	4460465	10	Socket, Female	
14	4460866	1	Connector - 19 Position	
14	4460464	6	Pin, Male	
14	4460508	2	Pin, Male	



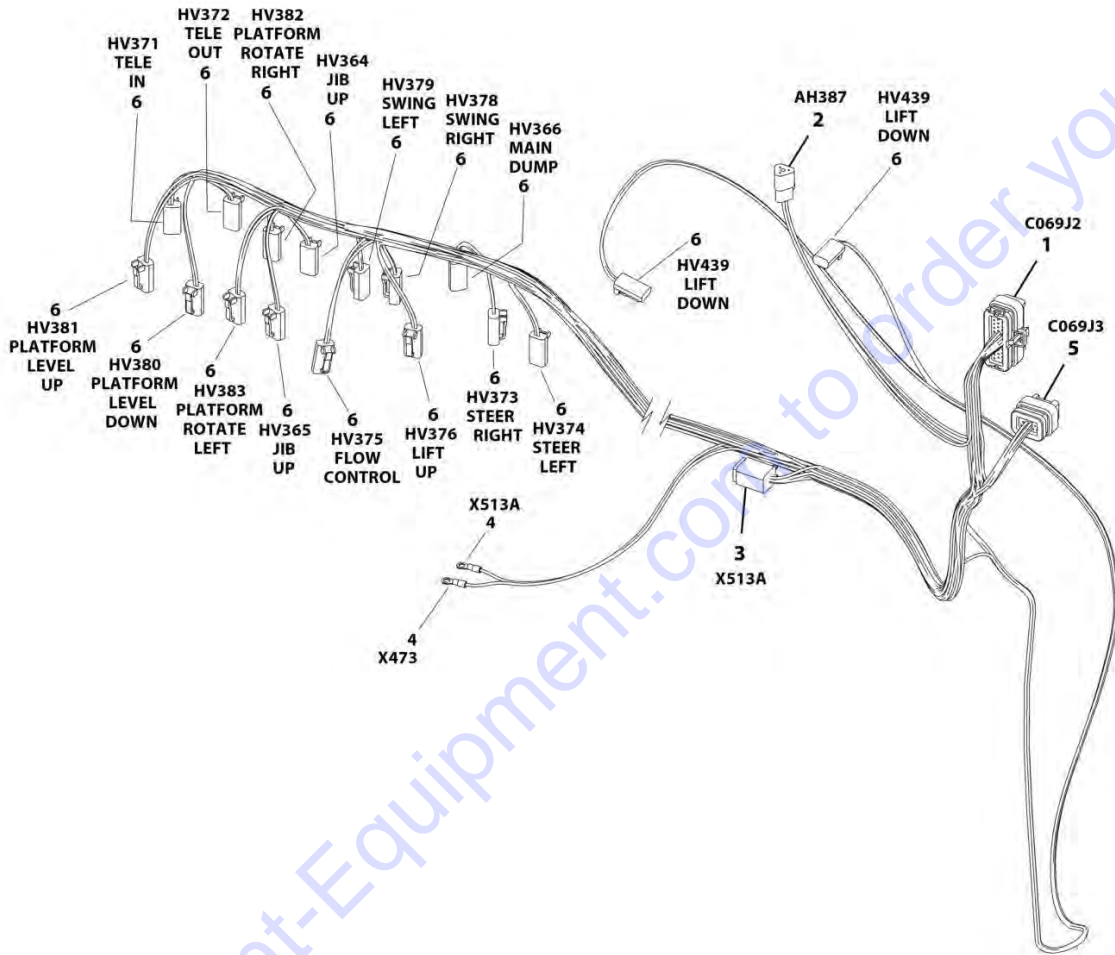
## SECTION 8 - ELECTRICAL

ITEM	PART NUMBER	QTY	DESCRIPTION	REV
14	4460466	11	Plug, Terminal	
15	1001113961	1	Plug, Male - 8 Position	
15	4460871	5	Socket, Female	
15	4460905	3	Plug, Terminal	
16	4460806	4	Terminal, Fork	
17	4460260	2	Housing, Terminal	
17	4460259	2	Terminal	
18	1001185964	1	Fuse Box Assembly	
18	1001116728	14	Terminal, Female	
18	8220125	AR	Terminal, Female	
18	1001116747	1	Terminal, Female	
18	4460748	AR	Plug, Terminal	
18	4460458	14	Seal, Terminal	
18	80963067	AR	Seal, Terminal	
18	1001116816	1	Connector - 2 Position with Diode	
18	8229244	2	Fuse 15Amp	
18	8229242	4	Fuse 5Amp	
18	1001129285	4	Diode	
18	1001095704	1	Relay 35Amp	
19	2400060	1	Fuseholder with Cover and 30Amp Fuse	
19	8229245	1	Fuse 30Amp	
20	1001112612	1	Connector - 9 Position	
20	4460464	5	Pin, Male	
20	4460466	4	Plug, Terminal	
21	4460042	1	Terminal, Ring	
22	4460068	1	Terminal, Ring	
23	4460931	2	Receptacle, Female - 8 Position	
23	4460464	9	Pin, Male	
23	4460466	5	Plug, Terminal	
24	4460043	1	Terminal, Ring	
25	8220045	1	Terminal, Ring	
26	4460424	1	Plug, Male - 2 Position	
26	4460226	2	Socket, Female	
27	4460742	2	Plug, Male - 2 Position	
27	4460457	4	Socket, Female	
28	4460247	1	Terminal, Ring (Not Shown)	
29	1001117107	1	Terminal, Ring	
30	2400060	1	Fuseholder with Cover and 5Amp Fuse <b>(SN 0300213186 to Present, SN E300000100 to Present, SN 1300007289 through 1300007393)</b>	
30	8229242	1	Fuse 5Amp	



# SECTION 8 - ELECTRICAL

## FIGURE 8-47. VALVE HARNESS - MAIN VALVE



ART\_1001166963

## SECTION 8 - ELECTRICAL

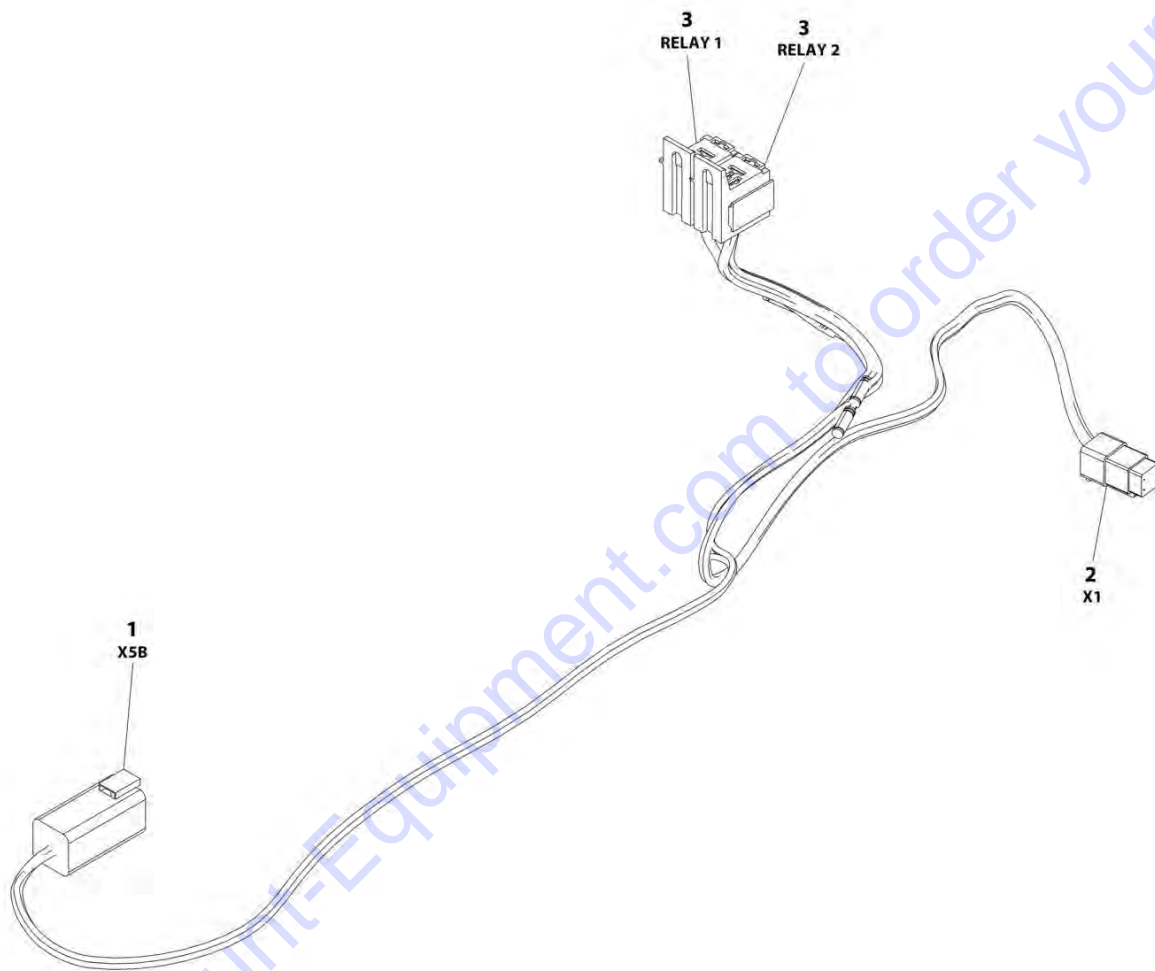
**FIGURE 8-47. VALVE HARNESS - MAIN VALVE**

ITEM	PART NUMBER	QTY	DESCRIPTION	REV
	1001166963	Ref	VALVE HARNESS - MAIN VALVE	G
1	4460875	1	Connector - 35 Position	
1	4460871	27	Socket, Female	
1	4460905	8	Plug, Terminal	
2	4460539	1	Plug, Male - 3 Position	
2	4460465	3	Socket, Female	
3	4460894	1	Plug, Male - 6 Position	
3	4460465	4	Socket, Female	
3	4460466	2	Plug, Terminal	
4	4460313	2	Terminal, Ring	
5	4460872	1	Connector - 14 Position	
5	4460871	8	Socket, Female	
5	4460905	6	Plug, Terminal	
6	4460891	17	Plug, Male - 2 Position	
6	4460465	34	Socket, Female	

Go to Discount-Equipment.com to order your parts

# SECTION 8 - ELECTRICAL

## FIGURE 8-48. SKYLINE HARNESS



ART\_1001238418

## SECTION 8 - ELECTRICAL

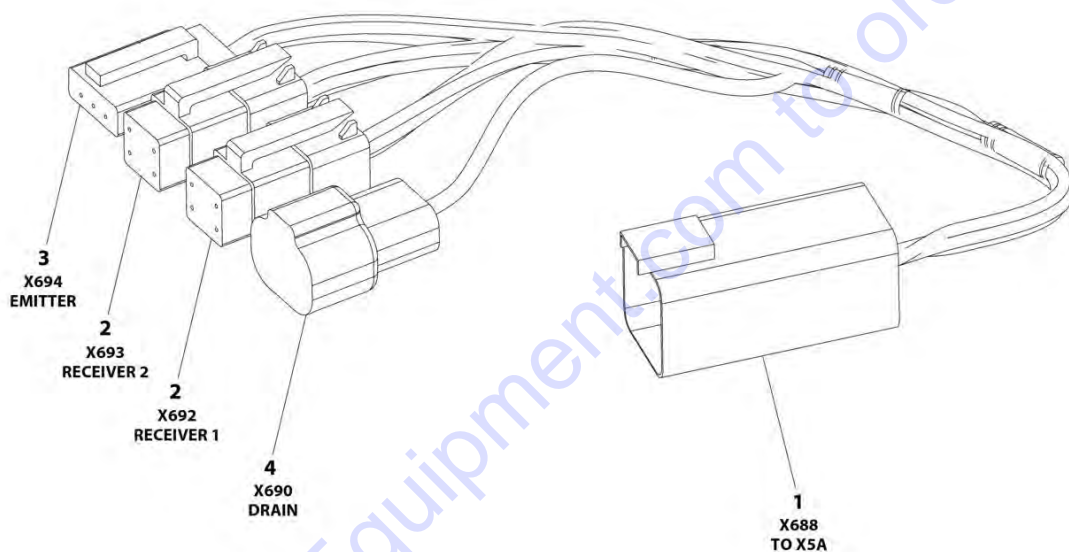
**FIGURE 8-48. SKYLINE HARNESS**

ITEM	PART NUMBER	QTY	DESCRIPTION	REV
	1001238418	Ref	SKYLINE HARNESS	A
1	4460899	1	Connector - 6 Position	
1	4460464	4	Pin, Male	
1	4460466	2	Plug, Terminal	
2	4461077	1	Connector - 4 Position	
2	1001126009	4	Socket, Female	
3	1001186432	2	Plug, Relay	
3	1001118388	5	Terminal	
3	1001118384	3	Terminal	
3	3740086	2	Relay	
3	3990013	2	Diode	

Go to Discount-Equipment.com to order your parts

# SECTION 8 - ELECTRICAL

## FIGURE 8-49. SKYEYE INTERMEDIATE HARNESS



ART\_1001237865

## SECTION 8 - ELECTRICAL

**FIGURE 8-49. SKYEYE INTERMEDIATE HARNESS**

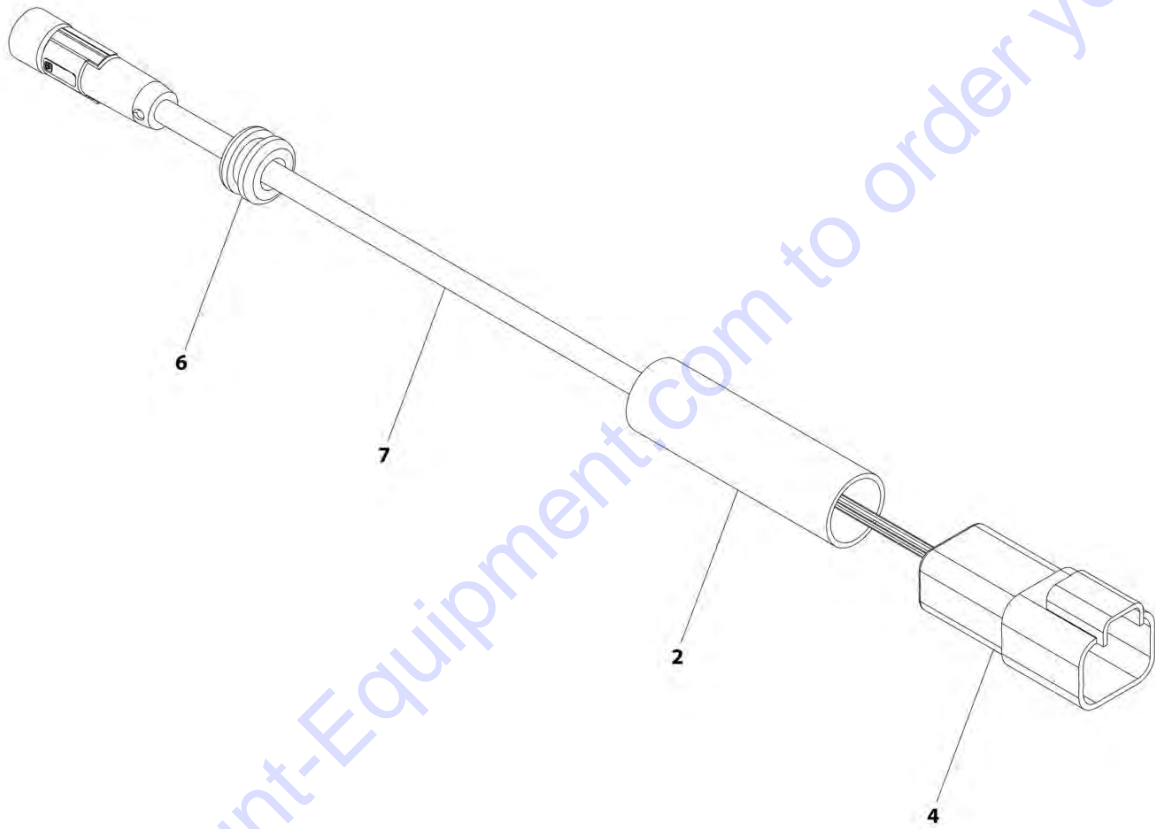
ITEM	PART NUMBER	QTY	DESCRIPTION	REV
	1001237865	Ref	SKYEYE INTERMEDIATE HARNESS	A
1	4460899	1	Connector - 6 Position	
1	4460943	4	Pin, Male	
1	4460466	2	Plug, Terminal	
2	4461077	2	Connector - 4 Position	
2	1001119619	8	Socket, Female	
3	4460911	1	Connector - 3 Position	
3	1001119619	3	Socket, Female	
4	1001187681	1	Connector - 2 Position	
4	4460941	1	Pin, Male	
4	4460466	1	Plug, Terminal	

Go to Discount-Equipment.com to order your parts



# SECTION 8 - ELECTRICAL

## FIGURE 8-50. SKYEYE RECEIVER HARNESS



ART\_1001237863

## SECTION 8 - ELECTRICAL

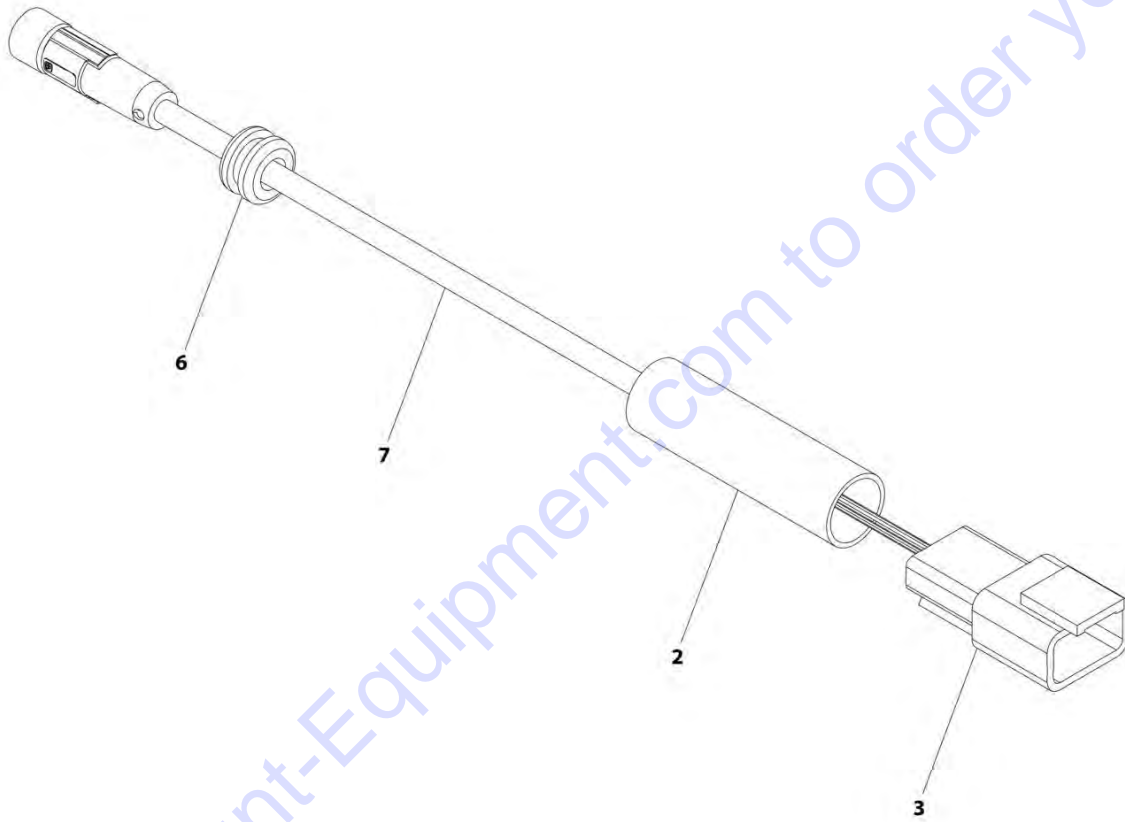
### FIGURE 8-50. SKYEYE RECEIVER HARNESS

ITEM	PART NUMBER	QTY	DESCRIPTION	REV
	1001237863	Ref	SKYEYE RECEIVER HARNESS	A
2	2820247	AR	Tubing, Heat Shrink	
4	1001097051	1	Connector - 4 Position	
4	1001119620	4	Pin, Male	
6	1001227996	1	Grommet	
7	1001237862	1	Cable, M8 Female Cordset	

Go to Discount-Equipment.com to order your parts

# SECTION 8 - ELECTRICAL

## FIGURE 8-51. SKYEYE EMITTER HARNESS



ART\_1001237864

## SECTION 8 - ELECTRICAL

### FIGURE 8-51. SKYEYE EMITTER HARNESS

ITEM	PART NUMBER	QTY	DESCRIPTION	REV
	1001237864	Ref	SKYEYE EMITTER HARNESS	A
2	2820247	AR	Tubing, Heat Shrink	
3	4460910	1	Connector - 3 Position	
3	1001119620	3	Pin, Male	
6	1001227996	1	Grommet	
7	1001237862	1	Cable, M8 Female Cordset	

Go to Discount-Equipment.com to order your parts

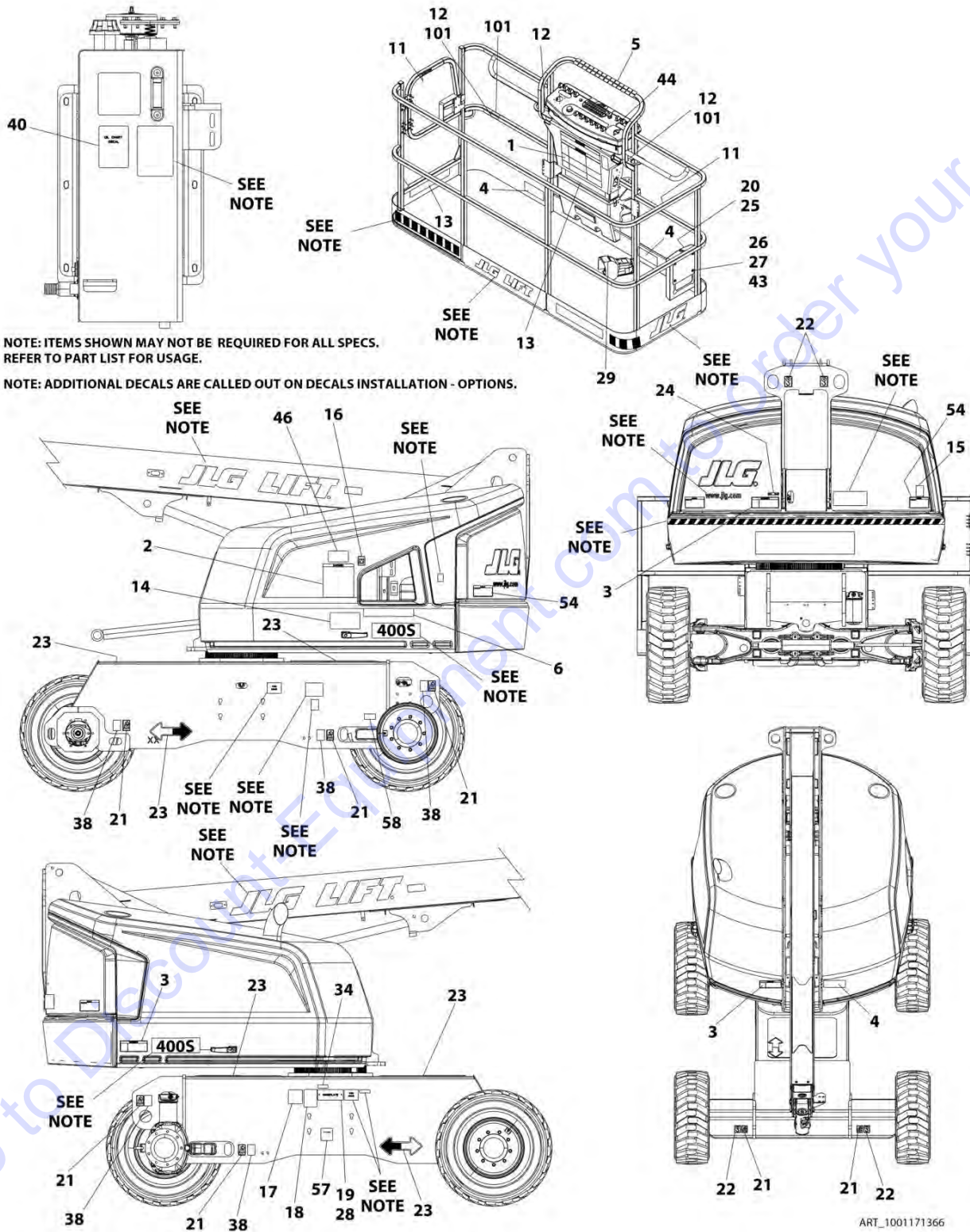


**SECTION 9 - DECALS**

Go to Discount-Equipment.com to order your parts

# SECTION 9 - DECALS

FIGURE 9-1. DECAL INSTALLATION - ANSI, ANSI EXPORT AND CHINA SPECS - ENGLISH (400S WITH DEUTZ AND GM ENGINES)



NOTE: ITEMS SHOWN MAY NOT BE REQUIRED FOR ALL SPECS. REFER TO PART LIST FOR USAGE.

NOTE: ADDITIONAL DECALS ARE CALLED OUT ON DECALS INSTALLATION - OPTIONS.

## SECTION 9 - DECALS

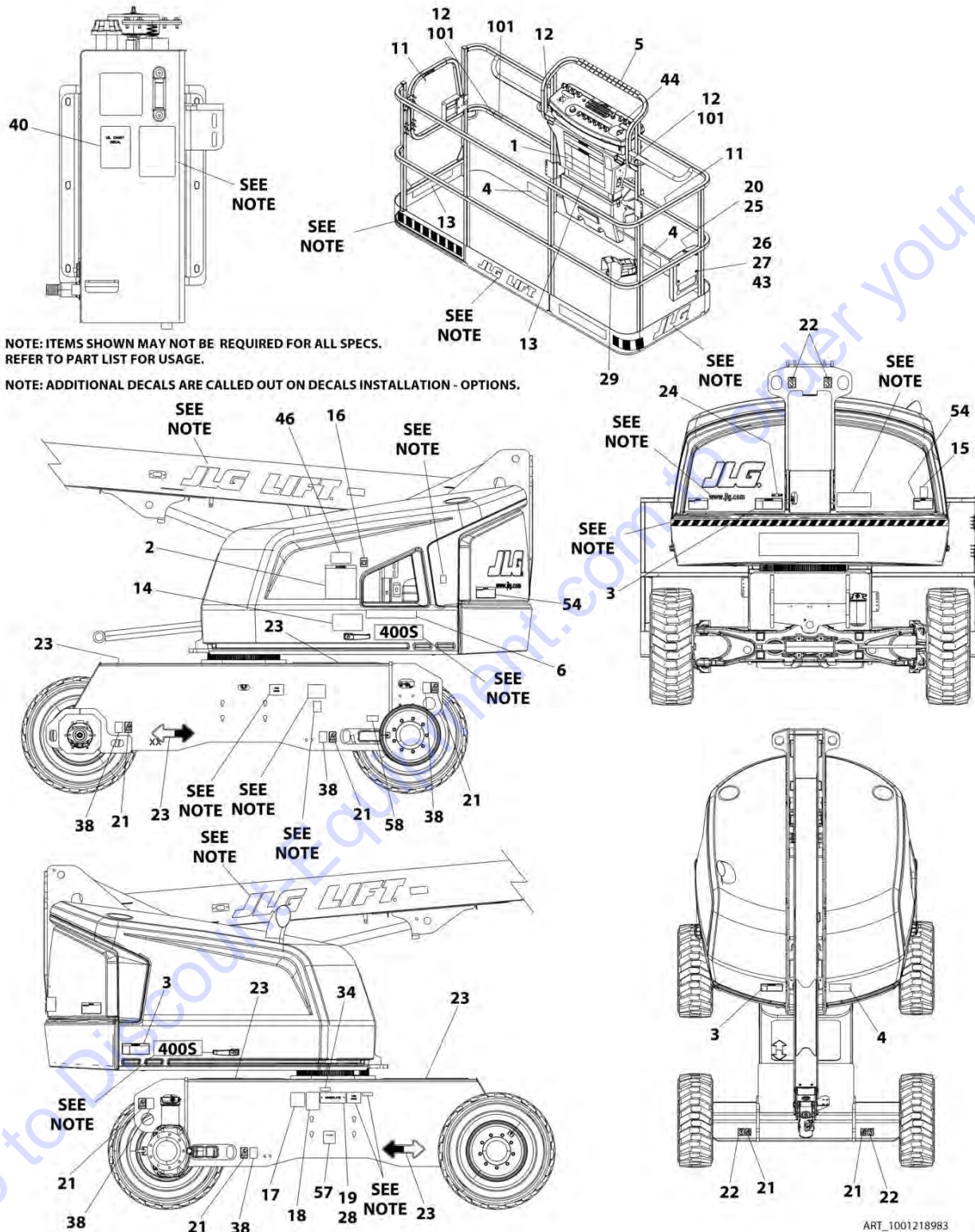
**FIGURE 9-1. DECAL INSTALLATION - ANSI, ANSI EXPORT AND CHINA SPECS - ENGLISH (400S WITH DEUTZ AND GM ENGINES)**

ITEM	PART NUMBER	QTY	DESCRIPTION	REV
	1001171545	Ref	DECAL INSTALLATION - REFERENCE CHART	M
	1001171366	Ref	DECAL INSTALLATION - ANSI, ANSI EXPORT AND CHINA SPECS - ENGLISH (400S)	G
1	1703797	1	Decal - Danger/Warning (Platform)	
2	1703798	1	Decal - Danger/Warning (Ground Control)	
3	1703805	3	Decal - Danger/Electrocution	
4	1703804	3	Decal - Warning Crushing	
5	1001173262	1	Decal - Legend (Platform)	
6	1001174313	1	Decal - Legend (Ground Control)	
11	1702868	2	Decal - No Hands	
12	1704277	3	Decal - Attach Lanyard Here ( <b>SN 0300203771 through 0300239021, SN E300000100 through E300005116, SN 1300007289 through 1300007393</b> )	
13	1001171335	2	Decal - Capacity (Platform)	
14	1001171336	1	Decal - Capacity (Ground Control)	
16	1701504	1	Decal - Hydraulic Oil	
17	See Note	NSS	Decal - Bar Code (Note: Not Available for Purchase)	
18	1001131269	1	Decal - Patent	
19	See Note	NSS	Nameplate - Serial Number (Note: Not Available for Purchase)	
20	1701509	1	Decal - Manual	
21	1702300	8	Decal - Tie Down	
22	1701500	4	Decal - Lift	
23	1701529	4	Decal - Arrow	
24	3251243	1	Nameplate - 120V-60Hz	
25	0860520	1	Box, Manual Storage	
26	4751400	4	Washer, 1/4	
27	3311405	4	Nut, Lock 1/4	
28	3820001	2	Rivet	
29	3252347	1	Decal - Footswitch	
34	1705514	1	CSA Spec Decals (English/French)	
38	1701499	6	Decal - No Lift	
40	1704412	1	Decal - Hydraulic Oil Chart	
43	0641406	4	Bolt, 1/4 x 3/4	
44	1705351	1	Decal - Drive/Steer Instructions	
54	1703953	2	Decal - Warning Crushing	
57	1001223055	1	Decal - Yearly Inspection ( <b>SN 0300233913 to Present, SN E300004869 to Present</b> )	
58	1001223453	1	Decal - ICES ( <b>SN 0300241476 to Present, SN E300005377 to Present</b> )	
100	1001232026	1	Decal - Platform Lanyard Kit (Not Shown) ( <b>SN 0300239022 to Present, SN E300005117 to Present</b> )	
101	1704277	3	Decal - Attach Lanyard Here	



# SECTION 9 - DECALS

FIGURE 9-2. DECAL INSTALLATION - ANSI SPECS - ENGLISH (400S WITH KUBOTA ENGINES)



ART\_1001218983

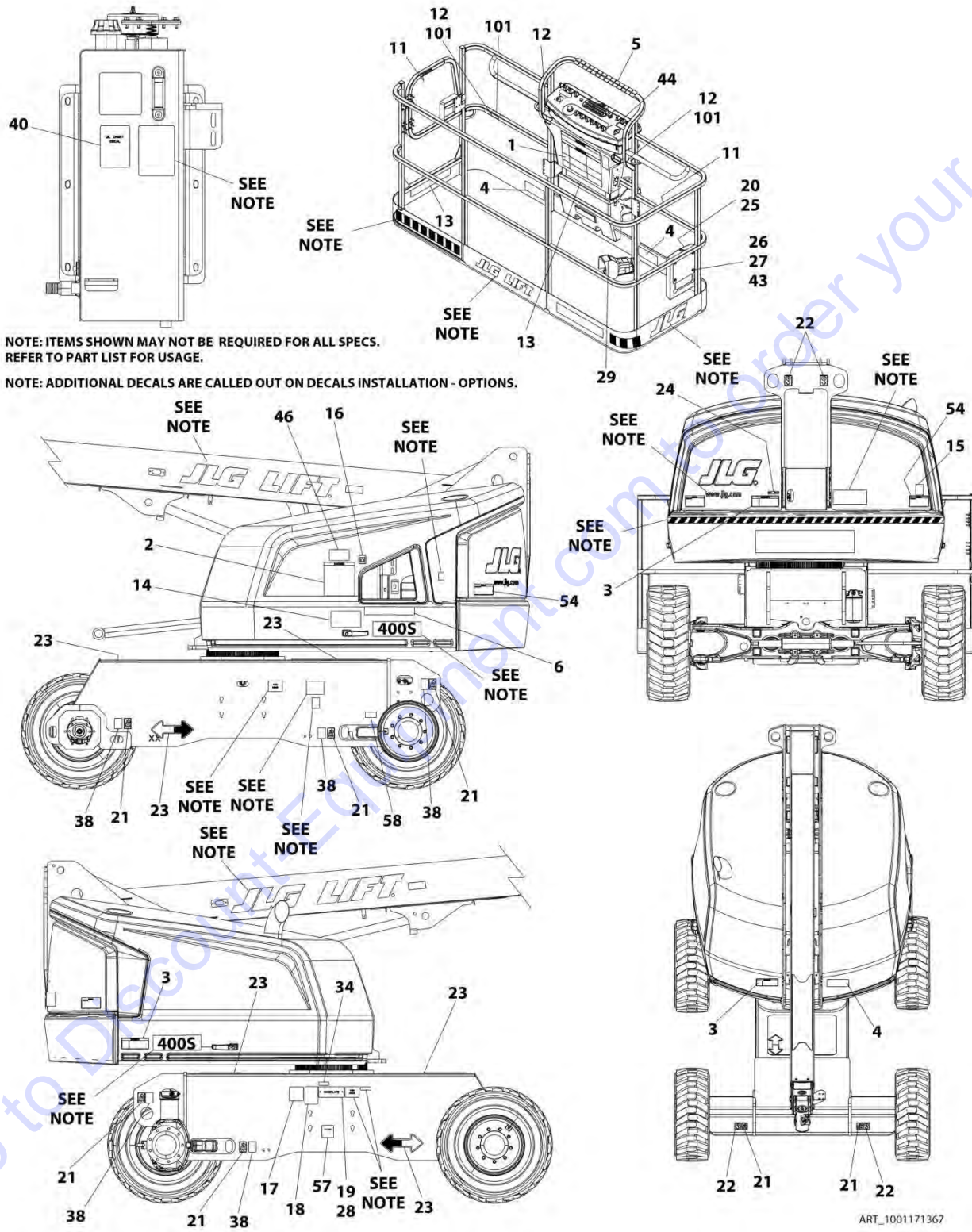
## SECTION 9 - DECALS

**FIGURE 9-2. DECAL INSTALLATION - ANSI SPECS - ENGLISH (400S WITH KUBOTA ENGINES)**

ITEM	PART NUMBER	QTY	DESCRIPTION	REV
	1001171545	Ref	DECAL INSTALLATION - REFERENCE CHART	M
	1001218983	Ref	DECAL INSTALLATION (ANSI SPECS) (ENGLISH) (400S)	D
1	1703797	1	Decal - Danger/Warning (Platform)	
2	1703798	1	Decal - Danger/Warning (Ground Control)	
3	1703805	3	Decal - Danger/Electrocution	
4	1703804	3	Decal - Warning Crushing	
5	1001173262	1	Decal - Legend (Platform)	
6	1001214608	1	Decal - Legend (Ground Control)	
11	1702868	2	Decal - No Hands	
12	1704277	3	Decal - Attach Lanyard Here (SN 0300203771 through 0300239021, SN E300000100 through E300005116, SN 1300007289 through 1300007393)	
13	1001171335	2	Decal - Capacity (Platform)	
14	1001171336	1	Decal - Capacity (Ground Control)	
16	1701504	1	Decal - Hydraulic Oil	
17	See Note	NSS	Decal - Bar Code (Note: Not Available for Purchase)	
18	1001131269	1	Decal - Patent	
19	See Note	NSS	Nameplate - Serial Number (Note: Not Available for Purchase)	
20	1701509	1	Decal - Manual	
21	1702300	8	Decal - Tie Down	
22	1701500	4	Decal - Lift	
23	1701529	4	Decal - Arrow	
24	3251243	1	Nameplate - 120V-60Hz	
25	0860520	1	Box, Manual Storage	
26	4751400	4	Washer, 1/4	
27	3311405	4	Nut, Lock 1/4	
28	3820001	2	Rivet	
29	3252347	1	Decal - Footswitch	
34	1705514	1	CSA Spec Decals (English/French)	
38	1701499	6	Decal - No Lift	
40	1704412	1	Decal - Hydraulic Oil Chart	
43	0641406	4	Bolt, 1/4 x 3/4	
44	1705351	1	Decal - Drive/Steer Instructions	
54	1703953	2	Decal - Warning Crushing	
57	1001223055	1	Decal - Yearly Inspection	
58	1001223453	1	Decal - ICES (SN 0300241476 to Present, SN E300005377 to Present)	
100	1001232026	1	Decal - Platform Lanyard Kit (Not Shown) (SN 0300239022 to Present, SN E300005117 to Present)	
101	1704277	3	Decal - Attach Lanyard Here	

# SECTION 9 - DECALS

FIGURE 9-3. DECAL INSTALLATION - ANSI, ANSI EXPORT AND CHINA SPECS - ENGLISH (460SJ WITH DEUTZ AND GM ENGINES)



NOTE: ITEMS SHOWN MAY NOT BE REQUIRED FOR ALL SPECS. REFER TO PART LIST FOR USAGE.

NOTE: ADDITIONAL DECALS ARE CALLED OUT ON DECALS INSTALLATION - OPTIONS.

ART\_1001171367

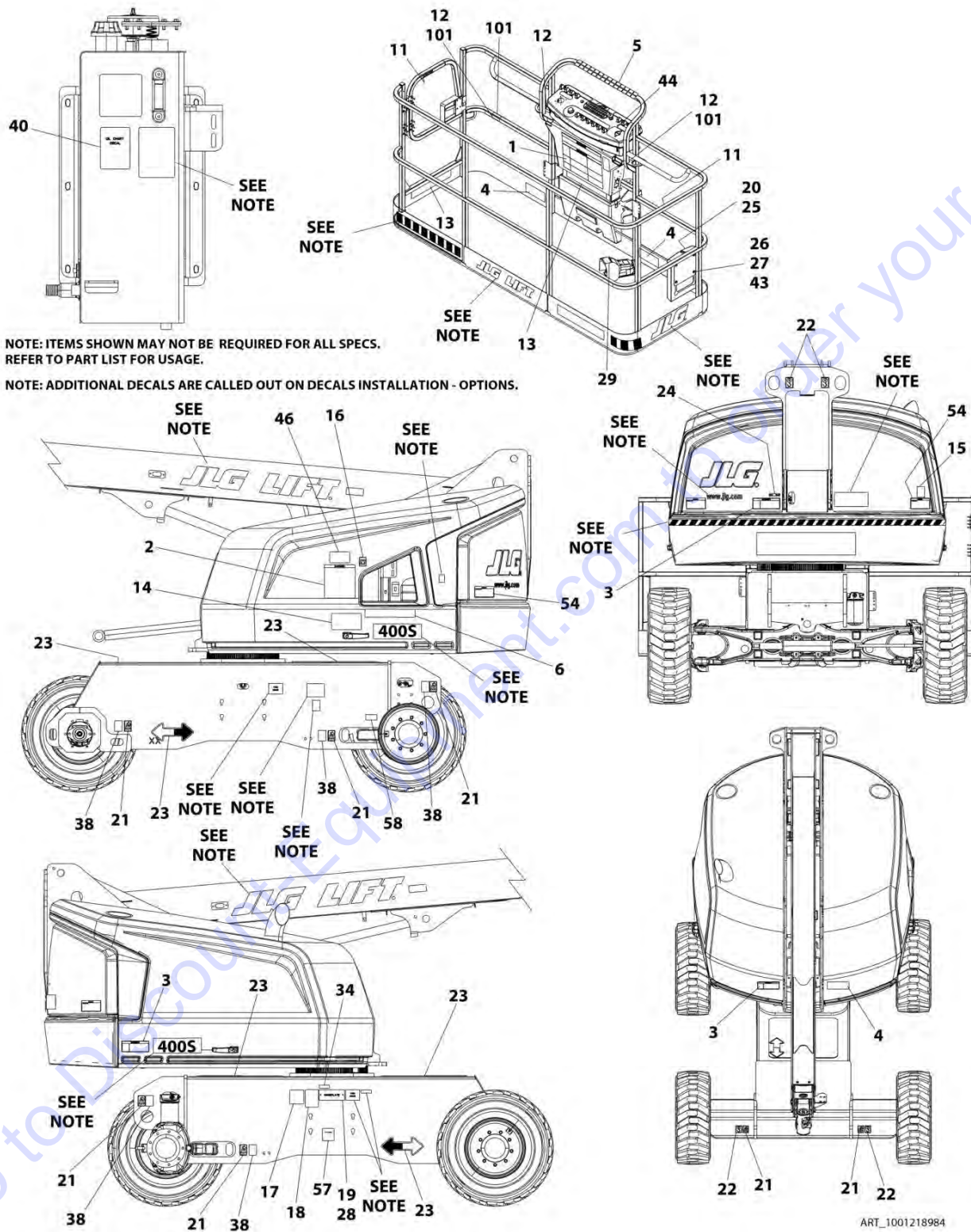
## SECTION 9 - DECALS

**FIGURE 9-3. DECAL INSTALLATION - ANSI, ANSI EXPORT AND CHINA SPECS - ENGLISH (460SJ WITH DEUTZ AND GM ENGINES)**

ITEM	PART NUMBER	QTY	DESCRIPTION	REV
	1001171545	Ref	DECAL INSTALLATION - REFERENCE CHART	M
	1001171367	Ref	DECAL INSTALLATION - ANSI, ANSI EXPORT AND CHINA SPECS - ENGLISH (460SJ)	G
1	1703797	1	Decal - Danger/Warning (Platform)	
2	1703798	1	Decal - Danger/Warning (Ground Control)	
3	1703805	3	Decal - Danger/Electrocution	
4	1703804	3	Decal - Warning Crushing	
5	1001173262	1	Decal - Legend (Platform)	
6	1001174313	1	Decal - Legend (Ground Control)	
11	1702868	2	Decal - No Hands	
12	1704277	3	Decal - Attach Lanyard Here ( <b>SN 0300203771 through 0300239021, SN E300000100 through E300005116, SN 1300007289 through 1300007393</b> )	
13	1001171337	2	Decal - Capacity (Platform)	
14	1001171337	1	Decal - Capacity (Ground Control)	
16	1701504	1	Decal - Hydraulic Oil	
17	See Note	NSS	Decal - Bar Code (Note: Not Available for Purchase)	
18	1001131269	1	Decal - Patent	
19	See Note	NSS	Nameplate - Serial Number (Note: Not Available for Purchase)	
20	1701509	1	Decal - Manual	
21	1702300	8	Decal - Tie Down	
22	1701500	4	Decal - Lift	
23	1701529	4	Decal - Arrow	
24	3251243	1	Nameplate - 120V-60Hz	
25	0860520	1	Box, Manual Storage	
26	4751400	4	Washer 1/4	
27	3311405	4	Nut, Lock 1/4	
28	3820001	2	Rivet	
29	3252347	1	Decal - Footswitch	
34	1705514	1	CSA Spec Decals (English/French)	
38	1701499	6	Decal - No Lift	
40	1704412	1	Decal - Hydraulic Oil Chart	
43	0641406	4	Bolt 1/4 x 3/4	
44	1705351	1	Decal - Drive/Steer Instructions	
54	1703953	2	Decal - Warning Crushing	
57	1001223055	1	Decal - Yearly Inspection ( <b>SN 0300233913 to Present, SN E300004869 to Present</b> )	
58	1001223453	1	Decal - ICES ( <b>SN 0300241476 to Present, SN E300005377 to Present</b> )	
100	1001232026	1	Decal - Platform Lanyard Kit (Not Shown) ( <b>SN 0300239022 to Present, SN E300005117 to Present</b> )	
101	1704277	3	Decal - Attach Lanyard Here	

# SECTION 9 - DECALS

FIGURE 9-4. DECAL INSTALLATION - ANSI SPECS - ENGLISH (460SJ WITH KUBOTA ENGINES)



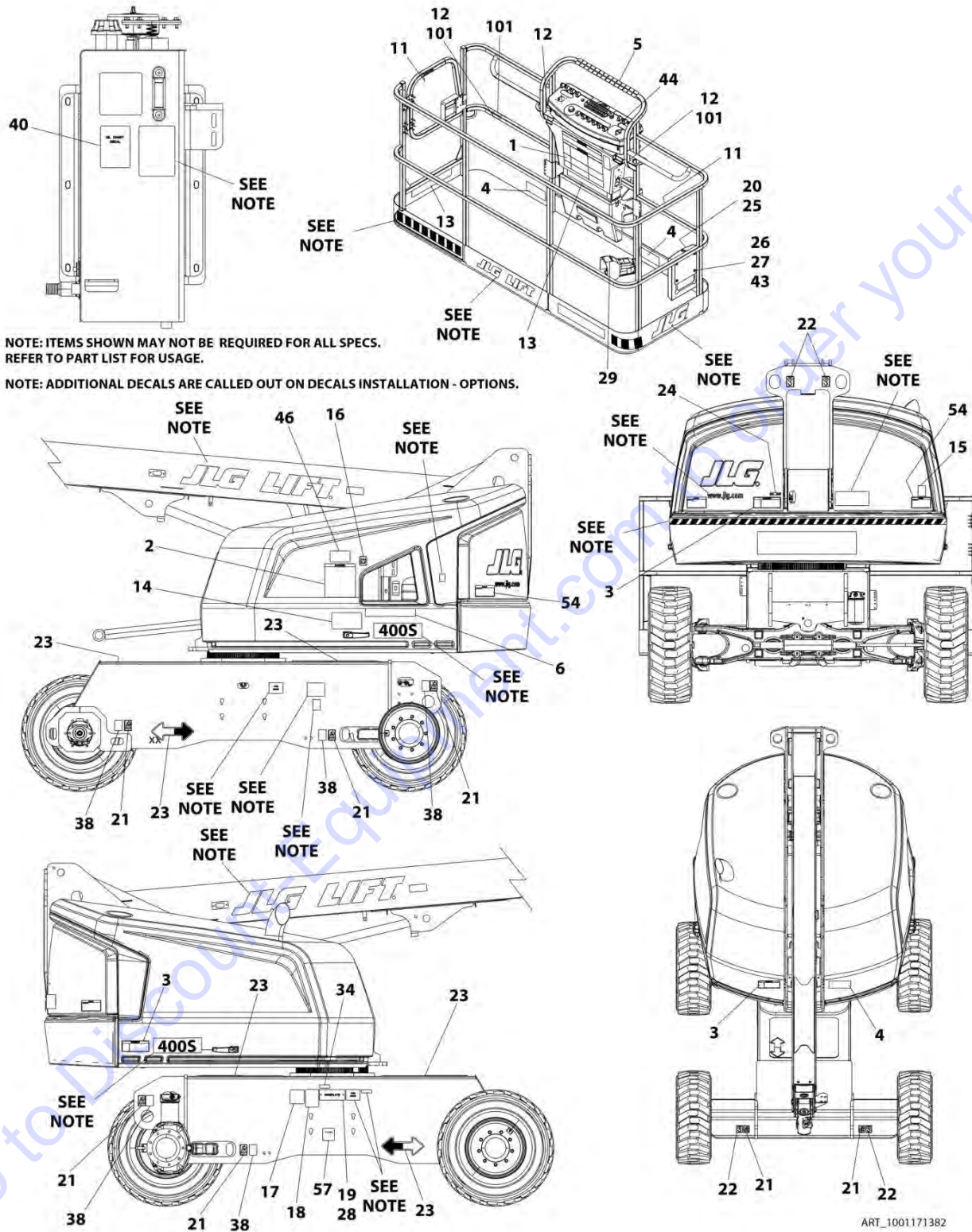
## SECTION 9 - DECALS

**FIGURE 9-4. DECAL INSTALLATION - ANSI SPECS - ENGLISH (460SJ WITH KUBOTA ENGINES)**

ITEM	PART NUMBER	QTY	DESCRIPTION	REV
	1001171545	Ref	DECAL INSTALLATION - REFERENCE CHART	M
	1001218984	Ref	DECAL INSTALLATION (ANSI SPECS) (ENGLISH) (460SJ)	D
1	1703797	1	Decal - Danger/Warning (Platform)	
2	1703798	1	Decal - Danger/Warning (Ground Control)	
3	1703805	3	Decal - Danger/Electrocution	
4	1703804	3	Decal - Warning Crushing	
5	1001173262	1	Decal - Legend (Platform)	
6	1001216408	1	Decal - Legend (Ground Control)	
11	1702868	2	Decal - No Hands	
12	1704277	3	Decal - Attach Lanyard Here <b>(SN 0300203771 through 0300239021, SN E300000100 through E300005116, SN 1300007289 through 1300007393)</b>	
13	1001171337	2	Decal - Capacity (Platform)	
14	1001171337	1	Decal - Capacity (Ground Control)	
16	1701504	1	Decal - Hydraulic Oil	
17	See Note	NSS	Decal - Bar Code (Note: Not Available for Purchase)	
18	1001131269	1	Decal - Patent	
19	See Note	NSS	Nameplate - Serial Number (Note: Not Available for Purchase)	
20	1701509	1	Decal - Manual	
21	1702300	8	Decal - Tie Down	
22	1701500	4	Decal - Lift	
23	1701529	4	Decal - Arrow	
24	3251243	1	Nameplate - 120V-60Hz	
25	0860520	1	Box, Manual Storage	
26	4751400	4	Washer, 1/4	
27	3311405	4	Nut, Lock 1/4	
28	3820001	2	Rivet	
29	3252347	1	Decal - Footswitch	
34	1705514	1	CSA Spec Decals (English/French)	
38	1701499	6	Decal - No Lift	
40	1704412	1	Decal - Hydraulic Oil Chart	
43	0641406	4	Bolt, 1/4 x 3/4	
44	1705351	1	Decal - Drive/Steer Instructions	
54	1703953	2	Decal - Warning Crushing	
57	1001223055	1	Decal - Yearly Inspection	
58	1001223453	1	Decal - ICES <b>(SN 0300241476 to Present, SN E300005377 to Present)</b>	
100	1001232026	1	Decal - Platform Lanyard Kit (Not Shown) <b>(SN 0300239022 to Present, SN E300005117 to Present)</b>	
101	1704277	3	Decal - Attach Lanyard Here	

# SECTION 9 - DECALS

## FIGURE 9-5. DECAL INSTALLATION - AUSTRALIAN SPEC (460SJ)



ART\_1001171382

## SECTION 9 - DECALS

**FIGURE 9-5. DECAL INSTALLATION - AUSTRALIAN SPEC (460SJ)**

ITEM	PART NUMBER	QTY	DESCRIPTION	REV
	1001171545	Ref	DECAL INSTALLATION - REFERENCE CHART	M
	1001171382	Ref	DECAL INSTALLATION - AUSTRALIAN SPEC (460SJ)	G
1	1705921	1	Decal - Tipping/Electrocution (Platform)	
2	1705822	1	Decal - Electrocution/Safety Manual	
3	1705961	3	Decal - Electrocution	
4	1701518	3	Decal - Warning Crushing	
12	1704277	3	Decal - Attach Lanyard Here <b>(SN 0300203771 through 0300239021, SN E300000100 through E300005116, SN 1300007289 through 1300007393)</b>	
13	1001171339	2	Decal - Capacity (Platform)	
14	1001171339	1	Decal - Capacity (Ground Control)	
15	1705084	1	Decal - Sound Power Level <b>(SN 0300203771 through 0300231350)</b>	
15	1001204510	1	Decal - Sound Power Level <b>(SN 0300231351 to Present)</b>	
16	1701504	1	Decal - Hydraulic Oil	
17	See Note	NSS	Decal - Bar Code (Note: Not Available for Purchase)	
20	1701509	1	Decal - Manual	
21	1702300	8	Decal - Tie Down	
22	1701500	4	Decal - Lift	
23	1701529	4	Decal - Arrow	
25	0860520	1	Box, Manual Storage	
26	4751400	4	Washer, 1/4	
27	3311405	4	Nut, Lock 1/4	
28	3820001	2	Rivet	
29	1705828	1	Decal - Footswitch	
38	1701499	6	Decal - No Lift	
40	1704412	1	Decal - Hydraulic Oil Chart	
43	0641406	4	Bolt, 1/4 x 3/4	
46	1001112551	1	Decal - Emergency Controls	
54	1701518	2	Decal - Warning Crushing	
100	1001232026	1	Decal - Platform Lanyard Kit (Not Shown) <b>(SN 0300239022 to Present, SN E300005117 to Present)</b>	
101	1704277	3	Decal - Attach Lanyard Here	





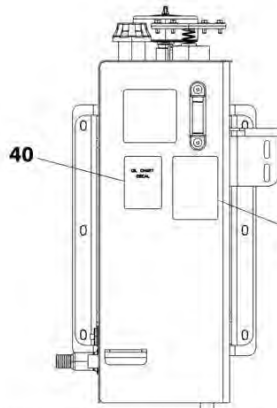
## SECTION 9 - DECALS

**FIGURE 9-6. DECAL INSTALLATION - CE SPEC (400S)**

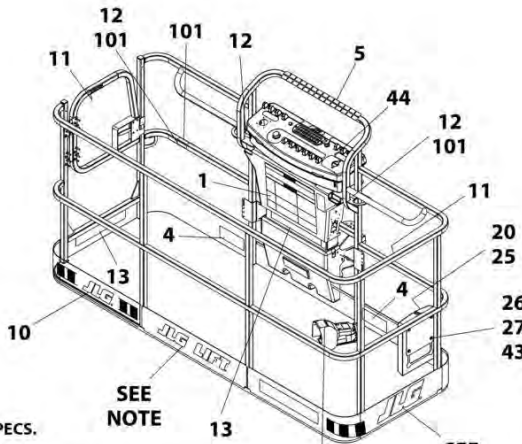
ITEM	PART NUMBER	QTY	DESCRIPTION	REV
	1001171545	Ref	DECAL INSTALLATION - REFERENCE CHART (SN 0300203771 through 0300220609)	M
	1001217488	Ref	DECAL INSTALLATION - REFERENCE CHART (TURNTABLE) (SN 0300220610 to Present)	B
	1001171369	Ref	DECAL INSTALLATION - CE SPEC (400S)	J
1	1705921	1	Decal - Tipping/Electrocution (Platform)	
2	1705822	1	Decal - Electrocution/Safety Manual	
3	1705961	3	Decal - Electrocution	
4	1701518	3	Decal - Warning Crushing	
8	1001159323	1	Decal - JLG 8 in Black (SN 0300220610 to Present)	
10	1702773	1	Decal - JLG 5 in (SN 0300220610 to Present)	
12	1704277	3	Decal - Attach Lanyard Here (SN 0300203771 through 0300239021, SN E300000100 through E300005116, SN 1300007289 through 1300007393)	
13	1001185237	AR	Decal - Capacity (Platform)	
14	1001185237	1	Decal - Capacity (Ground Control)	
15	1705084	1	Decal - Sound Power Level	
15	1001204510	1	Decal - Sound Power Level	
16	1701504	1	Decal - Hydraulic Oil	
17	See Note	NSS	Decal - Bar Code (Note: Not Available for Purchase)	
20	1701509	1	Decal - Manual	
21	1702300	8	Decal - Tie Down	
22	1701500	4	Decal - Lift	
23	1701529	4	Decal - Arrow	
25	0860520	1	Box, Manual Storage	
26	4751400	4	Washer, 1/4	
27	3311405	4	Nut, Lock 1/4	
28	3820001	2	Rivet	
29	1705828	1	Decal - Footswitch	
38	1701499	6	Decal - No Lift	
40	1704412	1	Decal - Hydraulic Oil Chart	
43	0641406	4	Bolt, 1/4 x 3/4	
46	1001189882	2	Decal - MSSO	
54	1701518	2	Decal - Warning Crushing	
100	1001232026	1	Decal - Platform Lanyard Kit (Not Shown) (SN 0300239022 to Present, SN E300005117 to Present)	
101	1704277	1	Decal - Attach Lanyard Here	

# SECTION 9 - DECALS

## FIGURE 9-7. DECAL INSTALLATION - CE SPEC (460SJ)



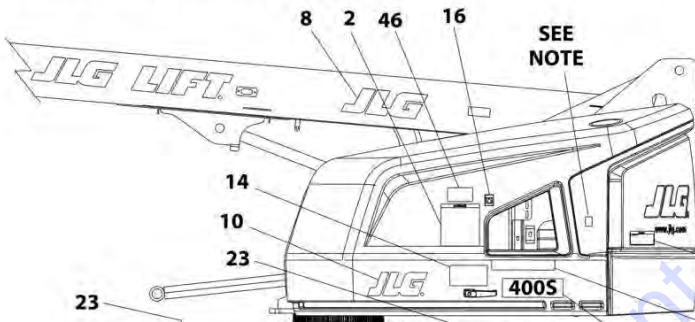
SEE NOTE



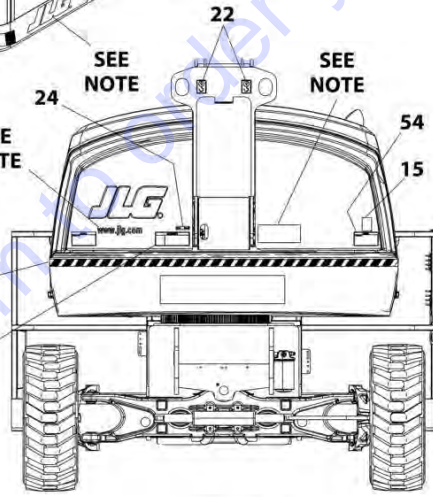
SEE NOTE

NOTE: ITEMS SHOWN MAY NOT BE REQUIRED FOR ALL SPECS. REFER TO PART LIST FOR USAGE.

NOTE: ADDITIONAL DECALS ARE CALLED OUT ON DECALS INSTALLATION - OPTIONS.



SEE NOTE

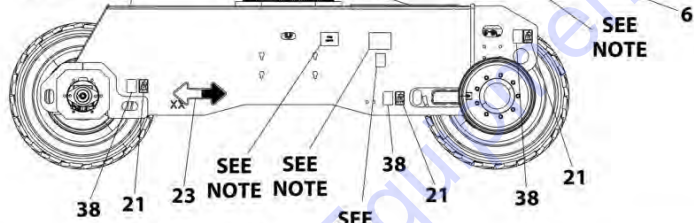


SEE NOTE

SEE NOTE

SEE NOTE

SEE NOTE

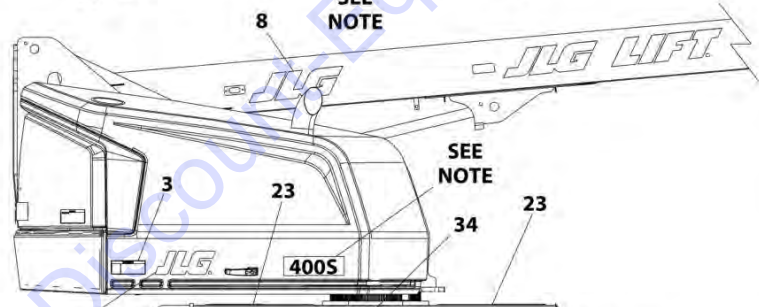


SEE NOTE

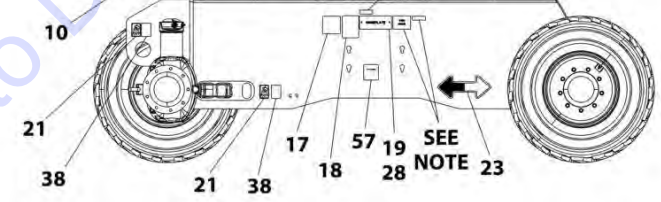
SEE NOTE

SEE NOTE

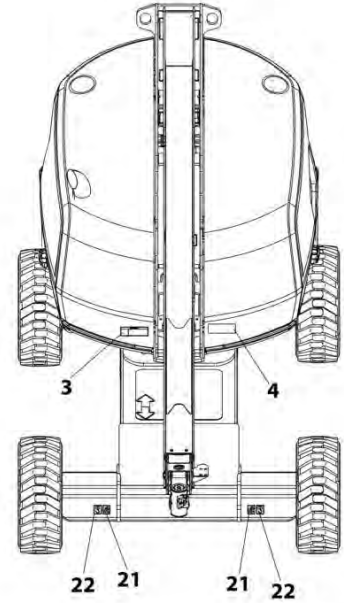
SEE NOTE



SEE NOTE



SEE NOTE



22

21

21

22

ART\_1001171368

## SECTION 9 - DECALS

**FIGURE 9-7. DECAL INSTALLATION - CE SPEC (460SJ)**

ITEM	PART NUMBER	QTY	DESCRIPTION	REV
	1001171545	Ref	DECAL INSTALLATION - REFERENCE CHART <b>(SN 0300203771 through 0300220609)</b>	M
	1001217488	Ref	DECAL INSTALLATION - REFERENCE CHART (TURNTABLE) <b>(SN 0300220610 to Present)</b>	B
	1001171368	Ref	DECAL INSTALLATION - CE SPEC (460SJ)	J
1	1705921	1	Decal - Tipping/Electrocution (Platform)	
2	1705822	1	Decal - Electrocution/Safety Manual	
3	1705961	3	Decal - Electrocution	
4	1701518	3	Decal - Warning Crushing	
8	1001159323	1	Decal - JLG 8 in Black <b>(SN 0300220610 to Present)</b>	
10	1702773	1	Decal - JLG 5 <b>(SN 0300220610 to Present)</b>	
12	1704277	3	Decal - Attach Lanyard Here <b>(SN 0300203771 through 0300239021, SN E300000100 through E300005116, SN 1300007289 through 1300007393)</b>	
13	1001171339	AR	Decal - Capacity (Platform)	
14	1001171339	1	Decal - Capacity (Ground Control)	
15	1001204510	1	Decal - Sound Power Level	
16	1701504	1	Decal - Hydraulic Oil	
17	See Note	NSS	Decal - Bar Code (Note: Not Available for Purchase)	
20	1701509	1	Decal - Manual	
21	1702300	8	Decal - Tie Down	
22	1701500	4	Decal - Lift	
23	1701529	4	Decal - Arrow	
25	0860520	1	Box, Manual Storage	
26	4751400	4	Washer, 1/4	
27	3311405	4	Nut, Lock 1/4	
28	3820001	2	Rivet	
29	1705828	1	Decal - Footswitch	
38	1701499	6	Decal - No Lift	
40	1704412	1	Decal - Hydraulic Oil Chart	
43	0641406	4	Bolt, 1/4 x 3/4	
46	1001189882	AR	Decal - MSSO	
54	1701518	2	Decal - Warning Crushing	
100	1001232066	1	Decal - Platform Lanyard Kit (Not Shown) <b>(SN 0300239022 to Present, SN E300005117 to Present)</b>	
101	1704277	3	Decal - Attach Lanyard Here	



## SECTION 9 - DECALS

**FIGURE 9-8. DECAL INSTALLATION - BRAZIL SPEC (DUAL LANGUAGE - PORTUGUESE/SPANISH)  
(400S)**

ITEM	PART NUMBER	QTY	DESCRIPTION	REV
	1001171545	Ref	DECAL INSTALLATION - REFERENCE CHART	M
	1001171380	Ref	DECAL INSTALLATION - BRAZIL SPEC (DUAL LANGUAGE - PORTUGUESE/SPANISH) (400S)	F
1	1703928	1	Decal - Danger/Warning (Platform)	
2	1703934	1	Decal - Danger/Warning (Ground Control)	
3	1703940	3	Decal - Danger/Electrocution	
4	1703952	3	Decal - Warning Crushing	
5	1001173262	1	Decal - Legend (Platform)	
6	1001174313	1	Decal - Legend (Ground Control)	
11	1704002	2	Decal - No Hands	
12	1704277	3	Decal - Attach Lanyard Here <b>(SN 0300203771 through 0300239021, SN E300000100 through E300005116, SN 1300007289 through 1300007393)</b>	
13	1001171359	2	Decal - Capacity (Platform)	
14	1001171360	1	Decal - Capacity (Ground Control)	
16	1701504	1	Decal - Hydraulic Oil	
17	See Note	NSS	Decal - Bar Code (Note: Not Available for Purchase)	
19	See Note	NSS	Nameplate - Serial Number (Note: Not Available for Purchase)	
20	1701509	1	Decal - Manual	
21	1702300	8	Decal - Tie Down	
22	1701500	4	Decal - Lift	
23	1701529	4	Decal - Arrow	
24	3251243	1	Nameplate - 120V-60Hz	
25	0860520	1	Box, Manual Storage	
26	4751400	4	Washer 1/4	
27	3311405	4	Nut, Lock 1/4	
28	3820001	2	Rivet	
29	1703985	1	Decal - Footswitch	
38	1701499	6	Decal - No Lift	
40	1704412	1	Decal - Hydraulic Oil Chart	
43	0641406	4	Bolt, 1/4 x 3/4	
44	1705905	1	Decal - Drive/Steer Instruction	
54	1703953	2	Decal - Warning Crushing	
57	1001224052	1	Decal - Yearly Inspection (Not Shown)	
100	1001232026	1	Decal - Platform Lanyard Kit (Not Shown) <b>(SN 0300239022 to Present, SN E300005117 to Present)</b>	
101	1704277	3	Decal - Attach Lanyard Here	



## SECTION 9 - DECALS

**FIGURE 9-9. DECAL INSTALLATION - BRAZIL SPEC (DUAL LANGUAGE - PORTUGUESE/SPANISH)  
(460SJ)**

ITEM	PART NUMBER	QTY	DESCRIPTION	REV
	1001171545	Ref	DECAL INSTALLATION - REFERENCE CHART	M
	1001171381	Ref	DECAL INSTALLATION - BRAZIL SPEC (DUAL LANGUAGE - PORTUGUESE/SPANISH) (460SJ)	F
1	1703928	1	Decal - Danger/Warning (Platform)	
2	1703934	1	Decal - Danger/Warning (Ground Control)	
3	1703940	3	Decal - Danger/Electrocution	
4	1703952	3	Decal - Warning Crushing	
5	1001173262	1	Decal - Legend (Platform)	
6	1001174313	1	Decal - Legend (Ground Control)	
11	1704002	2	Decal - No Hands	
12	1704277	3	Decal - Attach Lanyard Here <b>(SN 0300203771 through 0300239021, SN E300000100 through E300005116, SN 1300007289 through 1300007393)</b>	
13	1001171361	2	Decal - Capacity (Platform)	
14	1001171361	1	Decal - Capacity (Ground Control)	
16	1701504	1	Decal - Hydraulic Oil	
17	See Note	NSS	Decal - Bar Code (Note: Not Available for Purchase)	
19	See Note	NSS	Nameplate - Serial Number (Note: Not Available for Purchase)	
20	1701509	1	Decal - Manual	
21	1702300	8	Decal - Tie Down	
22	1701500	4	Decal - Lift	
23	1701529	4	Decal - Arrow	
24	3251243	1	Nameplate - 120V-60Hz	
25	0860520	1	Box, Manual Storage	
26	4751400	4	Washer, 1/4	
27	3311405	4	Nut, Lock 1/4	
28	3820001	2	Rivet	
29	1703985	1	Decal - Footswitch	
38	1701499	6	Decal - No Lift	
40	1704412	1	Decal - Hydraulic Oil Chart	
43	0641406	4	Bolt, 1/4 x 3/4	
44	1705905	1	Decal - Drive/Steer Instruction	
54	1703953	2	Decal - Warning Crushing	
57	1001224052	1	Decal - Yearly Inspection (Not Shown)	
100	1001232026	1	Decal - Platform Lanyard Kit (Not Shown) <b>(SN 0300239022 to Present, SN E300005117 to Present)</b>	
101	1704277	3	Decal - Attach Lanyard Here	





## SECTION 9 - DECALS

**FIGURE 9-10. DECAL INSTALLATION - CHINESE SPEC (DUAL LANGUAGE - ENGLISH/CHINESE)  
(400S)**

ITEM	PART NUMBER	QTY	DESCRIPTION	REV
	1001171545	Ref	DECAL INSTALLATION - REFERENCE CHART	M
	1001171378	Ref	DECAL INSTALLATION - CHINESE SPEC (DUAL LANGUAGE - ENGLISH/CHINESE) (400S)	F
1	1703925	1	Decal - Danger/Warning (Platform)	
2	1703931	1	Decal - Danger/Warning (Ground Control)	
3	1703937	3	Decal - Danger/Electrocution	
4	1703949	3	Decal - Warning Crushing	
5	1001173262	1	Decal - Legend (Platform)	
6	1001174313	1	Decal - Legend (Ground Control)	
12	1704277	3	Decal - Attach Lanyard Here <b>(SN 0300203771 through 0300239021, SN E300000100 through E300005116, SN 1300007289 through 1300007393)</b>	
13	1001171355	2	Decal - Capacity (Platform)	
14	1001171356	1	Decal - Capacity (Ground Control)	
16	1701504	1	Decal - Hydraulic Oil	
17	See Note	NSS	Decal - Bar Code (Note: Not Available for Purchase)	
19	See Note	NSS	Nameplate - Serial Number (Note: Not Available for Purchase)	
20	1701509	1	Decal - Manual	
21	1702300	8	Decal - Tie Down	
22	1701500	4	Decal - Lift	
23	1701529	4	Decal - Arrow	
25	0860520	1	Box, Manual Storage	
26	4751400	4	Washer, 1/4	
27	3311405	4	Nut, Lock 1/4	
28	3820001	2	Rivet	
29	1703982	1	Decal - Footswitch	
38	1701499	6	Decal - No Lift	
40	1704412	1	Decal - Hydraulic Oil Chart	
43	0641406	4	Bolt, 1/4 x 3/4	
44	1705430	1	Decal - Drive/Steer Instruction	
54	1703953	2	Decal - Warning Crushing	
57	1001224050	1	Decal - Yearly Inspection (Not Shown)	
100	1001232026	1	Decal - Platform Lanyard Kit (Not Shown) <b>(SN 0300239022 to Present, SN E300005117 to Present)</b>	
101	1704277	3	Decal - Attach Lanyard Here	



## SECTION 9 - DECALS

**FIGURE 9-11. DECAL INSTALLATION - CHINESE SPEC (DUAL LANGUAGE - ENGLISH/CHINESE)  
(460SJ)**

ITEM	PART NUMBER	QTY	DESCRIPTION	REV
	1001171545	Ref	DECAL INSTALLATION - REFERENCE CHART	M
	1001171379	Ref	DECAL INSTALLATION - CHINESE SPEC (DUAL LANGUAGE - ENGLISH/CHINESE) (460SJ)	F
1	1703925	1	Decal - Danger/Warning (Platform)	
2	1703931	1	Decal - Danger/Warning (Ground Control)	
3	1703937	3	Decal - Danger/Electrocution	
4	1703949	3	Decal - Warning Crushing	
5	1001173262	1	Decal - Legend (Platform)	
6	1001174313	1	Decal - Legend (Ground Control)	
12	1704277	3	Decal - Attach Lanyard Here <b>(SN 0300203771 through 0300239021, SN E300000100 through E300005116, SN 1300007289 through 1300007393)</b>	
13	1001171357	2	Decal - Capacity (Platform)	
14	1001171357	1	Decal - Capacity (Ground Control)	
16	1701504	1	Decal - Hydraulic Oil	
17	See Note	NSS	Decal - Bar Code (Note: Not Available for Purchase)	
19	See Note	NSS	Nameplate - Serial Number (Note: Not Available for Purchase)	
20	1701509	1	Decal - Manual	
21	1702300	8	Decal - Tie Down	
22	1701500	4	Decal - Lift	
23	1701529	4	Decal - Arrow	
25	0860520	1	Box, Manual Storage	
26	4751400	4	Washer, 1/4	
27	3311405	4	Nut, Lock 1/4	
28	3820001	2	Rivet	
29	1703982	1	Decal - Footswitch	
38	1701499	6	Decal - No Lift	
40	1704412	1	Decal - Hydraulic Oil Chart	
43	0641406	4	Bolt, 1/4 x 3/4	
44	1705430	1	Decal - Drive/Steer Instruction	
54	1703953	2	Decal - Warning Crushing	
57	1001224050	1	Decal - Yearly Inspection (Not Shown)	
100	1001232026	1	Decal - Platform Lanyard Kit (Not Shown) <b>(SN 0300239022 to Present, SN E300005117 to Present)</b>	
101	1704277	3	Decal - Attach Lanyard Here	

# PARTS FINDER

**Search Website  
by Part Number**



**Search Manual  
Library For Parts  
Manual & Lookup Part  
Numbers – Purchase  
or Request Quote**

**Can't Find Part or  
Manual? Request Help  
by Manufacturer,  
Model & Description**

Discount-Equipment.com is your online resource for quality parts & equipment.

Florida: **561-964-4949** Outside Florida TOLL FREE: **877-690-3101**

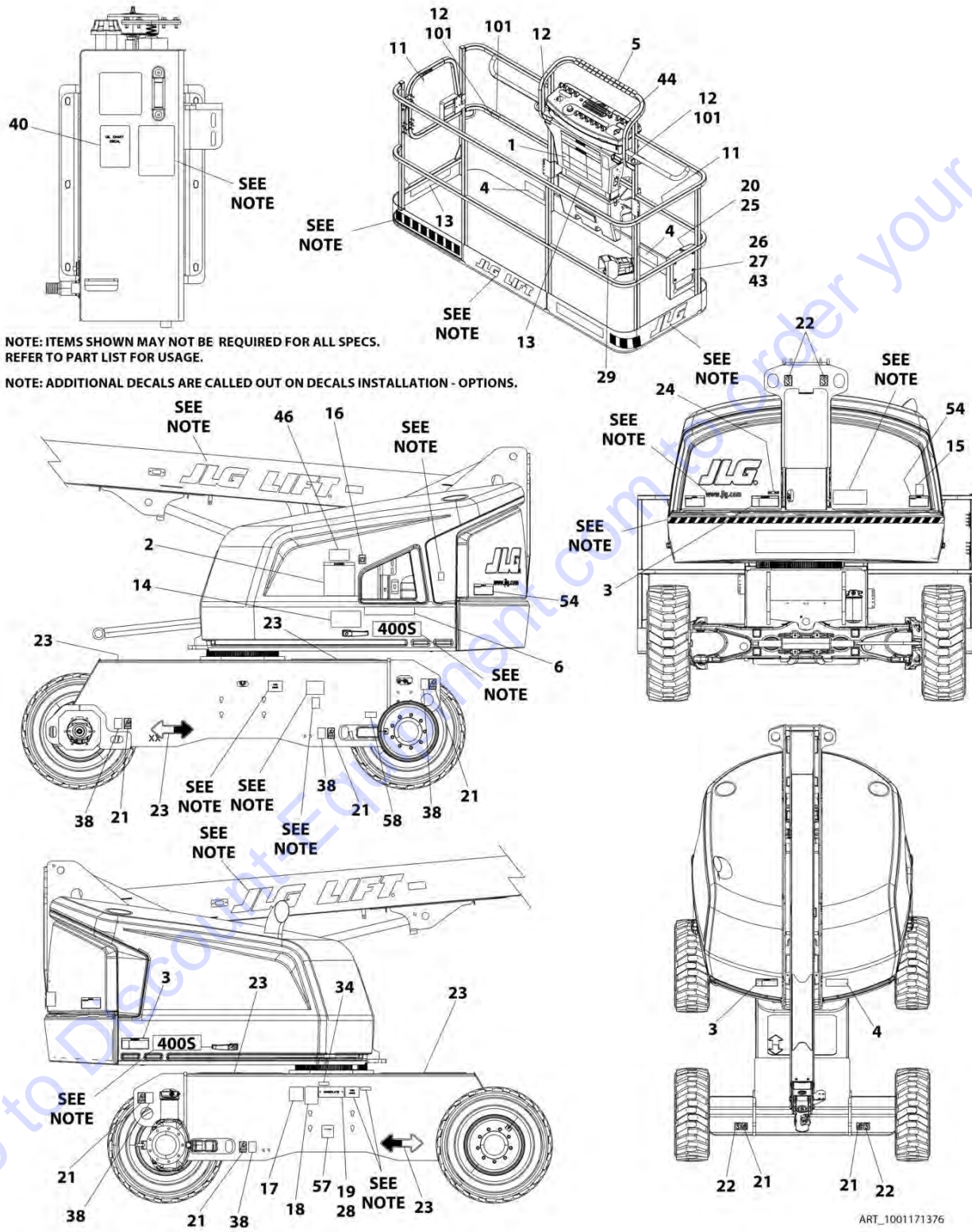
## Need parts?

Click on this link: <http://www.discount-equipment.com/category/5443-parts/> and choose one of the options to help get the right parts and equipment you are looking for. Please have the machine model and serial number available in order to help us get you the correct parts. If you don't find the part on the website or on one of the online manuals, please fill out the request form and one of our experienced staff members will get back to you with a quote for the right part that your machine needs.

We sell worldwide for the brands: Genie, Terex, JLG, MultiQuip, Mikasa, Essick, Whiteman, Mayco, Toro Stone, Diamond Products, Generac Magnum, Airman, Haulotte, Barreto, Power Blanket, Nifty Lift, Atlas Copco, Chicago Pneumatic, Allmand, Miller Curber, Skyjack, Lull, Skytrak, Tsurumi, Husquvarna Target, Stow, Wacker, Sakai, Mi-T-M, Sullair, Basic, Dynapac, MBW, Weber, Bartell, Bennar Newman, Haulotte, Ditch Runner, Menegotti, Morrison, Contec, Buddy, Crown, Edco, Wyco, Bomag, Laymor, EZ Trench, Bil-Jax, F.S. Curtis, Gehl Pavers, Heli, Honda, ICS/PowerGrit, IHI, Partner, Imer, Clipper, MMD, Koshin, Rice, CH&E, General Equipment, Amida, Coleman, NAC, Gradall, Square Shooter, Kent, Stanley, Tamco, Toku, Hatz, Kohler, Robin, Wisconsin, Northrock, Oztec, Toker TK, Rol-Air, APT, Wylie, Ingersoll Rand / Doosan, Innovatech, Con X, Ammann, Mecalac, Makinex, Smith Surface Prep, Small Line, Wanco, Yanmar

# SECTION 9 - DECALS

FIGURE 9-12. DECAL INSTALLATION - CSA SPEC (DUAL LANGUAGE - ENGLISH/FRENCH) (400S WITH DEUTZ AND GM ENGINES)



NOTE: ITEMS SHOWN MAY NOT BE REQUIRED FOR ALL SPECS. REFER TO PART LIST FOR USAGE.

NOTE: ADDITIONAL DECALS ARE CALLED OUT ON DECALS INSTALLATION - OPTIONS.

ART\_1001171376

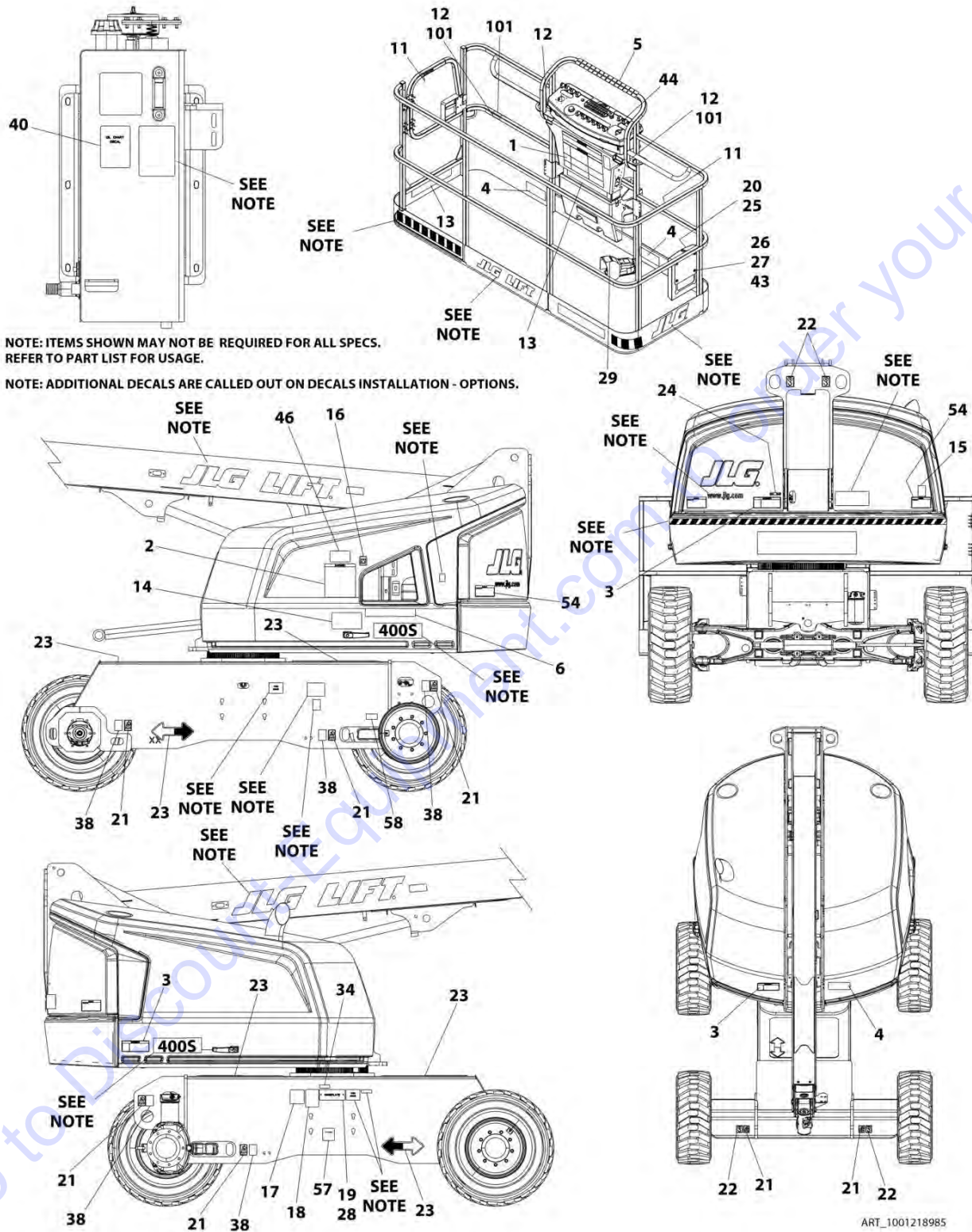
## SECTION 9 - DECALS

**FIGURE 9-12. DECAL INSTALLATION - CSA SPEC (DUAL LANGUAGE - ENGLISH/FRENCH) (400S WITH DEUTZ AND GM ENGINES)**

ITEM	PART NUMBER	QTY	DESCRIPTION	REV
	1001171545	Ref	DECAL INSTALLATION - REFERENCE CHART	M
	1001171376	Ref	DECAL INSTALLATION - CSA SPEC (DUAL LANGUAGE - ENGLISH/FRENCH) (400S)	G
1	1703924	1	Decal - Danger/Warning (Platform)	
2	1703930	1	Decal - Danger/Warning (Ground Control)	
3	1703936	3	Decal - Danger/Electrocution	
4	1703948	3	Decal - Warning Crushing	
5	1001173262	1	Decal - Legend (Platform)	
6	1001174313	1	Decal - Legend (Ground Control)	
11	1704000	2	Decal - No Hands	
12	1704277	3	Decal - Attach Lanyard Here <b>(SN 0300203771 through 0300239021, SN E300000100 through E300005116, SN 1300007289 through 1300007393)</b>	
13	1001171351	2	Decal - Capacity (Platform)	
14	1001171352	1	Decal - Capacity (Ground Control)	
16	1701504	1	Decal - Hydraulic Oil	
17	See Note	NSS	Decal - Bar Code (Note: Not Available for Purchase)	
18	1001131269	1	Decal - Patent	
19	See Note	NSS	Nameplate - Serial Number (Note: Not Available for Purchase)	
20	1701509	1	Decal - Manual	
21	1702300	8	Decal - Tie Down	
22	1701500	4	Decal - Lift	
23	1701529	4	Decal - Arrow	
24	3251243	1	Nameplate - 120V-60Hz	
25	0860520	1	Box, Manual Storage	
26	4751400	4	Washer, 1/4	
27	3311405	4	Nut, Lock 1/4	
28	3820001	2	Rivet	
29	1703984	1	Decal - Footswitch	
34	1705514	1	Decal - CSA	
38	1701499	6	Decal - No Lift	
40	1704412	1	Decal - Hydraulic Oil Chart	
43	0641406	4	Bolt, 1/4 x 3/4	
44	1705429	1	Decal - Drive/Steer Instruction	
54	1703953	2	Decal - Warning Crushing	
57	1001223971	1	Decal - Yearly Inspection (Not Shown)	
58	1001223453	1	Decal - ICES <b>(SN 0300241476 to Present, SN E300005377 to Present)</b>	
100	1001232036	1	Decal - Platform Lanyard Kit (Not Shown) <b>(SN 0300239022 to Present, SN E300005117 to Present)</b>	
101	1704277	3	Decal - Attach Lanyard Here	

# SECTION 9 - DECALS

FIGURE 9-13. DECAL INSTALLATION - CSA SPECS (ENGLISH) (400S WITH KUBOTA ENGINES)



ART\_1001218985



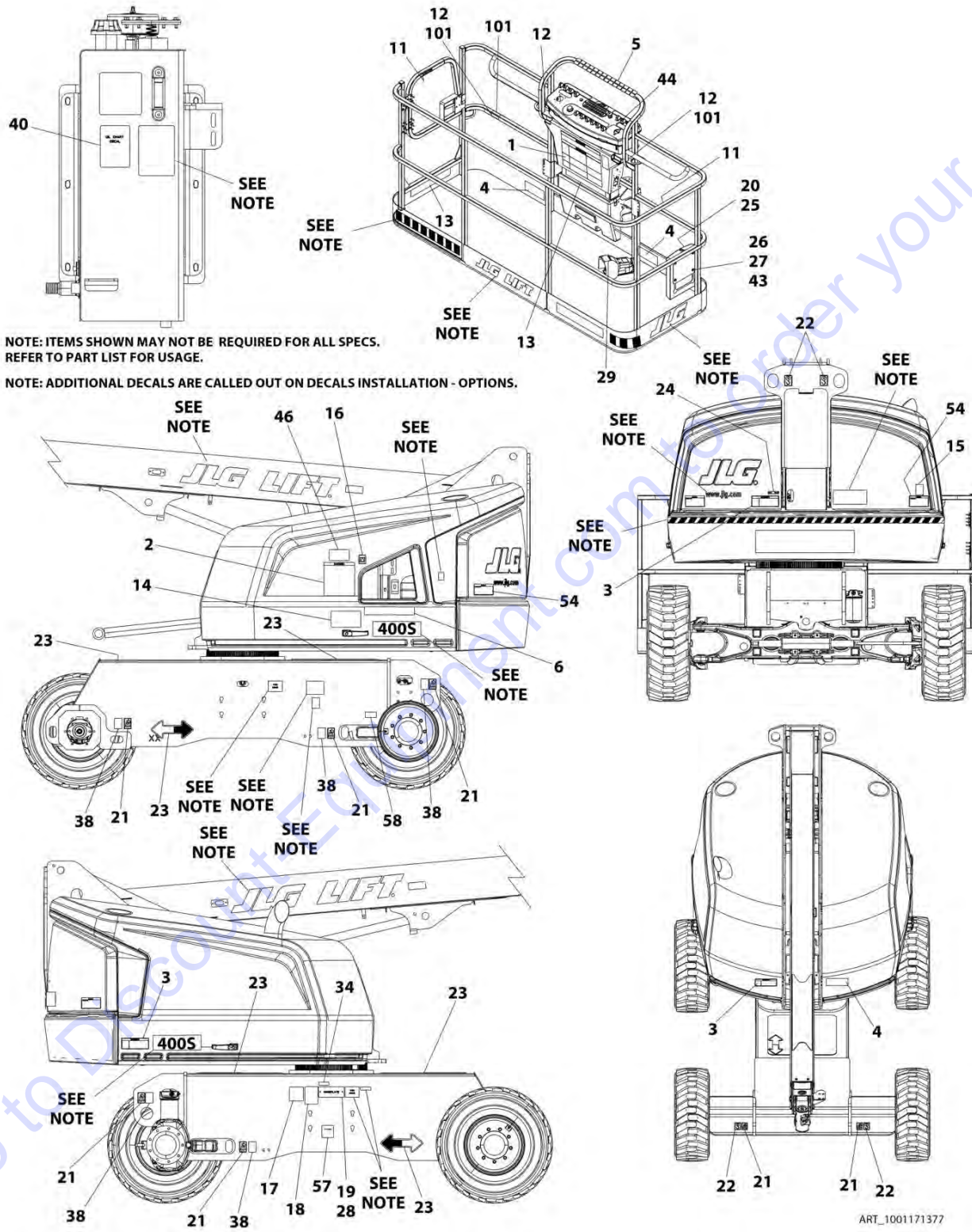
## SECTION 9 - DECALS

**FIGURE 9-13. DECAL INSTALLATION - CSA SPECS (ENGLISH) (400S WITH KUBOTA ENGINES)**

ITEM	PART NUMBER	QTY	DESCRIPTION	REV
	1001171545	Ref	DECAL INSTALLATION - REFERENCE CHART	M
	1001218985	Ref	DECAL INSTALLATION - WITH KUBOTA ENGINE (CSA SPECS) (ENGLISH) (400S)	D
1	1703797	1	Decal - Danger/Warning (Platform)	
2	1703798	1	Decal - Danger/Warning (Ground Control)	
3	1703805	3	Decal - Danger/Electrocution	
4	1703804	3	Decal - Warning Crushing	
5	1001173262	1	Decal - Legend (Platform)	
6	1001216408	1	Decal - Legend (Ground Control)	
11	1702868	2	Decal - No Hands	
12	1704277	3	Decal - Attach Lanyard Here <b>(SN 0300203771 through 0300239021, SN E300000100 through E300005116, SN 1300007289 through 1300007393)</b>	
13	1001171351	2	Decal - Capacity (Platform)	
14	1001171352	1	Decal - Capacity (Ground Control)	
16	1701504	1	Decal - Hydraulic Oil	
17	See Note	NSS	Decal - Bar Code (Note: Not Available for Purchase)	
18	1001131269	1	Decal - Patent	
19	See Note	NSS	Nameplate - Serial Number (Note: Not Available for Purchase)	
20	1701509	1	Decal - Manual	
21	1702300	8	Decal - Tie Down	
22	1701500	4	Decal - Lift	
23	1701529	4	Decal - Arrow	
24	3251243	1	Nameplate - 120V-60Hz	
25	0860520	1	Box, Manual Storage	
26	4751400	4	Washer, 1/4	
27	3311405	4	Nut, Lock 1/4	
28	3820001	2	Rivet	
29	1703984	1	Decal - Footswitch	
34	1705514	1	CSA Spec Decals (English/French)	
38	1701499	6	Decal - No Lift	
40	1704412	1	Decal - Hydraulic Oil Chart	
43	0641406	4	Bolt, 1/4 x 3/4	
44	1705429	1	Decal - Drive/Steer Instructions	
54	1703942	2	Decal - Warning Crushing	
57	1001223971	1	Decal - Yearly Inspection	
58	1001218985	1	Decal - ICES <b>(SN 0300241476 to Present, SN E300005377 to Present)</b>	
100	1001232026	1	Decal - Platform Lanyard Kit (Not Shown) <b>(SN 0300239022 to Present, SN E300005117 to Present)</b>	
101	1704277	3	Decal - Attach Lanyard Here	

# SECTION 9 - DECALS

FIGURE 9-14. DECAL INSTALLATION - CSA SPEC (DUAL LANGUAGE - ENGLISH/FRENCH) (460SJ WITH DEUTZ AND GM ENGINES)



NOTE: ITEMS SHOWN MAY NOT BE REQUIRED FOR ALL SPECS. REFER TO PART LIST FOR USAGE.

NOTE: ADDITIONAL DECALS ARE CALLED OUT ON DECALS INSTALLATION - OPTIONS.

ART\_1001171377

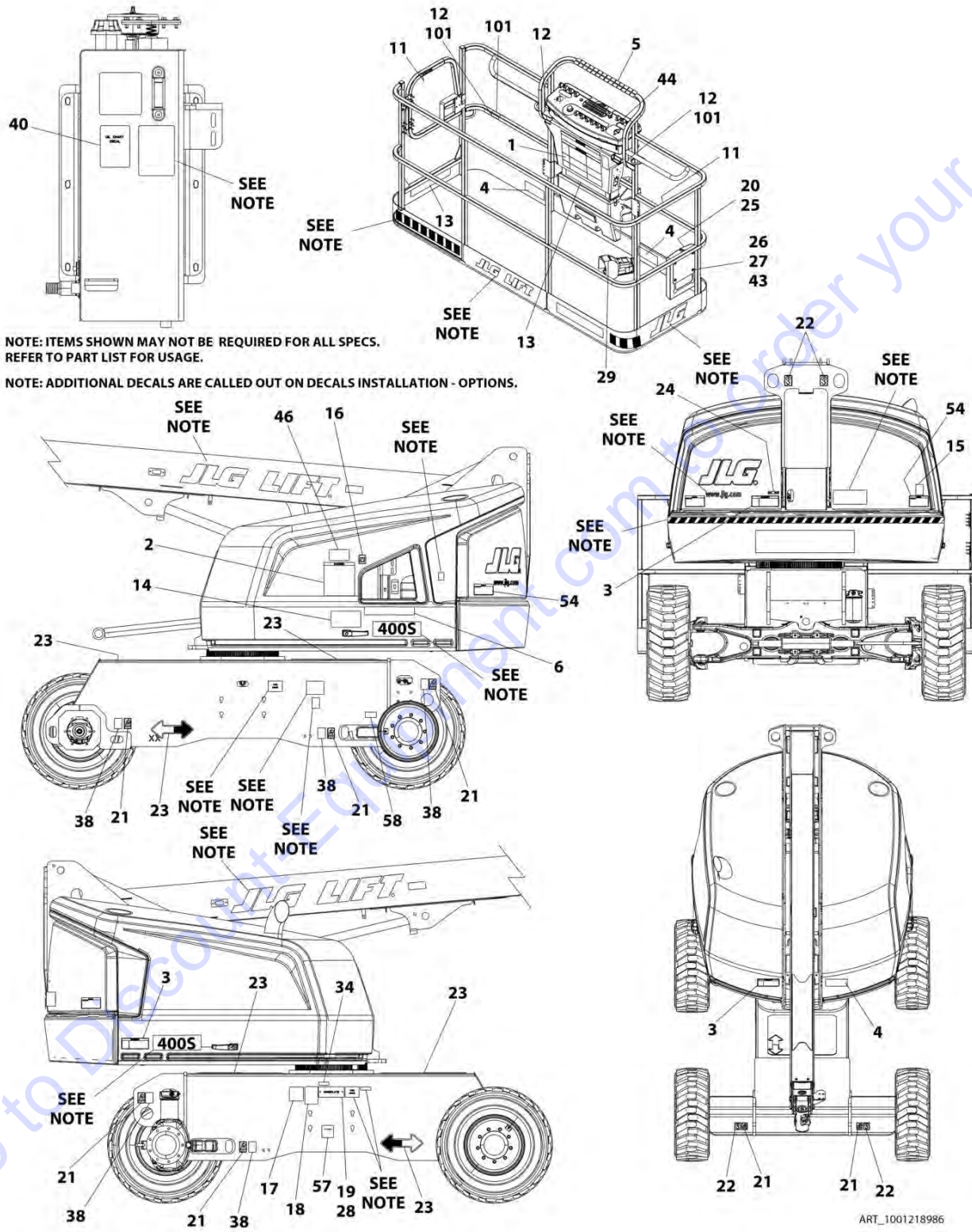
## SECTION 9 - DECALS

**FIGURE 9-14. DECAL INSTALLATION - CSA SPEC (DUAL LANGUAGE - ENGLISH/FRENCH) (460SJ WITH DEUTZ AND GM ENGINES)**

ITEM	PART NUMBER	QTY	DESCRIPTION	REV
	1001171545	Ref	DECAL INSTALLATION - REFERENCE CHART	M
	1001171377	Ref	DECAL INSTALLATION - CSA SPEC (DUAL LANGUAGE - ENGLISH/FRENCH) (460SJ)	G
1	1703924	1	Decal - Danger/Warning (Platform)	
2	1703930	1	Decal - Danger/Warning (Ground Control)	
3	1703936	3	Decal - Danger/Electrocution	
4	1703948	3	Decal - Warning Crushing	
5	1001173262	1	Decal - Legend (Platform)	
6	1001174313	1	Decal - Legend (Ground Control)	
11	1704000	2	Decal - No Hands	
12	1704277	3	Decal - Attach Lanyard Here <b>(SN 0300203771 through 0300239021, SN E300000100 through E300005116, SN 1300007289 through 1300007393)</b>	
13	1001171353	2	Decal - Capacity (Platform)	
14	1001171353	1	Decal - Capacity (Ground Control)	
16	1701504	1	Decal - Hydraulic Oil	
17	See Note	NSS	Decal - Bar Code (Note: Not Available for Purchase)	
18	1001131269	1	Decal - Patent	
19	See Note	NSS	Nameplate - Serial Number (Note: Not Available for Purchase)	
20	1701509	1	Decal - Manual	
21	1702300	8	Decal - Tie Down	
22	1701500	4	Decal - Lift	
23	1701529	4	Decal - Arrow	
24	3251243	1	Nameplate - 120V-60Hz	
25	0860520	1	Box, Manual Storage	
26	4751400	4	Washer, 1/4	
27	3311405	4	Nut, Lock 1/4	
28	3820001	2	Rivet	
29	1703984	1	Decal - Footswitch	
34	1705514	1	Decal - CSA	
38	1701499	6	Decal - No Lift	
40	1704412	1	Decal - Hydraulic Oil Chart	
43	0641406	4	Bolt, 1/4 x 3/4	
44	1705429	1	Decal - Drive/Steer Instruction	
54	1703953	2	Decal - Warning Crushing	
57	1001223971	1	Decal - Yearly Inspection (Not Shown)	
58	1001223453	1	Decal - ICES <b>(SN 0300241476 to Present, SN E300005377 to Present)</b>	
100	1001232026	1	Decal - Platform Lanyard Kit (Not Shown) <b>(SN 0300239022 to Present, SN E300005117 to Present)</b>	
101	1704277	3	Decal - Attach Lanyard Here	

# SECTION 9 - DECALS

FIGURE 9-15. DECAL INSTALLATION - CSA SPEC (DUAL LANGUAGE - ENGLISH/FRENCH) (460SJ WITH KUBOTA ENGINES)



NOTE: ITEMS SHOWN MAY NOT BE REQUIRED FOR ALL SPECS. REFER TO PART LIST FOR USAGE.

NOTE: ADDITIONAL DECALS ARE CALLED OUT ON DECALS INSTALLATION - OPTIONS.

ART\_1001218986

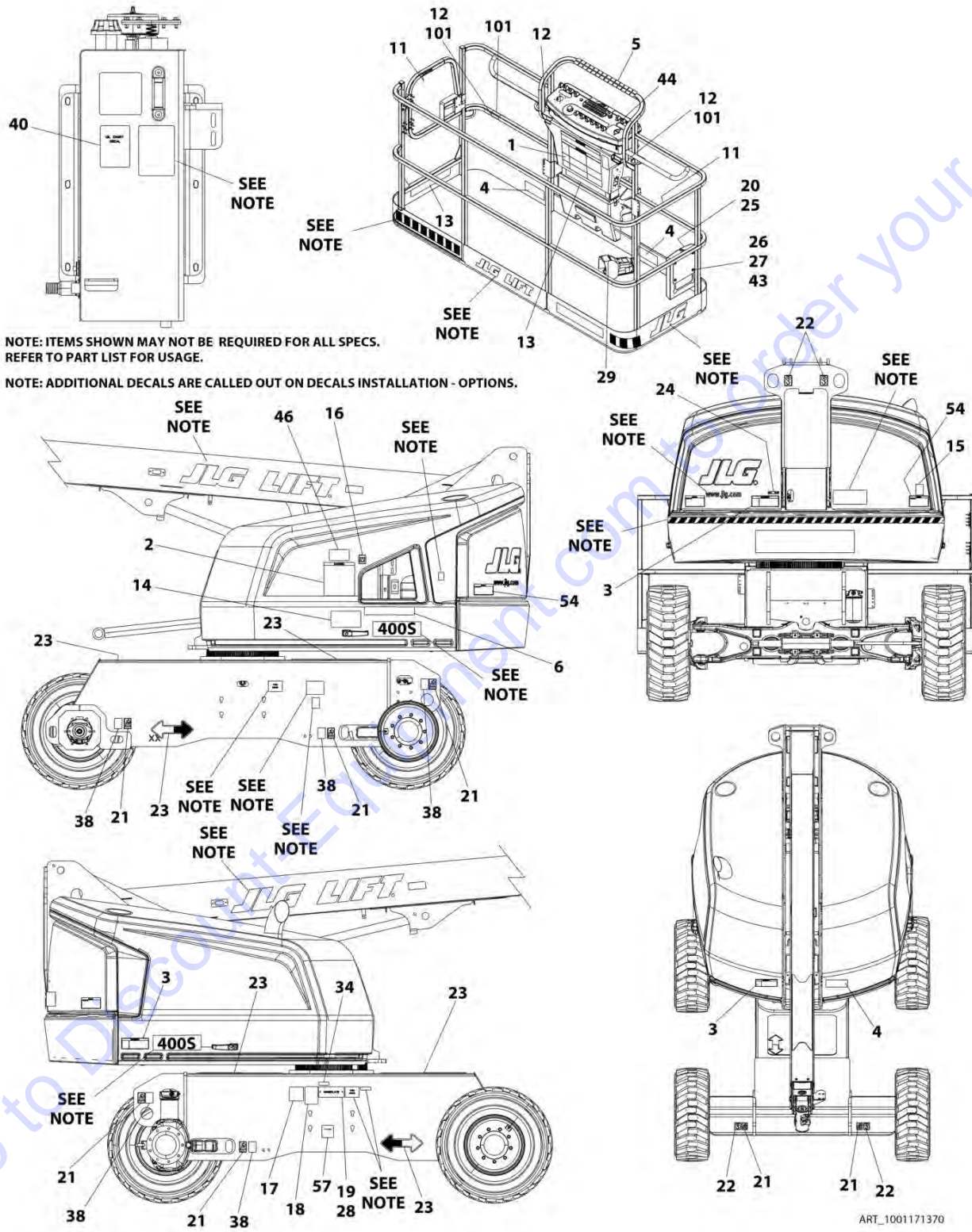
## SECTION 9 - DECALS

**FIGURE 9-15. DECAL INSTALLATION - CSA SPEC (DUAL LANGUAGE - ENGLISH/FRENCH) (460SJ WITH KUBOTA ENGINES)**

ITEM	PART NUMBER	QTY	DESCRIPTION	REV
	1001171545	Ref	DECAL INSTALLATION - REFERENCE CHART	M
	1001218986	Ref	DECAL INSTALLATION (CSA SPEC) (DUAL LANGUAGE - ENGLISH/FRENCH) (460SJ)	D
1	1703797	1	Decal - Danger/Warning (Platform)	
2	1703798	1	Decal - Danger/Warning (Ground Control)	
3	1703805	3	Decal - Danger/Electrocution	
4	1703804	3	Decal - Warning Crushing	
5	1001173262	1	Decal - Legend (Platform)	
6	1001216408	1	Decal - Legend (Ground Control)	
11	1702868	2	Decal - No Hands	
12	1704277	3	Decal - Attach Lanyard Here <b>(SN 0300203771 through 0300239021, SN E300000100 through E300005116, SN 1300007289 through 1300007393)</b>	
13	1001171353	2	Decal - Capacity (Platform)	
14	1001171353	1	Decal - Capacity (Ground Control)	
16	1701504	1	Decal - Hydraulic Oil	
17	See Note	NSS	Decal - Bar Code (Note: Not Available for Purchase)	
18	1001131269	1	Decal - Patent	
19	See Note	NSS	Nameplate - Serial Number (Note: Not Available for Purchase)	
20	1701509	1	Decal - Manual	
21	1702300	8	Decal - Tie Down	
22	1701500	4	Decal - Lift	
23	1701529	4	Decal - Arrow	
24	3251243	1	Nameplate - 120V-60Hz	
25	0860520	1	Box, Manual Storage	
26	4751400	4	Washer, 1/4	
27	3311405	4	Nut, Lock 1/4	
28	3820001	2	Rivet	
29	3820001	1	Decal - Footswitch	
34	1705514	1	CSA Spec Decals (English/French)	
38	1701499	6	Decal - No Lift	
40	1704412	1	Decal - Hydraulic Oil Chart	
43	0641406	4	Bolt, 1/4 x 3/4	
44	1705429	1	Decal - Drive/Steer Instructions	
54	1703942	2	Decal - Warning Crushing	
57	1001223971	1	Decal - Yearly Inspection	
58	1001223453	1	Decal - ICES <b>(SN 0300241476 to Present, SN E300005377 to Present)</b>	
100	1001232026	1	Decal - Platform Lanyard Kit (Not Shown) <b>(SN 0300239022 to Present, SN E300005117 to Present)</b>	
101	1704277	3	Decal - Attach Lanyard Here	

# SECTION 9 - DECALS

## FIGURE 9-16. DECAL INSTALLATION - JAPANESE SPEC (DUAL LANGUAGE - ENGLISH/JAPANESE) (400S)



ART\_1001171370

## SECTION 9 - DECALS

**FIGURE 9-16. DECAL INSTALLATION - JAPANESE SPEC (DUAL LANGUAGE - ENGLISH/JAPANESE)  
(400S)**

ITEM	PART NUMBER	QTY	DESCRIPTION	REV
	1001171545	Ref	DECAL INSTALLATION - REFERENCE CHART	M
	1001171370	Ref	DECAL INSTALLATION - JAPANESE SPEC (DUAL LANGUAGE - ENGLISH/JAPANESE) (400S)	F
1	1703926	1	Decal - Danger/Warning (Platform)	
2	1703932	1	Decal - Danger/Warning (Ground Control)	
3	1703938	3	Decal - Danger/Electrocution	
4	1703950	3	Decal - Warning Crushing	
5	1001173262	1	Decal - Legend (Platform)	
6	1001174313	1	Decal - Legend (Ground Control)	
12	1704277	3	Decal - Attach Lanyard Here <b>(SN 0300203771 through 0300239021, SN E300000100 through E300005116, SN 1300007289 through 1300007393)</b>	
13	1001171341	2	Decal - Capacity (Platform)	
14	1001171342	1	Decal - Capacity (Ground Control)	
16	1701504	1	Decal - Hydraulic Oil	
17	See Note	NSS	Decal - Bar Code (Note: Not Available for Purchase)	
19	See Note	NSS	Nameplate - Serial Number (Note: Not Available for Purchase)	
20	1701509	1	Decal - Manual	
21	1702300	8	Decal - Tie Down	
22	1701500	4	Decal - Lift	
23	1701529	4	Decal - Arrow	
25	0860520	1	Box, Manual Storage	
26	4751400	4	Washer, 1/4	
27	3311405	4	Nut, Lock 1/4	
28	3820001	2	Rivet	
29	1703980	1	Decal - Footswitch	
38	1701499	6	Decal - No Lift	
40	1704412	1	Decal - Hydraulic Oil Chart	
43	0641406	4	Bolt, 1/4 x 3/4	
44	1705426	1	Decal - Drive/Steer Instruction	
54	1703953	2	Decal - Warning Crushing	
57	1001224053	1	Decal - Yearly Inspection (Not Shown)	
100	1001232026	1	Decal - Platform Lanyard Kit (Not Shown) <b>(SN 0300239022 to Present, SN E300005117 to Present)</b>	
101	1704277	3	Decal - Attach Lanyard Here	





## SECTION 9 - DECALS

**FIGURE 9-17. DECAL INSTALLATION - JAPANESE SPEC (DUAL LANGUAGE - ENGLISH/JAPANESE)  
(460SJ)**

ITEM	PART NUMBER	QTY	DESCRIPTION	REV
	1001171545	Ref	DECAL INSTALLATION - REFERENCE CHART	M
	1001171371	Ref	DECAL INSTALLATION - JAPANESE SPEC (DUAL LANGUAGE - ENGLISH/JAPANESE) (460SJ)	F
1	1703926	1	Decal - Danger/Warning (Platform)	
2	1703932	1	Decal - Danger/Warning (Ground Control)	
3	1703938	3	Decal - Danger/Electrocution	
4	1703950	3	Decal - Warning Crushing	
5	1001173262	1	Decal - Legend (Platform)	
6	1001174313	1	Decal - Legend (Ground Control)	
12	1704277	3	Decal - Attach Lanyard Here <b>(SN 0300203771 through 0300239021, SN E300000100 through E300005116, SN 1300007289 through 1300007393)</b>	
13	1001171343	2	Decal - Capacity (Platform)	
14	1001171343	1	Decal - Capacity (Ground Control)	
16	1701504	1	Decal - Hydraulic Oil	
17	See Note	NSS	Decal - Bar Code (Note: Not Available for Purchase)	
19	See Note	NSS	Nameplate - Serial Number (Note: Not Available for Purchase)	
20	1701509	1	Decal - Manual	
21	1702300	8	Decal - Tie Down	
22	1701500	4	Decal - Lift	
23	1701529	4	Decal - Arrow	
25	0860520	1	Box, Manual Storage	
26	4751400	4	Washer, 1/4	
27	3311405	4	Nut, Lock 1/4	
28	3820001	2	Rivet	
29	1703980	1	Decal - Footswitch	
38	1701499	6	Decal - No Lift	
40	1704412	1	Decal - Hydraulic Oil Chart	
43	0641406	4	Bolt, 1/4 x 3/4	
44	1705426	1	Decal - Drive/Steer Instruction	
54	1703953	2	Decal - Warning Crushing	
57	1001224053	1	Decal - Yearly Inspection (Not Shown)	
100	1001232026	1	Decal - Platform Lanyard Kit (Not Shown) <b>(SN 0300239022 to Present, SN E300005117 to Present)</b>	
101	1704277	3	Decal - Attach Lanyard Here	



## SECTION 9 - DECALS

**FIGURE 9-18. DECAL INSTALLATION - KOREAN SPEC (DUAL LANGUAGE - ENGLISH/KOREAN)  
(400S)**

ITEM	PART NUMBER	QTY	DESCRIPTION	REV
	1001171545	Ref	DECAL INSTALLATION - REFERENCE CHART	M
	1001171372	Ref	DECAL INSTALLATION - KOREAN SPEC (DUAL LANGUAGE - ENGLISH/KOREAN) (400S)	F
1	1703927	1	Decal - Danger/Warning (Platform)	
2	1703933	1	Decal - Danger/Warning (Ground Control)	
3	1703939	3	Decal - Danger/Electrocution	
4	1703951	3	Decal - Warning Crushing	
5	1001173262	1	Decal - Legend (Platform)	
6	1001174313	1	Decal - Legend (Ground Control)	
12	1704277	3	Decal - Attach Lanyard Here <b>(SN 0300203771 through 0300239021, SN E300000100 through E300005116, SN 1300007289 through 1300007393)</b>	
13	1001171345	2	Decal - Capacity (Platform)	
14	1001171346	1	Decal - Capacity (Ground Control)	
16	1701504	1	Decal - Hydraulic Oil	
17	See Note	NSS	Decal - Bar Code (Note: Not Available for Purchase)	
19	See Note	NSS	Nameplate - Serial Number (Note: Not Available for Purchase)	
20	1701509	1	Decal - Manual	
21	1702300	8	Decal - Tie Down	
22	1701500	4	Decal - Lift	
23	1701529	4	Decal - Arrow	
25	0860520	1	Box, Manual Storage	
26	4751400	4	Washer, 1/4	
27	3311405	4	Nut, Lock 1/4	
28	3820001	2	Rivet	
29	1703981	1	Decal - Footswitch	
38	1701499	6	Decal - No Lift	
40	1704412	1	Decal - Hydraulic Oil Chart	
43	0641406	4	Bolt, 1/4 x 3/4	
44	1705427	1	Decal - Drive/Steer Instruction	
54	1703953	2	Decal - Warning Crushing	
57	1001224048	1	Decal - Yearly Inspection (Not Shown)	
100	1001232026	1	Decal - Platform Lanyard Kit (Not Shown) <b>(SN 0300239022 to Present, SN E300005117 to Present)</b>	
101	1704277	3	Decal - Attach Lanyard Here	



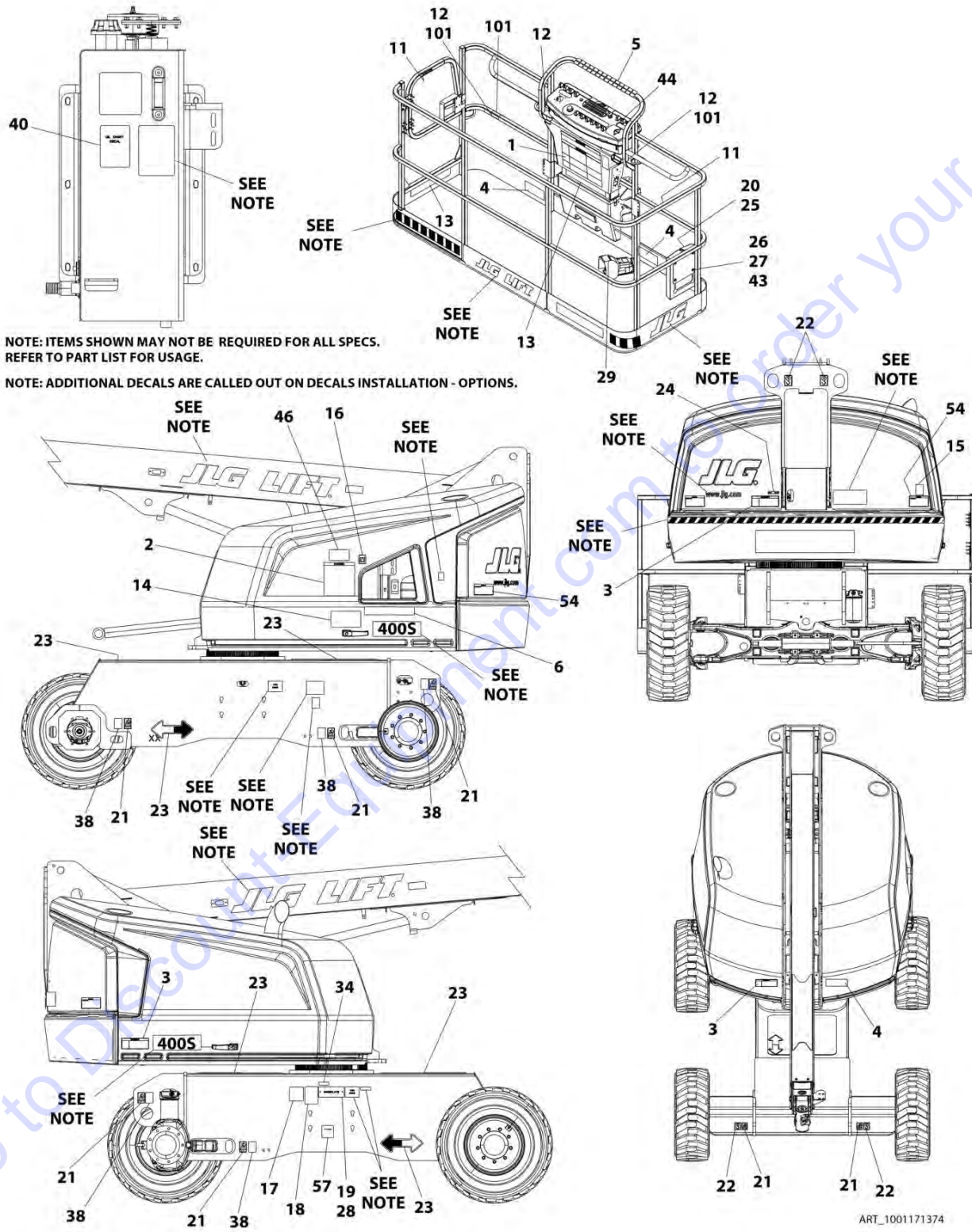
## SECTION 9 - DECALS

**FIGURE 9-19. DECAL INSTALLATION - KOREAN SPEC (DUAL LANGUAGE - ENGLISH/KOREAN)  
(460SJ)**

ITEM	PART NUMBER	QTY	DESCRIPTION	REV
	1001171545	Ref	DECAL INSTALLATION - REFERENCE CHART	M
	1001171373	Ref	DECAL INSTALLATION - KOREAN SPEC (DUAL LANGUAGE - ENGLISH/KOREAN) (460SJ)	F
1	1703927	1	Decal - Danger/Warning (Platform)	
2	1703933	1	Decal - Danger/Warning (Ground Control)	
3	1703939	3	Decal - Danger/Electrocution	
4	1703951	3	Decal - Warning Crushing	
5	1001173262	1	Decal - Legend (Platform)	
6	1001174313	1	Decal - Legend (Ground Control)	
12	1704277	3	Decal - Attach Lanyard Here <b>(SN 0300203771 through 0300239021, SN E300000100 through E300005116, SN 1300007289 through 1300007393)</b>	
13	1001171347	2	Decal - Capacity (Platform)	
14	1001171347	1	Decal - Capacity (Ground Control)	
16	1701504	1	Decal - Hydraulic Oil	
17	See Note	NSS	Decal - Bar Code (Note: Not Available for Purchase)	
19	See Note	NSS	Nameplate - Serial Number (Note: Not Available for Purchase)	
20	1701509	1	Decal - Manual	
21	1702300	8	Decal - Tie Down	
22	1701500	4	Decal - Lift	
23	1701529	4	Decal - Arrow	
25	0860520	1	Box, Manual Storage	
26	4751400	4	Washer, 1/4	
27	3311405	4	Nut, Lock 1/4	
28	3820001	2	Rivet	
29	1703981	1	Decal - Footswitch	
38	1701499	6	Decal - No Lift	
40	1704412	1	Decal - Hydraulic Oil Chart	
43	0641406	4	Bolt, 1/4 x 3/4	
44	1705427	1	Decal - Drive/Steer Instruction	
54	1703953	2	Decal - Warning Crushing	
57	1001224048	1	Decal - Yearly Inspection (Not Shown)	
100	1001232026	1	Decal - Platform Lanyard Kit (Not Shown) <b>(SN 0300239022 to Present, SN E300005117 to Present)</b>	
101	1704277	3	Decal - Attach Lanyard Here	

# SECTION 9 - DECALS

## FIGURE 9-20. DECAL INSTALLATION - LATIN AMERICAN SPEC (DUAL LANGUAGE - ENGLISH/SPANISH) (400S)



ART\_1001171374

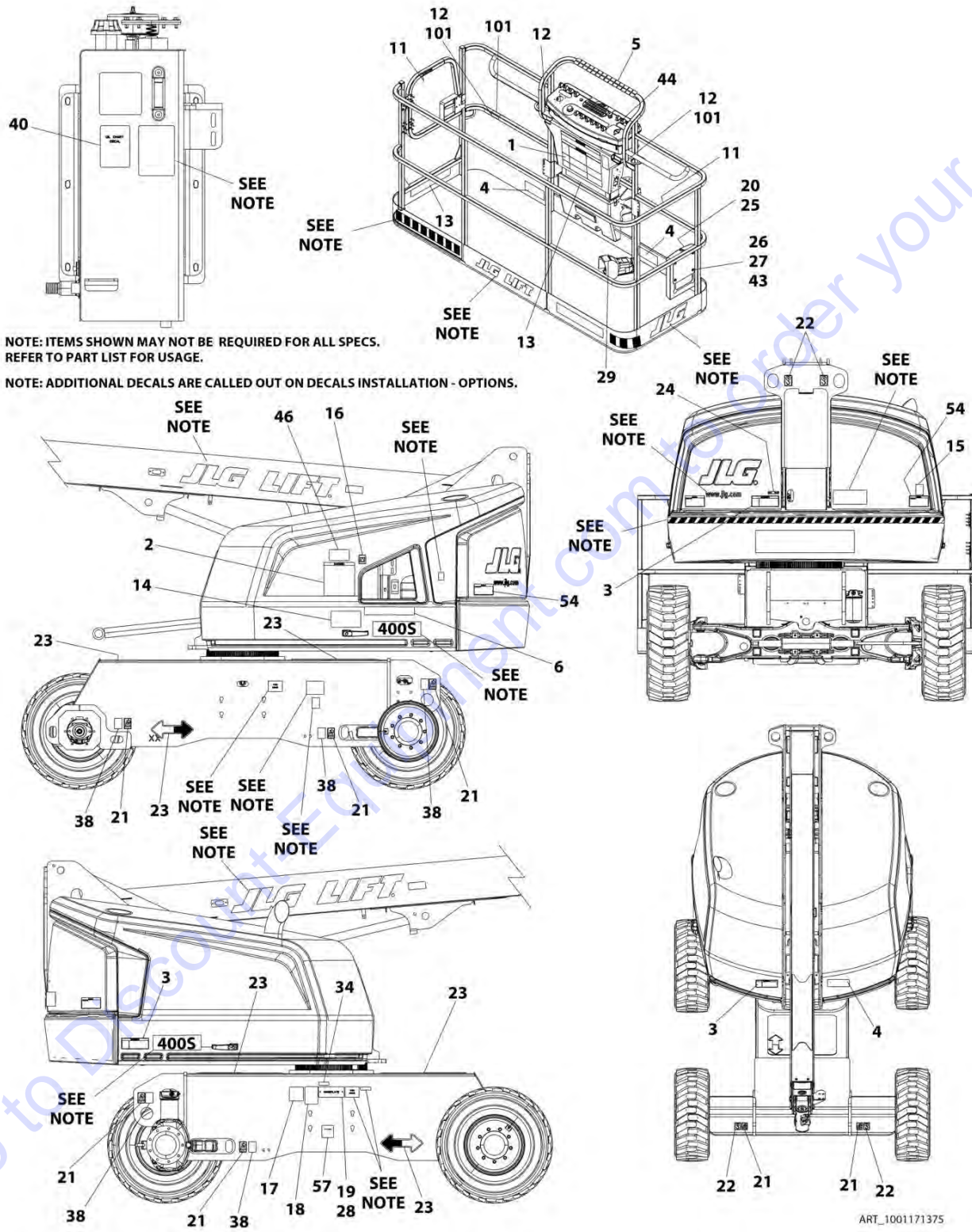
## SECTION 9 - DECALS

**FIGURE 9-20. DECAL INSTALLATION - LATIN AMERICAN SPEC (DUAL LANGUAGE - ENGLISH/SPANISH) (400S)**

ITEM	PART NUMBER	QTY	DESCRIPTION	REV
	1001171545	Ref	DECAL INSTALLATION - REFERENCE CHART	M
	1001171374	Ref	DECAL INSTALLATION - LATIN AMERICAN SPEC (DUAL LANGUAGE - ENGLISH/SPANISH) (400S)	F
1	1703923	1	Decal - Danger/Warning (Platform)	
2	1703929	1	Decal - Danger/Warning (Ground Control)	
3	1703935	3	Decal - Danger/Electrocution	
4	1703947	3	Decal - Warning Crushing	
5	1001173262	1	Decal - Legend (Platform)	
6	1001174313	1	Decal - Legend (Ground Control)	
11	1704001	2	Decal - No Hands	
12	1704277	3	Decal - Attach Lanyard Here <b>(SN 0300203771 through 0300239021, SN E300000100 through E300005116, SN 1300007289 through 1300007393)</b>	
13	1001171349	2	Decal - Capacity (Platform)	
14	1001171350	1	Decal - Capacity (Ground Control)	
16	1701504	1	Decal - Hydraulic Oil	
17	See Note	NSS	Decal - Bar Code (Note: Not Available for Purchase)	
19	See Note	NSS	Nameplate - Serial Number (Note: Not Available for Purchase)	
20	1701509	1	Decal - Manual	
21	1702300	8	Decal - Tie Down	
22	1701500	4	Decal - Lift	
23	1701529	4	Decal - Arrow	
24	3251243	1	Nameplate - 120V-60Hz	
25	0860520	1	Box, Manual Storage	
26	4751400	4	Washer, 1/4	
27	3311405	4	Nut, Lock 1/4	
28	3820001	2	Rivet	
29	1703983	1	Decal - Footswitch	
38	1701499	6	Decal - No Lift	
40	1704412	1	Decal - Hydraulic Oil Chart	
43	0641406	4	Bolt, 1/4 x 3/4	
44	1705910	1	Decal - Drive/Steer Instruction	
54	1703953	2	Decal - Warning Crushing	
57	1001224049	1	Decal - Yearly Inspection (Not Shown)	
100	1001232026	1	Decal - Platform Lanyard Kit (Not Shown) <b>(SN 0300239022 to Present, SN E300005117 to Present)</b>	
101	1704277	3	Decal - Attach Lanyard Here	

# SECTION 9 - DECALS

## FIGURE 9-21. DECAL INSTALLATION - LATIN AMERICAN SPEC (DUAL LANGUAGE - ENGLISH/SPANISH) (460SJ)



ART\_1001171375



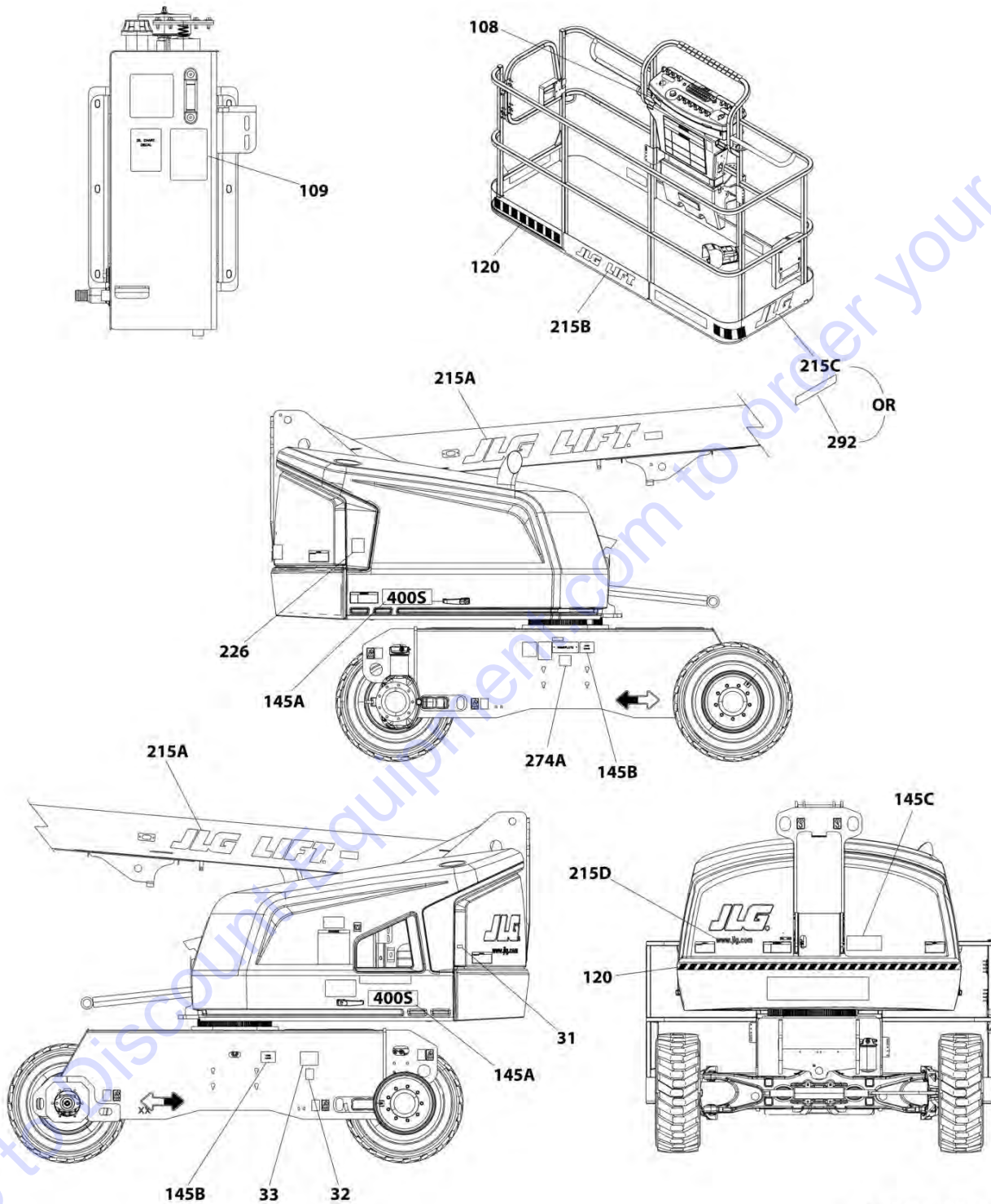
## SECTION 9 - DECALS

**FIGURE 9-21. DECAL INSTALLATION - LATIN AMERICAN SPEC (DUAL LANGUAGE - ENGLISH/SPANISH) (460SJ)**

ITEM	PART NUMBER	QTY	DESCRIPTION	REV
	1001171545	Ref	DECAL INSTALLATION - REFERENCE CHART	M
	1001171375	Ref	DECAL INSTALLATION - LATIN AMERICAN SPEC (DUAL LANGUAGE - ENGLISH/SPANISH) (460SJ)	G
1	1703923	1	Decal - Danger/Warning (Platform)	
2	1703929	1	Decal - Danger/Warning (Ground Control)	
3	1703935	3	Decal - Danger/Electrocution	
4	1703947	3	Decal - Warning Crushing	
5	1001173262	1	Decal - Legend (Platform)	
6	1001174313	1	Decal - Legend (Ground Control)	
11	1704001	2	Decal - No Hands	
12	1704277	3	Decal - Attach Lanyard Here <b>(SN 0300203771 through 0300239021, SN E300000100 through E300005116, SN 1300007289 through 1300007393)</b>	
13	1001171337	2	Decal - Capacity (Platform)	
14	1001171337	1	Decal - Capacity (Ground Control)	
16	1701504	1	Decal - Hydraulic Oil	
17	See Note	NSS	Decal - Bar Code (Note: Not Available for Purchase)	
19	See Note	NSS	Nameplate - Serial Number (Note: Not Available for Purchase)	
20	1701509	1	Decal - Manual	
21	1702300	8	Decal - Tie Down	
22	1701500	4	Decal - Lift	
23	1701529	4	Decal - Arrow	
24	3251243	1	Nameplate - 120V-60Hz	
25	0860520	1	Box, Manual Storage	
26	4751400	4	Washer, 1/4	
27	3311405	4	Nut, Lock 1/4	
28	3820001	2	Rivet	
29	1703983	1	Decal - Footswitch	
38	1701499	6	Decal - No Lift	
40	1704412	1	Decal - Hydraulic Oil Chart	
43	0641406	4	Bolt, 1/4 x 3/4	
44	1705910	1	Decal - Drive/Steer Instruction	
54	1703953	2	Decal - Warning Crushing	
57	1001224049	1	Decal - Yearly Inspection (Not Shown)	
100	1001232026	1	Decal - Platform Lanyard Kit (Not Shown) <b>(SN 0300239022 to Present, SN E300005117 to Present)</b>	
101	1704277	3	Decal - Attach Lanyard Here	

# SECTION 9 - DECALS

## FIGURE 9-22. DECAL INSTALLATION - OPTIONS



ART\_DECAL OPTIONS

## SECTION 9 - DECALS

### FIGURE 9-22. DECAL INSTALLATION - OPTIONS

ITEM	PART NUMBER	QTY	DESCRIPTION	REV
	1001171545	Ref	DECAL INSTALLATION - REFERENCE CHART	M
	1001166224	Ref	DECAL INSTALLATION - OPTIONS	Q
31	1701505	1	Decal - Diesel Fuel	
31	1701542	1	Decal - Gas	
32	1701543	1	Decal - LPG	
33	1700818	1	Decal - LP Gas Liquid Withdrawal System (ANSI Spec)	
33	1704271	1	Decal - LP Gas Liquid Withdrawal System (CSA Spec)	
33	1702720	1	Decal - LP Gas Liquid Withdrawal System (ANSI Export and China Specs)	
33	1001119661	1	Decal - LP Gas Liquid Withdrawal System (ANSI, ANSI Export and China Specs)	
108	1001231801	1	Decal - Proposition 65 (Diesel Machines) (USA Built Machines) <b>(SN 0300246560 to Present)</b>	
108	1001236338	1	Decal - Proposition 65 (Gas Machines) (USA Built Machines) <b>(SN 0300246560 through 0300256523)</b>	
109	1702788	1	Decal - Biodegradeable Hydraulic Fluid (All Specs except German Spec)	
109	1703479	1	Decal - Biodegradeable Hydraulic Fluid (German Spec)	
109	1704174	1	Decal - SYN Biodegradeable Hydraulic Fluid (All Specs except German Spec)	
109	1704175	1	Decal - SYN Biodegradeable Hydraulic Fluid (German Spec)	
120	1001178415	Ref	Warning Strip Installation (Not Shown)	A
120	4420051	14.5 ft /4.42m	Tape, Safety	
145	1001174349	Ref	Decal - Model Designation (400S) (Not Shown)	B
145	1001174350	Ref	Decal - Model Designation (460SJ) (Not Shown)	B
145A	1704472	2	Decal - 400S	
145A	1704473	2	Decal - 460SJ	
145B	1001195745	2	Decal - Max Tire Load (400S)	
145B	1001195746	2	Decal - Max Tire Load (460SJ)	
145C	1001177451	1	Decal - Lift Diagram	
215	1001178433	Ref	Decal Installation - JLG Logo (Not Shown)	A
215A	1702861	2	Decal - JLG	
215B	1702774	1	Decal - JLG	
215C	1702773	1	Decal - JLG	
215D	1704885	1	Decal - Website	
226		Ref	Decal - Warning Explosion/Fire (Diesel Machines Only)	
226	1704972	1	Decal - Warning Explosion/Fire (ANSI Spec)	
226	1706064	1	Decal - Warning Explosion/Fire (CSA Spec - Dual Language English/French)	
226	1706098	1	Decal - Warning Explosion/Fire Australian and CE Specs)	
226	1706059	1	Decal - Warning Explosion/Fire (Brazil Spec - Dual Language English/Portuguese)	
226	1706060	1	Decal - Warning Explosion/Fire (Chinese Spec - Dual Language English/Chinese)	
226	1706061	1	Decal - Warning Explosion/Fire (Korean Spec - Dual Language English/Korean)	
226	1706062	1	Decal - Warning Explosion/Fire (Japanese Spec - Dual Language English/Japanese)	
226	1706063	1	Decal - Warning Explosion/Fire (Latin American - Dual Language English/Spanish)	
253	1001143852	1	Decal - Emission Compliance (Machines with Diesel Engines) (ANSI Export, Australian, CE and China Specs) (Not Shown)	

## SECTION 9 - DECALS

ITEM	PART NUMBER	QTY	DESCRIPTION	REV
274	1001214029	1	Decal - EAC Installation (CIS and Russia Specs)	
274A	1001173703	1	Decal - EAC	
292	1001171335	1	Decal - Dual Capacity (ANSI Spec)	
292	1001171337	1	Decal - Max Capacity (ANSI Spec)	
292	1001171359	1	Decal - Dual Capacity (Brazil Spec - Dual Language Portuguese/Spanish)	
292	1001171361	1	Decal - Max Capacity (Brazil Spec - Dual Language Portuguese/Spanish)	
292	1001171355	1	Decal - Dual Capacity (Chinese Spec - Dual Language English/Chinese)	
292	1001171357	1	Decal - Max Capacity (Chinese Spec - Dual Language English/Chinese)	
292	1001171351	1	Decal - Dual Capacity (CSA Spec - Dual Language English/French)	
292	1001171353	1	Decal - Max Capacity (CSA Spec - Dual Language English/French)	
292	1001171345	1	Decal - Dual Capacity (Korean Spec - Dual Language English/Korean)	
292	1001171347	1	Decal - Max Capacity (Korean Spec - Dual Language English/Korean)	
292	1001171349	1	Decal - Dual Capacity (Latin American - Dual Language English/Spanish)	
292	1001171337	1	Decal - Max Capacity (Latin American - Dual Language English/Spanish)	
292	1001171341	1	Decal - Dual Capacity (Japanese Spec - Dual Language English/Japanese)	
292	1001171343	1	Decal - Max Capacity (Japanese Spec - Dual Language English/Japanese)	

**SECTION 10 - RECOMMENDED SERVICE PARTS STOCK**

**SECTION 10 - RECOMMENDED SERVICE PARTS STOCK**

Go to [Discount-Equipment.com](http://Discount-Equipment.com) to order your parts

# SECTION 10 - RECOMMENDED SERVICE PARTS STOCK

## FIGURE 10-1. RECOMMENDED SERVICE PARTS STOCK

ITEM	PART NUMBER	QTY	DESCRIPTION	REV
		Ref	Note: The following list will service one machine (built to current production per date on the front cover) with emergency repair parts which can be installed in the field. Parts from the list should be replaced when inventory is depleted to keep service parts stock supplied. For further information.	
		Ref	STANDARD PARTS	
	7024885	1	Coil	
	70002386	1	Coil	
	70003788	1	Coil	
	70004897	1	Coil	
	1001166538	1	Controller Assembly (Drive and Steer)	
	1001166539	1	Controller Assembly (Lift and Swing)	
	70010383	1	Element, Filter Charge Pump (Includes O-Ring)	
	70002838	1	Fill Cap Assembly (Includes Cap, Chain and Fill Basket)	
	70003614	1	Filter Kit (Includes Hydraulic Element, Breather Element and Gasket)	
	3740067	1	Relay	
	3740140	1	Relay	
	2860030	1	Key, Replacement	
	4360328	1	Switch, Toggle	
	4360387	1	Switch, Push Button	
	4360475	1	Switch, Emergency Stop	
	4360476	1	Switch, Contact Block	
	4360407	1	Switch, Potentiometer	
	1001155045	1	Switch, Toggle	
	1001159256	1	Switch, Toggle	
	1001161709	1	Switch, Toggle	
		Ref	VARIABLE PARTS	
	1001181045	1	Breaker, 30mA/16 Amp	
	70003783	12	Element, Air Cleaner (Deutz 2.9L4 and Deutz D2011 Engines)	
	1001147813	12	Element, Air Cleaner (Kubota Engines)	
	70004020	12	Element, Air Cleaner (GM Engines)	
	7016331	12	Filter, Oil (Deutz Engines)	
	70006023	1	Filter, Oil (Kubota Engines)	
	7027965	12	Filter, Oil (GM Engines)	
	70025153	12	Filter, Fuel (Deutz 2.9L4 Engines)	
	70025161	12	Filter, Fuel (Deutz 2.9L4 Engines)	
	7020023	12	Filter, Fuel (Deutz D2011 Engines)	
	70003463	12	Filter, Fuel - RME Resistant (Deutz D2011 and Deutz D2011 (Stage V) Engines)	
	7027972	12	Filter, Fuel (GM Engines)	
	7017992	12	Filter, Fuel (Kubota Engines)	
	1001196634	1	Fuse - 2Amp	
	8229242	1	Fuse - 5Amp	
	80983191	1	Fuse - 10Amp	
	8229244	1	Fuse - 15Amp	
	70023592	1	Fuse - 20Amp	
	70023593	1	Fuse - 30Amp	
	2400082	1	Fuse - 40 Amp	

## SECTION 10 - RECOMMENDED SERVICE PARTS STOCK

ITEM	PART NUMBER	QTY	DESCRIPTION	REV
	2940074	1	Latch (Machines with Gate)	
	1001170094	1	Module, Ground Control	
	1001138228	1	Module, Power Relay	
	70025210	1	Module, ECU (Deutz 2.9L4 Engines)	
	70002895	1	Module, ECU (GM Engines)	
	70006061	1	Module, ECU (Kubota Engines)	
	1001157196	1	Module, Platform Control	
	1001142683	1	Module, Beacon Light Control	
	1001161710	1	Switch, Toggle (Dual Fuel Machines - GM and Kubota Engines)	
	4360336	1	Switch, Toggle (Generator Option)	
	4360057	1	Switch, Limit (Soft Touch Option)	
	4360387	1	Switch, Toggle (Soft Touch Option)	
	1001137673	1	Switch, SkyGuard Assembly (CE Specs Machines)	

Go to Discount-Equipment.com to order your parts





**SECTION 11 - SPECIAL OPTIONS**

Go to [Discount-Equipment.com](http://Discount-Equipment.com) to order your parts

## SECTION 11 - SPECIAL OPTIONS

FIGURE 11-1. SPECIAL OPTIONS

ITEM	PART NUMBER	QTY	DESCRIPTION	REV
		Ref	Note: This list is to accommodate machines ordered with special equipment. Options may not be applicable to all models.	
		Ref	MISCELLANEOUS SPECIAL OPTIONS	
	1001100326	Ref	AC Box at Platform - 110V IEC Yellow (CE Spec) <b>(SN 0300203771 through 0300220609)</b>	
	1001100327	Ref	AC Box at Platform - 220V IEC Blue (CE Spec) <b>(SN 0300203771 through 0300220609)</b>	
	1001100331	Ref	AC Box at Platform - 220V CEE7 2 x 4 Post Ground (CE Spec) <b>(SN 0300203771 through 0300220609)</b>	
	1001100333	Ref	AC Box at Platform - 220V CEE7 2 x 4 Side Ground (CE Spec) <b>(SN 0300203771 through 0300220609)</b>	
	1001100337	Ref	AC Box at Platform - 220V AFSINT 107 Keyed Ground (CE Spec) <b>(SN 0300203771 through 0300220609)</b>	
	1001173606	Ref	Airline Installation - 400S (Machines without Arctic Package) <b>(SN 0300203771 through 0300212083)</b>	
	1001173607	Ref	Airline Installation - 460SJ (Machines without Arctic Package) <b>(SN 0300203771 through 0300212083)</b>	
	1001174347	Ref	Airline Installation - 400S	
	1001174348	Ref	Airline Installation - 460SJ	
	1001209618	Ref	Alarm White Noise Installation <b>(SN 0300220610 to Present)</b>	
	1001204996	Ref	Arctic Package with SkyPower Installation Kit (400S Only)	
	1001204997	Ref	Arctic Package without SkyPower Installation Kit (400S Only)	
	1001205008	Ref	Arctic Package with SkyPower Installation Kit (460SJ Only)	
	1001205009	Ref	Arctic Package without SkyPower Installation Kit (460SJ Only)	
	2915102	Ref	Bearing Kit	
	1001171499	Ref	Boom and Chassis Bellows Installation (400S Only)	
	1001171500	Ref	Boom and Chassis Bellows Installation (460SJ Only)	
	1001234099	Ref	Boom Kit - Telematics (CE Spec)	
	1001206437	Ref	Boom Wear Pad Kit	
	1001172630	Ref	Boom Wiper Installation	
	1001116420	Ref	Cable Carrier Tray Installation (460SJ Machines Only) (Australian Specs) <b>(SN 0300203771 through 0300224615, SN E300000100 through E300003918)</b>	
	1001172045	Ref	Cable Carrier Tray Installation (460SJ Machines Only) (Australian Specs) <b>(SN 0300224616 to Present, SN E300003919 to Present)</b>	
	1001175239	Ref	Cables and Clamps Installation - 4000W Generator 60Hz (400S Only)	
	1001175241	Ref	Cables and Clamps Installation - 4000W Generator 60Hz (460SJ Only)	
	1001173600	Ref	Cables and Clamps Installation - SkyPower (400S Only)	
	1001173602	Ref	Cables and Clamps Installation - SkyPower (460SJ Only) <b>(SN 0300203771 through 0300212083)</b>	
	1001173605	Ref	Cables and Clamps Installation - SkyPower (460SJ Only)	
	1001177952	Ref	ClearSky (Telematics) Installation (Factory Installed) (ANSI Specs) Note: Refer to Manual Supplement p/n 3128499 for available replacement parts.	
	1001177953	Ref	ClearSky (Telematics) Installation (Factory Installed) (CSA Specs) Note: Refer to Manual Supplement p/n 3128499 for available replacement parts.	
	1001177955	Ref	ClearSky (Telematics) Installation (Factory Installed) (Brazil and New Zealand Specs) Note: Refer to Manual Supplement p/n	

## SECTION 11 - SPECIAL OPTIONS

ITEM	PART NUMBER	QTY	DESCRIPTION	REV
			3128499 for available replacement parts.	
	1001243183	Ref	ClearSky (Telematics) Added-on-Kit (Dealer Installed) (ANSI, ANSI Export, CSA and CE Specs)	
	1001243184	Ref	ClearSky (Telematics) Added-on-Kit (Dealer Installed) (CE Specs)	
	1001177954	Ref	ClearSky (Telematics) Installation (Factory Installed) (Australian Spec) Note: Refer to Manual Supplement p/n 3128499 for available replacement parts.	
	1001242639	Ref	ClearSky (Telematics) Access Control Installation (Dealer Installed) (ANSI, ANSI Export, CSA and CE Specs)	
	1001227453	Ref	ClearSky Installation (ANSI and CSA Specs) <b>(SN 0300234470 to Present)</b>	
	1001228955	Ref	ClearSky Installation (ANSI Export and CE Specs) <b>(SN E300005157 to Present)</b>	
	1001229107	Ref	ClearSky (Telematics) Installation (ANSI and CSA Specs) <b>(SN 0300234470 to Present)</b>	
	1001233237	Ref	ClearSky Installation (ANSI Export and CE Specs) <b>(SN E300005157 to Present)</b>	
	1001183207	Ref	Cold Weather Package - Deutz D2011 Engines	
	1001183206	Ref	Cold Weather Package - Deutz D2.9L4 Engines	
	1001183208	Ref	Cold Weather Package - GM Engines	
	1001216914	Ref	Cold Weather Package - Kubota Engines	
	1001177840	Ref	Container/Transport Wheels Installation - 12 x 16.5 Tires	
	1001177841	Ref	Container/Transport Wheels Installation - 14 x 17.5 Tires	
	0272031	Ref	Container/Transport Wheels Installation - 33/16LI x 16.1 Foam Filled Sand Tires	
	1001177524	Ref	Cribbing Switch Installation (ANSI and CSA Specs)	
	1001196610	Ref	Decal - Ahern Rentals	
	1001196717	Ref	Decal - Blueline Rentals	
	1001178431	Ref	Decal - Boels Rentals	
	1001178435	Ref	Decal - ClearSky	
	1001241339	Ref	Decal Kit - Platform (400S)	
	1001241340	Ref	Decal Kit - Platform Console Box	
	1001241341	Ref	Decal Kit - Platform (460SJ)	
	1001178424	Ref	Decal - Head and Enquist Equipment (H & E)	
	1001178420	Ref	Decal - Hertz	
	1001222196	Ref	Decals - Hertz (Canada)	
	1001178428	Ref	Decal - Hewitt The Rental Store (English)	
	1001178429	Ref	Decal - Hewitt The Rental Store (French)	
	1001221879	Ref	Decal - Herc Rentals	
	1703175	Ref	Decal - Lanyard Attach (GM K-1 Spec) <b>(SN 0300203771 through 0300212083)</b>	
	1001178426	Ref	Decal - Leavitt	
	1001178421	Ref	Decal - National Equipment Services (NES)	
	1702868	Ref	Decal - No Hands (English Language) (Used with Mesh to Top Rail Platform)	
	1704000	Ref	Decal - No Hands (English and French Dual Language) (Used with Mesh to Top Rail Platform)	
	1001200128	Ref	Decal - Quick Start Guide (CE Spec) (French Decal) (For LOXAM Rentals Only)	
	1001200129	Ref	Decal - Quick Start Guide (CE Spec) (Dutch Decal) (For LOXAM Rentals Only)	
	1001200130	Ref	Decal - Quick Start Guide (CE Spec) (German Decal) (For LOXAM Rentals Only)	
	1001200131	Ref	Decal - Quick Start Guide (CE Spec) (Danish Decal) (For	

## SECTION 11 - SPECIAL OPTIONS

ITEM	PART NUMBER	QTY	DESCRIPTION	REV
			LOXAM Rentals Only)	
	1001200132	Ref	Decal - Quick Start Guide (CE Spec) (Swedish Decal) (For LOXAM Rentals Only)	
	1001200133	Ref	Decal - Quick Start Guide (CE Spec) (Spanish Decal) (For LOXAM Rentals Only)	
	1001200134	Ref	Decal - Quick Start Guide (CE Spec) (Norwegian Decal) (For LOXAM Rentals Only)	
	1001181145	Ref	Decal - Quick Start Guide (CE Spec) (English Decal) (For LOXAM Rentals Only)	
	1001218717	Ref	Decal - Riwal Installation	
	1001178425	Ref	Decal - RSC Equipment Rental	
	0272589	Ref	Decal - SkyPower (50Hz)	
	0272435	Ref	Decal - SkyPower (60Hz)	
	1001141300	Ref	Decal - SkyGuard Override	
	1001141302	Ref	Decal - SkyGuard/Soft Touch Override	
	1001178418	Ref	Decal - Sunbelt Rentals (Standard)	
	1001199862	Ref	Decal - Sunbelt Rentals (Aftermarket)	
	1001214691	Ref	Decal - Sunstate Rentals	
	1001235119	Ref	Decal - Thompson Cat Rental	
	1001178430	Ref	Decal - Titan Rentals	
	1001178419	Ref	Decal - United Rentals	
	1001178427	Ref	Decal - Volvo Rents	
	1001213068	Ref	Decal Kit - Console Box	
	1001213066	Ref	Decal Kit - Machine	
	1001213070	Ref	Decal Kit - Platform	
	1001148902	Ref	Electrical Connector Kit - Amp/Tyco Electrical Connectors	
	1001148903	Ref	Electrical Connector Kit - Deutsch DT Electrical Connectors	
	1001148904	Ref	Electrical Connector Kit - Deutsch HD Electrical Connectors	
	1001148905	Ref	Electrical Connector Kit - Packard Electrical Connectors	
	1001148906	Ref	Electrical Connector Kit - Various Electrical Connectors	
	0275055	Ref	Engine Block Heater - GM Engines	
	1001214833	Ref	Engine Block Heater - Kubota Engines	
	1001246867	Ref	Enhanced Detection System (EDS) Level 1 (2 Bar) Installation Kit	
	1001246860	Ref	Enhanced Detection System (EDS) Level 2 (3 Bar) Installation Kit	
	1001236746	Ref	Fall Arrest Bolt Installation Kit - 96in	
	1001236747	Ref	Fall Arrest Bolt Installation Kit - 72in	
	1001238463	Ref	Fall Arrest Bolt Installation Kit - 72in	
	1001172751	Ref	Fan Cover Installation - Deutz D2.9L4 Engines	
	1001204482	Ref	Filter Kit - Combined (Hydraulic Oil/Air & Engine Air/Fuel Oil) (Deutz)	
	1001206434	Ref	Filter Kit - Combined (Hydraulic Oil/Air & Engine Air/Fuel Oil) (GM)	
	1001117294	Ref	Footswitch Shield Installation	
	1001180799	Ref	Generator Installation - 2500W/50Hz (Deutz D2011) ( <b>SN 0300203771 through 0300220609</b> )	
	1001202944	Ref	Hose Kit - Axle (Front) (Without Arctic Package)	
	1001202945	Ref	Hose Kit - Axle (Front) (With Arctic Package)	
	1001202943	Ref	Hose Kit - Axle (Rear)	
	1001202941	Ref	Hose Kit - Boom (400S)	
	1001202942	Ref	Hose Kit - Boom (460SJ)	
	1001202940	Ref	Hose Kit - Boom (Upper)	
	1001214614	Ref	Hose Kit (Front Hydraulic - 2WD)	
	1001206439	Ref	Hose Kit - Power Track (Upper) (400S)	

## SECTION 11 - SPECIAL OPTIONS

ITEM	PART NUMBER	QTY	DESCRIPTION	REV
	1001206440	Ref	Hose Kit - Power Track (Upper) (460SJ)	
	1001202946	Ref	Hose Kit - Turntable	
	1001202947	Ref	Hose Kit - Turntable	
	1001202948	Ref	Hose Kit - Turntable	
	1001204921	Ref	Hostile Environment Kit, 400S	
	1001204922	Ref	Hostile Environment Kit, 460SJ	
	2300014	Ref	Hydraulic Fluid - Mobil #424	
	2300016	Ref	Hydraulic Fluid - Mobil DTE 13	
	2300021	Ref	Hydraulic Fluid - Union Carbide Ucon Hydrolube HP-5046D (Fire Resistant)	
	2300027	Ref	Hydraulic Fluid - Mobil EAL 224H Bio	
	2300029	Ref	Hydraulic Fluid - Mobil EAL Envirosyn H46 Bio	
	2300039	Ref	Hydraulic Fluid - Exxon Unavis HVI 26 (Use with Arctic Package)	
	1001174926	Ref	Lights Installation - Chassis Illumination	
	1001174925	Ref	Lights Installation - Headlights and Taillights	
	1001120466	Ref	Lights Installation - Platform Worklights	
		Ref	Load Valve Components (Deutz T4F Engines)	
	1001236223	Ref	Decal - Hydraulic Load Valve	
	1001235760	Ref	Harness, Hydraulic Load Valve	
	1001236224	Ref	Module, Control - Hydraulic Load Valve	
	1001202749	Ref	Lockable Fuel Cap Cover - Black <b>(SN 0300224616 to Present, SN E300003919 to Present)</b>	
	1001191395	Ref	Lockable Fuel Cap Cover - Green (ANSI and ANSI Export Specs) <b>(SN 0300224616 to Present)</b>	
	1001191394	Ref	Lockable Fuel Cap Cover - Red (ANSI and ANSI Export Specs) <b>(SN 0300224616 to Present)</b>	
	1001183407	Ref	Low Temperature Cutout Installation (Russian Specs)	
	1001173664	Ref	Oil Cooler Installation - Deutz D2011 Engines	
	1001164493	Ref	Oil Cooler Installation - Deutz D2.9L4 Engines	
	1001173745	Ref	Oil Cooler Installation - GM Engines	
	1001216552	Ref	Oil Cooler Installation - Kubota Engines	
	0257728	Ref	Pipe Racks Installation (All Specs except Australian Spec)	
	0274661	Ref	Pipe Rack Installation (Australian Specs)	
	1580013	Ref	Platform Corner Storage Tray	
	0258703	Ref	Platform Cover Installation - Clear Plastic <b>(SN 0300203771 through 0300208696)</b>	
	0271675	Ref	Platform Cover Installation - Rubber <b>(SN 0300203771 through 0300208696)</b>	
	1001110974	Ref	Platform Cover Installation - Clear	
	1001195304	Ref	Platform Cover Installation - Steel	
	1001142505	Ref	Platform Entry Kit - Swing Gate (Replaces Drop Bar with Swing Gate)	
	1001142504	Ref	Platform Entry Kit - Drop Bar (Replaces Swing Gate with Drop Bar)	
	1001219794	Ref	Platform Hose and Cable Protection	
	1001138773	Ref	Platform Mesh to Midrail Installation - 36 x 96 Platforms	
	0273149	Ref	Platform Mesh to Toprail Installation - 36 x 72 Platforms	
	0273145	Ref	Platform Mesh to Toprail Installation - 36 x 96 Platforms	
	0272733	Ref	Platform Rail Extension Installation - 36 x 72 Platforms	
	0272725	Ref	Platform Rail Extension Installation - 36 x 96 Platforms	
	1001247800	Ref	Quad Tracks Replacement Kit	
	1001194203	Ref	Receptacle Box Installation - 110V IEC Yellow (CE Spec)	
	1001194200	Ref	Receptacle Box Installation - 220V AFSINT 107 (CE Spec)	

## SECTION 11 - SPECIAL OPTIONS

ITEM	PART NUMBER	QTY	DESCRIPTION	REV
	1001194197	Ref	Receptacle Box Installation - 220V CEE7 Post Ground (CE Spec)	
	1001194198	Ref	Receptacle Box Installation - 220V CEE7 Side Ground (CE Spec)	
	1001194204	Ref	Receptacle Box Installation - 220V IEC Blue (CE Spec)	
	1001194365	Ref	Receptacle Box with Cover Installation - 220V (ANSI Export, Australian and China Specs)	
	1001171131	Ref	Receptacle Installation - 240V W/GFCI (4000W Generator) (ANSI, ANSI Export-HRC and CSA Specs)	
	1001159121	Ref	Receptacle Installation - 240V W/GFCI (7500W Generator) (ANSI, ANSI Export-HRC and CSA Specs)	
	1001247073	Ref	SkyEye Retrofit Kit	
	1001205492	Ref	Sky Glazier Installation Kit (ANSI and CSA Specs)	
	1001187508	Ref	SkyGuard Installation, Without Beacon	
	1001203510	Ref	SkyGuard Kit, Without Beacon	
	1001203512	Ref	SkyGuard Kit, With Beacon	
	1001137672	Ref	SkyGuard Platform Sensor Kit	
	1001186431	Ref	Relay	
	1001232643	Ref	SkyLine Kit	
	1001108256	Ref	Soft Touch Installation - Fall Arrest (36 x 72 Platform)	
	1001178951	Ref	Strobe Light Installation - Platform Mounted (Amber)	
	1001177570	Ref	Strobe Light Installation - Platform/Ground Mounted (Amber)	
	1001231235	Ref	Sky Welder Locking Bracket	
	1001210089	Ref	Telematics - Cat	
	1001228363	Ref	Telematics - Herc	
	1001209282	Ref	Telematics - Loxam	
	1001210090	Ref	Telematics - Riwal	
	1001195610	Ref	Telematics - United Rentals (M6)	
	1001214463	Ref	Telematics - United Rentals (M8)	
	2901443	Ref	Tools - Analyzer Kit	
	1001137005	Ref	Tools - Cable Kit, Software	
	7002821	Ref	Tools - Crimper, Wire	
	7002823	Ref	Tools - Pin Extractor - Universal (For Electrical Connectors with Pins and Sockets)	
	4460510	Ref	Tools - Pin Extractor - 12-14 Gauge (For Removal of Pin/Sockets from Deutsch Connectors)	
	4460467	Ref	Tools - Pin Extractor - 16-18 Gauge (For Removal of Pin/Sockets from Deutsch Connectors)	
	7016654	Ref	Tools - Screwdriver, Magnetic	
	7002822	Ref	Tools - Screwdriver, Potentiometer	
	7004275	Ref	Tools - Seal Tool 1 (For Cylinders)	
	7004276	Ref	Tools - Seal Tool 1-1/2 (For Cylinders)	
	7002828	Ref	Tools - Stripper, Wire	
	1001236496	Ref	Wet Stacking Prevention Kit	
	1001209059	Ref	Work Surface Installation (SN 0300224616 to Present, SN E300003919 to Present)	

**PART NUMBER INDEX**

Go to [Discount-Equipment.com](http://Discount-Equipment.com) to order your parts

# PART NUMBER INDEX

0080201....346, 352, 376, 382	0140043..... 129	0630613 ... 166, 170, 174, 186	0700408....769, 771, 773, 775, 777, 779, 781, 783
0080231.....208, 220, 232	0181949..... 65	0641404 ..... 617	0700610.....202, 214, 226
0100009....575, 579, 583, 587, 591	0200048..... 609	0641405 ... 515, 575, 579, 583, 587, 591, 617	0700612..... 113, 121
0100011.... 17, 19, 21, 23, 25, 57, 59, 69, 71, 95, 97, 101, 107, 109, 113, 115, 117, 119, 121, 123, 125, 127, 166, 170, 174, 177, 179, 181, 183, 186, 189, 191, 201, 205, 208, 213, 217, 220, 225, 229, 232, 245, 249, 252, 259, 263, 266, 273, 281, 287, 291, 293, 296, 300, 305, 311, 315, 317, 320, 324, 331, 337, 341, 343, 346, 352, 361, 367, 371, 373, 376, 382, 413, 415, 417, 421, 425, 429, 433, 437, 441, 445, 449, 453, 457, 461, 465, 479, 483, 487, 489, 491, 493, 495, 497, 505, 507, 509, 511, 513, 515, 517, 539, 541, 543, 553, 555, 557, 559, 561, 563, 565, 567, 609, 611, 613, 617, 625, 627, 629, 647, 657, 659	0257728..... 923	0641406 ... 569, 571, 573, 607, 871, 873, 875, 877, 879, 881, 883, 885, 887, 889, 891, 893, 895, 897, 899, 901, 903, 905, 907, 909, 911	0700614.....201, 213, 225
0100019....23, 25, 83, 89, 421, 433, 437, 441, 449, 453, 457	0270022..... 765	0641407 ..... 515	0700619....327, 671, 679, 687, 695, 703, 710, 719, 727, 735, 751
0100020.....65, 201, 208, 213, 220, 225, 232, 245, 252, 259, 266, 281, 287, 296, 300, 305, 311, 320, 324, 331, 337, 346, 352, 361, 367, 376, 382, 599, 769, 771, 773, 775, 777, 779, 781, 783	0270024..... 767	0641408 .... 569, 571, 573	0700620....129, 525, 527, 529
010003597, 99, 101, 103, 591, 639, 641, 643	0270078..... 55	0641409 .... 639, 641, 643	0700810....346, 352, 376, 382
0100038....647, 657, 659	0270091..... 43	0641410 ... 177, 179, 181, 183, 189, 191	0700814....346, 352, 376, 382
0100048....155, 417, 421, 425, 429, 433, 437, 441, 445, 449, 453, 457, 461, 465, 515, 579, 583, 587, 591	0270092..... 47	0641411 ... 575, 579, 583, 587, 591, 609, 611, 613, 619	0700815....346, 352, 376, 382
0100071.....619	0270093..... 55	0641412 ... 515, 769, 771, 773, 775, 777, 779, 781, 783, 801	0700816....348, 354, 378, 384
0100079....433, 437, 441, 445, 449, 453, 457, 461, 465	0270653..... 49	0641413 ... 529, 541, 543, 553, 555, 557, 559, 561, 563, 565, 567	0700817....201, 213, 225, 245, 259, 281, 287, 305, 311, 331, 337, 361, 367
0100081....208, 220, 232, 252, 266, 296, 300, 320, 324, 519, 521, 523, 525, 527, 529, 575, 579, 583, 587, 621	0271675..... 923	0641414 ... 61, 202, 213, 225, 246, 259, 281, 287, 306, 312, 331, 337, 361, 367, 519, 523, 529	0700818....201, 213, 437, 441, 445, 449, 453, 457, 461, 465
0140011....575, 579, 583, 587, 591	0271995..... 51	0641415 ..... 539	0700819.....465
	0271998..... 53	0641504 .... 61, 202, 213, 225, 246, 259, 281, 287, 306, 312, 331, 337, 361, 367, 519, 523, 529	0700820....425, 445, 461
	0272031..... 921	0641507 .... 417, 421, 429	0700821....201, 213, 225, 245, 259
	0272070..... 513	0641510 ..... 425	0701016....348, 354, 378, 384, 425, 445, 461, 465
	0272254..... 627	0641605 ... 519, 521, 523, 525, 527, 529	0701017.....245, 259
	0272310..... 45	064160669, 71, 625, 627, 629	0701018.97, 99, 101, 103
	0272427..... 609	0641608 ... 491, 493, 495, 497	070102097, 99, 101, 103, 491, 493, 495, 497
	0272435..... 922	0641610 ... 273, 569, 571, 573	0701216....346, 352, 376, 382
	0272448..... 627	0641611 ..... 657, 659	0701217..... 17
	0272521..... 625	0641612 ..... 61, 65	0701219..... 413, 415
	0272588..... 625	0641616 ... 433, 437, 441, 449, 453, 457	0701220..... 95
	0272589..... 451, 922	0641710 ..... 425	0701222..... 483, 487
	0272725..... 923	0641772 .... 417, 421, 429	0701223..... 413, 415
	0272733..... 923	0641808 ..... 445, 461	0701224....346, 352, 376, 382, 429, 465
	0273145..... 923	0641812 ... 205, 217, 229, 249, 263, 291, 293, 315, 317, 341, 343, 371, 373, 513, 517	0701617..... 21
	0273149..... 923	0641822 ..... 515	0701618..... 83
	0273380 ... 455, 459, 463, 467	0642012 ..... 621	0701619....471, 473, 475, 477
	0274661..... 923	0642024 ..... 515	0711214....252, 266, 346, 376
	0275055..... 922	0642212 ..... 621	0711220..... 19, 21
	0275216..... 769, 839	0642684 .... 513, 515, 517	0711221....296, 300, 320, 324, 425, 446, 462
	0275217..... 771, 841	0681608 .... 513, 515, 517	0711224....208, 220, 232, 252, 266, 417, 421, 429, 433, 437, 441, 449, 453, 457, 465
	0275218..... 773, 843	0681810 ..... 25	0711227....425, 445, 461
	0275219..... 777, 847	0681814 ..... 545	0711629..... 21
	0275452..... 775, 845	0681822 ..... 545	0721006..... 273
	0275453..... 779, 849	0682014 ..... 23, 25	073100597, 99, 101, 103, 609
	0275454..... 781, 851	0682026 ..... 89	0741606..... 252, 266
	0360406..... 63	0682040 ..... 63	0741607....433, 437, 441, 457
	0363019..... 61, 63		0741608.....465
	0400075..... 107, 109		
	0440162 ... 201, 213, 225, 245, 259, 281, 287, 305, 311, 331, 337, 361, 367		
	0440240..... 89		
	0440271..... 19, 21		
	04600004..... 277		
	04603585..... 277		
	0480122..... 417		
	0480126..... 433, 449		
	0480128..... 437, 453		
	0480129..... 466		
	0480142 .... 425, 445, 461		
	0561237 ..... 525, 527		
	0630462 ..... 609		
	0630518 .... 625, 627, 629		
	0630534 ..... 647, 651		
	0630535 ..... 657, 659		
	0630563 ... 519, 521, 523, 525, 527, 529		
	0630568 ... 575, 580, 584, 588, 592		



# PART NUMBER INDEX

0760415 ..... 511	0761014 ..... 99, 103, 113, 115, 117, 119, 121, 123, 125, 127, 166, 170, 174, 186, 189, 191, 193, 252, 266, 331, 337, 346, 352, 361, 367, 376, 382, 417, 421, 425, 517, 519, 521, 523, 525, 527, 529	0861781 ..... 839, 841	1001098928 ..... 670, 678, 686, 694, 702, 718, 726, 734, 742, 750
0760605 ... 346, 352, 376, 382		0861880 ..... 807, 809	1001099366 ..... 621
0760606 ... 346, 352, 376, 382, 433, 437, 441, 449, 453, 457		0902733 ..... 61	1001099367 ..... 621
0760607 ..... 254, 268		0902734 ..... 61	1001099560 ..... 479, 483, 487, 489
0760608 ... 186, 189, 191, 346, 352, 376, 382, 417, 421, 425, 429		0902751 ..... 575, 583	1001100326 ..... 920
0760610 ... 107, 109, 113, 115, 117, 119, 121, 123, 125, 127, 129, 177, 179, 181, 183, 202, 208, 213, 220, 225, 232, 246, 252, 259, 266, 281, 287, 297, 301, 305, 311, 320, 324, 331, 337, 346, 352, 361, 367, 376, 382, 407, 409, 411, 433, 437, 441, 445, 449, 453, 457, 461, 465, 785	0761015 ... 61, 69, 71, 97, 101, 201, 208, 213, 220, 225, 232, 245, 252, 259, 266, 281, 287, 296, 300, 305, 311, 320, 324, 331, 337, 346, 352, 361, 367, 376, 382, 421, 429, 491, 493, 495, 497	0902888 ... 437, 441, 445, 449, 453, 457, 461, 465	1001100327 ..... 920
0760612 ... 129, 346, 352, 376, 382	0761016 ..... 91, 113, 115, 117, 119, 121, 123, 125, 127, 252, 266, 296, 300, 320, 324, 346, 352, 376, 382, 429, 511	0902919 ..... 515	1001100331 ..... 920
0760613 ..... 245, 259	0761018 ... 519, 521, 523, 525, 527, 529	0902920 ..... 515	1001100333 ..... 920
0760614 ... 177, 179, 181, 183, 189, 191, 209, 221, 233, 433, 803, 805	0761019 ... 479, 483, 487, 489	0903484 ..... 801	1001100337 ..... 920
0760615 ... 157, 159, 161, 163	0761210 ..... 61, 252, 266	0940049 ... 113, 115, 117, 119, 121, 123, 125, 127, 166, 170, 174, 186	1001100341 ..... 839
0760619 ..... 743, 758	0761212 ... 252, 266, 441, 457	0940071 ..... 166	1001100342 ..... 841
0760808 ... 252, 266, 296, 300, 320, 324, 346, 352, 376, 382	0761214 ... 421, 429, 433, 437, 449, 453, 465	0940102 ..... 621	1001100345 ..... 845
0760810 ... 166, 170, 186, 254, 268, 327	0761215 ..... 95, 429, 465	0940103 ..... 609	1001100346 ..... 851
0760812 ... 252, 266, 296, 300, 320, 324, 331, 337, 346, 352, 361, 367, 376, 382, 407, 409, 411, 417, 421, 425, 434, 438, 442, 446, 450, 454, 458, 462, 787	0761216 ..... 513, 517	0961845 ... 539, 541, 543, 553, 555, 557, 559, 561, 563, 565, 567	1001101191 ..... 769, 771, 773, 775, 777, 779, 781
0760814 ... 208, 220, 232, 252, 266, 297, 301, 320, 324, 346, 352, 376, 382, 429, 465	0761217 ... 479, 483, 487, 489	0961893 ..... 647, 651	1001101196 ..... 769, 771, 773, 775, 777, 779, 781
0760815 ... 208, 220, 232, 254, 268, 296, 300, 320, 324, 346, 352, 376, 382	0761218 ... 471, 473, 475, 477	0961896 ..... 657	1001102987 ..... 69, 71
0760816 ..... 61, 166, 170, 174, 186, 348, 354, 378, 384	0761615 ..... 17	0961897 ..... 639, 641, 643	1001103012 ..... 855
0761009 ... 417, 505, 507	0761620 ..... 83	0961947 ... 491, 493, 495, 497	1001104029 ..... 437, 441, 445, 450, 454, 458, 462, 466
0761010 ..... 69, 71	0771212 ..... 246, 260	0961948 ..... 19, 21	1001104498 ..... 855
0761011 ..... 19, 21	0771414 ... 208, 220, 232, 252, 266, 417, 421, 433, 437, 441, 449, 453, 457	0961950 ..... 17, 479, 483, 487, 489, 639, 641, 643, 645	1001106736 ..... 129
0761012 23, 25, 107, 109, 166, 170, 174, 177, 179, 181, 183, 186, 327, 409, 479, 489, 491, 493, 495, 497, 505, 507	0772018 ..... 83	0961951 ... 208, 220, 232, 252, 266, 296, 300, 320, 324, 346, 352, 376, 382, 479, 489	1001107854 ..... 855
	0811608 ..... 23, 425, 445, 461	0962051 ..... 413, 415	1001108256 ..... 924
	0840055 ..... 833	0962270 ..... 545	1001109475 ..... 809
	0860038 ... 437, 441, 445, 453, 457, 461, 465, 765, 767	0962292 ..... 21	1001109482 ..... 809
	0860520 ... 871, 873, 875, 877, 879, 881, 883, 885, 887, 889, 891, 893, 895, 897, 899, 901, 903, 905, 907, 909, 911	0962335 ... 491, 493, 495, 497	1001109864 ..... 801, 807
	0861538 ... 453, 457, 461, 465	0962336 ... 647, 649, 651	1001110434 ... 575, 579, 583, 587, 591
	0861572 ..... 449	0962348 ..... 21, 483, 487	1001110873 ... 437, 441, 445, 454, 458, 462, 466, 765
	0861731 ... 783, 845, 849, 851	0962450 ..... 515	1001110974 ..... 923
		0962520 ... 433, 437, 441, 445, 449, 453, 457, 461, 465	1001111424 ... 107, 109, 208, 220, 232, 253, 267
		1001001939 ..... 348, 354	1001112551 ..... 879
		1001091102 65, 785, 801, 803, 805	1001112612 ..... 789, 856
		1001091794 ..... 296, 300, 320, 324	1001112796 ..... 789
		1001091892 ..... 296, 300, 321, 325	1001113047 ..... 186
		1001091969 ..... 769	1001113483 ..... 515
		1001091970 ..... 771	1001113961 ..... 856
		1001091971 ..... 773	1001115931 ..... 321, 325
		1001091972 ..... 777	1001116420 ..... 920
		1001091973 ..... 775	1001116693 ..... 835, 837
		1001091974 ..... 779	1001116710 ..... 821
		1001091975 ..... 781	1001116720 ..... 831, 853
		1001093382 ..... 107, 109	1001116727 ..... 813
		1001095704 ..... 856	1001116728 ..... 813, 856
		1001096070 ..... 433	1001116732 ..... 825
		1001097000 ..... 213, 259, 305	1001116734 ..... 825
		1001097051 ..... 865	1001116747 ..... 856
		1001097150 ..... 807, 809	1001116748 ..... 855
		1001098122 ..... 599, 835, 837	1001116763 ..... 855
		1001098828 ..... 517	1001116774 ..... 789
			1001116808 ..... 789
			1001116816 ..... 856
			1001116952 ..... 813
			1001116983 ..... 821
			1001117057 ..... 825
			1001117064 ..... 855
			1001117106 ..... 813

# PART NUMBER INDEX

1001117107.....813, 856	287, 305, 311, 331,	1001141968 ..... 843	1001148905.....922
1001117140.....186	337, 361, 367	1001141969 ..... 847	1001148906.....922
1001117172.....599	1001135651 ..... 814	1001141970 ..... 847	1001148972.....471, 475
1001117174.....575, 579,	1001135679 ..... 421, 441,	1001141971 ..... 843	1001149160.....166, 170,
583, 587, 591, 599	458	1001141995 ..... 209, 221,	174, 186, 347, 353,
1001117294.....922	1001136079 ..... 208, 232,	233, 253, 267, 297,	377, 383
1001117308.....253, 267	253	301, 321, 325, 347,	1001149639.....347, 353,
1001117372.....635	1001136172 ..... 267	353, 377, 383	377, 383
1001118274 ..... 327, 348,	1001136834 ..... 253, 267	1001142501 ..... 246, 260,	1001149953.....47, 49, 53
354	1001136988 ..... 458	273	1001150324 17, 113, 115,
1001118378.....855	1001137005 ..... 924	1001142504 ..... 923	117, 119, 121, 123,
1001118384.....861	1001137032 ..... 479, 483,	1001142505 ..... 923	125, 127
1001118388.....831, 861	487, 489	1001142643 ..... 442, 458	1001150326.....17
1001118878.....253, 267	1001137336 ..... 348, 354,	1001142646 ..... 442, 458	1001150918.....214, 260,
1001118971.....511	378, 384	1001142683 ..... 157, 159,	312, 361, 367
1001118972.....23, 25, 57,	1001137672 ..... 924	161, 163, 917	1001150998.....209, 221,
59, 97, 99, 101, 103,	1001137673 ..... 611, 613,	1001142736 ..... 157, 159,	233
113, 115, 117, 119,	917	161, 163, 789	1001151393.....147, 149,
121, 123, 125, 127,	1001138173 ..... 208, 220,	1001142938 ..... 814	151, 153
327, 332, 338, 362, 368	232, 253, 267, 297,	1001142940 ..... 814	1001152456.....438, 442,
1001119020.....789, 835,	301, 321, 325, 347,	1001143390 ..... 209, 221,	446
855	353, 377, 383	233, 253, 267	1001152457.....438, 442,
1001119032.....855	1001138175 ..... 209, 220,	1001143797 ..... 253, 267	446
1001119278.....213, 260,	233, 253, 267, 297,	1001143852 ..... 913	1001152485.....785
305, 311, 361, 367	301, 321, 325, 347,	1001144116 ..... 253, 267	1001152489.....253, 267
1001119619.....863	353, 377, 383	1001144433 ..... 584, 587,	1001152525.....438, 442,
1001119620.....865, 867	1001138228 ..... 253, 267,	613	446, 450, 455, 459,
1001119661.....913	917	1001144629 ..... 533, 535,	463, 467
1001120328.....129, 611,	1001138248 ..... 209, 221,	537, 547, 549, 551,	1001152530.....438, 442,
613, 617	233, 253, 267, 297,	559, 563	446
1001120371.....515, 833	301, 321, 325, 348,	1001145781 ..... 547, 549,	1001152532.....434, 438,
1001120466.....923	354, 378, 384	551, 553, 555, 557	442, 446, 827
1001125137 ..... 639, 641,	1001138494 ..... 539, 541,	1001146220 ..... 131, 133,	1001153260.....438, 442,
643	543, 553, 555, 557,	135, 137, 139, 141,	446
1001125387 ..... 246, 260	559, 561, 563, 565	143, 145, 575, 579,	1001154405.....245, 260,
1001125677 ..... 837	1001138514 ..... 539, 541,	583, 587, 591	273
1001126009 ..... 861	543, 553, 555, 557,	1001146397 ..... 51, 53	1001154726.....825
1001126351 ..... 813	561, 565	1001147233 ..... 429, 466	1001155041.....421, 429,
1001126352 ..... 813	1001138565 ..... 433	1001147264 ..... 813	458, 466
1001126356 ..... 813	1001138566 ..... 434, 438,	1001147274 ..... 43, 45, 47,	1001155043.....131, 133,
1001126357 ..... 813	441, 446	49	135, 137, 139, 141,
1001126362 ..... 813	1001138773 ..... 923	1001147812 ..... 297, 301,	143, 145
1001126363 ..... 813	1001138795 ..... 651	321, 325, 347, 353,	1001155044.....131, 133,
1001126365 ..... 813	1001138827 ..... 253, 267	377, 383	135, 137, 139, 141,
1001126384 ..... 813	1001139240 ..... 253, 267	1001147813 ..... 297, 301,	143, 145, 282, 288,
1001126391 ..... 813	1001139357 ..... 434, 438	321, 325, 348, 354,	306, 312, 331, 337,
1001128527 ..... 629	1001139384 ..... 177, 179,	378, 384, 916	361, 367, 575, 579,
1001128556 ..... 629	181, 183, 189, 191	1001148138 ..... 422, 429	583, 587, 591, 601, 603
1001129285 ..... 856	1001139586 ..... 21	1001148641 ..... 202, 214,	1001155045.....131, 133,
1001129858 ..... 438, 445	1001139819 ..... 209, 220,	226, 418, 421, 426,	135, 137, 139, 141,
1001130220 ..... 509, 511	233	434, 438, 442, 446,	143, 145, 575, 579,
1001131269 ..... 871, 873,	1001140312 ..... 268	450, 454, 458, 462	583, 587, 591, 916
875, 877, 893, 895,	1001140346 ..... 442	1001148863 ..... 43	1001155823.....245, 260
897, 899	1001140429 ..... 539, 541,	1001148864 ..... 43	1001156107.....202, 214,
1001132195 ..... 208, 220,	543, 553, 555, 557,	1001148865 ..... 47	225, 282, 288, 305,
232	559, 561, 563, 565, 567	1001148866 ..... 47	311, 331, 361
1001132196 ..... 208, 220,	1001140535 ..... 253, 267	1001148869 ..... 49	1001156819.....297, 301,
232	1001140564 ..... 253, 267	1001148870 ..... 49	321, 325, 331, 337,
1001133714 ..... 814	1001141181 ..... 426, 446,	1001148871 ..... 45	362, 368
1001133715 ..... 814	462	1001148872 ..... 45	1001156823.....327
1001133956 ..... 813	1001141300 ..... 922	1001148873 ..... 51	1001157196.....575, 579,
1001133957 ..... 813	1001141302 ..... 922	1001148874 ..... 51	583, 587, 591, 917
1001134488 ..... 253, 267	1001141304 ..... 253, 267	1001148875 ..... 53	1001157520.....450, 455,
1001134543 ..... 83	1001141694 ..... 209, 220,	1001148876 ..... 53	459, 463, 467
1001135196 ..... 201, 213,	233, 253, 267	1001148902 ..... 922	1001157521.....451, 455,
225, 245, 260, 281,	1001141870 ..... 273	1001148903 ..... 922	459, 463, 467
	1001141967 ..... 843, 847	1001148904 ..... 922	1001157525.....450

## PART NUMBER INDEX

1001157528 ..... 451, 455, 459, 463, 467	1001164353..... 575, 579, 583, 587, 835	1001166563.....17	421, 426, 429, 434, 438, 442, 446, 450, 454, 458, 462, 466
1001157592 ..... 454, 458, 459, 462, 466	1001164493..... 923	1001166710...97, 99, 101, 103	1001168026 ..... 254, 268
1001158007 ..... 451, 455, 459, 463, 467	1001164552..... 17	1001166717.....209, 221, 233	1001168059 ..... 209, 221, 233
1001158008 ..... 438, 442, 446, 451, 455, 459, 463, 467	1001164555.....657	1001166718.....209, 221, 233, 253, 267, 347, 353, 377, 383	1001168099 ..... 254, 268
1001158363 ..... 438, 442, 446	1001164578..... 639, 641	1001166894.....413, 415	1001168166 ..... 254, 268, 297, 301, 321, 325, 347, 353, 377, 383
1001159018 ..... 306	1001164582..... 639, 641, 643	1001166921.....253, 268	1001168173 ..... 166, 170, 174
1001159121 ..... 924	1001164583..... 639, 641, 643	1001166922.....253, 268	1001168207 ..... 421, 442, 458
1001159162 ..... 129	1001164585..... 639, 641, 643	1001166924.....253, 268	1001168209 ..... 637, 657, 659, 661
1001159256 ..... 575, 579, 583, 587, 591, 916	1001164596.....639	1001166963.....113, 115, 117, 119, 121, 123, 125, 127, 859	1001168210 ..... 637
1001159323 ..... 186, 881, 883	1001164709.....471, 475, 477, 645	1001166964.....113, 115, 117, 119, 121, 123, 125, 127, 829	1001168278 ..... 479, 499
1001161709 ..... 575, 579, 583, 587, 591, 916	1001164817.....635	1001166970.....245, 260	1001168402 ..... 517
1001161710 ..... 281, 287, 305, 311, 331, 337, 361, 367, 601, 603, 917	1001164818.....113, 115, 117, 119, 121, 123, 125, 127, 855	1001166997.....657, 661	1001168722 ..... 95
1001162335 ..... 246, 260, 273	1001164942..... 83, 86	1001167036.....205, 217, 229, 249, 263, 291, 293, 315, 317, 341, 343, 371, 373, 395	1001168762 .97, 99, 101, 103
1001162531 ..... 69, 73	1001165035.....201, 213, 245, 260, 297, 301, 321, 325	1001167038.....201, 214, 225	1001168841 ..... 479, 489
1001162532 ..... 71, 77	1001165060.....166, 170, 174	1001167039.....281, 287, 305, 311	1001168842 ..... 479, 483, 487, 489
1001162537 ..... 25, 41	1001165131..... 639, 641	1001167108.....253, 268, 813	1001168843 ..... 471, 473, 475, 477
1001162538 ..... 69, 71, 81	1001165282.....657	1001167111.....209, 221, 233, 811	1001168844 ..... 471, 473, 475, 477
1001162995 ..... 17	1001165354.....762	1001167112.....327, 817	1001168845 ..... 471, 473, 475, 477
1001163178 .. 19, 21, 655	1001165363.....657, 659, 661	1001167159.....166, 170, 174	1001168846 ..... 483
1001163179 ..... 19, 21	1001165388.....209, 221, 233, 253, 267	1001167164.....407, 409, 411	1001168847 ..... 483, 487
1001163383 ..... 479, 483, 487, 657	1001165389.....209, 221, 233	1001167193.....297, 301, 321, 325	1001168848 ..... 479, 489
1001163384 ..... 471, 475, 639	1001165405.....253, 267	1001167312.....803	1001168849 ..... 479, 483, 487, 489
1001163385 ..... 471, 473, 475, 477, 653	1001165406.....253, 267	1001167382.....297, 301, 321, 325	1001168854 ..... 471, 473, 475, 477
1001163386 ..... 479, 483, 487, 489, 637	1001165531.....505	1001167383.....297, 301, 321, 325	1001168855 ..... 95
1001163405 ..... 19, 21	1001165534.....505	1001167384.....297, 301, 321, 325	1001168950 ..... 254, 268
1001163418 ..... 97, 99	1001165537.....505, 507	1001167512.....202, 214, 225, 245, 260, 281, 287, 306, 311, 331, 337, 361, 367	1001168992 ..... 89
1001163458 ..... 471, 479	1001165538.....505	1001167520.....209, 221, 233, 254, 268	1001169046 ..... 166, 170, 174, 186
1001163459 ..... 479, 489	1001165540.....509, 511	1001167565.....517	1001169054 ..... 254, 268, 297, 301, 321, 325, 347, 353, 377, 383
1001163470 ..... 479, 489	1001165567.....491, 493, 495, 497	1001167567.....517	1001169060 ..... 25
1001163482 ..... 475, 483	1001165721.....253, 267	1001167596.....517	1001169086 ..... 57
1001163483 ..... 483, 487	1001165722.....253, 267	1001167605.....483, 491	1001169138 ..... 254, 268, 297, 301, 321, 325, 347, 353, 377, 383
1001163492 ..... 483, 487	1001165737.....657	1001167895.....297, 301, 321, 325	1001169163 ..... 139, 143
1001163580 ..... 17, 635	1001165849.....253, 267, 297, 321	1001167916.....69	1001169185 ..... 95
1001163671 ..... 101, 103	1001166000.....249, 252	1001167917.....71	1001169191 ..... 91
1001163715 ..... 19, 21	1001166001.....245, 249	1001167918.....186	1001169192 ..... 91
1001163716 ..... 19, 21	1001166002.....245	1001167962.....601	1001169193 ..... 91
1001163717 ..... 21	1001166003.....259	1001167963.....601	1001169284 ..... 479, 483, 487, 489
1001163722 ..... 21	1001166020.....205, 208	1001168010.....121	1001169285 ..... 479, 483, 487, 489
1001163724 ..... 21	1001166021.....201, 205	1001168018.....209, 221, 233, 254, 268, 347, 353, 377, 383, 418,	1001169286 ..... 479, 483, 487, 489
1001163726 ..... 21	1001166022.....201		1001169287 ..... 479, 483, 487, 489
1001163939 ..... 97	1001166023.....213		1001169288 ..... 479, 483, 487, 489
1001163959 ..... 23, 25	1001166024.....305		
1001164092 ..... 19	1001166031.....97, 101		
1001164094 ..... 17	1001166202.....281, 291		
1001164095 ..... 21	1001166203.....291, 296		
1001164202 ..... 413	1001166224.....913		
1001164209 ..... 19, 21	1001166319.....101		
1001164302 ..... 657	1001166478.....61		
1001164311 ..... 657	1001166538.....575, 579, 583, 587, 591, 595, 916		
1001164313 ..... 657, 659	1001166539.....576, 579, 583, 587, 591, 597, 916		

# PART NUMBER INDEX

1001169289.....479, 483, 487, 489	1001171112..... 479, 483, 487, 489	293, 315, 317, 341, 343, 371, 373	718, 727, 735, 742, 751, 759
1001169380.....479, 483, 487, 489	1001171131..... 924	1001171966..... 479, 484, 487, 489	1001172715.....670, 687, 695, 703, 718, 735, 743, 751
1001169386.....83	1001171324..... 479, 483, 487, 489	1001171967..... 479, 484, 487, 489	1001172716.....670, 679, 687, 695, 703, 711, 718, 727, 735, 743, 751, 759
1001169496.....93	1001171335..... 871, 873, 914	1001172003..... 281, 287, 306, 311	1001172717.....670, 679, 687, 695, 703, 711, 718, 727, 735, 743, 751, 759
1001169582.....93	1001171336..... 871, 873	1001172045..... 920	1001172718.....671, 679, 687, 695, 703, 711, 718, 727, 735, 743, 751, 759
1001169611.....505, 507	1001171337..... 875, 877, 911, 914	1001172128..... 519, 521, 523, 525, 527, 529	1001172719.....671, 679, 687, 695, 703, 711, 718, 727, 735, 743, 751, 759
1001169668.....471	1001171339..... 879, 883	1001172195..... 202, 214, 225	1001172720.....671, 687, 695, 703, 719, 735, 743, 751
1001169669.....475	1001171341..... 901, 914	1001172564..... 622	1001172721.....671, 679, 687, 695, 703, 711, 719, 727, 735, 743, 751, 759
1001169761.....65	1001171342..... 901	1001172565..... 622	1001172722.....671, 679, 687, 695, 703, 711, 719, 727, 735, 743, 751, 759
1001169775.....281	1001171343..... 903, 914	1001172566..... 622	1001172723.....671, 679, 687, 695, 703, 711, 719, 727, 735, 743, 751, 759
1001169823.....202, 214, 225, 246, 260, 281, 287, 306, 311	1001171345..... 905, 914	1001172567..... 622	1001172724.....671, 679, 687, 695, 703, 711, 719, 727, 735, 743, 751, 759
1001169955.....57, 59	1001171346..... 905	1001172568..... 622	1001172725.....671, 679, 687, 695, 703, 711, 719, 727, 735, 743, 751, 759
1001169967.....254, 268, 297, 301, 321, 325, 347, 353, 377, 383	1001171347..... 907, 914	1001172569..... 622	1001172726.....575, 580, 583, 588, 591
1001169973.....57	1001171349..... 909, 914	1001172570..... 621	1001172727.....281, 287, 306, 311
1001169974.....297, 321	1001171350..... 909	1001172571..... 621	1001172816..... 155
1001170035.....254, 268, 297, 301, 321, 325, 347, 353, 377, 383	1001171351..... 893, 895, 914	1001172572..... 621	1001173135.....686, 702, 760
1001170083.....605	1001171352..... 893, 895	1001172573..... 621	1001173136.....734, 750, 760
1001170084.....605	1001171353..... 897, 899, 914	1001172574..... 621	1001173233..... 509
1001170094.....129, 917	1001171355..... 889, 914	1001172575..... 621	1001173262..... 871, 873, 875, 877, 885, 887, 889, 891, 893, 895, 897, 899, 901, 903, 905, 907, 909, 911
1001170145.....107	1001171356..... 889	1001172576..... 621	1001173289.....569, 575
1001170224.....403	1001171357..... 891, 914	1001172577..... 621	1001173290.....569
1001170225.....401	1001171359..... 885, 914	1001172578..... 621	1001173342.....246, 260, 821
1001170475.....183	1001171360..... 885, 914	1001172594..... 246, 260	1001173354.....166, 170, 174, 186
1001170551.....166, 170, 177	1001171361..... 887, 914	1001172595..... 399	1001173356.....166
1001170552.....166, 170, 181	1001171366..... 871	1001172613..... 166	1001173456.....519, 521, 523, 525, 527, 529
1001170557.....147	1001171367..... 875	1001172614..... 166	1001173461.....177
1001170558.....151	1001171368..... 883	1001172615..... 166, 170, 186	
1001170564.....511	1001171369..... 881	1001172617..... 166, 170, 186	
1001170565.....511	1001171370..... 901	1001172620..... 621	
1001170617.....254, 268, 275	1001171371..... 903	1001172630..... 920	
1001170642.....511	1001171372..... 905	1001172653..... 151	
1001170650.....407	1001171373..... 907	1001172663..... 517	
1001170651.....407	1001171374..... 909	1001172692..... 670, 678, 686, 694, 702, 710, 718, 726, 734, 742, 750, 758	
1001170662.....407	1001171375..... 911	1001172694..... 670, 678, 686, 694, 702, 710	
1001170663.....407, 411	1001171376..... 893	1001172695..... 670, 678, 686, 694, 702, 710, 718, 726, 734, 742, 750, 758	
1001170664.....407, 409, 411	1001171377..... 897	1001172696..... 670, 678, 686, 694, 702, 710	
1001170693.....209, 221, 239	1001171378..... 889	1001172697..... 670, 678, 686, 694, 702, 710, 718, 726, 734, 742, 750, 758	
1001170719.....281, 287, 306, 311	1001171379..... 891	1001172698..... 686, 702, 711, 734, 750, 758	
1001170736.....61	1001171380..... 885	1001172699..... 687, 702, 711, 734, 750, 758	
1001170759.....639, 641, 643	1001171381..... 887	1001172703..... 687, 695, 703, 711, 735, 742, 751, 759	
1001170838.....131, 133, 135, 137, 139, 141, 143, 145, 576, 579, 583, 588, 591	1001171382..... 879	1001172707..... 687, 703, 711, 735, 751, 759	
1001170847.....509, 511	1001171482..... 131, 133, 135, 137, 139, 141, 143, 145	1001172713..... 670, 679, 687, 695, 703, 711,	
1001170850.....166, 170, 174	1001171499..... 920		
1001170981.....297, 301, 321, 325	1001171500..... 920		
1001171067.....479, 483, 487, 489	1001171545..... 871, 873, 875, 877, 879, 881, 883, 885, 887, 889, 891, 893, 895, 897, 899, 901, 903, 905, 907, 909, 911, 913		

## PART NUMBER INDEX

1001173466 ..... 181	1001173909..... 671, 679, 687, 695, 703, 711, 719, 727, 735, 743, 751, 759	1001176330.....347, 353, 377, 383	1001181073 ..... 671, 687, 695, 703, 719, 735, 743, 751
1001173529 ..... 131, 133, 139, 141	1001173925..... 434, 438, 450, 454	1001176469..... 149, 153	1001181074 ..... 671, 679, 687, 695, 703, 711, 719, 727, 735, 743, 751, 759
1001173535 ..... 347, 353, 377, 383	1001173927..... 519, 521, 523, 525, 527, 529	1001176636.....525, 527, 529	1001181075 ..... 671, 679, 687, 695, 703, 711, 719, 727, 735, 743, 751, 759
1001173594 ..... 519, 523	1001173937..... 671, 679, 687, 695, 703, 711, 719, 727, 735, 743, 751, 759	1001176848.....19, 21	1001181076 ..... 719, 727, 735, 743, 751, 759
1001173595 ..... 521	1001173938..... 671, 687, 695, 703, 719, 735, 743, 751	1001176899.....505, 507	1001181077 ..... 719, 727, 735, 743, 751, 759
1001173596 ..... 525	1001173983.....437	1001176952.....519, 521, 523, 793	1001181145 ..... 922
1001173599 ..... 529	1001173984.....433	1001176963.....801	1001181243 ..... 422, 430
1001173600 ..... 920	1001174098..... 166, 170, 174, 186	1001177359.....254, 268	1001181325 ..... 129
1001173602 ..... 920	1001174158..... 434, 801, 803	1001177451.....913	1001181329 ..... 519, 521, 523, 525, 527, 529
1001173605 ..... 920	1001174313..... 871, 875, 885, 887, 889, 891, 893, 897, 901, 903, 905, 907, 909, 911	1001177524.....921	1001181366 ..... 282, 288, 306, 312
1001173606 ..... 920	1001174347..... 920	1001177570.....924	1001181405 ..... 155
1001173607 ..... 920	1001174348..... 920	1001177840.....921	1001181430 ..... 297, 321
1001173643 ..... 147	1001174349.....913	1001177841.....921	1001181895 ..... 268
1001173644 ..... 131, 137	1001174350.....913	1001177952.....920	1001181913 ..... 61
1001173645 ..... 113, 131	1001174367.....457	1001177953.....920	1001181960 ..... 493, 497
1001173646 ..... 113	1001174486..... 282, 288, 306, 312, 331, 337, 361, 367	1001177954.....921	1001182064 ..... 493, 497
1001173654 ..... 527	1001174675..... 450, 454, 458, 462, 466, 762	1001177955.....920	1001182138 ..... 619
1001173664 ..... 923	1001174777..... 263, 266	1001178228.....179	1001182155 ..... 61
1001173665 ..... 519, 521, 523, 525, 527, 529	1001174778..... 260, 263	1001178276.....760	1001182245 ..... 59
1001173703 ..... 914	1001174780..... 315, 320	1001178415.....913	1001182250 ..... 59
1001173745 ..... 923	1001174781..... 306, 315	1001178418.....922	1001182296 ..... 418, 422, 426, 430
1001173761 ..... 519, 521, 523, 525, 527, 529	1001174783..... 217, 220	1001178419.....922	1001182515 ..... 153
1001173763 ..... 505, 507	1001174784..... 214, 217	1001178420.....921	1001182516 ..... 149
1001173807 ..... 519, 521, 523, 797	1001174925.....923	1001178421.....921	1001182563 ..... 149
1001173808 ..... 519, 521, 523, 525, 527, 529, 799	1001174926.....923	1001178422.....921	1001182564 ..... 153
1001173810 ..... 453	1001175021..... 281, 287, 306, 312	1001178424.....921	1001182570 ..... 509, 511
1001173811 ..... 449	1001175022..... 281, 287, 306, 312	1001178425.....922	1001182997 ..... 254, 268
1001173812 ..... 461	1001175024..... 686, 695, 702, 711, 734, 743, 750, 759	1001178426.....921	1001183206 ..... 921
1001173898 ..... 671, 679, 687, 695, 703, 711, 719, 727, 735, 743, 751, 759	1001175068..... 401, 403	1001178427.....922	1001183207 ..... 921
1001173899 ..... 671, 679, 687, 695, 703, 711, 719, 727, 735, 743, 751, 759	1001175070.....401	1001178428.....921	1001183208 ..... 921
1001173900 ..... 687, 695, 703, 711, 719, 727, 735, 743, 751, 759	1001175071.....403	1001178429.....921	1001183216 ..... 695, 743
1001173901 ..... 687, 695, 703, 711, 719, 727, 735, 743, 751, 759	1001175073..... 413, 415	1001178430.....922	1001183217 ..... 695, 743
1001173902 ..... 687, 695, 703, 711, 719, 727, 735, 743, 751, 759	1001175074..... 413, 415	1001178431.....921	1001183218 ..... 695, 743
1001173903 ..... 687, 695, 703, 711, 719, 727, 735, 743, 751, 759	1001175075.....413	1001178433.....913	1001183407 ..... 923
1001173904 ..... 687, 695, 703, 711, 719, 727, 735, 743, 751, 759	1001175239.....920	1001178435.....921	1001183477 ..... 418, 422, 426
1001173905 ..... 719, 727, 735, 743, 751, 759	1001175241.....920	1001178498..... 694, 760	1001184324 ..... 575
1001173906 ..... 719, 727, 735, 743, 751, 759	1001175244.....517	1001178499..... 742, 760	1001184542 ..... 671, 679, 687, 695, 703, 711, 719, 727, 735, 743, 751, 759
1001173907 ..... 687, 695, 703, 711, 719, 727, 735, 743, 751, 759	1001175348.....445	1001178788..... 253, 267	1001184543 ..... 671, 679, 687, 695, 703, 711, 719, 727, 735, 743, 751, 759
1001173908 ..... 687, 695, 703, 711, 719, 727, 735, 743, 751, 759	1001175542.....441	1001178859..... 209, 221, 233	1001184561 ..... 671, 679, 687, 695, 703, 711, 719, 727, 735, 743, 751, 759
	1001175631..... 438, 442, 446, 762	1001178876..... 254, 268	1001184562 ..... 671, 679, 687, 695, 703, 711, 719, 727, 735, 743, 751, 759
	1001175632.....762	1001178951.....924	
	1001175633.....762	1001179154..... 438, 442, 446, 454, 459, 462, 466	
	1001175634.....762	1001179836.....421, 429	
		1001179837.....421, 429	
		1001179893.....422, 430	
		1001179903..... 209, 221, 254, 268	
		1001180001.....421, 429	
		1001180608..... 509, 511	
		1001180620..... 254, 268, 297, 301, 321, 325, 347, 353, 377, 383	
		1001180797.....421	
		1001180798.....417	
		1001180799.....922	
		1001180800.....425	
		1001181045..... 809, 916	
		1001181046.....807	
		1001181051.....491, 493, 495, 497, 503	

# PART NUMBER INDEX

1001184563.....671, 679, 687, 695, 703, 711, 719, 727, 735, 743, 751, 759	1001191275..... 671, 679, 687, 695, 703, 711, 719, 727, 735, 743, 751, 759	718, 726, 734, 742, 750, 759	1001205492..... 924
1001184618.....605	1001191276..... 671, 679, 687, 695, 703, 711, 719, 727, 735, 743, 751, 759	1001197424 ..... 157	1001205958.....775, 779, 781
1001184619.....603	1001191394 ..... 923	1001197998 ..... 762	1001206314..... 166, 170, 174, 186
1001184620.....603	1001191395 ..... 923	1001198885 ..... 471, 475, 641	1001206321.....471, 475, 477, 643
1001184621.....603	1001191620 ..... 254, 268	1001198886 ..... 641, 643	1001206402..... 186
1001184626.....575, 580, 583, 588, 591	1001191708 ..... 619	1001199035 ..... 621	1001206403..... 186
1001184637.....418	1001192292 ..... 584, 588, 853	1001199036 ..... 622	1001206404..... 186, 189
1001184644.....418	1001192401 ..... 855	1001199177 ..... 105	1001206405..... 189
1001184645.....418	1001193018 ..... 769, 771, 773, 775, 777, 779, 781, 783	1001199207 ..... 166, 170, 174, 186	1001206418..... 186, 191
1001185237.....881	1001193133 ..... 622	1001199862 ..... 922	1001206419..... 191
1001185281.....583, 588, 591	1001193134 ..... 622	1001199901 ..... 166, 170, 174, 186	1001206434..... 922
1001185821..... 107, 109, 111	1001193135 ..... 621	1001200128 ..... 921	1001206437..... 920
1001185964..... 856	1001193136 ..... 621	1001200129 ..... 921	1001206439..... 922
1001186333.....545	1001193336 ..... 97, 99	1001200130 ..... 921	1001206440..... 923
1001186377.....539	1001193654 ..... 679, 711, 727, 759	1001200131 ..... 921	1001206442..... 643
1001186379.....541	1001193730 ..... 584	1001200132 ..... 922	1001206476..... 787
1001186382.....543	1001193731 ..... 571	1001200133 ..... 922	1001206625..... 471, 475, 477, 645
1001186383.....537	1001193732 ..... 571, 583	1001200134 ..... 922	1001206917. 99, 103, 105
1001186384.....535	1001194197 ..... 924	1001200458 ..... 177, 181	1001207004..... 161, 163
1001186386.....533	1001194198 ..... 924	1001200491 ..... 517	1001207316..... 161
1001186431..... 613, 853, 924	1001194200 ..... 923	1001200494 ..... 517	1001207331.....679, 711, 727, 759
1001186432.....831, 853, 861	1001194203 ..... 923	1001200575 ..... 575, 584	1001207332.....678, 679, 711, 726, 727, 759
1001186517..... 611, 613	1001194204 ..... 924	1001200910 ..... 157, 159	1001207333.....679, 711, 727, 759
1001187382.....517	1001194365 ..... 783, 924	1001201351 ..... 517	1001207340..... 710, 760
1001187383.....517	1001195039 ..... 332, 338, 362, 368	1001201633 ..... 181	1001207341..... 758, 760
1001187508..... 611, 924	1001195206 ..... 657	1001201634 ..... 181	1001207349..... 99
1001187522.....418, 422, 426, 430, 825	1001195304 ..... 923	1001201635 ..... 177	1001207350..... 103
1001187674..... 615	1001195610 ..... 924	1001201891 ..... 580, 588	1001207726..... 191
1001187681..... 863	1001195699 ..... 297, 301, 321, 325	1001202298 ..... 166, 170	1001208874..... 69, 71
1001188197..... 101, 103	1001195700 ..... 297, 301, 321, 325	1001202557 ..... 571, 587	1001209059..... 924
1001188305.....549	1001195714 ..... 297, 301, 321, 325	1001202591 ..... 569, 579	1001209282..... 924
1001188306.....557	1001195745 ..... 913	1001202749 ..... 923	1001209432..... 787
1001188308.....551	1001195746 ..... 913	1001202830 ..... 179	1001209474..... 787
1001188309.....553	1001195947 ..... 601	1001202831 ..... 183	1001209618..... 920
1001188314.....555	1001196382 ..... 434, 438, 442, 450, 454	1001202910 ..... 678, 710, 726, 758	1001209664..... 611, 613
1001188315.....547	1001196458 ..... 791	1001202940 ..... 922	1001209677..... 785
1001188334.....95	1001196589 ..... 855	1001202941 ..... 922	1001209832..... 785
1001188622.....517	1001196590 ..... 855	1001202942 ..... 922	1001209844..... 347, 353, 357, 377, 383
1001188731.....418, 422, 426, 430, 762	1001196610 ..... 921	1001202943 ..... 922	1001210089..... 924
1001188732.....762	1001196634 ..... 271, 916	1001202944 ..... 922	1001210090..... 924
1001188844.....517	1001196637 ..... 113, 115, 117, 119, 121, 123, 125, 127	1001202945 ..... 922	1001210421..... 341, 346
1001188889.....611	1001196717 ..... 921	1001202946 ..... 923	1001210763..... 347, 377
1001188972.....259, 305, 311, 361, 367	1001197017 ..... 609	1001202947 ..... 923	1001210765..... 331, 341
1001189001.....517	1001197036 ..... 515	1001202948 ..... 923	1001211633..... 186
1001189002.....517	1001197272 ..... 670, 678, 686, 694, 702, 711, 718, 726, 734, 742, 750, 759	1001203434 ..... 519, 523	1001211636..... 186
1001189882.....881, 883	1001197284 ..... 670, 678, 687, 694, 703, 711,	1001203435 ..... 529	1001211794..... 347, 353, 377, 383
1001190368..... 19, 21	687, 694, 703, 711,	1001203459 ..... 529	1001211797..... 347, 353, 377, 383
1001190775.....296, 300, 348, 354, 377, 383	1001197717 ..... 921	1001203510 ..... 924	1001211877..... 407
1001190804.....65	1001197017 ..... 609	1001203512 ..... 924	1001211878..... 407
1001190918.....327	1001197036 ..... 515	1001203628 ..... 641	1001212223.....458, 466
1001190919.....327	1001197272 ..... 670, 678, 686, 694, 702, 711, 718, 726, 734, 742, 750, 759	1001204482 ..... 922	1001212257..... 331, 337, 361, 367
1001190920.....281, 287, 306, 312, 327	1001197284 ..... 670, 678, 687, 694, 703, 711,	1001204510 ..... 879, 881, 883	1001212819..... 186
1001190964.....83	687, 694, 703, 711,	1001204715 ..... 509, 511	1001212822..... 186
1001190985.....517	687, 694, 703, 711,	1001204725 ..... 517	1001212989..... 347, 353, 377, 383
		1001204921 ..... 923	
		1001204922 ..... 923	
		1001204996 ..... 920	
		1001204997 ..... 920	
		1001205008 ..... 920	
		1001205009 ..... 920	

## PART NUMBER INDEX

1001212993 ..... 347, 353, 377, 383	1001214571..... 787	1001216653..... 117, 137	1001223453 ..... 871, 873, 875, 877, 893, 897, 899
1001213029 ..... 430, 466	1001214598..... 348, 354, 378, 384	1001216655..... 679, 711, 726, 759	1001223454 ..... 411
1001213062 ..... 331, 337, 361, 367	1001214599..... 348, 354, 378, 384	1001216800..... 726	1001223899 ..... 491, 493, 497
1001213066 ..... 922	1001214608..... 873	1001216801..... 678, 760	1001223971 ..... 893, 895, 897, 899
1001213068 ..... 922	1001214614..... 922	1001216805..... 430, 466	1001224048 ..... 905, 907
1001213070 ..... 922	1001214664..... 348, 354, 378, 384	1001216825..... 348, 354, 378, 384	1001224049 ..... 909, 911
1001213305 ..... 347, 353, 377, 383	1001214691..... 922	1001216826..... 371, 376	1001224050 ..... 889, 891
1001213357 ..... 347, 377	1001214694..... 348, 354, 378, 384	1001216840..... 430	1001224052 ..... 885, 887
1001213423 ..... 347, 377	1001214729..... 348, 378	1001216842..... 361	1001224053 ..... 901, 903
1001213425 ..... 347, 353, 377, 383	1001214803..... 331	1001216914 ..... 921	1001224888 ..... 505, 507
1001213426 ..... 347, 353, 377, 383	1001214833..... 922	1001217342..... 429, 465	1001225346 ..... 787
1001213447 ..... 835, 837	1001214837..... 405	1001217343..... 346, 352, 376, 382	1001225580 ..... 613, 831
1001213482 ..... 347, 353, 377, 383	1001214838..... 405	1001217344..... 429, 465	1001226400 ..... 793, 795
1001213599 ..... 331, 337, 362, 367, 819	1001214841..... 348, 354, 378, 384	1001217345..... 332, 338, 362, 368, 429, 465	1001226531 ..... 787
1001213824 ..... 347, 353, 377, 383	1001214862..... 288, 312	1001217488..... 881, 883	1001226872 ..... 567
1001213882 ..... 579, 587, 592	1001214909..... 429	1001217494 ..... 331, 337, 346, 352, 362, 368, 376, 382	1001227453 ..... 921
1001214029 ..... 914	1001214910..... 465	1001217785..... 331, 337, 361, 367	1001227633 ..... 615
1001214138 ..... 347, 353, 377, 383	1001214975..... 209, 221, 233	1001218534 ..... 195	1001227634 ..... 615
1001214162 ..... 23	1001215125..... 348, 354, 378, 384	1001218538 ..... 195	1001227985 ..... 615
1001214165 ..... 670, 760	1001215228..... 580, 588, 592	1001218676 ..... 195	1001227987 ..... 615
1001214166 ..... 718, 760	1001215259..... 331, 337, 362, 368	1001218717 ..... 922	1001227996 ..... 865, 867
1001214174 ..... 23, 33	1001215373..... 129	1001218983 ..... 873	1001228012 ..... 491, 495, 649
1001214205 ..... 347, 353, 377, 383	1001215509..... 23	1001218984 ..... 877	1001228075 ..... 479, 483, 487, 659
1001214207 ..... 205, 217, 229, 249, 263, 293, 317, 341, 343, 371, 373	1001215523..... 466	1001218985 ..... 895	1001228092 ..... 471, 473, 475, 477, 645
1001214233 ..... 347, 353, 377, 383	1001215634..... 170	1001218986 ..... 899	1001228215 ..... 567
1001214234 ..... 347, 353, 377, 383	1001215801..... 331, 337, 362, 368	1001219130 ..... 195	1001228224 ..... 615
1001214269 ..... 378, 383	1001215869..... 348, 354, 378, 384	1001219134 ..... 186	1001228225 ..... 615
1001214276 ..... 347, 353, 378, 383	1001216080..... 362, 368	1001219348..... 332, 362	1001228243 ..... 563
1001214277 ..... 347, 353, 378, 383	1001216219..... 301, 321, 325	1001219601 ..... 129	1001228363 ..... 924
1001214278 ..... 347, 353, 378, 383	1001216222..... 293, 300	1001219794 ..... 923	1001228375 ..... 565
1001214307 ..... 348, 353, 378, 383	1001216223..... 317, 324	1001219866 ..... 125	1001228376 ..... 559
1001214317 ..... 23, 39	1001216224..... 287, 293	1001220287 ..... 125, 143	1001228377 ..... 561
1001214355 ..... 405	1001216225..... 312, 317	1001220381 ..... 117	1001228406 ..... 174
1001214463 ..... 924	1001216226..... 287	1001220920 ..... 507	1001228955 ..... 921
1001214502 ..... 331, 337, 362, 368	1001216227..... 311	1001220921 ..... 507	1001228988 ..... 625, 627, 629
1001214508 ..... 348, 353, 378, 383	1001216325..... 170	1001220922 ..... 507	1001229107 ..... 921
1001214546 ..... 430, 466	1001216326..... 170	1001220924 ..... 507	1001229341 ..... 615
1001214553 ..... 348, 353, 378, 384	1001216396..... 331, 337, 362, 368	1001221481 ..... 477	1001229795 ..... 823
1001214555 ..... 348, 353, 378, 384	1001216397..... 331, 337, 362, 368	1001221482 ..... 477, 487	1001229796 ..... 823
1001214556 ..... 348, 353, 378, 384	1001216399..... 332, 338, 362, 368	1001221483 ..... 487, 495	1001229798 ..... 332, 338, 362, 368, 823
1001214558 ..... 348, 353, 378, 384	1001216407..... 135, 137, 143, 145	1001221484 ..... 495, 497	1001230635 ..... 253, 267
1001214570 ..... 787	1001216408..... 877, 895, 899	1001221486 ..... 495	1001230784 ..... 805
	1001216512..... 409	1001221879 ..... 921	1001230907 ..... 805
	1001216547..... 409	1001221927 ..... 479, 489, 501	1001230931 ..... 855
	1001216548..... 409	1001222043 ..... 186	1001231195 .. 97, 99, 103
	1001216549..... 409	1001222044 ..... 186	1001231235 ..... 924
	1001216552..... 923	1001222196 ..... 921	1001231801 ..... 913
	1001216598..... 170	1001223055..... 871, 873, 875, 877	1001232026 ..... 871, 873, 875, 877, 879, 881, 885, 887, 889, 891, 895, 897, 899, 901, 903, 905, 907, 909, 911
	1001216630..... 513, 515, 517	1001223078..... 166, 186	1001232066 ..... 883
		1001223122..... 434, 438, 459, 462	1001232164 ..... 615
		1001223161 ..... 166, 186	1001232165 ..... 615
		1001223309 ..... 411	1001232642 ..... 617
		1001223310 ..... 411	1001232643 ..... 924
		1001223328 ..... 411	1001232650 ..... 617
		1001223387 ..... 186	

# PART NUMBER INDEX

1001232667.....617	1001238824.....617	10702082 . 450, 455, 459, 463, 467	901, 903, 905, 907, 909, 911
1001232842.....271	1001238887.....133, 135	1120552.....45	1701505....201, 213, 225, 245, 259, 913
1001232907.....193	1001238888.....115, 133	1120555.....621	1701509....621, 871, 873, 875, 877, 879, 881, 883, 885, 887, 889, 891, 893, 895, 897, 899, 901, 903, 905, 907, 909, 911
1001232908.....193	1001238889.....127, 145	1260017.....93	1701518....879, 881, 883
1001232913.....193	1001238890.....119, 135	1271538.....515	1701529....871, 873, 875, 877, 879, 881, 883, 885, 887, 889, 891, 893, 895, 897, 899, 901, 903, 905, 907, 909, 911
1001232915.....193	1001238932.....109	1320016 ....208, 220, 232	1701542....281, 287, 305, 311, 331, 337, 361, 367, 913
1001232916.....193	1001239802.....65	1320136.....515	1701543....281, 287, 305, 311, 331, 337, 361, 367, 913
1001232917.....193	1001241283.....174	1320176.....401, 403	1702300....871, 873, 875, 877, 879, 881, 883, 885, 887, 889, 891, 893, 895, 897, 899, 901, 903, 905, 907, 909, 911
1001233048.....193	1001241288.....174	1320187 ...201, 213, 225, 259	1702565....575, 579, 583, 587, 591
1001233075.....193	1001241291.....174, 179	1320190 ...201, 213, 225, 259	1702566....575, 579, 583, 587, 591
1001233076.....193	1001241292.....174, 183	1320218.....65	1702567....575, 579, 583, 587, 591
1001233077.....193	1001241293.....179	1320220.....65	1702720.....913
1001233139.....19	1001241294.....183	1320223 ...213, 259, 305, 311, 361, 367	1702740.....43, 45, 51
1001233237.....921	1001241339.....921	1320224 ...202, 214, 226, 515	1702773....545, 881, 883, 913
1001233412.....193	1001241340.....921	1320302 ....625, 627, 629	1702774.....913
1001233413.....193	1001241341.....921	1320323.....327	1702788.....913
1001233436.....193	1001241341.....921	1321283 ...332, 337, 361, 367	1702861.....913
1001233763.....260, 271	1001241835.....226	1321283 ...332, 337, 361, 367	1702868....627, 629, 871, 873, 875, 877, 895, 899, 921
1001234099.....920	1001241965.....617	1321700.....529	1702938.....609
1001235011.....617	1001242639.....921	1321716 ....99, 103, 252, 266, 281, 305, 332, 362, 417, 421, 425, 434, 438, 442, 446, 450, 454, 458, 462	1702941....213, 259, 305, 311, 361, 367
1001235013.....617	1001242840.....573	1380147.....413, 415	1702942....213, 259, 305, 311, 361, 367
1001235119.....922	1001242845.....573, 591	1580011 ...296, 300, 320, 324, 346, 352, 376, 382	1702943....213, 259, 305, 311, 361, 367
1001235455.....229, 233, 235	1001242851.....159	1580012.....607	1702944....213, 259, 305, 311, 361, 367
1001235460.....225	1001242852.....163	1580013.....923	1702968.....61
1001235461.....225, 229	1001243168.....592, 837	1600387.....515	1703067.....55
1001235462.....229, 232	1001243183.....921	1670603.....783	1703162....208, 220, 232, 252, 266, 296, 300, 320, 324, 346, 352, 376, 382
1001235462.....229, 232	1001243184.....921	1670769 ...525, 527, 529	1703175.....921
1001235531.....141, 145	1001243414.....174	1670829 ...131, 133, 135, 137, 139, 141, 143, 145, 575, 579, 583, 587, 591	1703479.....913
1001235533.....123, 141	1001243869.....415	1671092 ...455, 459, 462, 466	1703797....871, 873, 875, 877, 895, 899
1001235534.....123	1001243870.....415	1671093.....627	1703798....871, 873, 875, 877, 895, 899
1001235760.....923	1001243895.....271	1671176 .....131, 139	
1001236223.....923	1001244873.....473	1683053.....647	
1001236224.....923	1001244874.....473, 489	1683261.....647	
1001236250.....337	1001246860.....922	1683609 ...491, 495, 647	
1001236252.....367	1001246867.....922	1683687.....647	
1001236254.....337, 343	1001247048.....483, 493	1684290.....635	
1001236256.....343, 352	1001247073.....924	1700818.....913	
1001236257.....353, 383	1001247623.....487, 497	1701499 ...871, 873, 875, 877, 879, 881, 883, 885, 887, 889, 891, 893, 895, 897, 899, 901, 903, 905, 907, 909, 911	
1001236258.....368, 373	1001247800.....923	1701500 ...871, 873, 875, 877, 879, 881, 883, 885, 887, 889, 891, 893, 895, 897, 899, 901, 903, 905, 907, 909, 911	
1001236259.....373, 382	1001248012.....491, 493, 495, 497, 651	1701504 ...871, 873, 875, 877, 879, 881, 883, 885, 887, 889, 891, 893, 895, 897, 899, 901, 903, 905, 907, 909, 911	
1001236303.....109	1001250287.....174		
1001236304.....787	1001250289.....174		
1001236338.....913	1001251075.....483, 489, 661		
1001236393.....353, 383, 387	1001253892.....179		
1001236496.....924	1001253893.....183		
1001236504.....787	1001253896.....179		
1001236505.....787	1001253897.....183		
1001236552.....617	1001253903.....179, 183		
1001236746.....922	1060341.....609		
1001236747.....922	1060343 ...454, 459, 462, 466		
1001237549.....193	1060494 ...418, 422, 426, 430		
1001237862.....865, 867	1060625 ...213, 259, 305		
1001237863.....615, 865	1060626 ...213, 259, 305, 311, 361, 367		
1001237864.....615, 867	1060903.....609		
1001237865.....615, 863	1060908.....807, 809		
1001238319.....615	1060918.....599		
1001238418.....617, 861	1060919.....545		
1001238421.....517	1060983.....525, 529		
1001238424.....115	1060984.....527		
1001238425.....119	1060985.....519		
1001238426.....127	1060986.....521		
1001238463.....922	10702077 . 450, 455, 459, 463, 467		
1001238472.....617			
1001238477.....617			
1001238495.....613			
1001238559.....617			



## PART NUMBER INDEX

1703804 ... 871, 873, 875, 877, 895, 899	1705325 ..... 769	2180387 ..... 65	2220473 ... 670, 678, 686, 694, 702, 710, 718, 726, 734, 742, 750, 758
1703805 ... 871, 873, 875, 877, 895, 899	1705351 ... 871, 873, 875, 877	2180388 ..... 65	2220497 ... 678, 711, 726, 759
1703923 ..... 909, 911	1705355 ..... 625, 627	2180389 ..... 65	2220500 ... 670, 686, 694, 702, 710, 718, 734, 742, 750, 758
1703924 ..... 893, 897	1705358 ..... 621	2180418 ..... 65	2220501 ... 670, 678, 686, 694, 702, 710, 718, 726, 734, 742, 750, 758
1703925 ..... 889, 891	1705363 ..... 45	2180504 ... 348, 354, 378, 384	2220502 ... 670, 678, 686, 694, 702, 710, 718, 726, 734, 742, 750, 758
1703926 ..... 901, 903	1705364 ..... 45	2180832 ..... 245, 259	2220503 ... 670, 678, 686, 694, 702, 710, 718, 726, 734, 742, 750, 758
1703927 ..... 905, 907	1705374 ... 437, 441, 445	2180877 ... 296, 300, 320, 324	2220504 ... 670, 678, 686, 694, 702, 710, 718, 726, 734, 742, 750, 758
1703928 ..... 885, 887	1705375 ... 455, 459, 463, 467, 627, 629	2220005 ..... 65	2220505 ... 670, 678, 686, 694, 702, 710, 718, 726, 734, 742, 750, 758
1703929 ..... 909, 911	1705387 ... 437, 441, 445, 455, 459, 463, 467	2220064 ... 348, 354, 378, 384	2220506 ... 670, 678, 686, 694, 702, 710, 718, 726, 734, 742, 750, 758
1703930 ..... 893, 897	1705426 ..... 901, 903	2220124 ..... 91	2220507 ... 670, 678, 686, 694, 702, 710, 718, 726, 734, 742, 750, 758
1703931 ..... 889, 891	1705427 ..... 905, 907	2220237 ... 670, 678, 718, 726	2220508 ... 670, 678, 686, 694, 702, 710, 718, 726, 734, 742, 750, 758
1703932 ..... 901, 903	1705429 ... 893, 895, 897, 899	2220238 61, 95, 670, 678, 718, 726	2220509 ..... 61
1703933 ..... 905, 907	1705430 ..... 889, 891	2220261 ... 65, 346, 352, 376, 382	2220510 ... 670, 678, 686, 694, 702, 710, 718, 726, 734, 742, 750, 758
1703934 ..... 885, 887	1705460 ... 451, 455, 459, 463, 467	2220273 ..... 91	2220511 ... 670, 678, 686, 694, 702, 710, 718, 726, 734, 742, 750, 758
1703935 ..... 909, 911	1705461 ..... 451	2220313 ... 201, 213, 225, 245, 259	2220512 ... 670, 678, 686, 694, 702, 710, 718, 726, 734, 742, 750, 758
1703936 ..... 893, 897	1705466 ... 625, 627, 629	2220315 ... 208, 220, 232, 252, 266, 296, 300, 320, 324, 346, 352, 376, 382	2220513 ... 670, 678, 686, 694, 702, 710, 718, 726, 734, 742, 750, 758
1703937 ..... 889, 891	1705489 ..... 433, 451	2220365 ... 670, 686, 694, 702, 718, 734, 742, 750	2220514 ... 670, 678, 686, 694, 702, 710, 718, 726, 734, 742, 750, 758
1703938 ..... 901, 903	1705514 ... 871, 873, 875, 877, 893, 895, 897, 899	2220366 ... 670, 678, 686, 694, 702, 710, 718, 726, 734, 742, 750, 758	2220515 ... 670, 678, 686, 694, 702, 710, 718, 726, 734, 742, 750, 758
1703939 ..... 905, 907	1705822 ... 879, 881, 883	2220371 ... 670, 678, 686, 694, 702, 710, 718, 726, 734, 742, 750, 758	2220516 ... 670, 678, 686, 694, 702, 710, 718, 726, 734, 742, 750, 758
1703940 ..... 885, 887	1705828 ... 879, 881, 883	2220373 ... 670, 678, 686, 694, 702, 710, 718, 726, 734, 742, 750, 758	2220517 ... 670, 678, 686, 694, 702, 710, 718, 726, 734, 742, 750, 758
1703942 ..... 895, 899	1705905 ..... 885, 887	2220374 ... 670, 678, 686, 694, 702, 710, 718, 726, 734, 742, 750, 758	2220518 ... 670, 678, 686, 694, 702, 710, 718, 726, 734, 742, 750, 758
1703947 ..... 909, 911	1705910 ..... 909, 911	2220375 ... 670, 678, 686, 694, 702, 710, 718, 726, 734, 742, 750, 758	2220519 ... 670, 678, 686, 694, 702, 710, 718, 726, 734, 742, 750, 758
1703948 ..... 893, 897	1705921 ... 879, 881, 883	2220377 ... 670, 678, 686, 694, 702, 710, 718, 726, 734, 742, 750, 758	2220520 ... 670, 678, 686, 694, 702, 710, 718, 726, 734, 742, 750, 758
1703949 ..... 889, 891	1705961 ... 879, 881, 883	2220378 ... 670, 678, 686, 694, 702, 710, 718, 726, 734, 742, 750, 758	2220521 ... 670, 678, 686, 694, 702, 710, 718, 726, 734, 742, 750, 758
1703950 ..... 901, 903	1706059 ..... 913	2220379 ... 670, 678, 686, 694, 702, 710, 718, 726, 734, 742, 750, 758	2220522 ... 670, 678, 686, 694, 702, 710, 718, 726, 734, 742, 750, 758
1703951 ..... 905, 907	1706060 ..... 913	2220380 ... 670, 678, 686, 694, 702, 710, 718, 726, 734, 742, 750, 758	2220523 ... 670, 678, 686, 694, 702, 710, 718, 726, 734, 742, 750, 758
1703952 ..... 885, 887	1706061 ..... 913	2220381 ... 670, 678, 686, 694, 702, 710, 718, 726, 734, 742, 750, 758	2220524 ... 670, 678, 686, 694, 702, 710, 718, 726, 734, 742, 750, 758
1703953 ... 871, 873, 875, 877, 885, 887, 889, 891, 893, 897, 901, 903, 905, 907, 909, 911	1706062 ..... 913	2220382 ... 670, 678, 686, 694, 702, 710, 718, 726, 734, 742, 750, 758	2220525 ... 670, 678, 686, 694, 702, 710, 718, 726, 734, 742, 750, 758
1703980 ..... 901, 903	1706063 ..... 913	2220383 ... 670, 678, 686, 694, 702, 710, 718, 726, 734, 742, 750, 758	2220526 ... 670, 678, 686, 694, 702, 710, 718, 726, 734, 742, 750, 758
1703981 ..... 905, 907	1706064 ..... 913	2220384 ... 670, 678, 686, 694, 702, 710, 718, 726, 734, 742, 750, 758	2220527 ... 670, 678, 686, 694, 702, 710, 718, 726, 734, 742, 750, 758
1703982 ..... 889, 891	1706065 ..... 913	2220385 ... 670, 678, 686, 694, 702, 710, 718, 726, 734, 742, 750, 758	2220528 ... 670, 678, 686, 694, 702, 710, 718, 726, 734, 742, 750, 758
1703983 ..... 909, 911	1706098 ..... 913	2220386 ... 670, 678, 686, 694, 702, 710, 718, 726, 734, 742, 750, 758	2220529 ... 670, 678, 686, 694, 702, 710, 718, 726, 734, 742, 750, 758
1703984 ... 893, 895, 897	1706385 ..... 545	2220387 ... 670, 678, 686, 694, 702, 710, 718, 726, 734, 742, 750, 758	2220530 ... 670, 678, 686, 694, 702, 710, 718, 726, 734, 742, 750, 758
1703985 ..... 885, 887	2030010 ... 625, 627, 629	2220388 ... 670, 678, 686, 694, 702, 710, 718, 726, 734, 742, 750, 758	2220531 ... 670, 678, 686, 694, 702, 710, 718, 726, 734, 742, 750, 758
1704000 ... 893, 897, 921	2060025 ... 208, 220, 232, 297, 301, 321, 325	2220389 ... 670, 678, 686, 694, 702, 710, 718, 726, 734, 742, 750, 758	2220532 ... 670, 678, 686, 694, 702, 710, 718, 726, 734, 742, 750, 758
1704001 ..... 909, 911	2080040 ... 433, 533, 535, 537, 547, 549, 551, 559, 563, 785, 803	2220390 ... 670, 678, 686, 694, 702, 710, 718, 726, 734, 742, 750, 758	2220533 ... 670, 678, 686, 694, 702, 710, 718, 726, 734, 742, 750, 758
1704002 ..... 885, 887	2080044 ..... 529	2220391 ... 670, 678, 686, 694, 702, 710, 718, 726, 734, 742, 750, 758	2220534 ... 670, 678, 686, 694, 702, 710, 718, 726, 734, 742, 750, 758
1704174 ..... 913	2110810 ... 670, 678, 686, 694, 702, 710, 718, 726, 734, 742, 750, 758	2220392 ... 670, 678, 686, 694, 702, 710, 718, 726, 734, 742, 750, 758	2220535 ... 670, 678, 686, 694, 702, 710, 718, 726, 734, 742, 750, 758
1704175 ..... 913	2110812 ... 670, 678, 686, 694, 702, 710, 718, 726, 734, 742, 750, 758	2220393 ... 670, 678, 686, 694, 702, 710, 718, 726, 734, 742, 750, 758	2220536 ... 670, 678, 686, 694, 702, 710, 718, 726, 734, 742, 750, 758
1704260 ... 575, 579, 583, 587, 591	2111216 ... 670, 678, 686, 694, 702, 710, 718, 726, 734, 742, 750, 758	2220394 ... 670, 678, 686, 694, 702, 710, 718, 726, 734, 742, 750, 758	2220537 ... 670, 678, 686, 694, 702, 710, 718, 726, 734, 742, 750, 758
1704271 ..... 913	2131212 ... 678, 686, 694, 710, 726, 734, 742, 750, 758	2220395 ... 670, 678, 686, 694, 702, 710, 718, 726, 734, 742, 750, 758	2220538 ... 670, 678, 686, 694, 702, 710, 718, 726, 734, 742, 750, 758
1704277 ... 871, 873, 875, 877, 879, 881, 883, 885, 887, 889, 891, 893, 895, 897, 899, 901, 903, 905, 907, 909, 911	2131216 ... 670, 678, 686, 694, 702, 710, 718, 726, 734, 742, 750, 758	2220396 ... 670, 678, 686, 694, 702, 710, 718, 726, 734, 742, 750, 758	2220539 ... 670, 678, 686, 694, 702, 710, 718, 726, 734, 742, 750, 758
1704412 ... 871, 873, 875, 877, 879, 881, 883, 885, 887, 889, 891, 893, 895, 897, 899, 901, 903, 905, 907, 909, 911	2151212 ... 670, 686, 694, 702, 718, 742	2220397 ... 670, 678, 686, 694, 702, 710, 718, 726, 734, 742, 750, 758	2220540 ... 670, 678, 686, 694, 702, 710, 718, 726, 734, 742, 750, 758
1704472 ..... 913	2180125 ..... 65	2220398 ... 670, 678, 686, 694, 702, 710, 718, 726, 734, 742, 750, 758	2220541 ... 670, 678, 686, 694, 702, 710, 718, 726, 734, 742, 750, 758
1704473 ..... 913	2180348 ... 201, 213, 225, 281, 287, 305, 311, 331, 337, 361, 367	2220399 ... 670, 678, 686, 694, 702, 710, 718, 726, 734, 742, 750, 758	2220542 ... 670, 678, 686, 694, 702, 710, 718, 726, 734, 742, 750, 758
1704578 ..... 61	2180380 ..... 643	2220400 ... 670, 678, 686, 694, 702, 710, 718, 726, 734, 742, 750, 758	2220543 ... 670, 678, 686, 694, 702, 710, 718, 726, 734, 742, 750, 758
1704885 ..... 913		2220401 ... 670, 678, 686, 694, 702, 710, 718, 726, 734, 742, 750, 758	2220544 ... 670, 678, 686, 694, 702, 710, 718, 726, 734, 742, 750, 758
1704972 ..... 913		2220402 ... 670, 678, 686, 694, 702, 710, 718, 726, 734, 742, 750, 758	2220545 ... 670, 678, 686, 694, 702, 710, 718, 726, 734, 742, 750, 758
1705014 ..... 545		2220403 ... 670, 678, 686, 694, 702, 710, 718, 726, 734, 742, 750, 758	2220546 ... 670, 678, 686, 694, 702, 710, 718, 726, 734, 742, 750, 758
1705084 ..... 879, 881		2220404 ... 670, 678, 686, 694, 702, 710, 718, 726, 734, 742, 750, 758	2220547 ... 670, 678, 686, 694, 702, 710, 718, 726, 734, 742, 750, 758
1705305 ... 625, 627, 629		2220405 ... 670, 678, 686, 694, 702, 710, 718, 726, 734, 742, 750, 758	2220548 ... 670, 678, 686, 694, 702, 710, 718, 726, 734, 742, 750, 758

# PART NUMBER INDEX

2220998....670, 678, 686, 694, 702, 710, 718, 726, 734, 742, 750, 758	2780267 ..... 23, 25, 27	3290405 ... 511, 769, 771, 773, 775, 777, 779, 781, 783, 785, 801, 803, 805	433, 437, 441, 450, 454, 457, 465, 517
2221018.....65	2780268 ..... 25, 31	3290501 ..... 327	3291205.....95, 413, 415, 471, 473, 475, 477, 479, 483, 487, 489, 513, 517
2221019.....65	2820031 ... 417, 421, 425, 429, 433, 437, 441, 445, 449, 453, 457, 461, 465	3290505 ... 155, 437, 441, 445, 450, 454, 457, 461, 465	3291602.....83
2221024.....65	2820035 ..... 271	3290601 ... 177, 179, 181, 183, 189, 191, 671, 679, 687, 695, 703, 710, 719, 727, 735, 743, 751, 758	3291605....471, 473, 475, 477
2221040....687, 695, 703, 710, 735, 743, 751, 758	2820247 ..... 865, 867	3290605 ... 107, 109, 113, 121, 129, 157, 159, 161, 163, 186, 191, 201, 208, 213, 220, 225, 232, 245, 252, 259, 266, 281, 287, 305, 311, 327, 331, 337, 361, 367, 407, 409, 411, 417, 421, 425, 429, 433, 437, 441, 445, 450, 454, 457, 461, 465, 511, 785, 803, 805	3292001.....95
2221052.....61	2840016 ..... 413, 415	3290606 ... 539, 541, 543, 553, 555, 557, 561, 565	3300106.....23, 25
2221086.....41, 671, 679, 687, 695, 703, 710, 719, 727, 735, 743, 751, 758	2860030 ... 147, 149, 151, 153, 916	3290607 ... 296, 300, 320, 324, 346, 352, 376, 382	3300151....539, 541, 543, 553, 555, 557, 559, 561, 563, 565, 567, 625, 627, 629
2300004....252, 296, 300, 348, 354	2900756 ..... 41	3290801 ... 346, 352, 376, 382	3300220....107, 109, 208, 220, 232, 253, 267
2300014.....923	2900770 . 73, 77, 78, 637, 657, 659, 661	3290805 ..... 61, 201, 208, 213, 220, 225, 232, 245, 252, 259, 266, 281, 287, 296, 300, 305, 311, 320, 324, 331, 337, 346, 352, 361, 367, 376, 382, 407, 409, 411, 417, 421, 425, 429, 433, 437, 441, 445, 450, 454, 457, 462, 465, 787	3300243.....513, 517
2300016.....23, 25, 923	2900792 ... 647, 649, 651	3291001 ... 252, 266, 296, 300, 320, 324, 346, 352, 376, 382, 517	3300353....575, 579, 583, 587, 591
2300021.....923	2901303 ..... 647	3291005 ... 61, 91, 97, 99, 101, 103, 113, 115, 117, 119, 121, 123, 125, 127, 166, 170, 174, 177, 179, 181, 183, 186, 189, 191, 193, 201, 208, 213, 220, 225, 232, 245, 252, 259, 266, 281, 287, 296, 300, 305, 311, 320, 324, 331, 337, 346, 352, 361, 367, 376, 382, 409,417, 421, 425, 429, 491, 493, 495, 497, 505, 507, 511, 517, 519, 521, 523, 525, 527, 529	3300396....438, 442, 446, 450, 455, 459, 462, 466
2300027.....923	2901443 ..... 924	3291007 ... 281, 287, 305, 311	3300408....131, 133, 135, 137, 139, 141, 143, 145, 575, 579, 583, 587, 591
2300029.....923	2902065 ... 208, 221, 232, 252, 266, 391	3291201 ..... 95, 346, 352, 376, 382, 421, 429,	3300430.....611, 613, 619
2300039.....923	2902212 ..... 621		3310401.....252, 266
2300039.....923	2902217 ..... 625, 627		3310601.....413, 415
2300041....266, 320, 324, 376, 382	2902266 ..... 635		3311001....273, 417, 421, 425, 429, 438, 442, 446, 450, 455, 459, 462, 466
2400060.....271, 825, 856	2902443 ..... 811, 813		3311005....157, 159, 161, 163, 625, 627, 629
2400066.....825	2902549 .... 803, 805, 809		3311401.....609
2400082.....823, 916	2915102 ..... 920		3311405....515, 569, 571, 573, 617, 769, 771, 773, 775, 777, 779, 781, 783, 787, 801, 871, 873, 875, 877, 879, 881, 883, 885, 887, 889, 891, 893, 895, 897, 899, 901, 903, 905, 907, 909, 911
2410014.....545	2920028 ... 584, 587, 591, 609		3311501....105, 113, 115, 117, 119, 121, 123, 125, 127, 166, 170, 174, 186, 609
2420202.....515	2920029 ... 584, 587, 591, 609		3311505....166, 170, 174
2420203....417, 422, 425, 430	2940045 ..... 191		3311601.....65, 174, 575, 580, 584, 588, 592, 617
24431386..332, 338, 362, 368	2940074 ... 533, 535, 537, 547, 549, 551, 559, 563, 917		3311605.....61, 273, 545, 569, 571, 573, 625, 627, 629
2460048....449, 453, 461	2940173 ... 177, 179, 181, 183, 189, 191		3311705....417, 421, 429
2460051.....425	3020008 ..... 23, 25		3311801.....23, 25
2460055.....417	3020021 ..... 391		3311805....513, 515, 517
2540020....157, 159, 161, 163	3020037 ... 205, 217, 229, 249, 263, 291, 293, 315, 317		3312005.....63, 515, 621
2540038.....515	3020039 ..... 17		3312205.....621
2560136....575, 579, 583, 587, 591	3020043 .... 639, 641, 643		3321001....107, 109, 208, 220, 232, 253, 267
2560187....177, 179, 181, 183, 189, 191	3020044 ..... 220		3331211....296, 300, 320, 324, 417, 421, 425, 433, 437, 441, 445, 450, 454, 457, 462, 465
2580024....259, 305, 311, 361, 367	3160348 ..... 25, 37		
2580050....213, 259, 305	3160351 ..... 23, 35		
2580062.....220	3200406 ... 296, 300, 320, 324		
2580063.....321, 325	3250872 ..... 61		
2600281....533, 535, 537, 547, 549, 551, 559, 563	3251242 ... 771, 775, 779, 781, 783		
2720015.....252, 266	3251243 ... 417, 421, 425, 429, 437, 441, 445, 871, 873, 875, 877, 885, 887, 893, 895, 897, 899, 909, 911		
2720058....201, 213, 225, 348, 354, 378, 384	3252347 ... 871, 873, 875, 877		
2720144.....65	3252507 ..... 767		
2720271....296, 300, 320, 324, 348, 354, 378, 384	3252764 ... 449, 454, 457, 461, 465		
2720340.....252, 266	3271601 ... 166, 170, 174, 186		
2720392.....65	3271605 ..... 657, 659		
2720398....208, 221, 232	3271805 ..... 545		
2720447....208, 221, 232	3272605 ..... 515		
2720615....348, 354, 378, 384	3290401 ..... 65, 327		
2720644....346, 352, 376, 382			
2750532....201, 214, 225, 246, 260			
2752500....679, 711, 727, 759			

## PART NUMBER INDEX

3331215 ... 208, 220, 232, 252, 266	3600242 ... 205, 217, 249, 263, 291, 293, 315, 317, 341, 371, 393	3931516.....647	462, 465, 583, 587, 591, 609, 625, 627
3340956 ..... 621	3740067 ... 107, 109, 208, 220, 232, 916	3931520.....657, 659	4240149 ..... 621
3380434 .... 569, 571, 573	3740080 ... 418, 421, 425, 429, 825	3931618....205, 217, 229, 249, 263, 293, 317, 341, 343, 371, 373	4280296 ..... 57, 59
3420352 ..... 63	3740086 ..... 861	3931620....205, 217, 249, 263, 291, 293, 315, 317, 341, 371	4360057 ..... 609, 917
3420372 ..... 63	3740140 ... 208, 220, 232, 916	3960526.....23, 25	4360070 ... 438, 442, 446, 450, 455, 459, 462, 466
3421565 ..... 93	3760133 ... 479, 483, 487, 489	3960389.....193	4360328... 121, 123, 125, 127, 916
3422532 ... 201, 213, 225, 245, 259, 281, 287, 305, 311, 331, 337, 361, 367	3760170 ..... 63, 93	3960407....208, 220, 232	4360336 ... 418, 421, 426, 429, 433, 437, 441, 445, 450, 454, 457, 462, 465, 917
3422793 ..... 483, 487	3760368 ..... 647	3960422....437, 441, 445, 454, 457, 462, 465, 765, 767	4360387... 149, 153, 575, 579, 583, 587, 591, 609, 916, 917
3422848 ..... 21	3790012 ... 121, 123, 125, 127, 281, 287, 305, 311, 331, 337, 361, 367, 575, 579, 583, 587, 591, 601, 603	3990013.....861	4360407 ... 575, 579, 583, 587, 591, 916
3422860 ... 491, 493, 495, 497	3790152 ... 205, 217, 229, 249, 263, 291, 293, 315, 317, 341, 343, 371, 373	4010405....785, 801, 803, 805	4360469... 147, 149, 151, 153
3422861 ..... 491, 495	3820001 .... 61, 871, 873, 875, 877, 879, 881, 883, 885, 887, 889, 891, 893, 895, 897, 899, 901, 903, 905, 907, 909, 911	4010618....539, 541, 543, 553, 555, 557, 561, 565	4360475 ... 131, 133, 135, 137, 139, 141, 143, 145, 575, 579, 583, 587, 591, 916
3422867 ... 491, 493, 495, 497	3820020 ... 533, 535, 537, 547, 549, 551, 559, 563	4031505.....615	4360476 ... 131, 133, 135, 137, 139, 141, 143, 145, 575, 579, 583, 587, 591, 916
3423304 ..... 19, 21	3841143 19, 21, 201, 213, 225, 245, 259, 281, 287, 305, 311, 331, 337, 361, 367, 479, 489, 491, 493, 495, 497, 517	4031516.....617	4360517 ..... 95
3430616 .... 580, 588, 592	3841203 ... 471, 473, 475, 477, 483, 487	4031711.....346, 376	4360542... 417, 422, 425, 430
3430820 ..... 413, 415	3841258 ..... 17, 471, 473, 475, 477	4031914.....252, 266	4400275 ..... 65
3450404 ..... 413, 415	3841340 ... 519, 521, 523, 525, 527, 529	4032014....421, 441, 457	4420014 ..... 621
3460334 ..... 621	3900054 ..... 545	4032015....433, 437, 450, 454	4420037 .... 625, 627, 629
3470003 ... 575, 580, 584, 588, 592	3900267 .... 438, 442, 446	4060092.....767	4420051 ..... 61, 913
3480210 ..... 647	3900283 ..... 515	4060802....418, 421, 425, 429, 433, 437, 441, 445, 450, 454, 457, 462, 465	4420066 ..... 621
3480211 .... 639, 641, 643	3900295 ..... 21	4060805....208, 221, 232, 252, 266, 296, 300, 320, 324	4420068 ..... 609
3480274 ..... 657	3900300 ... 438, 442, 446	4060906.... 131, 133, 135, 137, 139, 141, 143, 145	4460016 ..... 835, 837
3520026 ..... 576, 579	3900332 ..... 65	4070092.....767	4460027 ... 417, 422, 425, 430
3520027 ..... 576, 579	3900349 ... 580, 588, 591	4070099....479, 483, 487, 489	4460042 .... 819, 821, 856
3520028 ... 417, 422, 425, 430	3910408 ..... 252, 266	4070104.....515	4460043 .... 271, 813, 856
3520033 ..... 579, 587	3910606 ... 437, 441, 445, 454, 457, 462, 465	4070450.....63	4460049 ..... 609
3520034 ..... 491, 495	3910610 ... 413, 415, 765, 767	4070560.....63	4460068 ..... 856
3520035 ..... 579	3910804 ... 147, 149, 151, 153	4070561.....63	4460071 ... 437, 441, 445, 454, 457, 462, 465, 599, 765, 767
3520054 ... 208, 220, 232, 254, 268, 575, 579, 583, 587, 591	3911010 ... 157, 159, 161, 163	4070897....479, 483, 487, 489	4460125 ..... 767
3520071 ..... 621	3911018 ... 131, 133, 135, 137, 139, 141, 143, 145, 575, 579, 583, 587, 591	4100100.....647	4460134 ... 418, 422, 426, 430
3520072 ... 533, 535, 537, 539, 541, 543, 545, 559, 561, 563, 565, 567	3931408 ..... 611, 613	4160182.... 166, 170, 174	4460138 ... 418, 422, 426, 430
3520182 ..... 619	3931424 ..... 611	4240018....670, 678, 686, 694, 702, 710, 718, 726, 734, 742, 750, 758	4460183 ..... 835, 837
3520189 ..... 450	3931456 ..... 657, 659	4240032.....155	4460190 ... 417, 422, 425, 430
3520192 ..... 450	3931512 ..... 252, 266	4240033....515, 611, 613, 615, 617	4460205 ..... 765
3520198 ... 533, 535, 537, 539, 541, 543, 559, 561, 563, 565, 567		4240099.... 113, 115, 117, 119, 121, 123, 125, 127, 157, 159, 161, 163, 201, 208, 213, 220, 225, 232, 245, 252, 259, 266, 271, 281, 287, 296, 300, 305, 311, 320, 324, 327, 331, 337, 346, 352, 361, 367, 376, 382, 418, 421, 426, 429, 433, 437, 441, 445, 450, 454, 457,	4460225 ... 450, 454, 457, 462, 465, 827, 829, 835, 837
3573400 .... 625, 627, 629			4460226 ... 595, 597, 599, 835, 837, 853, 856
3573642 .... 625, 627, 629			4460227 ..... 95, 835, 837
3574091 ..... 609			4460233 ..... 767
3577121 .... 625, 627, 629			4460234 ... 155, 575, 579, 583, 587, 591, 609
3580158 ..... 417			4460247 ..... 813, 856
3580276 ..... 417			4460259 .... 835, 837, 856
3580312 .... 425, 445, 462			
3580314 ..... 445, 462			
3580317 ... 433, 437, 441, 450, 454, 457, 465			
3580318 ... 437, 441, 454, 457, 465			
3580319 ..... 433, 450			
3580320 ... 421, 433, 437, 441, 450, 454, 457			
3580324 ..... 425			
3580348 .... 425, 445, 462			

# PART NUMBER INDEX

4460260.....835, 837, 856	4460748.....856	4461111.....817, 819	4740274.....296, 300, 320, 324
4460265.....595, 597	4460761.....835, 837	4461113.....819	4740362.....569, 571, 573
4460267.....835, 837	4460806....775, 779, 856	4461121.....817, 819	4740397.....601
4460268....417, 422, 425, 430, 827, 829	4460807.....827	4461122.....817, 819	4740439....491, 493, 495, 497
4460313.....811, 817, 859	4460808.....827	4461123.....819	4740491.....21
4460315.....765, 767	4460836.....833, 855	4461124.....817, 819	4750600.....413, 415
4460320.....95	4460837.....855	4461196.....839	475100097, 99, 101, 103, 418, 421, 426, 429, 625, 627, 629
4460321....417, 422, 425, 430	4460844.....831	4461198.....839	4751400....105, 515, 573, 575, 579, 583, 587, 591, 607, 609, 619, 625, 627, 787, 871, 873, 875, 877, 879, 881, 883, 885, 887, 889, 891, 893, 895, 897, 899, 901, 903, 905, 907, 909, 911
4460346....437, 441, 445, 454, 457, 462, 465, 765	4460865.....793, 795	4461199.....841	4751500....418, 421, 426, 429, 609
4460418....829, 835, 837	4460866....835, 837, 855	4461201.....841	4751600....569, 571, 625, 627, 629
4460419....829, 835, 837	4460871...829, 835, 837, 855, 856, 859	4461202.....843, 845	4751800.....545, 609
4460424.....856	4460872.....859	4461205...843, 845, 847, 849	4752000.....63
4460425....438, 442, 446, 450, 455, 459, 462, 466, 609	4460873....835, 837, 855	4461244.....845	4760600.....765, 767
4460426....438, 442, 446, 450, 455, 459, 462, 466	4460874....835, 837, 855	4461245.....849	4761000....107, 109, 208, 220, 232, 253, 267
4460428....515, 517, 575, 579, 583, 587, 591	4460875....835, 837, 859	4461246.....851	4761400.....607
4460434.....835, 837	4460876.....829	4461249.....851	4770600.....413, 415
4460457.....856	4460877.....855	4520212.....55	4811400....511, 769, 771, 773, 775, 777, 779, 781, 783
4460458.....856	4460878.....855	4520216.....43, 45, 47	4811600....155, 437, 441, 445, 450, 454, 457, 462, 465
4460464....155, 509, 511, 599, 789, 791, 797, 799, 821, 825, 831, 835, 837, 855, 856, 861	4460879.....835, 837	4520240.....49	4811700....107, 109, 113, 115, 117, 119, 121, 123, 125, 127, 129, 157, 159, 161, 163, 177, 179, 181, 183, 189, 191, 201, 208, 213, 220, 225, 232, 245, 252, 259, 266, 282, 287, 296, 300, 305, 311, 320, 324, 327, 331, 337, 346, 352, 361, 367, 376, 382, 418, 421, 426, 429, 433, 437, 441, 445, 450, 454, 457, 462, 465, 525, 527, 529, 539, 541, 543, 553, 555, 557, 561, 565, 671, 679, 687, 695, 703, 710, 719, 727, 735, 743, 751, 758, 785, 803, 805
4460465....509, 511, 789, 791, 793, 795, 797, 799, 811, 813, 817, 819, 827, 831, 833, 835, 837, 853, 855, 859	4460884....813, 853, 855	4520259.....51, 53	4811900.....61, 166, 186, 202, 208, 214, 220,
4460466....332, 338, 362, 368, 615, 789, 793, 795, 811, 813, 817, 819, 825, 831, 833, 835, 837, 855, 856, 859, 861, 863	4460887....835, 837, 855	4530028....625, 627, 631	
4460467.....924	4460891...789, 791, 813, 821, 855, 859	4568735....426, 445, 462	
4460470....113, 115, 117, 119, 121, 123, 125, 127, 575, 579, 583, 587, 591	4460894...811, 813, 817, 819, 837, 855, 859	4640113....43, 45, 51, 55	
4460471....113, 115, 117, 119, 121, 123, 125, 127, 575, 579, 583, 587, 591	4460897...155, 157, 159, 161, 163, 791, 821	4640261.....61	
4460473.....793, 795	4460899...799, 831, 855, 861, 863	4640452....657, 659, 661	
4460508.....615, 855	4460905...829, 835, 837, 855, 856, 859	4640509....647, 649, 651	
4460509.....793, 795	4460906.....825	4640751....252, 266	
4460510.....924	4460910.....867	4640858.....635	
4460518.....789	4460911.....863	4640952...296, 300, 320, 324	
4460536....129, 509, 511, 797, 799	4460928.....789	4641122.....47, 49, 53	
4460539....509, 511, 797, 799, 859	4460930...332, 338, 362, 368, 797, 811, 813	4641390...639, 641, 643, 645	
4460608.....855	4460931.....856	4710400.....252, 266	
4460662.....783	4460932.....821	4711000...157, 159, 161, 163, 273, 438, 442, 446, 450, 455, 459, 463, 467	
4460693.....817, 819	4460933...789, 833, 835, 837, 855	4711400...177, 179, 181, 183, 189, 191, 515, 539, 541, 543, 553, 555, 557, 559, 561, 563, 565, 567, 611, 613, 617, 619, 769, 771, 773, 775, 777, 779, 781, 783, 801	
4460703.....813	4460941.....821, 863	4711500...107, 109, 166, 170, 174, 202, 213, 225, 246, 252, 259, 266, 281, 287, 306, 312, 331, 337, 361, 367, 575, 584	
4460705....417, 422, 425, 430	4460942.....615, 821	471160069, 71, 174, 186, 273, 433, 437, 441, 450, 454, 457, 515, 573, 580, 588, 592, 657, 659	
4460708.....837	4460943...129, 157, 159, 161, 163, 863	4711700...418, 421, 426, 429	
4460722.....271	4460944.....813, 833	4711800....445, 462, 545	
4460742.....856	4460956.....807, 809	4712000.....621	
	4460957.....807, 809	4712200.....621	
	4460961...417, 422, 425, 430	4740086.....19, 21	
	4460962.....627	4740155.....21	
	4460963...455, 459, 462, 466	4740158.....17	
	4460967.....855		
	4460970.....835, 837		
	4460977.....823		
	4461005.....811		
	4461008.....811, 813		
	4461052.....811		
	4461070.....789, 813		
	4461071.....811, 813		
	4461072.....811, 813		
	4461073.....811, 813		
	4461074.....811, 813		
	4461077.....861, 863		
	4461095...789, 811, 813		
	4461109.....817, 819		

# PART NUMBER INDEX

226, 232, 245, 252, 259, 266, 296, 300, 320, 324, 327, 331, 337, 346, 352, 361, 367, 376, 382, 418, 421, 426, 429, 433, 437, 441, 445, 450, 454, 457, 462, 465, 787	293, 315, 317, 341, 343, 371, 373, 513, 515, 517	70000619..449, 453, 457, 461, 465	7000232 ..... 27, 31
4811902 ... 166, 170, 174, 186, 201, 213, 225, 245, 259, 346, 352, 376, 382	4892000 .. 23, 25, 89, 515	70000781.....39, 41	70002326 ..... 387
4812000 ... 23, 25, 61, 69, 71, 91, 97, 99, 101, 103, 107, 109, 113, 115, 117, 119, 121, 123, 125, 127, 166, 170, 174, 177, 179, 181, 183, 186, 189, 191, 193, 201, 208, 213, 220, 225, 232, 245, 252, 259, 266, 281, 287, 296, 300, 305, 311, 320, 324, 327, 331, 337, 346, 352, 361, 367, 376, 382, 418, 421, 426, 429, 442, 459, 479, 483, 487, 489, 505, 507, 511, 517, 519, 521, 523, 525, 527, 529	4892600 .... 513, 515, 517	70000787.....236, 240	700023371 ..... 653
4812002 ... 69, 71, 97, 99, 101, 103, 113, 115, 117, 119, 121, 123, 125, 127, 166, 170, 174, 186, 409	4920385 ... 296, 300, 320, 324	70000793.....391	70002373 ..... 637, 653
4812100 ..... 95, 201, 213, 225, 245, 252, 259, 266, 267, 332, 338, 361, 367, 413, 415, 433, 437, 450, 454, 479, 483, 487, 489, 517	4922925 ... 450, 454, 457, 462, 465	70000797.....35, 37	7000238674, 78, 81, 471, 475, 477, 645, 916
4812102 ..... 61	4923451 .... 209, 220, 233	70000800.....235, 239	70002390 ..... 39
4812200 ... 208, 220, 232, 252, 267, 332, 338, 346, 362, 368, 376, 418, 421, 430, 433, 437, 441, 450, 454, 457, 466	4933218 ..... 609, 762	70000851.....236, 240	70002401 ..... 471, 475
4831400 ..... 327	5240800 ... 201, 213, 225, 246, 259, 281, 287, 305, 311, 331, 337, 346, 352, 361, 367, 376, 382	70000863..449, 453, 458, 461, 466	70002412 ..... 661
4831600 ..... 327	5241200 . 17, 19, 21, 208, 220, 232, 252, 267, 296, 300, 320, 324, 346, 352, 377, 382, 418, 421, 426, 429, 433, 437, 441, 445, 450, 454, 458, 462, 466, 513, 517	70000912.....235, 239	7000246 ..... 27, 31, 86
4844816 ..... 491, 493	5241400 ... 346, 352, 376, 382	70000913.....235, 239	70002460 . 449, 453, 458, 461, 466
4844817 ..... 491	5241600 ..... 21, 83	70000914.....235, 239	7000247 ..... 86
4846562 ..... 621	5242000 ..... 83	70000915.....235, 239	7000248 ..... 27, 31, 86
4846573 ..... 513, 515	5250605 ... 297, 301, 321, 325, 346, 352, 377, 382	70000916.....235, 239	7000253 ..... 27, 31, 86
4846627 .... 625, 627, 629	5250608 ..... 509, 511	70000917.....235, 239	7000255 ..... 86
4846673 ..... 609	5250808 ... 434, 438, 442, 446, 450, 454, 459, 462	70000918.....235, 239	7000257 ..... 27, 31, 86
4860214 ..... 55	5250810 ... 254, 268, 434, 438, 442, 446, 450, 454, 459, 462	70000919.....236, 240	7000258 ..... 27, 31
4871700 ... 107, 109, 433, 437, 441, 450, 454, 457	5251008 ... 479, 483, 487, 489, 509, 511, 517	70000931.....236, 240	7000261 ..... 27, 31
489160061, 65, 205, 217, 229, 249, 263, 291, 293, 315, 317, 341, 343, 371, 373, 426, 445, 462, 513, 515, 517	5251009 ... 166, 186, 480, 484, 487, 489	70001002.....235, 239	7000262 ..... 27, 31
489180023, 25, 205, 217, 229, 249, 263, 291,	5251010 ... 281, 287, 305, 311	70001100..449, 453, 458, 461, 466	7000263 ..... 27, 31, 86
	5251011 ... 479, 483, 487, 489	70001181.....235, 239	70002718.. 235, 239, 275
	5251012 ..... 23, 25, 186	70001349.....27, 31	70002838 ... 97, 101, 105, 916
	5251014 ... 57, 59, 69, 71, 166, 170, 174	70001384..449, 453, 458, 461, 466	70002842 ..... 635
	5251016 ..... 17, 517	70001423.....235, 239	70002895.. 321, 325, 917
	5251215 ... 201, 213, 225, 245, 259, 281, 287, 305, 311, 331, 337, 361, 367	70001435.....236, 240	70002902 ..... 599
	5260800 ... 434, 438, 442, 446, 450, 454, 459, 462	70001498.....236, 240	70002903 ..... 599
	5261000 ..... 166, 186	70001654.....235, 239	70002904 ..... 599
	5261018 ... 177, 181, 281, 287, 305, 311, 519, 521, 523, 525, 527, 529	70001655.....235, 239	70002905 ..... 599
	5261200 ... 201, 213, 225, 245, 259, 281, 287, 305, 311, 331, 337, 361, 367	70001696..449, 453, 458, 461	70002962 ..... 41
	5271809 ... 296, 300, 320, 324, 347, 377	70001697...499, 501, 503	70002974 ..... 73, 77
	70000342 .. 499, 501, 503	70001844.....236, 240	70003023 ..... 73, 77
	70000345 .. 236, 240, 277	70001850.....235, 239	70003024 ..... 73, 77
		70001866.....236, 240	70003408 ..... 73, 77
		70001868.....236, 240	70003463.. 235, 239, 916
		70001870...235, 239, 275	70003464 ..... 235, 239
		70001871.....236, 240	70003468 ..... 236, 240
		70001872.....236, 240	70003469 ..... 236, 240
		70001953...449, 453, 461	70003472 ..... 235, 239
		70001966..433, 438, 442, 445, 449, 453, 458, 461, 466	70003473 ..... 235, 239
		70001973..449, 453, 458, 461, 466	70003475 ..... 235, 239
		70001974..449, 453, 458, 461, 466	70003479 ..... 235, 239
		70002011.....505, 507	70003480 ..... 235, 239
		7000206 ..... 27, 31	70003481 ..... 235, 239
		70002063.....81	70003612 ..... 111
		70002066.....86	70003614 ... 97, 101, 916
		70002088...449, 453, 461	70003631 . 449, 453, 458, 461, 466
		70002112.....105	70003708 . 433, 438, 442, 445, 449, 453, 458, 461, 466
		7000217.....86	70003709 . 433, 438, 442, 445, 449, 453, 458, 461, 466
		70002209.....41	70003783 . 209, 221, 233, 253, 267, 916
		70002234.....236, 240	70003788 ..... 74, 78, 471, 475, 477, 645, 916
		70002257.....396	70003931 ..... 236, 240
		7000228 ..... 86	70003932 ..... 236, 240
		7000229 ..... 27, 31, 86	70003977 ..... 73, 77
		70002291.....458, 466	70004000 ..... 111
		70002297..449, 453, 458, 461, 466	70004013 ..... 111
		7000230.....27, 31, 86	70004014 ..... 111
		70002316.....387	70004017 ..... 41
		70002318.....387	

# PART NUMBER INDEX

70004020..297, 301, 321, 348, 378, 384, 916	70004742..... 595	70005067..... 111	70005483..... 28
70004037..... 86	70004743..... 595	70005068..... 111	70005708..... 97, 101
70004039..... 86	70004744..... 595	70005069..... 73, 77	70005710..... 95
70004040..... 86	70004745..... 595	70005071..... 73, 77	70005711..... 95
70004041..... 86	70004746..... 595	70005072..... 73, 77	70005712..... 95
70004042..... 86	70004747..... 595	70005073..... 73, 77	70005713..... 95
70004043..... 86	70004748..... 595	70005074..... 73, 77	70005714..... 95
70004044..... 86	70004749..... 595	70005075..... 73, 77	70005715..... 95
70004045..... 86	70004750..... 595	70005076..... 73, 77	70005716..... 95
70004047..... 87	70004751..... 595	70005077..... 73, 77	70005724..... 74, 78
70004048..... 86, 87	70004752..... 597	70005078..... 73, 77	70005726..... 387
70004056..... 236, 240	70004753..... 597	70005079..... 73, 77	70005727..... 387
70004058..... 236, 240	70004754..... 597	70005080..... 73, 77	70005737..... 387
70004059..... 236, 240	70004755..... 597	70005081..... 73, 77	70005745..... 387
70004060..... 236, 240	70004756..... 597	70005082..... 73, 77	70005746..... 387
70004062..... 236, 240	70004757..... 597	70005084..... 73, 77	70005747..... 387
70004092..433, 438, 442, 445, 458, 466	70004758..... 597	70005085..... 73, 77	70005751..... 387
70004093..... 458	70004759..... 597	70005086..... 73, 77	70005827..... 39
70004094..... 458, 466	70004760..... 597	70005087..... 73, 77	70005830..... 39
70004095..... 458	70004761..... 597	70005088..... 73, 77	70005831..... 39
70004096..... 458	70004762..... 597	70005089..... 73, 77	70005832..... 39
70004097..... 458	70004763..... 597	70005090..... 73, 77	70005833..... 39
70004098..438, 442, 446, 458, 466	70004764..... 597	70005091..... 73, 78	70005834..... 39
70004099..442, 458, 466	70004765..... 597	70005092..... 73, 77	70006010..... 357
70004102..... 236, 240	70004766..... 597	70005093..... 77	70006011..... 357
70004103..... 236, 240	70004767..... 597	70005106..... 505, 507	70006012..... 357
70004169..449, 453, 461	70004768..... 597	70005107..... 505, 507	70006013..... 387
70004171..433, 438, 445, 449, 453, 461	70004769..... 597	70005108..... 73, 77	70006014..... 387
70004231..... 645	70004770..... 597	70005109..... 73, 78	70006015..... 387
70004267..... 111	70004771..... 597	70005139..... 111	70006016..... 387
70004268..... 235, 239	70004772..... 597	70005140..... 653	70006017..... 387
70004269..... 235, 239	70004773..... 597	70005141..... 653	70006018..... 387
70004270..... 236, 240	70004774..... 597	70005142..... 637, 653	70006019..... 387
70004275..... 275	70004775..... 597	70005143..... 637, 653	70006020..... 387
70004280..... 275	70004794..... 97, 99, 101, 103	70005144..... 637, 653	70006021..... 387
70004281..... 275	70004829..... 387	70005145..... 637, 653	70006022..... 387
70004282..... 276	70004883..... 81	70005146..... 653	70006023..... 387, 916
70004283..... 276	70004884..... 41, 81	70005147..... 637	70006024..... 387
70004284..... 276	70004885..... 39, 41	70005148..... 637	70006025..... 387
70004285..... 277	70004886..... 41	70005149..... 637	70006026..... 387
70004504..... 277	70004887..... 395	70005150..... 655	70006027..... 387
70004513..... 275	70004889..... 395	70005151..... 655	70006028..... 387
70004577..... 39, 41	70004890..... 395	70005152..... 655	70006029..... 387
70004676..433, 438, 442, 445	70004891..... 395	70005153..... 655	70006030..... 387
70004677..... 433	70004892..... 395	70005154..... 655	70006031..... 387
70004678..433, 438, 442, 446	70004893..... 395	70005171..... 275	70006032..... 387
70004679..434, 438, 442, 446	70004894..... 395	70005172..... 275	70006033..... 387
70004680..434, 438, 442, 446	70004895..... 395	70005173..... 275	70006034..... 387
70004681..... 434	70004896..... 395	70005174..... 275	70006035..... 387
70004682..434, 438, 442, 446	70004897..... 395, 916	70005176..... 276	70006036..... 387
70004683..... 434	70004898..... 395	70005177..... 276	70006037..... 387
70004684..... 438, 446	70004899..... 396	70005180..... 276	70006038..... 387
70004685..438, 442, 446	70004900..... 396	70005181..... 276	70006039..... 387
70004687..... 442	70004901..... 396	70005182..... 276	70006040..... 387
70004738..... 595	70004902..... 396	70005183..... 276	70006041..... 387
70004739..... 595	70004903..... 396	70005184..... 276	70006042..... 387
70004740..... 595	70004904..... 396	70005185..... 276	70006043..... 387
70004741..... 595	70004905..... 396	70005186..... 276	70006044..... 387
	70004906..... 396	70005188..... 276	70006045..... 388
	70004907..... 396	70005189..... 276	70006046..... 388
	70004908..... 396	70005191..... 277	70006047..... 388
	70004909..... 396	70005203..... 86	70006048..... 388
	70004910..... 396	70005204..... 86	70006049..... 388
	70004911..... 396	70005217..... 73, 77	70006050..... 388
	70004983..... 95	70005218..... 73, 77	70006051..... 388
	70005065..... 111	70005219..... 74, 78	70006052..... 388
	70005066..... 111	70005230..... 595	70006053..... 388

## PART NUMBER INDEX

70006054 .....	388	70006736 .....	651	70025109.....	276	70025237.....	277
70006055 .....	388	70006817 .....	661	70025111.....	276	70025238.....	277
70006056 .....	388	70007062 .....	661	70025113.....	277	70025239.....	275
70006057 .....	388	70007063 .....	661	70025115.....	276	70025240.....	275
70006058 .....	388	70007064 .....	661	70025120.....	277	70025241.....	277
70006059 .....	388	70007065 .....	661	70025121.....	236, 240	70025667.....	235, 239
70006060 .....	388	70007066 .....	661	70025123.....	235, 236, 239,	70025693.....	236, 240
70006061 .....	388, 917	70007067 .....	661	240		70025694.....	236, 240
70006062 .....	388	70007068 .....	661	70025131... ..	236, 240, 276	70025779.....	276
70006063 .....	388	70007069 .....	661	70025133.....	276	70025781.....	276
70006064 .....	388	70007070 .....	661	70025135.....	275	70026444.....	39
70006065 .....	388	70007071 .....	661	70025139.....	235, 239	7002821.....	924
70006066 .....	388	70007072 .....	661	70025140.....	275	7002822.....	924
70006067 .....	388	7000731 .....	28	70025142.....	276	7002823.....	924
70006068 .....	388	70009001 .....	281, 287, 305,	70025144.....	275	7002828.....	924
70006069 .....	388	311		70025145.....	275	7004043.....	87
70006070 .....	388	70009002 .....	202, 214, 225,	70025146.....	275	7004044.....	87
70006071 .....	388	245, 260, 281, 287,		70025148.....	276	7004275.....	924
70006072 .....	388	305, 311		70025149.....	276	7004276.....	924
70006074 .....	388	70009003 .....	281, 287, 305,	70025150.....	276	70050795.....	645
70006075 .....	388	311		70025151.....	275	7007289.....	396
70006076 .....	388	70009004 .....	201, 214, 225	70025153.....	275, 916	7007415.....	395, 396
70006077 .....	388	70009005 .....	201, 214, 225	70025154.....	275	7007419.....	395
70006078 .....	388	70009006 .....	245, 260	70025159.....	276	7007420.....	395, 396
70006079 .....	388	70009007 .....	245, 260	70025160.....	275	7007437.....	35, 37
70006080 .....	388	70010383 .....	69, 71, 916	70025161.....	275, 916	7007438.....	35, 37
70006093 .....	458, 466	7001481 .....	396	70025164.....	276	7007439.....	35, 37
70006094 .....	458, 466	7001909 .....	86	70025165.....	276	7007446.....	35, 37
70006095 .....	458, 466	7001911 .....	86	70025166.....	277	7007489.....	393
70006096 .....	458, 466	7001912 .....	86	70025171.....	275	7007493.....	396
70006097 .....	458, 466	7001931 .....	86	70025176.....	275	7007495.....	395
70006104 .....	471, 475, 477,	7001985 .....	86	70025177.....	276	7007601.....	27, 31
645		7001998 .....	27, 31	70025179.....	276	7007633.....	86
70006105 .....	471, 475, 477,	70022564 .....	637, 645, 653	70025180.....	276	7007640.....	27, 31
645		70023369 .....	637, 645, 653	70025182.....	275	7010103.....	393
70006255 .....	505	70023370 .....	637	70025183.....	275	7010104.....	393
70006270 .....	505	70023592 .....	253, 267, 916	70025184.....	275	7010105.....	393
70006344 .....	661	70023593 .....	253, 267, 916	70025185.....	275	7010429.....	27, 31
70006356 .....	205, 217, 229,	70023915 .....	649	70025189.....	277	7010474.....	86
249, 263, 293, 317,		70024473 .....	276	70025191.....	276	7010543.....	81
341, 371, 373		70024502 .....	275	70025192.....	277	7012513... ..	417, 421, 425,
70006360 .....	659	70024503 .....	277	70025195.....	275	429	
70006379 .....	388	70024504 .....	275, 277	70025198.....	275	7012514... ..	417, 422, 425,
70006416 .....	659	70024507 .....	277	70025200.....	276	429	
70006417 .....	659	70024512 .....	277	70025201.....	276	7012518... ..	657, 659, 661
70006418 .....	659	70024513 .....	275	70025209.....	277	7012558.....	417, 425
70006419 .....	659	70024904 .....	275	70025210.....	276, 917	7012925.....	639, 641
70006420 .....	659	70024905 .....	275	70025211.....	277	7012941.....	81
70006421 .....	659	70024906 .....	275	70025213.....	277	7012967.....	81, 471, 475,
70006568 .....	649	70024910 .....	276	70025214.....	277	477	
70006569 .....	649	70024912 .....	276	70025215.....	276	7012987.....	393
70006570 .....	649	70024913 .....	276	70025216.....	276	7012988.....	393
70006571 .....	649	70024914 .....	276	70025217.....	277	7012998.....	645
70006572 .....	649	70024915 .....	276	70025218.....	277	7016322.....	413, 415
70006580 .....	501	70024917 .....	277	70025219.....	277	7016331... ..	235, 239, 275,
70006636 .....	645	70024918 .....	277	70025220.....	277	916	
70006639 .....	388	70024920 .....	275, 277	70025221.....	276, 277	7016654.....	924
70006640 .....	388	70024925 .....	275	70025222.....	277	7017023.....	86
70006649 .....	651	70024961 .....	275	70025223.....	277	7017059.....	27, 31
70006650 .....	651	70025076 .....	275	70025224.....	277	7017067.....	27, 31
70006702 .....	645	70025082 .....	235, 239, 275	70025225.....	277	7017070.....	27, 31, 86
70006703 .....	645	70025084 .....	235, 236, 239,	70025226.....	276	7017072.....	86
70006704 .....	645	240, 276		70025228.....	276	7017080.....	27, 31, 86
70006705 .....	645	70025086 .....	236, 240	70025231.....	276	7017082.....	87
70006706 .....	645	70025088 .....	235, 239, 275	70025233.....	276	7017085.....	86
70006734 .....	651	70025091 .....	235, 239, 275	70025235.....	275	7017142.....	499, 501, 503
70006735 .....	651	70025101 .....	275	70025236.....	277	7017150.....	503

# PART NUMBER INDEX

7017159.....499, 501, 503	7021262..... 395	7024485 ... 449, 453, 458, 461	80633030.. 670, 678, 686, 694, 702, 711, 718, 726, 734, 742, 750, 759
7017162.....499, 501, 503	7021263..... 395	7024488 ... 449, 453, 457, 461, 465	80934561..... 95
7017163.....499, 501, 503	7021265..... 395	7024489 ... 449, 453, 457, 461, 465	80963067..... 856
7017164.....499, 501, 503	7021268..... 395	7024565 ..... 236, 240	80983191..... 813, 916
7017172.....499, 501, 503	7021275..... 35, 37	7024579 .... 235, 239, 275	82033995.. 348, 354, 378, 384
7017192.....499, 501, 503	7021276..... 35, 37, 396	7024704 ..... 86	8220045..... 825, 856
7017195.....499, 501, 503	7021277..... 35, 37, 396	7024705 ..... 27	8220051..... 821
7017410..... 81	7021278..... 396	7024712 ..... 27, 31	8220115..... 813
7017467.... 471, 475, 477, 645	7021281..... 395	7024713 ..... 27, 31	8220125..... 856
7017496 39, 41, 471, 475, 639, 641, 643, 645	7021290..... 396	7024714 ..... 27, 31	8220164..... 813
7017904..... 387	7021293..... 395	7024715 ..... 27, 31	8229242.... 813, 837, 856, 916
7017932..... 387	7021299..... 396	7024716 ..... 27, 31	8229244..... 856, 916
7017959..... 388	7021625..... 41	7024717 ..... 27	8229245..... 825, 856
7017992..... 388, 916	7021639..... 41	7024718 ..... 28	8305401.... 208, 220, 232, 253, 267, 296, 300, 320, 324, 347, 352, 377, 382
7019680.... 417, 422, 425, 430	7022300..... 395	7024743 ..... 86	8307109.... 208, 220, 232, 253, 267, 296, 300, 320, 324, 347, 352, 377, 383
7020023..... 235, 239, 916	7022302..... 35, 37	7024763 ..... 86	8310129..... 621
7020026..... 235, 239	7022305..... 35, 37	7024784 ..... 87	8310548.... 208, 220, 232, 253, 267, 296, 300, 320, 324, 347, 352, 377, 383
7020033..... 33	7022310..... 37	7024800..... 395	8405006.... 245, 259, 273
7020035..... 33	7022311..... 35, 37	7024810..... 39	8405007.... 253, 267, 347, 377
7020036..... 33	7022312..... 35, 37	7024853..... 35	8405009.... 201, 213, 225, 253, 267, 296, 300, 320, 324, 347, 353, 377, 383
7020037..... 33	7022314..... 35, 37	7024854..... 35, 37	8405102.... 347, 353, 377, 383
7020038..... 33	7022326..... 35, 37	7024855..... 395	8405103.... 296, 300, 320, 324
7020039..... 33	7022328..... 35, 37	7024857..... 395	8405104.... 253, 267, 347, 353, 377, 383
7020040..... 33	7022341..... 395	7024858..... 395	8405201.... 296, 300, 320, 324
7020041..... 33	7022346..... 396	7024868..... 35, 37	8405202.... 253, 267, 347, 353, 377, 383
7020108.... 417, 422, 425, 429	7022347..... 396	7024881..... 39, 41	8405203.... 296, 300, 320, 324, 347, 353, 377, 383
7020109.... 417, 422, 425, 429	7022368..... 35, 37	7024885..... 916	8405204..... 253, 267
7020110.... 417, 422, 425, 429	7022371..... 35, 37	7026188 .... 449, 453, 461	8406101..... 245, 259
7020111.... 417, 422, 425, 430	7022372..... 37	7026199 ... 417, 421, 425, 429	8406109.... 209, 221, 233, 253, 267, 296, 300, 320, 324, 347, 353, 377, 383
7020175.... 131, 137, 139, 143, 575, 579, 583, 587, 591	7022390 73, 77, 471, 475, 477, 645	7026330 ..... 111	8406110.... 254, 268, 297, 301, 321, 325, 347, 353, 377, 383, 511, 519, 521, 523, 525, 527, 529
7020176.... 131, 137, 139, 143, 575, 579, 583, 587, 591	7022397..... 39, 41	7026503 ..... 95	8406201.... 254, 268, 347, 353, 377, 383
7020190.... 417, 422, 425, 430	7022399 ... 39, 41, 73, 77	7026504 ..... 95	8410001.... 347, 353, 377, 383
7020403..... 235, 239	7023154 ..... 387	7026597 ... 449, 453, 458, 461	8410009.... 296, 300, 320, 324, 347, 353, 377, 383
7020404..... 275	7023900..... 73, 77	7026626 ... 449, 453, 458, 461, 466	8410011..... 348, 354
7020430..... 235, 239	7023907..... 35, 37	7027236 ..... 235, 239	
7020460..... 235, 239	7023908..... 35, 37	7027419 ..... 35	
7020465..... 235, 239, 275	7023910..... 35, 37	7027773 ..... 631	
7020468..... 235, 239	7023936..... 73, 77	7027774 ..... 631	
7020471..... 236, 240	7024182..... 27, 28	7027775 ..... 631	
7020479..... 236, 240	7024189..... 28	7027776 ..... 631	
7020492.... 235, 236, 239, 240, 276	7024190..... 28	7027777 ..... 631	
7021237..... 395	7024191..... 28	7027778 ..... 631	
7021238..... 395	7024192..... 28	7027779 ..... 631	
7021239..... 395	7024193..... 28	7027780 ..... 631	
7021240..... 395	7024194..... 28	7027790 ..... 236, 240	
7021241..... 395	7024196..... 28	7027791 ..... 236, 240	
7021242..... 395	7024197..... 28	7027792 ..... 236, 240	
7021243..... 395	7024379..... 87	7027795 ..... 236	
7021248..... 395	7024380..... 87	7027796 ..... 236, 240	
7021249..... 35, 37, 395	7024381..... 87	7027799 ... 449, 453, 458, 461, 466	
7021253..... 395	7024389..... 87	7027887 ... 417, 422, 425, 430	
7021257..... 395	7024390..... 87	7027903 ..... 236, 240	
7021258..... 395	7024441 ..... 97, 101, 105	7027965 ... 297, 301, 321, 325, 916	
7021259..... 395	7024453..... 87	7027972 .... 321, 325, 916	
	7024458..... 87	77363233 ..... 827	
	7024462..... 631	80484084 ..... 813	
	7024463..... 631		
	7024467..... 631		
	7024469..... 631		
	7024470..... 631		
	7024471..... 631		
	7024472..... 631		
	7024473..... 631		
	7024474..... 631		
	7024475..... 631		
	7024478..... 631		



## PART NUMBER INDEX

8410013 ... 245, 259, 320,  
324  
84521061 ..... 429  
84521062 ..... 465  
8750014 ... 201, 213, 245,  
259

8750031 ... 201, 213, 245,  
259  
88411013 ..... 787  
88521205 ..... 107, 109

88662037..679, 686, 694,  
702, 711, 727, 734,  
742, 750, 759  
90200755..166, 170, 174,  
186  
91164057.....41, 74, 78

91164059..... 74, 78  
91164079..... 41, 74, 78  
91203039..... 517  
91401281..... 107  
91554014..... 855

Go to [Discount-Equipment.com](http://Discount-Equipment.com) to order your parts

# PARTS FINDER

**Search Website  
by Part Number**



**Search Manual  
Library For Parts  
Manual & Lookup Part  
Numbers – Purchase  
or Request Quote**

**Can't Find Part or  
Manual? Request Help  
by Manufacturer,  
Model & Description**

Discount-Equipment.com is your online resource for quality parts & equipment.

Florida: **561-964-4949** Outside Florida TOLL FREE: **877-690-3101**

**Need parts?**

Click on this link: <http://www.discount-equipment.com/category/5443-parts/> and choose one of the options to help get the right parts and equipment you are looking for. Please have the machine model and serial number available in order to help us get you the correct parts. If you don't find the part on the website or on one of the online manuals, please fill out the request form and one of our experienced staff members will get back to you with a quote for the right part that your machine needs.

We sell worldwide for the brands: Genie, Terex, JLG, MultiQuip, Mikasa, Essick, Whiteman, Mayco, Toro Stone, Diamond Products, Generac Magnum, Airman, Haulotte, Barreto, Power Blanket, Nifty Lift, Atlas Copco, Chicago Pneumatic, Allmand, Miller Curber, Skyjack, Lull, Skytrak, Tsurumi, Husquvarna Target, Stow, Wacker, Sakai, Mi-T-M, Sullair, Basic, Dynapac, MBW, Weber, Bartell, Bennar Newman, Haulotte, Ditch Runner, Menegotti, Morrison, Contec, Buddy, Crown, Edco, Wyco, Bomag, Laymor, EZ Trench, Bil-Jax, F.S. Curtis, Gehl Pavers, Heli, Honda, ICS/PowerGrit, IHI, Partner, Imer, Clipper, MMD, Koshin, Rice, CH&E, General Equipment, Amida, Coleman, NAC, Gradall, Square Shooter, Kent, Stanley, Tamco, Toku, Hatz, Kohler, Robin, Wisconsin, Northrock, Oztec, Toker TK, Rol-Air, APT, Wylie, Ingersoll Rand / Doosan, Innovatech, Con X, Ammann, Mecalac, Makinex, Smith Surface Prep, Small Line, Wanco, Yanmar