



---

# Illustrated Parts Manual

**Model  
340AJ**

*SN 0300200802 to Present*

**P/N  
3121739**

December 31, 2018 - Rev L

**ANSI**

**CE**



**AS/NZS**



An Oshkosh Corporation Company

# PARTS FINDER

**Search Website  
by Part Number**



**Search Manual  
Library For Parts  
Manual & Lookup Part  
Numbers – Purchase  
or Request Quote**

**Can't Find Part or  
Manual? Request Help  
by Manufacturer,  
Model & Description**

Discount-Equipment.com is your online resource for quality parts & equipment.

Florida: **561-964-4949** Outside Florida TOLL FREE: **877-690-3101**

## Need parts?

Click on this link: <http://www.discount-equipment.com/category/5443-parts/> and choose one of the options to help get the right parts and equipment you are looking for. Please have the machine model and serial number available in order to help us get you the correct parts. If you don't find the part on the website or on one of the online manuals, please fill out the request form and one of our experienced staff members will get back to you with a quote for the right part that your machine needs.

We sell worldwide for the brands: Genie, Terex, JLG, MultiQuip, Mikasa, Essick, Whiteman, Mayco, Toro Stone, Diamond Products, Generac Magnum, Airman, Haulotte, Barreto, Power Blanket, Nifty Lift, Atlas Copco, Chicago Pneumatic, Allmand, Miller Curber, Skyjack, Lull, Skytrak, Tsurumi, Husquvarna Target, Stow, Wacker, Sakai, Mi-T-M, Sullair, Basic, Dynapac, MBW, Weber, Bartell, Bennar Newman, Haulotte, Ditch Runner, Menegotti, Morrison, Contec, Buddy, Crown, Edco, Wyco, Bomag, Laymor, EZ Trench, Bil-Jax, F.S. Curtis, Gehl Pavers, Heli, Honda, ICS/PowerGrit, IHI, Partner, Imer, Clipper, MMD, Koshin, Rice, CH&E, General Equipment, Amida, Coleman, NAC, Gradall, Square Shooter, Kent, Stanley, Tamco, Toku, Hatz, Kohler, Robin, Wisconsin, Northrock, Oztec, Toker TK, Rol-Air, APT, Wylie, Ingersoll Rand / Doosan, Innovatech, Con X, Ammann, Mecalac, Makinex, Smith Surface Prep, Small Line, Wanco, Yanmar

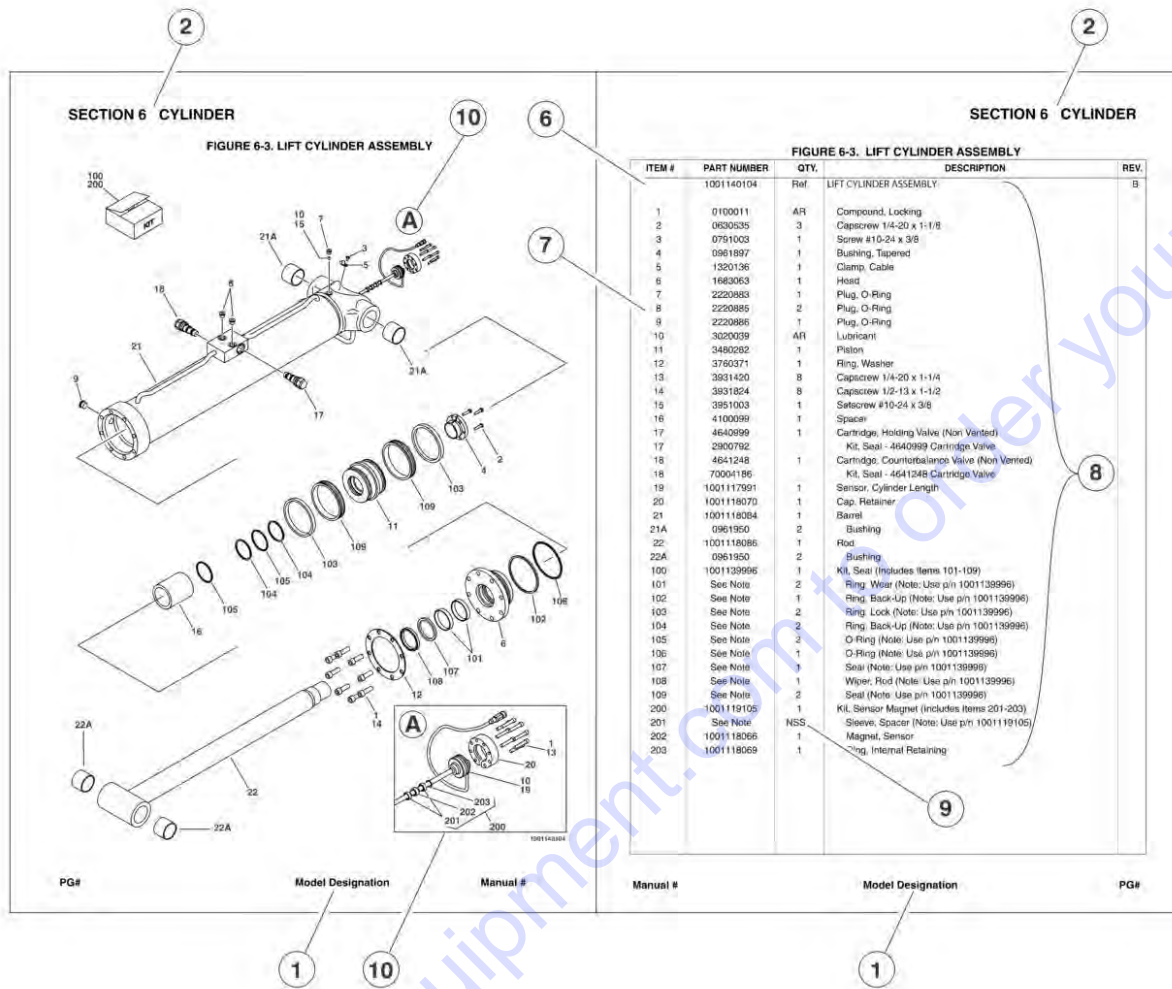


## REVISION LOG

December 31, 2015 - A - Original Issue Of Manual (Edited to B/M 1001117947 Revision U)  
May 27, 2016 - B - Revised Manual (Edited to B/M 1001117947 Revision AJ)  
August 5, 2016 - C - Revised Manual (Edited to B/M 1001117947 Revision AS)  
December 31, 2016 - D - Revised Manual (Edited to B/M 1001117947 Revision AS)  
March 31, 2017 - E - Revised Manual (Edited to B/M 1001117947 Revision AU)  
June 16, 2017 - F - Revised Manual (Edited to B/M 1001117947 Revision AU)  
September 22, 2017 - G - Revised Manual (Edited to B/M 1001117947 Revision AW)  
December 15, 2017 - H - Revised Manual (Edited to B/M 1001117947 Revision AX)  
March 15, 2018 - I - Revised Manual (Edited to B/M 1001117947 Revision AX)  
June 15, 2018 - J - Revised Manual (Edited to B/M 1001117947 Revision BC)  
September 5, 2018 - K - Revised Manual (Edited to B/M 1001117947 Revision BD)  
December 31, 2018 - L - Revised Manual (Edited to B/M 1001117947 Revision BD) (Revision 1)



# GENERAL INFORMATION



## 1) MACHINE IDENTIFICATION

Machines are identified by model and in some cases a combination of models, serial number (SN) or regional standard (i.e. ANSI, CE, CSA). Components may also be identified by SN or manufacturer. Common components that may be identified by these characteristics are engines and hydraulic components.

## 2) PARTS MANUAL ORGANIZATION

Product information in this manual is organized under section titles. Frame, Cylinder, Hydraulic and Electrical are a few examples. Each section is organized by figure and page number. The information within the Figure is then organized by item number, part number, description and corresponding illustration(s).

## 3) TABLE OF CONTENTS

A table of contents is found toward the beginning of the manual. Figure number, description and page number are provided for quick reference to the page containing the related information.

## 4) RECOMMENDED SPARE PARTS

The Recommended Spare Parts, located near the end of the manual, reference most frequently used maintenance parts.

## 5) PART NUMBER INDEX

A numerical index listing all part numbers and the corresponding page number(s) appears at the back of the manual.

## GENERAL INFORMATION

### 6) NON-SERVICED PARTS

In some instances, it is necessary to display non-serviced parts, assemblies or installations. In the case of assemblies and installations there will be a Ref in the Qty column. In case of parts that are not available for service within assemblies or components, there will be a NSS (Not Sold Separately) or NLA (No Longer Available) listed in the Qty. column of the manual.

### 7) PARTS LIST ITEM NUMBERS

Numbers shown in the item# column correspond to numbers used in the associated illustration (s). Item numbers which are missing from the sequence in the parts list are not used on that page

### 8) INDENTED PARTS DESCRIPTION

An indented part description is included in the item under which it is indented.

### 9) ABBREVIATION AND SYMBOLS

AC..... Alternating Current  
ADE..... Advanced Design Electronics  
ANSI..... American National Standards Institute  
AR..... As Required  
ASSY..... Assembly  
AUX..... Auxiliary  
AWG..... American Wire Gauge  
B/M..... Bill of Material  
CE..... European Conformity  
CCW..... Counter Clockwise  
cm..... Centimeter  
CW..... Clockwise  
CSA..... Canadian Standards Association  
CYL..... Cylinder  
DIA..... Diameter  
DC..... Direct Current  
EMS..... Emergency Stop  
ENG..... Engine  
FT(ft)..... Feet  
GA(Ga)..... Gauge  
HYD..... Hydraulic  
HZ..... Hertz  
ID..... Inside Diameter  
in..... inches  
ISO..... International Organization for Standards  
JIC..... Joint Industry Council  
KG..... Kilogram  
L..... Liter  
LB..... Pounds

LCD..... Liquid Crystal Display  
LED..... Light Emitting Diodes  
LH..... Left Hand  
LSS..... Load Sensing System  
M(m)..... Metric/Meter  
MM (mm)..... Milimeter  
mA..... Milliamps  
NLA..... No Longer Available  
NPT..... National Pipe Threads  
NSS..... Not Sold Separately  
OD..... Outside Diameter  
ORB..... O-Ring Boss  
ORFS..... O-Ring Face Seal  
OZ (oz)..... Ounces  
PG..... Page  
P/N..... Part Number  
qt..... Quarts  
QTY..... Quantity  
REF..... Reference  
REV..... Revision Level  
RH..... Right Hand  
SAE..... Society of Automotive Engineers  
SN..... Serial Number  
SPEC(S)..... Specifications  
T/T..... Turntable  
UGM..... Universal Ground Module  
V..... Volts  
W..... Watts  
#..... Number

### 10) ILLUSTRATION REFERENCE LETTERS

When necessary, illustrations may contain reference letters that are intended to track information (i. e. hoses, harnesses) from one point to another or to track visual enlargement of components to show details that may be located in another area on the illustration.

*Note: Due to continuous product improvements, JLG Industries, Inc. reserves the right to make specification changes without prior notification.*



# TABLE OF CONTENTS

SECTION 1 - FRAME.....	13
FIGURE 1-1. STEERING INSTALLATION.....	14
FIGURE 1-2. OSCILLATING AXLE INSTALLATION.....	16
FIGURE 1-3. DRIVE VALVES INSTALLATION.....	18
FIGURE 1-4. FLOW DIVIDER VALVE ASSEMBLY.....	20
FIGURE 1-5. DRIVE INSTALLATION.....	22
FIGURE 1-6. DRIVE MOTOR ASSEMBLY.....	24
FIGURE 1-7. DRIVE HUB/BRAKE ASSEMBLY.....	26
FIGURE 1-8. TIRE AND WHEEL INSTALLATION - 7X18 SOLID CUSHION.....	30
FIGURE 1-9. TIRE AND WHEEL INSTALLATION - 7X18 SOLID CUSHION NON-MARKING.....	32
FIGURE 1-10. TIRE AND WHEEL INSTALLATION - 9X20 FOAM-FILLED.....	34
FIGURE 1-11. TIRE AND WHEEL INSTALLATION - 9X20 FOAM-FILLED NON-MARKING.....	36
FIGURE 1-12. TIRE AND WHEEL INSTALLATION - 9X20 PNEUMATIC.....	38
FIGURE 1-13. TIRE AND WHEEL INSTALLATION - 9X20 PNEUMATIC WITH TIRE SEALANT.....	40
FIGURE 1-14. TIRE AND WHEEL INSTALLATION - 9X20 PNEUMATIC NON-MARKING.....	42
FIGURE 1-15. TIRE AND WHEEL INSTALLATION - 9X20 PNEUMATIC NON-MARKING WITH TIRE SEALANT.....	44
FIGURE 1-16. TIRE AND WHEEL INSTALLATION - 33 X 12LL500 TURF/SAND PNEUMATIC.....	46
FIGURE 1-17. TIRE AND WHEEL INSTALLATION - 33 X 12LL500 TURF/SAND FOAM FILLED.....	48
FIGURE 1-18. FRAME SHIELDS INSTALLATION.....	50
SECTION 2 - TURNTABLE.....	53
FIGURE 2-1. CONTROL VALVE AND CHARGE FILTER INSTALLATION - TURNTABLE.....	54
FIGURE 2-2. MAIN CONTROL VALVE ASSEMBLY.....	56
FIGURE 2-3. SWING DRIVE INSTALLATION (DOHI).....	58
FIGURE 2-4. SWING DRIVE INSTALLATION (JING WEI).....	60
FIGURE 2-5. SWING MOTOR ASSEMBLY.....	62
FIGURE 2-6. SWING BEARING ASSEMBLY.....	64
FIGURE 2-7. TANK INSTALLATION (DIESEL MACHINES).....	66
FIGURE 2-8. TANK INSTALLATION (GAS MACHINES).....	68
FIGURE 2-9. HYDRAULIC TANK ASSEMBLY.....	70
FIGURE 2-10. FUEL TANK ASSEMBLY (DIESEL MACHINES).....	72
FIGURE 2-11. FUEL TANK ASSEMBLY (GAS MACHINES) (SN 0300200802 through 0300228556).....	74
FIGURE 2-12. FUEL TANK ASSEMBLY (GAS MACHINES) (SN 0300228557 to Present).....	76
FIGURE 2-13. KIT, LOCKABLE FUEL CAP (DIESEL MACHINES ONLY) (OPTIONAL).....	78
FIGURE 2-14. LP TANK ASSEMBLY (GAS MACHINES ONLY).....	80
FIGURE 2-15. ELECTRICAL COMPONENTS INSTALLATION (ALL SPECS EXCEPT CE).....	82
FIGURE 2-16. ELECTRICAL COMPONENTS INSTALLATION (CE SPEC).....	84
FIGURE 2-17. BATTERY INSTALLATION.....	86
FIGURE 2-18. STROBE LIGHT INSTALLATION (AMBER) (OPTIONAL).....	88
FIGURE 2-19. STROBE LIGHT INSTALLATION (BLUE) (OPTIONAL) (SN 0300200802 through 0300217809).....	90
FIGURE 2-20. STROBE LIGHT INSTALLATION (BLUE) (OPTIONAL) (SN 0300217810 through 0300257078).....	92
FIGURE 2-21. STROBE LIGHT INSTALLATION (BLUE) (OPTIONAL) (SN 0300257079 to Present).....	94
FIGURE 2-22. STROBE LIGHT INSTALLATION (RED) (OPTIONAL) (SN 0300200802 through 0300218349).....	96
FIGURE 2-23. STROBE LIGHT INSTALLATION (RED) (OPTIONAL) (SN 0300218350 through 0300257078).....	98
FIGURE 2-24. STROBE LIGHT INSTALLATION (RED) (OPTIONAL) (SN 0300257079 to Present).....	100
FIGURE 2-25. TURNTABLE FLOODLIGHT INSTALLATION (OPTIONAL).....	102
FIGURE 2-26. HEAD AND TAIL LIGHT INSTALLATION (OPTIONAL).....	104
FIGURE 2-27. GROUND CONTROL ASSEMBLY (ALL SPECS EXCEPT CE).....	106
FIGURE 2-28. GROUND CONTROL ASSEMBLY (CE SPEC).....	108
FIGURE 2-29. KEY SWITCH INSTALLATION.....	110
FIGURE 2-30. HOODS INSTALLATION.....	112
FIGURE 2-31. ENGINE SIDE HOOD ASSEMBLY.....	116
FIGURE 2-32. TANK SIDE HOOD ASSEMBLY.....	118
FIGURE 2-33. KUBOTA ENGINE HOOD COMPONENTS (WITHOUT ARCTIC PACKAGE).....	120
FIGURE 2-34. KUBOTA ENGINE WITH 4000W GENERATOR HOOD COMPONENTS (WITHOUT ARCTIC PACKAGE).....	122
FIGURE 2-35. KUBOTA ENGINE HOOD COMPONENTS (WITH ARCTIC PACKAGE).....	124
FIGURE 2-36. KUBOTA ENGINE WITH 4000W GENERATOR HOOD COMPONENTS (WITH ARCTIC PACKAGE).....	126
FIGURE 2-37. GM ENGINE HOOD COMPONENTS (WITHOUT ARCTIC PACKAGE).....	128
FIGURE 2-38. GM ENGINE HOOD COMPONENTS (WITH ARCTIC PACKAGE).....	130
SECTION 3 - ENGINE.....	133
FIGURE 3-1. GM ENGINE INSTALLATION (WITHOUT ARCTIC PACKAGE).....	134
FIGURE 3-2. GM ENGINE INSTALLATION (WITH ARCTIC PACKAGE).....	136



# TABLE OF CONTENTS

FIGURE 3-3. GM ENGINE AND PUMP SUB-ASSEMBLY .....	138
FIGURE 3-4. GM ENGINE ASSEMBLY (SN 0300200802 through 0300201321).....	140
FIGURE 3-5. GM ENGINE ASSEMBLY (SN 0300201322 to Present) .....	144
FIGURE 3-6. KUBOTA ENGINE INSTALLATION (WITHOUT ARCTIC PACKAGE) .....	150
FIGURE 3-7. KUBOTA ENGINE INSTALLATION WITH 4000W GENERATOR (WITHOUT ARCTIC PACKAGE) .....	154
FIGURE 3-8. KUBOTA ENGINE INSTALLATION (WITH ARCTIC PACKAGE).....	158
FIGURE 3-9. KUBOTA ENGINE INSTALLATION WITH 4000W GENERATOR (WITH ARCTIC PACKAGE).....	162
FIGURE 3-10. KUBOTA ENGINE AND PUMP SUB-ASSEMBLY (Prior to SN 0300253888).....	166
FIGURE 3-11. KUBOTA ENGINE AND PUMP SUB-ASSEMBLY (SN 0300253888 to Present) .....	168
FIGURE 3-12. KUBOTA ENGINE WITH 4000W GENERATOR AND PUMP SUB-ASSEMBLY (Prior to SN 0300253888).....	170
FIGURE 3-13. KUBOTA ENGINE WITH 4000W GENERATOR AND PUMP SUB-ASSEMBLY (SN 0300253888 to Present) ....	172
FIGURE 3-14. KUBOTA ENGINE ASSEMBLY (Prior to SN 0300253888) .....	174
FIGURE 3-15. KUBOTA ENGINE ASSEMBLY (SN 0300253888 to Present) .....	178
FIGURE 3-16. KUBOTA ENGINE ASSEMBLY WITH 4000W GENERATOR (Prior to SN 0300253888) .....	182
FIGURE 3-17. KUBOTA ENGINE ASSEMBLY WITH 4000W GENERATOR (SN 0300253888 to Present) .....	186
FIGURE 3-18. KUBOTA ENGINE COMPONENTS (Prior to SN 0300253888).....	190
FIGURE 3-19. KUBOTA ENGINE COMPONENTS (SN 0300253888 to Present) .....	194
FIGURE 3-20. AXIAL PUMP ASSEMBLY .....	198
FIGURE 3-21. GEAR PUMP ASSEMBLY .....	202
FIGURE 3-22. 2800W GENERATOR INSTALLATION - GM ENGINE MACHINES 220V/50HZ GENERATOR (ANSI EXPORT AND CHINA SPECS) .....	204
FIGURE 3-23. 2800W GENERATOR INSTALLATION - KUBOTA ENGINE MACHINES 120V/50HZ GENERATOR (CE SPECS) .....	208
FIGURE 3-24. 2800W GENERATOR INSTALLATION - KUBOTA ENGINE MACHINES 220V/50HZ GENERATOR (ANSI EXPORT, AUSTRALIAN, CE AND CHINA SPECS) .....	212
FIGURE 3-25. 3500W GENERATOR INSTALLATION - GM ENGINE MACHINES 120V/60HZ GENERATOR (ANSI, ANSI EXPORT, CHINA, CSA AND JAPANESE SPECS).....	216
FIGURE 3-26. 3500W GENERATOR INSTALLATION - GM ENGINE MACHINES 220V/60HZ GENERATOR (ANSI EXPORT, CHINA AND CSA SPECS).....	220
FIGURE 3-27. 3500W GENERATOR INSTALLATION - KUBOTA ENGINE MACHINES 120V/60HZ GENERATOR (ANSI, ANSI EXPORT, CHINA, CSA AND JAPANESE SPECS).....	224
FIGURE 3-28. 3500W GENERATOR INSTALLATION - KUBOTA ENGINE MACHINES 220V/60HZ GENERATOR (ANSI EXPORT, CHINA AND CSA SPECS) .....	228
FIGURE 3-29. 4000W GENERATOR INSTALLATION - KUBOTA ENGINE MACHINES 220V/50HZ GENERATOR (ANSI EXPORT, AUSTRALIAN, CE, CHINA AND JAPANESE SPECS) .....	232
FIGURE 3-30. 4000W GENERATOR INSTALLATION - KUBOTA ENGINE MACHINES 110V/60HZ GENERATOR (ANSI, ANSI EXPORT, CHINA, CSA AND JAPANESE SPECS).....	234
SECTION 4 - BOOM.....	237
FIGURE 4-1. BOOM AND CYLINDERS INSTALLATION - WITHOUT ARCTIC PACKAGE .....	238
FIGURE 4-2. BOOM AND CYLINDERS INSTALLATION - WITH ARCTIC PACKAGE .....	240
FIGURE 4-3. TOWER BOOM ASSEMBLY .....	242
FIGURE 4-4. MAIN BOOM ASSEMBLY .....	244
FIGURE 4-5. JIB ASSEMBLY - WITHOUT ARCTIC PACKAGE.....	246
FIGURE 4-6. JIB ASSEMBLY - WITH ARCTIC PACKAGE .....	248
FIGURE 4-7. PLATFORM ROTATOR ASSEMBLY - WITHOUT ARCTIC PACKAGE .....	250
FIGURE 4-8. PLATFORM ROTATOR ASSEMBLY - WITH ARCTIC PACKAGE .....	252
FIGURE 4-9. PLATFORM SUPPORT INSTALLATION - WITHOUT LSS.....	254
FIGURE 4-10. PLATFORM SUPPORT INSTALLATION - WITH 4 CELL LSS .....	256
FIGURE 4-11. PLATFORM SUPPORT INSTALLATION - WITH 1 CELL LSS .....	258
FIGURE 4-12. POWER TRACK INSTALLATION.....	260
FIGURE 4-13. CONTROL VALVES INSTALLATION - BOOM.....	262
FIGURE 4-14. FLY BOOM VALVE ASSEMBLY .....	264
FIGURE 4-15. BOOM UPRIGHT VALVE ASSEMBLY .....	266
SECTION 5 - PLATFORM .....	269
FIGURE 5-1. PLATFORM ASSEMBLY - 30IN X 4FT (76CM X 1.22M) - GATE ENTRY .....	270
FIGURE 5-2. PLATFORM ASSEMBLY - 30IN X 5FT (76CM X 1.52M) - GATE ENTRY .....	272
FIGURE 5-3. PLATFORM ASSEMBLY - 30IN X 4FT (76CM X 1.22M) - DROP BAR ENTRY .....	274
FIGURE 5-4. PLATFORM ASSEMBLY - 30IN X 5FT (76CM X 1.52M) - DROP BAR ENTRY .....	276
FIGURE 5-5. PLATFORM ASSEMBLY - 30IN X 3FT (76CM X .91M) - DROP BAR ENTRY .....	278
FIGURE 5-6. TRAY INSTALLATION.....	280
FIGURE 5-7. CONSOLE AND FOOTSWITCH INSTALLATION - DIESEL MACHINES WITHOUT SKYGUARD.....	282
FIGURE 5-8. CONSOLE AND FOOTSWITCH INSTALLATION WITHOUT LSS OR WITH 4 CELL LSS - DIESEL MACHINES WITH SKYGUARD .....	284

# TABLE OF CONTENTS

FIGURE 5-9. CONSOLE AND FOOTSWITCH INSTALLATION WITH 1 CELL LSS - DIESEL MACHINES WITH SKYGUARD (Prior to SN 0300257079).....	286
FIGURE 5-10. CONSOLE AND FOOTSWITCH INSTALLATION WITH 1 CELL LSS - DIESEL MACHINES WITH SKYGUARD (SN 0300257079 to Present) .....	288
FIGURE 5-11. CONSOLE AND FOOTSWITCH INSTALLATION - GAS MACHINES WITHOUT SKYGUARD .....	290
FIGURE 5-12. CONSOLE AND FOOTSWITCH INSTALLATION WITHOUT LSS OR WITH 4 CELL LSS - GAS MACHINES WITH SKYGUARD .....	292
FIGURE 5-13. CONSOLE AND FOOTSWITCH INSTALLATION WITH 1 CELL LSS - GAS MACHINES WITH SKYGUARD (Prior to SN 0300257079).....	294
FIGURE 5-14. CONSOLE AND FOOTSWITCH INSTALLATION WITH 1 CELL LSS - GAS MACHINES WITH SKYGUARD (SN 0300257079 to Present) .....	296
FIGURE 5-15. CONSOLE ASSEMBLY - WITHOUT SKYGUARD (SN 0300200802 through 0300219869) .....	298
FIGURE 5-16. CONSOLE ASSEMBLY - WITHOUT SKYGUARD (SN 0300219870 to Present) .....	302
FIGURE 5-17. CONSOLE ASSEMBLY WITHOUT LSS OR WITH 4 CELL LSS - WITH SKYGUARD (SN 0300200802 through 0300219869) .....	306
FIGURE 5-18. CONSOLE ASSEMBLY WITHOUT LSS OR WITH 4 CELL LSS - WITH SKYGUARD (SN 0300219870 to Present) .....	310
FIGURE 5-19. CONSOLE ASSEMBLY WITH 1 CELL LSS - WITH SKYGUARD (Prior to SN 0300257079) .....	314
FIGURE 5-20. CONSOLE ASSEMBLY WITH 1 CELL LSS - WITH SKYGUARD (SN 0300257079 to Present).....	318
FIGURE 5-21. LIFT/SWING CONTROLLER ASSEMBLY .....	322
FIGURE 5-22. DRIVE/STEER CONTROLLER ASSEMBLY .....	326
FIGURE 5-23. WORKLIGHTS INSTALLATION (OPTIONAL) .....	328
FIGURE 5-24. SKYGUARD BAR INSTALLATION (Prior to SN 0300257079) .....	330
FIGURE 5-25. SKYGUARD BAR INSTALLATION (SN 0300257079 to Present).....	332
FIGURE 5-26. SKYEYE INSTALLATION .....	334
FIGURE 5-27. SKYLINE INSTALLATION .....	336
FIGURE 5-28. CROSS RAIL INSTALLATION.....	338
FIGURE 5-29. PIPE RACK INSTALLATION (AUSTRALIAN SPEC).....	340
<b>SECTION 6 - CYLINDER .....</b>	<b>343</b>
FIGURE 6-1. AXLE LOCKOUT CYLINDER ASSEMBLY .....	344
FIGURE 6-2. LEVEL (PLATFORM SLAVE) CYLINDER ASSEMBLY (Prior to SN 0300238046) .....	346
FIGURE 6-3. LEVEL (PLATFORM SLAVE) CYLINDER ASSEMBLY (SN 0300238046 to Present).....	348
FIGURE 6-4. LIFT (JIB) CYLINDER ASSEMBLY.....	350
FIGURE 6-5. LIFT (MAIN BOOM) CYLINDER ASSEMBLY .....	352
FIGURE 6-6. LIFT (TOWER BOOM) CYLINDER ASSEMBLY.....	354
FIGURE 6-7. MASTER CYLINDER ASSEMBLY.....	356
FIGURE 6-8. STEER CYLINDER ASSEMBLY.....	358
FIGURE 6-9. TELESCOPE CYLINDER ASSEMBLY .....	360
<b>SECTION 7 - HYDRAULIC .....</b>	<b>363</b>
FIGURE 7-1. HYDRAULIC INSTALLATION - WITHOUT ARCTIC PACKAGE .....	364
FIGURE 7-2. HYDRAULIC INSTALLATION - WITH ARCTIC PACKAGE .....	374
FIGURE 7-3. HYDRAULIC DIAGRAM LIST .....	384
<b>SECTION 8 - ELECTRICAL .....</b>	<b>385</b>
FIGURE 8-1. ELECTRICAL DIAGRAM LIST.....	386
FIGURE 8-2. AC BOX AT PLATFORM INSTALLATION - LOCALLY SUPPLIED COMPONENTS (ANSI EXPORT, AUSTRALIAN AND CHINA SPECS).....	388
FIGURE 8-3. AC BOX AT PLATFORM INSTALLATION - LOCALLY SUPPLIED (CE SPEC) .....	390
FIGURE 8-4. AC BOX AT PLATFORM INSTALLATION - 110V (ANSI, ANSI EXPORT, CHINA, CSA AND JAPANESE SPECS) .....	392
FIGURE 8-5. AC BOX AT PLATFORM INSTALLATION - 110V IEC YELLOW WITHOUT 4000W GENERATOR (CE SPEC) ...	394
FIGURE 8-6. AC BOX AT PLATFORM INSTALLATION - 110V IEC YELLOW WITH 4000W GENERATOR (CE SPECS) .....	396
FIGURE 8-7. AC BOX AT PLATFORM INSTALLATION - 220V (CSA SPEC) .....	398
FIGURE 8-8. AC BOX AT PLATFORM INSTALLATION - 220V IEC BLUE WITHOUT 4000W GENERATOR (CE SPEC).....	400
FIGURE 8-9. AC BOX AT PLATFORM INSTALLATION - 220V IEC BLUE WITH 4000W GENERATOR (CE SPECS).....	402
FIGURE 8-10. AC BOX AT PLATFORM INSTALLATION - 220V CEE7 POST GROUND 70 X 70 BOX (CE SPEC).....	404
FIGURE 8-11. AC BOX AT PLATFORM INSTALLATION - 220V CEE7 SIDE GROUND 70 X 70 BOX (CE SPEC) .....	406
FIGURE 8-12. AC BOX AT PLATFORM INSTALLATION - 220V CEE7 POST GROUND 2 X 4 BOX WITHOUT 4000W GENERATOR (CE SPEC).....	408
FIGURE 8-13. AC BOX AT PLATFORM INSTALLATION - 220V CEE7 POST GROUND 2 X 4 BOX WITH 4000W GENERATOR (CE SPECS).....	410



# TABLE OF CONTENTS

FIGURE 8-14. AC BOX AT PLATFORM INSTALLATION - 220V CEE7 SIDE GROUND 2 X 4 BOX WITHOUT 4000W GENERATOR (CE SPEC) .....	412
FIGURE 8-15. AC BOX AT PLATFORM INSTALLATION - 220V CEE7 SIDE GROUND 2 X 4 BOX WITH 4000W GENERATOR (CE SPECS).....	414
FIGURE 8-16. AC BOX AT PLATFORM INSTALLATION - 220V AFSINT 107 KEYED GROUND WITHOUT 4000W GENERATOR (CE SPEC) .....	416
FIGURE 8-17. AC BOX AT PLATFORM INSTALLATION - 220V AFSINT 107 KEYED GROUND WITH 4000W GENERATOR (CE SPECS).....	418
FIGURE 8-18. AC BOX AT PLATFORM INSTALLATION - BOX WITH COVER WITH 4000W GENERATOR (ANSI EXPORT, AUSTRALIAN, CHINA AND JAPANESE SPECS) .....	420
FIGURE 8-19. AC CIRCUIT BREAKER INSTALLATION.....	422
FIGURE 8-20. AC POWER TO PLATFORM CABLE - MAIN BOOM (WITHOUT ARCTIC PACKAGE) (50HZ) .....	424
FIGURE 8-21. AC POWER TO PLATFORM CABLE - MAIN BOOM (WITH ARCTIC PACKAGE) (50HZ).....	426
FIGURE 8-22. AC POWER TO PLATFORM CABLE - TOWER BOOM (WITHOUT ARCTIC PACKAGE) (50HZ) .....	428
FIGURE 8-23. AC POWER TO PLATFORM CABLE - TOWER BOOM (WITH ARCTIC PACKAGE) (50HZ) .....	430
FIGURE 8-24. AC POWER TO PLATFORM CABLE - MAIN BOOM (60HZ).....	432
FIGURE 8-25. AC POWER TO PLATFORM CABLE - TOWER BOOM (60HZ) .....	434
FIGURE 8-26. BOOM CABLES, HARNESSES AND CLAMPS INSTALLATION - WITHOUT ARCTIC PACKAGE .....	436
FIGURE 8-27. BOOM CABLES, HARNESSES AND CLAMPS INSTALLATION - WITH ARCTIC PACKAGE .....	440
FIGURE 8-28. BOOM CABLES AND CLAMPS INSTALLATION - 4000W, 50HZ - WITHOUT ARCTIC PACKAGE .....	444
FIGURE 8-29. BOOM CABLES AND CLAMPS INSTALLATION - 4000W, 50HZ - WITH ARCTIC PACKAGE .....	448
FIGURE 8-30. BOOM CABLES AND CLAMPS INSTALLATION - 4000W, 60HZ - WITHOUT ARCTIC PACKAGE .....	452
FIGURE 8-31. BOOM CABLES AND CLAMPS INSTALLATION - 4000W, 60HZ - WITH ARCTIC PACKAGE .....	456
FIGURE 8-32. BOOM HARNESS - LIMIT SWITCHES AND UPRIGHT VALVE .....	460
FIGURE 8-33. BOOM HARNESS - MAIN .....	462
FIGURE 8-34. BOOM HARNESS - UPPER BOOM VALVE .....	464
FIGURE 8-35. BREAKER BOX KIT (CE SPEC) .....	466
FIGURE 8-36. CHASSIS HARNESS ASSEMBLY .....	468
FIGURE 8-37. CHASSIS LIGHT HARNESS .....	472
FIGURE 8-38. GENERATOR HARNESS - 2500W .....	474
FIGURE 8-39. GENERATOR HARNESS - 4000W .....	476
FIGURE 8-40. GENERATOR TO AC PLUG HARNESS - 2800W GENERATOR 220/50HZ (ANSI EXPORT, AUSTRALIAN, CE AND CHINA SPECS) .....	478
FIGURE 8-41. GENERATOR TO AC PLUG HARNESS - 2800W GENERATOR 110/50HZ (CE SPECS ONLY) .....	480
FIGURE 8-42. GENERATOR TO AC PLUG HARNESS - 2800W GENERATOR 220/50HZ (ANSI EXPORT, AUSTRALIAN, CE AND CHINA SPECS) .....	482
FIGURE 8-43. GENERATOR TO AC PLUG HARNESS - 3500W GENERATOR 220/60HZ (ANSI EXPORT, CHINA AND CSA SPECS).....	484
FIGURE 8-44. GENERATOR TO AC PLUG HARNESS - 3500W GENERATOR 110/60HZ (ANSI, ANSI EXPORT, CHINA, CSA AND JAPANESE SPECS).....	486
FIGURE 8-45. GENERATOR TO AC PLUG HARNESS - 3500W GENERATOR 220/60HZ (ANSI EXPORT, CHINA AND CSA SPECS).....	488
FIGURE 8-46. GM FUEL PUMP HARNESS .....	490
FIGURE 8-47. GROUND TO PLATFORM CABLE - MAIN BOOM (WITHOUT ARCTIC PACKAGE) .....	492
FIGURE 8-48. GROUND TO PLATFORM CABLE - MAIN BOOM (WITH ARCTIC PACKAGE) .....	494
FIGURE 8-49. GROUND TO PLATFORM CABLE - TOWER BOOM (WITHOUT ARCTIC PACKAGE).....	496
FIGURE 8-50. GROUND TO PLATFORM CABLE - TOWER BOOM (WITH ARCTIC PACKAGE) .....	498
FIGURE 8-51. GROUND CONTROL HARNESS (ALL SPECS EXCEPT CE).....	500
FIGURE 8-52. GROUND CONTROL HARNESS (CE SPEC).....	502
FIGURE 8-53. GENERATOR TO PLATFORM HARNESS - WITH SKYGUARD .....	504
FIGURE 8-54. KUBOTA ENGINE HARNESS .....	506
FIGURE 8-55. LIMIT SWITCH HARNESS .....	508
FIGURE 8-56. LSS HARNESS .....	510
FIGURE 8-57. MID-ENGINE HARNESS.....	512
FIGURE 8-58. PLATFORM BOX HARNESS ASSEMBLY WITHOUT SKYGUARD .....	516
FIGURE 8-59. PLATFORM BOX HARNESS ASSEMBLY WITHOUT LSS OR WITH 4 CELL LSS - WITH SKYGUARD .....	518
FIGURE 8-60. PLATFORM BOX HARNESS ASSEMBLY WITH 1 CELL LSS - WITH SKYGUARD .....	520
FIGURE 8-61. RECEPTACLE BOX KIT - 110V IEC YELLOW (CE SPEC) .....	522
FIGURE 8-62. RECEPTACLE BOX KIT - 220V IEC BLUE (CE SPEC).....	524
FIGURE 8-63. RECEPTACLE BOX KIT - 220V CEE7 POST GROUND 70MM X 70MM BOX (CE SPEC) .....	526
FIGURE 8-64. RECEPTACLE BOX KIT - 220V CEE7 SIDE GROUND 70MM X 70MM BOX (CE SPEC).....	528
FIGURE 8-65. RECEPTACLE BOX KIT - 220V CEE7 POST GROUND 2IN X 4IN BOX (CE SPEC) .....	530
FIGURE 8-66. RECEPTACLE BOX KIT - 220V CEE7 SIDE GROUND 2IN X 4IN BOX (CE SPEC) .....	532
FIGURE 8-67. RECEPTACLE BOX KIT - 220V AFSINT 107 (CE SPEC) .....	534
FIGURE 8-68. SKYEYE EMITTER HARNESS .....	536
FIGURE 8-69. SKYEYE INTERMEDIATE HARNESS .....	538
FIGURE 8-70. SKYEYE RECEIVER HARNESS.....	540

# TABLE OF CONTENTS

FIGURE 8-71. SKYLINE HARNESS.....	542
FIGURE 8-72. STROBE LIGHT CONTROL (BLUE STROBE LIGHT) .....	544
FIGURE 8-73. STROBE LIGHT EXTENSION HARNESS (BLUE STROBE LIGHT ONLY) .....	546
FIGURE 8-74. VALVE HARNESS .....	548
FIGURE 8-75. BATTERY DISCONNECT SWITCH.....	550
SECTION 9 - DECALS.....	553
FIGURE 9-1. DECALS INSTALLATION - ANSI AND ANSI EXPORT SPECS (ENGLISH) .....	554
FIGURE 9-2. DECALS INSTALLATION - AUSTRALIAN SPEC (ENGLISH).....	556
FIGURE 9-3. DECALS INSTALLATION - BRAZIL SPEC (PORTUGUESE/SPANISH).....	558
FIGURE 9-4. DECALS INSTALLATION - CE SPECS (ENGLISH).....	560
FIGURE 9-5. DECALS INSTALLATION - CHINESE SPEC (CHINESE/ENGLISH) .....	562
FIGURE 9-6. DECALS INSTALLATION - CSA SPEC (FRENCH/ENGLISH).....	564
FIGURE 9-7. DECALS INSTALLATION - JAPANESE SPEC (JAPANESE).....	566
FIGURE 9-8. DECALS INSTALLATION - KOREAN SPEC (KOREAN/ENGLISH) .....	568
FIGURE 9-9. DECALS INSTALLATION - LATIN AMERICA SPEC (SPANISH/ENGLISH) .....	570
FIGURE 9-10. OPTIONAL DECALS INSTALLATION .....	572
SECTION 10 - RECOMMENDED SERVICE PARTS STOCK .....	575
FIGURE 10-1. RECOMMENDED SERVICE PARTS STOCK.....	576
SECTION 11 - SPECIAL OPTIONS.....	579
FIGURE 11-1. SPECIAL OPTIONS.....	580
PART NUMBER INDEX .....	583



**SECTION 1 - FRAME**

Go to Discount-Equipment.com to order your parts



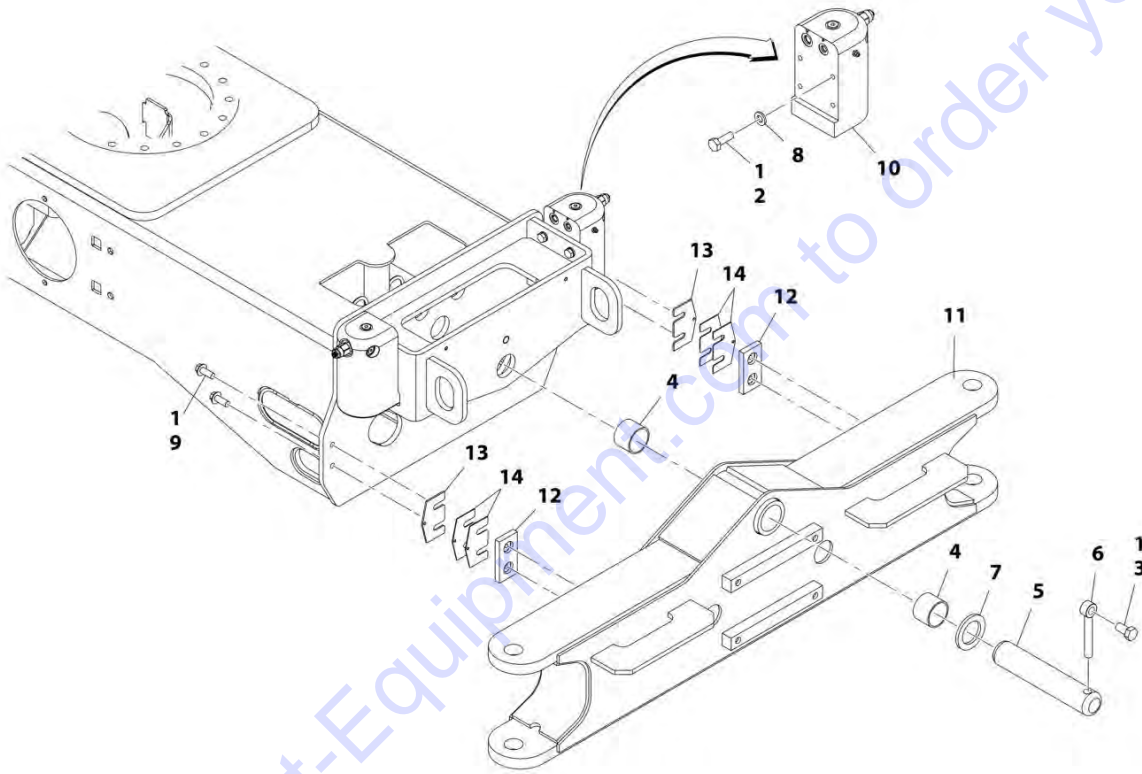
FIGURE 1-1. STEERING INSTALLATION

ITEM	PART NUMBER	QTY	DESCRIPTION	REV
	1001115771	Ref	STEERING INSTALLATION	A
1	0100011	AR	Compound, Locking	
2	0440271	2	Thrustwasher .250	
3	0440274	2	Bearing	
4	0440291	2	Bearing	
5	0701220	4	Bolt M12 x 60	
6	0761010	20	Bolt M16 x 20	
7	0962140	2	Bushing	
8	3020029	AR	Grease, Bearing	
9	3423081	4	Kingpin	
10	3780182	2	O-Ring	
11	3841520	4	Keeper, Pin	
12	4740086	4	Thrustwasher .0625	
13	4740537	2	Thrustwasher .625	
14	4740538	2	Thrustwasher .125	
15	4740539	2	Thrustwasher .188	
16	4740540	2	Thrustwasher .250	
17	4812100	4	Washer M12	
18	1001116788	1	Steer Cylinder Assembly (See CYLINDER SECTION for Breakdown)	
19	1001116867	4	Pin, Pivot	
20	1001116871	2	Link, Tie-Rod	
21	1001117142	2	Spindle	



# SECTION 1 - FRAME

## FIGURE 1-2. OSCILLATING AXLE INSTALLATION



ART\_1001115772

## SECTION 1 - FRAME

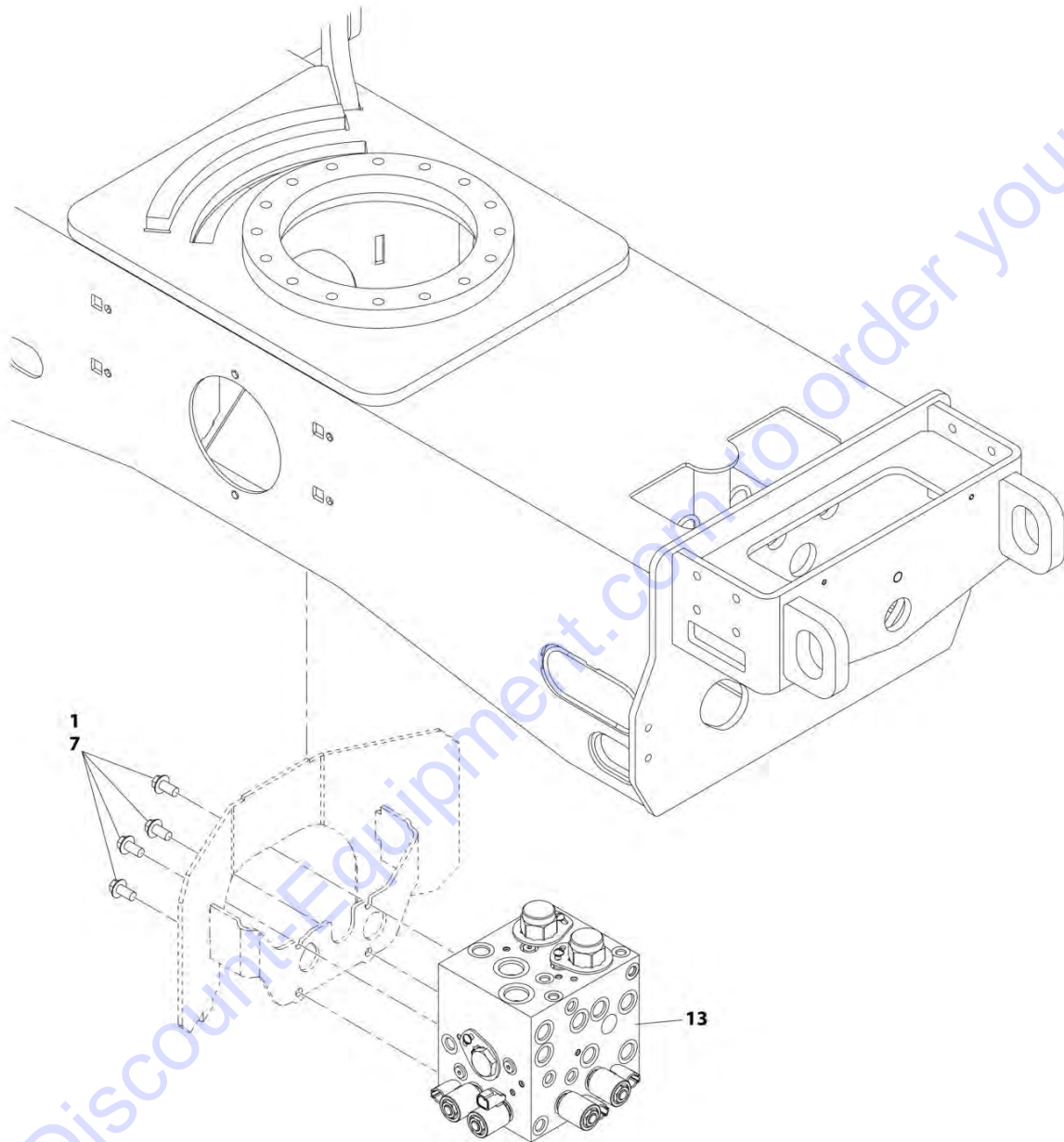
**FIGURE 1-2. OSCILLATING AXLE INSTALLATION**

ITEM	PART NUMBER	QTY	DESCRIPTION	REV
	1001115772	Ref	OSCILLATING AXLE INSTALLATION	B
1	0100011	AR	Compound, Locking	
2	0761014	8	Bolt M10 x 30	
3	0761614	1	Bolt M16 x 30	
4	0961950	2	Bushing	
5	3422592	1	Pin, Axle Pivot	
6	3841258	1	Keeper, Pin	
7	4740158	1	Thrustwasher	
8	5241000	8	Washer M10	
9	5251012	4	Bolt M10 x 25	
10	1001116361	2	Lockout Cylinder Assembly (See CYLINDER SECTION for Breakdown)	
11	1001117869	1	Axle Weldment	
12	1001118511	2	Pad, Wear	
13	1001118518	2	Shim 11Ga	
14	1001118519	4	Shim 16Ga	

Go to Discount-Equipment.com to order your parts

# SECTION 1 - FRAME

## FIGURE 1-3. DRIVE VALVES INSTALLATION



ART\_100115780\_10F3

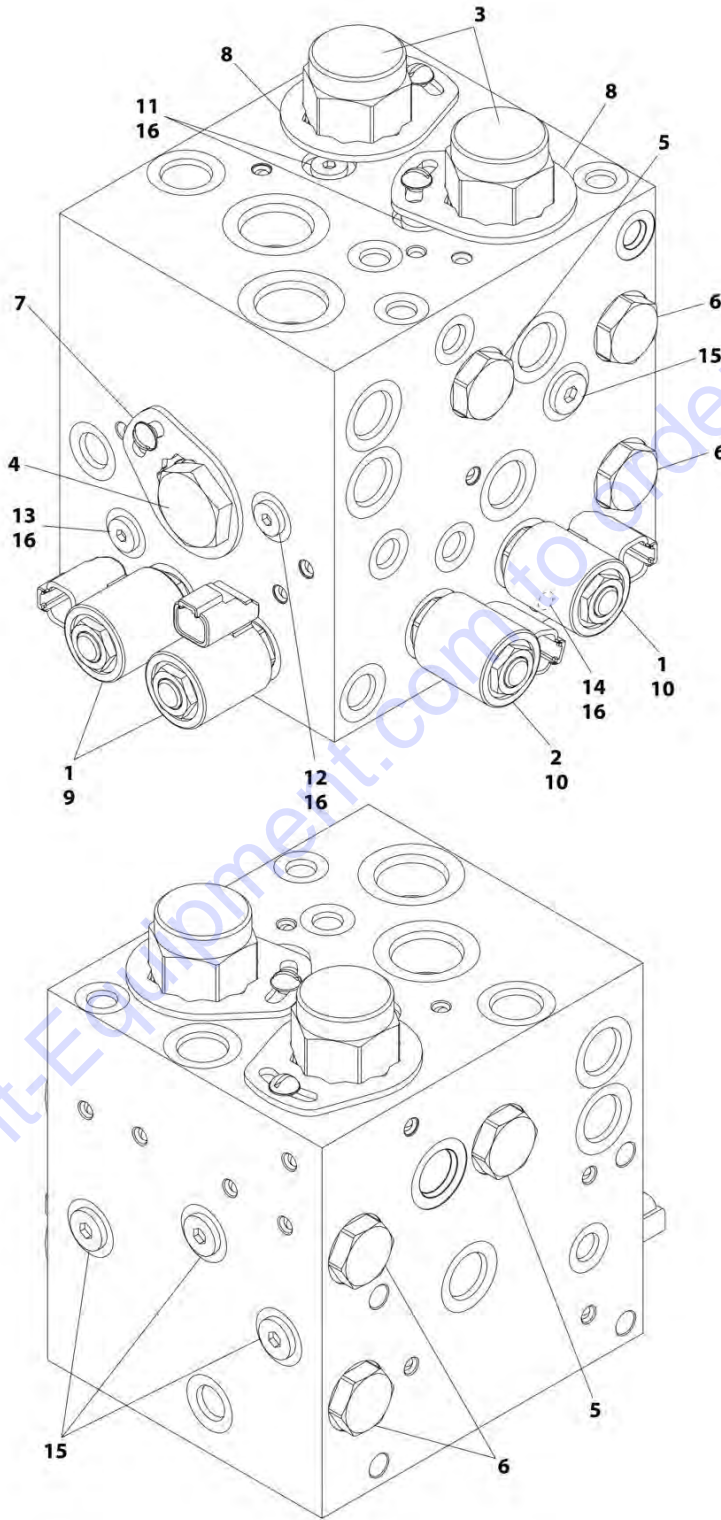
**FIGURE 1-3. DRIVE VALVES INSTALLATION**

<b>ITEM</b>	<b>PART NUMBER</b>	<b>QTY</b>	<b>DESCRIPTION</b>	<b>REV</b>
	1001115780	Ref	DRIVE VALVES INSTALLATION	G
1	0100011	AR	Compound, Locking	
7	5251010	4	Bolt M10 x 20	
13	1001118029	1	Flow Divider Valve Assembly (See FLOW DIVIDER VALVE ASSEMBLY for Breakdown)	

Go to Discount-Equipment.com to order your parts

# SECTION 1 - FRAME

## FIGURE 1-4. FLOW DIVIDER VALVE ASSEMBLY



ART\_1001118029

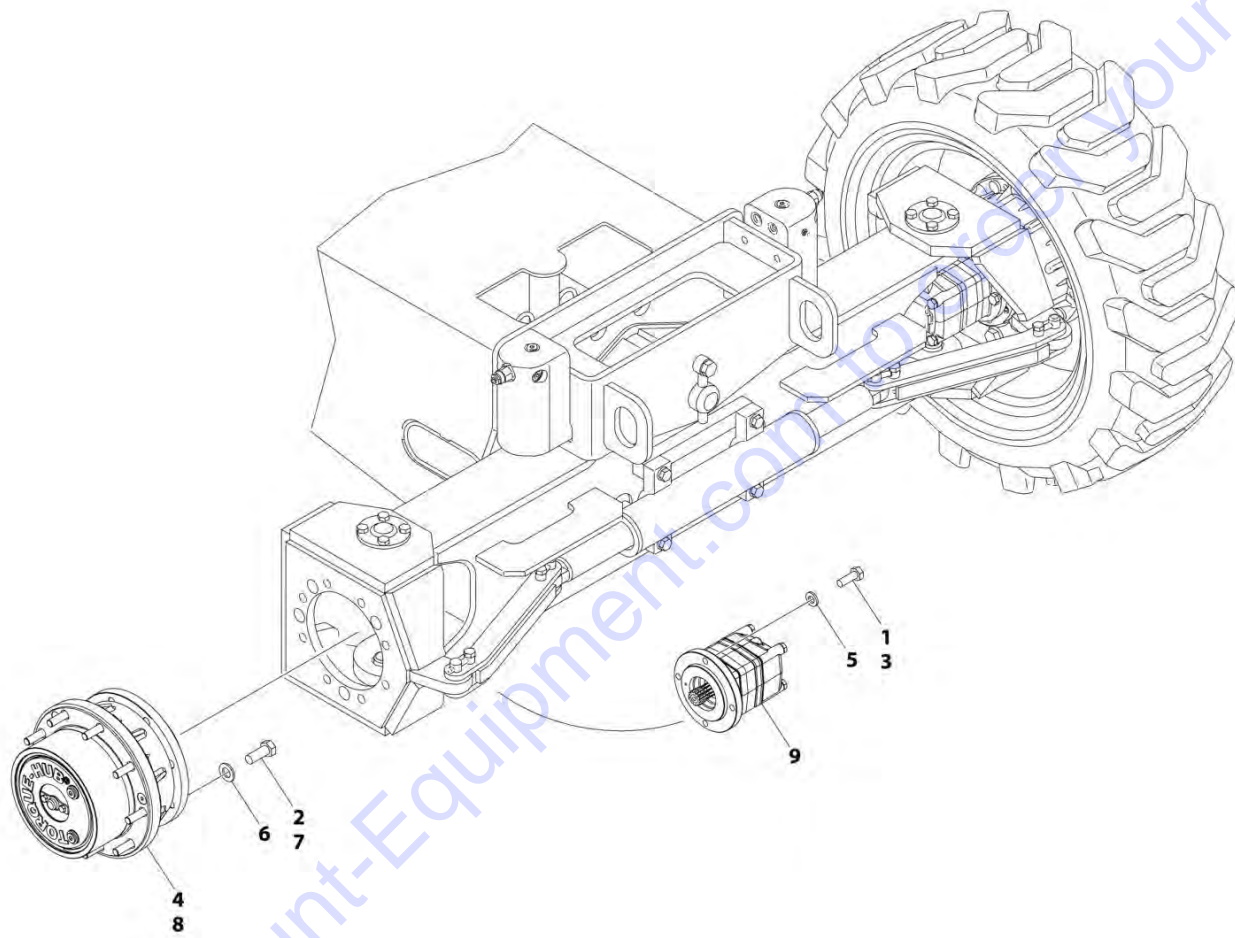
FIGURE 1-4. FLOW DIVIDER VALVE ASSEMBLY

ITEM	PART NUMBER	QTY	DESCRIPTION	REV
	1001118029	Ref	FLOW DIVIDER VALVE ASSEMBLY	D
1	7012941	3	Valve, Solenoid Cartridge (Without Coil) (Traction, Brake and Secondary Oscillating)	
1	7010543	3	Seal Kit - 7012941 Cartridge	
2	70002955	1	Valve, Solenoid Cartridge (Without Coil) (Primary Oscillating)	
2	7012953	1	Seal Kit - 70002955 Cartridge	
3	70002956	2	Valve, Solenoid Cartridge	
3	70002957	2	Seal Kit - 70002956 Cartridge	
4	70002958	1	Valve, Flow Divider Cartridge	
4	70002959	1	Seal Kit - 70002958 Cartridge	
5	70002960	1	Valve, Flow Divider Cartridge	
5	70002978	1	Seal Kit - 70002960 Cartridge	
6	70002961	4	Valve, Check Cartridge	
6	7017496	4	Seal Kit - 70002961 Check Cartridge	
7	70002962	1	Lock Kit	
8	70000781	2	Lock Kit	
9	70002386	2	Coil	
10	70002963	2	Coil	
11	See Note	2	Orifice .031 (Note: Not Available for Purchase)	
12	See Note	1	Orifice .025 (Note: Not Available for Purchase)	
13	See Note	1	Orifice .040 (Note: Not Available for Purchase)	
14	70002063	1	Orifice .062	
15	7024844	4	Plug	
16	7017406	5	Plug	



# SECTION 1 - FRAME

## FIGURE 1-5. DRIVE INSTALLATION



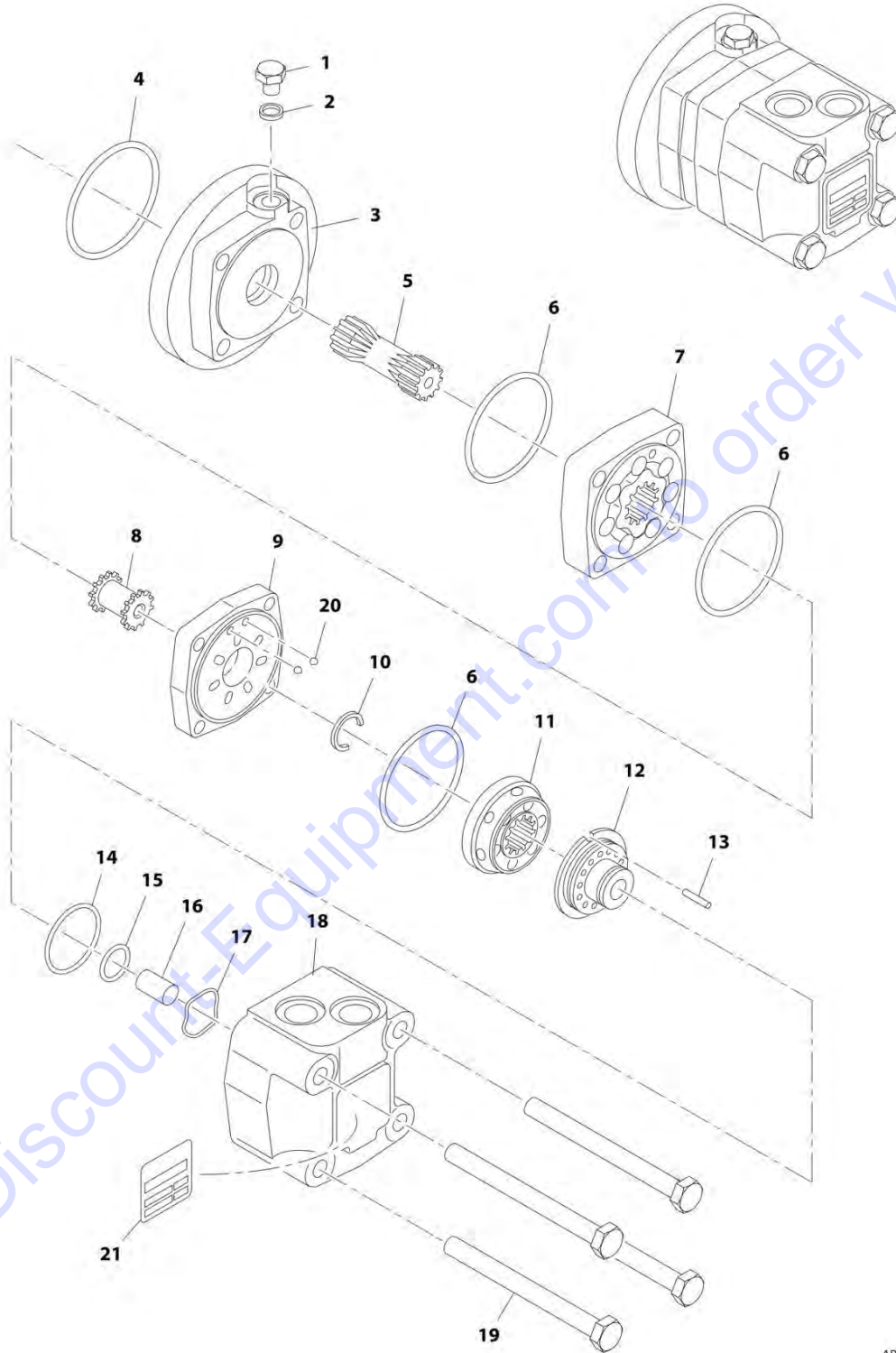
ART\_1001115770

FIGURE 1-5. DRIVE INSTALLATION

ITEM	PART NUMBER	QTY	DESCRIPTION	REV
	1001115770	Ref	WHEEL DRIVE INSTALLATION	B
1	0100011	AR	Compound, Locking	
2	0100019	AR	Compound, Locking	
3	0761015	16	Bolt M10 x 35	
3	0761014	16	Bolt M10 x 30	
4	3020008	0.8 gal /3L	Lube HD80W-90	
5	5241000	16	Washer M10	
6	5241600	32	Washer M16	
7	1001110922	32	Bolt M16 x 40 Grade 10.9	
8	1001116793	4	Drive Hub/Brake Assembly (See DRIVE HUB/BRAKE ASSEMBLY for Breakdown)	
9	1001117030	4	Drive Motor Assembly (See DRIVE MOTOR ASSEMBLY for Breakdown)	

**SECTION 1 - FRAME**

**FIGURE 1-6. DRIVE MOTOR ASSEMBLY**



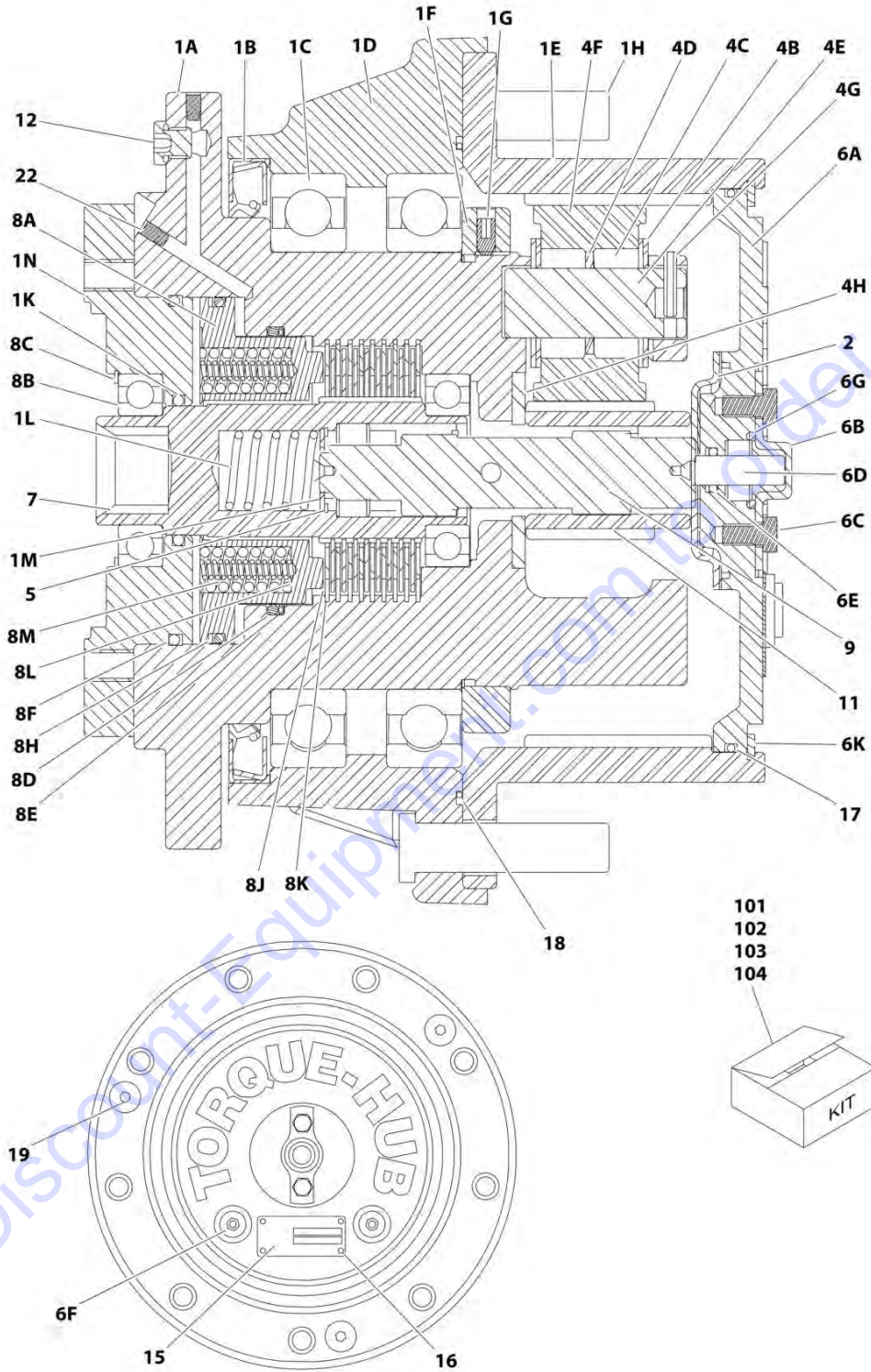
ART\_1001117030

FIGURE 1-6. DRIVE MOTOR ASSEMBLY

ITEM	PART NUMBER	QTY	DESCRIPTION	REV
	1001117030	Ref	DRIVE MOTOR ASSEMBLY	B
1	70003005	1	Plug	
2	8007941	1	Washer	
3	See Note	NSS	Flange (Note: Not Available - Purchase p/n 1001117030)	
4	70003006	1	O-Ring	
5	70003007	1	Shaft	
6	70003008	3	O-Ring	
7	70003009	1	Gear Set	
8	70003010	1	Shaft, Coupling	
9	70003011	1	Plate, Port	
10	70003012	1	Ring, Stop	
11	7027955	1	Disc, Valve	
12	7027956	1	Plate, Pressure	
13	7027957	1	Pin, Spring	
14	70003013	1	O-Ring	
15	70003014	1	O-Ring	
16	7027958	1	Spacer	
17	7027959	1	Washer, Crinkle	
18	See Note	NSS	Cover, End (Note: Not Available - Purchase p/n 1001117030)	
19	70003016	4	Screw	
20	80334555	2	Ball	
21	See Note	NSS	Nameplate (Note: Not Available for Purchase)	

# SECTION 1 - FRAME

## FIGURE 1-7. DRIVE HUB/BRAKE ASSEMBLY



ART\_1001116793

# SECTION 1 - FRAME

## FIGURE 1-7. DRIVE HUB/BRAKE ASSEMBLY

ITEM	PART NUMBER	QTY	DESCRIPTION	REV
	1001116793	Ref	DRIVE HUB/BRAKE ASSEMBLY	C
1	See Note	NLA	Spindle/Housing Assembly (Note: Not Available - Purchase Individual Components)	
1A	70002987	1	Spindle	
1B	70001119	1	Seal, Lip (Part of Item 104)	
1C	70002991	2	Bearing, Ball	
1D	See Note	NSS	Housing (Note: Use p/n 1001116793)	
1E	70002989	1	Ring Gear	
1F	70003000	1	Nut, Bearing (Part of Item 104)	
1G	70002996	2	Setscrew 1/4-28 x 1/2 (Part of Item 104)	
1H	7007640	9	Bolt, Mounting	
1K	See Note	NSS	Seal (Note: Use Item 102 or 103)	
1L	70002992	1	Spring	
1M	70002999	1	Thrustwasher	
1N	70002988	1	Adapter	
2	7024741	1	Spacer, Thrust	
4	70002983	1	Planet Gear Assembly (Includes Items 4B-4G)	
4B	See Note	NSS	Spacer, Washer (Note: Use Item 4)	
4C	See Note	NSS	Bearing (Note: Use Item 4)	
4D	See Note	NSS	Spacer (Note: Use Item 4)	
4E	See Note	NSS	Shaft, Planet (Note: Use Item 4)	
4F	See Note	NSS	Gear, Planet (Note: Use Item 4)	
4G	7001913	3	Rollpin	
4H	7024742	1	Spacer, Thrust	
5	70002995	1	Ring, Retaining	
6	70001368	1	Cover Assembly (Includes Items 6A-6G)	
6A	See Note	NSS	Cover (Note: Use Item 6)	
6B	See Note	NSS	Cap (Note: Use Item 6)	
6C	See Note	NSS	Bolt (Note: Use Item 6)	
6D	See Note	NSS	Pin (Note: Use Item 6)	
6E	See Note	NSS	Washer Seal (Note: Use Item 6)	
6F	See Note	NSS	Plug (Note: Not Available for Purchase)	
6G	See Note	NSS	Retainer (Note: Use Item 6)	
6K	7024738	1	Ring, Retaining	
7	70002985	1	Coupling	
8	See Note	NLA	Brake Assembly (Includes Items 8A-8M) (Note: Not Available - Purchase Individual Components)	
8A	70002993	1	Piston, Brake	
8B	70002990	2	Bearing, Ball	
8C	70002994	1	Ring, Retaining	
8D	See Note	NSS	O-Ring (Note: Use Item 103)	
8E	See Note	NSS	Ring, Back-up (Note: Use Item 103)	
8F	See Note	NSS	O-Ring (Note: Use Item 102 or 103)	
8H	See Note	NSS	Ring, Back-up (Note: Use Item 103)	
8J	See Note	NSS	Disc, Brake Reaction (Note: Use Item 101)	
8K	See Note	NSS	Disc, Brake Friction (Note: Use Item 101)	
8L	See Note	NSS	Spring (Note: Use Item 102)	
8M	See Note	NSS	Spring (Note: Use Item 102)	
9	70002984	1	Shaft, Input	
11	70002986	1	Gear, Sun	



## SECTION 1 - FRAME

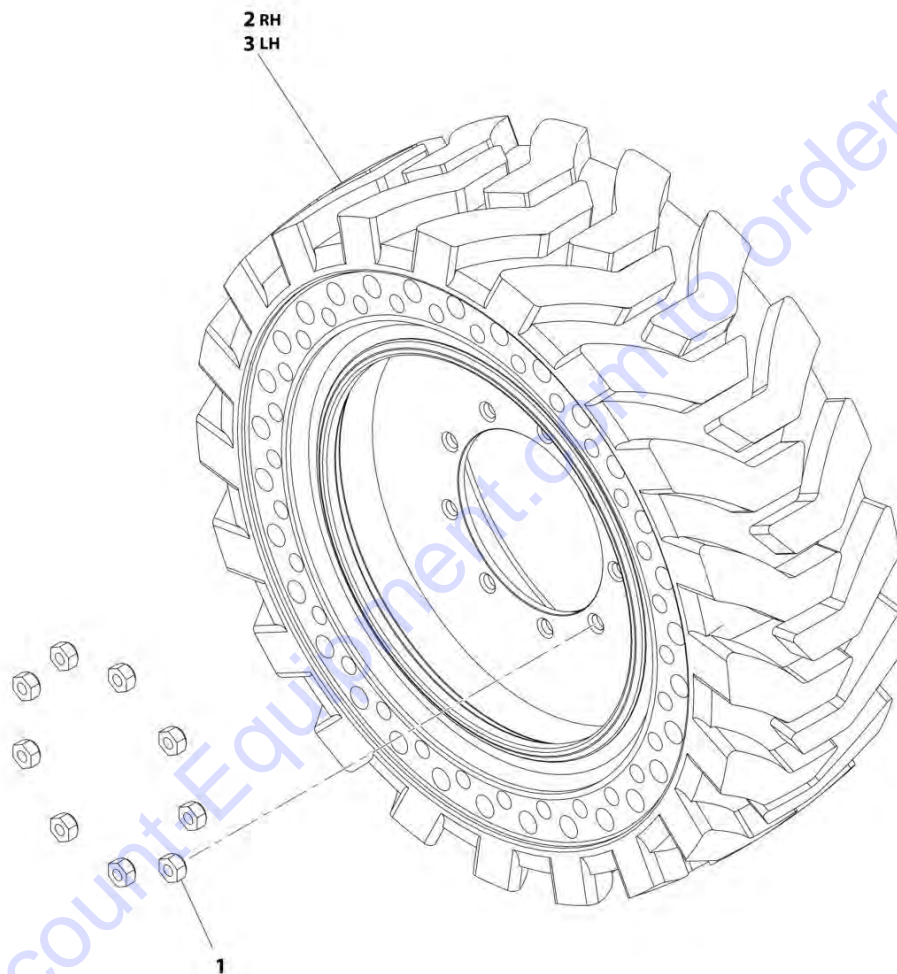
ITEM	PART NUMBER	QTY	DESCRIPTION	REV
12	70002998	1	Plug, Pipe	
15	See Note	NSS	Nameplate (Note: Not Available for Purchase)	
16	7000281	2	Drivescrew	
17	7024134	1	O-Ring (Part of Item 104)	
18	70002997	1	O-Ring (Part of Item 104)	
19	7017022	NSS	Capscrew 3/8-16 (Part of Item 104)	
21	See Note	8	Capscrew 3/8-16 x 7/8 Grade 8 (Note: Use Item 102 or 103)	
22	7024108	2	Plug, Pressure	
101	70002980	1	Brake Disc Kit (Includes Items 8J & 8K)	
102	70002982	1	Brake Spring Kit (Includes Items 1K, 8F, 8L, 8M & 21)	
103	70002981	1	Brake Seal Kit (Includes Items 1K, 8D, 8E, 8F, 8H & 21)	
104	7024744	1	Hub Seal Kit (Includes Items 1B, 1F, 1G & 17-19)	

Go to Discount-Equipment.com to order your parts



# SECTION 1 - FRAME

## FIGURE 1-8. TIRE AND WHEEL INSTALLATION - 7X18 SOLID CUSHION



ART\_100118641

## SECTION 1 - FRAME

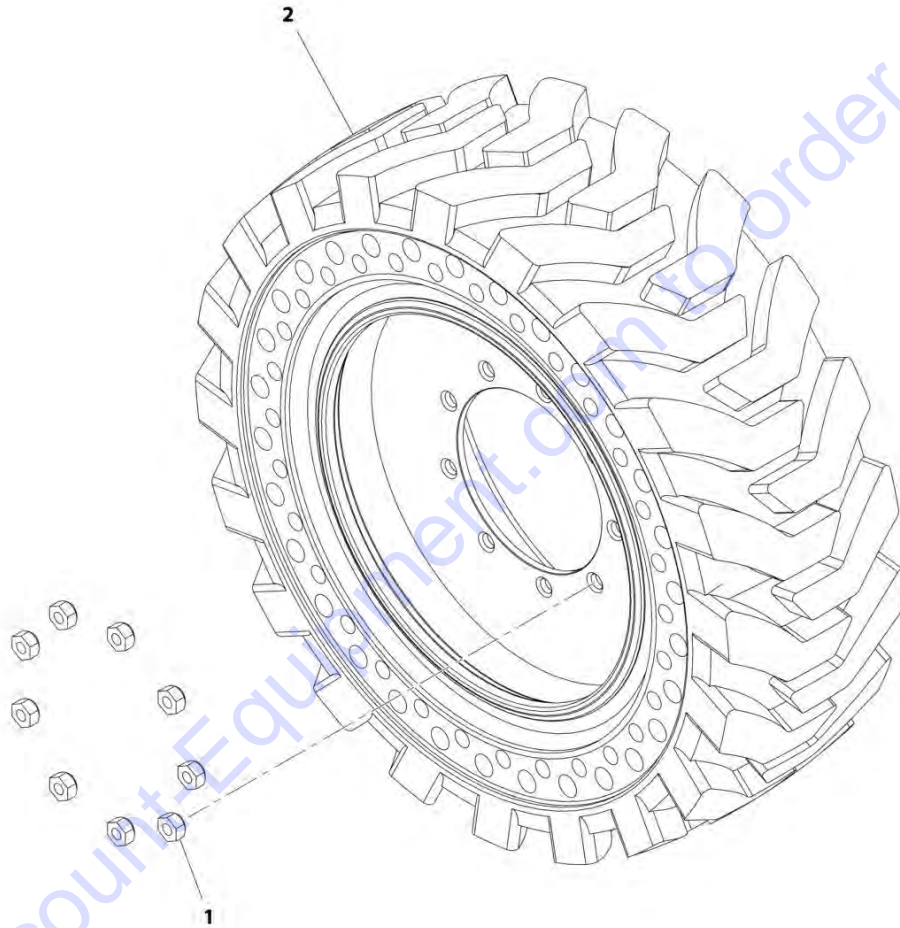
**FIGURE 1-8. TIRE AND WHEEL INSTALLATION - 7X18 SOLID CUSHION**

ITEM	PART NUMBER	QTY	DESCRIPTION	REV
	1001118641	Ref	TIRE AND WHEEL INSTALLATION - 7X18 SOLID	C
		Ref	Note: Due to critical stability weights, only replace tire and wheel assemblies with like components.	
1	3300106	36	Lugnut (9 per Wheel)	
2	1001118649	2	Tire and Wheel Assembly - 7 x 18 Solid Right Side (Note: No Serviceable Parts - Replace Complete Sets per Axle)	
3	1001121678	2	Tire and Wheel Assembly - 7 x 18 Solid Left Side (Note: No Serviceable Parts - Replace Complete Sets per Axle)	

Go to Discount-Equipment.com to order your parts

## SECTION 1 - FRAME

FIGURE 1-9. TIRE AND WHEEL INSTALLATION - 7X18 SOLID CUSHION NON-MARKING



ART\_100118644

## SECTION 1 - FRAME

**FIGURE 1-9. TIRE AND WHEEL INSTALLATION - 7X18 SOLID CUSHION NON-MARKING**

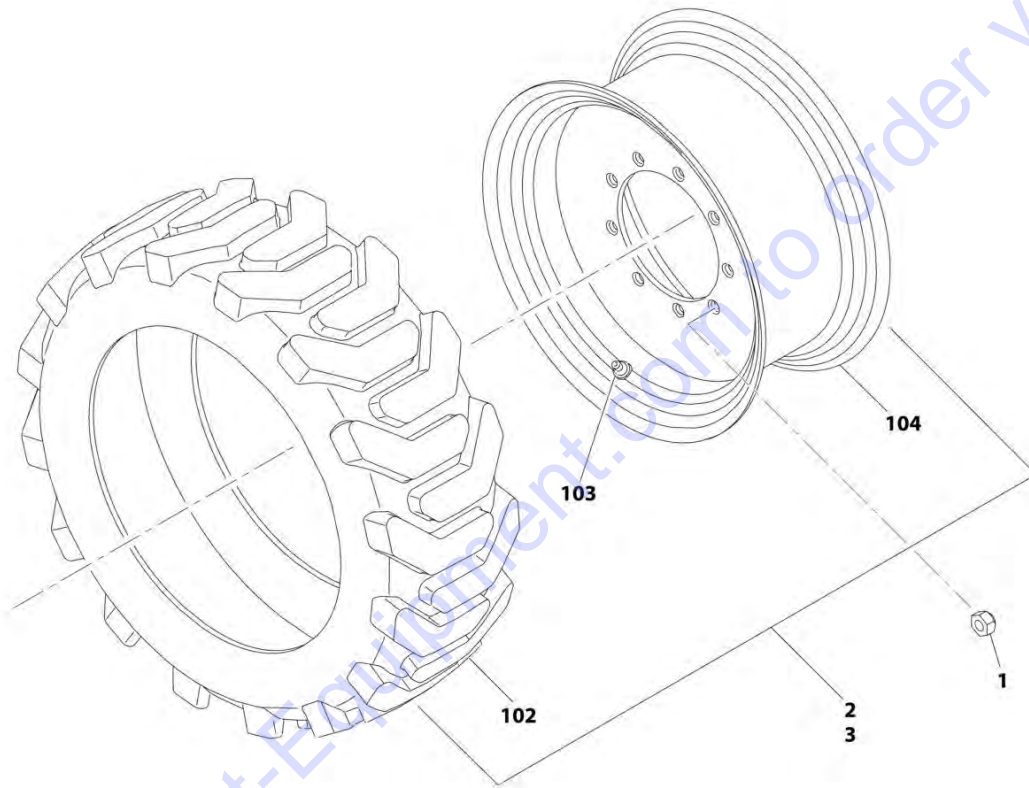
ITEM	PART NUMBER	QTY	DESCRIPTION	REV
	1001118644	Ref	TIRE AND WHEEL INSTALLATION - 7X18 SOLID NON-MARKING	B
		Ref	Note: Due to critical stability weights, only replace tire and wheel assemblies with like components.	
1	3300106	36	Lugnut (9 per Wheel)	
2	1001118654	4	Tire and Wheel Assembly - 7 x 18 Solid (Note: No Serviceable Parts - Replace Complete Sets per Axle)	

Go to Discount-Equipment.com to order your parts



# SECTION 1 - FRAME

FIGURE 1-10. TIRE AND WHEEL INSTALLATION - 9X20 FOAM-FILLED



ART\_1001115773

## SECTION 1 - FRAME

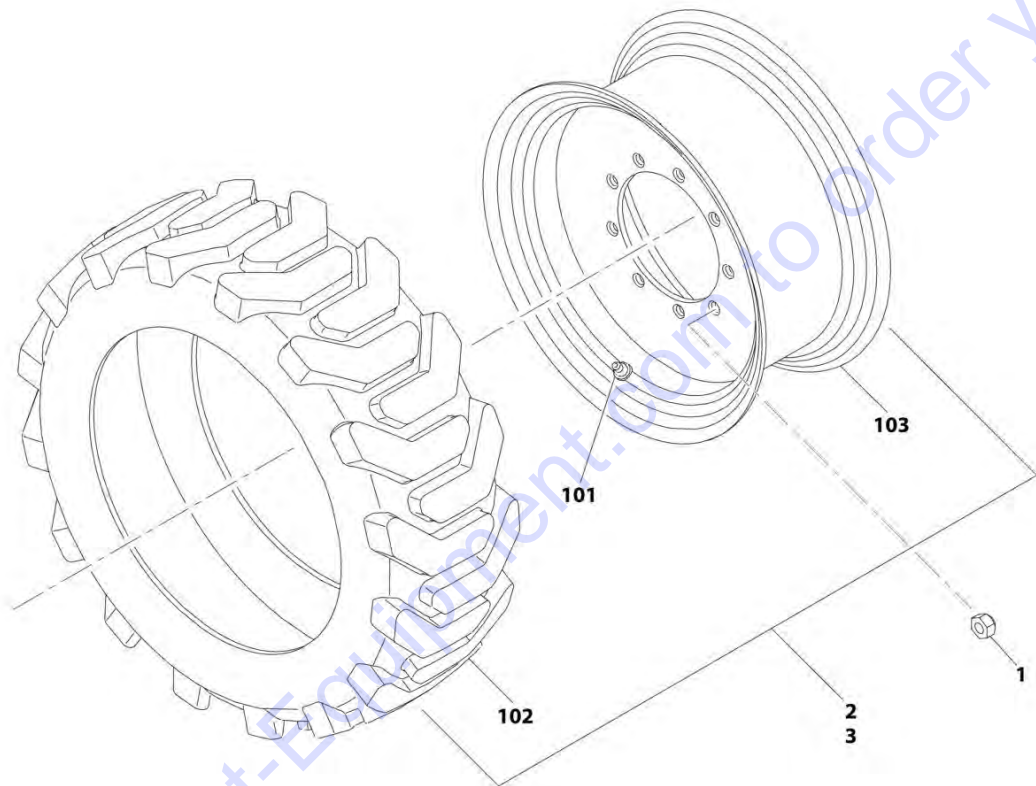
**FIGURE 1-10. TIRE AND WHEEL INSTALLATION - 9X20 FOAM-FILLED**

ITEM	PART NUMBER	QTY	DESCRIPTION	REV
	1001115773	Ref	TIRE AND WHEEL INSTALLATION - 9X20 FOAM-FILLED	B
		Ref	Note: Due to critical stability weights, only replace tire and wheel assemblies with like components.	
1	3300106	36	Lugnut (9 per Wheel)	
2	1001117131	2	Tire and Wheel Assembly - 9 x 20 Foam-Filled Left Side	E
3	1001117132	2	Tire and Wheel Assembly - 9 x 20 Foam-Filled Right Side	D
		Ref	Note: Assemblies may require ballast/foam filling to manufacture's specifications prior to installing on a machine. Refer to Operation and Safety or Service and Maintenance Manuals. Purchase individual tire and/or rim only if able to foam fill tire and wheel assembly, otherwise, purchase complete assembly.	
102	4520605	4	Tire - IN265/50D20	
103	4640113	4	Valve, Air	
104	1001117129	4	Rim for 20 x 9 (Use with IN265/50D20 Tires)	

Go to Discount-Equipment.com to order your parts

# SECTION 1 - FRAME

FIGURE 1-11. TIRE AND WHEEL INSTALLATION - 9X20 FOAM-FILLED NON-MARKING



ART\_100118642

## SECTION 1 - FRAME

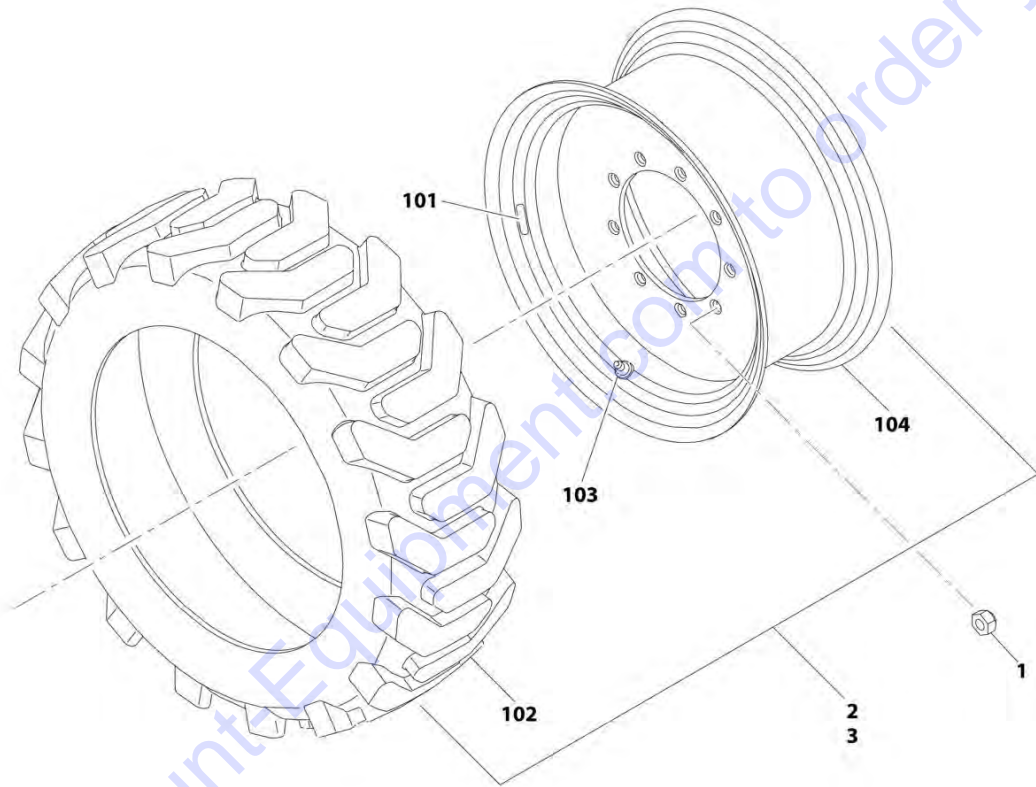
**FIGURE 1-11. TIRE AND WHEEL INSTALLATION - 9X20 FOAM-FILLED NON-MARKING**

ITEM	PART NUMBER	QTY	DESCRIPTION	REV
	1001118642	Ref	TIRE AND WHEEL INSTALLATION - 9X20 FOAM-FILLED NON-MARKING	B
		Ref	Note: Due to critical stability weights, only replace tire and wheel assemblies with like components.	
1	3300106	36	Lugnut (9 per Wheel)	
2	1001118650	2	Tire and Wheel Assembly - 9 x 20 Foam-Filled Non-Marking Right Side	D
3	1001118651	2	Tire and Wheel Assembly - 9 x 20 Foam-Filled Non-Marking Left Side	D
		Ref	Note: Assemblies may require ballast/foam filling to manufacturer's specifications prior to installing on a machine. Refer to Operation and Safety or Service and Maintenance Manuals. Purchase individual tire and/or rim only if able to foam fill tire and wheel assembly, otherwise, purchase complete assembly.	
101	4640113	4	Valve, Air	
102	1001118660	4	Tire - IN265/50D20 Non-Marking	
103	1001117129	4	Rim for 20 x 9 (Use with IN265/50D20 Tires)	

Go to Discount-Equipment.com to order your parts

# SECTION 1 - FRAME

## FIGURE 1-12. TIRE AND WHEEL INSTALLATION - 9X20 PNEUMATIC



ART\_100118640

## SECTION 1 - FRAME

**FIGURE 1-12. TIRE AND WHEEL INSTALLATION - 9X20 PNEUMATIC**

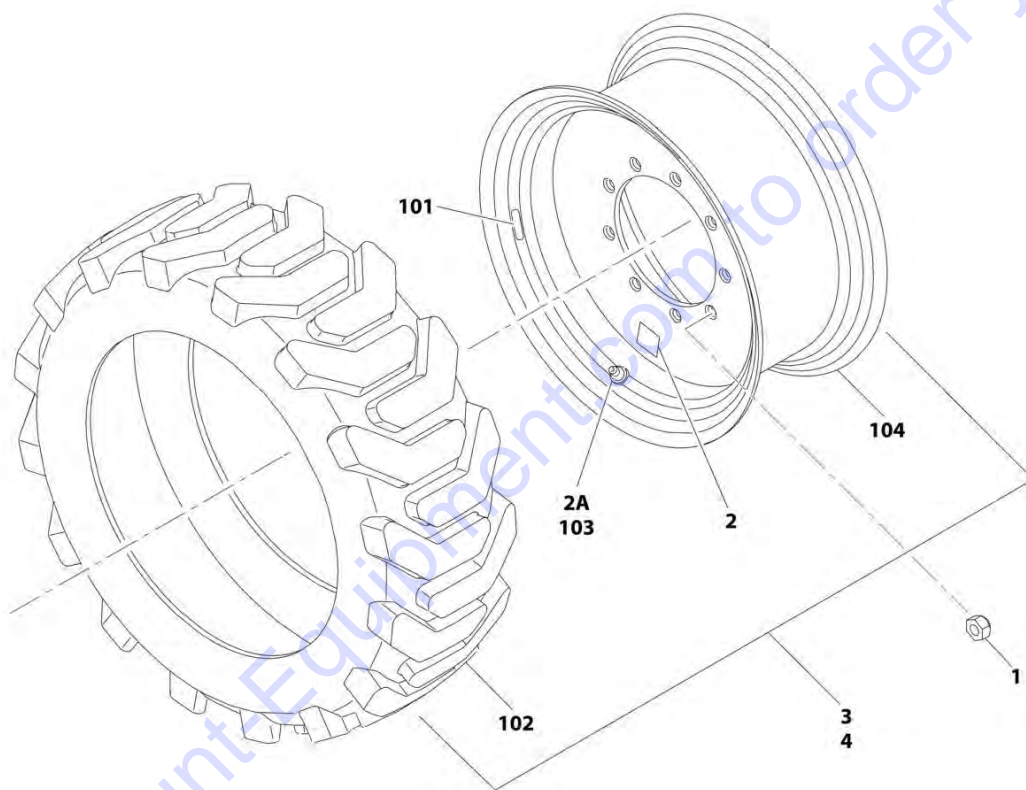
ITEM	PART NUMBER	QTY	DESCRIPTION	REV
	1001118640	Ref	TIRE AND WHEEL INSTALLATION - 9X20 PNEUMATIC	A
		Ref	Note: Due to critical stability weights, only replace tire and wheel assemblies with like components.	
1	3300106	36	Lugnut (9 per Wheel)	
2	1001118647	2	Tire and Wheel Assembly - 9 x 20 Pneumatic Right Side	B
3	1001118648	2	Tire and Wheel Assembly - 9 x 20 Pneumatic Left Side	B
101	1706846	4	Decal - 75PSI	
102	4520605	4	Tire - IN265/50D20	
103	4640113	4	Valve, Air	
104	1001117129	4	Rim for 20 x 9 (Use with IN265/50D20 Tires)	

Go to Discount-Equipment.com to order your parts



# SECTION 1 - FRAME

FIGURE 1-13. TIRE AND WHEEL INSTALLATION - 9X20 PNEUMATIC WITH TIRE SEALANT



ART\_1001120027

## SECTION 1 - FRAME

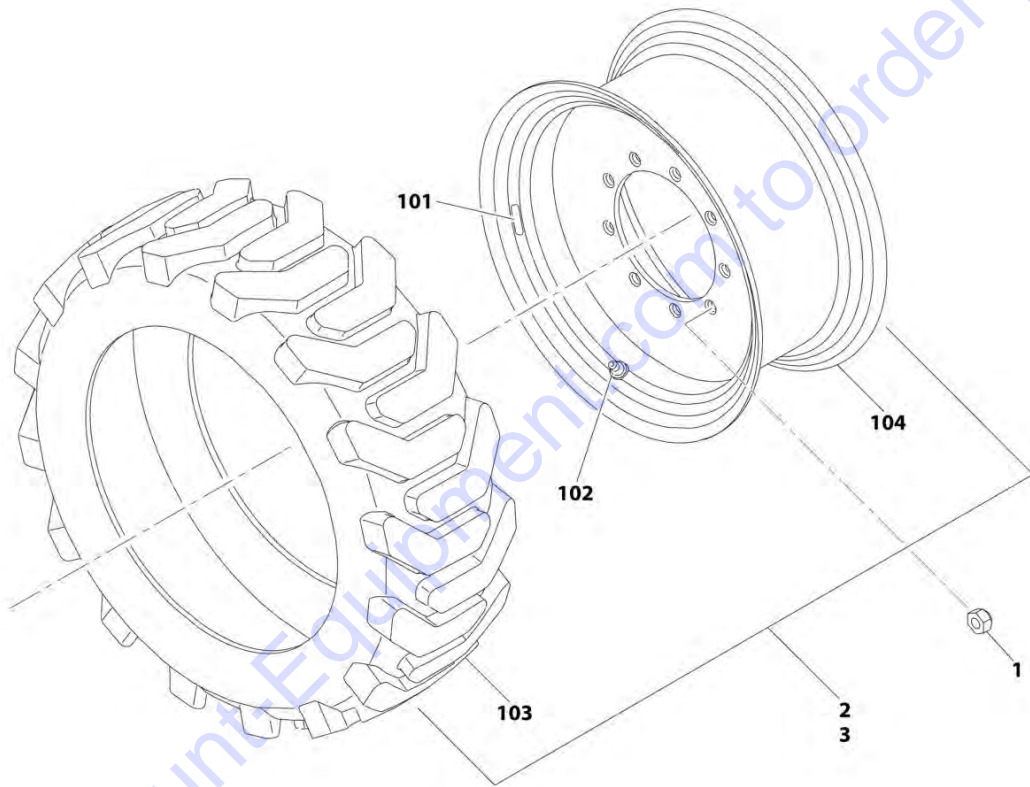
**FIGURE 1-13. TIRE AND WHEEL INSTALLATION - 9X20 PNEUMATIC WITH TIRE SEALANT**

ITEM	PART NUMBER	QTY	DESCRIPTION	REV
	1001120027	Ref	TIRE AND WHEEL INSTALLATION - 9X20 PNEUMATIC WITH TIRE SEALANT	B
		Ref	Note: Due to critical stability weights, only replace tire and wheel assemblies with like components.	
1	3300106	36	Lugnut (9 per Wheel)	
2	2902203	1	Decal Kit - Required on Tires with Sealant (Includes qty 5 Decals and qty 4 Green Valve Stem Caps)	
2A	1120552	1	Cap, Valve Stem (Green) (Tires with Sealant Only)	
3	1001118647	2	Tire and Wheel Assembly - 9 x 20 Pneumatic Right Side	B
4	1001118648	2	Tire and Wheel Assembly - 9 x 20 Pneumatic Left Side	B
101	1706846	4	Decal - 75PSI	
102	4520605	4	Tire - IN265/50D20	
103	4640113	4	Valve, Air	
104	1001117129	4	Rim for 20 x 9 (Use with IN265/50D20 Tires)	

Go to Discount-Equipment.com to order your parts

# SECTION 1 - FRAME

FIGURE 1-14. TIRE AND WHEEL INSTALLATION - 9X20 PNEUMATIC NON-MARKING



ART\_1001118643

## SECTION 1 - FRAME

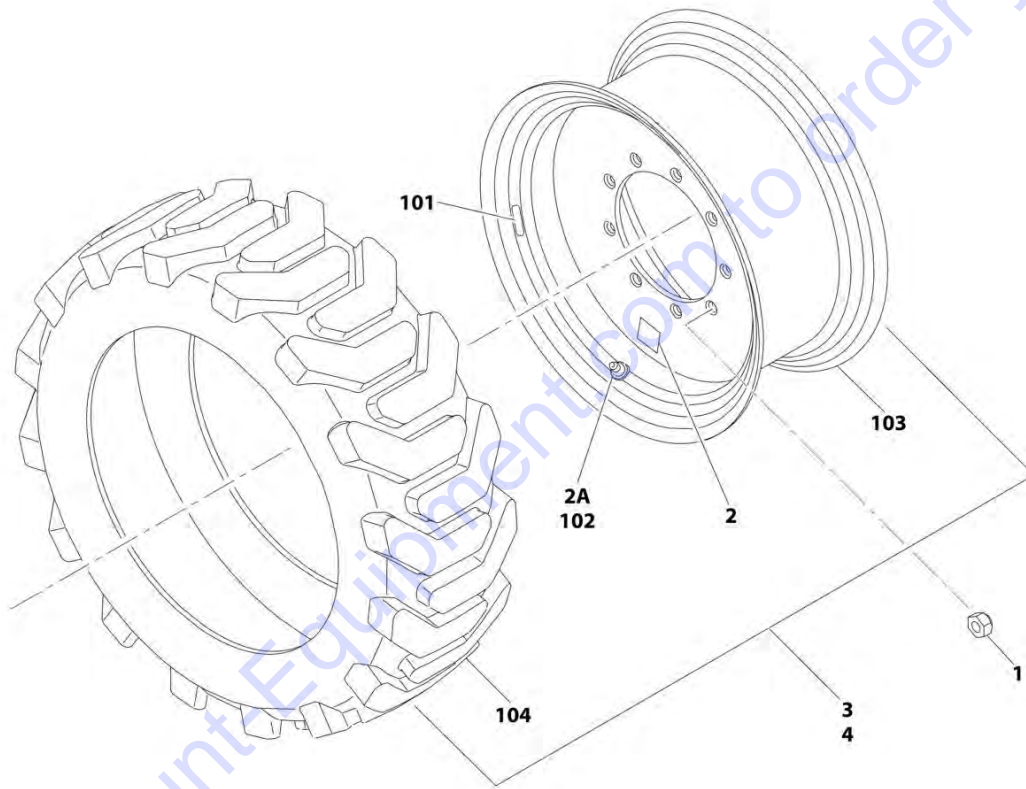
**FIGURE 1-14. TIRE AND WHEEL INSTALLATION - 9X20 PNEUMATIC NON-MARKING**

ITEM	PART NUMBER	QTY	DESCRIPTION	REV
	1001118643	Ref	TIRE AND WHEEL INSTALLATION - 9X20 PNEUMATIC NON-MARKING	B
		Ref	Note: Due to critical stability weights, only replace tire and wheel assemblies with like components.	
1	3300106	36	Lugnut (9 per Wheel)	
2	1001118652	2	Tire and Wheel Assembly - 9 x 20 Pneumatic Non-Marking Right Side	B
3	1001118653	2	Tire and Wheel Assembly - 9 x 20 Pneumatic Non-Marking Left Side	B
101	1706846	4	Decal - 75PSI	
102	4640113	4	Valve, Air	
103	1001117129	4	Rim for 20 x 9 (Use with IN265/50D20 Tires)	
104	1001118660	4	Tire - IN265/50D20 Non-Marking	

Go to Discount-Equipment.com to order your parts

# SECTION 1 - FRAME

FIGURE 1-15. TIRE AND WHEEL INSTALLATION - 9X20 PNEUMATIC NON-MARKING WITH TIRE SEALANT



ART\_1001120036

## SECTION 1 - FRAME

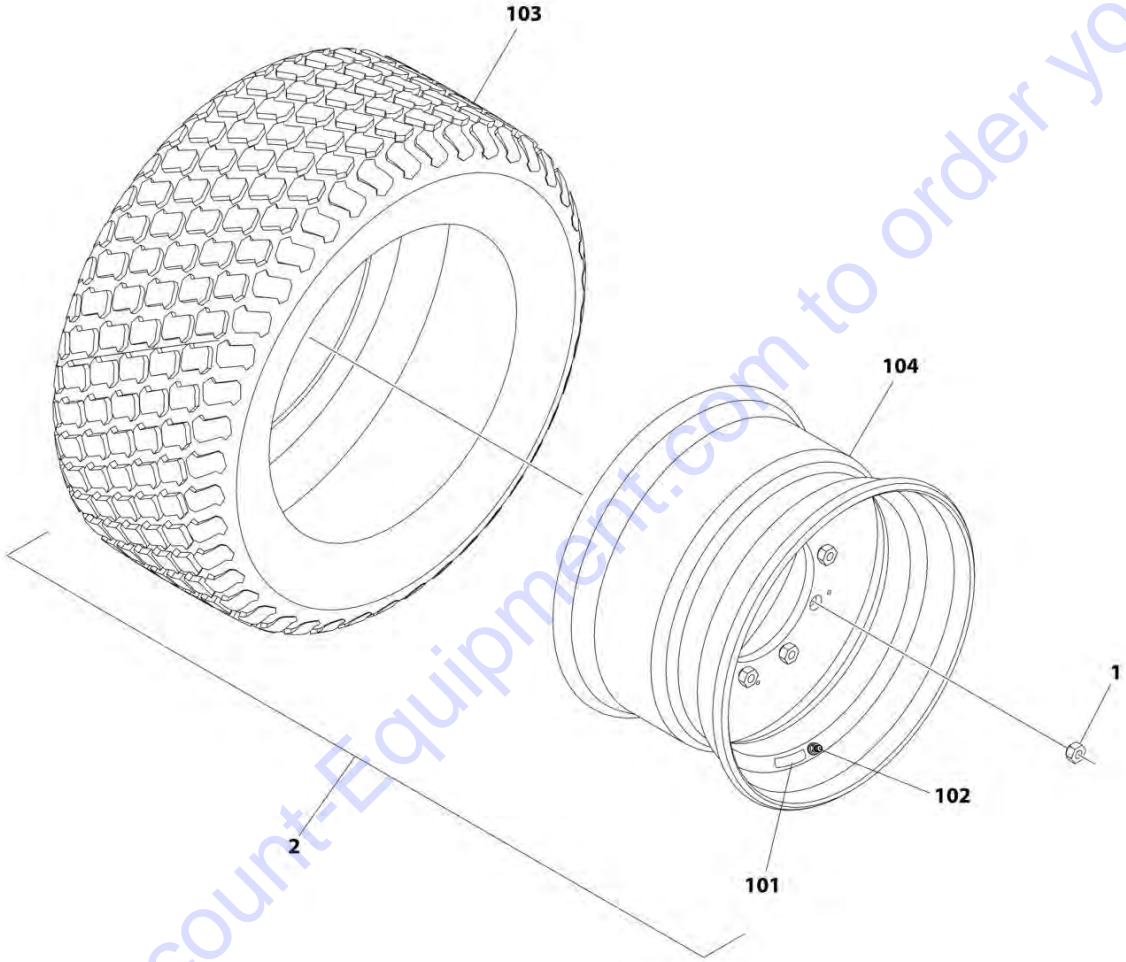
**FIGURE 1-15. TIRE AND WHEEL INSTALLATION - 9X20 PNEUMATIC NON-MARKING WITH TIRE SEALANT**

ITEM	PART NUMBER	QTY	DESCRIPTION	REV
	1001120036	Ref	TIRE AND WHEEL INSTALLATION - 9X20 PNEUMATIC NON-MARKING WITH TIRE SEALANT	B
		Ref	Note: Due to critical stability weights, only replace tire and wheel assemblies with like components.	
1	3300106	36	Lugnut (9 per Wheel)	
2	2902203	1	Decal Kit - Required on Tires with Sealant (Includes qty 5 Decals and qty 4 Green Valve Stem Caps)	
2A	1120552	1	Cap, Valve Stem (Green) (Tires with Sealant Only)	
3	1001118652	2	Tire and Wheel Assembly - 9 x 20 Pneumatic Non-Marking Right Side	A
4	1001118653	2	Tire and Wheel Assembly - 9 x 20 Pneumatic Non-Marking Left Side	A
101	1706846	4	Decal - 75PSI	
102	4640113	4	Valve, Air	
103	1001117129	4	Rim for 20 x 9 (Use with IN265/50D20 Tires)	
104	1001118660	4	Tire - IN265/50D20 Non-Marking	



# SECTION 1 - FRAME

FIGURE 1-16. TIRE AND WHEEL INSTALLATION - 33 X 12LL500 TURF/SAND PNEUMATIC



ART\_1001231653

## SECTION 1 - FRAME

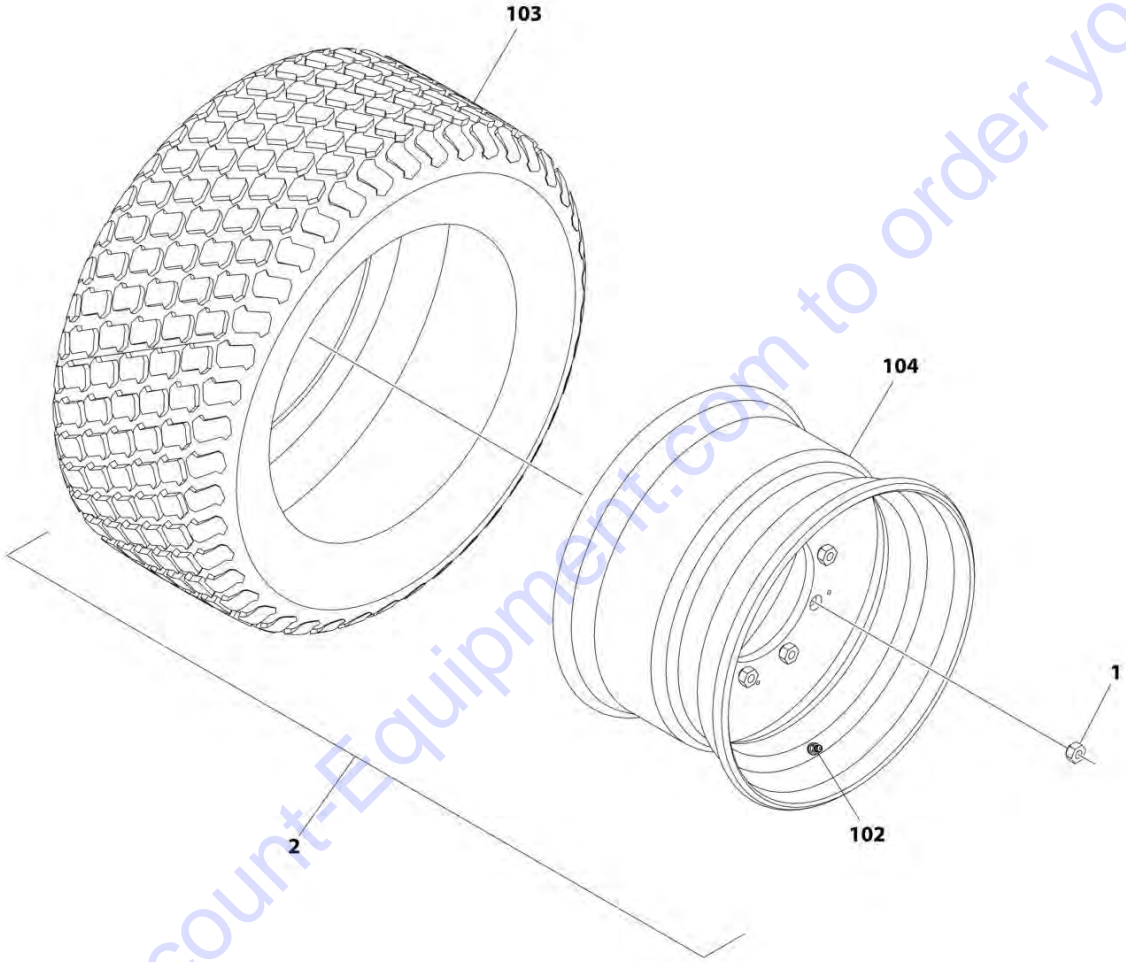
**FIGURE 1-16. TIRE AND WHEEL INSTALLATION - 33 X 12LL500 TURF/SAND PNEUMATIC**

ITEM	PART NUMBER	QTY	DESCRIPTION	REV
	1001231653	Ref	TIRE AND WHEEL INSTALLATION - 33 x 12LL500 TURF/SAND PNEUMATIC	A
1	3300106	36	Nut, Wheel	
2	1001231611	4	Tire & Wheel Assembly - 33 X 12LL500 TURF/SAND	
101	1706846	4	Decal - Tire Pressure	
102	4640113	4	Valve, Tire	
103	1001231609	1	Tire, 33 X 12LL500 TURF/SAND	
104	1001231610	1	Rim	

Go to Discount-Equipment.com to order your parts

# SECTION 1 - FRAME

FIGURE 1-17. TIRE AND WHEEL INSTALLATION - 33 X 12LL500 TURF/SAND FOAM FILLED



ART\_1001239804

## SECTION 1 - FRAME

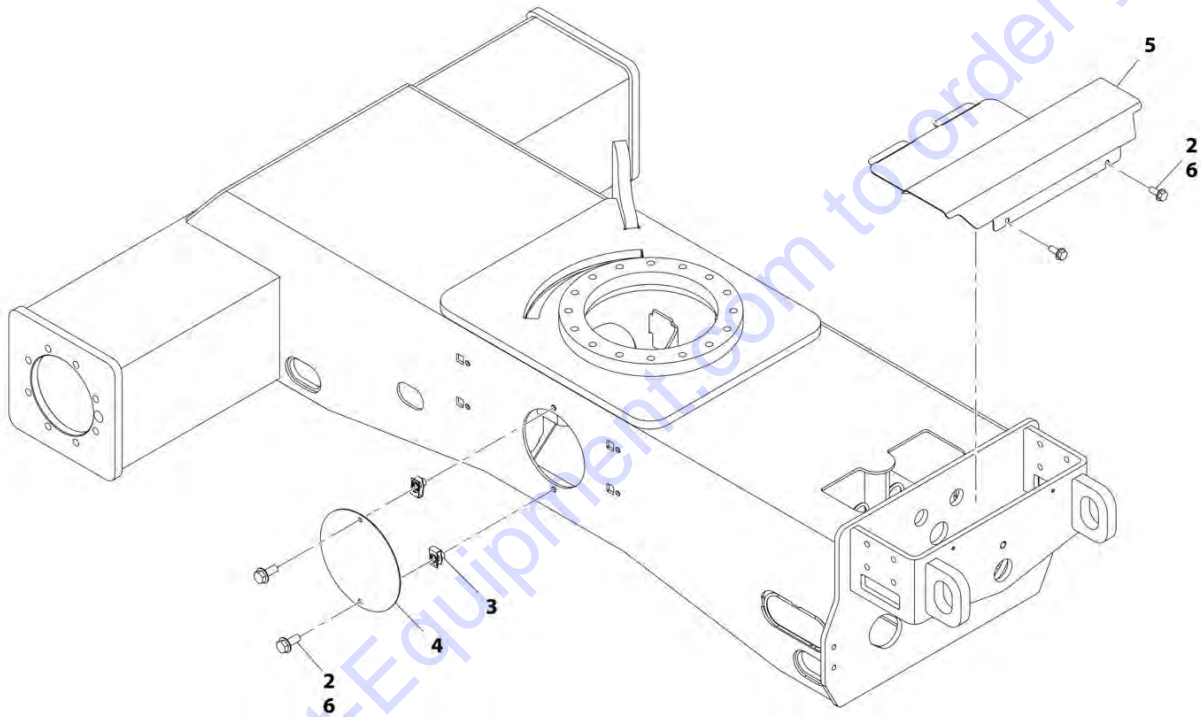
**FIGURE 1-17. TIRE AND WHEEL INSTALLATION - 33 X 12LL500 TURF/SAND FOAM FILLED**

ITEM	PART NUMBER	QTY	DESCRIPTION	REV
	1001239804	Ref	TIRE AND WHEEL INSTALLATION - 33 x 12LL500 TURF/SAND FOAM FILLED	A
1	3300106	36	Nut, Wheel	
2	1001239803	4	Tire & Wheel Assembly - 33 X 12LL500 TURF/SAND	
		Ref	Note: Assemblies may require ballast/foam filling to manufacture's specifications prior to installing on a machine. Refer to Operation and Safety or Service and Maintenance Manuals. Purchase individual tire and/or rim only if able to foam fill tire and wheel assembly, otherwise, purchase complete assembly.	
102	4640113	4	Valve, Tire	
103	1001231609	1	Tire, 33 X 12LL500 TURF/SAND	
104	1001231610	1	Rim	

Go to Discount-Equipment.com to order your parts

# SECTION 1 - FRAME

## FIGURE 1-18. FRAME SHIELDS INSTALLATION



ART\_1001115781

FIGURE 1-18. FRAME SHIELDS INSTALLATION

ITEM	PART NUMBER	QTY	DESCRIPTION	REV
	1001115781	Ref	FRAME SHIELDS INSTALLATION	C
2	5250810	6	Bolt M8 x 20	
3	1001118274	4	Nut, Clip M8	
4	1001118915	2	Cover, Frame (Side)	
5	1001118916	1	Cover, Frame (Top)	
6	0100011	AR	Compound, Locking	

Go to Discount-Equipment.com to order your parts



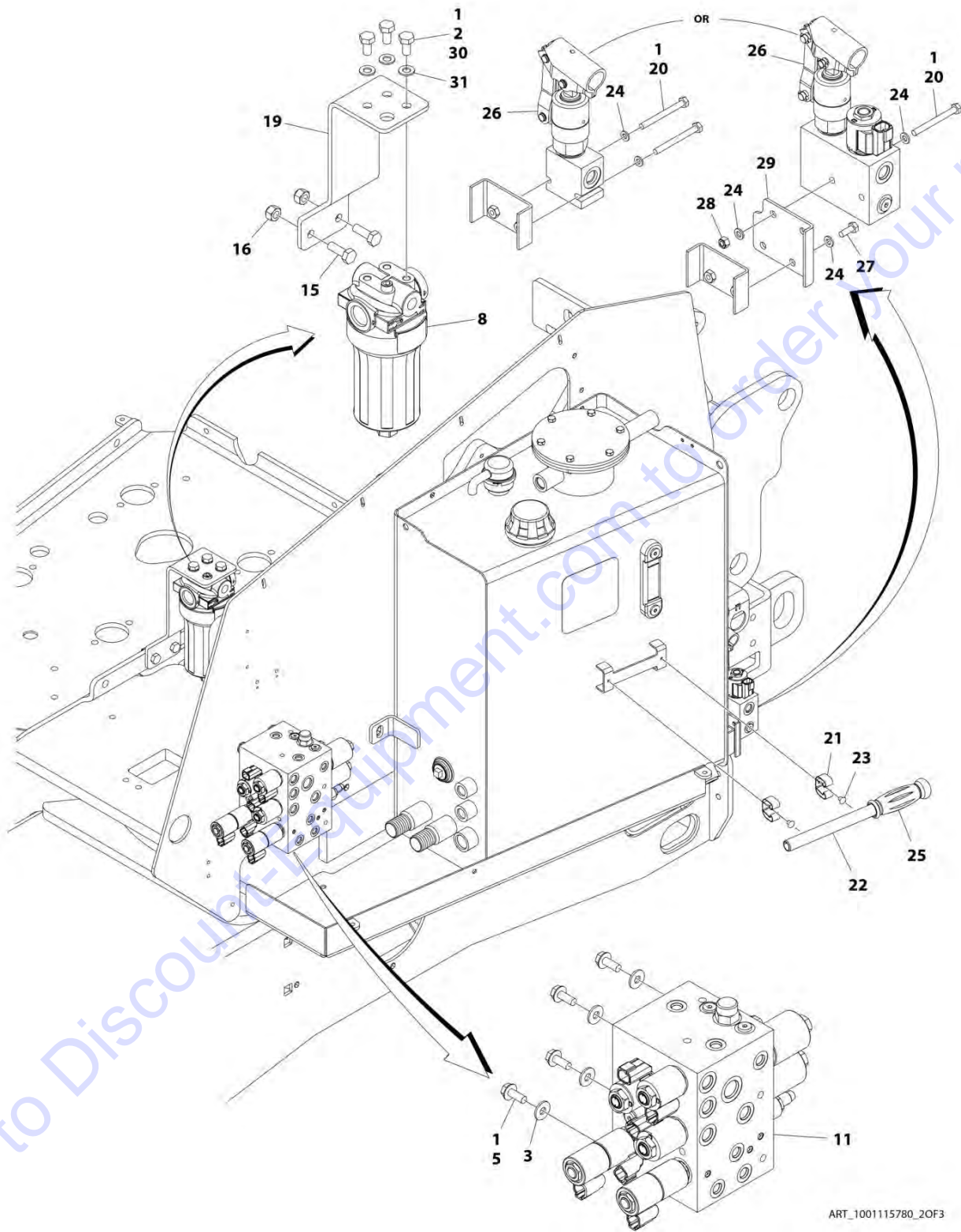


**SECTION 2 - TURNTABLE**

Go to Discount-Equipment.com to order your parts

## SECTION 2 - TURNTABLE

FIGURE 2-1. CONTROL VALVE AND CHARGE FILTER INSTALLATION - TURNTABLE



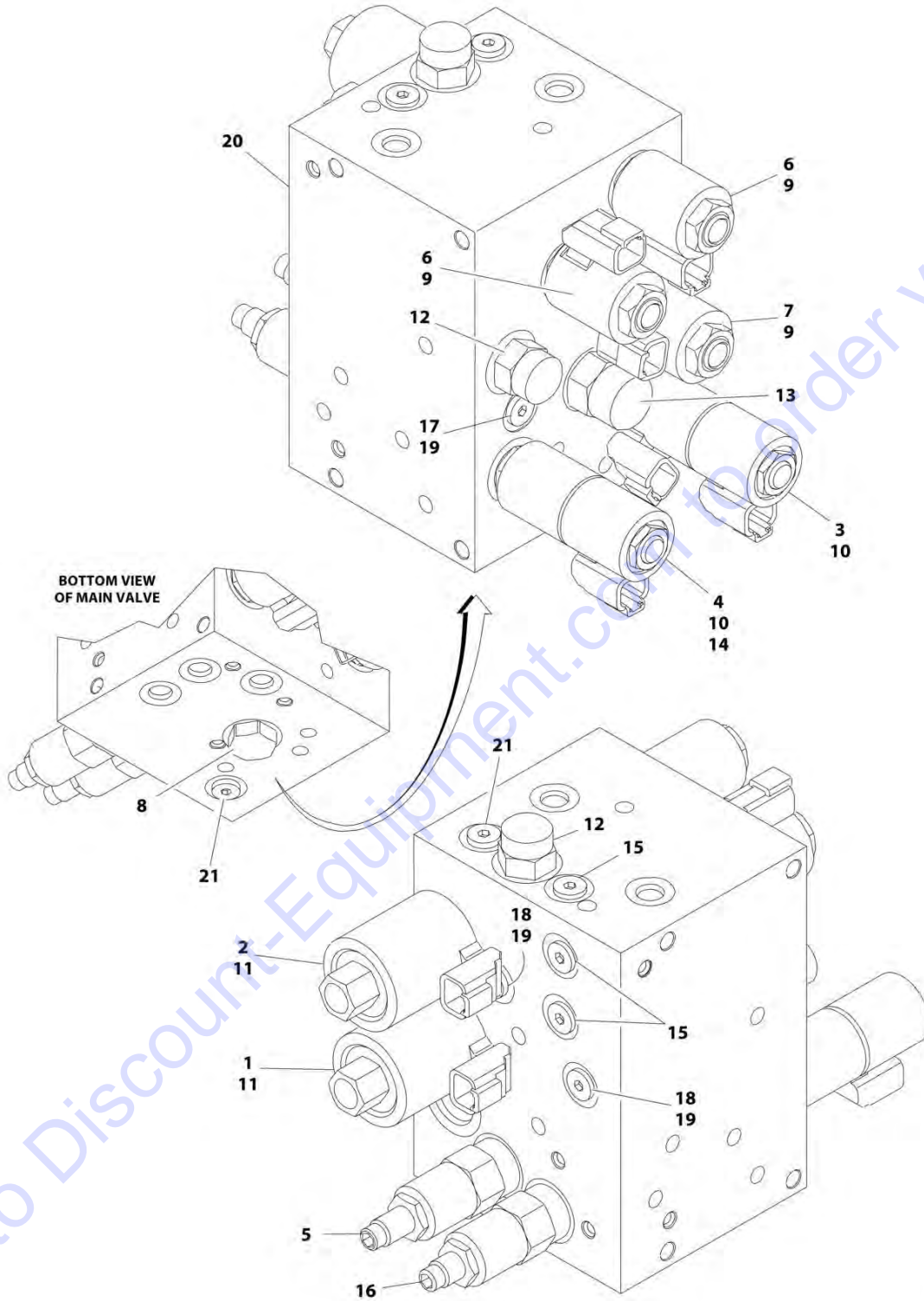
## SECTION 2 - TURNTABLE

**FIGURE 2-1. CONTROL VALVE AND CHARGE FILTER INSTALLATION - TURNTABLE**

ITEM	PART NUMBER	QTY	DESCRIPTION	REV
	1001115780	Ref	CONTROL VALVE AND CHARGE FILTER INSTALLATION - TURNTABLE	H
1	0100011	AR	Compound, Locking	
2	0641605	4	Bolt 3/8-16 x 5/8 <b>(Prior to SN 0300237174)</b>	
3	4811902	4	Washer M8	
5	5250810	4	Bolt M8 x 20	
8	1001102987	1	Charge Pump Filter Assembly <b>(Prior to SN 0300237174)</b>	C
8	1001208874	1	Charge Pump Filter Assembly <b>(SN 0300237174 to Present)</b>	
8	70010383	1	Element, Filter (Includes O-Ring)	
8	See Note	1	Indicator (Note: Not Available for Purchase)	
11	1001116487	1	Main Control Valve Assembly (See MAIN CONTROL VALVE ASSEMBLY for Breakdown)	
15	0761014	2	Bolt M10 x 30	
16	3291005	2	Nut M10	
19	1001118751	1	Bracket, Filter	
20	0700620	2	Bolt M6 x 60	
21	1380136	2	Clip	
22	2560122	1	Handle	
23	3820019	2	Rivet	
24	4811700	6	Washer M6	
25	1001114761	1	Grip, Handle	
26	1001127115	1	Manual Pump Assembly <b>(SN 0300200802 through 0300223168)</b>	C
26	7017496	1	Seal Kit - 1001127115 Pump <b>(SN 0300200802 through 0300223168)</b>	
26	1001210829	1	Manual Pump Assembly <b>(SN 0300223169 to Present)</b>	
26	70005722	1	Cartridge, Hand Pump	
26	7017496	1	Seal Kit - Hand Pump	
26	7017467	1	Cartridge, Solenoid Valve Less Coil	
26	7012967	1	Seal Kit - Cartridge	
26	70002386	1	Coil	
27	0700608	2	Bolt M6 x 16 <b>(SN 0300223169 to Present)</b>	
28	3290605	2	Nut M6 <b>(SN 0300223169 to Present)</b>	
29	1001200472	1	Bracket <b>(SN 0300223169 to Present)</b>	
30	0761010	AR	Bolt M10 x 20 <b>(SN 0300237174 to Present)</b>	
31	4812000	AR	Washer M10 <b>(SN 0300237174 to Present)</b>	

# SECTION 2 - TURNTABLE

## FIGURE 2-2. MAIN CONTROL VALVE ASSEMBLY



ART\_1001116487

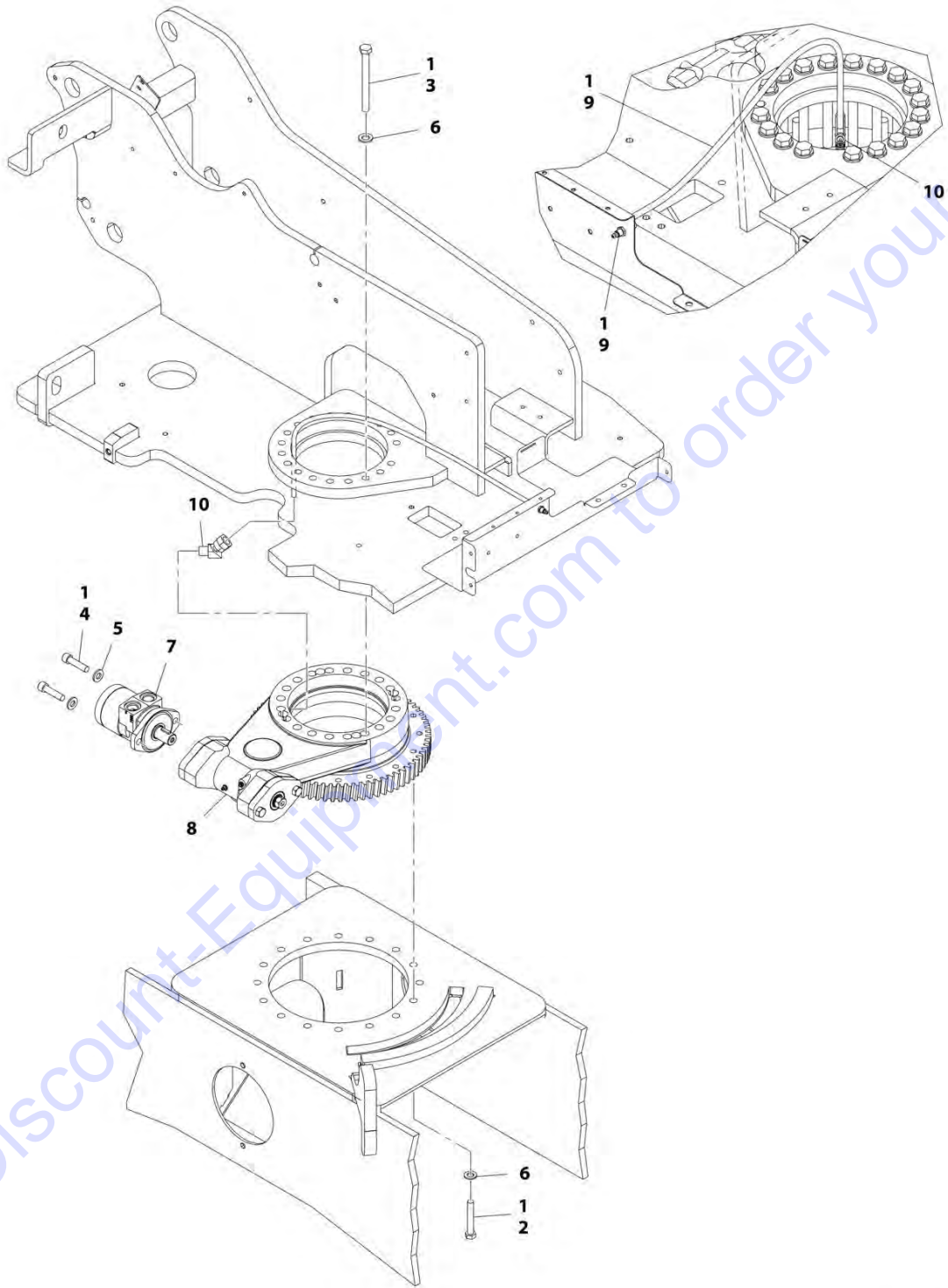
## SECTION 2 - TURNTABLE

### FIGURE 2-2. MAIN CONTROL VALVE ASSEMBLY

ITEM	PART NUMBER	QTY	DESCRIPTION	REV
	1001116487	Ref	MAIN CONTROL VALVE ASSEMBLY	J
1	70002964	1	Cartridge, Solenoid Valve with Relief (Without Coil)	
1	7017496	1	Seal Kit - 70002964 Cartridge	
2	70002965	1	Cartridge, Solenoid Valve with Relief (Without Coil)	
2	7017496	1	Seal Kit - 70002965 Cartridge	
3	70002966	1	Cartridge, Solenoid Valve (Without Coil) (Swing)	
3	70002967	1	Seal Kit - 70002966 Cartridge	
4	70002966	1	Cartridge, Solenoid Valve (Without Coil) (Steer)	
4	70002967	1	Seal Kit - 70002966 Cartridge	
5	70002968	1	Cartridge, Relief Valve	
5	7012998	1	Seal Kit - 70002968 Cartridge	
6	70002969	2	Cartridge, Solenoid Valve (Without Coil) (Upper and Lower Lift)	
6	7010543	2	Seal Kit - 70002969 Cartridge	
7	70002970	1	Cartridge, Solenoid Valve (Without Coil) (Flow Control)	
7	7010543	1	Seal Kit - 70002970 Cartridge	
8	10837580	1	Cartridge, Shuttle Valve	
8	7010543	1	Seal Kit - 10837580 Cartridge	
9	70002971	3	Coil	
10	70002386	4	Coil	
11	70003788	2	Coil	
12	70002972	2	Cartridge, Pressure Compensator Valve	
12	7010543	2	Seal Kit - 70002972 Cartridge	
13	70002973	1	Cartridge, Pressure Compensator Valve	
13	7010543	1	Seal Kit - 70002973 Cartridge	
14	70002974	1	Disc, Check Valve	
15	70003757	3	Cartridge, Check Valve	
15	70002976	3	Seal Kit - 70003757 Cartridges	
16	70002977	1	Cartridge, Crossover Relief	
16	7021653	1	Seal Kit - 70002977 Cartridge	
17	See Note	1	Orifice .060 (Note: Not Available for Purchase)	
18	See Note	2	Orifice .100 (Note: Not Available for Purchase)	
19	7017406	3	Plug (Use p/n 2220883)	
20	See Note	1	Block (Note: Not Available for Purchase)	
21	91164059	2	Plug	

## SECTION 2 - TURNTABLE

FIGURE 2-3. SWING DRIVE INSTALLATION (DOHI)



ART\_1001115774



**SECTION 2 - TURNTABLE**

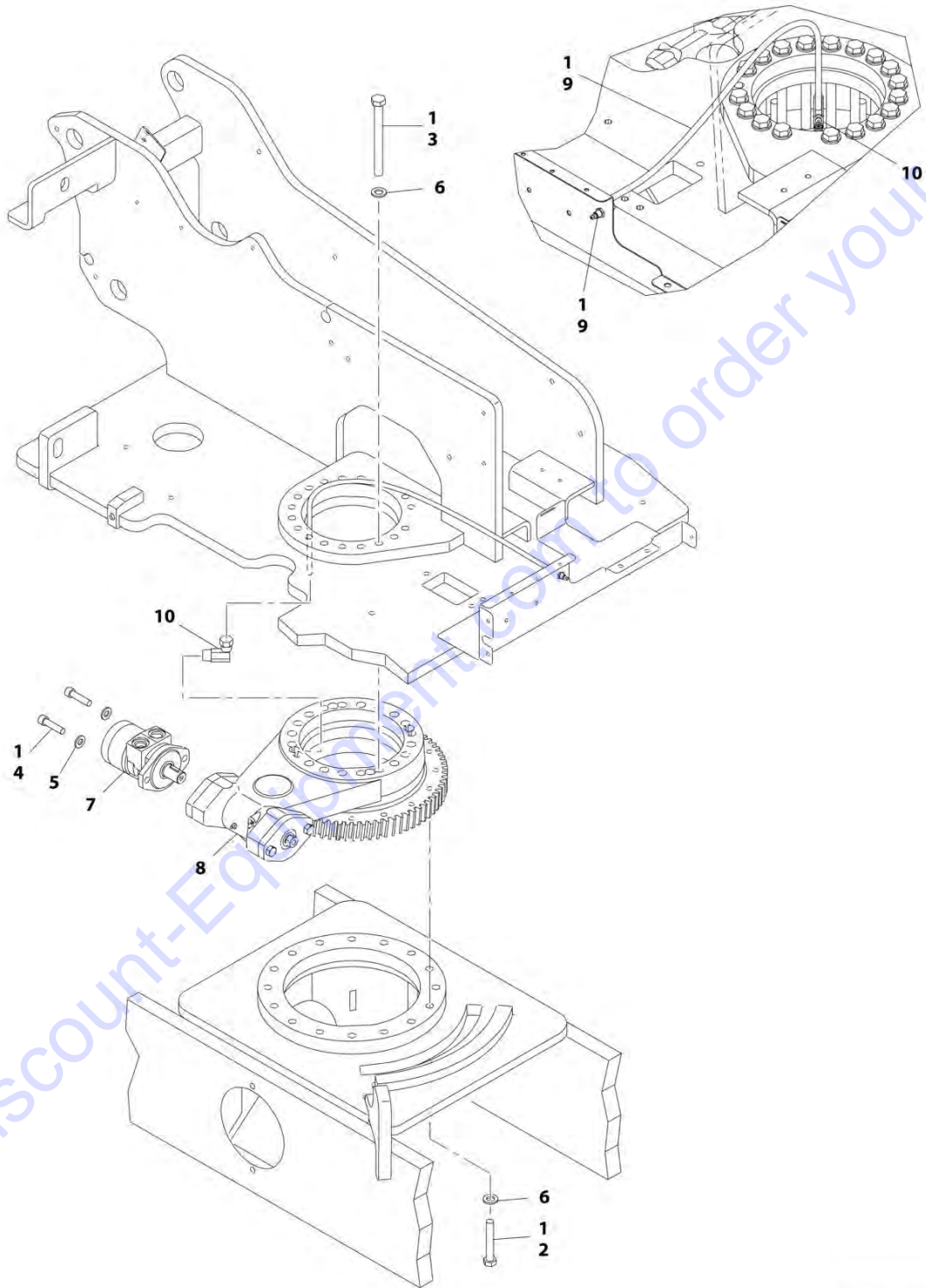
**FIGURE 2-3. SWING DRIVE INSTALLATION (DOHI)**

ITEM	PART NUMBER	QTY	DESCRIPTION	REV
	1001115774	Ref	SWING DRIVE INSTALLATION (DOHI)	C
1	0100019	AR	Compound, Locking	
2	0711426	16	Bolt M14 x 90 Grade 10.9	
3	0711432	19	Bolt M14 x 150 Grade 10.9	
4	3931832	2	Capscrew 1/2-13 x 2	
5	4740171	2	Washer 1/2	
6	5241400	35	Washer M14	
7	1001107781	1	Swing Motor Assembly (See SWING MOTOR ASSEMBLY for Breakdown)	
8	1001117145	1	Swing Bearing and Rotation Box Assembly	
9	1001118961	1	Hose, Remote Grease Line (Includes Grease Fitting)	
10	2220124	1	Fitting, Adapter NPT	

Go to Discount-Equipment.com to order your parts

## SECTION 2 - TURNTABLE

FIGURE 2-4. SWING DRIVE INSTALLATION (JING WEI)



ART\_1001153364

**SECTION 2 - TURNTABLE**

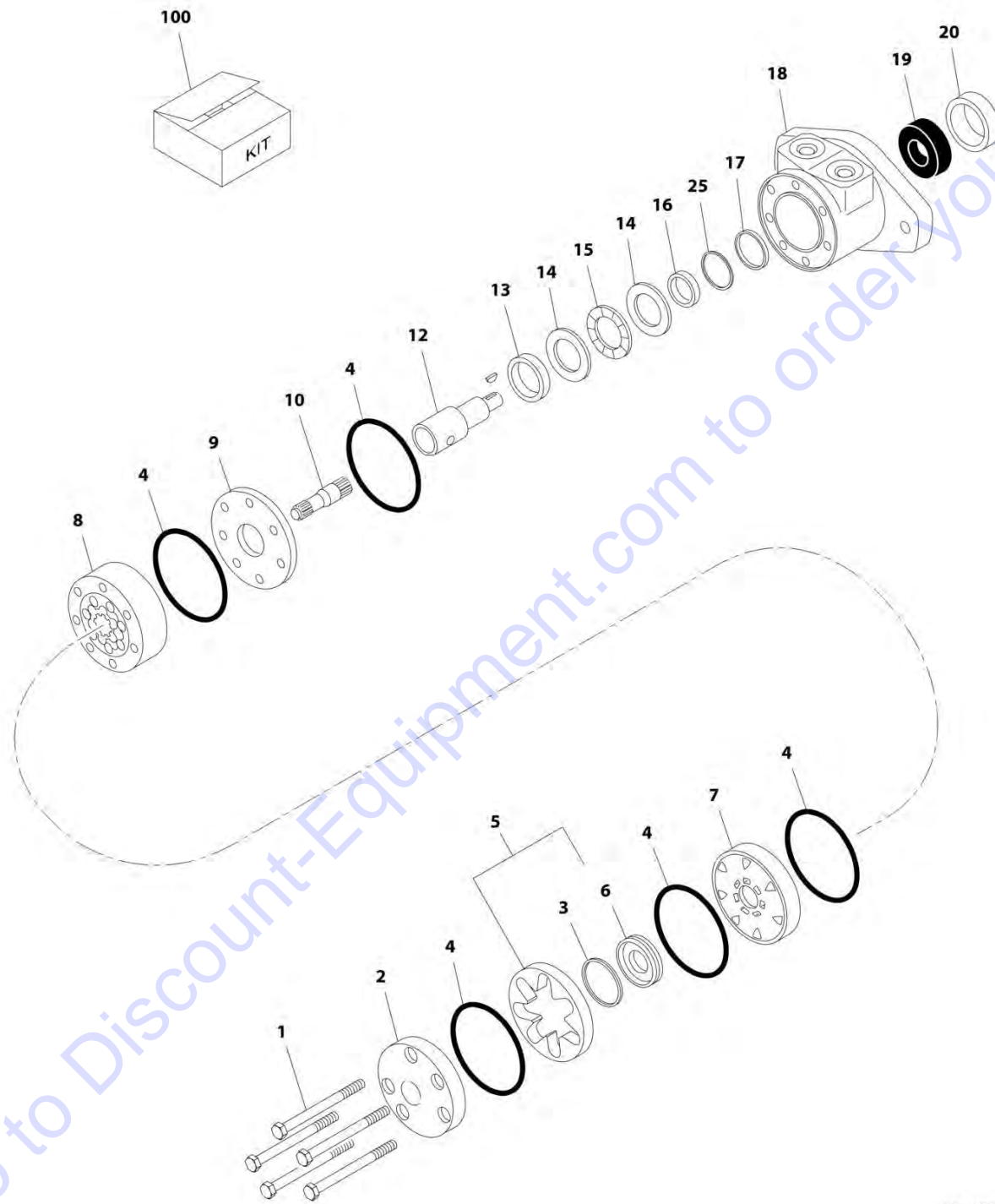
**FIGURE 2-4. SWING DRIVE INSTALLATION (JING WEI)**

ITEM	PART NUMBER	QTY	DESCRIPTION	REV
	1001153364	Ref	SWING DRIVE INSTALLATION (JING WEI)	C
1	0100019	AR	Compound, Locking	
2	0711426	16	Bolt M14 x 90 Grade 10.9	
3	0711432	19	Bolt M14 x 150 Grade 10.9	
4	3931832	2	Capscrew 1/2-13 x 2	
5	4740171	2	Washer 1/2	
6	5241400	2	Washer M14	
7	1001107781	1	Swing Motor Assembly (See SWING MOTOR ASSEMBLY for Breakdown)	
8	1001153015	1	Swing Bearing and Rotation Box Assembly (See SWING BEARING ASSEMBLY for Breakdown)	
9	1001118961	1	Hose, Remote Grease Line (Includes Grease Fitting)	
10	2220124	1	Fitting, Swivel Adapter	

Go to Discount-Equipment.com to order your parts

# SECTION 2 - TURNTABLE

## FIGURE 2-5. SWING MOTOR ASSEMBLY



ART\_1001107781

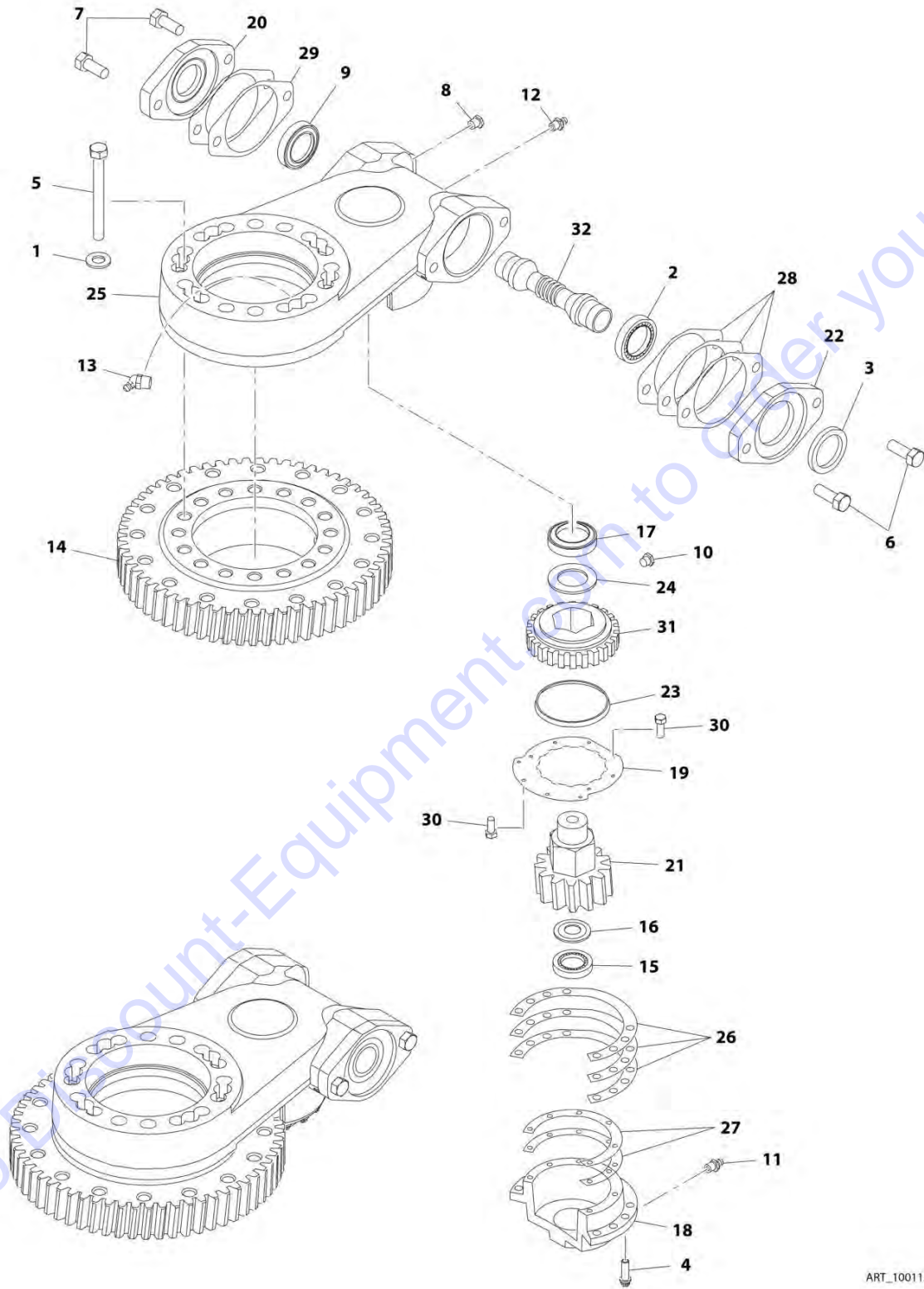
## SECTION 2 - TURNTABLE

### FIGURE 2-5. SWING MOTOR ASSEMBLY

ITEM	PART NUMBER	QTY	DESCRIPTION	REV
	1001107781	Ref	SWING MOTOR ASSEMBLY	A
1	70002311	5	Bolt	
2	7004035	1	Cover, End	
3	See Note	NSS	Seal, Commutator (Note: Use Item 100)	
4	See Note	NSS	Seal, Ring (Note: Use Item 100)	
5	7024453	1	Commutator and Ring Assembly	
6	See Note	1	Ring (Note: Use Item 5)	
7	7024379	1	Manifold	
8	70002312	1	Rotor Set	
9	7024380	1	Plate, Wear	
10	70002313	1	Link, Drive	
12	70000088	1	Shaft, Coupling	
12	70000089	1	Key, Woodruff	
13	7024381	1	Bushing, Bronze	
14	7004043	2	Washer, Thrust	
15	7004044	1	Bearing, Thrust	
16	See Note	NSS	Seal, Inner (Note: Use Item 100)	
17	See Note	NSS	Washer, Back-up (Note: Use Item 100)	
18	See Note	NSS	Housing (Note: Not Available - Purchase Complete Assembly)	
19	7024390	1	Bearing	
20	See Note	NSS	Seal (Note: Use Item 100)	
25	See Note	NSS	Washer, Back-up (Note: Use Item 100)	
100	7024389	1	Seal Kit (Includes Items 3, 4, 16, 17, 20 & 25)	

# SECTION 2 - TURNTABLE

## FIGURE 2-6. SWING BEARING ASSEMBLY



ART\_1001153015

## SECTION 2 - TURNTABLE

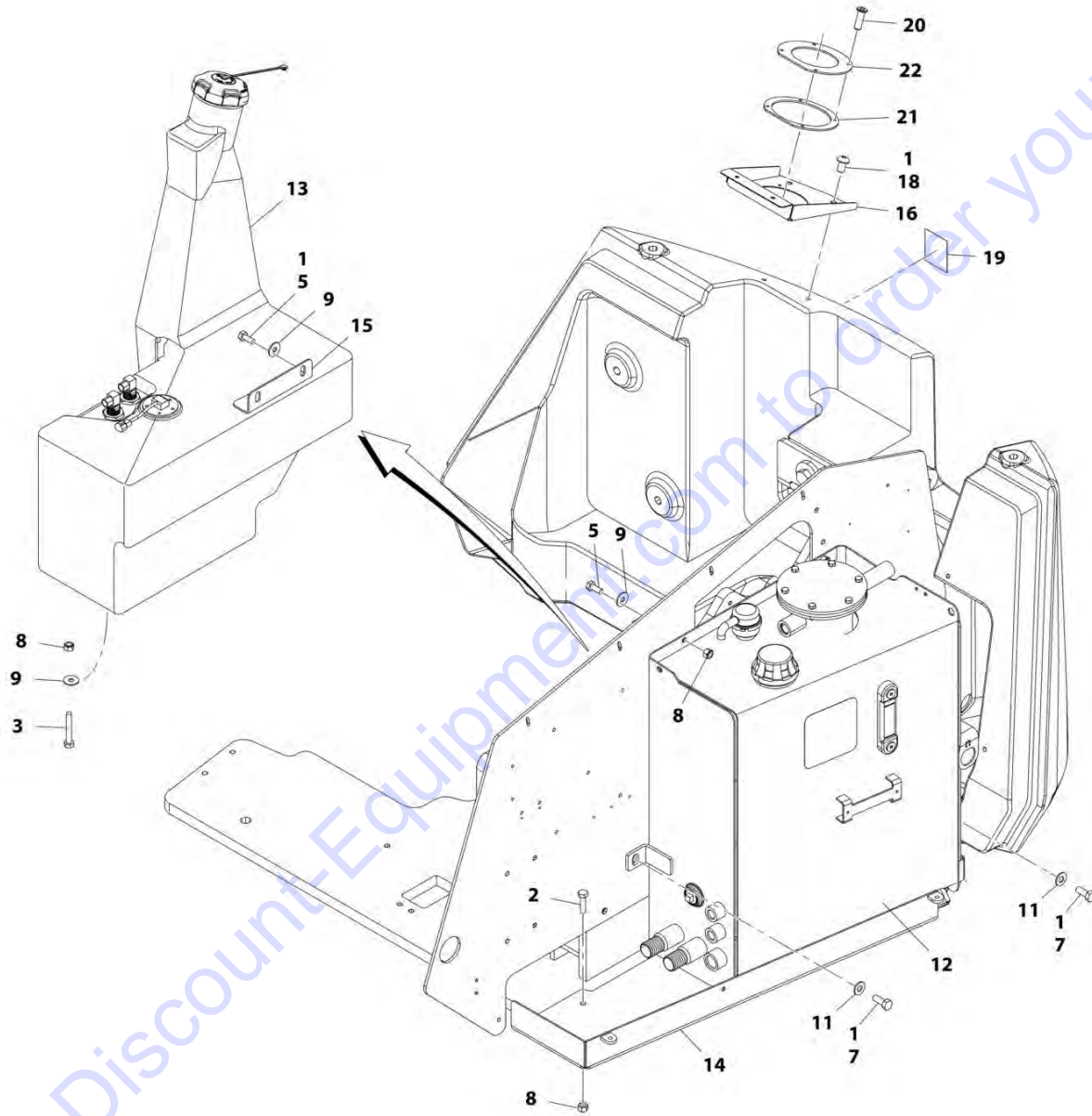
**FIGURE 2-6. SWING BEARING ASSEMBLY**

ITEM	PART NUMBER	QTY	DESCRIPTION	REV
	1001153015	Ref	SWING BEARING ASSEMBLY	B
1	7026041	2	Washer 5/16	
2	70002643	2	Cup, Bearing	
2	70002644	2	Cone, Bearing	
3	70002645	1	Seal	
4	70002646	8	Bolt 5/16-18 x 7/8	
5	70003138	2	Bolt 5/16-18 x 2-1/2	
6	70002647	2	Bolt 1/2-13 x 1	
7	70002648	2	Bolt 1/2-13 x 1-1/4	
8	70002649	1	Vent, Pressure	
9	70002650	1	Seal	
10	70003139	1	Plug 1/4	
11	70002651	1	Fitting, Grease 1/4	
12	70002652	1	Fitting, Grease 1/8 Straight	
13	7027359	1	Fitting, Grease 1/8 90	
14	1001160531	1	Turntable Bearing Kit (Includes Bearing & Hardware) (was p/n 1001143932 & 70003140)	
15	70002656	1	Cup, Bearing	
15	70002657	1	Cone, Bearing	
16	70002658	1	Ring, Grease	
17	7026048	1	Cup, Bearing	
17	7026049	1	Cone, Bearing	
18	70002659	1	Cap, Gear	
19	70003141	1	Plate, Cover	
20	70002661	1	Cap, Worm	
21	70003142	1	Pinion, Output	
22	70002663	1	Adapter, Motor	
23	70002664	1	Seal, Face	
24	7026052	1	Spacer, Washer	
25	See Note	1	Housing (Note: Not Available - Purchase Complete Assembly)	
26	70002665	1	Shim .0075 Natural	
26	70002666	1	Shim .005 Blue	
26	70002667	1	Shim .003 Green	
27	70002668	1	Shim .005 Blue	
27	70002669	1	Shim .020 Yellow	
28	7027352	1	Gasket .010 Brown	
28	7027351	1	Gasket .0075 Clear	
28	7027350	1	Gasket .005 Blue	
29	7027353	1	Gasket .020 Yellow	
30	70000681	10	Bolt #6-32 x 3/8	
31	70002670	1	Gear, Worm	
32	70002671	1	Shaft, Worm	



## SECTION 2 - TURNTABLE

FIGURE 2-7. TANK INSTALLATION (DIESEL MACHINES)



ART\_1001115769



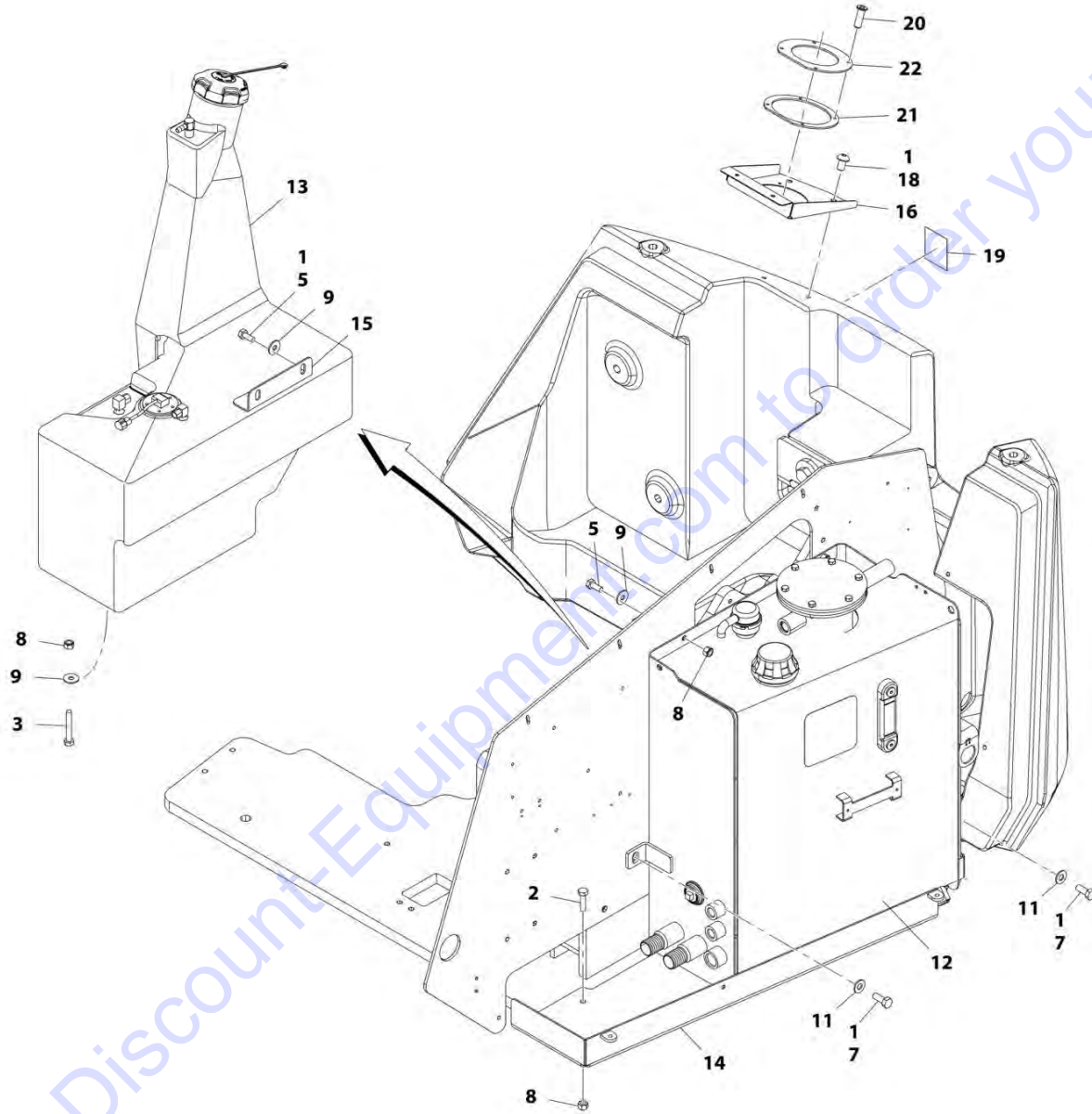
## SECTION 2 - TURNTABLE

**FIGURE 2-7. TANK INSTALLATION (DIESEL MACHINES)**

ITEM	PART NUMBER	QTY	DESCRIPTION	REV
	1001115769	Ref	TANK INSTALLATION (DIESEL MACHINES)	E
1	0100011	AR	Compound, Locking	
2	0701016	2	Bolt M10 x 40	
3	0701022	1	Bolt M10 x 70	
5	0761012	4	Bolt M10 x 25	
7	0761214	2	Bolt M12 x 30	
8	3291005	5	Nut M10	
9	4812002	5	Washer M10	
11	4812102	2	Washer M12	
12	1001116339	1	Hydraulic Tank Assembly (See HYDRAULIC TANK ASSEMBLY for Breakdown)	
13	1001117897	1	Fuel Tank Assembly (See FUEL TANK ASSEMBLY (DIESEL MACHINES) for Breakdown)	
14	1001118502	1	Shield, Bottom Tank	
15	1001118509	1	Support, Tank	
16	1001118510	1	Shield, Tank Neck	
18	1001119527	2	Screw M10 x 16	
19	1701505	1	Decal - Diesel Fuel	
20	3820032	4	Rivet	
21	1001128781	1	Seal, Neck	
22	1001128782	1	Ring, Neck	

# SECTION 2 - TURNTABLE

## FIGURE 2-8. TANK INSTALLATION (GAS MACHINES)



ART\_1001119102

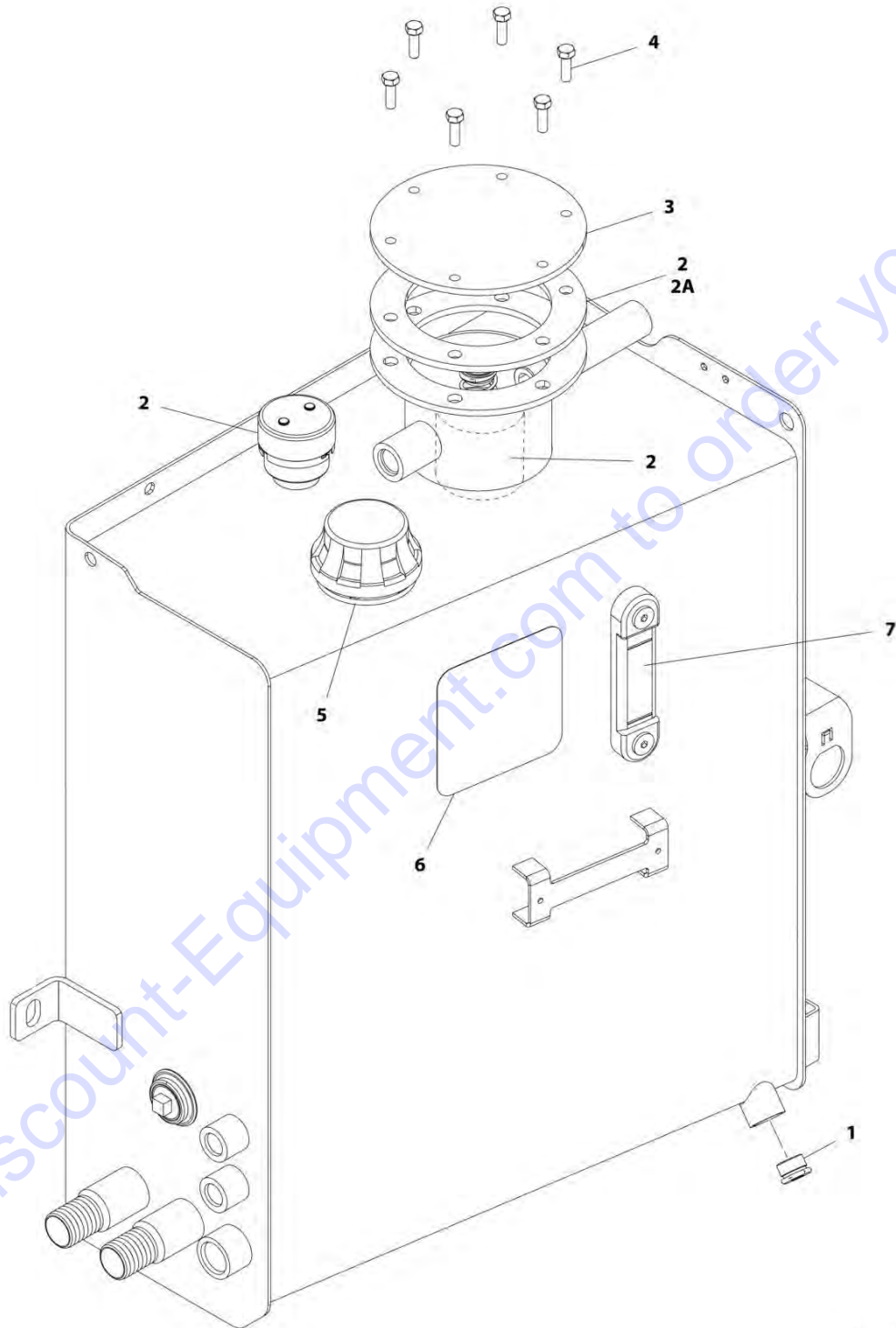
## SECTION 2 - TURNTABLE

### FIGURE 2-8. TANK INSTALLATION (GAS MACHINES)

ITEM	PART NUMBER	QTY	DESCRIPTION	REV
	1001119102	Ref	TANK INSTALLATION (GAS MACHINES)	F
1	0100011	AR	Compound, Locking	
2	0701016	2	Bolt M10 x 40	
3	0701022	1	Bolt M10 x 70	
5	0761012	4	Bolt M10 x 25	
7	0761214	2	Bolt M12 x 30	
8	3291005	5	Nut M10	
9	4812002	5	Washer M10	
11	4812102	2	Washer M12	
12	1001116339	1	Hydraulic Tank Assembly (See HYDRAULIC TANK ASSEMBLY for Breakdown)	
13	1001117895	NLA	Fuel Tank Assembly (Use p/n 1001211509) (See FUEL TANK ASSEMBLY (GAS MACHINES) for Breakdown) <b>(SN 0300200802 through 0300228556)</b>	
13	1001211509	1	Fuel Tank Assembly (See FUEL TANK ASSEMBLY (GAS MACHINES) for Breakdown) <b>(SN 0300228557 to Present)</b>	
14	1001118502	1	Shield, Bottom Tank	
15	1001118509	1	Support, Tank	
16	1001118510	1	Shield, Tank Neck	
18	1001119527	2	Screw M10 x 16	
19	1701542	1	Decal - Gas Fuel	
20	3820032	4	Rivet	
21	1001128781	1	Seal, Neck	
22	1001128782	1	Ring, Neck	

# SECTION 2 - TURNTABLE

## FIGURE 2-9. HYDRAULIC TANK ASSEMBLY



ART\_1001116339

**SECTION 2 - TURNTABLE**

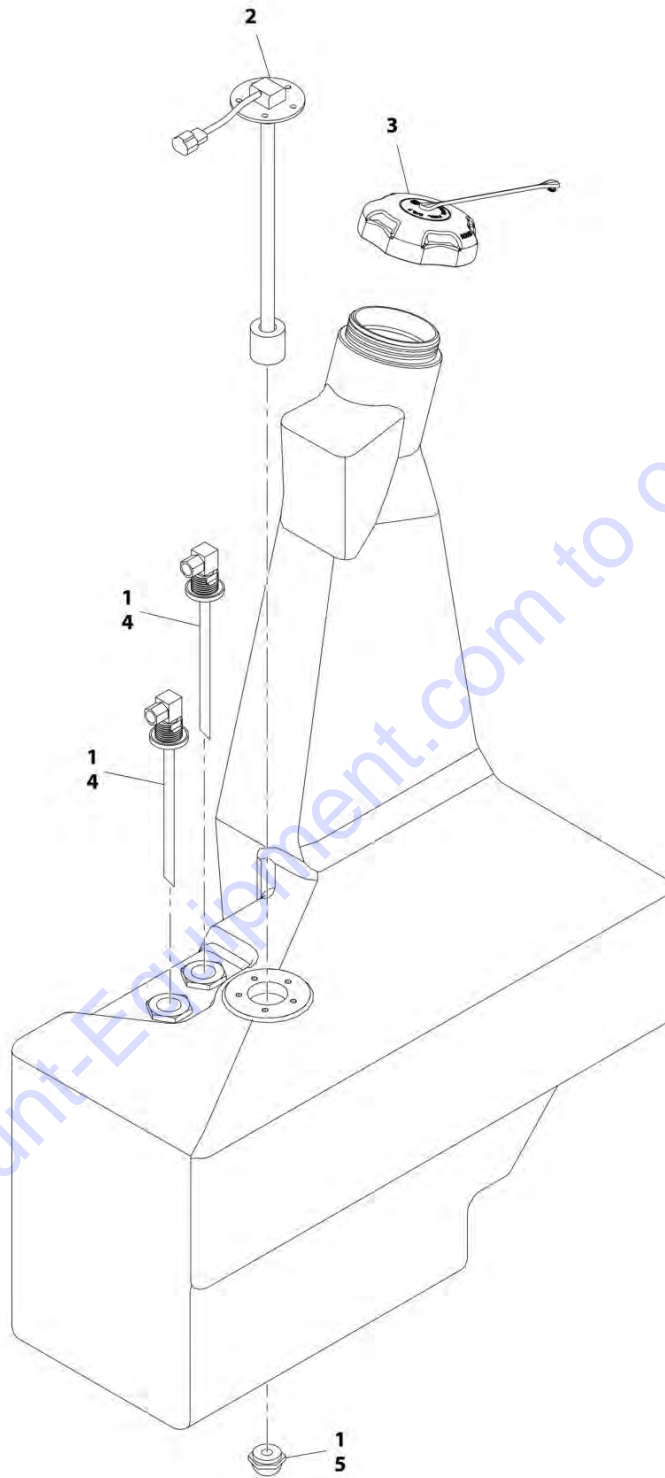
**FIGURE 2-9. HYDRAULIC TANK ASSEMBLY**

ITEM	PART NUMBER	QTY	DESCRIPTION	REV
	1001116339	Ref	HYDRAULIC TANK ASSEMBLY	F
1	70002112	1	Plug, Magnetic	
2	70002812	1	Hydraulic Breather/Filter Kit	
2A	70002839	1	Gasket	
3	See Note	NSS	Cover (Note: Use p/n 1001116339)	
4	See Note	NSS	Bolt (Note: Not Available - Purchase Locally)	
5	70002838	1	Cap, Fill	
6	70002840	1	Decal - Filter Replacement	
7	7024441	1	Gauge, Sight	

Go to Discount-Equipment.com to order your parts

## SECTION 2 - TURNTABLE

FIGURE 2-10. FUEL TANK ASSEMBLY (DIESEL MACHINES)



ART\_1001117897

**SECTION 2 - TURNTABLE**

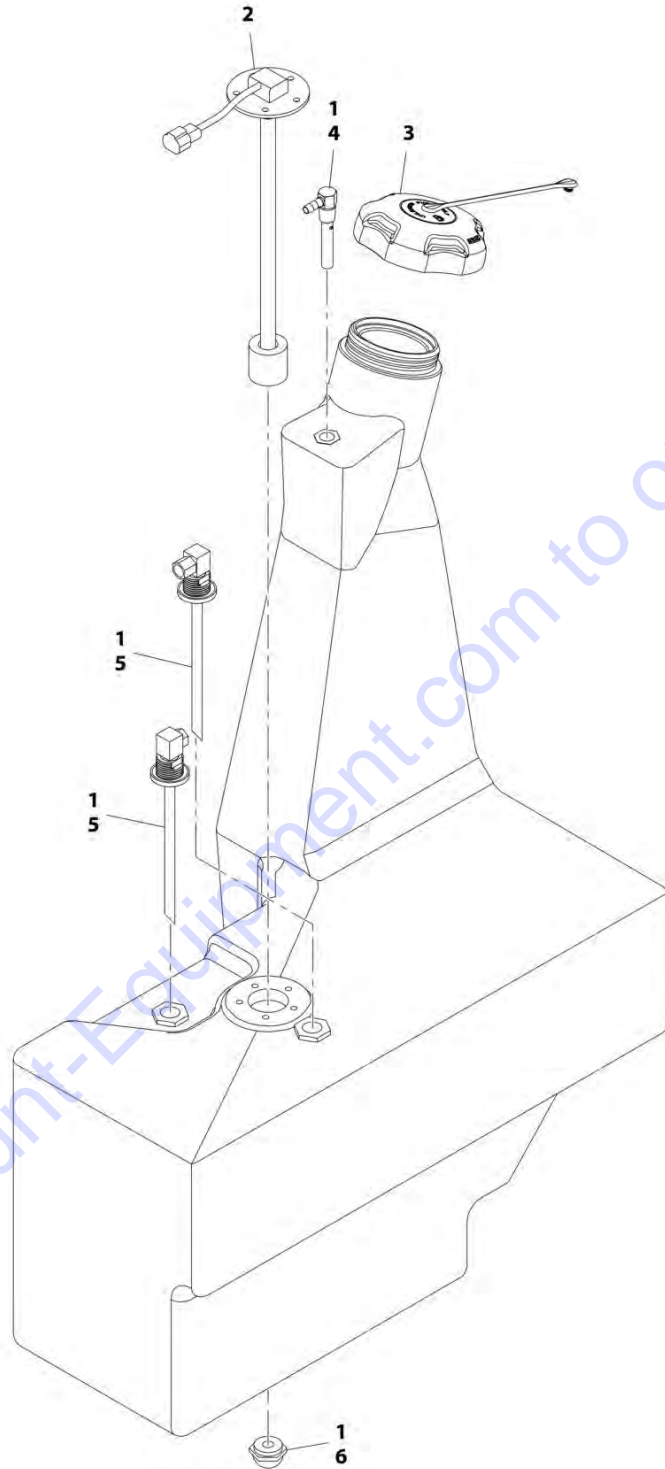
**FIGURE 2-10. FUEL TANK ASSEMBLY (DIESEL MACHINES)**

ITEM	PART NUMBER	QTY	DESCRIPTION	REV
	1001117897	Ref	FUEL TANK ASSEMBLY (DIESEL MACHINES)	G
1	0100020	AR	Sealant	
2	1001118262	1	Sender	
2	See Note	NSS	Seal, Sender (Note: Use p/n 1001118262)	
2	0721004	5	Screw #10-24 x 1/2	
3	1001128798	1	Cap, Fuel - Diesel	
4	See Note	NSS	Tube, Steel with Elbow Fitting (Note: Use p/n 1001117897)	
5	See Note	NSS	Plug (Note: Not Available - Purchase Locally)	

Go to Discount-Equipment.com to order your parts

## SECTION 2 - TURNTABLE

FIGURE 2-11. FUEL TANK ASSEMBLY (GAS MACHINES) (SN 0300200802 through 0300228556)



ART\_1001117895



**SECTION 2 - TURNTABLE**

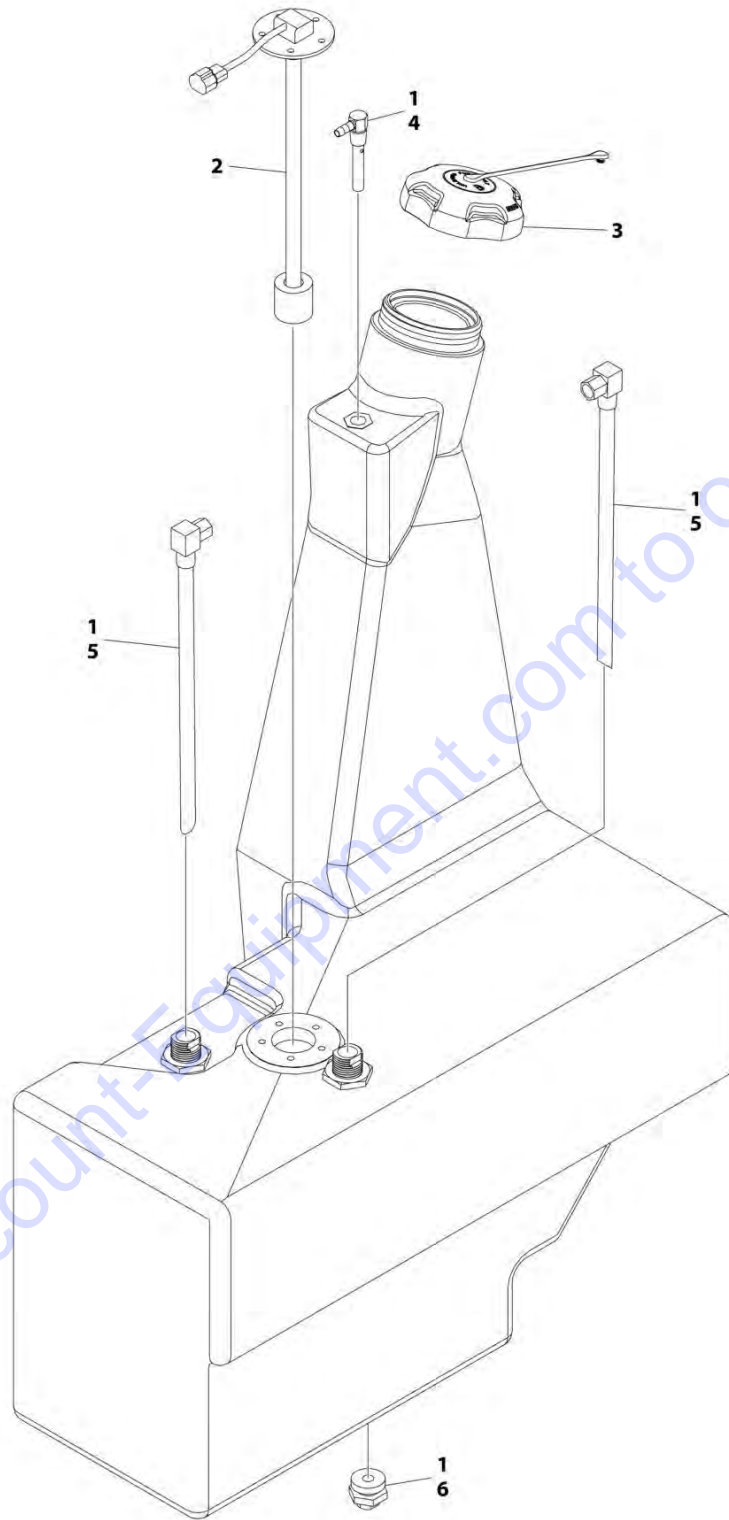
**FIGURE 2-11. FUEL TANK ASSEMBLY (GAS MACHINES) (SN 0300200802 through 0300228556)**

ITEM	PART NUMBER	QTY	DESCRIPTION	REV
	1001117895	Ref	FUEL TANK ASSEMBLY (GAS MACHINES) (SN 0300200802 through 0300228556)	H
1	0100020	AR	Sealant	
2	1001118262	1	Sender	
2	See Note	NSS	Seal, Sender (Note: Use p/n 1001118262)	
2	0721004	5	Screw #10-24 x 1/2	
3	1001128799	1	Cap, Fuel - Gas	
4	1001129043	1	Valve, Fuel Vent	
5	See Note	NSS	Tube, Steel with Elbow Fitting (Note: Use p/n 1001117895)	
6	See Note	NSS	Plug (Note: Not Available - Purchase Locally)	

Go to Discount-Equipment.com to order your parts

## SECTION 2 - TURNTABLE

FIGURE 2-12. FUEL TANK ASSEMBLY (GAS MACHINES) (SN 0300228557 to Present)



ART\_1001211509

**SECTION 2 - TURNTABLE**

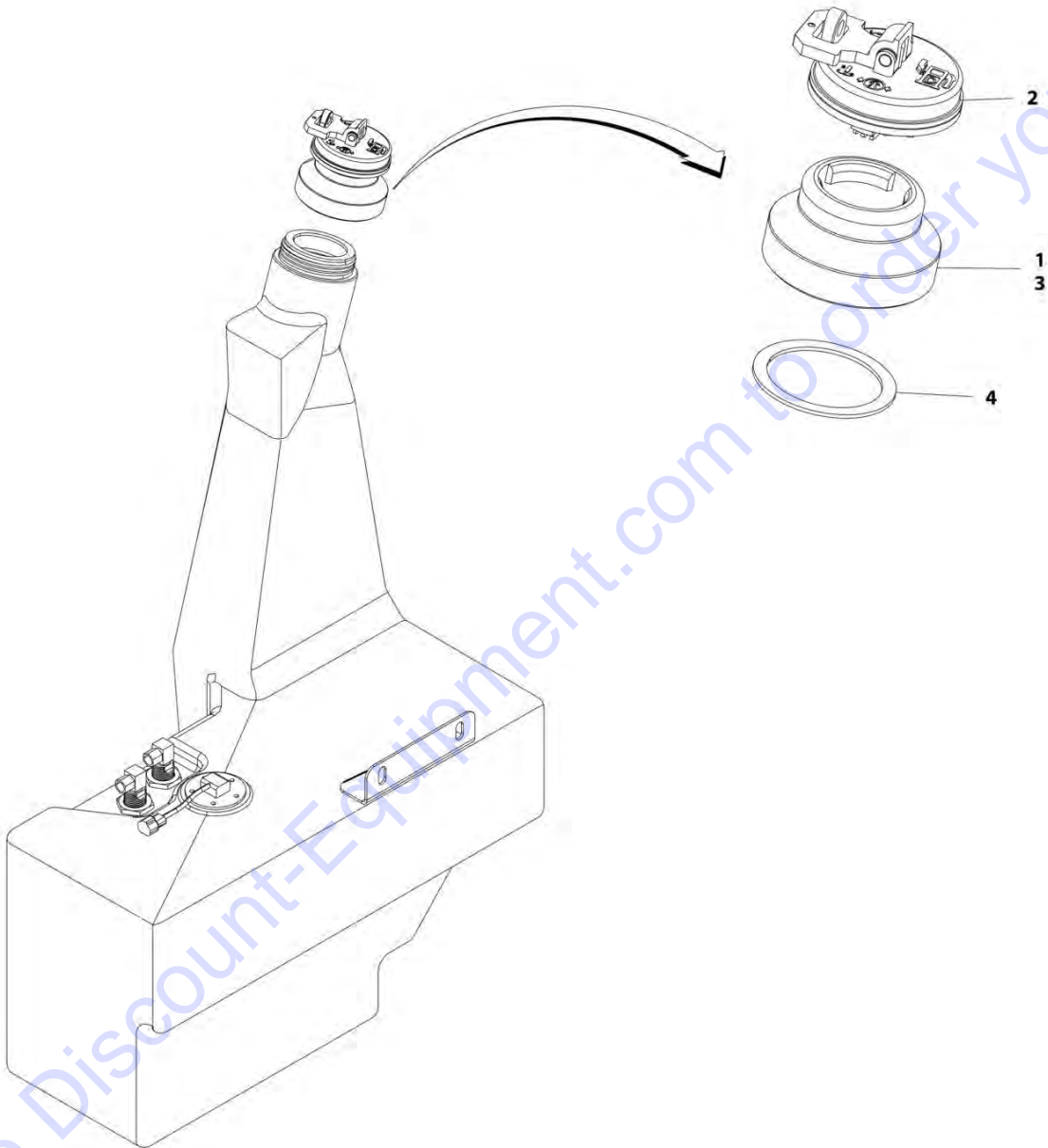
**FIGURE 2-12. FUEL TANK ASSEMBLY (GAS MACHINES) (SN 0300228557 to Present)**

ITEM	PART NUMBER	QTY	DESCRIPTION	REV
	1001211509	Ref	FUEL TANK ASSEMBLY (GAS MACHINES) (SN 0300228557 to Present)	A
1	0100020	AR	Sealant	
2	1001118262	1	Sender	
2	See Note	NSS	Seal, Sender (Note: Use p/n 1001211509)	
2	0721004	5	Screw #10-24 x 1/2	
3	1001128799	1	Cap, Fuel - Gas	
4	1001129043	1	Valve, Fuel Vent	
5	See Note	NSS	Tube, Steel with Elbow Fitting (Note: Use p/n 1001211509)	
6	See Note	NSS	Plug (Note: Not Available - Purchase Locally)	

Go to Discount-Equipment.com to order your parts

## SECTION 2 - TURNTABLE

FIGURE 2-13. KIT, LOCKABLE FUEL CAP (DIESEL MACHINES ONLY) (OPTIONAL)



ART\_1001138829

**SECTION 2 - TURNTABLE**

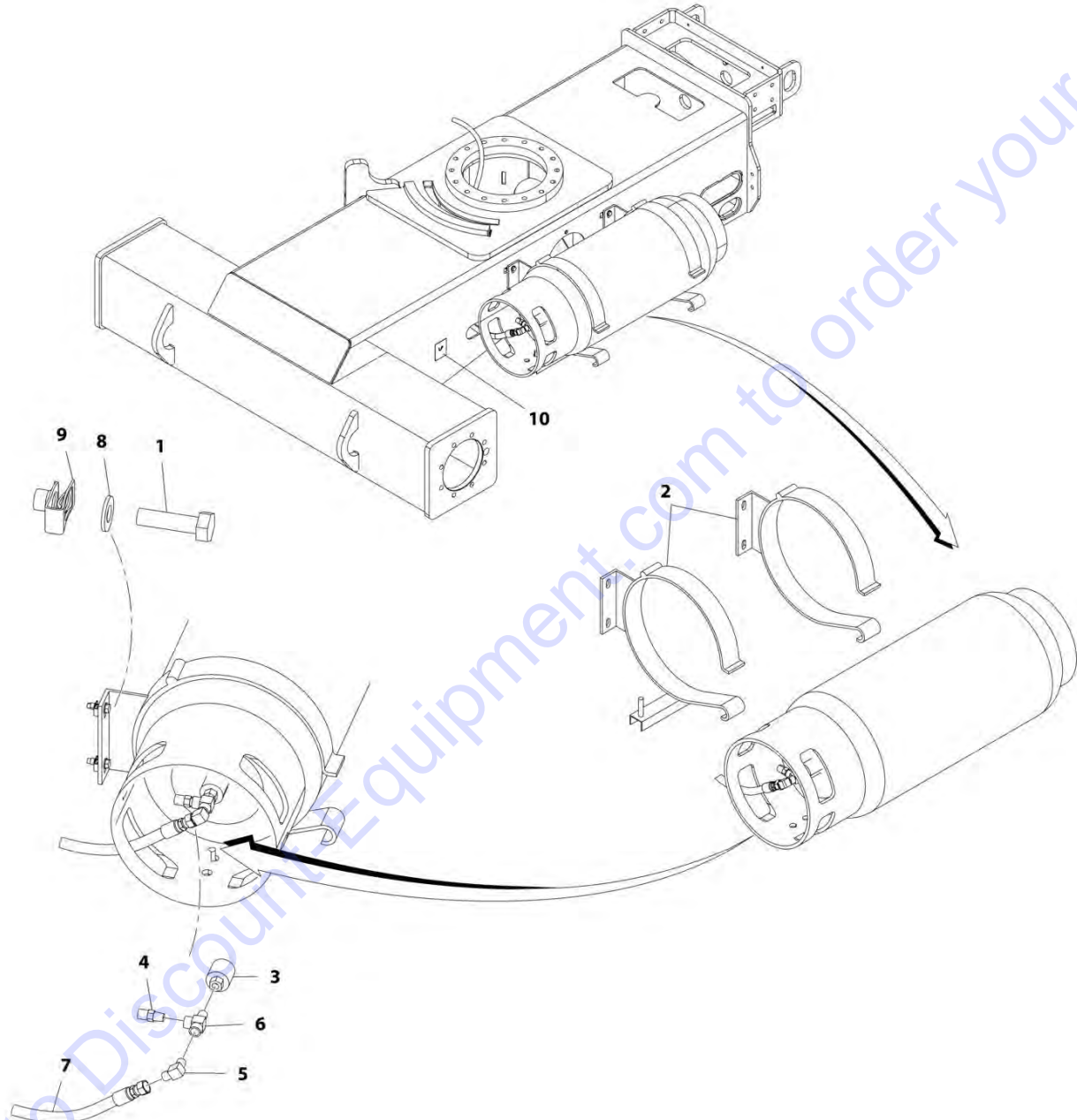
**FIGURE 2-13. KIT, LOCKABLE FUEL CAP (DIESEL MACHINES ONLY) (OPTIONAL)**

ITEM	PART NUMBER	QTY	DESCRIPTION	REV
	1001138829	Ref	KIT, LOCKABLE FUEL CAP (DIESEL MACHINES ONLY) (OPTIONAL)	A
1	0100093	1	Compound, Locking	
2	1001125283	1	Cap, Fill	
3	1001138752	1	Adapter	
4	1001139843	1	Gasket	

Go to Discount-Equipment.com to order your parts

## SECTION 2 - TURNTABLE

FIGURE 2-14. LP TANK ASSEMBLY (GAS MACHINES ONLY)



ART\_1001118975

**SECTION 2 - TURNTABLE**

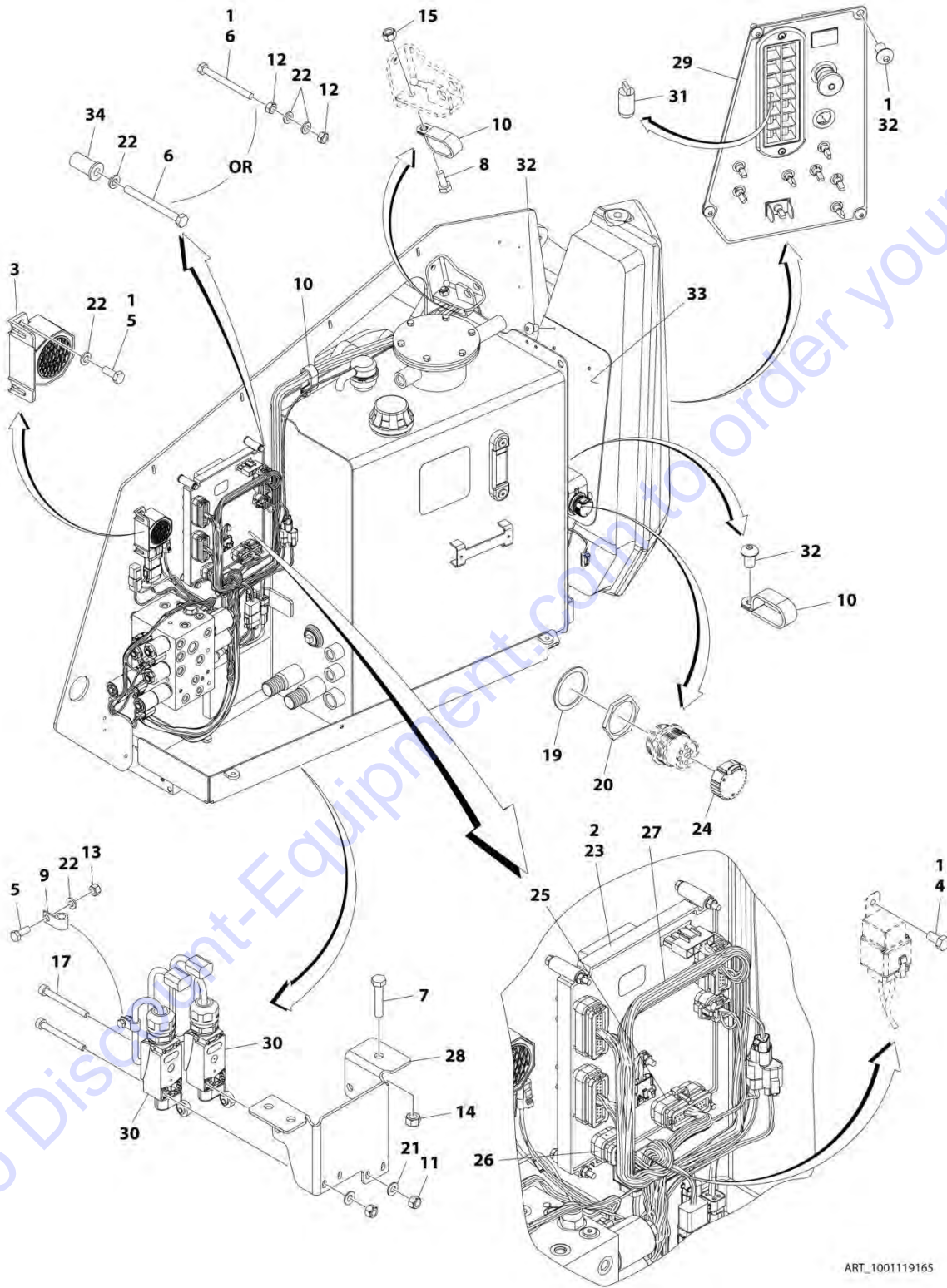
**FIGURE 2-14. LP TANK ASSEMBLY (GAS MACHINES ONLY)**

ITEM	PART NUMBER	QTY	DESCRIPTION	REV
	1001118975	Ref	LP TANK ASSEMBLY (GAS MACHINES ONLY)	C
1	0760814	4	Bolt M8 x 30	
2	1320220	1	LP Tank Clamp Kit	
3	2180387	1	Fitting, LP	
4	2180389	1	Fitting, Relief Valve	
5	2180504	1	Fitting, Elbow	
6	2220290	1	Fitting, Adapter	
7	2720175	1	Hose	
8	4811900	4	Washer M8	
9	1001118274	4	Nut, Retainer	
10	1701543	1	Decal - LP	
100	1001196242	1	Bracket Kit for Shorter Tank (Not Shown - Includes Bracket & Hardware Only)	

Go to Discount-Equipment.com to order your parts

# SECTION 2 - TURNTABLE

## FIGURE 2-15. ELECTRICAL COMPONENTS INSTALLATION (ALL SPECS EXCEPT CE)



ART\_1001119165



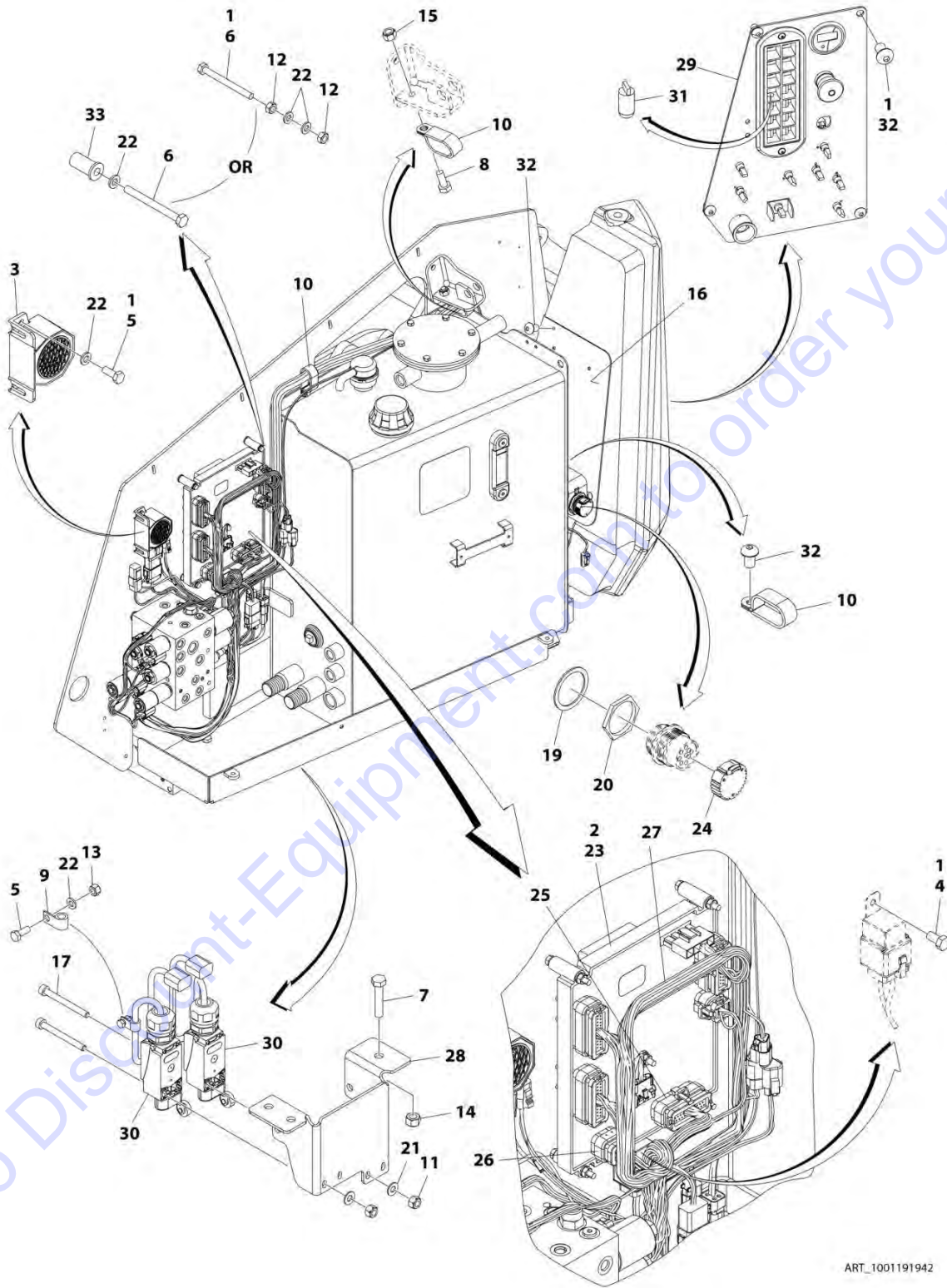
## SECTION 2 - TURNTABLE

**FIGURE 2-15. ELECTRICAL COMPONENTS INSTALLATION (ALL SPECS EXCEPT CE)**

ITEM	PART NUMBER	QTY	DESCRIPTION	REV
	1001119165	Ref	ELECTRICAL COMPONENTS INSTALLATION (ALL SPECS EXCEPT CE)	K
1	0100011	AR	Compound, Locking	
2	0100048	AR	Sealant, Silicone	
3	0140043	1	Alarm	
4	0760505	1	Bolt M5 x 10	
5	0760608	4	Bolt M6 x 16	
6	0760621	5	Bolt M6 x 65	
7	0760816	3	Bolt M8 x 40	
8	0761012	1	Bolt M10 x 25	
9	1321293	2	Clamp	
10	1321716	3	P-Clamp	
11	3290405	4	Nut M4	
12	3290601	10	Nut M6 (SN 0300200802 through 0300221676)	
13	3290605	2	Nut M6	
14	3290805	3	Nut M8	
15	3291005	1	Nut M10	
17	4031512	4	Capscrew M4 x 40	
18	4240033	2	Tie-Strap (Not Shown)	
19	4460496	1	Washer	
20	4460497	1	Nut	
21	4811400	4	Washer M4	
22	4811700	AR	Washer M6	
23	1001120431	1	Module, Ground Control (Note: Re-calibration Required when Replaced)	
24	1001106736	1	Cap, Dust	
25	1001118218	1	Harness, Ground User Interface Harness (See ELECTRICAL SECTION for Breakdown)	
26	1001118293	1	Valve Harness (See ELECTRICAL SECTION for Breakdown)	
27	1001118333	1	Mid-Engine Harness (See ELECTRICAL SECTION for Breakdown)	
28	1001141710	1	Bracket, Switch	
29	1001119173	1	Ground Control Assembly (See GROUND CONTROL ASSEMBLY (ALL SPECS EXCEPT CE) for Breakdown)	
30	1001119176	2	Limit Switch and Harness Assembly (See ELECTRICAL SECTION for Breakdown)	
30	1001119170	2	Switch, Limit (1 per Assembly)	
31	2920129	8	Bulb, Light	
32	1001119527	7	Screw, Button Head M10 x 16	
33	1001125291	1	Shield, Ground Controls	
34	1001203719	5	Nut M6 (SN 0300221677 to Present)	

# SECTION 2 - TURNTABLE

## FIGURE 2-16. ELECTRICAL COMPONENTS INSTALLATION (CE SPEC)



ART\_1001191942

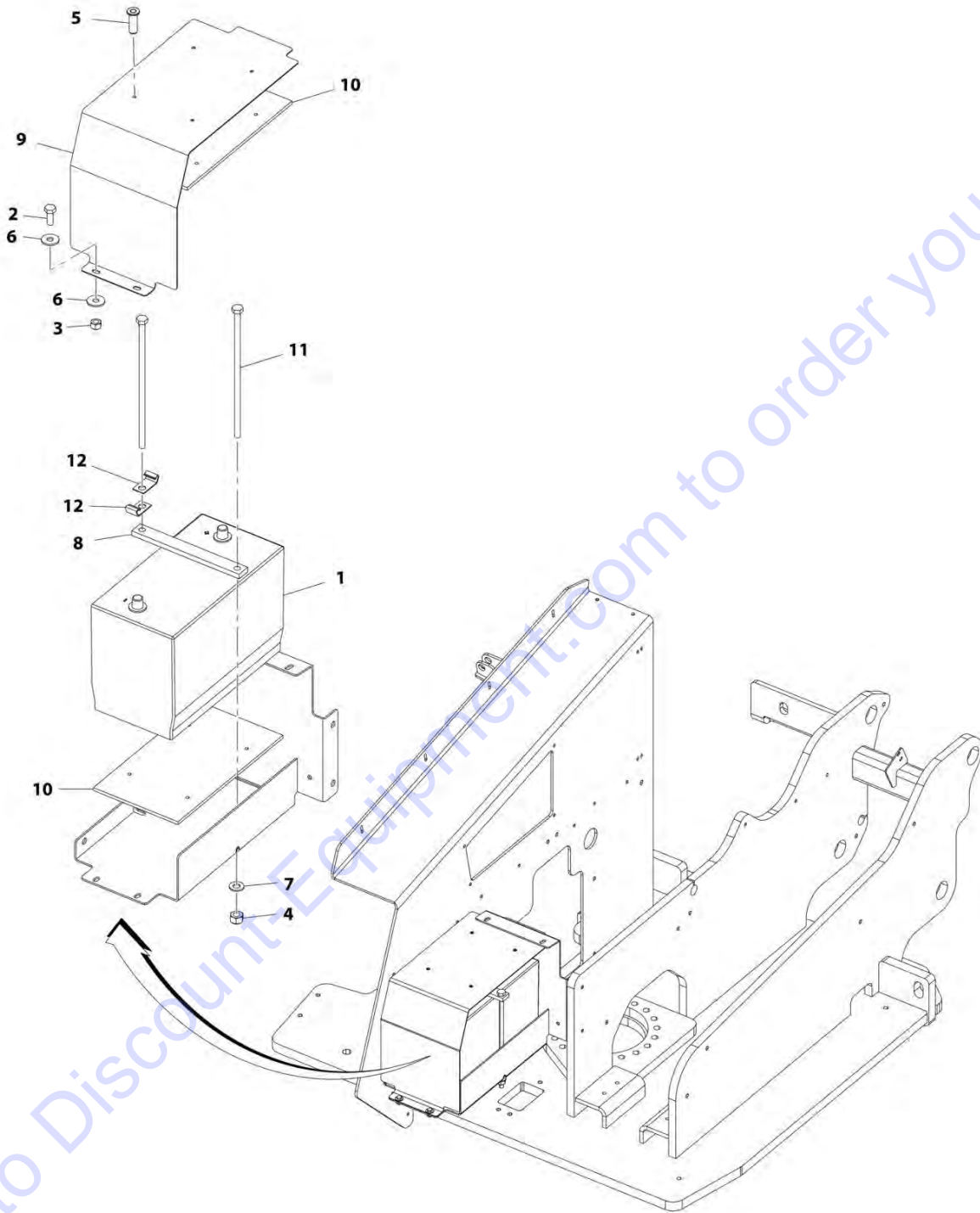
## SECTION 2 - TURNTABLE

**FIGURE 2-16. ELECTRICAL COMPONENTS INSTALLATION (CE SPEC)**

ITEM	PART NUMBER	QTY	DESCRIPTION	REV
	1001191942	Ref	ELECTRICAL COMPONENTS INSTALLATION (CE SPEC)	C
1	0100011	AR	Compound, Locking	
2	0100048	AR	Sealant, Silicone	
3	0140043	1	Alarm	
4	0760505	1	Bolt M5 x 10	
5	0760608	4	Bolt M6 x 16	
6	0760621	5	Bolt M6 x 65	
7	0760816	3	Bolt M8 x 40	
8	0761012	1	Bolt M10 x 25	
9	1321293	2	Clamp	
10	1321716	3	P-Clamp	
11	3290405	4	Nut M4	
12	3290601	10	Nut M6 (SN 0300200802 through 0300221676)	
13	3290605	2	Nut M6	
14	3290805	3	Nut M8	
15	3291005	1	Nut M10	
16	1001125291	1	Shield, Ground Controls	
17	4031512	4	Capscrew M4 x 40	
18	4240033	2	Tie-Strap (Not Shown)	
19	4460496	1	Washer, Terminal	
20	4460497	1	Nut, Terminal	
21	4811400	4	Washer M4	
22	4811700	AR	Washer M6	
23	1001120431	1	Module, Ground Control (Note: Re-calibration Required when Replaced)	
24	1001106736	1	Cap, Dust	
25	1001188094	1	Ground User Interface (See ELECTRICAL SECTION for Breakdown)	
26	1001118293	1	Valve Harness (See ELECTRICAL SECTION for Breakdown)	
27	1001188093	1	Chassis Harness Assembly (See ELECTRICAL SECTION for Breakdown)	
28	1001141710	1	Bracket, Switch	
29	1001188036	1	Ground Control Assembly (See GROUND CONTROL ASSEMBLY (CE SPEC) for Breakdown)	
30	1001119176	2	Limit Switch and Harness Assembly (See ELECTRICAL SECTION for Breakdown)	
30	1001119170	2	Switch, Limit (1 per Assembly)	
31	2920129	8	Bulb, Light	
32	1001119527	7	Screw, Button Head M10 x 16	
33	1001203719	5	Nut M6 (SN 0300221677 to Present)	

# SECTION 2 - TURNTABLE

## FIGURE 2-17. BATTERY INSTALLATION



ART\_1001119277

**SECTION 2 - TURNTABLE**

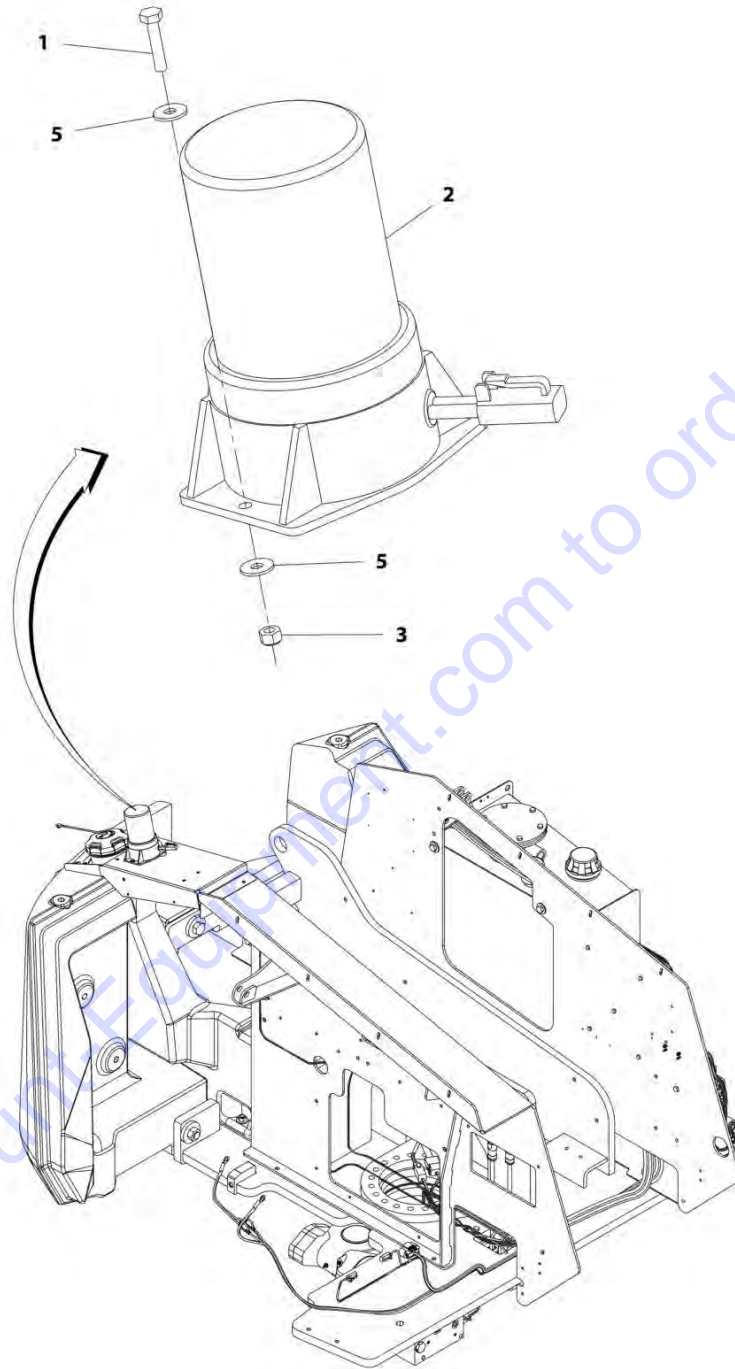
**FIGURE 2-17. BATTERY INSTALLATION**

ITEM	PART NUMBER	QTY	DESCRIPTION	REV
	1001119277	Ref	BATTERY INSTALLATION	D
1	0400075	1	Battery	
2	0760608	2	Bolt M6 x 16 <b>(Prior to SN 0300259727)</b>	
2	0760610	2	Bolt M6 x 20 <b>(SN 0300259727 to Present)</b>	
3	3290605	2	Nut M6	
4	3291005	2	Nut M10	
5	3820032	4	Rivet	
6	4811702	4	Washer M6	
7	4812000	2	Washer M10	
8	0361810	1	Bar, Hold-down	
9	1001117240	1	Cover	
10	1001119278	2	Insulate	
11	1001119280	2	Bolt M10 x 260	
12	1320223	2	J-Clip	

Go to Discount-Equipment.com to order your parts

## SECTION 2 - TURNTABLE

FIGURE 2-18. STROBE LIGHT INSTALLATION (AMBER) (OPTIONAL)



ART\_1001119268

**SECTION 2 - TURNTABLE**

**FIGURE 2-18. STROBE LIGHT INSTALLATION (AMBER) (OPTIONAL)**

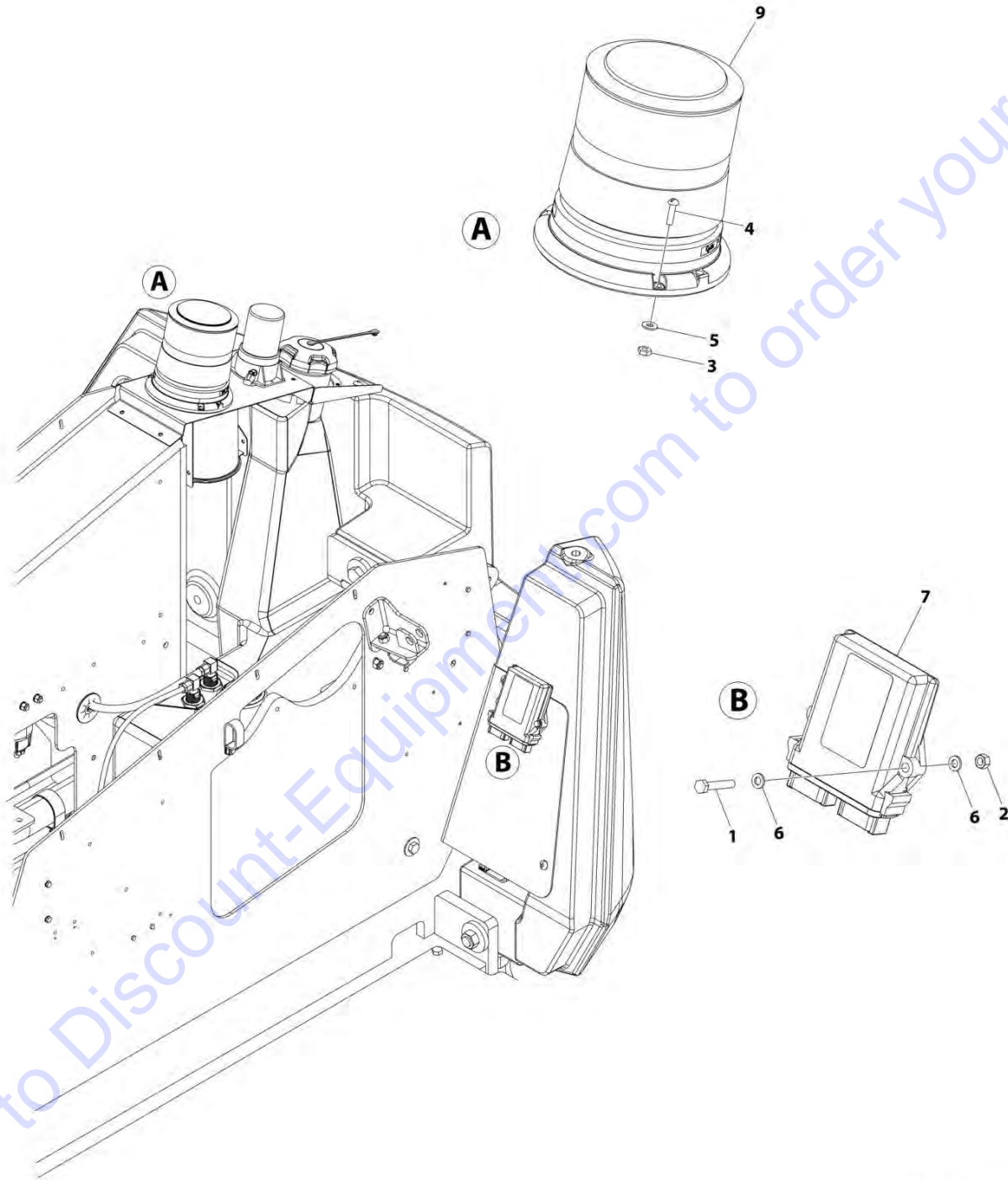
ITEM	PART NUMBER	QTY	DESCRIPTION	REV
	1001119268	Ref	STROBE LIGHT INSTALLATION (AMBER) (OPTIONAL)	C
1	0760410	2	Bolt M4 x 20	
2	2920161	1	Strobe Light Assembly	
2	7016319	1	Bulb	
2	7016372	1	Lens	
2	4460891	1	Plug, Male - 2 Position	
2	4460465	1	Socket, Female	
3	3290405	2	Nut M4	
5	1001091102	4	Washer M4	
6	4240032	2	Tie-Strap (Not Shown)	

Go to Discount-Equipment.com to order your parts



## SECTION 2 - TURNTABLE

FIGURE 2-19. STROBE LIGHT INSTALLATION (BLUE) (OPTIONAL) (SN 0300200802 through 0300217809)



ART\_1001191346



**SECTION 2 - TURNTABLE**

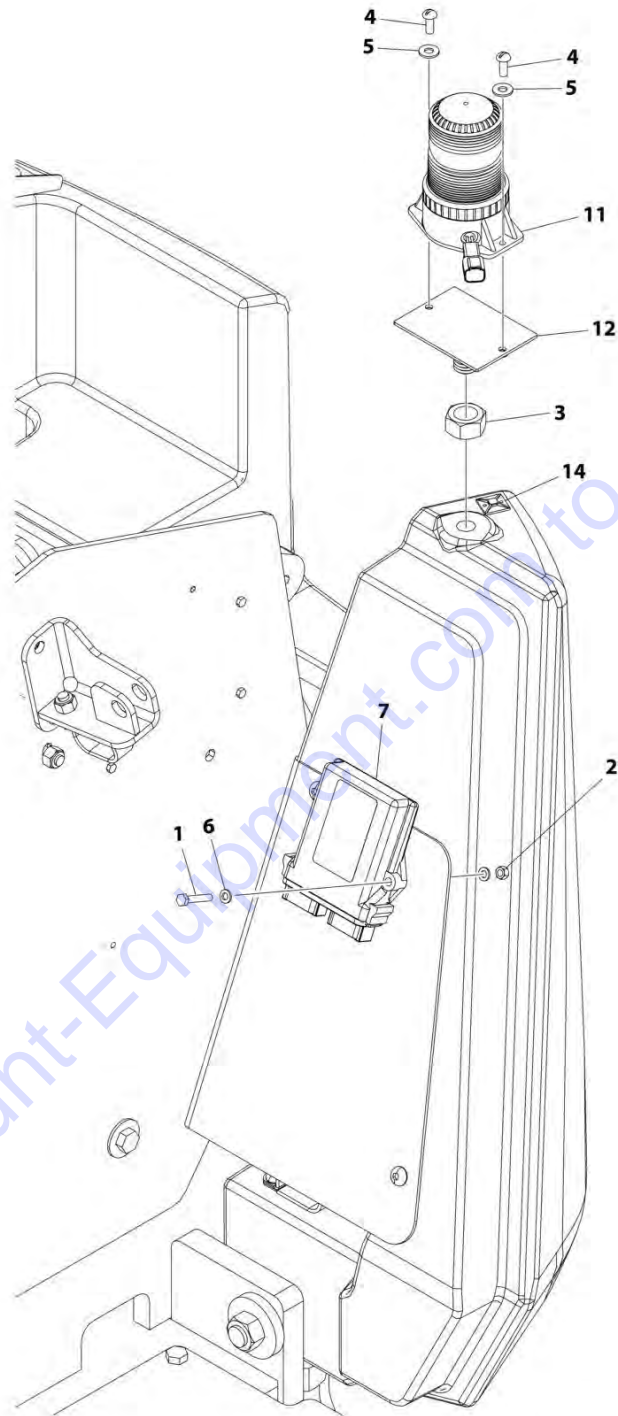
**FIGURE 2-19. STROBE LIGHT INSTALLATION (BLUE) (OPTIONAL) (SN 0300200802 through 0300217809)**

ITEM	PART NUMBER	QTY	DESCRIPTION	REV
	1001191346	Ref	STROBE LIGHT INSTALLATION (BLUE) (OPTIONAL) (SN 0300200802 through 0300217809)	B
1	0700615	2	Bolt M6 x 35	
2	3290607	2	Nut M6	
3	3311005	3	Nut #10	
4	3911012	3	Screw #10 x 3/4	
5	4711000	3	Washer #10	
6	4811700	4	Washer M6	
7	1001142683	1	Module, Beacon Control	
8	1001142736	1	Strobe Light Control Harness (Not Shown - See ELECTRICAL SECTION for Breakdown)	
9	1001143431	NLA	Light, Strobe (Use p/n 1001210696 and p/n 1001200910)	
10	1001159027	1	Strobe Light Harness (Not Shown - See ELECTRICAL SECTION for Breakdown)	

Go to Discount-Equipment.com to order your parts

## SECTION 2 - TURNTABLE

FIGURE 2-20. STROBE LIGHT INSTALLATION (BLUE) (OPTIONAL) (SN 0300217810 through 0300257078)



ART\_1001207139

**SECTION 2 - TURNTABLE**

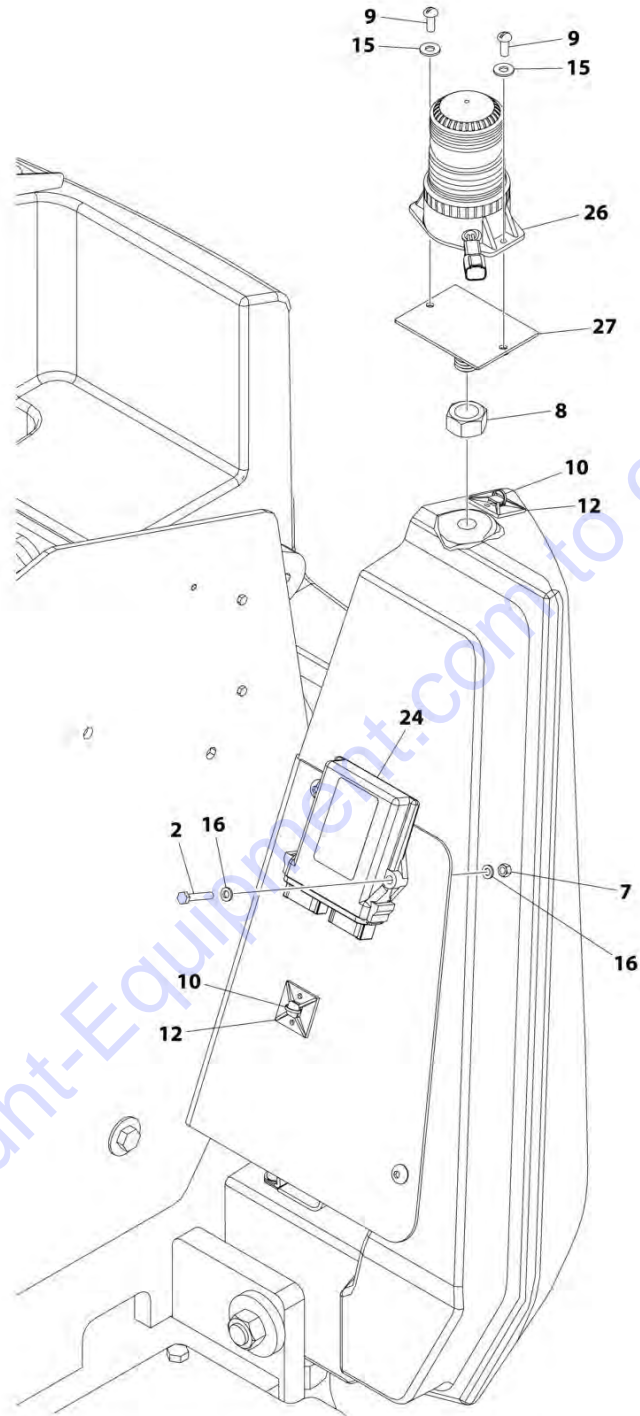
**FIGURE 2-20. STROBE LIGHT INSTALLATION (BLUE) (OPTIONAL) (SN 0300217810 through 0300257078)**

ITEM	PART NUMBER	QTY	DESCRIPTION	REV
	1001207139	Ref	STROBE LIGHT INSTALLATION (BLUE) (OPTIONAL)	F
1	0700615	2	Bolt M6 x 35	
2	3290607	2	Nut M6	
3	3292001	1	Nut M20	
4	3900085	2	Screw #10 x 1/2	
5	4751000	2	Washer #10	
6	4811700	4	Washer M6	
7	1001142683	1	Module, Beacon Control	
8	1001142736	1	Strobe Light Control Harness (Not Shown - See ELECTRICAL SECTION for Breakdown)	
9	1001159027	1	Strobe Light Harness (Not Shown - See ELECTRICAL SECTION for Breakdown)	
11	1001200910	1	Light, Strobe	
11	7028909	1	Connector - 2 Position	
11	4460943	2	Pin, Male	
12	1001207227	1	Mount	
13	4240032	3	Tie-Strap (Not Shown)	
14	4460488	3	Base, Mounting	

Go to Discount-Equipment.com to order your parts

## SECTION 2 - TURNTABLE

FIGURE 2-21. STROBE LIGHT INSTALLATION (BLUE) (OPTIONAL) (SN 0300257079 to Present)



ART\_1001242849

## SECTION 2 - TURNTABLE

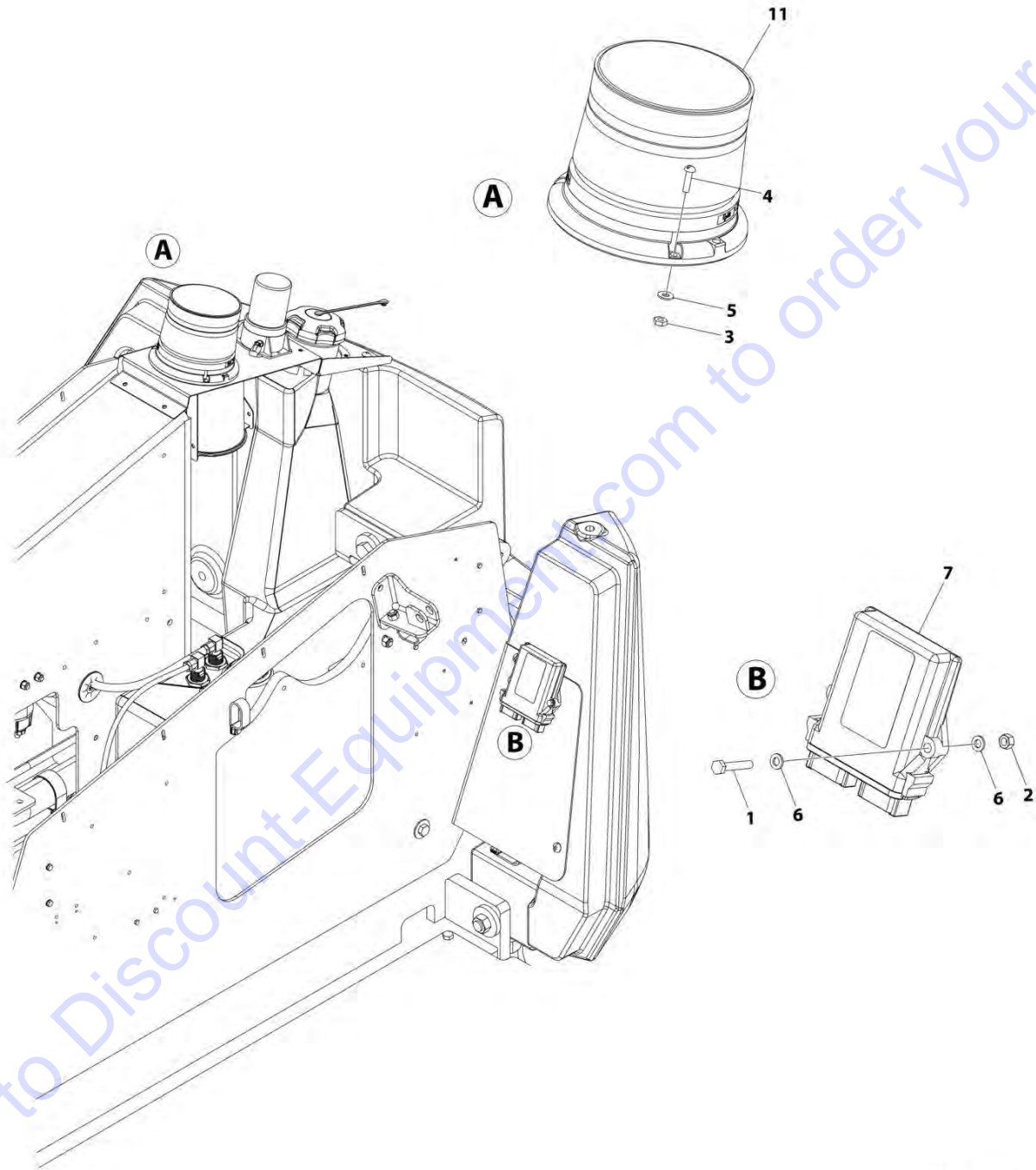
**FIGURE 2-21. STROBE LIGHT INSTALLATION (BLUE) (OPTIONAL) (SN 0300257079 to Present)**

ITEM	PART NUMBER	QTY	DESCRIPTION	REV
	1001242849	Ref	BEACON LIGHT INSTALLATION - BLUE	B
2	0700615	2	Bolt M6 x 35	
7	3290607	2	Nut M6	
8	3292001	1	Nut M20	
9	3900085	2	Screw #10 x 1/2	
10	4240032	3	Tie-Strap	
12	4460488	3	Base, Mounting	
15	4751000	2	Washer #10	
16	4811700	4	Washer M6	
24	1001142683	1	Module, Beacon Control	
26	1001200910	1	Light, Strobe	
26	7028909	1	Connector - 2 Position	
26	4460943	2	Pin, Male	
27	1001207227	1	Mount	
28	1001142736	1	Strobe Light Control Harness (Not Shown - See ELECTRICAL SECTION for Breakdown)	

Go to Discount-Equipment.com to order your parts

## SECTION 2 - TURNTABLE

FIGURE 2-22. STROBE LIGHT INSTALLATION (RED) (OPTIONAL) (SN 0300200802 through 0300218349)



ART\_1001207313

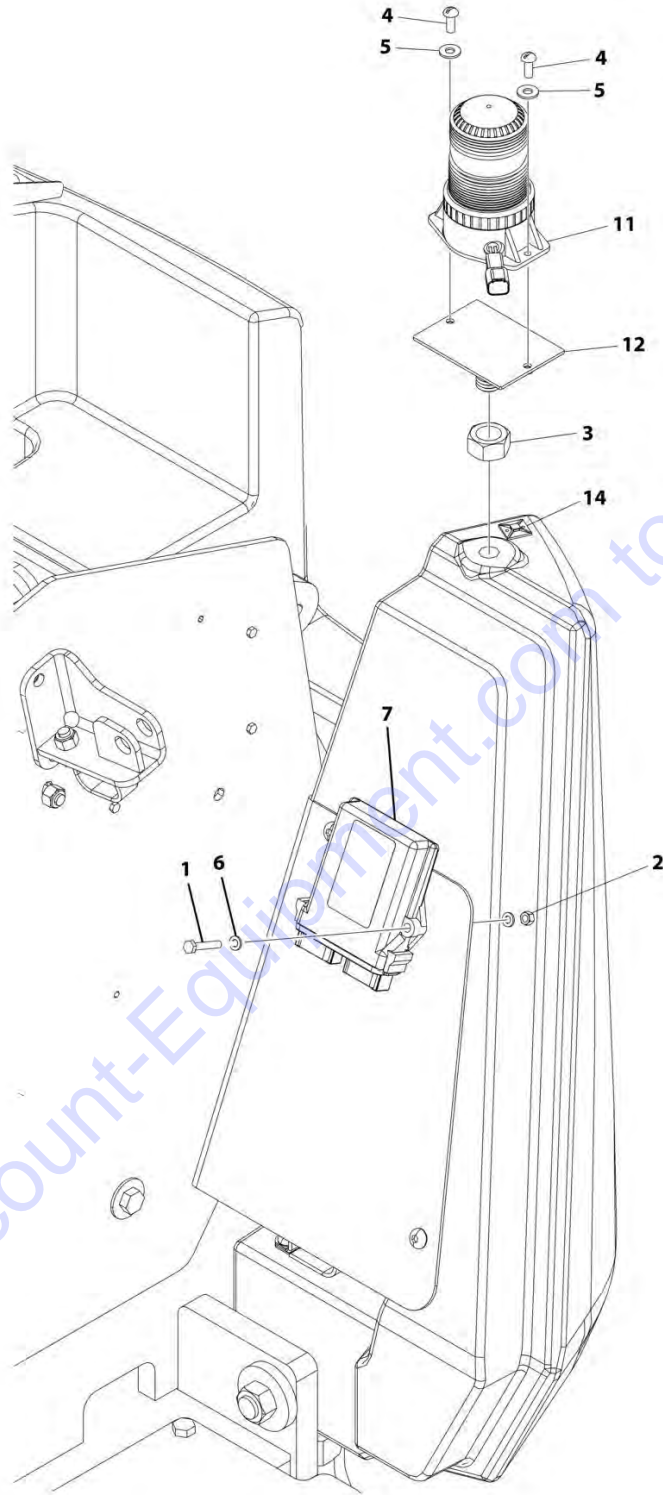
## SECTION 2 - TURNTABLE

**FIGURE 2-22. STROBE LIGHT INSTALLATION (RED) (OPTIONAL) (SN 0300200802 through 0300218349)**

ITEM	PART NUMBER	QTY	DESCRIPTION	REV
	1001207313	Ref	STROBE LIGHT INSTALLATION (RED) (OPTIONAL) (SN 0300200802 through 0300218349)	B
1	0700615	2	Bolt M6 x 35	
2	3290607	2	Nut M6	
3	3311005	3	Nut #10	
4	3911012	3	Screw #10 x 3/4	
5	4711000	3	Washer #10	
6	4811700	4	Washer M6	
7	1001142683	1	Module, Beacon Control	
8	1001142736	1	Strobe Light Control Harness (Not Shown - See ELECTRICAL SECTION for Breakdown)	
9	1001159027	1	Strobe Light Harness (Not Shown - See ELECTRICAL SECTION for Breakdown)	
11	1001197067	NLA	Light, Strobe (Use p/n 1001210696 and p/n 1001207004)	
11	7028909	1	Connector - 2 Position	
11	4460943	2	Pin, Male	

## SECTION 2 - TURNTABLE

FIGURE 2-23. STROBE LIGHT INSTALLATION (RED) (OPTIONAL) (SN 0300218350 through 0300257078)



ART\_1001209878



## SECTION 2 - TURNTABLE

**FIGURE 2-23. STROBE LIGHT INSTALLATION (RED) (OPTIONAL) (SN 0300218350 through 0300257078)**

ITEM	PART NUMBER	QTY	DESCRIPTION	REV
	1001209878	Ref	STROBE LIGHT INSTALLATION (RED) (OPTIONAL)	F
1	0700615	2	Bolt M6 x 35	
2	3290607	2	Nut M6	
3	3292001	1	Nut M20	
4	3900085	2	Screw #10 x 1/2	
5	4751000	2	Washer #10	
6	4811700	4	Washer M6	
7	1001142683	1	Module, Beacon Control	
8	1001142736	1	Strobe Light Control Harness (Not Shown - See ELECTRICAL SECTION for Breakdown)	
9	1001159027	1	Strobe Light Harness (Not Shown - See ELECTRICAL SECTION for Breakdown)	
11	1001207004	1	Light, Strobe	
11	7028909	1	Connector - 2 Position	
11	4460943	2	Pin, Male	
12	1001207227	1	Mount	
13	4240032	3	Tie-Strap (Not Shown)	
14	4460488	3	Base, Mounting	

Go to Discount-Equipment.com to order your parts

# PARTS FINDER

**Search Website  
by Part Number**



**Search Manual  
Library For Parts  
Manual & Lookup Part  
Numbers – Purchase  
or Request Quote**

**Can't Find Part or  
Manual? Request Help  
by Manufacturer,  
Model & Description**

Discount-Equipment.com is your online resource for quality parts & equipment.

Florida: **561-964-4949** Outside Florida TOLL FREE: **877-690-3101**

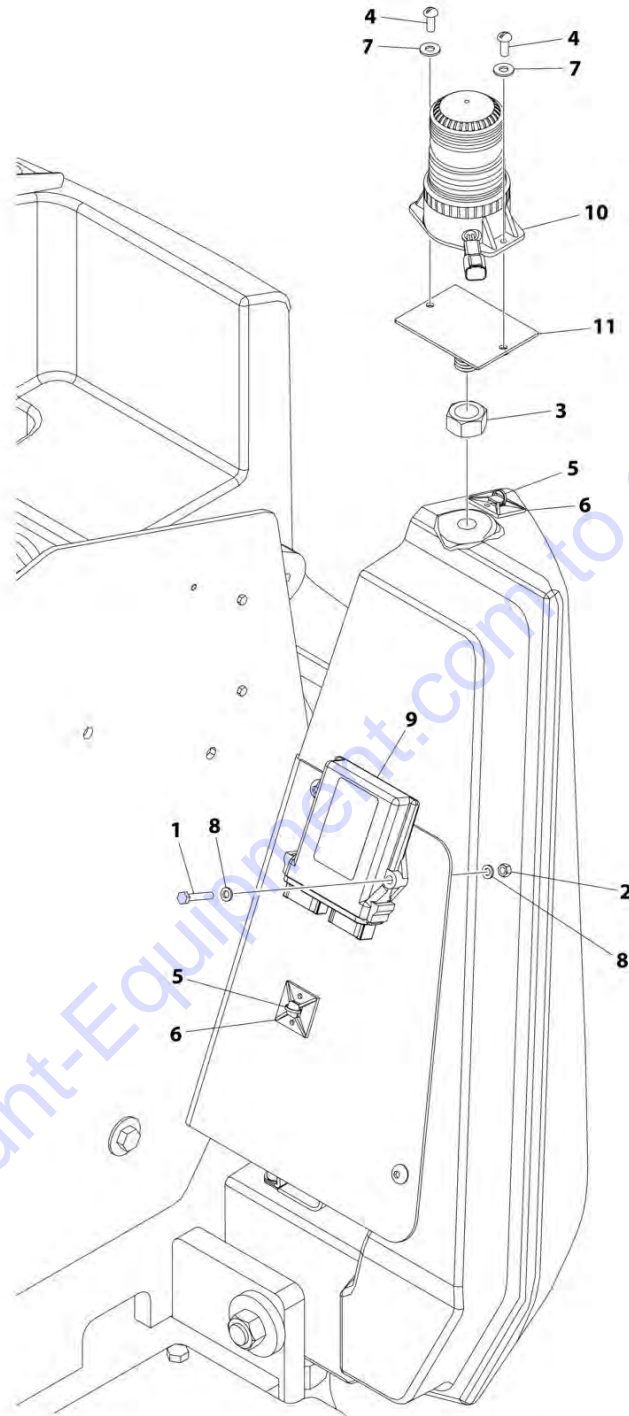
## Need parts?

Click on this link: <http://www.discount-equipment.com/category/5443-parts/> and choose one of the options to help get the right parts and equipment you are looking for. Please have the machine model and serial number available in order to help us get you the correct parts. If you don't find the part on the website or on one of the online manuals, please fill out the request form and one of our experienced staff members will get back to you with a quote for the right part that your machine needs.

We sell worldwide for the brands: Genie, Terex, JLG, MultiQuip, Mikasa, Essick, Whiteman, Mayco, Toro Stone, Diamond Products, Generac Magnum, Airman, Haulotte, Barreto, Power Blanket, Nifty Lift, Atlas Copco, Chicago Pneumatic, Allmand, Miller Curber, Skyjack, Lull, Skytrak, Tsurumi, Husquvarna Target, Stow, Wacker, Sakai, Mi-T-M, Sullair, Basic, Dynapac, MBW, Weber, Bartell, Bennar Newman, Haulotte, Ditch Runner, Menegotti, Morrison, Contec, Buddy, Crown, Edco, Wyco, Bomag, Laymor, EZ Trench, Bil-Jax, F.S. Curtis, Gehl Pavers, Heli, Honda, ICS/PowerGrit, IHI, Partner, Imer, Clipper, MMD, Koshin, Rice, CH&E, General Equipment, Amida, Coleman, NAC, Gradall, Square Shooter, Kent, Stanley, Tamco, Toku, Hatz, Kohler, Robin, Wisconsin, Northrock, Oztec, Toker TK, Rol-Air, APT, Wylie, Ingersoll Rand / Doosan, Innovatech, Con X, Ammann, Mecalac, Makinex, Smith Surface Prep, Small Line, Wanco, Yanmar

## SECTION 2 - TURNTABLE

FIGURE 2-24. STROBE LIGHT INSTALLATION (RED) (OPTIONAL) (SN 0300257079 to Present)



ART\_1001242850

**SECTION 2 - TURNTABLE**

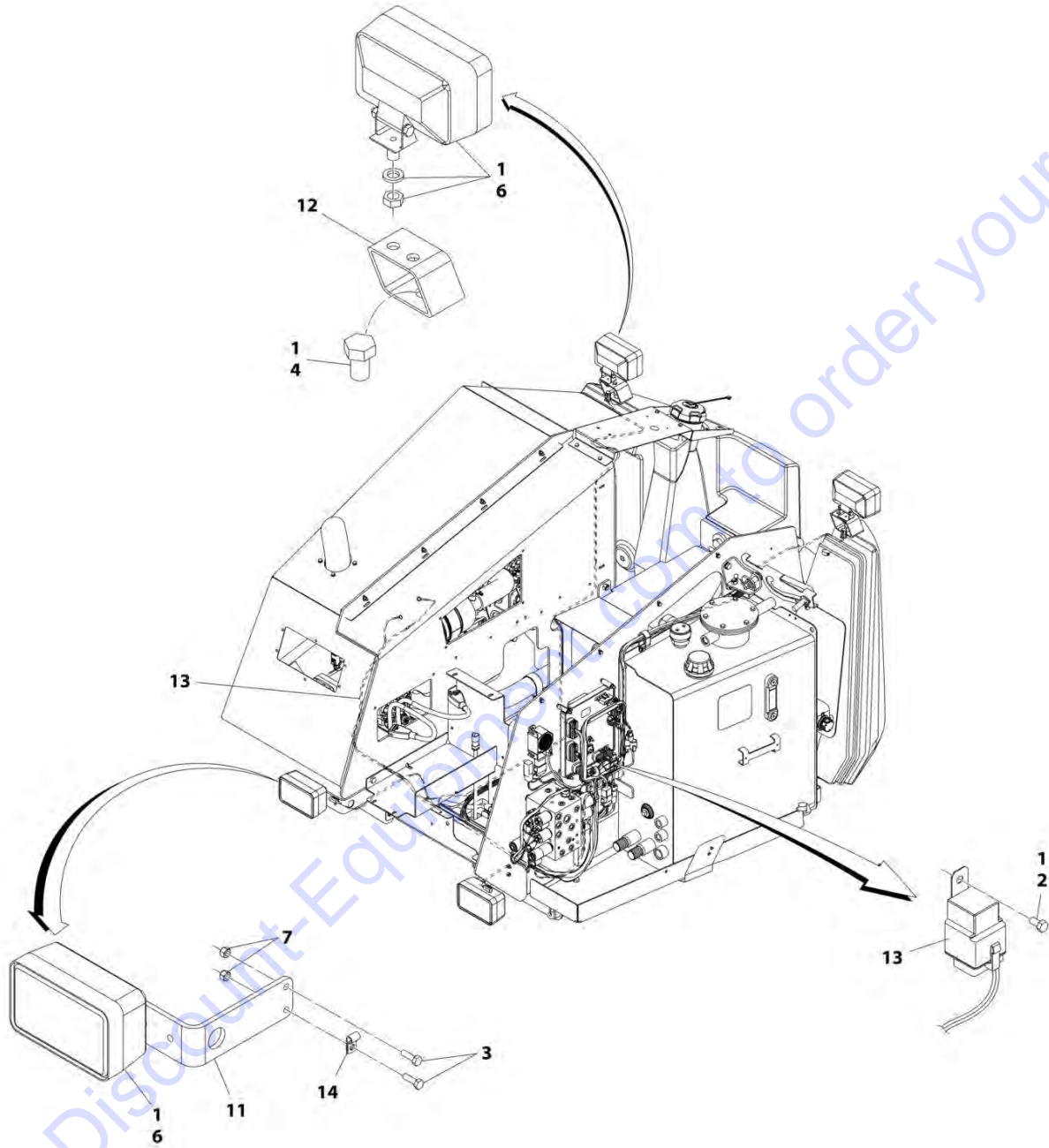
**FIGURE 2-24. STROBE LIGHT INSTALLATION (RED) (OPTIONAL) (SN 0300257079 to Present)**

ITEM	PART NUMBER	QTY	DESCRIPTION	REV
	1001242850	Ref	BEACON LIGHT INSTALLATION - RED	A
1	0700615	2	Bolt M6 x 35	
2	3290607	2	Nut M6	
3	3292001	1	Nut M20	
4	3900085	2	Screw #10 x 1/2	
5	4240032	3	Tie-Strap	
6	4460488	3	Base, Mounting	
7	4751000	2	Washer #10	
8	4811700	4	Washer M6	
9	1001142683	1	Module, Beacon Control	
10	1001207004	1	Light, Strobe	
10	7028909	1	Connector - 2 Position	
10	4460943	2	Pin, Male	
11	1001207227	1	Mount	
12	1001142736	1	Strobe Light Control Harness (Not Shown - See ELECTRICAL SECTION for Breakdown)	

Go to Discount-Equipment.com to order your parts

## SECTION 2 - TURNTABLE

FIGURE 2-25. TURNTABLE FLOODLIGHT INSTALLATION (OPTIONAL)



ART\_1001120232

## SECTION 2 - TURNTABLE

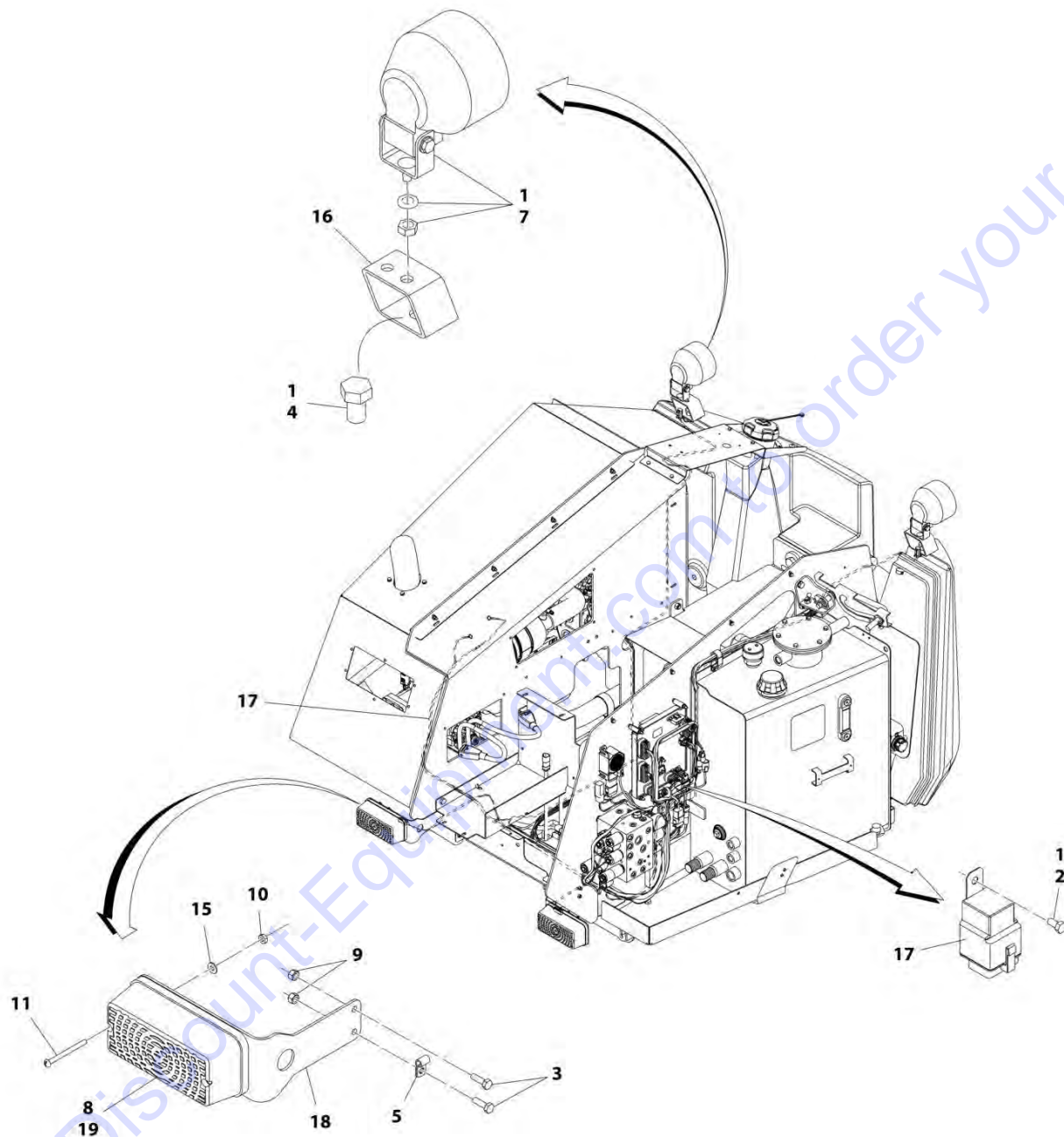
**FIGURE 2-25. TURNTABLE FLOODLIGHT INSTALLATION (OPTIONAL)**

ITEM	PART NUMBER	QTY	DESCRIPTION	REV
	1001120232	Ref	TURNTABLE FLOODLIGHT INSTALLATION (OPTIONAL)	B
1	0100011	AR	Compound, Locking	
2	0760505	1	Bolt M5 x 10	
3	0760610	4	Bolt M6 x 20	
4	0762014	2	Bolt M20 x 30	
5	1705170	1	Decal - Light (Not Shown - Located on Platform Console Box)	
6	2920157	4	Floodlight	
6	7024452	4	Bulb, Replacement (1 Per Assembly)	
7	3290605	4	Nut M6	
8	4240032	2	Tie-Strap (Not Shown)	
9	4240033	4	Tie-Strap (Not Shown)	
10	4360522	1	Switch, Push Button (Not Shown - Located on Platform Console Box)	
11	1001120287	2	Mount, Light	
12	1001120288	2	Mount, Light	
13	1001120299	1	Chassis Light Harness (See ELECTRICAL SECTION for Breakdown)	
13	3740080	1	Relay	
14	1320136	2	Clamp, Cable	



## SECTION 2 - TURNTABLE

FIGURE 2-26. HEAD AND TAIL LIGHT INSTALLATION (OPTIONAL)



ART\_1001149144

## SECTION 2 - TURNTABLE

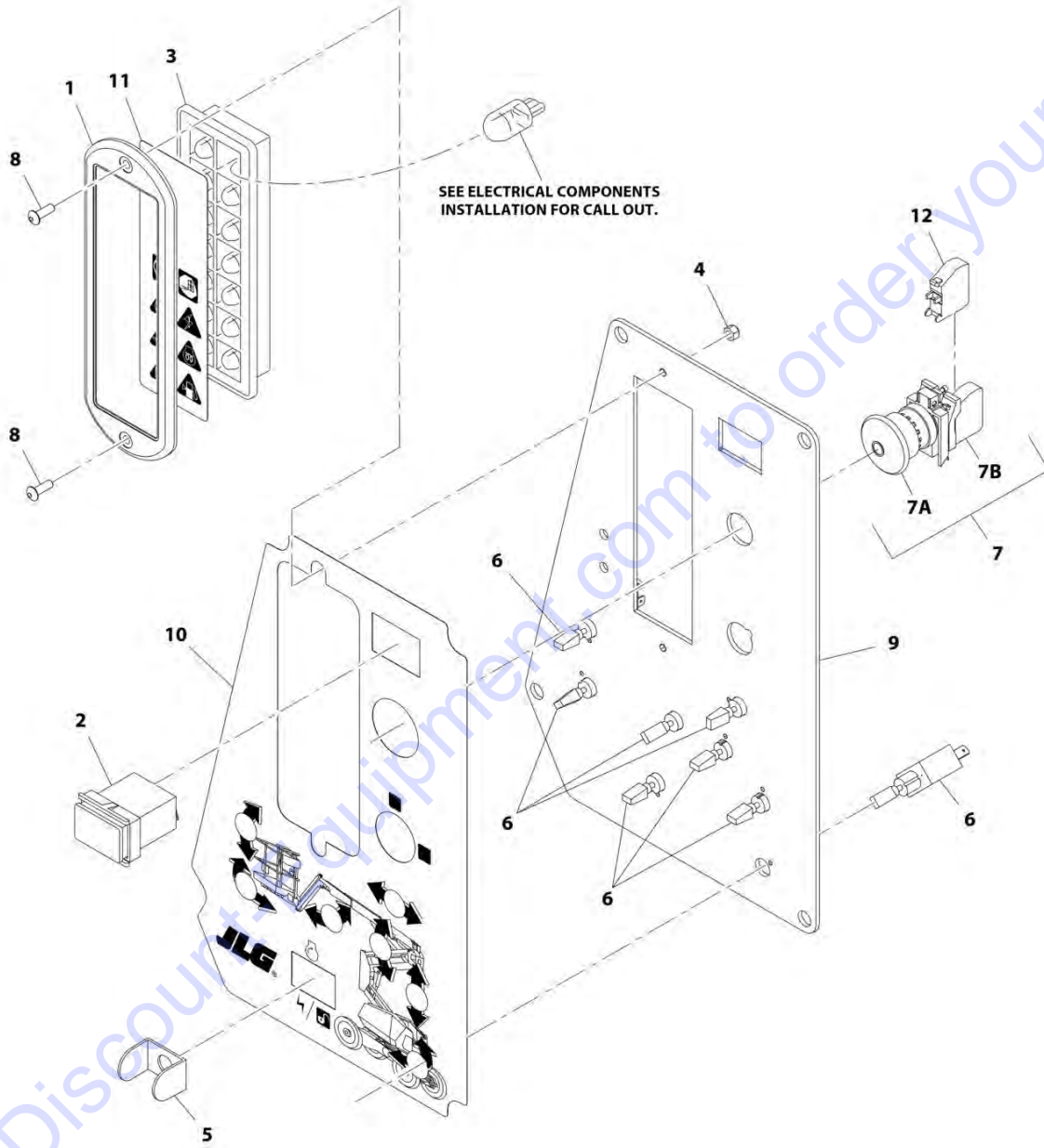
**FIGURE 2-26. HEAD AND TAIL LIGHT INSTALLATION (OPTIONAL)**

ITEM	PART NUMBER	QTY	DESCRIPTION	REV
	1001149144	Ref	HEAD AND TAIL LIGHT INSTALLATION (OPTIONAL)	A
1	0100011	AR	Compound, Locking	
2	0760505	1	Bolt M5 x 10	
3	0760610	4	Bolt M6 x 20	
4	0762014	2	Bolt M20 x 30	
5	1320136	2	Clamp, Cable	
6	1705170	1	Decal - Light (Not Shown - Located on Platform Console Box)	
7	2920110	2	Light, Head	
7	7016628	2	Bulb, Replacement (1 Per Assembly)	
8	2920113	2	Light, Tail	
9	3290605	4	Nut M6	
10	3311005	4	Nut M10-24	
11	3911036	4	M10-24 x 2-1/4	
12	4240032	2	Tie-Strap (Not Shown)	
13	4240033	4	Tie-Strap (Not Shown)	
14	4360522	1	Switch, Push Button (Not Shown - Located on Platform Console Box)	
15	4751000	4	Washer M10	
16	1001120288	2	Mount, Light	
17	1001120299	1	Chassis Light Harness (See ELECTRICAL SECTION for Breakdown)	
17	3740080	1	Relay	
18	1001149147	2	Mount, Light	
19	4460121	2	Cap, Wire	



## SECTION 2 - TURNTABLE

FIGURE 2-27. GROUND CONTROL ASSEMBLY (ALL SPECS EXCEPT CE)



ART\_1001119173

**SECTION 2 - TURNTABLE**

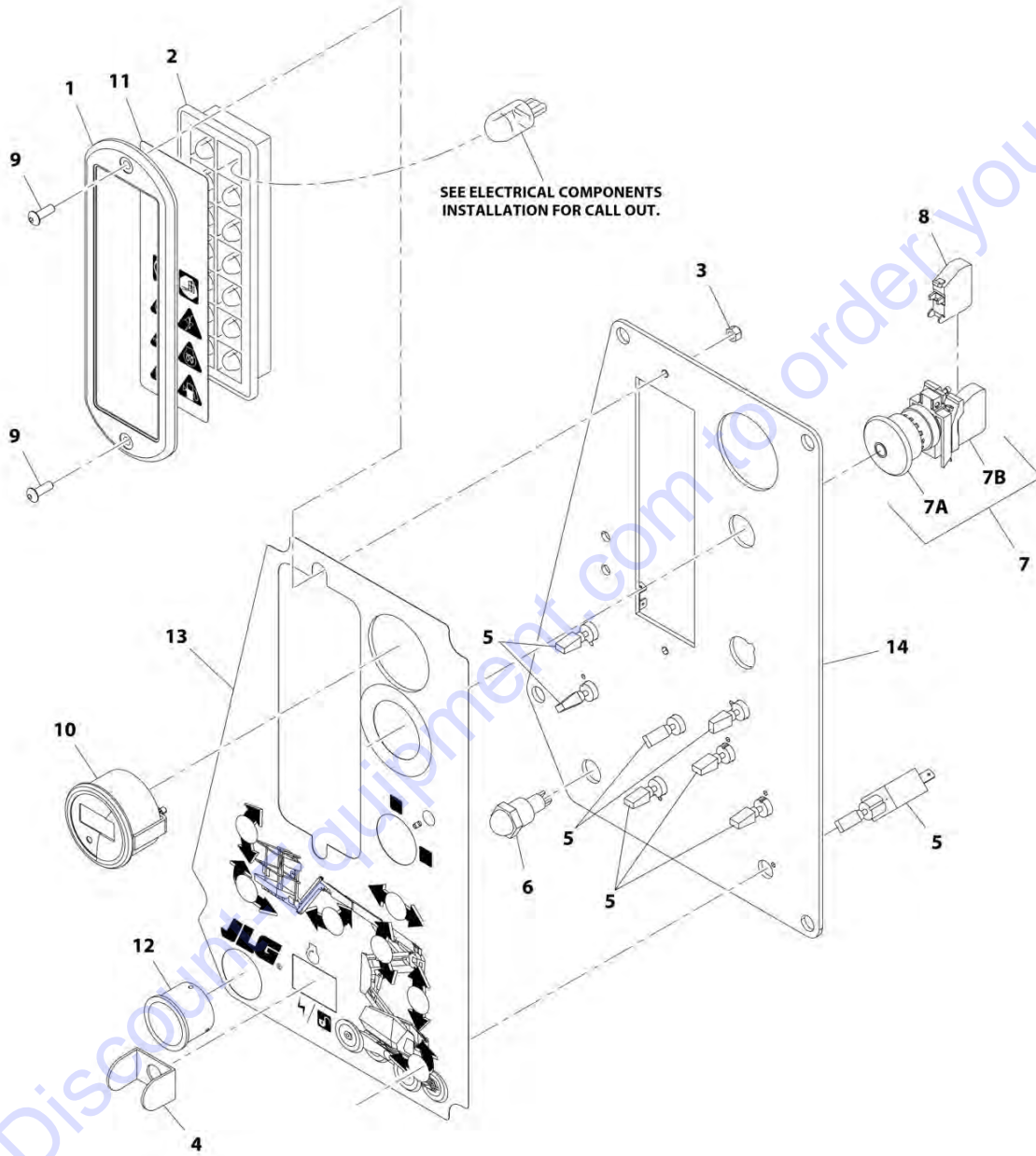
**FIGURE 2-27. GROUND CONTROL ASSEMBLY (ALL SPECS EXCEPT CE)**

ITEM	PART NUMBER	QTY	DESCRIPTION	REV
	1001119173	Ref	GROUND CONTROL ASSEMBLY (ALL SPECS EXCEPT CE)	C
1	1670829	1	Bezel	
2	2420172	1	Gauge	
3	2760105	1	Housing, Display Light	
4	3290505	2	Nut M5	
5	4060906	1	Guard, Switch	
6	4360328	8	Switch, Toggle	
7	4360475	1	Switch, Emergency Stop	
7A	7020175	1	Cap, Mushroom Head	
7B	7020176	1	Block, Contact	
8	1001099125	2	Screw M5 x 16 Grade 10.9	
9	1001119172	1	Panel	
10	1001119230	1	Decal - Ground Control	
11	1001119232	1	Decal - Display Panel	
12	4360476	1	Switch, Contact	

Go to Discount-Equipment.com to order your parts

# SECTION 2 - TURNTABLE

## FIGURE 2-28. GROUND CONTROL ASSEMBLY (CE SPEC)



ART\_1001188036

**SECTION 2 - TURNTABLE**

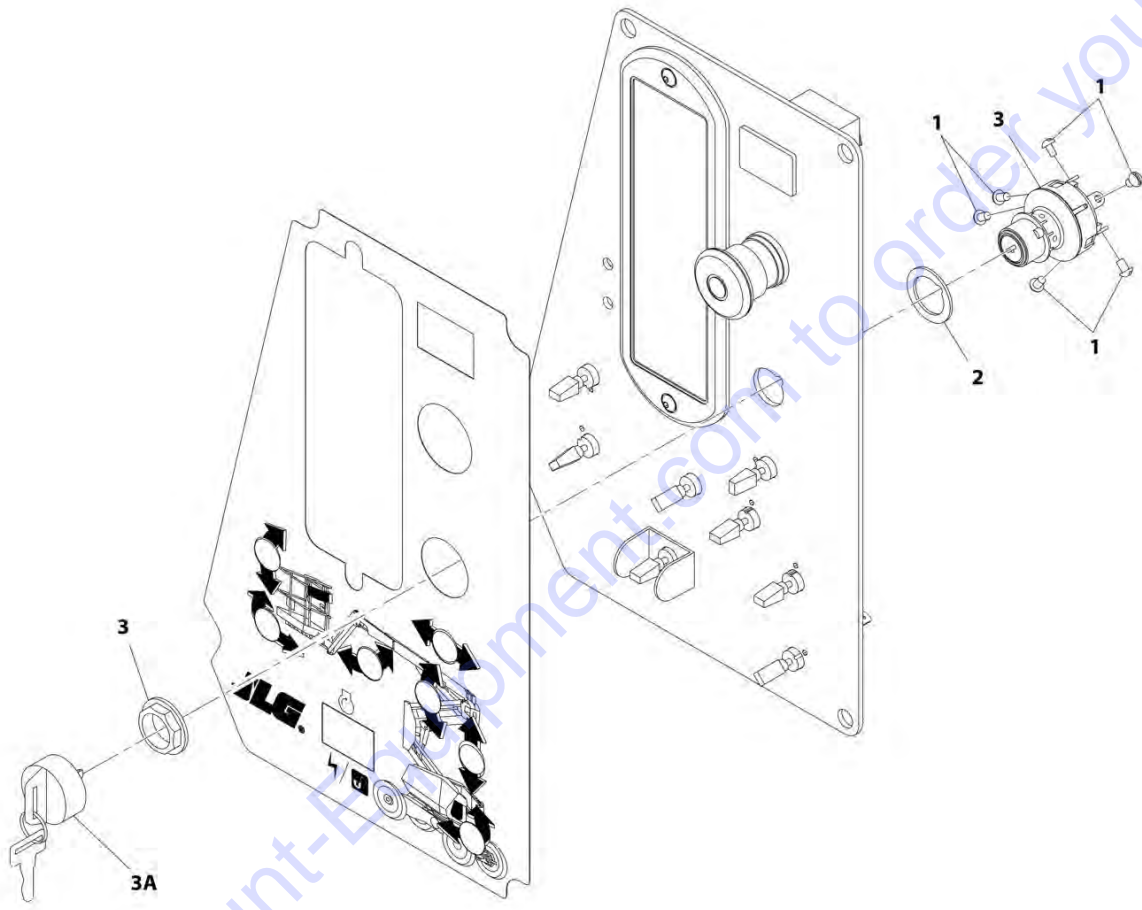
**FIGURE 2-28. GROUND CONTROL ASSEMBLY (CE SPEC)**

ITEM	PART NUMBER	QTY	DESCRIPTION	REV
	1001188036	Ref	GROUND CONTROL ASSEMBLY (CE SPEC)	A
1	1670829	1	Bezel	
2	2760105	1	Housing, Display Light	
3	3290505	2	Nut M5	
4	4060906	1	Guard, Switch	
5	4360328	8	Switch, Toggle	
6	4360387	1	Switch, Push Button	
7	4360475	1	Switch, Emergency Stop	
7A	7020175	1	Cap, Mushroom Head	
7B	7020176	1	Block, Contact	
8	4360476	1	Switch, Contact	
9	1001099125	2	Screw M5 x 16 Grade 10.9	
10	1001109503	1	Gauge	
11	1001119232	1	Decal - Display Panel	
12	1001176469	1	Shroud, Switch	
13	1001182689	1	Decal - Ground Control	
14	1001188057	1	Panel	

Go to Discount-Equipment.com to order your parts

# SECTION 2 - TURNTABLE

## FIGURE 2-29. KEY SWITCH INSTALLATION



ART\_100119399

**SECTION 2 - TURNTABLE**

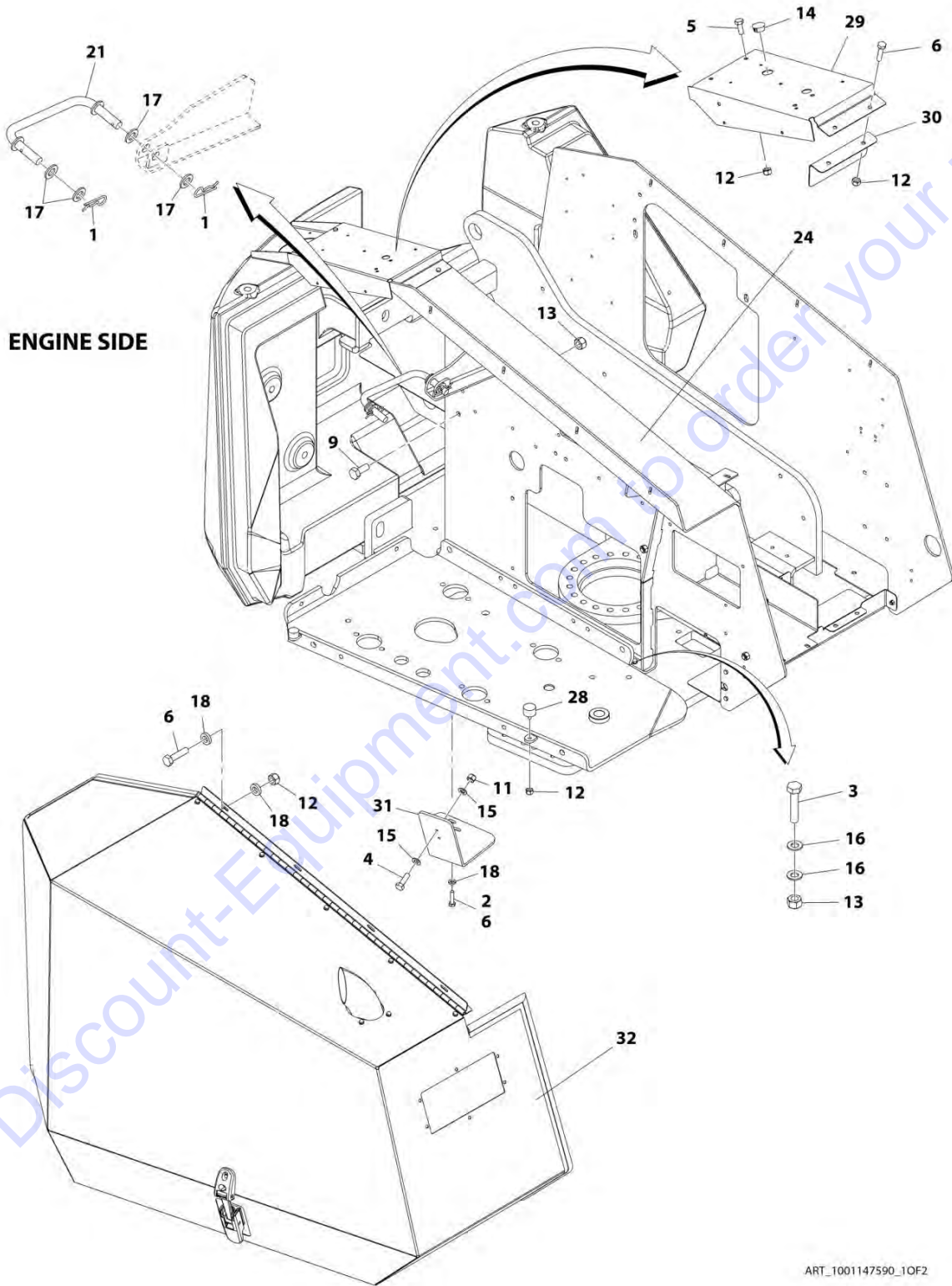
**FIGURE 2-29. KEY SWITCH INSTALLATION**

ITEM	PART NUMBER	QTY	DESCRIPTION	REV
	1001119399	Ref	KEY SWITCH INSTALLATION (ALL SPECS EXCEPT CE SPEC)	C
1	3910804	6	Screw 8-32 x 1/4	
2	1001151393	1	Shim	
3	4360469	1	Switch, Key	
3A	2860030	1	Key, Replacement	

Go to Discount-Equipment.com to order your parts

# SECTION 2 - TURNTABLE

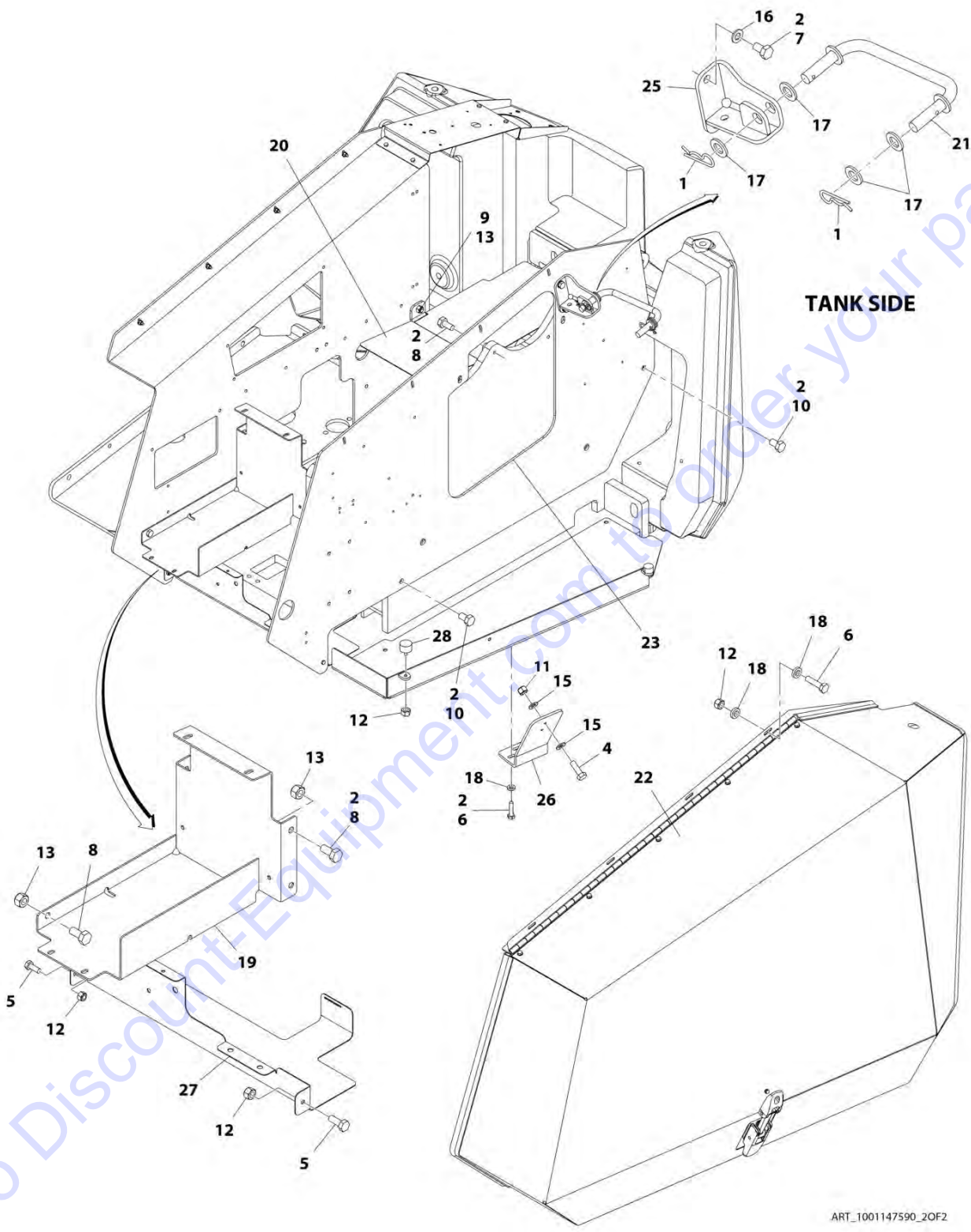
## FIGURE 2-30. HOODS INSTALLATION



ART\_1001147590\_10F2



SECTION 2 - TURNTABLE



ART\_1001147590\_20F2



## SECTION 2 - TURNTABLE

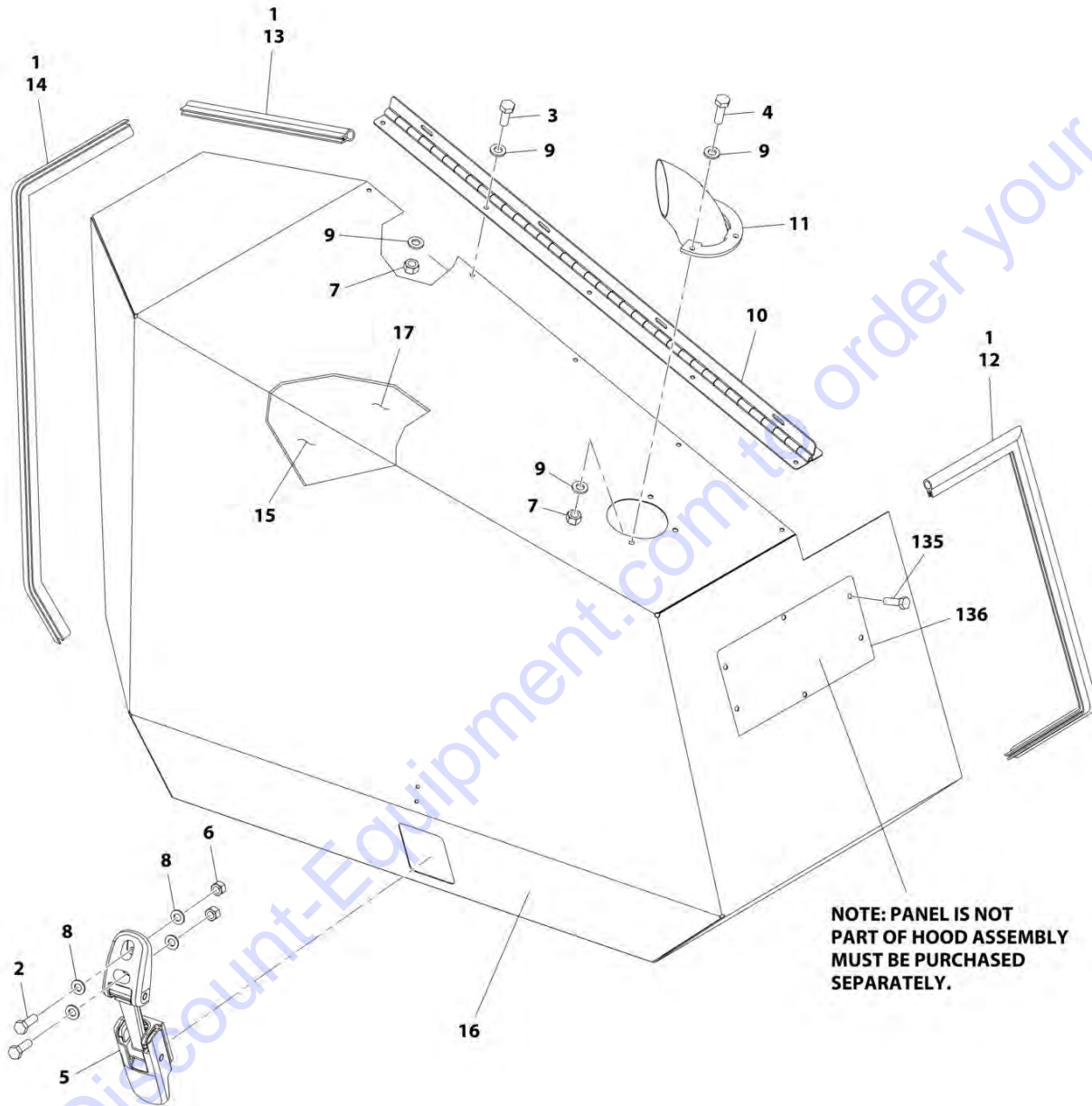
FIGURE 2-30. HOODS INSTALLATION

ITEM	PART NUMBER	QTY	DESCRIPTION	REV
	1001147590	Ref	HOODS INSTALLATION	B
1	80325	4	Hairpin, Cotter	
2	0100011	AR	Compound, Locking	
3	0701018	2	Bolt M10 x 50	
4	0760508	4	Bolt M5 x 16	
5	0760608	5	Bolt M6 x 16	
6	0760612	16	Bolt M6 x 25	
7	0761009	2	Bolt M10 x 18	
8	0761011	6	Bolt M10 x 22	
9	0761012	1	Bolt M10 x 25	
10	0761210	2	Bolt M12 x 20	
11	3290505	4	Nut M5	
12	3290605	19	Nut M6	
13	3291005	6	Nut M10	
14	3520030	1	Plug	
15	4811600	8	Washer M5	
16	4812000	6	Washer M10	
17	4812300	8	Washer M16	
18	5240600	22	Washer M6	
19	1001117239	1	Box, Battery	
20	1001117243	1	Cover, Turntable Center	
21	1001117282	2	Rod, Prop	
22	1001118361	1	Tank Side Hood Assembly (See TANK SIDE HOOD ASSEMBLY for Breakdown)	
23	1001118459	1	Plate, Hood Mount	
24	1001119072	1	Plate, Engine Side	
25	1001119080	1	Bracket	
26	1001119083	1	Mount, Latch	
27	1001119085	1	Tray	
28	1001119092	4	Bumper	
29	1001119103	1	Panel, Filler	
30	1001119104	1	Panel, Filler	
31	1001146824	1	Mount, Latch	
32	1001147441	1	Engine Side Hood Assembly (See ENGINE SIDE HOOD ASSEMBLY for Breakdown)	



# SECTION 2 - TURNTABLE

## FIGURE 2-31. ENGINE SIDE HOOD ASSEMBLY



**NOTE: REPLACEMENT DECALS MUST BE ORDERED SEPERATELY - SEE DECALS SECTION FOR BREAKDOWN**

**NOTE: PANEL IS NOT PART OF HOOD ASSEMBLY MUST BE PURCHASED SEPARATELY.**

ART\_1001147441

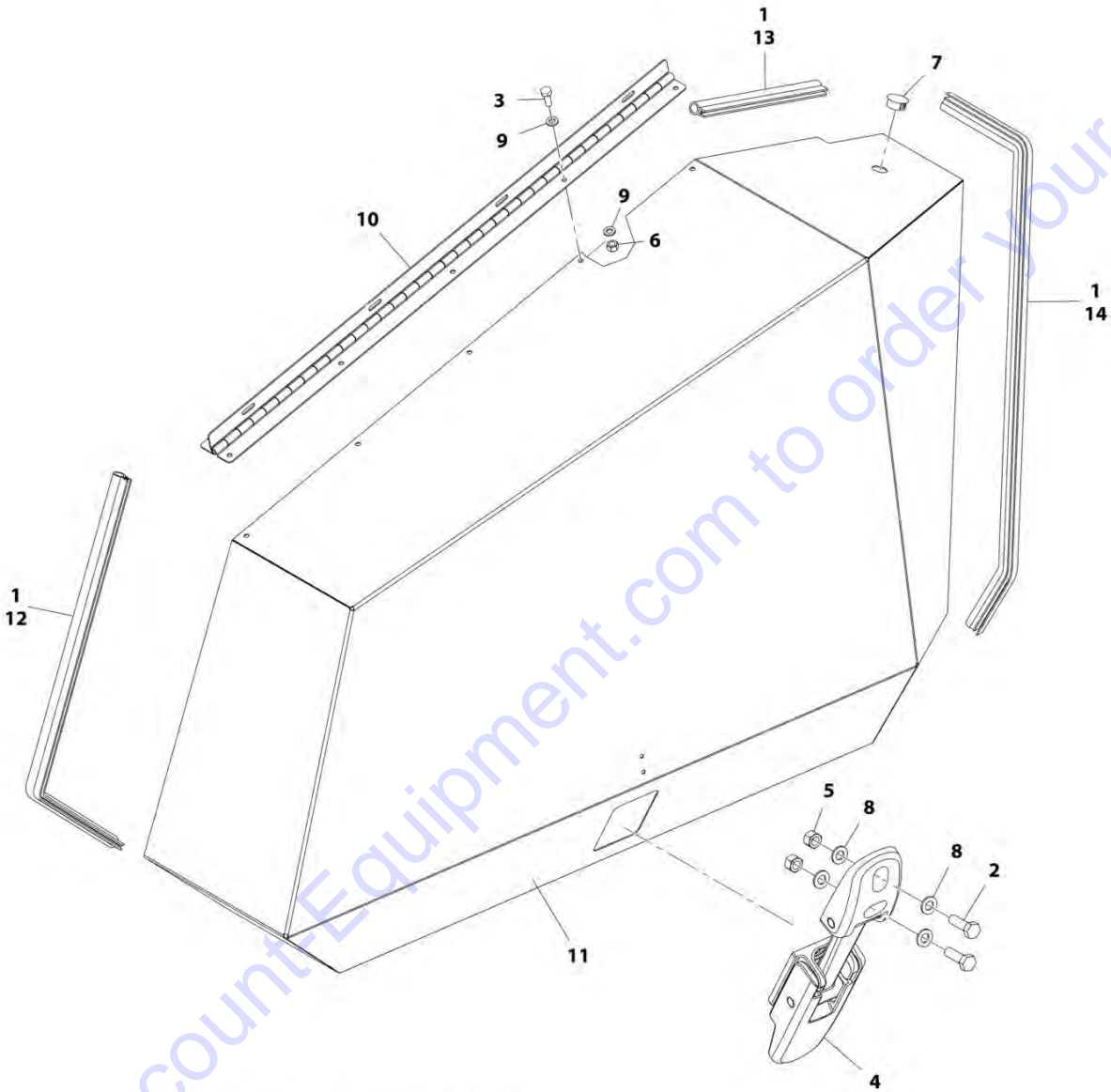
## SECTION 2 - TURNTABLE

**FIGURE 2-31. ENGINE SIDE HOOD ASSEMBLY**

ITEM	PART NUMBER	QTY	DESCRIPTION	REV
	1001147441	Ref	ENGINE SIDE HOOD ASSEMBLY	A
1	0100081	AR	Adhesive	
2	0760508	2	Bolt M5 x 16	
3	0760608	5	Bolt M6 x 16	
4	0760610	3	Bolt M6 x 20	
5	2940109	1	Latch	
6	3290505	2	Nut M5	
7	3290605	8	Nut M6	
8	4811600	4	Washer M5	
9	4811700	16	Washer M6	
10	1001117281	1	Hinge	
11	1001119077	1	Pipe, Exhaust	
12	1001119086	1	Seal	
13	1001119087	1	Seal	
14	1001119088	1	Seal	
15	1001120749	1	Insulate, Heat Shield	
16	See Note	1	Hood, Replacement (Note: Use p/n 1001147441)	
17	1001147440	1	Insulate, Heat Shield	
135	2080040	10	Fastener, Huck	
136	1001137451	1	Panel (Note: Not Part of Hood Assembly. Must be Purchased separately)	

## SECTION 2 - TURNTABLE

FIGURE 2-32. TANK SIDE HOOD ASSEMBLY



**NOTE: REPLACEMENT DECALS MUST BE ORDERED SEPERATELY - SEE DECALS SECTION FOR BREAKDOWN**

ART\_1001118361

**SECTION 2 - TURNTABLE**

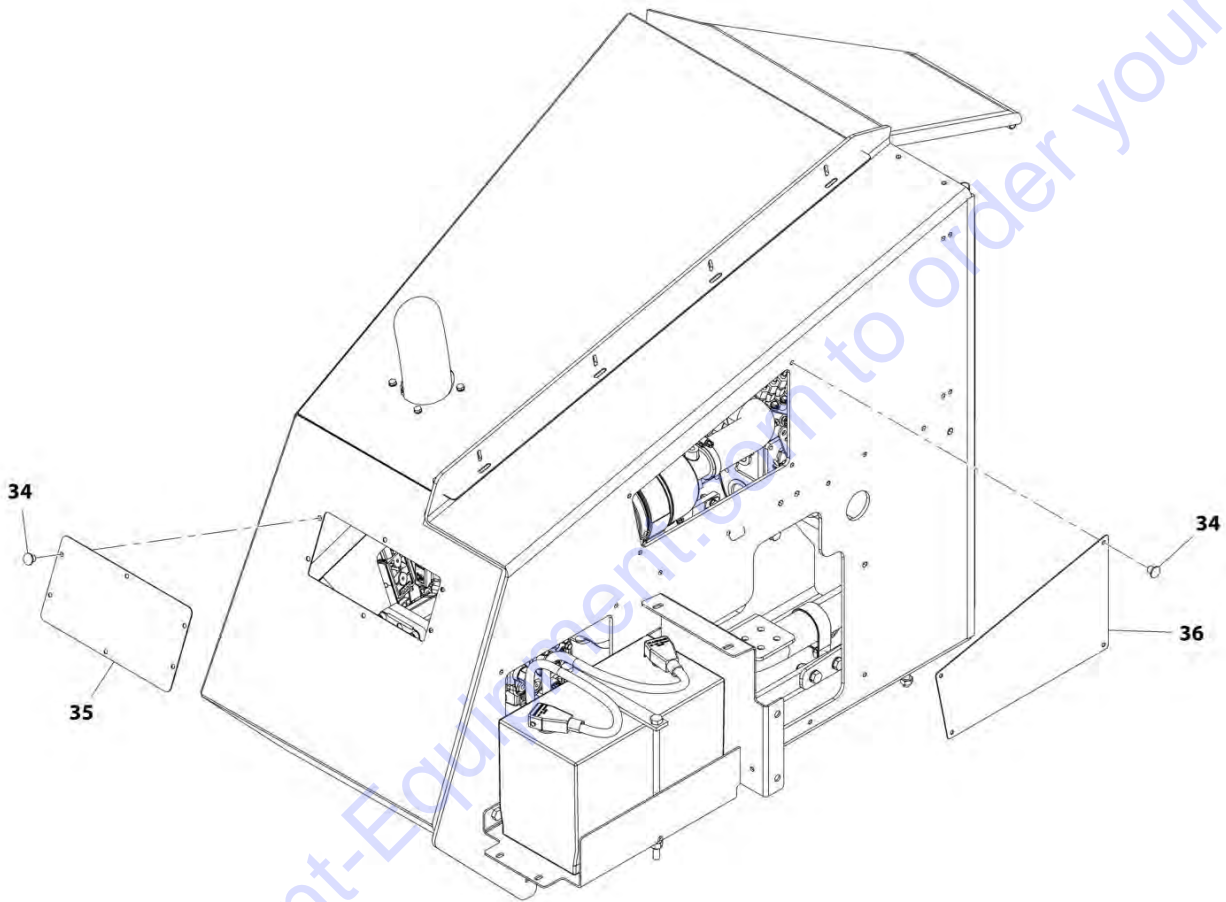
**FIGURE 2-32. TANK SIDE HOOD ASSEMBLY**

ITEM	PART NUMBER	QTY	DESCRIPTION	REV
	1001118361	Ref	TANK SIDE HOOD ASSEMBLY	B
1	0100081	AR	Adhesive	
2	0760508	2	Bolt M5 x 16	
3	0760608	5	Bolt M6 x 16	
4	2940109	1	Latch	
5	3290505	2	Nut M5	
6	3290605	5	Nut M6	
7	3520030	1	Plug, Hole	
8	4811600	4	Washer M5	
9	4811700	10	Washer M6	
10	1001117281	1	Hinge	
11	See Note	1	Hood, Replacement (Note: Use p/n 1001118361)	
12	1001119089	1	Seal	
13	1001119090	1	Seal	
14	1001119091	1	Seal	

Go to Discount-Equipment.com to order your parts

## SECTION 2 - TURNTABLE

FIGURE 2-33. KUBOTA ENGINE HOOD COMPONENTS (WITHOUT ARCTIC PACKAGE)



ART\_1001161433\_1OF3

**SECTION 2 - TURNTABLE**

**FIGURE 2-33. KUBOTA ENGINE HOOD COMPONENTS (WITHOUT ARCTIC PACKAGE)**

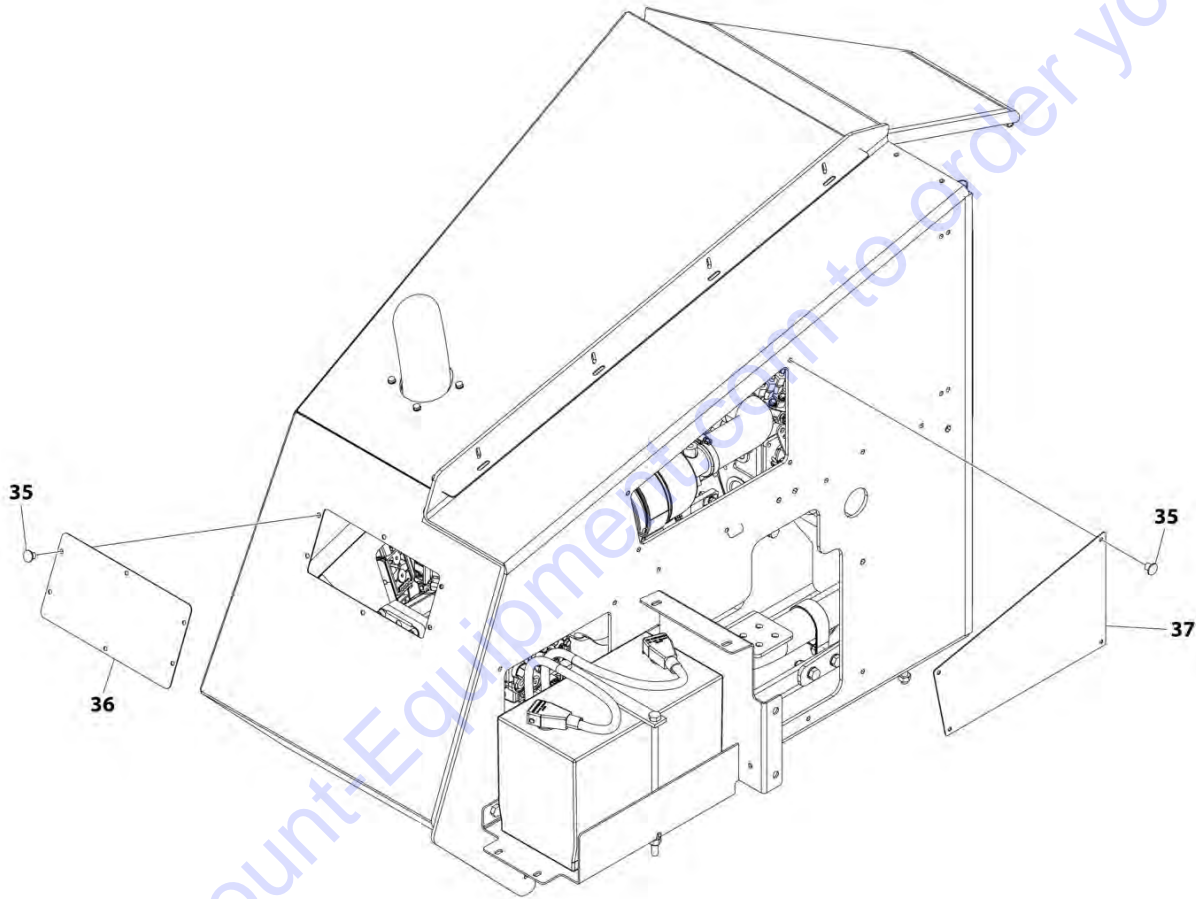
ITEM	PART NUMBER	QTY	DESCRIPTION	REV
	1001161433	Ref	KUBOTA ENGINE HOOD COMPONENTS (WITHOUT ARCTIC PACKAGE)	F
34	2080040	10	Blind Fastener	
35	1001137451	1	Panel, Engine Hood	
36	1001137452	1	Panel, Engine Hood Mount	

Go to Discount-Equipment.com to order your parts



## SECTION 2 - TURNTABLE

FIGURE 2-34. KUBOTA ENGINE WITH 4000W GENERATOR HOOD COMPONENTS (WITHOUT ARCTIC PACKAGE)



ART\_1001147470\_10F3

**SECTION 2 - TURNTABLE**

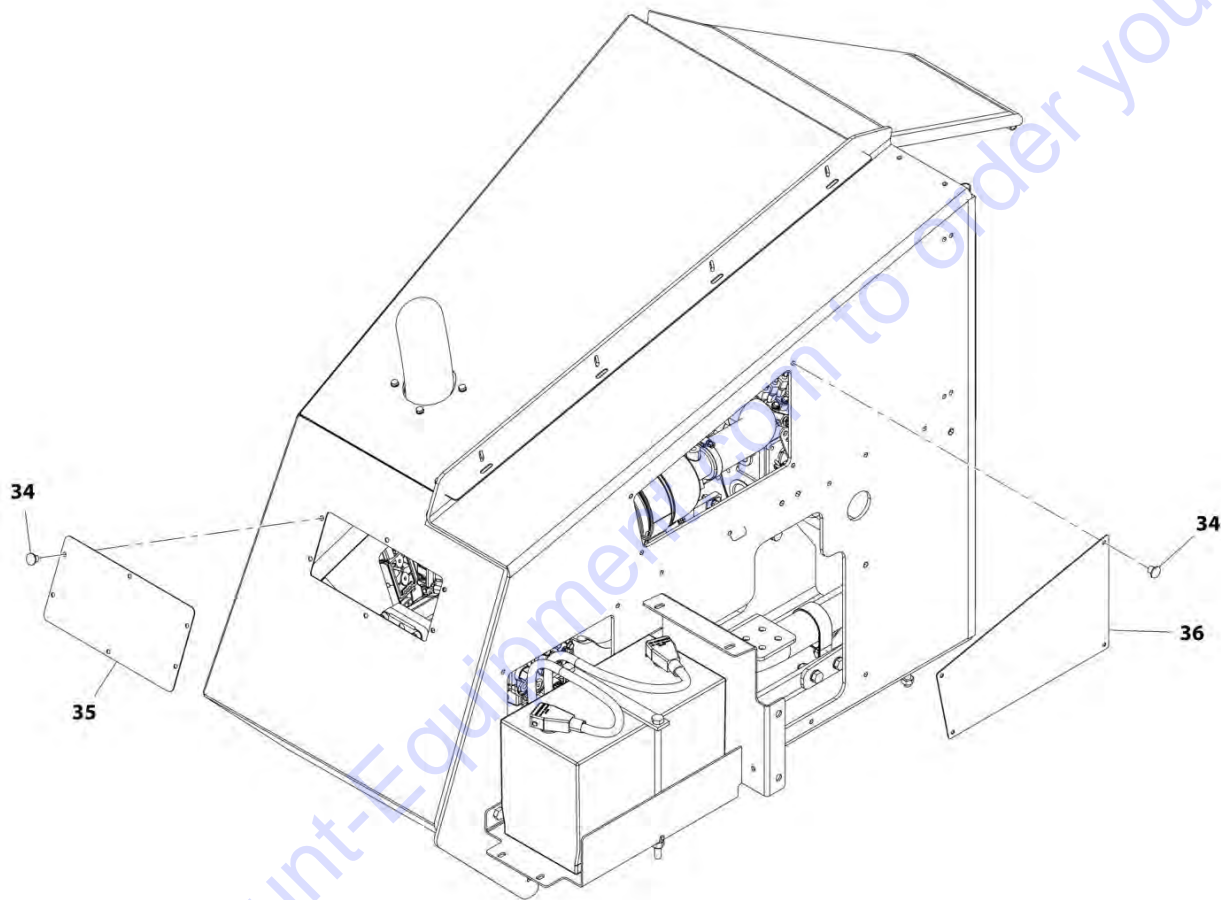
**FIGURE 2-34. KUBOTA ENGINE WITH 4000W GENERATOR HOOD COMPONENTS (WITHOUT ARCTIC PACKAGE)**

ITEM	PART NUMBER	QTY	DESCRIPTION	REV
	1001147470	Ref	KUBOTA ENGINE WITH 4000W GENERATOR HOOD COMPONENTS (WITHOUT ARCTIC PACKAGE)	E
35	2080040	10	Blind Fastener	
36	1001137451	1	Panel, Engine Hood	
37	1001137452	1	Panel, Engine Hood Mount	

Go to Discount-Equipment.com to order your parts

## SECTION 2 - TURNTABLE

FIGURE 2-35. KUBOTA ENGINE HOOD COMPONENTS (WITH ARCTIC PACKAGE)



ART\_1001161434\_10F3

**SECTION 2 - TURNTABLE**

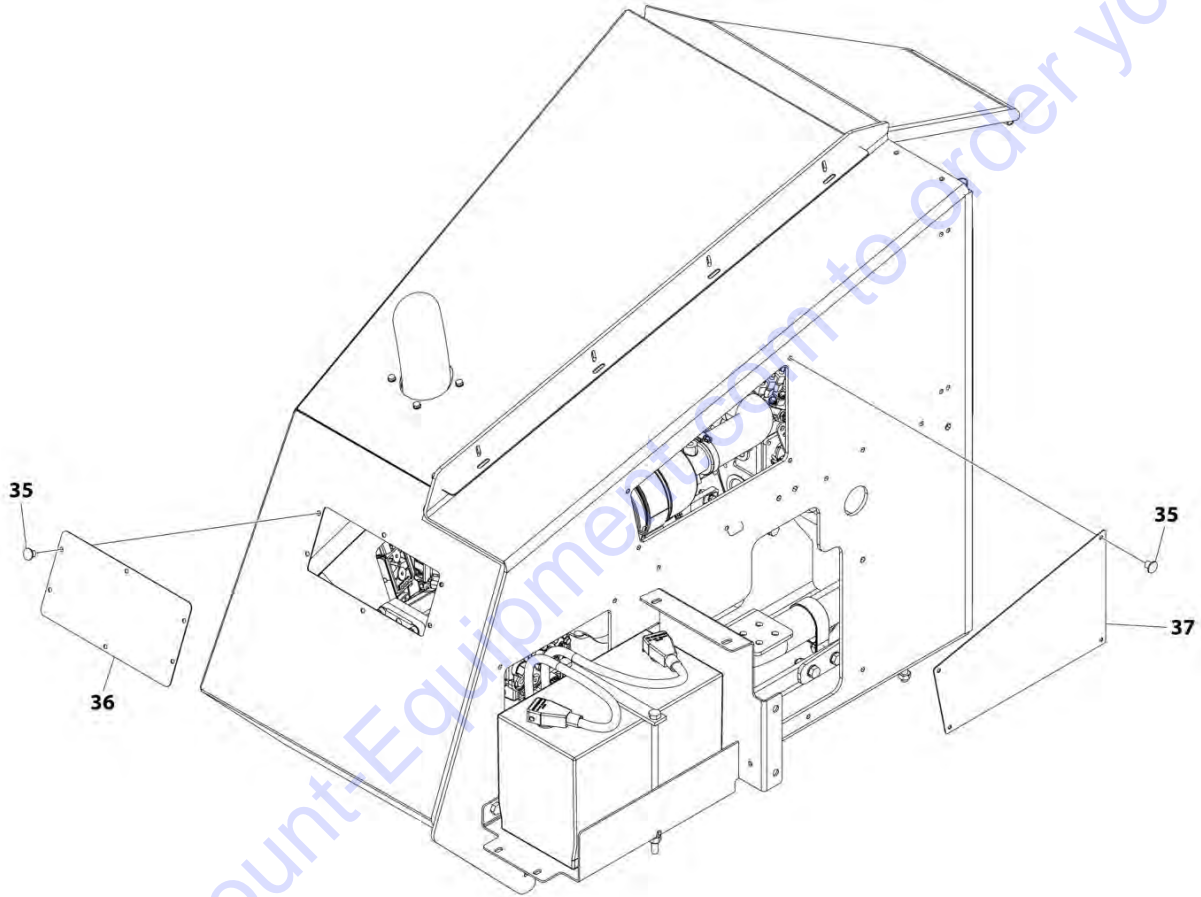
**FIGURE 2-35. KUBOTA ENGINE HOOD COMPONENTS (WITH ARCTIC PACKAGE)**

ITEM	PART NUMBER	QTY	DESCRIPTION	REV
	1001161434	Ref	KUBOTA ENGINE HOOD COMPONENTS (WITH ARCTIC PACKAGE)	F
34	2080040	10	Blind Fastener	
35	1001137451	1	Panel, Engine Hood	
36	1001137452	1	Panel, Engine Hood Mount	

Go to Discount-Equipment.com to order your parts

## SECTION 2 - TURNTABLE

FIGURE 2-36. KUBOTA ENGINE WITH 4000W GENERATOR HOOD COMPONENTS (WITH ARCTIC PACKAGE)



ART\_1001147471\_10F3

**SECTION 2 - TURNTABLE**

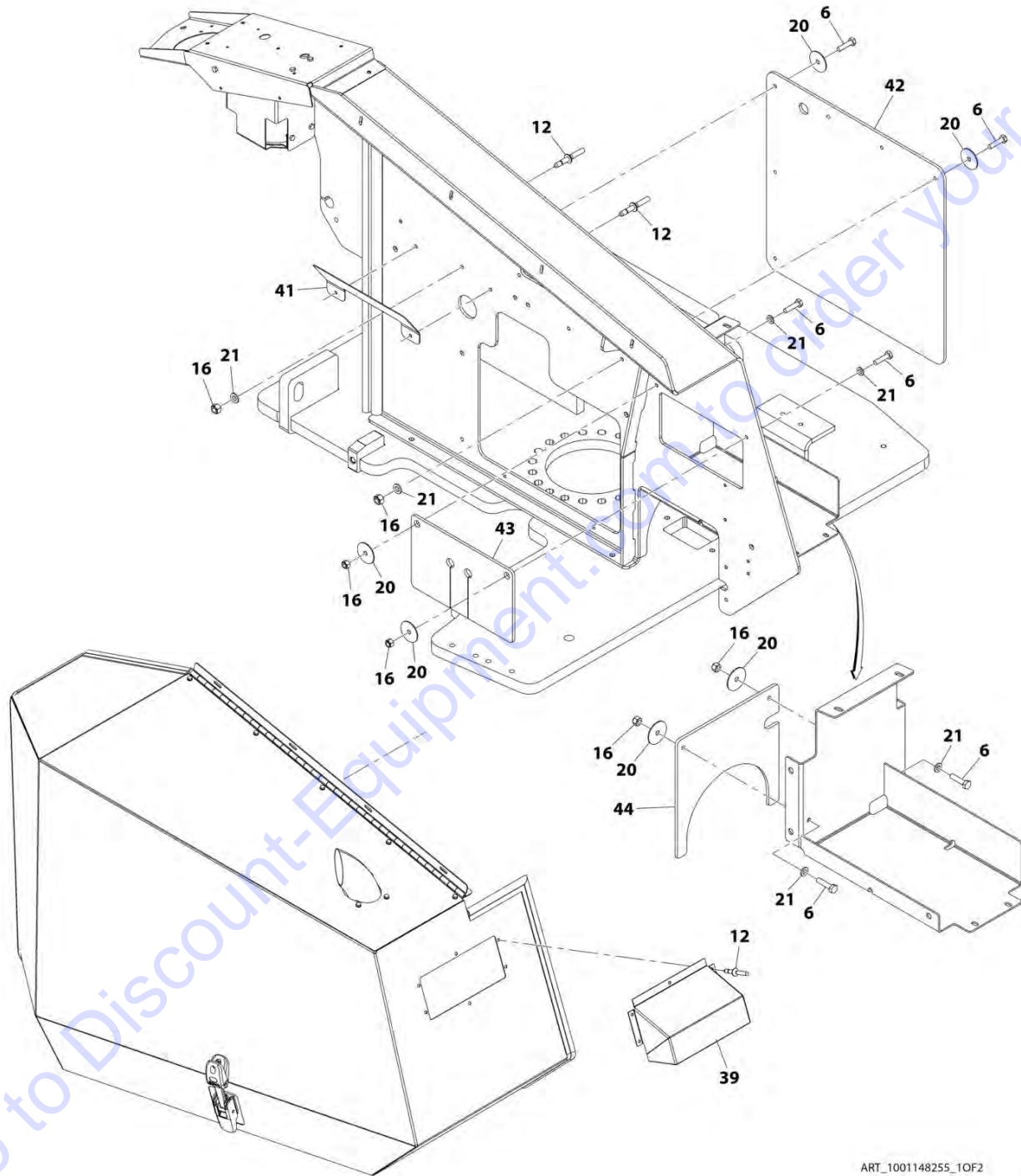
**FIGURE 2-36. KUBOTA ENGINE WITH 4000W GENERATOR HOOD COMPONENTS (WITH ARCTIC PACKAGE)**

ITEM	PART NUMBER	QTY	DESCRIPTION	REV
	1001147471	Ref	KUBOTA ENGINE WITH 4000W GENERATOR HOOD COMPONENTS (WITH ARCTIC PACKAGE)	E
35	2080040	10	Blind Fastener	
36	1001137451	1	Panel, Engine Hood	
37	1001137452	1	Panel, Engine Hood Mount	

Go to Discount-Equipment.com to order your parts

# SECTION 2 - TURNTABLE

FIGURE 2-37. GM ENGINE HOOD COMPONENTS (WITHOUT ARCTIC PACKAGE)



ART\_1001148255\_TOF2

**SECTION 2 - TURNTABLE**

**FIGURE 2-37. GM ENGINE HOOD COMPONENTS (WITHOUT ARCTIC PACKAGE)**

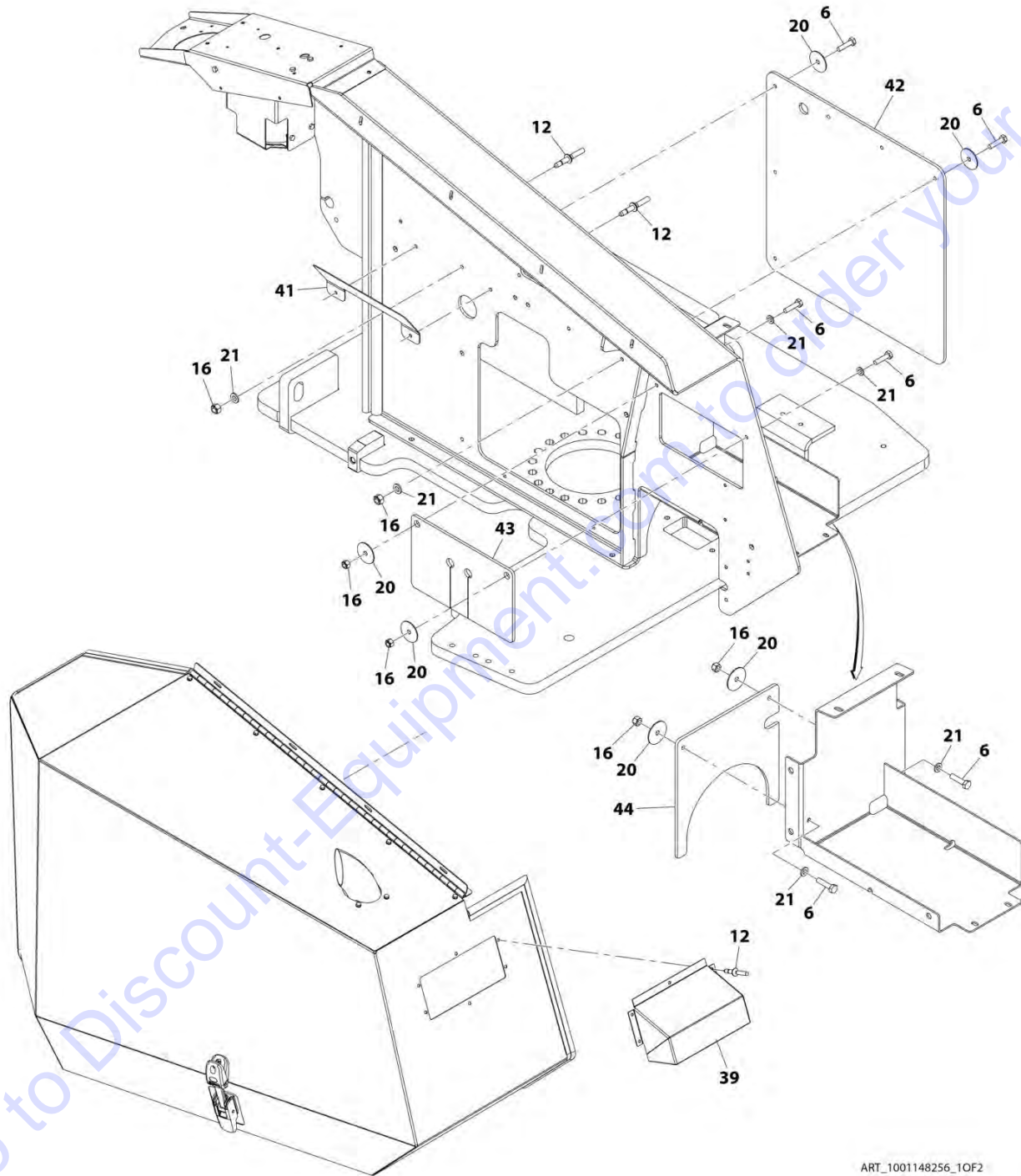
ITEM	PART NUMBER	QTY	DESCRIPTION	REV
	1001148255	Ref	GM ENGINE HOOD COMPONENTS (WITHOUT ARCTIC PACKAGE)	H
6	0760612	10	Bolt M6 x 25	
12	2080040	7	Fastener, Huck	
16	3290605	10	Nut M6	
20	4740362	10	Washer, Fender	
21	4811700	10	Washer M6	
39	1001137337	1	Vent	
41	1001137369	1	Plate	
42	1001137397	1	Shield, Rubber	
43	1001137401	1	Shield, Rubber	
44	1001137402	1	Shield, Rubber	

Go to Discount-Equipment.com to order your parts



## SECTION 2 - TURNTABLE

FIGURE 2-38. GM ENGINE HOOD COMPONENTS (WITH ARCTIC PACKAGE)



ART\_1001148256\_10F2

**SECTION 2 - TURNTABLE**

**FIGURE 2-38. GM ENGINE HOOD COMPONENTS (WITH ARCTIC PACKAGE)**

ITEM	PART NUMBER	QTY	DESCRIPTION	REV
	1001148256	Ref	GM ENGINE HOOD COMPONENTS (WITH ARCTIC PACKAGE)	G
6	0760612	10	Bolt M6 x 25	
12	2080040	7	Fastener, Huck	
16	3290605	10	Nut M6	
20	4740362	10	Washer, Fender	
21	4811700	10	Washer M6	
39	1001137337	1	Vent	
41	1001137369	1	Plate	
42	1001137397	1	Shield, Rubber	
43	1001137401	1	Shield, Rubber	
44	1001137402	1	Shield, Rubber	

Go to Discount-Equipment.com to order your parts

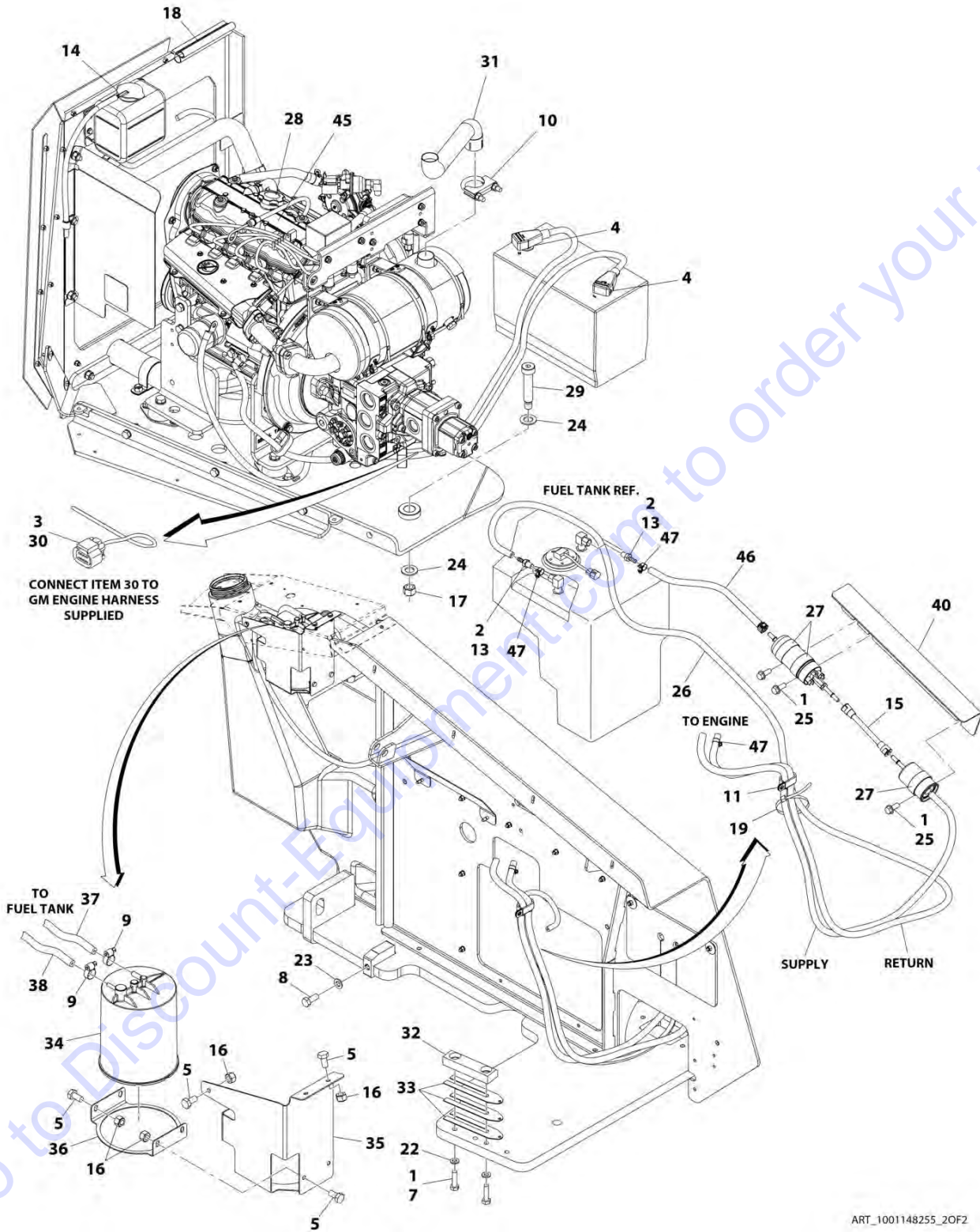


**SECTION 3 - ENGINE**

Go to Discount-Equipment.com to order your parts

# SECTION 3 - ENGINE

## FIGURE 3-1. GM ENGINE INSTALLATION (WITHOUT ARCTIC PACKAGE)



ART\_1001148255\_20F2

## SECTION 3 - ENGINE

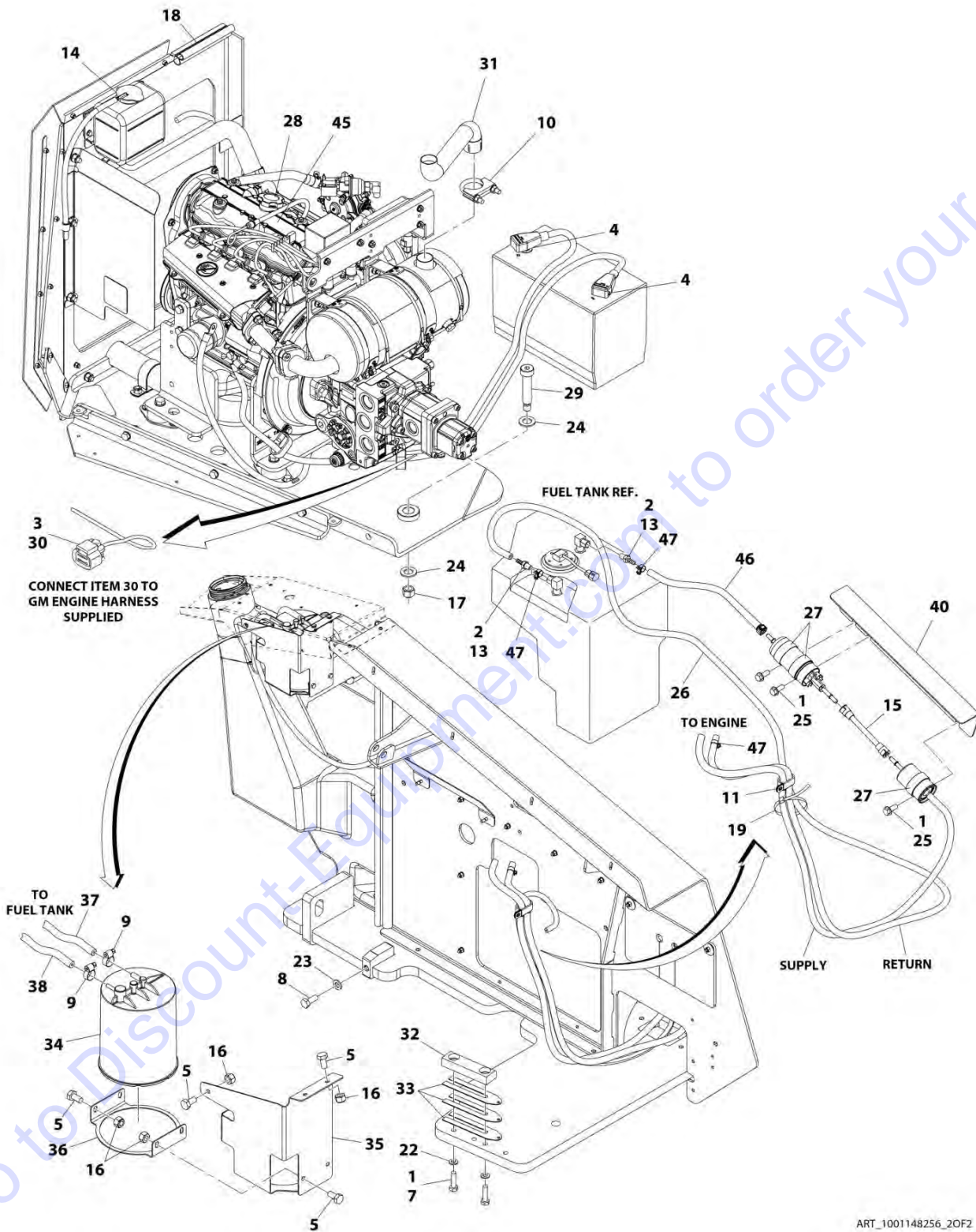
**FIGURE 3-1. GM ENGINE INSTALLATION (WITHOUT ARCTIC PACKAGE)**

ITEM	PART NUMBER	QTY	DESCRIPTION	REV
	1001148255	Ref	GM ENGINE INSTALLATION (WITHOUT ARCTIC PACKAGE)	H
1	0100011	AR	Compound, Locking	
2	0100020	AR	Sealant, Pipe	
3	0100048	AR	Grease, Dielectric	
4	0100051	AR	Grease, Battery Terminal	
5	0760606	7	Bolt M6 x 12	
7	0761016	2	Bolt M10 x 40	
8	0761214	1	Bolt M12 x 30	
8	0761217	1	Bolt M12 x 45	
9	1320022	4	Clamp, Fuel Line	
10	1320026	1	Clamp, Muffler	
11	1321283	1	Clamp	
13	2180348	2	Fitting, Barbed	
14	2300004	AR	Coolant	
15	1001156823	1	Hose	
16	3290605	7	Nut M6	
17	3291605	1	Nut M16	
18	3960464	8 ft /2.4m	Seal <b>(SN 0300200802 through 03002230168)</b>	
18	3960464	3 ft/0.9m	Seal <b>(SN 0300223169 to Present)</b>	
19	4240033	AR	Tie-Strap	
22	4812000	2	Washer M10	
23	4812102	1	Washer M12	
24	4812500	2	Washer M20	
25	5251012	3	Bolt M10 x 25	
26	1001156819	76 in /1.9m	Hose, Fuel Line	
27	1001097588	3	Clip, Tube	
28	1001115930	AR	Oil, Engine <b>(SN 0300200802 through 0300215644)</b>	
29	1001118646	1	Bolt M20 x 80	
30	1001119778	1	Harness, Fuel Pump (See ELECTRICAL SECTION for Breakdown)	
31	1001119902	1	Pipe, Exhaust	
32	1001120087	1	Pad, Wear	
33	1001120090	3	Shim 1.5	
34	1001128801	1	Canister, Carbon	
35	1001128931	1	Bracket, Mounting	
36	1001128936	1	Ring	
37	1001129255	7 in/17cm	Hose	
38	1001129256	9.5 ft /2.9m	Hose	
40	1001137367	1	Shield, Fuel Line	
45	1001148254	1	GM Engine and Pump Sub-Assembly See GM Engine and Pump Sub-Assembly for Breakdown)	
46	1001177156	1	Hose	
47	1001174486	4	Clamp, Hose	



# SECTION 3 - ENGINE

## FIGURE 3-2. GM ENGINE INSTALLATION (WITH ARCTIC PACKAGE)



ART\_1001148256\_20F2

## SECTION 3 - ENGINE

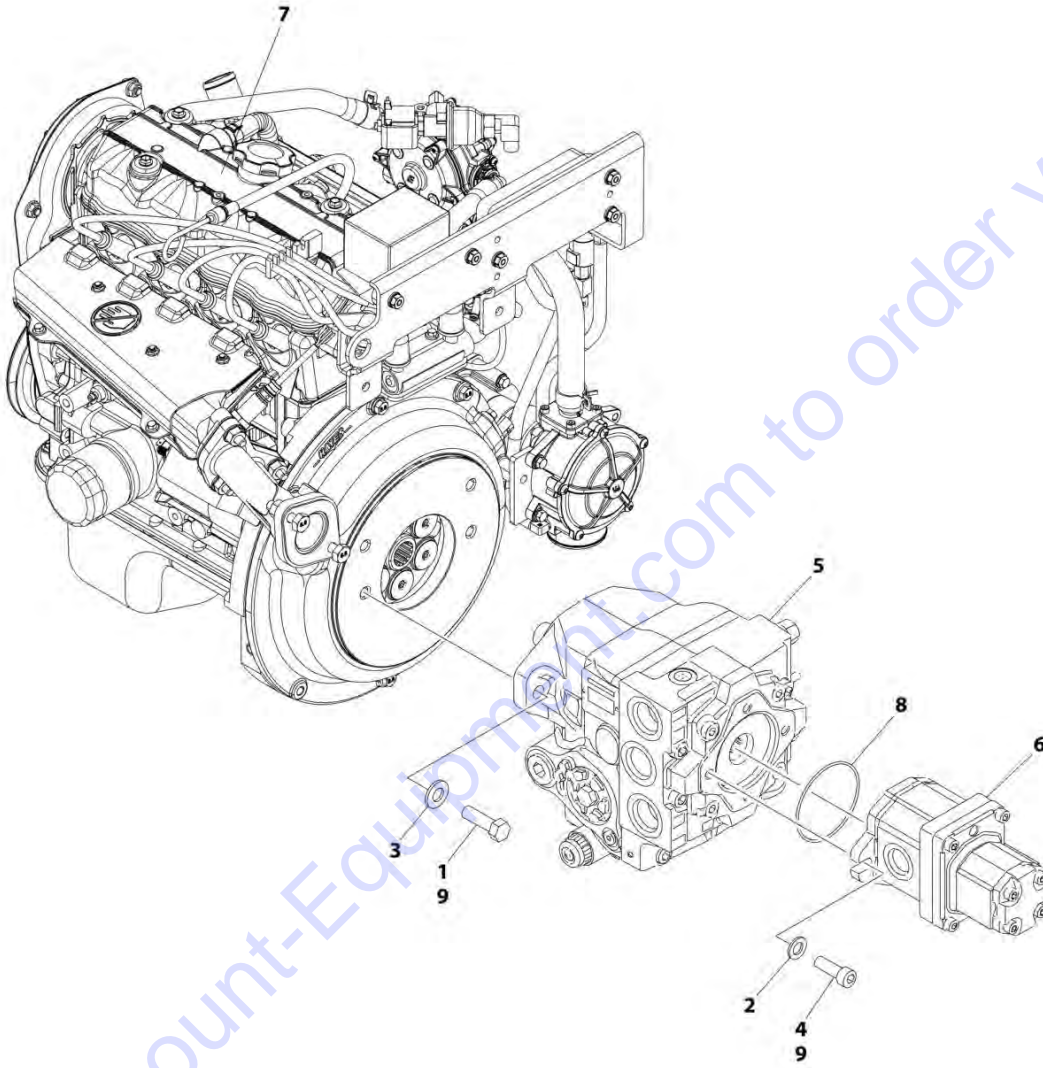
**FIGURE 3-2. GM ENGINE INSTALLATION (WITH ARCTIC PACKAGE)**

ITEM	PART NUMBER	QTY	DESCRIPTION	REV
	1001148256	Ref	GM ENGINE INSTALLATION (WITH ARCTIC PACKAGE)	G
1	0100011	AR	Compound, Locking	
2	0100020	AR	Sealant, Pipe	
3	0100048	AR	Grease, Dielectric	
4	0100051	AR	Grease, Battery Terminal	
5	0760606	7	Bolt M6 x 12	
7	0761016	2	Bolt M10 x 40	
8	0761214	1	Bolt M12 x 30	
8	0761217	1	Bolt M12 x 45	
9	1320022	4	Clamp, Fuel Line	
10	1320026	1	Clamp, Muffler	
11	1321283	1	Clamp	
13	2180348	2	Fitting, Barbed	
14	2300041	AR	Coolant	
15	1001156823	1	Hose	
16	3290605	7	Nut M6	
17	3291605	1	Nut M16	
18	3960464	8 ft /2.4m	Seal	
19	4240033	AR	Tie-Strap	
22	4812000	2	Washer M10	
23	4812102	1	Washer M12	
24	4812500	2	Washer M20	
25	5251012	3	Bolt M10 x 25	
26	1001156819	76 in /1.9m	Hose, Fuel Line	
27	1001097588	3	Clip, Tube	
28	1001115931	AR	Oil, Engine <b>(SN 0300200802 through 0300215644)</b>	
29	1001118646	1	Bolt M20 x 80	
30	1001119778	1	Harness, Fuel Pump (See ELECTRICAL SECTION for Breakdown)	
31	1001119902	1	Pipe, Exhaust	
32	1001120087	1	Pad, Wear	
33	1001120090	3	Shim 1.5	
34	1001128801	1	Canister, Carbon	
35	1001128931	1	Bracket, Mounting	
36	1001128936	1	Ring	
37	1001129255	7 in/17cm	Hose	
38	1001129256	9.5 ft /2.9m	Hose	
40	1001137367	1	Shield, Fuel Line	
45	1001148254	1	GM Engine and Pump Sub-Assembly See GM Engine and Pump Sub-Assembly for Breakdown)	
46	1001177156	1	Hose	
47	1001174486	4	Clamp, Hose	



# SECTION 3 - ENGINE

## FIGURE 3-3. GM ENGINE AND PUMP SUB-ASSEMBLY



ART\_1001148254

## SECTION 3 - ENGINE

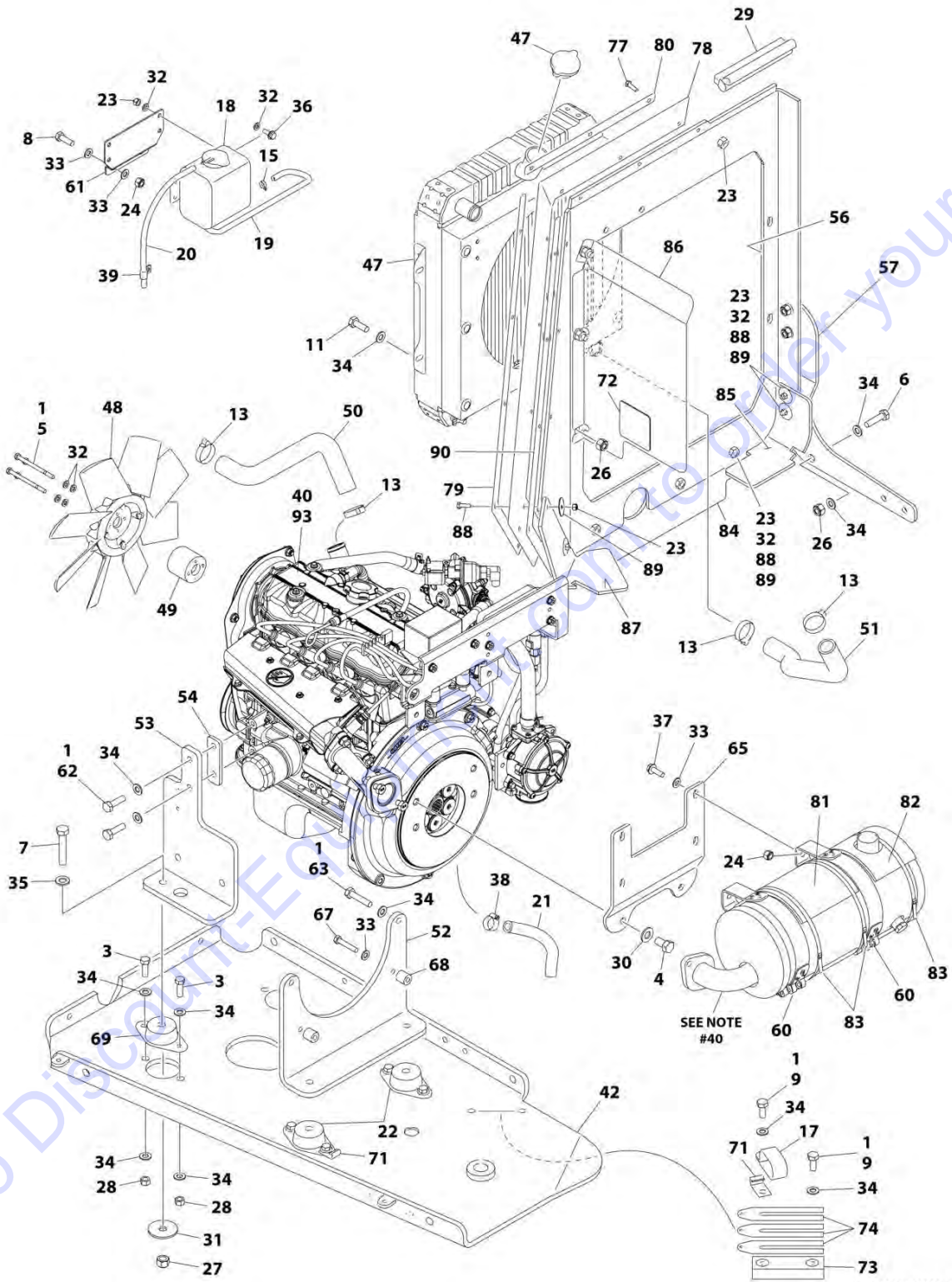
**FIGURE 3-3. GM ENGINE AND PUMP SUB-ASSEMBLY**

ITEM	PART NUMBER	QTY	DESCRIPTION	REV
	1001148254	Ref	GM ENGINE AND PUMP SUB-ASSEMBLY	F
1	0641813	2	Bolt 1/2 x 1-5/8	
2	4891600	2	Washer 3/8	
3	4891800	2	Washer 1/2	
4	83191040	2	Capscrew M10 x 30	
5	1001117028	1	Axial Pump Assembly (See AXIAL PUMP ASSEMBLY for Breakdown)	
6	1001117029	1	Gear Pump Assembly (See GEAR PUMP ASSEMBLY for Breakdown)	
7	1001148253	1	GM Engine Assembly (See GM ENGINE ASSEMBLY for Breakdown) <b>(SN 0300200802 through 0300201321)</b>	
7	1001195234	1	GM Engine Assembly (See GM ENGINE ASSEMBLY for Breakdown) <b>(SN 0300201322 to Present)</b>	
8	3790152	1	O-Ring	
9	0100011	AR	Compound, Locking <b>(SN 0300233756 to Present)</b>	

Go to Discount-Equipment.com to order your parts

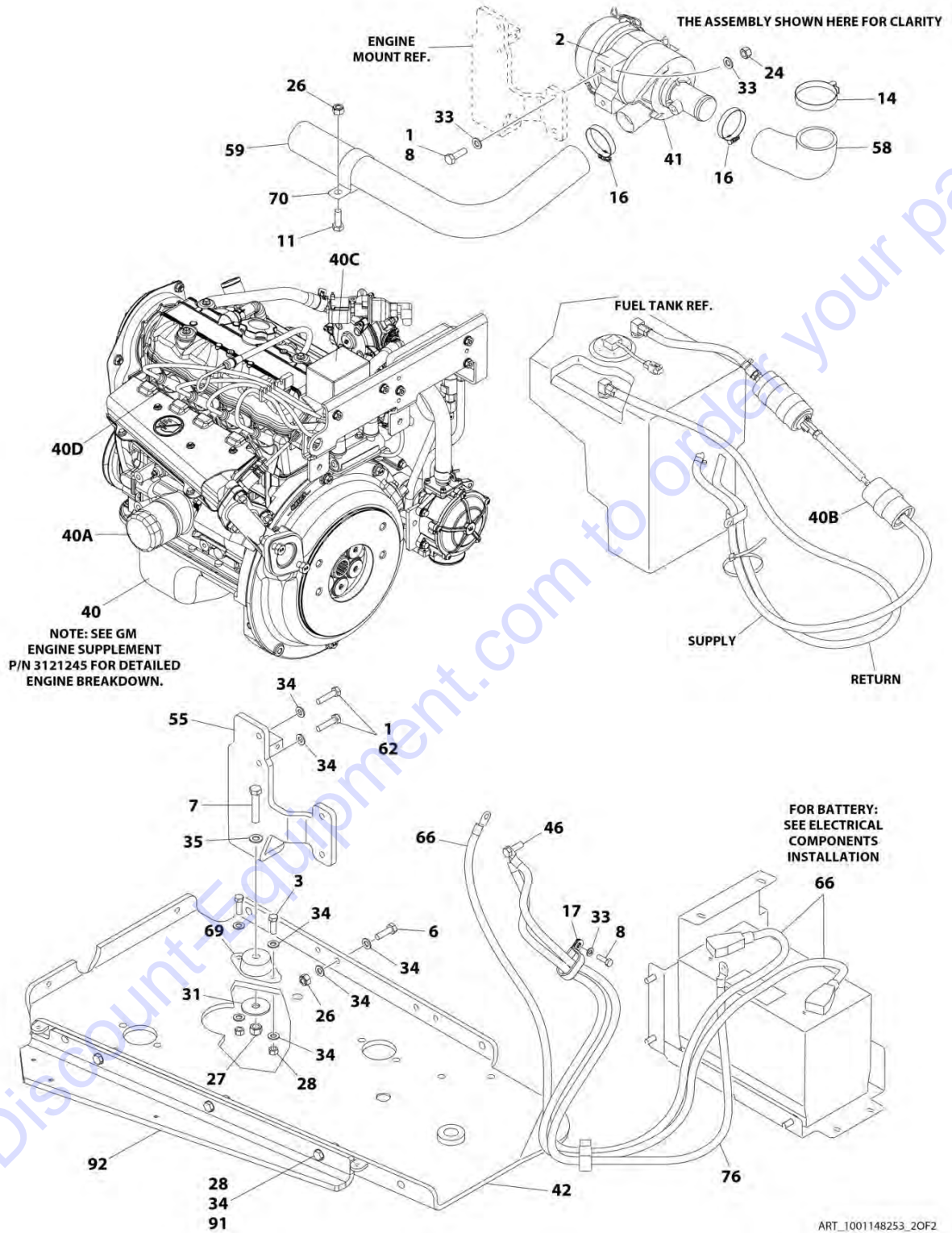
# SECTION 3 - ENGINE

## FIGURE 3-4. GM ENGINE ASSEMBLY (SN 0300200802 through 0300201321)



ART\_1001148253\_1OF2

# SECTION 3 - ENGINE





## SECTION 3 - ENGINE

FIGURE 3-4. GM ENGINE ASSEMBLY (SN 0300200802 through 0300201321)

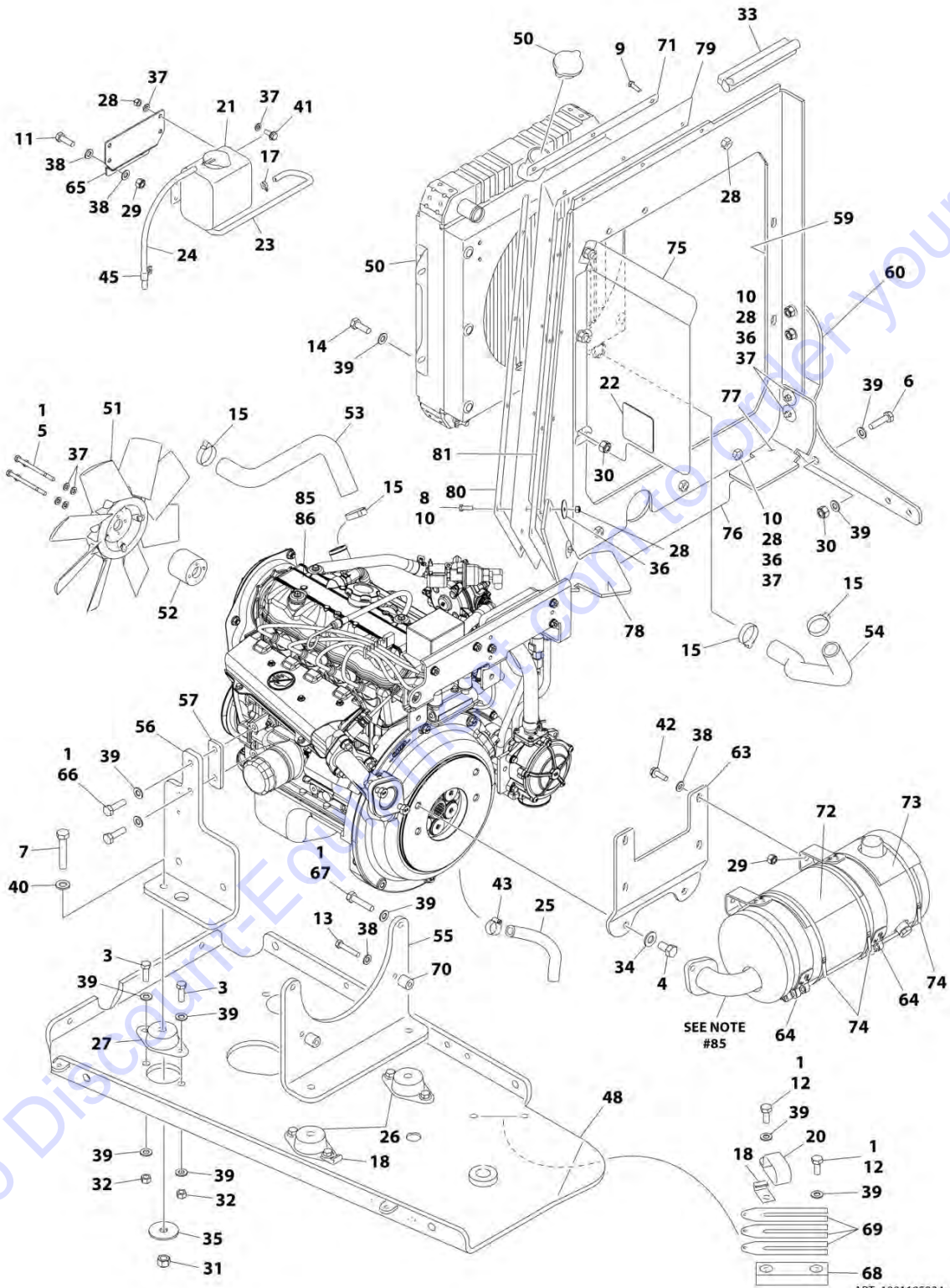
ITEM	PART NUMBER	QTY	DESCRIPTION	REV
	1001148253	Ref	GM ENGINE ASSEMBLY (SN 0300200802 through 0300201321)	E
1	0100011	AR	Compound, Locking	
2	0340045	2	Band, Mounting	
3	0641609	8	Bolt 3/8 x 1-1/8	
4	0641807	2	Bolt 1/2 x 7/8	
5	0700621	4	Bolt M6 x 65	
6	0701015	7	Bolt M10 x 35	
7	0701221	4	Bolt M12 x 65	
8	0760812	6	Bolt M8 x 25	
9	0760814	AR	Bolt M8 x 30	
11	0761014	8	Bolt M10 x 30	
13	1320012	4	Clamp	
14	1320016	1	Clamp	
15	1320022	3	Clamp	
16	1321682	2	Clamp	
17	1321716	2	Clamp	
18	1580011	1	Container, Coolant Overflow	
19	2720058	18 in /46cm	Hose	
20	2720271	19 in /47cm	Hose	
21	2720615	6.5 in /17cm	Hose	
22	3200378	2	Mount, Motor	
23	3290605	17	Nut M6	
24	3290805	8	Nut M8	
26	3291005	13	Nut M10	
27	3291205	4	Nut M12	
28	3311605	8	Nut 3/8	
29	3960464	6.5 in /17cm	Seal	
30	4711800	2	Washer 1/2	
31	4740274	4	Washer	
32	4811700	13	Washer M6	
33	4811900	18	Washer M8	
34	4812000	48	Washer M10	
35	4812100	4	Washer M12	
36	5250608	4	Bolt M6 x 16	
37	5250812	4	Bolt M8 x 25	
38	8405006	1	Clamp	
39	85941016	1	Clamp	
40	1001117892	1	Engine, GM (See GM Engine Supplement P/N 3121245 for Breakdown of Additional Components)	
40A	70002979	1	Filter, Oil	
40B	7027972	1	Filter, Fuel	
40C	70003178	1	Module, Control	
40D	70003179	4	Plug, Spark	
41	1001118280	1	Air Filter Assembly	A
41	7015004	1	Element, Air Filter	
41	1340069	1	Valve, Vacuum	
41	7015005	1	Cover	

## SECTION 3 - ENGINE

ITEM	PART NUMBER	QTY	DESCRIPTION	REV
42	1001118453	1	Tray, Engine	
46	1001118746	1	Bolt M10 x 25	
47	1001119494	1	Radiator	
47	70002899	1	Cap, Radiator	
48	1001119495	1	Fan	
49	1001119496	1	Spacer, Fan	
50	1001119635	1	Hose, Upper Radiator	
51	1001119636	1	Hose, Lower Radiator	
52	1001119640	1	Plate, Rear Engine	
53	1001119641	1	Plate, LH Front Engine	
54	1001119643	1	Spacer, Mounting	
55	1001119644	1	Plate, RH Front Engine	
56	1001119649	1	Mount, Radiator	
57	1001119698	1	Gusset, Radiator	
58	1001119699	1	Elbow, Air Intake	
59	1001119700	1	Hose, Air Intake	
60	1001119727	2	Clamp, Muffler	
61	1001119730	1	Bracket, Coolant Overflow Tank	
62	1001119929	4	Bolt M10 x 35	
63	1001119930	2	Bolt M10 x 50	
65	1001119701	1	Bracket, Muffler Mounting	
66	1001118594	1	Battery Cable Kit	B
66	4461231	1	Battery Terminal and Red Cover Only (No Cable)	
66	4461232	1	Battery Terminal and Black Cover Only (No Cable)	
67	0760817	2	Bolt M8 x 45	
68	1001120454	2	Housing, Spacer	
69	3200425	2	Mount, Engine	
70	80673025	1	P-Clamp	
71	1320223	2	J-Clip	
72	1703162	2	Decal - Fan Blade	
73	1001120087	1	Pad, Wear	
74	1001120090	3	Shim	
76	1001120450	1	Cable, Ground	
77	0760610	6	Bolt M6 x 20	
78	1001147365	1	Seal, Radiator Hood	
79	1001147642	1	Plate, Seal Support	
80	1001123018	1	Plate, Seal Support	
81	1001137326	1	Insulate, Muffler	
82	1001137327	1	Insulate, Muffler	
83	1001137336	3	Strap	
84	1001137398	1	Shield, Rubber	
85	1001137399	1	Shield, Rubber	
86	1001137371	1	Deflector	
87	1001137400	1	Shield, Rubber	
88	0760612	7	Bolt M6 x 25	
89	4740362	7	Washer	
90	1001147643	1	Plate, Seal Support	
91	0761016	3	Bolt M10 x 40	
92	1001148975	1	Plate, Engine Tray	
93	1001190775	3 gal /11.4L	Oil, Motor	

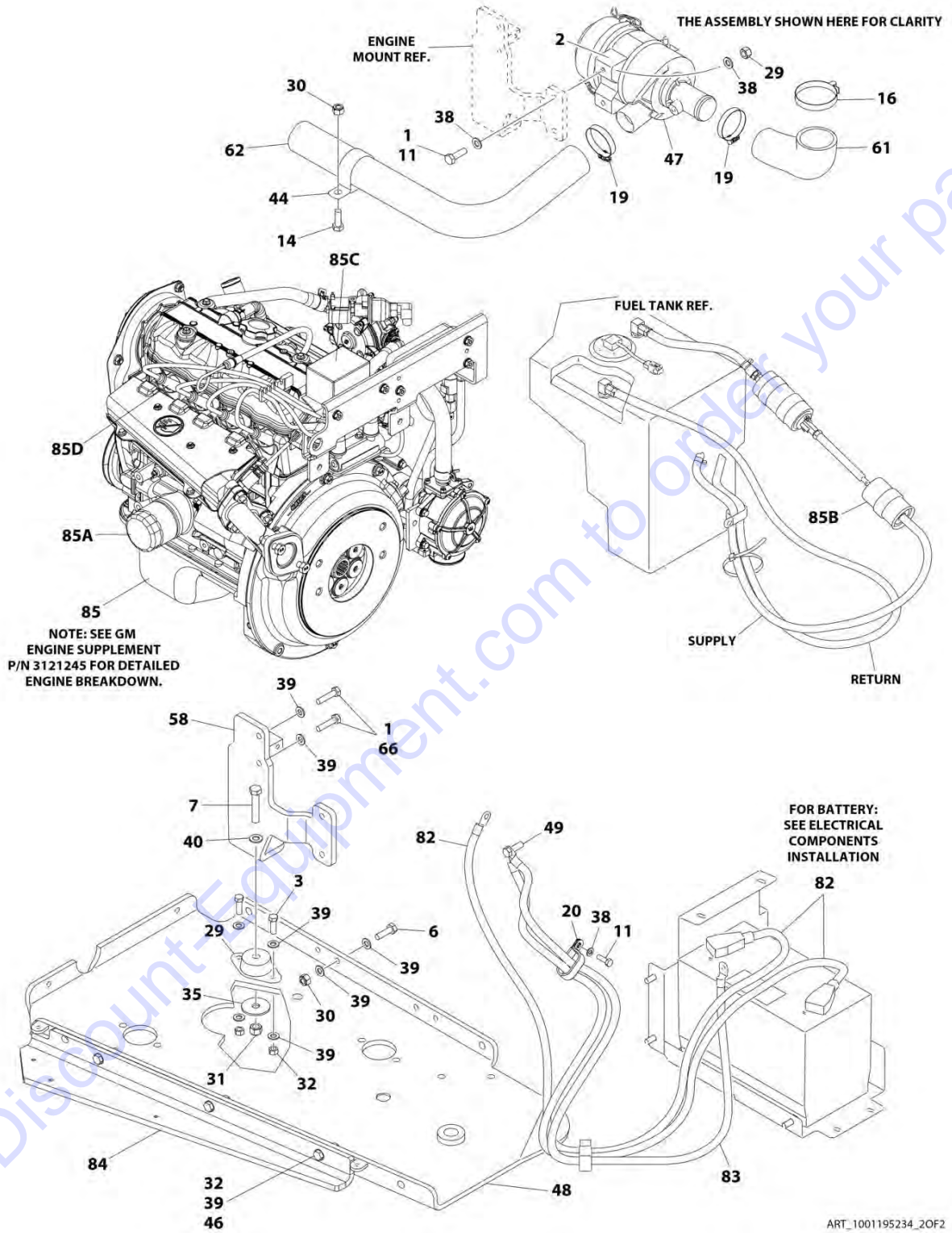
# SECTION 3 - ENGINE

## FIGURE 3-5. GM ENGINE ASSEMBLY (SN 0300201322 to Present)



ART\_1001195234\_10F2

# SECTION 3 - ENGINE





## SECTION 3 - ENGINE

**FIGURE 3-5. GM ENGINE ASSEMBLY (SN 0300201322 to Present)**

ITEM	PART NUMBER	QTY	DESCRIPTION	REV
	1001195234	Ref	GM ENGINE ASSEMBLY (SN 0300201322 to Present)	C
1	0100011	AR	Compound, Locking	
2	0340045	2	Band, Mounting	
3	0641609	8	Bolt 3/8 x 1-1/8	
4	0641807	2	Bolt 1/2 x 7/8	
5	0700621	4	Bolt M6 x 65	
6	0701015	7	Bolt M10 x 35	
7	0701221	4	Bolt M12 x 65	
8	0760608	5	Bolt M6 x 16	
9	0760610	6	Bolt M6 x 20	
10	0760612	7	Bolt M6 x 25	
11	0760812	6	Bolt M8 x 25	
12	0760814	2	Bolt M8 x 30	
13	0760817	2	Bolt M8 x 45	
14	0761014	8	Bolt M10 x 30	
15	1320012	4	Clamp	
16	1320016	1	Clamp	
17	1320022	3	Clamp	
18	1320223	2	J-Clip	
19	1321682	2	Clamp	
20	1321716	2	Clamp	
21	1580011	1	Container, Coolant Overflow	
22	1703162	2	Decal - Fan Blade	
23	2720058	18 in /46cm	Hose	
24	2720271	19 in /47cm	Hose	
25	2720615	6.5 in /17cm	Hose	
26	3200378	2	Mount, Motor	
27	3200425	2	Mount, Engine	
28	3290605	22	Nut M6	
29	3290805	8	Nut M8	
30	3291005	16	Nut M10	
31	3291205	4	Nut M12	
32	3311605	8	Nut 3/8	
33	3960464	6.5 in /17cm	Seal	
34	4711800	2	Washer 1/2	
35	4740274	4	Washer	
36	4740362	7	Washer	
37	4811700	13	Washer M6	
38	4811900	18	Washer M8	
39	4812000	54	Washer M10	
40	4812100	4	Washer M12	
41	5250608	4	Bolt M6 x 16	
42	5250812	4	Bolt M8 x 25	
43	8405006	1	Clamp	
44	80673025	1	P-Clamp	
45	85941016	1	Clamp	

## SECTION 3 - ENGINE

ITEM	PART NUMBER	QTY	DESCRIPTION	REV
46	0761016	3	Bolt M10 x 40	
47	1001118280	1	Air Filter Assembly	A
47	7015004	1	Element, Air Filter	
47	1340069	1	Valve, Vacuum	
47	7015005	1	Cover	
48	1001118453	1	Tray, Engine	
49	1001118746	1	Bolt M10 x 25	
50	1001119494	1	Radiator	
50	70002899	1	Cap, Radiator	
51	1001119495	1	Fan	
52	1001119496	1	Spacer, Fan	
53	1001119635	1	Hose, Upper Radiator	
54	1001119636	1	Hose, Lower Radiator	
55	1001119640	1	Plate, Rear Engine	
56	1001119641	1	Plate, LH Front Engine	
57	1001119643	1	Spacer, Mounting	
58	1001119644	1	Plate, RH Front Engine	
59	1001119649	1	Mount, Radiator	
60	1001119698	1	Gusset, Radiator	
61	1001119699	1	Elbow, Air Intake	
62	1001119700	1	Hose, Air Intake	
63	1001119701	1	Bracket, Muffler Mounting	
64	1001119727	2	Clamp, Muffler	
65	1001119730	1	Bracket, Coolant Overflow Tank	
66	1001119929	4	Bolt M10 x 35	
67	1001119930	2	Bolt M10 x 50	
68	1001120087	1	Pad, Wear	
69	1001120090	3	Shim	
70	1001120454	2	Housing, Spacer	
71	1001123018	1	Plate, Seal Support	
72	1001137326	1	Insulate, Muffler	
73	1001137327	1	Insulate, Muffler	
74	1001137336	3	Strap	
75	1001137371	1	Deflector	
76	1001137398	1	Shield, Rubber	
77	1001137399	1	Shield, Rubber	
78	1001137400	1	Shield, Rubber	
79	1001147365	1	Seal, Radiator Hood	
80	1001147642	1	Plate, Seal Support	
81	1001147643	1	Plate, Seal Support	
82	1001118594	1	Battery Cable Kit	B
82	4461231	1	Battery Terminal and Red Cover Only (No Cable)	
82	4461232	1	Battery Terminal and Black Cover Only (No Cable)	
83	1001120450	1	Cable, Ground	
84	1001148975	1	Plate, Engine Tray	
85	1001194741	1	Engine, GM (See GM Engine Supplement P/N 3121245 for Breakdown of Additional Components)	
85A	70002979	1	Filter, Oil	
85B	7027972	1	Filter, Fuel	
85C	70003178	1	Module, Control	
85D	70003179	4	Plug, Spark	
86	1001190775	3 gal /	Oil, Motor (SN 0300215644 to Present)	

### SECTION 3 - ENGINE

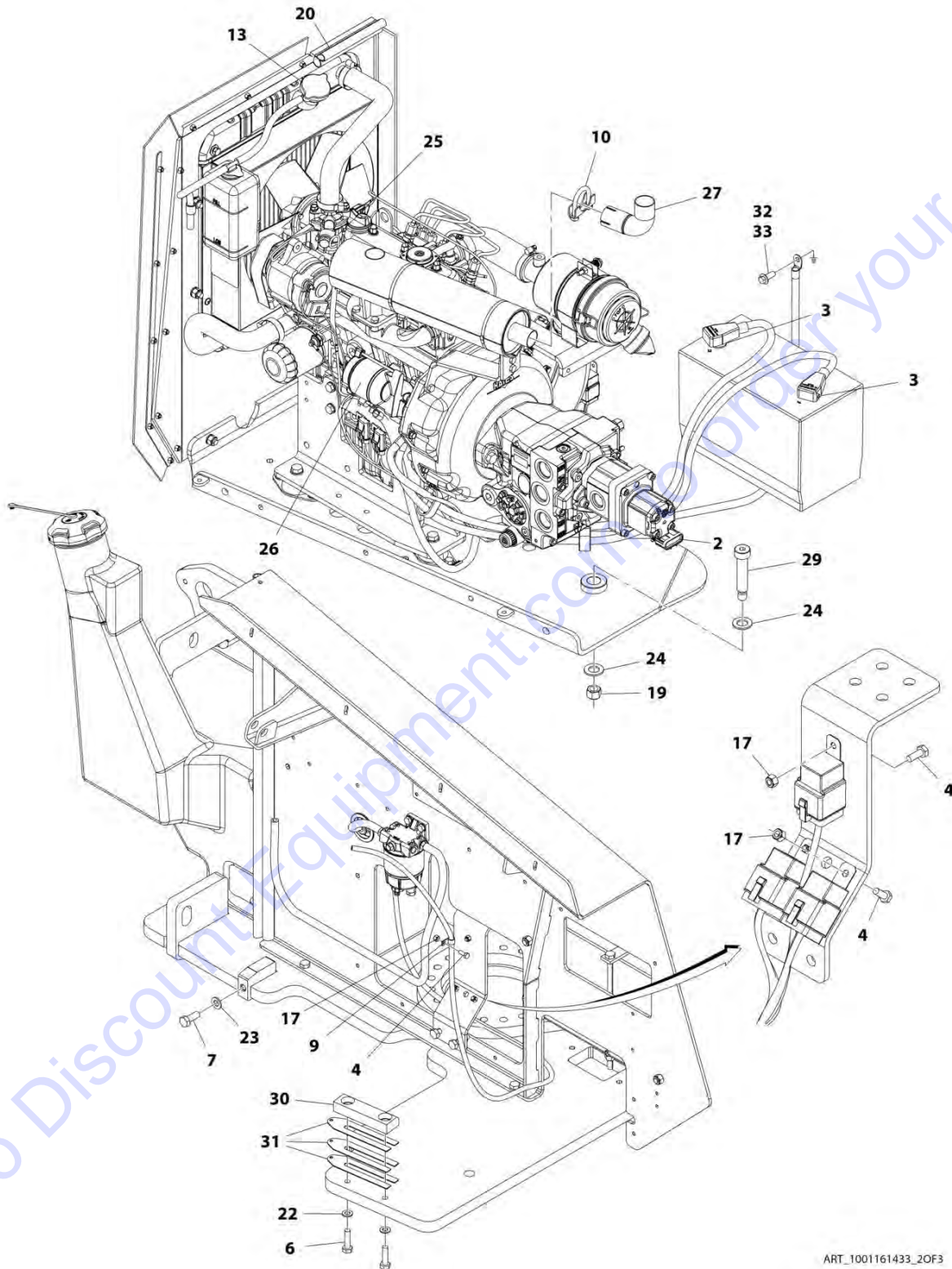
ITEM	PART NUMBER	QTY	DESCRIPTION	REV
		11.4L		

Go to Discount-Equipment.com to order your parts



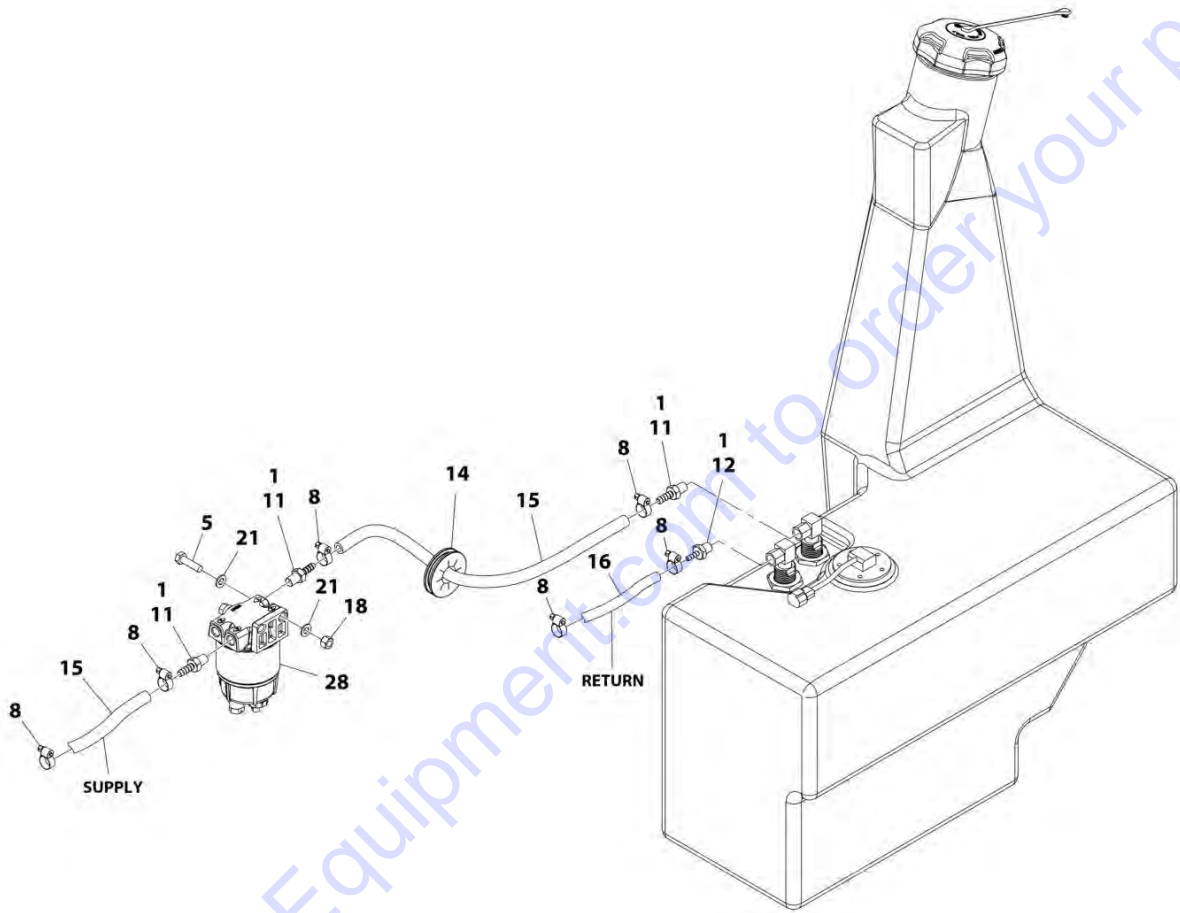
# SECTION 3 - ENGINE

## FIGURE 3-6. KUBOTA ENGINE INSTALLATION (WITHOUT ARCTIC PACKAGE)



ART\_1001161433\_20F3

# SECTION 3 - ENGINE



ART\_1001161433\_30F3

## SECTION 3 - ENGINE

FIGURE 3-6. KUBOTA ENGINE INSTALLATION (WITHOUT ARCTIC PACKAGE)

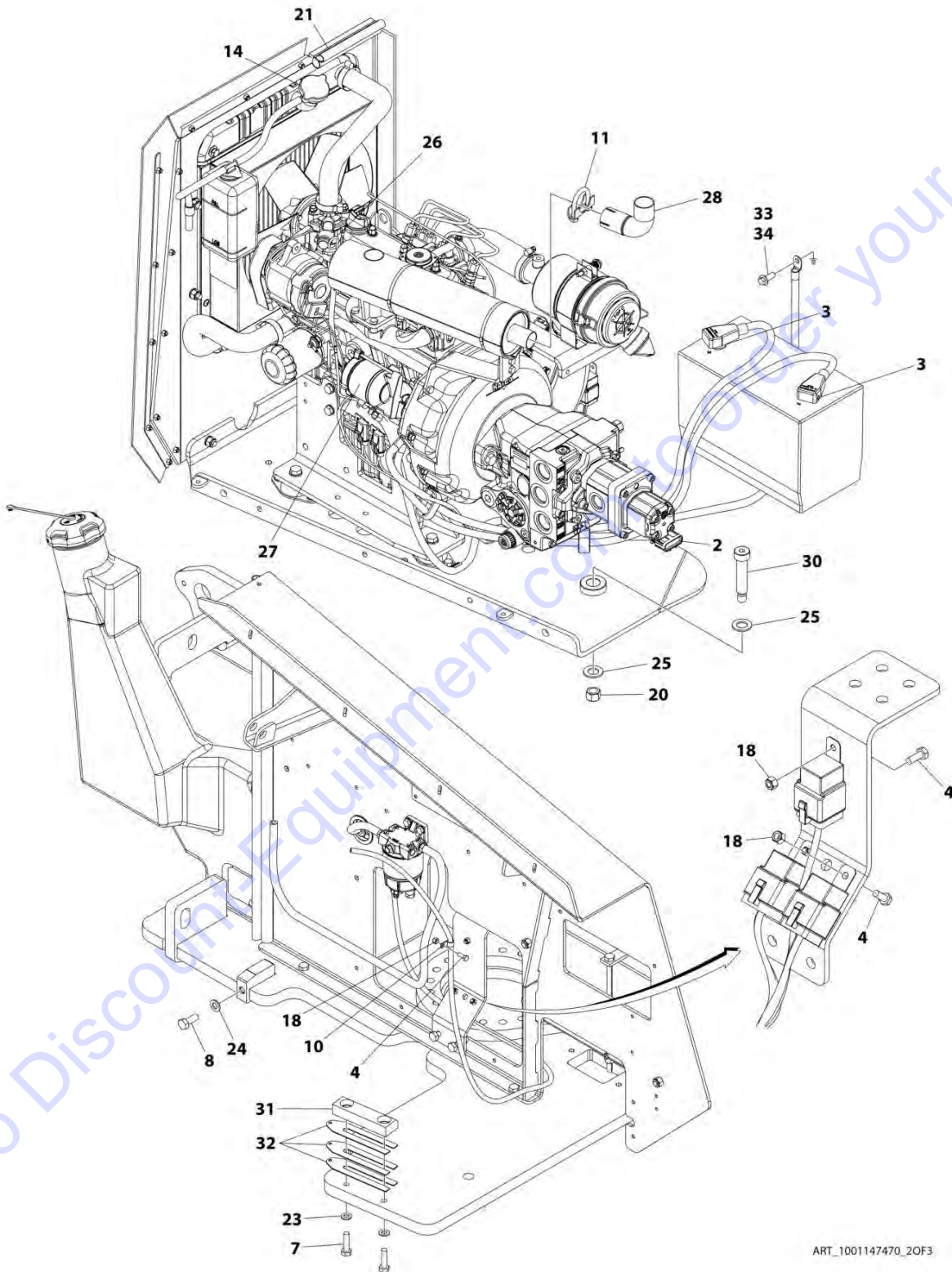
ITEM	PART NUMBER	QTY	DESCRIPTION	REV
	1001161433	Ref	KUBOTA ENGINE INSTALLATION (WITHOUT ARCTIC PACKAGE)	F
1	0100020	AR	Sealant, Pipe	
2	0100048	AR	Grease, Dielectric	
3	0100051	AR	Grease, Battery Terminal	
4	0760608	4	Bolt M6 x 16	
5	0760814	2	Bolt M8 x 30	
6	0761016	2	Bolt M10 x 40	
7	0761214	1	Bolt M12 x 30	
7	0761217	1	Bolt M12 x 45	
8	1320022	6	Clamp, Fuel Line	
9	1320043	1	Clamp, Cable	
10	1320274	1	Clamp, Muffler	
11	2180348	3	Fitting, Barbed	
12	2180666	1	Fitting, Barbed	
13	2300004	AR	Coolant	
14	2540045	1	Grommet	
15	2720058	7 ft/2.1m	Hose	
16	2720271	6.5 ft /2m	Hose	
17	3290605	4	Nut M6	
18	3290805	2	Nut M8	
19	3291605	1	Nut M16	
20	3960464	33 in /84cm	Seal	
21	4811900	4	Washer M8	
22	4812000	2	Washer M10	
23	4812102	1	Washer M12	
24	4812500	2	Washer M20	
25	1001159301	AR	Oil, Engine	
26	1001161432	NLA	Kubota Engine and Pump Sub-Assembly (Use P/N 1001238004) (See Kubota Engine and Pump Assembly for Breakdown) <b>(Prior to SN 0300253888)</b>	
26	1001238004	1	Kubota Engine and Pump Sub-Assembly (See Kubota Engine and Pump Assembly for Breakdown) <b>(SN 0300253888 to Present)</b>	
27	1001118548	1	Tube, Exhaust	
28	1001118619	1	Fuel Filter/Water Separator Assembly	
28	70002900	1	Filter, Fuel	
28	70002901	1	Bowl Kit - Water Separator (Includes Bowl, Drain and Plug)	
29	1001118646	1	Bolt M20 x 80	
30	1001120087	1	Pad, Wear	
31	1001120090	3	Shim 1.5	
32	0100011	AR	Compound, Locking	
33	5251012	1	Bolt M10 x 25	



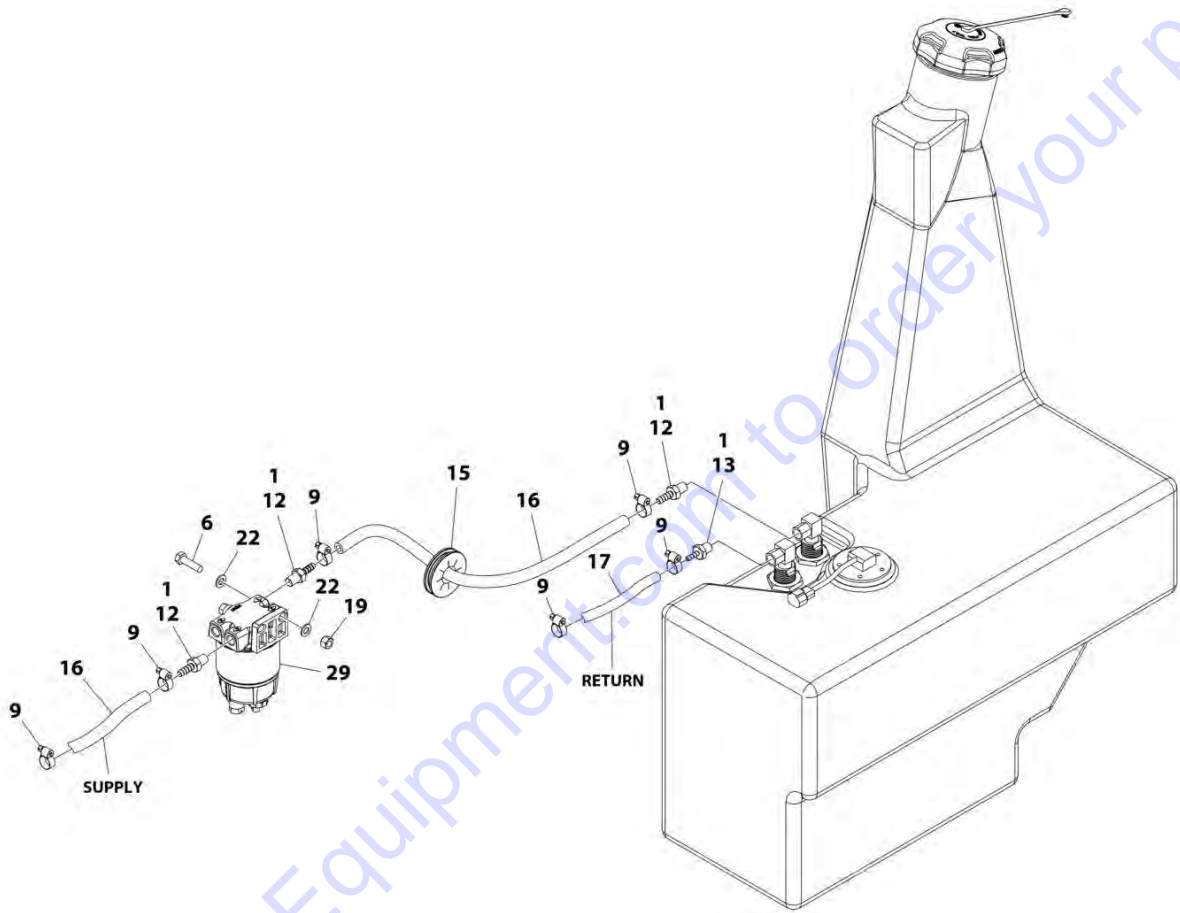


# SECTION 3 - ENGINE

## FIGURE 3-7. KUBOTA ENGINE INSTALLATION WITH 4000W GENERATOR (WITHOUT ARCTIC PACKAGE)



# SECTION 3 - ENGINE



ART\_1001147470\_30F3

## SECTION 3 - ENGINE

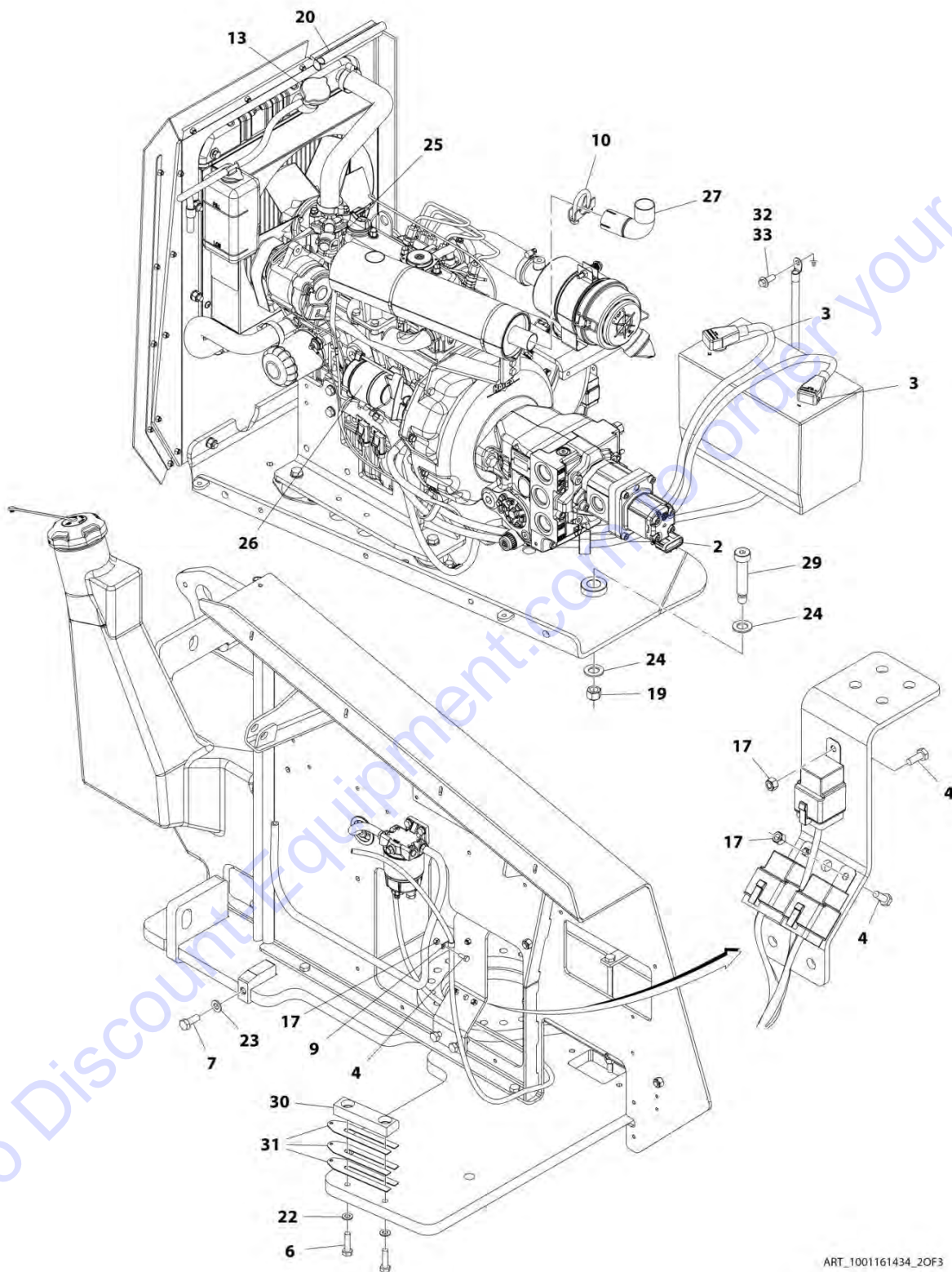
**FIGURE 3-7. KUBOTA ENGINE INSTALLATION WITH 4000W GENERATOR (WITHOUT ARCTIC PACKAGE)**

ITEM	PART NUMBER	QTY	DESCRIPTION	REV
	1001147470	Ref	KUBOTA ENGINE INSTALLATION WITH 4000W GENERATOR (WITHOUT ARCTIC PACKAGE)	E
1	0100020	AR	Sealant, Pipe	
2	0100048	AR	Grease, Dielectric	
3	0100051	AR	Grease, Battery Terminal	
4	0760608	4	Bolt M6 x 16	
6	0760814	2	Bolt M8 x 30	
7	0761016	2	Bolt M10 x 40	
8	0761214	1	Bolt M12 x 30	
9	1320022	6	Clamp, Fuel Line	
10	1320043	1	Clamp, Cable	
11	1320274	1	Clamp, Muffler	
12	2180348	3	Fitting, Barbed	
13	2180666	1	Fitting, Barbed	
14	2300004	AR	Coolant	
15	2540045	1	Grommet	
16	2720058	7 ft/2.1m	Hose	
17	2720271	6.5 ft/2m	Hose	
18	3290605	4	Nut M6	
19	3290805	2	Nut M8	
20	3291605	1	Nut M16	
21	3960464	33 in /84cm	Seal	
22	4811900	4	Washer M8	
23	4812000	2	Washer M10	
24	4812102	1	Washer M12	
25	4812500	2	Washer M20	
26	1001159301	AR	Oil, Engine (10W-30)	
27	1001147469	NLA	Kubota Engine and Pump Sub-Assembly (Use P/N 1001238005) (See KUBOTA ENGINE AND PUMP SUB-ASSEMBLY for Breakdown) <b>(Prior to SN 0300253888)</b>	
27	1001238005	1	Kubota Engine and Pump Sub-Assembly (See KUBOTA ENGINE AND PUMP SUB-ASSEMBLY for Breakdown) <b>(SN 0300253888 to Present)</b>	
28	1001118548	1	Tube, Exhaust	
29	1001118619	1	Fuel Filter/Water Separator Assembly	
29	70002900	1	Filter, Fuel	
29	70002901	1	Bowl Kit - Water Separator (Includes Bowl, Drain and Plug)	
30	1001118646	1	Bolt M20 x 80	
31	1001120087	1	Pad, Wear	
32	1001120090	3	Shim 1.5	
33	0100011	AR	Compound, Locking	
34	5251012	1	Bolt M10 x 25	



# SECTION 3 - ENGINE

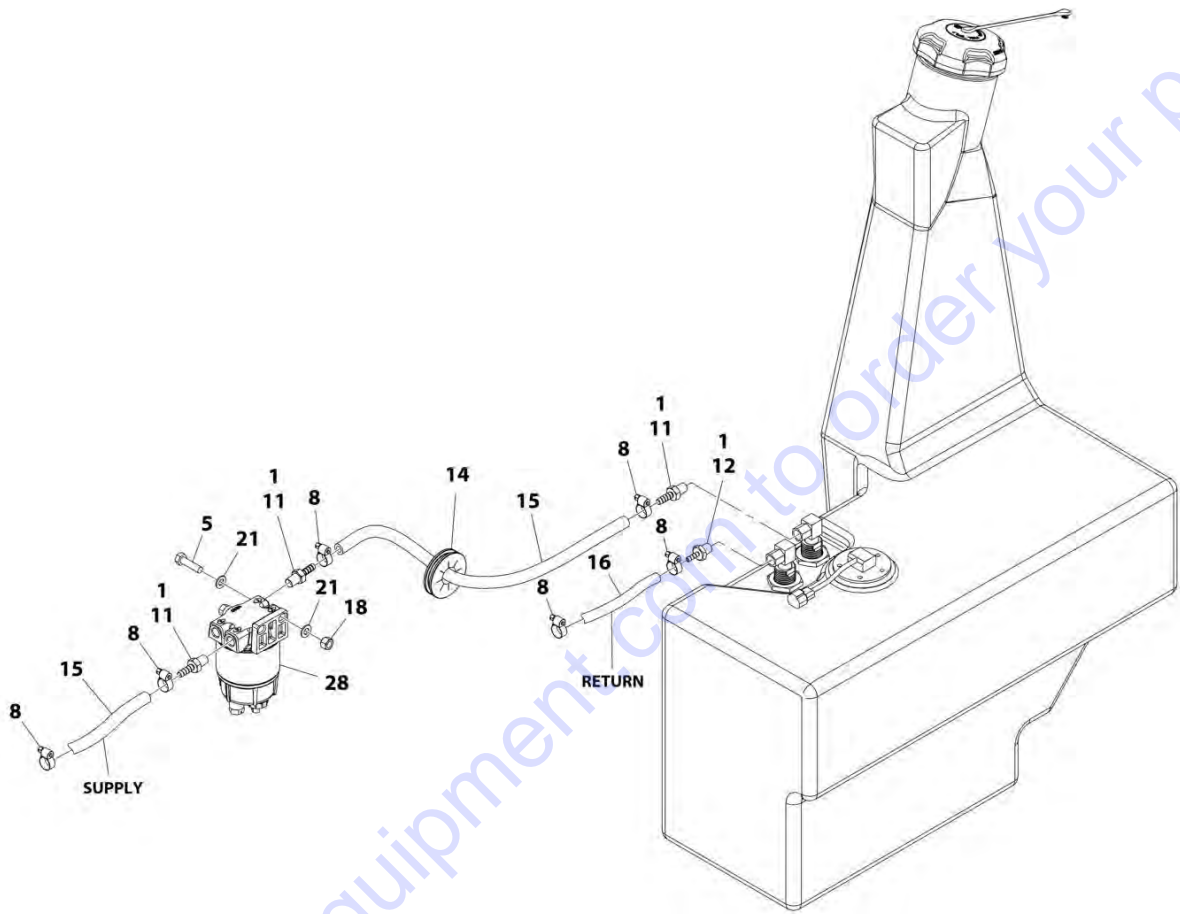
## FIGURE 3-8. KUBOTA ENGINE INSTALLATION (WITH ARCTIC PACKAGE)



ART\_1001161434\_20F3



# SECTION 3 - ENGINE



ART\_1001161434\_30F3



## SECTION 3 - ENGINE

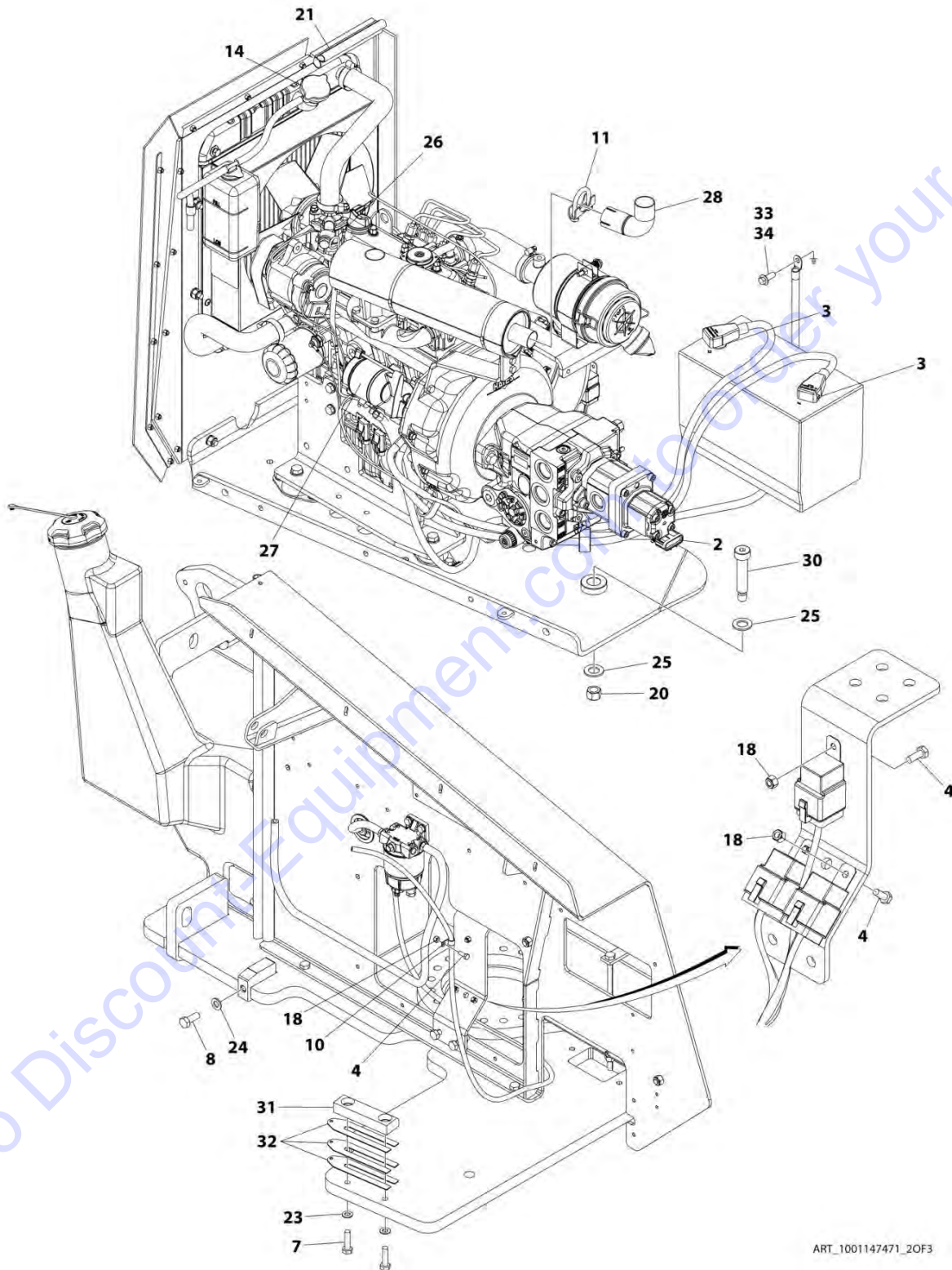
FIGURE 3-8. KUBOTA ENGINE INSTALLATION (WITH ARCTIC PACKAGE)

ITEM	PART NUMBER	QTY	DESCRIPTION	REV
	1001161434	Ref	KUBOTA ENGINE INSTALLATION (WITH ARCTIC PACKAGE)	F
1	0100020	AR	Sealant, Pipe	
2	0100048	AR	Grease, Dielectric	
3	0100051	AR	Grease, Battery Terminal	
4	0760608	4	Bolt M6 x 16	
5	0760814	2	Bolt M8 x 30	
6	0761016	2	Bolt M10 x 40	
7	0761214	1	Bolt M12 x 30	
7	0761217	1	Bolt M12 x 45	
8	1320022	6	Clamp, Fuel Line	
9	1320043	1	Clamp, Cable	
10	1320274	1	Clamp, Muffler	
11	2180348	3	Fitting, Barbed	
12	2180666	1	Fitting, Barbed	
13	2300041	AR	Coolant	
14	2540045	1	Grommet	
15	2720058	7 ft/2.1m	Hose	
16	2720271	6.5 ft/2m	Hose	
17	3290605	4	Nut M6	
18	3290805	2	Nut M8	
19	3291605	1	Nut M16	
20	3960464	33 in /84cm	Seal	
21	4811900	4	Washer M8	
22	4812000	2	Washer M10	
23	4812102	1	Washer M12	
24	4812500	2	Washer M20	
25	1001176938	AR	Oil, Engine	
26	1001161432	NLA	Kubota Engine and Pump Sub-Assembly (Use P/N 1001238004) (See Kubota Engine and Pump Assembly for Breakdown) <b>(Prior to SN 0300253888)</b>	
26	1001238004	1	Kubota Engine and Pump Sub-Assembly (See Kubota Engine and Pump Assembly for Breakdown) <b>(SN 0300253888 to Present)</b>	
27	1001118548	1	Tube, Exhaust	
28	1001118619	1	Fuel Filter/Water Separator Assembly	
28	70002900	1	Filter, Fuel	
28	70002901	1	Bowl Kit - Water Separator (Includes Bowl, Drain and Plug)	
29	1001118646	1	Bolt M20 x 80	
30	1001120087	1	Pad, Wear	
31	1001120090	3	Shim 1.5	
32	0100011	AR	Compound, Locking	
33	5251012	1	Bolt M10 x 25	

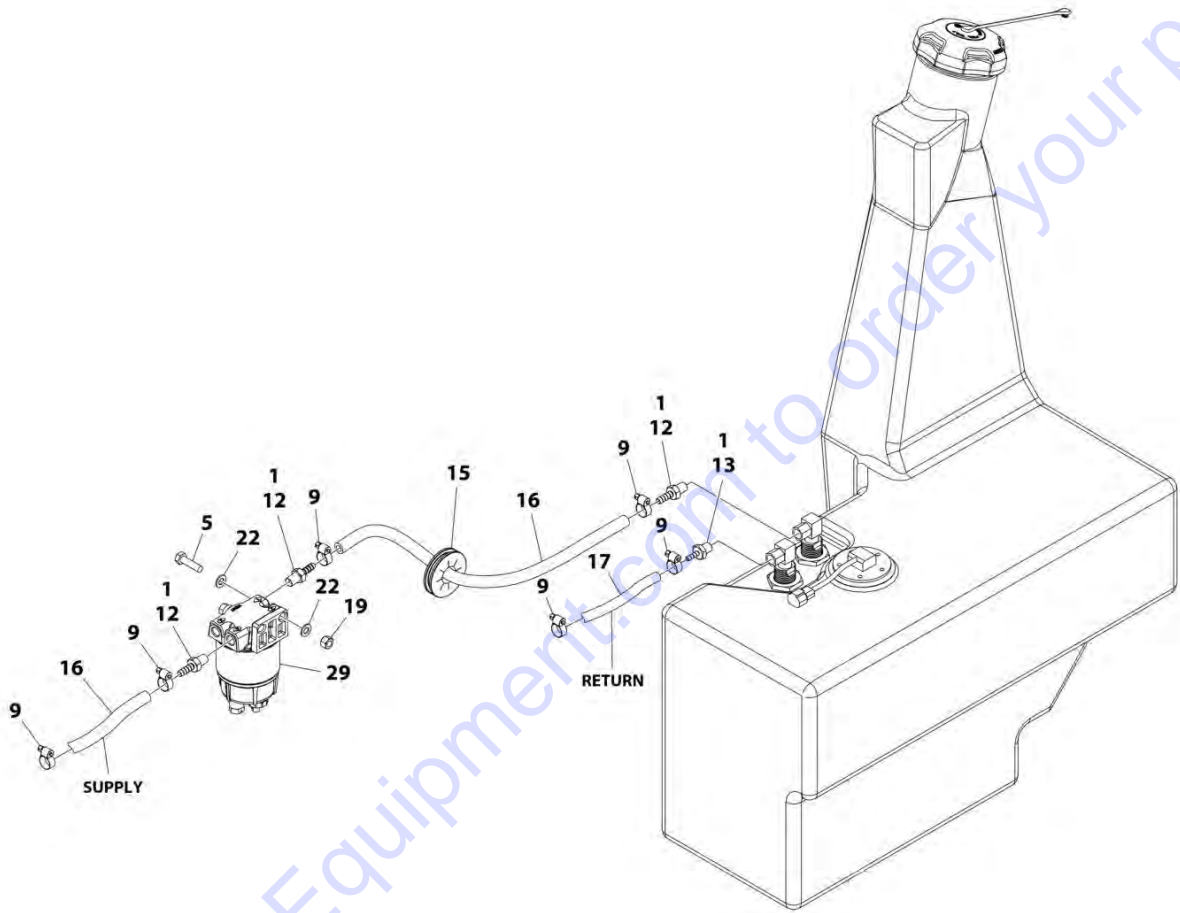


# SECTION 3 - ENGINE

## FIGURE 3-9. KUBOTA ENGINE INSTALLATION WITH 4000W GENERATOR (WITH ARCTIC PACKAGE)



# SECTION 3 - ENGINE



ART\_1001147471\_30F3

## SECTION 3 - ENGINE

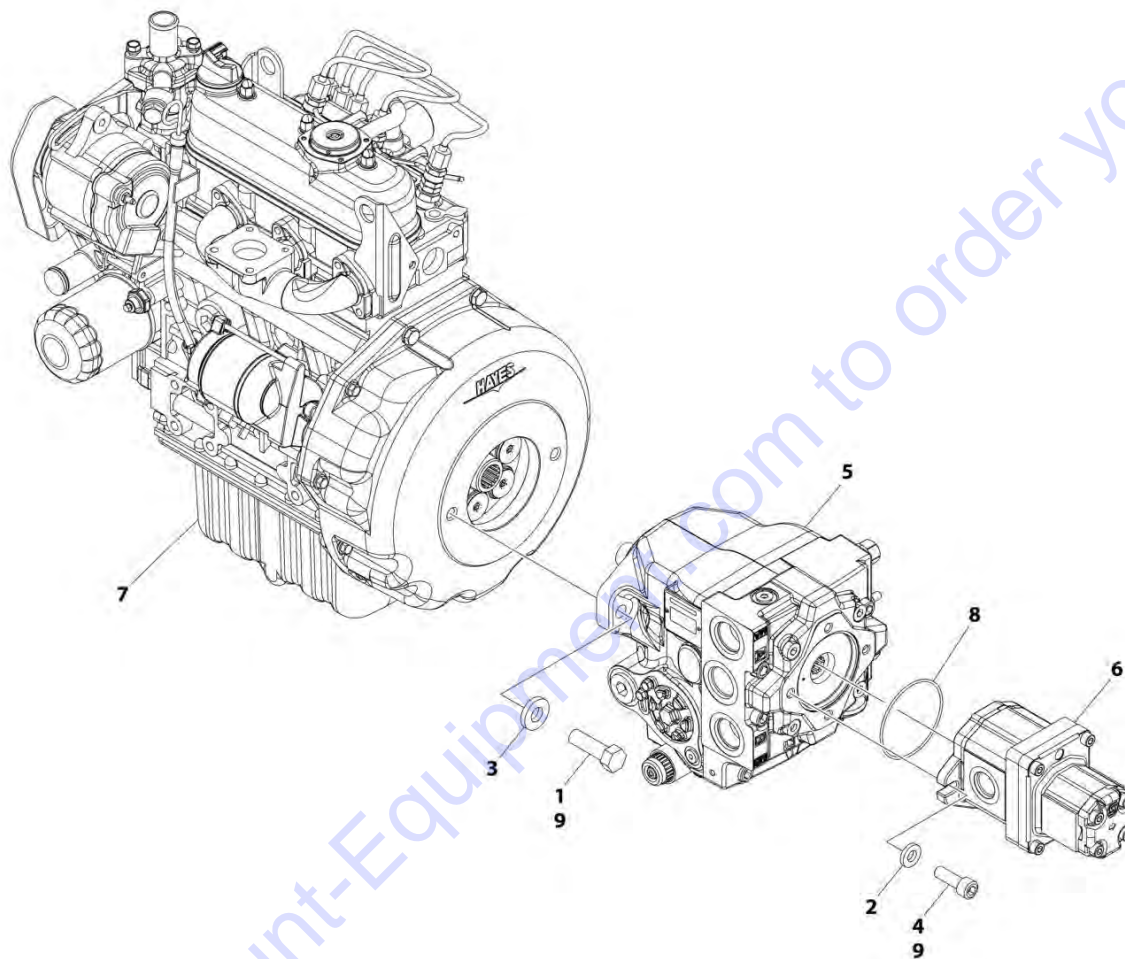
**FIGURE 3-9. KUBOTA ENGINE INSTALLATION WITH 4000W GENERATOR (WITH ARCTIC PACKAGE)**

ITEM	PART NUMBER	QTY	DESCRIPTION	REV
	1001147471	Ref	KUBOTA ENGINE INSTALLATION WITH 4000W GENERATOR (WITH ARCTIC PACKAGE)	E
1	0100020	AR	Sealant, Pipe	
2	0100048	AR	Grease, Dielectric	
3	0100051	AR	Grease, Battery Terminal	
4	0760608	4	Bolt M6 x 16	
5	0760814	2	Bolt M8 x 30	
7	0761016	2	Bolt M10 x 40	
8	0761214	1	Bolt M12 x 30	
9	1320022	6	Clamp, Fuel Line	
10	1320043	1	Clamp, Cable	
11	1320274	1	Clamp, Muffler	
12	2180348	3	Fitting, Barbed	
13	2180666	1	Fitting, Barbed	
14	2300041	AR	Coolant	
15	2540045	1	Grommet	
16	2720058	7 ft/2.1m	Hose	
17	2720271	6.5 ft/2m	Hose	
18	3290605	4	Nut M6	
19	3290805	2	Nut M8	
20	3291605	1	Nut M16	
21	3960464	33 in /84cm	Seal	
22	4811900	4	Washer M8	
23	4812000	2	Washer M10	
24	4812102	1	Washer M12	
25	4812500	2	Washer M20	
26	1001176938	AR	Oil, Engine	
27	1001147469	NLA	Kubota Engine and Pump Sub-Assembly (Use P/N 1001238005) (See KUBOTA ENGINE AND PUMP SUB-ASSEMBLY for Breakdown) <b>(Prior to SN 0300253888)</b>	
27	1001238005	1	Kubota Engine and Pump Sub-Assembly (See KUBOTA ENGINE AND PUMP SUB-ASSEMBLY for Breakdown) <b>(SN 0300253888 to Present)</b>	
28	1001118548	1	Tube, Exhaust	
29	1001118619	1	Fuel Filter/Water Separator Assembly	
29	70002900	1	Filter, Fuel	
29	70002901	1	Bowl Kit - Water Separator (Includes Bowl, Drain and Plug)	
30	1001118646	1	Bolt M20 x 80	
31	1001120087	1	Pad, Wear	
32	1001120090	3	Shim 1.5	
33	0100011	AR	Compound, Locking	
34	5251012	1	Bolt M10 x 25	



# SECTION 3 - ENGINE

FIGURE 3-10. KUBOTA ENGINE AND PUMP SUB-ASSEMBLY (Prior to SN 0300253888)



ART\_1001161432



## SECTION 3 - ENGINE

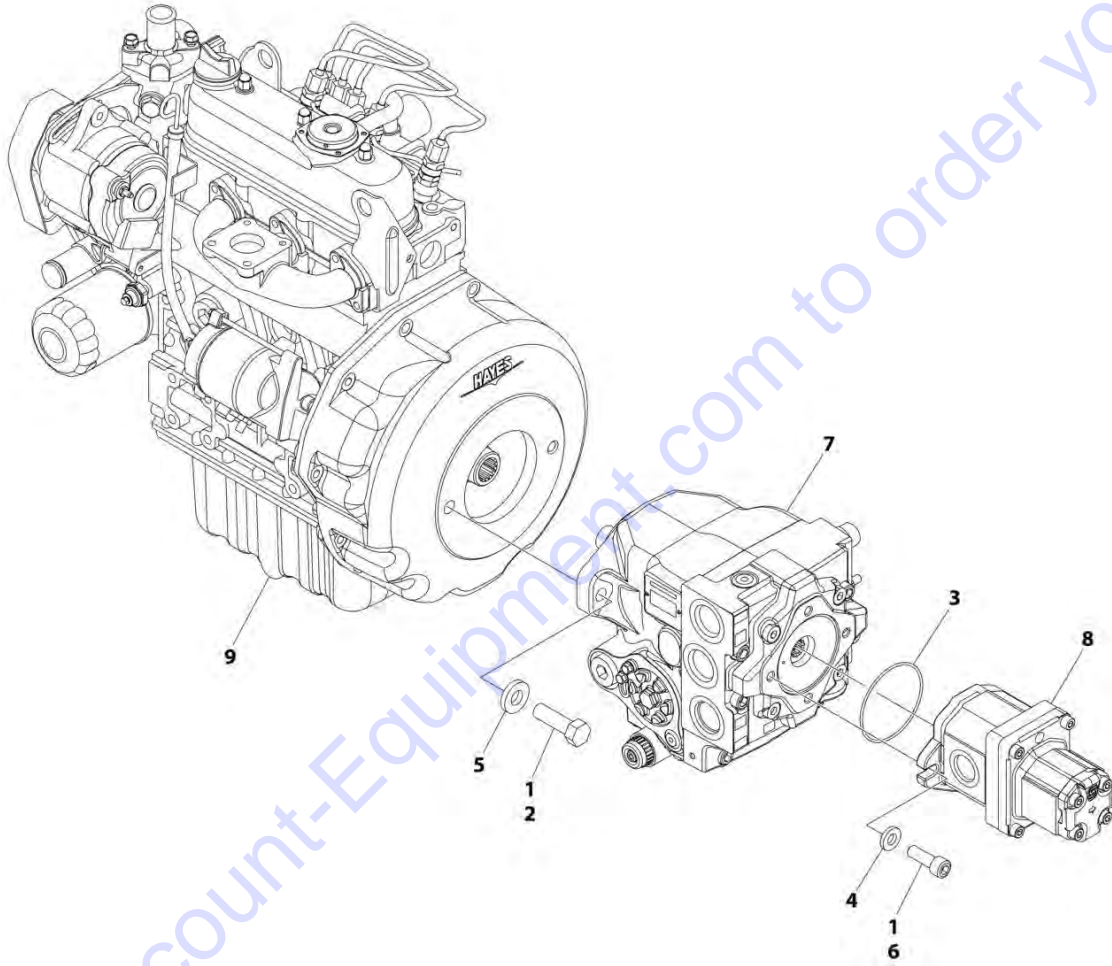
**FIGURE 3-10. KUBOTA ENGINE AND PUMP SUB-ASSEMBLY (Prior to SN 0300253888)**

ITEM	PART NUMBER	QTY	DESCRIPTION	REV
	1001161432	Ref	KUBOTA ENGINE AND PUMP SUB-ASSEMBLY	E
1	0641813	2	Bolt 1/2 x 1-5/8	
2	4891600	2	Washer 3/8	
3	4891800	2	Washer 1/2	
4	83191040	2	Capscrew M10 x 30	
5	1001117028	1	Axial Pump Assembly (See AXIAL PUMP ASSEMBLY for Breakdown)	
6	1001117029	1	Gear Pump Assembly (See GEAR PUMP ASSEMBLY for Breakdown)	
7	1001161431	NLA	Kubota Engine Assembly (Use p/n 1001238001) (See KUBOTA ENGINE ASSEMBLY for Breakdown)	
8	3790152	1	O-Ring	
9	0100011	AR	Compound, Locking	

Go to Discount-Equipment.com to order your parts

## SECTION 3 - ENGINE

FIGURE 3-11. KUBOTA ENGINE AND PUMP SUB-ASSEMBLY (SN 0300253888 to Present)



ART\_1001238004

## SECTION 3 - ENGINE

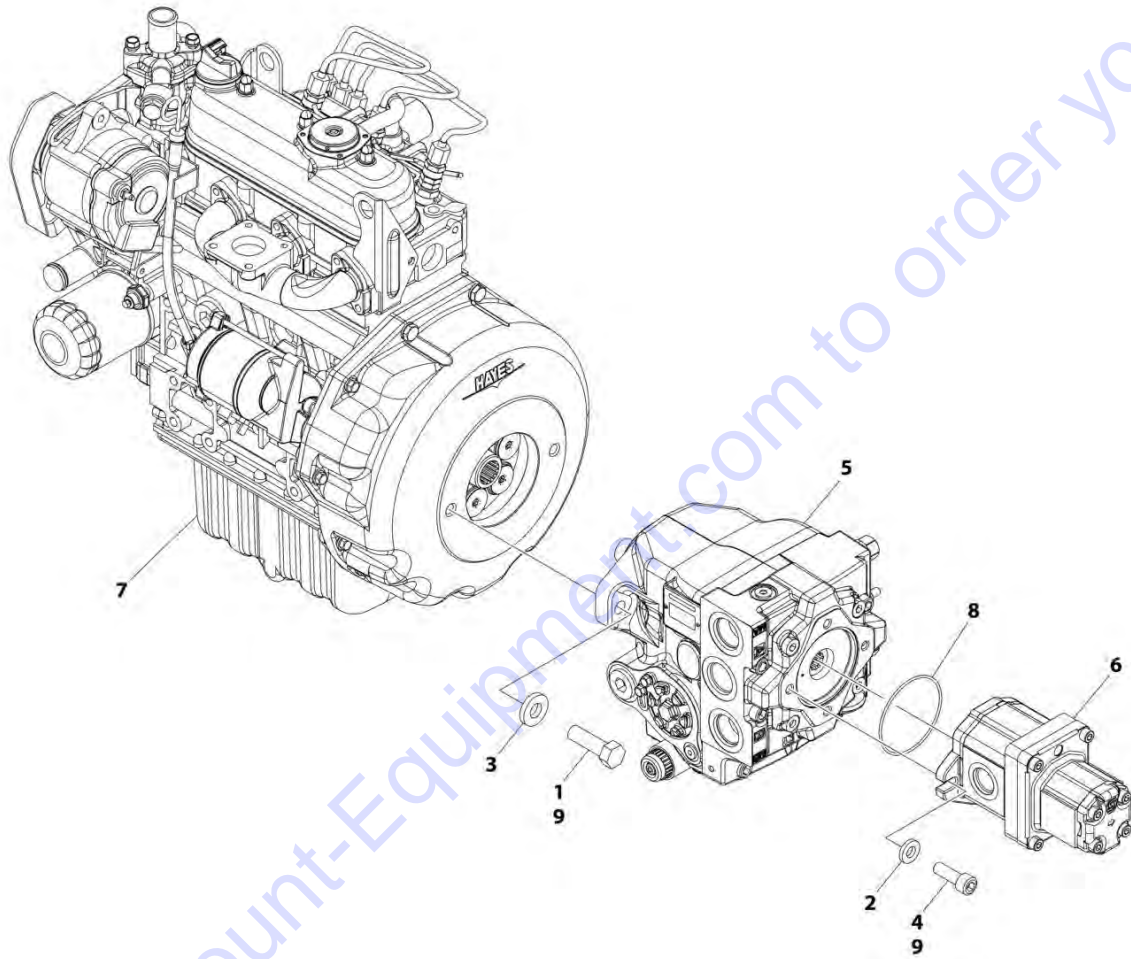
**FIGURE 3-11. KUBOTA ENGINE AND PUMP SUB-ASSEMBLY (SN 0300253888 to Present)**

ITEM	PART NUMBER	QTY	DESCRIPTION	REV
	1001238004	Ref	KUBOTA ENGINE AND PUMP SUB-ASSEMBLY	B
1	0100011	AR	Compound, Locking	
2	0641813	2	Bolt 1/2 x 1-5/8	
3	3790152	1	O-Ring	
4	4891600	2	Washer 3/8	
5	4891800	2	Washer 1/2	
6	83191040	2	Capscrew M10 x 30	
7	1001117028	1	Axial Pump Assembly (See AXIAL PUMP ASSEMBLY for Breakdown)	
8	1001117029	1	Gear Pump Assembly (See GEAR PUMP ASSEMBLY for Breakdown)	
9	1001238001	1	Kubota Engine Assembly (Use p/n 1001238001) (See KUBOTA ENGINE ASSEMBLY for Breakdown)	

Go to Discount-Equipment.com to order your parts

## SECTION 3 - ENGINE

FIGURE 3-12. KUBOTA ENGINE WITH 4000W GENERATOR AND PUMP SUB-ASSEMBLY (Prior to SN 0300253888)



ART\_1001147469

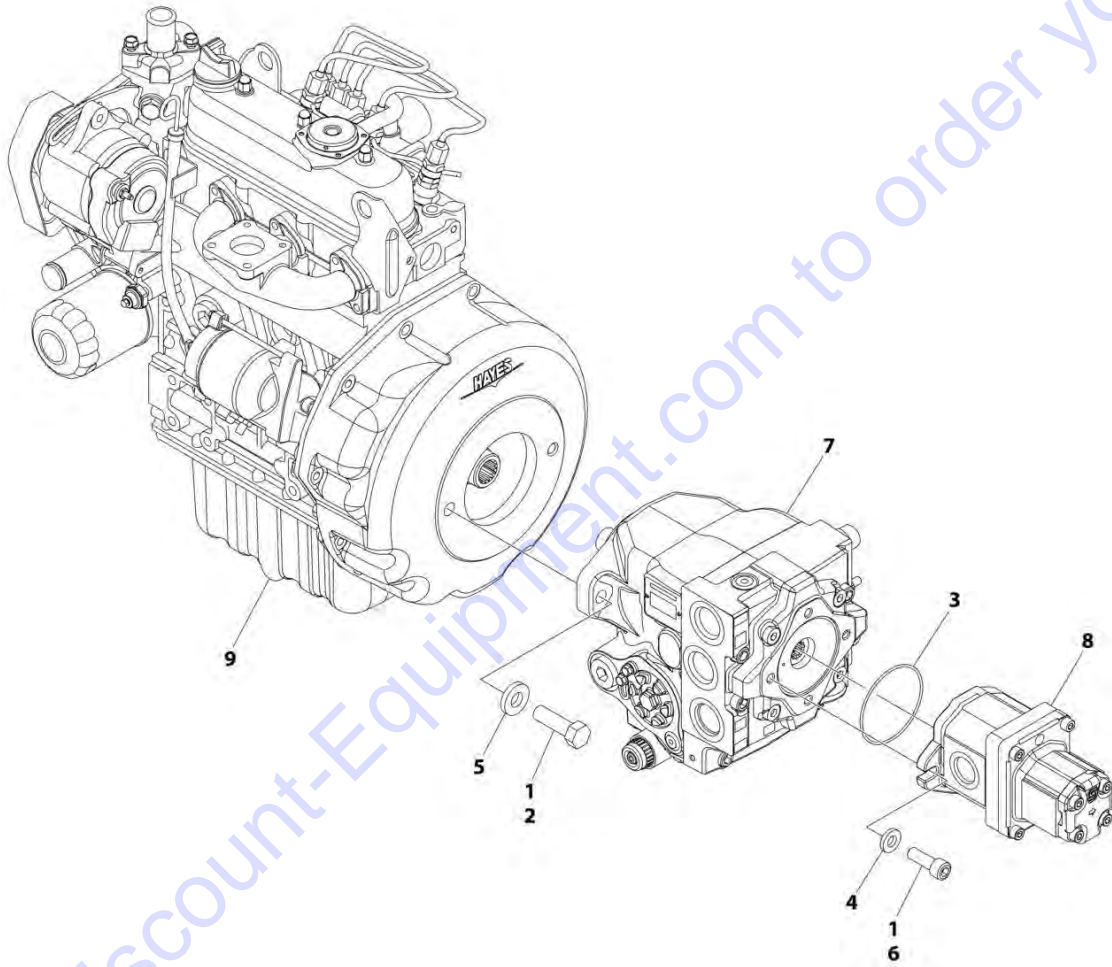
## SECTION 3 - ENGINE

**FIGURE 3-12. KUBOTA ENGINE WITH 4000W GENERATOR AND PUMP SUB-ASSEMBLY (Prior to SN 0300253888)**

ITEM	PART NUMBER	QTY	DESCRIPTION	REV
	1001147469	Ref	KUBOTA ENGINE WITH 4000W GENERATOR AND PUMP SUB-ASSEMBLY	C
1	0641813	2	Bolt 1/2 x 1-5/8	
2	4891600	2	Washer 3/8	
3	4891800	2	Washer 1/2	
4	83191040	2	Capscrew M10 x 30	
5	1001117028	1	Axial Pump Assembly (See AXIAL PUMP ASSEMBLY for Breakdown)	
6	1001117029	1	Gear Pump Assembly (See GEAR PUMP ASSEMBLY for Breakdown)	
7	1001147468	NLA	Kubota Engine Assembly with 4000W Generator (Use p/n 1001238002) (See KUBOTA ENGINE ASSEMBLY WITH 4000W GENERATOR for Breakdown)	
8	3790152	1	O-Ring	
9	0100011	AR	Compound, Locking	

## SECTION 3 - ENGINE

FIGURE 3-13. KUBOTA ENGINE WITH 4000W GENERATOR AND PUMP SUB-ASSEMBLY (SN 0300253888 to Present)



ART\_1001238005

## SECTION 3 - ENGINE

**FIGURE 3-13. KUBOTA ENGINE WITH 4000W GENERATOR AND PUMP SUB-ASSEMBLY (SN 0300253888 to Present)**

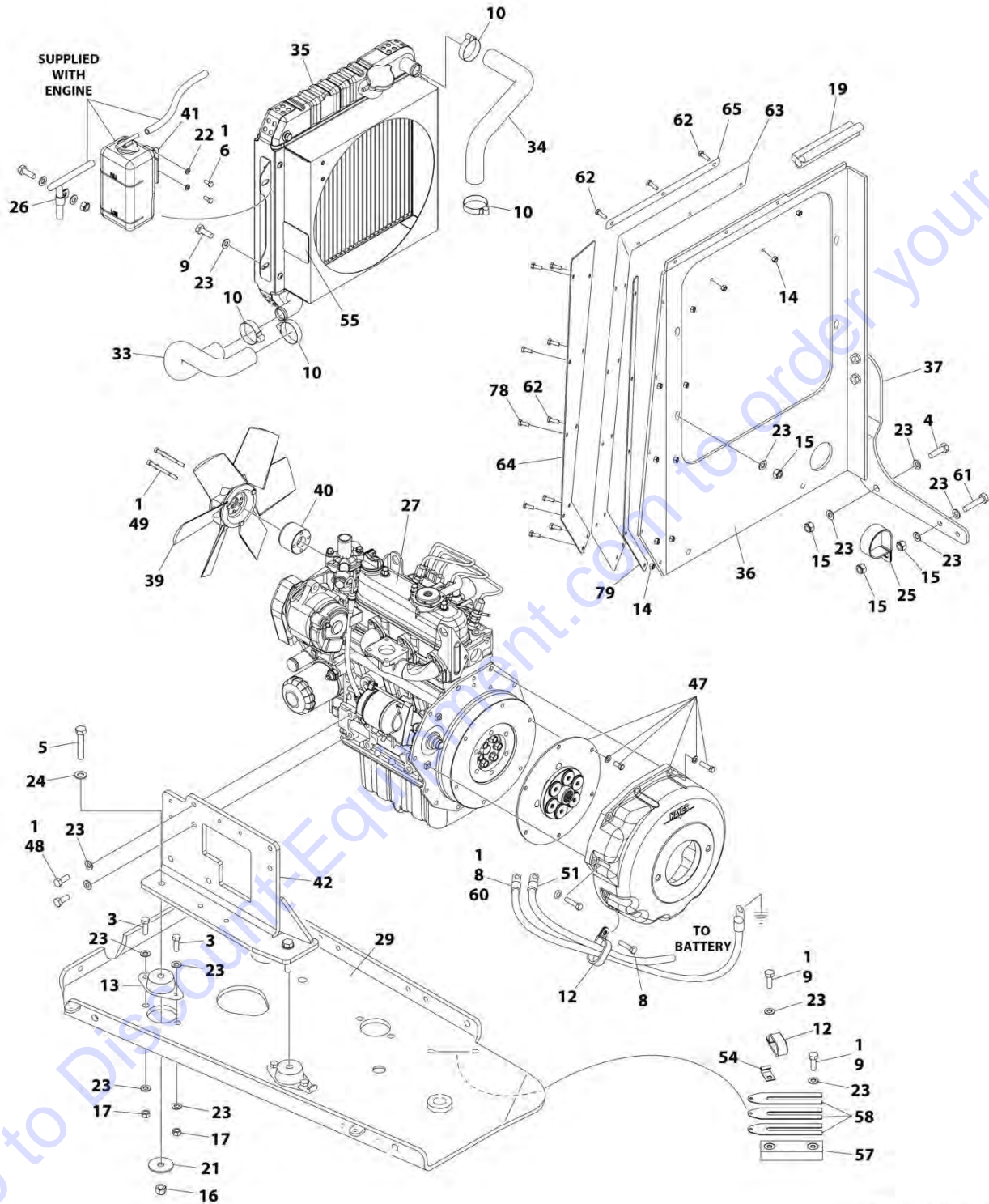
ITEM	PART NUMBER	QTY	DESCRIPTION	REV
	1001238005	Ref	KUBOTA ENGINE WITH 4000W GENERATOR AND PUMP SUB-ASSEMBLY	B
1	0100011	AR	Compound, Locking	
2	0641813	2	Bolt 1/2 x 1-5/8	
3	3790152	1	O-Ring	
4	4891600	2	Washer 3/8	
5	4891800	2	Washer 1/2	
6	83191040	2	Capscrew M10 x 30	
7	1001117028	1	Axial Pump Assembly (See AXIAL PUMP ASSEMBLY for Breakdown)	
8	1001117029	1	Gear Pump Assembly (See GEAR PUMP ASSEMBLY for Breakdown)	
9	1001238002	1	Kubota Engine Assembly with 4000W Generator (Use p/n 1001238002) (See KUBOTA ENGINE ASSEMBLY WITH 4000W GENERATOR for Breakdown)	

Go to Discount-Equipment.com to order your parts



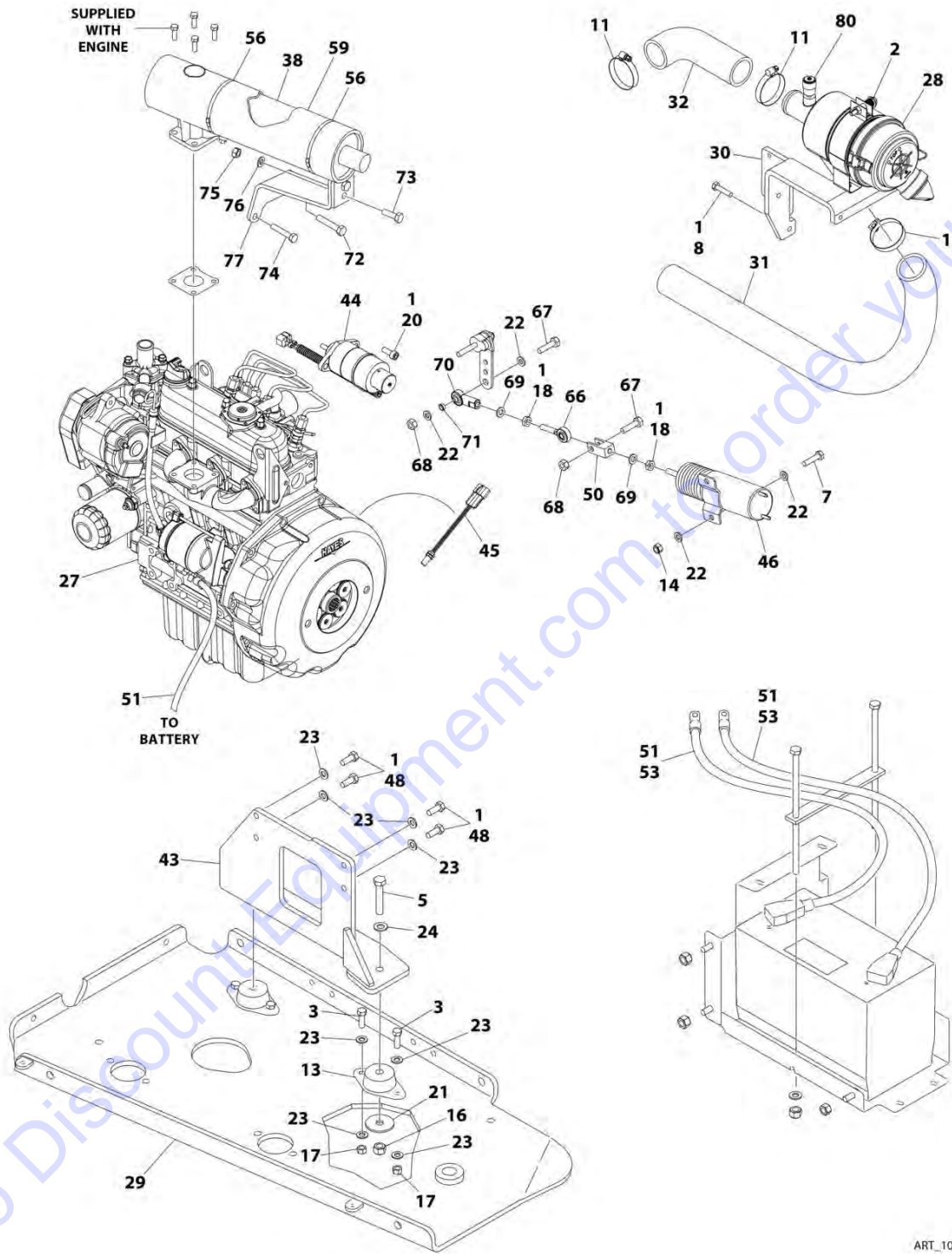
# SECTION 3 - ENGINE

## FIGURE 3-14. KUBOTA ENGINE ASSEMBLY (Prior to SN 0300253888)



ART\_1001161431\_10F2

# SECTION 3 - ENGINE



ART\_1001161431\_20F2

## SECTION 3 - ENGINE

FIGURE 3-14. KUBOTA ENGINE ASSEMBLY (Prior to SN 0300253888)

ITEM	PART NUMBER	QTY	DESCRIPTION	REV
	1001161431	Ref	KUBOTA ENGINE ASSEMBLY	F
1	0100011	AR	Compound, Locking	
2	0340045	1	Band, Mounting	
3	0641609	8	Bolt 3/8 x 1-1/8	
4	0701015	6	Bolt M10 x 35	
5	0701221	4	Bolt M12 x 65	
6	0760607	2	Bolt M6 x 14	
7	0760612	4	Bolt M6 x 25	
8	0760815	3	Bolt M8 x 35	
9	0761014	6	Bolt M10 x 30	
10	1320012	4	Clamp	
11	1321682	3	Clamp	
12	1321716	2	Clamp	
13	1001120307	4	Mount, Motor	
14	3290605	17	Nut M6	
15	3291005	12	Nut M10	
16	3291205	4	Nut M12	
17	3311605	8	Nut 3/8	
18	3321402	2	Nut 1/4	
19	3960464	6.5 in /17cm	Seal	
20	4031707	2	Capscrew M6 x 16	
21	4740274	4	Washer	
22	4811700	12	Washer M6	
23	4812000	48	Washer M10	
24	4812100	4	Washer M12	
25	80673025	1	P-Clamp	
26	85941016	1	Clamp	
27	1001157966	NLA	Kubota Engine Components (Use p/n 1001237999) (See KUBOTA ENGINE COMPONENTS for Breakdown)	
28	1001118280	1	Air Filter Assembly	A
28	7015004	1	Element, Air Filter	
28	1340069	1	Valve, Vacuum	
28	7015005	1	Cover	
29	1001118453	1	Tray, Engine	
30	1001128214	1	Bracket, Air Filter	
31	1001118527	1	Hose, Air Intake	
32	1001118528	1	Hose, Air Intake	
33	1001118529	1	Hose, Lower Radiator	
34	1001118530	1	Hose, Upper Radiator	
35	1001118531	1	Radiator	
35	70002899	1	Cap, Radiator	
36	1001118532	1	Mount, Radiator	
37	1001119698	1	Gusset, Radiator	
38		Ref	Muffler Options:	
38	1001118547	NLA	Standard (Use p/n 1001151187)	
38	1001120007	NLA	Catalytic (Use p/n 1001151188)	
39	1001118538	1	Fan	
40	1001118539	1	Spacer, Fan	
41	1001118540	1	Bracket, Coolant Overflow Tank	

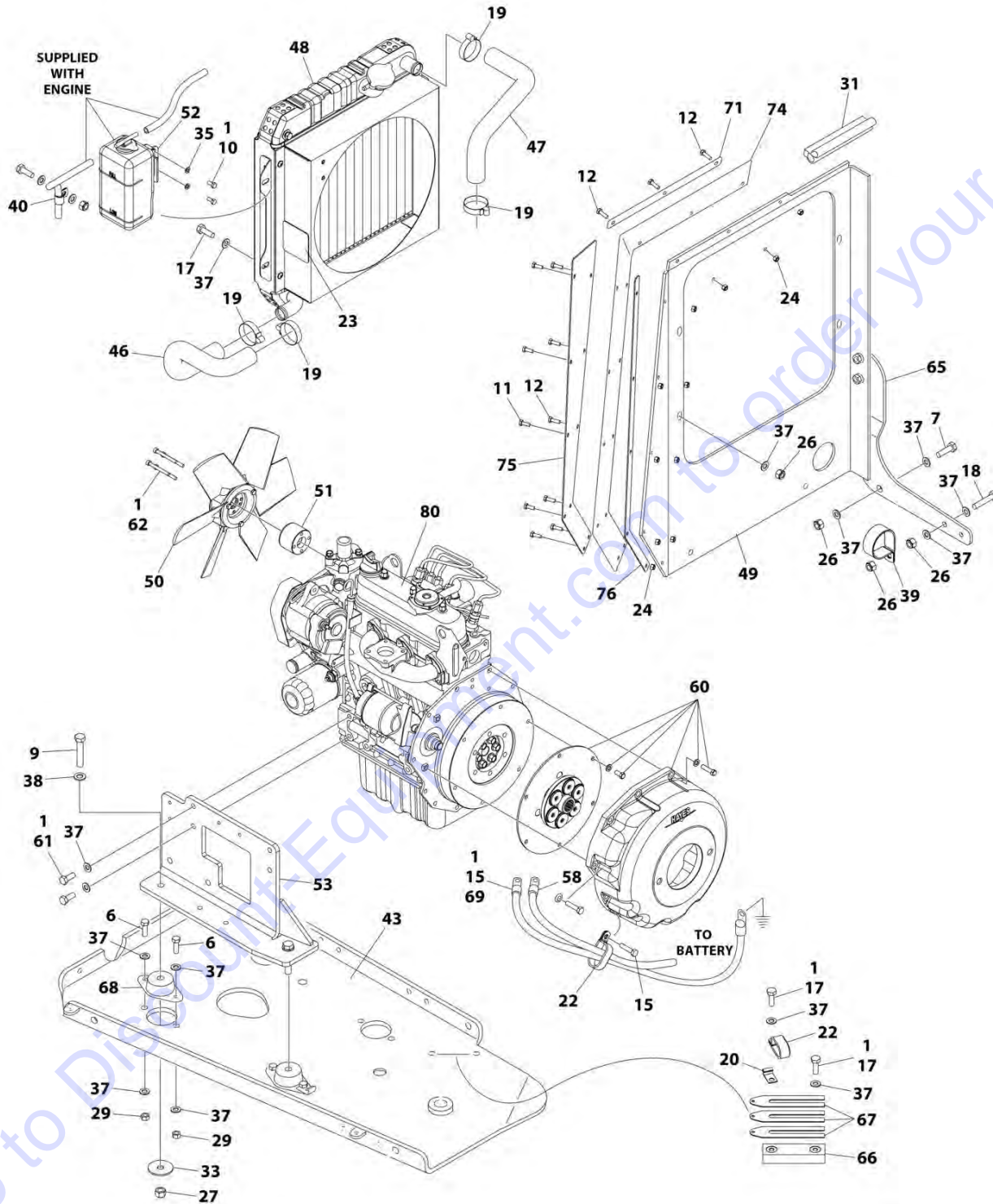
## SECTION 3 - ENGINE

ITEM	PART NUMBER	QTY	DESCRIPTION	REV
42	100118542	1	Plate, LH Front Engine	
43	100118543	1	Plate, RH Front Engine	
44	100118579	1	Actuator, Kubota Governor	
44	7023134	1	Gasket, Mounting	
45	100118580	1	Sensor, Speed	
46	100118582	1	Actuator, Kubota Throttle	
47	100118675	1	Flywheel Housing/Coupling Kit	
47	See Note	NSS	Coupling Assembly (Note: Use p/n 100118675)	
47	See Note	NSS	Housing (Note: Use p/n 100118675)	
47	See Note	NSS	Bolt Kit (Note: Use p/n 100118675)	
48	100118746	8	Bolt M10 x 25	
49	100118878	4	Bolt M6 x 55	
50	100118881	1	Clevis, Actuator	
51	100118594	1	Battery Cable Kit	
51	4461231	1	Battery Terminal and Red Cover Only (No Cable)	
51	4461232	1	Battery Terminal and Black Cover Only (No Cable)	
52	100118638	1	Harness, Engine (Not Shown - See ELECTRICAL SECTION for Breakdown)	
53	0100048	AR	Grease, Dielectric	
54	1320223	2	J-Clip	
55	1703162	2	Decal - Fan Blade	
56	1001100825	2	Strap	
57	1001120087	1	Pad, Wear	
58	1001120090	3	Shim	
59	1001121531	1	Insulation, Muffler	
60	1001120450	1	Cable, Ground	
61	0761018	1	Bolt M10 x 50	
62	0760610	8	Bolt M6 x 20	
63	1001147365	1	Seal, Radiator Hood	
64	1001147642	1	Plate, Seal Support	
65	1001123018	1	Plate, Seal Support	
66	0440334	1	End, Rod with Bearing	
67	0641408	2	Bolt 1/4 x 1	
68	3311405	2	Nut 1/4	
69	4761400	2	Washer 1/4	
70	100118925	1	End, Rod with Bearing	
71	1001128888	1	Spacer	
72	0701017	1	Bolt M10 x 45	
73	0760812	2	Bolt M8 x 25	
74	0760817	1	Bolt M8 x 45	
75	3290807	2	Nut M8 x 1.25	
76	4811900	2	Washer M8	
77	1001149379	1	Bracket	
78	0760608	5	Bolt M6 x 1.25	
79	1001147643	1	Plate, Seal Support	
80	1001170981	1	Indicator, Air Intake Restriction (SN 0300236110 through 0300253887)	



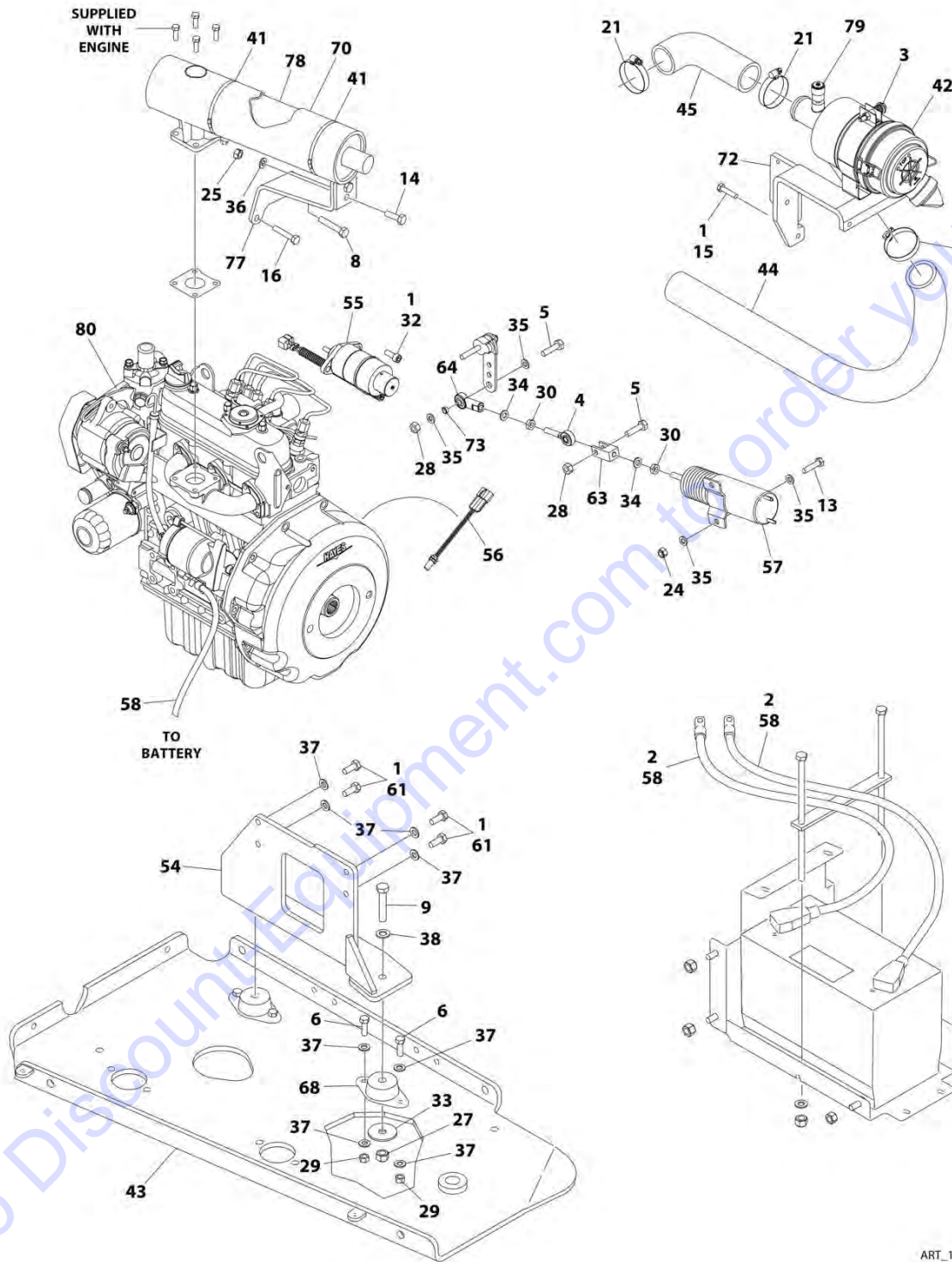
# SECTION 3 - ENGINE

## FIGURE 3-15. KUBOTA ENGINE ASSEMBLY (SN 0300253888 to Present)



ART\_1001238001\_1OF2

# SECTION 3 - ENGINE



ART\_1001238001\_20F2

## SECTION 3 - ENGINE

FIGURE 3-15. KUBOTA ENGINE ASSEMBLY (SN 0300253888 to Present)

ITEM	PART NUMBER	QTY	DESCRIPTION	REV
	1001238001	Ref	KUBOTA ENGINE ASSEMBLY	A
1	0100011	AR	Compound, Locking	
2	0100048	AR	Grease, Dielectric	
3	0340045	1	Band, Mounting	
4	0440334	1	End, Rod with Bearing	
5	0641408	2	Bolt 1/4 x 1	
6	0641609	8	Bolt 3/8 x 1-1/8	
7	0701015	6	Bolt M10 x 35	
8	0701017	1	Bolt M10 x 45	
9	0701221	4	Bolt M12 x 65	
10	0760607	2	Bolt M6 x 14	
11	0760608	5	Bolt M6 x 1.25	
12	0760610	8	Bolt M6 x 20	
13	0760612	4	Bolt M6 x 25	
14	0760812	2	Bolt M8 x 25	
15	0760815	3	Bolt M8 x 35	
16	0760817	1	Bolt M8 x 45	
17	0761014	6	Bolt M10 x 30	
18	0761018	1	Bolt M10 x 50	
19	1320012	4	Clamp	
20	1320223	2	J-Clip	
21	1321682	3	Clamp	
22	1321716	2	Clamp	
23	1703162	2	Decal - Fan Blade	
24	3290605	17	Nut M6	
25	3290807	2	Nut M8 x 1.25	
26	3291005	12	Nut M10	
27	3291205	4	Nut M12	
28	3311405	2	Nut 1/4	
29	3311605	8	Nut 3/8	
30	3321402	2	Nut 1/4	
31	3960464	6.5 in /17cm	Seal	
32	4031707	2	Capscrew M6 x 16	
33	4740274	4	Washer	
34	4761400	2	Washer 1/4	
35	4811700	12	Washer M6	
36	4811900	2	Washer M8	
37	4812000	48	Washer M10	
38	4812100	4	Washer M12	
39	80673025	1	P-Clamp	
40	85941016	1	Clamp	
41	1001100825	2	Strap	
42	1001118280	1	Air Filter Assembly	A
42	7015004	1	Element, Air Filter	
42	1340069	1	Valve, Vacuum	
42	7015005	1	Cover	
43	1001118453	1	Tray, Engine	
44	1001118527	1	Hose, Air Intake	
45	1001118528	1	Hose, Air Intake	

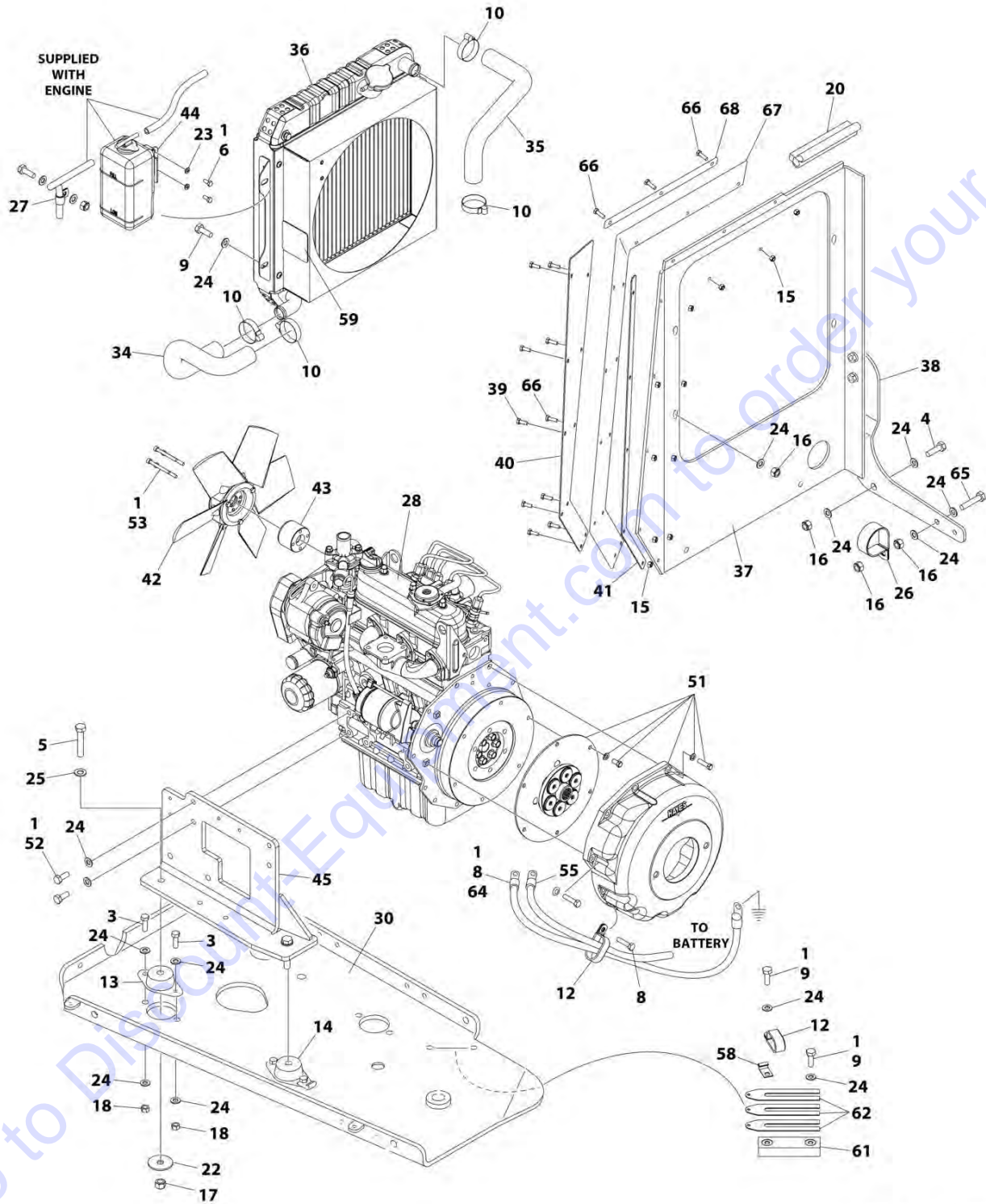


## SECTION 3 - ENGINE

ITEM	PART NUMBER	QTY	DESCRIPTION	REV
46	1001118529	1	Hose, Lower Radiator	
47	1001118530	1	Hose, Upper Radiator	
48	1001118531	1	Radiator	
48	70002899	1	Cap, Radiator	
49	1001118532	1	Mount, Radiator	
50	1001118538	1	Fan	
51	1001118539	1	Spacer, Fan	
52	1001118540	1	Bracket, Coolant Overflow Tank	
53	1001118542	1	Plate, LH Front Engine	
54	1001118543	1	Plate, RH Front Engine	
55	1001118579	1	Actuator, Kubota Governor	
55	7023134	1	Gasket, Mounting	
56	1001118580	1	Sensor, Speed	
57	1001118582	1	Actuator, Kubota Throttle	
58	1001118594	1	Battery Cable Kit	
58	4461231	1	Battery Terminal and Red Cover Only (No Cable)	
58	4461232	1	Battery Terminal and Black Cover Only (No Cable)	
59	1001118638	1	Harness, Engine (Not Shown - See ELECTRICAL SECTION for Breakdown)	
60	1001118675	1	Flywheel Housing/Coupling Kit	
60	See Note	NSS	Coupling Assembly (Note: Use p/n 1001118675)	
60	See Note	NSS	Housing (Note: Use p/n 1001118675)	
60	See Note	NSS	Bolt Kit (Note: Use p/n 1001118675)	
61	1001118746	8	Bolt M10 x 25	
62	1001118878	4	Bolt M6 x 55	
63	1001118881	1	Clevis, Actuator	
64	1001118925	1	End, Rod with Bearing	
65	1001119698	1	Gusset, Radiator	
66	1001120087	1	Pad, Wear	
67	1001120090	3	Shim	
68	1001120307	4	Mount, Motor	
69	1001120450	1	Cable, Ground	
70	1001121531	1	Insulation, Muffler	
71	1001123018	1	Plate, Seal Support	
72	1001128214	1	Bracket, Air Filter	
73	1001128888	1	Spacer	
74	1001147365	1	Seal, Radiator Hood	
75	1001147642	1	Plate, Seal Support	
76	1001147643	1	Plate, Seal Support	
77	1001149379	1	Bracket	
78		Ref	Muffler Options:	
78	1001118547	NLA	Standard (Use p/n 1001151187)	
78	1001120007	NLA	Catalytic (Use p/n 1001151188)	
79	1001170981	1	Indicator, Air Intake Restriction	
80	1001237999	1	Kubota Engine Components (See KUBOTA ENGINE COMPONENTS for Breakdown)	

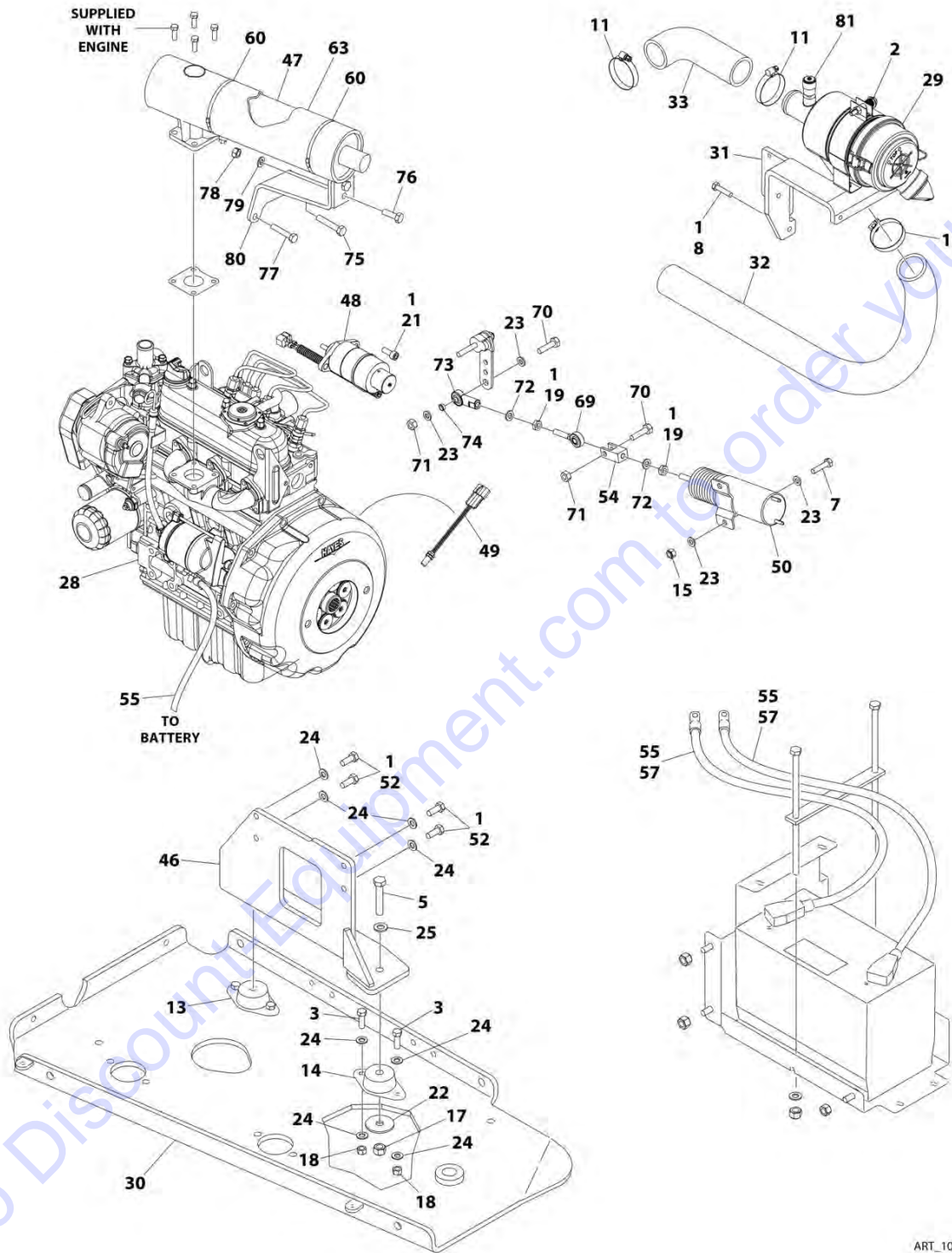
# SECTION 3 - ENGINE

FIGURE 3-16. KUBOTA ENGINE ASSEMBLY WITH 4000W GENERATOR (Prior to SN 0300253888)



ART\_1001147468\_10F2

# SECTION 3 - ENGINE



ART\_1001147468\_20F2

## SECTION 3 - ENGINE

FIGURE 3-16. KUBOTA ENGINE ASSEMBLY WITH 4000W GENERATOR (Prior to SN 0300253888)

ITEM	PART NUMBER	QTY	DESCRIPTION	REV
	1001147468	Ref	KUBOTA ENGINE ASSEMBLY WITH 4000W GENERATOR	E
1	0100011	AR	Compound, Locking	
2	0340045	1	Band, Mounting	
3	0641609	8	Bolt 3/8 x 1-1/8	
4	0701015	6	Bolt M10 x 35	
5	0701221	4	Bolt M12 x 65	
6	0760607	2	Bolt M6 x 14	
7	0760612	4	Bolt M6 x 25	
8	0760815	3	Bolt M8 x 35	
9	0761014	6	Bolt M10 x 30	
10	1320012	4	Clamp	
11	1321682	3	Clamp	
12	1321716	2	Clamp	
13	1001120307	2	Mount, Motor	
14	3200425	2	Mount, Motor	
15	3290605	17	Nut M6	
16	3291005	12	Nut M10	
17	3291205	4	Nut M12	
18	3311605	8	Nut 3/8	
19	3321402	2	Nut 1/4	
20	3960464	6.5 in /17cm	Seal	
21	4031707	2	Capscrew M6 x 16	
22	4740274	4	Washer	
23	4811700	12	Washer M6	
24	4812000	48	Washer M10	
25	4812100	4	Washer M12	
26	80673025	1	P-Clamp	
27	85941016	1	Clamp	
28	1001157966	NLA	Kubota Engine Components (Use p/n 1001237999) (See KUBOTA ENGINE COMPONENTS for Breakdown)	
29	1001118280	1	Air Filter Assembly	A
29	7015004	1	Element, Air Filter	
29	1340069	1	Valve, Vacuum	
29	7015005	1	Cover	
30	1001118453	1	Tray, Engine	
31	1001128214	1	Bracket, Air Filter	
32	1001118527	1	Hose, Air Intake	
33	1001118528	1	Hose, Air Intake	
34	1001118529	1	Hose, Lower Radiator	
35	1001118530	1	Hose, Upper Radiator	
36	1001118531	1	Radiator	
36	70002899	1	Cap, Radiator	
37	1001118532	1	Mount, Radiator	
38	1001119698	1	Gusset, Radiator	
39	0760608	5	Bolt M6 x 1.25	
40	1001147642	1	Plate, Seal Support	
41	1001147643	1	Plate, Seal Support	
42	1001118538	1	Fan	
43	1001118539	1	Spacer, Fan	

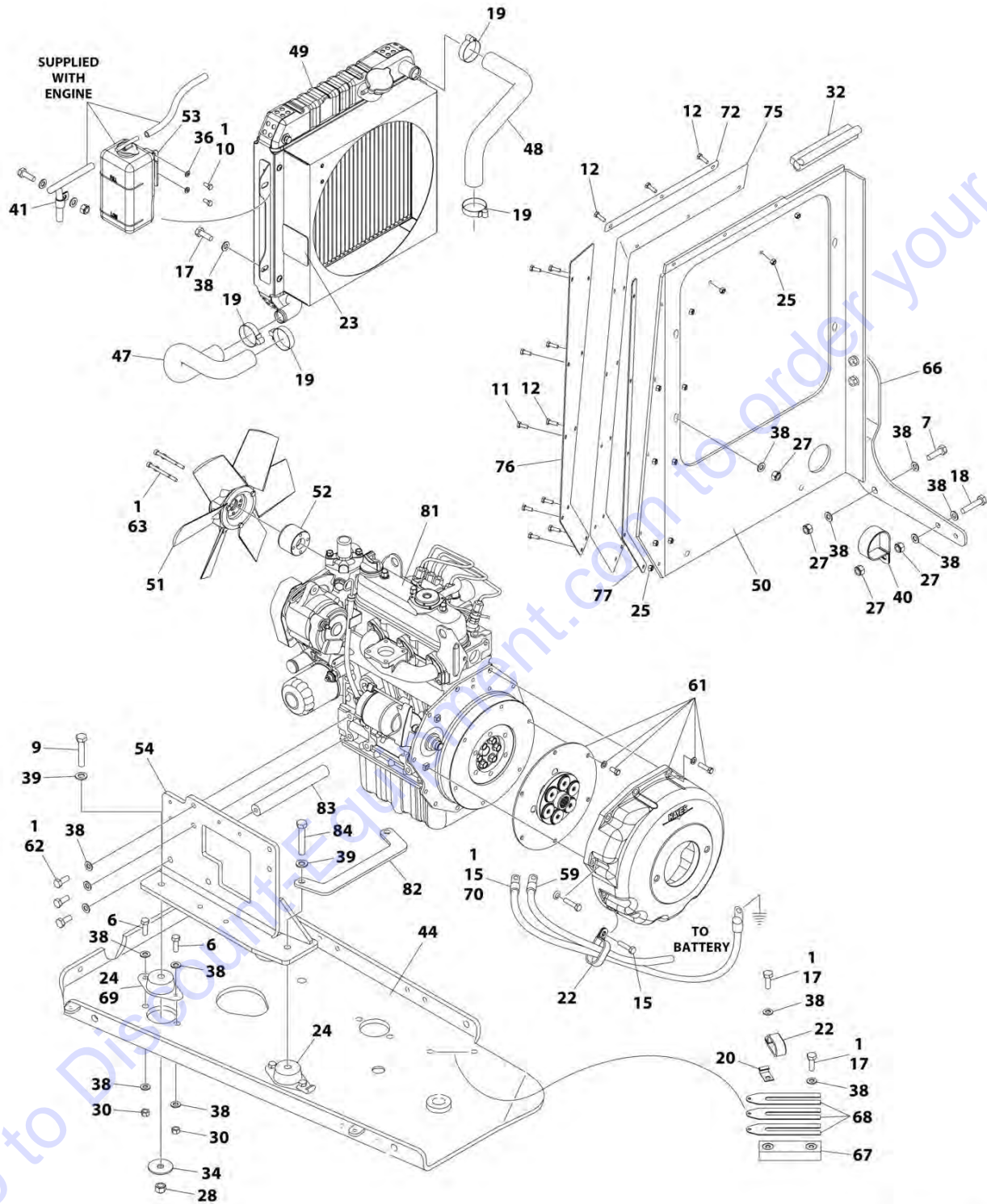
## SECTION 3 - ENGINE

ITEM	PART NUMBER	QTY	DESCRIPTION	REV
44	1001118540	1	Bracket, Coolant Overflow Tank	
45	1001118542	1	Plate, LH Front Engine	
46	1001118543	1	Plate, RH Front Engine	
47		Ref	Muffler Options:	
47	1001118547	NLA	Standard (Use p/n 1001151187)	
47	1001120007	NLA	Catalytic (Use p/n 1001151188)	
48	1001118579	1	Actuator, Kubota Governor	
48	7023134	1	Gasket, Mounting	
49	1001118580	1	Sensor, Speed	
50	1001118582	1	Actuator, Kubota Throttle	
51	1001118675	1	Flywheel Housing/Coupling Kit	
51	See Note	NSS	Coupling Assembly (Note: Use p/n 1001118675)	
51	See Note	NSS	Housing (Note: Use p/n 1001118675)	
51	See Note	NSS	Bolt Kit (Note: Use p/n 1001118675)	
52	1001118746	8	Bolt M10 x 25	
53	1001118878	4	Bolt M6 x 55	
54	1001118881	1	Clevis, Actuator	
55	1001118594	1	Battery Cable Kit	
55	4461231	1	Battery Terminal and Red Cover Only (No Cable)	
55	4461232	1	Battery Terminal and Black Cover Only (No Cable)	
56	1001118638	1	Harness, Engine (Not Shown - See ELECTRICAL SECTION for Breakdown)	
57	0100048	AR	Grease, Dielectric	
58	1320223	2	J-Clip	
59	1703162	2	Decal - Fan Blade	
60	1001100825	2	Strap	
61	1001120087	1	Pad, Wear	
62	1001120090	3	Shim	
63	1001121531	1	Insulation, Muffler	
64	1001120450	1	Cable, Ground	
65	0761018	1	Bolt M10 x 50	
66	0760610	8	Bolt M6 x 20	
67	1001147365	1	Seal, Radiator Hood	
68	1001123018	1	Plate, Seal Support	
69	0440334	1	End, Rod with Bearing	
70	0641408	2	Bolt 1/4 x 1	
71	3311405	2	Nut 1/4	
72	4761400	2	Washer 1/4	
73	1001118925	1	End, Rod with Bearing	
74	1001128888	1	Spacer	
75	0701017	1	Bolt M10 x 45	
76	0760812	2	Bolt M8 x 25	
77	0760817	1	Bolt M8 x 45	
78	3290807	2	Nut M8 x 1.25	
79	4811900	2	Washer M8	
80	1001149379	1	Bracket	
81	1001170981	1	Indicator, Air Intake Restriction <b>(SN 0300236110 through 0300253887)</b>	



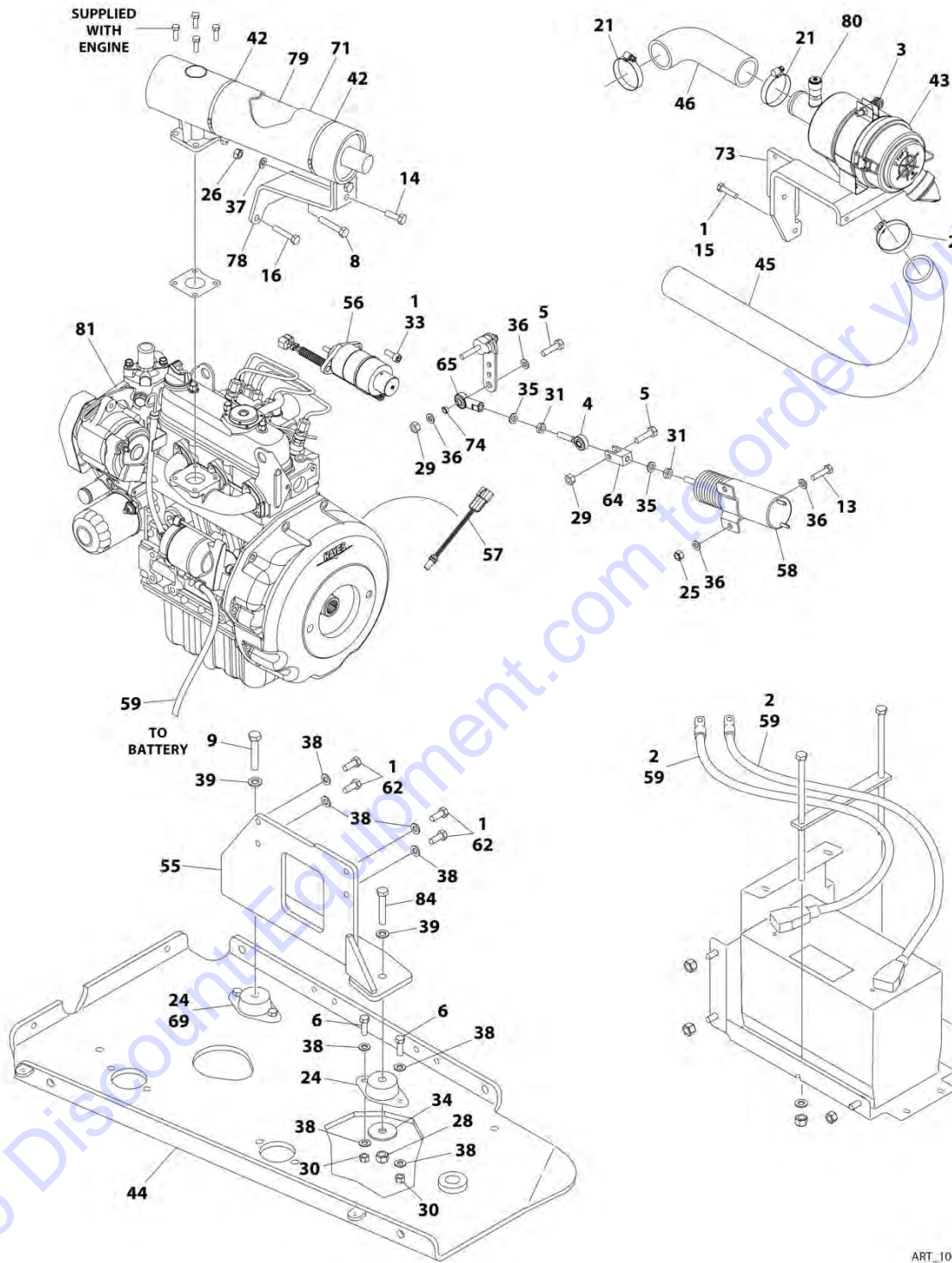
# SECTION 3 - ENGINE

FIGURE 3-17. KUBOTA ENGINE ASSEMBLY WITH 4000W GENERATOR (SN 0300253888 to Present)



ART\_1001238002\_10F2

# SECTION 3 - ENGINE



ART\_1001238002\_20F2



## SECTION 3 - ENGINE

FIGURE 3-17. KUBOTA ENGINE ASSEMBLY WITH 4000W GENERATOR (SN 0300253888 to Present)

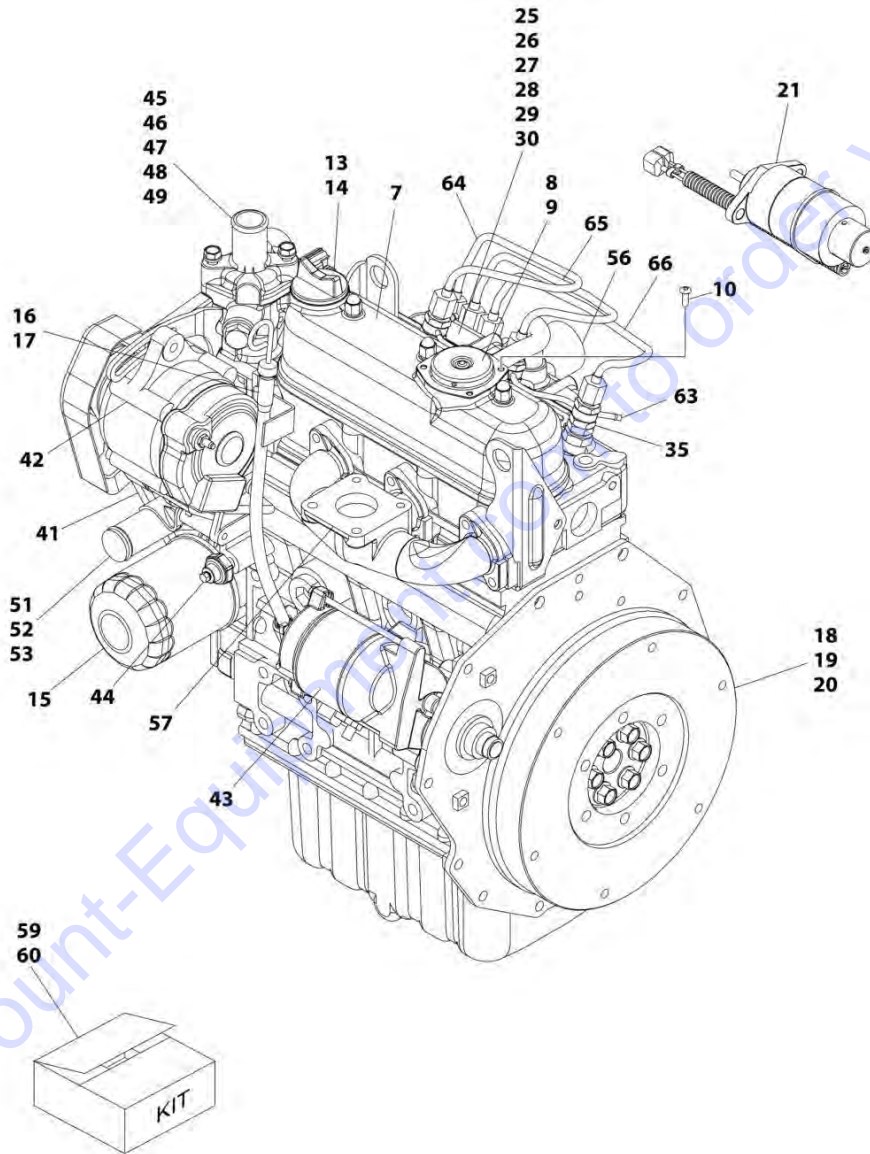
ITEM	PART NUMBER	QTY	DESCRIPTION	REV
	1001238002	Ref	KUBOTA ENGINE ASSEMBLY WITH 4000W GENERATOR	A
1	0100011	AR	Compound, Locking	
2	0100048	AR	Grease, Dielectric	
3	0340045	1	Band, Mounting	
4	0440334	1	End, Rod with Bearing	
5	0641408	2	Bolt 1/4 x 1	
6	0641609	8	Bolt 3/8 x 1-1/8	
7	0701015	6	Bolt M10 x 35	
8	0701017	1	Bolt M10 x 45	
9	0701221	4	Bolt M12 x 65	
10	0760607	2	Bolt M6 x 14	
11	0760608	5	Bolt M6 x 1.25	
12	0760610	8	Bolt M6 x 20	
13	0760612	4	Bolt M6 x 25	
14	0760812	2	Bolt M8 x 25	
15	0760815	3	Bolt M8 x 35	
16	0760817	1	Bolt M8 x 45	
17	0761014	6	Bolt M10 x 30	
18	0761018	1	Bolt M10 x 50	
19	1320012	4	Clamp	
20	1320223	2	J-Clip	
21	1321682	3	Clamp	
22	1321716	2	Clamp	
23	1703162	2	Decal - Fan Blade	
24	3200425	1	Mount, Motor	
25	3290605	17	Nut M6	
26	3290807	2	Nut M8 x 1.25	
27	3291005	12	Nut M10	
28	3291205	4	Nut M12	
29	3311405	2	Nut 1/4	
30	3311605	8	Nut 3/8	
31	3321402	2	Nut 1/4	
32	3960464	6.5 in /17cm	Seal	
33	4031707	2	Capscrew M6 x 16	
34	4740274	4	Washer	
35	4761400	2	Washer 1/4	
36	4811700	12	Washer M6	
37	4811900	2	Washer M8	
38	4812000	48	Washer M10	
39	4812100	4	Washer M12	
40	80673025	1	P-Clamp	
41	85941016	1	Clamp	
42	1001100825	2	Strap	
43	1001118280	1	Air Filter Assembly	A
43	7015004	1	Element, Air Filter	
43	1340069	1	Valve, Vacuum	
43	7015005	1	Cover	
44	1001118453	1	Tray, Engine	
45	1001118527	1	Hose, Air Intake	

## SECTION 3 - ENGINE

ITEM	PART NUMBER	QTY	DESCRIPTION	REV
46	1001118528	1	Hose, Air Intake	
47	1001118529	1	Hose, Lower Radiator	
48	1001118530	1	Hose, Upper Radiator	
49	1001118531	1	Radiator	
49	70002899	1	Cap, Radiator	
50	1001118532	1	Mount, Radiator	
51	1001118538	1	Fan	
52	1001118539	1	Spacer, Fan	
53	1001118540	1	Bracket, Coolant Overflow Tank	
54	1001118542	1	Plate, LH Front Engine	
55	1001118543	1	Plate, RH Front Engine	
56	1001118579	1	Actuator, Kubota Governor	
56	7023134	1	Gasket, Mounting	
57	1001118580	1	Sensor, Speed	
58	1001118582	1	Actuator, Kubota Throttle	
59	1001118594	1	Battery Cable Kit	
59	4461231	1	Battery Terminal and Red Cover Only (No Cable)	
59	4461232	1	Battery Terminal and Black Cover Only (No Cable)	
60	1001118638	1	Harness, Engine (Not Shown - See ELECTRICAL SECTION for Breakdown)	
61	1001118675	1	Flywheel Housing/Coupling Kit	
61	See Note	NSS	Coupling Assembly (Note: Use p/n 1001118675)	
61	See Note	NSS	Housing (Note: Use p/n 1001118675)	
61	See Note	NSS	Bolt Kit (Note: Use p/n 1001118675)	
62	1001118746	8	Bolt M10 x 25	
63	1001118878	4	Bolt M6 x 55	
64	1001118881	1	Clevis, Actuator	
65	1001118925	1	End, Rod with Bearing	
66	1001119698	1	Gusset, Radiator	
67	1001120087	1	Pad, Wear	
68	1001120090	3	Shim	
69	1001120307	2	Mount, Motor	
70	1001120450	1	Cable, Ground	
71	1001121531	1	Insulation, Muffler	
72	1001123018	1	Plate, Seal Support	
73	1001128214	1	Bracket, Air Filter	
74	1001128888	1	Spacer	
75	1001147365	1	Seal, Radiator Hood	
76	1001147642	1	Plate, Seal Support	
77	1001147643	1	Plate, Seal Support	
78	1001149379	1	Bracket	
79		Ref	Muffler Options:	
79	1001118547	NLA	Standard (Use p/n 1001151187)	
79	1001120007	NLA	Catalytic (Use p/n 1001151188)	
80	1001170981	1	Indicator, Air Intake Restriction	
81	1001237999	1	Engine, Kubota D1105 Stage V	

# SECTION 3 - ENGINE

FIGURE 3-18. KUBOTA ENGINE COMPONENTS (Prior to SN 0300253888)



ART\_1001157966

## SECTION 3 - ENGINE

**FIGURE 3-18. KUBOTA ENGINE COMPONENTS (Prior to SN 0300253888)**

ITEM	PART NUMBER	QTY	DESCRIPTION	REV
	1001157966	Ref	KUBOTA ENGINE COMPONENTS	B
1	7017954	22	Bolt, Oil Pan (Not Shown)	
2	7023154	1	Plug, Drain (Not Shown)	
3	70002315	1	Gasket, Oil Pan (Not Shown)	
4	7017911	14	Bolt, Cylinder Head (Not Shown)	
5	7023156	1	Gasket, Gear Case (Not Shown)	
6	7023157	1	Seal, Oil (Not Shown)	
7	7023132	1	Gasket, Valve Cover	
8	70003060	1	Breather, Comp Valve	
9	70003061	1	Cover, Breather	
10	7017934	4	Screw, Pan Head	
11	70002316	1	Pipe, Water Return (Not Shown)	
12	70002317	1	Tube, Breather (Not Shown)	
13	70002318	1	Plug, Oil Fill	
14	70004311	1	O-Ring, Oil Fill Plug	
15	70004395	1	Filter, Oil	
16	7023160	1	Dipstick	
17	70003062	1	Tube, Dipstick	
18	70001934	1	Flywheel Assembly	
19	70001140	1	Gear, Ring	
20	70001935	6	Bolt, Flywheel	
21	7025479	NLA	Solenoid, Stop (Use p/n 1001118579)	
22	7017945	1	Joint, Eye (Not Shown)	
23	7023162	1	Tube, Fuel Assembly (Not Shown)	
24	7023163	1	Tube, Fuel (Not Shown)	
25	7023164	1	Pump, Fuel Injection	
26	70002319	1	Shim .175mm	
27	70002320	1	Shim .200mm	
28	70002321	1	Shim .250mm	
29	70002322	1	Shim .300mm	
30	70002323	1	Shim .350mm	
31	7023136	1	Spring, Governor (Not Shown)	
32	7023165	1	Gasket, Governor (Not Shown)	
33	70004396	1	Plate Assembly, Control (Not Shown)	
34	70004397	6	Gasket, Speed Control Plate (Not Shown)	
35	70004399	3	Nozzle Holder Kit	
35	7023167	3	Gasket, Glow Plug	
35	7023168	3	Seal	
37	70004398	3	Plug, Glow (Not Shown)	
37	70004544	3	Cord, Glow Plug (Not Shown)	
38	70004399	1	Kit, Nozzle Holder	
39	7023139	1	Fuel Pump Assembly	
40	70004400	1	Gasket, Fuel Pump	
41	7023141	1	V-Belt	
42	7017955	1	Alternator	
43	7023144	1	Starter	
44	7017901	1	Switch, Oil	
45	70003064	1	Sensor, Water Temperature	
46	70003063	1	Seal, Water Temperature Sensor	
47	7023145	1	Gasket, Water Flange	

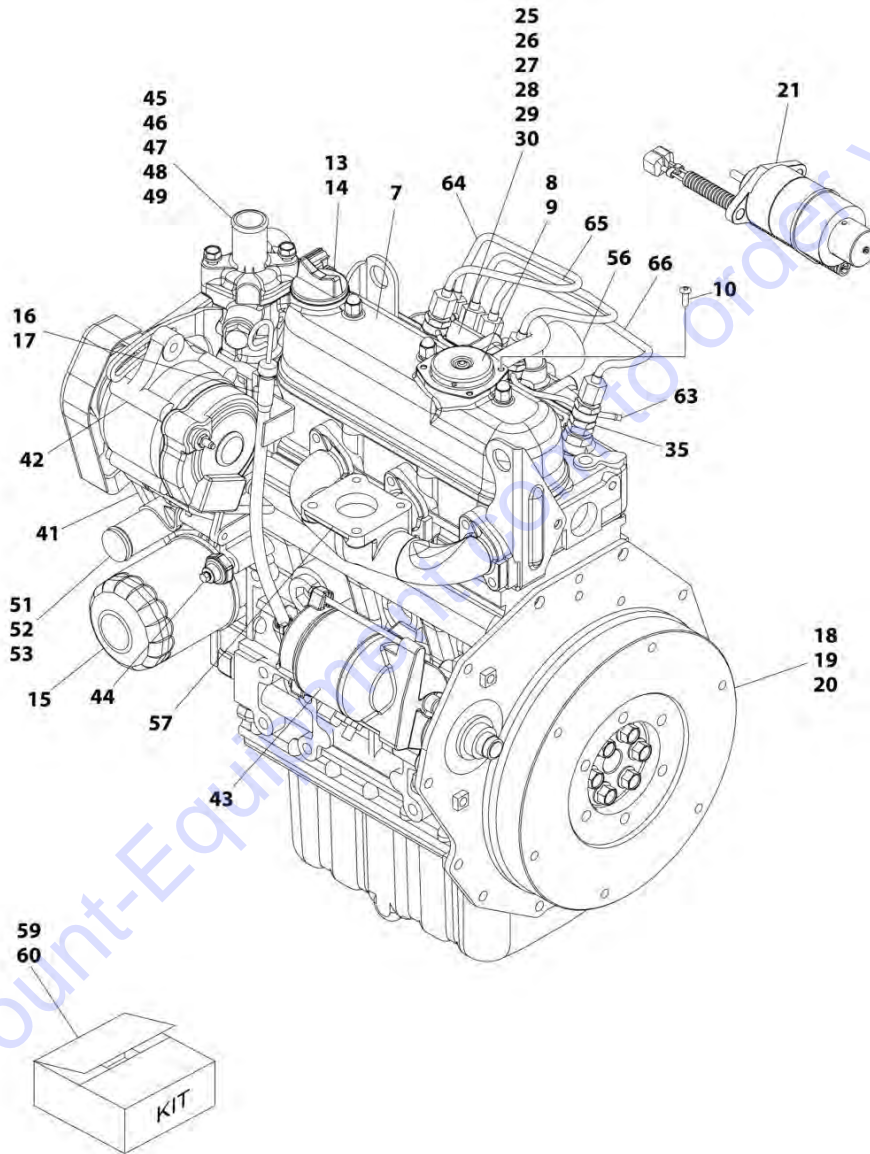
## SECTION 3 - ENGINE

ITEM	PART NUMBER	QTY	DESCRIPTION	REV
48	7023170	1	Thermostat	
49	7022326	1	Gasket, Thermostat Housing to Engine Block	
50	70002327	1	Pump, Water (Not Shown)	
51	70002328	1	Gasket, Water Pump	
52	7017963	1	Pipe, Water (Lower)	
53	70002330	1	Pipe, Water (Upper)	
54	4400498	1	Reserve Tank (Not Shown)	
55	70004401	1	Decal - Caution (Not Shown)	
56	7023149	1	Gasket, Air Intake Manifold	
57	7023148	1	Gasket, Exhaust Manifold to Engine Block	
58	7023124	1	Gasket, Exhaust Manifold to Muffler (Not Shown)	
59	70003066	1	Upper Gasket Kit (Includes Qty 1 Each of Cylinder Head, Valve Cover, Intake Manifold to Block, Exhaust Manifold to Block, Exhaust Manifold Gasket to Muffler, Thermostat Housing to Block, Thermostat Housing to Neck Gaskets and Fuel System Seals and O-Rings and Qty 6 Valve Stem Seals.)	
60	70003067	1	Lower Gasket Kit (Includes Qty 1 Each of Gear Case, Brg. Case, Gasket, Fuel Pump Gasket, Water Pump Gasket, Oil Pan Gasket, Oil Seal, O-Rings and Qty 6 Valve Stem Seals.)	
61	70004524	1	Valve, Drain (Not Shown)	
62	70005220	1	Gasket, Cylinder Head (Not Shown)	
63	70004536	1	Pipe, Over Flow	
63	70004537	1	Screw (Air Bleeder)	
63	70004538	1	Seal	
63	70004539	1	Pipe, Over Flow (Injector to Rail)	
64	70004541	1	Pipe, Injection	
65	70004542	1	Pipe, Injection	
66	70004543	1	Pipe, Injection	



# SECTION 3 - ENGINE

FIGURE 3-19. KUBOTA ENGINE COMPONENTS (SN 0300253888 to Present)



ART\_1001237999



## SECTION 3 - ENGINE

**FIGURE 3-19. KUBOTA ENGINE COMPONENTS (SN 0300253888 to Present)**

ITEM	PART NUMBER	QTY	DESCRIPTION	REV
	1001237999	Ref	KUBOTA ENGINE COMPONENTS	A
1	7017954	22	Bolt, Oil Pan (Not Shown)	
2	7023154	1	Plug, Drain (Not Shown)	
3	70002315	1	Gasket, Oil Pan (Not Shown)	
4	7017911	14	Bolt, Cylinder Head (Not Shown)	
5	7023156	1	Gasket, Gear Case (Not Shown)	
6	7023157	1	Seal, Oil (Not Shown)	
7	7023132	1	Gasket, Valve Cover	
8	70003060	1	Breather, Comp Valve	
9	70003061	1	Cover, Breather	
10	7017934	4	Screw, Pan Head	
11	70002316	1	Pipe, Water Return (Not Shown)	
12	70002317	1	Tube, Breather (Not Shown)	
13	70002318	1	Plug, Oil Fill	
14	70004311	1	O-Ring, Oil Fill Plug	
15	70004395	1	Filter, Oil	
16	7023160	1	Dipstick	
17	70003062	1	Tube, Dipstick	
18	70001934	1	Flywheel Assembly	
19	70001140	1	Gear, Ring	
20	70001935	6	Bolt, Flywheel	
21	7025479	NLA	Solenoid, Stop (Use p/n 1001118579)	
22	7017945	1	Joint, Eye (Not Shown)	
23	7023162	1	Tube, Fuel Assembly (Not Shown)	
24	7023163	1	Tube, Fuel (Not Shown)	
25	7023164	1	Pump, Fuel Injection	
26	70002319	1	Shim .175mm	
27	70002320	1	Shim .200mm	
28	70002321	1	Shim .250mm	
29	70002322	1	Shim .300mm	
30	70002323	1	Shim .350mm	
31	7023136	1	Spring, Governor (Not Shown)	
32	7023165	1	Gasket, Governor (Not Shown)	
33	70004396	1	Plate Assembly, Control (Not Shown)	
34	70004397	6	Gasket, Speed Control Plate (Not Shown)	
35	70004399	3	Nozzle Holder Kit	
35	7023167	3	Gasket, Glow Plug	
35	7023168	3	Seal	
37	70004398	3	Plug, Glow (Not Shown)	
37	70004544	3	Cord, Glow Plug (Not Shown)	
38	70004399	1	Kit, Nozzle Holder	
39	7023139	1	Fuel Pump Assembly	
40	70004400	1	Gasket, Fuel Pump	
41	7023141	1	V-Belt	
42	7017955	1	Alternator	
43	7023144	1	Starter	
44	7017901	1	Switch, Oil	
45	70003064	1	Sensor, Water Temperature	
46	70003063	1	Seal, Water Temperature Sensor	
47	7023145	1	Gasket, Water Flange	

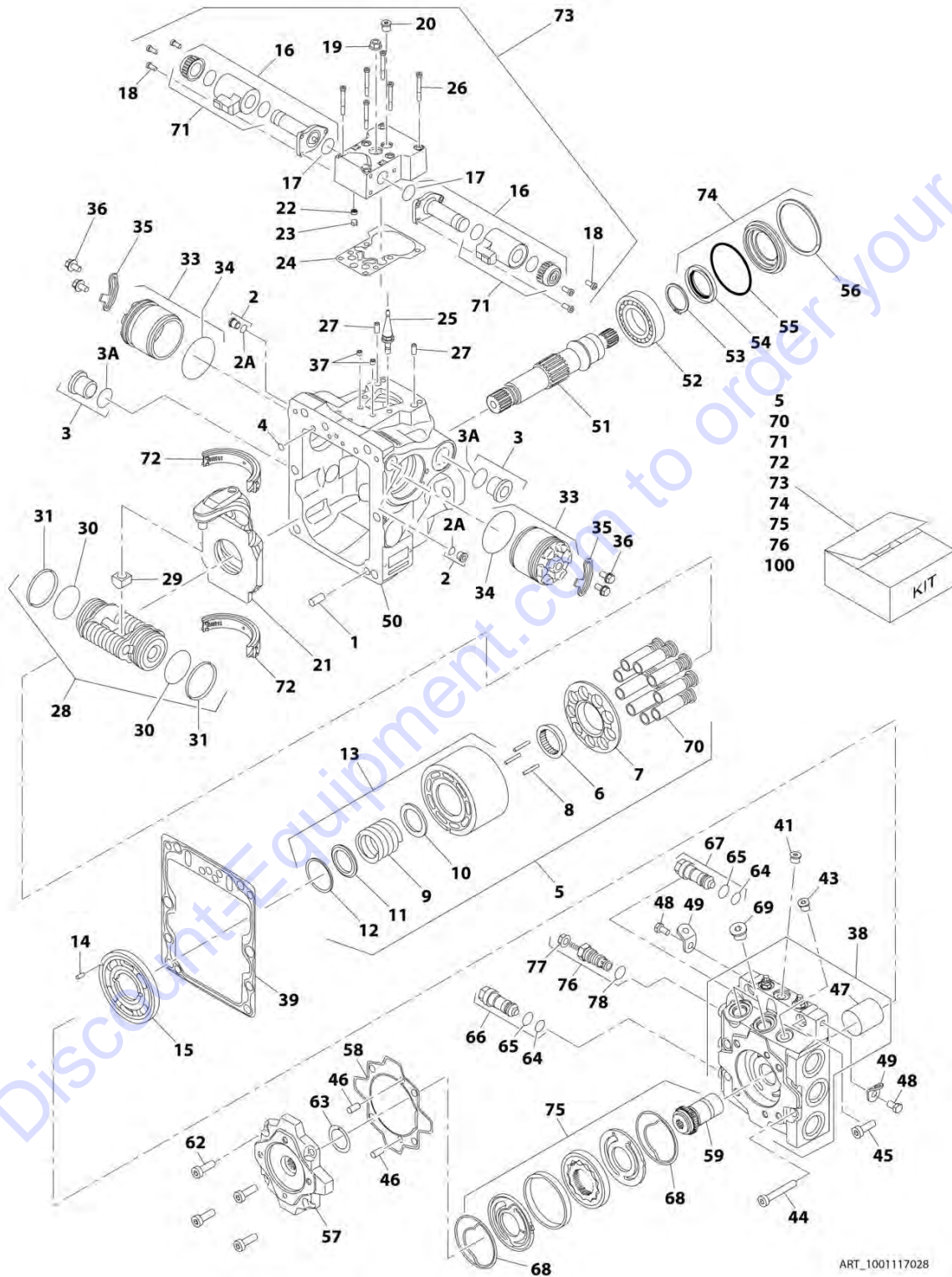
## SECTION 3 - ENGINE

ITEM	PART NUMBER	QTY	DESCRIPTION	REV
48	7023170	1	Thermostat	
49	7022326	1	Gasket, Thermostat Housing to Engine Block	
50	70002327	1	Pump, Water (Not Shown)	
51	70002328	1	Gasket, Water Pump	
52	7017963	1	Pipe, Water (Lower)	
53	70002330	1	Pipe, Water (Upper)	
54	4400498	1	Reserve Tank (Not Shown)	
55	70004401	1	Decal - Caution (Not Shown)	
56	7023149	1	Gasket, Air Intake Manifold	
57	7023148	1	Gasket, Exhaust Manifold to Engine Block	
58	7023124	1	Gasket, Exhaust Manifold to Muffler (Not Shown)	
59	70003066	1	Upper Gasket Kit (Includes Qty 1 Each of Cylinder Head, Valve Cover, Intake Manifold to Block, Exhaust Manifold to Block, Exhaust Manifold Gasket to Muffler, Thermostat Housing to Block, Thermostat Housing to Neck Gaskets and Fuel System Seals and O-Rings and Qty 6 Valve Stem Seals.)	
60	70003067	1	Lower Gasket Kit (Includes Qty 1 Each of Gear Case, Brg. Case, Gasket, Fuel Pump Gasket, Water Pump Gasket, Oil Pan Gasket, Oil Seal, O-Rings and Qty 6 Valve Stem Seals.)	
61	70004524	1	Valve, Drain (Not Shown)	
62	70005220	1	Gasket, Cylinder Head (Not Shown)	
63	70004536	1	Pipe, Over Flow	
63	70004537	1	Screw (Air Bleeder)	
63	70004538	1	Seal	
63	70004539	1	Pipe, Over Flow (Injector to Rail)	
64	70004541	1	Pipe, Injection	
65	70004542	1	Pipe, Injection	
66	70004543	1	Pipe, Injection	



# SECTION 3 - ENGINE

## FIGURE 3-20. AXIAL PUMP ASSEMBLY



ART\_1001117028

# PARTS FINDER

**Search Website  
by Part Number**



**Search Manual  
Library For Parts  
Manual & Lookup Part  
Numbers – Purchase  
or Request Quote**

**Can't Find Part or  
Manual? Request Help  
by Manufacturer,  
Model & Description**

Discount-Equipment.com is your online resource for quality parts & equipment.

Florida: **561-964-4949** Outside Florida TOLL FREE: **877-690-3101**

## Need parts?

Click on this link: <http://www.discount-equipment.com/category/5443-parts/> and choose one of the options to help get the right parts and equipment you are looking for. Please have the machine model and serial number available in order to help us get you the correct parts. If you don't find the part on the website or on one of the online manuals, please fill out the request form and one of our experienced staff members will get back to you with a quote for the right part that your machine needs.

We sell worldwide for the brands: Genie, Terex, JLG, MultiQuip, Mikasa, Essick, Whiteman, Mayco, Toro Stone, Diamond Products, Generac Magnum, Airman, Haulotte, Barreto, Power Blanket, Nifty Lift, Atlas Copco, Chicago Pneumatic, Allmand, Miller Curber, Skyjack, Lull, Skytrak, Tsurumi, Husquvarna Target, Stow, Wacker, Sakai, Mi-T-M, Sullair, Basic, Dynapac, MBW, Weber, Bartell, Bennar Newman, Haulotte, Ditch Runner, Menegotti, Morrison, Contec, Buddy, Crown, Edco, Wyco, Bomag, Laymor, EZ Trench, Bil-Jax, F.S. Curtis, Gehl Pavers, Heli, Honda, ICS/PowerGrit, IHI, Partner, Imer, Clipper, MMD, Koshin, Rice, CH&E, General Equipment, Amida, Coleman, NAC, Gradall, Square Shooter, Kent, Stanley, Tamco, Toku, Hatz, Kohler, Robin, Wisconsin, Northrock, Oztec, Toker TK, Rol-Air, APT, Wylie, Ingersoll Rand / Doosan, Innovatech, Con X, Ammann, Mecalac, Makinex, Smith Surface Prep, Small Line, Wanco, Yanmar

## SECTION 3 - ENGINE

### FIGURE 3-20. AXIAL PUMP ASSEMBLY

ITEM	PART NUMBER	QTY	DESCRIPTION	REV
	1001117028	Ref	AXIAL PUMP ASSEMBLY	F
1	70002132	2	Pin	
2	70002133	2	Plug	
2A	See Note	NSS	O-Ring (Note: Use Item 2)	
3	7007439	2	Plug	
3A	See Note	NSS	O-Ring (Note: Use Item 3)	
4	70002134	2	Screen	
5	70002135	1	Cylinder Block and Piston Kit (Includes Items 6-9 & 70)	
6	70002137	1	Guide	
7	70002138	1	Retainer	
8	7021275	3	Pin	
9	See Note	NSS	Cylinder Block Assembly (Includes Items 10-13) (Note: Use Item 5)	
10	70002140	1	Washer	
11	70002141	1	Washer	
12	70002142	1	Ring, Retaining	
13	70002139	1	Spring	
14	7007446	1	Pin	
15	70002601	1	Plate, Valve	
16	70002147	2	Solenoid Valve Assembly (Includes Items 17, 18 & 71)	
17	70002148	2	O-Ring (Part of Item 16)	
18	70002150	6	Screw (Part of Item 73)	
19	7022301	1	Nut, Seal (Part of Item 73)	
20	70002151	1	Plug (Part of Item 73)	
21	70002152	1	Swash Plate	
22	70002134	1	Screen (Part of Item 73)	
23	70002153	1	Ring, Locking (Part of Item 73)	
24	70002154	1	Gasket (Part of Item 73)	
25	70002155	1	Link	
26	70002156	6	Screw	
27	70002157	2	Pin	
28	70002158	1	Servo Piston Assembly (Includes Items 29-31)	
29	70002159	1	Block, Slider (Part of Item 28)	
30	70002160	2	O-Ring (Part of Item 28)	
31	70002161	2	Ring, Piston (Part of Item 28)	
33	70002603	2	Servo Cylinder Assembly (Includes Item 34)	
34	70002163	2	O-Ring (Part of Item 33)	
35	70002164	2	Plate, Locking	
36	70002165	4	Screw	
37	70002166	2	Orifice	
38	70002863	1	Cap, End (Includes Item 47)	
39	70002168	1	Gasket	
40	70001958	1	Plug (Not Shown)	
41	70001958	1	Plug	
42	70001958	1	Plug (Not Shown)	
43	70001958	2	Plug	
44	70002169	4	Screw	
45	70002170	2	Screw	
46	70002132	2	Pin	
47	70002172	1	Bearing, Journal (Part of Item 38)	



## SECTION 3 - ENGINE

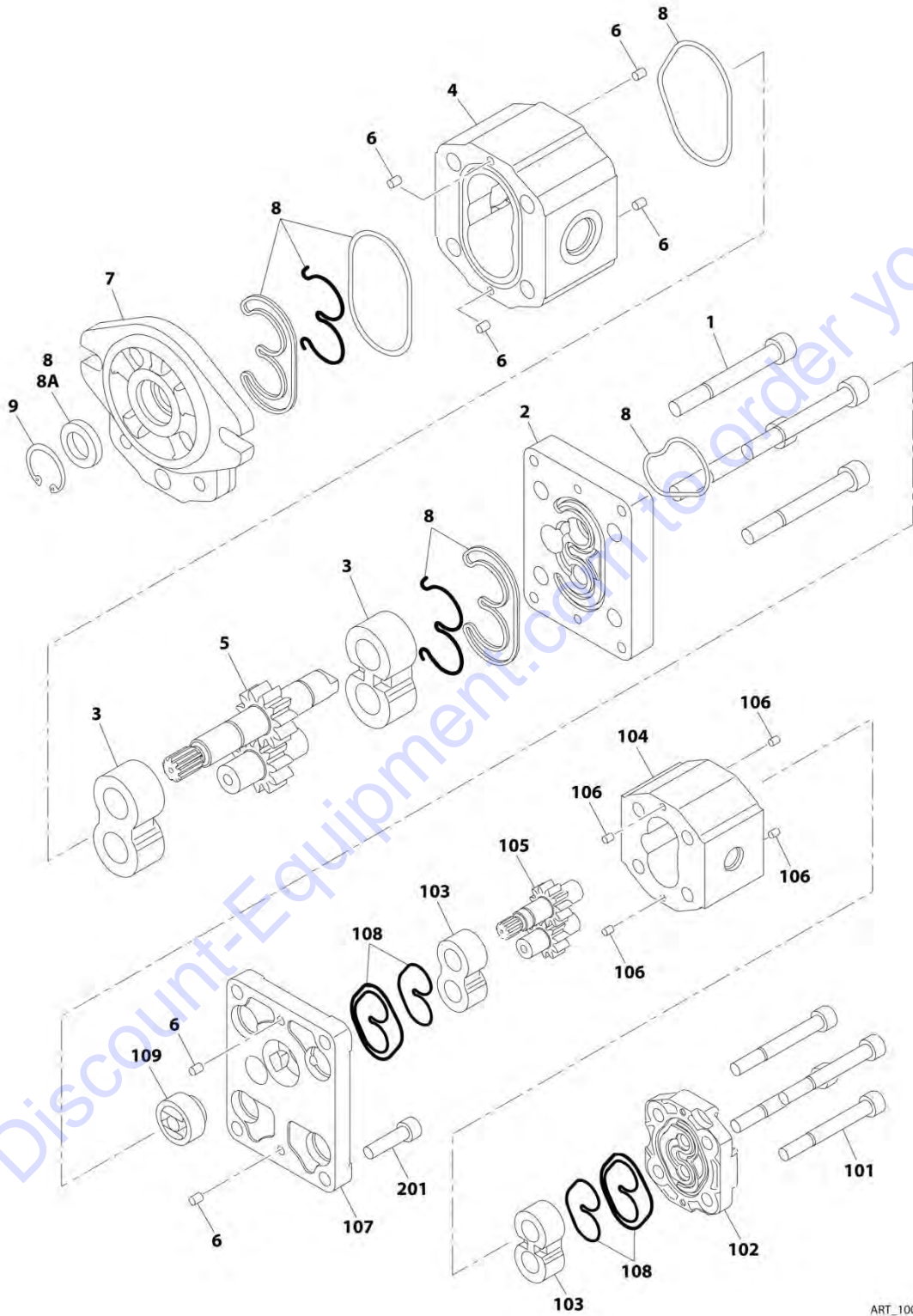
ITEM	PART NUMBER	QTY	DESCRIPTION	REV
48	70002165	2	Screw	
49	7022340	2	Bracket, Lifting	
50	See Note	NSS	Housing (Note: Not Available - Purchase Complete Assembly)	
51	70002175	1	Shaft	
52	70002176	1	Bearing	
53	7007439	1	Ring, Retaining	
54	70002177	1	Seal, Lip (Part of Item 74)	
55	70002178	1	O-Ring (Part of Item 74)	
56	70002179	1	Ring, Retaining (Part of Item 74)	
57	70002180	1	Adapter, Pump	
58	70002181	1	Seal	
59	70002864	1	Coupling	
62	70002185	4	Screw	
63	70002186	1	Plate, Thrust	
64	70002187	2	O-Ring (Part of Items 66 & 67)	
65	70002865	2	O-Ring (Part of Items 66 & 67)	
66	70002866	1	Valve, Relief	
67	70002866	1	Valve, Relief	
68	70002867	2	Ring, Seal (Part of Item 68)	
69	7023964	2	Plug	
70	70002136	1	Piston Kit (Includes Qty 9 Pistons) (Part of Item 5)	
71	70002149	2	Coil Kit (Part of Items 16 & 73)	
72	70002145	1	Bearing Kit	
73	70002146	1	EDC Kit (Includes Items 16-20, 22-24, 26 & 71)	
74	70002174	1	Shaft Seal Kit (Includes Items 54, 55 & 56) (Note: This is a universal kit and will contain extra pieces that are not used on this pump assembly)	
75	70002868	1	Charge Pump Kit (Includes Item 68)	
76	70002191	1	Charge Relief Valve Kit (Includes Items 77 & 78)	
77	70222301	1	Nut, Seal (Part of Item 76)	
78	7007415	1	O-Ring (Part of Item 76)	
100	70002192	1	Seal Kit (Includes Items 24, 30, 31, 34, 39, 54, 55, 58, 64, 65, 68, 77 & 78)	





# SECTION 3 - ENGINE

## FIGURE 3-21. GEAR PUMP ASSEMBLY



ART\_1001117029

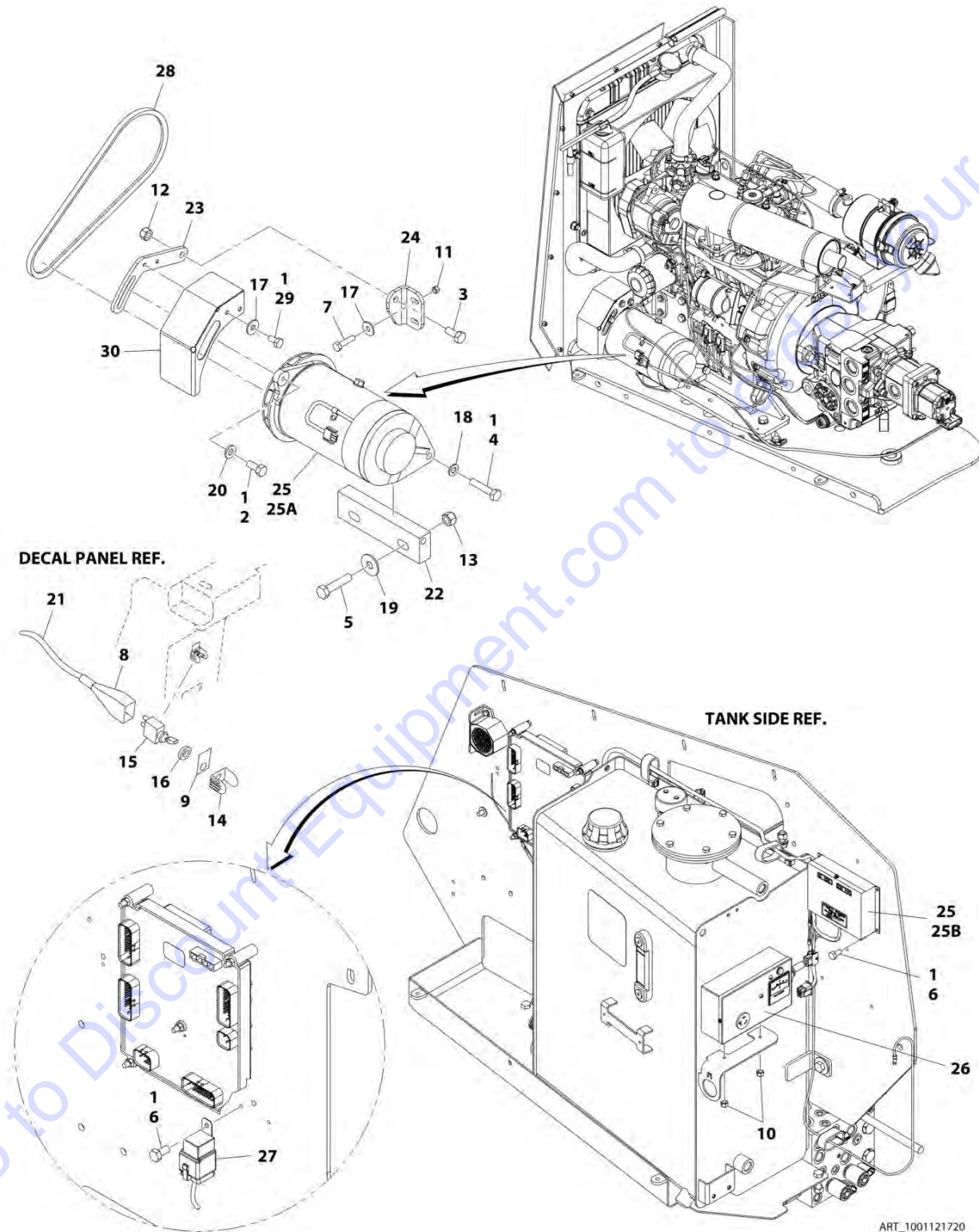
## SECTION 3 - ENGINE

**FIGURE 3-21. GEAR PUMP ASSEMBLY**

ITEM	PART NUMBER	QTY	DESCRIPTION	REV
	1001117029	Ref	GEAR PUMP ASSEMBLY	A
		Ref	Note: For Items without P/Ns, replace complete pump.	
		Ref	Front Section Components	
1	See Note	4	Bolt	
2	See Note	1	Plate, End	
3	See Note	2	Bearing	
4	See Note	1	Housing	
5	See Note	1	Drive Shaft Set	
6	See Note	6	Pin, Dowel	
7	See Note	1	Plate, Front	
8	70002860	1	Seal Kit	
8A	70002577	NLA	Seal, Lip (Use Item 8)	
9	70002862	1	Ring, Retaining	
		Ref	Rear Section Components	
101	See Note	4	Bolt	
102	See Note	1	Plate, End	
103	See Note	2	Bearing	
104	See Note	1	Housing	
105	See Note	1	Drive Shaft Set	
106	See Note	4	Pin, Dowel	
107	See Note	1	Plate, Front	
108	70002861	1	Seal Kit	
109	See Note	1	Coupling	
201	See Note	4	Bolt	

# SECTION 3 - ENGINE

## FIGURE 3-22. 2800W GENERATOR INSTALLATION - GM ENGINE MACHINES 220V/50HZ GENERATOR (ANSI EXPORT AND CHINA SPECS)



ART\_1001121720

## SECTION 3 - ENGINE

**FIGURE 3-22. 2800W GENERATOR INSTALLATION - GM ENGINE MACHINES 220V/50HZ  
GENERATOR (ANSI EXPORT AND CHINA SPECS)**

ITEM	PART NUMBER	QTY	DESCRIPTION	REV
	1001121720	Ref	2800W GENERATOR INSTALLATION - GM ENGINE MACHINES 220V/50HZ GENERATOR (ANSI EXPORT AND CHINA SPECS)	D
1	0100011	AR	Compound, Locking	
2	0641506	1	Bolt 5/16-18 x 3/4	
3	0701012	1	Bolt M10 x 25	
4	0701018	2	Bolt M10 x 50	
5	0701219	2	Bolt M12 x 55	
6	0760505	5	Bolt M5 x 10	
7	0760612	2	Bolt M6 x 25	
8	2820031	AR	Heat Shrink	
9	3251102	1	Nameplate - Generator	
10	3290505	2	Nut M5	
11	3290605	2	Nut M6	
12	3291005	1	Nut M10	
13	3291205	2	Nut M12	
14	4060802	1	Guard, Switch	
15	4360336	1	Switch, Toggle	
16	4740397	1	Washer	
17	4811702	4	Washer M6	
18	4812000	2	Washer M10	
19	4812102	2	Washer M12	
20	4891500	1	Washer 5/16	
21	4922641	1	Harness, On/Off Switch	
22	1001119551	1	Mount, Generator	
23	1001119553	1	Arm, Adjustment	
24	1001119554	1	Support, Arm	
25	1001119589	1	Generator and Voltage Regulator Assembly	C
25A	1001100321	1	Generator	
25A	70000123	1	Armature with Slip Rings	
25A	7020109	4	Holder, Brush	
25A	7020108	4	Brush	
25A	7012513	4	Cap, Brush Holder	
25A	7012514	1	Fan	
25A	7020190	2	Bearing	
25A	7020110	1	End Bell, Front	
25A	7020111	1	End Bell, Rear	
25A	70003069	1	Cord, Power	
25A	70003070	1	Pulley	
25A	7027887	1	Key, Woodruff	
25B	70002238	1	Regulator, Voltage	
26	1001119634	1	Control Box Assembly	B
26	70000126	1	Circuit Breaker	
26	7020192	1	Voltmeter	
26	70000124	1	Receptacle, Double	
26	70000125	1	Receptacle, Single Twist Lock	
26	2920162	1	Lamp	
26	70002237	1	Diode	
26	3520028	1	Plug, Hole	
27	1001119773	1	Harness, Generator (See ELECTRICAL SECTION for Breakdown)	

### SECTION 3 - ENGINE

ITEM	PART NUMBER	QTY	DESCRIPTION	REV
28	1001119882	1	V-Belt	
29	0760606	2	Bolt M6 x 12	
30	1001125118	1	Shield, Pulley	

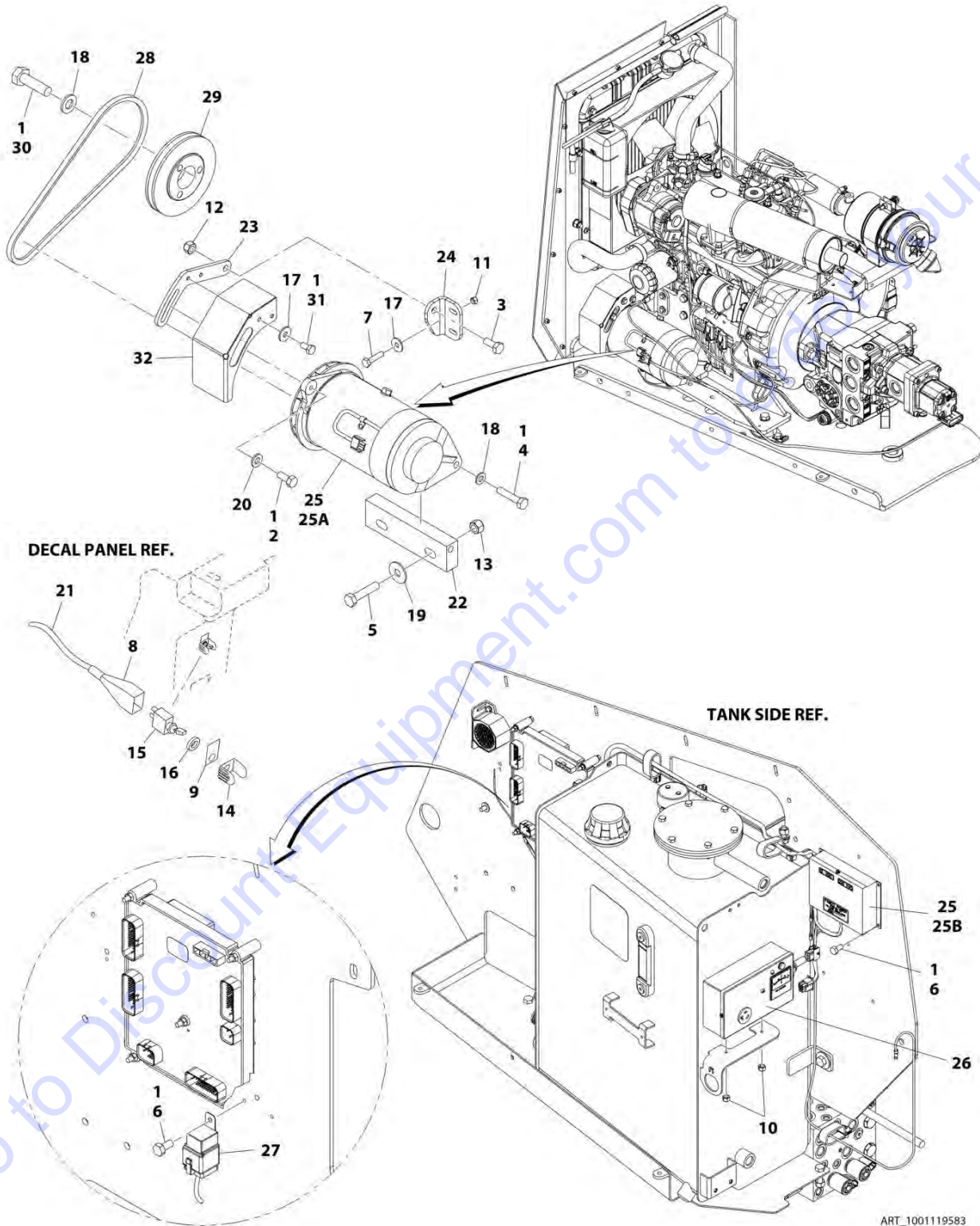
Go to Discount-Equipment.com to order your parts





# SECTION 3 - ENGINE

## FIGURE 3-23. 2800W GENERATOR INSTALLATION - KUBOTA ENGINE MACHINES 120V/50HZ GENERATOR (CE SPECS)



## SECTION 3 - ENGINE

**FIGURE 3-23. 2800W GENERATOR INSTALLATION - KUBOTA ENGINE MACHINES 120V/50HZ GENERATOR (CE SPECS)**

ITEM	PART NUMBER	QTY	DESCRIPTION	REV
	1001119583	Ref	2800W GENERATOR INSTALLATION - KUBOTA ENGINE MACHINES 120V/50HZ GENERATOR (CE SPECS)	E
1	0100011	AR	Compound, Locking	
2	0641506	1	Bolt 5/16-18 x 3/4	
3	0701012	1	Bolt M10 x 25	
4	0701018	2	Bolt M10 x 50	
5	0701219	2	Bolt M12 x 55	
6	0760505	5	Bolt M5 x 10	
7	0760612	2	Bolt M6 x 25	
8	2820031	AR	Heat Shrink	
9	3251102	1	Nameplate - Generator	
10	3290505	2	Nut M5	
11	3290605	2	Nut M6	
12	3291005	1	Nut M10	
13	3291205	2	Nut M12	
14	4060802	1	Guard, Switch	
15	4360336	1	Switch, Toggle	
16	4740397	1	Washer	
17	4811702	4	Washer M6	
18	4812000	5	Washer M10	
19	4812102	2	Washer M12	
20	4891500	1	Washer 5/16	
21	4922641	1	Harness, On/Off Switch	
22	1001119551	1	Mount, Generator	
23	1001119553	1	Arm, Adjustment	
24	1001119554	1	Support, Arm	
25	1001119587	1	Generator Assembly	C
25A	2460049	1	Generator	
25A	70000122	1	Armature with Slip Rings	
25A	7020109	4	Holder, Brush	
25A	7020108	4	Brush	
25A	7012513	4	Cap, Brush Holder	
25A	7012514	1	Fan	
25A	7020190	2	Bearing	
25A	7020110	1	End Bell, Front	
25A	7020111	1	End Bell, Rear	
25A	70003069	1	Cord, Power	
25A	70003070	1	Pulley	
25A	7027887	1	Key, Woodruff	
25B	7026525	1	Regulator, Voltage	
26	1001119633	1	Control Box Assembly	B
26	70002240	1	Circuit Breaker	
26	2420203	1	Voltmeter	
26	7020152	1	Receptacle, Double	
26	70003137	1	Receptacle, Single Twist Lock	
26	2920162	1	Lamp	
26	70002237	1	Diode	
26	3520028	1	Plug, Hole	
27	1001119773	1	Harness, Generator (See ELECTRICAL SECTION for Breakdown)	

## SECTION 3 - ENGINE

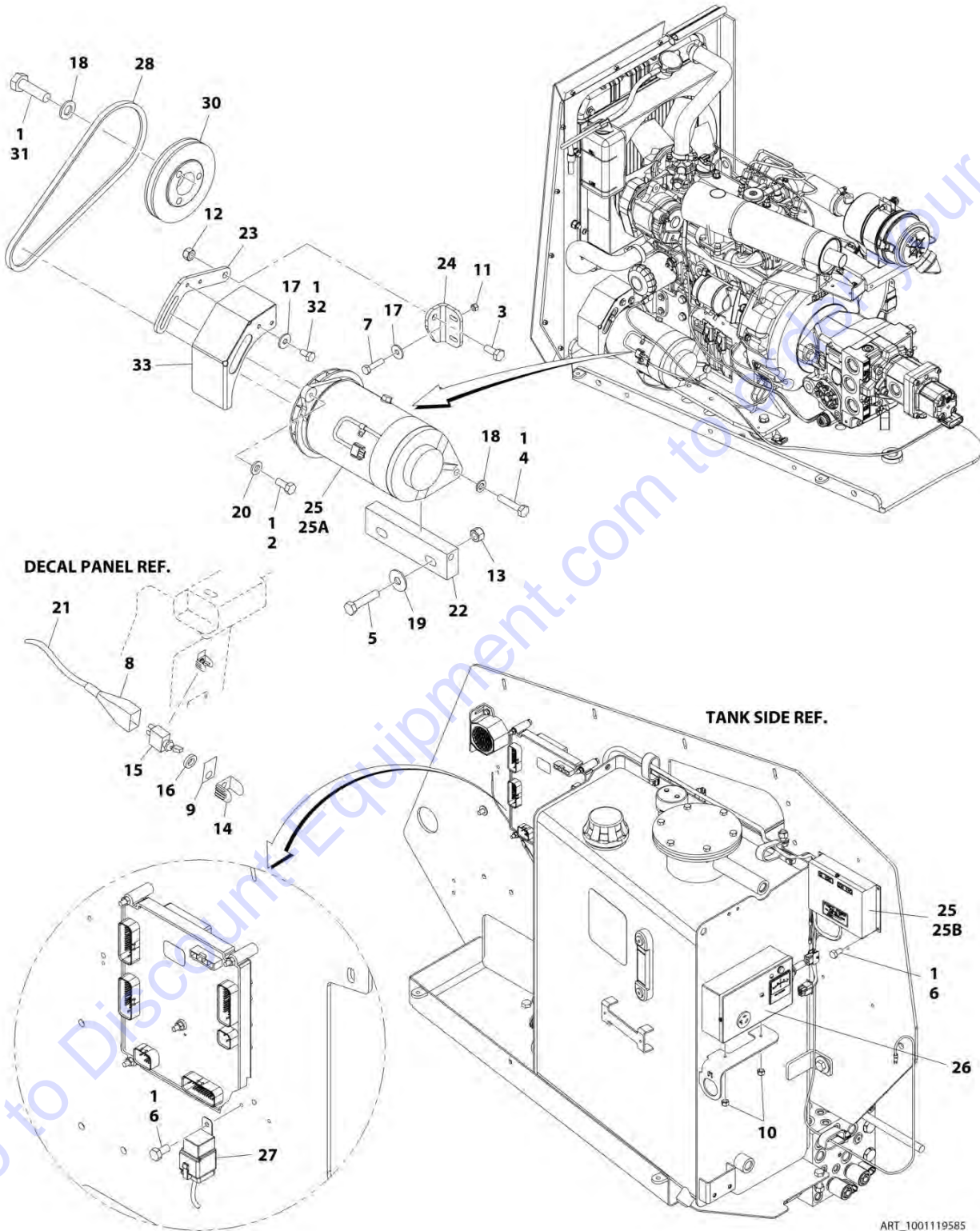
ITEM	PART NUMBER	QTY	DESCRIPTION	REV
28	1001119882	1	V-Belt	
29	1001118720	1	Pulley	
30	1001119929	3	Bolt M10 x 35	
31	0760606	2	Bolt M6 x 12	
32	1001125118	1	Shield, Pulley	

Go to Discount-Equipment.com to order your parts



# SECTION 3 - ENGINE

FIGURE 3-24. 2800W GENERATOR INSTALLATION - KUBOTA ENGINE MACHINES 220V/50HZ GENERATOR (ANSI EXPORT, AUSTRALIAN, CE AND CHINA SPECS)



## SECTION 3 - ENGINE

**FIGURE 3-24. 2800W GENERATOR INSTALLATION - KUBOTA ENGINE MACHINES 220V/50HZ GENERATOR (ANSI EXPORT, AUSTRALIAN, CE AND CHINA SPECS)**

ITEM	PART NUMBER	QTY	DESCRIPTION	REV
	1001119585	Ref	2800W GENERATOR INSTALLATION - KUBOTA ENGINE MACHINES 220V/50HZ GENERATOR (ANSI EXPORT, AUSTRALIAN, CE AND CHINA SPECS)	E
1	0100011	AR	Compound, Locking	
2	0641506	1	Bolt 5/16-18 x 3/4	
3	0701012	1	Bolt M10 x 25	
4	0701018	2	Bolt M10 x 50	
5	0701219	2	Bolt M12 x 55	
6	0760505	5	Bolt M5 x 10	
7	0760612	2	Bolt M6 x 25	
8	2820031	AR	Heat Shrink	
9	3251102	1	Nameplate - Generator	
10	3290505	2	Nut M5	
11	3290605	2	Nut M6	
12	3291005	1	Nut M10	
13	3291205	2	Nut M12	
14	4060802	1	Guard, Switch	
15	4360336	1	Switch, Toggle	
16	4740397	1	Washer	
17	4811702	4	Washer M6	
18	4812000	5	Washer M10	
19	4812102	2	Washer M12	
20	4891500	1	Washer 5/16	
21	4922641	1	Harness, On/Off Switch	
22	1001119551	1	Mount, Generator	
23	1001119553	1	Arm, Adjustment	
24	1001119554	1	Support, Arm	
25	1001119589	1	Generator Assembly	C
25A	1001100321	1	Generator	
25A	70000123	1	Armature with Slip Rings	
25A	7020109	4	Holder, Brush	
25A	7020108	4	Brush	
25A	7012513	4	Cap, Brush Holder	
25A	7012514	1	Fan	
25A	7020190	2	Bearing	
25A	7020110	1	End Bell, Front	
25A	7020111	1	End Bell, Rear	
25A	70003069	1	Cord, Power	
25A	70003070	1	Pulley	
25A	7027887	1	Key, Woodruff	
25B	70002238	1	Regulator, Voltage	
26	1001119634	1	Control Box Assembly	B
26	70000126	1	Circuit Breaker	
26	7020192	1	Voltmeter	
26	70000124	1	Receptacle, Double	
26	70000125	1	Receptacle, Single Twist Lock	
26	2920162	1	Lamp	
26	70002237	1	Diode	
26	3520028	1	Plug, Hole	

### SECTION 3 - ENGINE

ITEM	PART NUMBER	QTY	DESCRIPTION	REV
27	1001119773	1	Harness, Generator (See ELECTRICAL SECTION for Breakdown)	
28	1001119882	1	V-Belt	
30	1001118720	1	Pulley	
31	1001119929	3	Bolt M10 x 35	
32	0760606	2	Bolt M6 x 12	
33	1001125118	1	Shield, Pulley	

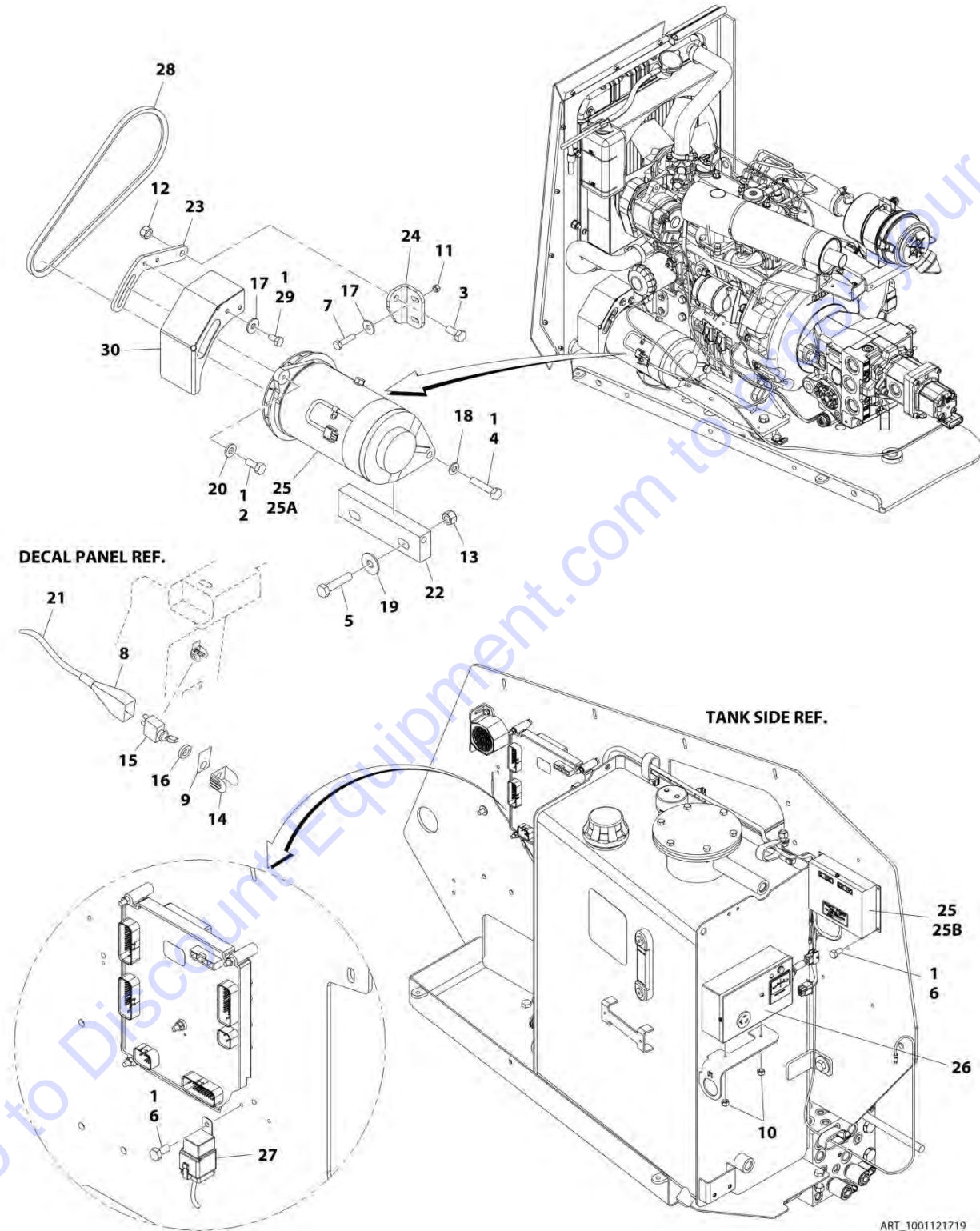
Go to Discount-Equipment.com to order your parts





# SECTION 3 - ENGINE

## FIGURE 3-25. 3500W GENERATOR INSTALLATION - GM ENGINE MACHINES 120V/60HZ GENERATOR (ANSI, ANSI EXPORT, CHINA, CSA AND JAPANESE SPECS)



## SECTION 3 - ENGINE

**FIGURE 3-25. 3500W GENERATOR INSTALLATION - GM ENGINE MACHINES 120V/60HZ GENERATOR (ANSI, ANSI EXPORT, CHINA, CSA AND JAPANESE SPECS)**

ITEM	PART NUMBER	QTY	DESCRIPTION	REV
	1001121719	Ref	3500W GENERATOR INSTALLATION - GM ENGINE MACHINES 120V/60HZ GENERATOR (ANSI, ANSI EXPORT, CHINA, CSA AND JAPANESE SPECS)	D
1	0100011	AR	Compound, Locking	
2	0641506	1	Bolt 5/16-18 x 3/4	
3	0701012	1	Bolt M10 x 25	
4	0701018	2	Bolt M10 x 50	
5	0701219	2	Bolt M12 x 55	
6	0760505	5	Bolt M5 x 10	
7	0760612	2	Bolt M6 x 25	
8	2820031	AR	Heat Shrink	
9	3251102	1	Nameplate - Generator	
10	3290505	2	Nut M5	
11	3290605	2	Nut M6	
12	3291005	1	Nut M10	
13	3291205	2	Nut M12	
14	4060802	1	Guard, Switch	
15	4360336	1	Switch, Toggle	
16	4740397	1	Washer	
17	4811702	4	Washer M6	
18	4812000	2	Washer M10	
19	4812102	2	Washer M12	
20	4891500	1	Washer 5/16	
21	4922641	1	Harness, On/Off Switch	
22	1001119551	1	Mount, Generator	
23	1001119553	1	Arm, Adjustment	
24	1001119554	1	Support, Arm	
25	1001119586	1	Generator and Voltage Regulator Assembly	C
25A	2460049	1	Generator	
25A	70000122	1	Armature with Slip Rings	
25A	7020109	4	Holder, Brush	
25A	7020108	4	Brush	
25A	7012513	4	Cap, Brush Holder	
25A	7012514	1	Fan	
25A	7020190	2	Bearing	
25A	7020110	1	End Bell, Front	
25A	7020111	1	End Bell, Rear	
25A	70003069	1	Cord, Power	
25A	70003068	1	Pulley	
25A	7027887	1	Key, Woodruff	
25B	7026525	1	Regulator, Voltage	
26	1001119633	1	Control Box Assembly	B
26	70002240	1	Circuit Breaker	
26	2420203	1	Voltmeter	
26	7020152	1	Receptacle, Double	
26	70003137	1	Receptacle, Single Twist Lock	
26	2920162	1	Lamp	
26	70002237	1	Diode	
26	3520028	1	Plug, Hole	

### SECTION 3 - ENGINE

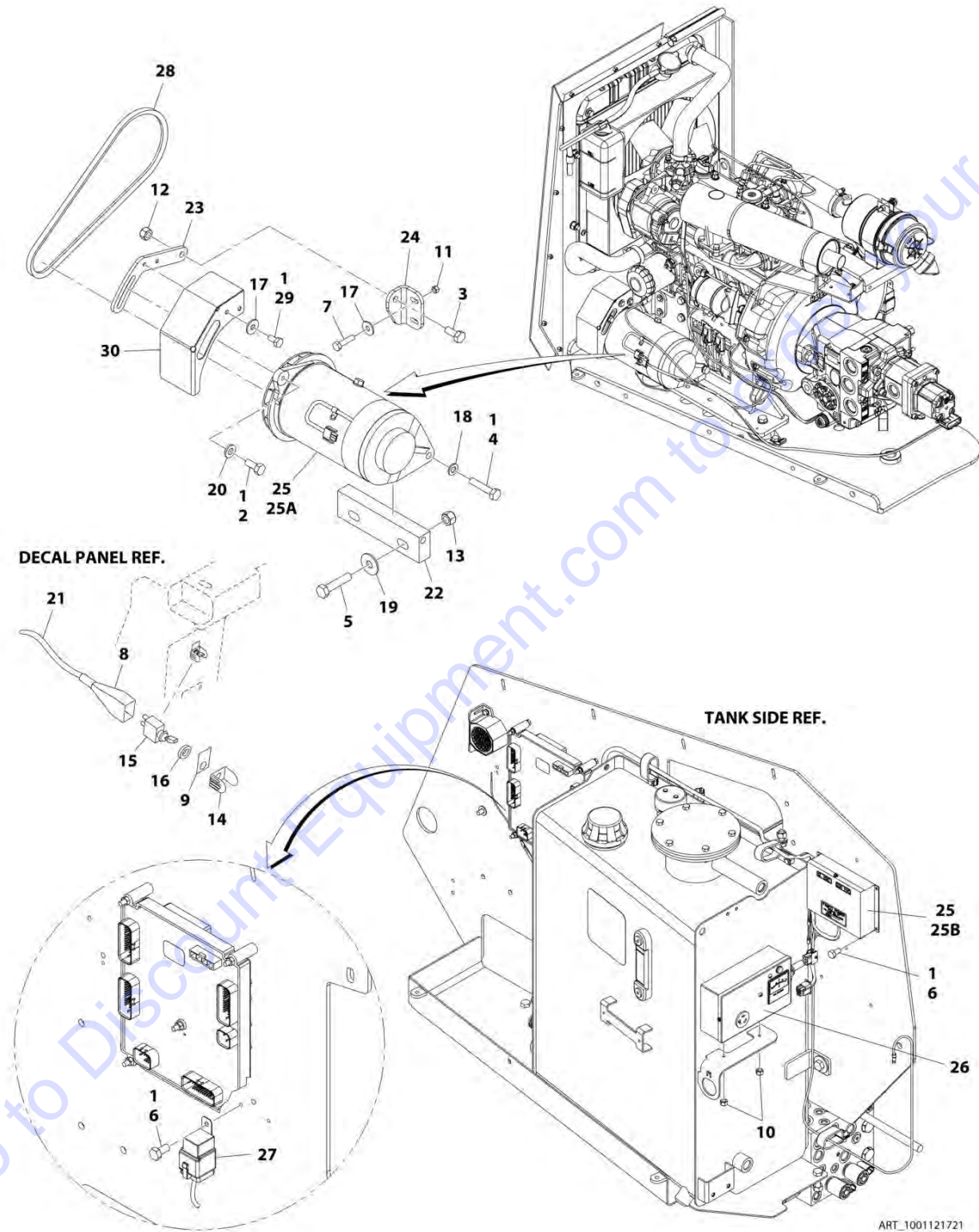
ITEM	PART NUMBER	QTY	DESCRIPTION	REV
27	1001119773	1	Harness, Generator (See ELECTRICAL SECTION for Breakdown)	
28	1001119881	1	V-Belt	
29	0760606	2	Bolt M6 x 12	
30	1001125118	1	Shield, Pulley	

Go to Discount-Equipment.com to order your parts



# SECTION 3 - ENGINE

## FIGURE 3-26. 3500W GENERATOR INSTALLATION - GM ENGINE MACHINES 220V/60HZ GENERATOR (ANSI EXPORT, CHINA AND CSA SPECS)



## SECTION 3 - ENGINE

**FIGURE 3-26. 3500W GENERATOR INSTALLATION - GM ENGINE MACHINES 220V/60HZ  
GENERATOR (ANSI EXPORT, CHINA AND CSA SPECS)**

ITEM	PART NUMBER	QTY	DESCRIPTION	REV
	1001121721	Ref	3500W GENERATOR INSTALLATION - GM ENGINE MACHINES 220V/60HZ GENERATOR (ANSI EXPORT, CHINA AND CSA SPECS)	D
1	0100011	AR	Compound, Locking	
2	0641506	1	Bolt 5/16-18 x 3/4	
3	0701012	1	Bolt M10 x 25	
4	0701018	2	Bolt M10 x 50	
5	0701219	2	Bolt M12 x 55	
6	0760505	5	Bolt M5 x 10	
7	0760612	2	Bolt M6 x 25	
8	2820031	AR	Heat Shrink	
9	3251102	1	Nameplate - Generator	
10	3290505	2	Nut M5	
11	3290605	2	Nut M6	
12	3291005	1	Nut M10	
13	3291205	2	Nut M12	
14	4060802	1	Guard, Switch	
15	4360336	1	Switch, Toggle	
16	4740397	1	Washer	
17	4811702	4	Washer M6	
18	4812000	2	Washer M10	
19	4812102	2	Washer M12	
20	4891500	1	Washer 5/16	
21	4922641	1	Harness, On/Off Switch	
22	1001119551	1	Mount, Generator	
23	1001119553	1	Arm, Adjustment	
24	1001119554	1	Support, Arm	
25	1001119588	1	Generator and Voltage Regulator Assembly	C
25A	1001100321	1	Generator	
25A	70000123	1	Armature with Slip Rings	
25A	7020109	4	Holder, Brush	
25A	7020108	4	Brush	
25A	7012513	4	Cap, Brush Holder	
25A	7012514	1	Fan	
25A	7020190	2	Bearing	
25A	7020110	1	End Bell, Front	
25A	7020111	1	End Bell, Rear	
25A	70003069	1	Cord, Power	
25A	70003068	1	Pulley	
25A	7027887	1	Key, Woodruff	
25B	70002238	1	Regulator, Voltage	
26	1001119634	1	Control Box Assembly	B
26	70000126	1	Circuit Breaker	
26	7020192	1	Voltmeter	
26	70000124	1	Receptacle, Double	
26	70000125	1	Receptacle, Single Twist Lock	
26	2920162	1	Lamp	
26	70002237	1	Diode	
26	3520028	1	Plug, Hole	



### SECTION 3 - ENGINE

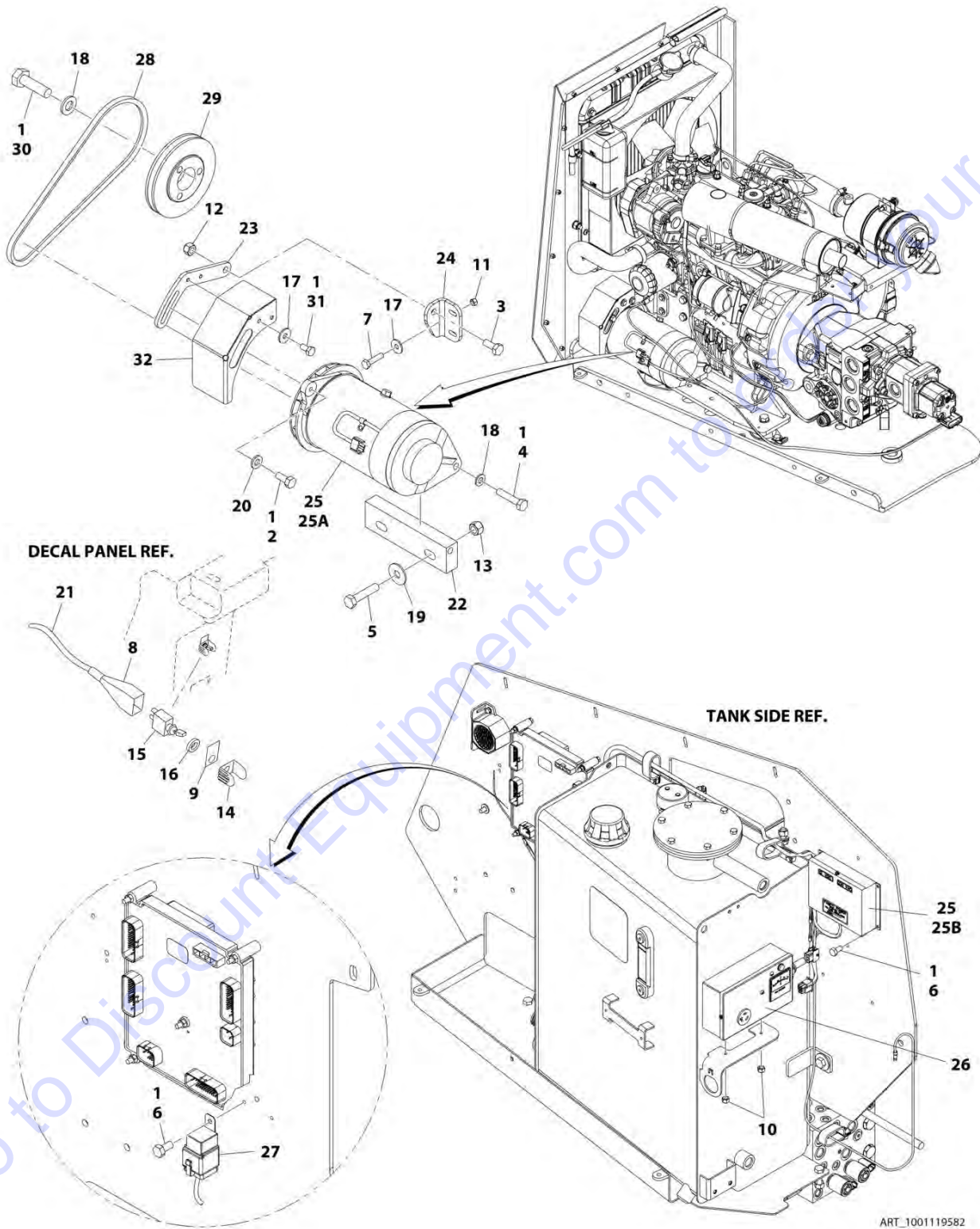
ITEM	PART NUMBER	QTY	DESCRIPTION	REV
27	1001119773	1	Harness, Generator (See ELECTRICAL SECTION for Breakdown)	
28	1001119881	1	V-Belt	
29	0760606	2	Bolt M6 x 12	
30	1001125118	1	Shield, Pulley	

Go to Discount-Equipment.com to order your parts



# SECTION 3 - ENGINE

FIGURE 3-27. 3500W GENERATOR INSTALLATION - KUBOTA ENGINE MACHINES 120V/60HZ GENERATOR (ANSI, ANSI EXPORT, CHINA, CSA AND JAPANESE SPECS)



## SECTION 3 - ENGINE

**FIGURE 3-27. 3500W GENERATOR INSTALLATION - KUBOTA ENGINE MACHINES 120V/60HZ GENERATOR (ANSI, ANSI EXPORT, CHINA, CSA AND JAPANESE SPECS)**

ITEM	PART NUMBER	QTY	DESCRIPTION	REV
	1001119582	Ref	3500W GENERATOR INSTALLATION - KUBOTA ENGINE MACHINES 120V/60HZ GENERATOR (ANSI, ANSI EXPORT, CHINA, CSA AND JAPANESE SPECS)	E
1	0100011	AR	Compound, Locking	
2	0641506	1	Bolt 5/16-18 x 3/4	
3	0701012	1	Bolt M10 x 25	
4	0701018	2	Bolt M10 x 50	
5	0701219	2	Bolt M12 x 55	
6	0760505	5	Bolt M5 x 10	
7	0760612	2	Bolt M6 x 25	
8	2820031	AR	Heat Shrink	
9	3251102	1	Nameplate - Generator	
10	3290505	2	Nut M5	
11	3290605	2	Nut M6	
12	3291005	1	Nut M10	
13	3291205	2	Nut M12	
14	4060802	1	Guard, Switch	
15	4360336	1	Switch, Toggle	
16	4740397	1	Washer	
17	4811702	4	Washer M6	
18	4812000	5	Washer M10	
19	4812102	2	Washer M12	
20	4891500	1	Washer 5/16	
21	4922641	1	Harness, On/Off Switch	
22	1001119551	1	Mount, Generator	
23	1001119553	1	Arm, Adjustment	
24	1001119554	1	Support, Arm	
25	1001119586	1	Generator Assembly	C
25A	2460049	1	Generator	
25A	70000122	1	Armature with Slip Rings	
25A	7020109	4	Holder, Brush	
25A	7020108	4	Brush	
25A	7012513	4	Cap, Brush Holder	
25A	7012514	1	Fan	
25A	7020190	2	Bearing	
25A	7020110	1	End Bell, Front	
25A	7020111	1	End Bell, Rear	
25A	70003069	1	Cord, Power	
25A	70003068	1	Pulley	
25A	7027887	1	Key, Woodruff	
25B	7026525	1	Regulator, Voltage	
26	1001119633	1	Control Box Assembly	B
26	70002240	1	Circuit Breaker	
26	2420203	1	Voltmeter	
26	7020152	1	Receptacle, Double	
26	70003137	1	Receptacle, Single Twist Lock	
26	2920162	1	Lamp	
26	70002237	1	Diode	
26	3520028	1	Plug, Hole	

## SECTION 3 - ENGINE

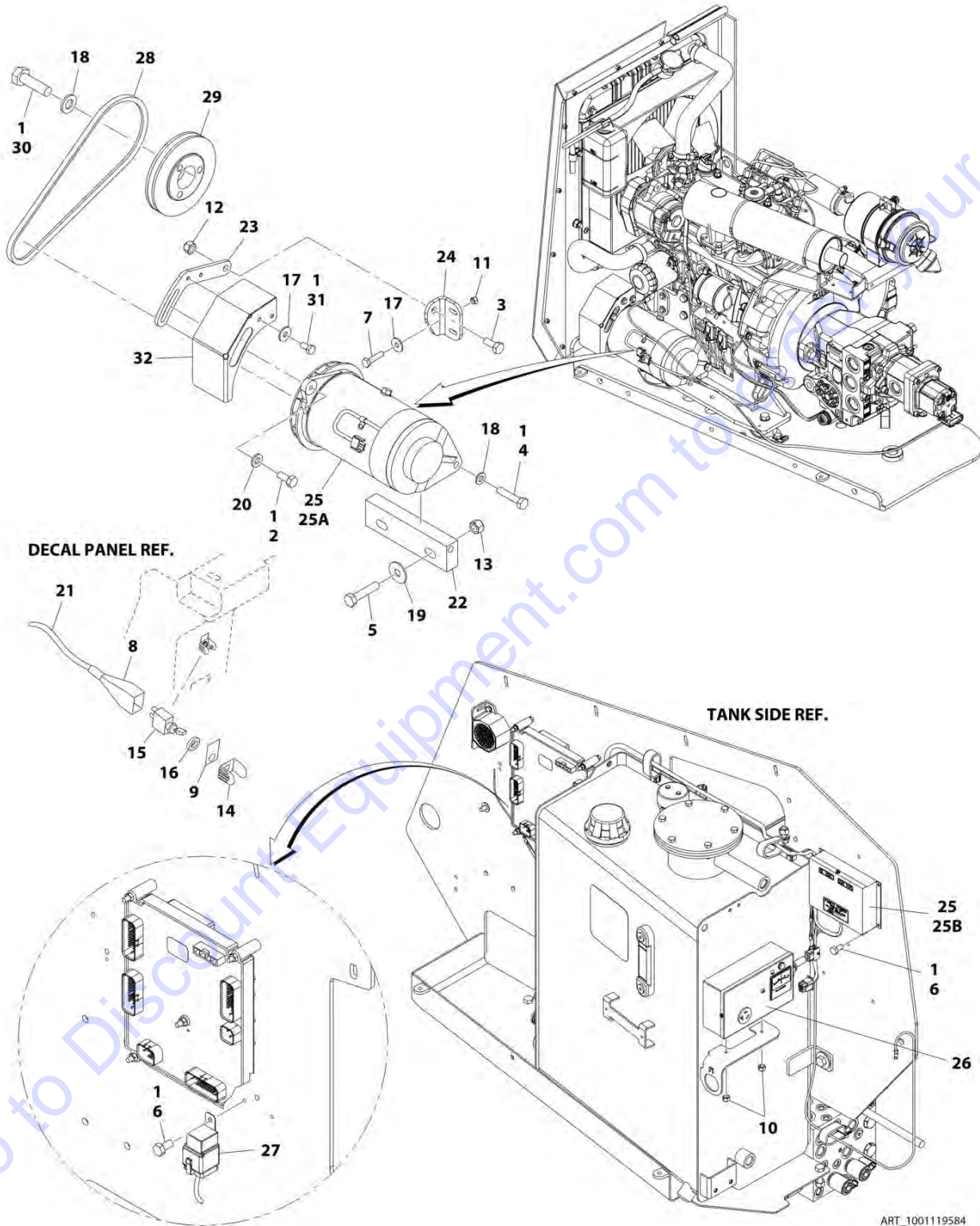
ITEM	PART NUMBER	QTY	DESCRIPTION	REV
27	1001119773	1	Harness, Generator (See ELECTRICAL SECTION for Breakdown)	
28	1001119881	1	V-Belt	
29	1001118720	1	Pulley	
30	1001119929	3	Bolt M10 x 35	
31	0760606	2	Bolt M6 x 12	
32	1001125118	1	Shield, Pulley	

Go to Discount-Equipment.com to order your parts



# SECTION 3 - ENGINE

FIGURE 3-28. 3500W GENERATOR INSTALLATION - KUBOTA ENGINE MACHINES 220V/60HZ GENERATOR (ANSI EXPORT, CHINA AND CSA SPECS)





## SECTION 3 - ENGINE

**FIGURE 3-28. 3500W GENERATOR INSTALLATION - KUBOTA ENGINE MACHINES 220V/60HZ  
GENERATOR (ANSI EXPORT, CHINA AND CSA SPECS)**

ITEM	PART NUMBER	QTY	DESCRIPTION	REV
	1001119584	Ref	3500W GENERATOR INSTALLATION - KUBOTA ENGINE MACHINES 220V/60HZ GENERATOR (ANSI EXPORT, CHINA AND CSA SPECS)	E
1	0100011	AR	Compound, Locking	
2	0641506	1	Bolt 5/16-18 x 3/4	
3	0701012	1	Bolt M10 x 25	
4	0701018	2	Bolt M10 x 50	
5	0701219	2	Bolt M12 x 55	
6	0760505	5	Bolt M5 x 10	
7	0760612	2	Bolt M6 x 25	
8	2820031	AR	Heat Shrink	
9	3251102	1	Nameplate - Generator	
10	3290505	2	Nut M5	
11	3290605	2	Nut M6	
12	3291005	1	Nut M10	
13	3291205	2	Nut M12	
14	4060802	1	Guard, Switch	
15	4360336	1	Switch, Toggle	
16	4740397	1	Washer	
17	4811702	4	Washer M6	
18	4812000	5	Washer M10	
19	4812102	2	Washer M12	
20	4891500	1	Washer 5/16	
21	4922641	1	Harness, On/Off Switch	
22	1001119551	1	Mount, Generator	
23	1001119553	1	Arm, Adjustment	
24	1001119554	1	Support, Arm	
25	1001119588	1	Generator Assembly	C
25A	1001100321	1	Generator	
25A	70000123	1	Armature with Slip Rings	
25A	7020109	4	Holder, Brush	
25A	7020108	4	Brush	
25A	7012513	4	Cap, Brush Holder	
25A	7012514	1	Fan	
25A	7020190	2	Bearing	
25A	7020110	1	End Bell, Front	
25A	7020111	1	End Bell, Rear	
25A	70003069	1	Cord, Power	
25A	70003068	1	Pulley	
25A	7027887	1	Key, Woodruff	
25B	70002238	1	Regulator, Voltage	
26	1001119634	1	Control Box Assembly	B
26	70000126	1	Circuit Breaker	
26	7020192	1	Voltmeter	
26	70000124	1	Receptacle, Double	
26	70000125	1	Receptacle, Single Twist Lock	
26	2920162	1	Lamp	
26	70002237	1	Diode	
26	3520028	1	Plug, Hole	

### SECTION 3 - ENGINE

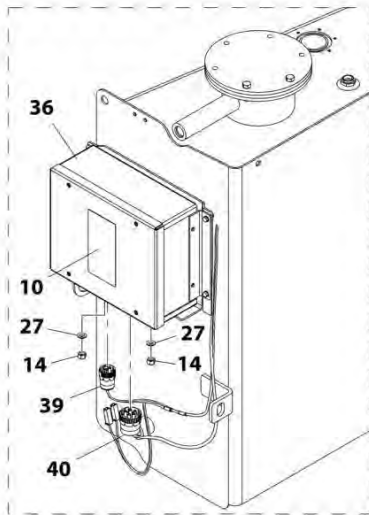
ITEM	PART NUMBER	QTY	DESCRIPTION	REV
27	1001119773	1	Harness, Generator (See ELECTRICAL SECTION for Breakdown)	
28	1001119881	1	V-Belt	
29	1001118720	1	Pulley	
30	1001119929	3	Bolt M10 x 35	
31	0760606	2	Bolt M6 x 12	
32	1001125118	1	Shield, Pulley	

Go to Discount-Equipment.com to order your parts

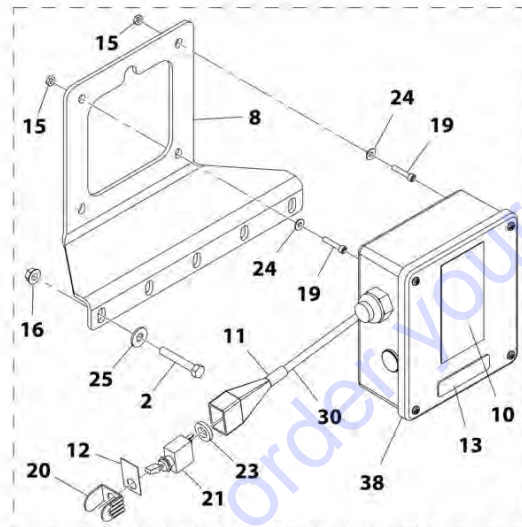


# SECTION 3 - ENGINE

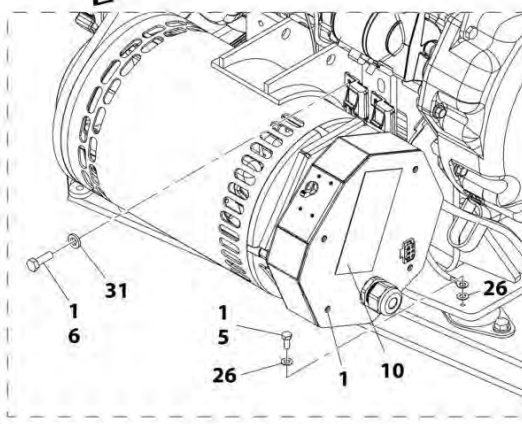
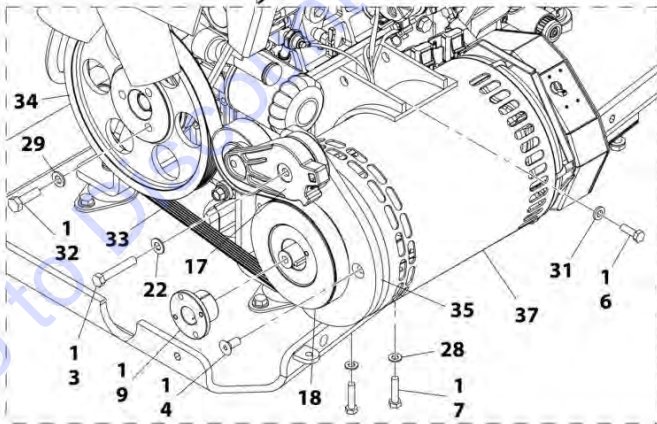
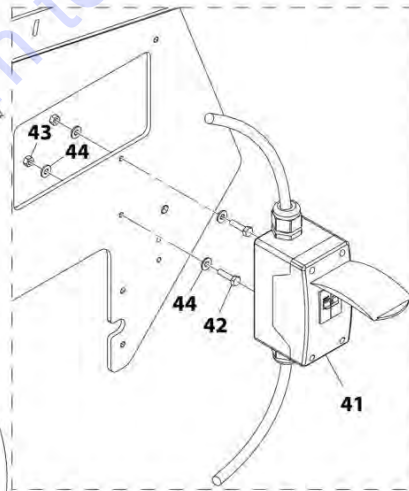
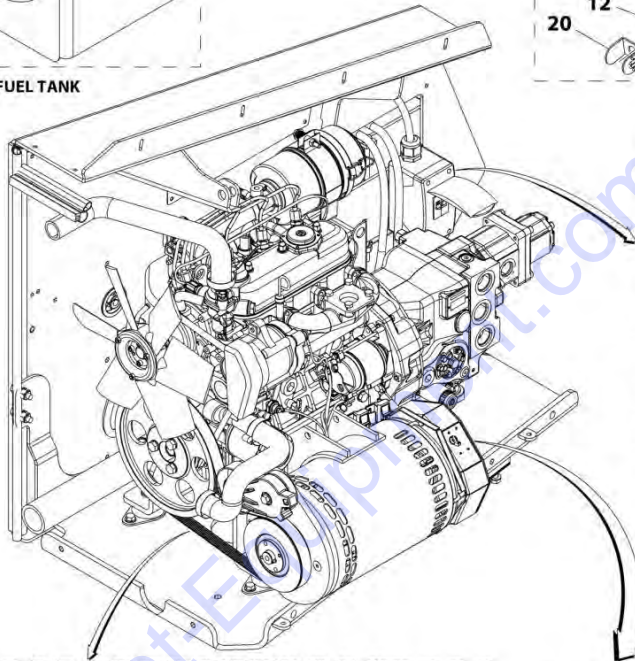
## FIGURE 3-29. 4000W GENERATOR INSTALLATION - KUBOTA ENGINE MACHINES 220V/50HZ GENERATOR (ANSI EXPORT, AUSTRALIAN, CE, CHINA AND JAPANESE SPECS)



LOCATED AT FUEL TANK



LOCATED AT PLATFORM



ART\_1001148660

## SECTION 3 - ENGINE

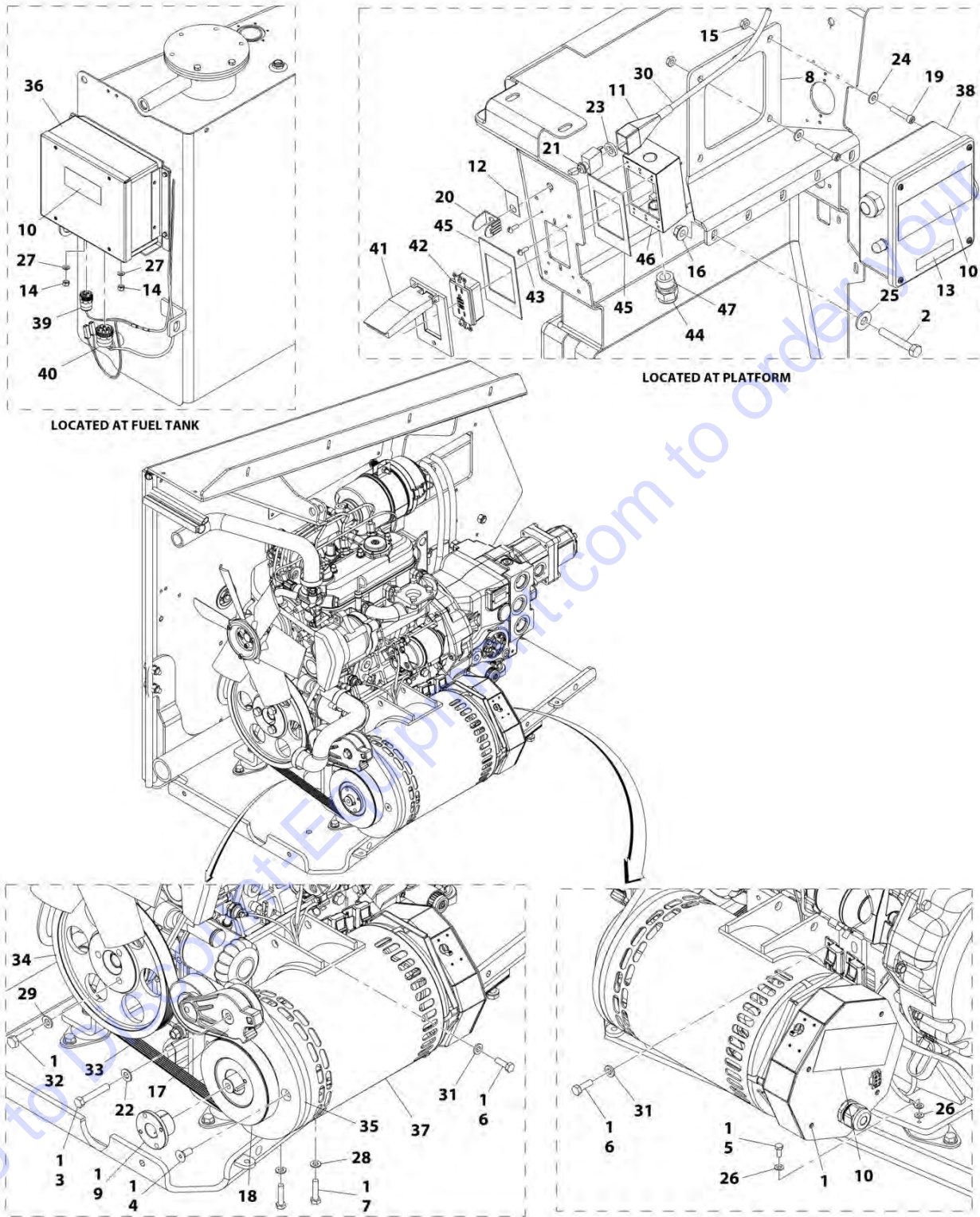
**FIGURE 3-29. 4000W GENERATOR INSTALLATION - KUBOTA ENGINE MACHINES 220V/50HZ GENERATOR (ANSI EXPORT, AUSTRALIAN, CE, CHINA AND JAPANESE SPECS)**

ITEM	PART NUMBER	QTY	DESCRIPTION	REV
	1001148660	Ref	4000W GENERATOR INSTALLATION - KUBOTA ENGINE MACHINES 220V/50HZ GENERATOR (ANSI EXPORT, AUSTRALIAN, CE, CHINA AND JAPANESE SPECS)	D
1	0100011	AR	Compound, Locking	
2	0641516	3	Bolt 5/16 x 2 (SN 0300200802 through 0300203564)	
3	0641618	1	Bolt 3/8 x 2-1/4	
4	0741607	3	Bolt 3/8 x 0.88	
5	0760607	1	Bolt M6 x 14	
6	0760812	2	Bolt M8 x 25	
7	0760815	2	Bolt M8 x 35	
8	0902888	1	Bracket, Generator Junction Box (SN 0300200802 through 0300203564)	
9	0962520	1	Bushing, Split Taper	
10	1705489	AR	Decal - Hazardous Voltage	
11	2820031	AR	Heat Shrink	
12	3251102	1	Nameplate, Generator	
13	3251242	1	Decal - 240V/50Hz (SN 0300200802 through 0300203564)	
14	3290505	2	Nut M5	
15	3311005	4	Nut #10 (SN 0300200802 through 0300203564)	
16	3311508	3	Nut #5/16 (SN 0300200802 through 0300203564)	
17	3580317	1	Pulley, Belt Tensioner	
18	3580319	1	Pulley, Generator - 50Hz	
19	3931016	4	Bolt #10 x 1 (SN 0300200802 through 0300203564)	
20	4060802	1	Guard, Switch	
21	4360336	1	Switch, Toggle	
22	4711600	1	Washer 3/8	
23	4740397	1	Washer	
24	4751000	4	Washer #10 (SN 0300200802 through 0300203564)	
25	4751500	3	Washer #5/16 (SN 0300200802 through 0300203564)	
26	4791400	2	Washer 1/4	
27	4811600	2	Washer M5	
28	4811900	2	Washer M8	
29	4812000	3	Washer M10	
30	4922641	1	Harness, On/Off Switch	
31	5240800	2	Washer M8	
32	1001119929	3	Bolt M10 x 35	
33	1001147141	1	Belt, 4000W - 50Hz	
34	1001147233	1	Pulley	
35	1001147234	1	Mount, Generator Tensioner	
36	1001147431	1	4000W Control Box Installation	
37	1001150619	1	Generator, 4000W - 50Hz	
38	1001152458	1	Box, Junction Assembly (SN 0300200802 through 0300203564)	
39	1001157915	1	Harness, 4000W Generator	
40	1001157916	1	Harness, Generator (See ELECTRICAL SECTION for Breakdown)	
41	1001096070	1	Kit, Box and Bracket	
42	0641408	2	Bolt 1/4 x 1	
43	3311405	2	Nut 1/4	
44	4711400	4	Washer 1/4	



# SECTION 3 - ENGINE

## FIGURE 3-30. 4000W GENERATOR INSTALLATION - KUBOTA ENGINE MACHINES 110V/60HZ GENERATOR (ANSI, ANSI EXPORT, CHINA, CSA AND JAPANESE SPECS)



ART\_1001148663

## SECTION 3 - ENGINE

**FIGURE 3-30. 4000W GENERATOR INSTALLATION - KUBOTA ENGINE MACHINES 110V/60HZ GENERATOR (ANSI, ANSI EXPORT, CHINA, CSA AND JAPANESE SPECS)**

ITEM	PART NUMBER	QTY	DESCRIPTION	REV
	1001148663	Ref	4000W GENERATOR INSTALLATION - KUBOTA ENGINE MACHINES 110V/60HZ GENERATOR (ANSI, ANSI EXPORT, CHINA, CSA AND JAPANESE SPECS)	C
1	0100011	AR	Compound, Locking	
2	0641516	3	Bolt 5/16-18 x 2	
3	0641618	1	Bolt 3/8-16 x 2-1/4	
4	0741607	3	Bolt 3/8-16 x 0.88	
5	0760607	1	Bolt M6 x 14	
6	0760812	2	Bolt M8 x 25	
7	0760815	2	Bolt M8 x 35	
8	0902888	1	Bracket, Generator Junction Box	
9	0962520	1	Bushing, Split Taper	
10	1705387	3	Decal - Hazardous Voltage	
11	2820031	AR	Heat Shrink	
12	3251102	1	Nameplate, Generator	
13	3251243	1	Decal - 120V/60Hz	
14	3290505	2	Nut M5	
15	3311005	4	Nut #10-24	
16	3311508	3	Nut #5/16-18	
17	3580317	1	Pulley, Belt Tensioner	
18	3580318	1	Pulley, Generator - 60Hz	
19	3931016	4	Bolt #10-24 x 1	
20	4060802	1	Guard, Switch	
21	4360336	1	Switch, Toggle	
22	4711600	1	Washer 3/8	
23	4740397	1	Washer	
24	4751000	4	Washer #10	
25	4751500	3	Washer #5/16	
26	4791400	2	Washer 1/4	
27	4811600	2	Washer M5	
28	4811900	2	Washer M8	
29	4812000	3	Washer M10	
30	4922641	1	Harness, On/Off Switch	
31	5240800	2	Washer M8	
32	1001119929	3	Bolt M10 x 35	
33	1001153814	1	Belt, 4000W - 60Hz	
34	1001147233	1	Pulley	
35	1001147234	1	Mount, Generator Tensioner	
36	1001147431	1	4000W Control Box Installation	
37	1001147436	1	Generator 4000W - 60Hz	
38	1001152457	1	Box, Junction Assembly	
39	1001157915	1	Harness, 4000W Generator	
40	1001157916	1	Harness, Generator (See ELECTRICAL SECTION for Breakdown)	
41	1001110873	1	Cover	
42	4460346	1	Receptacle	
43	3910606	4	Bolt 6-32 x 3/8	
44	4460071	1	Connector	
45	3960422	1	Gasket	
46	0860038	1	Box, Switch-Weatherhead	



### SECTION 3 - ENGINE

ITEM	PART NUMBER	QTY	DESCRIPTION	REV
47	0100020	AR	Sealant, Pipe	

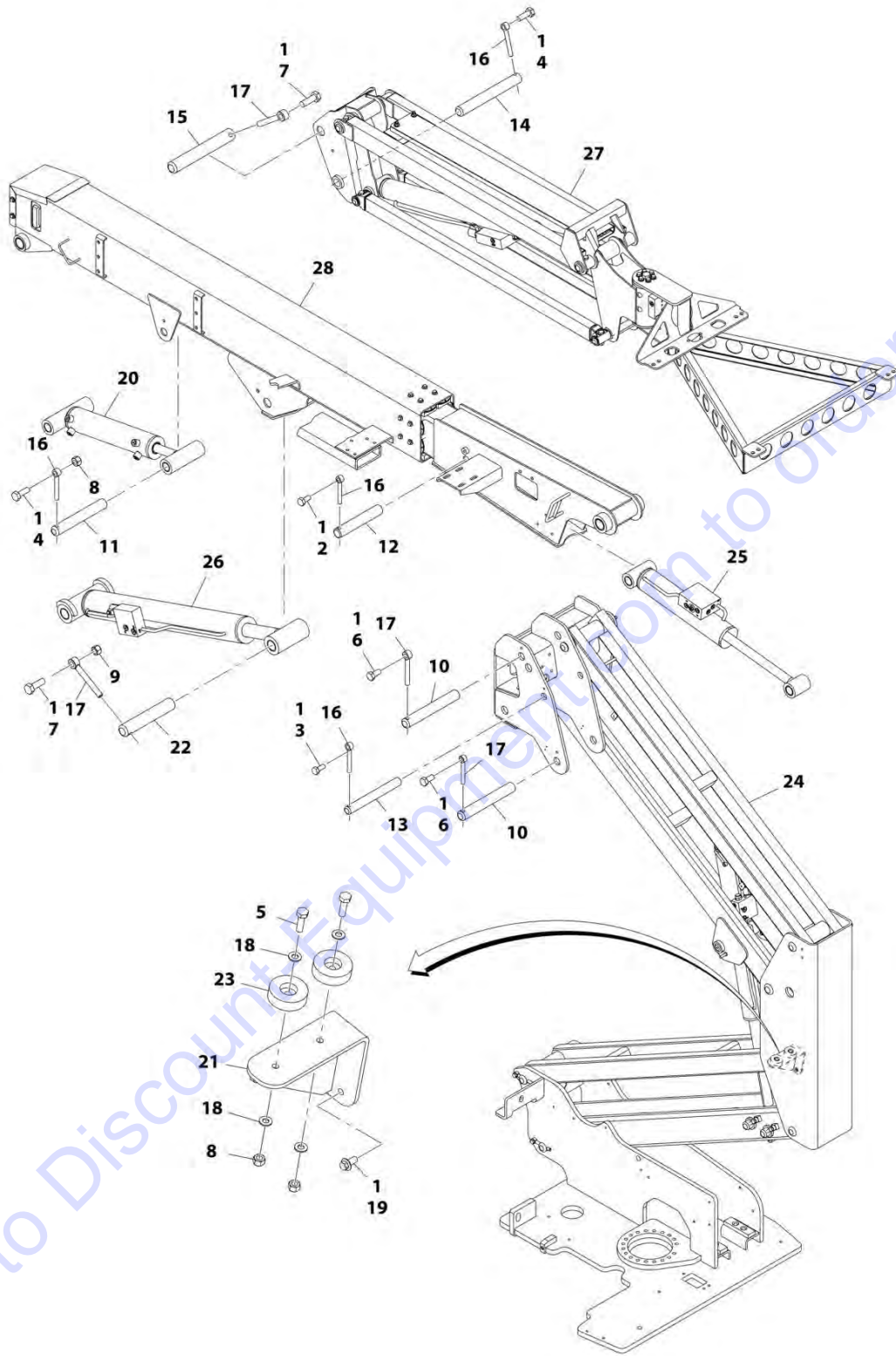
Go to Discount-Equipment.com to order your parts

**SECTION 4 - BOOM**

Go to Discount-Equipment.com to order your parts

# SECTION 4 - BOOM

## FIGURE 4-1. BOOM AND CYLINDERS INSTALLATION - WITHOUT ARCTIC PACKAGE



ART\_1001115766

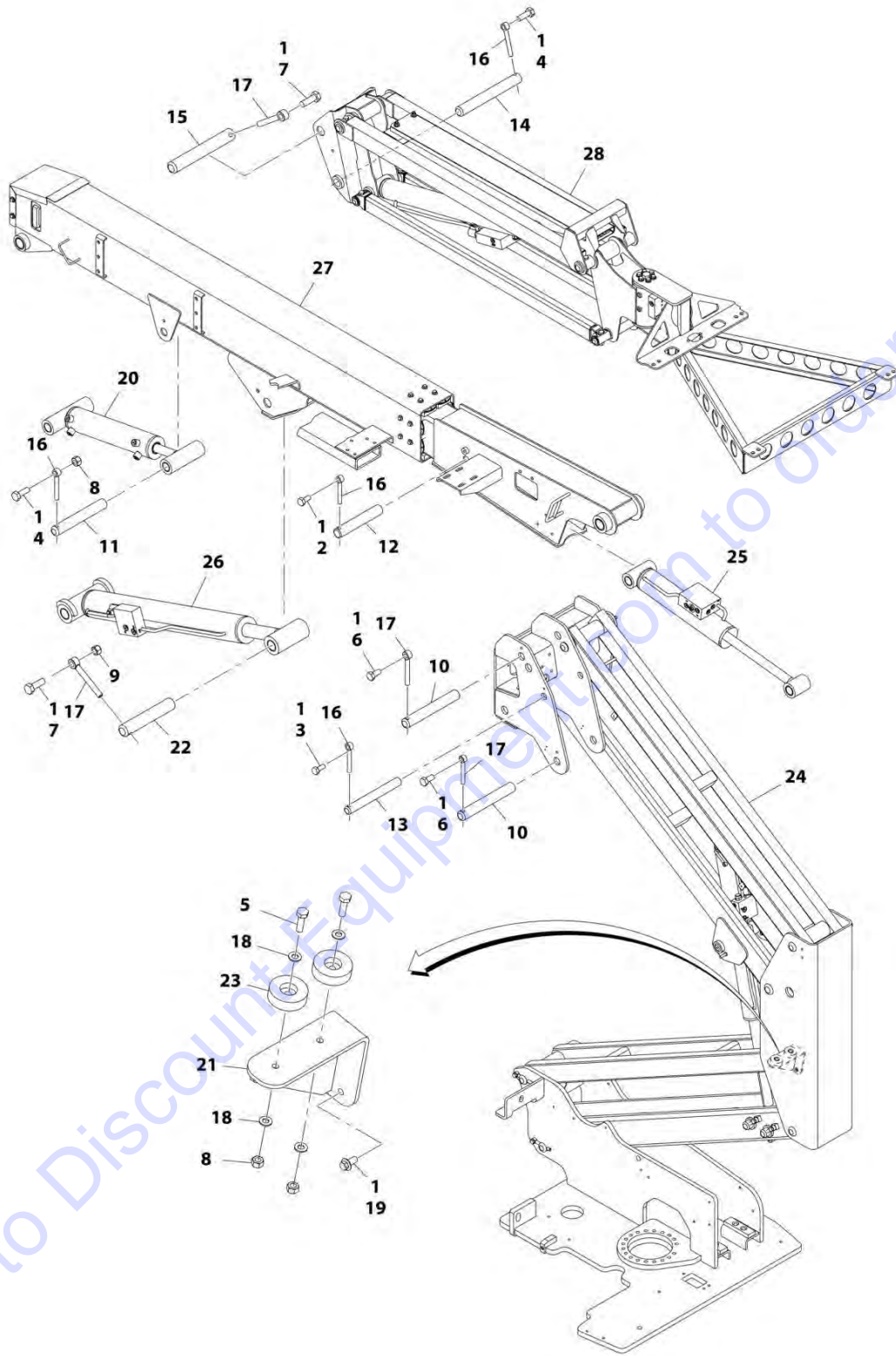
## SECTION 4 - BOOM

**FIGURE 4-1. BOOM AND CYLINDERS INSTALLATION - WITHOUT ARCTIC PACKAGE**

ITEM	PART NUMBER	QTY	DESCRIPTION	REV
	1001115766	Ref	BOOM AND CYLINDERS INSTALLATION - WITHOUT ARCTIC PACKAGE	D
1	0100011	AR	Compound, Locking	
2	0761011	1	Bolt M10 x 22	
3	0761012	1	Bolt M10 x 25	
4	0761014	2	Bolt M10 x 30	
5	0761015	2	Bolt M10 x 35	
6	0761212	2	Bolt M12 x 25	
7	0761215	2	Bolt M12 x 35	
8	3291005	3	Nut M10	
9	3291205	1	Nut M12	
10	3422576	2	Pin	
11	3422582	1	Pin	
12	3422709	1	Pin	
13	3422790	1	Pin	
14	3422792	1	Pin	
15	3422814	1	Pin	
16	3841143	4	Keeper, Pin	
17	3841203	4	Keeper, Pin	
18	4812000	4	Washer M10	
19	5251010	3	Bolt M10 x 20	
20	1001120976	1	Master Cylinder Assembly (See CYLINDER SECTION for Breakdown)	
21	1001125235	1	Rest, Boom	
22	1001109528	1	Pin	
23	1001112607	2	Pad, Boom Rest	
24	1001115672	1	Tower Boom Assembly (See TOWER BOOM ASSEMBLY for Breakdown)	
25	1001117375	1	Level Cylinder Assembly - Platform (Slave) (See CYLINDER SECTION for Breakdown) <b>(Prior to SN 0300238046)</b>	
25	1001225990	1	Level Cylinder Assembly - Platform (Slave) (See CYLINDER SECTION for Breakdown) <b>(SN 0300238046 to Present)</b>	
26	1001117640	1	Lift Cylinder Assembly - Main Boom (See CYLINDER SECTION for Breakdown)	
27	1001117884	1	Jib Assembly (See JIB ASSEMBLY - WITHOUT ARCTIC PACKAGE for Breakdown)	
28	1001117885	1	Main Boom Assembly (See MAIN BOOM ASSEMBLY for Breakdown)	

# SECTION 4 - BOOM

## FIGURE 4-2. BOOM AND CYLINDERS INSTALLATION - WITH ARCTIC PACKAGE



ART\_1001119371

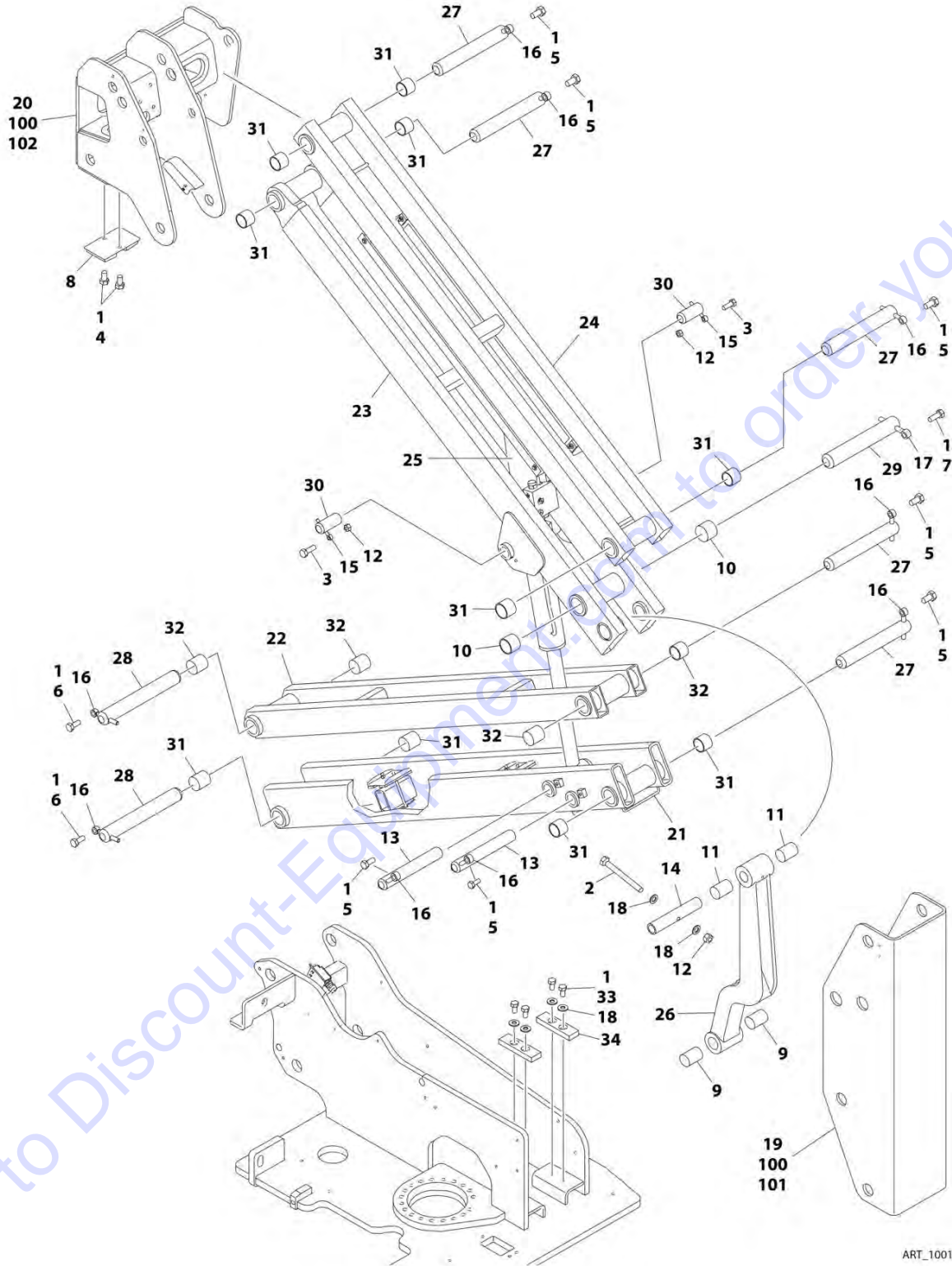
## SECTION 4 - BOOM

**FIGURE 4-2. BOOM AND CYLINDERS INSTALLATION - WITH ARCTIC PACKAGE**

ITEM	PART NUMBER	QTY	DESCRIPTION	REV
	1001119371	Ref	BOOM AND CYLINDERS INSTALLATION - WITH ARCTIC PACKAGE	D
1	0100011	AR	Compound, Locking	
2	0761011	1	Bolt M10 x 22	
3	0761012	1	Bolt M10 x 25	
4	0761014	2	Bolt M10 x 30	
5	0761015	2	Bolt M10 x 35	
6	0761212	2	Bolt M12 x 25	
7	0761215	2	Bolt M12 x 35	
8	3291005	3	Nut M10	
9	3291205	1	Nut M12	
10	3422576	2	Pin	
11	3422582	1	Pin	
12	3422709	1	Pin	
13	3422790	1	Pin	
14	3422792	1	Pin	
15	3422814	1	Pin	
16	3841143	4	Keeper, Pin	
17	3841203	4	Keeper, Pin	
18	4812000	4	Washer M10	
19	5251010	3	Bolt M10 x 20	
20	1001120976	1	Master Cylinder Assembly (See CYLINDER SECTION for Breakdown)	
21	1001125235	1	Rest, Boom	
22	1001109528	1	Pin	
23	1001112607	2	Pad, Boom Rest	
24	1001115672	1	Tower Boom Assembly (See TOWER BOOM ASSEMBLY for Breakdown)	
25	1001117375	1	Level Cylinder Assembly - Platform (Slave) (See CYLINDER SECTION for Breakdown) <b>(Prior to SN 0300238046)</b>	
25	1001225990	1	Level Cylinder Assembly - Platform (Slave) (See CYLINDER SECTION for Breakdown) <b>(SN 0300238046 to Present)</b>	
26	1001117640	1	Lift Cylinder Assembly - Main Boom (See CYLINDER SECTION for Breakdown)	
27	1001117885	1	Main Boom Assembly Options (See MAIN BOOM ASSEMBLY for Breakdown)	
28	1001119370	1	Jib Assembly (See JIB ASSEMBLY - WITH ARCTIC PACKAGE for Breakdown)	

# SECTION 4 - BOOM

## FIGURE 4-3. TOWER BOOM ASSEMBLY



ART\_1001115672

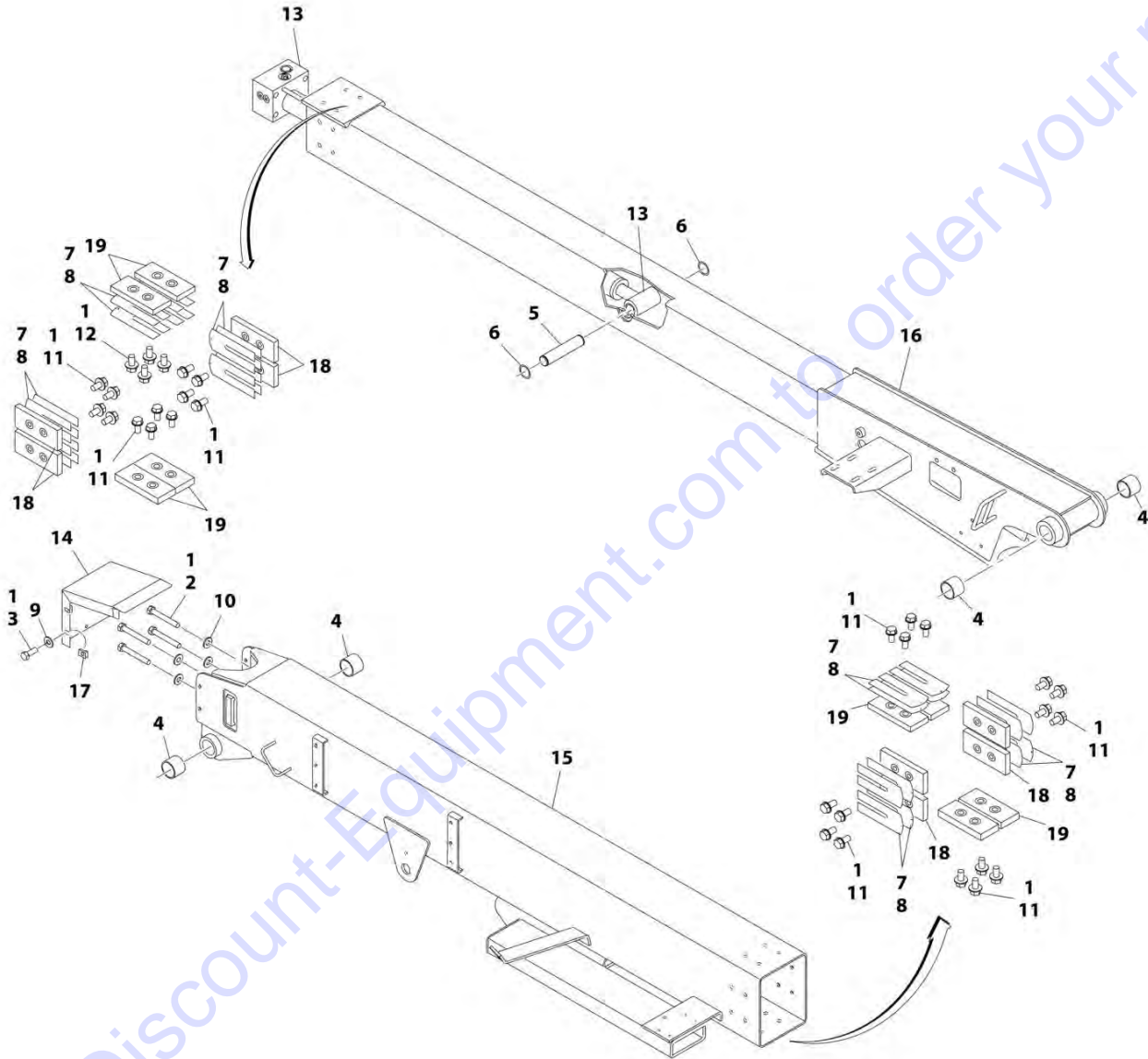


FIGURE 4-3. TOWER BOOM ASSEMBLY

ITEM	PART NUMBER	QTY	DESCRIPTION	REV
	1001115672	Ref	TOWER BOOM ASSEMBLY	D
1	0100011	AR	Compound, Locking	
2	0701027	1	Bolt M10 x 100	
3	0761015	2	Bolt M10 x 35	
4	0761210	2	Bolt M12 x 20	
5	0761212	7	Bolt M12 x 25	
6	0761214	2	Bolt M12 x 30	
7	0761615	2	Bolt M16 x 35	
8	0940048	1	Bumper	
9	0961948	2	Bearing	
10	0962224	2	Bearing	
11	0962259	2	Bearing	
12	3291005	3	Nut M10	
13	3422787	2	Pin	
14	3422788	1	Pin	
15	3841143	2	Keeper, Pin	
16	3841203	9	Keeper, Pin	
17	3841258	1	Keeper, Pin	
18	4812000	6	Washer M10	
19	1001115649	1	Upright (Bottom) (SN 0300200802 through 0300234100)	
20	1001115650	1	Upright (Top) (SN 0300200802 through 0300234100)	
21	1001115657	1	Link, Lower Boom (Bottom)	
22	1001115661	1	Link, Lower Boom (Top)	
23	1001115663	1	Link, Mid Boom (Bottom)	
24	1001115669	1	Link, Mid Boom (Top)	
25	1001122527	1	Lift Cylinder Assembly - Tower Boom (See CYLINDER SECTION for Breakdown)	
26	1001115870	1	Link, Timing	
27	1001116546	5	Pin	
28	1001116547	2	Pin	
29	1001116548	1	Pin	
30	1001116549	2	Pin	
31	1001118665	10	Bearing	
32	1001118666	4	Bearing	
33	0761010	4	Bolt M10 x 20	
34	3340758	2	Pad, Wear	
100	1001231153	1	Lower Upright Boom Kit (SN 0300234101 to Present)	
101	1001115649	1	Upright, Lower	
102	1001115650	1	Upright, Upper	

# SECTION 4 - BOOM

## FIGURE 4-4. MAIN BOOM ASSEMBLY



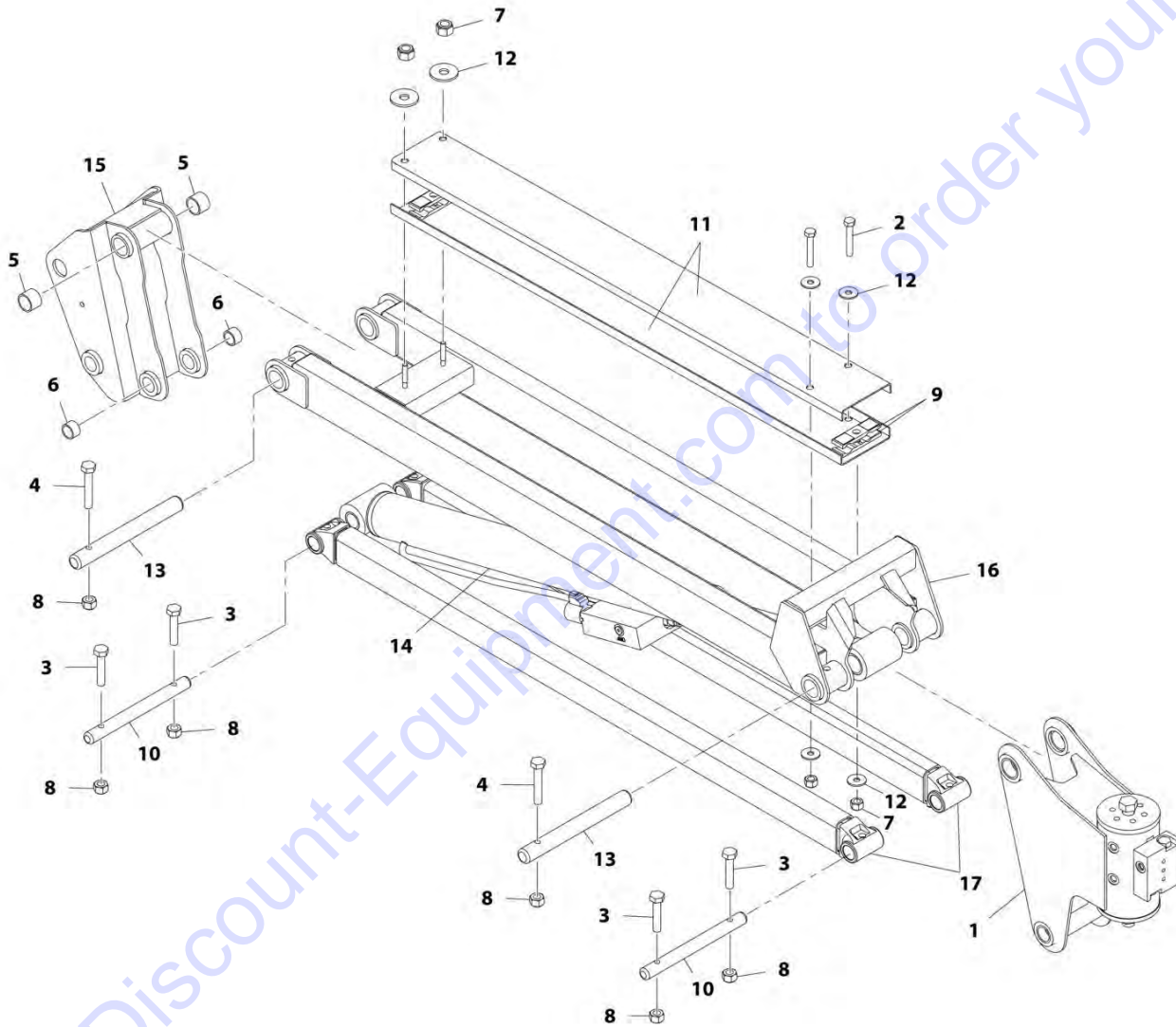
ART\_1001117885

FIGURE 4-4. MAIN BOOM ASSEMBLY

ITEM	PART NUMBER	QTY	DESCRIPTION	REV
	1001117885	Ref	MAIN BOOM ASSEMBLY	C
1	0100011	AR	Compound, Locking	
2	0711227	4	Bolt M12 x 100 Grade 10.9	
3	0760812	4	Bolt M8 x 25	
4	0961948	4	Bushing	
5	3422745	1	Pin	
6	3760115	2	Ring, Retaining	
7	4070897	16	Shim 18Ga	
8	4070898	12	Shim 11Ga	
9	4811902	4	Washer M8	
10	5241200	4	Washer M12	
11	5251010	28	Bolt M10 x 20	
12	5251012	4	Bolt M10 x 25	
13	1001120974	1	Telescope Cylinder Assembly (See CYLINDER SECTION for Breakdown)	
14	1001108290	1	Cover, Boom End	
15	1001116876	1	Boom, Base	
16	1001116877	1	Boom, Fly	
17	1001118274	4	Nut, Retainer M8	
18	1001118287	8	Pad, Wear	
19	1001118288	8	Pad, Wear	

# SECTION 4 - BOOM

## FIGURE 4-5. JIB ASSEMBLY - WITHOUT ARCTIC PACKAGE



ART\_1001117884

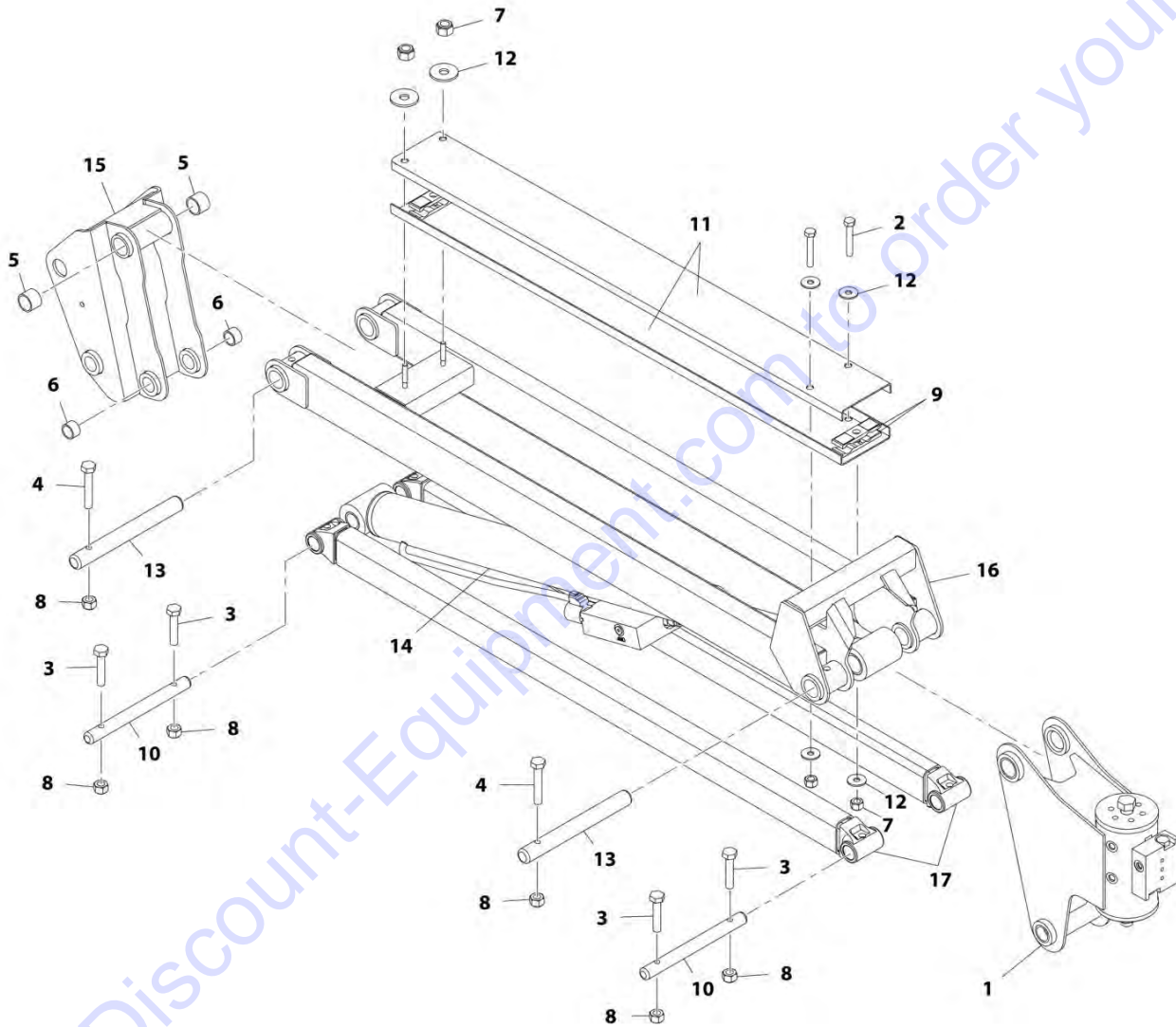
## SECTION 4 - BOOM

**FIGURE 4-5. JIB ASSEMBLY - WITHOUT ARCTIC PACKAGE**

ITEM	PART NUMBER	QTY	DESCRIPTION	REV
	1001117884	Ref	JIB ASSEMBLY - WITHOUT ARCTIC PACKAGE	C
1	0060044	1	Platform Rotator Assembly (See PLATFORM ROTATOR ASSEMBLY - WITHOUT ARCTIC PACKAGE for Breakdown)	
2	0700818	2	Bolt M8 x 50	
3	0701018	4	Bolt M10 x 50	
4	0701020	2	Bolt M10 x 60	
5	0961951	2	Bushing	
6	0962292	2	Bushing	
7	3290805	4	Nut M8	
8	3291005	6	Nut M10	
9	3340860	4	Pad, Rubber	
10	3422791	2	Pin	
11	3572551	2	Channel, Hose Carrier	
12	4811902	6	Washer M8	
13	1001116550	2	Pin	
14	1001123004	1	Lift Cylinder Assembly - Jib (See CYLINDER SECTION for Breakdown)	
15	1001118394	1	Pivot, Jib	
16	1001118482	1	Link, Jib (Top)	
17	1001118516	2	Link, Jib (Bottom) (SN 0300200802 through 0300215034)	
17	1001094670	2	Link, Jib (Bottom) (SN 0300215035 to Present)	

# SECTION 4 - BOOM

## FIGURE 4-6. JIB ASSEMBLY - WITH ARCTIC PACKAGE



ART\_1001119370

## SECTION 4 - BOOM

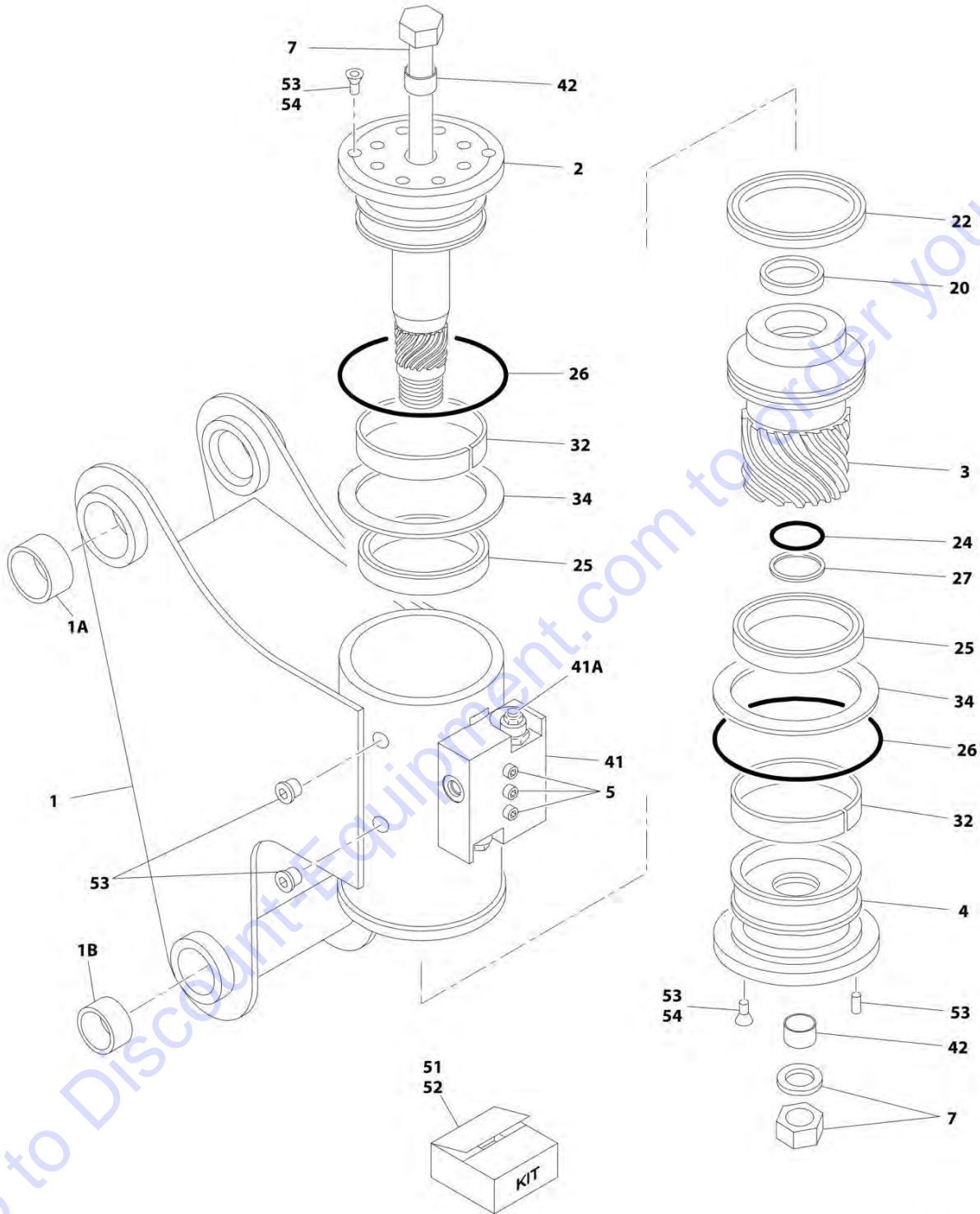
**FIGURE 4-6. JIB ASSEMBLY - WITH ARCTIC PACKAGE**

ITEM	PART NUMBER	QTY	DESCRIPTION	REV
	1001119370	Ref	JIB ASSEMBLY - WITH ARCTIC PACKAGE	C
1	1001119369	1	Platform Rotator Assembly (See PLATFORM ROTATOR ASSEMBLY - WITH ARCTIC PACKAGE for Breakdown)	
2	0700818	2	Bolt M8 x 50	
3	0701018	4	Bolt M10 x 50	
4	0701020	2	Bolt M10 x 60	
5	0961951	2	Bushing	
6	0962292	2	Bushing	
7	3290805	4	Nut M8	
8	3291005	6	Nut M10	
9	3340860	4	Pad, Rubber	
10	3422791	2	Pin	
11	3572551	2	Channel, Hose Carrier	
12	4811902	6	Washer M8	
13	1001116550	2	Pin	
14	1001123004	1	Lift Cylinder Assembly - Jib (See CYLINDER SECTION for Breakdown)	
15	1001118394	1	Pivot, Jib	
16	1001118482	1	Link, Jib (Top)	
17	1001118516	2	Link, Jib (Bottom) (SN 0300200802 through 0300215034)	
17	1001094670	2	Link, Jib (Bottom) (SN 0300215035 to Present)	



# SECTION 4 - BOOM

## FIGURE 4-7. PLATFORM ROTATOR ASSEMBLY - WITHOUT ARCTIC PACKAGE



ART\_0060044

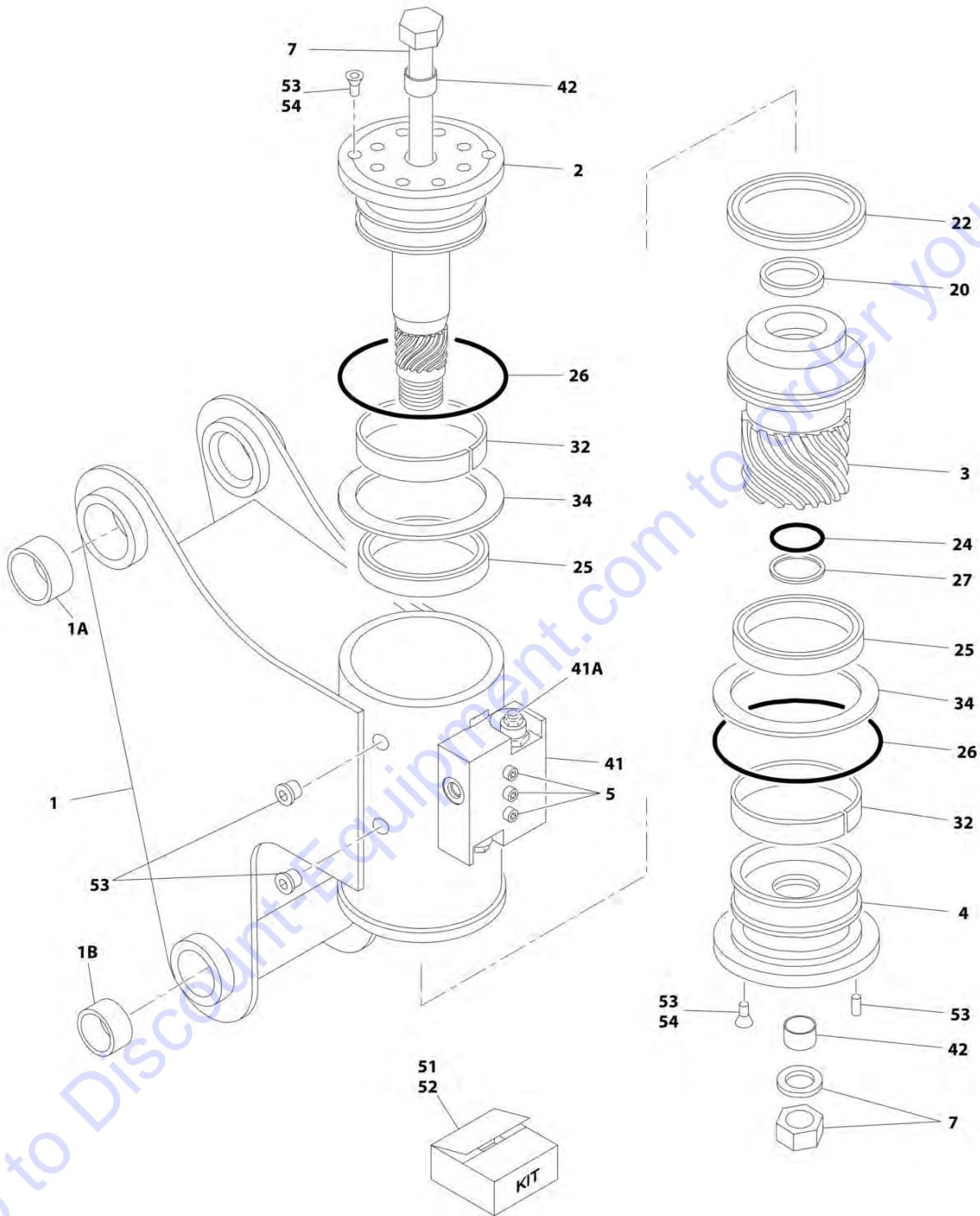
## SECTION 4 - BOOM

**FIGURE 4-7. PLATFORM ROTATOR ASSEMBLY - WITHOUT ARCTIC PACKAGE**

ITEM	PART NUMBER	QTY	DESCRIPTION	REV
	0060044	Ref	PLATFORM ROTATOR ASSEMBLY - WITHOUT ARCTIC PACKAGE	D
1	See Note	1	Case/Bracket Weldment (Note: Not Available - Purchase Complete Assembly)	
1A	0962257	2	Bushing	
1B	0961947	2	Bushing	
2	7017120	1	Shaft (Rotator with Helac Control #25928)	
2	7017196	1	Shaft (Rotator with Helac Control #26962)	
3	7017121	1	Piston Sleeve (Rotator with Helac Control #25928)	
3	7027900	1	Piston Sleeve (Rotator with Helac Control #26962)	
4	See Note	1	Cap, End (Rotator with Helac Control #25928) (Note: Use p/n 0060044)	
4	7027901	1	Cap, End (Rotator with Helac Control #26962)	
5	See Note	NSS	Capscrew, 1/4 x 1-1/2 Grade 8 (Note: Not Available - Purchase Locally)	
7	7017126	1	Tie Rod Assembly	
20	See Note	NSS	Seal, Rod (Note: Use Item 52)	
22	See Note	NSS	Seal, Piston (Note: Use Item 52)	
24	See Note	NSS	Seal, Cap (Note: Use Item 52)	
25	See Note	NSS	Packing, Bearing (Note: Use Item 52)	
26	See Note	NSS	Seal (Note: Use Item 52)	
27	See Note	NSS	Ring, Back-up Cap (Note: Use Item 52)	
32	See Note	NSS	Bearing, Shaft (Note: Use Item 51)	
34	See Note	NSS	Washer, Thrust (Note: Use Item 51)	
41	7017172	1	Counterbalance Valve Assembly (Helac p/n 24327, 26553 or 26554 Stamped Beside Mounting Screws)	
41A	7011323	2	Valve, Cartridge (Helac p/n 24327 Valve)	
41A	2900770	2	Seal Kit - 7011323 Cartridge (1 Per Assembly)	
41A	7017192	2	Valve Cartridge (Helac p/n 26553 or 26554) (No Seal Kit Available)	
42	70004323	2	Bushing, Shaft	
51	7017122	1	Bearing Kit (Includes Items 32-34)	
52	7017127	1	Seal Kit - Standard (Includes Items 20, 22, 24, 25, 26 & 27)	
52	70000341	1	Seal Kit - Low Temperature (Includes Items 20, 22, 24, 25, 26 & 27)	
53	7017123	1	Hardware Kit	
54	70001697	4	Screw 1/4-20 x 3/8 Grade 8	

# SECTION 4 - BOOM

## FIGURE 4-8. PLATFORM ROTATOR ASSEMBLY - WITH ARCTIC PACKAGE



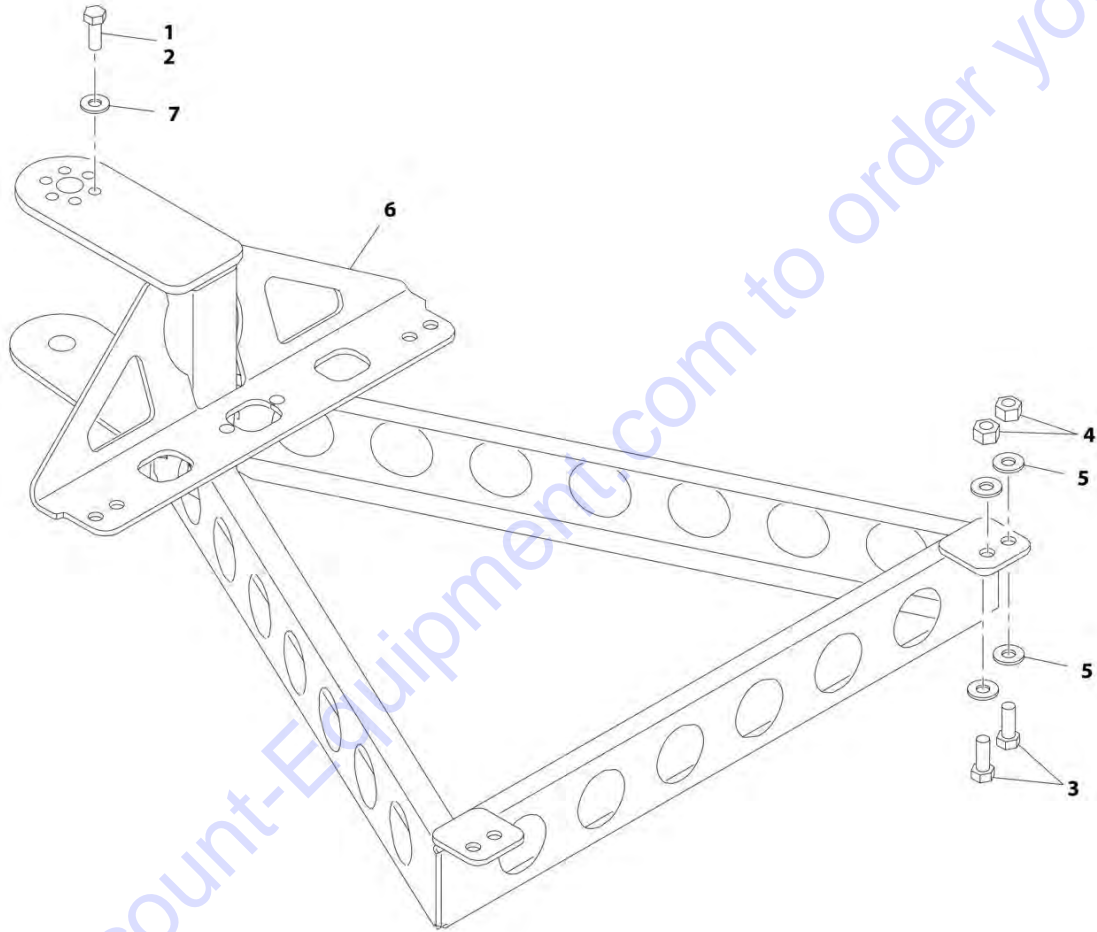
ART\_1001119369

FIGURE 4-8. PLATFORM ROTATOR ASSEMBLY - WITH ARCTIC PACKAGE

ITEM	PART NUMBER	QTY	DESCRIPTION	REV
	1001119369	Ref	PLATFORM ROTATOR ASSEMBLY - WITH ARCTIC PACKAGE	B
1	See Note	1	Case/Bracket Weldment (Note: Not Available - Purchase Complete Assembly)	
1A	0962257	2	Bushing	
1B	0961947	2	Bushing	
2	7017196	1	Shaft	
3	7027900	1	Piston Sleeve	
4	7027901	1	Cap, End	
5	See Note	NSS	Capscrew, 1/4 x 1-1/2 Grade 8 (Note: Not Available - Purchase Locally)	
7	7017126	1	Tie Rod Assembly	
20	See Note	NSS	Seal, Rod (Note: Use Item 52)	
22	See Note	NSS	Seal, Piston (Note: Use Item 52)	
24	See Note	NSS	Seal, Cap (Note: Use Item 52)	
25	See Note	NSS	Packing, Bearing (Note: Use Item 52)	
26	See Note	NSS	Seal (Note: Use Item 52)	
27	See Note	NSS	Ring, Back-up Cap (Note: Use Item 52)	
32	See Note	NSS	Bearing, Shaft (Note: Use Item 51)	
34	See Note	NSS	Washer, Thrust (Note: Use Item 51)	
41	7017172	1	Counterbalance Valve Assembly	
41A	7017192	2	Valve Cartridge (No Seal Kit Available)	
42	70004323	2	Bushing, Shaft	
51	7017122	1	Bearing Kit (Includes Items 32-34)	
52	70004322	1	Seal Kit (Includes Items 20, 22, 24, 25, 26 & 27)	
53	7017123	1	Hardware Kit	
54	70001697	4	Screw 1/4-20 x 3/8 Grade 8	

# SECTION 4 - BOOM

## FIGURE 4-9. PLATFORM SUPPORT INSTALLATION - WITHOUT LSS



ART\_1001115834

FIGURE 4-9. PLATFORM SUPPORT INSTALLATION - WITHOUT LSS

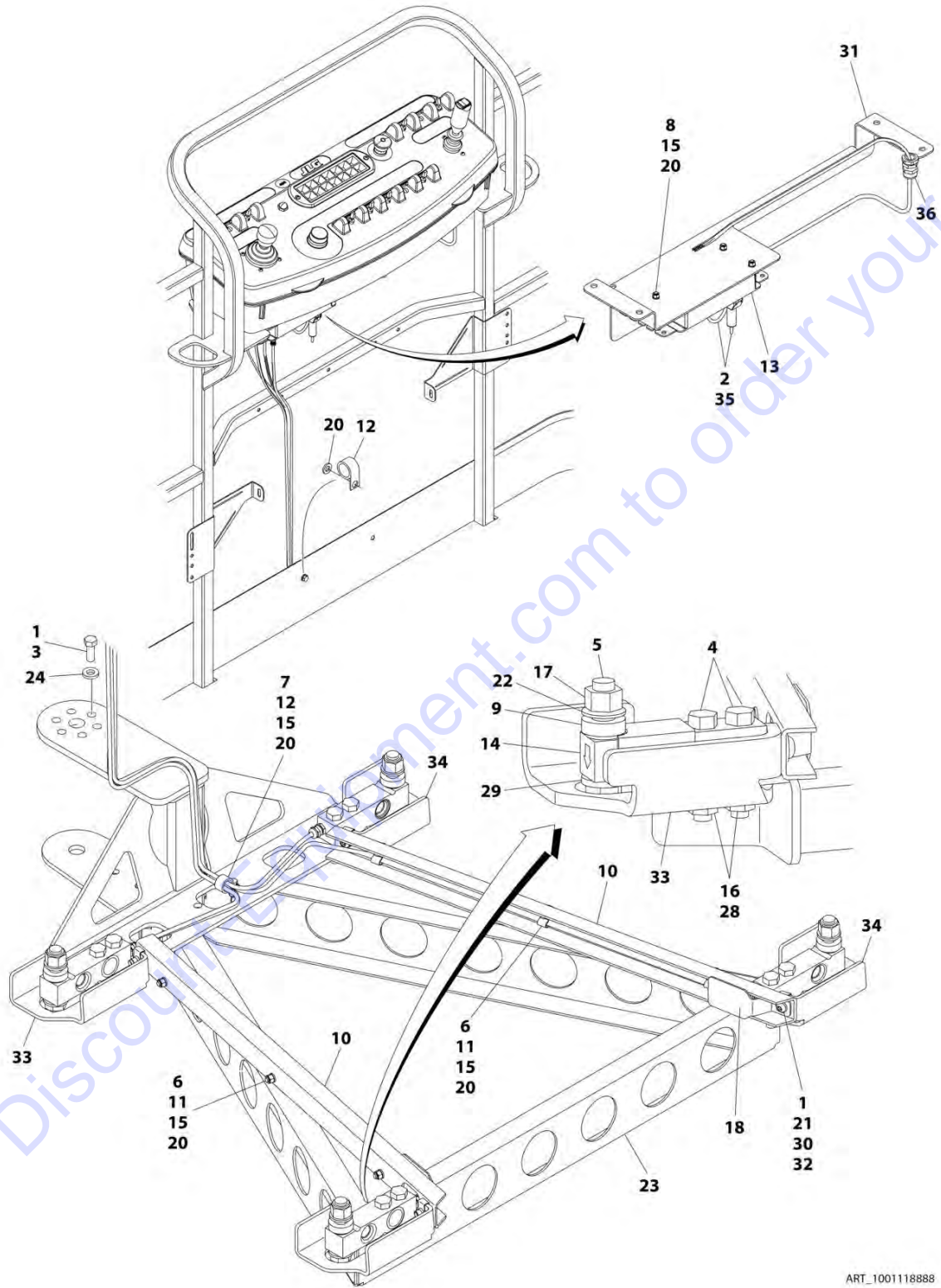
ITEM	PART NUMBER	QTY	DESCRIPTION	REV
	1001115834	Ref	PLATFORM SUPPORT INSTALLATION - WITHOUT LSS	B
1	0100011	AR	Compound, Locking	
2	0681608	6	Bolt 3/8-16 x 1 Grade 8	
3	0761015	8	Bolt M10 x 35 (Prior to SN 0300239703)	
3	0761215	8	Bolt M12 x 35 (SN 0300239703 to Present)	
4	3291005	8	Nut M10 (Prior to SN 0300239703)	
4	3291205	8	Nut M12 (SN 0300239703 to Present)	
5	4812000	16	Washer M10 (Prior to SN 0300239703)	
5	5241200	16	Washer M12 (SN 0300239703 to Present)	
6	4846608	1	Support, Platform	
7	4891600	6	Washer 3/8	

Go to Discount-Equipment.com to order your parts



# SECTION 4 - BOOM

## FIGURE 4-10. PLATFORM SUPPORT INSTALLATION - WITH 4 CELL LSS



ART\_1001118888



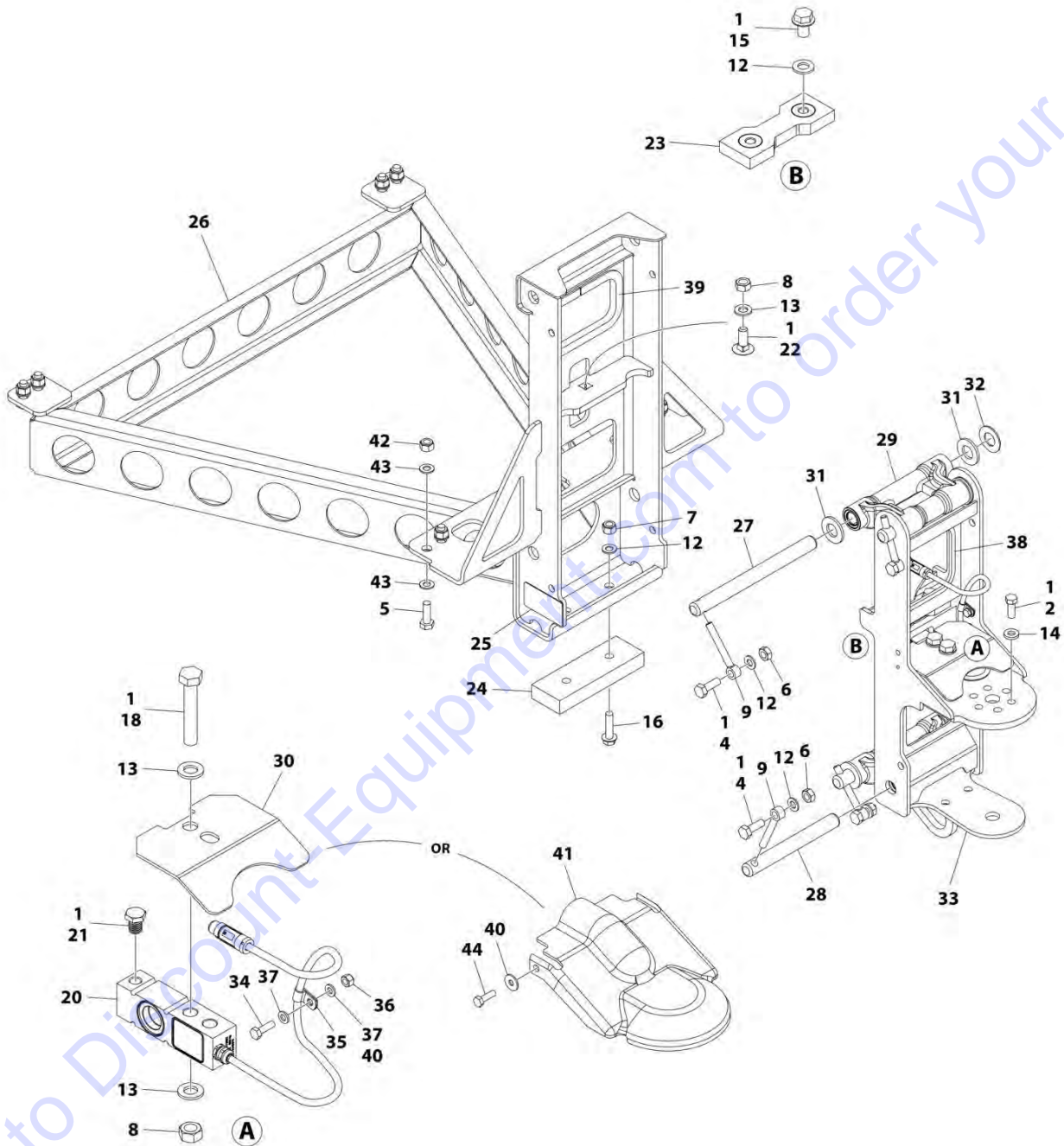
## SECTION 4 - BOOM

**FIGURE 4-10. PLATFORM SUPPORT INSTALLATION - WITH 4 CELL LSS**

ITEM	PART NUMBER	QTY	DESCRIPTION	REV
	1001118888	Ref	PLATFORM SUPPORT INSTALLATION - WITH 4 CELL LSS	D
1	0100011	AR	Compound, Locking	
2	0100048	AR	Grease, Dielectric	
3	0681608	6	Bolt 3/8 x 1	
4	0701222	8	Bolt M12 x 70	
5	0701624	4	Bolt M16 x 80	
6	0760608	6	Bolt M6 x 16	
7	0760610	1	Bolt M6 x 20	
8	0760618	3	Bolt M6 x 50	
9	0962450	4	Bushing, Spacer	
10	1271538	2	Channel	
11	1320136	6	Clamp	
12	1320224	2	Clamp	
13	1600387	1	Electronic Interface Module	
14	2420202	4	Load Cell Assembly	
15	3272605	10	Nut 1	
16	3291205	8	Nut M12	
17	3291605	4	Nut M16	
18	4061054	2	Shield	
19	4240033	AR	Tie-Strap (Not Shown)	
20	4811700	15	Washer M6	
21	4811900	4	Washer M8	
22	4812300	4	Washer M16	
23	4846608	1	Platform Support	
24	4891600	6	Washer 3/8	
28	5241200	8	Washer M12	
29	5241600	4	Washer M16	
30	8310643	4	Screw M8 x 25	
31	1001113483	1	Bracket, Module Mount	
32	1001118274	4	Nut M8	
33	1001118909	2	Bracket, Cell Guard	
34	1001118910	2	Bracket, Cell Guard	
35	1001120371	1	Harness	
36	4460428	1	Connector, Strain Relief	

# SECTION 4 - BOOM

## FIGURE 4-11. PLATFORM SUPPORT INSTALLATION - WITH 1 CELL LSS



ART\_1001217227

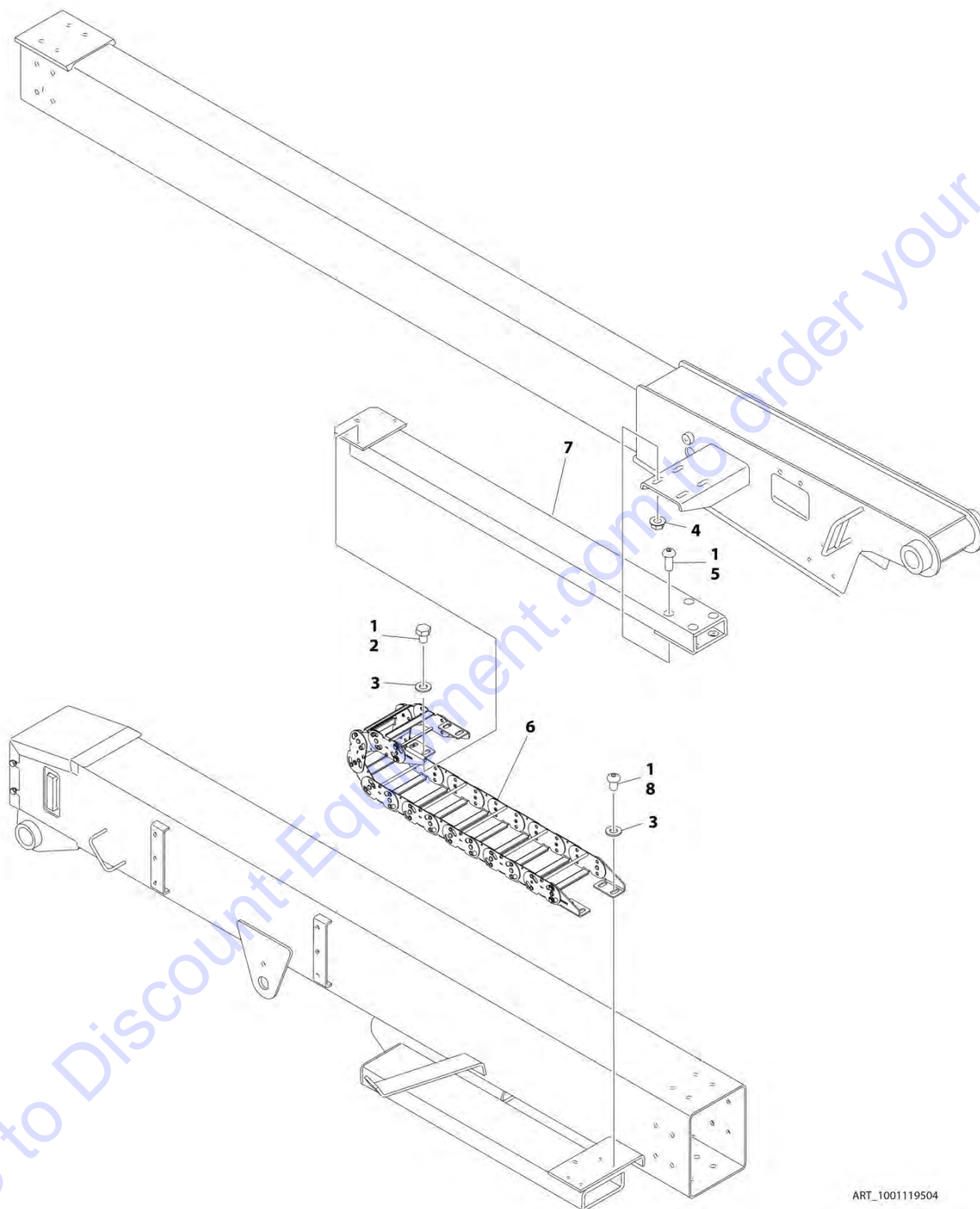
## SECTION 4 - BOOM

**FIGURE 4-11. PLATFORM SUPPORT INSTALLATION - WITH 1 CELL LSS**

ITEM	PART NUMBER	QTY	DESCRIPTION	REV
	1001217227	Ref	PLATFORM SUPPORT INSTALLATION - WITH 1 CELL LSS	E
1	0100011	AR	Compound, Locking	
2	0681608	6	Bolt 3/8 x 1	
4	0761014	4	Bolt M10 x 30	
5	0761015	8	Bolt M10 x 35 <b>(Prior to SN 0300239703)</b>	
5	0761215	8	Bolt M12 x 35 <b>(SN 0300239703 to Present)</b>	
6	3291001	4	Nut M10	
7	3291005	AR	Nut M10	
8	3291201	3	Nut M12	
9	3841143	4	Keeper, Pin	
12	4812000	AR	Washer M10	
13	4812100	5	Washer M12	
14	4891600	6	Washer 3/8	
15	5251008	2	Bolt M10 x 16	
16	5251016	2	Bolt M10 x 40	
18	1001098828	2	Bolt M12 x 70 Grade 10.9	
20	1001172663	1	Gauge, Load Sensing	
21	1001188622	1	Screw	
22	1001188844	1	Bolt M12 x 35	
23	1001190985	1	Pad, Wear	
24	1001200491	1	Pad, Wear	
25	1001216630	2	Decal - Tie Down/No Lift	
26	1001217228	1	Platform Support	
27	1001217242	2	Pin	
28	1001217243	2	Pin	
29	1001217244	2	Link	
30	1001217250	1	Plate <b>(SN 0300200802 through 0300235537)</b>	
31	1001217253	8	Bearing, Thrust	
32	1001217254	4	Bearing, Thrust	
33	1001217267	1	Support	
34	0760610	AR	Bolt M6 x 20	
35	1320136	1	Clamp	
36	3290605	1	Nut M6	
37	4811700	2	Washer M6 <b>(SN 0300200802 through 0300235537)</b>	
38	4060804	14.4 in/ 36.5cm	Shield	
39	4060805	15.9 in/ 40.5 cm	Shield	
40	4811702	3	Washer M6 <b>(SN 0300235538 to Present)</b>	
41	1001228627	1	Cover <b>(SN 0300235538 to Present)</b>	
42	3291205	AR	Nut M12 <b>(SN 0300239703 to Present)</b>	
43	5241200	AR	Washer M12 <b>(SN 0300239703 to Present)</b>	
44	0760606	AR	Bolt M6 x 12 <b>(SN 0300239703 to Present)</b>	

# SECTION 4 - BOOM

## FIGURE 4-12. POWER TRACK INSTALLATION



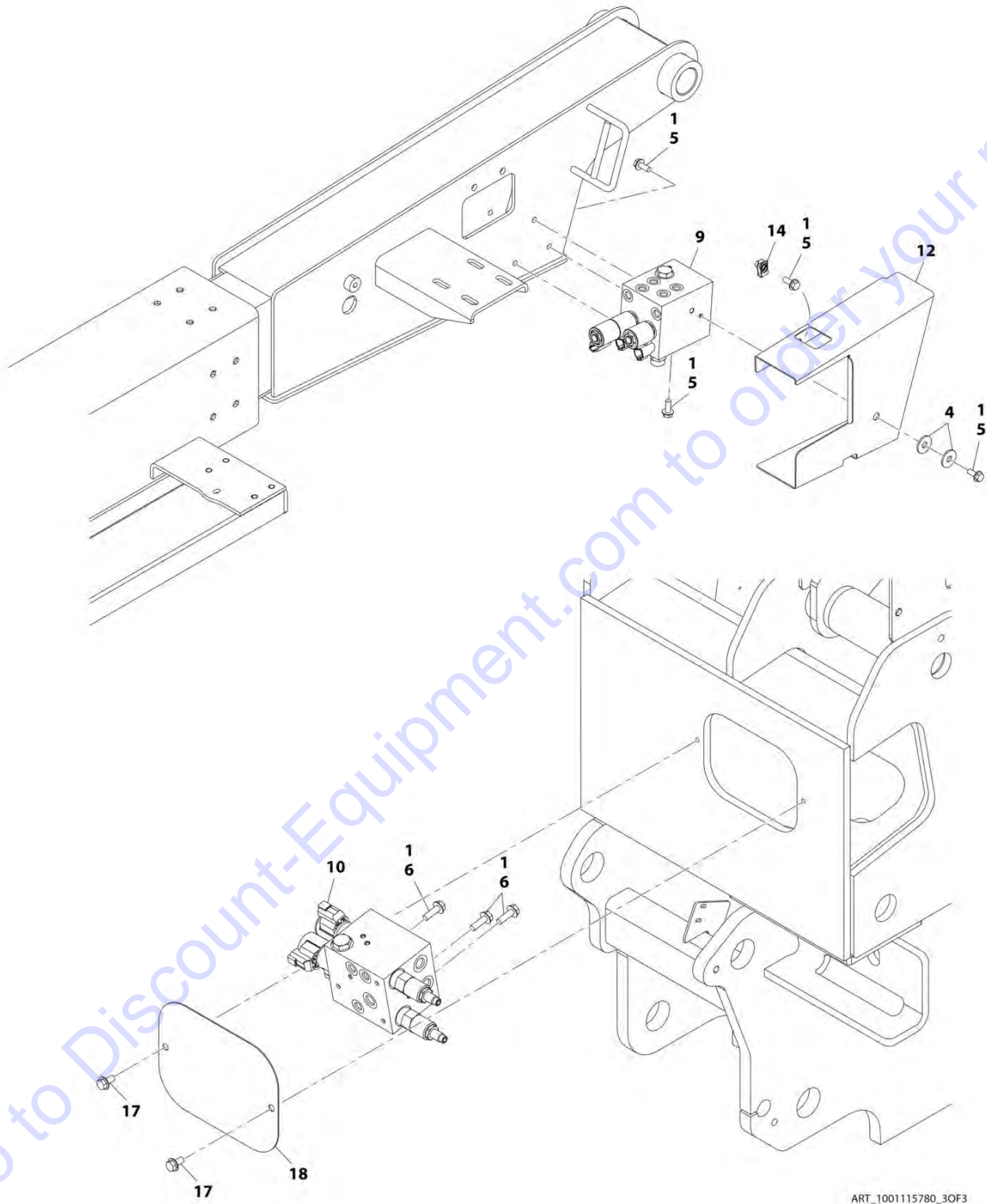
ART\_100119504

FIGURE 4-12. POWER TRACK INSTALLATION

ITEM	PART NUMBER	QTY	DESCRIPTION	REV
	1001119504	Ref	POWER TRACK INSTALLATION	C
1	0100011	AR	Compound, Locking	
2	0761007	4	Bolt M10 x 14	
3	4812000	8	Washer M10	
4	5221000	4	Nut M10 Grade 10.9	
5	8310668	4	Screw M10 x 25 Grade 10.9	
6	1001099834	1	Carrier, Power Track <b>(Prior to SN 0300230169)</b>	
6	70001996	1	Repair Kit (Includes 4 Link Section of Track)	
6	70001998	1	Bracket Kit (Includes 4 Mounting Feet and Hardware to Attach to Track)	
6	1001224891	1	Carrier, Power Track <b>(SN 0300230169 to Present)</b>	
6	70006269	1	Repair Kit (Includes 10 Link Section of Track)	
6	70006280	1	Bracket Kit (Includes 4 Mounting Feet and Hardware to Attach to Track)	
7	1001119513	1	Tube, Support	
8	1001119527	4	Screw M10 x 16	

# SECTION 4 - BOOM

## FIGURE 4-13. CONTROL VALVES INSTALLATION - BOOM



ART\_1001115780\_30F3

## SECTION 4 - BOOM

**FIGURE 4-13. CONTROL VALVES INSTALLATION - BOOM**

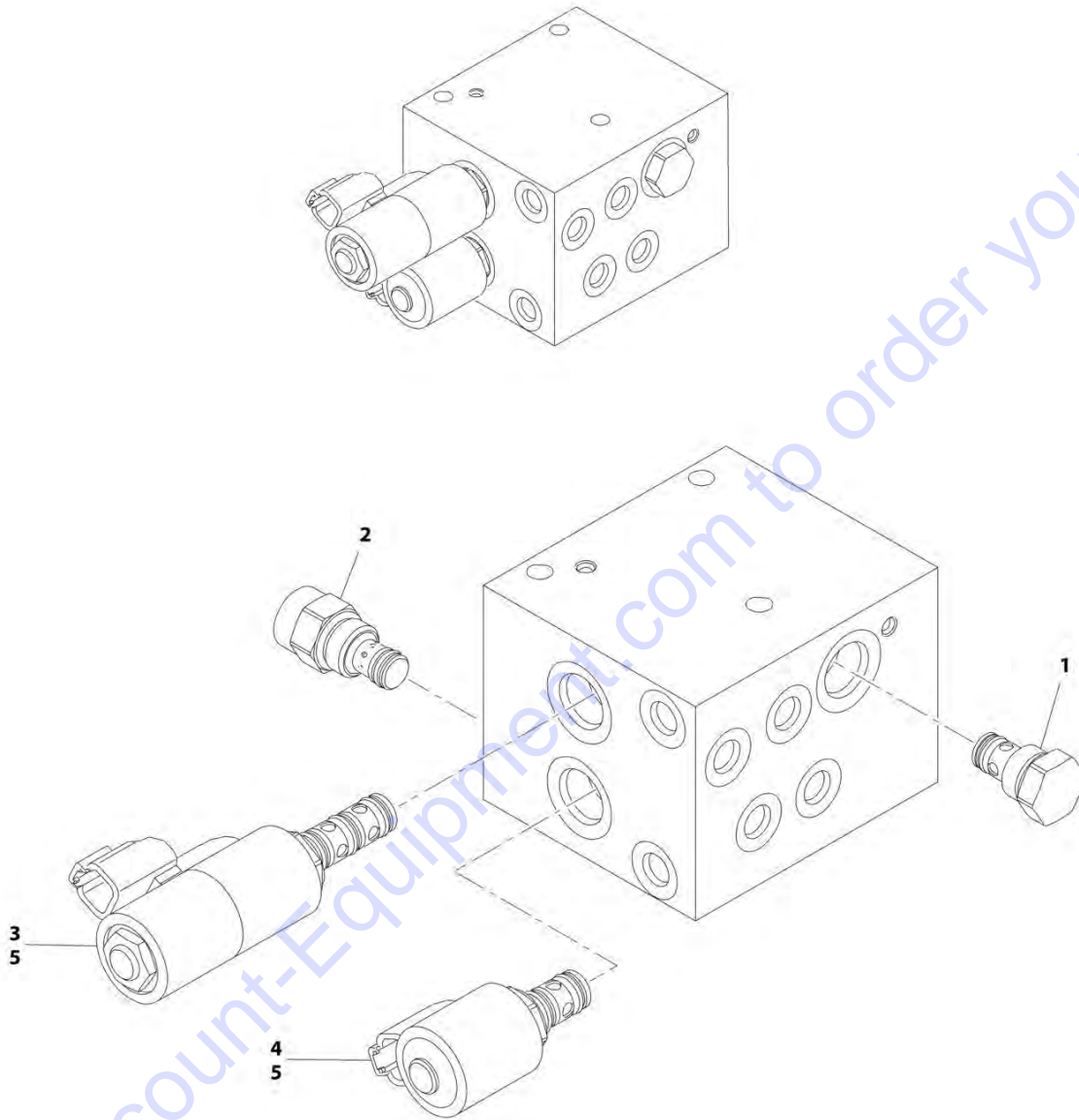
ITEM	PART NUMBER	QTY	DESCRIPTION	REV
	1001115780	Ref	CONTROL VALVES INSTALLATION - BOOM	G
1	0100011	AR	Compound, Locking	
4	4812002	2	Washer M10	
5	5250810	10	Bolt M8 x 20	
6	5250812	3	Bolt M8 x 25	
9	1001116228	1	Fly Boom Valve Assembly (See FLY BOOM VALVE ASSEMBLY for Breakdown)	
10	1001136244	1	Boom Upright Valve Assembly (See BOOM UPRIGHT VALVE ASSEMBLY for Breakdown)	
12	1001116835	1	Shield	
14	1001118274	1	Nut M8	
17	5250808	2	Bolt M8 x 16	
18	1001118595	1	Cover	

Go to Discount-Equipment.com to order your parts



# SECTION 4 - BOOM

## FIGURE 4-14. FLY BOOM VALVE ASSEMBLY



ART\_100116228

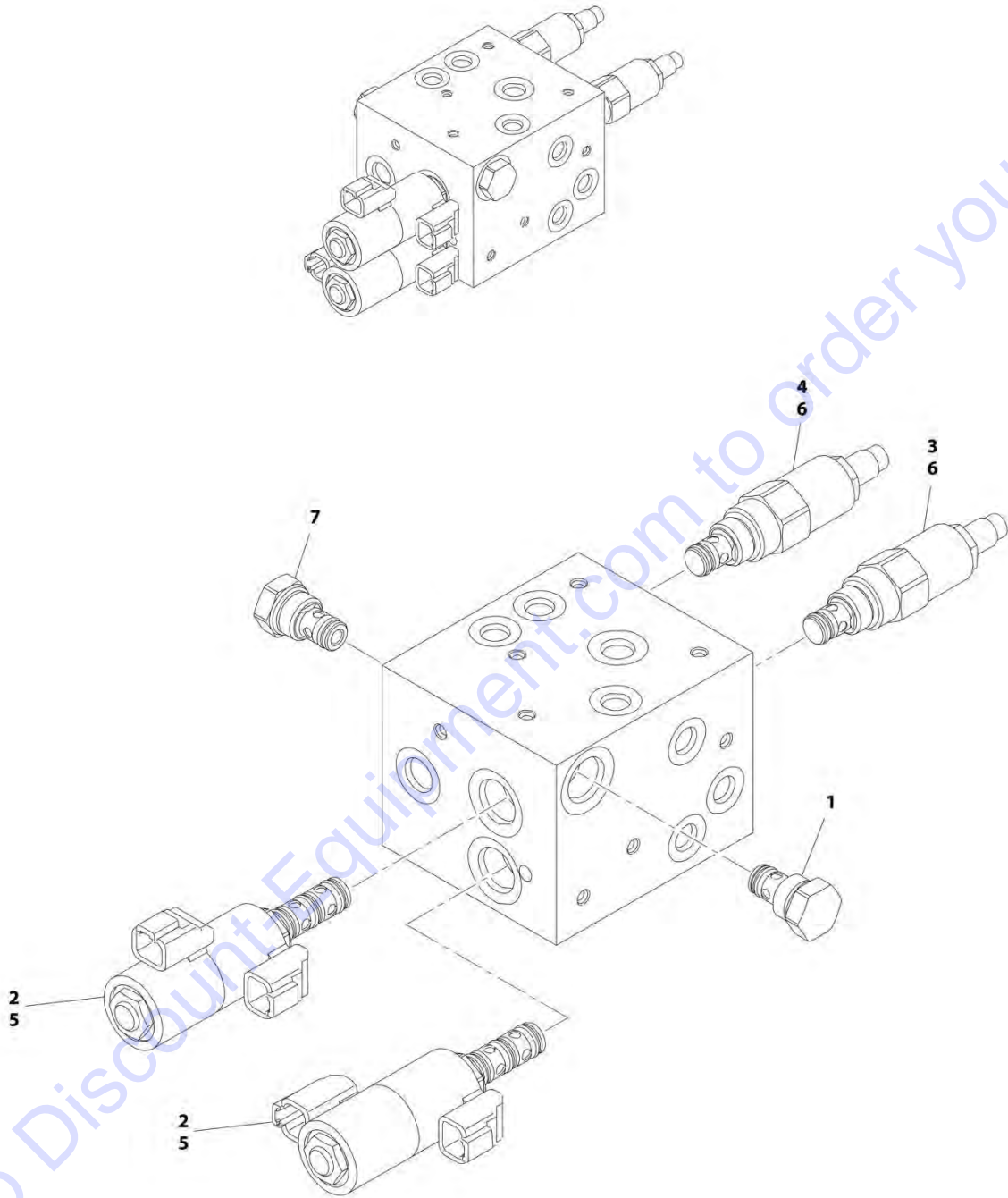
FIGURE 4-14. FLY BOOM VALVE ASSEMBLY

ITEM	PART NUMBER	QTY	DESCRIPTION	REV
	1001116228	Ref	FLY BOOM VALVE ASSEMBLY	D
1	7012955	1	Cartridge, Check Valve	
1	7012967	1	Seal Kit - 7012955 Cartridge	
2	7023970	1	Cartridge, Flow Regulator	
2	7012953	1	Seal Kit - 7023970 Cartridge	
3	7017452	1	Cartridge, Solenoid Valve (without Coil) (Rotate)	
3	7017402	1	Seal Kit - 7017452 Cartridge	
4	7012941	1	Cartridge, Solenoid Valve (without Coil) (Jib)	
4	7010543	1	Seal Kit - 7012941 Cartridge	
5	70002386	3	Coil	

Go to Discount-Equipment.com to order your parts

# SECTION 4 - BOOM

## FIGURE 4-15. BOOM UPRIGHT VALVE ASSEMBLY



ART\_1001136244

FIGURE 4-15. BOOM UPRIGHT VALVE ASSEMBLY

ITEM	PART NUMBER	QTY	DESCRIPTION	REV
	1001136244	Ref	BOOM UPRIGHT VALVE ASSEMBLY	C
1	7012955	2	Cartridge, Check Valve	
1	7012967	2	Seal Kit - 7012955 Cartridge	
2	7017452	2	Cartridge, Solenoid Valve (without Coil) (Telescope/Platform Level)	
2	7017402	2	Seal Kit - 7017452 Cartridge	
3	7017427	1	Cartridge, Relief	
3	7012998	1	Seal Kit - 7017427 Cartridge	
4	70002954	1	Cartridge, Relief	
4	7012998	1	Seal Kit - 70002954 Cartridge	
5	70002963	4	Coil	
6	See Note	2	Orifice (Note: Not Available for Purchase)	
7	7017498	1	Piston, Pilot	

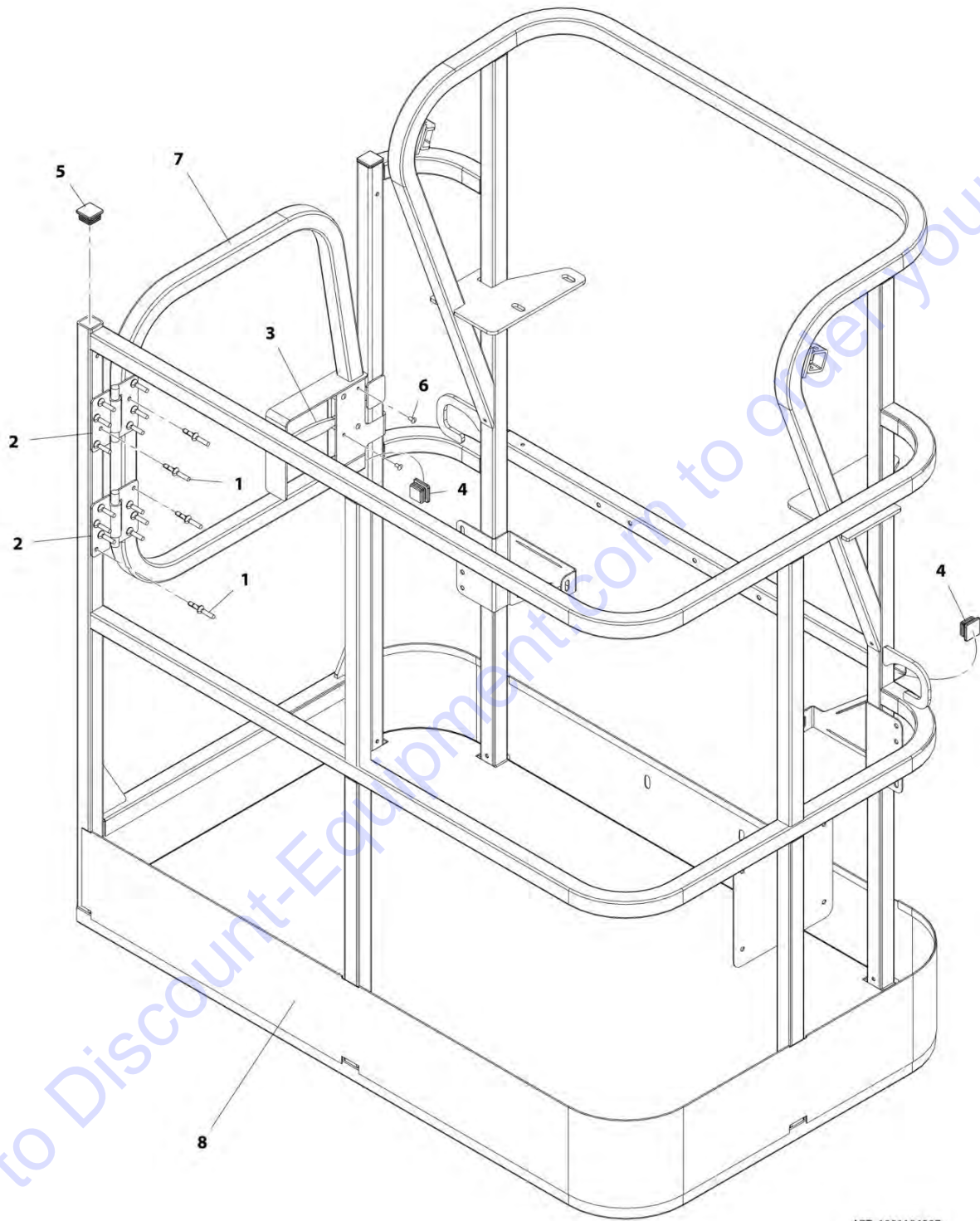


**SECTION 5 - PLATFORM**

Go to [Discount-Equipment.com](http://Discount-Equipment.com) to order your parts

# SECTION 5 - PLATFORM

FIGURE 5-1. PLATFORM ASSEMBLY - 30IN X 4FT (76CM X 1.22M) - GATE ENTRY



ART\_1001186387



## SECTION 5 - PLATFORM

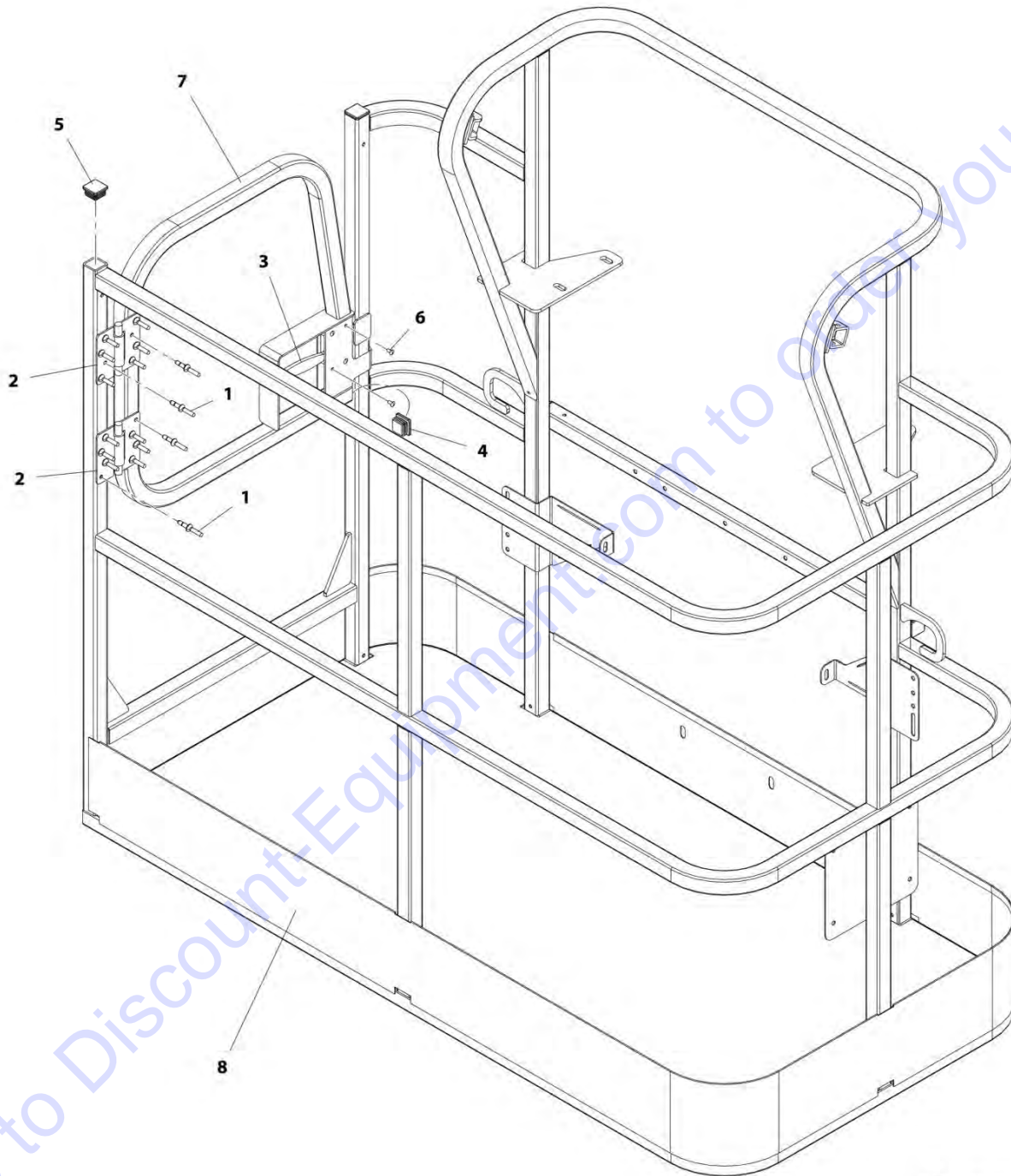
**FIGURE 5-1. PLATFORM ASSEMBLY - 30IN X 4FT (76CM X 1.22M) - GATE ENTRY**

ITEM	PART NUMBER	QTY	DESCRIPTION	REV
	1001186387	Ref	PLATFORM ASSEMBLY - 30IN X 4FT (76CM X 1.22M) - GATE ENTRY	C
	See Note	Ref	Note: Platform and Mesh must be ordered separately for Platforms with Mesh. See SPECIAL OPTIONS SECTION for Mesh Installations.	
	See Note	Ref	Note: Replacement Decals Must be Ordered Separately - See DECALS SECTION.	
1	2080040	16	Fastener, Huck	
2	2600281	2	Hinge, Self-Closing	
3	2940074	1	Latch	
4	3520072	3	Cap, Plug	
5	3520198	2	Cap, Plug	
6	3820020	4	Rivet	
7	1001144629	1	Gate, Weldment	
8	See Note	1	Platform, Weldment (Note: Not Available - Purchase Platform Assembly)	

Go to Discount-Equipment.com to order your parts

# SECTION 5 - PLATFORM

FIGURE 5-2. PLATFORM ASSEMBLY - 30IN X 5FT (76CM X 1.52M) - GATE ENTRY



ART\_1001186386

## SECTION 5 - PLATFORM

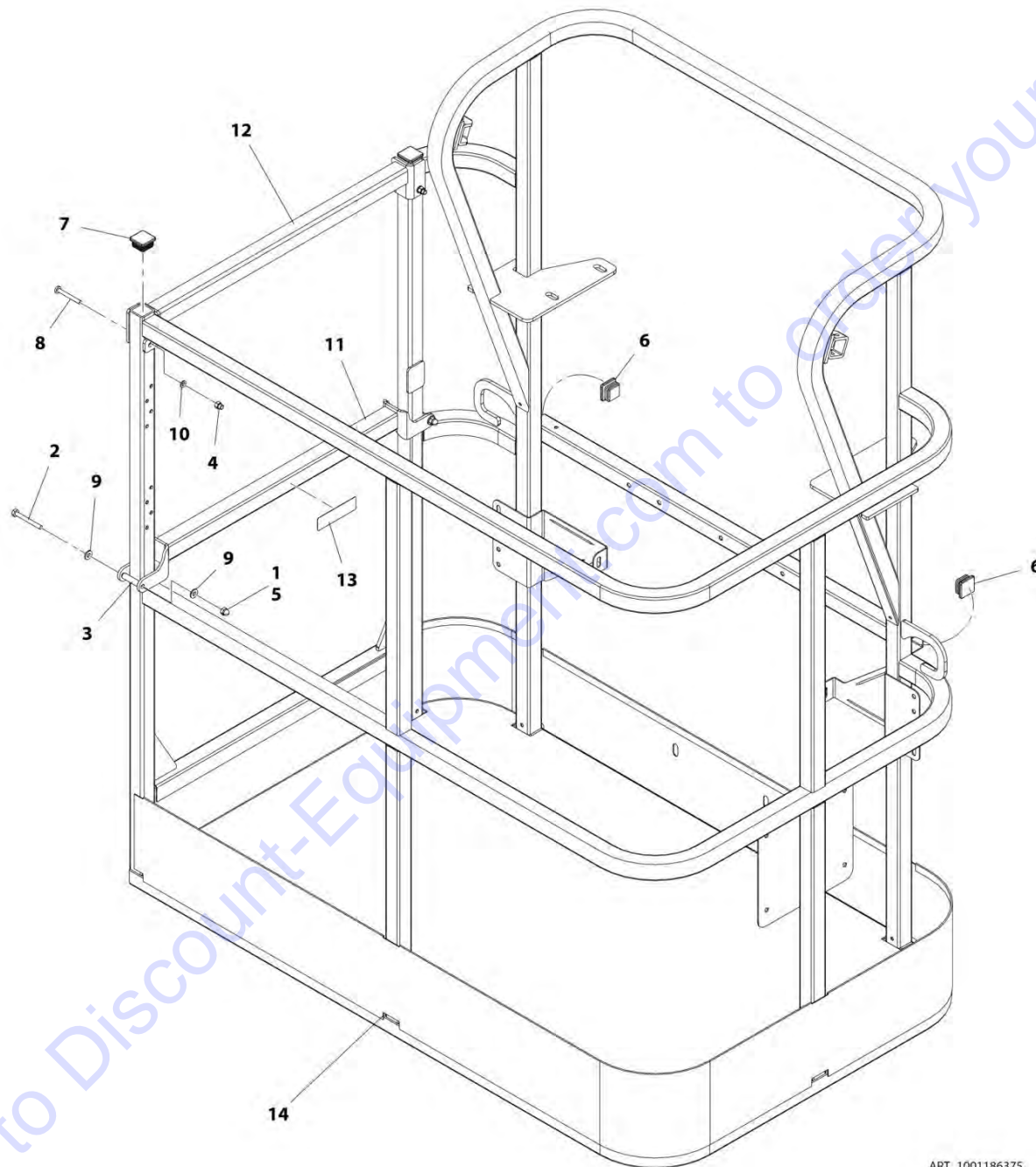
**FIGURE 5-2. PLATFORM ASSEMBLY - 30IN X 5FT (76CM X 1.52M) - GATE ENTRY**

ITEM	PART NUMBER	QTY	DESCRIPTION	REV
	1001186386	Ref	PLATFORM ASSEMBLY - 30IN X 5FT (76CM X 1.52M) - GATE ENTRY	C
	See Note	Ref	Note: Platform and Mesh must be ordered separately for Platforms with Mesh. See SPECIAL OPTIONS SECTION for Mesh Installations.	
	See Note	Ref	Note: Replacement Decals Must be Ordered Separately - See DECALS SECTION.	
1	2080040	16	Fastener, Huck	
2	2600281	2	Hinge, Self-Closing	
3	2940074	1	Latch	
4	3520072	3	Cap, Plug	
5	3520198	2	Cap, Plug	
6	3820020	4	Rivet	
7	1001144629	1	Gate, Weldment	
8	See Note	1	Platform, Weldment (Note: Not Available - Purchase Platform Assembly)	

Go to Discount-Equipment.com to order your parts

# SECTION 5 - PLATFORM

FIGURE 5-3. PLATFORM ASSEMBLY - 30IN X 4FT (76CM X 1.22M) - DROP BAR ENTRY



ART\_1001186375

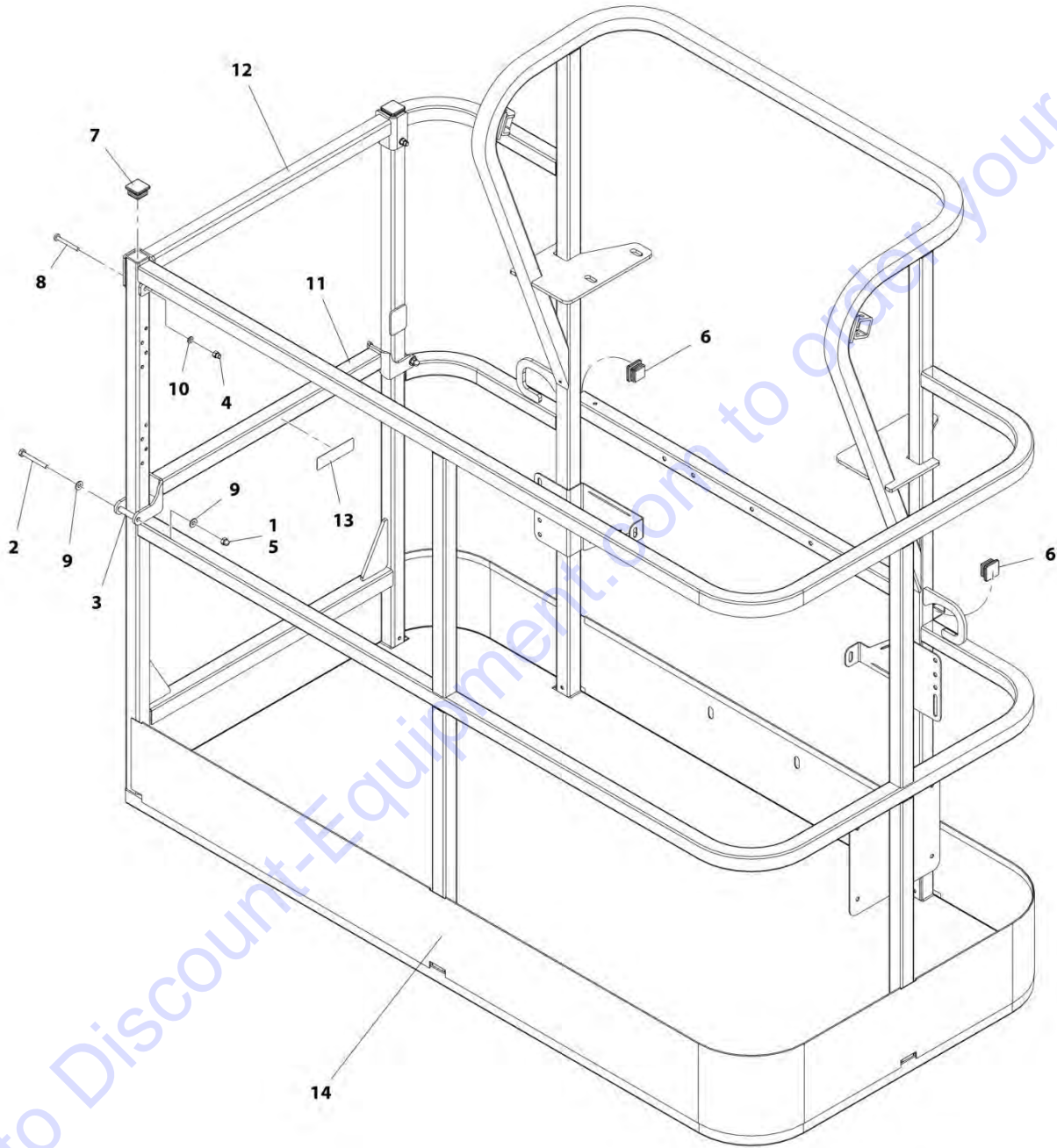
## SECTION 5 - PLATFORM

**FIGURE 5-3. PLATFORM ASSEMBLY - 30IN X 4FT (76CM X 1.22M) - DROP BAR ENTRY**

ITEM	PART NUMBER	QTY	DESCRIPTION	REV
	1001186375	Ref	PLATFORM ASSEMBLY - 30IN X 4FT (76CM X 1.22M) - DROP BAR ENTRY	B
	See Note	Ref	Note: Platform and Mesh must be ordered separately for Platforms with Mesh. See SPECIAL OPTIONS SECTION for Mesh Installations.	
	See Note	Ref	Note: Replacement Decals Must be Ordered Separately - See DECALS SECTION.	
1	0100011	AR	Compound, Locking	
2	0641418	2	Bolt 1/4-20 x 2-1/4	
3	0961845	2	Bushing	
4	3290606	2	Nut M6 x 1	
5	3300151	2	Nut, Acorn 1/4-20	
6	3520072	2	Cap, Plug	
7	3520198	2	Cap, Plug	
8	4010618	2	Screw M6 x 50	
9	4711400	4	Washer 1/4	
10	4811700	2	Washer M6	
11	1001138494	1	Bar, Drop	
12	1001138514	1	Rail (Top)	
13	1001140429	1	Decal - Drop Bar	
14	See Note	1	Platform, Weldment (Note: Not Available - Purchase Platform Assembly)	

# SECTION 5 - PLATFORM

FIGURE 5-4. PLATFORM ASSEMBLY - 30IN X 5FT (76CM X 1.52M) - DROP BAR ENTRY



ART\_1001186377

## SECTION 5 - PLATFORM

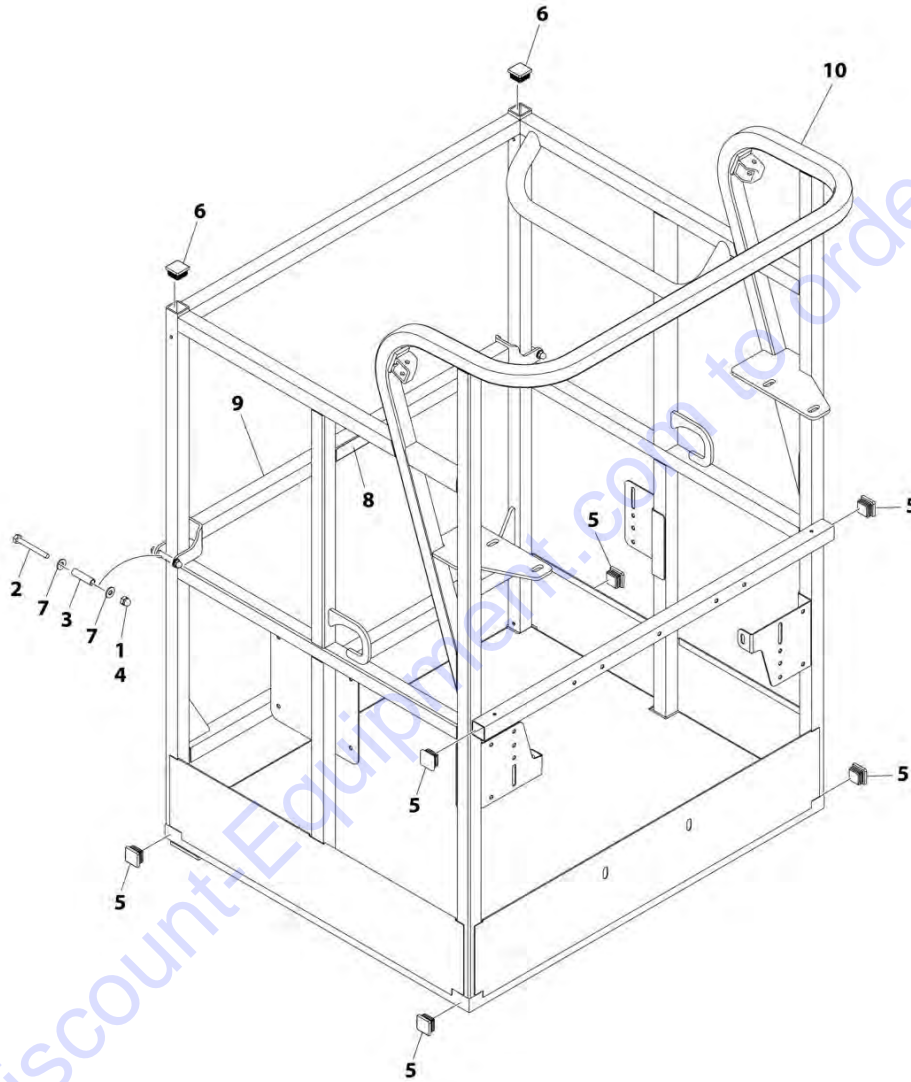
**FIGURE 5-4. PLATFORM ASSEMBLY - 30IN X 5FT (76CM X 1.52M) - DROP BAR ENTRY**

ITEM	PART NUMBER	QTY	DESCRIPTION	REV
	1001186377	Ref	PLATFORM ASSEMBLY - 30IN X 5FT (76CM X 1.52M) - DROP BAR ENTRY	C
	See Note	Ref	Note: Platform and Mesh must be ordered separately for Platforms with Mesh. See SPECIAL OPTIONS SECTION for Mesh Installations.	
	See Note	Ref	Note: Replacement Decals Must be Ordered Separately - See DECALS SECTION.	
1	0100011	AR	Compound, Locking	
2	0641418	2	Bolt 1/4-20 x 2-1/4	
2	0641420	2	Bolt 1/4 x 2-1/2	
3	0961845	2	Bushing	
4	3290606	2	Nut M6 x 1	
5	3300151	2	Nut, Acorn 1/4-20	
6	3520072	2	Cap, Plug	
7	3520198	2	Cap, Plug	
8	4010618	2	Screw M6 x 50	
9	4711400	4	Washer 1/4	
10	4811700	2	Washer M6	
11	1001138494	1	Bar, Drop	
12	1001138514	1	Rail (Top)	
13	1001140429	1	Decal - Drop Bar	
14	See Note	1	Platform, Weldment (Note: Not Available - Purchase Platform Assembly)	



# SECTION 5 - PLATFORM

FIGURE 5-5. PLATFORM ASSEMBLY - 30IN X 3FT (76CM X .91M) - DROP BAR ENTRY



ART\_1001228215

## SECTION 5 - PLATFORM

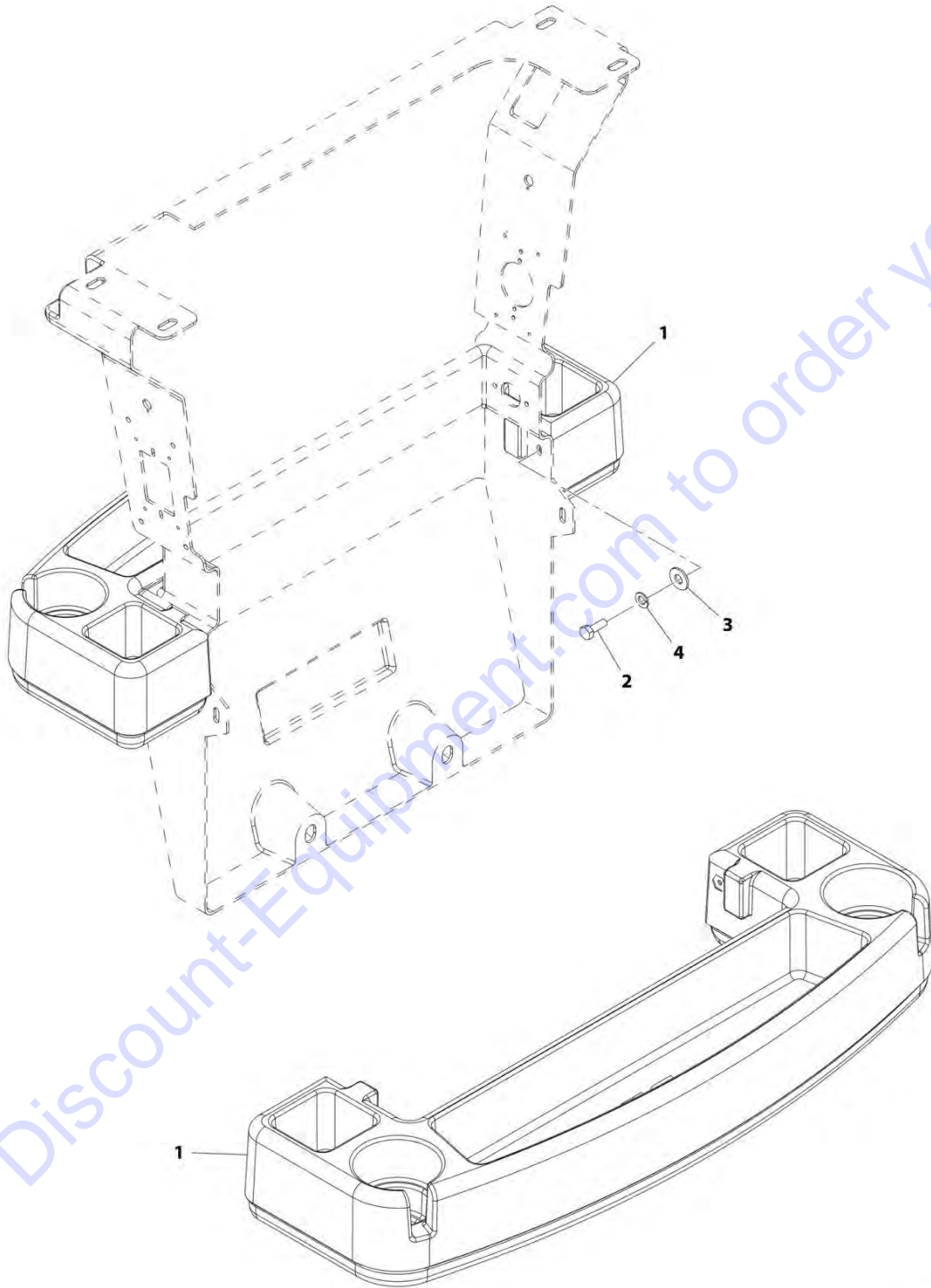
**FIGURE 5-5. PLATFORM ASSEMBLY - 30IN X 3FT (76CM X .91M) - DROP BAR ENTRY**

ITEM	PART NUMBER	QTY	DESCRIPTION	REV
	1001228215	Ref	PLATFORM ASSEMBLY - 30IN X 3FT (76CM X .91M) - DROP BAR ENTRY	A
	See Note	Ref	Note: Platform and Mesh must be ordered separately for Platforms with Mesh. See SPECIAL OPTIONS SECTION for Mesh Installations.	
	See Note	Ref	Note: Replacement Decals Must be Ordered Separately - See DECAL SECTION.	
1	0100011	AR	Compound, Locking	
2	0641418	2	Bolt 1/4 x 2-1/4	
3	0961845	2	Bushing	
4	3300151	2	Nut 1/4	
5	3520072	6	Cap, Plug	
6	3520198	2	Cap, Plug	
7	4711400	4	Washer 1/4	
8	1001140429	1	Decal - Drop Bar	
9	1001226872	1	Bar, Drop	
10	See Note	NSS	Platform, Weldment (Note: Not Available - Purchase Platform Assembly)	

Go to Discount-Equipment.com to order your parts

# SECTION 5 - PLATFORM

## FIGURE 5-6. TRAY INSTALLATION



ART\_1580012

## SECTION 5 - PLATFORM

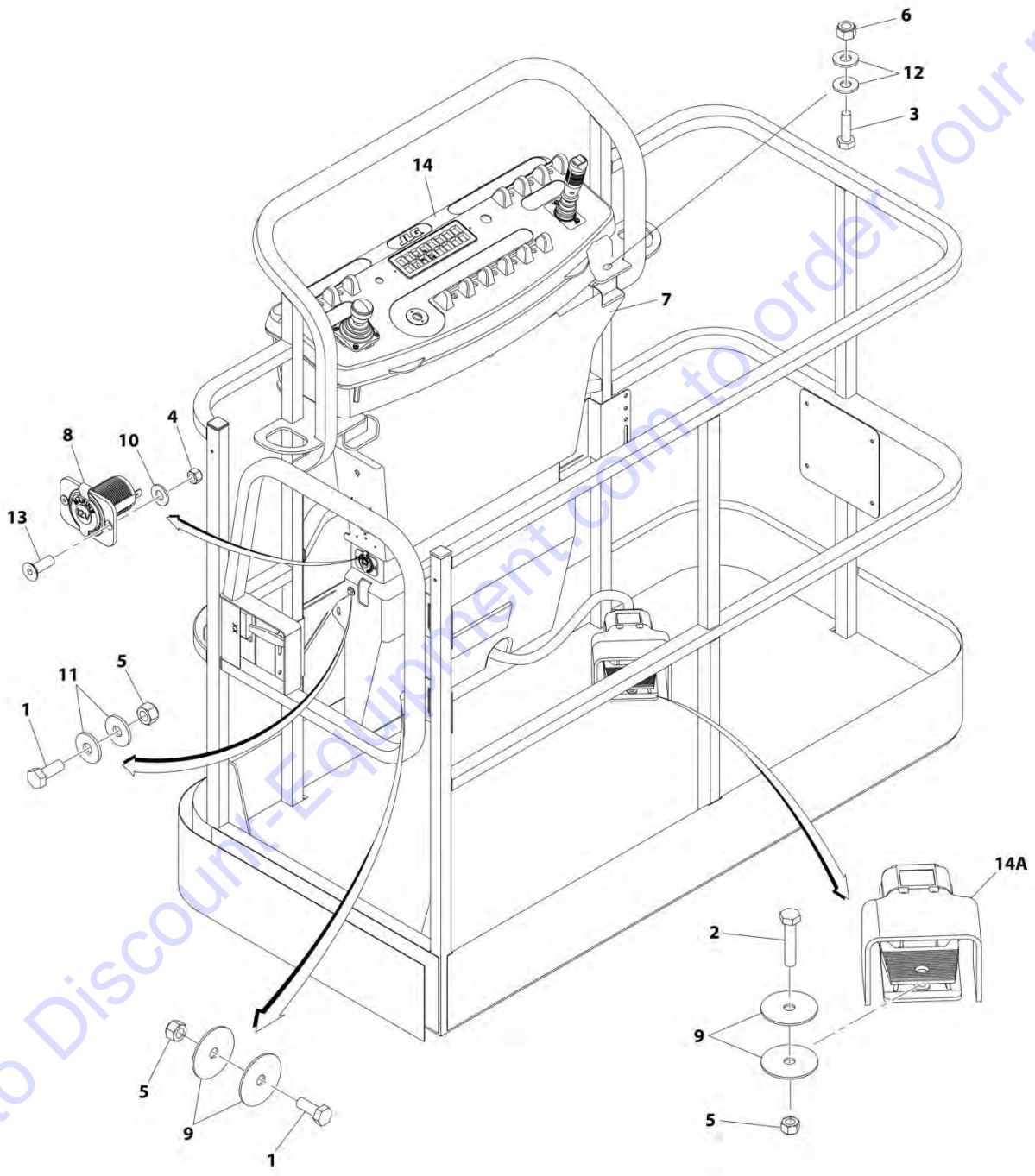
### FIGURE 5-6. TRAY INSTALLATION

ITEM	PART NUMBER	QTY	DESCRIPTION	REV
	1580012	Ref	TRAY INSTALLATION	C
1	See Note	1	Tray, Storage - Center (Note: Use p/n 1580012)	
2	0641406	2	Bolt 1/4-20 x 3/4	
3	4751400	2	Washer 1/4	
4	4761400	2	Washer 1/4	

Go to Discount-Equipment.com to order your parts

# SECTION 5 - PLATFORM

## FIGURE 5-7. CONSOLE AND FOOTSWITCH INSTALLATION - DIESEL MACHINES WITHOUT SKYGUARD



ART\_1001145804

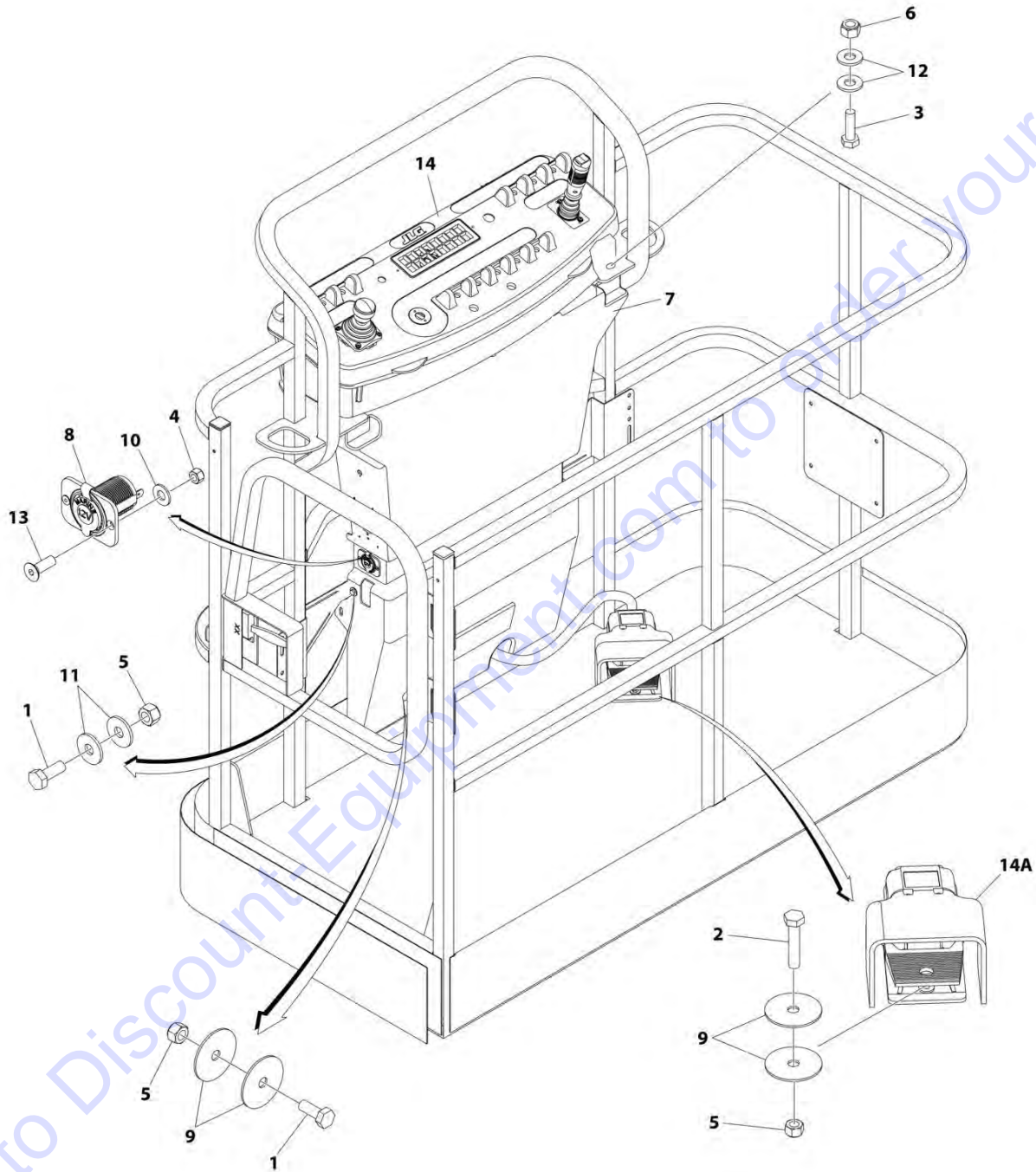
## SECTION 5 - PLATFORM

**FIGURE 5-7. CONSOLE AND FOOTSWITCH INSTALLATION - DIESEL MACHINES WITHOUT SKYGUARD**

ITEM	PART NUMBER	QTY	DESCRIPTION	REV
	1001145804	Ref	CONSOLE AND FOOTSWITCH INSTALLATION - DIESEL MACHINES WITHOUT SKYGUARD	D
1	0760608	4	Bolt M6 x 16	
2	0760614	3	Bolt M6 x 30	
3	0761015	4	Bolt M10 x 35	
4	3290405	2	Nut M4	
5	3290605	7	Nut M6	
6	3291005	4	Nut M10	
7	3380434	1	Panel, Pedestal	
8	4461012	1	Receptacle, 12V	
9	4740362	7	Washer 1/4	
10	4811400	2	Washer M4	
11	4811702	4	Washer M6	
12	4812002	8	Washer M10	
13	1001097244	2	Capscrew M4 x 12	
14	1001166667	NLA	Console Box Assembly (See CONSOLE ASSEMBLY - WITHOUT SKYGUARD for Breakdown) <b>(SN 0300200802 through 0300219869)</b>	
14	1001202568	1	Console Box Assembly (See CONSOLE ASSEMBLY - WITHOUT SKYGUARD for Breakdown) <b>(SN 0300219870 to Present)</b>	
14A	1001117174	1	Footswitch Assembly	B
14A	1001117172	1	Footswitch Less Cable	
14A	70002902	1	Block, Contact	
14A	70002903	1	Gasket	
14A	70002905	1	Cover	
14A	70002904	1	Bolt Replacement Kit	
14A	1060918	7.5 ft /2.3m	Cable, Electrical - 18/3	
14A	4460071	1	Connector, Strain Relief	
14A	4460226	2	Socket, Female	
14A	4460464	1	Pin, Male	

# SECTION 5 - PLATFORM

FIGURE 5-8. CONSOLE AND FOOTSWITCH INSTALLATION WITHOUT LSS OR WITH 4 CELL LSS - DIESEL MACHINES WITH SKYGUARD



ART\_1001190079



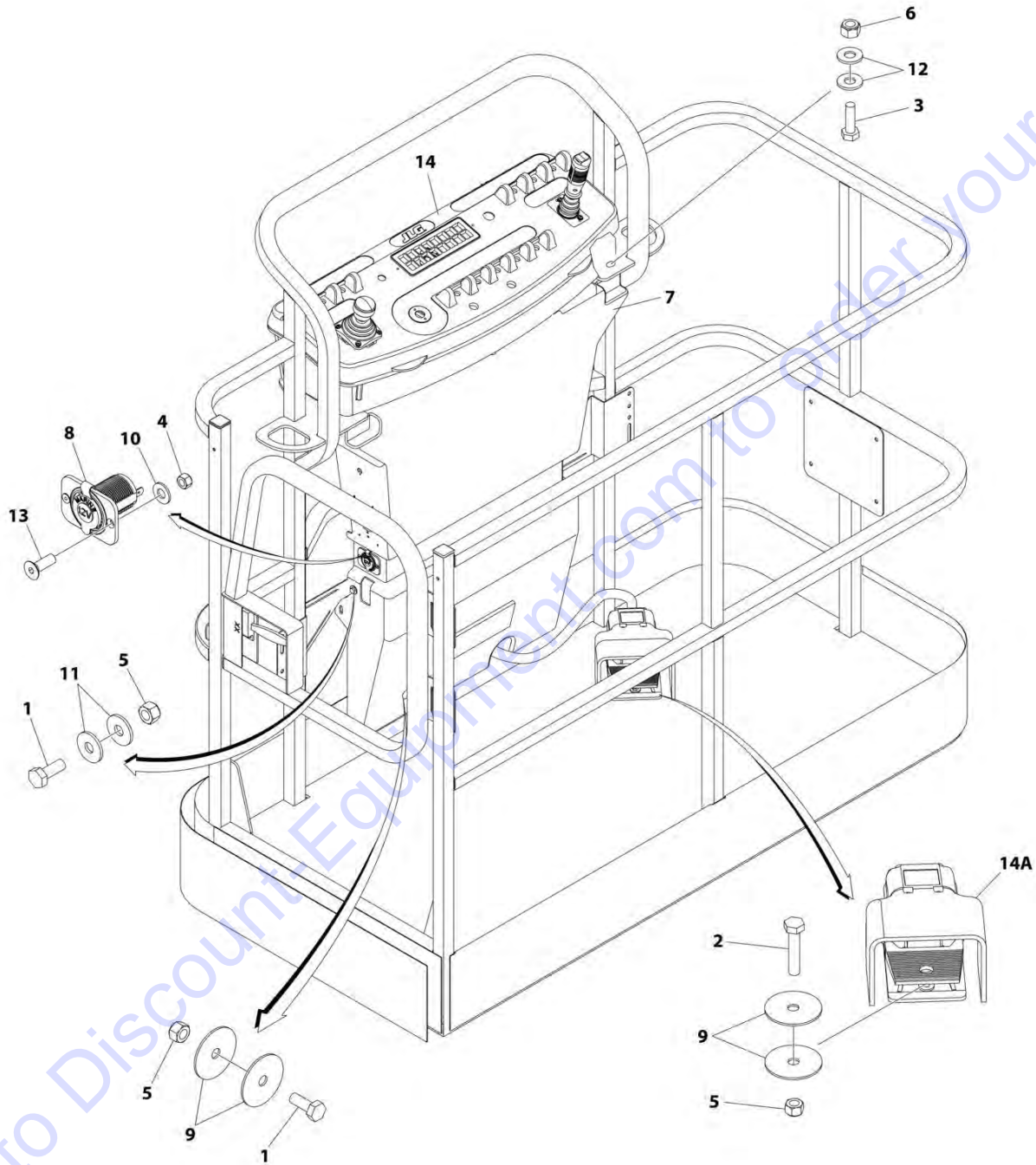
## SECTION 5 - PLATFORM

**FIGURE 5-8. CONSOLE AND FOOTSWITCH INSTALLATION WITHOUT LSS OR WITH 4 CELL LSS - DIESEL MACHINES WITH SKYGUARD**

ITEM	PART NUMBER	QTY	DESCRIPTION	REV
	1001190079	Ref	CONSOLE AND FOOTSWITCH INSTALLATION WITHOUT LSS OR WITH 4 CELL LSS - DIESEL MACHINES WITH SKYGUARD	C
1	0760608	4	Bolt M6 x 16	
2	0760614	3	Bolt M6 x 30	
3	0761015	4	Bolt M10 x 35	
4	3290405	2	Nut M4	
5	3290605	7	Nut M6	
6	3291005	4	Nut M10	
7	3380434	1	Panel, Pedestal	
8	4461012	1	Receptacle, 12V	
9	4740362	7	Washer 1/4	
10	4811400	2	Washer M4	
11	4811702	4	Washer M6	
12	4812002	8	Washer M10	
13	1001097244	2	Capscrew M4 x 12	
14	1001190081	NLA	Console Box Assembly without LSS or with 4 CELL LSS (See CONSOLE ASSEMBLY - WITH SKYGUARD for Breakdown) <b>(SN 0300200802 through 0300219869)</b>	
14	1001202566	1	Console Box Assembly without LSS or with 4 CELL LSS (See CONSOLE ASSEMBLY - WITH SKYGUARD for Breakdown) <b>(SN 0300219870 to Present)</b>	
14A	1001117174	1	Footswitch Assembly	B
14A	1001117172	1	Footswitch Less Cable	
14A	70002902	1	Block, Contact	
14A	70002903	1	Gasket	
14A	70002905	1	Cover	
14A	70002904	1	Bolt Replacement Kit	
14A	1060918	7.5 ft/ 2.3m	Cable, Electrical - 18/3	
14A	4460071	1	Connector, Strain Relief	
14A	4460226	2	Socket, Female	
14A	4460464	1	Pin, Male	

# SECTION 5 - PLATFORM

FIGURE 5-9. CONSOLE AND FOOTSWITCH INSTALLATION WITH 1 CELL LSS - DIESEL MACHINES WITH SKYGUARD (Prior to SN 0300257079)



ART\_1001220655

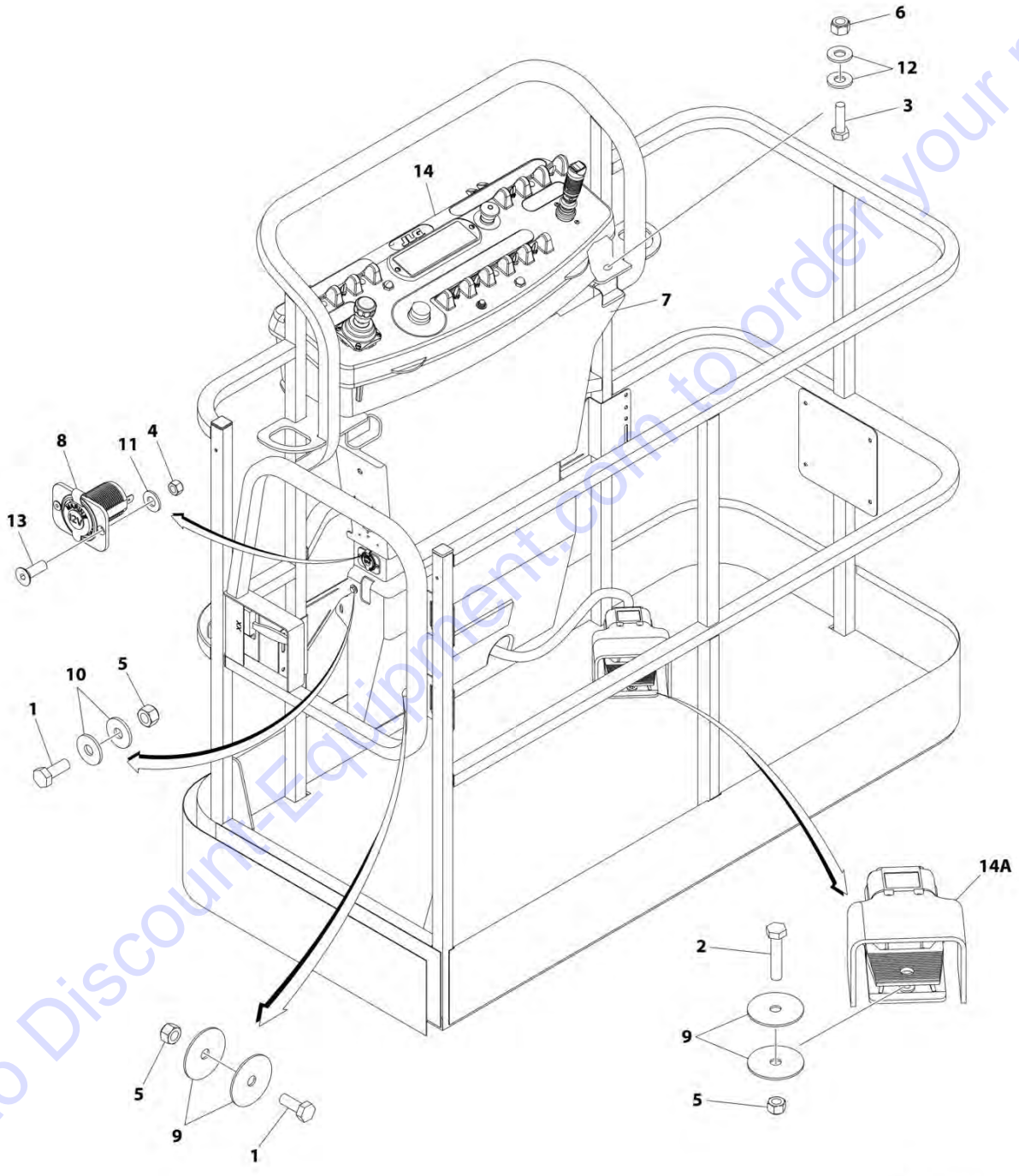
## SECTION 5 - PLATFORM

**FIGURE 5-9. CONSOLE AND FOOTSWITCH INSTALLATION WITH 1 CELL LSS - DIESEL MACHINES WITH SKYGUARD (Prior to SN 0300257079)**

ITEM	PART NUMBER	QTY	DESCRIPTION	REV
	1001220655	Ref	CONSOLE AND FOOTSWITCH INSTALLATION WITH 1 CELL LSS - DIESEL MACHINES WITH SKYGUARD	B
1	0760608	4	Bolt M6 x 16	
2	0760614	3	Bolt M6 x 30	
3	0761015	4	Bolt M10 x 35	
4	3290405	2	Nut M4	
5	3290605	7	Nut M6	
6	3291005	4	Nut M10	
7	3380434	1	Panel, Pedestal	
8	4461012	1	Receptacle, 12V	
9	4740362	7	Washer 1/4	
10	4811400	2	Washer M4	
11	4811702	4	Washer M6	
12	4812002	8	Washer M10	
13	1001097244	2	Capscrew M4 x 12	
14	1001218067	1	Console Box Assembly with 1 CELL LSS	
14A	1001117174	1	Footswitch Assembly	B
14A	1001117172	1	Footswitch Less Cable	
14A	70002902	1	Block, Contact	
14A	70002903	1	Gasket	
14A	70002905	1	Cover	
14A	70002904	1	Bolt Replacement Kit	
14A	1060918	7.5 ft/ 2.3m	Cable, Electrical - 18/3	
14A	4460071	1	Connector, Strain Relief	
14A	4460226	2	Socket, Female	
14A	4460464	1	Pin, Male	

# SECTION 5 - PLATFORM

FIGURE 5-10. CONSOLE AND FOOTSWITCH INSTALLATION WITH 1 CELL LSS - DIESEL MACHINES WITH SKYGUARD (SN 0300257079 to Present)



ART\_1001242838

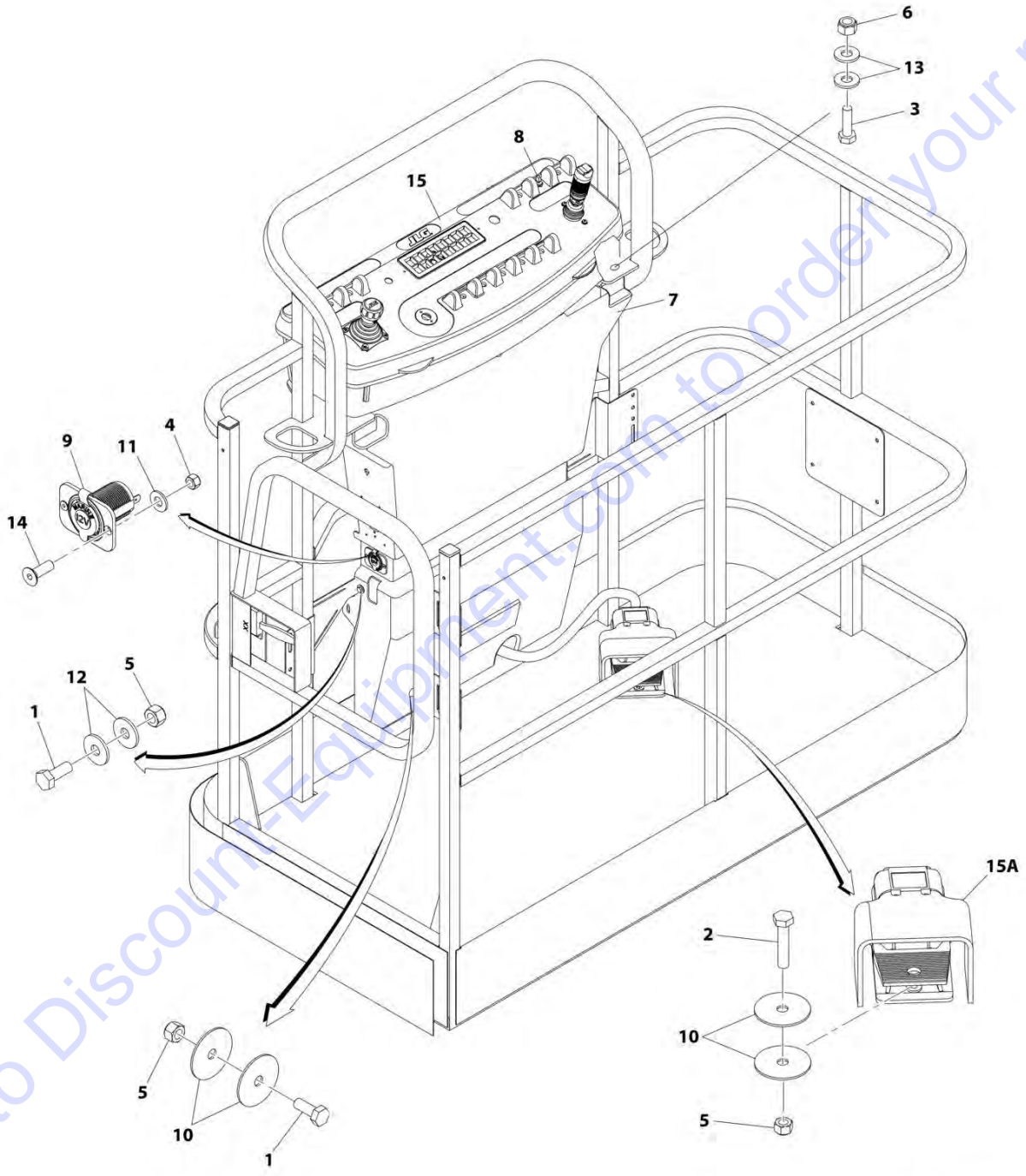
## SECTION 5 - PLATFORM

**FIGURE 5-10. CONSOLE AND FOOTSWITCH INSTALLATION WITH 1 CELL LSS - DIESEL MACHINES WITH SKYGUARD (SN 0300257079 to Present)**

ITEM	PART NUMBER	QTY	DESCRIPTION	REV
	1001242838	Ref	CONSOLE AND FOOTSWITCH INSTALLATION WITH 1 CELL LSS - DIESEL MACHINES WITH SKYGUARD	A
1	0760610	4	Bolt M6 x 20	
2	0760614	3	Bolt M6 x 30	
3	0761015	4	Bolt M10 x 35	
4	3290405	2	Nut M4	
5	3290605	7	Nut M6	
6	3291005	4	Nut M10	
7	3380434	1	Panel, Pedestal	
8	4461012	1	Receptacle, 12V	
9	4740362	7	Washer 1/4	
10	4751400	4	Washer 1/4	
11	4811400	1	Washer M4	
12	4812000	8	Washer M10	
13	1001097244	2	Capscrew M4 x 12	
14	1001242844	1	Console Box Assembly with 1 CELL LSS	
14A	1001117174	1	Footswitch Assembly	B
14A	1001117172	1	Footswitch Less Cable	
14A	70002902	1	Block, Contact	
14A	70002903	1	Gasket	
14A	70002905	1	Cover	
14A	70002904	1	Bolt Replacement Kit	
14A	1060918	7.5 ft/ 2.3m	Cable, Electrical - 18/3	
14A	4460071	1	Connector, Strain Relief	
14A	4460226	2	Socket, Female	
14A	4460464	1	Pin, Male	

# SECTION 5 - PLATFORM

## FIGURE 5-11. CONSOLE AND FOOTSWITCH INSTALLATION - GAS MACHINES WITHOUT SKYGUARD



ART\_1001145805



## SECTION 5 - PLATFORM

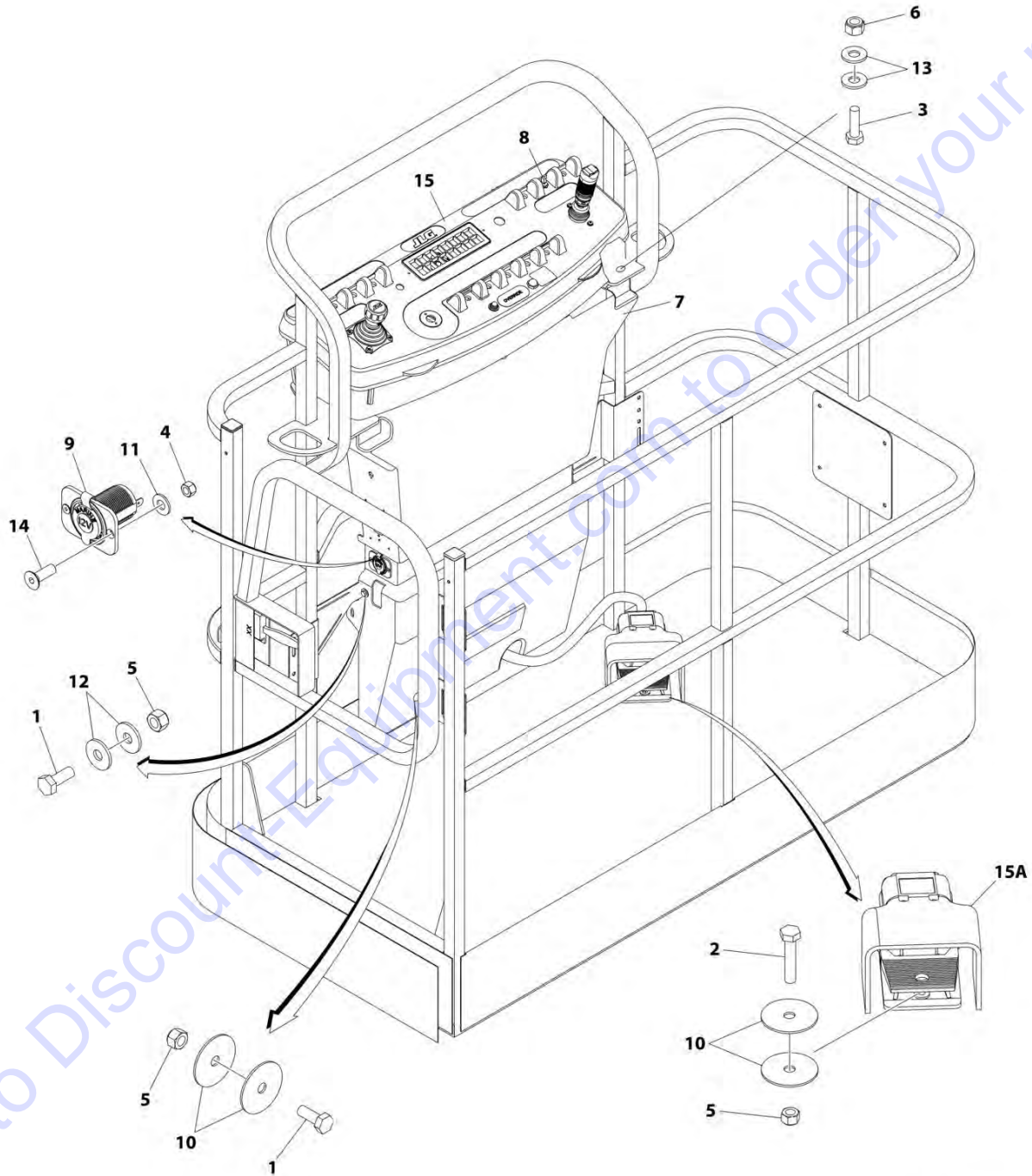
**FIGURE 5-11. CONSOLE AND FOOTSWITCH INSTALLATION - GAS MACHINES WITHOUT SKYGUARD**

ITEM	PART NUMBER	QTY	DESCRIPTION	REV
	1001145805	Ref	CONSOLE AND FOOTSWITCH INSTALLATION - GAS MACHINES WITHOUT SKYGUARD	D
1	0760608	4	Bolt M6 x 16	
2	0760614	3	Bolt M6 x 30	
3	0761015	4	Bolt M10 x 35	
4	3290405	2	Nut M4	
5	3290605	7	Nut M6	
6	3291005	4	Nut M10	
7	3380434	1	Panel, Pedestal	
8	4360336	1	Switch, Toggle	
9	4461012	1	Receptacle, 12V	
10	4740362	7	Washer 1/4	
11	4811400	2	Washer M4	
12	4811702	4	Washer M6	
13	4812002	8	Washer M10	
14	1001097244	2	Capscrew M4 x 12	
15	1001166667	NLA	Console Box Assembly (See CONSOLE ASSEMBLY - WITHOUT SKYGUARD for Breakdown) <b>(SN 0300200802 through 0300219869)</b>	
15	1001202568	1	Console Box Assembly (See CONSOLE ASSEMBLY - WITHOUT SKYGUARD for Breakdown) <b>(SN 0300219870 to Present)</b>	
15A	1001117174	1	Footswitch Assembly	B
15A	1001117172	1	Footswitch Less Cable	
15A	70002902	1	Block, Contact	
15A	70002903	1	Gasket	
15A	70002905	1	Cover	
15A	70002904	1	Bolt Replacement Kit	
15A	1060918	7.5 ft /2.3m	Cable, Electrical - 18/3	
15A	4460071	1	Connector, Strain Relief	
15A	4460226	2	Socket, Female	
15A	4460464	1	Pin, Male	



# SECTION 5 - PLATFORM

FIGURE 5-12. CONSOLE AND FOOTSWITCH INSTALLATION WITHOUT LSS OR WITH 4 CELL LSS - GAS MACHINES WITH SKYGUARD



ART\_1001190080

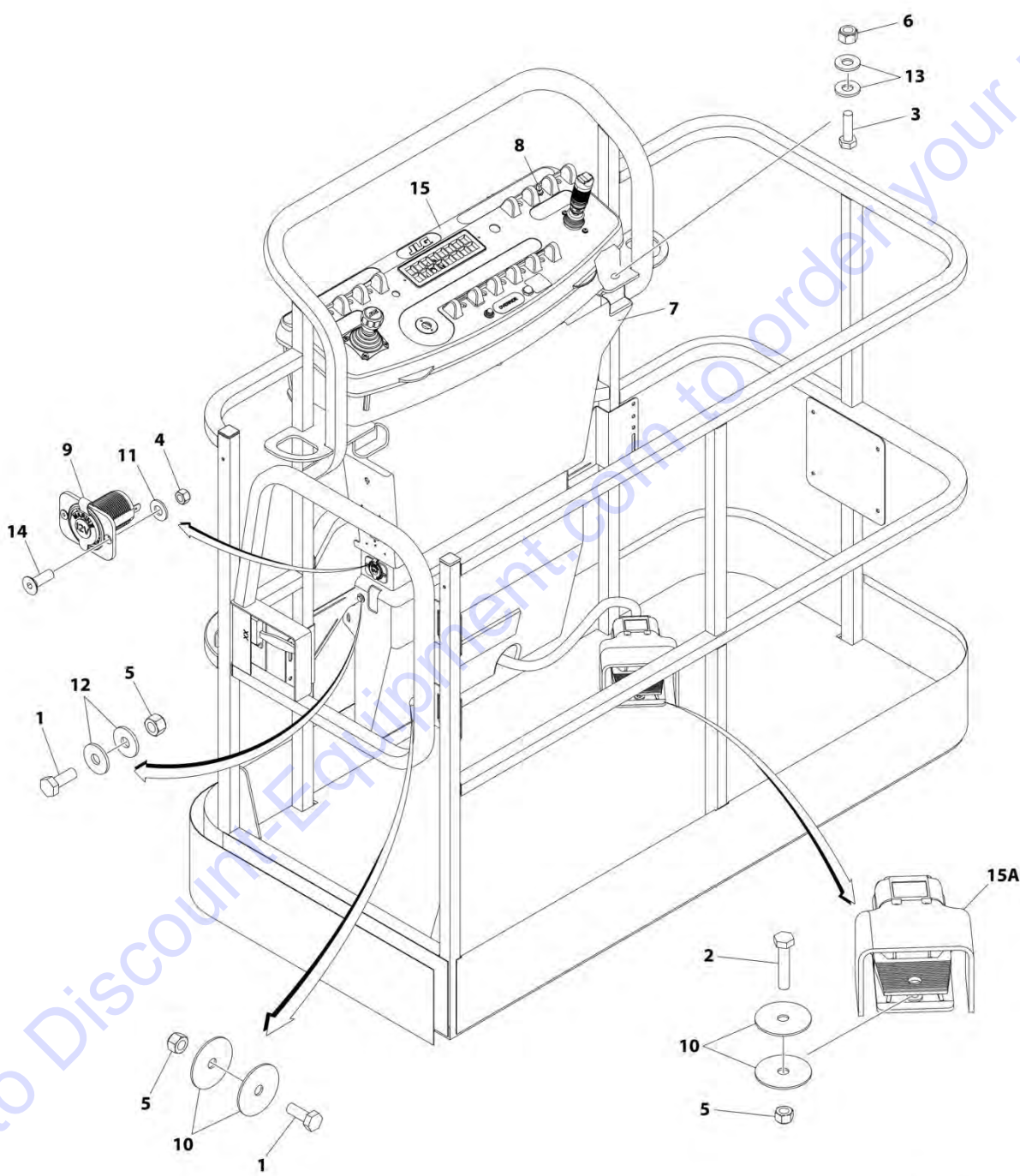
## SECTION 5 - PLATFORM

**FIGURE 5-12. CONSOLE AND FOOTSWITCH INSTALLATION WITHOUT LSS OR WITH 4 CELL LSS - GAS MACHINES WITH SKYGUARD**

ITEM	PART NUMBER	QTY	DESCRIPTION	REV
	1001190080	Ref	CONSOLE AND FOOTSWITCH INSTALLATION WITHOUT LSS OR WITH 4 CELL LSS - GAS MACHINES WITH SKYGUARD	C
1	0760608	4	Bolt M6 x 16	
2	0760614	3	Bolt M6 x 30	
3	0761015	4	Bolt M10 x 35	
4	3290405	2	Nut M4	
5	3290605	7	Nut M6	
6	3291005	4	Nut M10	
7	3380434	1	Panel, Pedestal	
8	4360336	1	Switch, Toggle	
9	4461012	1	Receptacle, 12V	
10	4740362	7	Washer 1/4	
11	4811400	2	Washer M4	
12	4811702	4	Washer M6	
13	4812002	8	Washer M10	
14	1001097244	2	Capscrew M4 x 12	
15	1001190081	NLA	Console Box Assembly without LSS or with 4 CELL LSS (See CONSOLE ASSEMBLY - WITH SKYGUARD for Breakdown) <b>(SN 0300200802 through 0300219869)</b>	
15	1001202566	1	Console Box Assembly without LSS or with 4 CELL LSS (See CONSOLE ASSEMBLY - WITH SKYGUARD for Breakdown) <b>(SN 0300219870 to Present)</b>	
15A	1001117174	1	Footswitch Assembly	A
15A	1001117172	1	Footswitch Less Cable	
15A	70002902	1	Block, Contact	
15A	70002903	1	Gasket	
15A	70002905	1	Cover	
15A	70002904	1	Bolt Replacement Kit	
15A	1060918	7.5 ft/ 2.3m	Cable, Electrical - 18/3	
15A	4460071	1	Connector, Strain Relief	
15A	4460226	2	Socket, Female	
15A	4460464	1	Pin, Male	

# SECTION 5 - PLATFORM

FIGURE 5-13. CONSOLE AND FOOTSWITCH INSTALLATION WITH 1 CELL LSS - GAS MACHINES WITH SKYGUARD (Prior to SN 0300257079)



ART\_1001220666

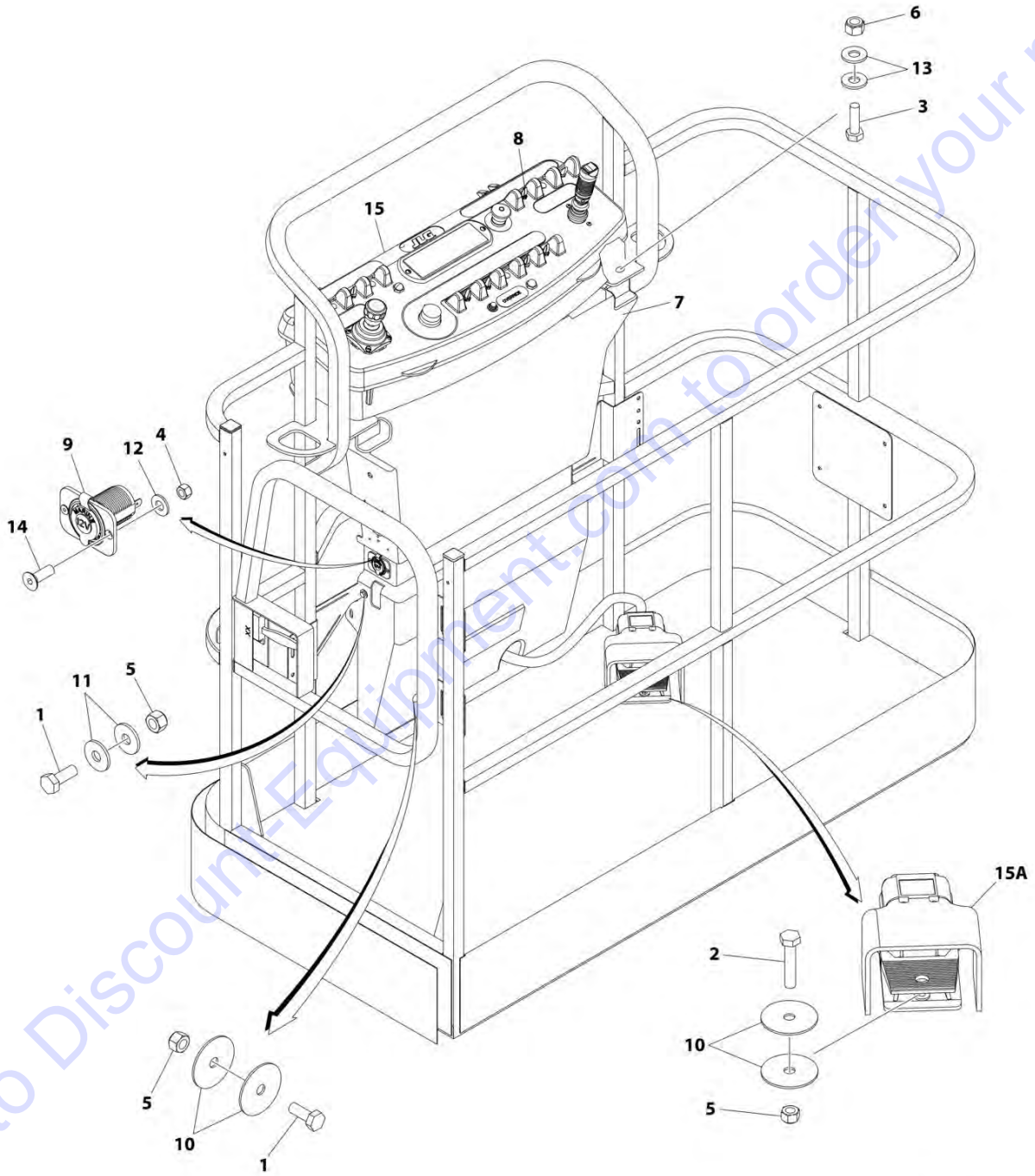
## SECTION 5 - PLATFORM

**FIGURE 5-13. CONSOLE AND FOOTSWITCH INSTALLATION WITH 1 CELL LSS - GAS MACHINES WITH SKYGUARD (Prior to SN 0300257079)**

ITEM	PART NUMBER	QTY	DESCRIPTION	REV
	1001220666	Ref	CONSOLE AND FOOTSWITCH INSTALLATION WITH 1 CELL LSS - GAS MACHINES WITH SKYGUARD	B
1	0760608	4	Bolt M6 x 16	
2	0760614	3	Bolt M6 x 30	
3	0761015	4	Bolt M10 x 35	
4	3290405	2	Nut M4	
5	3290605	7	Nut M6	
6	3291005	4	Nut M10	
7	3380434	1	Panel, Pedestal	
8	4360336	1	Switch, Toggle	
9	4461012	1	Receptacle, 12V	
10	4740362	7	Washer 1/4	
11	4811400	2	Washer M4	
12	4811702	4	Washer M6	
13	4812002	8	Washer M10	
14	1001097244	2	Capscrew M4 x 12	
15	1001218067	1	Console Box Assembly with 1 CELL LSS	
15A	1001117174	1	Footswitch Assembly	A
15A	1001117172	1	Footswitch Less Cable	
15A	70002902	1	Block, Contact	
15A	70002903	1	Gasket	
15A	70002905	1	Cover	
15A	70002904	1	Bolt Replacement Kit	
15A	1060918	7.5 ft/ 2.3m	Cable, Electrical - 18/3	
15A	4460071	1	Connector, Strain Relief	
15A	4460226	2	Socket, Female	
15A	4460464	1	Pin, Male	

# SECTION 5 - PLATFORM

FIGURE 5-14. CONSOLE AND FOOTSWITCH INSTALLATION WITH 1 CELL LSS - GAS MACHINES WITH SKYGUARD (SN 0300257079 to Present)



ART\_1001242839

## SECTION 5 - PLATFORM

**FIGURE 5-14. CONSOLE AND FOOTSWITCH INSTALLATION WITH 1 CELL LSS - GAS MACHINES WITH SKYGUARD (SN 0300257079 to Present)**

ITEM	PART NUMBER	QTY	DESCRIPTION	REV
	1001242839	Ref	CONSOLE AND FOOTSWITCH INSTALLATION WITH 1 CELL LSS - GAS MACHINES WITH SKYGUARD	A
1	0760610	4	Bolt M6 x 20	
2	0760614	3	Bolt M6 x 30	
3	0761015	4	Bolt M10 x 35	
4	3290405	2	Nut M4	
5	3290605	7	Nut M6	
6	3291005	4	Nut M10	
7	3380434	1	Panel, Pedestal	
8	4360336	1	Switch, Toggle	
9	4461012	1	Receptacle, 12V	
10	4740362	7	Washer 1/4	
11	4751400	4	Washer 1/4	
12	4811400	2	Washer M4	
13	4812000	8	Washer M10	
14	1001097244	2	Capscrew M4 x 12	
15	1001242844	1	Console Box Assembly with 1 CELL LSS	
15A	1001117174	1	Footswitch Assembly	A
15A	1001117172	1	Footswitch Less Cable	
15A	70002902	1	Block, Contact	
15A	70002903	1	Gasket	
15A	70002905	1	Cover	
15A	70002904	1	Bolt Replacement Kit	
15A	1060918	7.5 ft/ 2.3m	Cable, Electrical - 18/3	
15A	4460071	1	Connector, Strain Relief	
15A	4460226	2	Socket, Female	
15A	4460464	1	Pin, Male	



# PARTS FINDER

**Search Website  
by Part Number**



**Search Manual  
Library For Parts  
Manual & Lookup Part  
Numbers – Purchase  
or Request Quote**

**Can't Find Part or  
Manual? Request Help  
by Manufacturer,  
Model & Description**

Discount-Equipment.com is your online resource for quality parts & equipment.

Florida: **561-964-4949** Outside Florida TOLL FREE: **877-690-3101**

## Need parts?

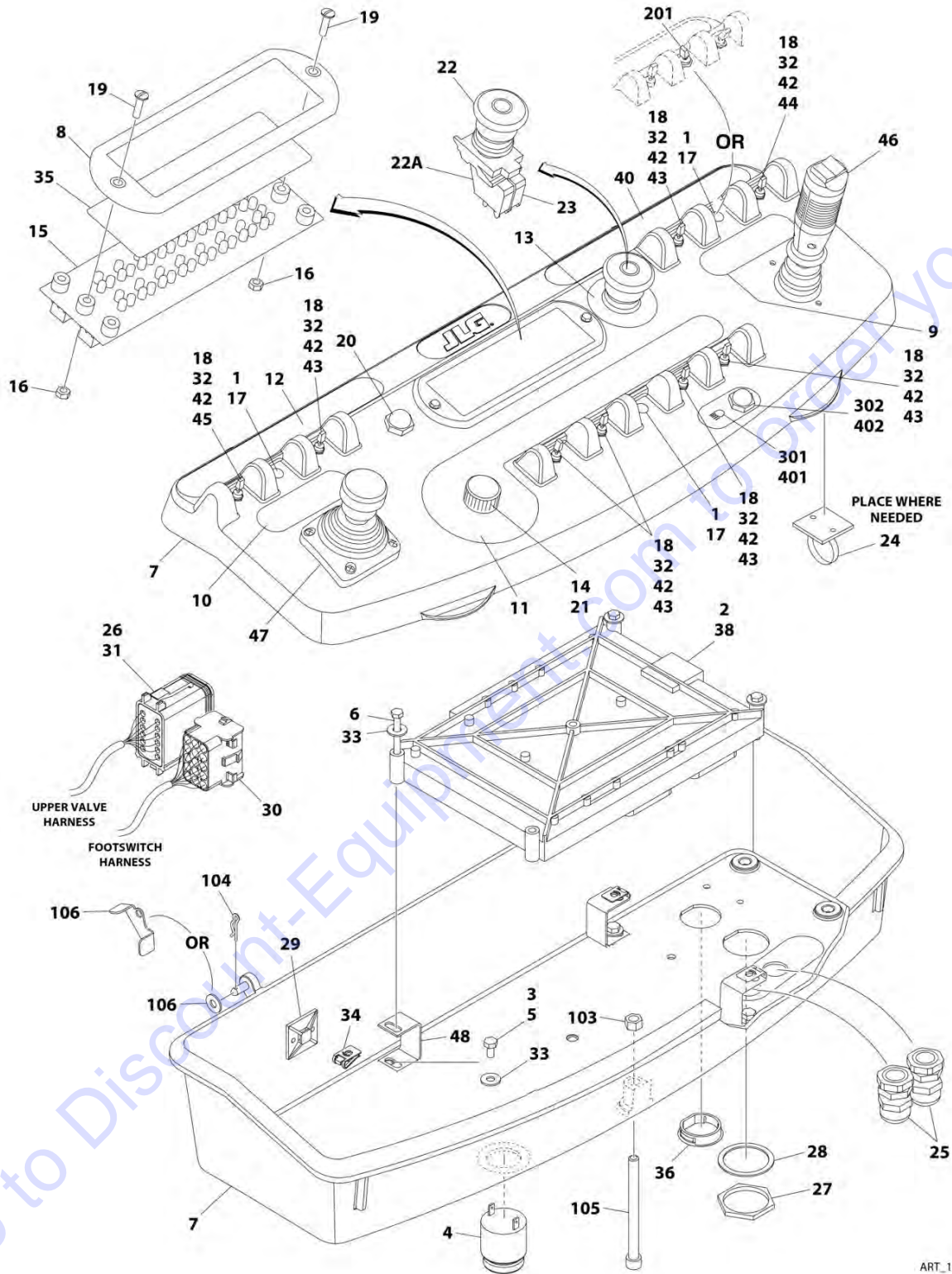
Click on this link: <http://www.discount-equipment.com/category/5443-parts/> and choose one of the options to help get the right parts and equipment you are looking for. Please have the machine model and serial number available in order to help us get you the correct parts. If you don't find the part on the website or on one of the online manuals, please fill out the request form and one of our experienced staff members will get back to you with a quote for the right part that your machine needs.

We sell worldwide for the brands: Genie, Terex, JLG, MultiQuip, Mikasa, Essick, Whiteman, Mayco, Toro Stone, Diamond Products, Generac Magnum, Airman, Haulotte, Barreto, Power Blanket, Nifty Lift, Atlas Copco, Chicago Pneumatic, Allmand, Miller Curber, Skyjack, Lull, Skytrak, Tsurumi, Husquvarna Target, Stow, Wacker, Sakai, Mi-T-M, Sullair, Basic, Dynapac, MBW, Weber, Bartell, Bennar Newman, Haulotte, Ditch Runner, Menegotti, Morrison, Contec, Buddy, Crown, Edco, Wyco, Bomag, Laymor, EZ Trench, Bil-Jax, F.S. Curtis, Gehl Pavers, Heli, Honda, ICS/PowerGrit, IHI, Partner, Imer, Clipper, MMD, Koshin, Rice, CH&E, General Equipment, Amida, Coleman, NAC, Gradall, Square Shooter, Kent, Stanley, Tamco, Toku, Hatz, Kohler, Robin, Wisconsin, Northrock, Oztec, Toker TK, Rol-Air, APT, Wylie, Ingersoll Rand / Doosan, Innovatech, Con X, Ammann, Mecalac, Makinex, Smith Surface Prep, Small Line, Wanco, Yanmar



# SECTION 5 - PLATFORM

FIGURE 5-15. CONSOLE ASSEMBLY - WITHOUT SKYGUARD (SN 0300200802 through 0300219869)



ART\_1001166667

## SECTION 5 - PLATFORM

**FIGURE 5-15. CONSOLE ASSEMBLY - WITHOUT SKYGUARD (SN 0300200802 through 0300219869)**

ITEM	PART NUMBER	QTY	DESCRIPTION	REV
	1001166667	Ref	CONSOLE ASSEMBLY - WITHOUT SKYGUARD (SN 0300200802 through 0300219869)	C
1	0100009	AR	Sealant	
2	0100048	AR	Grease, Dielectric	
3	0100081	AR	Adhesive	
4	0140011	1	Alarm	
5	0641404	4	Bolt 1/4-20 x 1/2	
6	0700617	4	Bolt M6 x 45	
7	0861441	1	Box, Console (See Items 103-106 for Breakdown)	
8	1671176	1	Bezel	
9	1702565	1	Decal - Drive and Steer	
10	1702566	1	Decal - Lift and Swing	
11	1702567	1	Decal - Function Speed	
12	1702676	1	Decal - Horn	
13	1704260	1	Decal - EMS	
14	2560136	1	Handle, Knob	
15	2920154	1	Panel, LED	
16	3311005	2	Nut #10-24	
17	3520028	3	Plug, Hole	
18	3790012	8	O-Ring	
19	3911018	2	Bolt #10-24 x 1-1/8	
20	4360387	1	Switch, Pushbutton	
21	4360407	1	Controller, Speed	
21	4460224	1	Receptacle, Female - 6 Position	
21	4460226	1	Socket, Female	
21	See Note	NSS	Gasket "Top Hat" (Included with Switch) (Note: Not Available - Purchase Complete Controller)	
21	70003784	1	Seal	
22	4360475	1	Switch, Emergency Stop	
22	7020175	1	Cap, Red	
22A	7020176	1	Contact Block	
23	4360476	1	Block, Contact	
24	4460234	3	Base, Mounting	
25	4460428	2	Connector, Strain Relief	
26	4460466	7	Seal, Plug	
27	4460470	1	Nut	
28	4460471	1	Washer	
29	4460488	1	Base, Mounting	
30	4460708	1	Receptacle, Female - 15 Position	
31	4460933	1	Plug, Male - 12 Position	
32	4740397	8	Washer	
33	4751400	8	Washer 1/4	
34	8305919	4	Retainer M6	
35	1001107952	1	Decal - Display	
36	1001110434	1	Plug, Hole	
37	1001117174	1	Footswitch Assembly (Not Shown - See CONSOLE AND FOOTSWITCH INSTALLATION for Breakdown)	
38	1001118412	1	Module, Platform (Note: Re-calibration Required when Replaced)	
39	1001118415	1	Platform Console Harness Assembly (Not Shown - See ELECTRICAL SECTION for Breakdown)	

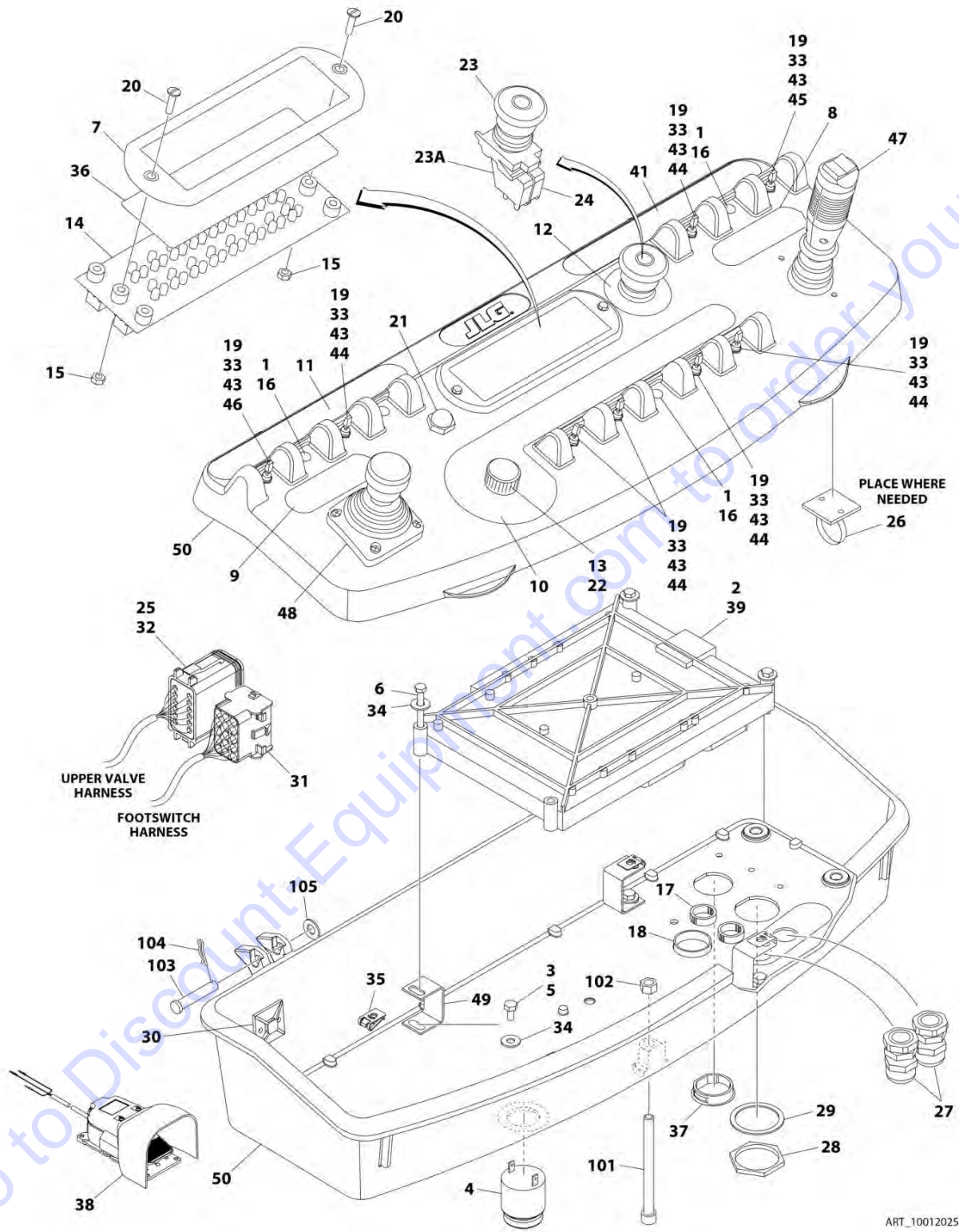
## SECTION 5 - PLATFORM

ITEM	PART NUMBER	QTY	DESCRIPTION	REV
40	1001131168	1	Decal - Stop	
41	1001140525	1	Platform to Boom Valves Harness Assembly (Not Shown - See ELECTRICAL SECTION for Breakdown)	
42	1001155044	8	Nut 15/32-32	
43	1001155045	6	Switch, Toggle	
44	1001159256	1	Switch, Toggle	
45	1001161709	1	Switch, Toggle	
46	1001166538	NLA	Drive/Steer Controller Assembly (Use p/n 1001212415) (See DRIVE/STEER CONTROLLER ASSEMBLY for Breakdown)	
47	1001166539	NLA	Lift/Swing Controller Assembly (Use p/n 1001129555) (See LIFT/SWING CONTROLLER ASSEMBLY for Breakdown)	
48	1001172760	4	Bracket	
	0861441	Ref	CONSOLE BOX ASSEMBLY	H
103	3311601	1	Nut 3/8-16	
104	3470003	2	Pin, Cotter	
105	0630568	1	Capscrew 3/8-16 x 4-1/2	
106	4711500	2	Washer 5/16 <b>(SN 0300200802 through 0300219869)</b>	
106	1001200575	2	Bracket, Stop <b>(SN 0300219870 to Present)</b>	
	1001145805	Ref	DUAL FUEL SWITCH INSTALLATION (GAS MACHINES ONLY)	
201	4360336	1	Switch, Toggle	
	1001120232	Ref	TURNTABLE FLOODLIGHTS SWITCH INSTALLATION	
301	1705170	1	Decal - Lights	
302	4360522	1	Switch, Push Button	
	1001149144	Ref	HEAD AND TAIL LIGHTS INSTALLATION	
401	1705170	1	Decal - Lights	
402	4360522	1	Switch, Push Button	



# SECTION 5 - PLATFORM

## FIGURE 5-16. CONSOLE ASSEMBLY - WITHOUT SKYGUARD (SN 0300219870 to Present)





## SECTION 5 - PLATFORM

**FIGURE 5-16. CONSOLE ASSEMBLY - WITHOUT SKYGUARD (SN 0300219870 to Present)**

ITEM	PART NUMBER	QTY	DESCRIPTION	REV
	1001202568	Ref	CONSOLE ASSEMBLY - WITHOUT SKYGUARD (SN 0300219870 to Present)	C
1	0100009	AR	Sealant	
2	0100048	AR	Grease, Dielectric	
3	0100081	AR	Adhesive	
4	0140011	1	Alarm	
5	0641404	4	Bolt 1/4-20 x 1/2	
6	0700617	4	Bolt M6 x 45	
7	1671176	1	Bezel	
8	1702565	1	Decal - Drive and Steer	
9	1702566	1	Decal - Lift and Swing	
10	1702567	1	Decal - Function Speed	
11	1702676	1	Decal - Horn	
12	1704260	1	Decal - EMS	
13	2560136	1	Handle, Knob	
14	2920154	1	Panel, LED	
15	3311005	2	Nut #10-24	
16	3520028	4	Plug, Hole	
17	3520033	2	Plug, Hole (SN 0300200802 through 0300224043)	
17	1001220486	2	Plug, Hole (SN 0300224044 to Present)	
18	3520035	1	Plug, Cap	
19	3790012	8	O-Ring	
20	3911018	2	Bolt #10-24 x 1-1/8	
21	4360387	1	Switch, Pushbutton	
22	4360407	1	Controller, Speed	
22	4460224	1	Receptacle, Female - 6 Position	
22	4460226	1	Socket, Female	
22	See Note	NSS	Gasket "Top Hat" (Included with Switch) (Note: Not Available - Purchase Complete Controller)	
22	70003784	1	Seal	
23	4360475	1	Switch, Emergency Stop	
23	7020175	1	Cap, Red	
23A	7020176	1	Contact Block	
24	4360476	1	Block, Contact	
25	4460466	1	Seal, Plug (Not Shown)	
26	4460234	3	Base, Mounting	
27	4460428	2	Connector, Strain Relief	
28	4460470	1	Nut	
29	4460471	1	Washer	
30	4460488	1	Base, Mounting	
31	4460708	1	Receptacle, Female - 15 Position	
32	4460933	1	Plug, Male - 12 Position	
33	4740397	8	Washer	
34	4751400	8	Washer 1/4	
35	8305919	4	Retainer M6	
36	1001107952	1	Decal - Display	
37	1001110434	1	Plug, Hole	
38	1001117174	1	Footswitch Assembly (Not Shown - See CONSOLE AND FOOTSWITCH INSTALLATION for Breakdown)	
39	1001118412	1	Module, Platform (Note: Re-calibration Required when Replaced)	

## SECTION 5 - PLATFORM

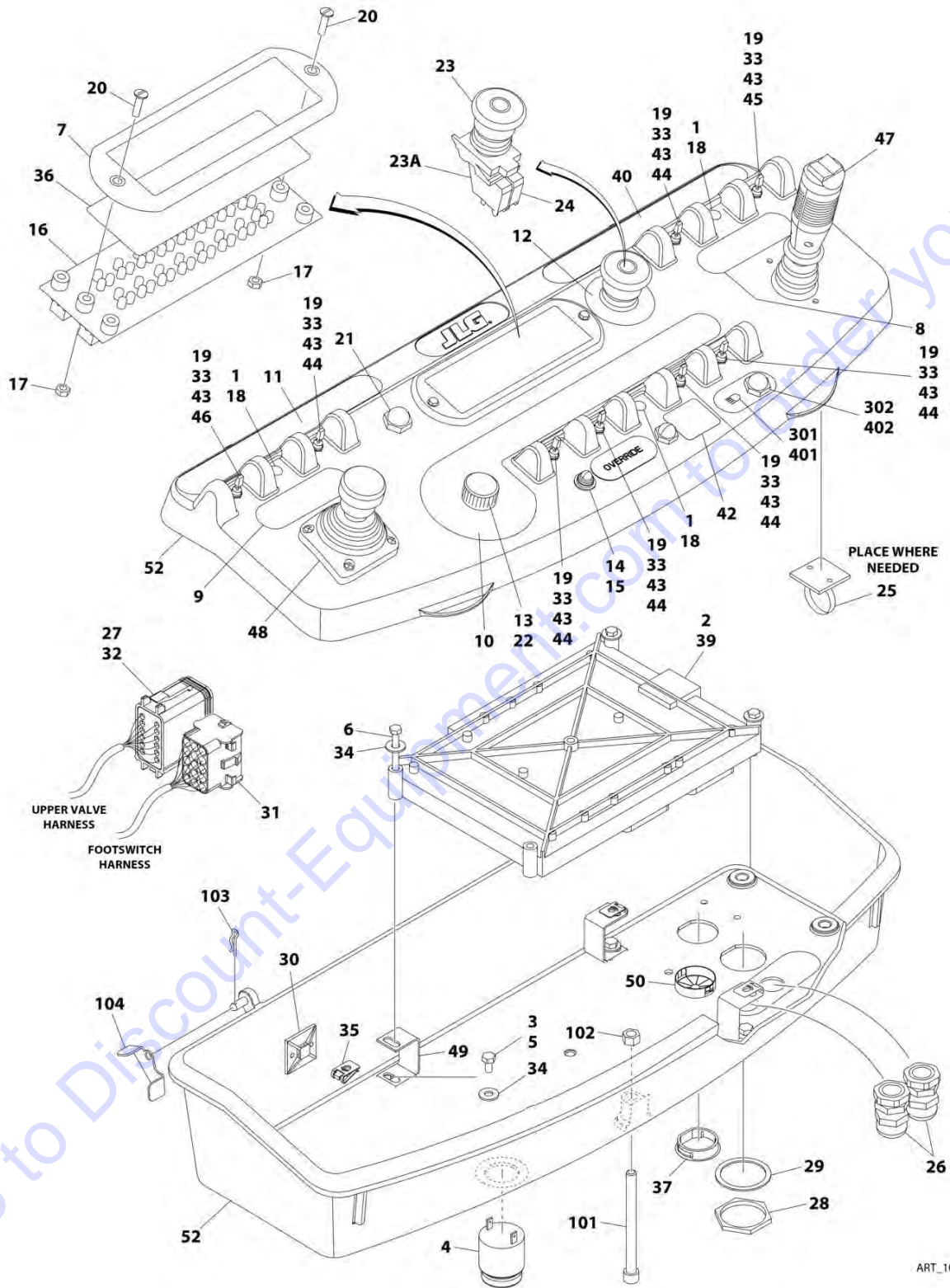
ITEM	PART NUMBER	QTY	DESCRIPTION	REV
40	1001118415	1	Platform Console Harness Assembly (Not Shown - See ELECTRICAL SECTION for Breakdown)	
41	1001131168	1	Decal - Stop	
42	1001140525	1	Platform to Boom Valves Harness Assembly (Not Shown - See ELECTRICAL SECTION for Breakdown)	
43	1001155044	8	Nut 15/32-32	
44	1001155045	6	Switch, Toggle	
45	1001159256	1	Switch, Toggle	
46	1001161709	1	Switch, Toggle	
47	1001166538	NLA	Drive/Steer Controller Assembly (Use p/n 1001212415) (See DRIVE/STEER CONTROLLER ASSEMBLY for Breakdown)	
48	1001166539	NLA	Lift/Swing Controller Assembly (Use p/n 1001129555) (See LIFT/SWING CONTROLLER ASSEMBLY for Breakdown)	
49	1001172760	4	Bracket	
50	1001201886	1	Box, Console (See Items 101-105 for Breakdown)	
	1001201886	Ref	CONSOLE BOX ASSEMBLY	B
101	0630568	1	Capscrew 3/8-16 x 4-1/2	
102	3311601	1	Nut 3/8-16	
103	3430616	2	Pin, Clevis	
104	3470003	2	Pin, Cotter	
105	4711600	2	Washer 3/8	





# SECTION 5 - PLATFORM

FIGURE 5-17. CONSOLE ASSEMBLY WITHOUT LSS OR WITH 4 CELL LSS - WITH SKYGUARD (SN 0300200802 through 0300219869)



## SECTION 5 - PLATFORM

**FIGURE 5-17. CONSOLE ASSEMBLY WITHOUT LSS OR WITH 4 CELL LSS - WITH SKYGUARD (SN 0300200802 through 0300219869)**

ITEM	PART NUMBER	QTY	DESCRIPTION	REV
	1001190081	Ref	CONSOLE ASSEMBLY WITHOUT LSS OR WITH 4 CELL LSS - WITH SKYGUARD (SN 0300200802 through 0300219869)	C
1	0100009	AR	Sealant	
2	0100048	AR	Grease, Dielectric	
3	0100081	AR	Adhesive	
4	0140011	1	Alarm	
5	0641404	4	Bolt 1/4 x 1/2	
6	0700617	4	Bolt M6 x 45	
7	1671176	1	Bezel	
8	1702565	1	Decal - Drive and Steer	
9	1702566	1	Decal - Lift and Swing	
10	1702567	1	Decal - Function Speed	
11	1702676	1	Decal - Horn	
12	1704260	1	Decal - EMS	
13	2560136	1	Handle, Knob	
14	2920028	1	Light, Indicator	
15	2920029	1	Bulb, Light	
16	2920154	1	Panel, LED	
17	3311005	2	Nut #10-24	
18	3520028	3	Plug, Hole	
19	3790012	8	O-Ring	
20	3911018	2	Bolt #10 x 1-1/8	
21	4360387	1	Switch, Pushbutton	
22	4360407	1	Controller, Speed	
22	4460224	1	Receptacle, Female - 6 Position	
22	4460226	1	Socket, Female	
22	See Note	NSS	Gasket "Top Hat" (Included with Switch) (Note: Not Available - Purchase Complete Controller)	
22	70003784	1	Seal	
23	4360475	1	Switch, Emergency Stop	
23	7020175	1	Cap, Red	
23A	7020176	1	Contact Block	
24	4360476	1	Block, Contact	
25	4460234	3	Base, Mounting	
26	4460428	2	Connector, Strain Relief	
27	4460466	7	Seal, Plug	
28	4460470	1	Nut	
29	4460471	1	Washer	
30	4460488	1	Base, Mounting	
31	4460708	1	Receptacle, Female - 15 Position	
32	4460933	1	Plug, Male - 12 Position	
33	4740397	8	Washer	
34	4751400	8	Washer 1/4	
35	8305919	4	Retainer M6	
36	1001107952	1	Decal - Display	
37	1001110434	1	Plug, Hole	
38	1001117174	1	Footswitch Assembly (Not Shown - See CONSOLE AND FOOTSWITCH INSTALLATION for Breakdown)	
39	1001118412	1	Module, Platform (Note: Re-calibration Required when Replaced)	

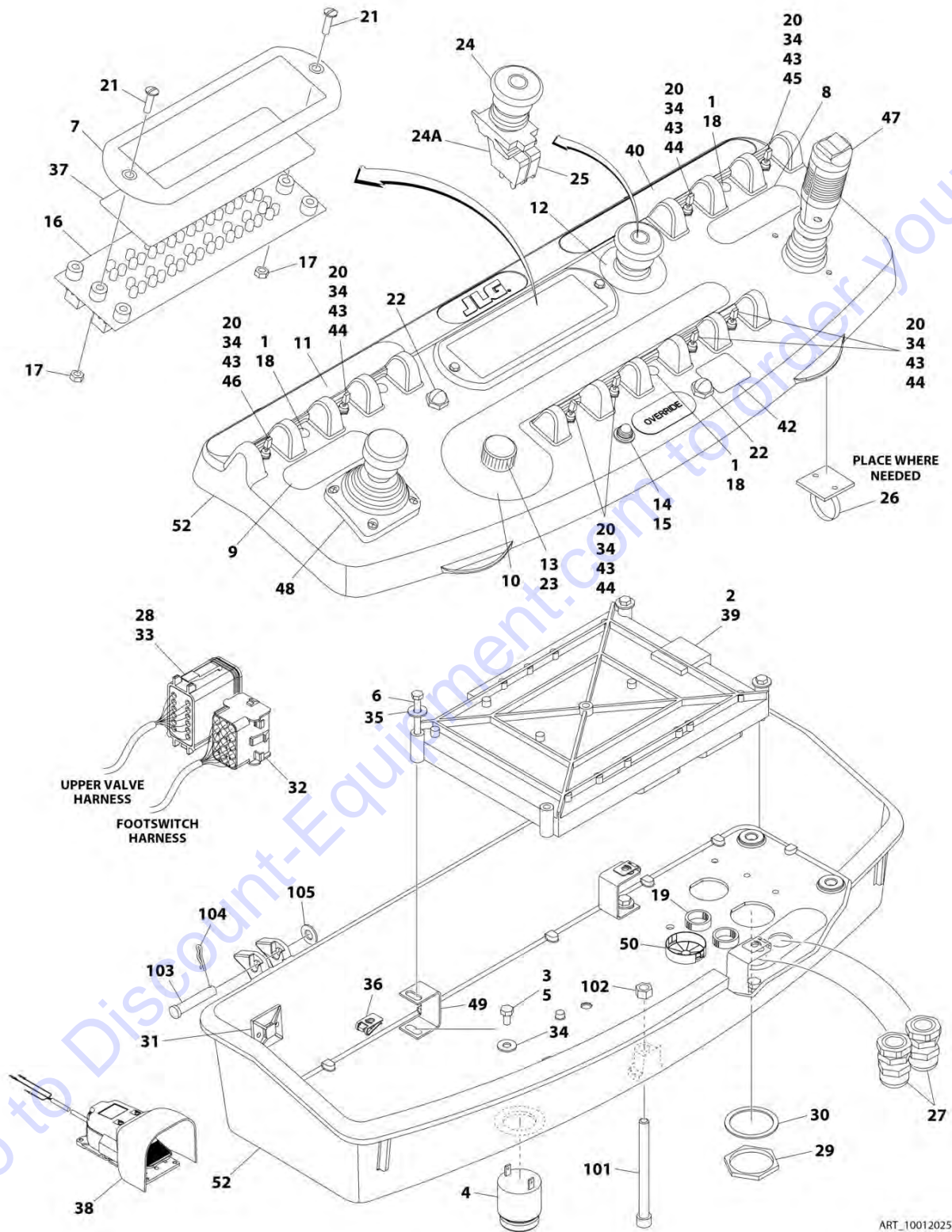
## SECTION 5 - PLATFORM

ITEM	PART NUMBER	QTY	DESCRIPTION	REV
40	1001131168	1	Decal - Stop	
41	1001140525	1	Platform to Boom Valves Harness Assembly (Not Shown - See ELECTRICAL SECTION for Breakdown)	
42	1001144433	1	Decal - No Weight	
43	1001155044	8	Nut 15/32	
44	1001155045	6	Switch, Toggle	
45	1001159256	1	Switch, Toggle	
46	1001161709	1	Switch, Toggle	
47	1001166538	NLA	Drive/Steer Controller Assembly (Use p/n 1001212415) (See DRIVE/STEER CONTROLLER ASSEMBLY for Breakdown)	
48	1001166539	NLA	Lift/Swing Controller Assembly (Use p/n 1001129555) (See LIFT/SWING CONTROLLER ASSEMBLY for Breakdown)	
49	1001172760	4	Bracket	
50	1001185281	1	Plug	
51	1001186891	1	Platform Console Harness Assembly (Not Shown - See ELECTRICAL SECTION for Breakdown)	
52	1001190017	1	Box, Console (See Items 101-104 for Breakdown)	
	1001190017	Ref	CONSOLE BOX ASSEMBLY	D
101	0630568	1	Capscrew 3/8 x 4-1/2	
102	3311601	1	Nut 3/8	
103	3470003	2	Pin, Cotter	
104	1001200575	2	Bracket, Stop	
	1001120232	Ref	TURNTABLE FLOODLIGHTS SWITCH INSTALLATION	
301	1705170	1	Decal - Lights	
302	4360522	1	Switch, Push Button	
	1001149144	Ref	HEAD AND TAIL LIGHTS INSTALLATION	
401	1705170	1	Decal - Lights	
402	4360522	1	Switch, Push Button	



# SECTION 5 - PLATFORM

FIGURE 5-18. CONSOLE ASSEMBLY WITHOUT LSS OR WITH 4 CELL LSS - WITH SKYGUARD (SN 0300219870 to Present)



ART\_1001202566



## SECTION 5 - PLATFORM

**FIGURE 5-18. CONSOLE ASSEMBLY WITHOUT LSS OR WITH 4 CELL LSS - WITH SKYGUARD (SN 0300219870 to Present)**

ITEM	PART NUMBER	QTY	DESCRIPTION	REV
	1001202566	Ref	CONSOLE ASSEMBLY WITHOUT LSS OR WITH 4 CELL LSS - WITH SKYGUARD (SN 0300219870 to Present)	C
1	0100009	AR	Sealant	
2	0100048	AR	Grease, Dielectric	
3	0100081	AR	Adhesive	
4	0140011	1	Alarm	
5	0641404	4	Bolt 1/4 x 1/2	
6	0700617	4	Bolt M6 x 45	
7	1671176	1	Bezel	
8	1702565	1	Decal - Drive and Steer	
9	1702566	1	Decal - Lift and Swing	
10	1702567	1	Decal - Function Speed	
11	1702676	1	Decal - Horn	
12	1704260	1	Decal - EMS	
13	2560136	1	Handle, Knob	
14	2920028	1	Light, Indicator	
15	2920029	1	Bulb, Light	
16	2920154	1	Panel, LED	
17	3311005	2	Nut #10-24	
18	3520028	4	Plug, Hole	
19	3520033	2	Plug, Hole (SN 0300200802 through 0300224043)	
19	1001220486	2	Plug, Hole (SN 0300224044 to Present)	
20	3790012	8	O-Ring	
21	3911018	2	Bolt #10 x 1-1/8	
22	4360387	2	Switch, Pushbutton	
23	4360407	1	Controller, Speed	
23	4460224	1	Receptacle, Female - 6 Position	
23	4460226	1	Socket, Female	
23	See Note	NSS	Gasket "Top Hat" (Included with Switch) (Note: Not Available - Purchase Complete Controller)	
23	70003784	1	Seal	
24	4360475	1	Switch, Emergency Stop	
24	7020175	1	Cap, Red	
24A	7020176	1	Contact Block	
25	4360476	1	Block, Contact	
26	4460234	3	Base, Mounting	
27	4460428	2	Connector, Strain Relief	
28	4460466	7	Seal, Plug	
29	4460470	1	Nut	
30	4460471	1	Washer	
31	4460488	1	Base, Mounting	
32	4460708	1	Receptacle, Female - 15 Position	
33	4460933	1	Plug, Male - 12 Position	
34	4740397	8	Washer	
35	4751400	8	Washer 1/4	
36	8305919	4	Retainer M6	
37	1001107952	1	Decal - Display	
38	1001117174	1	Footswitch Assembly (Not Shown - See CONSOLE AND FOOTSWITCH INSTALLATION for Breakdown)	



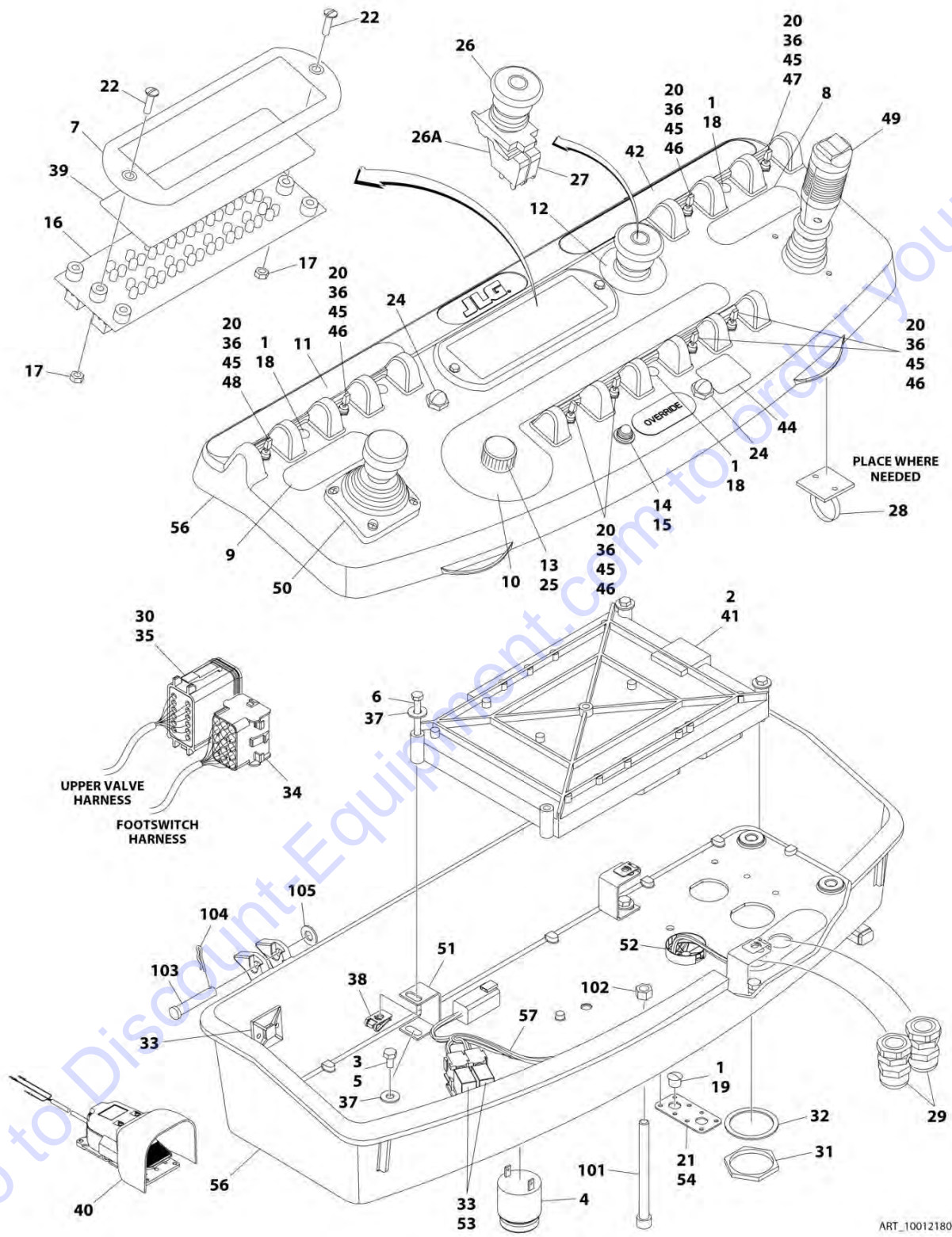
## SECTION 5 - PLATFORM

ITEM	PART NUMBER	QTY	DESCRIPTION	REV
39	1001118412	1	Module, Platform (Note: Re-calibration Required when Replaced)	
40	1001131168	1	Decal - Stop	
41	1001140525	1	Platform to Boom Valves Harness Assembly (Not Shown - See ELECTRICAL SECTION for Breakdown)	
42	1001144433	1	Decal - No Weight	
43	1001155044	8	Nut 15/32	
44	1001155045	6	Switch, Toggle	
45	1001159256	1	Switch, Toggle	
46	1001161709	1	Switch, Toggle	
47	1001166538	NLA	Drive/Steer Controller Assembly (Use p/n 1001212415) (See DRIVE/STEER CONTROLLER ASSEMBLY for Breakdown)	
48	1001166539	NLA	Lift/Swing Controller Assembly (Use p/n 1001129555) (See LIFT/SWING CONTROLLER ASSEMBLY for Breakdown)	
49	1001172760	4	Bracket	
50	1001185281	1	Plug	
51	1001186891	1	Platform Console Harness Assembly (Not Shown - See ELECTRICAL SECTION for Breakdown)	
52	1001201887	1	Box, Console (See Items 101-105 for Breakdown)	
	1001201887	Ref	CONSOLE BOX ASSEMBLY	B
101	0630568	1	Capscrew 3/8 x 4-1/2	
102	3311601	1	Nut 3/8	
103	3430616	2	Pin, Clevis	
104	3470003	2	Pin, Cotter	
105	4711600	2	Washer 3/8	



# SECTION 5 - PLATFORM

FIGURE 5-19. CONSOLE ASSEMBLY WITH 1 CELL LSS - WITH SKYGUARD (Prior to SN 0300257079)



## SECTION 5 - PLATFORM

**FIGURE 5-19. CONSOLE ASSEMBLY WITH 1 CELL LSS - WITH SKYGUARD (Prior to SN 0300257079)**

ITEM	PART NUMBER	QTY	DESCRIPTION	REV
	1001218067	Ref	CONSOLE ASSEMBLY WITH 1 CELL LSS - WITH SKYGUARD	D
1	0100009	AR	Sealant	
2	0100048	AR	Grease, Dielectric	
3	0100035	1	Compound, Locking	
4	0140011	1	Alarm	
5	0641404	4	Bolt 1/4 x 1/2	
6	0700617	4	Bolt M6 x 45	
7	1671176	1	Bezel	
8	1702565	1	Decal - Drive and Steer	
9	1702566	1	Decal - Lift and Swing	
10	1702567	1	Decal - Function Speed	
11	1702676	1	Decal - Horn	
12	1704260	1	Decal - EMS	
13	2560136	1	Handle, Knob	
14	2920028	1	Light, Indicator	
15	2920029	1	Bulb, Light	
16	2920154	1	Panel, LED	
17	3311005	2	Nut #10-24	
18	3520028	4	Plug, Hole	
19	3520054	1	Plug	
20	3790012	8	O-Ring	
21	3900349	8	Capscrew M2.5 x 8	
22	3911018	2	Screw #10 x 1-1/8	
23	4240032	AR	Tie-Strap (Not Shown)	
24	4360387	2	Switch, Push Button	
25	4360407	1	Controller, Speed	
25	4460224	1	Receptacle, Female - 6 Position	
25	4460226	1	Socket, Female	
25	See Note	NSS	Gasket "Top Hat" (Included with Switch) (Note: Not Available - Purchase Complete Controller)	
25	70003784	1	Seal	
26	4360475	1	Switch, Emergency Stop	
26	7020175	1	Cap, Red	
26A	7020176	1	Contact Block	
27	4360476	1	Block, Contact	
28	4460234	3	Base, Mounting	
29	4460428	2	Connector, Strain Relief	
30	4460466	7	Seal, Plug	
31	4460470	1	Nut	
32	4460471	1	Washer	
33	4460488	2	Base, Mounting	
34	4460708	1	Receptacle, Female - 15 Position	
35	4460933	1	Plug, Male - 12 Position	
36	4740397	8	Washer	
37	4751400	8	Washer 1/4	
38	8305919	4	Retainer M6	
39	1001107952	1	Decal - Display	
40	1001117174	1	Footswitch Assembly (Not Shown - See CONSOLE AND FOOTSWITCH INSTALLATION for Breakdown)	
41	1001118412	1	Module, Platform (Note: Re-calibration Required when Replaced)	

## SECTION 5 - PLATFORM

ITEM	PART NUMBER	QTY	DESCRIPTION	REV
42	1001131168	1	Decal - Stop	
43	1001140525	1	Platform to Boom Valves Harness Assembly (Not Shown - See ELECTRICAL SECTION for Breakdown)	
44	1001144433	1	Decal - No Weight	
45	1001155044	8	Nut 15/32	
46	1001155045	6	Switch, Toggle	
47	1001159256	1	Switch, Toggle	
48	1001161709	1	Switch, Toggle	
49	1001166538	NLA	Drive/Steer Controller Assembly (Use p/n 1001212415) (See DRIVE/STEER CONTROLLER ASSEMBLY for Breakdown)	
50	1001166539	NLA	Lift/Swing Controller Assembly (Use p/n 1001129555) (See LIFT/SWING CONTROLLER ASSEMBLY for Breakdown)	
51	1001172760	4	Bracket	
52	1001185281	1	Plug	
53	1001186431	2	Relay	
54	1001213882	1	Mount, Connector	
55	1001217029	1	Platform Console Harness Assembly (Not Shown - See ELECTRICAL SECTION for Breakdown)	
56	1001218068	1	Box, Console (See Items 101-105 for Breakdown)	
57	1001225580	1	Generator to Platform Harness Assembly (See ELECTRICAL SECTION for Breakdown)	
	1001218068	Ref	CONSOLE BOX ASSEMBLY	C
101	0630568	1	Capscrew 3/8 x 4-1/2	
102	3311601	1	Nut 3/8	
103	3430616	2	Pin, Clevis	
104	3470003	2	Pin, Cotter	
105	4711600	2	Washer 3/8	







## SECTION 5 - PLATFORM

**FIGURE 5-20. CONSOLE ASSEMBLY WITH 1 CELL LSS - WITH SKYGUARD (SN 0300257079 to Present)**

ITEM	PART NUMBER	QTY	DESCRIPTION	REV
	1001242844	Ref	CONSOLE ASSEMBLY WITH 1 CELL LSS - WITH SKYGUARD	C
1	0100009	AR	Sealant	
2	0100048	AR	Grease, Dielectric	
3	0100035	1	Compound, Locking	
4	0140011	1	Alarm	
5	0641404	4	Bolt 1/4 x 1/2	
6	0700617	4	Bolt M6 x 45	
7	1671176	1	Bezel	
8	1702565	1	Decal - Drive and Steer	
9	1702566	1	Decal - Lift and Swing	
10	1702567	1	Decal - Function Speed	
11	1702676	1	Decal - Horn	
12	1704260	1	Decal - EMS	
13	2560136	1	Handle, Knob	
14	2920028	1	Light, Indicator	
15	2920029	1	Bulb, Light	
16	2920154	1	Panel, LED	
17	3311005	2	Nut #10-24	
18	3520028	4	Plug, Hole	
19	3520054	1	Plug	
20	3790012	8	O-Ring	
21	3900349	8	Capscrew M2.5 x 8	
22	3911018	2	Screw #10 x 1-1/8	
23	4240032	AR	Tie-Strap (Not Shown)	
24	4360387	2	Switch, Push Button	
25	4360407	1	Controller, Speed	
25	4460224	1	Receptacle, Female - 6 Position	
25	4460226	1	Socket, Female	
25	See Note	NSS	Gasket "Top Hat" (Included with Switch) (Note: Not Available - Purchase Complete Controller)	
25	70003784	1	Seal	
26	4360475	1	Switch, Emergency Stop	
26	7020175	1	Cap, Red	
26A	7020176	1	Contact Block	
27	4360476	1	Block, Contact	
28	4460234	3	Base, Mounting	
29	4460428	2	Connector, Strain Relief	
30	4460466	7	Seal, Plug	
31	4460470	1	Nut	
32	4460471	1	Washer	
33	4460488	2	Base, Mounting	
34	4460708	1	Receptacle, Female - 15 Position	
35	4460933	1	Plug, Male - 12 Position	
36	4740397	8	Washer	
37	4751400	8	Washer 1/4	
38	8305919	4	Retainer M6	
39	1001107952	1	Decal - Display	
40	1001117174	1	Footswitch Assembly (Not Shown - See CONSOLE AND FOOTSWITCH INSTALLATION for Breakdown)	

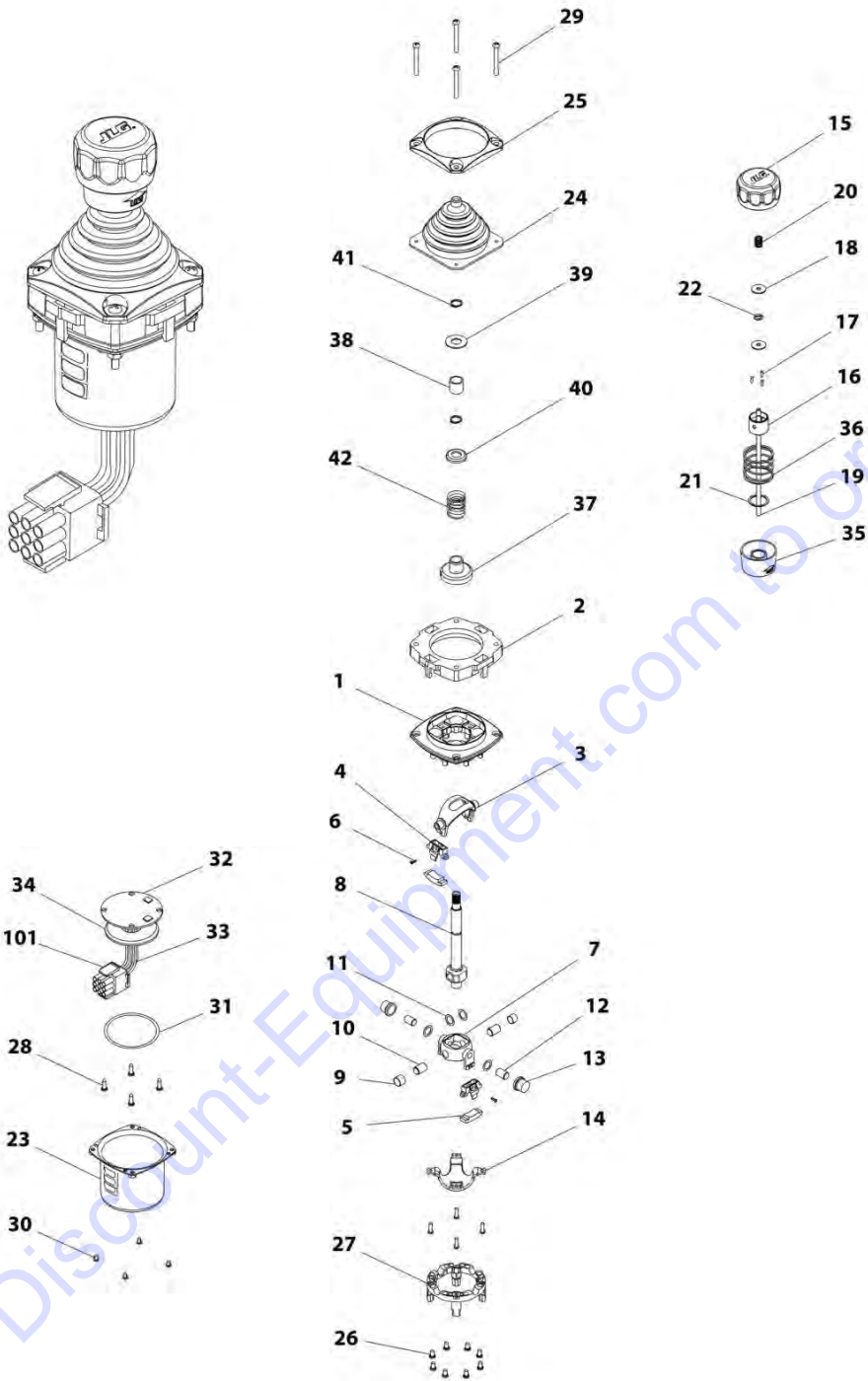
## SECTION 5 - PLATFORM

ITEM	PART NUMBER	QTY	DESCRIPTION	REV
41	100118412	1	Module, Platform (Note: Re-calibration Required when Replaced)	
42	1001131168	1	Decal - Stop	
44	1001155044	8	Nut 15/32	
45	1001155045	6	Switch, Toggle	
46	1001159256	1	Switch, Toggle	
47	1001161709	1	Switch, Toggle	
48	1001166538	NLA	Drive/Steer Controller Assembly (Use p/n 1001212415) (See DRIVE/STEER CONTROLLER ASSEMBLY for Breakdown)	
49	1001166539	NLA	Lift/Swing Controller Assembly (Use p/n 1001129555) (See LIFT/SWING CONTROLLER ASSEMBLY for Breakdown)	
50	1001172760	4	Bracket	
51	1001185281	1	Plug	
52	1001213882	1	Mount, Connector	
53	1001217029	1	Platform Console Harness Assembly (Not Shown - See ELECTRICAL SECTION for Breakdown)	
54	1001218068	1	Box, Console (See Items 101-105 for Breakdown)	
55	1001140525	1	Harness, Platform to Boom (Not Shown - See ELECTRICAL SECTION for Breakdown)	
	1001218068	Ref	CONSOLE BOX ASSEMBLY	C
101	0630568	1	Capscrew 3/8 x 4-1/2	
102	3311601	1	Nut 3/8	
103	3430616	2	Pin, Clevis	
104	3470003	2	Pin, Cotter	
105	4711600	2	Washer 3/8	



# SECTION 5 - PLATFORM

## FIGURE 5-21. LIFT/SWING CONTROLLER ASSEMBLY



ART\_1001166539

## SECTION 5 - PLATFORM

**FIGURE 5-21. LIFT/SWING CONTROLLER ASSEMBLY**

ITEM	PART NUMBER	QTY	DESCRIPTION	REV
	1001166539	Ref	LIFT/SWING CONTROLLER ASSEMBLY	D
		Ref	Note: Use p/n 1001129555 as replacement.	
1	See Note	1	Main Cast Body (Note: Not Available - Purchase Complete Assembly)	
2	70004752	1	Adapter	
3	See Note	1	Pivot Arm, Plastic (Note: Not Available - Purchase Complete Assembly)	
4	See Note	2	Holder, Magnet (Note: Not Available - Purchase Complete Assembly)	
5	See Note	2	Arc, Magnet (Note: Not Available - Purchase Complete Assembly)	
6	See Note	2	Screw (Note: Not Available for Purchase)	
7	See Note	1	Pivot Arm, Cast (Note: Not Available - Purchase Complete Assembly)	
8	See Note	1	Shaft, Main (Note: Not Available - Purchase Complete Assembly)	
9	See Note	2	Bearing (Note: Not Available - Purchase Complete Assembly)	
10	See Note	2	Pin (Note: Not Available - Purchase Complete Assembly)	
11	See Note	4	Shim (Note: Not Available - Purchase Complete Assembly)	
12	See Note	2	Pin (Note: Not Available - Purchase Complete Assembly)	
13	See Note	2	Bearing (Note: Not Available - Purchase Complete Assembly)	
14	See Note	1	Dome, Centering (Note: Not Available - Purchase Complete Assembly)	
15	70004753	1	Cap	
16	70004754	1	Insert, Cap	
17	70004755	3	Pin	
18	70004756	2	Washer	
19	70004757	1	Pin, Centering	
20	70004758	1	Spring	
21	70004759	1	Ring, Retaining	
22	70004760	1	E-Ring	
23	70004761	1	Can, Enclosure	
24	70004762	1	Boot	
25	70004763	1	Bezel	
26	See Note	8	Screw (Note: Not Available for Purchase)	
27	See Note	1	Base Mounting (Note: Not Available - Purchase Complete Assembly)	
28	See Note	4	Screw (Note: Not Available for Purchase)	
29	70004764	4	Screw	
30	70004765	4	Screw	
31	70004766	1	O-Ring	
32	See Note	1	Plate (Note: Not Available - Purchase Complete Assembly)	
33	See Note	1	Harness (Note: Not Available - Purchase Complete Assembly)	
34	70004767	1	Grommet, Rubber	
35	70004768	1	Housing	
36	70004769	1	Spring	
37	70004770	1	Stopper	
38	70004771	1	Spacer	
39	70004772	1	Washer	
40	70004773	1	Disc	
41	70004774	2	Ring, Retaining	
42	70004775	1	Spring	

## SECTION 5 - PLATFORM

ITEM	PART NUMBER	QTY	DESCRIPTION	REV
101	4460265	1	Connector - 9 Position	
101	4460226	6	Socket, Female	

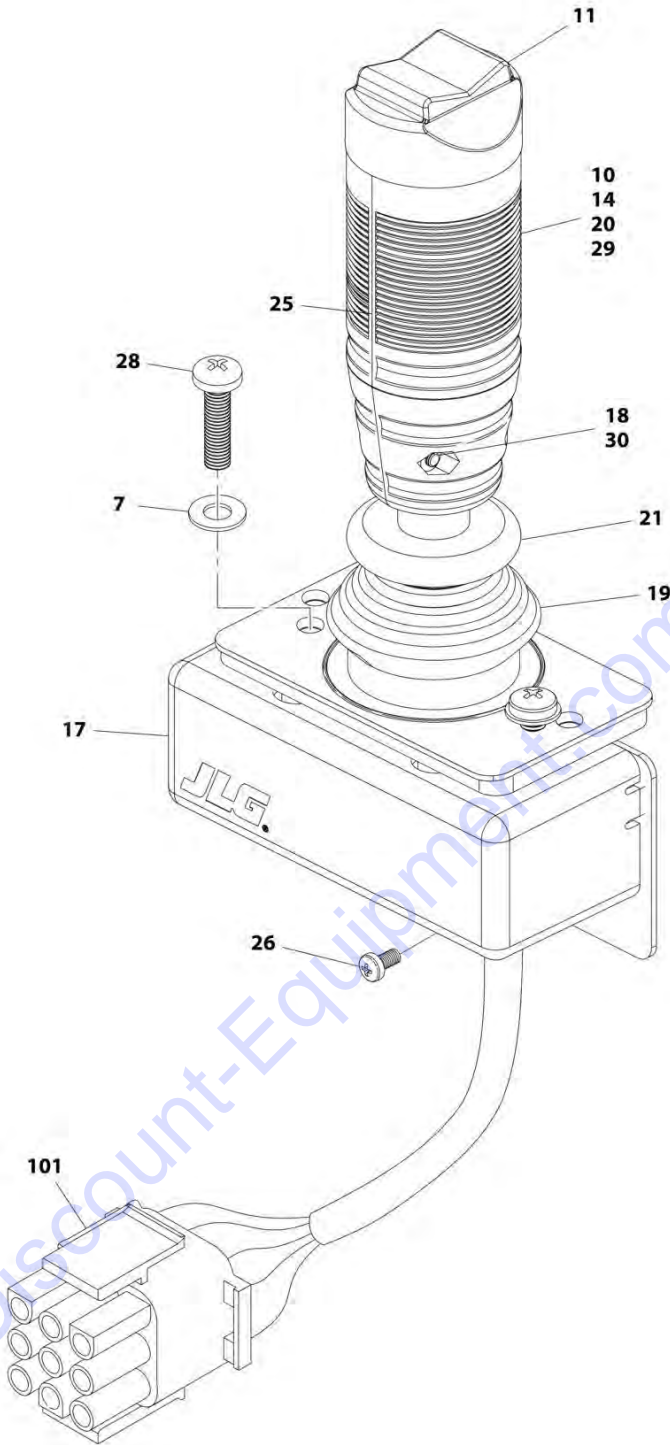
Go to [Discount-Equipment.com](http://Discount-Equipment.com) to order your parts





# SECTION 5 - PLATFORM

## FIGURE 5-22. DRIVE/STEER CONTROLLER ASSEMBLY



ART\_1001166538

## SECTION 5 - PLATFORM

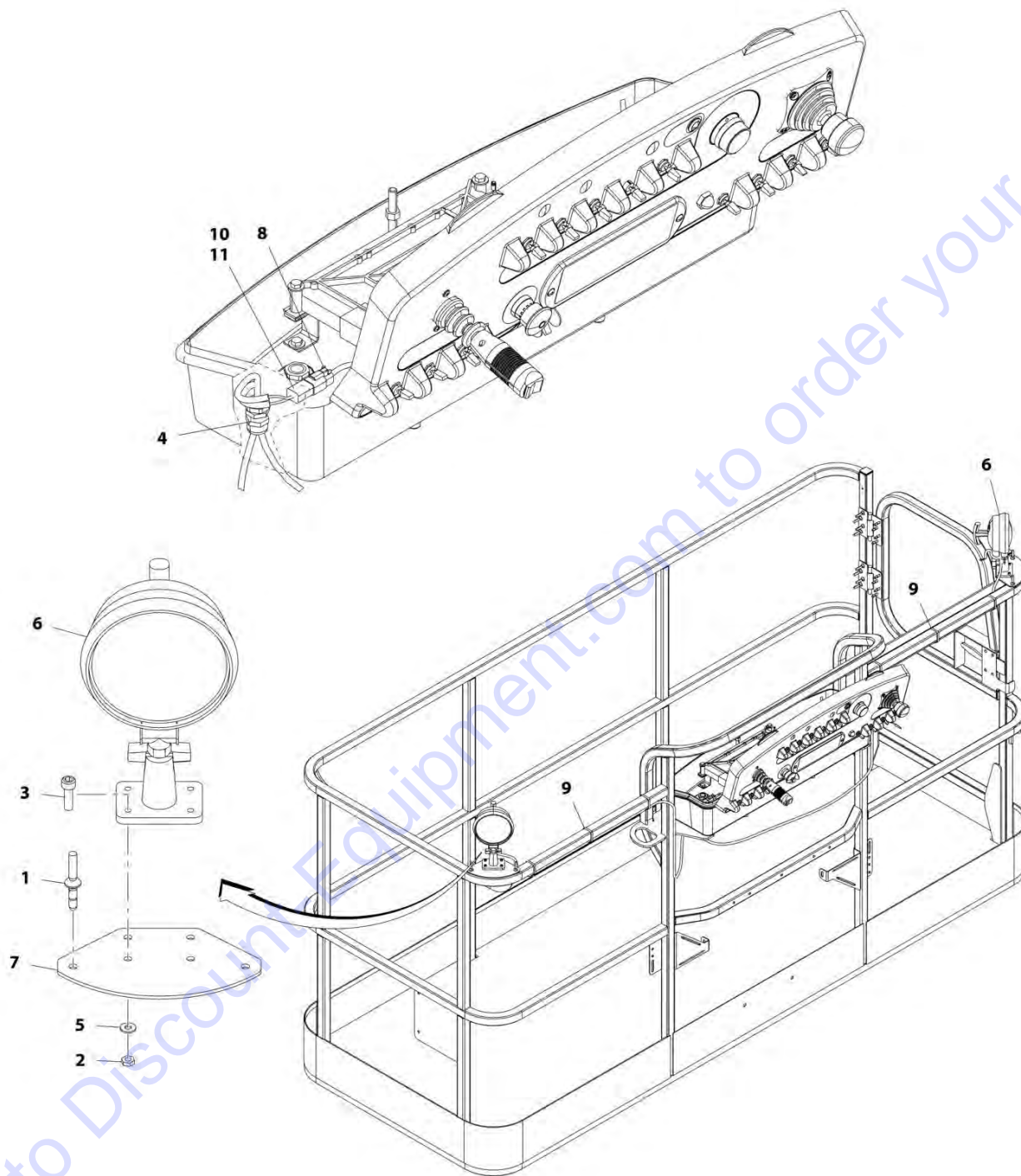
**FIGURE 5-22. DRIVE/STEER CONTROLLER ASSEMBLY**

ITEM	PART NUMBER	QTY	DESCRIPTION	REV
	1001166538	Ref	DRIVE/STEER CONTROLLER ASSEMBLY	G
		Ref	Note: Use p/n 1001212415 Kit as Replacement.	
7	70004738	2	Washer	
10	70004739	1	Roller	
11	70004740	1	Boot, Switch	
14	70004741	2	Half, Handle	
17	70004742	1	Enclosure	
18	70004743	4	Nut	
19	70004744	NLA	Boot, Controller (Use p/n 70005230 Boot/Base Assembly)	
20	70004745	NLA	Tube, Locking (Use p/n 70005230 Boot/Base Assembly)	
21	70004746	NLA	Disc, Locking (Use p/n 70005230 Boot/Base Assembly)	
25	70004747	2	Seal, Rope	
26	70004748	1	Screw M3 x 6	
28	70004749	2	Screw M5 x 20	
29	70004750	1	Pin, Dowel	
30	70004751	4	Screw M3 x 16	
101	4460265	1	Connector - 9 Position	
101	4460226	7	Socket, Female	

Go to Discount-Equipment.com to order your parts

# SECTION 5 - PLATFORM

## FIGURE 5-23. WORKLIGHTS INSTALLATION (OPTIONAL)



ART\_1001120466

## SECTION 5 - PLATFORM

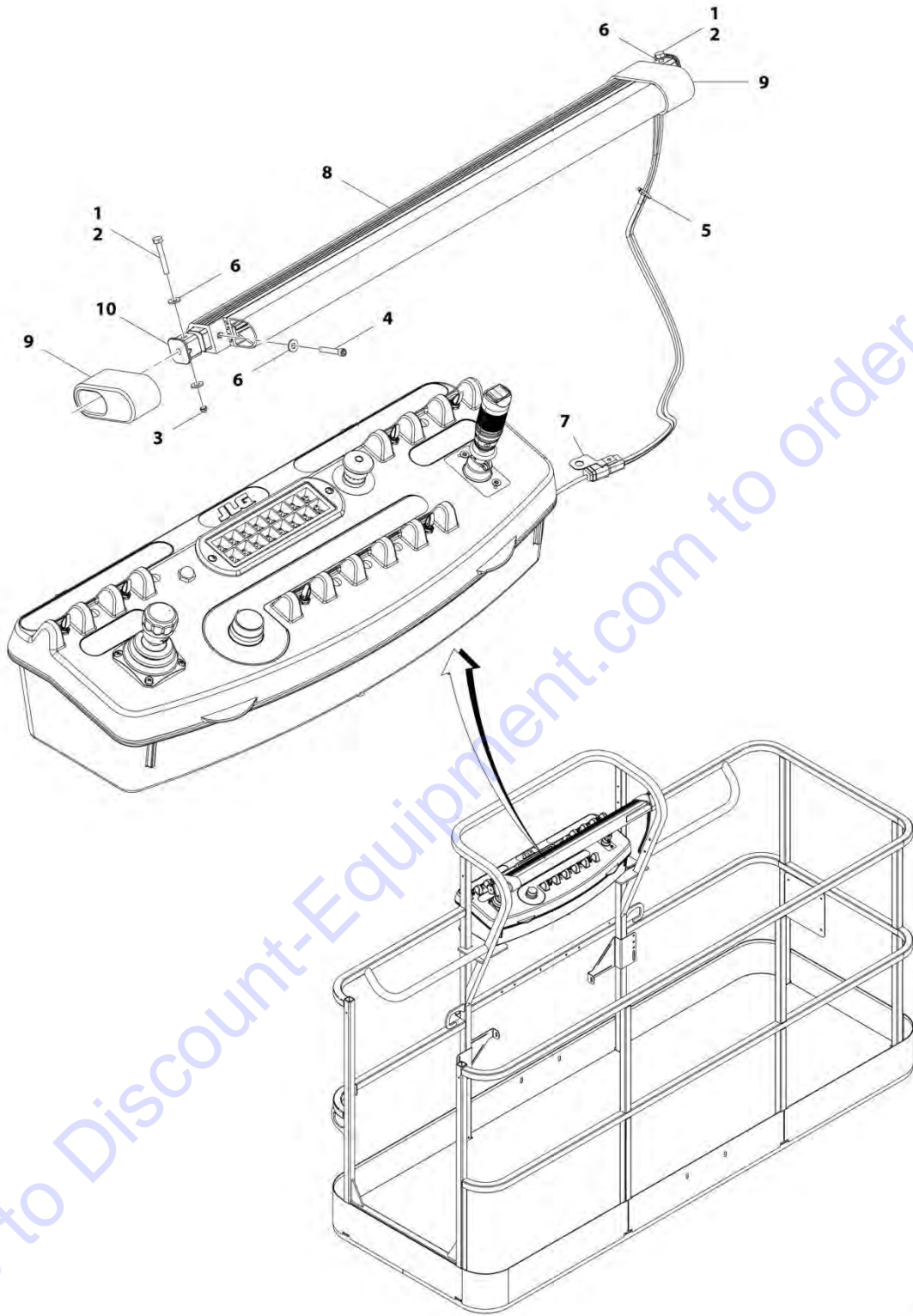
**FIGURE 5-23. WORKLIGHTS INSTALLATION (OPTIONAL)**

ITEM	PART NUMBER	QTY	DESCRIPTION	REV
	1001120466	Ref	WORKLIGHTS INSTALLATION (OPTIONAL)	A
1	2080040	4	Fastener, Huck	
2	3311005	8	Nut #10-24	
3	3931010	8	Capscrew #10-24 x 5/8	
4	4460428	1	Connector, Strain Relief	
5	4751000	8	Washer #10	
6	1001120474	2	Worklight Assembly	
7	1001120476	2	Plate, Mounting	
8	1001120484	1	Harness, Worklight (See ELECTRICAL SECTION for Breakdown)	
9	4240099	AR	Tie-Strap	
10	4460464	4	Pin, Male Deutsch 16Ga	
11	4460932	1	Receptacle, Female - 4 Position	

Go to Discount-Equipment.com to order your parts

# SECTION 5 - PLATFORM

FIGURE 5-24. SKYGUARD BAR INSTALLATION (Prior to SN 0300257079)



ART\_1001187508

## SECTION 5 - PLATFORM

**FIGURE 5-24. SKYGUARD BAR INSTALLATION (Prior to SN 0300257079)**

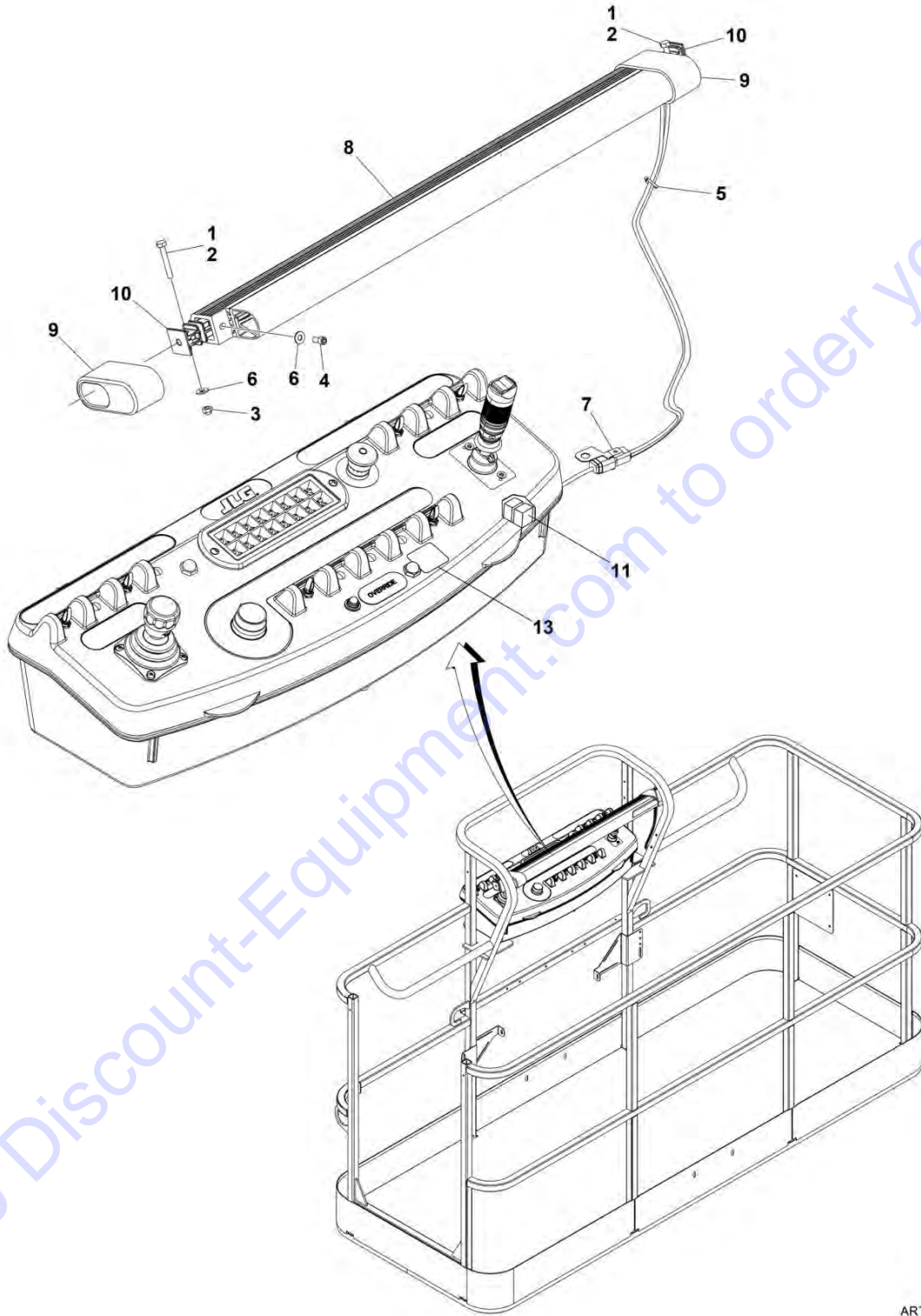
ITEM	PART NUMBER	QTY	DESCRIPTION	REV
	1001187508	Ref	SKYGUARD SYSTEM INSTALLATION	C
1	0100011	AR	Compound, Locking	
2	0641414	2	Bolt 1/4 x 1-3/4	
3	3300430	2	Nut 1/4	
4	3931424	2	Capscrew 1/4 x 1-1/2 <b>(Prior to SN 0300246422)</b>	
4	3931408	2	Capscrew 1/4 x 1/2 <b>(SN 0300246422 through 0300257078)</b>	
5	4240033	AR	Tie-Strap	
6	4711400	AR	Washer 1/4	
7	1001120328	1	Mount	
8	1001137673	1	SkyGuard Switch Assembly	
9	1001186517	2	Cover, Platform Sensor	
10	1001188889	2	Support, Block <b>(Prior to SN 0300246422)</b>	
10	1001209664	2	Support, Block <b>(SN 0300246422 through 0300257078)</b>	

Go to Discount-Equipment.com to order your parts



# SECTION 5 - PLATFORM

FIGURE 5-25. SKYGUARD BAR INSTALLATION (SN 0300257079 to Present)



ART\_1001238495



## SECTION 5 - PLATFORM

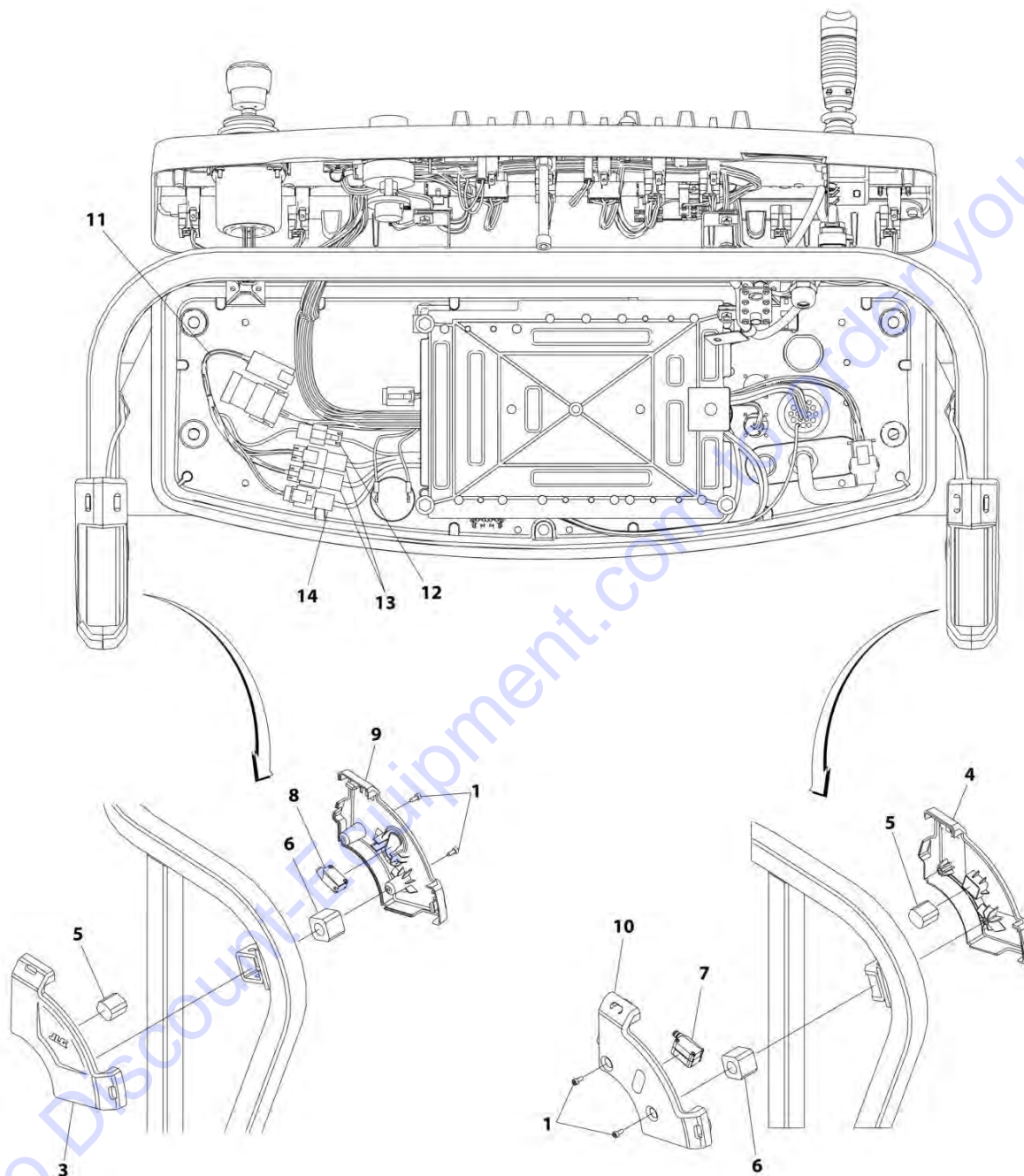
**FIGURE 5-25. SKYGUARD BAR INSTALLATION (SN 0300257079 to Present)**

ITEM	PART NUMBER	QTY	DESCRIPTION	REV
	1001238495	Ref	SKYGUARD BAR INSTALLATION	A
1	0100011	AR	Compound, Locking	
2	0641414	2	Bolt 1/4 x 1-3/4	
3	3300430	2	Nut 1/4	
4	3931408	2	Capscrew 1/4 x 1/2	
5	4240033	8	Tie-Strap	
6	4711400	6	Washer 1/4	
7	1001120328	1	Mount	
8	1001137673	1	SkyGuard Switch Assembly	
9	1001186517	2	Cover, Platform Sensor	
10	1001209664	2	Support, Block	
11	1001186431	2	Relay	
12	1001225580	1	Interface Harness Assembly (Not Shown - Located Inside Console Box) (See ELECTRICAL SECTION for Breakdown)	
13	1001144433	1	Decal - No Weight SkyGuard	

Go to Discount-Equipment.com to order your parts

# SECTION 5 - PLATFORM

## FIGURE 5-26. SKYEYE INSTALLATION



ART\_1001229341

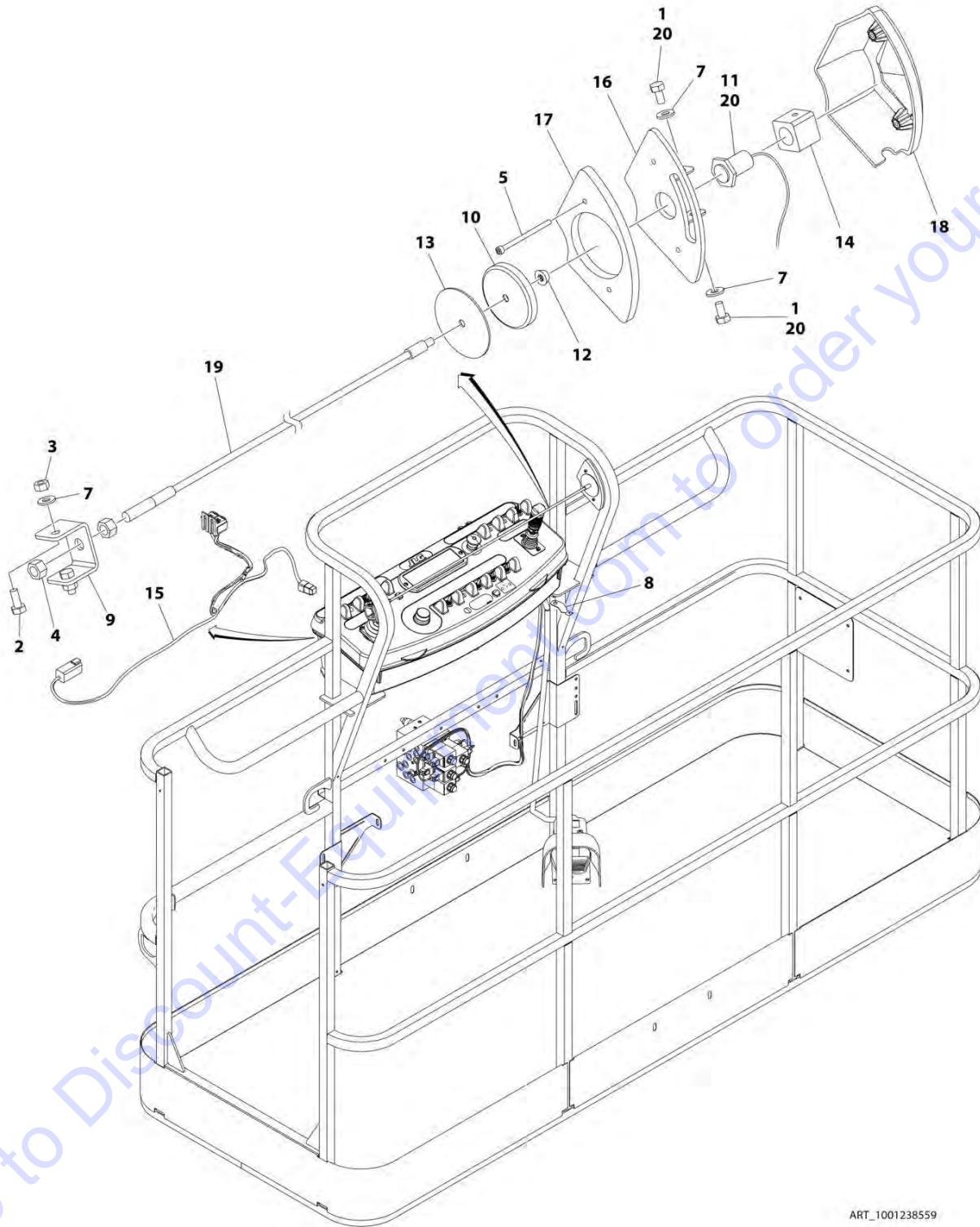
## SECTION 5 - PLATFORM

**FIGURE 5-26. SKYEYE INSTALLATION**

ITEM	PART NUMBER	QTY	DESCRIPTION	REV
	1001229341	Ref	SKYEYE INSTALLATION	A
1	4031505	4	Bolt M4 x 10	
2	4240033	AR	Tie-Strap (Not Shown)	
3	1001227633	1	Housing, LH Outer	
4	1001227634	1	Housing, RH Outer	
5	1001227985	2	Shim	
6	1001227987	2	Shim	
7	1001228224	2	Sensor, Receiver	
8	1001228225	1	Sensor, Emitter	
9	1001232164	1	Housing, LH Inner	
10	1001232165	1	Housing, RH Inner	
11	1001237865	1	Harness, Skyeye Intermediate (See Separate Breakdown in ELECTRICAL SECTION)	
12	1001238319	1	Harness, Skyeye Drain Jumper	
12	1001187674	1	Plug, Male - 2 Position	
12	4460942	1	Terminal	
12	4460466	1	Plug, Terminal	
12	4460508	1	Pin, Male	
13	1001237863	2	Harness, Skyeye Receiver (See Separate Breakdown in ELECTRICAL SECTION)	
14	1001237864	1	Harness, Skyeye Emitter (See Separate Breakdown in ELECTRICAL SECTION)	

# SECTION 5 - PLATFORM

## FIGURE 5-27. SKYLINE INSTALLATION



ART\_1001238559

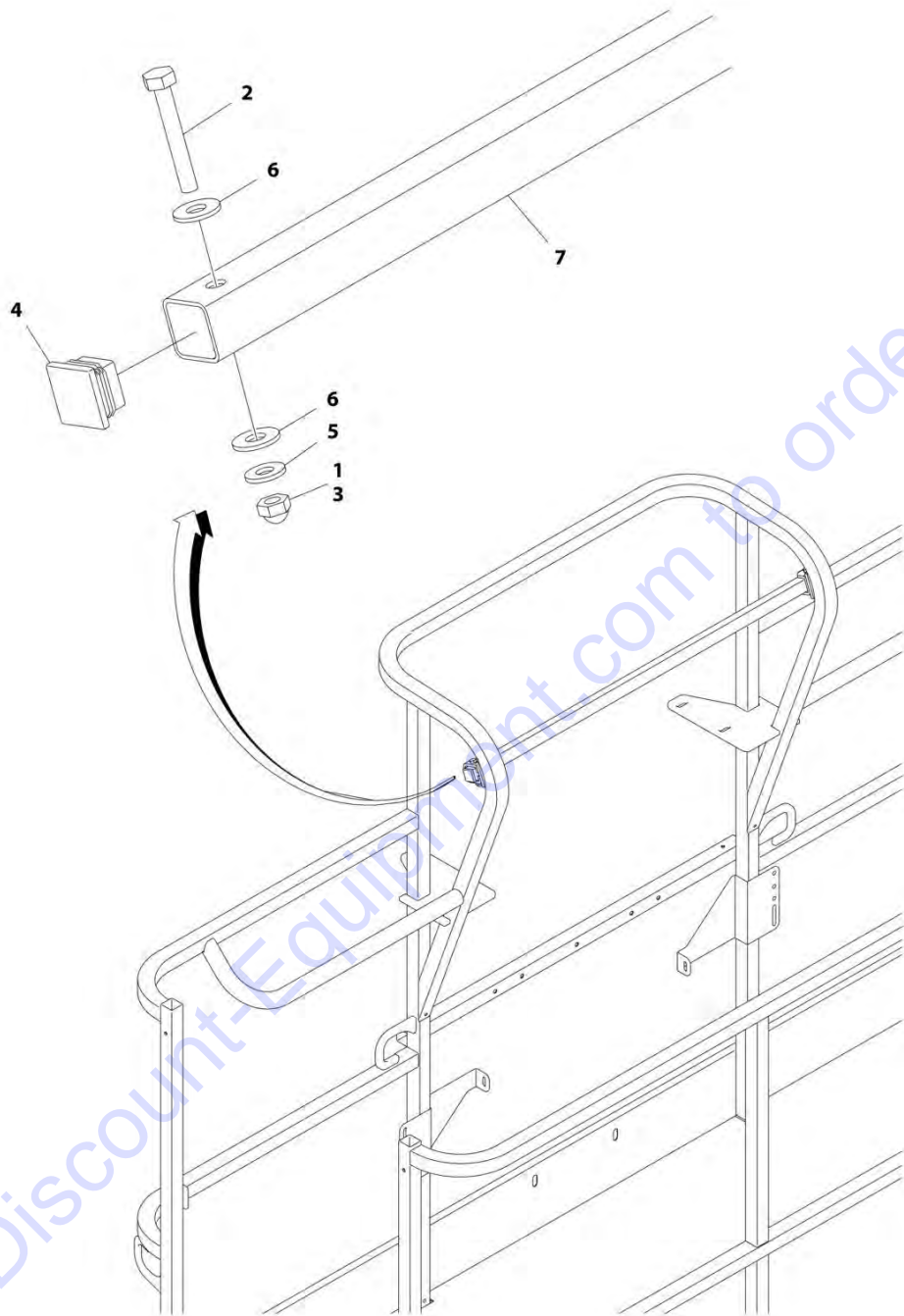
## SECTION 5 - PLATFORM

**FIGURE 5-27. SKYLINE INSTALLATION**

ITEM	PART NUMBER	QTY	DESCRIPTION	REV
	1001238559	Ref	SKYLINE INSTALLATION	B
1	0641404	2	Bolt 1/4 x 1/2	
2	0641405	2	Bolt 1/4 x 5/8	
3	3311405	2	Nut 1/4	
4	3311601	2	Nut 3/8	
5	4031516	2	Capscrew M4 x 60	
6	4240033	AR	Tie-Strap (Not Shown)	
7	4711400	4	Washer 1/4	
8	1001120328	1	Mount	
9	1001232642	1	Bracket	
10	1001232650	1	Magnet	
11	1001232667	1	Sensor, Proximity	
12	1001235011	1	Nut	
13	1001235013	1	Washer	
14	1001236552	1	Block	
15	1001238418	1	Harness, Skyline (See Separate Breakdown in ELECTRICAL SECTION)	
16	1001238472	1	Mount	
17	1001238477	1	Housing, LH	
18	1001241965	1	Housing, RH	
19	1001238824	1	Rope	
20	0100011	AR	Compound, Locking	

# SECTION 5 - PLATFORM

## FIGURE 5-28. CROSS RAIL INSTALLATION



ART\_1001182138

## SECTION 5 - PLATFORM

### FIGURE 5-28. CROSS RAIL INSTALLATION

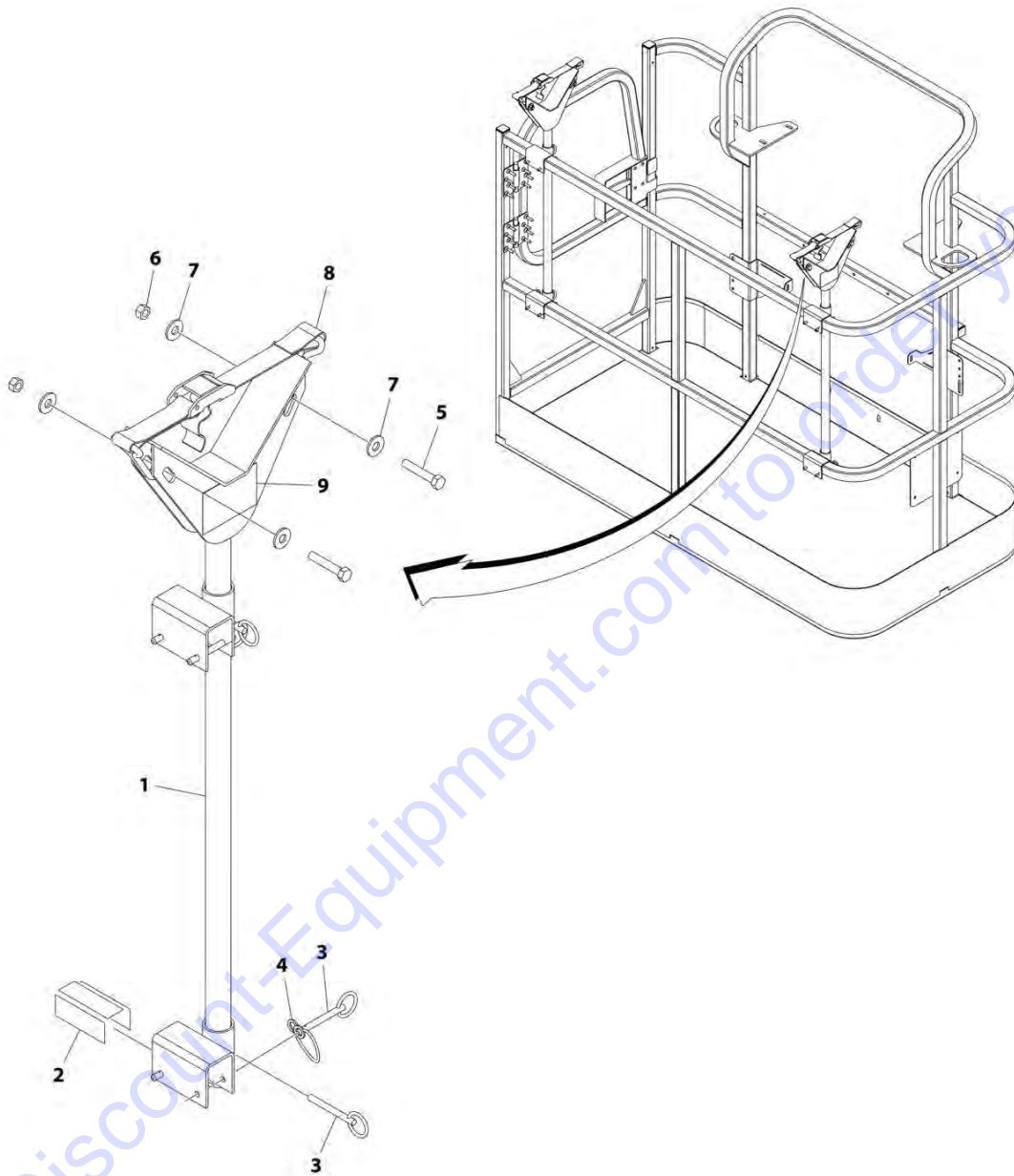
ITEM	PART NUMBER	QTY	DESCRIPTION	REV
	1001182138	Ref	CROSS RAIL INSTALLATION	A
1	0100071	AR	Compound, Locking	
2	0641414	2	Bolt 1/4 x 1-3/4	
3	3300430	2	Nut 1/4	
4	3520182	2	Plug	
5	4711400	2	Washer 1/4	
6	4751400	4	Washer 1/4	
7	1001191708	1	Bar	

Go to Discount-Equipment.com to order your parts



# SECTION 5 - PLATFORM

## FIGURE 5-29. PIPE RACK INSTALLATION (AUSTRALIAN SPEC)



ART\_0274661

## SECTION 5 - PLATFORM

**FIGURE 5-29. PIPE RACK INSTALLATION (AUSTRALIAN SPEC)**

ITEM	PART NUMBER	QTY	DESCRIPTION	REV
	0274661	Ref	PIPE RACK INSTALLATION (AUSTRALIAN SPEC)	1/A
1	4845582	2	Rack, Pipe	
2	4420062	AR	Tape	
3	3422661	10	Pin	
4	1060379	4	Lanyard	
5	0641514	4	Bolt 5/16 x 1-3/4	
6	3311505	4	Nut 5/16	
7	4751500	8	Washer 5/16	
8	0480100	2	Tie-Down	
9	1706510	2	Decal - Capacity	

Go to Discount-Equipment.com to order your parts

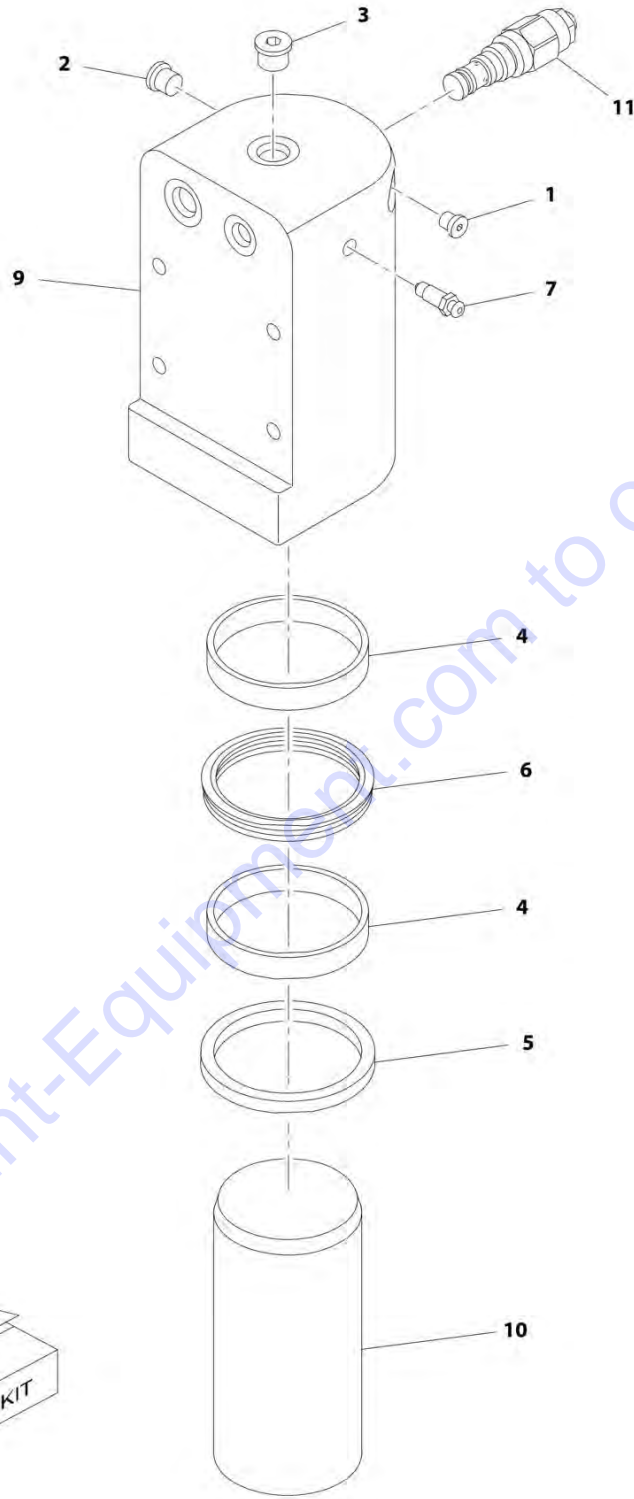


**SECTION 6 - CYLINDER**

Go to Discount-Equipment.com to order your parts

# SECTION 6 - CYLINDER

## FIGURE 6-1. AXLE LOCKOUT CYLINDER ASSEMBLY



ART\_1001116361

## SECTION 6 - CYLINDER

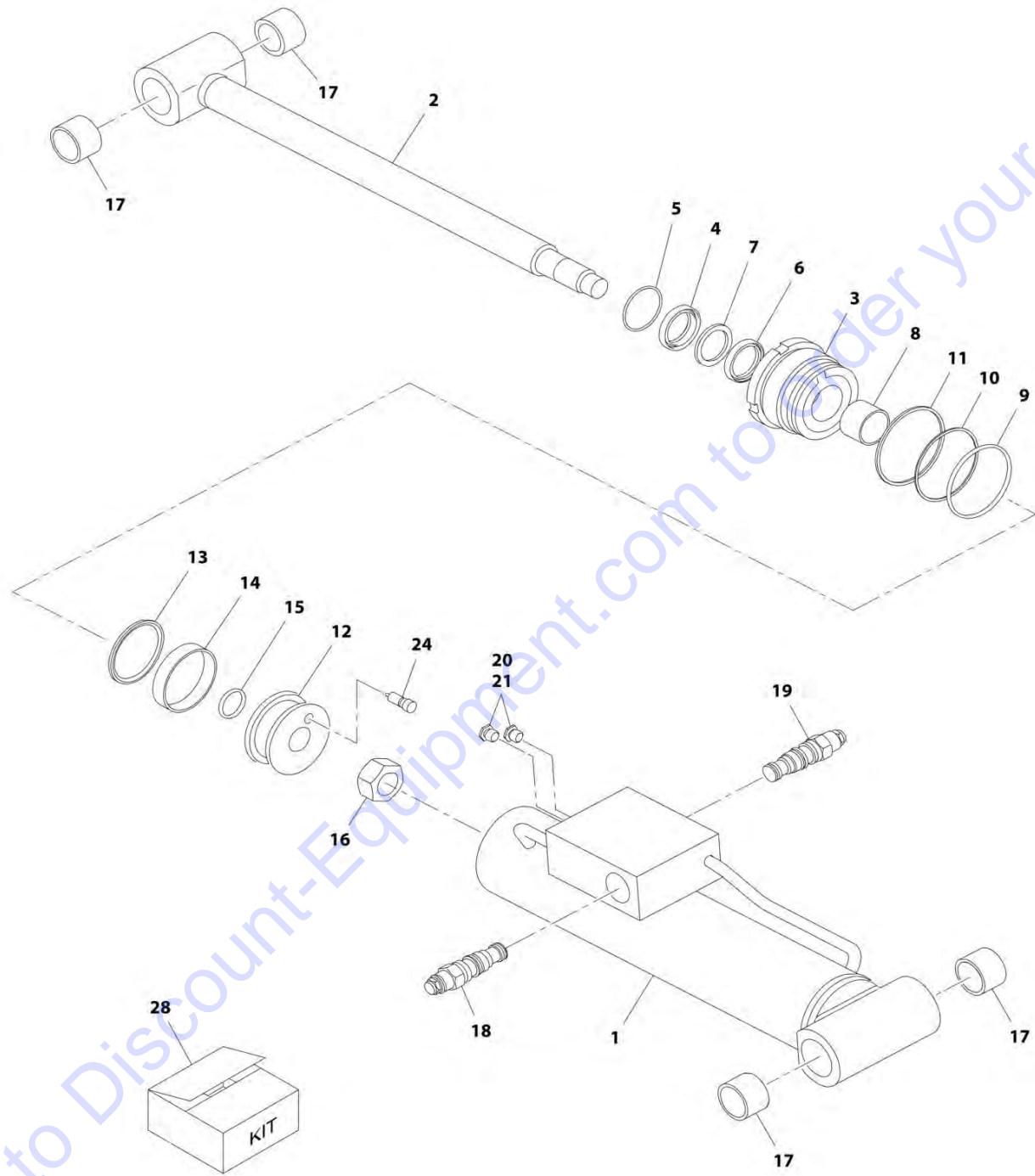
**FIGURE 6-1. AXLE LOCKOUT CYLINDER ASSEMBLY**

ITEM	PART NUMBER	QTY	DESCRIPTION	REV
	1001116361	Ref	AXLE LOCKOUT CYLINDER ASSEMBLY	E
1	2220881	1	Plug, O-Ring	
2	2220883	1	Plug, O-Ring	
3	2220885	1	Plug, O-Ring	
4	See Note	NSS	Ring, Wear (Note: Use Item 25)	
5	See Note	NSS	Wiper (Note: Use Item 25)	
6	See Note	NSS	Seal, Rod (Note: Use Item 25)	
7	4640858	1	Bleeder	
9	1001117365	1	Barrel	
10	1001117366	1	Rod	
11	1001117372	1	Cartridge, Valve	
11	70002842	1	Seal Kit - 1001117372 Valve	
25	1001116378	1	Seal Kit (Includes Items 4-6)	

Go to Discount-Equipment.com to order your parts

# SECTION 6 - CYLINDER

FIGURE 6-2. LEVEL (PLATFORM SLAVE) CYLINDER ASSEMBLY (Prior to SN 0300238046)



ART\_1001117375



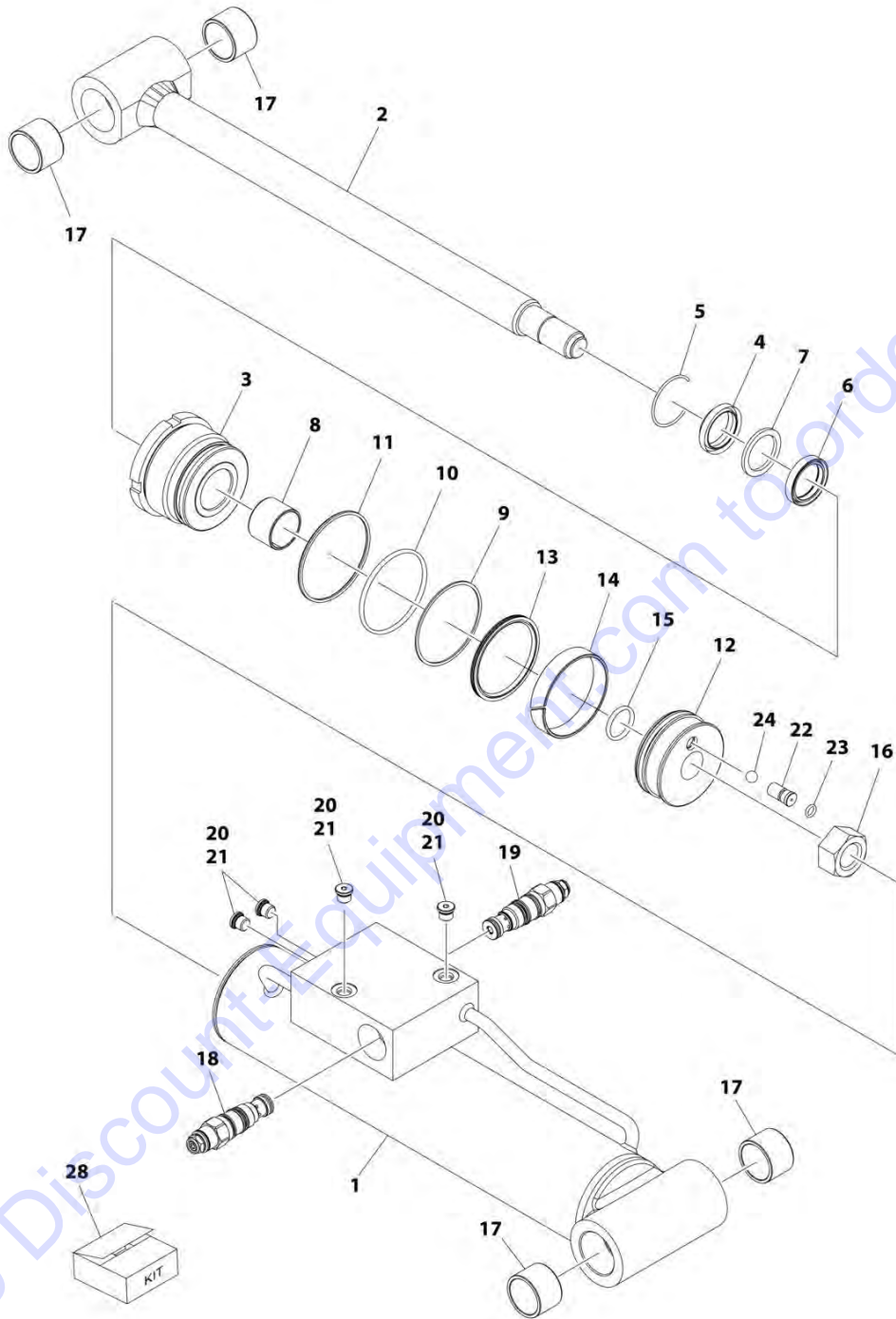
## SECTION 6 - CYLINDER

**FIGURE 6-2. LEVEL (PLATFORM SLAVE) CYLINDER ASSEMBLY (Prior to SN 0300238046)**

ITEM	PART NUMBER	QTY	DESCRIPTION	REV
	1001117375	Ref	LEVEL (PLATFORM SLAVE) CYLINDER ASSEMBLY (Prior to SN 0300238046)	E
1	70003131	1	Barrel	
2	70003132	1	Rod	
3	70003085	1	Head	
4	See Note	NSS	Wiper (Note: Use Item 28)	
5	70002366	1	Ring, Retaining	
6	See Note	NSS	Seal, Rod (Note: Use Item 28)	
7	See Note	NSS	Ring, Back-up (Note: Use Item 28)	
8	70002352	1	Bearing	
9	See Note	NSS	O-Ring (Note: Use Item 28)	
10	See Note	NSS	Ring, Back-up (Note: Use Item 28)	
11	See Note	NSS	O-Ring (Note: Use Item 28)	
12	70003133	1	Piston	
13	See Note	NSS	Seal, Piston (Note: Use Item 28)	
14	See Note	NSS	Ring, Wear (Note: Use Item 28)	
15	See Note	NSS	O-Ring (Note: Use Item 28)	
16	70002335	1	Nut	
17	0961951	4	Bushing, Garmax (was p/n 70003087)	
18	70002413	1	Cartridge, Valve	
18	2900770	1	Seal Kit - 70002413 Valve	
19	70002388	1	Cartridge, Valve	
19	2900770	1	Seal Kit - 70002388 Valve	
20	70023370	2	Plug	
21	See Note	2	O-Ring (Note: Not Available - Purchase Locally)	
24	70002357	1	Valve, Phase	
28	70003134	1	Seal Kit (Includes Items 4, 6, 7, 9, 10, 11, 13, 14 & 15)	
100		Ref	REPAIR TOOLS (NOT SHOWN)	
100	70003089	1	Press, Wiper	
100	70003090	1	Press, Bushing (Use with Rod Bearing)	
100	70003091	1	Tool, Bushing Removal (Use with Rod Bearing)	
100	70003092	1	Tool, Head Seal Protection	
100	70003081	1	Tool, Piston Seal Protection	
100	70003093	1	Press, Bushing (Use with Pin Mounting Bushings)	
100	70003094	1	Tool, Bushing Removal (Use with Pin Mounting Bushings)	

# SECTION 6 - CYLINDER

FIGURE 6-3. LEVEL (PLATFORM SLAVE) CYLINDER ASSEMBLY (SN 0300238046 to Present)



ART\_1001225990

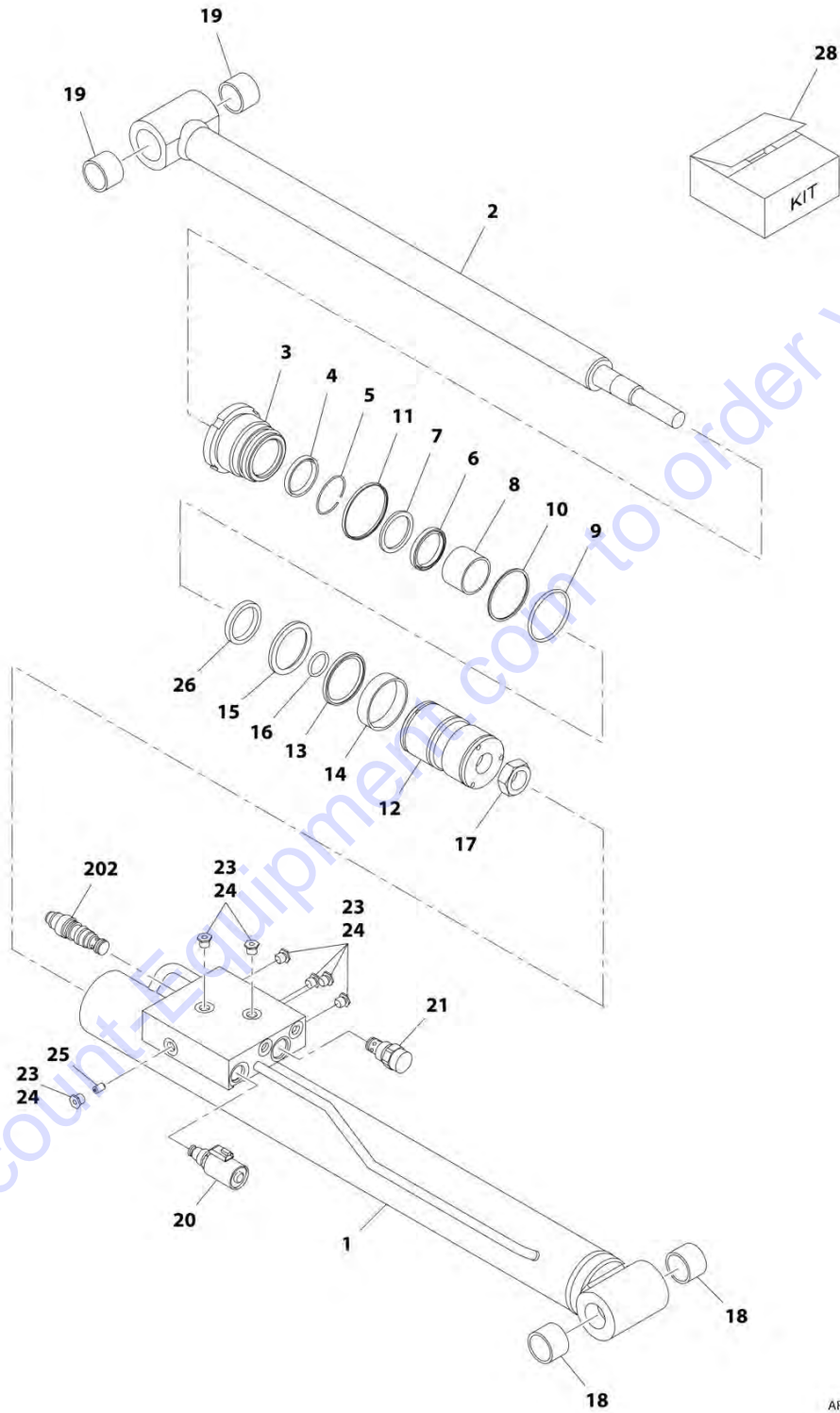
## SECTION 6 - CYLINDER

**FIGURE 6-3. LEVEL (PLATFORM SLAVE) CYLINDER ASSEMBLY (SN 0300238046 to Present)**

ITEM	PART NUMBER	QTY	DESCRIPTION	REV
	1001225990	Ref	LEVEL (PLATFORM SLAVE) CYLINDER ASSEMBLY (SN 0300238046 to Present)	A
1	70003131	1	Barrel	
2	70003132	1	Rod	
3	70003085	1	Head	
4	See Note	NSS	Wiper (Note: Use Item 28)	
5	70002366	1	Ring, Retaining	
6	See Note	NSS	Seal, Rod (Note: Use Item 28)	
7	See Note	NSS	Ring, Back-up (Note: Use Item 28)	
8	70005695	1	Bearing	
9	See Note	NSS	O-Ring (Note: Use Item 28)	
10	See Note	NSS	Ring, Back-up (Note: Use Item 28)	
11	See Note	NSS	O-Ring (Note: Use Item 28)	
12	70003133	1	Piston	
13	See Note	NSS	Seal, Piston (Note: Use Item 28)	
14	See Note	NSS	Ring, Wear (Note: Use Item 28)	
15	See Note	NSS	Ring, Wear (Note: Use Item 28)	
16	70002335	1	Nut	
17	0961951	4	Bushing, Garmax	
18	70002413	1	Cartridge, Valve	
18	2900770	1	Seal Kit - 70002413 Valve	
19	1001168210	1	Cartridge, Valve	
19	2900770	1	Seal Kit - 1001168210 Valve	
20	2220883	4	Plug	
21	See Note	NSS	O-Ring (Note: Not Available - Purchase Locally)	
22	70005973	1	Valve Seat	
23	70005974	1	O-Ring	
24	70006353	1	Steel Ball	
28	70003134	1	Seal Kit (Includes Items 4, 6, 7, 9, 10, 11, 13, 14 & 15)	
100		Ref	REPAIR TOOLS (NOT SHOWN)	
100	70003089	1	Press, Wiper	
100	70003090	1	Press, Bushing (Use with Rod Bearing)	
100	70003091	1	Tool, Bushing Removal (Use with Rod Bearing)	
100	70003092	1	Tool, Head Seal Protection	
100	70003081	1	Tool, Piston Seal Protection	
100	70003093	1	Press, Bushing (Use with Pin Mounting Bushings)	
100	70003094	1	Tool, Bushing Removal (Use with Pin Mounting Bushings)	

# SECTION 6 - CYLINDER

## FIGURE 6-4. LIFT (JIB) CYLINDER ASSEMBLY



ART\_1001123004

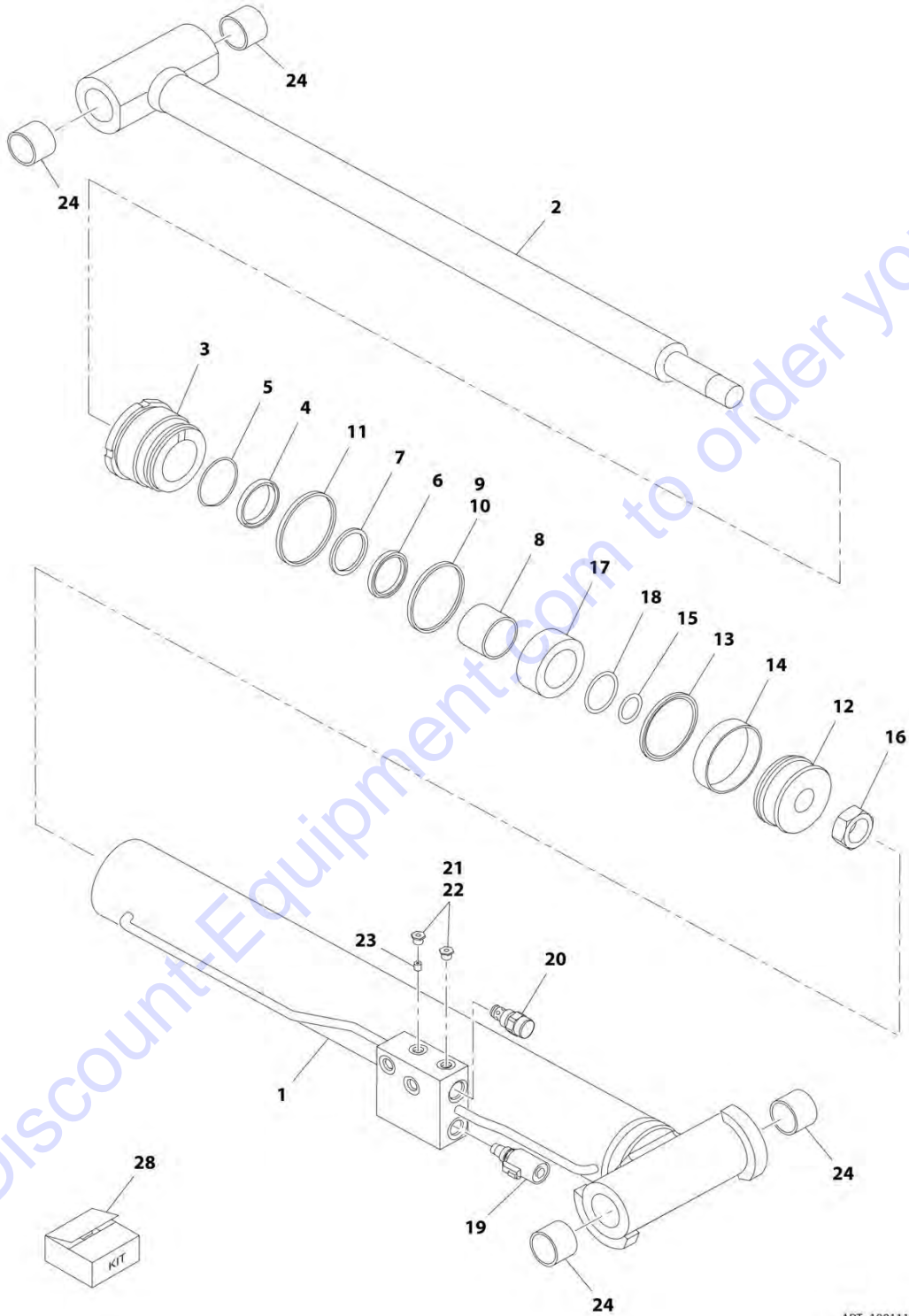
## SECTION 6 - CYLINDER

### FIGURE 6-4. LIFT (JIB) CYLINDER ASSEMBLY

ITEM	PART NUMBER	QTY	DESCRIPTION	REV
	1001123004	Ref	LIFT (JIB) CYLINDER ASSEMBLY	D
1	70003122	1	Barrel	
2	70002375	1	Rod	
3	70003123	1	Head	
4	See Note	NSS	Wiper (Note: Use Item 28)	
5	70002373	1	Ring, Retaining	
6	See Note	NSS	Seal, Rod (Note: Use Item 28)	
7	See Note	NSS	Ring, Back-up (Note: Use Item 28)	
8	70002372	1	Bearing	
9	See Note	NSS	O-Ring (Note: Use Item 28)	
10	See Note	NSS	Ring, Back-up (Note: Use Item 28)	
11	See Note	NSS	O-Ring (Note: Use Item 28)	
12	70003124	1	Piston	
13	70003125	1	Seal, Piston	
14	See Note	NSS	Ring, Wear (Note: Use Item 28)	
15	See Note	NSS	O-Ring (Note: Use Item 28)	
16	See Note	NSS	Ring, Piston (Note: Use Item 28)	
17	70002335	1	Nut	
18	70003118	2	Bushing	
19	0961951	2	Bushing, Garmax (was p/n 70003087)	
20	7024884	1	Cartridge, Solenoid Valve	
20	7012967	1	Seal Kit - 7024884 Valve	
20	70002386	1	Coil	
21	70003076	1	Cartridge, Check Valve	
21	7017496	1	Seal Kit - 70003076 Valve	
23	70023370	7	Plug	
24	See Note	7	O-Ring (Note: Not Available - Purchase Locally)	
25	70002334	1	Orifice	
26	70003453	1	Spacer	
28	70003125	1	Seal Kit (Includes Items 4, 6, 7, 9, 10, 11, 13, 14, 15 & 16)	
100		Ref	REPAIR TOOLS (NOT SHOWN)	
100	70003126	1	Press, Wiper	
100	70003127	1	Press, Bushing (Use with Rod Bearing)	
100	70003128	1	Tool, Bushing Removal (Use with Rod Bearing)	
100	70003129	1	Tool, Head Seal Protection	
100	70003130	1	Tool, Piston Seal Protection	
100	70003093	1	Press, Bushing (Use with Pin Mounting Bushings)	
100	70003094	1	Tool, Bushing Removal (Use with Pin Mounting Bushings)	
	1001199460	Ref	JIB LIFT CYLINDER ASSEMBLY	A
202	1001199306	1	Cartridge, Counter Balance Valve	
202	2900770	1	Seal Kit - 1001199306 Valve	

# SECTION 6 - CYLINDER

## FIGURE 6-5. LIFT (MAIN BOOM) CYLINDER ASSEMBLY



ART\_100117640

## SECTION 6 - CYLINDER

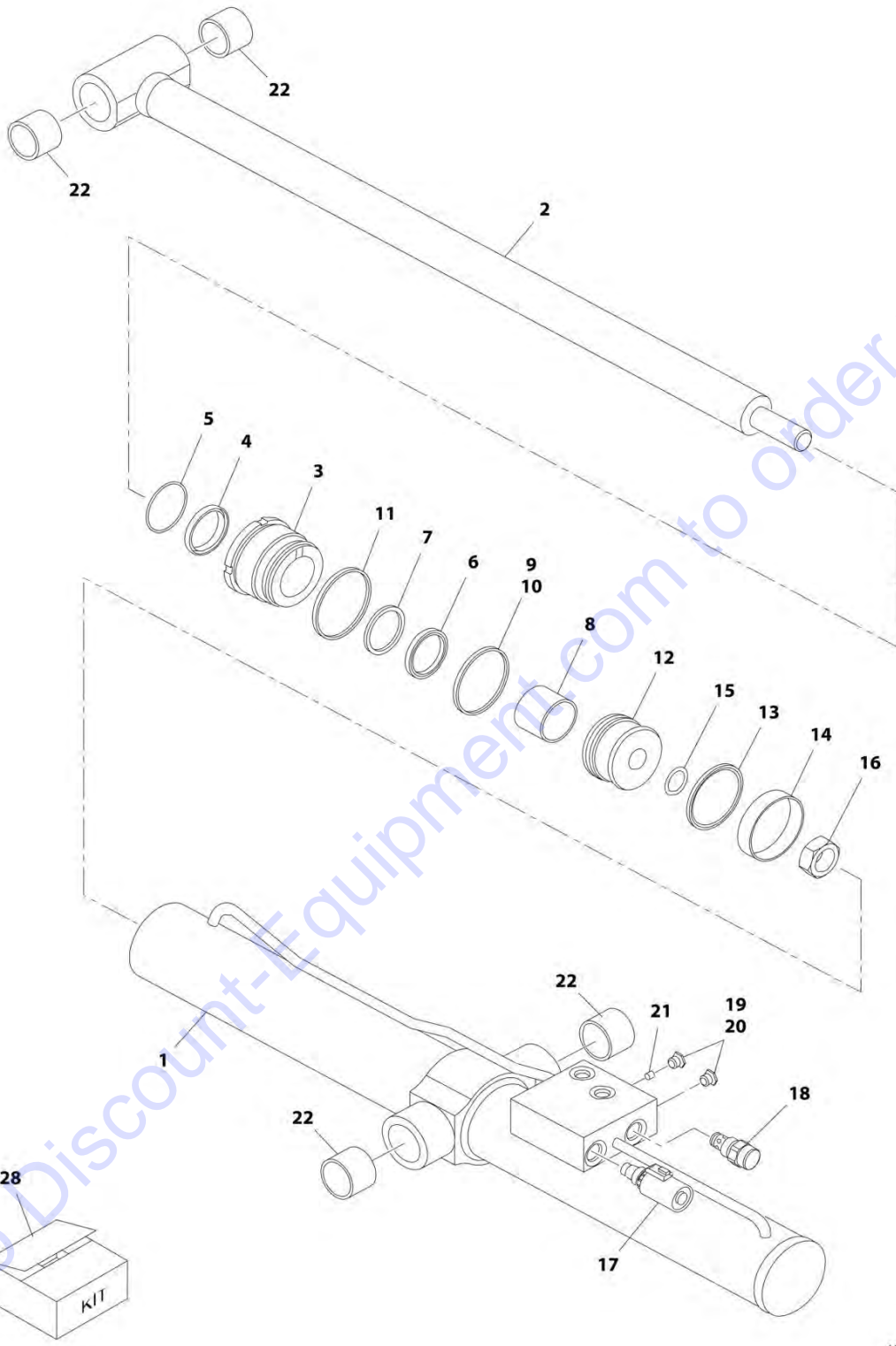
**FIGURE 6-5. LIFT (MAIN BOOM) CYLINDER ASSEMBLY**

ITEM	PART NUMBER	QTY	DESCRIPTION	REV
	1001117640	Ref	LIFT (MAIN BOOM) CYLINDER ASSEMBLY	H
1	70003103	1	Barrel	
2	70003104	1	Rod	
3	70003105	1	Head	
4	See Note	NSS	Wiper (Note: Use Item 28)	
5	70002412	1	Ring, Retaining	
6	See Note	NSS	Seal, Rod (Note: Use Item 28)	
7	See Note	NSS	Ring, Back-up (Note: Use Item 28)	
8	70022565	1	Bearing	
9	See Note	NSS	O-Ring (Note: Use Item 28)	
10	See Note	NSS	Ring, Back-up (Note: Use Item 28)	
11	See Note	NSS	O-Ring (Note: Use Item 28)	
12	70003106	1	Piston	
13	See Note	NSS	Seal, Piston (Note: Use Item 28)	
14	See Note	NSS	Ring, Wear (Note: Use Item 28)	
15	See Note	NSS	O-Ring (Note: Use Item 28)	
16	70002335	1	Nut	
17	70002344	1	Spacer	
18	See Note	NSS	O-Ring (Note: Use Item 28)	
19	7024884	1	Cartridge, Solenoid Valve	
19	7012967	1	Seal Kit - 7024884 Valve	
19	70002386	1	Coil	
20	70003076	1	Cartridge, Check Valve	
20	7017496	1	Seal Kit - 70003076 Valve	
21	70023370	7	Plug	
22	See Note	7	O-Ring (Note: Not Available - Purchase Locally)	
23	70002334	1	Orifice	
24	0961948	2	Bushing, Garmax (was p/n 70003107)	
28	70003108	1	Seal Kit (Includes Items 4, 6, 7, 9, 10, 11, 13, 14, 15 & 18)	
100		Ref	REPAIR TOOLS (NOT SHOWN)	
100	70003109	1	Press, Wiper	
100	70003110	1	Press, Bushing (Use with Rod Bearing)	
100	70003111	1	Tool, Bushing Removal (Use with Rod Bearing)	
100	70003112	1	Tool, Head Seal Protection	
100	70003113	1	Tool, Piston Seal Protection	
100	70003082	1	Press, Bushing (Use with Pin Mounting Bushings)	
100	70003083	1	Tool, Bushing Removal (Use with Pin Mounting Bushings)	



# SECTION 6 - CYLINDER

## FIGURE 6-6. LIFT (TOWER BOOM) CYLINDER ASSEMBLY



ART\_1001122527

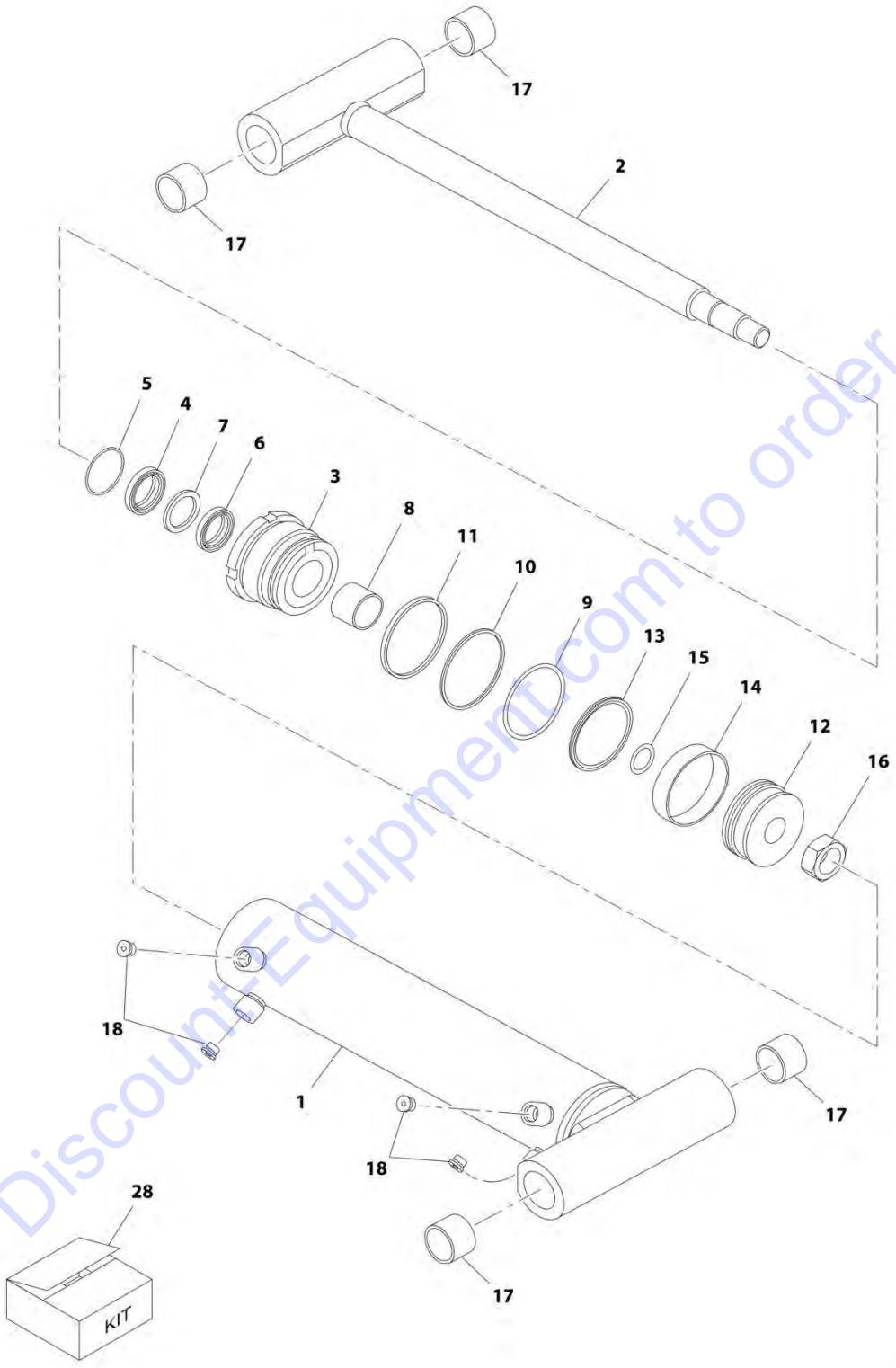
## SECTION 6 - CYLINDER

**FIGURE 6-6. LIFT (TOWER BOOM) CYLINDER ASSEMBLY**

ITEM	PART NUMBER	QTY	DESCRIPTION	REV
	1001122527	Ref	LIFT (TOWER BOOM) CYLINDER ASSEMBLY	D
1	70003071	1	Barrel	
2	70003072	1	Rod	
3	70003073	1	Head	
4	See Note	NSS	Wiper (Note: Use Item 28)	
5	70002410	1	Ring, Retaining	
6	See Note	NSS	Seal, Rod (Note: Use Item 28)	
7	See Note	NSS	Ring, Back-up (Note: Use Item 28)	
8	70002337	1	Bearing	
9	See Note	NSS	O-Ring (Note: Use Item 28)	
10	See Note	NSS	Ring, Back-up (Note: Use Item 28)	
11	See Note	NSS	O-Ring (Note: Use Item 28)	
12	70003074	1	Piston	
13	See Note	NSS	Seal, Piston (Note: Use Item 28)	
14	See Note	NSS	Ring, Wear (Note: Use Item 28)	
15	See Note	NSS	O-Ring (Note: Use Item 28)	
16	70002335	1	Nut	
17	7024884	1	Cartridge, Solenoid Valve	
17	7012967	1	Seal Kit - 7024884 Valve	
17	70002386	1	Coil	
18	70003076	1	Cartridge, Check Valve	
18	7017496	1	Seal Kit - 70003076 Valve	
19	70023370	2	Plug	
20	See Note	2	O-Ring (Note: Not Available - Purchase Locally)	
21	70002334	1	Orifice	
22	0961948	4	Bushing, Garmax (was p/n 70003107)	
28	70003075	1	Seal Kit (Includes Items 4, 6, 7, 9, 10, 11, 13, 14 & 15)	
100		Ref	REPAIR TOOLS (NOT SHOWN)	
100	70003077	1	Press, Wiper	
100	70003078	1	Press, Bushing (Use with Rod Bearing)	
100	70003079	1	Tool, Bushing Removal (Use with Rod Bearing)	
100	70003080	1	Tool, Head Seal Protection	
100	70003081	1	Tool, Piston Seal Protection	
100	70003082	1	Press, Bushing (Use with Pin Mounting Bushings)	
100	70003083	1	Tool, Bushing Removal (Use with Pin Mounting Bushings)	

# SECTION 6 - CYLINDER

## FIGURE 6-7. MASTER CYLINDER ASSEMBLY



ART\_1001120976

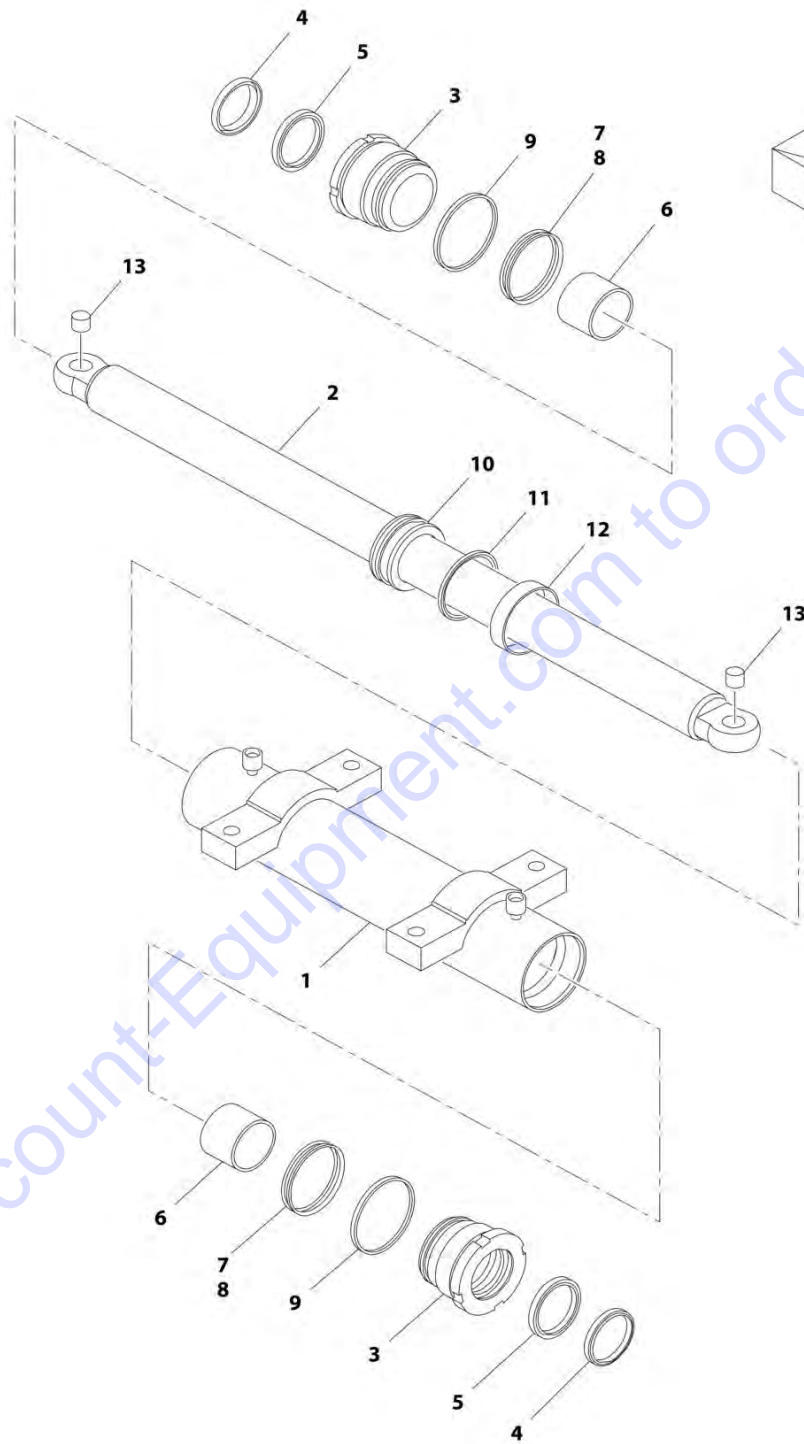
## SECTION 6 - CYLINDER

### FIGURE 6-7. MASTER CYLINDER ASSEMBLY

ITEM	PART NUMBER	QTY	DESCRIPTION	REV
	1001120976	Ref	MASTER CYLINDER ASSEMBLY	B
1	70003084	1	Barrel	
2	70002354	1	Rod	
3	70003085	1	Head	
4	See Note	NSS	Wiper (Note: Use Item 28)	
5	70002366	1	Ring, Retaining	
6	See Note	NSS	Seal, Rod (Note: Use Item 28)	
7	See Note	NSS	Ring, Back-up (Note: Use Item 28)	
8	70002352	1	Bearing	
9	See Note	NSS	O-Ring (Note: Use Item 28)	
10	See Note	NSS	Ring, Back-up (Note: Use Item 28)	
11	See Note	NSS	O-Ring (Note: Use Item 28)	
12	70003086	1	Piston	
13	See Note	NSS	Seal, Piston (Note: Use Item 28)	
14	See Note	NSS	Ring, Wear (Note: Use Item 28)	
15	See Note	NSS	O-Ring (Note: Use Item 28)	
16	70002335	1	Nut	
17	0961951	4	Bushing, Garmax (was p/n 70003087)	
18	70023371	4	Plug	
28	70003088	1	Seal Kit (Includes Items 4, 6, 7, 9, 10, 11, 13, 14 & 15)	
100		Ref	REPAIR TOOLS (NOT SHOWN)	
100	70003089	1	Press, Wiper	
100	70003090	1	Press, Bushing (Use with Rod Bearing)	
100	70003091	1	Tool, Bushing Removal (Use with Rod Bearing)	
100	70003092	1	Tool, Head Seal Protection	
100	70003081	1	Tool, Piston Seal Protection	
100	70003093	1	Press, Bushing (Use with Pin Mounting Bushings)	
100	70003094	1	Tool, Bushing Removal (Use with Pin Mounting Bushings)	

# SECTION 6 - CYLINDER

## FIGURE 6-8. STEER CYLINDER ASSEMBLY



ART\_1001116788

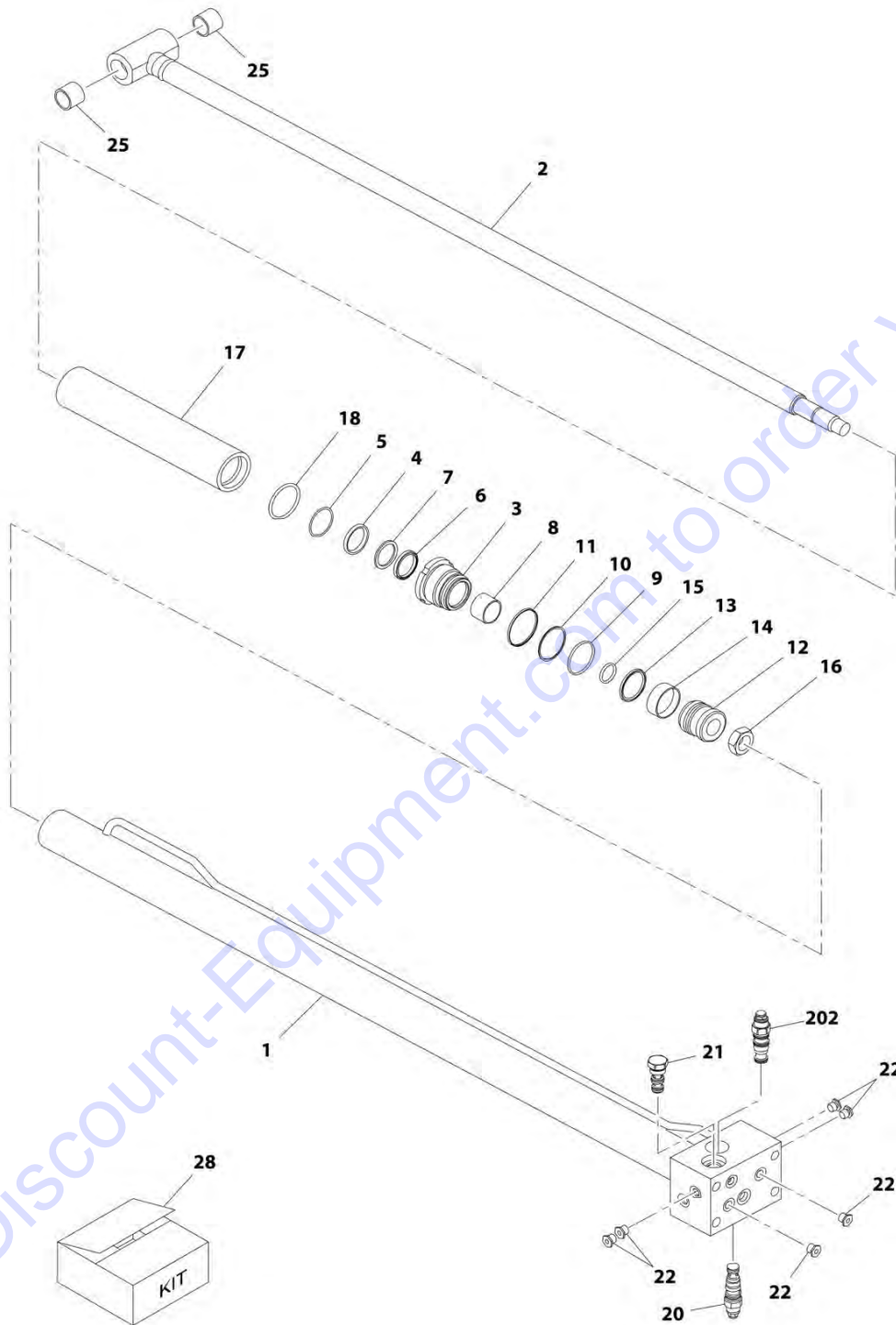
## SECTION 6 - CYLINDER

**FIGURE 6-8. STEER CYLINDER ASSEMBLY**

ITEM	PART NUMBER	QTY	DESCRIPTION	REV
	1001116788	Ref	STEER CYLINDER ASSEMBLY	C
1	70003095	1	Barrel	
2	70003096	1	Rod	
3	70003098	2	Head	
4	See Note	NSS	Wiper (Note: Use Item 15)	
5	See Note	NSS	Seal, Rod (Note: Use Item 15)	
6	70002337	2	Bearing	
7	See Note	NSS	O-Ring (Note: Use Item 15)	
8	See Note	NSS	Ring, Back-up (Note: Use Item 15)	
9	See Note	NSS	O-Ring (Note: Use Item 15)	
10	70003097	1	Piston	
11	See Note	NSS	Seal, Piston (Note: Use Item 15)	
12	See Note	NSS	Ring, Wear (Note: Use Item 15)	
13	70002380	4	Bushing, Garmax	
15	70003099	1	Seal Kit (Includes Items 4, 5, 7, 8, 9, 11 & 12)	
100		Ref	REPAIR TOOLS (NOT SHOWN)	
100	70003077	1	Press, Wiper	
100	70003078	1	Press, Bushing (Use with Rod Bearing)	
100	70003079	1	Tool, Bushing Removal (Use with Rod Bearing)	
100	70003080	1	Tool, Head Seal Protection	
100	70003100	1	Tool, Piston Seal Protection	
100	70003101	1	Press, Bushing (Use with Pin Mounting Bushings)	
100	70003102	1	Tool, Bushing Removal (Use with Pin Mounting Bushings)	

# SECTION 6 - CYLINDER

## FIGURE 6-9. TELESCOPE CYLINDER ASSEMBLY



ART\_1001120974



## SECTION 6 - CYLINDER

### FIGURE 6-9. TELESCOPE CYLINDER ASSEMBLY

ITEM	PART NUMBER	QTY	DESCRIPTION	REV
	1001120974	Ref	TELESCOPE CYLINDER ASSEMBLY	C
1	70003114	1	Barrel	
2	70003115	1	Rod	
3	70003116	1	Head	
4	See Note	NSS	Wiper (Note: Use Item 28)	
5	70002366	1	Ring, Retaining	
6	See Note	NSS	Seal, Rod (Note: Use Item 28)	
7	See Note	NSS	Ring, Back-up (Note: Use Item 28)	
8	70002352	1	Bearing	
9	See Note	NSS	O-Ring (Note: Use Item 28)	
10	See Note	NSS	Ring, Back-up (Note: Use Item 28)	
11	See Note	NSS	O-Ring (Note: Use Item 28)	
12	70003117	1	Piston	
13	See Note	NSS	Seal, Piston (Note: Use Item 28)	
14	See Note	NSS	Ring, Wear (Note: Use Item 28)	
15	See Note	NSS	O-Ring (Note: Use Item 28)	
16	70002335	1	Nut	
17	70002364	1	Spacer	
18	See Note	NSS	O-Ring (Note: Use Item 28)	
20	70002389	1	Cartridge, Counterbalance Valve	
20	2900770	1	Seal Kit - 70002389 Valve	
21	10837580	1	Cartridge, Load Shuttle Valve	
21	7010543	1	Seal Kit - 10837580 Valve	
22	70023370	6	Plug	
25	70003118	2	Bushing	
28	70003119	1	Seal Kit (Includes Items 4, 6, 7, 9, 10, 11, 13, 14, 15 & 18)	
100		Ref	REPAIR TOOLS (NOT SHOWN)	
100	70003089	1	Press, Wiper	
100	70003090	1	Press, Bushing (Use with Rod Bearing)	
100	70003091	1	Tool, Bushing Removal (Use with Rod Bearing)	
100	70003092	1	Tool, Head Seal Protection	
100	70003120	1	Press, Bushing (Use with Pin Mounting Bushings)	
100	70003121	1	Tool, Bushing Removal (Use with Pin Mounting Bushings)	
	1001199461	Ref	TELESCOPE CYLINDER ASSEMBLY	A
202	1001199306	1	Cartridge, Counter Balance Valve	
202	2900770	1	Seal Kit - 1001199306 Valve	

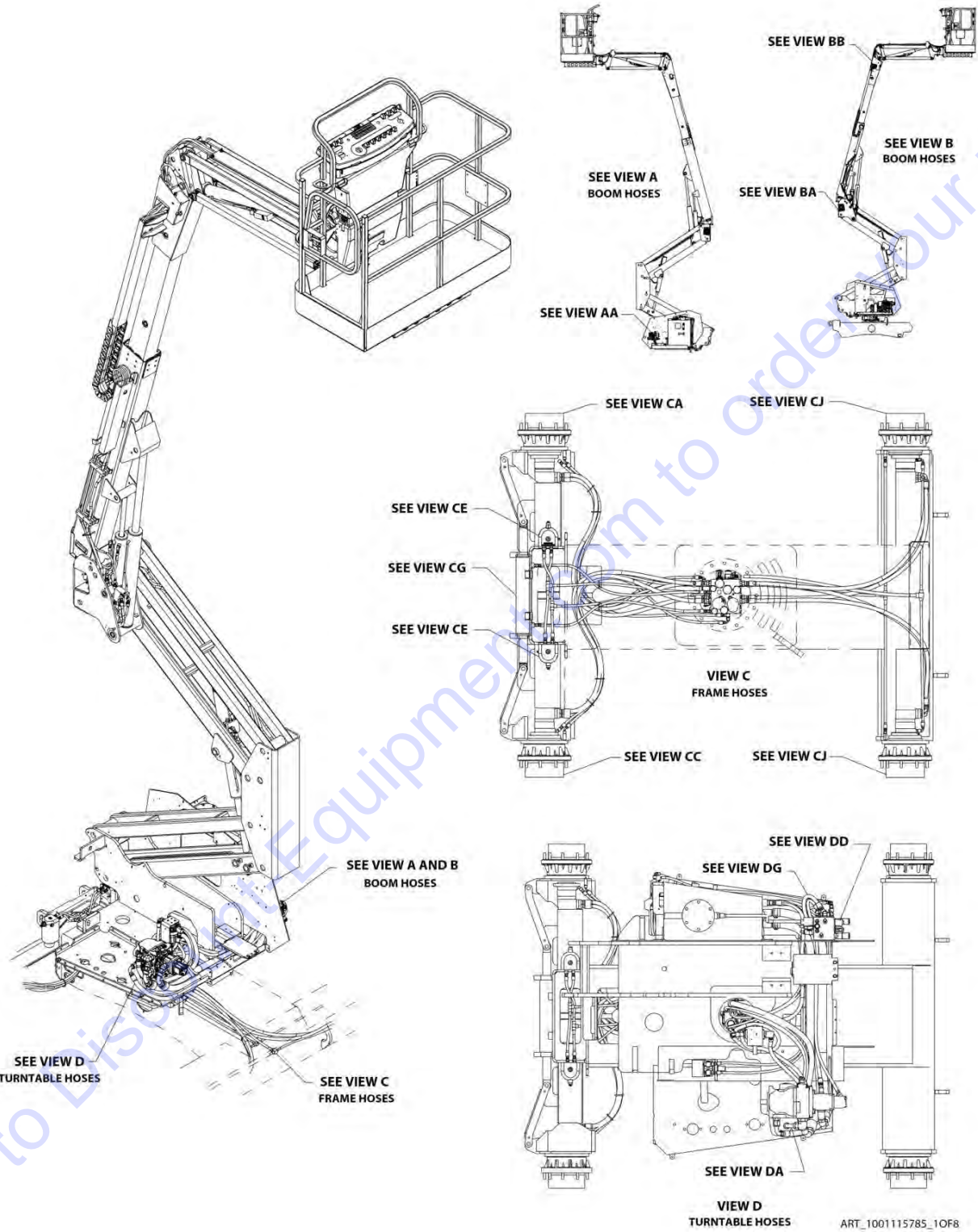


SECTION 7 - HYDRAULIC

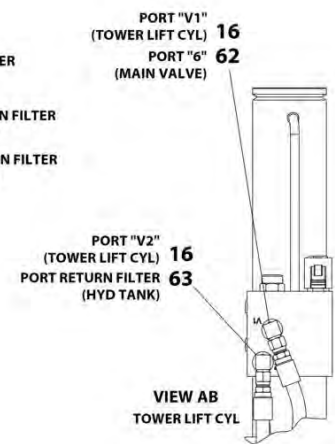
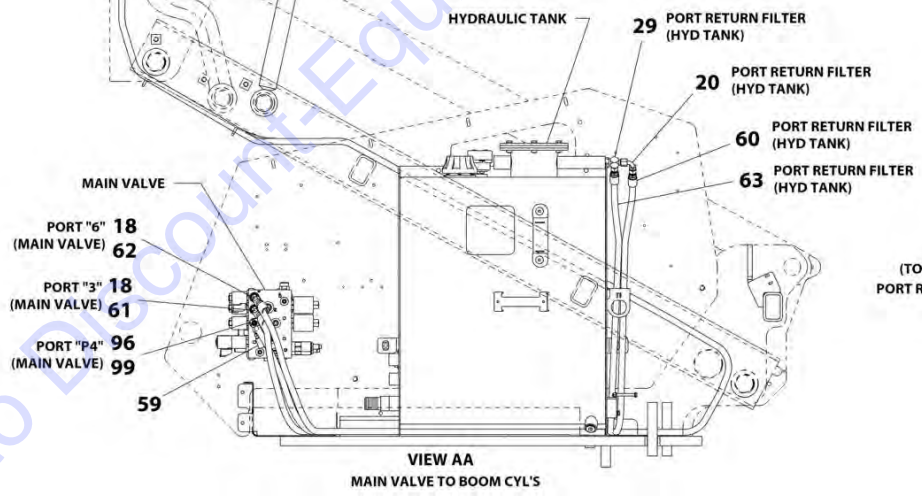
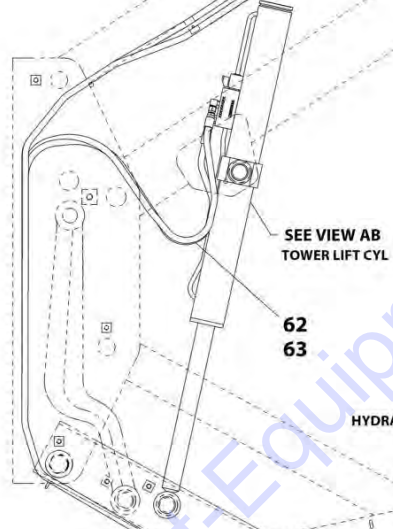
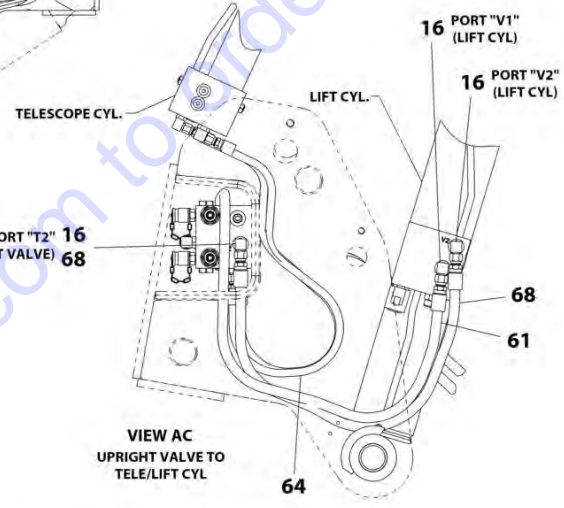
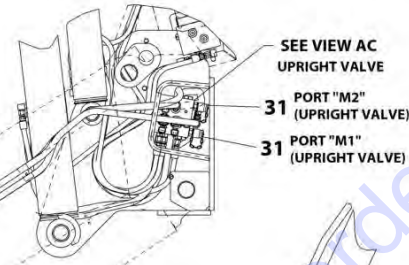
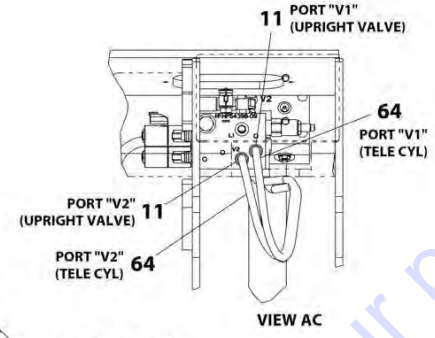
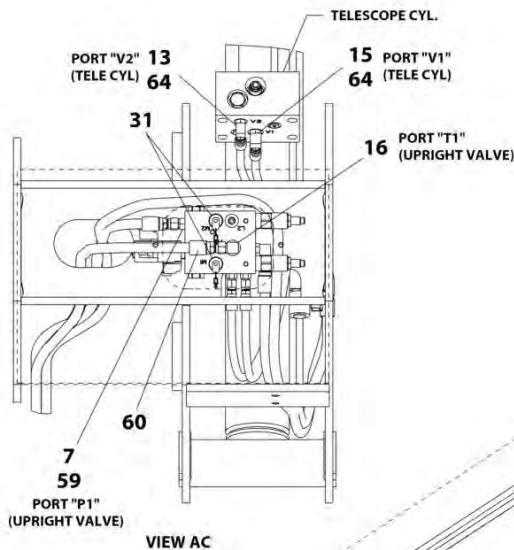
Go to Discount-Equipment.com to order your parts

# SECTION 7 - HYDRAULIC

## FIGURE 7-1. HYDRAULIC INSTALLATION - WITHOUT ARCTIC PACKAGE



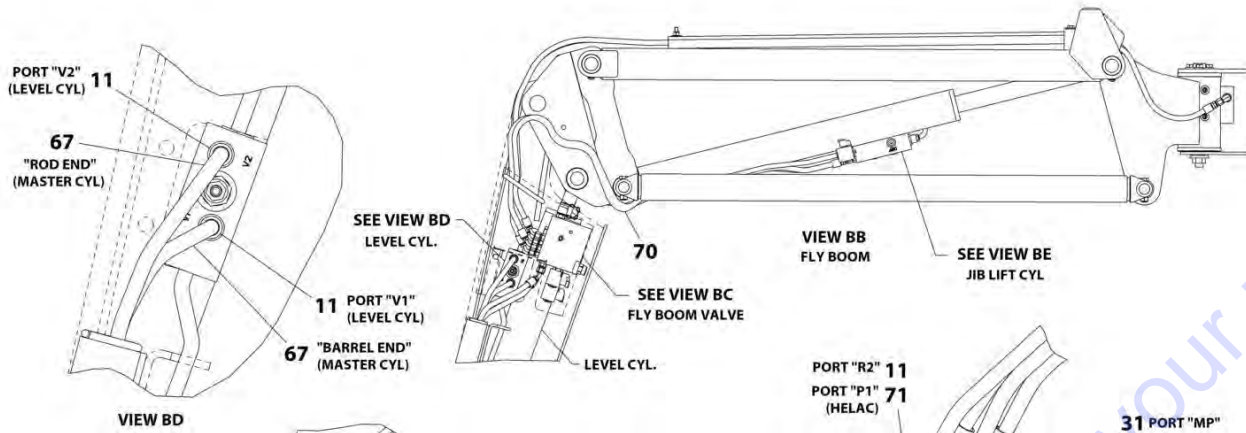
# SECTION 7 - HYDRAULIC



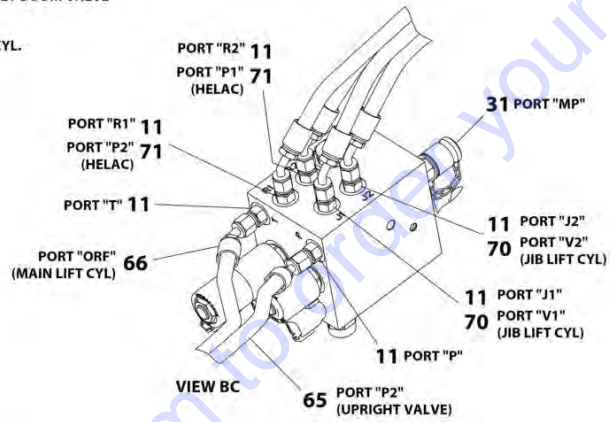
ART\_1001115785\_20F8



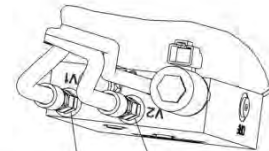
# SECTION 7 - HYDRAULIC



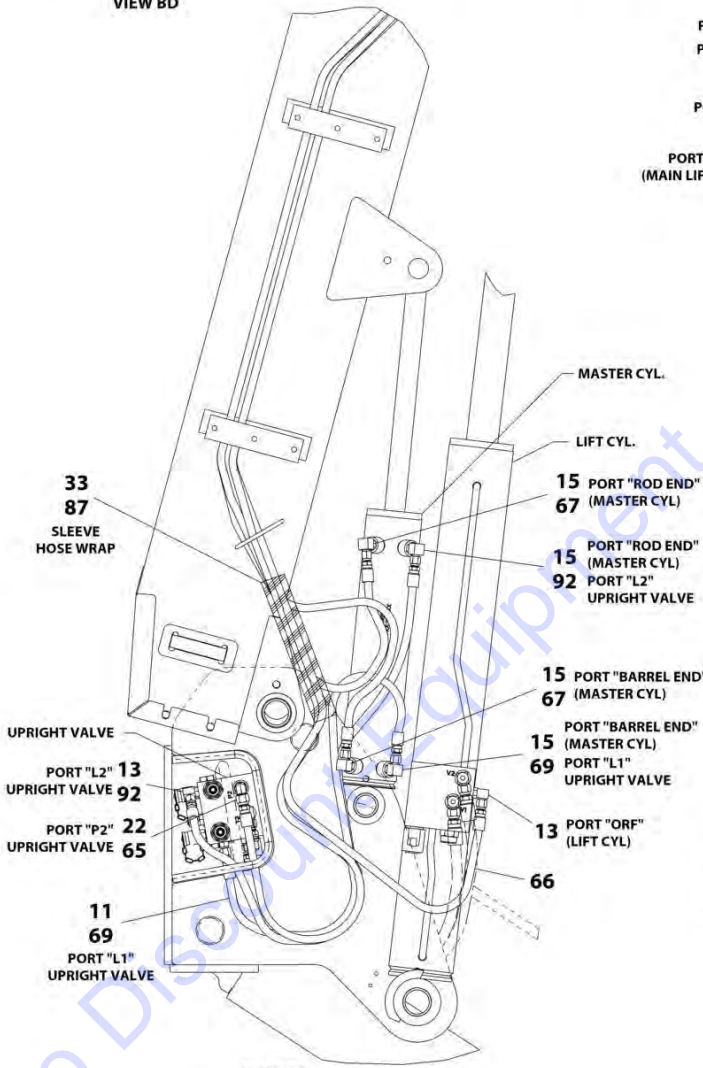
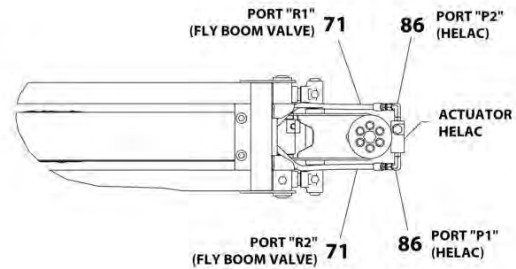
VIEW BD



VIEW BC



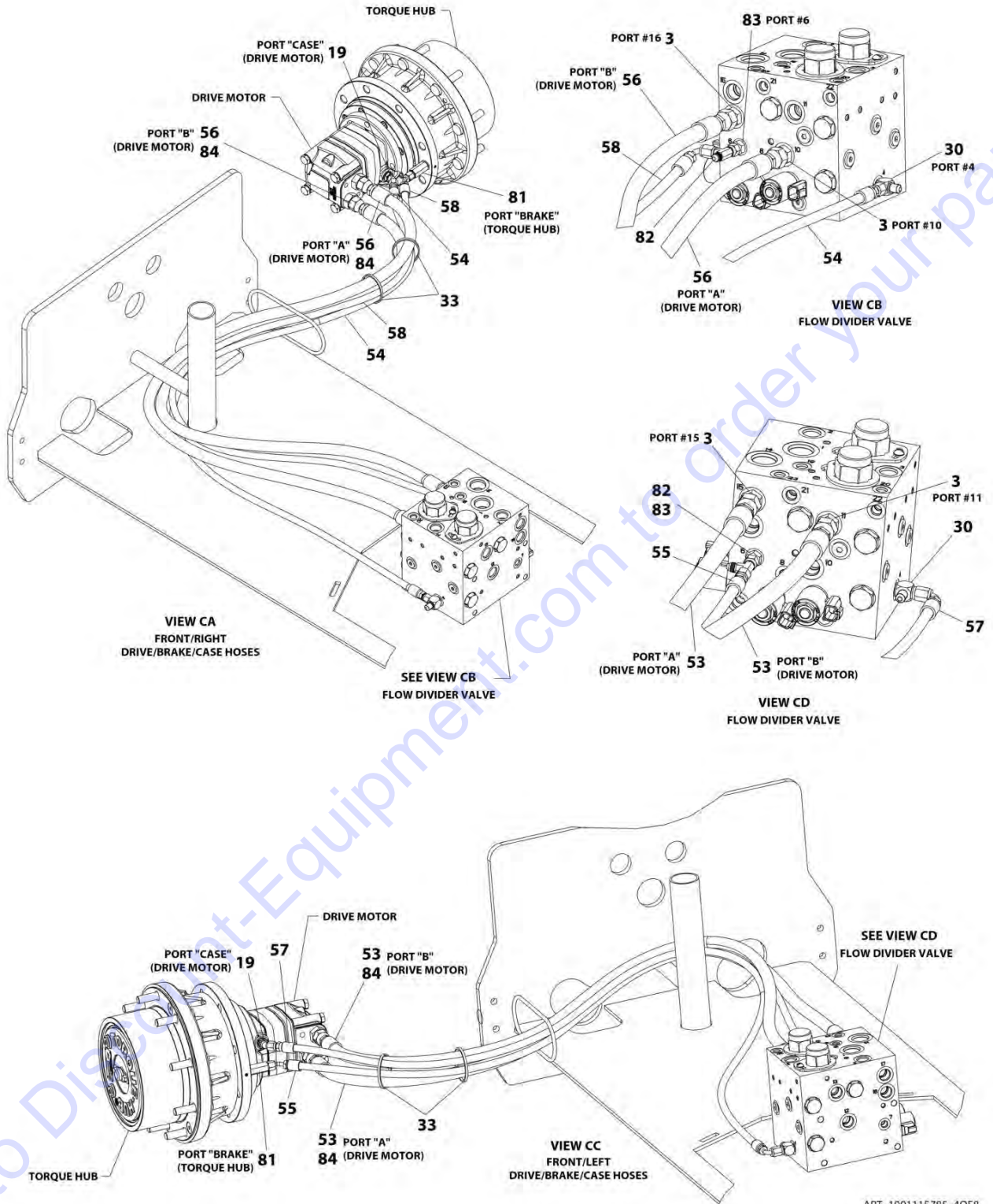
VIEW BE



VIEW BA  
UPRIGHT VALVE TO CYL'S

ART\_100115785\_30F8

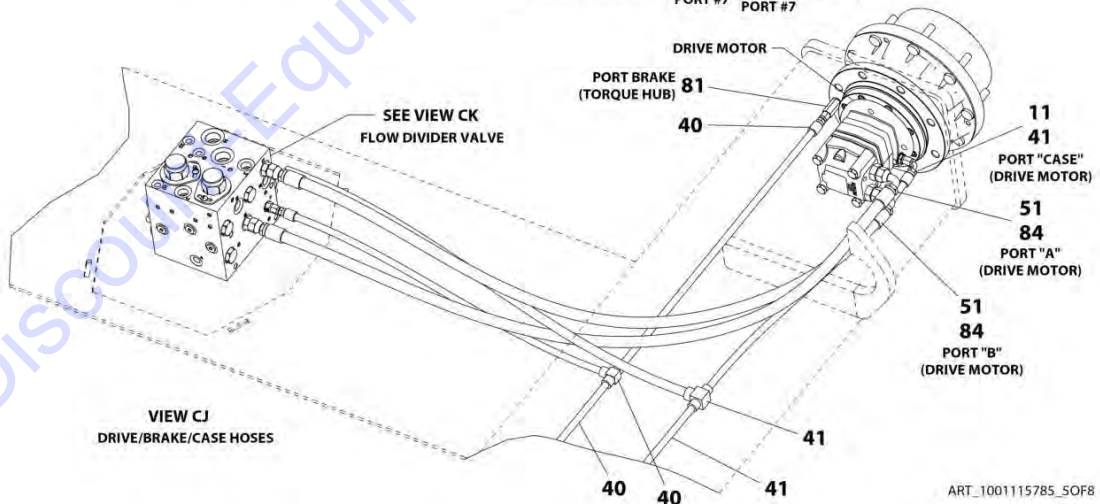
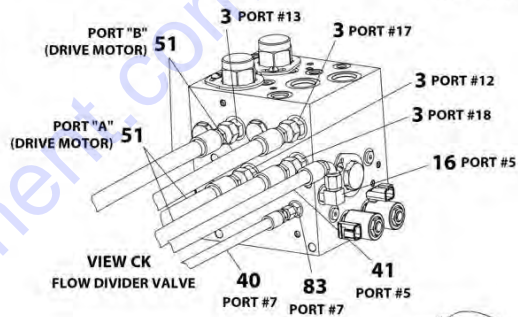
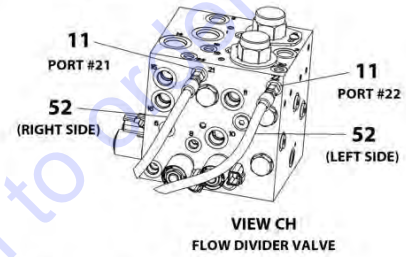
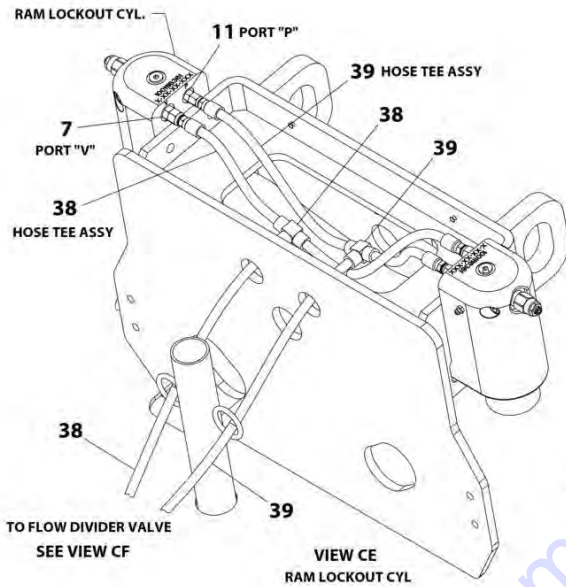
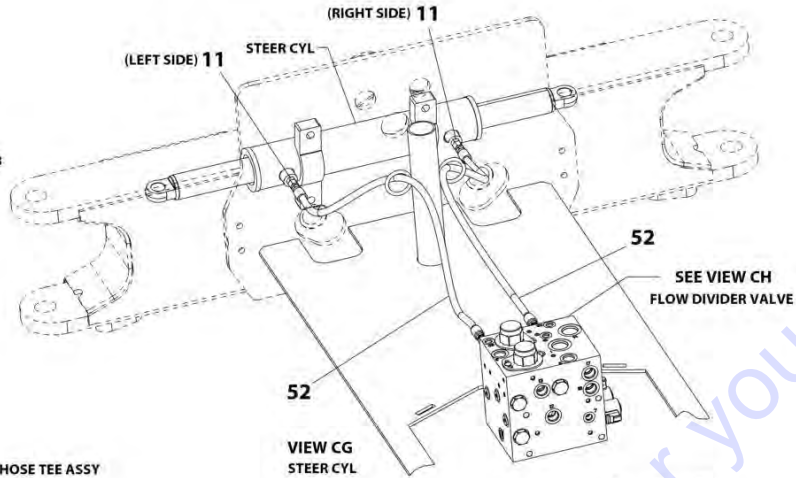
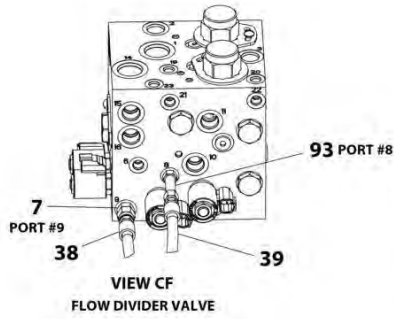
# SECTION 7 - HYDRAULIC



ART\_1001115785\_40F8

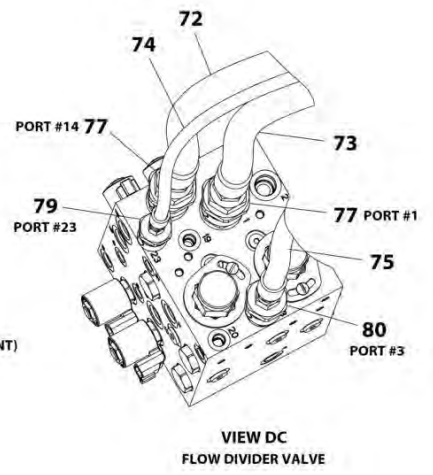
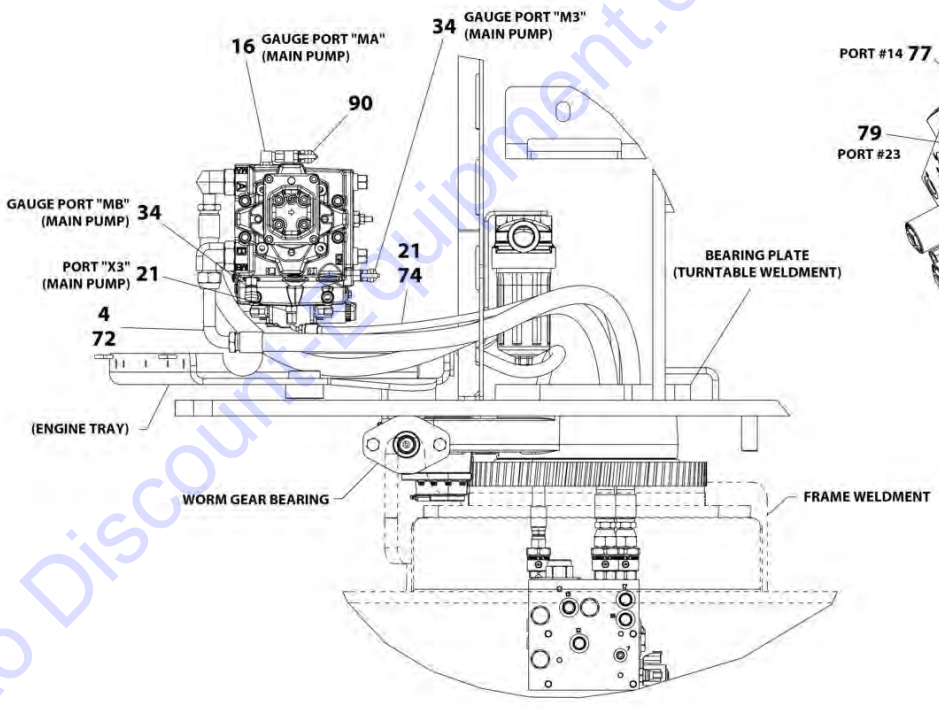
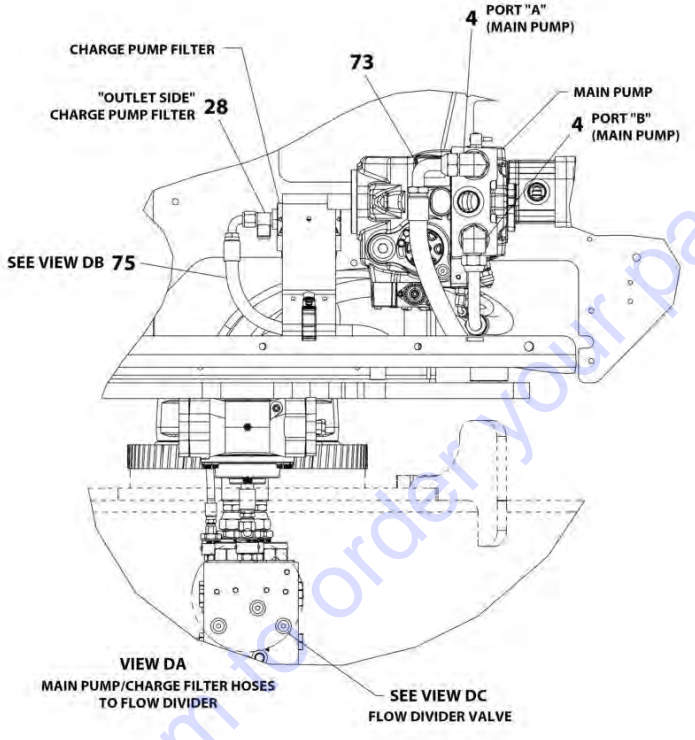
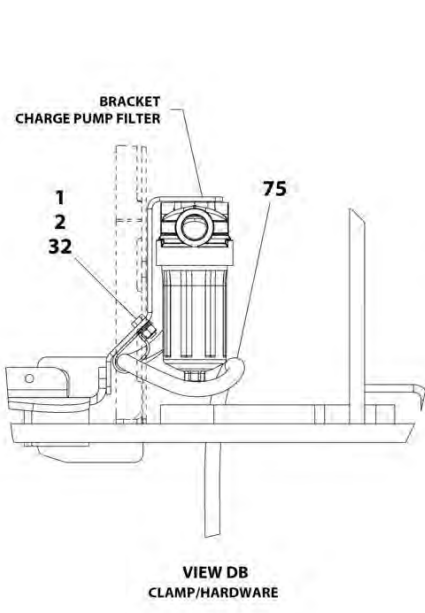


# SECTION 7 - HYDRAULIC



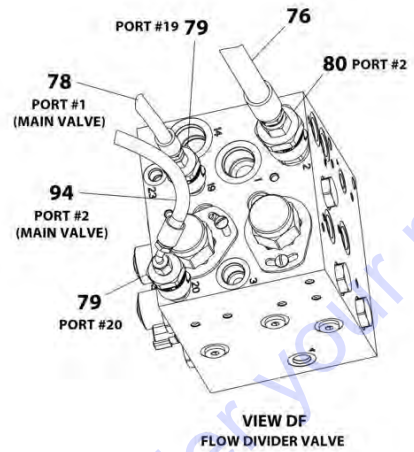
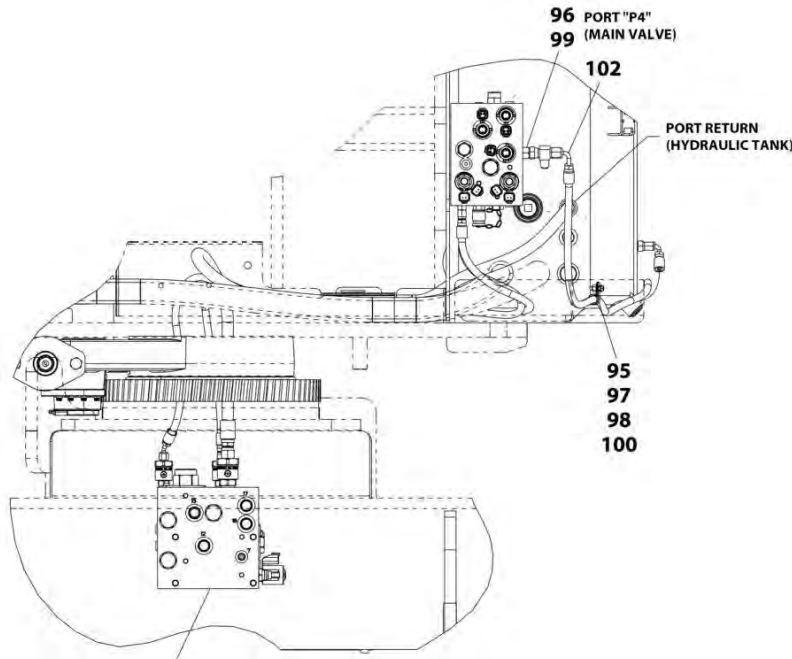
ART\_1001115785\_SOF8

# SECTION 7 - HYDRAULIC

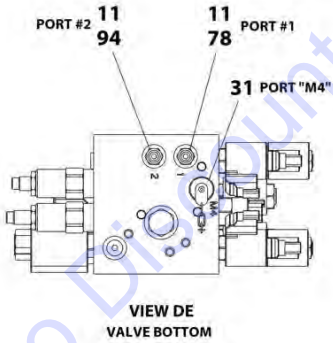
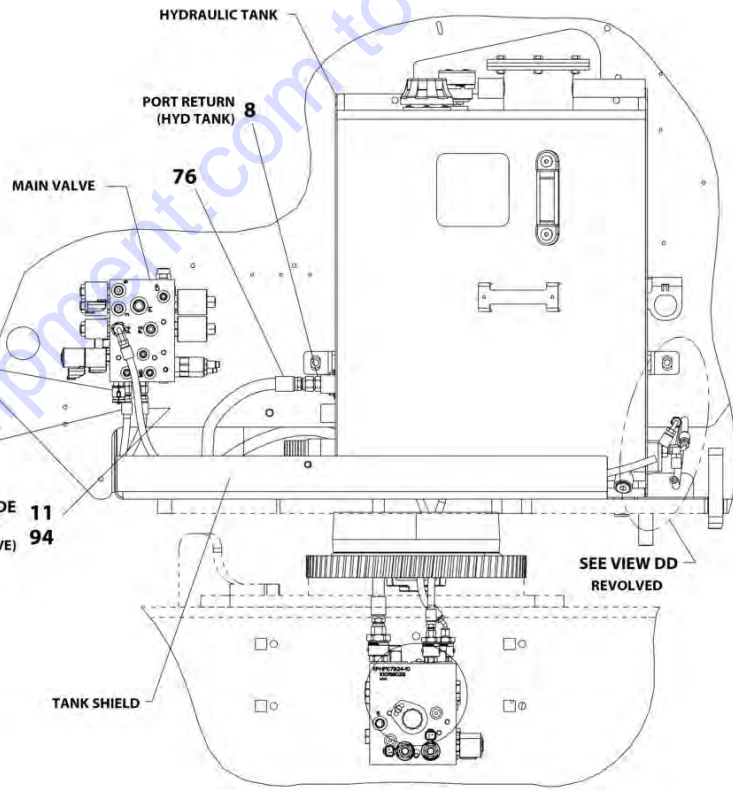
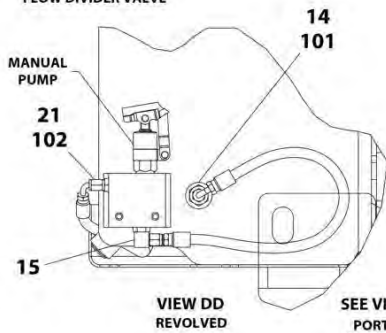


ART\_1001115785\_60F8

# SECTION 7 - HYDRAULIC



SEE VIEW DF  
FLOW DIVIDER VALVE



SEE VIEW DE  
PORT "M4"  
(MAIN VALVE) 31

SEE VIEW DE  
PORT #1  
(MAIN VALVE) 78

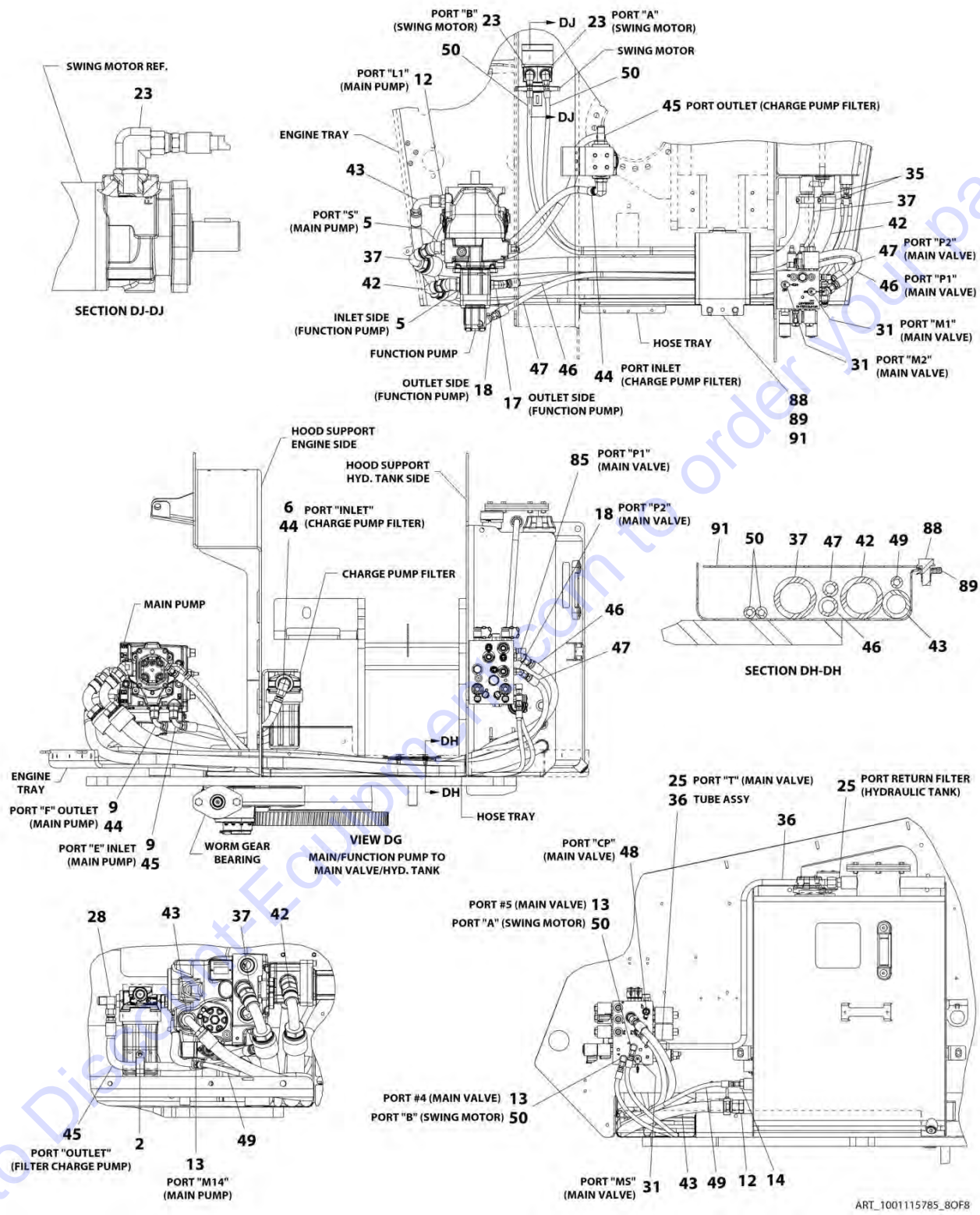
SEE VIEW DE  
PORT #2  
(MAIN VALVE) 94

VIEW DD  
FLOW DIVIDER VALVE TO  
MAIN VALVE/HYD. TANK

ART\_1001115785\_70F8



# SECTION 7 - HYDRAULIC



## SECTION 7 - HYDRAULIC

FIGURE 7-1. HYDRAULIC INSTALLATION - WITHOUT ARCTIC PACKAGE

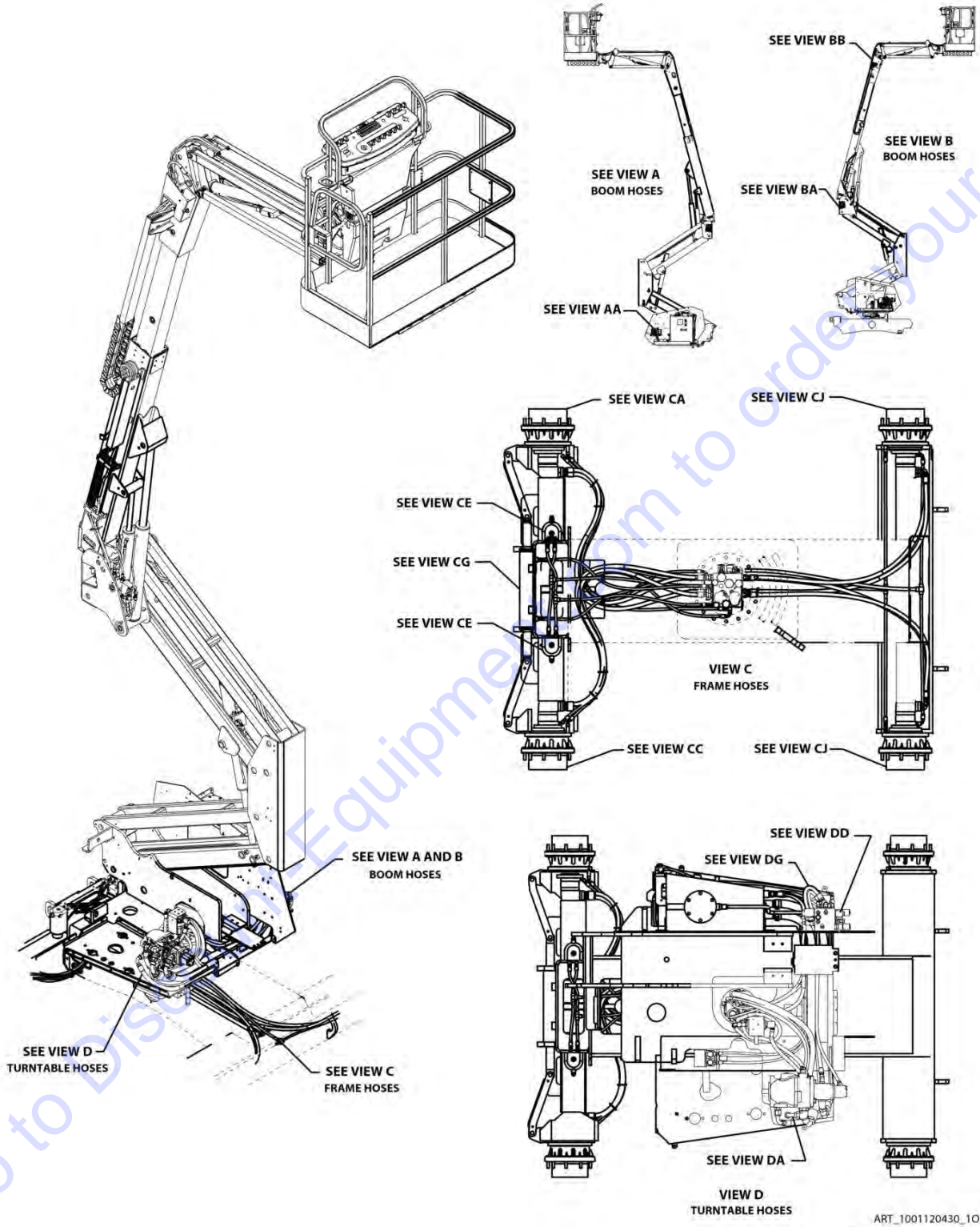
ITEM	PART NUMBER	QTY	DESCRIPTION	REV
	1001115785	Ref	HYDRAULIC INSTALLATION - WITHOUT ARCTIC PACKAGE	H
1	0761012	1	Bolt M10 x 25	
2	1321716	1	Clamp	
3	2110808	8	Fitting, Straight ORFS/ORB	
4	2131216	2	Fitting, 90 ORFS/ORB	
5	2220365	2	Fitting, 45 JIC/ORB	
6	2220366	1	Fitting, 90 JIC/ORB	
7	2220371	4	Fitting, Straight JIC/ORB	
8	2220373	1	Fitting, Straight JIC/ORB	
9	2220374	2	Fitting, Straight JIC/ORB	
11	2220415	23	Fitting, Straight JIC/ORB	
12	2220451	2	Fitting, Straight JIC/ORB	
13	2220466	6	Fitting, 90 JIC/ORB	
14	2220468	2	Fitting, Straight JIC/ORB	
15	2220472	6	Fitting, 90 JIC/ORB	
16	2220473	8	Fitting, 90 JIC/ORB	
17	2220499	1	Fitting, 45 JIC/ORB	
18	2220501	4	Fitting, 45 JIC/ORB	
19	2220502	2	Fitting, 45 JIC/ORB	
20	2220507	1	Fitting, 90 JIC/FSJIC	
21	2220582	2	Fitting, Straight JIC/ORB	
22	2220819	1	Fitting, 90 JIC/ORB	
23	2220828	2	Fitting, 90 JIC/ORB	
25	2220947	2	Fitting, Straight JIC/ORB	
28	2221041	1	Fitting, Tee	
29	2221053	1	Fitting, Run Tee	
30	2221060	1	Fitting, Run Tee JIC	
31	2221086	7	Fitting, Test Port	
32	3291005	1	Nut M10	
33	4240018	7	Tie-Strap	
34	77133089	2	Mini Check	
35	80633030	2	Clamp, Hose	
36	1001116905	1	Tube, Steel	
37	1001119035	1	Hose	
38	1001119068	1	Hose	
39	1001119069	1	Hose	
40	1001119070	1	Hose	
41	1001119071	1	Hose	
42	1001119143	1	Hose	
43	1001119237	1	Hose	
44	1001119324	1	Hose	
45	1001119365	1	Hose	
46	1001119404	1	Hose	
47	1001119449	1	Hose	
48	1001119455	1	Valve, Oil Sampling	
49	1001119489	1	Hose	
50	1001119525	2	Hose	
51	1001119546	4	Hose	
52	1001119547	2	Hose	
53	1001119548	2	Hose	

## SECTION 7 - HYDRAULIC

ITEM	PART NUMBER	QTY	DESCRIPTION	REV
54	1001119550	1	Hose	
55	1001119552	1	Hose	
56	1001119568	2	Hose	
57	1001119569	1	Hose	
58	1001119570	1	Hose	
59	1001119572	1	Hose	
60	1001119577	1	Hose	
61	1001119593	1	Hose	
62	1001119594	1	Hose	
63	1001119595	1	Hose	
64	1001119596	2	Hose	
65	1001119597	1	Hose	
66	1001119598	1	Hose	
67	1001119600	2	Hose	
68	1001119602	1	Hose	
69	1001119603	1	Hose	
70	1001119604	2	Hose	
71	1001119605	2	Hose	
72	1001119606	1	Hose	
73	1001119607	1	Hose	
74	1001119608	1	Hose	
75	1001119610	1	Hose	
76	1001119611	1	Hose	
77	1001119612	2	Fitting, Straight ORB/ORFS	
78	1001119613	1	Hose	
79	1001119626	3	Fitting, Straight JIC/ORB	
80	1001119627	2	Fitting, Straight JIC/ORB	
81	1001119630	4	Fitting, Straight JIC/MPP	
82	2220605	1	Fitting, Tee JIC/FSJIC/JIC	
83	4641284	2	Valve, Orifice Check	
84	2110810	8	Fitting, Straight ORFS/ORB	
85	2220500	1	Fitting, 45 JIC/ORB	
86	2220940	2	Fitting, 90 JIC/ORB	
87	4100066	1	Sleeve, Hose Wrap	
88	5250810	2	Bolt M8 x 20	
89	8310686	2	Retainer M8	
90	91143172	1	Coupling	
91	1001121221	1	Cover, Tray	
92	1001121966	1	Hose	
93	1001125108	1	Fitting, Straight JIC/ORB	
94	1001125249	1	Hose	
95	0700510	1	Bolt M5 x 20	
96	2220635	1	Fitting, Tee JIC/FSJIC/JIC	
97	3290605	1	Nut M6	
98	4811700	2	Washer M6	
99	80233041	1	Fitting, Check	
100	85941016	1	Clamp	
101	1001127703	1	Hose	
102	1001127705	1	Hose	

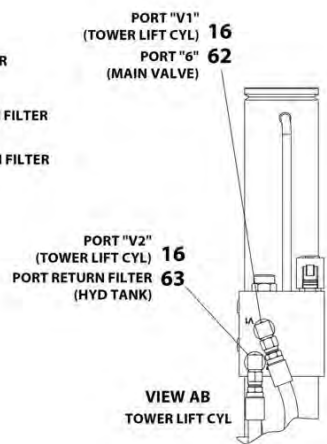
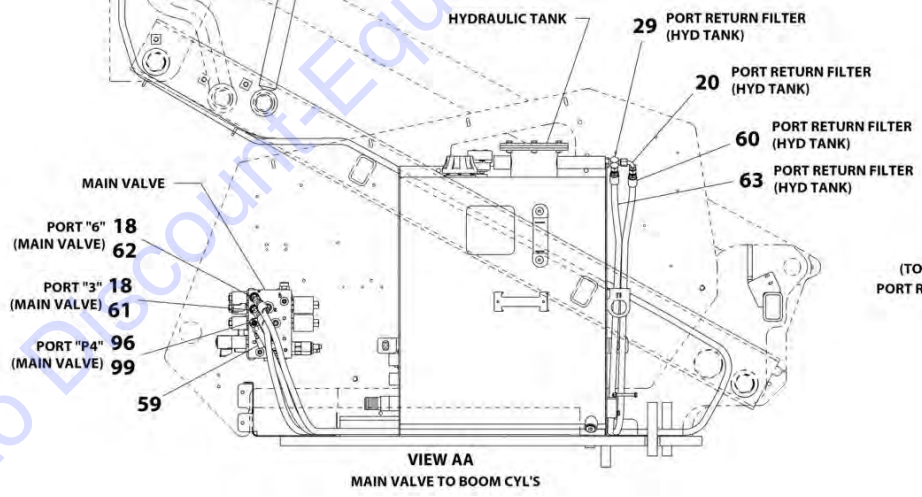
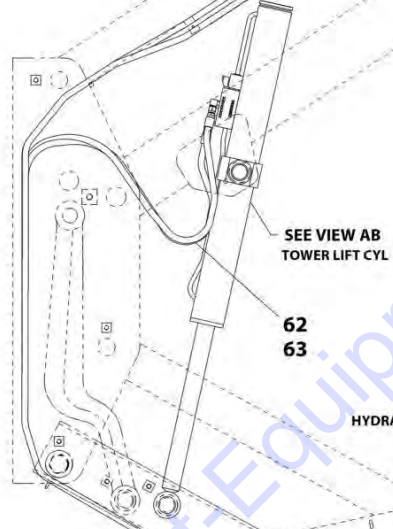
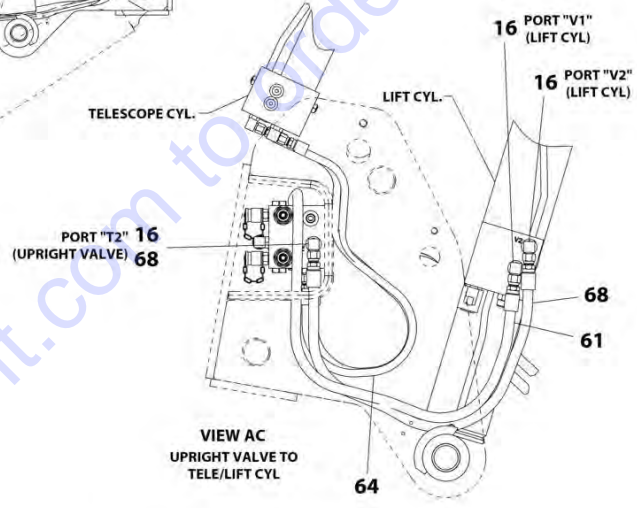
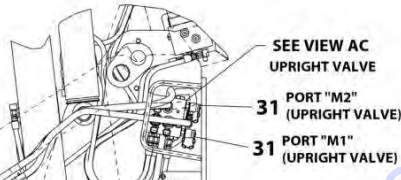
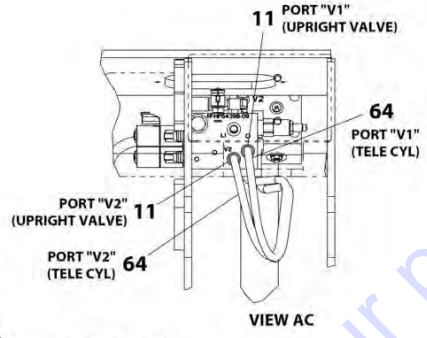
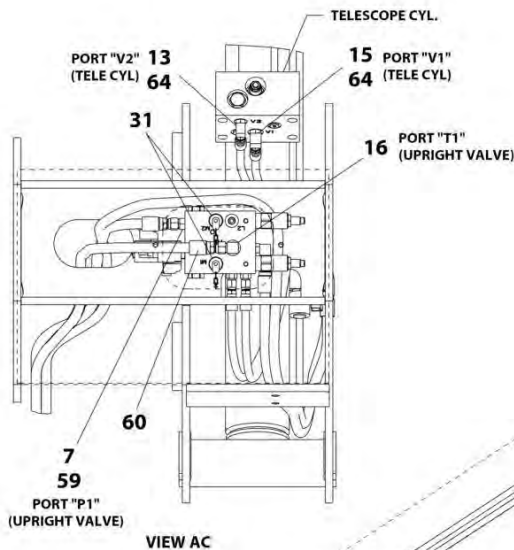
# SECTION 7 - HYDRAULIC

## FIGURE 7-2. HYDRAULIC INSTALLATION - WITH ARCTIC PACKAGE



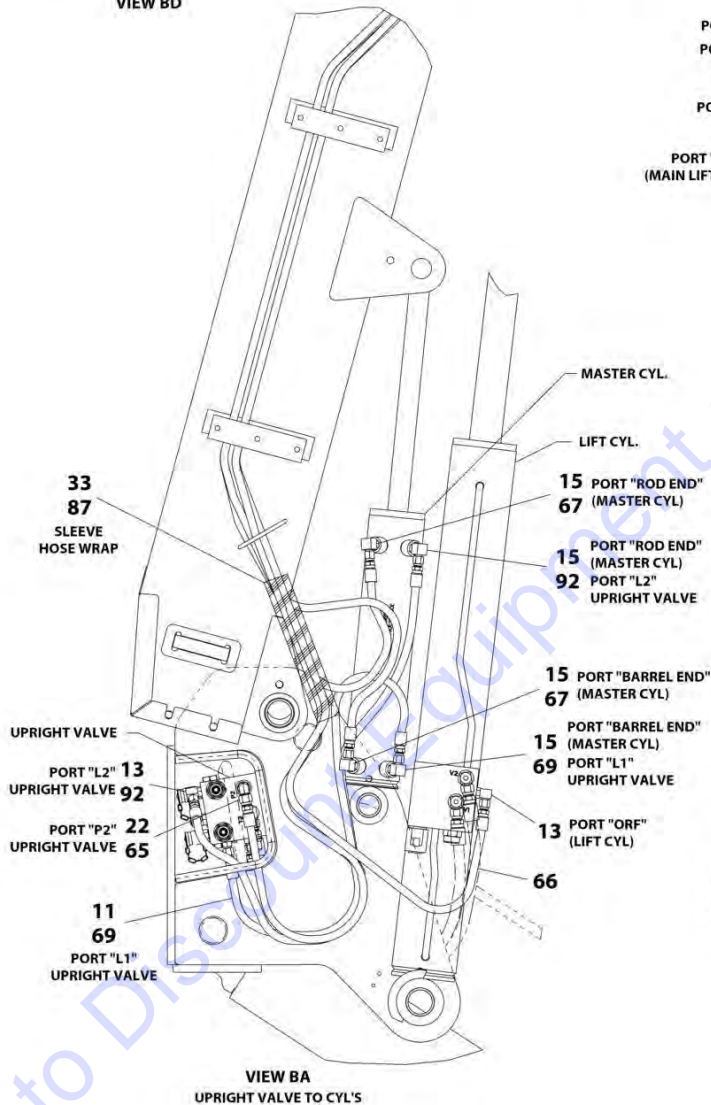
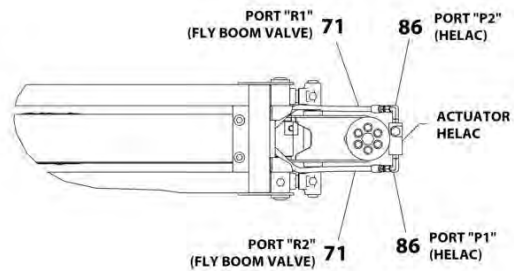
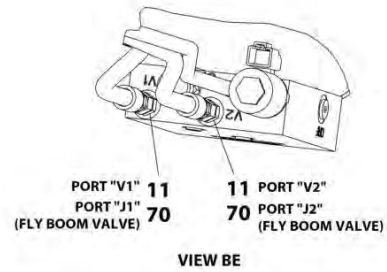
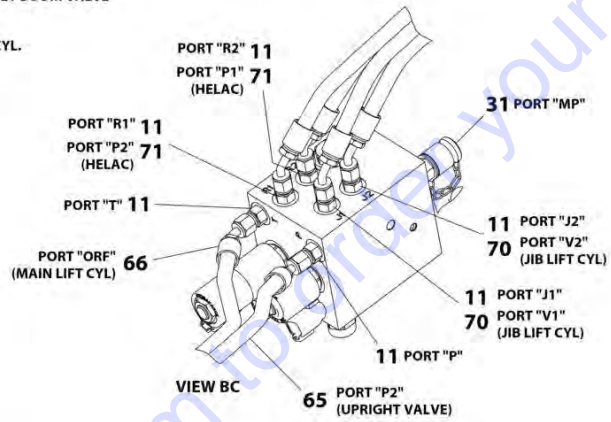
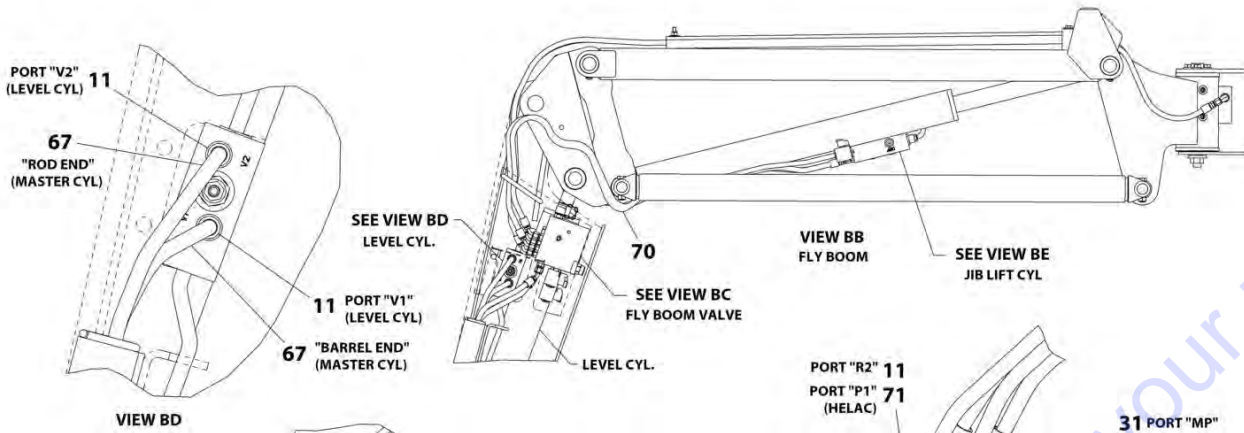


# SECTION 7 - HYDRAULIC



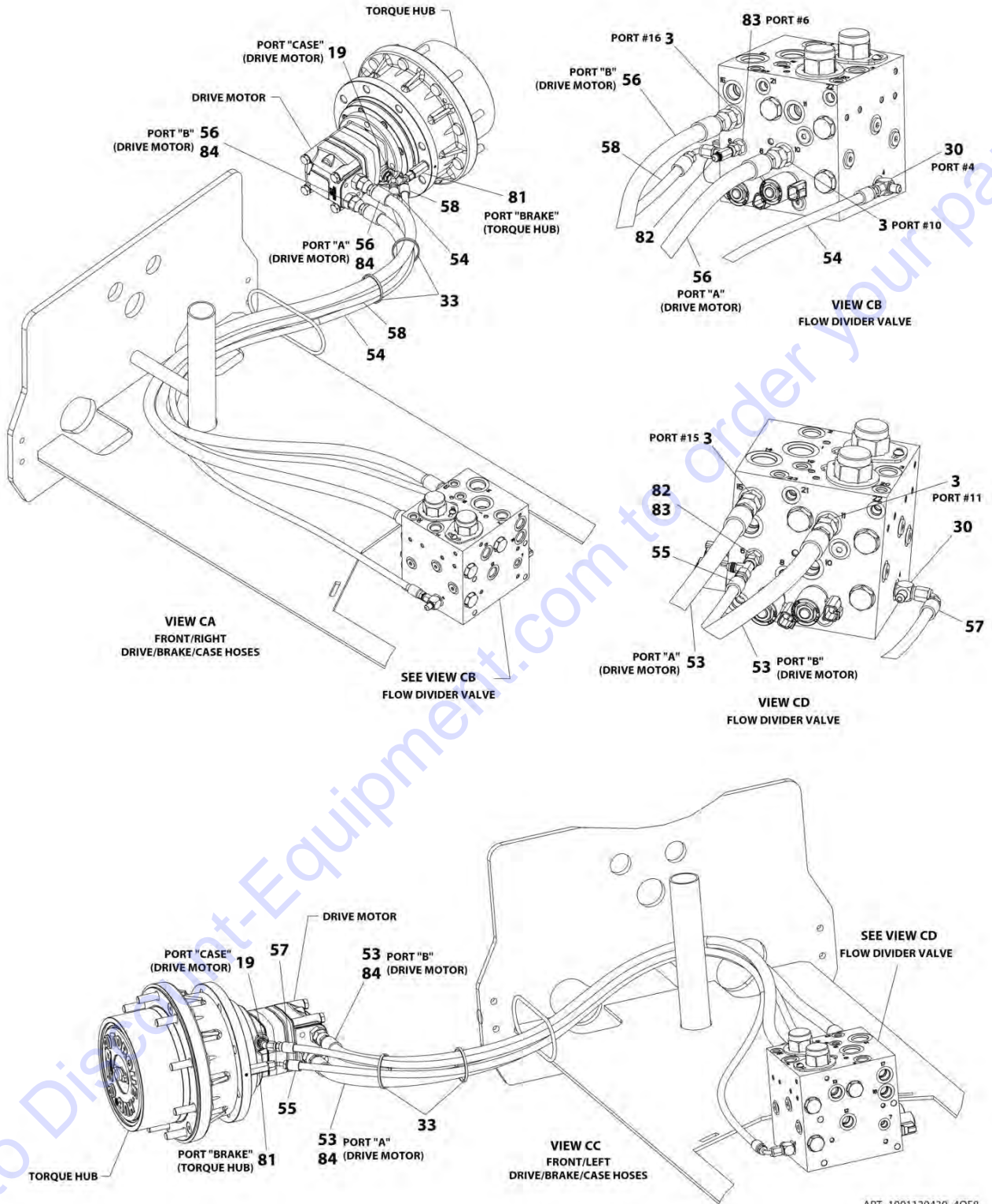
ART\_1001120430\_20F8

# SECTION 7 - HYDRAULIC



ART\_1001120430\_30F8

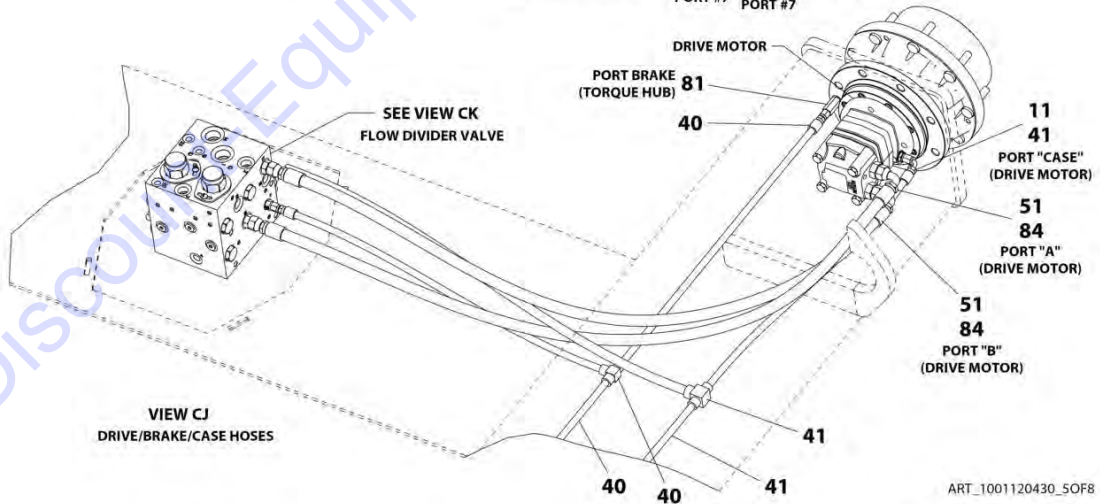
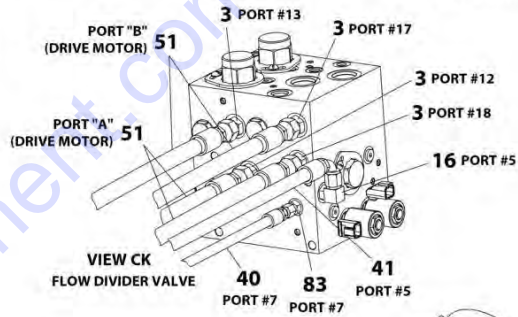
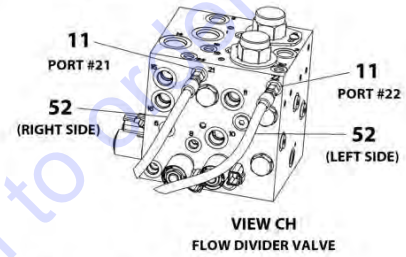
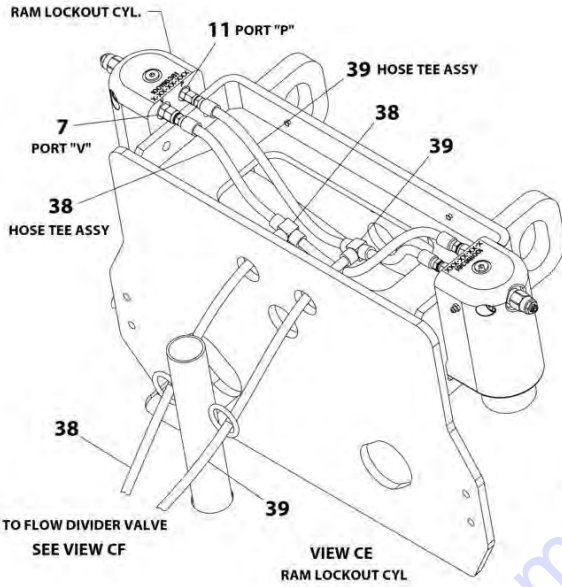
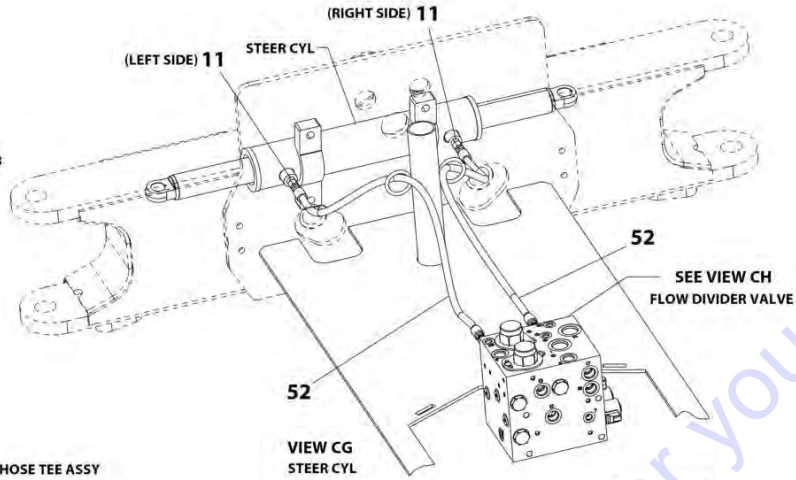
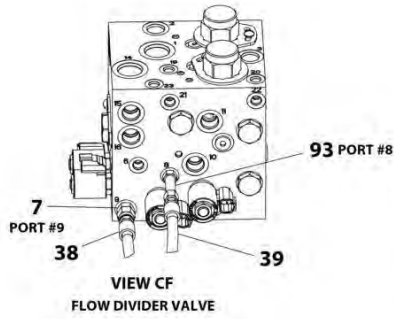
# SECTION 7 - HYDRAULIC



ART\_1001120430\_40F8

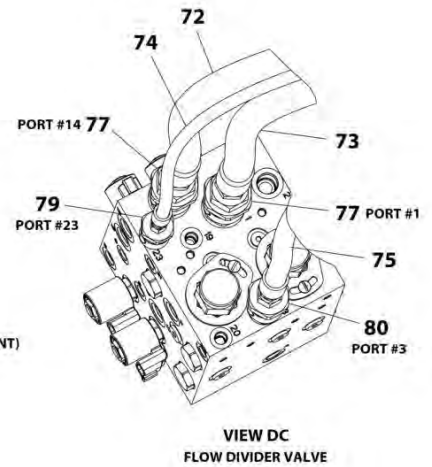
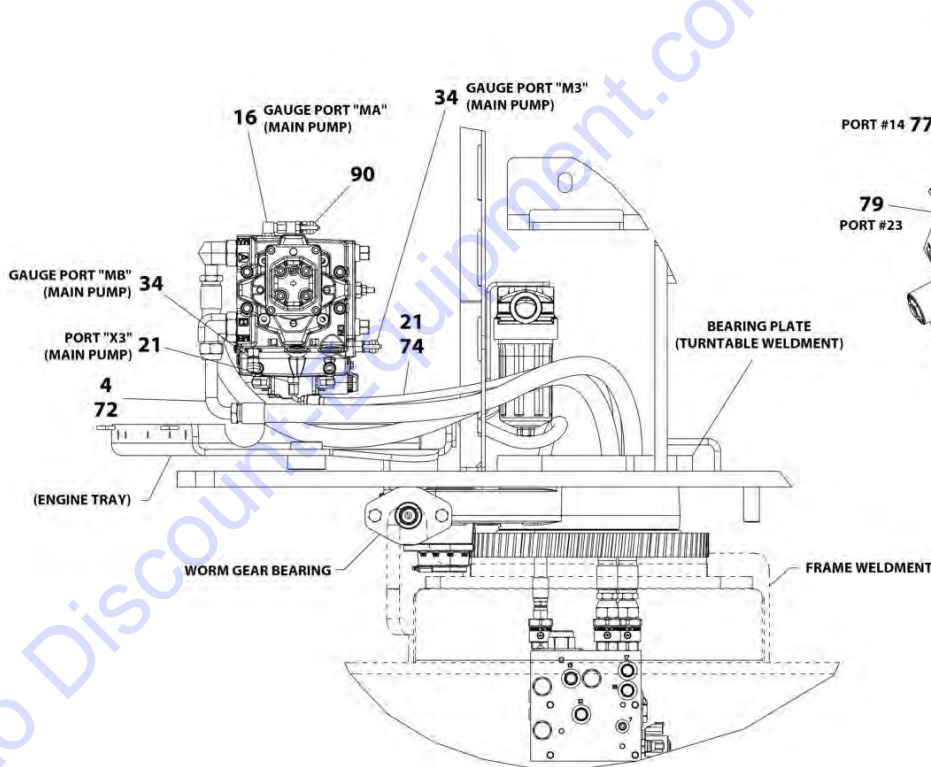
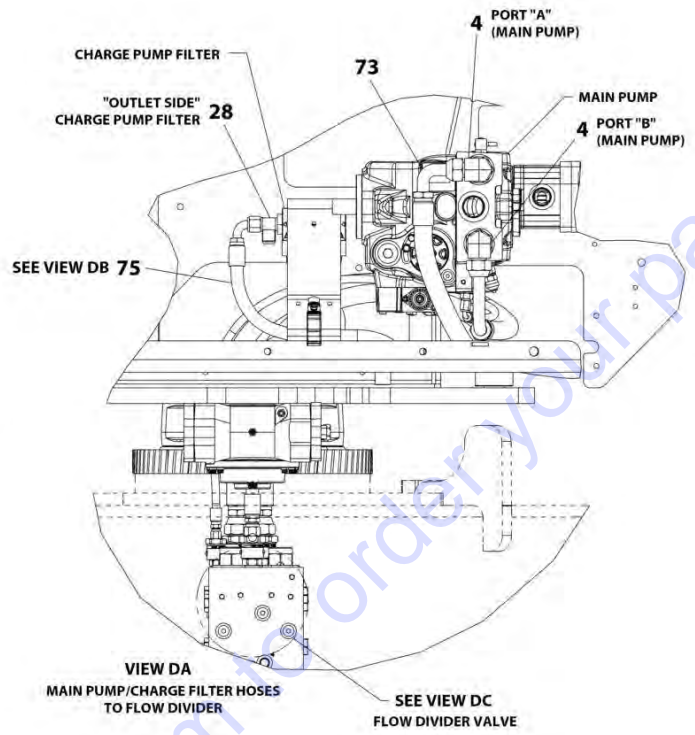
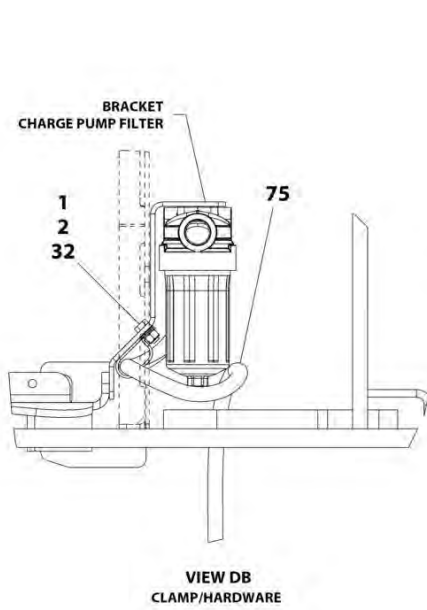


# SECTION 7 - HYDRAULIC



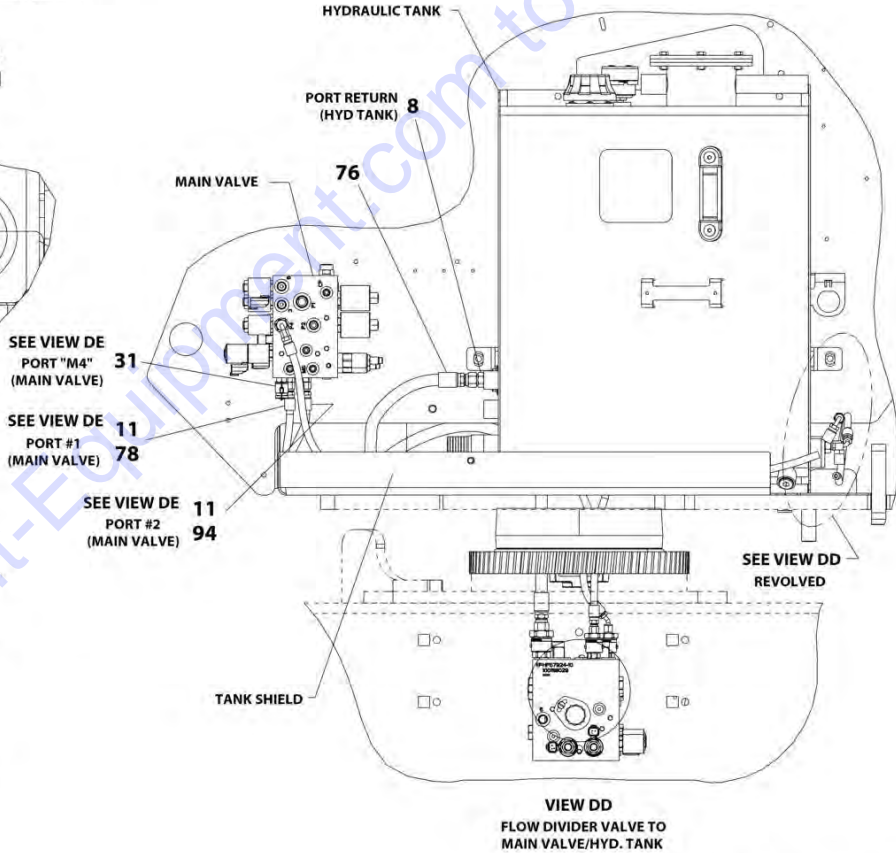
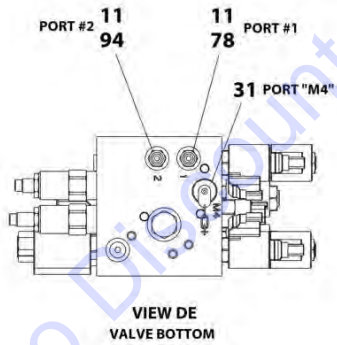
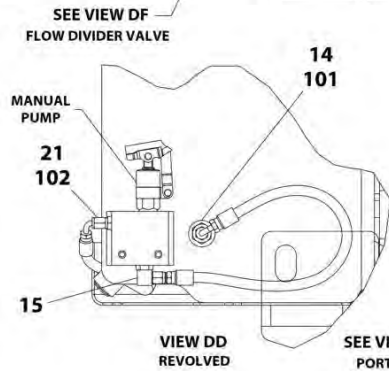
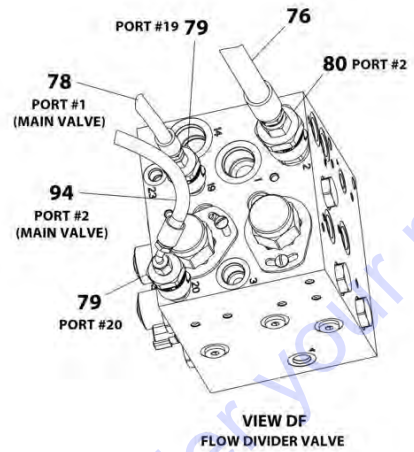
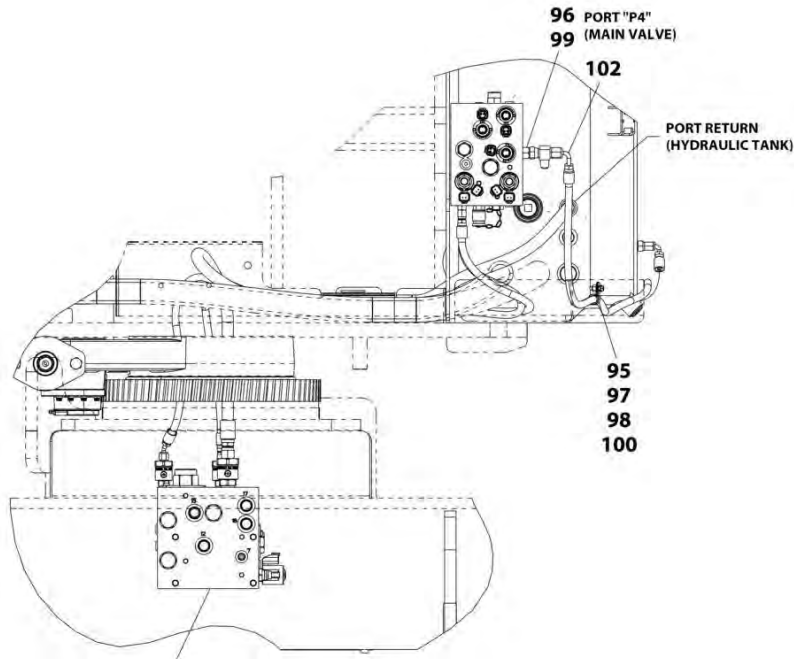
ART\_1001120430\_SOF8

# SECTION 7 - HYDRAULIC



ART\_1001120430\_60F8

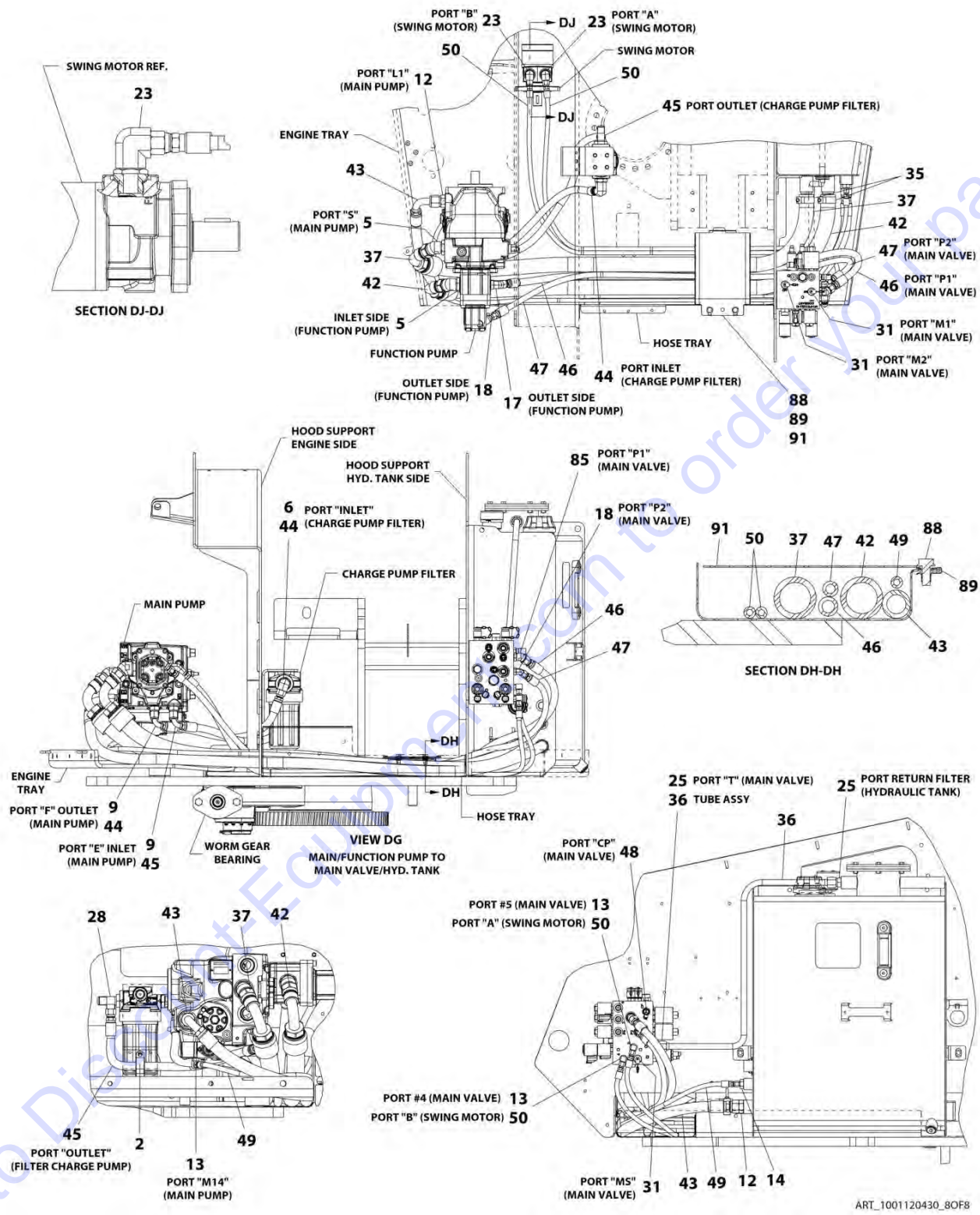
# SECTION 7 - HYDRAULIC



ART\_1001120430\_70F8



# SECTION 7 - HYDRAULIC



ART\_1001120430\_80F8



## SECTION 7 - HYDRAULIC

FIGURE 7-2. HYDRAULIC INSTALLATION - WITH ARCTIC PACKAGE

ITEM	PART NUMBER	QTY	DESCRIPTION	REV
	1001120430	Ref	HYDRAULIC INSTALLATION - WITH ARCTIC PACKAGE	F
1	0761012	1	Bolt M10 x 25	
2	1321716	1	P-Clamp	
3	2110808	8	Fitting, Straight ORFS/ORB	
4	2131216	2	Fitting, 90 ORFS/ORB	
5	2220365	2	Fitting, 45 JIC/ORB	
6	2220366	1	Fitting, 90 JIC/ORB	
7	2220371	4	Fitting, Straight JIC/ORB	
8	2220373	1	Fitting, Straight JIC/ORB	
9	2220374	2	Fitting, Straight JIC/ORB	
11	2220415	23	Fitting, Straight JIC/ORB	
12	2220451	2	Fitting, Straight JIC/ORB	
13	2220466	6	Fitting, 90 JIC/ORB	
14	2220468	2	Fitting, Straight JIC/ORB	
15	2220472	6	Fitting, 90 JIC/ORB	
16	2220473	8	Fitting, 90 JIC/ORB	
17	2220499	1	Fitting, 45 JIC/ORB	
18	2220501	4	Fitting, 45 JIC/ORB	
19	2220502	2	Fitting, 45 JIC/ORB	
20	2220507	1	Fitting, 90 JIC/FSJIC	
21	2220582	2	Fitting, Straight JIC/ORB	
22	2220819	1	Fitting, 90 JIC/ORB	
23	2220828	2	Fitting, 90 JIC/ORB	
25	2220947	2	Fitting, Straight JIC/ORB	
28	2221041	1	Fitting, Tee	
29	2221053	1	Fitting, Run Tee	
30	2221060	1	Fitting, Run Tee JIC	
31	2221086	7	Fitting, Test Port	
32	3291005	1	Nut M10	
33	4240018	7	Tie-Strap	
34	77133089	2	Mini Check	
35	80633030	2	Clamp, Hose	
36	1001116905	1	Tube, Steel	
37	1001119035	1	Hose	
38	1001119068	1	Hose	
39	1001119069	1	Hose	
40	1001119070	1	Hose	
41	1001119071	1	Hose	
42	1001119143	1	Hose	
43	1001119237	1	Hose	
44	1001119324	1	Hose	
45	1001119365	1	Hose	
46	1001119404	1	Hose	
47	1001119449	1	Hose	
48	1001119455	1	Valve, Oil Sampling	
49	1001119489	1	Hose	
50	1001119525	2	Hose	
51	1001119546	4	Hose	
52	1001119547	2	Hose	
53	1001120424	2	Hose	

## SECTION 7 - HYDRAULIC

ITEM	PART NUMBER	QTY	DESCRIPTION	REV
54	1001120425	1	Hose	
55	1001120426	1	Hose	
56	1001120427	2	Hose	
57	1001120428	1	Hose	
58	1001120429	1	Hose	
59	1001119572	1	Hose	
60	1001119577	1	Hose	
61	1001119593	1	Hose	
62	1001119594	1	Hose	
63	1001119595	1	Hose	
64	1001119596	2	Hose	
65	1001119597	1	Hose	
66	1001119598	1	Hose	
67	1001119600	2	Hose	
68	1001119602	1	Hose	
69	1001119603	1	Hose	
70	1001119604	2	Hose	
71	1001119605	2	Hose	
72	1001119606	1	Hose	
73	1001119607	1	Hose	
74	1001119608	1	Hose	
75	1001119610	1	Hose	
76	1001119611	1	Hose	
77	1001119612	2	Fitting, Straight ORB/ORFS	
78	1001119613	1	Hose	
79	1001119626	3	Fitting, Straight JIC/ORB	
80	1001119627	2	Fitting, Straight JIC/ORB	
81	1001119630	4	Fitting, Straight JIC/MPP	
82	2220605	1	Fitting, Tee JIC/FSJIC/JIC	
83	4641284	2	Valve, Orifice Check	
84	2110810	8	Fitting, Straight ORFS/ORB	
85	2220500	1	Fitting, 45 JIC/ORB	
86	2220940	2	Fitting, 90 JIC/ORB	
87	4100066	1	Sleeve, Hose Wrap	
88	5250810	2	Bolt M8 x 20	
89	8310686	2	Retainer M8	
90	91143172	1	Coupling	
91	1001121221	1	Cover, Tray	
92	1001121966	1	Hose	
93	1001125108	1	Fitting, Straight JIC/ORB	
94	1001125249	1	Hose	
95	0700510	1	Bolt M5 x 20	
96	2220635	1	Fitting, Tee JIC/FSJIC/JIC	
97	3290605	1	Nut M6	
98	4811700	2	Washer M6	
99	80233041	1	Fitting, Check	
100	85941016	1	Clamp	
101	1001127703	1	Hose	
102	1001127705	1	Hose	

## SECTION 7 - HYDRAULIC

FIGURE 7-3. HYDRAULIC DIAGRAM LIST

ITEM	PART NUMBER	QTY	DESCRIPTION	REV
		Ref	Note: Diagrams not shown are available from Discount-equipment.com.	
		Ref	HYDRAULIC DIAGRAM LIST	
		Ref	Hydraulic Diagram Installation	
	1001115785	Ref	Hydraulic Diagram Installation - Without Arctic Package	
	1001120430	Ref	Hydraulic Diagram Installation - With Arctic Package	
	1001120020	Ref	Standard Hydraulic Schematic	

**SECTION 8 - ELECTRICAL**

Go to Discount-Equipment.com to order your parts

## SECTION 8 - ELECTRICAL

FIGURE 8-1. ELECTRICAL DIAGRAM LIST

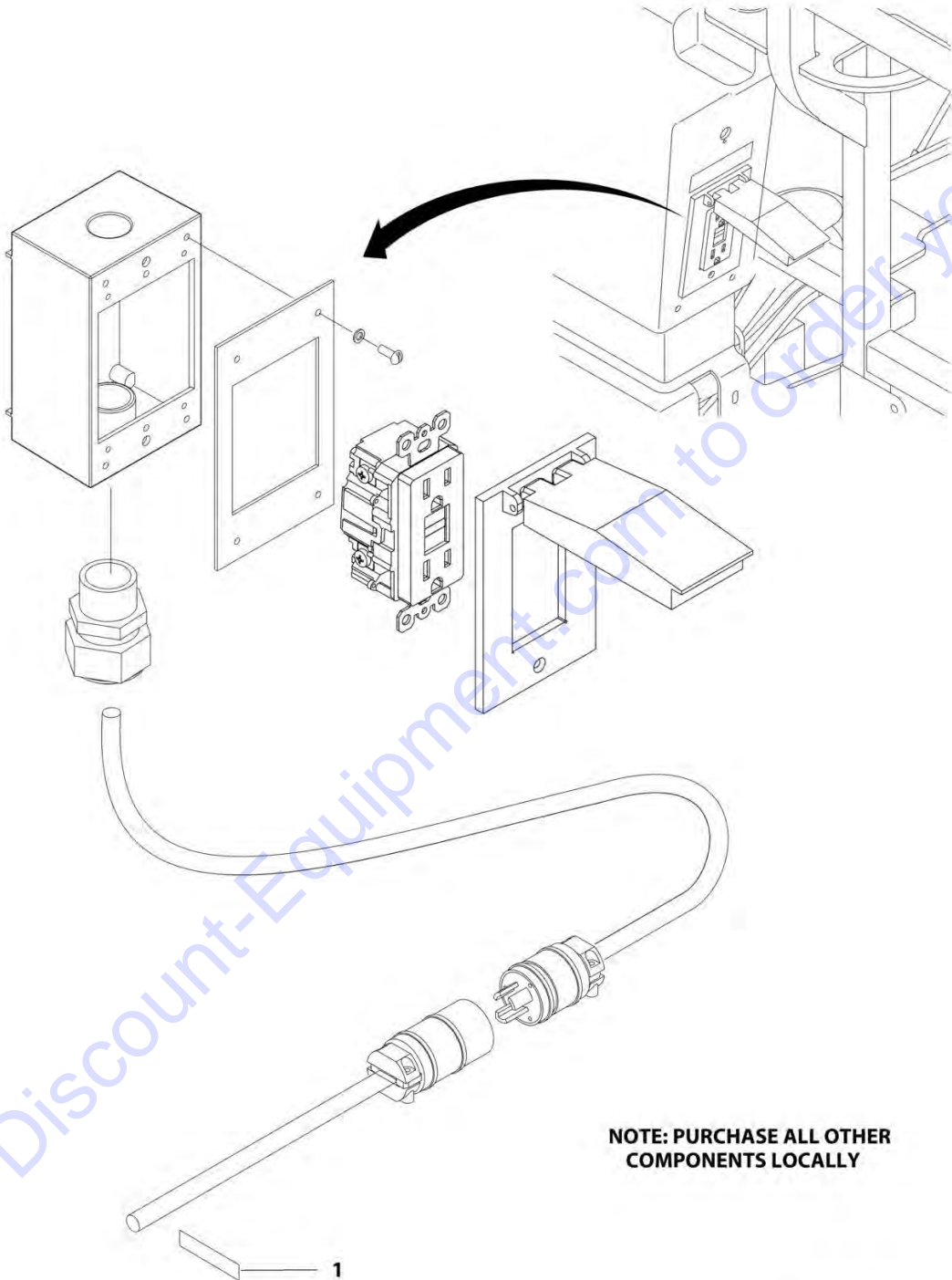
ITEM	PART NUMBER	QTY	DESCRIPTION	REV
		Ref	Note: Diagrams not shown are available from Discount-equipment.com.	
		Ref	ELECTRICAL DIAGRAM LIST	
	1001195160	Ref	Generator Electrical Diagram - 4000W/50Hz (ANSI Export, China and Japanese Specs)	
	1001169769	Ref	Generator Electrical Diagram - 4000W/50Hz (Australian Specs)	
	1001169771	Ref	Generator Electrical Diagram - 4000W/50Hz (CE Specs)	
	1001169770	Ref	Generator Electrical Diagram - 4000W/50Hz (UK Specs)	
	1001169768	Ref	Generator Electrical Diagram - 4000W/60Hz (ANSI, ANSI Export, China, CSA and Japanese Specs)	
	1001119638	Ref	Standard Electrical Schematic	

Go to Discount-Equipment.com to order your parts



## SECTION 8 - ELECTRICAL

FIGURE 8-2. AC BOX AT PLATFORM INSTALLATION - LOCALLY SUPPLIED COMPONENTS (ANSI EXPORT, AUSTRALIAN AND CHINA SPECS)



**NOTE: PURCHASE ALL OTHER COMPONENTS LOCALLY**

ART\_1001119870



## SECTION 8 - ELECTRICAL

**FIGURE 8-2. AC BOX AT PLATFORM INSTALLATION - LOCALLY SUPPLIED COMPONENTS (ANSI EXPORT, AUSTRALIAN AND CHINA SPECS)**

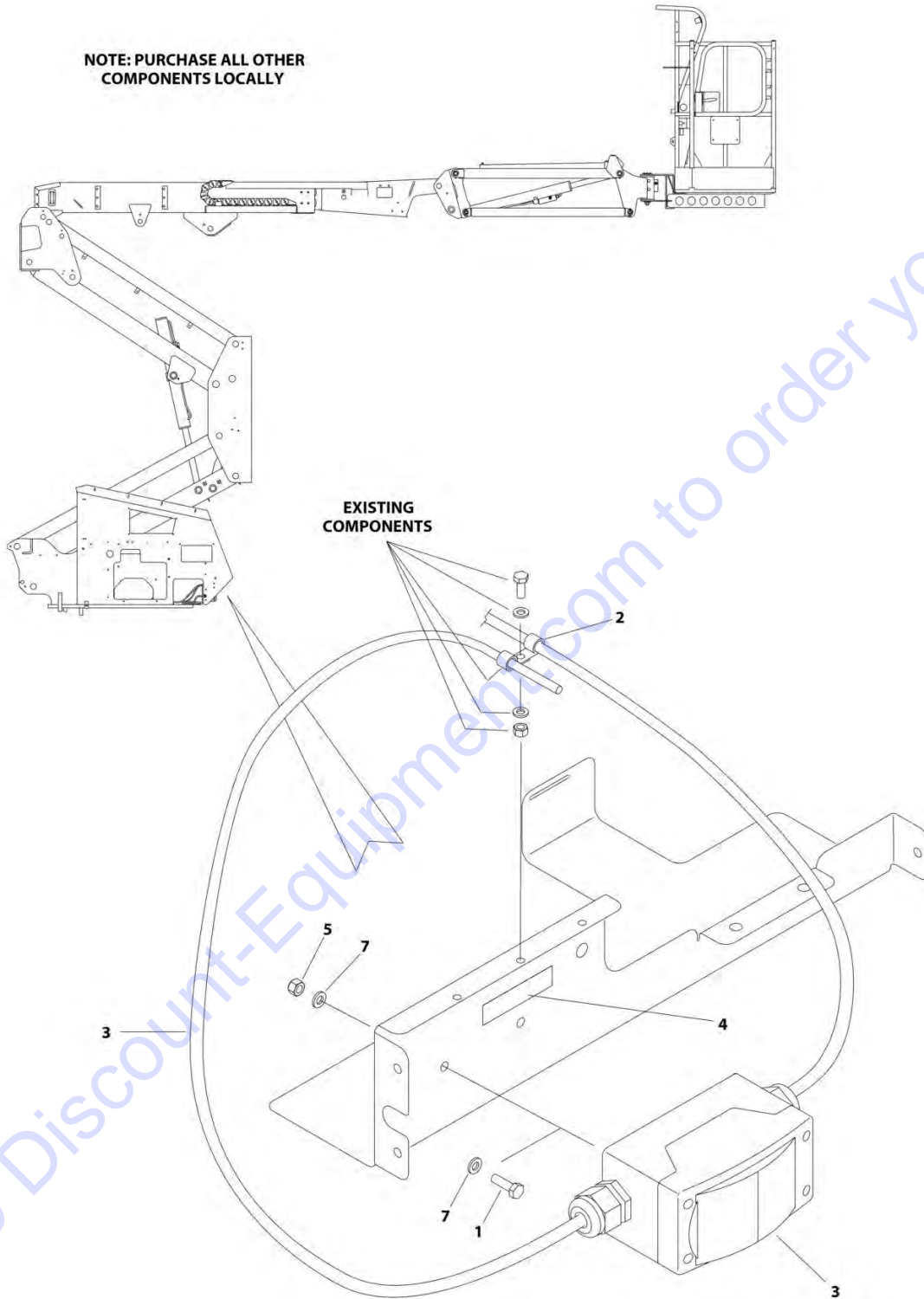
ITEM	PART NUMBER	QTY	DESCRIPTION	REV
	1001119870	Ref	AC BOX AT PLATFORM INSTALLATION - LOCALLY SUPPLIED COMPONENTS (ANSI EXPORT, AUSTRALIAN AND CHINA SPECS)	A
1	3251243	1	Decal - 120V-60Hz	

Go to Discount-Equipment.com to order your parts

# SECTION 8 - ELECTRICAL

## FIGURE 8-3. AC BOX AT PLATFORM INSTALLATION - LOCALLY SUPPLIED (CE SPEC)

NOTE: PURCHASE ALL OTHER COMPONENTS LOCALLY



ART\_1001130588

## SECTION 8 - ELECTRICAL

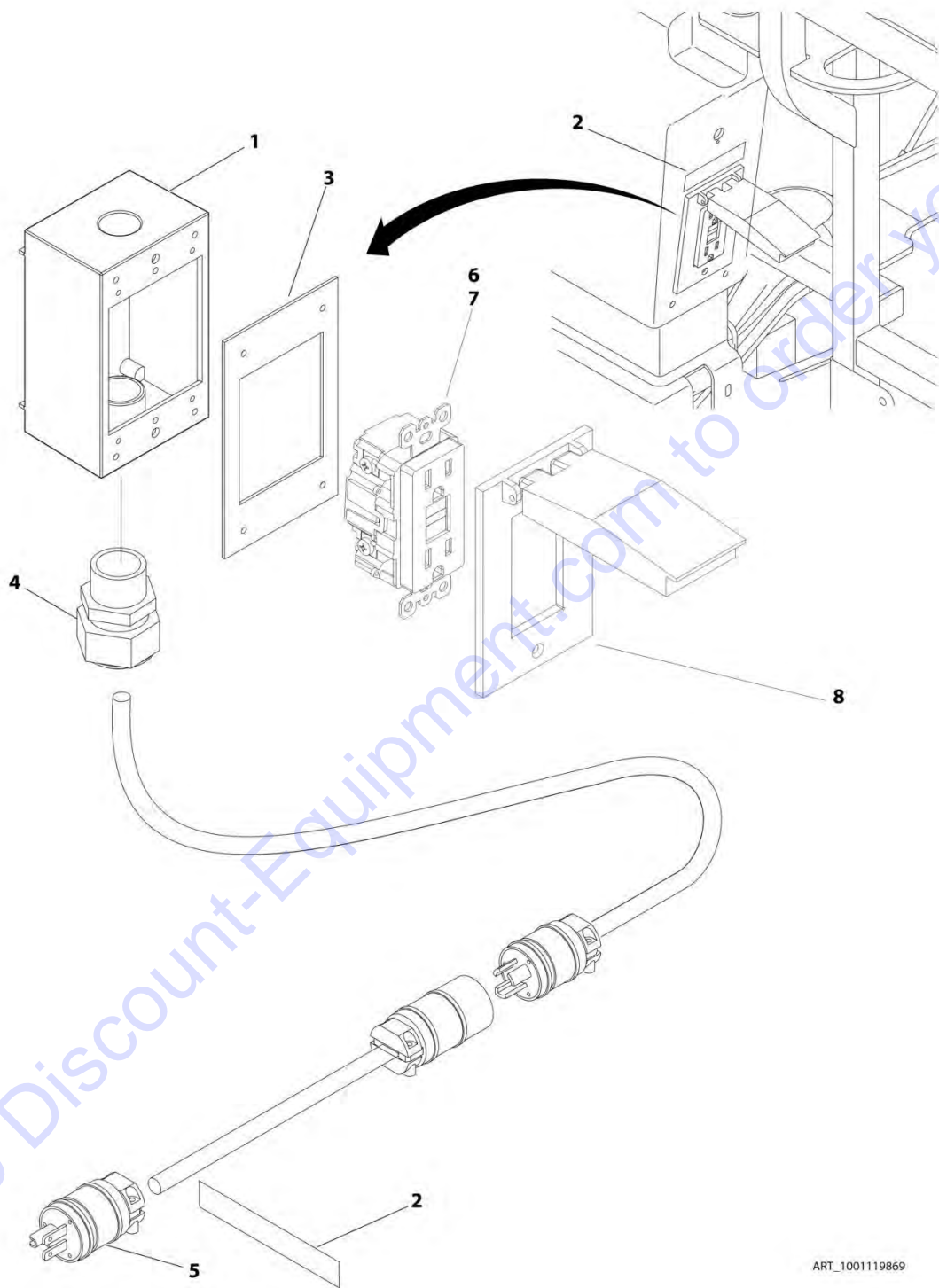
**FIGURE 8-3. AC BOX AT PLATFORM INSTALLATION - LOCALLY SUPPLIED (CE SPEC)**

ITEM	PART NUMBER	QTY	DESCRIPTION	REV
	1001130588	Ref	AC BOX AT PLATFORM INSTALLATION - LOCALLY SUPPLIED (CE SPEC)	A
1	0760610	2	Bolt M6 x 20	
2	1320043	1	Clamp	
3	2902549	1	Breaker Box Kit (See BREAKER BOX KIT (CE SPEC) for Breakdown)	
4	3252507	1	Decal - 220V-50/60Hz	
5	3290605	2	Nut M6	
6	4460121	3	Cap, Wire (Not Shown - Located inside Receptacle Box)	
7	4811700	4	Washer M6	

Go to Discount-Equipment.com to order your parts

## SECTION 8 - ELECTRICAL

FIGURE 8-4. AC BOX AT PLATFORM INSTALLATION - 110V (ANSI, ANSI EXPORT, CHINA, CSA AND JAPANESE SPECS)



ART\_1001119869

## SECTION 8 - ELECTRICAL

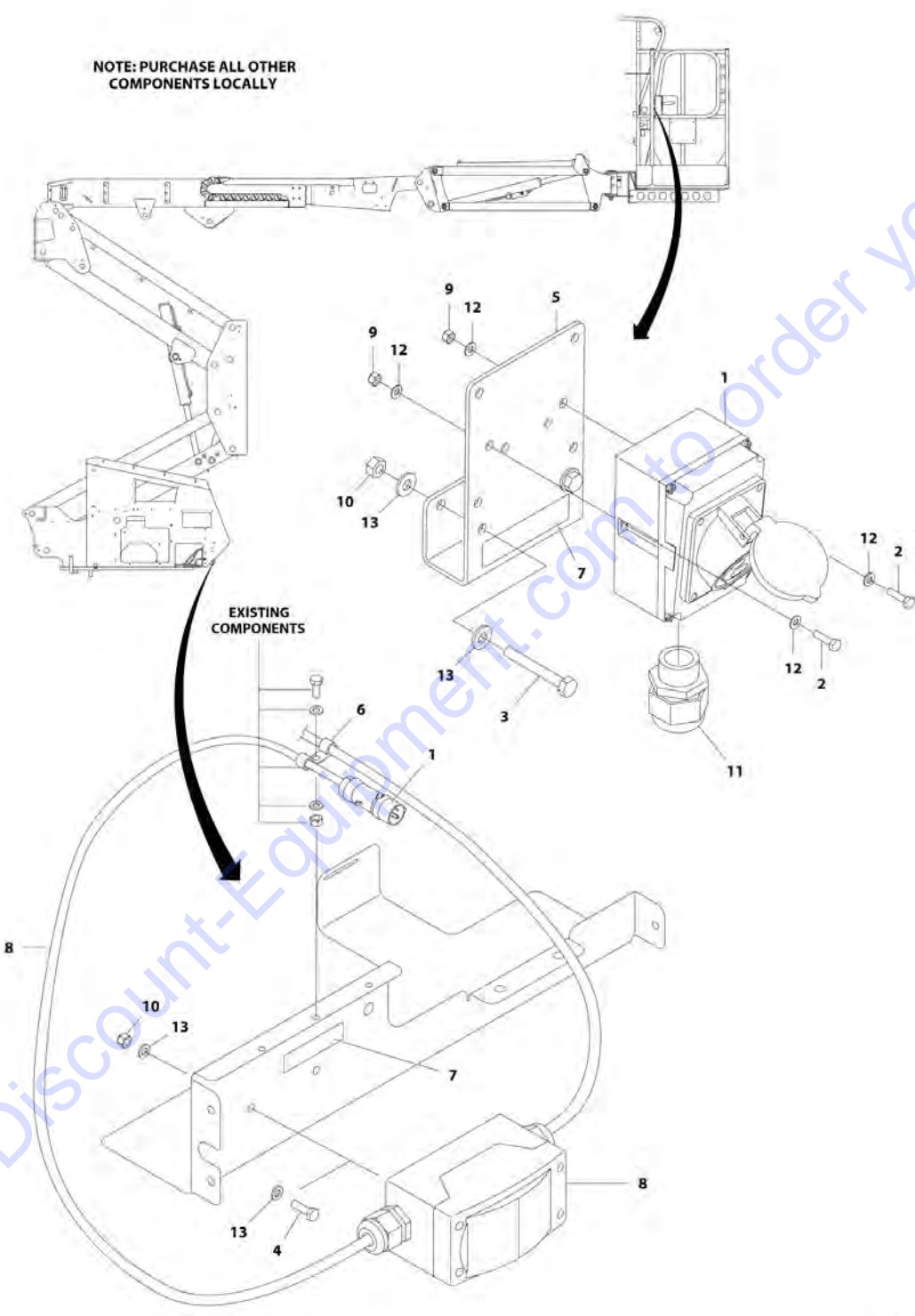
**FIGURE 8-4. AC BOX AT PLATFORM INSTALLATION - 110V (ANSI, ANSI EXPORT, CHINA, CSA AND JAPANESE SPECS)**

ITEM	PART NUMBER	QTY	DESCRIPTION	REV
	1001119869	Ref	AC BOX AT PLATFORM INSTALLATION - 110V (ANSI, ANSI EXPORT, CHINA, CSA AND JAPANESE SPECS)	A
1	0860038	1	Box, Switch	
2	3251243	2	Decal - 120V-60Hz	
3	3960422	1	Gasket	
4	4460071	1	Connector, Strain Relief	
5	4460205	1	Plug, Male	
6	4460315	3	Terminal, Spade	
7	4460346	1	Receptacle	
8	1001110873	1	Shield, Cover	

Go to Discount-Equipment.com to order your parts

# SECTION 8 - ELECTRICAL

## FIGURE 8-5. AC BOX AT PLATFORM INSTALLATION - 110V IEC YELLOW WITHOUT 4000W GENERATOR (CE SPEC)



ART\_100119875

## SECTION 8 - ELECTRICAL

**FIGURE 8-5. AC BOX AT PLATFORM INSTALLATION - 110V IEC YELLOW WITHOUT 4000W GENERATOR (CE SPEC)**

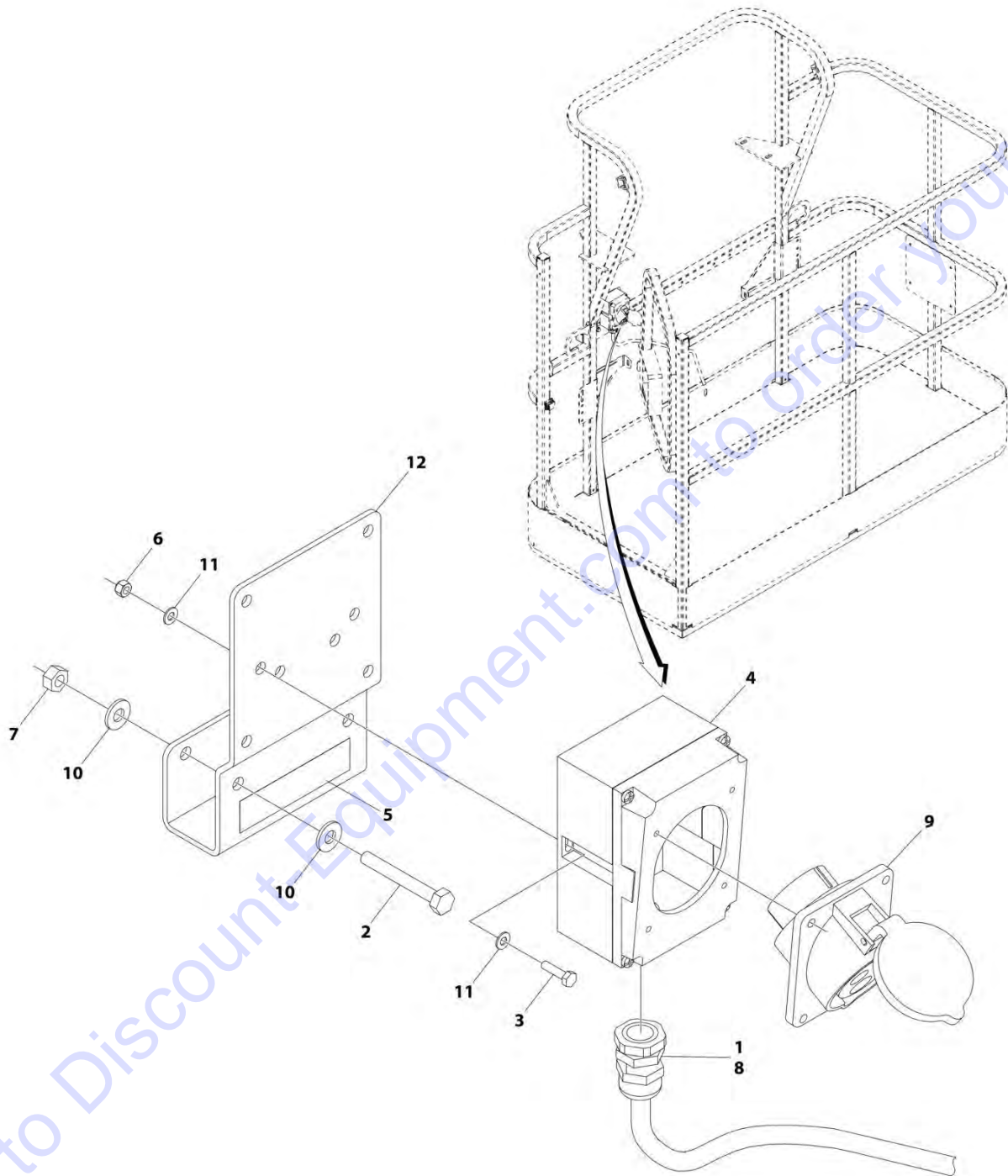
ITEM	PART NUMBER	QTY	DESCRIPTION	REV
	100119875	Ref	AC BOX AT PLATFORM INSTALLATION - 110V IEC YELLOW WITHOUT 4000W GENERATOR (CE SPEC)	B
1	0275216	1	Receptacle Box Kit (See RECEPTACLE BOX KIT - 110V IEC YELLOW (CE SPEC) for Breakdown)	
2	0700408	2	Bolt M4 x 16	
3	0700618	2	Bolt M6 x 50	
4	0760610	2	Bolt M6 x 20	
5	1001193018	1	Bracket	
6	1320043	1	Clamp	
7	1705325	2	Decal - 120V-50Hz	
8	2902549	1	Breaker Box Kit (See BREAKER BOX KIT (CE SPEC) for Breakdown)	
9	3290405	2	Nut M4	
10	3290605	4	Nut M6	
11	4460968	1	Connector, Strain Relief	
12	4811400	4	Washer M4	
13	4811700	8	Washer M6	

Go to Discount-Equipment.com to order your parts



# SECTION 8 - ELECTRICAL

FIGURE 8-6. AC BOX AT PLATFORM INSTALLATION - 110V IEC YELLOW WITH 4000W GENERATOR (CE SPECS)



ART\_1001194203

# PARTS FINDER

**Search Website  
by Part Number**



**Search Manual  
Library For Parts  
Manual & Lookup Part  
Numbers – Purchase  
or Request Quote**

**Can't Find Part or  
Manual? Request Help  
by Manufacturer,  
Model & Description**

Discount-Equipment.com is your online resource for quality parts & equipment.

Florida: **561-964-4949** Outside Florida TOLL FREE: **877-690-3101**

## Need parts?

Click on this link: <http://www.discount-equipment.com/category/5443-parts/> and choose one of the options to help get the right parts and equipment you are looking for. Please have the machine model and serial number available in order to help us get you the correct parts. If you don't find the part on the website or on one of the online manuals, please fill out the request form and one of our experienced staff members will get back to you with a quote for the right part that your machine needs.

We sell worldwide for the brands: Genie, Terex, JLG, MultiQuip, Mikasa, Essick, Whiteman, Mayco, Toro Stone, Diamond Products, Generac Magnum, Airman, Haulotte, Barreto, Power Blanket, Nifty Lift, Atlas Copco, Chicago Pneumatic, Allmand, Miller Curber, Skyjack, Lull, Skytrak, Tsurumi, Husquvarna Target, Stow, Wacker, Sakai, Mi-T-M, Sullair, Basic, Dynapac, MBW, Weber, Bartell, Bennar Newman, Haulotte, Ditch Runner, Menegotti, Morrison, Contec, Buddy, Crown, Edco, Wyco, Bomag, Laymor, EZ Trench, Bil-Jax, F.S. Curtis, Gehl Pavers, Heli, Honda, ICS/PowerGrit, IHI, Partner, Imer, Clipper, MMD, Koshin, Rice, CH&E, General Equipment, Amida, Coleman, NAC, Gradall, Square Shooter, Kent, Stanley, Tamco, Toku, Hatz, Kohler, Robin, Wisconsin, Northrock, Oztec, Toker TK, Rol-Air, APT, Wylie, Ingersoll Rand / Doosan, Innovatech, Con X, Ammann, Mecalac, Makinex, Smith Surface Prep, Small Line, Wanco, Yanmar

## SECTION 8 - ELECTRICAL

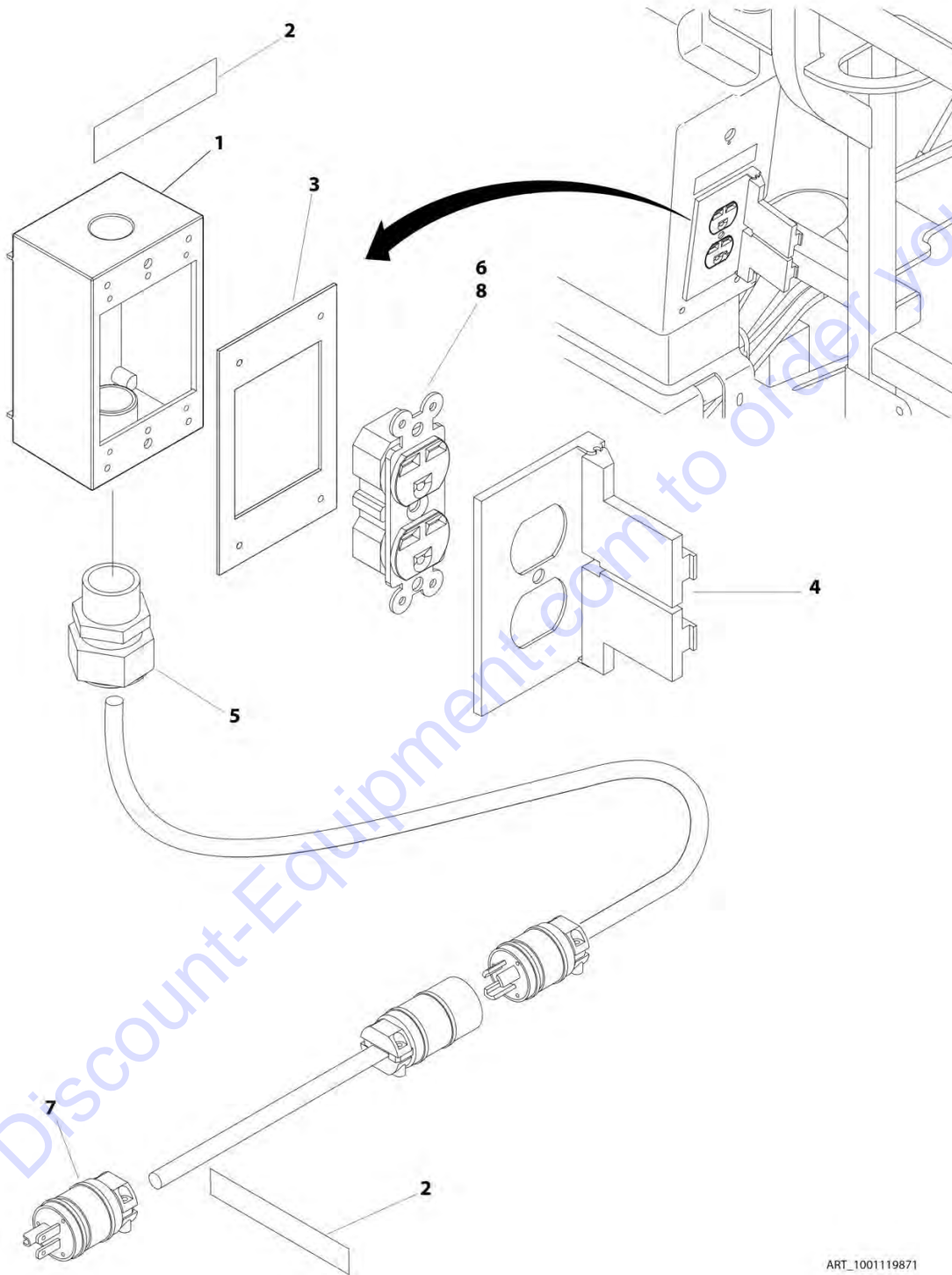
**FIGURE 8-6. AC BOX AT PLATFORM INSTALLATION - 110V IEC YELLOW WITH 4000W GENERATOR  
(CE SPECS)**

ITEM	PART NUMBER	QTY	DESCRIPTION	REV
	1001194203	Ref	AC BOX AT PLATFORM INSTALLATION - 110V IEC YELLOW WITH 4000W GENERATOR (CE SPECS)	B
1	0100020	AR	Sealant, Pipe	
2	0641416	2	Bolt 1/4 x 2	
3	0700408	2	Bolt M4 x 16	
4	0861781	1	Box, Switch	
5	1705325	1	Decal - 110V	
6	3290405	2	Nut M4	
7	3311405	2	Nut 1/4	
8	4460968	1	Connector, Strain Relief	
9	4461198	1	Receptacle	
10	4711400	4	Washer 1/4	
11	4811400	4	Washer M4	
12	1001193018	1	Bracket, AC Receptacle	

Go to Discount-Equipment.com to order your parts

## SECTION 8 - ELECTRICAL

FIGURE 8-7. AC BOX AT PLATFORM INSTALLATION - 220V (CSA SPEC)



ART\_1001119871

## SECTION 8 - ELECTRICAL

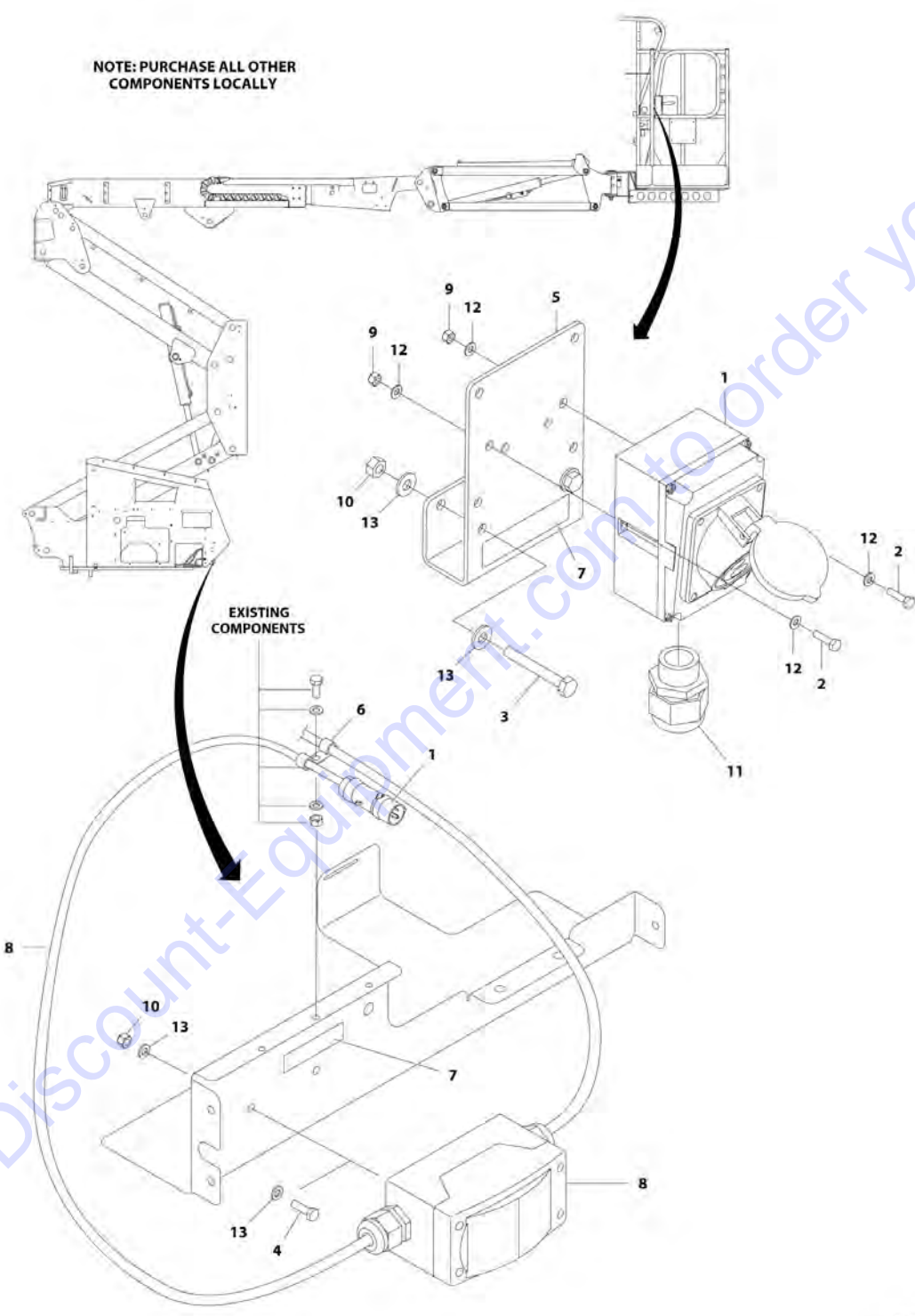
**FIGURE 8-7. AC BOX AT PLATFORM INSTALLATION - 220V (CSA SPEC)**

ITEM	PART NUMBER	QTY	DESCRIPTION	REV
	1001119871	Ref	AC BOX AT PLATFORM INSTALLATION - 220V (CSA SPEC)	A
1	0860038	1	Box, Switch	
2	3252507	2	Decal - 220V-50/60Hz	
3	3960422	1	Gasket	
4	4060092	1	Shield, Weather	
5	4460071	1	Connector, Strain Relief	
6	4460125	1	Receptacle	
7	4460233	1	Plug, Male	
8	4460315	3	Terminal, Spade	

Go to Discount-Equipment.com to order your parts

# SECTION 8 - ELECTRICAL

## FIGURE 8-8. AC BOX AT PLATFORM INSTALLATION - 220V IEC BLUE WITHOUT 4000W GENERATOR (CE SPEC)



ART\_1001198/6

## SECTION 8 - ELECTRICAL

**FIGURE 8-8. AC BOX AT PLATFORM INSTALLATION - 220V IEC BLUE WITHOUT 4000W GENERATOR (CE SPEC)**

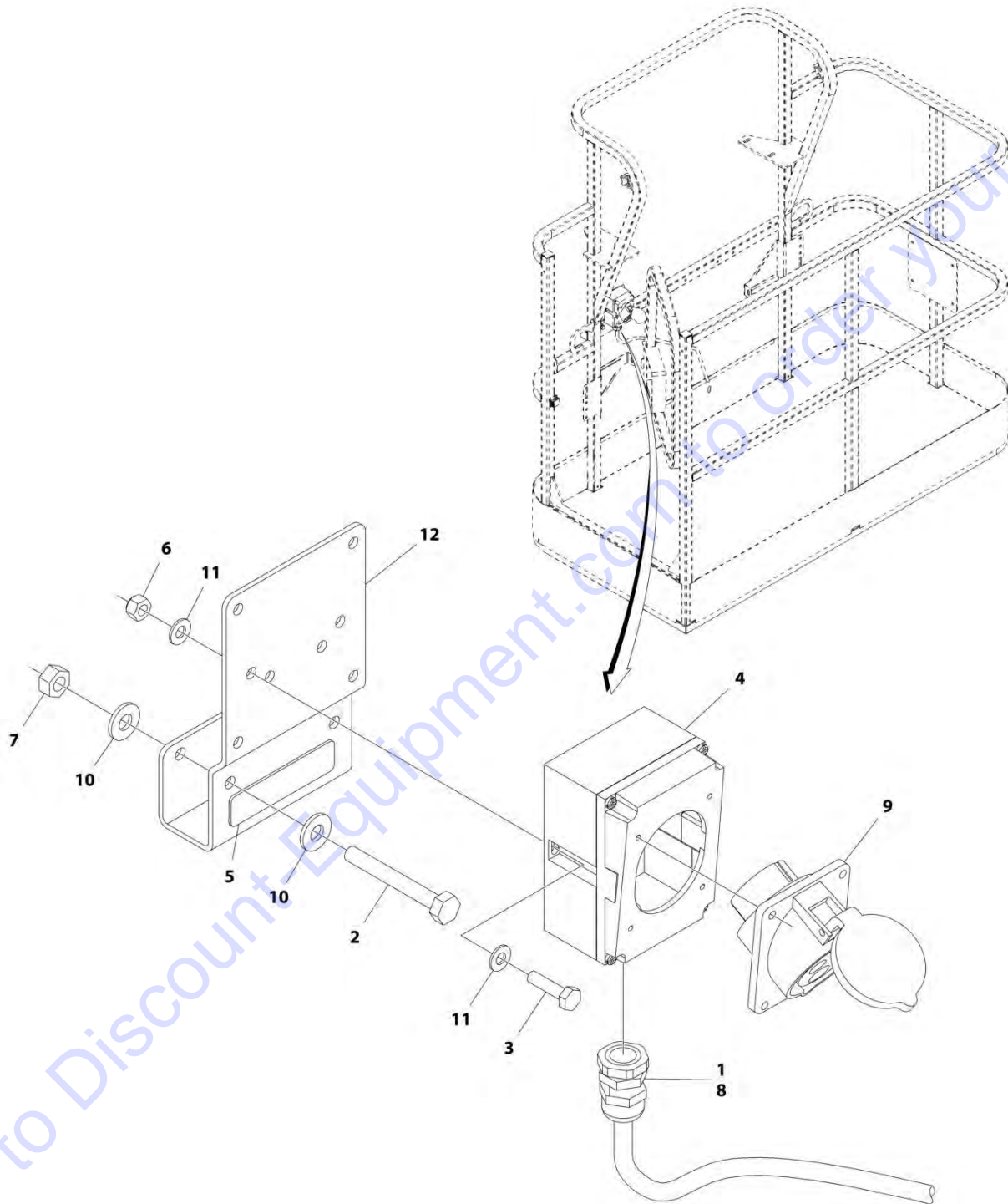
ITEM	PART NUMBER	QTY	DESCRIPTION	REV
	100119876	Ref	AC BOX AT PLATFORM INSTALLATION - 220V IEC BLUE WITHOUT 4000W GENERATOR (CE SPEC)	B
1	0275217	1	Receptacle Box Kit (See RECEPTACLE BOX KIT - 220V IEC BLUE (CE SPEC) for Breakdown)	
2	0700408	2	Bolt M4 x 16	
3	0700618	2	Bolt M6 x 50	
4	0760610	2	Bolt M6 x 20	
5	1001193018	1	Bracket	
6	1320043	1	Clamp	
7	3252507	2	Decal - 220V-50/60Hz	
8	2902549	1	Breaker Box Kit (See BREAKER BOX KIT (CE SPEC) for Breakdown)	
9	3290405	2	Nut M4	
10	3290605	4	Nut M6	
11	4460968	1	Connector, Strain Relief	
12	4811400	4	Washer M4	
13	4811700	8	Washer M6	

Go to Discount-Equipment.com to order your parts



## SECTION 8 - ELECTRICAL

FIGURE 8-9. AC BOX AT PLATFORM INSTALLATION - 220V IEC BLUE WITH 4000W GENERATOR  
(CE SPECS)



ART\_1001194204

## SECTION 8 - ELECTRICAL

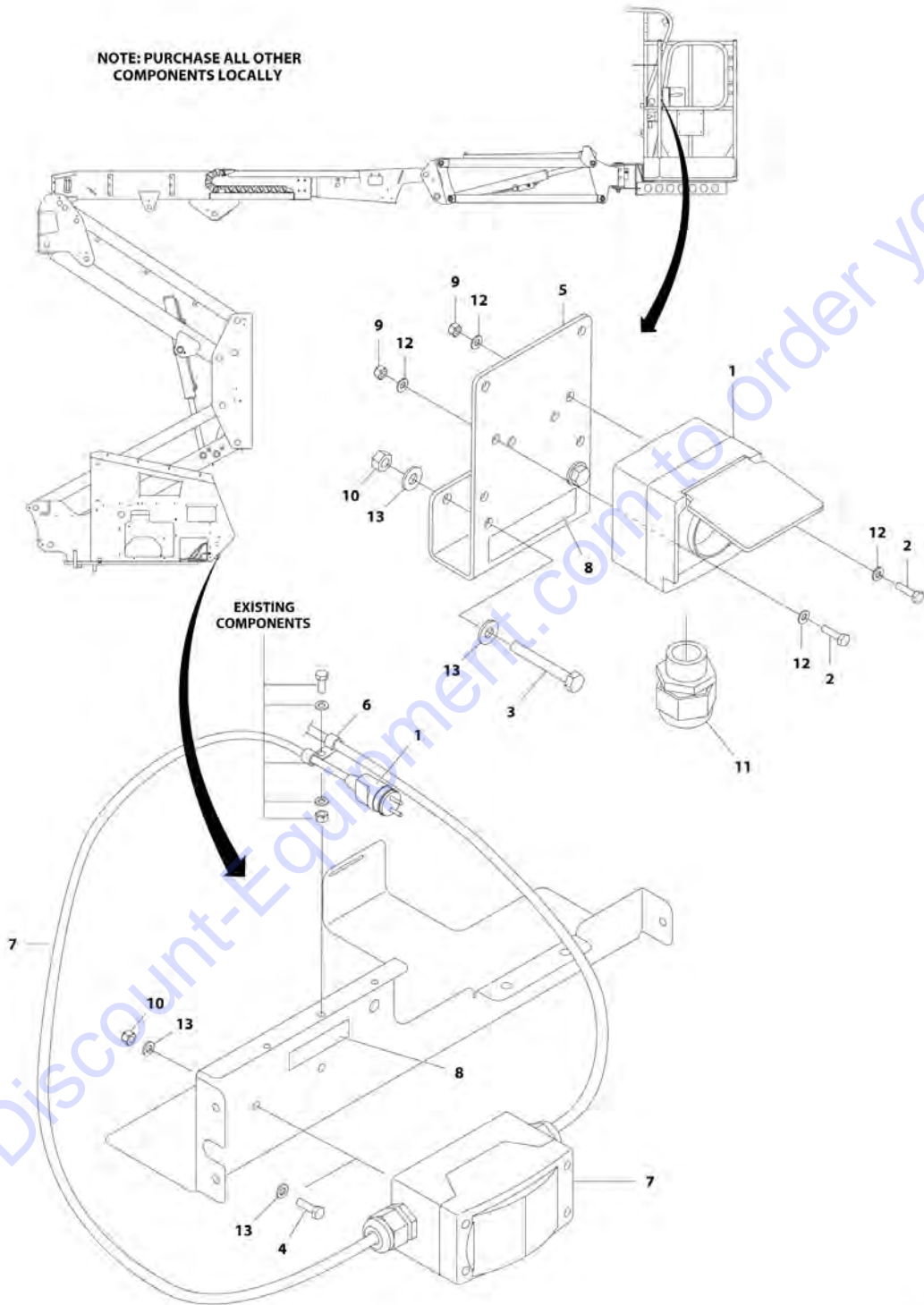
**FIGURE 8-9. AC BOX AT PLATFORM INSTALLATION - 220V IEC BLUE WITH 4000W GENERATOR  
(CE SPECS)**

ITEM	PART NUMBER	QTY	DESCRIPTION	REV
	1001194204	Ref	AC BOX AT PLATFORM INSTALLATION - 220V IEC BLUE WITH 4000W GENERATOR (CE SPECS)	B
1	0100020	AR	Sealant, Pipe	
2	0641416	2	Bolt 1/4 x 2	
3	0700408	2	Bolt M4 x 16	
4	0861781	1	Box, Switch	
5	3251242	1	Decal - 240V-50Hz	
6	3290405	2	Nut M4	
7	3311405	2	Nut 1/4	
8	4460968	1	Connector, Strain Relief	
9	4461201	1	Receptacle	
10	4711400	4	Washer 1/4	
11	4811400	4	Washer M4	
12	1001193018	1	Bracket, AC Receptacle	

Go to Discount-Equipment.com to order your parts

## SECTION 8 - ELECTRICAL

FIGURE 8-10. AC BOX AT PLATFORM INSTALLATION - 220V CEE7 POST GROUND 70 X 70 BOX (CE SPEC)



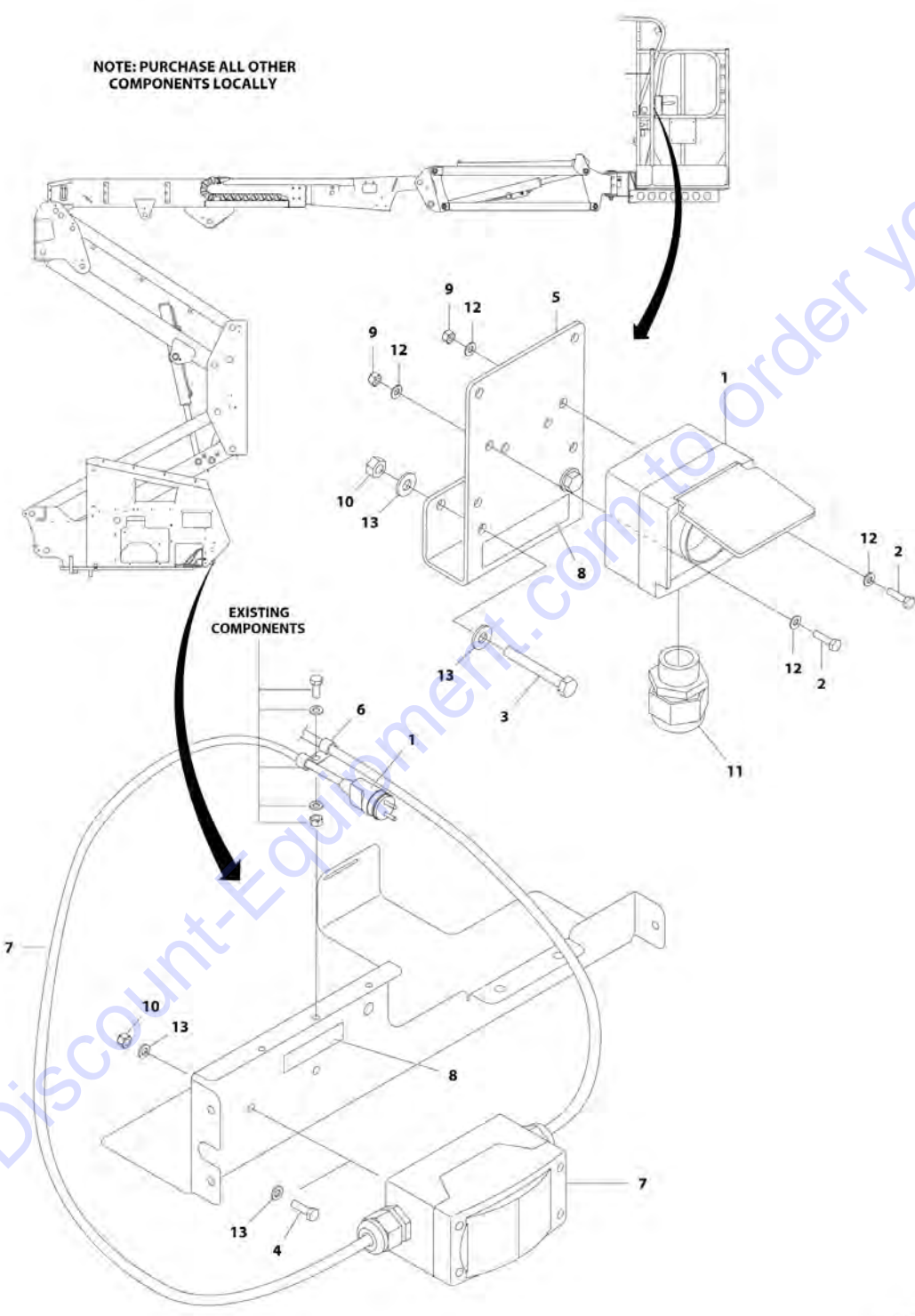
## SECTION 8 - ELECTRICAL

**FIGURE 8-10. AC BOX AT PLATFORM INSTALLATION - 220V CEE7 POST GROUND 70 X 70 BOX (CE SPEC)**

ITEM	PART NUMBER	QTY	DESCRIPTION	REV
	1001115788	Ref	AC BOX AT PLATFORM INSTALLATION - 220V CEE7 POST GROUND 70 X 70 BOX (CE SPEC)	B
1	0275218	1	Receptacle Box Kit (See RECEPTACLE BOX KIT - 220V CEE7 POST GROUND 70 X 70 BOX (CE SPEC) for Breakdown)	
2	0700408	2	Bolt M4 x 16	
3	0700618	2	Bolt M6 x 50	
4	0760610	2	Bolt M6 x 20	
5	1001193018	1	Bracket	
6	1320043	1	Clamp	
7	2902549	1	Breaker Box Kit (See BREAKER BOX KIT (CE SPEC) for Breakdown)	
8	3252507	2	Decal - 220V-50/60Hz	
9	3290405	2	Nut M4	
10	3290605	4	Nut M6	
11	4460968	1	Connector, Strain Relief	
12	4811400	4	Washer M4	
13	4811700	8	Washer M6	

# SECTION 8 - ELECTRICAL

FIGURE 8-11. AC BOX AT PLATFORM INSTALLATION - 220V CEE7 SIDE GROUND 70 X 70 BOX (CE SPEC)



## SECTION 8 - ELECTRICAL

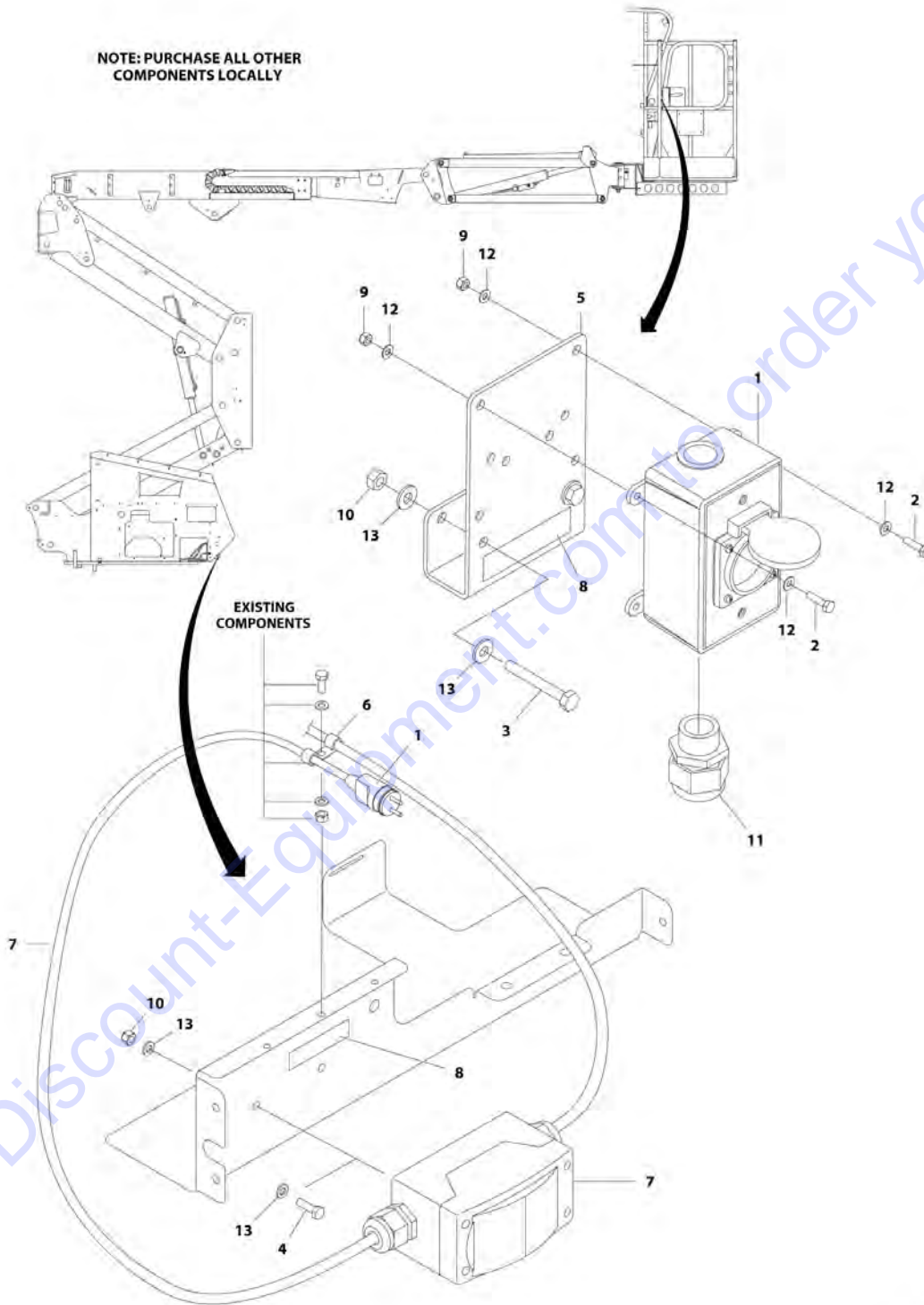
**FIGURE 8-11. AC BOX AT PLATFORM INSTALLATION - 220V CEE7 SIDE GROUND 70 X 70 BOX (CE SPEC)**

ITEM	PART NUMBER	QTY	DESCRIPTION	REV
	1001119877	Ref	AC BOX AT PLATFORM INSTALLATION - 220V CEE7 SIDE GROUND 70 X 70 BOX (CE SPEC)	B
1	0275219	1	Receptacle Box Kit (See RECEPTACLE BOX KIT - 220V CEE7 SIDE GROUND 70 X 70 BOX (CE SPEC) for Breakdown)	
2	0700408	2	Bolt M4 x 16	
3	0700618	2	Bolt M6 x 50	
4	0760610	2	Bolt M6 x 20	
5	1001193018	1	Bracket	
6	1320043	1	Clamp	
7	2902549	1	Breaker Box Kit (See BREAKER BOX KIT (CE SPEC) for Breakdown)	
8	3252507	2	Decal - 220V-50/60Hz	
9	3290405	2	Nut M4	
10	3290605	4	Nut M6	
11	4460968	1	Connector, Strain Relief	
12	4811400	4	Washer M4	
13	4811700	8	Washer M6	

Go to Discount-Equipment.com to order your parts

## SECTION 8 - ELECTRICAL

FIGURE 8-12. AC BOX AT PLATFORM INSTALLATION - 220V CEE7 POST GROUND 2 X 4 BOX WITHOUT 4000W GENERATOR (CE SPEC)





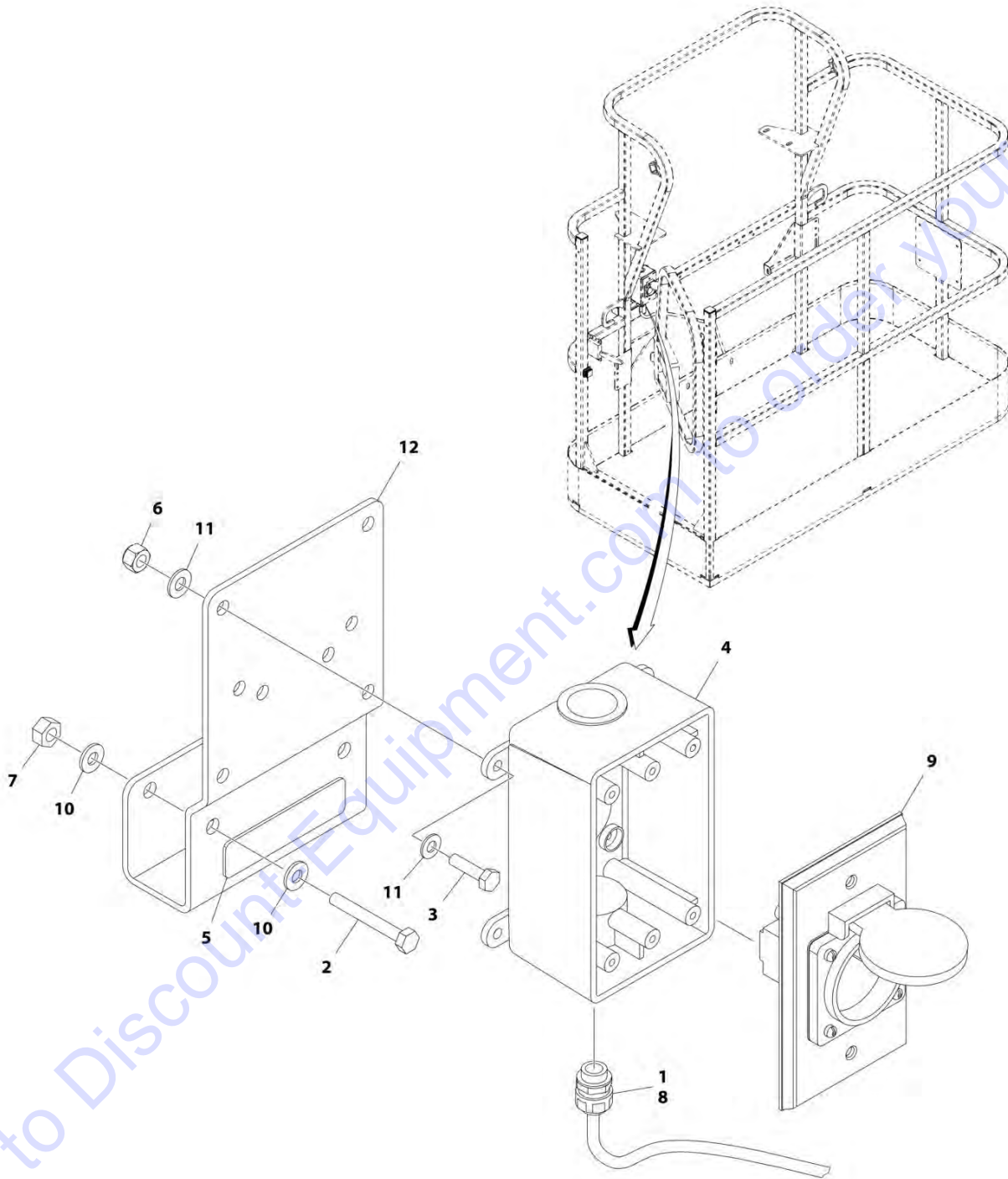
## SECTION 8 - ELECTRICAL

**FIGURE 8-12. AC BOX AT PLATFORM INSTALLATION - 220V CEE7 POST GROUND 2 X 4 BOX WITHOUT 4000W GENERATOR (CE SPEC)**

ITEM	PART NUMBER	QTY	DESCRIPTION	REV
	1001119872	Ref	AC BOX AT PLATFORM INSTALLATION - 220V CEE7 POST GROUND 2 X 4 BOX WITHOUT 4000W GENERATOR (CE SPEC)	C
1	0275452	1	Receptacle Box Kit (See RECEPTACLE BOX KIT - 220V CEE7 POST GROUND 2 X 4 BOX (CE SPEC) for Breakdown)	
2	0700408	4	Bolt M4 x 16	
3	0700618	2	Bolt M6 x 50	
4	0760610	2	Bolt M6 x 20	
5	1001193018	1	Bracket	
6	1320043	1	Clamp	
7	2902549	1	Breaker Box Kit (See BREAKER BOX KIT (CE SPEC) for Breakdown)	
8	3252507	2	Decal - 220V-50/60Hz	
9	3290405	4	Nut M4	
10	3290605	4	Nut M6	
11	4460968	1	Connector, Strain Relief (SN 0300200802 through 0200222942)	
11	4460662	1	Connector, Strain Relief (SN 0300222943 to Present)	
12	4811400	8	Washer M4	
13	4811700	8	Washer M6	

## SECTION 8 - ELECTRICAL

FIGURE 8-13. AC BOX AT PLATFORM INSTALLATION - 220V CEE7 POST GROUND 2 X 4 BOX WITH 4000W GENERATOR (CE SPECS)



ART\_1001194197

## SECTION 8 - ELECTRICAL

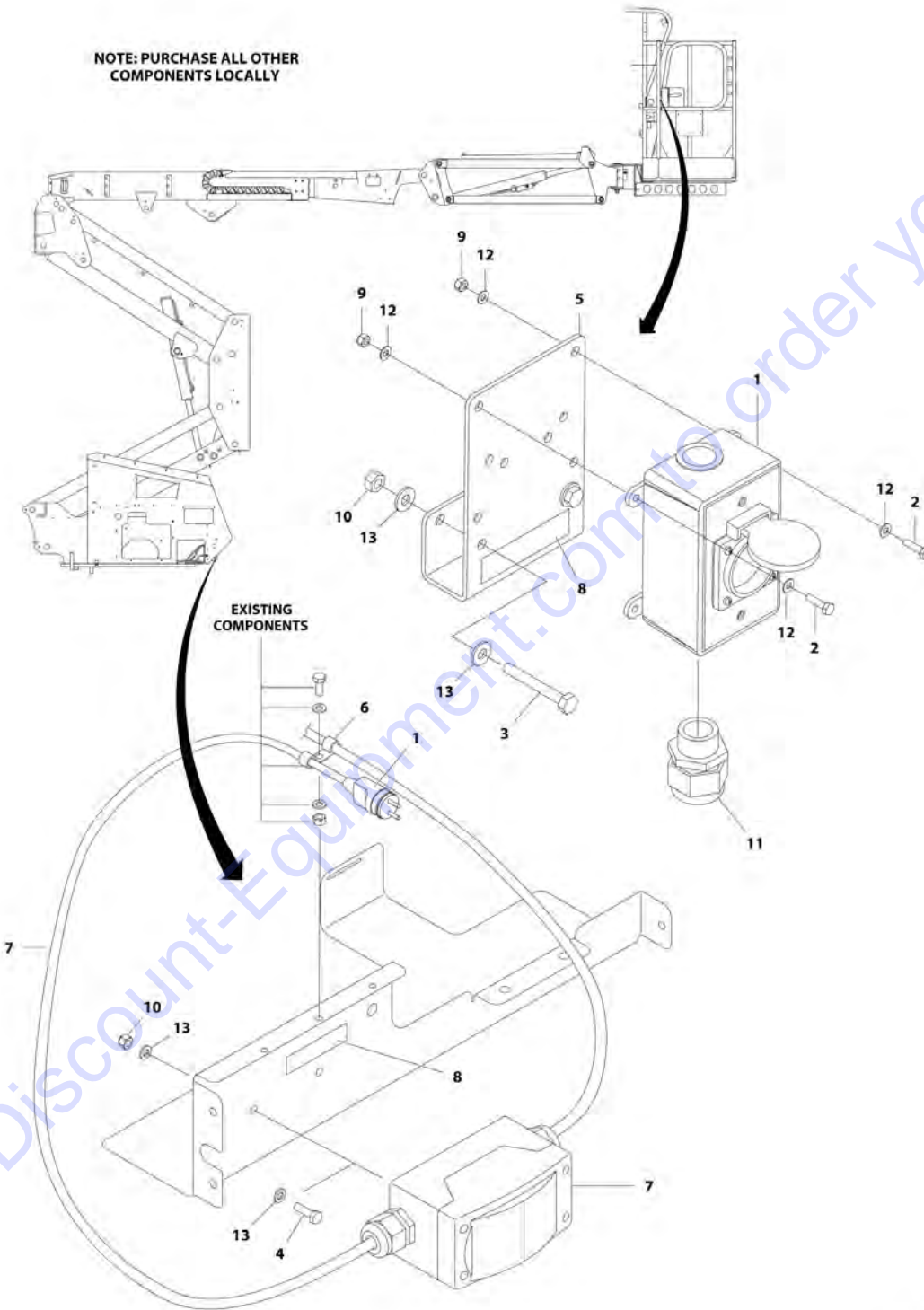
**FIGURE 8-13. AC BOX AT PLATFORM INSTALLATION - 220V CEE7 POST GROUND 2 X 4 BOX WITH 4000W GENERATOR (CE SPECS)**

ITEM	PART NUMBER	QTY	DESCRIPTION	REV
	1001194197	Ref	AC BOX AT PLATFORM INSTALLATION - 220V CEE7 POST GROUND 2 X 4 BOX WITH 4000W GENERATOR (CE SPECS)	B
1	0100020	AR	Sealant, Pipe	
2	0641416	2	Bolt 1/4 x 2	
3	0700408	4	Bolt M4 x 16	
4	0861731	1	Box, Switch	
5	3251242	1	Decal - 240V-50Hz	
6	3290405	4	Nut M4	
7	3311405	2	Nut 1/4	
8	4460662	1	Connector, Strain Relief	
9	4461244	1	Receptacle	
10	4711400	4	Washer 1/4	
11	4811400	8	Washer M4	
12	1001193018	1	Bracket, AC Receptacle	
13	4460806	2	Terminal, Fork (Not Shown)	
14	1001205958	1	Terminal (Not Shown)	

Go to Discount-Equipment.com to order your parts

# SECTION 8 - ELECTRICAL

FIGURE 8-14. AC BOX AT PLATFORM INSTALLATION - 220V CEE7 SIDE GROUND 2 X 4 BOX WITHOUT 4000W GENERATOR (CE SPEC)



ART\_100119873

## SECTION 8 - ELECTRICAL

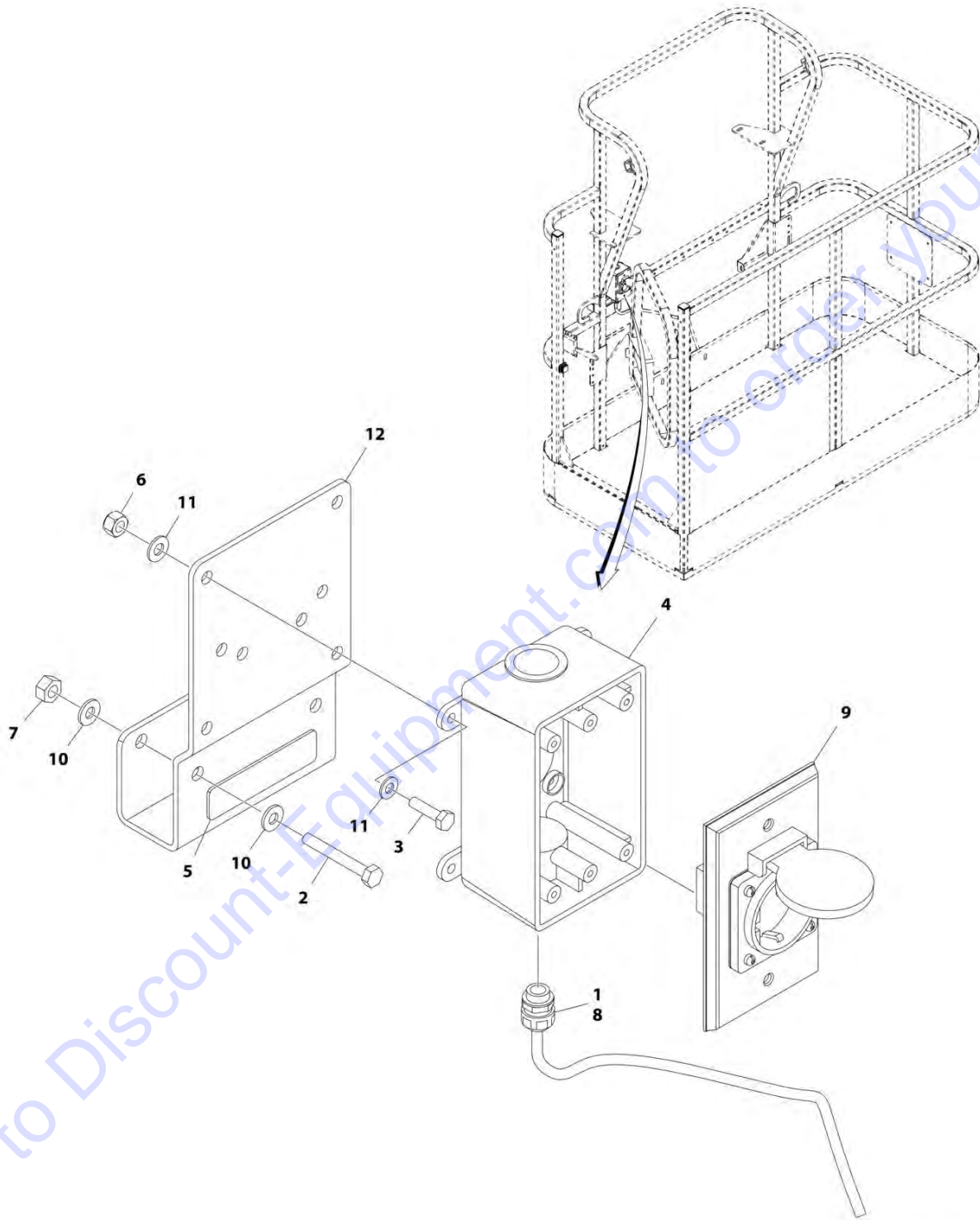
**FIGURE 8-14. AC BOX AT PLATFORM INSTALLATION - 220V CEE7 SIDE GROUND 2 X 4 BOX WITHOUT 4000W GENERATOR (CE SPEC)**

ITEM	PART NUMBER	QTY	DESCRIPTION	REV
	1001119873	Ref	AC BOX AT PLATFORM INSTALLATION - 220V CEE7 SIDE GROUND 2 X 4 BOX WITHOUT 4000W GENERATOR (CE SPEC)	B
1	0275453	1	Receptacle Box Kit (See RECEPTACLE BOX KIT - 220V CEE7 SIDE GROUND 2 X 4 BOX (CE SPEC) for Breakdown)	
2	0700408	4	Bolt M4 x 16	
3	0700618	2	Bolt M6 x 50	
4	0760610	2	Bolt M6 x 20	
5	1001193018	1	Bracket	
6	1320043	1	Clamp	
7	2902549	1	Breaker Box Kit (See BREAKER BOX KIT (CE SPEC) for Breakdown)	
8	3252507	2	Decal - 220V-50/60Hz	
9	3290405	4	Nut M4	
10	3290605	4	Nut M6	
11	4460968	1	Connector, Strain Relief	
12	4811400	8	Washer M4	
13	4811700	8	Washer M6	

Go to Discount-Equipment.com to order your parts

## SECTION 8 - ELECTRICAL

FIGURE 8-15. AC BOX AT PLATFORM INSTALLATION - 220V CEE7 SIDE GROUND 2 X 4 BOX WITH 4000W GENERATOR (CE SPECS)



ART\_1001194198

## SECTION 8 - ELECTRICAL

**FIGURE 8-15. AC BOX AT PLATFORM INSTALLATION - 220V CEE7 SIDE GROUND 2 X 4 BOX WITH 4000W GENERATOR (CE SPECS)**

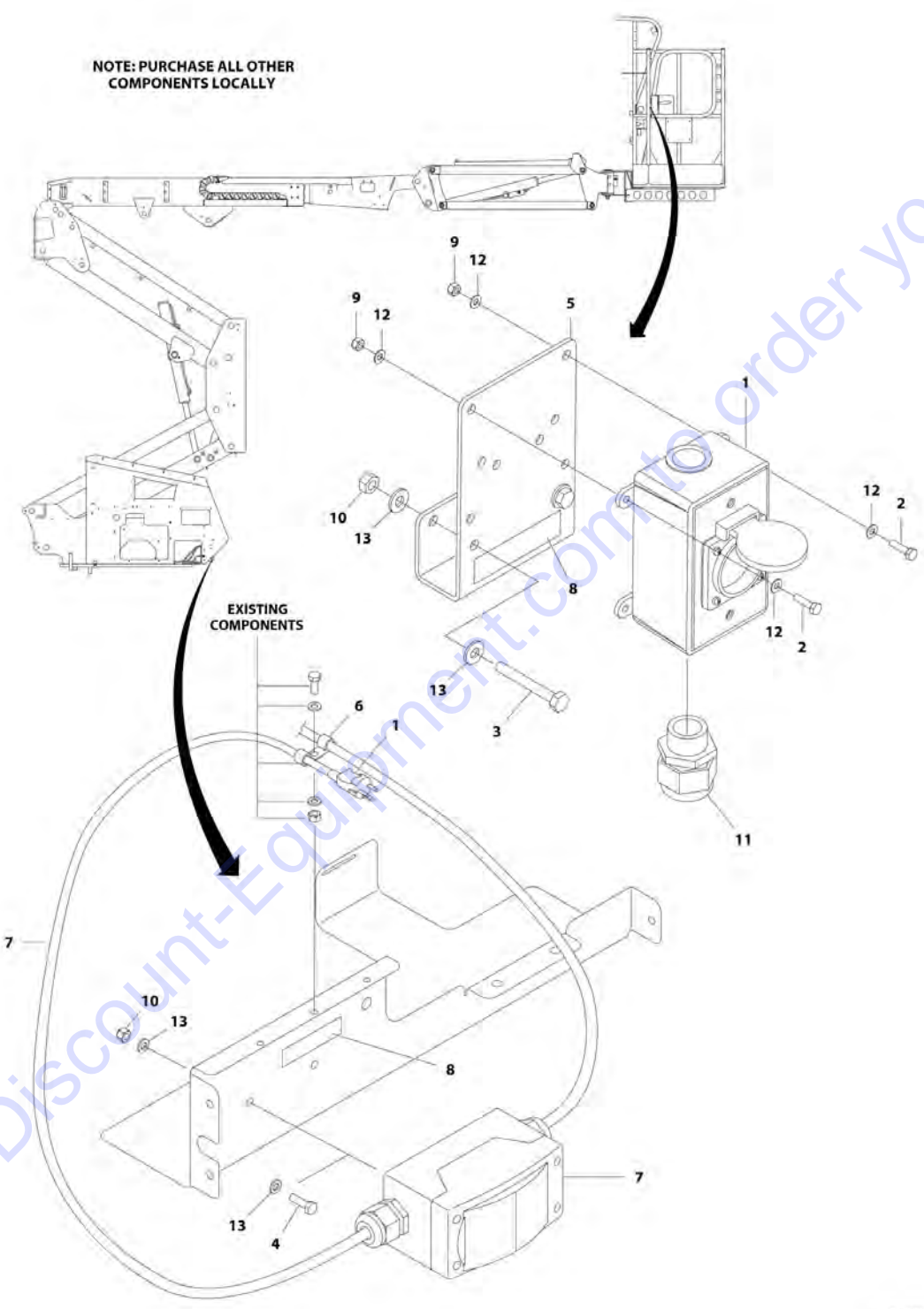
ITEM	PART NUMBER	QTY	DESCRIPTION	REV
	1001194198	Ref	AC BOX AT PLATFORM INSTALLATION - 220V CEE7 SIDE GROUND 2 X 4 BOX WITH 4000W GENERATOR (CE SPECS)	B
1	0100020	AR	Sealant, Pipe	
2	0641416	2	Bolt 1/4 x 2	
3	0700408	4	Bolt M4 x 16	
4	0861731	1	Box, Switch	
5	3251242	1	Decal - 240V-50Hz	
6	3290405	4	Nut M4	
7	3311405	2	Nut 1/4	
8	4460662	1	Connector, Strain Relief	
9	4461245	1	Receptacle	
10	4711400	4	Washer 1/4	
11	4811400	8	Washer M4	
12	1001193018	1	Bracket, AC Receptacle	
13	4460806	2	Terminal, Fork (Not Shown)	
14	1001205958	1	Terminal (Not Shown)	

Go to Discount-Equipment.com to order your parts



# SECTION 8 - ELECTRICAL

## FIGURE 8-16. AC BOX AT PLATFORM INSTALLATION - 220V AFSINT 107 KEYED GROUND WITHOUT 4000W GENERATOR (CE SPEC)



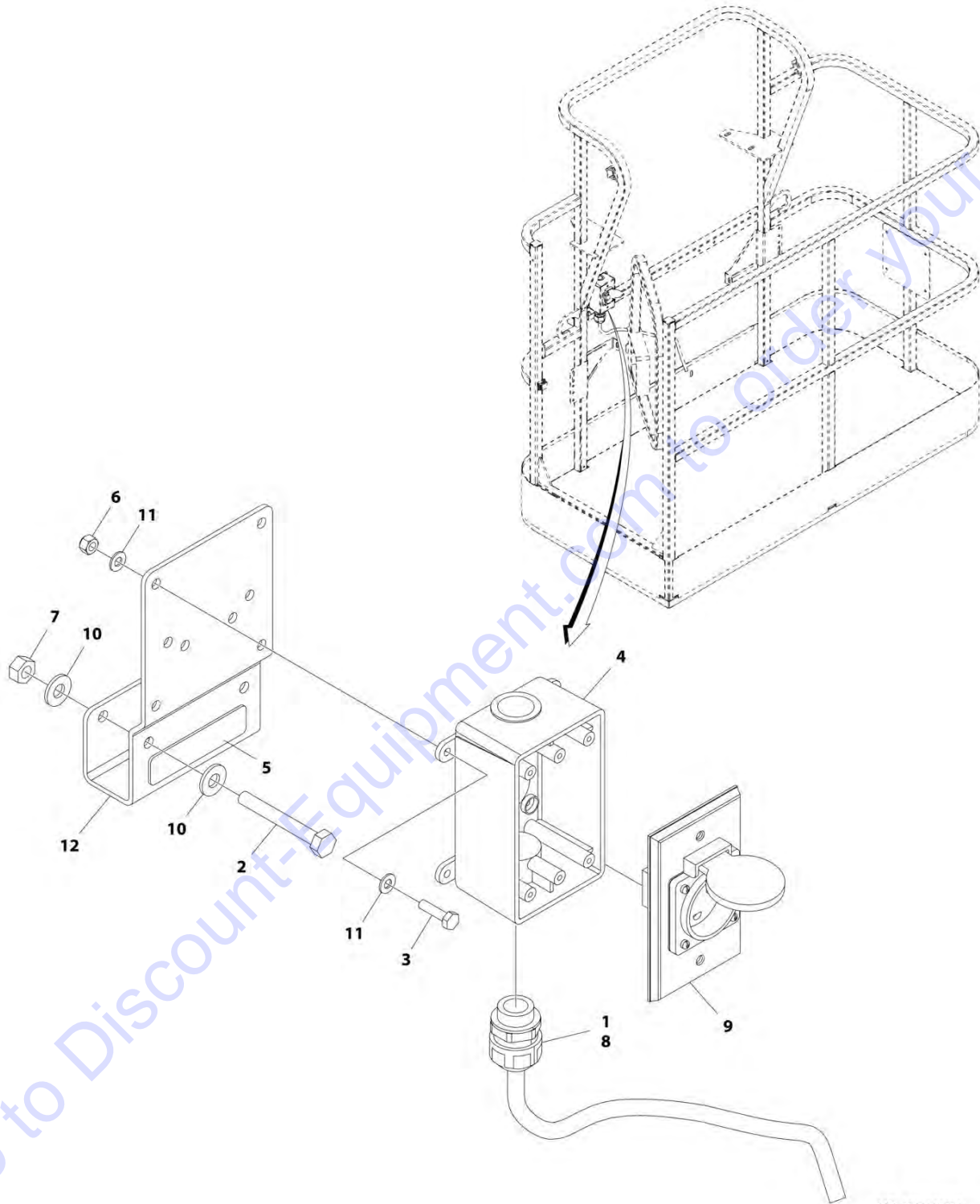
## SECTION 8 - ELECTRICAL

**FIGURE 8-16. AC BOX AT PLATFORM INSTALLATION - 220V AFSINT 107 KEYED GROUND WITHOUT 4000W GENERATOR (CE SPEC)**

ITEM	PART NUMBER	QTY	DESCRIPTION	REV
	1001119874	Ref	AC BOX AT PLATFORM INSTALLATION - 220V AFSINT 107 KEYED GROUND WITHOUT 4000W GENERATOR (CE SPEC)	C
1	0275454	1	Receptacle Box Kit (See RECEPTACLE BOX KIT - 220V AFSINT 107 (CE SPEC) for Breakdown)	
2	0700408	4	Bolt M4 x 16	
3	0700618	2	Bolt M6 x 50	
4	0760610	2	Bolt M6 x 20	
5	1001193018	1	Bracket	
6	1320043	1	Clamp	
7	2902549	1	Breaker Box Kit (See BREAKER BOX KIT (CE SPEC) for Breakdown)	
8	3252507	2	Decal - 220V-50/60Hz	
9	3290405	4	Nut M4	
10	3290605	4	Nut M6	
11	4460968	1	Connector, Strain Relief (SN 0300200802 through 0200222942)	
11	4460662	1	Connector, Strain Relief (SN 0300222943 to Present)	
12	4811400	8	Washer M4	
13	4811700	8	Washer M6	

## SECTION 8 - ELECTRICAL

FIGURE 8-17. AC BOX AT PLATFORM INSTALLATION - 220V AFSINT 107 KEYED GROUND WITH 4000W GENERATOR (CE SPECS)



ART\_1001194200

## SECTION 8 - ELECTRICAL

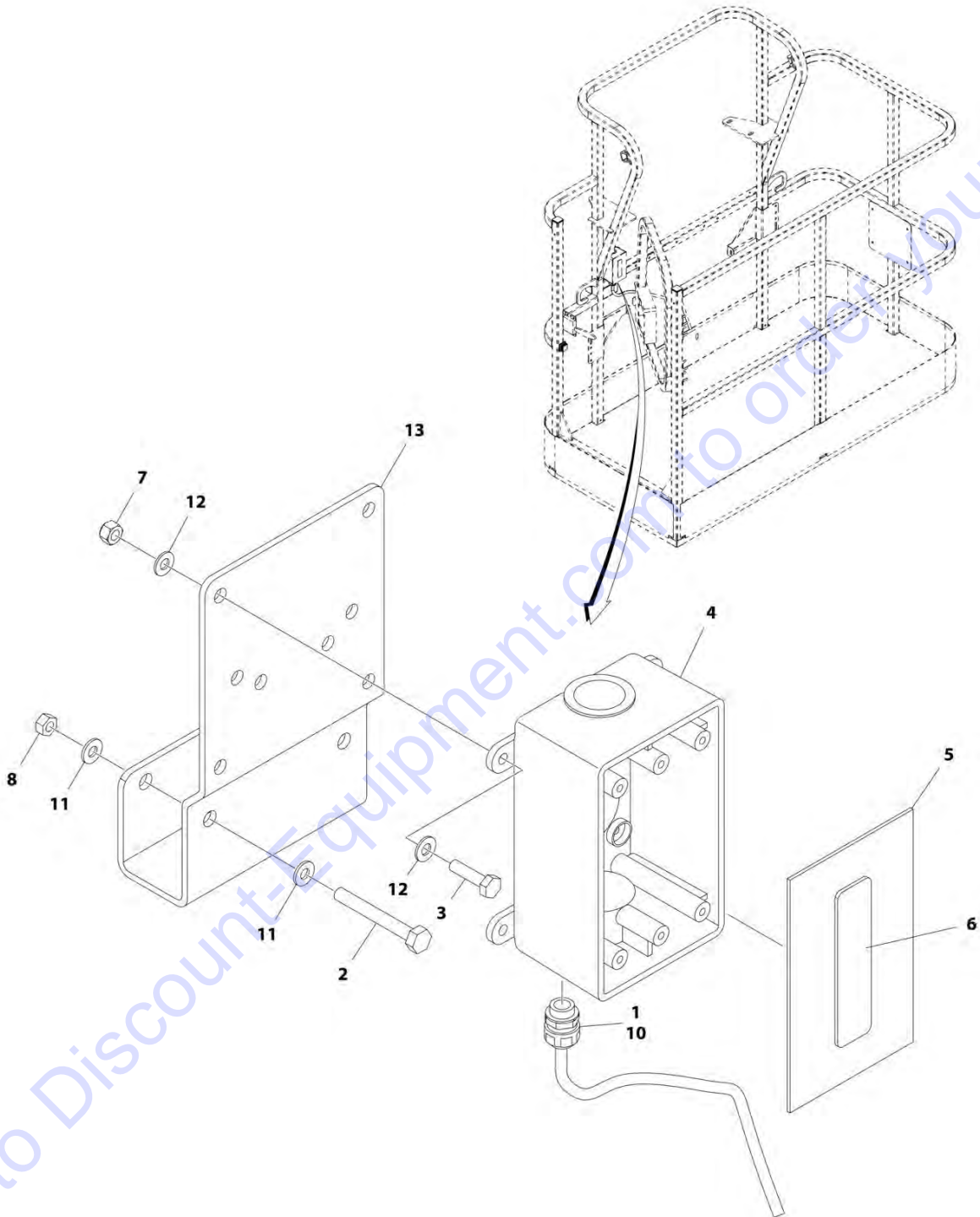
**FIGURE 8-17. AC BOX AT PLATFORM INSTALLATION - 220V AFSINT 107 KEYED GROUND WITH 4000W GENERATOR (CE SPECS)**

ITEM	PART NUMBER	QTY	DESCRIPTION	REV
	1001194200	Ref	AC BOX AT PLATFORM INSTALLATION - 220V AFSINT 107 KEYED GROUND WITH 4000W GENERATOR (CE SPECS)	B
1	0100020	AR	Sealant, Pipe	
2	0641416	2	Bolt 1/4 x 2	
3	0700408	4	Bolt M4 x 16	
4	0861731	1	Box, Switch	
5	3251242	1	Decal - 240V-50Hz	
6	3290405	4	Nut M4	
7	3311405	2	Nut 1/4	
8	4460662	1	Connector, Strain Relief	
9	4461246	1	Receptacle	
10	4711400	4	Washer 1/4	
11	4811400	8	Washer M4	
12	1001193018	1	Bracket, AC Receptacle	
13	1001205958	3	Terminal (Not Shown)	

Go to Discount-Equipment.com to order your parts

## SECTION 8 - ELECTRICAL

FIGURE 8-18. AC BOX AT PLATFORM INSTALLATION - BOX WITH COVER WITH 4000W GENERATOR (ANSI EXPORT, AUSTRALIAN, CHINA AND JAPANESE SPECS)



ART\_1001194365

## SECTION 8 - ELECTRICAL

**FIGURE 8-18. AC BOX AT PLATFORM INSTALLATION - BOX WITH COVER WITH 4000W GENERATOR (ANSI EXPORT, AUSTRALIAN, CHINA AND JAPANESE SPECS)**

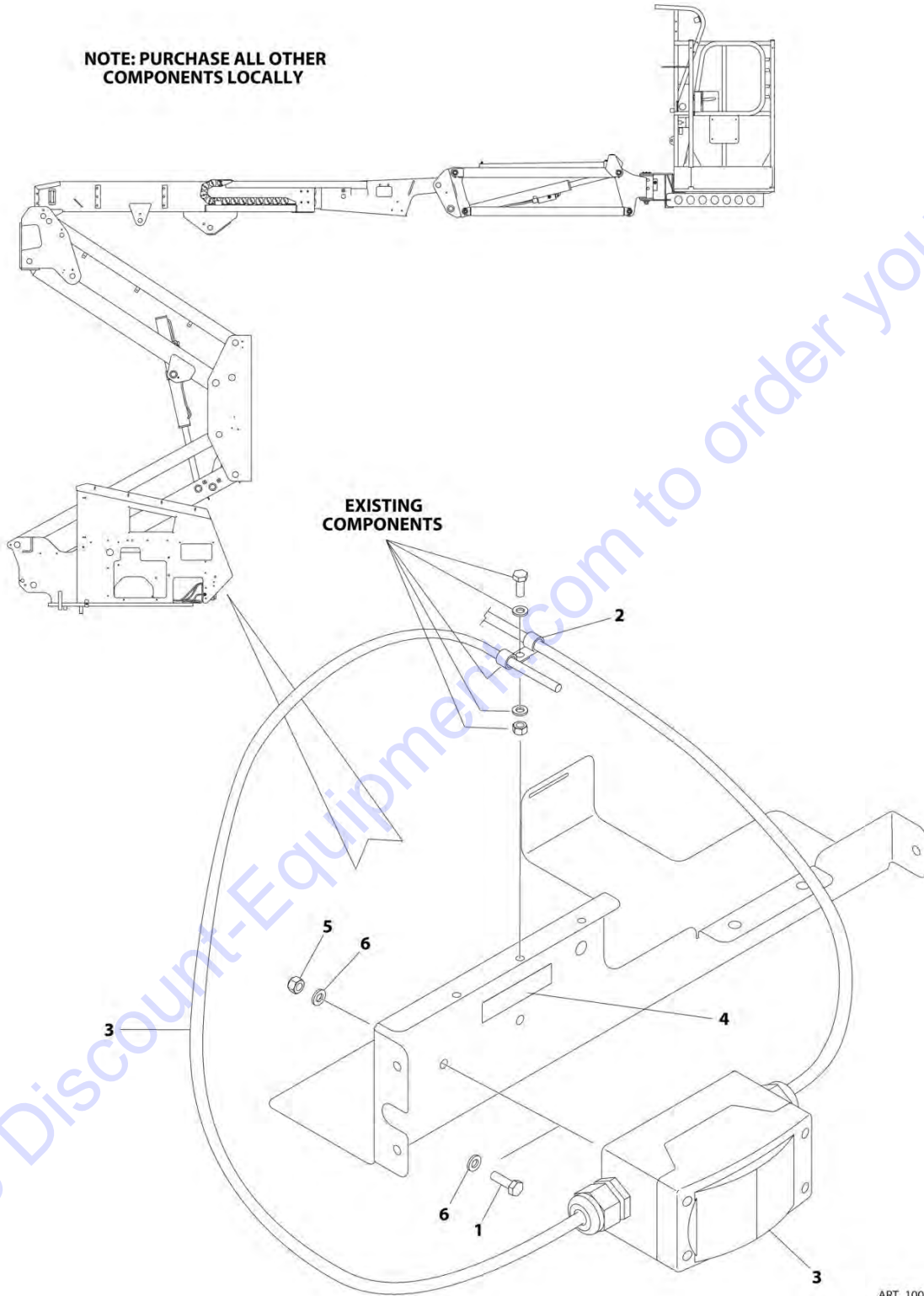
ITEM	PART NUMBER	QTY	DESCRIPTION	REV
	1001194365	Ref	AC BOX AT PLATFORM INSTALLATION - BOX WITH COVER WITH 4000W GENERATOR (ANSI EXPORT, AUSTRALIAN, CHINA AND JAPANESE SPECS)	A
1	0100020	AR	Sealant, Pipe	
2	0641416	2	Bolt 1/4 x 2	
3	0700408	4	Bolt M4 x 16	
4	0861731	1	Box, Switch	
5	1670603	1	Cover	
6	3251242	1	Decal - 240V-50Hz	
7	3290405	4	Nut M4	
8	3311405	2	Nut 1/4	
9	4460384	3	Terminal (Not Shown)	
10	4460662	1	Connector, Strain Relief	
11	4711400	4	Washer 1/4	
12	4811400	8	Washer M4	
13	1001193018	1	Bracket, AC Receptacle	

Go to Discount-Equipment.com to order your parts

# SECTION 8 - ELECTRICAL

## FIGURE 8-19. AC CIRCUIT BREAKER INSTALLATION

NOTE: PURCHASE ALL OTHER COMPONENTS LOCALLY



ART\_1001188322



## SECTION 8 - ELECTRICAL

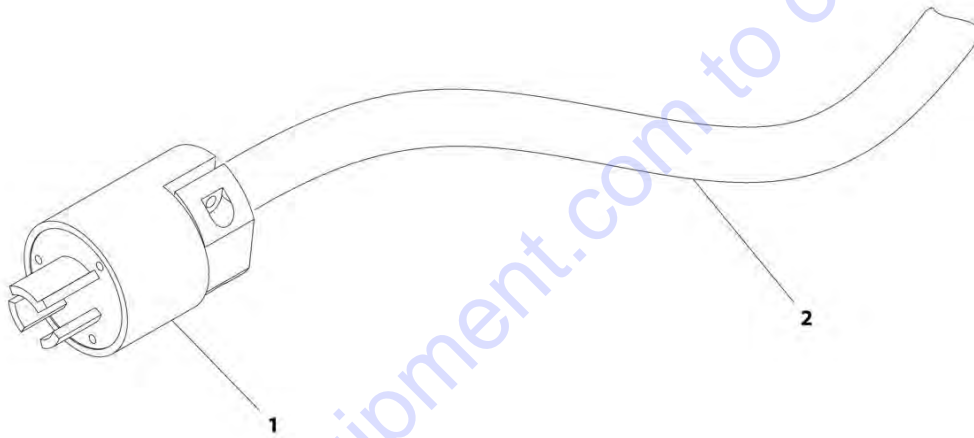
### FIGURE 8-19. AC CIRCUIT BREAKER INSTALLATION

ITEM	PART NUMBER	QTY	DESCRIPTION	REV
	1001188322	Ref	AC CIRCUIT BREAKER INSTALLATION	A
1	0760610	2	Bolt M6 x 20	
2	1320043	1	Clamp	
3	2902549	1	Breaker Box Kit (See BREAKER BOX KIT (CE SPEC) for Breakdown)	
4	3252507	1	Decal - 220V-50/60Hz	
5	3290605	2	Nut M6	
6	4811700	4	Washer M6	

Go to Discount-Equipment.com to order your parts

## SECTION 8 - ELECTRICAL

FIGURE 8-20. AC POWER TO PLATFORM CABLE - MAIN BOOM (WITHOUT ARCTIC PACKAGE)  
(50HZ)



ART\_1001119140

## SECTION 8 - ELECTRICAL

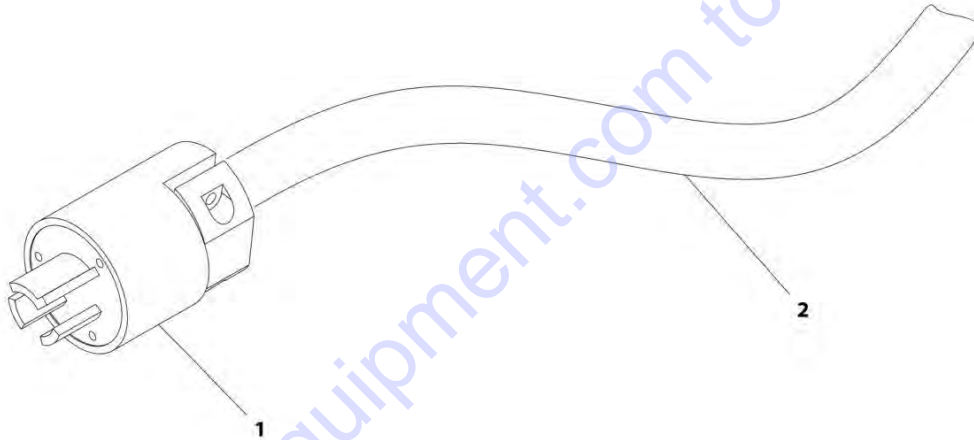
**FIGURE 8-20. AC POWER TO PLATFORM CABLE - MAIN BOOM (WITHOUT ARCTIC PACKAGE)  
(50HZ)**

ITEM	PART NUMBER	QTY	DESCRIPTION	REV
	1001119140	Ref	AC POWER TO PLATFORM CABLE - MAIN BOOM (WITHOUT ARCTIC PACKAGE) (50Hz)	C
1	1001120204	1	Plug, Male	
2	4923505	1	Cable, 14/3	

Go to Discount-Equipment.com to order your parts

## SECTION 8 - ELECTRICAL

FIGURE 8-21. AC POWER TO PLATFORM CABLE - MAIN BOOM (WITH ARCTIC PACKAGE) (50HZ)



ART\_1001119955

## SECTION 8 - ELECTRICAL

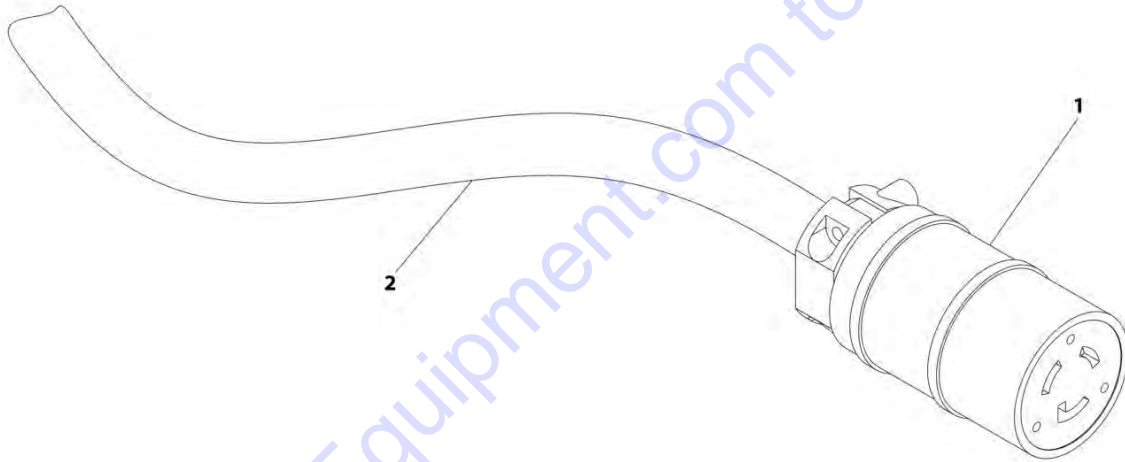
**FIGURE 8-21. AC POWER TO PLATFORM CABLE - MAIN BOOM (WITH ARCTIC PACKAGE) (50HZ)**

ITEM	PART NUMBER	QTY	DESCRIPTION	REV
	1001119955	Ref	AC POWER TO PLATFORM CABLE - MAIN BOOM (WITH ARCTIC PACKAGE) (50Hz)	B
1	1001120204	1	Plug, Male	
2	4923463	1	Cable, 12/3	

Go to Discount-Equipment.com to order your parts

## SECTION 8 - ELECTRICAL

FIGURE 8-22. AC POWER TO PLATFORM CABLE - TOWER BOOM (WITHOUT ARCTIC PACKAGE)  
(50HZ)



ART\_1001119139

## SECTION 8 - ELECTRICAL

**FIGURE 8-22. AC POWER TO PLATFORM CABLE - TOWER BOOM (WITHOUT ARCTIC PACKAGE)  
(50HZ)**

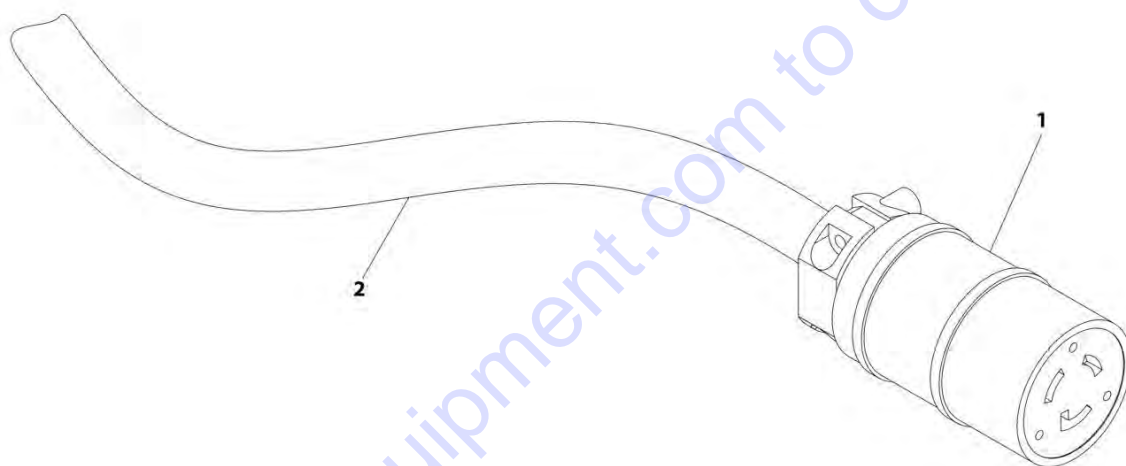
ITEM	PART NUMBER	QTY	DESCRIPTION	REV
	1001119139	Ref	AC POWER TO PLATFORM CABLE - TOWER BOOM (WITHOUT ARCTIC PACKAGE) (50Hz)	B
1	1001120205	1	Connector, Female	
2	4923505	1	Cable, 14/3	

Go to Discount-Equipment.com to order your parts



## SECTION 8 - ELECTRICAL

FIGURE 8-23. AC POWER TO PLATFORM CABLE - TOWER BOOM (WITH ARCTIC PACKAGE) (50HZ)



ART\_1001119956

## SECTION 8 - ELECTRICAL

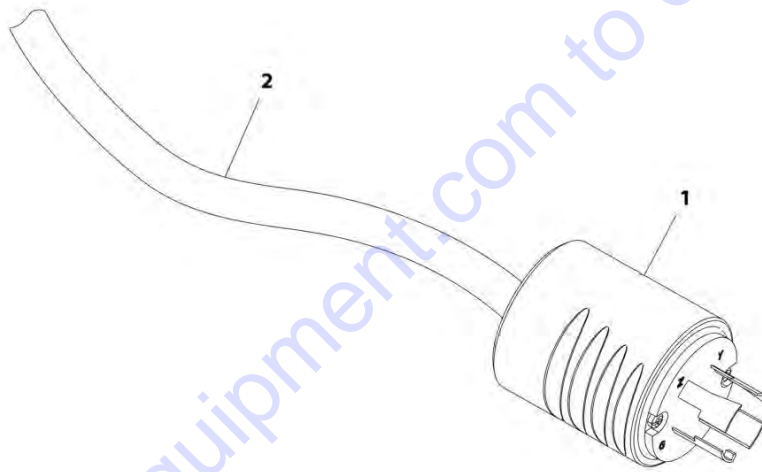
**FIGURE 8-23. AC POWER TO PLATFORM CABLE - TOWER BOOM (WITH ARCTIC PACKAGE) (50HZ)**

ITEM	PART NUMBER	QTY	DESCRIPTION	REV
	1001119956	Ref	AC POWER TO PLATFORM CABLE - TOWER BOOM (WITH ARCTIC PACKAGE) (50Hz)	A
1	1001120205	1	Connector, Female	
2	4923463	1	Cable, 12/3	

Go to Discount-Equipment.com to order your parts

## SECTION 8 - ELECTRICAL

FIGURE 8-24. AC POWER TO PLATFORM CABLE - MAIN BOOM (60HZ)



ART\_1001157311

## SECTION 8 - ELECTRICAL

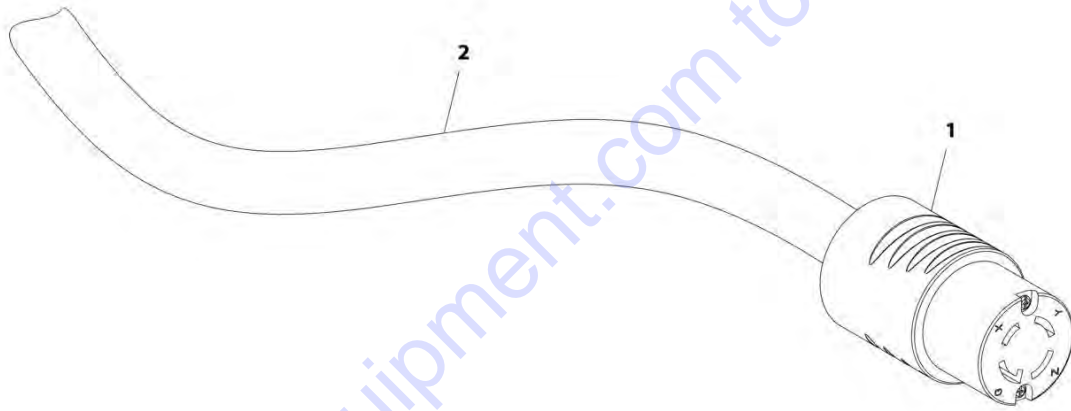
**FIGURE 8-24. AC POWER TO PLATFORM CABLE - MAIN BOOM (60HZ)**

ITEM	PART NUMBER	QTY	DESCRIPTION	REV
1	1001157311 4460962	Ref 1	AC POWER TO PLATFORM CABLE - MAIN BOOM (60Hz) Terminal	A
2	1001131968	22.2 ft /6.8m	Cable, 10/4	

Go to Discount-Equipment.com to order your parts

## SECTION 8 - ELECTRICAL

FIGURE 8-25. AC POWER TO PLATFORM CABLE - TOWER BOOM (60HZ)



ART\_1001157310

## SECTION 8 - ELECTRICAL

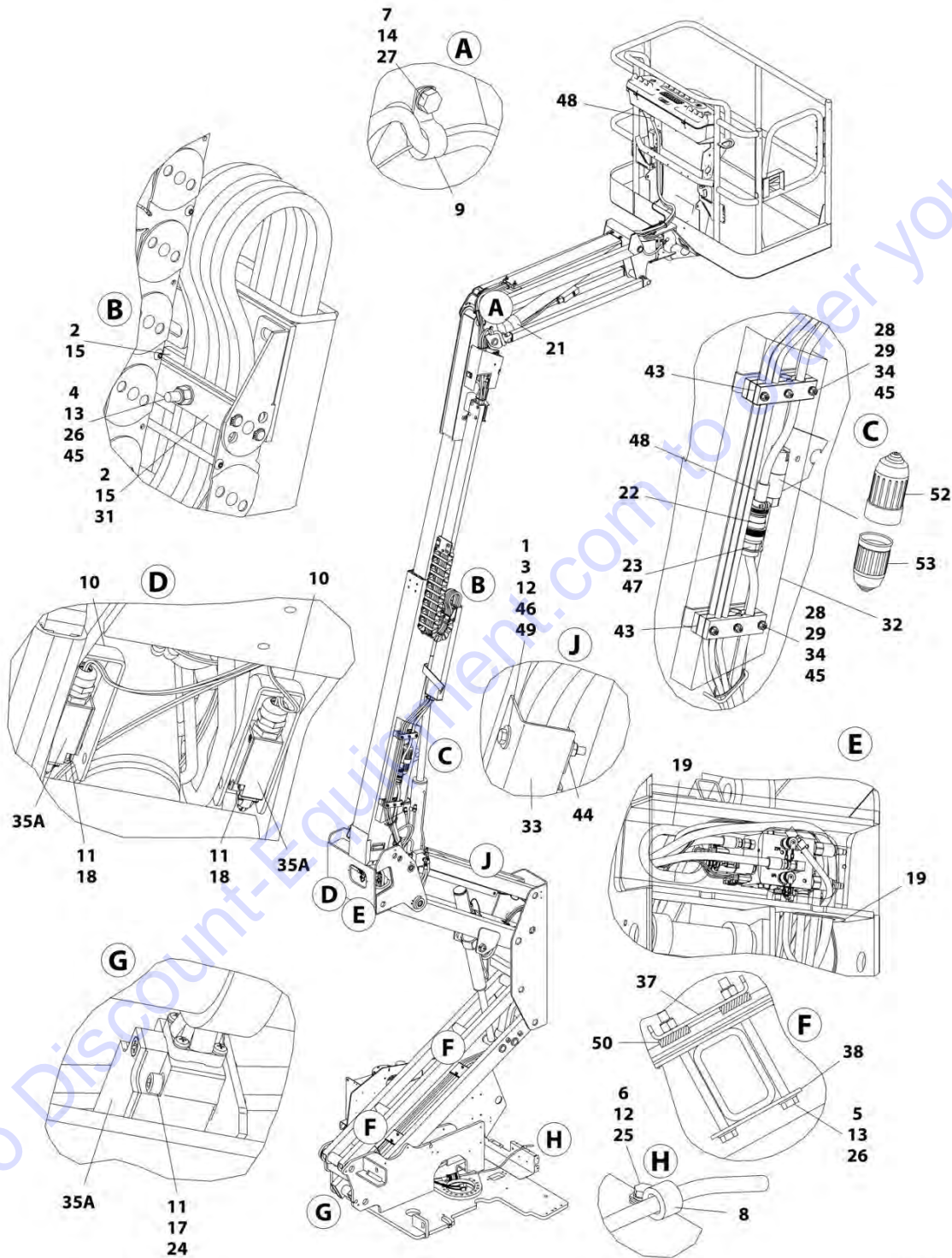
**FIGURE 8-25. AC POWER TO PLATFORM CABLE - TOWER BOOM (60HZ)**

ITEM	PART NUMBER	QTY	DESCRIPTION	REV
1	1001157310 4460963	Ref 1	AC POWER TO PLATFORM CABLE - TOWER BOOM (60Hz) Terminal	A
2	1001131968	29.1 ft /8.9m	Cable, 10/4	

Go to Discount-Equipment.com to order your parts

# SECTION 8 - ELECTRICAL

## FIGURE 8-26. BOOM CABLES, HARNESSES AND CLAMPS INSTALLATION - WITHOUT ARCTIC PACKAGE



ART\_1001115784



## SECTION 8 - ELECTRICAL

**FIGURE 8-26. BOOM CABLES, HARNESSES AND CLAMPS INSTALLATION - WITHOUT ARCTIC PACKAGE**

ITEM	PART NUMBER	QTY	DESCRIPTION	REV
	1001115784	Ref	BOOM CABLES, HARNESSES AND CLAMPS INSTALLATION - WITHOUT ARCTIC PACKAGE	G
1	0100011	AR	Compound, Locking	
2	0100081	1	Adhesive	
3	0760621	4	Bolt M6 x 65	
4	0700820	2	Bolt M8 x 60	
5	0700829	4	Bolt M8 x 120	
6	0760608	1	Bolt M6 x 16 (Not Shown - Use with Item 8)	
7	0761012	1	Bolt M10 x 25	
8	1320043	1	Clamp (Not Shown - Located at Rear of T/T)	
9	1320130	1	Clamp	
10	1670899	2	Cover, Switch	
11	3290405	6	Nut M4	
12	3290605	5	Nut M6	
13	3290805	6	Nut M8	
14	3291005	1	Nut M10	
15	3340939	4	Pad, Rubber	
17	4031510	2	Capscrew M4 x 30	
18	4031512	4	Capscrew M4 x 40	
19	4060808	1.8 ft /55cm	Flex-Trim	
20	4240018	AR	Tie-Strap (Not Shown)	
21	4240156	1	Strap, Cinch	
22	4460865	1	Connector - 19 Position	
23	4460866	1	Connector - 19 Position	
24	4811400	2	Washer M4	
25	4811700	2	Washer M6 (Not Shown - Use with Item 8)	
26	4811900	8	Washer M8	
27	4812000	2	Washer M10	
28	5260800	6	Nut M8	
29	5281920	6	Screw M8 x 80	
31	1001106757	2	Plate	
32	1001107152	1	Plate	
33	1001116433	2	Guard, Hose	
34	1001118274	6	Nut M8	
35	1001118292	1	Tower Boom Harness Assembly (Not Shown - See BOOM HARNESS - LIMIT SWITCHES AND UPRIGHT VALVE for Breakdown)	
35A	4360548	3	Switch, Limit	
37	1001118592	2	Plate, Hose Clamp	
38	1001118593	2	Plate, Hose Clamp	
39	1001119018	1	Ground to Platform Cable - Main (Not Shown - See GROUND TO PLATFORM CABLE - MAIN BOOM (WITHOUT ARCTIC PACKAGE) for Breakdown)	
40	1001119019	1	Ground to Platform Cable - Tower (Not Shown - See GROUND TO PLATFORM CABLE - TOWER BOOM (WITHOUT ARCTIC PACKAGE) for Breakdown)	
41	1001119139	1	AC Power to Platform Cable - Tower Boom (Not Shown - See AC POWER TO PLATFORM CABLE - TOWER BOOM (WITHOUT ARCTIC PACKAGE) (50Hz) for Breakdown)	
42	1001119140	1	AC Power to Platform Cable - Main Boom (Not Shown - See AC	

## SECTION 8 - ELECTRICAL

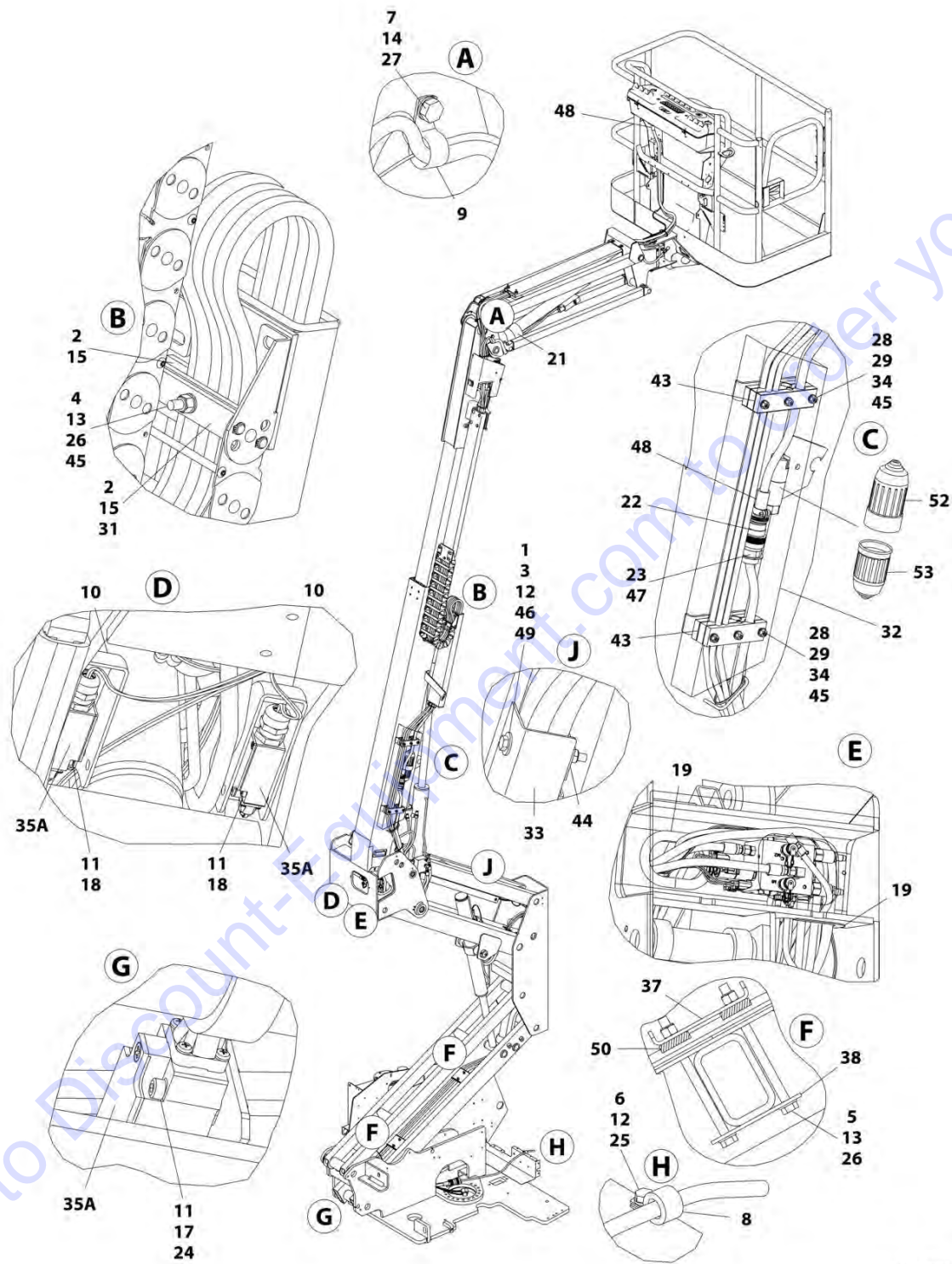
ITEM	PART NUMBER	QTY	DESCRIPTION	REV
			POWER TO PLATFORM CABLE - MAIN BOOM (WITHOUT ARCTIC PACKAGE) (50Hz) for Breakdown)	
43	1001119194	2	Clamp	
44	1001119197	4	Clamp	
45	1001119228	8	Nut M8	
46	0760605	2	Bolt M6 x 10	
47	2820031	AR	Heat Shrink	
48	4460473	1	Clamp, Cable	
49	4811702	10	Washer M6	
50	3340901	4	Pad, Rubber	
51	1001140524	1	Main Boom Harness Assembly (Not Shown - See BOOM HARNESS - MAIN for Breakdown)	
52	1671092	1	Cover, Connection	
53	1671093	1	Cover, Plug	

Go to Discount-Equipment.com to order your parts



# SECTION 8 - ELECTRICAL

## FIGURE 8-27. BOOM CABLES, HARNESSES AND CLAMPS INSTALLATION - WITH ARCTIC PACKAGE



ART\_1001119937

## SECTION 8 - ELECTRICAL

**FIGURE 8-27. BOOM CABLES, HARNESSES AND CLAMPS INSTALLATION - WITH ARCTIC PACKAGE**

ITEM	PART NUMBER	QTY	DESCRIPTION	REV
	1001119937	Ref	BOOM CABLES, HARNESSES AND CLAMPS INSTALLATION - WITH ARCTIC PACKAGE	G
1	0100011	AR	Compound, Locking	
2	0100081	1	Adhesive	
3	0760621	4	Bolt M6 x 65	
4	0700820	2	Bolt M8 x 60	
5	0700829	4	Bolt M8 x 120	
6	0760608	1	Bolt M6 x 16 (Not Shown - Use with Item 8)	
7	0761012	1	Bolt M10 x 25	
8	1320041	1	Clamp	
9	1320130	1	Clamp	
10	1670899	2	Cover, Switch	
11	3290405	6	Nut M4	
12	3290605	5	Nut M6	
13	3290805	6	Nut M8	
14	3291005	1	Nut M10	
15	3340939	4	Pad, Rubber	
17	4031510	2	Capscrew M4 x 30	
18	4031512	4	Capscrew M4 x 40	
19	4060808	1.8 ft /55cm	Flex-Trim	
20	4240018	AR	Tie-Strap (Not Shown)	
21	4240156	1	Strap, Cinch	
22	4460865	1	Connector - 19 Position	
23	4460866	1	Connector - 19 Position	
24	4811400	2	Washer M4	
25	4811700	2	Washer M6 (Not Shown - Use with Item 8)	
26	4811900	8	Washer M8	
27	4812000	2	Washer M10	
28	5260800	6	Nut M8	
29	5281920	6	Screw M8 x 80	
31	1001106757	2	Plate	
32	1001107152	1	Plate	
33	1001116433	2	Guard, Hose	
34	1001118274	6	Nut M8	
35	1001118292	1	Tower Boom Harness Assembly (Not Shown - See BOOM HARNESS - LIMIT SWITCHES AND UPRIGHT VALVE for Breakdown)	
35A	4360548	3	Switch, Limit	
37	1001118592	2	Plate, Hose Clamp	
38	1001118593	2	Plate, Hose Clamp	
39	1001119953	1	Ground to Platform Cable - Main (Not Shown - See GROUND TO PLATFORM CABLE - MAIN BOOM (WITH ARCTIC PACKAGE) for Breakdown)	
40	1001119954	1	Ground to Platform Cable - Tower (Not Shown - See GROUND TO PLATFORM CABLE - TOWER BOOM (WITH ARCTIC PACKAGE) for Breakdown)	
41	1001119955	1	AC Power to Platform Cable - Main Boom (Not Shown - See AC POWER TO PLATFORM CABLE - MAIN BOOM (WITH ARCTIC PACKAGE) (50Hz) for Breakdown)	
42	1001119956	1	AC Power to Platform Cable - Tower Boom (Not Shown - See AC	

## SECTION 8 - ELECTRICAL

ITEM	PART NUMBER	QTY	DESCRIPTION	REV
			POWER TO PLATFORM CABLE - TOWER BOOM (WITH ARTIC PACKAGE) (50Hz) for Breakdown)	
43	1001119195	2	Clamp	
44	1001119197	4	Clamp	
45	1001119228	8	Nut M8	
46	0760605	2	Bolt M6 x 10	
47	2820031	AR	Heat Shrink	
48	4460473	1	Clamp, Cable	
49	4811702	10	Washer M6	
50	3340901	4	Pad, Rubber	
51	1001140524	1	Main Boom Harness Assembly (Not Shown - See BOOM HARNESS - MAIN for Breakdown)	
52	1671092	1	Cover, Connection	
53	1671093	1	Cover, Plug	

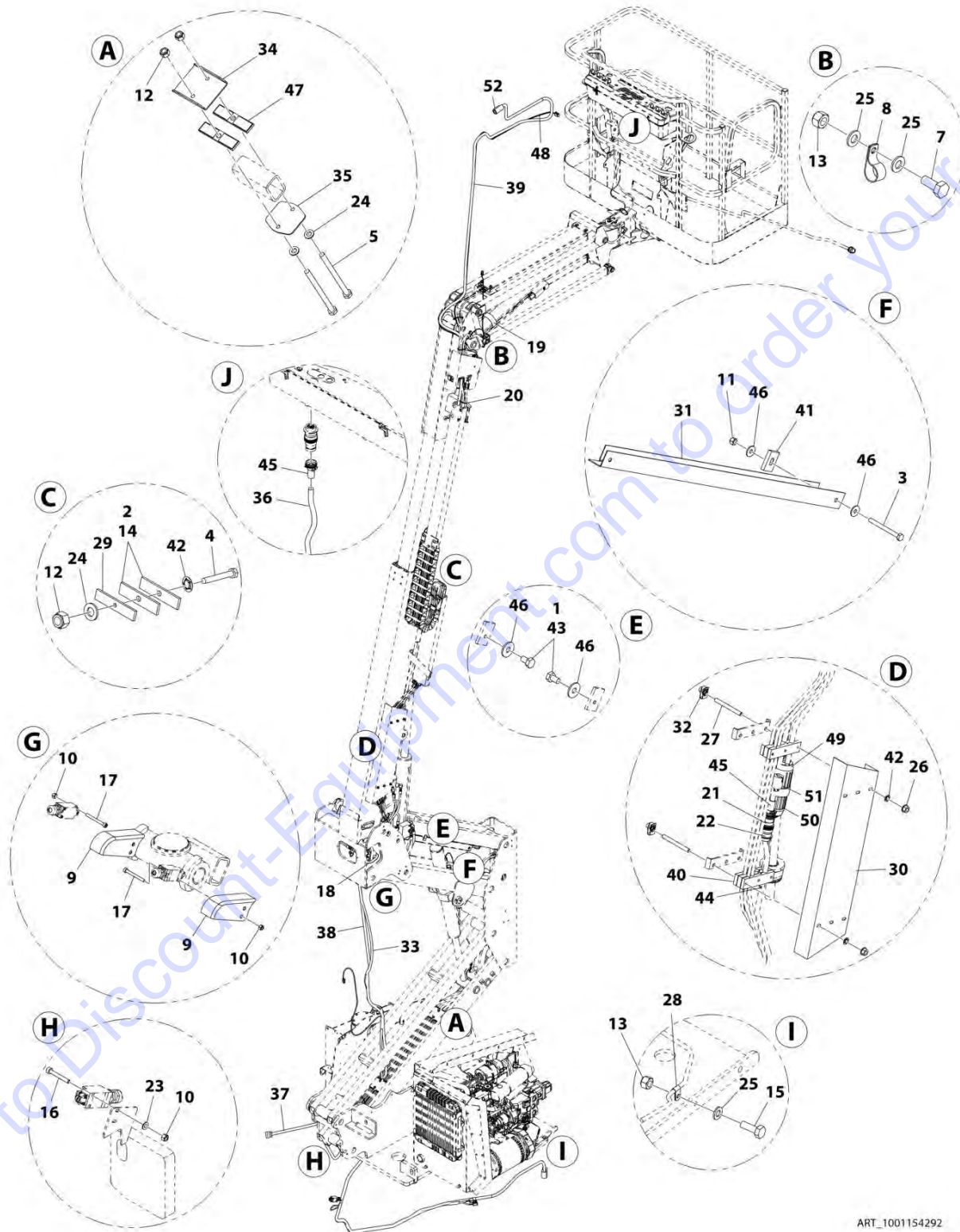
Go to Discount-Equipment.com to order your parts





# SECTION 8 - ELECTRICAL

## FIGURE 8-28. BOOM CABLES AND CLAMPS INSTALLATION - 4000W, 50HZ - WITHOUT ARCTIC PACKAGE



## SECTION 8 - ELECTRICAL

**FIGURE 8-28. BOOM CABLES AND CLAMPS INSTALLATION - 4000W, 50HZ - WITHOUT ARCTIC PACKAGE**

ITEM	PART NUMBER	QTY	DESCRIPTION	REV
	1001154292	Ref	BOOM CABLES AND CLAMPS INSTALLATION - 4000W, 50HZ - WITHOUT ARCTIC PACKAGE	B
1	0100011	AR	Compound, Locking	
2	0100081	AR	Adhesive	
3	0760621	4	Bolt M6 x 65	
4	0700820	2	Bolt M8 x 60	
5	0700829	4	Bolt M8 x 120	
7	0761012	1	Bolt M10 x 25	
8	1320130	1	Clamp	
9	1670899	2	Cover, Switch	
10	3290405	6	Nut M4	
11	3290605	4	Nut M6	
12	3290805	6	Nut M8	
13	3291005	2	Nut M10	
14	3340939	4	Pad, Rubber	
15	0761014	1	Bolt M10 x 30	
16	4031510	2	Capscrew M4 x 30	
17	4031512	4	Capscrew M4 x 40	
18	4060808	1.8 ft /55cm	Flex-Trim	
19	4240156	1	Strap, Cinch	
20	4240018	AR	Tie-Strap	
21	4460865	1	Connector - 19 Position	
22	4460866	1	Connector - 19 Position	
23	4811400	2	Washer M4	
24	4811900	8	Washer M8	
25	4812000	4	Washer M10	
26	5260800	6	Nut M8 Class 10	
27	5281920	6	Capscrew, Cup Point M8 x 80	
28	1320263	1	Clamp	
29	1001106757	2	Plate, Clamp	
30	1001107152	1	Plate, Shield	
31	1001116433	2	Guard, Hose	
32	1001118274	6	Nut M8	
33	1001118292	1	Harness, Tower Boom (See BOOM HARNESS - LIMIT SWITCHES AND UPRIGHT VALVE for Breakdown)	
34	1001118592	2	Plate, Hose Clamp	
35	1001118593	2	Plate, Hose Clamp	
36	1001119018	1	Harness Assembly - Main Boom (See GROUND TO PLATFORM CABLE - MAIN BOOM (WITHOUT ARCTIC PACKAGE) for Breakdown)	
37	1001119019	1	Harness Assembly - Tower Boom (See GROUND TO PLATFORM CABLE - TOWER BOOM (WITHOUT ARCTIC PACKAGE) for Breakdown)	
38	1001119139	1	Cable, AC Tower Boom (See AC POWER TO PLATFORM CABLE - TOWER BOOM (WITHOUT ARCTIC PACKAGE) (50Hz) for Breakdown)	
39	1001119140	1	Cable, AC Main Boom (see AC POWER TO PLATFORM CABLE - MAIN BOOM (WITHOUT ARCTIC PACKAGE) (50Hz) for Breakdown)	
40	1001119194	2	Plate, Hose Clamp	

## SECTION 8 - ELECTRICAL

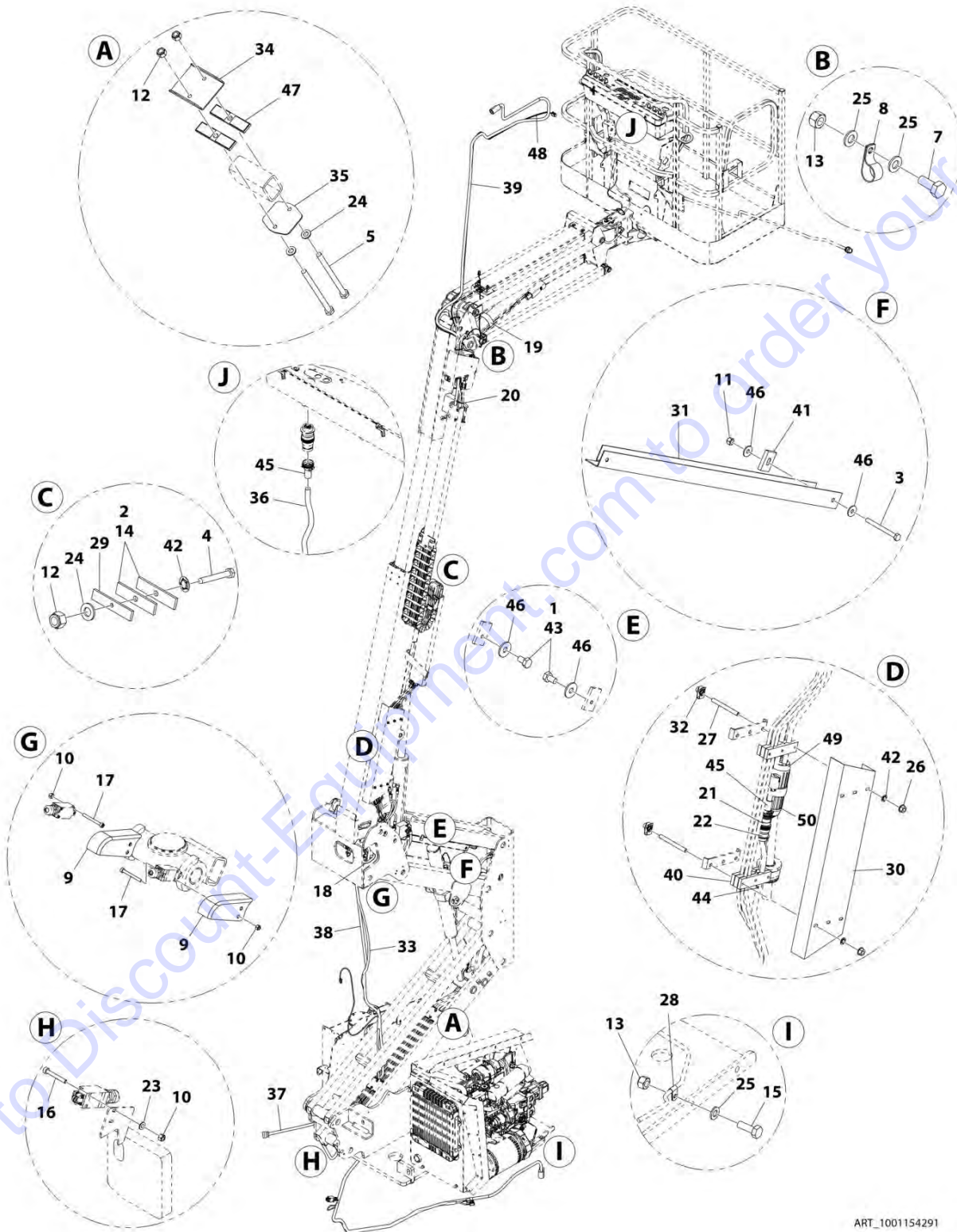
ITEM	PART NUMBER	QTY	DESCRIPTION	REV
41	1001119197	4	Clamp, Hose	
42	1001119228	8	Pushnut M8	
43	0760605	2	Bolt M6 x 10	
44	2820031	AR	Heat Shrink	
45	4460473	1	Clamp, Cable	
46	4811702	10	Washer M6	
47	3340901	4	Pad, Rubber	
48	1001140524	1	Main Boom Harness Assembly (Not Shown - See BOOM HARNESS - MAIN for Breakdown)	
49	1671092	1	Cover, Connector	
50	1671093	1	Cover, Plug	
51	4460709	1	Plug, Male - 250V	
52	4460710	1	Receptacle, Female - 250V	

Go to Discount-Equipment.com to order your parts



# SECTION 8 - ELECTRICAL

## FIGURE 8-29. BOOM CABLES AND CLAMPS INSTALLATION - 4000W, 50HZ - WITH ARCTIC PACKAGE



## SECTION 8 - ELECTRICAL

**FIGURE 8-29. BOOM CABLES AND CLAMPS INSTALLATION - 4000W, 50HZ - WITH ARCTIC PACKAGE**

ITEM	PART NUMBER	QTY	DESCRIPTION	REV
	1001154291	Ref	BOOM CABLES AND CLAMPS INSTALLATION - 4000W, 50HZ - WITH ARCTIC PACKAGE	B
1	0100011	AR	Compound, Locking	
2	0100081	AR	Adhesive	
3	0760621	4	Bolt M6 x 65	
4	0700820	2	Bolt M8 x 60	
5	0700829	4	Bolt M8 x 120	
7	0761012	1	Bolt M10 x 25	
8	1320130	1	Clamp	
9	1670899	2	Cover, Switch	
10	3290405	6	Nut M4	
11	3290605	4	Nut M6	
12	3290805	6	Nut M8	
13	3291005	2	Nut M10	
14	3340939	4	Pad, Rubber	
15	0761014	1	Bolt M10 x 30	
16	4031510	2	Capscrew M4 x 30	
17	4031512	4	Capscrew M4 x 40	
18	4060808	1.8 ft /55cm	Flex-Trim	
19	4240156	1	Strap, Cinch	
20	4240018	AR	Tie-Strap	
21	4460865	1	Connector - 19 Position	
22	4460866	1	Connector - 19 Position	
23	4811400	2	Washer M4	
24	4811900	8	Washer M8	
25	4812000	4	Washer M10	
26	5260800	6	Nut M8 Class 10	
27	5281920	6	Capscrew, Cup Point M8 x 80	
28	1320263	1	Clamp	
29	1001106757	2	Plate, Clamp	
30	1001107152	1	Plate, Shield	
31	1001116433	2	Guard, Hose	
32	1001118274	6	Nut M8	
33	1001118292	1	Harness, Tower Boom (See BOOM HARNESS - LIMIT SWITCHES AND UPRIGHT VALVE for Breakdown)	
34	1001118592	2	Plate, Hose Clamp	
35	1001118593	2	Plate, Hose Clamp	
36	1001119953	1	Harness Assembly - Main Boom (See GROUND TO PLATFORM CABLE - MAIN BOOM (WITH ARCTIC PACKAGE) for Breakdown)	
37	1001119954	1	Harness Assembly - Tower Boom (See GROUND TO PLATFORM CABLE - TOWER BOOM (WITH ARCTIC PACKAGE) for Breakdown)	
38	1001119956	1	Cable, AC Tower Boom (See AC POWER TO PLATFORM CABLE - TOWER BOOM (WITH ARCTIC PACKAGE) (50Hz) for Breakdown)	
39	1001119955	1	Cable, AC Main Boom (See AC POWER TO PLATFORM CABLE - MAIN BOOM (WITH ARCTIC PACKAGE) (50Hz) for Breakdown)	
40	1001119195	2	Plate, Hose Clamp	
41	1001119197	4	Clamp, Hose	

## SECTION 8 - ELECTRICAL

ITEM	PART NUMBER	QTY	DESCRIPTION	REV
42	1001119228	8	Pushnut M8	
43	0760605	2	Bolt M6 x 10	
44	2820031	AR	Heat Shrink	
45	4460473	1	Clamp, Cable	
46	4811702	10	Washer M6	
47	3340901	4	Pad, Rubber	
48	1001140524	1	Main Boom Harness Assembly (Not Shown - See BOOM HARNESS - MAIN for Breakdown)	
49	1001156351	1	Cover, Connector	
50	1001156352	1	Cover, Plug	

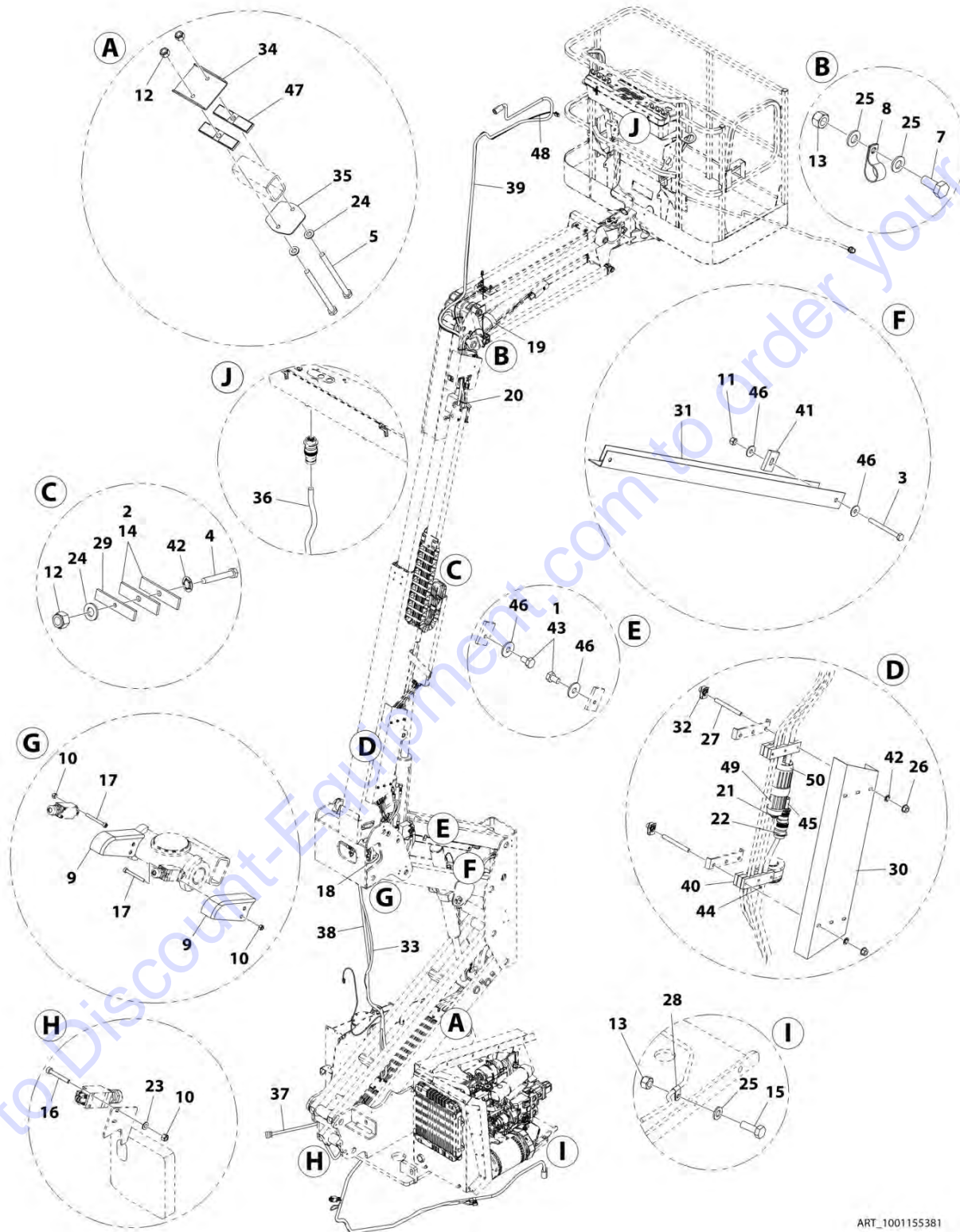
Go to Discount-Equipment.com to order your parts





# SECTION 8 - ELECTRICAL

## FIGURE 8-30. BOOM CABLES AND CLAMPS INSTALLATION - 4000W, 60HZ - WITHOUT ARCTIC PACKAGE



ART\_1001155381

## SECTION 8 - ELECTRICAL

**FIGURE 8-30. BOOM CABLES AND CLAMPS INSTALLATION - 4000W, 60HZ - WITHOUT ARCTIC PACKAGE**

ITEM	PART NUMBER	QTY	DESCRIPTION	REV
	1001155381	Ref	BOOM CABLES AND CLAMPS INSTALLATION - 4000W, 60HZ - WITHOUT ARCTIC PACKAGE	B
1	0100011	AR	Compound, Locking	
2	0100081	AR	Adhesive	
3	0760621	4	Bolt M6 x 65	
4	0700820	2	Bolt M8 x 60	
5	0700829	4	Bolt M8 x 120	
7	0761012	1	Bolt M10 x 25	
8	1320130	1	Clamp	
9	1670899	2	Cover, Switch	
10	3290405	6	Nut M4	
11	3290605	4	Nut M6	
12	3290805	6	Nut M8	
13	3291005	2	Nut M10	
14	3340939	4	Pad, Rubber	
15	0761014	1	Bolt M10 x 30	
16	4031510	2	Capscrew M4 x 30	
17	4031512	4	Capscrew M4 x 40	
18	4060808	1.8 ft /55cm	Flex-Trim	
19	4240156	1	Strap, Cinch	
20	4240018	AR	Tie-Strap	
21	4460865	1	Connector - 19 Position	
22	4460866	1	Connector - 19 Position	
23	4811400	2	Washer M4	
24	4811900	8	Washer M8	
25	4812000	4	Washer M10	
26	5260800	6	Nut M8 Class 10	
27	5281920	6	Capscrew, Cup Point M8 x 80	
28	8406110	1	Clamp	
29	1001106757	2	Plate, Clamp	
30	1001107152	1	Plate, Shield	
31	1001116433	2	Guard, Hose	
32	1001118274	6	Nut M8	
33	1001118292	1	Harness, Tower Boom (See BOOM HARNESS - LIMIT SWITCHES AND UPRIGHT VALVE for Breakdown)	
34	1001118592	2	Plate, Hose Clamp	
35	1001118593	2	Plate, Hose Clamp	
36	1001119018	1	Harness Assembly - Main Boom (See GROUND TO PLATFORM CABLE - MAIN BOOM (WITHOUT ARCTIC PACKAGE) for Breakdown)	
37	1001119019	1	Harness Assembly - Tower Boom (See GROUND TO PLATFORM CABLE - TOWER BOOM (WITHOUT ARCTIC PACKAGE) for Breakdown)	
38	1001157310	1	Cable, AC Tower Boom	
39	1001157311	1	Cable, AC Main Boom	
40	1001119194	2	Plate, Hose Clamp	
41	1001119197	4	Clamp, Hose	
42	1001119228	8	Pushnut M8	
43	0760605	2	Bolt M6 x 10	

## SECTION 8 - ELECTRICAL

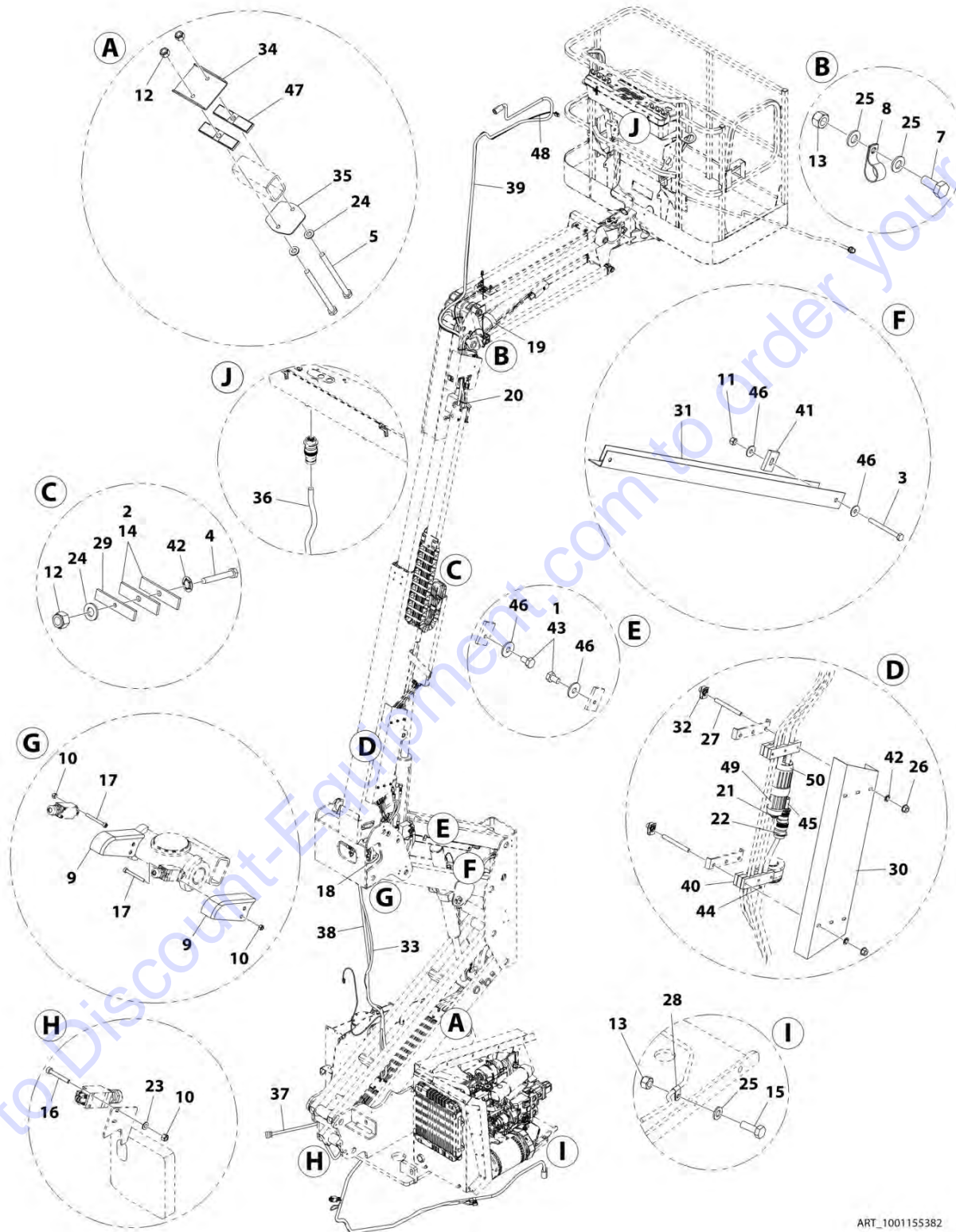
ITEM	PART NUMBER	QTY	DESCRIPTION	REV
44	2820031	AR	Heat Shrink	
45	4460473	1	Clamp, Cable	
46	4811702	10	Washer M6	
47	3340901	4	Pad, Rubber	
48	1001140524	1	Main Boom Harness Assembly (Not Shown - See BOOM HARNESS - MAIN for Breakdown)	
49	1671092	1	Cover, Connector	
50	1671093	1	Cover, Plug	

Go to Discount-Equipment.com to order your parts



# SECTION 8 - ELECTRICAL

## FIGURE 8-31. BOOM CABLES AND CLAMPS INSTALLATION - 4000W, 60HZ - WITH ARCTIC PACKAGE



ART\_1001155382

## SECTION 8 - ELECTRICAL

**FIGURE 8-31. BOOM CABLES AND CLAMPS INSTALLATION - 4000W, 60HZ - WITH ARCTIC PACKAGE**

ITEM	PART NUMBER	QTY	DESCRIPTION	REV
	1001155382	Ref	BOOM CABLES AND CLAMPS INSTALLATION - 4000W, 60HZ - WITH ARCTIC PACKAGE	B
1	0100011	AR	Compound, Locking	
2	0100081	AR	Adhesive	
3	0760621	4	Bolt M6 x 65	
4	0700820	2	Bolt M8 x 60	
5	0700829	4	Bolt M8 x 120	
7	0761012	1	Bolt M10 x 25	
8	1320130	1	Clamp	
9	1670899	2	Cover, Switch	
10	3290405	6	Nut M4	
11	3290605	4	Nut M6	
12	3290805	6	Nut M8	
13	3291005	2	Nut M10	
14	3340939	4	Pad, Rubber	
15	0761014	1	Bolt M10 x 30	
16	4031510	2	Capscrew M4 x 30	
17	4031512	4	Capscrew M4 x 40	
18	4060808	1.8 ft /55cm	Flex-Trim	
19	4240156	1	Strap, Cinch	
20	4240018	AR	Tie-Strap	
21	4460865	1	Connector - 19 Position	
22	4460866	1	Connector - 19 Position	
23	4811400	2	Washer M4	
24	4811900	8	Washer M8	
25	4812000	4	Washer M10	
26	5260800	6	Nut M8 Class 10	
27	5281920	6	Capscrew, Cup Point M8 x 80	
28	8406110	1	Clamp	
29	1001106757	2	Plate, Clamp	
30	1001107152	1	Plate, Shield	
31	1001116433	2	Guard, Hose	
32	1001118274	6	Nut M8	
33	1001118292	1	Harness, Tower Boom (See BOOM HARNESS - LIMIT SWITCHES AND UPRIGHT VALVE for Breakdown)	
34	1001118592	2	Plate, Hose Clamp	
35	1001118593	2	Plate, Hose Clamp	
36	1001119953	1	Harness Assembly - Main Boom (See GROUND TO PLATFORM CABLE - MAIN BOOM (WITH ARCTIC PACKAGE) for Breakdown)	
37	1001119954	1	Harness Assembly - Tower Boom (See GROUND TO PLATFORM CABLE - TOWER BOOM (WITH ARCTIC PACKAGE) for Breakdown)	
38	1001157310	1	Cable, AC Tower Boom	
39	1001157311	1	Cable, AC Main Boom	
40	1001119195	2	Plate, Hose Clamp	
41	1001119197	4	Clamp, Hose	
42	1001119228	8	Pushnut M8	
43	0760605	2	Bolt M6 x 10	



## SECTION 8 - ELECTRICAL

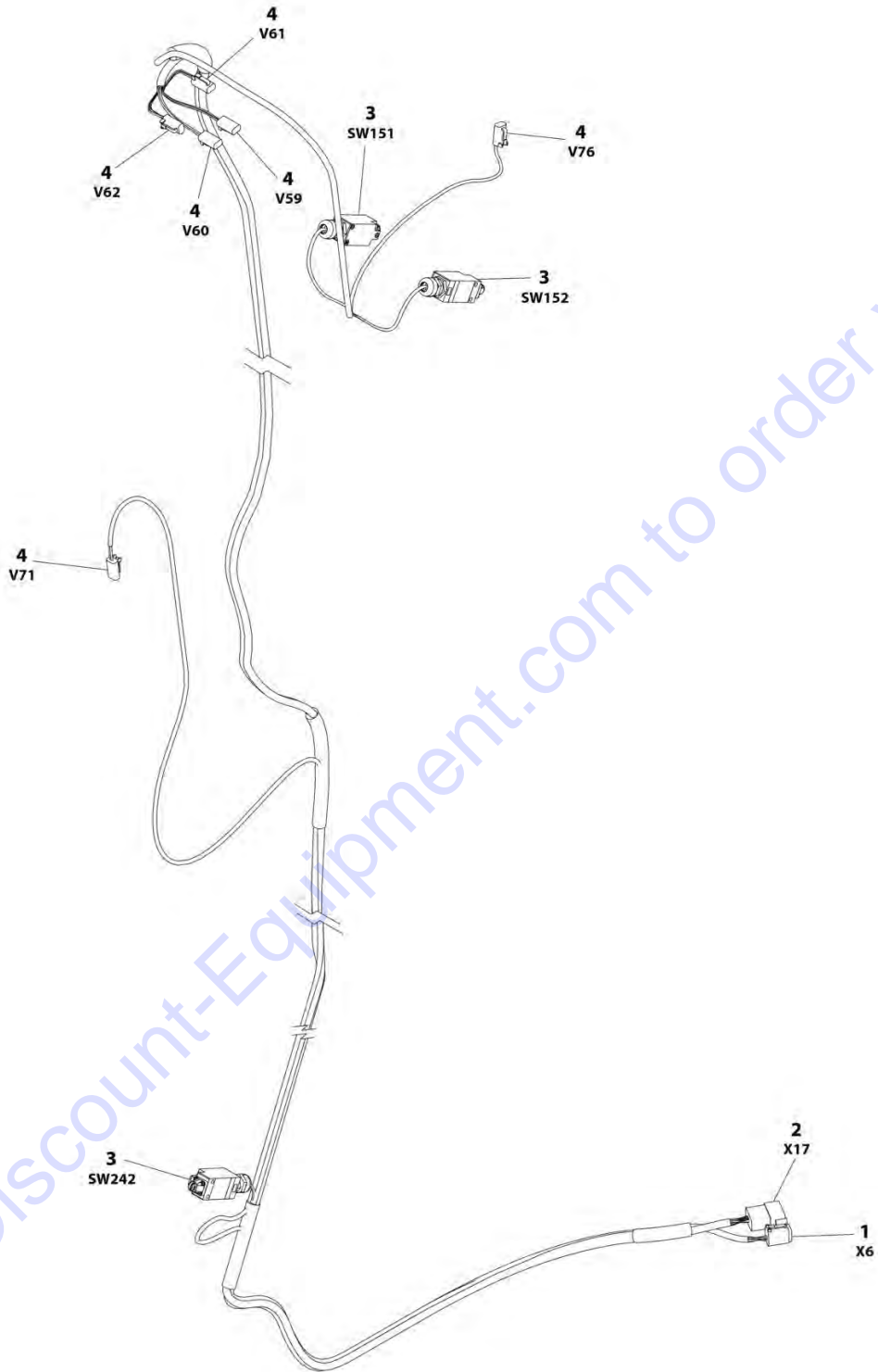
ITEM	PART NUMBER	QTY	DESCRIPTION	REV
44	2820031	AR	Heat Shrink	
45	4460473	1	Clamp, Cable	
46	4811702	10	Washer M6	
47	3340901	4	Pad, Rubber	
48	1001140524	1	Main Boom Harness Assembly (Not Shown - See BOOM HARNESS - MAIN for Breakdown)	
49	1671092	1	Cover, Connector	
50	1671093	1	Cover, Plug	

Go to Discount-Equipment.com to order your parts



# SECTION 8 - ELECTRICAL

## FIGURE 8-32. BOOM HARNESS - LIMIT SWITCHES AND UPRIGHT VALVE



ART\_1001118292

## SECTION 8 - ELECTRICAL

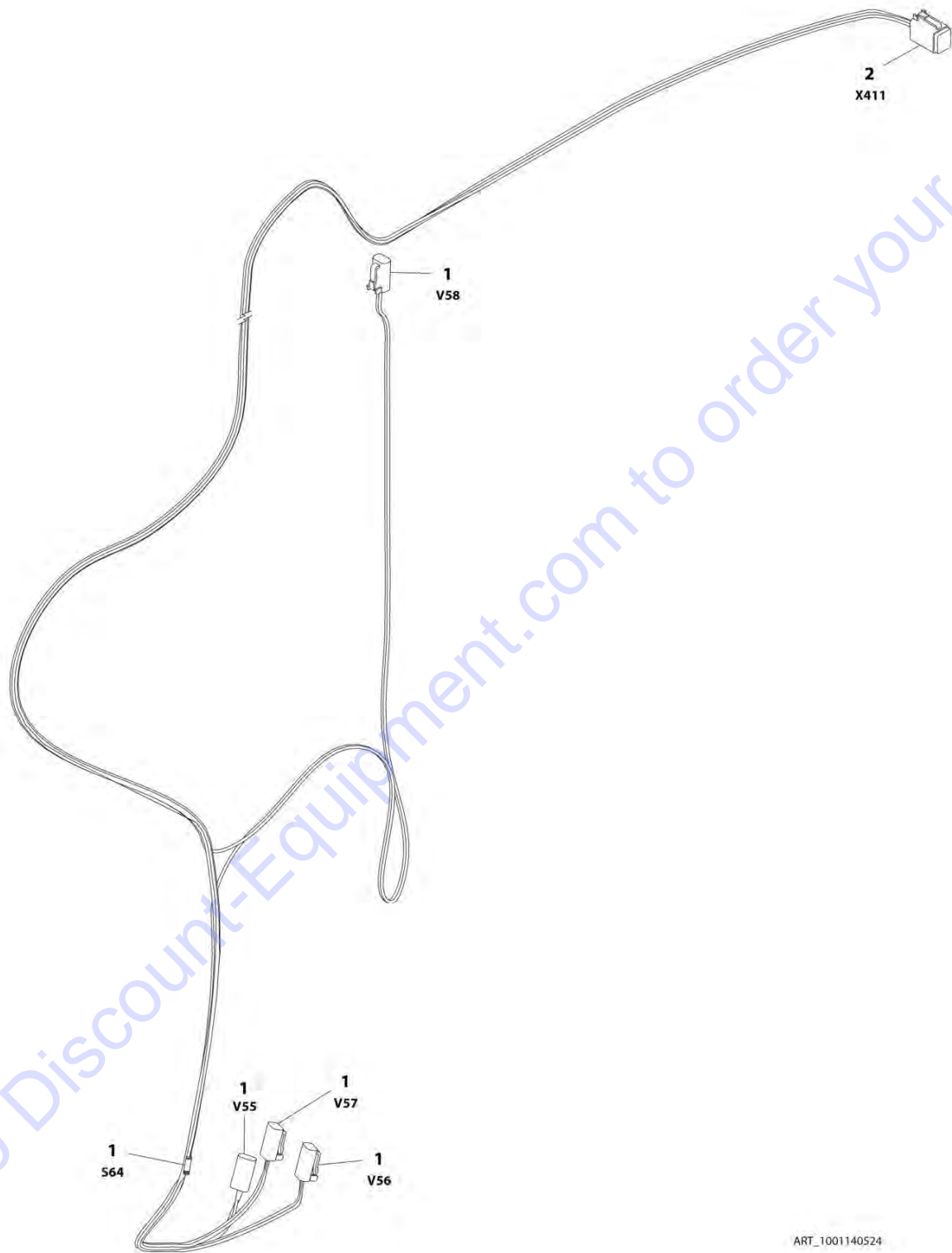
**FIGURE 8-32. BOOM HARNESS - LIMIT SWITCHES AND UPRIGHT VALVE**

ITEM	PART NUMBER	QTY	DESCRIPTION	REV
	1001118292	Ref	BOOM HARNESS - LIMIT SWITCHES AND UPRIGHT VALVE	D
1	4460894	1	Plug, Male - 6 Position	
1	4460465	6	Socket, Female	
2	4460970	1	Receptacle, Female - 12 Position	
2	4460464	9	Pin, Male	
2	4460466	3	Plug, Terminal	
3	4360548	3	Switch, Limit	
3	4460968	3	Connector, Strain Relief	
3	0962449	3	Bushing	
4	4460891	6	Plug, Male - 2 Position	
4	4460465	12	Socket, Female	

Go to Discount-Equipment.com to order your parts

# SECTION 8 - ELECTRICAL

## FIGURE 8-33. BOOM HARNESS - MAIN



ART\_1001140524

## SECTION 8 - ELECTRICAL

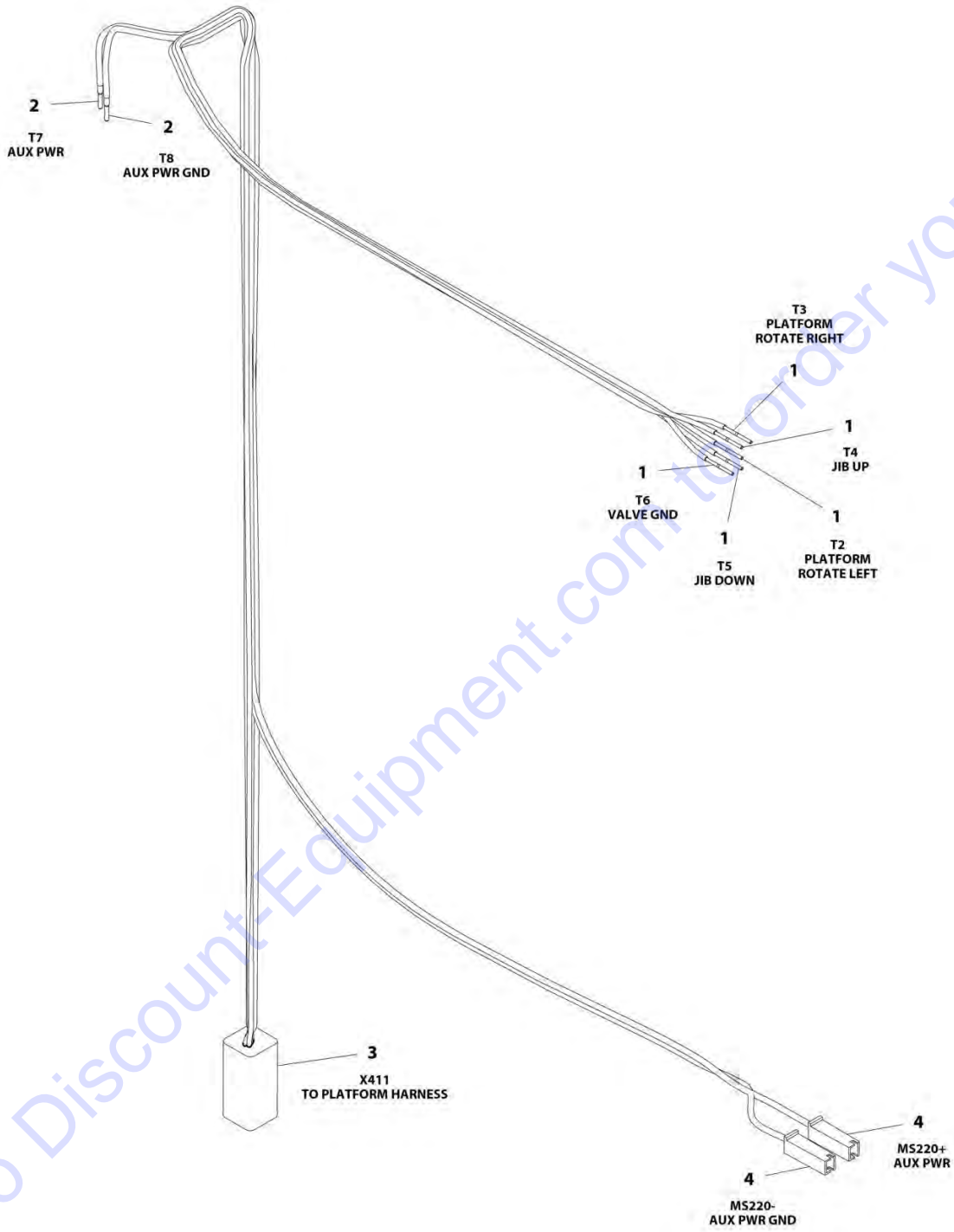
### FIGURE 8-33. BOOM HARNESS - MAIN

ITEM	PART NUMBER	QTY	DESCRIPTION	REV
	1001140524	Ref	BOOM HARNESS - MAIN	A
1	4460891	4	Plug, Male - 2 Position	
1	4460465	8	Socket, Female	
2	4460894	1	Plug, Male - 6 Position	
2	4460465	5	Socket, Female	
2	4460466	1	Plug, Terminal	

Go to Discount-Equipment.com to order your parts

# SECTION 8 - ELECTRICAL

## FIGURE 8-34. BOOM HARNESS - UPPER BOOM VALVE



ART\_1001140525



## SECTION 8 - ELECTRICAL

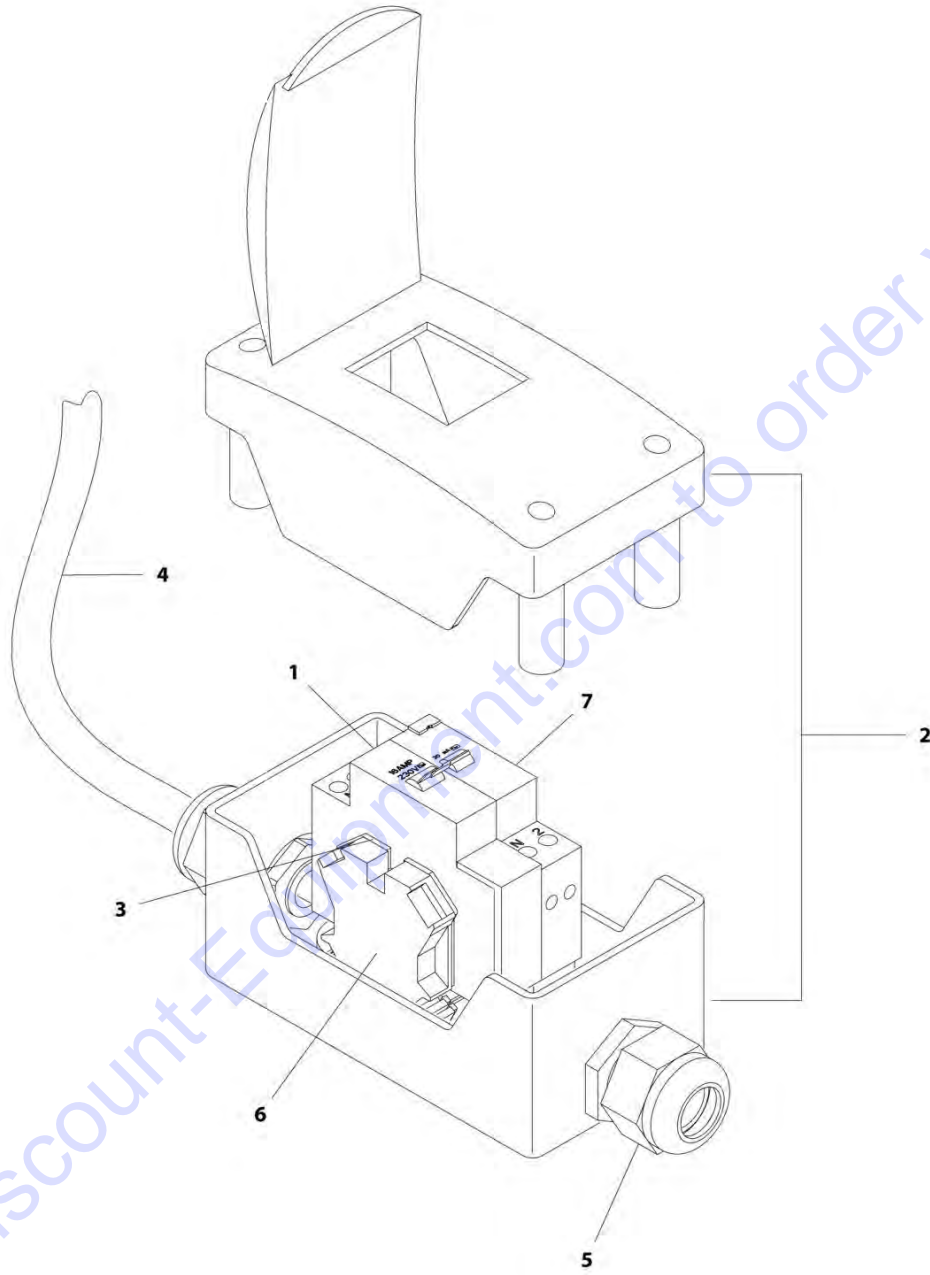
### FIGURE 8-34. BOOM HARNESS - UPPER BOOM VALVE

ITEM	PART NUMBER	QTY	DESCRIPTION	REV
	1001140525	Ref	BOOM HARNESS - UPPER BOOM VALVE	A
1	4460465	5	Socket, Female	
2	4460508	2	Pin, Male	
3	4460899	1	Connector - 6 Position	
3	4460464	5	Pin, Male	
3	4460466	1	Plug, Terminal	
4	4460260	2	Connector - 1 Position	
4	4460259	2	Terminal	

Go to Discount-Equipment.com to order your parts

# SECTION 8 - ELECTRICAL

## FIGURE 8-35. BREAKER BOX KIT (CE SPEC)



ART\_2902549

## SECTION 8 - ELECTRICAL

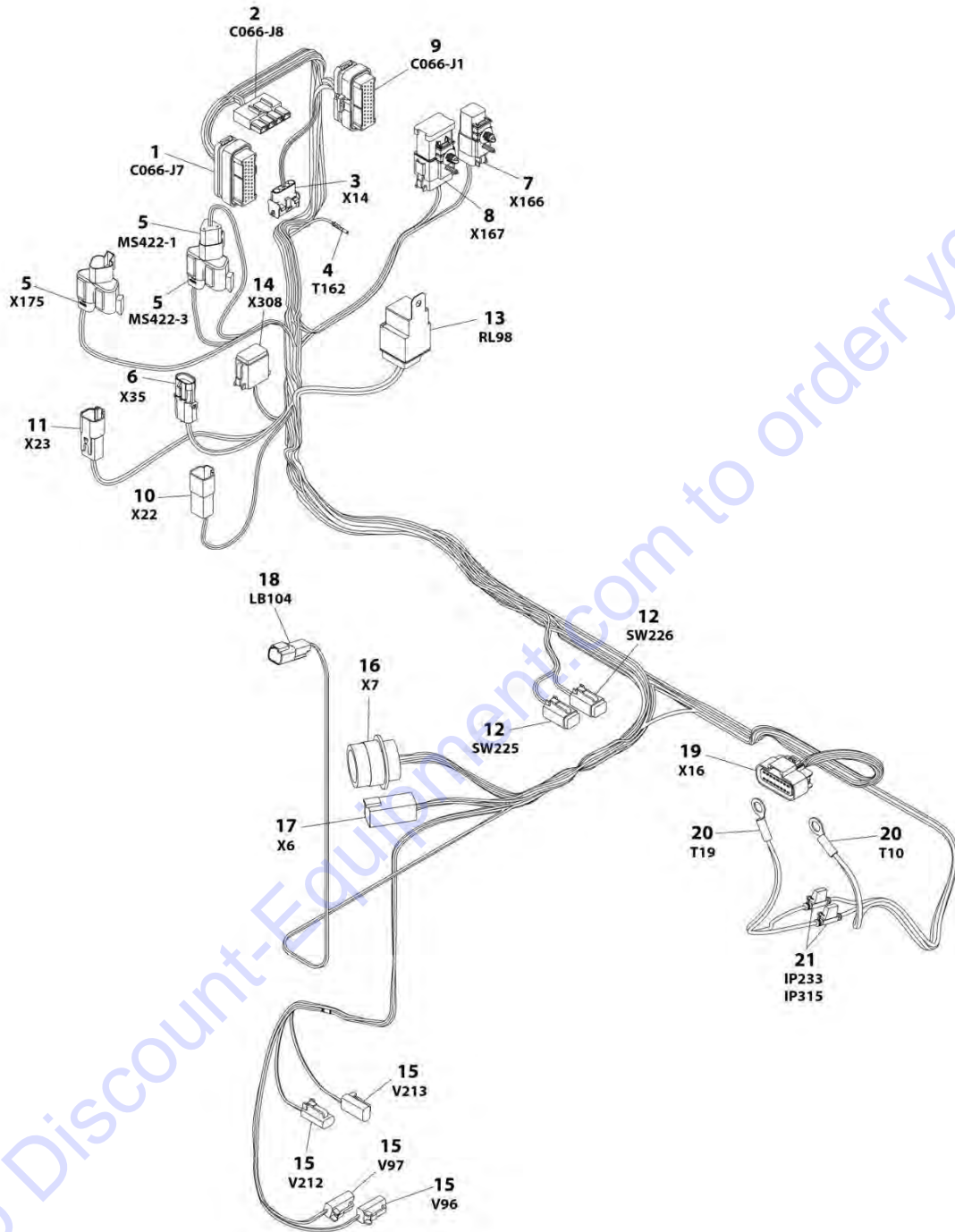
**FIGURE 8-35. BREAKER BOX KIT (CE SPEC)**

ITEM	PART NUMBER	QTY	DESCRIPTION	REV
	2902549	Ref	BREAKER BOX KIT (CE SPEC)	D
1	1001109475	1	Breaker, 16Amp	
2	0861880	1	Box	
3	4460956	1	Barrier, Terminal	
4	1060908	6 ft/1.8m	Cable, 12/3	
5	1001097150	2	Connector, Strain Relief	
6	4460957	1	Block, Terminal	
7	1001109482	1	Breaker, 30mA	

Go to Discount-Equipment.com to order your parts

# SECTION 8 - ELECTRICAL

## FIGURE 8-36. CHASSIS HARNESS ASSEMBLY



ART\_1001188093

## SECTION 8 - ELECTRICAL

**FIGURE 8-36. CHASSIS HARNESS ASSEMBLY**

ITEM	PART NUMBER	QTY	DESCRIPTION	REV
	1001188093	Ref	CHASSIS HARNESS ASSEMBLY	D
1	4460873	1	Connector - 35 Position	
1	4460871	19	Socket, Female	
1	4460905	16	Seal, Plug	
2	4460878	1	Connector - 4 Position	
2	4460887	6	Terminal	
3	4460761	1	Connector - 4 Position	
3	4460227	4	Pin, Male	
4	4460871	1	Socket, Female	
5	1001116812	3	Plug, Male - 3 Position	
5	4460944	9	Socket, Female	
5	4460945	1	Receptacle, 3 Way	
6	4461157	1	Receptacle, Female - 2 Position	
6	4460979	1	Pin, Male	
6	1001116727	1	Seal, Plug	
7	4460894	1	Connector - 6 Position	
7	4460465	2	Socket, Female	
7	4460466	4	Plug, Terminal	
7	4460892	1	Connector - 6 Position Bussbar	
7	1001121172	1	Mount, Terminal	
8	4460836	1	Connector - 12 Position	
8	4460465	3	Socket, Female	
8	4460466	7	Plug, Terminal	
8	4460837	1	Connector	
8	1001121172	1	Mount, Terminal	
9	4460874	1	Connector - 35 Position	
9	4460871	21	Socket, Female	
9	4460905	14	Seal, Plug	
10	4460932	1	Receptacle, Female - 4 Position	
10	4460464	3	Pin, Female	
10	4460466	1	Plug, Terminal	
11	1001116811	1	Receptacle, Female - 4 Position	
11	4460508	3	Pin, Male	
11	4460466	1	Plug, Terminal	
12	4460884	2	Plug, Male - 4 Position	
12	4460465	6	Socket, Female	
12	4460466	2	Plug, Terminal	
13	1001117025	1	Relay and Connector Assembly	
13	1001116734	2	Terminal	
13	1001116732	2	Terminal	
14	4460930	1	Plug, Male - 8 Position	
14	4460465	2	Socket, Female	
14	4460466	6	Plug, Terminal	
15	4460891	4	Connector - 2 Position	
15	4460465	8	Socket, Female	
16	4460866	1	Connector - 19 Position	
16	4460943	3	Pin, Male	
16	4460464	6	Pin, Male	
16	4460508	4	Pin, Male	
16	4460466	6	Plug, Terminal	

## SECTION 8 - ELECTRICAL

ITEM	PART NUMBER	QTY	DESCRIPTION	REV
17	4460899	1	Connector - 6 Position	
17	4460464	6	Pin, Male	
18	4460897	1	Connector - 2 Position	
18	4460464	2	Pin, Male	
19	4461110	1	Receptacle Female - 16 Position	
19	1001136231	1	Lock, Connector	
19	1001136232	1	Lock, Connector	
19	4461112	15	Terminal, Female	
19	4461113	15	Seal	
19	4461222	1	Plug	
20	8220164	2	Ring, Terminal	
21	2400066	2	Fuse Holder with Leads	

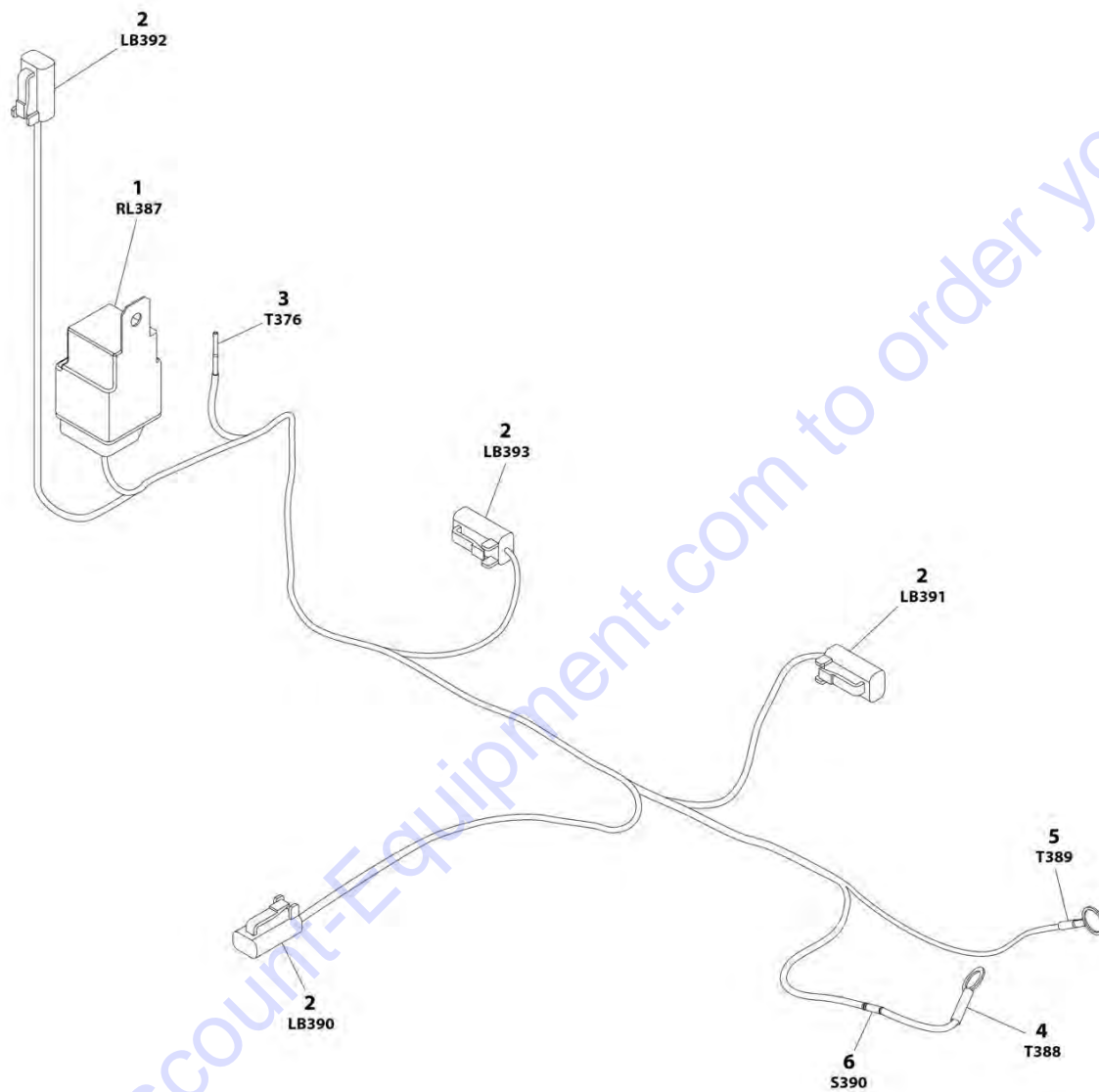
Go to Discount-Equipment.com to order your parts





# SECTION 8 - ELECTRICAL

## FIGURE 8-37. CHASSIS LIGHT HARNESS



ART\_1001120299

## SECTION 8 - ELECTRICAL

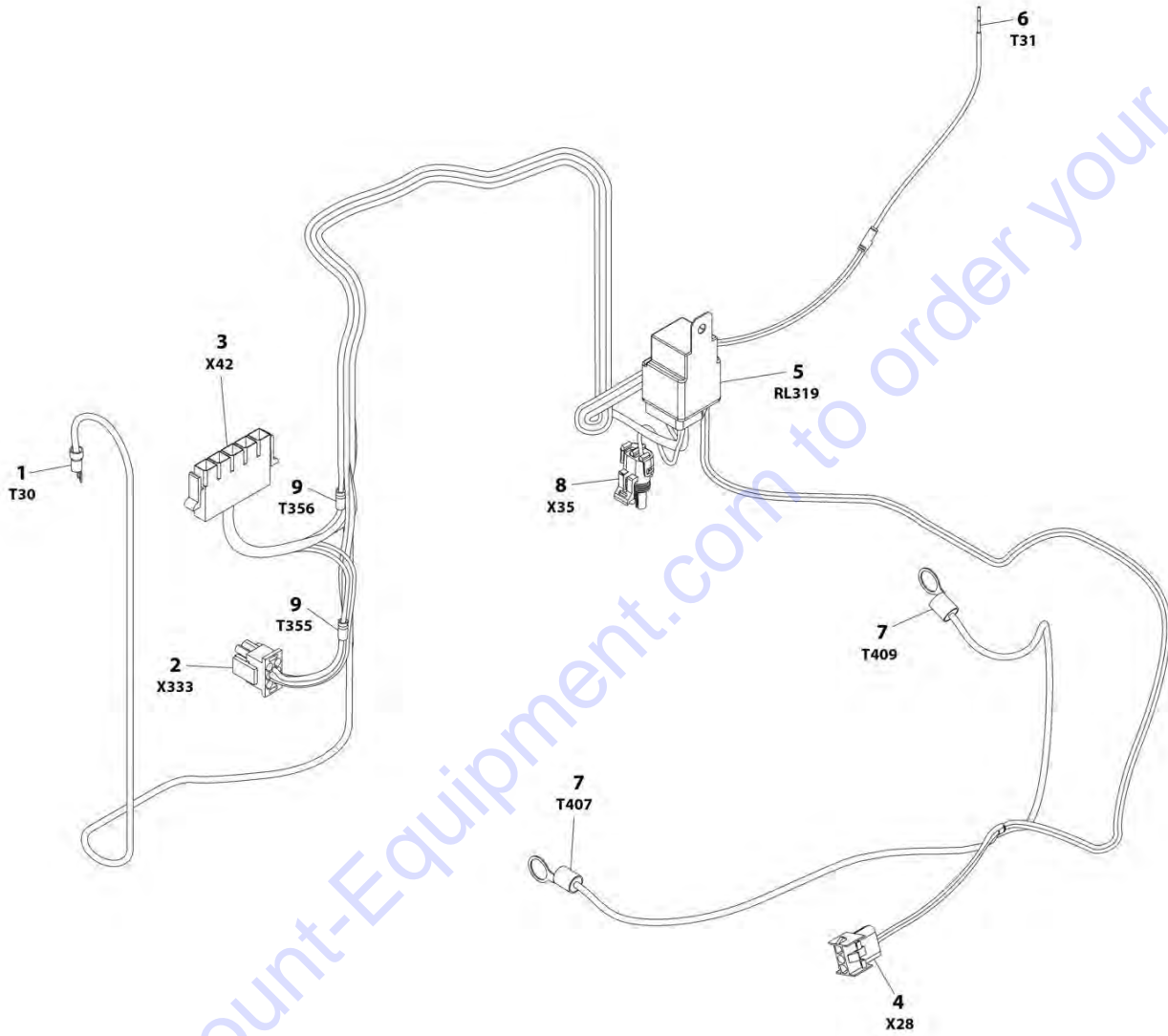
### FIGURE 8-37. CHASSIS LIGHT HARNESS

ITEM	PART NUMBER	QTY	DESCRIPTION	REV
	1001120299	Ref	CHASSIS LIGHT HARNESS	B
1	1001117025	1	Relay and Connector Assembly	
1	1001116734	2	Terminal	
1	1001116732	2	Terminal	
2	4460891	4	Plug, Male - 2 Position	
2	4460465	8	Socket, Female	
3	4460465	1	Socket, Female	
4	4460256	1	Ring, Terminal	
5	4460019	1	Ring, Terminal	
6	4460474	1	Terminal	

Go to Discount-Equipment.com to order your parts

# SECTION 8 - ELECTRICAL

## FIGURE 8-38. GENERATOR HARNESS - 2500W



ART\_1001119773

## SECTION 8 - ELECTRICAL

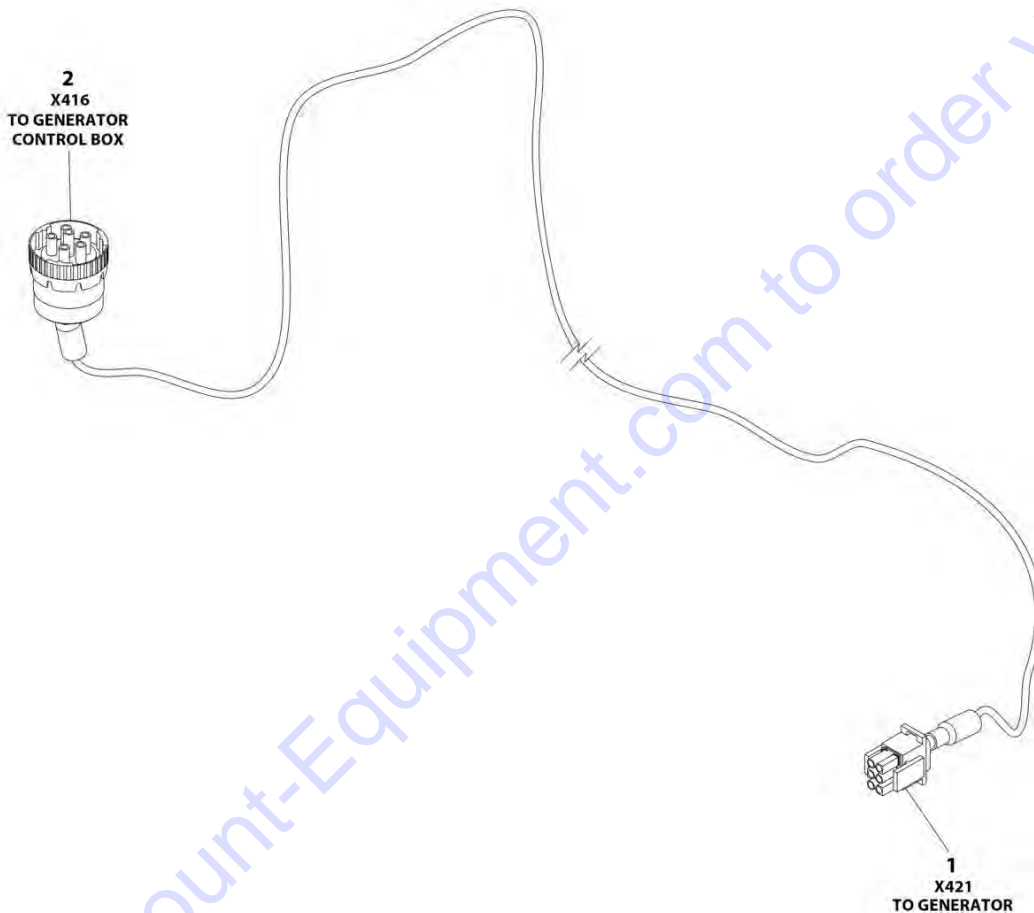
**FIGURE 8-38. GENERATOR HARNESS - 2500W**

ITEM	PART NUMBER	QTY	DESCRIPTION	REV
	1001119773	Ref	GENERATOR HARNESS - 2500W	C
1	4460806	1	Terminal	
2	4460225	1	Plug, Male - 6 Position	
2	4460705	1	Pin, Male	
2	4460267	3	Pin, Male	
2	4460268	2	Socket, Female	
3	4460972	1	Plug, Male - 5 Position	
3	4460973	1	Terminal 12Ga	
3	4460974	4	Terminal 16Ga	
4	4460445	1	Receptacle, Female - 3 Position	
4	4460268	3	Socket, Female	
5	1001117025	1	Relay and Connector Assembly	
5	1001116734	2	Terminal	
5	1001116732	2	Terminal	
6	4460465	1	Socket, Female Deutsch 16Ga	
7	8220029	2	Terminal	
8	4460742	1	Plug, Male - 2 Position	
8	4460743	1	Socket, Female	
8	1001116727	1	Seal, Plug	
9	4460121	2	Cap, Wire	

Go to Discount-Equipment.com to order your parts

# SECTION 8 - ELECTRICAL

## FIGURE 8-39. GENERATOR HARNESS - 4000W



ART\_1001157916

## SECTION 8 - ELECTRICAL

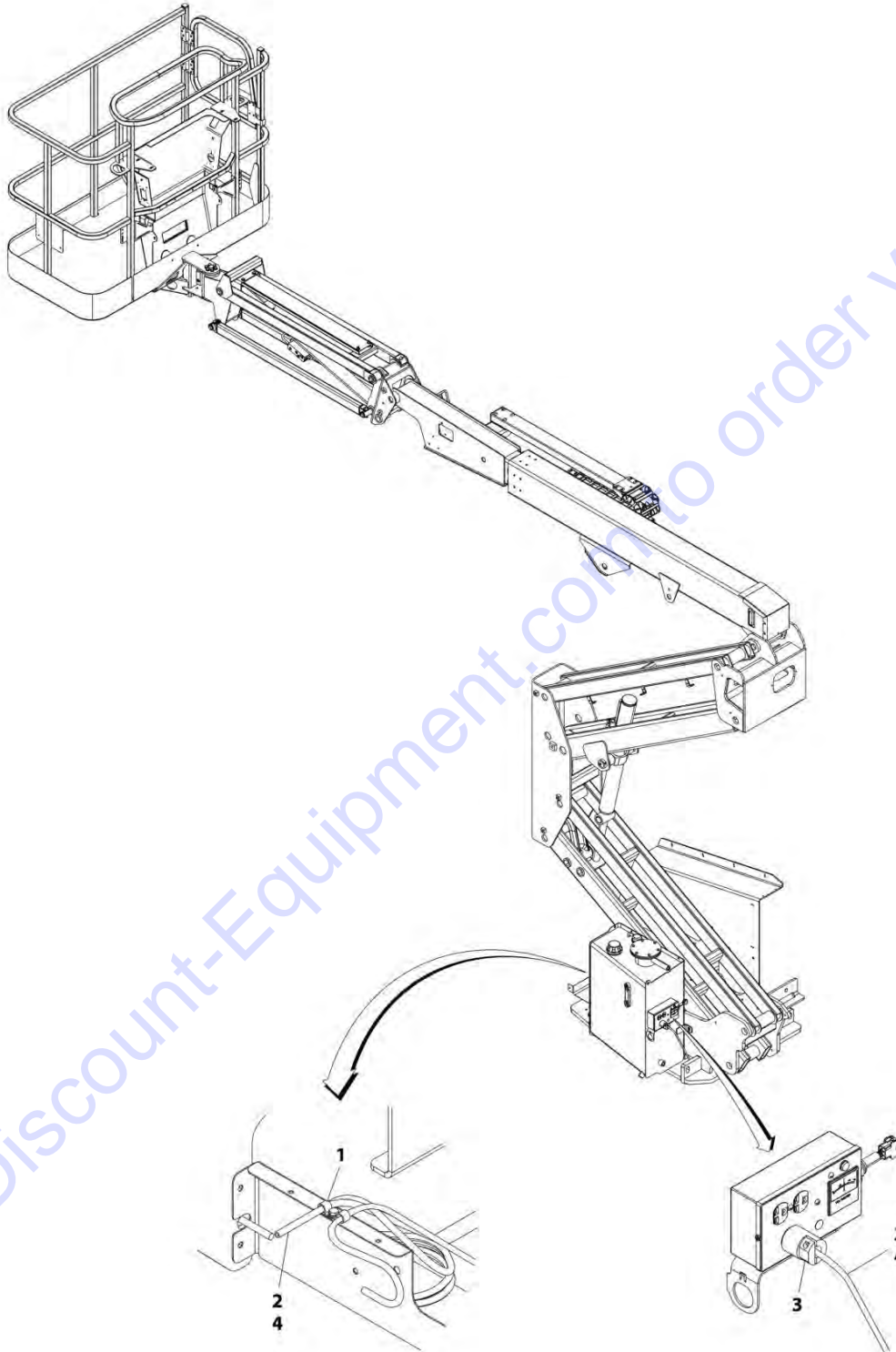
### FIGURE 8-39. GENERATOR HARNESS - 4000W

ITEM	PART NUMBER	QTY	DESCRIPTION	REV
	1001157916	Ref	GENERATOR HARNESS - 4000W	B
1	4460225	1	Plug, Male - 6 Position	
1	4460268	2	Socket, Female	
2	77363233	1	Connector	
2	4460465	2	Socket, Female	
2	4460466	4	Plug, Terminal	

Go to Discount-Equipment.com to order your parts

## SECTION 8 - ELECTRICAL

FIGURE 8-40. GENERATOR TO AC PLUG HARNESS - 2800W GENERATOR 220/50HZ (ANSI EXPORT, AUSTRALIAN, CE AND CHINA SPECS)



ART\_1001119925



## SECTION 8 - ELECTRICAL

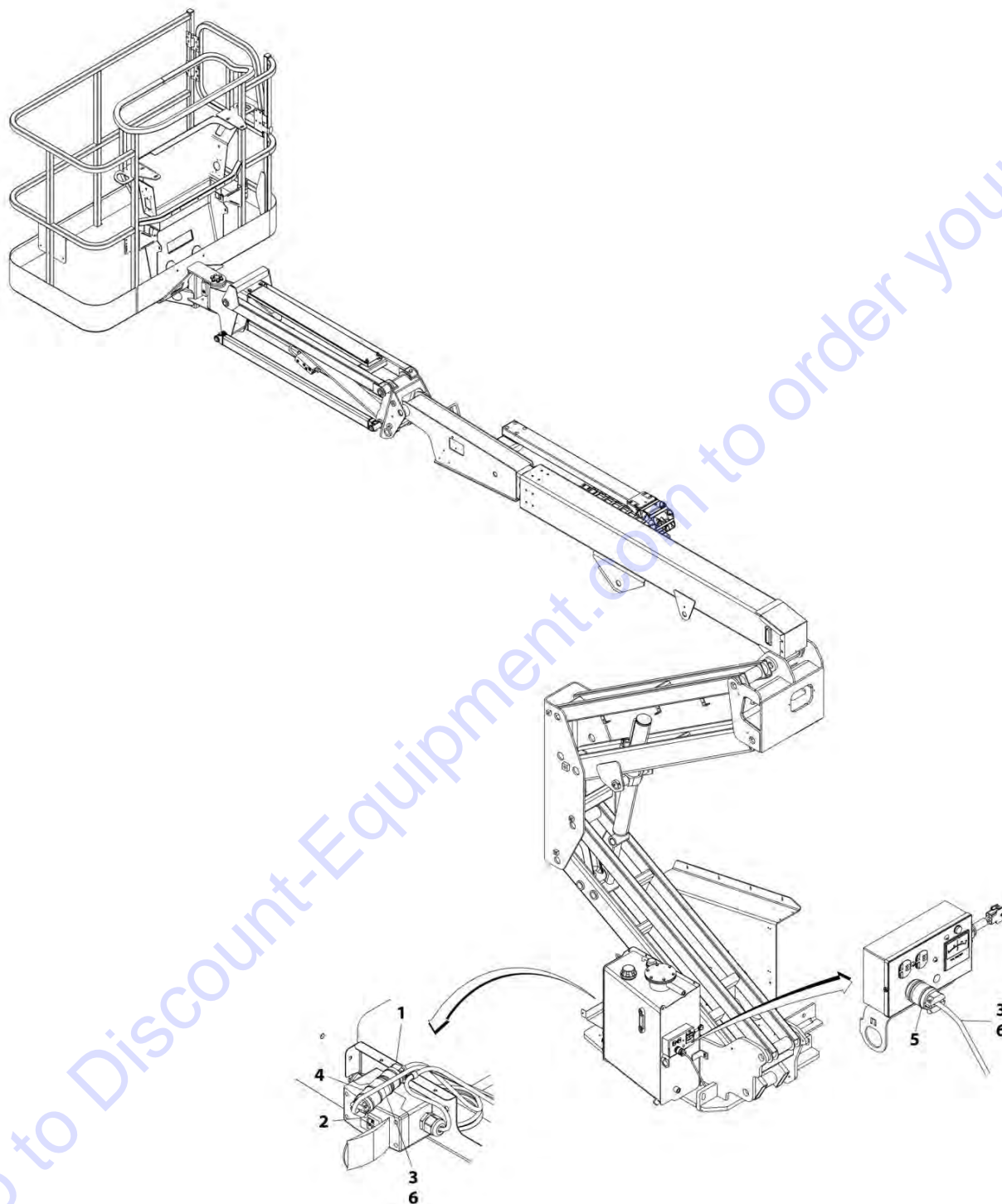
**FIGURE 8-40. GENERATOR TO AC PLUG HARNESS - 2800W GENERATOR 220/50HZ (ANSI EXPORT, AUSTRALIAN, CE AND CHINA SPECS)**

ITEM	PART NUMBER	QTY	DESCRIPTION	REV
	1001119925	Ref	GENERATOR TO AC PLUG HARNESS - 2800W GENERATOR 220/50HZ (ANSI EXPORT, AUSTRALIAN, CE AND CHINA SPECS)	A
1	1320043	1	Clamp	
2	1001119922	1	Harness, Generator to AC Plug	B
3	4460709	1	Plug, Male	
4	4923505	7 ft/2.13m	Cable, 14/3	

Go to Discount-Equipment.com to order your parts

## SECTION 8 - ELECTRICAL

FIGURE 8-41. GENERATOR TO AC PLUG HARNESS - 2800W GENERATOR 110/50HZ (CE SPECS ONLY)



ART\_1001119927

## SECTION 8 - ELECTRICAL

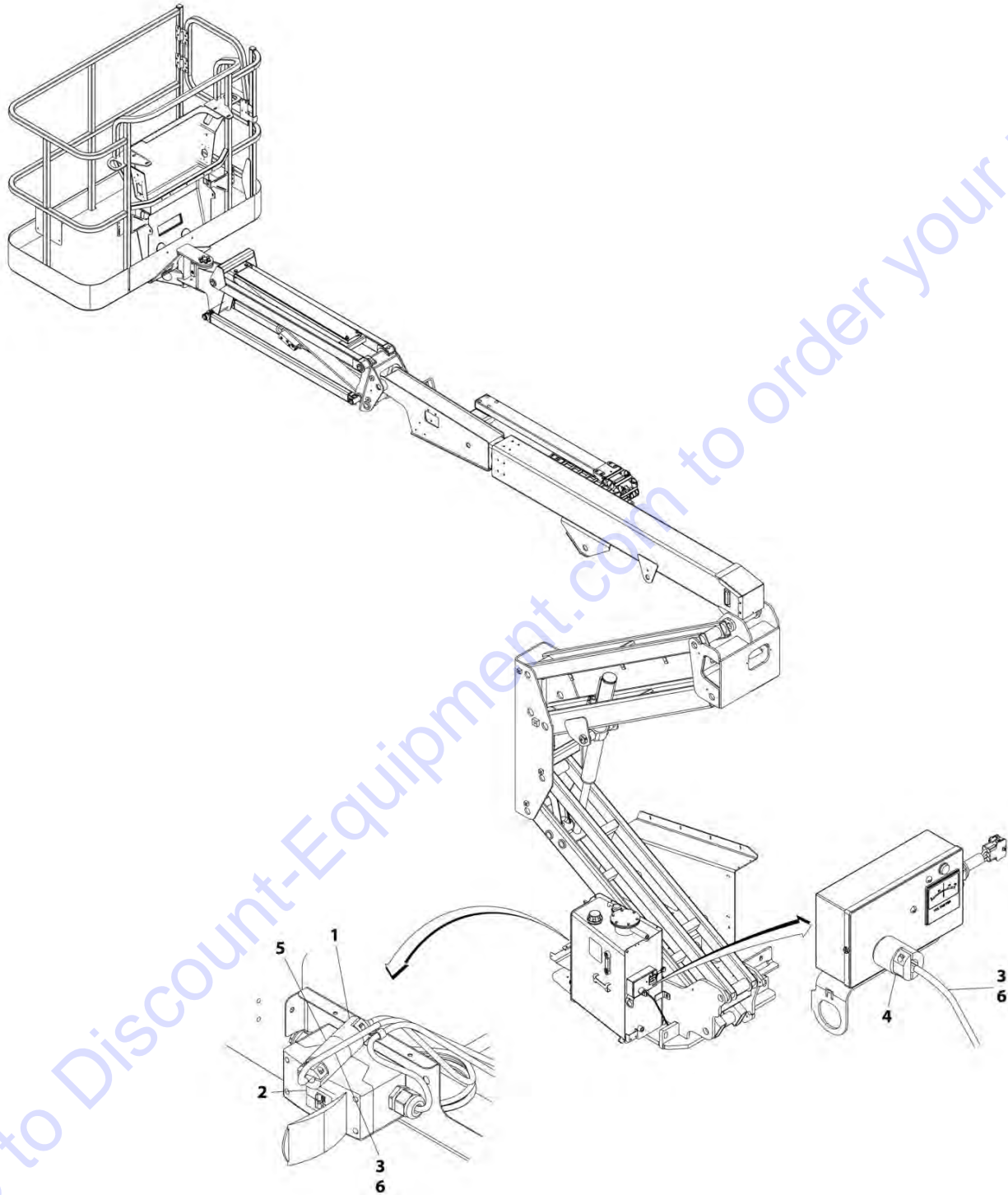
**FIGURE 8-41. GENERATOR TO AC PLUG HARNESS - 2800W GENERATOR 110/50HZ (CE SPECS ONLY)**

ITEM	PART NUMBER	QTY	DESCRIPTION	REV
	1001119927	Ref	GENERATOR TO AC PLUG HARNESS - 2800W GENERATOR 110/50HZ (CE SPECS ONLY)	A
1	4460205	1	Plug, Male	
2	1001109477	1	Breaker 10Amp	
3	1001119919	1	Harness, Generator to AC Plug	B
4	4460134	1	Plug, Female	
5	4460205	1	Plug, Male	
6	4923505	7 ft/2.13m	Cable, 14/3	

Go to Discount-Equipment.com to order your parts

## SECTION 8 - ELECTRICAL

FIGURE 8-42. GENERATOR TO AC PLUG HARNESS - 2800W GENERATOR 220/50HZ (ANSI EXPORT, AUSTRALIAN, CE AND CHINA SPECS)



ART\_1001119928

## SECTION 8 - ELECTRICAL

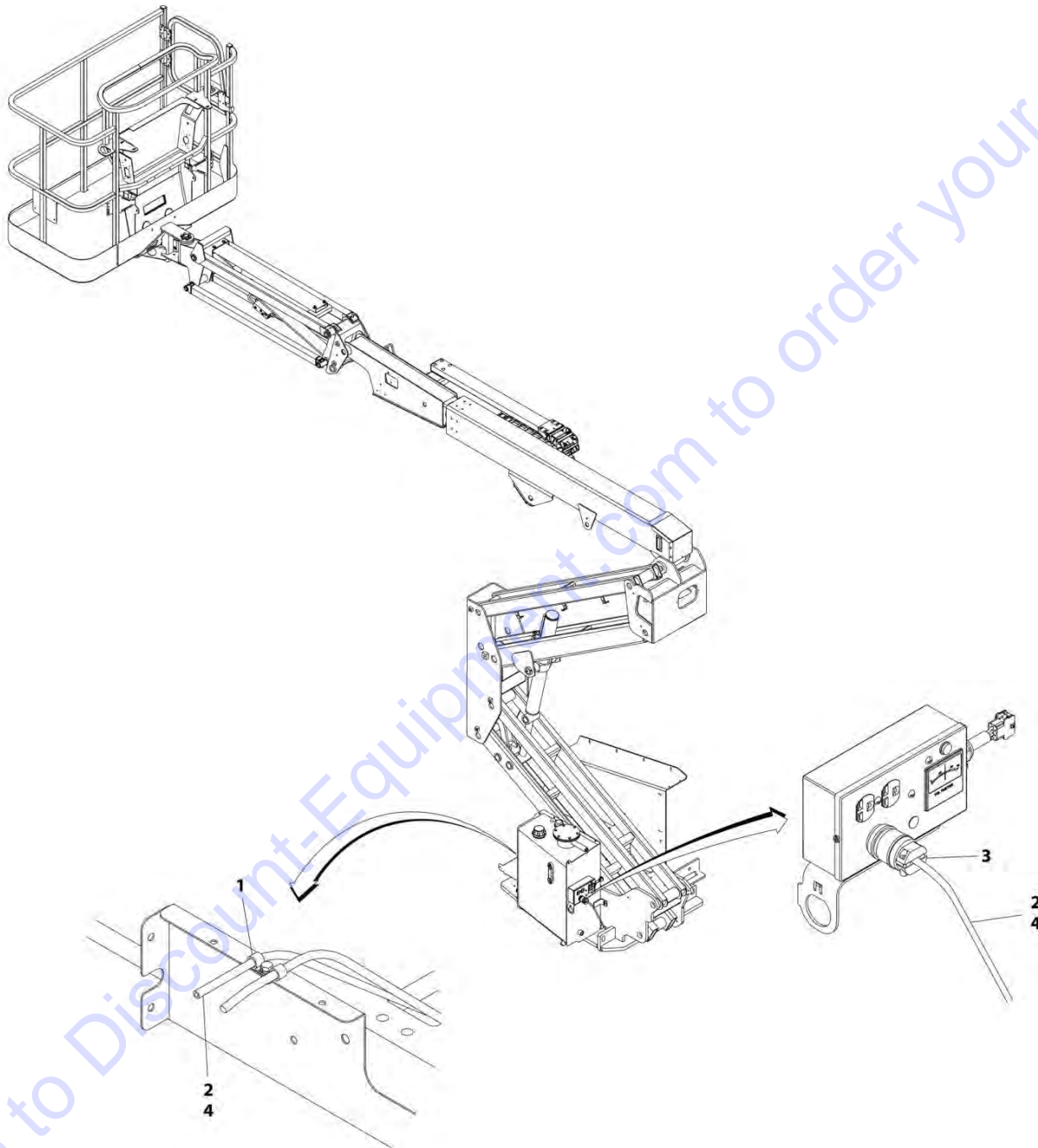
**FIGURE 8-42. GENERATOR TO AC PLUG HARNESS - 2800W GENERATOR 220/50HZ (ANSI EXPORT, AUSTRALIAN, CE AND CHINA SPECS)**

ITEM	PART NUMBER	QTY	DESCRIPTION	REV
	1001119928	Ref	GENERATOR TO AC PLUG HARNESS - 2800W GENERATOR 220/50HZ (ANSI EXPORT, AUSTRALIAN, CE AND CHINA SPECS)	B
1	4460709	1	Plug, Male	
2	1001109477	1	Breaker 10 Amp	
3	1001119920	1	Harness, Generator to AC Plug	A
4	4460709	1	Plug, Male	
5	4460710	1	Plug, Female	
6	4923505	6.8 ft/ 2.06m	Cable, 14/3	

Go to Discount-Equipment.com to order your parts

## SECTION 8 - ELECTRICAL

FIGURE 8-43. GENERATOR TO AC PLUG HARNESS - 3500W GENERATOR 220/60HZ (ANSI EXPORT, CHINA AND CSA SPECS)



ART\_100119924

## SECTION 8 - ELECTRICAL

**FIGURE 8-43. GENERATOR TO AC PLUG HARNESS - 3500W GENERATOR 220/60HZ (ANSI EXPORT, CHINA AND CSA SPECS)**

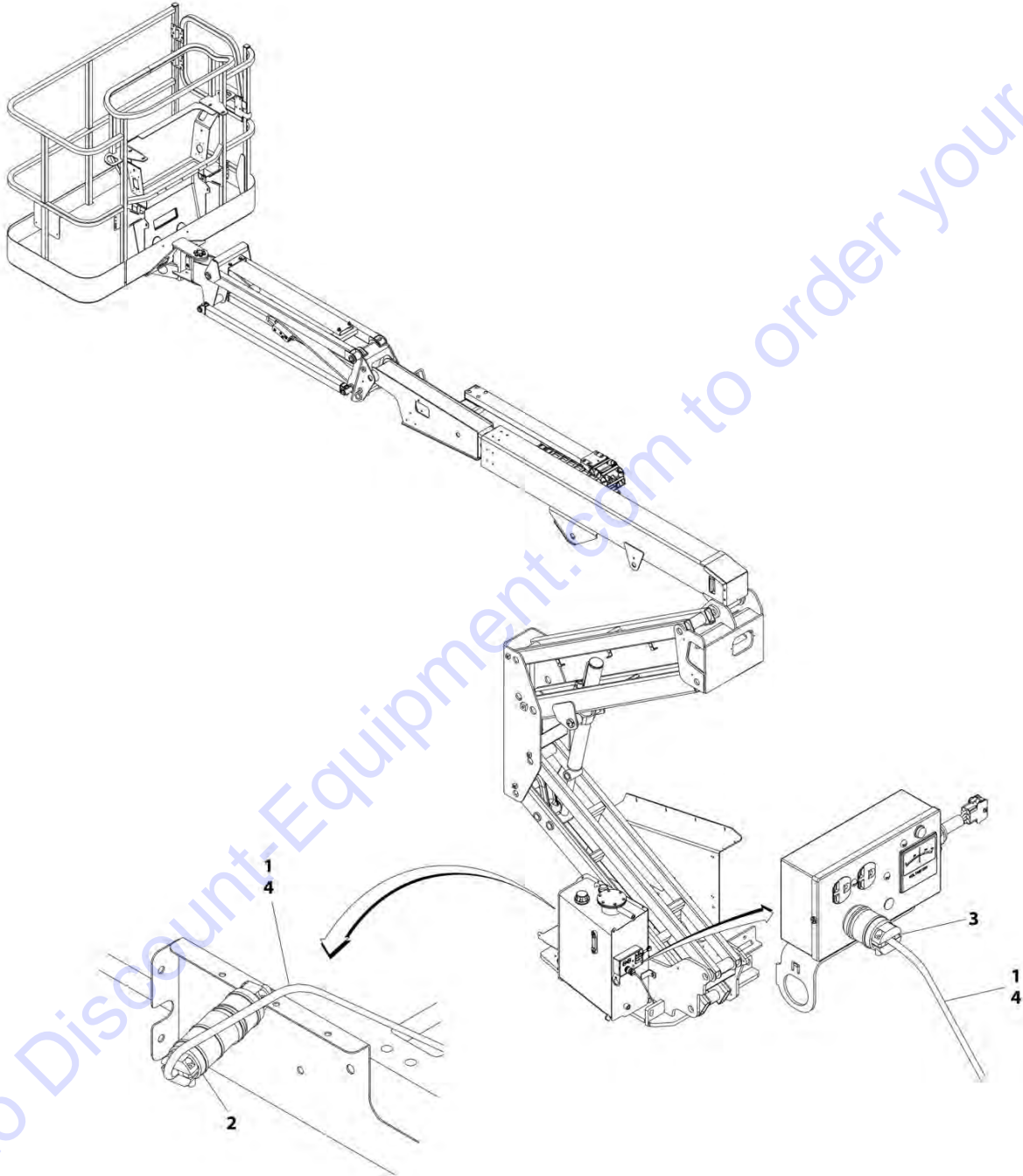
ITEM	PART NUMBER	QTY	DESCRIPTION	REV
	1001119924	Ref	GENERATOR TO AC PLUG HARNESS - 3500W GENERATOR 220/60HZ (ANSI EXPORT, CHINA AND CSA SPECS)	A
1	1320043	1	Clamp	
2	1001119921	1	Harness, Generator to AC Plug	A
3	4460205	1	Plug, Male	
4	4923505	7 ft/2.13m	Cable, 14/3	

Go to Discount-Equipment.com to order your parts



## SECTION 8 - ELECTRICAL

FIGURE 8-44. GENERATOR TO AC PLUG HARNESS - 3500W GENERATOR 110/60HZ (ANSI, ANSI EXPORT, CHINA, CSA AND JAPANESE SPECS)



ART\_100119923

## SECTION 8 - ELECTRICAL

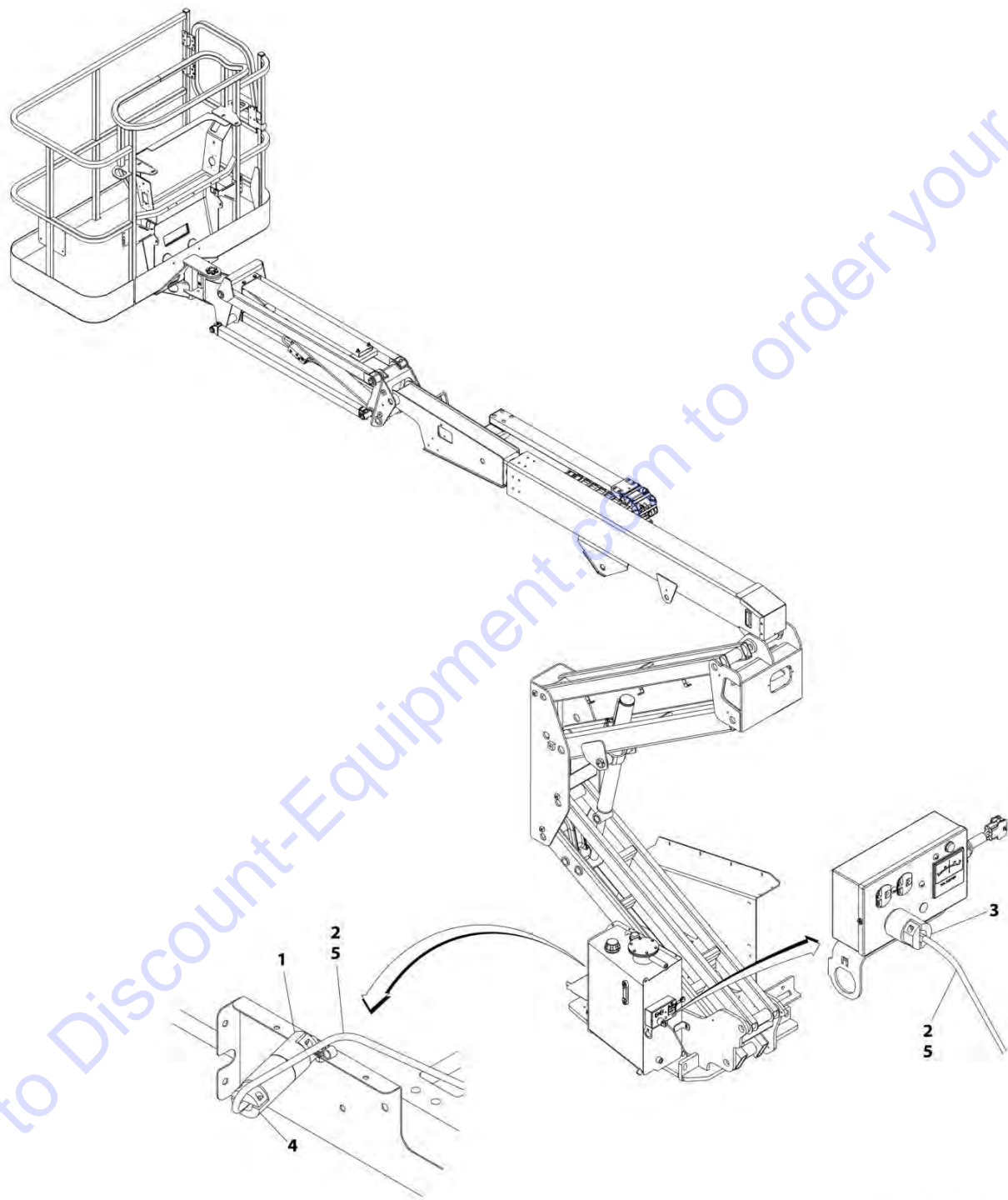
**FIGURE 8-44. GENERATOR TO AC PLUG HARNESS - 3500W GENERATOR 110/60HZ (ANSI, ANSI EXPORT, CHINA, CSA AND JAPANESE SPECS)**

ITEM	PART NUMBER	QTY	DESCRIPTION	REV
	1001119923	Ref	GENERATOR TO AC PLUG HARNESS - 3500W GENERATOR 110/60HZ (ANSI, ANSI EXPORT, CHINA, CSA AND JAPANESE SPECS)	A
1	1001119919	1	Harness, Generator to AC Plug	B
2	4460134	1	Plug, Female	
3	4460205	1	Plug, Male	
4	4923505	7 ft/2.13m	Cable, 14/3	

Go to Discount-Equipment.com to order your parts

## SECTION 8 - ELECTRICAL

FIGURE 8-45. GENERATOR TO AC PLUG HARNESS - 3500W GENERATOR 220/60HZ (ANSI EXPORT, CHINA AND CSA SPECS)



ART\_100119926

## SECTION 8 - ELECTRICAL

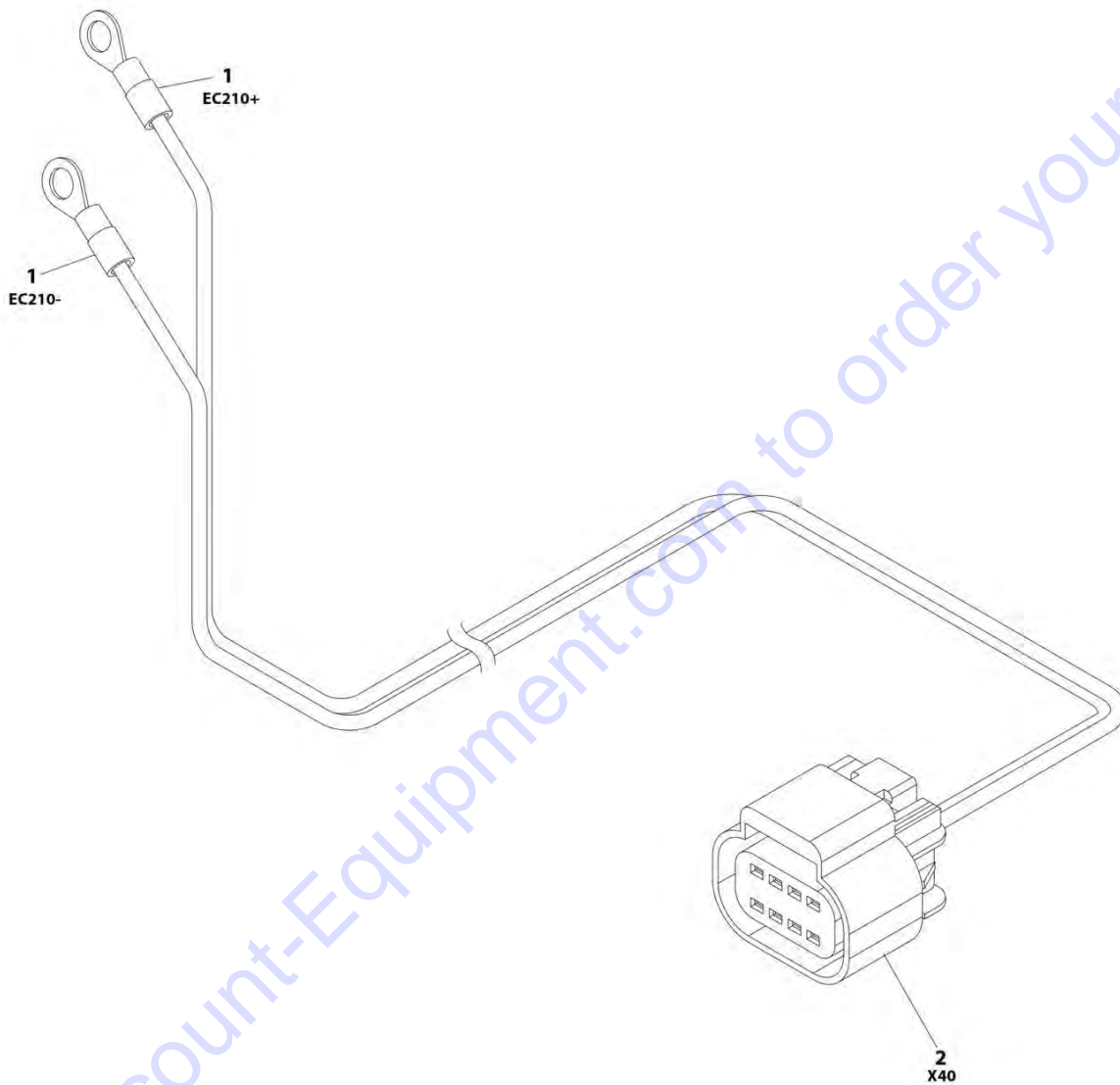
**FIGURE 8-45. GENERATOR TO AC PLUG HARNESS - 3500W GENERATOR 220/60HZ (ANSI EXPORT, CHINA AND CSA SPECS)**

ITEM	PART NUMBER	QTY	DESCRIPTION	REV
	1001119926	Ref	GENERATOR TO AC PLUG HARNESS - 3500W GENERATOR 220/60HZ (ANSI EXPORT, CHINA AND CSA SPECS)	A
1	4460709	1	Plug, Male	
2	1001119920	1	Harness, Generator to AC Plug	A
3	4460709	1	Plug, Male	
4	4460710	1	Plug, Female	
5	4923505	6.8 ft/ 2.06m	Cable, 14/3	

Go to Discount-Equipment.com to order your parts

# SECTION 8 - ELECTRICAL

## FIGURE 8-46. GM FUEL PUMP HARNESS



ART\_1001119778

## SECTION 8 - ELECTRICAL

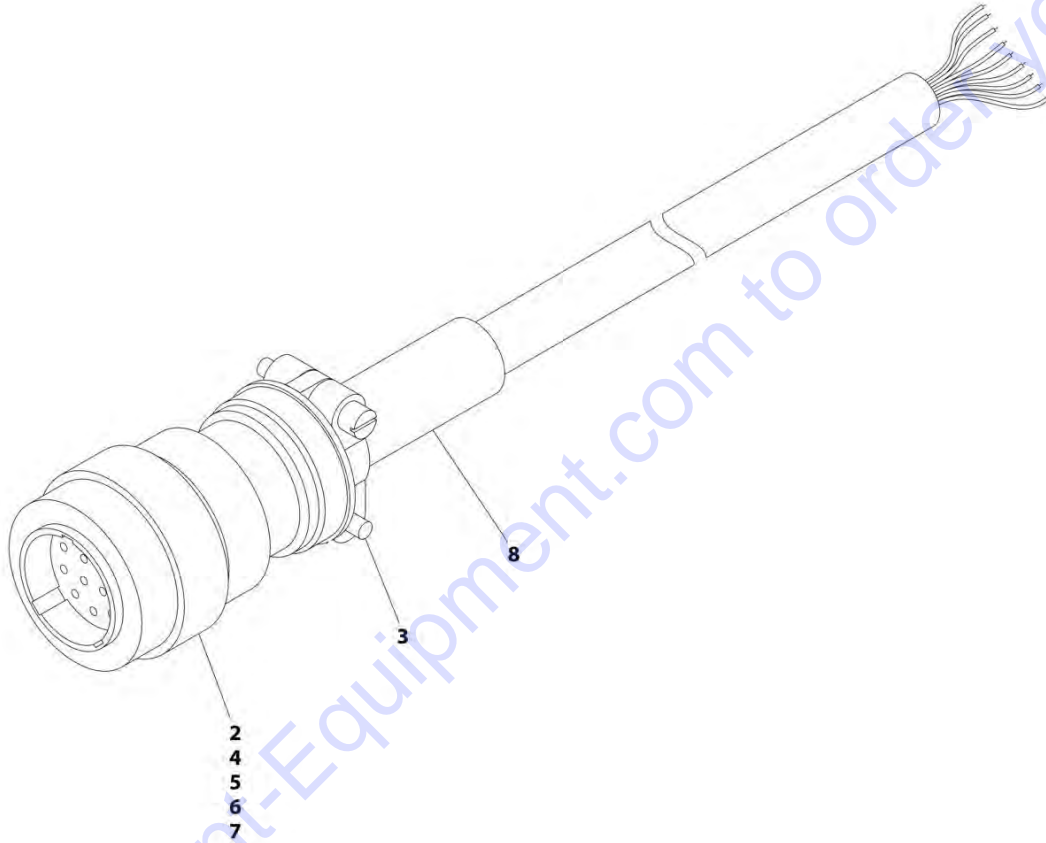
### FIGURE 8-46. GM FUEL PUMP HARNESS

ITEM	PART NUMBER	QTY	DESCRIPTION	REV
	1001119778	Ref	GM FUEL PUMP HARNESS	A
1	4460313	2	Terminal, Ring	
2	1001119799	1	Receptacle, Female - 8 Position	
2	4461112	2	Terminal, Female	
2	4461113	2	Seal	
2	4461222	6	Plug	

Go to Discount-Equipment.com to order your parts

## SECTION 8 - ELECTRICAL

FIGURE 8-47. GROUND TO PLATFORM CABLE - MAIN BOOM (WITHOUT ARCTIC PACKAGE)



ART\_1001119018



## SECTION 8 - ELECTRICAL

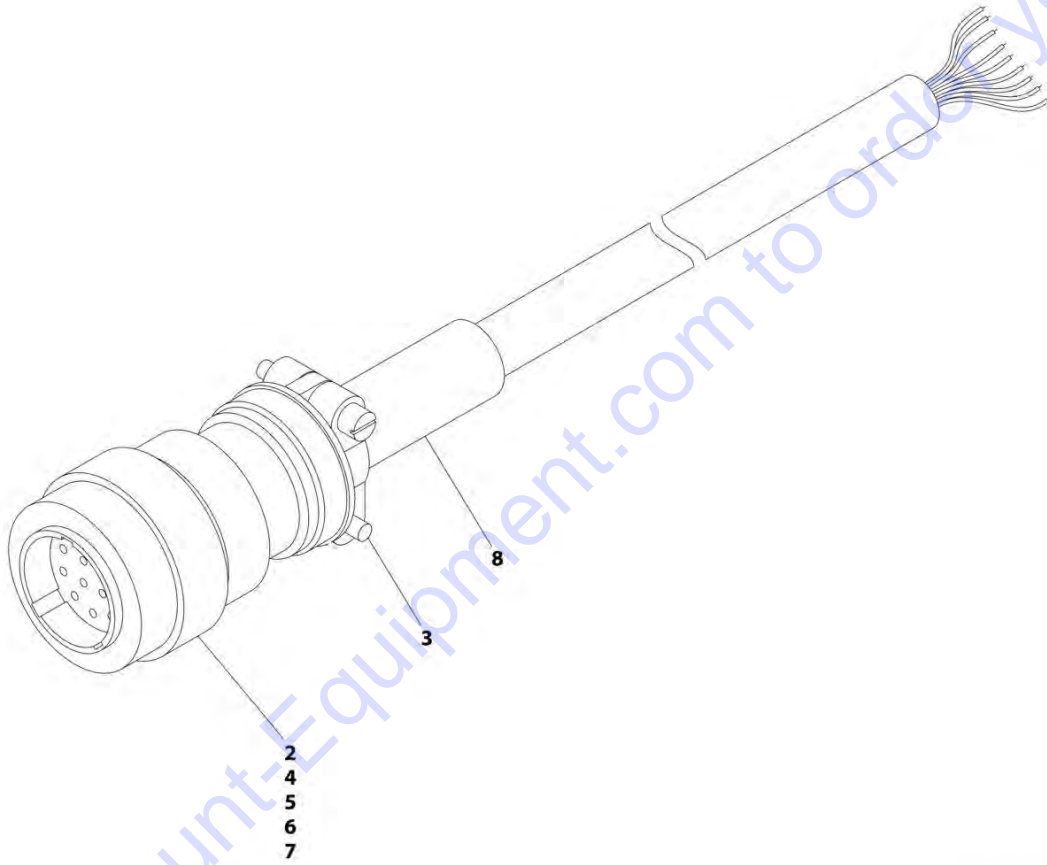
**FIGURE 8-47. GROUND TO PLATFORM CABLE - MAIN BOOM (WITHOUT ARCTIC PACKAGE)**

ITEM	PART NUMBER	QTY	DESCRIPTION	REV
	1001119018	Ref	GROUND TO PLATFORM CABLE - MAIN BOOM (WITHOUT ARCTIC PACKAGE)	C
2	4460865	1	Connector - 19 Position	
3	4460473	1	Clamp, Cable	
4	4460465	22	Socket, Female	
5	4460509	8	Socket, Female	
6	4460466	4	Plug, Terminal	
7	2820118	AR	Heat Shrink	
8	1001226400	1	Heat Shrink	

Go to Discount-Equipment.com to order your parts

## SECTION 8 - ELECTRICAL

FIGURE 8-48. GROUND TO PLATFORM CABLE - MAIN BOOM (WITH ARCTIC PACKAGE)



ART\_100119953

## SECTION 8 - ELECTRICAL

**FIGURE 8-48. GROUND TO PLATFORM CABLE - MAIN BOOM (WITH ARCTIC PACKAGE)**

ITEM	PART NUMBER	QTY	DESCRIPTION	REV
	1001119953	Ref	GROUND TO PLATFORM CABLE - MAIN BOOM (WITH ARCTIC PACKAGE)	D
2	4460865	1	Connector - 19 Position	
3	4460473	1	Clamp, Cable	
4	4460465	22	Socket, Female	
5	4460509	8	Socket, Female	
6	4460466	4	Plug, Terminal	
7	2820118	AR	Heat Shrink	
8	1001226400	1	Heat Shrink	

Go to Discount-Equipment.com to order your parts

# PARTS FINDER

**Search Website  
by Part Number**



**Search Manual  
Library For Parts  
Manual & Lookup Part  
Numbers – Purchase  
or Request Quote**

**Can't Find Part or  
Manual? Request Help  
by Manufacturer,  
Model & Description**

Discount-Equipment.com is your online resource for quality parts & equipment.

Florida: **561-964-4949** Outside Florida TOLL FREE: **877-690-3101**

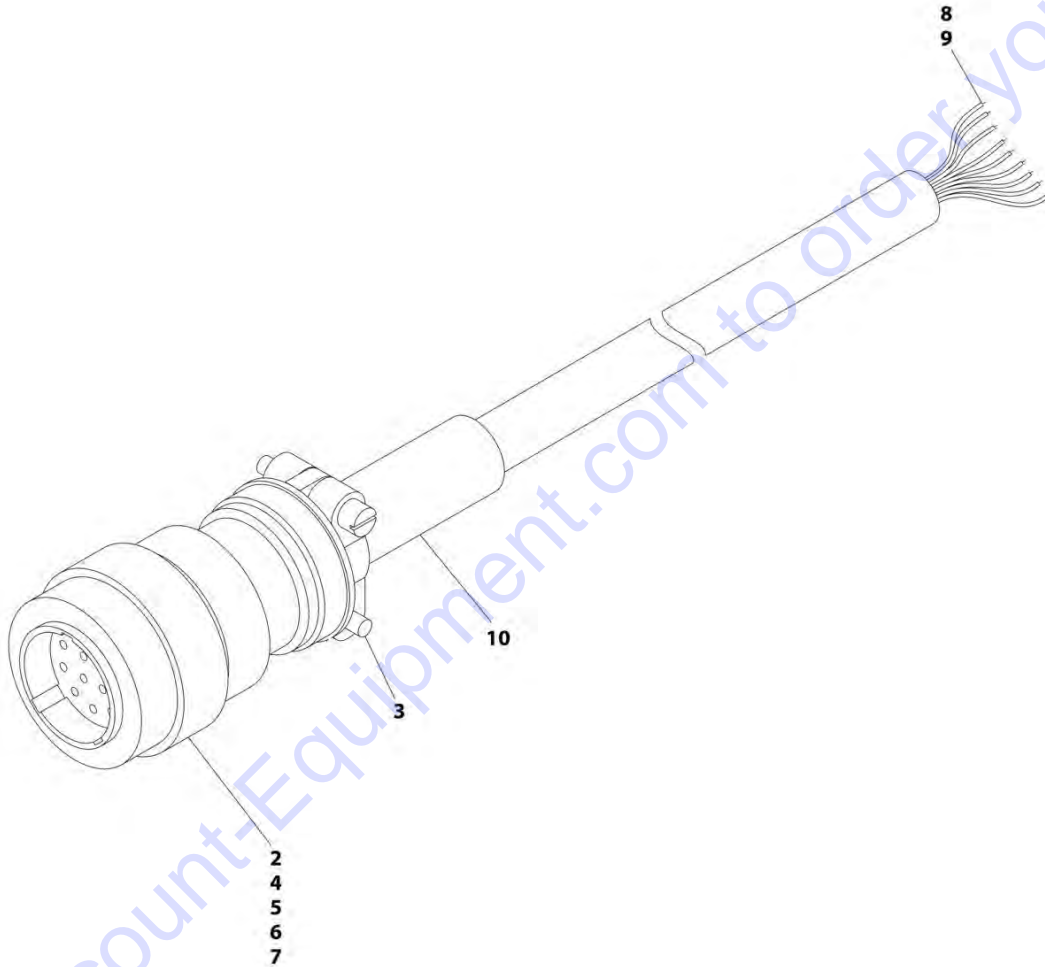
## Need parts?

Click on this link: <http://www.discount-equipment.com/category/5443-parts/> and choose one of the options to help get the right parts and equipment you are looking for. Please have the machine model and serial number available in order to help us get you the correct parts. If you don't find the part on the website or on one of the online manuals, please fill out the request form and one of our experienced staff members will get back to you with a quote for the right part that your machine needs.

We sell worldwide for the brands: Genie, Terex, JLG, MultiQuip, Mikasa, Essick, Whiteman, Mayco, Toro Stone, Diamond Products, Generac Magnum, Airman, Haulotte, Barreto, Power Blanket, Nifty Lift, Atlas Copco, Chicago Pneumatic, Allmand, Miller Curber, Skyjack, Lull, Skytrak, Tsurumi, Husquvarna Target, Stow, Wacker, Sakai, Mi-T-M, Sullair, Basic, Dynapac, MBW, Weber, Bartell, Bennar Newman, Haulotte, Ditch Runner, Menegotti, Morrison, Contec, Buddy, Crown, Edco, Wyco, Bomag, Laymor, EZ Trench, Bil-Jax, F.S. Curtis, Gehl Pavers, Heli, Honda, ICS/PowerGrit, IHI, Partner, Imer, Clipper, MMD, Koshin, Rice, CH&E, General Equipment, Amida, Coleman, NAC, Gradall, Square Shooter, Kent, Stanley, Tamco, Toku, Hatz, Kohler, Robin, Wisconsin, Northrock, Oztec, Toker TK, Rol-Air, APT, Wylie, Ingersoll Rand / Doosan, Innovatech, Con X, Ammann, Mecalac, Makinex, Smith Surface Prep, Small Line, Wanco, Yanmar

## SECTION 8 - ELECTRICAL

FIGURE 8-49. GROUND TO PLATFORM CABLE - TOWER BOOM (WITHOUT ARCTIC PACKAGE)



ART\_100119019

## SECTION 8 - ELECTRICAL

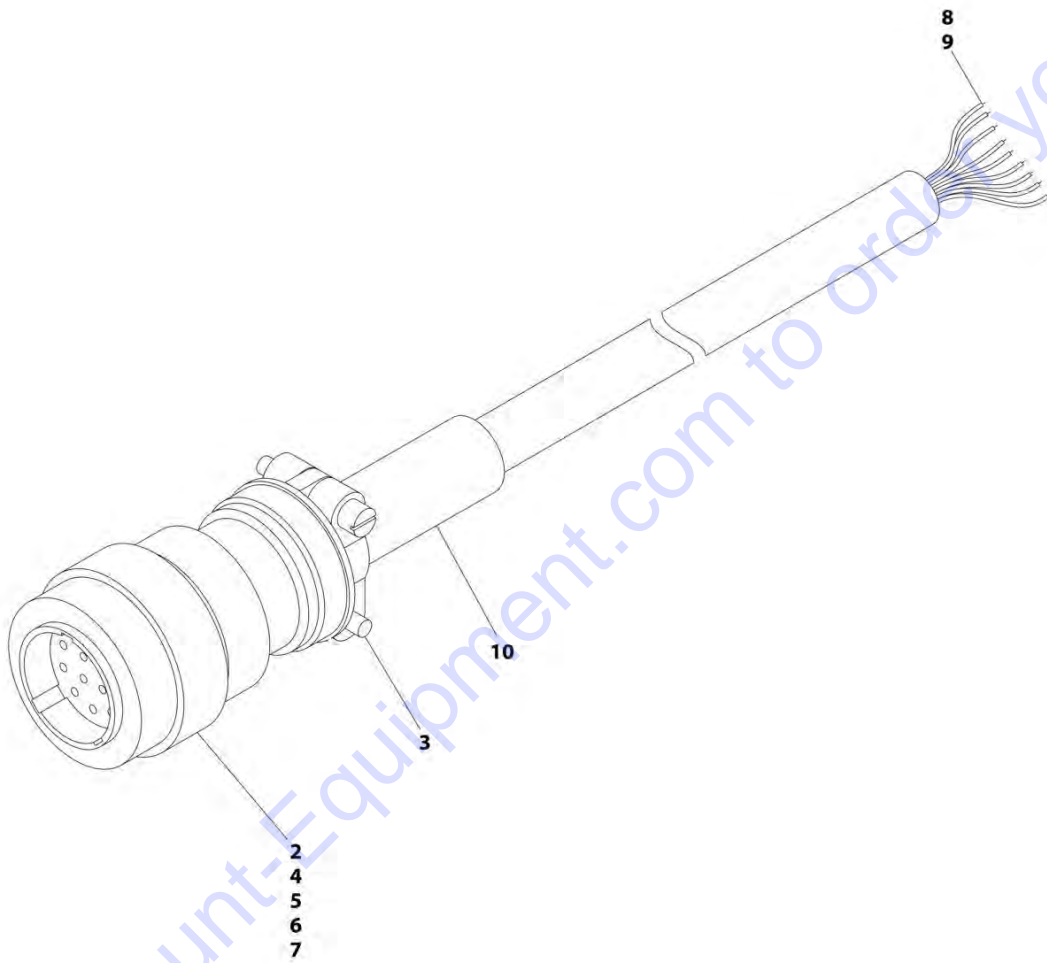
**FIGURE 8-49. GROUND TO PLATFORM CABLE - TOWER BOOM (WITHOUT ARCTIC PACKAGE)**

ITEM	PART NUMBER	QTY	DESCRIPTION	REV
	1001119019	Ref	GROUND TO PLATFORM CABLE - TOWER BOOM (WITHOUT ARCTIC PACKAGE)	B
2	4460865	1	Connector - 19 Position	
3	4460473	1	Clamp, Cable	
4	4460465	11	Socket, Female	
5	4460509	4	Socket, Female	
6	4460466	4	Plug, Terminal	
7	2820118	AR	Heat Shrink	
8	4460464	11	Pin, Male	
9	4460508	4	Pin, Male	
10	1001226400	1	Heat Shrink	

Go to Discount-Equipment.com to order your parts

## SECTION 8 - ELECTRICAL

FIGURE 8-50. GROUND TO PLATFORM CABLE - TOWER BOOM (WITH ARCTIC PACKAGE)



ART\_1001119954



## SECTION 8 - ELECTRICAL

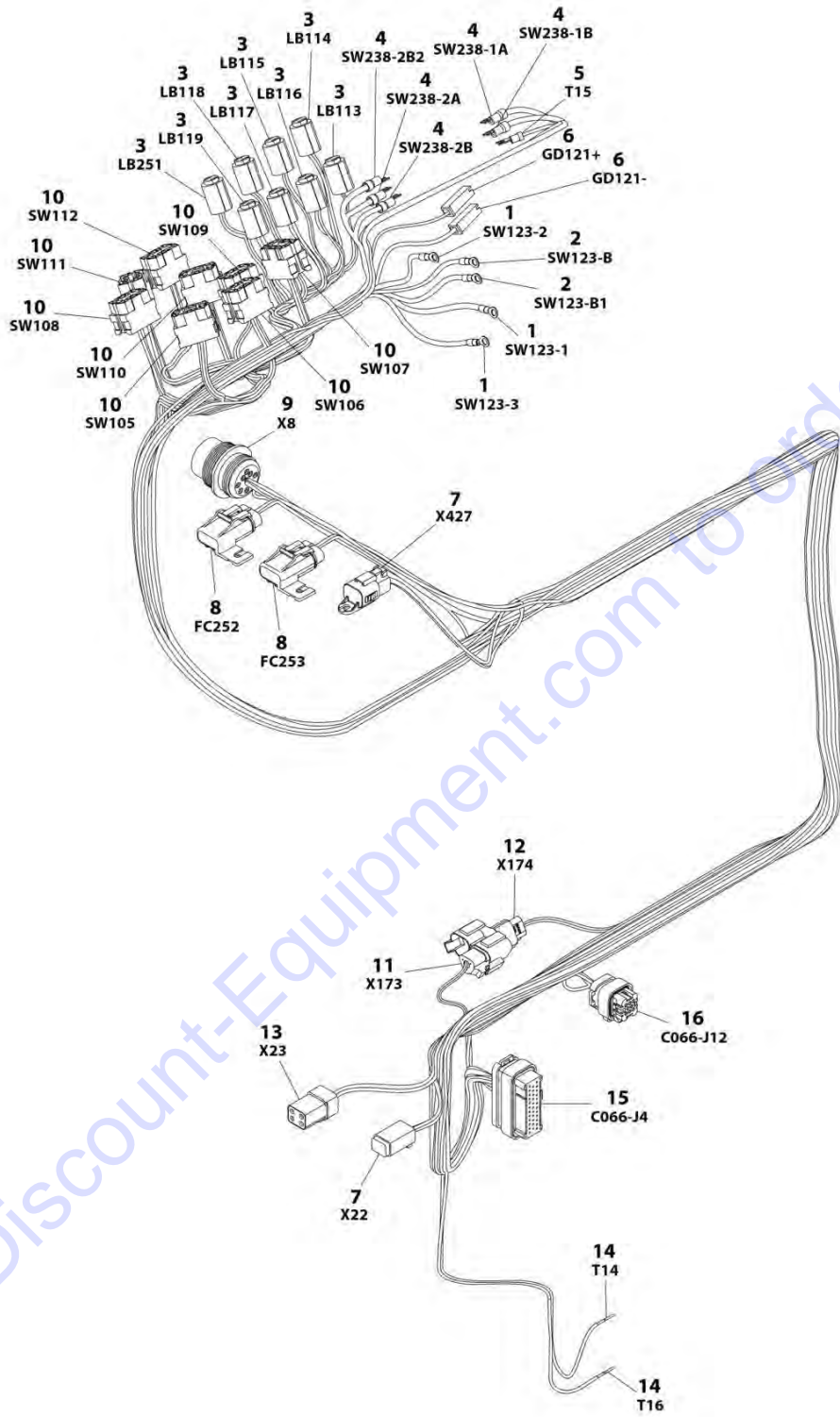
**FIGURE 8-50. GROUND TO PLATFORM CABLE - TOWER BOOM (WITH ARCTIC PACKAGE)**

ITEM	PART NUMBER	QTY	DESCRIPTION	REV
	1001119954	Ref	GROUND TO PLATFORM CABLE - TOWER BOOM (WITH ARCTIC PACKAGE)	C
2	4460865	1	Connector - 19 Position	
3	4460473	1	Clamp, Cable	
4	4460465	11	Socket, Female	
5	4460509	4	Socket, Female	
6	4460466	4	Plug, Terminal	
7	2820118	AR	Heat Shrink	
8	4460464	11	Pin, Male	
9	4460508	4	Pin, Male	
10	1001226400	1	Heat Shrink	

Go to Discount-Equipment.com to order your parts

# SECTION 8 - ELECTRICAL

FIGURE 8-51. GROUND CONTROL HARNESS (ALL SPECS EXCEPT CE)



ART\_1001118218

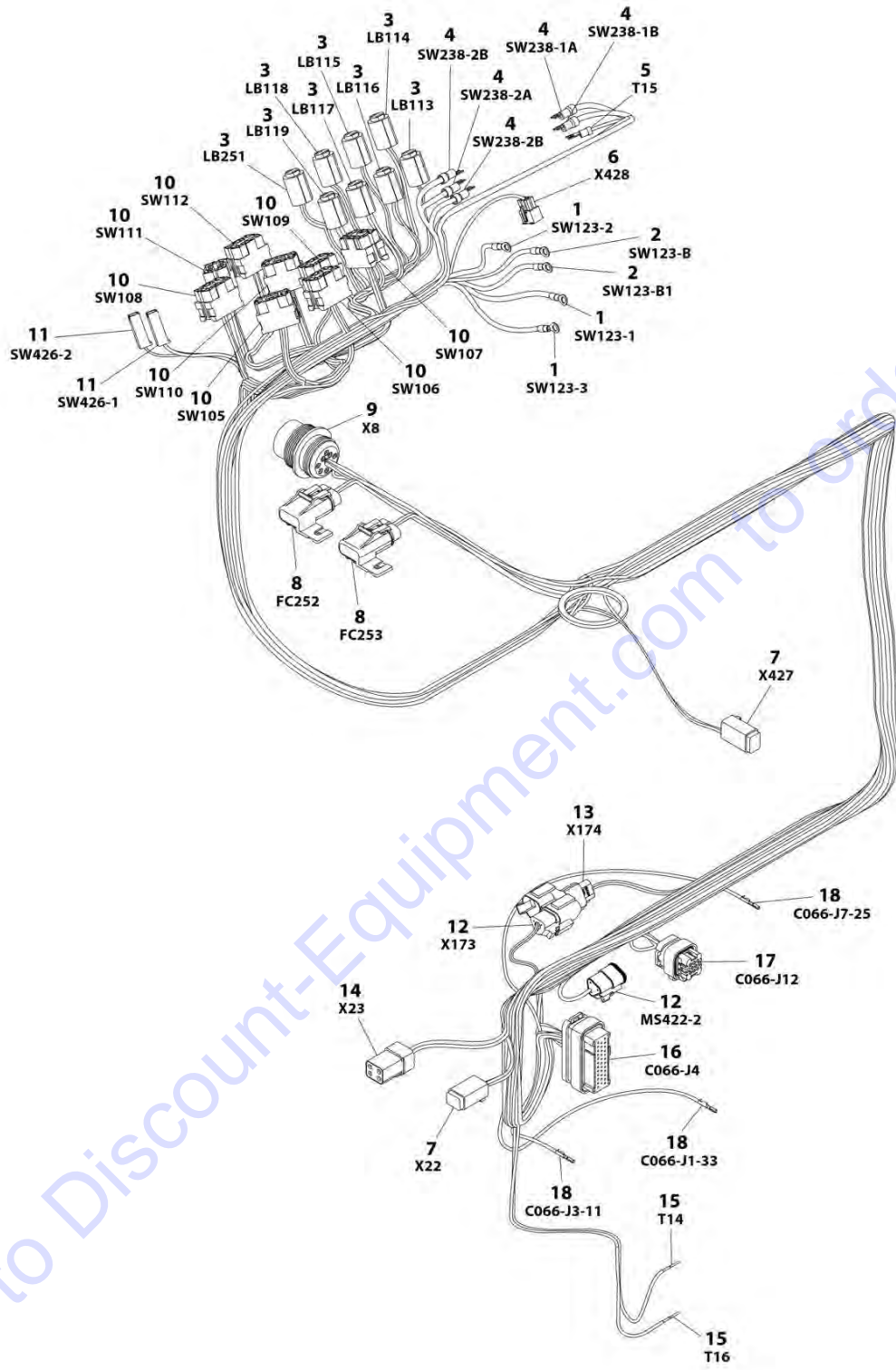
## SECTION 8 - ELECTRICAL

**FIGURE 8-51. GROUND CONTROL HARNESS (ALL SPECS EXCEPT CE)**

ITEM	PART NUMBER	QTY	DESCRIPTION	REV
	1001118218	Ref	GROUND CONTROL HARNESS (ALL SPECS EXCEPT CE)	E
1	4460313	3	Terminal, Ring	
2	4460142	2	Terminal, Ring	
3	4120035	8	Socket, Light	
3	4460634	8	Terminal - 16Ga	
3	4460635	16	Terminal - 12Ga	
4	4460806	5	Terminal, Fork	
5	4460183	1	Terminal, Fork	
6	4460260	2	Connector - 1 Position	
6	4460259	4	Terminal	
7	4460884	2	Connector - 4 Position	
7	4460465	7	Socket, Female	
7	4460466	1	Plug, Terminal	
8	1001117078	2	Fuse Assembly (Includes Fuse, Holder, Cover)	
8	4460419	4	Terminal	
9	1001112612	1	Connector - 9 Position	
9	4460464	3	Pin, Male	
9	4460943	3	Pin, Male	
9	4460466	3	Plug, Terminal	
10	4460418	8	Connector - 6 Position	
10	4460419	31	Terminal	
11	4460539	1	Connector - 3 Position	
11	4460944	3	Socket, Female	
12	1001116812	1	Plug, Male - 3 Position	
12	4460945	1	Receptacle, 3 Way	
12	4460944	3	Socket, Female	
13	1001116810	1	Connector - 4 Position	
13	4460509	3	Terminal	
13	4460466	1	Plug, Terminal	
14	4460465	2	Socket, Female	
15	4460876	1	Connector - 35 Position	
15	4460871	27	Socket, Female	
15	4460905	8	Seal, Plug	
16	1001113961	1	Connector - 8 Position	
16	4460871	5	Socket, Female	
16	4460905	3	Seal, Plug	

# SECTION 8 - ELECTRICAL

## FIGURE 8-52. GROUND CONTROL HARNESS (CE SPEC)



ART\_1001188094

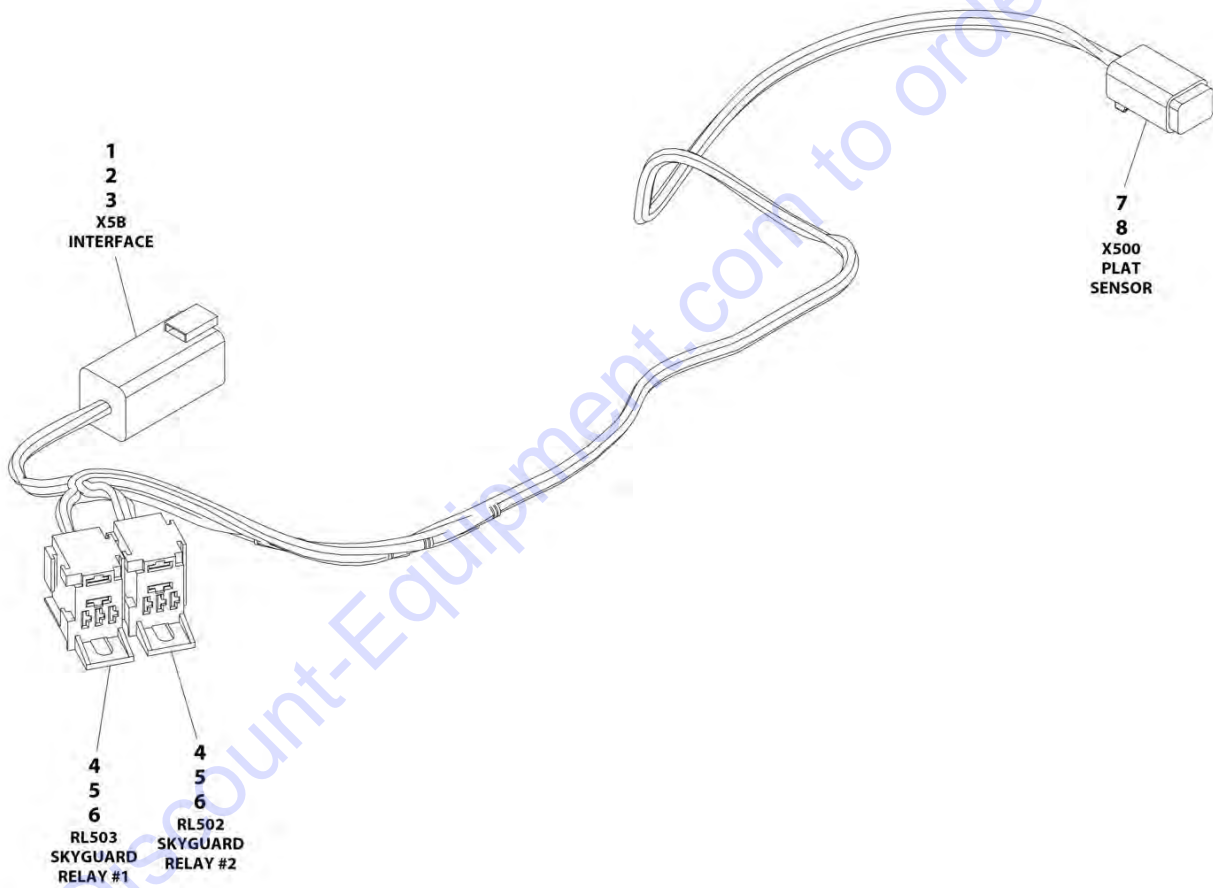
## SECTION 8 - ELECTRICAL

**FIGURE 8-52. GROUND CONTROL HARNESS (CE SPEC)**

ITEM	PART NUMBER	QTY	DESCRIPTION	REV
	1001188094	Ref	GROUND CONTROL HARNESS (CE SPEC)	D
1	4460313	3	Terminal, Ring	
2	4460142	2	Terminal, Ring	
3	4120035	8	Socket, Light	
3	4460634	8	Terminal - 16Ga	
3	4460635	16	Terminal - 12Ga	
4	4460806	5	Terminal, Fork	
5	4460183	1	Terminal, Fork	
6	4460868	1	Connector - 6 Position	
6	4460877	4	Terminal	
7	4460884	2	Connector - 4 Position	
7	4460465	7	Socket, Female	
7	4460466	1	Plug, Terminal	
8	1001117078	2	Fuse Assembly (Includes Fuse, Holder, Cover)	
8	4460419	4	Terminal	
9	1001112612	1	Connector - 9 Position	
9	4460464	3	Pin, Male	
9	4460943	3	Pin, Male	
9	4460466	3	Plug, Terminal	
10	4460418	8	Connector - 6 Position	
10	4460419	31	Socket, Female	
11	4460260	2	Connector - 1 Position	
11	4460259	2	Terminal	
12	4460539	2	Connector - 3 Position	
12	4460944	5	Socket, Female	
12	4460466	1	Seal, Plug	
13	1001116812	1	Plug, Male - 3 Position	
13	4460945	1	Receptacle, 3 Way	
13	4460944	3	Socket, Female	
14	1001116810	1	Connector - 4 Position	
14	4460509	3	Terminal	
14	4460466	1	Plug, Terminal	
15	4460465	2	Socket, Female	
16	4460876	1	Connector - 35 Position	
16	4460871	27	Socket, Female	
16	4460905	8	Seal, Plug	
17	1001113961	1	Connector - 8 Position	
17	4460871	6	Socket, Female	
17	4460905	2	Seal, Plug	
18	4460871	3	Socket, Female	

# SECTION 8 - ELECTRICAL

## FIGURE 8-53. GENERATOR TO PLATFORM HARNESS - WITH SKYGUARD



ART\_1001225580

## SECTION 8 - ELECTRICAL

**FIGURE 8-53. GENERATOR TO PLATFORM HARNESS - WITH SKYGUARD**

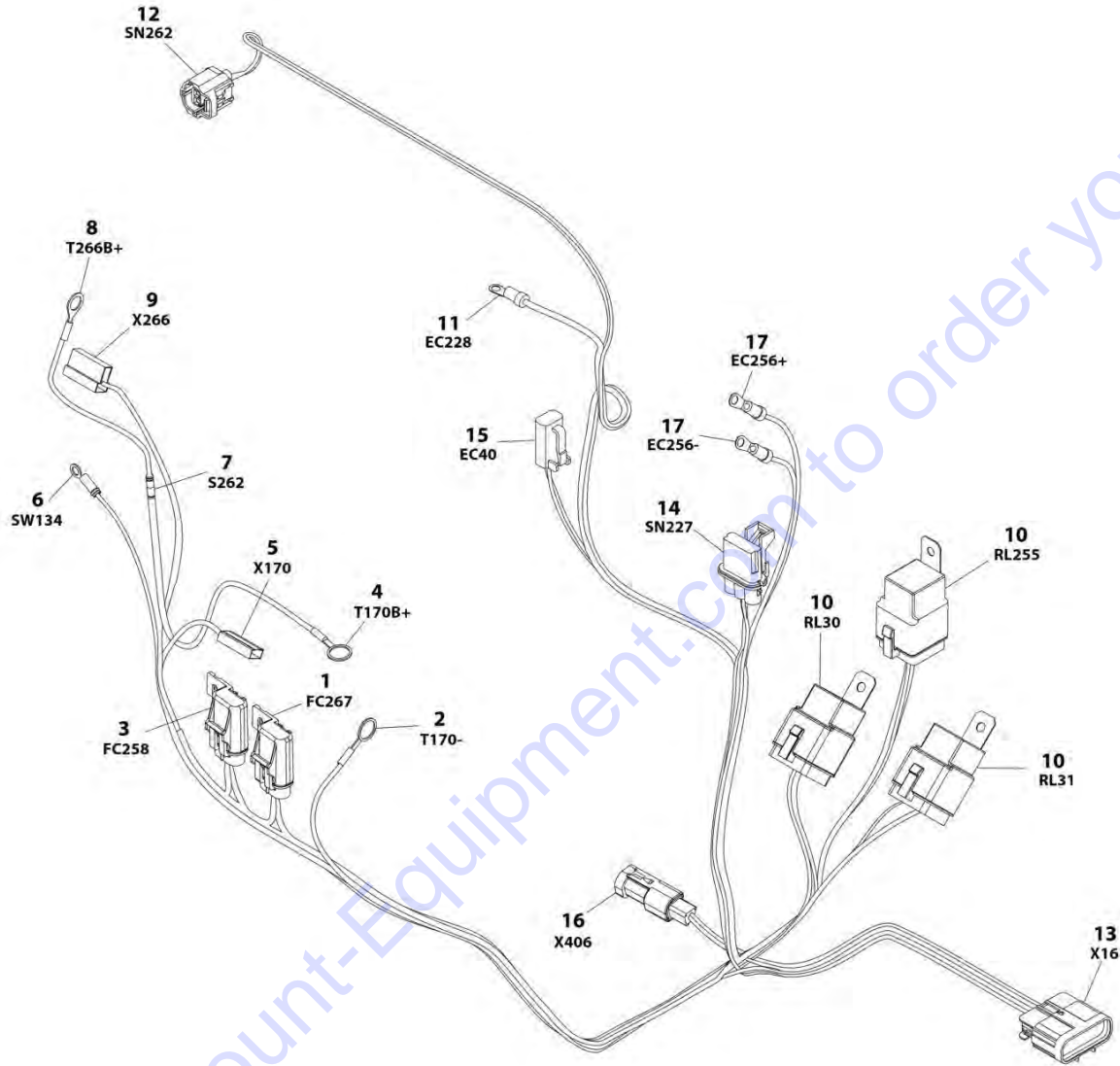
ITEM	PART NUMBER	QTY	DESCRIPTION	REV
	1001225580	Ref	GENERATOR TO PLATFORM HARNESS - WITH SKYGUARD	C
1	4460899	1	Connector	
2	4460464	4	Terminal	
3	4460466	2	Plug	
4	1001186432	2	Connector	
5	1001116720	4	Terminal	
6	1001118388	4	Terminal	
7	4460844	1	Connector	
8	4460465	4	Terminal	

Go to Discount-Equipment.com to order your parts



# SECTION 8 - ELECTRICAL

## FIGURE 8-54. KUBOTA ENGINE HARNESS



ART\_1001118638

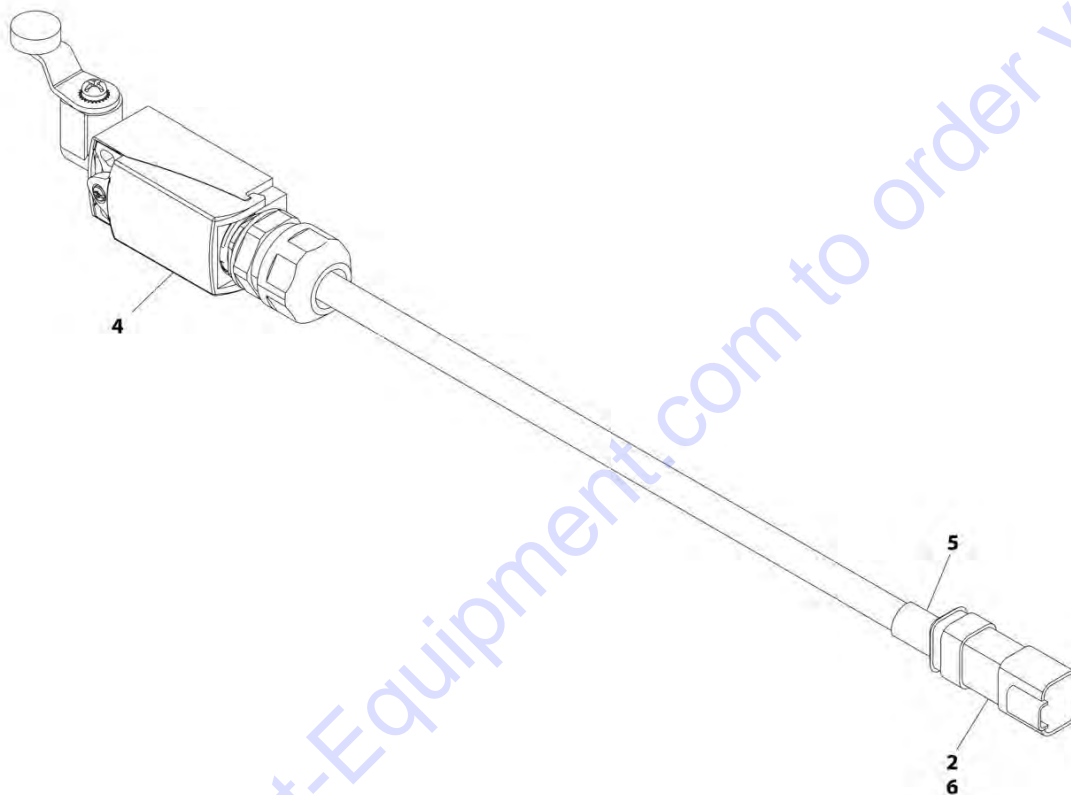
## SECTION 8 - ELECTRICAL

### FIGURE 8-54. KUBOTA ENGINE HARNESS

ITEM	PART NUMBER	QTY	DESCRIPTION	REV
	1001118638	Ref	KUBOTA ENGINE HARNESS	G
1	1001117070	1	Connector, Fuseholder (Includes Fuse and Cap)	
1	1001116752	2	Terminal, Female	
2	4460256	1	Terminal	
3	1001118938	1	Connector, Fuseholder (Includes Fuse and Cap)	
3	1001116752	2	Terminal, Female	
4	8220164	1	Terminal	
5	1001118743	1	Connector, Receptacle	
5	1001118748	1	Terminal	
6	4460247	1	Terminal, Ring	
7	4460474	1	Terminal	
8	4460043	1	Terminal, Ring	
8	1001121574	1	Lock, Connector	
9	1001118744	1	Receptacle, Female - 2 Position	
9	1001118745	1	Terminal	
10	1001117025	3	Relay and Connector Assembly	
10	1001116734	6	Terminal	
10	1001116732	6	Terminal	
11	4460142	1	Terminal, Ring	
12	1001118657	1	Plug, Male - 2 Position (Green)	
12	1001118658	2	Socket, Female	
13	4461109	1	Plug, Male - 16 Position	
13	1001136232	1	Lock, Connector	
13	4461111	14	Terminal, Male	
13	4461113	14	Seal	
13	4461222	2	Plug	
14	1001117055	1	Plug, Male - 3 Position	
14	4460746	3	Socket, Female	
15	4460891	1	Plug, Male - 2 Position (Gray)	
15	4460465	2	Socket, Female	
16	4461095	1	Plug, Male - 3 Position	
16	4460944	2	Terminal , Gold	
16	4460466	1	Plug, Terminal	
17	4460042	2	Terminal, Ring	

# SECTION 8 - ELECTRICAL

## FIGURE 8-55. LIMIT SWITCH HARNESS



ART\_1001119176

## SECTION 8 - ELECTRICAL

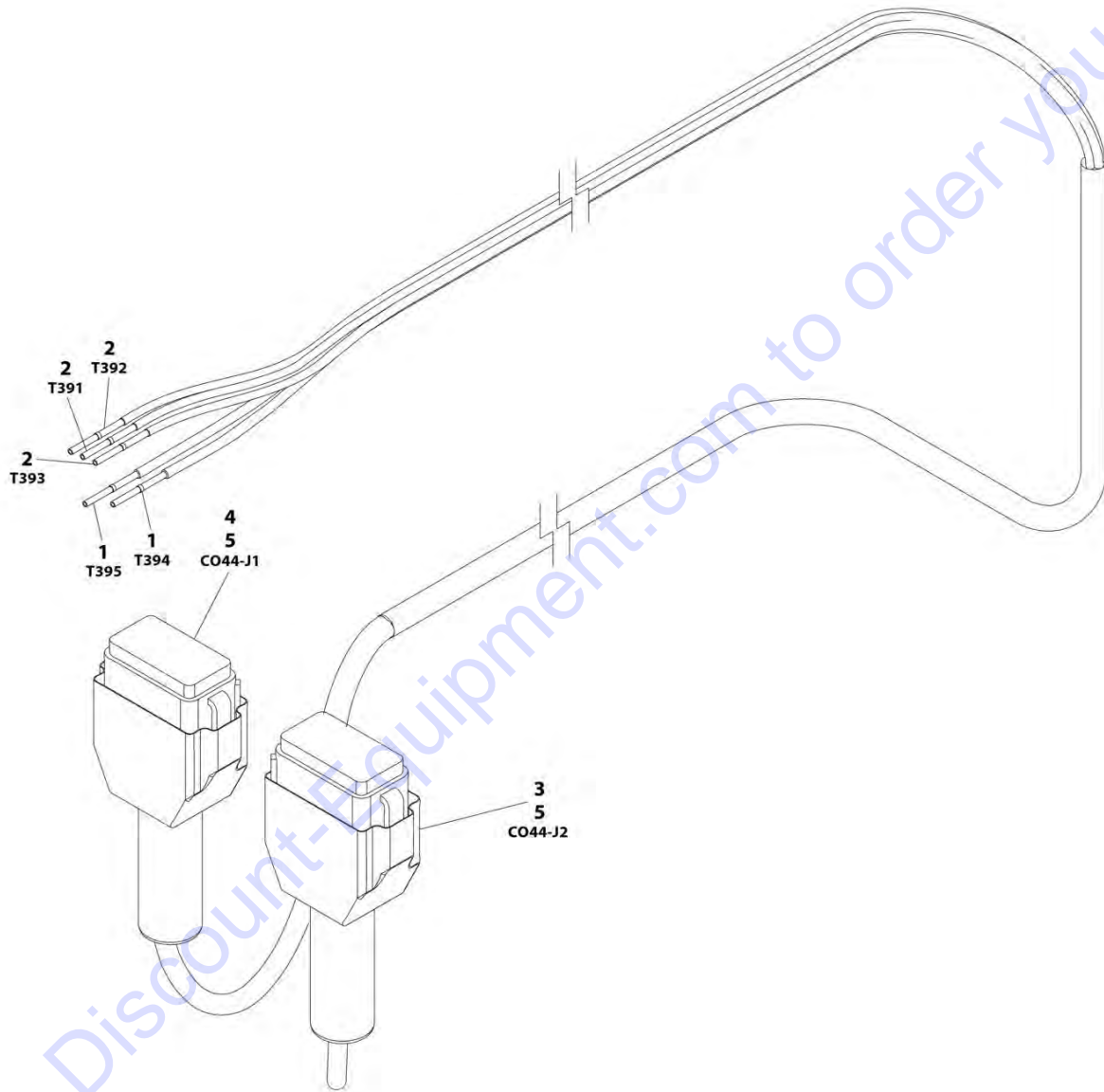
### FIGURE 8-55. LIMIT SWITCH HARNESS

ITEM	PART NUMBER	QTY	DESCRIPTION	REV
	1001119176	Ref	LIMIT SWITCH HARNESS	E
2	4460464	4	Pin, Male Deutsch 16Ga	
4	1001119170	1	Switch, Limit	
5	2820030	AR	Heat Shrink	
6	1001129407	1	Receptacle, Female - 4 Position	

Go to Discount-Equipment.com to order your parts

# SECTION 8 - ELECTRICAL

## FIGURE 8-56. LSS HARNESS



ART\_1001120371

## SECTION 8 - ELECTRICAL

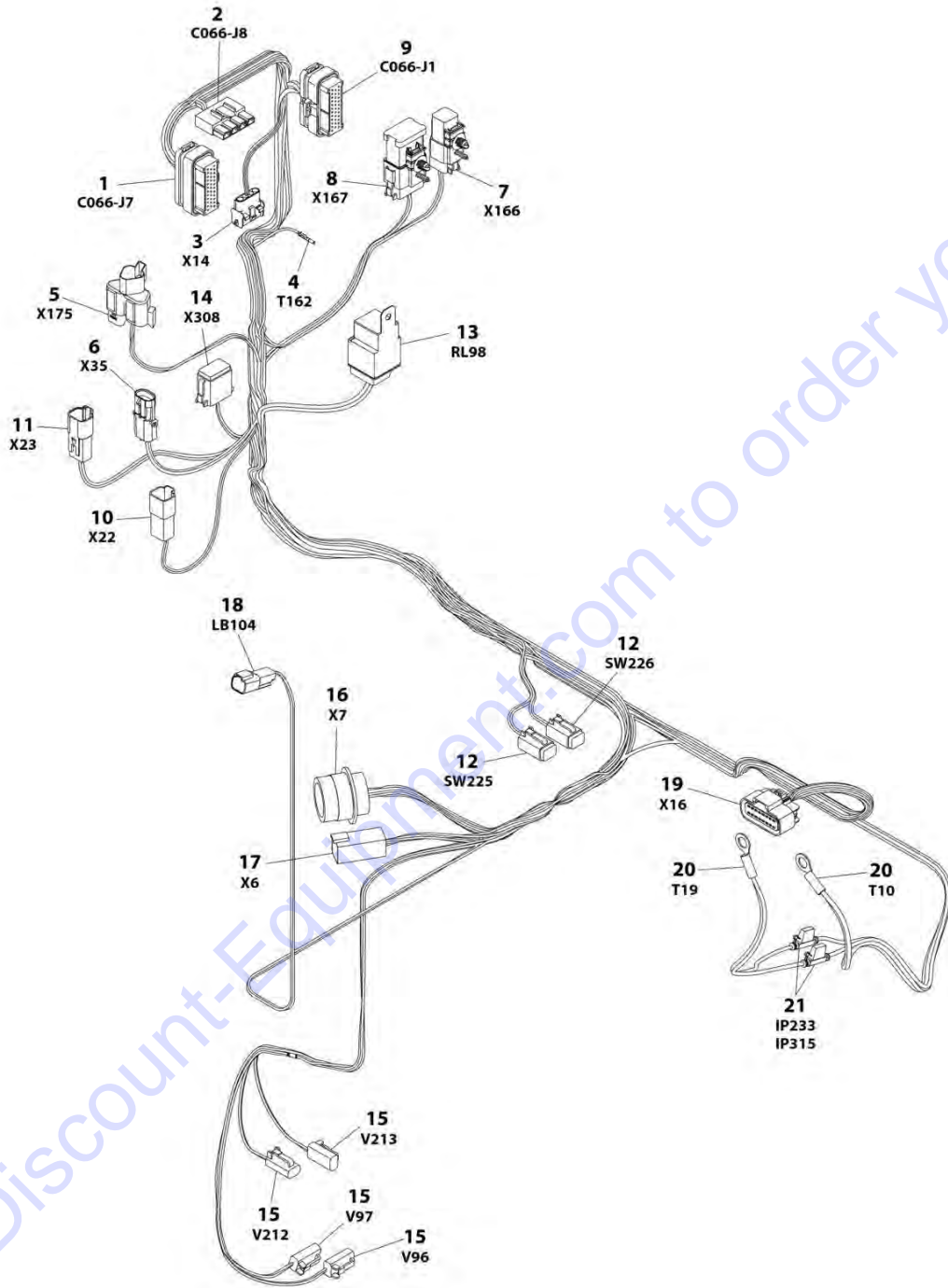
**FIGURE 8-56. LSS HARNESS**

ITEM	PART NUMBER	QTY	DESCRIPTION	REV
	1001120371	Ref	LSS HARNESS	B
1	4460465	2	Socket, Female	
2	4460944	3	Socket, Female	
3	4460836	1	Connector - 12 Position	
3	4460944	3	Socket, Female	
3	4460466	9	Plug, Terminal	
3	0840055	1	Boot	
4	4460933	1	Connector - 12 Position	
4	4460465	2	Socket, Female	
4	4460466	10	Plug, Terminal	
4	0840055	1	Boot	
5	2820030	AR	Heat Shrink	

Go to Discount-Equipment.com to order your parts

# SECTION 8 - ELECTRICAL

## FIGURE 8-57. MID-ENGINE HARNESS



ART\_1001118333



## SECTION 8 - ELECTRICAL

### FIGURE 8-57. MID-ENGINE HARNESS

ITEM	PART NUMBER	QTY	DESCRIPTION	REV
	1001118333	Ref	MID-ENGINE HARNESS	G
1	4460873	1	Connector - 35 Position	
1	4460871	19	Socket, Female	
1	4460905	16	Seal, Plug	
2	4460878	1	Connector - 4 Position	
2	4460887	6	Terminal	
3	4460761	1	Connector - 4 Position	
3	4460227	4	Pin, Male	
4	4460871	1	Socket, Female	
5	1001116812	1	Plug, Male - 3 Position	
5	4460944	3	Socket, Female	
6	4461157	1	Receptacle, Female - 2 Position	
6	4460979	1	Pin, Male	
6	1001116727	1	Seal, Plug	
7	4460894	1	Connector - 6 Position	
7	4460465	2	Socket, Female	
7	4460466	3	Plug, Terminal	
7	4460892	1	Buss Bar - 6 Position	
7	1001121172	1	Bracket, Terminal	
8	4460933	1	Connector - 12 Position	
8	4460465	3	Socket, Female	
8	4460466	7	Plug, Terminal	
8	4460837	1	Connector - 12 Position	
8	1001121172	1	Bracket, Terminal	
9	4460874	1	Connector - 35 Position	
9	4460871	21	Socket, Female	
9	4460905	14	Seal, Plug	
10	4460932	1	Receptacle, Female - 4 Position	
10	4460464	3	Pin, Female	
10	4460466	1	Plug, Terminal	
11	1001116811	1	Receptacle, Female - 4 Position	
11	4460508	3	Pin, Male	
11	4460466	1	Plug, Terminal	
12	4460884	2	Plug, Male - 4 Position	
12	4460465	6	Socket, Female	
12	4460466	2	Plug, Terminal	
13	1001117025	1	Relay and Connector Assembly	
13	1001116734	2	Terminal	
13	1001116732	2	Terminal	
14	4460930	1	Plug, Male - 8 Position	
14	4460465	2	Socket, Female	
14	4460466	6	Plug, Terminal	
15	4460891	4	Connector - 2 Position	
15	4460465	8	Socket, Female	
16	4460866	1	Connector - 19 Position	
16	4460943	3	Pin, Male	
16	4460464	6	Pin, Male	
16	4460508	4	Pin, Male	
16	4460466	6	Plug, Terminal	
17	4460899	1	Connector - 6 Position	

## SECTION 8 - ELECTRICAL

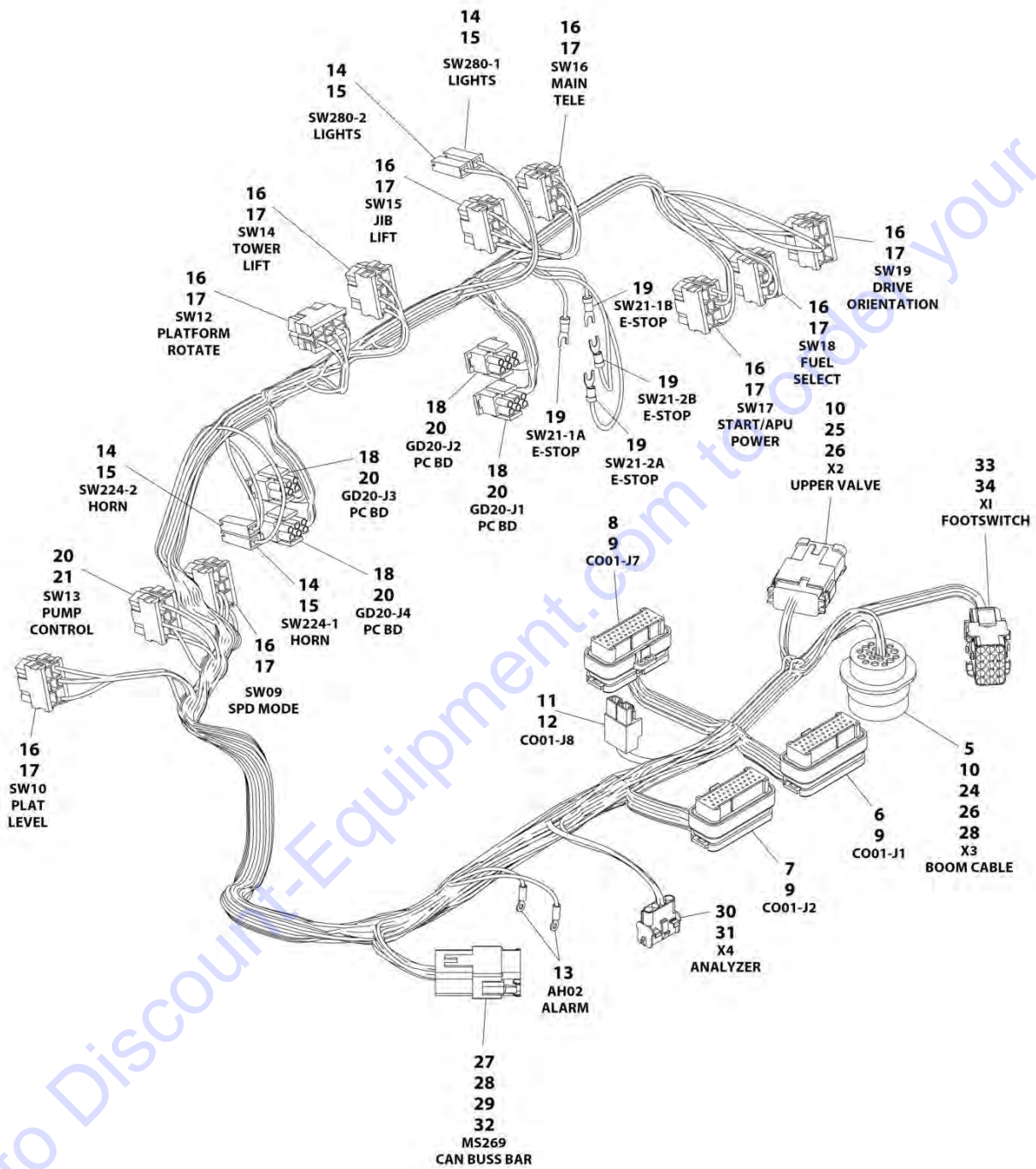
ITEM	PART NUMBER	QTY	DESCRIPTION	REV
17	4460464	6	Pin, Male	
18	4460897	1	Connector - 2 Position	
18	4460464	2	Pin, Male	
19	4461110	1	Receptacle Female - 16 Position	
19	1001136231	1	Lock, Connector	
19	1001136232	1	Lock, Connector	
19	4461112	15	Terminal, Female	
19	4461113	15	Seal	
19	4461222	1	Plug	
20	8220164	2	Ring, Terminal	
21	2400066	2	Fuse Holder with Leads	

Go to Discount-Equipment.com to order your parts



# SECTION 8 - ELECTRICAL

FIGURE 8-58. PLATFORM BOX HARNESS ASSEMBLY WITHOUT SKYGUARD



ART\_1001118415

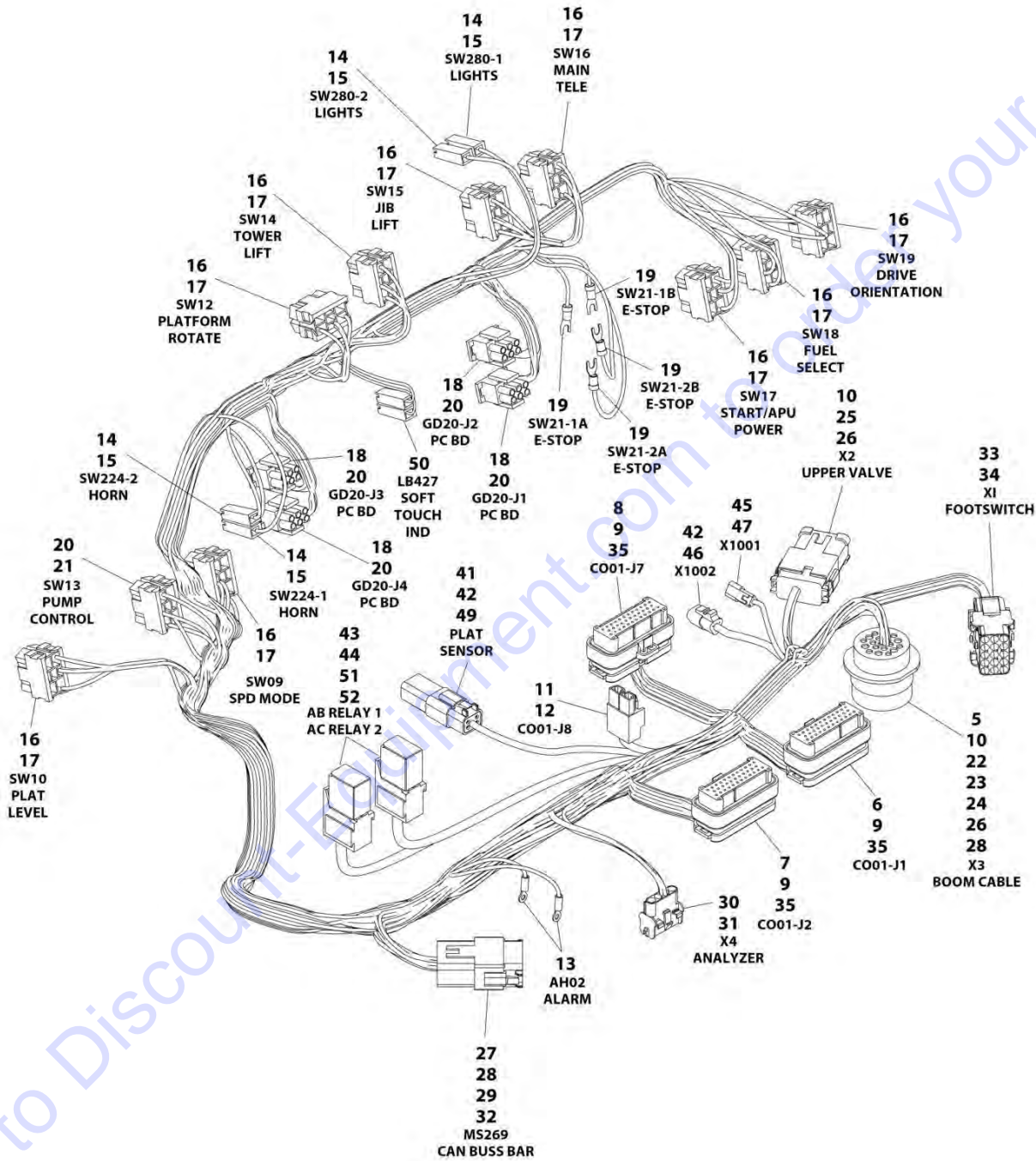
## SECTION 8 - ELECTRICAL

**FIGURE 8-58. PLATFORM BOX HARNESS ASSEMBLY WITHOUT SKYGUARD**

ITEM	PART NUMBER	QTY	DESCRIPTION	REV
	1001118415	Ref	PLATFORM BOX HARNESS ASSEMBLY WITHOUT SKYGUARD	A
5	4460866	1	Connector - 19 Position	
6	4460874	1	Connector - 35 Position (Natural)	
7	4460875	1	Connector - 35 Position (Gray)	
8	4460873	1	Connector - 35 Position (Black)	
9	4460871	63	Socket, Female	
10	4460464	14	Pin, Male	
11	4460879	1	Connector - 2 Position	
12	4460887	2	Terminal	
13	4460213	2	Terminal	
14	4460260	4	Connector - 1 Position	
15	4460259	4	Terminal	
16	4460418	9	Connector - 6 Position	
17	4460419	25	Terminal	
18	4460226	15	Socket, Female	
19	4460888	4	Terminal, Fork	
20	4460225	5	Connector - 6 Position	
21	4460227	5	Pin, Male	
22	2820118	AR	Heat Shrink	
23	2820019	AR	Heat Shrink	
24	4460508	2	Pin, Male	
25	4460970	1	Connector - 12 Position	
26	4460943	6	Pin, Male	
27	4460933	1	Connector - 12 Position	
28	4460466	12	Plug, Terminal	
29	4460944	9	Socket, Female	
30	4460761	1	Connector - 4 Position	
31	4460227	4	Pin, Male	
32	1001119020	1	Connector - 12 Position Bussbar	
33	4460434	1	Connector - 15 Position	
34	4460227	4	Pin, Male	

# SECTION 8 - ELECTRICAL

FIGURE 8-59. PLATFORM BOX HARNESS ASSEMBLY WITHOUT LSS OR WITH 4 CELL LSS - WITH SKYGUARD



ART\_1001186891

## SECTION 8 - ELECTRICAL

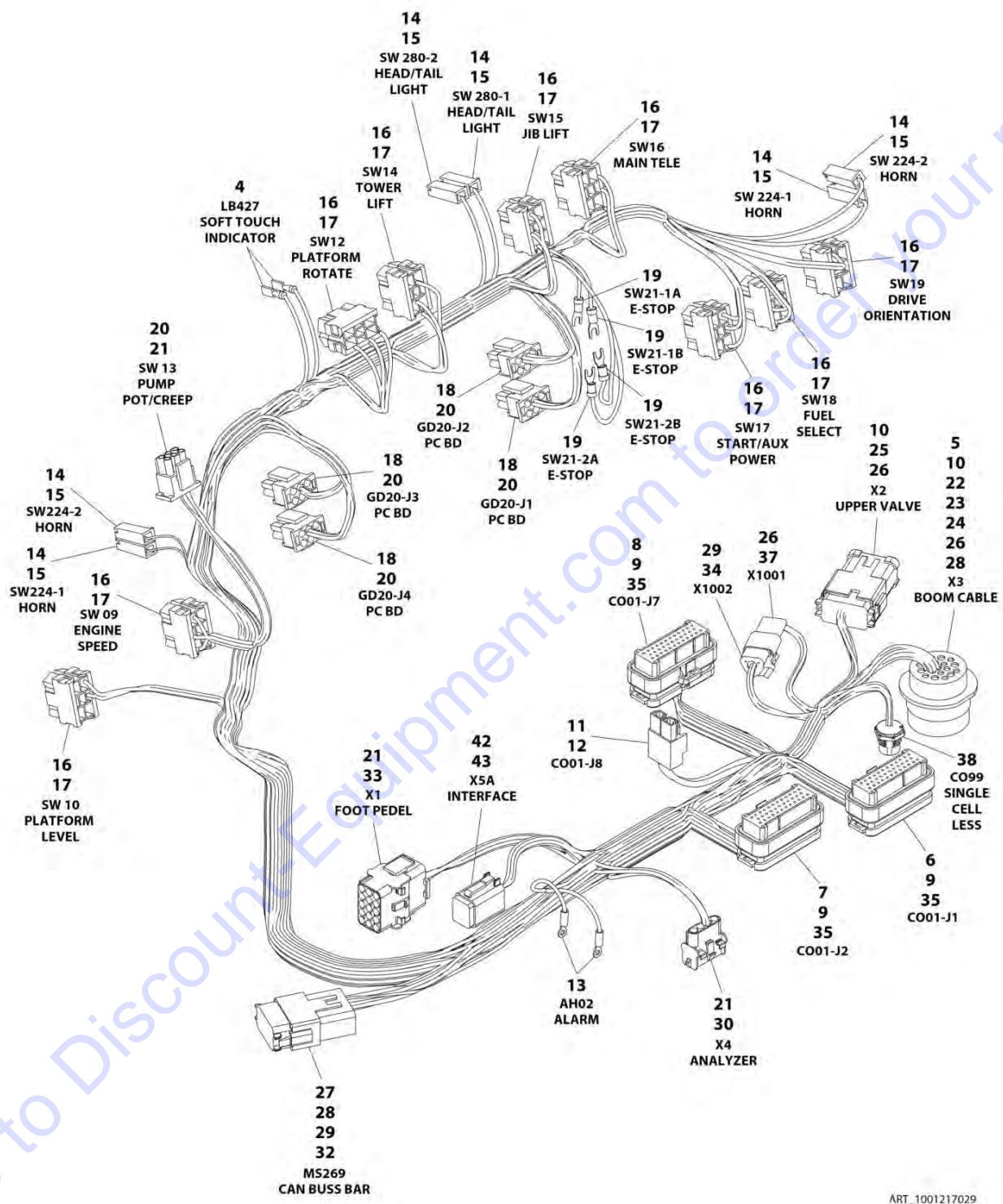
**FIGURE 8-59. PLATFORM BOX HARNESS ASSEMBLY WITHOUT LSS OR WITH 4 CELL LSS - WITH SKYGUARD**

ITEM	PART NUMBER	QTY	DESCRIPTION	REV
	1001186891	Ref	PLATFORM BOX HARNESS ASSEMBLY WITH SKYGUARD	C
5	4460866	1	Connector - 19 Position	
6	4460874	1	Connector - 35 Position (Natural)	
7	4460875	1	Connector - 35 Position (Gray)	
8	4460873	1	Connector - 35 Position (Black)	
9	4460871	66	Socket, Female	
10	4460464	14	Pin, Male	
11	4460879	1	Connector - 2 Position	
12	4460887	2	Terminal	
13	4460213	2	Terminal	
14	4460260	4	Connector - 1 Position	
15	4460259	4	Terminal	
16	4460418	9	Connector - 6 Position	
17	4460419	25	Terminal	
18	4460226	15	Socket, Female	
19	4460888	4	Terminal, Fork	
20	4460225	5	Connector - 6 Position	
21	4460227	5	Pin, Male	
22	2820118	AR	Heat Shrink	
23	2820019	AR	Heat Shrink	
24	4460508	2	Pin, Male	
25	4460970	1	Connector - 12 Position	
26	4460943	6	Pin, Male	
27	4460933	1	Connector - 12 Position	
28	4460466	12	Plug, Terminal	
29	4460944	9	Socket, Female	
30	4460761	1	Connector - 4 Position	
31	4460227	4	Pin, Male	
32	1001119020	1	Connector - 12 Position Bussbar	
33	4460434	1	Connector - 15 Position	
34	4460227	4	Pin, Male	
35	4460905	39	Plug, Terminal	
41	4460884	1	Plug, Male - 4 Position	
42	4460944	6	Socket, Female	
43	1001116720	4	Terminal	
44	1001118388	4	Terminal	
45	4460536	1	Receptacle, Female - 3 Position	
46	4460539	1	Plug, Male - 3 Position	
47	4460943	2	Pin, Male	
49	4460932	1	Receptacle, Female - 4 Position	
50	4460016	2	Terminal	
51	1001186431	2	Relay	
52	1001186432	2	Holder, Relay	



# SECTION 8 - ELECTRICAL

FIGURE 8-60. PLATFORM BOX HARNESS ASSEMBLY WITH 1 CELL LSS - WITH SKYGUARD



ART\_1001217029

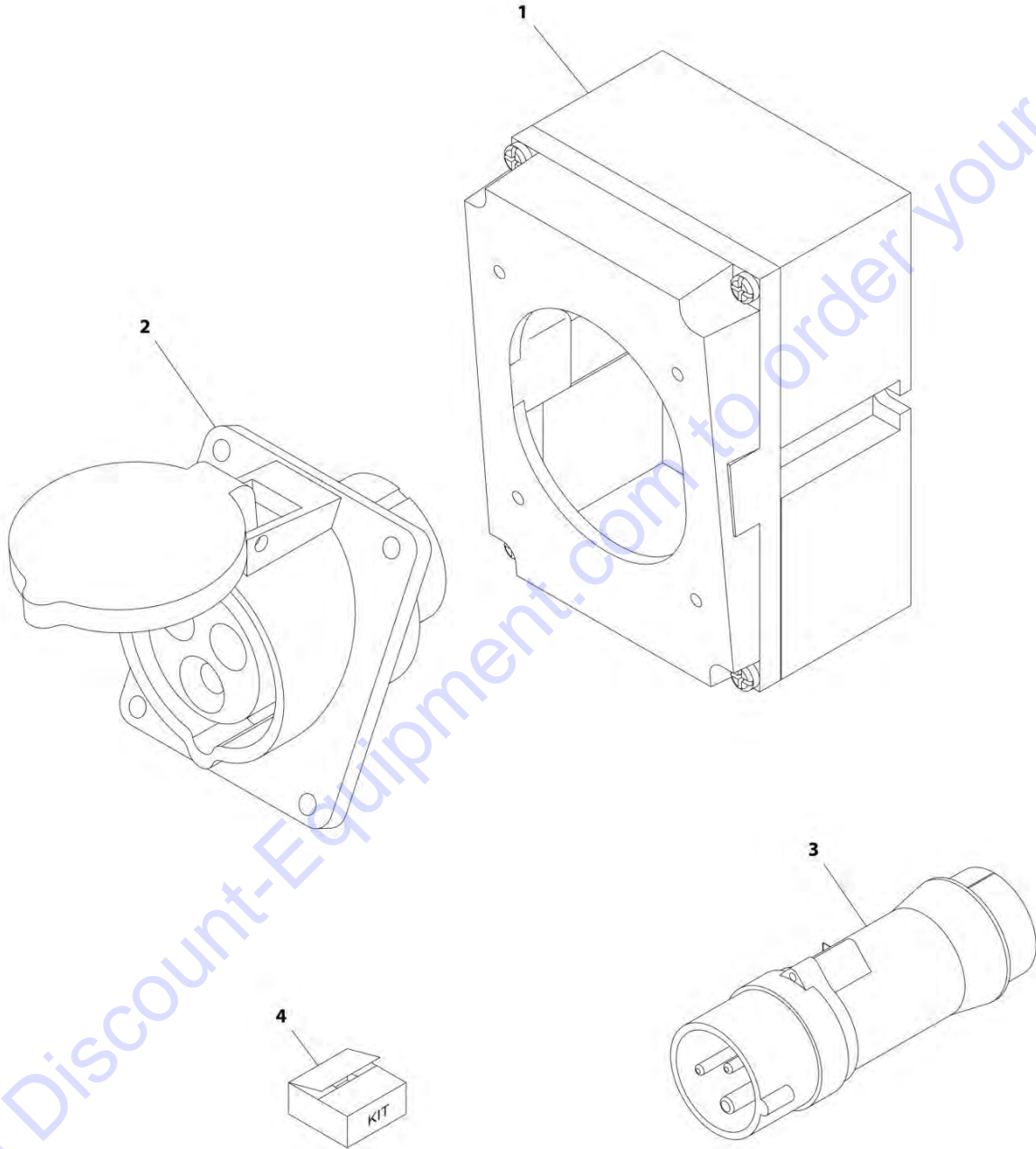
## SECTION 8 - ELECTRICAL

**FIGURE 8-60. PLATFORM BOX HARNESS ASSEMBLY WITH 1 CELL LSS - WITH SKYGUARD**

ITEM	PART NUMBER	QTY	DESCRIPTION	REV
	1001217029	Ref	PLATFORM BOX HARNESS ASSEMBLY WITH 1 CELL LSS - WITH SKYGUARD	D
4	4460016	2	Terminal, Receptacle	
5	4460866	1	Connector - 19 Position	
6	4460874	1	Connector - 35 Position (Natural)	
7	4460875	1	Connector - 35 Position (Gray)	
8	4460873	1	Connector - 35 Position (Black)	
9	4460871	71	Socket, Female	
10	4460464	14	Pin, Male	
11	4460879	1	Connector - 2 Position	
12	4460887	2	Terminal	
13	1001098122	2	Terminal	
14	4460260	6	Connector - 1 Position	
15	4460259	6	Terminal	
16	4460418	9	Connector - 6 Position	
17	4460419	25	Terminal	
18	4460226	15	Socket, Female	
19	4460888	4	Terminal, Fork	
20	4460225	5	Connector - 6 Position	
21	4460227	15	Pin, Male	
22	2820118	AR	Heat Shrink	
23	2820019	AR	Heat Shrink	
24	4460508	2	Pin, Male	
25	4460970	1	Connector - 12 Position	
26	4460943	6	Pin, Male	
27	4460933	1	Connector - 12 Position	
28	4460466	12	Plug, Terminal	
29	4460944	9	Socket, Female	
30	4460761	1	Connector - 4 Position	
32	1001119020	1	Connector - 12 Position Bussbar	
33	4460434	1	Connector - 15 Position	
34	4460539	1	Plug, Male - 3 Position	
35	4460905	34	Plug, Terminal	
37	4460536	1	Receptacle, Female - 3 Position	
38	1001213447	1	Receptacle, Female - 5 Position	
42	4460894	1	Receptacle, Female - 6 Position	
43	4460465	6	Socket - Female	

# SECTION 8 - ELECTRICAL

FIGURE 8-61. RECEPTACLE BOX KIT - 110V IEC YELLOW (CE SPEC)



ART\_0275216

## SECTION 8 - ELECTRICAL

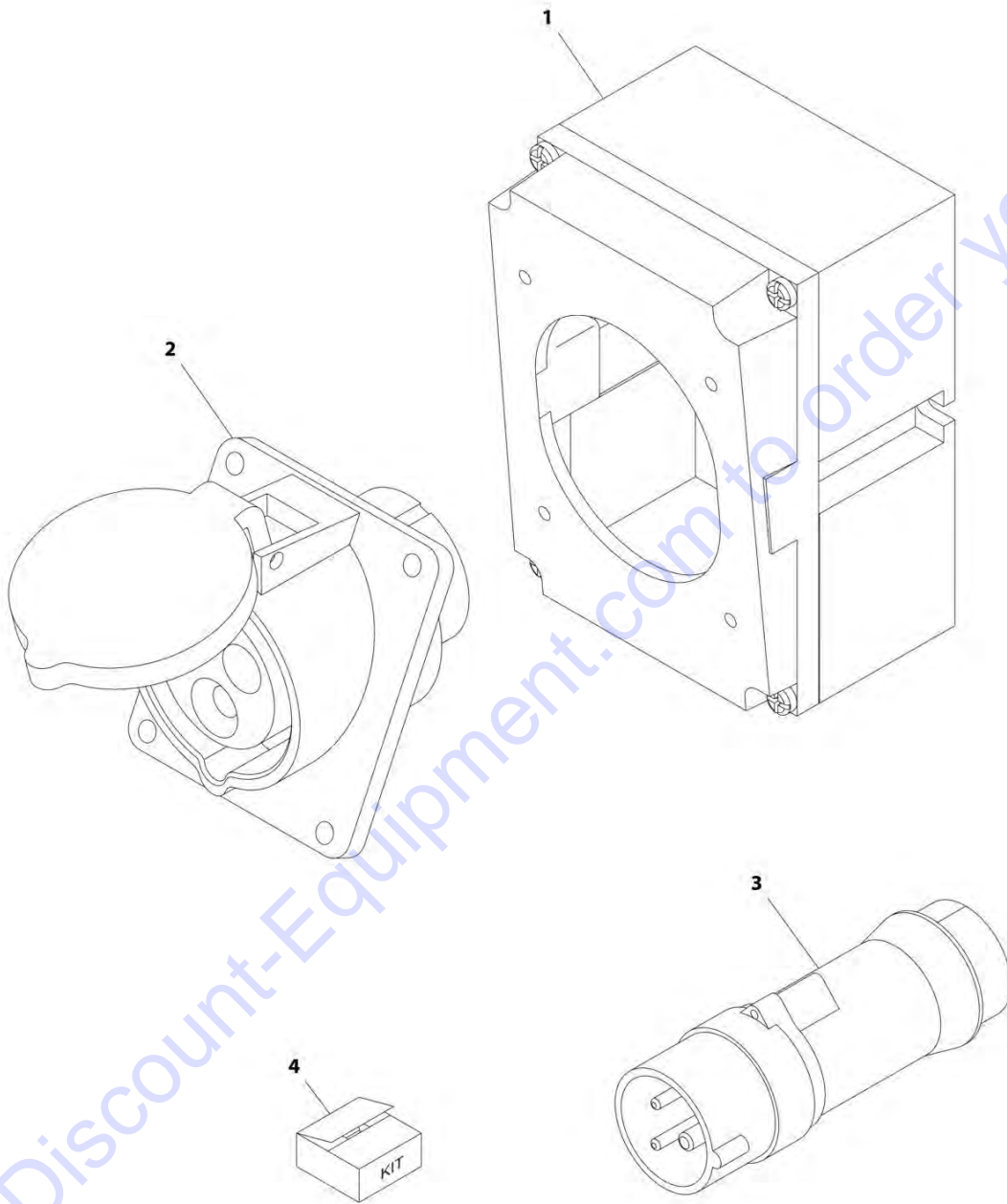
**FIGURE 8-61. RECEPTACLE BOX KIT - 110V IEC YELLOW (CE SPEC)**

ITEM	PART NUMBER	QTY	DESCRIPTION	REV
	0275216	Ref	RECEPTACLE BOX KIT - 110V IEC YELLOW (CE SPEC)	1
1	0861781	1	Box, Switch	
2	4461198	1	Receptacle	
3	4461196	1	Plug, Male	
4	1001100341	1	Plug and Socket Kit (Includes Items 1-3 and Female Plug p/n 4461197)	

Go to Discount-Equipment.com to order your parts

# SECTION 8 - ELECTRICAL

FIGURE 8-62. RECEPTACLE BOX KIT - 220V IEC BLUE (CE SPEC)



ART\_0275217

## SECTION 8 - ELECTRICAL

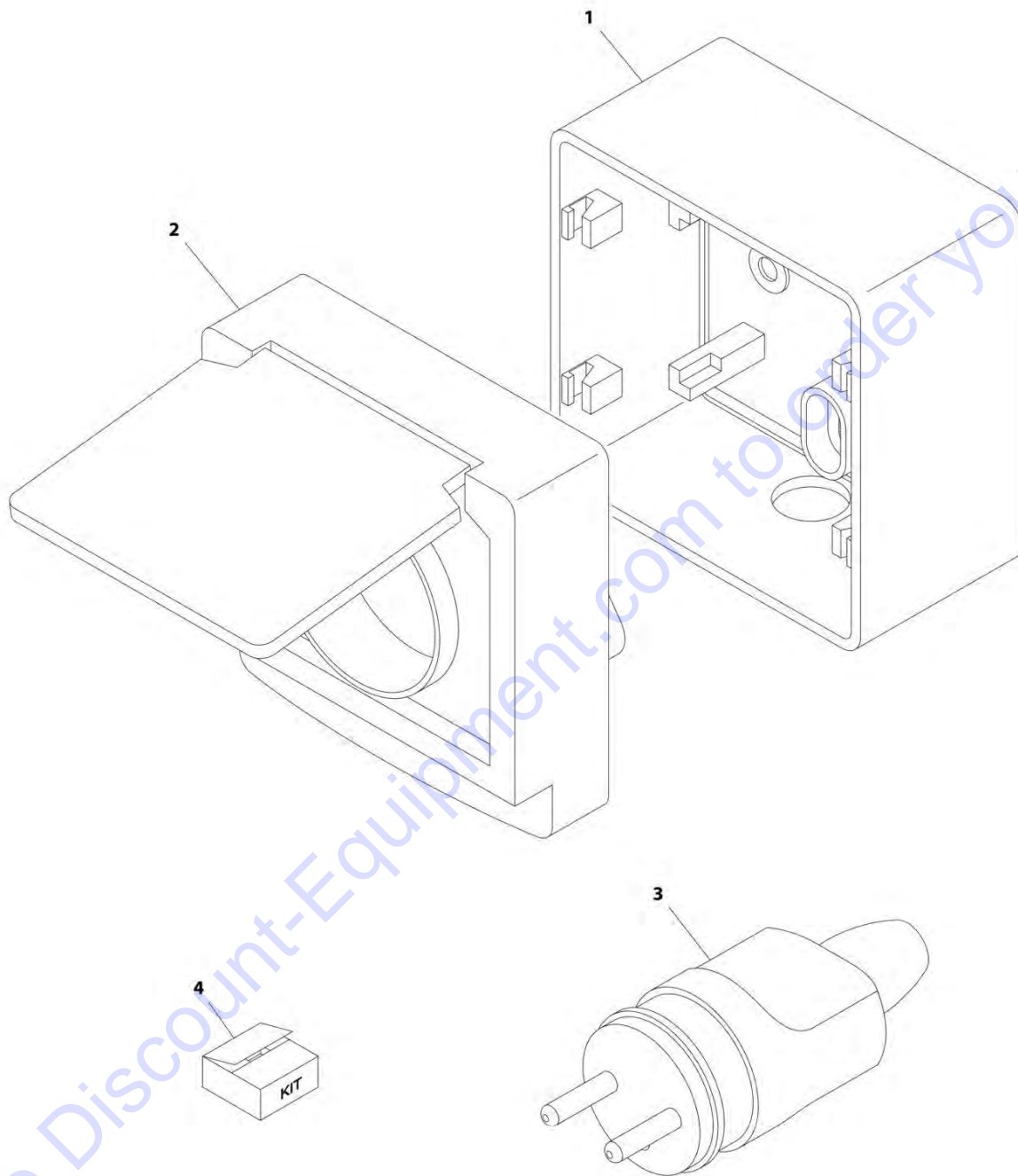
**FIGURE 8-62. RECEPTACLE BOX KIT - 220V IEC BLUE (CE SPEC)**

ITEM	PART NUMBER	QTY	DESCRIPTION	REV
	0275217	Ref	RECEPTACLE BOX KIT - 220V IEC BLUE (CE SPEC)	1
1	0861781	1	Box, Switch	
2	4461201	1	Receptacle	
3	4461199	1	Plug, Male	
4	1001100342	1	Plug and Socket Kit (Includes Items 1-3 and Female Plug p/n 4461200)	

Go to Discount-Equipment.com to order your parts

## SECTION 8 - ELECTRICAL

FIGURE 8-63. RECEPTACLE BOX KIT - 220V CEE7 POST GROUND 70MM X 70MM BOX (CE SPEC)



ART\_0275218



## SECTION 8 - ELECTRICAL

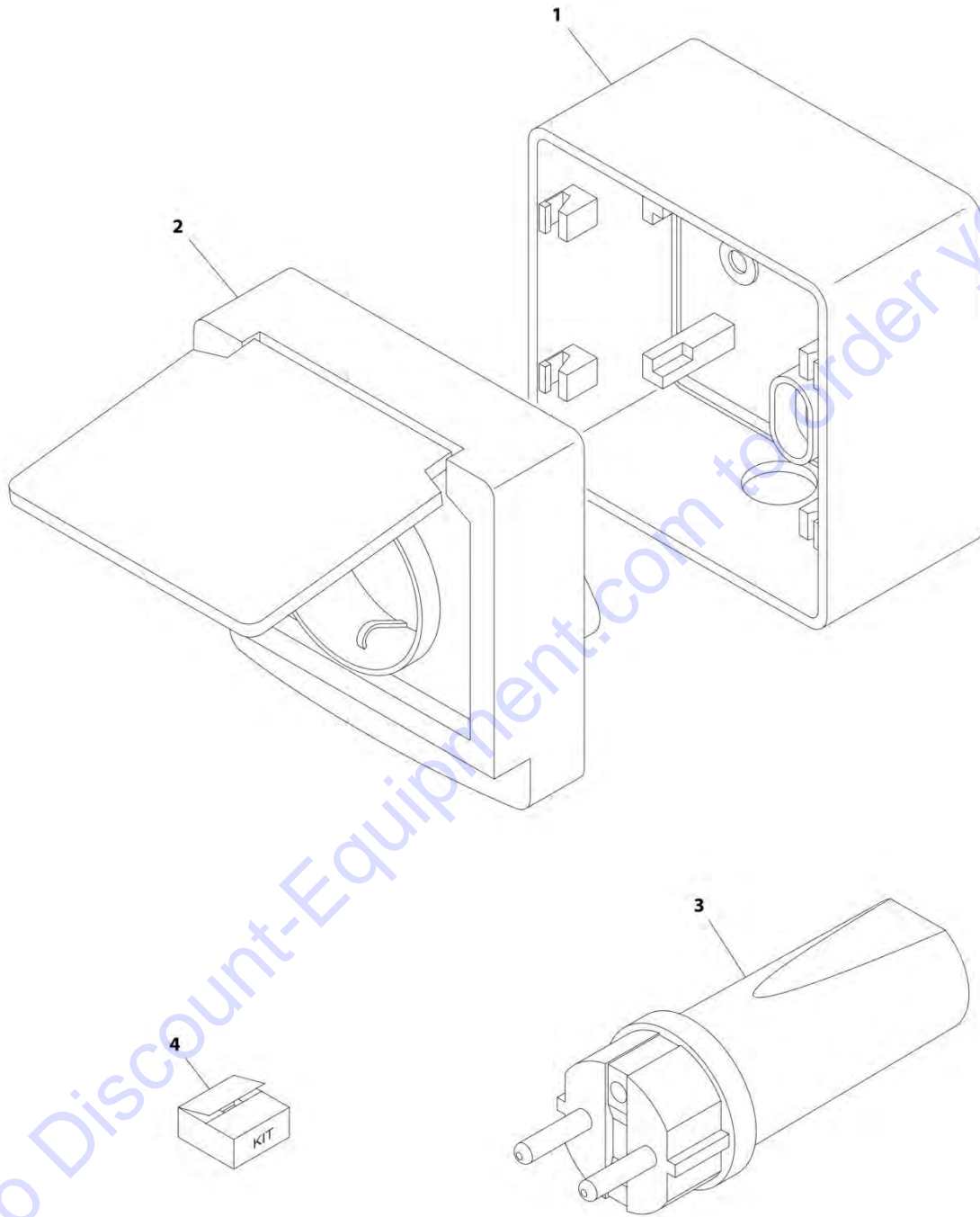
**FIGURE 8-63. RECEPTACLE BOX KIT - 220V CEE7 POST GROUND 70MM X 70MM BOX (CE SPEC)**

ITEM	PART NUMBER	QTY	DESCRIPTION	REV
	0275218	Ref	RECEPTACLE BOX KIT - 220V CEE7 POST GROUND 70MM X 70MM BOX (CE SPEC)	C
1	1001141967	1	Box, Switch	
2	1001141968	1	Receptacle	
3	4461202	NLA	Plug, Male (Use p/n 4461205) <b>(SN 0300200802 through 0300218349)</b>	
3	4461205	1	Plug, Male <b>(SN 0300218350 to Present)</b>	
4	1001141971	1	Plug and Socket Kit (Includes Items 1-3 and Female Plug p/n 4461206)	

Go to Discount-Equipment.com to order your parts

## SECTION 8 - ELECTRICAL

FIGURE 8-64. RECEPTACLE BOX KIT - 220V CEE7 SIDE GROUND 70MM X 70MM BOX (CE SPEC)



ART\_0275219

## SECTION 8 - ELECTRICAL

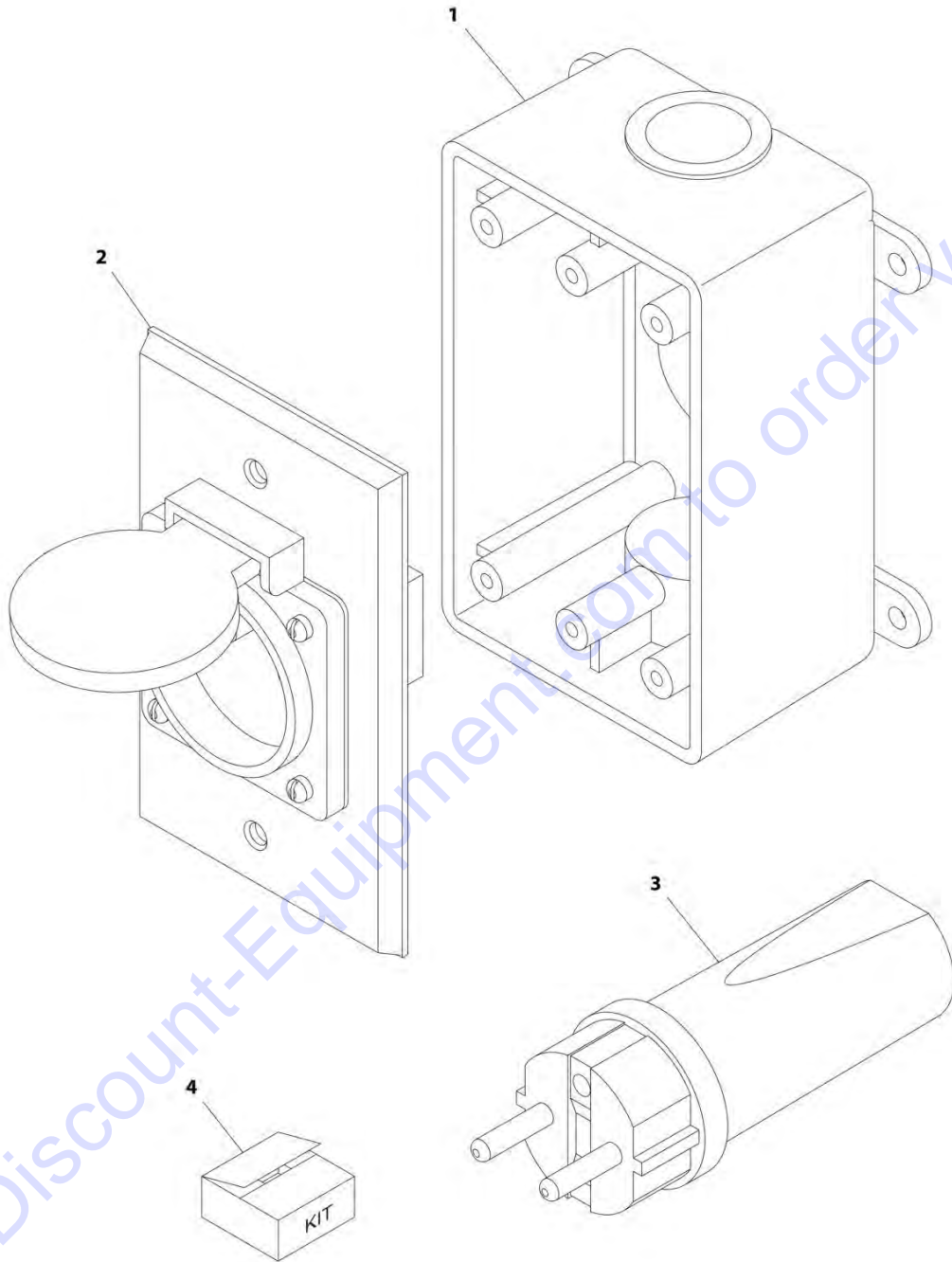
**FIGURE 8-64. RECEPTACLE BOX KIT - 220V CEE7 SIDE GROUND 70MM X 70MM BOX (CE SPEC)**

ITEM	PART NUMBER	QTY	DESCRIPTION	REV
	0275219	Ref	RECEPTACLE BOX KIT - 220V CEE7 SIDE GROUND 70MM X 70MM BOX (CE SPEC)	B
1	1001141967	1	Box, Switch	
2	1001141969	1	Receptacle	
3	4461205	1	Plug, Male	
4	1001141970	1	Plug and Socket Kit (Includes Items 1-3 and Female Plug p/n 4461206)	

Go to Discount-Equipment.com to order your parts

# SECTION 8 - ELECTRICAL

FIGURE 8-65. RECEPTACLE BOX KIT - 220V CEE7 POST GROUND 2IN X 4IN BOX (CE SPEC)



ART\_0275452

## SECTION 8 - ELECTRICAL

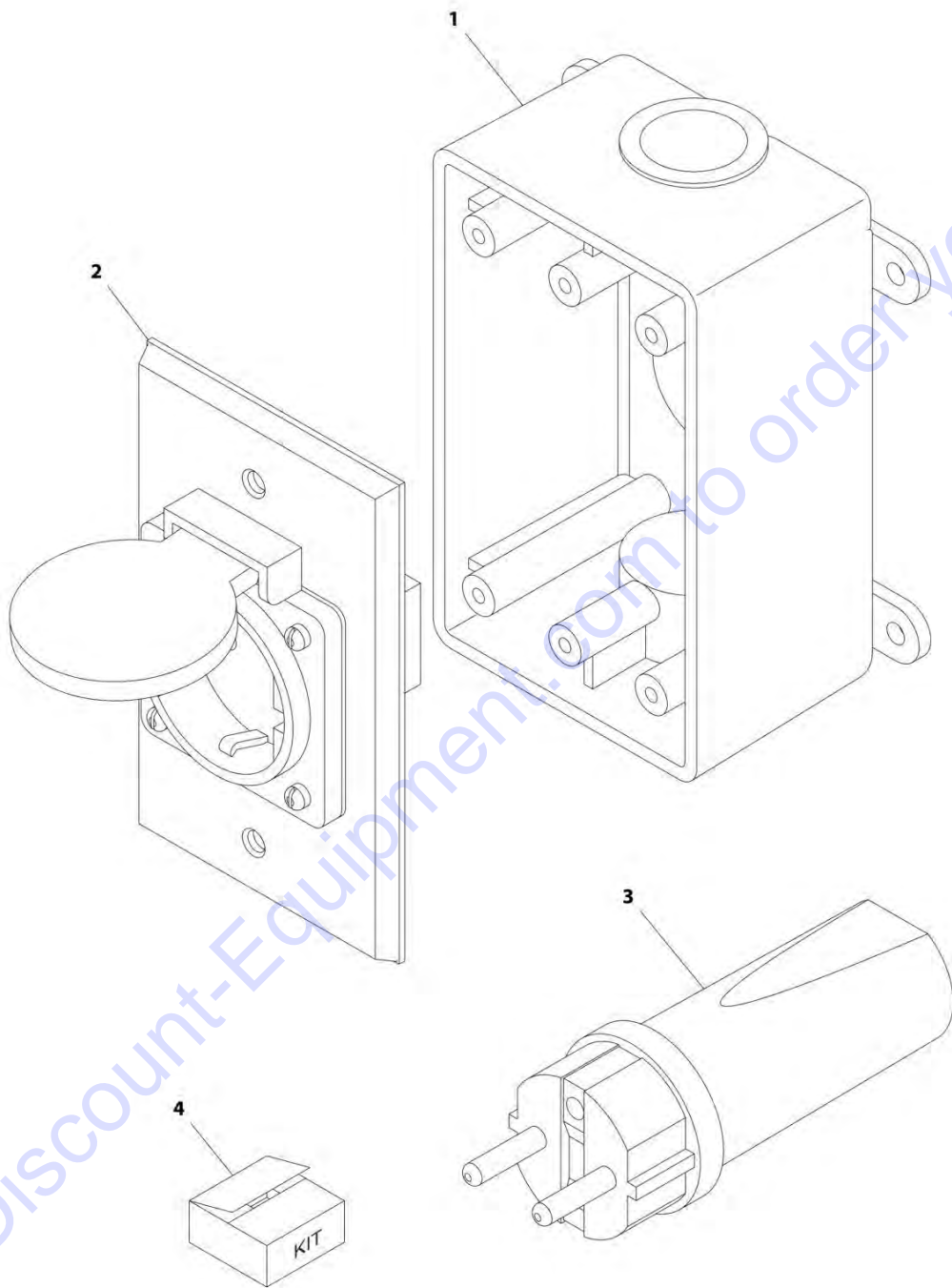
**FIGURE 8-65. RECEPTACLE BOX KIT - 220V CEE7 POST GROUND 2IN X 4IN BOX (CE SPEC)**

ITEM	PART NUMBER	QTY	DESCRIPTION	REV
	0275452	Ref	RECEPTACLE BOX KIT - 220V CEE7 POST GROUND 2IN X 4IN BOX (CE SPEC)	C
1	0861731	1	Box, Switch	
2	4461244	1	Receptacle	
3	4461202	NLA	Plug, Male (Use p/n 4461205) <b>(SN 0300200802 through 0300218349)</b>	
3	4461205	1	Plug, Male <b>(SN 0300218350 to Present)</b>	
4	1001100345	1	Plug and Socket Kit (Includes Items 1-3 and Female Plug p/n 4461206)	

Go to Discount-Equipment.com to order your parts

# SECTION 8 - ELECTRICAL

FIGURE 8-66. RECEPTACLE BOX KIT - 220V CEE7 SIDE GROUND 2IN X 4IN BOX (CE SPEC)



ART\_0275453

## SECTION 8 - ELECTRICAL

**FIGURE 8-66. RECEPTACLE BOX KIT - 220V CEE7 SIDE GROUND 2IN X 4IN BOX (CE SPEC)**

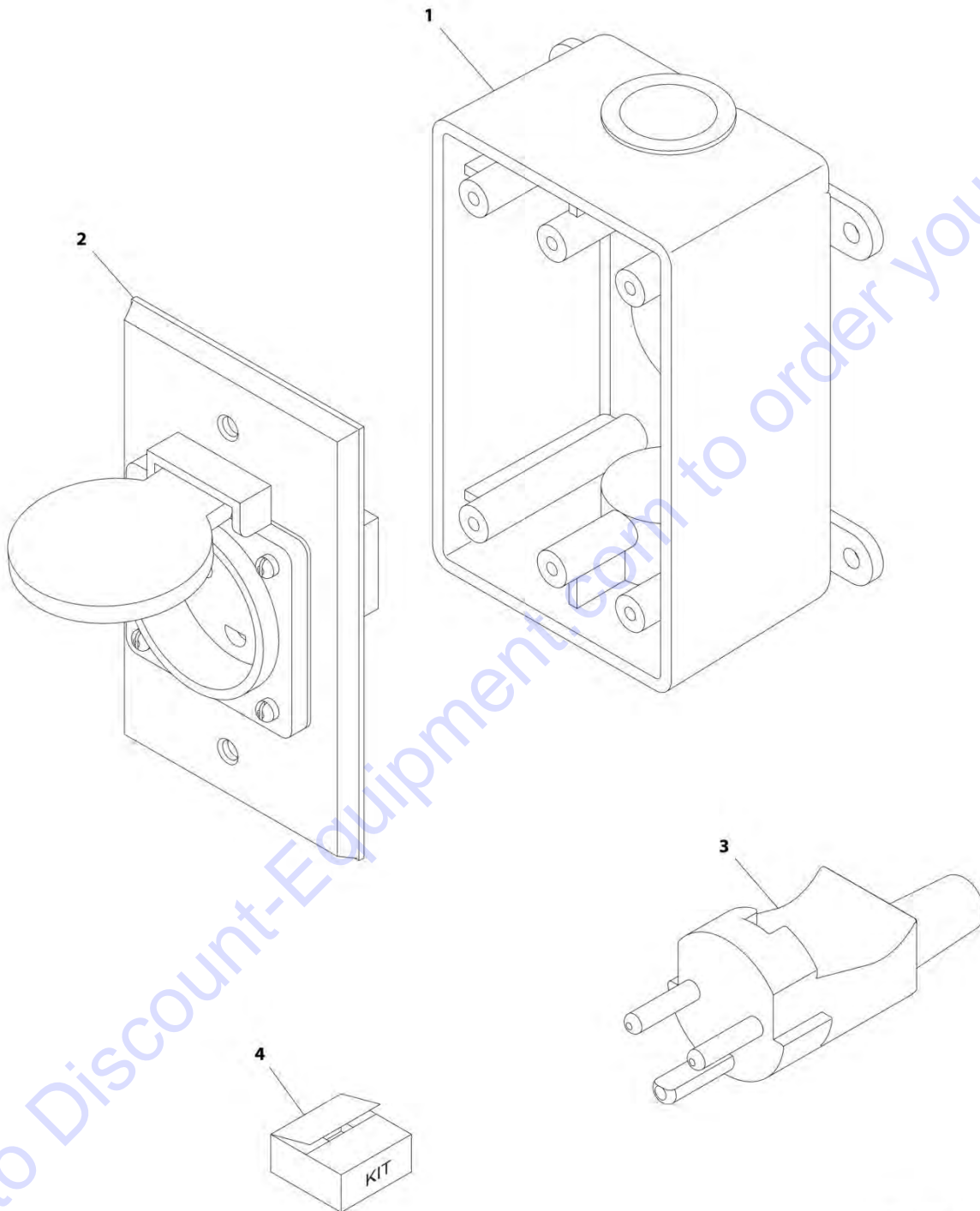
ITEM	PART NUMBER	QTY	DESCRIPTION	REV
	0275453	Ref	RECEPTACLE BOX KIT - 220V CEE7 SIDE GROUND 2IN X 4IN BOX (CE SPEC)	1
1	0861731	1	Box, Switch	
2	4461245	1	Receptacle	
3	4461205	1	Plug, Male	
4	1001100347	1	Plug and Socket Kit (Includes Items 1-3 and Female Plug p/n 4461206)	

Go to Discount-Equipment.com to order your parts



# SECTION 8 - ELECTRICAL

FIGURE 8-67. RECEPTACLE BOX KIT - 220V AFSINT 107 (CE SPEC)



ART\_0275454

## SECTION 8 - ELECTRICAL

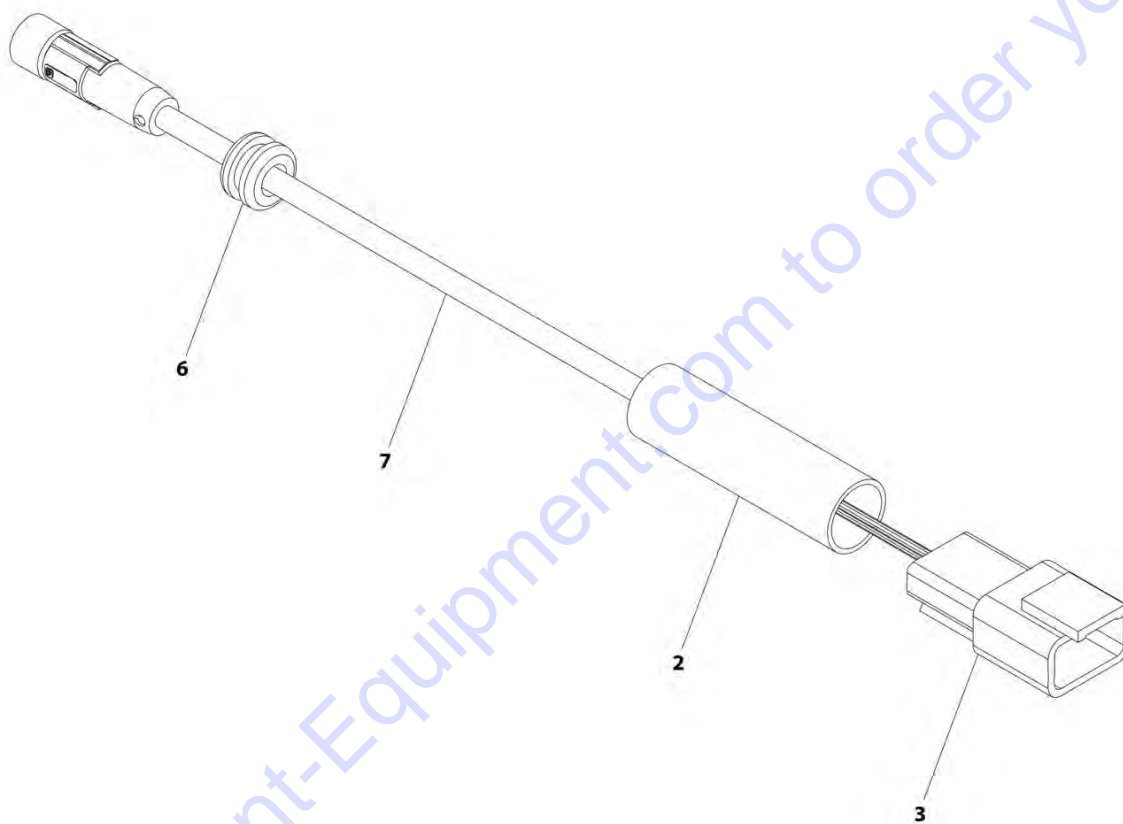
**FIGURE 8-67. RECEPTACLE BOX KIT - 220V AFSINT 107 (CE SPEC)**

ITEM	PART NUMBER	QTY	DESCRIPTION	REV
	0275454	Ref	RECEPTACLE BOX KIT - 220V AFSINT 107 (CE SPEC)	1
1	0861731	1	Box, Switch	
2	4461246	1	Receptacle	
3	4461249	1	Plug, Male	
4	1001100346	1	Plug and Socket Kit (Includes Items 1-3 and Female Plug p/n 4461250)	

Go to Discount-Equipment.com to order your parts

# SECTION 8 - ELECTRICAL

## FIGURE 8-68. SKYEYE EMITTER HARNESS



ART\_1001237864

## SECTION 8 - ELECTRICAL

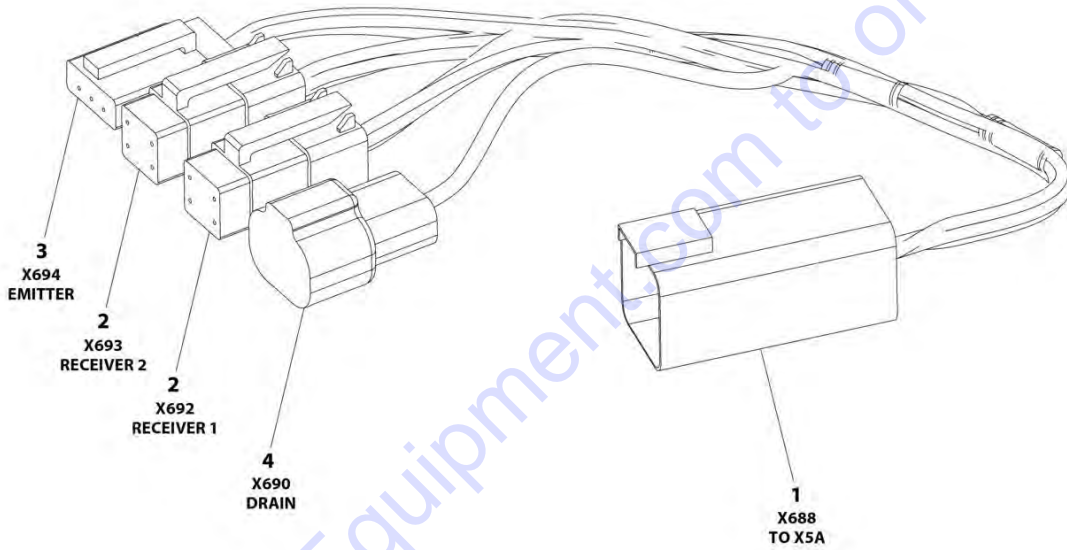
### FIGURE 8-68. SKYEYE EMITTER HARNESS

ITEM	PART NUMBER	QTY	DESCRIPTION	REV
	1001237864	Ref	SKYEYE EMITTER HARNESS	A
2	2820247	AR	Tubing, Heat Shrink	
3	4460910	1	Connector - 3 Position	
3	1001119620	3	Pin, Male	
6	1001227996	1	Grommet	
7	1001237862	1	Cable, M8 Female Cordset	

Go to Discount-Equipment.com to order your parts

# SECTION 8 - ELECTRICAL

## FIGURE 8-69. SKYEYE INTERMEDIATE HARNESS



ART\_1001237865

## SECTION 8 - ELECTRICAL

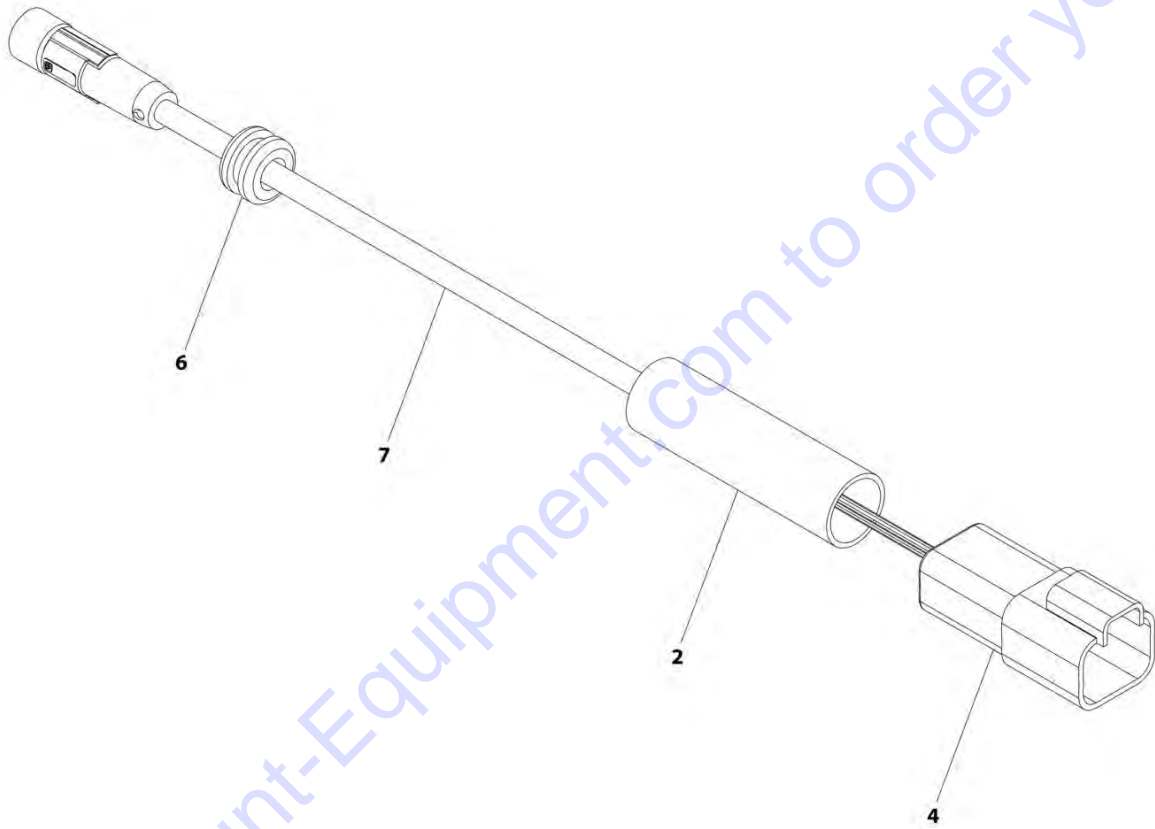
**FIGURE 8-69. SKYEYE INTERMEDIATE HARNESS**

ITEM	PART NUMBER	QTY	DESCRIPTION	REV
	1001237865	Ref	SKYEYE INTERMEDIATE HARNESS	A
1	4460899	1	Connector - 6 Position	
1	4460943	4	Pin, Male	
1	4460466	2	Plug, Terminal	
2	4461077	2	Connector - 4 Position	
2	1001119619	8	Socket, Female	
3	4460911	1	Connector - 3 Position	
3	1001119619	3	Socket, Female	
4	1001187681	1	Connector - 2 Position	
4	4460941	1	Pin, Male	
4	4460466	1	Plug, Terminal	

Go to Discount-Equipment.com to order your parts

**SECTION 8 - ELECTRICAL**

**FIGURE 8-70. SKYEYE RECEIVER HARNESS**



ART\_1001237863



## SECTION 8 - ELECTRICAL

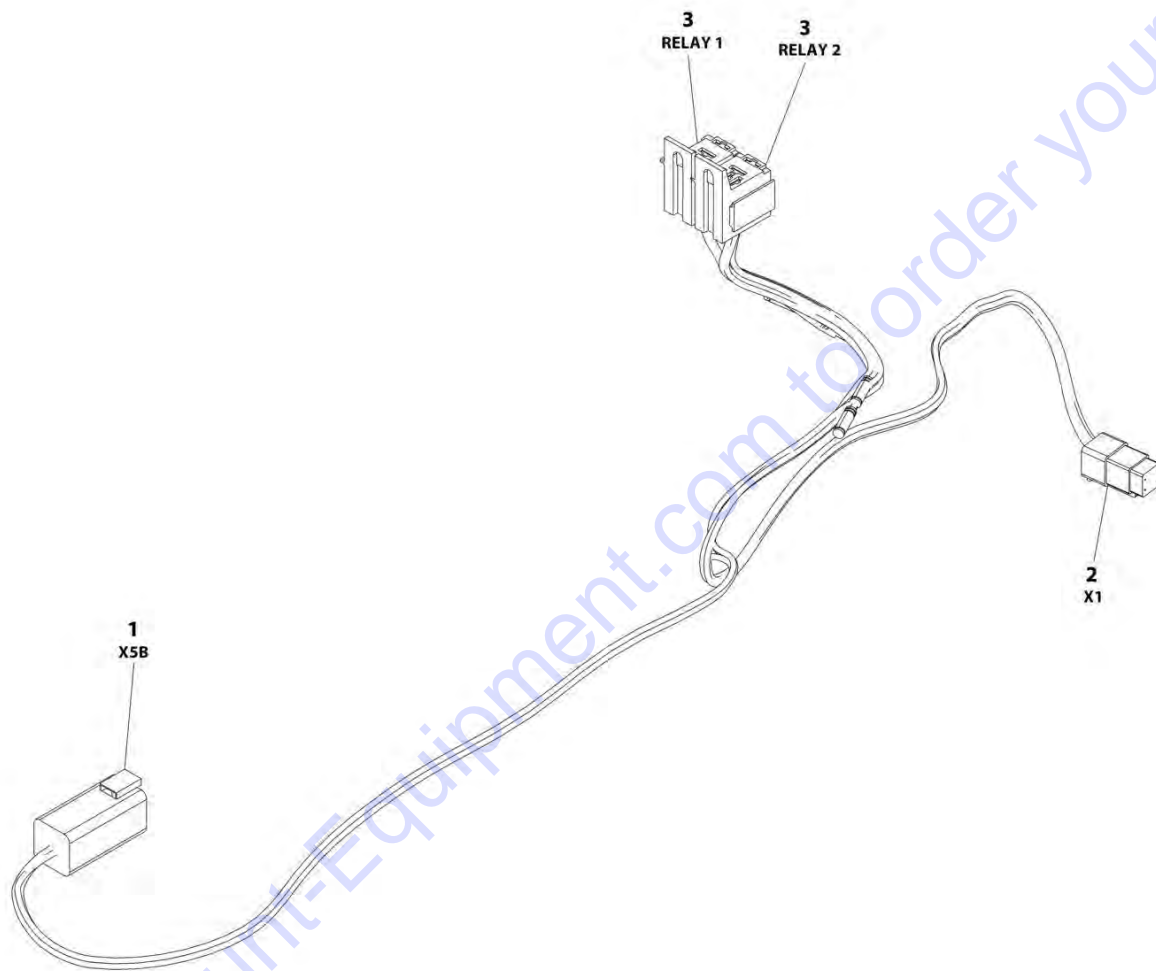
### FIGURE 8-70. SKYEYE RECEIVER HARNESS

ITEM	PART NUMBER	QTY	DESCRIPTION	REV
	1001237863	Ref	SKYEYE RECEIVER HARNESS	A
2	2820247	AR	Tubing, Heat Shrink	
4	1001097051	1	Connector - 4 Position	
4	1001119620	4	Pin, Male	
6	1001227996	1	Grommet	
7	1001237862	1	Cable, M8 Female Cordset	

Go to Discount-Equipment.com to order your parts

# SECTION 8 - ELECTRICAL

## FIGURE 8-71. SKYLINE HARNESS



ART\_1001238418

## SECTION 8 - ELECTRICAL

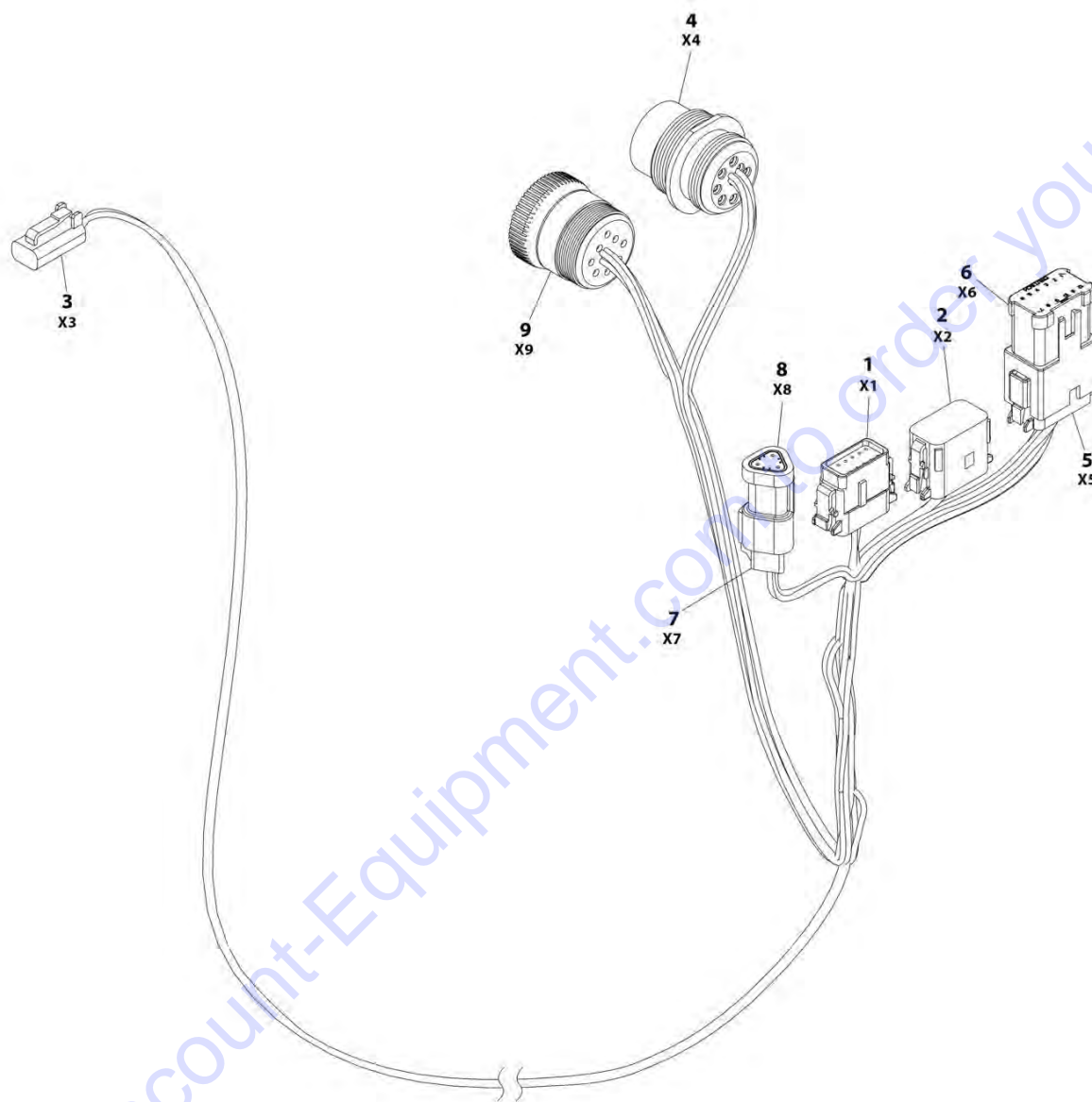
### FIGURE 8-71. SKYLINE HARNESS

ITEM	PART NUMBER	QTY	DESCRIPTION	REV
	1001238418	Ref	SKYLINE HARNESS	A
1	4460899	1	Connector - 6 Position	
1	4460464	4	Pin, Male	
1	4460466	2	Plug, Terminal	
2	4461077	1	Connector - 4 Position	
2	1001126009	4	Socket, Female	
3	1001186432	2	Plug, Relay	
3	1001118388	5	Terminal	
3	1001118384	3	Terminal	
3	3740086	2	Relay	
3	3990013	2	Diode	

Go to Discount-Equipment.com to order your parts

# SECTION 8 - ELECTRICAL

## FIGURE 8-72. STROBE LIGHT CONTROL (BLUE STROBE LIGHT)



ART\_1001142736

## SECTION 8 - ELECTRICAL

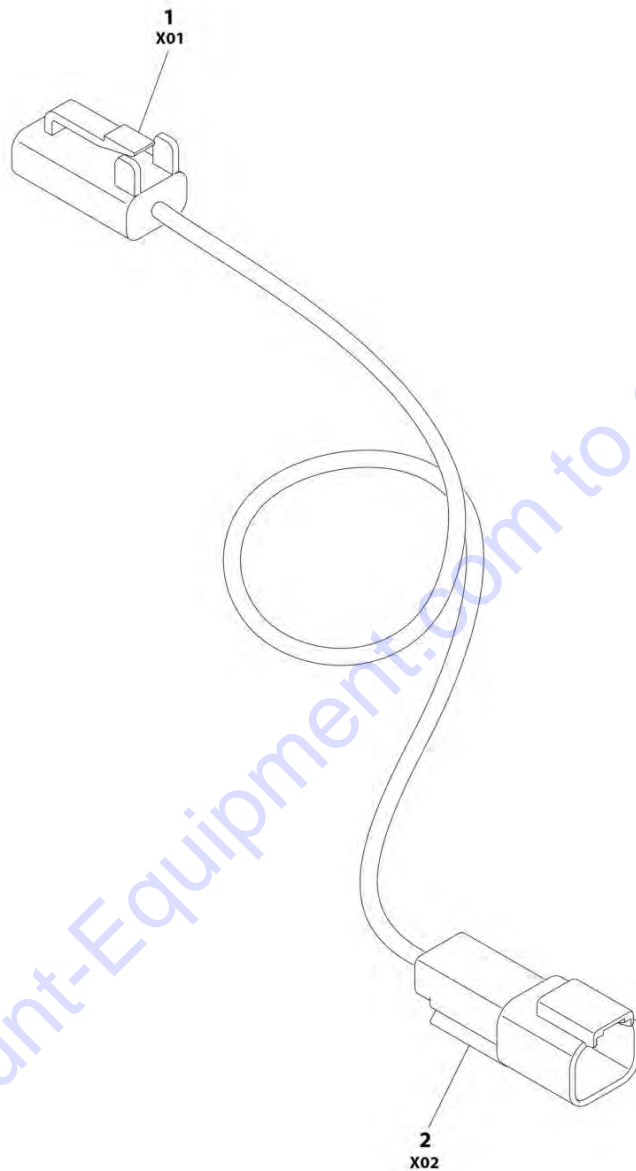
**FIGURE 8-72. STROBE LIGHT CONTROL (BLUE STROBE LIGHT)**

ITEM	PART NUMBER	QTY	DESCRIPTION	REV
	1001142736	Ref	STROBE LIGHT CONTROL (BLUE STROBE LIGHT)	F
1	1001116808	1	Plug, Male - 12 Position	
1	4460928	3	Socket, Female	
1	4460518	9	Plug, Terminal	
2	1001116774	1	Plug, Male - 12 Position	
2	4460928	3	Socket, Female	
2	4460518	9	Plug, Terminal	
3	4460891	1	Plug, Male - 2 Position	
3	4460465	2	Socket, Female	
4	1001112612	1	Connector - 9 Position	
4	4460464	6	Pin, Male	
4	4460466	3	Plug, Terminal	
5	4460933	1	Plug, Male - 12 Position	
5	4460465	12	Socket, Female	
6	1001119020	1	Bussbar - 12 Position	
7	4461095	1	Plug, Male - 3 Position	
7	4460465	3	Socket, Female	
8	4461070	1	Bussbar - 3 Position	
9	1001112796	1	Connector - 9 Position	
9	4460465	6	Socket, Female	
9	4460466	3	Plug, Terminal	

Go to Discount-Equipment.com to order your parts

## SECTION 8 - ELECTRICAL

FIGURE 8-73. STROBE LIGHT EXTENSION HARNESS (BLUE STROBE LIGHT ONLY)



ART\_1001159027

## SECTION 8 - ELECTRICAL

**FIGURE 8-73. STROBE LIGHT EXTENSION HARNESS (BLUE STROBE LIGHT ONLY)**

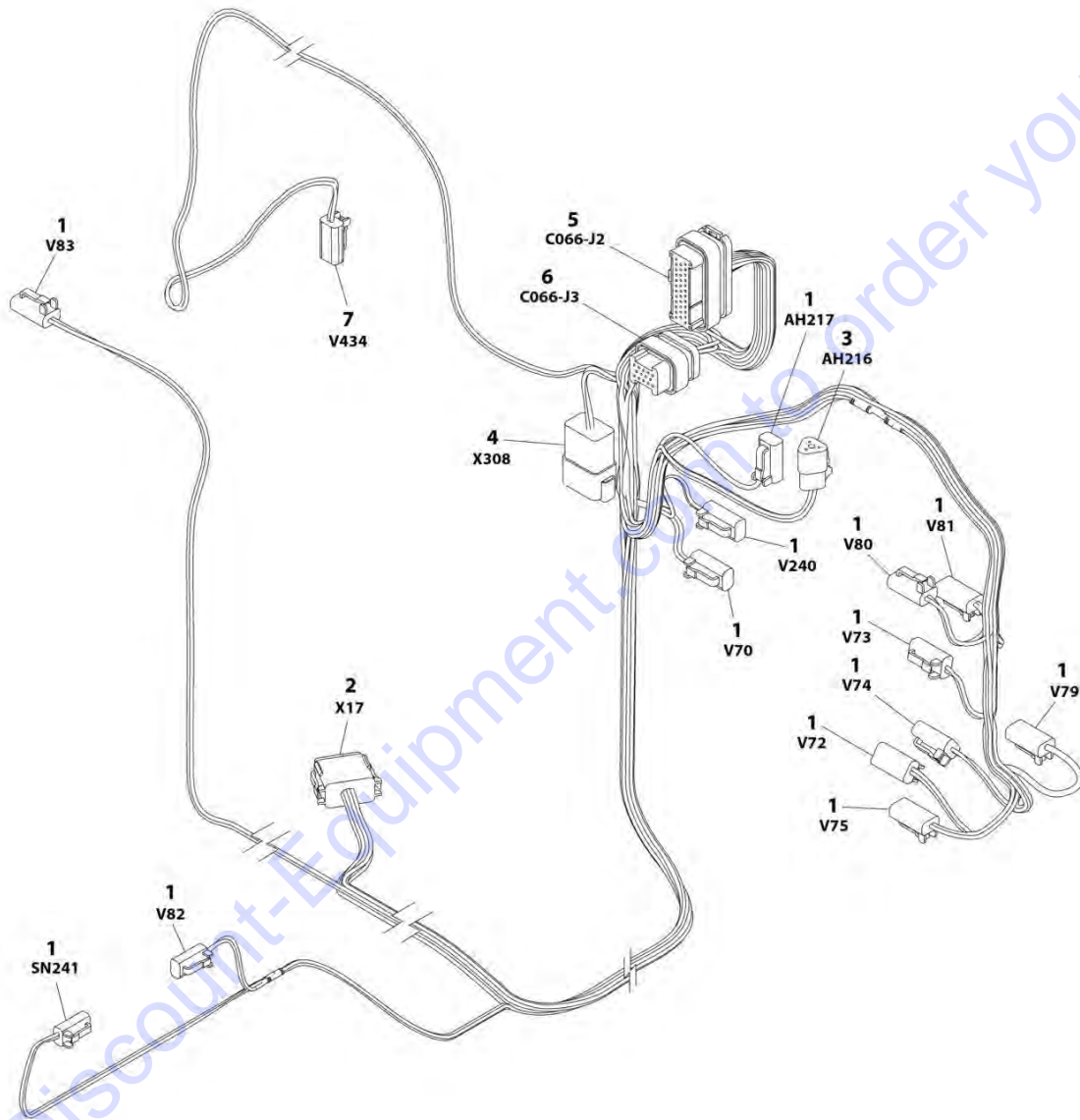
ITEM	PART NUMBER	QTY	DESCRIPTION	REV
	1001159027	Ref	STROBE LIGHT EXTENSION HARNESS (BLUE STROBE LIGHT ONLY)	B
1	4460891	1	Plug, Male - 2 Position	
1	4460465	2	Socket, Female	
2	4460897	1	Receptacle, Female	
2	4460464	2	Pin, Male	

Go to Discount-Equipment.com to order your parts



# SECTION 8 - ELECTRICAL

## FIGURE 8-74. VALVE HARNESS



ART\_1001118293

## SECTION 8 - ELECTRICAL

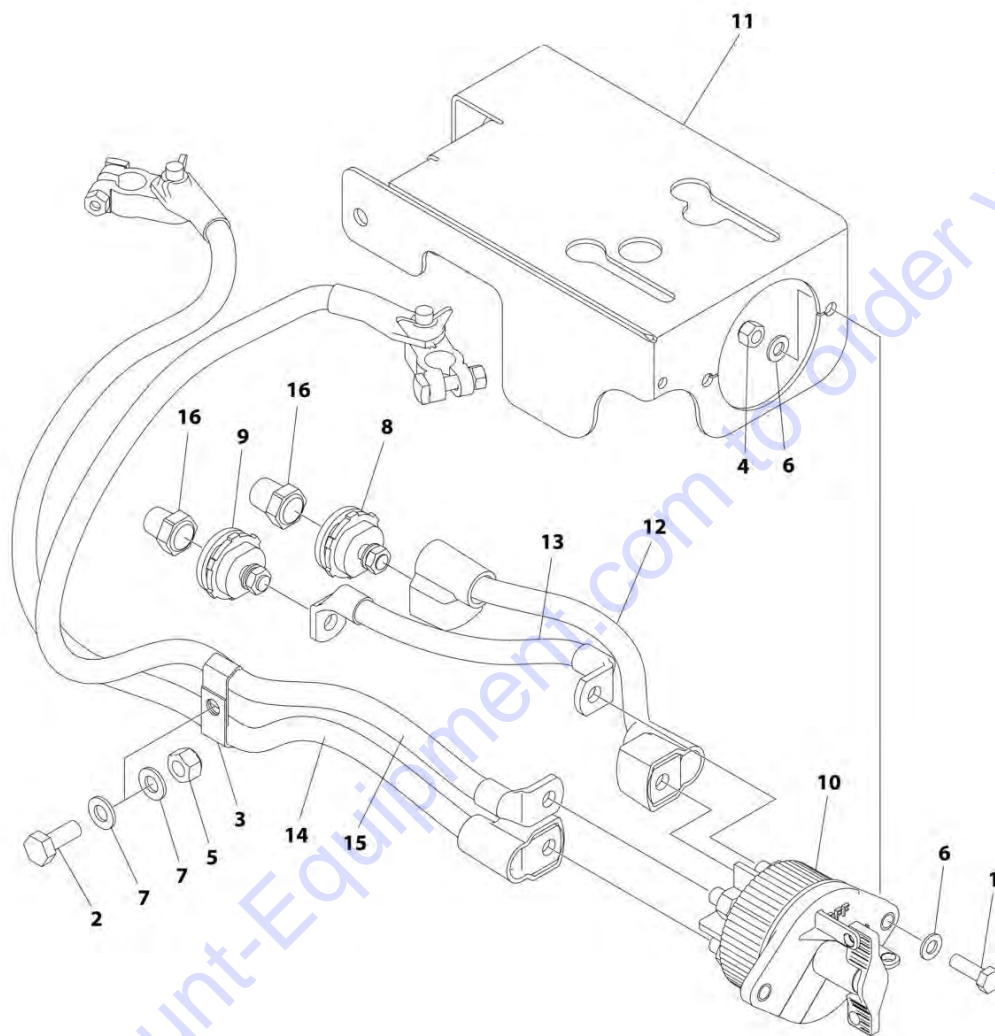
### FIGURE 8-74. VALVE HARNESS

ITEM	PART NUMBER	QTY	DESCRIPTION	REV
	1001118293	Ref	VALVE HARNESS	G
1	4460891	13	Plug, Male - 2 Position	
1	4460465	26	Socket, Female	
2	4460933	1	Plug, Male - 12 Position	
2	4460465	9	Socket, Female	
2	4460466	3	Plug, Terminal	
3	4460539	1	Connector - 3 Position	
3	4460465	3	Socket, Female	
4	4460931	1	Connector - 8 Position	
4	4460464	4	Pin, Male	
4	4460466	4	Plug, Terminal	
5	4460875	1	Connector - 35 Position	
5	4460871	24	Socket, Female	
5	4460905	11	Plug, Terminal	
6	4460872	1	Connector - 14 Position	
6	4460871	7	Socket, Female	
6	4460905	6	Plug, Terminal	
7	4460891	1	Plug, Male - 2 Position <b>(SN 0300223169 to Present)</b>	
7	4460465	2	Socket, Female <b>(SN 0300223169 to Present)</b>	

Go to Discount-Equipment.com to order your parts

# SECTION 8 - ELECTRICAL

## FIGURE 8-75. BATTERY DISCONNECT SWITCH



ART\_1001214397

## SECTION 8 - ELECTRICAL

**FIGURE 8-75. BATTERY DISCONNECT SWITCH**

ITEM	PART NUMBER	QTY	DESCRIPTION	REV
	1001214397	Ref	BATTERY DISCONNECT SWITCH	A
1	0760812	2	Bolt M8 x 25	
2	0761012	1	Bolt M10 x 25	
3	1320223	2	Clamp	
4	3290805	2	Nut M8	
5	3291005	1	Nut M10	
6	4811900	4	Washer M8	
7	4812000	2	Washer M10	
8	1001214570	1	Connector (Red)	
9	1001214571	1	Connector (Black)	
10	1001225346	1	Switch	
11	1001226530	1	Mount	
12	1001237878	1	Cable, Battery Disconnect (Positive)	
13	1001237879	1	Cable, Battery Disconnect (Negative)	
14	1001237880	1	Cable (Positive)	
15	1001237881	1	Cable (Negative)	
16	1001206476	1	Connector	

Go to Discount-Equipment.com to order your parts



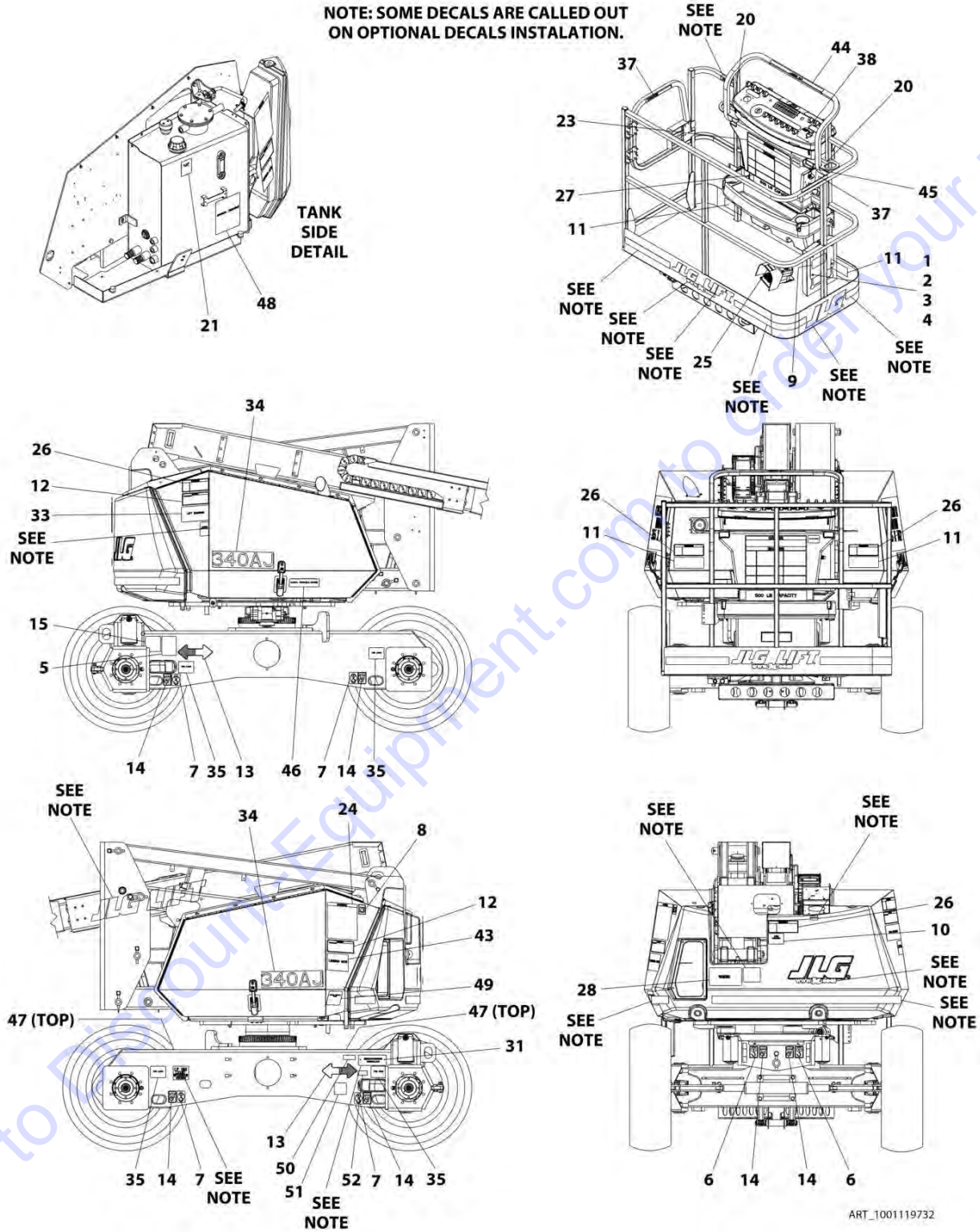
**SECTION 9 - DECALS**

Go to Discount-Equipment.com to order your parts

# SECTION 9 - DECALS

## FIGURE 9-1. DECALS INSTALLATION - ANSI AND ANSI EXPORT SPECS (ENGLISH)

NOTE: SOME DECALS ARE CALLED OUT ON OPTIONAL DECALS INSTALLATION.





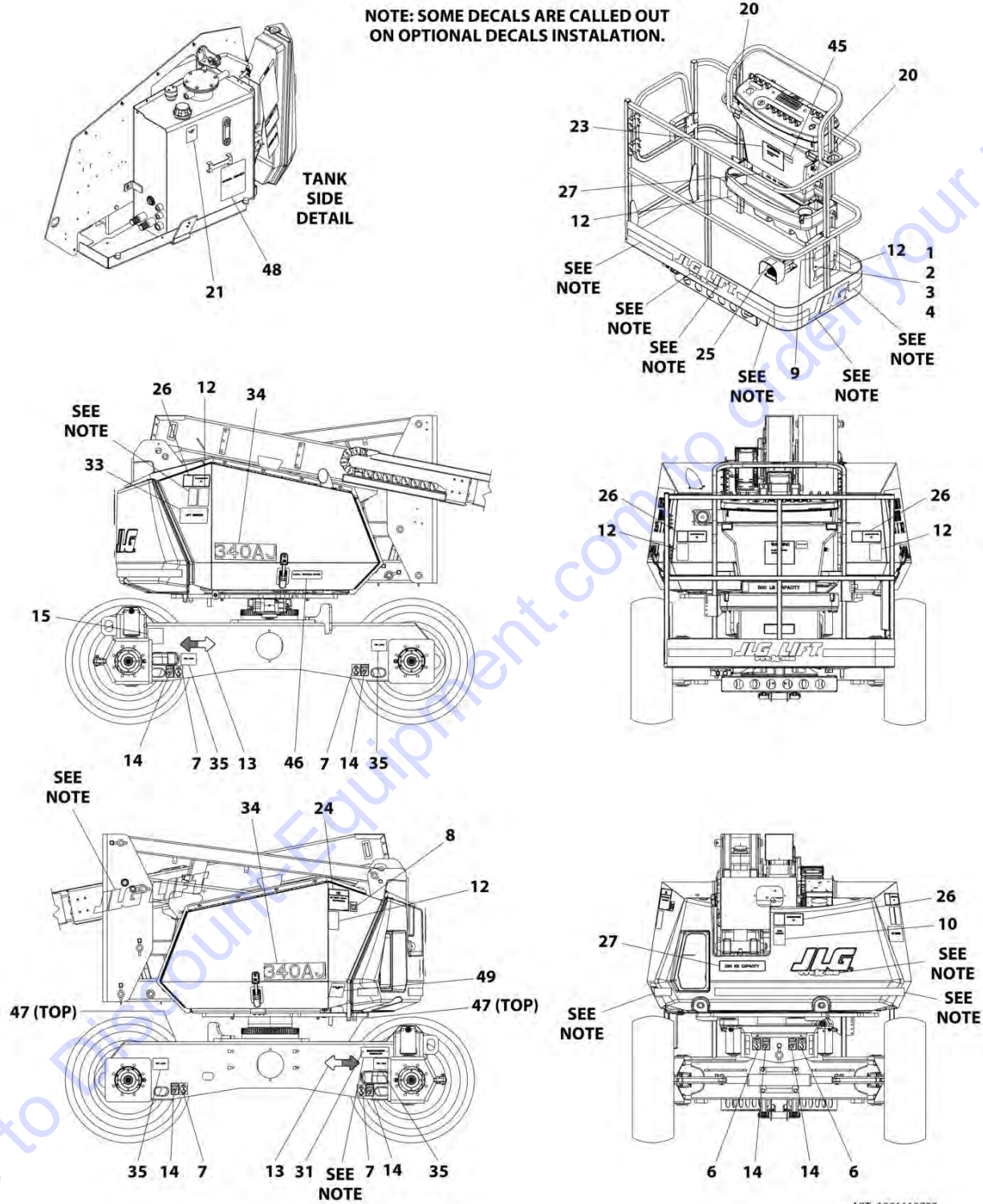
## SECTION 9 - DECALS

**FIGURE 9-1. DECALS INSTALLATION - ANSI AND ANSI EXPORT SPECS (ENGLISH)**

ITEM	PART NUMBER	QTY	DESCRIPTION	REV
	1001119732	Ref	DECALS INSTALLATION - ANSI AND ANSI EXPORT SPECS (ENGLISH)	1
1	0760610	4	Bolt M6 x 20	
2	4811700	8	Washer M6	
3	3290605	4	Nut M6	
4	0860520	1	Box, Manual Storage	
5	1001131269	1	Decal - Patent	
6	1701500	4	Decal - Lift	
7	1701499	4	Decal - No Tie-Down/No Lift	
8	1701504	1	Decal - Hydraulic Oil	
9	1701509	1	Decal - Manual	
10	1702391	1	Decal - Crushing	
11	1703804	4	Decal - Warning Crushing	
12	1703953	2	Decal - Warning Crushing	
13	1701642	2	Decal - Arrow	
14	1702300	8	Decal - Tie-Down	
15	See Note	1	Decal - Bar Code (Note: Not Available for Purchase)	
20	1704277	2	Decal - Lanyard Attach	
21	1704412	1	Decal - Hydraulic Oil	
23	1703797	1	Decal - Danger/Warning	
24	1703798	1	Decal - Danger/Warning	
25	3252347	1	Nameplate - Footswitch	
26	1703805	4	Decal - Electrocution	
27	1001121801	2	Decal - Maximum Capacity 500LBS/227KG	
28	1001121814	1	Decal - Warning Maximum Capacity 500LBS/227KG	
31	2080057	2	Fastener	
33	1001119576	1	Decal - Lift Diagram	
34	1001119578	2	Decal - 340AJ	
35	1001119580	4	Decal - Tire Load	
37	1702868	2	Decal - No Hands	
38	1705351	1	Decal - Drive/Steer Instructions	
43	1001120009	1	Decal - Legend	
44	1001120010	1	Decal - Legend	
45	1001120002	1	Decal - No Pipe Racks	
46	1001119981	1	Decal - Manual Turntable Rotate	
47	1701529	2	Decal - Arrow	
48	1001127549	1	Decal - Manual Descent	
49	1001127588	1	Decal - Manual Descent	
50	1705514	1	Decal - CSA (SN 0300222693 to Present)	
51	1001223055	1	Decal - Yearly Inspection (SN 0300233756 to Present)	
52	1001223453	1	Decal - ICES (SN 0300241369 to Present)	

# SECTION 9 - DECALS

## FIGURE 9-2. DECALS INSTALLATION - AUSTRALIAN SPEC (ENGLISH)



## SECTION 9 - DECALS

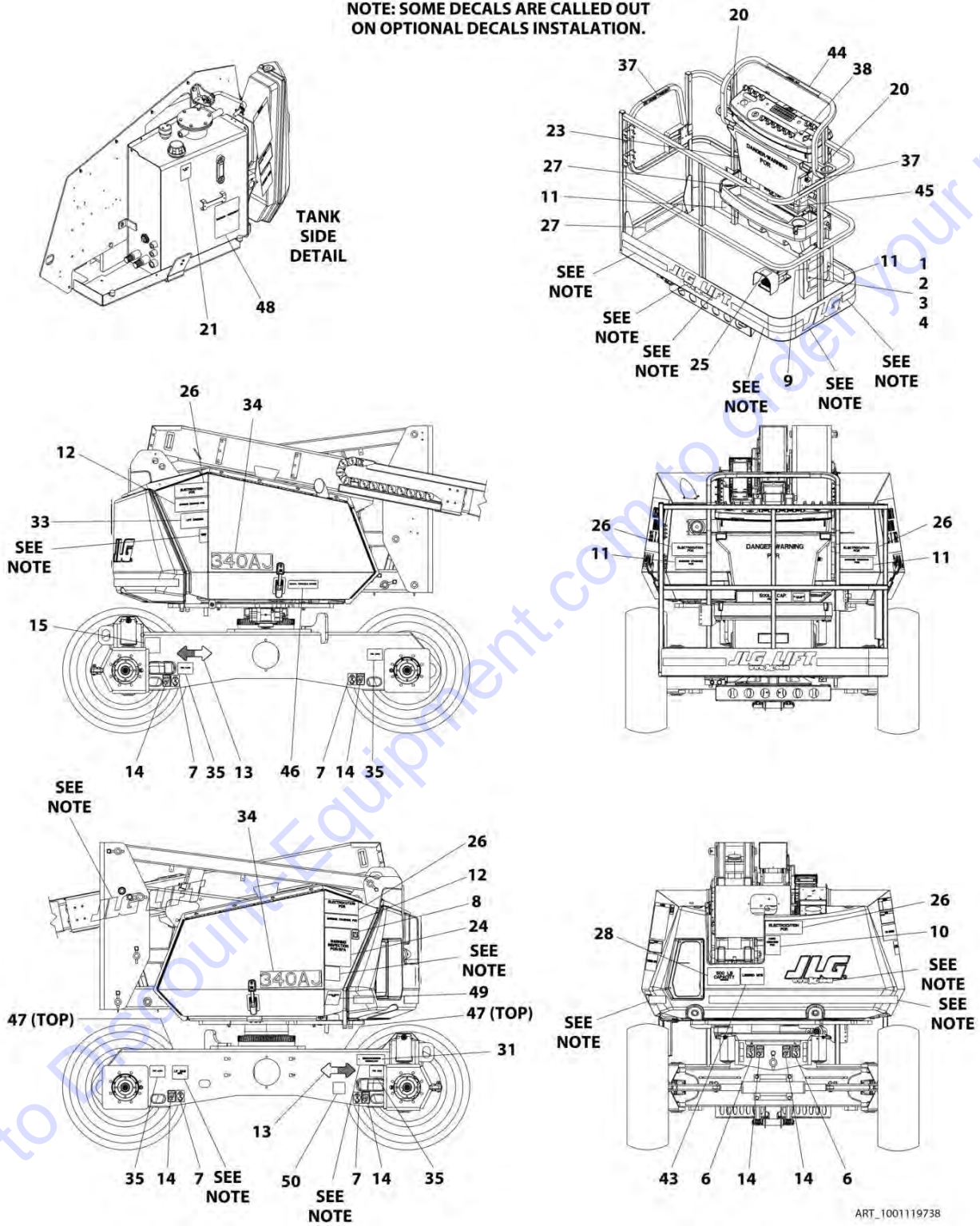
**FIGURE 9-2. DECALS INSTALLATION - AUSTRALIAN SPEC (ENGLISH)**

ITEM	PART NUMBER	QTY	DESCRIPTION	REV
	1001119733	Ref	DECALS INSTALLATION - AUSTRALIAN SPEC (ENGLISH)	E
1	0760610	4	Bolt M6 x 20	
2	4811700	8	Washer M6	
3	3290605	4	Nut M6	
4	0860520	1	Box, Manual Storage	
6	1701500	4	Decal - Lift	
7	1701499	4	Decal - No Tie-Down/No Lift	
8	1701504	1	Decal - Hydraulic Oil	
9	1701509	1	Decal - Manual	
10	1701517	1	Decal - Crushing	
12	1701518	6	Decal - Crushing	
13	1701642	2	Decal - Arrow	
14	1702300	8	Decal - Tie-Down	
15	See Note	1	Decal - Bar Code (Note: Not Available for Purchase)	
20	1704277	2	Decal - Lanyard Attach	
21	1704412	1	Decal - Hydraulic Oil	
23	1705921	1	Decal - Tipping/Electrocution	
24	1705822	1	Decal - Electrocution/Safety Manual	
25	1705828	1	Decal - Footswitch	
26	1705961	4	Decal - Electrocution	
27	1705978	2	Decal - Capacity 230KG	
31	2080057	2	Fastener	
33	1001119576	1	Decal - Lift Diagram	
34	1001119578	2	Decal - 340AJ	
35	1001119580	4	Decal - Tire Load	
45	1001120003	1	Decal - No Pipe Racks	
46	1001119981	1	Decal - Manual Turntable Rotate	
47	1701529	2	Decal - Arrow	
48	1001127549	1	Decal - Manual Descent	
49	1001127588	1	Decal - Manual Descent	

# SECTION 9 - DECALS

## FIGURE 9-3. DECALS INSTALLATION - BRAZIL SPEC (PORTUGUESE/SPANISH)

NOTE: SOME DECALS ARE CALLED OUT ON OPTIONAL DECALS INSTALLATION.



ART\_1001119738

## SECTION 9 - DECALS

**FIGURE 9-3. DECALS INSTALLATION - BRAZIL SPEC (PORTUGUESE/SPANISH)**

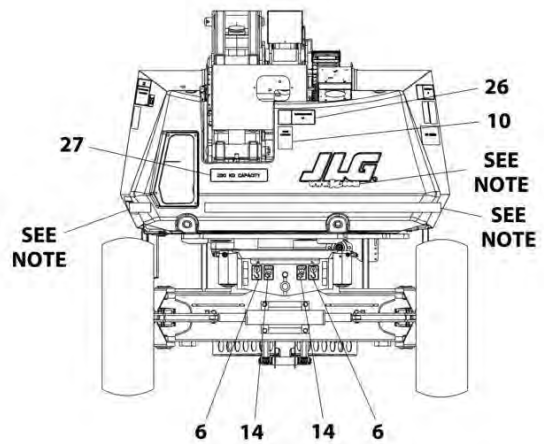
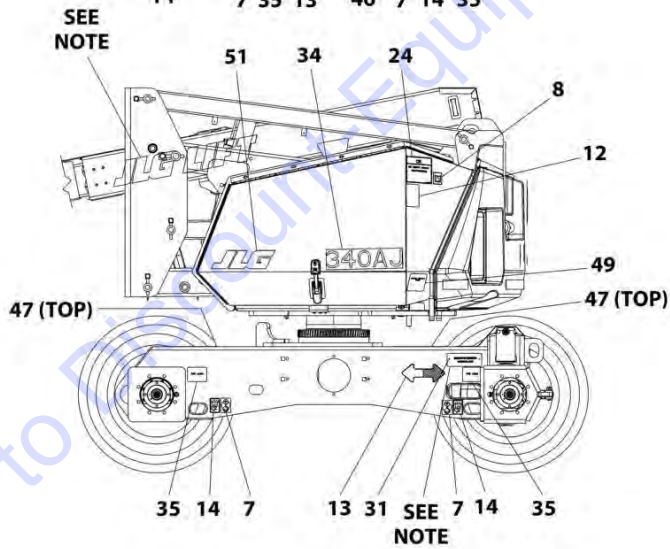
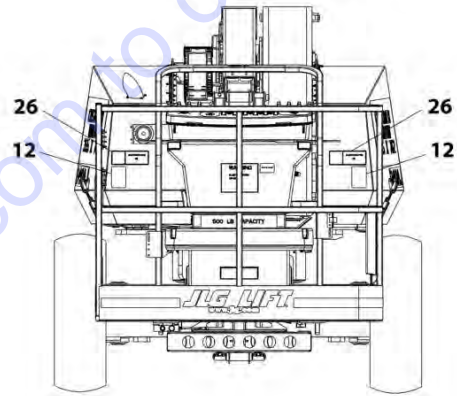
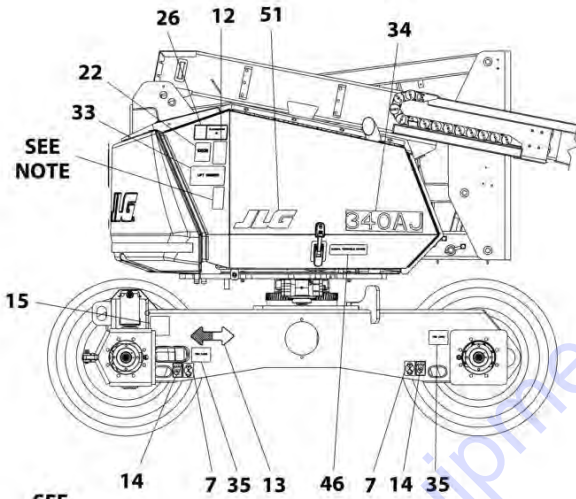
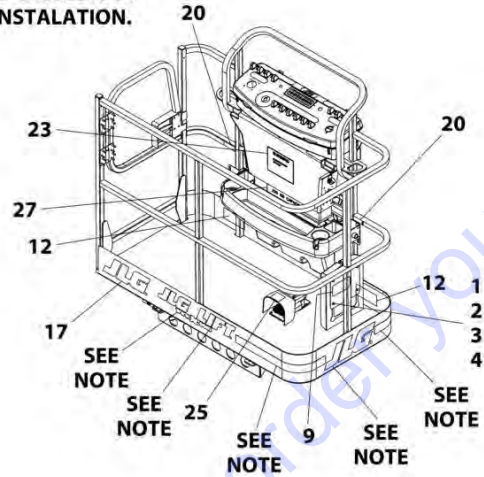
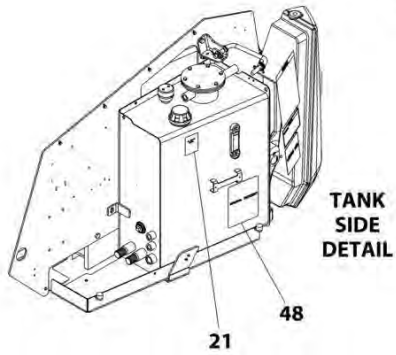
ITEM	PART NUMBER	QTY	DESCRIPTION	REV
	1001119738	Ref	DECALS INSTALLATION - BRAZIL SPEC (PORTUGUESE/SPANISH)	G
1	0760610	4	Bolt M6 x 20	
2	4811700	8	Washer M6	
3	3290605	4	Nut M6	
4	0860520	1	Box, Manual Storage	
6	1701500	4	Decal - Lift	
7	1701499	4	Decal - No Tie-Down/No Lift	
8	1701504	1	Decal - Hydraulic Oil	
9	1701509	1	Decal - Manual	
10	1001113170	1	Decal - Crushing	
11	1703952	4	Decal - Crushing	
12	1705903	2	Decal - Crushing	
13	1701642	2	Decal - Arrow	
14	1702300	8	Decal - Tie-Down	
15	See Note	1	Decal - Bar Code (Note: Not Available for Purchase)	
20	1704277	2	Decal - Lanyard Attach	
21	1704412	1	Decal - Hydraulic Oil	
23	1703928	1	Decal - Warning	
24	1705349	1	Decal - Warning Inspection	
25	1703985	1	Decal - Footswitch	
26	1703940	5	Decal - Electrocution	
27	1001121920	2	Decal - Warning Maximum Capacity	
28	1001121923	1	Decal - Warning Maximum Capacity	
31	2080057	2	Fastener	
33	1001119576	1	Decal - Lift Diagram	
34	1001119578	2	Decal - 340AJ	
35	1001119580	4	Decal - Tire Load	
37	1704002	2	Decal - No Hands	
38	1001113680	1	Decal - Drive/Steer Instructions	
43	1001120009	1	Decal - Legend	
44	1001120010	1	Decal - Legend	
45	1001120282	1	Decal - No Pipe Racks	
46	1001119981	1	Decal - Manual Turntable Rotate	
47	1701529	2	Decal - Arrow	
48	1001127549	1	Decal - Manual Descent	
49	1001127588	1	Decal - Manual Descent	
50	1001224052	1	Decal - Yearly Inspection (SN 0300233756 to Present)	



# SECTION 9 - DECALS

## FIGURE 9-4. DECALS INSTALLATION - CE SPECS (ENGLISH)

NOTE: SOME DECALS ARE CALLED OUT ON OPTIONAL DECALS INSTALLATION.



ART\_1001115783

## SECTION 9 - DECALS

**FIGURE 9-4. DECALS INSTALLATION - CE SPECS (ENGLISH)**

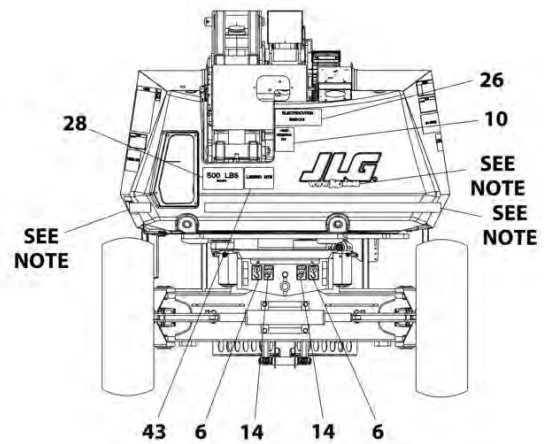
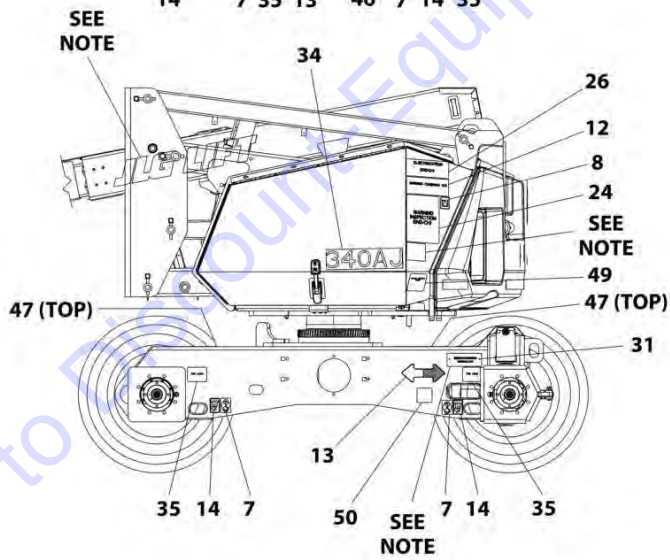
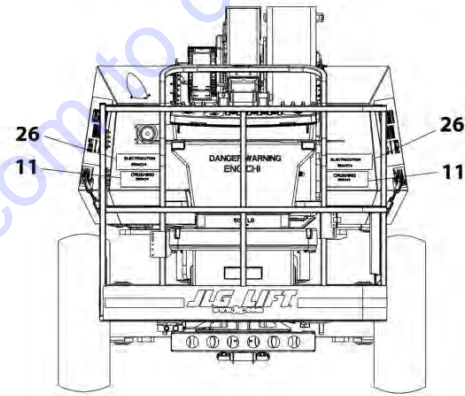
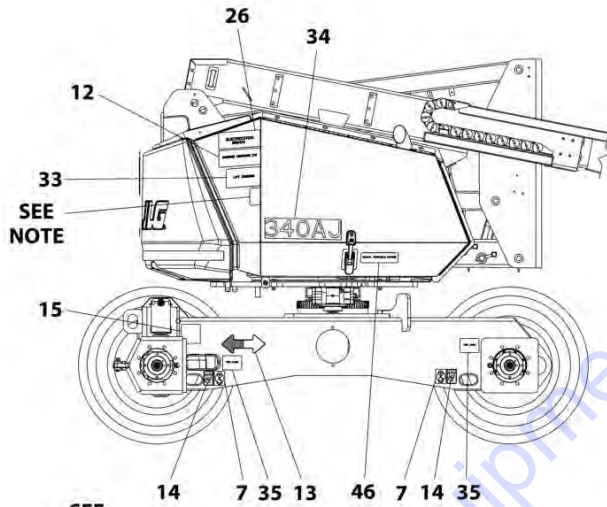
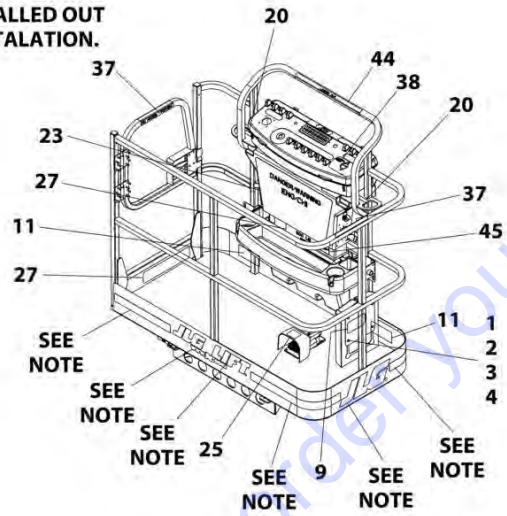
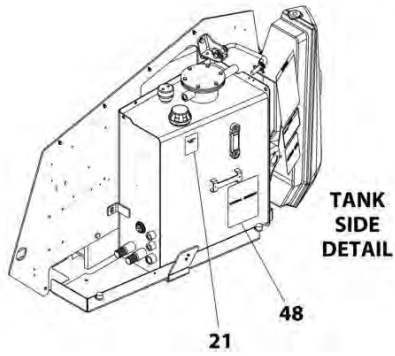
ITEM	PART NUMBER	QTY	DESCRIPTION	REV
	1001115783	Ref	DECALS INSTALLATION - CE SPECS (ENGLISH)	J
1	0760610	4	Bolt M6 x 20	
2	4811700	8	Washer M6	
3	3290605	4	Nut M6	
4	0860520	1	Box, Manual Storage	
6	1701500	4	Decal - Lift	
7	1701499	4	Decal - No Tie-Down/No Lift	
8	1701504	1	Decal - Hydraulic Oil	
9	1701509	1	Decal - Manual	
10	1701517	1	Decal - Crushing	
12	1701518	6	Decal - Crushing	
13	1701642	2	Decal - Arrow	
14	1702300	8	Decal - Tie-Down	
15	See Note	1	Decal - Bar Code (Note: Not Available for Purchase)	
17	1702773	1	Decal - JLG <b>(SN 0300219874 to Present)</b>	
20	1704277	2	Decal - Lanyard Attach	
21	1704412	1	Decal - Hydraulic Oil	
22	1001130492	1	Decal - Sound Power	
23	1705921	1	Decal - Tipping/Electrocution	
24	1705822	1	Decal - Electrocution/Safety Manual	
25	1705828	1	Decal - Footswitch	
26	1705961	4	Decal - Electrocution	
27	1705978	2	Decal - Capacity 230KG	
31	2080057	2	Fastener	
33	1001119576	1	Decal - Lift Diagram	
34	1001119578	2	Decal - 340AJ	
35	1001119580	4	Decal - Tire Load	
46	1001119981	1	Decal - Manual Turntable Rotate	
47	1701529	2	Decal - Arrow	
48	1001127549	1	Decal - Manual Descent	
49	1001127588	1	Decal - Manual Descent	
51	1701435	2	Decal - JLG <b>(SN 0300219874 to Present)</b>	



# SECTION 9 - DECALS

## FIGURE 9-5. DECALS INSTALLATION - CHINESE SPEC (CHINESE/ENGLISH)

NOTE: SOME DECALS ARE CALLED OUT ON OPTIONAL DECALS INSTALLATION.



ART\_1001119737

## SECTION 9 - DECALS

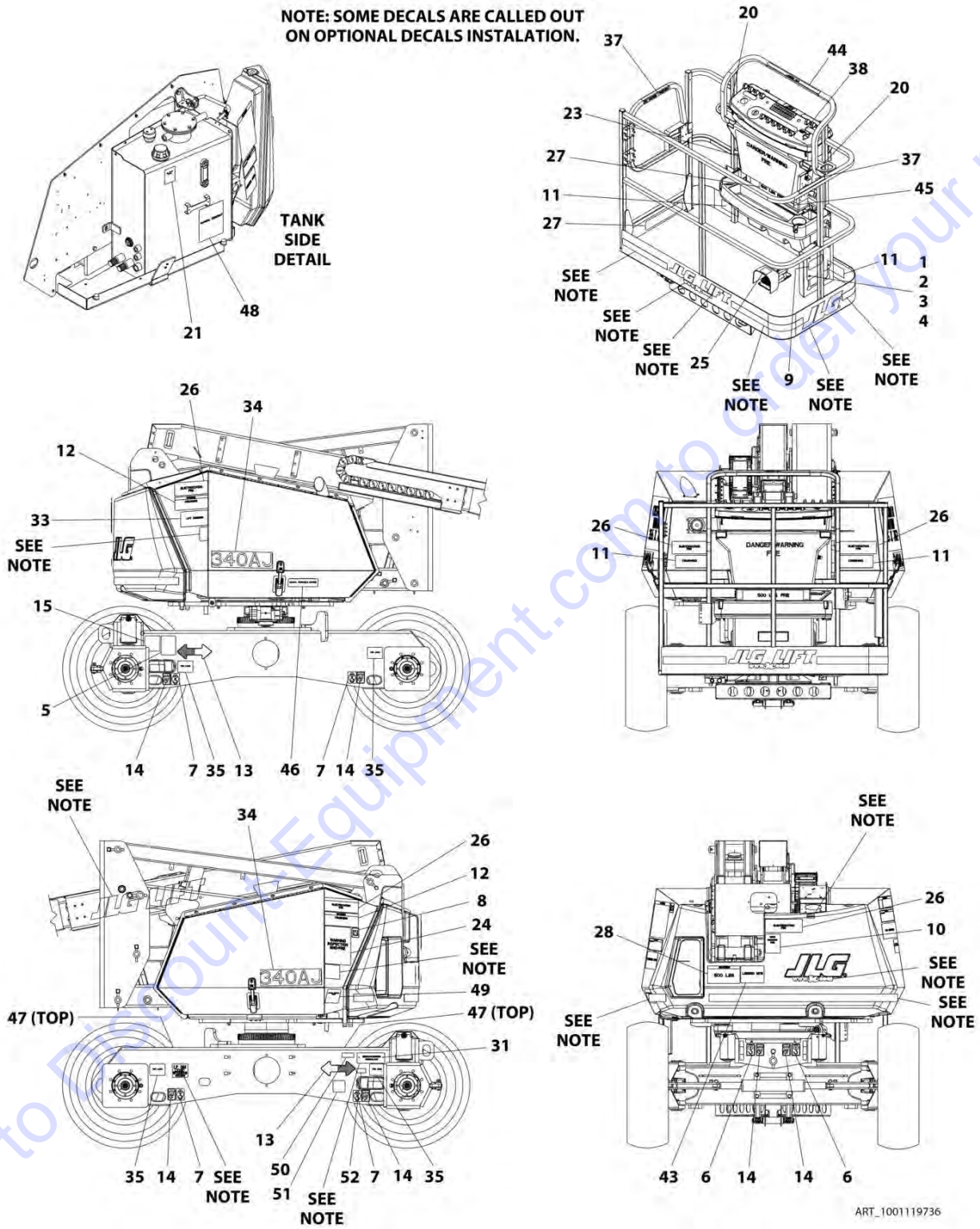
**FIGURE 9-5. DECALS INSTALLATION - CHINESE SPEC (CHINESE/ENGLISH)**

ITEM	PART NUMBER	QTY	DESCRIPTION	REV
	1001119737	Ref	DECALS INSTALLATION - CHINESE SPEC (CHINESE/ENGLISH)	H
1	0760610	4	Bolt M6 x 20	
2	4811700	8	Washer M6	
3	3290605	4	Nut M6	
4	0860520	1	Box, Manual Storage	
6	1701500	4	Decal - Lift	
7	1701499	4	Decal - No Tie-Down/No Lift	
8	1701504	1	Decal - Hydraulic Oil	
9	1701509	1	Decal - Manual	
10	1001113168	1	Decal - Crushing	
11	1703949	4	Decal - Crushing	
12	1703943	2	Decal - Crushing	
13	1701642	2	Decal - Arrow	
14	1702300	8	Decal - Tie-Down	
15	See Note	1	Decal - Bar Code (Note: Not Available for Purchase)	
20	1704277	2	Decal - Lanyard Attach	
21	1704412	1	Decal - Hydraulic Oil	
23	1703925	1	Decal - Warning	
24	1705348	1	Decal - Warning Inspection	
25	1703982	1	Decal - Footswitch	
26	1703937	5	Decal - Electrocution	
27	1001121810	2	Decal - Warning Maximum Capacity	
28	1001121823	1	Decal - Warning Maximum Capacity	
31	2080057	2	Fastener	
33	1001119576	1	Decal - Lift Diagram	
34	1001119578	2	Decal - 340AJ	
35	1001119580	4	Decal - Tire Load	
37	1705968	2	Decal - No Hands	
38	1705430	1	Decal - Drive/Steer Instructions	
43	1001120009	1	Decal - Legend	
44	1001120010	1	Decal - Legend	
45	1001120281	1	Decal - No Pipe Racks	
46	1001119981	1	Decal - Manual Turntable Rotate	
47	1701529	2	Decal - Arrow	
48	1001127549	1	Decal - Manual Descent	
49	1001127588	1	Decal - Manual Descent	
50	1001224050	1	Decal - Yearly Inspection (SN 0300233756 to Present)	

# SECTION 9 - DECALS

## FIGURE 9-6. DECALS INSTALLATION - CSA SPEC (FRENCH/ENGLISH)

NOTE: SOME DECALS ARE CALLED OUT ON OPTIONAL DECALS INSTALLATION.



ART\_1001119736

## SECTION 9 - DECALS

**FIGURE 9-6. DECALS INSTALLATION - CSA SPEC (FRENCH/ENGLISH)**

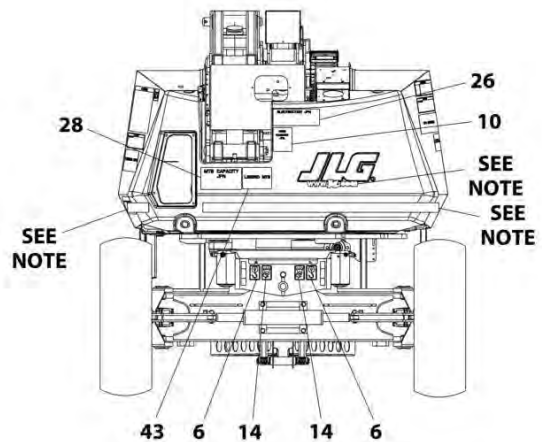
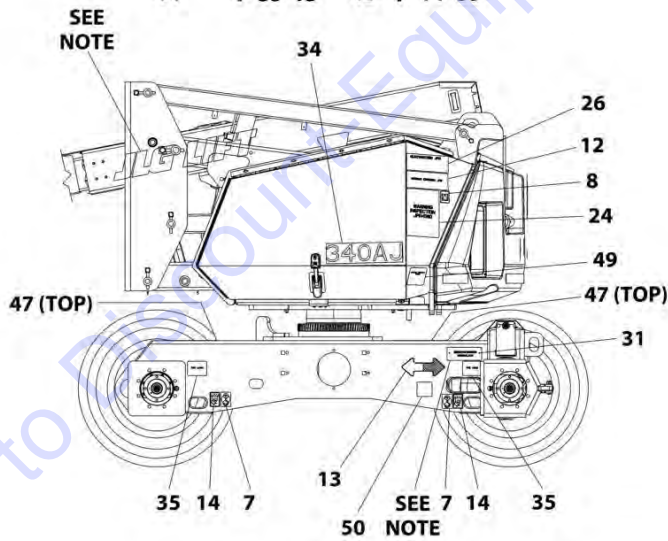
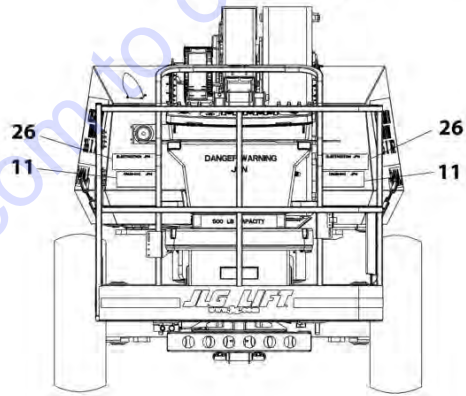
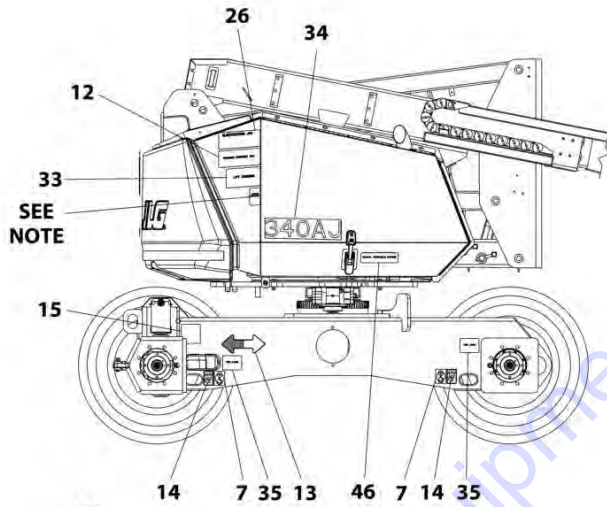
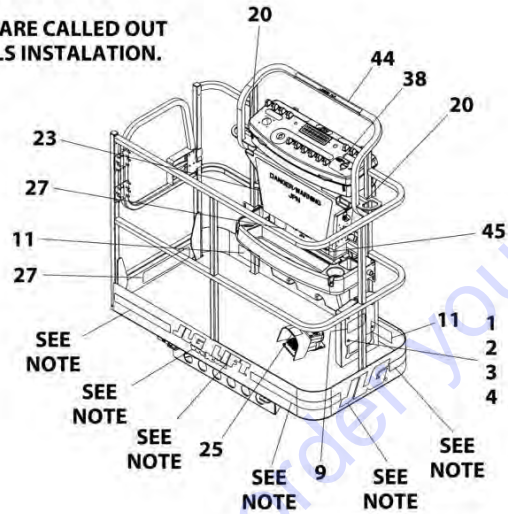
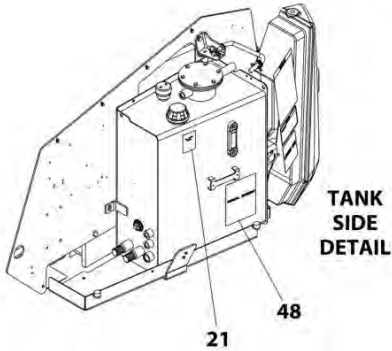
ITEM	PART NUMBER	QTY	DESCRIPTION	REV
	1001119736	Ref	DECALS INSTALLATION - CSA SPEC (FRENCH/ENGLISH)	I
1	0760610	4	Bolt M6 x 20	
2	4811700	8	Washer M6	
3	3290605	4	Nut M6	
4	0860520	1	Box, Manual Storage	
5	1001131269	1	Decal - Patent	
6	1701500	4	Decal - Lift	
7	1701499	4	Decal - No Tie-Down/No Lift	
8	1701504	1	Decal - Hydraulic Oil	
9	1701509	1	Decal - Manual	
10	1001113169	1	Decal - Crushing	
11	1703948	4	Decal - Warning Crushing	
12	1703942	2	Decal - Crushing	
13	1701642	2	Decal - Arrow	
14	1702300	8	Decal - Tie-Down	
15	See Note	1	Decal - Bar Code (Note: Not Available for Purchase)	
20	1704277	2	Decal - Lanyard Attach	
21	1704412	1	Decal - Hydraulic Oil	
23	1703924	1	Decal - Warning/Danger	
24	1705347	1	Decal - Warning Inspection	
25	1703984	1	Decal - Footswitch	
26	1703936	5	Decal - Electrocutation	
27	1001121803	2	Decal - Warning Maximum Capacity	
28	1001121816	1	Decal - Warning Maximum Capacity	
31	2080057	2	Fastener	
33	1001119576	1	Decal - Lift Diagram	
34	1001119578	2	Decal - 340AJ	
35	1001119580	4	Decal - Tire Load	
37	1704000	2	Decal - No Hands	
38	1705429	1	Decal - Drive/Steer Instructions	
43	1001120009	1	Decal - Legend	
44	1001120010	1	Decal - Legend	
45	1001120004	1	Decal - No Pipe Racks	
46	1001119981	1	Decal - Manual Turntable Rotate	
47	1701529	2	Decal - Arrow	
48	1001127549	1	Decal - Manual Descent	
49	1001127588	1	Decal - Manual Descent	
50	1705514	1	Decal - CSA (SN 0300222693 to Present)	
51	1001223971	1	Decal - Yearly Inspection (SN 0300233756 to Present)	
52	1001223453	1	Decal - ICES (SN 0300241369 to Present)	



# SECTION 9 - DECALS

## FIGURE 9-7. DECALS INSTALLATION - JAPANESE SPEC (JAPANESE)

NOTE: SOME DECALS ARE CALLED OUT ON OPTIONAL DECALS INSTALLATION.



ART\_1001119734

## SECTION 9 - DECALS

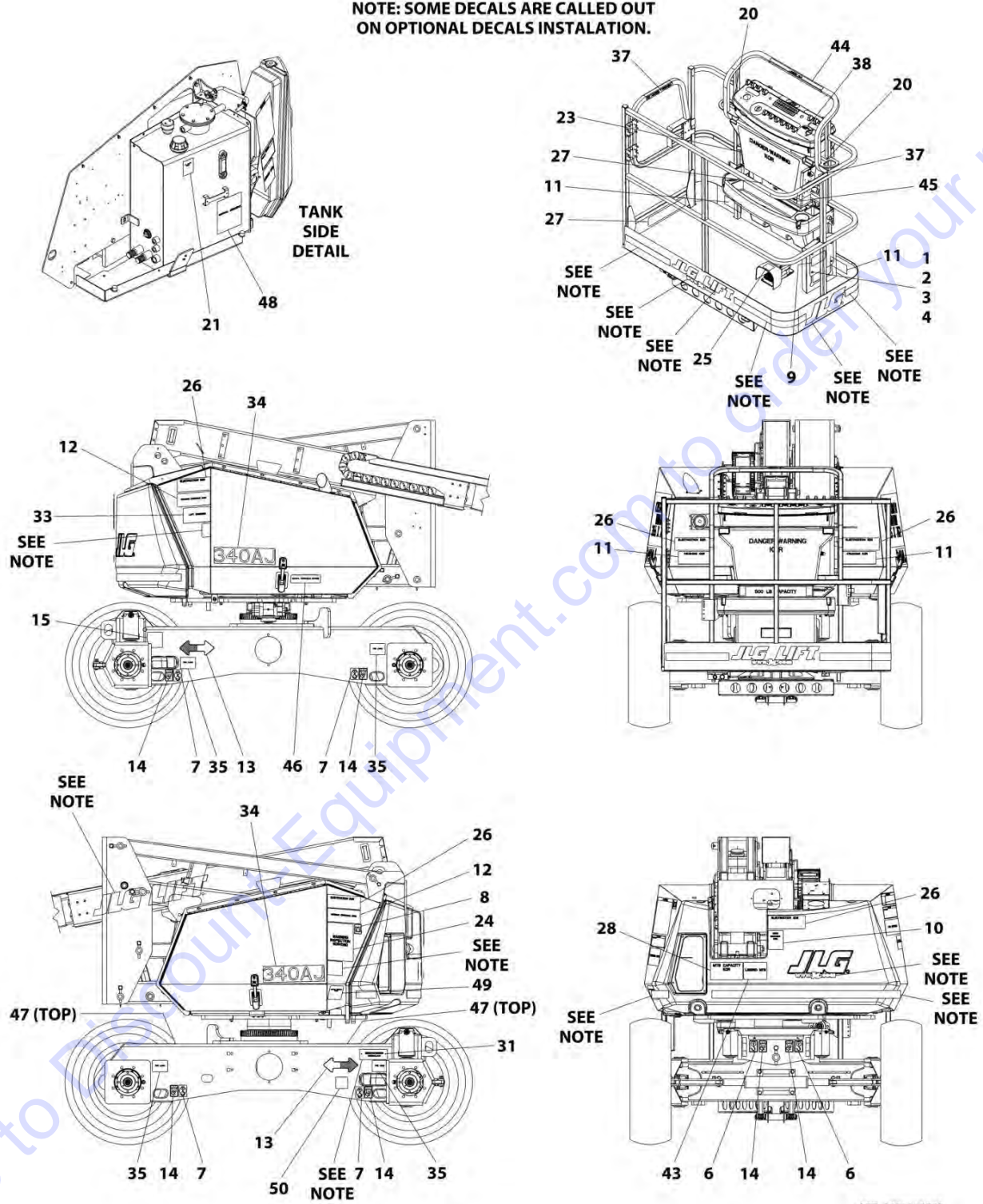
**FIGURE 9-7. DECALS INSTALLATION - JAPANESE SPEC (JAPANESE)**

ITEM	PART NUMBER	QTY	DESCRIPTION	REV
	1001119734	Ref	DECALS INSTALLATION - JAPANESE SPEC (JAPANESE)	G
1	0760610	4	Bolt M6 x 20	
2	4811700	8	Washer M6	
3	3290605	4	Nut M6	
4	0860520	1	Box, Manual Storage	
6	1701500	4	Decal - Lift	
7	1701499	4	Decal - No Tie-Down/No Lift	
8	1701504	1	Decal - Hydraulic Oil	
9	1701509	1	Decal - Manual	
10	1001113166	1	Decal - Crushing	
11	1703950	4	Decal - Crushing	
12	1703944	2	Decal - Warning Crushing	
13	1701642	2	Decal - Arrow	
14	1702300	8	Decal - Tie-Down	
15	See Note	1	Decal - Bar Code (Note: Not Available for Purchase)	
20	1704277	2	Decal - Lanyard Attach	
21	1704412	1	Decal - Hydraulic Oil	
23	1703926	1	Decal - Danger/Warning	
24	1705344	1	Decal - Warning Inspection	
25	1703980	1	Decal - Footswitch	
26	1703938	5	Decal - Electrocution	
27	1001121808	2	Decal - Warning Maximum Capacity	
28	1001121821	1	Decal - Warning Maximum Capacity	
31	2080057	2	Fastener	
33	1001119576	1	Decal - Lift Diagram	
34	1001119578	2	Decal - 340AJ	
35	1001119580	4	Decal - Tire Load	
38	1705426	1	Decal - Drive/Steer Instruction	
43	1001120009	1	Decal - Legend	
44	1001120010	1	Decal - Legend	
45	1001120279	1	Decal - No Pipe Racks	
46	1001119981	1	Decal - Manual Turntable Rotate	
47	1701529	2	Decal - Arrow	
48	1001127549	1	Decal - Manual Descent	
49	1001127588	1	Decal - Manual Descent	
50	1001224053	1	Decal - Yearly Inspection (SN 0300233756 to Present)	

# SECTION 9 - DECALS

## FIGURE 9-8. DECALS INSTALLATION - KOREAN SPEC (KOREAN/ENGLISH)

NOTE: SOME DECALS ARE CALLED OUT ON OPTIONAL DECALS INSTALLATION.



ART\_1001119735



## SECTION 9 - DECALS

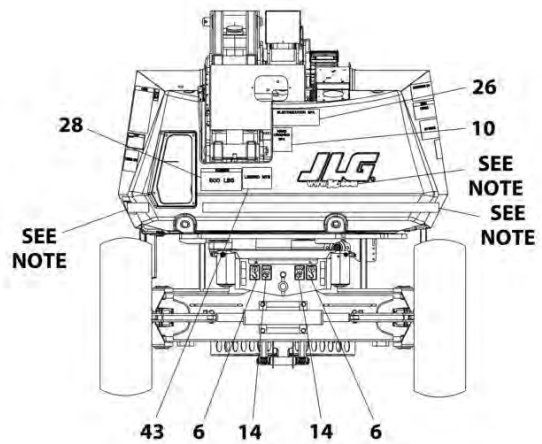
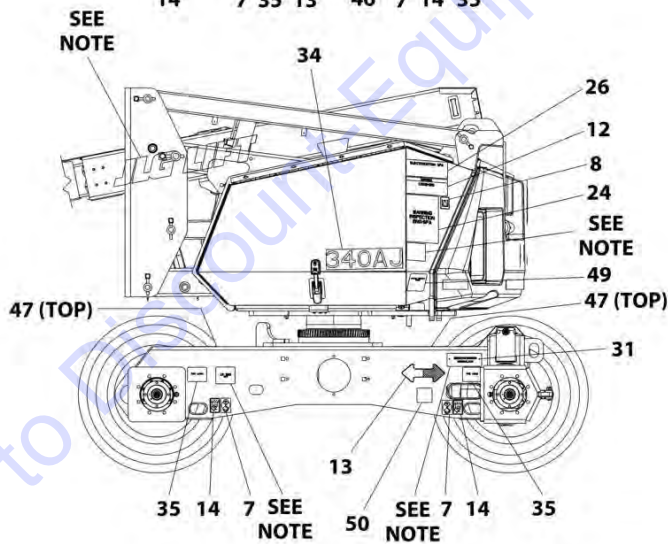
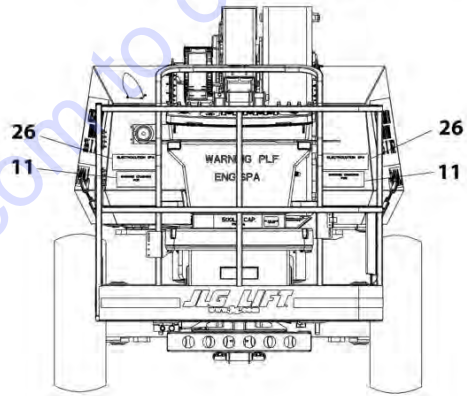
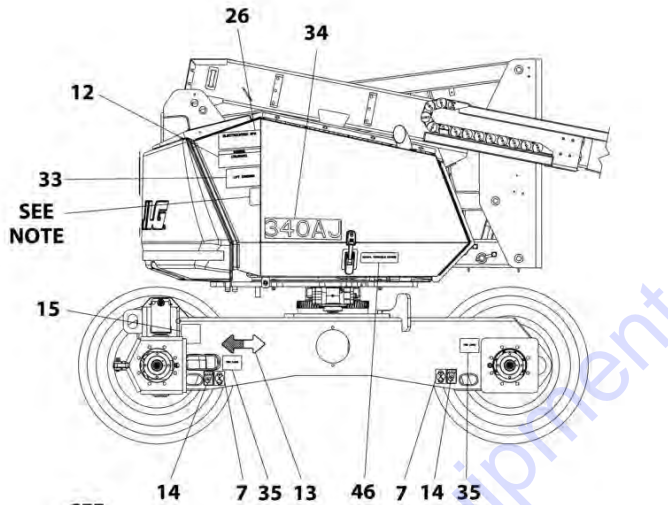
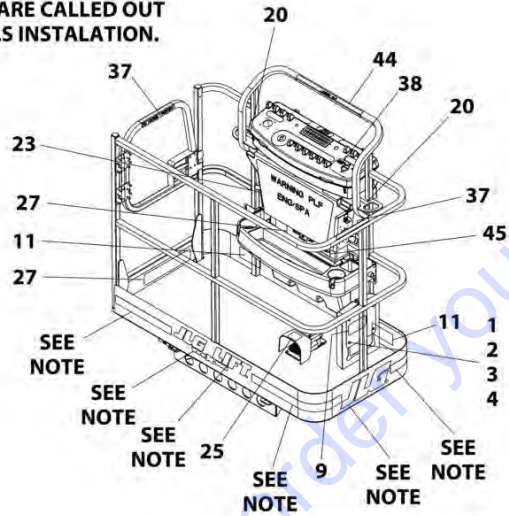
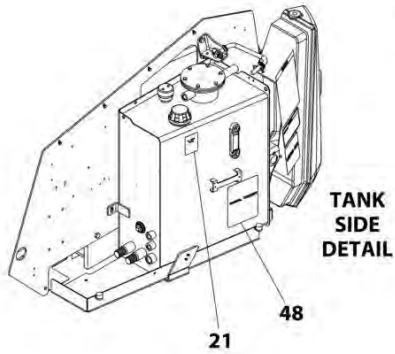
**FIGURE 9-8. DECALS INSTALLATION - KOREAN SPEC (KOREAN/ENGLISH)**

ITEM	PART NUMBER	QTY	DESCRIPTION	REV
	1001119735	Ref	DECALS INSTALLATION - KOREAN SPEC (KOREAN/ENGLISH)	G
1	0760610	4	Bolt M6 x 20	
2	4811700	8	Washer M6	
3	3290605	4	Nut M6	
4	0860520	1	Box, Manual Storage	
6	1701500	4	Decal - Lift	
7	1701499	4	Decal - No Tie-Down/No Lift	
8	1701504	1	Decal - Hydraulic Oil	
9	1701509	1	Decal - Manual	
10	1001113509	1	Decal - Crushing	
11	1703951	4	Decal - Crushing	
12	1703945	2	Decal - Crushing	
13	1701642	2	Decal - Arrow	
14	1702300	8	Decal - Tie-Down	
15	See Note	1	Decal - Bar Code (Note: Not Available for Purchase)	
20	1704277	2	Decal - Lanyard Attach	
21	1704412	1	Decal - Hydraulic Oil	
23	1703927	1	Decal - Warning/Danger	
24	1705345	1	Decal - Warning Inspection	
25	1703981	1	Decal - Footswitch	
26	1703939	5	Decal - Danger Electrocution	
27	1001121918	2	Decal - Warning Maximum Capacity	
28	1001121921	1	Decal - Warning Maximum Capacity	
31	2080057	2	Fastener	
33	1001119576	1	Decal - Lift Diagram	
34	1001119578	2	Decal - 340AJ	
35	1001119580	4	Decal - Tire Load	
37	1705969	2	Decal - No Hands	
38	1705427	1	Decal - Drive/Steer Instructions	
43	1001120009	1	Decal - Legend	
44	1001120010	1	Decal - Legend	
45	1001120280	1	Decal - No Pipe Racks	
46	1001119981	1	Decal - Manual Turntable Rotate	
47	1701529	2	Decal - Arrow	
48	1001127549	1	Decal - Manual Descent	
49	1001127588	1	Decal - Manual Descent	
50	1001224048	1	Decal - Yearly Inspection (SN 0300233756 to Present)	

# SECTION 9 - DECALS

## FIGURE 9-9. DECALS INSTALLATION - LATIN AMERICA SPEC (SPANISH/ENGLISH)

NOTE: SOME DECALS ARE CALLED OUT ON OPTIONAL DECALS INSTALLATION.



ART\_1001119739

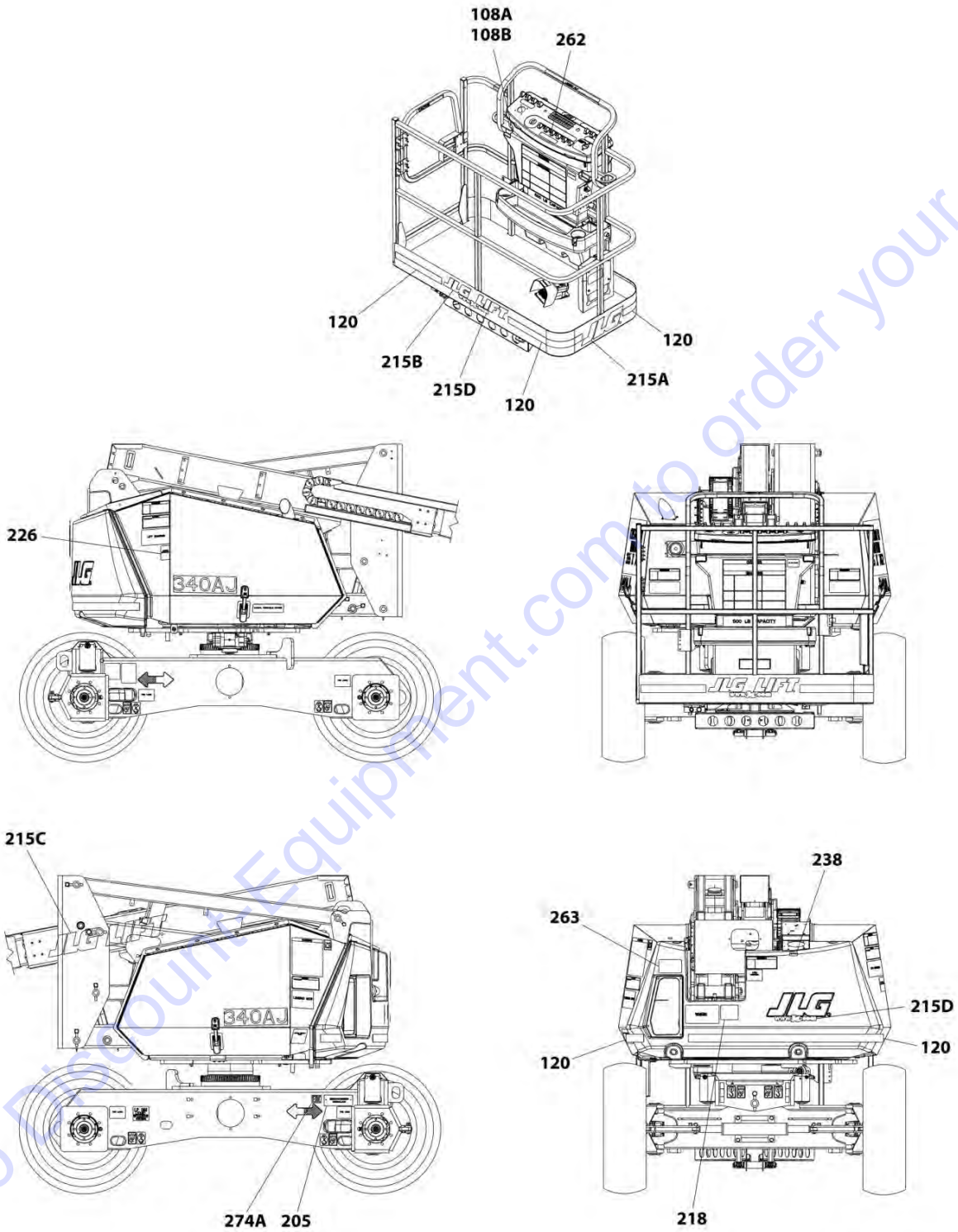
## SECTION 9 - DECALS

**FIGURE 9-9. DECALS INSTALLATION - LATIN AMERICA SPEC (SPANISH/ENGLISH)**

ITEM	PART NUMBER	QTY	DESCRIPTION	REV
	1001119739	Ref	DECALS INSTALLATION - LATIN AMERICA SPEC (SPANISH/ENGLISH)	G
1	0760610	4	Bolt M6 x 20	
2	4811700	8	Washer M6	
3	3290605	4	Nut M6	
4	0860520	1	Box, Manual Storage	
6	1701500	4	Decal - Lift	
7	1701499	4	Decal - No Tie-Down/No Lift	
8	1701504	1	Decal - Hydraulic Oil	
9	1701509	1	Decal - Manual	
10	1001113171	1	Decal - Crushing	
11	1703947	4	Decal - Crushing	
12	1703941	2	Decal - Crushing	
13	1701642	2	Decal - Arrow	
14	1702300	8	Decal - Tie-Down	
15	See Note	1	Decal - Bar Code (Note: Not Available for Purchase)	
20	1704277	2	Decal - Lanyard Attach	
21	1704412	1	Decal - Hydraulic Oil	
23	1703923	1	Decal - Warning/Danger	
24	1705917	1	Decal - Warning Inspection	
25	1703983	1	Decal - Footswitch	
26	1703935	5	Decal - Electrocution	
27	1001121805	2	Decal - Warning Maximum Capacity	
28	1001121818	1	Decal - Warning Maximum Capacity	
31	2080057	2	Fastener	
33	1001119576	1	Decal - Lift Diagram	
34	1001119578	2	Decal - 340AJ	
35	1001119580	4	Decal - Tire Load	
37	1704001	2	Decal - No Hands	
38	1705910	1	Decal - Drive/Steer Instructions	
43	1001120009	1	Decal - Legend	
44	1001120010	1	Decal - Legend	
45	1001120283	1	Decal - No Pipe Racks	
46	1001119981	1	Decal - Manual Turntable Rotate	
47	1701529	2	Decal - Arrow	
48	1001127549	1	Decal - Manual Descent	
49	1001127588	1	Decal - Manual Descent	
50	1001224049	1	Decal - Yearly Inspection (SN 0300233756 to Present)	

# SECTION 9 - DECALS

## FIGURE 9-10. OPTIONAL DECALS INSTALLATION



ART\_DECAL OPTIONS

## SECTION 9 - DECALS

**FIGURE 9-10. OPTIONAL DECALS INSTALLATION**

ITEM	PART NUMBER	QTY	DESCRIPTION	REV
		Ref	OPTIONAL DECALS INSTALLATION	
108A	1702962	1	Decal - Warning Proposition 65 (ANSI Spec Diesel Machines Only) <b>(Prior to SN 0300246422)</b>	
108A	1001231801	1	Decal - Warning Proposition 65 (ANSI Spec Diesel Machines Only) <b>(SN 0300246422 to Present)</b>	
108B	1702961	1	Decal - Prop 65 Warning (Gasoline Machines) <b>(Prior to SN 0300246422)</b>	
108B	1001236338	1	Decal - Prop 65 Warning (Gasoline Machines) <b>(SN 0300246422 through 0300256399)</b>	
108B	1001231801	1	Decal - Prop 65 Warning (Gasoline Machines) <b>(SN 0300256400 to Present)</b>	
120	4420051	AR	Tape, Safety	
205	See Note	1	Nameplate - Manufacturers Serial Number (Note: Not Available for Purchase)	
215	1001110613	Ref	JLG Logo Installation	B
215A	1702773	1	Decal - JLG	
215B	1702774	1	Decal - JLG Lift	
215C	1702860	1	Decal - JLG Lift	
215D	1704885	2	Decal - Website	
218	3251813	1	Decal - USA (ANSI, ANSI Export and CSA Specs)	
226	1704972	1	Decal - Warning Explosion/Fire (ANSI Spec)	
226	1706098	1	Decal - Warning Explosion/Fire (Australian and CE Spec)	
226	1706059	1	Decal - Warning Explosion/Fire (Brazil Spec)	
226	1706064	1	Decal - Warning Explosion/Fire (CSA Spec)	
226	1706060	1	Decal - Warning Explosion/Fire (Chinese Spec)	
226	1706062	1	Decal - Warning Explosion/Fire (Japanese Spec)	
226	1706061	1	Decal - Warning Explosion/Fire (Korean Spec)	
226	1706063	1	Decal - Warning Explosion/Fire (Latin America Spec)	
238	1001108923	1	Decal - Low Sulfur Fuel Spec (ANSI and CSA Specs Only)	
238	1001139654	1	Decal - Ultra Low Sulfur Fuel Spec (CE and Japanese Specs Only) <b>(SN 0300253888 to Present)</b>	
262	1001141300	1	Decal - SkyGuard Override	
263	1001197408	1	Decal - MSSO	
274	1001214030	1	Decal - EAC Installation (CIS and Russia Specs)	
274A	1001173703	1	Decal - EAC	



**SECTION 10 - RECOMMENDED SERVICE PARTS STOCK**

**SECTION 10 - RECOMMENDED SERVICE PARTS STOCK**

Go to [Discount-Equipment.com](http://Discount-Equipment.com) to order your parts



# SECTION 10 - RECOMMENDED SERVICE PARTS STOCK

FIGURE 10-1. RECOMMENDED SERVICE PARTS STOCK

ITEM	PART NUMBER	QTY	DESCRIPTION	REV
		Ref	Note: The following list will service one machine (built to current production per date on the front cover) with emergency repair parts which can be installed in the field. Parts from the list should be replaced when inventory is depleted to keep service parts stock supplied. For further information, go to Discount-equipment.com.	
		Ref	STANDARD PARTS	
	70002386	1	Coil	
	70002963	1	Coil	
	70010383	1	Element, Filter	
	70002971	1	Coil	
	70002386	1	Coil	
	70003788	1	Coil	
	7015004	1	Element, Air Cleaner	
	70002149	1	Coil	
	70002812	1	Breather, Hydraulic Tank	
	4360328	1	Switch, Toggle	
	4360475	1	Switch, Mushroom	
	4360476	1	Contact, Switch Block	
	2860030	1	Key, Replacement	
	1001188446	1	Kit, Boom Wear Pad	
	70001996	1	Carrier 4 Link Repair Section	
	70001977	1	Coil	
	1001129555	1	Controller (Lift and Swing)	
	1001212415	1	Controller (Drive and Steer)	
	4360330	1	Switch, Toggle	
	4360387	1	Switch, Push Button	
	4360407	1	Control, Speed	
	4360331	1	Switch, Toggle	
	260305	2	Fuse 5A	
	1001003149	2	Fuse 15 Amp	
	2400065	2	Fuse 30A	
	1001117070	2	Fuse 30A	
	1001118938	2	Fuse 40A	
	3740080	1	Relay	
		Ref	VARIABLE PARTS	
	70002979	1	Filter, Oil Element (GM Engine Machines)	
	70002972	1	Filter, Fuel (GM Engine Machines)	
	70003178	1	Module, Control (GM Engine Machines)	
	7017923	1	Filter, Oil Element (Kubota Engine Machines)	
	70002900	1	Filter, Fuel Water (Kubota Engine Machines)	
	1001120431	1	Module, Ground Control	
	1001119170	1	Switch, Limit	
	4360522	1	Switch, Push Button (Machines with Turntable Floodlight/Head and Tail Light Options)	
	4360469	1	Switch, Key (All Specs except CE Spec)	
	4360470	1	Switch, Key (CE Specs)	
	4360336	1	Switch, Toggle (Machines with Generator Option)	
	4360548	1	Switch, Limit	
	2940074	1	Latch (Machines with Platform Gate)	

## SECTION 10 - RECOMMENDED SERVICE PARTS STOCK

ITEM	PART NUMBER	QTY	DESCRIPTION	REV
	4360336	1	Switch, Toggle (Machines with Platform Floodlights Option)	
	1001118412	1	Module, Platform Control	
	4360336	1	Switch, Toggle (Dual Fuel) (GM Engine Machines)	
	1001109475	1	Breaker, Circuit 16Amp (CE Machines without Generator and with AC Platform Receptacle)	
	1001109477	1	Breaker, Circuit 10Amp (CE Machines with Generator and with AC Platform Receptacle)	
	1001109482	1	Breaker, Circuit 30mAmp (CE Machines with AC Platform Receptacle)	
	1001186431	1	Relay (Machines with SkyGuard)	
	1001142683	1	Module, Strobe Light (Machines with Blue Strobe Light)	

Go to Discount-Equipment.com to order your parts



**SECTION 11 - SPECIAL OPTIONS**

Go to Discount-Equipment.com to order your parts

## SECTION 11 - SPECIAL OPTIONS

FIGURE 11-1. SPECIAL OPTIONS

ITEM	PART NUMBER	QTY	DESCRIPTION	REV
		Ref	Note: This list is to accommodate machines ordered with special equipment. Options may not be applicable to all models. For more specific parts information go to Discount-equipment.com.	
		Ref	MISCELLANEOUS SPECIAL OPTIONS	
		Ref	Air Line at Platform Installations	
	1001119028	Ref	Machines without Arctic Package	
	1001119378	Ref	Machines with Arctic Package	
	1001206737	Ref	Alarm, White Noise	
	70006434	Ref	Bearing and Seal Kit (For Hub Assembly 1001116793)	
	1001119803	Ref	Bellows Installations	
	1001185080	Ref	Belt and Fan Shield Kit	
	1001148971	Ref	Bolt-on Lanyard Kit (Platform)	
	1001234099	Ref	Boom Kit - Telematics (CE Spec)	
	1001119962	Ref	Boom Wiper Installation	
		Ref	ClearSky Telematic Installation (Factory Installed)	
	1001119398	Ref	ClearSky (Telematics) Installation (Factory Installed) (ANSI Specs) Note: Refer to Manual Supplement p/n 3128499 for available replacement parts. <b>(SN 0300200802 through 0300234326)</b>	
	1001132732	Ref	ClearSky (Telematics) Installation (Factory Installed) (Australian Specs) Note: Refer to Manual Supplement p/n 3128499 for available replacement parts. <b>(SN 0300200802 through 0300234326)</b>	
	1001127091	Ref	ClearSky (Telematics) Installation (Factory Installed) (Brazil and New Zealand Specs) Note: Refer to Manual Supplement p/n 3128499 for available replacement parts. <b>(SN 0300200802 through 0300234326)</b>	
	1001119406	Ref	ClearSky (Telematics) Installation (Factory Installed) (CSA Specs) Note: Refer to Manual Supplement p/n 3128499 for available replacement parts. <b>(SN 0300200802 through 0300234326)</b>	
	1001227454	Ref	ClearSky (Telematics) Installation (Factory Installed) - Canbus Connection (ANSI and CSA Specs) <b>(SN 0300234327 to Present)</b>	
	1001228956	Ref	ClearSky (Telematics) Installation (Factory Installed) - Canbus Connection (ANSI Export and CE Specs) <b>(SN 0300240022 to Present)</b>	
	1001246486	1	ClearSky (Telematics) Installation (Factory Installed) - Canbus Connection (Australian Specs)	
	1001246487	1	ClearSky (Telematics) Installation (Factory Installed) - Canbus Connection (China Specs)	
	1001229107	Ref	ClearSky (Telematics) Installation (Factory Installed) - 3 Wire Connection (ANSI and CSA Specs) <b>(SN 0300234327 to Present)</b>	
	1001233237	Ref	ClearSky (Telematics) Installation (Factory Installed) - 3 Wire Connection (ANSI Export and CE Specs) <b>(SN 0300240022 to Present)</b>	
	1001119397	Ref	Cribbing Switch Installation	
		Ref	Cold Weather Start Kits (Not Available on Australian and CE Spec Machines)	
	1001119989	Ref	Diesel Engine Machines	
	1001119987	Ref	Gas Engine Machines	
		Ref	Decal Installations	
	1001119459	Ref	Decal - ClearSky	

## SECTION 11 - SPECIAL OPTIONS

ITEM	PART NUMBER	QTY	DESCRIPTION	REV
	0272165	Ref	Decal - Warning Stripes	
		Ref	Decal Kit Options:	
	1001193629	Ref	Decal Kit - Platform Console Box	
	2902203	Ref	Decal Kit - Tires with Sealant (Includes qty 5 Decals and qty 4 Green Valve Stem Caps)	
	1001241332	Ref	Decal Kit - (Service) Platform	
	1001241338	Ref	Decal Kit - (Service) Platform Console Kit	
		Ref	Electrical Connector Kits	
	1001148902	Ref	Amp Connector Kit	
	1001148903	Ref	Deutsch DT Connector Kit	
	1001148904	Ref	Deutsch HD Connector Kit	
	1001148905	Ref	Packard Connector Kit	
	1001148906	Ref	Various Connector Kit	
	1001119988	Ref	Engine Block Heater Installation (Gas Engine Machines)	
	1001186578	Ref	Fan Guard (Kubota Engines)	
		Ref	Filter Kits:	
		Ref	Combined Filter Kit (Hydraulic/Air and Fuel/Engine Oil)	
	1001204448	NLA	Kubota Engines (Use p/n 1001133070)	
	1001133070	1	Kubota Engines	
	1001151649	1	GM Engines	
		Ref	Hydraulic/Air Filter	
	1001133067	1	Kubota Engines	
		Ref	Fuel/Oil Filter	
	1001204461	1	Kubota Engines	
		Ref	Fluids	
	2300040	Ref	Conditioner, Diesel Fuel	
		Ref	Coolant, Antifreeze (GM Engines)	
	2300004	Ref	Machines without Arctic Package	
	2300041	Ref	Machines with Arctic Package	
		Ref	Engine Oil	
	1001115930	Ref	Motor Oil 10W-30 (Machines without Arctic Package)	
	1001115931	Ref	Motor Oil 5W-30 Synthetic (Machines with Arctic Package)	
	1001190775	Ref	Motor Oil 10W-30 (GM Engines)	
		Ref	Hydraulic Fluids:	
	2300014	Ref	Mobil 424	
	2300029	Ref	Mobil EAL ISO 46 Bio	
	2300016	Ref	Mobil DTE 10 EXCEL 32	
	2300019	Ref	Quaker State Quintolubric 888-46 Fire Resistant	
	2300039	Ref	Exxon Univis Hvl 26 (Machines with Arctic Package)	
	1001117294	Ref	Foot Switch Shield	
	1001209659	Ref	Fuel Cap Cover (Lockable) (Black)	
	1001209658	Ref	Fuel Cap Cover (Lockable) (Green)	
	1001205441	Ref	Fuel Cap Cover (Lockable) (Red)	
	1001138005	Ref	GM Engine Air Flow Improvement Kit	
	1001120103	Ref	Ground Control Cover Installation	
	1001120197	Ref	Hourmeter for Generator Installation	
	1001157918	Ref	Hourmeter for Generator Installation (Kubota Engines Only)	
	1001236951	Ref	Low Temperature Cutout Installation (Russian Specs)	
	1001152544	Ref	Muffler Support Bracket Installation (Kubota Engines Only)	
	1001116419	Ref	Platform Cable Tray Carrier Installation (Australian Specs) <b>(SN 0300200802 through 0300224526)</b>	
	1001172045	Ref	Platform Cable Tray Carrier Installation (Australian Specs) <b>(SN</b>	

## SECTION 11 - SPECIAL OPTIONS

ITEM	PART NUMBER	QTY	DESCRIPTION	REV
			<b>0300224527 to Present)</b>	
	1001205175	Ref	Platform Console Cover Add-On Kit	
	1001195304	Ref	Platform Console Cover Installation	
	1001103558	Ref	Platform Rail Extension Installation (30in x 60in Platforms)	
		Ref	Platform Mesh to Top Rail Installations (Side Entry Platforms) (ANSI, ANSI Export and China Specs)	
	0273147	Ref	30in x 4ft (76cm x 1.22m)	
	0273146	Ref	30in x 5ft (76cm x 1.52m)	
		Ref	Platform Mesh to Top Rail Kit (Side Entry Platforms) (ANSI and ANSI Export Specs)	
	1001214552	Ref	30in x 4ft (76cm x 1.22m)	
	1001214559	Ref	30in x 5ft (76cm x 1.52m)	
		Ref	Platform Mesh to Mid Rail Installations (Side Entry Platforms) (ANSI, ANSI Export, Australian and China Specs)	
	1001140318	Ref	30in x 4ft (76cm x 1.22m)	
	1001140315	Ref	30in x 5ft (76cm x 1.52m) <b>(SN 0300197064 to Present)</b>	
		Ref	Platform Mesh to Mid Rail Kit (Side Entry Platforms) (ANSI and ANSI Export Specs)	
	1001214478	Ref	30in x 4ft (76cm x 1.22m)	
	1001214515	Ref	30in x 5ft (76cm x 1.52m)	
	1001209059	Ref	Platform Work Surface	
	70006435	Ref	Seal Kit (For Hub Assembly 1001116793)	
	1001120176	Ref	Security Lock (Programmable) (ANSI and CE Specs)	
	1001239566	Ref	Service Kit - Upper Power Track Hose	
		Ref	SkyGuard Components Options:	
	1001187356	NLA	SkyGuard Complete Add-on Kit (Blue Strobe Light) (Use p/n 1001207138)	
	1001207138	Ref	SkyGuard Complete Add-on Kit (Blue Strobe Light)	
	1001210035	Ref	SkyGuard Complete Add-on Kit (Red Strobe Light)	
	1001219694	Ref	SkyGuard Platform System Kit	
	1001149565	Ref	SkyGuard Platform Sensor Kit	
	1001149752	NLA	SkyGuard Strobe Light Kit (Blue) (Use p/n 1001207140)	
	1001207140	Ref	SkyGuard Strobe Light Kit (Blue)	
	1001210034	Ref	SkyGuard Strobe Light Kit (Red)	
	1001176372	Ref	SkyGuard Plug Removal Kit	
		Ref	Tools for Service	
		Ref	Note: For cylinder repair tools, see individual cylinder assemblies.	
	2901443	Ref	Analyzer Kit	
	8896941	Ref	Wire Stripper	
	7002821	Ref	Wire Crimper (To install wire ends to wires)	
	7002823	Ref	Pin/Socket Extractor - Universal (For Removal of Pins/Sockets from Connectors)	
	4460467	Ref	Extractor - 16-18 Gauge (For Removal of Pin/Sockets from Deutsch Connectors)	
	4460510	Ref	Extractor - 12-14 Gauge (For Removal of Pin/Sockets from Deutsch Connectors)	
	7002822	Ref	Screwdriver, Potentiometer (To Adjust Drive Controllers)	
	7016654	Ref	Screwdriver, Magnetic	
	7004275	Ref	Seal Installation Tool - 1in	
	7004276	Ref	Seal Installation Tool - 1-1/2in	
	7002826	Ref	Seal Installation Tool - 2in	
	7016655	Ref	Wire Rope Sheave Gauge	
	1001137005	Ref	Software Cable Kit	



**PART NUMBER INDEX**

Go to [Discount-Equipment.com](http://Discount-Equipment.com) to order your parts



## PART NUMBER INDEX

1001107152 ..... 437, 441, 445, 449, 453, 457	1001116548.....243	1001117897.....67, 73	1001118592 ..... 437, 441, 445, 449, 453, 457
1001107781 .... 59, 61, 63	1001116549.....243	1001118029.....19, 21	1001118593 ..... 437, 441, 445, 449, 453, 457
1001107952 ..... 299, 303, 307, 311, 315, 319	1001116550..... 247, 249	1001118218.....83, 501	1001118594 ..... 143, 147, 177, 181, 185, 189
1001108290 ..... 245	1001116720..... 505, 519	1001118262.....73, 75, 77	1001118595 ..... 263
1001108923 ..... 573	1001116727..... 469, 475, 513	1001118274..51, 81, 245, 257, 263, 437, 441, 445, 449, 453, 457	1001118619 ..... 152, 156, 160, 164
1001109475 ..... 467, 577	1001116732..... 469, 473, 475, 507, 513	1001118280.....142, 147, 176, 180, 184, 188	1001118638 ..... 177, 181, 185, 189, 507
1001109477 ..... 481, 483, 577	1001116734..... 469, 473, 475, 507, 513	1001118287.....245	1001118640 ..... 39
1001109482 ..... 467, 577	1001116752..... 507	1001118288.....245	1001118641 ..... 31
1001109503 ..... 109	1001116774.....545	1001118292..... 437, 441, 445, 449, 453, 457, 461	1001118642 ..... 37
1001109528 ..... 239, 241	1001116788..... 15, 359	1001118293...83, 85, 549	1001118643 ..... 43
1001110434 ..... 299, 303, 307	1001116793..... 23, 27	1001118333.....83, 513	1001118644 ..... 33
1001110613 ..... 573	1001116808.....545	1001118361..... 114, 119	1001118646 ..... 135, 137, 152, 156, 160, 164
1001110873 ..... 235, 393	1001116810.....501, 503	1001118384.....543	1001118647 ..... 39, 41
1001110922 ..... 23	1001116811..... 469, 513	1001118388.....505, 519, 543	1001118648 ..... 39, 41
1001112607 ..... 239, 241	1001116812..... 469, 501, 503, 513	1001118394.....247, 249	1001118649 ..... 31
1001112612 ..... 501, 503, 545	1001116835.....263	1001118412.....299, 303, 307, 312, 315, 320, 577	1001118650 ..... 37
1001112796 ..... 545	1001116867..... 15	1001118415.....299, 304, 517	1001118651 ..... 37
1001113166 ..... 567	1001116871..... 15	1001118453..... 143, 147, 176, 180, 184, 188	1001118652 ..... 43, 45
1001113168 ..... 563	1001116876.....245	1001118459..... 114	1001118653 ..... 43, 45
1001113169 ..... 565	1001116877.....245	1001118482.....247, 249	1001118654 ..... 33
1001113170 ..... 559	1001116905..... 372, 382	1001118502.....67, 69	1001118657 ..... 507
1001113171 ..... 571	1001117025..... 469, 473, 475, 507, 513	1001118509.....67, 69	1001118658 ..... 507
1001113483 ..... 257	1001117028..... 139, 167, 169, 171, 173, 199	1001118510.....67, 69	1001118660 .... 37, 43, 45
1001113509 ..... 569	1001117029..... 139, 167, 169, 171, 173, 203	1001118511.....17	1001118665 ..... 243
1001113680 ..... 559	1001117030..... 23, 25	1001118516.....247, 249	1001118666 ..... 243
1001113961 ..... 501, 503	1001117055..... 507	1001118518.....17	1001118675 ..... 177, 181, 185, 189
1001114761 ..... 55	1001117070..... 507, 576	1001118519.....17	1001118720 ..... 210, 214, 226, 230
1001115649 ..... 243	1001117078..... 501, 503	1001118527.....176, 180, 184, 188	1001118743 ..... 507
1001115650 ..... 243	1001117129.... 35, 37, 39, 41, 43, 45	1001118528.....176, 180, 184, 189	1001118744 ..... 507
1001115657 ..... 243	1001117131..... 35	1001118529.....176, 181, 184, 189	1001118746 ..... 143, 147, 177, 181, 185, 189
1001115661 ..... 243	1001117132..... 35	1001118530.....176, 181, 184, 189	1001118748 ..... 507
1001115663 ..... 243	1001117142..... 15	1001118531.....176, 181, 184, 189	1001118751 ..... 55
1001115669 ..... 243	1001117145..... 59	1001118532.....176, 181, 184, 189	1001118878 ..... 177, 181, 185, 189
1001115672 ..... 239, 241, 243	1001117172.....283, 285, 287, 289, 291, 293, 295, 297	1001118538.....176, 181, 184, 189	1001118881 ..... 177, 181, 185, 189
1001115766 ..... 239	1001117174.....283, 285, 287, 289, 291, 293, 295, 297, 299, 303, 307, 311, 315, 319	1001118540.....176, 181, 185, 189	1001118888 ..... 257
1001115769 ..... 67	1001117239..... 114	1001118542.....177, 181, 185, 189	1001118909 ..... 257
1001115770 ..... 23	1001117240..... 87	1001118543.....177, 181, 185, 189	1001118910 ..... 257
1001115771 ..... 15	1001117243..... 114	1001118544.....177, 181, 185, 189	1001118915 ..... 51
1001115772 ..... 17	1001117281..... 117, 119	1001118547.....176, 181, 185, 189	1001118916 ..... 51
1001115773 ..... 35	1001117282..... 114	1001118548.....152, 156, 160, 164	1001118925 ..... 177, 181, 185, 189
1001115774 ..... 59	1001117294.....581	1001118579.....177, 181, 185, 189	1001118938 ..... 507, 576
1001115780 .. 19, 55, 263	1001117365.....345	1001118580.....177, 181, 185, 189	1001118961 ..... 59, 61
1001115781 ..... 51	1001117366.....345	1001118582.....177, 181, 185, 189	1001118975 ..... 81
1001115783 ..... 561	1001117372.....345	1001118584.....152, 156, 160, 164	1001119018 ..... 437, 445, 453, 493
1001115784 ..... 437	1001117375.....239, 241, 347	1001118587.....177, 181, 185, 189	1001119019 ..... 437, 445, 453, 497
1001115785 ..... 372, 384	1001117640.....239, 241, 353	1001118592.....177, 181, 185, 189	1001119020 ..... 517, 519, 521, 545
1001115788 ..... 405	1001117869..... 17	1001118593.....177, 181, 185, 189	1001119028 ..... 580
1001115834 ..... 255	1001117884.....239, 247	1001118594.....177, 181, 185, 189	1001119035 ..... 372, 382
1001115870 ..... 243	1001117885.....239, 241, 245	1001118595.....177, 181, 185, 189	1001119068 ..... 372, 382
1001115930 ..... 135, 581	1001117892..... 142	1001118596.....177, 181, 185, 189	1001119069 ..... 372, 382
1001115931 ..... 137, 581	1001117895..... 69, 75	1001118597.....177, 181, 185, 189	1001119070 ..... 372, 382
1001116228 ..... 263, 265			
1001116339 .... 67, 69, 71			
1001116361 ..... 17, 345			
1001116378 ..... 345			
1001116419 ..... 581			
1001116433 ..... 437, 441, 445, 449, 453, 457			
1001116487 ..... 55, 57			
1001116546 ..... 243			
1001116547 ..... 243			

# PART NUMBER INDEX

1001119071.....372, 382	1001119548..... 372	1001119698 ..... 143, 147, 176, 181, 184, 189	1001120003.....557
1001119072.....114	1001119550..... 373	1001119699 ..... 143, 147	1001120004.....565
1001119077.....117	1001119551..... 205, 209, 213, 217, 221, 225, 229	1001119700 ..... 143, 147	1001120007..... 176, 181, 185, 189
1001119080.....114	1001119552..... 373	1001119701 ..... 143, 147	1001120009.....555, 559, 563, 565, 567, 569, 571
1001119083.....114	1001119553..... 205, 209, 213, 217, 221, 225, 229	1001119727 ..... 143, 147	1001120010.....555, 559, 563, 565, 567, 569, 571
1001119085.....114	1001119554..... 205, 209, 213, 217, 221, 225, 229	1001119730 ..... 143, 147	1001120020.....384
1001119086.....117	1001119568..... 373	1001119732 ..... 555	1001120027.....41
1001119087.....117	1001119569..... 373	1001119733 ..... 557	1001120036.....45
1001119088.....117	1001119570..... 373	1001119734 ..... 567	1001120087..... 135, 137, 143, 147, 152, 156, 160, 164, 177, 181, 185, 189
1001119089.....119	1001119572..... 373, 383	1001119735 ..... 569	1001120090..... 135, 137, 143, 147, 152, 156, 160, 164, 177, 181, 185, 189
1001119090.....119	1001119576..... 555, 557, 559, 561, 563, 565, 567, 569, 571	1001119736 ..... 565	1001120103.....581
1001119091.....119	1001119577..... 373, 383	1001119737 ..... 563	1001120176.....582
1001119092.....114	1001119578..... 555, 557, 559, 561, 563, 565, 567, 569, 571	1001119738 ..... 559	1001120197.....581
1001119102.....69	1001119580..... 555, 557, 559, 561, 563, 565, 567, 569, 571	1001119739 ..... 571	1001120204.....425, 427
1001119103.....114	1001119582..... 225	1001119773 ..... 205, 209, 214, 218, 222, 226, 230, 475	1001120205.....429, 431
1001119104.....114	1001119583..... 209	1001119778 ..... 135, 137, 491	1001120232..... 103, 300, 308
1001119139.....429, 437, 445	1001119584..... 229	1001119799 ..... 491	1001120279.....567
1001119140.....425, 437, 445	1001119585..... 213	1001119803 ..... 580	1001120280.....569
1001119143.....372, 382	1001119586..... 217, 225	1001119809 ..... 393	1001120281.....563
1001119165.....83	1001119587..... 209	1001119870 ..... 389	1001120282.....559
1001119170.....83, 85, 509, 576	1001119588..... 221, 229	1001119871 ..... 399	1001120283.....571
1001119172.....107	1001119589..... 205, 213	1001119872 ..... 409	1001120287..... 103
1001119173.....83, 107	1001119593..... 373, 383	1001119873 ..... 413	1001120288..... 103, 105
1001119176.....83, 85, 509	1001119594..... 373, 383	1001119874 ..... 417	1001120299..... 103, 105, 473
1001119177.....438, 445, 453	1001119595..... 373, 383	1001119875 ..... 395	1001120307..... 176, 181, 184, 189
1001119195.....442, 449, 457	1001119596..... 373, 383	1001119876 ..... 401	1001120328..... 331, 333, 337
1001119197.....438, 442, 446, 449, 453, 457	1001119597..... 373, 383	1001119877 ..... 407	1001120371.....257, 511
1001119228.....438, 442, 446, 450, 453, 457	1001119598..... 373, 383	1001119881 ..... 218, 222, 226, 230	1001120424.....382
1001119230.....107	1001119599..... 373, 383	1001119882 ..... 206, 210, 214	1001120425.....383
1001119232.....107, 109	1001119600..... 373, 383	1001119902 ..... 135, 137	1001120426.....383
1001119237.....372, 382	1001119601..... 373, 383	1001119919 ..... 481, 487	1001120427.....383
1001119268.....89	1001119602..... 373, 383	1001119920 ..... 483, 489	1001120428.....383
1001119277.....87	1001119603..... 373, 383	1001119921 ..... 485	1001120429.....383
1001119278.....87	1001119604..... 373, 383	1001119922 ..... 479	1001120430.....382, 384
1001119280.....87	1001119605..... 373, 383	1001119923 ..... 487	1001120431.....83, 85, 576
1001119324.....372, 382	1001119606..... 373, 383	1001119924 ..... 485	1001120450..... 143, 147, 177, 181, 185, 189
1001119365.....372, 382	1001119607..... 373, 383	1001119925 ..... 479	1001120454..... 143, 147
1001119369.....249, 253	1001119608..... 373, 383	1001119926 ..... 489	1001120466.....329
1001119370.....241, 249	1001119609..... 373, 383	1001119927 ..... 481	1001120474.....329
1001119371.....241	1001119610..... 373, 383	1001119928 ..... 483	1001120476.....329
1001119378.....580	1001119611..... 373, 383	1001119929 ..... 143, 147, 210, 214, 226, 230, 233, 235	1001120484.....329
1001119397.....580	1001119612..... 373, 383	1001119930 ..... 143, 147	1001120749.....117
1001119398.....580	1001119613..... 373, 383	1001119937 ..... 441	1001120974.....245, 361
1001119399.....111	1001119619..... 539	1001119953 ..... 441, 449, 457, 495	1001120976.....239, 241, 357
1001119404.....372, 382	1001119620..... 537, 541	1001119954 ..... 441, 449, 457, 499	1001121172.....469, 513
1001119406.....580	1001119626..... 373, 383	1001119955 ..... 427, 441, 449	1001121221.....373, 383
1001119449.....372, 382	1001119627..... 373, 383	1001119956 ..... 431, 441, 449	1001121531..... 177, 181, 185, 189
1001119455.....372, 382	1001119630..... 373, 383	1001119962 ..... 580	1001121574.....507
1001119459.....580	1001119633..... 209, 217, 225	1001119981 ..... 555, 557, 559, 561, 563, 565, 567, 569, 571	1001121678.....31
1001119489.....372, 382	1001119634..... 205, 213, 221, 229	1001119987 ..... 580	1001121719.....217
1001119494.....143, 147	1001119635..... 143, 147	1001119988 ..... 581	1001121720.....205
1001119495.....143, 147	1001119636..... 143, 147	1001119989 ..... 580	
1001119496.....143, 147	1001119638..... 386	1001120002 ..... 555	
1001119504.....261	1001119640..... 143, 147		
1001119513.....261	1001119641..... 143, 147		
1001119525.....372, 382	1001119643..... 143, 147		
1001119527.....67, 69, 83, 85, 261	1001119644..... 143, 147		
1001119546.....372, 382	1001119649..... 143, 147		
1001119547.....372, 382			

## PART NUMBER INDEX

1001121721 ..... 221	1001136244..... 263, 267	1001147590..... 114	1001161434 ..... 125, 160
1001121801 ..... 555	1001137005..... 582	1001147642..... 143, 147, 177, 181, 184, 189	1001161709 ..... 300, 304, 308, 312, 316, 320
1001121803 ..... 565	1001137326..... 143, 147	1001147643..... 143, 147, 177, 181, 184, 189	1001166538 ..... 300, 304, 308, 312, 316, 320, 327
1001121805 ..... 571	1001137327..... 143, 147	1001148253..... 139, 142	1001166539 ..... 300, 304, 308, 312, 316, 320, 323
1001121808 ..... 567	1001137336..... 143, 147	1001148254..... 135, 137, 139	1001166667 ..... 283, 291, 299
1001121810 ..... 563	1001137337..... 129, 131	1001148255..... 129, 135	1001168210 ..... 349
1001121814 ..... 555	1001137367..... 135, 137	1001148256..... 131, 137	1001169768 ..... 386
1001121816 ..... 565	1001137369..... 129, 131	1001148660..... 233	1001169769 ..... 386
1001121818 ..... 571	1001137371..... 143, 147	1001148663..... 235	1001169770 ..... 386
1001121821 ..... 567	1001137397..... 129, 131	1001148902..... 581	1001169771 ..... 386
1001121823 ..... 563	1001137398..... 143, 147	1001148903..... 581	1001170981 ..... 177, 181, 185, 189
1001121918 ..... 569	1001137399..... 143, 147	1001148904..... 581	1001172045 ..... 581
1001121920 ..... 559	1001137400..... 143, 147	1001148905..... 581	1001172663 ..... 259
1001121921 ..... 569	1001137401..... 129, 131	1001148906..... 581	1001172760 ..... 300, 304, 308, 312, 316, 320
1001121923 ..... 559	1001137402..... 129, 131	1001148971..... 580	1001173703 ..... 573
1001121966 ..... 373, 383	1001137451..... 117, 121, 123, 125, 127	1001148975..... 143, 147	1001174486 ..... 135, 137
1001122527 ..... 243, 355	1001137452..... 121, 123, 125, 127	1001149144..... 105, 300, 308	1001176372 ..... 582
1001123004 ..... 247, 249, 351	1001137673..... 331, 333	1001149147..... 105	1001176469 ..... 109
1001123018 ..... 143, 147, 177, 181, 185, 189	1001138005..... 581	1001149379..... 177, 181, 185, 189	1001176938 ..... 160, 164
1001125108 ..... 373, 383	1001138494..... 275, 277	1001149565..... 582	1001177156 ..... 135, 137
1001125118 ..... 206, 210, 214, 218, 222, 226, 230	1001138514..... 275, 277	1001149752..... 582	1001182138 ..... 339
1001125235 ..... 239, 241	1001138752..... 79	1001150619..... 233	1001182689 ..... 109
1001125249 ..... 373, 383	1001138829..... 79	1001151393..... 111	1001185080 ..... 580
1001125283 ..... 79	1001139654..... 573	1001151649..... 581	1001185281 ..... 308, 312, 316, 320
1001125291 ..... 83, 85	1001139843..... 79	1001152457..... 235	1001186375 ..... 275
1001126009 ..... 543	1001140315..... 582	1001152458..... 233	1001186377 ..... 277
1001127091 ..... 580	1001140318..... 582	1001152544..... 581	1001186386 ..... 273
1001127115 ..... 55	1001140429..... 275, 277, 279	1001153015..... 61, 65	1001186387 ..... 271
1001127549 ..... 555, 557, 559, 561, 563, 565, 567, 569, 571	1001140524..... 438, 442, 446, 450, 454, 458, 463	1001153364..... 61	1001186431 ..... 316, 333, 519, 577
1001127588 ..... 555, 557, 559, 561, 563, 565, 567, 569, 571	1001140525..... 300, 304, 308, 312, 316, 320, 465	1001153814..... 235	1001186432 ..... 505, 519, 543
1001127703 ..... 373, 383	1001141300..... 573	1001154291..... 449	1001186517 ..... 331, 333
1001127705 ..... 373, 383	1001141710..... 83, 85	1001154292..... 445	1001186578 ..... 581
1001128214 ..... 176, 181, 184, 189	1001141967..... 527, 529	1001155044..... 300, 304, 308, 312, 316, 320	1001186891 ..... 308, 312, 519
1001128781 ..... 67, 69	1001141968..... 527	1001155045..... 300, 304, 308, 312, 316, 320	1001187356 ..... 582
1001128782 ..... 67, 69	1001141969..... 529	1001155381..... 453	1001187508 ..... 331
1001128798 ..... 73	1001141970..... 529	1001155382..... 457	1001187674 ..... 335
1001128799 ..... 75, 77	1001141971..... 527	1001156351..... 450	1001187681 ..... 539
1001128801 ..... 135, 137	1001142683..... 91, 93, 95, 97, 99, 101, 577	1001156352..... 450	1001188036 ..... 85, 109
1001128888 ..... 177, 181, 185, 189	1001142736..... 91, 93, 95, 97, 99, 101, 545	1001156819..... 135, 137	1001188057 ..... 109
1001128931 ..... 135, 137	1001143431..... 91	1001156823..... 135, 137	1001188093 ..... 85, 469
1001128936 ..... 135, 137	1001144433..... 308, 312, 316, 333	1001157310..... 435, 453, 457	1001188094 ..... 85, 503
1001129043 ..... 75, 77	1001144629..... 271, 273	1001157311..... 433, 453, 457	1001188322 ..... 423
1001129255 ..... 135, 137	1001145804..... 283	1001157915..... 233, 235	1001188446 ..... 576
1001129256 ..... 135, 137	1001145805..... 291, 300	1001157916..... 233, 235, 477	1001188622 ..... 259
1001129407 ..... 509	1001146824..... 114	1001157918..... 581	1001188844 ..... 259
1001129555 ..... 576	1001147141..... 233	1001157966..... 176, 184, 191	1001188889 ..... 331
1001130492 ..... 561	1001147233..... 233, 235	1001159027..... 91, 93, 97, 99, 547	1001190017 ..... 308
1001130588 ..... 391	1001147234..... 233, 235	1001159256..... 300, 304, 308, 312, 316, 320	1001190079 ..... 285
1001131168 ..... 300, 304, 308, 312, 316, 320	1001147365..... 143, 147, 177, 181, 185, 189	1001159301..... 152, 156	1001190080 ..... 293
1001131269 ..... 555, 565	1001147431..... 233, 235	1001160531..... 65	1001190081 ..... 285, 293, 307
1001131968 ..... 433, 435	1001147436..... 235	1001161431..... 167, 176	1001190775 ..... 143, 147, 581
1001132732 ..... 580	1001147440..... 117	1001161432..... 152, 160, 167	1001190985 ..... 259
1001133067 ..... 581	1001147441..... 114, 117	1001161433..... 121, 152	1001191346 ..... 91
1001133070 ..... 581	1001147468..... 171, 184		1001191708 ..... 339
1001136231 ..... 470, 514	1001147469..... 156, 164, 171		1001191942 ..... 85
1001136232 ..... 470, 507, 514	1001147470..... 123, 156		
	1001147471..... 127, 164		

# PART NUMBER INDEX

1001193018.....395, 397, 401, 403, 405, 407, 409, 411, 413, 415, 417, 419, 421	1001214571 ..... 551	1001236552 ..... 337	1320274.... 152, 156, 160, 164
1001193629.....581	1001216630 ..... 259	1001236951 ..... 581	1321283..... 135, 137
1001194197.....411	1001217029 ..... 316, 320, 521	1001237862 ..... 537, 541	1321293..... 83, 85
1001194198.....415	1001217227 ..... 259	1001237863 ..... 335, 541	1321682.... 142, 146, 176, 180, 184, 188
1001194200.....419	1001217228 ..... 259	1001237864 ..... 335, 537	132171683, 85, 142, 146, 176, 180, 184, 188, 372, 382
1001194203.....397	1001217242 ..... 259	1001237865 ..... 335, 539	1340069.... 142, 147, 176, 180, 184, 188
1001194204.....403	1001217243 ..... 259	1001237878 ..... 551	1380136..... 55
1001194365.....421	1001217244 ..... 259	1001237879 ..... 551	1580011..... 142, 146
1001194741 ..... 147	1001217250 ..... 259	1001237880 ..... 551	1580012..... 281
1001195160.....386	1001217253 ..... 259	1001237881 ..... 551	1600387..... 257
1001195234 ..... 139, 146	1001217254 ..... 259	1001237999 ..... 181, 189, 195	1670603..... 421
1001195304.....582	1001217267 ..... 259	1001238001 ..... 169, 180	1670829..... 107, 109
1001196242.....81	1001218067 ..... 287, 295, 315	1001238002 ..... 173, 188	1670899.... 437, 441, 445, 449, 453, 457
1001197067.....97	1001218068 ..... 316, 320	1001238004 ..... 152, 160, 169	1671092.... 438, 442, 446, 454, 458
1001197408.....573	1001219694 ..... 582	1001238005 ..... 156, 164, 173	1671093.... 438, 442, 446, 454, 458
1001199306 ..... 351, 361	1001220486 ..... 303, 311	1001238319 ..... 335	1671176.... 299, 303, 307, 311, 315, 319
1001199460 ..... 351	1001220655 ..... 287	1001238418 ..... 337, 543	1701435..... 561
1001199461 ..... 361	1001220666 ..... 295	1001238472 ..... 337	1701499.... 555, 557, 559, 561, 563, 565, 567, 569, 571
1001200472 ..... 55	1001220655 ..... 287	1001238477 ..... 337	1701500.... 555, 557, 559, 561, 563, 565, 567, 569, 571
1001200491 ..... 259	1001220666 ..... 295	1001238495 ..... 333	1701504.... 555, 557, 559, 561, 563, 565, 567, 569, 571
1001200575 ..... 300, 308	1001223055 ..... 555	1001238559 ..... 337	1701505..... 67
1001200910 ..... 93, 95	1001223453 ..... 555, 565	1001238824 ..... 337	1701509.... 555, 557, 559, 561, 563, 565, 567, 569, 571
1001201886 ..... 304	1001223971 ..... 565	1001239566 ..... 582	1701517..... 557, 561
1001201887 ..... 312	1001224048 ..... 569	1001239803 ..... 49	1701518..... 557, 561
1001202566 ..... 285, 293, 311	1001224049 ..... 571	1001239804 ..... 49	1701529.... 555, 557, 559, 561, 563, 565, 567, 569, 571
1001202568 ..... 283, 291, 303	1001224050 ..... 563	1001241332 ..... 581	1701542..... 69
1001203719 ..... 83, 85	1001224052 ..... 559	1001241338 ..... 581	1701543..... 81
1001204448 ..... 581	1001224053 ..... 567	1001241965 ..... 337	1701642.... 555, 557, 559, 561, 563, 565, 567, 569, 571
1001204461 ..... 581	1001224891 ..... 261	1001242838 ..... 289	1702300.... 555, 557, 559, 561, 563, 565, 567, 569, 571
1001205175 ..... 582	1001225346 ..... 551	1001242839 ..... 297	1702391..... 555
1001205441 ..... 581	1001225580 ..... 316, 333, 505	1001242844 ..... 289, 297, 319	1702565.... 299, 303, 307, 311, 315, 319
1001205958 ..... 411, 415, 419	1001225990 ..... 239, 241, 349	1001242849 ..... 95	1702566.... 299, 303, 307, 311, 315, 319
1001206476 ..... 551	1001226400 ..... 493, 495, 497, 499	1001242850 ..... 101	1702567.... 299, 303, 307, 311, 315, 319
1001206737 ..... 580	1001226530 ..... 551	1001242850 ..... 101	1702567.... 299, 303, 307, 311, 315, 319
1001207004 ..... 99, 101	1001226872 ..... 279	1001246486 ..... 580	1702567.... 299, 303, 307, 311, 315, 319
1001207138 ..... 582	1001227454 ..... 580	1001246487 ..... 580	1702567.... 299, 303, 307, 311, 315, 319
1001207139 ..... 93	1001227633 ..... 335	1060379 ..... 341	1702567.... 299, 303, 307, 311, 315, 319
1001207140 ..... 582	1001227634 ..... 335	1060908 ..... 467	1702567.... 299, 303, 307, 311, 315, 319
1001207227 ..... 93, 95, 99, 101	1001227985 ..... 335	1060918 ... 283, 285, 287, 289, 291, 293, 295, 297	1702567.... 299, 303, 307, 311, 315, 319
1001207313 ..... 97	1001227987 ..... 335	10837580 ..... 57, 361	1702567.... 299, 303, 307, 311, 315, 319
1001208874 ..... 55	1001227996 ..... 537, 541	1120552 ..... 41, 45	1702567.... 299, 303, 307, 311, 315, 319
1001209059 ..... 582	1001228215 ..... 279	1271538 ..... 257	1702567.... 299, 303, 307, 311, 315, 319
1001209658 ..... 581	1001228224 ..... 335	1320012 ... 142, 146, 176, 180, 184, 188	1702567.... 299, 303, 307, 311, 315, 319
1001209659 ..... 581	1001228225 ..... 335	1320016 ..... 142, 146	1702567.... 299, 303, 307, 311, 315, 319
1001209664 ..... 331, 333	1001228627 ..... 259	1320022 ... 135, 137, 142, 146, 152, 156, 160, 164	1702567.... 299, 303, 307, 311, 315, 319
1001209878 ..... 99	1001228956 ..... 580	1320026 ..... 135, 137	1702567.... 299, 303, 307, 311, 315, 319
1001210034 ..... 582	1001229107 ..... 580	1320041 ..... 441	1702567.... 299, 303, 307, 311, 315, 319
1001210035 ..... 582	1001229341 ..... 335	1320043 ... 152, 156, 160, 164, 391, 395, 401, 405, 407, 409, 413, 417, 423, 437, 479, 485	1702567.... 299, 303, 307, 311, 315, 319
1001210829 ..... 55	1001231153 ..... 243	1320130 ... 437, 441, 445, 449, 453, 457	1702567.... 299, 303, 307, 311, 315, 319
1001211509 ..... 69, 77	1001231609 ..... 47, 49	1320136 ... 103, 105, 257, 259	1702567.... 299, 303, 307, 311, 315, 319
1001212415 ..... 576	1001231610 ..... 47, 49	1320220 ..... 81	1702567.... 299, 303, 307, 311, 315, 319
1001213447 ..... 521	1001231611 ..... 47	1320223 ..... 87, 143, 146, 177, 180, 185, 188, 551	1702567.... 299, 303, 307, 311, 315, 319
1001213882 ..... 316, 320	1001231653 ..... 47	1320224 ..... 257	1702567.... 299, 303, 307, 311, 315, 319
1001214030 ..... 573	1001231801 ..... 573	1320263 ..... 445, 449	1702567.... 299, 303, 307, 311, 315, 319
1001214397 ..... 551	1001232164 ..... 335		1702567.... 299, 303, 307, 311, 315, 319
1001214478 ..... 582	1001232165 ..... 335		1702567.... 299, 303, 307, 311, 315, 319
1001214515 ..... 582	1001232642 ..... 337		1702567.... 299, 303, 307, 311, 315, 319
1001214552 ..... 582	1001232650 ..... 337		1702567.... 299, 303, 307, 311, 315, 319
1001214559 ..... 582	1001232667 ..... 337		1702567.... 299, 303, 307, 311, 315, 319
1001214570 ..... 551	1001233237 ..... 580		1702567.... 299, 303, 307, 311, 315, 319
	1001234099 ..... 580		1702567.... 299, 303, 307, 311, 315, 319
	1001235011 ..... 337		1702567.... 299, 303, 307, 311, 315, 319
	1001235013 ..... 337		1702567.... 299, 303, 307, 311, 315, 319
	1001236338 ..... 573		1702567.... 299, 303, 307, 311, 315, 319



## PART NUMBER INDEX

1703162 ... 143, 146, 177, 180, 185, 188	1705903 ..... 559	2300004.... 135, 152, 156, 581	3251102... 205, 209, 213, 217, 221, 225, 229, 233, 235
1703797 ..... 555	1705910 ..... 571	2300014.....581	3251242... 233, 403, 411, 415, 419, 421
1703798 ..... 555	1705917 ..... 571	2300016.....581	3251243 .... 235, 389, 393
1703804 ..... 555	1705921 ..... 557, 561	2300019.....581	3251813 ..... 573
1703805 ..... 555	1705961 ..... 557, 561	2300029.....581	3252347 ..... 555
1703923 ..... 571	1705968 ..... 563	2300039.....581	3252507... 391, 399, 401, 405, 407, 409, 413, 417, 423
1703924 ..... 565	1705969 ..... 569	2300040.....581	3272605 ..... 257
1703925 ..... 563	1705978 ..... 557, 561	2300041.... 137, 160, 164, 581	3290405... 83, 85, 89, 283, 285, 287, 289, 291, 293, 295, 297, 395, 397, 401, 403, 405, 407, 409, 411, 413, 415, 417, 419, 421, 437, 441, 445, 449, 453, 457
1703926 ..... 567	1706059 ..... 573	2400065.....576	3290505... 107, 109, 114, 117, 119, 205, 209, 213, 217, 221, 225, 229, 233, 235
1703927 ..... 569	1706060 ..... 573	2400066..... 470, 514	3290601 ..... 83, 85
1703928 ..... 559	1706061 ..... 573	2420172.....107	3290605... 55, 83, 85, 87, 103, 105, 114, 117, 119, 129, 131, 135, 137, 142, 146, 152, 156, 160, 164, 176, 180, 184, 188, 205, 209, 213, 217, 221, 225, 229, 259, 283, 285, 287, 289, 291, 293, 295, 297, 373, 383, 391, 395, 401, 405, 407, 409, 413, 417, 423, 437, 441, 445, 449, 453, 457, 555, 557, 559, 561, 563, 565, 567, 569, 571
1703935 ..... 571	1706062 ..... 573	2420202.....257	3290606 ..... 275, 277
1703936 ..... 565	1706063 ..... 573	2420203.....209, 217, 225	3290607... 91, 93, 95, 97, 99, 101
1703937 ..... 563	1706064 ..... 573	2420209.....209, 217, 225	3290805 83, 85, 142, 146, 152, 156, 160, 164, 247, 249, 437, 441, 445, 449, 453, 457, 551
1703938 ..... 567	1706098 ..... 573	2460049.....209, 217, 225	3290807... 177, 180, 185, 188
1703939 ..... 569	1706510 ..... 341	2540045.... 152, 156, 160, 164	3291001 ..... 259
1703940 ..... 559	1706846 ... 39, 41, 43, 45, 47	2560122.....55	3291005... 55, 67, 69, 83, 85, 87, 114, 142, 146, 176, 180, 184, 188, 205, 209, 213, 217, 221, 225, 229, 239, 241, 243, 247, 249, 255, 259, 283, 285, 287, 289, 291, 293, 295, 297, 372, 382, 437, 441, 445, 449, 453, 457, 551
1703941 ..... 571	2080040 ... 117, 121, 123, 125, 127, 129, 131, 271, 273, 329	2560136....299, 303, 307, 311, 315, 319	3291201 ..... 259
1703942 ..... 565	2080057 ... 555, 557, 559, 561, 563, 565, 567, 569, 571	2600281.....271, 273	3291205... 142, 146, 176, 180, 184, 188, 205, 209, 213, 217, 221,
1703943 ..... 563	2110808 ..... 372, 382	260305 ..... 576	
1703944 ..... 567	2110810 ..... 373, 383	2720058.... 142, 146, 152, 156, 160, 164	
1703945 ..... 569	2131216 ..... 372, 382	2720175.....81	
1703947 ..... 571	2180348 ... 135, 137, 152, 156, 160, 164	2720271.... 142, 146, 152, 156, 160, 164	
1703948 ..... 565	2180387 ..... 81	2720615..... 142, 146	
1703949 ..... 563	2180389 ..... 81	2760105..... 107, 109	
1703950 ..... 567	2180504 ..... 81	2820019.... 517, 519, 521	
1703951 ..... 569	2180666 ... 152, 156, 160, 164	2820030..... 509, 511	
1703952 ..... 559	2220124 ..... 59, 61	2820031.... 205, 209, 213, 217, 221, 225, 229, 233, 235, 438, 442, 446, 450, 454, 458	
1703953 ..... 555	2220290 ..... 81	2820118.... 493, 495, 497, 499, 517, 519, 521	
1703980 ..... 567	2220365 ..... 372, 382	2820247 ..... 537, 541	
1703981 ..... 569	2220366 ..... 372, 382	2860030..... 111, 576	
1703982 ..... 563	2220371 ..... 372, 382	2900770.... 251, 347, 349, 351, 361	
1703983 ..... 571	2220373 ..... 372, 382	2901443.....582	
1703984 ..... 565	2220374 ..... 372, 382	2902203..... 41, 45, 581	
1703985 ..... 559	2220415 ..... 372, 382	2902549.... 391, 395, 401, 405, 407, 409, 413, 417, 423, 467	
1704000 ..... 565	2220451 ..... 372, 382	2920028.... 307, 311, 315, 319	
1704001 ..... 571	2220466 ..... 372, 382	2920029.... 307, 311, 315, 319	
1704002 ..... 559	2220468 ..... 372, 382	2920110..... 105	
1704260 ... 299, 303, 307, 311, 315, 319	2220472 ..... 372, 382	2920113..... 105	
1704277 ... 555, 557, 559, 561, 563, 565, 567, 569, 571	2220473 ..... 372, 382	2920129..... 83, 85	
1704412 ... 555, 557, 559, 561, 563, 565, 567, 569, 571	2220499 ..... 372, 382	2920154.... 299, 303, 307, 311, 315, 319	
1704885 ..... 573	2220500 ..... 373, 383	2920157 ..... 103	
1704972 ..... 573	2220501 ..... 372, 382	2920161 ..... 89	
1705170 ... 103, 105, 300, 308	2220502 ..... 372, 382	2920162.... 205, 209, 213, 217, 221, 225, 229	
1705325 ..... 395, 397	2220507 ..... 372, 382	2940074.... 271, 273, 576	
1705344 ..... 567	2220582 ..... 372, 382	2940109..... 117, 119	
1705345 ..... 569	2220605 ..... 373, 383	3020008.....23	
1705347 ..... 565	2220635 ..... 373, 383	3020029..... 15	
1705348 ..... 563	2220819 ..... 372, 382	3200378..... 142, 146	
1705349 ..... 559	2220828 ..... 372, 382	3200425.... 143, 146, 184, 188	
1705351 ..... 555	2220881 ..... 345		
1705387 ..... 235	2220883 ..... 345, 349		
1705426 ..... 567	2220885 ..... 345		
1705427 ..... 569	2220940 ..... 373, 383		
1705429 ..... 565	2220947 ..... 372, 382		
1705430 ..... 563	2221041 ..... 372, 382		
1705489 ..... 233	2221053 ..... 372, 382		
1705514 ..... 555, 565	2221060 ..... 372, 382		
1705822 ..... 557, 561	2221086 ..... 372, 382		
1705828 ..... 557, 561			



# PART NUMBER INDEX

225, 229, 239, 241, 255, 257, 259	3760115 ..... 245	4360331 ..... 576	4460418.... 501, 503, 517, 519, 521
3291605.... 135, 137, 152, 156, 160, 164, 257	3780182 ..... 15	4360336 ... 205, 209, 213, 217, 221, 225, 229, 233, 235, 291, 293, 295, 297, 300, 576, 577	4460419.... 501, 503, 517, 519, 521
3292001... 93, 95, 99, 101	3790012 ... 299, 303, 307, 311, 315, 319	4360387 ... 109, 299, 303, 307, 311, 315, 319, 576	4460428.... 257, 299, 303, 307, 311, 315, 319, 329
3300106.... 31, 33, 35, 37, 39, 41, 43, 45, 47, 49	3790152 ... 139, 167, 169, 171, 173	4360407 ... 299, 303, 307, 311, 315, 319, 576	4460434.... 517, 519, 521
3300151 ..... 275, 277, 279	3820019 ..... 55	4360469 ..... 111, 576	4460445..... 475
3300430 ..... 331, 333, 339	3820020 ..... 271, 273	4360470 ..... 576	4460464.... 283, 285, 287, 289, 291, 293, 295, 297, 329, 461, 465, 469, 470, 497, 499, 501, 503, 505, 509, 513, 514, 517, 519, 521, 543, 545, 547, 549
331100591, 97, 105, 233, 235, 299, 303, 307, 311, 315, 319, 329	3820032 ..... 67, 69, 87	4360475 ... 107, 109, 299, 303, 307, 311, 315, 319, 576	4460465..... 89, 461, 463, 465, 469, 473, 475, 477, 493, 495, 497, 499, 501, 503, 505, 507, 511, 513, 521, 545, 547, 549
3311405.... 177, 180, 185, 188, 233, 337, 397, 403, 411, 415, 419, 421	3841143 ... 239, 241, 243, 259	4360522 ... 103, 105, 300, 308, 576	4460466.... 299, 303, 307, 311, 315, 319, 335, 461, 463, 465, 469, 477, 493, 495, 497, 499, 501, 503, 505, 507, 511, 513, 517, 519, 521, 539, 543, 545, 549
3311505..... 341	3841203 .... 239, 241, 243	4360548 ... 437, 441, 461, 576	4460467..... 582
3311508..... 233, 235	3841258 ..... 17, 243	4400498 ..... 192, 196	4460470.... 299, 303, 307, 311, 315, 319
3311601.... 300, 304, 308, 312, 316, 320, 337	3841520 ..... 15	4420051 ..... 573	4460471.... 299, 303, 307, 311, 315, 319
3311605.... 142, 146, 176, 180, 184, 188	3900085 ... 93, 95, 99, 101	4420062 ..... 341	4460473.... 438, 442, 446, 450, 454, 458, 493, 495, 497, 499
3321402.... 176, 180, 184, 188	3900349 ..... 315, 319	4460016 ..... 519, 521	4460474..... 473, 507
3340758..... 243	3910606 ..... 235	4460019 ..... 473	4460488... 93, 95, 99, 101, 299, 303, 307, 311, 315, 319
3340860..... 247, 249	3910804 ..... 111	4460042 ..... 507	4460496..... 83, 85
3340901.... 438, 442, 446, 450, 454, 458	3911012 ..... 91, 97	4460043 ..... 507	4460497..... 83, 85
3340939.... 437, 441, 445, 449, 453, 457	3911018 ... 299, 303, 307, 311, 315, 319	4460071 ... 235, 283, 285, 287, 289, 291, 293, 295, 297, 393, 399	4460508.... 335, 465, 469, 497, 499, 513, 517, 519, 521
3380434.... 283, 285, 287, 289, 291, 293, 295, 297	3911036 ..... 105	4460121 .... 105, 391, 475	4460509.... 493, 495, 497, 499, 501, 503
3422576..... 239, 241	3931010 ..... 329	4460125 ..... 399	4460510..... 582
3422582..... 239, 241	3931016 ..... 233, 235	4460134 ..... 481, 487	4460518..... 545
3422592..... 17	3931408 ..... 331, 333	4460142 .... 501, 503, 507	4460536..... 519, 521
3422661 ..... 341	3931424 ..... 331	4460183 ..... 501, 503	4460539.... 501, 503, 519, 521, 549
3422709..... 239, 241	3931832 ..... 59, 61	4460205 ... 393, 481, 485, 487	4460634..... 501, 503
3422745..... 245	3960422 .... 235, 393, 399	4460213 ..... 517, 519	4460635..... 501, 503
3422787 ..... 243	3960464 ... 135, 137, 142, 146, 152, 156, 160, 164, 176, 180, 184, 188	4460224 ... 299, 303, 307, 311, 315, 319	4460662.... 409, 411, 415, 417, 419, 421
3422788..... 243	3990013 ..... 543	4460225 ... 475, 477, 517, 519, 521	4460705..... 475
3422790..... 239, 241	4010618 ..... 275, 277	4460226 ... 283, 285, 287, 289, 291, 293, 295, 297, 299, 303, 307, 311, 315, 319, 324, 327, 517, 519, 521	4460708.... 299, 303, 307, 311, 315, 319
3422791 ..... 247, 249	4031505 ..... 335	4460227 ... 469, 513, 517, 519, 521	4460709.... 446, 479, 483, 489
3422792..... 239, 241	4031510 ... 437, 441, 445, 449, 453, 457	4460233 ..... 399	4460710.... 446, 483, 489
3422814..... 239, 241	403151283, 85, 437, 441, 445, 449, 453, 457	4460234 ... 299, 303, 307, 311, 315, 319	4460742..... 475
3423081..... 15	4031516 ..... 337	4460247 ..... 507	4460743..... 475
3430616.... 304, 312, 316, 320	4031707 ... 176, 180, 184, 188	4460256 ..... 473, 507	4460746..... 507
3470003.... 300, 304, 308, 312, 316, 320	4060092 ..... 399	4460259 ... 465, 501, 503, 517, 519, 521	
3520028.... 205, 209, 213, 217, 221, 225, 229, 299, 303, 307, 311, 315, 319	4060802 ... 205, 209, 213, 217, 221, 225, 229, 233, 235	4460260 ... 465, 501, 503, 517, 519, 521	
3520030..... 114, 119	4060804 ..... 259	4460265 ..... 324, 327	
3520033..... 303, 311	4060805 ..... 259	4460267 ..... 475	
3520035..... 303	4060808 ... 437, 441, 445, 449, 453, 457	4460268 ..... 475, 477	
3520054..... 315, 319	4060906 ..... 107, 109	4460313 .... 491, 501, 503	
3520072.... 271, 273, 275, 277, 279	4061054 ..... 257	4460315 ..... 393, 399	
3520182..... 339	4070897 ..... 245	4460346 ..... 235, 393	
3520198.... 271, 273, 275, 277, 279	4070898 ..... 245	4460384 ..... 421	
3572551 ..... 247, 249	4100066 ..... 373, 383		
3580317 ..... 233, 235	4120035 ..... 501, 503		
3580318 ..... 235	4240018 ... 372, 382, 437, 441, 445, 449, 453, 457		
3580319 ..... 233	4240032 ... 89, 93, 95, 99, 101, 103, 105, 315, 319		
3740080.... 103, 105, 576	424003383, 85, 103, 105, 135, 137, 257, 331, 333, 335, 337		
3740086..... 543	4240099 ..... 329		
	4240156 ... 437, 441, 445, 449, 453, 457		
	4360328 ... 107, 109, 576		
	4360330 ..... 576		

## PART NUMBER INDEX

4460761 ... 469, 513, 517, 519, 521	4460968 ... 395, 397, 401, 403, 405, 407, 409, 413, 417, 461	4740540.....15	4891500 ... 205, 209, 213, 217, 221, 225, 229
4460806 ... 411, 415, 475, 501, 503	4460970 ... 461, 517, 519, 521	4751000...93, 95, 99, 101, 105, 233, 235, 329	4891600 ... 139, 167, 169, 171, 173, 255, 257, 259
4460836 ..... 469, 511	4460972 ..... 475	4751400....281, 289, 297, 299, 303, 307, 311, 315, 319, 339	4891800 ... 139, 167, 169, 171, 173
4460837 ..... 469, 513	4460973 ..... 475	4751500.....233, 235, 341	4922641 ... 205, 209, 213, 217, 221, 225, 229, 233, 235
4460844 ..... 505	4460974 ..... 475	4761400....177, 180, 185, 188, 281	4923463 ..... 427, 431
4460865 ... 437, 441, 445, 449, 453, 457, 493, 495, 497, 499	4460979 ..... 469, 513	4791400.....233, 235	4923505 ... 425, 429, 479, 481, 483, 485, 487, 489
4460866 ... 437, 441, 445, 449, 453, 457, 469, 513, 517, 519, 521	4461012 ... 283, 285, 287, 289, 291, 293, 295, 297	481140083, 85, 283, 285, 287, 289, 291, 293, 295, 297, 395, 397, 401, 403, 405, 407, 409, 411, 413, 415, 417, 419, 421, 437, 441, 445, 449, 453, 457	5221000 ..... 261
4460868 ..... 503	4461070 ..... 545	4811700....55, 83, 85, 91, 93, 95, 97, 99, 101, 117, 119, 129, 131, 142, 146, 176, 180, 184, 188, 257, 259, 275, 277, 373, 383, 391, 395, 401, 405, 407, 409, 413, 417, 423, 437, 441, 555, 557, 559, 561, 563, 565, 567, 569, 571	5240600 ..... 114
4460871 ... 469, 501, 503, 513, 517, 519, 521, 549	4461077 ..... 539, 543	4811900.....81, 142, 146, 152, 156, 160, 164, 177, 180, 185, 188, 233, 235, 257, 437, 441, 445, 449, 453, 457, 551	5240800 ..... 233, 235
4460872 ..... 549	4461095 ..... 507, 545	4811902.....55, 245, 247, 249	5241000 ..... 17, 23
4460873 ... 469, 513, 517, 519, 521	4461109 ..... 507	481200055, 87, 114, 135, 137, 142, 146, 152, 156, 160, 164, 176, 180, 184, 188, 205, 209, 213, 217, 221, 225, 229, 233, 235, 239, 241, 243, 255, 259, 261, 289, 297, 437, 441, 445, 449, 453, 457, 551	5241200 ... 245, 255, 257, 259
4460874 ... 469, 513, 517, 519, 521	4461110 ..... 470, 514	481200267, 69, 263, 283, 285, 287, 291, 293, 295	5241400 ..... 59, 61
4460875 ... 517, 519, 521, 549	4461111 ..... 507	4812100.....15, 142, 146, 176, 180, 184, 188, 259	5241600 ..... 23, 257
4460876 ..... 501, 503	4461112 ... 470, 491, 514	481210267, 69, 135, 137, 152, 156, 160, 164, 205, 209, 213, 217, 221, 225, 229	5250608 ..... 142, 146
4460877 ..... 503	4461113 ... 470, 491, 507, 514	4812300.....114, 257	5250808 ..... 263
4460878 ..... 469, 513	4461157 ..... 469, 513	4812500....135, 137, 152, 156, 160, 164	525081051, 55, 263, 373, 383
4460879 ... 517, 519, 521	4461196 ..... 523	4845582.....341	5250812 .... 142, 146, 263
4460884 ... 469, 501, 503, 513, 519	4461198 ..... 397, 523	4846608.....255, 257	5251008 ..... 259
4460887 ... 469, 513, 517, 519, 521	4461199 ..... 525		5251010 .... 19, 239, 241, 245
4460888 .... 517, 519, 521	4461201 ..... 403, 525		5251012 .... 17, 135, 137, 152, 156, 160, 164, 245
4460891 .... 89, 461, 463, 469, 473, 507, 513, 545, 547, 549	4461202 ..... 527, 531		5251016 ..... 259
4460892 ..... 469, 513	4461205 ... 527, 529, 531, 533		5260800 ... 437, 441, 445, 449, 453, 457
4460894 ... 461, 463, 469, 513, 521	4461222 ... 470, 491, 507, 514		5281920 ... 437, 441, 445, 449, 453, 457
4460897 ... 470, 514, 547	4461231 ... 143, 147, 177, 181, 185, 189		70000088 ..... 63
4460899 ... 465, 470, 505, 513, 539, 543	4461232 ... 143, 147, 177, 181, 185, 189		70000089 ..... 63
4460905 ... 469, 501, 503, 513, 519, 521, 549	4461244 ..... 411, 531		70000122 .. 209, 217, 225
4460910 ..... 537	4461245 ..... 415, 533		70000123. 205, 213, 221, 229
4460911 ..... 539	4461246 ..... 419, 535		70000124. 205, 213, 221, 229
4460928 ..... 545	4461249 ..... 535		70000125. 205, 213, 221, 229
4460930 ..... 469, 513	4520605 ..... 35, 39, 41		70000126. 205, 213, 221, 229
4460931 ..... 549	4640113 ... 35, 37, 39, 41, 43, 45, 47, 49		70000341 ..... 251
4460932 ... 329, 469, 513, 519	4640858 ..... 345		70000681 ..... 65
4460933 ... 299, 303, 307, 311, 315, 319, 511, 513, 517, 519, 521, 545, 549	4641284 ..... 373, 383		70000781 ..... 21
4460941 ..... 539	4711000 ..... 91, 97		70001119 ..... 27
4460942 ..... 335	4711400 ... 233, 275, 277, 279, 331, 333, 337, 339, 397, 403, 411, 415, 419, 421		70001140 ..... 191, 195
4460943 ... 93, 95, 97, 99, 101, 469, 501, 503, 513, 517, 519, 521, 539	4711500 ..... 300		70001368 ..... 27
4460944 ... 469, 501, 503, 507, 511, 513, 517, 519, 521	4711600 ... 233, 235, 304, 312, 316, 320		70001697 ..... 251, 253
4460945 .... 469, 501, 503	4711800 ..... 142, 146		70001934 ..... 191, 195
4460956 ..... 467	4740086 ..... 15		70001935 ..... 191, 195
4460957 ..... 467	4740158 ..... 17		70001958 ..... 199
4460962 ..... 433	4740171 ..... 59, 61		70001977 ..... 576
4460963 ..... 435	4740274 ... 142, 146, 176, 180, 184, 188		70001996 ..... 261, 576
	4740362 ... 129, 131, 143, 146, 283, 285, 287, 289, 291, 293, 295, 297		70001998 ..... 261
	4740397 ... 205, 209, 213, 217, 221, 225, 229, 233, 235, 299, 303, 307, 311, 315, 319		70002063 ..... 21
	4740537 ..... 15		70002112 ..... 71
	4740538 ..... 15		70002132 ..... 199
	4740539 ..... 15		70002133 ..... 199
			70002134 ..... 199
			70002135 ..... 199
			70002136 ..... 200
			70002137 ..... 199

# PART NUMBER INDEX

70002138.....199	70002344.....353	70002902 . 283, 285, 287, 289, 291, 293, 295, 297	70003062.....191, 195
70002139.....199	70002352 .. 347, 357, 361	70002903 . 283, 285, 287, 289, 291, 293, 295, 297	70003063.....191, 195
70002140.....199	70002354.....357	70002904 . 283, 285, 287, 289, 291, 293, 295, 297	70003064.....191, 195
70002141.....199	70002357.....347	70002905 . 283, 285, 287, 289, 291, 293, 295, 297	70003066.....192, 196
70002142.....199	70002364.....361	70002954.....267	70003067.....192, 196
70002145.....200	70002366 . 347, 349, 357, 361	70002955.....21	70003068..217, 221, 225, 229
70002146.....200	70002372.....351	70002956.....21	70003069..205, 209, 213, 217, 221, 225, 229
70002147.....199	70002373.....351	70002957.....21	70003070...205, 209, 213
70002148.....199	70002375.....351	70002958.....21	70003071.....355
70002149.....200, 576	70002380.....359	70002959.....21	70003072.....355
70002150.....199	70002386 21, 55, 57, 265, 351, 353, 355, 576	70002960.....21	70003073.....355
70002151.....199	70002388.....347	70002961.....21	70003074.....355
70002152.....199	70002389.....361	70002962.....21	70003075.....355
70002153.....199	70002410.....355	70002963 ... 21, 267, 576	70003076...351, 353, 355
70002154.....199	70002412.....353	70002964.....57	70003077.....355, 359
70002155.....199	70002413.....347, 349	70002965.....57	70003078.....355, 359
70002156.....199	70002577.....203	70002966.....57	70003079.....355, 359
70002157.....199	70002601.....199	70002967.....57	70003080.....355, 359
70002158.....199	70002603.....199	70002968.....57	70003081..347, 349, 355, 357
70002159.....199	70002643.....65	70002969.....57	70003082.....353, 355
70002160.....199	70002644.....65	70002970.....57	70003083.....353, 355
70002161.....199	70002645.....65	70002971.....57, 576	70003084.....357
70002163.....199	70002646.....65	70002972.....57, 576	70003085...347, 349, 357
70002164.....199	70002647.....65	70002973.....57	70003086.....357
70002165.....199, 200	70002648.....65	70002974.....57	70003088.....357
70002166.....199	70002649.....65	70002975.....57	70003089..347, 349, 357, 361
70002168.....199	70002650.....65	70002976.....57	70003090..347, 349, 357, 361
70002169.....199	70002651.....65	70002977.....57	70003091..347, 349, 357, 361
70002170.....199	70002652.....65	70002978.....21	70003092..347, 349, 357, 361
70002172.....199	70002656.....65	70002979 .. 142, 147, 576	70003093..347, 349, 351, 357
70002174.....200	70002657.....65	70002980.....28	70003094..347, 349, 351, 357
70002175.....200	70002658.....65	70002981.....28	70003095.....359
70002176.....200	70002659.....65	70002982.....28	70003096.....359
70002177.....200	70002661.....65	70002983.....27	70003097.....359
70002178.....200	70002663.....65	70002984.....27	70003098.....359
70002179.....200	70002664.....65	70002985.....27	70003099.....359
70002180.....200	70002665.....65	70002986.....27	70003100.....359
70002181.....200	70002666.....65	70002987.....27	70003101.....359
70002185.....200	70002667.....65	70002988.....27	70003102.....359
70002186.....200	70002668.....65	70002989.....27	70003103.....353
70002187.....200	70002669.....65	70002990.....27	70003104.....353
70002191.....200	70002670.....65	70002991.....27	70003105.....353
70002192.....200	70002671.....65	70002992.....27	70003106.....353
70002237..205, 209, 213, 217, 221, 225, 229	7000281.....28	70002993.....27	70003108.....353
70002238..205, 213, 221, 229	70002812.....71, 576	70002994.....27	70003109.....353
70002240...209, 217, 225	70002838.....71	70002995.....27	70003110.....353
70002311.....63	70002839.....71	70002996.....27	70003111.....353
70002312.....63	70002840.....71	70002997.....28	70003112.....353
70002313.....63	70002842.....345	70002998.....28	70003113.....353
70002315.....191, 195	70002860.....203	70002999.....27	70003114.....361
70002316.....191, 195	70002861.....203	70003000.....27	70003115.....361
70002317.....191, 195	70002862.....203	70003005.....25	70003116.....361
70002318.....191, 195	70002863.....199	70003006.....25	70003117.....361
70002319.....191, 195	70002864.....200	70003007.....25	70003118.....351, 361
70002320.....191, 195	70002865.....200	70003008.....25	70003119.....361
70002321.....191, 195	70002866.....200	70003009.....25	70003120.....361
70002322.....191, 195	70002867.....200	70003010.....25	70003121.....361
70002323.....191, 195	70002868.....200	70003011.....25	70003122.....351
70002327.....192, 196	70002899. 143, 147, 176, 181, 184, 189	70003012.....25	
70002328.....192, 196	70002900. 152, 156, 160, 164, 576	70003013.....25	
70002330.....192, 196	70002901. 152, 156, 160, 164	70003014.....25	
70002334...351, 353, 355		70003016.....25	
70002335..347, 349, 351, 353, 355, 357, 361		70003060.....191, 195	
70002337.....355, 359		70003061.....191, 195	

## PART NUMBER INDEX

70003123 ..... 351	70004762 ..... 323	7017122.....251, 253	7023170 ..... 192, 196
70003124 ..... 351	70004763 ..... 323	7017123.....251, 253	7023964 ..... 200
70003125 ..... 351	70004764 ..... 323	7017126.....251, 253	7023970 ..... 265
70003126 ..... 351	70004765 ..... 323	7017127.....251	7024108 ..... 28
70003127 ..... 351	70004766 ..... 323	7017172.....251, 253	7024134 ..... 28
70003128 ..... 351	70004767 ..... 323	7017192.....251, 253	7024379 ..... 63
70003129 ..... 351	70004768 ..... 323	7017196.....251, 253	7024380 ..... 63
70003130 ..... 351	70004769 ..... 323	7017402.....265, 267	7024381 ..... 63
70003131 ..... 347, 349	70004770 ..... 323	7017406.....21, 57	7024389 ..... 63
70003132 ..... 347, 349	70004771 ..... 323	7017427.....267	7024390 ..... 63
70003133 ..... 347, 349	70004772 ..... 323	7017452.....265, 267	7024441 ..... 71
70003134 ..... 347, 349	70004773 ..... 323	7017467.....55	7024452 ..... 103
70003137 .. 209, 217, 225	70004774 ..... 323	7017496 .. 21, 55, 57, 351, 353, 355	7024453 ..... 63
70003138 ..... 65	70004775 ..... 323	7017498.....267	7024738 ..... 27
70003139 ..... 65	70005220 ..... 192, 196	7017901 ..... 191, 195	7024741 ..... 27
70003141 ..... 65	70005695 ..... 349	7017911 ..... 191, 195	7024742 ..... 27
70003142 ..... 65	70005722 ..... 55	7017923.....576	7024744 ..... 28
70003178 .. 142, 147, 576	70005973 ..... 349	7017934.....191, 195	7024844 ..... 21
70003179 ..... 142, 147	70005974 ..... 349	7017945.....191, 195	7024884 .... 351, 353, 355
70003453 ..... 351	70006269 ..... 261	7017954.....191, 195	7025479 ..... 191, 195
70003757 ..... 57	70006280 ..... 261	7017955.....191, 195	7026041 ..... 65
70003784 .. 299, 303, 307, 311, 315, 319	70006353 ..... 349	7017963.....192, 196	7026048 ..... 65
70003788 ..... 57, 576	70006434 ..... 580	7020108....205, 209, 213, 217, 221, 225, 229	7026049 ..... 65
70004311 ..... 191, 195	70006435 ..... 582	7020109....205, 209, 213, 217, 221, 225, 229	7026052 ..... 65
70004322 ..... 253	70010383 ..... 55, 576	7020110....205, 209, 213, 217, 221, 225, 229	7026525 .... 209, 217, 225
70004323 ..... 251, 253	7001913 ..... 27	7020111....205, 209, 213, 217, 221, 225, 229	7027350 ..... 65
70004395 ..... 191, 195	70022565 ..... 353	7020152....209, 217, 225	7027351 ..... 65
70004396 ..... 191, 195	70023370 .347, 351, 353, 355, 361	7020175....107, 109, 299, 303, 307, 311, 315, 319	7027352 ..... 65
70004397 ..... 191, 195	70023371 ..... 357	7020176....107, 109, 299, 303, 307, 311, 315, 319	7027353 ..... 65
70004398 ..... 191, 195	7002821 ..... 582	7020190....205, 209, 213, 217, 221, 225, 229	7027359 ..... 65
70004399 ..... 191, 195	7002822 ..... 582	7020192....205, 213, 221, 229	7027887 ... 205, 209, 213, 217, 221, 225, 229
70004400 ..... 191, 195	7002823 ..... 582	7021275.....199	7027900 ..... 251, 253
70004401 ..... 192, 196	7002826 ..... 582	7021653.....57	7027901 ..... 251, 253
70004524 ..... 192, 196	7004035 ..... 63	70222301.....200	7027955 ..... 25
70004536 ..... 192, 196	7004043 ..... 63	7022301.....199	7027956 ..... 25
70004537 ..... 192, 196	7004044 ..... 63	7022326.....192, 196	7027957 ..... 25
70004538 ..... 192, 196	7004275 ..... 582	7022340.....200	7027958 ..... 25
70004539 ..... 192, 196	7004276 ..... 582	7023124.....192, 196	7027959 ..... 25
70004541 ..... 192, 196	7007415 ..... 200	7023132.....191, 195	7027972 ..... 142, 147
70004542 ..... 192, 196	7007439 ..... 199, 200	7023134....177, 181, 185, 189	7028909 ... 93, 95, 97, 99, 101
70004543 ..... 192, 196	7007446 ..... 199	7023136.....191, 195	77133089 ..... 372, 382
70004544 ..... 191, 195	7007640 ..... 27	7023139.....191, 195	77363233 ..... 477
70004738 ..... 327	7010543 21, 57, 265, 361	7023141.....191, 195	8007941 ..... 25
70004739 ..... 327	7011323 ..... 251	7023144.....191, 195	80233041 ..... 373, 383
70004740 ..... 327	7012513 ... 205, 209, 213, 217, 221, 225, 229	7023145.....191, 195	80325 ..... 114
70004741 ..... 327	7012514 ... 205, 209, 213, 217, 221, 225, 229	7023148.....192, 196	80334555 ..... 25
70004742 ..... 327	7012941 ..... 21, 265	7023149.....192, 196	80633030 ..... 372, 382
70004743 ..... 327	7012953 ..... 21, 265	7023154.....191, 195	80673025 . 143, 146, 176, 180, 184, 188
70004744 ..... 327	7012955 ..... 265, 267	7023156.....191, 195	8220029 ..... 475
70004745 ..... 327	7012967 .... 55, 265, 267, 351, 353, 355	7023157.....191, 195	8220164 ... 470, 507, 514
70004746 ..... 327	7012998 ..... 57, 267	7023160.....191, 195	8305919 ... 299, 303, 307, 311, 315, 319
70004747 ..... 327	7015004 ... 142, 147, 176, 180, 184, 188, 576	7023162.....191, 195	8310643 ..... 257
70004748 ..... 327	7015005 ... 142, 147, 176, 180, 184, 188	7023163.....191, 195	8310668 ..... 261
70004749 ..... 327	7016319 ..... 89	7023164.....191, 195	8310686 ..... 373, 383
70004750 ..... 327	7016372 ..... 89	7023165.....191, 195	83191040 . 139, 167, 169, 171, 173
70004751 ..... 327	7016628 ..... 105	7023167.....191, 195	8405006 ..... 142, 146
70004752 ..... 323	7016654 ..... 582	7023168.....191, 195	8406110 ..... 453, 457
70004753 ..... 323	7016655 ..... 582		85941016 . 142, 146, 176, 180, 184, 188, 373, 383
70004754 ..... 323	7017022 ..... 28		8896941 ..... 582
70004755 ..... 323	7017120 ..... 251		91143172 ..... 373, 383
70004756 ..... 323	7017121 ..... 251		91164059 ..... 57



# PARTS FINDER

**Search Website  
by Part Number**



**Search Manual  
Library For Parts  
Manual & Lookup Part  
Numbers – Purchase  
or Request Quote**

**Can't Find Part or  
Manual? Request Help  
by Manufacturer,  
Model & Description**

Discount-Equipment.com is your online resource for quality parts & equipment.

Florida: **561-964-4949** Outside Florida TOLL FREE: **877-690-3101**

## Need parts?

Click on this link: <http://www.discount-equipment.com/category/5443-parts/> and choose one of the options to help get the right parts and equipment you are looking for. Please have the machine model and serial number available in order to help us get you the correct parts. If you don't find the part on the website or on one of the online manuals, please fill out the request form and one of our experienced staff members will get back to you with a quote for the right part that your machine needs.

We sell worldwide for the brands: Genie, Terex, JLG, MultiQuip, Mikasa, Essick, Whiteman, Mayco, Toro Stone, Diamond Products, Generac Magnum, Airman, Haulotte, Barreto, Power Blanket, Nifty Lift, Atlas Copco, Chicago Pneumatic, Allmand, Miller Curber, Skyjack, Lull, Skytrak, Tsurumi, Husquvarna Target, Stow, Wacker, Sakai, Mi-T-M, Sullair, Basic, Dynapac, MBW, Weber, Bartell, Bennar Newman, Haulotte, Ditch Runner, Menegotti, Morrison, Contec, Buddy, Crown, Edco, Wyco, Bomag, Laymor, EZ Trench, Bil-Jax, F.S. Curtis, Gehl Pavers, Heli, Honda, ICS/PowerGrit, IHI, Partner, Imer, Clipper, MMD, Koshin, Rice, CH&E, General Equipment, Amida, Coleman, NAC, Gradall, Square Shooter, Kent, Stanley, Tamco, Toku, Hatz, Kohler, Robin, Wisconsin, Northrock, Oztec, Toker TK, Rol-Air, APT, Wylie, Ingersoll Rand / Doosan, Innovatech, Con X, Ammann, Mecalac, Makinex, Smith Surface Prep, Small Line, Wanco, Yanmar