



Illustrated Parts Manual

Models

450A

450AJ

PRIOR TO SN 0300065080

*See Revision Log Page for exceptions

P/N

3120750

June 20, 2018 - Rev M

ANSI



An Oshkosh Corporation Company

PARTS FINDER

**Search Website
by Part Number**



**Search Manual
Library For Parts
Manual & Lookup Part
Numbers – Purchase
or Request Quote**

**Can't Find Part or
Manual? Request Help
by Manufacturer,
Model & Description**

Discount-Equipment.com is your online resource for quality parts & equipment.

Florida: **561-964-4949** Outside Florida TOLL FREE: **877-690-3101**

Need parts?

Click on this link: <http://www.discount-equipment.com/category/5443-parts/> and choose one of the options to help get the right parts and equipment you are looking for. Please have the machine model and serial number available in order to help us get you the correct parts. If you don't find the part on the website or on one of the online manuals, please fill out the request form and one of our experienced staff members will get back to you with a quote for the right part that your machine needs.

We sell worldwide for the brands: Genie, Terex, JLG, MultiQuip, Mikasa, Essick, Whiteman, Mayco, Toro Stone, Diamond Products, Generac Magnum, Airman, Haulotte, Barreto, Power Blanket, Nifty Lift, Atlas Copco, Chicago Pneumatic, Allmand, Miller Curber, Skyjack, Lull, Skytrak, Tsurumi, Husquvarna Target, Stow, Wacker, Sakai, Mi-T-M, Sullair, Basic, Dynapac, MBW, Weber, Bartell, Bennar Newman, Haulotte, Ditch Runner, Menegotti, Morrison, Contec, Buddy, Crown, Edco, Wyco, Bomag, Laymor, EZ Trench, Bil-Jax, F.S. Curtis, Gehl Pavers, Heli, Honda, ICS/PowerGrit, IHI, Partner, Imer, Clipper, MMD, Koshin, Rice, CH&E, General Equipment, Amida, Coleman, NAC, Gradall, Square Shooter, Kent, Stanley, Tamco, Toku, Hatz, Kohler, Robin, Wisconsin, Northrock, Oztec, Toker TK, Rol-Air, APT, Wylie, Ingersoll Rand / Doosan, Innovatech, Con X, Ammann, Mecalac, Makinex, Smith Surface Prep, Small Line, Wanco, Yanmar

REVISION LOG

NOTES:

List of SN exceptions:

Use Parts Manual 3121243 for these SNs:

0300062713, 0300062755, 0300064188, 0300064241, 0300064340, 0300064366, 0300064407,
0300064430, 0300064580, 0300064581, 0300064583, 0300064605, 0300064606, 0300064607,
0300064608, 0300064609, 0300064691, 0300064705, 0300064706, 0300064735, 0300064737,
0300064753, 0300064754, 0300064774, 0300064775, 0300064792, 0300064794, 0300064806,
0300064918, 0300064923, 0300064924, 0300064927, 0300064928, 0300064933, 0300064934,
0300065012, 0300065014, 0300065015, 0300065028, 0300065031, 0300065032, 0300065046,
0300065049, 0300065050, 0300065063, 0300065066, 0300065067, 0300065078

REVISION LOG:

May 1998 - A - Original Issue Manual

November 18, 1998 - B - Revised (Edited to Top B/M Revision 7)

February 5, 1999 - C - Revised (Edited to Top B/M Revision 9)

August 15, 1999 - D - Revised (Edited to Top B/M Revision 14)

February 16, 2000 - D - Revised (Edited to Top B/M Revision 18)

February 7, 2001 - E - Revised (Edited to Top B/M Revision 23)

February 14, 2003 - F - Revised (Edited to Top B/M Revision 25)

December 16, 2004 - G - Revised (Edited to Top B/M Revision 25)

June 20, 2007 - H - Revised (Edited to Top B/M Revision 26)

January 28, 2011 - I - Revised Manual

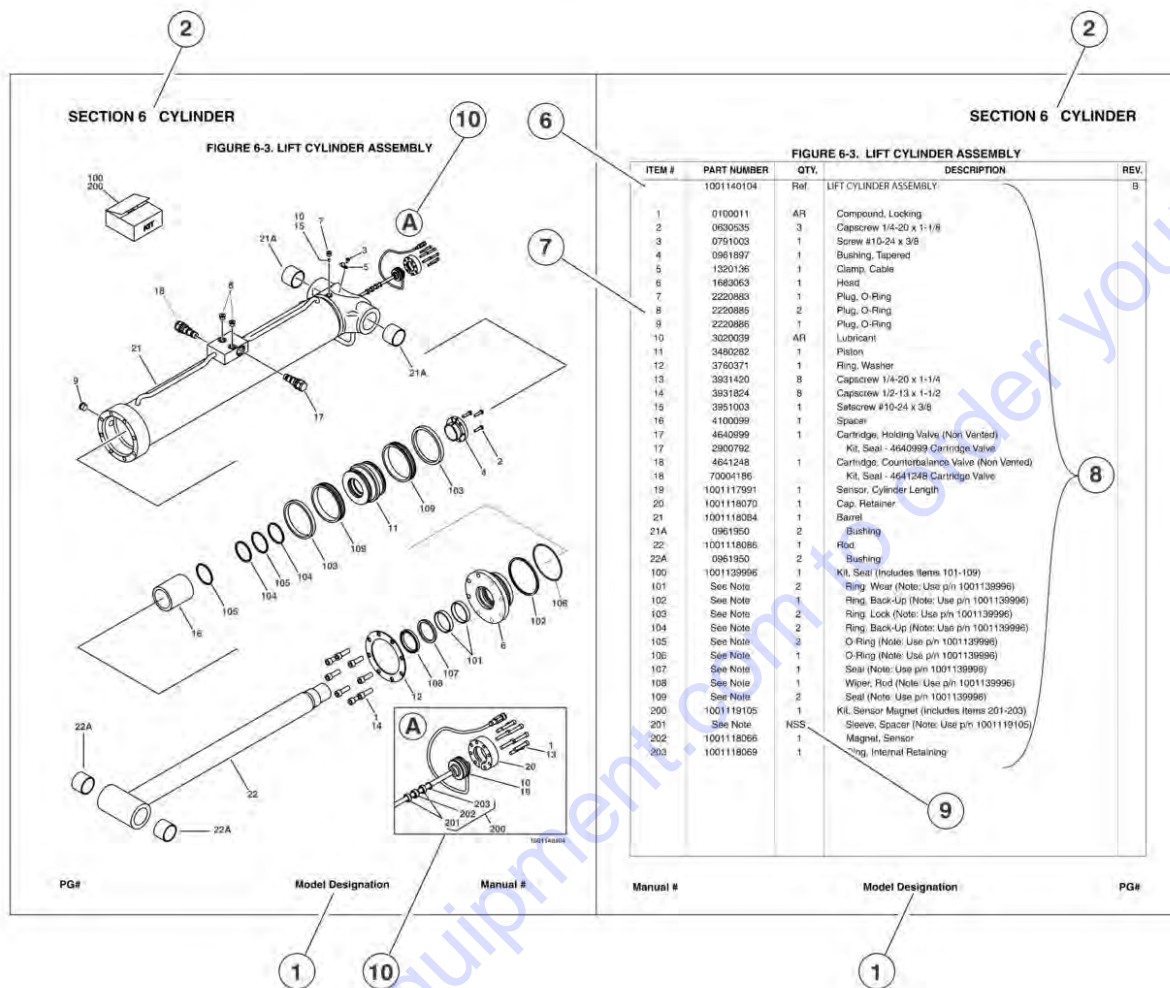
February 1, 2016 - J - Revised Manual

April 1, 2016 - K - Revised Manual

December 9, 2016 - L - Revised Manual

June 20, 2018 - M - Revised Manual

GENERAL INFORMATION



1) MACHINE IDENTIFICATION

Machines are identified by model and in some cases a combination of models, serial number (SN) or regional standard (i.e. ANSI, CE, CSA). Components may also be identified by SN or manufacturer. Common components that may be identified by these characteristics are engines and hydraulic components.

2) PARTS MANUAL ORGANIZATION

Product information in this manual is organized under section titles. Frame, Cylinder, Hydraulic and Electrical are a few examples. Each section is organized by figure and page number. The information within the Figure is then organized by item number, part number, description and corresponding illustration(s).

3) TABLE OF CONTENTS

A table of contents is found toward the beginning of the manual. Figure number, description and page number are provided for quick reference to the page containing the related information.

4) RECOMMENDED SPARE PARTS

The Recommended Spare Parts, located near the end of the manual, reference most frequently used maintenance parts.

5) PART NUMBER INDEX

A numerical index listing all part numbers and the corresponding page number(s) appears at the back of the manual.

GENERAL INFORMATION

6) NON-SERVICED PARTS

In some instances, it is necessary to display non-serviced parts, assemblies or installations. In the case of assemblies and installations there will be a Ref in the Qty column. In case of parts that are not available for service within assemblies or components, there will be a NSS (Not Sold Separately) or NLA (No Longer Available) listed in the Qty. column of the manual.

7) PARTS LIST ITEM NUMBERS

Numbers shown in the item# column correspond to numbers used in the associated illustration (s). Item numbers which are missing from the sequence in the parts list are not used on that page

8) INDENTED PARTS DESCRIPTION

An indented part description is included in the item under which it is indented.

9) ABBREVIATION AND SYMBOLS

AC.....	Alternating Current	LCD.....	Liquid Crystal Display
ADE.....	Advanced Design Electronics	LED.....	Light Emitting Diodes
ANSI.....	American National Standards Institute	LH.....	Left Hand
AR.....	As Required	LSS.....	Load Sensing System
ASSY.....	Assembly	M(m).....	Metric/Meter
AUX.....	Auxiliary	MM (mm).....	Millimeter
AWG.....	American Wire Gauge	mA.....	Miliamps
B/M.....	Bill of Material	NLA.....	No Longer Available
CE.....	European Conformity	NPT.....	National Pipe Threads
CCW.....	Counter Clockwise	NSS.....	Not Sold Separately
cm.....	Centimeter	OD.....	Outside Diameter
CW.....	Clockwise	ORB.....	O-Ring Boss
CSA.....	Canadian Standards Association	ORFS.....	O-Ring Face Seal
CYL.....	Cylinder	OZ (oz).....	Ounces
DIA.....	Diameter	PG.....	Page
DC.....	Direct Current	P/N.....	Part Number
EMS.....	Emergency Stop	qt.....	Quarts
ENG.....	Engine	QTY.....	Quantity
FT (ft).....	Feet	REF.....	Reference
GA (Ga).....	Gauge	REV.....	Revision Level
HYD.....	Hydraulic	RH.....	Right Hand
Hz.....	Hertz	SAE.....	Society of Automotive Engineers
ID.....	Inside Diameter	SN.....	Serial Number
in.....	inches	SPEC(S).....	Specifications
ISO.....	International Organization for Standards	T/T.....	Turntable
JIC.....	Joint Industry Council	UGM.....	Universal Ground Module
KG.....	Kilogram	V.....	Volts
L.....	Liter	W.....	Watts
LB.....	Pounds	#.....	Number

10) ILLUSTRATION REFERENCE LETTERS

When necessary, illustrations may contain reference letters that are intended to track information (i.e. hoses, harnesses) from one point to another or to track visual enlargement of components to show details that may be located in another area on the illustration.

Note: Due to continuous product improvements, JLG Industries, Inc. reserves the right to make specification changes without prior notification.

TABLE OF CONTENTS

SECTION 1 - FRAME.....	9
FIGURE 1-1. AXLE AND STEERING INSTALLATION - 2WD WITHOUT TOW BAR	10
FIGURE 1-2. AXLE AND STEERING INSTALLATION - 2WD WITH TOW BAR.....	14
FIGURE 1-3. AXLE AND STEERING INSTALLATION - 4WD	18
FIGURE 1-4. TIRE AND WHEEL DRIVE INSTALLATIONS.....	22
FIGURE 1-5. DRIVE BRAKE ASSEMBLY.....	26
FIGURE 1-6. DRIVE HUB ASSEMBLY (Prior to SN 0300039594)	28
FIGURE 1-7. DRIVE HUB ASSEMBLY (SN 0300039594 through 0300065080)	30
FIGURE 1-8. DRIVE MOTOR ASSEMBLY - REAR	34
FIGURE 1-9. DRIVE MOTOR ASSEMBLY - FRONT	36
FIGURE 1-10. DRIVE VALVES INSTALLATIONS	40
FIGURE 1-11. TOW BAR INSTALLATION.....	44
FIGURE 1-12. SEMI-TRACK INSTALLATION	46
SECTION 2 - TURNTABLE.....	49
FIGURE 2-1. CONTROL VALVES INSTALLATIONS.....	50
FIGURE 2-2. MAIN CONTROL VALVE ASSEMBLY - PROPORTIONAL	52
FIGURE 2-3. TURNTABLE AND SWING DRIVE INSTALLATIONS	54
FIGURE 2-4. SWING MOTOR ASSEMBLY	56
FIGURE 2-5. SWING BEARING ASSEMBLY	58
FIGURE 2-6. DEUTZ ENGINE INSTALLATION.....	60
FIGURE 2-7. GENERATOR INSTALLATION - DEUTZ MACHINES (OPTIONAL).....	66
FIGURE 2-8. FORD ENGINE INSTALLATION (WITH CARBURETOR) (Prior to SN 0300046089)	70
FIGURE 2-9. FORD ENGINE INSTALLATION (WITH EFI) (SN 0300046089 through 0300065080)	76
FIGURE 2-10. DUAL FUEL INSTALLATIONS (FORD MACHINE OPTION) (Prior to SN 0300046089)	82
FIGURE 2-11. DUAL FUEL INSTALLATIONS (FORD MACHINE OPTION) (SN 0300046089 through 0300065080).....	84
FIGURE 2-12. GENERATOR INSTALLATION - FORD MACHINES (OPTIONAL)	86
FIGURE 2-13. ISUZU ENGINE INSTALLATION	90
FIGURE 2-14. GENERATOR INSTALLATION - ISUZU MACHINES (OPTIONAL).....	96
FIGURE 2-15. PISTON PUMP ASSEMBLY	100
FIGURE 2-16. TANK INSTALLATIONS.....	104
FIGURE 2-17. GROUND CONTROL BOX ASSEMBLY.....	106
FIGURE 2-18. ELECTRICAL OPTIONS INSTALLATION (TURNTABLE MOUNTED).....	110
FIGURE 2-19. HOODS INSTALLATION	112
SECTION 3 - BOOM.....	115
FIGURE 3-1. TOWER/MID BOOMS AND CYLINDERS INSTALLATION	116
FIGURE 3-2. MAIN BOOM AND CYLINDERS INSTALLATION - 450A	120
FIGURE 3-3. MAIN BOOM AND CYLINDERS INSTALLATION - 450AJ	124
FIGURE 3-4. MAIN BOOM ASSEMBLIES	128
FIGURE 3-5. BOOM COVERS, CABLES AND CLAMPS INSTALLATION	132
SECTION 4 - PLATFORM.....	135
FIGURE 4-1. PLATFORM INSTALLATION.....	136
FIGURE 4-2. PLATFORM CONSOLE ASSEMBLY.....	140
FIGURE 4-3. CONTROLLER ASSEMBLY (LIFT AND SWING) (Prior to SN 0300039857)	144
FIGURE 4-4. CONTROLLER ASSEMBLY (LIFT AND SWING) (SN 0300039857 through 0300065080).....	146
FIGURE 4-5. CONTROLLER ASSEMBLY (DRIVE AND STEER) (Prior to SN 0300039857)	150
FIGURE 4-6. CONTROLLER ASSEMBLY (DRIVE AND STEER) (SN 0300039857 through 0300065080)	154
FIGURE 4-7. CONTROLLER ASSEMBLY (SPEED).....	156
FIGURE 4-8. SOFT TOUCH SYSTEM INSTALLATION (SN 0300049601 through 0300065080)	158
SECTION 5 - CYLINDER.....	161
FIGURE 5-1. AXLE LOCKOUT CYLINDER ASSEMBLY	162
FIGURE 5-2. PLATFORM LEVEL CYLINDER ASSEMBLY	164
FIGURE 5-3. LIFT CYLINDER ASSEMBLY - JIB (450AJ ONLY).....	168
FIGURE 5-4. LIFT CYLINDER ASSEMBLY - MAIN.....	170
FIGURE 5-5. LIFT CYLINDER ASSEMBLY - MID.....	174
FIGURE 5-6. LIFT CYLINDER ASSEMBLY - TOWER.....	176
FIGURE 5-7. ROTATOR CYLINDER ASSEMBLY - PLATFORM	178
FIGURE 5-8. STEER CYLINDER ASSEMBLY (ORIGINAL EQUIPMENT)	180

TABLE OF CONTENTS

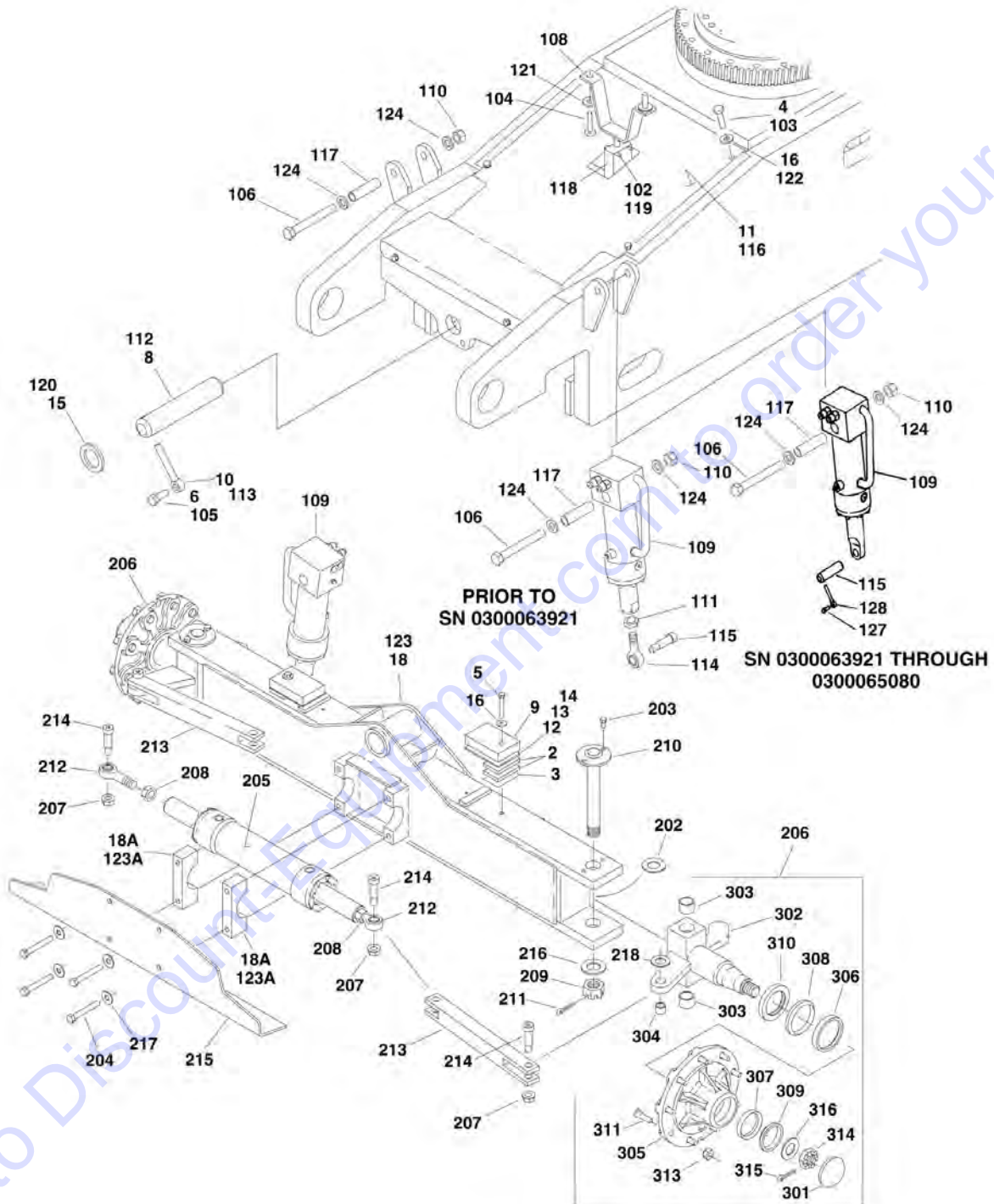
FIGURE 5-9. STEER CYLINDER ASSEMBLY (SERVICE REPLACEMENT)	182
FIGURE 5-10. TELESCOPE CYLINDER ASSEMBLY	184
SECTION 6 - HYDRAULIC	187
FIGURE 6-1. AXLE LOCKOUT HYDRAULIC DIAGRAM - 2WD	188
FIGURE 6-2. TOW BAR HYDRAULIC DIAGRAM	190
FIGURE 6-3. AXLE LOCKOUT HYDRAULIC DIAGRAM - 4WD	192
FIGURE 6-4. DRIVE HYDRAULIC DIAGRAM - 2WD	194
FIGURE 6-5. DRIVE HYDRAULIC DIAGRAM - 4WD	198
FIGURE 6-6. STANDARD HYDRAULIC DIAGRAM	202
FIGURE 6-7. HYDRAULIC DIAGRAM LIST	206
SECTION 7 - ELECTRICAL	207
FIGURE 7-1. ELECTRICAL DIAGRAM LIST	208
FIGURE 7-2. ELECTRICAL SCHEMATIC - DEUTZ ENGINE MACHINES	210
FIGURE 7-3. ELECTRICAL SCHEMATIC - FORD ENGINE MACHINES WITH CARBURETOR	214
FIGURE 7-4. ELECTRICAL SCHEMATIC - FORD ENGINE MACHINES WITH EFI	218
FIGURE 7-5. ELECTRICAL SCHEMATIC - ISUZU ENGINE MACHINES	222
FIGURE 7-6. HARNESS COMPONENTS INSTALLATION	226
SECTION 8 - DECALS	237
FIGURE 8-1. DECALS INSTALLATION (STANDARD)	238
FIGURE 8-2. DECALS INSTALLATION (COUNTRY SPECS)	242
SECTION 9 - RECOMMENDED SERVICE PARTS STOCK	247
FIGURE 9-1. MODELS 450A/450AJ WITH PROPORTIONAL CONTROLS STANDARD PARTS	248
FIGURE 9-2. MODELS 450A/450AJ WITH PROPORTIONAL CONTROLS VARIABLE PARTS	250
SECTION 10 - SPECIAL OPTIONS	251
FIGURE 10-1. SPECIAL OPTIONS	252
PART NUMBER INDEX	255

SECTION 1 - FRAME

Go to Discount-Equipment.com to order your parts

SECTION 1 - FRAME

FIGURE 1-1. AXLE AND STEERING INSTALLATION - 2WD WITHOUT TOW BAR



SECTION 1 - FRAME

FIGURE 1-1. AXLE AND STEERING INSTALLATION - 2WD WITHOUT TOW BAR

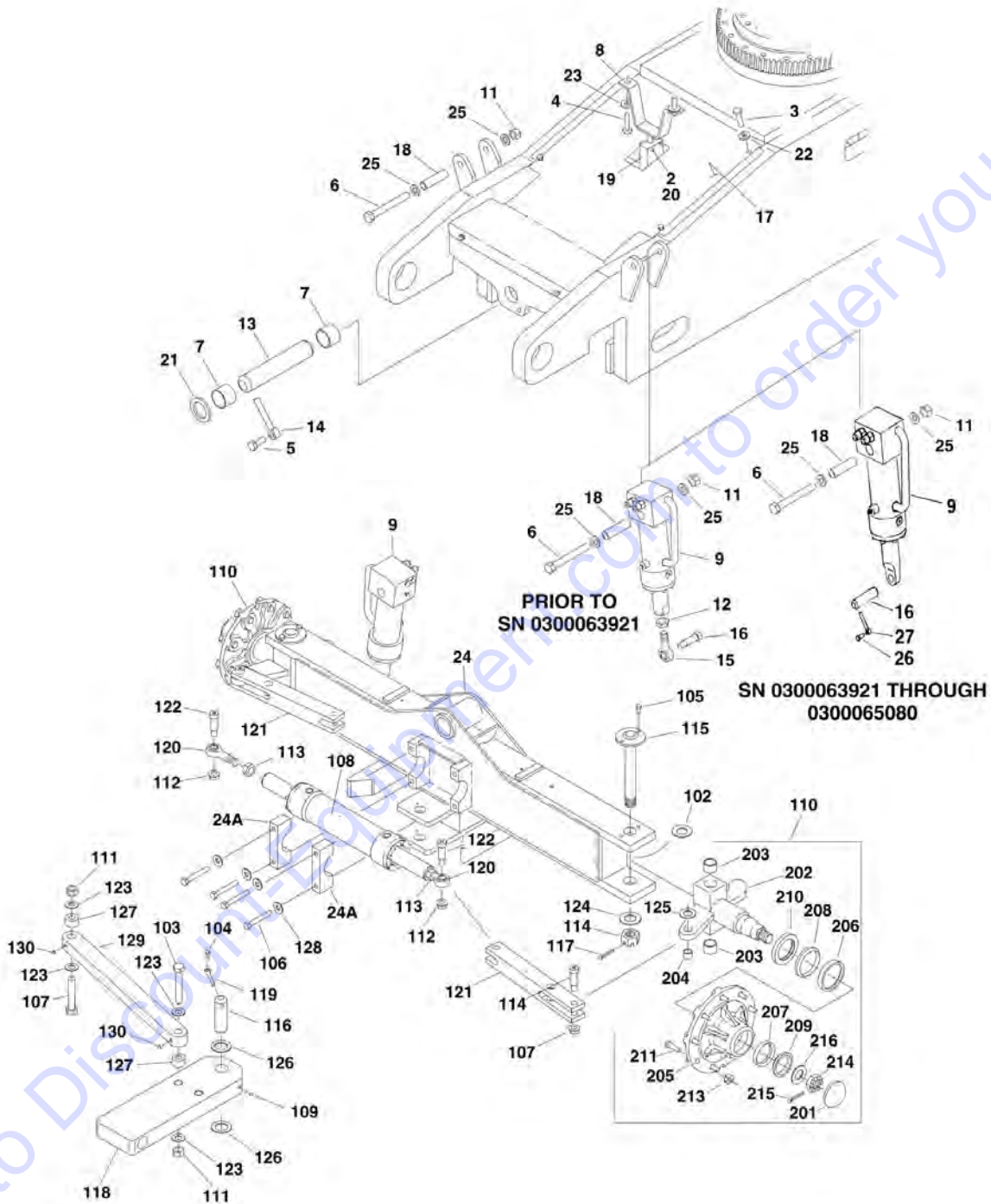
ITEM	PART NUMBER	QTY	DESCRIPTION	REV
	0258026	Ref	FIXED AXLE INSTALLATION	C
1	0100011	AR	Loctite #242 (Not Shown)	
2	0362763	4	Bar, Stop	
3	0362764	2	Bar, Stop	
4	0641606	6	Bolt 3/8in-16NC x 3/4in	
5	0641626	2	Bolt 3/8in-16NC x 3 1/4in	
6	0642012	1	Bolt 5/8in-11NC x 1 1/2in	
7	0961950	2	Bushing, Garmax	
8		Ref	Pin, Axle Pivot Options:	
8	3422431	NLA	Pin, Axle Pivot (Use p/n 3422592) (Prior to SN 0300056275)	
8	3422592	1	Pin, Axle Pivot (SN 0300056275 through 0300065080)	
9	3570901	2	Plate, Stop	
10	3841258	1	Keeper, Pin	
11	4060951	1	Shield, Frame	
12	4070972	AR	Shim 3/16in	
13	4070973	AR	Shim 1/8in	
14	4070974	AR	Shim 1/16in	
15	4740158	1	Thrustwasher	
16	4751600	8	Flatwasher 3/8in	
18	4845643	1	Axle Weldment	
18A	0561300	2	Steer Cylinder Mounting Block Assembly	
	0258024	Ref	OSCILLATING AXLE INSTALLATION	G
101	0100011	AR	Loctite #242 (Not Shown)	
102	0641414	4	Bolt 1/4in-20NC x 1 3/4in	
103	0641606	6	Bolt 3/8in-16NC x 3/4in	
104	0641812	2	Bolt 1/2in-13NC x 1 1/2in	
105	0642012	1	Bolt 5/8in-11NC x 1 1/2in	
106	0682248	2	Bolt 3/4in-10NC x 6in	
107	0961950	2	Bushing, Garmax	
108	1100107	1	Cam, Lockout	
109		Ref	Lockout Cylinder Assembly Options (See CYLINDER SECTION for Breakdown):	
109	1683575	2	Lockout Cylinder Assembly (Prior to SN 0300063921)	
109	1684139	2	Lockout Cylinder Assembly (SN 0300063921 through 0300065080)	
110	3272201	2	Nut 3/4in-10NC	
111	3322201	2	Nut 3/4in-16NF	
112		Ref	Pin, Axle Pivot Options:	
112	3422431	NLA	Pin, Axle Pivot (Use p/n 3422592) (Prior to SN 0300056275)	
112	3422592	1	Pin, Axle Pivot (SN 0300056275 through 0300065080)	
113	3841258	1	Keeper, Pin	
114	3841367	2	Rod-End with Grease Fitting	
114	7020180	1	Grease Fitting	
115		Ref	Hardware Options:	
115	3900109	2	Screw, Shoulder (Prior to SN 0300063921)	
115	3422936	2	Pin (SN 0300063921 through 0300065080)	
116	4060951	1	Shield, Frame	
117	4567462	2	Tube, Mounting	
118	4640871	1	Lockout Valve Assembly	
118	7012693	1	Seal Kit - 4640871 Valve	

SECTION 1 - FRAME

ITEM	PART NUMBER	QTY	DESCRIPTION	REV
118	7002840	1	Tool, Pin Removal (Not Shown)	
118	7002840	1	Anti-Rotation Pin Removal Tool	
119	4711400	4	Flatwasher 1/4in Narrow	
120	4740158	1	Thrustwasher	
121	4751800	4	Flatwasher 1/2in	
122	4751600	6	Flatwasher 3/8in	
123	4845643	1	Axle Weldment	
123A	0561300	2	Steer Cylinder Mounting Block Assembly	
124	4892200	4	Flatwasher 3/4in	
126	0100019	AR	Loctite #271 (Not Shown)	
127	0641607	2	Bolt 3/8in-16NC x 7/8 (SN 0300063921 through 0300065080)	
128	3841520	2	Keeper 3/8 (SN 0300063921 through 0300065080)	
	0258022	Ref	STEERING INSTALLATION	B
201	0100011	AR	Loctite #242 (Not Shown)	
202	0440162	2	Thrustwasher	
203	0641606	4	Bolt 3/8in-16NC x 3/4in	
204	0681828	4	Bolt 1/2in-13NC x 3 1/2in	
205	1683614	NLA	Steer Cylinder Assembly (Use p/n 1684412) (Original Equipment) (See CYLINDER SECTION for Breakdown)	
205	1684412	1	Steer Cylinder Assembly (Service Replacement) (See CYLINDER SECTION for Breakdown)	
206	2780230	2	Hub/Spindle Assembly (See 301 to 313 for Breakdown)	
207	3312008	4	Nut 5/8in-11NC	
208	3322201	2	Nut 3/4in-16NF	
209	3323003	2	Nut 1 1/4in-12NF	
210	3422692	2	Kingpin	
211	3450812	2	Pin, Cotter 1/4in x 3in	
212	3841367	2	Rod-End with Grease Fitting	
212	7020180	1	Grease Fitting	
213	3841377	2	Tie-Rod	
214	3900109	4	Screw, Shoulder	
215	4060950	1	Shield, Frame	
216	4713000	2	Flatwasher 1 1/4in	
217	4751800	4	Flatwasher 1/2in	
218	4740086	2	Washer, Thrust	
	2780230	Ref	HUB ASSEMBLY	A
301	7020033	2	Cap, Dust (1 per Assembly)	
302	7020034	2	Spindle Assembly (1 per Assembly)	
303	0961951	4	Bushing, Garmax (2 Per Assembly)	
304	0962140	2	Bearing, Garmax (1 per Assembly)	
305	7020035	2	Hub (1 per Assembly) (Includes 306 & 307)	
306	7020036	2	Cup, Bearing - Inner (1 per Assembly)	
307	7020038	2	Cup, Bearing - Outer (1 per Assembly)	
308	7020037	2	Cone, Bearing - Inner (1 per Assembly)	
309	7020039	2	Cone, Bearing - Outer (1 per Assembly)	
310	7020040	2	Seal (1 Per Assembly)	
311	7020041	18	Stud, Wheel (9 Per Assembly)	
313	7020042	18	Lugnut (9 per Assembly)	
314	7020054	2	Nut, Castle (1 per Assembly)	
315	3450608	2	Pin, Cotter (1 Per Assembly)	
316	7020055	2	Washer, Spindle (1 Per Assembly)	

SECTION 1 - FRAME

FIGURE 1-2. AXLE AND STEERING INSTALLATION - 2WD WITH TOW BAR



SECTION 1 - FRAME

FIGURE 1-2. AXLE AND STEERING INSTALLATION - 2WD WITH TOW BAR

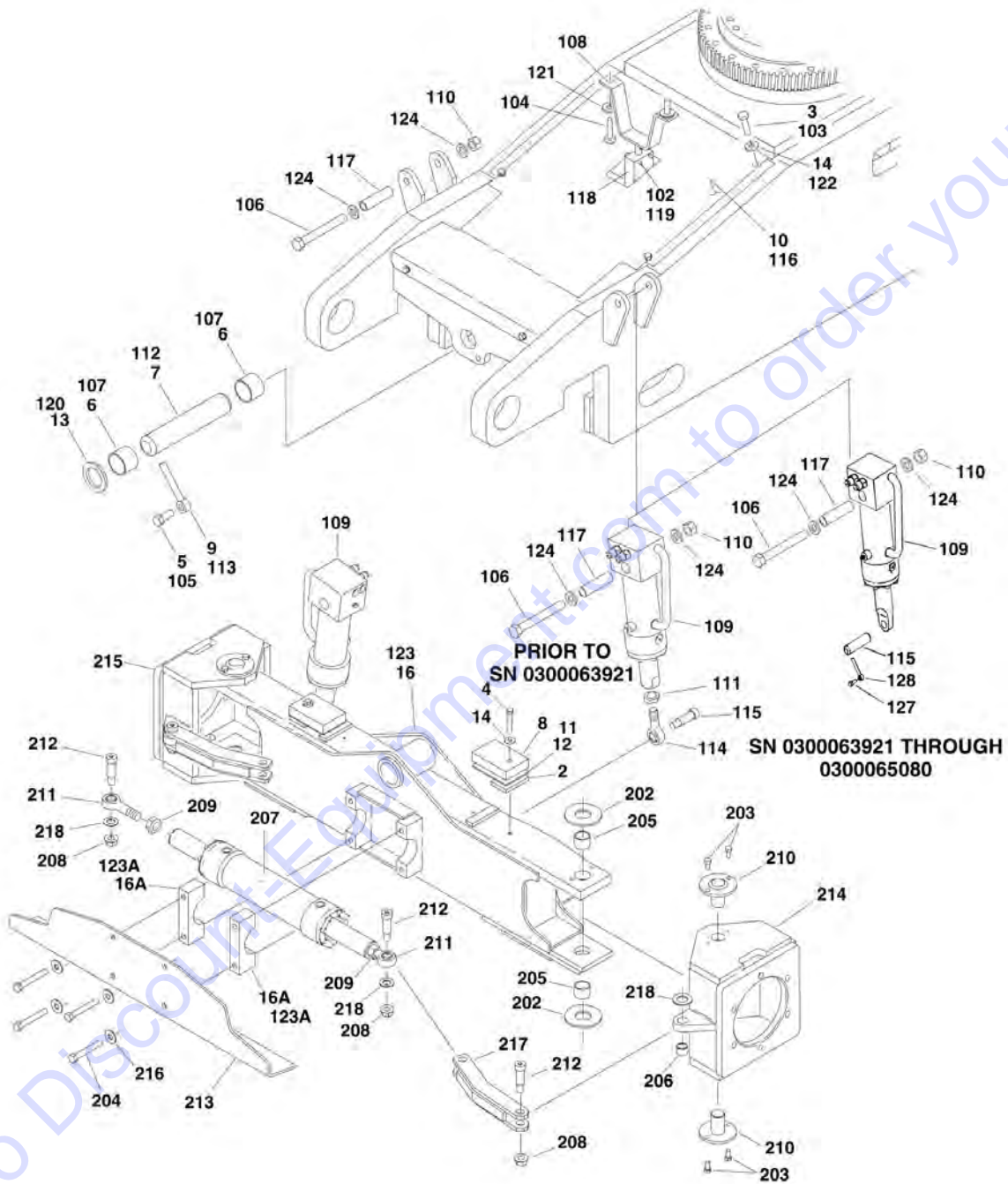
ITEM	PART NUMBER	QTY	DESCRIPTION	REV
	0259967	Ref	OSCILLATING AXLE INSTALLATION	C
1	0100011	AR	Loctite #242 (Not Shown)	
2	0641414	4	Bolt 1/4in-20NC x 1 3/4in	
3	0641606	10	Bolt 3/8in-16NC x 3/4in	
4	0641812	2	Bolt 1/2in-13NC x 1 1/2in	
5	0642012	1	Bolt 5/8in-11NC x 1 1/2in	
6	0682248	2	Bolt 3/4in-10NC x 6in	
7	0961950	2	Bushing, Garmax	
8	1100107	1	Cam, Lockout	
9		Ref	Lockout Cylinder Assembly Options (See CYLINDER SECTION for Breakdown):	
9	1683575	2	Lockout Cylinder Assembly (Prior to SN 0300063921)	
9	1684139	2	Lockout Cylinder Assembly (SN 0300063921 through 0300065080)	
11	3272201	2	Nut 3/4in-10NC	
12	3322201	2	Nut 3/4in-16NF	
13	3422592	1	Pin, Axle Pivot	
14	3841258	1	Keeper, Pin	
15	3841367	2	Rod-End with Grease Fitting	
15	7020180	1	Grease Fitting	
16		Ref	Hardware Options:	
16	3900109	2	Screw, Shoulder (Prior to SN 0300065080)	
16	3422936	2	Pin (SN 0300063921 through 0300065080)	
17	4060951	1	Shield, Frame	
18	4567462	2	Tube, Mounting	
19	4640871	1	Lockout Valve Assembly	
19	7012693	1	Seal Kit - 4640871 Valve	
19	7002840	1	Tool, Pin Removal (Not Shown)	
19	7002840	1	Anti-Rotation Pin Removal Tool	
20	4711400	4	Flatwasher 1/4in Narrow	
21	4740158	1	Thrustwasher	
22	4751600	6	Flatwasher 3/8in	
23	4751800	4	Flatwasher 1/2in	
24	4846167	1	Axle Weldment	
24A	0561300	2	Steer Cylinder Mounting Block Assembly	
25	4892200	4	Flatwasher 3/4in	
26	0641607	2	Bolt 3/8in-16NC x 7/8in (SN 0300063921 through 0300065080)	
27	3841520	2	Keeper 3/8in (SN 0300063921 through 0300065080)	
	0259966	Ref	STEERING INSTALLATION	B
101	0100011	AR	Loctite #242 (Not Shown)	
102	0440162	2	Thrustwasher	
103	0630544	1	Bolt 1in-8NC x 6in	
104	0641508	1	Bolt 5/16in-18NC x 1in	
105	0641606	4	Bolt 3/8in-16NC x 3/4in	
106	0681828	4	Bolt 1/2in-13NC x 3 1/2in	
107	0682648	1	Bolt 1in-8NC x 6in	
108	1683614	NLA	Steer Cylinder Assembly (Use p/n 1684412) (Original Equipment) (See CYLINDER SECTION for Breakdown)	
108	1684412	1	Steer Cylinder Assembly (Service Replacement) (See CYLINDER SECTION for Breakdown)	

SECTION 1 - FRAME

ITEM	PART NUMBER	QTY	DESCRIPTION	REV
109	2160002	1	Fitting, STR Grease	
110	2780230	2	Hub/Spindle Assembly (See 201 to 213 for Breakdown)	
111	3272605	2	Locknut 1in-8NC	
112	3312008	4	Nut 5/8in-11NC	
113	3322201	4	Nut 3/4in-16NF	
114	3323003	2	Nut 1 1/4in-12NF	
115	3422692	2	Kingpin	
116	3422848	1	Pin, Hitch	
117	3450812	2	Pin, Cotter 1/4in x 3in	
118	3571975	1	Plate, Tow Bar Pivot	
119	3841143	1	Keeper	
120	3841367	2	Rod-End with Grease Fitting	
120	7020180	1	Grease Fitting	
121	3841377	2	Tie-Rod	
122	3900109	6	Screw, Shoulder	
123	4712600	4	Flatwasher 1in	
124	4713000	2	Flatwasher 1 1/4in	
125	4740086	2	Washer, Thrust	
126	4740155	2	Washer, Thrust	
127	4740491	2	Washer, Thrust	
128	4751800	4	Flatwasher 1/2in	
129	4846162	1	Weldment, Link	
130	2160001	2	Fitting, Grease	
	2780230	Ref	HUB ASSEMBLY	A
201	7020033	2	Cap, Dust (1 per Assembly)	
202	7020034	2	Spindle Assembly (1 per Assembly)	
203	0961951	4	Bushing, Garmax (2 Per Assembly)	
204	0962140	2	Bearing, Garmax (1 per Assembly)	
205	7020035	2	Hub (1 per Assembly) (Includes 306 & 307)	
206	7020036	2	Cup, Bearing - Inner (1 per Assembly)	
207	7020038	2	Cup, Bearing - Outer (1 per Assembly)	
208	7020037	2	Cone, Bearing - Inner (1 per Assembly)	
209	7020039	2	Cone, Bearing - Outer (1 per Assembly)	
210	7020040	2	Seal (1 Per Assembly)	
211	7020041	18	Stud, Wheel (9 Per Assembly)	
213	7020042	18	Lugnut (9 per Assembly)	
214	7020054	2	Nut, Castle (1 per Assembly)	
215	3450608	2	Pin, Cotter (1 Per Assembly)	
216	7020055	2	Washer, Spindle (1 Per Assembly)	

SECTION 1 - FRAME

FIGURE 1-3. AXLE AND STEERING INSTALLATION - 4WD



SECTION 1 - FRAME

FIGURE 1-3. AXLE AND STEERING INSTALLATION - 4WD

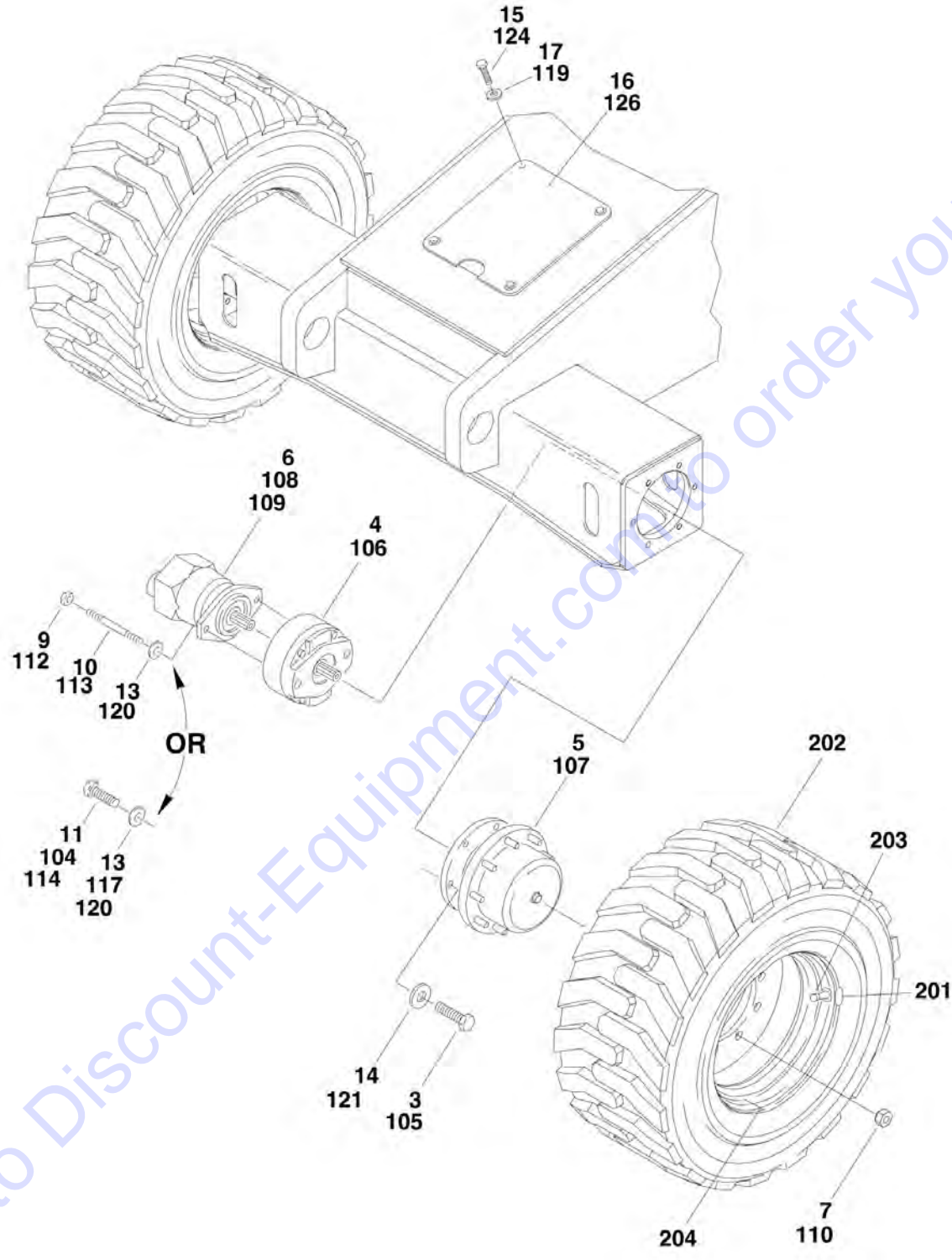
ITEM	PART NUMBER	QTY	DESCRIPTION	REV
	0258027	Ref	FIXED AXLE INSTALLATION	C
1	0100011	AR	Loctite #242 (Not Shown)	
2	0362763	2	Bar, Stop	
3	0641606	6	Bolt 3/8in-16NC x 3/4in	
4	0641620	2	Bolt 3/8in-16NC x 2 1/4in	
5	0642012	1	Bolt 5/8in-11NC x 1 1/2in	
6	0961950	2	Bushing, Garmax	
7		Ref	Pin, Axle Pivot Options:	
7	3422431	NLA	Pin, Axle Pivot (Use p/n 3422592) (Prior to SN 0300056275)	
7	3422592	1	Pin, Axle Pivot (SN 0300056275 through 0300065080)	
8	3570901	2	Plate, Stop	
9	3841258	1	Keeper, Pin	
10	4060951	1	Shield, Frame	
11	4070973	AR	Shim 1/8in	
12	4070974	AR	Shim 1/16in	
13	4740158	1	Thrustwasher	
14	4751600	8	Flatwasher 3/8in	
16	4845700	1	Axle Weldment	
16A	0561300	2	Steer Cylinder Mounting Block Assembly	
	0258025	Ref	OSCILLATING AXLE INSTALLATION	F
101	0100011	AR	Loctite #242 (Not Shown)	
102	0641414	4	Bolt 1/4in-20NC x 1 3/4in	
103	0641606	6	Bolt 3/8in-16NC x 3/4in	
104	0641812	2	Bolt 1/2in-13NC x 1 1/2in	
105	0642012	1	Bolt 5/8in-11NC x 1 1/2in	
106	0682248	2	Bolt 3/4in-10NC x 6in	
107	0961950	2	Bushing, Garmax	
108	1100107	1	Cam, Lockout	
109		Ref	Lockout Cylinder Assembly Options (See CYLINDER SECTION for Breakdown):	
109	1683575	2	Lockout Cylinder Assembly (Prior to SN 0300063921)	
109	1684139	2	Lockout Cylinder Assembly (SN 0300063921 through 0300065080)	
110	3272201	2	Nut 3/4in-10NC	
111	3322201	2	Nut 3/4in-16NF	
112		Ref	Pin, Axle Pivot Options:	
112	3422431	NLA	Pin, Axle Pivot (Use p/n 3422592) (Prior to SN 0300056275)	
112	3422592	1	Pin, Axle Pivot (SN 0300056275 through 0300065080)	
113	3841258	1	Keeper, Pin	
114	3841367	2	Rod-End with Grease Fitting	
114	7020180	1	Grease Fitting	
115		Ref	Hardware Options:	
115	3900109	2	Screw, Shoulder (Prior to SN 0300063921)	
115	3422936	2	Pin (SN 0300063921 through 0300065080)	
116	4060951	1	Shield, Frame	
117	4567462	2	Tube, Mounting	
118	4640871	1	Lockout Valve Assembly	
118	7012693	1	Seal Kit - 4640871 Valve	
118	7002480	1	Tool, Pin Removal (Not Shown)	
118	7002840	1	Anti-Rotation Pin Removal Tool	

SECTION 1 - FRAME

ITEM	PART NUMBER	QTY	DESCRIPTION	REV
119	4711400	4	Flatwasher 1/4in Narrow	
120	4740158	1	Thrustwasher	
121	4751800	4	Flatwasher 1/2in	
122	4751600	6	Flatwasher 3/8in	
123	4845700	1	Axle Weldment	
123A	0561300	2	Steer Cylinder Mounting Block Assembly	
124	4892200	4	Flatwasher 3/4in	
126	0100019	AR	Loctite #271 (Not Shown)	
127	0641607	2	Bolt 3/8in-16NC x 7/8 (SN 0300063921 through 0300065080)	
128	3841520	2	Keeper 3/8 (SN 0300063921 through 0300065080)	
	0258023	Ref	STEERING INSTALLATION	B
201	0100011	AR	Loctite #242 (Not Shown)	
202	0440161	4	Thrustwasher	
203	0641606	8	Bolt 3/8in-16NC x 3/4in	
204	0681828	4	Bolt 1/2in-13NC x 3 1/2in	
205	0961951	4	Bushing, Garmax	
206	0962140	2	Bearing, Garmax	
207	1683614	NLA	Steer Cylinder Assembly (Use p/n 1684412) (Original Equipment) (See CYLINDER SECTION for Breakdown)	
207	1684412	1	Steer Cylinder Assembly (Service Replacement) (See CYLINDER SECTION for Breakdown)	
208	3312008	4	Nut 5/8in-11NC	
209	3322201	2	Nut 3/4in-16NF	
210	3422716	4	Kingpin	
211	3841367	2	Rod-End with Grease Fitting	
211	7020180	1	Grease Fitting	
212	3900109	4	Screw, Shoulder	
213	4060950	1	Shield, Frame	
214	4130363	1	Spindle (Left Side)	
215	4130364	1	Spindle (Right Side)	
216	4751800	4	Flatwasher 1/2in	
217	4845711	2	Tie-Rod	
218	4740086	4	Thrustwasher	

SECTION 1 - FRAME

FIGURE 1-4. TIRE AND WHEEL DRIVE INSTALLATIONS



Go to Discount-Equipment.com to order your parts

SECTION 1 - FRAME

FIGURE 1-4. TIRE AND WHEEL DRIVE INSTALLATIONS

ITEM	PART NUMBER	QTY	DESCRIPTION	REV
		Ref	WHEEL DRIVE INSTALLATION (2WD)	
	0258020	Ref	Wheel Drive Installation (Prior to SN 0300056958)	E
	0270207	Ref	Wheel Drive Installation (SN 0300056958 through 0300065080)	B
1	0100011	AR	Loctite #242 (Not Shown)	
3	0682014	12	Bolt 5/8in-11NC x 1 3/4in	
4		Ref	Drive Brake Assembly (See DRIVE BRAKE ASSEMBLY for Breakdown)	
4	0920112	2	Drive Brake Assembly (Prior to SN 0300056958)	
4	0920117	2	Drive Brake Assembly (SN 0300056958 through 0300065080)	
5		Ref	Drive Hub Assembly Options: Note: Do NOT Mix Hub Assemblies on Machine!	
5	2780224	2	Drive Hub Assembly (See DRIVE HUB ASSEMBLY for Breakdown) (Prior to SN 0300039594)	
5	2780235	2	Drive Hub Assembly (See DRIVE HUB ASSEMBLY for Breakdown) (SN 0300039594 through 0300065080)	
6	3160158	2	Drive Motor Assembly (See DRIVE MOTOR ASSEMBLY - REAR for Breakdown)	
7	3300106	18	Lugnut	
9	3311801	4	Nut 1/2in-13NC	
10	4300120	4	Stud	
11	0641836	4	Bolt 1/2in-13NC x 3in	
13	4891800	4	Flatwasher 1/2in	
14	4892000	12	Flatwasher 5/8in	
15	0641606	4	Bolt 3/8in-16NC x 3/4in	
16	4060970	1	Shield Only (SN 0300038566 through 0300065080)	
17	4751600	4	Flatwasher 3/8in	
		Ref	WHEEL DRIVE INSTALLATION (4WD)	
	0258021	Ref	Wheel Drive Installation (Prior to SN 0300056958)	F
	0270208	Ref	Wheel Drive Installation (SN 0300056958 through 0300065080)	C
101	0100011	AR	Loctite #242 (Not Shown)	
104	0641810	4	Bolt 1/2in-13NC x 1 1/4in	
105	0642014	24	Bolt 5/8in-11NC x 1 3/4in	
106		Ref	Drive Brake Assembly (Rear Only) (See DRIVE BRAKE ASSEMBLY for Breakdown)	
106	0920112	2	Drive Brake Assembly (Rear Only) (Prior to SN 0300056958)	
106	0920117	2	Drive Brake Assembly (Rear Only) (SN 0300056958 through 0300065080)	
107		Ref	Drive Hub Assembly Options: Note: Do NOT Mix Hub Assemblies on Machine!	
107	2780224	NLA	Drive Hub Assembly (Use p/n 2780235) (See DRIVE HUB ASSEMBLY for Breakdown) (Prior to SN 0300039594)	
107	2780235	4	Drive Hub Assembly (See DRIVE HUB ASSEMBLY for Breakdown) (SN 0300039594 through 0300065080)	
108	3160158	1	Drive Motor Assembly - Rear (See DRIVE MOTOR ASSEMBLY - REAR for Breakdown)	
109	3160227	NLA	Drive Motor Assembly-Front (See DRIVE MOTOR ASSEMBLY - FRONT for Breakdown) (Use p/n 1001096417)	
110	3300106	36	Lugnut	
112	3311801	4	Nut 1/2in-13NC	
113	4300120	4	Stud	
114	0641836	4	Bolt 1/2in-13NC x 3in	
117	4711800	4	Flatwasher 1/2in Narrow	

SECTION 1 - FRAME

ITEM	PART NUMBER	QTY	DESCRIPTION	REV
119	4751600	4	Flatwasher 3/8in	
120	4891800	4	Flatwasher 1/2in	
121	4892000	24	Flatwasher 5/8in	
124	0641606	4	Bolt 3/8in-16NC x 3/4in	
126	4060970	1	Shield Only (SN 0300038566 through 0300065080)	
129	3960526	2	Gasket, Brake (Not Shown - Located Between Drive Motor and Hub on Front of Machine)	
		Ref	TIRE AND WHEEL INSTALLATIONS	
	0258028	Ref	12 x 16.5 Pneumatic	A
	0258030	Ref	12 x 16.5 Foam-Filled	A
	0259642	Ref	12 x 21.5 Pneumatic	A
	0259643	Ref	12 x 21.5 Foam-Filled	A
	0258029	Ref	33/1550 x 16.5 Pneumatic	A
	0258031	Ref	33/1550 x 16.5 Foam-Filled	A
	0258831	Ref	33/16LL x 16.1 Pneumatic (Requires special counterweighting)	A
	0259129	Ref	33/16LL x 16.1 Foam-Filled (Requires special counterweighting)	A
	0257740	2	12 x 16.5 Pneumatic Right Side	C
	0257746	2	12 x 16.5 Pneumatic Left Side	C
	0259637	2	12 x 21.5 Pneumatic Right Side	A
	0259635	2	12 x 21.5 Pneumatic Left Side	A
	0258009	2	12 x 16.5 Foam-Filled Right Side	C
	0258010	2	12 x 16.5 Foam-Filled Left Side	C
	0259638	2	12 x 21.5 Foam-Filled Right Side	A
	0259636	2	12 x 21.5 Foam-Filled Left Side	A
	0257755	2	33/1550 x 16.5 Pneumatic Right Side	C
	0257756	2	33/1550 x 16.5 Pneumatic Left Side	C
	0258011	2	33/1550 x 16.5 Foam-Filled Right Side	C
	0258012	2	33/1550 x 16.5 Foam-Filled Left Side	C
	0258830	4	33/16LL x 16.1 Pneumatic (Requires special counterweighting)	
	0259128	4	33/16LL x 16.1 Foam-Filled (Requires special counterweighting)	
			Note: Assemblies may require ballast/foam filling to manufacturer's specifications prior to installing on a machine. Refer to Operation and Safety or Service and Maintenance Manuals. Purchase individual tire and/or rim only if able to foam fill tire and wheel assembly, otherwise, purchase complete assembly.	
201		Ref	Decal Options (Pneumatic Only):	
201	1702740	1	Decal - 90PSI	
201	1703067	1	Decal - 40PSI	
202		Ref	Tire Options:	
202	4520202	NLA	12 x 16.5 NHS (Use p/n 4520216) (Prior to SN 0300043177)	
202	4520216	1	12 x 16.5 NHS (OTR Brand) (SN 0300043177 through 0300065080)	
202	4520223	1	12 x 21.5 NHS (OTR Brand)	
202	4520203	NLA	33/1550 x 16.5 NHS (Use p/n 4520217) (Prior to SN 0300043177)	
202	4520217	1	33/1550 x 16.5 NHS (OTR Brand) (SN 0300043177 through 0300065080)	
202	4520212	1	33/16LL x 16.1	
203	4640113	1	Valve, Air (Pneumatic Only)	
204		Ref	Rim, Wheel	
204	4860203	1	21.5 x 8.5 (Use with 12 x 21.5 Tires)	
204	4860178	1	16.5 x 9.75 (Use with 12 x 16.5 Tires)	

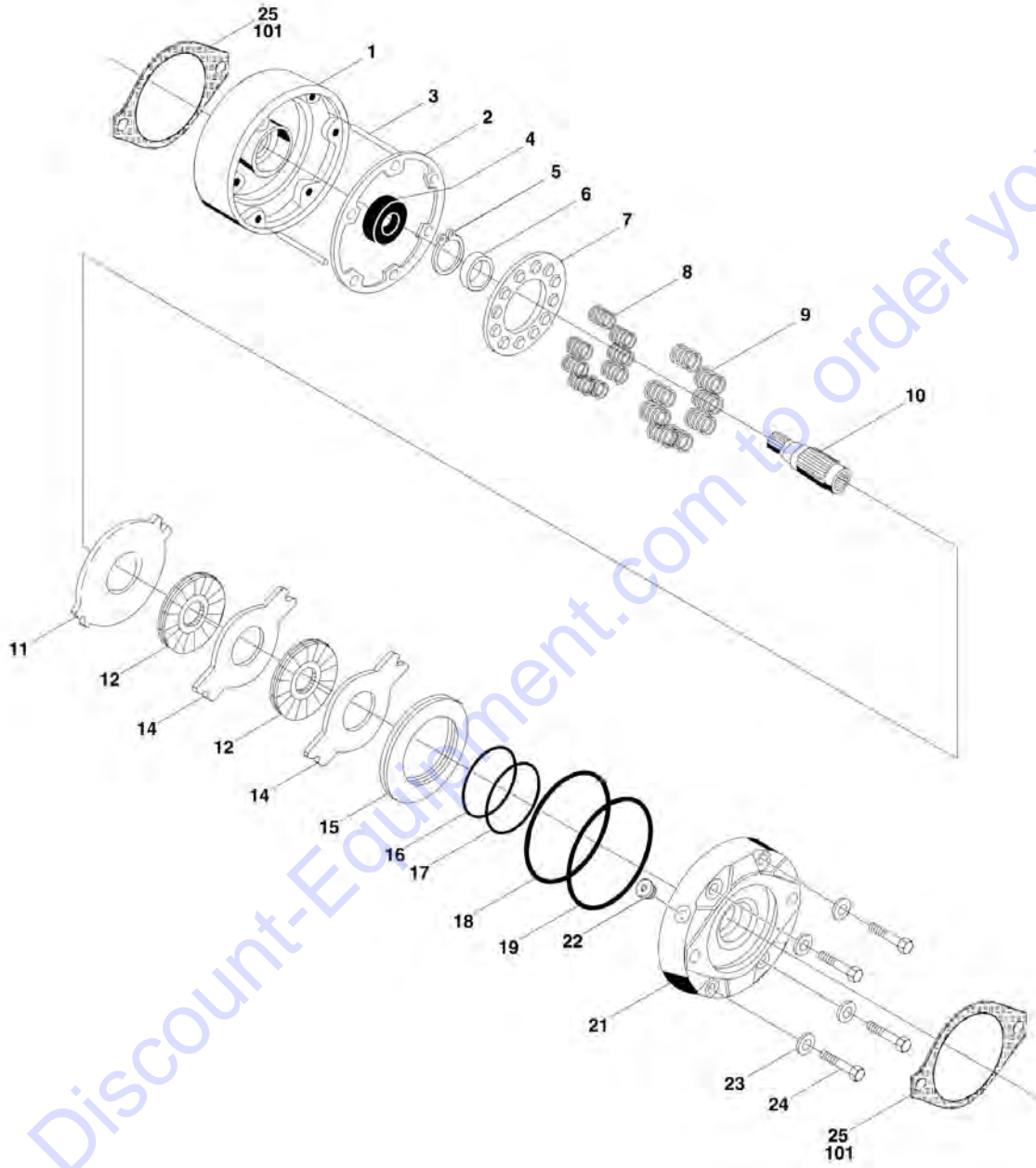
SECTION 1 - FRAME

ITEM	PART NUMBER	QTY	DESCRIPTION	REV
204	4860179	1	16.5 x 12 (Use with 33/1550 x 16.5 Tires)	
204	4860193	1	16.1 x 14 (Use with 33/16LL x 16.1 Tires)	

Go to Discount-Equipment.com to order your parts

SECTION 1 - FRAME

FIGURE 1-5. DRIVE BRAKE ASSEMBLY



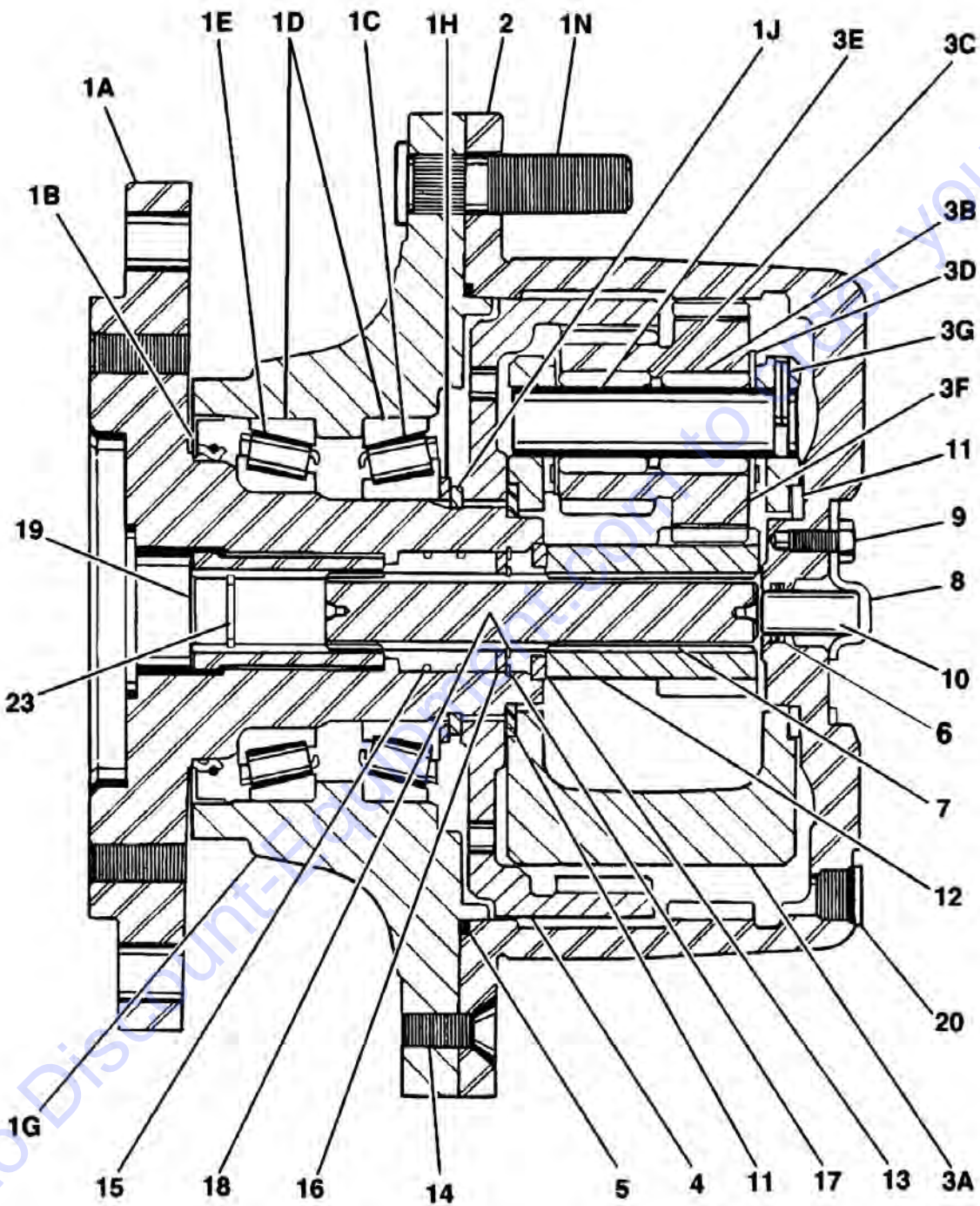
SECTION 1 - FRAME

FIGURE 1-5. DRIVE BRAKE ASSEMBLY

ITEM	PART NUMBER	QTY	DESCRIPTION	REV
	0920112	Ref	DRIVE BRAKE ASSEMBLY (Prior to SN 0300056958)	D
1	7003451	1	Housing	
2	7003452	1	Gasket	
3	7003094	2	Pin, Torque	
4	7003049	1	Bearing, Ball	
5	7003453	1	Ring, Retaining	
6	7003050	1	Seal	
7	7003454	1	Retainer, Spring	
8	7000798	10	Spring, Compression (Small)	
9	7000782	10	Spring, Compression (Large)	
10	7003455	1	Shaft	
11	7003456	1	Disc, Primary	
12	7003457	2	Disc, Rotating	
14	7003459	2	Disc, Stationary	
15	7003460	1	Piston	
16	7000722	1	Ring, Back-Up	
17	7000723	1	O-Ring	
18	7000724	1	Ring, Back-Up	
19	7000725	1	O-Ring	
21	7003461	1	Plate, Power	
22	7000728	1	Plug, Protective	
23	7003462	4	Flatwasher 1/2in	
24	7003463	4	Bolt 1/2in-13NC	
25	7000731	2	Gasket	
	Not Available	1	Seal Kit - 0920112 Brake	
	0920117	Ref	DRIVE BRAKE ASSEMBLY (NOT SHOWN) (SN 0300056958 through 0300065080)	B
101	7000731	2	Gasket (Located between Hub/Brake and Brake/Motor)	
101	7018612	1	Kit, Repair - 0920117 Brake	
101	7018613	2	Screw, Washer Head Cap (Securing Pressure Plate to Cover Plate)	
		Ref	Note: No Other Serviceable Parts Available.	

SECTION 1 - FRAME

FIGURE 1-6. DRIVE HUB ASSEMBLY (Prior to SN 0300039594)



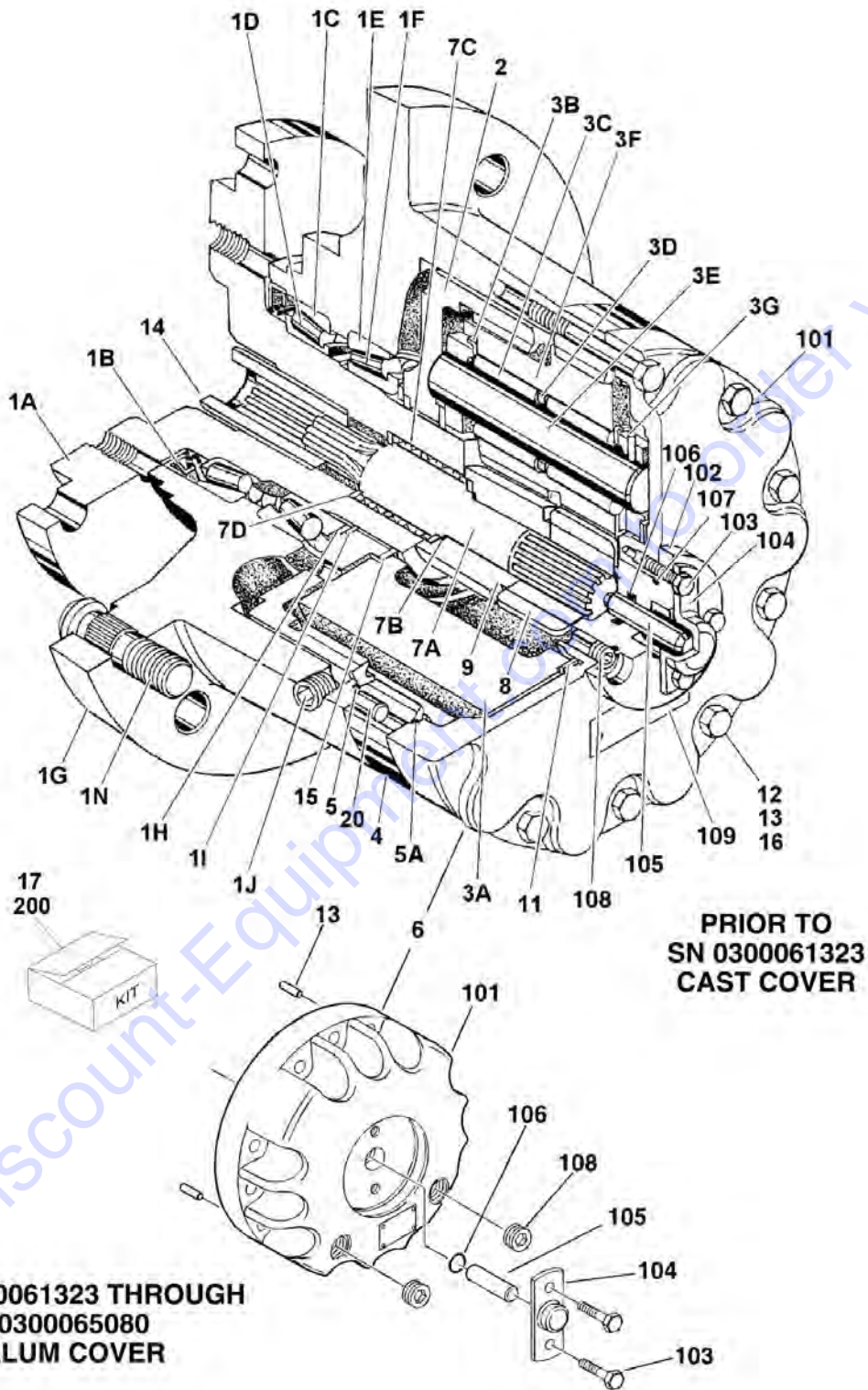
SECTION 1 - FRAME

FIGURE 1-6. DRIVE HUB ASSEMBLY (Prior to SN 0300039594)

ITEM	PART NUMBER	QTY	DESCRIPTION	REV
	2780224	Ref	DRIVE HUB ASSEMBLY	A
1	See Note	1	Spindle/Housing Assembly (Includes Items 1A-1N) (Note: Purchase Individual Components)	
1A	7017004	1	Spindle	
1B	7017010	1	Seal	
1C	7017006	1	Cone, Bearing	
1D	7017007	2	Cup, Bearing	
1E	7017008	1	Cone, Bearing	
1G	7017005	1	Housing	
1H	7017009	1	Washer, Thrust	
1J	7017021	1	Ring, Retaining	
1N	7007640	9	Stud, Wheel	
2	7017018	1	Gear, Ring	
3	Not Available	1	Carrier Assembly	
	See Note	1	Carrier Assembly (Includes Items 3A-3G) (Note: Purchase Individual Components)	
3A	7017015	1	Carrier	
3B	7017019	96	Bearing, Needle	
3C	7000263	3	Spacer, Thrust	
3D	7017014	6	Flatwasher, Tanged	
3E	7017013	3	Shaft, Planet	
3F	7017016	3	Gear, Cluster	
3G	7010474	3	Rollpin	
4	7017017	1	Gear, Internal	
5	7017011	1	O-Ring	
6	7000213	1	O-Ring	
7	7017024	1	Shaft, Input	
8	7000211	1	Cap, Disengage	
9	0641404	2	Bolt 1/2in-20NC x 1/2in	
10	7017029	1	Rod, Disengage	
11	7000253	2	Washer, Thrust	
12	7017012	1	Gear, Sun	
13	7017020	1	Washer, Thrust	
14	7017022	3	Screw, Socket Head Countersunk 3/8in-16NC	
15	7017026	1	Spring	
16	7010421	1	Washer, Thrust	
17	7007620	1	Ring, Retaining	
18	7017027	1	Ring, Retaining	
19	7017025	1	Coupling	
20	7017023	2	Plug, Pipe	
21	See Note	NSS	Plate, ID (Not Shown) (Note: Not Available for Purchase)	
22	7000281	4	Screw, Drive (Not Shown - Installs Item 21)	
23	7017028	1	Ring, Retaining	

SECTION 1 - FRAME

FIGURE 1-7. DRIVE HUB ASSEMBLY (SN 0300039594 through 0300065080)



SECTION 1 - FRAME

FIGURE 1-7. DRIVE HUB ASSEMBLY (SN 0300039594 through 0300065080)

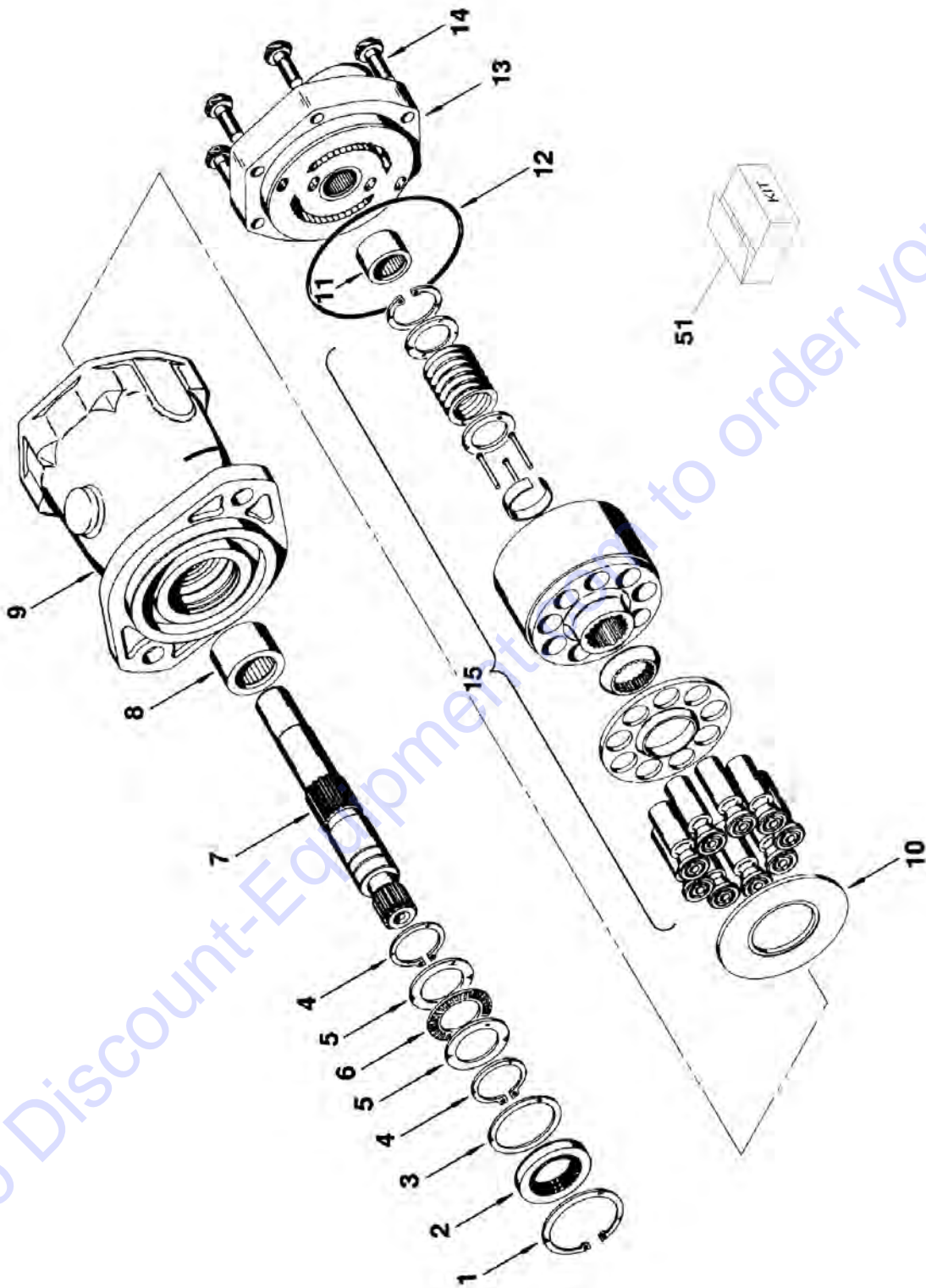
ITEM	PART NUMBER	QTY	DESCRIPTION	REV
	2780235	Ref	DRIVE HUB ASSEMBLY	B
1	See Note	1	Spindle/Housing Assembly (Includes Items 1A-1N) (Note: Purchase Individual Components)	
1A	7017059	1	Spindle	
1B	7001998	1	Seal	
1C	7010429	1	Cone and Cup, Bearing (Includes 1C & 1D)	
1D	7010429	1	Cone and Cup, Bearing (Includes 1C & 1D)	
1E	7000257	1	Cone, Bearing	
1F	7000258	1	Cup, Bearing	
1G	7007601	1	Housing	
1H	7000232	1	Washer, Thrust	
1I	7000229	1	Ring, Retaining	
1J	See Note	1	Plug, Pipe (Note: Not Available for Purchase)	
1N	7007640	9	Stud, Wheel	
2	7000246	1	Gear, Ring	
3	See Note	1	Carrier Assembly (Includes Items 3A-3G) (Note: Purchase Individual Components)	
3A	7001931	1	Carrier	
3B	7001985	6	Flatwasher, Tanged	
3C	7001909	96	Bearing, Needle	
3D	7000263	3	Spacer, Thrust	
3E	7001911	3	Shaft, Planet	
3F	7007643	3	Gear, Cluster	
3G	7010474	3	Rollpin	
4	7000203	1	Gear, Internal	
5	7000230	1	O-Ring	
5A	7000230	1	O-Ring (Black) (Prior to SN 0300061323)	
5A	7017070	1	O-Ring (White) (SN 0300061323 through 0300065080)	
6	See Note	1	Cover Assembly (Includes Items 101 - 109) (Note: Purchase Individual Components)	
7	See Note	1	Input Shaft Assembly (Includes Item 7A-7D) (Note: Purchase Individual Components)	
7A	7000250	1	Shaft, Input	
7B	7000261	1	Ring, Retaining	
7C	7000262	1	Spring	
7D	7000263	2	Spacer, Thrust	
8	7000201	1	Gear, Sun	
9	7000252	1	Spacer, Thrust	
11		Ref	Spacer, Thrust Options:	
11	7000253	2	Spacer, Thrust (Prior to SN 0300061323)	
11	7017096	1	Spacer, Thrust (SN 0300061323 through 0300065080)	
12		Ref	Bolt (Grade 8) Options:	
12	7000217	12	Bolt (Grade 8) (Prior to SN 0300061323)	
12	7017067	12	Bolt (Grade 8) (SN 0300061323 through 0300065080)	
13		Ref	Hardware Options:	
13	7000214	4	Bolt, Shoulder (Grade 8) (Prior to SN 0300061323)	
13	7017080	4	Dowel Pin (SN 0300061323 through 0300065080)	
14	7017060	1	Coupling	
16	7007603	12	Flatwasher	
17	7017063	1	Seal Kit	

SECTION 1 - FRAME

ITEM	PART NUMBER	QTY	DESCRIPTION	REV
		Ref	COVER ASSEMBLIES	
	See Note	Ref	Cover Assembly Cast (Use Item 200 as Replacement) (Prior to SN 0300061323)	
	See Note	Ref	Cover Assembly Aluminum (Use Item 200 as Replacement) (SN 0300061323 through 0300065080)	
101		Ref	Cover Options:	
101	See Note	1	Cover (Use Item 200) (Prior to SN 0300061323)	
101	7017091	NLA	Cover (Use Item 200) (SN 0300061323 through 0300065080)	
102		Ref	Cap Options:	
102	7000227	NLA	Cap (Use Item 200) (Prior to SN 0300061323)	
102	Not Required	0	Cap (SN 0300061323 through 0300065080)	
103		Ref	Bolt Options:	
103	7000220	4	Bolt 1/4in-20NC x 3/4in (Prior to SN 0300061323)	
103	7000216	2	Bolt 1/4in-20NC x 1/2in (SN 0300061323 through 0300065080)	
104		Ref	Cap, Disengage Options:	
104	7000211	NLA	Cap, Disengage (Use Item 200) (Prior to SN 0300061323)	
104	7017093	NLA	Cap, Disengage (Use Item 200) (SN 0300061323 through 0300065080)	
105		Ref	Rod, Disengage Options:	
105	7017062	NLA	Rod, Disengage (Use Item 200) (Prior to SN 0300061323)	
105	7017092	NLA	Rod, Disengage (Use Item 200) (SN 0300061323 through 0300065080)	
106		Ref	O-Ring Options:	
106	7000213	1	O-Ring (Prior to SN 0300061323)	
106	7017095	1	O-Ring (SN 0300061323 through 0300065080)	
107		Ref	O-Ring Options:	
107	7000215	1	O-Ring (Prior to SN 0300061323)	
107	Not Required	0	O-Ring (SN 0300061323 through 0300065080)	
108		Ref	Plug, Pipe	
108	7017048	1	Plug, Pipe (Prior to SN 0300061323)	
108	7017094	2	Plug, Pipe (SN 0300061323 through 0300065080)	
109	See Note	NSS	Plate, Identification (Note: Not Available for Purchase)	
		Ref	Cover Kit Options:	
200	See Note	NLA	Cast Cover (Note: Use p/n 7017099) (Prior to SN 0300061323)	
200	7017099	NLA	Aluminum Cover Replacement for Cast Cover (Includes Items 5, 5A, 11, 12, 13, 101, & 103-109) (Prior to SN 0300061323)	
200	7017090	NLA	Aluminum Cover (Includes Items 5A & 101) (SN 0300061323 through 0300065080)	

SECTION 1 - FRAME

FIGURE 1-8. DRIVE MOTOR ASSEMBLY - REAR



SECTION 1 - FRAME

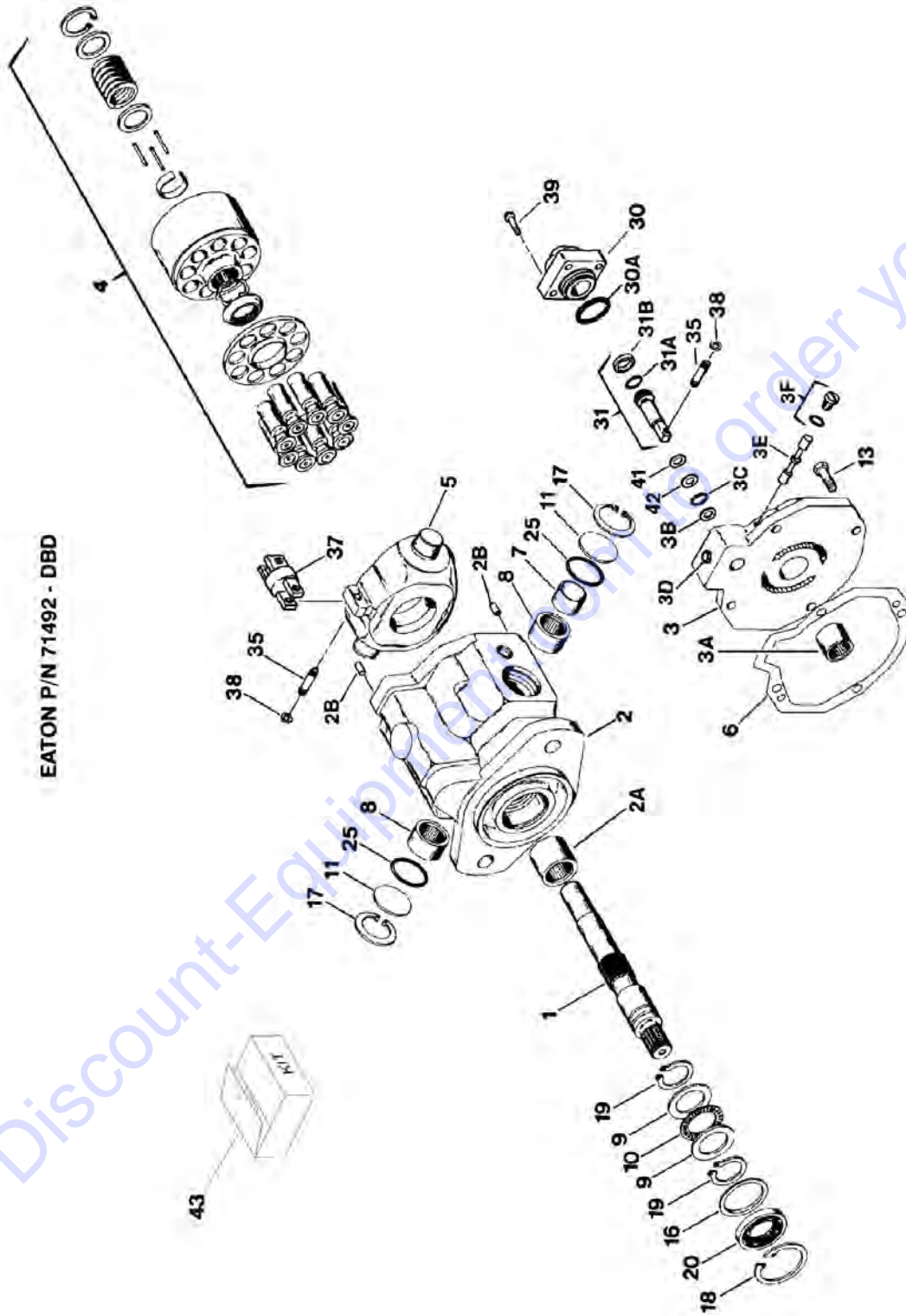
FIGURE 1-8. DRIVE MOTOR ASSEMBLY - REAR

ITEM	PART NUMBER	QTY	DESCRIPTION	REV
	3160158	Ref	DRIVE MOTOR ASSEMBLY - REAR	-
1	See Note	NSS	Ring, Retaining (Note: Use Item 51)	
2	See Note	NSS	Seal, Shaft (Note: Use Item 51)	
3	7004906	1	Washer	
4	See Note	NSS	Ring, Retaining (Note: Use Item 51)	
5	7004907	2	Race, Thrust	
6	7004908	1	Bearing, Thrust	
7	7007874	1	Shaft, Splined	
8	7004910	1	Bearing	
9	7007875	1	Housing Assembly (Includes Item 8)	
10	7007876	1	Insert, Camplate	
11	7004917	1	Bearing	
12	See Note	NSS	O-Ring (Note: Use Item 51)	
13	7007878	1	Back Plate Assembly (Includes Item 11)	
14	7007879	6	Bolt	
15	7007880	1	Rotating Kit Assembly (Sold as an Assembly Only)	
51	2900714	1	Seal Kit (Includes Items 1, 2, 4 & 12)	

Go to Discount-Equipment.com to order your parts

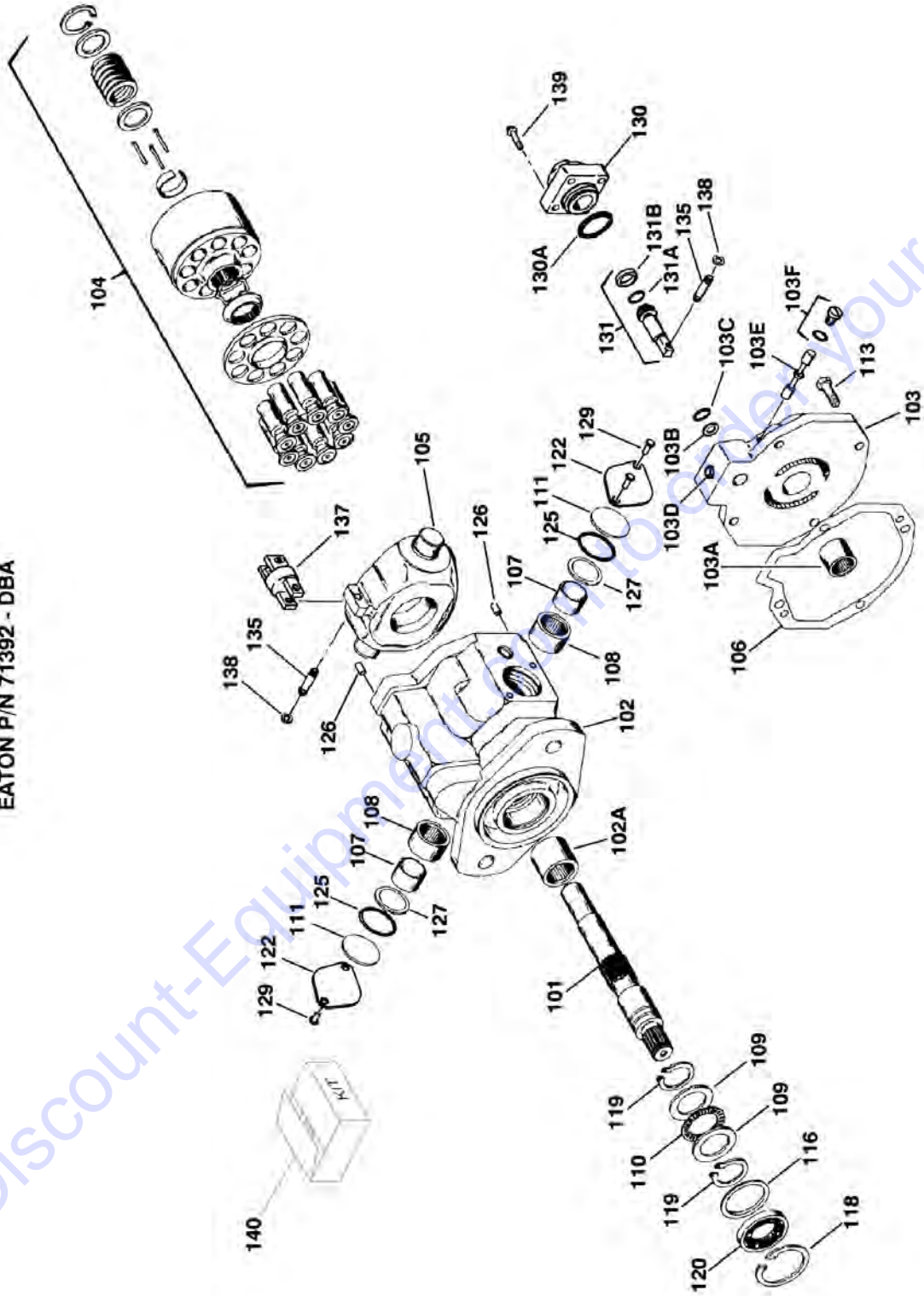
SECTION 1 - FRAME

FIGURE 1-9. DRIVE MOTOR ASSEMBLY - FRONT



SECTION 1 - FRAME

EATON P/N 71392 - DBA



SECTION 1 - FRAME

FIGURE 1-9. DRIVE MOTOR ASSEMBLY - FRONT

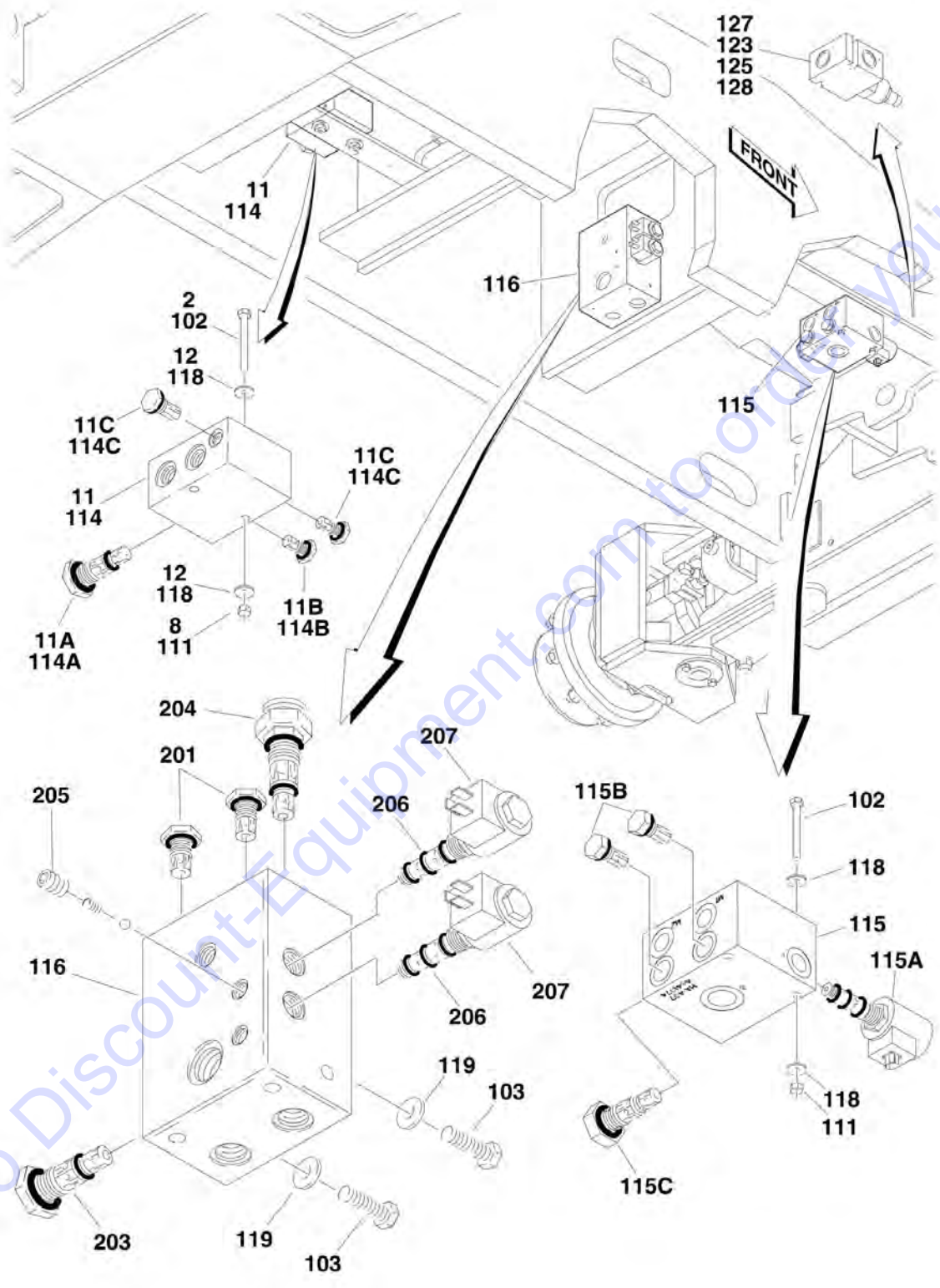
ITEM	PART NUMBER	QTY	DESCRIPTION	REV
		Ref	Note: Drive Motor p/n 3160227 is no longer available. Replace complete drive motor with Service Replacement Drive Motor p/n 1001096417	
		Ref	Note: Visually identify the drive motor by Eaton part number before ordering replacement parts.	
	3160227	Ref	DRIVE MOTOR ASSEMBLY - FRONT (EATON P/N 71492 - DBD)	B
1	7020313	1	Shaft, Splined	
2	7020314	1	Housing	
2A	7004910	1	Bearing	
2B	See Note	2	Rollpin (Note: Purchase Locally)	
3	7020344	1	Back Plate Assembly	
3A	7004917	1	Bearing	
3B	See Note	NSS	Washer (Note: Use Item 43)	
3C	See Note	NSS	O-Ring (Note: Use Item 43)	
3D	7020350	1	Plug	
3E	7020349	1	Spool, Shuttle	
3F	7020348	2	Plug	
4	7020315	1	Rotating Kit Assembly (Sold As An Assembly Only)	
5	7020316	1	Camplate	
6	7020317	1	Gasket	
7	7020318	1	Race, Inner	
8	7020319	2	Bearing, Needle	
9	7020320	2	Race, Thrust	
10	7020321	1	Bearing, Thrust	
11	7020322	2	Cover, Trunnion	
13	7020323	4	Bolt	
16	7020324	1	Washer	
17	7020325	2	Ring, Retaining	
18	7020326	1	Ring, Retaining	
19	7020327	2	Ring, Retaining	
20	7020328	1	Seal, Shaft	
25	7020329	2	O-Ring	
30	7020330	1	Housing, Control Piston	
30A	See Note	NSS	O-Ring (Note: Use Item 43)	
31	7020331	1	Piston Control	
31A	See Note	NSS	O-Ring (Note: Use Item 43)	
31B	See Note	NSS	Ring, Slipper (Note: Use Item 43)	
35	7020345	2	Pin, Connector	
37	7020332	2	Plate, Connector	
38	7020333	2	Ring, Retaining	
39	7020334	4	Bolt	
41	See Note	NSS	Washer (Note: Use Item 43)	
42	See Note	NSS	O-Ring (Note: Use Item 43)	
43	7020347	1	Seal Kit - Complete (Includes items 3B, 3C, 6, 16, 17, 18, 19, 20, 25, 30A, 31A, 31B, 38, 41 & 42)	
	1001096417	Ref	DRIVE MOTOR ASSEMBLY - FRONT (EATON P/N 71392 - DBA)	A
101	7004912	1	Shaft, Splined	
102	See Note	NSS	Housing (Note: Use p/n 1001096417)	
102A	7004910	1	Bearing	
103	70002542	1	Back Plate Assembly	

SECTION 1 - FRAME

ITEM	PART NUMBER	QTY	DESCRIPTION	REV
103A	Not Available	1	Bearing	
103B	See Note	NSS	Washer (Note: Use Item 140)	
103C	See Note	NSS	O-Ring (Note: Use Item 140)	
103D	See Note	NSS	Plug (Note: Use p/n 70002542)	
103E	See Note	NSS	Spool, Shuttle (Note: Use p/n 70002542)	
103F	See Note	NSS	Plug (Note: Use p/n 70002542)	
104	7004916	1	Rotating Kit Assembly (Sold as an Assembly Only)	
105	70002534	1	Camplate	
106	See Note	NSS	Gasket (Note: Use Item 140)	
107	7004911	2	Race, Inner	
108	7004914	2	Bearing, Needle	
109	7004907	2	Race, Thrust	
110	7004908	1	Bearing, Thrust	
111	70002535	2	Cover, Trunnion	
113	7020323	4	Bolt	
116	7004906	1	Washer	
118	See Note	NSS	Ring, Retaining (Note: Use Item 140)	
119	See Note	NSS	Ring, Retaining (Note: Use Item 140)	
120	See Note	NSS	Seal, Shaft (Note: Use Item 140)	
122	70002536	2	Cover	
124	70002537	1	Plate, Valve (Not Shown - Located Between Items 102 & 103)	
125	See Note	NSS	O-Ring (Note: Use Item 140)	
126	70002538	2	Rollpin	
127	70002539	2	Washer	
129	70002540	4	Screw, Pan Head	
130	7004939	1	Housing, Control Piston	
130A	See Note	NSS	O-Ring (Note: Use Item 140)	
131	70002541	1	Piston Control	
131A	See Note	NSS	O-Ring (Note: Use Item 140)	
131B	See Note	NSS	Ring, Slipper (Note: Use Item 140)	
135	7004929	2	Pin, Connector	
137	7004928	2	Plate, Connector	
138	See Note	NSS	Ring, Retaining (Note: Use Item 140)	
139	7004938	4	Bolt	
140	7020347	1	Seal Kit - Complete (Includes items 103B, 103C, 106, 118, 119, 120, 125, 130A, 131A, 131B & 138)	

SECTION 1 - FRAME

FIGURE 1-10. DRIVE VALVES INSTALLATIONS



SECTION 1 - FRAME

FIGURE 1-10. DRIVE VALVES INSTALLATIONS

ITEM	PART NUMBER	QTY	DESCRIPTION	REV
		Ref	DRIVE VALVES INSTALLATION - 2WD	
	0258020	Ref	Drive Valves Installation - 2WD (Prior to SN 0300056958)	E
	0270207	Ref	Drive Valves Installation - 2WD (SN 0300056958 through 0300065080)	B
2	0641532	2	Bolt 5/16in-18NC x 4in	
8	3311505	2	Locknut 5/16in-18NC	
11		Ref	Flow Divider Valve Assembly Options:	
11	4640923	1	Valve (Not Shown) (Prior to SN 0300037577)	
11	7012992	1	Valve, Cartridge	
11	7021625	1	Seal Kit - 7012992 Cartridge	
11	7012993	1	Orifice	
11	4641041	1	Valve (SN 0300037577 through 0300065080)	C
11A	7022396	1	Valve, Cartridge (Flow Divider) (Was p/n 7017442)	
11A	7021625	1	Seal Kit - 7022396 Cartridge	
11B	7022398	1	Valve, Cartridge (Load Shuttle) (Was p/n 7010542)	
11B	7023900	1	Seal Kit - 7022398 Cartridge	
11C	7022397	2	Valve, Cartridge (Check) (Was p/n 7012930)	
11C	7022399	2	Seal Kit - 7022397 Cartridge	
11C	See Note	NSS	Orifice (Note: Not Available for Purchase)	
12	4751500	4	Flatwasher 5/16in	
		Ref	DRIVE VALVES INSTALLATION - 4WD	
	0258021	Ref	Drive Valves Installation - 2WD (Prior to SN 0300056958)	F
	0270208	Ref	Drive Valves Installation - 2WD (SN 0300056958 through 0300065080)	C
101	0100011	AR	Loctite #242 (Not Shown)	
102	0641532	4	Bolt 5/16in-18NC x 4in	
103	0641612	2	Bolt 3/8in-16NC x 1 1/2in	
111	3311505		Locknut 5/16in-18NC	
114		Ref	Flow Divider Valve Assembly Options:	
114	4640923	1	Valve (Not Shown) (Prior to SN 0300037577)	
114	7012992	1	Valve, Cartridge	
114	7021625	1	Seal Kit - 7012992 Cartridge	
114	7012993	1	Orifice	
114	4641041	1	Valve (SN 0300037577 through 0300065080)	C
114A	7022396	1	Valve, Cartridge (Flow Divider) (Was p/n 7017442)	
114A	7021625	1	Seal Kit - 7022396 Cartridge	
114B	7022398	1	Valve, Cartridge (Load Shuttle) (Was p/n 7010542)	
114B	7023900	1	Seal Kit - 7022398 Cartridge	
114C	7022397	2	Valve, Cartridge (Check) (Was p/n 7012930)	
114C	7022399	2	Seal Kit - 7022397 Cartridge	
114C	See Note	NSS	Orifice (Note: Not Available for Purchase)	
115		Ref	Flow Divider Valve Assembly Options:	
115	4640937	1	Valve (Not Shown) (Prior to SN 0300037577)	
115	7012993	1	Orifice	
115	7012978	1	Valve, Cartridge	
115	7021625	1	Seal Kit - 7012978 Cartridge	
115	4641074	1	Valve (SN 0300037577 through 0300065080)	B
115	7012994	1	Orifice	
115A	7012943	1	Coil	
115A	7017475	1	Valve, Cartridge (Solenoid)	

SECTION 1 - FRAME

ITEM	PART NUMBER	QTY	DESCRIPTION	REV
115A	7012901	1	Seal Kit - 7017475 Cartridge	
115B	7012930	2	Valve, Cartridge (Check)	
115B	2900756	2	Seal Kit - 7012930 Cartridge	
115C	7021657	1	Valve, Cartridge (Flow Divider) (Was p/n 7012980)	
115C	7021625	1	Seal Kit - 7021657 Cartridge	
116	4641039	1	Valve Assembly (See Items 201 to 207 for Breakdown)	
118	4751500	8	Flatwasher 5/16in	
119	4751600	2	Flatwasher 3/8in	
123	0641418	1	Bolt 1/4in-20NC x 2 1/4in	
125	3311405	1	Locknut 1/4in-20NC	
127	4641073	1	Valve Assembly Only (SN 0300038566 through 0300065080)	
127	7012901	1	Seal Kit - 4641073 Valve	
128	4751400	2	Flatwasher 1/4in	
	4641039	Ref	VALVE ASSEMBLY	D
201	4641193	2	Valve, Cartridge (Check) (was p/n 7012930)	
201	7017496	2	Seal Kit - 7012930 & 4641193 Valves (1 per Cartridge)	
203		Ref	Valve, Cartridge Options (Fixed Flow Control):	
203	7021658	1	Valve - Was p/n 7017442 (Prior to SN 0300037577)	
203	7021658	1	Valve - Was p/n 7012979 (SN 0300037577 through 0300065080)	
203	7021625	1	Seal Kit - 7021658 Valve	
204	7017439	1	Valve, Cartridge (Flow Divider/Combiner)	
204	7012925	1	Seal Kit - 7017439 Valve	
205	7017440	1	Valve, Cartridge (Shuttle)	
205	7017441	1	Seal Kit - 7017440 Valve	
206	7021612	2	Valve, Cartridge Less Coil (Select and High Speed)	
206	7010543	2	Seal Kit - 7021612 Valve (1 per Cartridge)	
207	7012944	2	Coil	
207	7017403	1	Waterproof Kit	

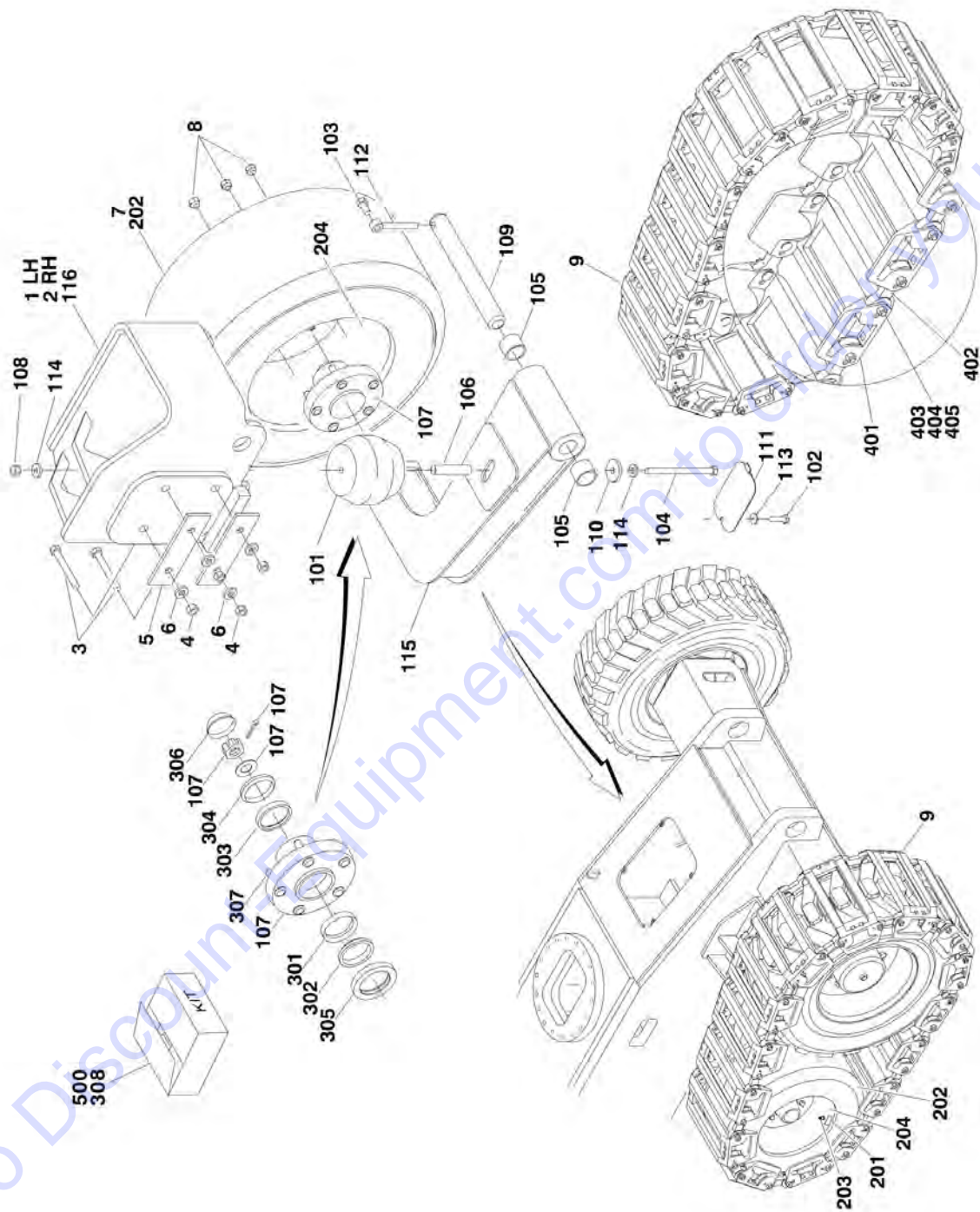
SECTION 1 - FRAME

FIGURE 1-11. TOW BAR INSTALLATION

ITEM	PART NUMBER	QTY	DESCRIPTION	REV
	0259845	Ref	TOW BAR INSTALLATION - 2WD	B
2	0641505	2	Bolt 5/16in-18NC x 5/8in	
7	3572102	1	Plate (Weld on Part)	
9	3841329	1	Rod, Extension	
10	4640261	1	Steer/Tow Select Valve	
11	4711500	2	Flatwasher 5/16in	
12	4761600	1	Lockwasher 3/8in	
	0259853	Ref	TOW BAR ASSEMBLY	B
101	0362910	1	Pintle, Draw Eye	
102	0682016	4	Bolt 5/8in-11NC x 2in	
103	0741607	24	Flat Head Socket Screw 3/8in-16NC x 5/8in	
104	1060584	6	Cable, Lanyard	
105	3272005	4	Locknut 5/8in-11NC	
106	0100011	AR	Loctite #242 (Not Shown)	
107	3420372	2	Pin, Cotter	
108	3420447	1	Pin, Towing	
109	3421565	2	Pin, Snapper	
110	3422841	2	Pin	
111	3422847	1	Pin	
112	3572009	2	Plate, Slide Stop	
113	3572010	2	Plate, Slide Stop	
114	3572011	2	Plate, Slide Stop	
115	3572012	2	Plate, Slide Stop	
116	3760170	8	Ring, Split	
117	4568033	1	Tube, Tow Bar	
118	0721004	8	Screw #10-24NC x 1/2in	
119	4740036	1	Flatwasher	
120	4751000	2	Flatwasher #10 (Wide)	
121	4846168	1	Weldment, Tow Bar Attach	
122	4846169	1	Weldment, Pintle Attach	
	0270115	Ref	TOW BAR DECAL INSTALLATION	1
201	1704482	1	Decal - Tow Instructions (Not Shown Located on Frame Shield)	
202	1704578	3	Decal - Crushing	
203	1703450	1	Decal - Warning	
204	3250872	1	Nameplate - Steer/Tow Select Valve	
205	3820001	4	Rivet	
206	4420051	43	Tape	
		in/109.2cm		

SECTION 1 - FRAME

FIGURE 1-12. SEMI-TRACK INSTALLATION



SECTION 1 - FRAME

FIGURE 1-12. SEMI-TRACK INSTALLATION

ITEM	PART NUMBER	QTY	DESCRIPTION	REV
		Ref	SEMI-TRACK INSTALLATIONS	
	0270183	Ref	IDLER INSTALLATION	2
1	0259665	1	Mount, Idler (Left) (See Items 101-116 for Breakdown)	
2	0259674	1	Mount, Idler (Right) (See Items 101-116 for Breakdown)	
3	0681822	8	Bolt 1/2in-13NC x 2 3/4in (Grade 8)	
4	3271805	8	Locknut 1/2in-13NC (Grade 8)	
5	3571860	4	Plate, Spacer	
6	4891800	8	Flatwasher 1/2in Hardened	
		Ref	TRACK INSTALLATIONS	
	0270185	Ref	12in Soft Track	1
	0270184	Ref	12in Steel Track	1
	0270192	Ref	14in Steel Track	1
7		Ref	Wheel Assembly Options (See Items 201-204 for Breakdown):	
7	0270029	2	12in Track	
7	0270030	2	14in Track	
8	3300255	10	Nut	
9		Ref	Track Options:	
9	Not Available at Time of Printing		12in Soft Track	
9	0270086	2	12in Steel Track (See Items 401-405 for Breakdown)	
9	0270259	2	14in Steel Track (See Items 401-405 for Breakdown)	
		Ref	IDLER MOUNT ASSEMBLIES	
	0259665	Ref	Left Side	C
	0259674	Ref	Right Side	C
101	0020005	1	Absorber, Rubber Spring	
102	0641408	1	Bolt 1/4in-20NC x 1in	
103	0641808	1	Bolt 1/2in-13NC x 1in	
104	0681856	1	Bolt 1/2in-13NC x 7in (Grade 8)	
105	0961948	2	Bearing	
106	0962293	1	Bushing, Track Spring	
107	2780221	1	Hub Assembly (See Items 301-307 for Breakdown)	
108	3271805	1	Locknut 1/2in-13NC (Grade 8)	
109	3422786	1	Pin	
110	3571818	1	Plate	
111	3571833	1	Cover, Bottom	
112	3841203	1	Keeper, Pin	
113	4711400	1	Flatwasher 1/4in Narrow	
114	4891800	2	Flatwasher 1/2in Hardened	
115		Ref	Arm Weldment Options:	
115	4846113	1	Left Side	
115	4846112	1	Right Side	
116		Ref	Bracket Weldment Options:	
116	4846114	1	Left Side	
116	4846126	1	Right Side	
117	0100011	AR	Loctite #242 (Not Shown)	
		Ref	WHEEL ASSEMBLIES	
	0270029	Ref	12in Track	B
	0270030	Ref	14in Track	A
201	1704586	1	Decal, Tire Pressure	
202		Ref	Tire Options:	

SECTION 1 - FRAME

ITEM	PART NUMBER	QTY	DESCRIPTION	REV
202	4520224	1	12in Track	
202	4520234	1	14in Track	
203	4640113	1	Valve, Air	
204		Ref	Rim, Wheel Options:	
204	4860218	1	12in Track	
204	4860215	1	14in Track	
	2780221	Ref	HUB ASSEMBLY	-
301	7012519	1	Cup, Inner Bearing	
302	7012520	1	Cone, Inner Bearing	
303	7012521	1	Cup, Outer Bearing	
304	7012522	1	Cone, Outer Bearing	
305	7012523	1	Seal	
306	1001102354	1	Cap, Dust (Was p/n 7012524)	
307	7016360	5	Stud, Wheel 1/2in-20NF	
308	2900804	1	Bearing Kit (Includes Qty 1 of Items 301-305)	
		Ref	STEEL TRACK ASSEMBLY	
	0270086	Ref	12in Steel Track	
	0270259	Ref	14in Steel Track	
401		Ref	Pad Options:	
401	7020279	30	12in Track Pad	
401	7020287	32	14in Track Pad	
401	7020280	30	12in Track Pad Complete with Links, Bushings and Hdw	
401	7020288	32	14in Track Pad Complete with Links, Bushings and Hdw	
402	7020281	AR	Link (2 Per Pad)	
403	7020282	AR	Bushing (4 Per Pad)	
404	7020283	AR	Bolt, Carriage 1/2inNF x 1 7/8in (4 Per Pad)	
405	7020284	AR	Nut 1/2inNF (4 Per Pad)	
500		Ref	Track Rebuild Kits Options:	
500	7020285	1	Hardware and Bushing Kit for 12in Steel Track	
500	7020289	1	Hardware and Bushing Kit for 14in Steel Track	
500	7020286	1	Link, Hardware and Bushing Kit for 12in Steel Track	
500	7020290	1	Link, Hardware and Bushing Kit for 14in Steel Track	
		Ref	TREAD ACCESSORIES (NOT SHOWN)	
	0270180	Ref	Soft Puck	A
	0240049	64	Puck, Soft	
	0270186	Ref	Flotation Plate	A
	0240050	64	Plate, Flotation	
	0270187	Ref	Ice Pick	A
	0240047	32	Plate, Flotation	

SECTION 2 - TURNTABLE

Go to Discount-Equipment.com to order your parts

PARTS FINDER

**Search Website
by Part Number**



**Search Manual
Library For Parts
Manual & Lookup Part
Numbers – Purchase
or Request Quote**

**Can't Find Part or
Manual? Request Help
by Manufacturer,
Model & Description**

Discount-Equipment.com is your online resource for quality parts & equipment.

Florida: **561-964-4949** Outside Florida TOLL FREE: **877-690-3101**

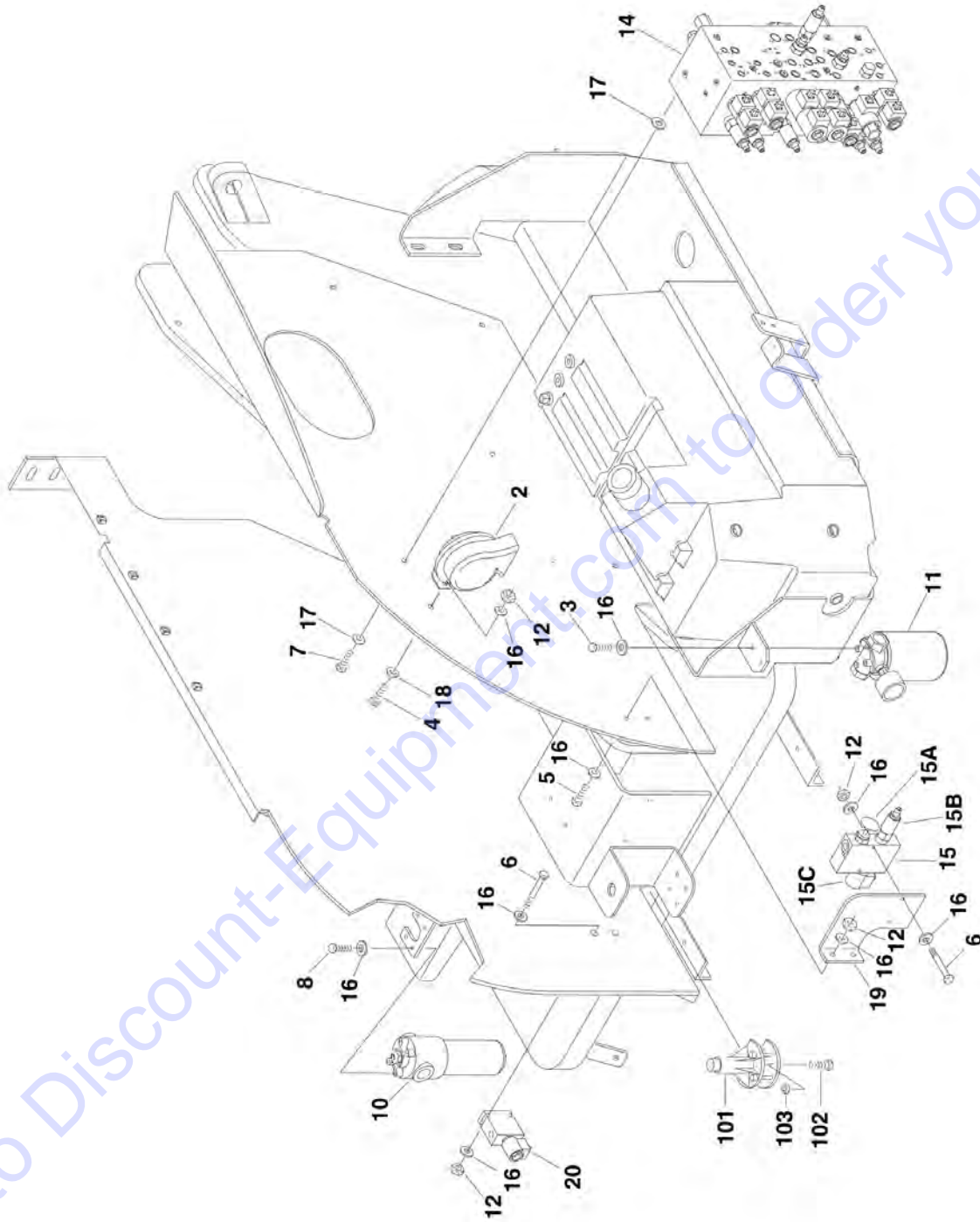
Need parts?

Click on this link: <http://www.discount-equipment.com/category/5443-parts/> and choose one of the options to help get the right parts and equipment you are looking for. Please have the machine model and serial number available in order to help us get you the correct parts. If you don't find the part on the website or on one of the online manuals, please fill out the request form and one of our experienced staff members will get back to you with a quote for the right part that your machine needs.

We sell worldwide for the brands: Genie, Terex, JLG, MultiQuip, Mikasa, Essick, Whiteman, Mayco, Toro Stone, Diamond Products, Generac Magnum, Airman, Haulotte, Barreto, Power Blanket, Nifty Lift, Atlas Copco, Chicago Pneumatic, Allmand, Miller Curber, Skyjack, Lull, Skytrak, Tsurumi, Husquvarna Target, Stow, Wacker, Sakai, Mi-T-M, Sullair, Basic, Dynapac, MBW, Weber, Bartell, Bennar Newman, Haulotte, Ditch Runner, Menegotti, Morrison, Contec, Buddy, Crown, Edco, Wyco, Bomag, Laymor, EZ Trench, Bil-Jax, F.S. Curtis, Gehl Pavers, Heli, Honda, ICS/PowerGrit, IHI, Partner, Imer, Clipper, MMD, Koshin, Rice, CH&E, General Equipment, Amida, Coleman, NAC, Gradall, Square Shooter, Kent, Stanley, Tamco, Toku, Hatz, Kohler, Robin, Wisconsin, Northrock, Oztec, Toker TK, Rol-Air, APT, Wylie, Ingersoll Rand / Doosan, Innovatech, Con X, Ammann, Mecalac, Makinex, Smith Surface Prep, Small Line, Wanco, Yanmar

SECTION 2 - TURNTABLE

FIGURE 2-1. CONTROL VALVES INSTALLATIONS



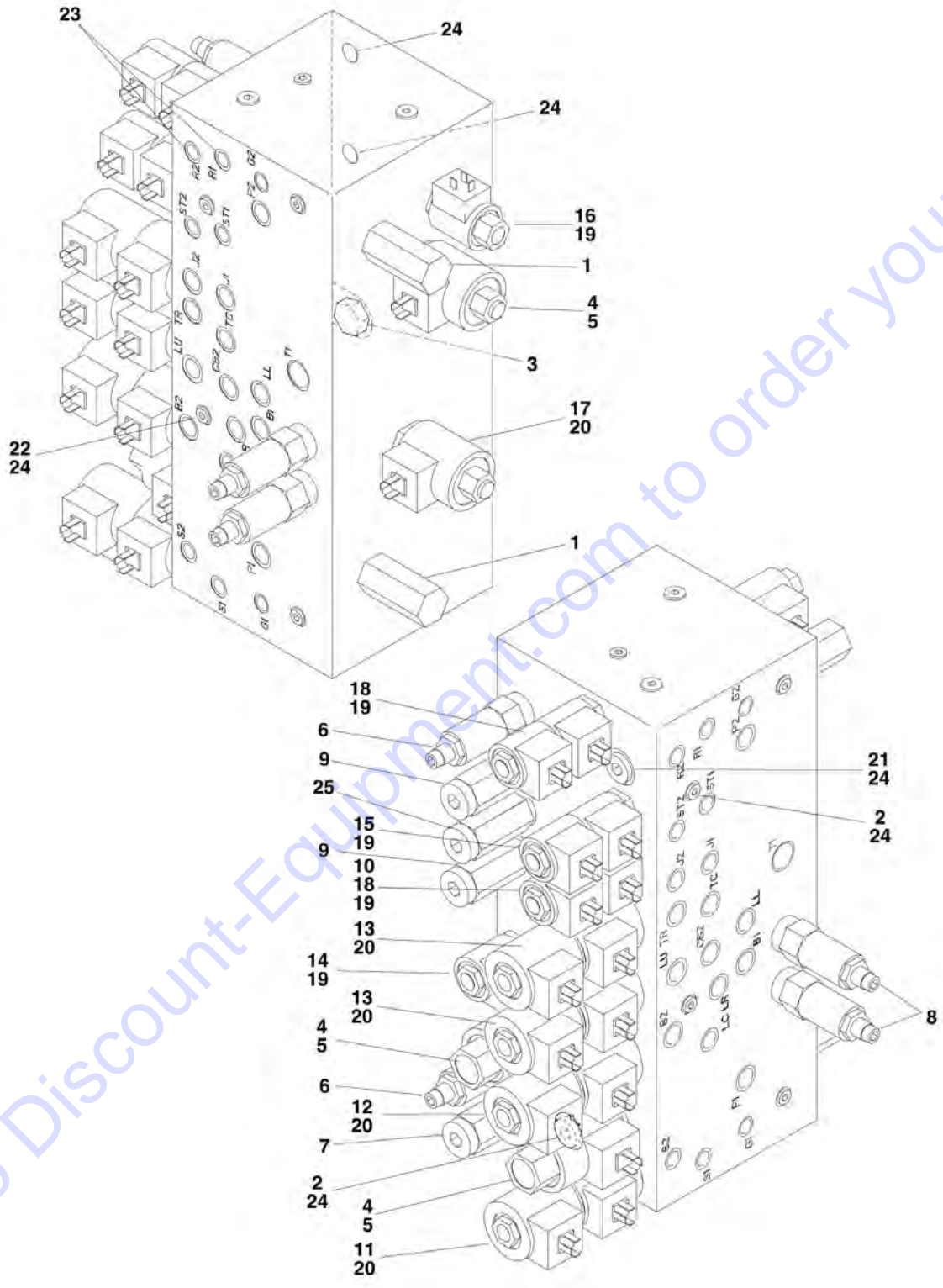
SECTION 2 - TURNTABLE

FIGURE 2-1. CONTROL VALVES INSTALLATIONS

ITEM	PART NUMBER	QTY	DESCRIPTION	REV
		Ref	VALVES INSTALLATIONS	
	0258388	Ref	Valves Installations 450A with Proportional Valves	A
	0258389	Ref	Valves Installations 450AJ with Proportional Valves	B
1	0100011	AR	Loctite #242 (Not Shown)	
2	0140001	1	Horn	
3	0641405	2	Bolt 1/4in-0NC x 5/8in	
4	0641406	1	Bolt 1/4in-20NC x 3/4in	
5	0641408	2	Bolt 1/4in-20NC x 1in	
6	0641416	4	Bolt 1/4in-20NC x 2in	
7	0641607	4	Bolt 3/8in-16NC x 7/8in	
8	0651406	4	Bolt 1/4in-24NF x 3/4in	
10	2120163	1	Pressure Filter Assembly	
10	2120150	1	Element, Filter	
10	7020020	1	Indicator	
10	7023206	1	O-Ring	
10	7023207	1	Ring, Back-up	
11	2120165	1	Hydraulic Oil Filter Assembly	
11	2120158	1	Element, Filter	
11	7020021	1	Indicator, Clogged	
12	3311405	6	Locknut 1/4in-20NC	
13	4921927	1	Harness, Jib (450AJ Only) (Not Shown - See ELECTRICAL SECTION for Breakdown)	
14		Ref	Main Control Valve Assembly Options:	
14	4641056	1	Main Control Valve Assembly 450A w/Proportional Valve (See MAIN CONTROL VALVE ASSEMBLY - PROPORTIONAL for Breakdown)	
14	4641057	1	Main Control Valve Assembly 450AJ w/Proportional Valve (See MAIN CONTROL VALVE ASSEMBLY - PROPORTIONAL for Breakdown)	
15	4641059	1	Valve Assembly - Level	
15A	7017466	1	Cartridge	
15A	2900708	1	Seal Kit - 7017466 Cartridge	
15A	7012959	1	Knob	
15B	7012981	1	Cartridge without Coil	
15B	7012998	1	Seal Kit - 7012981 Cartridge	
15C	7012944	1	Coil	
15C	7017467	1	Cartridge without Coil	
15C	7012967	1	Seal Kit - 7017467 Cartridge	
16	4711400	24	Flatwasher 1/4in Narrow	
17	4711600	8	Flatwasher 3/8in Narrow	
18	4791400	1	Starwasher 1/4in	
19	0902459	1	Bracket, Mounting - Leveling Valve	
20	4640907	1	Solenoid Valve Assembly (Brake)	
20	7012944	1	Coil	
20	7012941	1	Cartridge without Coil	
20	7012907	1	Seal Kit - 7012941 Cartridge	
	0254603	Ref	TILT INDICATOR INSTALLATION	
101	4360371	1	Sensor, Level	-/1
102	0641406	2	Bolt 1/4in-20NC x 3/4in	
103	3311405	2	Locknut 1/4in-20NC	

SECTION 2 - TURNTABLE

FIGURE 2-2. MAIN CONTROL VALVE ASSEMBLY - PROPORTIONAL



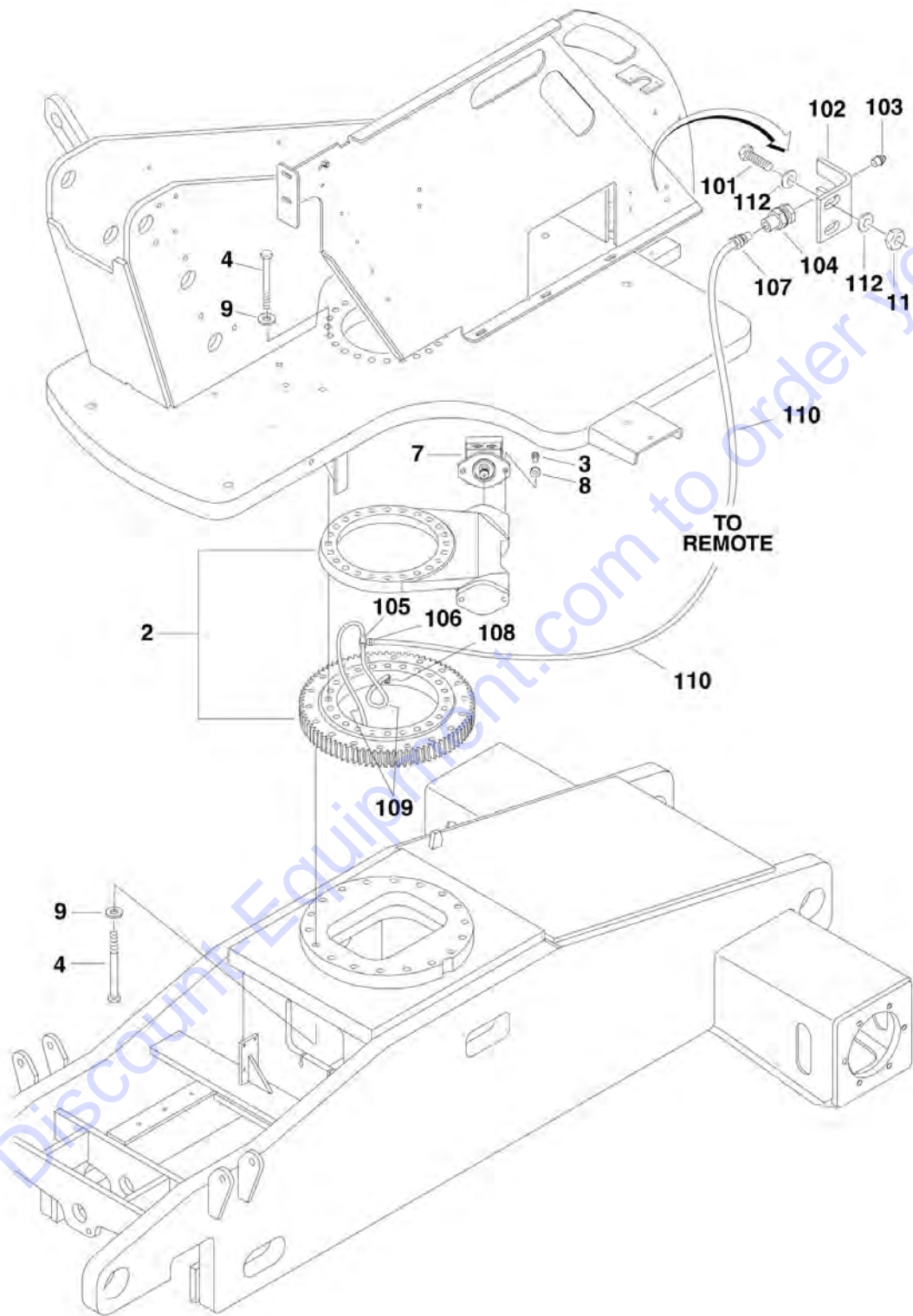
SECTION 2 - TURNTABLE

FIGURE 2-2. MAIN CONTROL VALVE ASSEMBLY - PROPORTIONAL

ITEM	PART NUMBER	QTY	DESCRIPTION	REV
		Ref	PROPORTIONAL VALVE ASSEMBLY	
	4641056	Ref	Proportional Valve Assembly 450A	G
	4641057	Ref	Proportional Valve Assembly 450AJ	F
1	7022360	2	Cartridge, Sequence (Lift and Steer) (Was p/n 7017464)	
1	7022361	2	Seal Kit - 7022360 Cartridge	
2	7017440	2	Cartridge (Load Sensing Shuttle)	
2	7017441	2	Seal Kit - 7017440 Cartridge	
3	7012914	1	Cartridge	
3	7012918	1	Seal Kit - 7012914 Cartridge	
4	7022362	3	Cartridge without Coil (Lift and Swing) (Was p/n 7017450)	
4	7022363	3	Seal Kit - 7022362 Cartridge	
5	7017451	3	Coil	
6	7021613	2	Cartridge, Relief Valve (Main) (Was p/n 7017418)	
6	7012998	2	Seal Kit - 7021613 Cartridge	
7	7021614	1	Cartridge, Relief Valve (Swing) (Was p/n 7017460)	
7	7017461	1	Seal Kit - 7021614 Cartridge	
8	7017448	2	Cartridge, Relief Valve (Level)	
8	7012967	2	Seal Kit - 7017448 Cartridge	
9	7017468	2	Cartridge, Relief Valve (Steer and Telescope)	
9	7017461	2	Seal Kit - 7017468 Cartridge	
10	7017471	1	Cartridge (Only - Not Shown) 450A (Prior to SN 0300046672)	
11	7017469	1	Cartridge without Coil (Swing)	
11	7012903	1	Seal Kit - 7017469 Cartridge	
12	7017470	1	Cartridge without Coil (Lift)	
12	7012903	1	Seal Kit - 7017470 Cartridge	
13	7017454	2	Cartridge without Coil (Telescope and Tower)	
13	7012903	2	Seal Kit - 7017454 Cartridge	
14	7017453	1	Cartridge without Coil (Level)	
14	7017402	1	Seal Kit - 7017453 Cartridge	
15	7017433	1	Cartridge without Coil (Steer)	
15	7017402	1	Seal Kit - 7017433 Cartridge	
16	7017410	1	Cartridge without Coil (Dump)	
16	7012967	1	Seal Kit - 7017410 Cartridge	
17	7017455	1	Cartridge without Coil (Level)	
17	7012967	1	Seal Kit - 7017455 Cartridge	
18	7017452	AR	Cartridge without Coil (Rotate and Jib)	
18	7017402	AR	Seal Kit - 7017452 Cartridge	
19	7012944	AR	Coil	
20	7012943	9	Coil	
21	7012994	1	Orifice	
22	7017457	2	Orifice	
23	7017458	2	Orifice	
24	See Note	AR	Plug (Note: Not Available for Purchase)	
25	7017460	1	Cartridge, Relief Valve (Jib) (450AJ Only)	
25	7017461	1	Seal Kit - 7017460 Cartridge	

SECTION 2 - TURNTABLE

FIGURE 2-3. TURNTABLE AND SWING DRIVE INSTALLATIONS



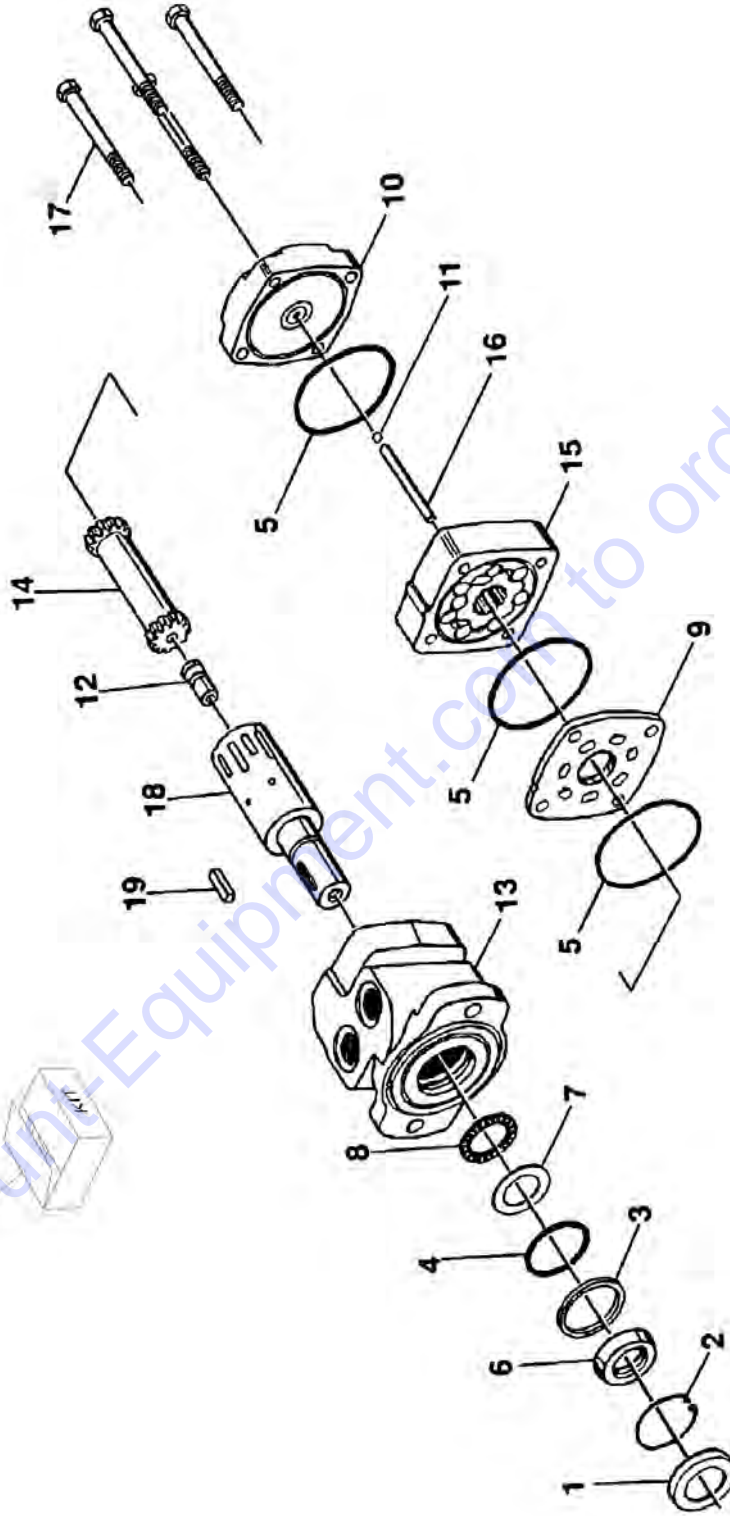
SECTION 2 - TURNTABLE

FIGURE 2-3. TURNTABLE AND SWING DRIVE INSTALLATIONS

ITEM	PART NUMBER	QTY	DESCRIPTION	REV
	0258032	Ref	SWING DRIVE INSTALLATION	A
1	0100019	AR	Loctite #271 (Not Shown)	
2	0440203	1	Swing Bearing and Rotation Box Assembly (See SWING BEARING ASSEMBLY for Breakdown) (Use p/n 0440339)	
3	0681814	2	Bolt 1/2in-13NC x 1 3/4in	
4	0682038	42	Bolt 5/8in-11NC x 4 3/4in	
5	3020029	AR	Lube, Bearing Grease (Not Shown)	
6	3020036	AR	Gear, Lube (Not Shown)	
7	3160182	1	Swing Motor Assembly (See SWING MOTOR ASSEMBLY for Breakdown)	
8	4891800	2	Flatwasher 1/2in	
9	4892000	42	Flatwasher 5/8in	
	0258400	Ref	REMOTE BEARING LUBE INSTALLATION	B
101	0641609	2	Bolt 3/8in-16NC x 1 1/8in	
102	0902109	1	Bracket (Use p/n 0902520)	
103	2160002	1	Fitting, Grease	
104	2180344	1	Fitting, Bulkhead	
105	2180822	1	Fitting, Tee	
106	2200261	1	Fitting, Coupling	
107	2220001	1	Fitting, Straight	
108	2220124	2	Fitting, 45	
109	2750529	2	Hose	
110	2750807	1	Hose	
111	3311605	2	Locknut 3/8in-16NC	
112	4751600	4	Flatwasher 3/8in	

SECTION 2 - TURNTABLE

FIGURE 2-4. SWING MOTOR ASSEMBLY



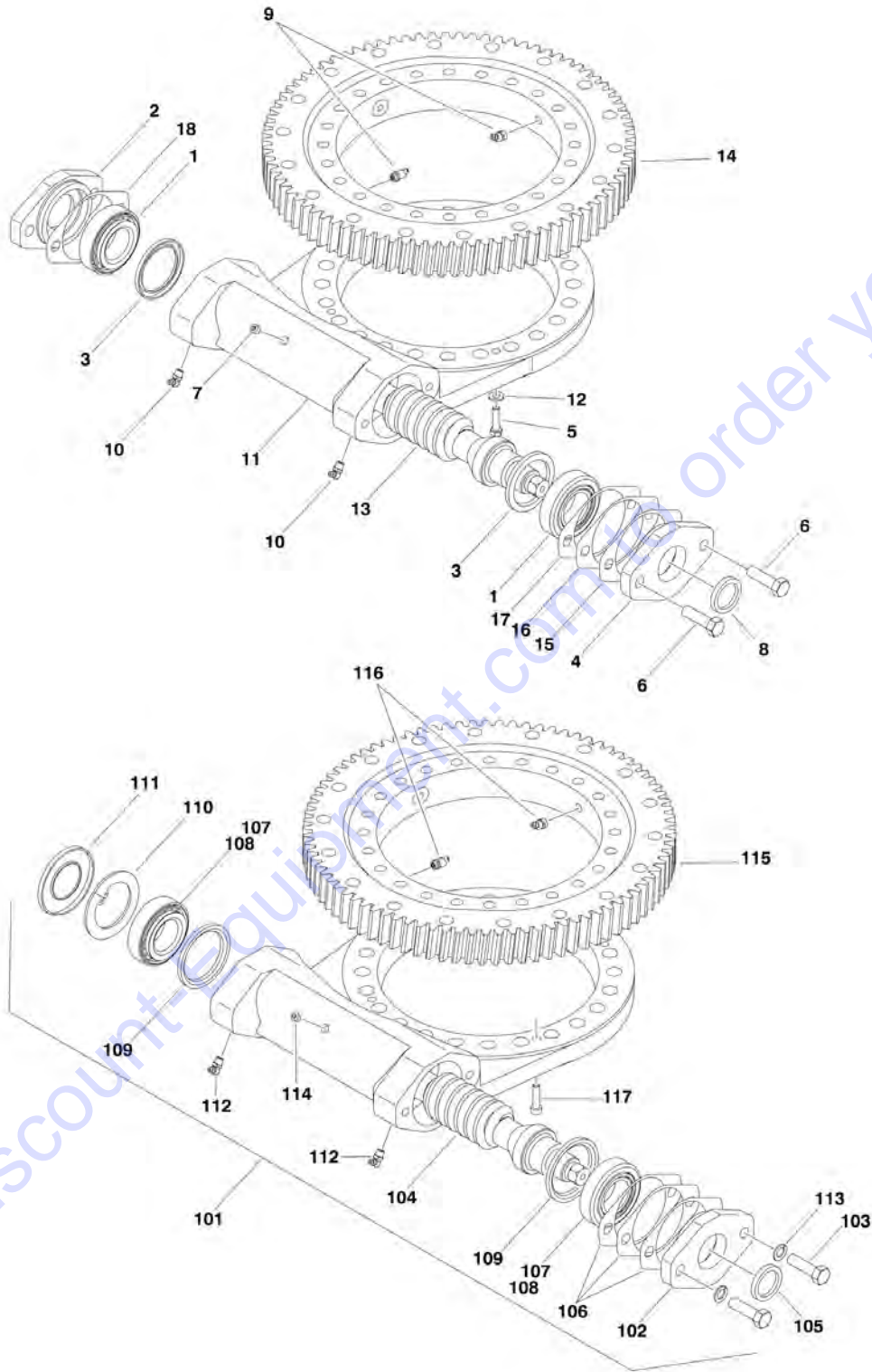
SECTION 2 - TURNTABLE

FIGURE 2-4. SWING MOTOR ASSEMBLY

ITEM	PART NUMBER	QTY	DESCRIPTION	REV
	3160182	Ref	SWING MOTOR ASSEMBLY	-
1	See Note	NSS	Seal, Dust (Note: Use Item 51)	
2	See Note	NSS	Ring, Retaining (Note: Use Item 51)	
3	See Note	NSS	Shim, Back-Up (Note: Use Item 51)	
4	See Note	NSS	Seal, Housing (Note: Use Item 51)	
5	See Note	NSS	Seal, Body (Note: Use Item 51)	
6	See Note	NSS	Seal, Shaft (Note: Use Item 51)	
6	See Note	NSS	Ring, Teflon Back-Up (Note: Use Item 51)	
6	See Note	NSS	Shim, Back-Up (Note: Use Item 51)	
7	See Note	1	Washer, Thrust (Note: Not Available for Purchase)	
8	7005809	1	Bearing, Thrust	
9	7005812	1	Plate, Wear	
10	7005874	1	Cover, End	
11	See Note	AR	Ball (Part of Item 10) (Use p/n 7005874)	
12	7005876	1	Plug, Cooling	
13	7005804	1	Housing	
14	7005811	1	Link, Drive	
15	7005877	1	Rotor Set Assembly	
16	7005878	AR	Pin, Drive Link	
17	7005821	4	Bolt	
18	7005879	1	Shaft	
19	7005880	1	Key	
51	7005881	1	Seal Kit (Includes Items 1-6)	

SECTION 2 - TURNTABLE

FIGURE 2-5. SWING BEARING ASSEMBLY



Go to DiscountEquipment.com to order your parts

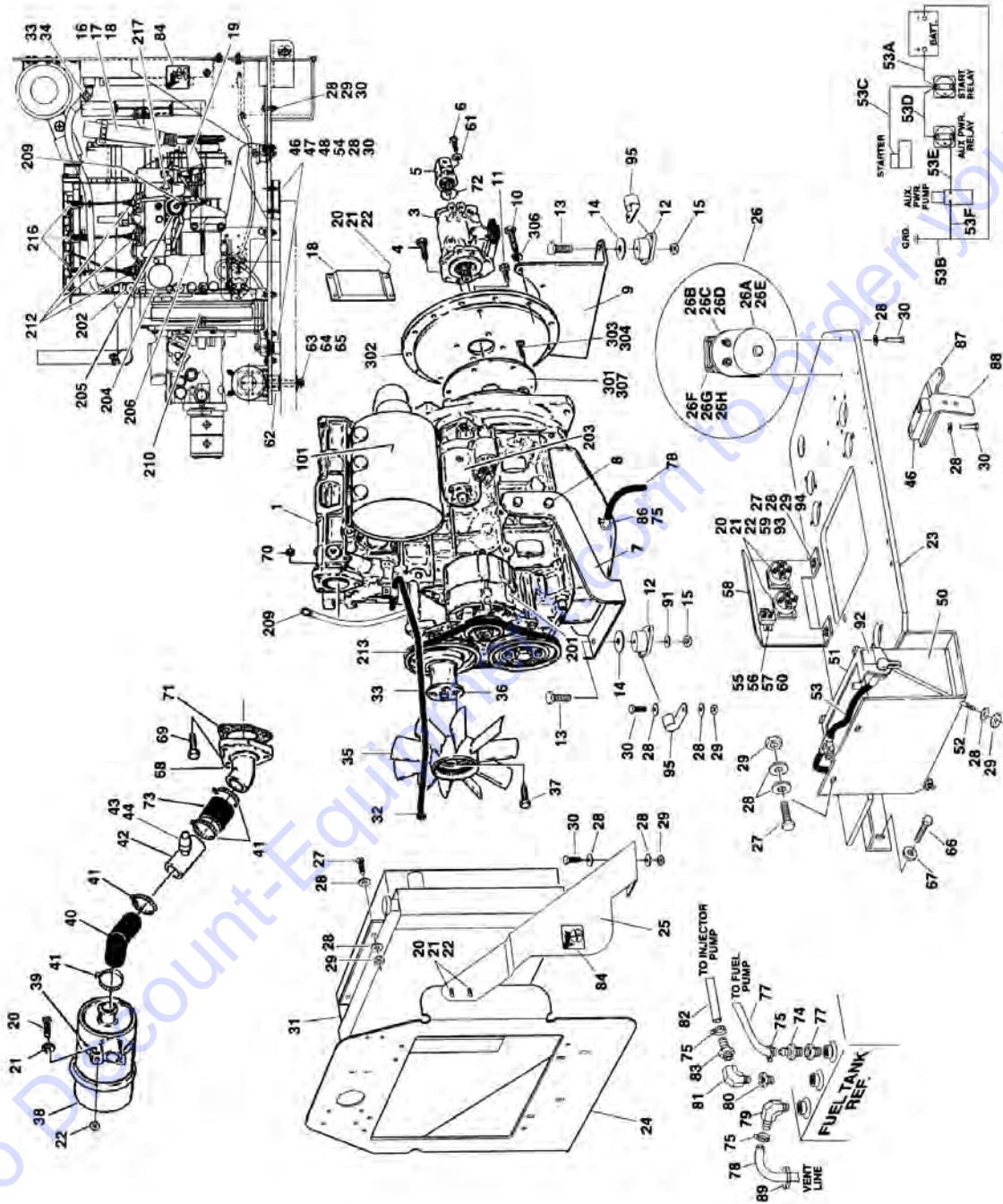
SECTION 2 - TURNTABLE

FIGURE 2-5. SWING BEARING ASSEMBLY

ITEM	PART NUMBER	QTY	DESCRIPTION	REV
		Ref	Note: Visually identify the brand before ordering replacement parts.	
	0440339	Ref	SWING BEARING ASSEMBLY (PERFECTION GEAR) (SN 0300097888 through 0300065080)	C
1	7026042	2	Bearing, Cup	
1	7026043	2	Bearing, Cone	
2	7027356	1	Adapter, Motor	
3	7027361	2	Seal	
4	7027354	1	Cap, End	
5	0641510	2	Bolt 5/16in-18NC x 1 1/4in	
6	0641812	2	Bolt 1/2in-13NC x 1 1/2in	
7	70000865	1	Plug	
8	7027360	1	Seal	
9	7027359	2	Straight Fitting, Grease	
9	2160003	2	Fitting, Grease - 45	
10	7027358	2	90 Fitting, Grease	
11	See Note	NSS	Housing (Note: Not Available - Use p/n 0440339)	
12	4891500	2	Flatwasher 5/16in (Hardened)	
13	7027363	1	Gear, Worm	
14	70000868	1	Ring, Bearing	
15	7027352	AR	Gasket (.010 - Brown)	
16	7027351	AR	Gasket (.0075 - Clear)	
17	7027350	AR	Gasket (.005 - Blue)	
18	7027353	1	Gasket (.020 - Yellow)	
	0440203	Ref	SWING BEARING ASSEMBLY (KAYDON) Note: When replacing major components, consider replacing with p/n 0440339 Complete Bearing Assembly. (Prior to SN 0300097888)	G
101	7012597	1	Swing Rotation Box Assembly	
102	7023484	1	Cap, End	
103	See Note	2	Bolt 1/2in-13NC x 1 1/2inGrade 8 (Note: Not Available - Purchase Locally)	
104	See Note	NSS	Gear, Worm (Note: Use p/n 0440339)	
105	7012654	1	Seal, Outer - Capped End (1.75 O.D.)	
105	7016676	1	Seal, Outer - Capped End (2.063 O.D.)	
106	7016682	1	Shims Kit (Includes Qty 3 each of .005, .0075 & .010 Shims)	
107	70001677	2	Cup, Bearing	
108	90206369	2	Cone, Bearing	
109	7027730	1	Seal, Inner	
110	70001864	1	Ring, Retaining	
111	7012655	1	Seal, Outer - Motor End	
112	2160001	2	Fitting, Grease - 90	
113	See Note	2	Lockwasher 1/2in (Note: Not Available - Purchase Locally)	
114		Ref	Component Options:	
114	See Note	1	Plug, Pipe (Note: Not Available - Purchase Locally)	
114	2160001	1	Fitting, Grease - 45	
115	7012596	1	Bearing, Turntable	
116	2160003	2	Fitting, Grease - 45	
117	See Note	4	Capscrew, Socket Head 5/16in-18NC (Note: Not Available - Purchase Locally)	
117	See Note	4	Washer 5/16in (Not Shown) (Note: Not Available - Purchase Locally)	

SECTION 2 - TURNTABLE

FIGURE 2-6. DEUTZ ENGINE INSTALLATION



SECTION 2 - TURNTABLE

FIGURE 2-6. DEUTZ ENGINE INSTALLATION

ITEM	PART NUMBER	QTY	DESCRIPTION	REV
		Ref	DEUTZ ENGINE INSTALLATIONS	
	0257949	Ref	Standard Machines	11-G
1		Ref	Engine Assembly Options:	
1	2000154	1	Engine Assembly (Prior to SN 0300041036)	
1	2000162	1	Engine Assembly (SN 0300041036 through 0300065080)	
3		Ref	Piston Pump Assembly Options (See PISTON PUMP ASSEMBLY for Breakdown):	
3	3600260	1	Piston Pump Assembly (Prior to SN 0300043370)	
3	3600290	1	Piston Pump Assembly (SN 0300043370 through 0300065080)	
4	0641812	2	Bolt 12/in-13NC x 1 1/2in	
5	3600271	1	Gear Pump Assembly	
5	7011046	1	Seal Kit - 3600271 Pump	
6	3931620	2	Capscrew, Socket Head 3/8in-16NC x 1 1/4in	
7	3570800	1	Plate, Front Mounting	
8	0701414	4	Bolt, Metric 14MM x 30MM	
9	3570801	1	Plate, Rear Mounting	
10	0701015	4	Bolt, Metric 10mm x 35mm	
11	0701012	4	Bolt, Metric 10mm x 25mm	
12	3200378	4	Mount, Rubber Motor	
13	0641820	4	Bolt 12/in-13NC x 2 1/2in	
14	4740274	4	Washer, Snubbing	
15	3311805	4	Locknut 1/2in-13NC	
16	0902461	1	Bracket, Throttle Mount (Part of Item 17)	
17	2901637	1	Throttle Mounting Kit	
18	0060033	NLA	Actuator Assembly (Use p/n 2910000) (See ELECTRICAL SECTION for Breakdown)	
19	0902464	1	Bracket, Throttle Mounting (Part of Item 17)	
20	0641406	12	Bolt 1/4in-20NC x 3/4in	
21	4751400	20	Flatwasher 1/4in	
22	3311405	12	Locknut 1/4in-20NC	
23	4845613	1	Tray, Engine	
24	3570571	1	Plate, Radiator Mount	
25	3570607	1	Plate, Radiator Support	
26	3600279	1	Auxiliary Pump Assembly	
26A	7016768	1	Motor, Replacement	
26A	7013757	1	Brush Kit	
26B	7013711	1	Coupling, Drive	
26C	7016769	1	Bracket, Mounting	
26D	7016744	4	Screw 5/16in-18NC x 1in	
26E	7016745	2	Capscrew, Socket Head 5/16in-24NF x 4 3/4in	
26F	7016746	1	Adapter, Mounting	
26G	7013766	1	Pin	
26H	7013771	1	Pump, Replacement	
26H	7013701	1	Seal Kit	
27	0641609	8	Bolt 3/8in-16NC x 1 1/8in	
28	4751600	50	Flatwasher 3/8in	
29	3311605	22	Locknut 3/8in-16NC	
30	0641610	18	Bolt 3/8in-16NC x 1 1/4in	
31	3620033	1	Cooler, Oil	

SECTION 2 - TURNTABLE

ITEM	PART NUMBER	QTY	DESCRIPTION	REV
32	2220451	2	Fitting, Straight	
33		Ref	Hose Options:	
33	2720398	2	Hose (Prior to SN 0300058667)	
33	2720467	2	Hose (SN 0300058667 through 0300065080)	
34	2220409	1	Fitting, 45	
35	2060025	1	Fan	
36	0080231	1	Spacer, Fan	
37	0700816	4	Bolt, Metric 8mm x 40mm	
38	1340060	1	Air Cleaner Assembly	
38	7012664	1	Element, Air Cleaner	
39	0340041	2	Band, Mounting	
40	2720434	1	Elbow	
41	1320016	4	Clamp, Hose	
42	4567495	1	Tube, Air Intake	
43	4360392	1	Switch, Restrictor Indicator	
44	2180798	1	Fitting	
45	0100020	AR	Sealant, Pipe (Not Shown)	
46	3340399	3	Pad, Wear	
47	4070497	4	Shim 1/8in	
48	4070498	2	Shim 1/16in	
49	0100011	AR	Loctite #242 (Not Shown)	
50		Ref	Battery Options:	
50	0400075	1	Battery (Wet)	
50	7016180	1	Battery (Dry)	
51	0181727	1	Tie-Down, Battery	
52	0630498	2	Bolt, Tie-Down	
53	2901575	1	Cable Kit - Battery	D
53A	7016817	1	Cable - Battery to Starter Relay	
53B	7016818	1	Cable - Battery and Auxiliary Pump to Ground	
53C	7016819	1	Cable - Starter Relay to Starter	
53D	7016803	1	Cable - Starter Relay to Auxiliary Relay	
53E	7016820	1	Cable - Auxiliary Relay to Auxiliary Pump	
54	0741610	2	Screw, Flathead 3/8in-16NC x 2in	
55	0721006	2	Bolt #10-24NC x 3/4in	
56	4751000	3	Flatwasher #10	
57	3311005	2	Locknut #10-24NC	
58		Ref	Plate, Relay Mounting Options:	
58	3570808	1	Plate, Relay Mounting (Prior to SN 0300057566)	
58	3572672	1	Plate, Relay Mounting (SN 0300057566 through 0300058666)	
58	3572728	1	Plate, Relay Mounting (SN 0300058667 through 0300065080)	
59	3740067	2	Relay	
60		Ref	Breaker, Circuit Options:	
60	4360294	1	Breaker, Circuit (Prior to SN 0300058667)	
60	4360501	1	Breaker, Circuit (SN 0300058667 through 0300065080)	
61	4891600	2	Washer, Hardened 3/8in	
62	0962172	1	Bushing, Flanged	
63	3900254	1	Bolt Shoulder 3/4in x 4in	
64	4752200	2	Flatwasher 3/4in	
65	3312005	1	Locknut 5/8in-11NC	
66	0642010	1	Bolt 5/8in-11NC x 1 1/4in	
67	4752000	1	Flatwasher 5/8in	

SECTION 2 - TURNTABLE

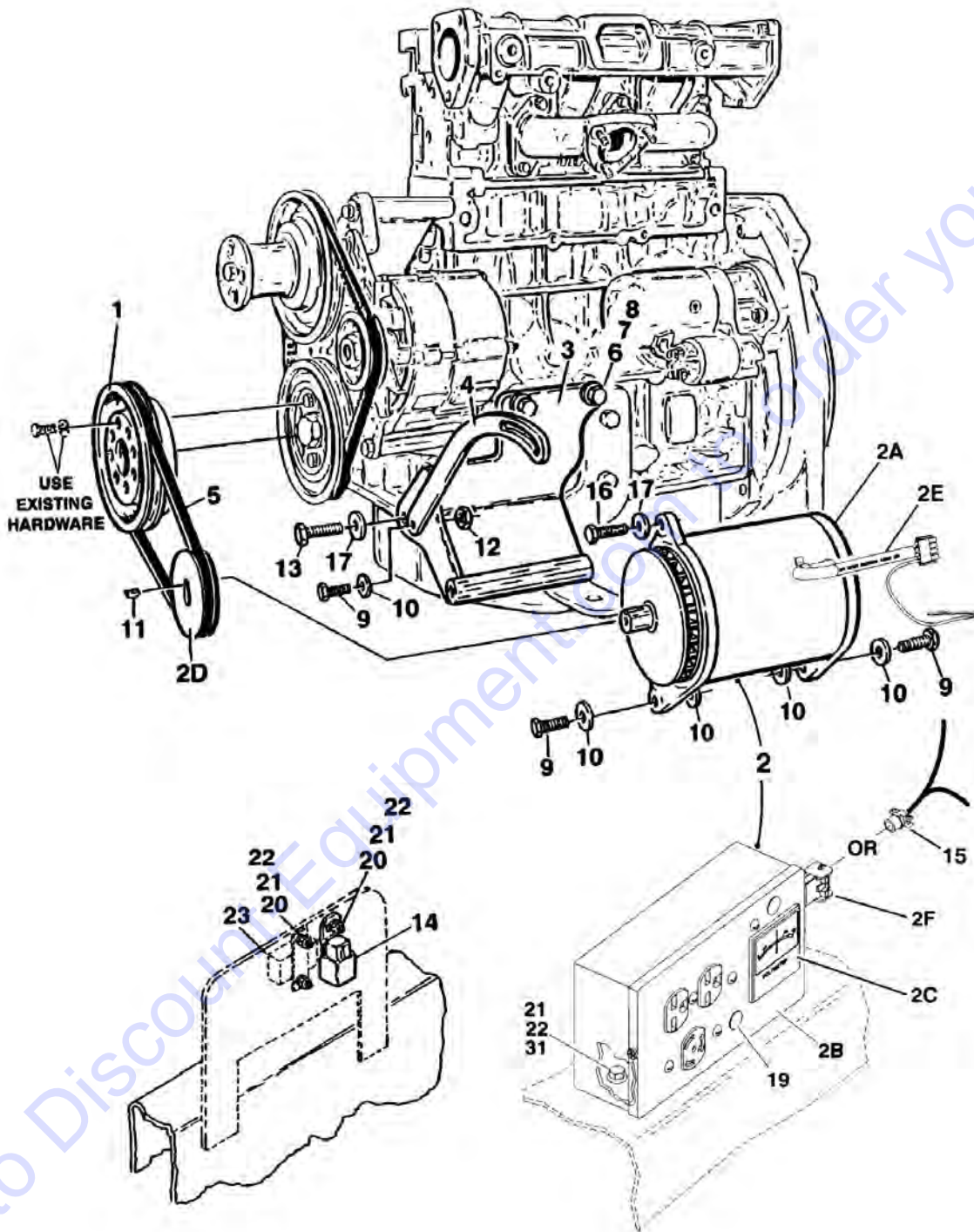
ITEM	PART NUMBER	QTY	DESCRIPTION	REV
68	4845395	1	Air Intake Adapter Weldment	
69	0641510	3	Bolt 5/16in-18NC x 1 1/4in	
70	3311505	3	Locknut 5/16in-18NC	
71	3960407	1	Gasket	
72	3790152	1	O-Ring	
73	2720351	4 in/10cm	Coupling, Rubber	
74	2220794	1	Fitting, Barb	
75	1320022	6	Clamp, Hose	
76	2720058	12 ft/3.7m	Hose	
77	2220273	1	Fitting, Reducer	
78	2750532	7 ft/2.1m	Hose	
79	2220313	1	Fitting, 90	
80	2220250	1	Fitting, Reducer	
81	2220459	1	Fitting, 90	
82	2720271	12 ft/3.7m	Hose	
83	2180536	1	Fitting, Straight	
84	1703162	2	Decal - Fan	
85	1701505	1	Decal - Diesel Fuel (Not Shown)	
86	4640751	1	Valve, Oil Drain	
87	0902444	1	Bracket, Hood Support	
88	0902443	1	Bracket, Latch Mount	
89	4240099	1	Tie-Strap	
90	2200222	1	Plug, Pipe (Not Shown - Located at Bottom of Fuel Tank)	
91	4751800	4	Flatwasher 1/2in	
92	1703876	1	Decal - Engine Tray Swing	
93	4791400	4	Starwasher 1/4in	
94	4791600	2	Starwasher 3/8in	
95	1320222	4	J-Clamp (SN 0300045905 through 0300065080)	
		Ref	MUFFLER INSTALLATION OPTIONS	
101		Ref	Muffler Options:	
101	3220110	1	Standard	
101	3220112	1	Catalytic	
101		Ref	Muffler Components:	
101	1320176	1	Saddle Clamp	
101	7020169	1	Tube, Exhaust	
		Ref	ENGINE COMPONENTS	
	2000154	B	Engine Components (Prior to SN 0300041036)	
	2000162	B	Engine Components (SN 0300041036 through 0300065080)	
201	7020410	1	Alternator (was p/n 7016329)	
201	70000851	1	Bracket, Alternator Mounting	
202	7016330	1	Switch, Oil Pressure	
203	7016332	1	Starter	
204	7016331	1	Filter, Oil - Complete (was p/n 7016641)	
204	7016331	1	Element, Oil Filter	
205	7020463	1	Pump, Fuel Supply	
205	7020411	1	O-Ring (Pump to Engine)	
206	7020023	1	Filter, Fuel	
207	7020024	1	Breather, Crankcase (Not Shown)	
208	7016359	1	Solenoid, Shutdown (Not Shown) (was p/n 7020438)	
208	7027250	1	Spring, Tension	
209	7020026	1	Dipstick	

SECTION 2 - TURNTABLE

ITEM	PART NUMBER	QTY	DESCRIPTION	REV
209	70001002	1	Housing, Dipstick	
210	7020027	1	Flywheel/Ring Gear Assembly	
210	7020477	1	Ring Gear	
211	7020025	1	Switch, Oil Temperature (Not Shown)	
212	7020022	3	Pump, Fuel Injection (Engine p/n 2000154)	
212	7024318	3	Pump, Fuel Injection (Engine p/n 2000162)	
213	7020408	1	V-Belt	
214	7020446	1	Timing Belt Kit (Not Shown)	
215		Ref	Gasket, Cylinder Head Options (Not Shown):	
215	70003039	1	1 Notch	
215	70003040	1	2 Notches	
215	70003041	1	3 Notches	
216	7026522	3	Injection, Fuel	
217	7020465	1	Cap, Filler	
218	7020471	3	Gasket, Exhaust Manifold (Not Shown)	
219	70000787	1	Support, Fan (Not Shown)	
	0256847	Ref	PUMP COUPLING INSTALLATION	
301	1660234	1	Coupling, Hayes	
302	0080163	1	Plate, Pump Adapter	
303	0700810	6	Bolt Metric 8mm x 20mm	
304	4831900	6	Lockwasher 8mm	
306	4832000	8	Lockwasher 10mm	
307	3020021	AR	Grease, Coupling (Not Shown)	

SECTION 2 - TURNTABLE

FIGURE 2-7. GENERATOR INSTALLATION - DEUTZ MACHINES (OPTIONAL)



SECTION 2 - TURNTABLE

FIGURE 2-7. GENERATOR INSTALLATION - DEUTZ MACHINES (OPTIONAL)

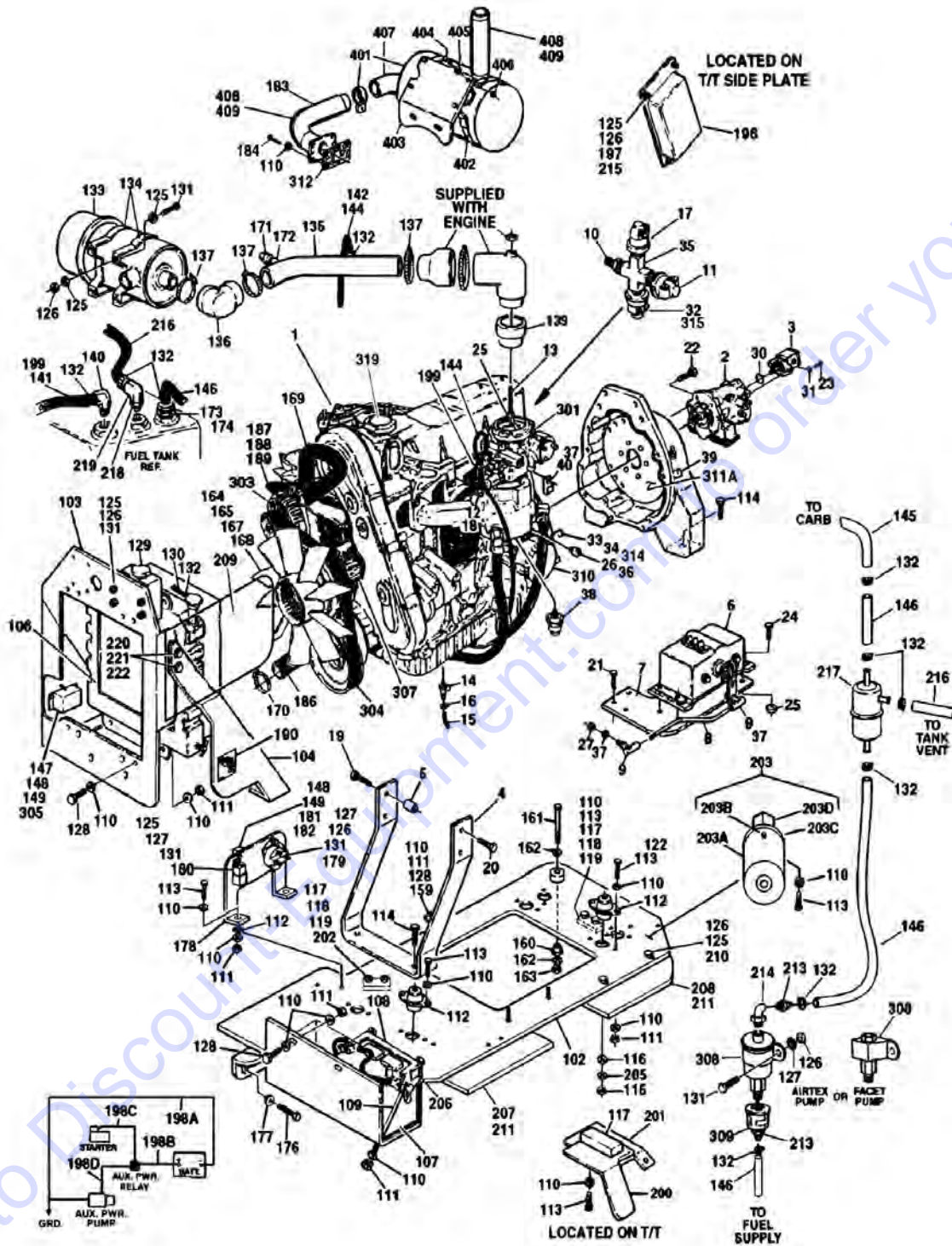
ITEM	PART NUMBER	QTY	DESCRIPTION	REV
		Ref	GENERATOR INSTALLATION OPTIONS:	
	0258313	Ref	110V Generator	4-C
	0258315	Ref	220V Generator	3-B
1	3580158	1	Pulley	
2		Ref	Generator and Control Box Assembly Options:	
2	2460011	1	110Volt Assembly (Prior to SN 0300039711)	
2	2460032	1	110Volt Assembly (SN 0300039711 through 0300065080)	
2	2460034	1	220Volt Assembly (Use p/n 2460056)	
2A	7012558	1	Generator - 110V	
		Ref	Note: Replacement Generator p/n 7012558 come standard with p/n 3580134 pulley. This pulley may not be correct for all applications. Refer to pulley options below.	
2A	1001100321	1	Generator - 220V	
2A		Ref	Armature Options:	
2A	7026199	1	110Volt	
2A	70000123	1	220Volt	
2A	7020109	4	Holder, Brush	
2A	7020108	4	Brush	
2A	7012513	4	Cap, Brush Holder	
2A	7012514	1	Fan	
2A	7020110	1	Bell, Front	
2A	7020111	1	Bell, Rear	
2A	7020190	2	Bearing	
2B	7003657	1	Box, Control - 110V Note: Replacement 110V Control Box comes with 2 std Receptacles p/n 4460190. Optional Industrial Twist Lock Receptacles p/n 4460027 must be ordered separately.	
2B		Ref	Box, Control - 220V Options:	
2B	70002235	1	Generator 2460034	
2B	70000127	1	Generator 2460056	
2B		Ref	Breaker, Circuit Options:	
2B	4360542	1	110Volt	
2B	70000126	1	220Volt	
2B		Ref	Receptacle Options:	
2B	70000124	1	Receptacle, Double (220V/50Hz Only)	
2B	70000125	1	Receptacle, Single (220V/50Hz Only)	
2B		Ref	Lamp Options:	
2B	2920162	1	Generators 2460011, 2460032 & 2460034	
2B	Not Required	0	Generator 2460056	
2B		Ref	Switch, Toggle Options:	
2B	7020191	1	Generators 2460011, 2460032 & 2460034	
2B	Not Required	0	Generator 2460056	
2B	3520028	2	Plug, Hole	
2C		Ref	Voltmeter Options:	
2C	2420203	1	110Volt	
2C	7020192	1	220Volt	
2D		Ref	Pulley Options:	
2D	3580134	1	Generators 2460011 & 2460056	
2D	3580276	1	Generators 2460032 & 2460034	
2E	7020193	1	Cord, Power	
2F	4460961	1	Connector - 4 Position (Generator 2460056 Only)	

SECTION 2 - TURNTABLE

ITEM	PART NUMBER	QTY	DESCRIPTION	REV
2F	4460705	4	Terminal, Male Pin (Generator 2460056 Only)	
3	4845531	1	Bracket, Generator Mounting	
4	0200530	1	Arm, Adjusting	
5	0480050	1	V-Belt (Prior to SN 0300039711)	
5	0480111	1	V-Belt (SN 0300039711 through 0300065080)	
6	0701414	2	Bolt, Metric 14MM x 30MM	
7	4751900	2	Flatwasher 9/16in	
8	0100011	AR	Loctite #242 (Not Shown)	
9	0681612	3	Bolt 3/8in-16NC x 1 1/2 (Grade 8)	
10	4751600	6	Flatwasher 3/8in	
11	2860012	1	Key, Woodruff	
12	3311605	1	Locknut 3/8in-16NC	
13	0700819	1	Bolt, Metric 8mm x 55mm	
14	3740080	1	Relay	
15	4460023	1	Connector, Strain Relief	
16	0641508	1	Bolt 5/16in-18NC x 1in	
17	4751500	2	Flatwasher 5/16in	
19	3520028	1	Plug, Hole	
20	0721006	AR	Bolt #10-24NC x 3/4in	
21	3311005	AR	Locknut #10-24NC	
22	4751000	AR	Flatwasher #10	
23		Ref	Breaker, Circuit - 30 Amp Options:	
23	4360294	1	Breaker, Circuit - 30 Amp (Prior to SN 0300062239)	
23	4360501	1	Breaker, Circuit - 30 Amp (SN 0300062239 through 0300065080)	
25	4360336	1	Switch, Toggle (Not Shown - Located at Platform)	
26	4740397	1	Washer (Not Shown - Located at Platform)	
27	4060802	1	Guard, Switch (Not Shown - Located at Platform)	
29	2820031	1	Heat Shrink (Not Shown - Located at Platform)	
30	3251102	1	Decal (Not Shown - Located at Platform)	
31	0721008	2	Bolt #10-24NC x 1in	

SECTION 2 - TURNTABLE

FIGURE 2-8. FORD ENGINE INSTALLATION (WITH CARBURETOR) (Prior to SN 0300046089)



SECTION 2 - TURNTABLE

FIGURE 2-8. FORD ENGINE INSTALLATION (WITH CARBURETOR) (Prior to SN 0300046089)

ITEM	PART NUMBER	QTY	DESCRIPTION	REV
		Ref	ENGINE ASSEMBLIES	
	0258340	Ref	Standard Gas Machines	3
	0258052	Ref	Dual Fuel Machines	3
1		Ref	Engine - Ford LRG-425 Options:	
1	2000156	1	Engine - Ford LRG-425 (Prior to SN 0300039831)	
1	2000160	1	Engine - Ford LRG-425 (SN 0300039831 through 0300046089)	
2		Ref	Piston Pump Assembly Options (See PISTON PUMP ASSEMBLY for Breakdown):	
2	3600260	1	Piston Pump Assembly (Prior to SN 0300043370)	
2	3600290	1	Piston Pump Assembly (SN 0300043370 through 0300046089)	
3	3600271	1	Gear Pump Assembly	
3	7011046	1	Seal Kit - 3600271 Pump	
4	3539972	1	Plate, Engine Mounting - Front	
5	4566605	1	Tube, Spacer	
6	2500005	1	Actuator, Precision Governor	
7	0902088	1	Bracket, Precision Governor	
8	3841255	1	Rod, Throttle	
9	1660157	2	Coupling, Ball joint	
10	2220437	1	Fitting, Reducer	
11	4360037	1	Switch, Oil Pressure	
12	2220273	1	Fitting, Reducer	
13	4300056	1	Stud, Carburetor	
14	4640989	1	Valve, Oil Drain	
15	2750532	1	Hose	
		ft/30.5cm		
16	1320022	2	Clamp	
17	4360405	1	Switch, Oil Pressure	
18	2180536	1	Fitting, Barbed	
19	0701022	2	Bolt, Metric 10mm-1.5 x 70mm	
20	0701014	2	Bolt, Metric 10mm-1.5 x 30mm	
21	0700810	3	Bolt, Metric 8mm-1.25 x 20mm	
22	0641812	2	Bolt 1/2in-13NC x 1 1/2in	
23	3931620	2	Capscrew, Socket Head 3/8in-16NC x 1 1/4in	
24	0641408	4	Bolt 1/4in-20NC x 1in	
25	3311405	5	Locknut 1/4in-20NC	
26	2220250	1	Fitting, Reducer	
27	3321401	2	Nut 1/4in-28NF	
28	0100011	AR	Loctite #242 (Not Shown)	
29	0100020	AR	Sealant, Pipe (Not Shown)	
30	3790152	1	O-Ring	
31	4891600	2	Washer, Hardened 3/8in	
32	4360065	1	Switch, Oil Pressure	
33	4564281	1	Tube, Dipstick	
34	2420187	1	Dipstick	
35	2220994	1	Fitting, Cross	
36	4360157	1	Switch, Water Temperature	
37	4751000	2	Flatwasher #10	
38	4360455	1	Switch, Temperature	

SECTION 2 - TURNTABLE

ITEM	PART NUMBER	QTY	DESCRIPTION	REV
39	1320223	2	Clamp, J-Clip	
40	1320222	1	Clamp, J-Clip	
		Ref	ENGINE INSTALLATIONS	
	0258341	Ref	Standard Gas Machines	8-G
	0257883	Ref	Dual Fuel Machines	9-H
102	4845613	1	Tray Weldment	
103	3570571	1	Mount, Radiator	
104	3570607	1	Support, Radiator - Left Side	
106	3620040	1	Radiator	
106	8180311	1	Cap, Radiator (Was p/n 7019656)	
107		Ref	Battery Options:	
107	0400075	1	Battery (Wet)	
107	7016180	1	Battery (Dry)	
108	0181727	1	Tie-Down	
109	0630498	2	Bolt, Tie-Down	
110	4751600	43	Flatwasher 3/8in	
111	3311605	21	Locknut 3/8in-16NC	
112	3200378	4	Mount, Rubber	
113	0641610	16	Bolt 3/8in-16NC x 1 1/4in	
114	0641820	4	Bolt 1/2in-13NC x 2 1/2in	
115	3311805	4	Locknut 1/2in-13NC	
116	4740274	4	Washer, Snubbing	
117	3340399	3	Pad, Wear	
118	4070497	4	Shim 1/8in	
119	4070498	2	Shim 1/16in	
122	0641612	2	Bolt 3/8in-16NC x 1 1/2in	
125	4751400	21	Flatwasher 1/4in	
126	3311405	19	Locknut 1/4in-20NC	
127	4791400	9	Starwasher 1/4in	
128	0641609	7	Bolt 3/8in-16NC x 1 1/8in	
129	1580011	1	Tank, Coolant Recovery	
130	2720058	2 ft/51cm	Hose, Coolant Recovery	
131	0641406	11	Bolt 1/4in-20NC x 3/4in	
132	1320022	13	Clamp	
133	1340060	1	Air Cleaner Assembly	
133	7012664	1	Element, Air Cleaner	
134	0340041	2	Band, Air Cleaner	
135	4845035	1	Tube, Air Intake	
136	0080201	1	Elbow, Rubber	
137	1320016	4	Clamp	
139	0080091	1	Adapter, Choke	
140	2220313	1	Fitting, 90 Barbed	
141	2750532	7 ft/2.1m	Hose	
142	2220720	1	Fitting, Barbed	
143	0100020	AR	Sealant, Pipe (Not Shown)	
144	2720271	5 ft/1.5m	Hose, Vacuum	
145	4567169	1	Tube, Fuel Line	
146	2720058	13 ft/4m	Hose, Fuel Line	
147	0721006	2	Bolt #10-24NC x 3/4in	
148	4751000	4	Flatwasher #10	
149	3311005	4	Locknut #10-24NC	

SECTION 2 - TURNTABLE

ITEM	PART NUMBER	QTY	DESCRIPTION	REV
159	1320060	1	Clamp	
160	0962172	1	Bushing, Flanged	
161	3900254	1	Screw, Shoulder 3/4in x 4in	
162	4752200	2	Flatwasher 3/4in	
163	3312005	1	Locknut 5/8in-11NC	
164	2060025	1	Fan	
165	0080214	1	Spacer, Fan	
166	0100011	AR	Loctite #242 (Not Shown)	
167	0700819	4	Bolt, Metric 8mm x 55mm	
168	4831900	4	Lockwasher, Metric 8mm	
169	2720436	1	Hose, Radiator - Top	
170	1320012	4	Clamp, Hose	
171	4360392	1	Indicator, Clogged Filter	
172	2180798	1	Fitting, Restrictor Indicator	
173	2220794	1	Fitting, Barbed	
174	2220273	1	Fitting, Reducer	
175	2200233	1	Plug, Pipe Only (Not Shown - Located at Vent on Fuel Tank) (Prior to SN 0300039831)	
176	0642010	1	Bolt 5/8in-11NC x 1 1/4in	
177	4752000	1	Flatwasher 5/8in	
178	3570808	1	Plate, Relay Mounting	
179	3740067	1	Relay (Auxiliary Power)	
180	3740080	1	Relay, Bosch	
181	4360294	1	Breaker, Circuit	
182	0701004	2	Bolt #10-24NC x 1/2in	
183	4567537	1	Tube, Exhaust	
184	0701012	4	Bolt, Metric 10mm-1.5 x 25mm	
186	2720435	1	Hose, Radiator - Bottom	
187	4100025	18 in/46cm	Sleeve, Fiberglass	
188	1320060	1	Clamp	
189	4240099	2	Tie-Strap	
190	1703162	2	Decal - Fan Blade	
193	1701542	1	Decal - Gas (Not Shown - Located on Hood)	
196	1600211	1	Controller, Governor	
197	0641410	2	Bolt 1/4in-20NC x 1 1/4in	
198	2901574	1	Battery Cable Kit	D
198A		Ref	Cable (Battery - to Ground)	
198A	7016823	1	Cable (Battery - to Ground) (With 24in #10 Black Lead) (Prior to SN 0300043336)	
198A	7016832	1	Cable (Battery - to Ground) (With 30in #10 Black Lead) (SN 0300043336 through 0300046089)	
198B	7016817	1	Cable (Battery + to Auxiliary Relay)	
198C	7016820	1	Cable (Auxiliary Relay to Starter)	
198D	7016808	1	Cable (Auxiliary Relay to Auxiliary Pump)	
199	4240018	2	Tie-Strap	
200	0902443	1	Bracket, Latch Mounting	
201	0902444	1	Bracket, Hood Support	
202	0741610	2	Screw, Socket Head Countersunk 3/8in-16NC x 1 1/4in	
203	3600279	1	Auxiliary Pump Assembly	
203A	7016768	1	Motor, Replacement	
203A	7013757	1	Brush Kit	

SECTION 2 - TURNTABLE

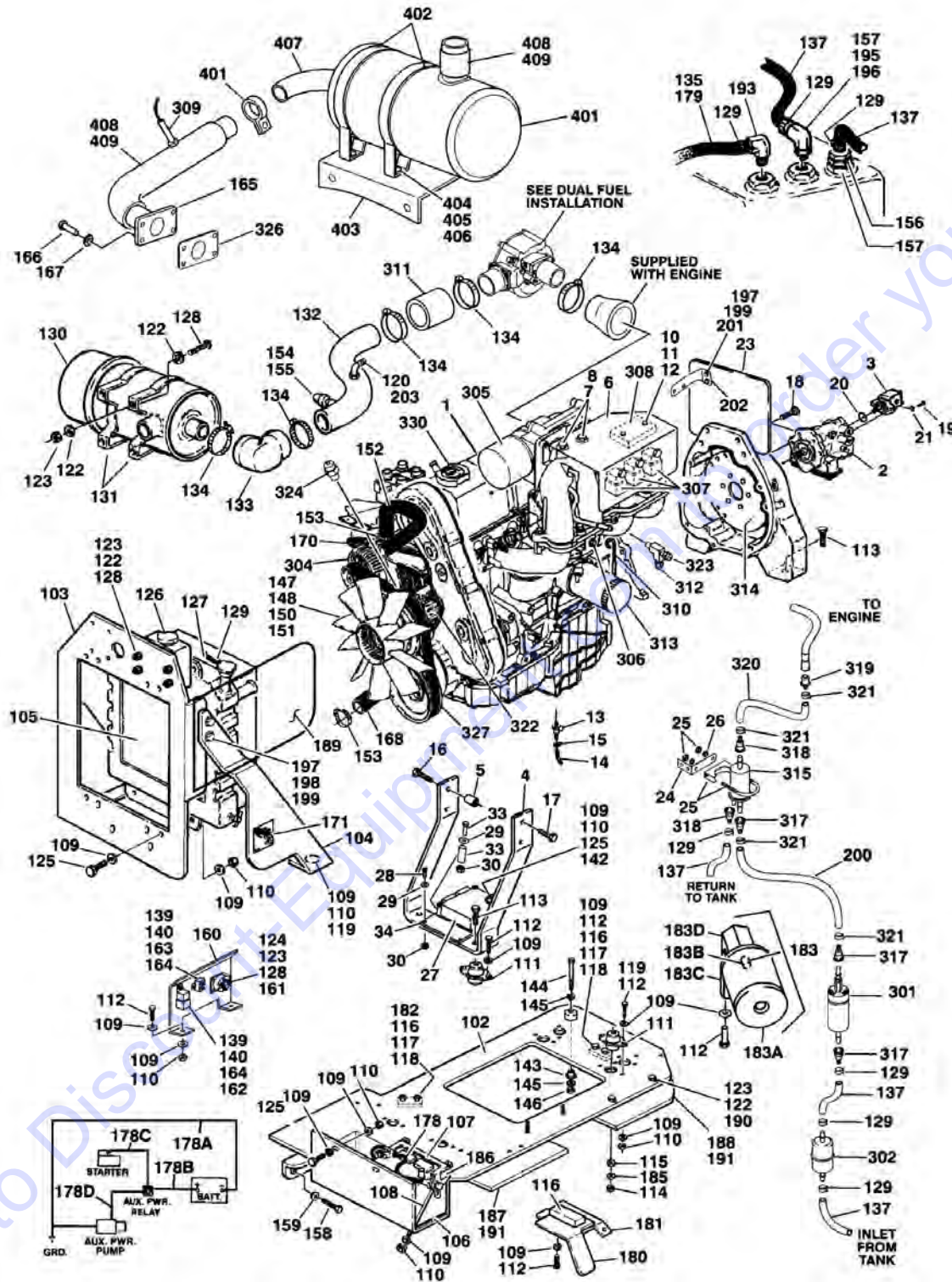
ITEM	PART NUMBER	QTY	DESCRIPTION	REV
203B	7013711	1	Coupling, Drive	
203C	7016769	1	Bracket, Mounting	
203C	7016745	2	Capscrew, Socket Head 5/16in-24NF x 4 3/4in	
203C	7016746	1	Adapter, Mounting	
203C	7013766	1	Pin	
203D	7013771	1	Pump, Replacement	
203D	7013701	1	Seal Kit	
203D	7016744	4	Screw 5/16in-18NC x 1in	
204	2200222	1	Plug, Pipe (Not Shown - Located at Bottom of Fuel Tank)	
205	4751800	4	Flatwasher 1/2in	
206	1703876	1	Decal - Engine Tray Swing	
207	3571008	1	Plate, Baffle	
208	3571009	1	Plate, Baffle	
209	3571019	1	Plate, Air Panel	
210	0641408	2	Bolt 1/4in-20NC x 1in	
211	3960438	28	Seal, Hood	
		in/46cm		
212	4791600	2	Starwasher 3/8in	
213	2220315	2	Fitting, Barbed Only (SN 0300039831 through 0300046089)	
214	2180749	1	Fitting, 45 Only (SN 0300039831 through 0300046089)	
215	4891400	4	Washer, Hardened 1/4 Only (SN 0300039831 through 0300046089)	
216	2720015	13 ft/4m	Hose, Fuel Line Only (SN 0300039831 through 0300046089)	
217	2120169	1	Filter, Fuel Only (SN 0300039831 through 0300046089)	
218	2220250	1	Fitting, Reducer Only (SN 0300039831 through 0300046089)	
219	2220317	1	Fitting, 90 Barbed Only (SN 0300039831 through 0300046089)	
220	4751500	4	Flatwasher 5/16in	
221	3311505	2	Locknut 5/16in-18NC	
222	0641506	2	Bolt 5/16in-18NC x 3/4in	
	Ref		ENGINE COMPONENTS	
	2000156	Ref	Engine Components (Prior to SN 0300039831)	
	2000160	Ref	Engine Components (SN 0300039831 through 0300046089)	
301	7019988	1	Carburetor (was p/n 7019974)	
301	7019933	1	Kit, Carburetor Repair	
301	7027292	1	Float Assembly	
301	70000163	1	Needle, Spring Loaded (Fuel Valve)	
301	7025122	1	Base, Carburetor	
301	7016605	1	Choke, Automatic	
301	7000646	1	Gasket, Carburetor (Bottom) (was p/n 7019975)	
301	7024321	1	Gasket, Carburetor (Top)	
302	7012679	1	Starter (Not Shown)	
303	7019977	1	Alternator	
303	7019997	1	Regulator	
304	7027402	1	Belt, Drive (was p/n 7019979)	
304	7019978	1	Tensioner, Belt	
304	7022150	1	Belt, Timing (Not Shown)	
305	7023687	1	Module, Ignition (was p/n 7019961)	
306	7019980	1	Harness, Engine Wiring (Not Shown)	
307		Ref	Water Pump Assembly Options:	
307	Not Available		Engine 2000156	
307	7022153	1	Engine 2000160	
307	7019985	1	Pulley, Water Pump	

SECTION 2 - TURNTABLE

ITEM	PART NUMBER	QTY	DESCRIPTION	REV
307	7022156	1	Thermostat, Assembly	
307	7019982	1	Inlet Tube, Water Pump	
307	7025134	1	Gasket, Water Outlet Connection (Not Shown)	
308		Ref	Fuel Pump Assembly Options:	
308	7016600	1	Engine 2000156 (Facet)	
308	7019983	1	Engine 2000160 (Airtex)	
309	7016601	1	Strainer, Fuel	
310	7021869	1	Filter, Oil (was p/n 7014501)	
311	7019976	1	Flywheel (Not Shown)	
311	7022180	1	Ring Gear (Not Shown)	
311A	1660250	1	Coupling, Pump (15 Tooth) (was p/n 7016662)	
312	70002307	1	Gasket (Exhaust Manifold to Pipe)	
313	7022143	1	Gasket (Exhaust Manifold to Head) (Not Shown)	
313	7019924	1	Gasket (Exhaust Manifold - Turbo) (Not Shown)	
313	7025126	1	Gasket (Intake Manifold) (was p/n 7019923) (Not Shown)	
313	7025125	1	Gasket, Intake (Manifold to Cylinder Head) (Not Shown)	
314	7019981	1	Indicator, Oil Level	
315		Ref	Switch, Oil Sender Options:	
315	See Note		Engine 2000156 (Note: Not Available for Purchase)	
315	7023637	1	Engine 2000160	
316		Ref	Spark Plug Options (Not Shown):	
316	See Note		Engine 2000156 (Note: Not Available for Purchase)	
316	7019932	4	Engine 2000160	
316	7019930	1	Coil, Ignition (Not Shown)	
316		Ref	Wire Set, Spark Plug (Not Shown) Options:	
316	7022157	1	Engine 2000156	
316	7019931	1	Engine 2000160	
317	7000884	1	Solenoid, Fuel (Not Shown)	
318	7022178	1	Sensor, Crank Shaft (Not Shown)	
319	7022151	1	Cap, Oil Fill	
320		Ref	Bell Housing Options: (Not Shown)	
320	See Note	1	Bell Housing - Engine 2000156 (Note: Not Available for Purchase)	
320	7020120	1	Bell Housing - Engine 2000160	
		Ref	MUFFLER INSTALLATIONS	
	0258252	Ref	Standard Spark Arresting	3
	0258253	Ref	Optional Catalytic	2
401		Ref	Muffler Options:	
401	3220113	1	Standard Spark Arresting	
401	3220114	1	Optional Catalytic	
401	70001017	1	Clamp	
402	0340046	2	Band	
403	0902457	1	Bracket, Muffler	
404	0641507	4	Bolt 5/16in-18NC x 7/8in	
405	4711500	8	Flatwasher 5/16in Narrow	
406	3311505	4	Locknut 5/16in-18NC	
407	4567073	1	Tube, Exhaust	
407	70001017	1	Clamp	
408	4100025	21	Sleeve, Fiberglass	
		in/53cm		
409	4920385	16	Wire, Mechanics	
		in/41cm		

SECTION 2 - TURNTABLE

FIGURE 2-9. FORD ENGINE INSTALLATION (WITH EFI) (SN 0300046089 through 0300065080)



SECTION 2 - TURNTABLE

FIGURE 2-9. FORD ENGINE INSTALLATION (WITH EFI) (SN 0300046089 through 0300065080)

ITEM	PART NUMBER	QTY	DESCRIPTION	REV
		Ref	ENGINE ASSEMBLIES	
	0259470	Ref	Standard Gas Machines	4-D
	0259253	Ref	Dual Fuel Machines	4-D
1		Ref	Engine - Ford LRG-425 Options:	
1	2000164	1	Standard Gas Machines	
1	2000166	1	Dual Fuel Machines	
2	3600290	1	Piston Pump Assembly (See PISTON PUMP ASSEMBLY for Breakdown)	
3	3600271	1	Gear Pump Assembly	
3	7011046	1	Seal Kit - 3600271 Pump	
4	3539972	1	Plate, Engine Mounting - Front	
5	4566605	1	Tube, Spacer	
6	3571498	1	Plate, Module Mounting	
7	0700810	2	Bolt, Metric 8mm-1.25 x 20mm	
8	4751500	2	Flatwasher 5/16in	
9	0721010	2	Bolt #10-24NC x 1 1/4in	
10	3311005	5	Locknut #10-24NC	
11	4751000	8	Flatwasher #10	
12	0721006	3	Bolt #10-24NC x 3/4in	
13	4640989	1	Valve, Oil Drain	
14	2750532	1	Hose	
		ft/30.5cm		
15	1320022	2	Clamp	
16	0701022	2	Bolt, Metric 10mm-1.5 x 70mm	
17	0701014	2	Bolt, Metric 10mm-1.5 x 30mm	
18	0641812	2	Bolt 1/2in-13NC x 1 1/2in	
19	3931620	2	Capscrew, Socket Head 3/8in-16NC x 1 1/4in	
20	3790152	1	O-Ring	
21	4891600	2	Washer, Hardened 3/8in	
22	0100011	AR	Loctite #242 (Not Shown)	
23	3571502	1	Plate, Heat Shield	
24	0902539	1	Bracket, Fuel Filter/Pressure Regulator	
25	1320019	2	Clamp, Exhaust	
26	4761500	2	Lockwasher 5/16in	
27	1600297	1	Controller, ECM	
27	3124114	1	Service Manual, Ford EFI System Diagnostic	
28	0641408	2	Bolt 1/4in-20NC x 1in	
29	4751400	6	Flatwasher 1/4in	
30	3311405	6	Locknut 1/4in-20NC	
31	1320060	1	Clamp (Not Shown) (SN 0300048739 through 0300065080)	
32	1641422	4	Bolt 1/4in-20NC x 2 3/4in	
33	4568158	4	Stand-Off	
34	3572600	1	Plate, Mounting - ECM	
		Ref	ENGINE INSTALLATIONS	
	0259419	Ref	Standard Gas Machines	8-G
	0259254	Ref	Dual Fuel Machines	9-H
102	4845613	1	Tray Weldment	
103	3570571	1	Mount, Radiator	
104	3570607	1	Support, Radiator - Left Side	
105	3620040	1	Radiator	

SECTION 2 - TURNTABLE

ITEM	PART NUMBER	QTY	DESCRIPTION	REV
105	8180311	1	Cap, Radiator (Was p/n 7019656)	
106		Ref	Battery Options:	
106	0400075	1	Battery (Wet)	
106	7016180	1	Battery (Dry)	
107	0181727	1	Tie-Down	
108	0630498	2	Bolt, Tie-Down	
109	4751600	43	Flatwasher 3/8in	
110	3311605	21	Locknut 3/8in-16NC	
111	3200378	4	Mount, Rubber	
112	0641610	22	Bolt 3/8in-16NC x 1 1/4in	
113	0641820	4	Bolt 1/2in-13NC x 2 1/2in	
114	3311805	4	Locknut 1/2in-13NC	
115	4740274	4	Washer, Snubbing	
116	3340399	3	Pad, Wear	
117	4070497	4	Shim 1/8in	
118	4070498	2	Shim 1/16in	
119	0641612	2	Bolt 3/8in-16NC x 1 1/2in	
120	2180467	AR	Fitting, Barbed 90	
122	4751400	27	Flatwasher 1/4in	
123	3311405	20	Locknut 1/4in-20NC	
124	4791400	9	Starwasher 1/4in	
125	0641609	7	Bolt 3/8in-16NC x 1 1/8in	
126	1580011	1	Tank, Coolant Recovery	
127	2720058	2 ft/51cm	Hose, Coolant Recovery	
128	0641406	10	Bolt 1/4in-20NC x 3/4in	
129	1320022	9	Clamp	
130	1340060	1	Air Cleaner Assembly	
130	7012664	1	Element, Air Cleaner	
131	0340041	2	Band, Air Cleaner	
132		Ref	Tube, Air Intake Options:	
132	4846011	1	Standard Gas Machines	
132	4846046	1	Dual Fuel Machines	
133	0080201	1	Elbow, Rubber	
134	1320016	2	Clamp	
135	2750532	7 ft/2.1m	Hose	
136	0100020	AR	Sealant, Pipe (Not Shown)	
137	2720058	11 ft/3.4m	Hose, Fuel Line	
139	4751000	4	Flatwasher #10	
140	3311005	4	Locknut #10-24NC	
142	1320060	1	Clamp	
143	0962172	1	Bushing, Flanged	
144	3900254	1	Screw, Shoulder 3/4in x 4in	
145	4752200	2	Flatwasher 3/4in	
146	3312005	1	Locknut 5/8in-11NC	
147	2060025	1	Fan	
148	0080214	1	Spacer, Fan	
149	0100011	AR	Loctite #242 (Not Shown)	
150	0700819	4	Bolt, Metric 8mm x 55mm	
151	4831900	4	Lockwasher, Metric 8mm	
152	2720436	1	Hose, Radiator - Top	
153	1320012	4	Clamp, Hose	

SECTION 2 - TURNTABLE

ITEM	PART NUMBER	QTY	DESCRIPTION	REV
154	4360392	1	Indicator, Clogged Filter	
155	2180798	1	Fitting, Restrictor Indicator	
156	2220794	1	Fitting, Barbed	
157	2220273	1	Fitting, Reducer	
158	0642010	1	Bolt 5/8in-11NC x 1 1/4in	
159	4752000	1	Flatwasher 5/8in	
160		Ref	Plate, Relay Mounting Options:	
160	3570808	1	Plate, Relay Mounting (Prior to SN 0300057566)	
160	3572672	1	Plate, Relay Mounting (SN 0300057566 through 0300058666)	
160	3572728	1	Plate, Relay Mounting (SN 0300058667 through 0300065080)	
161	3740067	1	Relay (Auxiliary Power)	
162	3740080	1	Relay, Bosch	
163		Ref	Breaker, Circuit Options:	
163	4360294	1	Breaker, Circuit (Prior to SN 0300058667)	
163	4360501	1	Breaker, Circuit (SN 0300058667 through 0300065080)	
164	0701004	2	Bolt #10-24NC x 1/2in	
165	4567878	1	Tube, Exhaust	
166	0701012	4	Bolt, Metric 10mm-1.5 x 25mm	
167	4832000	4	Lockwasher, Metric 10mm	
168	2720435	1	Hose, Radiator - Bottom	
170	4240099	2	Tie-Strap	
171	1703162	2	Decal - Fan Blade	
174	1701542	1	Decal - Gas (Not Shown - Located on Hood)	
177	0641410	2	Bolt 1/4in-20NC x 1 1/4in	
178	2901574	1	Battery Cable Kit	E
178A	7016832	1	Cable (Battery - to Ground) (With 30in #10 Black Lead)	
178B	7016817	1	Cable (Battery + to Auxiliary Relay)	
178C	7016820	1	Cable (Auxiliary Relay to Starter)	
178D		Ref	Cable Options (Auxiliary Relay to Auxiliary Pump):	
178D	7016808	1	12in Length	
178D	7016836	1	24in Length	
179	4240018	2	Tie-Strap	
180	0902443	1	Bracket, Latch Mounting	
181	0902444	1	Bracket, Hood Support	
182	0741610	2	Screw, Socket Head Countersunk 3/8in-16NC x 1 1/4in	
183	3600279	1	Auxiliary Pump Assembly	
183A	7016768	1	Motor, Replacement	
183A	7013757	1	Brush Kit	
183B	7013711	1	Coupling, Drive	
183C	7016769	1	Bracket, Mounting	
183C	7016745	2	Capscrew, Socket Head 5/16in-24NF x 4 3/4in	
183C	7016746	1	Adapter, Mounting	
183C	7013766	1	Pin	
183D	7013771	1	Pump, Replacement	
183D	7013701	1	Seal Kit	
183D	7016744	4	Screw 5/16in-18NC x 1in	
184	2200222	1	Plug, Pipe (Not Shown - Located at Bottom of Fuel Tank)	
185	4751800	4	Flatwasher 1/2in	
186	1703876	1	Decal - Engine Tray Swing	
187	3571008	1	Plate, Baffle	
188	3571009	1	Plate, Baffle	

SECTION 2 - TURNTABLE

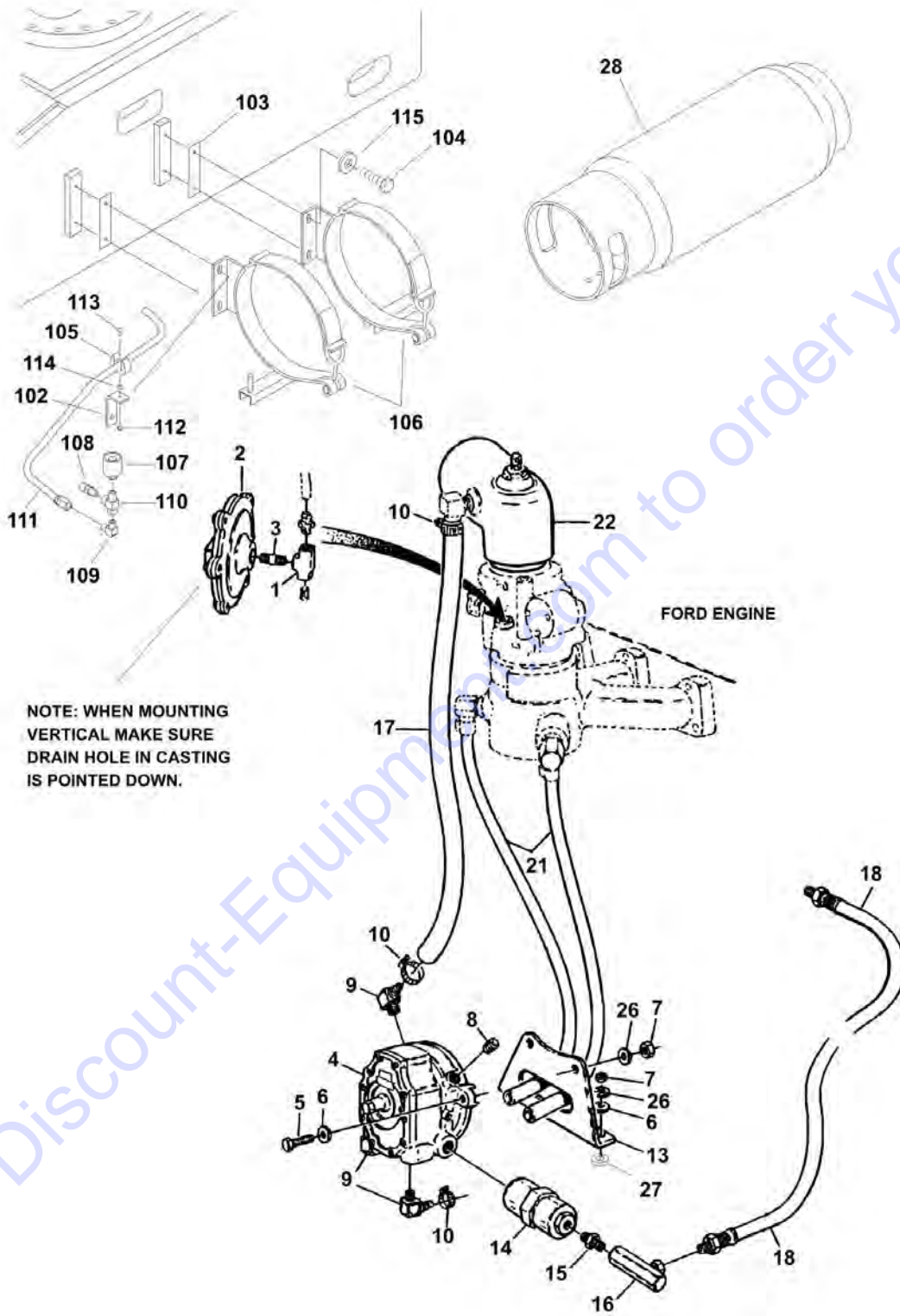
ITEM	PART NUMBER	QTY	DESCRIPTION	REV
189	3571019	1	Plate, Air Panel	
190	0641408	2	Bolt 1/4in-20NC x 1in	
191	3960438	28	Seal, Hood	
		in/46cm		
192	4791600	2	Starwasher 3/8in	
193	2220313	1	Fitting, Barbed	
195	2220250	1	Fitting, Reducer	
196	2220805	1	Fitting, 90 Barbed	
197	0641506	AR	Bolt 5/16in-18NC x 3/4in	
198	4751500	4	Flatwasher 5/16in	
199	3311505	2	Locknut 5/16in-18NC	
200	2720473	1	Hose, High Pressure	
201		Ref	Flatwasher 5/16 (SN 0300062669 through 0300065080)	
201	Not Required	0	Standard Gas Machines	
201	4711500	4	Dual Fuel Machines	
202		Ref	Bracket, LP Mounting (SN 0300062669 through 0300065080)	
202	Not Required	0	Standard Gas Machines	
202	0902724	1	Dual Fuel Machines	
203	1320032	1	Clamp (SN 0300062669 through 0300065080)	
		Ref	ENGINE COMPONENTS	
	2000164	Ref	Standard Gas Machines	C
	2000166	Ref	Dual Fuel Machines	C
301	3600377	1	Fuel Pump and Isolator Assembly (was p/n 7022133)	
301	7022134	1	Harness, Fuel Pump Wiring	
302	91083218	1	Filter, Fuel (was p/n 7022135)	
303	7019986	1	Starter (Not Shown)	
304	7019977	1	Alternator with Pulley and Regulator	
304	7000897	1	Alternator without Pulley and Regulator	
305	7022136	1	Actuator, Throttle	
306	7019996	1	Sensor, Air Temperature	
307	7023663	1	Harness, ECM (was p/n 7022137)	
307	7023613	3	Relay	
308	7022139	1	Sensor, MAP	
309	7019994	1	Sensor, EGR	
310	2420187	1	Dipstick (was p/n 7022140)	
310	4564281	1	Tube, Dipstick (was p/n 7022146)	
311	2720341	1	Horn, Rubber Air (was p/n 7022141)	
312	7022142		Switch, Oil Pressure	
313	7021868	1	Filter, Oil (was p/n's 7022147, 7022173 & 7014501)	
314	1660250	1	Coupling, Pump (was p/n 7016662)	
314	7019976	1	Flywheel	
314	7022180	1	Ring Gear	
315	7019993	1	Pressure Regulator and Filter Assembly	
316	7022143	1	Gasket, Exhaust Manifold to Head (Not Shown)	
317	7022158	3	Connector	
318	7022159	2	Connector	
319	7022160	1	Connector	
320	7022161	2	Tube, Supply	
321	7022162	2	Clamp	
322	7022153	1	Pump, Water	
322	7022154	1	Gasket, Water Pump	
322	7022155	1	Sensor, Water Temperature (Not Shown)	

SECTION 2 - TURNTABLE

ITEM	PART NUMBER	QTY	DESCRIPTION	REV
322	7022164	1	Sensor, High Coolant Temperature (Not Shown)	
322	7022156	1	Thermostat (Not Shown)	
322	7023644	1	Hose, Water Pump (By-Pass) (Not Shown)	
322	7025134	1	Gasket, Water Outlet Connection (Not Shown)	
323	7023637	1	Switch, Shutdown Pressure	
324	7022178	1	Sensor, Crank Shaft	
325	2720341	1	Horn, Rubber Air	
326	70002307	1	Gasket (Exhaust Manifold to Pipe)	
327	7022150	1	Belt, Drive	
327	70002567	1	Tensioner, Belt	
328	7019925	1	PCV Valve (Not Shown)	
329	7019930	1	Coil, Ignition (Not Shown)	
329	7022157	1	Wire Set, Spark Plug (Not Shown)	
329	7019932	4	Spark Plug (was p/n 7012595)	
330	7022151	1	Cap, Oil Fill	
331	7022149	1	Gasket Kit, Lower Manifold (Not Shown)	
331	7025124	1	Gasket Kit, Upper Manifold (was p/n 7022148) (Not Shown)	
331	7022144	1	Gasket, Upper Manifold Throttle (Not Shown)	
332	7022179	1	Sensor, Camshaft (Not Shown)	
333	7020120	1	Bell Housing (Not Shown)	
		Ref	MUFFLER INSTALLATIONS	
	0258252	Ref	Standard Spark Arresting	2
	0258253	Ref	Optional Catalytic	3
401		Ref	Muffler Options:	
401	3220113	1	Standard Spark Arresting	
401	3220114	1	Optional Catalytic	
401	70001017	1	Clamp	
402	0340046	2	Band	
403	0902457	1	Bracket, Muffler	
404	0641507	4	Bolt 5/16in-18NC x 7/8in	
405	4711500	8	Flatwasher 5/16in Narrow	
406	3311505	4	Locknut 5/16in-18NC	
407	4567073	1	Tube, Exhaust	
407	70001017	1	Clamp	
408	4100025	21 in/53cm	Sleeve, Fiberglass	
409	4920385	16 in/41cm	Wire, Mechanics	

SECTION 2 - TURNTABLE

FIGURE 2-10. DUAL FUEL INSTALLATIONS (FORD MACHINE OPTION) (Prior to SN 0300046089)



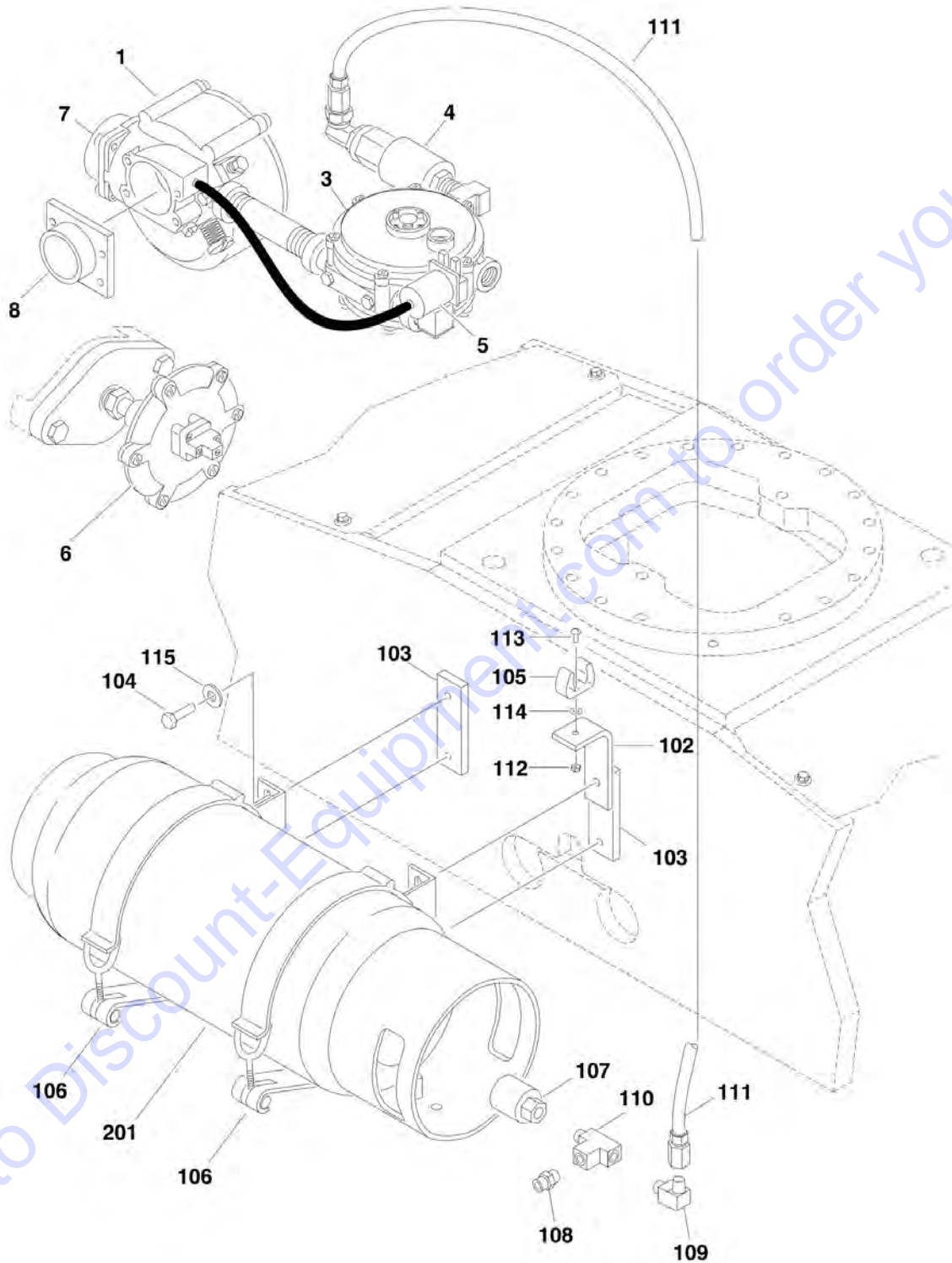
SECTION 2 - TURNTABLE

FIGURE 2-10. DUAL FUEL INSTALLATIONS (FORD MACHINE OPTION) (Prior to SN 0300046089)

ITEM	PART NUMBER	QTY	DESCRIPTION	REV
		Ref	DUAL FUEL INSTALLATION	A
1	2180360	1	Fitting, Tee	
2	4360188	1	Switch, Vacuum	
3	2180104	1	Fitting, Nipple	
4	4700005	1	Vaporizer/Regulator	
4	7017515	1	Rebuild Kit - 4700005 Regulator	
5	0641416	2	Bolt 1/4in-20NC x 2in	
6	4751400	4	Flatwasher 1/4in	
7	3311405	4	Locknut 1/4in-20NC	
8	2200204	1	Plug, Pipe	
9	2220675	3	Fitting, 90	
10	1320017	4	Clamp, Hose	
13	0902132	1	Bracket, Vaporizer	
14	2120077	1	Filter, Fuel Lock	
15	2180418	1	Fitting, LP	
16	2220064	1	Fitting, 90	
17	2720112	AR	Hose, LP	
18	2720144	1	Hose, LP	
21	Not Available	30	Hose	
		in/76cm		
22	0080124	1	Adapter, Air Horn	
24	1701543	1	Decal - LPG (Not Shown)	
25		Ref	Decal - Liquid Withdrawal System (Not Shown) (See DECALS SECTION)	
26	4791400	2	Starwasher 1/4in	
27	3311401	2	Nut 1/4in-20NC	
28		Ref	Tank, LP Options:	
28	4400275	1	Aluminum	
28	4400420	1	Steel	
	0258033	Ref	LP TANK AND BRACKETS INSTALLATION	A
101	0100011	AR	Loctite #242 (Not Shown)	
102	0181949	1	Angle, Support	
103	0362519	2	Bar, Mounting	
104	0641607	4	Bolt 3/8in-16NC x 7/8in	
105	1320218	1	Clamp, Spring	
106	1320220	1	Clamp Kit	
106	1320127	1	Toggle	
107	2180387	1	Fitting, LP	
108	2180389	1	Fitting	
109	2180504	1	Fitting, 90	
110	2220290	1	Fitting, Tee	
111	2720149	1	Hose	
112	3310805	1	Locknut #8-32NC	
113	3910808	1	Screw #8-32NC x 1in	
114	4750800	1	Flatwasher #8	
115	4751600	4	Flatwasher 3/8in	

SECTION 2 - TURNTABLE

FIGURE 2-11. DUAL FUEL INSTALLATIONS (FORD MACHINE OPTION) (SN 0300046089 through 0300065080)



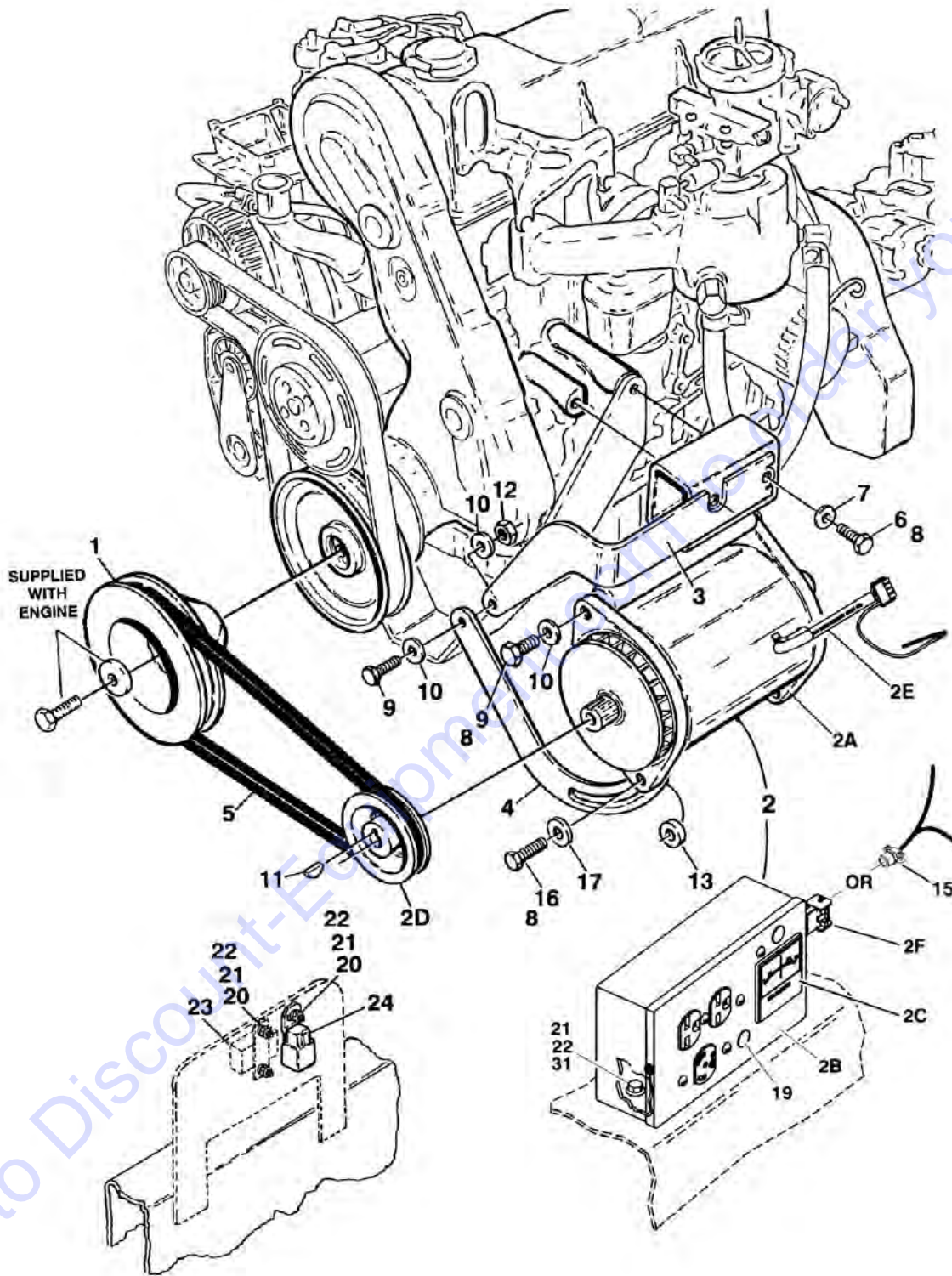
SECTION 2 - TURNTABLE

FIGURE 2-11. DUAL FUEL INSTALLATIONS (FORD MACHINE OPTION) (SN 0300046089 through 0300065080)

ITEM	PART NUMBER	QTY	DESCRIPTION	REV
	2000166	Ref	DUAL FUEL ENGINE COMPONENTS	C
	Not Available - See Your Ford Dealer	1	Dual Fuel Conversion Kit (Note: Includes hose, fittings, clamps and items indented below. For replacement hose, fittings and clamps supply locally.)	
1	7022165	1	Mixer	
1	7022171	1	Repair Kit - 7022165 Mixer	
1	7023645	1	Gasket, Mixer	
3	7022167	1	Convertor	
3	7022170	1	Repair Kit - 7022167 Convertor	
4	7023680	1	Filter, LP Shut-Off (Was p/n 7022169)	
4	7023680	NLA	Electrical Connector Kit (No Longer Available - was p/n 7023679)	
5	7022168	1	Valve, Solenoid	
6	4360188	1	Switch, Vacuum	
7	7023603	1	Adaptor	
8	7022166	1	Adaptor	
		Ref	LP TANK AND BRACKETS INSTALLATIONS	
	0258033	Ref	Standard Machines	A
	0270290	Ref	Semi-Track Machines (Not Shown - Located on Rear of Frame)	A
101	0100011	AR	Loctite #242 (Not Shown)	
102		Ref	Angle, Support Options:	
102	0181949	1	Angle, Support (Standard Machines)	
102	4846259	2	Bracket, Support (Semi-Track Machines)	
103	0362519	2	Bar, Mounting (Standard Machines Only)	
104	0641607	4	Bolt 3/8in-16NC x 7/8in	
105	1320218	1	Clamp, Spring (Standard Machines Only)	
106		Ref	Clamp Kit Options:	
106	1320220	1	Standard Machines	
106	1320127	1	Toggle	
106	1320023	1	Semi-Track Machines	
107	2180387	1	Fitting, LP	
108	2180389	1	Fitting	
109	2180504	1	Fitting, 90 (Standard Machines Only)	
110	2220290	1	Fitting, Tee	
111		Ref	Hose Options:	
111	2720149	1	Standard Machines	
111	2720468	1	Semi-Track Machines	
112	3310805	1	Locknut #8-32NC (Standard Machines Only)	
113	3910808	1	Screw #8-32NC x 1in (Standard Machines Only)	
114	4750800	1	Flatwasher #8 (Standard Machines Only)	
115	4751600	4	Flatwasher 3/8in	
		Ref	LP TANK (OPTIONAL)	
201	4400275	1	Aluminum	
201	4400420	1	Steel	

SECTION 2 - TURNTABLE

FIGURE 2-12. GENERATOR INSTALLATION - FORD MACHINES (OPTIONAL)



SECTION 2 - TURNTABLE

FIGURE 2-12. GENERATOR INSTALLATION - FORD MACHINES (OPTIONAL)

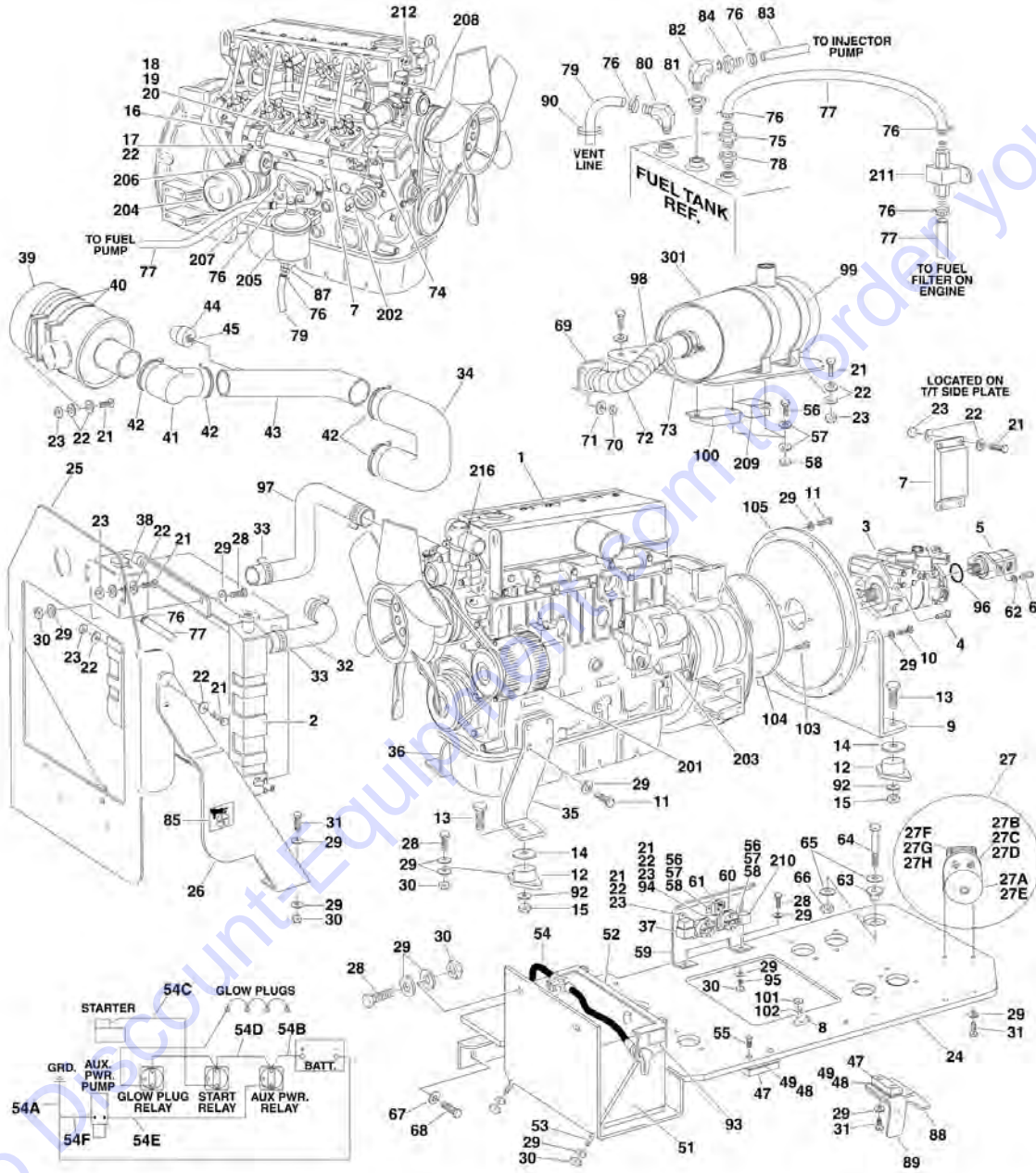
ITEM	PART NUMBER	QTY	DESCRIPTION	REV
		Ref	GENERATOR INSTALLATION OPTIONS:	
	0258312	Ref	110V Generator	5-C
	0258314	Ref	220V Generator	3-B
1	3580250	1	Pulley	
2		Ref	Generator and Control Box Assembly Options:	
2	2460011	1	110Volt Assembly (Prior to SN 0300039711)	
2	2460032	1	110Volt Assembly (SN 0300039711 through 0300065080)	
2	2460034	NLA	220Volt Assembly (Use p/n 2460056)	
2A	7012558	1	Generator - 110V	
		Ref	Note: Replacement Generator p/n 7012558 come standard with p/n 3580134 pulley. This pulley may not be correct for all applications. Refer to pulley options below.	
2A	1001100321	1	Generator - 220V	
2A		Ref	Armature Options:	
2A	7026199	1	110Volt	
2A	70000123	1	220Volt	
2A	7020109	4	Holder, Brush	
2A	7020108	4	Brush	
2A	7012513	4	Cap, Brush Holder	
2A	7012514	1	Fan	
2A	7020110	1	Bell, Front	
2A	7020111	1	Bell, Rear	
2A	7020190	2	Bearing	
2B	7003657	1	Box, Control - 110V Note: Replacement 110V Control Box comes with 2 std Receptacles p/n 4460190. Optional Industrial Twist Lock Receptacles p/n 4460027 must be ordered separately.	
2B		Ref	Box, Control - 220V Options:	
2B	70002235	1	Generator 2460034	
2B	70000127	1	Generator 2460056	
2B		Ref	Breaker, Circuit Options:	
2B	4360542	1	110Volt	
2B	70000126	1	220Volt	
2B		Ref	Receptacle Options:	
2B	70000124	1	Receptacle, Double (220V/50Hz Only)	
2B	70000125	1	Receptacle, Single (220V/50Hz Only)	
2B		Ref	Lamp Options:	
2B	2920162	1	Generators 2460011, 2460032 & 2460034	
2B	Not Required	0	Generator 2460056	
2B		Ref	Switch, Toggle Options:	
2B	7020191	1	Generators 2460011, 2460032 & 2460034	
2B	Not Required	0	Generator 2460056	
2B	3520028	2	Plug, Hole	
2C		Ref	Voltmeter Options:	
2C	2420203	1	110Volt	
2C	7020192	1	220Volt	
2D		Ref	Pulley Options:	
2D	3580134	1	Generators 2460011 & 2460056	
2D	3580276	1	Generators 2460032 & 2460034	
2E	7020193	1	Cord, Power	
2F	4460961	1	Connector - 4 Position (Generator 2460056 Only)	

SECTION 2 - TURNTABLE

ITEM	PART NUMBER	QTY	DESCRIPTION	REV
2F	4460705	4	Terminal, Male Pin (Generator 2460056 Only)	
3	0902210	1	Bracket, Generator Mounting	
4	0200547	1	Arm, Adjusting	
5	0480050	1	V-Belt (Prior to SN 0300039711)	
5	0480111	1	V-Belt (SN 0300039711 through 0300065080)	
6	0701015	2	Bolt, Metric 10mm-1.5 x 35mm	
7	4812000	2	Flatwasher 10mm	
8	0100011	AR	Loctite #242 (Not Shown)	
9	0681612	3	Bolt 3/8in-16NC x 1 1/2in (Grade 8)	
10	4751600	6	Flatwasher 3/8in	
11	2860012	1	Key, Woodruff	
12	3311605	1	Locknut 3/8in-16NC	
13	4564417	1	Spacer, Tube	
15	4460023	1	Connector, Strain Relief	
16	0641508	1	Bolt 5/16in-18NC x 1in	
17	4751500	2	Flatwasher 5/16in	
19	3520028	1	Plug, Hole	
20	0721006	AR	Bolt #10-24NC x 3/4in	
21	3311005	AR	Locknut #10-24NC	
22	4751000	AR	Flatwasher #10	
23		Ref	Breaker, Circuit - 30 Amp Options:	
23	4360294	1	Breaker, Circuit - 30 Amp (Prior to SN 0300062239)	
23	4360501	1	Breaker, Circuit - 30 Amp (SN 0300062239 through 0300065080)	
24	3740080	1	Relay, Bosch	
25	4360336	1	Switch, Toggle (Not Shown - Located at Platform)	
26	4740397	1	Washer (Not Shown - Located at Platform)	
27	4060802	1	Guard, Switch (Not Shown - Located at Platform)	
29	2820031	1	Heat Shrink (Not Shown - Located at Platform)	
30	3251102	1	Decal (Not Shown - Located at Platform)	
31	0721008	2	Bolt #10-24NC x 1in	

SECTION 2 - TURNTABLE

FIGURE 2-13. ISUZU ENGINE INSTALLATION



SECTION 2 - TURNTABLE

FIGURE 2-13. ISUZU ENGINE INSTALLATION

ITEM	PART NUMBER	QTY	DESCRIPTION	REV
		Ref	ISUZU ENGINE INSTALLATIONS	
	0258939	Ref	Standard Machines	7-D
1	2000163	1	Engine Assembly	
2	3620040	1	Radiator	
2	8180311	1	Cap, Radiator (Was p/n 7019656)	
3		Ref	Piston Pump Assembly Options (See PISTON PUMP ASSEMBLY for Breakdown):	
3	3600260	1	Piston Pump Assembly (Prior to SN 0300043370)	
3	3600290	1	Piston Pump Assembly (SN 0300043370 through 0300065080)	
4	0641812	2	Bolt 12/in-13NC x 1 1/2in	
5	3600271	1	Gear Pump Assembly	
5	7011046	1	Seal Kit - 3600271 Pump	
6	3931620	2	Capscrew, Socket Head 3/8in-16NC x 1 1/4in	
7	0060033	1	Actuator Assembly (Use p/n 2910000) (See ELECTRICAL SECTION for Breakdown)	
8	1320223	1	J-Clamp	
9	3571201	1	Plate, Rear Mounting	
10	0701015	6	Bolt, Metric 10mm x 35mm	
11	0701012	10	Bolt, Metric 10mm x 25mm	
12	3200378	4	Mount, Rubber Motor	
13	0641820	4	Bolt 12/in-13NC x 2 1/2in	
14	4740274	4	Washer, Snubbing	
15	3311805	4	Locknut 1/2in-13NC	
16	3571266	1	Bracket, Throttle Mount	
17	0700610	4	Screw, Metric 6mm x 20mm	
18	3900217	1	Bolt, Shoulder	
19	0962031	1	Bushing	
20	4740442	1	Washer, Belleville	
21	0641406	20	Bolt 1/4in-20NC x 3/4in	
22	4751400	41	Flatwasher 1/4in	
23	3311405	20	Locknut 1/4in-20NC	
24	4845613	1	Tray, Engine	
25	3570571	1	Plate, Radiator Mount	
26	3570607	1	Plate, Radiator Support	
27	3600279	1	Auxiliary Pump Assembly	
27A	7016768	1	Motor, Replacement	
27A	7013757	1	Brush Kit	
27B	7013711	1	Coupling, Drive	
27C	7016769	1	Bracket, Mounting	
27D	7016744	4	Screw 5/16in-18NC x 1in	
27E	7016745	2	Capscrew, Socket Head 5/16in-24NF x 4 3/4in	
27F	7016746	1	Adapter, Mounting	
27G	7013766	1	Pin	
27H	7013771	1	Pump, Replacement	
27H	7013701	1	Seal Kit	
28	0641609	8	Bolt 3/8in-16NC x 1 1/8in	
29	4751600	61	Flatwasher 3/8in	
30	3311605	22	Locknut 3/8in-16NC	
31	0641610	18	Bolt 3/8in-16NC x 1 1/4in	

SECTION 2 - TURNTABLE

ITEM	PART NUMBER	QTY	DESCRIPTION	REV
32	2720441	1	Hose, Radiator (Top)	
33	1320012	4	Clamp	
34	0080232	1	Adaptor, Air Intake	
35	3571192	1	Plate, Engine (Front Left Side)	
36	3571265	1	Plate, Engine (Front Right Side)	
37	3740080	1	Relay (Prior to SN 0300062293)	
38	1580011	1	Container, Coolant Overflow	
39	1340060	1	Air Cleaner Assembly	
39	7012664	1	Element, Air Cleaner	
40	0340041	2	Band, Mounting	
41	0080201	1	Elbow	
42	1320016	4	Clamp, Hose	
43	4567817	1	Tube, Air Intake	
44	4360392	1	Switch, Restrictor Indicator	
45	2180798	1	Fitting	
46	0100020	AR	Sealant, Pipe (Not Shown)	
47	3340399	3	Pad, Wear	
48	4070497	4	Shim 1/8in	
49	4070498	2	Shim 1/16in	
50	0100011	AR	Loctite #242 (Not Shown)	
51		Ref	Battery Options:	
51	0400075	1	Battery (Wet)	
51	7016180	1	Battery (Dry)	
52	0181727	1	Tie-Down, Battery	
53	0630498	2	Bolt, Tie-Down	
54	2901575	1	Cable Kit - Battery	D
54A	7016817	1	Cable - Battery to Starter Relay	
54B	7016818	1	Cable - Battery and Auxiliary Pump to Ground	
54C	7016819	1	Cable - Starter Relay to Starter	
54D	7016803	1	Cable - Starter Relay to Auxiliary Relay	
54E	7016820	1	Cable - Auxiliary Relay to Auxiliary Pump	
55	0741610	2	Screw, Flathead 3/8in-16NC x 2in	
56	0721006	5	Bolt #10-24NC x 3/4in	
57	4751000	6	Flatwasher #10	
58	3311005	5	Locknut #10-24NC	
59		Ref	Plate, Relay Mounting Options:	
59	3570808	1	Plate, Relay Mounting (Prior to SN 0300058667)	
59	3572728	1	Plate, Relay Mounting (SN 0300058667 through 0300065080)	
60	3740067	2	Relay	
61		Ref	Breaker, Circuit Options:	
61	4360294	1	Breaker, Circuit (Prior to SN 0300058667)	
61	4360501	1	Breaker, Circuit (SN 0300058667 through 0300065080)	
62	4891600	2	Washer, Hardened 3/8in	
63	0962172	1	Bushing, Flanged	
64	3900254	1	Bolt Shoulder 3/4in x 4in	
65	4752200	2	Flatwasher 3/4in	
66	3312005	1	Locknut 5/8in-11NC	
67	0642010	1	Bolt 5/8in-11NC x 1 1/4in	
68	4752000	1	Flatwasher 5/8in	
69	4567821	1	Exhaust Intake Adapter Weldment	
70	3290801	4	Nut, Metric 8mm	

SECTION 2 - TURNTABLE

ITEM	PART NUMBER	QTY	DESCRIPTION	REV
71	4831900	4	Lockwasher, Metric 8mm	
72	4100025	1 ft/31cm	Sleeve, Fiberglass	
73	4920385	1 ft/31cm	Wire, Safety	
74	2901775	1	Throttle Mounting Kit	
75	2220794	1	Fitting, Barbed	
76	1320022	10	Clamp	
77	2720058	13 ft/4m	Hose	
78	2220273	1	Fitting, Reducer	
79	2750532	8.5 ft/2.6m	Hose	
80	2220313	1	Fitting, 90	
81	2220250	1	Fitting, Reducer	
82	2220459	1	Fitting, 90	
83	2720271	12 ft/3.7m	Hose	
84	2180536	1	Fitting, Straight Barbed	
85	1703162	2	Decal - Fan	
86	1701505	1	Decal - Diesel Fuel (Not Shown)	
87	4641019	1	Valve, Oil Drain	
88	0902444	1	Bracket, Hood Support	
89	0902443	1	Bracket, Latch Mount	
90	4240099	1	Tie-Strap	
91	2200222	1	Plug, Pipe (Not Shown - Located at Bottom of Fuel Tank)	
92	4751800	4	Flatwasher 1/2in	
93	1703876	1	Decal - Engine Tray Swing	
94	4791400	6	Starwasher 1/4in	
95	4791600	2	Starwasher 3/8in	
96	3790152	1	O-Ring	
97	2720448	1	Hose, Radiator (Bottom)	
98	3571279	1	Plate, Muffler Mounting	
99	0340046	2	Band, Muffler Mounting	
100	0259198	1	Timer, Fuel-On Coil (See ELECTRICAL SECTION for Breakdown)	
101	3311401	1	Nut 1/4in-20NC	
102	4761400	1	Lockwasher 1/4in	
103	0681606	8	Bolt 3/8in-16NC x 3/4in (Grade 8)	
104	1660239	1	Coupling, Pump	
105	0080181	1	Plate, Pump Adapter	
		Ref	ENGINE COMPONENTS	
201	7022123	1	Alternator	
202	7022127	1	Switch, Oil Pressure	
203	7022122	1	Starter	
204	7022111	1	Filter, Oil	
205	7022120	1	Pump, Fuel Injection	
206	7022113	1	Filter, Fuel	
207	7022107	1	Dipstick	
208	7022128	1	Sensor, Water Temperature	
209	7022130	1	Control, Glow Plug	
210	7022125	1	Relay, Safety Start	
211	7022129	1	Pump, Fuel	
212	7022126	1	Switch, Water Temperature	
213	7022114	1	Pump, Water	
214	7022118	1	Cooler, Oil (Not Shown)	

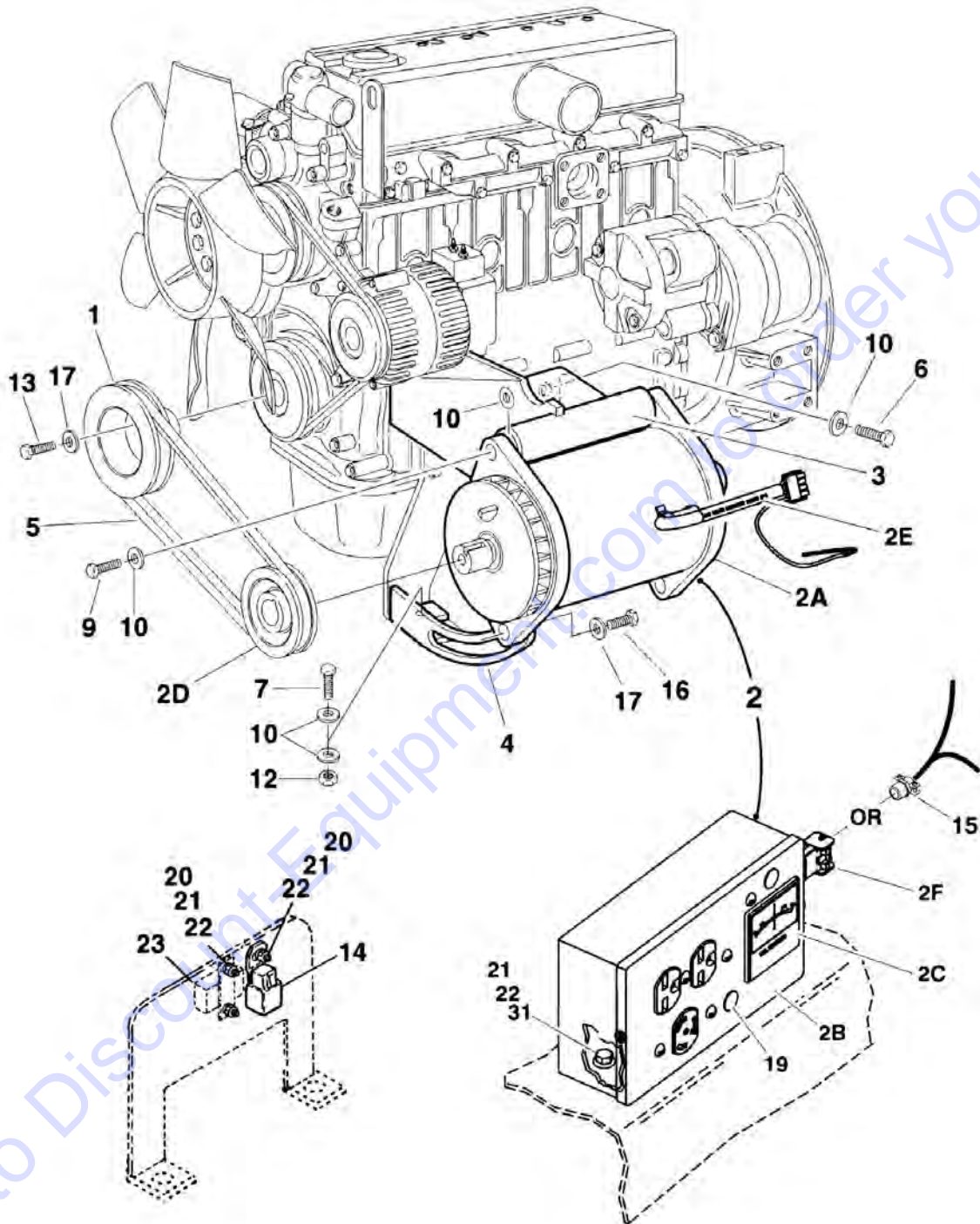
SECTION 2 - TURNTABLE

ITEM	PART NUMBER	QTY	DESCRIPTION	REV
215	7022124	4	Plug, Glow	
216	7022123	1	Belt, Alternator	
217	7022131	1	Manual, Owner's (Not Shown)	
		Ref	MUFFLER INSTALLATION	
301		Ref	Muffler Options:	
301	3220113	1	Standard	
301	3220114	1	Catalytic	
301	70001017	1	Clamp	

Go to Discount-Equipment.com to order your parts

SECTION 2 - TURNTABLE

FIGURE 2-14. GENERATOR INSTALLATION - ISUZU MACHINES (OPTIONAL)



SECTION 2 - TURNTABLE

FIGURE 2-14. GENERATOR INSTALLATION - ISUZU MACHINES (OPTIONAL)

ITEM	PART NUMBER	QTY	DESCRIPTION	REV
		Ref	GENERATOR INSTALLATION OPTIONS:	
	0259000	Ref	110V Generator	3-B
	0259001	Ref	220V Generator	3-B
1	3580280	1	Pulley	
2		Ref	Generator and Control Box Assembly Options:	
2	2460032	1	110Volt Assembly	
2	2460034	NLA	220Volt Assembly (Use p/n 2460056)	
2A	7012558	1	Generator - 110V	
		Ref	Note: Replacement Generator p/n 7012558 come standard with p/n 3580134 pulley. This pulley may not be correct for all applications. Refer to pulley options below.	
2A	1001100321	1	Generator - 220V	
2A		Ref	Armature Options:	
2A	7026199	1	110Volt	
2A	70000123	1	220Volt	
2A	7020109	4	Holder, Brush	
2A	7020108	4	Brush	
2A	7012513	4	Cap, Brush Holder	
2A	7012514	1	Fan	
2A	7020110	1	Bell, Front	
2A	7020111	1	Bell, Rear	
2A	7020190	2	Bearing	
2B	7003657	1	Box, Control - 110V Note: Replacement 110V Control Box comes with 2 std Receptacles p/n 4460190. Optional Industrial Twist Lock Receptacles p/n 4460027 must be ordered separately.	
2B		Ref	Box, Control - 220V Options:	
2B	70002235	1	Generator 2460034	
2B	70000127	1	Generator 2460056	
2B		Ref	Breaker, Circuit Options:	
2B	4360542	1	110Volt	
2B	70000126	1	220Volt	
2B		Ref	Receptacle Options:	
2B	70000124	1	Receptacle, Double (220V/50Hz Only)	
2B	70000125	1	Receptacle, Single (220V/50Hz Only)	
2B		Ref	Lamp Options:	
2B	2920162	1	Generators 2460032 & 2460034	
2B	Not Required	0	Generator 2460056	
2B		Ref	Switch, Toggle Options:	
2B	7020191	1	Generators 2460032 & 2460034	
2B	Not Required	0	Generator 2460056	
2B	3520028	2	Plug, Hole	
2C		Ref	Voltmeter Options:	
2C	2420203	1	110Volt	
2C	7020192	1	220Volt	
2D		Ref	Pulley Options:	
2D	3580134	1	Generator 2460056	
2D	3580276	1	Generators 2460032 & 2460034	
2E	7020193	1	Cord, Power	
2F	4460961	1	Connector - 4 Position (Generator 2460056 Only)	
2F	4460705	4	Terminal, Male Pin (Generator 2460056 Only)	

SECTION 2 - TURNTABLE

ITEM	PART NUMBER	QTY	DESCRIPTION	REV
3	4845969	1	Bracket, Generator Mounting	
4	0200664	1	Arm, Adjusting	
5	0480056	1	V-Belt	
6	0701012	2	Bolt, Metric 14mm x 30mm	
7	0641610	1	Bolt, 3/8in-16NC x 1 1/4in	
8	0100011	AR	Loctite #242 (Not Shown)	
9	0681612	2	Bolt 3/8in-16NC x 1 1/2in (Grade 8)	
10	4751600	8	Flatwasher 3/8in	
12	3311605	1	Locknut 3/8in-16NC	
13	0700814	4	Bolt, Metric 8mm x 30MM	
14	3740080	1	Relay	
15	4460023	1	Connector, Strain Relief	
16	0641508	1	Bolt 5/16in-18NC x 1in	
17	4751500	5	Flatwasher 5/16in	
19	3520028	1	Plug, Hole	
20	0721006	AR	Screw,#10-24NC x 3/4in	
21	3311005	AR	Locknut #10-24NC	
22	4751000	AR	Flatwasher #10	
23		Ref	Breaker, Circuit - 30 Amp Options:	
23	4360294	1	Breaker, Circuit - 30 Amp (Prior to SN 0300062239)	
23	4360501	1	Breaker, Circuit - 30 Amp (SN 0300062239 through 0300065080)	
25	4360336	1	Switch, Toggle (Not Shown - Located at Platform)	
26	4740397	1	Bushing	
27	4060802	1	Guard, Switch (Not Shown - Located at Platform)	
29	2820031	1	Heat Shrink (Not Shown - Located at Platform)	
30	3251102	1	Decal (Not Shown - Located at Platform)	
31	0721008	2	Screw, #10-24NC x 1in	

PARTS FINDER

**Search Website
by Part Number**



**Search Manual
Library For Parts
Manual & Lookup Part
Numbers – Purchase
or Request Quote**

**Can't Find Part or
Manual? Request Help
by Manufacturer,
Model & Description**

Discount-Equipment.com is your online resource for quality parts & equipment.

Florida: **561-964-4949** Outside Florida TOLL FREE: **877-690-3101**

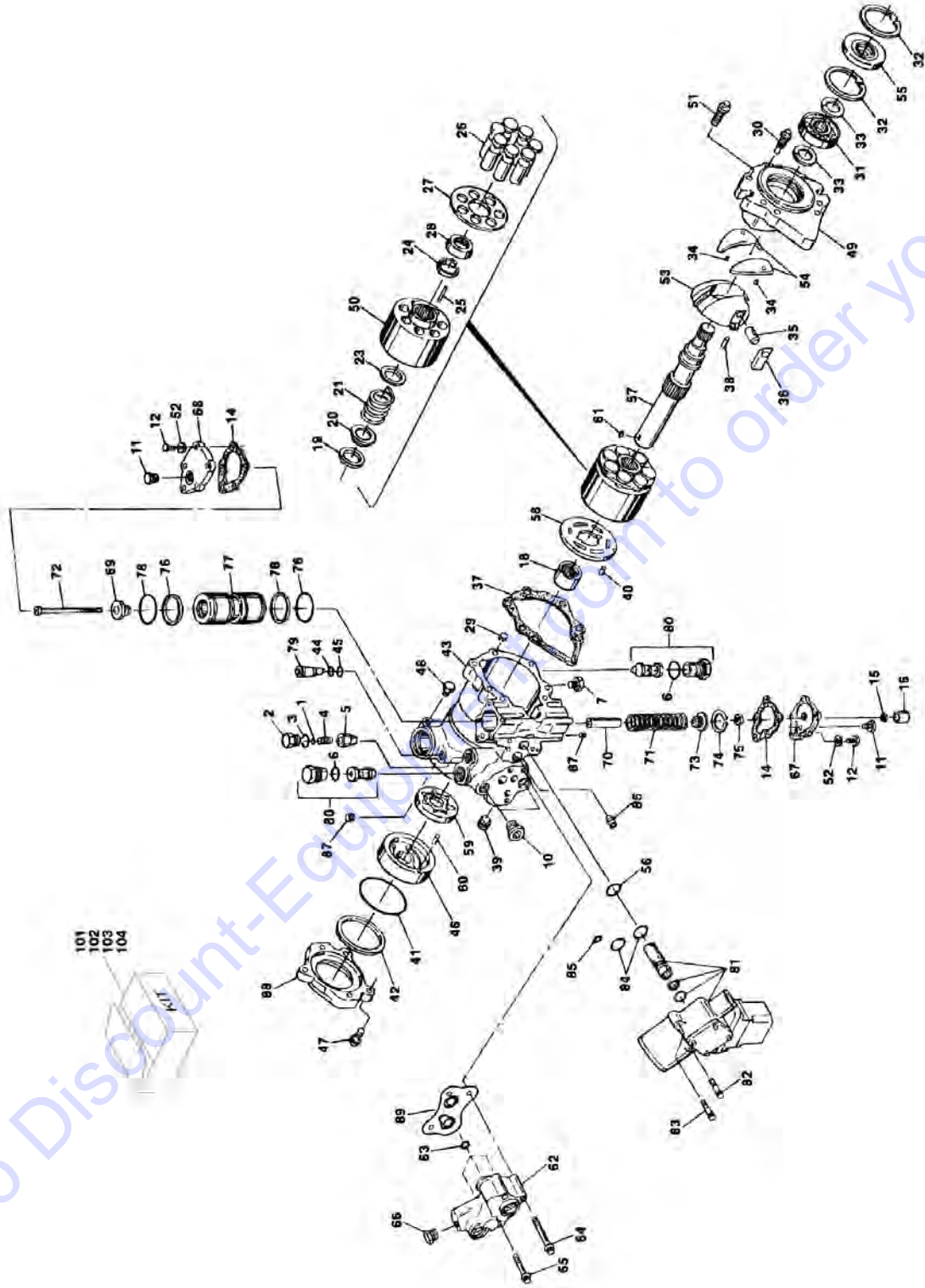
Need parts?

Click on this link: <http://www.discount-equipment.com/category/5443-parts/> and choose one of the options to help get the right parts and equipment you are looking for. Please have the machine model and serial number available in order to help us get you the correct parts. If you don't find the part on the website or on one of the online manuals, please fill out the request form and one of our experienced staff members will get back to you with a quote for the right part that your machine needs.

We sell worldwide for the brands: Genie, Terex, JLG, MultiQuip, Mikasa, Essick, Whiteman, Mayco, Toro Stone, Diamond Products, Generac Magnum, Airman, Haulotte, Barreto, Power Blanket, Nifty Lift, Atlas Copco, Chicago Pneumatic, Allmand, Miller Curber, Skyjack, Lull, Skytrak, Tsurumi, Husquvarna Target, Stow, Wacker, Sakai, Mi-T-M, Sullair, Basic, Dynapac, MBW, Weber, Bartell, Bennar Newman, Haulotte, Ditch Runner, Menegotti, Morrison, Contec, Buddy, Crown, Edco, Wyco, Bomag, Laymor, EZ Trench, Bil-Jax, F.S. Curtis, Gehl Pavers, Heli, Honda, ICS/PowerGrit, IHI, Partner, Imer, Clipper, MMD, Koshin, Rice, CH&E, General Equipment, Amida, Coleman, NAC, Gradall, Square Shooter, Kent, Stanley, Tamco, Toku, Hatz, Kohler, Robin, Wisconsin, Northrock, Oztec, Toker TK, Rol-Air, APT, Wylie, Ingersoll Rand / Doosan, Innovatech, Con X, Ammann, Mecalac, Makinex, Smith Surface Prep, Small Line, Wanco, Yanmar

SECTION 2 - TURNTABLE

FIGURE 2-15. PISTON PUMP ASSEMBLY



SECTION 2 - TURNTABLE

FIGURE 2-15. PISTON PUMP ASSEMBLY

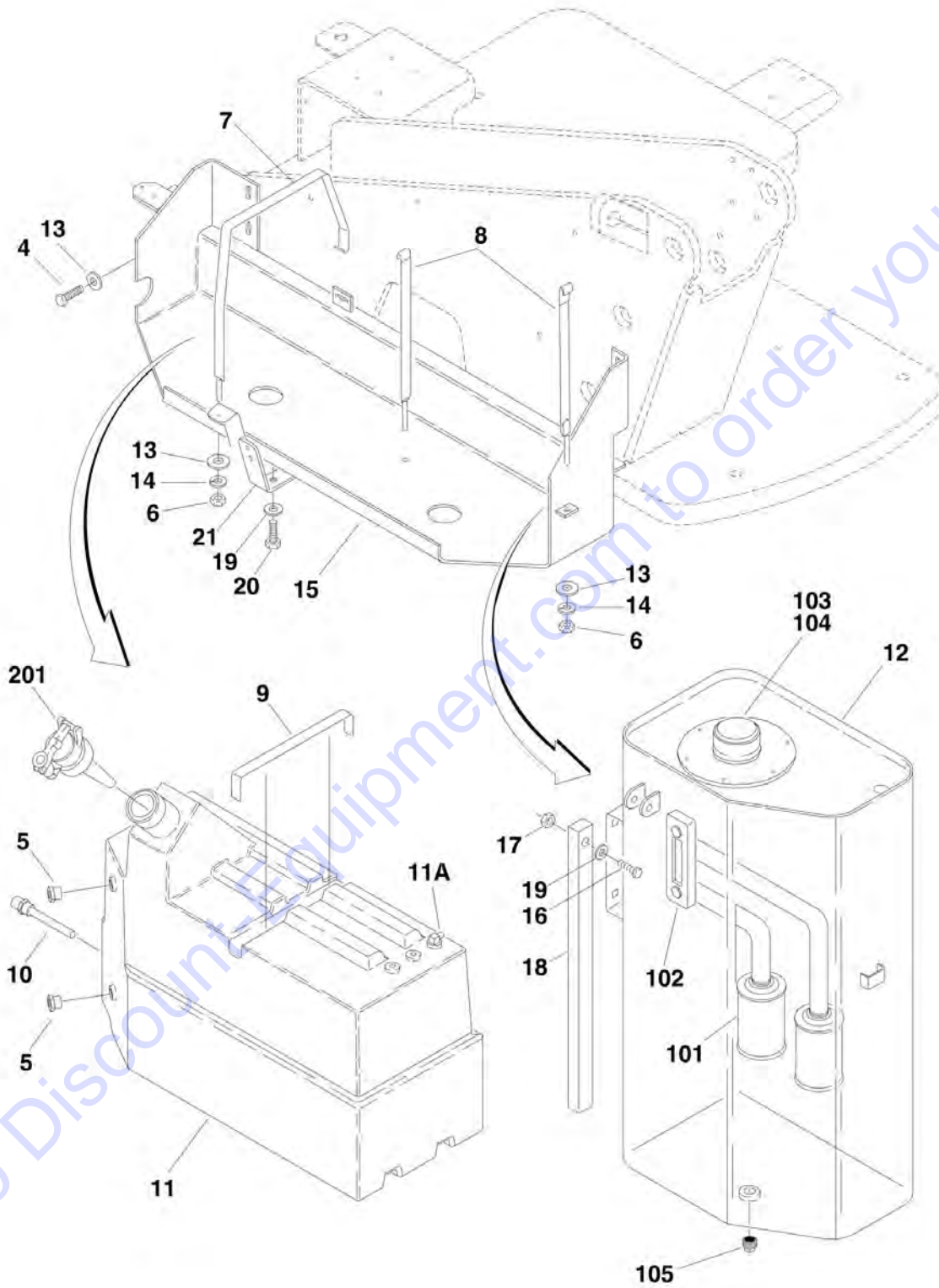
ITEM	PART NUMBER	QTY	DESCRIPTION	REV
		Ref	PISTON PUMP ASSEMBLIES	
	3600260	Ref	Piston Pump Assemblies (Prior to SN 0300043370)	1-A
	3600290	Ref	Piston Pump Assemblies (SN 0300043370 through 0300065080)	1-A
1	Not Available	1	Shim Kit - Relief Valve	
2	7007414	1	Plug	
3	See Note	NSS	O-Ring (Note: Use Item 101)	
4	7021200	1	Spring, Relief Valve	
5	7007417	1	Valve, Relief	
6	See Note	NSS	O-Ring (Note: Use Item 101)	
7	7007419	2	Plug	
10	7007420	2	Plug	
11	7007208	2	Plug	
12	7007421	10	Screw	
14	See Note	NSS	Gasket, Servo Cover (Note: Use Item 101)	
15	7007423	1	Nut, Special	
16	7007424	1	Cover, Adjustment	
18	7007425	1	Bearing, Needle	
19	See Note	NSS	Ring, Retaining (Note: Use Item 104)	
20	See Note	NSS	Washer (Note: Use Item 104)	
21	See Note	NSS	Spring (Note: Use Item 104)	
23	See Note	NSS	Washer (Note: Use Item 104)	
24	See Note	NSS	Retainer (Note: Use Item 104)	
25	See Note	NSS	Pin, Slipper Holddown (Note: Use Item 104)	
26	See Note	NSS	Piston Assembly (Note: Use Item 104)	
27	See Note	NSS	Guide, Slipper (Note: Use Item 104)	
28	See Note	NSS	Guide, Retainer (Note: Use Item 104)	
29	7007435	1	Pin, Spring	
30	7007436	1	Screw, 12 Point Head	
31	7007437	1	Bearing, Ball	
32	7007438	2	Ring	
33	7007439	2	Ring	
34	7007440	2	Pin, Spring	
35	7007441	1	Handle, Pin	
36	7007442	1	Sleeve, Bearing	
37	See Note	NSS	Gasket, Front Cover (Note: Use Item 101)	
38	7007444	1	Pin	
39	7007445	1	Plug, Expansion	
40	See Note	NSS	Pin (Note: Use Item 104)	
41	See Note	1	O-Ring (Note: Use Items 101 or 103)	
42	See Note	1	Ring, Load Temper (Note: Use Items 101 or 103)	
43	7007449	1	Housing, Pump	
44	See Note	NSS	Ring, Back-Up (Note: Use Item 101)	
45	See Note	NSS	O-Ring (Note: Use Item 101)	
46	See Note	NSS	Cover, Gerotor (Note: Use Item 103)	
47	7007453	3	Bolt, Hex	
48	7007208	1	Plug	
49	7007454	1	Cover, Front	
50	See Note	NSS	Block, Cylinder (Note: Use Item 104)	
51	7007456	6	Screw, 12 Point Head	

SECTION 2 - TURNTABLE

ITEM	PART NUMBER	QTY	DESCRIPTION	REV
52	7001438	10	Washer	
53	See Note	NSS	Swashplate (Note: Use Item 104)	
54	7007458	1	Journal, Bearing	
55	See Note	1	Seal, Lip (Note: Use Items 101 or 104)	
56	See Note	NSS	O-Ring (Note: Use Item 101)	
57	7010121	1	Shaft, Main Pump	
58	See Note	NSS	Plate, Valve (Note: Use Item 104)	
59	See Note	NSS	Gerotor Assembly (Note: Use Item 103)	
60	See Note	NSS	Pin (Note: Use Item 103)	
61	See Note	NSS	Key, Woodruff (Note: Use Item 103)	
62	7007466	1	Adaptor, Remote Filtration (Without Bypass)	
63	See Note	NSS	O-Ring (Note: Use Item 101)	
64	7007468	2	Screw	
65	7007469	2	Screw	
66	7007470	1	Plug	
67	7007471	1	Cover, Servo (With Adjuster)	
67	7007490	2	Stop, Servo (Not Shown)	
67	7007491	2	Nut, Special (Not Shown)	
67	7007492	2	Ring, External (Not Shown)	
68	7007482	1	Cover, Servo (Without Adjuster)	
69	7007483	1	Guide, Spring	
70	7007484	1	Stop, Servo	
71	7007485	1	Spring	
72	7007486	1	Screw	
73	7007487	1	Guide, Spring	
74	7007488	1	Ring, Retaining	
75	7007499	1	Locknut	
76	See Note	2	Ring, Piston (Note: Use Items 101 or 102)	
77	7007494	1	Piston, Servo	
78	See Note	2	O-Ring (Note: Use Items 101 or 102)	
79	7007472	1	Valve, Bypass	
80	7010122	2	Valve, Pressure Release (Includes Item 6) (Was P/N 7007473)	
81	7007474	1	Control, Dual Oil-Filled	
81	7007496	1	Coil Assembly (Pilot)	
81	7007497	1	Plug (Pump)	
81	7007498	1	Plug (Valve Harness)	
82	7007478	2	Screw	
83	7001498	2	Screw	
84	See Note	NSS	O-Ring (Note: Use Item 101)	
85	See Note	NSS	O-Ring (Note: Use Item 101)	
86	7007475	1	Plug, Orifice/Screen (.156)	
87		Ref	Plug, Orifice Options: (.37)	
87	7007477	2	.037 (3600260 Pump)	
87	7021226	2	.034 (3600290 Pump)	
88	7007476	1	Adapter, Auxiliary Pump	
89	7010120	1	Spacer/Gasket	
101	2900752	1	Seal Kit - Complete (Includes Items 3,6,14,37,41,42,44,45, 55,56,63,68,76,78,84,85 & 89)	
102	7007412	1	Seal Kit - Servo Piston (Includes Items 76 & 78)	
103	2900826	1	Charge Pump Kit (Includes Items 41,42,46,59,60 & 61)	
104	2900827	1	Cylinder Block Kit (Includes Items 19-28,40-50,53,55 & 58)	

SECTION 2 - TURNTABLE

FIGURE 2-16. TANK INSTALLATIONS



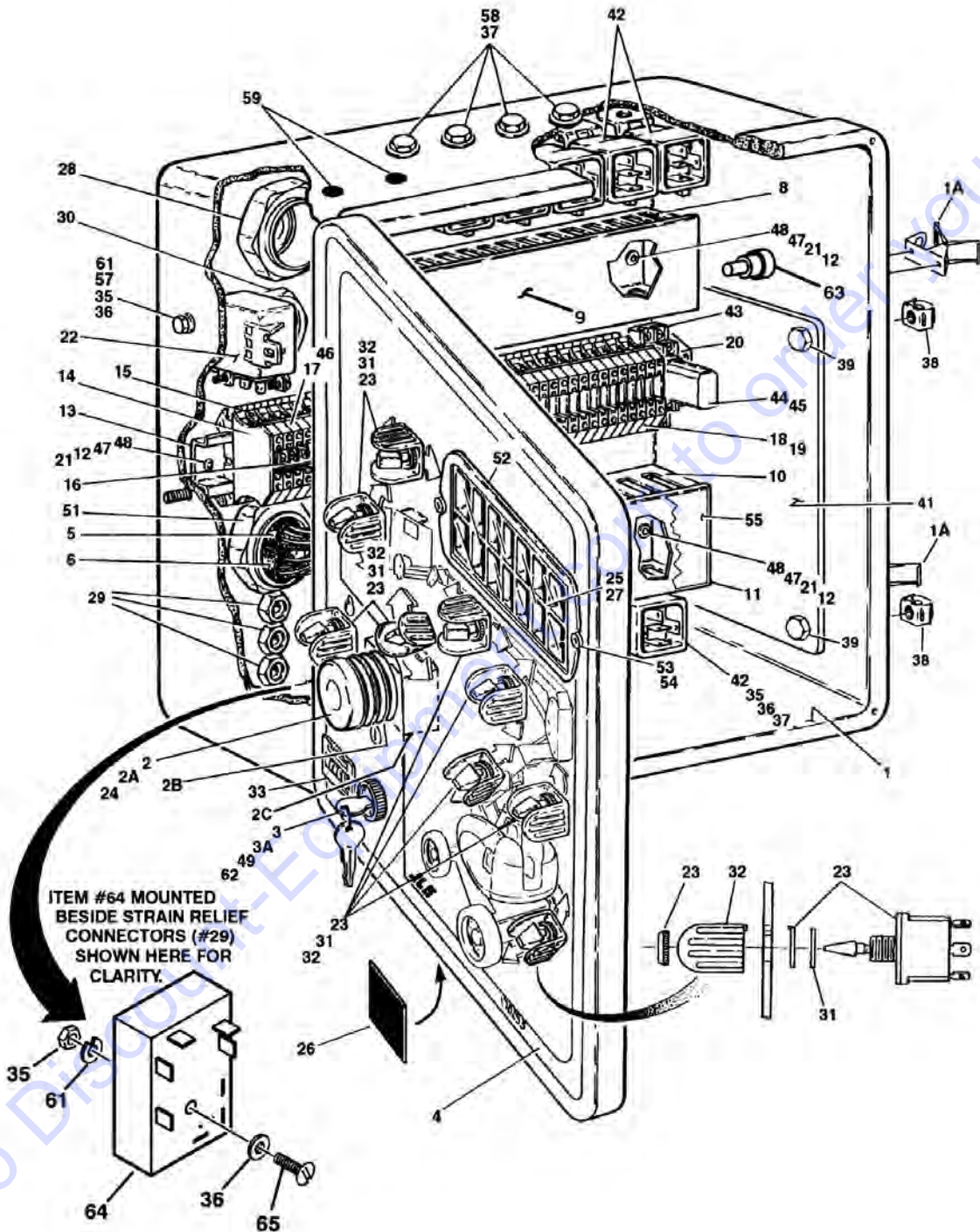
SECTION 2 - TURNTABLE

FIGURE 2-16. TANK INSTALLATIONS

ITEM	PART NUMBER	QTY	DESCRIPTION	REV
	0257757	Ref	TANKS INSTALLATION	F
1	0100011	AR	Loctite #242 (Not Shown)	
2	0100020	AR	Sealant, Pipe (Not Shown)	
3	0100079	AR	Permatex (Not Shown)	
4	0641608	4	Bolt 3/8in-16NC x 1in	
5	2420115	2	Gauge, Sight	
6	3311601	3	Nut 3/8in-16NC	
7	4240133	1	Strap, Tank Mount	
8	4240136	2	Strap, Tank Mount	
9	4280295	30	Strip, Bumper	
		in/76cm		
10	4360436	1	Switch, Fuel Level	
11	4400408	1	Tank, Fuel (Includes Cap p/n 7016314)	
11A	7020056	1	Fitting and Hose (Supply Line)	
12	4400409	1	Hydraulic Tank Assembly (See Items 101-102 for Breakdown)	
13	4751600	7	Flatwasher 3/8in	
14	4761600	3	Lockwasher 3/8in	
15		Ref	Tray Weldment Options:	
15	4845590	NLA	Tray Weldment (Use p/n 4846000) (Prior to SN 0300041977)	
15	4846000	1	Tray Weldment (SN 0300041977 through 0300065080)	
16	0641416	1	Bolt 1/4in-20NC x 2in	
17	3311405	1	Locknut 1/4in-20NC	
18	4567627	1	Tube, Hood Prop	
19	4751400	4	Flatwasher 1/4in	
20	0641405	2	Bolt 1/4in-20NC x 5/8in	
21		Ref	Bracket, Hood Latch Options:	
21	0902449	1	Bracket, Hood Latch (Prior to SN 0300041977)	
21	0902535	1	Bracket, Hood Latch (SN 0300041977 through 0300065080)	
	4400409	Ref	HYDRAULIC TANK ASSEMBLY	H
101	7014801	1	Strainer	
102	7014802	1	Gauge, Sight	
103	7014810	1	Filler	
103	7023495	1	O-Ring	
104	7014811	1	Breather	
105	7014813	1	Plug, Magnetic	
201		Ref	FUEL CAP OPTIONS	
201	7016314	Ref	Standard Non-Locking Cap	
201	1120484	Ref	Locking Cap (Red)	
201	1120487	Ref	Locking Cap (Blue)	

SECTION 2 - TURNTABLE

FIGURE 2-17. GROUND CONTROL BOX ASSEMBLY



SECTION 2 - TURNTABLE

FIGURE 2-17. GROUND CONTROL BOX ASSEMBLY

ITEM	PART NUMBER	QTY	DESCRIPTION	REV
		Ref	GROUND CONTROL BOX ASSEMBLIES	
	0861224	Ref	Ground Control Box Assemblies 450A with Deutz Engine	4
	0861225	Ref	Ground Control Box Assemblies 450AJ with Deutz Engine	4
	0861222	Ref	Ground Control Box Assemblies 450A with Ford Engine (Prior to SN 0300043370)	2
	0861294	Ref	Ground Control Box Assemblies 450A with Ford Engine (SN 0300043370 through 0300046088)	4
	0861287	Ref	Ground Control Box Assemblies 450A with Ford Engine (SN 0300046089 through 0300065080)	5
	0861223	Ref	Ground Control Box Assemblies 450AJ with Ford Engine (Prior to SN 0300043370)	2
	0861295	Ref	Ground Control Box Assemblies 450AJ with Ford Engine (SN 0300043370 through 0300046088)	3
	0861288	Ref	Ground Control Box Assemblies 450AJ with Ford Engine (SN 0300046089 through 0300065080)	4
	0861160	Ref	Ground Control Box Assemblies 450A with Isuzu Engine	2
	0861161	Ref	Ground Control Box Assemblies 450AJ with Isuzu Engine	3
1		Ref	Box, Fiberglass Options:	
1	0861162	1	Box, Fiberglass (Prior to SN 0300044666)	
1	0861304	1	Box, Fiberglass (SN 0300044666 through 0300065080)	
1A	7020246	2	Latch	
2		Ref	Switch, Emergency Stop Options:	
2	4360289	1	Switch, Emergency Stop (Prior to SN 0300044666)	
2	4360475	1	Switch, Emergency Stop (SN 0300044666 through 0300065080)	
2A	7012611	1	Cap, Mushroom Head (Prior to SN 0300044666)	
2A	7020175	1	Cap, Mushroom Head (SN 0300044666 through 0300065080)	
2B	7012612	1	Boot (Prior to SN 0300044666)	
2C	7020176	1	Block, Contact (SN 0300044666 through 0300065080)	
3		Ref	Switch, Key Options:	
3	4360315	1	Switch, Key (Prior to SN 0300044666)	
3	4360469	1	Switch, Key (Common Key Style) (SN 0300044666 through 0300065080)	
3A		Ref	Key Options:	
3A	7012560	1	Key (Prior to SN 0300044666)	
3A	2860030	1	Key (Common Key Style) (SN 0300044666 through 0300065080)	
4		Ref	Decal - Faceplate	
4	1703690	1	Decal - Faceplate 450A	
4	1703691	1	Decal - Faceplate 450AJ	
5		Ref	Engine Harness Assembly (See ELECTRICAL SECTION for Breakdown)	
5	4922050	1	Deutz Engine Machines	
5	4922049	1	Ford Engine Machines with Carburetor (Prior to SN 0300046089)	
5	4922269	1	Ford Engine Machines with EFI (SN 0300046089 through 0300065080)	
5	4922242	1	Isuzu Engine Machines	
6	4922048	1	Valve Harness Assembly (See ELECTRICAL SECTION for Breakdown)	
8	1840012	1	Duct, Wiring - 2in/5cm	
9	1840013	1	Duct, Cover - 2in/5cm	

SECTION 2 - TURNTABLE

ITEM	PART NUMBER	QTY	DESCRIPTION	REV
10	1840014	1	Duct, Wiring - 3in/7.6cm	
11	1840015	1	Duct, Cover - 3in/7.6cm	
12	3910608	6	Screw #6-32NC x 1/2in	
13	3640970	1	Rail	
14	4460602	1	Barrier, Terminal	
15	4460601	10	Block, Terminal	
16	4460603	1	Bussbar - 10 Position (Requires being cut into (2) 5 position bussbars)	
17	4460631	1	Marker, Terminal (Negative)	
18	4460600	46	Block, Terminal	
19	4460628	2	Marker, Terminal (1-50)	
20	4460607	1	Stop, Terminal	
21	4750600	12	Flatwasher #6	
22	3740112	1	Relay, Bosch	
23	4360314	AR	Switch, Toggle	
24		Ref	Switch, Contact Block Options:	
24	4360282	1	Switch, Contact Block (Prior to SN 0300044666)	
24	4360476	1	Switch, Contact Block (SN 0300044666 through 0300065080)	
25	2760105	1	Housing, Display Light	
26	4420038	4 in/10cm	Insulation, Adhesive Foam	
27	1702610	1	Decal - Ground Control Display	
28	4460526	1	Connector, Strain Relief	
29	4460428	3	Connector, Strain Relief	
30	4460426	1	Connector, Strain Relief	
31	4740444	AR	Washer, Special	
32	4060906	AR	Shield, Toggle Switch	
33	2420172	1	Gauge, Hourmeter	
34	0721005	1	Screw #10-24NC x 5/8in	
35	3311001	3	Nut #10-24NC	
36	4751000	5	Flatwasher #10	
37	3900268	9	Screw #10-24NC x 1/2in	
38	3300205	4	Nut, Retainer	
39	0641506	4	Bolt 5/16in-18NC x 3/4in	
40	0100011	AR	Loctite #242 (Not Shown)	
41	3539219	1	Plate, Reinforcement	
42	3740049	9	Relay - SPDT	
43	4120012	AR	Socket, Relay	
44	3740057	AR	Relay	
45	3740066	AR	Spring, Relay	
46	4460630	1	Marker, Terminal (Ignition)	
47	4760600	6	Lockwasher #6	
48	3310601	6	Nut #6-32NC	
49		Ref	Hardware Options:	
49	3300390	1	Nut with Weather Resistant Boot (Prior to SN 0300044666)	
49	4070987	AR	Shim, Switch (Common Key) (SN 0300044666 through 0300065080)	
51	4460711	1	Connector, Strain Relief	
52	1670829	1	Bezel	
53	0630518	2	Capscrew, Button Head	
54	3300408	2	Locknut, Plastic Insert	
55	1703622	1	Decal - Service Manual Reference	
56	4460234	6	Base, Tie-Strap (Not Shown)	

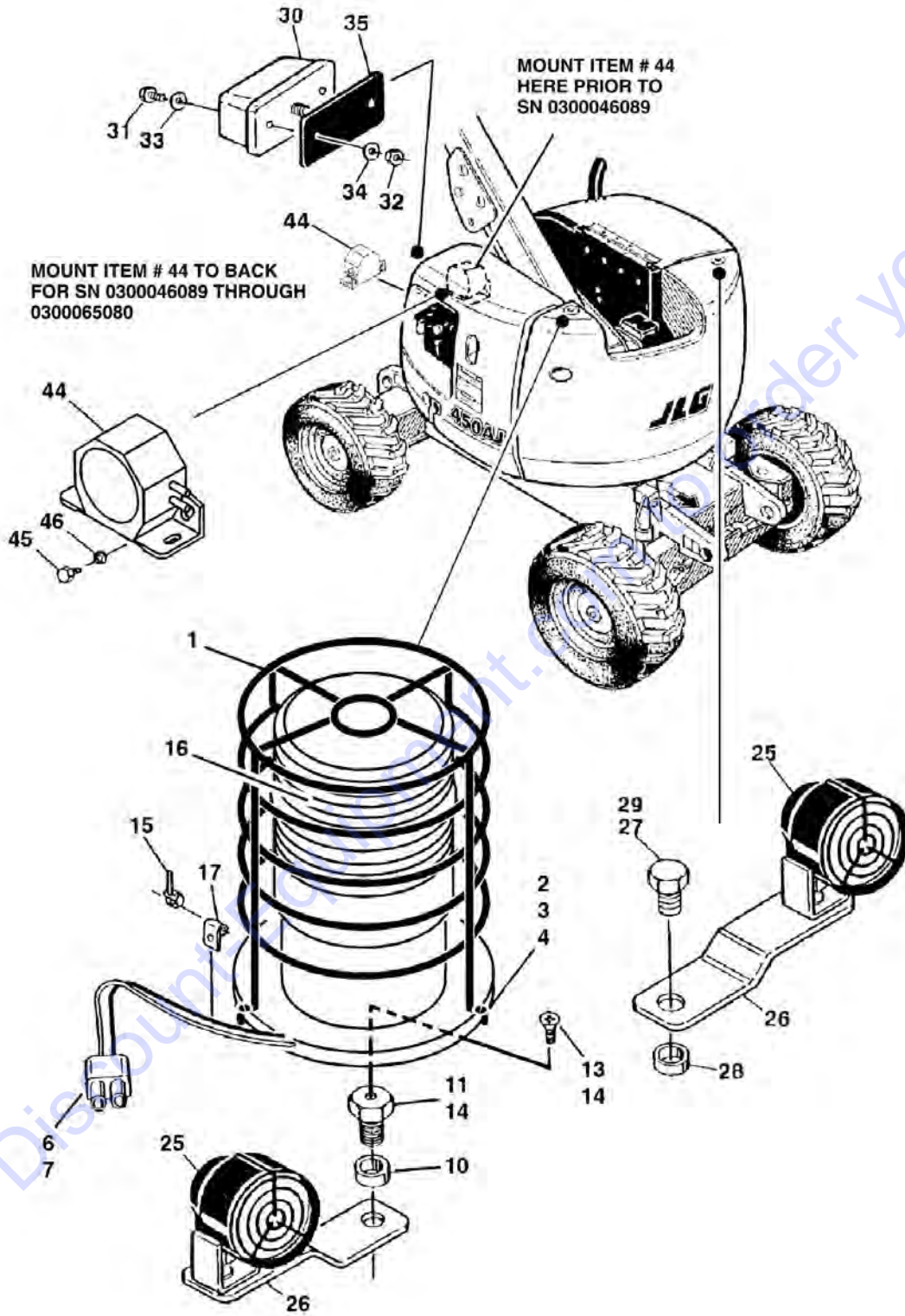
SECTION 2 - TURNTABLE

ITEM	PART NUMBER	QTY	DESCRIPTION	REV
57	0721008	1	Screw #10-24NC x 1in	
58	3300408	AR	Insert, Locknut	
59	3520174	AR	Plug, Hole	
60	0100009	AR	Silicone (Not Shown)	
61	4761000	4	Lockwasher #10	
62	3910804	6	Screw #8-32NC x 1/4in	
63		Ref	Switch, Push Button Options:	
63	Not Required	0	All except Ford Engine Machines (SN 0300046089 through 0300065080)	
63	4360387	1	Ford Engine Machines (SN 0300046089 through 0300065080)	
64		Ref	Relay, Timer Options:	
64	Not Required	0	All except Ford Engine Machines (SN 0300046089 through 0300065080)	
64	3740113	1	Ford Engine Machines (SN 0300046089 through 0300065080)	
65	3911024	AR	Screw #10-24NC x 1 1/2in	
	0258431	Ref	2WD/4WD ELECTRICAL COMPONENTS INSTALLATION (NOT SHOWN)	3
	3740118	1	Timer, Delay	
	4922140	1	Harness - 2WD/4WD (See ELECTRICAL SECTION for Breakdown)	
		Ref	GENERATOR TIMER RELAY INSTALLATION (NOT SHOWN)	
		Ref	Note: Required SN 0300056107 through 0300065080 Only.	
	4922432	1	Harness, Timer to Relay (See ELECTRICAL SECTION for Breakdown)	
	3740118	1	Timer, Delay	
	3911024	1	Screw #10-24NC x 1 1/2in	
	4751000	2	Flatwasher #10	
	4761000	1	Lockwasher #10	
	3311001	1	Nut #10-24NC	

Go to Discount-Equipment.com to order your parts

SECTION 2 - TURNTABLE

FIGURE 2-18. ELECTRICAL OPTIONS INSTALLATION (TURNTABLE MOUNTED)



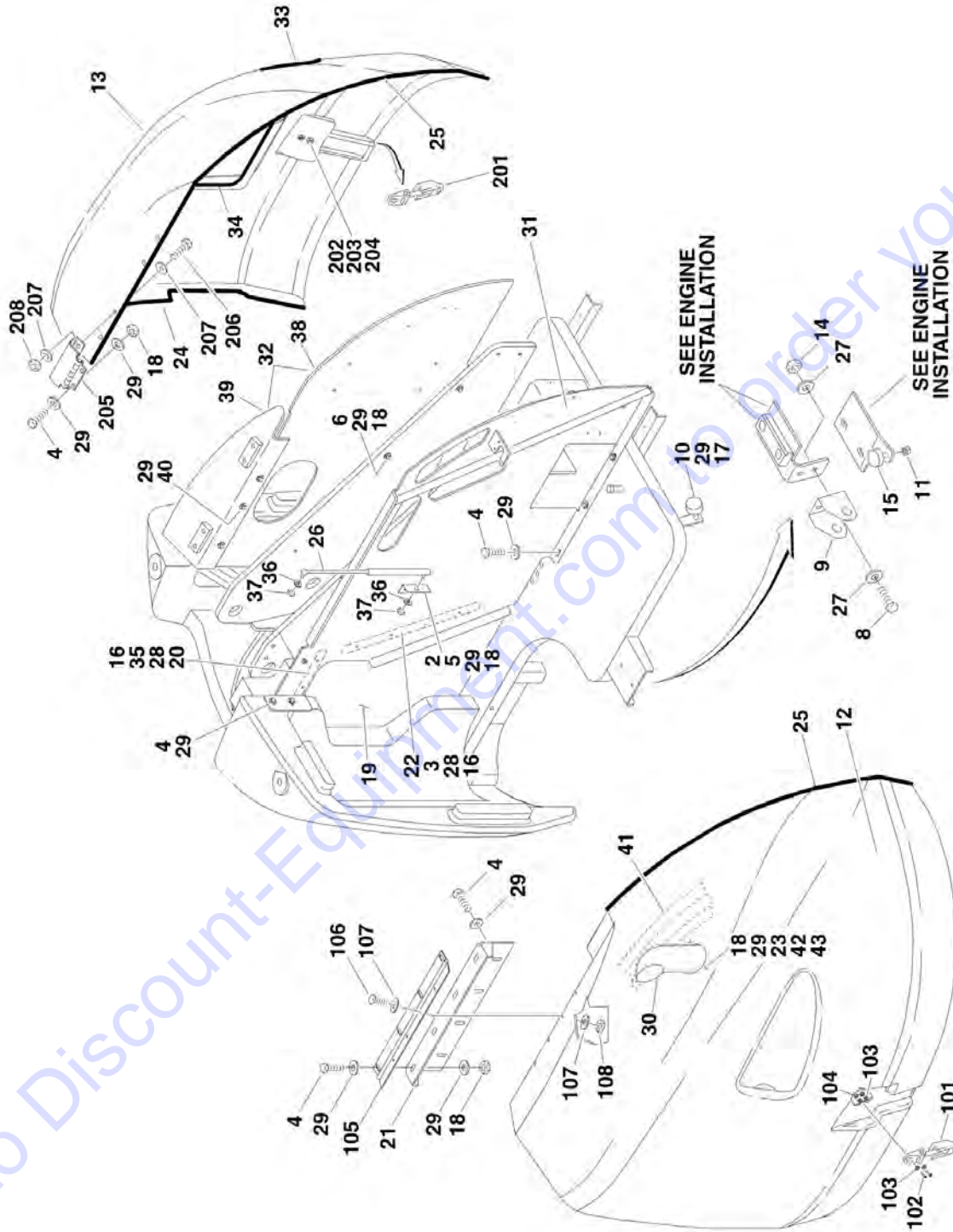
SECTION 2 - TURNTABLE

FIGURE 2-18. ELECTRICAL OPTIONS INSTALLATION (TURNTABLE MOUNTED)

ITEM	PART NUMBER	QTY	DESCRIPTION	REV
	0258307	Ref	STROBE LIGHT INSTALLATIONS (AMBER) (OPTIONAL)	2
1		Ref	Guard Options:	
1	4060907	1	Guard (Prior to SN 0300037923)	
1	4060865	1	Guard (SN 0300037923 through 0300065080)	
2	0721008	2	Screw, Machines #10-24NC x 1in	
3	4751000	4	Flatwasher #10	
4	3311005	2	Locknut #10-24NC	
5	2820035	12 ft/31cm	Loom (Not Shown)	
6	4460320	1	Plug, Terminal	
7	4460267	2	Pin, Male	
10	4220162	1	Spacer, Stop	
11	0630491	1	Bolt, Special	
12	3539281	1	Plate, Mounting	
13	0741606	1	Screw, Flathead Countersunk 3/8in-16NC x 3/4in	
14	0100011	AR	Loctite #242 (Not Shown)	
15	4240032	1	Wire-Tile	
16		Ref	Strobe Light/Harness Assembly Options:	
16	0255917	1	Light Assembly (Prior to SN 0300037923)	
16	7016380	1	Bulb for ECCO Model 6640	
16	70001941	1	Bulb for ECCO Model 6650	
16	4060907	1	Guard for ECCO Model 6640	
16	2920215	1	Guard for ECCO Model 6650	
16	2920146	1	Light Assembly (SN 0300037923 through 0300065080)	
16	7016319	1	Bulb, Replacement	
16	7016372	1	Lens	
17	4460234	1	Clamp	
18	0100048	AR	Sealant, Silicone (Not Shown)	
	0258306	Ref	LIGHTS INSTALLATIONS (OPTIONAL)	1
25	2920110	2	Headlight	
26	0902206	2	Bracket, Mounting	
27	0642612	1	Bolt 1in-8NC x 1 1/2in	
28	4220162	2	Spacer	
29	0100011	AR	Loctite#242	
30	2920113	2	Taillight	
31	3911040	4	Screw, Machine #10-24NC x 2 1/2in	
32	3311005	4	Nut #10-24NC	
33	4751000	4	Flatwasher #10	
34	4740362	4	Washer, Fender	
35	3960461	2	Gasket	
37	4240032	12	Tie-Strap (Not Shown)	
38	4460234	12	Mount, Tie-Strap (Not Shown)	
39	4360336	1	Switch, Toggle (Not Shown - Located on Console)	
40	3790012	1	O-Ring (Not Shown - Located on Console)	
	0258308	Ref	ALARMS INSTALLATIONS	2
44	0257887	1	Alarm/Harness Assembly	
45	0641406	2	Bolt 1/4in-20NC x 3/4in	
46	4711400	2	Flatwasher 1/4in	
47	0100048	AR	Sealant, Silicone (Not Shown)	

SECTION 2 - TURNTABLE

FIGURE 2-19. HOODS INSTALLATION



SECTION 2 - TURNTABLE

FIGURE 2-19. HOODS INSTALLATION

ITEM	PART NUMBER	QTY	DESCRIPTION	REV
		Ref	HOODS INSTALLATION	
	0258219	Ref	Deutz and Isuzu Engine Machines	F
	0258219	Ref	Ford Engine Machines (Prior to SN 0300055436)	F
	0270713	Ref	Ford Engine Machines (SN 0300055436 through 0300065080)	A
1	0100011	AR	Loctite #242 (Not Shown)	
2		Ref	Angle, Gas Spring Mounting Options:	
2	0181963	1	Angle, Gas Spring Mounting (Prior to SN 0300038924)	
2	0902504	1	Angle, Gas Spring Mounting (SN 0300038924 through 0300065080)	
3	0641410	4	Bolt 1/4in-20NC x 1 1/4in	
4	0641608	13	Bolt 3/8in-16NC x 1in	
5	0641610	2	Bolt 3/8in-16NC x 1 1/4in	
6	0641614	4	Bolt 3/8in-16NC x 1 3/4in	
7	0721004	4	Bolt #10-24NC x 1/2in	
8	0721006	4	Bolt #10-24NC x 3/4in	
9	0902465	2	Bracket, Lock Hasp Only (Prior to SN 0300042043)	
10	0940071	1	Bumper	
11	0940083	2	Bumper	
12	2680438	1	Hood (Engine Side) (See Items 101-108 for Breakdown)	
13	2680439	1	Hood (Tank Side) (See Items 201-208 for Breakdown)	
14	3311005	4	Locknut #10-24NC	
15	3311401	2	Nut 1/4in-20NC	
16	3311405	6	Locknut 1/4in-20NC	
17	3311601	2	Nut 3/8in-16NC	
18	3311605	13	Locknut 3/8in-16NC	
19	3380445	1	Panel, Rubber	
20	3539957	1	Plate, Hold-Down (Prior to SN 0300038924)	
20	0641408	6	Bolt 1/4in-20NC x 1 (SN 0300038924 through 0300065080)	
21	3570695	1	Plate, Hinge Mounting	
22	3570981	1	Plate, Hold-Down (Prior to SN 0300049107)	
23	3900232	3	Capscrew, Button Head 3/8in-16NC 1 1/4in	
24	3960462	9 ft/2.74m	Seal, Hood	
25	3960464	9 ft/2.74m	Seal, Hood	
26	4160170	1	Spring, Gas	
27	4750800	12	Flatwasher #8	
28	4751400	6	Flatwasher 1/4in	
29	4751600	39	Flatwasher 3/8in	
30	4845194	1	Exhaust Tube Weldment	
31	4845665	1	Hood Mounting Weldment	
32	4845789	1	Hood Mounting Weldment Only (Note: Items 38-40 may be used as an adjustable replacement) (Prior to SN 0300044585)	
33	3960438	4.4 ft/1.4m	Seal	
34	4060806	16 ft/41cm	Shield	
35	4740362	6	Washer, Fender	
36	4751500	2	Flatwasher 5/16in	
37	3311505	2	Locknut 5/16in-18NC	
38	4846038	1	Hood Mounting Weldment Only (SN 0300044585 through 0300065080)	
39	4846037	1	Hood Mounting Weldment Only (SN 0300044585 through 0300065080)	

SECTION 2 - TURNTABLE

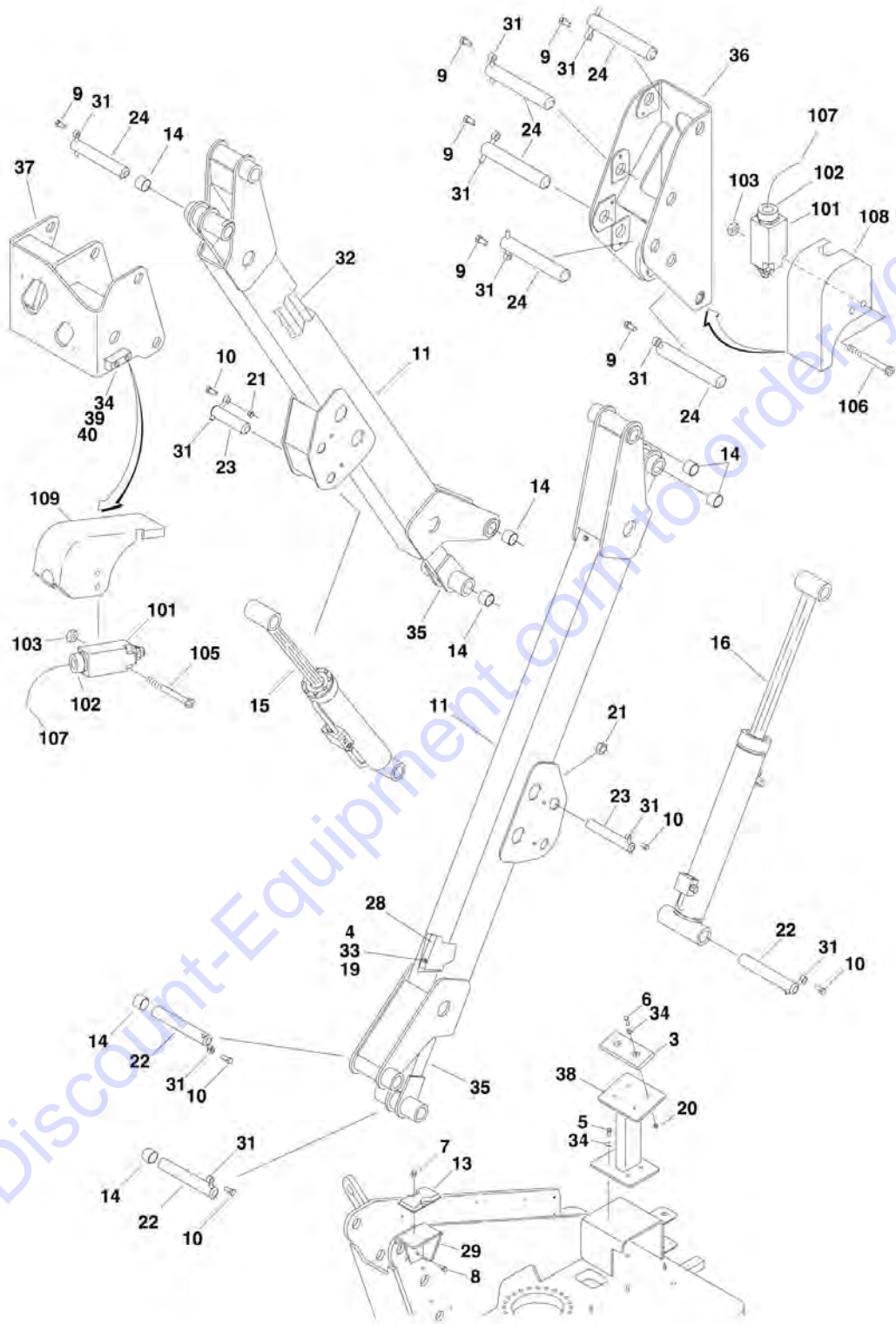
ITEM	PART NUMBER	QTY	DESCRIPTION	REV
40	0641606	3	Bolt 3/8in-16NC x 3/4in	
41	2820130	1	Insulation, Heat Shield (Ford Engine Machines) (SN 0300055436 through 0300065080)	
42	4061010	1	Shield, Heat Shield (Ford Engine Machines) (SN 0300055436 through 0300065080)	
43	4740500	3	Washer, Special (Ford Engine Machines) (SN 0300055436 through 0300065080)	
	2680438	Ref	HOOD ASSEMBLY (ENGINE SIDE) Note: Replacement Decals Must Be Ordered Separately -See DECALS SECTION.	E
101	2940109	1	Latch	
102	0721008	2	Screw, Machine #10-24NC x 1in	
103	4750800	4	Flatwasher #10	
104	3311005	2	Locknut #10-24NC	
105	2600210	1	Hinge	
106	3900232	4	Screw, Button Head 3/8in-16NC x 1 1/4in	
107	4751600	8	Flatwasher 3/8in	
108	3311605	4	Locknut 3/8in-16NC	
	2680439	Ref	HOOD ASSEMBLY (TANK SIDE) Note: Replacement Decals Must Be Ordered Separately -See DECALS SECTION.	H
201	2940109	1	Latch	
202	0721008	2	Screw, Machine #10-24NC x 1in	
203	4750800	4	Flatwasher #8	
204	3311005	2	Locknut #10-24NC	
205	2600246	2	Hinge	
206	0721006	4	Screw, Machine #10-24NC x 3/4in	
207	4750800	8	Flatwasher #8	
208	3311005	4	Locknut #10-24NC	

SECTION 3 - BOOM

Go to Discount-Equipment.com to order your parts

SECTION 3 - BOOM

FIGURE 3-1. TOWER/MID BOOMS AND CYLINDERS INSTALLATION



SECTION 3 - BOOM

FIGURE 3-1. TOWER/MID BOOMS AND CYLINDERS INSTALLATION

ITEM	PART NUMBER	QTY	DESCRIPTION	REV
		Ref	BOOMS AND CYLINDERS INSTALLATIONS	
	0257868	Ref	Booms and Cylinders Installations 450A	D
	0257869	Ref	Booms and Cylinders Installations 450AJ	E
1	0100011	AR	Loctite #242 (Not Shown)	
3	0561076	1	Block, Boom Rest	
4	0641507	4	Bolt 5/16in-18NC x 7/8in	
5	0641607	AR	Bolt 3/8in-16NC x 7/8in	
6	0641610	2	Bolt 3/8in-16NC x 1 1/4in	
7	0641806	2	Bolt 1/2in-13NC x 3/4in	
8	0641809	3	Bolt 1/2in-13NC x 1 1/8in	
9	0642010	6	Bolt 5/8in-11NC x 1 1/4in	
10	0642012	5	Bolt 5/8in-11NC x 1 1/2in	
11	0801128	2	Boom, Tower/Mid	
13	0940048	1	Bumper	
14	0961950	14	Bearing, Garmax	
15	1683563	1	Mid Lift Cylinder Assembly (See CYLINDER SECTION for Breakdown)	
16	1683568	1	Tower Lift Cylinder Assembly (See CYLINDER SECTION for Breakdown)	
19	3311505	4	Locknut 5/16in-18NC	
20	3311605	AR	Locknut 3/8in-16NC	
21	3312005	2	Locknut 5/8in-20NC	
22	3422664	3	Pin	
23	3422665	2	Pin	
24	3422666	6	Pin	
28	3570531	1	Plate, Hose Guard	
29	3570533	1	Bracket, Boom Rest	
31	3841258	11	Keeper, Pin	
32	4566356	1	Tube	
33	4751500	4	Flatwasher 5/16in	
34	4751600	AR	Flatwasher 3/8in	
35	4845566	2	Link Weldment	
36	4845575	1	Upright Weldment - Lower	
37	4845576	1	Upright Weldment - Upper	
38		Ref	Extension Weldment	
38	Not Required	0	Extension Weldment 450A	
38	4845681	1	Extension Weldment 450AJ	
39	3340843	2	Pad, Wear Only (SN 0300037698 through 0300065080)	
40	0641608	4	Bolt 3/8inNC x 1in	
	0258300	Ref	VALVES AND SWITCHES INSTALLATION	4
101	4360321	2	Switch, Limit	
102	4460428	2	Connector, Strain Relief	
103	3311005	4	Locknut #10-24NC	
105	3900246	2	Capscrew, Socket Head #10-24NC x 1 3/4in	
106	3900104	2	Capscrew, Socket Head #10-24NC x 2 1/4in	
107	1060341	66 ft/20.1m	Cable, Electrical 16/2	
108	1670832	1	Cover, Switch (Tower Boom)	
109		Ref	Cover, Switch Options (Main Boom):	
109	1670833	1	Cover, Switch (Prior to SN 0300042510)	

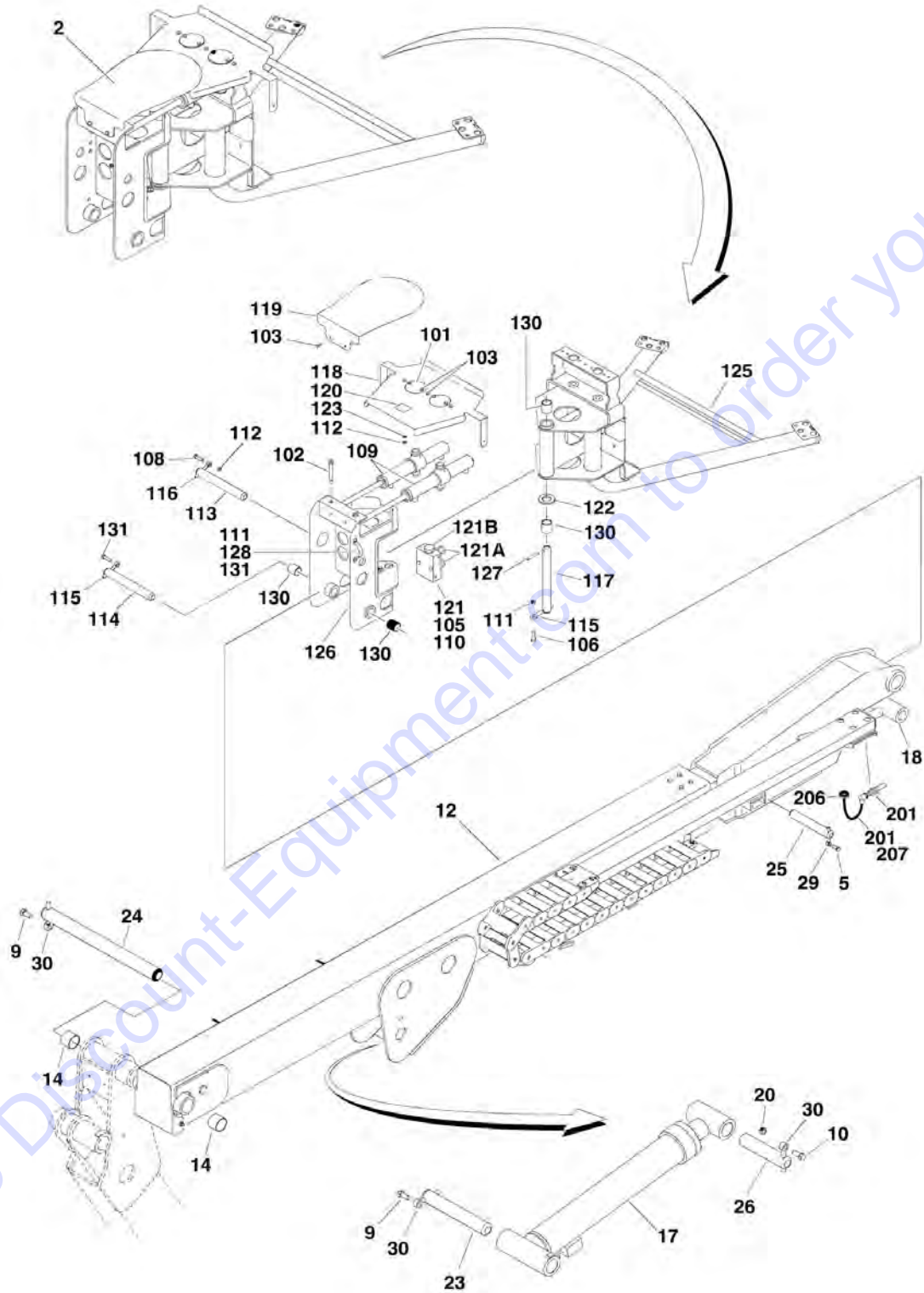
SECTION 3 - BOOM

ITEM	PART NUMBER	QTY	DESCRIPTION	REV
109	1670898	1	Cover, Switch (SN 0300042510 through 0300065080)	

Go to Discount-Equipment.com to order your parts

SECTION 3 - BOOM

FIGURE 3-2. MAIN BOOM AND CYLINDERS INSTALLATION - 450A



SECTION 3 - BOOM

FIGURE 3-2. MAIN BOOM AND CYLINDERS INSTALLATION - 450A

ITEM	PART NUMBER	QTY	DESCRIPTION	REV
	0257868	Ref	BOOM AND CYLINDERS INSTALLATION - 450A	J
1	0100011	AR	Loctite #242 (Not Shown)	
2	0257879	1	Platform Support and Rotator Assembly (See Items 101-126)	
5	0641607	1	Bolt 3/8in-16NC x 7/8in	
9	0642010	2	Bolt 5/8in-11NC x 1 1/4in	
10	0642012	1	Bolt 5/8in-11NC x 1 1/2in	
12	0801131	1	Main Boom Assembly (See MAIN BOOM ASSEMBLIES for Breakdown)	
14	0961950	2	Bearing, Garmax	
17		Ref	Main Lift Cylinder Assembly Options (See CYLINDER SECTION for Breakdown):	
17	1683588	NLA	Main Lift Cylinder Assembly (Use p/n 1683728) (Prior to SN 0300038944)	
17	1683728	1	Main Lift Cylinder Assembly (SN 0300038944 through 0300065080)	
18		Ref	Platform Level Cylinder Assembly Options (See CYLINDER SECTION for Breakdown):	
18	1683598	NLA	Platform Level Cylinder Assembly (Use p/n 1683730) (Prior to SN 0300038944)	
18	1683730	1	Platform Level Cylinder Assembly (SN 0300038944 through 0300065080)	
20	3312005	1	Locknut 5/8in-11NC	
23	3422666	1	Pin	
24	3422668	1	Pin	
25	3422669	1	Pin	
26	3422724	1	Pin	
29	3841143	1	Keeper, Pin	
30	3841258	3	Keeper, Pin	
	0257879	Ref	PLATFORM SUPPORT AND ROTATOR ASSEMBLY	J
101	0257826	2	Cap	
102	4040266	2	Pin	
103	0641406	9	Bolt 1/4in-20NC x 3/4in	
105	0641420	2	Bolt 1/4in-20NC x 2 1/2in	
106	0641609	2	Bolt 3/8in-16NC x 1 1/8in	
108	0642012	1	Bolt 5/8in-11NC x 1 1/2in	
109	1683579	2	Rotator Cylinder Assembly (See CYLINDER SECTION for Breakdown)	
110	3311405	11	Locknut 1/4in-20NC	
111	3311605	4	Locknut 3/8in-16NC	
112	3312005	1	Locknut 5/8in-11NC	
113	3422667	1	Pin	
114	4040263	1	Pin	
115	3841143	2	Keeper, Pin	
116	3841258	1	Keeper, Pin	
117		Ref	Shaft, Pivot	
	4040260	NLA	Shaft, Pivot (Use p/n 3422827) (Prior to SN 0300050172)	
117	3422827	1	Shaft, Pivot (SN 0300050172 through 0300065080)	
118	4060946	1	Guard	
119	4060947	1	Guard	
120	4420055	6 in/18cm	Tape	
121		Ref	Check Valve Assembly Options:	

SECTION 3 - BOOM

ITEM	PART NUMBER	QTY	DESCRIPTION	REV
121	4641058	NLA	Valve (Use p/n 4641080) (Prior to SN 0300039031)	
121	See Note		Cartridge, Replacement for p/n 4641058 Valve (Note: Not Field Serviceable - Use p/n 4641080)	
121	4641080	1	Valve (SN 0300039031 through 0300065080)	
121A	7012981	2	Cartridge, Relief	
121A	7012998	2	Seal Kit - 7012981 Cartridge	
121B	7012955	2	Cartridge, Check	
121B	7012967	2	Seal Kit - 7012955 Cartridge	
122	4740247	1	Thrustwasher	
123	4751400	5	Flatwasher 1/4in	
125	4845609	1	Support Weldment	
126		Ref	Level Weldment Options:	
126	4845610	NLA	Level Weldment (Use p/n 4845874) (Prior to SN 0300038150)	
126	4845874	1	Level Weldment (SN 0300038150 through 0300065080)	
127	3440636	1	Roll Pin (Prior to SN 0300050172)	
128	3841340	1	Hose Loop	
130	0962006	4	Bushing, Garmax	
131	0641607	3	Bolt 3/8in-16NC x 7/8in	
	0258770	Ref	PROXIMITY SWITCH INSTALLATION	1-A
201	4360464	1	Proximity Switch/Harness Assembly	
202	4922197	1	Relay/Harness Assembly (Not Shown - See ELECTRICAL SECTION for Breakdown)	
206	2540022	1	Grommet	
207	2820036	AR	Loom	

SECTION 3 - BOOM

FIGURE 3-3. MAIN BOOM AND CYLINDERS INSTALLATION - 450AJ

ITEM	PART NUMBER	QTY	DESCRIPTION	REV
	0257869	Ref	BOOM AND CYLINDERS INSTALLATION - 450AJ	E
1	0100011	AR	Loctite #242 (Not Shown)	
2	0257880	1	Platform Support and Rotator Assembly (See Items 101-134)	
5	0641607	1	Bolt 3/8in-16NC x 7/8in	
9	0642010	2	Bolt 5/8in-11NC x 1 1/4in	
10	0642012	1	Bolt 5/8in-11NC x 1 1/2in	
12	0801148	1	Main Boom Assembly (See MAIN BOOM ASSEMBLIES for Breakdown)	
14	0961950	2	Bearing, Garmax	
17		Ref	Platform Level Cylinder Assembly Options (See CYINDER SECTION for Breakdown):	
17	1683598	NLA	Platform Level Cylinder Assembly (Use p/n 1683731) (Prior to SN 0300038103)	
17	1683726	NLA	Platform Level Cylinder Assembly (Use p/n 1683731) (SN 0300038103 through 0300038944)	
17	1683731	1	Platform Level Cylinder Assembly (SN 0300038103 through 0300065080)	
18		Ref	Main Lift Cylinder Assembly Options (See CYINDER SECTION for Breakdown):	
18	1683637	NLA	Main Lift Cylinder Assembly (Use p/n 1683729) (Prior to SN 0300038944)	
18	1683729	1	Main Lift Cylinder Assembly (SN 0300038944 through 0300065080)	
21	3312005	1	Locknut 5/8in-11NC	
24	3422666	1	Pin	
25	3422668	1	Pin	
26	3422669	1	Pin	
27	3422724	1	Pin	
30	3841143	1	Keeper, Pin	
31	3841258	3	Keeper, Pin	
	0257880	Ref	PLATFORM SUPPORT AND ROTATOR ASSEMBLY	H
101	0257826	2	Cap	
102	4040266	2	Pin	
103	0641406	9	Bolt 1/4in-20NC x 3/4in	
105	0641420	2	Bolt 1/4in-20NC x 2 1/2in	
106	0641609	5	Bolt 3/8in-16NC x 1 1/8in	
108	0641618	4	Bolt 3/8in-16NC x 2 1/4in	
109	0642012	1	Bolt 5/8in-11NC x 1 1/2in	
110	1683579	2	Rotator Cylinder Assembly (See CYINDER SECTION for Breakdown)	
111	1683617	2	Jib Lift Cylinder Assembly (See CYINDER SECTION for Breakdown)	
112	3311405	11	Locknut 1/4in-20NC	
113	3311605	11	Locknut 3/8in-16NC	
114	3312005	1	Locknut 5/8in-11NC	
115	3422667	1	Pin	
116	3422670	1	Pin	
117	3841143	5	Keeper, Pin	
118	3841258	1	Keeper, Pin	
119		Ref	Shaft, Pivot Options:	
	4040260	NLA	Shaft, Pivot (Use p/n 3422827) (Prior to SN 0300050172)	
119	3422827	1	Shaft, Pivot (SN 0300050172 through 0300065080)	

SECTION 3 - BOOM

ITEM	PART NUMBER	QTY	DESCRIPTION	REV
120	4040261	1	Shaft	
121	4040262	2	Shaft	
122	4040263	1	Pin	
123	4060946	1	Guard	
124	4060947	1	Guard	
125	4420055	6 in/18cm	Tape	
126		Ref	Check Valve Assembly Options:	
126	4641058	NLA	Valve (Use p/n 4641080) (Prior to SN 0300039031)	
126	See Note		Cartridge, Replacement for p/n 4641058 Valve (Note: Not Field Serviceable - Use p/n 4641080)	
126	4641080	1	Valve (SN 0300039031 through 0300065080)	
126A	7017497	2	Cartridge, Relief	
126A	7012953	2	Seal Kit - 7017497 Cartridge	
126B	7012955	2	Cartridge, Check	
126B	7012967	2	Seal Kit - 7012955 Cartridge	
127	4740247	1	Thrustwasher	
128	4751400	5	Flatwasher 1/4in	
130	4845609	1	Support Weldment	
131	4845610	1	Level Weldment	
132	4845637	1	Level Weldment	
133	4845638	2	Jib Tube Weldment (Lower)	
134	4845656	1	Jib Tube Weldment (Upper)	
134A	0962006	4	Bushing, Garmax	
135	0641608	3	Bolt 3/8in-16NC x 1in	
136	3440636	1	Roll Pin (Prior to SN 0300050172)	
137	3841340	1	Hose Loop	
138	0962006	10	Bushing, Garmax	
	0258770	Ref	PROXIMITY SWITCH INSTALLATION	1-A
201	4360464	1	Proximity Switch/Harness Assembly	
202	4922197	1	Relay/Harness Assembly (Not Shown - See ELECTRICAL SECTION for Breakdown)	
206	2540022	1	Grommet	
207	2820036	AR	Loom	

SECTION 3 - BOOM

FIGURE 3-4. MAIN BOOM ASSEMBLIES

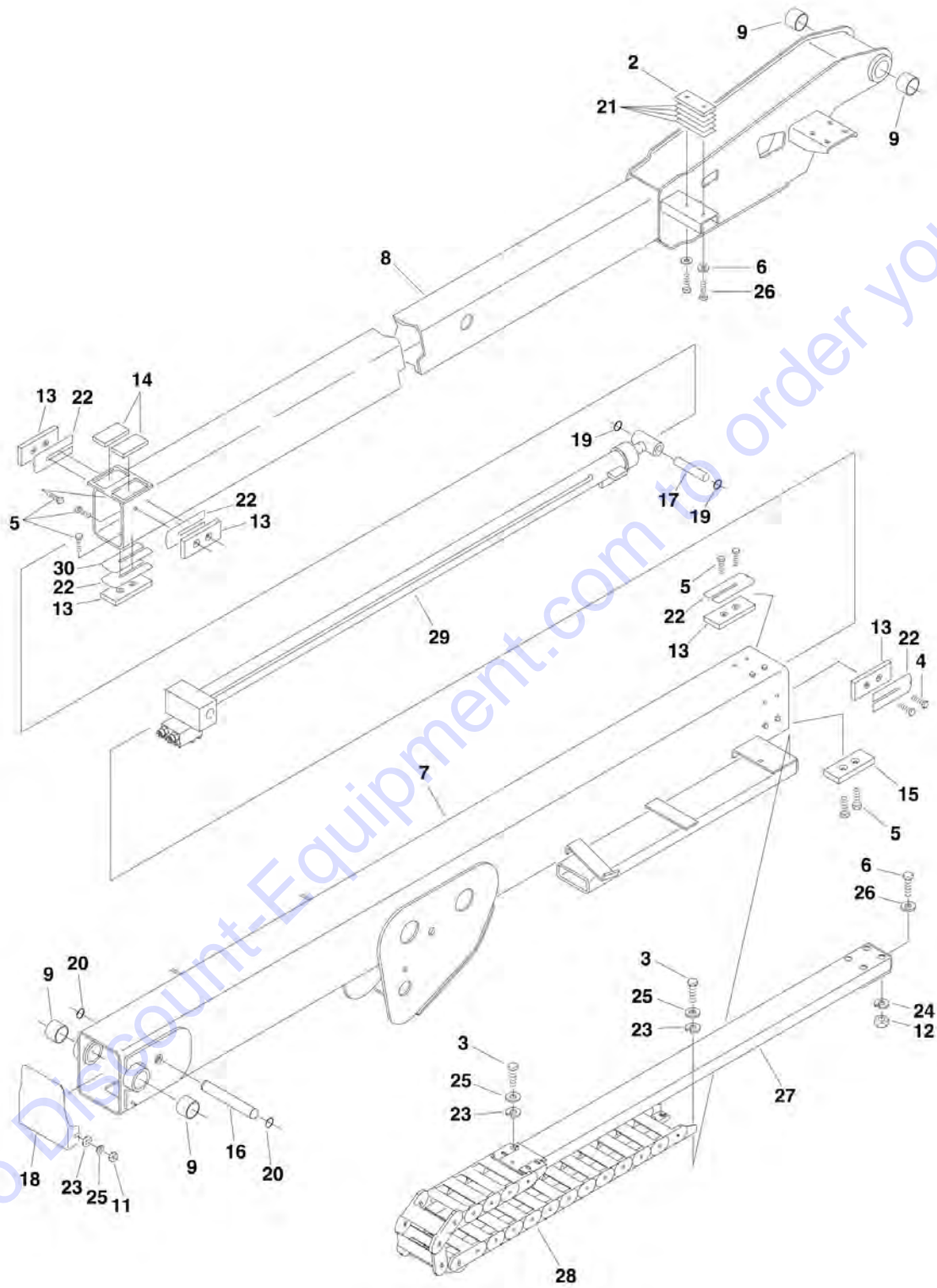


FIGURE 3-4. MAIN BOOM ASSEMBLIES

ITEM	PART NUMBER	QTY	DESCRIPTION	REV
		Ref	MAIN BOOM ASSEMBLY OPTIONS:	
	0801131	Ref	Main Boom Assembly 450A	D
	0801148	Ref	Main Boom Assembly 450AJ	D
1	0100011	AR	Loctite #242 (Not Shown)	
2	0560923	1	Block, Tube Support	
3	0641404	8	Bolt 1/4in-20NC x 1/2in	
4	0641606	8	Bolt 3/8in-16NC x 3/4in	
5	0641607	14	Bolt 3/8in-16NC x 7/8in	
6	0641608	6	Bolt 3/8in-16NC x 1in	
7		Ref	Base Weldment Options:	
7	0801129	1	Base Weldment 450A	
7	0801146	1	Base Weldment 450AJ	
8		Ref	Fly Weldment Options:	
8	0801130	NLA	Fly Weldment 450A (Use p/n 0801170) (Prior to SN 0300037903)	
8	0801170	1	Fly Weldment 450A (SN 0300037903 through 0300065080)	
8	0801147	1	Fly Weldment 450AJ	
9	0961950	4	Bushing, Garmax	
11	3311401	2	Nut 1/4in-20NC	
12	3311605	4	Locknut 3/8in-16NC	
13	3340756	9	Pad, Wear	
14	3340836	2	Pad, Wear	
15	3340837	2	Pad, Wear	
16	3422705	1	Pin	
17		Ref	Pin Options:	
17	3422706	1	Pin (Prior to SN 0300037743)	
17	3422745	1	Pin (SN 0300037743 through 0300065080)	
18	3570869	1	Cover, Boom End	
19	3760115	2	Ring, Retaining	
20	3760133	2	Ring, Retaining	
21	4070559	AR	Shim	
22	4070898	AR	Shim	
23	4751400	10	Flatwasher 1/4in	
24	4751600	4	Flatwasher 3/8in	
25	4761400	10	Lockwasher 1/4in	
26	4761600	6	Lockwasher 3/8in	
27		Ref	Cover, Hose	
27	4845767	1	Cover, Hose 450A	
27	4845696	1	Cover, Hose 450AJ	
28	1180227	1	Powertrack	
28	7006152	1	Kit, Pin (1 pin, 4 Different Size Washers and 1 Retaining Ring)	
28	7006151	1	Feet Mounting	
28	7006139	1	1ft Section	
28	7006156	1	Rod, Carrier	
29		Ref	Telescope Cylinder Assembly Options:	
29	1683582	NLA	Telescope Cylinder Assembly 450A (Use p/n 1683716) (Prior to SN 0300038481)	
29	1683716	1	Telescope Cylinder Assembly 450A (SN 0300038481 through 0300065080)	
29	1683653	NLA	Telescope Cylinder Assembly 450AJ (Use p/n 1683718) (Prior	

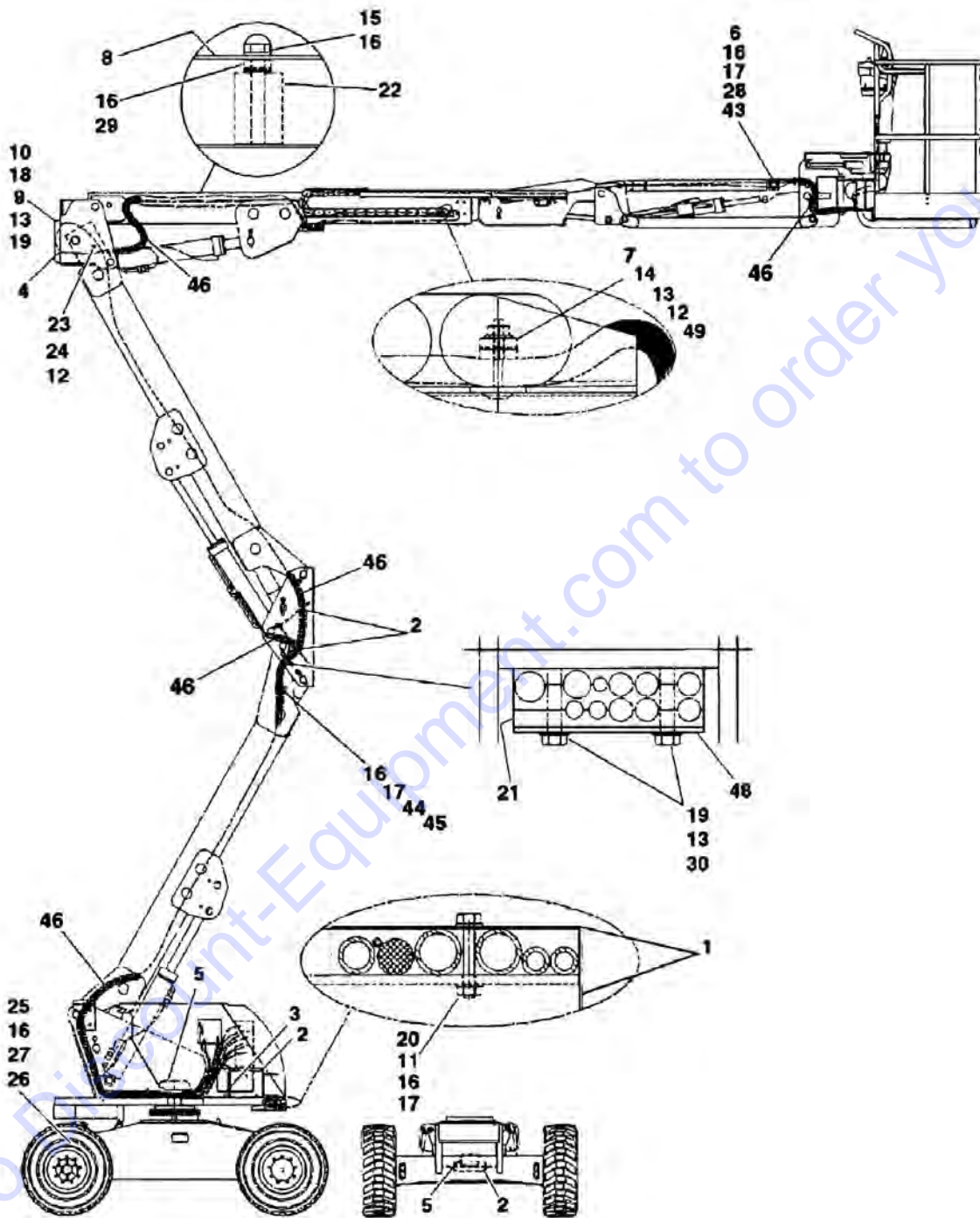
SECTION 3 - BOOM

ITEM	PART NUMBER	QTY	DESCRIPTION	REV
29	1683718	1	to SN 0300038481) Telescope Cylinder Assembly 450AJ (SN 0300038481 through 0300065080)	
30	4070897	AR	Shim (SN 0300047619 through 0300065080)	

Go to Discount-Equipment.com to order your parts

SECTION 3 - BOOM

FIGURE 3-5. BOOM COVERS, CABLES AND CLAMPS INSTALLATION



SECTION 3 - BOOM

FIGURE 3-5. BOOM COVERS, CABLES AND CLAMPS INSTALLATION

ITEM	PART NUMBER	QTY	DESCRIPTION	REV
		Ref	CABLES AND CLAMPS INSTALLATIONS	
	0258301	Ref	Cables and Clamps Installations 450A	8
	0258302	Ref	Cables and Clamps Installations 450AJ	7
1	4060803	20 in/50cm	Flex-Trim 1/8in	
2	4060805	10.6 ft/3.3m	Flex-Trim 1/4in	
3	4060807	8 in/20cm	Flex-Trim 3/8in	
4	4060808	6.53 ft/2m	Flex-Trim 1/2in	
5	4060919	7.4 ft/2.26m	Flex-Trim 3/4in	
6		Ref	Block, Clamp	
6	Not Required	0	Block, Clamp 450A	
6	0561320	1	Block, Clamp 450AJ	
7	3570958	3	Clamp, Plate	
8		Ref	Cover, Main Boom	
8	3570535	1	Cover, Main Boom 450A	
8	3570810	1	Cover, Main Boom 450AJ	
9	0561322	1	Block, Clamp	
10	1670697	1	Cover, Hose	
11	0641420	2	Bolt 1/4in-20NC x 2 1/2in	
12	3311505	3	Locknut 5/16in-18NC	
13	4751500	5	Flatwasher 5/16in	
14	0630401	2	Bolt, Carriage 5/16in-18NC	
15	3300151	6	Nut, Acorn 1/4in-20NC	
16	4751400	19	Flatwasher 1/4in	
17	3311405	3	Locknut 1/4in-20NC	
18	0630467	4	Screw, Button Head 5/16in-18NC x 1/2in	
19	0641518	5	Bolt 5/16in-18NC x 2 1/4in	
20	3570898	1	Cover, Hose	
21	0561323	1	Block, Clamp	
22	0561321	2	Block, Clamp	
23	4567606	1	Tube, Roller	
24	0641560	1	Bolt 5/16in-18NC x 7 1/2in	
25	1320070	1	Clamp	
26	0641406	2	Bolt 1/4in-20NC x 3/4in	
27	4761400	2	Lockwasher 1/4in	
28	0641418	AR	Bolt 1/4in-20NC x 2 1/4in	
29	3311401	6	Nut 1/4in-20NC	
30	0100011	AR	Loctite #242 (Not Shown)	
43		Ref	Cover Options:	
43	Not Required	0	Cover 450A	
43	3571056	1	Cover 450AJ	
44	1320070	1	Clamp	
45	0641412	1	Bolt 1/4in-20NC x 1 1/2in	
46	4100026	Ref	Sleeve, Nylon	
46	4100026	36 ft/11m	Sleeve, Nylon (450A)	
46	4100026	41 ft/12.5m	Sleeve, Nylon (450AJ)	
48	3571621	1	Plate, Clamp Block	

SECTION 3 - BOOM

ITEM	PART NUMBER	QTY	DESCRIPTION	REV
49	3340859	2	Pad, Rubber	

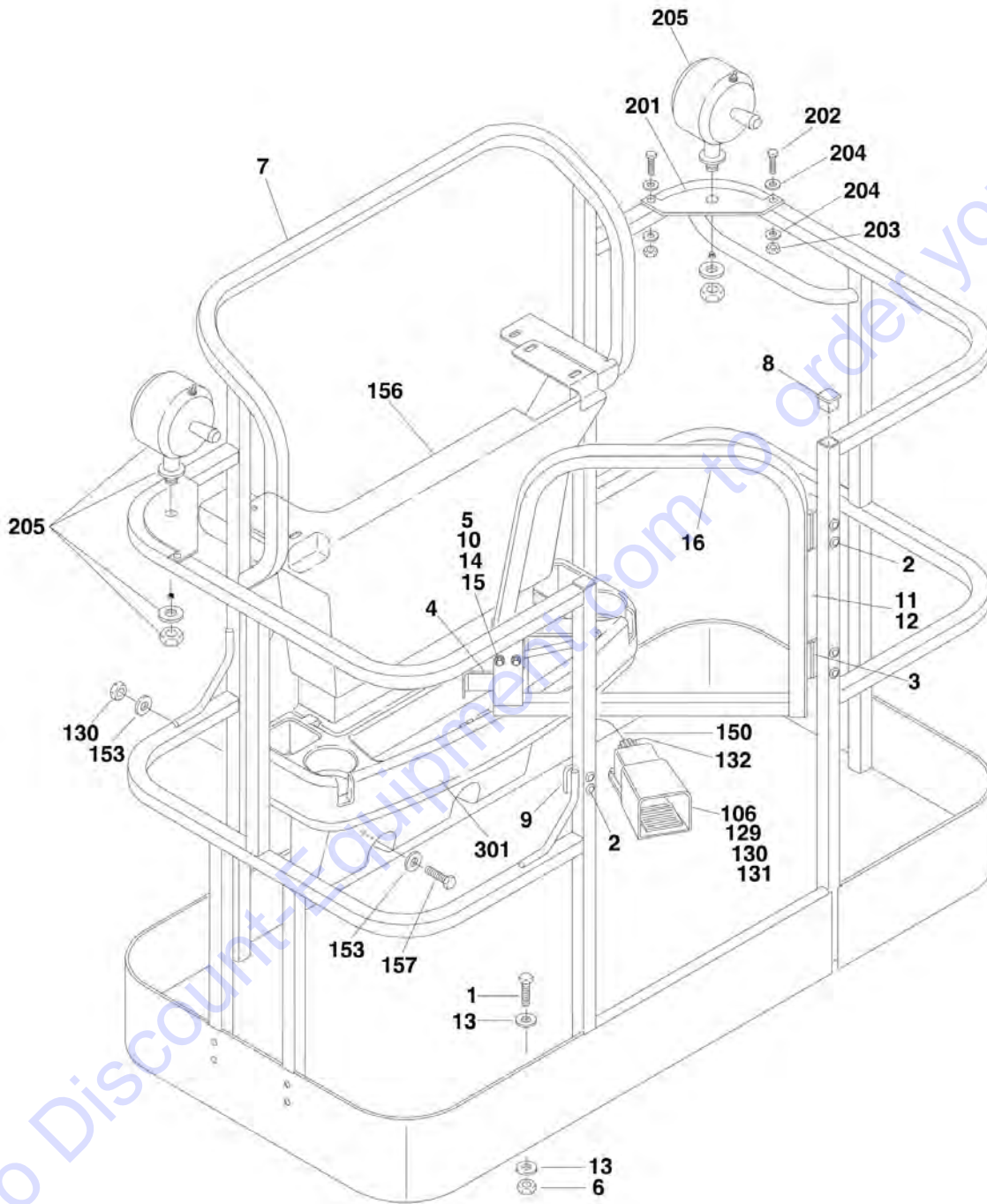
Go to Discount-Equipment.com to order your parts

SECTION 4 - PLATFORM

Go to Discount-Equipment.com to order your parts

SECTION 4 - PLATFORM

FIGURE 4-1. PLATFORM INSTALLATION



SECTION 4 - PLATFORM

FIGURE 4-1. PLATFORM INSTALLATION

ITEM	PART NUMBER	QTY	DESCRIPTION	REV
		Ref	PLATFORM ASSEMBLIES:	
	3510626	Ref	48in x 30in (1.22m x .76m) with Standard Gate	E
	3510632	Ref	48in x 30in (1.22m x .76m) with Self-Closing Gate	E
	3510625	Ref	60in x 30in (1.52m x .76m) with Standard Gate	E
	3510678	Ref	60in x 30in (1.52m x .76m) with Standard Gate/Mesh to Top Rail	B
	3510631	Ref	60in x 30in (1.52m x .76m) with Self-Closing Gate	E
	3510680	Ref	60in x 30in (1.52m x .76m) with Self-Closing Gate/Mesh to Top Rail	C
	3510624	Ref	72in x 30in (1.83m x .76m) with Standard Gate	E
	3510672	Ref	72in x 30in (1.83m x .76m) with Standard Gate/Mesh to Top Rail	B
	3510630	Ref	72in x 30in (1.83m x .76m) with Self-Closing Gate	E
	3510679	Ref	72in x 30in (1.83m x .76m) with Self-Closing Gate/Mesh to Top Rail	C
		Ref	Note: Replacement Decals Must Be Ordered Separately - See DECALS SECTION.	
1	0681610	6	Bolt 3/8in-16NC x 1 1/4in (Grade 8)	
2	2080040	13	Fastener, Huck	
2	7016652	1	Huck Fastener Tool	
3		Ref	Hinge Options:	
3	2600216	2	Standard Gate	
3	2600219	2	Self-Closing Gate	
4	2940074	1	Latch	
5	3311001	4	Nut #10-24NC	
6	3311605	6	Locknut 3/8in-16NC	
7	See Note	NSS	Platform Weldment (Note: Purchase Platform Assembly)	
8	3520072	3	Cap-Plug	
9	3539685	1	Plate, Latch	
10	3911008	4	Screw #10-24NC x 1in	
11	4060803	1	Trim	
12	4220165	1	Stop, Gate	
13	4711600	12	Flatwasher 3/8in Narrow	
14	4751000	4	Flatwasher #10	
15	4761000	4	Lockwasher 3/8in	
16		Ref	Gate Weldment Options:	
16	4845327	1	Standard	
16	4845824	1	Mesh to Top Rail (Standard Gate)	
16	4845951	1	Mesh to Top Rail (Self-Closing Gate)	
		Ref	FOOTSWITCH AND COVERS INSTALLATION	
106	4360031	1	Footswitch	
106	7000625	2	Block, Contact	
129	0641408	3	Bolt 1/4in-20NC x 1in	
130	3311405	7	Locknut 1/4in-20NC	
131	4740362	5	Washer, Fender	
132	4460071	1	Terminal, Strain Relief	
150	1060012	7 ft/2.2m	Cable, Electrical - 12/4	
153	4751400	4	Flatwasher 1/4in	
156	3380434	1	Panel, Poly	
157	0641406	2	Bolt 1/4in-20NC x 3/4in	
	0258309	Ref	WORKLIGHTS INSTALLATION (OPTIONAL)	1

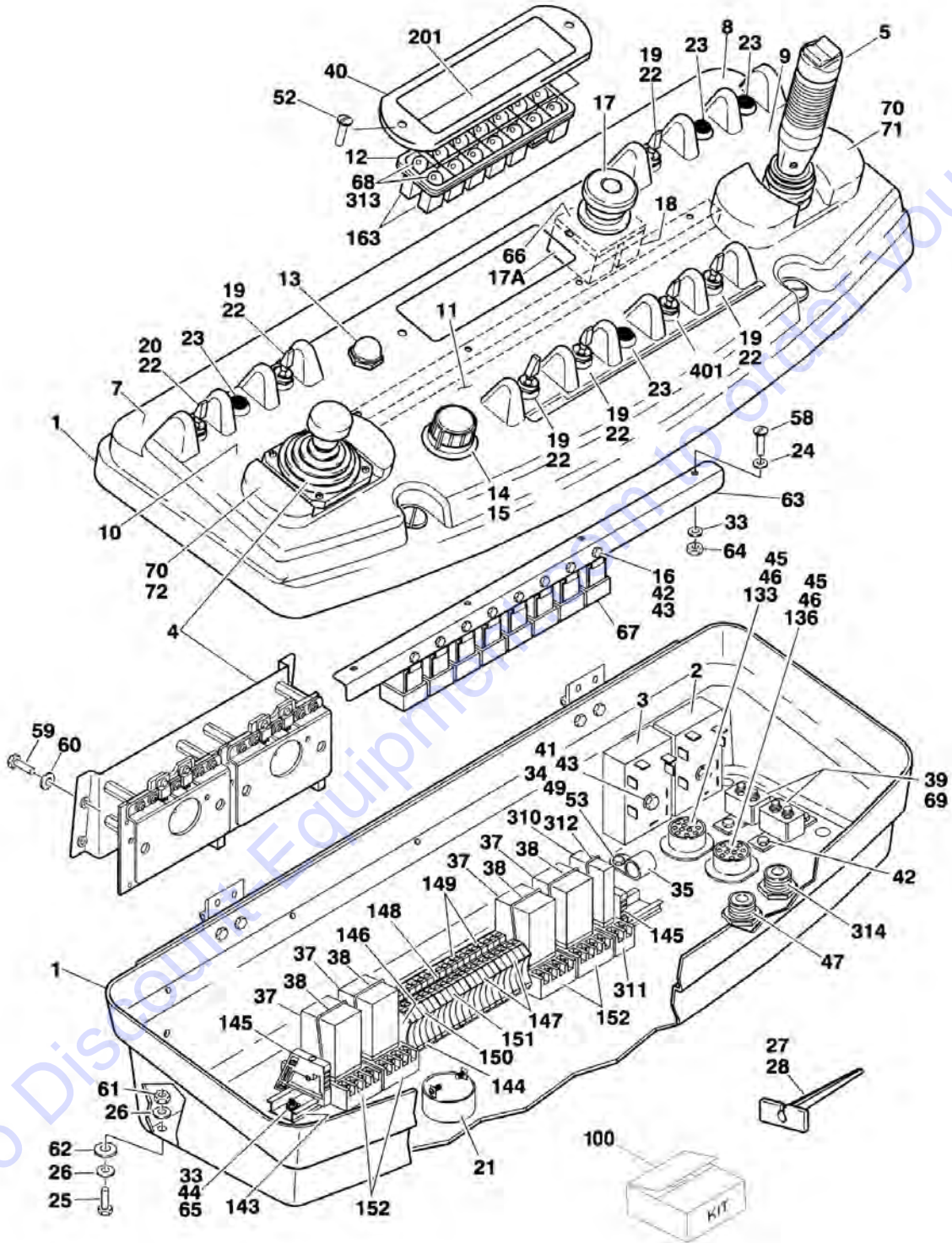
SECTION 4 - PLATFORM

ITEM	PART NUMBER	QTY	DESCRIPTION	REV
201	3536089	2	Plate, Mounting	
202	0641414	4	Bolt 1/4in-20NC x 1 3/4in	
203	3311405	4	Locknut 1/4in-20NC	
204	4711400	8	Flatwasher 1/4in Narrow	
205	2920140	2	Worklight	
206	4240099	10	Tie-Strap (Not Shown)	
207	2820035	9	Loom, Vinyl (Not Shown)	
209	4460598	1	Connector, Strain Relief (Not Shown - Located at Console Box)	
210	4920018	18	Wire, Black (Not Shown)	
		in/46cm		
		Ref	TRAY INSTALLATIONS (OPTIONAL)	
301	1580012	1	Tray, Storage (Center)	
302	1580013	1	Tray, Storage (Rail Mounted - Not Shown)	

Go to Discount-Equipment.com to order your parts

SECTION 4 - PLATFORM

FIGURE 4-2. PLATFORM CONSOLE ASSEMBLY



SECTION 4 - PLATFORM

FIGURE 4-2. PLATFORM CONSOLE ASSEMBLY

ITEM	PART NUMBER	QTY	DESCRIPTION	REV
		Ref	CONSOLE BOX ASSEMBLY OPTIONS:	
	0861167	Ref	2WD Machines with Poly Box	8
	0861238	Ref	2WD Machines with Aluminum Box	7
	0861168	Ref	4WD Machines with Poly Box	8
	0861239	Ref	4WD Machines with Aluminum Box	7
1		Ref	Box, Console Options:	
1	0861195	1	Poly Box	
1	7020099	1	Fastener	
1	7020100	1	Mounting Clip	
1	0860984	1	Aluminum Box	
1	3931664	1	Bolt 3/8in-16NC 4in	
1	3790109	1	O-Ring	
2	3740113	1	Relay, Time Delay	
3	3740115	1	Relay, Time Delay	
4		Ref	Controller and PC Board Assy Options (Lift and Swing):	
4	1600278	NLA	Controller and PC Board Assy (Use p/n 1600288 - See CONTROLLER ASSEMBLY (LIFT AND SWING) for Breakdown) (Prior to SN 0300039857)	
4	1600288	1	Controller and PC Board Assy (See CONTROLLER ASSEMBLY (LIFT AND SWING) for Breakdown) (SN 0300039857 through 0300065080)	
5		Ref	Controller Assembly Options (Drive and Steer):	
5	1600270	NLA	Controller Assembly (Use p/n 1600287 - See CONTROLLER ASSEMBLY (DRIVE AND STEER) for Breakdown) (Prior to SN 0300039857)	
5	1600287	1	Controller Assembly (See CONTROLLER ASSEMBLY (DRIVE AND STEER) for Breakdown) (SN 0300039857 through 0300065080)	
7		Ref	Decal (Horn/Drive Speed/Level) Options:	
7	1703689	1	2WD Machines	
7	1703678	1	4WD Machines	
8	1702564	1	Decal (Stop)	
9	1702565	1	Decal (Drive and Steer)	
10	1702566	1	Decal (Lift and Swing)	
11	1702567	1	Decal (Lower Lift/Tele/Rotate/Jib)	
12	2760105	1	Housing, Display Light	
13	4360387	1	Switch, Pushbutton	
14	2560136	1	Knob, Speed Control	
15	1600272	1	Speed Controller Assembly (See CONTROLLER ASSEMBLY (SPEED) for Breakdown)	
16	3311005	5	Locknut #10-24NC	
17		Ref	Switch, Emergency Stop Options:	
17	4360289	1	Switch, Emergency Stop (Prior to SN 0300044666)	
17	4360475	1	Switch, Emergency Stop (SN 0300044666 through 0300065080)	
17	7012611	1	Cap, Mushroom (Prior to SN 0300044666)	
17	7020175	1	Cap, Mushroom (SN 0300044666 through 0300065080)	
17	7012612	1	Boot Only (Prior to SN 0300044666)	
17A	7020176	1	Block, Contact (SN 0300044666 through 0300065080)	
18		Ref	Block, Contact Options:	
18	4360282	1	Block, Contact (Prior to SN 0300044666)	
18	4360476	1	Block, Contact (SN 0300044666 through 0300065080)	

SECTION 4 - PLATFORM

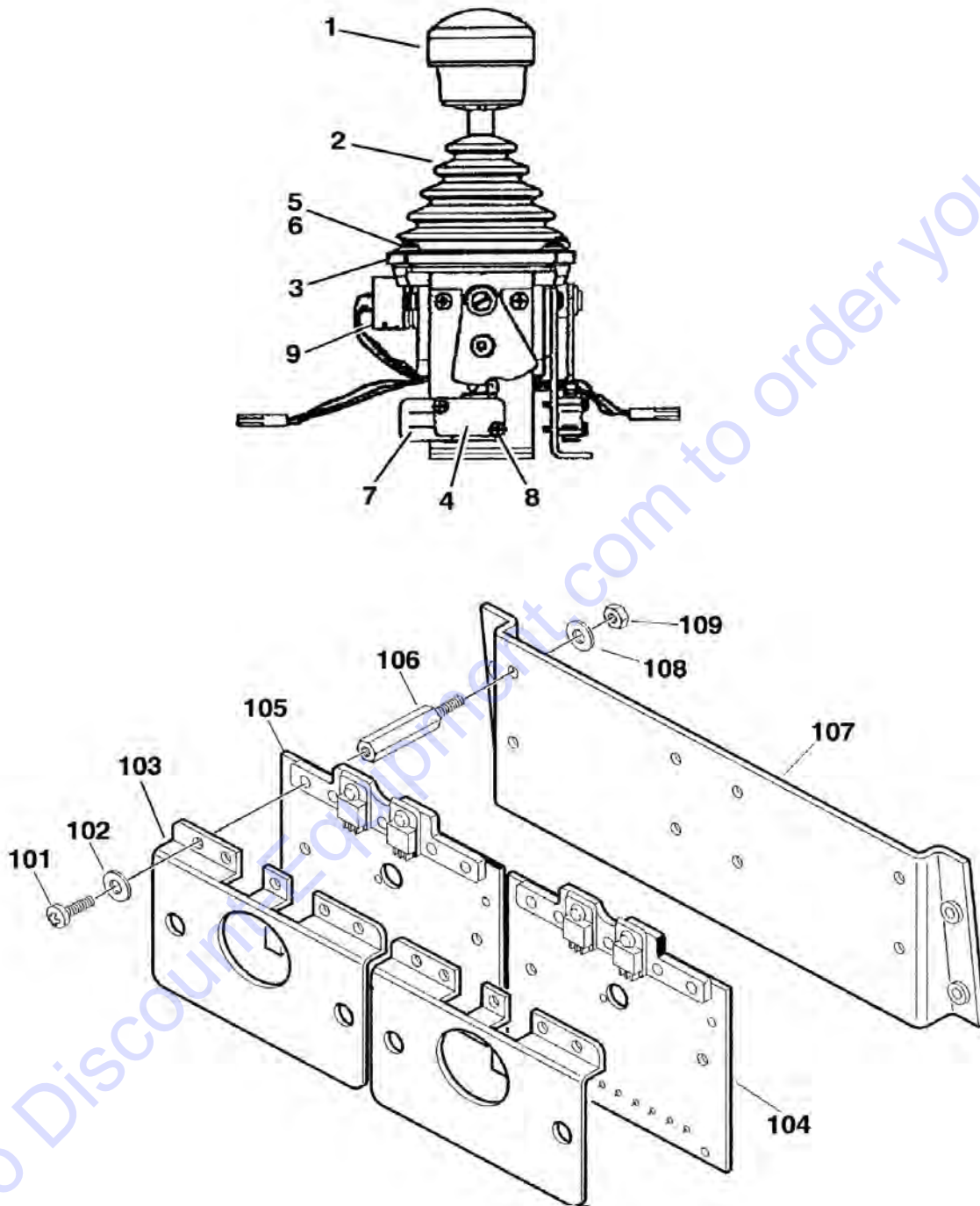
ITEM	PART NUMBER	QTY	DESCRIPTION	REV
19	4360314	5	Switch, Toggle	
20		Ref	Switch, Toggle Options:	
20	4360336	1	2WD Machines	
20	4360331	1	4WD Machines	
21	0140026	1	Alarm	
22	3790012	6	O-Ring	
23	3520028	5	Plug, Hole (For switch call-outs at these locations, refer to option installation)	
24	4740120	4	Washer, Nylon #10 (Poly Box Only)	
25	0641611	4	Bolt 3/8in-16NC x 1 3/8in	
26	4751600	8	Flatwasher 3/8in	
27	4460467	1	Tool, Pin Extraction (Blue 16-18 Gauge) (Not Shown)	
28	4460510	1	Tool, Pin Extraction (Yellow 12-14 Gauge) (Not Shown)	
33	4711000	6	Flatwasher #10 Narrow	
34	3311401	1	Nut 1/4in-20NC	
35	1320060	1	Clamp	
36	4460234	6	Mount, Tie-Strap (Not Shown)	
37	3740058	2	Relay - DPDT	
38	3740063	4	Spring, Relay	
39	4360232	2	Breaker, Circuit - 15 Amp	
40	1670829	1	Bezel, Light Panel	
41	0721010	2	Screw, Machine #10-24NC x 1 1/4in	
42	0721003	9	Screw, Machine #10-24NC x 3/8in	
43	4751000	5	Flatwasher #10	
44	0731004	2	Screw, Machine #10-32NC x 1/2in	
45	4460470	2	Nut, Conduit	
46	4460471	2	Washer	
47	4460428	2	Connector, Strain Relief	
48	0100029	AR	Silicone (Not Shown)	
49	0641406	1	Bolt 1/4in-20NC x 3/4in	
50	4420038	6 in/15cm	Foam (Not Shown - Located on top of item 143)	
52	0630464	2	Screw, Button Head #10-24NC x 1/2in	
53	4751400	8	Flatwasher 1/4in	
54	0100011	AR	Loctite #242 (Not Shown)	
55	0100035	AR	Loctite #222 (Not Shown)	
58	0630518	4	Screw, Button Head #10-24NC x 3/4in	
59	3910812	4	Screw, Machine #8-32NC x 1/2in	
60	4750800	4	Flatwasher #8	
61	3311605	4	Nut 3/8in-16NC (Poly Box Only)	
62	4751800	4	Flatwasher 1/2in (Poly Box Only)	
63		Ref	Plate, Relay Mounting Options:	
63	3571222	1	Poly Box (Molded into Cover)	
63	3539275	1	Aluminum Box	
64	3300408	4	Locknut #10-24NC	
65	4761000	2	Lockwasher #10	
66	1704260	1	Decal - EMS Only (SN 0300044666 through 0300065080)	
67	3740049	5	Relay	
68	2920129	8	Bulb	
69	3520138	4	Plug, Cap	
70	0641404	8	Bolt 1/4in-20NC x 1/2in (Aluminum Box Only)	
71		Ref	Support, Hand (Right Side)	
71	Not Required	0	Poly Box (Molded into Cover)	

SECTION 4 - PLATFORM

ITEM	PART NUMBER	QTY	DESCRIPTION	REV
71	4340684	1	Aluminum Box	
72		Ref	Support, Hand (Left Side)	
72	Not Required	0	Poly Box (Molded into Cover)	
72	4340678	1	Aluminum Box	
100	2910867	1	Decal Kit - Console Box (Includes Items 7, 8, 9, 10, 11, 66 & 201) (ANSI Spec Only)	
	4922053	Ref	RELAY AND TERMINAL BLOCK INSTALLATIONS	7-G
133	4460613	1	Connector - 21 Position	
136	4460503	1	Connector - 31 Position	
143	3641182	1	Track	
144	4460601	10	Block, Terminal	
145	4460607	2	Stop, End	
146	4460602	1	Barrier, Terminal	
147	4460629	2	Marker, Terminal (6-15)	
148	4460603	1	Bar, Buss - 10 Position (Cut into [2] 5 Position Bars)	
149	4460600	10	Block, Terminal	
150	4460631	1	Marker, Terminal (Negative)	
151	4460632	1	Marker, Terminal (1-5)	
152	4120013	4	Socket, Relay	
163	4120035	8	Base, Light	
	0256632	Ref	LIGHT PANEL DECAL INSTALLATION	-
201	1703084	1	Decal - Platform Display	
301	0257883	Ref	DUAL FUEL SWITCH INSTALLATIONS (OPTIONAL)	
301	0259254	Ref	DUAL FUEL SWITCH INSTALLATIONS (OPTIONAL)	
301	4360336	1	Switch, Toggle	
301	3790012	1	O-Ring	
401	0258608	Ref	JIB SWITCH INSTALLATIONS (OPTIONAL)	A
401	4360314	1	Switch, Toggle	
401	3790012	1	O-Ring	

SECTION 4 - PLATFORM

FIGURE 4-3. CONTROLLER ASSEMBLY (LIFT AND SWING) (Prior to SN 0300039857)



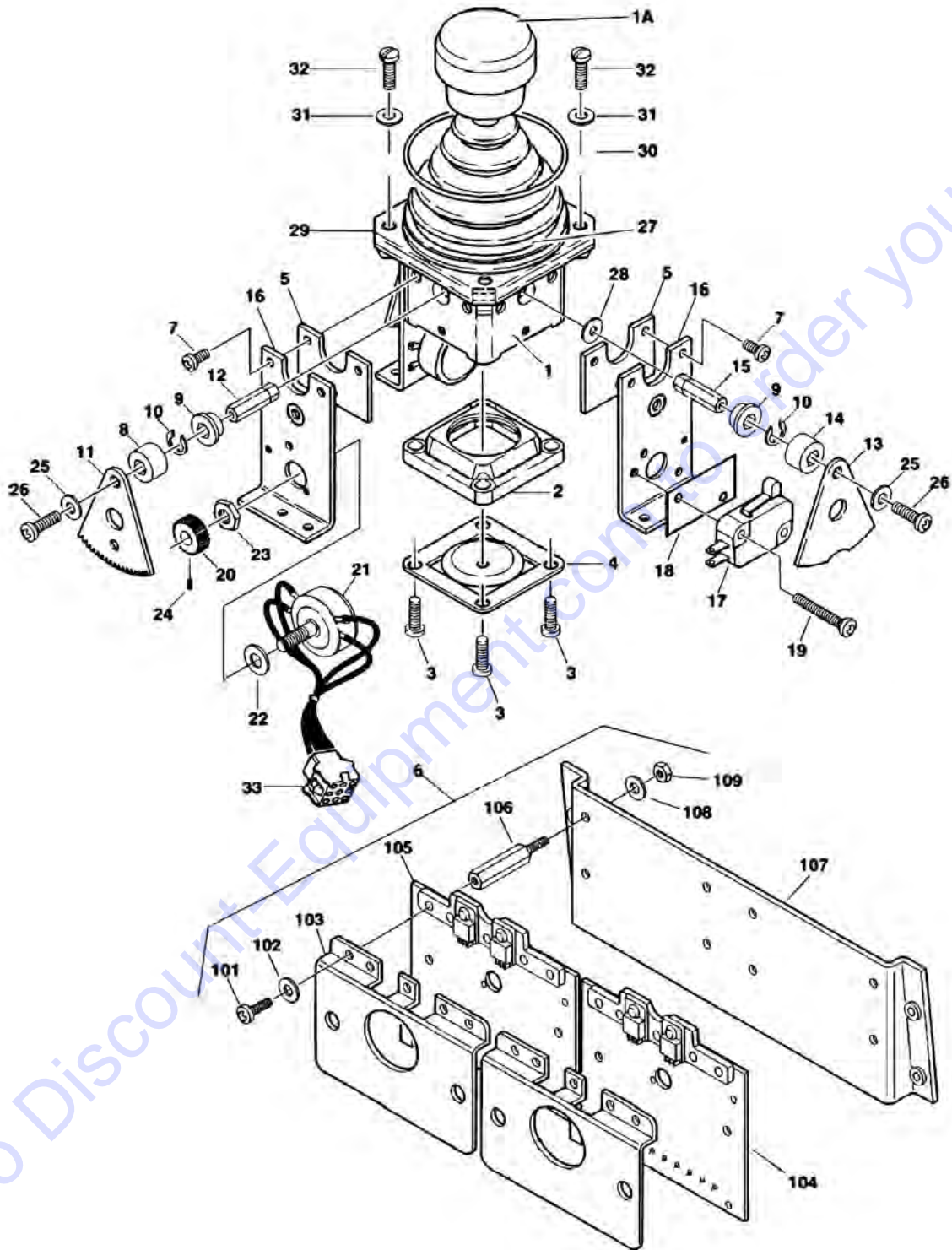
SECTION 4 - PLATFORM

FIGURE 4-3. CONTROLLER ASSEMBLY (LIFT AND SWING) (Prior to SN 0300039857)

ITEM	PART NUMBER	QTY	DESCRIPTION	REV
		Ref	Note: use p/n 1600288 when replacing complete controller	
	1600278	Ref	CONTROLLER ASSEMBLY	C
1	7003951	1	Cap	
2	7022813	1	Boot (was p/n 7003955)	
3	7022813	1	Flange (was p/n 7003954)	
4	7003961	2	Microswitch	
5	7019137	4	Screw	
6	7003953	4	Flatwasher	
7	7019138	2	Insulator	
8	7019139	4	Screw	
9	7022809	2	Potentiometer	
10	7019122	1	Gimble (Inner) (Not Shown)	
11	7019123	1	Gimble (Outer) (Not Shown)	
		Ref	PC BOARD ASSEMBLY	
101	7019136	8	Screw 4mm x 12mm	
102	7019135	8	Washer, Wavy 4mm	
103	7019134	2	Cover, Heat Shrink	
104	7019133	1	PC Board Assembly (Lift)	
105	7019132	1	PC Board Assembly (Swing)	
106	7019131	8	Stand-Off	
107	7019130	1	Bracket	
108	7019129	8	Starwasher 4mm	
109	7019128	8	Nut 4mm	

SECTION 4 - PLATFORM

FIGURE 4-4. CONTROLLER ASSEMBLY (LIFT AND SWING) (SN 0300039857 through 0300065080)



SECTION 4 - PLATFORM

FIGURE 4-4. CONTROLLER ASSEMBLY (LIFT AND SWING) (SN 0300039857 through 0300065080)

ITEM	PART NUMBER	QTY	DESCRIPTION	REV
	1600288	Ref	CONTROLLER ASSEMBLY	C
1	7019141	1	Mechanical Assembly (Includes Base, Handle Stem and Items 1A, 1B, 1C & 27)	
1A	7019197	1	Handle Cap and Rod	
1B	7003928	1	Spring	
1C	7022808	1	Cap, Lift	
1D	7019123	1	Gimble (Upper) (Not Shown)	
1E	7019124	1	Gimble (Lower) (Not Shown)	
2	7019169	1	Gate	
3	7003952	4	Screw	
4	7019170	1	Center, Detent	
5	7019171	2	Plate	
6	7019172	1	PC Board Assembly (See Items 101-109 for Breakdown)	
7	7019173	4	Screw	
7	7022831	8	Screw Self Tapping	
8	7019174	1	Spacer, Cam	
9	7019111	4	Bearing, Gear	
10	7019145	4	E-Clip	
11	7003977	2	Gear, Drive	
12	7019147	2	Shaft	
13	7019175	2	Cam	
14	7019176	2	Spacer, Cam	
15	7019177	2	Shaft	
16	7019142	4	Plate	
17	7003961	2	Microswitch	
18	7019138	2	Insulator	
19	7019139	4	Screw	
20	7003976	2	Gear, Slave	
21	7022830	1	Potentiometer and Harness Assembly	
21	7019178	2	Potentiometer	
22	7003992	2	Washer	
23	7003993	2	Nut	
24	7019149	2	Setscrew	
25	7019144	2	Spacer	
26	7019143	2	Screw	
27	7022813	1	Boot and Flange Assembly (Was p/n 7003955)	
28	7019144	2	Spacer, Cam	
29	See Note	NSS	Plate, Plastic (Note: Use Item 27)	
30	7003956	1	O-Ring	
31	7003953	4	Washer	
32	7022811	4	Screw	
33	See Note	NSS	Harness, Controller (Note: Use p/n 7022830)	
33	4460266	1	Connector, Female - 9 Position	
33	4460267	9	Pin, Male	
33	7026614	2	Connector, Male - 4 Position	
33	7026615	8	Pin, Male	
33	7026612	2	Connector, Female - 4 Position	
33	7026613	8	Socket, Female	
33	7026610	2	Connector, Female - 3 Position	
33	7026611	6	Socket, Female	

PARTS FINDER

**Search Website
by Part Number**



**Search Manual
Library For Parts
Manual & Lookup Part
Numbers – Purchase
or Request Quote**

**Can't Find Part or
Manual? Request Help
by Manufacturer,
Model & Description**

Discount-Equipment.com is your online resource for quality parts & equipment.

Florida: **561-964-4949** Outside Florida TOLL FREE: **877-690-3101**

Need parts?

Click on this link: <http://www.discount-equipment.com/category/5443-parts/> and choose one of the options to help get the right parts and equipment you are looking for. Please have the machine model and serial number available in order to help us get you the correct parts. If you don't find the part on the website or on one of the online manuals, please fill out the request form and one of our experienced staff members will get back to you with a quote for the right part that your machine needs.

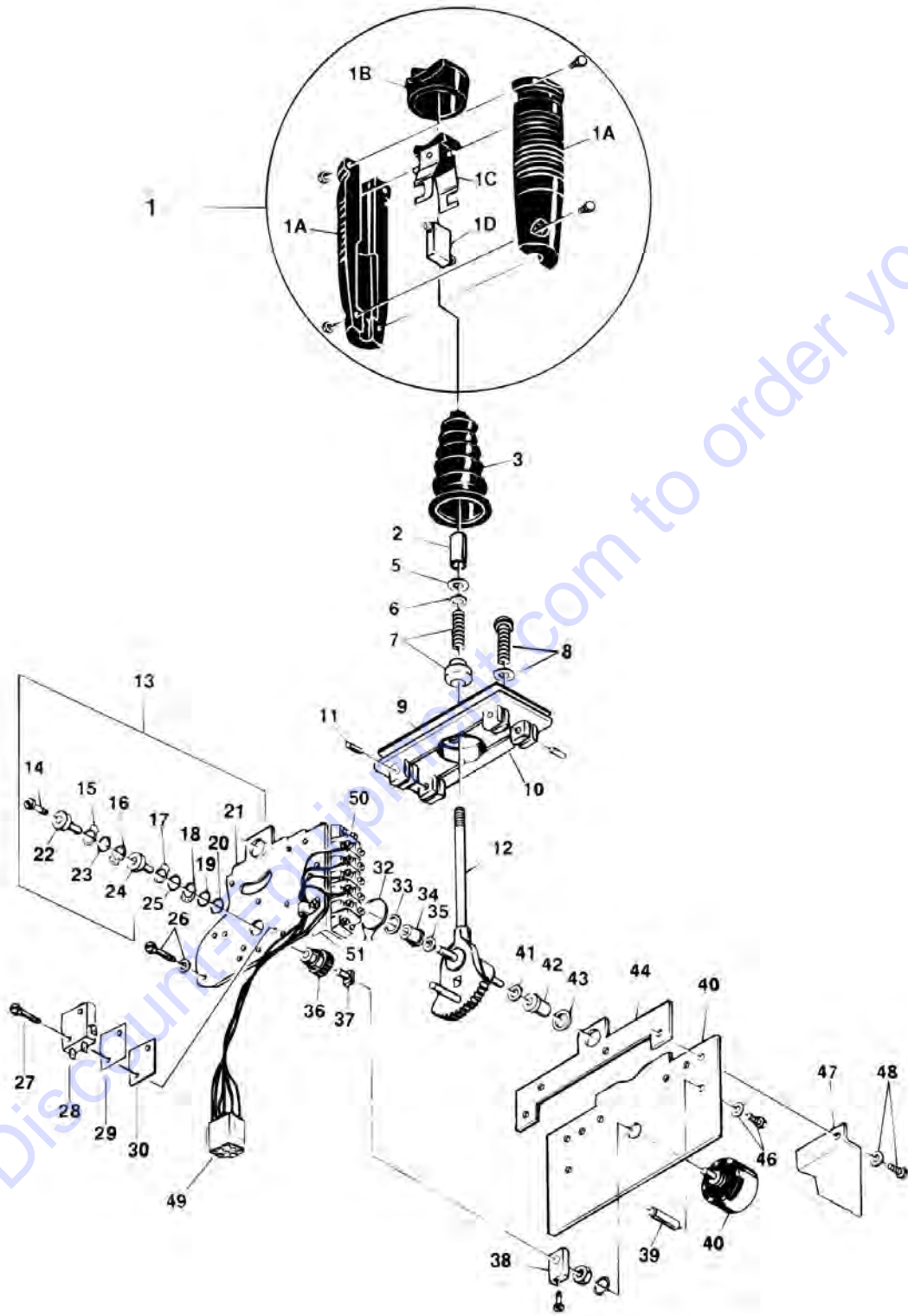
We sell worldwide for the brands: Genie, Terex, JLG, MultiQuip, Mikasa, Essick, Whiteman, Mayco, Toro Stone, Diamond Products, Generac Magnum, Airman, Haulotte, Barreto, Power Blanket, Nifty Lift, Atlas Copco, Chicago Pneumatic, Allmand, Miller Curber, Skyjack, Lull, Skytrak, Tsurumi, Husquvarna Target, Stow, Wacker, Sakai, Mi-T-M, Sullair, Basic, Dynapac, MBW, Weber, Bartell, Bennar Newman, Haulotte, Ditch Runner, Menegotti, Morrison, Contec, Buddy, Crown, Edco, Wyco, Bomag, Laymor, EZ Trench, Bil-Jax, F.S. Curtis, Gehl Pavers, Heli, Honda, ICS/PowerGrit, IHI, Partner, Imer, Clipper, MMD, Koshin, Rice, CH&E, General Equipment, Amida, Coleman, NAC, Gradall, Square Shooter, Kent, Stanley, Tamco, Toku, Hatz, Kohler, Robin, Wisconsin, Northrock, Oztec, Toker TK, Rol-Air, APT, Wylie, Ingersoll Rand / Doosan, Innovatech, Con X, Ammann, Mecalac, Makinex, Smith Surface Prep, Small Line, Wanco, Yanmar

SECTION 4 - PLATFORM

ITEM	PART NUMBER	QTY	DESCRIPTION	REV
33	4460265	1	Plug - 9 Pin (Part of Platform Wiring) (Not Shown)	
33	4460267	8	Pin, Male (Part of Platform Wiring) (Not Shown)	
34	7019122	1	Gimble (Inner) (Not Shown)	
35	7019123	1	Gimble (Outer) (Not Shown)	
	7019172	Ref	PC BOARD ASSEMBLY	
101	7019136	8	Screw 4mm x 12mm	
102	7019135	8	Washer, Wavy 4mm	
103	See Note	2	Cover, Heat Shrink (Note: Use p/n 7019172)	
104	7019190	1	PC Board Assembly (Lift)	
105	7019189	1	PC Board Assembly (Swing)	
106	7019131	8	Stand-Off	
107	See Note	1	Bracket (Note: Use p/n 7019172)	
108	7019129	8	Starwasher 4mm	
109	7019128	8	Nut 4mm	
110	See Note	1	Harness, PC Board (Not Shown) (Note: Use p/n 7019172)	

SECTION 4 - PLATFORM

FIGURE 4-5. CONTROLLER ASSEMBLY (DRIVE AND STEER) (Prior to SN 0300039857)



SECTION 4 - PLATFORM

FIGURE 4-5. CONTROLLER ASSEMBLY (DRIVE AND STEER) (Prior to SN 0300039857)

ITEM	PART NUMBER	QTY	DESCRIPTION	REV
		Ref	Note: use p/n 1600287 when replacing complete controller	
	1600270	Ref	CONTROLLER ASSEMBLY	A
1	See Note	1	Handle Assembly (Note: Not Available - Purchase Individual Components)	
1A	7019126	1	Halves, Handle (Includes Both Halves and Hardware)	
1B	7019127	1	Boot, Switch	
1C	7003981	1	Rocker	
1D	7003982	1	Switch, Micro	
2	7003984	1	Coupling	
3	7003966	1	Boot	
4	7003938	1	Clamp, Boot (Not Shown)	
5	7003957	1	Ring, Retaining	
6	7003967	1	Flatwasher	
7	7003968	1	Detent Assembly	
8	7003969	2	Screw	
8	7003941	2	Washer	
9	7003933	1	Gasket	
10	7003950	1	Plate, Base	
11	7019103	1	Pin	
12	7019105	1	Shaft/Gear Assembly	
13	7019125	1	Micro Cam Assembly (Includes Items 14-25)	
14	See Note	NSS	Screw (Note: Use p/n 7019125)	
15	See Note	NSS	Cam, 4 Hole (Note: Use p/n 7019125)	
16	See Note	NSS	Cam, 4 Hole (Note: Use p/n 7019125)	
17	See Note	NSS	Cam, 4 Hole (Note: Use p/n 7019125)	
18	See Note	NSS	Cam, 4 Hole (Note: Use p/n 7019125)	
19	See Note	NSS	Spacer, Cam (Note: Use p/n 7019125)	
20	See Note	NSS	Spacer, Cam (Note: Use p/n 7019125)	
21	See Note	NSS	Plate, Cam - Left Side (Note: Use p/n 7019125)	
22	See Note	NSS	Coupling, Cam (Note: Use p/n 7019125)	
23	See Note	NSS	Spacer, Cam (Note: Use p/n 7019125)	
24	See Note	NSS	Coupling, Cam (Note: Use p/n 7019125)	
25	See Note	NSS	Spacer, Cam (Note: Use p/n 7019125)	
26	7003994	4	Screw	
26	See Note	4	Washer (Note: Not Available - Purchase Locally)	
27	7019106	2	Screw	
28	7003961	1	Microswitch	
29	7019107	1	Insulator	
30	7019108	1	Insulator, Black	
31	7019109	2	Nut, Tinnerman (Not Shown - Use with #27)	
32	7003946	1	Spring, Return	
33	7019110	1	Spacer	
34	7019111	1	Bearing	
35	7019112	1	Washer, Cam Retainer	
36	7003935	1	Gear, Slave	
37	7019113	1	Nut/Cam Assembly	
38	7019114	1	Coupling, Potentiometer	
39	7019115	2	Stand-Off	
40	7019124	1	Board, Circuit with Potentiometer	
41	7019112	1	Washer, Cam Retainer	

SECTION 4 - PLATFORM

ITEM	PART NUMBER	QTY	DESCRIPTION	REV
42	7019111	1	Bearing	
43	7019110	1	Spacer	
44	7019116	1	Plate, Mounting	
46	7003994	2	Screw	
46	See Note	2	Washer (Note: Not Available - Purchase Locally)	
47	See Note	1	Heat Shrink (Note: Not Available - Purchase Locally)	
48	7019117	2	Screw	
48	See Note	2	Washer (Note: Not Available - Purchase Locally)	
49	4460265	1	Plug - 9 Position (Part of Console Box Harness)	
49	4460268	9	Socket, Female (Part of Console Box Harness)	
49	4460266	1	Receptacle - 9 Position (Part of p/n 7019124)	
49	4460267	9	Pin, Male (Part of p/n 7019124)	
50	7019153	1	Strip, Terminal - 5 Position	
51	7003985	1	Brace	

Go to Discount-Equipment.com to order your parts

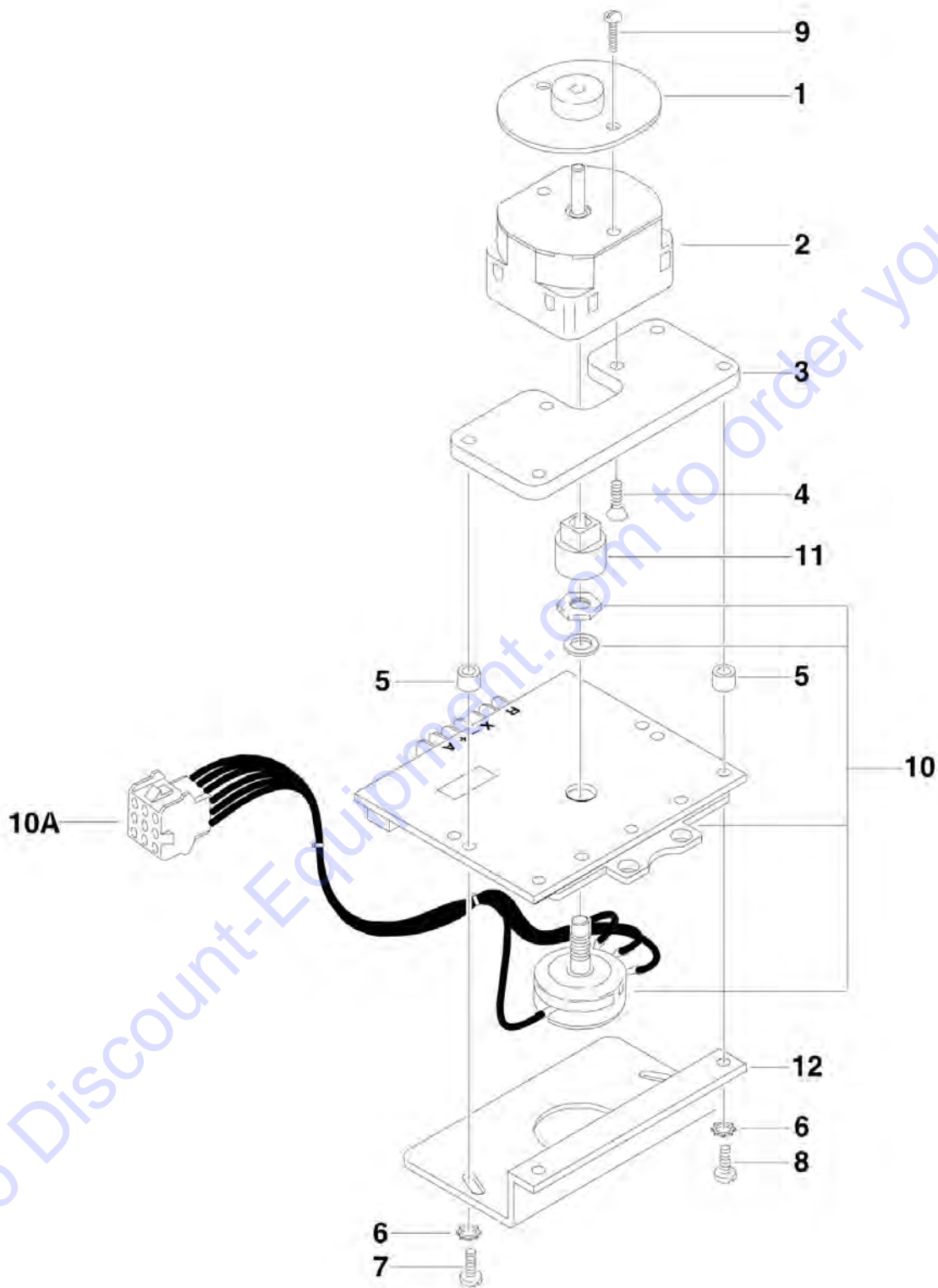
SECTION 4 - PLATFORM

FIGURE 4-6. CONTROLLER ASSEMBLY (DRIVE AND STEER) (SN 0300039857 through 0300065080)

ITEM	PART NUMBER	QTY	DESCRIPTION	REV
	1600287	Ref	CONTROLLER ASSEMBLY	C
1	See Note	1	Handle Assembly (Includes Items 101-110) (Note: Not Available - Purchase Individual Components)	
2	7019161	1	Boot and Sleeve	
3	7003969	2	Screw	
4	7003941	2	Washer	
5	7019159	1	Bracket, Mounting	
6	See Note	1	Rivet (Note: Not Available - Purchase Locally)	
7	7019124	1	Board, Circuit with Potentiometer	
7A	4460265	1	Plug - 9 Position (Part of Console Box Harness)	
7A	4460268	9	Socket, Female (Part of Console Box Harness)	
7A	4460266	1	Receptacle - 9 Position (Part of p/n 7019124)	
7A	4460267	9	Pin, Male (Part of p/n 7019124)	
8	7019138	1	Insulator	
9	7019153	1	Strip, Terminal - 5 Position	
10	7003938	1	Clamp, Boot (Not Shown)	
11	7003961	1	Microswitch	
12	7019151	3	Tie-Strap	
13	7003994	2	Screw	
14	7019162	1	Spring	
15	7019179	1	Micro Cam Assembly	
16	7019163	1	Potentiometer Coupling Assembly	
19	See Note	NSS	Heat Shrink (Note: Not Available for Purchase)	
20	7019117	8	Screw	
21	7019103	4	Pin	
22	7019115	2	Stand-Off	
23	7019168	1	Plate, Mounting (Right Side)	
24	7003992	1	Washer	
25	7003993	1	Nut	
26	7003935	1	Gear, Slave	
		Ref	HANDLE ASSEMBLY	
101	7019164	1	Axle	
102	7019194	1	Coupling	
103	7019165	1	Rocker	
104	7003983	2	Setscrew	
105	7003972	1	Boot, Switch	
106	7003973	2	Half, Handle	
107	7019166	1	Micro Switch Assembly (Includes 2 Switches & Wiring)	
108	7019167	4	Nut	
109	7003980	4	Screw	
110	7003989	2	Gasket	
		Ref	HANDLE ASSEMBLY	
201	7019160	1	Cast Housing Assembly	
202	7019155	1	Shaft 8mm	
203	7019111	2	Bearing	
204	7019110	2	Spacer, Head Gear	
205	7019112	1	Washer	
206	7003946	1	Spring, Return	

SECTION 4 - PLATFORM

FIGURE 4-7. CONTROLLER ASSEMBLY (SPEED)



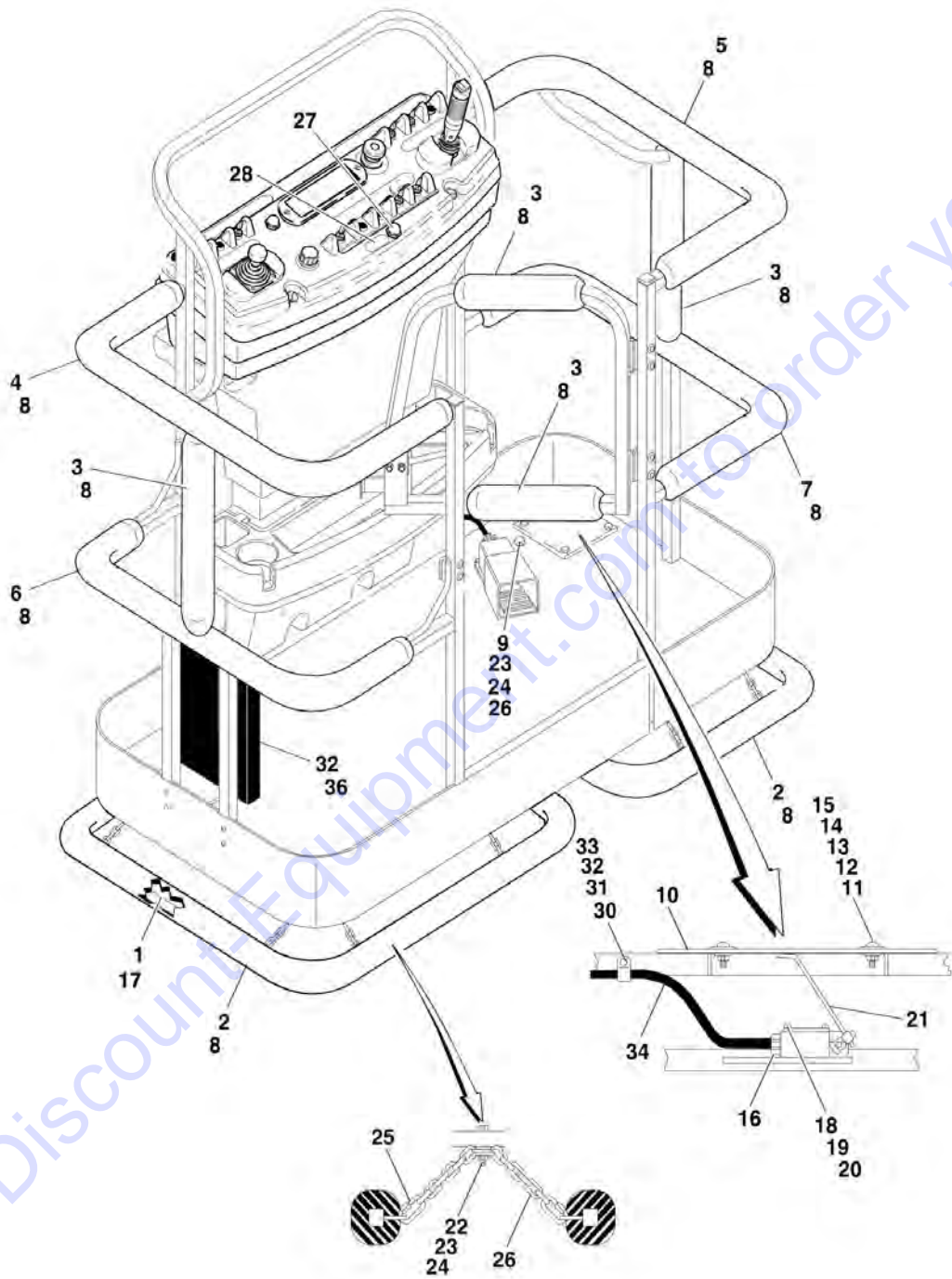
SECTION 4 - PLATFORM

FIGURE 4-7. CONTROLLER ASSEMBLY (SPEED)

ITEM	PART NUMBER	QTY	DESCRIPTION	REV
	1600272	Ref	CONTROLLER ASSEMBLY	E
1	7019181	1	Seal	
2	7019182	1	Switch, Rotary	
3	See Note	NSS	Plate (Note: Use p/n 1600272)	
4	7019183	2	Screw, Flathead	
5	7019184	4	Spacer	
6	7019135	4	Washer	
7	7019185	2	Screw	
8	7019186	2	Screw	
9	7019136	2	Screw	
10	7019187	1	Board, Circuit with Potentiometer	
10A	4460265	1	Plug - 9 Position (Part of Console Box Harness)	
10A	4460268	9	Socket, Female (Part of Console Box Harness)	
10A	4460266	1	Receptacle - 9 Position (Part of p/n 7019187)	
10A	4460267	9	Pin, Male (Part of p/n 7019187)	
11	7019188	1	Coupling, Potentiometer	
12	See Note	NSS	Heat Shrink (Note: Not Available for Purchase)	

SECTION 4 - PLATFORM

FIGURE 4-8. SOFT TOUCH SYSTEM INSTALLATION (SN 0300049601 through 0300065080)



SECTION 4 - PLATFORM

FIGURE 4-8. SOFT TOUCH SYSTEM INSTALLATION (SN 0300049601 through 0300065080)

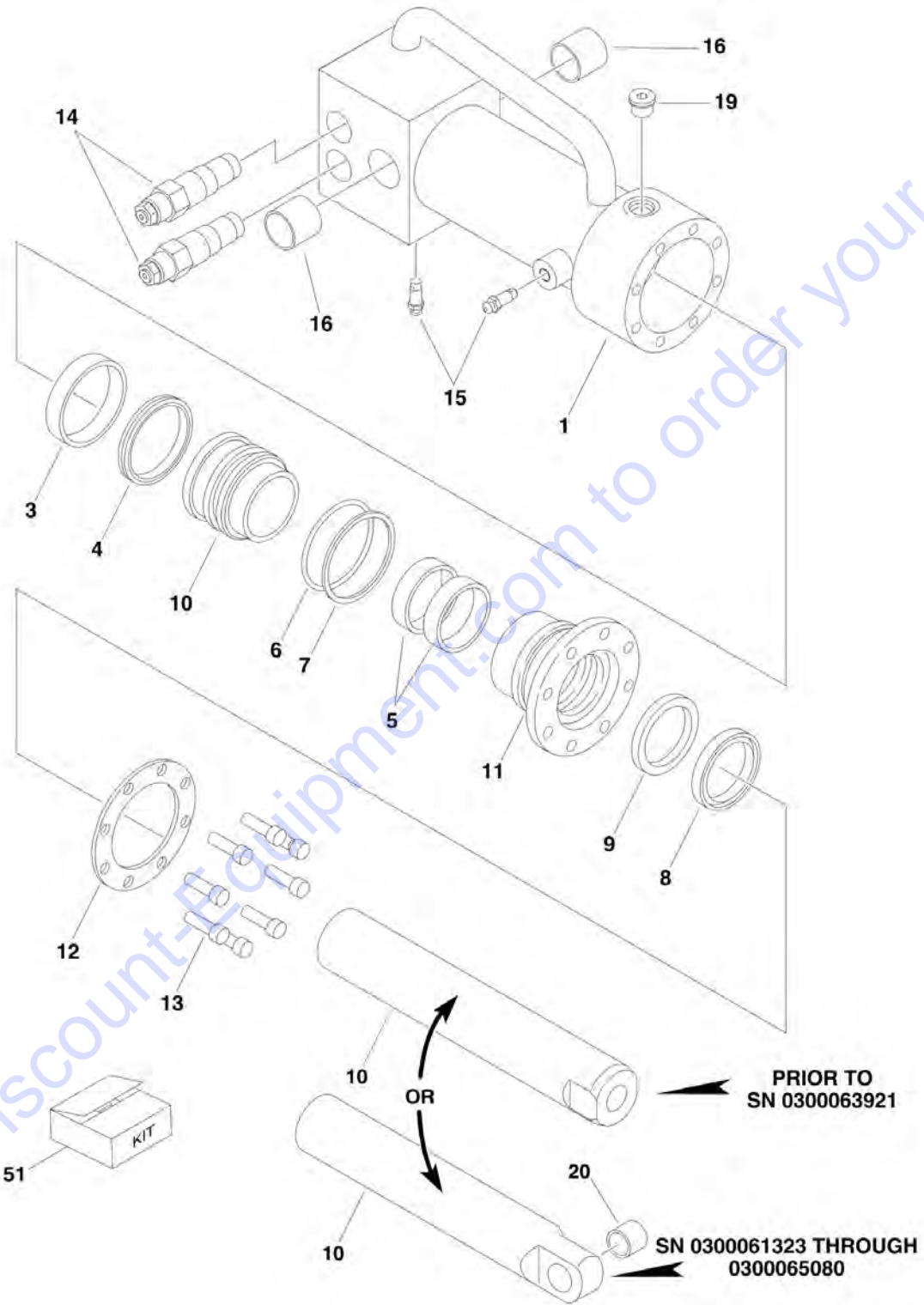
ITEM	PART NUMBER	QTY	DESCRIPTION	REV
	0259950	Ref	SOFT TOUCH SYSTEM (6FT/1.8M PLATFORM)	2
1	4846198	2	Rail, Soft Touch	
2	1670946	2	Cover, Touch Bar	
3	1670788	4	Cover, Gate and End Post	
4	1670947	1	Cover, Left End Top Rail	
5	1670948	1	Cover, Right End Top Rail	
6	1670949	1	Cover, Left Mid Rail	
7	1670950	1	Cover, Right Mid Rail	
8	0940038	70 ft/21.3m	Bumper, Padding	
9	0641613	2	Bolt 3/8in-18NC x 1 5/8in	
10	3539719	2	Plate	
11	0630462	8	Bolt, Carriage	
12	4761500	8	Lockwasher 5/16in	
13	4751800	8	Flatwasher 1/2in	
14	3311501	8	Nut 5/16in-18NC	
15	4751500	8	Flatwasher 5/16in	
16	4460049	2	Connector	
17	3520072	4	Plug, Cap	
18	4360057	2	Switch, Limit	
19	0731005	4	Bolt #10-32NC x 5/8in	
20	4761000	4	Lockwasher #10	
21	0200550	2	Arm, Switch	
22	0641622	6	Bolt 3/8in-16NC x 2 3/4in	
23	4751600	40	Flatwasher 3/8in	
24	3311605	8	Locknut 3/8in-16NC	
25	3010088	16	Link, Quick	
26	1260136	10 ft/3m	Chain	
27	4360387	1	Switch, Pushbutton	
28	1702938	1	Decal - Soft Touch Override	
30	1320040	4	Clamp	
31	0641406	4	Bolt 1/4in-20NC x 3/4in	
32	4711400	10	Flatwasher 1/4in	
33	3311405	4	Locknut 1/4in-20NC	
34	1060330	16 ft/4.9m	Cable, Electrical 16/3	
35	4460425	1	Strain Relief (Not Shown)	
36	3941405	2	Bolt Self Tapping 1/4in x 5/8in	

SECTION 5 - CYLINDER

Go to Discount-Equipment.com to order your parts

SECTION 5 - CYLINDER

FIGURE 5-1. AXLE LOCKOUT CYLINDER ASSEMBLY



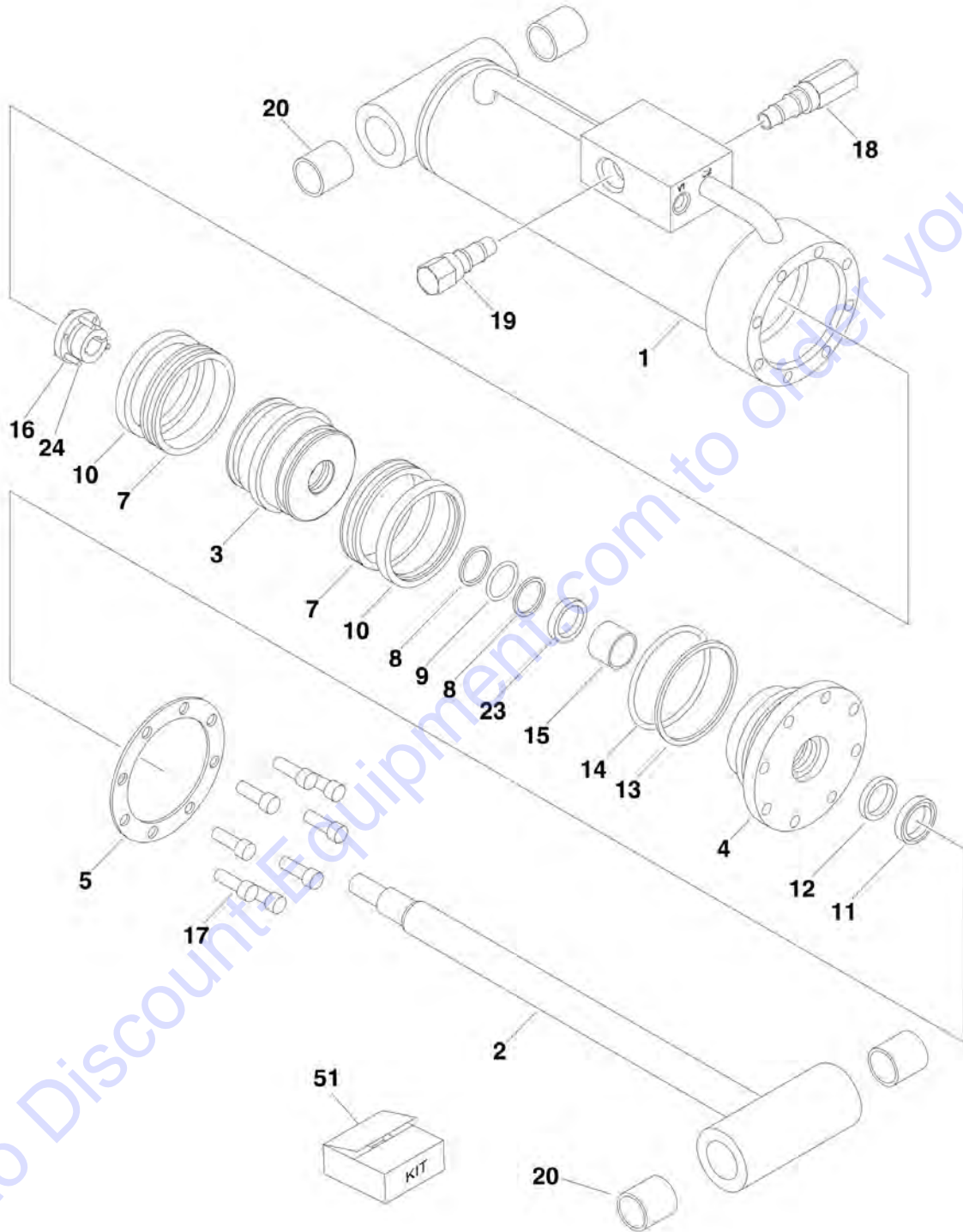
SECTION 5 - CYLINDER

FIGURE 5-1. AXLE LOCKOUT CYLINDER ASSEMBLY

ITEM	PART NUMBER	QTY	DESCRIPTION	REV
		Ref	AXLE LOCKOUT CYLINDER ASSEMBLIES	
	1683575	Ref	Axle Lockout Cylinder Assemblies (Prior to SN 0300063921)	D
	1684139	Ref	Axle Lockout Cylinder Assemblies (SN 0300063921 through 0300065080)	C
1	1683572	1	Barrel Weldment	
3	See Note	NSS	Ring, Wear (Note: Use Item 51)	
4	See Note	NSS	T-Seal (Note: Use Item 51)	
5	See Note	NSS	Ring, Wear (Note: Use Item 51)	
6	See Note	NSS	O-Ring (Note: Use Item 51)	
7	See Note	NSS	Ring, Back-Up (Note: Use Item 51)	
8	See Note	NSS	Wiper (Note: Use Item 51)	
9	See Note	NSS	Seal (Note: Use Item 51)	
10		Ref	Rod Weldment Options:	
10	1683574	1	Rod Weldment (Prior to SN 0300063921)	
10	1684138	1	Rod Weldment (SN 0300063921 through 0300065080)	
11	1683076	1	Cap	
12	3760367	1	Ring, Washer	
13	3931516	8	Bolt, Socket Head 5/16in-18NC x 2in	
14		Ref	Cartridge, Valve (Counterbalance) Options:	
14	4640525	NLA	Cartridge, Valve (Counterbalance) (Use p/n 4641162) (Prior to SN 0300056898)	
14	4641162	2	Cartridge, Valve (Counterbalance) (SN 0300056898 through 0300065080)	
14	2900770	2	Seal Kit - 4640525 & 4641162 Valve (1 Per Assy)	
15	4640858	2	Valve, Bleeder	
16		Ref	Bushing Options:	
16	0961890	2	Bushing (Use p/n 0962474) (Prior to SN 0300063921)	
16	0962474	2	Bushing (SN 0300063921 through 0300065080)	
17	0100011	AR	Loctite #242 (Not Shown)	
18	0100038	AR	Primer, Locking (Not Shown)	
19	2220885	1	Plug, O-Ring	
20	0962140	1	Bushing	
51	2901548	1	Seal Kit (Includes Items 3-9)	

SECTION 5 - CYLINDER

FIGURE 5-2. PLATFORM LEVEL CYLINDER ASSEMBLY



SECTION 5 - CYLINDER

FIGURE 5-2. PLATFORM LEVEL CYLINDER ASSEMBLY

ITEM	PART NUMBER	QTY	DESCRIPTION	REV
		Ref	PLATFORM LEVEL CYLINDER ASSEMBLY	
	1683598	Ref	Platform Level Cylinder Assembly 450A (Prior to SN 0300038944)	D
	1683730	Ref	Platform Level Cylinder Assembly 450A (SN 0300038944 through 0300065080)	D
	1683598	Ref	Platform Level Cylinder Assembly 450AJ (Prior to SN 0300038103)	D
	1683726	Ref	Platform Level Cylinder Assembly 450AJ (SN 0300038103 through 0300038943)	B
	1683731	Ref	Platform Level Cylinder Assembly 450AJ (SN 0300038944 through 0300065080)	E
1	1683599	1	Barrel Weldment	
2		Ref	Rod Options:	
2	1683600	NLA	Rod (Use Qty 1 of p/ns 1683885 & 4567978) (Prior to SN 0300045397)	
2	1683885	1	Rod (SN 0300045397 through 0300065080)	
3	3480230	1	Piston	
4	1683058	1	Head	
5	3760370	1	Washer, Ring	
7	See Note	NSS	Seal, Piston (Note: Use Item 51)	
8	See Note	NSS	Ring, Back-Up (Note: Use Item 51)	
9	See Note	NSS	O-Ring (Note: Use Item 51)	
10	See Note	NSS	Ring, Lock (Note: Use Item 51)	
11	See Note	NSS	Wiper (Note: Use Item 51)	
12	See Note	NSS	Seal (Note: Use Item 51)	
13	See Note	NSS	Ring, Back-Up (Note: Use Item 51)	
14	See Note	NSS	O-Ring (Note: Use Item 51)	
15	See Note	NSS	Ring, Wear (Note: Use Item 51)	
16		Ref	Bushing, Tapered Options:	
16	0961900	NLA	Bushing, Tapered (Use p/n 0962185) (Prior to SN 0300054193)	
16	0962185	1	Bushing, Tapered (SN 0300054193 through 0300065080)	
17	3931720	8	Bolt, Socket Head 7/16in-14NC x 1 1/4in	
18	4640932	1	Cartridge, Valve (Counterbalance Vented)	
18	7011112	1	Seal Kit - 4640932 Valve	
19		Ref	Cartridge, Valve Options (Counterbalance Non-Vented):	
19	4640509	NLA	Cartridge, Valve (Use p/n 4641086) 450A (Prior to SN 0300038944)	
19	4641086	1	Cartridge, Valve 450A (SN 0300038944 through 0300065080)	
19	4640509	NLA	Cartridge, Valve (Use p/n 4641086) 450AJ (Prior to SN 0300038103)	
19	4640999	NLA	Cartridge, Valve (Use p/n 4641086) 450AJ (SN 0300038103 through 0300038943)	
19	4641086	1	Cartridge, Valve 450A (SN 0300038944 through 0300065080)	
19	2900792	1	Seal Kit - 4641086 Valve	
20	0962006	4	Bushing	
21	0100011	AR	Loctite #242 (Not Shown)	
22	0100038	AR	Primer, Locking (Not Shown)	
23		Ref	Tube, Spacer Options Only: (SN 0300038944 through 0300065080)	
23	4567761	1	Tube, Spacer 450A (SN 0300038944 through 0300045396)	
23	4567978	1	Tube, Spacer 450A (SN 0300045397 through 0300065080)	

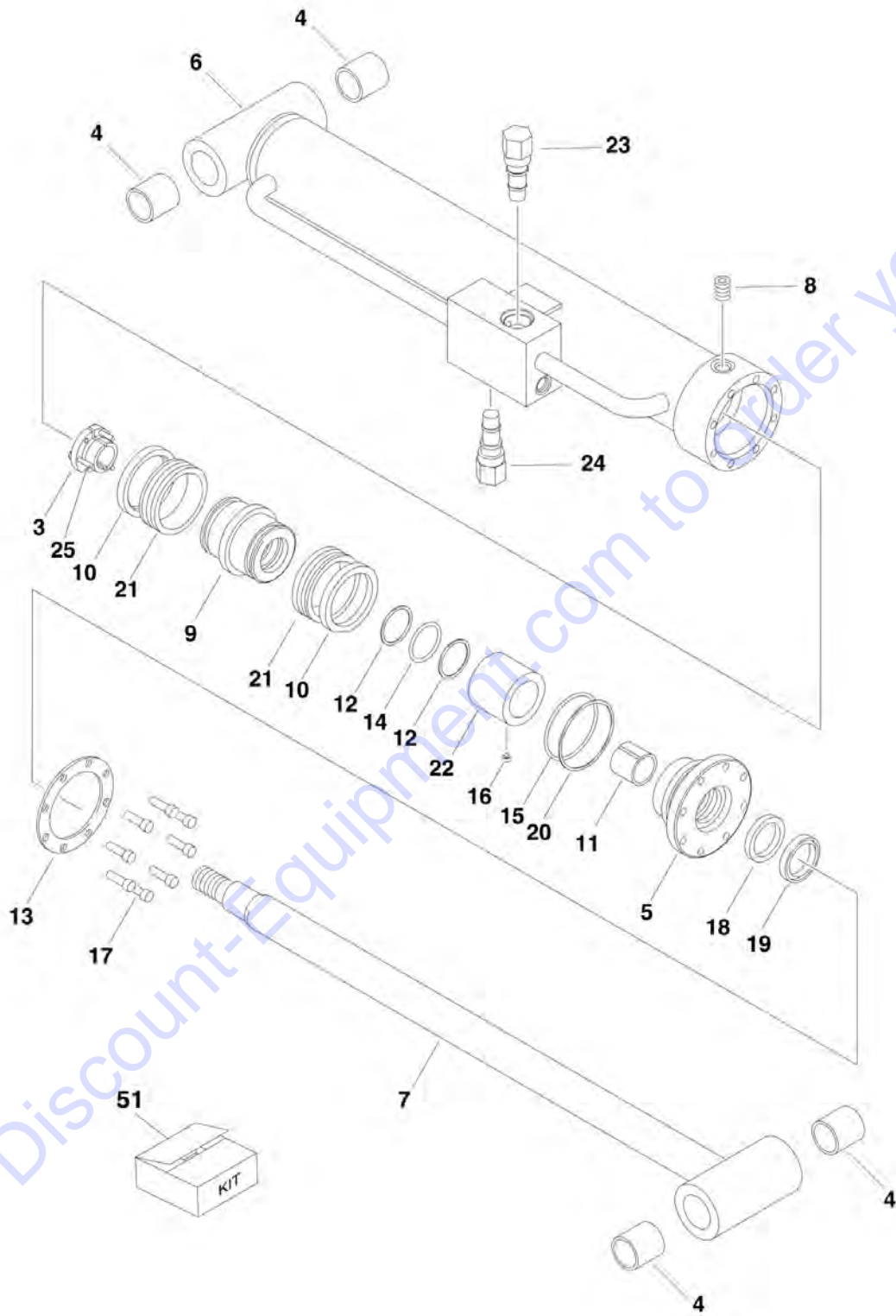
SECTION 5 - CYLINDER

ITEM	PART NUMBER	QTY	DESCRIPTION	REV
23	4567760	1	Tube, Spacer 450AJ (SN 0300038944 through 0300065080)	
23	4567979	1	Tube, Spacer 450AJ (SN 0300045397 through 0300065080)	
24	0630534	3	Capscrew #10-24NC x 1in	
51	2901543	1	Seal Kit (Includes Items 7-15)	

Go to Discount-Equipment.com to order your parts

SECTION 5 - CYLINDER

FIGURE 5-3. LIFT CYLINDER ASSEMBLY - JIB (450AJ ONLY)



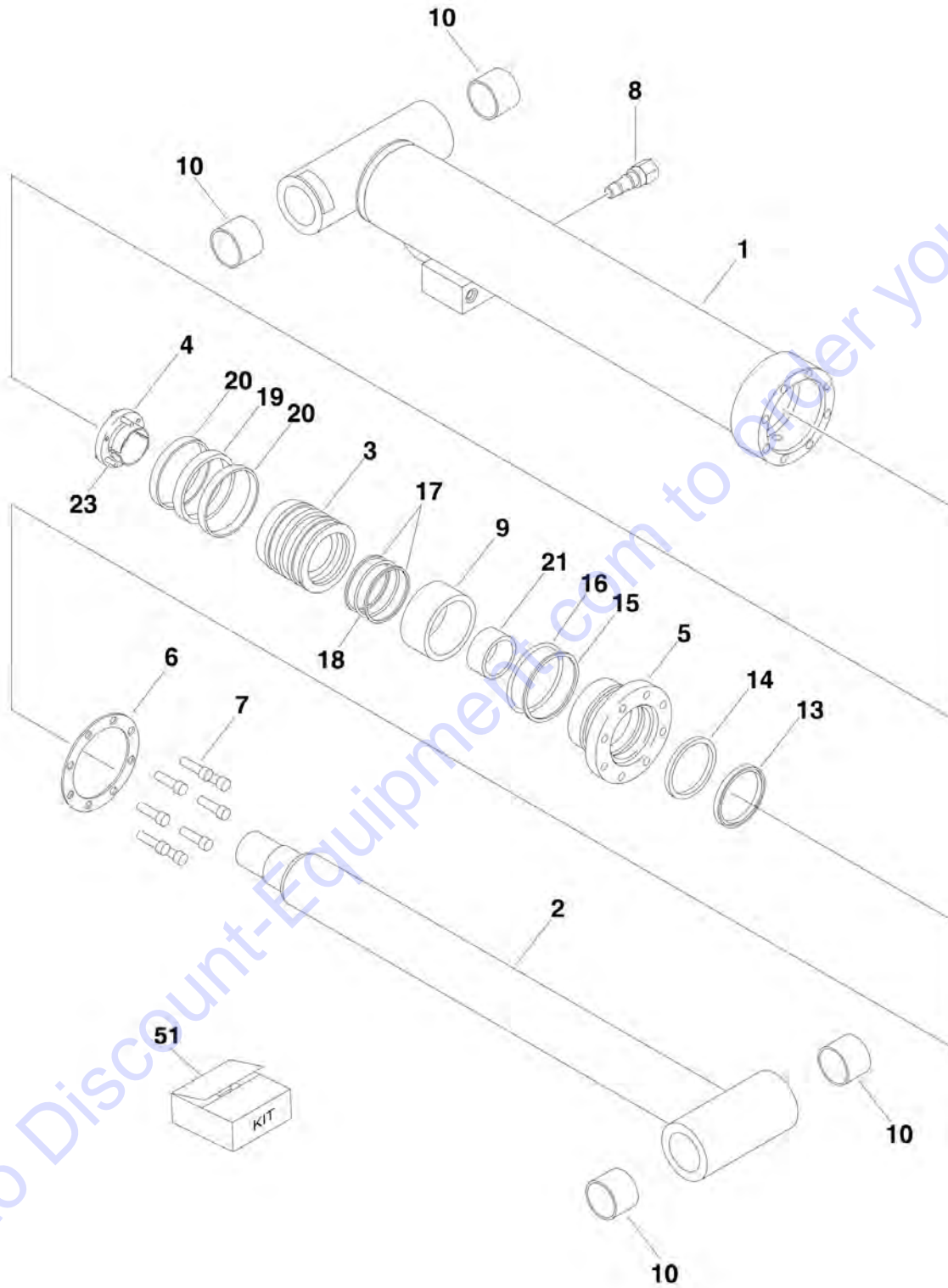
SECTION 5 - CYLINDER

FIGURE 5-3. LIFT CYLINDER ASSEMBLY - JIB (450AJ ONLY)

ITEM	PART NUMBER	QTY	DESCRIPTION	REV
	1683617	Ref	JIB LIFT CYLINDER ASSEMBLY (450AJ ONLY)	D
1	0100011	AR	Loctite #242 (Not Shown)	
2	0100038	AR	Primer, Locking (Not Shown)	
3	0961893	1	Bushing, Tapered	
4	0962006	4	Bushing	
5	1683053	1	Head	
6	1683638	1	Barrel Weldment	
7	1683639	1	Rod Weldment	
8	2220885	1	Plug, O-Ring	
9	3480210	1	Piston	
10	See Note	NSS	Ring, Lock (Note: Use Item 51)	
11	See Note	NSS	Ring, Wear (Note: Use Item 51)	
12	See Note	NSS	Ring, Back-Up (Note: Use Item 51)	
13	3760368	1	Washer, Ring	
14	See Note	NSS	O-Ring (Note: Use Item 51)	
15	See Note	NSS	O-Ring (Note: Use Item 51)	
16	3900142	1	Setscrew 3/8in-16NC x 1/4in	
17	3931516	8	Bolt, Socket Head 5/16in-18NC x 2in	
18	See Note	NSS	Seal (Note: Use Item 51)	
19	See Note	NSS	Wiper (Note: Use Item 51)	
20	See Note	NSS	Ring, Back-Up (Note: Use Item 51)	
21	See Note	NSS	Seal, Piston (Note: Use Item 51)	
22	4567468	1	Spacer, Tube	
23	4640509	1	Cartridge, Valve (Counterbalance Non-Vented)	
23	2900792	1	Seal Kit - 4640509 Valve	
24	4640999	1	Cartridge, Valve (Counterbalance Non-Vented)	
24	7011185	1	Seal Kit - 4640999 Valve	
25	0630534	3	Capscrew #10-24NC x 1in	
51	2901303	1	Seal Kit (Includes Items 10-12, 14-15, 18-21)	

SECTION 5 - CYLINDER

FIGURE 5-4. LIFT CYLINDER ASSEMBLY - MAIN



SECTION 5 - CYLINDER

FIGURE 5-4. LIFT CYLINDER ASSEMBLY - MAIN

ITEM	PART NUMBER	QTY	DESCRIPTION	REV
		Ref	MAIN LIFT CYLINDER ASSEMBLY:	
	1683588	Ref	Main Lift Cylinder Assembly 450A (Prior to SN 0300038944)	E
	1683728	Ref	Main Lift Cylinder Assembly 450A (SN 0300038944 through 0300065080)	B
	1683637	Ref	Main Lift Cylinder Assembly 450AJ (Prior to SN 0300038944)	D
	1683729	Ref	Main Lift Cylinder Assembly 450AJ (SN 0300038944 through 0300065080)	B
1		Ref	Barrel Weldment	
1	1683590	1	Barrel Weldment 450A	
1	1683659	1	Barrel Weldment 450AJ	
2		Ref	Rod Weldment	
2	1683589	1	Rod Weldment 450A	
2	1683660	1	Rod Weldment 450AJ	
3		Ref	Piston	
3	3480205	1	Piston 450A	
3	3480235	1	Piston 450AJ	
4	0961897	1	Bushing, Tapered	
5		Ref	Head	
5	1683057	1	Head 450A	
5	1683077	1	Head 450AJ	
6		Ref	Washer, Ring	
6	3760369	1	Washer, Ring 450A	
6	3760370	1	Washer, Ring 450AJ	
7		Ref	Bolt, Socket Head	
7	3931620	8	Bolt, Socket Head 450A (3/8in-16NC x 1 1/16in)	
7	3931724	8	Bolt, Socket Head 450AJ (7/16in-14NC x 1 1/2in)	
8		Ref	Cartridge, Valve Options (Counterbalance Non-Vented):	
8	4641075	NLA	Cartridge, Valve (Use p/n 4640999) (Prior to SN 0300038103)	
8	4640999	1	Cartridge, Valve (SN 0300038103 through 0300065080)	
8	7011185	1	Seal Kit - 4640999 Valve	
9		Ref	Spacer, Tube	
9	4567332	1	Spacer, Tube 450A (Prior to SN 0300038944)	
9	4567762	1	Spacer, Tube 450A (SN 0300038944 through 0300065080)	
9	4567469	1	Spacer, Tube 450AJ (Prior to SN 0300038944)	
9	4567763	1	Spacer, Tube 450AJ (SN 0300038944 through 0300065080)	
10	0961950	4	Bushing	
11	0100011	AR	Loctite #242 (Not Shown)	
12	0100038	AR	Primer, Locking (Not Shown)	
13	See Note	NSS	Wiper (Note: Use Item 51)	
14	See Note	NSS	Seal (Note: Use Item 51)	
15	See Note	NSS	Ring, Back-Up (Note: Use Item 51)	
16	See Note	NSS	O-Ring (Note: Use Item 51)	
17	See Note	NSS	Ring, Back-Up (Note: Use Item 51)	
18	See Note	NSS	O-Ring (Note: Use Item 51)	
19	See Note	NSS	Seal (Note: Use Item 51)	
20	See Note	NSS	Ring, Wear (Note: Use Item 51)	
21	See Note	NSS	Ring, Wear (Note: Use Item 51)	
23	0630535	3	Capscrew 1/4in-20NC x 1 1/8in	
51		Ref	Seal Kit Options (Includes Items 13-21):	
51	2901554	1	1683637 & 1683729 Cylinders	

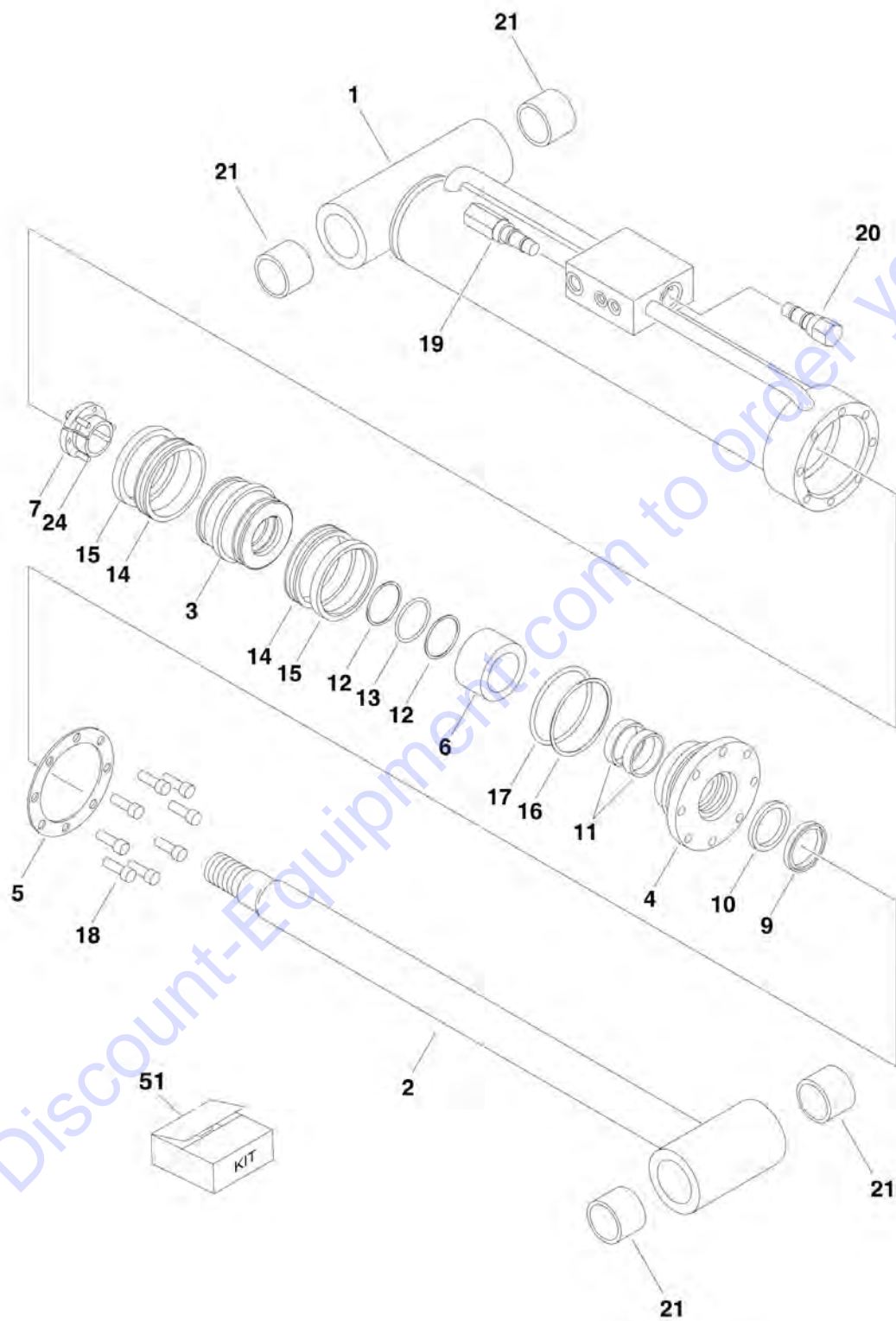
SECTION 5 - CYLINDER

ITEM	PART NUMBER	QTY	DESCRIPTION	REV
51	2901284	1	1683588 & 1683728 Cylinders	

Go to Discount-Equipment.com to order your parts

SECTION 5 - CYLINDER

FIGURE 5-5. LIFT CYLINDER ASSEMBLY - MID



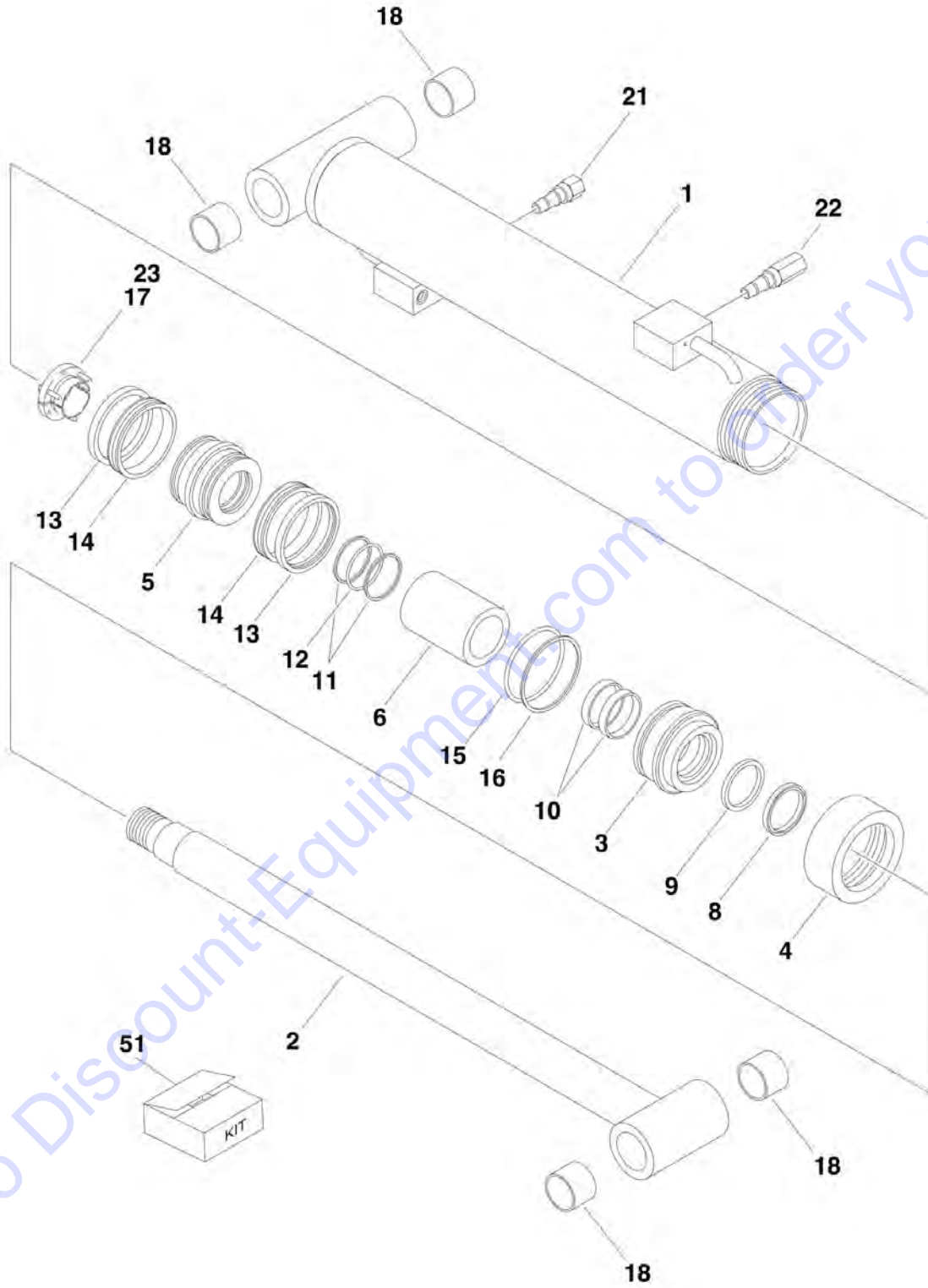
SECTION 5 - CYLINDER

FIGURE 5-5. LIFT CYLINDER ASSEMBLY - MID

ITEM	PART NUMBER	QTY	DESCRIPTION	REV
	1683563	Ref	MID LIFT CYLINDER ASSEMBLY	E
1	1683565	1	Barrel Weldment	
2	1683564	1	Rod Weldment	
3	3480224	1	Piston	
4	1683060	1	Head	
5	3760370	1	Washer, Ring	
6	4567311	1	Spacer, Tube	
7	0961890	1	Bushing, Tapered	
9	See Note	NSS	Wiper (Note: Use Item 51)	
10	See Note	NSS	Seal (Note: Use Item 51)	
11	See Note	NSS	Ring, Wear (Note: Use Item 51)	
12	See Note	NSS	Ring, Back-Up (Note: Use Item 51)	
13	See Note	NSS	O-Ring (Note: Use Item 51)	
14	See Note	NSS	Seal (Note: Use Item 51)	
15	See Note	NSS	Ring, Lock (Note: Use Item 51)	
16	See Note	NSS	Ring, Back-Up (Note: Use Item 51)	
17	See Note	NSS	O-Ring (Note: Use Item 51)	
18	3931720	8	Bolt, Socket Head 7/16in-14NC x 1 1/4in	
19	4641077	1	Cartridge, Valve (Counterbalance Vented)	
19	2900792	1	Seal Kit - 4641077 Valve	
20	4640509	1	Cartridge, Valve (Counterbalance Non-Vented)	
20	2900792	1	Seal Kit - 4640509 Valve	
21	0961950	4	Bushing	
22	0100011	AR	Loctite #242 (Not Shown)	
23	0100038	AR	Primer, Locking (Not Shown)	
24	0630535	3	Capscrew 1/4in-20NC x 1 1/8in	
51	2901545	1	Seal Kit (Includes Items 9-17)	

SECTION 5 - CYLINDER

FIGURE 5-6. LIFT CYLINDER ASSEMBLY - TOWER



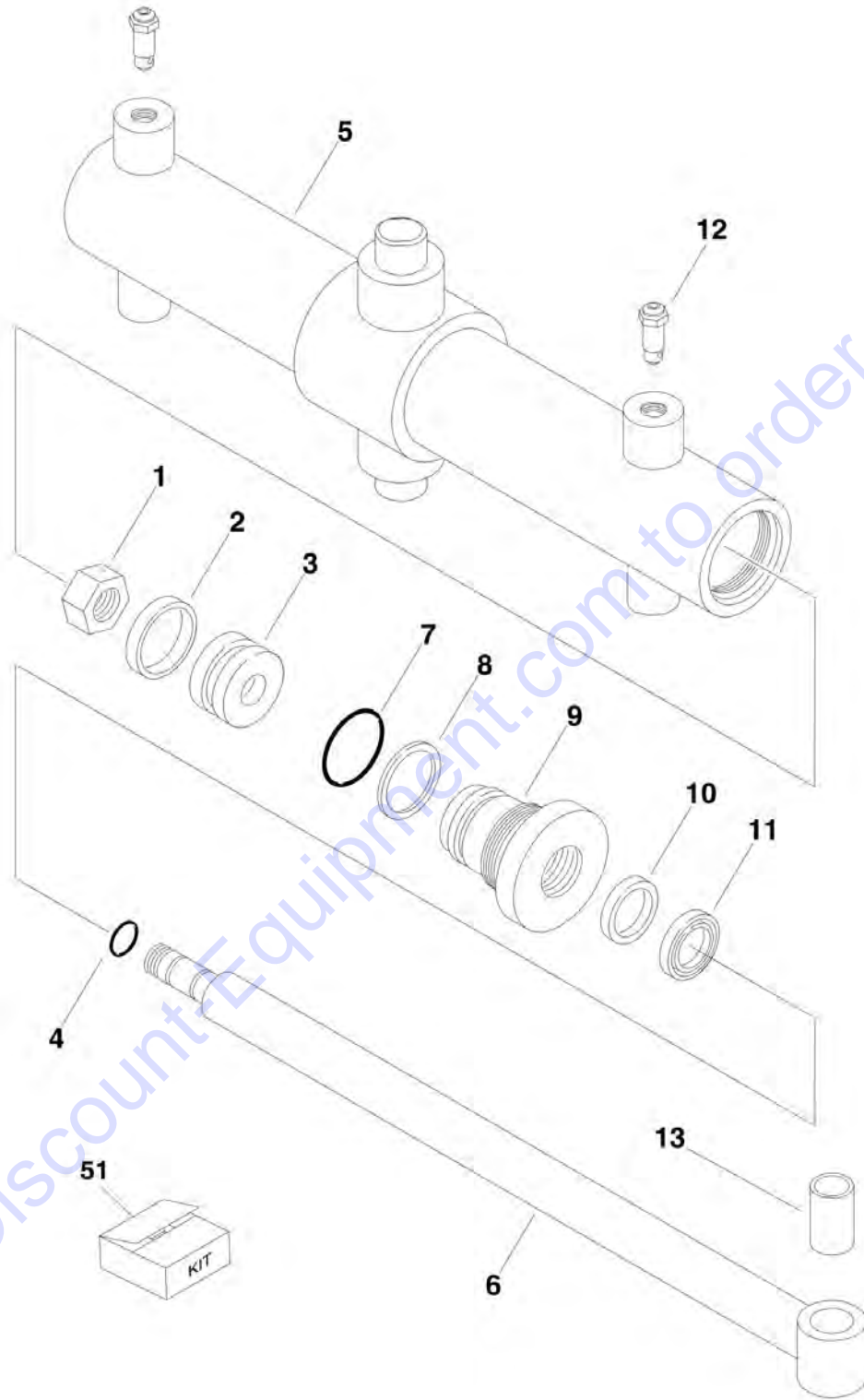
SECTION 5 - CYLINDER

FIGURE 5-6. LIFT CYLINDER ASSEMBLY - TOWER

ITEM	PART NUMBER	QTY	DESCRIPTION	REV
	1683568	Ref	TOWER LIFT CYLINDER ASSEMBLY	C
1	1683569	1	Barrel Weldment	
2	1683570	1	Rod Weldment	
3	1683577	1	Head	
4	1120489	1	Cap, End	
5	3480226	1	Piston	
6	4567324	1	Spacer, Tube	
8	See Note	NSS	Wiper (Note: Use Item 51)	
9	See Note	NSS	Seal (Note: Use Item 51)	
10	See Note	NSS	Ring, Wear (Note: Use Item 51)	
11	See Note	NSS	Ring, Back-Up (Note: Use Item 51)	
12	See Note	NSS	O-Ring (Note: Use Item 51)	
13	See Note	NSS	Ring, Lock (Note: Use Item 51)	
14	See Note	NSS	Seal (Note: Use Item 51)	
15	See Note	NSS	O-Ring (Note: Use Item 51)	
16	See Note	NSS	Ring, Back-Up (Note: Use Item 51)	
17	0961897	1	Bushing, Tapered	
18	0961950	4	Bushing	
19	0100011	AR	Loctite #242 (Not Shown) (Prior to SN 0300047073)	
20	0100038	AR	Primer, Locking (Not Shown) (Prior to SN 0300047073)	
21	4641077	1	Cartridge, Valve (Counterbalance Vented)	
21	2900792	1	Seal Kit - 4641077 Valve	
22	4640605	1	Cartridge, Valve (Counterbalance Vented)	
22	2900792	1	Seal Kit - 4640605 Valve	
23	0630535	3	Capscrew 1/4in-20NC x 1 1/8in (SN 0300047073 through 0300065080)	
51	2901546	1	Seal Kit (Includes Items 8-16)	

SECTION 5 - CYLINDER

FIGURE 5-7. ROTATOR CYLINDER ASSEMBLY - PLATFORM



Go to DiscountEquipment.com to order your parts

SECTION 5 - CYLINDER

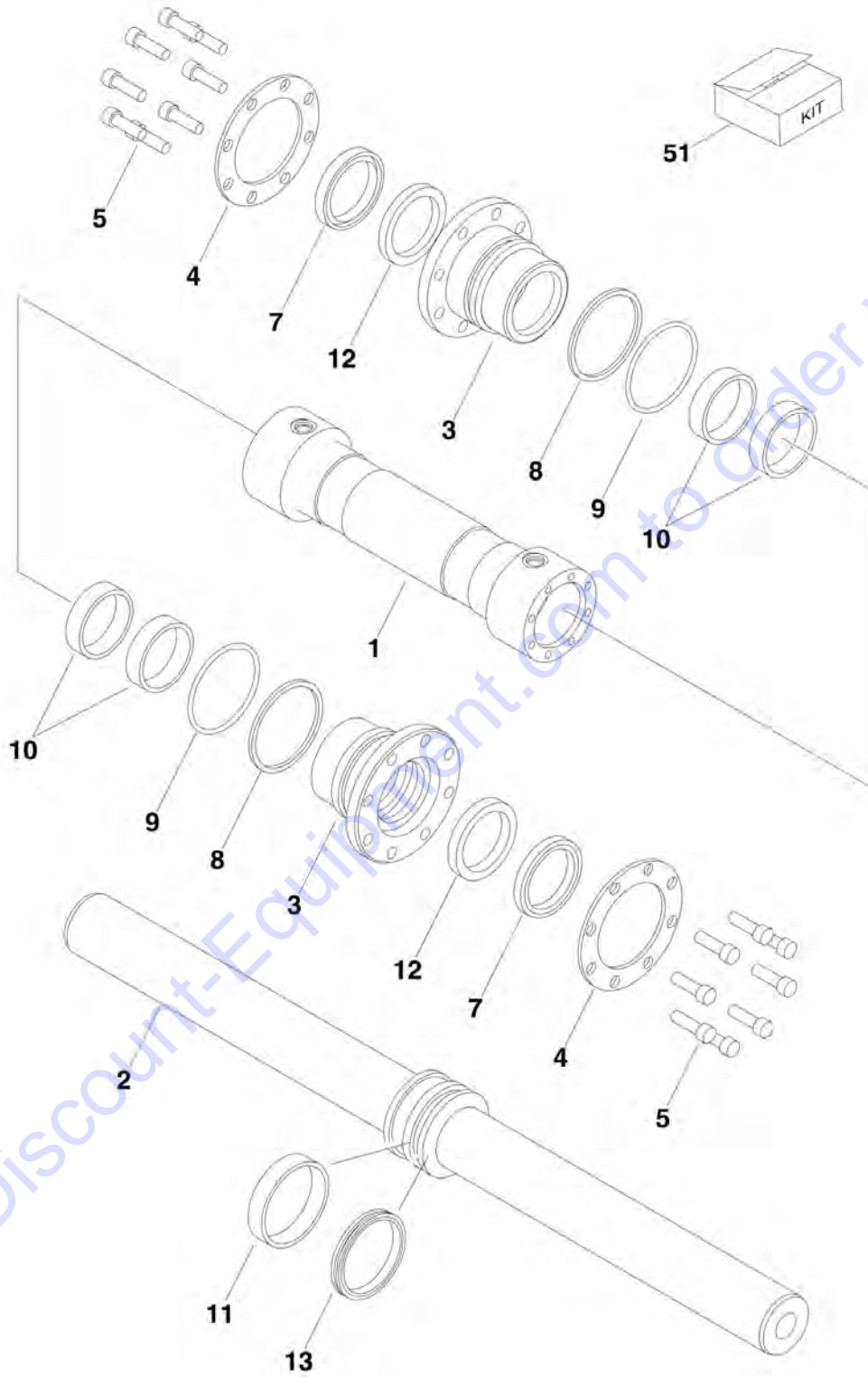
FIGURE 5-7. ROTATOR CYLINDER ASSEMBLY - PLATFORM

ITEM	PART NUMBER	QTY	DESCRIPTION	REV
	1683579	Ref	PLATFORM ROTATOR CYLINDER ASSEMBLY	A
1	7017226	1	Locknut	
2	See Note	NSS	Seal, Piston (Note: Use Item 51)	
3	7016708	1	Piston	
4	See Note	NSS	O-Ring (Note: Use Item 51)	
5	7017231	1	Barrel Weldment	
6	7017232	1	Rod Weldment	
7	See Note	NSS	O-Ring (Note: Use Item 51)	
8	See Note	NSS	Ring, Back-Up (Note: Use Item 51)	
9	7017207	1	Guide	
10	Item 51	1	Seal, Lip	
10	See Note	NSS	Seal, Lip (Note: Use Item 51)	
11	See Note	NSS	Wiper (Note: Use Item 51)	
12	7017233	2	Valve, Bleeder	
13	7017235	1	Bushing, Bronze	
51	7017227	1	Seal Kit (Includes Items 2, 4, 7, 8, 9, 10 & 11)	

Go to Discount-Equipment.com to order your parts

SECTION 5 - CYLINDER

FIGURE 5-8. STEER CYLINDER ASSEMBLY (ORIGINAL EQUIPMENT)



Go to Discount-Equipment.com to order your parts

SECTION 5 - CYLINDER

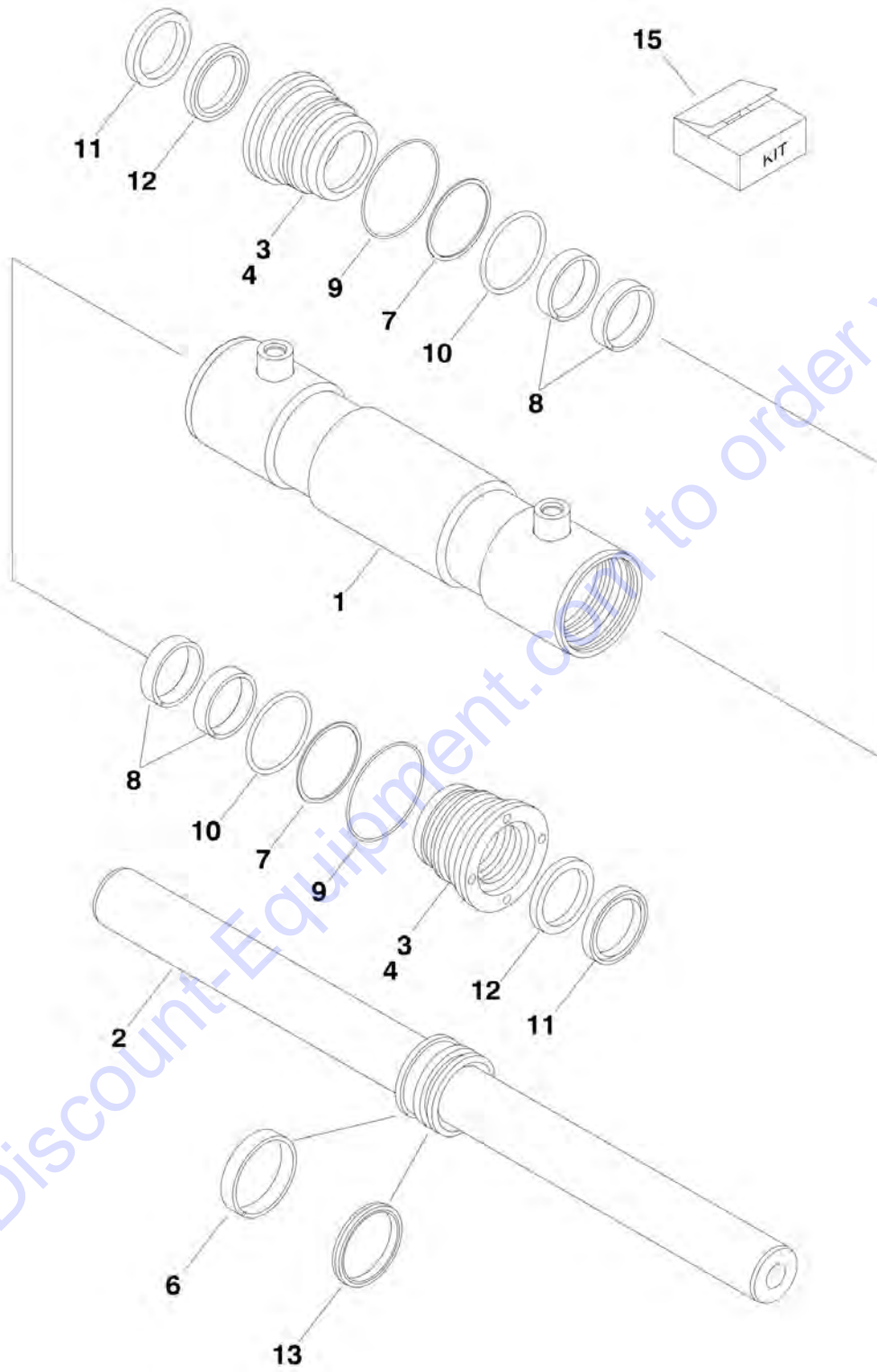
FIGURE 5-8. STEER CYLINDER ASSEMBLY (ORIGINAL EQUIPMENT)

ITEM	PART NUMBER	QTY	DESCRIPTION	REV
	1683614	Ref	STEER CYLINDER ASSEMBLY (ORIGINAL EQUIPMENT) Note: Original Cylinder May Have Been Replaced with Service Replacement. Identify PN Stamped on Cylinder Before Ordering Parts.	C
		Ref		
1	1683615	1	Barrel Weldment	
2	1683658	1	Rod Weldment	
3	1683076	2	Cap	
4	3760367	2	Washer, Ring	
5	3931516	16	Bolt, Socket Head 5/16in-18NC x 2in	
7	See Note	NSS	Wiper (Note: Use Item 51)	
8	See Note	NSS	Ring, Back-Up (Note: Use Item 51)	
9	See Note	NSS	O-Ring (Note: Use Item 51)	
10	See Note	NSS	Ring, Wear (Note: Use Item 51)	
11	See Note	NSS	Ring, Wear (Note: Use Item 51)	
12	See Note	NSS	Seal (Note: Use Item 51)	
13	See Note	NSS	T-Seal (Note: Use Item 51)	
14	0100011	AR	Loctite #242 (Not Shown)	
15	0100038	AR	Primer, Locking (Not Shown)	
51	2901547	1	Seal Kit (Includes Items 7-13)	

Go to Discount-Equipment.com to order your parts

SECTION 5 - CYLINDER

FIGURE 5-9. STEER CYLINDER ASSEMBLY (SERVICE REPLACEMENT)



SECTION 5 - CYLINDER

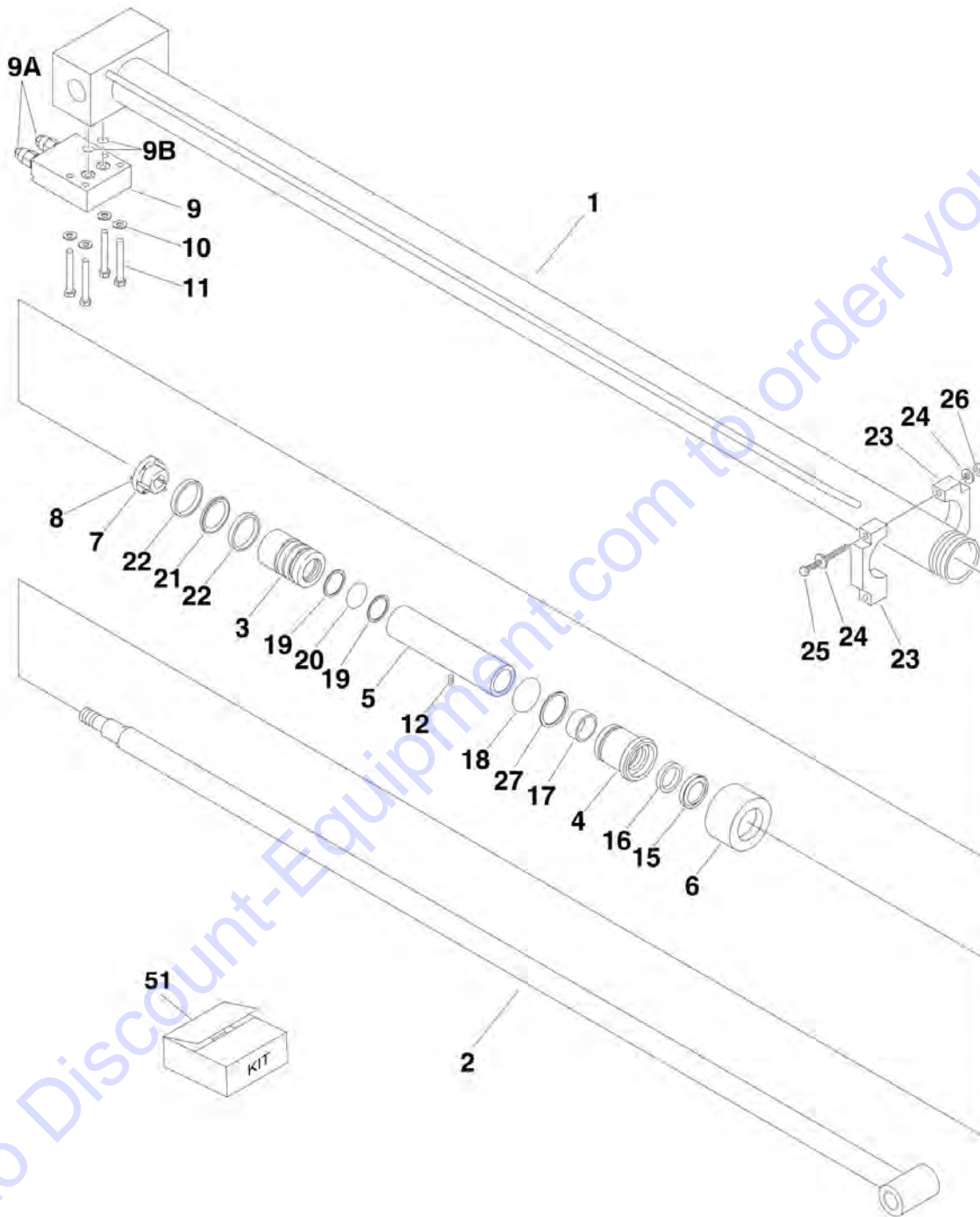
FIGURE 5-9. STEER CYLINDER ASSEMBLY (SERVICE REPLACEMENT)

ITEM	PART NUMBER	QTY	DESCRIPTION	REV
	1684412	Ref	STEER CYLINDER ASSEMBLY (SERVICE REPLACEMENT) Note: Original Cylinder May Have Been Replaced with Service Replacement. Identify PN Stamped on Cylinder Before Ordering Parts.	A
		Ref		
1	0370024	1	Barrel Weldment	
2	1683658	1	Rod Weldment	
3	2570008	2	Head, Cylinder	
4	3020043	1	Lube, Anti-Seize	
6	2902409	1	Ring, Wear	
7	2902409	2	Ring, Back-up	
8	2902409	4	Ring, Wear	
9	2902409	2	O-Ring	
10	2902409	2	O-Ring	
11	2902409	2	Wiper	
12	2902409	2	Seal	
13	2902409	1	T-Seal	
15	2902409	1	Seal Kit, Cylinder (Includes Items 6-13)	

Go to Discount-Equipment.com to order your parts

SECTION 5 - CYLINDER

FIGURE 5-10. TELESCOPE CYLINDER ASSEMBLY



Go to Discount-Equipment.com to order your parts

SECTION 5 - CYLINDER

FIGURE 5-10. TELESCOPE CYLINDER ASSEMBLY

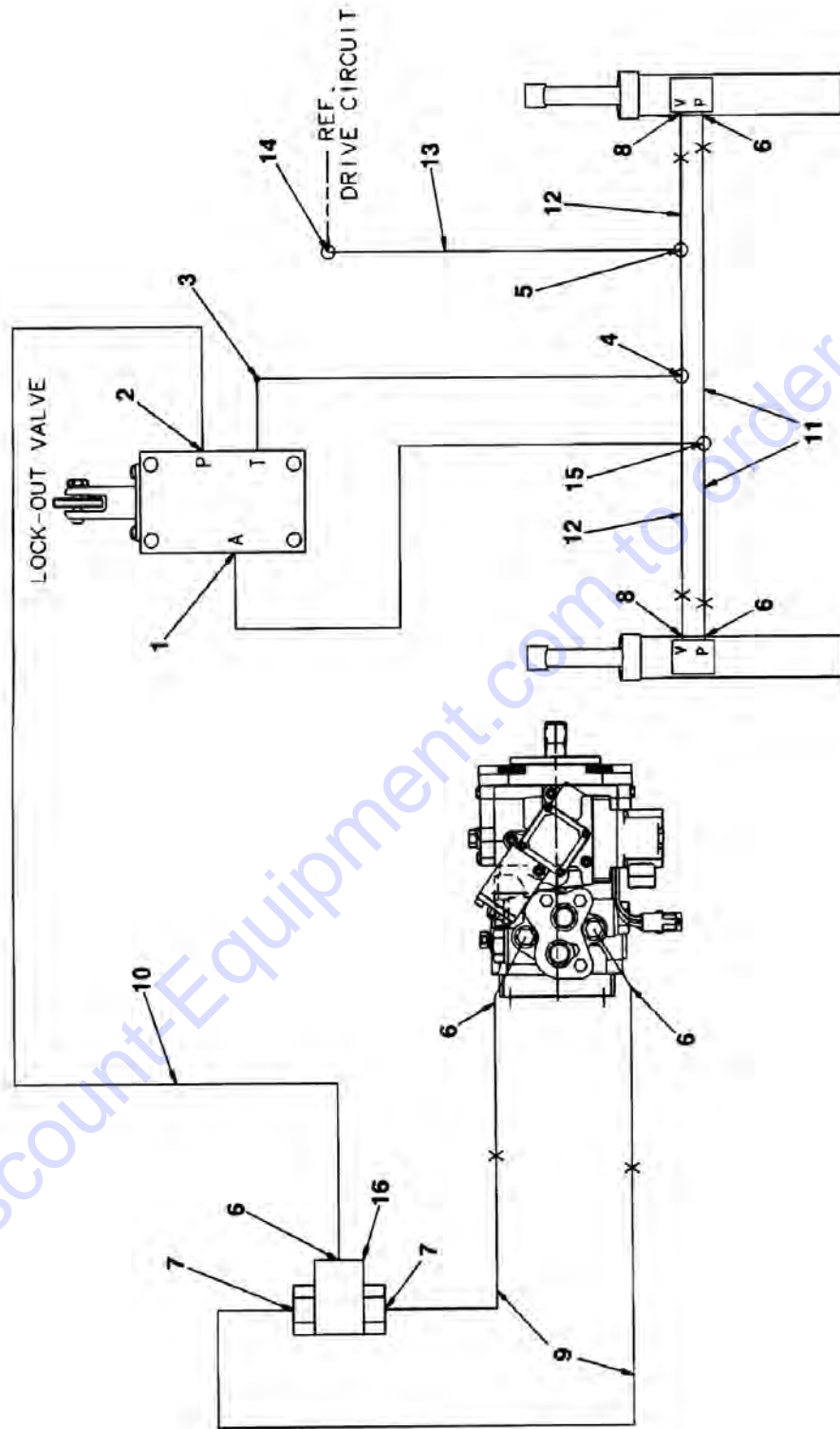
ITEM	PART NUMBER	QTY	DESCRIPTION	REV
		Ref	TELESCOPE CYLINDER ASSEMBLY	
	1683582	Ref	Telescope Cylinder Assembly 450A (Prior to SN 0300038481)	B
	1683716	Ref	Telescope Cylinder Assembly 450A (SN 0300038481 through 0300065080)	C
	1683653	Ref	Telescope Cylinder Assembly 450AJ (Prior to SN 0300038481)	B
	1683718	Ref	Telescope Cylinder Assembly 450AJ (SN 0300038481 through 0300065080)	C
1		Ref	Barrel Weldment	
1	1683580	1	Barrel Weldment 450A (Prior to SN 0300038481)	
1	1683715	1	Barrel Weldment 450A (SN 0300038481 through 0300065080)	
1	1683655	1	Barrel Weldment 450AJ (Prior to SN 0300038481)	
1	1683717	1	Barrel Weldment 450AJ (SN 0300038481 through 0300065080)	
2		Ref	Rod Weldment	
2	1683581	1	Rod Weldment 450A	
2	1683654	1	Rod Weldment 450AJ	
3	3480227	1	Piston	
4	1683584	1	Head	
5	4567331	1	Spacer, Tube	
6	1120110	1	Cap, End	
7	0962185	1	Bushing, Tapered	
8	0630534	3	Bolt, Socket Head #10-24NC x 1in	
9	4641055	1	Valve, Counterbalance	
9A	7011335	2	Valve, Cartridge	
9A	2900770	2	Seal Kit - 7011335 Valve (1 Per Cartridge)	
9B	3790110	2	O-Ring	
10	4711500	4	Flatwasher 5/16in Narrow	
11	0641520	4	Bolt 5/16in-18NC x 2 1/2in	
12	3900142	1	Setscrew 3/8in-16NC x1/4in	
13	0100011	AR	Loctite #242 (Not Shown)	
14	0100038	AR	Primer, Locking (Not Shown)	
15	See Note	NSS	Wiper (Note: Use Item 51)	
16	See Note	NSS	Seal (Note: Use Item 51)	
17	See Note	NSS	Ring, Wear (Note: Use Item 51)	
18	See Note	NSS	O-Ring (Note: Use Item 51)	
19	See Note	NSS	Ring, Back-Up (Note: Use Item 51)	
20	See Note	NSS	O-Ring (Note: Use Item 51)	
21	See Note	NSS	Seal (Note: Use Item 51)	
22	See Note	NSS	Ring, Wear (Note: Use Item 51)	
23	3340847	2	Pad, Support Only (SN 0300038481 through 0300065080)	
24	4751400	4	Flatwasher 1/4in Only (SN 0300038481 through 0300065080)	
25	0641424	2	Bolt 1/4in-20NC x 3in Only (SN 0300038481 through 0300065080)	
26	3311405	2	Locknut 1/4in-20NC Only (SN 0300038481 through 0300065080)	
27	See Note	NSS	Ring, Back-Up (Note: Use Item 51)	
51	2901544	1	Seal Kit (Includes Items 15-22 & 27)	

SECTION 6 - HYDRAULIC

Go to Discount-Equipment.com to order your parts

SECTION 6 - HYDRAULIC

FIGURE 6-1. AXLE LOCKOUT HYDRAULIC DIAGRAM - 2WD



SECTION 6 - HYDRAULIC

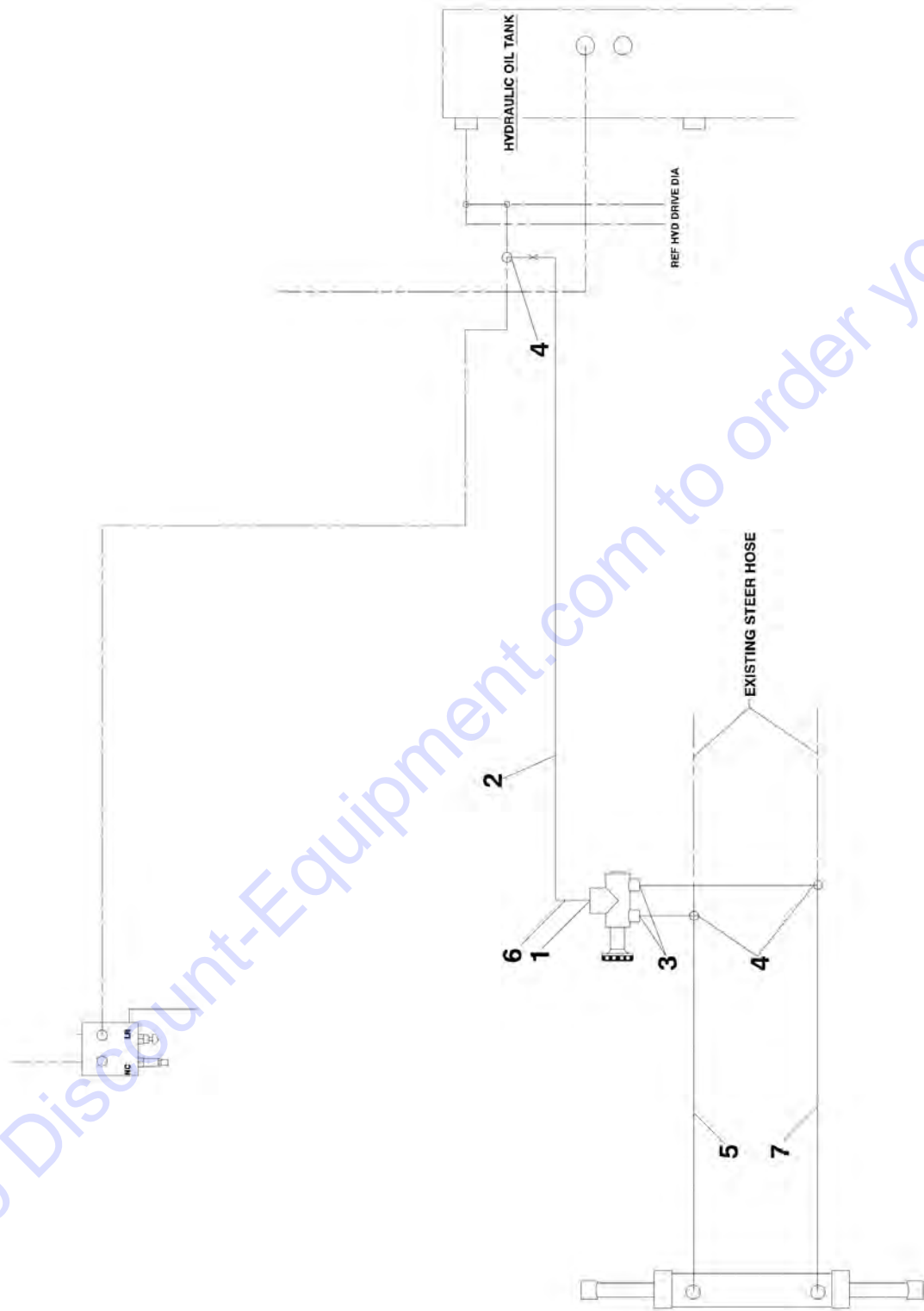
FIGURE 6-1. AXLE LOCKOUT HYDRAULIC DIAGRAM - 2WD

ITEM	PART NUMBER	QTY	DESCRIPTION	REV
	2792356	Ref	AXLE LOCKOUT HYDRAULIC DIAGRAMS - 2WD	2-B
1	2220502	1	Fitting, 45	
2	2220415	3	Fitting, Straight	
3	2220603	1	Fitting, Straight	
4	2220579	1	Fitting, Tee	
5	2220635	1	Fitting, Tee	
6	2220582	3	Fitting, Straight	
8	2220371	2	Fitting, Straight	
9	2750895	1	Hose	
10	2751026	1	Hose	
11	2750888	2	Hose	
12	2753070	2	Hose	
13	2752648	1	Hose	
14	2220619	1	Fitting, Reducer	
15	2220861	1	Fitting, Tee	

Go to Discount-Equipment.com to order your parts

SECTION 6 - HYDRAULIC

FIGURE 6-2. TOW BAR HYDRAULIC DIAGRAM



Go to Discount-Equipment.com to order your parts

SECTION 6 - HYDRAULIC

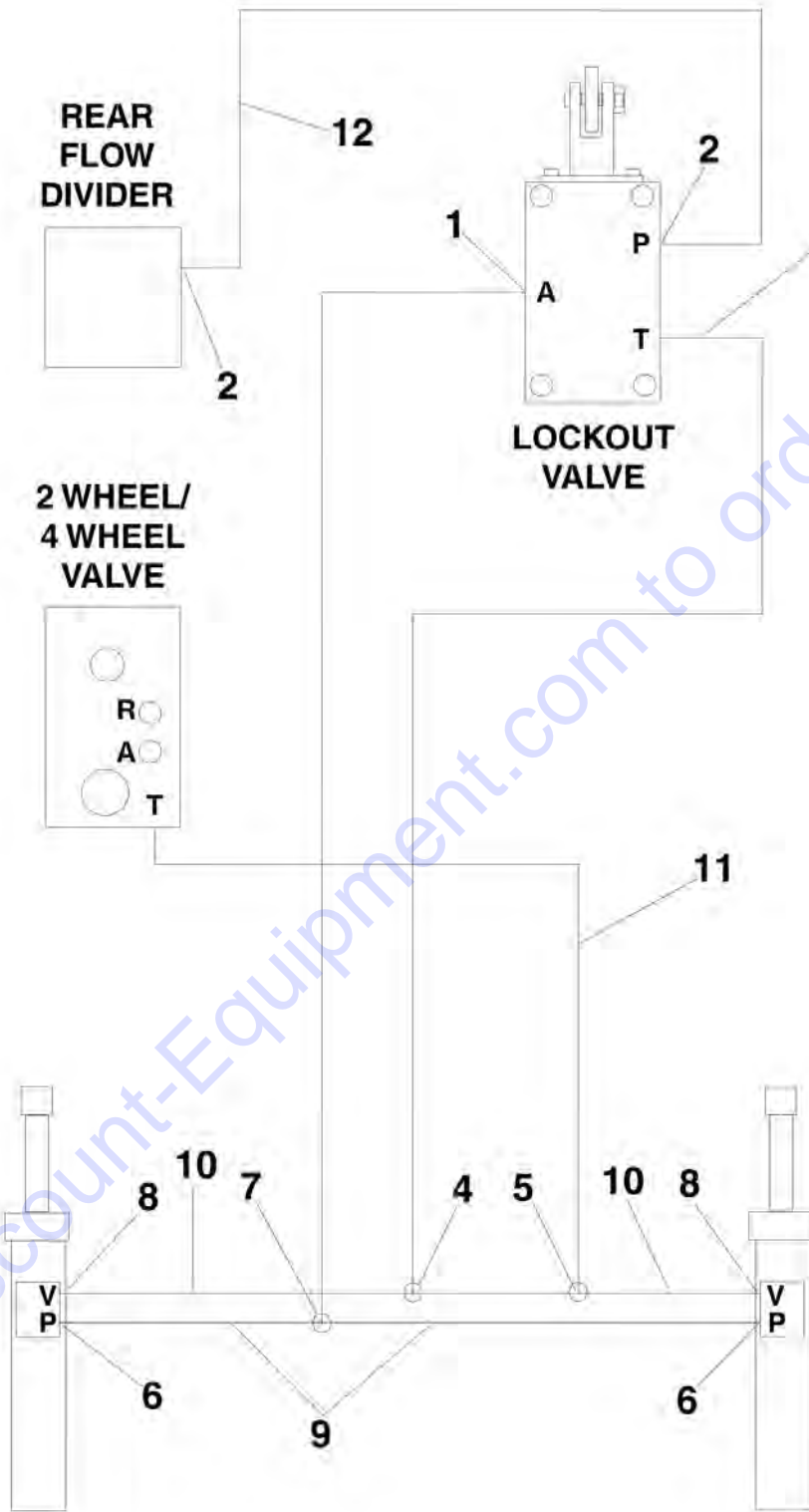
FIGURE 6-2. TOW BAR HYDRAULIC DIAGRAM

ITEM	PART NUMBER	QTY	DESCRIPTION	REV
	2792414	Ref	TOW BAR HYDRAULIC DIAGRAM	1-B
1	2220628	1	Fitting, 90	
2	2752589	1	Hose	
3	2220468	2	Fitting, Straight	
4	2220605	3	Fitting, Tee	
5	2751426	1	Hose	
6	2220609	1	Fitting, Reducer	
7	2752590	1	Hose	

Go to Discount-Equipment.com to order your parts

SECTION 6 - HYDRAULIC

FIGURE 6-3. AXLE LOCKOUT HYDRAULIC DIAGRAM - 4WD



SECTION 6 - HYDRAULIC

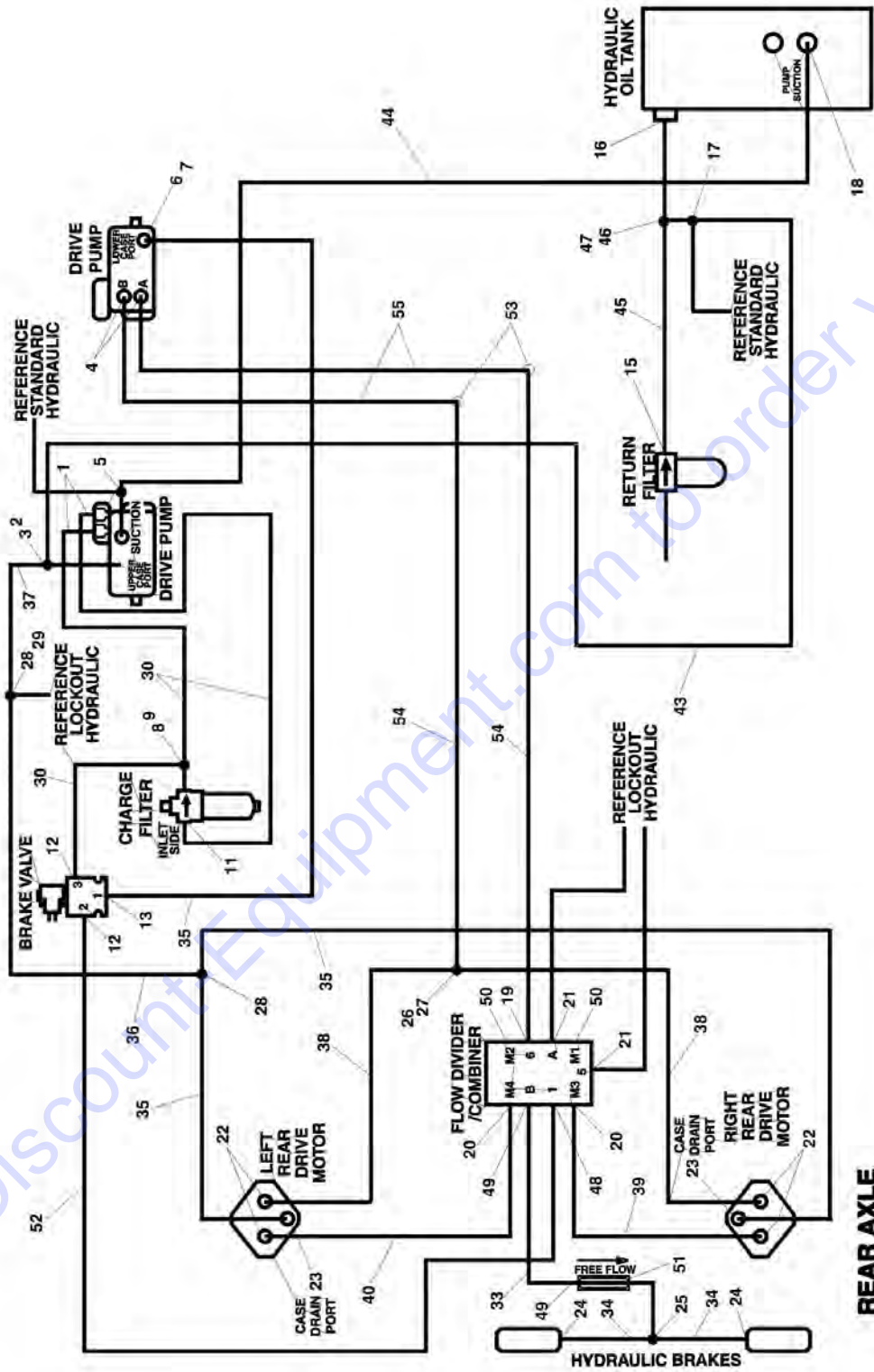
FIGURE 6-3. AXLE LOCKOUT HYDRAULIC DIAGRAM - 4WD

ITEM	PART NUMBER	QTY	DESCRIPTION	REV
	2792361	Ref	AXLE LOCKOUT HYDRAULIC DIAGRAM - 4WD	2-B
1	2220502	1	Fitting	
2	2220415	2	Fitting	
3	2220603	1	Fitting	
4	2220579	1	Fitting	
5	2220635	1	Fitting	
6	2220582	2	Fitting	
7	2220861	1	Fitting, Tee	
8	2220371	2	Fitting	
9	2750888	2	Hose	
10	2753070	2	Hose	
11	2752469	1	Hose	
12	2751026	1	Hose	

Go to Discount-Equipment.com to order your parts

SECTION 6 - HYDRAULIC

FIGURE 6-4. DRIVE HYDRAULIC DIAGRAM - 2WD



SECTION 6 - HYDRAULIC

FIGURE 6-4. DRIVE HYDRAULIC DIAGRAM - 2WD

ITEM	PART NUMBER	QTY	DESCRIPTION	REV
	2792358	Ref	DRIVE HYDRAULIC DIAGRAM - 2WD	6-C
1	2220374	2	Fitting, Straight	
2	2220738	1	Fitting, Tee	
3	2220622	1	Fitting, Reducer	
4	2220365	2	Fitting, 45	
5	2221026	1	Fitting, Tee	
6	2220375	1	Fitting, Straight	
7	2220618	1	Fitting, Reducer	
8	2220811	1	Fitting, Reducer	
9	2220602	1	Fitting, Tee	
11	2220366	1	Fitting, 90	
12	2220726	2	Fitting, 90	
13	2220582	1	Fitting, Straight	
15	2220664	1	Fitting, 90	
16	2220646	1	Fitting, 90	
17	2220700	2	Fitting, Tee	
18	2220379	1	Fitting, Straight	
19	2220646	1	Fitting, Straight	
20	2220451	2	Fitting, Straight	
21	2220235	2	Fitting, Plug	
22	2220451	4	Fitting, Straight	
23	2220600	2	Fitting, Straight	
24	2220466	2	Fitting, Tee	
25	2220711	1	Fitting, Tee	
26	2220363	1	Fitting, Tee	
27	2220710	2	Fitting, Reducer	
28	2220362	2	Fitting, Tee	
29	2220517	1	Fitting, Cap	
30	2752942	3	Hose	
32	2752433	1	Hose	
33	2752436	1	Hose	
34	2752581	2	Hose	
35	2752943	2	Hose	
36	2752944	1	Hose	
37	2752945	1	Hose	
38	2752240	2	Hose	
39	2752262	1	Hose	
40	2752262	1	Hose	
43	2752667	1	Hose	
44	2752726	1	Hose	
45	2752723	1	Hose	
46	2220642	1	Fitting, Tee	
47	2220710	1	Fitting, Reducer	
48	2220273	1	Fitting, Straight	
49	2220415	1	Fitting, Straight	
50	2220240	2	Fitting, Plug	
51	4641076	1	Valve, Restrictor	
52	2752357	1	Hose	
53	2221032	2	Fitting, Swivel	
53	7023480	1	Kit, Repair	

SECTION 6 - HYDRAULIC

ITEM	PART NUMBER	QTY	DESCRIPTION	REV
54	2752325	2	Hose	
55	2752362	2	Hose	

Go to Discount-Equipment.com to order your parts

PARTS FINDER

**Search Website
by Part Number**



**Search Manual
Library For Parts
Manual & Lookup Part
Numbers – Purchase
or Request Quote**

**Can't Find Part or
Manual? Request Help
by Manufacturer,
Model & Description**

Discount-Equipment.com is your online resource for quality parts & equipment.

Florida: **561-964-4949** Outside Florida TOLL FREE: **877-690-3101**

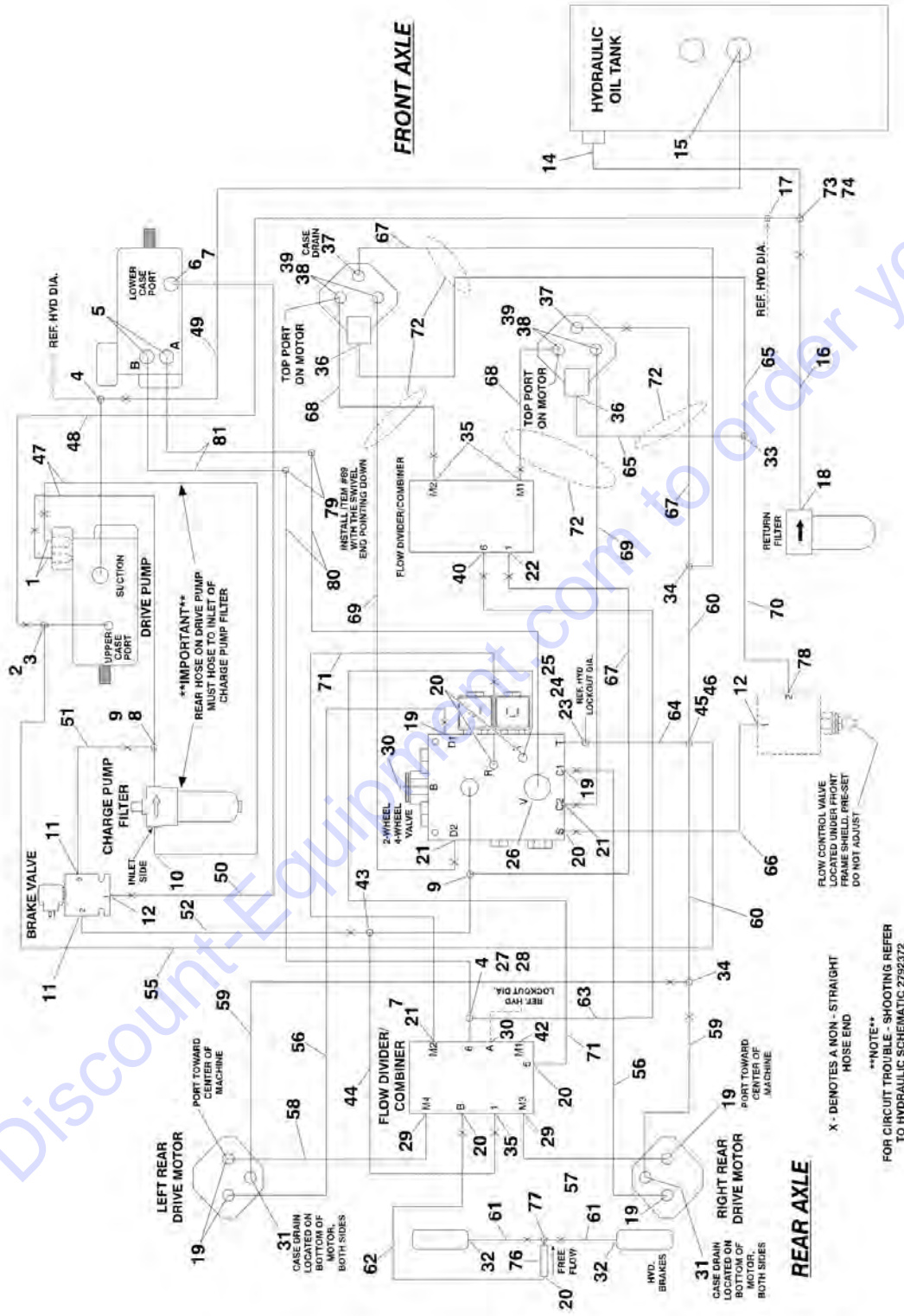
Need parts?

Click on this link: <http://www.discount-equipment.com/category/5443-parts/> and choose one of the options to help get the right parts and equipment you are looking for. Please have the machine model and serial number available in order to help us get you the correct parts. If you don't find the part on the website or on one of the online manuals, please fill out the request form and one of our experienced staff members will get back to you with a quote for the right part that your machine needs.

We sell worldwide for the brands: Genie, Terex, JLG, MultiQuip, Mikasa, Essick, Whiteman, Mayco, Toro Stone, Diamond Products, Generac Magnum, Airman, Haulotte, Barreto, Power Blanket, Nifty Lift, Atlas Copco, Chicago Pneumatic, Allmand, Miller Curber, Skyjack, Lull, Skytrak, Tsurumi, Husquvarna Target, Stow, Wacker, Sakai, Mi-T-M, Sullair, Basic, Dynapac, MBW, Weber, Bartell, Bennar Newman, Haulotte, Ditch Runner, Menegotti, Morrison, Contec, Buddy, Crown, Edco, Wyco, Bomag, Laymor, EZ Trench, Bil-Jax, F.S. Curtis, Gehl Pavers, Heli, Honda, ICS/PowerGrit, IHI, Partner, Imer, Clipper, MMD, Koshin, Rice, CH&E, General Equipment, Amida, Coleman, NAC, Gradall, Square Shooter, Kent, Stanley, Tamco, Toku, Hatz, Kohler, Robin, Wisconsin, Northrock, Oztec, Toker TK, Rol-Air, APT, Wylie, Ingersoll Rand / Doosan, Innovatech, Con X, Ammann, Mecalac, Makinex, Smith Surface Prep, Small Line, Wanco, Yanmar

SECTION 6 - HYDRAULIC

FIGURE 6-5. DRIVE HYDRAULIC DIAGRAM - 4WD



X - DENOTES A NON - STRAIGHT HOSE END

NOTE
FOR CIRCUIT TROUBLE - SHOOTING REFER TO HYDRAULIC SCHEMATIC 2792372

SECTION 6 - HYDRAULIC

FIGURE 6-5. DRIVE HYDRAULIC DIAGRAM - 4WD

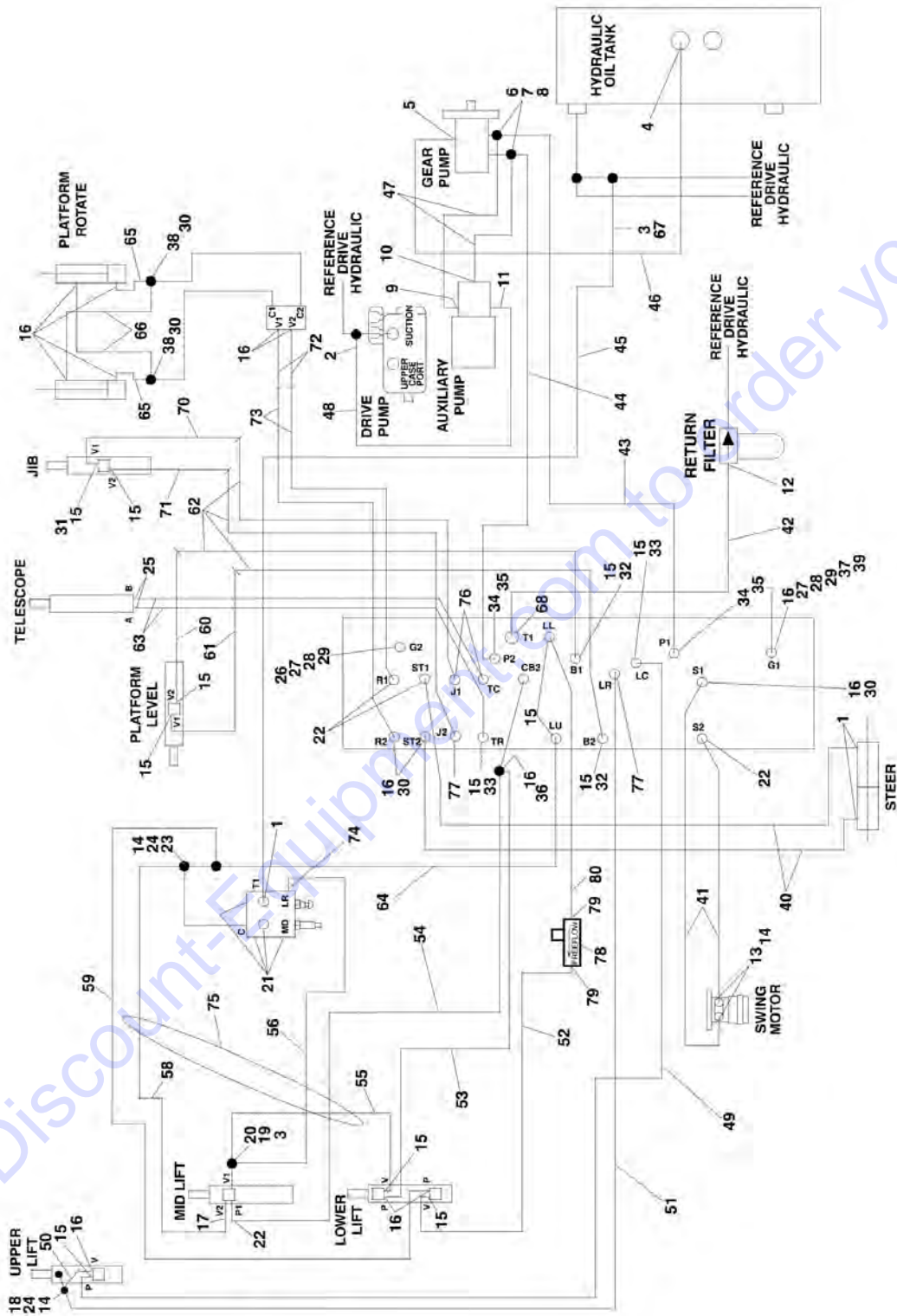
ITEM	PART NUMBER	QTY	DESCRIPTION	REV
	2792359	Ref	DRIVE HYDRAULIC DIAGRAM - 4WD	6-E
1	2220374	2	Fitting, Straight	
2	2220738	1	Fitting, Tee	
3	2220622	1	Fitting, Reducer	
4	2221026	2	Fitting, Tee	
5	2220365	2	Fitting, 45	
6	2220375	1	Fitting, Straight	
7	2220618	2	Fitting, Reducer	
8	2220811	1	Fitting, Reducer	
9	2220602	2	Fitting, Tee	
10	2220366	1	Fitting, 90	
11	2220726	2	Fitting, 90	
12	2220582	2	Fitting, Straight	
14	2220646	1	Fitting, 90	
15	2220379	1	Fitting, Straight	
16	2752723	1	Hose	
17	2220700	1	Fitting, Tee	
18	2220664	1	Fitting, 90	
19	2220451	6	Fitting, Straight	
20	2220415	8	Fitting, Straight	
21	2220375	3	Fitting, Straight	
22	2220373	1	Fitting, Straight	
23	2220603	1	Fitting, Straight	
24	2220579	1	Fitting, Tee	
25	2220516	1	Fitting, Cap	
26	2220377	1	Fitting, Straight	
27	2220710	1	Fitting, Reducer	
28	2220407	1	Fitting, 90	
29	2220451	2	Fitting, Straight	
30	2220235	2	Fitting, Plug	
31	2220600	2	Fitting, Straight	
32	2220466	2	Fitting, Tee	
33	2220504	1	Fitting, Tee	
34	2220362	2	Fitting, Tee	
35	2220373	3	Fitting, Straight	
36	2220502	2	Fitting, 45	
37	2220600	2	Fitting, Straight	
38	2221068	4	Fitting	
39	2220500	4	Fitting, 45	
40	2220451	1	Fitting, Straight	
42	2220240	1	Fitting, Plug	
43	2220383	1	Fitting, Tee	
44	2752495	1	Hose	
45	2220469	1	Fitting, Tee	
46	2220619	1	Fitting, Reducer	
47	2752942	2	Hose	
48	2752667	1	Hose	
49	2752726	1	Hose	
50	2752433	1	Hose	
51	2752942	1	Hose	

SECTION 6 - HYDRAULIC

ITEM	PART NUMBER	QTY	DESCRIPTION	REV
52	2752928	1	Hose	
55	2752946	1	Hose	
56	2752263	2	Hose	
57	2752262	1	Hose	
58	2752261	1	Hose	
59	2752943	2	Hose	
60	2752944	2	Hose	
61	2752581	2	Hose	
62	2752436	1	Hose	
63	2752264	1	Hose	
64	2752648	1	Hose	
65	2753034	2	Hose	
66	2750760	1	Hose	
67	2752514	3	Hose	
68	2753088	2	Hose	
69	2753089	2	Hose	
70	2751015	1	Hose	
71	2750899	2	Hose	
72	4100026	7 ft/2.13m	Sleeve, Hose	
73	2220710	1	Fitting, Reducer	
74	2220642	1	Fitting, Tee	
76	4641076	1	Valve, Restrictor	
77	2220711	1	Fitting, Tee	
78	2220472	1	Fitting, 90	
79	2221032	2	Fitting, Swivel	
80	2752325	2	Hose	
81	2752362	2	Hose	

SECTION 6 - HYDRAULIC

FIGURE 6-6. STANDARD HYDRAULIC DIAGRAM



SECTION 6 - HYDRAULIC

FIGURE 6-6. STANDARD HYDRAULIC DIAGRAM

ITEM	PART NUMBER	QTY	DESCRIPTION	REV
41	2752434	2	Hose	
		Ref	STANDARD HYDRAULIC DIAGRAM	
	2792352	Ref	Standard Hydraulic Diagram 450A	5-F
	2792353	Ref	Standard Hydraulic Diagram 450AJ	6-G
1	2220582	3	Fitting, Straight	
2	2220710	1	Fitting, Reducer	
3	2220618	2	Fitting, Reducer	
4	2220379	1	Fitting, Straight	
5	2221025	1	Fitting, Straight	
6	4640744	2	Valve, Check	
7	2220385	2	Fitting, Tee	
8	2220619	2	Fitting, Reducer	
9	2220775	1	Fitting, 90	
10	2220603	1	Fitting, Straight	
11	2220567	1	Fitting, 90	
12	2220578	1	Fitting, 90	
13	2220497	2	Fitting, Straight	
14	2220609	4	Fitting, Reducer	
15	2220371	AR	Fitting, Straight	
16	2220415	14	Fitting, Straight	
17	2220628	1	Fitting, 90	
18		Ref	Fitting, 90 Options:	
18	2220628	1	Fitting, 90 450A	
18	2220473	1	Fitting, 90 450AJ	
19	2220619	1	Fitting, Reducer	
20	2220999	1	Fitting, Tee	
21	2220237	4	Fitting, Plug	
22	2220466	4	Fitting, 90	
23	2220606	1	Fitting, Tee	
24	2220635	2	Fitting, Tee	
25	2220501	2	Fitting, 45	
26	2220873	1	Fitting, Straight	
27	2220428	2	Fitting, Pressure Check	
28	2220429	2	Cap, Dust	
29	0100020	AR	Sealant, Pipe	
30	2220654	5	Fitting, 90	
31		Ref	Fitting Options:	
31	Not Required	0	Fitting 450A	
31	2220907	1	Fitting 450AJ	
32	2220509	2	Fitting, 90	
33	2220507	2	Fitting, 90	
34	2220600	2	Fitting, Straight	
35	2220386	2	Fitting, 90	
36	2220605	1	Fitting, Tee	
37	2220414	1	Fitting, Straight	
38	2221034	2	Fitting, Tee	
39	2752436	1	Hose	
40	2752996	2	Hose	
41	2752997	2	Hose	
42	2752669	1	Hose	

SECTION 6 - HYDRAULIC

ITEM	PART NUMBER	QTY	DESCRIPTION	REV
43	2752947	1	Hose	
44	2752948	1	Hose	
45	2752434	1	Hose	
46	2752726	1	Hose	
47	2752479	2	Hose	
48	2752668	1	Hose	
49	2753072	1	Hose	
50		Ref	Hose Options:	
50	2752433	1	Hose 450A	
50	2752453	1	Hose 450AJ	
51	2753073	1	Hose	
52	2752627	1	Hose	
53	2752439	1	Hose	
54	2752998	1	Hose	
55	2753074	1	Hose	
56	2752583	1	Hose	
57	Not Required	0	Not Required	
58	2752623	1	Hose	
59	2752999	1	Hose	
60		Ref	Hose Options:	
60	2753081	1	Hose 450A	
60	2753077	1	Hose 450AJ	
61		Ref	Hose Options:	
61	2753082	1	Hose 450A	
61	2753078	1	Hose 450AJ	
62	2753075	AR	Hose	
63	2753076	2	Hose	
64	2752463	1	Hose	
65	2753000	2	Hose	
66	2752437	2	Hose	
67	2220622	1	Fitting, Reducer	
68	2220593	1	Fitting, Straight	
70		Ref	Hose Options	
70	Not Required	0	Hose 450A	
70	2753079	1	Hose 450AJ	
71		Ref	Hose Options	
71	Not Required	0	Hose 450A	
71	2753080	1	Hose 450AJ	
72		Ref	Hose Options	
72	2753004	2	Hose 450A	
72	2753003	2	Hose 450AJ	
73	2753001	2	Hose	
74	2220472	1	Fitting 90	
76		Ref	Fitting Options	
76	Not Required	0	Fitting 450A	
76	2220473	2	Fitting 450AJ	
77	2220819	2	Fitting, 90	
78	4640757	1	Valve, Colorflow	
79	2220372	2	Fitting, Straight	
80	2752463	1	Hose	
81	1704395	1	Hose Tag Kit (Not Shown)	

SECTION 6 - HYDRAULIC

FIGURE 6-7. HYDRAULIC DIAGRAM LIST

ITEM	PART NUMBER	QTY	DESCRIPTION	REV
		Ref	Note: Diagrams not shown are available from Discount-equipment.com	
		Ref	Axle Lockout Hydraulic Diagrams:	
	2792356	Ref	2WD Machines	
	2792361	Ref	4WD Machines	
	2792414	Ref	Tow Bar Hydraulic Diagrams:	
		Ref	Drive Hydraulic Diagrams:	
	2792358	Ref	2WD Machines	
	2792359	Ref	4WD Machines	
		Ref	Standard Hydraulic Diagrams:	
	2792352	Ref	Standard Hydraulic Diagrams 450A	
	2792353	Ref	Standard Hydraulic Diagrams 450AJ	
		Ref	Standard Hydraulic Schematics:	
	2792357	Ref	Bang-Bang Valves	
	2792372	Ref	Proportional Valves	

SECTION 7 - ELECTRICAL

Go to Discount-Equipment.com to order your parts

SECTION 7 - ELECTRICAL

FIGURE 7-1. ELECTRICAL DIAGRAM LIST

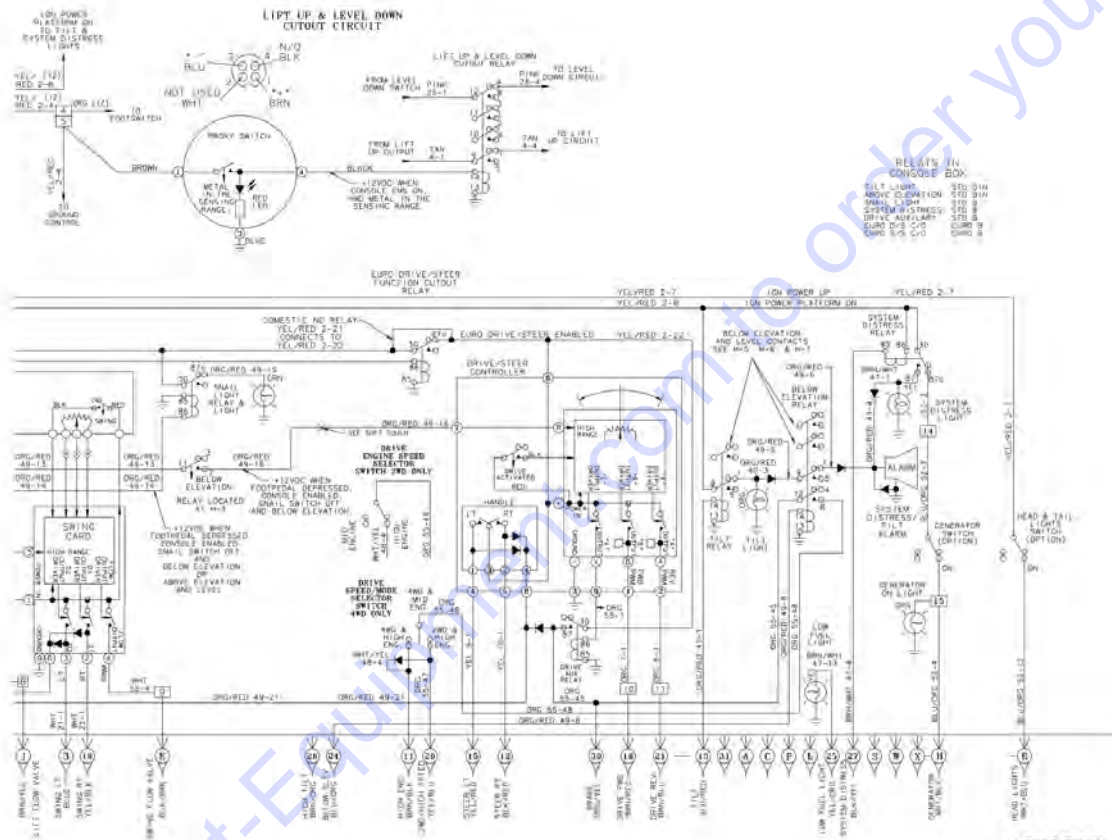
ITEM	PART NUMBER	QTY	DESCRIPTION	REV
		Ref	Note: Diagrams not shown are available from Discount-equipment.com	
		Ref	ALARM ELECTRICAL DIAGRAMS	
	4933021	Ref	Motion Alarm	1-A
	4633022	Ref	Travel Alarm	1-A
	0258921	Ref	ETHER START ELECTRICAL DIAGRAM	1-A
	1283002	Ref	ETHER START ELECTRICAL DIAGRAM	1-A
		Ref	GENERATOR ELECTRICAL DIAGRAMS	
	4932915	Ref	110Volt (Prior to SN 0300056107)	2-C
	4933150	Ref	110Volt (SN 0300056107 through 0300065080)	2-B
	4932989	Ref	220Volt (Prior to SN 0300056107)	1-B
	4933149	Ref	220Volt (SN 0300056107 through 0300065080)	2-B
	4933070	Ref	GLOW PLUG ELECTRICAL DIAGRAM (DEUTZ MACHINES) (Prior to SN 0300059303)	1-A
	2400041	1	Fuse 200 Amp	
	2400044	1	Fuseholder	
	4922206	1	Harness, Wiring	
	4120035	2	Base, Light	
	2920129	2	Bulb, Light	
	3990010	1	Diode 6 Amp	
	2901691	1	Timer Relay, Glowplugs and Connector Kit	
	2901764	1	Battery Cable Kit	
	4933175	Ref	GLOW PLUG ELECTRICAL DIAGRAM (DEUTZ MACHINES) (SN 0300059303 through 0300065080)	1-B
	4922542	1	Harness, Wiring	
	4120035	2	Base, Light	
	2920129	2	Bulb, Light	
	3990010	1	Diode 6 Amp	
	2901691	1	Timer Relay, Glowplugs and Connector Kit	
	1060904	1	Battery Cable	
		Ref	LIGHTS ELECTRICAL DIAGRAMS	
	4932917	Ref	Headlight/Taillight	3-D
	4933027	Ref	Strobe Light	1-A
	1282937	Ref	Strobe Light	1-A
	4932999	Ref	PLATFORM ELECTRICAL DIAGRAM	4-E
	4933007	Ref	PLATFORM LOAD SENSING ELECTRICAL DIAGRAM	A
	0258770	Ref	PROXIMITY SWITCH ELECTRICAL DIAGRAM	1-A
	4933133	Ref	SOFT TOUCH ELECTRICAL DIAGRAM	1-A
		Ref	STANDARD ELECTRICAL DIAGRAMS	
	4933053	Ref	Deutz Machines	4-G
	4933052	Ref	Ford Machines (With Carburetor) (Prior to SN 0300043370)	2-D
	4933093	Ref	Ford Machines (With Carburetor) (SN 0300043370 through 0300046088)	3-C
	4933089	Ref	Ford Machines (With EFI) (SN 0300046089 through 0300065080)	2-B
	4933087	Ref	Isuzu Machines	3-B
		Ref	STANDARD ELECTRICAL SCHEMATIC	
	1870085	Ref	Deutz Machines	C
	1870084	Ref	Ford Machines (With Carburetor) (Prior to SN 0300043370)	C

SECTION 7 - ELECTRICAL

ITEM	PART NUMBER	QTY	DESCRIPTION	REV
	1870101	Ref	Ford Machines (With Carburetor) (SN 0300043370 through 0300046088)	A
	1870099	Ref	Ford Machines (With EFI) (SN 0300046089 through 0300065080)	B
	1870098	Ref	Isuzu Machines	A
	0258431	Ref	2WD/4WD ELECTRICAL DIAGRAM	3-B

Go to Discount-Equipment.com to order your parts

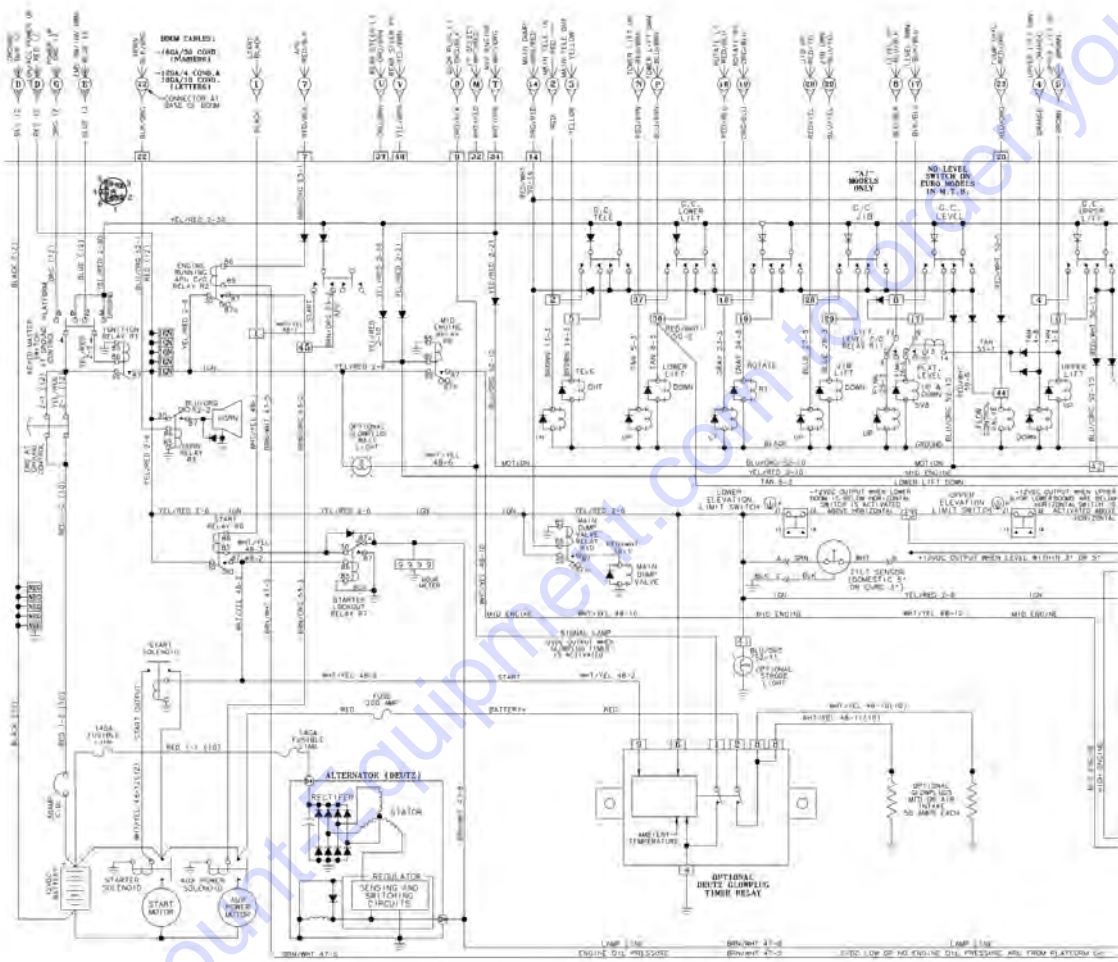
SECTION 7 - ELECTRICAL



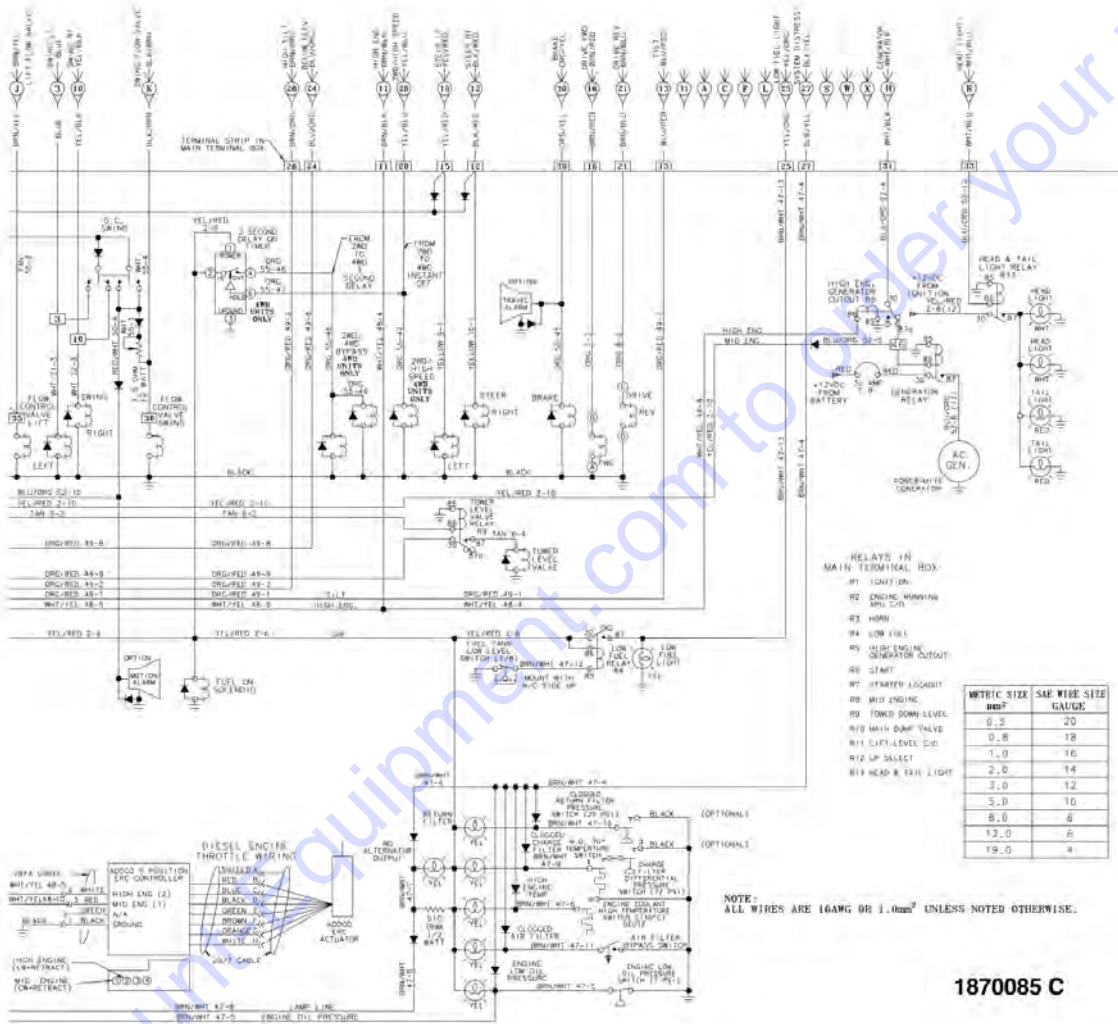
1870085 C

Go to Discount-Equipment.com to order your parts

SECTION 7 - ELECTRICAL



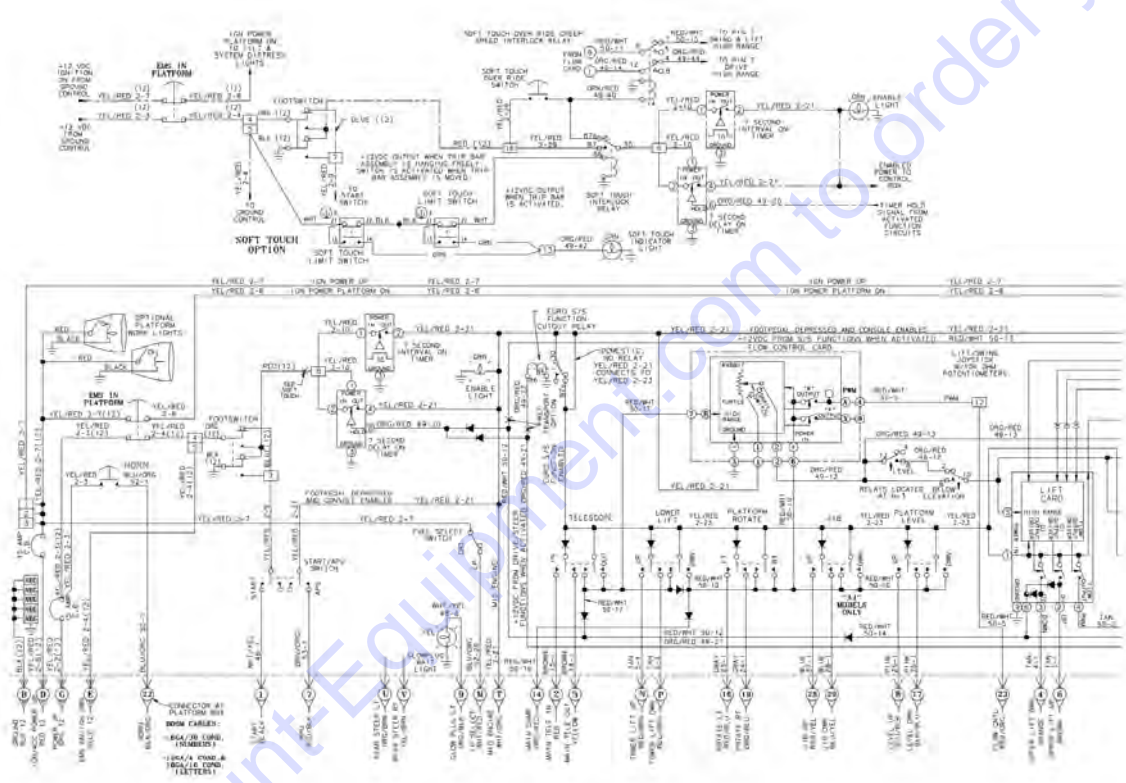
SECTION 7 - ELECTRICAL



1870085 C

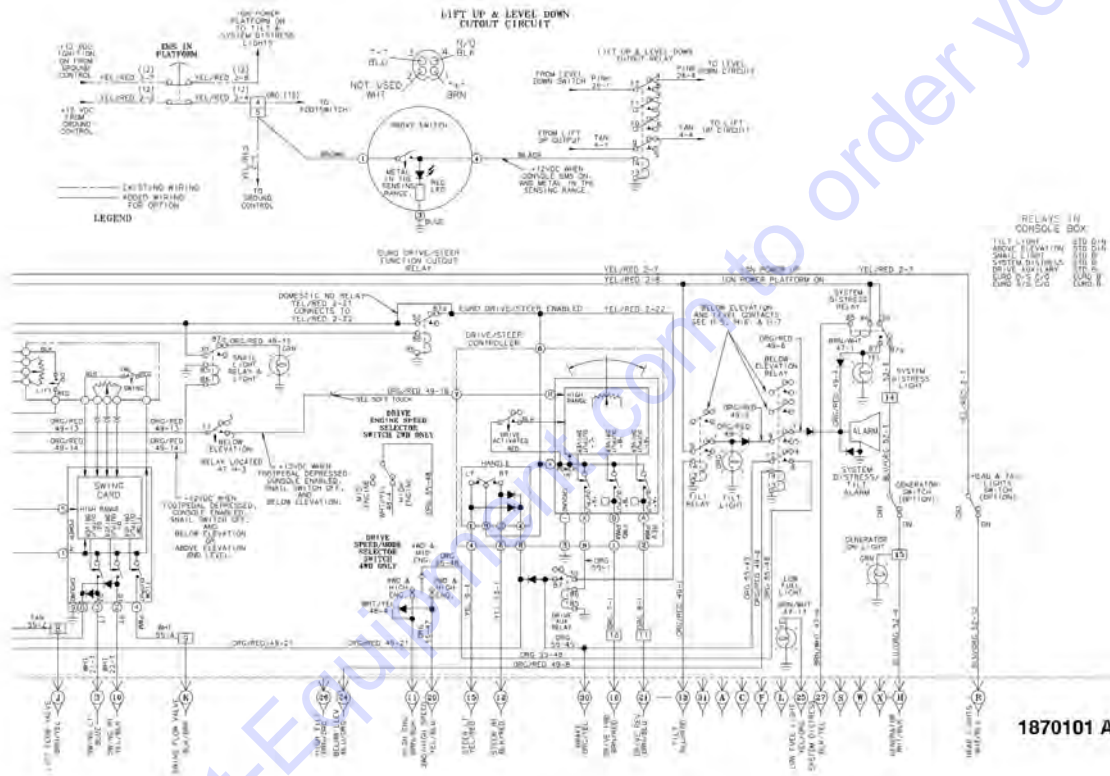
SECTION 7 - ELECTRICAL

FIGURE 7-3. ELECTRICAL SCHEMATIC - FORD ENGINE MACHINES WITH CARBURETOR



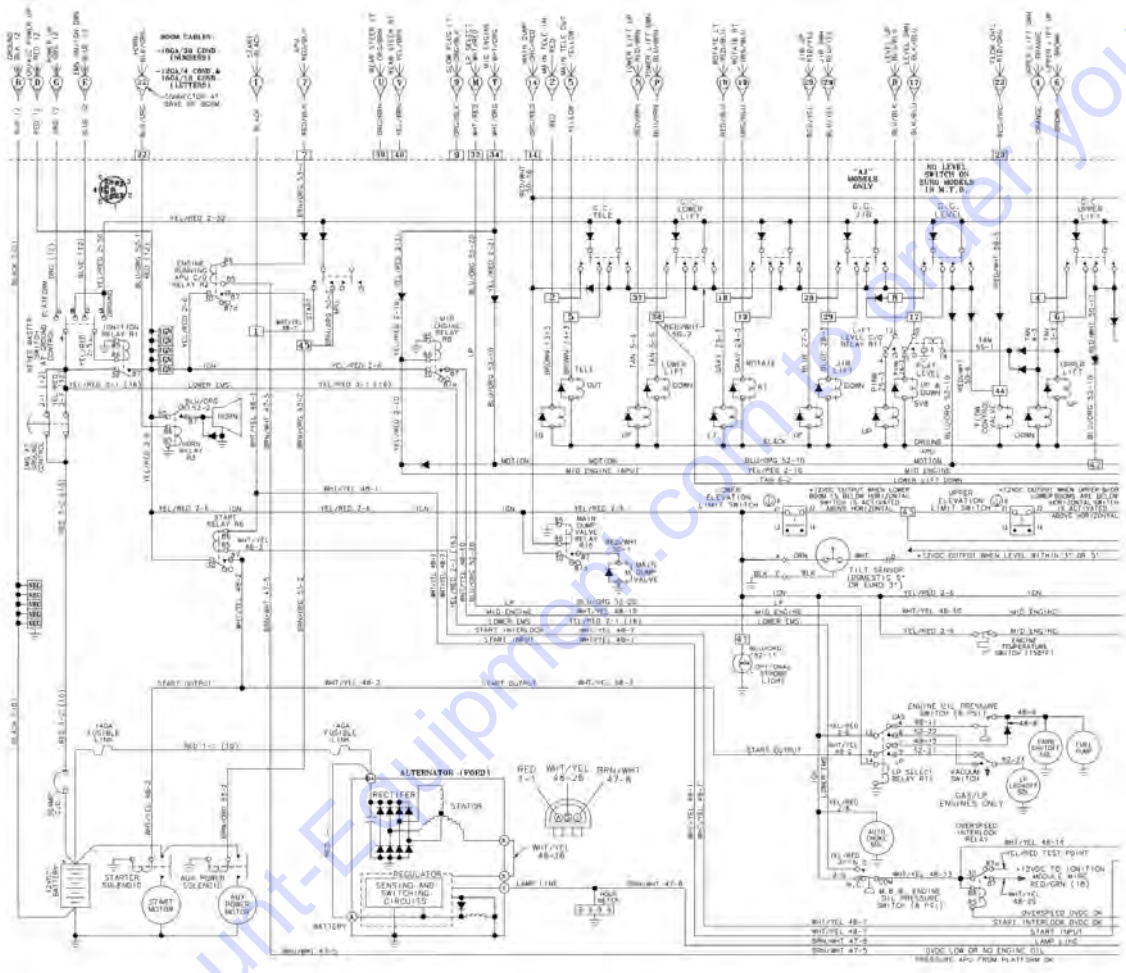
Go to DiscountEquipment.com to order your parts

SECTION 7 - ELECTRICAL



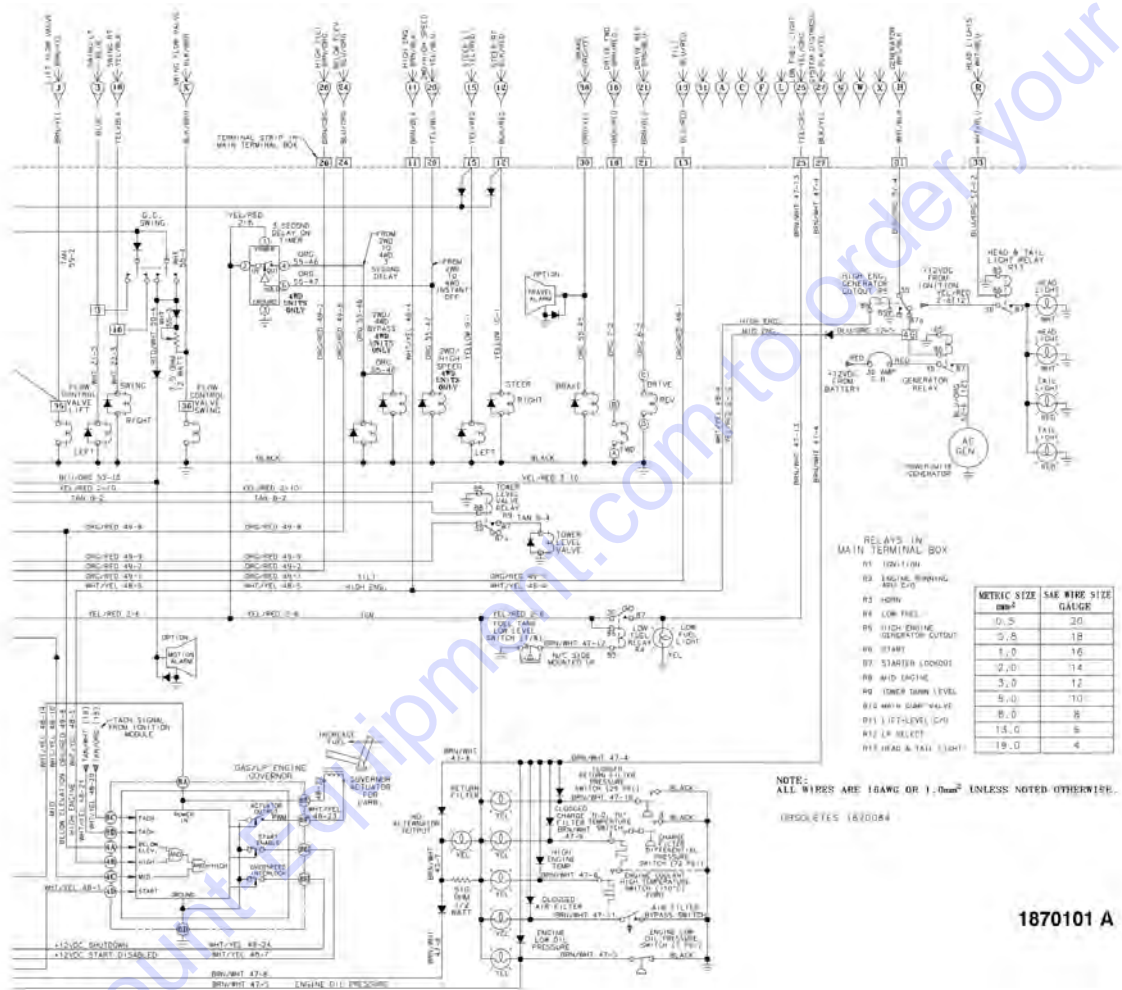
Go to Discount-Equipment.com to order your parts

SECTION 7 - ELECTRICAL

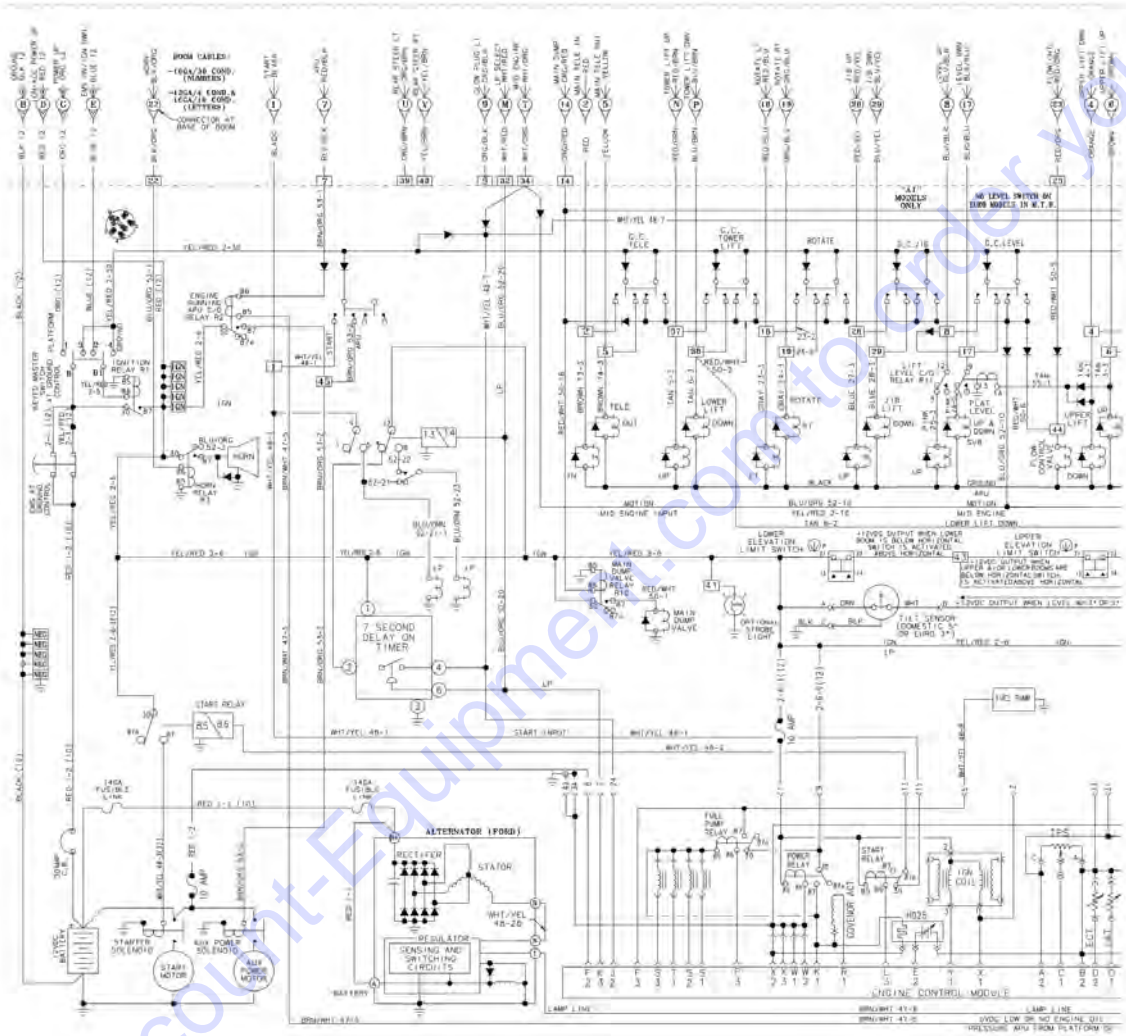


Go to Discount-Equipment.com for your parts

SECTION 7 - ELECTRICAL

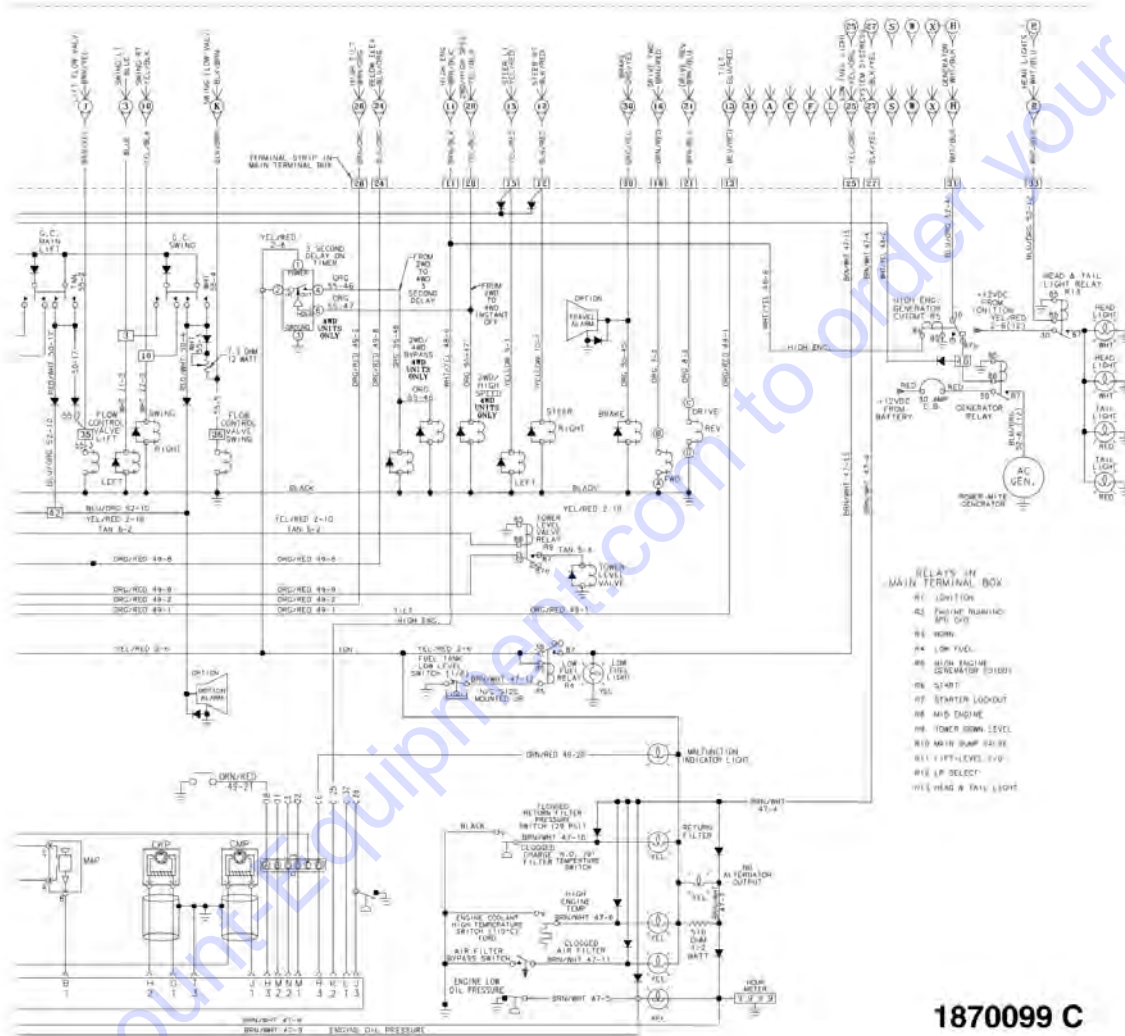


SECTION 7 - ELECTRICAL



Go to Discount-Equipment.com for your parts

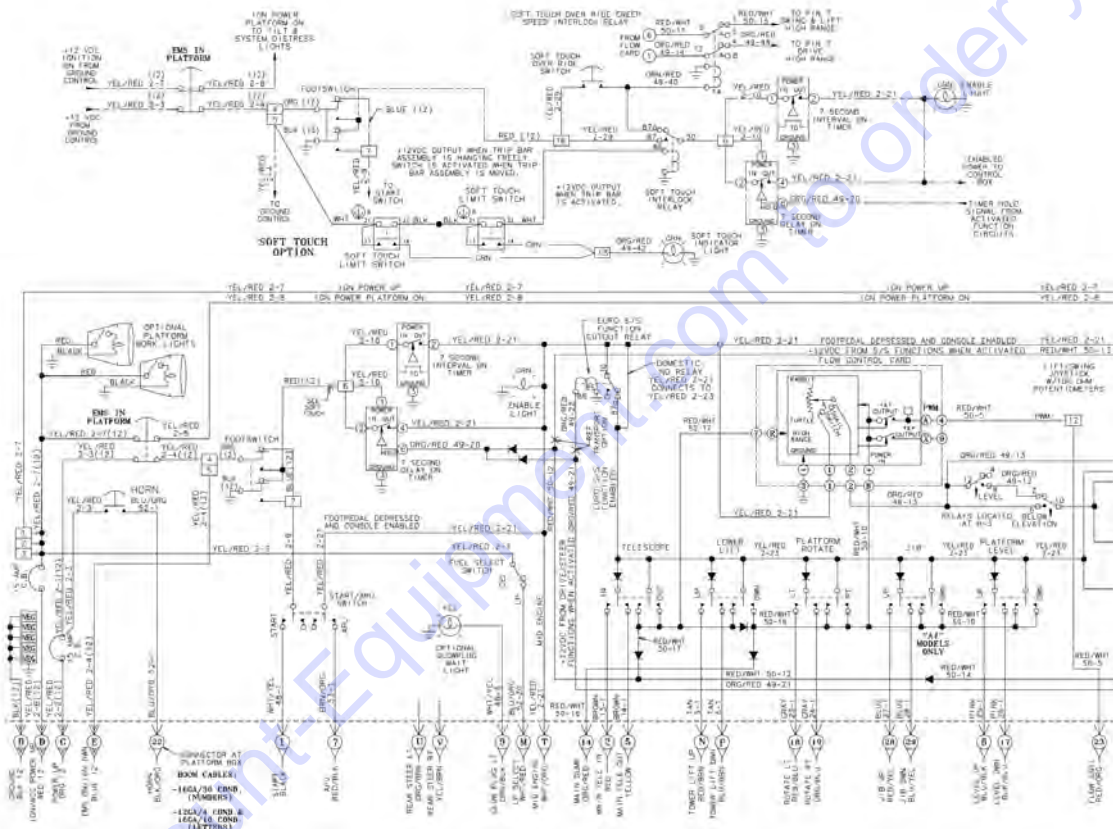
SECTION 7 - ELECTRICAL



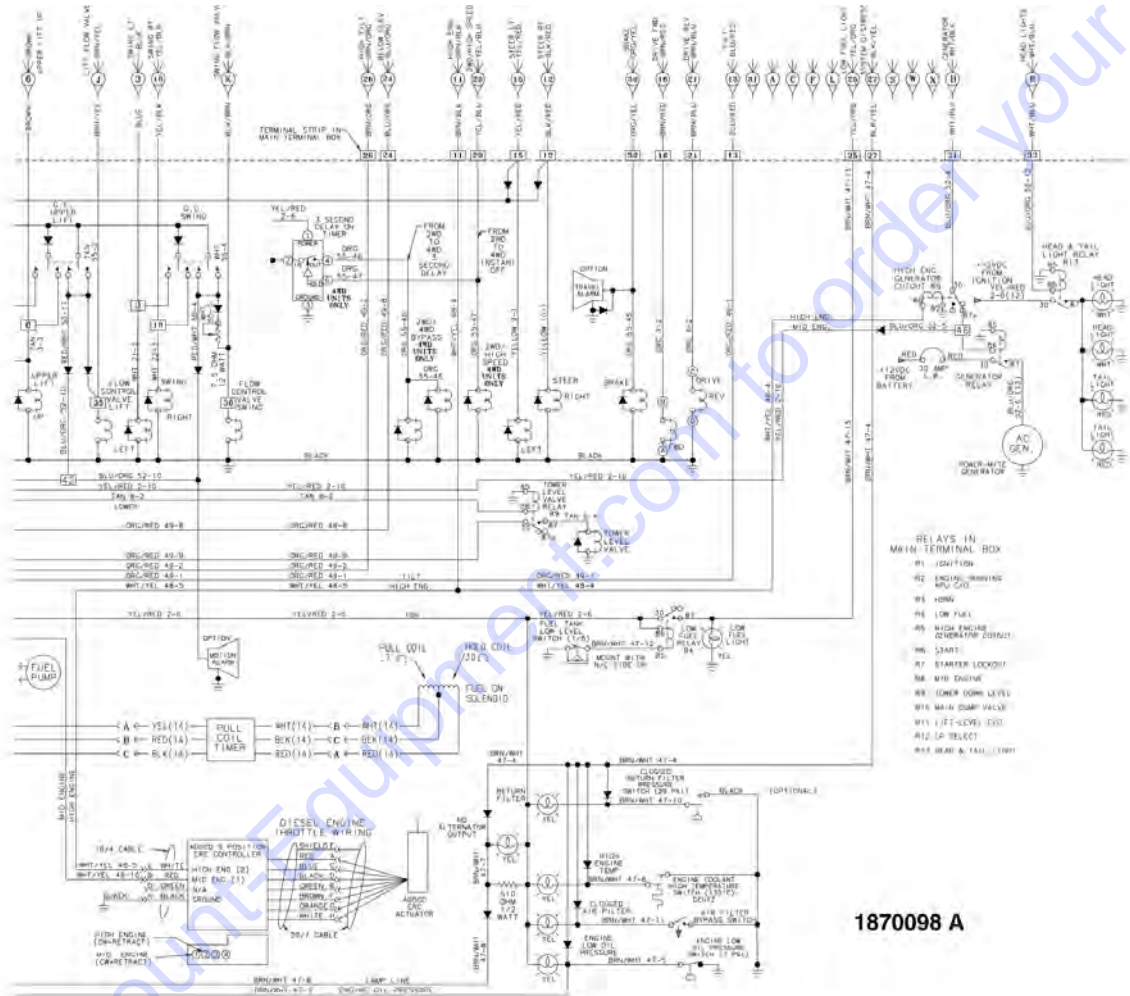
1870099 C

SECTION 7 - ELECTRICAL

FIGURE 7-5. ELECTRICAL SCHEMATIC - ISUZU ENGINE MACHINES



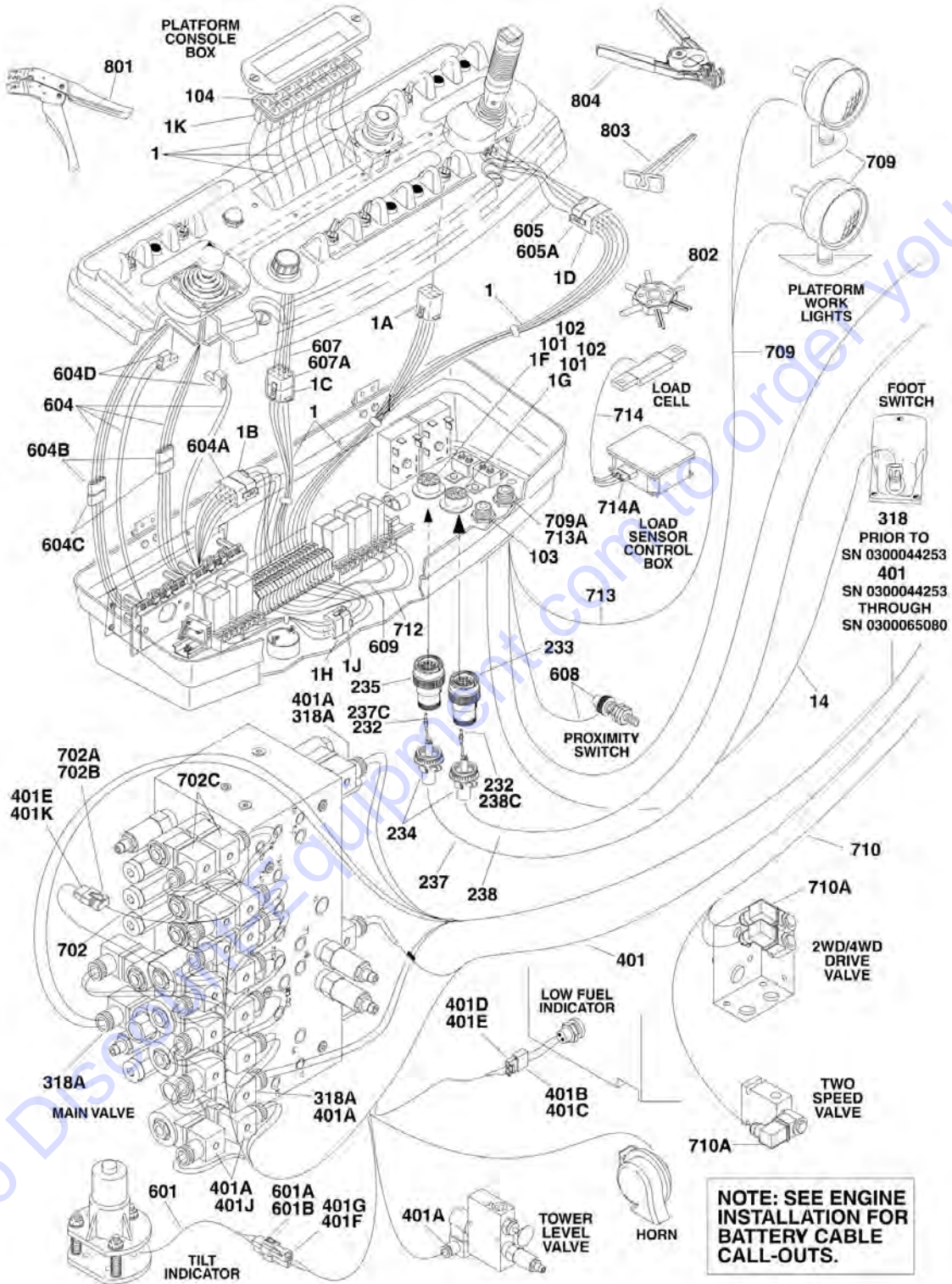
SECTION 7 - ELECTRICAL



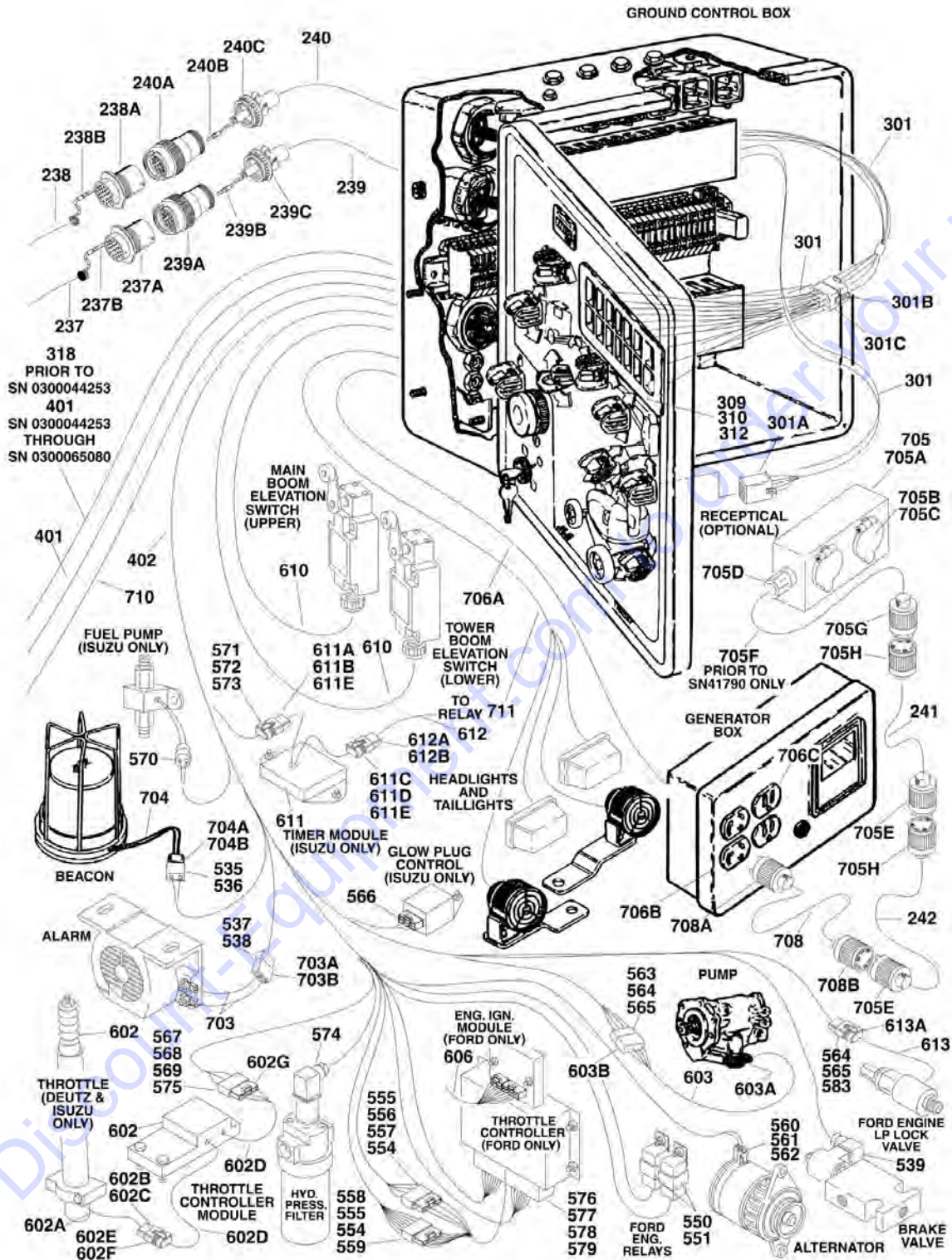
1870098 A

SECTION 7 - ELECTRICAL

FIGURE 7-6. HARNESS COMPONENTS INSTALLATION



SECTION 7 - ELECTRICAL



SECTION 7 - ELECTRICAL

FIGURE 7-6. HARNESS COMPONENTS INSTALLATION

ITEM	PART NUMBER	QTY	DESCRIPTION	REV
		Ref	HARNESS COMPONENTS INSTALLATION	
	4932999	Ref	PLATFORM BOX WIRING DIAGRAM	4-E
1	4922053	1	Platform Box Harness (Also Includes Terminal Block/Rail Assembly - See PLATFORM SECTION)	7-G
1A	4460418	6	Connector - 6 Position	
1A	4460419	34	Terminal, Female	
1B	4460265	2	Connector - 9 Position	
1B	4460268	18	Socket, Female	
1C	4460266	1	Connector, Female - 9 Position	
1C	4460268	7	Socket, Female	
1D	4460266	1	Connector, Female - 9 Position	
1D	4460268	9	Socket, Female	
1E	3990010	10	Diode - 6 Amp (Not Shown)	
1F	4460613	1	Connector - 21 Position	
1F	4460508	4	Pin, Male (12 Gauge)	
1F	4460464	10	Pin, Male (16 Gauge)	
1F	4460466	1	Seal, Plug	
1G	4460503	1	Connector - 31 Position	
1G	4460464	30	Pin, Male (16 Gauge)	
1G	4460466	1	Seal, Plug	
1H	4460224	1	Connector - 6 Position Only (SN 0300043370 through 0300065080)	
1H	4460268	6	Socket, Female	
1J	4460225	1	Connector - 6 Position Only (SN 0300043370 through 0300065080)	
1J	4460267	6	Pin, Male	
1K	4120035	8	Base, Light	
1K	4460634	7	Terminal (16 Gauge)	
1K	4460635	8	Terminal (12 Gauge)	
4	3990010	8	Diode - 6 Amp (Not Shown)	
12	4460418	1	Connector - 6 Position (Not Shown - 2WD/4WD Switch)	
13	4460419	3	Terminal, Female (Not Shown - Used with item 12)	
14		Ref	Cable, Electrical - 12/4 Options:	
14	1060012	7 ft/2.13m	Cable, Electrical - 12/4 (Prior to SN 0300060663)	
14	1060515	7 ft/2.13m	Cable, Electrical - 12/4 (SN 0300060663 through 0300065080)	
		Ref	PLATFORM BOX ASSEMBLY COMPONENTS	
101	4460470	2	Nut, Conduit	
102	4460471	2	Washer	
103	4460428	1	Connector, Strain Relief	
104	2920129	8	Bulb, Light	
		Ref	BOOM CABLES INSTALLATION	
	0258301	Ref	Boom Cables Installation 450A	8
	0258302	Ref	Boom Cables Installation 450AJ	7
232	4460466	8	Seal, Plug	
233	4460502	1	Terminal - 31 Socket	
234	4460473	2	Clamp, Cable	
235	4460614	1	Terminal - 21 Socket	
237		Ref	Cable, Electrical - 12/4-16/10 (Upper) Options:	
237	4922113	1	Cable, Electrical - 12/4-16/10 (Upper) 450AJ	3
237	4922113	1	Cable, Electrical - 12/4-16/10 (Upper) 450A (Prior to SN	3

SECTION 7 - ELECTRICAL

ITEM	PART NUMBER	QTY	DESCRIPTION	REV
237	4922316	1	0300047619 Cable, Electrical - 12/4-16/10 (Upper) 450A (SN 0300047619 through 0300065080)	1
237	1060603	Ref	Cable, Electrical - 12/4-16/10 Options:	
237	1060603	40 ft/12.2m	Cable, Electrical - 12/4-16/10, (450AJ)	
237	1060603	40 ft/12.2m	Cable, Electrical - 12/4-16/10, (450A) (Prior to SN 0300047619)	
237	1060603	27.5 ft/8.4m	Cable, Electrical - 12/4-16/10, (450A) (SN 0300047619 through 0300065080)	
237A	4460613	1	Connector - 21 Position	
237A	4460466	7	Seal, Plug	
237B	4460508	4	Pin, Male (12 Gauge)	
237B	4460464	10	Pin, Male (16 Gauge)	
237C	4460465	10	Socket, Female	
237C	4460509	4	Socket, Female	
238		Ref	Cable, Electrical - 16/30 (Upper) Options:	
238	4922109	1	Cable, Electrical - 16/30 (Upper) 450AJ	3
238	4922109	1	Cable, Electrical - 16/30 (Upper) 450A (Prior to SN 0300047619)	3
238	4922317	1	Cable, Electrical - 16/30 (Upper) 450A (SN 0300047619 through 0300065080)	1
238	1060516	Ref	Cable, Electrical - 16/30 Options:	
238	1060516	40 ft/12.2m	Cable, Electrical - 16/30, (450AJ)	
238	1060516	40 ft/12.2m	Cable, Electrical - 16/30, (450A) (Prior to SN 0300047619)	
238	1060516	27.9 ft/8.5m	Cable, Electrical - 16/30, (450A) (SN 0300047619 through 0300065080)	
238A	4460503	1	Connector - 31 Position	
238A	4460466	1	Seal, Plug	
238B	4460464	30	Pin, Male (16 Gauge)	
238C	4460465	30	Socket, Female	
239	4922115	1	Cable, Electrical - 12/4-16/10 (Lower)	4
239	1060603	45 ft/13.7m	Cable, Electrical - 12/4-16/10	
239A	4460614	1	Terminal - 21 Socket	
239A	4460466	8	Seal, Plug	
239B	4460465	10	Socket, Female	
239B	4460509	4	Socket, Female	
239C	4460473	1	Clamp, Cable	
240	4922112	1	Cable, Electrical - 16/30 (Lower)	4
240	1060516	45 ft/13.7m	Cable, Electrical - 16/30	
240A	4460502	1	Terminal - 31 Socket	
240A	4460466	1	Seal, Plug	
240B	4460465	30	Socket, Female	
240C	4460473	1	Clamp, Cable	
241	1060494	32 ft/9.8m	Cable, Electrical - 12/3 (Upper)	
242	1060494	40 ft/12.2m	Cable, Electrical - 12/3 (Lower)	
		Ref	GROUND CONTROL BOX WIRING DIAGRAMS	
	4933053	Ref	DEUTZ ENGINE MACHINES	5-F
	4933052	Ref	FORD ENGINE MACHINES WITN CARBURETOR (Prior to SN	2-E

SECTION 7 - ELECTRICAL

ITEM	PART NUMBER	QTY	DESCRIPTION	REV
			0300043370)	
	4933093	Ref	FORD ENGINE MACHINES WITH CARBURETOR (SN 0300043370 through 0300046088)	3-C
	4933089	Ref	FORD ENGINE MACHINES WITH EFI (SN 0300046089 through 0300065080)	1-A
	4933087	Ref	ISUZU ENGINE MACHINES	3-B
301		Ref	Harness, Ground Control Box Options:	
301	4922162	NLA	Deutz Machines (Use p/n 4922287) (Prior to SN 0300048629)	3-C
301	4922287	1	Deutz Machines (SN 0300048629 through 0300065080)	3-C
301	4922162	1	Ford Machines (Carbureted) (Prior to SN 0300043370)	2-B
301	4922287	1	Ford Machines (Carbureted) (SN 0300043370 through 0300046088)	3-C
301	4922293	1	Ford Machines (EFI) (SN 0300046089 through 0300065080)	3-C
301	4922287	1	Isuzu Machines	3-C
301	3990010	AR	Diode - 6 Amp (Not Shown)	
301	3990001	AR	Diode - 3 Amp (Not Shown)	
301	3730115	1	Resistor 0-7.5 Ohms 12 Watts (Not Shown)	
301A	4460418	8	Connector - 6 Position	
301A	4460419	38	Terminal, Female	
301A	4460714	7	Terminal	
301B	4460224	1	Connector, Female - 6 Position	
301B	4460268	6	Socket, Female	
301C	4460225	1	Connector, Male - 6 Position	
301C	4460267	6	Pin, Male	
308	3990010	4	Diode 6 Amp (Not Shown)	
309	4120035	7	Base, Light	
310	2920129	7	Bulb, Light	
311	3730023	1	Resistor 510 Ohm 1/2 Watt (Not Shown)	
312	4460634	3	Terminal (Single Wire)	
313	4460635	11	Terminal (Double Wire)	
318	4922163	1	Harness, Proportional Control Only. This harness combined with p/n 4922048 Valve Harness. (Prior to SN 0300044253)	3-C
318A	4460449	3	DIN Connector without Diode	
321		Ref	Add-on Harness Options (Not Shown):	
321	Not Required	0	Deutz and Ford Engine Machines	
321	4922268	1	Isuzu Engine Machines	
321A	3990010	1	Diode 6 Amp (Not Shown)	
		Ref	GROUND CONTROL BOX ASSY COMPONENTS	
401	4922048	1	Valve Harness Assembly	4-G
401A	4460499	19	DIN Connector with Diode	
401B	4460320	1	Connector - 2 Position	
401C	4460267	2	Pin, Male	
401D	4460424	1	Connector - 2 Position	
401E	4460268	5	Socket, Female	
401F	4460539	1	Housing, Terminal - 3 Position	
401G	4460465	3	Socket, Female	
401H	4460445	1	Connector - 3 Position (Not Shown)	
401J	4460449	1	DIN Connector without Diode	
402		Ref	Engine Harness Assembly Options (See Items 501-575 for Breakdown)	
402	4922050	1	Deutz Engine Machines	
402	4922049	1	Ford Engine Machines with Carburetor (Prior to SN	

PARTS FINDER

**Search Website
by Part Number**



**Search Manual
Library For Parts
Manual & Lookup Part
Numbers – Purchase
or Request Quote**

**Can't Find Part or
Manual? Request Help
by Manufacturer,
Model & Description**

Discount-Equipment.com is your online resource for quality parts & equipment.

Florida: **561-964-4949** Outside Florida TOLL FREE: **877-690-3101**

Need parts?

Click on this link: <http://www.discount-equipment.com/category/5443-parts/> and choose one of the options to help get the right parts and equipment you are looking for. Please have the machine model and serial number available in order to help us get you the correct parts. If you don't find the part on the website or on one of the online manuals, please fill out the request form and one of our experienced staff members will get back to you with a quote for the right part that your machine needs.

We sell worldwide for the brands: Genie, Terex, JLG, MultiQuip, Mikasa, Essick, Whiteman, Mayco, Toro Stone, Diamond Products, Generac Magnum, Airman, Haulotte, Barreto, Power Blanket, Nifty Lift, Atlas Copco, Chicago Pneumatic, Allmand, Miller Curber, Skyjack, Lull, Skytrak, Tsurumi, Husquvarna Target, Stow, Wacker, Sakai, Mi-T-M, Sullair, Basic, Dynapac, MBW, Weber, Bartell, Bennar Newman, Haulotte, Ditch Runner, Menegotti, Morrison, Contec, Buddy, Crown, Edco, Wyco, Bomag, Laymor, EZ Trench, Bil-Jax, F.S. Curtis, Gehl Pavers, Heli, Honda, ICS/PowerGrit, IHI, Partner, Imer, Clipper, MMD, Koshin, Rice, CH&E, General Equipment, Amida, Coleman, NAC, Gradall, Square Shooter, Kent, Stanley, Tamco, Toku, Hatz, Kohler, Robin, Wisconsin, Northrock, Oztec, Toker TK, Rol-Air, APT, Wylie, Ingersoll Rand / Doosan, Innovatech, Con X, Ammann, Mecalac, Makinex, Smith Surface Prep, Small Line, Wanco, Yanmar

SECTION 7 - ELECTRICAL

ITEM	PART NUMBER	QTY	DESCRIPTION	REV
402	4922269	1	0300046089) Ford Engine Machines with EFI (SN 0300046089 through 0300065080)	
402	4922242	1	Isuzu Engine Machines	
		Ref	ENGINE HARNESS ASSEMBLIES	
	4922050	Ref	DEUTZ ENGINE MACHINES	5-F
		Ref	FORD ENGINE MACHINES	
	4922049	Ref	Ford Engine Machines (Prior to SN 0300046089)	6-E
	4922269	Ref	Ford Engine Machines (SN 0300046089 through 0300065080)	7-G
	4922242	Ref	ISUZU ENGINE MACHINES	4-E
535	4460424	1	Connector - 2 Position	
536	4460268	AR	Socket, Female	
537	4460320	2	Connector - 2 Position	
538	4460267	AR	Pin, Male	
539	4460499	AR	DIN Connector with Diode	
550		Ref	Plug, Sealed Options:	
550	Not Required	0	Deutz/Isuzu Engine Machines	
550	4460374	1	Ford Engine Machines	
551		Ref	Terminal Options:	
551	Not Required	0	Deutz/Isuzu Engine Machines	
551	4460375	5	Ford Engine Machines	
554		Ref	Seal, Terminal Only (Prior to SN 0300046089)	
554	Not Required	0	Deutz/Isuzu Engine Machines	
554	4460608	12	Ford Engine Machines	
555		Ref	Terminal Only (Prior to SN 0300046089)	
555	Not Required	0	Deutz/Isuzu Engine Machines	
555	4460589	12	Ford Engine Machines	
556		Ref	Housing - 4 Position Only (Prior to SN 0300046089)	
556	Not Required	0	Deutz/Isuzu Engine Machines	
556	4460590	1	Ford Engine Machines	
557		Ref	Lock, Terminal Only (Prior to SN 0300046089)	
557	Not Required	0	Deutz/Isuzu Engine Machines	
557	4460591	1	Ford Engine Machines	
558		Ref	Housing - 8 Position Only (Prior to SN 0300046089)	
558	Not Required	0	Deutz/Isuzu Engine Machines	
558	4460587	1	Ford Engine Machines	
559		Ref	Lock, Terminal Only (Prior to SN 0300046089)	
559	Not Required	0	Deutz/Isuzu Engine Machines	
559	4460588	1	Ford Engine Machines	
560		Ref	Terminal	
560	Not Required	0	Deutz Engine Machines	
560	4460797	3	Isuzu Engine Machines	
560	4460582	3	Ford Engine Machines	
561		Ref	Lock, Terminal	
561	Not Required	0	Deutz Engine Machines	
561	4460580	1	Isuzu Engine Machines	
561	4460580	1	Ford Engine Machines	
562		Ref	Housing - 3 Position	
562	Not Required	0	Deutz Engine Machines	
562	4460579	1	Isuzu Engine Machines	
562	4460579	1	Ford Engine Machines	
563	4460460	1	Connector, Male - 4 Position	

SECTION 7 - ELECTRICAL

ITEM	PART NUMBER	QTY	DESCRIPTION	REV
564	4460457	6	Terminal, Female	
565	4460458	6	Seal, Terminal	
566		Ref	Housing - 6 Position	
566	Not Required	0	Deutz Engine Machines	
566	4460784	1	Isuzu Engine Machines	
566	4460783	5	Terminal, Spade	
566	Not Required	0	Ford Engine Machines	
567		Ref	Lock, Terminal	
567	4460591	1	Deutz/Isuzu Engine Machines	
567	Not Required	0	Ford Engine Machines	
568		Ref	Socket, Female	
568	4460589	3	Deutz/Isuzu Engine Machines	
568	Not Required	0	Ford Engine Machines	
569		Ref	Seal, Terminal	
569	4460608	3	Deutz/Isuzu Engine Machines	
569	Not Required	0	Ford Engine Machines	
570		Ref	Housing - 2 Position	
570	Not Required	0	Deutz Engine Machines	
570	4460780	1	Isuzu Engine Machines	
570	4460781	2	Socket, Female	
570	Not Required	0	Ford Engine Machines	
571		Ref	Seal, Terminal (14-16 Ga.)	
571	Not Required	0	Deutz Engine Machines	
571	4460458	1	Isuzu Engine Machines	
571	4460789	2	Seal, Terminal (10-12 Ga.)	
571	Not Required	0	Ford Engine Machines	
572		Ref	Connector - 3 Position	
572	Not Required	0	Deutz Engine Machines	
572	4460459	1	Isuzu Engine Machines	
572	Not Required	0	Ford Engine Machines	
573	4460457	1	Socket, Female (14-16 Ga.)	
573	Not Required	0	Deutz Engine Machines	
573	4460457	1	Isuzu Engine Machines	
573	Not Required	0	Ford Engine Machines	
574	4460449	1	DIN Connector without Diode Only (Prior to SN 0300044253)	
575		Ref	Housing, Terminal	
575	4460777	1	Deutz Engine Machines	
575	4460777	1	Isuzu Engine Machines	
575	Not Required	0	Ford Engine Machines Note: Items 576-583 used on Ford Engine Machines Only.	
576	4460713	1	Connector - 42 Position (SN 0300046089 through 0300065080)	
577	4460725	1	Lock, Wedge (Center) (SN 0300046089 through 0300065080)	
577	4460726	1	Lock, Wedge (Right) (SN 0300046089 through 0300065080)	
578	4460800	27	Plug, Hole (SN 0300046089 through 0300065080)	
579	4460799	9	Pin, Male 16-18GA (SN 0300046089 through 0300065080)	
579	4460728	4	Pin, Male 12-14GA (SN 0300046089 through 0300065080)	
580	2400061	2	Fuse (Not Shown) (SN 0300046089 through 0300065080)	
581	2400060	2	Holder, Fuse (Not Shown) (SN 0300046089 through 0300065080)	
583	4460742	1	Connector, Male - 2 Position (SN 0300051983 through 0300065080)	
		Ref	STANDARD HARNESS COMPONENTS	

SECTION 7 - ELECTRICAL

ITEM	PART NUMBER	QTY	DESCRIPTION	REV
601	Not Available	1	Tilt Indicator Harness	
601A	4460268	6	Socket, Female	
601B	4460224	1	Connector, Female - 6 Position	
602	Not Available	1	Throttle Actuator/Controller Harness (Deutz and Isuzu)	
602	0060033	NLA	Throttle Actuator and Controller Assembly (Use p/n 2910000)	
602	7008833	1	Mounting Clamp Kit (Not Shown)	
602	7008836	1	Spring, Retract (Not Shown)	
602A	See Note	NSS	Throttle Actuator and Harness (Note: Use p/n 2910000)	
602A	7016336	1	Boot Kit	
602B	See Note	9	Pin, Male (Note: Not Available - Use p/n 2910000)	
602C	See Note	1	Connector, Male (Note: Not Available - Use p/n 2910000)	
602D	2910001	NLA	Controller and Harnesses (Use p/n 2910000)	
602E	See Note	9	Socket, Female (Note: Not Available - Use p/n 2910000)	
602F	See Note	1	Connector, Female (Note: Not Available - Use p/n 2910000)	
602G	See Note	1	Connector - 4 Position (Note: Not Available - Use p/n 2910000)	
602G	4460693	4	Pin, Male	
602G	4460591	1	Clip	
602G	4460608	4	Seal, Terminal	
603	See Note	1	Sunstrand Pump Harness (Note: Not Available for Purchase)	
603A	7007497	1	Plug (Pump End)	
603B	7007498	1	Plug (Engine Harness End)	
604	See Note	NSS	Controller Harness Assembly (Lift and Swing) (Note: See PLATFORM SECTION for Options)	
604A	4460266	1	Connector, Female - 9 Position	
604A	4460267	9	Pin, Male	
604B	See Note	2	Connector, Male - 4 Position (Note: See PLATFORM SECTION for Options)	
604B	See Note	8	Pin, Male (Note: See PLATFORM SECTION for Options)	
604C	See Note	2	Connector, Female - 4 Position (Note: See PLATFORM SECTION for Options)	
604C	See Note	8	Socket, Female (Note: See PLATFORM SECTION for Options)	
604D	See Note	2	Connector, Female - 3 Position (Note: See PLATFORM SECTION for Options)	
604D	See Note	6	Socket, Female (Note: See PLATFORM SECTION for Options)	
605	7019124	1	Controller Harness/Circuit Board Assembly (Drive and Steer)	
605A	4460265	1	Connector - 9 Position	
605A	4460268	9	Socket, Female	
606		Ref	Ford Engine Harness Options (For replacement parts refer to Ford engine dealer (Ford Engine Machines):	
606	7019980	1	Ford Engine Harness (Prior to SN 0300046089)	
606	7022137	1	Ford Engine Harness (Engine Control Processor Harness) (SN 0300046089 through 0300065080)	
607	See Note	NSS	Speed Controller Harness Assembly (Note: Not Available - Purchase Complete controller)	
607A	4460265	1	Connector - 9 Position	
607A	4460267	9	Pin, Male	
608	4360464	1	Proximity Switch and Harness Assembly (Harness Not Sold Separately)	
609	4922197	1	Proximity Switch Relay and Harness Assembly (Harness Not Sold Separately/See PLATFORM SECTION for Relay Components)	
610	See Note	1	Limit Switch Harness Assembly (Note: Not Available for Purchase)	

SECTION 7 - ELECTRICAL

ITEM	PART NUMBER	QTY	DESCRIPTION	REV
610	1060341	66 ft/20.1m	Cable, Electrical 16/2	
611	0259198	1	Fuel - On Timer Module and Harness Assembly (Isuzu Engine Machines Only)	
611A	4460476	1	Connector, Female - 3 Position	
611B	4460475	3	Pin, Male	
611C	4460459	1	Connector - 3 Position	
611D	4460457	3	Socket, Female	
611E	4460458	6	Seal, Terminal	
612	See Note	1	Relay Harness (Isuzu Engine Machines) (Note: Not Available for Purchase)	
612A	4460476	1	Connector, Female - 3 Position	
612B	4460475	3	Pin, Male	
613	See Note	1	Dual Fuel Shut-Off Filter Harness (Note: Not Available for Purchase)	
613A	7023679	1	Electrical Connector Kit (Includes [1] 2 Position Connector, 2 Pins and 2 Seals)	
		Ref	OPTIONAL HARNESS COMPONENTS	
702	4921927		Articulating Jib Valve Harness Options (450AJ Only)	
702A	4460326	1	Connector - 3 Position	
702B	4460267	3	Pin, Male	
702C	4460449	2	DIN Connector without Diode	
703	See Note	NSS	Alarm Harness (Note: Purchase Complete Alarm)	
703A	4460424	1	Connector - 2 Position	
703B	4460268	2	Socket, Female	
704	See Note	NSS	Strobe Light Harness (Note: Purchase Complete Light)	
704A	4460320	1	Connector, Female - 2 Position	
704B	4460267	2	Pin, Male	
705		Ref	AC to Platform Receptacle Components Options	
705	0258303	Ref	110V GFI Receptacle	3
705	0258305	Ref	220V GFI Receptacle	3
705A	0860038	1	Box, Switch	
705A	3960422	1	Gasket	
705B		Ref	Receptacle Options:	
705B	4460346	1	110V GFI	
705B	4460125	1	220V GFI	
705C		Ref	Shield, Cover Options:	
705C	4060700	1	110V GFI	
705C	4060092	1	220V GFI	
705D	4460071	1	Connector, Strain Relief	
705E		Ref	Plug, Male Options:	
705E	4460205	2	110V GFI	
705E	4460233	2	220V GFI	
705F		Ref	Harness-Receptacle Box to Boom Options Only: (Prior to SN 0300041790)	
705F	4921801	1	110V	
705F	See Note	1	220V (Note: Not Available for Purchase)	
705F	1060494	18 in/47cm	Cable, Electrical - 12/3	
705G	4460205	1	Plug, Male (110V)	
705G	4460233	1	Plug, Male (220V)	
705H	4460134	1	Receptacle, Female	
706		Ref	Generator Electrical Components	

SECTION 7 - ELECTRICAL

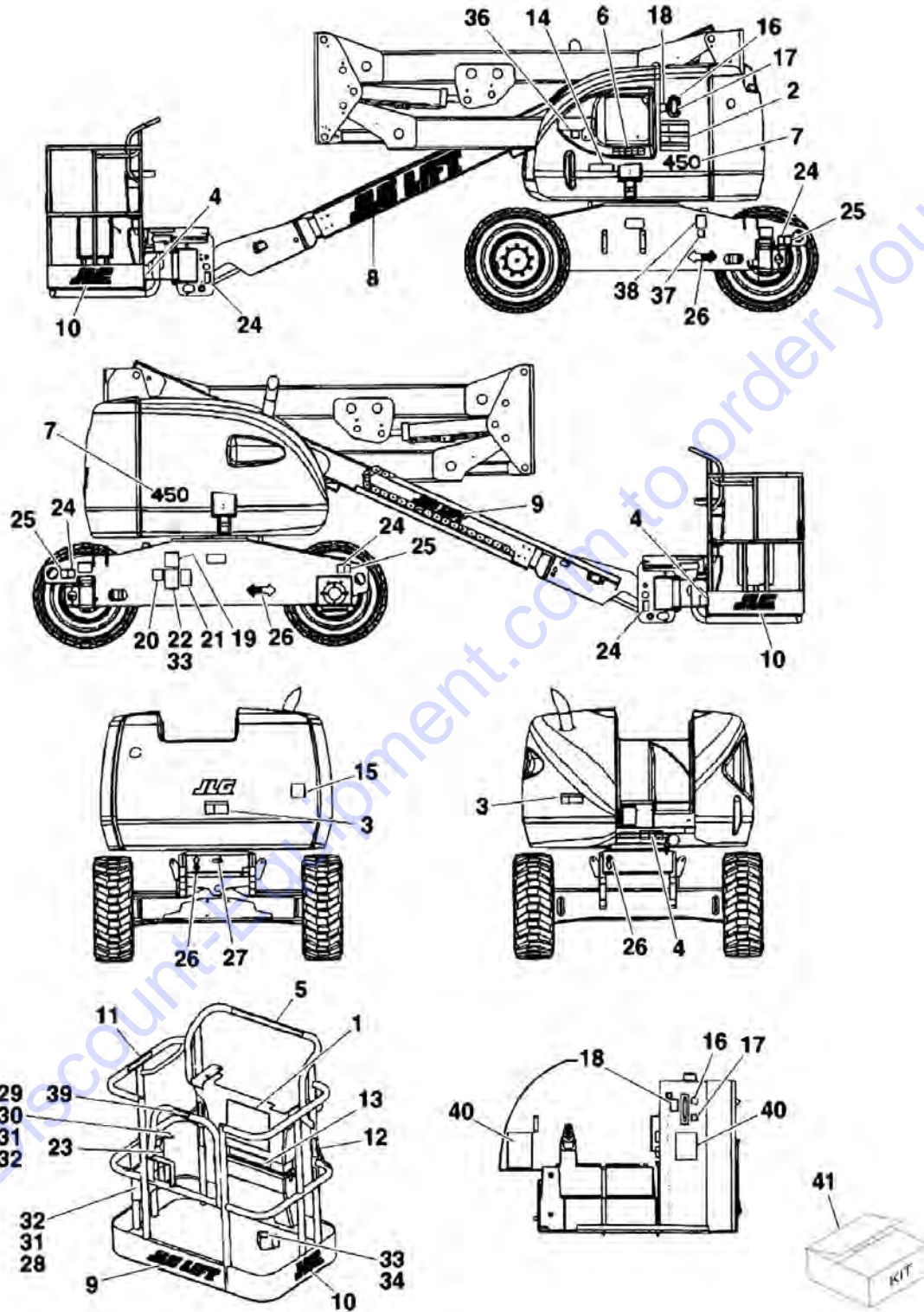
ITEM	PART NUMBER	QTY	DESCRIPTION	REV
706	4932915	1	110Volt (Prior to SN 0300056107)	2-C
706	4933150	1	110Volt (SN 0300056107 through 0300065080)	2-B
706	4932989	1	220Volt (Prior to SN 0300056107)	1-B
706	4933149	1	220Volt (SN 0300056107 through 0300065080)	2-B
706	3990010	1	Diode - 6 Amp (Not Shown)	
706A	4921938	1	Harness - On/Off Switch (Powermite Control Box to Ground Control Box)	
706B	4460027	1	Receptacle, Electrical (Industrial) (110V)	
706B	4460125	1	Receptacle, Electrical (220V)	
706C	4460190	1	Receptacle, Electrical (Standard) (110V)	
706C	4460125	1	Receptacle, Electrical (220V)	
707	4922432	1	Harness - Generator Timer to Relay (Not Shown - Located in Ground Control Box) (SN 0300056107 through 0300065080)	
708	4921827	1	Generator to Rear of Boom Harness (110V)	
708	4921954	1	Generator to Rear of Boom Harness (220V)	
		Ref	Note: Harness used to connect AC at platform harness to generator receptacle to power platform receptacle.	
708	1060494	26 ft/8m	Cable, Electrical - 12/3	
708A	4460205	1	Plug, Male (110V)	
708A	4460233	1	Plug, Male (220V)	
708B	4460134	1	Receptacle, Female (110V)	
708B	4460701	1	Receptacle, Female (220V)	
709	2920140	2	Platform Worklights Harness (Includes Light and Wire Only)	
709	2820035	9 ft/2.8m	Loom, Vinyl	
709A	4460598	1	Connector, Strain Relief	
709A	4460442	2	Terminal (Not Shown-Located in Platform Console)	
710	4922140	1	2WD/4WD Valve Harness Assembly	
710A	4460499	3	DIN Connector with Diode	
711	Not Available	1	Lights Harness	
711	1060341	37	Cable, Electrical - 16/2	
		ft/11.3m		
712 to 714	Not Required	0	Not Required	
		Ref	TOOLS	
	4921850	1	Service Harness (For Setting Deutz Throttle Actuator)	
801	7002821	1	Crimper (For Wire to Pin/Socket Connections)	
802	7002823	1	Extractor (For Removal of Pin/Socket from Connectors)	
803	4460467	1	Extractor, Pin (Blue 16-18 Gauge) (For Removal of Pin/Socket from Connectors)	
803	4460510	1	Extractor, Pin (Yellow 12-14 Gauge) (For Removal of Pin/Socket from Connectors)	
804	7002828	1	Stripper, Wire	

SECTION 8 - DECALS

Go to Discount-Equipment.com to order your parts

SECTION 8 - DECALS

FIGURE 8-1. DECALS INSTALLATION (STANDARD)



SECTION 8 - DECALS

FIGURE 8-1. DECALS INSTALLATION (STANDARD)

ITEM	PART NUMBER	QTY	DESCRIPTION	REV
		Ref	STANDARD DECAL INSTALLATIONS	
	0258347	Ref	Standard Decal Installations 450A	6
	0258348	Ref	Standard Decal Installations 450AJ	6
	0271017	Ref	JLG Logo Decals	1
1	1703797	1	Decal - Danger/Warning	
2	1703798	1	Decal - Danger/Warning	
3	1703805	2	Decal - Danger/Electrocution	
4	1703804	3	Decal - Warning/Crushing	
5	1702784	1	Decal - Legend	
6	1703808	1	Decal - Legend	
7		Ref	Decal - Model Options:	
7	1703774	2	Decal - Model 450A	
7	1703775	2	Decal - Model 450AJ	
8	1702860	1	Decal - JLG Lift (5in)	
9	1702774	2	Decal - JLG Lift (3 1/2in)	
10	1702773	2	Decal - JLG (5in)	
11	1702868	2	Decal - - No Hands	
12		Ref	Decal - Attach Lanyard Here Options:	
12	1702612	3	Decal - Attach Lanyard Here (Prior to SN 0300061091)	
12	1704277	3	Decal - Attach Lanyard Here (SN 0300061091 through 0300065080)	
13	1701645	1	Decal - 500LBS Max Capacity	
14	1702688	1	Decal - 500LBS Max Capacity	
15	3251813	1	Decal - USA	
16	1701502	2	Decal - High Oil Level	
17	1701503	2	Decal - Low Oil Level	
18	1701504	2	Decal - Hydraulic Oil	
19	1702153	1	Decal - Inspection	
20	See Note	1	Decal - Bar Code (Note: Not Available for Purchase)	
21	1700584	1	Decal - Patent	
22	See Note	1	Nameplate - Serial Number (Note: Not Available for Purchase)	
23	1701509	1	Decal - Manual	
24	1702300	6	Decal - Tie Down /Lift	
25	1701500	4	Decal - Tie Down /Lift	
26	1701529	4	Decal- Arrow	
27		Ref	Nameplate Options:	
27	3251243	1	120V-60Hz	
27	3252507	1	220V-/5060Hz	
28	0860520	1	Box, Manual Storage	
29	1060279	1	Cable, Lanyard	
30	0641408	1	Bolt 1/4in-20NC x 1in	
31	4751400	6	Flatwasher 1/4in	
32	3311405	5	Locknut 1/4in-20NC	
33	3820001	AR	Rivet	
34	3252347	1	Decal - Footswitch (Part of 4360031 Footswitch)	
36		Ref	Decal - Fuel	
36	1701542	1	Ford Engine Machines	
36	1701505	1	Deutz Engine Machines	
37		Ref	Decal - LPG Gas	
37	Not Required	0	Non-Dual Fuel Machines	

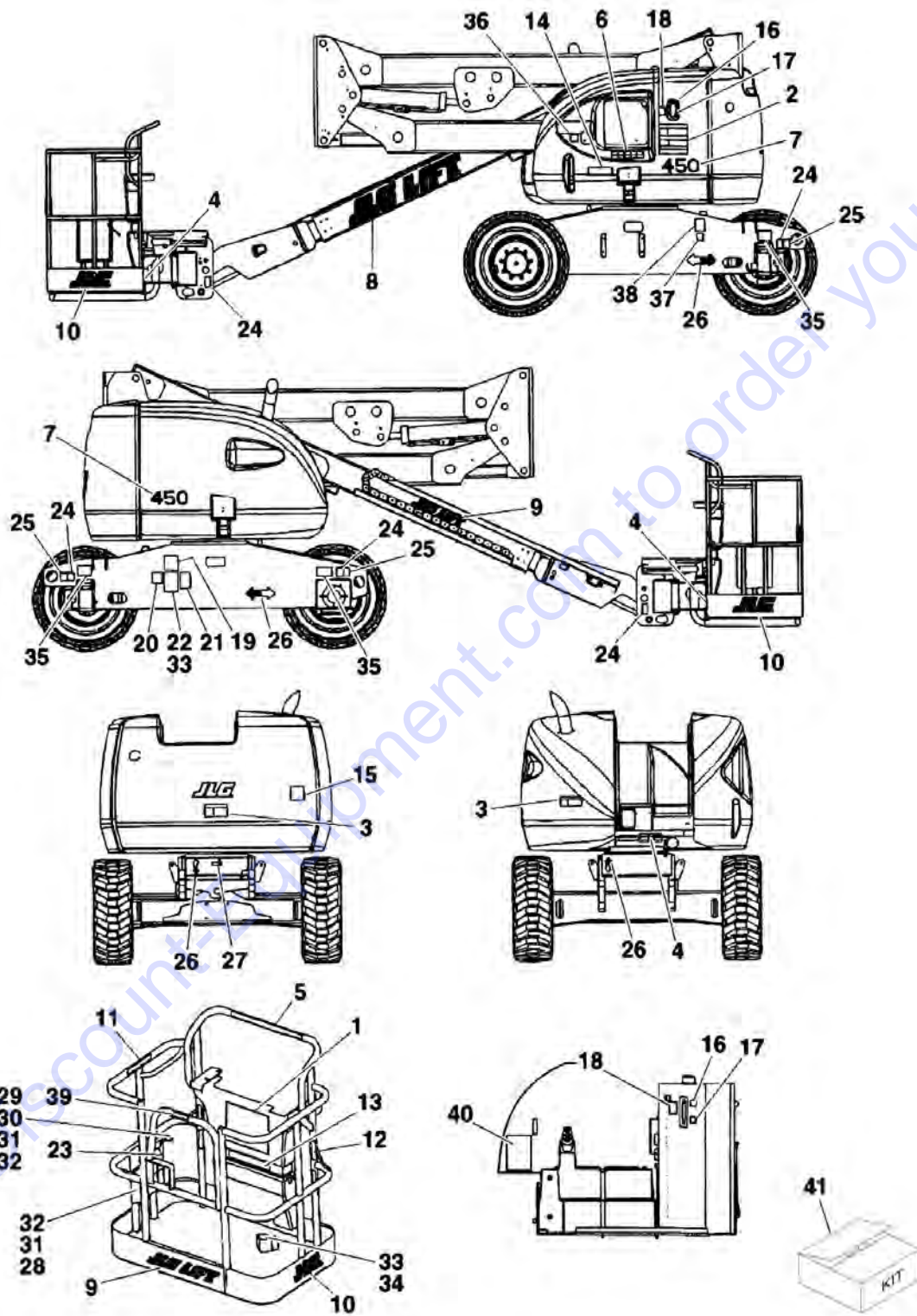
SECTION 8 - DECALS

ITEM	PART NUMBER	QTY	DESCRIPTION	REV
37	1701543	1	Dual Fuel Machines	
38		Ref	Decal - LP Gas Liquid Withdrawal System	
38	Not Required	0	Non-Dual Fuel Machines	
38	1700818	1	Dual Fuel Machines	
40	1702265	1	Decal - Upright Level Override	
41	2910061		Decal Kit (Includes Items 1-19, 21, 23-27 & 40)	

Go to Discount-Equipment.com to order your parts

SECTION 8 - DECALS

FIGURE 8-2. DECALS INSTALLATION (COUNTRY SPECS)



SECTION 8 - DECALS

FIGURE 8-2. DECALS INSTALLATION (COUNTRY SPECS)

ITEM	PART NUMBER	QTY	DESCRIPTION	REV
		Ref	DECAL INSTALLATIONS	
	0258369	Ref	Decal Installations 450A Canadian Spec (English/French Languages)	5
	0258371	Ref	Decal Installations 450A Chinese Spec (English/Chinese Languages)	2
	0258367	Ref	Decal Installations 450A Domestic2 Spec (English/Spanish Languages)	4
	0258363	Ref	Decal Installations 450A Japanese Spec	2
	0258365	Ref	Decal Installations 450A Korean Spec	2
	0258373	Ref	Decal Installations 450A Latin American/Brazil Spec (Spanish/Portuguese Languages)	6
	0258370	Ref	Decal Installations 450AJ Canadian Spec (English/French Languages)	5
	0258372	Ref	Decal Installations 450AJ Chinese Spec (English/Chinese Languages)	2
	0258368	Ref	Decal Installations 450AJ Domestic2 Spec (English/Spanish Languages)	4
	0258364	Ref	Decal Installations 450AJ Japanese Spec	2
	0258366	Ref	Decal Installations 450AJ Korean Spec	2
	0258374	Ref	Decal Installations 450AJ Latin American/Brazilian Spec (Spanish/Portuguese Languages)	6
	0271017	Ref	JLG Logo Decals	1
1		Ref	Decal - Danger/Warning Options:	
1	1703924	1	Canadian Spec	
1	1703925	1	Chinese Spec	
1	1703923	1	Domestic2 Spec	
1	1703926	1	Japanese Spec	
1	1703927	1	Korean Spec	
1	1703928	1	Latin American/Brazilian Spec	
2		Ref	Decal - Danger/Warning Options:	
2	1703930	1	Canadian Spec	
2	1703931	1	Chinese Spec	
2	1703929	1	Domestic2 Spec	
2	1703932	1	Japanese Spec	
2	1703933	1	Korean Spec	
2	1703934	1	Latin American/Brazilian Spec	
3		Ref	Decal - Danger Electrocutation Options:	
3	1703936	1	Canadian Spec	
3	1703937	1	Chinese Spec	
3	1703938	1	Japanese Spec	
3	1703939	1	Korean Spec	
3	1703940	1	Latin American/Brazilian Spec	
4		Ref	Decal - Warning/Crushing	
4	1703948	3	Canadian Spec	
4	1703949	3	Chinese Spec	
4	1703950	3	Japanese Spec	
4	1703951	3	Korean Spec	
4	1703935	3	Domestic2 Spec	
4	1703952	3	Latin American/Brazilian Spec	
5		Ref	Decal - Legend Options:	
5	1702784	1	Canadian/Domestic2 Spec	

SECTION 8 - DECALS

ITEM	PART NUMBER	QTY	DESCRIPTION	REV
5	Not Required	0	Chinese/Japanese/Korean/Latin American/Brazilian Spec	
6		Ref	Decal - Legend Options:	
6	1703808	1	Canadian/Domestic2 Spec	
6	Not Required	0	Chinese/Japanese/Korean/Latin American/Brazilian Spec	
7		Ref	Decal - Model Options:	
7	1703774	2	Decal - Model 450A	
7	1703775	2	Decal - Model 450AJ	
8	1702860	1	Decal - JLG Lift (5 in)	
9	1702774	2	Decal - JLG Lift (3 1/2 in)	
10	1702773	2	Decal - JLG (5 in)	
11		Ref	Decal - No Hands Options:	
11	1704000	2	Canadian Spec	
11	1704001	2	Domestic2 Spec	
11	1704002	2	Latin American/Brazilian Spec	
11	Not Required	0	Chinese/Japanese/Korean Spec	
12		Ref	Decal - Attach Lanyard Options:	
12	1704003	3	Canadian Spec (Prior to SN 0300061091)	
12	1704277	3	Canadian Spec (SN 0300061091 through 0300065080)	
12	1704004	3	Domestic2 Spec (Prior to SN 0300061091)	
12	1704277	3	Domestic2 Spec (SN 0300061091 through 0300065080)	
12	1704005	3	Latin American/Brazilian Spec (Prior to SN 0300061091)	
12	1704277	3	Latin American/Brazilian Spec (SN 0300061091 through 0300065080)	
12	Not Required	0	Chinese/Japanese/Korean Spec	
13	1703996	1	Decal - 500LBS Max Capacity	
14		Ref	Decal - 500LBS Max Capacity Options:	
14	1702688	1	Canadian Spec (Prior to SN 0300046476)	
14	1704112	1	Canadian Spec (SN 0300046476 through 0300065080)	
14	1702688	1	Latin American Spec (Prior to SN 0300051137)	
14	1704112	1	Latin American Spec (SN 0300051137 through 0300065080)	
14	1702688	1	Domestic2/Brazilian Spec (Prior to SN 0300061091)	
14	1704112	1	Domestic2/Brazilian Spec (SN 0300061091 through 0300065080)	
14	Not Required	0	Chinese/Japanese/Korean Spec	
15		Ref	Decal - USA Options:	
15	3251813	1	Canadian/Domestic2/Latin American/Brazilian Spec	
15	Not Required	0	Chinese/Japanese/Korean Spec	
16	1701502	2	Decal - High Oil Level	
17	1701503	2	Decal - Low Oil Level	
18	1701504	2	Decal - Hydraulic Oil	
19		Ref	Decal - Inspection Options:	
19	1704006	1	Canadian Spec	
19	1704007	1	Domestic2 Spec	
19	1704008	1	Latin American/Brazilian Spec	
19	Not Required	0	Chinese/Japanese/Korean Spec	
20	See Note	1	Decal - Bar Code (Note: Not Available for Purchase)	
21	1700584	1	Decal - Patent	
22	See Note	1	Nameplate - Serial Number (Note: Not Available for Purchase)	
23	1701509	2	Decal - Manual	
24	1702300	6	Decal - Tie Down/Lift	
25	1701500	4	Decal - Tie Down/Lift	
26	1701529	4	Decal - Arrow	

SECTION 8 - DECALS

ITEM	PART NUMBER	QTY	DESCRIPTION	REV
27		Ref	Decal Options:	
27	3251243	1	120V-60Hz - Canadian/Domestic2/Latin American/Brazilian Spec	
27	3252507	1	220V-50/60Hz - Canadian/Domestic2/Latin American/Brazilian Spec	
27	Not Required	0	Chinese/Japanese/Korean Spec	
28	0860520	1	Box, Manual Storage	
29	1060279	1	Cable, Lanyard	
30	0641408	1	Bolt 1/4in-20NC x 1in	
31	4751400	6	Flatwasher 1/4in	
32	3311405	5	Locknut 1/4in-20NC	
33	3820001	AR	Rivet	
34		Ref	Decal - Footswitch	
34	1703984	1	Canadian Spec	
34	1703982	1	Chinese Spec	
34	1703983	1	Domestic2 Spec	
34	1703980	1	Japanese Spec	
34	1703981	1	Korean Spec	
34	1703985	1	Latin American/Brazilian Spec	
35		Ref	Decal - Maximum Tire Load Options:	
35	Not Required	0	Canadian/Domestic2 Spec/Latin American/Brazilian Spec	
35	1703809	4	Chinese/Japanese/Korean Spec	
36		Ref	Decal - Fuel Options:	
36	1701542	1	Ford Engine Machines	
36	1701505	1	Deutz Engine Machines	
37		Ref	Decal - LPG Gas	
37	Not Required	0	Non-Dual Fuel Machines	
37	1701543	1	Dual Fuel Machines	
38		Ref	Decal - LP Gas Liquid Withdrawal System	
38	Not Required	0	Non-Dual Fuel Machines	
38	1700818	1	Dual Fuel Machines (English Language)	
38	1704271	1	Dual Fuel Machines (Canadian Spec)	
38	1702720	1	Dual Fuel Machines (Spanish Language)	
39		Ref	Decal - CSA Options:	
39	3252221	1	Canadian Spec	
39	Not Required	0	Chinese/ Domestic2/ Japanese/ Korean/ Latin American/ Brazilian Spec	
40		Ref	Decal - Upright Level Override Options:	
40	1702265	1	Canadian Spec	
40	1703988	1	Chinese Spec	
40	1703989	1	Domestic2 Spec	
40	1703986	1	Japanese Spec	
40	1703987	1	Korean Spec	
40	1703991	1	Latin American/Brazilian Spec	
41		Ref	Decal Kit Options (Includes items 1-19, 21, 23-27, 34, 35 & 40 when equipped with that spec):	
41	2910115	1	Canadian Spec	
41	2910114	1	Domestic2 Spec	
41	2910116	1	Chinese Spec	
41	2910112	1	Japanese Spec	
41	2910113	1	Korean Spec	
41	2910117	1	Latin American/Brazilian Spec	

SECTION 9 - RECOMMENDED SERVICE PARTS STOCK

SECTION 9 - RECOMMENDED SERVICE PARTS STOCK

Go to Discount-Equipment.com to order your parts

SECTION 9 - RECOMMENDED SERVICE PARTS STOCK

FIGURE 9-1. MODELS 450A/450AJ WITH PROPORTIONAL CONTROLS STANDARD PARTS

ITEM	PART NUMBER	QTY	DESCRIPTION	REV
	Note	Ref	Note: The following list will service machines (built to current production per date on the front cover) with emergency repair parts which can be installed in the field. Parts from the list should be replaced when inventory is depleted to keep service parts stock supplied. For further Information, go to Discount-equipment.com.	
		Ref	STANDARD PARTS	
	7012944	1	Coil	
	7012943	1	Coil	
	2120150	4	Element, Filter	
	2120158	4	Element Filter	
	7017451	1	Coil	
	7012664	1 Dozen	Element, Air Cleaner	
	3740067	1	Relay	
	4360501	1	Breaker, Circuit	
	7007496	1	Coil	
	7014811	1	Breather, Hydraulic Tank	
	4360475	1	Switch, Mushroom	
	4360469	1	Switch, Key	
	2860030	1	Key, Replacement	
	3740112	1	Relay	
	4360314	1	Switch, Toggle	
	4360476	1	Contact, Switch Block	
	3740049	1	Relay	
	3740113	1	Relay, Timer	
	2940074	1	Latch	
	3740115	1	Relay, Timer	
	4360387	1	Switch, Push Button	
	3740058	1	Relay	
	4360232	1	Breaker, Circuit	
	7003961	1	Microswitch	
	7019178	1	Potentiometer	
	7019190	1	PC Board Assembly (Lift)	
	7019189	1	PC Board Assembly (Swing)	
	7019124	1	Board, Circuit with Potentiometer	
	7019182	1	Switch, Rotary	
	7019187	1	Board, Circuit with Potentiometer	
	3990010	2	Diode	
	3990001	2	Diode	
	4360464	1	Switch, Proximity	

SECTION 9 - RECOMMENDED SERVICE PARTS STOCK

FIGURE 9-2. MODELS 450A/450AJ WITH PROPORTIONAL CONTROLS VARIABLE PARTS

ITEM	PART NUMBER	QTY	DESCRIPTION	REV
	Note	Ref	Note: The following list will service machines (built to current production per date on the front cover) with emergency repair parts which can be installed in the field. Parts from the list should be replaced when inventory is depleted to keep service parts stock supplied. For further information, go to Discount-equipment.com.	
		Ref	VARIABLE PARTS	
	7016331	1 dz	Filter, Oil (Deutz Engine Machines)	
	7020023	1 dz	Filter, Fuel (Deutz Engine Machines)	
	7014501	1 dz	Filter, Oil (Ford Engine Machines)	
	7021868	1 dz	Filter, Fuel (Ford Engine Machines)	
	3740080	1	Relay (Ford Engine Machines)	
	7022111	1 dz	Filter, Oil (Isuzu Engine Machines)	
	7022113	1 dz	Filter, Fuel (Isuzu Engine Machines)	
	0259198	1	Relay, Timer (Isuzu Engine Machines)	
	3740080	1	Relay (Machines with Generator Option)	
	4360501	1	Breaker, Circuit (Deutz and Isuzu Engine Machines with Generator Option)	
	4360336	1	Switch, Toggle (Machines with Generator Option)	
	3740118	1	Timer, Delay (4WD Machines)	
	4360321	1	Switch, Limit	
	4360057	1	Switch, Limit (Soft Touch System)	
	2400061	2	Fuse (Ford Engine Machines)	

SECTION 10 - SPECIAL OPTIONS

Go to Discount-Equipment.com to order your parts

SECTION 10 - SPECIAL OPTIONS

FIGURE 10-1. SPECIAL OPTIONS

ITEM	PART NUMBER	QTY	DESCRIPTION	REV
		Ref	MISCELLANEOUS SPECIAL OPTIONS	
	Note	Ref	Note: This list is to accommodate machines ordered with special equipment. Options may not be applicable to all models. For more specific parts information go to Discount-equipment.com.	
	1340061	Ref	Air Cleaner with Dust Evacuator Valve	
	0270723	Ref	Beacon Installation Mounted Under Platform	
		Ref	Bellows Installations	
	0258807	Ref	Bellows Installations 450A with Oscillating Axle	
	0258808	Ref	Bellows Installations 450A with Fixed Axle	
	0258804	Ref	Bellows Installations 450AJ with Oscillating Axle	
	0258806	Ref	Bellows Installations 450AJ with Fixed Axle	
	0258443	Ref	Boom Wiper Installation	
	0256789	Ref	Camera Mount Assembly	
		Ref	Cold Weather Start Kits	
	0258921	Ref	Deutz Engine Machines (Ether)	
	0258920	Ref	Deutz Engine Machines (Glow Plugs)	
	0258923	Ref	Ford Engine Machines	
	0258999	Ref	Isuzu Engine Machines	
		Ref	Decal Installation	
	1702788	1	Decal - Biodegradable Hydraulic Fluid (All except German Spec)	
	1703479	1	Decal - Biodegradable Hydraulic Fluid (German Spec Only)	
	0257195	Ref	Decal - Government Warranty Installation	
	1704150	1	Decal - Glow Plug Warning	
	0274530	1	Decal - H and E Small400	
	1703175	1	Decal - Lanyard Attach (GM K-1 Spec)	
	0270464	1	Decal - Nations Rent	
	1702962	1	Decal - Prop 65 Warning (Diesel Machines) (California Spec)	
	1702961	1	Decal - Prop 65 Warning (Gasoline Machines) (California Spec)	
	0271111	Ref	Decal Installation - Sunbelt	
	0270956	Ref	Decal Installation - United Rentals	
		Ref	Electrical Connector Kit Options:	
	1001148902	Ref	Electrical Connector Kit - Amp/Tyco Electrical Connectors	
	1001148903	Ref	Electrical Connector Kit - Deutsch DT Electrical Connectors	
	1001148904	Ref	Electrical Connector Kit - Deutsch HD Electrical Connectors	
	1001148905	Ref	Electrical Connector Kit - Packard Electrical Connectors	
	1001148906	Ref	Electrical Connector Kit - Various Electrical Connectors	
	0258922	Ref	Engine Block Heater Installation (Ford Engines)	
	0258919	Ref	Ether Start Installation (Deutz Engine Machines)	
		Ref	Footswitch Shield Installation	
	4060959	1	Shield, Footswitch	
	0258835	Ref	Glow Plug Installation (Deutz Engine Machines)	
		Ref	Lift Companion Components	
		Ref	Data Recorder Installations:	
	0258584	Ref	Lift Companion 5	
	0258585	Ref	Lift Companion 6	
	2901662	Ref	Start up Kit	
		Ref	Collection Box Kits:	
	2901659	Ref	All Specs except Latin American	

SECTION 10 - SPECIAL OPTIONS

ITEM	PART NUMBER	QTY	DESCRIPTION	REV
	2901663	Ref	Latin American Spec	
	0258430	Ref	Noise Reduction Components Installation (Deutz Engine Machines)	
	2820099	3	Insulation	
	2820100	2	Insulation	
	3580277	1	Pulley, Fan (Top Only) (Prior to SN 0300041036)	
	3580278	1	Pulley, Fan (Bottom Only) (Prior to SN 0300041036)	
	0258703	Ref	Platform Cover Installation	
	1670870	1	Cover	
	0258427	Ref	Platform Overload Installation	
	2901557	1	Load Sensing Component Kit (Includes Amplifier, Display Unit and Load Cells)	
	0258918	Ref	Platform Utility Rack Assembly (Michigan OSHA Spec)	
		Ref	Service Kits (Note: For contents of kit, go to Discount-equipment.com)	
		Ref	Deutz Engine Machines	
	2910927	Ref	600 Hour Filter Kit (Deutz Engines)	
	1001109679	Ref	Boom Filter Kit (Deutz Engines)	
	1001110989	Ref	Combined Filter Kit (Deutz Engines)	
	1001110138	Ref	Engine Filter Kit (Deutz Engines)	
		Ref	Ford Engine Machines	
	2910947	NLA	300 Hour Filter Kit (Ford LRG-425 Engines (Use p/n 2910455) (Prior to SN 0300046089))	
	1001114118	NLA	600 Hour Filter Kit (Ford LRG-425 Engines with EFI (Use p/n 1001114135) (SN 0300046089 through 0300065080))	
	2910455	Ref	Combined Filter Kit (Ford LRG-425 Engines with Carburetor (Prior to SN 0300039831))	
	1001114117	Ref	Combined Filter Kit (Ford LRG-425 Engines with Carburetor (SN 0300039831 through 0300046089))	
	2910456	NLA	Combined Filter Kit (Ford LRG-425 Engines with EFI (Use p/n 1001114135) (SN 0300046089 through 0300065080))	
	1001114135	Ref	Combined Filter Kit (Ford LRG-425 Engines with EFI (SN 0300046089 through 0300065080))	
		Ref	Tools for Service	
	8896941	1	Wire Stripper	
	7002821	1	Wire Crimper (To install wire ends to wires)	
	7002823	1	Pin/Socket Extractor - Universal (To Remove Pins/Sockets from Connectors)	
	4460467	1	Extractor - 16-18 Gauge (For Removal of Pin/Sockets from Deutsch Connectors)	
	4460510	1	Extractor - 12-14 Gauge (For Removal of Pin/Sockets from Deutsch Connectors)	
	7002822	1	Screwdriver, Potentiometer (To Adjust Drive Controllers)	
	7016654	1	Screwdriver, Magnetic	
	7004275	1	Seal Installation Tool - 1in	
	7004276	1	Seal Installation Tool - 1 1/2in	
	7002826	1	Seal Installation Tool - 2in	
	7016655	1	Wire Rope Sheave Gauge	
	4921850	1	Throttle Service Harness	
	4922012	1	Horsepower Card Service Harness	
	7002840	1	Anti-Rotation Pin Removal Tool (Use to Disassemble Lockout Valve)	
	7016652	1	Huck Fastener Tool (For Small Huck Fastener Only)	
	0257728	Ref	Tube Rack Installation	

PART NUMBER INDEX

Go to Discount-Equipment.com to order your parts

PART NUMBER INDEX

0020005.....47	0258022..... 12	0258920..... 252	0561076.....117
0060033..... 61, 91, 233	0258023..... 20	0258921..... 208, 252	0561300.... 11, 12, 15, 19, 20
0080091..... 72	0258024..... 11	0258922..... 252	0561320.....133
0080124..... 83	0258025..... 19	0258923..... 252	0561321.....133
0080163..... 64	0258026..... 11	0258939..... 91	0561322.....133
0080181..... 93	0258027..... 19	0258999..... 252	0561323.....133
0080201..... 72, 78, 92	0258028..... 24	0259000..... 97	0630401.....133
0080214..... 73, 78	0258029..... 24	0259001..... 97	0630462.....159
0080231..... 62	0258030..... 24	0259128..... 24	0630464.....142
0080232..... 92	0258031..... 24	0259129..... 24	0630467.....133
0100009.....109	0258032..... 55	0259198..... 93, 234, 250	0630491.....111
0100011.... 11, 12, 15, 19, 20, 23, 41, 45, 47, 51, 62, 68, 71, 73, 77, 78, 83, 85, 88, 92, 98, 105, 108, 111, 113, 117, 121, 125, 129, 133, 142, 163, 165, 169, 171, 175, 177, 181, 185	0258033..... 83, 85	0259253..... 77	0630498.... 62, 72, 78, 92
0100019..... 12, 20, 55	0258052..... 71	0259254..... 77, 143	0630518..... 108, 142
0100020.... 62, 71, 72, 78, 92, 105, 203	0258219..... 113	0259419..... 77	0630534.... 166, 169, 185
0100029.....142	0258252..... 75, 81	0259470..... 77	0630535.... 171, 175, 177
0100035.....142	0258253..... 75, 81	0259635..... 24	0630544..... 15
0100038.... 163, 165, 169, 171, 175, 177, 181, 185	0258300..... 117	0259636..... 24	0641404..... 29, 129, 142
0100048.....111	0258301..... 133, 228	0259637..... 24	0641405..... 51, 105
0100079.....105	0258302..... 133, 228	0259638..... 24	0641406.... 51, 61, 72, 78, 91, 111, 121, 125, 133, 137, 142, 159
0140001..... 51	0258303..... 234	0259642..... 24	0641408.... 47, 51, 71, 74, 77, 80, 113, 137, 239, 245
0140026.....142	0258305..... 234	0259643..... 24	0641410..... 73, 79, 113
0181727.... 62, 72, 78, 92	0258306..... 111	0259665..... 47	0641412.....133
0181949..... 83, 85	0258307..... 111	0259674..... 47	0641414... 11, 15, 19, 138
0181963..... 113	0258308..... 111	0259845..... 45	0641416..... 51, 83, 105
0200530..... 68	0258309..... 137	0259853..... 45	0641418..... 42, 133
0200547..... 88	0258312..... 87	0259950..... 159	0641420.... 121, 125, 133
0200550..... 159	0258313..... 67	0259966..... 15	0641424.....185
0200664..... 98	0258314..... 87	0259967..... 15	0641505..... 45
0240047..... 48	0258315..... 67	0270029..... 47	0641506..... 74, 80, 108
0240049..... 48	0258340..... 71	0270030..... 47	0641507..... 75, 81, 117
0240050..... 48	0258341..... 72	0270086..... 47, 48	0641508.... 15, 68, 88, 98
0254603..... 51	0258347..... 239	0270115..... 45	0641510..... 59, 63
0255917..... 111	0258348..... 239	0270180..... 48	0641518.....133
0256632..... 143	0258348..... 239	0270183..... 47	0641520.....185
0256789..... 252	0258363..... 243	0270184..... 47	0641532..... 41
0256847..... 64	0258364..... 243	0270185..... 47	0641560.....133
0257195..... 252	0258365..... 243	0270186..... 48	0641606.... 11, 12, 15, 19, 20, 23, 24, 114, 129
0257728..... 253	0258366..... 243	0270187..... 48	0641607.... 12, 15, 20, 51, 83, 85, 117, 121, 122, 125, 129
0257740..... 24	0258367..... 243	0270192..... 47	0641608.... 105, 113, 117, 126, 129
0257746..... 24	0258368..... 243	0270199..... 23, 41	0641609.... 55, 61, 72, 78, 91, 121, 125
0257755..... 24	0258369..... 243	0270207..... 23, 41	0641610.... 61, 72, 78, 91, 98, 113, 117
0257756..... 24	0258370..... 243	0270208..... 23, 41	0641611.....142
0257757.....105	0258371..... 243	0270209..... 47, 48	0641612..... 41, 72, 78
0257826..... 121, 125	0258372..... 243	0270259..... 47, 48	0641613.....159
0257868..... 117, 121	0258373..... 243	0270290..... 85	0641614.....113
0257869..... 117, 125	0258374..... 243	0270464..... 252	0641618.....125
0257879..... 121	0258388..... 51	0270713..... 113	0641620..... 19
0257880..... 125	0258389..... 51	0270723..... 252	0641622.....159
0257883..... 72, 143	0258389..... 51	0270956..... 252	0641626..... 11
0257887..... 111	0258400..... 55	0271017..... 239, 243	0641806.....117
0257949..... 61	0258427..... 253	0271111..... 252	0641808..... 47
0258009..... 24	0258430..... 253	0274530..... 252	0641809.....117
0258010..... 24	0258431..... 109, 209	0340041.... 62, 72, 78, 92	0641810..... 23
0258011..... 24	0258443..... 252	0340046..... 75, 81, 93	0641812.... 11, 15, 19, 59, 61, 71, 77, 91
0258012..... 24	0258584..... 252	0362519..... 83, 85	
0258020..... 23, 41	0258585..... 252	0362763..... 11, 19	
0258021..... 23, 41	0258585..... 252	0362764..... 11	
	0258608..... 143	0362910..... 45	
	0258703..... 253	0370024..... 183	
	0258770.... 122, 126, 208	0400075.... 62, 72, 78, 92	
	0258804..... 252	0440161..... 20	
	0258806..... 252	0440162..... 12, 15	
	0258807..... 252	0440203..... 55, 59	
	0258808..... 252	0440339..... 59	
	0258830..... 24	0480050..... 68, 88	
	0258831..... 24	0480056..... 98	
	0258835..... 252	0480111..... 68, 88	
	0258918..... 253	0560923..... 129	
	0258919..... 252		

PART NUMBER INDEX

0641820 61, 72, 78, 91	0861238 141	1060516.....229	1683565..... 175
0641836 23	0861239 141	1060584.....45	1683568 117, 177
0642010 ... 62, 73, 79, 92, 117, 121, 125	0861287 107	1060603.....229	1683569..... 177
0642012 . 11, 15, 19, 117, 121, 125	0861288 107	1060904.....208	1683570..... 177
0642014 23	0861294 107	1100107.....11, 15, 19	1683572..... 163
0642612 111	0861295 107	1120110.....185	1683574..... 163
0651406 51	0861304 107	1120484.....105	1683575...11, 15, 19, 163
0681606 93	0902088 71	1120487.....105	1683577..... 177
0681610 137	0902109 55	1120489.....177	1683579 ... 121, 125, 179
0681612 68, 88, 98	0902132 83	1180227 129	1683580 185
0681814 55	0902206 111	1260136.....159	1683581 185
0681822 47	0902210 88	1282937.....208	1683582 129, 185
0681828 12, 15, 20	0902443 ... 63, 73, 79, 93	1283002.....208	1683584 185
0681856 47	0902444 ... 63, 73, 79, 93	1320012.....73, 78, 92	1683588 121, 171
0682014 23	0902449 105	1320016.....62, 72, 78, 92	1683589 171
0682016 45	0902457 75, 81	1320017.....83	1683590 171
0682038 55	0902459 51	1320019.....77	1683598 ... 121, 125, 165
0682248 11, 15, 19	0902461 61	1320022...63, 71, 72, 77, 78, 93	1683599 165
0682648 15	0902464 61	1320023.....85	1683600 165
0700610 91	0902465 113	1320032.....80	1683614 ...12, 15, 20, 181
0700810 64, 71, 77	0902504 113	1320033.....159	1683615 181
0700814 98	0902535 105	1320040.....159	1683617 125, 169
0700816 62	0902539 77	1320060...73, 77, 78, 142	1683637 125, 171
0700819 68, 73, 78	0902724 80	1320070 133	1683638 169
0701004 73, 79	0920112 23, 27	1320127.....83, 85	1683639 169
0701012 ... 61, 73, 79, 91, 98	0920117 23, 27	1320176.....63	1683653 129, 185
0701014 71, 77	0940038 159	1320218 83, 85	1683654 185
0701015 61, 88, 91	0940048 117	1320220 83, 85	1683655 185
0701022 71, 77	0940071 113	1320222.....63, 72	1683658 181, 183
0701414 61, 68	0940083 113	1320223.....72, 91	1683659 171
0721003 142	0961890 163, 175	1340060.....62, 72, 78, 92	1683660 171
0721004 45, 113	0961893 169	1340061 252	1683715 185
0721005 108	0961897 171, 177	1580011.....72, 78, 92	1683716 129, 185
0721006 ... 62, 68, 72, 77, 88, 92, 98, 113, 114	0961900 165	1580012.....138	1683717 185
0721008 . 68, 88, 98, 109, 111, 114	0961948 47	1580013.....138	1683718 130, 185
0721010 77, 142	0961950 . 11, 15, 19, 117, 121, 125, 129, 171, 175, 177	1600211.....73	1683726 125, 165
0731004 142	0961951 12, 16, 20	1600270.....141, 151	1683728 121, 171
0731005 159	0962006 ... 122, 126, 165, 169	1600272.....141, 157	1683729 125, 171
0741606 111	0962031 91	1600278.....141, 145	1683730 121, 165
0741607 45	0962140 .. 12, 16, 20, 163	1600287.....141, 155	1683731 125, 165
0741610 62, 73, 79, 92	0962172 ... 62, 73, 78, 92	1600288.....141, 147	1683885 165
0801128 117	0962185 165, 185	1600297 77	1684138 163
0801129 129	0962293 47	1641422 77	1684139...11, 15, 19, 163
0801130 129	0962474 163	1660157 71	1684412...12, 15, 20, 183
0801131 121, 129	1001096417.....38	1660234.....64	1700584 239, 244
0801146 129	1001100321....67, 87, 97	1660239.....93	1700818 240, 245
0801147 129	1001102354.....48	1660250.....75, 80	1701500 239, 244
0801148 125, 129	1001109679.....253	1670697.....133	1701502 239, 244
0801170 129	1001110138.....253	1670788.....159	1701503 239, 244
0860038 234	1001110989.....253	1670829.....108, 142	1701504 239, 244
0860520 239, 245	1001114117.....253	1670832.....117	1701505 .63, 93, 239, 245
0860984 141	1001114118.....253	1670833.....117	1701509 239, 244
0861160 107	1001114135.....253	1670870.....253	1701529 239, 244
0861161 107	10011148902.....252	1670898.....118	1701542 .73, 79, 239, 245
0861162 107	10011148903.....252	1670946.....159	1701543 83, 240, 245
0861167 141	10011148904.....252	1670947.....159	1701645 239
0861168 141	10011148905.....252	1670948.....159	1702153 239
0861195 141	1001148906.....252	1670949.....159	1702265 240, 245
0861222 107	1060012 137, 228	1670950.....159	1702300 239, 244
0861223 107	1060279 239, 245	1683053.....169	1702564 141
0861224 107	1060330 159	1683057 171	1702565 141
0861225 107	1060341 ... 117, 234, 235	1683058.....165	1702566 141
	1060494 ... 229, 234, 235	1683060.....175	1702567 141
	1060515 228	1683076.....163, 181	1702610 108
		1683077 171	1702612 239
		1683563.....117, 175	1702688 239, 244
		1683564.....175	1702720 245

PART NUMBER INDEX

1702740.....	24	1704002.....	244	2220273 ...	63, 71, 73, 79, 93, 195	2220700.....	195, 199
1702773.....	239, 244	1704003.....	244	2220290.....	83, 85	2220710....	195, 199, 200, 203
1702774.....	239, 244	1704004.....	244	2220313	63, 72, 80, 93	2220711.....	195, 200
1702784.....	239, 243	1704005.....	244	2220315.....	74	2220720.....	72
1702788.....	252	1704006.....	244	2220317.....	74	2220726.....	195, 199
1702860.....	239, 244	1704007.....	244	2220362.....	195, 199	2220738.....	195, 199
1702868.....	239	1704008.....	244	2220363.....	195	2220775.....	203
1702938.....	159	1704112.....	244	2220365.....	195, 199	2220794....	63, 73, 79, 93
1702961.....	252	1704150.....	252	2220366.....	195, 199	2220805.....	80
1702962.....	252	1704260.....	142	2220371 ...	189, 193, 203	2220811.....	195, 199
1703067.....	24	1704271.....	245	2220372.....	204	2220819.....	204
1703084.....	143	1704277.....	239, 244	2220373.....	199	2220861.....	189, 193
1703162....	63, 73, 79, 93	1704395.....	204	2220374.....	195, 199	2220873.....	203
1703175.....	252	1704482.....	45	2220375.....	195, 199	2220885.....	163, 169
1703450.....	45	1704578.....	45	2220377.....	199	2220907.....	203
1703479.....	252	1704586.....	47	2220379 ...	195, 199, 203	2220994.....	71
1703622.....	108	1840012.....	107	2220383.....	199	2220999.....	203
1703678.....	141	1840013.....	107	2220385.....	203	2221025.....	203
1703689.....	141	1840014.....	108	2220386.....	203	2221026.....	195, 199
1703690.....	107	1840015.....	108	2220407.....	199	2221032.....	195, 200
1703691.....	107	1870084.....	208	2220409.....	62	2221034.....	203
1703774.....	239, 244	1870085.....	208	2220414.....	203	2221068.....	199
1703775.....	239, 244	1870098.....	209	2220415 ...	189, 193, 195, 199, 203	2400041.....	208
1703797.....	239	1870099.....	209	2220428.....	203	2400044.....	208
1703798.....	239	1870101.....	209	2220429.....	203	2400060.....	232
1703804.....	239	2000154.....	61, 63	2220437.....	71	2400061.....	232, 250
1703805.....	239	2000156.....	71, 74	2220451.....	62, 195, 199	2420115.....	105
1703808.....	239, 244	2000160.....	71, 74	2220459.....	63, 93	2420172.....	108
1703809.....	245	2000162.....	61, 63	2220466 ...	195, 199, 203	2420187.....	71, 80
1703876....	63, 74, 79, 93	2000163.....	91	2220468.....	191	2420203.....	67, 87, 97
1703923.....	243	2000164.....	77, 80	2220469.....	199	2460011.....	67, 87
1703924.....	243	2000166.....	77, 80, 85	2220472.....	200, 204	2460032.....	67, 87, 97
1703925.....	243	2060025.....	62, 73, 78	2220473.....	203, 204	2460034.....	67, 87, 97
1703926.....	243	2080040.....	137	2220497.....	203	2500005.....	71
1703927.....	243	2120077.....	83	2220500.....	199	2540022.....	122, 126
1703928.....	243	2120150.....	51, 248	2220501.....	203	2560136.....	141
1703929.....	243	2120158.....	51, 248	2220502 ...	189, 193, 199	2570008.....	183
1703930.....	243	2120163.....	51	2220504.....	199	2600210.....	114
1703931.....	243	2120165.....	51	2220507.....	203	2600216.....	137
1703932.....	243	2120169.....	74	2220509.....	203	2600219.....	137
1703933.....	243	2160001.....	16, 59	2220516.....	199	2600246.....	114
1703934.....	243	2160002.....	16, 55	2220517.....	195	2680438.....	113, 114
1703935.....	243	2160003.....	59	2220567.....	203	2680439.....	113, 114
1703936.....	243	2180104.....	83	2220578.....	203	2720015.....	74
1703937.....	243	2180344.....	55	2220579 ...	189, 193, 199	2720058....	63, 72, 78, 93
1703938.....	243	2180360.....	83	2220582 ...	189, 193, 195, 199, 203	2720112.....	83
1703939.....	243	2180387.....	83, 85	2220593.....	204	2720144.....	83
1703940.....	243	2180389.....	83, 85	2220600 ...	195, 199, 203	2720149.....	83, 85
1703948.....	243	2180418.....	83	2220602.....	195, 199	2720271.....	63, 72, 93
1703949.....	243	2180467.....	78	2220603 ...	189, 193, 199, 203	2720341.....	80, 81
1703950.....	243	2180504.....	83, 85	2220605.....	191, 203	2720351.....	63
1703951.....	243	2180536.....	63, 71, 93	2220606.....	203	2720398.....	62
1703952.....	243	2180749.....	74	2220609.....	191, 203	2720434.....	62
1703980.....	245	2180798 ...	62, 73, 79, 92	2220618 ...	195, 199, 203	2720435.....	73, 79
1703981.....	245	2180822.....	55	2220619 ...	189, 199, 203	2720436.....	73, 78
1703982.....	245	2200204.....	83	2220622 ...	195, 199, 204	2720441.....	92
1703983.....	245	2200222 ...	63, 74, 79, 93	2220628 ...	191, 203	2720448.....	93
1703984.....	245	2200233.....	73	2220635 ...	189, 193, 203	2720467.....	62
1703985.....	245	2200261.....	55	2220642.....	195, 200	2720468.....	85
1703986.....	245	2220001.....	55	2220646.....	195, 199	2720473.....	80
1703987.....	245	2220064.....	83	2220654.....	203	2750529.....	55
1703988.....	245	2220124.....	55	2220664.....	195, 199	2750532....	63, 71, 72, 77, 78, 93
1703989.....	245	2220235.....	195, 199	2220675.....	83	2750760.....	200
1703991.....	245	2220237.....	203			2750807.....	55
1703996.....	244	2220240.....	195, 199			2750888.....	189, 193
1704000.....	244	2220250 ...	63, 71, 74, 80, 93				
1704001.....	244						

PART NUMBER INDEX

2750895	189	2760105	108, 141	2920129....	142, 208, 228, 230	3322201 ...	11, 12, 15, 16, 19, 20
2750899	200	2780221	47, 48	2920140.....	138, 235	3323003.....	12, 16
2751015	200	2780224	23, 29	2920146.....	111	3340399....	62, 72, 78, 92
2751026	189, 193	2780230	12, 16	2920162.....	67, 87, 97	3340756.....	129
2751426	191	2780235	23, 31	2920215.....	111	3340836.....	129
2752240	195	2792352	203, 206	2940074.....	137, 248	3340837.....	129
2752261	200	2792353	203, 206	2940109.....	114	3340843.....	117
2752262	195, 200	2792356	189, 206	3010088.....	159	3340847.....	185
2752263	200	2792357	206	3020021.....	64	3340859.....	134
2752264	200	2792358	195, 206	3020029.....	55	3380434.....	137
2752325	196, 200	2792359	199, 206	3020036.....	55	3380445.....	113
2752357	195	2792361	193, 206	3020043.....	183	3420372.....	45
2752362	196, 200	2792372	206	3124114.....	77	3420447.....	45
2752433	195, 199, 204	2792414	191, 206	3160158.....	23, 35	3421565.....	45
2752434	203, 204	2820031	68, 88, 98	3160182.....	55, 57	3422431.....	11, 19
2752436	195, 200, 203	2820035	111, 138, 235	3160227.....	23, 38	3422592.....	11, 15, 19
2752437	204	2820036	122, 126	3200378....	61, 72, 78, 91	3422664.....	117
2752439	204	2820099	253	3220110.....	63	3422665.....	117
2752453	204	2820100	253	3220112.....	63	3422666	117, 121, 125
2752463	204	2820130	114	3220113.....	75, 81, 94	3422667.....	121, 125
2752469	193	2860012	68, 88	3220114.....	75, 81, 94	3422668.....	121, 125
2752479	204	2860030	107, 248	3250872.....	45	3422669.....	121, 125
2752495	199	2900708	51	3251102.....	68, 88, 98	3422670.....	125
2752514	200	2900714	35	3251243.....	239, 245	3422692.....	12, 16
2752581	195, 200	2900752	102	3251813.....	239, 244	3422705.....	129
2752583	204	2900756	42	3252221.....	245	3422706.....	129
2752589	191	2900770	163, 185	3252347.....	239	3422716.....	20
2752590	191	2900792 ...	165, 169, 175, 177	3252507.....	239, 245	3422724.....	121, 125
2752623	204	2900804	48	3271805.....	47	3422745.....	129
2752627	204	2900826	102	3272005.....	45	3422786.....	47
2752648	189, 200	2900827	102	3272201.....	11, 15, 19	3422827.....	121, 125
2752667	195, 199	2901284	172	3272605.....	16	3422841.....	45
2752668	204	2901303	169	3290801.....	92	3422847.....	45
2752669	203	2901543	166	3300106.....	23	3422848.....	16
2752723	195, 199	2901544	185	3300151.....	133	3422936.....	11, 15, 19
2752726	195, 199, 204	2901545	175	3300205.....	108	3440636.....	122, 126
2752928	200	2901546	177	3300255.....	47	3450608.....	12, 16
2752942	195, 199	2901547	181	3300390.....	108	3450812.....	12, 16
2752943	195, 200	2901548	163	3300408....	108, 109, 142	3480205.....	171
2752944	195, 200	2901554	171	3310601.....	108	3480210.....	169
2752945	195	2901557	253	3310805.....	83, 85	3480224.....	175
2752946	200	2901574	73, 79	3311001....	108, 109, 137	3480226.....	177
2752947	204	2901575	62, 92	3311005....	62, 68, 72, 77, 78, 88, 92, 98, 111, 113, 114, 117, 141	3480227.....	185
2752948	204	2901637	61	3311401 83, 93, 113, 129,		3480230.....	165
2752996	203	2901659	252	133, 142		3480235.....	171
2752997	203	2901662	252	3311405....	42, 51, 61, 71, 72, 77, 78, 83, 91, 105, 113, 121, 125, 133, 137, 138, 159, 185, 239, 245	3510624.....	137
2752998	204	2901663	253	3311501.....	159	3510625.....	137
2752999	204	2901691	208	3311505....	41, 63, 74, 75, 80, 81, 113, 117, 133	3510626.....	137
2753000	204	2901764	208	3311601.....	105, 113	3510630.....	137
2753001	204	2901775	93	3311605....	55, 61, 68, 72, 78, 88, 91, 98, 113, 114, 117, 121, 125, 129, 137, 142, 159	3510631.....	137
2753003	204	2902409	183	3311801.....	23	3510632.....	137
2753004	204	2910001	233	3311805....	61, 72, 78, 91	3510672.....	137
2753034	200	2910061	240	3312005....	62, 73, 78, 92, 117, 121, 125	3510678.....	137
2753070	189, 193	2910112	245	3312008.....	12, 16, 20	3510679.....	137
2753072	204	2910113	245	3321401.....	71	3510680.....	137
2753073	204	2910114	245			3520028 ...	67, 68, 87, 88, 97, 98, 142
2753074	204	2910115	245			3520072.....	137, 159
2753075	204	2910116	245			3520138.....	142
2753076	204	2910117	245			3520174.....	109
2753077	204	2910455	253			3536089.....	138
2753078	204	2910456	253			3539219.....	108
2753079	204	2910867	143			3539275.....	142
2753080	204	2910927	253			3539281.....	111
2753081	204	2910947	253			3539685.....	137
2753082	204	2920110	111			3539719.....	159
2753088	200	2920113	111				
2753089	200						

PART NUMBER INDEX

3539957.....113	3740067 ... 62, 73, 79, 92, 248	4040263 121, 126	4360331.....142
3539972.....71, 77	3740080 ... 68, 73, 79, 88, 92, 98, 250	4040266 121, 125	4360336..68, 88, 98, 111, 142, 143, 250
3570531.....117	3740112 108, 248	4060092 234	4360371.....51
3570533.....117	3740113.... 109, 141, 248	4060700 234	4360387.... 109, 141, 159, 248
3570535.....133	3740115 141, 248	4060802 68, 88, 98	4360392.... 62, 73, 79, 92
3570571....61, 72, 77, 91	3740118 109, 250	4060803 133, 137	4360405.....71
3570607....61, 72, 77, 91	3760115 129	4060805 133	4360436.....105
3570695.....113	3760133 129	4060806 113	4360455.....71
3570800.....61	3760170 45	4060807 133	4360464.... 122, 126, 233, 248
3570801.....61	3760367 163, 181	4060808 133	4360469..... 107, 248
3570808....62, 73, 79, 92	3760368 169	4060907 111	4360475.... 107, 141, 248
3570810.....133	3760369 171	4060919 133	4360476.... 108, 141, 248
3570869.....129	3760370 ... 165, 171, 175	4060946 121, 126	4360501.... 62, 68, 79, 88, 92, 98, 248, 250
3570898.....133	3790012 111, 142, 143	4060947 121, 126	4360542..... 67, 87, 97
3570901..... 11, 19	3790109 141	4060950 12, 20	4400275..... 83, 85
3570958.....133	3790110 185	4060951 11, 15, 19	4400408.....105
3570981.....113	3790152 ... 63, 71, 77, 93	4060959 252	4400409.....105
3571008.....74, 79	3820001 45, 239, 245	4060970 23, 24	4400420..... 83, 85
3571009.....74, 79	3841143 16, 121, 125	4061010 114	4420038..... 108, 142
3571019.....74, 80	3841203 47	4070497 ... 62, 72, 78, 92	4420051.....45
3571056.....133	3841255 71	4070498 ... 62, 72, 78, 92	4420055..... 121, 126
3571192.....92	3841258. 11, 15, 19, 117, 121, 125	4070559 129	4460023..... 68, 88, 98
3571201.....91	3841329 45	4070897 130	4460027.....235
3571222.....142	3841340 122, 126	4070898 129	4460049.....159
3571265.....92	3841367 ... 11, 12, 15, 16, 19, 20	4070972 11	4460071..... 137, 234
3571266.....91	3841377 12, 16	4070973 11, 19	4460125..... 234, 235
3571279.....93	3841520 12, 15, 20	4070974 11, 19	4460134..... 234, 235
3571498.....77	3900104 117	4070987 108	4460190..... 235
3571502.....77	3900109 ... 11, 12, 15, 16, 19, 20	4100025 ... 73, 75, 81, 93	4460205..... 234, 235
3571621.....133	3900142 169, 185	4100026 133, 200	4460224.... 228, 230, 233
3571818.....47	3900217 91	4120012 108	4460225.....228, 230
3571833.....47	3900232 113, 114	4120013 143	4460233..... 234, 235
3571860.....47	3900246 117	4120035 ... 143, 208, 228, 230	4460234.... 108, 111, 142
3571975.....16	3900254 ... 62, 73, 78, 92	4130363 20	4460265.... 148, 152, 155, 157, 228, 233
3572009.....45	3900268 108	4130364 20	4460266.... 147, 152, 155, 157, 228, 233
3572010.....45	3910608 108	4160170 113	4460267.... 111, 147, 148, 152, 155, 157, 228, 230, 231, 233, 234
3572012.....45	3910804 109	4220162 111	4460268.... 152, 155, 157, 228, 230, 231, 233, 234
3572102.....45	3910808 83, 85	4220165 137	4460320.... 111, 230, 231, 234
3572600.....77	3910812 142	4240018 73, 79	4460326.....234
3572672.....62, 79	3911008 137	4240032 111	4460346.....234
3572728.....62, 79, 92	3911008 137	4240099 ... 63, 73, 79, 93, 138	4460374.....231
3580134.....67, 87, 97	3911024 109	4280295 105	4460375.....231
3580158.....67	3911040 111	4300056 71	4460418..... 228, 230
3580250.....87	3931516 ... 163, 169, 181	4300120 23	4460419..... 228, 230
3580276.....67, 87, 97	3931620 ... 61, 71, 77, 91, 171	4340678 143	4460424.... 230, 231, 234
3580277.....253	3931664 141	4340684 143	4460425..... 159
3580278.....253	3931720 165, 175	4360031 137	4460426..... 108
3580280.....97	3931724 171	4360037 71	4460428.... 108, 117, 142, 228
3600260...61, 71, 91, 101	3941405 159	4360057 159, 250	4460442.....235
3600271....61, 71, 77, 91	3960407 63	4360065 71	4460445.....230
3600279....61, 73, 79, 91	3960422 234	4360157 71	4460449.... 230, 232, 234
3600290...61, 71, 77, 91, 101	3960438 74, 80, 113	4360188 83, 85	4460457..... 232, 234
3600377.....80	3960461 111	4360232 142, 248	4460458.....232, 234
3620033.....61	3960462 113	4360282 108, 141	4460459.....232, 234
3620040.....72, 77, 91	3960464 113	4360289 107, 141	4460460.....231
3640970.....108	3960526 24	4360294 ... 62, 68, 73, 79, 88, 92, 98	4460464..... 228, 229
3641182.....143	3990001 230, 248	4360314 ... 108, 142, 143, 248	
3730023.....230	3990010 ... 208, 228, 230, 235, 248	4360315 107	
3730115.....230	4040260 121, 125	4360321 117, 250	
3740049.... 108, 142, 248	4040261 126		
3740057.....108	4040262 126		
3740058..... 142, 248			
3740063.....142			
3740066.....108			

PART NUMBER INDEX

4460465	229, 230	4520234	48	4711500.....	45, 75, 80, 81, 185	4845637	126
4460466	228, 229	4564281	71, 80	4711600.....	51, 137	4845638	126
4460467	142, 235, 253	4564417	88	4711800.....	23	4845643	11, 12
4460470	142, 228	4566356	117	4712600.....	16	4845656	126
4460471	142, 228	4566605	71, 77	4713000.....	12, 16	4845665	113
4460473	228, 229	4567073	75, 81	4740036.....	45	4845681	117
4460475	234	4567169	72	4740086.....	12, 16, 20	4845696	129
4460476	234	4567311	175	4740120.....	142	4845700	19, 20
4460499	230, 231, 235	4567324	177	4740155.....	16	4845711	20
4460502	228, 229	4567331	185	4740158....	11, 12, 15, 19, 20	4845767	129
4460503	143, 228, 229	4567332	171	4740247.....	122, 126	4845789	113
4460508	228, 229	4567462	11, 15, 19	4740274....	61, 72, 78, 91	4845824	137
4460509	229	4567468	169	4740362....	111, 113, 137	4845874	122
4460510	142, 235, 253	4567469	171	4740397.....	68, 88, 98	4845951	137
4460526	108	4567495	62	4740442.....	91	4845969	98
4460539	230	4567537	73	4740444.....	108	4846000	105
4460579	231	4567606	133	4740491.....	16	4846011	78
4460580	231	4567627	105	4740500.....	114	4846037	113
4460582	231	4567760	166	4750600.....	108	4846038	113
4460587	231	4567761	165	4750800 83, 85, 113, 114, 142		4846046	78
4460588	231	4567762	171	4751000....	45, 62, 68, 71, 72, 77, 78, 88, 92, 98, 108, 109, 111, 137, 142	4846112	47
4460589	231, 232	4567763	171	4751400....	42, 61, 72, 77, 78, 83, 91, 105, 113, 122, 126, 129, 133, 137, 142, 185, 239, 245	4846113	47
4460590	231	4567817	92	4751500....	41, 42, 68, 74, 77, 80, 88, 98, 113, 117, 133, 159	4846114	47
4460591	231, 232, 233	4567821	92	4751600....	11, 12, 15, 19, 20, 23, 24, 42, 55, 61, 68, 72, 78, 83, 85, 88, 91, 98, 105, 113, 114, 117, 129, 142, 159	4846126	47
4460598	138, 235	4567878	79	4751800....	12, 15, 16, 20, 63, 74, 79, 93, 142, 159	4846162	16
4460600	108, 143	4567978	165	4751900.....	68	4846167	15
4460601	108, 143	4567979	166	4752000....	62, 73, 79, 92	4846168	45
4460602	108, 143	4568033	45	4752200....	62, 73, 78, 92	4846169	45
4460603	108, 143	4568158	77	4760600.....	108	4846198	159
4460607	108, 143	4633022	208	4761000....	109, 137, 142, 159	4846259	85
4460608	231, 232, 233	4640113	24, 48	4761400.....	93, 129, 133	4860178	24
4460613	143, 228, 229	4640261	45	4761500.....	77, 159	4860179	25
4460614	228, 229	4640509	165, 169, 175	4761600....	63, 74, 80, 93	4860193	25
4460628	108	4640525	163	4812000.....	88	4860203	24
4460629	143	4640605	177	4831900....	64, 73, 78, 93	4860215	48
4460630	108	4640744	203	4832000.....	64, 79	4860218	48
4460631	108, 143	4640751	63	4845035.....	72	4891400	74
4460632	143	4640757	204	4845194.....	113	4891500	59
4460634	228, 230	4640858	163	4845327.....	137	4891600	62, 71, 77, 92
4460635	228, 230	4640871	11, 15, 19	4845395.....	63	4891800	23, 24, 47, 55
4460693	233	4640907	51	4845531.....	68	4892000	23, 24, 55
4460701	235	4640923	41	4845566.....	117	4892200	12, 15, 20
4460705	68, 88, 97	4640932	165	4845575.....	117	4920018	138
4460711	108	4640937	41	4845576.....	117	4920385	75, 81, 93
4460713	232	4640989	71, 77	4845590.....	105	4921801	234
4460714	230	4640999	165, 169, 171	4845609.....	122, 126	4921827	235
4460725	232	4641019	93	4845610.....	122, 126	4921850	235, 253
4460726	232	4641039	42	4845613....	61, 72, 77, 91	4921927	51, 234
4460728	232	4641041	41			4921938	235
4460742	232	4641055	185			4921954	235
4460777	232	4641056	51, 53			4922012	253
4460780	232	4641057	51, 53			4922048	107, 230
4460781	232	4641058	122, 126			4922049	107, 230, 231
4460783	232	4641059	51			4922050	107, 230, 231
4460784	232	4641073	42			4922053	143, 228
4460789	232	4641074	41			4922109	229
4460797	231	4641075	171			4922112	229
4460799	232	4641076	195, 200			4922113	228
4460800	232	4641077	175, 177			4922115	229
4460961	67, 87, 97	4641080	122, 126			4922140	109, 235
4520202	24	4641086	165			4922162	230
4520203	24	4641162	163			4922163	230
4520212	24	4641193	42			4922197	122, 126, 233
4520216	24	4700005	83			4922206	208
4520217	24	4711000	142			4922242	107, 231
4520223	24	4711400 ...	12, 15, 20, 47, 51, 111, 138, 159			4922268	230
4520224	48					4922269	107, 231

PART NUMBER INDEX

4922287.....	230	7000257.....	31	7003968.....	151	7007449.....	101
4922293.....	230	7000258.....	31	7003969.....	151, 155	7007453.....	101
4922316.....	229	7000261.....	31	7003972.....	155	7007454.....	101
4922317.....	229	7000262.....	31	7003973.....	155	7007456.....	101
4922432.....	109, 235	7000263.....	29, 31	7003976.....	147	7007458.....	102
4922542.....	208	7000281.....	29	7003977.....	147	7007466.....	102
4932915.....	208, 235	70003039.....	64	7003980.....	155	7007468.....	102
4932917.....	208	70003040.....	64	7003981.....	151	7007469.....	102
4932989.....	208, 235	70003041.....	64	7003982.....	151	7007470.....	102
4932999.....	208, 228	7000625.....	137	7003983.....	155	7007471.....	102
4933007.....	208	7000646.....	74	7003984.....	151	7007472.....	102
4933021.....	208	7000722.....	27	7003985.....	152	7007474.....	102
4933027.....	208	7000723.....	27	7003989.....	155	7007475.....	102
4933052.....	208, 229	7000724.....	27	7003992.....	147, 155	7007476.....	102
4933053.....	208, 229	7000725.....	27	7003993.....	147, 155	7007477.....	102
4933070.....	208	7000728.....	27	7003994.....	151, 152, 155	7007478.....	102
4933087.....	208, 230	7000731.....	27	7004275.....	253	7007482.....	102
4933089.....	208, 230	7000782.....	27	7004276.....	253	7007483.....	102
4933093.....	208, 230	7000798.....	27	7004906.....	35, 39	7007484.....	102
4933133.....	208	7000884.....	75	7004907.....	35, 39	7007485.....	102
4933149.....	208, 235	7000897.....	80	7004908.....	35, 39	7007486.....	102
4933150.....	208, 235	7001438.....	102	7004910.....	35, 38	7007487.....	102
4933175.....	208	7001498.....	102	7004911.....	39	7007488.....	102
70000123.....	67, 87, 97	7001909.....	31	7004912.....	38	7007490.....	102
70000124.....	67, 87, 97	7001911.....	31	7004914.....	39	7007491.....	102
70000125.....	67, 87, 97	7001931.....	31	7004916.....	39	7007492.....	102
70000126.....	67, 87, 97	7001985.....	31	7004917.....	35, 38	7007494.....	102
70000127.....	67, 87, 97	7001998.....	31	7004928.....	39	7007496.....	102, 248
70000163.....	74	7002480.....	19	7004929.....	39	7007497.....	102, 233
70000787.....	64	7002821.....	235, 253	7004938.....	39	7007498.....	102, 233
70000851.....	63	7002822.....	253	7004939.....	39	7007499.....	102
70000865.....	59	7002823.....	235, 253	7005804.....	57	7007601.....	31
70000868.....	59	7002826.....	253	7005809.....	57	7007603.....	31
70001002.....	64	7002828.....	235	7005811.....	57	7007620.....	29
70001017.....	75, 81, 94	7002840.....	12, 15, 19, 253	7005812.....	57	7007640.....	29, 31
70001677.....	59	7003049.....	27	7005821.....	57	7007643.....	31
70001864.....	59	7003050.....	27	7005874.....	57	7007874.....	35
70001941.....	111	7003094.....	27	7005876.....	57	7007875.....	35
7000201.....	31	7003451.....	27	7005877.....	57	7007876.....	35
7000203.....	31	7003452.....	27	7005878.....	57	7007878.....	35
7000211.....	29, 32	7003453.....	27	7005879.....	57	7007879.....	35
7000213.....	29, 32	7003454.....	27	7005880.....	57	7007880.....	35
7000214.....	31	7003455.....	27	7005881.....	57	7008833.....	233
7000215.....	32	7003456.....	27	7006139.....	129	7008836.....	233
7000216.....	32	7003457.....	27	7006151.....	129	7010120.....	102
7000217.....	31	7003459.....	27	7006152.....	129	7010121.....	102
7000220.....	32	7003460.....	27	7006156.....	129	7010122.....	102
70002235.....	67, 87, 97	7003461.....	27	7007208.....	101	7010421.....	29
7000227.....	32	7003462.....	27	7007412.....	102	7010429.....	31
7000229.....	31	7003463.....	27	7007414.....	101	7010474.....	29, 31
7000230.....	31	7003657.....	67, 87, 97	7007417.....	101	7010543.....	42
70002307.....	75, 81	7003928.....	147	7007419.....	101	7011046.....	61, 71, 77, 91
7000232.....	31	7003933.....	151	7007420.....	101	7011112.....	165
7000246.....	31	7003935.....	151, 155	7007421.....	101	7011185.....	169, 171
7000250.....	31	7003938.....	151, 155	7007423.....	101	7011335.....	185
7000252.....	31	7003941.....	151, 155	7007424.....	101	7012513.....	67, 87, 97
7000253.....	29, 31	7003946.....	151, 155	7007425.....	101	7012514.....	67, 87, 97
70002534.....	39	7003950.....	151	7007435.....	101	7012519.....	48
70002535.....	39	7003951.....	145	7007436.....	101	7012520.....	48
70002536.....	39	7003952.....	147	7007437.....	101	7012521.....	48
70002537.....	39	7003953.....	145, 147	7007438.....	101	7012522.....	48
70002538.....	39	7003956.....	147	7007439.....	101	7012523.....	48
70002539.....	39	7003957.....	151	7007440.....	101	7012558.....	67, 87, 97
70002540.....	39	7003961.....	145, 147, 151, 155, 248	7007441.....	101	7012560.....	107
70002541.....	39	7003966.....	151	7007442.....	101	7012596.....	59
70002542.....	38	7003967.....	151	7007444.....	101	7012597.....	59
70002567.....	81			7007445.....	101	7012611.....	107, 141

PART NUMBER INDEX

7012612.....	107, 141	7016819.....	62, 92	7017457.....	53	7019166.....	155
7012654.....	59	7016820.....	62, 73, 79, 92	7017458.....	53	7019167.....	155
7012655.....	59	7016823.....	73	7017460.....	53	7019168.....	155
7012664.....	62, 72, 78, 92, 248	7016832.....	73, 79	7017461.....	53	7019169.....	147
7012679.....	74	7016836.....	79	7017466.....	51	7019170.....	147
7012693.....	11, 15, 19	7017004.....	29	7017467.....	51	7019171.....	147
7012901.....	42	7017005.....	29	7017468.....	53	7019172.....	147, 148
7012903.....	53	7017006.....	29	7017469.....	53	7019173.....	147
7012907.....	51	7017007.....	29	7017470.....	53	7019174.....	147
7012914.....	53	7017008.....	29	7017471.....	53	7019175.....	147
7012918.....	53	7017009.....	29	7017475.....	41	7019176.....	147
7012925.....	42	7017010.....	29	7017496.....	42	7019177.....	147
7012930.....	42	7017011.....	29	7017497.....	126	7019178.....	147, 248
7012941.....	51	7017012.....	29	7017515.....	83	7019179.....	155
7012943.....	41, 53, 248	7017013.....	29	7018612.....	27	7019181.....	157
7012944.....	42, 51, 53, 248	7017014.....	29	7018613.....	27	7019182.....	157, 248
7012953.....	126	7017015.....	29	7019103.....	151, 155	7019183.....	157
7012955.....	122, 126	7017016.....	29	7019105.....	151	7019184.....	157
7012959.....	51	7017017.....	29	7019106.....	151	7019185.....	157
7012967.....	51, 53, 122, 126	7017018.....	29	7019107.....	151	7019186.....	157
7012978.....	41	7017019.....	29	7019108.....	151	7019187.....	157, 248
7012981.....	51, 122	7017020.....	29	7019109.....	151	7019188.....	157
7012992.....	41	7017021.....	29	7019110.....	151, 152, 155	7019189.....	148, 248
7012993.....	41	7017022.....	29	7019111.....	147, 151, 152, 155	7019190.....	148, 248
7012994.....	41, 53	7017023.....	29	7019112.....	151, 155	7019194.....	155
7012998.....	51, 53, 122	7017024.....	29	7019113.....	151	7019197.....	147
7013701.....	61, 74, 79, 91	7017025.....	29	7019114.....	151	7019924.....	75
7013711.....	61, 74, 79, 91	7017026.....	29	7019115.....	151, 155	7019925.....	81
7013757.....	61, 73, 79, 91	7017027.....	29	7019116.....	151, 155	7019930.....	75, 81
7013766.....	61, 74, 79, 91	7017028.....	29	7019117.....	152, 155	7019931.....	75
7013771.....	61, 74, 79, 91	7017029.....	29	7019122.....	145, 148	7019932.....	75, 81
7014501.....	250	7017048.....	32	7019123.....	145, 147, 148	7019933.....	74
7014801.....	105	7017059.....	31	7019124.....	147, 151, 155, 233, 248	7019976.....	75, 80
7014802.....	105	7017060.....	31	7019125.....	151	7019977.....	74, 80
7014810.....	105	7017062.....	32	7019126.....	151	7019978.....	74
7014811.....	105, 248	7017063.....	31	7019127.....	151	7019980.....	74, 233
7014813.....	105	7017067.....	31	7019128.....	145, 148	7019981.....	75
7016180.....	62, 72, 78, 92	7017070.....	31	7019129.....	145, 148	7019982.....	75
7016314.....	105	7017080.....	31	7019130.....	145	7019983.....	75
7016319.....	111	7017090.....	32	7019131.....	145, 148	7019985.....	74
7016330.....	63	7017091.....	32	7019132.....	145	7019986.....	80
7016331.....	63, 250	7017092.....	32	7019133.....	145	7019988.....	74
7016332.....	63	7017093.....	32	7019134.....	145	7019993.....	80
7016336.....	233	7017094.....	32	7019135.....	145, 148, 157	7019994.....	80
7016359.....	63	7017095.....	32	7019136.....	145, 148, 157	7019996.....	80
7016360.....	48	7017096.....	31	7019137.....	145	7019997.....	74
7016372.....	111	7017099.....	32	7019138.....	145, 147, 155	7020020.....	51
7016380.....	111	7017207.....	179	7019139.....	145, 147	7020021.....	51
7016600.....	75	7017226.....	179	7019141.....	147	7020022.....	64
7016601.....	75	7017227.....	179	7019142.....	147	7020023.....	63, 250
7016605.....	74	7017231.....	179	7019143.....	147	7020024.....	63
7016652.....	137, 253	7017232.....	179	7019144.....	147	7020025.....	64
7016654.....	253	7017233.....	179	7019145.....	147	7020026.....	63
7016655.....	253	7017235.....	179	7019147.....	147	7020027.....	64
7016676.....	59	7017402.....	53	7019149.....	147	7020033.....	12, 16
7016682.....	59	7017403.....	42	7019151.....	155	7020034.....	12, 16
7016708.....	179	7017410.....	53	7019153.....	152, 155	7020035.....	12, 16
7016744.....	61, 74, 79, 91	7017433.....	53	7019155.....	155	7020036.....	12, 16
7016745.....	61, 74, 79, 91	7017439.....	42	7019159.....	155	7020037.....	12, 16
7016746.....	61, 74, 79, 91	7017440.....	42, 53	7019160.....	155	7020038.....	12, 16
7016768.....	61, 73, 79, 91	7017441.....	42, 53	7019161.....	155	7020039.....	12, 16
7016769.....	61, 74, 79, 91	7017448.....	53	7019162.....	155	7020040.....	12, 16
7016803.....	62, 92	7017451.....	53, 248	7019163.....	155	7020041.....	12, 16
7016808.....	73, 79	7017452.....	53	7019164.....	155	7020042.....	12, 16
7016817.....	62, 73, 79, 92	7017453.....	53	7019165.....	155	7020054.....	12, 16
7016818.....	62, 92	7017454.....	53			7020055.....	12, 16
		7017455.....	53			7020056.....	105

PART NUMBER INDEX

7020099.....	141	7020331.....	38	7022139.....	80	7023613.....	80
7020100.....	141	7020332.....	38	7022142.....	80	7023637.....	75, 81
7020108.....	67, 87, 97	7020333.....	38	7022143.....	75, 80	7023644.....	81
7020109.....	67, 87, 97	7020334.....	38	7022144.....	81	7023645.....	85
7020110.....	67, 87, 97	7020344.....	38	7022149.....	81	7023663.....	80
7020111.....	67, 87, 97	7020345.....	38	7022150.....	74, 81	7023679.....	234
7020120.....	75, 81	7020347.....	38, 39	7022151.....	75, 81	7023680.....	85
7020169.....	63	7020348.....	38	7022153.....	74, 80	7023687.....	74
7020175.....	107, 141	7020349.....	38	7022154.....	80	7023900.....	41
7020176.....	107, 141	7020350.....	38	7022155.....	80	7024318.....	64
7020180.....	11, 12, 15, 16, 19, 20	7020408.....	64	7022156.....	75, 81	7024321.....	74
7020190.....	67, 87, 97	7020410.....	63	7022157.....	75, 81	7025122.....	74
7020191.....	67, 87, 97	7020411.....	63	7022158.....	80	7025124.....	81
7020192.....	67, 87, 97	7020446.....	64	7022159.....	80	7025125.....	75
7020193.....	67, 87, 97	7020463.....	63	7022160.....	80	7025126.....	75
7020246.....	107	7020465.....	64	7022161.....	80	7025134.....	75, 81
7020279.....	48	7020471.....	64	7022162.....	80	7026042.....	59
7020280.....	48	7020477.....	64	7022164.....	81	7026043.....	59
7020281.....	48	7021200.....	101	7022165.....	85	7026199.....	67, 87, 97
7020282.....	48	7021226.....	102	7022166.....	85	7026522.....	64
7020283.....	48	7021612.....	42	7022167.....	85	7026610.....	147
7020284.....	48	7021613.....	53	7022168.....	85	7026611.....	147
7020285.....	48	7021614.....	53	7022170.....	85	7026612.....	147
7020286.....	48	7021625.....	41, 42	7022171.....	85	7026613.....	147
7020287.....	48	7021657.....	42	7022178.....	75, 81	7026614.....	147
7020288.....	48	7021658.....	42	7022179.....	81	7026615.....	147
7020289.....	48	7021868.....	80, 250	7022180.....	75, 80	7027250.....	63
7020290.....	48	7021869.....	75	7022360.....	53	7027292.....	74
7020313.....	38	7022107.....	93	7022361.....	53	7027350.....	59
7020314.....	38	7022111.....	93, 250	7022362.....	53	7027351.....	59
7020315.....	38	7022113.....	93, 250	7022363.....	53	7027352.....	59
7020316.....	38	7022114.....	93	7022396.....	41	7027353.....	59
7020317.....	38	7022118.....	93	7022397.....	41	7027354.....	59
7020318.....	38	7022120.....	93	7022398.....	41	7027356.....	59
7020319.....	38	7022122.....	93	7022399.....	41	7027358.....	59
7020320.....	38	7022123.....	93, 94	7022808.....	147	7027359.....	59
7020321.....	38	7022124.....	94	7022809.....	145	7027360.....	59
7020322.....	38	7022125.....	93	7022811.....	147	7027361.....	59
7020323.....	38, 39	7022126.....	93	7022813.....	145, 147	7027363.....	59
7020324.....	38	7022127.....	93	7022830.....	147	7027402.....	74
7020325.....	38	7022128.....	93	7022831.....	147	7027730.....	59
7020326.....	38	7022129.....	93	7023206.....	51	8180311.....	72, 78, 91
7020327.....	38	7022130.....	93	7023207.....	51	8896941.....	253
7020328.....	38	7022131.....	94	7023480.....	195	90206369.....	59
7020329.....	38	7022134.....	80	7023484.....	59	91083218.....	80
7020330.....	38	7022136.....	80	7023495.....	105		
		7022137.....	233	7023603.....	85		

PARTS FINDER

**Search Website
by Part Number**



**Search Manual
Library For Parts
Manual & Lookup Part
Numbers – Purchase
or Request Quote**

**Can't Find Part or
Manual? Request Help
by Manufacturer,
Model & Description**

Discount-Equipment.com is your online resource for quality parts & equipment.

Florida: **561-964-4949** Outside Florida TOLL FREE: **877-690-3101**

Need parts?

Click on this link: <http://www.discount-equipment.com/category/5443-parts/> and choose one of the options to help get the right parts and equipment you are looking for. Please have the machine model and serial number available in order to help us get you the correct parts. If you don't find the part on the website or on one of the online manuals, please fill out the request form and one of our experienced staff members will get back to you with a quote for the right part that your machine needs.

We sell worldwide for the brands: Genie, Terex, JLG, MultiQuip, Mikasa, Essick, Whiteman, Mayco, Toro Stone, Diamond Products, Generac Magnum, Airman, Haulotte, Barreto, Power Blanket, Nifty Lift, Atlas Copco, Chicago Pneumatic, Allmand, Miller Curber, Skyjack, Lull, Skytrak, Tsurumi, Husquvarna Target, Stow, Wacker, Sakai, Mi-T-M, Sullair, Basic, Dynapac, MBW, Weber, Bartell, Bennar Newman, Haulotte, Ditch Runner, Menegotti, Morrison, Contec, Buddy, Crown, Edco, Wyco, Bomag, Laymor, EZ Trench, Bil-Jax, F.S. Curtis, Gehl Pavers, Heli, Honda, ICS/PowerGrit, IHI, Partner, Imer, Clipper, MMD, Koshin, Rice, CH&E, General Equipment, Amida, Coleman, NAC, Gradall, Square Shooter, Kent, Stanley, Tamco, Toku, Hatz, Kohler, Robin, Wisconsin, Northrock, Oztec, Toker TK, Rol-Air, APT, Wylie, Ingersoll Rand / Doosan, Innovatech, Con X, Ammann, Mecalac, Makinex, Smith Surface Prep, Small Line, Wanco, Yanmar