



Illustrated Parts Manual

Models 450A & 450AJ Series II

**SN 0300065080 THROUGH
0300123999
&
PRIOR TO
SN 1300006000**

*See Revision Log Page for exceptions

3121243

July 17, 2018 - Rev U

ANSI

CE



An Oshkosh Corporation Company

PARTS FINDER

**Search Website
by Part Number**



**Search Manual
Library For Parts
Manual & Lookup Part
Numbers – Purchase
or Request Quote**

**Can't Find Part or
Manual? Request Help
by Manufacturer,
Model & Description**

Discount-Equipment.com is your online resource for quality parts & equipment.

Florida: **561-964-4949** Outside Florida TOLL FREE: **877-690-3101**

Need parts?

Click on this link: <http://www.discount-equipment.com/category/5443-parts/> and choose one of the options to help get the right parts and equipment you are looking for. Please have the machine model and serial number available in order to help us get you the correct parts. If you don't find the part on the website or on one of the online manuals, please fill out the request form and one of our experienced staff members will get back to you with a quote for the right part that your machine needs.

We sell worldwide for the brands: Genie, Terex, JLG, MultiQuip, Mikasa, Essick, Whiteman, Mayco, Toro Stone, Diamond Products, Generac Magnum, Airman, Haulotte, Barreto, Power Blanket, Nifty Lift, Atlas Copco, Chicago Pneumatic, Allmand, Miller Curber, Skyjack, Lull, Skytrak, Tsurumi, Husquvarna Target, Stow, Wacker, Sakai, Mi-T-M, Sullair, Basic, Dynapac, MBW, Weber, Bartell, Bennar Newman, Haulotte, Ditch Runner, Menegotti, Morrison, Contec, Buddy, Crown, Edco, Wyco, Bomag, Laymor, EZ Trench, Bil-Jax, F.S. Curtis, Gehl Pavers, Heli, Honda, ICS/PowerGrit, IHI, Partner, Imer, Clipper, MMD, Koshin, Rice, CH&E, General Equipment, Amida, Coleman, NAC, Gradall, Square Shooter, Kent, Stanley, Tamco, Toku, Hatz, Kohler, Robin, Wisconsin, Northrock, Oztec, Toker TK, Rol-Air, APT, Wylie, Ingersoll Rand / Doosan, Innovatech, Con X, Ammann, Mecalac, Makinex, Smith Surface Prep, Small Line, Wanco, Yanmar

REVISION LOG

NOTE: The 450A/AJ Series II may be manufactured by JLG Industries in the following countries: USA, Belgium or Romania. Refer to the Serial Number Tag to determine the country of manufacture. The country of manufacture may be determined by the Serial Number. Boom Lifts manufactured in the USA will have a serial number prefix of 03 (i.e. 03XXXXXXXX), Boom Lifts manufactured in Belgium will have a prefix of 13 (i.e. 13XXXXXXXX) and Boom Lifts manufactured in Romania will have a prefix of E3 (i.e. E3XXXXXXXX).

NOTES:

List of SN exceptions:

Use Parts Manual 3121243 for these SNs:

0300062713, 0300062755, 0300064188, 0300064241, 0300064340, 0300064366, 0300064407, 0300064430, 0300064580, 0300064581, 0300064583, 0300064605, 0300064606, 0300064607, 0300064608, 0300064609, 0300064691, 0300064705, 0300064706, 0300064735, 0300064737, 0300064753, 0300064754, 0300064774, 0300064775, 0300064792, 0300064794, 0300064806, 0300064918, 0300064923, 0300064924, 0300064927, 0300064928, 0300064933, 0300064934, 0300065012, 0300065014, 0300065015, 0300065028, 0300065031, 0300065032, 0300065046, 0300065049, 0300065050, 0300065063, 0300065066, 0300065067, 0300065078

REVISION LOG:

December 15, 2007 - A - Original Issue (Edited to B/M 0010578 Revision 121)

April 15, 2008 - B - Revised Manual (Edited to B/M 0010578 Revision 121)

March 30, 2009 - C - Revised Manual

October 30, 2009 - D - Revised Manual

August 25, 2010 - E - Revised Manual

April 4, 2011 - F - Revised Manual

July 8, 2011 - G - Revised Manual

October 18, 2011 - H - Revised Manual

December 12, 2011 - I - Revised Manual

March 30, 2012 - J - Revised Manual

June 15, 2012 - K - Revised Manual

August 22, 2012 - L - Revised Manual

November 6, 2012 - M - Revised Manual

March 25, 2013 - N - Revised Manual

May 15, 2013 - O - Revised Manual

August 28, 2013 - P - Revised Manual

November 27, 2013 - Q - Revised Manual

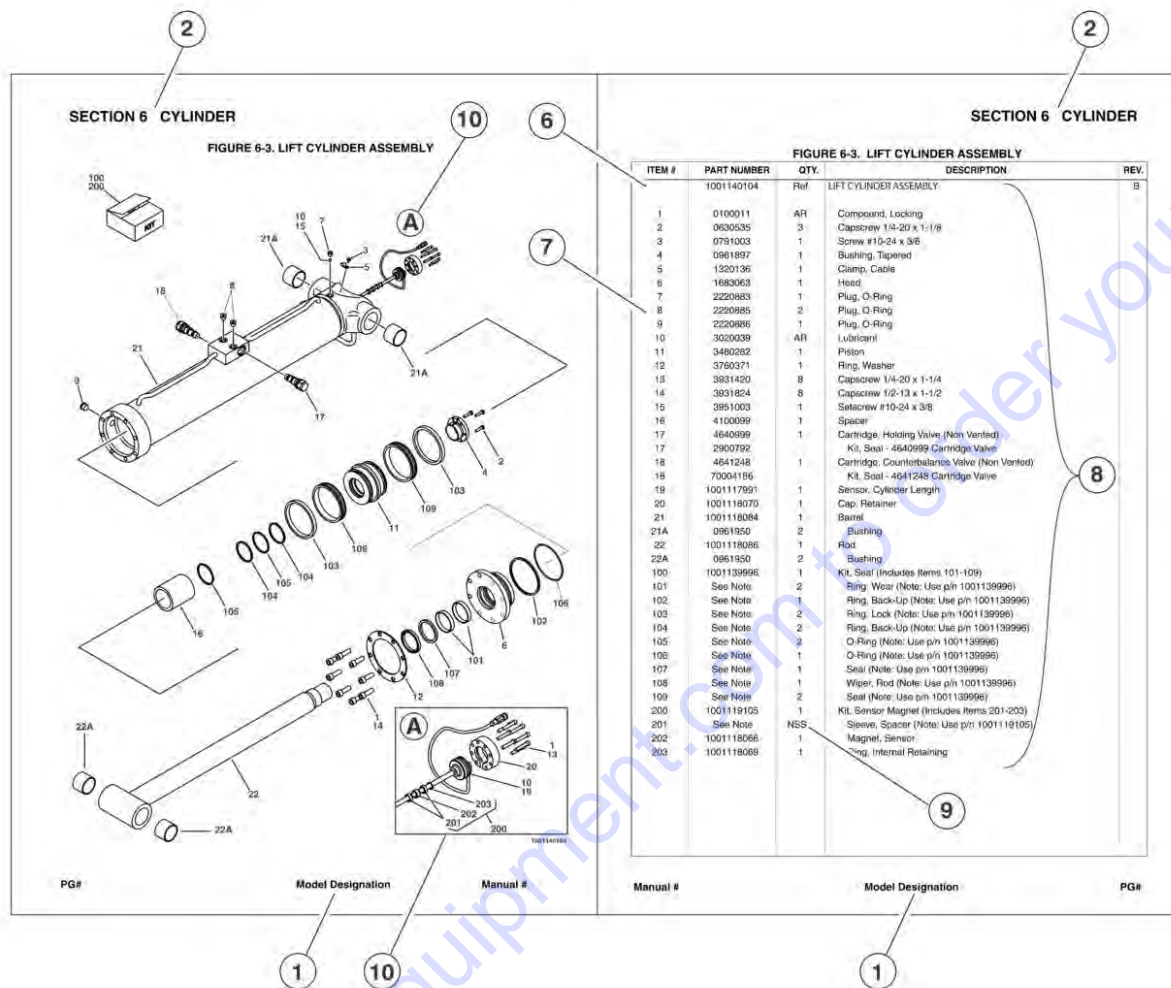
November 1, 2014 - R - Revised Manual

September 1, 2016 - S - Revised Manual (Revision 1)

July 21, 2017 - T - Revised Manual

July 17, 2018 - U - Revised Manual

GENERAL INFORMATION



1) MACHINE IDENTIFICATION

Machines are identified by model and in some cases a combination of models, serial number (SN) or regional standard (i.e. ANSI, CE, CSA). Components may also be identified by SN or manufacturer. Common components that may be identified by these characteristics are engines and hydraulic components.

2) PARTS MANUAL ORGANIZATION

Product information in this manual is organized under section titles. Frame, Cylinder, Hydraulic and Electrical are a few examples. Each section is organized by figure and page number. The information within the Figure is then organized by item number, part number, description and corresponding illustration(s).

3) TABLE OF CONTENTS

A table of contents is found toward the beginning of the manual. Figure number, description and page number are provided for quick reference to the page containing the related information.

4) RECOMMENDED SPARE PARTS

The Recommended Spare Parts, located near the end of the manual, reference most frequently used maintenance parts.

5) PART NUMBER INDEX

A numerical index listing all part numbers and the corresponding page number(s) appears at the back of the manual.

GENERAL INFORMATION

6) NON-SERVICED PARTS

In some instances, it is necessary to display non-serviced parts, assemblies or installations. In the case of assemblies and installations there will be a Ref in the Qty column. In case of parts that are not available for service within assemblies or components, there will be a NSS (Not Sold Separately) or NLA (No Longer Available) listed in the Qty. column of the manual.

7) PARTS LIST ITEM NUMBERS

Numbers shown in the item# column correspond to numbers used in the associated illustration (s). Item numbers which are missing from the sequence in the parts list are not used on that page.

8) INDENTED PARTS DESCRIPTION

An indented part description is included in the item under which it is indented.

9) ABBREVIATION AND SYMBOLS

AC.....	Alternating Current	LCD.....	Liquid Crystal Display
ADE.....	Advanced Design Electronics	LED.....	Light Emitting Diodes
ANSI.....	American National Standards Institute	LH.....	Left Hand
AR.....	As Required	LSS.....	Load Sensing System
ASSY.....	Assembly	M(m).....	Metric/Meter
AUX.....	Auxiliary	MM (mm).....	Millimeter
AWG.....	American Wire Gauge	mA.....	Miliamps
B/M.....	Bill of Material	NLA.....	No Longer Available
CE.....	European Conformity	NPT.....	National Pipe Threads
CCW.....	Counter Clockwise	NSS.....	Not Sold Separately
cm.....	Centimeter	OD.....	Outside Diameter
CW.....	Clockwise	ORB.....	O-Ring Boss
CSA.....	Canadian Standards Association	ORFS.....	O-Ring Face Seal
CYL.....	Cylinder	OZ (oz).....	Ounces
DIA.....	Diameter	PG.....	Page
DC.....	Direct Current	P/N.....	Part Number
EMS.....	Emergency Stop	qt.....	Quarts
ENG.....	Engine	QTY.....	Quantity
FT (ft).....	Feet	REF.....	Reference
GA (Ga).....	Gauge	REV.....	Revision Level
HYD.....	Hydraulic	RH.....	Right Hand
Hz.....	Hertz	SAE.....	Society of Automotive Engineers
ID.....	Inside Diameter	SN.....	Serial Number
in.....	Inches	SPEC(S).....	Specifications
ISO.....	International Organization for Standards	T/T.....	Turntable
JIC.....	Joint Industry Council	UGM.....	Universal Ground Module
KG.....	Kilogram	V.....	Volts
L.....	Liter	W.....	Watts
LB.....	Pounds	#.....	Number

10) ILLUSTRATION REFERENCE LETTERS

When necessary, illustrations may contain reference letters that are intended to track information (i.e. hoses, harnesses) from one point to another or to track visual enlargement of components to show details that may be located in another area on the illustration.

Note: Due to continuous product improvements, JLG Industries, Inc. reserves the right to make specification changes without prior notification.

TABLE OF CONTENTS

SECTION 1 - FRAME.....	11
FIGURE 1-1. AXLE AND STEERING INSTALLATION - 2WD WITHOUT TOW BAR	12
FIGURE 1-2. AXLE AND STEERING INSTALLATION - 2WD WITH TOW BAR.....	16
FIGURE 1-3. AXLE AND STEERING INSTALLATION - 4WD	20
FIGURE 1-4. TIRE AND WHEEL DRIVE INSTALLATIONS.....	28
FIGURE 1-5. FRAME SHIELDS INSTALLATION (SN 0300069841 through 0300123999, SN 1300000001 through 1300006000).....	34
FIGURE 1-6. DRIVE HUB/BRAKE ASSEMBLY (REAR).....	36
FIGURE 1-7. DRIVE HUB/BRAKE ASSEMBLY	40
FIGURE 1-8. DRIVE HUB ASSEMBLY (FRONT) (4WD ONLY)	44
FIGURE 1-9. DRIVE HUB ASSEMBLY (FRONT) (4WD ONLY)	48
FIGURE 1-10. DRIVE MOTOR ASSEMBLY (2WD).....	52
FIGURE 1-11. DRIVE MOTOR ASSEMBLY (2WD).....	54
FIGURE 1-12. DRIVE MOTOR ASSEMBLY (2WD).....	58
FIGURE 1-13. DRIVE MOTOR ASSEMBLY (4WD).....	62
FIGURE 1-14. DRIVE MOTOR ASSEMBLY (4WD).....	66
FIGURE 1-15. DRIVE VALVES INSTALLATIONS	70
FIGURE 1-16. TOW BAR INSTALLATION (OPTIONAL)	74
FIGURE 1-17. SEMI-TRACK INSTALLATION	78
SECTION 2 - TURNTABLE	81
FIGURE 2-1. CONTROL VALVE INSTALLATION.....	82
FIGURE 2-2. MAIN CONTROL VALVE ASSEMBLY.....	84
FIGURE 2-3. TURNTABLE AND SWING DRIVE INSTALLATIONS	86
FIGURE 2-4. SWING MOTOR ASSEMBLY (ORIGINAL EQUIPMENT).....	90
FIGURE 2-5. SWING MOTOR ASSEMBLY (SERVICE REPLACEMENT)	94
FIGURE 2-6. SWING BEARING AND ROTATION BOX ASSEMBLY (ORIGINAL EQUIPMENT)	96
FIGURE 2-7. SWING BEARING AND ROTATION BOX ASSEMBLY (SERVICE REPLACEMENT FOR 0440203) (SN 0300065080 through 0300069336).....	100
FIGURE 2-8. SWING BEARING AND ROTATION BOX ASSEMBLY (SERVICE REPLACEMENT FOR 0440203 & 0440339) (SN 0300065080 through 0300069336).....	102
FIGURE 2-9. SWING BEARING AND ROTATION BOX ASSEMBLY (SERVICE REPLACEMENT FOR 0440255 & 0440272) (SN 0300069337 through 0300123999, SN 1300000001 through 1300006000).....	104
FIGURE 2-10. SWING BEARING AND ROTATION BOX ASSEMBLY (SERVICE REPLACEMENT FOR 0440255, 0440272 & 1001153016) (SN 0300069337 through 0300123999, SN 1300000001 through 1300006000).....	106
FIGURE 2-11. USA BUILT MACHINES/CATERPILLAR ENGINE INSTALLATION	108
FIGURE 2-12. USA BUILT MACHINES/DEUTZ ENGINE INSTALLATION (SN 0300065080 through 0300077682)	118
FIGURE 2-13. USA BUILT MACHINES/DEUTZ ENGINE INSTALLATION (SN 0300077683 through 0300123999)	124
FIGURE 2-14. USA BUILT MACHINES/FORD ENGINE INSTALLATION (SN 0300065080 through 0300078472)	134
FIGURE 2-15. USA BUILT MACHINES/FORD ENGINE INSTALLATION (SN 0300078473 through 0300123999)	142
FIGURE 2-16. USA BUILT MACHINES/DUAL FUEL INSTALLATIONS (GAS MACHINES ONLY).....	150
FIGURE 2-17. USA BUILT MACHINES/GM ENGINE INSTALLATION.....	154
FIGURE 2-18. USA BUILT MACHINES/PERKINS ENGINE INSTALLATION.....	160
FIGURE 2-19. BELGIUM BUILT MACHINES/DEUTZ ENGINE INSTALLATION (Prior to SN 1300000979)	168
FIGURE 2-20. BELGIUM BUILT MACHINES/DEUTZ ENGINE INSTALLATION (SN 1300000979 through 1300006000).....	174
FIGURE 2-21. BELGIUM BUILT MACHINES/PERKINS ENGINE INSTALLATION	182
FIGURE 2-22. PISTON PUMP ASSEMBLY (SERIES M46 PUMP)	190
FIGURE 2-23. PISTON PUMP ASSEMBLY (SERIES 42 PUMP)	194
FIGURE 2-24. GEAR PUMP ASSEMBLY	200
FIGURE 2-25. AUXILIARY PUMP ASSEMBLY.....	202
FIGURE 2-26. TANK INSTALLATIONS.....	206
FIGURE 2-27. GROUND CONTROL BOX ASSEMBLY	210
FIGURE 2-28. ELECTRICAL OPTIONS INSTALLATION (TURNTABLE MOUNTED).....	218
FIGURE 2-29. HOODS INSTALLATION	222
FIGURE 2-30. 2500W GENERATOR INSTALLATION - CATERPILLAR ENGINES (USA BUILT MACHINES) (OPTIONAL).....	226
FIGURE 2-31. 2500W GENERATOR INSTALLATION - DEUTZ ENGINES (USA AND BELGIUM BUILT MACHINES) (OPTIONAL).....	230
FIGURE 2-32. 2500W GENERATOR INSTALLATION - FORD ENGINES (USA BUILT MACHINES) (OPTIONAL) (SN 0300065080 through 0300078472).....	236
FIGURE 2-33. 2500W GENERATOR INSTALLATION - FORD ENGINES (USA BUILT MACHINES) (OPTIONAL) (SN 0300078473 through 0300123999).....	240
FIGURE 2-34. 2500W GENERATOR INSTALLATION - GM ENGINES (USA BUILT MACHINES) (OPTIONAL)	244
FIGURE 2-35. 2500W GENERATOR INSTALLATION - PERKINS ENGINES (USA AND BELGIUM BUILT MACHINES) (OPTIONAL).....	248

TABLE OF CONTENTS

FIGURE 2-36. 7500W GENERATOR INSTALLATION - CATERPILLAR ENGINE MACHINES (USA BUILT MACHINES)	252
FIGURE 2-37. 7500W GENERATOR INSTALLATION - DEUTZ ENGINE MACHINES (USA BUILT MACHINES)	256
FIGURE 2-38. 7500W GENERATOR INSTALLATION - DEUTZ ENGINE MACHINES (BELGIUM BUILT MACHINES)	262
FIGURE 2-39. 7500W GENERATOR INSTALLATION - FORD ENGINE MACHINES (USA BUILT MACHINES)	268
FIGURE 2-40. 7500W GENERATOR INSTALLATION - GM ENGINE MACHINES (USA BUILT MACHINES)	272
FIGURE 2-41. 7500W GENERATOR INSTALLATION - PERKINS ENGINE MACHINES (USA BUILT MACHINES)	278
FIGURE 2-42. 7500W GENERATOR INSTALLATION - PERKINS ENGINE MACHINES (BELGIUM BUILT MACHINES)	284
SECTION 3 - BOOM	289
FIGURE 3-1. TOWER/MID BOOMS AND CYLINDERS INSTALLATION (USA BUILT MACHINES) (SN 0300065080 through 0300123999)	290
FIGURE 3-2. TOWER/MID BOOMS AND CYLINDERS INSTALLATION (BELGIUM BUILT MACHINES) - 450AJ SERIES II	296
FIGURE 3-3. MAIN BOOM INSTALLATION - 450A SERIES II	300
FIGURE 3-4. MAIN BOOM INSTALLATION - 450AJ SERIES II (USA BUILT MACHINES)	304
FIGURE 3-5. MAIN BOOM INSTALLATION - 450AJ SERIES II (BELGIUM BUILT MACHINES)	308
FIGURE 3-6. MAIN BOOM ASSEMBLIES	312
FIGURE 3-7. ROTATOR ASSEMBLIES	316
FIGURE 3-8. PLATFORM SUPPORT AND CONTROL VALVES INSTALLATIONS (FRONT ENTRY PLATFORM)	320
FIGURE 3-9. PLATFORM SUPPORT AND CONTROL VALVES INSTALLATIONS (SIDE ENTRY PLATFORM)	324
FIGURE 3-10. PLATFORM SUPPORT INSTALLATION - WITH LSS	328
SECTION 4 - PLATFORM	331
FIGURE 4-1. PLATFORM INSTALLATION (USA BUILT MACHINES) (SN 0300065080 through 0300069154)	332
FIGURE 4-2. PLATFORM INSTALLATION (USA BUILT MACHINES AND BELGIUM BUILT MACHINES) (SN 0300069155 through 0300123999)	336
FIGURE 4-3. FALL ARREST PLATFORM COMPONENTS INSTALLATION (OPTIONAL)	340
FIGURE 4-4. SOFT TOUCH SYSTEM INSTALLATION (OPTIONAL)	342
FIGURE 4-5. PLATFORM CONSOLE ASSEMBLY	344
FIGURE 4-6. CONTROLLER ASSEMBLY (SWING AND LIFT) (ORIGINAL EQUIPMENT)	350
FIGURE 4-7. CONTROLLER ASSEMBLY (LIFT AND SWING) (SERVICE REPLACEMENT)	352
FIGURE 4-8. CONTROLLER ASSEMBLY (LIFT AND SWING) (SERVICE REPLACEMENT)	354
FIGURE 4-9. CONTROLLER ASSEMBLY (DRIVE AND STEER) (ORIGINAL EQUIPMENT)	358
FIGURE 4-10. CONTROLLER ASSEMBLY (DRIVE AND STEER) (SERVICE REPLACEMENT)	360
FIGURE 4-11. CONTROLLER ASSEMBLY (DRIVE AND STEER) (SERVICE REPLACEMENT)	362
FIGURE 4-12. SKYGLAZIER INSTALLATION - WITHOUT LSS (ANSI, CSA AND AUSTRALIAN SPECS)	364
FIGURE 4-13. SKYGLAZIER INSTALLATION - WITH LSS (AUSTRALIAN SPECS)	366
FIGURE 4-14. SKYWELDER INSTALLATION (50HZ)	368
FIGURE 4-15. SKYWELDER INSTALLATION (60HZ)	370
FIGURE 4-16. WELDER ASSEMBLY	372
FIGURE 4-17. SKYCUTTER INSTALLATION (SN 0300035080 through 0300119210)	374
FIGURE 4-18. SKYCUTTER INSTALLATION (SN 0300119211 through 0300123999)	376
FIGURE 4-19. PLASMA CUTTER ASSEMBLY	378
FIGURE 4-20. PLASMA CUTTER ASSEMBLY	380
SECTION 5 - CYLINDER	383
FIGURE 5-1. USA BUILT MACHINES/AXLE LOCKOUT CYLINDER (SN 0300065080 through 0300107511)	384
FIGURE 5-2. USA BUILT MACHINES/AXLE LOCKOUT CYLINDER (SN 0300107512 through 0300123999)	386
FIGURE 5-3. USA BUILT MACHINES/LEVEL (PLATFORM SLAVE) CYLINDER (450A SERIES II) (ORIGINAL EQUIPMENT) (SN 0300065080 through 0300123999)	388
FIGURE 5-4. USA BUILT MACHINES/LEVEL (PLATFORM SLAVE) CYLINDER ASSEMBLY (450A SERIES II) (SERVICE REPLACEMENT) (SN 0300065080 through 0300123999)	390
FIGURE 5-5. USA BUILT MACHINES/LEVEL (PLATFORM) CYLINDER (450AJ SERIES II) (ORIGINAL EQUIPMENT) (SN 0300065080 through 0300123999)	392
FIGURE 5-6. USA BUILT MACHINES/LEVEL (PLATFORM) CYLINDER (450AJ SERIES II) (SERVICE REPLACEMENT) (SN 0300065080 through 0300123999)	394
FIGURE 5-7. USA BUILT MACHINES/LIFT (JIB) CYLINDER (450AJ SERIES II ONLY) (ORIGINAL EQUIPMENT) (SN 0300065080 through 0300123999)	396
FIGURE 5-8. USA BUILT MACHINES/LIFT (JIB) CYLINDER (450AJ SERIES II ONLY) (SERVICE REPLACEMENT) (SN 0300065080 through 0300123999)	398
FIGURE 5-9. USA BUILT MACHINES/LIFT (MAIN BOOM) CYLINDER (SN 0300065080 through 0300123999)	400
FIGURE 5-10. USA BUILT MACHINES/LIFT (TOWER BOOM) CYLINDER (SN 0300065080 through 0300123999)	402
FIGURE 5-11. USA BUILT MACHINES/MASTER CYLINDER (450A SERIES II) (ORIGINAL EQUIPMENT) (SN 0300065080 through 0300123999)	404

TABLE OF CONTENTS

FIGURE 5-12. USA BUILT MACHINES/MASTER CYLINDER (450A SERIES II) (SERVICE REPLACEMENT) (SN 0300065080 through 0300123999)	406
FIGURE 5-13. USA BUILT MACHINES/MASTER CYLINDER (450AJ SERIES II) (ORIGINAL EQUIPMENT) (SN 0300065080 through 0300123999)	408
FIGURE 5-14. USA BUILT MACHINES/MASTER CYLINDER (450AJ SERIES II) (SERVICE REPLACEMENT) (SN 0300065080 through 0300123999)	410
FIGURE 5-15. USA BUILT MACHINES/STEER CYLINDER (SN 0300065080 through 0300087392).....	412
FIGURE 5-16. USA BUILT MACHINES/STEER CYLINDER (SN 0300087393 through 0300123999).....	414
FIGURE 5-17. USA BUILT MACHINES/TELESCOPE CYLINDER (SN 0300065080 through 0300123999).....	416
FIGURE 5-18. BELGIUM BUILT MACHINES/AXLE LOCKOUT CYLINDER (Prior to SN 1300003222).....	418
FIGURE 5-19. BELGIUM BUILT MACHINES/AXLE LOCKOUT CYLINDER (SN 1300003222 through 1300006000)	420
FIGURE 5-20. BELGIUM BUILT MACHINES/LEVEL (PLATFORM) CYLINDER (450AJ SERIES II)	422
FIGURE 5-21. BELGIUM BUILT MACHINES/LIFT (JIB) CYLINDER (450AJ SERIES II ONLY).....	424
FIGURE 5-22. BELGIUM BUILT MACHINES/LIFT (MAIN BOOM) CYLINDER	426
FIGURE 5-23. BELGIUM BUILT MACHINES/LIFT (TOWER BOOM) CYLINDER	428
FIGURE 5-24. BELGIUM BUILT MACHINES/MASTER CYLINDER (450AJ SERIES II)	430
FIGURE 5-25. BELGIUM BUILT MACHINES/STEER CYLINDER.....	432
FIGURE 5-26. BELGIUM BUILT MACHINES/TELESCOPE CYLINDER	434
SECTION 6 - HYDRAULIC	437
FIGURE 6-1. AXLE LOCKOUT HYDRAULIC DIAGRAM - 2WD (USA BUILT MACHINES AND BELGIUM BUILT MACHINES) (SN 0300065080 through 0300077284, Prior to SN 1300000353)	438
FIGURE 6-2. AXLE LOCKOUT HYDRAULIC DIAGRAM - 2WD (USA BUILT MACHINES AND BELGIUM BUILT MACHINES) (SN 0300077285 through 0300107511, SN 1300000353 through 1300003221).....	440
FIGURE 6-3. AXLE LOCKOUT HYDRAULIC DIAGRAM - 2WD (USA BUILT MACHINES AND BELGIUM BUILT MACHINES) (SN 0300107512 through 0300123999, SN 1300003222 through 1300006000).....	442
FIGURE 6-4. AXLE LOCKOUT HYDRAULIC DIAGRAM - 4WD (USA BUILT MACHINES AND BELGIUM BUILT MACHINES) (SN 0300065080 through 0300077284, Prior to SN 1300000353)	444
FIGURE 6-5. AXLE LOCKOUT HYDRAULIC DIAGRAM - 4WD (USA BUILT MACHINES AND BELGIUM BUILT MACHINES) (SN 0300077285 through 0300107511, SN 1300000353 through 1300003221).....	446
FIGURE 6-6. AXLE LOCKOUT HYDRAULIC DIAGRAM - 4WD (USA BUILT MACHINES AND BELGIUM BUILT MACHINES) (SN 0300107512 through 0300123999, SN 1300003222 through 1300006000).....	448
FIGURE 6-7. DRIVE HYDRAULIC DIAGRAM - 2WD.....	450
FIGURE 6-8. DRIVE HYDRAULIC DIAGRAM - 2WD.....	454
FIGURE 6-9. DRIVE HYDRAULIC DIAGRAM - 2WD.....	458
FIGURE 6-10. DRIVE HYDRAULIC DIAGRAM - 4WD.....	462
FIGURE 6-11. DRIVE HYDRAULIC DIAGRAM - 4WD.....	466
FIGURE 6-12. STANDARD HYDRAULIC DIAGRAM	470
FIGURE 6-13. TOW BAR HYDRAULIC DIAGRAM.....	474
FIGURE 6-14. HYDRAULIC DIAGRAM LIST	476
SECTION 7 - ELECTRICAL	481
FIGURE 7-1. ELECTRICAL DIAGRAM LIST.....	482
FIGURE 7-2. HARNESS COMPONENTS INSTALLATION.....	484
SECTION 8 - DECALS.....	507
FIGURE 8-1. DECAL INSTALLATION - ANSI SPEC (USA BUILT MACHINES) (SN 0300065080 through 0300069154)	508
FIGURE 8-2. DECAL INSTALLATION - ANSI SPEC (USA BUILT MACHINES AND BELGIUM BUILT MACHINES) (SN 0300069155 through 0300123999, SN 1300000001 through 1300006000).....	512
FIGURE 8-3. DECAL INSTALLATION - ANSI EXPORT SPECS (USA BUILT MACHINES) (SN 0300065080 through 0300069154)	516
FIGURE 8-4. DECAL INSTALLATION - ANSI EXPORT SPECS (USA BUILT MACHINES AND BELGIUM BUILT MACHINES) (SN 0300069155 through 0300123999, SN 1300000001 through 1300006000).....	520
FIGURE 8-5. DECAL INSTALLATION - CE AND AUSTRALIAN SPECS (USA BUILT MACHINES) (SN 0300065080 through 0300069154)	526
FIGURE 8-6. DECALS INSTALLATION - AUSTRALIAN AND CE SPECS (USA BUILT MACHINES AND BELGIUM BUILT MACHINES) (SN 0300069155 through 0300074818, SN 1300000001 through 1300000180).....	530
FIGURE 8-7. DECALS INSTALLATION - AUSTRALIAN AND CE SPECS (USA BUILT MACHINES AND BELGIUM BUILT MACHINES) (SN 0300074819 through 0300123999, SN 1300000180 through 1300006000).....	534
SECTION 9 - RECOMMENDED SERVICE PARTS STOCK	537
FIGURE 9-1. MODEL 450A / 450AJ SERIES II STANDARD PARTS	538
FIGURE 9-2. MODEL 450A / 450AJ SERIES II VARIABLE PARTS	540

TABLE OF CONTENTS

SECTION 10 - SPECIAL OPTIONS	541
FIGURE 10-1. SPECIAL OPTIONS	542
PART NUMBER INDEX.....	547

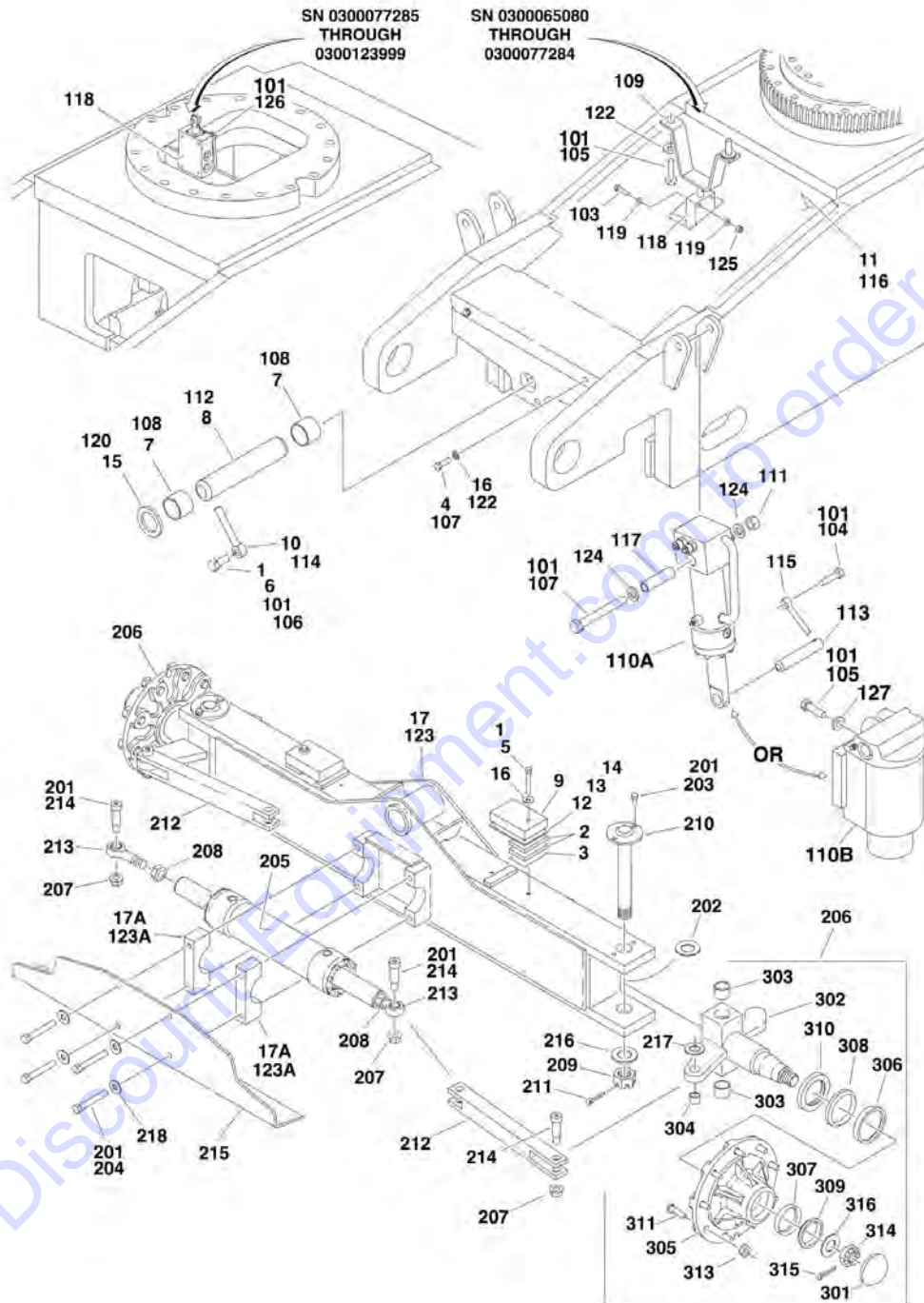
Go to Discount-Equipment.com to order your parts

SECTION 1 - FRAME

Go to Discount-Equipment.com to order your parts

SECTION 1 - FRAME

FIGURE 1-1. AXLE AND STEERING INSTALLATION - 2WD WITHOUT TOW BAR



SECTION 1 - FRAME

FIGURE 1-1. AXLE AND STEERING INSTALLATION - 2WD WITHOUT TOW BAR

ITEM	PART NUMBER	QTY	DESCRIPTION	REV
		Ref	FIXED AXLE INSTALLATION	
	0270971	Ref	Fixed Axle (SN 0300065080 through 0300107511)	E
	0274690	Ref	Fixed Axle (SN 0300107512 through 0300123999)	A
		Ref	Note: USA Manufacture Only.	
1	0100011	AR	Compound, Locking	
2	0362763	4	Bar, Stop	
3	0362764	2	Bar, Stop	
4		Ref	Bolt 3/8in-16NC x 7/8in	
4	0641607	2	Hex HD Capscrew Gr5, 3/8-16 X 7/8 Lg (SN 0300065080 through 0300069840)	
4	See Note	2	Hex HD Capscrew Gr5, 3/8-16 X 7/8 Lg (See FRAME SHIELDS INSTALLATION for call out) (SN 0300069841 through 0300123999)	
5	0641626	2	Bolt 3/8in-16NC x 3-1/4in	
6	0642012	1	Bolt 5/8in-11NC x 1-1/2in	
7	0961950	2	Bushing, Garmax	
8	3422592	1	Pin, Axle Pivot	
9	3570901	2	Plate, Stop	
10	3841258	1	Keeper, Pin	
11		Ref	Shield, Frame	
11	4061020	1	Shield, Frame (SN 0300065080 through 0300069840)	
11	See Note	1	Shield, Frame (See FRAME SHIELDS INSTALLATION for call out) (SN 0300069841 through 0300123999)	
12	4070972	AR	Shim 3/16in	
13	4070973	AR	Shim 1/8in	
14	4070974	AR	Shim 1/16in	
15	4740158	1	Thrustwasher	
16	4751600	2	Flatwasher 3/8in Regular	
17		Ref	Axle Weldment Options:	
17	4846352	1	Axle (SN 0300065080 through 0300107511)	
17	0280200	1	Axle (SN 0300107512 through 0300123999)	
17A	0561300	NLA	Steer Cylinder Mounting Block Assy (Use p/n 1001100424)	
18	2220235	3	Fitting, O-Ring (Not Shown)	
		Ref	OSCILLATING AXLE INSTALLATIONS	
	0270970	Ref	Oscillating Axle (SN 0300065080 through 0300077284)	G
	0273487	Ref	Oscillating Axle (SN 0300077285 through 0300107511)	C
	0274685	Ref	Oscillating Axle (SN 0300107512 through 0300123999)	A
		Ref	Note: USA Manufacture Only.	
101	0100011	AR	Compound, Locking	
101	0100019	AR	Compound, Locking	
102	0100038	AR	Primer, Locking #7471	
103	0641416	4	Bolt 1/4in-20NC x 2in (SN 0300065080 through 0300077284)	
104	0641607	2	Bolt 3/8in-16NC x 7/8in (SN 0300065080 through 0300107511)	
105	0641814	AR	Bolt 1/2in-13NC x 1-3/4in	
106	0642012	1	Bolt 5/8in-11NC x 1-1/2in	
107	0682248	2	Bolt 3/4in-10NC x 6in (SN 0300065080 through 0300107511)	
108	0961950	2	Bushing, Garmax	
109		Ref	Cam, Lockout Options:	
109	1100127	1	Cam, Lockout (SN 0300065080 through 0300069336)	
109	1100133	1	Cam, Lockout (SN 0300069337 through 0300077284)	

SECTION 1 - FRAME

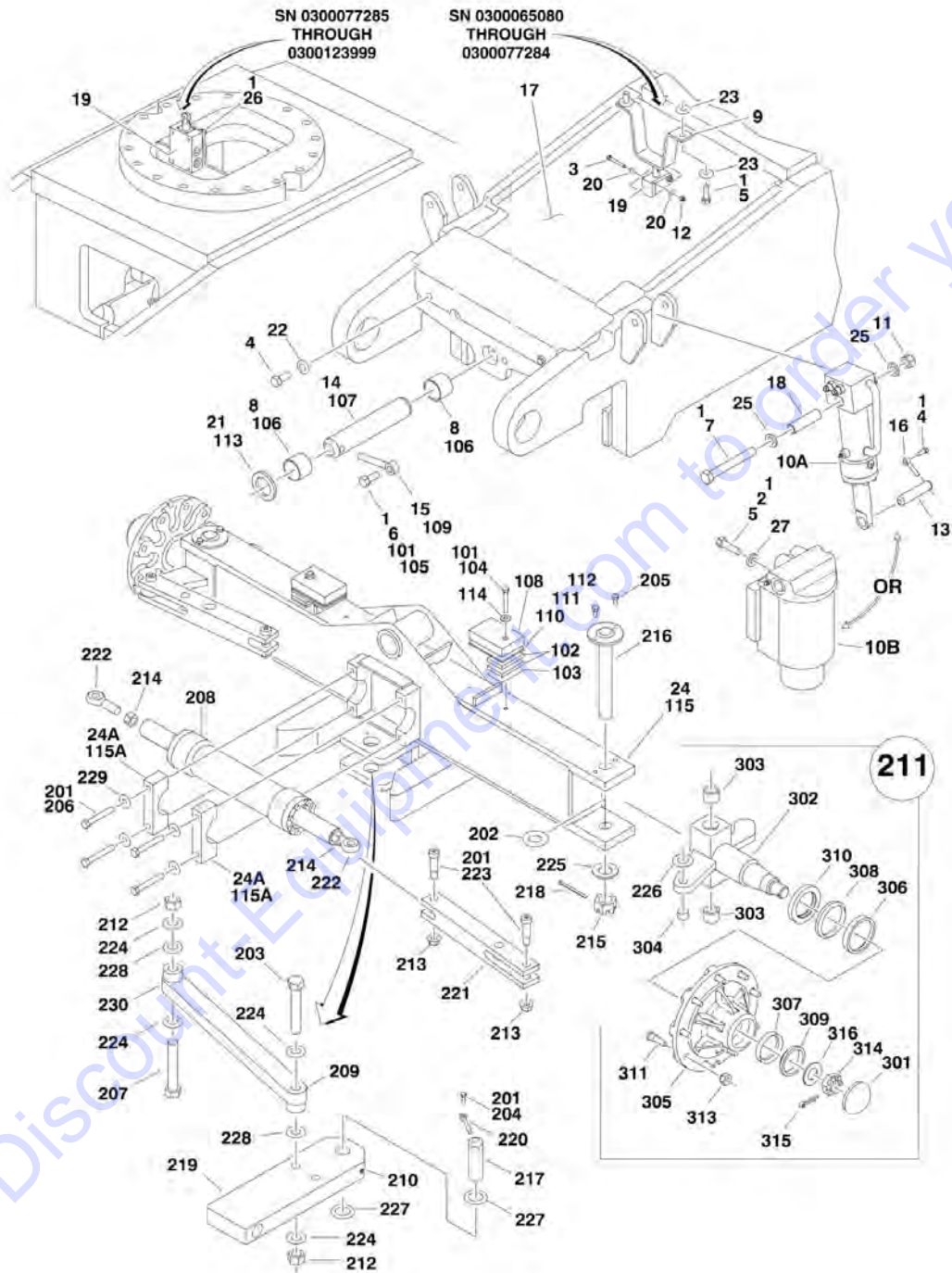
ITEM	PART NUMBER	QTY	DESCRIPTION	REV
109	Not Required	1	Cam, Lockout (SN 0300077285 through 0300123999)	
110		Ref	Lockout Cylinder Assembly Options (See CYLINDER SECTION for Breakdown):	
110A	1684129	2	Lockout Cylinder Assembly (SN 0300065080 through 0300069336)	
110B	1684465	2	Lockout Cylinder Assembly (SN 0300069337 through 0300077285)	
111	3272201	2	Nut 3/4in-10NC (SN 0300065080 through 0300107511)	
112	3422592	1	Pin, Axle Pivot	
113	3422520	2	Pin (SN 0300065080 through 0300107511)	
114	3841258	1	Keeper, Pin	
115	3841220	2	Keeper, Pin (SN 0300065080 through 0300107511)	
116		Ref	Shield, Frame	
116	4061020	1	Shield, Frame (SN 0300065080 through 0300069840)	
116	See Note	1	Shield, Frame (See FRAME SHIELDS INSTALLATION for call out) (SN 0300069841 through 0300123999)	
117	4567462	2	Tube, Mounting (SN 0300065080 through 0300107511)	
118		Ref	Lockout Valve Assembly Options:	
118	4640871	1	Valve (SN 0300065080 through 0300077284)	
118	7012693	1	Seal Kit - 4640871 Valve	
118	7002840	1	Anti-Rotation Pin Removal Tool	
118	4641265	1	Valve (SN 0300077285 through 0300123999)	
119	4711400	8	Flatwasher 1/4in Thin (SN 0300065080 through 0300077284)	
120	4740158	1	Thrustwasher	
122	4751800	4	Flatwasher 1/2in Regular (SN 0300065080 through 0300077284)	
123		Ref	Axle Weldment Options:	
123	4846352	1	Axle Weldment (SN 0300065080 through 0300107511)	
123	0280200	1	Axle Weldment (SN 0300107512 through 0300123999)	
123A	0561300	NLA	Steer Cylinder Mounting Block Assy (Use p/n 1001100424)	
124	4892200	4	Flatwasher 3/4in Hardened (SN 0300065080 through 0300107511)	
125	3311405	4	Locknut 1/4in-20NC (SN 0300065080 through 0300077284)	
126	0791506	4	Screw, 5/16in-18NC x 3/4in (SN 0300077285 through 0300123999)	
127	4891800	4	Flatwasher, Hardened 1/2in (SN 0300107512 through 0300123999)	
	0271012	Ref	STEERING INSTALLATION	G
		Ref	Note: USA Manufacture Only.	
201	0100011	AR	Compound, Locking	
202	0440162	2	Thrustwasher	
203	0641606	4	Bolt 3/8in-16NC x 3/4in	
204	0681826	4	Bolt 1/2in-13NC x 3-1/4in	
205		Ref	Steer Cylinder Assembly Options (See CYLINDER SECTION for Breakdown):	
205	1683614	NLA	Steer Cylinder Assembly (Use p/n 1684412) (SN 0300065080 through 0300087391)	
205	1684412	1	Steer Cylinder Assembly (SN 0300087392 through 0300123999)	
206	2780230	2	Hub/Spindle Assembly (See Items 301-316 for Breakdown)	
207	3312008	4	Nut 5/8in-11NC	
208	3322201	2	Nut 3/4in-16NF	
209	3323003	2	Nut 1-1/4in-12NF	
210	3422692	2	Kingpin	

SECTION 1 - FRAME

ITEM	PART NUMBER	QTY	DESCRIPTION	REV
211	3450808	2	Pin, Cotter 1/4in x 2in	
212	3841377	2	Tie-Rod	
213	3841517	2	Rod-End with Grease Fitting	
214	3900109	4	Screw, Shoulder	
215	4060950	1	Shield, Frame (SN 0300065080 through 0300074064)	
216	4713000	2	Flatwasher 1-1/4in Thin	
217	4740086	2	Thrustwasher	
218	4751800	4	Flatwasher 1/2in Regular	
	2780230	Ref	HUB ASSEMBLY	A
301	7020033	2	Cap, Dust (1 per Assembly)	
302	7020034	2	Spindle Assembly (1 per Assembly)	
303	0961951	4	Bushing, Garmax (2 Per Assembly)	
304	0962140	2	Bearing, Garmax (1 per Assembly)	
305	7020035	2	Hub (1 per Assembly) (Includes 306 AND 307)	
306	7020036	2	Cup, Bearing - Inner(1 per Assembly)	
307	7020038	2	Cup, Bearing - Outer (1 per Assembly)	
308	7020037	2	Cone, Bearing - Inner (1 per Assembly)	
309	7020039	2	Cone, Bearing - Outer (1 per Assembly)	
310	7020040	2	Seal (1 Per Assembly)	
311	7020041	18	Stud, Wheel (9 Per Assembly)	
313	7020042	18	Lugnut (9 per Assembly)	
314	7020054	2	Nut, Castle (1 per Assembly)	
315	3450608	2	Pin, Cotter (1 Per Assembly)	
316	7020055	2	Washer, Spindle (1 Per Assembly)	

SECTION 1 - FRAME

FIGURE 1-2. AXLE AND STEERING INSTALLATION - 2WD WITH TOW BAR



SECTION 1 - FRAME

FIGURE 1-2. AXLE AND STEERING INSTALLATION - 2WD WITH TOW BAR

ITEM	PART NUMBER	QTY	DESCRIPTION	REV
		Ref	OSCILLATING AXLE INSTALLATIONS	
	0271656	Ref	Install 2wd Axle (Osc) Tow Bar (SN 0300065080 through 0300077284)	C
	0273489	Ref	Install, Axle (2wd , Osc , Tow) (SN 0300077285 through 0300107511)	C
	0274705	Ref	Install, Axle (Osc) Tow bar 450A/AJ (SN 0300107512 through 0300123999)	A
		Ref	Note: USA Manufacture Only.	
1	0100011	AR	Compound, Locking	
1	0100019	AR	Compound, Locking	
2	0100038	AR	Primer, Locking #7471	
3	0641416	4	Bolt 1/4in-20NC x 1-3/4in (SN 0300065080 through 0300077284)	
4	0641607	2	Bolt 3/8in-16NC x 7/8in (SN 0300065080 through 0300107511)	
5	0641814	AR	Bolt 1/2in-13NC x 1-3/4in	
6	0642012	1	Bolt 5/8in-11NC x 1-1/2in	
7	0682248	2	Bolt 3/4in-10NC x 6in (SN 0300065080 through 0300107511)	
8	0961950	2	Bushing, Garmax	
9		Ref	Cam, Lockout Options:	
9	1100127	1	Cam, Lockout (SN 0300065080 through 0300069336)	
9	1100133	1	Cam, Lockout (SN 0300069337 through 0300077285)	
9	Not Required	1	Cam, Lockout (SN 0300077285 through 0300123999)	
10		Ref	Lockout Cylinder Assembly Options (See CYLINDER SECTION for Breakdown):	
10A	1684129	2	Lockout Cylinder Assembly (SN 0300065080 through 0300107511)	
10B	1684465	2	Lockout Cylinder Assembly (SN 0300107512 through 0300123999)	
11	3272201	2	Nut 3/4in-10NC (SN 0300065080 through 0300107511)	
12	3311405	4	Locknut 1/4in-20NC (SN 0300065080 through 0300077284)	
13	3422520	2	Pin (SN 0300065080 through 0300107511)	
14	3422592	1	Pin, Axle Pivot	
15	3841258	2	Keeper, Pin	
16	3841520	1	Keeper, Pin (SN 0300065080 through 0300107511)	
17		Ref	Shield, Frame Options:	
17	4061020	1	Shield, Frame (SN 0300065080 through 0300069840)	
17	See Note	1	Shield, Frame (See FRAME SHIELDS INSTALLATION for call out) (SN 0300069841 through 0300123999)	
18	4567462	2	Tube, Mounting (SN 0300065080 through 0300107511)	
19		Ref	Lockout Valve Assembly Options:	
19	4640871	1	Valve (SN 0300065080 through 0300077284)	
19	7012693	1	Seal Kit - 4640871 Valve	
19	7002840	1	Anti-Rotation Pin Removal Tool	
19	4641265	1	Valve (SN 0300077285 through 0300123999)	
20	4711400	8	Flatwasher 1/4in Thin (SN 0300065080 through 0300123999)	
21	4740158	1	Thrustwasher	
23	4751800	4	Flatwasher 1/2in Regular (SN 0300065080 through 0300077284)	
24		Ref	Axle Weldment Options:	
24	4846426	1	Axle Weldment (SN 0300065080 through 0300107511)	
24	0280201	1	Axle Weldment (SN 0300107512 through 0300123999)	
24A	0561300	NLA	Steer Cylinder Mounting Block Assy (Use p/n 1001100424)	

SECTION 1 - FRAME

ITEM	PART NUMBER	QTY	DESCRIPTION	REV
25	4892200	4	Flatwasher 3/4in Hardened	
26	0791506	4	Screw, 5/16in-18NC x 3/4in Only (SN 0300077285 through 0300123999)	
27	4891800	8	Flatwasher, Hardened 1/2in (SN 0300107512 through 0300123999)	
		Ref	FIXED AXLE INSTALLATION	
	0273077	Ref	Axle, Fixed 2wd (Tow Bar) (SN 0300065080 through 0300107511)	C
	0274706	Ref	Install, Axle (Fixed) 450A/AJ (SN 0300107512 through 0300123999)	A
		Ref	Note: USA Manufacture Only.	
101	0100011	AR	Compound, Locking	
102	0362763	4	Bar, Stop	
103	0362764	2	Bar, Stop	
104	0641626	2	Bolt 3/8in-16NC x 3-1/4in	
105	0642012	1	Bolt 5/8in-11NC x 1-1/2in	
106	0961950	2	Bushing, Garmax	
107	3422592	1	Pin, Axle Pivot	
108	3570901	2	Plate, Stop	
109	3841258	1	Keeper, Pin	
110	4070972	AR	Shim 3/16in	
111	4070973	AR	Shim 1/8in	
112	4070974	AR	Shim 1/16in	
113	4740158	1	Thrustwasher	
114	4751600	2	Flatwasher 3/8in Regular	
115		Ref	Axle Weldment Options:	
115	4846426	1	Weld, Axle-Steer (SN 0300065080 through 0300107511)	
115	0280201	1	Weld, Axle-Steer (SN 0300107512 through 0300123999)	
115A	0561300	NLA	Steer Cylinder Mounting Block Assy (Use p/n 1001100424)	
116	2220235	4	Fitting, O-Ring (Not Shown - See HYDRAULICS SECTION)	
	0271653	Ref	STEERING INSTALLATION	E
		Ref	Note: USA Manufacture Only.	
201	0100011	AR	Compound, Locking	
202	0440162	2	Thrustwasher	
203	0630544	1	Bolt 1in-8NC x 6in	
204	0641508	1	Bolt 5/16in-18NC x 1in	
205	0641606	4	Bolt 3/8in-16NC x 3/4in	
206	0681824	4	Bolt 1/2in-13NC x 3in	
207	0682648	1	Bolt 1in-8NC x 6in	
208		Ref	Steer Cylinder Assembly Options (See CYLINDER SECTION for Breakdown):	
208	1683614	NLA	Cylinder, Steer (Use p/n 1684412) (SN 0300065080 through 0300087391)	
208	1684412	1	Cylinder, Steer (SN 0300087392 through 0300123999)	
209	2160001	2	Fitting, STR Grease	
210	2160002	1	Fitting, STR Grease	
211	2780230	2	Hub/Spindle Assembly (See 201-213 for Breakdown)	
212	3272605	2	Locknut 1in-8NC	
213	3312008	4	Nut 5/8in-11NC	
214	3322201	2	Nut 3/4in-16NF	
215	3323003	2	Nut 1-1/4in-12NF	
216	3422692	2	Kingpin	
217	3422848	1	Pin, Hitch	

SECTION 1 - FRAME

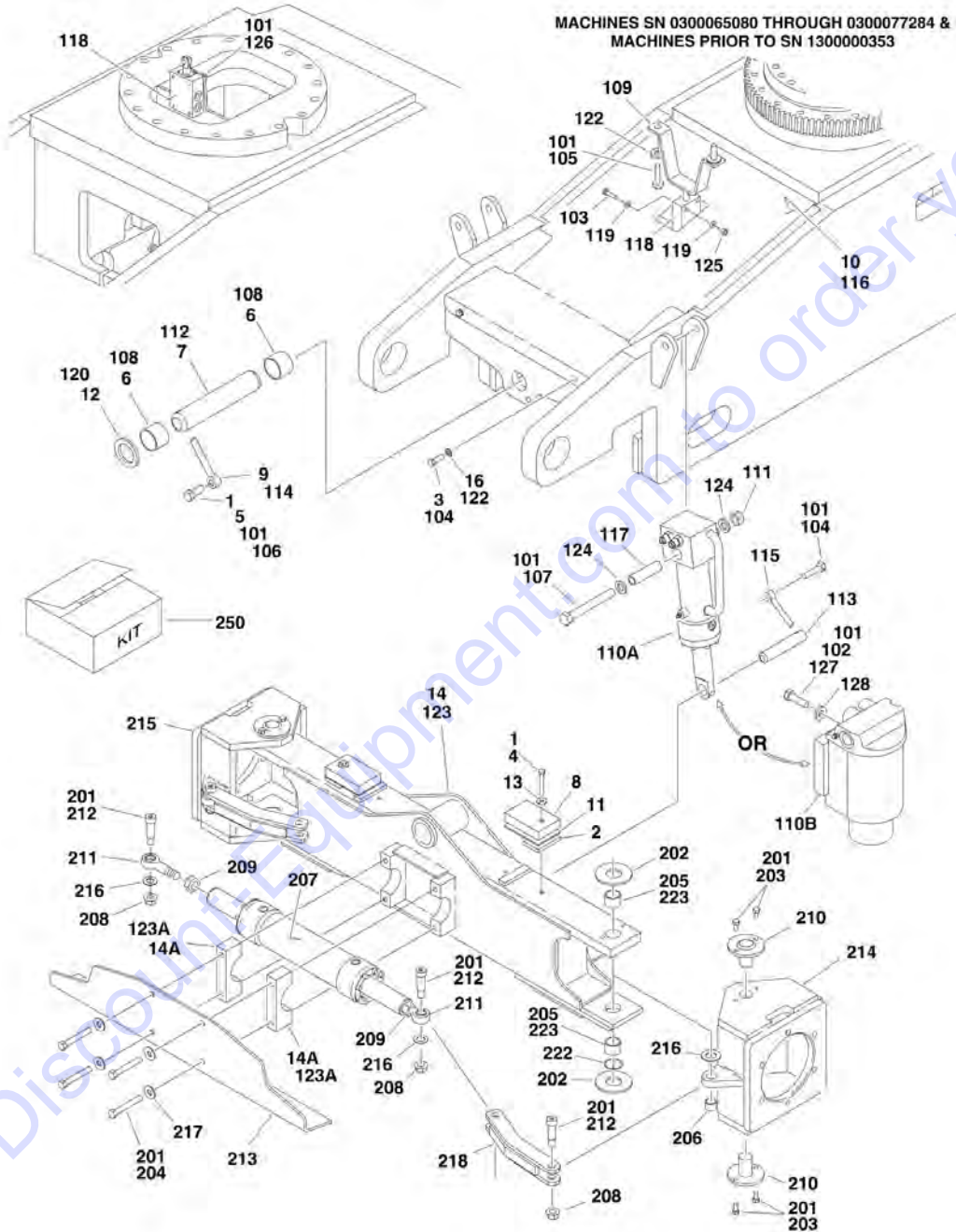
ITEM	PART NUMBER	QTY	DESCRIPTION	REV
218	3450812	2	Pin, Cotter 1/4in x 3in	
219	3571975	1	Plate, Tow Bar Pivot	
220	3841143	1	Keeper	
221	3841458	2	Tie-Rod	
222	3841517	2	Rod-End	
223	3900109	4	Screw, Shoulder	
224	4712600	4	Flatwasher 1in Thin	
225	4713000	2	Flatwasher 1-1/4in Thin	
226	4740086	2	Thrustwasher	
227	4740155	2	Thrustwasher	
228	4740491	2	Thrustwasher	
229	4751800	4	Flatwasher 1/2in Regular	
230	4846162	1	Link	
	2780230	Ref	HUB ASSEMBLY	A
301	7020033	2	Cap, Dust (1 per Assembly)	
302	7020034	2	Spindle Assembly (1 per Assembly)	
303	0961951	4	Bushing, Garmax (2 Per Assembly)	
304	0962140	2	Bearing, Garmax (1 per Assembly)	
305	7020035	2	Hub (1 per Assembly) (Includes 306 & 307)	
306	7020036	2	Cup, Bearing - Inner(1 per Assembly)	
307	7020038	2	Cup, Bearing - Outer (1 per Assembly)	
308	7020037	2	Cone, Bearing - Inner (1 per Assembly)	
309	7020039	2	Cone, Bearing - Outer (1 per Assembly)	
310	7020040	2	Seal (1 Per Assembly)	
311	7020041	18	Stud, Wheel (9 Per Assembly)	
313	7020042	18	Lugnut (9 per Assembly)	
314	7020054	2	Nut, Castle (1 per Assembly)	
315	3450608	2	Pin, Cotter (1 Per Assembly)	
316	7020055	2	Washer, Spindle (1 Per Assembly)	

SECTION 1 - FRAME

FIGURE 1-3. AXLE AND STEERING INSTALLATION - 4WD

MACHINES SN 0300077285 THROUGH 0300123999 &
MACHINES SN 1300000353 THROUGH 1300006000

MACHINES SN 0300065080 THROUGH 0300077284 &
MACHINES PRIOR TO SN 1300000353



SECTION 1 - FRAME

FIGURE 1-3. AXLE AND STEERING INSTALLATION - 4WD

ITEM	PART NUMBER	QTY	DESCRIPTION	REV
		Ref	FIXED AXLE INSTALLATION	
	0270969	Ref	Fixed Axle (SN 0300065080 through 0300107511)	E
	0274703	Ref	Fixed Axle (SN 0300107512 through 0300123999)	A
		Ref	Note: USA Manufacture Only.	
1	0100011	AR	Compound, Locking	
2		Ref	Bar, Stop Options:	
2	0362763	2	3/8in Bar (SN 0300065080 through 0300107511)	
2	0362763	4	3/8in Bar (SN 0300107512 through 0300123999)	
2	0362764	2	1/8in Bar (SN 0300107512 through 0300123999)	
3		Ref	Bolt 3/8in-16NC x 7/8in	
3	0641607	2	Hex HD Capscrew Gr5, 3/8-16 X 7/8 Lg (SN 0300065080 through 0300069840)	
3	See Note	2	Hex HD Capscrew Gr5, 3/8-16 X 7/8 Lg (See FRAME SHIELDS INSTALLATION for call out) (SN 0300069841 through 0300123999)	
4		Ref	Bolt Options:	
4	0641620	2	Bolt 3/8in-16NC x 2-1/4in	
4	0641616	2	Bolt 3/8in-16NC x 2in	
5	0642012	1	Bolt 5/8in-11NC x 1-1/2in	
6	0961950	2	Bushing, Garmax	
7	3422592	1	Pin, Axle Pivot	
8		Ref	Plate, Stop Options:	
8	3570901	2	Plate, Stop (SN 0300065080 through 0300107511)	
8	4220267	2	Plate, Stop (SN 0300107512 through 0300123999)	
9	3841258	1	Keeper, Pin	
10		Ref	Shield, Frame Options:	
10	4061020	1	Shield, Frame (SN 0300065080 through 0300069840)	
10	See Note	1	Shield, Frame (See FRAME SHIELDS INSTALLATION for call out) (SN 0300069841 through 0300123999)	
11		Ref	Shim Options:	
11	4070974	AR	Shim, 16ga (SN 0300065080 through 0300107511)	
11	4070973	AR	Shim, 11ga (SN 0300107512 through 0300123999)	
12	4740158	1	Thrustwasher	
13	4751600	2	Flatwasher 3/8in Regular	
14		Ref	Axle Weldment Options:	
14	4846353	1	Axle Weldment (SN 0300065080 through 0300107511)	
		Ref	Note: If kingpin holes in the axle measure 1.503in diameter or larger in any direction, axle weldment must be replaced.	
		Ref	Note: See Kit Item 250 and additional notes at end of parts list before ordering parts.	
14	0280199	1	Axle Weldment (SN 0300107512 through 0300123999)	
14A	0561300	2	Steer Cylinder Mounting Block Assembly	
15	2220235	3	Fitting, O-Ring (Not Shown)	
		Ref	OSCILLATING AXLE INSTALLATIONS	
	0270968	Ref	USA Built Machines (SN 0300065080 through 0300077284)	G
	0273488	Ref	USA Built Machines (SN 0300077285 through 0300107511)	C
	0274702	Ref	USA Built Machines (SN 0300107512 through 0300123999)	A
	0270968	Ref	Belgium Built Machines (SN 1300000007 through 1300000004)	A
	0272639	Ref	Belgium Built Machines (SN 1300000005 through 1300000352)	A
	0273498	Ref	Belgium Built Machines (SN 1300000353 through 1300003221)	C
	0274742	Ref	Belgium Built Machines (SN 1300003222 through 1300006000)	A

SECTION 1 - FRAME

ITEM	PART NUMBER	QTY	DESCRIPTION	REV
101	0100011	AR	Compound, Locking	
101	0100019	AR	Compound, Locking	
102	0100038	AR	Primer, Locking #7471	
103	0641416	4	Bolt 1/4in-20NC x 2in (USA Built Machines) (SN 0300065080 through 0300077284)	
103	0641416	4	Bolt 1/4in-20NC x 2in (Belgium Built Machines) (Prior to SN 130000353)	
104	0641607	2	Bolt 3/8in-16NC x 3/4in (USA Built Machines) (SN 0300065080 through 0300107511)	
104	0641607	2	Bolt 3/8in16NC x 3/4in (Belgium Built Machines) (Prior to SN 1300003222)	
105		Ref	Bolt Options:	
105	0641812	2	1/2in-13NC x 1-1/2in (USA Built Machines) (SN 0300065080 through 0300077284)	
105	0642010	2	5/8in-11NC x 1-1/4in (Belgium Built Machines) (Prior to SN 130000353)	
105	Not Required	0	Bolt (USA Built Machines) (SN 0300077285 through 0300123999)	
105	Not Required	0	Bolt (Belgium Built Machines) (SN 130000353 through 1300006000)	
106	0642012	1	Bolt 5/8in-11NC x 1-1/2in	
107	0682248	2	Bolt 3/4in-10NC x 6in (USA Built Machines) (SN 0300065080 through 0300107511)	
107	0682248	2	Bolt 3/4in-10NC x 6in (Belgium Built Machines) (Prior to SN 1300003222)	
108	0961950	2	Bushing, Garmax	
109		Ref	Cam, Lockout Options:	
109	1100107	1	USA Built Machines (SN 0300065080 through 0300069336)	
109	1100133	1	USA Built Machines (SN 0300069337 through 0300077284)	
109	Not Required	0	USA Built Machines (SN 0300077285 through 0300123999)	
109	1100133	1	Cam, Lockout (Belgium built machines) (SN 1300000001 through 1300000004)	
109	1100134	1	Belgium Built Machines (SN 1300000005 through 130000352)	
	Not Required	0	Cam, Lockout (Belgium Built Machines) (SN 130000353 through 1300006000)	
110		Ref	Lockout Cylinder Assembly Options (See CYLINDER SECTION for Breakdown):	
110A	1684129	2	Lockout Cylinder (USA Built Machines) (SN 0300065080 through 0300107511)	
110A	1684243	2	Lockout Cylinder (Belgium Built Machines) (Prior to SN 1300003222)	
110B	1684465	2	Lockout Cylinder (USA Built Machines) (SN 0300107512 through 0300123999)	
110B	1684465	2	Lockout Cylinder (Belgium Built Machines) (SN 1300003222 through 1300006000)	
111	3272201	2	Nut 3/4in-10NC (USA Built Machines) (SN 0300065080 through 0300107511)	
111	3272201	2	Nut 3/4in-10NC (Belgium Built Machines) (Prior to SN 1300003222)	
112	3422592	1	Pin, Axle Pivot	
113	3422520	2	Pin (USA Built Machines) (SN 0300065080 through 0300107511)	
113	3422520	2	Pin (Belgium Built Machines) (Prior to SN 1300003222)	
114	3841258	1	Keeper, Pin	
115	3841520	2	Keeper, Pin (USA Built Machines) (SN 0300065080 through	

SECTION 1 - FRAME

ITEM	PART NUMBER	QTY	DESCRIPTION	REV
			0300107511)	
115	3841520	2	Keeper, Pin (Belgium Built Machines) (Prior to SN 1300003222)	
116		Ref	Shield, Frame Options:	
116	4061020	1	Shield, Frame (USA Built Machines) (SN 0300065080 through 0300069840)	
116	See Note	1	Shield, Frame (USA Built Machines) (See FRAME SHIELDS INSTALLATION for call out) (SN 0300069841 through 0300123999)	
116	See Note	1	Shield, Frame (Belgium Built Machines) (SN 1300000001 through 1300006000)	
117	4567462	2	Tube, Mounting (USA Built Machines) (SN 0300065080 through 0300107511)	
117	4567462	2	Tube Mounting (Belgium Built Machines) (Prior to SN 1300003222)	
118		Ref	Lockout Valve Assembly Options:	
118	4640871	1	Valve Used USA Built Machines (SN 0300065080 through 0300077284)	
118	4640871	1	Value Used Belgium Built Machines (Prior to SN 1300000353)	
118	7012693	1	Seal Kit - 4640871 Valve	
118	7002840	1	Anti-Rotation Pin Removal Tool	
118	4641265	1	Valve (USA Built Machines) (SN 0300077285 through 0300123999)	
118	4641265	1	Value (Belgium Built Machines) (SN 1300000353 through 1300006000)	
119	4711400	4	Flatwasher 1/4in Thin (USA Built Machines) (SN 0300065080 through 0300077284)	
119	4711400	4	Flatwasher 1/4in Thin (Belgium Built Machines) (Prior to SN 1300000353)	
120	4740158	1	Thrustwasher	
122		Ref	Flatwasher Options:	
122	4751800	4	1/2in Regular (USA Built Machines) (SN 0300065080 through 0300077284)	
122	4752000	4	5/8in Regular (Belgium Built Machines) (Prior to SN 1300000353)	
122	Not Required	0	Flatwasher (USA Built Machines) (SN 0300077285 through 0300123999)	
122	Not Required	0	Flatwasher (Belgium Built Machines) (SN 1300000353 through 1300006000)	
123		Ref	Axle Weldment Options:	
		Ref	Note: If kingpin holes in the axle measure 1.503in diameter or larger in any direction, axle weldment must be replaced. Note: See Kit Item 250 and additional notes at end of parts list before ordering parts.	
123	4846353	1	Axle Weldment (USA Built Machines) (SN 0300065080 through 0300107511)	
123	0280199	1	Axle Weldment (USA Built Machines) (SN 0300107512 through 0300123999)	
123	4846725	1	Axle Weldment (Belgium Built Machines) (Prior to SN 1300003222)	
123	0280202	1	Axle Weldment (Belgium Built Machines) (SN 1300003222 through 1300006000)	
123A		Ref	Steer Cylinder Mounting Block Assembly Options:	
123A	0561300	2	Steer Cylinder Mounting Block (USA Built Machines)	
123A	0561511	2	Steer Cylinder Mounting Block (Belgium Built Machines)	
124	4892200	4	Flatwasher 3/4in Hardened (USA Built Machines) (SN 0300065080 through 0300107511)	

SECTION 1 - FRAME

ITEM	PART NUMBER	QTY	DESCRIPTION	REV
124	4892200	4	Flatwasher 3/4in Hardened (Belgium Built Machines) (Prior to SN 1300003222)	
125	3311405	4	Locknut 1/4in-20NC (USA Built Machines) (SN 0300065080 through 0300077284)	
125	3311405	4	Locknut 1/4in-20NC (Belgium Built Machines) (Prior to SN 1300000353)	
126	0791506	4	Screw, 5/16in-18NC x 3/4in (USA Built Machines) (SN 0300077285 through 0300123999)	
126	0791506	4	Screw, 5/16in-18NC x 3/4in (Belgium Built Machines) (SN 1300000353 through 1300006000)	
127	0641814	8	Bolt 1/2in-13NC x 1-3/4in (USA Built Machines) (SN 0300107512 through 0300123999)	
127	0641814	8	Bolt 1/2in-13NC x 1-3/4in (Belgium Built Machines) (SN 1300003222 through 1300006000)	
128	4891800	8	Flatwasher, 1/2in Hardened (USA Built Machines) (SN 0300107512 through 0300123999)	
128	4891800	8	Flatwasher, 1/2in Hardened (Belgium Built Machines) (SN 1300003222 through 1300006000)	
		Ref	STEERING INSTALLATIONS	
	0271011	Ref	Manufactured in USA (SN 1st digit is 0)	I
	0272652	Ref	Manufactured in Belgium (SN 1st digit is 1)	F
201	0100011	AR	Compound, Locking	
202		Ref	Thrustwasher Options:	
202		Ref	USA Built Machines:	
202	0440161	AR	Thrustwasher (Top and Bottom Kingpin Location) (SN 0300065080 through 0300079125)	
		Ref	(Note: See Kit Item 250 and additional notes at end of parts list before ordering parts.)	
202	4740537	AR	Thrustwasher (.0625) (Top Kingpin Location) (SN 0300079126 through 0300123999)	
202	4740538	AR	Thrustwasher (.125) (Top Kingpin Location) (SN 0300079126 through 0300123999)	
202	4740539	AR	Thrustwasher (.188) (Top Kingpin Location) (SN 0300079126 through 0300123999)	
202	4740540	AR	Thrustwasher (.250) (Top Kingpin Location) (SN 0300079126 through 0300123999)	
202	0440271	AR	Thrustwasher (Bottom Kingpin Location) (SN 0300079126 through 0300123999)	
202		Ref	Belgium Built Machines:	
202	0440161	AR	Thrustwasher (Top and Bottom Kingpin Location) (Prior to SN 1300000441)	
		Ref	(Note: See Kit Item 250 and additional notes at end of parts list before ordering parts.)	
202	4740537	AR	Thrustwasher (.0625) (Top Kingpin Location) (SN 1300000441 through 1300006000)	
202	4740538	AR	Thrustwasher (.125) (Top Kingpin Location) (SN 1300000441 through 1300006000)	
202	4740539	AR	Thrustwasher (.188) (Top Kingpin Location) (SN 1300000441 through 1300006000)	
202	4740540	1	Thrustwasher (.250) (Top Kingpin Location) (SN 1300000441 through 1300006000)	
202	0440271	AR	Thrustwasher (Bottom Kingpin Location) (SN 1300000441 through 1300006000)	
203	0641606	16	Bolt 3/8in-16NC x 3/4in	
204	0641826	4	1/2in-13NC x 3-1/4in	
205		Ref	Bushing / Bearing Options:	

SECTION 1 - FRAME

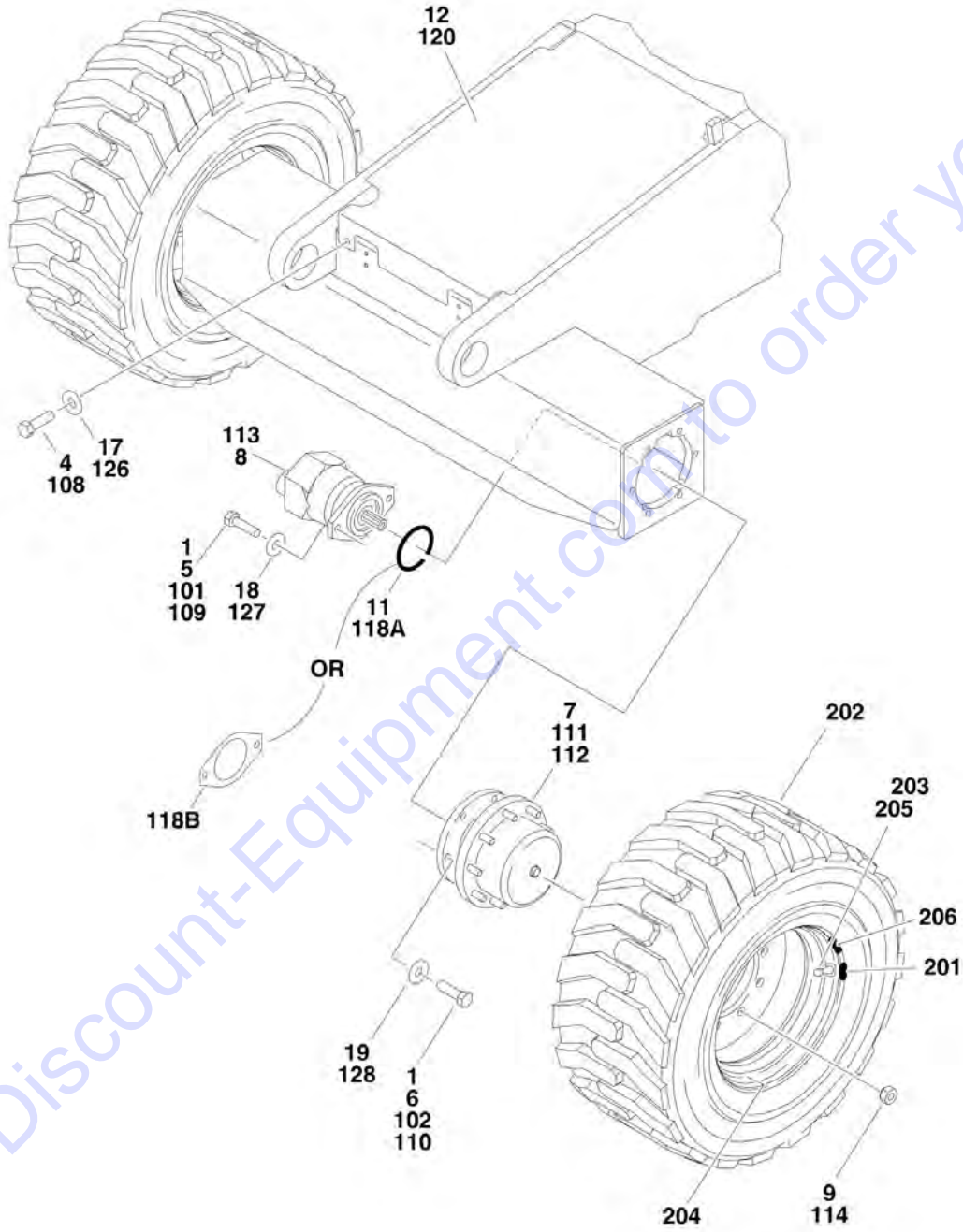
ITEM	PART NUMBER	QTY	DESCRIPTION	REV
205	0961951	2	Bushing (USA Built Machines) (Top and Bottom Kingpin Location) (SN 0300065080 through 0300079125)	
205	0961951	2	Bushing (Belgium Built Machines) (Top and Bottom Kingpin Location) (Prior to SN 130000441)	
		Ref	(Note: See Kit Item 250 and additional notes at end of parts list before ordering parts)	
205	0440291	2	Bushing (USA Built Machines) (Top Kingpin Location) (SN 0300079126 through 0300123999)	
205	0440291	2	Bushing (Belgium Built Machines) (Top Kingpin Location) (SN 130000441 through 130006000)	
205	0440274	2	Bushing (USA Built Machines) (Bottom Kingpin Location) (SN 0300079126 through 0300123999)	
205	0440274	2	Bushing (Belgium Built Machines) (Bottom Kingpin Location) (SN 130000441 through 130006000)	
206	0962140	2	Bearing, Garmax	
207		Ref	Steer Cylinder Assembly Options (See CYLINDER SECTION for Breakdown):	
207	1683614	NLA	Steer Cylinder Assembly (USA Built Machine) (Use p/n 1684412) (SN 0300065080 through 0300087391)	
207	1684412	1	Steer Cylinder Assembly (USA Built Machine) (SN 0300087392 through 0300123999)	
207	1684246	1	Steer Cylinder Assembly (Belgium Built Machines)	
208	3312008	4	Nut 5/8in-11NC	
209	3322201	2	Nut 3/4in-16NC	
210		Ref	Kingpin Options:	
210	3422716	4	Kingpin (USA Built Machines) (2 Bolt Mounting) (Note: See kit Item 250 and additional notes at end of parts list before ordering parts) (SN 0300065080 through 0300079125)	
210	3422716	4	Kingpin (Belgium Built Machines) (2 Bolt Mounting) (Note: See kit Item 250 and additional notes at end of parts list before ordering parts) (Prior to SN 130000441)	
210	3423081	4	Kingpin (USA Built Machines) (4 Bolt Mounting) (SN 0300079126 through 0300123999)	
210	3423081	4	Kingpin (Belgium Built Machines) (4 Bolt Mounting) (SN 130000441 through 130006000)	
211		Ref	Rod-End with Grease Fitting Options:	
211	3841517	2	Rod-End (USA Built Machines)	
211	3841367	2	Rod-End (Belgium Built Machines) (Prior to SN 130005313)	
211	3841517	2	Rod-End (SN 130005313 through 130006000)	
212	3900109	4	Screw, Shoulder	
213	4060950	1	Shield, Frame (Used on USA Built Machines Only) (SN 0300065080 through 0300074064)	
214		Ref	Spindle (Left Side) Options:	
214	4130363	1	Spindle (Left Side) (USA Built Machines) (SN 0300065080 through 0300079125)	
214	4130405	1	Spindle (Left Side) (USA Built Machines) (SN 0300079126 through 0300123999)	
214	4130391	1	Spindle (Left Side) (Belgium Built Machines) (Prior to SN 130000441)	
214	4130406	1	Spindle (Left Side) (Belgium Built Machines) (SN 130000441 through 130006000)	
215		Ref	Spindle (Right Side) Options:	
215	4130364	1	Spindle (Right Side) (USA Built Machines) (SN 0300065080 through 0300079125)	
215	4130406	1	Spindle (Right Side) (USA Built Machines) (SN 0300079126 through 0300123999)	

SECTION 1 - FRAME

ITEM	PART NUMBER	QTY	DESCRIPTION	REV
215	4130392	1	Spindle (Right Side) (Belgium Built Machines) (Prior to SN 130000441)	
215	4130407	1	Spindle (Right Side) (Belgium Built Machines) (SN 130000441 through 1300006000)	
216	4740086	4	Thrustwasher	
217	4751800	4	Flatwasher 1/2in Regular	
218		Ref	Tie-Rod Options:	
218	4845711	2	Tie-Rod (USA Built Machines)	
218	4846733	2	Tie-Rod (Belgium Built Machines)	
222	3780182	2	O-Ring (USA Built Machines) (SN 0300079126 through 0300123999)	
222	3780182	2	O-Ring (Belgium Built Machines) (SN 1300000441 through 1300006000)	
223	3020029	AR	Grease, Bearing (Not Shown)	
250	2902400	1	Kingpin and Bushings Update Kit for Machines Built (Includes Design Items 202, 205, 210 & 222). Refer to Field Service Bulletin AWP-04-11. (SN 0300065080 through 0300079125, SN 1300000441 through 0300124000)	
		Ref	Note: Newer bushings will fit in and "SN 0300065080 through 0300079125 & SN 1300000441" axles however if kingpin holes measure 1.503in diameter or larger in any direction, axle weldment must be replaced before installation of kit.	
		Ref	Note: Spindles require drilling and tapping for 8 additional kingpin mounting bolts. Newer design kingpins require 4 mounting bolts each.	

SECTION 1 - FRAME

FIGURE 1-4. TIRE AND WHEEL DRIVE INSTALLATIONS



Go to Discount-Equipment.com to order your parts

SECTION 1 - FRAME

FIGURE 1-4. TIRE AND WHEEL DRIVE INSTALLATIONS

ITEM	PART NUMBER	QTY	DESCRIPTION	REV
		Ref	WHEEL DRIVE INSTALLATION (2WD)	
	0270870	Ref	Caterpillar/Deutz/ Ford Engine Machines (SN 0300065080 through 0300071526)	E
	0272907	Ref	Caterpillar/Deutz/ Ford Engine Machines (SN 0300071527 through 0300100513)	C
	0275470	Ref	Caterpillar/Deutz/ Ford Engine Machines (SN 0300100514 through 0300107511)	D
	0275470	Ref	GM Engine Machines (SN 0300065080 through 0300107511)	D
	0275853	Ref	Caterpillar/Deutz/ Ford/GM/Perkins Engine Machines (SN 0300107512 through 0300123999)	B
		Ref	Note: USA Manufacture Only.	
1	0100011	AR	Compound, Locking	
1	0100019	AR	Compound, Locking	
4		Ref	Bolt 3/8in-16NC x 7/8in	
4	0641607	2	Hex HD Capscrew Gr5, 3/8-16 X 7/8 Lg (SN 0300065080 through 0300069840)	
4	See Note	2	Hex HD Capscrew Gr5, 3/8-16 X 7/8 Lg (See FRAME SHIELDS INSTALLATION for call out) (SN 0300069841 through 0300123999)	
5		Ref	Hardware Options:	
5	0681810	4	Bolt 1/2in-13NC x 1-1/4in (Grade 8) (SN 0300065080 through 0300071526)	
5	3311801	4	Nut 1/2in-13NC (Not Shown) (SN 0300071527 through 0300123999)	
6	0682014	12	Bolt 5/8in-11NC x 1-3/4in (Grade 8)	
7		Ref	Drive Hub/Brake Assembly Options:	
7	2780256	NLA	Drive Hub/Brake Assembly (See DRIVEHUB/BRAKE ASSEMBLY(REAR) For Breakdown) (Use p/n 1001178138) (SN 0300065080 through 0300071526)	
7	2780267	2	Drive Hub/Brake Assembly (See DRIVE HUB/BRAKE ASSEMBLY (REAR) for Breakdown) (SN 0300071527 through 0300123999)	
8		Ref	DRIVE MOTOR ASSEMBLY OPTIONS:	
8	3160158	2	Caterpillar/Deutz/Ford Engine Machines (See DRIVE MOTOR ASSEMBLY (2WD) for Breakdown) (SN 0300065080 through 0300100513)	
8	3160351	2	Caterpillar/Deutz/Ford Engine Machines (See DRIVE MOTOR ASSEMBLY (2WD) For Breakdown) (SN 0300100514 through 0300123999)	
8	3160298	2	GM Engine Machines (See DRIVE MOTOR ASSEMBLY (2WD) for Breakdown) (SN 0300065080 through 0300099084)	
8	3160351	2	GM Engine Machines (See DRIVE MOTOR ASSEMBLY (2WD) for Breakdown) (SN 0300099085 through 0300123999)	
9	3300106	18	Lugnut	
11	3790045	2	O-Ring (SN 0300065080 through 0300075079)	
12		Ref	Shield, Frame Options:	
12	4061021	1	Shield, Frame Cover Rear (SN 0300065080 through 0300077284)	
12	See Note	1	Shield, Frame Cover Rear (See FRAME SHIELDS INSTALLATION for call out) (SN 0300077285 through 0300123999)	
17	4751600	2	Flatwasher 3/8in Regular	
18	4891800	4	Flatwasher 1/2in Hardened	
19	4892000	12	Flatwasher 5/8in Hardened	

SECTION 1 - FRAME

ITEM	PART NUMBER	QTY	DESCRIPTION	REV
		Ref	WHEEL DRIVE INSTALLATIONS (4WD)	
	0270871	Ref	Wheel Drive (USA Built Machines) (SN 0300065080 through 0300069154)	F
	0272320	Ref	Wheel Drive (USA Built Machines) (SN 0300069155 through 0300071526)	C
	0272895	Ref	Wheel Drive (USA Built Machines) (SN 0300071527 through 0300107511)	G
	0275854	Ref	Wheel Drive (USA Built Machines) (SN 0300107512 through 0300123999)	B
	0272320	1	Wheel Drive (Belgium built machines) (SN 1300000001 through 1300000161)	C
	0272895	Ref	Wheel Drive (Belgium Built Machines) (SN 1300000162 through 1300003221)	G
	0275854	Ref	Wheel Drive (Belgium Built machines) (SN 1300003222 through 1300006000)	B
101	0100011	AR	Compound, Locking	
102	0100019	AR	Compound, Locking	
108		Ref	Bolt Options:	
108	0641607	2	Bolt (USA Built Machines) (SN 0300065080 through 0300069840)	
108	See Note	2	Bolt (USA Built Machines) (See FRAME SHIELDS INSTALLATION for call out) (SN 0300069841 through 0300123999)	
108	See Note	2	Bolt (Built Machines) (See FRAME SHIELDS INSTALLATION for call out)	
109		Ref	Hardware Options:	
109		Ref	USA Built Machines:	
109	0681810	8	Bolt 1/2in-13NC x 1-1/4in (Grade 8) (SN 0300065080 through 0300071526)	
109	0681810	4	Bolt 1/2in-13NC x 1-1/4in (Grade 8) (Front Axle) (SN 0300071527 through 0300123999)	
109	3311801	4	Nut 1/2in-13NC (Not Shown) (Rear Axle) (SN 0300071527 through 0300123999)	
109		Ref	Belgium Built Machines:	
109	0681810	4	Bolt 1/2in-13NC x 1-1/4in (Grade 8) (Front Axle) (SN 1300000001 through 1300006000)	
109	3311801	4	Nut 1/2in-13NC (Not Shown) (Rear Axle) (SN 1300000001 through 1300006000)	
110	0682014	24	Bolt 5/8in-11NC x 1-3/4in (Grade 8)	
111		Ref	Drive Hub/Brake Assembly (Rear) Options:	
111	2780256	NLA	Drive Hub/Brake (USA Built Machines) (See DRIVE HUB/BRAKE ASSEMBLY(REAR) for Breakdown) (Use p/n 1001178138) (SN 0300065080 through 0300071526)	
111	2780267	2	Drive Hub/Brake (USA Built Machines) (See DRIVE HUB/BRAKE ASSEMBLY(REAR) for Breakdown) (SN 0300071527 through 0300123999)	
111	2780256	NLA	Drive Hub/Brake (Belgium Built Machines) (See DRIVE HUB/BRAKE ASSEMBLY(REAR) for Breakdown) (Use p/n 1001178138) (SN 1300000001 through 1300000161)	
111	2780267	1	Drive Hub/Brake Assembly (Belgium Built Machines) (See DRIVE HUB/BRAKE ASSEMBLY(REAR) for Breakdown) (SN 1300000162 through 1300006000)	
112		Ref	Drive Hub Assembly (Front - Not Shown) Options:	
112	2780257	NLA	Drive Hub Assembly (USA Built Machines) (See DRIVE HUB/BRAKE ASSEMBLY(FRONT) (4WD ONLY) for Breakdown) (Use p/n 1001178136) (SN 0300065080 through 0300071526)	

SECTION 1 - FRAME

ITEM	PART NUMBER	QTY	DESCRIPTION	REV
112	2780268	2	Drive Hub Assembly (USA Built Machines) (See DRIVE HUB/BRAKE ASSEMBLY(FRONT) (4WD ONLY) for Breakdown) (SN 0300071527 through 0300123999)	
112	2780257	NLA	Drive Hub Assembly (Belgium Built Machines) (See DRIVE HUB/BRAKE ASSEMBLY(FRONT) (4WD ONLY) for Breakdown) (Use p/n 1001178136) (SN 1300000001 through 1300000161)	
112	2780268	1	Drive Hub Assembly (Belgium Built Machines) (See DRIVE HUB/BRAKE ASSEMBLY(FRONT) (4WD ONLY) for Breakdown) (SN 1300000162 through 1300006000)	
113		Ref	DRIVE MOTOR ASSEMBLY OPTIONS:	
113	3160260	4	Drive Motor Assembly (USA Built Machines) (See DRIVE MOTOR ASSEMBLY (4WD) for Breakdown) (SN 0300065080 through 0300069154)	
113	3160266	4	Drive Motor Assembly (USA Built Machines) (See DRIVE MOTOR ASSEMBLY (4WD) for Breakdown) (SN 0300069155 through 0300098502)	
113	3160348	4	Drive Motor Assembly (USA Built Machines) (See DRIVE MOTOR ASSEMBLY (4WD) for Breakdown) (SN 0300098503 through 0300123999)	
113	3160266	4	Drive Motor Assembly (Belgium Built Machines) (See DRIVE MOTOR ASSEMBLY (4WD) for Breakdown) (Prior to SN 1300002248)	
113	3160348	4	Drive Motor Assembly (Belgium Built Machines) (See DRIVE MOTOR ASSEMBLY (4WD) for Breakdown) (SN 1300002248 through 1300006000)	
114	3300106	36	Lugnut	
118		Ref	Seal Options:	
118A	3790045	2	O-Ring (USA Built Machines) (SN 0300065080 through 0300103381)	
118A	3790045	2	O-Ring (Belgium Built Machines) (Prior to SN 1300003636)	
118B	3960526	4	Gasket (USA Built Machines) (SN 0300103382 through 0300123999)	
118B	3960526	4	Gasket (Belgium Built Machines) (SN 1300003637 through 1300006000)	
120		Ref	Shield, Frame	
120	4061021	1	Shield, Frame (USA Built Machines) (SN 0300065080 through 0300069840)	
120	See Note	1	Shield, Frame (USA Built Machines) (See FRAME SHIELDS INSTALLATION for call out) (SN 0300069841 through 0300123999)	
120	See Note	1	Shield, Frame (Belgium Built Machines) (See FRAME SHIELDS INSTALLATION for call out)	
126	4751600	6	Flatwasher 3/8in Regular	
127	4891800	8	Flatwasher 1/2in Hardened	
128	4892000	24	Flatwasher 5/8in Hardened	
131	2300016	AR	Fluid, Hydraulic (Not Shown)	
132	3020008	AR	Lubricant, Mobilube HD 80W - 90 (Not Shown)	
		Ref	TIRE AND WHEEL INSTALLATIONS	
	0258028	Ref	12 x 16.5 Pneumatic (Available on ANSI, ANSI Export AND Japanese Specs)	A
	0272299	Ref	12 x 16.5 Pneumatic TS (Available on ANSI Specs)	1
	0258030	Ref	12 x 16.5 Foam-Filled (Available on all Specs)	A
	0270671	Ref	12 x 16.5 Pneumatic Non-Marking (Available on ANSI, ANSI Export and Japanese Specs)	B
	0270674	Ref	12 x 16.5 Foam-Filled Non-Marking (Available on All Specs)	B
	0258029	Ref	33/1550 x 16.5 Pneumatic (Available on ANSI, ANSI Export	B

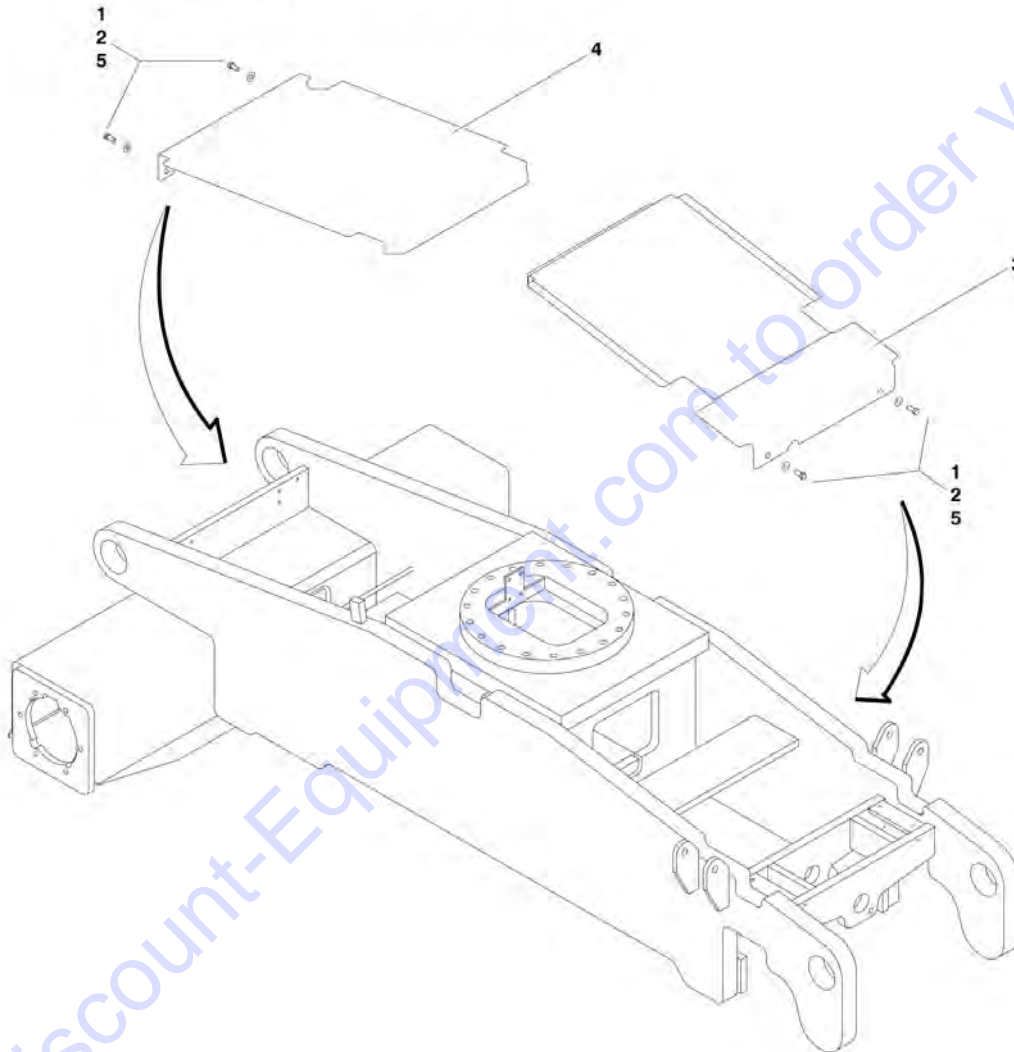
SECTION 1 - FRAME

ITEM	PART NUMBER	QTY	DESCRIPTION	REV
			AND Japanese Specs)	
	0272300	Ref	33/1550 x 16.5 Pneumatic TS (Available on ANSI Specs)	1
	0258031	Ref	33/1550 x 16.5 Foam-Filled (Available on All Specs)	B
	0258831	Ref	33/16LL x 16.1 Pneumatic (Available on ANSI, ANSI Export and Japanese Specs) (Requires special counterweighting)	A
	0259129	Ref	33/16LL x 16.1 Foam-Filled (Available on All Specs) (Requires special counterweighting)	A
	0257740	2	12 x 16.5 Pneumatic Right Side	C
	0272357	2	12 x 16.5 Pneumatic TS Right Side	A
	0257746	2	12 x 16.5 Pneumatic Left Side	C
	0272356	2	12 x 16.5 Pneumatic TS Left Side	A
	0258009	2	12 x 16.5 Foam-Filled Right Side	C
	0258010	2	12 x 16.5 Foam-Filled Left Side	C
	0270672	2	12 x 16.5 Pneumatic Non-Marking Right Side	A
	0270673	2	12 x 16.5 Pneumatic Non-Marking Left Side	A
	0270675	2	12 x 16.5 Foam-Filled Non-Marking Right Side	A
	0270676	2	12 x 16.5 Foam-Filled Non-Marking Left Side	A
	0257755	2	33/1550 x 16.5 Pneumatic Right Side	C
	0272360	2	33/1550 x 16.5 Pneumatic TS Right Side	A
	0257756	2	33/1550 x 16.5 Pneumatic Left Side	C
	0272361	2	33/1550 x 16.5 Pneumatic TS Left Side	A
	0258011	2	33/1550 x 16.5 Foam-Filled Right Side	D
	0258012	2	33/1550 x 16.5 Foam-Filled Left Side	D
	0258830	4	33/16LL x 16.1 Pneumatic (Requires special counterweighting)	
	0259128	4	33/16LL x 16.1 Foam-Filled (Requires special counterweighting)	
		Ref	Note: Assemblies may require ballast/foam filling to manufacture's specifications prior to installing on a machine. Refer to Operation and Safety or Service and Maintenance Manuals. Purchase individual tire and/or rim only if able to foam fill tire and wheel assembly, otherwise, purchase complete assembly.	
201		Ref	Decal Options (Pneumatic Only):	
201	1702740	1	Decal - 90PSI	
201	1703067	1	Decal - 40PSI	
202		Ref	Tire Options:	
202	4520216	1	Tire, 12 x 16.5 NHS (OTR Brand)	
202	4520240	1	Tire, 12 x 16.5 Non-Marking	
202	4520217	1	Tire, 33/1550 x 16.5 NHS (OTR Brand)	
202	4520212	1	Tire, 33/16LL x 16.1	
203		Ref	Valve Stem Options:, Air (Pneumatic Only)	
203	4640113	1	Valve Stem (All except 33/1550 x 16.5 Foam-Filled Tire and Wheel Assy)	
203	8786514	1	Valve Stem (33/1550 x 16.5 Foam-Filled Tire and Wheel Assy Only)	
204		Ref	Rim, Wheel Options:	
204	4860178	1	Rim, Wheel, 16.5 x 12 (Use with 12 x 16.5 Tires)	
204	4860179	1	Rim, Wheel, 16.5 x 12 (Use with 33/1550 x 16.5 Tires)	
204	4860193	1	Rim, Wheel, 16.1 x 14 (Use with 33/16LL x 16.1 Tires)	
205	1120552	1	Cap, Valve Stem (TS Tire Only)	
206	1705364	1	Decal - Tire Sealant (TS Tire Only)	

SECTION 1 - FRAME

FIGURE 1-5. FRAME SHIELDS INSTALLATION (SN 0300069841 through 0300123999, SN 1300000001 through 1300006000)

NOTE: FOR APPLICATION- SEE USAGE CHART ON PART LIST



Go to Discount-Equipment.com to order your parts

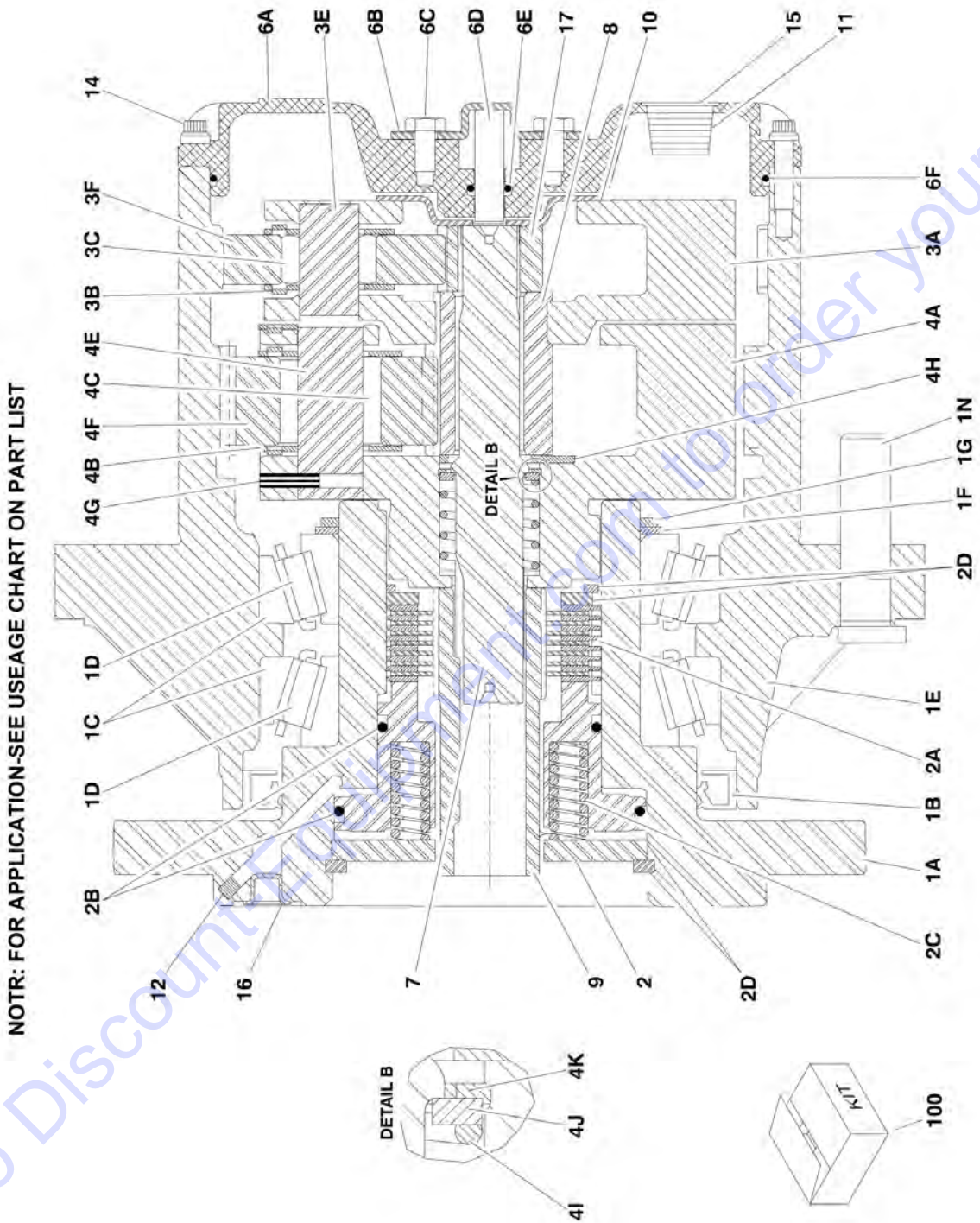
SECTION 1 - FRAME

FIGURE 1-5. FRAME SHIELDS INSTALLATION (SN 0300069841 through 0300123999, SN 1300000001 through 1300006000)

ITEM	PART NUMBER	QTY	DESCRIPTION	REV
		Ref	USAGE CHART:	
		Ref	Use this figure only for:	
		Ref	Machines with and Machines. (SN 0300065080 through 0300069841, SN 1300000001 through 1300006000)	
		Ref	For Machines refer to Axle Installation (Front Shield) or Wheel Drive Installation (Rear Shield). (SN 0300065080 through 0300069841)	
		Ref	FRAME SHIELDS INSTALLATION	
	0272660	Ref	Frame Shields (USA Built Machines) (SN 0300069841 through 0300077284)	B
	0273500	Ref	Frame Shields (USA Built Machines) (SN 0300077285 through 0300107511)	B
	0274688	Ref	Frame Shields (USA Built Machines) (SN 0300107512 through 0300123999)	A
	0272660	Ref	Frame Shields (Belgium Built Machines) (SN 1300000353 through 1300006000)	B
	0273500	Ref	Frame Shields (Belgium Built Machines) (SN 1300000353 through 1300003221)	B
	0274688	Ref	Frame Shields (Belgium Built Machines) (SN 1300003222 through 1300006000)	A
1	0100011	AR	Compound, Locking	
2	0641607	4	Bolt 3/8in-16NC x 7/8in	
3		Ref	Cover (Front) Options:	
3	4061020	1	Cover (Front) (USA Built Machines) (SN 0300069841 through 0300077284)	
3	3380505	1	Cover (Front) (USA Built Machines) (SN 0300077285 through 0300107511)	
3	3380610	1	Cover (Front) (USA Built Machines) (SN 0300107512 through 0300123999)	
3	4061020	1	Cover (Front) (Belgium Built Machines) (Prior to SN 1300000352)	
3	3380505	1	Cover (Front) (Belgium Built Machines) (SN 1300000353 through 1300003221)	
3	3380610	1	Cover (Front) (Belgium Built Machines) (SN 1300003222 through 1300006000)	
4	4061021	1	Shield, Frame Cover Rear	
5	4751600	4	Flatwasher 3/8in Regular	

SECTION 1 - FRAME

FIGURE 1-6. DRIVE HUB/BRAKE ASSEMBLY (REAR)



SECTION 1 - FRAME

FIGURE 1-6. DRIVE HUB/BRAKE ASSEMBLY (REAR)

ITEM	PART NUMBER	QTY	DESCRIPTION	REV
		Ref	USAGE CHART:	
		Ref	Machines (SN 0300065080 through 0300071527, SN 1300000001 through 1300000162)	
		Ref	NOTE: Hub may have been replaced with Service kit p/n 1001178138 (Kit uses hub p/n 2780267). See next figure for service parts.	
	2780256	Ref	DRIVE HUB/BRAKE ASSEMBLY	G
1	See Note	1	Spindle/Housing Assembly (Note: Not Available - Purchase Individual Components)	
1A	7024105	1	Spindle	
1B	7024113	1	Seal	
1C	7007006	2	Cone, Bearing	
1D	7024112	2	Cup, Bearing	
1E	7024110	1	Housing/Ring Gear	
1F	7024109	1	Thrustwasher	
1G	7024107	1	Ring, Retaining	
1N	7024111	9	Stud, Wheel	
2	7024106	1	Brake, Input	
2A	7024710	1	Kit, Brake Lining (Includes Qty 8 Outer Plates and Qty 7 Inner Plates)	
2B	7024709	1	Kit, Brake O-Ring (Includes Qty 2 O-Rings and Back-up Rings)	
2C	7024711	1	Kit, Brake Spring (Includes Qty 12 Springs)	
2D	7024719	1	Kit, Brake Hardware (Includes End Plate, Spacer and Qty 2 E-Clips)	
3	See Note	1	Carrier Assembly (Note: Not Available - Purchase Individual Components)	
3A	7024116	1	Carrier	
3B	7024127	6	Thrustwasher	
3C	7024123	42	Bearing, Needle	
3E	7024120	3	Shaft, Planet	
3F	7024118	3	Gear, Planet	
4	See Note	1	Carrier Assembly (Note: Not Available - Purchase Individual Components)	
4A	7024117	1	Carrier	
4B	7024126	6	Thrustwasher	
4C	7024122	45	Bearing, Needle	
4E	7024121	3	Shaft, Planet	
4F	7024119	3	Gear, Planet	
4G	7001913	3	Rollpin	
4H	7024128	1	Thrustwasher	
4I	7024124	1	Spring	
4J	7024129	1	Thrustwasher	
4K	7024125	1	Thrustwasher	
6	See Note	1	Cover Assembly (Note: Not Available - Purchase Individual Components)	
6A	7024132	1	Plate, Cover	
6B	7017093	1	Cap, Disengage	
6C	0641404	2	Bolt 1/2in-20NC x 1/2in	
6D	7017092	1	Pin, Dowel	
6E	7017095	1	O-Ring	
6F	7024134	1	O-Ring	
7	7024130	1	Shaft, Input	

SECTION 1 - FRAME

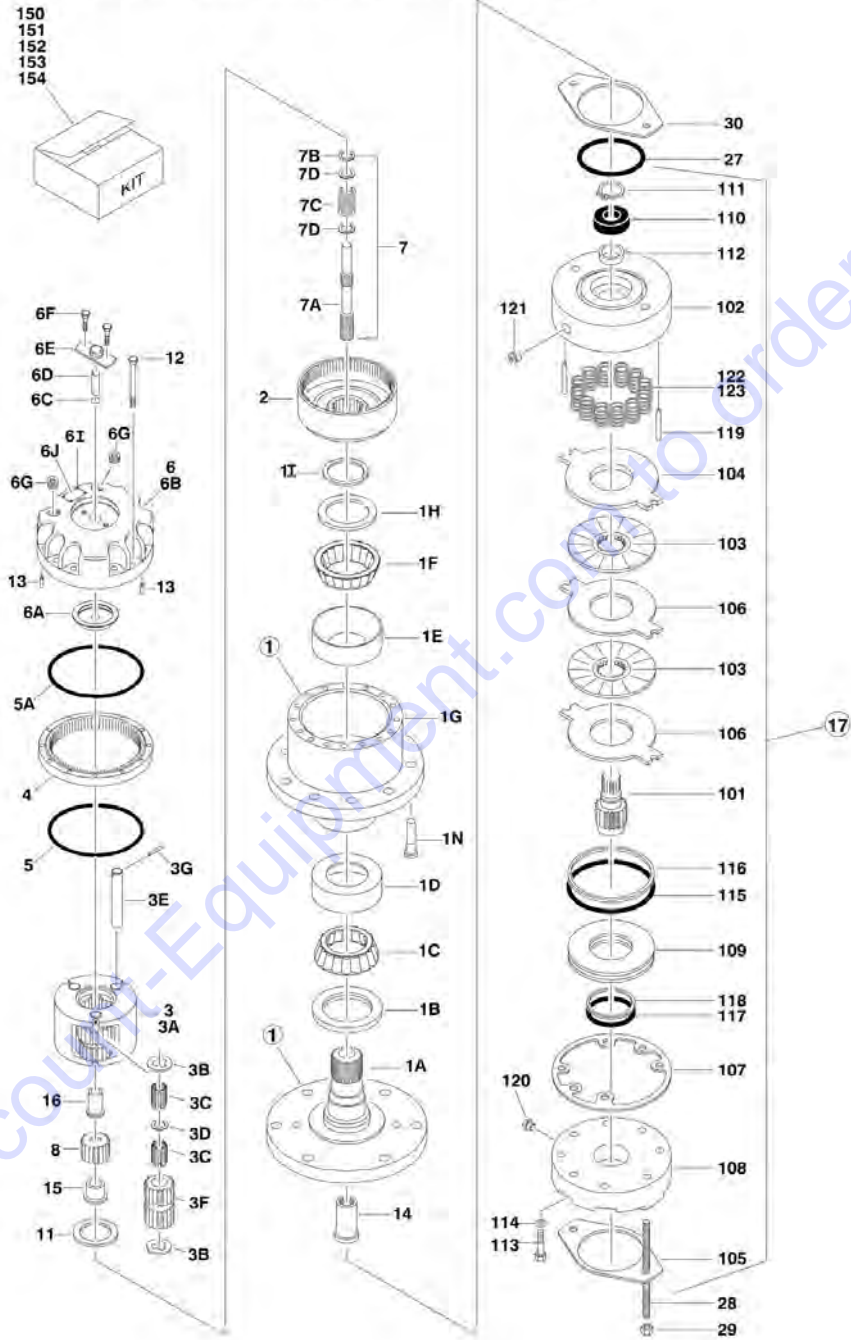
ITEM	PART NUMBER	QTY	DESCRIPTION	REV
8	7024115	1	Gear, Sun	
9	7024131	1	Coupling	
10	7017097	1	Spacer, Thrust	
11	7017094	2	Plug, Pipe	
12	7024108	1	Plug, Pressure	
14	7024133	12	Bolt 1/4in-20NC x 7/8in (Grade 8)	
15	See Note	1	Plate, ID (Not Shown) (Note: Not available for purchase)	
16	7017082	1	Plug, O-Ring	
17	7024114	1	Gear, Sun	
100	7024198	1	Seal Kit (Includes Items 1B, 1G & 6F)	

Go to Discount-Equipment.com to order your parts

SECTION 1 - FRAME

FIGURE 1-7. DRIVE HUB/BRAKE ASSEMBLY

NOTE: FOR APPLICATION - SEE USAGE CHART ON PARTS LIST



Go to DiscountEquipment.com to order your parts

SECTION 1 - FRAME

FIGURE 1-7. DRIVE HUB/BRAKE ASSEMBLY

ITEM	PART NUMBER	QTY	DESCRIPTION	REV
		Ref	USAGE CHART:	
		Ref	Machines (SN 0300071527 through 0300123999, SN 1300000162 through 1300006000)	
	2780267	Ref	DRIVE HUB/BRAKE ASSEMBLY	D
1	See Note	1	Spindle/Housing Assembly (Note: Not Available - Purchase Individual Components)	
1A	7017059	1	Spindle	
1B	7001998	1	Seal	
1C	7010429	1	Cone, Bearing (Includes Item 1D)	
1D	7010429	1	Cup, Bearing (Includes Item 1C)	
1E	7000257	1	Cup, Bearing	
1F	7000258	1	Cone, Bearing	
1G	7007601	1	Housing/Ring Gear	
1H	7000232	1	Thrustwasher	
1I	7000229	1	Ring, Retaining	
1N	7007640	9	Stud, Wheel	
2	7000246	1	Gear, Internal	
3	7024712	1	Carrier Assembly	
3A	7024712	1	Carrier	
3B	7024712	6	Ring, Retaining	
3C	7024712	AR	Bearing, Needle	
3D	7024712	3	Thrustwasher	
3E	7024712	3	Shaft, Planet	
3F	7024712	3	Gear, Planet	
3G	7024712	3	Rollpin	
4	7000248	1	Ring Gear	
5	7000230	1	O-Ring	
5A	7017070	1	O-Ring	
6	70001349	1	Cover Assembly (was p/n 7017090)	
6A	70001349	1	Spacer, Thrust (was p/n 7017097)	
6B	70001349	1	Plate, Cover (was p/n 7017091)	
6C	70001349	1	O-Ring (was p/n 7017095)	
6D	70001349	1	Rod, Disconnect (was p/n 7017092)	
6E	70001349	1	Cap, Disengage (was p/n 7017093)	
6F	70001349	2	Bolt (was p/n 0641404)	
6G	7017094	1	Plug, Pipe	
6I	See Note	4	Rivet (Note: Not Available - Purchase Locally)	
6J	See Note	1	Plate, ID (Note: Not available for purchase)	
7		Ref	Input Shaft Assembly	
7A	7024714	1	Shaft	
7B	7000261	1	Ring, Retaining	
7C	7000262	1	Spring	
7D	7000263	2	Spacer, Thrust	
8	7024713	1	Gear, Sun	
11	7000253	1	Thrustwasher	
12	7017067	12	Bolt	
13	7017080	4	Pin, Dowell	
14	7000206	1	Coupling	
15	7024715	1	Spacer, Input	
16	7024716	1	Spacer, Input	

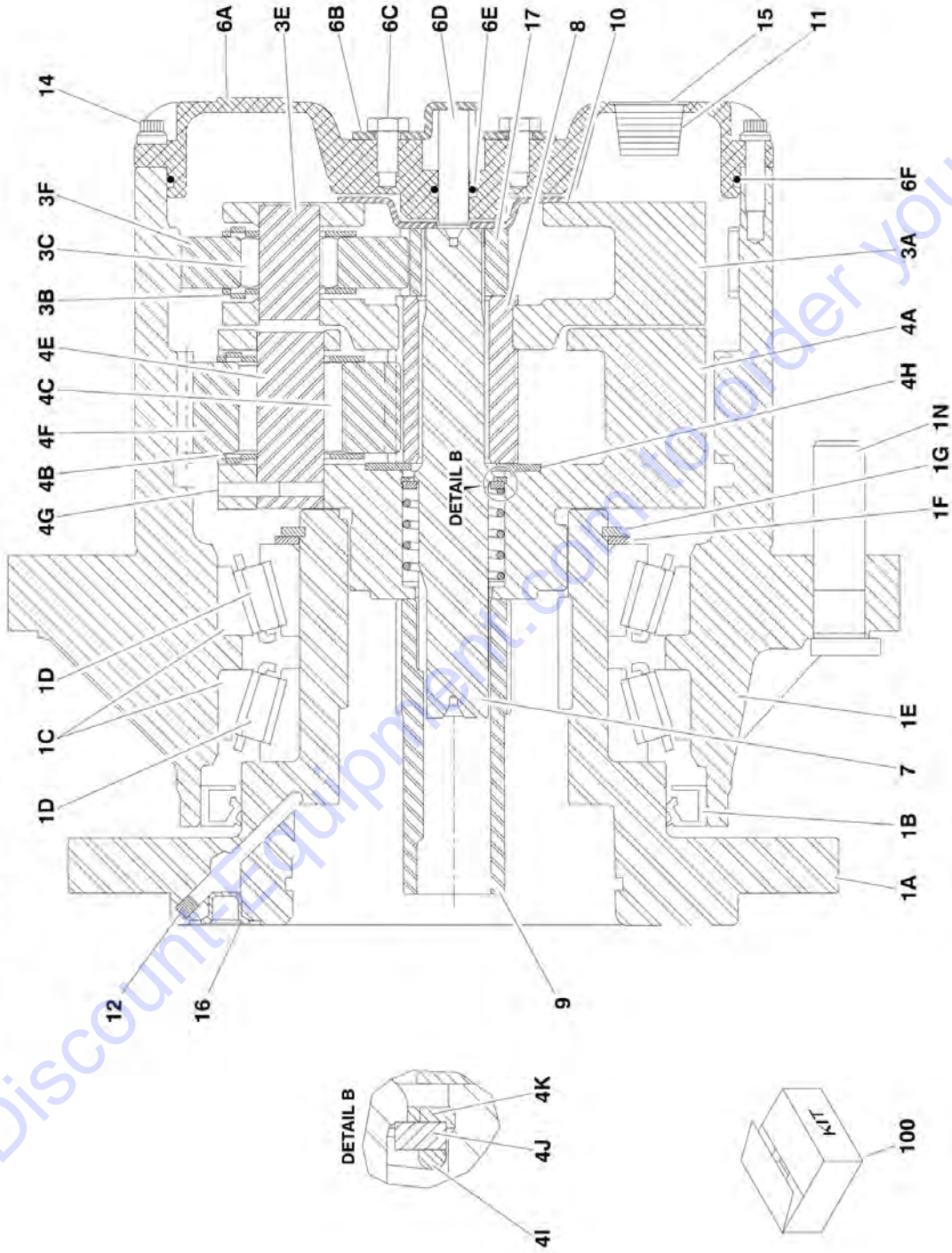
SECTION 1 - FRAME

ITEM	PART NUMBER	QTY	DESCRIPTION	REV
17	7024182	1	Brake Assembly (See Items 101-154 for Breakdown)	
27	7024705	1	O-Ring	
28	7024717	2	Rod, Threaded	
29	7024718	2	Nut 1/2in-13NC	
30	70005483	1	Gasket (USA Built Machines) (SN 0300092784 through 0300123999)	
30	70005483	1	Gasket (Belgium Built Machines) (SN 1300001443 through 1300006000)	
	7024182	Ref	BRAKE ASSEMBLY	
101	7024189	1	Shaft	
102	7024182	1	Housing	
103	7024193	2	Plate, Friction	
104	7024193	1	Plate, Pressure	
105	7000731	1	Gasket	
106	7024193	2	Plate, Outer	
107	See Note	1	Gasket (Note: Use Item 150, 153 or 154.)	
108	7024191	1	Cylinder	
109	7024192	1	Piston	
110	7024197	1	Bearing, Ball	
111	7024197	1	Ring, Retaining	
112	7024197	1	Seal, Shaft	
113	See Note	6	Capscrew (Note: Not Available - Purchase Locally)	
114	See Note	6	Lockwasher (Note: Not Available - Purchase Locally)	
115	7024194	1	O-Ring	
116	7024194	1	Ring, Back-up	
117	7024194	1	O-Ring	
118	7024194	1	Ring, Back-up	
119	7024190	2	Pin, Dowel	
120	See Note	1	Plug (Note: Not Available - Purchase Locally)	
121	See Note	2	Plug (Note: Not Available - Purchase Locally)	
122	7024196	10	Spring Kit (Natural)	
123	7024196	2	Spring Kit (Blue)	
150	70006429	1	Seal Kit, Hub (Includes Items 11, 5, 5A & 12)	
150	70006428	1	Seal & Bearing Kit, Hub (Includes Items 1C-1F, 11, 5, 5A & 12)	
150	7024194	1	Seal Kit, Brake (Includes Items 105, 107 & 115-118)	
151	7024196	1	Spring Kit, Brake (Includes 12 Natural Colored Springs Item 122) (was p/n 7024195)	
152	7024196	1	Spring Kit, Brake (Includes 12 Natural Colored Springs Item 122 and 2 Blue Colored Springs Item 123)	
153	7024193	1	Friction Disc Kit, Brake (Includes Items 103, 104, 106 & 107)	
154	7024197	1	Bearing Kit, Brake (Includes Items 107 & 110-112)	

SECTION 1 - FRAME

FIGURE 1-8. DRIVE HUB ASSEMBLY (FRONT) (4WD ONLY)

NOTE: FOR APPLICATION - SEE USAGE CHART ON PARTS LIST



SECTION 1 - FRAME

FIGURE 1-8. DRIVE HUB ASSEMBLY (FRONT) (4WD ONLY)

ITEM	PART NUMBER	QTY	DESCRIPTION	REV
		Ref	USAGE CHART:	
		Ref	Machines (SN 0300065080 through 0300071527, SN 1300000001 through 1300000162)	
		Ref	NOTE: Hub may have been replaced with Service kit p/n 1001178136 (kit uses p/n 2780268). See next figure for service parts.	
	2780257	Ref	DRIVE HUB ASSEMBLY	F
1	See Note	1	Spindle/Housing Assembly (Note: Not Available - Purchase Individual Components)	
1A	7024105	1	Spindle	
1B	7024113	1	Seal	
1C	7007006	2	Cone, Bearing	
1D	7024112	2	Cup, Bearing	
1E	7024110	1	Housing/Ring Gear	
1F	7024109	1	Thrustwasher	
1G	7024107	1	Ring, Retaining	
1N	7024111	9	Stud, Wheel	
3	See Note	1	Carrier Assembly (Note: Not Available - Purchase Individual Components)	
3A	7024116	1	Carrier	
3B	7024127	6	Thrustwasher	
3C	7024123	42	Bearing, Needle	
3E	7024120	3	Shaft, Planet	
3F	7024118	3	Gear, Planet	
4	See Note	1	Carrier Assembly (Note: Not Available - Purchase Individual Components)	
4A	7024117	1	Carrier	
4B	7024126	6	Thrustwasher	
4C	7024122	45	Bearing, Needle	
4E	7024121	3	Shaft, Planet	
4F	7024119	3	Gear, Planet	
4G	7001913	3	Rollpin	
4H	7024128	1	Thrustwasher	
4I	7024124	1	Spring	
4J	7024129	1	Thrustwasher	
4K	7024125	1	Thrustwasher	
6	See Note	1	Cover Assembly (Note: Not Available - Purchase Individual Components)	
6A	7024132	1	Plate, Cover	
6B	7017093	1	Cap, Disengage	
6C	0641404	2	Bolt 1/2in-20NC x 1/2in	
6D	7017092	1	Pin, Dowel	
6E	7017095	1	O-Ring	
6F	7024134	1	O-Ring	
7	7024130	1	Shaft, Input	
8	7024115	1	Gear, Sun	
9	7024131	1	Coupling	
10	7017097	1	Spacer, Thrust	
11	7017094	2	Plug, Pipe	
12	7024108	1	Plug, Pressure	
14	7024133	12	Bolt 1/4in-20NC x 7/8in (Grade 8)	

SECTION 1 - FRAME

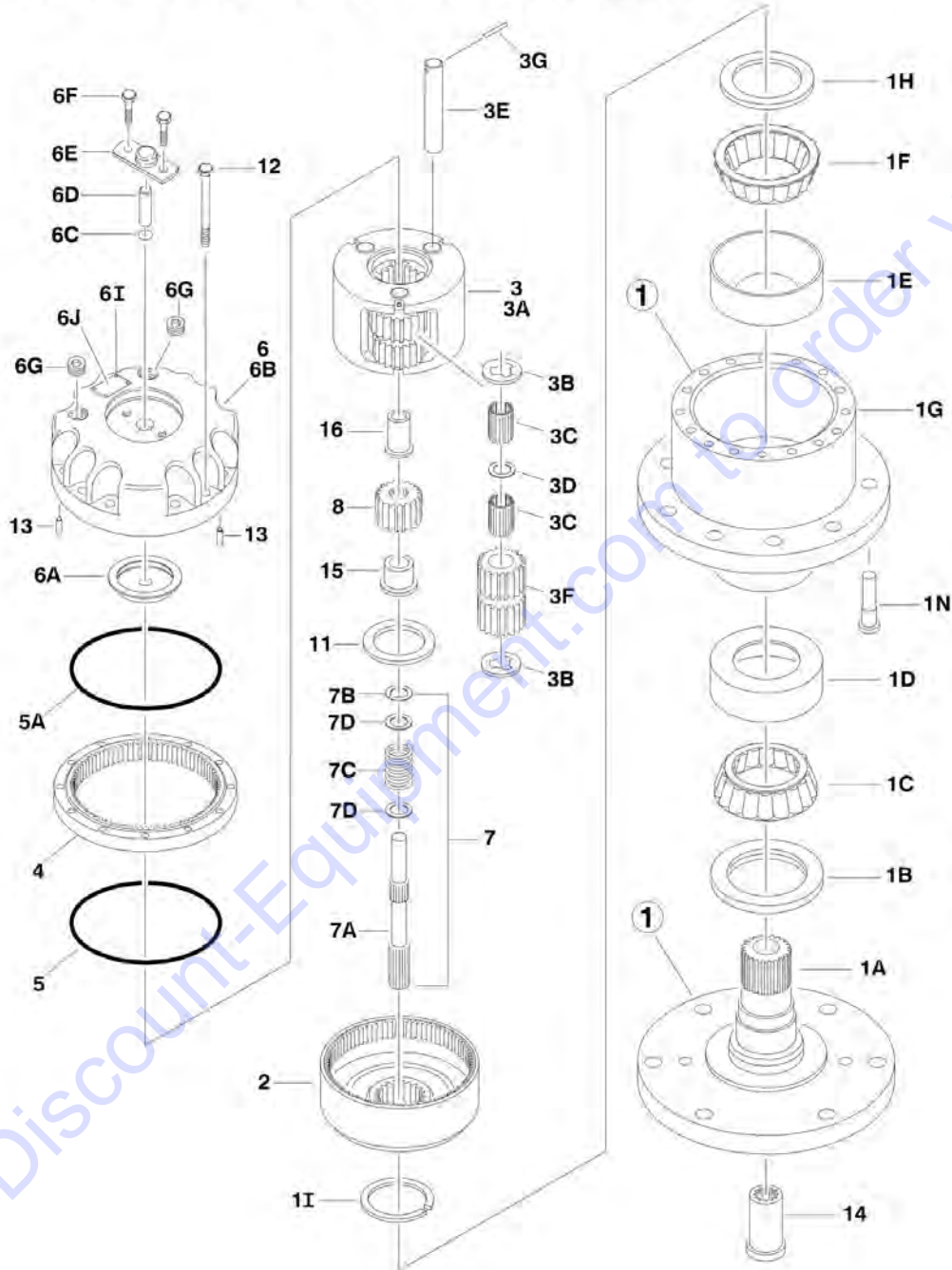
ITEM	PART NUMBER	QTY	DESCRIPTION	REV
15	See Note	1	Plate, ID (Not Shown) (Note: Not available for purchase)	
16	7017082	1	Plug, O-Ring	
17	7024114	1	Gear, Sun	
100	7024198	1	Seal Kit (Includes Items 1B, 1G & 6F)	

Go to Discount-Equipment.com to order your parts

SECTION 1 - FRAME

FIGURE 1-9. DRIVE HUB ASSEMBLY (FRONT) (4WD ONLY)

NOTE: FOR APPLICATION - SEE USAGE CHART ON PARTS LIST



SECTION 1 - FRAME

FIGURE 1-9. DRIVE HUB ASSEMBLY (FRONT) (4WD ONLY)

ITEM	PART NUMBER	QTY	DESCRIPTION	REV
		Ref	USAGE CHART:	
		Ref	Machines (SN 0300071527 through 0300123999, SN 1300000162 through 1300006000)	
	2780268	Ref	DRIVE HUB ASSEMBLY	C
1	See Note	1	Spindle/Housing Assembly (Note: Not Available - Purchase Individual Components)	
1A	7017059	1	Spindle	
1B	7001998	1	Seal	
1C	7010429	1	Cone, Bearing (Includes Item 1D)	
1D	7010429	1	Cup, Bearing (Includes Item 1C)	
1E	7000257	1	Cup, Bearing	
1F	7000258	1	Cone, Bearing	
1G	7007601	1	Housing/Ring Gear	
1H	7000232	1	Thrustwasher	
1I	7000229	1	Ring, Retaining	
1N	7007640	9	Stud, Wheel	
2	7000246	1	Gear, Internal	
3	7024712	1	Carrier Assembly	
3A	7024712	1	Carrier	
3B	7024712	6	Ring, Retaining	
3C	7024712	AR	Bearing, Needle	
3D	7024712	3	Thrustwasher	
3E	7024712	3	Shaft, Planet	
3F	7024712	3	Gear, Planet	
3G	7024712	3	Rollpin	
4	7000248	1	Ring Gear	
5	7000230	1	O-Ring	
5A	7017070	1	O-Ring	
6	70001349	1	Cover Assembly (was p/n 7017090)	
6A	70001349	1	Spacer, Thrust (was p/n 7017097)	
6B	70001349	1	Plate, Cover (was p/n 7017091)	
6C	70001349	1	O-Ring (was p/n 7017095)	
6D	70001349	1	Rod, Disconnect (was p/n 7017092)	
6E	70001349	1	Cap, Disengage (was p/n 7017093)	
6F	70001349	2	Bolt (was p/n 0641404)	
6G	7017094	1	Plug, Pipe	
6I	See Note	4	Rivet (Note: Not Available - Purchase Locally)	
6J	See Note	1	Plate, ID (Note: Not Available - Purchase Locally)	
7		Ref	Input Shaft Assembly	
7A	7024714	1	Shaft	
7B	7000261	1	Ring, Retaining	
7C	7000262	1	Spring	
7D	7000263	2	Spacer, Thrust	
8	7024713	1	Gear, Sun	
11	7000253	1	Thrustwasher	
12	7017067	12	Bolt	
13	7017080	4	Pin, Dowel	
14	7000206	1	Coupling	
15	7024715	1	Spacer, Input	
16	7024716	1	Spacer, Input	

SECTION 1 - FRAME

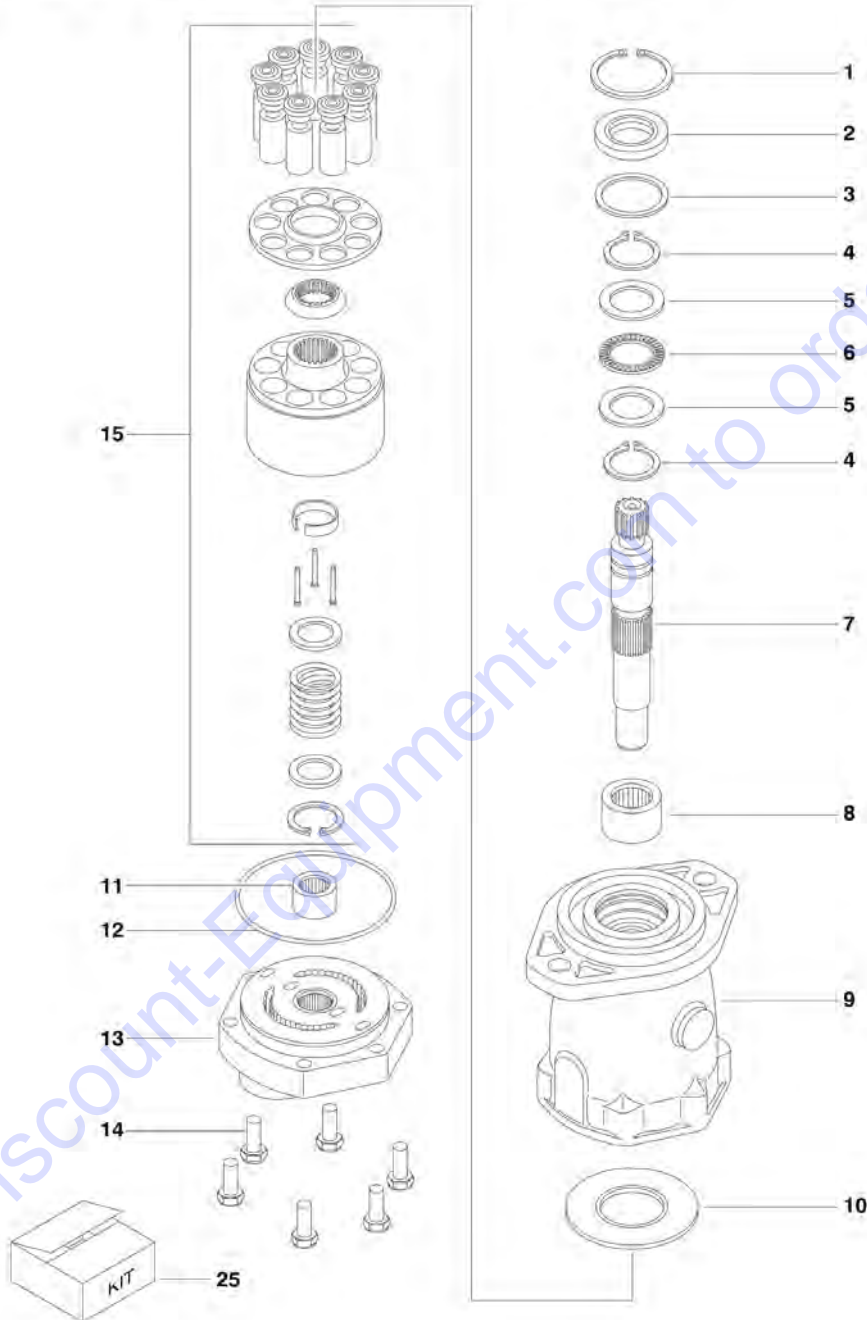
ITEM	PART NUMBER	QTY	DESCRIPTION	REV
150	70006429	1	Seal Kit, Hub (Includes Items 1I, 5, 5A & 12) (Not Shown)	
150	70006428	1	Seal & Bearing Kit, Hub (Includes Items 1C-1F, 1I, 5, 5A & 12) (Not Shown)	

Go to Discount-Equipment.com to order your parts

SECTION 1 - FRAME

FIGURE 1-10. DRIVE MOTOR ASSEMBLY (2WD)

NOTE: FOR APPLICATION - SEE USAGE CHART ON PARTS LIST



SECTION 1 - FRAME

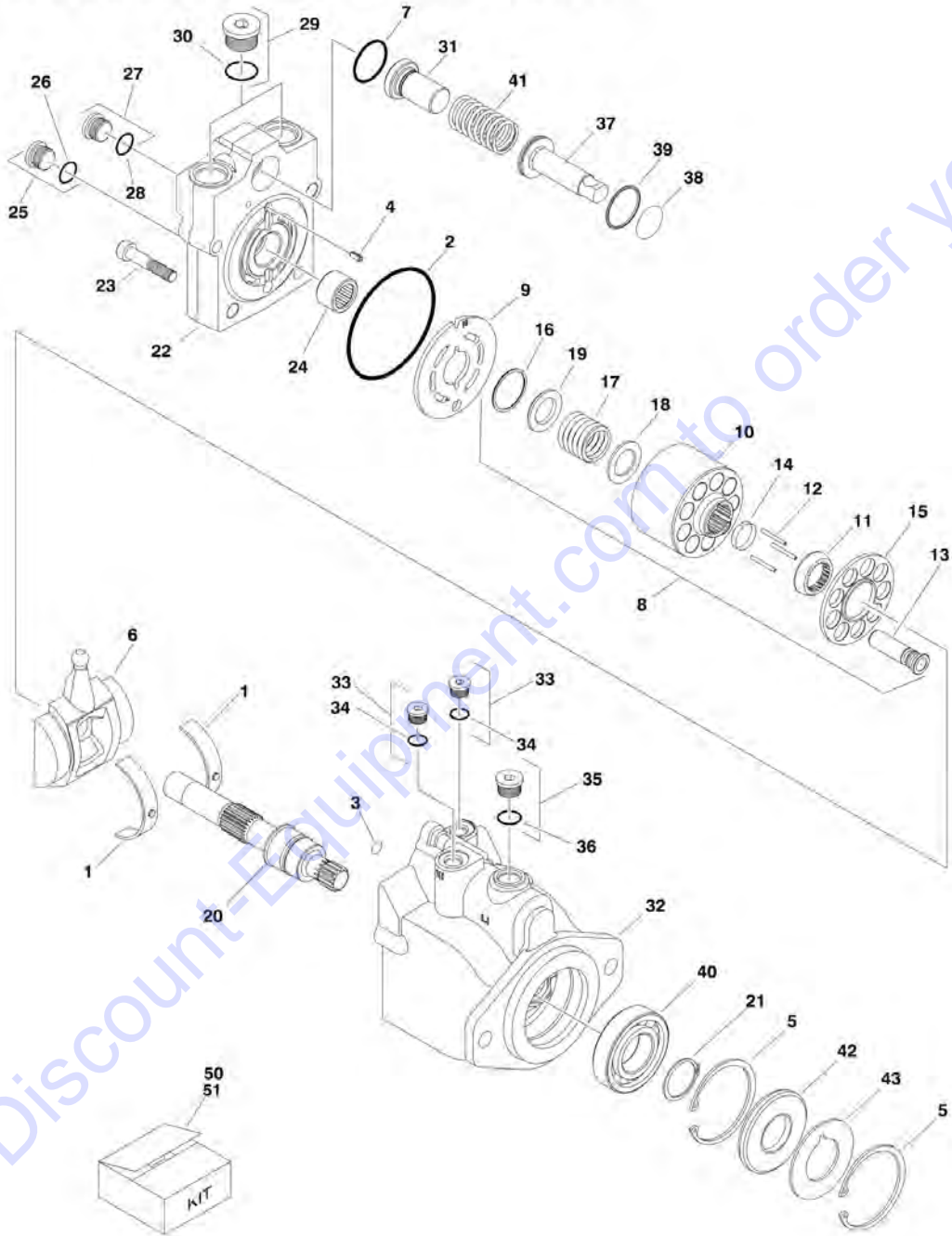
FIGURE 1-10. DRIVE MOTOR ASSEMBLY (2WD)

ITEM	PART NUMBER	QTY	DESCRIPTION	REV
		Ref	USAGE CHART:	
		Ref	2WD Machines with Caterpillar/Deutz/Ford Engines (SN 0300065080 through 0300100514)	
	3160158	Ref	DRIVE MOTOR ASSEMBLY - REAR	A
1	2900714	1	Ring, Retaining	
2	2900714	1	Seal, Shaft	
3	7004906	1	Washer	
4	2900714	2	Ring, Retaining	
5	7004907	2	Race, Thrust	
6	7004908	1	Bearing, Thrust	
7	7007874	1	Shaft, Splined	
8	7004910	1	Bearing	
9	7007875	1	Housing Assembly (Includes Item 8)	
10	7007876	1	Insert, Camplate	
11	7004917	1	Bearing	
12	2900714	1	O-Ring	
13	7007878	1	Back Plate Assembly (Includes Item 11)	
14	7007879	6	Bolt	
15	7007880	1	Rotating Kit Assembly (Sold As An Assembly Only)	
25	2900714	1	Seal Kit (Includes Items 1, 2, 4 & 12)	

SECTION 1 - FRAME

FIGURE 1-11. DRIVE MOTOR ASSEMBLY (2WD)

NOTE: FOR APPLICATION - SEE USAGE CHART ON PARTS LIST



SECTION 1 - FRAME

FIGURE 1-11. DRIVE MOTOR ASSEMBLY (2WD)

ITEM	PART NUMBER	QTY	DESCRIPTION	REV
		Ref	USAGE CHART:	
		Ref	2WD Machines with GM Engines (SN 0300065080 through 0300098789)	
		Ref	Note: Original Equipment Motor p/n 3160298 uses 4 bolts to assemble the motor. Service Replacement Motor p/n 3160351 motors use 5 bolts to assemble the motor. Visually identify component before ordering parts. If equipped with 3160351 refer to next illustration.	
	3160298	Ref	DRIVE MOTOR ASSEMBLY	C
1	7022302	2	Bearing, Journal	
2	7022328	1	O-Ring	
3	7022328	1	O-Ring	
4	7007446	1	Pin	
5	7007438	2	Ring, Retaining	
6	7022305	1	Swashplate	
7	7022328	1	O-Ring	
8	7023907	1	Cylinder Block Kit (Includes Items 10-19)	
9	7023908	1	Plate, Valve	
10	7023907	1	Block, Cylinder	
11	7021277	1	Guide, Slipper Retainer	
12	7021275	3	Pin, Slipper Hold Down	
13	7023907	9	Piston Assembly	
14	7021276	1	Retainer, Hold Down Pin	
15	7022310	1	Retainer, Slipper	
16	7022311	1	Ring, Retaining	
17	7022312	1	Spring	
18	7024868	1	Washer	
19	7022314	1	Retainer, Spring	
20	7023910	1	Shaft	
21	7007439	1	Ring, Retaining	
22	7024852	1	Cap, End - Axial	
23	7022368	4	Screw	
24	7021249	1	Bearing, Needle	
25	7022321	1	Plug (Includes Item 26)	
26	7022328	1	O-Ring	
27	7022318	1	Plug (Includes Item 28)	
28	7022328	1	O-Ring	
29	7027419	1	Plug Options (Includes Item 30) (Not Shown)	
30	7022328	1	O-Ring (Not Shown)	
31	7024853	1	Seat, Spring	
32	7022370	1	Housing	
33	7022318	2	Plug (Items Item 34)	
34	7022328	2	O-Ring	
35	7022321	1	Plug (Items Item 36)	
36	7022328	1	O-Ring	
37	7024854	1	Piston, Servo (Includes Item 38 & 39)	
38	7022328	1	O-Ring	
39	7022328	1	Ring, Seal	
40	7007437	1	Bearing	
41	7022326	1	Spring	
42	7022328	1	Seal, Lip	

SECTION 1 - FRAME

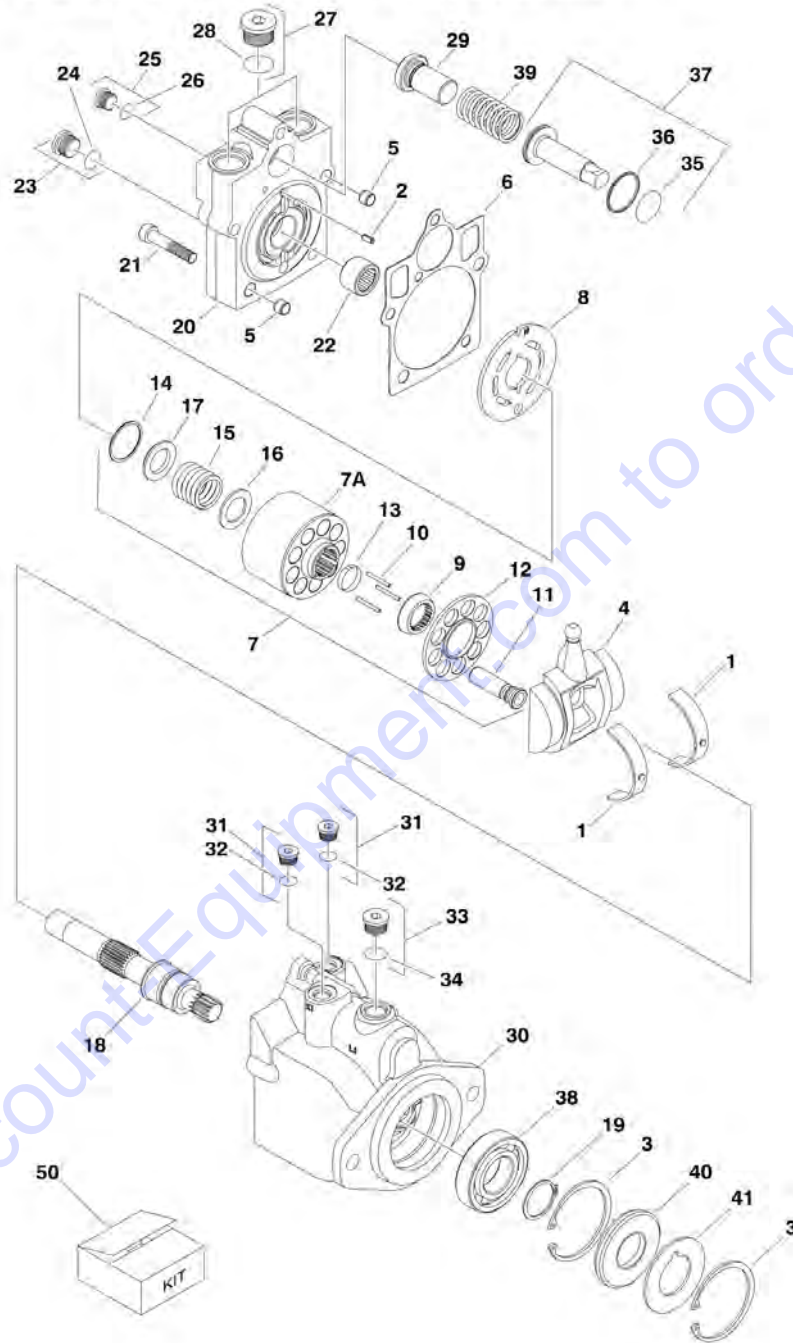
ITEM	PART NUMBER	QTY	DESCRIPTION	REV
43	7022371	1	Washer, Support	
50	7022328	1	Seal Kit (Includes Items 2, 3, 7, 26, 28, 30, 34, 36, 38, 39 & 42)	
51	7023907	1	Cylinder Block Kit (Includes Items 10-19)	

Go to Discount-Equipment.com to order your parts

SECTION 1 - FRAME

FIGURE 1-12. DRIVE MOTOR ASSEMBLY (2WD)

NOTE: FOR APPLICATION SEE USAGE CHART ON PARTS LIST



SECTION 1 - FRAME

FIGURE 1-12. DRIVE MOTOR ASSEMBLY (2WD)

ITEM	PART NUMBER	QTY	DESCRIPTION	REV
		Ref	USAGE CHART:	
		Ref	2WD Machines with Caterpillar/Deutz/Ford Engines (SN 0300098789 through 0300123999)	
		Ref	2WD Machines with GM Engines (SN 0300098789 through 0300123999)	
		Ref	DRIVE MOTOR ASSEMBLY	
	3160351	Ref	Original Equipment Motor for USA Built Machines (Caterpillar/Deutz/Ford Engines) (SN 0300100514 through 0300123999)	B
	3160351	Ref	Original Equipment Motor for USA Built Machines (GM Engines) (SN 0300098789 through 0300123999)	B
	3160351	Ref	Service Replacement Motor for p/n 3120298 (Note: Used on USA Manufactured Machines Only)	B
		Ref	Note: Used on USA Manufactured Machines Only.	
1	7022302	2	Bearing, Journal	
2	7007446	1	Pin	
3	7007438	2	Ring, Retaining	
4	7022305	1	Swashplate	
5	See Note	2	Pin (Note: Not available for purchase)	
6	7022328	1	Gasket	
7	7023907	1	Cylinder Block Kit (Includes Items 7A & 9-17)	
7A	7023907	1	Block, Cylinder	
8	7023908	1	Plate, Valve	
9	7021277	1	Guide, Slipper Retainer	
10	7021275	3	Pin, Slipper Hold Down	
11	7023907	9	Piston Assembly	
12	7021276	1	Retainer, Hold Down Pin	
13	7022310	1	Retainer, Slipper	
14	7022311	1	Ring, Retaining	
15	7022312	1	Spring	
16	7024868	1	Washer	
17	7022314	1	Retainer, Spring	
18	7023910	1	Shaft	
19	7007439	1	Ring, Retaining	
20	70000797	1	Cap, End - Axial	
21	7022368	5	Screw	
22	7021249	1	Bearing, Needle	
23	2220886	1	Plug (Includes Item 24)	
24	7022328	1	O-Ring	
25	2220883	1	Plug (Includes Item 26)	
26	7022328	1	O-Ring	
27	7027419	2	Plug (Includes Item 28)	
28	7022328	2	O-Ring	
29	7024853	1	Seat, Spring	
30	3160351	1	Housing	
31	2220883	2	Plug (Includes Item 32)	
32	7022328	2	O-Ring	
33	2220886	1	Plug (Includes Item 34)	
34	7022328	1	O-Ring	
35	7022328	1	O-Ring	
36	7022328	1	Ring, Seal	

SECTION 1 - FRAME

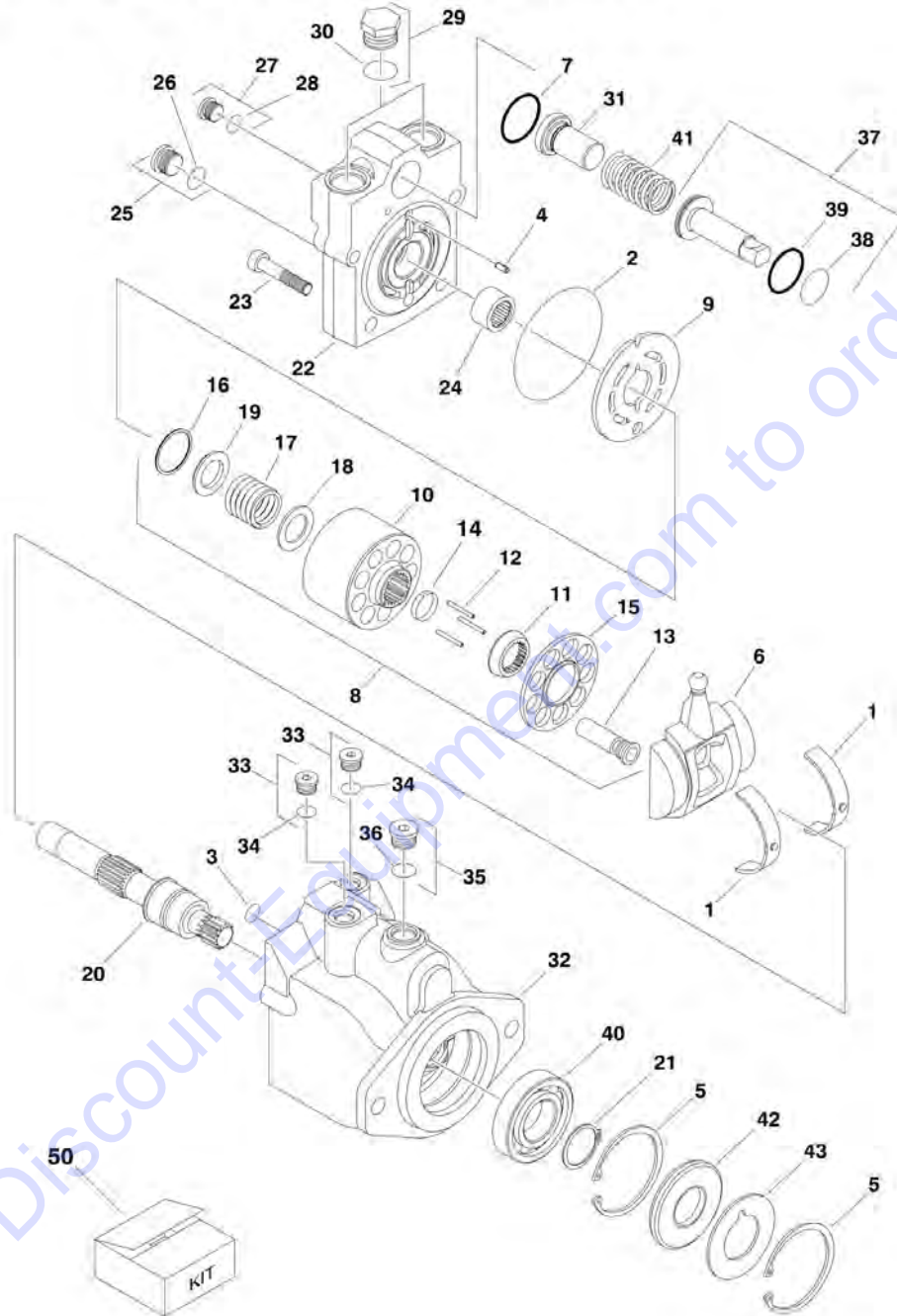
ITEM	PART NUMBER	QTY	DESCRIPTION	REV
37	7024854	1	Piston, Servo (Includes Items 35 & 36)	
38	7007437	1	Bearing	
39	7022326	1	Spring	
40	7022328	1	Seal, Lip	
41	7022371	1	Washer, Support	
50	7022328	1	Seal Kit (Includes Items 6, 24, 26, 28, 32, 34, 35, 36 & 40)	

Go to Discount-Equipment.com to order your parts

SECTION 1 - FRAME

FIGURE 1-13. DRIVE MOTOR ASSEMBLY (4WD)

NOTE: FOR APPLICATION - SEE USAGE CHART ON PARTS LIST



SECTION 1 - FRAME

FIGURE 1-13. DRIVE MOTOR ASSEMBLY (4WD)

ITEM	PART NUMBER	QTY	DESCRIPTION	REV
		Ref	USAGE CHART:	
		Ref	4WD Machines (SN 0300065080 through 0300098503)	
		Ref	4WD Machines (Prior to SN 1300002248)	
		Ref	DRIVE MOTOR ASSEMBLIES	
	3160260	Ref	USA Built Machines (SN 0300065080 through 0300069154)	C
	3160266	Ref	USA Built Machines (SN 0300069155 through 0300123999)	D
	3160266	Ref	Belgium Built Machines (SN 1300000001 through 1300006000)	D
		Ref	Note: Original Equipment Motors p/n 3160266 and 3160260 use 4 bolts to assemble the motor. Service Replacement Motor motors use 5 bolts to assemble the motor. Visually identify component before ordering parts. If equipped with 3160352 (in place of 31260260) or 3160348 (in place of 3160266) refer to next illustration.	
1	7022302	2	Bearing, Journal	
2	7022328	1	O-Ring	
3	7022328	1	O-Ring	
4	7007446	1	Pin	
5	7007438	2	Ring, Retaining	
6	7022305	1	Swashplate	
7	7022328	1	O-Ring	
8	7023907	1	Cylinder Block Kit (Includes Items 10-19)	
9	7023908	1	Plate, Valve	
10	7023907	1	Block, Cylinder	
11	7021277	1	Guide, Slipper Retainer	
12	7021275	3	Pin, Slipper Hold Down	
13	7023907	9	Piston Assembly	
14	7021276	1	Retainer, Hold Down Pin	
15	7022310	1	Retainer, Slipper	
16	7022311	1	Ring, Retaining	
17	7022312	1	Spring	
18	7024868	1	Washer	
19	7022314	1	Retainer, Spring	
20	7023910	1	Shaft	
21	7007439	1	Ring, Retaining	
22	7022367	1	Cap, End - Axial	
23	7022368	4	Screw	
24	7021249	1	Bearing, Needle	
25	7022321	1	Plug (Includes Item 26)	
26	7022328	1	O-Ring	
27	7022318	1	Plug (Includes Item 28)	
28	7022328	1	O-Ring	
29	7007419	2	Plug (Includes Item 30)	
30	7022328	2	O-Ring	
31	7022329	1	Seat, Spring (Used with Motor p/n 3160260)	
31	7022372	1	Seat, Spring (Used with Motor p/n 3160266)	
32	7022370	1	Housing	
33	7022318	2	Plug (Includes Item 34)	
34	7022328	2	O-Ring	
35	7022321	1	Plug (Includes Item 36)	
36	7022328	1	O-Ring	
37	7022323	1	Piston, Servo (Includes Item 38 & 39)	

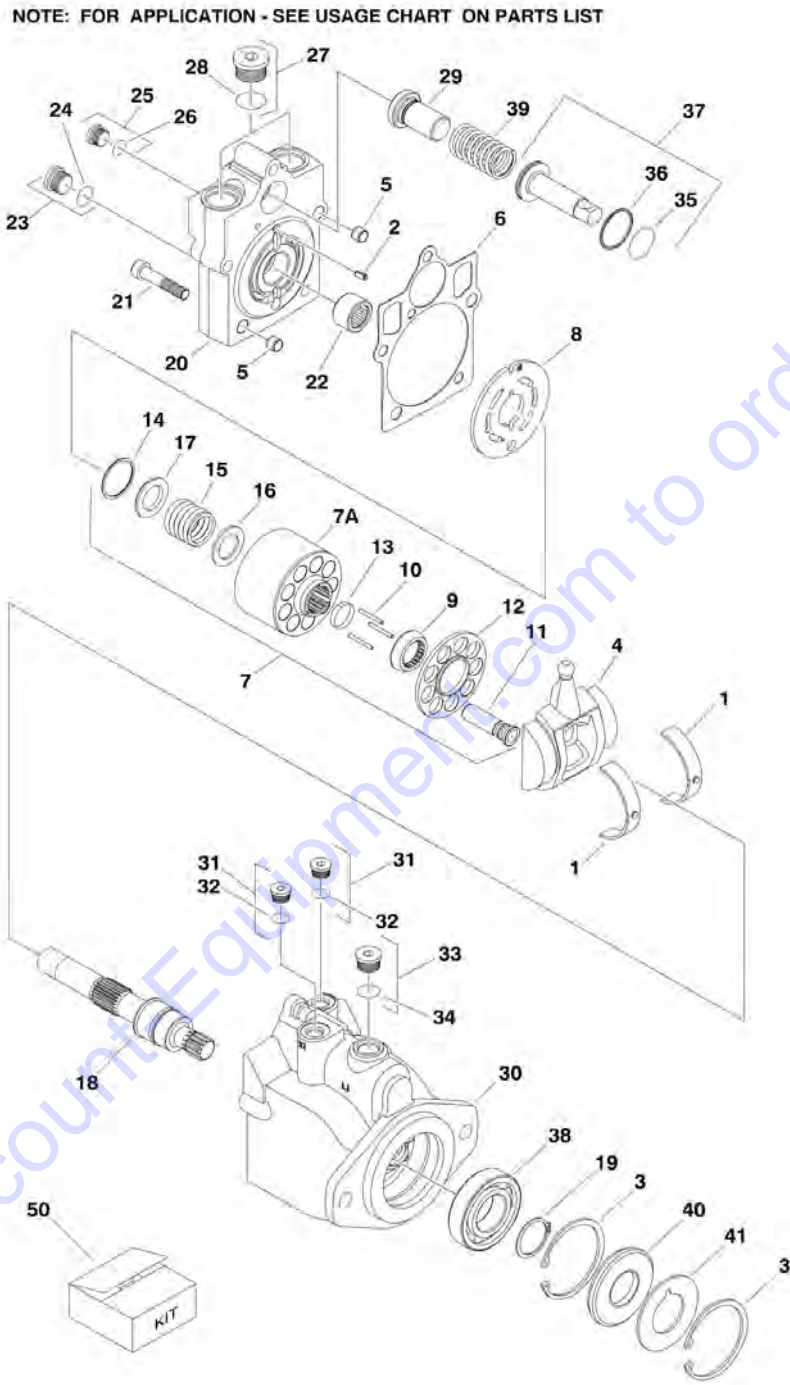
SECTION 1 - FRAME

ITEM	PART NUMBER	QTY	DESCRIPTION	REV
38	7022328	1	O-Ring	
39	7022328	1	Ring, Seal	
40	7007437	1	Bearing	
41	7022326	1	Spring	
42	7022328	1	Seal, Lip	
43	7022371	1	Washer, Support	
50	7022328	1	Seal Kit (Includes Items 2, 3, 7, 26, 28, 30, 34, 36, 38, 39 & 42)	

Go to Discount-Equipment.com to order your parts

SECTION 1 - FRAME

FIGURE 1-14. DRIVE MOTOR ASSEMBLY (4WD)



Go to DiscountEquipment.com to order your parts

SECTION 1 - FRAME

FIGURE 1-14. DRIVE MOTOR ASSEMBLY (4WD)

ITEM	PART NUMBER	QTY	DESCRIPTION	REV
		Ref	USAGE CHART:	
		Ref	4WD Machines (SN 0300098503 through 0300123999)	
		Ref	4WD Machines (SN 1300002248 through 1300006000)	
		Ref	DRIVE MOTOR ASSEMBLY	
	3160348	Ref	Original Equipment Motor for USA Built Machines (SN 0300098503 through 0300123999)	B
	3160348	Ref	Service Replacement Motor for p/n 3120266	B
	3160348	Ref	Original Equipment Motor for Belgium Built Machines (SN 1300002248 through 1300006000)	B
	3160352	Ref	Service Replacement Motor for p/n 3120260	B
1	7022302	2	Bearing, Journal	
2	7007446	1	Pin	
3	7007438	2	Ring, Retaining	
4	7022305	1	Swashplate	
5		Ref	Pin	
5	See Note	2	3160348 Motor (Note: Not available for purchase)	
5	Not Required	1	3160352 Motor	
6	7022328	1	Gasket	
7	7023907	1	Cylinder Block Kit (Includes Items 7A & 9-17)	
7A	7023907	1	Block, Cylinder	
8	7023908	1	Plate, Valve	
9	7021277	1	Guide, Slipper Retainer	
10	7021275	3	Pin, Slipper Hold Down	
11	7023907	9	Piston Assembly	
12	7021276	1	Retainer, Hold Down Pin	
13	7022310	1	Retainer, Slipper	
14	7022311	1	Ring, Retaining	
15	7022312	1	Spring	
16	7024868	1	Washer	
17	7022314	1	Retainer, Spring	
18	7023910	1	Shaft	
19	7007439	1	Ring, Retaining	
20		Ref	Cap, End - Axial Options:	
20	70000797	1	3160348 Motor	
20	See Note	1	3160352 Motor (Note: Not available for purchase)	
21	7022368	5	Screw	
22	7021249	1	Bearing, Needle	
23	2220886	1	Plug (Includes Item 24)	
24	7022328	1	O-Ring	
25	2220883	1	Plug (Includes Item 26)	
26	7022328	1	O-Ring	
27	2220888	2	Plug (Includes Item 28)	
28	7022328	2	O-Ring	
29		Ref	Seat, Spring Options:	
29	7022372	1	3160348 Motor	
29	7022329	1	3160352 Motor	
30	See Note	1	Housing (Note: Not Available - Purchase Complete Motor)	
31	2220883	2	Plug (Items Item 32)	
32	7022328	2	O-Ring	
33	2220886	1	Plug (Items Item 34)	

SECTION 1 - FRAME

ITEM	PART NUMBER	QTY	DESCRIPTION	REV
34	7022328	1	O-Ring	
35	7022328	1	O-Ring	
36	7022328	1	Ring, Seal	
37		Ref	Piston, Servo (Includes Items 35 & 36)	
37	7024854	1	3160348 Motor	
37	7022323	1	3160352 Motor	
38	7007437	1	Bearing	
39	7022326	1	Spring	
40	7022328	1	Seal, Lip	
41	7022371	1	Washer, Support	
50	7022328	1	Seal Kit (Includes Items 6, 24, 26, 28, 32, 34, 35, 36 & 40)	

Go to Discount-Equipment.com to order your parts

PARTS FINDER

**Search Website
by Part Number**



**Search Manual
Library For Parts
Manual & Lookup Part
Numbers – Purchase
or Request Quote**

**Can't Find Part or
Manual? Request Help
by Manufacturer,
Model & Description**

Discount-Equipment.com is your online resource for quality parts & equipment.

Florida: **561-964-4949** Outside Florida TOLL FREE: **877-690-3101**

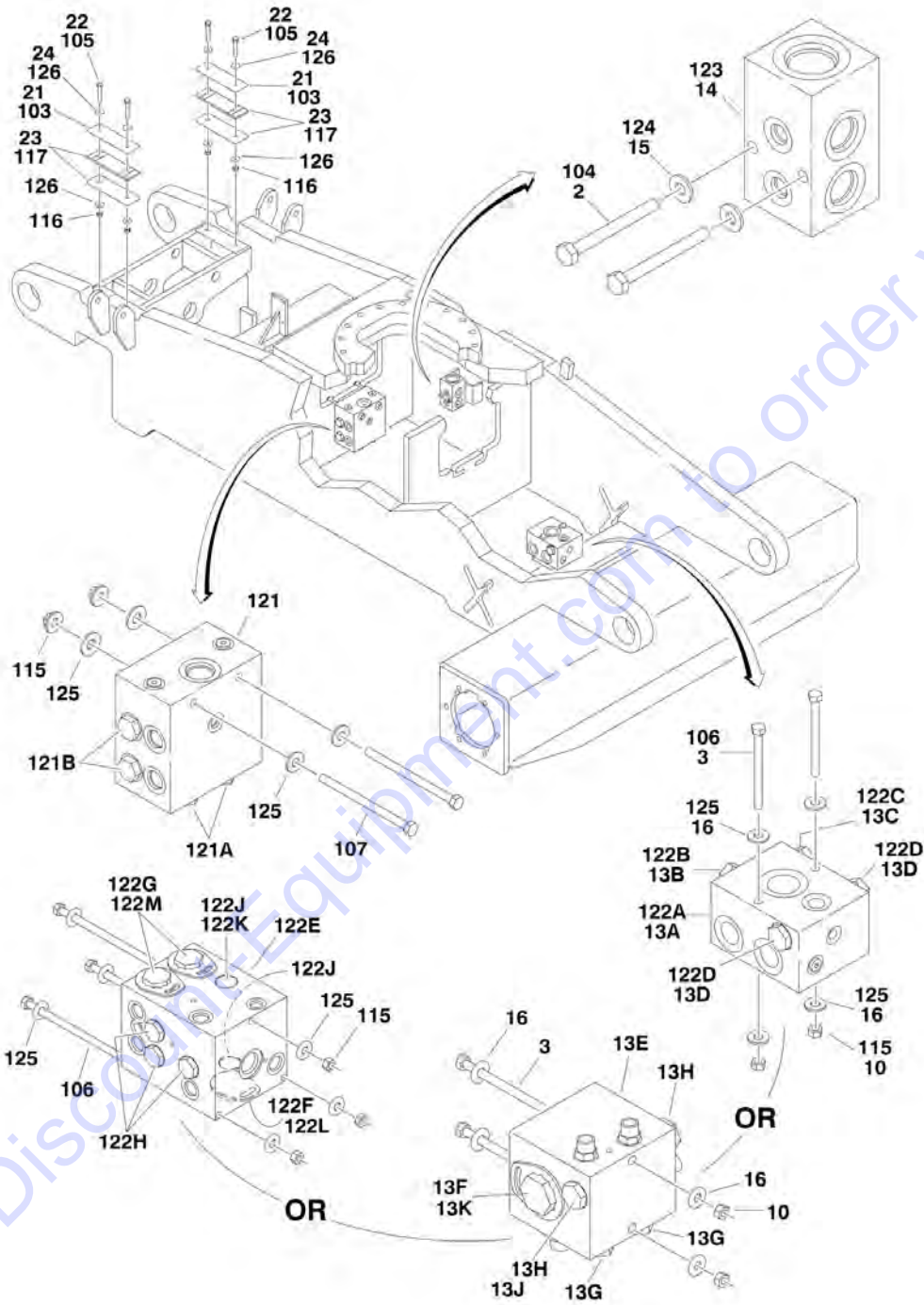
Need parts?

Click on this link: <http://www.discount-equipment.com/category/5443-parts/> and choose one of the options to help get the right parts and equipment you are looking for. Please have the machine model and serial number available in order to help us get you the correct parts. If you don't find the part on the website or on one of the online manuals, please fill out the request form and one of our experienced staff members will get back to you with a quote for the right part that your machine needs.

We sell worldwide for the brands: Genie, Terex, JLG, MultiQuip, Mikasa, Essick, Whiteman, Mayco, Toro Stone, Diamond Products, Generac Magnum, Airman, Haulotte, Barreto, Power Blanket, Nifty Lift, Atlas Copco, Chicago Pneumatic, Allmand, Miller Curber, Skyjack, Lull, Skytrak, Tsurumi, Husquvarna Target, Stow, Wacker, Sakai, Mi-T-M, Sullair, Basic, Dynapac, MBW, Weber, Bartell, Bennar Newman, Haulotte, Ditch Runner, Menegotti, Morrison, Contec, Buddy, Crown, Edco, Wyco, Bomag, Laymor, EZ Trench, Bil-Jax, F.S. Curtis, Gehl Pavers, Heli, Honda, ICS/PowerGrit, IHI, Partner, Imer, Clipper, MMD, Koshin, Rice, CH&E, General Equipment, Amida, Coleman, NAC, Gradall, Square Shooter, Kent, Stanley, Tamco, Toku, Hatz, Kohler, Robin, Wisconsin, Northrock, Oztec, Toker TK, Rol-Air, APT, Wylie, Ingersoll Rand / Doosan, Innovatech, Con X, Ammann, Mecalac, Makinex, Smith Surface Prep, Small Line, Wanco, Yanmar

SECTION 1 - FRAME

FIGURE 1-15. DRIVE VALVES INSTALLATIONS



SECTION 1 - FRAME

FIGURE 1-15. DRIVE VALVES INSTALLATIONS

ITEM	PART NUMBER	QTY	DESCRIPTION	REV
		Ref	DRIVE VALVES INSTALLATION - 2WD	
	0270870	Ref	Caterpillar/Deutz/ Ford Engine Machines (SN 0300065080 through 0300071526)	E
	0272907	Ref	Caterpillar/Deutz/ Ford Engine Machines (SN 0300071527 through 0300100513)	C
	0275470	Ref	Caterpillar/Deutz/ Ford Engine Machines (SN 0300100514 through 0300107512)	D
	0275470	Ref	GM Engine Machines (SN 0300065080 through 0300107511)	D
	0275853	Ref	All Machines (SN 0300107512 through 0300123999)	F
		Ref	Note: 2WD Models Manufactured in USA Only.	
2	0641420	2	Bolt 1/4in-20NC x 2-1/2in	
3		Ref	Bolt Options:	
3	0641530	2	Bolt 5/16in-18NC x 3-3/4in (SN 0300065080 through 0300107511)	
3	0641542	2	Bolt 5/16in-18NC x 5-1/4in (SN 0300107512 through 0300123999)	
10	3311505	2	Locknut 5/16in-18NC	
13		Ref	Flow Divider Valve Assembly Options:	
13A	4641206	1	Flow Divider for Caterpillar/Deutz/Ford Engine Machines (SN 0300065080 through 0300100513)	
13A	4641207	1	Flow Divider for Caterpillar/Deutz/Ford Engine Machines (SN 0300100514 through 0300107511)	
13A	4641207	1	Flow Divider for GM Engine Machines (SN 0300065080 through 0300107511)	A
13B	7023933	1	Valve, Cartridge (Flow Divider) (4641206 Valve)	
13B	7023917	1	Valve, Cartridge (Flow Divider) (4641207 Valve)	
13B	7021625	1	Seal Kit - 7023917 Flow Divider Cartridge	
13C	7022397	1	Valve, Cartridge (Check) (4641206 & 4641207 Valves)	
13C	7022399	1	Seal Kit - 7022397 Check Cartridge	
13D	7010542	2	Valve, Cartridge (Load Shuttle) (4641206 & 4641207 Valves)	
13D	7010543	2	Seal Kit - 7010542 Load Shuttle Cartridge	
13E	4641509	NLA	Flow Divider for All 2WD Machines (Use p/n 1001099390) (SN 0300107512 through 0300123999)	C
		Ref	Note: Original Equipment Valve may have been replaced with Service Replacement Valve p/n 1001099390. Identify p/n stamped on Valve before ordering parts.	
13F	7023917	1	Valve, Cartridge (Flow Divider) (4641509 & 1001099390 Valves)	
13F	7021625	1	Seal Kit - 7023917 Flow Divider Cartridge	
13G	7022397	2	Valve, Cartridge (Check) (4641509 & 1001099390 Valves)	
13G	7022399	2	Seal Kit - 7022397 Check Cartridge	
13H	7021639	2	Valve, Cartridge (Check) (4641509 Valve)	
13H	7017496	2	Seal Kit - 7021639 Check Cartridge (was p/n 2900756)	
13H	70002390	2	Valve, Cartridge (Check) (1001099390 Valve)	
13H	7022399	2	Seal Kit - 70002390 Check Cartridge	
13J	7024881	1	Piston, Pilot (4641509 & 1001099390 Valves)	
13K	70000781	1	Lockdown Kit (4641509 & 1001099390 Valves)	
14	4641155	1	Valve, Junction Manifold	A
15	4711400	2	Flatwasher 1/4in Thin	
16	4751500	4	Flatwasher 5/16in Regular	
21	0363012	2	Bar, Clamping	
22	0641618	4	Bolt 3/8in-16NC x 2-1/4in	

SECTION 1 - FRAME

ITEM	PART NUMBER	QTY	DESCRIPTION	REV
23	3340911	4	Rubber, Clamp	
24	4751600	4	Flatwasher 3/8in Regular	
		Ref	DRIVE VALVES INSTALLATIONS - 4WD	
	0270871	Ref	USA Built Machines (SN 0300065080 through 0300069154)	F
	0272320	Ref	USA Built Machines (SN 0300069155 through 0300071526)	C
	0272895	Ref	USA Built Machines (SN 0300071527 through 0300107511)	G
	0275854	Ref	USA Built Machines (SN 0300107512 through 0300123999)	C
	0272320	Ref	Belgium Built Machines (SN 1300000001 through 1300000063)	C
	0272895	Ref	Belgium Built Machines (SN 1300000064 through 1300003221)	G
	0275854	Ref	Belgium Built Machines (SN 1300003222 through 1300006000)	B
103	0363012	2	Bar, Clamping	
104	0641420	2	Bolt 1/4in-20NC x 2-1/2in	
105	0641618	4	Bolt 3/8in-16NC x 2-1/4in	
106	0641530	2	Bolt 5/16in-18NC x 3-3/4in (USA Built Machines) (SN 0300065080 through 0300107511)	
106	0641530	2	Bolt 5/16in-18NC x 3-3/4in (Belgium Built Machines) (Prior to SN 1300003222)	
106	0641560	3	Bolt 5/16in-18NC x 7-1/2in (USA Built Machines) (SN 0300107512 through 0300123999)	
106	0641560	3	Bolt 5/16in-18NC x 7-1/2in (Belgium Built Machines) (SN 1300003222 through 1300006000)	
107	0641538	2	Bolt 5/16in-18NC x 4-3/4in (USA Built Machines) (SN 0300065080 through 0300107511)	
107	0641538	2	Bolt 5/16in-18NC x 4-3/4in (Belgium Built Machines) (Prior to SN 1300003222)	
115	3311505	AR	Locknut 5/16in-18NC	
116	3311605	4	Locknut 3/8in-16NC (SN 0300065080 through 0300065160)	
117	3340911	4	Rubber, Clamp	
121	4641208	1	Flow Divider Valve Assembly (USA Built Machines) (SN 0300065080 through 0300107511)	A
121	4641208	1	Flow Divider Valve Assembly (Belgium Built Machines) (Prior to SN 1300003222)	A
121A	7023934	2	Valve, Cartridge (Flow Divider) (4641208 Valve)	
121A	7021655	2	Seal Kit - 7023934 Flow Divider Cartridge	
121B	7023935	4	Valve, Cartridge (Check) (4641208 Valve)	
121B	7023936	4	Seal Kit - 7023936 Check Cartridge	
122		Ref	Flow Divider Valve Assembly Options:	
122A	4641207	1	Flow Divider Valve Assembly (USA Built Machines) (SN 0300065080 through 0300107511)	A
122A	4641207	1	Flow Divider Valve Assembly (Belgium Built Machines) (Prior to SN 1300003222)	A
122B	7023917	1	Valve, Cartridge (Flow Divider) (4641207 Valve)	
122B	7021625	1	Seal Kit - 7023917 Flow Divider Cartridge	
122C	7022397	1	Valve, Cartridge (Check) (4641207 Valve)	
122C	7022399	1	Seal Kit - 7022397 Check Cartridge	
122D	7010542	2	Valve, Cartridge (Load Shuttle) (4641207 Valve)	
122D	7010543	2	Seal Kit - 7010542 Load Shuttle Cartridge	
122E	4641510	1	Flow Divider Valve Assembly (USA Built Machines) (SN 0300107512 through 0300123999)	C
122E	4641510	1	Flow Divider Valve Assembly (Belgium Built Machines) (SN 1300003222 through 1300006000)	C
122F	7023917	1	Valve, Cartridge (Flow Divider) (4641510 Valve)	
122F	7021625	1	Seal Kit - 7023917 Flow Divider Cartridge	
122G	7023934	2	Valve, Cartridge (Flow Divider) (4641510 Valve)	

SECTION 1 - FRAME

ITEM	PART NUMBER	QTY	DESCRIPTION	REV
122G	7021655	2	Seal Kit - 7023934 Flow Divider Cartridge	
122H	7022397	5	Valve, Cartridge (Check) (4641510 Valve)	
122H	7022399	5	Seal Kit - 7022397 Check Cartridge	
122J	7021639	2	Valve, Cartridge (Check) (4641510 Valve)	
122J	7017496	2	Seal Kit - 7021639 Check Cartridge (was p/n 2900756)	
122K	7024881	1	Piston, Pilot (4641510 Valve)	
122L	70000781	1	Lockdown Kit (4641510 Valve-Port FD1)	
122M	70002962	2	Lockdown Kit (4641510 Valve-Ports FD2 & FD3)	
123	4641155	1	Valve, Junction Manifold	A
124	4711400	2	Flatwasher 1/4in Thin	
125	4751500	8	Flatwasher 5/16in Regular	
126	4751600	AR	Flatwasher 3/8in Regular	

Go to Discount-Equipment.com to order your parts

SECTION 1 - FRAME

FIGURE 1-16. TOW BAR INSTALLATION (OPTIONAL)

ITEM	PART NUMBER	QTY	DESCRIPTION	REV
	0259845	Ref	TOW BAR INSTALLATION - 2WD	B
		Ref	Note: Only Available on 2WD Machines.	
2	0641505	2	Bolt 5/16in-18NC x 5/8in	
7	3572102	1	Plate (Weld on Part)	
9	3841329	1	Rod, Extension	
10	4640261	1	Steer/Tow Select Valve	
11	4711500	2	Flatwasher 5/16in	
12	4761600	1	Lockwasher 3/8in	
	0259853	Ref	TOW BAR ASSEMBLY	B
101	0362910	1	Pintle, Draw Eye	
102	0682016	4	Bolt 5/8in-11NC x 2in	
103	0741607	24	Flat Head Socket Screw 3/8in-16NC x 5/8in	
104	1060584	6	Cable, Lanyard	
105	3272005	4	Locknut 5/8in-11NC	
106	0100011	AR	Compound, Locking	
107	3420372	2	Pin, Cotter	
108	3420447	1	Pin, Towing	
109	3421565	2	Pin, Snapper	
110	3422841	2	Pin	
111	3422847	1	Pin	
112	3572009	2	Plate, Slide Stop	
113	3572010	2	Plate, Slide Stop	
114	3572011	2	Plate, Slide Stop	
115	3572012	2	Plate, Slide Stop	
116	3760170	8	Ring, Split	
117	4568033	1	Tube, Tow Bar	
118	0721004	8	Screw #10-24NC x 1/2in	
119	4740036	1	Flatwasher, Special	
120	4751000	2	Flatwasher #10 Regular	
121	4846168	1	Weldment, Tow Bar Attach	
122	4846169	1	Weldment, Pintle Attach	
		Ref	TOW BAR DECAL INSTALLATION	
	0270115	Ref	English Language (ANSI & ANSI Export Specs)	1
	0270119	Ref	English/Spanish Language (Dual Language) (ANSI Export Specs)	1
	0270116	Ref	Spanish Language (CE Spec)	1
201		Ref	Decal - Tow Instructions (Not Shown Located on Frame Shield)	
201	1704482	1	English Language (ANSI & ANSI Export Specs)	
201	1704457	1	English/Spanish Language (Dual Language) (ANSI Export Specs)	
201	1704455	1	Spanish Language (CE Spec)	
202		Ref	Decal - Crushing	
202	1704578	3	English Language (ANSI & ANSI Export Specs)	
202	1704577	3	English/Spanish Language (Dual Language) (ANSI Export Specs)	
202	1701518	3	Spanish Language (CE Spec)	
203		Ref	Decal - Warning	
203	1703450	1	English Language (ANSI & ANSI Export Specs)	
203	1704576	1	English/Spanish Language (Dual Language) (ANSI Export Specs)	

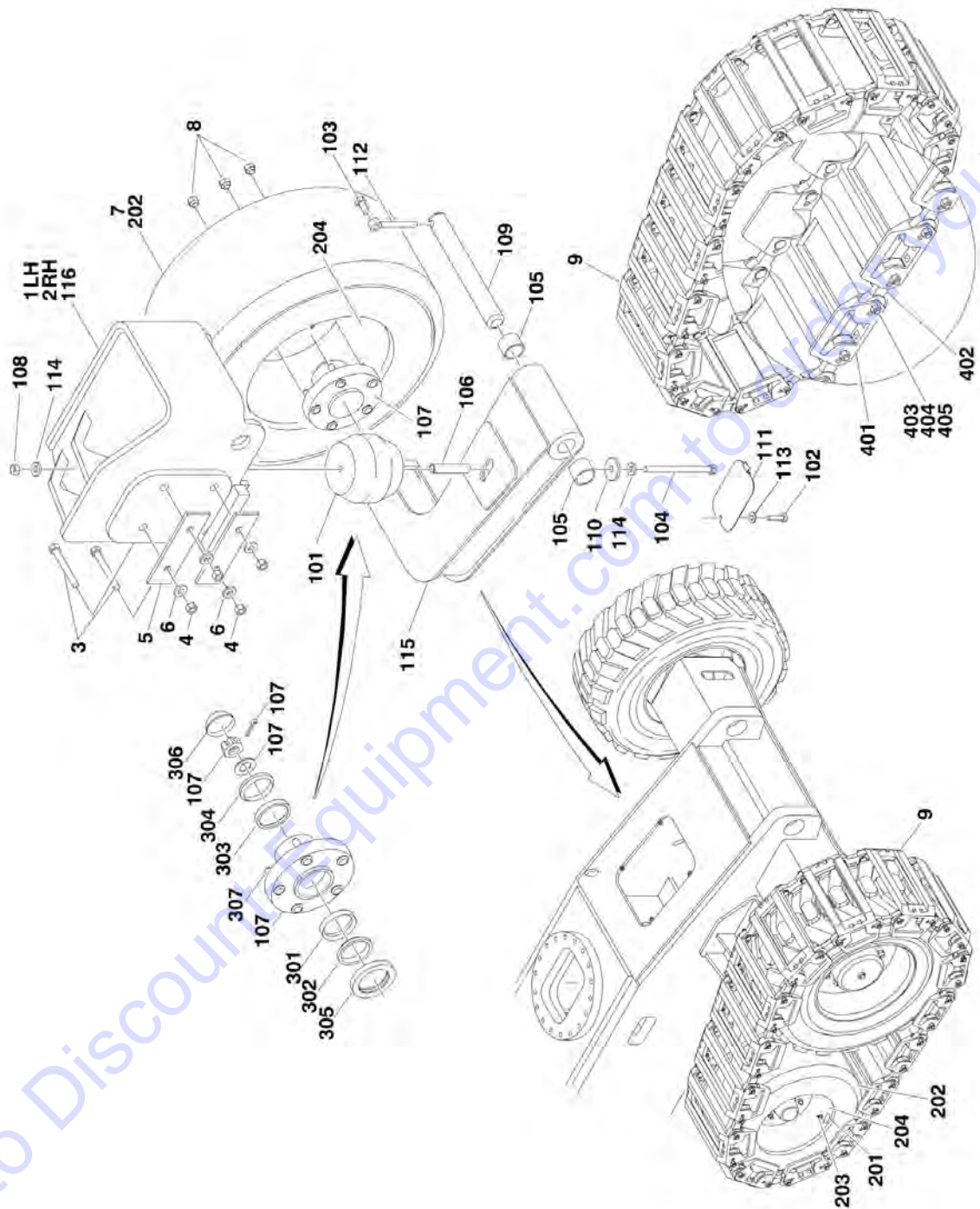
SECTION 1 - FRAME

ITEM	PART NUMBER	QTY	DESCRIPTION	REV
203	1704456	1	Spanish Language (CE Spec)	
204		Ref	Nameplate - Steer/Tow Select Valve	
204	3250872	1	English Language (ANSI & ANSI Export Specs)	
204	3252693	1	English/Spanish Language (Dual Language) (ANSI Export Specs)	
204	3252692	1	Spanish Language (CE Spec)	
205	3820001	4	Rivet	
206	4420051	43 in/1.1m	Tape	

Go to Discount-Equipment.com to order your parts

SECTION 1 - FRAME

FIGURE 1-17. SEMI-TRACK INSTALLATION



SECTION 1 - FRAME

FIGURE 1-17. SEMI-TRACK INSTALLATION

ITEM	PART NUMBER	QTY	DESCRIPTION	REV
		Ref	SEMI-TRACK INSTALLATIONS	
	0271384	Ref	IDLER INSTALLATION	2
1	0271380	1	Mount, Idler (Left) (See Items 101-117 for Breakdown)	
2	0271379	1	Mount, Idler (Right) (See Items 101-117 for Breakdown)	
3	0681832	8	Bolt 1/2in-13NC x 4in (Grade 8)	
4	3271805	8	Locknut 1/2in-13NC (Grade 8)	
5	3571860	4	Plate, Spacer	
6	4891800	8	Flatwasher 1/2in Hardened	
		Ref	TRACK INSTALLATIONS	
	0271385	Ref	12in Steel Track	1
7	0270029	2	Wheel Assembly (See Items 201-204 for Breakdown)	
8	3300255	10	Nut	
9	0270086	2	Track (See Items 401-405 for Breakdown)	
		Ref	IDLER MOUNT ASSEMBLIES	
	0271380	Ref	Left Side	A
	0271379	Ref	Right Side	A
101	0020005	1	Absorber, Rubber Spring	
102	0641408	1	Bolt 1/4in-20NC x 1in	
103	0641808	1	Bolt 1/2in-13NC x 1in	
104	0681856	1	Bolt 1/2in-13NC x 7in (Grade 8)	
105	0961948	2	Bearing	
106	0962293	1	Bushing, Track Spring	
107	2780221	1	Hub Assembly (See Items 301-307 for Breakdown)	
108	3271805	1	Locknut 1/2in-13NC (Grade 8)	
109	3422786	1	Pin	
110	3571818	1	Plate	
111	3571833	1	Cover, Bottom	
112	3841203	1	Keeper, Pin	
113	4711400	1	Flatwasher 1/4in Thin	
114	4891800	2	Flatwasher 1/2in Hardened	
115		Ref	Arm Weldment Options:	
115	4846419	1	Left Side	
115	4846418	1	Right Side	
116		Ref	Bracket Weldment Options:	
116	4846114	1	Left Side	
116	4846126	1	Right Side	
117	0100011	AR	Compound, Locking (Not Shown)	
		Ref	WHEEL ASSEMBLIES	
	0270029	Ref	12in Track	B
201	1704586	1	Decal, Tire Pressure	
202	4520224	1	Tire	
203	4640113	1	Valve, Air	
204	4860218	1	Rim, Wheel	
	2780221	Ref	HUB ASSEMBLY	-
301	7012519	1	Cup, Inner Bearing	
302	7012520	1	Cone, Inner Bearing	
303	7012521	1	Cup, Outer Bearing	
304	7012522	1	Cone, Outer Bearing	
305	7012523	1	Seal	
306	1001102354	1	Cap, Dust (was p/n 7012524)	

SECTION 1 - FRAME

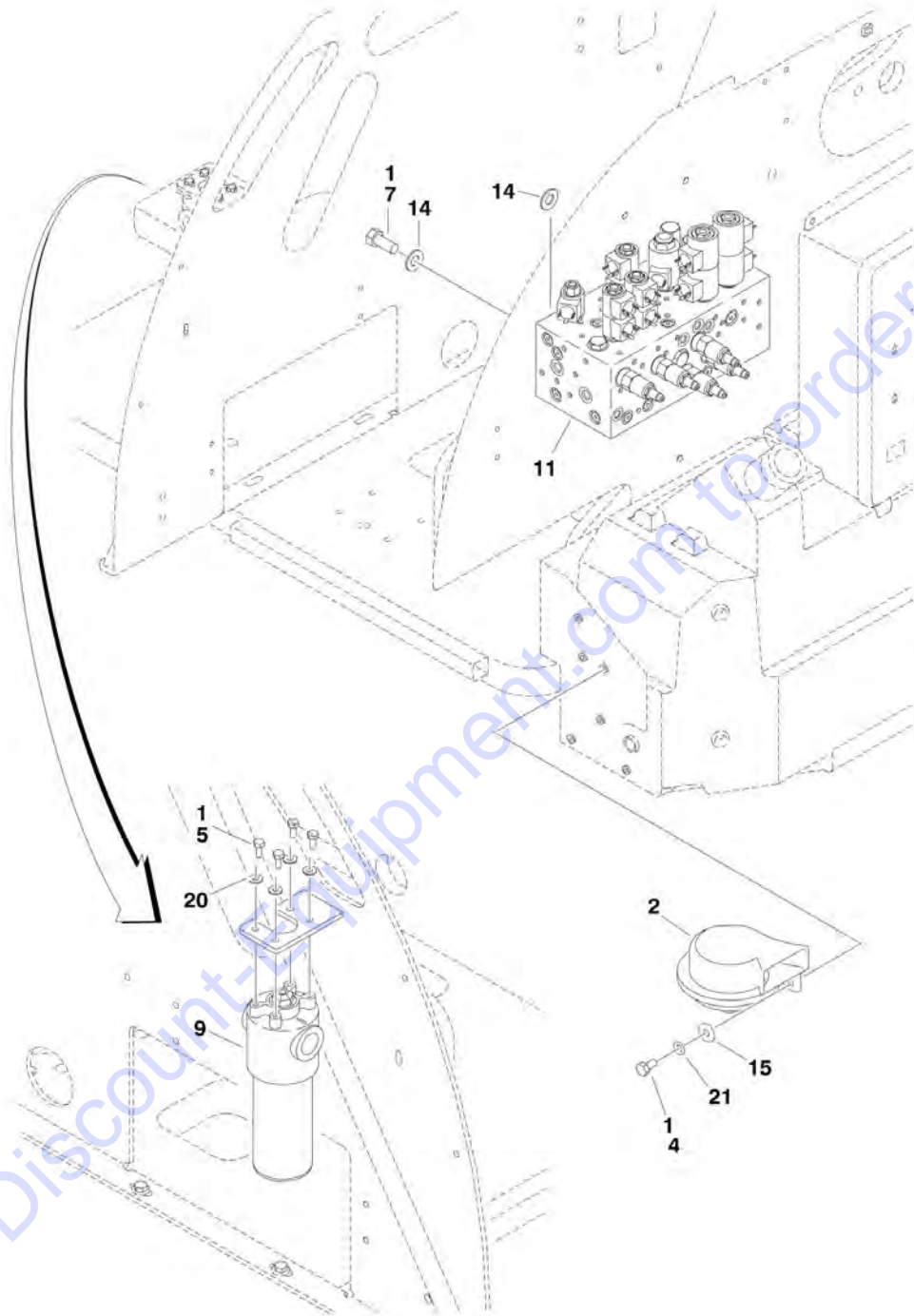
ITEM	PART NUMBER	QTY	DESCRIPTION	REV
307	7016360	1	Stud, Wheel 1/2in-20NF	
	2900804	1	Bearing Kit (Includes Qty 1 of Items 301-305)	
		Ref	STEEL TRACK ASSEMBLY	
	0270086	Ref	12in Steel Track	
401		Ref	Pad Options:	
401	7020279	30	12in Track Pad	
401	7020280	30	12in Track Pad Complete with Links, Bushings and Hdw	
402	7020281	AR	Link (2 Per Pad)	
403	7020282	AR	Bushing (4 Per Pad)	
404	7020283	AR	Bolt, Carriage 1/2in-20NF x 1-7/8in (4 Per Pad)	
405	7020284	AR	Nut 1/2inNF (4 Per Pad)	
405		Ref	Track Rebuild Kits Options:	
405	7020285	1	Hardware and Bushing Kit for 12in Steel Track	
405	7020286	1	Link, Hardware and Bushing Kit for 12in Steel Track	
		Ref	TREAD ACCESSORIES (NOT SHOWN)	
	0270180	Ref	Soft Puck	C
		Ref	Puck, Soft Options:	
	0240049	64	Puck (Mounts on Both Sides of Track Pad) (USA Built Machines) (SN 0300065080 through 0300100070)	
	0240049	64	Puck (Mounts on Both Sides of Track Pad) (Belgium Built Machines) (Prior to SN 1300002349)	
	0240152	32	Puck (Mounts Across Center of Track Pad) (USA Built Machines) (SN 0300100071 through 0300123999)	
	0240152	32	Puck (Mounts Across Center of Track Pad) (Belgium Built Machines) (SN 1300002349 through 1300006000)	
	3576939	32	Plate, Puck Mounting (Mounts Across Center of Track Pad) (USA Built Machines) (SN 0300100071 through 0300123999)	
	3576939	32	Plate, Puck Mounting (Mounts Across Center of Track Pad) (Belgium Built Machines) (SN 1300002349 through 1300006000)	
	0270186	Ref	Flotation Plate	A
	0240050	64	Plate, Flotation	

SECTION 2 - TURNTABLE

Go to Discount-Equipment.com to order your parts

SECTION 2 - TURNTABLE

FIGURE 2-1. CONTROL VALVE INSTALLATION



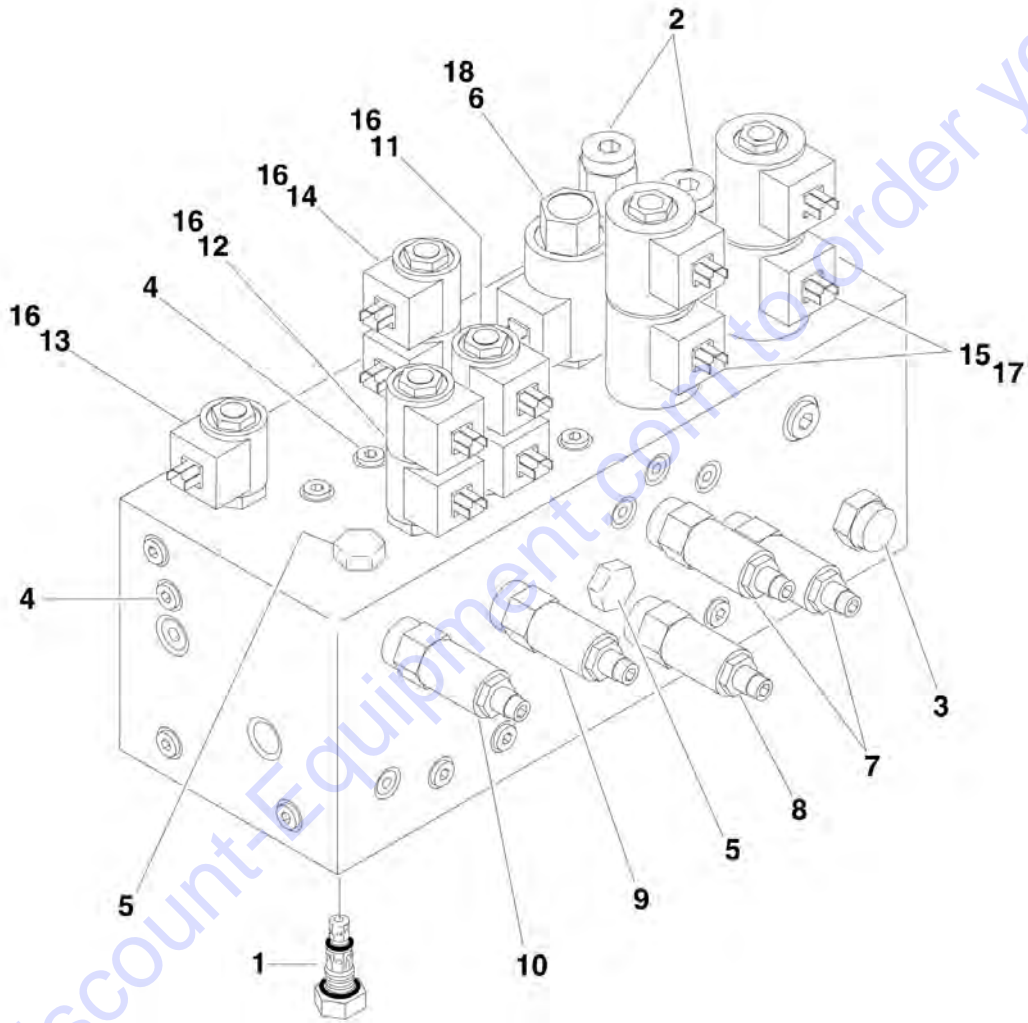
SECTION 2 - TURNTABLE

FIGURE 2-1. CONTROL VALVE INSTALLATION

ITEM	PART NUMBER	QTY	DESCRIPTION	REV
9	2120209	1	Belgium Built Machines (SN 1300001242 through 1300006000)	
		Ref	VALVES INSTALLATIONS	
		Ref	450A Series II	
	0271124	Ref	USA Built Machines (SN 0300065080 through 0300087630)	F
	0271124	Ref	Belgium Built Machines (Prior to SN 1300001242)	F
	0274615	Ref	USA Built Machines (SN 0300087631 through 0300123999)	A
	0274615	Ref	Belgium Built Machines (SN 1300001242 through 1300006000)	A
		Ref	450AJ Series II	
	0271197	Ref	USA Built Machines (SN 0300065080 through 0300087630)	F
	0271197	Ref	Belgium Built Machines (Prior to SN 1300001242)	F
	0274616	Ref	USA Built Machines (SN 0300087631 through 0300123999)	A
	0274616	Ref	Belgium Built Machines (SN 1300001242 through 1300006000)	A
1	0100011	AR	Compound, Locking	
2	0140001	1	Horn	
4	0641404	1	Bolt 1/4in-20NC x 1/2in	
5	0651405	4	Bolt 1/4in-24NF x 5/8in	
7	0641607	4	Bolt 3/8in-16NC x 7/8in	
9		Ref	Pressure Filter Assembly Options:	
9	2120163	1	Filter for USA Built Machines (SN 0300065080 through 0300087630)	
9	2120163	1	Belgium Built Machines (Prior to SN 1300001242)	
9	2120150	1	Element, Filter	
9	7020020	1	Indicator	
9	7023206	1	O-Ring, Filter	
9	7023207	1	Ring, Back-up	
9	2120209	1	Filter for USA Built Machines (SN 0300087631 through 0300123999)	
9	2120210	1	Element, Filter	
9	7020020	1	Indicator	
9	70000934	1	O-Ring, Filter Bowl	
11	4641176	1	Main Control Valve Assembly (See MAIN CONTROL VALVE ASSEMBLY for Breakdown)	
14	4711600	10	Flatwasher 3/8in Thin	
15	4751400	1	Flatwasher 1/4in Regular	
20	4711400	4	Flatwasher 1/4in Thin	
21	4791400	1	Starwasher 1/4in	

SECTION 2 - TURNTABLE

FIGURE 2-2. MAIN CONTROL VALVE ASSEMBLY



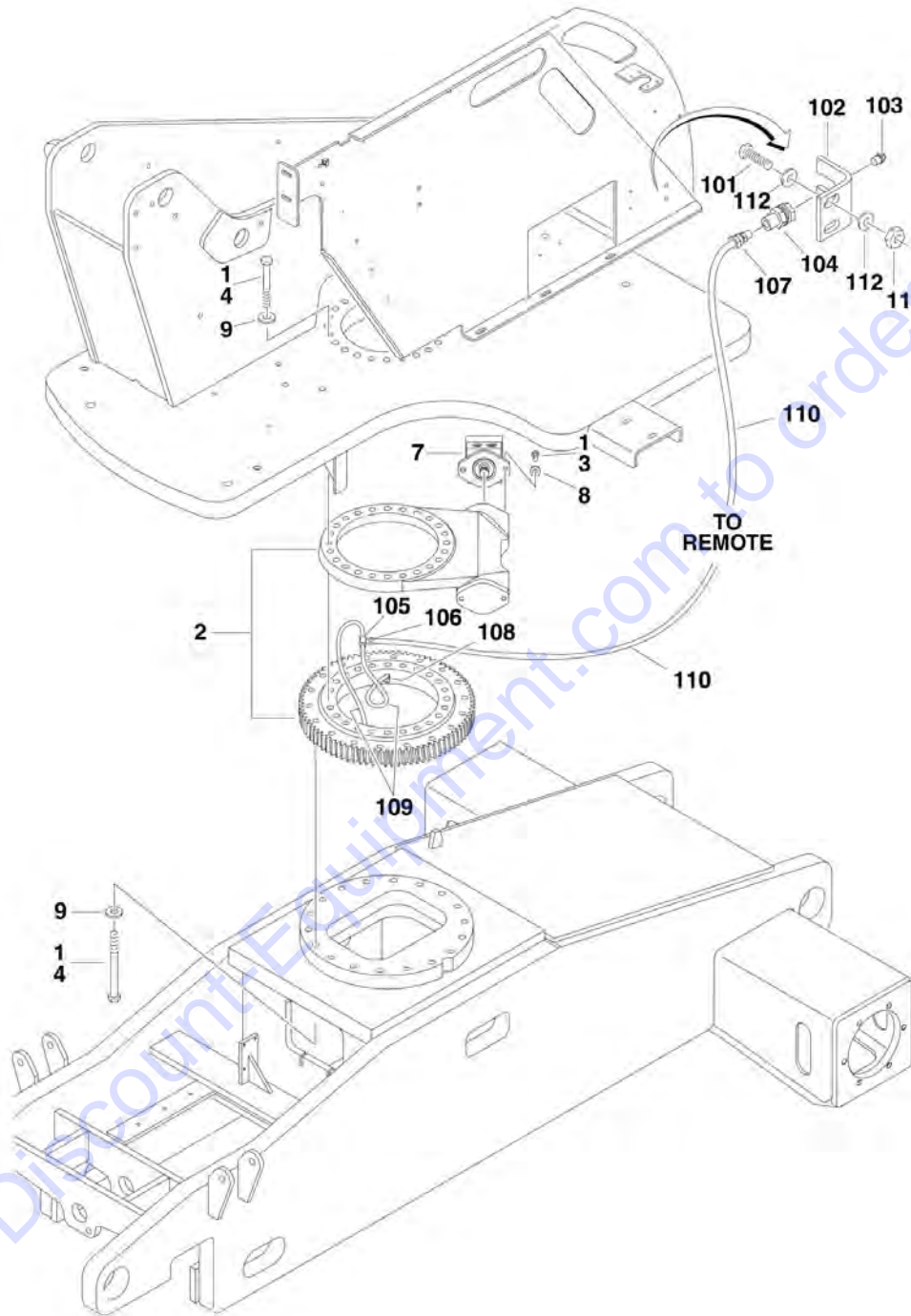
SECTION 2 - TURNTABLE

FIGURE 2-2. MAIN CONTROL VALVE ASSEMBLY

ITEM	PART NUMBER	QTY	DESCRIPTION	REV
	4641176	Ref	PROPORTIONAL VALVE ASSEMBLY	D
1	7012975	1	Cartridge, Check	
1	7012540	1	Seal Kit - 7012975 Cartridge	
2	7017482	2	Cartridge	
2	70003649	2	Seal Kit - 7017482 Cartridge (was p/n 7012518)	
3	7023970	1	Cartridge, Flow Regulator	
3	7012953	1	Seal Kit - 7023970 Cartridge	
4	7017440	3	Cartridge, Load Shuttle	
4	7017441	3	Seal Kit - 7017440 Cartridge	
5	7010542	2	Cartridge, Load Shuttle	
5	7010543	2	Seal Kit - 7010542 Cartridge	
6	7021611	1	Cartridge (Proportional Dump)	
6	7012518	1	Seal Kit - 7021611 Cartridge	
7	7023913	2	Cartridge, Relief (Telescope and Lower Lift)	
7	7012998	2	Seal Kit - 7023913 Cartridge	
8	7017422	1	Cartridge, Relief (Steer)	
8	7012998	1	Seal Kit - 7017422 Cartridge	
9	7017421	1	Cartridge, Relief (Upper Lift)	
9	7012998	1	Seal Kit - 7017421 Cartridge	
10	7017428	1	Cartridge, Relief (Swing)	
10	7012998	1	Seal Kit - 7017428 Cartridge	
11	7023922	1	Cartridge without Coil (Upper Lift)	
11	7017402	1	Seal Kit - 7023922 Cartridge	
12	7023914	1	Cartridge without Coil (Swing)	
12	7017402	1	Seal Kit - 7023914 Cartridge	
13	7017410	1	Cartridge without Coil (Main Dump)	
13	7012967	1	Seal Kit - 7017410 Cartridge	
14	7017433	1	Cartridge without Coil (Steer)	
14	7017402	1	Seal Kit - 7017433 Cartridge	
15	7017454	2	Cartridge without Coil (Lower Lift and Telescope)	
15	7012903	2	Seal Kit - 7017454 Cartridge	
16	7012944	7	Coil	
17	7012943	4	Coil	
18	7017451	1	Coil	

SECTION 2 - TURNTABLE

FIGURE 2-3. TURNTABLE AND SWING DRIVE INSTALLATIONS



SECTION 2 - TURNTABLE

FIGURE 2-3. TURNTABLE AND SWING DRIVE INSTALLATIONS

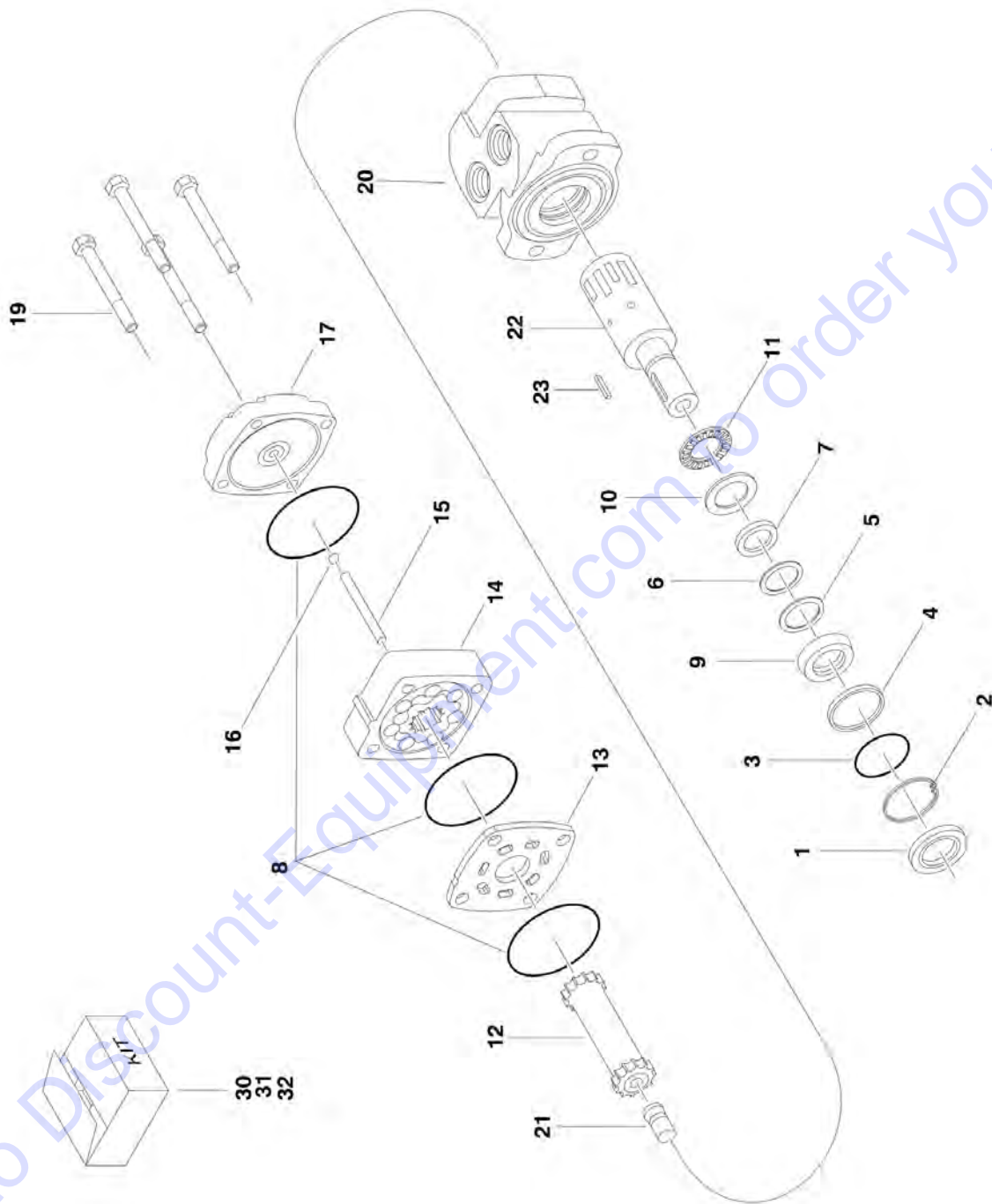
ITEM	PART NUMBER	QTY	DESCRIPTION	REV
		Ref	SWING DRIVE INSTALLATION OPTIONS:	
	0271506	Ref	USA Built Machines (SN 0300065080 through 0300069336)	C
	0272167	Ref	USA Built Machines (SN 0300069337 through 0300077284)	C
	0273358	Ref	USA Built Machines (SN 0300077285 through 0300123999)	A
	0272167	1	Belgium Built Machines (SN 1300000001 through 1300000352)	C
	0273358	1	Belgium Built Machines (SN 1300000353 through 1300006000)	A
1	0100019	AR	Compound, Locking	
2		Ref	Swing Bearing and Rotation Box Assembly Options (See SWING BEARING AND ROTATION BOX ASSEMBLY for Breakdown):	
2	0440203	NLA	Swing Bearing and Rotation Box Assembly (USA Built Machines) (Use p/n 1001219625) (SN 0300065080 through 0300069336)	
2	0440255	NLA	Swing Bearing and Rotation Box Assembly (USA Built Machines) (use p/n 1001231278) (SN 0300069337 through 0300077284)	
2	0440272	NLA	Swing Bearing and Rotation Box Assembly (USA Built Machines) (use p/n 1001231278) (SN 0300077285 through 0300123999)	
2	0440255	NLA	Swing Bearing and Rotation Box Assembly (Belgium Built Machines) (use p/n 1001231278) (SN 1300000001 through 1300000352)	
2	0440272	NLA	Belgium Built Machines Swing Bearing and Rotation Box Assembly (Belgium Built Machines) (use p/n 1001231278) (SN 1300000353 through 1300006000)	
3		Ref	Bolt Options:	
3	0681814	2	1/2in-13NC x 1-7/8in (USA Built Machines) (SN 0300065080 through 0300069336)	
3	0641818	2	1/2in-13NC x 2-1/4in (USA Built Machines) (SN 0300069337 through 0300123999)	
3	0641818	2	1/2in-13NC x 2-1/4in (Belgium Built Machines) (SN 1300000001 through 1300006000)	
4		Ref	Bolt Options:	
4	0682038	42	5/8in-11NC x 4-3/4in (USA Built Machines) (Turntable and Frame Bolts) (SN 0300065080 through 0300069336)	
4	0682040	18	5/8in-11NC x 5in (USA Built Machines) (Frame Bolts) (SN 0300069337 through 0300123999)	
4	0682040	18	5/8in-11NC x 5in (Belgium Built Machines) (Frame Bolts) (SN 1300000001 through 1300006000)	
4	0682048	24	5/8in-11NC x 6in (USA Built Machines) (Turntable Bolts) (SN 0300069337 through 0300123999)	
4	0682048	24	5/8in-11NC x 6in (Belgium Built Machines) (Turntable Bolts) (SN 1300000001 through 1300006000)	
5		Ref	Grease, Bearing (Not Shown) Options:	
5	3020029	AR	USA Built Machines (SN 0300065080 through 0300069336)	
5	Not Required	0	USA Built Machines (SN 0300069337 through 0300077284)	
5	Not Required	0	Belgium Built Machines (SN 1300000001 through 1300000352)	
5	2160001	AR	USA Built Machines (SN 0300077285 through 0300123999)	
5	2160001	AR	Belgium Built Machines (SN 1300000353 through 1300006000)	
7		Ref	Swing Motor Assembly Options (See SWING MOTOR ASSEMBLY for Breakdown)	
7	3160278	1	USA Built Machines (SN 0300065080 through 0300069336)	
7	3160287	1	USA Built Machines (SN 0300069337 through 0300123999)	

SECTION 2 - TURNTABLE

ITEM	PART NUMBER	QTY	DESCRIPTION	REV
7	3160287	1	Belgium Built Machines (SN 1300000001 through 1300006000)	
8	4891800	2	Flatwasher 1/2in Hardened	
9	4892000	42	Flatwasher 5/8in Hardened	
	0258400	Ref	REMOTE BEARING LUBE INSTALLATION	B
101	0641609	2	Bolt 3/8in-16NC x 1-1/8in	
102		Ref	Bracket Options:	
102	0902109	1	USA Built Machines (SN 0300065080 through 0300065537)	
102	0902520	1	USA Built Machines (SN 0300065538 through 0300123999)	
102	0902520	1	Belgium Built Machines (SN 1300000001 through 1300006000)	
103	2160002	1	Fitting, Grease	
104	2180344	1	Fitting, Bulkhead	
105	2180822	1	Fitting, Tee	
106	2200261	1	Fitting, Coupling	
107	2220001	1	Fitting, Straight	
108	2220124	2	Fitting, Elbow	
109	2750529	2	Hose	
110	2750807	1	Hose	
111	3311605	2	Locknut 3/8in-16NC	
112	4751600	4	Flatwasher 3/8in Regular	

SECTION 2 - TURNTABLE

FIGURE 2-4. SWING MOTOR ASSEMBLY (ORIGINAL EQUIPMENT)



SECTION 2 - TURNTABLE

FIGURE 2-4. SWING MOTOR ASSEMBLY (ORIGINAL EQUIPMENT)

ITEM	PART NUMBER	QTY	DESCRIPTION	REV
		Ref	SWING MOTOR ASSEMBLY	
	3160278	Ref	USA Built Machines (SN 0300065080 through 0300069336)	A
	3160287	Ref	USA Built Machines (SN 0300069337 through 0300123999)	A
	3160287	Ref	Belgium Built Machines (SN 1300000001 through 1300006000)	A
		Ref	Note: Original Equipment motor p/n 3160287 may have been replaced with Service Replacement motor p/n 1001105455. Visually identify motor before ordering parts. Service Replacement motor shown on next figure.	
1	7005881	1	Seal, Dust	
2	7005881	1	Ring, Retaining	
3	7005881	1	Shim, Metal Back-Up	
4	7005881	1	Seal, High Pressure	
5	7005881	1	Shim, Metal Back-Up	
6	7005881	1	Shim, Teflon Back-Up	
7	7005881	1	Seal, Shaft	
8	7005881	3	Seal, Body	
9	7005882	1	Washer, Carrier	
10	7005882	1	Thrustwasher	
11		Ref	Bearing, Thrust	
11	7016422	1	USA Built Machines (SN 0300065080 through 0300069336)	
11	3160287	1	USA Built Machines (SN 0300069337 through 0300123999)	
11	3160287	1	Belgium Built Machines (SN 1300000001 through 1300006000)	
12		Ref	Link, Drive	
12	7016429	1	USA Built Machines (SN 0300065080 through 0300069336)	
12	7005889	1	USA Built Machines (SN 0300069337 through 0300123999)	
12	7005889	1	Belgium Built Machines (SN 1300000001 through 1300006000)	
13		Ref	Plate, Wear	
13	7016423	1	USA Built Machines (SN 0300065080 through 0300069336)	
13	3160287	1	USA Built Machines (SN 0300069337 through 0300123999)	
13	3160287	1	Belgium Built Machines (SN 1300000001 through 1300006000)	
14		Ref	Rotor Set Assembly	
14	7016428	1	USA Built Machines (SN 0300065080 through 0300069336)	
14	7016432	1	USA Built Machines (SN 0300069337 through 0300123999)	
14	7016432	1	Belgium Built Machines (SN 1300000001 through 1300006000)	
15		Ref	Pin, Drive Link	
15	7005891	1	USA Built Machines (SN 0300065080 through 0300069336)	
15	7016433	1	USA Built Machines (SN 0300069337 through 0300123999)	
15	7016433	1	Belgium Built Machines (SN 1300000001 through 1300006000)	
16	See Note	1	Ball (Note: Not available for purchase)	
17		Ref	Cover, End	
17	7016424	1	USA Built Machines (SN 0300065080 through 0300069336)	
17	3160287	1	USA Built Machines (SN 0300069337 through 0300123999)	
17	3160287	1	Belgium Built Machines (SN 1300000001 through 1300006000)	
18	See Note	1	Nameplate (Note: Not available for purchase)	
19		Ref	Bolt Set (Includes 4 Bolts)	
19	7016430	1	USA Built Machines (SN 0300065080 through 0300069336)	

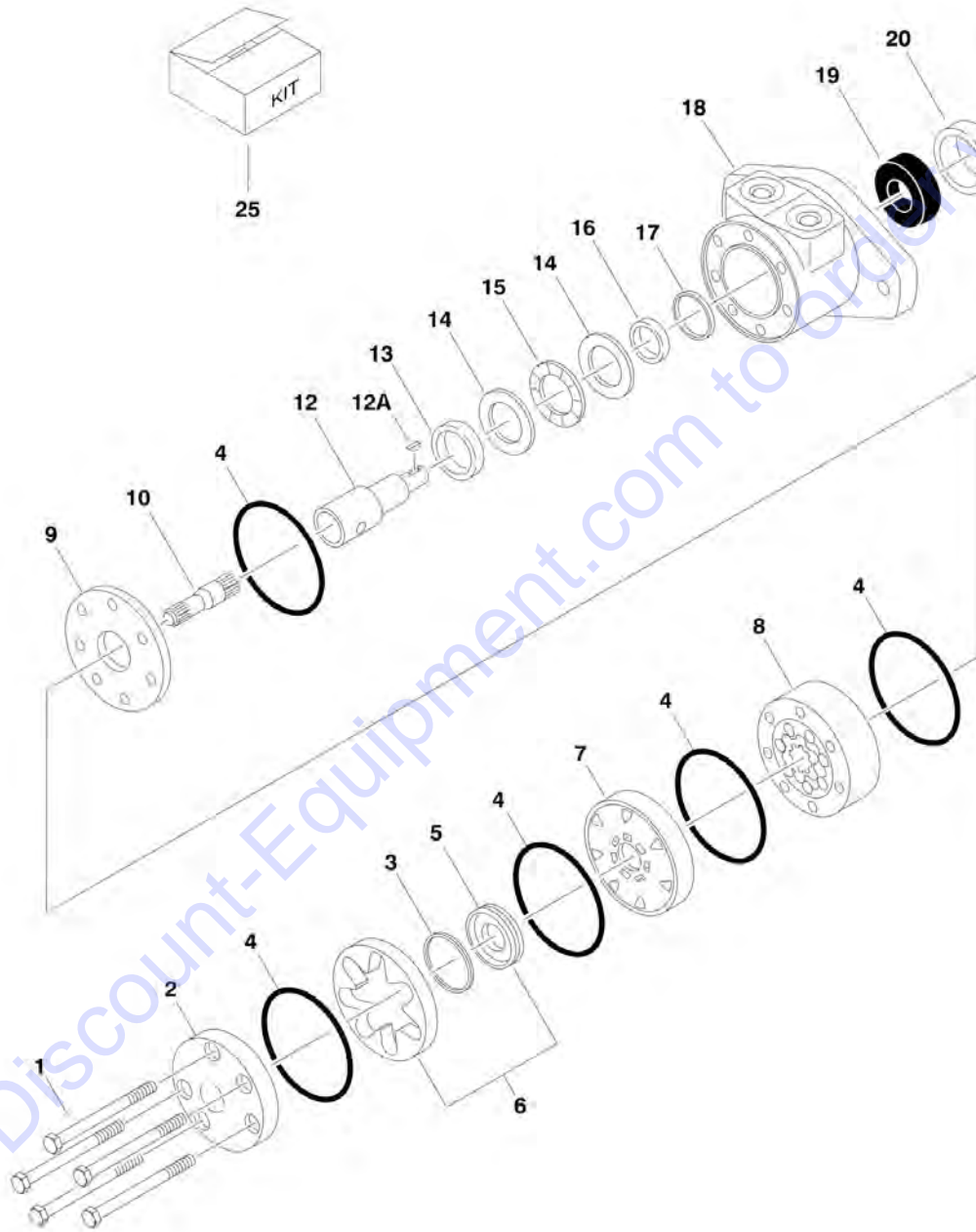
SECTION 2 - TURNTABLE

ITEM	PART NUMBER	QTY	DESCRIPTION	REV
19	7016434	1	USA Built Machines (SN 0300069337 through 0300123999)	
19	7016434	1	Belgium Built Machines (SN 1300000001 through 1300006000)	
20	See Note	1	Housing (Note: Use Item 32)	
21	See Note	1	Plug, Cooling (Note: Use Item 32)	
22	7005843	1	Shaft	
23	7005887	1	Key	
30	7005881	1	Seal Kit (Includes Items 1-8)	
31	7005882	1	Washer Kit (Includes Items 9 & 10)	
32		Ref	Housing/Shaft Kit Options (Includes Items 20-23):	
32	7016431	1	USA Built Machines (SN 0300065080 through 0300069336)	
32	7016435	1	USA Built Machines (SN 0300069337 through 0300123999)	
32	7016435	1	Belgium Built Machines (SN 1300000001 through 1300006000)	

Go to Discount-Equipment.com to order your parts

SECTION 2 - TURNTABLE

FIGURE 2-5. SWING MOTOR ASSEMBLY (SERVICE REPLACEMENT)



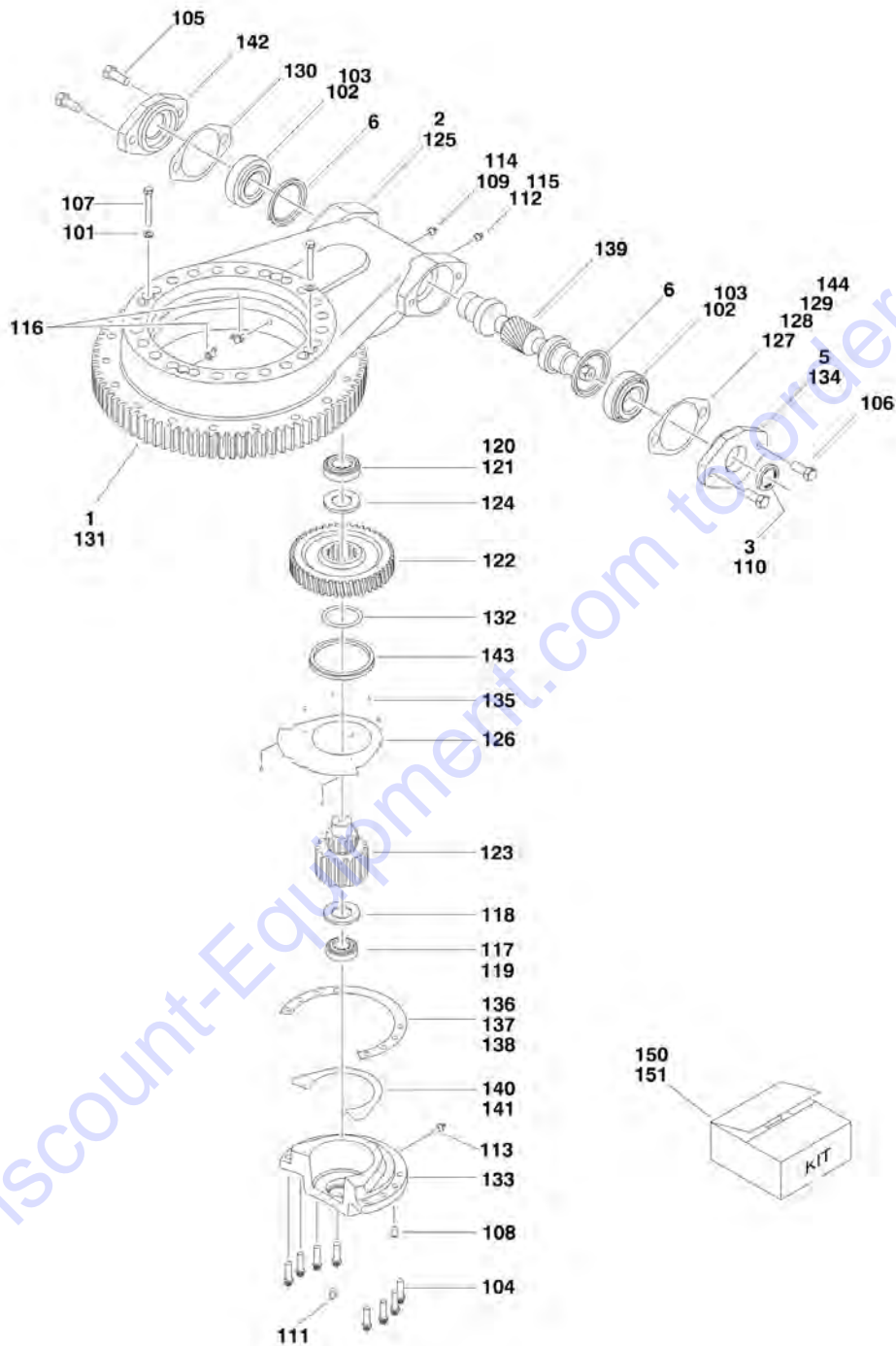
SECTION 2 - TURNTABLE

FIGURE 2-5. SWING MOTOR ASSEMBLY (SERVICE REPLACEMENT)

ITEM	PART NUMBER	QTY	DESCRIPTION	REV
	1001105455	Ref	SWING MOTOR ASSEMBLY	A
		Ref	Note: Original Equipment motor p/n 3120287 may have been replaced with Service Replacement motor p/n 1001105455. Visually identify motor before ordering parts.	
1	See Note	5	Bolt (Note: Not available for purchase)	
2	7004035	1	Cover, End	
3	7023318	1	Seal, Commutator	
4	7004036	5	O-Ring	
5	7024453	1	Commutator	
6	7024453	1	Commutator and Ring Assembly (Includes Items 5)	
7	7024379	1	Manifold	
8	70002206	1	Rotor Set	
9	7024380	1	Plate, Wear	
10	70002207	1	Link, Drive	
12	70000088	1	Shaft, Coupling	
12A	70000089	1	Key	
13	7024381	1	Bushing, Inner	
14	7004043	1	Thrustwasher	
15	7004044	1	Bearing, Thrust	
16	7004049	1	Seal, Inner Shaft	
17	7004045	1	Ring, Backup	
18	See Note	1	Housing (Note: Not Available - Purchase Complete Motor)	
19	7024390	1	Bearing	
20	7004047	1	Seal, Outer Shaft	
25	7024389	1	Seal Kit (Includes Items 3, 4, 16, 17 & 20)	

SECTION 2 - TURNTABLE

FIGURE 2-6. SWING BEARING AND ROTATION BOX ASSEMBLY (ORIGINAL EQUIPMENT)



SECTION 2 - TURNTABLE

FIGURE 2-6. SWING BEARING AND ROTATION BOX ASSEMBLY (ORIGINAL EQUIPMENT)

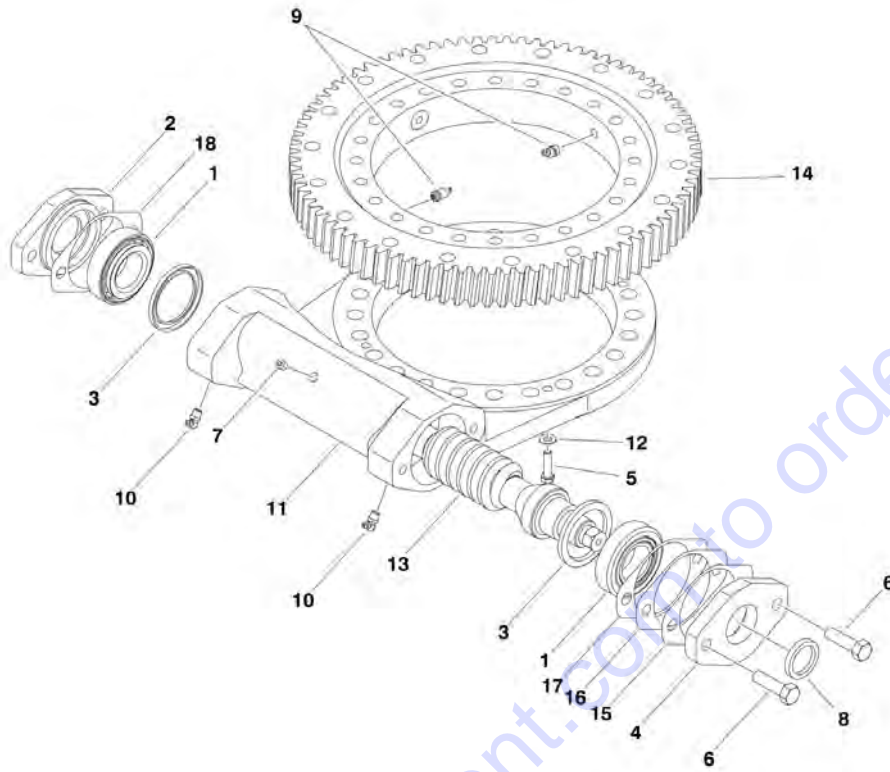
ITEM	PART NUMBER	QTY	DESCRIPTION	REV
	0440203	Ref	SWING BEARING AND ROTATION BOX ASSEMBLY (USA BUILT MACHINES) (SN 0300065080 through 0300069336)	E
1	7012596	1	Bearing, Turntable	
2	7012597	1	Swing Rotation Box Assembly (Includes all internal components. No other internal available except seals.)	
3		Ref	Seal, Outer Options - Capped End:	
3	7012654	1	1.75in O.D.	
3	7016676	1	2.063in O.D.	
4	7012655	1	Seal, Outer - Motor End	
5	7023484	1	Cap, End (Closed End)	
6	7027730	2	Seal, Inner	
		Ref	SWING BEARING AND ROTATION BOX ASSEMBLY	
	0440255	Ref	USA Built Machines (SN 0300069337 through 0300077284)	
	0440272	Ref	USA Built Machines (SN 0300077285 through 0300123999)	
	0440255	1	Belgium Built Machines (SN 1300000001 through 1300000352)	
	0440272	1	Belgium Built Machines (SN 1300000353 through 1300006000)	
101	4891500	2	Flatwasher 5/16in Hardened	
102	7026042	2	Cup, Bearing	
103	7026043	2	Cone, Bearing	
104	0681610	8	Bolt 3/8in-16NC x 1-1/4in (Grade 8)	
105	0641808	2	Bolt 1/2in-13NC x 1in	
106	0641810	2	Bolt 1/2in-13NC x 1-1/4in	
107	0641520	2	Bolt 5/16in-18NC x 2-1/2in	
108	See Note	1	Plug 1/8in (Note: Not Available - Purchase Locally)	
109	See Note	1	Plug (Note: Not Available - Purchase Locally)	
110	7026060	1	Seal, Oil	
111	See Note	1	Plug 1/4in (0440255 Bearing Only) (Note: Not Available - Purchase Locally)	
112	See Note	2	Cap (Note: Not available for purchase)	
113	See Note	1	Fitting, Grease (Note: Not available for purchase)	
114	7026044	1	Bushing, Reducer	
115	7027358	1	Fitting, Grease	
116	See Note	2	Fitting, Grease (0440255 Bearing Only) (Note: Not Available - Purchase Locally)	
117	7026045	1	Cup, Bearing	
118	7026046	1	Ring, Grease	
119	7026047	1	Cone, Bearing	
120	7026048	1	Cup, Bearing	
121	7026049	1	Cone, Bearing	
122	7026050	1	Worm-Gear	
123	7026051	1	Pinion, Output	
124	7026052	1	Spacer, Washer	
125	See Note	1	Housing (Note: Not Available - Purchase Complete Assy)	
126	7026053	1	Cover, Gear	
127	7026059	Ref	Shim, Brown (.010) Options:	
127	7026059	2	0440255 Bearing	
127	7026059	AR	0440272 Bearing	
128	7026059	Ref	Shim, Clear (.0075) Options:	
128	7026059	2	0440255 Bearing	
128	7026059	AR	0440272 Bearing	

SECTION 2 - TURNTABLE

ITEM	PART NUMBER	QTY	DESCRIPTION	REV
129	7026059	Ref	Shim, Blue (.005) Options:	
129	7026059	3	0440255 Bearing	
129	7026059	AR	0440272 Bearing	
130	7026059	Ref	Shim, Yellow (.020) Options:	
130	7026059	2	0440255 Bearing	
130	7026059	AR	0440272 Bearing	
131		Ref	Bearing, Turntable Options:	
131	7026054	1	0440255 Bearing	
131	70000042	1	0440272 Bearing	
132	7026060	1	O-Ring	
133	7026055	1	Cap, Gear	
134		Ref	Cap, Worm Options:	
134	7026056	1	0440255 Bearing	
134	7027354	1	0440272 Bearing	
135	70000681	8	Screw #6-32 x 3/8in	
136	7026059	Ref	Shim, Natural (.0075) Options:	
136	7026059	4	0440255 Bearing	
136	7026059	AR	0440272 Bearing	
137	7026059	Ref	Shim, Blue (.005) Options:	
137	7026059	4	0440255 Bearing	
137	7026059	AR	0440272 Bearing	
138	7026059	Ref	Shim, Green (.003) Options:	
138	7026059	4	0440255 Bearing	
138	7026059	AR	0440272 Bearing	
139	7026057	1	Worm, Ground	
140	7026059	Ref	Shim, Blue (.005) Options:	
140	7026059	3	0440255 Bearing	
140	7026059	AR	0440272 Bearing	
141	7026059	Ref	Shim, Yellow (.020) Options:	
141	7026059	2	0440255 Bearing	
141	7026059	AR	0440272 Bearing	
142		Ref	Adapter, Motor Options:	
142	7026058	1	0440255 Bearing	
142	7027356	1	0440272 Bearing	
143	7026060	1	Seal, Face	
144	7026059	Ref	Shim, Green (.003) Options:	
144	7026059	0	0440255 Bearing	
144	7026059	AR	0440272 Bearing	
150	7026060	1	Seal Kit (Includes Items 110, 132 & 143)	
151	7026059	1	Shim Kit (Includes Items 127-130, 136-138, 140-141 & 144)	

SECTION 2 - TURNTABLE

FIGURE 2-7. SWING BEARING AND ROTATION BOX ASSEMBLY (SERVICE REPLACEMENT FOR 0440203) (SN 0300065080 through 0300069336)



ART_0440339

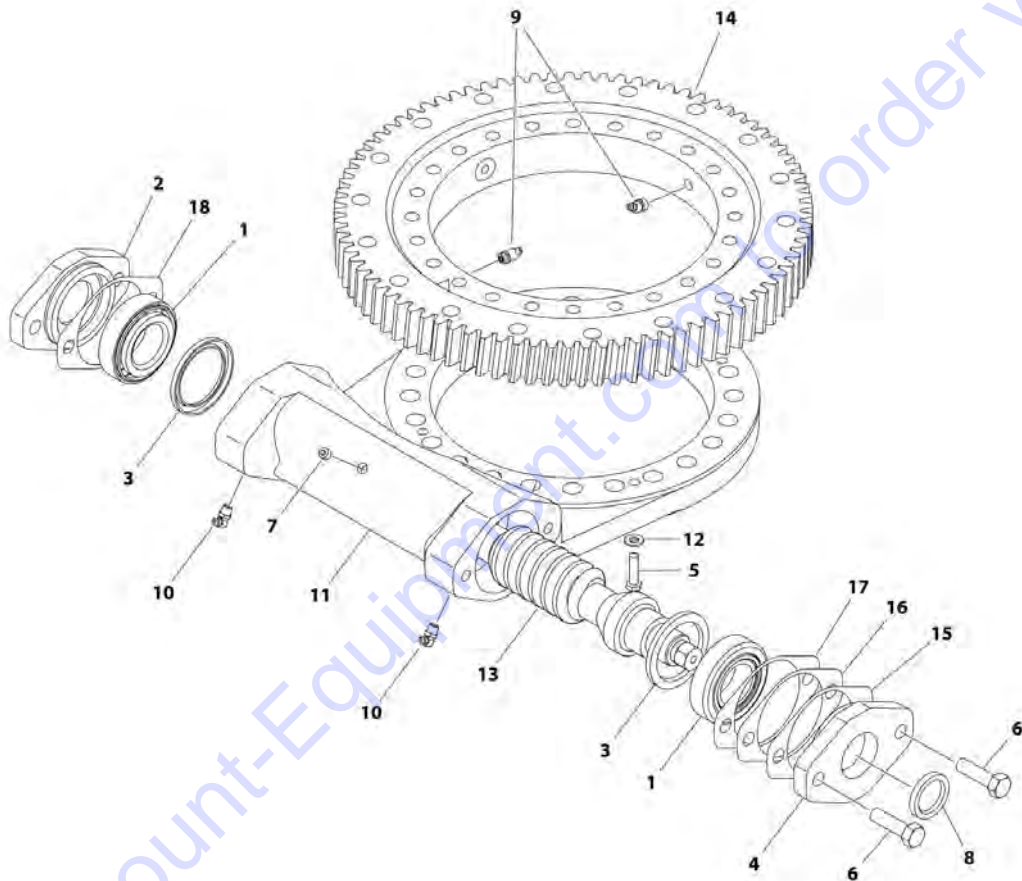
SECTION 2 - TURNTABLE

FIGURE 2-7. SWING BEARING AND ROTATION BOX ASSEMBLY (SERVICE REPLACEMENT FOR 0440203) (SN 0300065080 through 0300069336)

ITEM	PART NUMBER	QTY	DESCRIPTION	REV
	0440339	Ref	SWING BEARING AND ROTATION BOX ASSEMBLY	C
1	7026042	2	Bearing, Cup	
1	7026043	2	Bearing, Cone	
2	7027356	1	Adapter, Motor	
3	7027361	2	Seal	
4	7027354	1	Cap, End	
5	0641510	2	Bolt 5/16 x 1 1/4	
6	0641812	2	Bolt 1/2in-13NC x 1 1/2in	
7	70000865	1	Plug	
8	7027360	1	Seal	
9	7027359	2	Straight Fitting, Grease	
9	2160003	2	Fitting, Grease - 45	
10	7027358	2	Fitting, Grease - 90	
11	Not Available	1	Housing	
12	4891500	2	Washer 5/16 (Hardened)	
13	7027363	1	Gear, Worm	
14	70000868	1	Ring, Bearing	
15	7027352	AR	Gasket (.010 - Brown)	
16	7027351	AR	Gasket (.0075 - Clear)	
17	7027350	AR	Gasket (.005 - Blue)	
18	7027353	1	Gasket (.020 - Yellow)	

SECTION 2 - TURNTABLE

FIGURE 2-8. SWING BEARING AND ROTATION BOX ASSEMBLY (SERVICE REPLACEMENT FOR 0440203 & 0440339) (SN 0300065080 through 0300069336)



ART_1001153017

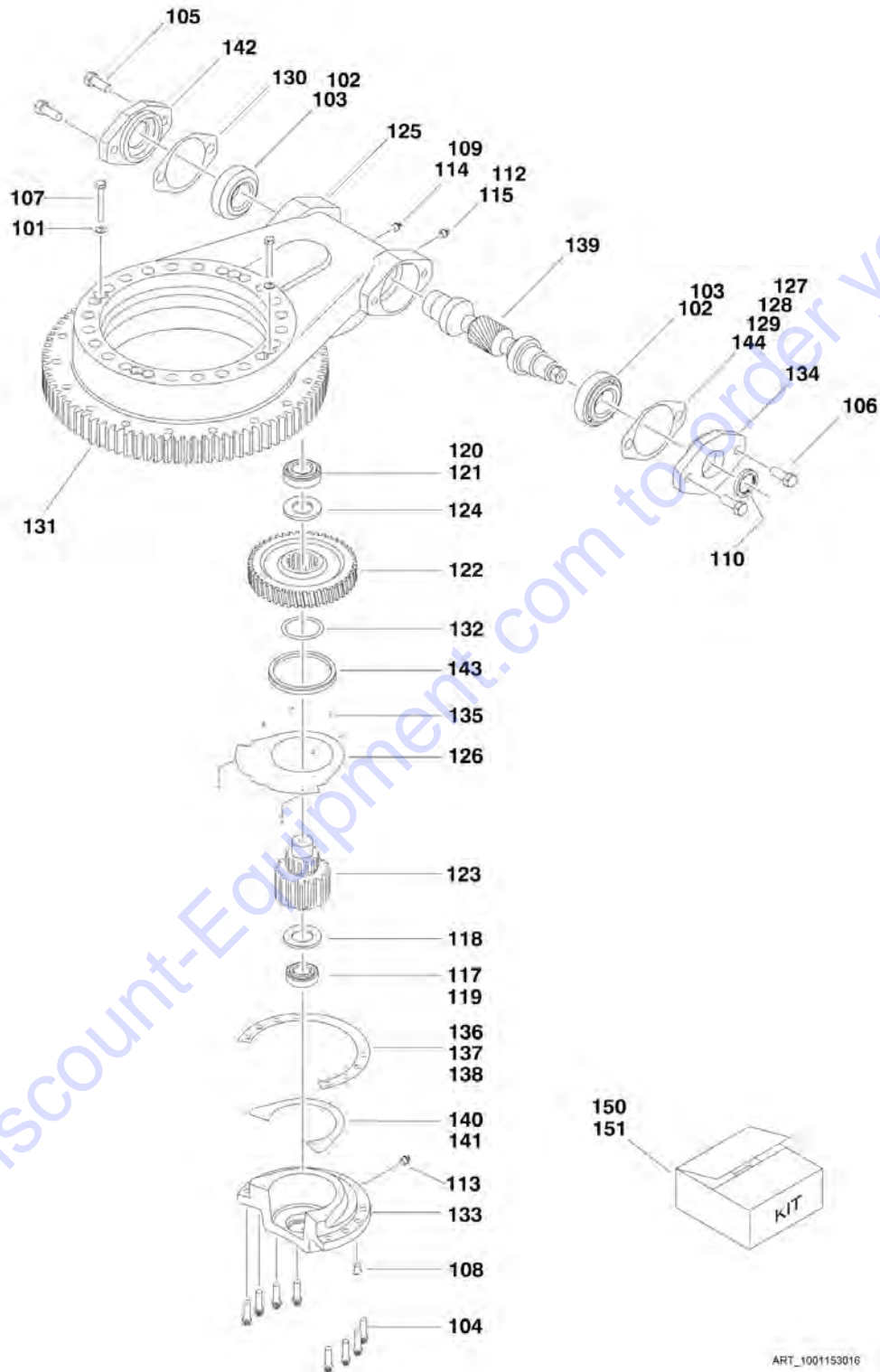
SECTION 2 - TURNTABLE

FIGURE 2-8. SWING BEARING AND ROTATION BOX ASSEMBLY (SERVICE REPLACEMENT FOR 0440203 & 0440339) (SN 0300065080 through 0300069336)

ITEM	PART NUMBER	QTY	DESCRIPTION	REV
	1001153017	Ref	SWING BEARING ASSEMBLY	B
1	7026042	2	Bearing, Cup	
1	7026043	2	Bearing, Cone	
2	7027356	1	Adapter, Motor	
3	7027361	2	Seal	
4	7027354	1	Cap, End	
5	0641510	2	Bolt, 5/16-18 x 1-1/4	
6	0641812	2	Bolt, 1/2-13 x 1-1/2	
7	70000865	1	Plug	
8	7027360	1	Seal	
9	7027359	2	Fitting, Grease - Straight	
9	2160003	2	Fitting, Grease - 45	
10	7027358	2	Fitting, Grease - 90	
11	See Note	NSS	Housing (Note: Not Sold Separate - Use 1001153017)	
12	4891500	1	Washer, 5/16	
13	7027363	1	Gear, Worm	
14	70004159	1	Ring Gear	
15	7027352	AR	Gasket (.010 - Brown)	
16	7027351	AR	Gasket (.0075 - Clear)	
17	7027350	AR	Gasket (.005 - Blue)	
18	7027353	1	Gasket (.020 - Yellow)	

SECTION 2 - TURNTABLE

FIGURE 2-9. SWING BEARING AND ROTATION BOX ASSEMBLY (SERVICE REPLACEMENT FOR 0440255 & 0440272) (SN 0300069337 through 0300123999, SN 1300000001 through 1300006000)



ART_1001153016

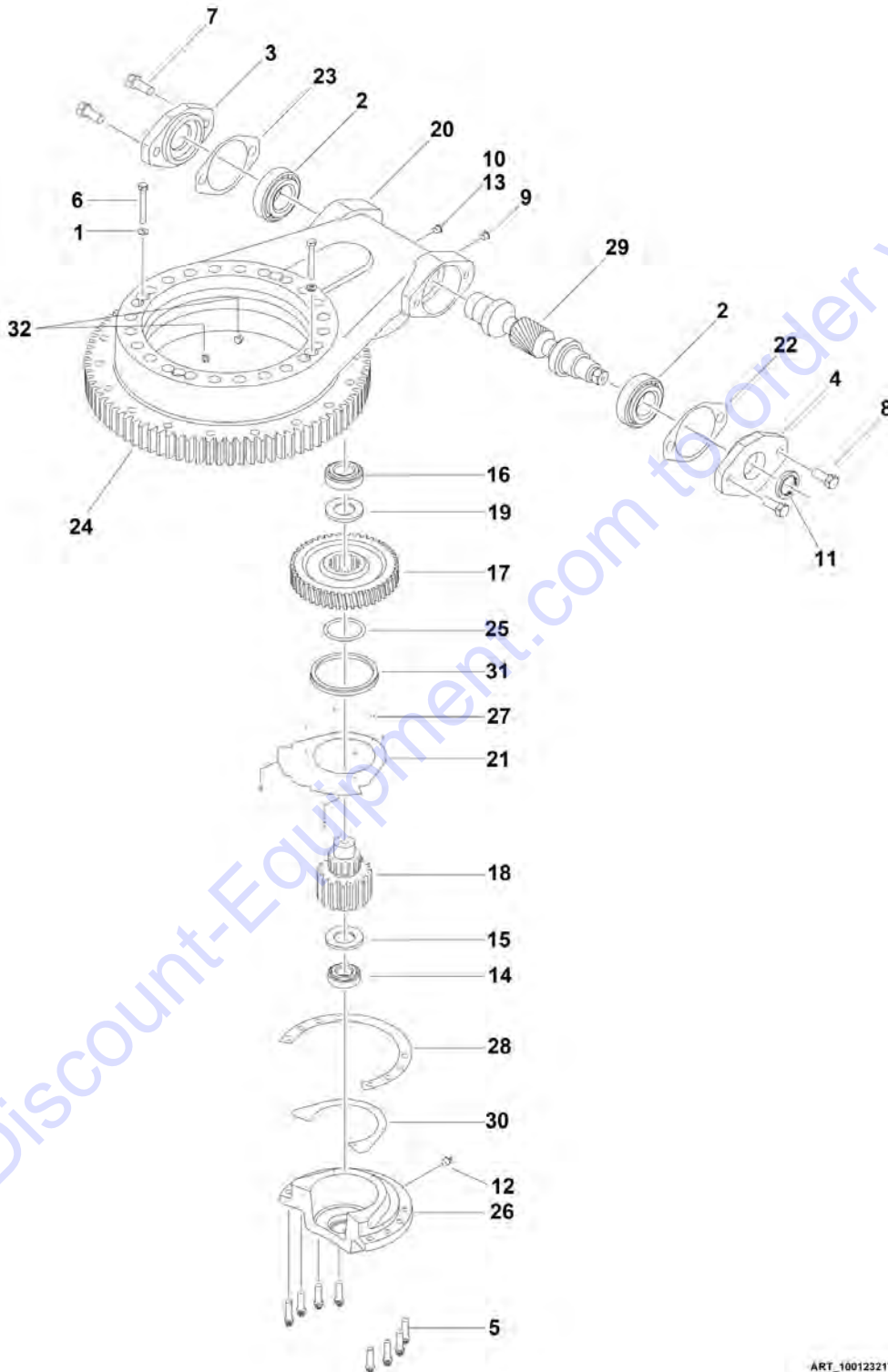
SECTION 2 - TURNTABLE

FIGURE 2-9. SWING BEARING AND ROTATION BOX ASSEMBLY (SERVICE REPLACEMENT FOR 0440255 & 0440272) (SN 0300069337 through 0300123999, SN 1300000001 through 1300006000)

ITEM	PART NUMBER	QTY	DESCRIPTION	REV
	1001153016	Ref	SWING BEARING AND ROTATION BOX ASSEMBLY (JING WEI)	C
101	4891500	2	Flatwasher 5/16in Hardened	
102	7026042	2	Cup, Bearing	
103	7026043	2	Cone, Bearing	
104	0681610	8	Bolt 3/8 x 1-1/4 Grade 8	
105	0641808	2	Bolt 1/2 x 1	
106	0641810	2	Bolt 1/2 x 1-1/4	
107	0641520	2	Bolt 5/16in-18NC x 2-1/2in	
108	See Note	1	Plug 1/8in (Note: Not Available - Purchase Locally)	
109	See Note	1	Plug (Note: Not Available - Purchase Locally)	
110	7026060	1	Seal, Oil	
112	See Note	2	Cap (Note: Not Available - Purchase Complete Assembly)	
113	See Note	1	Fitting, Grease (Note: Not Available - Purchase Locally)	
114	7026044	1	Bushing, Reducer	
115	7027358	1	Fitting, Grease	
117	7026045	1	Cup, Bearing	
118	7026046	1	Ring, Grease	
119	7026047	1	Cone, Bearing	
120	7026048	1	Cup, Bearing	
121	7026049	1	Cone, Bearing	
122	7026050	1	Worm-Gear	
123	7026051	1	Pinion, Output	
124	7026052	1	Spacer, Washer	
125	See Note	1	Housing (Note: Not Available - Purchase Complete Assembly)	
126	7026053	1	Cover, Gear	
127	7026059	AR	Shim, Brown (.010in)	
128	7026059	AR	Shim, Clear (.0075in)	
129	7026059	AR	Shim, Blue (.005in)	
130	7026059	AR	Shim, Yellow (.020in)	
131	70004158	1	Bearing, Turntable	
132	7026060	1	O-Ring	
133	7026055	1	Cap, Gear	
134	7027354	1	Cap, Worm	
135	70000681	8	Screw #6-32 x 3/8in	
136	7026059	AR	Shim, Natural (.0075)	
137	7026059	AR	Shim, Blue (.005)	
138	7026059	AR	Shim, Green (.003)	
139	7026057	1	Gear, Worm	
140	7026059	AR	Shim, Blue (.005)	
141	7026059	AR	Shim, Yellow (.020)	
142	7027356	1	Adapter, Motor	
143	7026060	1	Seal, Face	
144	7026059	AR	Shim, Green (.003)	
150	7026060	1	Seal Kit (Includes Items 110, 132 & 143)	
151	7026059	1	Shim Kit (Includes Items 127-130, 136-138, 140-141 & 144)	

SECTION 2 - TURNTABLE

FIGURE 2-10. SWING BEARING AND ROTATION BOX ASSEMBLY (SERVICE REPLACEMENT FOR 0440255, 0440272 & 1001153016) (SN 0300069337 through 0300123999, SN 1300000001 through 1300006000)



ART_1001232177

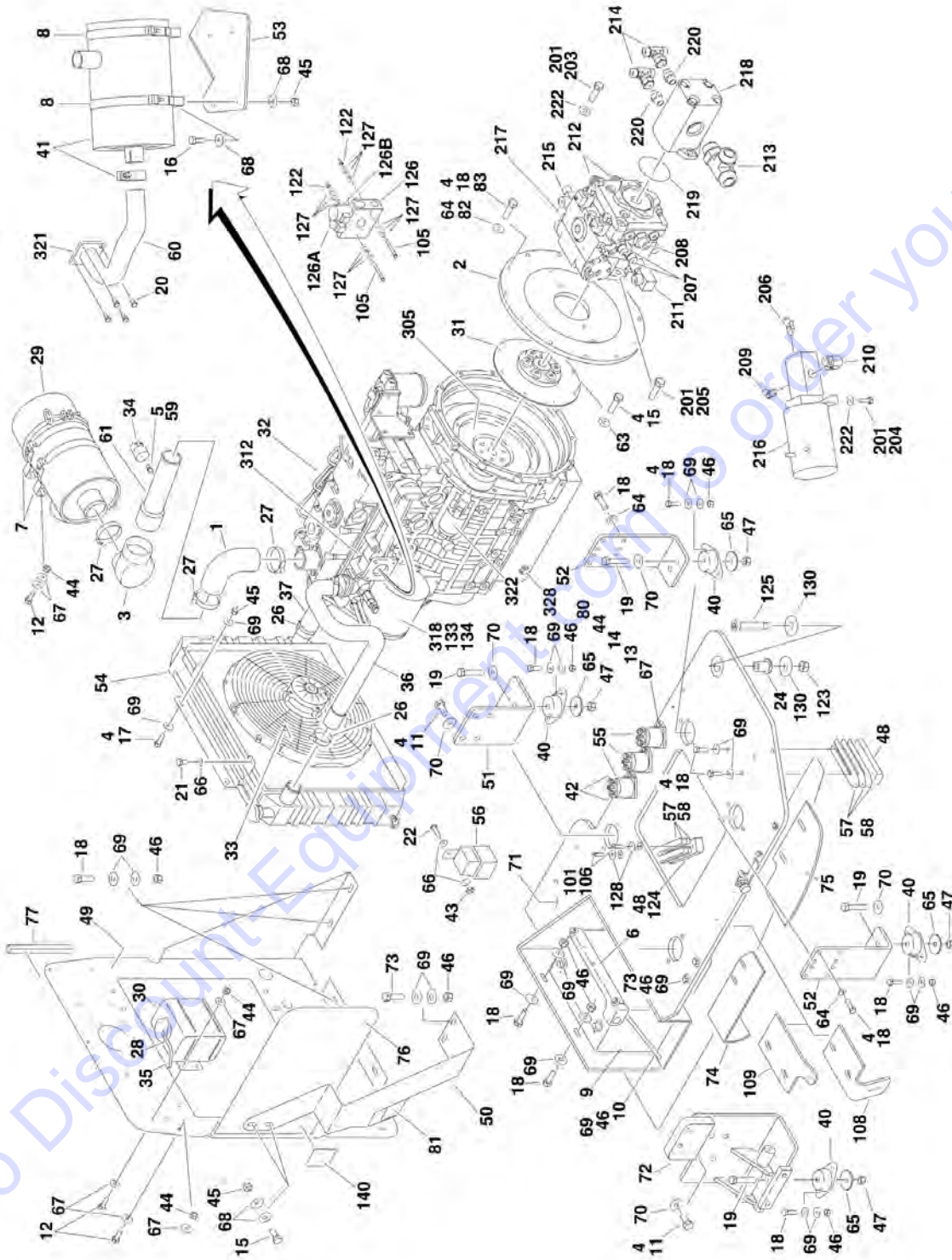
SECTION 2 - TURNTABLE

FIGURE 2-10. SWING BEARING AND ROTATION BOX ASSEMBLY (SERVICE REPLACEMENT FOR 0440255, 0440272 & 1001153016) (SN 0300069337 through 0300123999, SN 1300000001 through 1300006000)

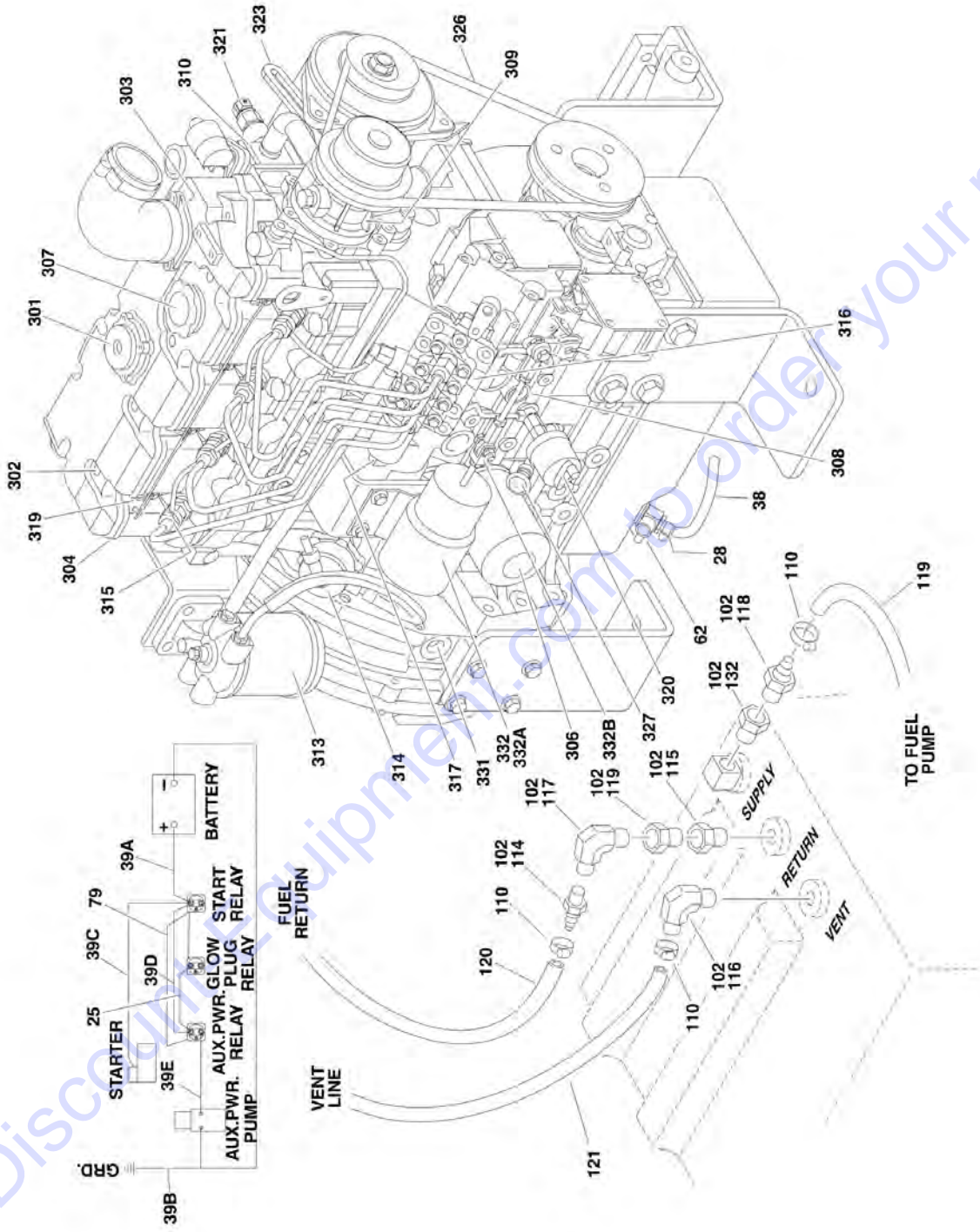
ITEM	PART NUMBER	QTY	DESCRIPTION	REV
	1001231277	Ref	SWING BEARING AND ROTATION BOX ASSEMBLY	B
1	7026041	2	Flatwasher 5/16	
2	7026042	2	Cup, Bearing	
2	7026043	2	Cone, Bearing	
3	7027356	1	Adapter, Motor	
4	7027354	1	Cap, Worm	
5	70006739	8	Bolt 3/8 x 1-1/4	
6	70003138	2	Bolt 5/16 x 2-1/2	
7	70002647	2	Bolt 1/2 x 1	
8	70002648	1	Bolt 1/2 x 1-1/4	
9	70000865	2	Plug	
10	70002649	1	Vent, Pressure	
11	7027360	1	Seal, Oil	
12	70002651	1	Fitting, Grease	
13	7026044	1	Bushing, Reducer	
14	7026045	1	Cup, Bearing	
14	7026047	1	Cone, Bearing	
15	7026046	1	Ring, Grease	
16	7026048	1	Cup, Bearing	
16	7026049	1	Cone, Bearing	
17	7026050	1	Worm-Gear	
18	7026051	1	Pinion, Output	
19	7026052	1	Spacer, Washer	
20	See Note	1	Housing (Note: Not Available - Purchase Complete Assy)	
21	7026053	1	Cover, Gear	
22	7027352	AR	Shim, Brown (.010)	
22	7027351	AR	Shim, Clear (.0075)	
22	7027350	AR	Shim, Blue (.005)	
23	70006740	1	Shim, Yellow(.020)	
24	70006741	1	Shim, Blue (.005)	
25	70004254	1	O-Ring	
26	7026055	1	Cap, Gear	
27	70000681	8	Screw #6 x 3/8	
28	70004259	AR	Shim, Natural (.0075)	
28	70004258	AR	Shim, Blue (.005)	
28	70004257	AR	Shim, Green (.003)	
29	7026057	1	Worm, Ground	
30	70004260	1	Shim, Blue (.005)	
30	70004261	1	Shim, Yellow (.020)	
31	70004262	1	Seal, Oil	
32	70006742	1	Plug	

SECTION 2 - TURNTABLE

FIGURE 2-11. USA BUILT MACHINES/CATERPILLAR ENGINE INSTALLATION



SECTION 2 - TURNTABLE



SECTION 2 - TURNTABLE

FIGURE 2-11. USA BUILT MACHINES/CATERPILLAR ENGINE INSTALLATION

ITEM	PART NUMBER	QTY	DESCRIPTION	REV
		Ref	CATERPILLAR ENGINE ASSEMBLY	
	0272922	Ref	Caterpillar Engine Assembly (SN 0300065080 through 0300087630)	D
	2000315	Ref	Caterpillar Engine Assembly (SN 0300087631 through 0300123999)	B
	2000388	Ref	Arctic Machines	C
1	2180482	1	Elbow, Rubber	
2	0080181	1	Adaptor, Pump Mounting Plate	
3	0080201	1	Elbow, Rubber	
4	0100011	AR	Compound, Locking	
5	0100020	AR	Sealant	
6	0181727	1	Angle, Battery Hold-Down	
7	0340041	2	Band, Air Cleaner Mounting	
8	0340046	2	Band, Muffler Mounting	
9	0400075	1	Battery, 12V	
10	0630498	2	Bolt, Battery Hold-Down	
11	0630569	8	Bolt M14 x 30mm	
12	0641406	8	Bolt 1/4in-20NC x 3/4in	
13	0641408	5	Bolt 1/4in-20NC x 1in	
14	0641410	1	Bolt 1/4in-20NC x 1-1/4in	
15	0641506	10	Bolt 5/16in-18NC x 3/4in	
16	0641507	4	Bolt 5/16in-18NC x 7/8in	
17	0641609	4	Bolt 3/8in-16NC x 1-1/8in	
18	0641610	34	Bolt 3/8in-16NC x 1-1/4in	
19	0641820	4	Bolt 1/2in-13NC x 2-1/2in	
20	0700808	4	Bolt M8 x 16mm	
21	0721004	4	Screw #10-24NC x 1/2in	
22	0721006	1	Screw #10-24NC x 3/4in	
23	0741610	2	Screw, Countersunk 3/8in-16NC x 1-1/4in	
24	0962172	1	Bushing, Flanged	
25	1060904	1	Cable, Jumper	
26	1320012	4	Clamp	
27	1320016	4	Clamp	
28	1320022	3	Clamp	
29	1340060	1	Air Cleaner Assembly	
29	7012664	1	Element, Air Cleaner	
30	1580011	1	Container, Overflow	
31	1660255	1	Pump, Coupling	
32	2000195	1	Caterpillar Engine Assembly	
33	2060032	1	Fan, Electric	
34	2180798	1	Fitting, Indicator Restriction (SN 0300065080 through 0300087630)	
35	2720058	4 in/10cm	Hose	
36	2720507	NLA	Hose, Radiator (Top) (Use p/n 1001102308)	
37	2720508	1	Hose, Radiator (Bottom)	
38	2750532	6 in/25cm	Hose	
39	2902060	1	Battery Cable Kit	B
39A	7016817	1	Cable - Battery to Starter Relay	
39B	7027041	1	Cable - Battery and Auxiliary Pump to Ground (was p/n 7016837)	

SECTION 2 - TURNTABLE

ITEM	PART NUMBER	QTY	DESCRIPTION	REV
39C	7016834	1	Cable - Starter Relay to Starter	
39D	7016838	1	Cable - Starter Relay to Auxiliary Relay	
39E	7016820	1	Cable - Auxiliary Relay to Auxiliary Pump	
40	3200378	4	Mount, Motor	
41		Ref	Muffler Options:	
41	3220113	1	Spark Arresting Muffler	
41	70001017	1	Clamp	
41	3220154	NLA	Catalytic Muffler (Use p/n 1001107116)	
41	70002705	1	Clamp	
41	70002706	1	Plug, Brass	
42	3300220	6	Nut, Washer	
43	3311005	1	Locknut #10-24NC	
44	3311405	19	Locknut 1/4in-20NC	
45	3311505	6	Locknut 5/16in-18NC	
46	3311605	20	Locknut 3/8in-16NC	
47	3311805	4	Locknut 1/2in-13NC	
48	3340399	2	Pad, Wear	
49	3570571	1	Plate, Radiator Mount	
50	3573667	1	Plate, Radiator Support	
51	3574253	1	Plate, Engine Mounting (Front)	
52	3574259	2	Plate, Engine Mounting (Rear)	
53	3574264	NLA	Plate, Muffler Support (Use p/n 1001098525)	
54	3620046	1	Radiator	
54	7019656	1	Cap, Radiator	
55	3740067	3	Relay	
56	3740080	1	Relay	
57	4070497	4	Shim	
58	4070498	2	Shim	
59	4360392	1	Switch, Restrictor Indicator (SN 0300065080 through 0300087630)	
60	4568743	1	Pipe, Exhaust	
61		Ref	Tube, Air Intake Options:	
61	4558765	1	Tube, Air Intake (SN 0300065080 through 0300087630)	
61	4569176	1	Tube, Air Intake (SN 0300087631 through 0300123999)	
62	4641272	1	Valve, Oil Drain	
63	4711500	8	Flatwasher 5/16in Thin	
64	4711600	18	Flatwasher 3/8in Thin	
65	4740274	4	Washer, Snubbing	
66	4751000	6	Flatwasher #10 Regular	
67	4751400	38	Flatwasher 1/4in Regular	
68	4751500	12	Flatwasher 5/16in Regular	
69	4751600	42	Flatwasher 3/8in Regular	
70	4751800	11	Flatwasher 1/2in Regular	
71	4846820	1	Weldment, Engine Tray	
72	4846821	1	Mount, Motor/Generator	
73	0641611	2	Bolt, 3/8in-16NC x 1-3/8in	
74	3571008	1	Plate, Air	
75	3571009	1	Plate, Baffle	
76	3571019	1	Plate, Air Panel	
77	3960438	2.35 ft /.72m	Seal, Self Gripping	
78	1703876	1	Decal, Engine Tray Swing	

SECTION 2 - TURNTABLE

ITEM	PART NUMBER	QTY	DESCRIPTION	REV
79	4922737	1	Harness, Engine Grounding	
80	4711400	12	Flatwasher, 1/4in Thin	
81	1703162	2	Decal - Fan Blade	
82	4891600	2	Flatwasher 3/8in Hardened	
83	0641612	2	Bolt 3/8in-16NC x 1-1/2in	
		Ref	Note: Arctic Package Items 90 - 94 Not Shown - Used on Arctic Machines Only	
90	3980007	1	Seat, Battery	
91	1702941	1	Decal - Battery Heater	
92	1702942	1	Decal - Engine Block Heater	
93	2580024	1	Heater, Battery	
94	2580054	1	Heater, Engine Block	
		Ref	CATERPILLAR ENGINE INSTALLATION OPTIONS:	
		Ref	4WD	
	0272987	Ref	Caterpillar Engine Installation (4WD) (SN 0300065080 through 0300087630)	B
	0274612	Ref	Caterpillar Engine Installation (4WD) (SN 0300087631 through 0300107511)	B
	0275872	Ref	Caterpillar Engine Installation (4WD) (SN 0300107512 through 0300123999)	D
	0275479	Ref	Arctic Machines (SN 0300065080 through 0300107511)	B
	0275874	Ref	Arctic Machines (SN 0300107512 through 0300123999)	E
		Ref	2WD	
	0272988	Ref	Caterpillar Engine Installation (2WD) (SN 0300065080 through 0300087630)	B
	0274613	Ref	Caterpillar Engine Installation (2WD) (SN 0300087631 through 0300100513)	A
	0274612	Ref	Caterpillar Engine Installation (2WD) (SN 0300100514 through 0300107511)	B
	0275872	1	Caterpillar Engine Installation (2WD) (SN 0300107512 through 0300123999)	D
101	0100011	AR	Compound, Locking	
102	0100020	AR	Sealant	
104	0641406	1	Bolt, 1/4in-20NC x 3/4in (Not Shown)	
105	0641418	2	Bolt, 1/4in-20NC x 2-1/4in	
106	0641610	2	Bolt, 3/8in-16NC x 1-1/4in	
107	0642010	1	Bolt, 5/8in-11NC x 1-1/4in	
108	0902443	1	Bracket, Hood Latch Mount	
109	0902444	1	Bracket, Hood Support	
110	1320022	5	Clamp, Fuel Line	
111	1320223	1	Clamp, J Clip 1/2in (Not Shown)	
112	1701505	1	Decal, Diesel Fuel (Not Shown)	
114	2180536	1	Fitting, Straight Barbed	
115	2220250	1	Fitting, Reducer	
116	2220313	1	Fitting, Elbow Barbed	
117	2220459	1	Fitting, Elbow	
118	2220794	1	Fitting, Straight Barbed	
119	2720058	8 ft/2.4m	Hose	
120	2720271	8 ft/2.4m	Hose	
121	2750532	7 ft/2.13m	Hose	
122	3311405	3	Locknut 1/4in-20NC	
123	3312005	1	Locknut, 5/8in-11NC	
124	3340399	1	Pad, Wear	

SECTION 2 - TURNTABLE

ITEM	PART NUMBER	QTY	DESCRIPTION	REV
125	3900254	1	Screw, Shoulder	
126		Ref	Valve Options:	
126	4641061	1	Valve for 2WD Machines Built (Not Shown) (SN 0300065080 through 0300100513)	
126	4641108	NLA	Valve Used on 2WD Machines Built (Use p/n 1001099391) (SN 0300100514 through 0300107511)	
126	4641108	NLA	Valve Used on 4WD Machines Built (Use p/n 1001099391) (SN 0300065080 through 0300107511)	
126	4641317	1	Valve Used on 2WD Machines Built (SN 0300107512 through 0300123999)	
126	4641317	1	Valve Used on 4WD Machines Built (SN 0300107512 through 0300123999)	
126A		Ref	Cartridge and Coil Options:	
		Ref	Note: Original Equipment Valve may have been replaced with Service Replacement Valve. Identify p/n stamped on valve before ordering parts.	
126A	Not Required	0	Cartridge (4641061 Valve)	
126A	7012974	1	Cartridge without Coil (4641108 Valve)	
126A	7010543	1	Seal Kit - 7012974 Cartridge	
126A	7012941	1	Cartridge without Coil (4641317 & 1001099193 Valves)	
	7010543	1	Seal Kit - 7012941 Cartridge	
126A	7012944	1	Coil	
126B		Ref	Cartridge and Coil Options:	
		Ref	Note: Original Equipment Valve may have been replaced with Service Replacement Valve. Identify p/n stamped on valve before ordering parts.	
126B	7017479	1	Cartridge without Coil (4641061 Valve)	
126B	7012518	1	Seal Kit - 7017479 Cartridge	
126B	7012995	1	Cartridge without Coil (4641108 & 1001099391 Valve)	
	7012518	1	Seal Kit - 7012995 Cartridge	
126B	7012941	1	Cartridge without Coil (4641317 Valve)	
126B	7010543	1	Seal Kit - 7012941 Cartridge	
126B	7012943	1	Coil (4641061, 4641108 & 1001099391 Valves)	
126B	7012944	1	Coil (4641317 Valve)	
127	4751400	14	Flatwasher, 1/4in Regular	
128	4751600	2	Flatwasher, 3/8in Regular	
129	4752000	1	Flatwasher, 5/8in Regular (Not Shown)	
130	4752200	2	Flatwasher, 3/4in Regular	
131	2300004	2.7 gal /10.2L	Coolant, Antifreeze (Not Shown)	
132	2220273	1	Fitting, Reducer	
133	3290501	1	Nut M5	
134	3290601	1	Nut M6	
135	2200222	1	Plug, Pipe (Not Shown - Located on Bottom of Fuel Tank)	
136	0100079	AR	Sealant (Not Shown - Used on Item 135)	
140		Ref	Decal - Warning Explosion/Fire: (SN 0300092804 through 0300123999)	
140	1704972	1	ANSI Spec	
140	1706098	1	Australian Spec	
140	1706059	1	Brazilian Spec	
	1706098	1	CE Spec	
140	1706060	1	Chinese Spec	
140	1706064	1	CSA Spec	
140	1706062	1	Japanese Spec	

SECTION 2 - TURNTABLE

ITEM	PART NUMBER	QTY	DESCRIPTION	REV
140	1706061	1	Korean Spec	
140	1706063	1	Spanish Language	
		Ref	Note: Arctic Package Items 141 - 146 Not Shown - Used on Arctic Machines Only	
141	1060625	1	Cable, Immersion Heater	
142	1060626	1	Cord, 3-Way Extension	
143	1702943	1	Decal - Hydraulic Tank Heater	
144	1702944	1	Decal - Heater Cord	
145	2580050	1	Heater, Hydraulic Tank	
146	4460488	4	Terminal, Mounting Base	
		Ref	CATERPILLAR ENGINE ASSEMBLY OPTIONS:	
		Ref	4WD	
	0272997	Ref	Caterpillar Engine Assembly (4WD) (SN 0300065080 through 0300087630)	B
	2000318	Ref	Caterpillar Engine Assembly (4WD) (SN 0300087631 through 0300123999)	C
	2000389	Ref	Arctic Machines	D
		Ref	2WD	
	0272996	Ref	Caterpillar Engine Assembly (2WD) (SN 0300065080 through 0300087630)	B
	2000319	Ref	Caterpillar Engine Assembly (2WD) (SN 0300087631 through 0300100513)	C
	2000318	Ref	Caterpillar Engine Assembly (2WD) (SN 0300100514 through 0300123999)	D
201	0100011	AR	Compound, Locking	
203		Ref	Bolt Options (Not Shown):	
203	0641608	2	Bolt 3/8in-16NC x 1in (SN 0300065080 through 0300095214)	
203	3931620	2	Bolt 3/8in-16NC x 1-1/4in (SN 0300095215 through 0300123999)	
204	0641610	2	Bolt, 3/8in-16NC x 1-1/4in	
205	0641812	2	Bolt, 1/2in-13NC x 1-1/2in	
206	2110604	1	Fitting, Straight	
207	2111010	2	Fitting, Straight	
208		Ref	Fitting, Straight Options:	
208	2111616	1	Fitting, Straight (2WD) (SN 0300065080 through 0300100513)	
208	2111612	1	Fitting, Straight (2WD & All 4WD) (SN 0300100514 through 0300123999)	
209	2130604	1	Fitting, Elbow	
210	2131210	1	Fitting, Elbow	
211	2131212	1	Fitting, Elbow	
212		Ref	Fitting, Elbow Options:	
212	2151616	2	Fitting, Elbow (2WD) (SN 0300065080 through 0300100513)	
212	2151212	2	Fitting, Elbow (2WD & All 4WD) (SN 0300100514 through 0300123999)	
213	2170316	1	Fitting, Tee	
214	2170808	1	Fitting, Tee	
215	2221084	1	Fitting, Tee	
216		Ref	Auxiliary Pump Assembly Options (See AUXILIARY PUMP ASSEMBLY for Breakdown):	
216	3600279	NLA	Auxiliary Pump Assembly (Use p/n 3600423) (SN 0300065080 through 0300106544)	
216	3600423	1	Auxiliary Pump Assembly (SN 0300106545 through 0300123999)	

SECTION 2 - TURNTABLE

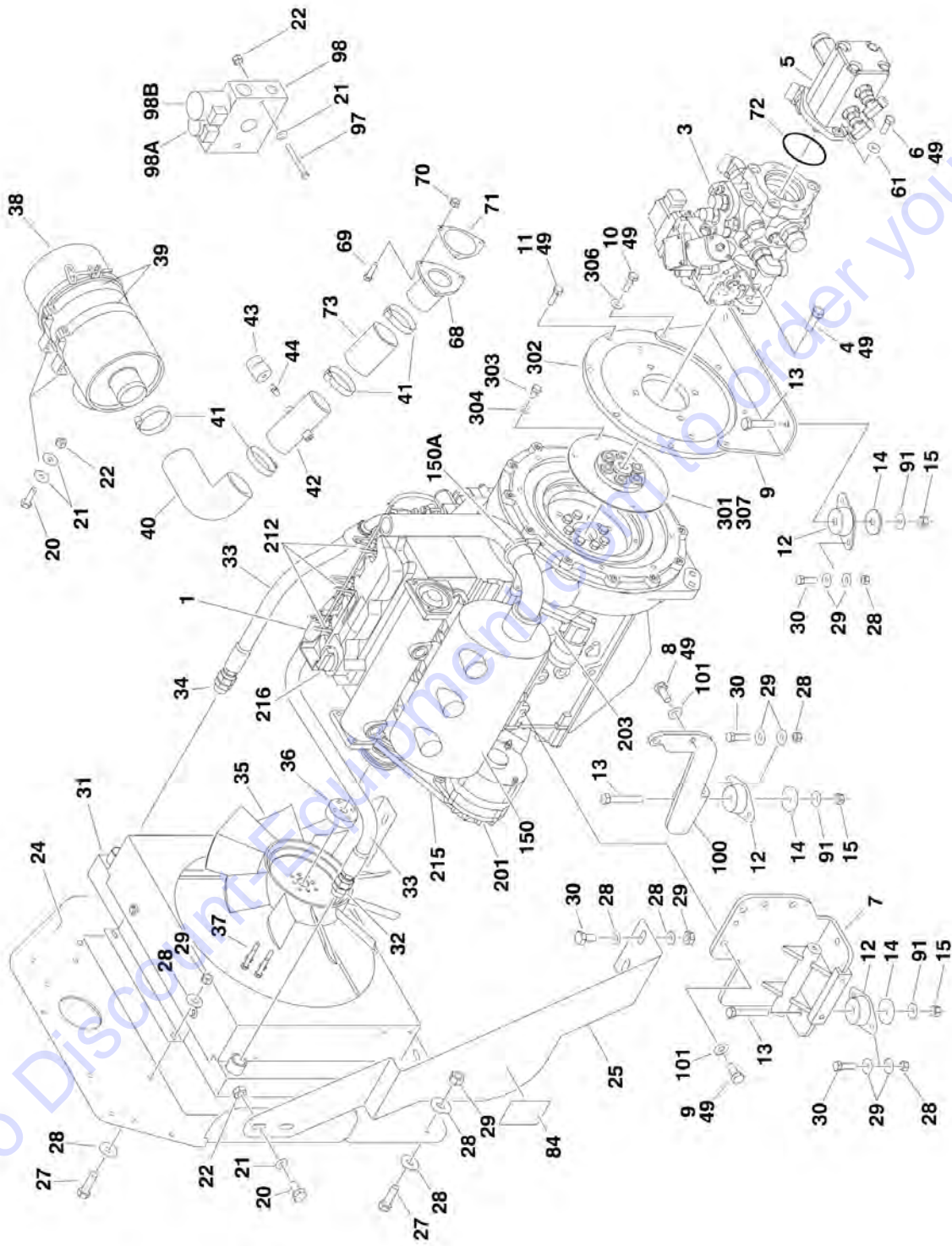
ITEM	PART NUMBER	QTY	DESCRIPTION	REV
217		Ref	Piston Pump Assembly Options:	
217	3600316	1	Piston Pump Assembly (2WD) (Not Shown - See PISTON PUMP ASSEMBLY (SERIES M46 PUMP) for Breakdown) (SN 0300065080 through 0300100513)	
217	3600385	1	Piston Pump Assembly (2WD) (See PISTON PUMP ASSEMBLY (SERIES 42 PUMP) for Breakdown) (SN 0300100514 through 0300123999)	
217	3600296	NLA	Piston Pump Assembly (4WD) (See PISTON PUMP ASSEMBLY (SERIES 42 PUMP) for Breakdown) (Use p/n 3600385) (SN 0300065080 through 0300073424)	
	3600385	1	4WD (See PISTON PUMP ASSEMBLY (SERIES 42 PUMP) for Breakdown) (SN 0300073425 through 0300123999)	
218	3600318	1	Gear Pump Assembly (See GEAR PUMP ASSEMBLY for Breakdown)	
218	7023929	1	Seal Kit - 3600318 Pump	
219	3790152	1	O-Ring	
220	4641199	2	Valve, Check	
221	4751600	2	Flatwasher 3/8in Regular (Not Shown)	
222	4891600	2	Flatwasher 3/8in Hardened	
	2000195	Ref	CATERPILLAR ENGINE COMPONENTS	D
301	7026848	1	Breather, Valve	
301	7026846	1	Gauze, Breather Valve	
302	7026847	4	Seal, Valve Cover Nut	
303	7026849	1	Gasket, Air Intake	
304	7026850	1	Seal, Valve Cover	
305	7026852	1	Flywheel with Starter Gear Set	
305	7026853	1	Gear, Flywheel	
306	70001403	1	Filter, Oil (was p/n 7026855)	
307	7026860	1	Cap, Oil Fill	
307	7026856	1	Seal, Oil Fill Cap	
308	7026858	1	Valve, Relief	
308	7026857	1	Seal	
309	7026864	1	Pump, Water	
309	7026863	1	Gasket, Water Pump (Fits Between Pump and Pump Rear Plate)	
309	7026865	1	Gasket, Water Pump (Fits Between Pump Rear Plate and Engine Block)	
310	7026867	1	Thermostat	
310	See Note	1	Regulator, Water (Note: Not available for purchase)	
310	7026866	1	Gasket (Fits Between Regulator and Engine Block)	
310	7026868	1	Gasket, Thermostat (Fits Between Regulator and Hose Adapter)	
311	7026869	1	Gasket, Exhaust	
312	7026870	1	Gasket, Exhaust Manifold	
313	70001695	1	Fuel Filter Assembly	
313	70003791	1	Element, Fuel Filter (was p/n 7026871)	
313	7026872	1	Gasket, Fuel Filter Element	
314	7026873	1	Pump, Fuel Transfer	
314	7026874	1	Seal	
315	7026875	4	Injector, Fuel	
316	See Note	1	Pump, Fuel Injection (Note: Not available for purchase)	
317	70001990	1	Solenoid, Fuel Shut-Off (was p/n 7026876) (Note: P/N 70001990 includes adapter harness if required.)	
318	70000544	1	Alternator	
318	70001180	1	Bolt, Long	
319	7026878	4	Glowplug	

SECTION 2 - TURNTABLE

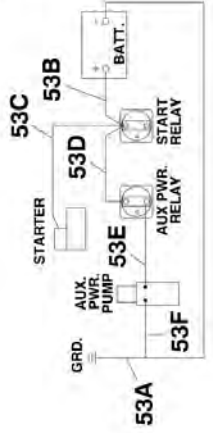
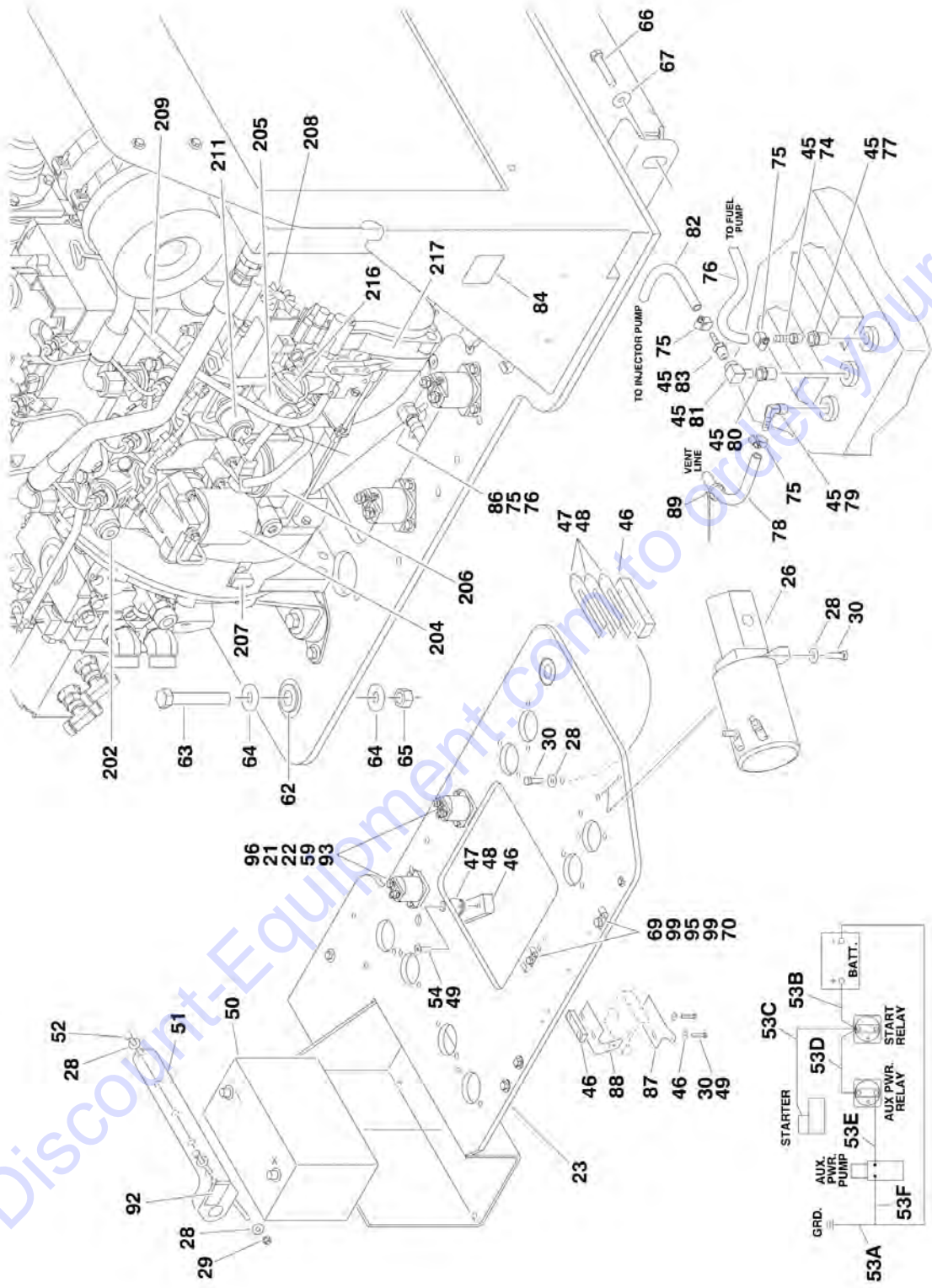
ITEM	PART NUMBER	QTY	DESCRIPTION	REV
320	1001097554	1	Switch, Oil Pressure (was p/n 7026844)	
321	7026840	1	Switch, Water Temperature	
321	7026882	1	Seal, Sensor	
322	7026879	1	Starter	
323	70001257	1	Lever, Alternator Adjustment	
324	7026854	1	Seal, Front Main (Not Shown - Located on Front of Engine Block)	
325	7026851	1	Seal, Rear Main (Not Shown - Located on Rear of Engine Block)	
326	7026880	1	Belt	
327	7026885	1	Dipstick Oil Level	
327	7026886	1	Tube, Dipstick	
327	7026881	1	O-Ring, Dipstick Tube	
328	7026861	1	Plug, Drain	
329	7026862	1	Gasket, Valve Bracket (Not Shown - Located on Between Valve Bracket and Head)	
330	7026859	1	Gasket, Oil Pan (Not Shown)	
331	7026883	1	Speed Sensor Kit	
331	7026836	1	Connector, Speed Sensor	
332	See Note	1	Actuator/Linkage Assembly - Throttle (Note: was p/n 1600351 which is not available as a service part. Use service replacement parts below.)	
332A	7026884	1	Actuator and Electrical Connector Kit	
332A	7026835	1	Connector, Actuator	
332B	7026843	1	Linkage Kit	

SECTION 2 - TURNTABLE

FIGURE 2-12. USA BUILT MACHINES/DEUTZ ENGINE INSTALLATION (SN 0300065080 through 0300077682)



SECTION 2 - TURNTABLE



SECTION 2 - TURNTABLE

FIGURE 2-12. USA BUILT MACHINES/DEUTZ ENGINE INSTALLATION (SN 0300065080 through 0300077682)

ITEM	PART NUMBER	QTY	DESCRIPTION	REV
		Ref	DEUTZ ENGINE INSTALLATIONS (USA BUILT MACHINES) (SN 1ST DIGIT IS 0)	
	0271027	Ref	Deutz Engine Installations (2WD Machines)	9-H
	0271029	Ref	Deutz Engine Installations (4WD Machines)	11-H
1		Ref	Engine Assembly Options:	
1	2000175	1	Engine Assembly (SN 0300065080 through 0300065460)	
1	2000190	1	Engine Assembly (SN 0300065461 through 0300077682)	
3		Ref	Piston Pump Assembly Options:	
3	3600316	1	Piston Pump Assembly (2WD Machines) (See PISTON PUMP ASSEMBLY (SERIES M46 PUMP) for Breakdown)	
3		Ref	Piston Pump Assembly (4WD Machines) (See PISTON PUMP ASSEMBLY (SERIES 42 PUMP) for Breakdown) Options:	
3	3600296	NLA	Piston Pump Assembly (Use p/n 3600385) (SN 0300065080 through 0300073424)	
3	3600385	1	Piston Pump Assembly (SN 0300073425 through 0300077682)	
4	0641812	2	Bolt 12/in-13NC x 1-1/2in	
5	3600318	1	Gear Pump Assembly (See GEAR PUMP ASSEMBLY for Breakdown)	
5	7023929	1	Seal Kit - 3600318 Pump	
6	0641608	2	Bolt 3/8in-16NC x 1in	
7		Ref	Bracket, Motor Mount Options:	
7	4846478	NLA	Machines with Generator (Use p/n 4846567) (SN 0300065080 through 0300074952)	
7	4846567	1	Machines without Generator (Standard)	
7	1001138135	1	Machines without Generator (Optional Service Replacement - No Generator Mounting Capabilities) (Not Shown)	
8	0711414	4	Bolt M14 x 30mm	
9	3570801	1	Plate, Rear Mounting	
10	0701015	4	Bolt M10 x 35mm	
11	0701012	4	Bolt M10 x 25mm	
12	3200378	4	Mount, Rubber Motor	
13	0641820	4	Bolt 12/in-13NC x 2-1/2in	
14	4740274	4	Washer, Snubbing	
15	3311805	4	Locknut 1/2in-13NC	
20	0641406	6	Bolt 1/4in-20NC x 3/4in	
21	4751400	32	Flatwasher 1/4in Regular	
22	3311405	12	Locknut 1/4in-20NC	
23	4845613	1	Tray, Engine	
24	3570571	1	Plate, Radiator Mount	
25	3570607	1	Plate, Radiator Support	
26	3600279	NLA	Auxiliary Pump Assembly (Use p/n 3600423) (See AUXILIARY PUMP ASSEMBLY for Breakdown)	
27	0641609	6	Bolt 3/8in-16NC x 1-1/8in	
28	4751600	46	Flatwasher 3/8in Regular	
29	3311605	20	Locknut 3/8in-16NC	
30	0641610	18	Bolt 3/8in-16NC x 1-1/4in	
31	3620033	NLA	Radiator (Use p/n 1001150998)	
32	2220451	2	Fitting, Straight	
33	2720467	2	Hose	
34	2220409	1	Fitting, Elbow (SN 0300065080 through 0300075503)	

SECTION 2 - TURNTABLE

ITEM	PART NUMBER	QTY	DESCRIPTION	REV
35	2060025	1	Fan	
36	0080231	1	Spacer, Fan	
37	0700816	4	Bolt M8 x 40mm	
38	1340060	1	Air Cleaner Assembly	
38	7012664	1	Element, Air Cleaner	
39	0340041	2	Band, Mounting	
40	2720434	1	Elbow	
41	1320016	4	Clamp, Hose	
42	4567495	1	Tube, Air Intake	
43	4360392	1	Switch, Restrictor Indicator	
44	2180798	1	Fitting	
45	0100020	AR	Sealant, Pipe	
46	3340399	3	Pad, Wear	
47	4070497	4	Shim 1/8in	
48	4070498	2	Shim 1/16in	
49	0100011	AR	Compound, Locking	
50		Ref	Battery Options:	
50	0400075	1	Battery (Wet)	
50	7016180	1	Battery (Dry)	
51	0181727	1	Tie-Down, Battery	
52	0630498	2	Bolt, Tie-Down	
53	2902060	1	Cable Kit - Battery	B
53A	7027041	1	Cable - Battery and Auxiliary Pump to Ground (was p/n 7016837)	
53B	7016817	1	Cable - Battery to Starter Relay	
53C	7016834	1	Cable - Starter Relay to Starter	
53D	7016838	1	Cable - Starter Relay to Auxiliary Relay	
53E	7016820	1	Cable - Auxiliary Relay to Auxiliary Pump	
54	0741610	2	Screw, Flathead 3/8in-16NC x 2in	
59	3740067	2	Relay	
61	4891600	2	Washer, Hardened 3/8in	
62	0962172	1	Bushing, Flanged	
63	3900254	1	Bolt Shoulder 3/4in x 4in	
64	4752200	2	Flatwasher 3/4in Regular	
65	3312005	1	Locknut 5/8in-11NC	
66	0642010	1	Bolt 5/8in-11NC x 1-1/4in	
67	4752000	1	Flatwasher 5/8in Regular	
68	4845395	1	Air Intake Adapter Weldment	
69	0641510	4	Bolt 5/16in-18NC x 1-1/4in	
70	3311505	4	Locknut 5/16in-18NC	
71	3960407	1	Gasket	
72	3790152	1	O-Ring	
73		Ref	Coupling, Rubber Options:	
73	2720351	4 in/10cm	Coupling, Rubber (SN 0300065080 through 0300068056)	
73	2720449	1	Coupling, Rubber (SN 0300068057 through 0300077682)	
74	2220794	1	Fitting, Barb	
75	1320022	6	Clamp, Hose	
76	2720058	12 ft/3.7m	Hose	
77	2220273	1	Fitting, Reducer	
78	2750532	7 ft/2.1m	Hose	
79	2220313	1	Fitting, Elbow	
80	2220250	1	Fitting, Reducer	

SECTION 2 - TURNTABLE

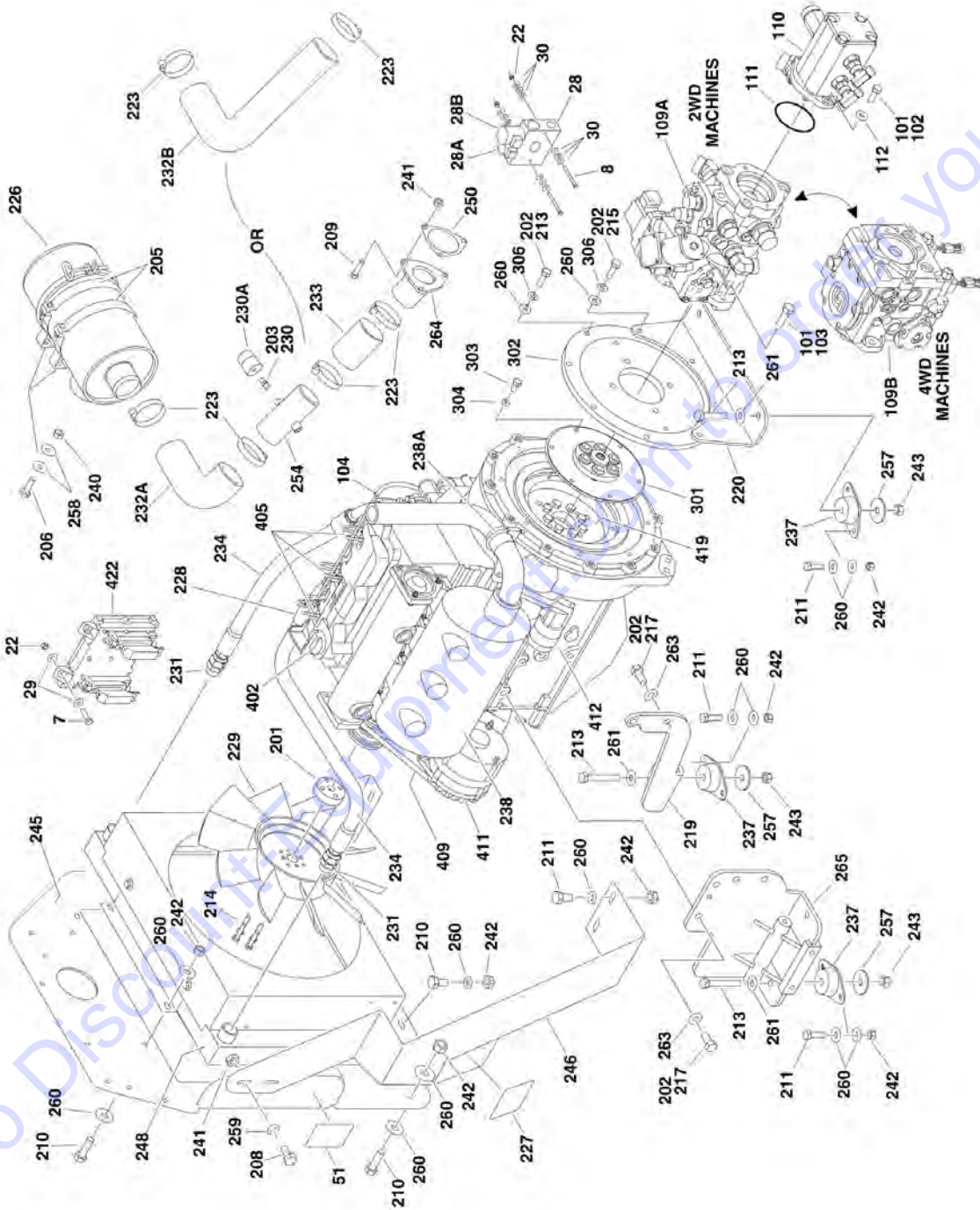
ITEM	PART NUMBER	QTY	DESCRIPTION	REV
81	2220459	1	Fitting, Elbow	
82	2720271	12 ft/3.7m	Hose	
83	2180536	1	Fitting, Straight	
84	1703162	2	Decal - Fan	
85	1701505	1	Decal - Diesel Fuel (Not Shown)	
86	4640751	1	Valve, Oil Drain	
87	0902444	1	Bracket, Hood Support	
88	0902443	1	Bracket, Latch Mount	
89	4240099	1	Tie-Strap	
90	2200222	1	Plug, Pipe (Not Shown - Located at Bottom of Fuel Tank)	
91	4751800	4	Flatwasher 1/2in Regular	
92	1703876	1	Decal - Engine Tray Swing	
93	4791400	4	Starwasher 1/4in	
95	1320222	5	J-Clamp	
96	0641410	4	Bolt 1/4in-20NC x 1in	
97	0641418	2	Bolt 1/4in-20NC 2-1/4in	
98		Ref	Valve Options:	
98	4641061	1	Valve Used on 2WD Machines (Not Shown)	
98	7017479	1	Cartridge without Coil (4641061 Valve)	
98	7012518	1	Seal Kit - 7017479 Cartridge	
98	7012943	1	Coil (4641061 Valve)	
98	4641108	NLA	Valve Used on 4WD Machines (Use p/n 1001099391)	
		Ref	Note: Original Equipment Valve may have been replaced with Service Replacement Valve. Identify p/n stamped on valve before ordering parts.	
98A	7012974	1	Cartridge without Coil (4641108 Valve)	
98A	7010543	1	Seal Kit - 7012974 Cartridge	
98A	7012941	1	Cartridge without Coil (1001099391 Valve)	
98A	7010543	1	Seal Kit - 7012974 Cartridge	
98A	7012944	1	Coil	
98B	7012995	1	Cartridge without Coil	
98B	7012518	1	Seal Kit - 7012995 Cartridge	
98B	7012943	1	Coil	
99	4751500	2	Flatwasher 5/16in Regular	
100	0902740	1	Bracket, Front Engine Mounting (Right Side)	
101	4751900	6	Flatwasher 9/16in Regular	
		Ref	MUFFLER INSTALLATION OPTIONS	
150		Ref	Muffler Options:	
150	3220110	1	Standard	
150	3220112	1	Catalytic	
150A	1320176	1	Clamp, Muffler	
		Ref	ENGINE COMPONENTS	
	2000175	Ref	Engine Components (SN 0300065080 through 0300065460)	
	2000190	Ref	Engine Components (SN 0300065461 through 0300077682)	
201	7000663	1	Alternator (was p/n 7020410)	
201	70002234	1	Bracket, Adjusting	
201	7020464	1	Regulator, Voltage (Not Shown)	
202	7020461	1	Switch, Oil Pressure	
203	7020479	1	Starter	
204	7016331	1	Filter, Oil	
204	7027236	1	Sensor, Oil Temperature (Not Shown - Located in Rear Of Filter Mount)	

SECTION 2 - TURNTABLE

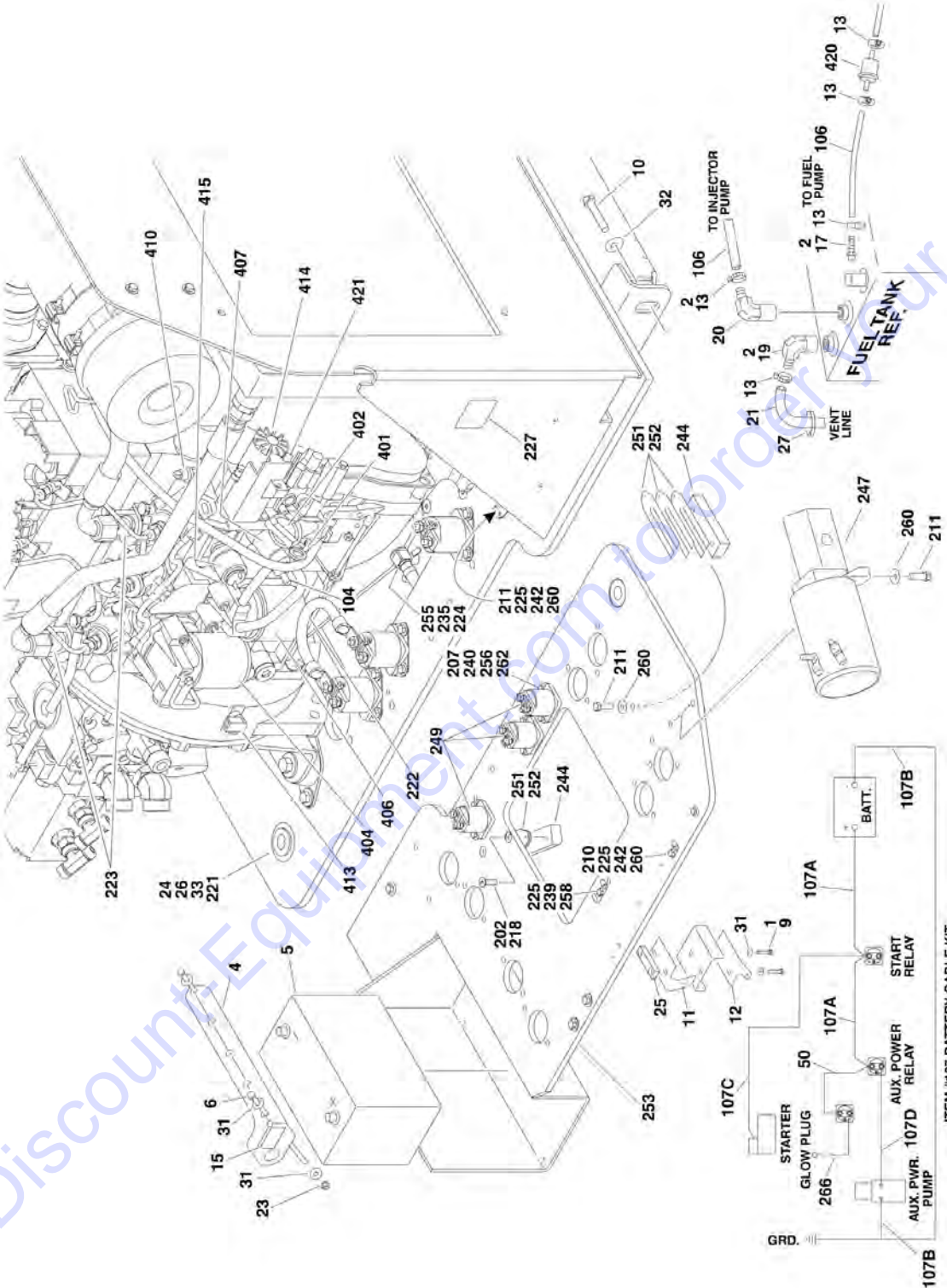
ITEM	PART NUMBER	QTY	DESCRIPTION	REV
205	7020463	1	Pump Fuel Supply (was p/n 7024413)	
205	7020411	1	O-Seal Between Fuel Pump and Engine Block (Not Shown)	
206	7020023	1	Filter, Fuel	
207	7024565	1	Sensor, Tach/Speed (Not Shown) (was P/N 7020481)	
207	70003932	1	Spacer, Sleeve (Not Shown)	
208	7020458	1	Actuator, Throttle (Not Shown)	
208	7027276	2	Spring For 7020458	
209	7020026	1	Dipstick	
210	7020027	1	Flywheel (Not Shown)	
210	7020477	1	Rim, Gear (Not Shown) (2000175 Engine Only)	
210	7024579	1	Rim, Gear (Not Shown) (2000190 Engine Only)	
210	70000264	1	Flywheel/Gear Assembly (Not Shown) (2000190 Engine Only)	
211	7020168	1	Switch, Oil Temperature (Not Shown)	
211	7020480	1	Seal, Temperature Switch	
212	7024318	3	Pump, Fuel Injection (was P/N 7020462)	
213	7020449	3	Gasket, Intake (Not Shown)	
214	7020488	1	Connector, Electrical (Not Shown - Located at Sensors) (2000190 Engine Only)	
215	7020408	1	V-Belt	
216	7020465	1	Cap, Filler	
217	7020467	1	Pump, Oil	
217	7020468	1	Seal Between Oil Pump and Engine Block (Not Shown)	
218	7020482	1	Gasket, Kit (Not Shown) (2000190 Engine Only)	
	0256847	Ref	PUMP COUPLING INSTALLATION	-
301	1660234	1	Coupling, Hayes	
302	0080163	1	Plate, Pump Adapter	
303	0700810	6	Bolt M8 x 20mm	
304	4831900	6	Lockwasher M8	
306	4832000	8	Lockwasher M10	
307	3020021	AR	Grease, Coupling (Not Shown)	

SECTION 2 - TURNTABLE

FIGURE 2-13. USA BUILT MACHINES/DEUTZ ENGINE INSTALLATION (SN 0300077683 through 0300123999)



SECTION 2 - TURNTABLE



Go to Discount Equipment.com for parts

SECTION 2 - TURNTABLE

FIGURE 2-13. USA BUILT MACHINES/DEUTZ ENGINE INSTALLATION (SN 0300077683 through 0300123999)

ITEM	PART NUMBER	QTY	DESCRIPTION	REV
		Ref	DEUTZ ENGINE INSTALLATIONS (USA BUILT MACHINES) (SN 1ST DIGIT IS 0)	
	0273797	Ref	Deutz Engine Installations (2WD) (SN 0300077683 through 0300085628)	A
	0274333	Ref	Deutz Engine Installations (2WD) (SN 0300085629 through 0300100513)	C
	0274332	Ref	Deutz Engine Installations (2WD) (SN 0300100514 through 0300107511)	D
	0275869	Ref	Deutz Engine Installations (2WD) (SN 0300107512 through 0300123999)	B
	0273796	Ref	Deutz Engine Installations (4WD) (SN 0300077683 through 0300085628)	A
	0274332	Ref	Deutz Engine Installations (4WD) (SN 0300085629 through 0300107511)	D
	0275869	Ref	Deutz Engine Installations (4WD) (SN 0300107512 through 0300123999)	B
	0275106	Ref	Deutz Engine Installations (4WD Arctic Machines) (SN 0300077683 through 0300107511)	C
	0275873	Ref	Deutz Engine Installations (4WD Arctic Machines) (SN 0300107512 through 0300123999)	B
1	0100011	AR	Compound, Locking	
2	0100020	AR	Sealant, Pipe	
4	0181727	1	Angle, Battery Hold Down	
5	0400075	1	Battery (Wet)	
6	0630498	2	Bolt, Battery Hold Down	
7	0641410	4	Bolt 1/4in-20NC x 1-1/4in Only (SN 0300085629 through 0300123999)	
8	0641418	2	Bolt 1/4in-20NC x 2-1/4in	
9	0641610	2	Bolt 3/8in-16NC x 1-1/4in	
10	0642010	1	Bolt 5/8in-11NC x 1-1/4in	
11	0902443	1	Bracket, Hood Latch Mount	
12	0902444	1	Bracket, Hood Support	
13	1320022	AR	Clamp, Fuel Line	
14	1701505	1	Decal, Diesel Fuel (Not Shown)	
15	1703876	1	Decal, Engine Tray Swing	
17	2180348	1	Fitting, Barbed	
18	2200222	1	Plug, Pipe (Not Shown - Located on Bottom of Fuel Tank)	
19	2220313	1	Fitting, Elbow Barbed	
20	2221176	1	Fitting, Elbow	
21	2750532	6 ft/1.83m	Hose	
22	3311405	6	Locknut 1/4in-20NC	
23	3311605	2	Locknut 3/8in-16NC	
24	3312005	1	Locknut 5/8in-11NC	
25	3340399	1	Pad, Wear	
26	3900254	1	Screw, Shoulder	
27	4240099	AR	Wire, Tie	
28		Ref	Valve Options:	
28	4641061	1	Valve for 2WD Machines Built (Not Shown) (SN 0300077683 through 0300100513)	
28	4641108	NLA	Valve Used on 2WD Machines Built and 4WD Machines (Use p/n 1001099391) (SN 0300100514 through 0300107511, SN 0300100514 through 0300107511)	

SECTION 2 - TURNTABLE

ITEM	PART NUMBER	QTY	DESCRIPTION	REV
28	4641317	1	Valve Used on 2WD Machines Built and 4WD Machines (SN 0300107512 through 0300123999, SN 0300107512 through 0300123999)	
28A		Ref	Cartridge and Coil Options:	
		Ref	Note: Original Equipment Valve may have been replaced with Service Replacement Valve. Identify p/n stamped on valve before ordering parts.	
28A	Not Required	0	Cartridge (4641061 Valve)	
28A	7012974	1	Cartridge without Coil (4641108 Valve)	
28A	7010543	1	Seal Kit - 7012974 Cartridge	
28A	7012941	1	Cartridge without Coil (4641317 & 1001099193 Valves)	
28A	7010543	1	Seal Kit - 7012941 Cartridge	
28A	7012944	1	Coil	
28B		Ref	Cartridge and Coil Options:	
		Ref	Note: Original Equipment Valve may have been replaced with Service Replacement Valve. Identify p/n stamped on valve before ordering parts.	
28B	7017479	1	Cartridge without Coil (4641061 Valve)	
28B	7012518	1	Seal Kit - 7017479 Cartridge	
28B	7012995	1	Cartridge without Coil (4641108 & 1001099391 Valve)	
28B	7012518	1	Seal Kit - 7012995 Cartridge	
28B	7012941	1	Cartridge without Coil (4641317 Valve)	
28B	7010543	1	Seal Kit - 7012941 Cartridge	
28B	7012943	1	Coil (4641061, 4641108 & 1001099391 Valves)	
28B	7012944	1	Coil (4641317 Valve)	
29	4711400	8	Flatwasher 1/4in Thin	
30	4751400	12	Flatwasher 1/4in Regular	
31	4751600	6	Flatwasher 3/8in Regular	
32	4752000	1	Flatwasher 5/8in Regular	
33	4752200	2	Flatwasher 3/4in Regular	
		Ref	Note: Arctic Package Items 34 - 43 Not Shown - Used on Arctic Machines Only	
34	1060626	1	Cord, 3 Way Extension (Located on Left Front of Engine)	
35	1702943	1	Decal - Hydraulic Tank Heater (Located on bottom of Hydraulic Oil Tank)	
36	2580024	1	Heater, Battery (Located on Battery)	
37	2580050	1	Heater, Hydraulic Tank (Located on bottom of Hydraulic Oil Tank)	
38	3980007	1	Seat, Battery (Located on Battery)	
39	1702941	1	Decal - Battery Heater (Located on Battery Heater)	
40	1702942	1	Decal - Engine Block Heater (Located on Right Side of Engine)	
41	1702944	1	Decal - Heater Cord (Located on Left Front of Engine)	
42	1320223	2	Clamp (Located on Left Front of Engine)	
43	1060625	1	Cable, Immersion Heater (Located on bottom of Hydraulic Oil Tank)	
50	4922978	1	Harness, Start Assist Solenoid Only (SN 0300077683 through 0300085629)	
51		Ref	Decal - Warning Explosion/Fire Options: (SN 0300092804 through 0300123999)	
51	1704972	1	ANSI Spec	
51	1706059	1	Brazilian Spec	
51	1706060	1	Chinese Spec	
51	1706064	1	CSA Spec	
51	1706062	1	Japanese Spec	

SECTION 2 - TURNTABLE

ITEM	PART NUMBER	QTY	DESCRIPTION	REV
51	1706061	1	Korean Spec	
51	1706063	1	Spanish Language	
		Ref	ENGINE AND PUMPS SUB-ASSEMBLY	
	2000243	Ref	Engine and Pumps Sub-Assembly (2WD) (SN 0300077683 through 0300085628)	A
	2000289	Ref	Engine and Pumps Sub-Assembly (2WD) (SN 0300085629 through 0300100513)	D
	2000290	Ref	Engine and Pumps Sub-Assembly (2WD) (SN 0300100514 through 0300123999)	E
	2000244	Ref	Engine and Pumps Sub-Assembly (4WD) (SN 0300077683 through 0300085628)	A
	2000290	Ref	Engine and Pumps Sub-Assembly (4WD) (SN 0300085629 through 0300123999)	E
	2000364	Ref	Engine and Pumps Sub-Assembly (4WD Arctic Machines)	F
101	0100011	AR	Compound, Locking	
102		Ref	Bolt Options:	
102	0641608	2	Bolt 3/8in-16NC x 1in (SN 0300077683 through 0300095214)	
102	3931620	2	Bolt 3/8in-16NC x 1-1/4in (SN 0300095215 through 0300123999)	
103	0641812	2	Bolt 1/2in-13NC x 1-1/2in	
104	1320022	2	Clamp, Fuel Line	
106	2720058	24 ft /7.32m	Hose	
107	2902060	1	Battery Cable Kit	B
107A	7016817	1	Cable (Battery + to Auxiliary Relay)	
107B	7027041	1	Cable (Battery - to Ground) (was p/n 7016837)	
107C	7016820	1	Cable (Auxiliary Relay to Starter)	
107D	7016834	1	Cable (Auxiliary Relay to Auxiliary Pump)	
109		Ref	Piston Pump Assembly with Fittings Options:	
109A	3600406	1	Piston Pump Assembly with Fittings (2WD) (See PISTON PUMP ASSEMBLY (SERIES M46 PUMP) for Breakdown) (SN 0300077683 through 0300100513)	
109B	3600407	1	Piston Pump Assembly with Fittings (2WD) (See PISTON PUMP ASSEMBLY (SERIES 42 PUMP) for Breakdown) (SN 0300100514 through 0300123999)	
109B	3600407	1	Piston Pump Assembly with Fittings (4WD) (See PISTON PUMP ASSEMBLY (SERIES 42 PUMP) for Breakdown)	
109A	3600406	1	Piston Pump Assembly with Fittings (4WD Arctic Machines) (See PISTON PUMP ASSEMBLY (SERIES 46 PUMP) for Breakdown) (SN 0300077683 through 0300095240)	
109B	3600407	1	Piston Pump Assembly with Fittings (4WD Arctic Machines) (See PISTON PUMP ASSEMBLY (SERIES 42 PUMP) for Breakdown) (SN 0300095241 through 0300123999)	
110	3600408	1	Gear Pump Assembly with Fittings (See GEAR PUMP ASSEMBLY for Breakdown)	
111	3790152	1	O-Ring	
112	4891600	2	Flatwasher, 3/8in Hardened	
		Ref	ENGINE ASSEMBLY	
	2000240	Ref	Engine Assembly (SN 0300077683 through 0300085628)	E
	2000288	Ref	Engine Assembly (SN 0300085629 through 0300095214)	B
	2000345	Ref	Engine Assembly (SN 0300095215 through 0300123999)	G
	2000363	Ref	Arctic Machines	G
201	0080231	1	Adapter, Fan Spacer	
202	0100011	AR	Compound, Locking	
203	0100020	AR	Sealant, Pipe Only (SN 0300077683 through 0300106878)	

SECTION 2 - TURNTABLE

ITEM	PART NUMBER	QTY	DESCRIPTION	REV
205	0340041	2	Band, Muffler Bracket	
206	0641406	4	Bolt 1/4in-20NC x 3/4in	
207	0641409	6	Bolt, 1/4in-20NC x 1-1/8in	
208	0641507	2	Bolt, 5/16in-10NC x 7/8in	
209	0641510	3	Bolt, 5/16in-10NC x 1-1/4in	
210	0641609	9	Bolt 3/8in-16NC x 1-1/8in	
211	0641610	15	Bolt 3/8in-16NC x 1-1/4in	
212	0641611	2	Bolt 3/8in-16NC x 1-3/8in	
213	0641820	4	Bolt 1/2in-13NC x 2-1/2in	
214	0700816	4	Bolt, Metric 8mm x 40mm	
215	0701014	4	Bolt, Metric 10mm x 30mm	
216	0701012	4	Bolt, Metric 10mm x 25mm	
217	0711414	6	Bolt, Metric 14mm x 30mm	
218	0741610	2	Screw, Countersunk 3/8in-16NC x 1-1/4in	
219	0902740	1	Bracket, Engine Mounting	
220	0903063	1	Plate, Engine Mounting	
221	0962172	1	Bushing, Flanged	
222	1060904	1	Cable, Jumper (SN 0300095215 through 0300123999)	
223	1320016	AR	Clamp	
224	1320022	1	Clamp, Hose	
225	1320222	6	Clamp, "J" Clip 3/8in (SN 0300077683 through 0300095214)	
225	1320223	4	Clamp, "J" Clip 1/2in (SN 0300095215 through 0300123999)	
226	1340060	1	Air Cleaner Assembly	
226	7012664	1	Element, Air Cleaner	
227	1703162	2	Decal, Fan Blade	
228		Ref	Engine, Deutz Options:	
228	2000217	1	Engine, Deutz (F3M2011 Tier II) (SN 0300077683 through 0300085628)	
228	2000273	1	Engine, Deutz (F3M2011 Tier II) (SN 0300085629 through 0300095214)	
228	2000338	1	Engine, Deutz (F3M2011 Tier II) (SN 0300095215 through 0300106877)	
228	1001092723	1	Engine, Deutz (D2011L03 Tier III) (SN 0300106878 through 0300123999)	
229	2060025	1	Fan	
230		Ref	Fitting Options:	
230	Not Required	0	Fitting (SN 0300106878 through 0300123999)	
230	2200221	1	Plug (SN 0300085629 through 0300106877)	
230	2180798	1	Fitting, Restrictor Indicator (SN 0300077683 through 0300085629)	
230A	4360392	1	Switch, Restriction Indicator (SN 0300077683 through 0300085629)	
231	2220451	2	Fitting	
232		Ref	Hose, Elbow Options:	
232A	2720434	1	Hose, Elbow (SN 0300077683 through 0300106877)	
232B	1001091179	1	Hose, Elbow (SN 0300106878 through 0300123999)	
233	2720449	1	Hose, Air Cleaner Intake Only (SN 0300077683 through 0300106877)	
234	2720467	2	Hose, Oil Cooler	
235	2750532	1 ft /30.5cm	Hose	
236		Ref	Motor Oil Options (Not Shown):	
236	3020016	2.5 gal	Motor Oil Mobil Delvac MX 15W-40 (Without Arctic Package)	

SECTION 2 - TURNTABLE

ITEM	PART NUMBER	QTY	DESCRIPTION	REV
236	3020044	/9.46L 2.5 gal /9.46L	Motor Oil Mobil 0W-40 (With Arctic Package)	
237	3200406	4	Mount, Rubber	
238	3220110	1	Muffler, Deutz Spark Arresting	
238A	1320176	1	Clamp, Muffler	
239	0641405	1	Bolt 1/4in-20NC x 5/8in	
240	3311405	10	Locknut 1/4in-20NC	
241	3311505	5	Locknut 5/16in-18NC	
242	3311605	22	Locknut 3/8in-16NC	
243	3311805	4	Locknut 1/2in-13NC	
244	3340399	2	Pad, Wear	
245		Ref	Plate, Radiator Mount Options:	
245	3570571	NLA	Plate, Radiator Mount (Use p/n 3576972) (SN 0300077683 through 0300106544)	
245	3576972	1	Plate, Radiator Mount (SN 0300106545 through 0300123999)	
246		Ref	Support, Radiator Options:	
246	3570607	1	Support, Radiator (SN 0300077683 through 0300082440)	
246	3573667	1	Support, Radiator (SN 0300082441 through 0300123999)	
247		Ref	Auxiliary Pump Assembly Options (See AUXILIARY PUMP ASSEMBLY for Breakdown):	
247	3600279	NLA	Auxiliary Pump Assembly (Use p/n 3600423) (SN 0300077683 through 0300106544)	
247	3600423	1	Auxiliary Pump Assembly (SN 0300106545 through 0300123999)	
248	3620033	NLA	Radiator (Use p/n 1001150998)	
249	3740067	Ref	Relay (Auxiliary Power) Options:	
249	3740067	2	Relay (Auxiliary Power) (SN 0300077683 through 0300095214)	
249	3740067	3	Relay (Auxiliary Power) (SN 0300095215 through 0300123999)	
250	3960407	1	Gasket, Air Intake	
251	4070497	4	Shim (11 Gauge)	
252	4070498	2	Shim (16 Gauge)	
253	4340745	1	Tray, Engine Mounting	
254	4567495	1	Tube, Tee Only (SN 0300077683 through 0300106878)	
255	4640751	1	Valve, Oil Drain	
256	4711400	12	Flatwasher 1/4in Thin	
257	4740274	4	Washer, Snubbing	
258	4751400	9	Flatwasher 1/4in Regular	
259	4751500	4	Flatwasher 5/16in Regular	
260	4751600	56	Flatwasher 3/8in Regular	
261	4751800	4	Flatwasher 1/2in Regular	
262	4791400	6	Starwasher 1/4in	
263	4812200	6	Flatwasher M14	
264	4845395	1	Weldment, Adapter	
265		Ref	Bracket, Motor Mount Options:	
265	4846567	1	Machines with Generator	
265	4846567	1	Machines without Generator (Standard)	
265	1001138135	1	Machines without Generator (Optional Service Replacement - No Generator Mounting Capabilities) (Not Shown)	
266		Ref	Harness, Glow Plugs Options:	
266	4923451	1	Without Arctic Package (SN 0300095215 through	

SECTION 2 - TURNTABLE

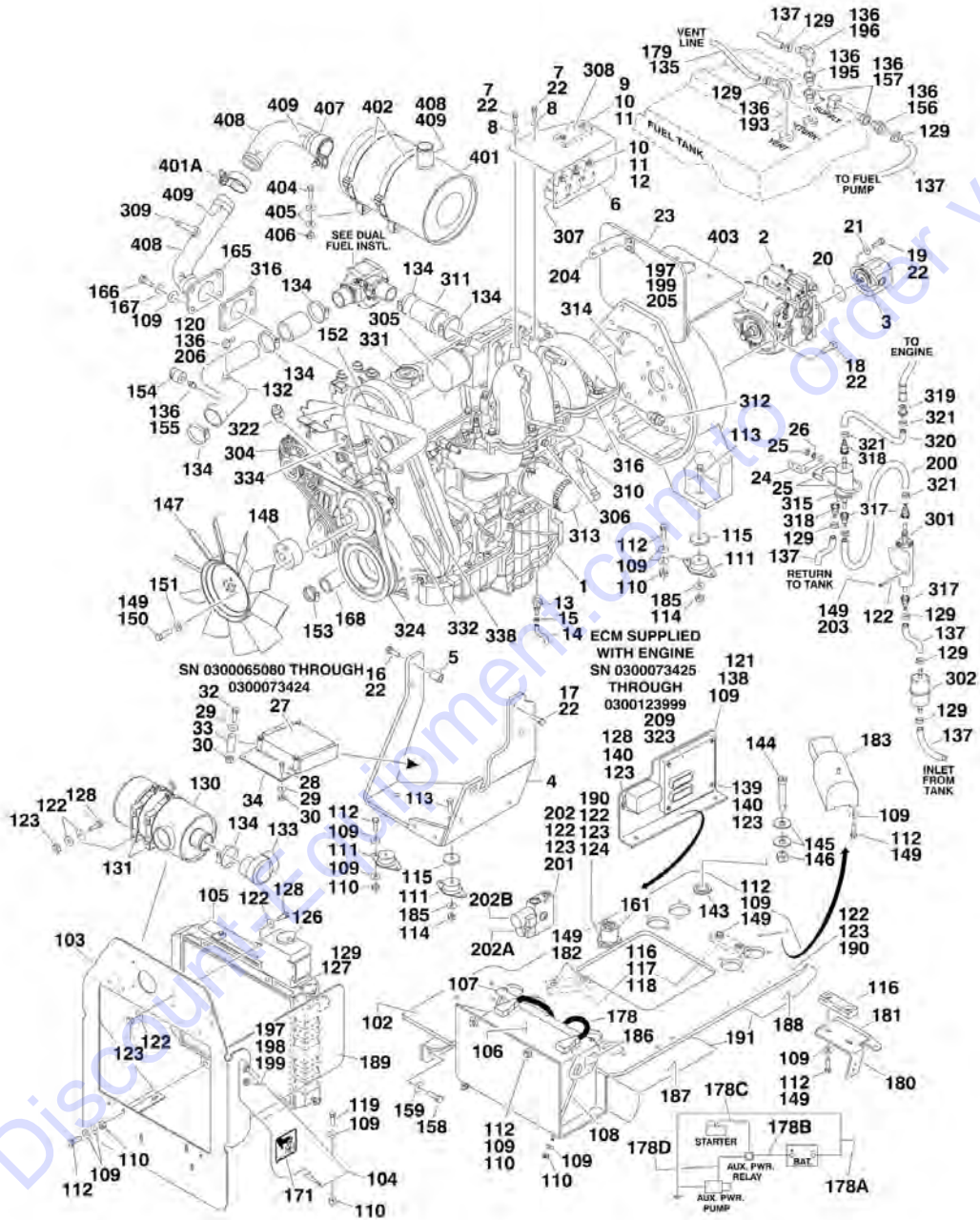
ITEM	PART NUMBER	QTY	DESCRIPTION	REV
266	4922642	1	0300123999) With Arctic Package	
		Ref	Note: Arctic Package Item 267 Not Shown - Used on Arctic Machines Only	
267	2580062	1	Heater, Engine Block	
	0256847	Ref	PUMP COUPLING INSTALLATION	2
301	1660234	1	Coupling, Hayes	
302	0080163	1	Plate, Pump Adapter	
303	0700810	6	Bolt M8 x 20mm	
304	4831900	6	Lockwasher M8	
306	4832000	8	Lockwasher 10mm Only (SN 0300077683 through 0300085629)	
307	3020021	AR	Grease, Coupling (Not Shown)	
		Ref	ENGINE COMPONENTS	
	2000217	Ref	Engine Components (F3M2011 Tier II) (SN 0300077683 through 0300085628)	
	2000273	Ref	Engine Components (F3M2011 Tier II) (SN 0300085629 through 0300095214)	
	2000338	Ref	Engine Components (F3M2011 Tier II) (SN 0300095215 through 0300106877)	
	1001092723	Ref	Engine Components (D2011L03 Tier III) (SN 0300106878 through 0300123999)	
401	7020026	1	Dipstick	
401	7020403	1	Seal, Ring	
401	70001002	1	Tube, Dipstick	
402	7020465	2	Cap, Filler	
403	7020495	1	Pump, Oil Lube (Not Shown)	
403	7020468	1	Seal Between Oil Pump and Engine Block (Not Shown)	
404	7016331	1	Filter, Oil	
404	7027236	1	Sensor, Oil Temperature (Not Shown - Located in Rear Of Filter Mount)	
405		Ref	Pump, Injector Options:	
405	7027246	3	Series A Injector	
405	7027608	3	Series B Injector	
405	7027609	3	Series C Injector	
405	7027610	3	Series D Injector	
405	7020447	3	Gasket, Injector Pump	
406	7020023	1	Filter, Fuel	
406	70001423	1	Bracket, Fuel Filter	
407	70000916	1	Pump Fuel Supply (was p/n 7027238)	
407	7020411	1	O-Seal Between Fuel Pump and Engine Block (Not Shown)	
407	70001435	1	Replacement Filter	
408	7020449	3	Gasket, Intake Manifold (Not Shown)	
408	7020471	3	Gasket, Exhaust (Not Shown)	
409	7020408	1	V-Belt	
410		Ref	Sensor, Temperature Options:	
410	7027241	1	2000199 Engine (SN 0300077683 through 0300085628)	
410	7027791	1	2000275, 2000340 & 1001098601 Engines (SN 0300085629 through 0300123999)	
411	7000663	1	Alternator (was p/n 7020410)	
411	70002234	1	Bracket, Adjusting	
411	7020464	1	Regulator, Voltage (Not Shown)	
412	7020479	1	Starter	
412	7026608	1	Relay, Starter	

SECTION 2 - TURNTABLE

ITEM	PART NUMBER	QTY	DESCRIPTION	REV
413	7024565	1	Tacho-Generator	
413	70003932	1	Spacer, Sleeve	
414		Ref	Actuator, Throttle Options:	
414	7020458	1	2000199 Engine (SN 0300077683 through 0300085628)	
414	7027792	1	2000275, 2000340 & 1001098601 Engines (SN 0300085629 through 0300123999)	
414	7027276	2	Spring, Replacement	
415		Ref	Sensor, Oil Pressure Options:	
415	7020461	1	2000199 Engine (SN 0300077683 through 0300085628)	
415	7027790	1	2000275, 2000340 & 1001098601 Engines (SN 0300085629 through 0300123999)	
418	7020459	1	Thermostat	
418	7020460	1	Spring, Compression	
419	See Note	1	Flywheel (Note: Not available for purchase)	
419	7024579	1	Rim, Gear	
420	7027245	1	Filter, Fuel	
421	7027239	1	Solenoid, Start	
422	7027795	1	Module, EMR2 (All Engines Except P/N 2000217)	
423	7027769	2	Connector, Radiator	
424	70001181	1	Valve (Not Shown - Located Behind Oil Filter)	
425		Ref	Gasket, Head Options (Not Shown):	
425	70003479	1	Gasket - 1 Notch	
425	70003480	1	Gasket - 2 Notch	
425	70003481	1	Gasket - 3 Notch	

SECTION 2 - TURNTABLE

FIGURE 2-14. USA BUILT MACHINES/FORD ENGINE INSTALLATION (SN 0300065080 through 0300078472)



SECTION 2 - TURNTABLE

FIGURE 2-14. USA BUILT MACHINES/FORD ENGINE INSTALLATION (SN 0300065080 through 0300078472)

ITEM	PART NUMBER	QTY	DESCRIPTION	REV
		Ref	ENGINE ASSEMBLIES	
	0270944	Ref	2WD Standard Gas Machines (SN 0300065080 through 0300073424)	1-C
	0270946	Ref	4WD Standard Gas Machines (SN 0300065080 through 0300073424)	2-C
		Ref	2WD Dual Fuel Machine Options:	
	0271020	Ref	2WD Dual Fuel Machine (SN 0300065080 through 0300073424)	2-C
	0272891	Ref	2WD Dual Fuel Machine (SN 0300073425 through 0300078472)	2-B
		Ref	4WD Dual Fuel Machine Options:	
	0271022	Ref	4WD Dual Fuel Machine (SN 0300065080 through 0300073424)	3-B
	0272893	Ref	4WD Dual Fuel Machine (SN 0300073425 through 0300078472)	3-B
1		Ref	Engine - Ford LRG-425 Options:	
1	2000172	1	Standard Gas Machines (SN 0300065080 through 0300073424)	
1	2000174	1	Dual Fuel Machines (SN 0300065080 through 0300065498)	
1	2000188	1	Dual Fuel Machines (SN 0300065499 through 0300073424)	
1	2000197	1	Dual Fuel Machines (SN 0300073425 through 0300078472)	
2		Ref	Piston Pump Assembly Options:	
2	3600316	1	Piston Pump Assembly (2WD Machines) (See PISTON PUMP ASSEMBLY (SERIES M46 PUMP) for Breakdown)	
2		Ref	Piston Pump Assembly (4WD Machines) (See PISTON PUMP ASSEMBLY (SERIES 42 PUMP) for Breakdown) Options:	
2	3600296	NLA	Piston Pump Assembly (Use p/n 3600385) (SN 0300065080 through 0300073424)	
2	3600385	1	Piston Pump Assembly (SN 0300073425 through 0300078472)	
3	3600318	1	Gear Pump Assembly (See GEAR PUMP ASSEMBLY for Breakdown)	
3	7023929	1	Seal Kit - 3600318 Pump	
4	3539972	NLA	Plate, Engine Mounting - Front (Use p/n 4846806)	
5	4566605	1	Tube, Spacer	
6	3571498	1	Plate, Module Mounting	
7	0700810	2	Bolt M8 x 20mm	
8	4751500	2	Flatwasher 5/16in Regular	
9	0721010	2	Bolt #10-24NC x 1-1/4in	
10	3311005	5	Locknut #10-24NC	
11	4751000	8	Flatwasher #10 Regular	
12	0721006	3	Bolt #10-24NC x 3/4in (SN 0300065080 through 0300073424)	
13	4640989	1	Valve, Oil Drain	
14	2750532	1 ft /30.5cm	Hose	
15	1320022	2	Clamp	
16	0701022	2	Bolt M10 x 70mm	
17	0701014	2	Bolt M10 x 30mm	
18	0641812	2	Bolt 1/2in-13NC x 1-1/2in	
19	3931620	2	Capscrew, Socket Head 3/8in-16NC x 1-1/4in	
20	3790152	1	O-Ring	

SECTION 2 - TURNTABLE

ITEM	PART NUMBER	QTY	DESCRIPTION	REV
21	4891600	2	Flatwasher 3/8in Hardened	
22	0100011	AR	Compound, Locking	
23	3571502	1	Plate, Heat Shield	
24	0902539	1	Bracket, Fuel Filter/Pressure Regulator	
25	1320019	2	Clamp, Exhaust	
26	4761500	2	Lockwasher 5/16in	
27	1600314	1	Controller, ECM (SN 0300065080 through 0300073424)	
27	3124114	1	Service Manual, Ford EFI System Diagnostic	
28	0641408	2	Bolt 1/4in-20NC x 1in (SN 0300065080 through 0300073424)	
29	4751400	6	Flatwasher 1/4in Regular (SN 0300065080 through 0300073424)	
30	3311405	6	Locknut 1/4in-20NC (SN 0300065080 through 0300073424)	
31	1320060	1	Clamp (Not Shown) (SN 0300065080 through 0300073424)	
32	1641422	4	Bolt 1/4in-20NC x 2-3/4in (SN 0300065080 through 0300073424)	
33	4568158	4	Stand-Off (SN 0300065080 through 0300073424)	
34	3572600	1	Plate, Mounting - ECM (SN 0300065080 through 0300073424)	
		Ref	ENGINE INSTALLATIONS	
	0270943	Ref	2WD Standard Gas Machines (SN 0300065080 through 0300073424)	5-E
	0270945	Ref	4WD Standard Gas Machines (SN 0300065080 through 0300073424)	4-D
		Ref	2WD Dual Fuel Machine Options:	
	0271019	Ref	2WD Dual Fuel Machine (SN 0300065080 through 0300073424)	3-C
	0272892	Ref	2WD Dual Fuel Machine (SN 0300073425 through 0300078472)	5-C
		Ref	4WD Dual Fuel Machine Options:	
	0271021	Ref	4WD Dual Fuel Machine (SN 0300065080 through 0300073424)	3-C
	0272894	Ref	4WD Dual Fuel Machine (SN 0300073425 through 0300078472)	5-C
102	4845613	NLA	Tray Weldment (Use p/n 4340745)	
103	3570571	1	Mount, Radiator	
104	3570607	1	Support, Radiator - Left Side	
105	3620040	1	Radiator	
105	8180311	1	Cap, Radiator (was p/n 7019656)	
106		Ref	Battery Options:	
106	0400075	1	Battery (Wet)	
106	7016180	1	Battery (Dry)	
107	0181727	1	Tie-Down	
108	0630498	2	Bolt, Tie-Down	
109	4751600	40	Flatwasher 3/8in Regular	
110	3311605	31	Locknut 3/8in-16NC	
111	3200378	4	Mount, Rubber	
112	0641610	24	Bolt 3/8in-16NC x 1-1/4in	
113	0641820	4	Bolt 1/2in-13NC x 2-1/2in	
114	3311805	4	Locknut 1/2in-13NC	
115	4740274	4	Washer, Snubbing	
116	3340399	3	Pad, Wear	
117	4070497	4	Shim 1/8in	
118	4070498	2	Shim 1/16in	
119	0641612	2	Bolt 3/8in-16NC x 1-1/2in	

SECTION 2 - TURNTABLE

ITEM	PART NUMBER	QTY	DESCRIPTION	REV
120	2180467	1	Fitting, Barbed Elbow	
121		Ref	Plate, ECM Relay Mount Options:	
121	Not Required	1	2WD/4WD (SN 0300065080 through 0300073424)	
121	3574162	1	Plate, ECM Relay Mount (2WD) (SN 0300073425 through 0300076725)	
121	3574496	1	Plate, ECM Relay Mount (2WD) (SN 0300076726 through 0300078472)	
121	3574162	1	Plate, ECM Relay Mount (4WD) (SN 0300074263 through 0300076725)	
121	3574496	1	Plate, ECM Relay Mount (4WD) (SN 0300076726 through 0300078472)	
122	4751400	37	Flatwasher 1/4in Regular	
123	3311405	21	Locknut 1/4in-20NC	
124	4791400	2	Starwasher 1/4in	
125	0641609	AR	Bolt 3/8in-16NC x 1-1/8in	
126	1580011	1	Tank, Coolant Recovery	
127	2720058	2 ft/51cm	Hose, Coolant Recovery	
128	0641406	11	Bolt 1/4in-20NC x 3/4in	
129	1320022	9	Clamp	
130	1340060	1	Air Cleaner Assembly	
130	7012664	1	Element, Air Cleaner	
131	0340041	2	Band, Air Cleaner	
132		Ref	Tube, Air Intake Options:	
132	4846011	1	Standard Gas Machines	
132	4846046	1	Dual Fuel Machines	
133	0080201	1	Elbow, Rubber	
134	1320016	2	Clamp	
135	2750532	8 ft/2.4m	Hose	
136	0100020	AR	Sealant, Pipe	
137	2720058	11.5 ft /3.5m	Hose, Fuel Line	
138	0641608	2	Bolt, 3/8in-16NC x 1in (SN 0300065080 through 0300076726)	
139	0641414	4	Bolt, 1/4in - 20NC x 1-3/4in	
140	4711400	12	Flatwasher, 1/4in Thin	
143	0962172	1	Bushing, Flanged	
144	3900254	1	Screw, Shoulder 3/4in x 4in	
145	4752200	2	Flatwasher 3/4in Regular	
146	3312005	1	Locknut 5/8in-11NC	
147	2060025	1	Fan	
148	0080214	1	Spacer, Fan	
149	0100011	AR	Compound, Locking	
150	0700819	4	Bolt M8 x 55mm	
151	4831900	4	Lockwasher M8	
152	2720436	1	Hose, Radiator - Top	
153	1320012	4	Clamp, Hose	
154	4360392	1	Indicator, Clogged Filter	
155	2180798	1	Fitting, Restrictor Indicator	
156	2220794	1	Fitting, Barbed	
157	2220273	2	Fitting, Reducer	
158	0642010	1	Bolt 5/8in-11NC x 1-1/4in	
159	4752000	1	Flatwasher 5/8in Regular	
161	3740067	1	Relay (Auxiliary Power)	

SECTION 2 - TURNTABLE

ITEM	PART NUMBER	QTY	DESCRIPTION	REV
165	4567878	1	Tube, Exhaust	
166	0701012	4	Bolt M10 x 25mm	
167	4832000	4	Lockwasher M10	
168	2720435	1	Hose, Radiator - Bottom	
169	0641604	1	Bolt 3/8in-6NC x 1/2in (2WD - Dual Fuel Machines Only)	
170	4240099	2	Tie-Strap (SN 0300065080 through 0300073424)	
171	1703162	2	Decal - Fan Blade	
174	1701542	1	Decal - Gas (Not Shown - Located on Hood)	
178	2902059	1	Battery Cable Kit	A
178A	7016840	1	Cable (Battery - to Ground)	
178B	7016839	1	Cable (Battery + to Auxiliary Relay)	
178C	7016841	1	Cable (Auxiliary Relay to Starter)	
178D	7016842	1	Cable (Auxiliary Relay to Auxiliary Pump)	
180	0902443	1	Bracket, Latch Mounting	
181	0902444	1	Bracket, Hood Support	
182	0741610	2	Screw, Socket Head Countersunk 3/8in-16NC x 1-1/4in	
183	3600279	1	Auxiliary Pump Assembly (See AUXILIARY PUMP ASSEMBLY For Breakdown)	
184	2200222	1	Plug, Pipe (Not Shown - Located at Bottom of Fuel Tank)	
185	4751800	4	Flatwasher 1/2in Regular	
186	1703876	1	Decal - Engine Tray Swing	
187	3571008	1	Plate, Baffle	
188	3571009	1	Plate, Baffle	
189	3571019	1	Plate, Air Panel	
190	0641410	4	Bolt 1/4in-20NC x 1-1/4in	
191	3960438	28 in /46cm	Seal, Hood	
192	4791600	2	Starwasher 3/8in (SN 0300065080 through 0300073424)	
193	2220313	1	Fitting, Barbed	
195	2220250	1	Fitting, Reducer	
196	2220805	1	Fitting, Elbow Barbed	
197	0641506	2	Bolt 5/16in-18NC x 3/4in	
198	4751500	4	Flatwasher 5/16in Regular	
199	3311505	2	Locknut 5/16in-18NC	
200	2720496	1	Hose, High Pressure	
201	0641407	3	Bolt 1/4in-20NC x 7/8in	
202		Ref	Valve Options:	
202	4641061	1	Valve Used on 2WD Machines (Not Shown)	
202	7017479	1	Cartridge without Coil (4641061 Valve)	
202	7012518	1	Seal Kit - 7017479 Cartridge	
202	7012943	1	Coil (4641061 Valve)	
202	4641108	NLA	Valve Used on 4WD Machines (Use p/n 1001099391 Valve)	
		Ref	Note: Original Equipment Valve may have been replaced with Service Replacement Valve. Identify p/n stamped on valve before ordering parts.	
202A	7012974	1	Cartridge without Coil (4641108 Valve)	
202A	7010543	1	Seal Kit - 7012974 Cartridge	
202A	7012941	1	Cartridge without Coil (1001099193 Valves)	
202A	7010543	1	Seal Kit - 7012974 Cartridge	
202A	7012944	1	Coil	
202B	7012995	1	Cartridge without Coil	
202B	7012518	1	Seal Kit - 7012995 Cartridge	

PARTS FINDER

**Search Website
by Part Number**



**Search Manual
Library For Parts
Manual & Lookup Part
Numbers – Purchase
or Request Quote**

**Can't Find Part or
Manual? Request Help
by Manufacturer,
Model & Description**

Discount-Equipment.com is your online resource for quality parts & equipment.

Florida: **561-964-4949** Outside Florida TOLL FREE: **877-690-3101**

Need parts?

Click on this link: <http://www.discount-equipment.com/category/5443-parts/> and choose one of the options to help get the right parts and equipment you are looking for. Please have the machine model and serial number available in order to help us get you the correct parts. If you don't find the part on the website or on one of the online manuals, please fill out the request form and one of our experienced staff members will get back to you with a quote for the right part that your machine needs.

We sell worldwide for the brands: Genie, Terex, JLG, MultiQuip, Mikasa, Essick, Whiteman, Mayco, Toro Stone, Diamond Products, Generac Magnum, Airman, Haulotte, Barreto, Power Blanket, Nifty Lift, Atlas Copco, Chicago Pneumatic, Allmand, Miller Curber, Skyjack, Lull, Skytrak, Tsurumi, Husquvarna Target, Stow, Wacker, Sakai, Mi-T-M, Sullair, Basic, Dynapac, MBW, Weber, Bartell, Bennar Newman, Haulotte, Ditch Runner, Menegotti, Morrison, Contec, Buddy, Crown, Edco, Wyco, Bomag, Laymor, EZ Trench, Bil-Jax, F.S. Curtis, Gehl Pavers, Heli, Honda, ICS/PowerGrit, IHI, Partner, Imer, Clipper, MMD, Koshin, Rice, CH&E, General Equipment, Amida, Coleman, NAC, Gradall, Square Shooter, Kent, Stanley, Tamco, Toku, Hatz, Kohler, Robin, Wisconsin, Northrock, Oztec, Toker TK, Rol-Air, APT, Wylie, Ingersoll Rand / Doosan, Innovatech, Con X, Ammann, Mecalac, Makinex, Smith Surface Prep, Small Line, Wanco, Yanmar

SECTION 2 - TURNTABLE

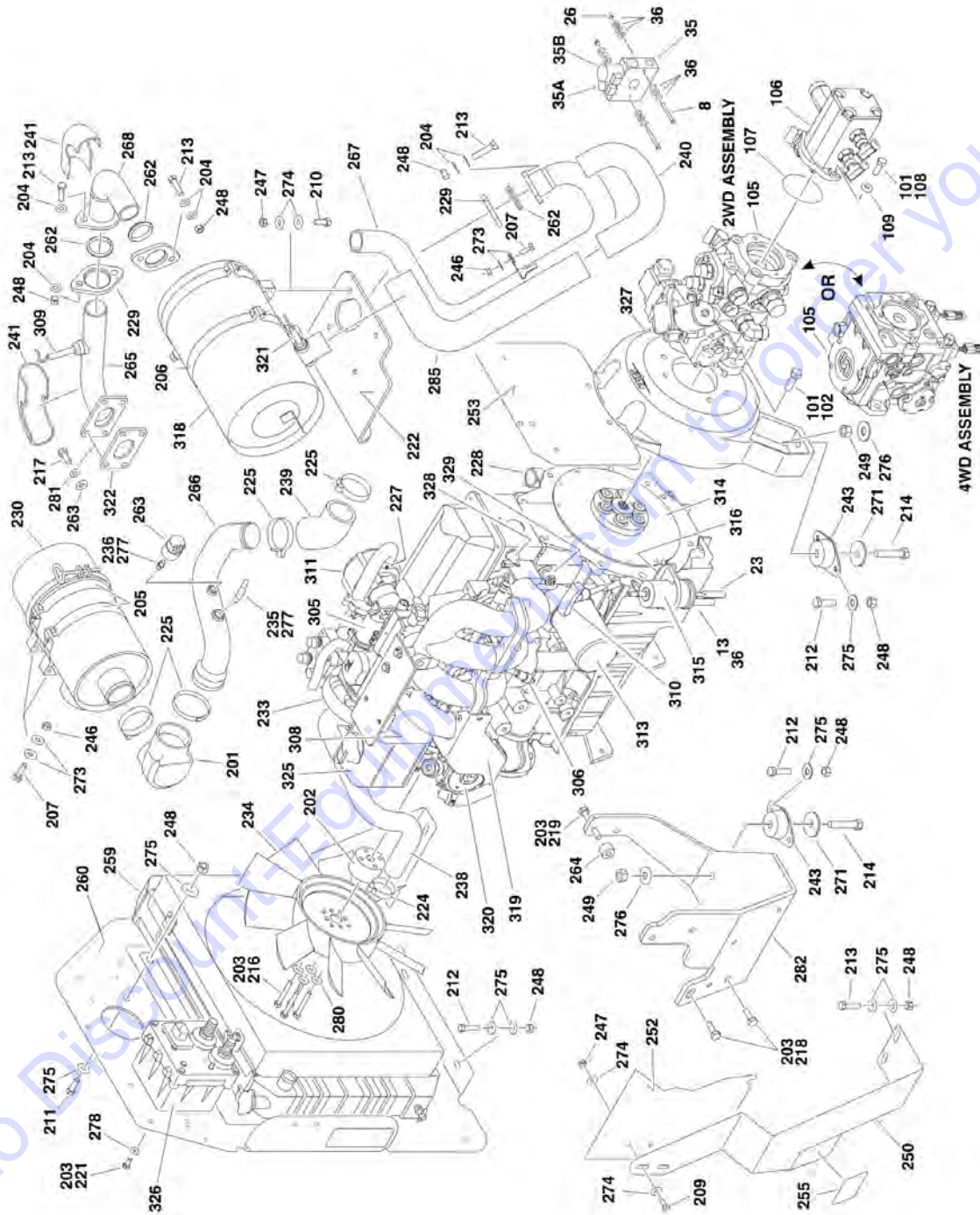
ITEM	PART NUMBER	QTY	DESCRIPTION	REV
202B	7012943	1	Coil	
203	0641418	2	Bolt 1/4in-20NC x 2-1/4in	
204	0902724	1	Bracket, LP Mounting	
205	4711500	4	Flatwasher 5/16in Thin	
206	1320032	1	Clamp	
207	1320222	2	Clamp, J-Clip 3/8in (Not Shown) (SN 0300065080 through 0300076726)	
208	1320223	1	Clamp, J-Clip 1/2in (Not Shown)	
209	0100048	AR	Grease, Dielectric	
210	0721005	2	Screw (Not Shown)	
211	3311005	2	Locknut (Not Shown)	
212	4750800	4	Flatwasher #8 Regular (Not Shown)	
		Ref	ENGINE COMPONENTS	
	2000172	Ref	Standard Gas Machines (SN 0300065080 through 0300073424)	
	2000174	Ref	Dual Fuel Machines (SN 0300065080 through 0300065498)	
	2000188	Ref	Dual Fuel Machines (SN 0300065499 through 0300073424)	
	2000197	Ref	Dual Fuel Machines (SN 0300073425 through 0300078473)	
301	3600377	1	Fuel Pump and Isolator Assembly (was p/n 7022133)	
301	7022134	1	Harness, Fuel Pump Wiring	
302	91083218	1	Filter, Fuel (was p/n 7022135)	
303	7019986	1	Starter (Not Shown)	
304	7019977	1	Alternator with Regulator and Pulley	
304	7000897	1	Alternator without Pulley and Regulator	
304	7027402	1	Belt, Alternator (was p/n 7019979)	
305	7023655	1	Actuator, Throttle (2000172/2000174/2000188 Engines)	
305	7023683	1	Actuator, Throttle (2000193 Engine)	
305	7023652	1	Plate, Actuator Adapter	
305	7023654	1	Gasket, Actuator to Adapter Plate	
305	7023653	2	Bolt (Adapter Plate to Intake Manifold)	
305	7023656	4	Bolt (Actuator to Adapter Plate)	
306	7019996	1	Sensor, Air Temperature (was p/n 7023661)	
306	7023662	1	Bracket, Air Temperature Sensor	
307	7023663	1	Harness, ECM (2000172/2000174/2000188 Engines)	
307	7023613	3	Relay (2000172/2000174/2000188 Engines)	
307	7023681	1	Harness, EPM (2000193 Engine)	
308	7022139	1	Sensor, MAP	
309	7019994	1	Sensor, EGR (2000172/2000174/2000188 Engines)	
310	2420187	1	Dipstick (was p/n 7022140)	
310	4564281	1	Tube, Dipstick	
311	7023658	1	Outlet, Air Cleaner	
312	7023637	1	Switch, Oil Pressure Sender	
313	7021868	1	Filter, Oil (was p/n 7022147, 7022173 & 7014501)	
314	1660250	1	Coupling, Pump (was p/n 7016662)	
315	7019993	1	Pressure Regulator and Filter Assembly	
316	70002307	1	Gasket, Manifold (Manifold to Pipe) (was p/n 7040050)	
316	7022143	1	Gasket, Manifold (Manifold to Head) (Not Shown)	
317	7022158	3	Connector	
318	7022159	2	Connector	
319	7022160	1	Connector	
320	7022161	2	Tube, Supply	
321	7022162	2	Clamp	

SECTION 2 - TURNTABLE

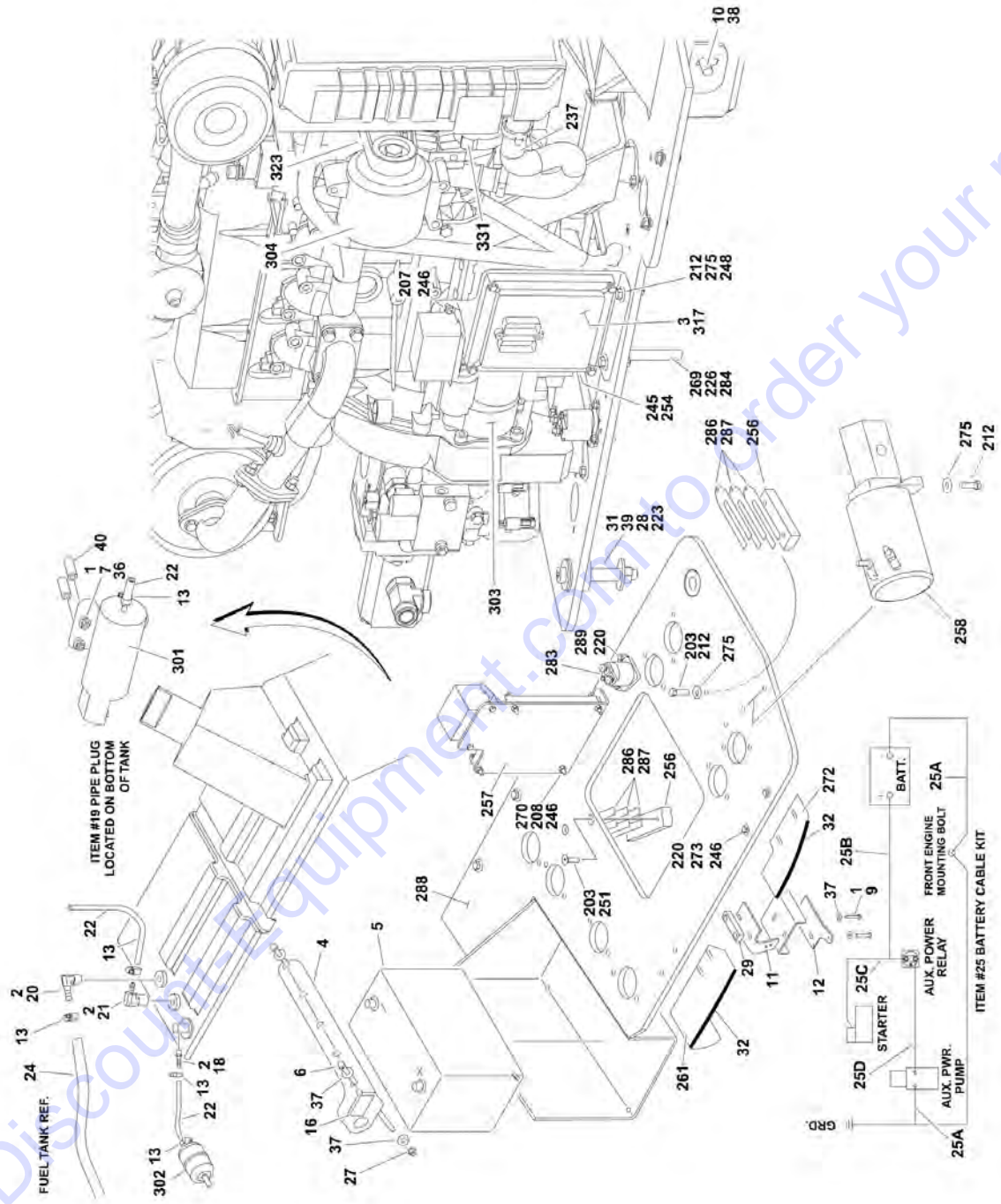
ITEM	PART NUMBER	QTY	DESCRIPTION	REV
322	7022178	1	Sensor, Crank	
322	7022179	1	Sensor, Camshaft (Not Shown)	
323	1600363	1	EPM Module (2000197 Engine)	
324	7027402	1	Belt, Drive (was p/n 7019979)	
324	70002567	1	Tensioner, Belt	
325	7019925	1	PCV Valve (Not Shown)	
326	7022157	1	Wire Set - Spark Plug (Not Shown)	
326	7019932	4	Spark Plug (Not Shown)	
327	7019976	1	Flywheel (Not Shown)	
327	7022180	1	Gear, Ring (Not Shown)	
328	7022144	1	Gasket, Upper Manifold Throttle (Not Shown)	
329	7025124	1	Gasket Kit - Upper (Not Shown) (was p/n 7022148)	
330	7022149	1	Gasket Kit - Lower (Not Shown)	
331	7022151	1	Cap, Oil Filler	
332	7022153	1	Pump, Water	
332	7022154	1	Gasket, Water Pump	
333	7019930	1	Coil, Ignition (Not Shown) (2000174 Engine)	
334	7022155	1	Sensor, Water Temperature	
334	7027411	1	Sender, Water Temperature	
334	7022156	1	Thermostat, Water Temperature (Not Shown)	
335	7025134	1	Gasket, Water Outlet (Not Shown)	
336	7023657	1	Harness, TPS Harness (Not Shown)	
337	7019933	1	Kit, Carburetor Repair (Not Shown) (2000174 Engine)	
338	7022150	1	Belt, Timing	
	3124114	1	Service Manual, Ford EFI System Diagnostic	
		Ref	MUFFLER INSTALLATIONS	
	0258252	Ref	Standard Spark Arresting	2
	0258253	Ref	Optional Catalytic	3
401		Ref	Muffler Options:	
401	3220113	1	Standard Spark Arresting	
401	3220114	1	Optional Catalytic	
401A	70001017	2	Clamp, Muffler	
402	0340046	2	Band	
403	0902457	1	Bracket, Muffler	
404	0641507	4	Bolt 5/16in-18NC x 7/8in	
405	4711500	8	Flatwasher 5/16in Thin	
406	3311505	4	Locknut 5/16in-18NC	
407	4567073	1	Tube, Exhaust	
408	4100025	21 in /53cm	Sleeve, Fiberglass	
409	4920385	16 in /41cm	Wire, Mechanics	

SECTION 2 - TURNTABLE

FIGURE 2-15. USA BUILT MACHINES/FORD ENGINE INSTALLATION (SN 0300078473 through 0300123999)



SECTION 2 - TURNTABLE



SECTION 2 - TURNTABLE

FIGURE 2-15. USA BUILT MACHINES/FORD ENGINE INSTALLATION (SN 0300078473 through 0300123999)

ITEM	PART NUMBER	QTY	DESCRIPTION	REV
		Ref	FORD ENGINE INSTALLATIONS	
		Ref	2WD	
	0274013	Ref	Ford Engine Installation (2WD) (SN 0300078473 through 0300087630)	B
	0274610	Ref	Ford Engine Installation (2WD) (SN 0300087631 through 0300123999)	B
		Ref	4WD	
	0274014	Ref	Ford Engine Installation (4WD) (SN 0300078473 through 0300087630)	B
	0274611	Ref	Ford Engine Installation (4WD) (SN 0300087631 through 0300123999)	B
1	0100011	AR	Compound, Locking	
2	0100020	AR	Sealant, Pipe	
3	0100048	AR	Grease, Dielectric	
4	0181727	1	Angle, Battery Hold Down	
5	0400075	1	Battery (Wet)	
6	0630498	2	Bolt, Battery Hold Down	
7	0641422	3	Bolt 1/4in-20NC x 7/8in (Not Shown)	
8	0641418	2	Bolt 1/4in-20NC x 2-1/4in	
9	0641610	2	Bolt 3/8in-16NC x 1-1/4in	
10	0642010	1	Bolt 5/8in-11NC x 1-1/4in	
11	0902443	1	Bracket, Hood Latch Mount	
12	0902444	1	Bracket, Hood Support	
13	1320022	7	Clamp, Fuel Line	
14	1701542	1	Decal, Gas (Not Shown)	
15	1701543	1	Decal, LPG (Not Shown)	
16	1703876	1	Decal, Engine Tray Swing	
18	2180348	1	Fitting, Barbed	
19	2200222	1	Plug, Pipe	
20	2220313	1	Fitting, Elbow Barbed	
21	2221176	1	Fitting, Elbow	
22	2720058	11.5 ft /3.5m	Hose	
23	2720496	1	Hose	
24	2750532	7 ft/2.13m	Hose	
25	2902059	1	Battery Cable Kit	A
25A	7016840	1	Cable (Battery - to Ground)	
25B	7016839	1	Cable (Battery + to Auxiliary Relay)	
25C	7016842	1	Cable (Auxiliary Relay to Starter)	
25D	7016841	1	Cable (Auxiliary Relay to Auxiliary Pump)	
26	3311405	2	Locknut 1/4in-20NC	
27	3311605	2	Locknut 3/8in-16NC	
28	3312005	1	Locknut 5/8in-11NC	
29	3340399	1	Pad, Wear	
30	3790012	1	O-Ring (Not Shown - Located in Console Box)	
31	3900254	1	Screw, Shoulder	
32	3960438	2.3 ft/.7m	Seal, Self Gripping	
33	4240099	AR	Wire, Tie (Not Shown)	
34	4360336	1	Switch, Toggle (Not Shown - Located in Console Box)	
35		Ref	Valve Options:	

SECTION 2 - TURNTABLE

ITEM	PART NUMBER	QTY	DESCRIPTION	REV
35	4641061	1	Valve Used on 2WD Machines (Not Shown)	
35	7017479	1	Cartridge without Coil (4641061 Valve)	
35	7012518	1	Seal Kit - 7017479 Cartridge	
35	7012943	1	Coil (4641061 Valve)	
35	4641108	NLA	Valve Used on 4WD Machines (Use p/n 111099391)	
		Ref	Note: Original Equipment Valve may have been replaced with Service Replacement Valve. Identify p/n stamped on valve before ordering parts.	
35A	7012974	1	Cartridge without Coil (4641108 Valve)	
35A	7010543	1	Seal Kit - 7012974 Cartridge	
35A	7012941	1	Cartridge without Coil (1001099193 Valve)	
35A	7010543	1	Seal Kit - 7012974 Cartridge	
35A	7012944	1	Coil	
35B	7012995	1	Cartridge without Coil	
35B	7012518	1	Seal Kit - 7012995 Cartridge	
35B	7012943	1	Coil	
36	4751400	15	Flatwasher, 1/4in Regular	
37	4751600	6	Flatwasher, 3/8in Regular	
38	4752000	1	Flatwasher, 5/8in Regular	
39	4752200	2	Flatwasher, 3/4in Regular	
40	4568114	2	Tube, Spacer	
		Ref	ENGINE AND PUMPS SUB-ASSEMBLY	
		Ref	2WD	
	2000254	Ref	Engine and Pumps Sub-Assembly (2WD) (SN 0300078473 through 0300086916)	
	2000316	Ref	Engine and Pumps Sub-Assembly (2WD) (SN 0300086917 through 0300123999)	
		Ref	4WD	
	2000255	Ref	Engine and Pumps Sub-Assembly (4WD) (SN 0300078473 through 0300086916)	
	2000317	Ref	Engine and Pumps Sub-Assembly (4WD) (SN 0300086917 through 0300123999)	
101	0100011	AR	Compound, Locking	
102	0641812	2	Bolt 1/2in-13NC x 1-1/2in	
104	2030004	1	Antifreeze (Not Shown)	
105		Ref	Piston Pump Assembly with Fittings Options:	
105	3600406	1	Piston Pump Assembly with Fittings (2WD) (See PISTON PUMP ASSEMBLY (SERIES M46 PUMP) for Breakdown)	
105	3600407	1	Piston Pump Assembly with Fittings (4WD) (See PISTON PUMP ASSEMBLY (SERIES 42 PUMP) for Breakdown)	
106	3600408	1	Gear Pump Assembly with Fittings (See GEAR PUMP ASSEMBLY for Breakdown)	
107	3790152	1	O-Ring	
108	3931620	2	Screw 3/8in-16NC x 1-1/4in	
109	4891600	2	Flatwasher, 3/8in Hardened	
		Ref	ENGINE ASSEMBLY	
	2000212	Ref	Engine Assembly (SN 0300078473 through 0300086916)	B
	2000314	Ref	Engine Assembly (SN 0300086917 through 0300123999)	D
201	0080201	1	Adapter, Elbow	
202	0080214	1	Adapter, Fan	
203	0100011	AR	Compound, Locking	
204	4711600	12	Flatwasher 3/8in Thin	
205	0340041	2	Band, Muffler Bracket	

SECTION 2 - TURNTABLE

ITEM	PART NUMBER	QTY	DESCRIPTION	REV
206	0340046	2	Band, Muffler	
207	0641406	7	Bolt 1/4in-20NC x 3/4in	
208	0641414	4	Bolt 1/4in-20NC x 1-3/4in	
209	0641506	2	Bolt 5/16in-18NC x 3/4in	
210	0641507	4	Bolt 5/16in-18NC x 7/8in	
211	0641609	4	Bolt 3/8in-16NC x 1-1/8in	
212	0641610	18	Bolt 3/8in-16NC x 1-1/4in	
213	0641612	8	Bolt 3/8in-16NC x 1-1/2in	
214	0641820	4	Bolt 1/2in-13NC x 2-1/2in	
216	0700819	4	Bolt M8 x 55mm	
217	0701012	4	Bolt M10 x 25mm	
218	0701014	2	Bolt M10 x 30mm	
219	0701022	2	Bolt M10 x 70mm	
220	0641410	4	Bolt, 1/4in-20NC x 1-1/4in	
221	0760606	4	Bolt M6 x 12mm	
222	0902457	1	Bracket, Muffler	
223	0962172	1	Bushing, Flanged	
224	1320012	4	Clamp, Hose	
225	1320016	4	Clamp	
226	1320022	1	Clamp, Hose	
227	1320033	8	Clamp, Hose	
228	1320060	1	Clamp, Hose	
229	1321138	3	Flange, Exhaust	
230	1340060	1	Air Cleaner Assembly	
230	7012664	1	Element, Air Cleaner	
233	2000207	1	Engine, Ford LRG-425 Tier II	
234	2060025	1	Fan	
235	2180467	1	Fitting, Barbed	
236	2180798	1	Fitting, Restrictor Indicator (SN 0300078473 through 0300086916)	
237	2720435	1	Hose, Radiator - Bottom	
238	2720436	1	Hose, Radiator - Top	
239	2720514	1	Hose, High Pressure Fuel Line	
240	2820172	1	Shield, Insulated Exhaust	
241	2820173	2	Shield, Insulated Exhaust	
243	3200406	4	Mount, Rubber	
245	0641604	1	Bolt 3/8in-16NC x 1/2in	
246	3311405	13	Locknut 1/4in-20NC	
247	3311505	6	Locknut 5/16in-18NC	
248	3311605	24	Locknut 3/8in-16NC	
249	3311805	4	Locknut 1/2in-13NC	
250		Ref	Support, Radiator Options:	
250	3570607	1	Support, Radiator (SN 0300078473 through 0300082440)	
250	3573667	1	Support, Radiator (SN 0300082441 through 0300123999)	
251	0741610	2	Screw, Countersunk 3/8in-16NC x 1-1/4in	
252	3571019	1	Plate, Air Panel	
253	3571502	1	Shield, Heat	
254	1320223	1	Clamp, "J" Clip	
255	1703162	2	Decal, Fan Blade	
256	3340399	2	Pad, Wear	
257	3574496	1	Plate, EPM/Relay Mounting	
258	3600279	1	Auxiliary Pump Assembly (See AUXILIARY PUMP ASSEMBLY	

SECTION 2 - TURNTABLE

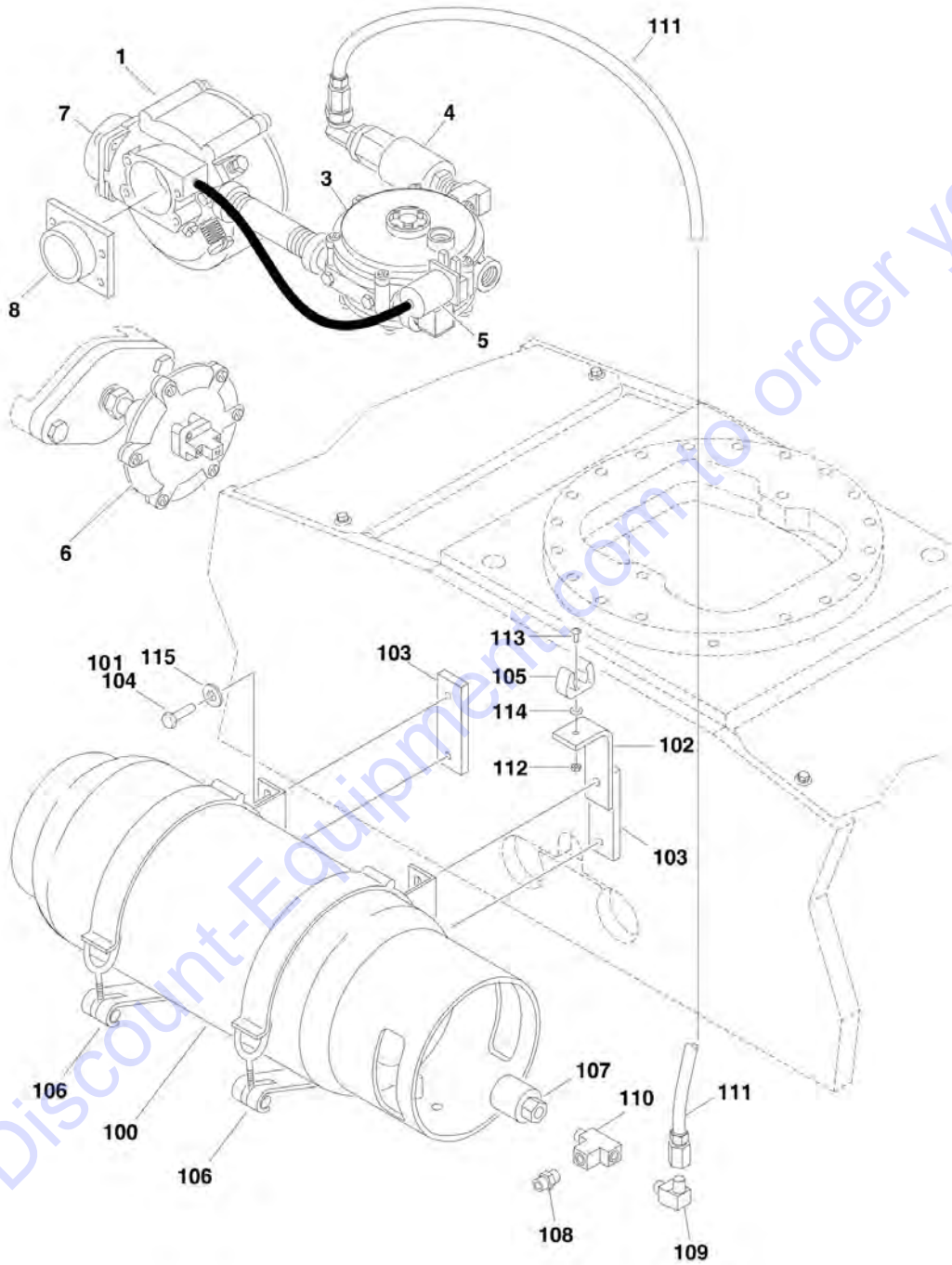
ITEM	PART NUMBER	QTY	DESCRIPTION	REV
			For Breakdown)	
259	3620040	1	Radiator	
259	8180311	1	Cap, Radiator (was p/n 7019656)	
260	3570571	1	Plate, Radiator Mount	
261	3571008	1	Plate, Air	
262	3960591	3	Gasket, Exhaust	
263	4360392	1	Indicator, Clogged Filter	
264	4566605	1	Spacer	
265	4567878	1	Pipe, Exhaust (Engine to Flange)	
266		Ref	Tube, Air Intake Options:	
266	4568951	1	Tube, Air Intake (SN 0300078473 through 0300086916)	
266	4569173	1	Tube, Air Intake (SN 0300086917 through 0300123999)	
267	4568955	1	Tailpipe	
268	4569083	1	Pipe, Exhaust (Flange to Muffler)	
269	4640989	1	Valve, Oil Drain	
270	4711400	7	Flatwasher 1/4in Thin	
271	4740274	4	Washer, Snubbing	
272	3571009	1	Plate, Baffle	
273	4751400	26	Flatwasher 1/4in	
274	4751500	12	Flatwasher 5/16in	
275	4751600	33	Flatwasher 3/8in	
276	4751800	4	Flatwasher 1/2in	
277	0100020	AR	Sealant, Pipe	
278	4812000	4	Flatwasher M10	
280	4831900	4	Lockwasher M8	
281	4832000	4	Lockwasher M10	
282	4846806	1	Bracket, Engine Mounting (Front)	
283	3740067	1	Relay (Auxiliary Power)	
284	2750532	8 in/20cm	Hose	
285	2820174	1	Shield, Insulated Exhaust	
286	4070497	4	Shim	
287	4070498	2	Shim	
288	4340745	1	Mount, Engine LRG-425	
289	4791400	2	Washer, Star 1/4in	
	2000207	Ref	ENGINE COMPONENTS	
301	3600377	1	Fuel Pump and Isolator Assembly (was p/n 7027407 & p/n 7022133)	
302	91083218	1	Filter, Fuel (was p/n 7022135)	
303	7012679	1	Starter (was p/n 7027408)	
304	7019977	1	Alternator with Regulator and Pulley	
305	7023683	1	Actuator, Throttle	
305	7027404	1	Gasket, Actuator (Not Shown)	
306	7019996	1	Sensor, Air Temperature (was p/n 7023661)	
307	7023681	1	Harness, Engine Control (Not Shown) (was p/n 7027403)	
308	7022139	1	Sensor, MAP	
309	7023682	1	Sensor, HEGO	
310	2420187	1	Dipstick	
311	7027400	1	Mixer Assembly	
312	7022150	1	Belt, Timing (Not Shown)	
313	7021869	1	Filter, Oil	
314	1660250	1	Coupling, Pump	
314	7019976	1	Flywheel (Not Shown)	

SECTION 2 - TURNTABLE

ITEM	PART NUMBER	QTY	DESCRIPTION	REV
314	7022180	1	Gear Only	
315	7019993	1	Pressure Regulator and Filter Assembly	
315	7022134	1	Harness, Fuel Pump Wiring	
316	0902539	1	Bracket	
317	1600374	1	Module, EPM	
318	3220134	1	Muffler	
319	0903010	1	Bracket, LP Regulator	
320	7023698	1	Regulator, LP	
320	7023680	1	Filter/Shut-Off, LP	
321	7019994	1	Oxygen Sensor (was p/n 7027406)	
322	70002307	1	Gasket, Manifold (Manifold to Pipe)	
322	7022143	1	Gasket, Manifold (Manifold to Head) (Not Shown)	
323	7027402	1	Belt, Drive	
324	7027405	1	Spark Plug (Not Shown)	
325	1580011	1	Tank, Coolant Overflow	
326	7023699	1	Megajector, Fuel (Not Shown)	
327	2760112	1	Housing, Coupling	
328	7023637	1	Sender, Oil Pressure	
329	7022142	1	Switch, Oil Pressure	
330	7019925	1	PCV Valve (Not Shown)	
331	7019978	1	Tensioner, Belt	
332	7022155	1	Sensor, Water Temperature (Not Shown)	
332	7022156	1	Thermostat, Water Temperature (Not Shown)	
333	7022178	1	Sensor, Crank (Not Shown)	
334	7025134	1	Gasket, Water Outlet (Not Shown)	
335	7027410	1	Harness, Megajector (Not Shown)	
336	7027411	1	Unit, Water Sender (Not Shown)	
337	7027413	1	Harness, EPM Jumper (Not Shown)	
338	7022153	1	Pump, Water (Includes Gasket) (Not Shown)	

SECTION 2 - TURNTABLE

FIGURE 2-16. USA BUILT MACHINES/DUAL FUEL INSTALLATIONS (GAS MACHINES ONLY)



SECTION 2 - TURNTABLE

FIGURE 2-16. USA BUILT MACHINES/DUAL FUEL INSTALLATIONS (GAS MACHINES ONLY)

ITEM	PART NUMBER	QTY	DESCRIPTION	REV
		Ref	DUAL FUEL ENGINE COMPONENTS (FORD ENGINE MACHINES)	
		Ref	NOTE: For GM Engine Machines Refer to GM Engine Installation.	
	2000174	Ref	Dual Fuel Engine Component (SN 0300065080 through 0300065498)	B
	2000188	Ref	Dual Fuel Engine Component (SN 0300065499 through 0300073424)	A
	2000197	Ref	Dual Fuel Engine Component (SN 0300073425 through 0300123999)	C
	7023665	1	Dual Fuel Conversion Kit (Note: Includes hose, fittings, clamps and items indented below. For replacement hose, fittings and clamps supply locally.)	
1	7022165	1	Mixer	
1	7022171	1	Repair Kit - 7022165 Mixer	
3	7022167	1	Converter	
3	7022170	1	Repair Kit - 7022167 Converter	
4	7023680	1	Filter, LP Shut-Off (was p/n 7022169)	
4	7023680	1	Electrical Connector Kit (Includes (1) 2 Position Connector, 2 Pins and 2 Seals) (was p/n 7023679)	
5	7022168	1	Valve, Solenoid	
6	4360188	1	Switch, Vacuum	
7	7023603	1	Adapter	
7	7023659	1	Gasket	
7	7023660	4	Screw M6 x 14mm	
8	7022166	1	Adapter	
		Ref	LP TANK AND BRACKETS INSTALLATIONS	
	0258033	Ref	Standard Machines	B
	0271391	Ref	Semi-Track Machines (Not Shown - Located on Rear of Frame)	A
100		Ref	Tank, LPG Options:	
100	4400275	1	Aluminum Tank	
100	4400420	1	Steel Tank	
101	0100011	AR	Compound, Locking	
102		Ref	Angle, Support Options:	
102	0181949	1	Angle, Support (Standard Machines)	
102	4846259	2	Bracket, Support (Semi-Track Machines)	
103		Ref	Bar, Mounting (Standard Machines Only)	
103	0362519	2	Bar, Mounting (SN 0300065080 through 0300069273)	
103	Not Required	0	Bar, Mounting (SN 0300069274 through 0300123999)	
103	Not Required	0	Bar, Mounting (SN 1300000001 through 1300006000)	
104	0641607	4	Bolt 3/8in-16NC x 7/8in	
105	1320218	1	Clamp, Spring (Standard Machines Only)	
106		Ref	Clamp Kit Options:	
106	1320220	1	Standard Machines	
106	1320023	1	Semi-Track Machines	
107	2180387	1	Fitting, LP	
108	2180389	1	Fitting	
109	2180504	1	Fitting, 90 (Standard Machines Only)	
110	2220290	1	Fitting, Tee	
111		Ref	Hose Options:	
111	2720149	1	Standard Machines	

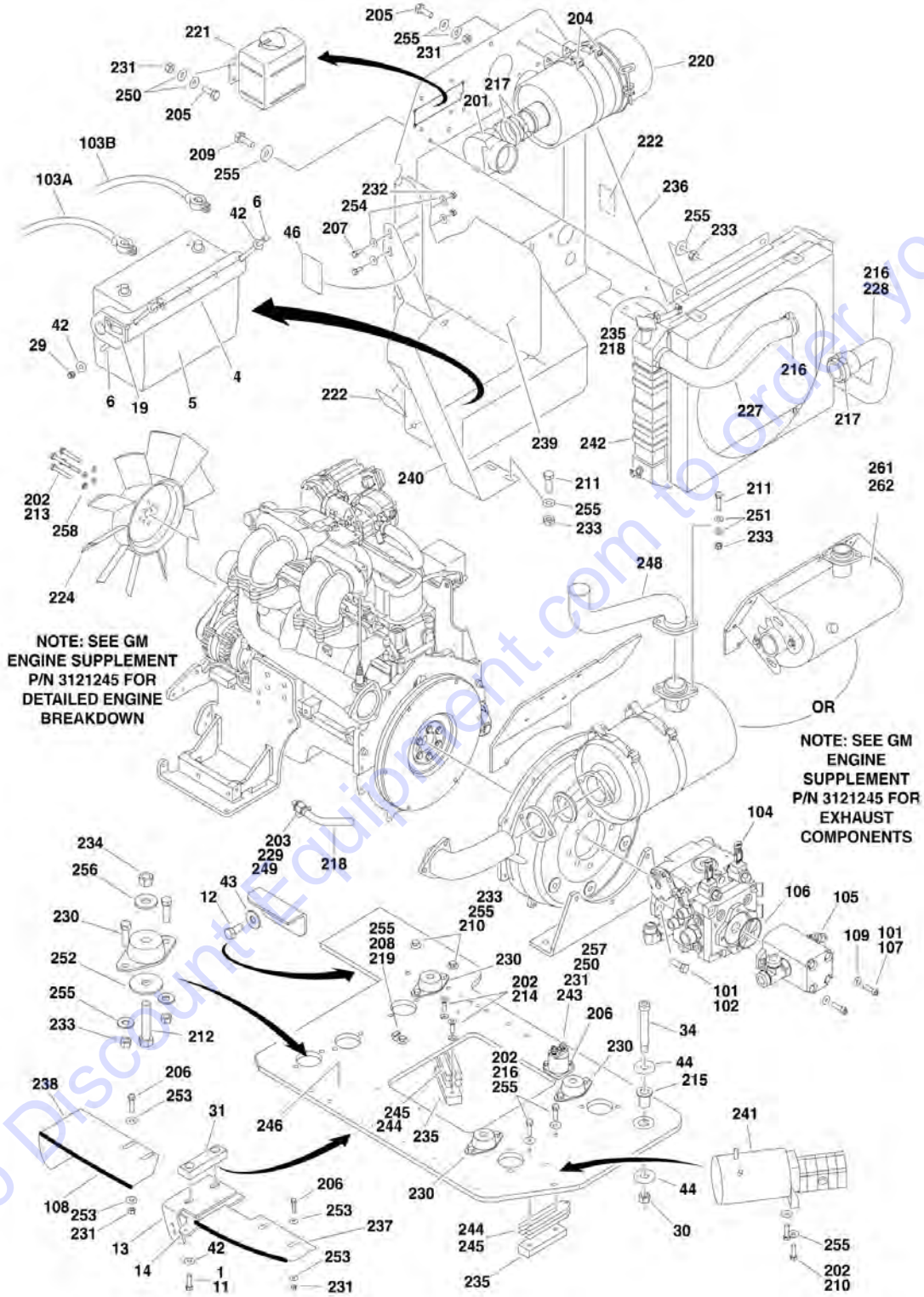
SECTION 2 - TURNTABLE

ITEM	PART NUMBER	QTY	DESCRIPTION	REV
111	2720468	1	Semi-Track Machines	
112	3310805	1	Locknut #8-32NC (Standard Machines Only)	
113	3910808	1	Screw #8-32NC x 1in (Standard Machines Only)	
114	4750800	1	Flatwasher #8 Regular (Standard Machines Only)	
115	4751600	4	Flatwasher 3/8in Regular	

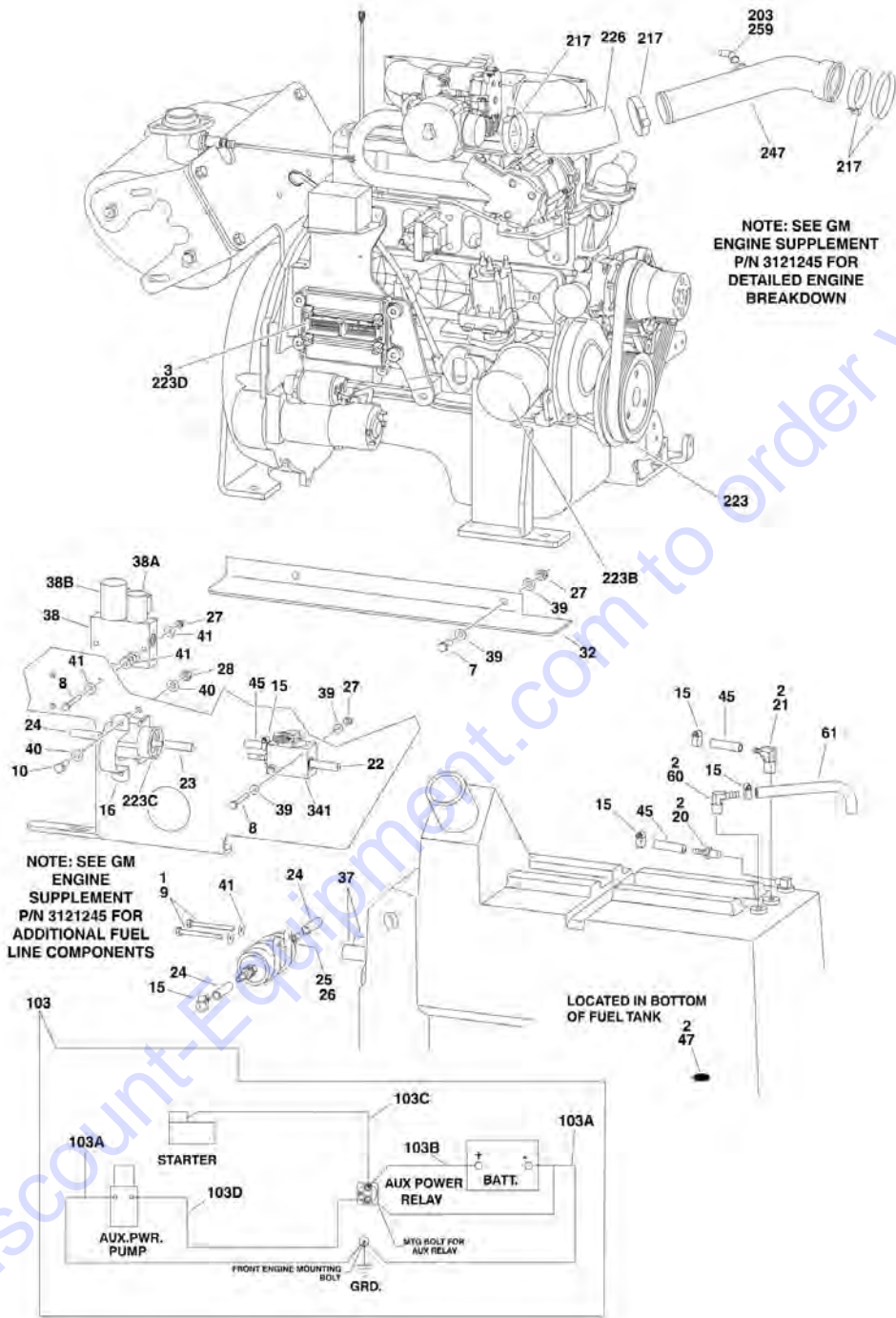
Go to Discount-Equipment.com to order your parts

SECTION 2 - TURNTABLE

FIGURE 2-17. USA BUILT MACHINES/GM ENGINE INSTALLATION



SECTION 2 - TURNTABLE



SECTION 2 - TURNTABLE

FIGURE 2-17. USA BUILT MACHINES/GM ENGINE INSTALLATION

ITEM	PART NUMBER	QTY	DESCRIPTION	REV
		Ref	GM ENGINE INSTALLATION	
	0275015	Ref	GM Engine Installation (SN 0300065080 through 0300107511)	E
	0275870	Ref	GM Engine Installation (SN 0300107512 through 0300109285)	B
	1001091602	Ref	GM Engine Installation (SN 0300109286 through 0300123999)	E
1	0100011	AR	Compound, Locking	
2	0100020	AR	Sealant, Pipe	
3	0100048	AR	Grease, Dielectric	
4	0181727	1	Angle, Battery Hold Down	
5	0400075	1	Battery (Wet)	
6	0630498	2	Bolt, Battery Hold Down	
7	0641407	2	Bolt 1/4in-20NC x 7/8in	
8	0641418	4	Bolt 1/4in-20NC x 2-1/4in	
9	0641420	2	Bolt 1/4in-20NC x 2-1/2in (Not Shown)	
10	0641508	2	Bolt 5/16in-18NC x 1in	
11	0641610	2	Bolt 3/8in-16NC x 1-1/4in	
12	0642010	1	Bolt 5/8in-11NC x 1-1/4in	
13	0902443	1	Bracket, Hood Latch Mount	
14	0902444	1	Bracket, Hood Support	
15	1320022	5	Clamp, Fuel Line	
16	1320323	1	Clamp	
17	1701542	1	Decal, Gas (Not Shown)	
18	1701543	1	Decal, LPG (Not Shown)	
19	1703876	1	Decal, Engine Tray Swing	
20	2180348	1	Fitting, Barbed	
21	2221176	1	Fitting, Elbow	
22	2720565	1	Hose (78in/2m Length)	
23	2720566	1	Hose (6in/15cm Length)	
24	2720567	1	Hose (48in/122cm Length)	
25	3290405	1	Locknut M4 x 0.7	
26	3290505	1	Locknut M5 x 0.8	
27	3311405	6	Locknut 1/4in-20NC	
28	3311505	2	Locknut 5/16in-18NC	
29	3311605	2	Locknut 3/8in-16NC	
30	3312005	1	Locknut 5/8in-11NC	
31	3340399	1	Pad, Wear	
32	3380694	1	Panel, Shield	
33	3790012	1	O-Ring (Not Shown - Located in Console Box)	
34	3900254	1	Screw, Shoulder	
35	4240099	1	Wire, Tie (Not Shown)	
36	4360336	1	Switch, Toggle (Not Shown - Located in Console Box)	
37	4568114	2	Tube, Spacer	
38		Ref	Valve Options:	
38	4641108	NLA	Valve (Use p/n 1001099391) (SN 0300065080 through 0300107511)	
38	4641317	1	Valve (SN 0300107512 through 0300123999)	
38A		Ref	Cartridge and Coil Options:	
		Ref	Note: Original Equipment Valve may have been replaced with Service Replacement Valve. Identify p/n stamped on valve before ordering parts.	
38A	7012974	1	Cartridge without Coil (4641108 Valve)	

SECTION 2 - TURNTABLE

ITEM	PART NUMBER	QTY	DESCRIPTION	REV
38A	7010543	1	Seal Kit - 7012974 Cartridge	
38A	7012941	1	Cartridge without Coil (4641317 & 1001099391 Valves)	
38A	7010543	1	Seal Kit - 7012941 Cartridge	
38A	7012944	1	Coil (4641108 Valve)	
38A	7012944	1	Coil (4641317 & 1001099391 Valves)	
38B		Ref	Cartridge and Coil Options:	
		Ref	Note: Original Equipment Valve may have been replaced with Service Replacement Valve. Identify p/n stamped on valve before ordering parts.	
38B	7012995	1	Cartridge without Coil (4641108 & 1001099391 Valves)	
38B	7012518	1	Seal Kit - 7012995 Cartridge	
38B	7012941	1	Cartridge without Coil (4641317 Valve)	
38B	7010543	1	Seal Kit - 7012941 Cartridge	
38B	7012943	1	Coil (4641108 & 1001099391 Valves)	
38B	7012944	1	Coil (4641317 Valve)	
39	4711400	8	Flatwasher 1/4in Thin	
40	4711500	4	Flatwasher 5/16in Thin	
41	4751400	14	Flatwasher 1/4in Regular	
42	4751600	6	Flatwasher 3/8in Regular	
43	4752000	1	Flatwasher 5/8in Regular	
44	4752200	2	Flatwasher 3/4in Regular	
45		Ref	Hose Options:	
45	2720058	7.5 ft /2.3m	Hose (SN 0300065080 through 0300109285)	
45	1001091587	7.5 ft /2.3m	Hose (SN 0300109286 through 0300123999)	
46		Ref	Decal - Warning Explosion/Fire Options: (SN 0300092804 through 0300123999)	
46	1704972	1	ANSI Spec	
46	1706059	1	Brazilian Spec	
46	1706060	1	Chinese Spec	
46	1706064	1	CSA Spec	
46	1706062	1	Japanese Spec	
46	1706061	1	Korean Spec	
46	1706063	1	Spanish Language	
47	2200222	1	Plug, Pipe	
48	2300004	2.7 gal /10.2L	Coolant, Antifreeze (Not Shown)	
60	2220313	1	Fitting, Elbow Barbed Only (SN 0300065080 through 0300109286)	
61	2750532	7 ft/2.13m	Hose Only (SN 0300065080 through 0300109286)	
		Ref	GM ENGINE AND PUMP SUB-ASSEMBLY	
	2000357	Ref	GM Engine and Pump Sub-Assembly (SN 0300065080 through 0300109285)	C
	1001091601	Ref	GM Engine and Pump Sub-Assembly (SN 0300109286 through 0300123999)	B
101	0100011	AR	Compound, Locking	
102	0641812	2	Bolt 1/2in-13NC x 1-1/2in	
103	2902510	1	Battery Cable Kit	D
103A	7016840	1	Cable (Battery - to Ground)	
103B	7016839	1	Cable (Battery + to Auxiliary Relay)	
103C	7027014	1	Cable (Auxiliary Relay to Starter)	
103D	7016841	1	Cable (Auxiliary Relay to Auxiliary Pump)	

SECTION 2 - TURNTABLE

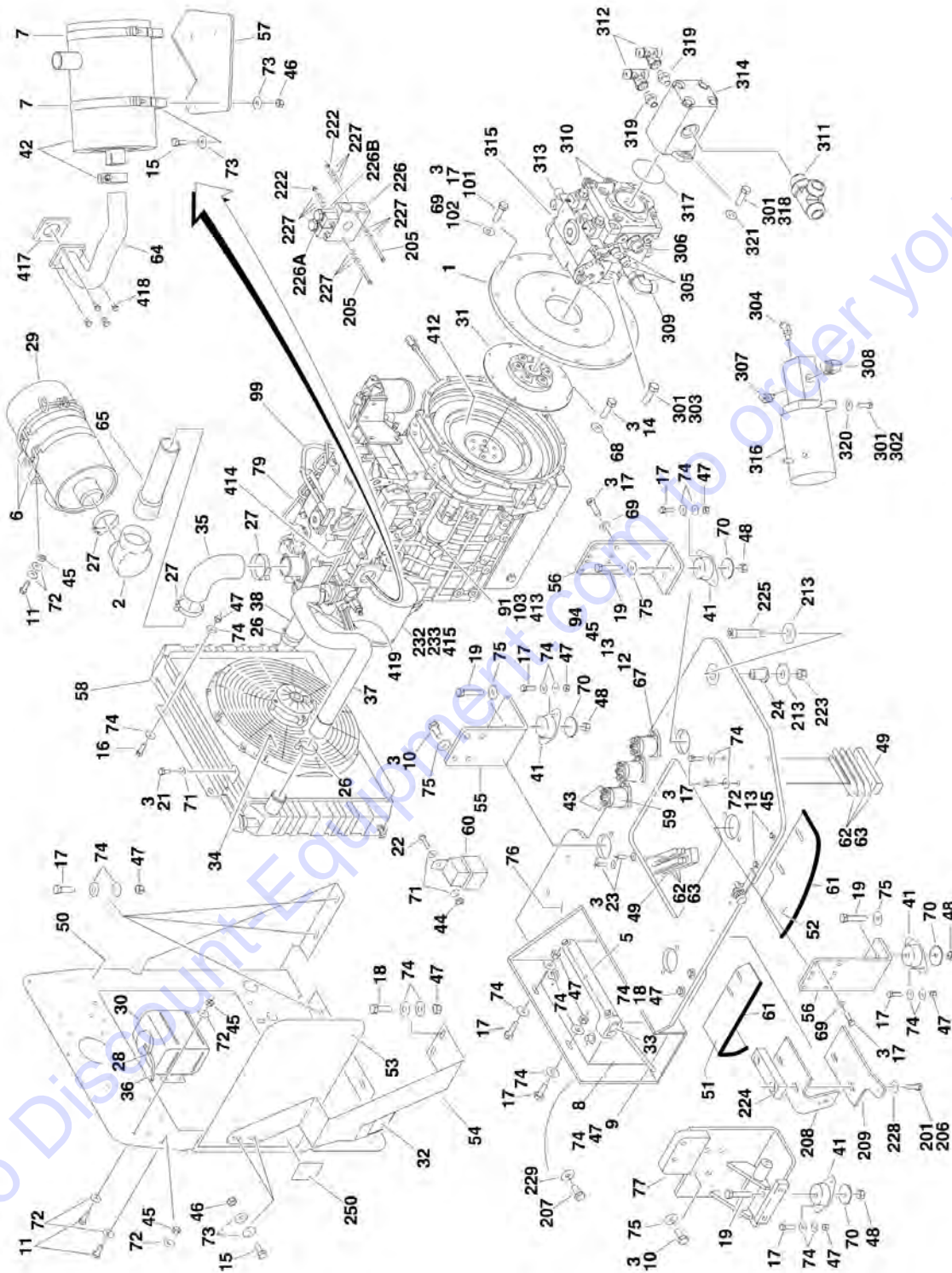
ITEM	PART NUMBER	QTY	DESCRIPTION	REV
104	3600407	1	Pump Assembly (See PISTON PUMP ASSEMBLY (SERIES 42 PUMP) for Breakdown)	
105	3600441	1	Gear Pump Assembly (See GEAR PUMP ASSEMBLY for Breakdown)	
106	3790152	1	O-Ring	
107	3931620	2	Capscrew, Socket Head 3/8in-16NC x 1-1/4in	
108	3960438	2.3 ft/.7m	Seal, Self Gripping	
109	4891600	2	Flatwasher 3/8in Hardened	
		Ref	GM ENGINE ASSEMBLY	
	2000355	Ref	GM Engine Assembly (SN 0300065080 through 0300109285)	F
	1001091600	Ref	GM Engine Assembly (SN 0300109286 through 0300123999)	B
201	0080201		Fitting, Elbow	
202	0100011	AR	Compound, Locking	
203	0100020	AR	Sealant	
204	0340041	2	Band, Mounting	
205	0641406	8	Bolt 1/4in-20NC x 3/4in	
206	0641410	4	Bolt 1/4in-20NC x 1-1/4in	
207	0641506	2	Bolt 5/16in-18NC x 3/4in	
208	0641604	1	Bolt 3/8in-16NC x 1/2in	
209	0641609	4	Bolt 3/8in-16NC x 1-1/8in	
210	0641610	14	Bolt 3/8in-16NC x 1-1/4in	
211	0641612	4	Bolt 3/8in-16NC x 1-1/2in	
212	0641820	4	Bolt 1/2in-13NC x 2-1/2in	
213		Ref	Bolt Options:	
213	0700819	4	Bolt M8 x 55mm (SN 0300065080 through 0300109285)	
213	0700810	4	Bolt M8 x 20mm (SN 0300109286 through 0300123999)	
214	0741610	2	Screw, Flat Head 3/8in-16NC x 1-1/4in	
215	0962172	1	Bushing, Flanged	
216	1320012	3	Clamp	
217	1320016	5	Clamp	
218	1320022	AR	Clamp	
219	1320223	1	J-Clip	
220	1340060	1	Air Cleaner Assembly	
220	7012664	1	Element, Air Cleaner	
221	1580011	1	Container, Coolant Overflow	
222	1703162	2	Decal - Caution Fan	
223		Ref	Engine, GM 3.0L Options (See GM Engine Supplement P/N 3121245 for Breakdown of Additional Components):	
223	2000354	1	Engine, GM 3.0L (SN 0300065080 through 0300109285)	
223	1001091583	1	Engine, GM 3.0L (SN 0300109286 through 0300123999)	
223A	7027996	4	Plug, Spark (Not Shown)	
223B	7027965	1	Filter, Oil	
223C	7027972	1	Filter, Fuel	
223D	7027994	1	Module, Control (ECU)	
224	2060025	1	Fan	
225	2720058	4 in/10cm	Hose	
226	2720514	1	Hose	
227	2720563	1	Hose, Radiator (Top)	
228	2720564	1	Hose, Radiator (Bottom)	
229	2750532	8 in/20cm	Hose	
230	3200406	4	Mount, Motor	
231	3311405	12	Locknut 1/4in-20NC	

SECTION 2 - TURNTABLE

ITEM	PART NUMBER	QTY	DESCRIPTION	REV
232	3311505	2	Locknut 5/16in-18NC	
233	3311605	18	Locknut 3/8in-16NC	
234	3311805	1	Locknut 1/2in-13NC	
235	3340399	4	Pad, Wear	
236	3570571	1	Plate, Radiator Mounting	
237	3571008	1	Plate, Air	
238	3571009	1	Plate, Baffle	
239	3571019	1	Plate, Air Panel	
240	3573667	1	Plate, Radiator Support	
241		Ref	Auxiliary Pump Assembly Options (See AUXILIARY PUMP ASSEMBLY for Breakdown):	
241	3600279	NLA	Auxiliary Pump Assembly (Use p/n 3600423) (SN 0300065080 through 0300106544)	
241	3600423	1	Auxiliary Pump Assembly (SN 0300106545 through 0300123999)	
242	3620040	1	Radiator	
242	8180311	1	Cap, Radiator (was p/n 7019656)	
243	3740067	1	Relay	
244	4070497	4	Shim (11 Gauge)	
245	4070498	2	Shim (16 Gauge)	
246	4340745	1	Tray, Engine	
247	4569342	1	Tube, Air Intake	
248	4569345	1	Pipe, Exhaust	
249	4640952	1	Valve, Oil Drain	
250	4711400	12	Flatwasher 1/4in Thin	
251	4711600	4	Flatwasher 3/8in Thin	
252	4740274	4	Flatwasher, Snubbing	
253	4751400	12	Flatwasher 1/4in Regular	
254	4751500	4	Flatwasher 5/16in Regular	
255	4751600	29	Flatwasher 3/8in Regular	
256	4751800	4	Flatwasher 1/2in Regular	
257	4791400	2	Starwasher 1/4in	
258	4831900	4	Lockwasher 8mm	
259	2180877	1	Fitting, Elbow	
261	4920385	10 ft/3m	Wire, Safety	
262	1001091794	1	Insulation, Exhaust	

SECTION 2 - TURNTABLE

FIGURE 2-18. USA BUILT MACHINES/PERKINS ENGINE INSTALLATION



SECTION 2 - TURNTABLE

FIGURE 2-18. USA BUILT MACHINES/PERKINS ENGINE INSTALLATION

ITEM	PART NUMBER	QTY	DESCRIPTION	REV
		Ref	PERKINS ENGINE ASSEMBLY	
	1001095213	Ref	Without Arctic Package	E
	1001095221	Ref	With Arctic Package	E
1	0080181	1	Adapter, Pump Mounting Plate	
2	0080201	1	Adapter, Elbow Air Intake	
3	0100011	AR	Compound, Locking	
4	0100020	AR	Sealant	
5	0181727	1	Angle, Battery Hold-Down	
6	0340041	2	Band, Air Cleaner Mounting	
7	0340046	2	Band, Muffler Mounting	
8	0400075	1	Battery	
9	0630498	2	Bolt, Battery Hold-Down	
10	0630569	8	Bolt M14 x 30mm	
11	0641406	8	Bolt 1/4in-20NC x 3/4in	
12	0641408	5	Bolt 1/4in-20NC x 1in	
13	0641410	3	Bolt 1/4in-20NC x 1 1/4in	
14	0641506	8	Bolt 5/16in-18NC x 3/4in	
15	0641507	6	Bolt 5/16in-18NC x 7/8in	
16	0641609	4	Bolt 3/8in-16NC x 1 1/8in	
17	0641610	33	Bolt 3/8in-16NC x 1 1/4in	
18	0641611	2	Bolt 3/8in-16NC x 1 3/8in	
19	0641820	4	Bolt 1/2in-13NC x 2 1/2in	
21	0721004	4	Capscrew #10-24NC x 1/2in	
22	0721006	1	Capscrew #10-24NC x 3/4in	
23	0741610	2	Screw, Flat Head 3/8in-16NC x 1-1/4in	
24	0962172	1	Bushing, Flanged	
25	1060904	1	Cable, Jumper	
26	1320012	4	Clamp	
27	1320016	4	Clamp	
28	1320022	3	Clamp	
29	1340060	1	Air Cleaner Assembly	
29	7012664	1	Element, Air Cleaner	
30	1580011	1	Container, Coolant Overflow	
31	1660255	1	Coupling, Pump	
32	1703162	2	Decal - Caution Fan	
33	1703876	1	Decal - Engine Tray Swing	
34	2060032	1	Fan, Electric	
35	2180482	1	Elbow, Rubber	
36	2720058	4 in/10cm	Hose	
37	2720507	NLA	Hose, Radiator (Top) (Use p/n 1001102308)	
38	2720508	1	Hose, Radiator (Bottom)	
39	2750532	6 in/15cm	Hose	
40	2902060	1	Battery Cable Kit	B
40A	7016817	1	Cable - Battery to Starter Relay	
40B	7027041	1	Cable - Battery and Auxiliary Pump to Ground (was p/n 7016837)	
40C	7016834	1	Cable - Starter Relay to Starter	
40D	7016838	1	Cable - Starter Relay to Auxiliary Relay	
40E	7016820	1	Cable - Auxiliary Relay to Auxiliary Pump	
41	3200378	4	Mount, Motor	

SECTION 2 - TURNTABLE

ITEM	PART NUMBER	QTY	DESCRIPTION	REV
42		Ref	Muffler Options:	
42	3220113	1	Spark Arresting Muffler	
42	70001017	1	Clamp	
42	3220154	NLA	Catalytic Muffler (Use p/n 1001107116)	
42	70002705	1	Clamp	
42	70002706	1	Plug, Brass	
43	3300220	6	Nut, Washer	
44	3311005	1	Locknut #10-24NC	
45	3311405	16	Locknut 1/4in-20NC	
46	3311505	6	Locknut 5/16in-18NC	
47	3311605	21	Locknut 3/8in-16NC	
48	3311805	4	Locknut 1/2in-13NC	
49	3340399	2	Pad, Wear	
50	3570571	1	Plate, Radiator Mount	
51	3571008	1	Plate, Air	
52	3571009	1	Plate, Baffle	
53	3571019	1	Plate, Air Panel	
54	3573667	1	Plate, Radiator Support	
55	3574253	1	Plate, Engine Mounting (Front)	
56	3574259	2	Plate, Engine Mounting (Rear)	
57	3574264	NLA	Plate, Muffler Support (Use p/n 1001098525)	
58	3620046	1	Radiator	
58	7019656	1	Cap, Radiator	
59	3740067	3	Relay	
60	3740080	1	Relay	
61	3960438	28 in /71cm	Seal, Self Gripping	
62	4070497	4	Shim	
63	4070498	2	Shim	
64	4568743	1	Pipe, Exhaust	
65	4569176	1	Tube, Air Intake	
66	4641272	1	Valve, Oil Drain	
67	4711400	12	Flatwasher, 1/4in Thin	
68	4711500	8	Flatwasher 5/16in Thin	
69	4711600	18	Flatwasher 3/8in Thin	
70	4740274	4	Washer, Snubbing	
71	4751000	6	Flatwasher #10	
72	4751400	20	Flatwasher 1/4in Regular	
73	4751500	12	Flatwasher 5/16in Regular	
74	4751600	44	Flatwasher 3/8in Regular	
75	4751800	11	Flatwasher 1/2in Regular	
76	4846820	1	Weldment, Engine Tray	
77	4846821	1	Mount, Motor/Generator	
78	4922737	1	Harness, Engine Grounding	
79	1001095205	1	Engine, Perkins 404C-22	
80	1001099927	1	Actuator Kit, Governor Pull (Includes 1600351 Actuator and Items 80A, 89, 92 & 100)	
80A	7026843	1	Linkage	
81	3574282	1	Plate, Actuator Mounting	
82	0760612	4	Capscrew M6 x 25mm	
83	0760810	2	Capscrew M8 x 20mm	
84	1001097551	1	Sensor, Coolant	

SECTION 2 - TURNTABLE

ITEM	PART NUMBER	QTY	DESCRIPTION	REV
85	1001097552	1	Adapter, Coolant Sensor	
86	1001097554	1	Sensor, Oil Pressure	
87	1001097555	1	Adapter, Oil Pressure Sensor	
88	1001097588	1	Clip, Tube	
89	2820018	1 ft/31cm	Heat Shrink	
90	3290605	4	Locknut M6	
91	3290801	1	Nut M8	
92	4460464	5	Pin, Male	
93	4460536	1	Connector, Female - 3 Position	
94	4791400	6	Starwasher 1/4in	
95	5240600	8	Flatwasher 6mm Hardened	
96	5240800	2	Flatwasher 8mm Hardened	
97	1001097553	1	Washer, Coolant Sensor	
98	1001099926	1	Sensor Kit, Speed (Includes 1001097556 Speed Sensor and Items 89, 92 & 93)	
99	1001097893	1	Dipstick Assembly	
99	7026885	1	Dipstick	
99	7026886	1	Tube, Dipstick	
99	7026847	2	Washer	
99	7026881	1	O-Ring	
100	4460897	1	Connector, Female - 2 Position	
101	0641612	2	Bolt 3/8in-16NC x 1-3/4in	
102	4891600	2	Flatwasher 3/8in Hardened	
103	4831900	2	Lockwasher M8	
		Ref	Note: Arctic Package Items 111 thru 115 Not Shown - Used on Arctic Machines Only	
111	1702941	1	Decal - Battery Heater	
112	1702942	1	Decal - Engine Block Heater	
113	2580024	1	Heater, Battery	
114	2580054	1	Heater, Engine Block	
115	3980007	1	Seat, Battery	
		Ref	PERKINS ENGINE INSTALLATION	
	1001095208	Ref	Without Arctic Package	D
	1001095217	Ref	With Arctic Package	D
201	0100011	AR	Compound, Locking	
202	0100020	AR	Sealant, Pipe	
204	0641406	1	Bolt 1/4in-20NC x 3/4in	
205	0641418	2	Bolt 1/4in-20NC x 2-1/4in	
206	0641610	2	Bolt 3/8in-16NC x 1-1/4in	
207	0642010	1	Bolt 5/8in-11NC x 1-1/4in	
208	0902443	1	Bracket, Hood Latch Mount	
209	0902444	1	Bracket, Hood Support	
210	1320022	5	Clamp, Fuel Line	
211	1320223	1	Clamp	
212	1701505	1	Decal, Diesel (Not Shown)	
213	4752200	2	Flatwasher 3/4in Regular	
214	2180348	1	Fitting, Barbed	
215	2220250	1	Fitting, Reducer	
216	2220313	1	Fitting, Elbow Barbed	
217	2220459	1	Fitting, Elbow	
218	2220794	1	Fitting, Straight Barbed	
219	2720058	8 ft/2.4m	Hose	

SECTION 2 - TURNTABLE

ITEM	PART NUMBER	QTY	DESCRIPTION	REV
220	2720271	8 ft/2.4m	Hose	
221	2750532	7 ft/2.1m	Hose	
222	3311405	3	Locknut 1/4in-20NC	
223	3312005	1	Locknut 5/8in-11NC	
224	3340399	1	Pad, Wear	
225	3900254	1	Screw, Shoulder	
226	4641317	1	Valve Assembly	
226A		Ref	Cartridge and Coil Components:	
226A	7012941	1	Cartridge without Coil	
226A	7010543	1	Seal Kit - 7012941 Cartridge	
226A	7012944	1	Coil	
226B		Ref	Cartridge and Coil Components:	
226B	7012941	1	Cartridge without Coil	
226B	7010543	1	Seal Kit - 7012941 Cartridge	
226B	7012944	1	Coil	
227	4751400	14	Flatwasher 1/4in Regular	
228	4751600	2	Flatwasher 3/8in Regular	
229	4752000	1	Flatwasher 5/8in Regular	
230		Ref	Coolant, Anti-Freeze Options (Not Shown):	
230	2300004	2.7 gal /10.2L	Without Arctic Package	
230	2300041	2.7 gal /10.2L	With Arctic Package	
231	2220273	1	Fitting, Reducer	
232	3290501	1	Nut M5	
233	3290601	1	Nut M6	
234	2200222	1	Plug, Pipe (Not Shown - Located on Bottom of Fuel Tank)	
235	0100079	AR	Sealant (Not Shown - Used on Item 234)	
		Ref	Note: Arctic Package Items 241 thru 246 Not Shown - Used on Arctic Machines Only	
241	1060626	1	Cord, 3 Way Extension (Located on Left Front of Engine)	
242	1702943	1	Decal - Hydraulic Tank Heater (Located on bottom of Hydraulic Oil Tank)	
243	1702944	1	Decal - Heater Cord (Located on Left Front of Engine)	
243	2580024	1	Heater, Battery (Located on Battery)	
244	2580050	1	Heater, Hydraulic Tank (Located on Bottom of Hyd Oil Tank)	
245	4460488	2	Clamp (Located on Left Front of Engine)	
246	1060625	1	Cord, Immersion Heater (Located on Bottom of Hyd Oil Tank)	
250		Ref	Decal - Warning Explosion/Fire Options:	
250	1704972	1	ANSI Spec	
250	1706059	1	Brazilian Spec	
250	1706060	1	Chinese Spec	
250	1706064	1	CSA Spec	
250	1706062	1	Japanese Spec	
250	1706061	1	Korean Spec	
250	1706063	1	Spanish Language	
		Ref	PERKINS ENGINE AND PUMP SUB-ASSEMBLY	
	1001095210	Ref	Without Arctic Package	B
	1001095219	Ref	With Arctic Package	B
301	0100011	AR	Compound, Locking	
302	0641610	2	Bolt 3/8in-16NC x 1-1/4in	
303	0641812	2	Bolt 1/2in-13NC x 1-1/2in	

SECTION 2 - TURNTABLE

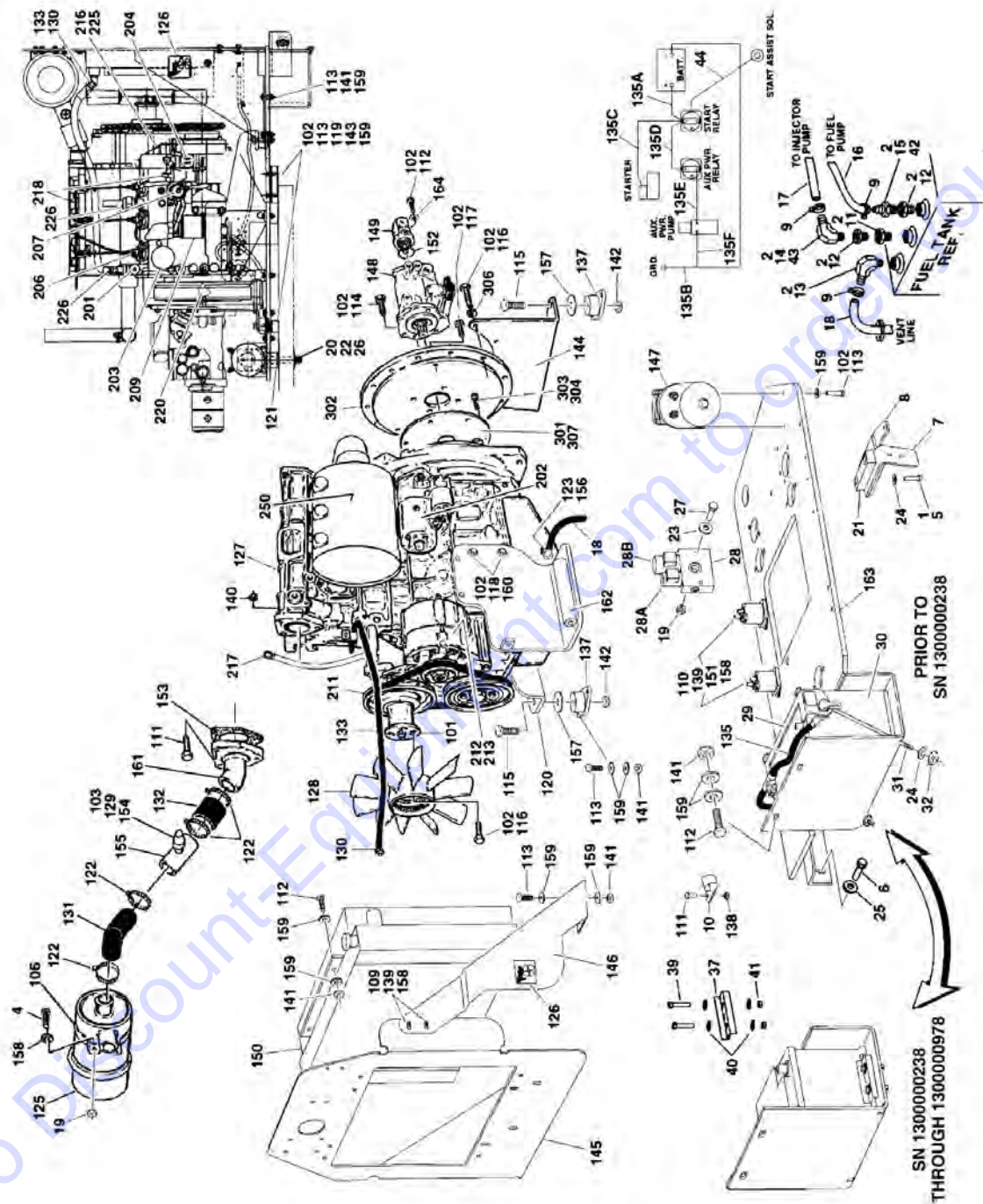
ITEM	PART NUMBER	QTY	DESCRIPTION	REV
304	2110604	1	Fitting, Straight	
305	2111010	2	Fitting, Straight	
306	2111612	1	Fitting, Straight	
307	2130604	1	Fitting, Elbow	
308	2131210	1	Fitting, Elbow	
309	2131212	1	Fitting, Elbow	
310	2151212	2	Fitting, Elbow	
311	2170316	1	Fitting, Tee	
312	2170808	2	Fitting, Tee	
313	2221084	1	Fitting, Tee	
314	3600318	1	Gear Pump Assembly (See GEAR PUMP ASSEMBLY for Breakdown)	
315	3600385	1	Pump Assembly (See PISTON PUMP ASSEMBLY (SERIES 42 PUMP) for Breakdown)	
316	3600423	1	Auxiliary Pump Assembly (See Auxiliary Pump Assembly for Breakdown)	
317	3790152	1	O-Ring	
318	3931620	2	Capscrew, Socket Head 3/8in-16NC x 1-1/4in	
319	4641199	2	Valve, Check	
320	4751600	2	Flatwasher 3/8in Regular	
321	4891600	2	Flatwasher 3/8in Hardened	
323		Ref	Oil, Motor Options (Not Shown):	
323	3020016	2.5 gal /9.5L	WITHOUT ARCTIC PACKAGE (MOBIL DELVAC MX 15W-40)	
323	3020044	2.5 gal /9.5L	With Arctic Package (Mobil 0W-40)	
	1001095205	Ref	ENGINE COMPONENTS	
401	70001386	1	Pump, Fuel Injection	
401	70001388	AR	Shim, 0.20mm	
401	70001389	AR	Shim, 0.25mm	
401	70001390	AR	Shim, 0.30mm	
401	70001391	AR	Shim, 0.35mm	
401	70001392	AR	Shim, 0.40mm	
401	70001393	AR	Shim, 0.50mm	
401	70001394	AR	Shim, 0.50mm Flat	
402	70001387	1	Solenoid, Fuel Injection	
403	70001395	4	Glowplug	
404	70001396	1	Pump, Water (Includes p/n 70001397 Only)	
404	70001397	1	Gasket, Water Pump to Plate	
404	70001398	1	Gasket, Plate to Engine Block	
405	70001400	1	Thermostat	
405	70001399	1	Gasket, Thermostat Neck to Thermostat Housing	
405	70001401	1	Gasket, Thermostat Housing to Engine Block	
406	70001402	1	Belt	
407	70001403	1	Filter, Oil	
408	70001404	1	Cap, Oil Fill	
408	70001405	1	Seal, Oil Fill Cap	
409	70001406	1	Valve, Relief	
409	70001407	1	Seal, O-Ring	
410	70001408	1	Fuel Bowl and Filter Assembly	
410	70001409	1	Fuel Filter Kit (Includes 1 Filter Element and 4 Seals)	
411	70001410	1	Pump, Lift	

SECTION 2 - TURNTABLE

ITEM	PART NUMBER	QTY	DESCRIPTION	REV
411	70001411	1	Seal, O-Ring	
412	70001412	1	Flywheel	
412	70001413	1	Ring, Starter	
413	70001414	1	Starter	
413	70001415	1	Solenoid, Start	
414	70001416	1	Gasket, Exhaust Manifold to Engine Block	
415	70001417	1	Alternator	
416	70001418	1	Valve, Breather	
417	70001419	1	Gasket, Exhaust Manifold to Exhaust Tube	
418	0700808	4	Bolt M8 x 16mm	
419	70001792	1	Lever, Alternator Adjustment Arm	
419	70001793	2	Screw	
419	70001794	1	Washer (Engine Block Side of Lever)	
419	70001796	1	Washer (Alternator Side of Lever)	
420	70002107	1	Fitting, Oil Sensor Adapter to Engine Block	
421	70002109	1	Pipe, Fuel	
422	70002098	1	Hose, Fuel	
423	70002106	1	Hose	
424	70002105	1	Housing, Thermostat	
425	70002108	1	Washer	
426	70002100	1	Pipe, Fuel Injection #1	
426	70002101	1	Pipe, Fuel Injection #2	
426	70002102	1	Pipe, Fuel Injection #3	
426	70002103	1	Pipe, Fuel Injection #4	
427	70002099	1	Gasket, Cover	
428	70002104	1	Pipe, Oil (Not Shown)	
429	70002437	1	Line, Fuel Injection Return (was P/N 70002433)	
430		Ref	Gasket, Cylinder Head Options (Not Shown):	
430	70003034	1	0.4mm	
430	70003033	1	0.5mm	

SECTION 2 - TURNTABLE

FIGURE 2-19. BELGIUM BUILT MACHINES/DEUTZ ENGINE INSTALLATION (Prior to SN 130000979)



SECTION 2 - TURNTABLE

FIGURE 2-19. BELGIUM BUILT MACHINES/DEUTZ ENGINE INSTALLATION (Prior to SN 130000979)

ITEM	PART NUMBER	QTY	DESCRIPTION	REV
		Ref	DEUTZ ENGINE INSTALLATION	
		Ref	4WD Machines Options:	
		Ref	Belgium Built Machines (SN 1st digit is 1)	
	0272490	Ref	Installation Engine, Deutz F3M1011F (Prior to SN 130000353)	G
	0273754	Ref	Installation Engine, Deutz F3M2011 TIER II (SN 130000353 through 130000978)	B
1	0100011	AR	Compound, Locking	
2	0100020	AR	Sealant	
4	0641406	1	Bolt 1/4in-20NC x 3/4in (Prior to SN 130000178)	
5	0641610	2	Bolt 3/8in-16NC x 1-1/4in	
6	0642010	1	Bolt 5/8in-11NC x 1-1/4in	
7	0902443	1	Bracket, Hood Latch Mount	
8	0902444	1	Bracket, Hood Support	
9	1320022	5	Clamp, Fuel Line	
10	1320223	1	Clamp, J-Clip 1/2in (Prior to SN 130000178)	
11	2180536	1	Fitting, Straight (Prior to SN 130000353)	
12	2220250	1	Fitting, Reducer (Prior to SN 130000353)	
13	2220313	1	Fitting, Elbow	
14	2220459	1	Fitting, Elbow (Prior to SN 130000353)	
15	2220794	1	Fitting, Straight (Prior to SN 130000353)	
16	2720058	15.1 ft /4.6m	Hose	
17	2720271	12 ft /3.66m	Hose	
18	2750532	7 ft/2.14m	Hose	
19	3311405	2	Locknut 1/4in-20NC	
20	3312005	1	Locknut 5/8in-11NC	
21	3340958	1	Pad, Wear	
22	3900254	1	Bolt, Shoulder	
23	4751400	12	Flatwasher 1/4in Regular	
24	4751600	6	Flatwasher 3/8in Regular	
25	4752000	1	Flatwasher 5/8in Regular	
26	4752200	2	Flatwasher 3/4in Regular	
27	0641418	2	Bolt 1/4in-20NC x 2-1/4in	
28	4641108	NLA	Valve, Dual Select (Use p/n 1001099391)	
		Ref	Note: Original Equipment Valve may have been replaced with Service Replacement Valve. Identify p/n stamped on valve before ordering parts.	
28A	7012974	1	Cartridge without Coil (4641108 Valve)	
28A	7010543	1	Seal Kit - 7012974 Cartridge	
28A	7012941	1	Cartridge without Coil (1001099391 Valve)	
	7010543	1	Seal Kit - 7012974 Cartridge	
28A	7012944	1	Coil	
28B	7012995	1	Cartridge without Coil	
28B	7012518	1	Seal Kit - 7012995 Cartridge	
28B	7012943	1	Coil	
29	0181727	1	Angle, Battery Tie-Down (Prior to SN 130000238)	
30		Ref	Battery (Wet) options:	
30	0400075	NLA	Battery (Wet) (Use p/n 8008750) (Prior to SN 130000238)	
30	8008750	1	Battery 60038 (SN 130000238 through 130000978)	

SECTION 2 - TURNTABLE

ITEM	PART NUMBER	QTY	DESCRIPTION	REV
31	0630498	2	Bolt, Battery Tie-Down (Prior to SN 1300000238)	
32	3311605	2	Locknut 3/8in-16NC (Prior to SN 1300000238)	
33	2200222	1	Fitting, Pipe Plug (Not Shown)	
34	2220273	1	Fitting, Reducer (Not Shown) (Prior to SN 1300000353)	
35	4240099	1	Tie, Wire (Not Shown)	
36	1701505	1	Decal, Diesel Fuel (Not Shown)	
37	1787217	1	Clamp, Battery Hold	
39	0641512	2	Bolt, 5/16in-20NC x 1-1/2in	
40	4751500	4	Washer, 5/16in (Regular)	
41	3311505	2	Locknut, 5/16in-18NC	
42	2180348	1	Fitting, Barb (SN 1300000353 through 1300000978)	
43	2221176	1	Fitting, Elbow (SN 1300000353 through 1300000978)	
44	4922978	1	Harness, Start Assist Solenoid (SN 1300000353 through 1300000978)	
		Ref	DEUTZ ENGINE ASSEMBLY OPTIONS:	
	0272489	Ref	Assembly Engine F3M1011F (Prior to SN 1300000353)	E
	2000228	Ref	Assembly Engine F3M1011F Tier II (SN 1300000353 through 1300000978)	C
101	0080231	1	Adapter, Fan Spacer	
102	0100011	AR	Compound, Locking	
103	0100020	AR	Sealant	
106	0340041	2	Band, Muffler Bracket	
109	0641406	6	Bolt 1/4in-20NC x 3/4in	
110	0641410	4	Bolt 1/4in-20NC x 1-1/4in	
111	0641510	3	Bolt 5/16in-18NC x 1-1/4in	
112	0641608	9	Bolt 3/8in-16NC x 1in	
113	0641610	16	Bolt 3/8in-16NC x 1-1/4in	
114	0641812	2	Bolt 1/2in-13NC x 1-1/2in	
115	0641820	4	Bolt 1/2in-13NC x 2-1/2in	
116	0700816	4	Bolt M8 x 40mm	
117	0701012	8	Bolt M10 x 25mm	
118	0711414	6	Bolt M14 x 30mm	
119	0741610	2	Screw, Flathead 3/8in-16NC x 1-1/4in	
120	0902740	1	Bracket, Front Engine Mounting (Right Side)	
121	0962172	1	Bushing, Flanged	
122	1320016	4	Clamp, Hose	
123	1320022	1	Clamp, Hose	
124	1320223	3	Clamp, J-Clip 1/2in	
125	1340060	1	Air Cleaner Assembly	
125	7012664	1	Element, Air Cleaner	
126	1703162	2	Decal, Fan Blade	
127		Ref	Engine, Deutz Options:	
127	2000190	1	Engine, Deutz F3M1011F (Prior to SN 1300000353)	
127	2000217	1	Engine, Deutz (SN 1300000353 through 1300000978)	
128	2060025	1	Fan, Suction	
129	2180798	1	Fitting, Restriction Indicator	
130	2220451	2	Fitting, Straight	
131	2720434	1	Hose, Elbow	
132	2720449	1	Hose	
133	2720467	2	Hose	
134	2750532	1.2 ft /0.4m	Hose	

SECTION 2 - TURNTABLE

ITEM	PART NUMBER	QTY	DESCRIPTION	REV
135	2902060	1	Cable Kit - Battery	B
135A	7016817	1	Cable - Battery to Starter Relay	
135B	7027041	1	Cable - Battery and Auxiliary Pump to Ground (was p/n 7016837)	
135C	7016834	1	Cable - Starter Relay to Starter	
135D	7016838	1	Cable - Starter Relay to Auxiliary Relay	
135E	7016820	1	Cable - Auxiliary Relay to Auxiliary Pump	
137		Ref	Mount, Engine Options:	
137	3200378	4	Mount Engine (Prior to SN 1300000353)	
137	3200406	4	Mount Engine (SN 1300000353 through 1300000978)	
138	3311401	1	Nut 1/4in-20NC	
139	3311405	10	Locknut 1/4in-20NC	
140	3311505	3	Locknut 5/16in-20NC	
141	3311605	19	Locknut 3/8in-16NC	
142	3311805	4	Locknut 1/2in-13NC	
143	3340958	2	Pad, Wear	
144	3570801	1	Plate, Engine Mounting	
145	3573895	1	Plate, Radiator Mount	
146	3573937	1	Plate, Radiator Support	
147	3600279	1	Auxiliary Pump Assembly (See AUXILIARY PUMP ASSEMBLY For Breakdown)	
148		Ref	Piston Pump Assembly Options (See PISTON PUMP ASSEMBLY (SERIES 42 PUMP) for Breakdown):	
148	3600296	NLA	Piston Pump Assembly (Use p/n 3600385) (Prior to SN 1300000129)	
148	3600385	1	Pump 42 Series, Overcontrol Piston (SN 1300000129 through 1300000978)	
149	3600318	1	Gear Pump Assembly (See GEAR PUMP ASSEMBLY for Breakdown)	
149	7023929	1	Seal Kit - 3600318 Pump	
150	3620033	NLA	Radiator (Use p/n 1001150998)	
151	3740140	2	Relay, Power	
152	3790152	1	O-Ring	
153	3960407	1	Gasket, Air Intake Adapter	
154	4360392	1	Switch, Restriction Indicator	
155	4567495	1	Tube, Tee	
156	4640751	1	Valve, Oil Drain	
157	4740274	4	Washer, Snubbing	
158	4751400	17	Flatwasher 1/4in Regular	
159	4751600	40	Flatwasher 3/8in Regular	
160	4751900	6	Flatwasher 9/16in Regular	
161	4845395	1	Air Intake Adapter Weldment	
162		Ref	Bracket, Motor Mount Options:	
162	4846567	1	Machines with Generator	
	4846567	1	Machines with Generator (Standard)	
162	1001138135	1	Machines without Generator (Optional Service Replacement - No Generator Mounting Capabilities) (Not Shown)	
163	4846683	1	Engine Tray Weldment	
164	4891600	2	Flatwasher 3/8in Hardened	
		Ref	ENGINE COMPONENTS OPTIONS:	
	2000190	Ref	Engine, Deutz F3M1011F (Prior to SN 1300000353)	
	2000217	Ref	Engine, Deutz (F3M2011 Tier II) (SN 1300000353 through 1300000978)	

SECTION 2 - TURNTABLE

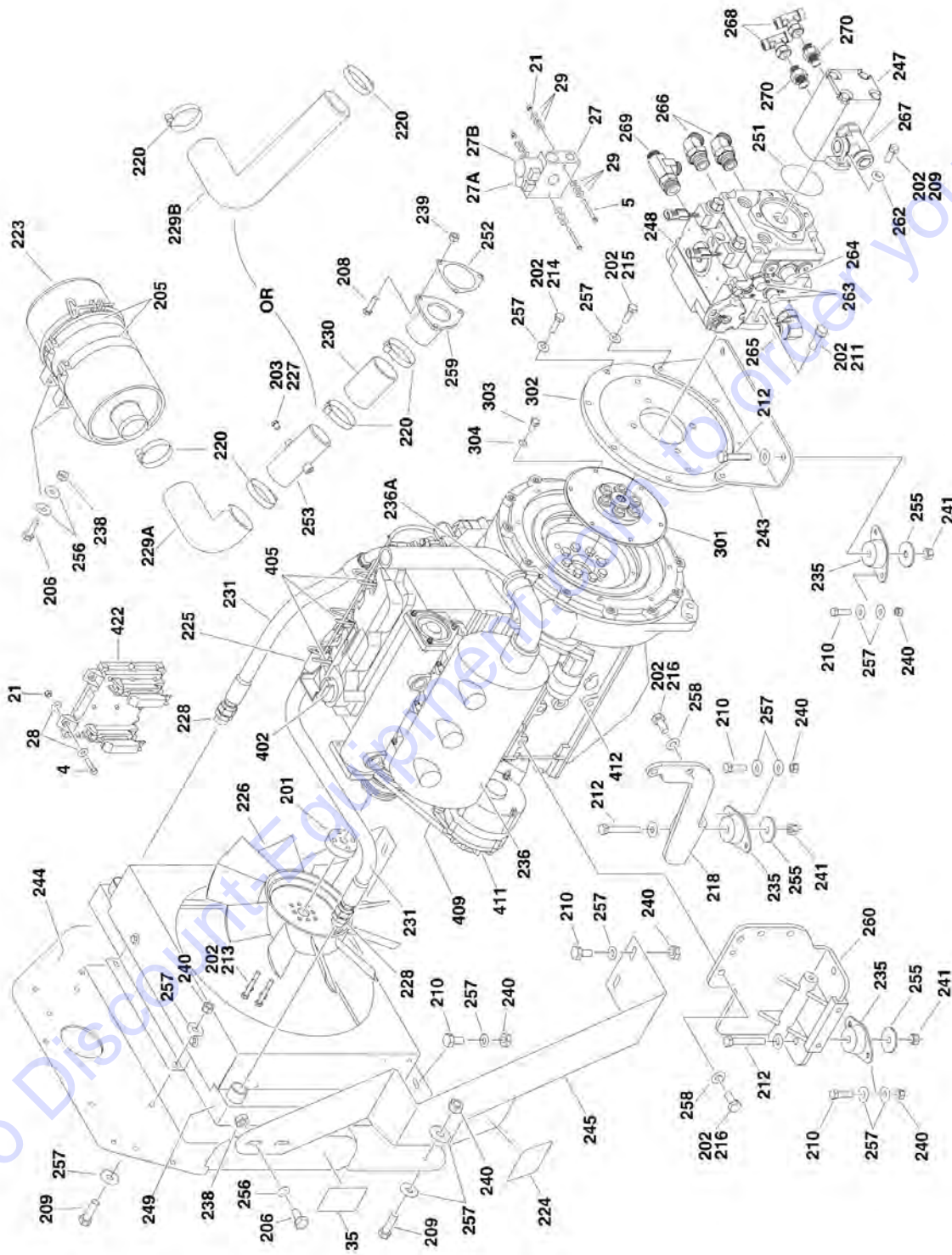
ITEM	PART NUMBER	QTY	DESCRIPTION	REV
201	7020461	1	Switch, Oil Pressure	
202	7020479	1	Starter	
202	7026608	1	Relay, Starter	
203	7016331	1	Filter, Oil - Spin-on	
203	7027236	1	Sensor, Oil Temperature (Not Shown - Located in Rear Of Filter Mount)	
204		Ref	Pump, Oil Options:	
204	7020467	1	Pump, Oil (Prior to SN 1300000353)	
204	7020495	1	Pump, Oil Lube (Not Shown) (SN 1300000353 through 1300000978)	
205	7020468	1	Ring, Sealing	
206		Ref	Pump, Fuel Injection Options:	
206	7024318	1	Pump, Fuel Injection (Prior to SN 1300000353)	
206	7027242	1	Pump, Fuel Injection (not shown) (SN 1300000353 through 1300000978)	
206	7027246	1	Series A Injector	
206	7027608	1	Series B Injector	
206	7027609	1	Series C Injector	
206	7027610	1	Series D Injector	
206	7020447	3	Gasket, Injection Pump	
207		Ref	Pump, Fuel Supply Options:	
207	7020463	1	Pump, Fuel Supply (was p/n 7024413) (Prior to SN 1300000353)	
207	70000916	1	Pump, Fuel Supply (was p/n 7027238) (Not Shown) (SN 1300000353 through 1300000978)	
208	7020411	1	O-Seal	
209	7020023	1	Filter, Fuel Options	
209	70001423	1	Bracket, Fuel Filter (SN 1300000353 through 1300000978)	
210	7020471	3	Gasket, Exhaust (Not Shown)	
210	7020449	3	Gasket, Intake (Not Shown)	
211	7020408	1	V-Belt	
212	7000663	1	Alternator (was p/n 7020410)	
212	70002234	1	Bracket, Adjusting	
213	7020464	1	Voltage Regulator	
214		Ref	Transmitter, Temperature Options (Not Shown - Located on Front Left of Engine):	
214	7020168	1	Transmitter, Temperature (Prior to SN 1300000353)	
214	7027241	1	Transmitter, Temperature (SN 1300000353 through 1300000978)	
215	7020480	1	Ring, Sealing (Not Shown)	
216	7020458	1	Actuator, Throttle	
216	7027276	2	Spring, Actuator	
217	7020026	1	Dipstick	
217	7020403	1	Seal, Ring	
217		Ref	Tube, Dipstick Options:	
217	70001002	1	Tube for p/n 2000217	
217	See Note	1	Tube for p/n 2000190 (Note: For correct component, must supply engine serial number to Discount-equipment)	
218	7020465	1	Cap, Filler	
219	7020488	2	Connector, Electrical (Not Shown - Located at Sensors)	
220	7024565	1	Sensor, Tach (was p/n 7020481)	
220	70003932	1	Spacer, Sleeve	
221	7020482	1	Gasket Kit (Not Shown)	

SECTION 2 - TURNTABLE

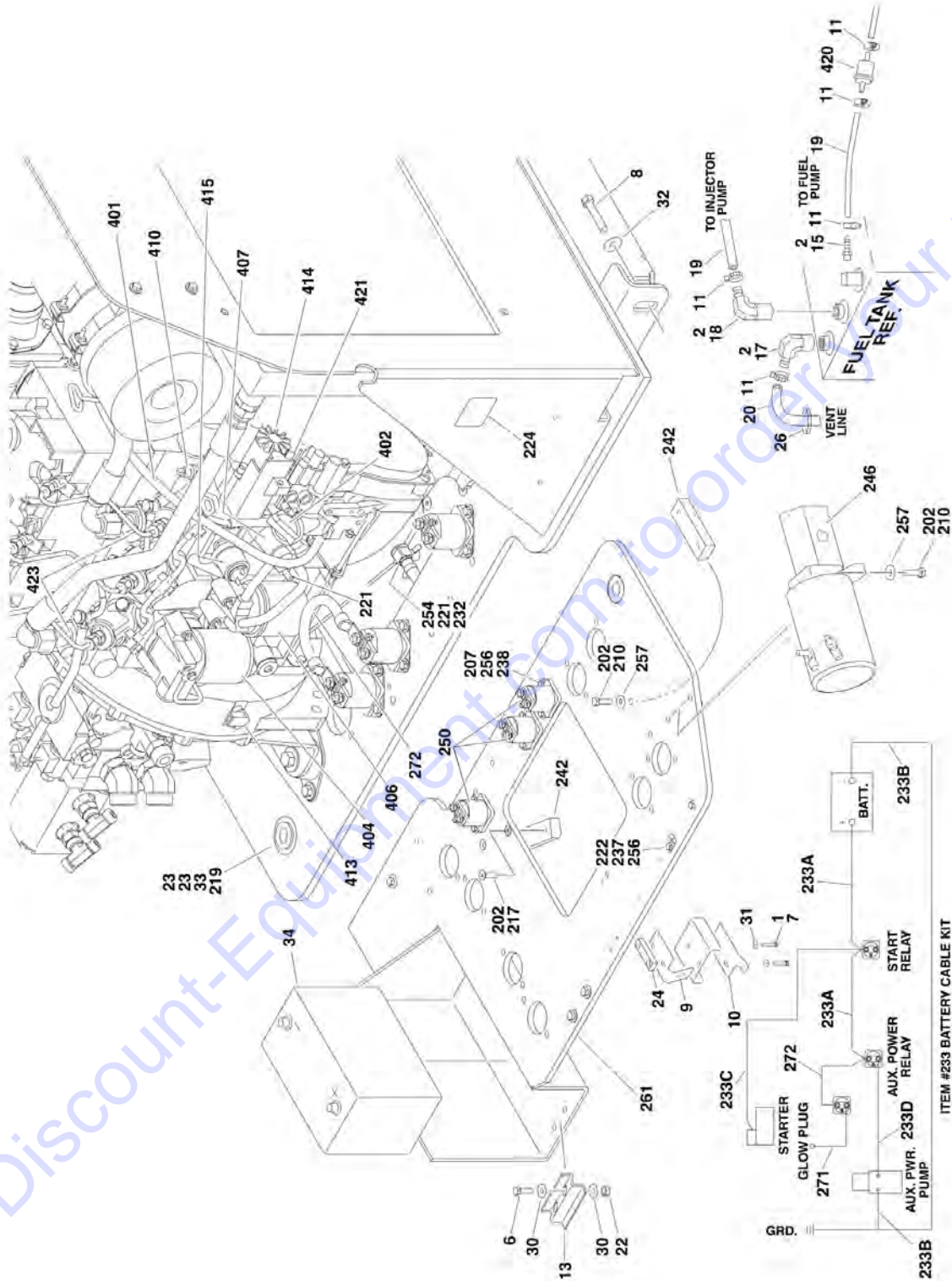
ITEM	PART NUMBER	QTY	DESCRIPTION	REV
223	7020459	1	Thermostat (Not Shown) (SN 1300000353 through 1300000978)	
223	7020460	1	Spring, Compression	
224	See Note	1	Flywheel (Not Shown) (SN 1300000353 through 1300000978)	
		Ref	(Note: Not available for purchase)	
224	7024579	1	Rim, Gear (Not Shown)	
225	7027239	1	Solenoid, Start (SN 1300000353 through 1300000978)	
226	7027769	2	Connector, Radiator (SN 1300000353 through 1300000978)	
227	7027245	1	Fuel Filter In-Line (Not Shown)	
		Ref	MUFFLER INSTALLATION OPTIONS:	
250		Ref	Muffler Options:	
250	3220110	1	Standard	
250	3220112	1	Catalytic	
250A	1320176	1	Clamp, Muffler	
	0256847	Ref	PUMP COUPLING INSTALLATION	2
301	1660234	1	Coupling, Hayes	
302	0080163	1	Plate, Pump Adapter	
303	0700810	6	Bolt M8 x 20mm	
304	4831900	6	Lockwasher M8	
306	4832000	8	Lockwasher M10	
307	3020021	AR	Grease, Coupling (Not Shown)	

SECTION 2 - TURNTABLE

FIGURE 2-20. BELGIUM BUILT MACHINES/DEUTZ ENGINE INSTALLATION (SN 130000979 through 1300006000)



SECTION 2 - TURNTABLE



SECTION 2 - TURNTABLE

FIGURE 2-20. BELGIUM BUILT MACHINES/DEUTZ ENGINE INSTALLATION (SN 130000979 through 1300006000)

ITEM	PART NUMBER	QTY	DESCRIPTION	REV
		Ref	DEUTZ ENGINE INSTALLATIONS (BELGIUM BUILT MACHINES) (SN 1ST DIGIT IS 1)	
	0274335	Ref	Deutz Engine Installation (4WD) (SN 130000979 through 1300003221)	D
	0275871	Ref	Deutz Engine Installation (4WD) (SN 1300003222 through 1300006000)	B
1	0100011	AR	Compound, Locking	
2	0100020	AR	Sealant, Pipe	
4	0641410	4	Bolt 1/4in-20NC x 1-1/4in	
5	0641418	2	Bolt 1/4in-20NC x 2-1/4in	
6	0641512	2	Bolt 5/16in-18NC x 1-1/2in	
7	0641610	2	Bolt 3/8in-16NC x 1-1/4in	
8	0642010	1	Bolt 5/8in-11NC x 1-1/4in	
9	0902443	1	Bracket, Hood Latch Mount	
10	0902444	1	Bracket, Hood Support	
11	1320022	5	Clamp, Fuel Line	
12	1701505	1	Decal, Diesel Fuel (Not Shown)	
13	1787217	1	Clamp, Battery Hold-Down	
15	2180348	1	Fitting, Barbed	
16	2200222	1	Plug, Pipe (Not Shown - Located on Bottom of Fuel Tank)	
17	2220313	1	Fitting, Elbow Barbed	
18	2221176	1	Fitting, Elbow	
19	2720058	15.1 ft /4.6m	Hose	
20	2750532	6 ft/1.83m	Hose	
21	3311405	6	Locknut 1/4in-20NC	
22	3311505	2	Locknut 5/16in-18NC	
23	3312005	1	Locknut 5/8in-11NC	
24		Ref	Pad, Wear Options:	
24	3340399	1	Pad, Wear (SN 130000979 through 1300003221)	
24	3340958	1	Pad, Wear (SN 1300003222 through 1300006000)	
25	3900254	1	Screw, Shoulder	
26	4240099	AR	Wire, Tie	
27		Ref	Valve Options:	
27	4641108	NLA	Valve (Use p/n 1001099391) (SN 130000979 through 1300003221)	
27	4641317	1	Valve (SN 1300003222 through 1300006000)	
27A		Ref	Cartridge and Coil Options:	
		Ref	Note: Original Equipment Valve may have been replaced with Service Replacement Valve. Identify p/n stamped on valve before ordering parts.	
27A	7012974	1	Cartridge without Coil (4641108 Valve)	
27A	7010543	1	Seal Kit - 7012974 Cartridge	
27A	7012941	1	Cartridge without Coil (4641317 & 1001099391 Valves)	
27A	7010543	1	Seal Kit - 7012974 Cartridge	
27A	7012944	1	Coil	
27B		Ref	Cartridge and Coil Options:	
		Ref	Note: Original Equipment Valve may have been replaced with Service Replacement Valve. Identify p/n stamped on valve before ordering parts.	
27B	7012995	1	Cartridge without Coil (4641108 & 1001099391 Valves)	

SECTION 2 - TURNTABLE

ITEM	PART NUMBER	QTY	DESCRIPTION	REV
27B	7012518	1	Seal Kit - 7012995 Cartridge	
27B	7012941	1	Cartridge without Coil (4641317 Valve)	
27B	7010543	1	Seal Kit - 7012941 Cartridge	
27B	7012943	1	Coil (4641108 & 1001099391 Valves)	
27B	7012944	1	Coil (4641317 Valve)	
28	4711400	8	Flatwasher 1/4in Thin	
29	4751400	12	Flatwasher 1/4in Regular	
30	4751500	4	Flatwasher 5/16in Regular	
31	4751600	6	Flatwasher 3/8in Regular	
32	4752000	1	Flatwasher 5/8in Regular	
33	4752200	2	Flatwasher 3/4in Regular	
34	8008750	1	Battery (Wet)	
35	1706098	1	Decal - Warning Explosion/Fire (SN 1300001787 through 1300006000)	
		Ref	ENGINE ASSEMBLY	
	2000291	Ref	Engine Assembly (4WD) (SN 1300000979 through 1300006000)	J
201	0080231	1	Adapter, Fan Spacer	
202	0100011	AR	Compound, Locking	
203	0100020	AR	Sealant, Pipe Only (SN 1300000979 through 1300003196)	
205	0340041	2	Band, Muffler Bracket	
206	0641406	6	Bolt 1/4in-20NC x 3/4in	
207	0641410	6	Bolt, 1/4in-20NC x 1 1/4in	
208	0641510	3	Bolt, 5/16in-18NC x 1 1/4in	
209	0641608	AR	Bolt 3/8in-16NC x 1in	
210	0641610	16	Bolt 3/8in-16NC x 1 1/4in	
211	0641812	2	Bolt 1/2in-13NC x 1 1/2in	
212	0641820	4	Bolt 1/2in-13NC x 2 1/2in	
213	0700816	4	Bolt M8 x 40mm	
214		Ref	Bolt M10 x 25mm Options:	
214	0701012	4	Bolt M10 x 25mm (SN 1300000979 through 1300001786)	
214	0771012	4	Bolt M10 x 25mm (SN 1300001787 through 1300006000)	
215		Ref	Bolt M10 x 30mm Options:	
215	0701014	4	Bolt M10 x 30mm (SN 1300000979 through 1300001786)	
215	0711014	4	Bolt M10 x 30mm (SN 1300001787 through 1300006000)	
216	0711414	6	Bolt M14 x 30mm	
217	0741610	2	Screw, Countersunk 3/8in-16NC x 1-1/4in	
218	0902740	1	Bracket, Engine Mounting	
219	0962172	1	Bushing, Flanged	
220	1320016	AR	Clamp	
221	1320022	1	Clamp, Hose	
222	1320222	3	Clamp, "J" Clip	
223	1340060	1	Air Cleaner Assembly	
223	7012664	1	Element, Air Cleaner	
224	1703162	2	Decal, Fan Blade	
225		Ref	Engine, Deutz Options:	
225	2000273	1	Engine, Deutz (F3M2011 Tier II) (SN 1300000979 through 1300001786)	
225	2000338	1	Engine, Deutz (F3M2011 Tier II) (SN 1300001787 through 1300003195)	
225	1001092723	1	Engine, Deutz (D2011L03 Tier III) (SN 1300003196 through 1300006000)	
226	2060025	1	Fan	

SECTION 2 - TURNTABLE

ITEM	PART NUMBER	QTY	DESCRIPTION	REV
227	2200221	1	Plug Only (SN 1300000979 through 1300003195)	
228	2220451	1	Fitting	
229		Ref	Hose, Elbow Options:	
229A	2720434	1	Hose, Elbow (SN 1300000979 through 1300003195)	
229B	1001091179	1	Hose, Elbow (SN 1300003196 through 1300006000)	
230	2720449	1	Hose, Air Cleaner Intake Only (SN 1300000979 through 1300003195)	
231	2720467	2	Hose, Oil Cooler	
232	2750532	1.4 ft /0.4m	Hose	
233	2902060	1	Battery Cable Kit	B
233A	7027041	1	Cable (Battery - to Ground) (was p/n 7016837)	
233B	7016817	1	Cable (Battery + to Auxiliary Relay)	
233C	7016820	1	Cable (Auxiliary Relay to Starter)	
233D	7016834	1	Cable (Auxiliary Relay to Auxiliary Pump)	
234	3020016	2.5 gal /9.5L	Motor Oil Mobil Delvac MX 15W-40 (Not Shown)	
235	3200406	4	Mount, Rubber	
236	3220110	1	Muffler, Deutz Spark Arresting	
236A	1320176	1	Clamp, Muffler	
237	3311401	1	Nut 1/4in-20NC	
238	3311405	12	Locknut 1/4in-20NC	
239	3311505	3	Locknut 5/16in-18NC	
240	3311605	AR	Locknut 3/8in-16NC	
241	3311805	4	Locknut 1/2in-13NC	
242	3340399	2	Pad, Wear	
243	3570801	NLA	Plate, Engine Mounting (Use p/n 0903063)	
244	3573895	1	Plate, Radiator Mounting	
245	3573937	1	Support, Radiator	
246		Ref	Auxiliary Pump Assembly Options (See AUXILIARY PUMP ASSEMBLY for Breakdown):	
246	3600279	NLA	Auxiliary Pump Assembly (Use p/n 3600423) (SN 1300000979 through 1300002752)	
246	3600423	1	Auxiliary Pump Assembly (SN 1300002753 through 1300006000)	
247	3600318	1	Gear Pump Assembly (See GEAR PUMP ASSEMBLY for Breakdown)	
247	7023929	1	Seal Kit - 3600318 Pump	
248	3600385	1	Piston Pump Assembly with Fittings (See PISTON PUMP ASSEMBLY (SERIES 42 PUMP) for Breakdown)	
249	3620033	NLA	Radiator (Use p/n 1001150998)	
250		Ref	Relay Options:	
250	3740140	2	Relay (SN 1300000979 through 1300001979)	
250	3740067	3	Relay (SN 1300001980 through 1300006000)	
251	3790152	1	O-Ring	
252	3960407	1	Gasket, Air Intake	
253	4567495	1	Tube, Tee Only (SN 1300000979 through 1300003195)	
254	4640751	1	Valve, Oil Drain	
255	4740274	4	Washer, Snubbing	
256	4751400	21	Flatwasher 1/4in Regular	
257	4751600	AR	Flatwasher 3/8in Regular	
258		Ref	Flatwasher Options:	
258	4751900	6	Flatwasher 9/16in Regular (SN 1300000979 through	

SECTION 2 - TURNTABLE

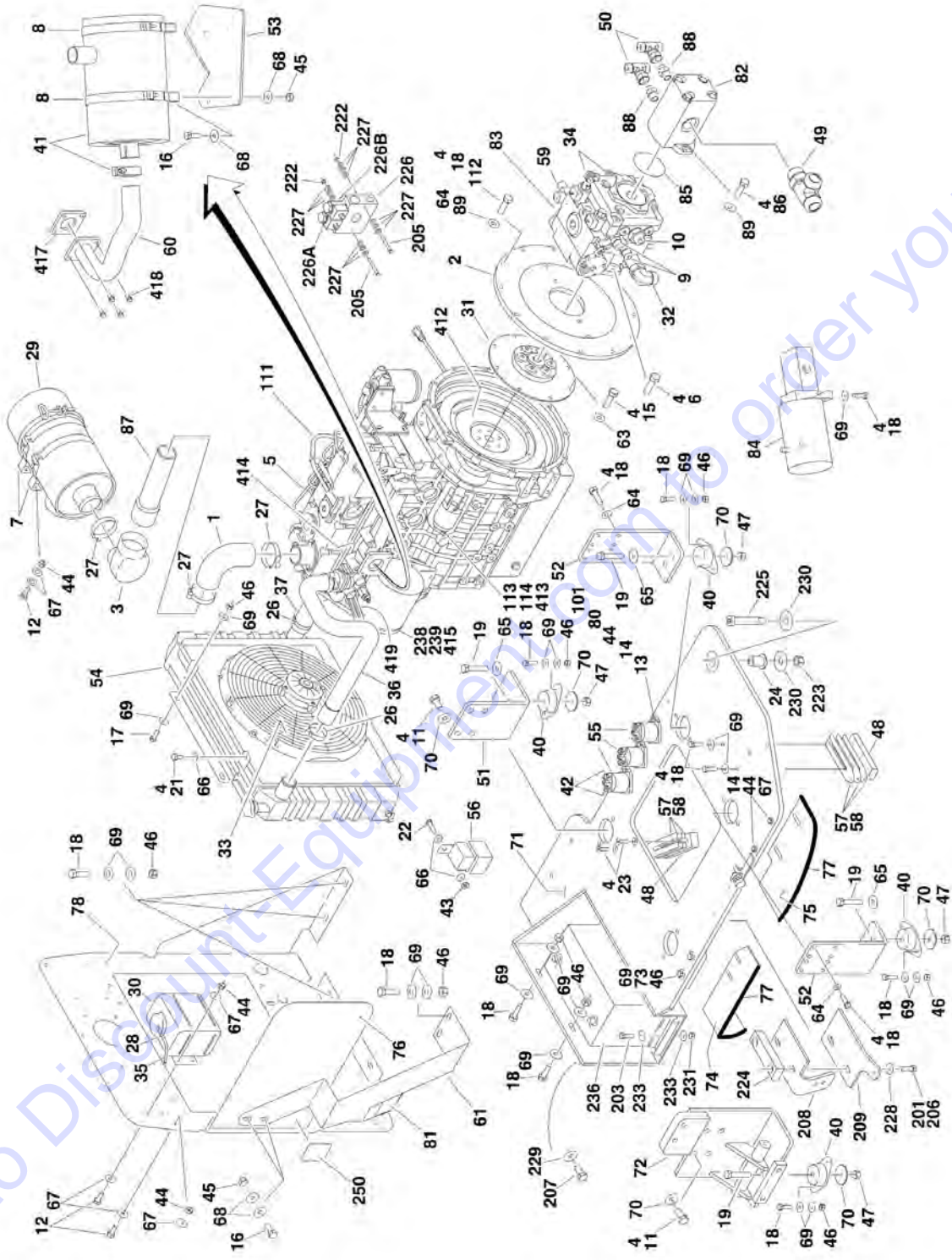
ITEM	PART NUMBER	QTY	DESCRIPTION	REV
			1300001786)	
258	4812200	6	Flatwasher M14 (SN 1300001787 through 1300006000)	
259	4845395	1	Adapter	
260		Ref	Bracket, Motor Mount Options:	
260	4846567	1	Machines with Generator	
260	4846567	1	Machines without Generator (Standard)	
260	1001138135	1	Machines without Generator (Optional Service Replacement - No Generator Mounting Capabilities) (Not Shown)	
261	4846683	1	Tray, Engine Mounting	
262	4891600	2	Flatwasher 3/8in Hardened	
263	2111010	2	Fitting, Straight (SN 1300001787 through 1300006000)	
264	2111612	1	Fitting, Straight (SN 1300001787 through 1300006000)	
265	2131212	1	Fitting, Elbow (SN 1300001787 through 1300006000)	
266	2151212	2	Fitting, Elbow (SN 1300001787 through 1300006000)	
267	2170316	1	Fitting, Tee (SN 1300001787 through 1300006000)	
268	2170808	2	Fitting, Tee (SN 1300001787 through 1300006000)	
269	2221084	1	Fitting, Tee (SN 1300001787 through 1300006000)	
270	4641199	2	Valve, Check (SN 1300001787 through 1300006000)	
271	4923451	1	Harness, Glow Plug (Not Shown) (SN 1300001787 through 1300006000)	
272	1060904	1	Cable, Jumper Only (SN 1300001981 through 1300006000)	
	0256847	Ref	PUMP COUPLING INSTALLATION	2
301	1660234	1	Coupling, Hayes	
302	0080163	1	Plate, Pump Adapter	
303	0700810	63	Bolt M8 x 20mm	
304	4831900	6	Lockwasher M8	
307	3020021	AR	Grease, Coupling (Not Shown)	
		Ref	ENGINE COMPONENTS	
	2000273	Ref	Engine Component (SN 1300000979 through 1300001786)	
	2000338	Ref	Engine Component (SN 1300001787 through 1300003195)	
	1001092723	Ref	Engine Component (SN 1300003196 through 1300006000)	
401	7020026	1	Dipstick (was p/n 7027244)	
402	7020465	2	Cap, Filler	
403	7020495	1	Pump, Oil Lube (Not Shown)	
403	7020468	1	Seal Between Oil Pump and Engine Block (Not Shown)	
404	7016331	1	Filter, Oil	
404	7027236	1	Sensor, Oil Temperature (Not Shown - Located in Rear Of Filter Mount)	
405		Ref	Pump, Injector Options:	
405	7027246	3	Series A Injector	
405	7027608	3	Series B Injector	
405	7027609	3	Series C Injector	
405	7027610	3	Series D Injector	
405	7020447	3	Gasket, Injector Pump	
406	7020023	1	Filter, Fuel	
406	70001423	1	Bracket, Fuel Filter	
407	70000916	1	Pump Fuel Supply (was p/n 7027238)	
407	7020411	1	O-Seal Between Fuel Pump and Engine Block (Not Shown)	
407	70001435	1	Replacement Filter	
408	7020449	3	Gasket, Intake Manifold (Not Shown)	
408	7020471	3	Gasket, Exhaust (Not Shown)	
409	7020408	1	V-Belt	

SECTION 2 - TURNTABLE

ITEM	PART NUMBER	QTY	DESCRIPTION	REV
410	7027791	1	Sensor, Temperature	
411	7000663	1	Alternator (was p/n 7020410)	
411	7020464		Regulator, Voltage (Not Shown)	
412	7020479	1	Starter	
412	7026608	1	Relay, Starter	
413	7024565	1	Tacho-Generator	
413	70003932	1	Spacer, Sleeve	
414	7027792	1	Actuator, Throttle	
414	7027276	2	Spring, Actuator	
415	7027790	1	Sensor, Oil Pressure	
418	7020459	1	Thermostat	
418	7020460	1	Spring, Compression	
419	See Note	1	Flywheel (Not Shown) (Note: Not available for purchase)	
419	7024579	1	Rim, Gear (Not Shown)	
420	7027245	1	Filter, Fuel	
421	7027239	1	Solenoid, Start	
422	7027795	1	Module, EMR2	
423	7027769	2	Connector, Radiator	
424	70001181	1	Valve (Not Shown - Located Behind Oil Filter) (2000338 Engine)	

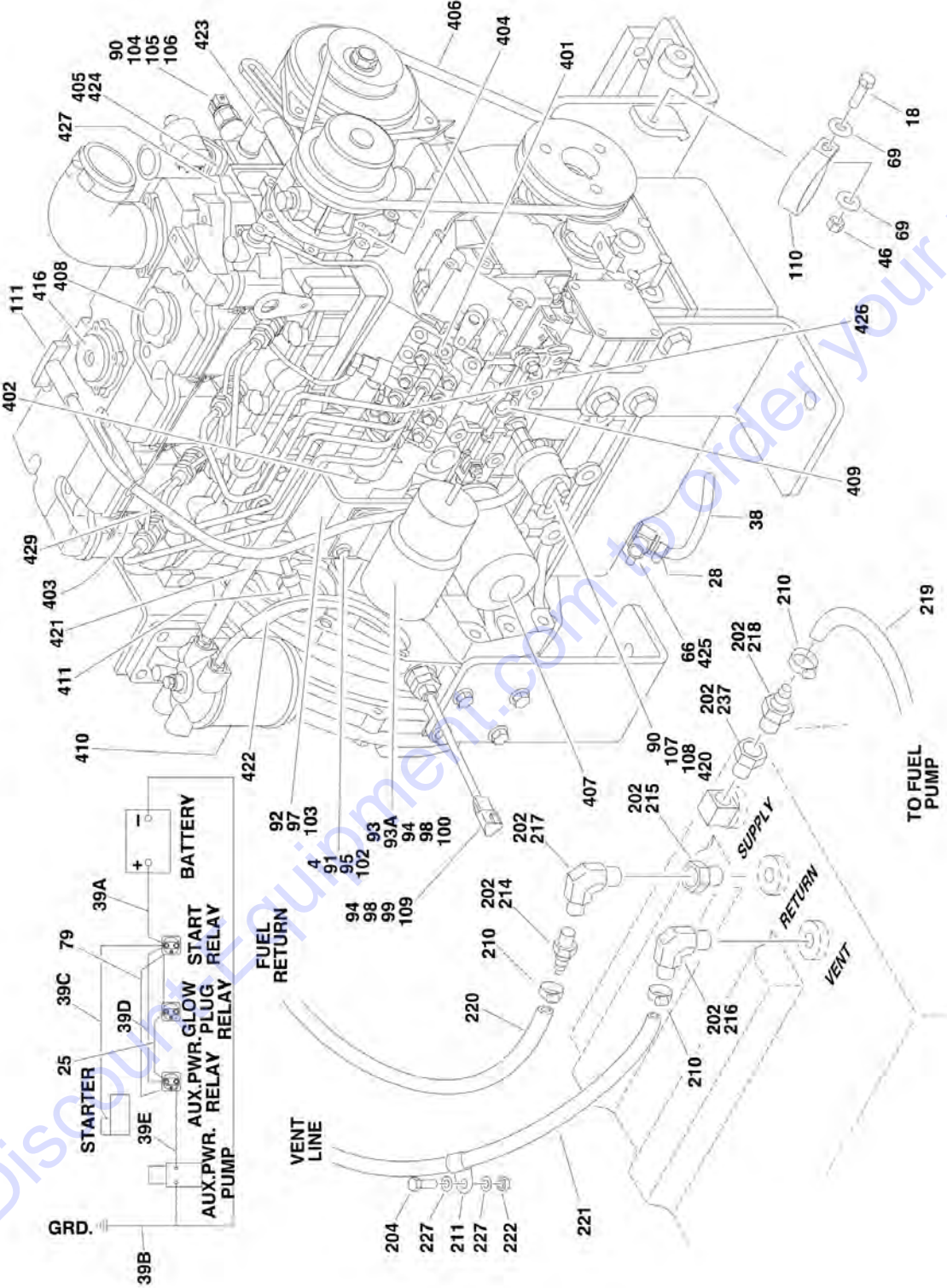
SECTION 2 - TURNTABLE

FIGURE 2-21. BELGIUM BUILT MACHINES/PERKINS ENGINE INSTALLATION



Go to DiscountEquipment.com to order your parts

SECTION 2 - TURNTABLE



Go to DiscountParts.com to order your parts

SECTION 2 - TURNTABLE

FIGURE 2-21. BELGIUM BUILT MACHINES/PERKINS ENGINE INSTALLATION

ITEM	PART NUMBER	QTY	DESCRIPTION	REV
	2000396	Ref	PERKINS ENGINE ASSEMBLY	E
1	2180482	1	Elbow, Rubber	
2	0080181	1	Adapter, Pump Mounting Plate	
3	0080201	1	Adapter, Elbow Air Intake	
4	0100011	AR	Compound, Locking	
5	1001095205	1	Engine, Perkins 404C-22	
6	0641812	2	Bolt 1/2in-13NC x 1-1/2in	
7	0340041	2	Band, Air Cleaner Mounting	
8	0340046	2	Band, Muffler Mounting	
9	2111010	2	Fitting, Straight	
10	2111612	1	Fitting, Straight	
11	0630569	8	Bolt M14 x 30mm	
12	0641406	8	Bolt 1/4in-20NC x 3/4in	
13	0641408	5	Bolt 1/4in-20NC x 1in	
14	0641610	3	Bolt 3/8in-16NC x 1-1/4in	
15	0641506	8	Bolt 5/16in-18NC x 3/4in	
16	0641507	6	Bolt 5/16in-18NC x 7/8in	
17	0641609	4	Bolt 3/8in-16NC x 1-1/8in	
18	0641610	35	Bolt 3/8in-16NC x 1-1/4in	
19	0641820	4	Bolt 1/2in-13NC x 2-1/2in	
21	0721004	4	Capscrew #10-24NC x 1/2in	
22	0721006	1	Capscrew #10-24NC x 3/4in	
23	0741610	2	Screw, Flat Head 3/8in-16NC x 1-1/4in	
24	0962172	1	Bushing, Flanged	
25	1060904	1	Cable, Jumper	
26	1320012	4	Clamp	
27	1320016	4	Clamp	
28	1320022	3	Clamp	
29	1340060	1	Air Cleaner Assembly	
29	7012664	1	Element, Air Cleaner	
30	1580011	1	Container, Coolant Overflow	
31	1660255	1	Coupling, Pump	
32	2131212	1	Fitting, Elbow	
33	2060032	1	Fan, Electric	
34	2151212	2	Fitting, Elbow	
35	2720058	4 in/10cm	Hose	
36	2720507	NLA	Hose, Radiator (Top) (Use p/n 1001102308)	
37	2720508	1	Hose, Radiator (Bottom)	
38	2750532	6 in/15cm	Hose	
39	2902060	1	Battery Cable Kit	B
39A	7016817	1	Cable - Battery to Starter Relay	
39B	7027041	1	Cable - Battery and Auxiliary Pump to Ground (was p/n 7016837)	
39C	7016834	1	Cable - Starter Relay to Starter	
39D	7016838	1	Cable - Starter Relay to Auxiliary Relay	
39E	7016820	1	Cable - Auxiliary Relay to Auxiliary Pump	
40	3200378	4	Mount, Motor	
41		Ref	Muffler Options:	
41	3220113	1	Spark Arresting Muffler	
41	70001017	1	Clamp	
41	3220154	NLA	Catalytic Muffler (Use p/n 1001107116)	

SECTION 2 - TURNTABLE

ITEM	PART NUMBER	QTY	DESCRIPTION	REV
41	70002705	1	Clamp	
41	70002706	1	Plug, Brass	
42	3300220	6	Nut, Washer	
43	3311005	1	Locknut #10-24NC	
44	3311405	16	Locknut 1/4in-20NC	
45	3311505	6	Locknut 5/16in-18NC	
46	3311605	19	Locknut 3/8in-16NC	
47	3311805	4	Locknut 1/2in-13NC	
48	3340399	2	Pad, Wear	
49	2170316	1	Fitting, Tee	
50	2170808	2	Fitting, Tee	
51	3577130	1	Plate, Engine Mounting (Front)	
52	3577135	2	Plate, Engine Mounting (Rear)	
53	3577134	NLA	Plate, Muffler Support (Use p/n 1001098525)	
54	3620046	1	Radiator	
54	7019656	1	Cap, Radiator	
55	3740067	3	Relay	
56	3740080	1	Relay	
57	4070497	4	Shim	
58	4070498	2	Shim	
59	2221084	1	Fitting, Tee	
60	4568743	1	Pipe, Exhaust	
61	3573937	1	Plate, Radiator Support	
62	4641272	1	Valve, Oil Drain	
63	4711500	8	Flatwasher 5/16in Thin	
64	4711600	18	Flatwasher 3/8in Thin	
65	4740274	4	Washer, Snubbing	
66	4751000	6	Flatwasher #10 Regular	
67	4751400	20	Flatwasher 1/4in Regular	
68	4751500	12	Flatwasher 5/16in Regular	
69	4751600	42	Flatwasher 3/8in Regular	
70	4751800	11	Flatwasher 1/2in Regular	
71	1580049	1	Weldment, Engine Tray	
72	4846821	1	Mount, Motor/Generator	
73	0641611	2	Bolt 3/8in-16NC x 1-3/8in	
74	3577133	1	Plate, Air	
75	3577132	1	Plate, Baffle	
76	3577131	1	Plate, Air Panel	
77	3960438	28 in /71cm	Seal, Self Gripping	
78	3577139	1	Plate, Radiator Mount	
79	4922737	1	Harness, Engine Grounding	
80	4711400	12	Flatwasher 1/4in Thin	
81	1703162	2	Decal - Caution Fan	
82	3600318	1	Gear Pump Assembly (See GEAR PUMP ASSEMBLY for Breakdown)	
83	3600385	1	Pump Assembly (See PISTON PUMP ASSEMBLY (SERIES 42 PUMP) for Breakdown)	
84	3600423	1	Auxiliary Pump Assembly (See Auxiliary Pump Assembly for Breakdown)	
85	3790152	1	O-Ring	
86	3931620	2	Capscrew, Socket Head 3/8in-16NC x 1-1/4in	

SECTION 2 - TURNTABLE

ITEM	PART NUMBER	QTY	DESCRIPTION	REV
87	4569176	1	Tube, Air Intake	
88	4641199	2	Valve, Check	
89	4891600	4	Flatwasher 3/8in Hardened	
90	0100020	AR	Sealant	
91	0760612	4	Capscrew M6 x 25mm	
92	0760810	2	Capscrew M8 x 20mm	
93	100109927	1	Actuator Kit, Governor Pull (Includes 1600351 Actuator and Items 93A, 94, 98 & 100)	
93A	7026843	1	Linkage	
94	2820018	1 ft/31cm	Heat Shrink	
95	3290605	4	Locknut M6	
97	3574282	1	Plate, Actuator Mounting	
98	4460464	5	Pin, Male	
99	4460536	1	Connector, Female - 3 Position	
100	4460897	1	Connector, Female - 2 Position	
101	4791400	6	Starwasher 1/4in	
102	5240600	8	Flatwasher M6 Hardened	
103	5240800	2	Flatwasher M8 Hardened	
104	1001097551	1	Sensor, Coolant	
105	1001097552	1	Adapter, Coolant Sensor	
106	1001097553	1	Washer, Coolant Sensor	
107	1001097554	1	Sensor, Oil Pressure	
108	1001097555	1	Adapter, Oil Pressure Sensor	
109	100109926	1	Sensor Kit, Speed (Includes 1001097556 Speed Sensor and Items 94, 98 & 99)	
110	1001097588	1	Clip, Tube	
111	1001097893	1	Dipstick Assembly	
111	7026885	1	Dipstick	
111	7026886	1	Tube, Dipstick	
111	7026847	2	Washer	
111	7026881	1	O-Ring	
112	0641612	3	Bolt 3/8in-16NC x 1-1/2in	
113	3290801	1	Nut M8	
114	4831900	1	Lockwasher M8	
	0275815	Ref	PERKINS ENGINE INSTALLATION	E
201	0100011	AR	Compound, Locking	
202	0100020	AR	Sealant, Pipe	
203	0641512	2	Bolt 5/16in-18NC x 1-1/2in	
204	0641406	1	Bolt 1/4in-20NC x 3/4in	
205	0641418	2	Bolt 1/4in-20NC x 2-1/4in	
206	0641610	2	Bolt 3/8in-16NC x 1-1/4in	
207	0642010	1	Bolt 5/8in-11NC x 1-1/4in	
208	0902443	1	Bracket, Hood Latch Mount	
209	0902444	1	Bracket, Hood Support	
210	1320022	5	Clamp, Fuel Line	
211	1320223	1	Clamp	
212	1701505	1	Decal, Diesel (Not Shown)	
213	1787217	1	Clamp, Battery Hold-Down	
214	2180536	1	Fitting, Barbed	
215	2220250	1	Fitting, Reducer	
216	2220313	1	Fitting, Elbow Barbed	
217	2220459	1	Fitting, Elbow	

SECTION 2 - TURNTABLE

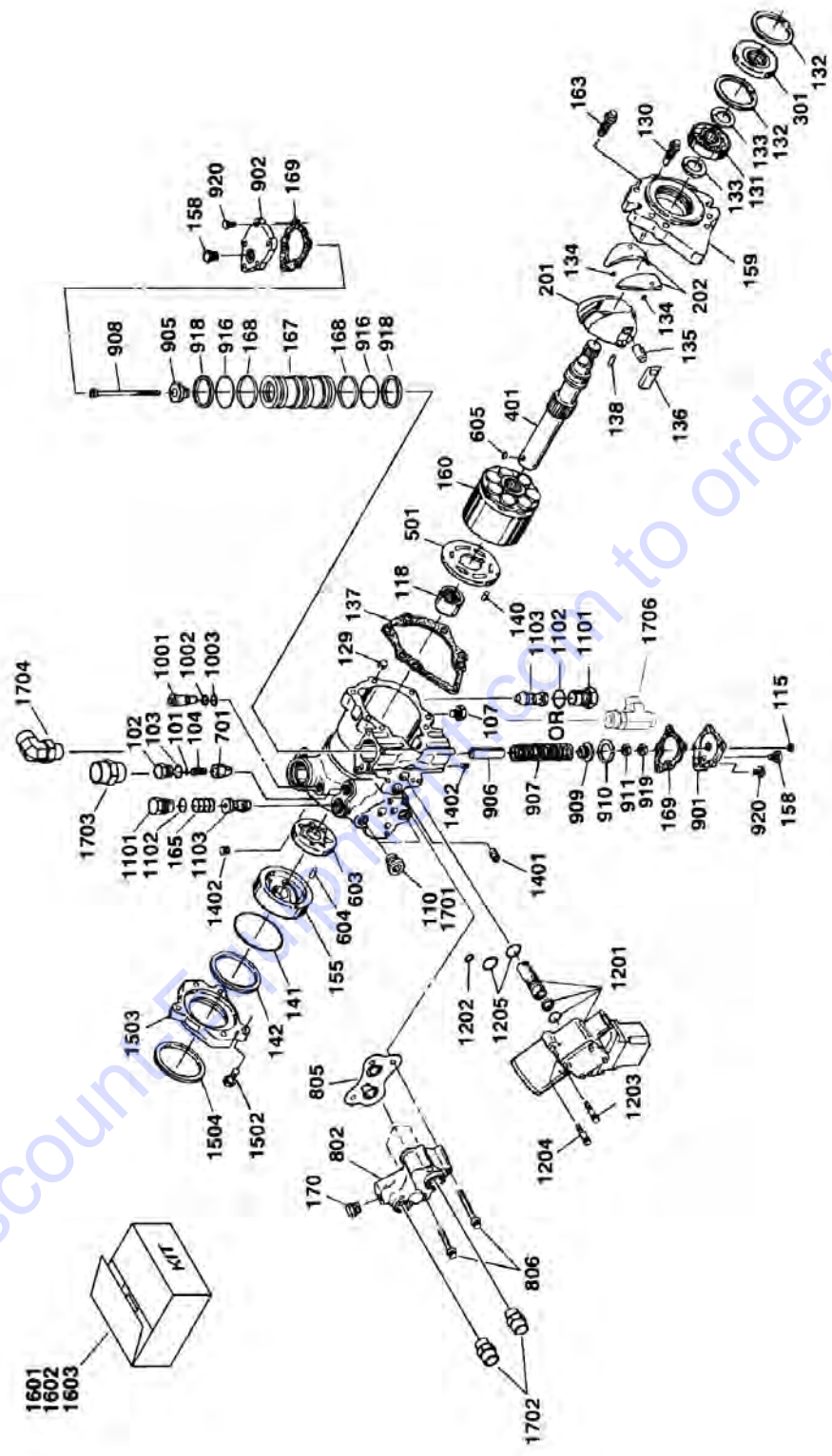
ITEM	PART NUMBER	QTY	DESCRIPTION	REV
218	2220794	1	Fitting, Straight Barbed	
219	2720058	8 ft/2.4m	Hose	
220	2720271	8 ft/2.4m	Hose	
221	2750532	7 ft/2.1m	Hose	
222	3311405	3	Locknut 1/4in-20NC	
223	3312005	1	Locknut 5/8in-11NC	
224	3340399	1	Pad, Wear	
225	3900254	1	Screw, Shoulder	
226	4641317	1	Valve Assembly	
226A	7012941	2	Cartridge without Coil	
226A	7010543	2	Seal Kit - 7012941 Cartridge	
226B	7012944	2	Coil	
227	4751400	14	Flatwasher 1/4in Regular	
228	4751600	2	Flatwasher 3/8in Regular	
229	4752000	1	Flatwasher 5/8in Regular	
230	4752200	2	Flatwasher 3/4in Regular	
231	3311505	3	Locknut 5/16in-18NC	
233	4751500	1	Flatwasher 5/16in Regular	
234	2300004	2.7 gal /10.2L	Coolant, Anti-Freeze (Not Shown)	
235	3020016	2.5 gal /9.5L	Oil, Motor Mobil Delvac MX 15W-40	
236	8008750	1	Battery	
237	2220273	1	Fitting, Reducer	
238	3290501	1	Nut M5	
239	3290601	1	Nut M6	
240	2200222	1	Plug, Pipe (Not Shown - Located on Bottom of Fuel Tank)	
241	0100079	AR	Sealant (Not Shown - Used on Item 240)	
250	1706098	1	Decal - Warning Explosion/Fire	
	1001095205	Ref	ENGINE COMPONENTS	
401	70001386	1	Pump, Fuel Injection	
401	70001388	AR	Shim, 0.20mm	
401	70001389	AR	Shim, 0.25mm	
401	70001390	AR	Shim, 0.30mm	
401	70001391	AR	Shim, 0.35mm	
401	70001392	AR	Shim, 0.40mm	
401	70001393	AR	Shim, 0.50mm	
401	70001394	AR	Shim, 0.50mm Flat	
402	70001387	1	Solenoid, Fuel Injection	
403	70001395	4	Glowplug	
404	70001396	1	Pump, Water (Includes p/n 70001397 Only)	
404	70001397	1	Gasket, Water Pump to Plate	
404	70001398	1	Gasket, Plate to Engine Block	
405	70001400	1	Thermostat	
405	70001399	1	Gasket, Thermostat Neck to Thermostat Housing	
405	70001401	1	Gasket, Thermostat Housing to Engine Block	
406	70001402	1	Belt	
407	70001403	1	Filter, Oil	
408	70001404	1	Cap, Oil Fill	
408	70001405	1	Seal, Oil Fill Cap	
409	70001406	1	Valve, Relief	
409	70001407	1	Seal, O-Ring	

SECTION 2 - TURNTABLE

ITEM	PART NUMBER	QTY	DESCRIPTION	REV
410	70001408	1	Fuel Bowl and Filter Assembly	
410	70001409	1	Fuel Filter Kit (Includes 1 Filter Element and 4 Seals)	
411	70001410	1	Pump, Lift	
411	70001411	1	Seal, O-Ring	
412	70001412	1	Flywheel	
412	70001413	1	Ring, Starter	
413	70001414	1	Starter	
413	70001415	1	Solenoid, Start	
414	70001416	1	Gasket, Exhaust Manifold to Engine Block	
415	70001417	1	Alternator	
416	70001418	1	Valve, Breather	
417	70001419	1	Gasket, Exhaust Manifold to Exhaust Tube	
418	0700808	4	Bolt M8 x 16mm	
419	70001792	1	Lever, Alternator Adjustment Arm	
419	70001793	2	Screw	
419	70001794	1	Washer (Engine Block Side of Lever)	
419	70001796	1	Washer (Alternator Side of Lever)	
420	70002107	1	Fitting, Oil Sensor Adapter to Engine Block	
421	70002109	1	Pipe, Fuel	
422	70002098	1	Hose, Fuel	
423	70002106	1	Hose	
424	70002105	1	Housing, Thermostat	
425	70002108	1	Washer	
426	70002100	1	Pipe, Fuel Injection #1	
426	70002101	1	Pipe, Fuel Injection #2	
426	70002102	1	Pipe, Fuel Injection #3	
426	70002103	1	Pipe, Fuel Injection #4	
427	70002099	1	Gasket, Cover	
428	70002104	1	Pipe, Oil (Not Shown)	
429	70002437	1	Line, Fuel Injection Return (was p/n 70002433)	
430	70005704	1	Gasket Kit (Top) (Not Shown - Used on Engine p/n 1001095205)	
431	70005705	1	Gasket Kit (Bottom) (Not Shown - Used on Engine p/n 1001095205)	

SECTION 2 - TURNTABLE

FIGURE 2-22. PISTON PUMP ASSEMBLY (SERIES M46 PUMP)



SECTION 2 - TURNTABLE

FIGURE 2-22. PISTON PUMP ASSEMBLY (SERIES M46 PUMP)

ITEM	PART NUMBER	QTY	DESCRIPTION	REV
		Ref	PISTON PUMP USAGE CHART:	
		Ref	Caterpillar Engine Machines:	
		Ref	Caterpillar Engine Machines, 2WD:	
	3600316 Series M46	Ref	Caterpillar Engine Machines (SN 0300065080 through 0300100513)	
	3600385 Series 42	Ref	Caterpillar Engine Machines (SN 0300100514 through 0300123999)	
		Ref	Caterpillar Engine Machines, 4WD:	
	3600296 Series 42	Ref	Caterpillar Engine Machines (SN 0300065080 through 0300073424)	
	3600385 Series 42	Ref	Caterpillar Engine Machines (SN 0300073425 through 0300123999)	
		Ref	Deutz Engine Machines:	
		Ref	Deutz Engine Machines, 2WD	
	3600316 Series M46	Ref	Deutz Engine Machines (SN 0300065080 through 0300077682)	
	3600406 Series M46	Ref	Deutz Engine Machines (SN 0300077683 through 0300100513)	
	3600407 Series 42	Ref	Deutz Engine Machines (SN 0300100514 through 0300123999)	
		Ref	Deutz Engine Machines, 4WD:	
	3600296 Series 42	Ref	USA Built Machines (SN 0300065080 through 0300073424)	
	3600385 Series 42	Ref	USA Built Machines (SN 0300073425 through 0300077682)	
	3600407 Series 42	Ref	USA Built Machines (SN 0300077683 through 0300123999)	
	3600296 Series 42	Ref	Belgium Built Machines (Prior to SN 1300000129)	
	3600385 Series 42	Ref	Belgium Built Machines (SN 1300000129 through 1300006000)	
	3600406 Series M46	Ref	Artic Machines (SN 0300065080 through 0300095240)	
	3600407 Series 42	Ref	Artic Machines (SN 0300095241 through 0300123999)	
		Ref	Ford Engine Machines:	
		Ref	Ford Engine Machines, 2WD:	
	3600316 Series M46	Ref	Ford Engine Machines (SN 0300065080 through 0300078472)	
	3600406 Series M46	Ref	Ford Engine Machines (SN 0300078473 through 0300123999)	
		Ref	Ford Engine Machines, 4WD:	
	3600296 Series 42	Ref	USA Built Machines (SN 0300065080 through 0300073424)	
	3600385 Series 42	Ref	USA Built Machines (SN 0300073425 through 0300078472)	
	3600407 Series 42	Ref	USA Built Machines (SN 0300078473 through 0300123999)	
		Ref	GM Engine Machines:	
	3600407 Series 42	Ref	All Machines	
		Ref	Perkins Engine Machines:	
	3600385 Series 42	Ref	All Machines	
		Ref	NOTE: SERIES M46 SHOWN HERE. SERIES 42 PUMPS SHOWN ON THE FOLLOWING ILLUSTRATION.	
		Ref	PISTON PUMP ASSEMBLIES	
	3600316	Ref	Pump (Without Fittings)	B
	3600406	Ref	Pump (With Fittings)	B
101	7007413	1	Shim Kit - Relief Valve	
102	7007414	1	Plug (Includes Item 103)	
103	2900752	1	O-Ring	

SECTION 2 - TURNTABLE

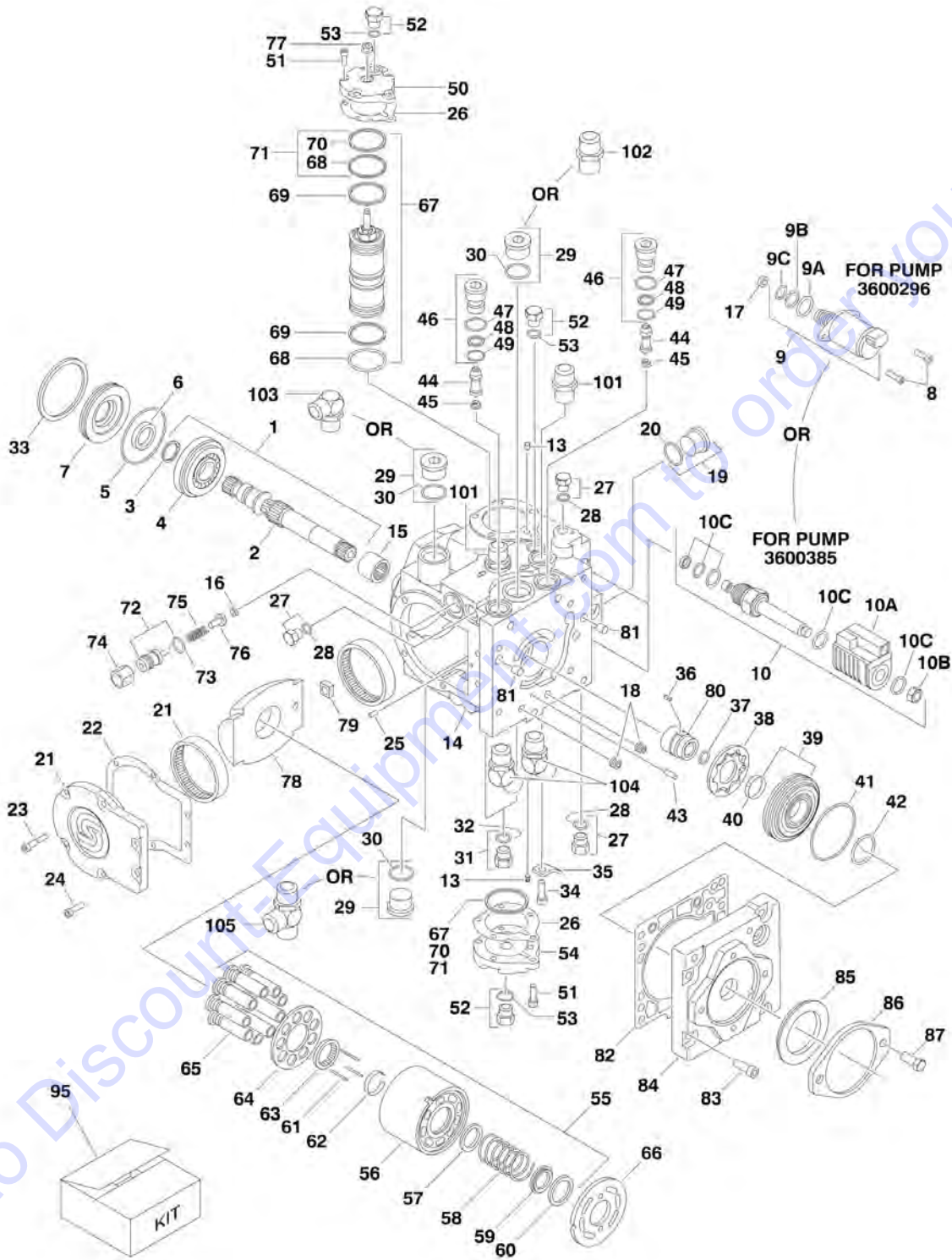
ITEM	PART NUMBER	QTY	DESCRIPTION	REV
104	7007416	1	Spring, Relief Valve	
107	7007419	2	Plug	
110	7022318	2	Plug	
115	7007423	1	Nut, Special	
118	7007425	1	Bearing, Needle	
129	7007435	1	Pin, Spring	
130	7021202	1	Screw, Torx	
131	7007437	1	Bearing, Ball	
132	7007438	2	Ring	
133	7007439	2	Ring	
134	7021203	2	Pin, Spring	
135	7007441	1	Handle, Pin	
136	7007442	1	Sleeve, Bearing	
137	2900752	1	Gasket, Front Cover	
138	7007444	1	Pin	
140	7007446	1	Pin	
141	See Note	1	O-Ring (Note: Use Item 1601 or 1603.)	
142	See Note	1	Ring, Load Temper (Note: Use Item 1601 or 1603.)	
155	7007452	1	Cover, Gerotor	
158	7007208	2	Plug	
159	7007454	1	Cover, Front	
160	7010116	1	Cylinder Block Kit	
163	7021207	6	Screw, Torx	
165	7021264	2	Spring, Compression	
167	7007494	1	Piston, Servo	
168	2900752	2	Bearing	
169	2900752	2	Gasket, Servo	
170	7007470	2	Plug	
		Ref	Swashplate Group	
201	7007457	1	Swashplate	
202	7021212	1	Journal, Bearing	
		Ref	Front Seal Group	
301	2900752	1	Seal, Lip	
		Ref	Pump Shaft Group	
401	7023978	1	Shaft	
		Ref	Rotation Group	
501	7021214	1	Plate, Valve	
		Ref	Pump Displacement Group	
603	7007463	1	Gerotor Assembly	
604	7007464	1	Pin	
605	7007465	1	Key, Woodruff	
		Ref	Valve Group	
701	7007417	1	Plate, Valve	
		Ref	Remote Filter Group	
802	7007466	1	Adapter, Remote Filtration (Without Bypass)	
805	2900752	1	Seal	
806	7021218	3	Screw	
		Ref	Displacement Group	
901	7021219	1	Cover, Servo (With Adjuster)	
902	7021220	1	Cover, Servo (Without Adjuster)	
905	7023979	1	Guide, Spring	

SECTION 2 - TURNTABLE

ITEM	PART NUMBER	QTY	DESCRIPTION	REV
906	7007484	1	Stop, Servo	
907	7007485	1	Spring	
908	7021221	1	Screw	
909	7007487	1	Guide, Spring	
910	7007488	1	Ring, Retaining	
911	7021222	1	Locknut	
916	See Note	2	Ring, Piston (Note: Use Item 1601 or 1602.)	
918	See Note	2	O-Ring (Note: Use Item 1601 or 1602.)	
919	7021206	1	Nut, Jam	
920	7021223	10	Screw	
		Ref	By-Pass Valve Group	
1001	7007472	1	Valve, Bypass	
1002	2900752	1	Ring, Back-Up	
1003	2900752	1	O-Ring	
		Ref	Pressure Protection Group	
1101	7021209	2	Plug Assembly	
1102	2900752	2	O-Ring	
1103	7021263	2	Valve, SCR	
		Ref	Control Group	
1201	7023980	1	Control, Dual Oil-Filled	
1201	7007496	1	Coil Assembly (Pilot)	
1201	7007497	1	Plug (Pump)	
1201	7007498	1	Plug (Valve Harness)	
1202	2900752	1	O-Ring	
1203	7007478	2	Screw	
1204	7001498	2	Screw	
1205	2900752	2	O-Ring	
		Ref	Control Orifice Group	
1401	7007475	1	Plug, Orifice/Screen (.156)	
1402	7021226	2	Plug, Orifice	
		Ref	Adapter Group	
1502	0641608	5	Bolt	
1503	7007476	1	Adapter, Auxiliary Pump	
1504	7021298	1	Seal	
1601	2900752	1	Seal Kit - Complete (Includes Items 103, 137, 141, 142, 168, 169, 301, 805, 916, 918, 1002, 1003, 1102, 1202, & 1205)	
1602	7007412	1	Seal Kit - Servo Piston (Includes Items 916 & 918)	
1603	2900826	1	Charge Pump Kit (Includes Items 141, 142, 155, 603, 604 & 605)	
		Ref	PUMP ASSEMBLY FITTINGS (3600406 PUMP ONLY)	A
1701	2110406	1	Fitting, Straight	
1702	2111010	2	Fitting, Straight	
1703	2111616	1	Fitting, Straight	
1704	2131212	1	Fitting, Elbow	
1705	2151616	2	Fitting, Elbow (Not Shown)	
1706	2221084	1	Fitting, Tee	

SECTION 2 - TURNTABLE

FIGURE 2-23. PISTON PUMP ASSEMBLY (SERIES 42 PUMP)



SECTION 2 - TURNTABLE

FIGURE 2-23. PISTON PUMP ASSEMBLY (SERIES 42 PUMP)

ITEM	PART NUMBER	QTY	DESCRIPTION	REV
		Ref	PISTON PUMP USAGE CHART:	
		Ref	Caterpillar Engine Machines:	
		Ref	Caterpillar Engine Machines (2WD):	
	3600316 Series M46	Ref	Caterpillar Engine Machines (SN 0300065080 through 0300100513)	
	3600385 Series 42	Ref	Caterpillar Engine Machines (SN 0300100514 through 0300123999)	
		Ref	Caterpillar Engine Machines (4WD):	
	3600296 Series 42	Ref	Caterpillar Engine Machines (SN 0300065080 through 0300073424)	
	3600385 Series 42	Ref	Caterpillar Engine Machines (SN 0300073425 through 0300123999)	
		Ref	Deutz Engine Machines:	
		Ref	Deutz Engine Machines (2WD):	
	3600316 Series M46	Ref	Deutz Engine Machines (SN 0300065080 through 0300077682)	
	3600406 Series M46	Ref	Deutz Engine Machines (SN 0300077683 through 0300100513)	
	3600407 Series 42	Ref	Deutz Engine Machines (SN 0300100514 through 0300123999)	
		Ref	Deutz Engine Machines (4WD):	
	3600296 Series 42	Ref	USA Built Machines (SN 0300065080 through 0300073424)	
	3600385 Series 42	Ref	USA Built Machines (SN 0300073425 through 0300077682)	
	3600407 Series 42	Ref	USA Built Machines (SN 0300077683 through 0300123999)	
	3600296 Series 42	Ref	Belgium Built Machines (Prior to SN 1300000129)	
	3600385 Series 42	Ref	Belgium Built Machines (SN 1300000129 through 1300006000)	
	3600406 Series M46	Ref	Arctic Machines (SN 0300065080 through 0300095240)	
	3600407 Series 42	Ref	Arctic Machines (SN 0300095241 through 0300123999)	
		Ref	Ford Engine Machines:	
		Ref	Ford Engine Machines (2WD):	
	3600316 Series M46	Ref	Ford Engine Machines (SN 0300065080 through 0300078472)	
	3600406 Series M46	Ref	Ford Engine Machines (SN 0300078473 through 0300123999)	
		Ref	Ford Engine Machines (4WD):	
	3600296 Series 42	Ref	Ford Engine Machines (SN 0300065080 through 0300073424)	
	3600385 Series 42	Ref	Ford Engine Machines (SN 0300073425 through 0300078472)	
	3600407 Series 42	Ref	Ford Engine Machines (SN 0300078473 through 0300123999)	
		Ref	GM Engine Machines:	
	3600407 Series 42	Ref	All Machines	
		Ref	Perkins Engine Machines:	
	3600385 Series 42	Ref	All Machines	
		Ref	NOTE: SERIES 42 SHOWN HERE. SERIES M46 PUMPS SHOWN ON THE PRECEDING ILLUSTRATION.	
		Ref	PISTON PUMP ASSEMBLIES	
	3600296	Ref	Pump Assembly (Without Fittings)	D
	3600385	Ref	Pump Assembly (Without Fittings)	A
	3600407	Ref	Pump Assembly (With Fittings)	B

SECTION 2 - TURNTABLE

ITEM	PART NUMBER	QTY	DESCRIPTION	REV
		Ref	Note: Original Equipment Pump p/n 3600296 may have been replaced with p/n 3600385 as a Service Replacement. Identify component before ordering parts.	
1	7021240	1	Shaft Assembly (Includes Items 2-4)	
2	7021237	1	Shaft	
3	7021238	1	Ring, Retaining	
4	7021239	1	Bearing, Roller	
5	7021280	1	O-Ring	
6	7021242	1	Seal, Lip	
7	7021243	1	Carrier, Seal Shaft	
8	See Note	4	Screw (3600296 Pump Only) (Note: Not available for purchase)	
9	7022373	2	Solenoid Assembly (Includes Items 9A - 9C) (3600296 Pump Only)	
9A	7022374	2	O-Ring (3600296 Pump Only)	
9B	7022375	2	O-Ring (3600296 Pump Only)	
9C	7022376	2	O-Ring (3600296 Pump Only)	
10	7024855	2	Solenoid Assembly (3600385 & 4640407 Pumps Only)	
10A	7024856	2	Coil (3600385 & 4640407 Pumps Only) (1 Per Assy)	
10B	7024857	2	Nut (3600385 & 4640407 Pumps Only) (1 Per Assy)	
10C	7024858	2	Seal Kit - 7024855 Cartridge (3600385 & 4640407 Pumps Only) (1 Per Assy)	
13	7022377	2	Orifice	
14	7022378	1	Housing Assembly (Includes Items 15-20)	
15	7021249	1	Bearing, Needle	
16	7021254	1	Screen, Filter (3600296 Pump Only)	
17	7022379	2	Screen, Filter (3600296 Pump Only)	
18	7001485	2	Plug	
19	7022380	1	Plug (Includes Item 20)	
20	7022381	1	O-Ring	
21	7021248	1	Side Cover Assembly (Includes Item 22)	
22	7021280	1	Gasket	
23	7021255	4	Screw	
24	7021251	2	Screw	
25	7021250	1	Pin	
26	7021280	2	Gasket	
27	7021283	2	Plug Assembly (3600296 Pump Only)	
28	7021284	2	O-Ring (3600296 Pump Only)	
29	7007419	2	Plug Assembly	
30	7021280	2	O-Ring	
31	7007470	2	Plug Assembly	
32	7021280	2	O-Ring	
33	7021257	1	Ring, Retaining	
34	7021251	1	Screw	
35	7022342	1	Bracket, Lifting	
36	7022342	1	Key	
37	7022341	1	Ring, Retaining	
38	7021258	1	Gerotor	
39	7021260	1	Gerotor Cover Assembly	
40	7021259	1	Bearing, Journal	
41	Not Required	0	O-Ring (3600296 Pump Only)	
42	7021280	1	O-Ring	
43	See Note	1	Pin (Note: Not available for purchase)	

SECTION 2 - TURNTABLE

ITEM	PART NUMBER	QTY	DESCRIPTION	REV
44	7021263	2	SCR Valve (3600296 Pump Only)	
45		Ref	Spring	
45	7021264	1	Spring (3600296 Pump Only)	
45	7024800	1	Spring (3600385 & 4640407 Pumps Only)	
46	7021265	2	Bypass Valve Assembly (Includes Items 47-49)	
47	7021280	2	O-Ring	
48	7021280	2	Ring, Back Up	
49	7021280	2	O-Ring	
50	7022382	1	Cover, Servo	
51	7021255	10	Screw	
52	7007470	1	Plug Assembly	
53	7021280	1	O-Ring	
54	7021268	1	Cover, Servo	
55		Ref	Cylinder Block Assembly (Includes Items 56-65)	
55	7022383	1	Cylinder Block Assembly (3600296 Pump Only)	
55	7021269	1	Cylinder Block Assembly (3600385 & 4640407 Pumps Only)	
56		Ref	Cylinder Block	
56	7022384	1	Cylinder Block (3600296 Pump Only)	
56	7021270	1	Cylinder Block (3600385 & 4640407 Pumps Only)	
57	7021271	1	Washer	
58	7021272	1	Spring	
59	7021273	1	Washer	
60	7021274	1	Ring, Retaining	
61	7021275	3	Pin, Slipper Hold Down	
62	7021276	1	Retainer, Hold Down Pin	
63	7021277	1	Guide, Slipper Retainer	
64	7021278	1	Retainer, Slipper	
65	7021279	9	Piston Assembly	
66	7021281	1	Plate, Valve	
67	7022385	1	Servo Piston Assembly (Includes Items 68-70)	
68	7021280	2	O-Ring	
69	7021280	2	Ring, Bearing	
70	7021280	2	Ring, Piston	
71	7007412	1	Servo Piston Ring Kit (Includes Items 68 & 70 Only)	
72		Ref	Plug Assembly	
72	7021288	1	Plug Assembly (3600296 Pump Only)	
72	7022346	1	Plug Assembly (3600385 & 4640407 Pumps Only)	
73	7021280	1	O-Ring	
74	7021290	1	Nut	
75		Ref	Spring	
75	7021291	1	Spring (3600296 Pump Only)	
75	7022347	1	Spring (3600385 & 4640407 Pumps Only)	
76		Ref	Poppet	
76	7021292	1	Poppet (3600296 Pump Only)	
76	7024804	1	Poppet (3600385 & 4640407 Pumps Only)	
77	7021280	1	Nut, Seal	
78	7022386	1	Swashplate	
79	7022387	1	Slider, Block	
80	7021294	1	Coupling	
81	7001481	2	Pin	
82	70002257	1	Gasket	

PARTS FINDER

**Search Website
by Part Number**



**Search Manual
Library For Parts
Manual & Lookup Part
Numbers – Purchase
or Request Quote**

**Can't Find Part or
Manual? Request Help
by Manufacturer,
Model & Description**

Discount-Equipment.com is your online resource for quality parts & equipment.

Florida: **561-964-4949** Outside Florida TOLL FREE: **877-690-3101**

Need parts?

Click on this link: <http://www.discount-equipment.com/category/5443-parts/> and choose one of the options to help get the right parts and equipment you are looking for. Please have the machine model and serial number available in order to help us get you the correct parts. If you don't find the part on the website or on one of the online manuals, please fill out the request form and one of our experienced staff members will get back to you with a quote for the right part that your machine needs.

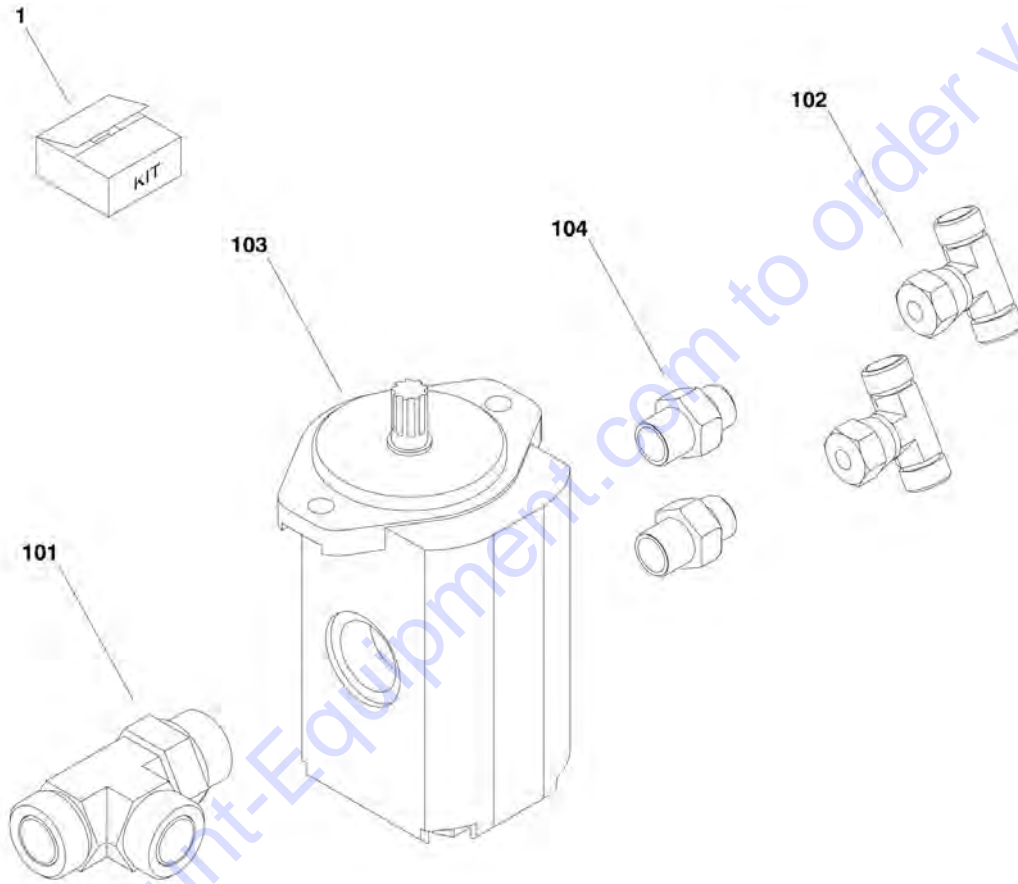
We sell worldwide for the brands: Genie, Terex, JLG, MultiQuip, Mikasa, Essick, Whiteman, Mayco, Toro Stone, Diamond Products, Generac Magnum, Airman, Haulotte, Barreto, Power Blanket, Nifty Lift, Atlas Copco, Chicago Pneumatic, Allmand, Miller Curber, Skyjack, Lull, Skytrak, Tsurumi, Husquvarna Target, Stow, Wacker, Sakai, Mi-T-M, Sullair, Basic, Dynapac, MBW, Weber, Bartell, Bennar Newman, Haulotte, Ditch Runner, Menegotti, Morrison, Contec, Buddy, Crown, Edco, Wyco, Bomag, Laymor, EZ Trench, Bil-Jax, F.S. Curtis, Gehl Pavers, Heli, Honda, ICS/PowerGrit, IHI, Partner, Imer, Clipper, MMD, Koshin, Rice, CH&E, General Equipment, Amida, Coleman, NAC, Gradall, Square Shooter, Kent, Stanley, Tamco, Toku, Hatz, Kohler, Robin, Wisconsin, Northrock, Oztec, Toker TK, Rol-Air, APT, Wylie, Ingersoll Rand / Doosan, Innovatech, Con X, Ammann, Mecalac, Makinex, Smith Surface Prep, Small Line, Wanco, Yanmar

SECTION 2 - TURNTABLE

ITEM	PART NUMBER	QTY	DESCRIPTION	REV
83	7021296	7	Screw	
84	7021297	1	Cover, Charge Pump	
85	7021298	1	Seal	
86	7021299	1	Plate, Cover	
87	7007289	2	Screw	
88	7007470	1	Plug (Not Shown) (3600385 & 4640407 Pumps Only)	
89	7021256	1	O-Ring (Not Shown) (3600385 & 4640407 Pumps Only)	
95	7021280	1	Seal Kit (Includes Items 5-6, 22, 26, 30, 32, 42, 47-49, 53, 68-70, 73, 77, 82 & 89)	
		Ref	PUMP ASSEMBLY FITTINGS (3600407 PUMP ONLY)	C
101	2111010	2	Fitting, Straight	
102	2111612	1	Fitting, Straight	
103	2131212	1	Fitting, Elbow	
104	2151616	2	Fitting, Elbow	
105	2221084	1	Fitting, Tee	

SECTION 2 - TURNTABLE

FIGURE 2-24. GEAR PUMP ASSEMBLY



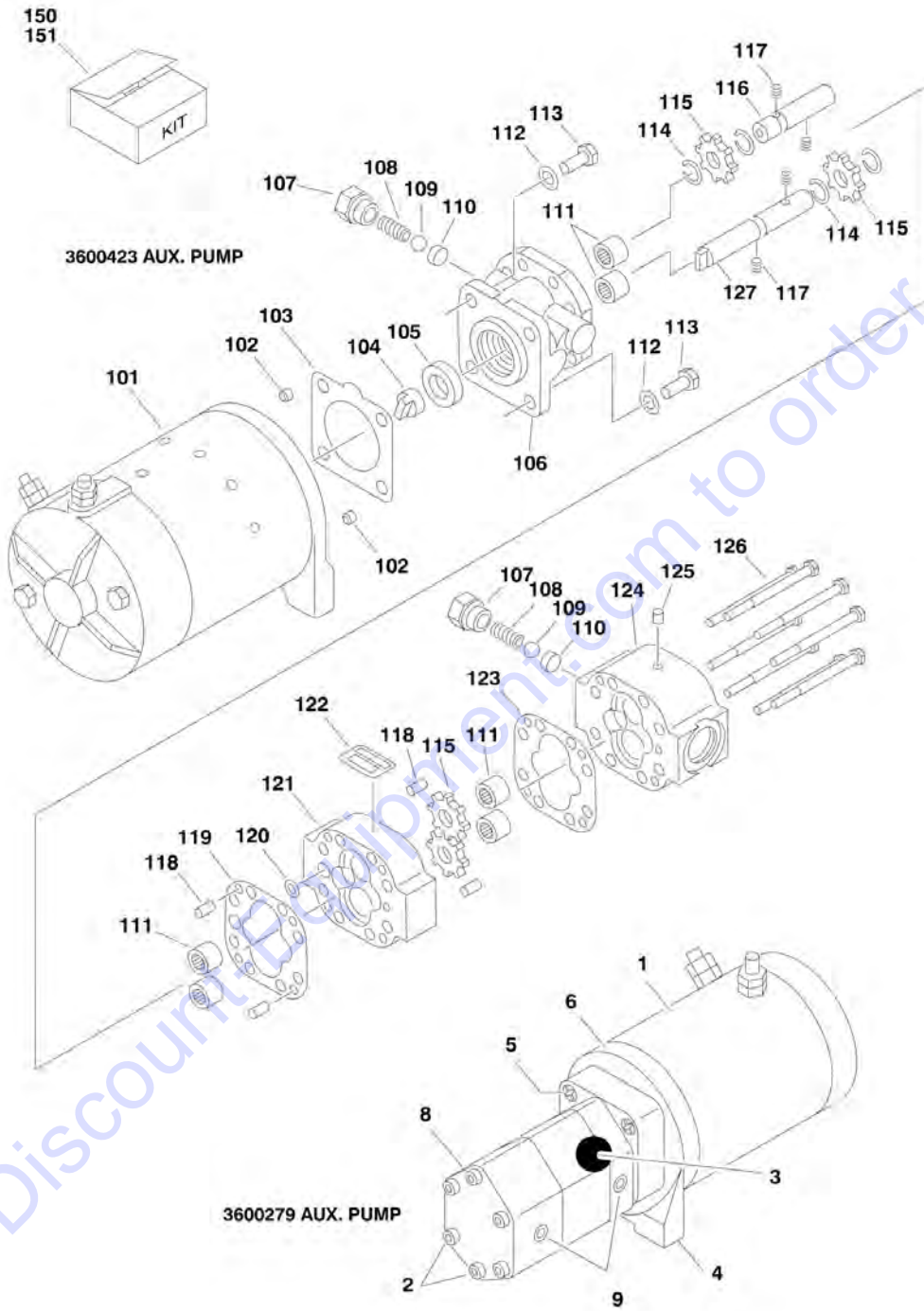
SECTION 2 - TURNTABLE

FIGURE 2-24. GEAR PUMP ASSEMBLY

ITEM	PART NUMBER	QTY	DESCRIPTION	REV
		Ref	GEAR PUMP ASSEMBLY	
		Ref	Usage:	
	3600318	Ref	Caterpillar Engine Machines (All Machines)	
	3600318	Ref	Deutz Engine Machines (USA Built Machines) (SN 0300065080 through 0300077682)	
	3600408	Ref	Deutz Engine Machines (USA Built Machines) (SN 0300077683 through 0300123999)	
	3600318	Ref	Deutz Engine Machines (Belgium Built Machines)	
	3600318	Ref	Ford Engine Machines (USA Built Machines) (SN 0300065080 through 0300078472)	
	3600408	Ref	Ford Engine Machines (USA Built Machines) (SN 0300078473 through 0300123999)	
	3600441	Ref	GM Engine Machines (All Machines)	
	3600318	Ref	Perkins Engine Machines (All Machines)	
	3600318	Ref	GEAR PUMP ASSEMBLY	B
1	7023929	1	Seal Kit (Not Shown)	
		Ref	Note: Seal kit is Only serviceable part for this item	
		Ref	GEAR PUMP SUB-ASSEMBLY	
	3600408	Ref	Deutz Engine Machines (USA Built Machines) (SN 0300077683 through 0300123999)	A
	3600408	Ref	Ford Engine Machines (SN 0300078473 through 0300123999)	A
	3600441	Ref	GM Engine Machines	A
101	2170316	1	Fitting, Tee	
102	2170808	AR	Fitting, Tee Options:	
102		Ref	Deutz and Ford Engine Machines	
102		Ref	GM Engine Machines	
103	3600318	1	Gear Pump Assembly	
103	7023929	1	Seal Kit - 3600318 Pump	
104	4641199	2	Valve, Check	
		Ref	(Note: Seal kit is Only serviceable part for this item.)	

SECTION 2 - TURNTABLE

FIGURE 2-25. AUXILIARY PUMP ASSEMBLY



SECTION 2 - TURNTABLE

FIGURE 2-25. AUXILIARY PUMP ASSEMBLY

ITEM	PART NUMBER	QTY	DESCRIPTION	REV
		Ref	AUXILIARY PUMP ASSEMBLIES	
		Ref	Usage:	
	3600279	Ref	USA Built Machines (Factory Installed) (SN 0300065080 through 0300106544)	
	3600423	Ref	USA Built Machines (Service Replacement) (SN 0300065080 through 0300106544)	
	3600423	1	USA Built Machines (SN 0300106545 through 0300123999)	
	3600279	1	Belgium Built Machines (Factory Installed) (Prior to SN 1300003239)	
	3600423	1	Belgium Built Machines (Service Replacement) (Prior to SN 1300003239)	
	3600423	Ref	Belgium Built Machines (SN 130000329 through 1300006000)	
		Ref	Note: Original Equipment Pump p/n 3600279 may have been replaced with p/n 3600423 as a Service Replacement. Identify component before ordering parts.	
	3600279	Ref	AUXILIARY PUMP ASSEMBLY	B
1	7016768	1	Motor, Replacement	
1	7013757	1	Brush Kit	
2	7016745	4	Capscrew, Socket Head 5/16in-24NF x 4-3/4in	
3	7013711	1	Coupling, Drive	
4	7016769	1	Bracket, Mounting	
5	7016744	2	Screw 5/16in-18NC x 1in	
6	7016746	1	Adapter, Mounting	
7	7013766	2	Pin (Not Shown)	
8	7013771	1	Pump, Replacement	
8	7013701	1	Seal Kit - 7013701 Pump	
9	See Note	2	Valve, Check (Note: Not available for purchase)	
	3600423	Ref	AUXILIARY PUMP ASSEMBLY	A
101	7011067	1	Motor and Adapter	
102	See Note	2	Setscrew (Note: Not Available - Purchase Locally)	
103	7011044	1	Gasket, Mounting	
104	7011016	1	Coupling	
105	70000969	1	Seal, Shaft	
106	70000978	1	Stator	
107	70000978	2	Cap Assembly	
108	70000978	2	Spring	
109	70000978	2	Ball	
110	70000978	2	Seat	
111	70000976	6	Bearing, Needle	
112	70000978	4	Washer	
113	70000978	4	Screw	
114	70000970	4	Ring, Retaining	
115	70000971	4	Gear	
116	70000972	1	Shaft, Idler	
117	70000978	4	Pin, Drive	
118	70000978	4	Pin, Dowel	
119	70000973	1	Gasket	
120	See Note	1	O-Ring (Note: Use Item 150 or 151.)	
121	70000978	1	Housing, Gear	
122	See Note	1	Label (Note: Not Available for Purchase)	
123	7000974	1	Gasket	

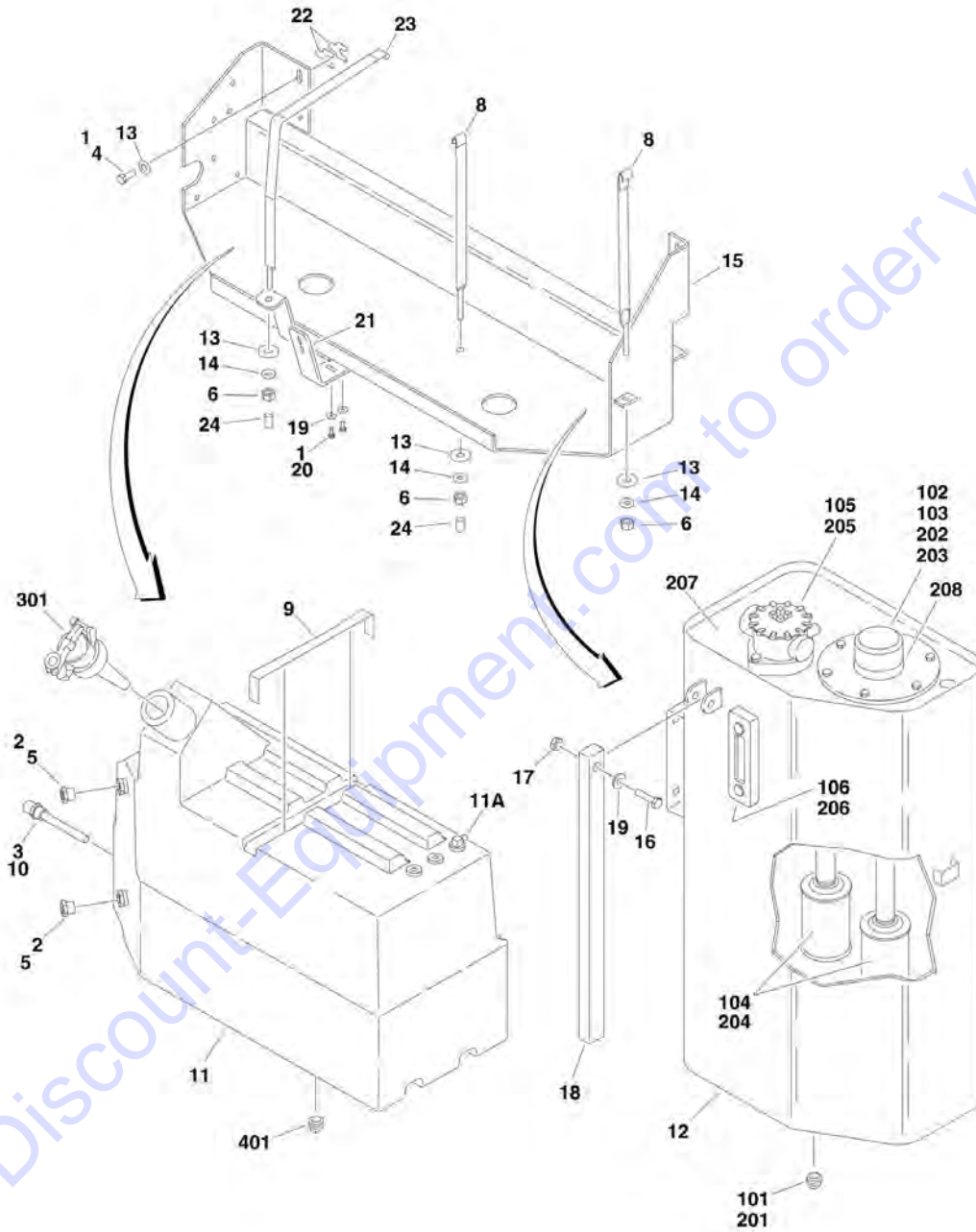
SECTION 2 - TURNTABLE

ITEM	PART NUMBER	QTY	DESCRIPTION	REV
124	70000978	1	Housing, Gear	
125	70000978	1	Plug	
126	70000978	8	Screw	
127	70000975	1	Shaft, Drive	
150	70000977	1	Seal Kit - 3600423 Assembly (Includes Items 103, 105, 120 & Qty 2 O-Rings for Item 107)	
151	70000978	1	Replacement Pump Kit (Includes Items 103-121 & 123-127)	

Go to Discount-Equipment.com to order your parts

SECTION 2 - TURNTABLE

FIGURE 2-26. TANK INSTALLATIONS



SECTION 2 - TURNTABLE

FIGURE 2-26. TANK INSTALLATIONS

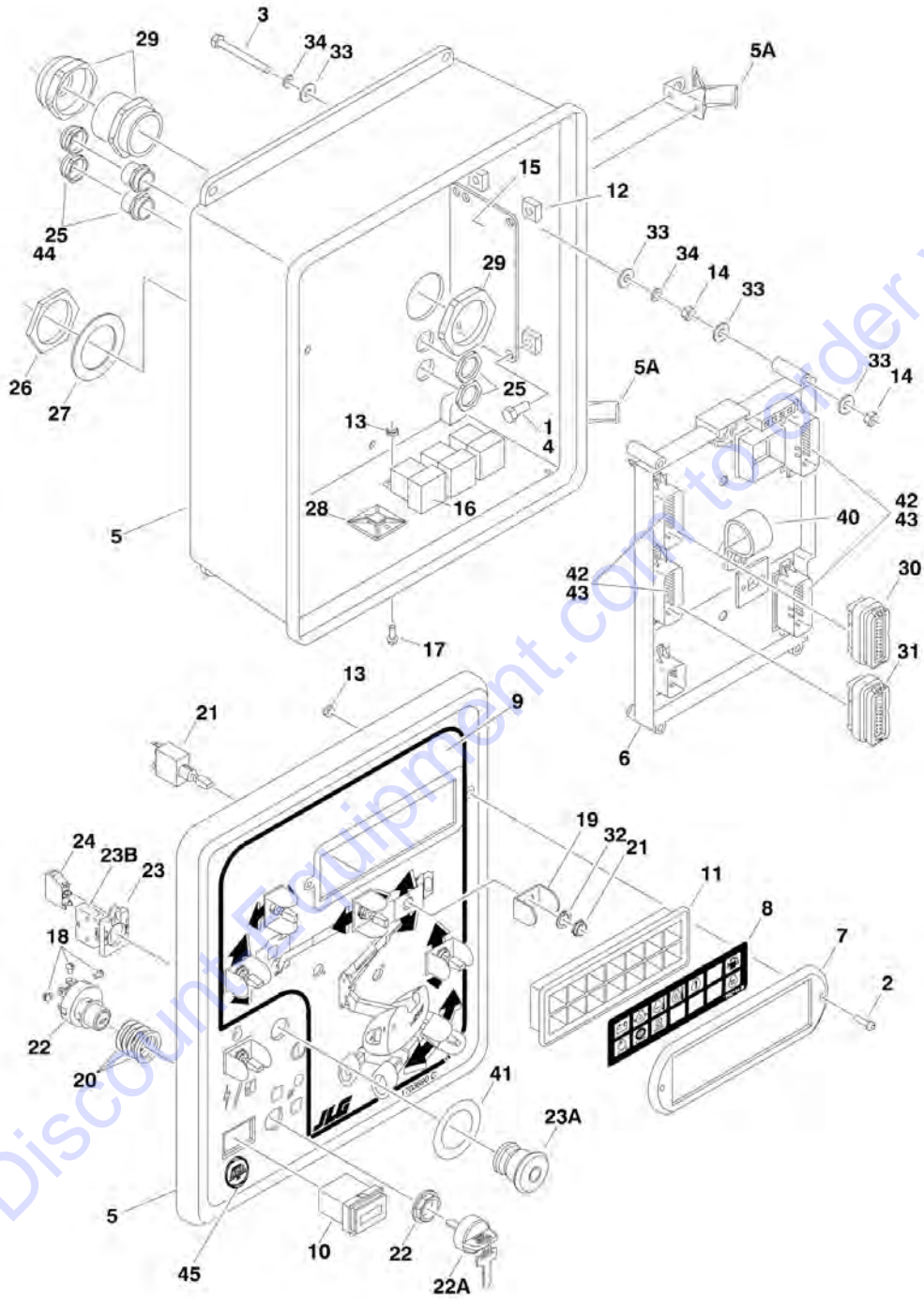
ITEM	PART NUMBER	QTY	DESCRIPTION	REV
		Ref	TANK INSTALLATIONS	
	0271074	Ref	USA Built Machines (SN 0300065080 through 0300070585)	D
	0272669	Ref	USA Built Machines (SN 0300070586 through 0300109285)	E
	0272669	Ref	USA Built Diesel Engine Machines (SN 0300109286 through 0300123999)	E
	1001091567	Ref	USA Built Gas Engine Machines (SN 0300109286 through 0300123999)	A
	0271074	Ref	Belgium Built Machines (Including 1300000001)	D
	0272669	Ref	Belgium Built Machines (SN 1300000002 through 1300000004)	D
	0272491	Ref	Belgium Built Machines (SN 1300000005 through 1300006000)	E
1	0100011	AR	Compound, Locking	
2	0100020	AR	Sealant, Pipe	
3	0100079	AR	Permatex	
4	0641608	4	Bolt 3/8in-16NC x 1in	
5	2420115	2	Gauge, Sight	
6		Ref	Nut Options: 3/8in-16NC	
6	3311601	3	Nut (0271074 / 0272491 Installation)	
6	Not Required	1	Nut (0272669/1001091567 Installation)	
8		Ref	Strap, Tank Mount Options:	
8	4240136	2	Strap, Tank Mount (0271074 Installation)	
8	Not Required	1	Strap, Tank Mount (0272491/0272669/1001091567 Installations)	
9	4280295	2 ft/.61m	Strip, Bumper	
10	4360436	1	Switch, Fuel Level	
11		Ref	Tank, Fuel Options (Includes Standard Non-Locking Cap):	
11	4400408	1	Tank, Fuel (0271074 / 0272669 / 0272491 Installations)	
11	1001091560	1	Tank, Fuel (1001091567 Installation)	
11A	7020056	1	Fitting and Hose (Supply Line)	
12		Ref	Hydraulic Tank Assembly Options:	
12	4400435	1	Hydraulic Tank Assembly (0271074 Installation) (See Items 101-106 for Breakdown)	
12	4400451	1	Hydraulic Tank Assembly (0272669 / 0272491 / 1001091567 Installations) (See Items 201-209 for Breakdown)	
13	4751600	8	Flatwasher 3/8in Regular	
14	4761600	4	Lockwasher 3/8in	
15		Ref	Tray Weldment Options:	
15	4846375	1	Tray Weldment (0271074 / 0272669 / 1001091567 Installations)	
15	4846665	1	Tray Weldment (0272491 Installation)	
16	0641416	1	Bolt 1/4in-20NC x 2in	
17	3311405	1	Locknut 1/4in-20NC	
18	4567627	1	Tube, Hood Prop	
19	4751400	4	Flatwasher 1/4in Regular	
20	0641405	2	Bolt 1/4in-20NC x 5/8in	
21	0902535	1	Bracket, Hood Latch	
22	4070410	2	Shim	
23	4240145	1	Strap, Tank Mount	
24	1120532	2	Cap, Protective	
25	2820035	2 ft/.61m	Insulate, Tubing (Not Shown)	
		Ref	Hydraulic Tank Assembly Options:	
	4400435	Ref	0271074 Tank Installation	F
101	7014812	1	Plug, Magnetic	

SECTION 2 - TURNTABLE

ITEM	PART NUMBER	QTY	DESCRIPTION	REV
102	7014811	1	Breather/Fill Cap	
103	7014816	1	Screen	
104	7014801	2	Strainer	
105	7020226	1	Assembly Filter, Return	
105	7023205	1	Filter, Element	
106	7014802	1	Gauge, Sight	
	4400451	Ref	0272669 Tank Installation	G
	4400451	Ref	0272491 Tank Installation	G
	4400451	Ref	1001091567 Tank Installation	G
201	7024446	1	Plug, Magnetic	
202	7024444	1	Cap, Fill (LENZ BRAND)	
202	See Note	1	Cap Fill (HYDAC BRAND) (Note: Use p/n 70004862)	
203	7024445	1	Screen (LENZ BRAND)	
203	See Note	1	Screen (HYDAC BRAND) (Note: Use p/n 70004862)	
204	7024442	2	Strainer	
205	7020226	1	Assembly Filter, Return	
205	7023205	1	Filter, Element	
205	70002768	1	Spring, Return Filter Assembly	
206	7024441	1	Gauge, Sight	
207	7024439	1	Cover	
208	7024443	1	Filler Neck	
209	7024440	1	Gasket (Not Shown)	
301		Ref	FUEL CAP OPTIONS	
301	7016314	Ref	Standard Non-Locking Cap (Diesel Engine Machines)	
301	7016314	1	Standard Non-Locking Cap (Gas Engine Machines) (SN 0300065080 through 0300109285)	
301	70001103	Ref	Standard Non-Locking Cap (Gas Engine Machines) (SN 0300109286 through 0300123999)	
301	1120484	Ref	Locking Cap (Red)	
301	1120487	Ref	Locking Cap (Blue)	
		Ref	ENGINE INSTALLATIONS	
401	2200222	1	Plug	
401	0100020	AR	Sealant	

SECTION 2 - TURNTABLE

FIGURE 2-27. GROUND CONTROL BOX ASSEMBLY



SECTION 2 - TURNTABLE

FIGURE 2-27. GROUND CONTROL BOX ASSEMBLY

ITEM	PART NUMBER	QTY	DESCRIPTION	REV
		Ref	GROUND CONTROL BOX ASSEMBLIES	
		Ref	450A Series II	
		Ref	CATERPILLAR ENGINE MACHINES	
		Ref	USA Built Machines (SN 0300065080 through 0300087630)	
	0861595	Ref	ANSI, ANSI Export and CSA Specs	B
	0861597	Ref	Australian and CE Specs	C
		Ref	USA Built Machines (SN 0300087631 through 0300099084)	
	0861728	Ref	ANSI, ANSI Export and CSA Specs	C
	No Longer Available	NLA	Australian and CE Specs	
		Ref	USA Built Machines (SN 0300099085 through 0300123999)	
	1810121	Ref	ANSI, ANSI Export and CSA Specs	A
	No Longer Available	NLA	Australian and CE Specs	
		Ref	Belgium Built Machines (Prior to SN 1300001008)	
	0861595	Ref	ANSI, ANSI Export and CSA Specs	B
	0861597	Ref	Australian and CE Specs	C
		Ref	Belgium Built Machines (SN 1300001008 through 1300002603)	
	0861728	Ref	ANSI, ANSI Export and CSA Specs	C
	No Longer Available	NLA	Australian and CE Specs	
		Ref	Belgium Built Machines (SN 1300002604 through 1300006000)	
	1810121	Ref	ANSI, ANSI Export and CSA Specs	A
	No Longer Available	NLA	Australian and CE Specs	
		Ref	450AJ Series II	
		Ref	CATERPILLAR ENGINE MACHINES:	
		Ref	USA Built Machines (SN 0300065080 through 0300087630)	
	0861596	Ref	ANSI, ANSI Export and CSA Specs	B
	0861598	Ref	Australian and CE Specs	D
		Ref	USA Built Machines (SN 0300087631 through 0300099084)	
	0861729	Ref	ANSI, ANSI Export and CSA Specs	D
	No Longer Available	NLA	Australian and CE Specs	
		Ref	USA Built Machines (SN 0300099085 through 0300123999)	
	1810125	Ref	ANSI, ANSI Export and CSA Specs	A
	No Longer Available	NLA	Australian and CE Specs	
		Ref	Belgium Built Machines (Prior to SN 1300001008)	
	0861596	Ref	ANSI, ANSI Export and CSA Specs	B
	0861598	Ref	Australian and CE Specs	D
		Ref	Belgium Built Machines (SN 1300001008 through 1300002603)	
	0861729	Ref	ANSI, ANSI Export and CSA Specs	D
	No Longer Available	NLA	Australian and CE Specs	
		Ref	Belgium Built Machines (SN 1300002604 through 1300006000)	
	1810125	Ref	ANSI, ANSI Export and CSA Specs	A
	No Longer Available	NLA	Australian and CE Specs	

SECTION 2 - TURNTABLE

ITEM	PART NUMBER	QTY	DESCRIPTION	REV
	Available			
		Ref	450A Series II	
		Ref	DEUTZ ENGINE MACHINES	
		Ref	USA Built Machines (SN 0300065080 through 0300085628)	
	0861422	Ref	ANSI, ANSI Export and CSA Specs	K
	0861427	Ref	Australian and CE Specs	L
		Ref	USA Built Machines (SN 0300085629 through 0300099084)	
	0861740	Ref	ANSI, ANSI Export and CSA Specs	B
	0861742	Ref	Australian and CE Specs	B
		Ref	USA Built Machines (SN 0300099085 through 0300123999)	
	1810119	Ref	ANSI, ANSI Export and CSA Specs	A
	1810120	Ref	Australian and CE Specs	A
		Ref	Belgium Built Machines (Prior to SN 1300000979)	
	0861422	Ref	ANSI, ANSI Export and CSA Specs	K
	0861427	Ref	Australian and CE Specs	L
		Ref	Belgium Built Machines (SN 1300000979 through 1300002604)	
	0861740	Ref	ANSI, ANSI Export and CSA Specs	B
	0861742	Ref	Australian and CE Specs	B
		Ref	Belgium Built Machines (SN 1300002605 through 1300006000)	
	1810119	Ref	ANSI, ANSI Export and CSA Specs	A
	1810120	Ref	Australian and CE Specs	A
		Ref	450AJ Series II	
		Ref	DEUTZ ENGINE MACHINES:	
		Ref	USA Built Machines (SN 0300065080 through 0300085628)	
	0861423	Ref	ANSI, ANSI Export and CSA Specs	L
	0861428	Ref	Australian and CE Specs	N
		Ref	USA Built Machines (SN 0300085629 through 0300099084)	
	0861741	Ref	ANSI, ANSI Export and CSA Specs	C
	0861743	Ref	Australian and CE Specs	C
		Ref	USA Built Machines (SN 0300099085 through 0300123999)	
	1810123	Ref	ANSI, ANSI Export and CSA Specs	A
	1810124	Ref	Australian and CE Specs	A
		Ref	Belgium Built Machines (Prior to SN 1300000979)	
	0861423	Ref	ANSI, ANSI Export and CSA Specs	A
	0861428	Ref	Australian and CE Specs	L
		Ref	Belgium Built Machines (SN 1300000979 through 1300002604)	
	0861741	Ref	ANSI, ANSI Export and CSA Specs	B
	0861743	Ref	Australian and CE Specs	B
		Ref	Belgium Built Machines (SN 1300002605 through 1300006000)	
	1810123	Ref	ANSI, ANSI Export and CSA Specs	A
	1810124	Ref	Australian and CE Specs	A
		Ref	450A Series II	
		Ref	FORD ENGINE MACHINES	
	0861420	Ref	USA Built Machines (SN 0300065080 through 0300087630)	J
	0861726	Ref	USA Built Machines (SN 0300087631 through 0300123999)	A
		Ref	450A Series II	
		Ref	Ford Engine Machines	
	0861421	Ref	USA Built Machines (SN 0300065080 through 0300087630)	K
	0861727	Ref	USA Built Machines (SN 0300087631 through 0300123999)	A
		Ref	450A Series II	

SECTION 2 - TURNTABLE

ITEM	PART NUMBER	QTY	DESCRIPTION	REV
		Ref	GM ENGINE MACHINES	
	0861769	Ref	USA Built Machines (SN 0300065080 through 0300099084)	C
	1810118	Ref	USA Built Machines (SN 0300099085 through 0300123999)	B
		Ref	450AJ Series II	
		Ref	GM ENGINE MACHINES	
	0861770	Ref	USA Built Machines (SN 0300065080 through 0300099084)	C
	1810122	Ref	USA Built Machines (SN 0300099085 through 0300123999)	B
		Ref	450A Series II	
		Ref	PERKINS ENGINE MACHINES	
	1810121	Ref	ANSI, ANSI Export and CSA Specs	C
	1001096954	Ref	Australian and CE Specs	C
		Ref	450AJ Series II	
		Ref	PERKINS ENGINE MACHINES	
	1810125	Ref	ANSI, ANSI Export and CSA Specs	C
	1001096956	Ref	Australian and CE Specs	C
1	0100011	AR	Compound, Locking	
2	0630518	2	Screw, Button Head	
3	0630548	5	Bolt	
4	0641506	4	Bolt 5/16in-18NC x 3/4in	
5	0861419	1	Box, Fiberglass	
5A	7020246	2	Latch	
6		Ref	Module, Control Options (Re-calibration Required When Replaced):	
6		Ref	USA Built Machines:	
	Note	1	(Note: 2915239 is an Update Kit. Includes Module, Cables, Programming Instructions & CD Software.)	
6	1600327	NLA	USA Built Machines (Use p/n 2915239) (All Machines) (SN 0300065080 through 0300077554)	
6	2915014	NLA	USA Built Machines (Use p/n 2915239) (All Machines) (SN 0300065080 through 0300077554)	
	1600364	NLA	USA Built Machines (Use p/n 2915239) All Machines (SN 0300077555 through 0300085628)	
	1600364	NLA	USA Built Machines (Use p/n 2915239) Caterpillar/Ford/Perkins Engines (SN 0300085629 through 0300123999)	
6	1600411	1	USA Built Machines (Deutz/GM Engines) (SN 0300085629 through 0300123999)	
6		Ref	Belgium Built Machines:	
	Note	1	(Note: 2915239 is an Update Kit. Includes Module, Cables, Programming Instructions & CD Software.)	
	1600327	NLA	Belgium Built Machines (Use p/n 2915239) (All Machines) (Prior to SN 130000353)	
	2915014	NLA	Belgium Built Machines (Use p/n 2915239) (All Machines) (Prior to SN 130000353)	
	1600364	NLA	Belgium Built Machines (Use p/n 2915239) (All Machines) (SN 130000353 through 130000978)	
	1600364	NLA	Belgium Built Machines (Use p/n 2915239) Caterpillar/Perkins Engines (SN 130000979 through 1300006000)	
	1600411	1	SN 130000979 through 1300006000 (Deutz/GM Engines)	
7	1670829	1	Bezel	
8		Ref	Decal - Ground Control Display	
8		Ref	ANSI/ANSI Export/CSA Specs	
8		Ref	Caterpillar/Ford/Perkins Engine Machines	

SECTION 2 - TURNTABLE

ITEM	PART NUMBER	QTY	DESCRIPTION	REV
8	1702610	1	USA Built Machines (SN 0300065080 through 0300087630)	
8	1705753	1	USA Built Machines (SN 0300087631 through 0300099084)	
8	1706712	1	USA Built Machines (SN 0300099085 through 0300123999)	
	1702610	1	Belgium Built Machines (Prior to SN 1300001008)	
	1705753	1	Belgium Built Machines (SN 1300001008 through 1300002603)	
	1706712	1	Belgium Built Machines (SN 1300002604 through 1300006000)	
8		Ref	Deutz Engine Machines	
	1702610	1	USA Built Machines (SN 0300065080 through 0300085628)	
	1705753	1	USA Built Machines (SN 0300085629 through 0300099084)	
	1706712	1	USA Built Machines (SN 0300099085 through 0300123999)	
	1702610	1	Belgium Built Machines (Prior to SN 1300000981)	
	1705753	1	Belgium Built Machines (SN 1300000981 through 1300002603)	
	1705753	1	Belgium Built Machines (SN 1300002604 through 1300006000)	
8		Ref	GM Engine Machines	
8	1705753	1	GM Engine Machines (SN 0300065080 through 0300099084)	
8	1706712	1	GM Engine Machines (SN 0300099085 through 0300123999)	
8		Ref	CE/Australian Specs	
	1702610	1	USA Built Machines (SN 0300065080 through 0300072446)	
8	1705752	1	USA Built Machines (SN 0300072447 through 0300085628)	
	1705752	NLA	USA Built Machines (450AJ Series II Use p/n 1705753) (SN 0300085629 through 0300099084)	
	1706712	1	USA Built Machines (SN 0300099085 through 0300123999)	
	1705752	1	Belgium Built Machines (All Machines) (Prior to SN 1300000979)	
	1705752	NLA	Belgium Built Machines (450AJ Series II Use p/n 1705753) (SN 1300000979 through 1300002603)	
	1706712	1	Belgium Built Machines (SN 1300002604 through 1300006000)	
9		Ref	Decal - Faceplate	
9		Ref	450A Series II:	
9	1703690	1	USA Built Machines (SN 0300065080 through 0300099084)	
9	1706920	1	USA Built Machines (SN 0300099085 through 0300123999)	
9	1703690	1	Belgium Built Machines (Prior to SN 1300002604)	
9	1706920	1	Belgium Built Machines (SN 1300002604 through 1300006000)	
9		Ref	450AJ Series II:	
9	1703691	1	USA Built Machines (SN 0300065080 through 0300099084)	
9	1706921	1	USA Built Machines (SN 0300099085 through 0300123999)	
9	1703691	1	Belgium Built Machines (Prior to SN 1300002604)	
9	1706921	1	Belgium Built Machines (SN 1300002604 through 1300006000)	

SECTION 2 - TURNTABLE

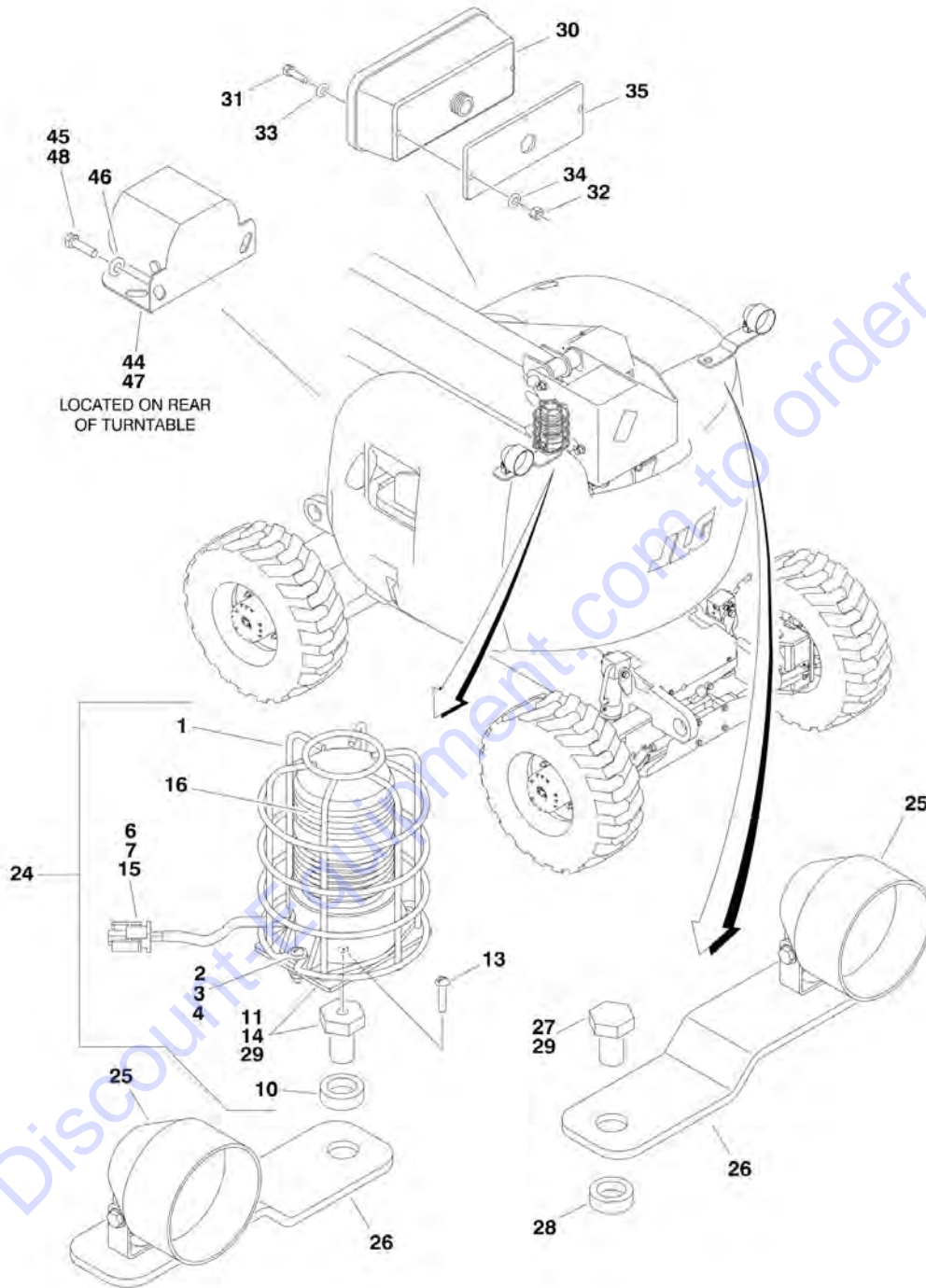
ITEM	PART NUMBER	QTY	DESCRIPTION	REV
10	2420172	1	Gauge, Hourmeter	
11	2760105	1	Housing, Display Light	
12	3300205	4	Nut, Retainer	
13	3300408	AR	Locknut, Plastic Insert	
14	3311401	10	Nut 1/4in-20NC	
15	3539219	1	Plate, Reinforcement	
16	3740049	AR	Relay - SPDT	
17	3900268	AR	Screw #10-24NC x 1/2in	
18	3910804	6	Screw #8-32NC x 1/4in	
19	4060906	AR	Shield, Toggle Switch	
20	4070991	NLA	Shim (.015) (Use p/n 4070987)	
21	4360328	AR	Switch, Toggle	
22		Ref	Switch, Key Options:	
22	4360469	1	ANSI/ANSI Export/CSA Specs	
22	4360470	1	CE/Australian Specs	
22A	2860030	1	Key	
23	4360475	1	Switch, Emergency Stop	
23A	7020175	1	Cap, Mushroom Head	
23B	7020176	1	Block, Contact	
24	4360476	1	Switch, Contact Block	
25	4460426	AR	Connector, Strain Relief	
26	4460470	1	Nut, Terminal	
27	4460471	1	Locknut, Terminal	
28	4460488	11	Base, Terminal Mounting	
29	4460526	1	Connector, Strain Relief	
30	4460874	1	Connector (Natural)	
31	4460875	1	Connector (Gray)	
32	4740444	AR	Washer, Special	
33	4751400	21	Flatwasher 1/4in Regular	
34	4761400	10	Lockwasher 1/4in	
35	4922666	1	Cable, Analyzer (Not Shown - See ELECTRICAL SECTION for Breakdown) (Part of Ground Control Box Harness on USA Built Machines) (SN 0300099085 through 0300123999)	
35	4922666	1	Cable, Analyzer (Not Shown - See ELECTRICAL SECTION for Breakdown) (Part of Ground Control Box Harness on Belgium Built Machines) (SN 1300002604 through 1300006000)	
36		Ref	Ground Control Box Harness Assembly Options (Not Shown - See ELECTRICAL SECTION for Breakdown):	
36		Ref	Caterpillar Engines:	
36	4922638	1	USA Built Machines (SN 0300065080 through 0300087630)	
36	4923455	1	USA Built Machines (SN 0300087631 through 0300099084)	
36	4923575	1	USA Built Machines (SN 0300099085 through 0300123999)	
36	4922638	1	Belgium Built Machines (Prior to SN 1300001008)	
36	4923455	1	Belgium Built Machines (SN 1300001008 through 1300002603)	
36	4923575	1	Belgium Built Machines (SN 1300002604 through 1300006000)	
36		Ref	Deutz Engines:	
36	4922638	1	USA Built Machines (SN 0300065080 through 0300085628)	
36	4923223	1	USA Built Machines (SN 0300085629 through 0300099084)	
36	4923575	1	USA Built Machines (SN 0300099085 through 0300123999)	
36	4922638	1	Belgium Built Machines (Prior to SN 1300000979)	
36	4923223	1	Belgium Built Machines (SN 1300000979 through	

SECTION 2 - TURNTABLE

ITEM	PART NUMBER	QTY	DESCRIPTION	REV
36	4923575	1	1300002603) Belgium Built Machines (SN 1300002604 through 1300006000)	
36		Ref	Ford Engines:	
36	4922638	1	Ford Engines (SN 0300065080 through 0300087630)	
36	4923231	1	Ford Engines (SN 0300087631 through 0300099084)	
36	4923575	1	Ford Engines (SN 0300099085 through 0300123999)	
36		Ref	GM Engines:	
36	4923223	1	GM Engines (SN 0300065080 through 0300099084)	
36	4923575	1	GM Engines (SN 0300099085 through 0300123999)	
36	4923575	1	Perkins Engines (All Machines)	
37		Ref	Engine Harness Assembly (Not Shown - See ELECTRICAL SECTION for Breakdown)	
37		Ref	Caterpillar/Perkins Engine Machines	
37	4922881	1	USA Built Machines (SN 0300065080 through 0300087630)	
37	4923252	1	USA Built Machines (SN 0300087631 through 0300093619)	
37	4923357	1	USA Built Machines (SN 0300093620 through 0300099084)	
37	4923581	1	USA Built Machines (SN 0300099085 through 0300119210)	
37	1001098840	1	USA Built Machines (SN 0300119211 through 0300123999)	
37	4922881	1	Belgium Built Machines (Prior to SN 1300001008)	
37	4923252	1	Belgium Built Machines (SN 1300001008 through 1300001426)	
37	4923357	1	Belgium Built Machines (SN 1300001427 through 1300002603)	
37	4923581	1	Belgium Built Machines (SN 1300002604 through 1300005189)	
37	1001098840	1	Belgium Built Machines (SN 1300005190 through 1300006000)	
37		Ref	Deutz Engine Machines	
37	4922522	1	USA Built Machines (SN 0300065080 through 0300085628)	
37	4923265	1	USA Built Machines (SN 0300085629 through 0300123999)	
37	4922522	1	Belgium Built Machines (Prior to SN 1300000979)	
37	4923265	1	Belgium Built Machines (SN 1300000979 through 1300006000)	
37		Ref	Ford Engine Machines	
37	4922521	1	Ford Engine Machines (SN 0300065080 through 0300087630)	
37	4923251	1	Ford Engine Machines (SN 0300087631 through 0300123999)	
37	4923395	1	GM Engine Machines	
38	4922523	1	Valve Harness Assembly (Not Shown - See ELECTRICAL SECTION for Breakdown)	
40	1320060	1	Clamp, Hose	
41	1704260	1	Decal - Emergency Stop (USA Built Machines Only) (SN 0300065080 through 0300064705)	
42	0100048	AR	Grease, Dielectric	
43	4460905	4	Seal, Plug	
44	3520035	1	Plug (USA Built Machines) (SN 0300064708 through 0300123999)	
44	3520035	1	Plug (Belgium Built Machines) (SN 1300000001 through 1300006000)	
45	1705132	1	Decal - ADE Control (USA Built Machines) (SN 0300064708 through 0300123999)	
45	1705132	1	Decal - ADE Control (Belgium Built Machines)	

SECTION 2 - TURNTABLE

FIGURE 2-28. ELECTRICAL OPTIONS INSTALLATION (TURNTABLE MOUNTED)



SECTION 2 - TURNTABLE

FIGURE 2-28. ELECTRICAL OPTIONS INSTALLATION (TURNTABLE MOUNTED)

ITEM	PART NUMBER	QTY	DESCRIPTION	REV
	0271073	Ref	STROBE LIGHT INSTALLATION (AMBER) (OPTIONAL)	3
		Ref		
			Note: If machine is equipped with BLUE Strobe Light, see SPECIAL OPTIONS SECTION SkyGuard Kit	
1	4060865	1	Guard	
2	3911014	2	Screw, Machine #10-24NC x 7/8in	
3	4751000	4	Flatwasher #10 Regular	
4	3311001	2	Nut #10-24NC	
5	2820035	12 ft/31cm	Loom (Not Shown)	
6	4460320	1	Plug, Terminal (USA Built Machines) (SN 0300065080 through 0300083248)	
6	4460320	1	Plug Terminal (Belgium Built Machines) (Prior to SN 130000707)	
7	4460267	2	Pin, Male (USA Built Machines) (SN 0300065080 through 0300083248)	
7	4460267	2	Pin, Male (Belgium Built Machines) (Prior to SN 130000707)	
8	4240032	1	Tie Strap (Not Shown)	
9	4460234	1	Clamp (Not Shown)	
10	4220162	1	Spacer, Stop	
11	4846698	1	Mounting, Light	
14	0100011	AR	Compound, Locking	
15	0100048	AR	Grease, Dielectric	
16	2920146	NLA	Strobe Light Assembly (Use p/n 0272529)	
16	7016319	1	Bulb, Replacement	
16	7016372	1	Lens	
24	0272529	1	Strobe Light Kit (Includes Items 1-7, 10, 11 & 16)	
		Ref	LIGHTS INSTALLATIONS (OPTIONAL)	
	0271072	Ref	Headlights and Taillights	2
	0272057	Ref	Chassis Floodlights (Not Shown)	1-A
25		Ref	Light Options:	
25	2920110	2	Headlight (Round Shape)	
25	7016628	2	Bulb, Light (1 Per Light)	
25	2920157	2	Floodlight (Rectangular Shape)	
26	0902206	2	Bracket, Mounting	
27	0642612	1	Bolt 1in-8NC x 1-1/2in	
28	4220162	2	Spacer	
29	0100011	AR	Compound, Locking	
30		Ref	Light Options:	
30	2920113	2	Taillight	
30	2920157	2	Floodlight (Rectangular Shape)	
31	3911040	4	Screw, Machine #10-24NC x 2-1/2in (0271072 Installation)	
32	3311005	4	Nut #10-24NC (0271072 Installation Only)	
33	4751000	4	Flatwasher #10 Regular (0271072 Installation Only)	
34		Ref	Washer Options:	
34	4740362	4	Headlights & Taillights	
34	4751800	4	Chassis Floodlights	
35	3960461	2	Gasket (0271072 Installation Only)	
37	4240032	12	Tie-Strap (Not Shown)	
38	4460234	12	Mount, Tie-Strap (Not Shown)	
39	4360336	1	Switch, Toggle (Not Shown - Located on Console)	
40	3790012	1	O-Ring (Not Shown - Located on Console)	

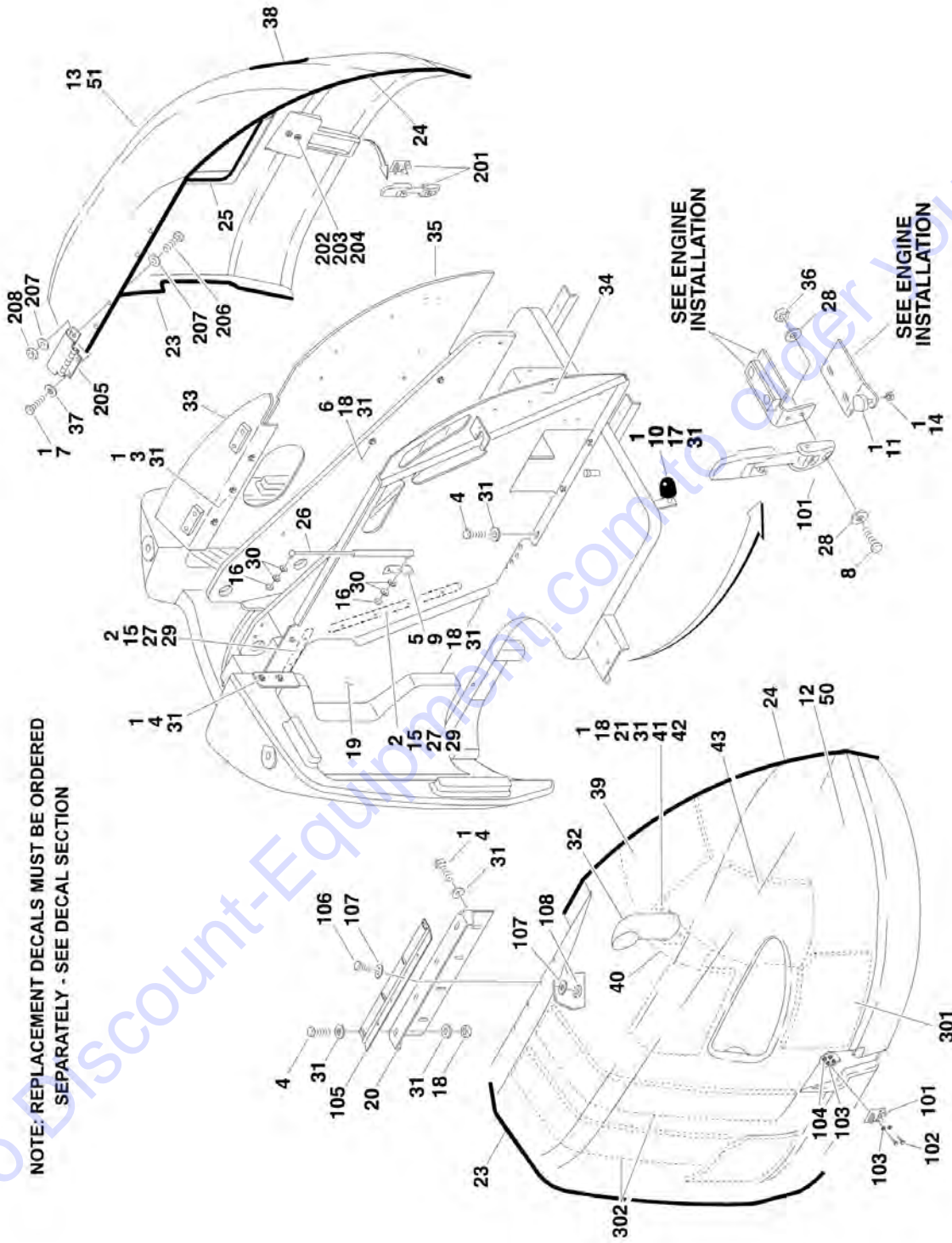
SECTION 2 - TURNTABLE

ITEM	PART NUMBER	QTY	DESCRIPTION	REV
	0271217	Ref	ALARM INSTALLATION	1
44	0257887	1	Alarm/Harness Assembly	
44	0140032	1	Alarm	
44	2820035	AR	Loom	
44	4460424	1	Plug	
44	4460268	2	Socket	
45	0641407	2	Bolt 1/4in-20NC x 3/4in	
46	4711400	2	Flatwasher 1/4in Thin	
47	0100048	AR	Grease, Dielectric	
48	0100011	AR	Compound, Locking	

Go to Discount-Equipment.com to order your parts

SECTION 2 - TURNTABLE

FIGURE 2-29. HOODS INSTALLATION



SECTION 2 - TURNTABLE

FIGURE 2-29. HOODS INSTALLATION

ITEM	PART NUMBER	QTY	DESCRIPTION	REV
		Ref	HOODS INSTALLATION	
		Ref	Caterpillar/Perkins Engine Machines	
	0271209	Ref	USA Built Machines (SN 0300065080 through 0300107511)	G
	0275866	Ref	USA Built Machines (SN 0300107512 through 0300123999)	C
	0271209	1	Belgium Built Machines (Prior to SN 1300003222)	G
	0275866	1	Belgium Built Machines (SN 1300003222 through 1300006000)	C
		Ref	Deutz Engine Machines	
	0271209	1	USA Built Machines (SN 0300065080 through 0300107511)	G
	0275866	1	USA Built Machines (SN 0300107512 through 0300123999)	C
	0271209	1	Belgium Built Machines (Prior to SN 1300003222)	G
	1001091079	Ref	Belgium Built Machines (SN 1300003222 through 1300006000)	C
		Ref	Ford Engine Machines Options:	
	0271210	Ref	Ford Engine Machines (SN 0300065080 through 0300078472)	D
	0274020	Ref	Ford Engine Machines (SN 0300078473 through 0300123999)	B
		Ref	GM Engine Machines	
	0275033	Ref	GM Engine Machines (SN 0300065080 through 0300107511)	C
	0275868	Ref	GM Engine Machines (SN 0300107512 through 0300123999)	A
1	0100011	AR	Compound, Locking	
2	0641408	6	Bolt 1/4in-20NC x 1-1/4in	
3	0641606	3	Bolt 3/8in-16NC x 3/4in	
4	0641608	13	Bolt 3/8in-16NC x 1in	
5	0641610	2	Bolt 3/8in-16NC x 1-1/4in	
6	0641614	4	Bolt 3/8in-16NC x 1-3/4in	
7	0721004	4	Bolt #10-24NC x 1/2in	
8	0721006	4	Bolt #10-24NC x 3/4in	
9	0902504	1	Angle, Mounting	
10	0940071	1	Bumper	
11	0940083	2	Bumper	
12	See Note	1	Hood (Engine Side) (See Items 101-108 for Breakdown) (was p/ns 2680438 & 1671169) (Note: Use Item 50)	
13	See Note	1	Hood (Tank Side) (See Items 201-208 for Breakdown) (was p/n 2680439) (Note: Use Item 51)	
14	3311401	2	Nut 1/4in-20NC	
15	3311405	6	Locknut 1/4in-20NC	
16	3311505	2	Nut 5/16in - 18NC	
17	3311601	5	Nut 3/8in-16NC	
18	3311605	10	Locknut 3/8in-16NC	
19	3380445	1	Panel, Rubber	
20	3573024	1	Plate, Hinge Mounting	
21	3900232	3	Capscrew, Button Head 3/8in-16NC 1-1/4in	
23	3960462	9 ft/2.74m	Seal, Hood	
24	3960464	9 ft/2.74m	Seal, Hood	
26	4160170	1	Spring, Gas	
27	4740362	6	Washer, Fender	
28	4750800	12	Flatwasher #8 Regular	
29	4751400	6	Flatwasher 1/4in Regular	
30	4751500	4	Flatwasher 5/16in Regular	
31	4751600	40	Flatwasher 3/8in Regular	

SECTION 2 - TURNTABLE

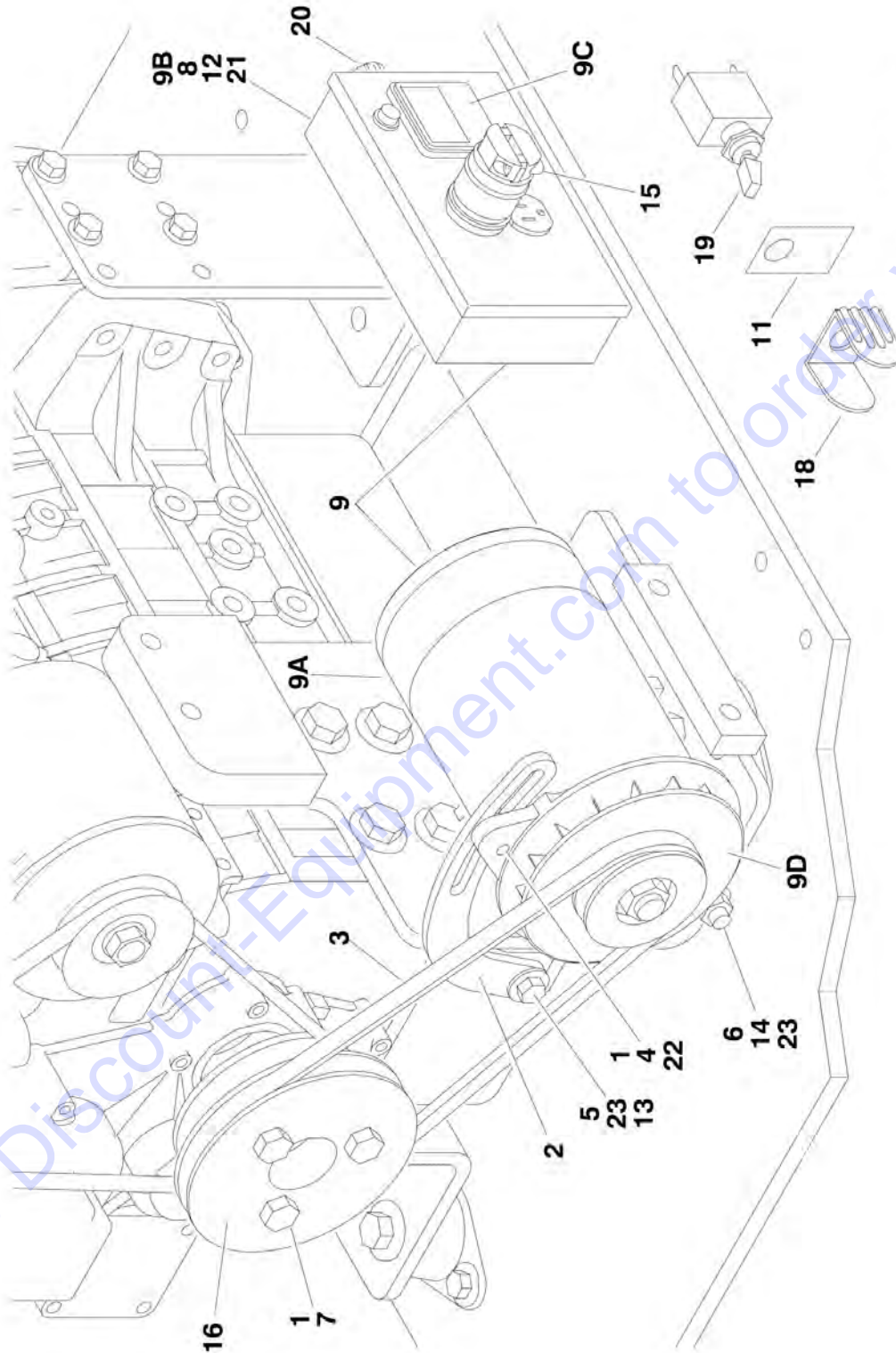
ITEM	PART NUMBER	QTY	DESCRIPTION	REV
32		Ref	Exhaust Tube Weldment Options:	
32	4845194	1	Caterpillar/Deutz/Perkins Engine Machines	
32	4845194	1	Ford Engine Machines (SN 0300065080 through 0300078472)	
32	3460373	1	Ford Engine Machines (SN 0300078473 through 0300123999)	
32	3460373	1	GM Engine Machines	
33	4846037	1	Hood Mounting Weldment	
34		Ref	Hood Mounting Weldment Options:	
34	4845665	NLA	Caterpillar/Deutz Engine - USA Built Machines (Use p/n 4341390) (SN 0300065080 through 0300107511)	
34	4845665	NLA	Caterpillar/Deutz Engine - Belgium Built Machines (Use p/n 4341390) (Prior to SN 1300003222)	
34	4341390	1	Caterpillar/Deutz/Perkins Engine - USA Built Machines (SN 0300107512 through 0300123999)	
34	4341390	1	Caterpillar/Deutz/Perkins Engine - Belgium Built Machines (SN 1300003222 through 1300006000)	
	4845665	NLA	Ford Engine Machines (Use p/n 4341390)	
34	4341177	NLA	GM Engine Machines (Use p/n 4341389) (SN 0300065080 through 0300107511)	
34	4341389	1	GM Engine Machines (SN 0300107512 through 0300123999)	
35	4846424	1	Hood Mounting Weldment	
36	3311005	4	Locknut #10-24NC	
37	4751000	8	Flatwasher #10 Regular	
38	4060805	6 ft/1.75m	Flex-Trim	
39		Ref	Insulation, Heat Shield Options:	
39	1001098567	1	Caterpillar/Perkins Engine Machines	
39	Not Required	0	Deutz Engine Machines	
39	Not Required	0	Ford Engine Machines (SN 0300065080 through 0300078472)	
39	2820176	1	Ford Engine Machines (SN 0300078473 through 0300123999)	
39	2820176	1	GM Engine Machines	
40		Ref	Insulation, Heat Shield Options:	
40	1001098567	1	Caterpillar/Perkins Engine Machines	
40	Not Required	0	Deutz Engine Machines	
40	Not Required	0	Ford Engine Machines (SN 0300065080 through 0300078472)	
40	2820177	1	Ford Engine Machines (SN 0300078473 through 0300123999)	
40	2820177	1	GM Engine Machines	
41	4740500	3	Washer, Special (Not Required on Deutz Engine Machines)	
42	4061010	1	Shield, Heat (Not Required on Deutz Engine Machines)	
43		Ref	Insulation, Heat Shield Options:	
43	1001098568	1	Caterpillar/Perkins Engine Machines	
43	Not Required	0	Deutz Engine Machines	
43	2820130	1	Ford Engine Machines (SN 0300065080 through 0300078472)	
43	2820175	1	Ford Engine Machines (SN 0300078473 through 0300123999)	
43	2820175	1	GM Engine Machines	
50		Ref	Hood Kit (Engine Side) Options:	
		Ref	Note: Replacement Decals Must be Ordered Separately - See DECAL SECTION.	

SECTION 2 - TURNTABLE

ITEM	PART NUMBER	QTY	DESCRIPTION	REV
50	1001091093	1	Caterpillar/Perkins Engine USA Built Machines (Includes items 12, 23, 24, 32c)	
50	1001101160	1	Caterpillar/Perkins Engine Belgium Built Machines (Includes items 12, 23, 24 and Current Heat Shields)	
		Ref	(Note: Item 32 must be ordered separately)	
50	1001091124	1	Deutz Engine Machines (Includes items 12, 23, 24, 32 and Current Heat Shields)	
50	1001097968	1	Ford Engine Machines (Includes Items 12 and Current Heat Shields) (Note: Item 32 must be ordered separately)	
50	1001091094	1	GM Engine Machines (Includes items 12, 23, 24, 32 & Current Heat Shields)	
51	1001091125	1	Hood Kit (Tank Side) (Includes items 13, 23, 24, 38 & 201-208)	
		Ref	Note: Replacement Decals Must be Ordered Separately - See DECAL SECTION.	
		Ref	HOOD ASSEMBLY OPTIONS (ENGINE SIDE):	
101	2940109	1	Latch	
102	0721008	2	Screw, Machine #10-24NC x 1in	
103	4751000	4	Flatwasher #10 Regular	
104	3311005	2	Locknut #10-24NC	
105	2600210	1	Hinge	
106	3900232	4	Screw, Button Head 3/8in-16NC x 1-1/4in	
107	4751600	8	Flatwasher 3/8in Regular	
108	3311605	4	Locknut 3/8in-16NC	
		Ref	HOOD ASSEMBLY (TANK SIDE)	M
201	2940109	1	Latch	
202	0721008	2	Screw, Machine #10-24NC x 1in	
203	4751000	4	Flatwasher #10 Regular	
204	3311005	2	Locknut #10-24NC	
205	2600246	2	Hinge	
206	0721006	4	Screw, Machine #10-24NC x 3/4in	
207	4751000	8	Flatwasher #10 Regular	
208	3311005	4	Locknut #10-24NC	
	0258430	Ref	NOISE REDUCTION INSTALLATION (DEUTZ ENGINE MACHINES)	2-B
301	2820099	3	Insulation, Foam	
302	2820100	2	Insulation, Foam	

SECTION 2 - TURNTABLE

FIGURE 2-30. 2500W GENERATOR INSTALLATION - CATERPILLAR ENGINES (USA BUILT MACHINES) (OPTIONAL)



MOUNTED ON PLATFORM CONTROL BOX.

Go to Discount-Equipment.com to order your parts

SECTION 2 - TURNTABLE

FIGURE 2-30. 2500W GENERATOR INSTALLATION - CATERPILLAR ENGINES (USA BUILT MACHINES) (OPTIONAL)

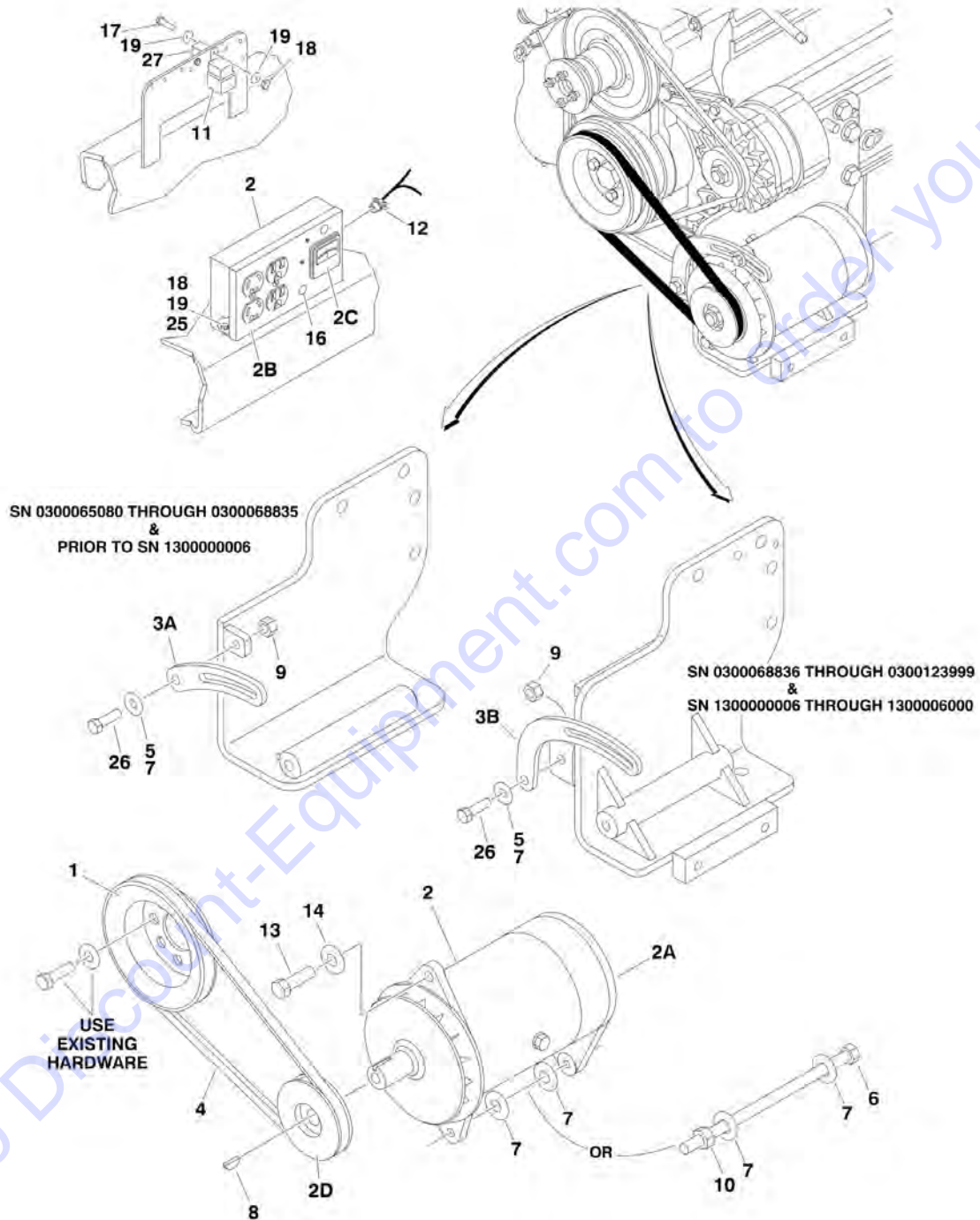
ITEM	PART NUMBER	QTY	DESCRIPTION	REV
		Ref	GENERATOR INSTALLATION	
		Ref	110V/60Hz Generator (Available on all Specs Except Australian and CE Specs)	
	0273050	Ref	Generator (SN 0300065080 through 0300087208)	A
	0274084	Ref	Generator (SN 0300087209 through 0300123999)	B
		Ref	220V/50HZ Generator (Available on ANSI Export, Australian and CE Specs)	
	0273051	Ref	Generator (SN 0300065080 through 0300087208)	A
	0274088	Ref	Generator (SN 0300087209 through 0300123999)	A
1	0100011	AR	Compound, Locking	
2	0200742	1	Arm, Adjusting	
3		Ref	V-Belt Options:	
3	0480122	1	V-Belt (110V) (SN 0300065080 through 0300116111)	
3	0480121	1	V-Belt (110V) (SN 0300116112 through 0300123999)	
3	0480120	1	V-Belt (220V)	
4	0641508	1	Bolt 5/16in-18NC x 1in	
5	0641610	1	Bolt 3/8in-16NC x 1-1/4in	
6	0641772	1	Bolt 7/16in-14NC x 9in	
7	0701217	3	Bolt M12 x 45mm	
8	0721008	2	Bolt #10-24NC x 1in	
9		Ref	Generator and Control Box Assembly Options:	
9	2460032	1	Generator and Control Box Assembly (110V/60Hz) (SN 0300065080 through 0300087208)	
9	2460055	1	Generator and Control Box Assembly (110V/60Hz) (SN 0300087209 through 0300123999)	
9	2460013	1	Generator and Control Box Assembly (220V/50Hz) (SN 0300065080 through 0300087208)	
9	2460056	1	Generator and Control Box Assembly (220V/50Hz) (SN 0300087209 through 0300123999)	
9A	7012558	1	Generator and Control Box Assembly (110V/60Hz Generator)	
9A	1001100321	1	Generator and Control Box Assembly (220V/50Hz Generator)	
		Ref	Note: All Replacement Generators come standard with P/N 3580134 Pulley. This Pulley may not be correct for all applications. Refer to Pulley options below.	
9A	7026199	1	Generator and Control Box Assembly (110V/60Hz Armature with Slip Rings)	
9A	70000123	1	Generator and Control Box Assembly (220V/50Hz Armature with Slip Rings)	
9A	7020109	4	Holder, Brush	
9A	7020108	4	Brush	
9A	7012513	4	Cap, Brush Holder	
9A	7012514	1	Fan	
9A	7020190	2	Bearing	
9A	7020110	1	End Bell, Front	
9A	7020111	1	End Bell, Rear	
9A	7020193	1	Cord, Power	
9B		Ref	Control Box Options:	
9B		Ref	Control Box (110V/60Hz)	
9B	7003657	1	Control Box (SN 0300065080 through 0300087208)	
9B	7019680	1	Control Box (SN 0300087209 through 0300123999)	
9B		Ref	Control Box (220V/50Hz)	

SECTION 2 - TURNTABLE

ITEM	PART NUMBER	QTY	DESCRIPTION	REV
9B	70002235	1	Control Box (SN 0300065080 through 0300087208)	
9B	70000127	1	Control Box (SN 0300087209 through 0300123999)	
9B		Ref	Circuit Breaker Options:	
9B	4360542	1	Circuit Breaker (110V/60Hz)	
9B	70000126	1	Circuit Breaker (220V/50Hz)	
9B	4460190	AR	Receptacle, Double (110V Box)	
9B	4460027	AR	Receptacle, Double Twist Lock (110V Box)	
9B	70000124	1	Receptacle, Double (220V Box)	
9B	70000125	1	Receptacle, Single Twist Lock (220V Box)	
9B	2920162	1	Lamp Assembly (SN 0300065080 through 0300087209)	
9B	7020191	1	Switch, Toggle (SN 0300065080 through 0300087209)	
9B	3520028	1	Plug, Power	
9C		Ref	Voltmeter Options:	
9C	2420203	1	Voltmeter (110V)	
9C	7020192	1	Voltmeter (220V)	
9D		Ref	Pulley Options:	
9D	3580276	1	Pulley (110V)	
9D	3580134	1	Pulley (220V)	
9D	7027887	1	Key, Woodruff	
10	2820031	1	Heat Shrink (Not Shown - Located at Platform)	
11	3251102	1	Decal (Located at Platform)	
12	3311005	2	Locknut #10-24NC	
13	3311605	1	Locknut 3/8in-16NC	
14	3311705	1	Locknut 7/16in-14NC	
15	3520028	1	Plug, Hole	
16	3580315	1	Pulley	
17	3740080	1	Relay (Not Shown - Located Back Side of Engine Tray with Existing Relays)	
18	4060802	1	Guard, Switch (Located at Platform)	
19	4360336	1	Switch, Toggle (Located at Platform)	
20	4460023	1	Connector, Strain Relief	
21	4751000	8	Flatwasher #10 Regular	
22	4751500	1	Flatwasher 5/16in Regular	
23	4751600	6	Flatwasher 3/8in Regular	

SECTION 2 - TURNTABLE

FIGURE 2-31. 2500W GENERATOR INSTALLATION - DEUTZ ENGINES (USA AND BELGIUM BUILT MACHINES) (OPTIONAL)



SECTION 2 - TURNTABLE

FIGURE 2-31. 2500W GENERATOR INSTALLATION - DEUTZ ENGINES (USA AND BELGIUM BUILT MACHINES) (OPTIONAL)

ITEM	PART NUMBER	QTY	DESCRIPTION	REV
		Ref	GENERATOR INSTALLATION OPTIONS:	
		Ref	110V/60Hz USA Built Machines	
	0271593	Ref	110V/60Hz USA Built Machine (SN 0300065080 through 0300077520)	1-A
	0272614	Ref	110V/60Hz USA Built Machine (SN 0300077521 through 0300082708)	3-B
	0274079	Ref	110V/60Hz USA Built Machine (SN 0300082709 through 0300123999)	2-B
		Ref	110V/60Hz Belgium Built Machines	
	0271593	Ref	110V/60Hz Belgium Built Machine (Prior to SN 1300000316)	1-A
	0272614	Ref	110V/60Hz Belgium Built Machines (SN 1300000316 through 1300000730)	3-B
	0274079	Ref	110V/60Hz Belgium Built Machines (SN 1300000731 through 1300006000)	2-B
		Ref	110V/50Hz USA Built Machines	
	0272162	Ref	110V/50Hz USA Built Machine (SN 0300065080 through 0300077520)	1-A
	0272616	Ref	110V/50Hz USA Built Machine (SN 0300077521 through 0300082708)	2-B
	0274089	Ref	110V/50Hz USA Built Machine (SN 0300082709 through 0300123999)	2-B
		Ref	110V/50Hz Belgium Built Machines	
	0272162	Ref	110V/50Hz Belgium Built Machine (Prior to SN 1300000316)	1-A
	0272616	Ref	110V/50Hz Belgium Built Machine (SN 1300000316 through 1300000730)	2-B
	0274089	Ref	110V/50Hz Belgium Built Machine (SN 1300000731 through 1300006000)	2-B
		Ref	220V USA Built Machines	
	0271594	Ref	220V USA Built Machine (SN 0300065080 through 0300068835)	2-A
	0272615	Ref	220V USA Built Machine (SN 0300068836 through 0300082708)	1-A
	0274085	Ref	220V USA Built Machine (SN 0300082709 through 0300123999)	2-B
		Ref	220V Belgium Built Machines	
	0271594	Ref	220V Belgium Built Machine (Prior to SN 1300000316)	2-A
	0272615	Ref	220V Belgium Built Machine (SN 1300000316 through 1300000730)	1-A
	0274085	Ref	220V Belgium Built Machine (SN 1300000731 through 1300006000)	2-B
1	3580158	1	Pulley	
2		Ref	Generator and Control Box Assembly Options:	
2		Ref	USA Built Machines:	
2	2460032	1	110V/60Hz Assembly (SN 0300065080 through 0300082708)	
2	2460055	1	110V/60Hz Assembly (SN 0300082709 through 0300123999)	
2	2460039	1	110V/50Hz Assembly (SN 0300065080 through 0300082708)	
2	2460057	1	110V/50Hz Assembly (SN 0300082709 through 0300123999)	
2	2460034	1	220/50Hz Assembly (SN 0300065080 through 0300066784)	
2	2460013	1	220/50Hz Assembly (SN 0300066785 through 0300082708)	
2	2460056	1	220/50Hz Assembly (SN 0300082709 through 0300123999)	
2		Ref	Belgium Built Machines:	
	2460032	1	110V/60Hz Assembly (Prior to SN 1300000731)	

SECTION 2 - TURNTABLE

ITEM	PART NUMBER	QTY	DESCRIPTION	REV
	2460055	1	110V/60Hz Assembly (SN 130000731 through 1300006000)	
	2460039	1	110V/50Hz Assembly (Prior to SN 130000731)	
	2460057	1	110V/50Hz Assembly (SN 130000731 through 1300006000)	
	2460013	1	220/50Hz Assembly (Prior to SN 130000731)	
	2460056	1	220/50Hz Assembly (SN 130000731 through 1300006000)	
2A		Ref	Generator Options:	
2A	7012558	1	110V/60Hz Generator	
2A	2460049	1	110V/50Hz Generator	
2A	1001100321	1	220V/50Hz Generator	
		Ref	Note: All Replacement Generators come standard with P/N 3580134 Pulley. This Pulley may not be correct for all applications. Refer to Pulley options below.	
2A	7026199	1	110V/60Hz Armature with Slip Rings	
2A	70000122	1	110V/50Hz Armature with Slip Rings	
2A	70000123	1	220V/50Hz Armature with Slip Rings	
2A	7020109	4	Holder, Brush	
2A	7020108	4	Brush	
2A	7012513	4	Cap, Brush Holder	
2A	7012514	1	Fan	
2A	7020190	2	Bearing	
2A	7020110	1	End Bell, Front	
2A	7020111	1	End Bell, Rear	
2A	7020193	1	Cord, Power	
2B		Ref	Control Box Options:	
2B		Ref	Control Box (110V/60Hz)	
2B	7003657	1	USA Built Machines (SN 0300065080 through 0300082708)	
2B	7003657	1	Belgium Built Machines (Prior to SN 130000731)	
2B	7019680	1	USA Built Machines (SN 0300082709 through 0300123999)	
2B	7019680	1	Belgium Built Machines (SN 130000731 through 1300006000)	
2B		Ref	Control Box (110V/50Hz)	
2B	70002239	1	USA Built Machines (SN 0300065080 through 0300082708)	
2B	70002239	1	Belgium Built Machines (Prior to SN 130000731)	
2B	7019680	1	USA Built Machines (SN 0300082709 through 0300123999)	
2B	7019680	1	Belgium Built Machines (SN 130000731 through 1300006000)	
2B		Ref	Control Box (220V/50Hz)	
2B	70002235	1	USA Built Machines (SN 0300065080 through 0300082708)	
2B	70002235	1	Belgium Built Machines (Prior to SN 130000731)	
2B	70000127	1	USA Built Machines (SN 0300082709 through 0300123999)	
2B	70000127	1	Belgium Built Machines (SN 130000731 through 1300006000)	
2B		Ref	Circuit Breaker Options:	
2B	4360542	1	Circuit Breaker (110V/60Hz)	
2B	70002240	1	USA Built Machines (110V/50Hz) (SN 0300065080 through 0300082708)	
2B	70002240	1	Belgium Built Machines (110V/50Hz) (Prior to SN 130000731)	

SECTION 2 - TURNTABLE

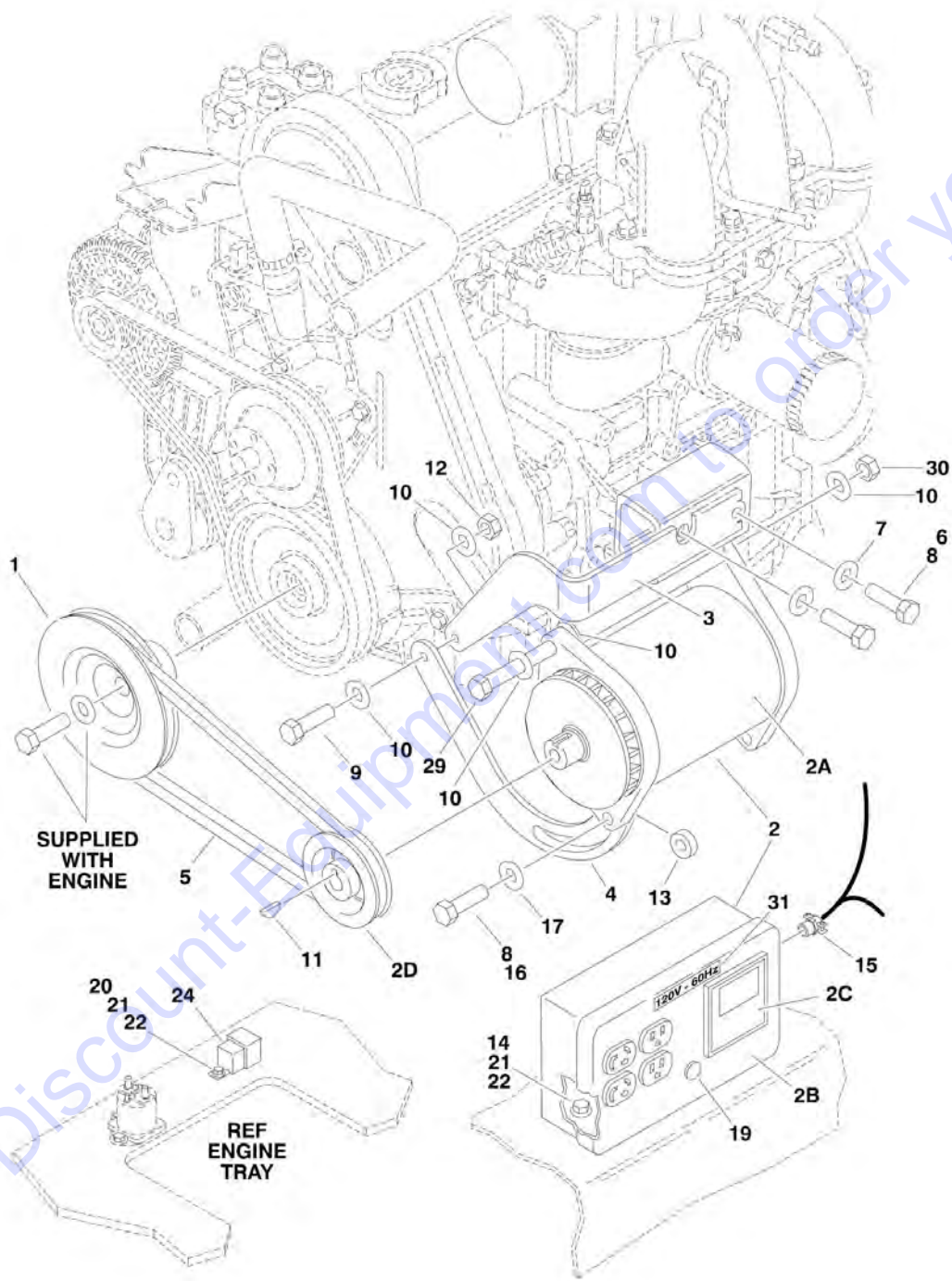
ITEM	PART NUMBER	QTY	DESCRIPTION	REV
2B	4360542	1	USA Built Machines (110V/50Hz) (SN 0300082709 through 0300123999)	
2B	4360542	1	Belgium Built Machines (110V/50Hz) (SN 1300000731 through 1300006000)	
2B	70000126	1	Circuit Breaker (220V/50Hz)	
2B	4460190	AR	Receptacle, Double (110V Box)	
2B	4460027	AR	Receptacle, Double Twist Lock (110V Box)	
2B	70000124	1	Receptacle, Double (220V Box)	
2B	70000125	1	Receptacle, Single Twist Lock (220V Box)	
2B	2920162	1	Lamp Assembly (USA Built Machines) (SN 0300065080 through 0300082709)	
2B	2920162	1	Lamp Assembly (Belgium Built Machines) (Prior to SN 1300000731)	
2B	7020191	1	Switch, Toggle (USA Built Machines) (SN 0300065080 through 0300082709)	
2B	7020191	1	Switch, Toggle (Belgium Built Machines) (Prior to SN 1300000731)	
2B	3520028	1	Plug, Hole	
2C		Ref	Voltmeter Options:	
2C	2420203	1	Voltmeter (110V)	
2C	7020192	1	Voltmeter (220V)	
2D		Ref	Pulley Options:	
2D	3580276	1	Pulley (110V/60Hz)	
2D	3580134	1	Pulley (110V/50Hz)	
2D	3580276	1	USA Built Machines (220V/50Hz) (SN 0300065080 through 0300066784)	
2D	3580134	1	USA Built Machines (220V/50Hz) (SN 0300066785 through 0300123999)	
2D	3580134	1	Belgium Built Machines (220V/50Hz)	
2D	7027887	1	Key, Woodruff	
3		Ref	Arm, Adjusting Options:	
3A	0200741	1	USA Built Machines (SN 0300065080 through 0300068835)	
3A	0200741	1	Belgium Built Machines (Prior to SN 1300000006)	
3B	0200742	1	USA Built Machines (SN 0300068836 through 0300123999)	
3B	0200742	1	Belgium Built Machines (SN 1300000006 through 1300006000)	
4		Ref	V-Belt Options:	
4	0480120	1	USA Built Machines (110V/60Hz) (SN 0300065080 through 0300077520)	
4	0480120	1	Belgium Built Machines (110V/60Hz) (Prior to SN 1300000316)	
4	0480122	1	USA Built Machines (110V/60Hz) (SN 0300077521 through 0300123999)	
4	0480122	1	Belgium Built Machines (110V/60Hz) (SN 1300000316 through 1300006000)	
4	0480120	1	V-Belt (110V/50Hz)	
4	0480118	1	USA Built Machines (220V) (SN 0300065080 through 0300066785)	
4	0480118	1	Belgium Built Machines (220V) (Prior to SN 1300000006)	
4	0480120	1	220V (USA Built Machines) (SN 0300038836 through 0300123999)	
4	0480120	1	220V (Belgium Built Machines) (SN 1300000006 through 1300006000)	
5	0100011	AR	Compound, Locking	
6	0641772	1	Bolt 7/16in-14NC x 9in	
7	4751600	6	Flatwasher 3/8in Regular	

SECTION 2 - TURNTABLE

ITEM	PART NUMBER	QTY	DESCRIPTION	REV
8	2860012	1	Key, Woodruff	
9	3311605	1	Locknut 3/8in-16NC	
10	3311705	1	Locknut 7/16in-14NC	
11	3740080	1	Relay	
12	4460023	1	Connector, Strain Relief (USA Built Machines) (SN 0300065080 through 0300082709)	
12	4460023	1	Connector, Strain Relief (Belgium Built Machines) (Prior to SN 1300000731)	
13	0641508	1	Bolt 5/16in-18NC x 1in	
14	4751500	1	Flatwasher 5/16in Regular	
16	3520028	1	Plug, Hole (USA Built Machines) (SN 0300065080 through 0300082709)	
16	3520028	1	Plug, Hole (Belgium Built Machines) (Prior to SN 1300000731)	
17	0721006	1	Bolt #10-24NC x 3/4in	
18	3311005	3	Locknut #10-24NC	
19	4751000	8	Flatwasher #10 Regular	
20	4360336	1	Switch, Toggle (Not Shown - Located at Platform)	
21	4740397	1	Washer (Not Shown - Located at Platform)	
22	4060802	1	Guard, Switch (Not Shown - Located at Platform)	
23	2820031	AR	Heat Shrink (Not Shown - Located at Platform)	
24	3251102	1	Decal (Not Shown - Located at Platform)	
25	0721008	2	Bolt #10-24NC x 1in and SN 1300000731 (SN 0300065080 through 0300082709)	
26	0641610	1	Bolt 3/8in-16NC x 1-1/4in	
27		Ref	Breaker, Circuit - 30 Amp Options:	
27	Not Required	0	USA Built Machines (SN 0300065080 through 0300068835)	
27	Not Required	0	Belgium Built Machines (Prior to SN 1300000006)	
27	4360294	1	USA Built Machines (SN 0300068836 through 0300082708)	
27	4360294	1	Belgium Built Machines (SN 1300000006 through 1300000730)	
27	Not Required	0	USA Built Machines (SN 0300082709 through 0300123999)	
27	Not Required	0	Belgium Built Machines (SN 1300000731 through 130006000)	

SECTION 2 - TURNTABLE

FIGURE 2-32. 2500W GENERATOR INSTALLATION - FORD ENGINES (USA BUILT MACHINES)
(OPTIONAL) (SN 0300065080 through 0300078472)



SECTION 2 - TURNTABLE

**FIGURE 2-32. 2500W GENERATOR INSTALLATION - FORD ENGINES (USA BUILT MACHINES)
(OPTIONAL) (SN 0300065080 through 0300078472)**

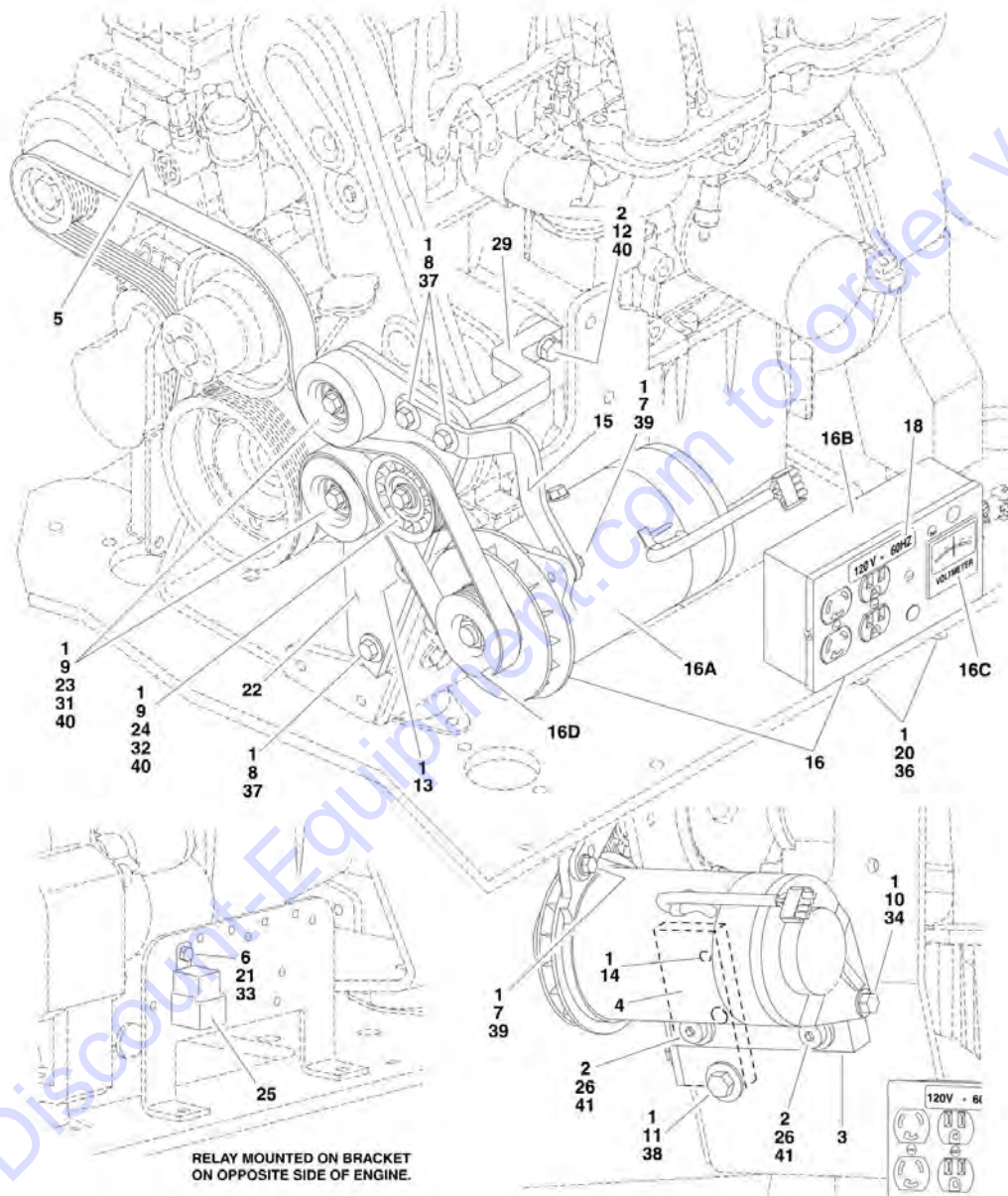
ITEM	PART NUMBER	QTY	DESCRIPTION	REV
		Ref	GENERATOR INSTALLATION OPTIONS:	
	0271224	Ref	110V Generator (SN 0300065080 through 0300078472)	4-C
	0271226	Ref	220V Generator (SN 0300065080 through 0300078472)	3-B
1	3580250	1	Pulley	
2		Ref	Generator and Control Box Assembly Options:	
2	2460032	1	110V/60Hz Assembly (SN 0300065080 through 0300064406)	
2	2460011	1	110V/60Hz Assembly (SN 0300064407 through 0300069627)	
2	2460044	1	110V/60Hz Assembly (SN 0300069628 through 0300078472)	
2	2460034	1	220V/50Hz Assembly (SN 0300065080 through 0300064406)	
2	2460013	1	220V/50Hz Assembly (SN 0300064407 through 0300078472)	
2A		Ref	Generator Options:	
2A	7012558	1	Generator (110V/60Hz)	
2A	1001100321	1	Generator (220V/50Hz)	
		Ref	Note: All Replacement Generators come standard with P/N 3580134 Pulley. This Pulley may not be correct for all applications. Refer to Pulley options below.	
2A	7026199	1	110V/60Hz Armature with Slip Rings	
2A	70000123	1	220V/50Hz Armature with Slip Rings	
2A	7020109	4	Holder, Brush	
2A	7020108	4	Brush	
2A	7012513	4	Cap, Brush Holder	
2A	7012514	1	Fan	
2A	7020190	2	Bearing	
2A	7020110	1	End Bell, Front	
2A	7020111	1	End Bell, Rear	
2A	7020193	1	Cord, Power	
2B		Ref	Control Box Options:	
2B	7003657	1	Control Box (110V/60Hz)	
2B	70002235	1	Control Box (220V/50Hz)	
2B		Ref	Circuit Breaker Options:	
2B	4360542	1	Circuit Breaker (110V)	
2B	70000126	1	Circuit Breaker (220V)	
2B	4460190	2	Receptacle, Double (110V Box)	
2B	70000124	1	Receptacle, Double (220V Box)	
2B	70000125	1	Receptacle, Single Twist Lock (220V Box)	
2B	2920162	1	Lamp Assembly	
2B	7020191	1	Switch, Toggle	
2B	3520028	1	Plug, Hole	
2C		Ref	Voltmeter Options:	
2C	2420203	1	Voltmeter (110V)	
2C	7020192	1	Voltmeter (220V)	
2D		Ref	Pulley Options:	
2D		Ref	Pulley (110V/60Hz)	
2D	3580276	1	Pulley (SN 0300065080 through 0300064406)	
2D	3580134	1	Pulley (SN 0300064407 through 0300069627)	
2D	3580307	1	Pulley (SN 0300069628 through 0300078472)	
2D		Ref	Pulley (220V/50Hz)	
2D	3580276	1	Pulley (SN 0300065080 through 0300064406)	
2D	3580134	1	Pulley (SN 0300064407 through 0300078472)	

SECTION 2 - TURNTABLE

ITEM	PART NUMBER	QTY	DESCRIPTION	REV
2D	7027887	1	Key, Woodruff	
3	0902756	1	Bracket, Generator Mounting	
4	0200632	1	Arm, Adjusting	
5		Ref	V-Belt Options:	
5		Ref	V-Belt (110V)	
5	0480111	1	Belt, Generator (SN 0300065080 through 0300064406)	
5	0480050	1	V-Belt (SN 0300064407 through 0300069627)	
5	0480111	1	V-Belt (SN 0300069628 through 0300078472)	
5		Ref	V-Belt (220V)	
5	0480111	1	V-Belt (SN 0300065080 through 0300064406)	
5	0480050	1	V-Belt (SN 0300064407 through 0300078472)	
6	0701015	2	Bolt M10 x 35mm	
7	4812000	2	Flatwasher M10	
8	0100011	AR	Compound, Locking	
9	0681612	1	Bolt 3/8in-16NC x 1-1/2in (Grade 8)	
10	4751600	6	Flatwasher 3/8in Regular	
11	2860012	1	Key, Woodruff	
12	3311605	1	Locknut 3/8in-16NC	
13	4564417	1	Spacer, Tube	
14	0721008	2	Bolt #10-24NC x 1in	
15	4460023	1	Connector, Strain Relief	
16	0641508	1	Bolt 5/16in-18NC x 1in	
17	4751500	1	Flatwasher 5/16in Regular	
19	3520028	1	Plug, Hole	
20	0721006	1	Bolt #10-24NC x 3/4in	
21	3311005	3	Locknut #10-24NC	
22	4751000	8	Flatwasher #10 Regular	
23	2820031	1	Heat Shrink (Not Shown - Located at Platform)	
24	3740080	1	Relay, Bosch	
25	4360336	1	Switch, Toggle (Not Shown - Located at Platform)	
26	4740397	1	Washer (Not Shown - Located at Platform)	
27	4060802	1	Guard, Switch (Not Shown - Located at Platform)	
28	3251102	1	Decal (Not Shown - Located at Platform)	
29	0641772	1	Bolt 7/16in-14NC x 9in	
30	3311705	1	Locknut 7/16in-14NC	
31	3251243	2	Nameplate, 120V-60Hz (with 110V Generator Only)	

SECTION 2 - TURNTABLE

FIGURE 2-33. 2500W GENERATOR INSTALLATION - FORD ENGINES (USA BUILT MACHINES)
(OPTIONAL) (SN 0300078473 through 0300123999)



SECTION 2 - TURNTABLE

**FIGURE 2-33. 2500W GENERATOR INSTALLATION - FORD ENGINES (USA BUILT MACHINES)
(OPTIONAL) (SN 0300078473 through 0300123999)**

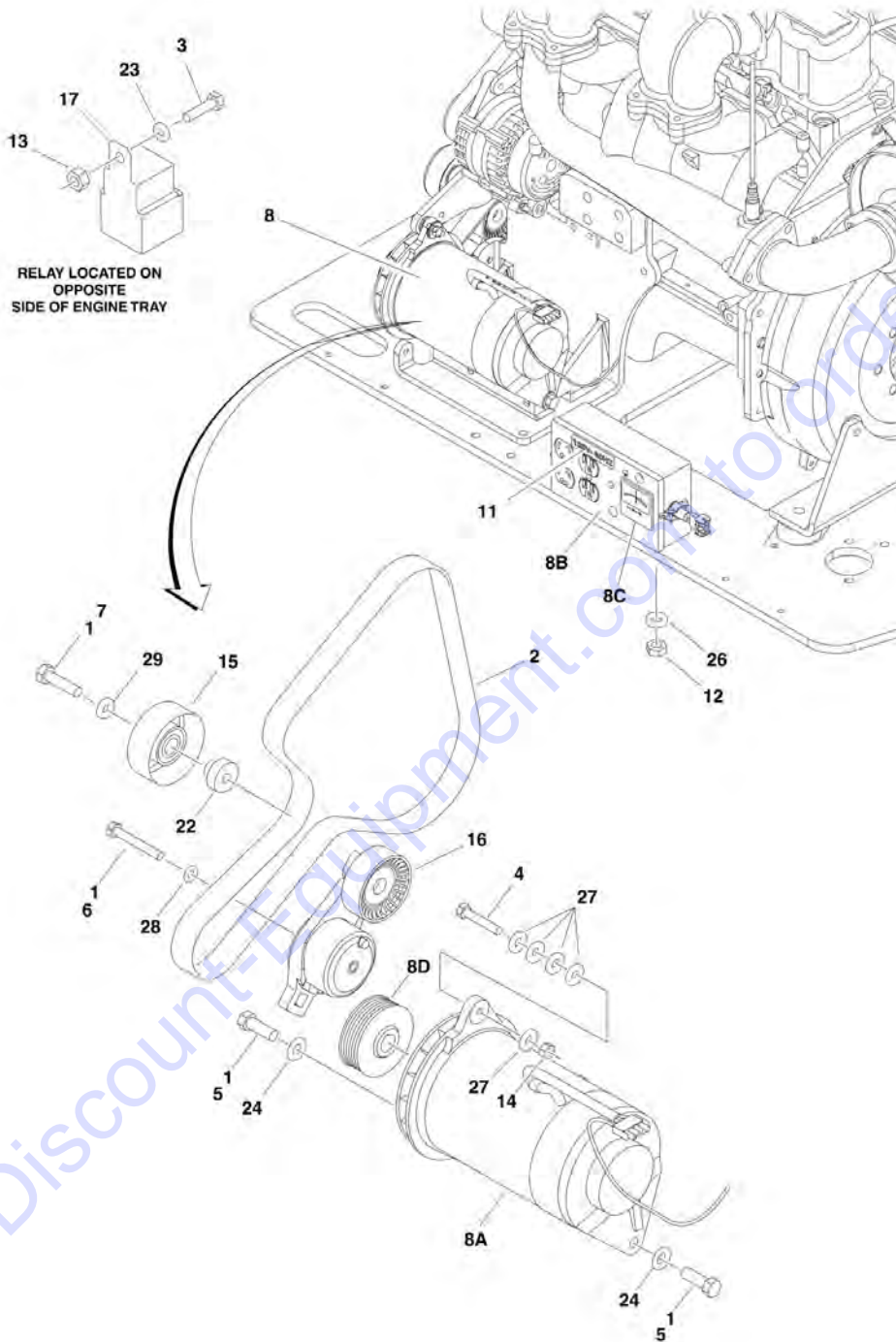
ITEM	PART NUMBER	QTY	DESCRIPTION	REV
		Ref	GENERATOR INSTALLATION OPTIONS:	
	0273507	Ref	110V/60Hz Generator with ADE System (SN 0300078473 through 0300123999)	B
	0273511	Ref	220V/50Hz Generator with ADE System (SN 0300078473 through 0300123999)	A
1	0100011	AR	Compound, Locking	
2	0100019	AR	Compound, Locking	
3	0363082	1	Bar, Generator Adjuster	
4	0363097	1	Bar, Pulley Mounting	
5	0480135	1	V-Belt	
6	0641405	1	Bolt 1/4in-20NC x 5/8in	
7	0641508	1	Bolt 5/16in-18NC x 1in	
8	0641611	3	Bolt 3/8in-16NC x 1-3/8in	
9	0641612	3	Bolt 3/8in-16NC x 1-1/2in	
10	0641718	2	Bolt 7/16in-14NC x 2-1/4in	
11	0641810	1	Bolt 1/2in-13NC x 1-1/4in	
12	0701015	1	Bolt M10 x 35mm	
13	0741606	1	Screw, Countersunk 3/8in-16NC x 3/4in	
14	0741808	1	Screw, Countersunk 1/2in-13NC x 1in	
15	0902952	1	Bracket, Generator Mounting	
16		Ref	Generator and Control Box Assembly Options:	
16	2460051	1	Generator and Control Box Assembly (110V/60Hz Assembly)	
16	2460052	1	Generator and Control Box Assembly (220V/50Hz Assembly)	
16A		Ref	Generator Options:	
16A	7012558	1	Generator (110V/60Hz)	
16A	1001100321	1	Generator (220V/50Hz)	
		Ref	Note: All Replacement Generators come standard with P/N 3580134 Pulley. This Pulley may not be correct for all applications. Refer to Pulley options below.	
16A	7026199	1	110V/60Hz Armature with Slip Rings	
16A	70000123	1	220V/50Hz Armature with Slip Rings	
16A	7020109	4	Holder, Brush	
16A	7020108	4	Brush	
16A	7012513	4	Cap, Brush Holder	
16A	7012514	1	Fan	
16A	7020190	2	Bearing	
16A	7020110	1	End Bell, Front	
16A	7020111	1	End Bell, Rear	
16A	7020193	1	Cord, Power	
16B		Ref	Control Box Options:	
16B	7019680	1	Control Box (110V/60Hz)	
16B	70000127	1	Control Box (220V/50Hz)	
16B		Ref	Circuit Breaker Options:	
16B	4360542	1	Circuit Breaker (110V)	
16B	70000126	1	Circuit Breaker (220V)	
16B	4460190	1	Receptacle, Double (110V Box)	
16B	4460027	1	Receptacle, Double Twist Lock (110V Box)	
16B	70000124	1	Receptacle, Double (220V Box)	
16B	70000125	1	Receptacle, Single Twist Lock (220V Box)	
16B	3520028	1	Plug, Hole	

SECTION 2 - TURNTABLE

ITEM	PART NUMBER	QTY	DESCRIPTION	REV
16C		Ref	Voltmeter Options:	
16C	2420203	1	Voltmeter (110V)	
16C	7020192	1	Voltmeter (220V)	
16D		Ref	Pulley Options:	
16D	3580324	1	Pulley (110V)	
16D	3580325	1	Pulley (220V)	
16D	7027887	1	Key, Woodruff	
17	2820031	AR	Heat Shrink (Not Shown - Located at Platform)	
18		Ref	Decal Options:	
18	3251243	1	Decal (110V)	
18	1702590	1	Decal (220V)	
19	3252764	1	Nameplate (Not Shown - Located at Platform)	
20	3311005	2	Locknut # 10-24NC	
21	3311405	1	Locknut 1/4in-20NC	
22	3574225	1	Plate, Pulley Mounting	
23	3580312	1	Pulley, Idler	
24	3580313	1	Pulley, Grooved Idler	
25	3740080	1	Relay, Bosch	
26	3900322	2	Screw, Shoulder	
27	4060802	1	Guard, Switch (Not Shown - Located at Platform)	
28	4240018	AR	Tie-Strap (Not Shown)	
29	4340738	1	Support, Idler Pulley	
30	4360336	1	Switch, Toggle (Not Shown - Located at Platform)	
31	4568734	1	Spacer, Tube (Idler Pulley Non-Grooved)	
32	4568735	1	Spacer, Tube (Idler Pulley Grooved)	
33	4711400	1	Flatwasher 1/4in Thin	
34	4711700	2	Flatwasher 7/16in Thin	
35	4740397	1	Spacer (Not Shown - Located at Platform)	
36	4751000	2	Flatwasher #10 Regular	
37	4751600	3	Flatwasher 3/8in Regular	
38	4751800	1	Flatwasher 1/2in Regular	
39	4891500	1	Flatwasher 5/16in Hardened	
40	4891600	4	Flatwasher 3/8in Hardened	
41	4892000	2	Flatwasher 5/8in Hardened	

SECTION 2 - TURNTABLE

FIGURE 2-34. 2500W GENERATOR INSTALLATION - GM ENGINES (USA BUILT MACHINES)
(OPTIONAL)



SECTION 2 - TURNTABLE

**FIGURE 2-34. 2500W GENERATOR INSTALLATION - GM ENGINES (USA BUILT MACHINES)
(OPTIONAL)**

ITEM	PART NUMBER	QTY	DESCRIPTION	REV
		Ref	GENERATOR INSTALLATION OPTIONS:	
	0275039	Ref	110V Generator	E
1	0100011	AR	Compound, Locking	
2	0480142	1	V-Belt	
3	0641405	1	Bolt 1/4in-20NC x 5/8in	
4		Ref	Bolt 5/16in-18NC Options:	
4	0641514	1	Bolt 5/16in-18NC (1-3/4in Length) (SN 0300065080 through 0300094973)	
4	0641510	1	Bolt 5/16in-18NC (1-1/4in Length) (SN 0300094974 through 0300123999)	
5	0641710	2	Bolt 7/16in-14NC x 1-1/4in	
6	0700820	1	Bolt M8 x 60mm	
7	0701016	1	Bolt M10 x 340mm	
8	2460051	1	110V/60Hz Generator and Control Box Assembly	
8A	7012558	1	110V/60Hz Generator	
		Ref	Note: All Replacement Generators come standard with P/N 3580134 Pulley. This Pulley may not be correct for all applications. Refer to Pulley options below.	
8A	7026199	1	Armature with Slip Rings	
8A	7020109	4	Holder, Brush	
8A	7020108	4	Brush	
8A	7012513	4	Cap, Brush Holder	
8A	7012514	1	Fan	
8A	7020190	2	Bearing	
8A	7020110	1	End Bell, Front	
8A	7020111	1	End Bell, Rear	
8A	7020193	1	Cord, Power	
8B	7019680	1	110V/60Hz Control Box	
8B	4360542	1	Circuit Breaker	
8B	4460190	1	Receptacle, Double	
8B	4460027	1	Receptacle, Double Twist Lock	
8B	3520028	1	Plug, Hole	
8C	2420203	1	Voltmeter	
8D	3580324	1	Pulley	
8D	7027887	1	Key, Woodruff	
9	2820031	AR	Heat Shrink (Not Shown - Located at Platform)	
10	3251102	1	Nameplate - Generator (Not Shown - Located at Platform)	
11	3251243	1	Decal	
12	3311005	2	Locknut # 10-24NC	
13	3311405	1	Locknut 1/4in-20NC	
14	3311505	1	Locknut 5/16in-18NC	
15	3580312	1	Pulley, Idler	
16	3580348	1	Tensioner, Belt	
17	3740080	1	Relay, Bosch	
18	4060802	1	Guard, Switch (Not Shown - Located at Platform)	
19	4240018	AR	Tie-Strap (Not Shown)	
20	4360336	1	Switch, Toggle (Not Shown - Located at Platform)	
21	4460906	3	Terminal (Not Shown)	
22	4568735	1	Spacer, Tube (Idler Pulley Grooved)	
23	4711400	1	Flatwasher 1/4in Thin	

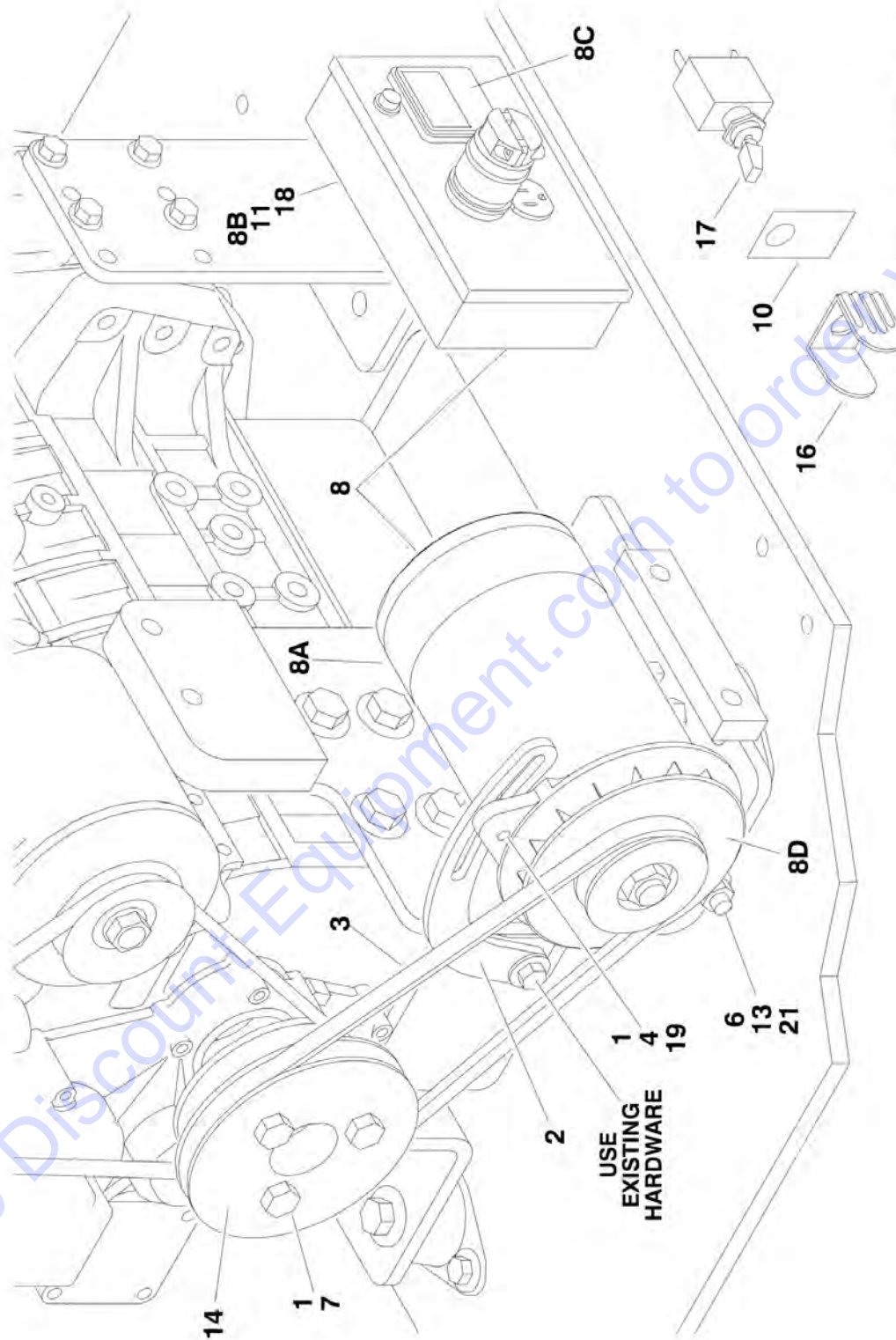
SECTION 2 - TURNTABLE

ITEM	PART NUMBER	QTY	DESCRIPTION	REV
24	4711700	2	Flatwasher 7/16in Thin	
25	4740397	1	Spacer (Not Shown - Located at Platform)	
26	4751000	2	Flatwasher #10 Regular	
27	4751500	4	Flatwasher 5/16in Regular	
28	4811900	1	Flatwasher M8	
29	4891600	1	Flatwasher 3/8in Hardened	

Go to Discount-Equipment.com to order your parts

SECTION 2 - TURNTABLE

FIGURE 2-35. 2500W GENERATOR INSTALLATION - PERKINS ENGINES (USA AND BELGIUM BUILT MACHINES) (OPTIONAL)



SECTION 2 - TURNTABLE

FIGURE 2-35. 2500W GENERATOR INSTALLATION - PERKINS ENGINES (USA AND BELGIUM BUILT MACHINES) (OPTIONAL)

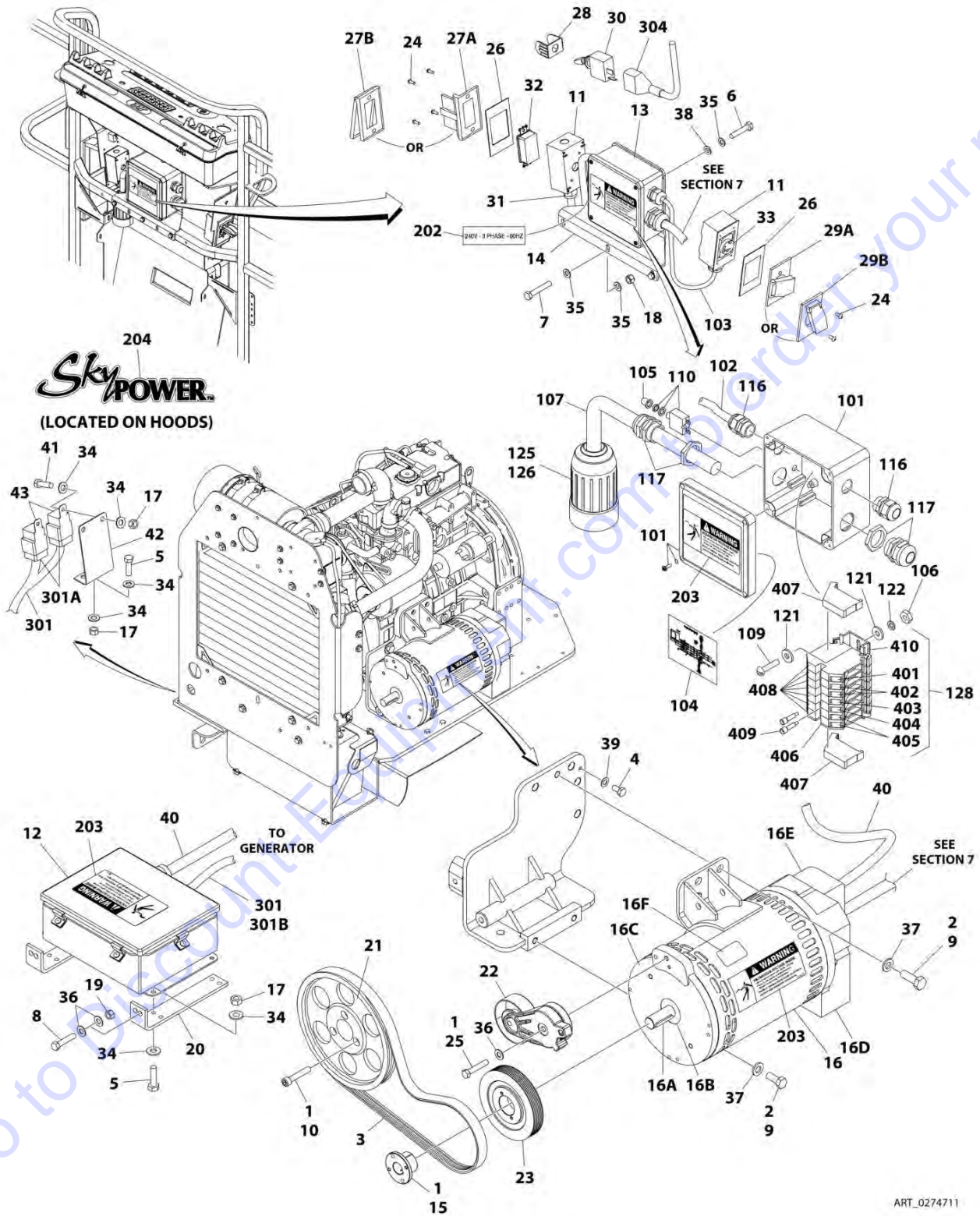
ITEM	PART NUMBER	QTY	DESCRIPTION	REV
		Ref	GENERATOR INSTALLATION	
	1001097325	Ref	110V/60Hz Generator (Available on all Specs Except Australian and CE Specs)	C
	1001097339	Ref	110V/50Hz Generator (Available on CE Specs Only)	B
	1001097324	Ref	220V/50HZ Generator (Available on ANSI Export, Australian and CE Specs)	B
1	0100011	AR	Compound, Locking	
2	0200742	1	Arm, Adjusting	
3		Ref	V-Belt Options:	
3	0480121	1	V-Belt (110V)	
3	0480120	1	V-Belt (220V)	
4	0641508	1	Bolt 5/16in-18NC x 1in	
6	0641772	1	Bolt 7/16in-14NC x 9in	
7	0701217	3	Bolt M12 x 45mm	
8		Ref	Generator and Control Box Assembly Options:	
8	2460055	1	Generator and Control Box Assembly (110V/60Hz)	
8	2460057	1	Generator and Control Box Assembly (110V/50Hz)	
8	2460056	1	Generator and Control Box Assembly (220V/50Hz)	
8A		Ref	Replacement Generator Only:	
8A	7012558	1	Replacement Generator (110V/60Hz)	
8A	2460049	1	Replacement Generator (110V/50Hz)	
8A	1001100321	1	Replacement Generator (220V/50Hz)	
		Ref	Note: All Replacement Generators come standard with P/N 3580134 Pulley. This Pulley may not be correct for all applications. Refer to Pulley options below.	
8A	7026199	1	110V/60Hz Armature with Slip Rings	
8A	70000122	1	110V/50Hz Armature with Slip Rings	
8A	70000123	1	220V/50Hz Armature with Slip Rings	
8A	7020109	4	Holder, Brush	
8A	7020108	4	Brush	
8A	7012513	4	Cap, Brush Holder	
8A	7012514	1	Fan	
8A	7020190	2	Bearing	
8A	7020110	1	End Bell, Front	
8A	7020111	1	End Bell, Rear	
8A	7020193	1	Cord, Power	
8B		Ref	Control Box Options:	
8B	7019680	1	Control Box (110V)	
8B	70000127	1	Control Box (220V)	
8B		Ref	Circuit Breaker Options:	
8B	4360542	1	Circuit Breaker (110V)	
8B	70000126	1	Circuit Breaker (220V)	
8B	4460190	1	Receptacle, Double (110V Box)	
8B	4460027	1	Receptacle, Double Twist Lock (110V Box)	
8B	70000124	1	Receptacle, Double (220V Box)	
8B	70000125	1	Receptacle, Single Twist Lock (220V Box)	
8B	3520028	1	Plug, Hole	
8C		Ref	Voltmeter Options:	
8C	2420203	1	Voltmeter (110V)	
8C	7020192	1	Voltmeter (220V)	

SECTION 2 - TURNTABLE

ITEM	PART NUMBER	QTY	DESCRIPTION	REV
8D		Ref	Pulley Options:	
8D	3580276	1	Pulley (110V/60Hz)	
8D	3580134	1	Pulley (110V/50Hz)	
8D	3580134	1	Pulley (220V/50Hz)	
8D	7027887	1	Key, Woodruff	
9	2820031	1	Heat Shrink (Not Shown - Located at Platform)	
10	3251102	1	Decal (Located at Platform)	
11	3311005	2	Locknut #10-24NC	
13	3311705	1	Locknut 7/16in-14NC	
14	3580315	1	Pulley	
15	3740080	1	Relay (Not Shown - Located Back Side of Engine Tray with Existing Relays)	
16	4060802	1	Guard, Switch (Located at Platform)	
17	4360336	1	Switch, Toggle (Located at Platform)	
18	4751000	8	Flatwasher #10 Regular	
19	4751500	1	Flatwasher 5/16in	
21	4751700	6	Flatwasher 3/8in Regular	

SECTION 2 - TURNTABLE

FIGURE 2-36. 7500W GENERATOR INSTALLATION - CATERPILLAR ENGINE MACHINES (USA BUILT MACHINES)



SECTION 2 - TURNTABLE

FIGURE 2-36. 7500W GENERATOR INSTALLATION - CATERPILLAR ENGINE MACHINES (USA BUILT MACHINES)

ITEM	PART NUMBER	QTY	DESCRIPTION	REV
		Ref	7500W GENERATOR INSTALLATION - CATERPILLAR ENGINE MACHINES (USA BUILT MACHINES)	
		Ref	Caterpillar Engine Machines without UGM:	
	0274711	Ref	60Hz Spec	E
1	0100011	AR	Compound, Locking	
2	0100019	AR	Compound, Locking	
3	0480129	1	Belt	
4	0641403	1	Bolt 1/4 x 3/8	
5	0641408	5	Bolt 1/4 x 1	
6	0641505	4	Bolt 5/16 x 5/8	
7	0641516	3	Bolt 5/16 x 2	
8	0641614	2	Bolt 3/8 x 1-3/4	
9	0641808	4	Bolt 1/2 x 1	
10	0701217	3	Bolt M12 x 45	
11	0860038	2	Box, Switch	
12	0861538	1	Control Box Assembly	
12	7024488	1	Card, Circuit - Generator Power	
12	See Note	1	Fuse (Note: Not Available - Purchase Locally)	
12	7024489	1	Card, Circuit - Control	
12	70000619	1	Harness, Circuit Card	
13	0861542	1	Junction Box Assembly (See Items 101-128 for Breakdown)	
14	0902888	1	Bracket	
15	0962520	1	Bushing	
16	2460048	1	Generator Assembly	
16	70001100	1	Rotor (Includes p/n 70001384 & 70000863) (Not Shown)	
16	70001384	1	Bearing, Ball Radial (Not Shown)	
16	70000863	1	Fan (Not Shown)	
16	70002088	1	Stator (Not Shown)	
16	70002297	1	Stud	
16	70003631	1	Brushholder Assembly (Not Shown)	
16A	70004171	1	Key	
16B	70001966	1	Bearing, Ball Radial (Located in Belt Tensioner Endbell)	
16B	70003708	1	Ring, Internal Retaining (Located in Belt Tensioner Endbell)	
16B	70003709	1	Ring, External Retaining (Located in Belt Tensioner Endbell)	
16C	70001953	1	Endbell, Belt Tensioner	
16D	70004169	1	Endbell, Brush Block	
16E	70004169	1	Shroud	
16E	See Note	NSS	Insulator, Endbell (Note: Not Available for Purchase)	
16E	7027799	1	Block, Connector - 6 Position (Not Shown)	
16E	70002460	1	Nut, Brass (Attaches p/n 7027799 to Cover) (Not Shown)	
16E	7024485	1	Breaker, Circuit 30Amp (Not Shown)	
16E	70001696	1	Boot, Breaker (Not Shown)	
16E	7026626	1	Connector - 6 Position (Includes Seal) (Not Shown - Plugs into Item 39)	
16E	7026597	1	Connector, with Leads (Not Shown)	
16E	7026188	1	Clamp, Cable Options (Not Shown)	
16E	70004169	1	Plate, End Panel	
16E	70001974	1	Decal - Terminal Connections	
16F	70001973	1	Decal - Warning Moving Parts	

SECTION 2 - TURNTABLE

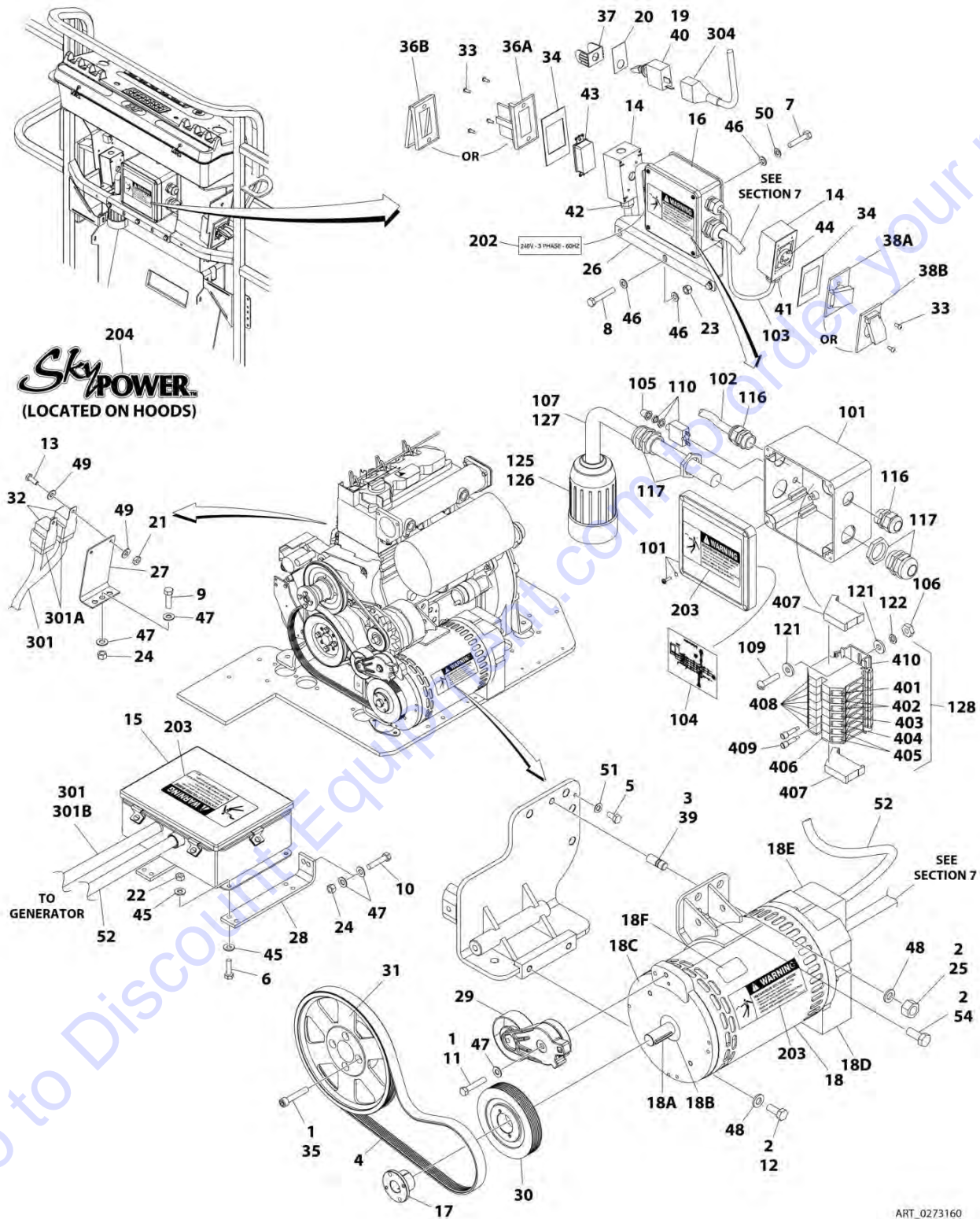
ITEM	PART NUMBER	QTY	DESCRIPTION	REV
17	3311405	7	Nut 1/4	
18	3311505	3	Nut 5/16	
19	3311605	2	Nut 3/8	
20	3574523	2	Plate	
21	3580316	1	Pulley	
22	3580317	1	Pulley	
23	3580318	1	Pulley	
24	3910606	8	Screw #6 x 3/8	
25	0641618	1	Bolt 3/8 x 2-1/4	
26	3960422	2	Gasket	
27		Ref	Cover, Receptacle Options:	
27A	4060700	1	Cover (Side Hinge)	
27B	1001110873	1	Cover (Top Hinge)	
28	4060802	1	Guard, Switch	
29		Ref	Cover, Receptacle Options:	
29A	4061043	1	Cover (Side Hinge)	
29B	1001110872	1	Cover (Top Hinge)	
30	4360336	1	Switch, Toggle	
31	4460071	2	Connector, Strain Relief	
32	4460346	1	Receptacle	
33	4460958	1	Receptacle, Female Twist-Lock	
34	4711400	14	Washer 1/4	
35	4711500	10	Washer 5/16	
36	4711600	5	Washer 3/8	
37	4711800	4	Washer 1/2	
38	4761500	4	Washer 5/16	
39	4791400	1	Washer 1/4	
40	4922925	1	Harness, Generator	
40	4460225	1	Plug, Male - 6 Position (Plugs into Generator)	
40	See Note	NSS	Socket, Female (Use with 4460225)	
40	See Note	NSS	Seal, Plug (Use with 4460225)	
40	See Note	NSS	Seal, Interface (Use with 4460225)	
41	0641405	2	Bolt 1/4 x 5/8	
42	3574163	1	Bracket	
43	3740080	2	Relay	
	0861542	Ref	JUNCTION BOX ASSEMBLY	
101	0861541	1	Box, Junction	D
102	1060494	2 ft/.6m	Cable, Electrical - 12/3	
103	1060708	2.5 ft/ 0.8m	Cable, Electrical - 10/3	
104	1705376	1	Decal - Wiring Schematic	
105	3300396	1	Cover, Fuse	
106	3310601	2	Nut 6	
107	1060343	1.5 ft/ 0.5m	Cable, Electrical - 10/4	
109	3910610	2	Bolt 6-32 x 5/8	
110	4360070	1	Circuit Breaker - 15Amp	
116	4460425	2	Strain Relief, Terminal	
117	4460426	2	Connector, Strain Relief	
121	4750600	4	Washer #6	
122	4760600	2	Washer #6	
125	1671092	1	Cover (60Hz Spec Only)	

SECTION 2 - TURNTABLE

ITEM	PART NUMBER	QTY	DESCRIPTION	REV
126	4460963	1	Connector	
128	1001121340	1	Terminal Block Assembly (See Items 401-410 for Breakdown)	
	0273380	Ref	DECAL INSTALLATION	B
202	1705375	1	Decal - 240V - 3 Phase - 60Hz	
203	1705387	3	Decal - Hazardous Voltage	
204	1705460	2	Decal - SkyPower	
	4933264	Ref	ELECTRICAL DIAGRAM COMPONENTS	C
301	4922757	Ref	Generator Harness Options (See ELECTRICAL SECTION for Breakdown):	3-C
301A	4460374	2	Plug, Sealed Relay	
301A	4460375	7	Terminal	
301B	4460967	1	Plug, Male - 3 Position	
301B	4460465	1	Socket, Female	
301C	2400060	1	Fuseholder (Not Shown)	
301C	2400064	1	Fuse - 5Amp (Not Shown)	
304	4922641	1	Switch Harness	
		Ref	TERMINAL BLOCK ASSEMBLY	
	NPN	Ref	Gray Terminal Block Assembly (Complete Assembly Not Available - Purchase Individual Components)	
	1001121340	Ref	Tan Terminal Block Assembly	A
401		Ref	Marker Strip #1 Options:	
401	4460411	2	Gray Terminal Block Assembly	
401	70002818	2	Tan Terminal Block Assembly	
402		Ref	Marker Strip #2 Options:	
402	4460412	AR	Gray Terminal Block Assembly	
402	70002819	4	Tan Terminal Block Assembly	
403		Ref	Marker Strip #3 Options:	
403	4460413	2	Gray Terminal Block Assembly	
403	70002820	2	Tan Terminal Block Assembly	
404		Ref	Marker Strip #4 Options:	
404	4460414	2	Gray Terminal Block Assembly	
404	70002821	2	Tan Terminal Block Assembly	
405		Ref	Marker Strip #5 Options:	
405	4460415	AR	Gray Terminal Block Assembly	
405	70002822	4	Tan Terminal Block Assembly	
406		Ref	Terminal, End Barrier Options:	
406	4460956	1	Gray Terminal Block Assembly	
406	70002823	1	Tan Terminal Block Assembly	
407		Ref	Terminal, End Block Options:	
407	4460607	2	Gray Terminal Block Assembly	
407	70002824	2	Tan Terminal Block Assembly	
408		Ref	Terminal, Block Options:	
408	4460957	AR	Gray Terminal Block Assembly	
408	70002825	7	Tan Terminal Block Assembly	
409		Ref	Terminal, Cross Connector Jumper Options:	
409	4461001	2	Gray Terminal Block Assembly	
409	70002826	2	Tan Terminal Block Assembly	
410	3640986	1	Rail, Relay (Prior to SN 0300072911)	
410	3641533	1	Rail, Relay (SN 0300072911 to Present)	

SECTION 2 - TURNTABLE

FIGURE 2-37. 7500W GENERATOR INSTALLATION - DEUTZ ENGINE MACHINES (USA BUILT MACHINES)



ART_0273160

SECTION 2 - TURNTABLE

FIGURE 2-37. 7500W GENERATOR INSTALLATION - DEUTZ ENGINE MACHINES (USA BUILT MACHINES)

ITEM	PART NUMBER	QTY	DESCRIPTION	REV
		Ref	7500W GENERATOR INSTALLATION - DEUTZ ENGINE MACHINES (USA BUILT MACHINES)	
		Ref	Deutz Engine Machines without UGM:	
	0273420	Ref	50Hz Spec	G
	0273160	Ref	60Hz Spec	G
1	0100011	AR	Compound, Locking	
2	0100019	AR	Compound, Locking	
3	0100062	AR	Loctite, #RC/680	
4	0480129	1	Belt (50Hz Spec)	
4	0480128	1	Belt (60Hz Spec)	
5	0641403	1	Bolt 1/4 x 3/8	
6	0641408	4	Bolt 1/4 x 1	
7	0641505	4	Bolt 5/16 x 5/8	
8	0641516	3	Bolt 5/16 x 2	
9	0641610	1	Bolt 3/8 x 1-1/4	
10	0641614	2	Bolt 3/8 x 1-3/4	
11	0641618	1	Bolt 3/8 x 2-1/4	
12	0641808	2	Bolt 1/2 x 1	
13	0721004	2	Bolt #10 x 1/2	
14	0860038	2	Box, Switch	
15	0861572	1	Control Box Assembly (50Hz Spec)	
15	0861538	1	Control Box Assembly (60Hz Spec)	
15	7024488	1	Card, Circuit - Generator Power	
15	See Note	NSS	Fuse (Note: Not Available - Purchase Locally)	
15	7024489	1	Card, Circuit - Control	
		Ref	Note: Same Circuit Card (P/N 7024489) is used for both 50Hz and 60Hz. When replacing card, rocker switch on card must be set for required application.	
15	70000619	1	Harness, Circuit Card	
16	0861567	1	Junction Box Assembly (50Hz Spec) (See Items 101-128 for Breakdown)	
16	0861542	1	Junction Box Assembly (60Hz Spec) (See Items 101-128 for Breakdown)	
17	0962520	1	Bushing	
18	2460048	1	Generator Assembly	
18	70001100	1	Rotor (Includes p/n 70001384 & 70000863) (Not Shown)	
18	70001384	1	Bearing, Ball Radial (Not Shown)	
18	70000863	1	Fan (Not Shown)	
18	70002088	1	Stator (Not Shown)	
18	70002297	1	Stud	
18	70003631	1	Brushholder Assembly (Not Shown)	
18A	70004171	1	Key	
18B	70001966	1	Bearing, Ball Radial (Located in Belt Tensioner Endbell)	
18B	70003708	1	Ring, Internal Retaining (Located in Belt Tensioner Endbell)	
18B	70003709	1	Ring, External Retaining (Located in Belt Tensioner Endbell)	
18C	70001953	1	Endbell, Belt Tensioner	
18D	70004169	1	Endbell, Brush Block	
18E	70004169	1	Shroud	
18E	See Note	NSS	Insulator, Endbell (Note: Not Available for Purchase)	
18E	7027799	1	Block, Connector - 6 Position (Not Shown)	

SECTION 2 - TURNTABLE

ITEM	PART NUMBER	QTY	DESCRIPTION	REV
18E	70002460	1	Nut, Brass (Attaches p/n 7027799 to Cover) (Not Shown)	
18E	7024485	1	Breaker, Circuit 30Amp (Not Shown)	
18E	70001696	1	Boot, Breaker (Not Shown)	
18E	7026626	1	Connector - 6 Position (Includes Seal) (Not Shown - Plugs into Item 39)	
18E	7026597	1	Connector, with Leads (Not Shown)	
18E	7026188	1	Clamp, Cable Options (Not Shown)	
18E	70004169	1	Plate, End Panel	
18E	70001974	1	Decal - Terminal Connections	
18F	70001973	1	Decal - Warning Moving Parts	
19	2820031	1	Heat Shrink	
20	3252764	1	Nameplate	
21	3311005	2	Nut #10	
22	3311405	4	Nut 1/4	
23	3311505	3	Nut 5/16	
24	3311605	3	Nut 3/8	
25	3311801	1	Nut 1/2	
26	0902888	1	Bracket	
27	3574163	1	Bracket	
28	3574523	2	Plate	
29	3580317	1	Pulley	
30	3580319	1	Pulley (50Hz Spec)	
30	3580318	1	Pulley (60Hz Spec)	
31	3580320	1	Pulley	
32	3740080	2	Relay	
33	3910606	8	Screw #6 x 3/8	
34	3960422	2	Gasket	
35	4032015	4	Bolt M10 x 55	
36		Ref	Cover, Receptacle Options:	
36A	4060700	1	Cover (Side Hinge)	
36B	1001110873	1	Cover (Top Hinge)	
37	4060802	1	Guard, Switch	
38		Ref	Cover, Receptacle Options:	
38A	4061043	1	Cover (Side Hinge)	
38B	1001110872	1	Cover (Top Hinge)	
39	4300157	1	Stud	
40	4360336	1	Switch, Toggle	
41	4460051	1	Connector, Strain Relief	
42	4460071	1	Connector, Strain Relief	
43	4460346	1	Receptacle	
44	4460958	1	Receptacle, Female Twist-Lock	
45	4711400	8	Washer 1/4	
46	4711500	10	Washer 5/16	
47	4711600	7	Washer 3/8	
48	4711800	3	Washer 1/2	
49	4751000	4	Washer #10	
50	4761500	4	Washer 5/16	
51	4791400	1	Washer 1/4	
52	4922925	1	Harness, Generator	
52	4460225	1	Plug, Male - 6 Position (Plugs into Generator)	
52	See Note	NSS	Socket, Female (Use with 4460225)	
52	See Note	NSS	Seal, Plug (Use with 4460225)	

SECTION 2 - TURNTABLE

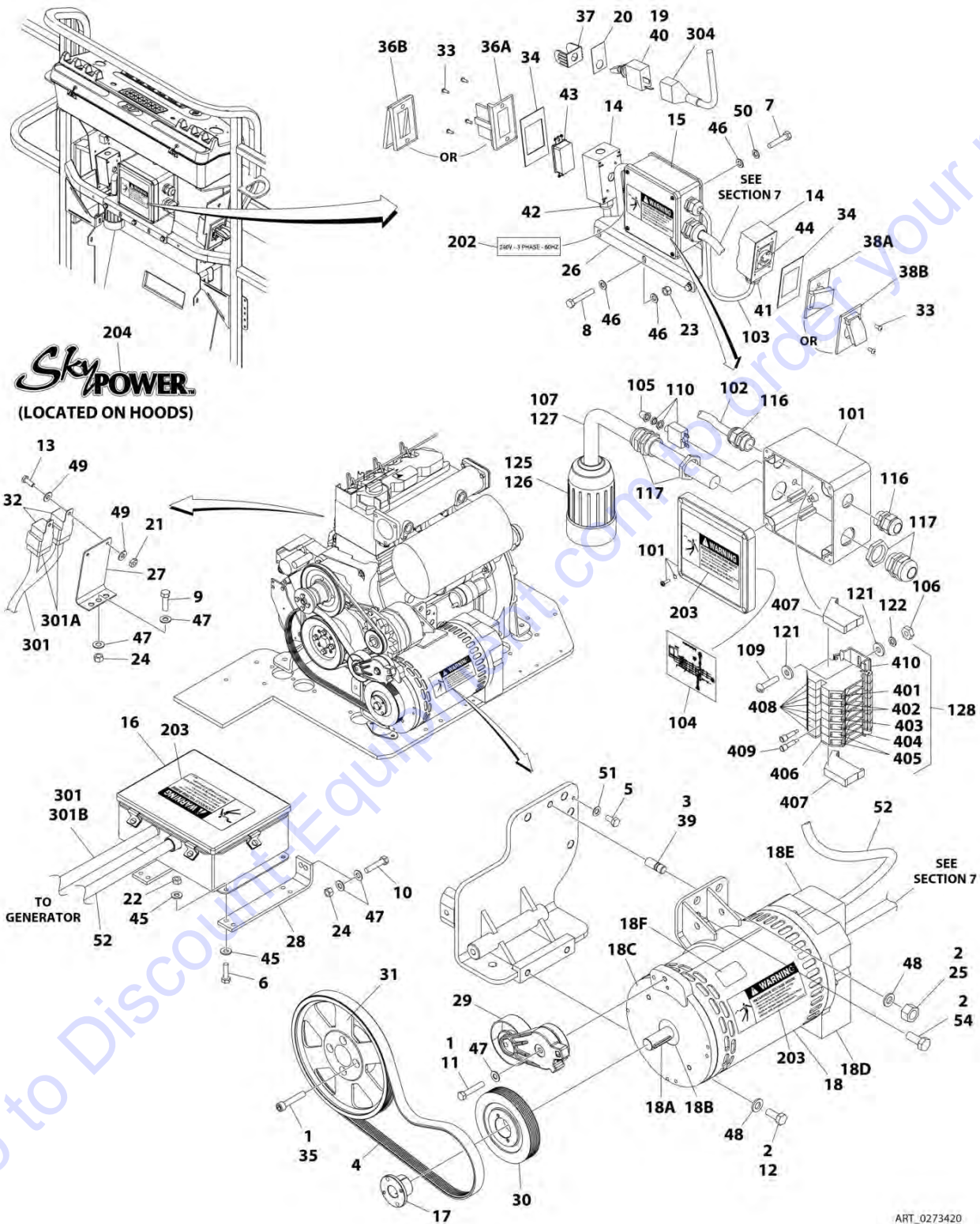
ITEM	PART NUMBER	QTY	DESCRIPTION	REV
52	See Note	1	Seal, Interface (Use with 4460225)	
54	0771415	1	Bolt M14 x 35 Grade 10.9	
		Ref	JUNCTION BOX ASSEMBLY	
	0861567	Ref	50Hz Spec	B
	0861542	Ref	60Hz Spec	D
101	0861541	1	Box, Junction	
102	See Note	NSS	Cable, Electrical - 12/3 (50Hz Spec) (Supply Locally)	
102	1060494	2 ft/.6m	Cable, Electrical - 12/3 (60Hz Spec)	
103	See Note	NSS	Cable, Electrical - 10/3 (50Hz Spec) (Supply Locally)	
103	1060708	2.5 ft/ 0.8m	Cable, Electrical - 10/3 (60Hz Spec)	
104	1705376	1	Decal - Wiring Schematic	
105	3300396	1	Cover, Fuse	
106	3310601	2	Nut 6	
107	1060343	1.5 ft/ 0.5m	Cable, Electrical - 10/4 (60Hz Spec Only)	
109	3910610	2	Bolt 6-32 x 5/8	
110	4360070	1	Circuit Breaker - 15Amp	
116	4460425	2	Strain Relief, Terminal	
117	4460426	2	Connector, Strain Relief	
121	4750600	4	Washer #6	
122	4760600	2	Washer #6	
125	1671092	1	Cover (60Hz Spec Only)	
126	4460963	1	Connector (60Hz Spec Only)	
127	3520189	1	Plug (50Hz Spec Only)	
128	NPN	1	Gray Terminal Block Assembly (See Items 401-410 for Breakdown)	
128	1001121340	1	Tan Terminal Block Assembly (See Items 401-410 for Breakdown)	
		Ref	DECAL INSTALLATIONS	
	0272589	Ref	50Hz Spec	A
	0273380	Ref	60Hz Spec	B
202		Ref	Decal - 240V - 3 Phase Options:	
202	1705461	1	50Hz Spec	
202	1705375	1	60Hz Spec	
203		Ref	Decal - Hazardous Voltage Options:	
203	1705489	3	50Hz Spec	
203	1705387	3	60Hz Spec	
204	1705460	2	Decal - SkyPower	
	4933264	Ref	ELECTRICAL DIAGRAM COMPONENTS	C
301	4922757	Ref	Generator Harness Options (See ELECTRICAL SECTION for Breakdown):	3-C
301A	4460374	2	Plug, Sealed Relay	
301A	4460375	7	Terminal	
301B	4460967	1	Plug, Male - 3 Position	
301B	4460465	3	Socket, Female	
301C	2400060	1	Fuseholder (Not Shown)	
301C	2400064	1	Fuse - 5Amp (Not Shown)	
304	4922641	1	Switch Harness	
		Ref	TERMINAL BLOCK ASSEMBLY	
	NPN	Ref	Gray Terminal Block Assembly (Complete Assembly Not Available - Purchase Individual Components)	
	1001121340	Ref	Tan Terminal Block Assembly	A

SECTION 2 - TURNTABLE

ITEM	PART NUMBER	QTY	DESCRIPTION	REV
401		Ref	Marker Strip #1 Options:	
401	4460411	2	Gray Terminal Block Assembly	
401	70002818	2	Tan Terminal Block Assembly	
402		Ref	Marker Strip #2 Options:	
402	4460412	AR	Gray Terminal Block Assembly	
402	70002819	4	Tan Terminal Block Assembly	
403		Ref	Marker Strip #3 Options:	
403	4460413	1	Gray Terminal Block Assembly	
403	70002820	2	Tan Terminal Block Assembly	
404		Ref	Marker Strip #4 Options:	
404	4460414	2	Gray Terminal Block Assembly	
404	70002821	2	Tan Terminal Block Assembly	
405		Ref	Marker Strip #5 Options:	
405	4460415	AR	Gray Terminal Block Assembly	
405	70002822	4	Tan Terminal Block Assembly	
406		Ref	Terminal, End Barrier Options:	
406	4460956	1	Gray Terminal Block Assembly	
406	70002823	1	Tan Terminal Block Assembly	
407		Ref	Terminal, End Block Options:	
407	4460607	AR	Gray Terminal Block Assembly	
407	70002824	2	Tan Terminal Block Assembly	
408		Ref	Terminal, Block Options:	
408	4460957	7	Gray Terminal Block Assembly	
408	70002825	7	Tan Terminal Block Assembly	
409		Ref	Terminal, Cross Connector Jumper Options:	
409	4461001	2	Gray Terminal Block Assembly	
409	70002826	2	Tan Terminal Block Assembly	
410	3640986	1	Rail, Relay (Prior to SN 0300072911)	
410	3641533	1	Rail, Relay (SN 0300072911 to Present)	

SECTION 2 - TURNTABLE

FIGURE 2-38. 7500W GENERATOR INSTALLATION - DEUTZ ENGINE MACHINES (BELGIUM BUILT MACHINES)



ART_0273420

SECTION 2 - TURNTABLE

FIGURE 2-38. 7500W GENERATOR INSTALLATION - DEUTZ ENGINE MACHINES (BELGIUM BUILT MACHINES)

ITEM	PART NUMBER	QTY	DESCRIPTION	REV
		Ref	7500W GENERATOR INSTALLATION - DEUTZ ENGINE MACHINES (BELGIUM BUILT MACHINES)	
		Ref	Deutz Engine Machines without UGM:	
	0275661	Ref	50Hz Spec	C
	0273420	Ref	60Hz Spec	G
1	0100011	AR	Compound, Locking	
2	0100019	AR	Compound, Locking	
3	0100062	AR	Loctite, #RC/680	
4	0480129	1	Belt (50Hz Spec)	
4	0480128	1	Belt (60Hz Spec)	
5	0641403	1	Bolt 1/4 x 3/8	
6	0641408	4	Bolt 1/4 x 1	
7	0641505	4	Bolt 5/16 x 5/8	
8	0641516	AR	Bolt 5/16 x 2	
9	0641610	1	Bolt 3/8 x 1-1/4	
10	0641614	2	Bolt 3/8 x 1-3/4	
11	0641618	1	Bolt 3/8 x 2-1/4	
12	0641808	2	Bolt 1/2 x 1	
13	0721004	2	Bolt #10 x 1/2	
14	See Note	2	Box, Switch (50Hz Spec) (Supply Locally)	
14	0860038	2	Box, Switch (60Hz Spec)	
15	0861572	1	Control Box Assembly (50Hz Spec)	
15	0861538	1	Control Box Assembly (60Hz Spec)	
15	7024488	1	Card, Circuit - Generator Power	
15	See Note	1	Fuse (Note: Not Available - Purchase Locally)	
15	7024489	1	Card, Circuit - Control	
	See Note	Ref	Note: Same Circuit Card (P/N 7024489) is used for both 60Hz and 50Hz. When replacing card, rocker switch on card must be set for required application.	
15	70000619	1	Harness, Circuit Card	
16	0861567	1	Junction Box Assembly (50Hz Spec) (See Items 101-128 for Breakdown)	
16	0861542	1	Junction Box Assembly (60Hz Spec) (See Items 101-128 for Breakdown)	
17	0962520	1	Bushing	
18	2460048	1	Generator Assembly	
18	70001100	1	Rotor (Includes p/n 70001384 & 70000863) (Not Shown)	
18	70001384	1	Bearing, Ball Radial (Not Shown)	
18	70000863	1	Fan (Not Shown)	
18	70002088	1	Stator (Not Shown)	
18	70002297	1	Stud	
18	70003631	1	Brushholder Assembly (Not Shown)	
18A	70004171	1	Key	
18B	70001966	1	Bearing, Ball Radial (Located in Belt Tensioner Endbell)	
18B	70003708	1	Ring, Internal Retaining (Located in Belt Tensioner Endbell)	
18B	70003709	1	Ring, External Retaining (Located in Belt Tensioner Endbell)	
18C	70001953	1	Endbell, Belt Tensioner	
18D	70004169	1	Endbell, Brush Block	
18E	70004169	1	Shroud	
18E	See Note	NSS	Insulator, Endbell (Note: Not Available for Purchase)	

SECTION 2 - TURNTABLE

ITEM	PART NUMBER	QTY	DESCRIPTION	REV
18E	7027799	1	Block, Connector - 6 Position (Not Shown)	
18E	70002460	1	Nut, Brass (Attaches p/n 7027799 to Cover) (Not Shown)	
18E	7024485	1	Breaker, Circuit 30Amp (Not Shown)	
18E	70001696	1	Boot, Breaker (Not Shown)	
18E	7026626	1	Connector - 6 Position (Includes Seal) (Not Shown - Plugs into Item 39)	
18E	7026597	1	Connector, with Leads (Not Shown)	
18E	7026188	1	Clamp, Cable Options (Not Shown)	
18E	70004169	1	Plate, End Panel	
18E	70001974	1	Decal - Terminal Connections	
18F	70001973	1	Decal - Warning Moving Parts	
19	2820031	1	Heat Shrink	
20	3252764	1	Nameplate	
21	3311005	2	Nut #10	
22	3311405	AR	Nut 1/4	
23	3311505	AR	Nut 5/16	
24	3311605	AR	Nut 3/8	
25	3311801	1	Nut 1/2	
26	3573668	NLA	Bracket (Use p/n 0902888)	
27	3574163	1	Bracket	
28	3574523	2	Plate	
29	3580317	1	Pulley	
30	3580318	1	Pulley (60Hz Spec)	
30	3580319	1	Pulley (50Hz Spec)	
31	3580320	1	Pulley	
32	3740080	2	Relay	
33	3910606	8	Screw #6 x 3/8	
34	See Note	2	Gasket (50Hz Spec) (Supply Locally)	
34	3960422	2	Gasket (60Hz Spec)	
35	4032015	4	Bolt M10 x 55	
36		Ref	Cover, Receptacle Options:	
36	See Note	1	Cover (50Hz Spec) (Supply Locally)	
36A	4060700	1	Cover (Side Hinge) (60Hz Spec)	
36B	1001110873	1	Cover (Top Hinge) (60Hz Spec)	
37	4060802	1	Guard, Switch	
38		Ref	Cover, Receptacle Options:	
38	See Note	1	Cover (50Hz Spec) (Supply Locally)	
38A	4061043	1	Cover (Side Hinge) (60Hz Spec)	
38B	1001110872	1	Cover (Top Hinge) (60Hz Spec)	
39	4300157	1	Stud	
40	4360336	1	Switch, Toggle	
41	See Note	1	Connector, Strain Relief (50Hz Spec) (Supply Locally)	
41	4460051	1	Connector, Strain Relief (60Hz Spec)	
42	See Note	1	Connector, Strain Relief (50Hz Spec) (Supply Locally)	
42	4460071	1	Connector, Strain Relief (60Hz Spec)	
43	See Note	1	Receptacle (50Hz Spec) (Supply Locally)	
43	4460346	1	Receptacle (60Hz Spec)	
44	See Note	1	Receptacle, Female Twist-Lock (50Hz Spec) (Supply Locally)	
44	4460958	1	Receptacle, Female Twist-Lock (60Hz Spec)	
45	4711400	8	Washer 1/4	
45	4751400	AR	Washer 1/4	
46	4711500	AR	Washer 5/16	

SECTION 2 - TURNTABLE

ITEM	PART NUMBER	QTY	DESCRIPTION	REV
47	4711600	AR	Washer 3/8	
48	4711800	3	Washer 1/2	
49	4751000	4	Washer #10	
50	4761500	4	Washer 5/16	
51	4791400	1	Washer 1/4	
52	4922925	1	Harness, Generator	
52	4460225	1	Plug, Male - 6 Position (Plugs into Generator)	
52	See Note	NSS	Socket, Female (Use with 4460225)	
52	See Note	NSS	Seal, Plug (Use with 4460225)	
52	See Note	NSS	Seal, Interface (Use with 4460225)	
54	0771415	1	Bolt M14 x 35 Grade 10.9	
		Ref	JUNCTION BOX ASSEMBLY	
	0861567	Ref	50Hz Spec	B
	0861542	Ref	60Hz Spec	D
101	0861541	1	Box, Junction	
102	1060494	2 ft/.6m	Cable, Electrical - 12/3 (60Hz Spec Only)	
103	1060708	2.5 ft/ 0.8m	Cable, Electrical - 10/3 (60Hz Spec Only)	
104	1705376	1	Decal - Wiring Schematic	
105	3300396	1	Cover, Fuse	
106	3310601	2	Nut 6	
107	1060343	1.5 ft/ 0.5m	Cable, Electrical - 10/4 (60Hz Spec Only)	
109	3910610	2	Bolt 6 x 5/8	
110	4360070	1	Circuit Breaker - 15Amp	
116	4460425	2	Strain Relief, Terminal	
116	3520192	2	Plug (50Hz Spec Only)	
117	4460426	2	Connector, Strain Relief	
121	4750600	4	Washer, #6	
122	4760600	2	Washer #6	
125	1671092	1	Cover (60Hz Spec Only)	
126	4460963	1	Connector	
127	3520189	1	Plug (50Hz Spec Only)	
128	1001121340	1	Terminal Block Assembly (See Items 401-410 for Breakdown)	
		Ref	DECAL INSTALLATIONS	
	0272589	Ref	50Hz Spec	A
	0273380	Ref	60Hz Spec	B
202		Ref	Decal - 240V - 3 Phase Options:	
202	1705461	1	50Hz Spec	
202	1705375	1	60Hz Spec	
203		Ref	Decal - Hazardous Voltage Options:	
203	1705489	3	50Hz Spec	
203	1705387	3	60Hz Spec	
204	1705460	2	Decal - SkyPower	
	4933264	Ref	ELECTRICAL DIAGRAM COMPONENTS	C
301	4922757	Ref	Generator Harness Options (See ELECTRICAL SECTION for Breakdown):	3-C
301A	4460374	2	Plug, Sealed Relay	
301A	4460375	7	Terminal	
301B	4460967	1	Plug, Male - 3 Position	
301B	4460465	1	Socket, Female	
301C	2400060	1	Fuseholder (Not Shown)	

SECTION 2 - TURNTABLE

ITEM	PART NUMBER	QTY	DESCRIPTION	REV
301C	2400064	1	Fuse - 5Amp (Not Shown)	
304	4922641	1	Switch Harness	
		Ref	TERMINAL BLOCK ASSEMBLY	
	NPN	Ref	Gray Terminal Block Assembly (Complete Assembly Not Available - Purchase Individual Components)	
	1001121340	Ref	Tan Terminal Block Assembly	A
401		Ref	Marker Strip #1 Options:	
401	4460411	2	Gray Terminal Block Assembly	
401	70002818	2	Tan Terminal Block Assembly	
402		Ref	Marker Strip #2 Options:	
402	4460412	AR	Gray Terminal Block Assembly	
402	70002819	4	Tan Terminal Block Assembly	
403		Ref	Marker Strip #3 Options:	
403	4460413	2	Gray Terminal Block Assembly	
403	70002820	2	Tan Terminal Block Assembly	
404		Ref	Marker Strip #4 Options:	
404	4460414	2	Gray Terminal Block Assembly	
404	70002821	2	Tan Terminal Block Assembly	
405		Ref	Marker Strip #5 Options:	
405	4460415	AR	Gray Terminal Block Assembly	
405	70002822	4	Tan Terminal Block Assembly	
406		Ref	Terminal, End Barrier Options:	
406	4460956	1	Gray Terminal Block Assembly	
406	70002823	1	Tan Terminal Block Assembly	
407		Ref	Terminal, End Block Options:	
407	4460607	AR	Gray Terminal Block Assembly	
407	70002824	2	Tan Terminal Block Assembly	
408		Ref	Terminal, Block Options:	
408	4460957	7	Gray Terminal Block Assembly	
408	70002825	7	Tan Terminal Block Assembly	
409		Ref	Terminal, Cross Connector Jumper Options:	
409	4461001	2	Gray Terminal Block Assembly	
409	70002826	2	Tan Terminal Block Assembly	
410	3641533	1	Rail, Relay	

PARTS FINDER

**Search Website
by Part Number**



**Search Manual
Library For Parts
Manual & Lookup Part
Numbers – Purchase
or Request Quote**

Search Manuals

Part Number:

Serial Number:

Make:

Find:

Submit:

Search:

**Can't Find Part or
Manual? Request Help
by Manufacturer,
Model & Description**

Parts Order Form

Manufacturer:

Model:

Description:

Quantity:

Part Number:

Part Name:

Part Description:

Part Location:

Part Status:

Part Date:

Part Time:

Part Cost:

Part Price:

Part Tax:

Part Total:

Part Notes:

Part Comments:

Part Information:

Discount-Equipment.com is your online resource for quality parts & equipment.

Florida: **561-964-4949** Outside Florida TOLL FREE: **877-690-3101**

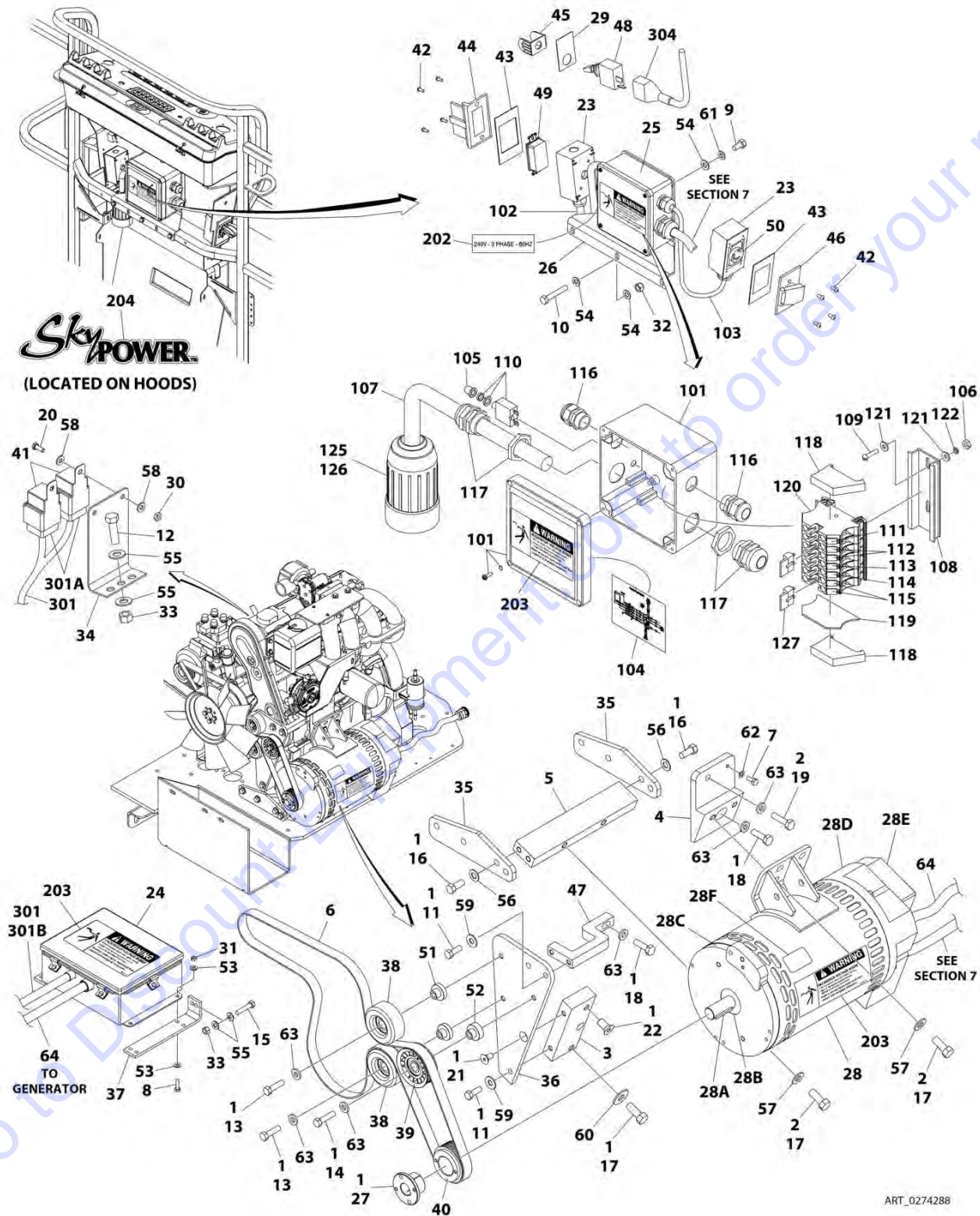
Need parts?

Click on this link: <http://www.discount-equipment.com/category/5443-parts/> and choose one of the options to help get the right parts and equipment you are looking for. Please have the machine model and serial number available in order to help us get you the correct parts. If you don't find the part on the website or on one of the online manuals, please fill out the request form and one of our experienced staff members will get back to you with a quote for the right part that your machine needs.

We sell worldwide for the brands: Genie, Terex, JLG, MultiQuip, Mikasa, Essick, Whiteman, Mayco, Toro Stone, Diamond Products, Generac Magnum, Airman, Haulotte, Barreto, Power Blanket, Nifty Lift, Atlas Copco, Chicago Pneumatic, Allmand, Miller Curber, Skyjack, Lull, Skytrak, Tsurumi, Husquvarna Target, Stow, Wacker, Sakai, Mi-T-M, Sullair, Basic, Dynapac, MBW, Weber, Bartell, Bennar Newman, Haulotte, Ditch Runner, Menegotti, Morrison, Contec, Buddy, Crown, Edco, Wyco, Bomag, Laymor, EZ Trench, Bil-Jax, F.S. Curtis, Gehl Pavers, Heli, Honda, ICS/PowerGrit, IHI, Partner, Imer, Clipper, MMD, Koshin, Rice, CH&E, General Equipment, Amida, Coleman, NAC, Gradall, Square Shooter, Kent, Stanley, Tamco, Toku, Hatz, Kohler, Robin, Wisconsin, Northrock, Oztec, Toker TK, Rol-Air, APT, Wylie, Ingersoll Rand / Doosan, Innovatech, Con X, Ammann, Mecalac, Makinex, Smith Surface Prep, Small Line, Wanco, Yanmar

SECTION 2 - TURNTABLE

FIGURE 2-39. 7500W GENERATOR INSTALLATION - FORD ENGINE MACHINES (USA BUILT MACHINES)



SECTION 2 - TURNTABLE

FIGURE 2-39. 7500W GENERATOR INSTALLATION - FORD ENGINE MACHINES (USA BUILT MACHINES)

ITEM	PART NUMBER	QTY	DESCRIPTION	REV
	0274288	Ref	7500W GENERATOR INSTALLATION - FORD ENGINE MACHINES (USA BUILT MACHINES)	B
1	0100011	AR	Compound, Locking	
2	0100019	AR	Compound, Locking	
3	0363097	1	Bar, Pulley Mount	
4	0363201	1	Bar, Generator Mount (Top)	
5	0363202	1	Bar, Generator Mount (Bottom)	
6	0480131	1	Belt	
7	0641405	1	Bolt 1/4 x 5/8	
8	0641408	4	Bolt 1/4 x 1	
9	0641505	4	Bolt 5/16 x 5/8	
10	0641516	3	Bolt 5/16 x 2	
11	0641608	3	Bolt 3/8 x 1	
12	0641610	1	Bolt 3/8 x 1-1/4	
13	0641611	2	Bolt 3/8 x 1-3/8	
14	0641612	1	Bolt 3/8 x 1-1/2	
15	0641614	2	Bolt 3/8 x 1-3/4	
16	0641708	8	Bolt 7/16 x 1	
17	0641810	5	Bolt 1/2 x 1-1/4	
18	0701015	2	Bolt M10 x 35	
19	0701016	1	Bolt M10 x 40	
20	0721004	2	Bolt #10 x 1/2	
21	0741606	1	Screw, Countersunk 3/8 x 3/4	
22	0741808	1	Screw, Countersunk 1/2 x 1	
23	0860038	2	Box, Switch	
24	0861538	1	Control Box Assembly	
24	7024488	1	Card, Circuit - Generator Power	
24	See Note	NSS	Fuse (Note: Not Available - Purchase Locally)	
24	7024489	1	Card, Circuit - Control	
24	70000619	1	Harness, Circuit Card	
25	0861542	1	Junction Box Assembly (See Items 101-126 for Breakdown)	
26	0902888	1	Bracket	
27	0962520	1	Bushing	
28	2460048	1	Generator Assembly	
28	70001100	1	Rotor (Includes p/n 70001384 & 70000863) (Not Shown)	
28	70001384	1	Bearing, Ball Radial (Not Shown)	
28	70000863	1	Fan (Not Shown)	
28	70002088	1	Stator (Not Shown)	
28	70002297	1	Stud	
28	70003631	1	Brushholder Assembly (Not Shown)	
28A	70004171	1	Key	
28B	70001966	1	Bearing, Ball Radial (Located in Belt Tensioner Endbell)	
28B	70003708	1	Ring, Internal Retaining (Located in Belt Tensioner Endbell)	
28B	70003709	1	Ring, External Retaining (Located in Belt Tensioner Endbell)	
28C	70001953	1	Endbell, Belt Tensioner	
28D	70004169	1	Endbell, Brush Block	
28E	70004169	1	Shroud	
28E	See Note	NSS	Insulator, Endbell (Note: Not Available for Purchase)	
28E	7027799	1	Block, Connector - 6 Position (Not Shown)	

SECTION 2 - TURNTABLE

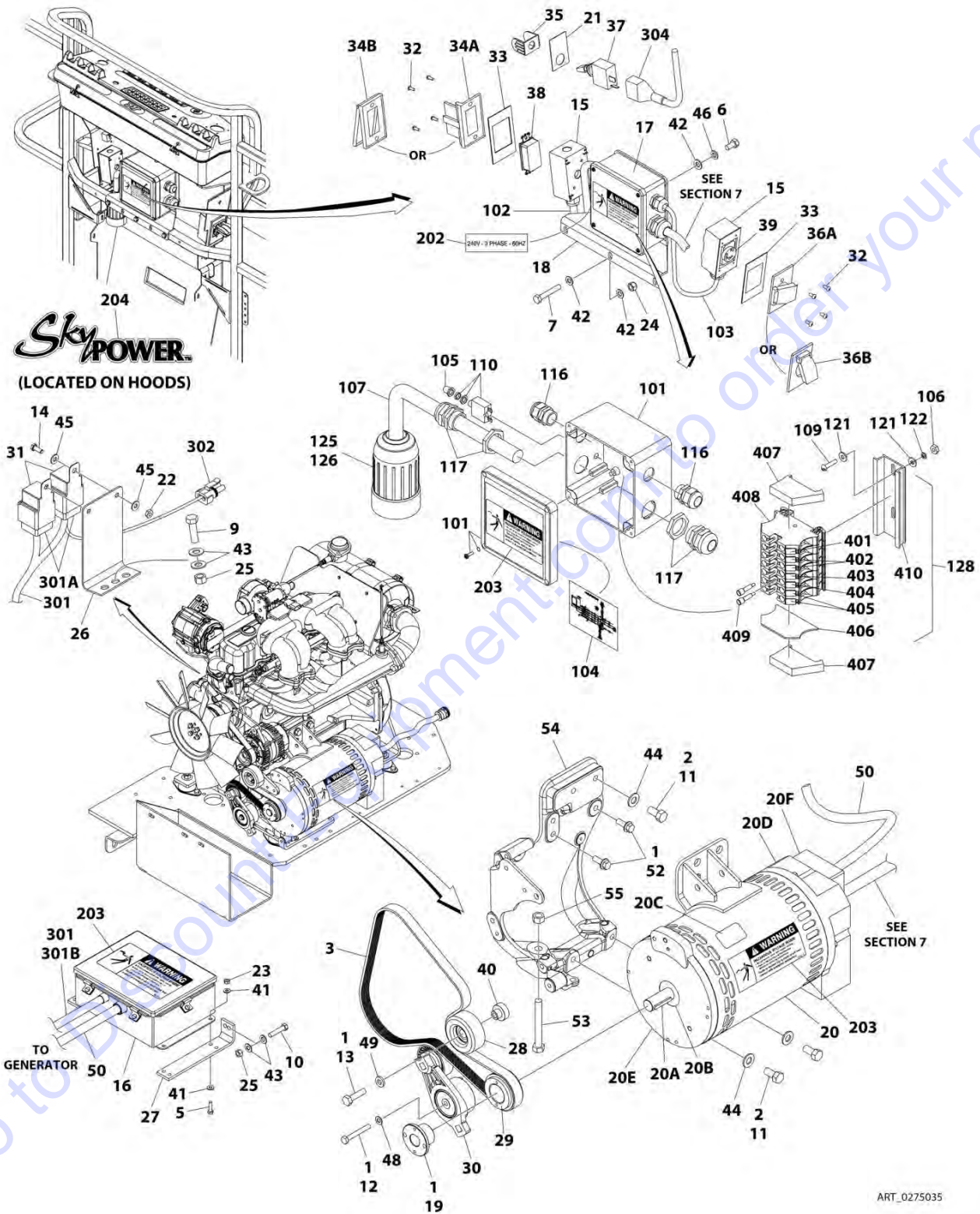
ITEM	PART NUMBER	QTY	DESCRIPTION	REV
28E	70002460	1	Nut, Brass (Attaches p/n 7027799 to Cover) (Not Shown)	
28E	7024485	1	Breaker, Circuit 30Amp (Not Shown)	
28E	70001696	1	Boot, Breaker (Not Shown)	
28E	7026626	1	Connector - 6 Position (Includes Seal) (Not Shown - Plugs into Item 39)	
28E	7026597	1	Connector, with Leads (Not Shown)	
28E	7026188	1	Clamp, Cable Options (Not Shown)	
28E	70004169	1	Plate, End Panel	
28E	70001974	1	Decal - Terminal Connections	
28F	70001973	1	Decal - Warning Moving Parts	
29	3252764	1	Nameplate	
30	3311005	2	Nut #10	
31	3311405	4	Nut 1/4	
32	3311505	3	Nut 5/16	
33	3311605	3	Nut 3/8	
34	3574163	1	Bracket	
35	3574224	2	Plate, Gusset Generator Mount	
36	3574225	1	Plate, Pulley Mounting	
37	3574523	2	Plate, Control Box Mounting	
38	3580312	2	Pulley, Idler	
39	3580313	1	Pulley, Idler	
40	3580314	1	Pulley, Drive	
41	3740080	2	Relay	
42	3910606	8	Screw #6 x 3/8	
43	3960422	2	Gasket	
44	4060700	1	Cover, Receptacle	
45	4060802	1	Guard, Switch	
46	4061043	1	Cover, Receptacle	
47	4340738	1	Support, Idler Pulley	
48	4360336	1	Switch	
49	4460346	1	Receptacle	
50	4460958	1	Receptacle, Female Twist-Lock	
51	4568734	2	Spacer, Tube (Idler Pulley Non-Grooved)	
52	4568735	1	Spacer, Tube (Idler Pulley Grooved)	
53	4711400	8	Washer 1/4	
54	4711500	10	Washer 5/16	
55	4711600	6	Washer 3/8	
56	4711700	8	Washer 7/16	
57	4711800	4	Washer 1/2	
58	4751000	4	Washer #10	
59	4751600	3	Washer 3/8	
60	4751800	1	Washer 1/2	
61	4761500	4	Washer 5/16	
62	4791400	1	Washer 1/4	
63	4891600	6	Washer 3/8	
64	4922925	1	Harness, Generator	
64	4460225	1	Plug, Male - 6 Position (Plugs into Generator)	
64	See Note	NSS	Socket, Female (Use with 4460225)	
64	See Note	NSS	Seal, Plug (Use with 4460225)	
64	See Note	NSS	Seal, Interface (Use with 4460225)	
	0861542	Ref	JUNCTION BOX ASSEMBLY	
101	0861541	1	Box, Junction	C

SECTION 2 - TURNTABLE

ITEM	PART NUMBER	QTY	DESCRIPTION	REV
102	1060494	2 ft/0.6m	Cable, Electrical 12/3	
103	1060708	2.5 ft/ 0.8m	Cable, Electrical 10/3	
104	1705376	1	Decal - Wiring Schematic	
105	3300396	1	Cover, Fuse	
106	3310601	2	Nut 6	
107	1060343	1.5 ft/ 0.5m	Cable, Electrical 10/4	
108	3640986	1	Rail, Relay (SN 0300065080 through 0300072910)	
108	3641533	1	Rail, Relay (SN 0300072911 to Present)	
109	3910610	2	Bolt 6-32NC x 5/8	
110	4360070	1	Circuit Breaker - 15Amp	
111	4460411	2	Marker Strip #1	
112	4460412	4	Marker Strip #2	
113	4460413	2	Marker Strip #3	
114	4460414	2	Marker Strip #4	
115	4460415	4	Marker Strip #5	
116	4460425	2	Strain Relief, Terminal	
117	4460426	2	Connector, Strain Relief	
118	4460607	2	Terminal, End Stop	
119	4460956	1	Terminal, End Barrier	
120	4460957	7	Terminal, Block	
121	4750600	4	Washer #6	
122	4760600	2	Washer #6	
125	1671092	1	Cover	
126	4460963	1	Connector	
127	4461001	2	Connector, Terminal (SN 0300072911 to Present)	
	0273380	Ref	DECAL INSTALLATION	B
202	1705375	1	Decal - 240V - 3 Phase - 60Hz	
203	1705387	3	Decal - Hazardous Voltage	
204	1705460	2	Decal - SkyPower	
	4933316	Ref	ELECTRICAL DIAGRAM COMPONENTS	1-A
301	4923199	Ref	Generator Harness Options (See ELECTRICAL SECTION for Breakdown):	1-A
301A	4460374	2	Plug, Sealed Relay	
301A	4460375	7	Terminal	
301B	4460967	1	Plug, Male - 3 Position	
301B	4460465	3	Socket, Female	
301C	2400060	1	Fuseholder (Not Shown)	
301C	2400064	1	Fuse - 5Amp (Not Shown)	
304	4922641	1	Switch Harness	

SECTION 2 - TURNTABLE

FIGURE 2-40. 7500W GENERATOR INSTALLATION - GM ENGINE MACHINES (USA BUILT MACHINES)



ART_0275035

SECTION 2 - TURNTABLE

FIGURE 2-40. 7500W GENERATOR INSTALLATION - GM ENGINE MACHINES (USA BUILT MSCHINES)

ITEM	PART NUMBER	QTY	DESCRIPTION	REV
	0275035	Ref	7500W GENERATOR INSTALLATION - GM ENGINE MACHINES (USA BUILT MSCHINES)	G
1	0100011	AR	Compound, Locking	
2	0100019	AR	Compound, Locking	
3	0480142	1	Belt, Generator	
5	0641408	4	Bolt 1/4 x 1	
6	0641405	4	Bolt 1/4 x 5/8	
7	0641516	3	Bolt 5/16 x 2	
9	0641610	1	Bolt 3/8 x 1-1/4	
10	0641614	2	Bolt 3/8 x 1-3/4	
11	0641808	4	Bolt 1/2 x 1	
12	0700820	1	Bolt M8 x 60	
13	0701016	1	Bolt, Metric M10 x 40mm	
14	0721004	2	Bolt #10 x 1/2	
15	0860038	2	Box, Switch	
16	0861538	1	Control Box Assembly	
16	7024488	1	Card, Circuit - Generator Power	
16	See Note	NSS	Fuse (Note: Not Available - Purchase Locally)	
16	7024489	1	Card, Circuit - Control	
16	70000619	1	Harness, Circuit Card	
17	0861542	1	Junction Box Assembly (See Items 101-128 for Breakdown)	
18	0902888	1	Bracket, Box Mounting	
19	0962520	1	Bushing, Split Taper	
20	2460048	1	Generator Assembly	
20	70003631	1	Brushholder Assembly (Not Shown) (was p/n 7024484)	
20	7024485	1	Breaker, Circuit 30Amp (Not Shown)	
20	70001696	1	Boot, Breaker (was p/n 7024486 - Not Shown)	
20	70001966	1	Bearing, Ball Radial (Located In Belt Tensioner Endbell - Not Shown)	
20	7027799	1	Block, Connector - 6 Position (Not Shown)	
20	7026626	1	Connector - 6 Position with Seal (Not Shown)	
20	70002460	6	Nut, Brass (Attaches p/n 7027799 to Cover) (Not Shown)	
20	7026188	1	Clamp, Cable (Not Shown)	
20	7026597	1	Connector, with Leads (Not Shown)	
20	70002088	1	Stator (Not Shown)	
20	70004169	1	Panel, End (Not Shown) (was p/n 70002255)	
20	70001974	1	Decal - Terminal Connections (Not Shown)	
20	70000863	1	Fan (Not Shown)	
20	70002297	4	Stud (Not Shown)	
20A	70004171	1	Key (was p/n 7024561)	
20A	70001100	1	Armature, Generator (Includes Radial Ball Bearing on End with Brushes and Fan)	
20A	70001384	1	Bearing, Ball Radial	
20B	70001966	1	Bearing, Radial Ball	
20B	70003708	1	Ring, Internal Retaining (Located in Belt Tensioner Endbell)	
20B	70003709	1	Ring, External Retaining (Located in Belt Tensioner Endbell)	
20C	70001973	1	Decal - Warning Moving Parts	
20D	70004169	1	Endbell, Brush Block (was p/n 70001385)	
20E	70001953	1	Endbell, Belt Tensioner	

SECTION 2 - TURNTABLE

ITEM	PART NUMBER	QTY	DESCRIPTION	REV
20F	70004169	1	Endbell, Shroud Assembly (was p/n 70002290)	
21	3252764	1	Nameplate	
22	3311005	2	Nut #10	
23	3311405	4	Nut 1/4	
24	3311505	3	Nut 5/16	
25	3311605	3	Nut 3/8	
26	3574163	1	Bracket	
27	3574523	2	Plate	
28	3580312	1	Pulley, Idler	
29	3580314	1	Pulley, Drive Grooved	
30	3580348	1	Tensioner, Belt with Pulley	
31	3740080	2	Relay	
32	3910606	8	Screw #6 x 3/8	
33	3960422	2	Gasket	
34		Ref	Cover, Receptacle Options:	
34A	4060700	1	Cover (Side Hinge)	
34B	1001110873	1	Cover (Top Hinge)	
35	4060802	1	Guard, Switch	
36		Ref	Cover, Receptacle Options:	
36A	4061043	1	Cover (Side Hinge)	
36B	1001114872	1	Cover (Top Hinge)	
37	4360336	1	Switch, Toggle	
38	4460346	1	Receptacle	
39	4460958	1	Receptacle, Female Twist-Lock	
40	4568735	1	Tube, Spacer Pulley Grooved	
41	4711400	8	Washer 1/4	
42	4711500	10	Washer 5/16	
43	4711600	6	Washer 3/8	
44	4711800	4	Washer 1/2	
45	4751000	4	Washer #10	
46	4761500	4	Washer 5/16	
48	4811900	1	Washer M8	
49	4891600	1	Washer 3/8 Hardened	
50	4922925	1	Harness, Generator	
50	4460225	1	Plug, Male - 6 Position (Plugs into Generator)	
50	See Note	NSS	Socket, Female (Use with 4460225)	
50	See Note	NSS	Seal, Plug (Use with 4460225)	
50	See Note	NSS	Seal, Interface (Use with 4460225)	
52	0811608	4	Screw 3/8 x 1	
53	0641832	1	Bolt 1/2 x 4	
54	1001141181	1	Support	
55	3311805	1	Nut 1/2	
	0861542	Ref	JUNCTION BOX ASSEMBLY	D
101	0861541	1	Box, Junction	
102	1060494	2 ft/0.6m	Cable, Electrical 12/3	
103	1060708	2.5 ft/ 0.8m	Cable, Electrical 10/3	
104	1705376	1	Decal - Wiring Schematic	
105	3300396	1	Cover, Fuse	
106	3310601	2	Nut 6-32NC	
107	1060343	1.5 ft/ 0.5m	Cable, Electrical 10/4	

SECTION 2 - TURNTABLE

ITEM	PART NUMBER	QTY	DESCRIPTION	REV
109	3910610	2	Bolt #6 x 5/8	
110	4360070	1	Circuit Breaker - 15Amp	
116	4460425	2	Strain Relief, Terminal	
117	4460426	2	Connector, Strain Relief	
121	4750600	4	Washer #6	
122	4760600	2	Washer #6	
125	1671092	1	Cover	
126	4460963	1	Connector	
128		Ref	Terminal Block Assembly Options (See Items 401-410 for Breakdown):	
128	NPN	1	Gray Terminal Block Assembly	
128	1001121340	1	Tan Terminal Block Assembly	
	0273380	Ref	DECAL INSTALLATION	B
202	1705375	1	Decal - 240V - 3 Phase	
203	1705387	3	Decal - Hazardous Voltage	
204	1705460	2	Decal - SkyPower	
	4933349	Ref	ELECTRICAL DIAGRAM COMPONENTS	B
301	4923420	1	Generator Harness	A
301A	4460374	1	Plug, Sealed Relay	
301A	4460375	8	Terminal	
301B	4460967	1	Plug, Male - 3 Position	
301B	4460465	3	Socket, Female	
301C	2400060	2	Fuseholder (Not Shown)	
301C	2400064	1	Fuse - 5Amp (Not Shown)	
302	4460742	1	Connector - 2 Position	
302	4460743	2	Socket, Female	
302	4460458	2	Seal	
304	4922641	1	Switch Harness	
		Ref	TERMINAL BLOCK ASSEMBLY	
	NPN	Ref	Gray Terminal Block Assembly (Complete Assembly Not Available - Purchase Individual Components)	
	1001121340	Ref	Tan Terminal Block Assembly	A
401		Ref	Marker Strip #1 Options	
401	4460411	2	Gray Terminal Block Assembly	
401	70002818	2	Tan Terminal Block Assembly	
402		Ref	Marker Strip #2 Options:	
402	4460412	AR	Gray Terminal Block Assembly	
402	70002819	4	Tan Terminal Block Assembly	
403		Ref	Marker Strip #3 Options:	
403	4460413	2	Gray Terminal Block Assembly	
403	70002820	2	Tan Terminal Block Assembly	
404		Ref	Marker Strip #4 Options:	
404	4460414	2	Gray Terminal Block Assembly	
404	70002821	2	Tan Terminal Block Assembly	
405		Ref	Marker Strip #5 Options:	
405	4460415	AR	Gray Terminal Block Assembly	
405	70002822	4	Tan Terminal Block Assembly	
406		Ref	Terminal, End Barrier Options:	
406	4460956	1	Gray Terminal Block Assembly	
406	70002823	1	Tan Terminal Block Assembly	
407		Ref	Terminal, End Block Options:	
407	4460607	2	Gray Terminal Block Assembly	

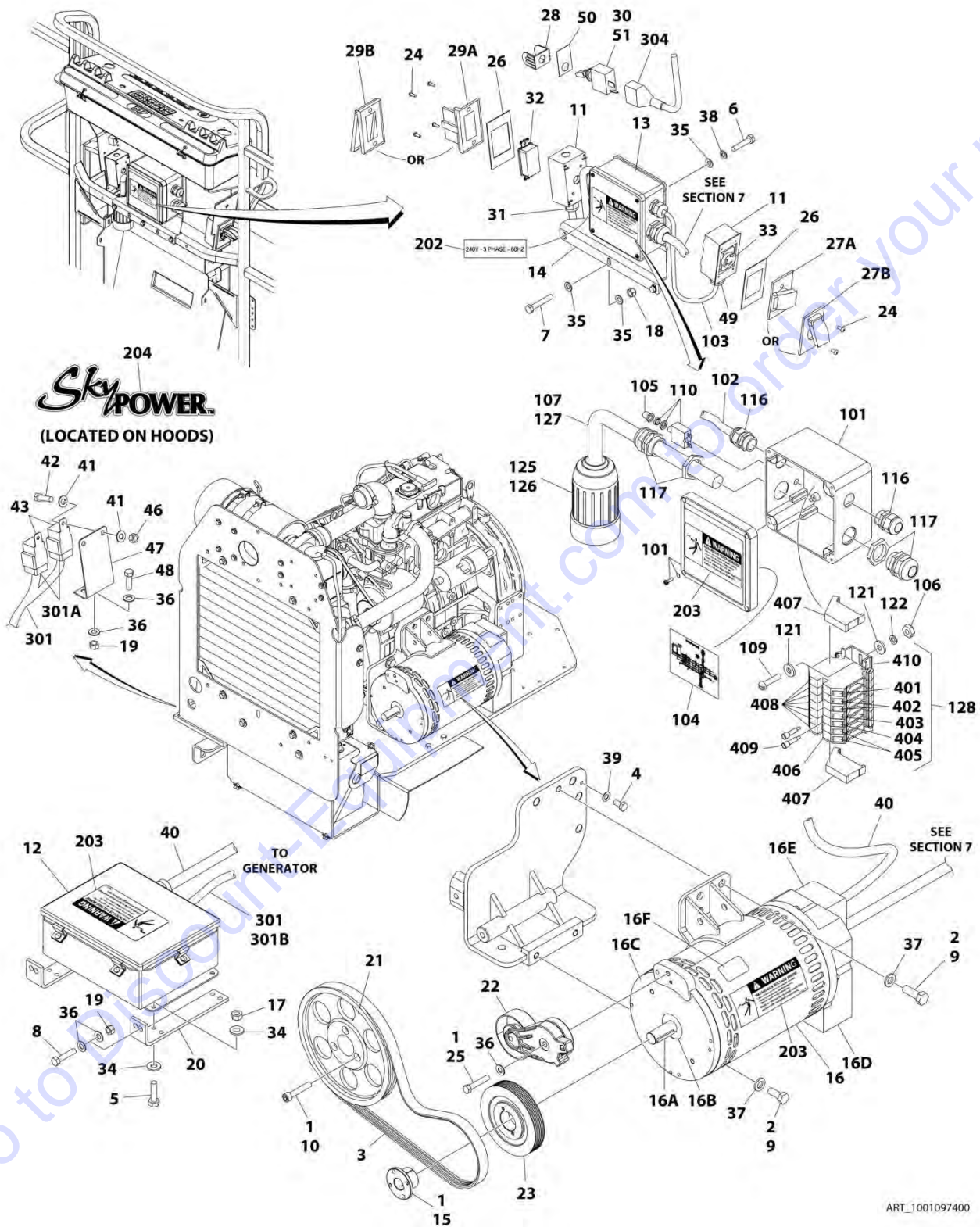
SECTION 2 - TURNTABLE

ITEM	PART NUMBER	QTY	DESCRIPTION	REV
407	70002824	2	Tan Terminal Block Assembly	
408		Ref	Terminal, Block Options:	
408	4460957	AR	Gray Terminal Block Assembly	
408	70002825	7	Tan Terminal Block Assembly	
409		Ref	Terminal, Cross Connector Jumper Options:	
409	4461001	2	Gray Terminal Block Assembly	
409	70002826	2	Tan Terminal Block Assembly	
410	3640986	1	Rail, Relay (SN 0300065080 through 0300072910)	
410	3641533	1	Rail, Relay (SN 0300072911 to Present)	

Go to Discount-Equipment.com to order your parts

SECTION 2 - TURNTABLE

FIGURE 2-41. 7500W GENERATOR INSTALLATION - PERKINS ENGINE MACHINES (USA BUILT MACHINES)



ART_1001097400

SECTION 2 - TURNTABLE

FIGURE 2-41. 7500W GENERATOR INSTALLATION - PERKINS ENGINE MACHINES (USA BUILT MACHINES)

ITEM	PART NUMBER	QTY	DESCRIPTION	REV
		Ref	7500W GENERATOR INSTALLATION - PERKINS ENGINE MACHINES (USA BUILT MACHINES)	
		Ref	PERKINS Engine Machines without UGM:	
	1001097401	Ref	50Hz Spec	D
	1001097400	Ref	60Hz Spec	D
1	0100011	AR	Compound, Locking	
2	0100019	AR	Compound, Locking	
3	0480129	1	Belt (60Hz Spec)	
3	0480126	1	Belt (50Hz Spec)	
4	0641403	1	Bolt 1/4 x 3/8	
5	0641408	4	Bolt 1/4 x 1	
6	0641508	4	Bolt 5/16 x 5/8	
7	0641516	3	Bolt 5/16 x 2	
8	0641614	2	Bolt 3/8 x 1-3/4	
9	0641808	4	Bolt 1/2 x 1	
10	0701217	3	Bolt M12 x 45	
11	0860038	2	Box, Switch	
12	0861572	1	Control Box Assembly (50Hz Spec)	
12	0861538	1	Control Box Assembly (60Hz Spec)	
12	7024488	1	Card, Circuit - Generator Power	
12	See Note	1	Fuse (Note: Not Available - Purchase Locally)	
12	7024489	1	Card, Circuit - Control	
		Ref	Note: Same Circuit Card (P/N 7024489) is used for both 60Hz and 50Hz. When replacing card, rocker switch on card must be set for required application.	
12	70000619	1	Harness, Circuit Card	
13	0861542	1	Junction Box Assembly (60Hz Spec) (See Items 101-128 for Breakdown)	
13	0861567	1	Junction Box Assembly (50Hz Spec) (See Items 101-128 for Breakdown)	
14	0902888	1	Bracket	
15	0962520	1	Bushing	
16	2460048	1	Generator Assembly	
16	70001100	1	Rotor (Includes p/n 70001384 & 70000863) (Not Shown)	
16	70001384	1	Bearing, Ball Radial (Not Shown)	
16	70000863	1	Fan (Not Shown)	
16	70002088	1	Stator (Not Shown)	
16	70002297	1	Stud	
16	70003631	1	Brushholder Assembly (Not Shown)	
16A	70004171	1	Key	
16B	70001966	1	Bearing, Ball Radial (Located in Belt Tensioner Endbell)	
16B	70003708	1	Ring, Internal Retaining (Located in Belt Tensioner Endbell)	
16B	70003709	1	Ring, External Retaining (Located in Belt Tensioner Endbell)	
16C	70001953	1	Endbell, Belt Tensioner	
16D	70004169	1	Endbell, Brush Block	
16E	70004169	1	Shroud	
16E	See Note	NSS	Insulator, Endbell (Note: Not Available for Purchase)	
16E	7027799	1	Block, Connector 6 Position (Not Shown)	
16E	70002460	1	Nut, Brass (Attaches p/n 7027799 to Cover) (Not Shown)	
16E	7024485	1	Breaker, Circuit 30Amp (Not Shown)	

SECTION 2 - TURNTABLE

ITEM	PART NUMBER	QTY	DESCRIPTION	REV
16E	70001696	1	Boot, Breaker (Not Shown)	
16E	7026626	1	Connector - 6 Position (Includes Seal) (Not Shown - Plugs into Item 39)	
16E	7026597	1	Connector, with Leads (Not Shown)	
16E	7026188	1	Clamp, Cable Options (Not Shown)	
16E	70004169	1	Plate, End Panel	
16E	70001974	1	Decal - Terminal Connections	
16F	70001973	1	Decal - Terminal Connections	
17	3311405	4	Nut 1/4	
18	3311505	3	Nut 5/16	
19	3311605	3	Nut 3/8	
20	3574523	2	Plate	
21	3580316	1	Pulley	
22	3580317	1	Pulley	
23	3580319	1	Pulley (50Hz Spec)	
23	3580318	1	Pulley (60Hz Spec)	
24	3910606	8	Screw #6 x 3/8	
25	0641618	1	Bolt 3/8 x 2-1/4	
26	3960422	2	Gasket	
27		Ref	Cover, Receptacle Options:	
27A	4061043	1	Cover (Side Hinge)	
27B	1001110872	1	Cover (Top Hinge)	
28	4060802	1	Guard, Switch	
29		Ref	Cover, Receptacle Options:	
29A	4060700	1	Cover (Side Hinge)	
29B	1001110873	1	Cover (Top Hinge)	
30	4360336	1	Switch, Toggle	
31	4460071	1	Connector, Strain Relief	
32	4460346	1	Receptacle	
33	4460958	1	Receptacle, Female Twist-Lock	
34	4711400	8	Washer 1/4	
35	4711500	10	Washer 5/16	
36	4711600	7	Washer 3/8	
37	4711800	4	Washer 1/2	
38	4761500	4	Washer 5/16	
39	4791400	1	Washer 1/4	
40	4922925	1	Harness, Generator	
40	4460225	1	Plug, Male - 6 Position (Plugs into Generator)	
40	See Note	NSS	Socket, Female (Use with 4460225)	
40	See Note	NSS	Seal, Plug (Use with 4460225)	
40	See Note	NSS	Seal, Interface (Use with 4460225)	
41	4751000	4	Washer #10	
42	0721004	2	Bolt #10 x 1/2	
43	3740080	2	Relay	
46	3311005	2	Nut #10	
47	3574163	1	Bracket	
48	0641610	1	Bolt 3/8 x 1-1/4	
49	4460051	1	Connector, Strain Relief (50Hz Spec)	
49	4460071	1	Connector, Strain Relief (60Hz Spec)	
50	3252764	1	Nameplate (50Hz Spec)	
51	2820031	AR	Heat Shrink	
		Ref	JUNCTION BOX ASSEMBLY	

SECTION 2 - TURNTABLE

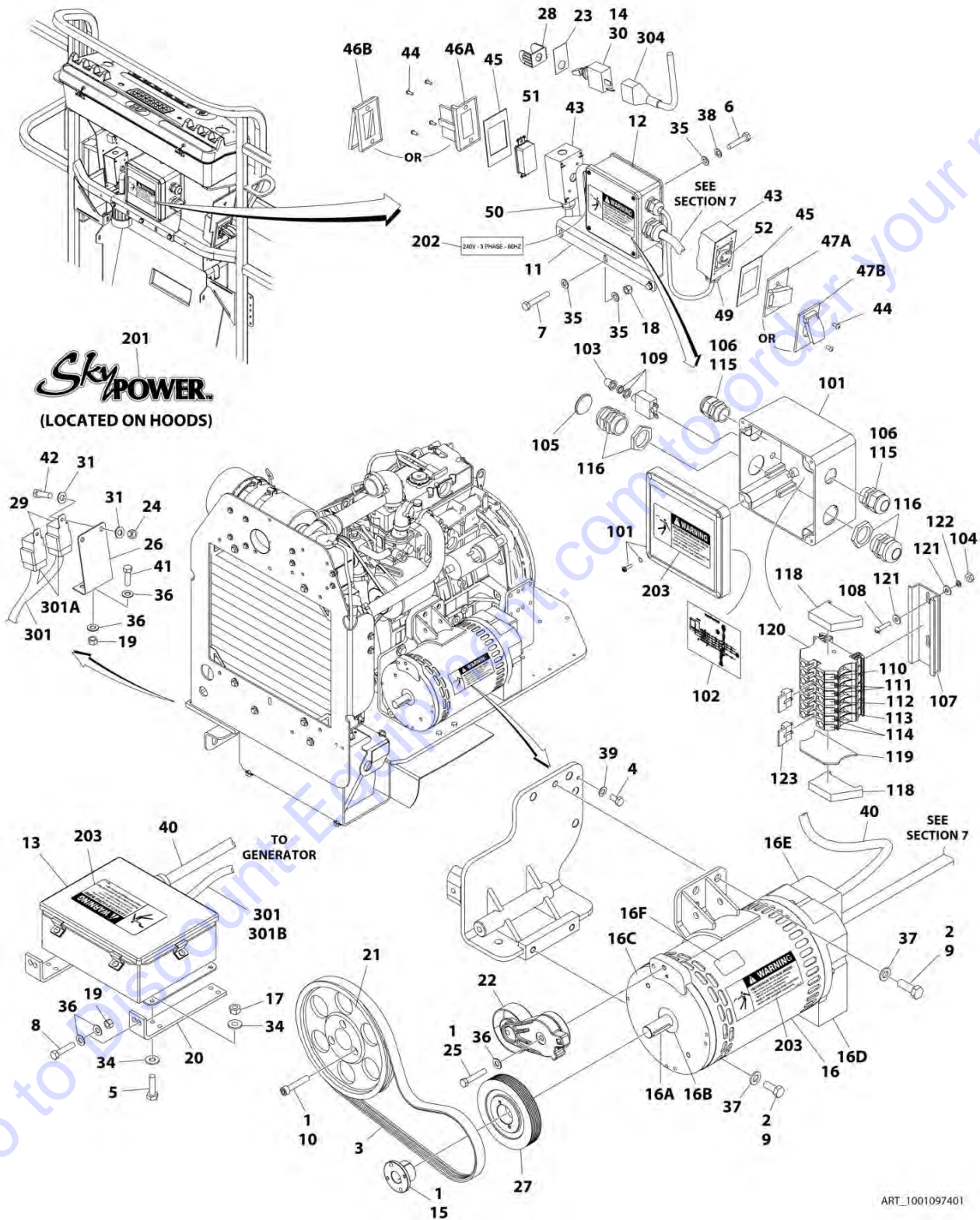
ITEM	PART NUMBER	QTY	DESCRIPTION	REV
	0861567	Ref	50Hz Spec	B
	0861542	Ref	60Hz Spec	D
101	0861541	1	Box, Junction	
102	See Note	NSS	Cable, Electrical 12/3 (50Hz Spec) (Supply Locally)	
102	1060494	2 ft/0.6m	Cable, Electrical 12/3 (60Hz Spec)	
103	See Note	NSS	Cable, Electrical 10/3 (50Hz Spec) (Supply Locally)	
103	1060708	2.5 ft/ 0.8m	Cable, Electrical 10/3 (60Hz Spec)	
104	1705376	1	Decal - Wiring Schematic	
105	3300396	1	Cover, Fuse	
106	3310601	2	Nut 6	
107	1060343	1.5 ft/ 0.5m	Cable, Electrical 10/4 (60Hz Spec Only)	
109	3910610	2	Bolt 6-32NC x 5/8	
110	4360070	1	Circuit Breaker - 15Amp	
116	4460425	2	Strain Relief, Terminal	
117	4460426	2	Connector, Strain Relief	
121	4750600	4	Washer, #6	
122	4760600	2	Washer #6	
125	1671092	1	Cover (60Hz Spec Only)	
126	4460963	1	Connector (60Hz Spec Only)	
127	3520189	1	Plug (50Hz Spec Only)	
128	NPN	1	Gray Terminal Block Assembly (See Items 401-410 for Breakdown)	
128	1001121340	1	Tan Terminal Block Assembly (See Items 401-410 for Breakdown)	
		Ref	DECAL INSTALLATION	
	0272589	Ref	50Hz Spec	A
	0273380	Ref	60 Hz Spec	B
202	1705375	1	Decal - 240V - 3 Phase - 60Hz	
202	1705461	1	Decal - 240V - 3 Phase - 50Hz	
203	1705489	3	Decal - Hazardous Voltage (50Hz Spec)	
203	1705387	3	Decal - Hazardous Voltage (60Hz Spec)	
204	1705460	2	Decal - SkyPower	
	4933264	Ref	ELECTRICAL DIAGRAM COMPONENTS	C
301	4922757	Ref	Generator Harness Options (See ELECTRICAL SECTION for Breakdown):	3-C
301A	4460374	2	Plug, Sealed Relay	
301A	4460375	7	Terminal	
301B	4460967	1	Plug, Male - 3 Position	
301B	4460465	3	Socket, Female	
301C	2400060	1	Fuseholder (Not Shown)	
301C	2400064	1	Fuse - 5Amp (Not Shown)	
304	4922641	1	Switch Harness	
		Ref	TERMINAL BLOCK ASSEMBLY	
	NPN	Ref	Gray Terminal Block Assembly (Complete Assembly Not Available - Purchase Individual Components)	
	1001121340	Ref	Tan Terminal Block Assembly	A
401		Ref	Marker Strip #1 Options:	
401	4460411	2	Gray Terminal Block Assembly	
401	70002818	2	Tan Terminal Block Assembly	
402		Ref	Marker Strip #2 Options:	
402	4460412	AR	Gray Terminal Block Assembly	

SECTION 2 - TURNTABLE

ITEM	PART NUMBER	QTY	DESCRIPTION	REV
402	70002819	4	Tan Terminal Block Assembly	
403		Ref	Marker Strip #3 Options:	
403	4460413	2	Gray Terminal Block Assembly	
403	70002820	2	Tan Terminal Block Assembly	
404		Ref	Marker Strip #4 Options:	
404	4460414	2	Gray Terminal Block Assembly	
404	70002821	2	Tan Terminal Block Assembly	
405		Ref	Marker Strip #5 Options:	
405	4460415	AR	Gray Terminal Block Assembly	
405	70002822	4	Tan Terminal Block Assembly	
406		Ref	Terminal, End Barrier Options:	
406	4460956	1	Gray Terminal Block Assembly	
406	70002823	1	Tan Terminal Block Assembly	
407		Ref	Terminal, End Block Options:	
407	4460607	AR	Gray Terminal Block Assembly	
407	70002824	2	Tan Terminal Block Assembly	
408		Ref	Terminal, Block Options:	
408	4460957	7	Gray Terminal Block Assembly	
408	70002825	7	Tan Terminal Block Assembly	
409		Ref	Terminal, Cross Connector Jumper Options:	
409	4461001	2	Gray Terminal Block Assembly	
409	70002826	2	Tan Terminal Block Assembly	
410	3640986	1	Rail, Relay (Prior to SN 0300072911)	
410	3641533	1	Rail, Relay (SN 0300072911 to Present)	

SECTION 2 - TURNTABLE

FIGURE 2-42. 7500W GENERATOR INSTALLATION - PERKINS ENGINE MACHINES (BELGIUM BUILT MACHINES)



SECTION 2 - TURNTABLE

FIGURE 2-42. 7500W GENERATOR INSTALLATION - PERKINS ENGINE MACHINES (BELGIUM BUILT MACHINES)

ITEM	PART NUMBER	QTY	DESCRIPTION	REV
		Ref	7500W GENERATOR INSTALLATION - PERKINS ENGINE MACHINES (BELGIUM BUILT MACHINES)	
		Ref	PERKINS Engine Machines without UGM:	
	1001097401	Ref	50Hz Spec (ANSI Export and Japanese Specs Only)	D
	1001097583	Ref	50Hz Spec (CE and Australian Specs Only)	C
1	0100011	AR	Compound, Locking	
2	0100019	AR	Compound, Locking	
3	0480126	1	Belt	
4	0641403	1	Bolt 1/4 x 3/8	
5	0641408	4	Bolt 1/4 x 1	
6	0641508	4	Bolt 5/16 x 1	
7	0641516	3	Bolt 5/16 x 2	
8	0641614	2	Bolt 3/8 x 1-3/4	
9	0641808	4	Bolt 1/2 x 1	
10	0701217	3	Bolt M12 x 45	
11	0902888	1	Bracket	
12	0861567	1	Junction Box Assembly (See Items 101-123 for Breakdown)	
13	0861572	1	Control Box Assembly	
13	7024488	1	Card, Circuit - Generator Power	
13	See Note	1	Fuse (Note: Not Available - Purchase Locally)	
13	7024489	1	Card, Circuit - Control	
13	70000619	1	Harness, Circuit Card	
14	2820031	AR	Heat Shrink	
15	0962520	1	Bushing	
16	2460048	1	Generator Assembly	
16	70001100	1	Rotor (Includes p/n 70001384 & 70000863) (Not Shown)	
16	70001384	1	Bearing, Ball Radial (Not Shown)	
16	70000863	1	Fan (Not Shown)	
16	70002088	1	Stator (Not Shown)	
16	70002297	1	Stud	
16	70003631	1	Brushholder Assembly (Not Shown)	
16A	70004171	1	Key	
16B	70001966	1	Bearing, Ball Radial (Located in Belt Tensioner Endbell)	
16B	70003708	1	Ring, Internal Retaining (Located in Belt Tensioner Endbell)	
16B	70003709	1	Ring, External Retaining (Located in Belt Tensioner Endbell)	
16C	70001953	1	Endbell, Belt Tensioner	
16D	70004169	1	Endbell, Brush Block	
16E	70004169	1	Shroud	
16E	See Note	NSS	Insulator, Endbell (Note: Not Available for Purchase)	
16E	7027799	1	Block, Connector 6 Position (Not Shown)	
16E	70002460	1	Nut, Brass (Attaches p/n 7027799 to Cover) (Not Shown)	
16E	7024485	1	Breaker, Circuit 30Amp (Not Shown)	
16E	70001696	1	Boot, Breaker (Not Shown)	
16E	7026626	1	Connector, 6 Position (Includes Seal) (Not Shown - Plugs into Item 39)	
16E	7026597	1	Connector, with Leads (Not Shown)	
16E	7026188	1	Clamp, Cable Options (Not Shown)	
16E	70004169	1	Plate, End Panel	
16E	70001974	1	Decal - Terminal Connections	

SECTION 2 - TURNTABLE

ITEM	PART NUMBER	QTY	DESCRIPTION	REV
16F	70001973	1	Decal - Warning Moving Parts	
17	3311405	4	Nut 1/4	
18	3311505	3	Nut 5/16	
19	3311605	3	Nut 3/8	
20	3574523	2	Plate	
21	3580316	1	Pulley	
22	3580317	1	Pulley	
23	3252764	1	Nameplate	
24	3311005	2	Nut #10	
25	0641618	1	Bolt 3/8 x 2-1/4	
26	3574163	1	Bracket	
27	3580319	1	Pulley	
28	4060802	1	Guard, Switch	
29	3740080	2	Relay	
30	4360336	1	Switch, Toggle	
31	4751000	4	Washer #10	
34	4711400	8	Washer 1/4	
35	4711500	10	Washer 5/16	
36	4711600	7	Washer 3/8	
37	4711800	4	Washer 1/2	
38	4761500	4	Washer 5/16	
39	4791400	1	Washer 1/4	
40	4922925	1	Harness, Generator	
40	4460225	1	Plug, Male 6 Position (Plugs into Generator)	
40	See Note	NSS	Socket, Female (Use with 4460225)	
40	See Note	NSS	Seal, Plug (Use with 4460225)	
40	See Note	NSS	Seal, Interface (Use with 4460225)	
41	0641610	1	Bolt 3/8 x 1-1/4	
42	0721004	2	Bolt #10 x 1/2	
		Ref	Note: Items #43-52 used with installation 1001097401.	
43	0860038	2	Box, Switch	
44	3910606	8	Screw #6 x 3/8	
45	3960422	2	Gasket	
46		Ref	Cover, Receptacle Options:	
46A	4060700	1	Cover (Side Hinge)	
46B	1001110873	1	Cover (Top Hinge)	
47		Ref	Cover, Receptacle Options:	
47A	4061043	1	Cover (Side Hinge)	
47B	1001110872	1	Cover (Top Hinge)	
49	4460051	1	Connector, Strain Relief	
50	4460071	1	Connector, Strain Relief	
51	4460346	1	Receptacle	
52	4460958	1	Receptacle, Female Twist-Lock	
	0861567	Ref	JUNCTION BOX ASSEMBLY	B
101	0861541	1	Box, Junction	
102	1705376	1	Decal - Wiring Schematic	
103	3300396	1	Cover, Fuse	
104	3310601	2	Nut 6	
105	3520189	1	Plug	
106	3520192	2	Plug	
107	3640986	1	Rail, Relay (Prior to SN 0300072911)	

SECTION 2 - TURNTABLE

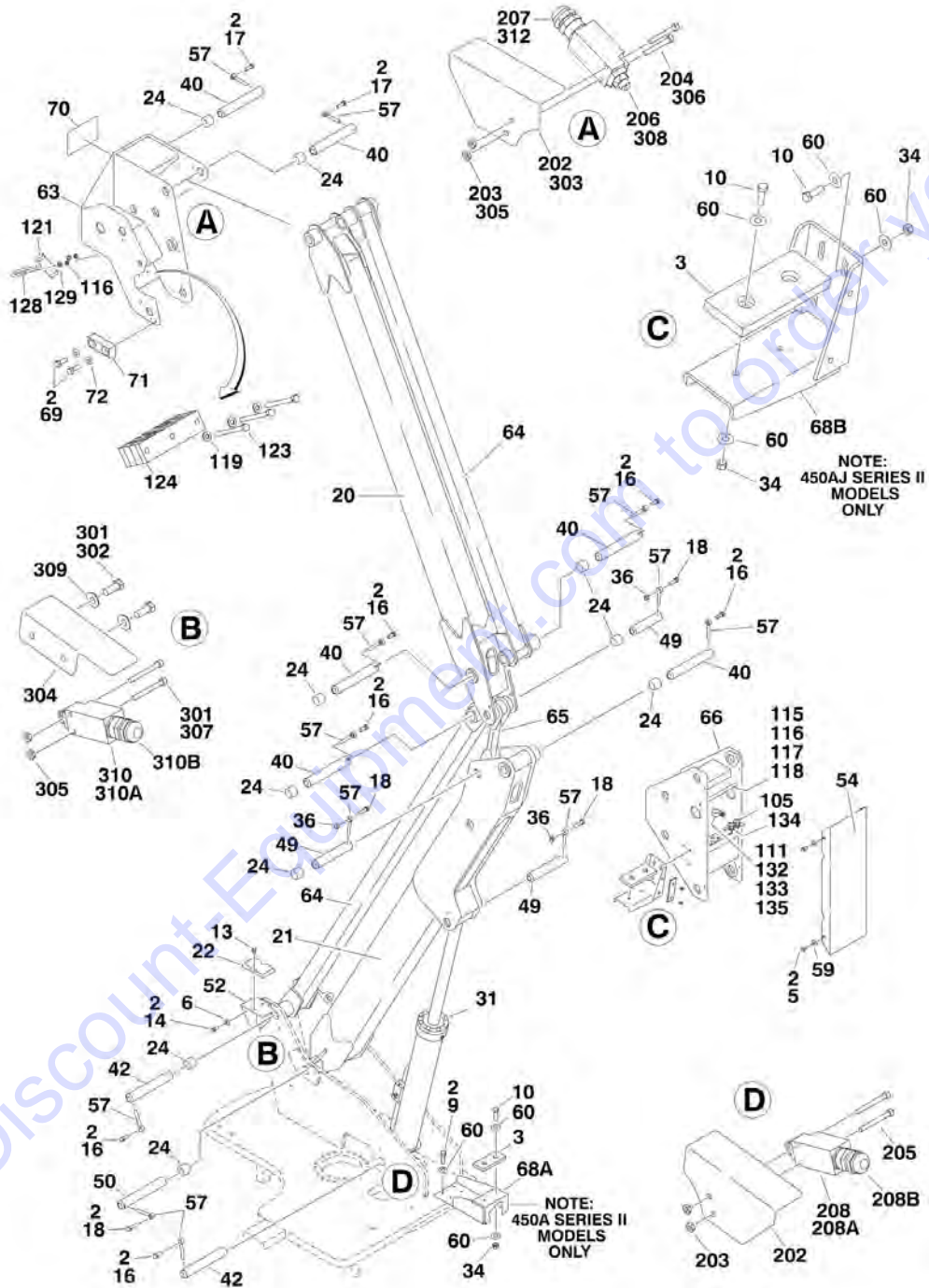
ITEM	PART NUMBER	QTY	DESCRIPTION	REV
107	3641533	1	Rail, Relay (SN 0300072911 to Present)	
108	3910610	2	Bolt 6-32 x 5/8	
109	4360070	1	Circuit Breaker - 15Amp	
110	4460411	2	Marker Strip #1	
111	4460412	4	Marker Strip #2	
112	4460413	2	Marker Strip #3	
113	4460414	2	Marker Strip #4	
114	4460415	4	Marker Strip #5	
115	4460425	2	Strain Relief, Terminal	
116	4460426	2	Connector, Strain Relief	
118	4460607	2	Terminal, End Block	
119	4460956	1	Terminal, End Barrier	
120	4460957	7	Terminal, Block	
121	4750600	4	Washer, #6	
122	4760600	2	Washer #6	
123	4461001	2	Terminal, Cross Connector Jumper	
	0272589	Ref	DECAL INSTALLATION	A
201	1705460	2	Decal - SkyPower	
202	1705461	1	Decal - 240V - 3 Phase	
203	1705489	3	Decal - Hazardous Voltage	
	4933264	Ref	ELECTRICAL DIAGRAM COMPONENTS	C
301	4922757	Ref	Generator Harness Options (See ELECTRICAL SECTION for Breakdown):	3-C
301A	4460374	2	Plug, Sealed Relay	
301A	4460375	7	Terminal	
301B	4460967	1	Plug, Male - 3 Position	
301B	4460465	3	Socket, Female	
301C	2400060	1	Fuseholder (Not Shown)	
301C	2400064	1	Fuse - 5Amp (Not Shown)	
304	4922641	1	Switch Harness	

SECTION 3 - BOOM

Go to Discount-Equipment.com to order your parts

SECTION 3 - BOOM

FIGURE 3-1. TOWER/MID BOOMS AND CYLINDERS INSTALLATION (USA BUILT MACHINES) (SN 0300065080 through 0300123999)



SECTION 3 - BOOM

FIGURE 3-1. TOWER/MID BOOMS AND CYLINDERS INSTALLATION (USA BUILT MACHINES) (SN 0300065080 through 0300123999)

ITEM	PART NUMBER	QTY	DESCRIPTION	REV
		Ref	USA Built Machines use SNs 03xxxxxxx.	
		Ref	Belgium Built Machines use SNs 13xxxxxxx.	
		Ref	TOWER BOOMS AND CYLINDERS INSTALLATIONS	
	0271216	Ref	450A Series II	I
	1001097501	Ref	450A Series II (Arctic Package)	A
	0270839	Ref	450AJ Series II	L
	0275125	Ref	450AJ Series II (Arctic Package)	B
2	0100011	AR	Compound, Locking	
3	0561076	1	Block, Boom Rest	
5	0641505	4	Bolt 5/16in-18NC x 5/8in	
6	4751800	3	Flatwasher 1/2in Regular	
9	0641608	4	Bolt 3/8in-16NC x 1in	
10	0641610	AR	Bolt 3/8in-16NC x 1-1/4in	
13	0641806	2	Bolt 1/2in-13NC x 3/4in	
14	0641810	3	Bolt 1/2in-13NC x 1-1/4in	
16	0642012	6	Bolt 5/8in-11NC x 1-1/2in	
17	0642014	2	Bolt 5/8in-11NC x 1-3/4in	
18	0642016	4	Bolt 5/8in-11NC x 2in	
20	0801272	1	Boom, Mid	
21	0801273	1	Boom, Tower	
22	0940048	1	Bumper	
24	0961950	20	Bearing, Garmax	
31	1684070	1	Tower Lift Cylinder Assembly (See CYLINDER SECTION for Breakdown)	
34	3311605	AR	Locknut 3/8in-16NC	
36	3312005	3	Locknut 5/8in-11NC	
40	3422568	6	Pin	
42	3422664	2	Pin	
49	3422912	3	Pin	
50	3422913	1	Pin	
52	3572691	1	Bracket, Boom Rest	
54	3572826	1	Cover	
57	3841258	12	Keeper, Pin	
59	4751500	4	Flatwasher 5/16in Regular	
60	4751600	AR	Flatwasher 3/8in Regular	
63		Ref	Upright (Upper) Options:	
63	4846366	1	Upright (Upper)	
63	4846335	1	Upright (Upper)	
64	4846336	2	Link	
65	4846343	1	Link, Timing	
66	4846346	1	Upright (Lower)	
68		Ref	Rest, Boom Options:	
68A	3572750	1	Rest, Boom	
68B	4846428	1	Rest, Boom	
69	0641507	2	Bolt 5/16in-18NC x 7/8in	
70	1671013	1	Cover	
71	3340914	1	Pad	
72	4711500	2	Flatwasher 5/16in Thin	
73		Ref	Cable, Electrical 18/2 Options (Not Shown):	

SECTION 3 - BOOM

ITEM	PART NUMBER	QTY	DESCRIPTION	REV
73	4922770	1	Without Arctic Package	
73	4923469	1	With Arctic Package	
		Ref	BOOM CABLES AND CLAMPS INSTALLATIONS	
	0271311	Ref	450A Series II (ANSI/ANSI Export /CSA Specs)	J
	0271310	Ref	450A Series II (Australian/CE Specs)	J
	0273279	Ref	450A Series II (All Specs with SkyPower)	C
	1001097502	Ref	450A SERIES II (ALL SPECS WITH ARCTIC PACKAGE)	A
	1001097503	Ref	450A Series II (All Specs with Arctic Package and SkyPower)	A
	0271122	Ref	450AJ Series II (ANSI/ANSI Export /CSA Specs)	J
	0271206	Ref	450AJ Series II (Australian/CE Specs)	J
	0273280	Ref	450AJ Series II (All Specs with SkyPower)	C
	0275116	Ref	450AJ Series II (All Specs with Arctic Package)	C
	0275786	Ref	450AJ Series II (All Specs with Arctic Package and SkyPower)	C
		Ref	Note: For Additional Components See ELECTRICAL SECTION	
105	4460425	1	Connector, Strain Relief	
111	4751400	2	Flatwasher 1/4in Regular	
113		Ref	Harness, Tower Boom Options (Not Shown - See ELECTRICAL SECTION):	
113	4922530	1	Without Arctic Package	
113	4923458	1	With Arctic Package	
115	3300420	1	Nut, Acorn 1/4in-20NC	
116	3311605	3	Locknut 3/8in-16NC	
117	3860096	1	Roller	
118	0630498	1	Bolt	
119	4711500	3	Flatwasher 5/16in Thin	
120		Ref	Tie-Strap Options (Not Shown):	
120	4240099	AR	Without Arctic Package	
120	4240018	AR	With Arctic Package	
121	4061032	2	Shield, Cable	
123	0641528	3	Bolt 5/16in-18NC x 3-1/2in	
124		Ref	Block, Clamp Options:	
124	0561460	1	All Machines Except Machines with Both Arctic Package and SkyPower	
124	1321695	1	Machines with Arctic Package Only and SkyPower Only	
127	0100011	AR	Compound, Locking	
128	1320300	1	Clamp, Hose	
129	4711600	2	Flatwasher 3/8in Thin	
130		Ref	Cable, Electrical (Not Shown - See ELECTRICAL SECTION)	
130		Ref	Machines without Arctic Package or SkyPower (12/3 AC Power Cable):	
130	1060494	NLA	ANSI/ANSI Export /CSA Specs (Use p/n 1060987) (SN 0300065080 through 0300068439)	
130	1060987	1	ANSI/ANSI Export /CSA Specs (SN 0300068440 through 0300123999)	
130	1060494	NLA	Australian/CE Specs (Use p/n 1060991) (SN 0300065080 through 0300068439)	
130	1060991	1	Australian/CE Specs (SN 0300068440 through 0300123999)	
130		Ref	Machines With SkyPower and/or Arctic Package:	
130	4922929	AR	With SkyPower Only (8/5 AC Power Cable)	
130	4923460	AR	With Arctic Package Only (12/3 AC Power Cable)	
130	4923615	AR	With Arctic Package and Sky Power (8/5 AC Power Cable) (Use P/N 4922857) (SN 0300065080 through 0300121048)	

SECTION 3 - BOOM

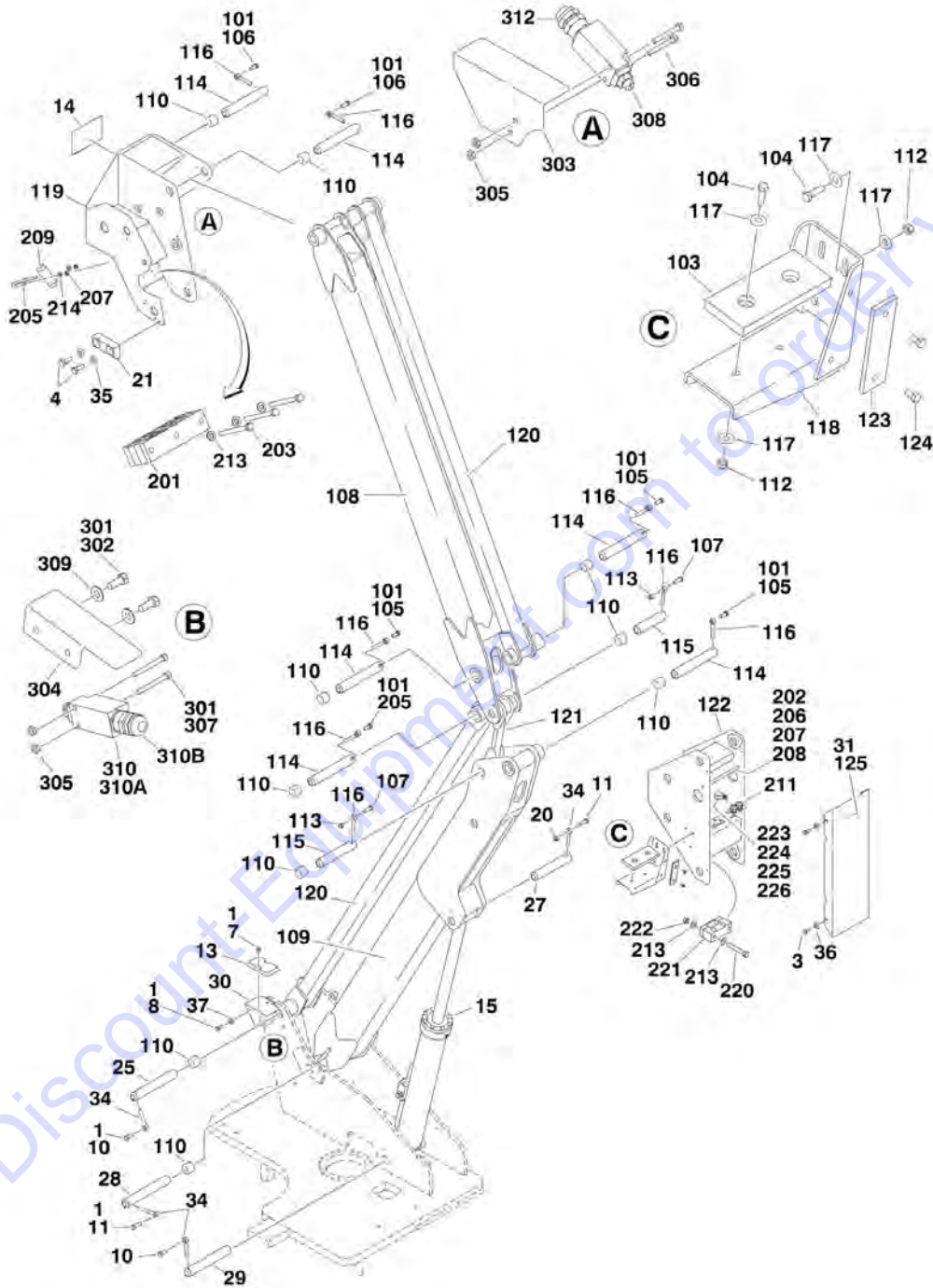
ITEM	PART NUMBER	QTY	DESCRIPTION	REV
130	4922857	AR	With Arctic Package and Sky Power (8/5 AC Power Cable) (SN 0300121049 through 0300123999)	
132	0641408	1	Bolt 1/4in-20NC x 1in	
133	1320061	1	Clamp, Hose Only (SN 0300104165 through 0300123999)	
134		Ref	Connector, Strain Relief	
134	4460425	1	Terminal, Strain Relief (SN 0300065080 through 0300104164)	
134	1321692	1	Without Arctic Package (SN 0300104165 through 0300123999)	
134	1321692	1	With SkyPower only (SN 0300104165 through 0300123999)	
134	1321692	1	With Arctic Package and Arctic Package with SkyPower (SN 0300104165 through 0300123999)	
134	1321694	1	With Arctic Package and Arctic Package with SkyPower (SN 0300104165 through 0300123999)	
135	3311405	1	Locknut 1/4in-20NC	
		Ref	LIMIT SWITCHES INSTALLATION OPTIONS:	
	0271199	Ref	450A/AJ Series II without Arctic Package (SN 0300065080 through 0300077284)	E
202	1670998	2	Cover, Switch	
203	3311005	4	Locknut #10-24NC	
204	3931024	2	Capscrew, Socket Head #10-24NC x 1-1/2in	
205	3931030	2	Capscrew, Socket Head #10-24NC x 1-7/8in	
206		Ref	Switch, Limit Options:	
206	4360321	1	Switch, Limit (SN 0300065080 through 0300074318)	
206	4360548	1	Switch, Limit - Plunger (SN 0300074319 through 0300077284)	
207		Ref	Connector, Strain Relief Options:	
207	4460428	1	Connector, Strain Relief (SN 0300065080 through 0300074318)	
207	4460968	1	Connector, Strain Relief (SN 0300074319 through 0300077284)	
208	4922714	1	Cable/Limit Switch Harness Assembly	B
208	1060902	8.5 ft /2.6m	Cable, Electrical 18/2 (Not Shown - See ELECTRICAL SECTION)	
208	4460226	2	Socket, Contact (Not Shown)	
208A		Ref	Switch, Limit Options:	
208A	4360321	1	Switch, Limit (SN 0300065080 through 0300074318)	
208A	4360548	1	Switch, Limit - Plunger (SN 0300074319 through 0300077284)	
208B		Ref	Connector, Strain Relief	
208B	4460428	1	Connector, Strain Relief (SN 0300065080 through 0300074318)	
208B	4460968	1	Connector, Strain Relief (SN 0300074319 through 0300077284)	
209	4922770	37 ft /11.3m	Cable, Electrical 18/2 (Not Shown - See ELECTRICAL SECTION)	
	0272497	Ref	450A/AJ Series II without Arctic Package (SN 0300077285 through 0300123999)	E
	0275126	Ref	450A/AJ Series II with Arctic Package (Arctic Package)	C
301	0100011	AR	Compound, Locking	
302	0641406	2	Capscrew, 1/4in-20NC x 3/4in	
303		Ref	Cover, Switch Options:	
303	1670998	1	Cover, Limit Switch (SN 0300077285 through 0300116244)	
303	1001096617	1	Shield, Limit Switch (SN 0300116245 through 0300123999)	
304	1671086	1	Cover, Switch	
305	3311005	4	Locknut #10-24NC	

SECTION 3 - BOOM

ITEM	PART NUMBER	QTY	DESCRIPTION	REV
306	3931024	2	Capscrew, Socket Head #10-24NC x 1-1/2in	
307	3931030	2	Capscrew, Socket Head #10-24NC x 1-7/8in	
308	4360548	1	Switch, Limit	
309	4751400	2	Flatwasher, 1/4in Regular	
310		Ref	Cable/Limit Switch Harness Assembly Options (See ELECTRICAL SECTION for Breakdown):	
310	4922714	1	Without Arctic Package	B
310	4923467	1	With Arctic Package	A
310A	4360548	1	Switch, Limit	
310B	4460968	1	Connector, Strain Relief	
311	4060803	8.5 in /217mm	Shield, Flex Trim (Not Shown)	
312	4460968	1	Connector, Strain Relief	

SECTION 3 - BOOM

FIGURE 3-2. TOWER/MID BOOMS AND CYLINDERS INSTALLATION (BELGIUM BUILT MACHINES) - 450AJ SERIES II



SECTION 3 - BOOM

FIGURE 3-2. TOWER/MID BOOMS AND CYLINDERS INSTALLATION (BELGIUM BUILT MACHINES) - 450AJ SERIES II

ITEM	PART NUMBER	QTY	DESCRIPTION	REV
		Ref	USA Built Machines use SNs 03xxxxxxx.	
		Ref	Belgium Built Machines use SNs 13xxxxxxx.	
		Ref	TOWER BOOMS AND CYLINDERS INSTALLATION	
	0272664	Ref	450AJ Series II Booms and Cylinders Installation	F
	1001098640	Ref	450AJ Series II Boom Assemblies	A
	0275438	Ref	450AJ Series II with SkyPower	A
1	0100011	AR	Compound, Locking	
3	0641505	4	Bolt 5/16in-18NC x 5/8in	
4	0641507	2	Bolt 5/16in-18NC x 7/8in	
7	0641806	2	Bolt 1/2in-13NC x 3/4in	
8	0641810	3	Bolt 1/2in-13NC x 1-1/4in	
10	0642012	2	Bolt 5/8in-11NC x 1-1/2in	
11	0642016	2	Bolt 5/8in-11NC x 2in	
13	0940048	1	Bumper	
14	1671013	1	Cover (Prior to SN 1300000407)	
15	1684239	1	Lower Lift Cylinder Assembly (See CYLINDER SECTION for Breakdown)	
20	3312005	1	Locknut 5/8in-11NC	
21	3340914	1	Pad	
25	3422664	1	Pin	
27	3422912	1	Pin	
28	3422913	1	Pin	
29		Ref	Pin Options:	
29	3423015	1	Pin (Prior to SN 1300000097)	
29	3422664	1	Pin (SN 1300000097 through 1300006000)	
30	3572691	1	Bracket, Boom Rest	
31	3574066	1	Cover (Prior to 1300001679)	
34	3841258	4	Keeper, Pin	
35	4711500	2	Flatwasher 5/16in Thin	
36	4751500	4	Flatwasher 5/16in Regular	
37	4751800	3	Flatwasher 1/2in Regular	
		Ref	TOWER BOOM ASSEMBLY	
	0272340	Ref	450AJ Series II	G
	0801592	Ref	450AJ Series II with SkyPower	E
101	0100011	AR	Compound, Locking	
103	0561076	1	Block, Boom Rest	
104	0641610	6	Bolt 3/8in-16NC x 1-1/4in	
105	0642012	4	Bolt 5/8in-11NC x 1-1/2in	
106	0642014	2	Bolt 5/8in-11NC x 1- 3/4in	
107	0642016	2	Bolt 5/8in-11NC x 2in	
108	0801356	1	Boom, Mid	
109	0801357	1	Boom, Tower	
110	0961950	20	Bearing, Garmax	
112	3311605	6	Locknut 3/8in-16NC	
113	3312005	2	Locknut 5/8in-11NC	
114	3422568	6	Pin	
115	3422912	2	Pin	
116	3841258	8	Keeper, Pin	
117	4751600	14	Flatwasher 3/8in Regular	

SECTION 3 - BOOM

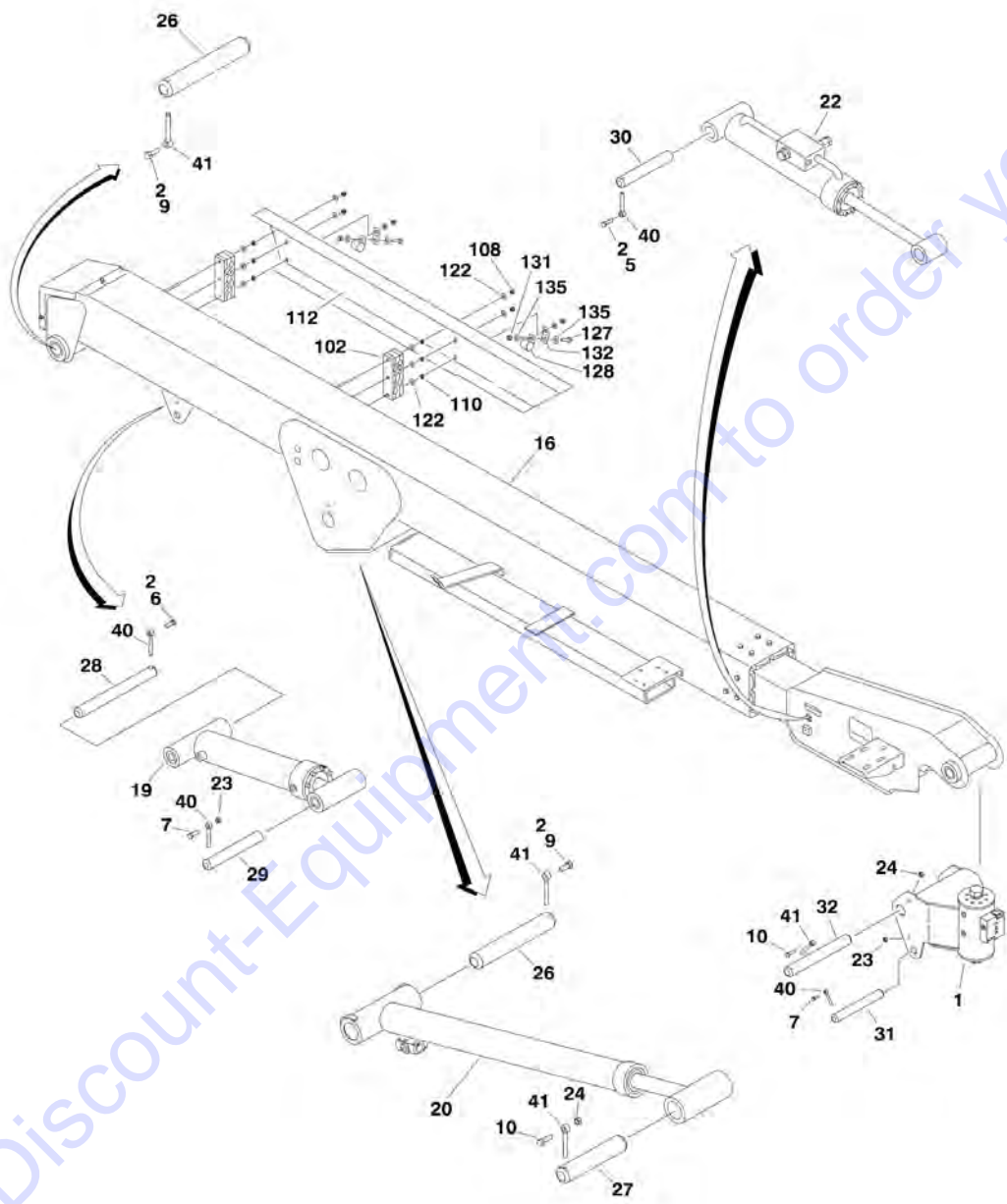
ITEM	PART NUMBER	QTY	DESCRIPTION	REV
118		Ref	Rest, Boom Options:	
118	4846428	NLA	Rest, Boom (Use p/n 4846905) (Prior to SN 130000414)	
118	4846905	1	Weldment, Boom Rest (SN 130000414 through 1300006000)	
119	4846697	1	Upright (Upper)	
120		Ref	Link Options:	
120	4846700	NLA	Link (Use p/n 3010140) (Prior to SN 130000905)	
120	3010140	2	Weldment, Tower Link (SN 130000905 through 1300006000)	
121	4846701	1	Link, Timing	
122	4846703	1	Upright (Lower)	
123	3340608	1	Pad, Wear	
124	0641605	2	Bolt, 3/8in-16NC x 3/8in	
125	3574066	1	Cover (SN 1300001679 through 1300006000)	
		Ref	BOOM CABLES AND CLAMPS INSTALLATIONS	
	0272594	Ref	450AJ Series II	D
	0275436	Ref	450AJ Series II with SkyPower	D
		Ref	Note: For Additional Components See ELECTRICAL SECTION	
201	0561460	1	Block, Clamp	
202	0630498	1	Bolt	
203	0641528	3	Bolt 5/16in-18NC x 3-1/2in	
204		Ref	Cable, Electrical Options (Not Shown - See ELECTRICAL SECTION):	
204	1060991	1	Without SkyPower (12/3 AC Power Cable)	
204	4922929	NLA	With SkyPower (Use p/n 4922857) (Prior to SN 1300002739)	
204	4922857	1	With SkyPower (SN 1300002739 through 1300006000)	
205	1320300	1	Clamp, Hose	
206	3300420	1	Nut, Acorn 1/4in-20NC	
207	3311605	3	Locknut 3/8in-16NC	
208	3860096	1	Roller	
209	4061032	2	Shield, Cable	
210	4240018	7	Tie-Strap (Not Shown)	
211		Ref	Connector, Strain Relief	
211	4460425	1	Without SkyPower	
211	4460425	2	With SkyPower (Prior to SN 1300002739)	
211	1321692	1	With SkyPower (SN 1300002739 through 1300006000)	
213	4711500	AR	Flatwasher 5/16in Thin	
214	4711600	2	Flatwasher 3/8in Thin	
215	4922530	1	Harness, Tower Boom (Not Shown - See ELECTRICAL SECTION)	
216	4922770	1	Cable, Electrical (18/2 Limit Switch) (Not Shown - See ELECTRICAL SECTION)	
220	0641524	AR	Bolt 5/16in-18NC x 3in	
221	1321738	1	Clamp, Block (Machines with SkyPower Only) (SN 1300002739 through 1300006000)	
222	3311505	AR	Nut 5/16in-18NC	
223	0641408	1	Bolt 1/4in-20NC x 1in	
224	1320061	1	Clamp, Hose (Machines with SkyPower Only) (SN 1300002739 through 1300006000)	
225	3311405	1	Locknut 1/4in-20NC	
226	4751400	2	Flatwasher 1/4in Regular	
227	1320177	1	Clamp, Hose (Not Shown - Used on Airline) (Machines with SkyPower Only) (SN 1300002739 through 1300006000)	
228	2220829	1	Fitting, Plug (Not Shown - Used on Airline) (Machines with	

SECTION 3 - BOOM

ITEM	PART NUMBER	QTY	DESCRIPTION	REV
229	2221037	1	SkyPower Only) (SN 130002739 through 130006000) Fitting, Barbed (Not Shown - Used on Airline) (Machines with SkyPower Only) (SN 130002739 through 130006000)	D
230	2720646	1	Hose, Airline (Not Shown) (Machines with SkyPower Only) (SN 130002739 through 130006000)	
	0272497	Ref	LIMIT SWITCHES INSTALLATION	
301	0100011	AR	Compound, Locking	
302	0641406	2	Capscrew, 1/4in-20NC x 3/4in	
303		Ref	Cover, Switch Options:	
303	1670998	1	Cover, Limit Switch (Prior to SN 130004416)	
303	1001096617	1	Shield, Limit Switch (SN 130004416 through 130006000)	
304	1671086	1	Cover, Switch	
305	3311005	4	Locknut #10-24NC	
306	3931024	2	Capscrew, Socket Head #10-24NC x 1-1/2in	
307	3931030	2	Capscrew, Socket Head #10-24NC x 1-7/8in	
308		Ref	Switch, Limit Options:	
308	4360321	1	Switch, Limit (Prior to SN 130000175)	
308	4360548	1	Switch, Limit - Plunger (SN 130000175 through 130006000)	
309	4751400	2	Flatwasher, 1/4in Regular	
310	4922714	1	Cable/Limit Switch Harness Assembly	
310	1060902	8.5 ft /2.6m	Cable, Electrical 18/2 (Not Shown - See ELECTRICAL SECTION)	
310	4460226	2	Socket, Contact (Not Shown)	
310A		Ref	Switch, Limit Options:	
310A	4360321	1	Switch, Limit (Prior to SN 130000133)	
310A	4360548	1	Switch, Limit - Plunger (SN 130000133 through 130006000)	
310B		Ref	Connector, Strain Relief	
310B	4460428	1	Connector, Strain Relief (Prior to SN 130000133)	
310B	4460968	1	Connector, Strain Relief (SN 130000133 through 130006000)	
311	4060803	8.5 in /217mm	Shield, Flex Trim (Not Shown)	
312		Ref	Connector, Strain Relief Options:	
312	4460428	1	Connector, Strain Relief (Prior to SN 130000175)	
312	4460968	1	Connector, Strain Relief (SN 130000175 through 130006000)	

SECTION 3 - BOOM

FIGURE 3-3. MAIN BOOM INSTALLATION - 450A SERIES II



SECTION 3 - BOOM

FIGURE 3-3. MAIN BOOM INSTALLATION - 450A SERIES II

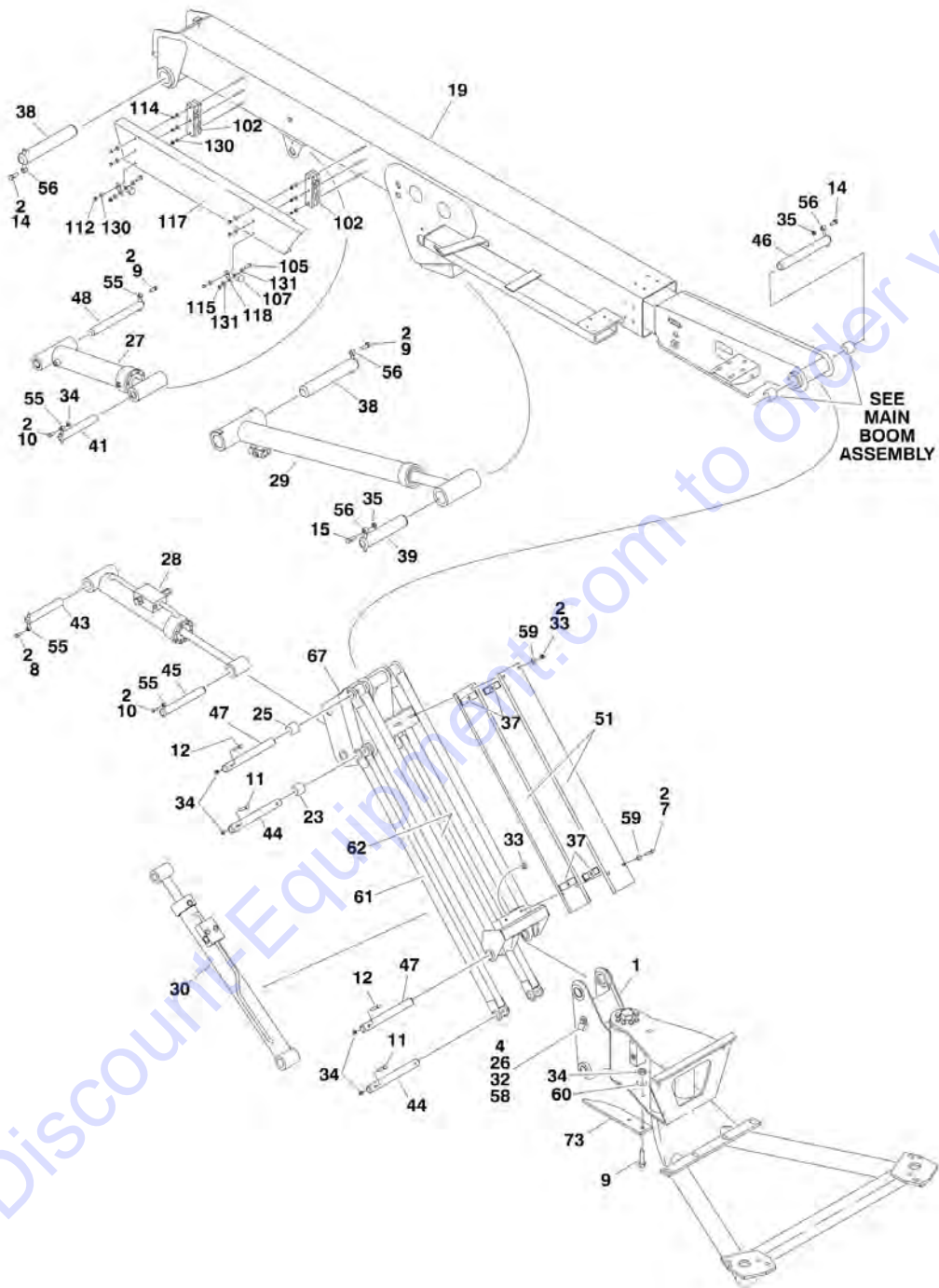
ITEM	PART NUMBER	QTY	DESCRIPTION	REV
		Ref	BOOM AND CYLINDERS INSTALLATION	
	0271216	Ref	Without Arctic Package	I
	1001097501	Ref	With Arctic Package	A
1	0060062	1	Rotator Assembly (See ROTATOR ASSEMBLIES for Breakdown)	
2	0100011	AR	Compound, Locking	
5	0641607	1	Bolt 3/8in-16NC x 7/8in	
6	0641608	1	Bolt 3/8in-16NC x 1in	
7	0641610	2	Bolt 3/8in-16NC x 1-1/4in	
9	0641810	1	Bolt 1/2in-13NC x 1-1/4in	
10	0641812	2	Bolt 1/2in-13NC x 1-1/2in	
16	0801288	1	Main Boom Assembly (See MAIN BOOM ASSEMBLY for Breakdown)	
19	1684170	NLA	Master Cylinder Assembly (Use p/n 1001140276) (See CYLINDER SECTION for Breakdown)	
20	1684155	1	Main Lift Cylinder Assembly (See CYLINDER SECTION for Breakdown)	
22	1684165	NLA	Level (Platform Slave) Cylinder Assembly (Use p/n 1001140274) (See CYLINDER SECTION for Breakdown)	
23	3311605	2	Locknut 3/8in-16NC	
24	3311805	2	Locknut 1/2in-13NC	
26	3422177	2	Pin	
27	3422178	1	Pin	
28	3422179	1	Pin	
29	3422180	1	Pin	
30	3422454	NLA	Pin (Use p/n 3422578)	
31	3422558	1	Pin	
32	3422793	1	Pin	
40	3841143	4	Keeper, Pin	
41	3841203	4	Keeper, Pin	
		Ref	BOOM CABLES AND CLAMPS INSTALLATIONS	
	0271311	Ref	450A Series II (ANSI/ANSI Export/CSA Specs)	J
	0271310	Ref	450A Series II (Australian/CE Specs)	J
	0273279	Ref	450A Series II (All Specs with SkyPower)	C
	1001097502	Ref	450A Series II (All Specs with Arctic Package)	A
	1001097503	Ref	450A Series II (All Specs with Arctic Package and SkyPower)	B
		Ref	Note: For Additional Components See ELECTRICAL SECTION	
102		Ref	Block, Clamp Options:	
102	0561459	2	Without Arctic Package	
102	0561696	2	With Arctic Package	
108	3300151	6	Nut, Acorn 1/4in-20NC	
110	3311401	6	Nut 1/4in-20NC	
112	3570535	1	Shield	
122	4751400	12	Flatwasher 1/4in Regular	
124		Ref	Harness, Main Boom Options (Not Shown - See ELECTRICAL SECTION):	
124	4922531	1	Without Arctic Package	
124	1001097504	1	With Arctic Package	
125		Ref	Cable, Electrical (Not Shown - See ELECTRICAL SECTION)	
125		Ref	Machines without Arctic Package or SkyPower (12/3 AC Power Cable):	

SECTION 3 - BOOM

ITEM	PART NUMBER	QTY	DESCRIPTION	REV
125	1060988	1	ANSI/ANSI Export/CSA Specs	
125	1060990	1	Australian/CE Specs	
125		Ref	Machines with Arctic Package or SkyPower:	
125	4922857	1	With SkyPower Only (8/5 AC Power Cable)	
125	4923461	1	With Arctic Package Only (12/3 AC Power Cable)	
125	4923615	NLA	With Both Arctic Package and Sky Power (8/5 AC Power Cable) (USA Built Machines) (Use p/n 4922857) (SN 0300065080 through 0300121048)	
125	4923615	NLA	With Both Arctic Package and Sky Power (8/5 AC Power Cable) (Belgium Built Machines) (Use p/n 4922857) (Prior to SN 1300005225)	
125	4922857	1	With Both Arctic Package and Sky Power (8/5 AC Power Cable) (USA Built Machines) (SN 0300121049 through 0300123999)	
125	4922857	1	With Both Arctic Package and Sky Power (8/5 AC Power Cable) (Belgium Built Machines) (SN 1300005225 through 1300006000)	
127	0641506	2	Bolt 5/16in-18NC x 3/4in (With SkyPower Only)	
128	1320202	2	Clamp (With SkyPower Only)	
131	3311505	2	Locknut 5/16in-18NC (With SkyPower Only)	
132	3574532	2	Plate, Clamp Mounting (With SkyPower Only)	
135	4751500	4	Flatwasher 5/16in Regular (With SkyPower Only)	

SECTION 3 - BOOM

FIGURE 3-4. MAIN BOOM INSTALLATION - 450AJ SERIES II (USA BUILT MACHINES)



SECTION 3 - BOOM

FIGURE 3-4. MAIN BOOM INSTALLATION - 450AJ SERIES II (USA BUILT MACHINES)

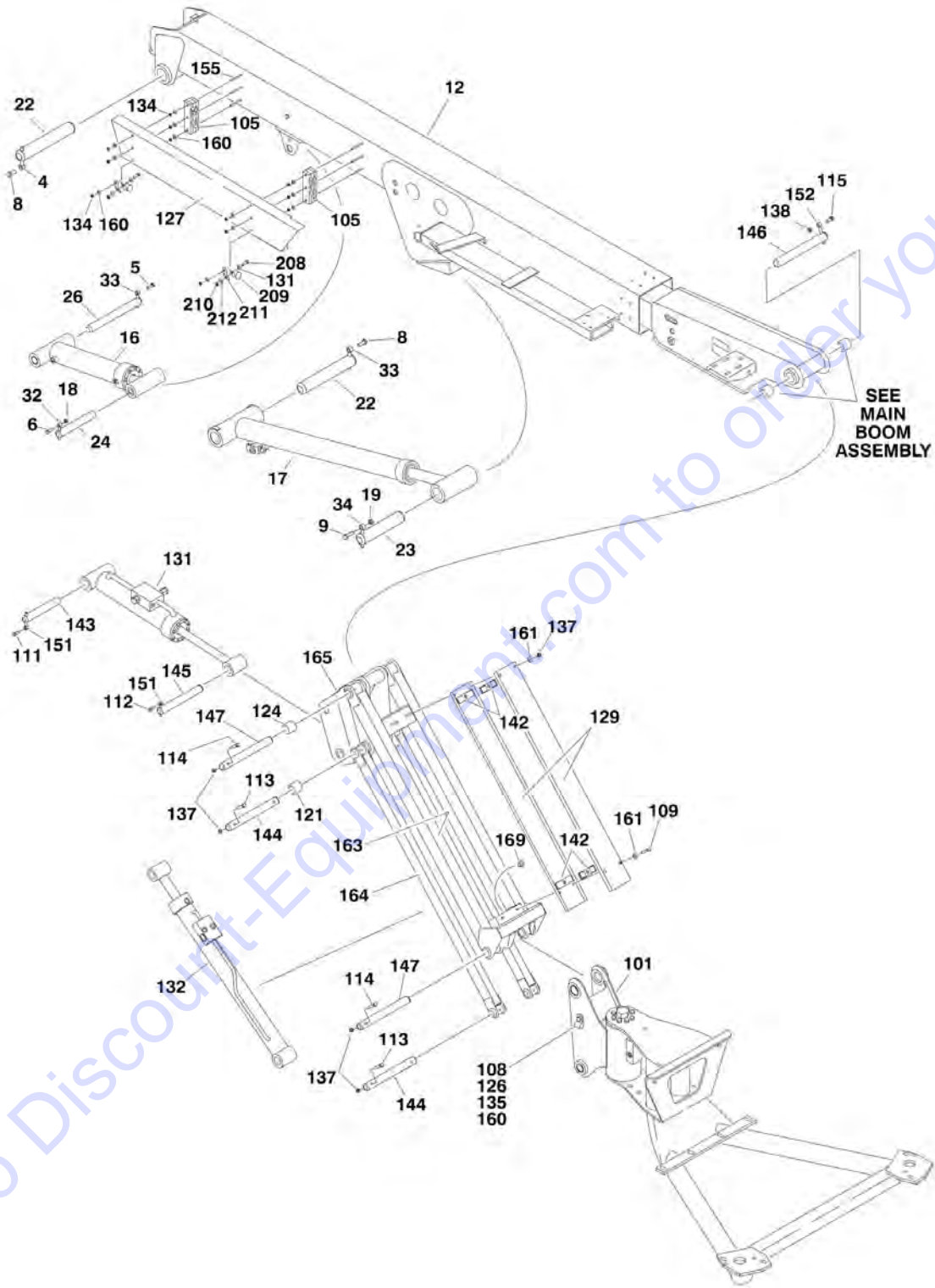
ITEM	PART NUMBER	QTY	DESCRIPTION	REV
		Ref	USA Built Machines use SNs 03xxxxxxx.	
		Ref	Belgium Built Machines use SNs 13xxxxxxx.	
		Ref	BOOM AND CYLINDERS INSTALLATION	
	0270839	Ref	450AJ Series II	K
	0275125	Ref	450AJ Series II (Arctic Package)	B
1		Ref	Rotator Assembly Options (See ROTATOR ASSEMBLIES for Breakdown):	
1	0060050	1	Without Arctic Package	
1	0060050	1	With Arctic Package (SN 0300065080 through 0300100070)	
1	0060096	1	With Arctic Package (SN 0300100071 through 0300123999)	
2	0100011	AR	Compound, Locking	
4	0641406	2	Bolt 1/4in-20NC x 3/4in Only (SN 0300065080 through 0300075079)	
7	0641518	2	Bolt 5/16in-18NC x 2-1/4in	
8	0641607	1	Bolt 3/8in-16NC x 7/8in	
9	0641608	3	Bolt 3/8in-16NC x 1in	
10	0641610	2	Bolt 3/8in-16NC x 1-1/4in	
11	0641616	4	Bolt 3/8in-16NC x 2in	
12	0641618	2	Bolt 3/8in-16NC x 2-1/4in	
14	0641810	AR	Bolt 1/2in-13NC x 1-1/4in	
15	0641812	1	Bolt 1/2in-13NC x 1-1/2in	
19	0801312	1	Main Boom Assembly (See MAIN BOOM ASSEMBLY for Breakdown)	
23	0961947	2	Bushing	
25	0961951	2	Bushing	
26	1320070	2	Clamp Only (SN 0300065080 through 0300075079)	
27	1683773	1	Master Cylinder Assembly (See CYLINDER SECTION for Breakdown)	
28	1683760	1	Level (Platform Slave) Cylinder Assembly (See CYLINDER SECTION for Breakdown)	
29	1684154	1	Main Lift Cylinder Assembly (See CYLINDER SECTION for Breakdown)	
30	1683959	NLA	Jib Lift Cylinder Assembly (Use p/n 1001140282) (See CYLINDER SECTION for Breakdown)	
32	3311405	2	Locknut 1/4in-20NC Only (SN 0300065080 through 0300075079)	
33	3311501	4	Locknut 5/16in-18NC	
34	3311605	9	Locknut 3/8in-16NC	
35	3311805	2	Locknut 1/2in-13NC	
37	3340860	4	Pad, Rubber	
38	3422177	2	Pin	
39	3422178	1	Pin	
41	3422582	1	Pin	
43	3422669	1	Pin	
44	3422791	2	Pin	
45	3422792	1	Pin	
46	3422793	1	Pin	
47	3422794	2	Pin	
48	3422806	1	Pin	
51	3572551	2	Channel, Hose Carrier	
55	3841143	4	Keeper, Pin	

SECTION 3 - BOOM

ITEM	PART NUMBER	QTY	DESCRIPTION	REV
56	3841203	4	Keeper, Pin	
58	4711400	2	Flatwasher 1/4in Thin Only (SN 0300065080 through 0300075079)	
59	4751500	6	Flatwasher 5/16in Regular	
60	4751600	2	Flatwasher 3/8in Regular	
61	4845927	2	Link, Jib (Lower)	
62	4846278	1	Link, Jib (Upper)	
67	4846356	1	Pivot, Jib	
73	4220244	1	Stop	
74		Ref	Cable, Electrical 18/2 Options (Not Shown):	
74	4922770	1	Without Arctic Package	
74	4923469	1	With Arctic Package	
		Ref	BOOM CABLES AND CLAMPS INSTALLATIONS	
	0271122	Ref	ANSI/ANSI Export/CSA Specs	J
	0271206	Ref	Australian/CE Specs	J
	0273280	Ref	All Specs with SkyPower	C
	0275116	Ref	All Specs with Arctic Package	C
	0275786	Ref	All Specs with Arctic Package and SkyPower	C
		Ref	Note: For Additional Components See ELECTRICAL SECTION	
102		Ref	Block, Clamp Options:	
102	0561459	2	Without Arctic Package	
102	1321696	2	With Arctic Package	
105	0641506	2	Bolt 5/16in-18NC x 3/4in (With SkyPower Only)	
107	1320202	2	Clamp (With SkyPower Only)	
112	3300151	6	Nut, Acorn 1/4in-20NC	
114	3311401	6	Nut 1/4in-20NC	
115	3311505	2	Locknut 5/16in-18NC (With SkyPower Only)	
117	3571462	1	Shield	
118	3574532	2	Plate, Clamp Mounting (With SkyPower Only)	
130	4751400	12	Flatwasher 1/4in Regular	
131	4751500	4	Flatwasher 5/16in Regular (With SkyPower Only)	
134		Ref	Harness, Main Boom Options (Not Shown - See ELECTRICAL SECTION):	
134	4922532	1	Without Arctic Package	
134	4923459	1	With Arctic Package	
135		Ref	Cable, Electrical (Not Shown - See ELECTRICAL SECTION)	
135	1060988	1	Without SkyPower (12/3 AC Power Cable)	
135	4923481	1	With Arctic Package (12/3 AC Power Cable)	
135	4922857	1	With SkyPower (8/5 AC Power Cable)	
135	4923616	NLA	With Arctic Package with SkyPower (8/5 AC Power Cable) (Use p/n 4922929) (SN 0300065080 through 0300121048)	
135	4922929	1	With Arctic Package with SkyPower (8/5 AC Power Cable) (SN 0300121049 through 0300123999)	

SECTION 3 - BOOM

FIGURE 3-5. MAIN BOOM INSTALLATION - 450AJ SERIES II (BELGIUM BUILT MACHINES)



SECTION 3 - BOOM

FIGURE 3-5. MAIN BOOM INSTALLATION - 450AJ SERIES II (BELGIUM BUILT MACHINES)

ITEM	PART NUMBER	QTY	DESCRIPTION	REV
		Ref	USA Built Machines use SNs 03xxxxxxx.	
		Ref	Belgium Built Machines use SNs 13xxxxxxx.	
		Ref	MAIN BOOM AND CYLINDERS INSTALLATION	
	0272664	Ref	450AJ Series II Booms and Cylinders Installation	F
	1001098640	Ref	450AJ Series II Boom Assemblies	A
	0275438	Ref	450AJ Series II with SkyPower	A
1	0100011	AR	Compound, Locking	
5	0641608	1	Bolt 3/8in-16NC x 1in	
6	0641610	1	Bolt 3/8in-16NC x 1-1/4in	
8	0641810	2	Bolt 1/2in-13NC x 1-1/4in	
9	0641812	1	Bolt 1/2in-13NC x 1-1/2in	
12		Ref	Main Boom Assembly Options (See MAIN BOOM ASSEMBLY and Items 101-165 for Breakdown):	
12	0801361	1	Without SkyPower	
12	0801593	1	With SkyPower	
16	1684241	1	Master Cylinder Assembly (See CYLINDER SECTION for Breakdown)	
17	1684244	1	Upper Lift Cylinder Assembly (See CYLINDER SECTION for Breakdown)	
18	3311605	1	Locknut 3/8in-16NC	
19	3311805	1	Locknut 1/2in-13NC	
22	3422177	2	Pin	
23	3422178	1	Pin	
24	3422582	1	Pin	
26	3422806	1	Pin	
32	3841143	2	Keeper, Pin	
33	3841203	3	Keeper, Pin	
34	3841258	4	Keeper, Pin	
		Ref	JIB INSTALLATION	
	0801361	Ref	Without SkyPower	G
	0801593	Ref	With SkyPower	F
101	0060050	1	Rotator Assembly (See ROTATOR ASSEMBLIES for Breakdown)	
102	0100011	AR	Compound, Locking	
105	0561515	2	Clamp, Block	
108	0641406	2	Bolt 1/4in-20NC x 3/4in Only (Prior to SN 130000144)	
109	0641518	2	Bolt 5/16in-18NC x 2-1/4in	
111	0641607	1	Bolt 3/8in-16NC x 7/8in	
112	0641610	1	Bolt 3/8in-16NC x 1-1/4in	
113	0641616	4	Bolt 3/8in-16NC x 2in	
114	0641618	2	Bolt 3/8in-16NC x 2-1/4in	
115	0641810	1	Bolt 1/2in-13NC x 1-1/4in	
121	0961947	2	Bushing	
124	0961951	2	Bushing	
126	1320070	2	Clamp (Prior to SN 130000144)	
127	3571462	1	Shield	
129	1671083	2	Cover, Jib Hose	
131		Ref	Level (Platform Slave) Cylinder Assembly Options (See CYLINDER SECTION for Breakdown):	
131	1684240	NLA	Cylinder, Level (Use p/n 1001094789) (Prior to SN 1300004150)	
131	1001094789	1	Cylinder, Level (SN 1300004150 through 1300006000)	

SECTION 3 - BOOM

ITEM	PART NUMBER	QTY	DESCRIPTION	REV
132	1684242	1	Jib Lift Cylinder Assembly (See CYLINDER SECTION for Breakdown)	
134	3311402	12	Nut, Jam 1/4in-20NC	
135	3311405	2	Locknut 1/4in-20NC Only (Prior to SN 130000144)	
137	3311605	12	Locknut 3/8in-16NC	
138	3311805	1	Locknut 1/2in-13NC	
142	3340943	4	Pad, Rubber	
143	3422669	1	Pin	
144	3422791	2	Pin	
145	3422792	1	Pin	
146	3422793	1	Pin	
147	3422794	2	Pin	
151	3841143	2	Keeper, Pin	
152	3841203	1	Keeper, Pin	
155	3951420	6	Setscrew 1/4in-20NC x 2-1/2in	
160	4751400	12	Flatwasher 1/4in Regular	
161	4751500	6	Flatwasher 5/16in Regular	
163	4846688	1	Link, Jib (Upper)	
164	4846689	2	Link, Jib (Lower)	
165	4846693	1	Pivot, Jib	
169	3311501	4	Nut 5/16in-18NC	
		Ref	BOOM CABLES AND CLAMPS INSTALLATION	
	0272665	Ref	Without SkyPower	C
	0275437	Ref	With SkyPower	B
		Ref	Note: For Additional Components See ELECTRICAL SECTION	
201	1060996	1	Cable, Electrical (AC Cable) (Not Shown - See ELECTRICAL SECTION)	
203	4922532	1	Harness, Main Boom (Not Shown - See ELECTRICAL SECTION)	
207		Ref	Cable, Electrical (8/5 Generator Cable) Options (With SkyPower Only) (Not Shown - See ELECTRICAL SECTION):	
207	4922857	1	Harness, 8/5 Upper (Prior to SN 1300002739)	
207	4922929	1	Harness, 8/5 Generator Cable (SN 1300002739 through 1300006000)	
208	0641506	2	Bolt 5/16in-18NC x 3/4in (With SkyPower Only)	
209	1320202	2	Clamp (With SkyPower Only)	
210	3311505	2	Locknut 5/16in-18NC (With SkyPower Only)	
211	3574532	2	Plate, Clamp Mounting (With SkyPower Only)	
212	4751500	4	Flatwasher 5/16in Regular (With SkyPower Only)	
213	2820647	1	Hose, Air Line (With SkyPower Only) (Not Shown)	

SECTION 3 - BOOM

FIGURE 3-6. MAIN BOOM ASSEMBLIES

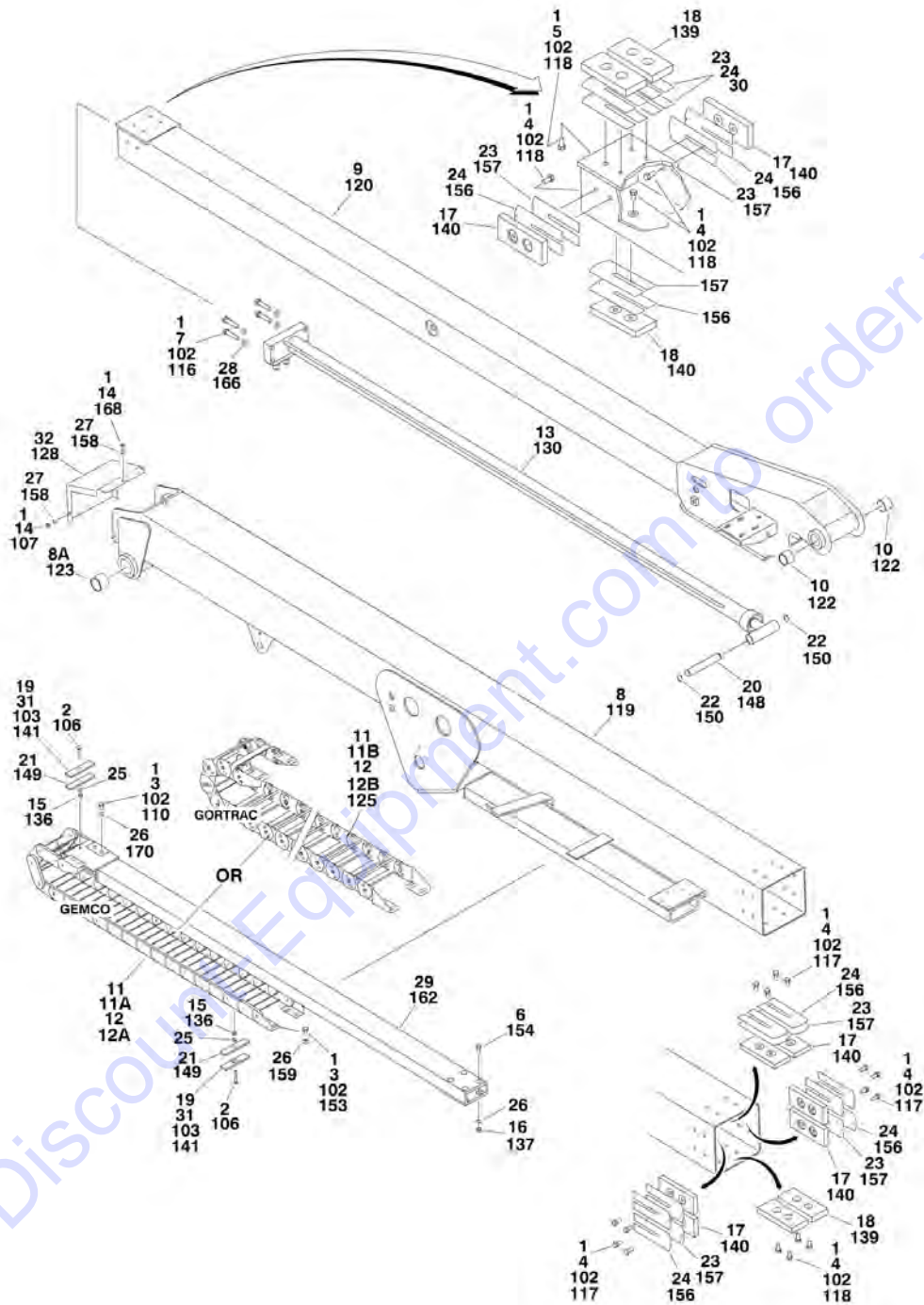


FIGURE 3-6. MAIN BOOM ASSEMBLIES

ITEM	PART NUMBER	QTY	DESCRIPTION	REV
		Ref	USA Built Machines use SNs 03xxxxxxx.	
		Ref	Belgium Built Machines use SNs 13xxxxxxx.	
		Ref	MAIN BOOM ASSEMBLY OPTIONS (USA BUILT MACHINES)	
	0801288	Ref	450A Series II	C
	0801312	Ref	450AJ Series II	4-C
1	0100011	AR	Compound, Locking	
2	0630401	2	Bolt, Carriage 5/16in-18NC x 2in	
3	0641605	8	Bolt 3/8in-16NC x 5/8in	
4	0641606	22	Bolt 3/8in-16NC x 3/4in	
5	0641607	4	Bolt 3/8in-16NC x 7/8in	
6	0641608	4	Bolt 3/8in-16NC x 1in	
7	0641818	4	Bolt 1/2in-13NC x 2-1/4in	
8		Ref	Base Weldment Options:	
8	0801289	1	Base Weldment (450A Series II)	
8	0801260	1	Base Weldment (450AJ Series II)	
8A	0961950	2	Bearing	
9		Ref	Fly Weldment Options:	
9	0801290	1	Fly Weldment (450A Series II)	
9	0801192	1	Fly Weldment (450AJ Series II)	
10	0961948	2	Bearing	
11	1180227	NLA	Power Track for 450A Series II (Original Equipment) (Use p/n 1001225902)	
11	1001099838	NLA	Power Track for 450A Series II (Service Replacement) (Use p/n 1001225902)	
11	1001225902	1	Power Track for 450A Series II (Service Replacement)	
		Ref	Note: Original Equipment Power Track may have been replaced with a Service Replacement. Visually identify the power track before ordering parts.	
11A		Ref	Gemco Replacement Parts:	
11A	7006139	AR	Repair Section for p/n 1180227 (was p/n 7006187)	
11A	7006156	1	Rod, Carrier for p/n 1180227	
11A	7006151	2 pr	Feet, Mounting for p/n 1180227	
11A	7006152	AR	Pin Kit for p/n 1180227 (Includes 1 Link Pin, 4 Different Size Washers and 1 Retaining Ring) (was p/n 7006177)	
11B		Ref	Gortrac Replacement Parts:	
11B	70001996	AR	Repair Section for p/n 1001099838 (Includes 1 Pin Assembly for each end)	
11B	70001998	2 pr	Mounting Foot Kit for p/n 1001099838 (Includes Both Pair of Feet)	
11B	70006269	AR	Repair Section for p/n 1001225902 (Includes 1 Pin Assembly for each end)	
11B	70006280	2 pr	Mounting Foot Kit for p/n 1001225902 (Includes Both Pair of Feet)	
12	1180352	NLA	Power Track for 450AJ Series II (Use p/n 1001099833)	
12	1001099833	1	Power Track for 450AJ Series II (Service Replacement)	
		Ref	Note: Original Equipment Power Track may have been replaced with a Service Replacement. Visually identify the power track before ordering parts.	
12A		Ref	Gemco Replacement Parts:	
12A	7006139	AR	Repair Section for p/n 1180352	
12A	7006151	2 pr	Feet, Mounting for p/n 1180352	
12A	7006152	AR	Pin Kit for p/n 1180352 (Includes 1 Link Pin, 4 Different Size	

SECTION 3 - BOOM

ITEM	PART NUMBER	QTY	DESCRIPTION	REV
12B		Ref	Washers and 1 Retaining Ring)	
12B	70001996	AR	Gortrac Replacement Parts:	
12B	70001998	2 pr	Repair Section for p/n 1001099833 (Includes 1 Pin Assembly for each end)	
13		Ref	Mounting Foot Kit for p/n 1001099833 (Includes Both Pair of Feet)	
13	1684095	1	Telescope Cylinder Assembly Options (See CYLINDER SECTION for Breakdown):	
13	1684140	1	Telescope Cylinder Assembly (450A Series II)	
14	3311401	2	Telescope Cylinder Assembly (450AJ Series II)	
15	3311505	4	Nut 1/4in-20NC	
16	3311605	4	Locknut 5/16in-18NC	
17	3340881	8	Locknut 3/8in-16NC	
18	3340837	5	Pad, Wear	
19	3340940	2	Pad, Wear	
20	3422804	1	Pad, Rubber	
21	3570958	3	Pin	
22	3760115	2	Plate, Clamp	
23	4070897	AR	Ring, Retaining	
24	4070898	AR	Shim (#18)	
25	4711500	2	Shim (#11)	
26	4711600	12	Flatwasher 5/16in Thin	
27	4751400	10	Flatwasher 3/8in Thin	
28	4761800	4	Flatwasher 1/4in Regular	
29		Ref	Lockwasher 1/2in	
29	4845767	1	Tube, Carrier	
29	4846033	1	Tube, Carrier (450A Series II)	
30	4070982	AR	Tube, Carrier (450AJ Series II)	
31	0100081	AR	Shim (#16)	
32	1670678	NLA	Adhesive #454	
		Ref	Cover, Boom End (Use p/n 1670679)	
		Ref	MAIN BOOM ASSEMBLY OPTIONS (BELGIUM BUILT MACHINES)	
	0801361	Ref	Main Boom Assembly (450AJ Series II without SkyPower)	G
	0801593	Ref	Main Boom Assembly (450AJ Series II with SkyPower)	F
102	0100011	AR	Compound, Locking	
103	0100081	AR	Adhesive #454	
106	0630401	2	Bolt, Carriage 5/16in-18NC x 2in	
107	0641404	4	Bolt 1/4in-20NC x 1/2in	
110	0641604	4	Bolt 3/8in-16NC x 1/2in	
110	0641605	4	Bolt 3/8in-16NC x 5/8in	
116	0641818	4	Bolt 1/2in-13NC x 2-1/4in	
117	0791606	12	Screw 3/8in-16NC x 3/4in	
118	0791607	16	Screw 3/8in-16NC x 7/8in	
119		Ref	Base Weldment Options:	
119	0801362	1	Boom, Base Weldment (Prior to SN 130000012)	
119	0801379	1	Boom, Base Weldment (SN 130000012 through 1300006000)	
120		Ref	Fly Weldment Options:	
120	0801363	1	Boom, Fly Weldment (Prior to SN 130000012)	
120	0801380	1	Boom, Fly Weldment (SN 130000012 through 1300006000)	
122	0961948	2	Bearing	
123	0961950	2	Bearing	

SECTION 3 - BOOM

ITEM	PART NUMBER	QTY	DESCRIPTION	REV
125		Ref	Power Track Options:	
125	1180378	NLA	Power Track (Original Equipment) (Use p/n 1001225900)	
125	1001225900	1	Power Track (Service Replacement)	
125	7026120	AR	Repair Section (Used with 1180378)	
125	7026119	1	Feet, Mounting (Includes 4 Feet and Mounting Hardware) (Used with 1180378)	
125	70006267	AR	Repair Section (Used with 1001225900)	
125	70006275	1	Feet, Mounting (Includes 4 Feet and Mounting Hardware) (Used with 1001225900)	
128		Ref	Cover, Boom End Options:	
128	1671079	1	Cover, Boom End (Prior to SN 1300000012)	
128	1671111	1	Cover, Boom End (SN 1300000012 through 1300006000)	
130	1684262	1	Telescope Cylinder Assembly (See CYLINDER SECTION for Breakdown)	
136	3311505	2	Locknut 5/16in-18NC	
137	3311605	10	Locknut 3/8in-16NC	
139	3340837	4	Pad, Wear	
140	3340881	10	Pad, Wear	
141	3340940	2	Pad, Rubber	
148	3422996	1	Pin	
149	3572448	2	Plate, Clamp	
150	3760115	2	Ring, Retaining	
153	3900283	4	Screw, Button Head 3/8in-16NC x 3/4in	
154	3900316	4	Screw, Button Head 3/8in-16NC x 1in	
156	4071056	10	Shim (1mm)	
157	4071057	10	Shim (3mm)	
158	4711400	4	Flatwasher 1/4in Thin	
159	4711600	4	Flatwasher 3/8in Thin	
162	4846734	1	Tube, Carrier	
166	4891800	4	Flatwasher 1/2in Hardened	
167	0962257	1	Bushing, Composite (Not Shown)	
168	3941406	1	Screw, Self-Tapping	
170	4891600	4	Flatwasher 3/8in Hardened	

SECTION 3 - BOOM

FIGURE 3-7. ROTATOR ASSEMBLIES

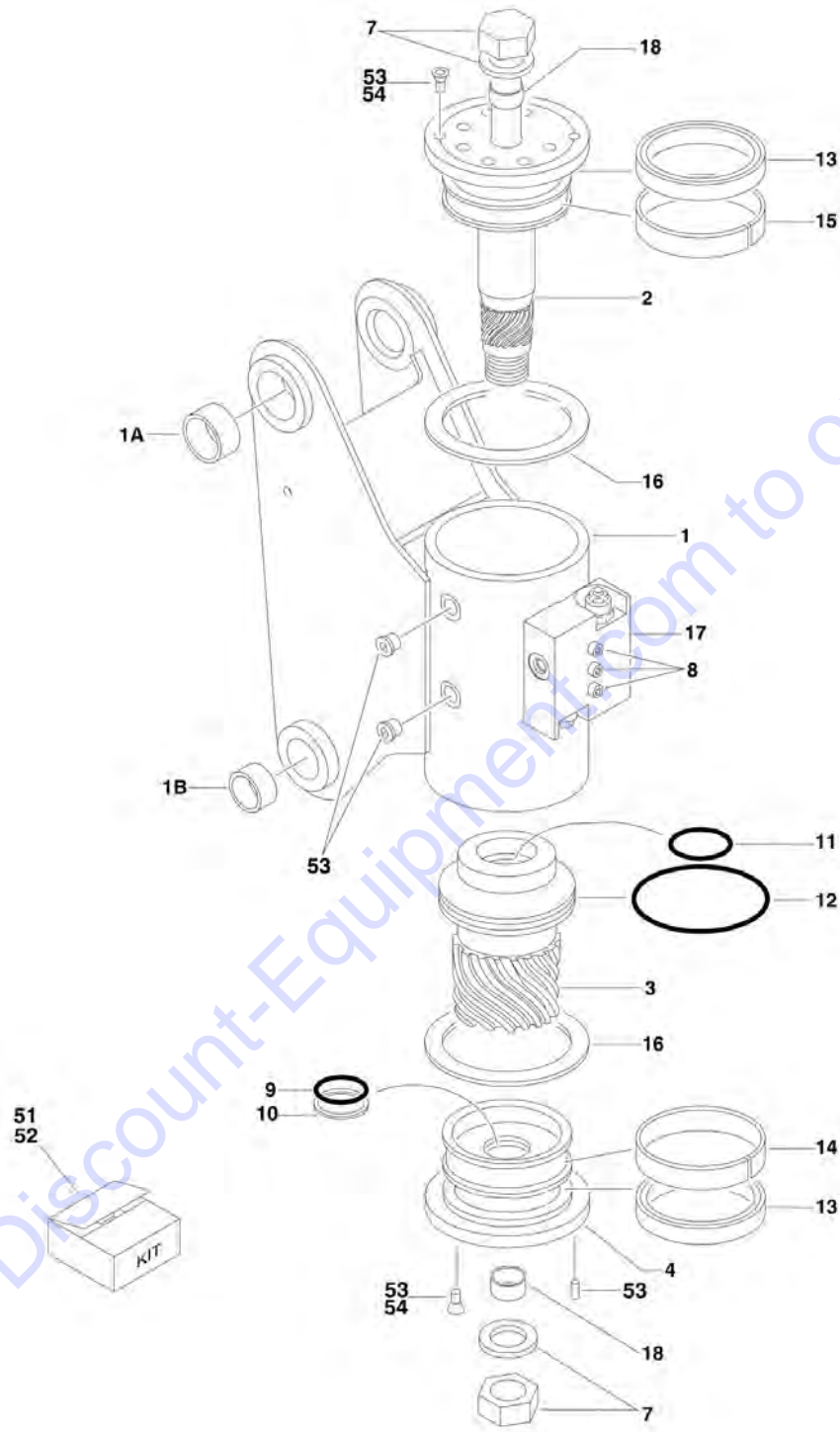


FIGURE 3-7. ROTATOR ASSEMBLIES

ITEM	PART NUMBER	QTY	DESCRIPTION	REV
		Ref	ROTATOR ASSEMBLIES	
	0060062	Ref	Rotator Assembly (450A Series II)	C
	0060050	Ref	Rotator Assembly (450AJ Series II without Arctic Package)	G
	0060050	Ref	Rotator Assembly (450AJ Series II With Arctic Package) (SN 0300065080 through 0300100070)	G
	0060096	Ref	Rotator Assembly (450AJ Series II With Arctic Package) (SN 0300100071 through 0300123999)	A
1	See Note	1	Case/Bracket Weldment (Note: Not Available - Purchase Complete Assembly)	
1A		Ref	Bushing Options: (Top)	
1A	Not Required	0	Bushing (Top) (0060062 Rotator)	
1A	0962257	2	Bushing (Top) (0060050 & 0060096 Rotators)	
1B		Ref	Bushing Options: (Bottom)	
1B	Not Required	0	Bushing (Bottom) (0060062 Rotator)	
1B	0961947	2	Bushing (Bottom) (0060050 & 0060096 Rotators)	
2		Ref	Shaft Options:	
2	7017162	1	Shaft (0060062 Rotator)	
2	7017140	1	Shaft (0060050 Rotator)	
2	7017162	1	Shaft (0060096 Rotator)	
3		Ref	Sleeve, Piston Options:	
3	7017163	1	Sleeve, Piston (0060062 Rotator)	
3	7017139	1	Sleeve, Piston (0060050 Rotator)	
3	7017163	1	Sleeve, Piston (0060096 Rotator)	
4		Ref	Cap, End Options:	
4	7017164	1	Cap, End (0060062 Rotator)	
4	7017148	1	Cap, End (0060050 Rotator)	
4	7017164	1	Cap, End (0060096 Rotator)	
7		Ref	Tie Rod Assembly Options:	
7	See Note	1	Tie Rod Assembly (0060062 & 0060096 Rotators)	
		Ref	0060050 Rotator Options:	
7	7017143	1	USA Built Machines (SN 0300065080 through 0300068926)	
7	See Note	1	USA Built Machines (SN 0300068927 through 0300123999)	
7	See Note	1	Belgium Built Machines (SN 1300000001 through 1300006000)	
		Ref	Note: See Platform Support Installation for Components.	
8	See Note	3	Bolt 1/4in-20NC x 1-1/2 (Grade 8) (Note: Not available for purchase)	
9	See Note	1	Seal, Cap (Note: Use Item 51)	
10	See Note	1	Ring, Back-Up Cap (Note: Use Item 51)	
11	See Note	1	Seal, Rod (Note: Use Item 51)	
12	See Note	1	Seal, Piston (Note: Use Item 51)	
13	See Note	2	Packing, Bearing (Note: Use Item 51)	
14	See Note	1	Bearing, Cap (Note: Use Item 52)	
15	See Note	1	Bearing, Shaft (Note: Use Item 52)	
16	See Note	2	Thrustwasher (Note: Use Item 52)	
17	7017172	1	Counterbalance Valve Assembly	
17	7017192	2	Cartridge (No Seal Kit Available)	
18		Ref	Bushing Options:	
18	7017195	2	Bushing (0060062 Rotator)	
18	7017136	2	Bushing (0060050 Rotator)	
18	See Note	2	Bushing (0060096 Rotator) (Note: Not available for purchase)	

SECTION 3 - BOOM

ITEM	PART NUMBER	QTY	DESCRIPTION	REV
51		Ref	Seal Kit Options: (Includes Items 9-13)	
51	7017158	1	Seal Kit (0060062 Rotator)	
51	7017137	1	Seal Kit (0060050 Rotator)	
51	70000342	1	Seal Kit (0060096 Rotator)	
52		Ref	Bearing Kit Options: (Includes Items 14-16)	
52	7017159	1	Bearing Kit (0060062 Rotator)	
52	7017138	1	Bearing Kit (0060050 Rotator)	
	7017159	1	Bearing Kit (0060096 Rotator)	
53		Ref	Hardware Kit Options:	
53	See Note	1	Hardware Kit (0060050 Rotator) (Note: Not available for purchase)	
53	7017142	1	Hardware Kit (0060062 & 0060096 Rotator)	
54	70001697	4	Screw, Countersunk 1/4in-20NC x 3/8in (Grade 8)	

SECTION 3 - BOOM

FIGURE 3-8. PLATFORM SUPPORT AND CONTROL VALVES INSTALLATIONS (FRONT ENTRY PLATFORM)

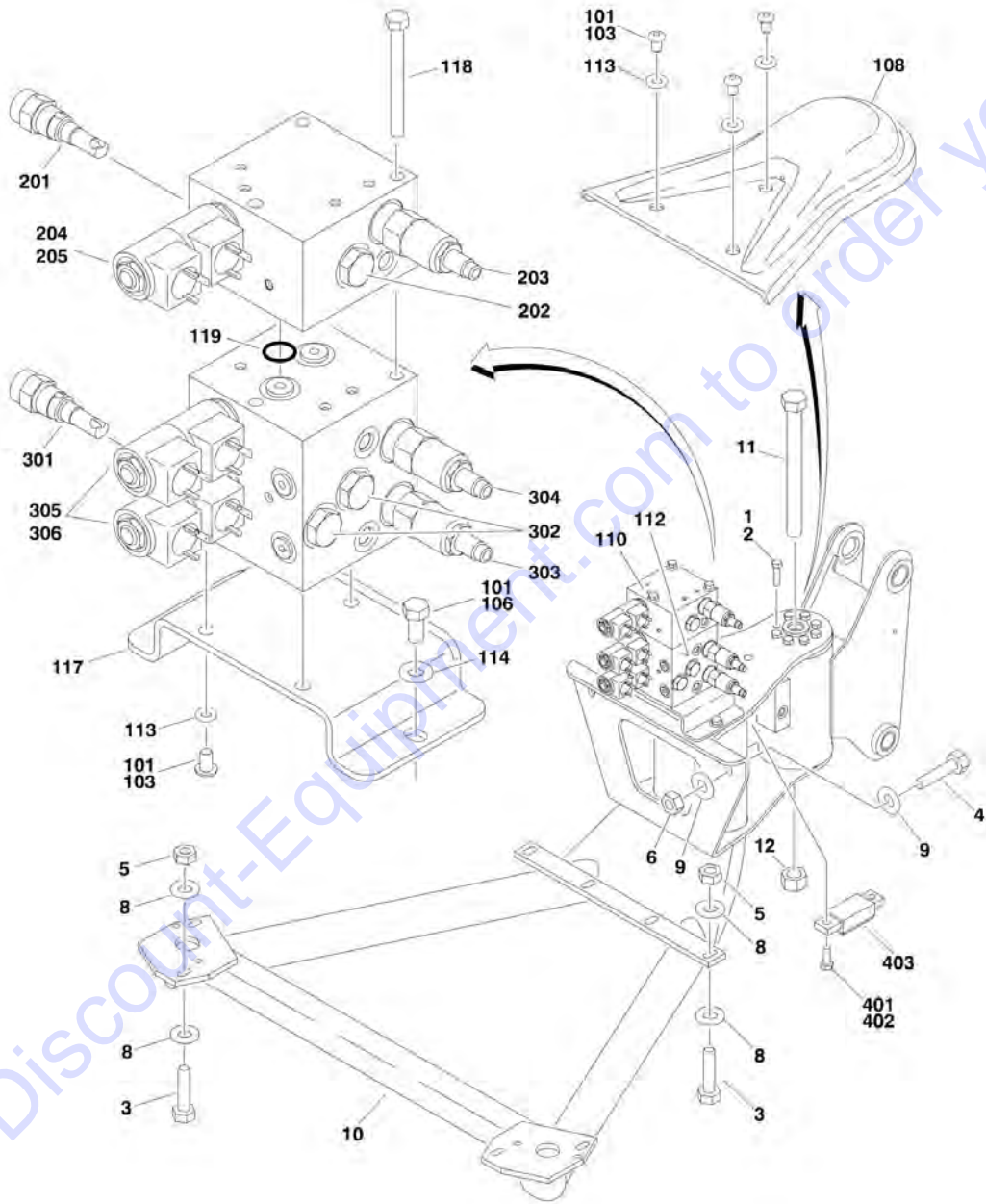


FIGURE 3-8. PLATFORM SUPPORT AND CONTROL VALVES INSTALLATIONS (FRONT ENTRY PLATFORM)

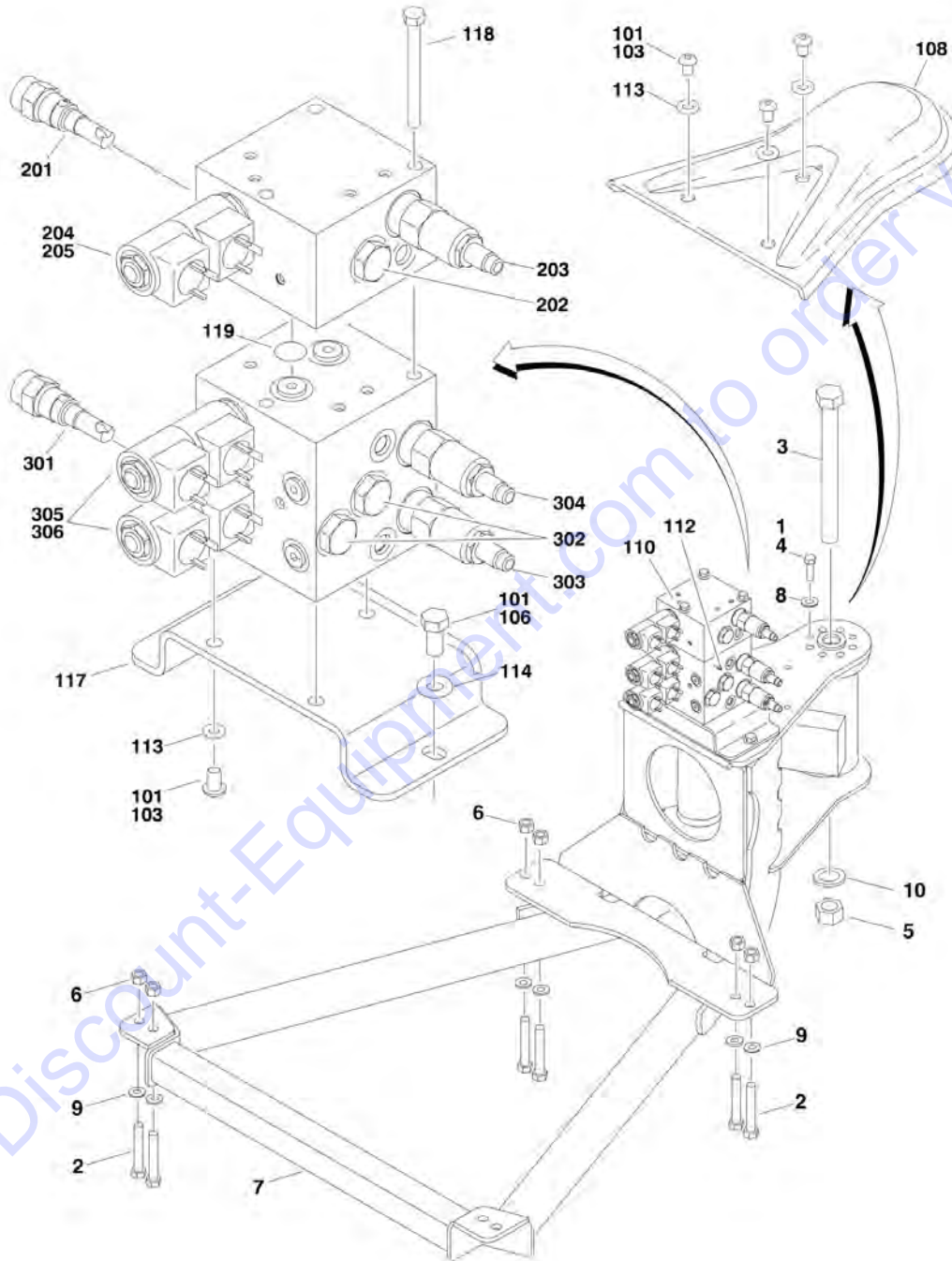
ITEM	PART NUMBER	QTY	DESCRIPTION	REV
		Ref	PLATFORM SUPPORT INSTALLATION	
	0270015	Ref	All Specs Except CE Spec	C
	0270532	Ref	CE Spec	B
1	0100011	AR	Compound, Locking	
2	0641606	8	Bolt 3/8in-16NC x 3/4in	
3	0681610	6	Bolt 3/8in-16NC x 1-1/4in (Grade 8)	
4	0641820	2	Bolt 1/2in-13NC x 2-1/2in	
5	3311605	6	Locknut 3/8in-16NC	
6	3311805	2	Locknut 1/2in-13NC	
8	4751600	12	Flatwasher 3/8in Regular	
9	4751800	4	Flatwasher 1/2in Regular	
10		Ref	Support Weldment Options:	
10	4846158	1	All Specs Except CE Spec	
10	4846298	1	CE Spec	
11	0642684	1	Bolt 1in-8NC x 10-1/2in	
12	3272605	1	Locknut 1in-8NC	
		Ref	CONTROL VALVE INSTALLATIONS	
	0271124	Ref	Control Valve (450A Series II)	E
	0271197	Ref	Control Valve (450AJ Series II)	E
101	0100011	AR	Compound, Locking	
103	0630467	6	Screw, Button Head	
106	0641606	2	Bolt 3/8in-16NC x 3/4in	
108	1670964	1	Cover	
110		Ref	Valve, Jib (See Items 201-205 for Breakdown)	
110	Not Required	0	Valve, Jib (450A Series II)	
110	4641175	1	Valve, Jib (450AJ Series II)	
112	4641177	1	Valve, Level/Rotate (See Items 301-306 for Breakdown)	
113	4711500	9	Flatwasher 5/16in Thin	
114	4711600	2	Flatwasher 3/8in Thin	
117	4846218	1	Plate, Valve Mounting	
118	0641526	3	Bolt 5/16in-18NC x 3-1/4in (450AJ Series II Only)	
119	3780117	2	O-Ring (450AJ Series II Only)	
	4641175	Ref	JIB Valve Assembly (450AJ Series II Only)	D
201	7023984	1	Valve, Cartridge	
201	7012953	1	Seal Kit - 7023984 Valve	
202	7010542	1	Valve, Load Shuttle	
202	7010543	1	Seal Kit - 7010542 Valve	
203	7023915	1	Valve, Relief	
203	7012967	1	Seal Kit - 7023915 Valve	
204	7017452	1	Valve, Solenoid	
204	7017402	1	Seal Kit - 7017452 Valve	
205	7012944	2	Coil	
	4641177	Ref	LEVEL/ROTATE VALVE ASSEMBLY	C
301	7012989	1	Valve, Cartridge	
301	7012953	1	Seal Kit - 7012965 Valve	
302	7012914	2	Valve, Pressure Control	
302	7012918	2	Seal Kit - 7012914 Valve	
303	7023911	1	Valve, Relief	
303	7012967	1	Seal Kit - 7023911 Valve	

SECTION 3 - BOOM

ITEM	PART NUMBER	QTY	DESCRIPTION	REV
304	7023912	1	Valve, Relief	B
304	7012967	1	Seal Kit - 7023912 Valve	
305	7017452	2	Valve, Solenoid	
305	7017402	2	Seal Kit - 7017452 Valve	
306	7012944	4	Coil	
	0271313	Ref	PLATFORM OVERLOAD INSTALLATION	
401	0100011	AR	Compound, Locking	
402	0701010	2	Bolt M10 x 20mm	
403	3990108	1	Cell, Load	
404	4240033	4	Tie-Strap (Not Shown)	

SECTION 3 - BOOM

FIGURE 3-9. PLATFORM SUPPORT AND CONTROL VALVES INSTALLATIONS (SIDE ENTRY PLATFORM)



SECTION 3 - BOOM

FIGURE 3-9. PLATFORM SUPPORT AND CONTROL VALVES INSTALLATIONS (SIDE ENTRY PLATFORM)

ITEM	PART NUMBER	QTY	DESCRIPTION	REV
	0272070	Ref	PLATFORM SUPPORT INSTALLATION (ALL SPECS EXCEPT CE SPEC)	E
		Ref	Note: For CE Spec Machines Refer to JLG Supplement p/n 3124287 for Components.	
1	0100011	AR	Compound, Locking	
2	0641812	8	Bolt 1/2in-13NC x 1-1/2in	
3	0642684	1	Bolt 1in-8NC x 10-1/2	
4	0681608	8	Bolt 3/8in-16NC x 1in	
5	3272605	NLA	Locknut 1in-8NC (Use p/n 3300243)	
6	3311805	8	Locknut 1/2in-13NC	
7	4846573	1	Support Weldment	
8	4891600	8	Flatwasher 3/8in Hardened	
9	4891800	8	Flatwasher 1/2in Hardened	
10	4892600	1	Flatwasher 1in Hardened	
		Ref	CONTROL VALVE INSTALLATIONS	
	0271124	Ref	Control Valve (450A Series II)	E
	0271197	Ref	Control Valve (450AJ Series II)	E
101	0100011	AR	Compound, Locking	
103	0630467	6	Screw, Button Head	
106	0641606	2	Bolt 3/8in-16NC x 3/4in	
108	1670964	1	Cover	
110		Ref	Valve, Jib Options (See Items 201-205 for Breakdown):	
110	Not Required	0	Valve, Jib (450A Series II)	
110	4641175	1	Valve, Jib (450AJ Series II)	
112	4641177	1	Valve, Level/Rotate (See Items 301-306 for Breakdown)	
113	4711500	9	Flatwasher 5/16in Thin	
114	4711600	2	Flatwasher 3/8in Thin	
117	4846218	1	Plate, Valve Mounting	
118	0641526	3	Bolt 5/16in-18NC x 3-1/4in	
119	3780117	2	O-Ring	
	4641175	Ref	JIB VALVE ASSEMBLY	D
201	7023984	1	Valve, Cartridge	
201	7012953	1	Seal Kit - 7023984 Valve	
202	7010542	1	Valve, Load Shuttle	
202	7010543	1	Seal Kit - 7010542 Valve	
203	7023915	1	Valve, Relief	
203	7012967	1	Seal Kit - 7023915 Valve	
204	7017452	1	Valve, Solenoid	
204	7017402	1	Seal Kit - 7017452 Valve	
205	7012944	2	Coil	
	4641177	Ref	LEVEL/ROTATE VALVE Assembly	C
301	7012989	1	Valve, Cartridge	
301	7012953	1	Seal Kit - 7012965 Valve	
302	7012914	2	Valve, Pressure Control	
302	7012918	2	Seal Kit - 7012914 Valve	
303	7023911	1	Valve, Relief	
303	7012967	1	Seal Kit - 7023911 Valve	
304	7023912	1	Valve, Relief	
304	7012967	1	Seal Kit - 7023912 Valve	

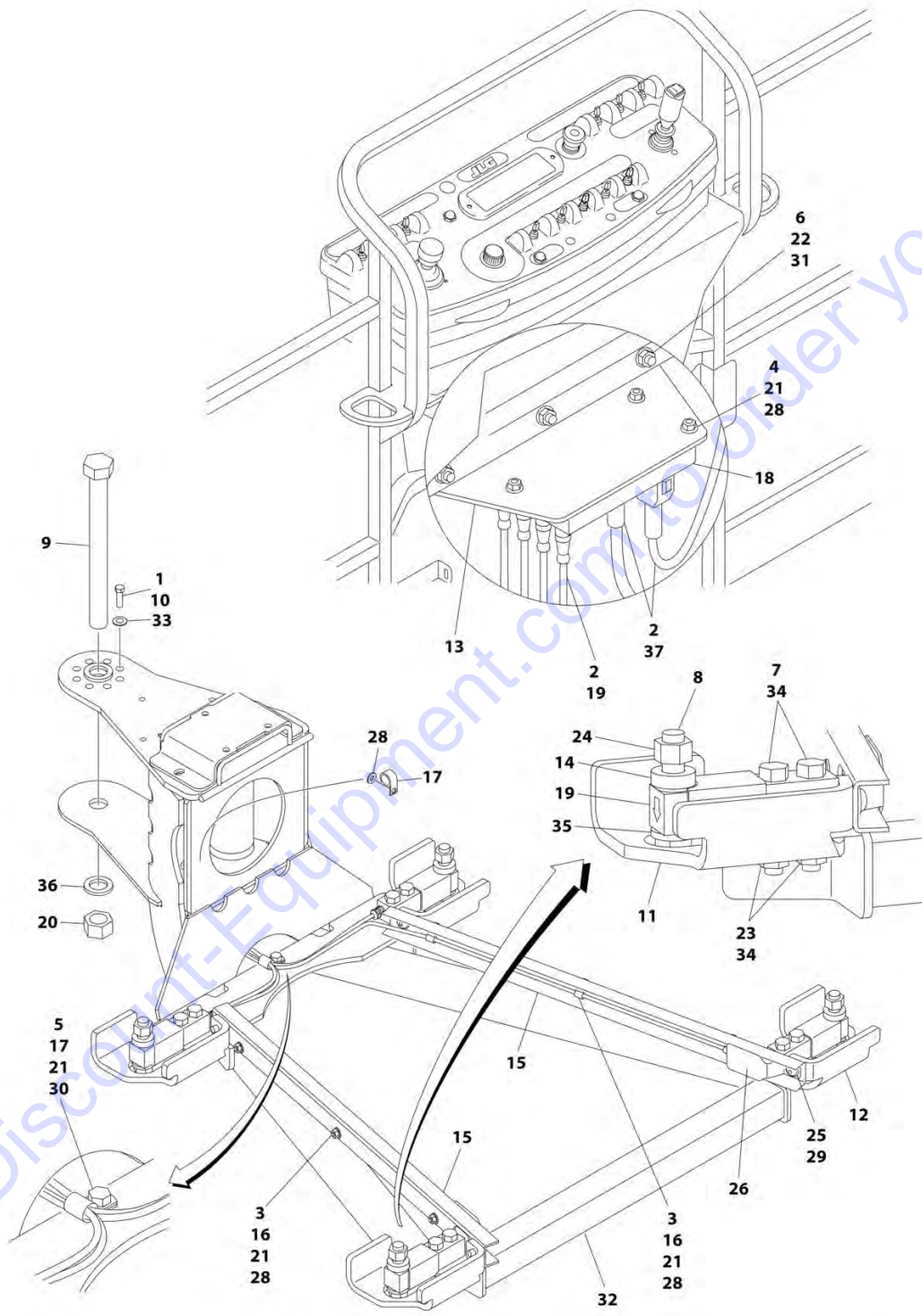
SECTION 3 - BOOM

ITEM	PART NUMBER	QTY	DESCRIPTION	REV
305	7017452	2	Valve, Solenoid	
305	7017402	2	Seal Kit - 7017452 Valve	
306	7012944	4	Coil	

Go to Discount-Equipment.com to order your parts

SECTION 3 - BOOM

FIGURE 3-10. PLATFORM SUPPORT INSTALLATION - WITH LSS



ART_0272703

SECTION 3 - BOOM

FIGURE 3-10. PLATFORM SUPPORT INSTALLATION - WITH LSS

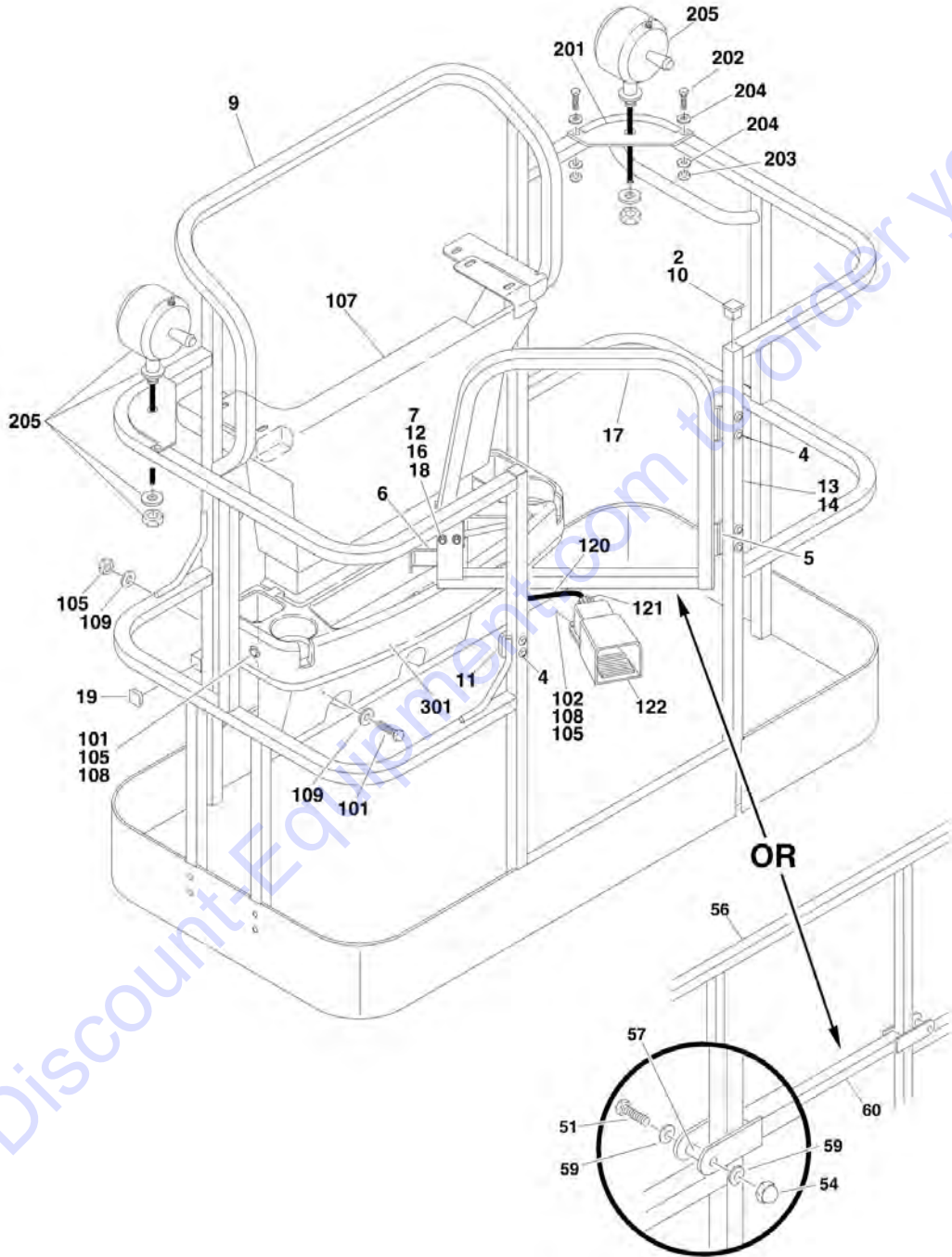
ITEM	PART NUMBER	QTY	DESCRIPTION	REV
	0272703	Ref	PLATFORM SUPPORT INSTALLATION - WITH LSS	K
1	0100011	AR	Compound, Locking	
2	0100048	AR	Grease, Dielectric	
3	0641405	6	Bolt 1/4 x 5/8	
4	0641416	3	Bolt 1/4 x 2	
5	0641407	1	Bolt 1/4 x 7/8	
6	0641516	3	Bolt 5/16 x 2	
7	0641822	8	Bolt 1/2 x 2-3/4	
8	0642024	8	Bolt 5/8 x 3	
9	0642684	1	Bolt 1 x 10-1/2	
10	0681608	8	Bolt 3/8 x 1 Grade 8	
11	0902919	2	Bracket, Cell Guard	
12	0902920	2	Bracket, Cell Guard	
13	0902894	1	Bracket, Module Mount	
14	0962450	4	Bushing, Spacer	
15	1271538	2	Channel	
16	1320136	6	Clamp	
17	1320224	2	Clamp	
18	1600387	1	Module, Control - LSS (Note: Re-calibration Required when Replaced)	
19	2420202	4	Cell, Load (Includes Cable)	
20	3272605	1	Nut 1 Grade 8	
21	3311405	10	Nut 1/4	
22	3311508	3	Nut 5/16	
23	3311805	8	Nut 1/2	
24	3312005	4	Nut 5/8	
25	3900283	4	Screw 3/8 x 3/4	
26	4061054	2	Shield	
27	4240033	AR	Tie-Strap (Not Shown)	
28	4711400	10	Washer 1/4	
27	4711600	4	Washer 3/8	
30	4751400	1	Washer 1/4	
31	4751500	3	Washer 5/16	
32	4846573	1	Support, Platform	
33	4891600	8	Washer 3/8	
34	4891800	8	Washer 1/2	
35	4892000	4	Washer 5/8	
36	4892600	1	Washer 1	
37	4922869	1	LSS Harness	
37	4922705	1	Analyzer Harness (Not Shown)	
37	4460761	1	Receptacle, Female - 4 Position (Not Shown)	
37	4460226	2	Socket, Female	
37	4460836	1	Connector - 12 Position (Black) (J2)	
37	4460465	2	Socket, Female	
37	4460466	10	Plug, Terminal	
37	0840055	1	Boot	
37	4460933	1	Connector - 12 Position (Grey) (J1)	
37	4460465	3	Socket, Female	
37	4460466	9	Plug, Terminal	
37	0840055	1	Boot	

SECTION 4 - PLATFORM

Go to Discount-Equipment.com to order your parts

SECTION 4 - PLATFORM

FIGURE 4-1. PLATFORM INSTALLATION (USA BUILT MACHINES) (SN 0300065080 through 0300069154)



SECTION 4 - PLATFORM

FIGURE 4-1. PLATFORM INSTALLATION (USA BUILT MACHINES) (SN 0300065080 through 0300069154)

ITEM	PART NUMBER	QTY	DESCRIPTION	REV
		Ref	PLATFORM ASSEMBLIES (WITH GATE)	
	3510738	Ref	6ft (1.83m) with Standard Gate/No Mesh	C
	3510744	Ref	6ft (1.83m) with Standard Gate/Mesh to Top Rail	D
	3510742	Ref	6ft (1.83m) with Self-Closing Gate/No Mesh	D
	3510754	Ref	6ft (1.83m) with Self-Closing Gate/Mesh to Top Rail	E
	3510693	Ref	5ft (1.52m) with Standard Gate/No Mesh) (SN 0300065080 through 0300065639)	D
	3510825	Ref	5ft (1.52m) with Standard Gate/No Mesh) (SN 0300065640 through 0300123999)	A
	3510779	Ref	4ft (1.22m) with Standard Gate/No Mesh	A
	3510780	Ref	4ft (1.22m) with Self-Closing Gate/No Mesh	D
		Ref	Note: Replacement Decals Must be Ordered Separately - See DECAL SECTION.	
2	0100040	AR	Sealant, RTV Silicone	
4	2080040	13	Fastener, Huck	
5		Ref	Hinge Options:	
5	2600216	2	Standard Gate	
5	2600219	2	Self-Closing Gate	
6	2940074	1	Latch	
7	3311001	4	Nut #10-24NC	
9	See Note	1	Platform Weldment (Note: Not Available Purchase Platform Assembly.)	
10	3520072	3	Cap-Plug	
11	3539685	1	Plate, Latch	
12	3911008	4	Screw #10-24NC x 1in	
13	4060803	6 in/15cm	Trim	
14	4220165	1	Stop, Gate	
16	4751000	8	Flatwasher #10 Regular	
17		Ref	Gate Weldment Options:	
17	4845327	1	No Mesh/Standard Gate	
17	4845951	1	Mesh to Top Rail/Standard Gate	
17	4845426	1	No Mesh/Self-Closing Gate	
18	4761000	4	Lockwasher #10	
19	3520172	2	Plug	
19	0100010	AR	Adhesive	
		Ref	Platform Assemblies (WITH LIFT BAR)	
	3510781	Ref	Platform Assembly - 4ft (1.22m)	A
	3510716	Ref	Platform Assembly - 6ft (1.83m)	1-B
51	0641418	2	Bolt 1/4in-20NC x 2-1/4in	
53	0961845	2	Bushing	
54	3300151	2	Nut, Acorn 1/4-20NC	
56	See Note	1	Platform Weldment (Note: Not Available Purchase Platform Assembly.)	
57	4420055	4	Tape	
59	4740411	4	Washer, Nylon	
60	4845288	1	Weldment, Slidebar	
	0271931	Ref	CONSOLE BOX AND FOOTSWITCH INSTALLATION	A
101	0641406	AR	Bolt 1/4in-20NC x 3/4in	
102	0641408	3	Bolt 1/4in-20NC x 1in	
105	3311405	AR	Locknut 1/4in-20NC	

SECTION 4 - PLATFORM

ITEM	PART NUMBER	QTY	DESCRIPTION	REV
107	3380434	1	Panel, Molded	
108	4740362	7	Washer, Fender	
109	4751400	4	Flatwasher 1/4in Regular	
120	1060918	8 ft/2.4m	Cable, Electrical - 18/3	
121	4460071	1	Terminal, Strain Relief	
122	4360031	1	Footswitch	
122	7000625	2	Block, Contact	
	0270814	Ref	WORKLIGHTS INSTALLATION (OPTIONAL)	3-E
201	3536089	2	Plate, Mounting	
202	0641414	4	Bolt 1/4in-20NC x 1-3/4in	
203	3311405	4	Locknut 1/4in-20NC	
204	4711400	8	Flatwasher 1/4in Thin	
205	2920140	2	Worklight Assembly	
205	7016399	2	Bulb, Replacement (1 per Assembly)	
206	4240099	10	Tie-Strap (Not Shown)	
207	2820035	9 ft/2.75m	Loom, Vinyl (Not Shown)	
		Ref	TRAY INSTALLATIONS (OPTIONAL)	
301	1580012	1	Tray, Storage (Center)	
302	1580013	2	Tray, Storage (Rail Mounted - Not Shown)	

PARTS FINDER

**Search Website
by Part Number**



**Search Manual
Library For Parts
Manual & Lookup Part
Numbers – Purchase
or Request Quote**

**Can't Find Part or
Manual? Request Help
by Manufacturer,
Model & Description**

Discount-Equipment.com is your online resource for quality parts & equipment.

Florida: **561-964-4949** Outside Florida TOLL FREE: **877-690-3101**

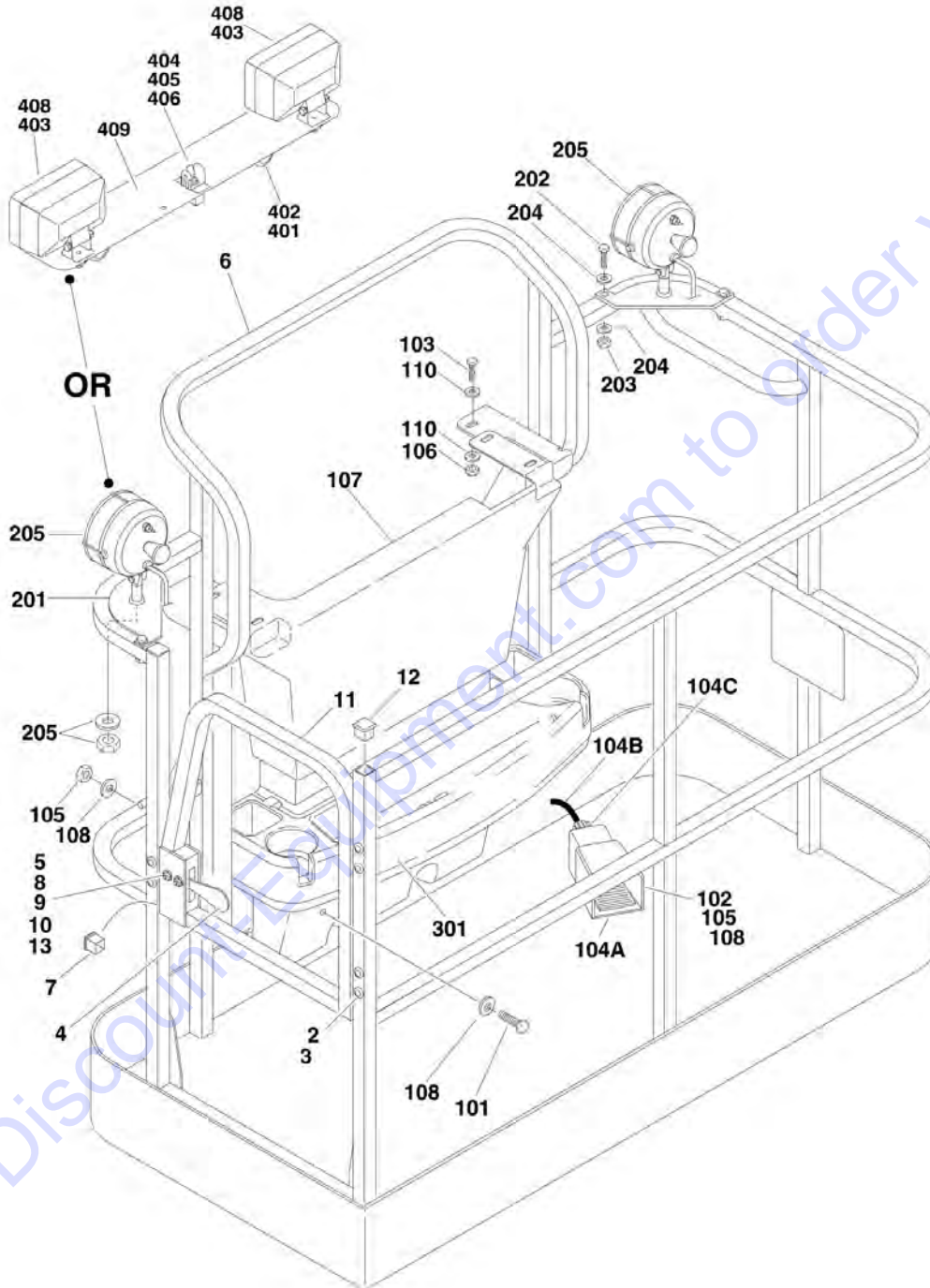
Need parts?

Click on this link: <http://www.discount-equipment.com/category/5443-parts/> and choose one of the options to help get the right parts and equipment you are looking for. Please have the machine model and serial number available in order to help us get you the correct parts. If you don't find the part on the website or on one of the online manuals, please fill out the request form and one of our experienced staff members will get back to you with a quote for the right part that your machine needs.

We sell worldwide for the brands: Genie, Terex, JLG, MultiQuip, Mikasa, Essick, Whiteman, Mayco, Toro Stone, Diamond Products, Generac Magnum, Airman, Haulotte, Barreto, Power Blanket, Nifty Lift, Atlas Copco, Chicago Pneumatic, Allmand, Miller Curber, Skyjack, Lull, Skytrak, Tsurumi, Husquvarna Target, Stow, Wacker, Sakai, Mi-T-M, Sullair, Basic, Dynapac, MBW, Weber, Bartell, Bennar Newman, Haulotte, Ditch Runner, Menegotti, Morrison, Contec, Buddy, Crown, Edco, Wyco, Bomag, Laymor, EZ Trench, Bil-Jax, F.S. Curtis, Gehl Pavers, Heli, Honda, ICS/PowerGrit, IHI, Partner, Imer, Clipper, MMD, Koshin, Rice, CH&E, General Equipment, Amida, Coleman, NAC, Gradall, Square Shooter, Kent, Stanley, Tamco, Toku, Hatz, Kohler, Robin, Wisconsin, Northrock, Oztec, Toker TK, Rol-Air, APT, Wylie, Ingersoll Rand / Doosan, Innovatech, Con X, Ammann, Mecalac, Makinex, Smith Surface Prep, Small Line, Wanco, Yanmar

SECTION 4 - PLATFORM

FIGURE 4-2. PLATFORM INSTALLATION (USA BUILT MACHINES AND BELGIUM BUILT MACHINES)
(SN 0300069155 through 0300123999)



SECTION 4 - PLATFORM

**FIGURE 4-2. PLATFORM INSTALLATION (USA BUILT MACHINES AND BELGIUM BUILT MACHINES)
(SN 0300069155 through 0300123999)**

ITEM	PART NUMBER	QTY	DESCRIPTION	REV
		Ref	PLATFORM ASSEMBLIES:	
	3510832	Ref	6ft (1.83m) with No Mesh (Use p/n 1001144025)	B-L
	3510831	Ref	5ft (1.52m) with No Mesh (Use p/n 1001144026)	B-L
	3510830	Ref	4ft (1.22m) with No Mesh (Use p/n 1001144027)	B-M
		Ref	Note: Original Equipment platform may have been replaced with Service Replacement platform. Identify platform before ordering parts.	
		Ref	Note: Platform and Mesh must be ordered separately for Platforms with Mesh. See SPECIAL OPTIONS SECTION for Mesh Installations.	
		Ref	Note: Replacement Decals Must be Ordered Separately - See DECAL SECTION.	
2	2080040	16	Fastener, Huck	
3	2600281	2	Hinge, Self-Closing	
4	2940074	1	Latch	
5	3311001	2	Nut #10-24NC (USA Built Machines) (SN 0300069155 through 0300077395)	
5	3311001	2	Nut #10-24NC (Belgium Built Machines) (Prior to SN 1300000309)	
6	See Note	1	Platform Weldment (Note: Not Available Purchase Platform Assembly.)	
7	3520072	1	Cap-Plug	
8		Ref	Fastener Options:	
8	3900205	4	Screw #10-24NC (SN 0300069155 through 0300077395, Prior to SN 1300000309)	
8	3820020	4	Rivet, Pop (USA Built Machines) (SN 0300077395 through 0300123999)	
8	3820020	4	Rivet, Pop (Belgium Built Machines) (SN 1300000309 through 1300006000)	
9	4751000	2	Flatwasher #10 Regular (USA Built Machines) (SN 0300069155 through 0300077395)	
9	4751000	2	Flatwasher #10 Regular (Belgium Built Machines) (Prior to SN 1300000309)	
10	4761000	2	Lockwasher #10 (USA Built Machines) (SN 0300069155 through 0300077395)	
10	4761000	2	Lockwasher #10 (Belgium Built Machines) (Prior to SN 1300000309)	
11		Ref	Gate Weldment Options:	
11	4846452	1	Gate for Original Equipment Platform p/n 3510830, 3510831, 3510832	
11	1001144629	1	Gate for Service Replacement Platform p/ns 1001144025, 1001144026, 1001144027	
12	3520198	2	Plug, Square Tube	
13	0100011	AR	Compound, Locking (USA Built Machines) (SN 0300069155 through 0300077395)	
13	0100011	1	Compound, Locking (Belgium Built Machines) (Prior to SN 1300000309)	
	0271931	Ref	CONSOLE BOX AND FOOTSWITCH INSTALLATION	B
101	0641406	2	Bolt 1/4in-20NC x 3/4in	
102	0641408	2	Bolt 1/4in-20NC x 1in	
103	0641610	2	Bolt 3/8in-16NC x 1-1/4in	
104	0861512	2	Platform Console Assembly (Not Shown) (See PLATFORM CONSOLE ASSEMBLY for Breakdown)	

SECTION 4 - PLATFORM

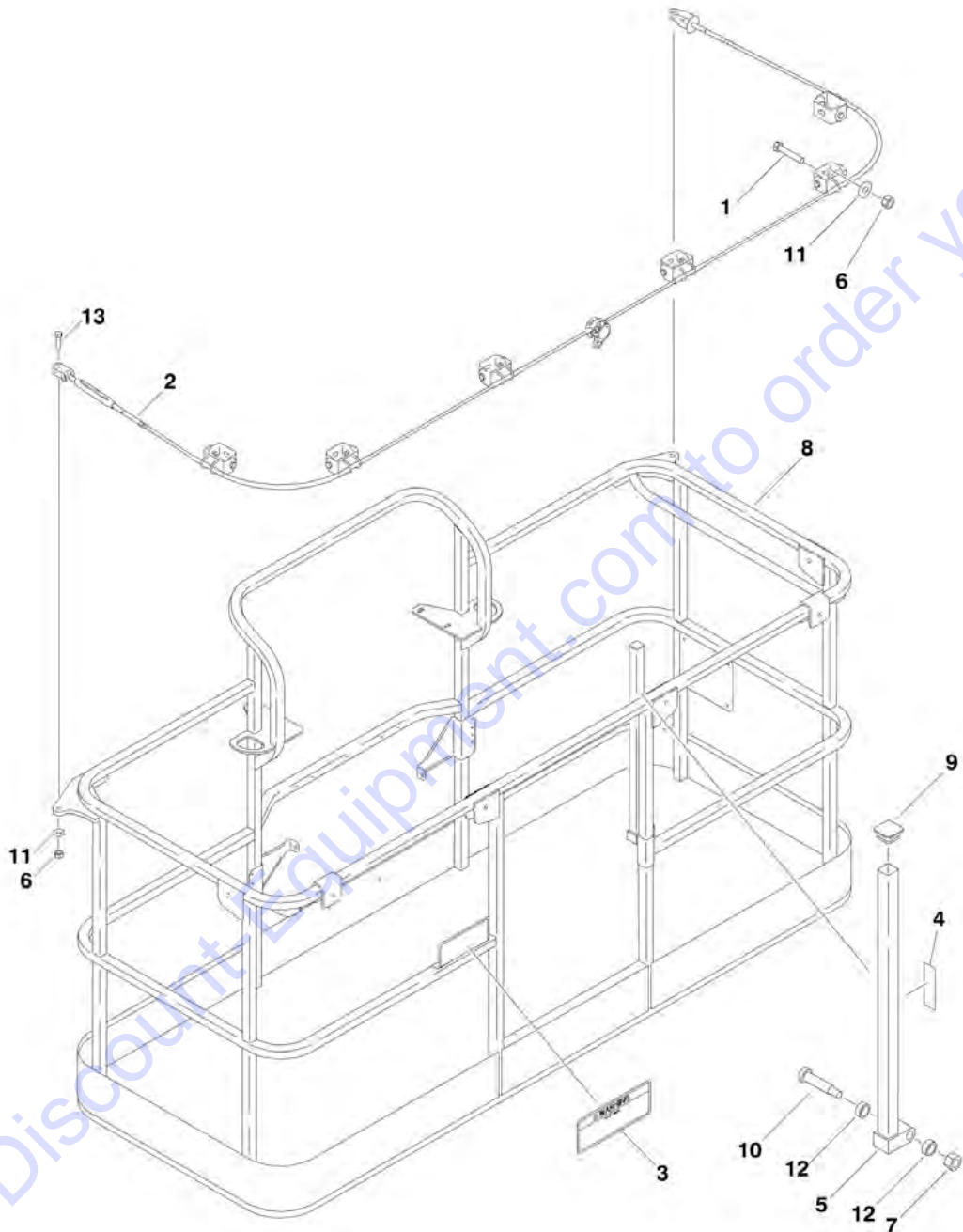
ITEM	PART NUMBER	QTY	DESCRIPTION	REV
104	0272970	1	Footswitch Assembly	A
		Ref	Note: Assembly p/n 0272970 may use either p/n 4360031 or p/n 1001117320. If Original Equipment was replaced as an "assembly," p/n 1001117320 may have been used as part of the Service Replacement. Identify component before ordering parts.	
104		Ref	Footswitch Options:	
104	4360031	1	USA Built Machines	
104	4360031	1	Belgium Built Machines	
104	7000625	2	Block, Contact for 4360031 Footswitch	
104	1001117320	1	USA Built Machines	
104	1001117320	1	Belgium Built Machines	
104	1001117320	1	Romanian Built Machines	
104	70003483	2	Block, Contact for 1001117320 Footswitch	
104B	1060918	AR	Cable, Electrical - 18/3	
104C	4460071	2	Connector, Strain Relief	
104D	4460464	1	Pin, Male (Not Shown)	
104E	4460226	2	Socket, Female (Not Shown)	
105	3311405	5	Locknut 1/4in-20NC	
106	3311605	72 ft/22m	Locknut 3/8in-16NC	
107	3380434	1	Panel, Decal Mount	
108	4740362	1	Washer, Fender 1/4in	
109	4751400	2	Flatwasher 1/4in Regular (USA Built Machines) (SN 0300069155 through 0300087630)	
109	4751400	2	Flatwasher 1/4in Regular (Belgium Built Machines) (Prior to SN 1300001024)	
110	4751600	8	Flatwasher 3/8in Regular	
		Ref	WORKLIGHTS INSTALLATIONS (OPTIONAL)	
	0270814	Ref	USA Built Machines (SN 0300069155 through 0300074318)	3-E
	0273495	Ref	USA Built Machines (SN 0300074319 through 0300123999)	A
110	0270814	Ref	Belgium Built Machines (SN 0300069155 through 0300074318)	3-E
110	0273495	Ref	Belgium Built Machines (SN 1300000138 through 1300006000)	B
201	3536089	2	Plate, Mounting	
202		Ref	Fastener Options:	
202	0641414	4	Bolt 1/4in-20NC x 1-3/4in (USA Built Machines) (SN 0300069155 through 0300112387)	
204	0641414	4	Bolt 1/4in-20NC x 1-3/4in (Belgium Built Machines) (Prior to SN 1300004010)	
202	2080040	4	Fastener, Huck (USA Built Machines) (Not Shown) (SN 0300112388 through 0300123999)	
202	2080040	4	Fastener, Huck (Belgium Built Machines) (Not Shown) (SN 1300004010 through 1300006000)	
203	3311405	4	Locknut 1/4in-20NC (USA Built Machines) (SN 0300069155 through 0300112388)	
203	3311405	4	Locknut 1/4in-20NC (Belgium Built Machines) (Prior to SN 1300004010)	
204	4711400	8	Flatwasher 1/4in Thin (USA Built Machines) (SN 0300069155 through 0300112388)	
204	4711400	8	Flatwasher 1/4in Thin (Belgium Built Machines) (Prior to SN 1300004010)	
205	2920140	2	Worklight	
205	7016399	2	Bulb, Replacement (1 Per Worklight)	
206	4240099	10	Tie-Strap (Not Shown)	
207	2820035	9	Loom, Vinyl (Not Shown)	

SECTION 4 - PLATFORM

ITEM	PART NUMBER	QTY	DESCRIPTION	REV
209		Ref	Connector, Strain Relief Options (Not Shown - Located at Console Box):	
209	4460598	1	USA Built Machines (SN 0300069155 through 0300074318)	
209	4460426	1	USA Built Machines (SN 0300074319 through 0300123999)	
209	4460598	1	Belgium Built Machines (Prior to SN 1300000138)	
209	4460426	1	Belgium Built Machines (SN 1300000138 through 1300006000)	
		Ref	TRAY INSTALLATIONS (OPTIONAL)	
301	1580012	1	Tray, Storage (Center)	
302	1580013	1	Tray, Storage (Rail Mounted - Not Shown)	
	0272921	Ref	FLOODLIGHTS INSTALLATION (OPTIONAL)	A
401	0641518	2	Bolt 5/16in-18NC x 2-1/4in	
402	2560173	2	Handle, Star Knob	
403	2920157	2	Floodlight	
403	7024452	2	Bulb, Replacement (1 Per Light)	
404	3250585	1	Nameplate - Lights On	
405	4060802	1	Guard, Switch	
406	4360336	1	Switch, Toggle	
407	4420037	AR	Tape, Insulation (Not Shown)	
408	4751800	2	Flatwasher 1/2in Regular	
409	4846561	1	Mount, Light	
411	0641406		Bolt 1/4in-20NC x 3/4in (Used with #413 - Not Shown)	
412	1060663	72 ft/22m	Cable, Electrical 12/3 (Not Shown)	
413	1320222	1	J-Clip (Not Shown)	
414	3311405	1	Locknut 1/4in-20NC (Used with #413 - Not Shown)	
415	4711400	2	Flatwasher 1/4in Thin (Used with #413 - Not Shown)	

SECTION 4 - PLATFORM

FIGURE 4-3. FALL ARREST PLATFORM COMPONENTS INSTALLATION (OPTIONAL)



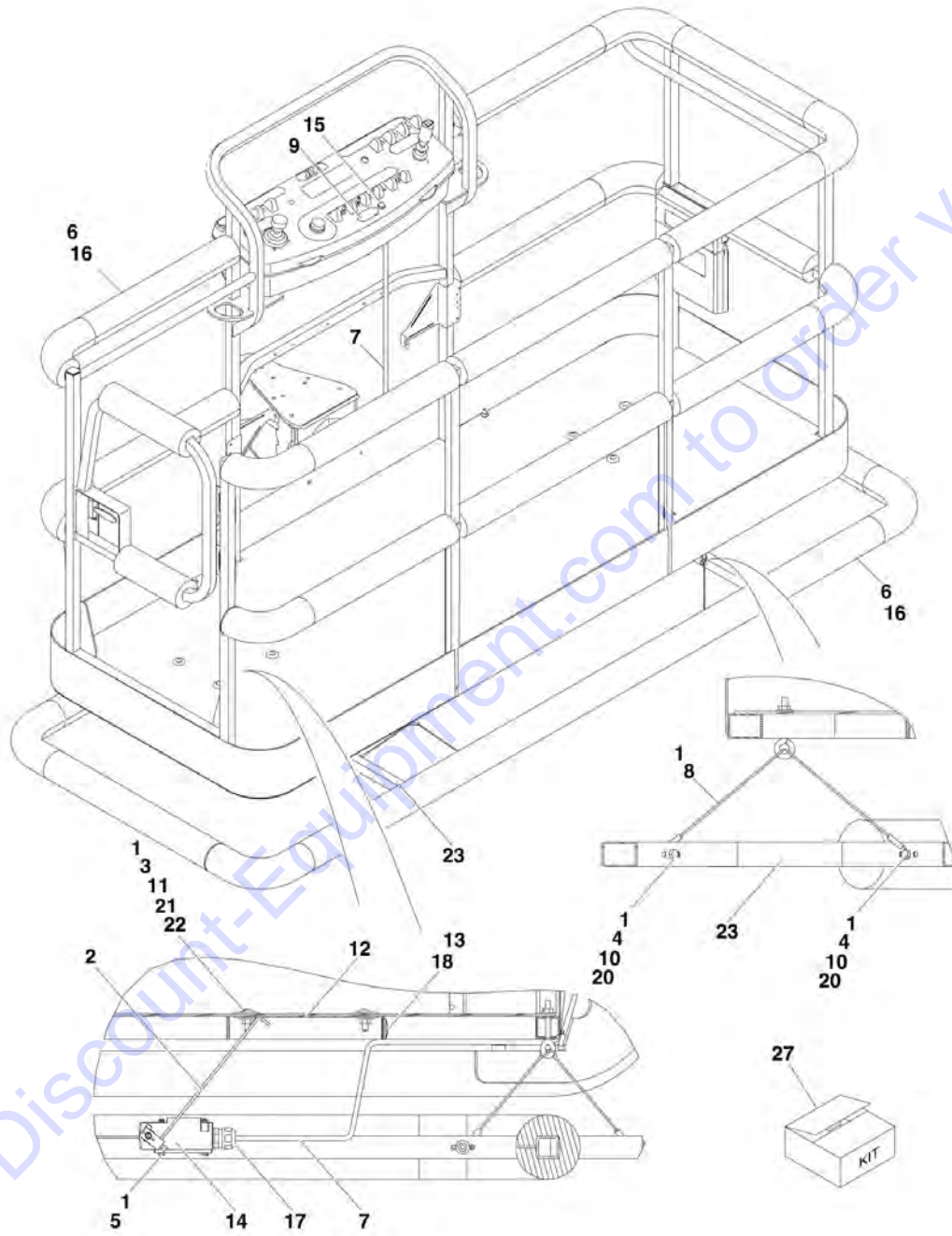
SECTION 4 - PLATFORM

FIGURE 4-3. FALL ARREST PLATFORM COMPONENTS INSTALLATION (OPTIONAL)

ITEM	PART NUMBER	QTY	DESCRIPTION	REV
		Ref	Note: USA Built Machines Only.	
		Ref	Note: Available only on 450A Series II ANSI and CSA Spec Machines.	
	3510884	Ref	PLATFORM ASSEMBLY (FALL ARREST)	B
1	0681822	4	Bolt 1/2in-13NC x 2-3/4in (Grade 8)	
2	1060919	1	Cable, Fall Arrest	
3	1705014	1	Decal - Safety	
4	1706385	1	Decal - Drop Bar	
5	2410014	1	Gate Weldment	
6	3271805	6	Locknut 1/2in-13NC (Grade 8)	
7	3311605	1	Locknut 3/8in-16NC	
8	See Note	1	Platform Weldment (Note: Purchase Platform Assembly.)	
9	3520072	1	Cap-Plug	
10	3900054	1	Bolt 1/2in-13NC x 1-3/4in	
11	4751800	8	Flatwasher 1/2in Regular	
12	0962270	2	Bearing, Oilite	
13	0681814	4	Bolt 1/2in-13NC x 1-3/4in (Grade 8)	

SECTION 4 - PLATFORM

FIGURE 4-4. SOFT TOUCH SYSTEM INSTALLATION (OPTIONAL)



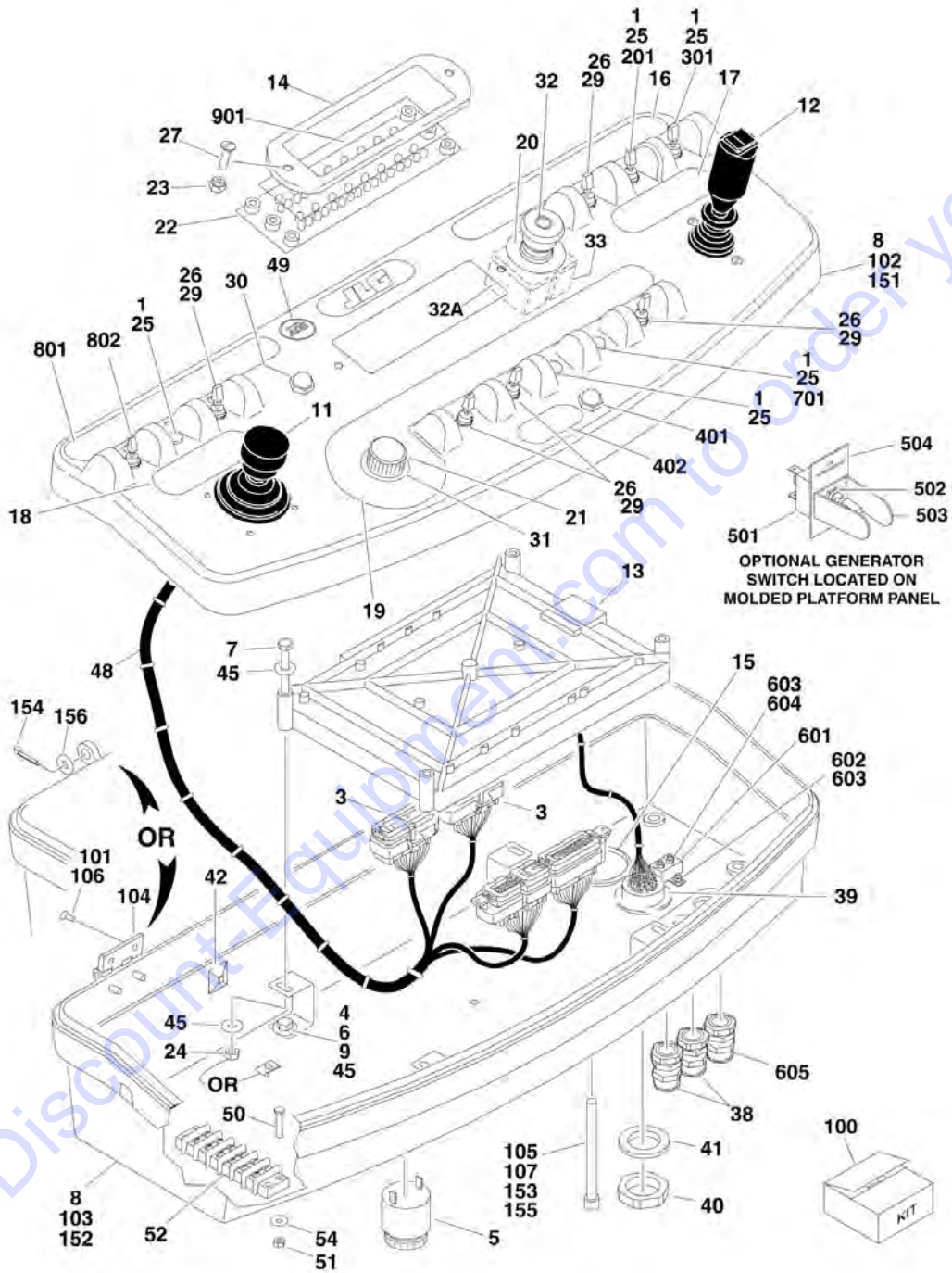
SECTION 4 - PLATFORM

FIGURE 4-4. SOFT TOUCH SYSTEM INSTALLATION (OPTIONAL)

ITEM	PART NUMBER	QTY	DESCRIPTION	REV
		Ref	Note: USA Built Machines Only.	
		Ref	Note: Fall Arrest Platforms available on ANSI & CSA Specs Only.	
		Ref	SOFT TOUCH SYSTEM INSTALLATION	
	0274240	Ref	2.5ft/.7m x 6ft/8m Platform	B
	0274927	Ref	3ft/.9m x 6ft/8m Fall Arrest Platform (Not Shown)	A
1	0100011	AR	Compound, Locking	
2	0200048	2	Arm, Switch Activator	
3	0630462	8	Bolt, Carriage	
4	0641414	8	Bolt 1/4in-20NC x 1-3/4in	
5	0721005	4	Screw #10-32NF x 5/8in	
6	See Note	1	Bumper Soft Touch (Note: Use Item 27)	
7	1060341	Ref	Cable, Control - 16/2 Options:	
7	1060341	1	Cable, Control , 2.5ft/.7m x 6ft/8m Platform	
7	1060341	1	Cable, Control , 2.5ft/.7m x 6ft/8m Platform	
8	1060903	4	Wire Rope and Eyebolt Assembly	
9	1702938	1	Decal, Soft Touch Override	
10	3311401	8	Nut 1/4in-20NC	
11	3311501	8	Nut 5/16in-18NC	
12		Ref	Plate, Switch Strike Options:	
12	3575705	2	2.5ft/.7m x 6ft/8m Platform	
12	3575359	2	3ft/.9m x 6ft/8m Fall Arrest Platform	
13	4240099	1	Tie, Wire	
14	4360057	2	Switch, Limit	
15	4360387	1	Switch, Yellow Push Button	
16	4420068	1	Tape, Yellow Adhesive	
17	4460049	2	Connector, Strain Relief	
18	4460234	2	Terminal, Mount Cable Tie	
19	4460425	1	Terminal, Strain Relief (Not Shown)	
20	4751400	16	Flatwasher 1/4in Regular	
21	4751500	8	Flatwasher 5/16in Regular	
22	4751800	8	Flatwasher 1/2in Regular	
23		Ref	Weldment, Soft Touch Rail Options:	
23	4846370	1	2.5ft/.7m x 6ft/8m Platform	
23	3641569	1	3ft/.9m x 6ft/8m Fall Arrest Platform	
27		Ref	Bumper Kit Options (Includes Corners and Enough Straight Material for One Platform):	
27	0940167	1	2.5ft/.7m x 6ft/8m Platform	
27	0940177	1	3ft/.9m x 6ft/8m Fall Arrest Platform	

SECTION 4 - PLATFORM

FIGURE 4-5. PLATFORM CONSOLE ASSEMBLY



SECTION 4 - PLATFORM

FIGURE 4-5. PLATFORM CONSOLE ASSEMBLY

ITEM	PART NUMBER	QTY	DESCRIPTION	REV
	0861512	Ref	PLATFORM CONSOLE ASSEMBLY	
1	0100009	AR	Sealant	
3	0100048	AR	Grease, Dielectric	
4	0100081	AR	Adhesive #454	
5	0140011	1	Alarm	
6	0641406	4	Bolt 1/4in-20NC x 3/4in	
7	0641416	4	Bolt 1/4in-20NC x 2in	
8		Ref	Box, Console Options:	
		Ref	Note: For USA Built Machines SN 0300067695 to SN 0300068927 either p/n 0861441 or 0861414 Box may have been used. All USA manufactured machines SN 0300068927 to SN 03000123999 and all Belgium Machines use 0861441 Box.	
8	0861441	1	Standard Box (See Items 151-156 for Breakdown)	
8	0861414	1	Optional Box (Used as a substitute on USA Built Machines) (See Items 101-108 for Breakdown) (SN 0300067695 through 0300068927)	
9	0902751	4	Bracket, Support	
11	1600317	NLA	Controller Assembly (Lift and Swing) (See CONTROLLER ASSEMBLY (LIFT AND SWING) for Breakdown) (Use p/n 1001129555)	
11	1001118417	NLA	Controller Assembly (Lift and Swing) (See CONTROLLER ASSEMBLY (LIFT AND SWING) for Breakdown) (Use p/n 1001129555)	
12	1600318	NLA	Controller Assembly (Drive and Steer) (See CONTROLLER ASSEMBLY (DRIVE AND STEER) for Breakdown) (Use p/n 1001212415)	
13		Ref	Controller, Module Options (Re-calibration Required when Replaced):	
13	1600320	NLA	USA Built Machines (Use p/n 1600376) (SN 0300065080 through 0300078472)	
13	1600376	1	USA Built Machines (SN 0300078473 through 0300123999)	
	1600320	NLA	Belgium Built Machines (Use p/n 1600376) (Prior to SN 1300000353)	
13	1600376	1	Belgium Built Machines (SN 1300000353 through 1300006000)	C
14	1671176	1	Bezel	
15	1671037	1	Cover	
16	1702564	NLA	Decal (Stop) (Use p/n 1704997)	
17	1702565	1	Decal (Drive and Steer)	
18	1702566	1	Decal (Lift and Swing)	
19	1702567	1	Decal (Function Speed)	
20	1704260	1	Decal - EMS	
21	2560136	1	Handle, Knob	
22	2920154	1	Panel, LED Light	
23	3300408	2	Insert, Nylon	
24		Ref	Nut Options:	
24	3311405	4	Locknut 1/4in-20NC (USA Built Machines) (SN 0300065080 through 0300065160)	
24	3300353	4	Nut, Tinnerman (USA Built Machines) (SN 0300065161 through 0300123999)	
24	3300353	1	Nut, Tinnerman (Belgium Built Machines)	
25	3520028	5	Plug, Hole 1/2in	
26	3790012	5	O-Ring	

SECTION 4 - PLATFORM

ITEM	PART NUMBER	QTY	DESCRIPTION	REV
27	3911018	2	Screw, Round Head #10	
29	4360328	5	Switch, Toggle	
30	4360387	1	Switch, Pushbutton	
31	4360407	1	Controller, Speed	
31	See Note		Gasket "Top Hat" (Included W/Switch) (Note: Not Available - Purchase Complete Controller.)	
31	70003784	1	Seal	
32	4360475	1	Switch, Emergency Stop	
32	7020175	1	Cap, Red	
32A	7020176	1	Contact Block	
33	4360476	1	Block, Contact	
38	4460428	2	Connector, Strain Relief	
39	4460464	1	Terminal, Deutsch	
40	4460470	1	Nut, Terminal	
41	4460471	1	Lockwasher, Terminal	
42	4460488	1	Base, Mounting	
43	4460708	2	Receptacle - 15 Position (Not Shown)	
44	4460905	5	Seal, Plug (Not Shown)	
45	4751400	8	Flatwasher 1/4in Regular	
46	4922533	1	Harness, Upper Valve (Not Shown - See ELECTRICAL SECTION for Breakdown)	
47	4922666	1	Harness, Analyzer Cable (Not Shown - See ELECTRICAL SECTION for Breakdown)	
48	4922669	1	Harness, Platform Box (See ELECTRICAL SECTION for Breakdown)	
49	1705132	1	Decal - ADE Control (USA Built Machines) (SN 0300065538 through 0300123999)	
49	1705132	1	Decal - ADE Control (Belgium Built Machines)	
50	0721006	2	Screw, Machine #10-24NC x 3/4in	
51	3311005	2	Locknut #10-24NC	
52	4460007	1	Bussbar (USA Built Machines) (SN 0300071527 through 0300123999)	
52	4460007	1	Bussbar (Belgium Built Machines)	
54	4751000	2	Flatwasher #10 Regular	
100	2915133	1	Decal Kit (Includes Items 16-20, 49, 801 & 901)	
	0861414	Ref	CONSOLE BOX ASSEMBLY	C
		Ref	See Note Under Item 8 for Usage.	
101	0100011	AR	Compound, Locking	
102	0861414	1	Console Top (Note: Not available for purchase.)	
103	0861414	1	Console Bottom (Note: Not available for purchase.)	
104	2600211	2	Hinge	
105	3311601	1	Nut 3/8in-16NC	
106	3900224	8	Screw Countersunk	
107	3931672	1	Screw 3/8in-16NC x 4-1/2in	
108	3520174	3	Plug, Hole (Not Shown - Locate in Back of Lid)	
	0861441	Ref	CONSOLE BOX ASSEMBLY	C
		Ref	See Note Under Item 8 for Usage.	
151	0861441	1	Console Top (Note: Not available for purchase.)	
152	0861441	1	Console Bottom (Note: Not available for purchase.)	
153	3311601	1	Nut 3/8in-16NC	
154	3420156	2	Pin, Cotter	
155	0630568	1	Screw 3/8in-16NC x 4-1/2in	
156	4711500	2	Flatwasher 5/16in Thin	

SECTION 4 - PLATFORM

ITEM	PART NUMBER	QTY	DESCRIPTION	REV
	0271019	Ref	DUAL FUEL SWITCH INSTALLATION (FORD AND GM ENGINE MACHINES ONLY)	4
	0271021	Ref	DUAL FUEL SWITCH INSTALLATION (FORD AND GM ENGINE MACHINES ONLY)	C
201	4360336	1	Switch, Toggle	
201	3790012	1	O-Ring	
	0271072	Ref	HEAD AND TAIL LIGHTS INSTALLATION (OPTIONAL)	2
301	4360336	1	Switch, Toggle	
301	3790012	1	O-Ring	
		Ref	SOFT TOUCH SYSTEM INSTALLATION	
	0274240	Ref	2.5ft/.7m x 6ft/8m Platform	B
	0274927	Ref	3ft/.9m x 6ft/8m Fall Arrest Platform (Not Shown)	A
401	4360387	1	Switch, Pushbutton	
402	1702938	1	Decal - Soft Touch Override	
		Ref	GENERATOR INSTALLATION (OPTIONAL)	
501	4360336	1	Switch, Toggle	
502	4740397	1	Bushing	
503	4060802	1	Guard, Switch	
504	3251102	1	Decal - Generator ON/OFF	
		Ref	PLATFORM WORKLIGHT INSTALLATION (OPTIONAL)	
	0270814	Ref	USA Built Machines (SN 0300065080 through 0300074318)	3-E
	0273495	Ref	USA Built Machines (SN 0300074319 through 0300123999)	A
	0270814	Ref	Belgium Built Machines (Prior to SN 1300000138)	3-E
	0273495	Ref	Belgium Built Machines (SN 1300000138 through 1300006000)	B
601	4360232	1	Breaker, Circuit - 15Amp (0270814 Installation Only)	
602	0721003	2	Bolt #10-24NC x 3/8in (0270814 Installation Only)	
603	4761000	4	Lockwasher #10 (0270814 Installation Only)	
604	3311001	2	Nut #10-24NC (0270814 Installation Only)	
605		Ref	Connector, Strain Relief Options:	
605	4460598	1	USA Built Machines (SN 0300065080 through 0300074318)	
605	4460426	1	USA Built Machines (SN 0300074319 through 0300123999)	
605	4460598	1	Belgium Built Machines (Prior to SN 1300000138)	
605	4460426	1	Belgium Built Machines (SN 1300000138 through 1300006000)	
	0271340	Ref	JIB SWITCH INSTALLATION (450AJ SERIES II ONLY)	1-A
701	4360328	1	Switch, Toggle	
701	3790012	1	O-Ring	
		Ref	DRIVE SWITCH INSTALLATION (FROM WHEEL DRIVE INSTALLATIONS)	
801		Ref	Decal Options:	
801	1703689	NLA	Decal - 2WD (Use p/n 1702676)	
801	1702676	1	Decal - 4WD	
802		Ref	Switch, Toggle Options:	
802	4360336	1	Switch, Toggle (2WD) (SN 0300065080 through 0300107511)	
802	4360336	1	Switch, Toggle (2WD) (Prior to SN 1300000162)	
802	4360331	1	Switch, Toggle (2WD) (SN 0300107512 through 0300123999)	
802	4360331	1	Switch, Toggle (2WD) (SN 1300000162 through 1300006000)	
802	3790012	1	O-Ring	
		Ref	LIGHT PANEL DECAL INSTALLATIONS	
	0256632	Ref	USA Built Machines (SN 0300065080 through 0300065314)	-
	0272110	Ref	USA Built Machines (SN 0300065315 through 0300123999)	A
	0272110	Ref	Belgium Built Machines	A
901		Ref	Decal - Display Options:	

SECTION 4 - PLATFORM

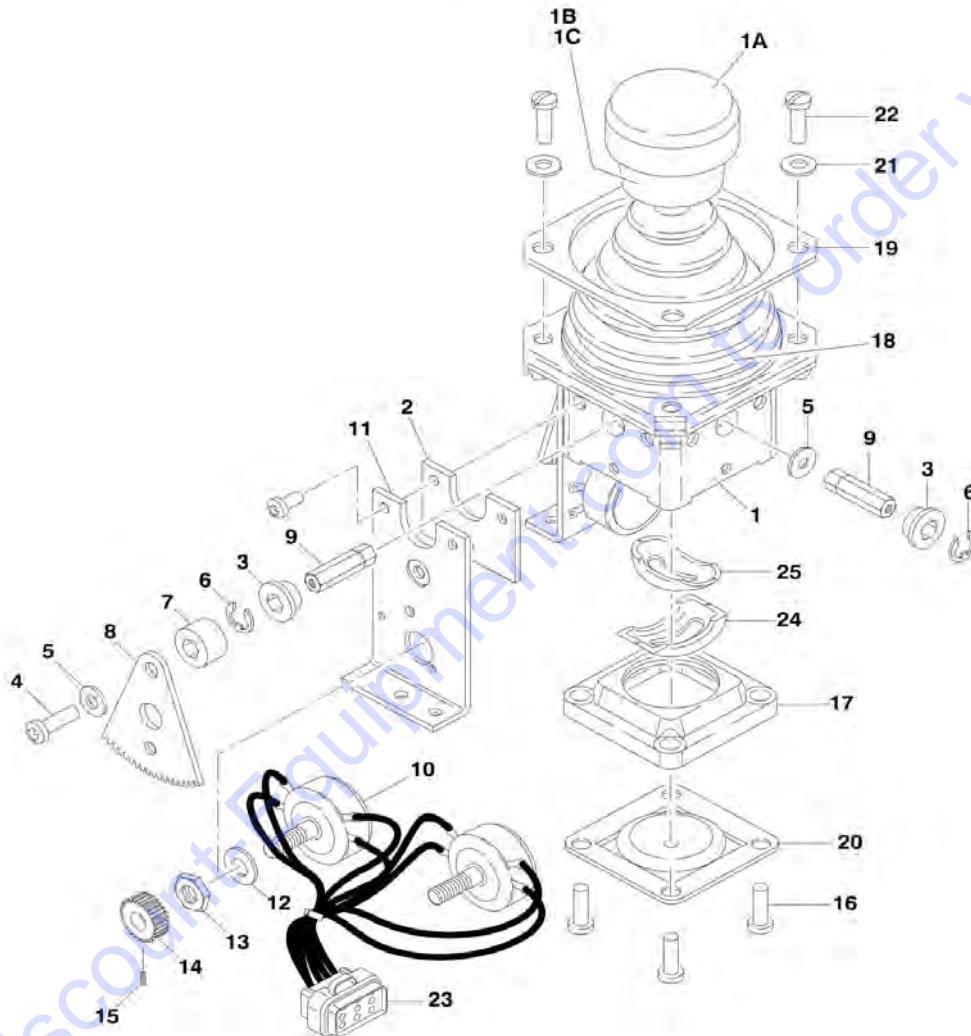
ITEM	PART NUMBER	QTY	DESCRIPTION	REV
901	1703084		USA Built Machines (SN 0300065080 through 0300065214)	
901	1705212		USA Built Machines (SN 0300065215 through 0300123999)	
901	1705212		Belgium Built Machines	

Go to Discount-Equipment.com to order your parts

SECTION 4 - PLATFORM

FIGURE 4-6. CONTROLLER ASSEMBLY (SWING AND LIFT) (ORIGINAL EQUIPMENT)

Note: Original Equipment controller may have been replaced with Service Replacement controller. Visually identify controller before ordering parts.



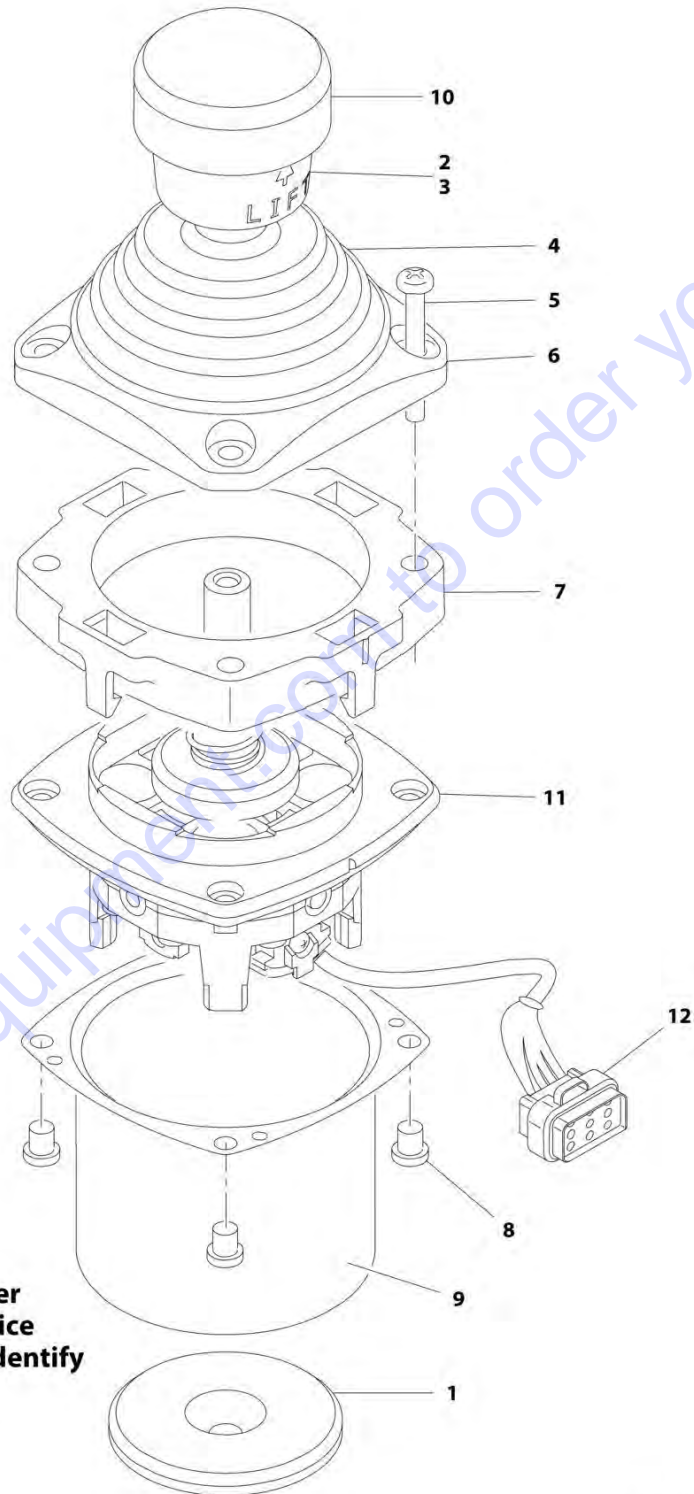
SECTION 4 - PLATFORM

FIGURE 4-6. CONTROLLER ASSEMBLY (SWING AND LIFT) (ORIGINAL EQUIPMENT)

ITEM	PART NUMBER	QTY	DESCRIPTION	REV
		Ref	Note: Original Equipment controller may have been replaced with Service Replacement controller. Visually identify controller before ordering parts.	
	1600317	Ref	CONTROLLER ASSEMBLY (ORIGINAL EQUIPMENT)	B
		Ref	Note: Purchase Controller Kit p/n 1001129555 for Complete Controller Replacement.	
1	7019141	1	Mechanical Assembly (Includes Base, Handle Stem and Items 1A, 1B, 1C & 18)	
1A	7019197	1	Handle Cap and Rod	
1B	7003928	1	Spring	
1C	7022808	1	Cap, Lift	
2	7019171	2	Plate	
3	7019111	4	Bearing, Gear	
4	7019143	2	Screw	
5	7019144	2	Spacer, Cam	
6	7019145	4	E-Clip	
7	7019174	2	Spacer	
8	7003977	2	Gear, Drive	
9		Ref	Shaft Options:	
9	7019147	2	Shaft, Short	
9	7019177	2	Shaft, Long	
10	7022818	2	Potentiometer	
11	7019142	2	Plate	
12	7003992	2	Washer	
13	7003993	2	Nut	
14	7003976	2	Gear, Slave	
15	7019149	2	Setscrew	
16	7022816	4	Screw	
17	7019150	1	Gate	
18	7022814	1	Boot	
19	7022815	1	Bezel	
20	See Note	NSS	Center, Detent (Note: Use p/n 1001129555)	
21	7003953	4	Washer	
22	7022817	4	Screw	
23	7022819	1	Plug, Male 8 Position (Natural)	
23	4460871	8	Socket, Female	
24	7019122	1	Gimble, Outer	
25	7019123	1	Gimble, Inner	

SECTION 4 - PLATFORM

FIGURE 4-7. CONTROLLER ASSEMBLY (LIFT AND SWING) (SERVICE REPLACEMENT)



Note: Original Equipment controller may have been replaced with Service Replacement controller. Visually identify controller before ordering parts.

ART_100118417

SECTION 4 - PLATFORM

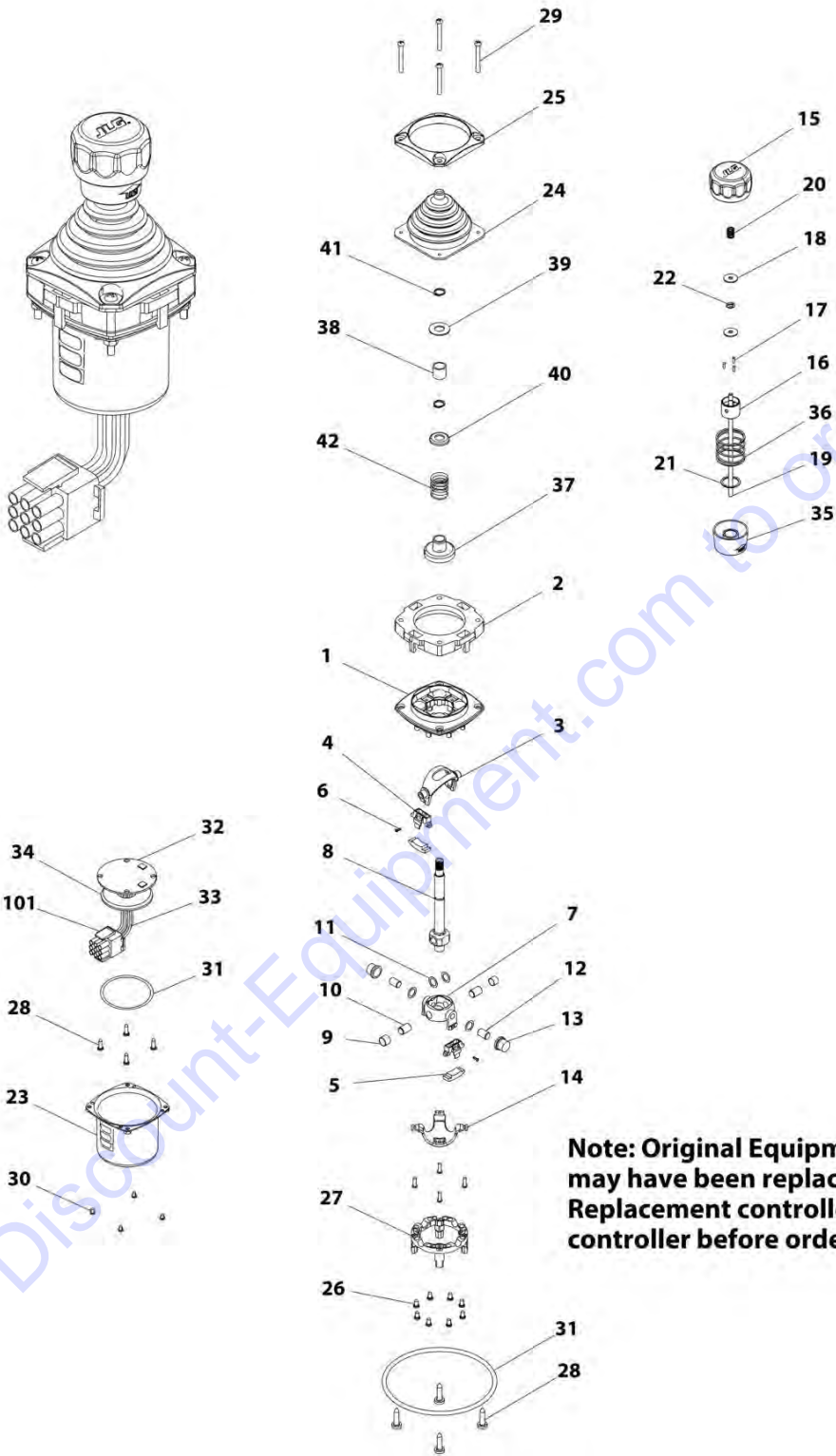
FIGURE 4-7. CONTROLLER ASSEMBLY (LIFT AND SWING) (SERVICE REPLACEMENT)

ITEM	PART NUMBER	QTY	DESCRIPTION	REV
		Ref	Note: Original Equipment controller may have been replaced with Service Replacement controller. Visually Identify controller before ordering parts.	
	1001118417	Ref	CONTROLLER ASSEMBLY (LIFT AND SWING) (SERVICE REPLACEMENT)	A
		Ref	Note: Use p/n 1001129555 as Replacement.	
1	70002730	1	Gasket	
2	7003928	1	Spring	
3	7022808	1	Cap, Lift	
4	70002731	1	Boot	
5	70002732	4	Screw	
6	7022815	1	Bezel	
7	70002733	1	Adapter	
8	70002734	4	Screw	
9	70002735	1	Can, Enclosure	
10	70002906	1	Cap	
11	See Note	NSS	Mechanical Assembly (Note: Use p/n 1001129555)	
12	7022819	1	Connector - 8 Position	
12	4460871	6	Socket, Female	

Go to Discount-Equipment.com to order your parts

SECTION 4 - PLATFORM

FIGURE 4-8. CONTROLLER ASSEMBLY (LIFT AND SWING) (SERVICE REPLACEMENT)



Note: Original Equipment controller may have been replaced with Service Replacement controller. Visually identify controller before ordering parts.

ART_1001166539

SECTION 4 - PLATFORM

FIGURE 4-8. CONTROLLER ASSEMBLY (LIFT AND SWING) (SERVICE REPLACEMENT)

ITEM	PART NUMBER	QTY	DESCRIPTION	REV
		Ref	Note: Original Equipment controller may have been replaced with Service Replacement controller. Visually identify controller before ordering parts.	
	1001166539	Ref	CONTROLLER ASSEMBLY (LIFT AND SWING) (SERVICE REPLACEMENT)	A
		Ref	Note: Use p/n 1001129555 as Replacement.	
1	See Note	1	Main Cast Body (Note: Not Available - Purchase Complete Assembly)	
2	70004752	1	Adapter	
3	See Note	NSS	Pivot Arm, Plastic (Note: Not Available - Purchase Complete Assembly)	
4	See Note	NSS	Holder, Magnet (Note: Not Available - Purchase Complete Assembly)	
5	See Note	NSS	Arc, Magnet (Note: Not Available - Purchase Complete Assembly)	
6	See Note	NSS	Screw (Note: Not Available for Purchase)	
7	See Note	NSS	Pivot Arm, Cast (Note: Not Available - Purchase Complete Assembly)	
8	See Note	NSS	Shaft, Main (Note: Not Available - Purchase Complete Assembly)	
9	See Note	NSS	Bearing (Note: Not Available - Purchase Complete Assembly)	
10	See Note	NSS	Pin (Note: Not Available - Purchase Complete Assembly)	
11	See Note	NSS	Shim (Note: Not Available - Purchase Complete Assembly)	
12	See Note	NSS	Pin (Note: Not Available - Purchase Complete Assembly)	
13	See Note	NSS	Bearing (Note: Not Available - Purchase Complete Assembly)	
14	See Note	NSS	Dome, Centering (Note: Not Available - Purchase Complete Assembly)	
15	70004753	1	Cap	
16	70004754	1	Insert, Cap	
17	70004755	3	Pin	
18	70004756	2	Washer	
19	70004757	1	Pin, Centering	
20	70004758	1	Spring	
21	70004759	1	Ring, Retaining	
22	70004760	1	E-Ring	
23	70004761	1	Can, Enclosure	
24	70004762	1	Boot	
25	70004763	1	Bezel	
26	See Note	NSS	Screw (Note: Not Available for Purchase)	
27	See Note	NSS	Base Mounting (Note: Not Available - Purchase Complete Assembly)	
28	See Note	NSS	Screw (Note: Not Available for Purchase)	
29	70004764	4	Screw	
30	70004765	4	Screw	
31	70004766	1	O-Ring	
32	See Note	NSS	Plate (Note: Not Available - Purchase Complete Assembly)	
33	See Note	NSS	Harness (Note: Not Available - Purchase Complete Assembly)	
34	70004767	1	Gromment, Rubber	
35	70004768	1	Housing	
36	70004769	1	Spring	
37	70004770	1	Stopper	
38	70004771	1	Spacer	
39	70004772	1	Washer	
40	70004773	1	Disc	

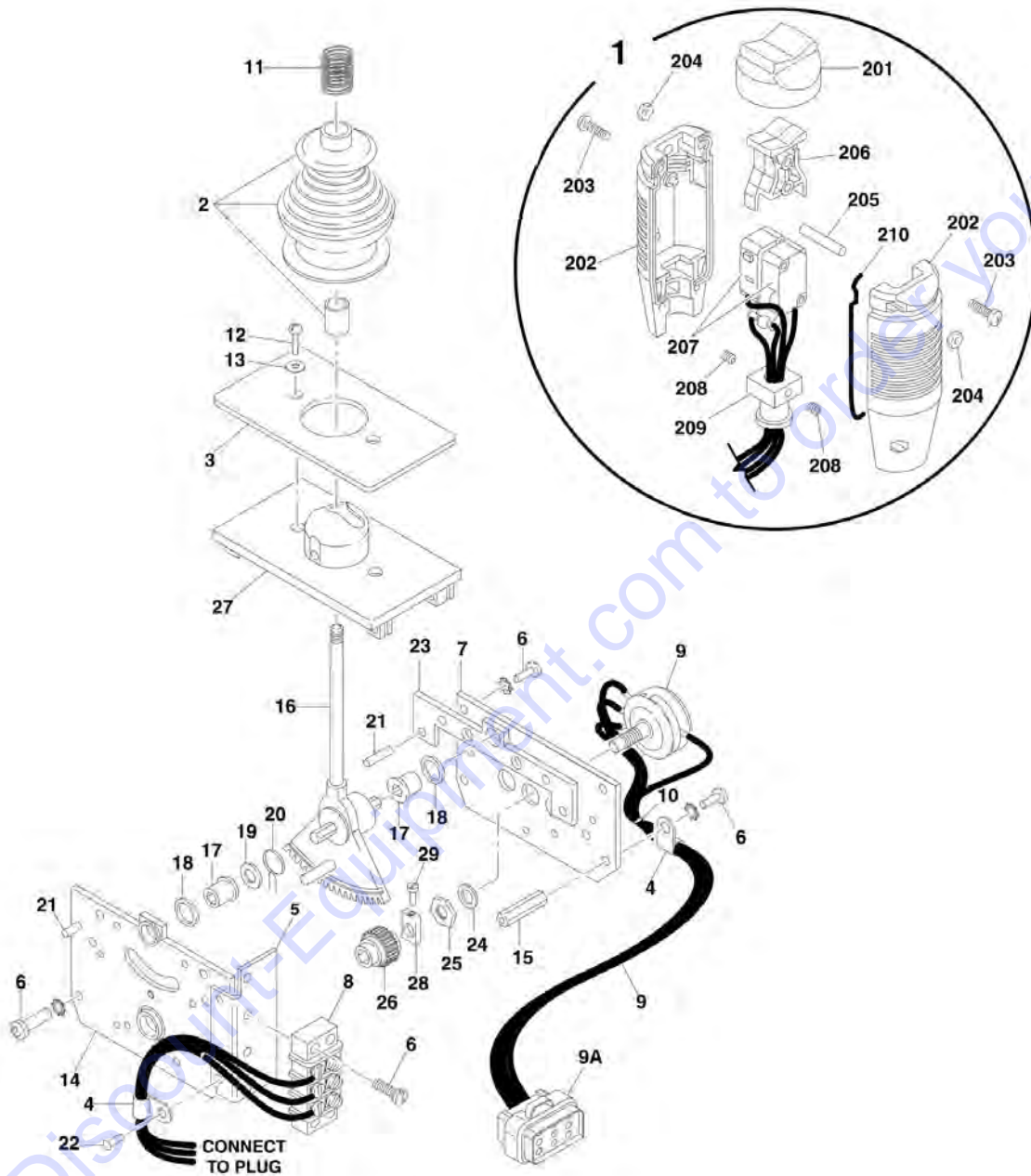
SECTION 4 - PLATFORM

ITEM	PART NUMBER	QTY	DESCRIPTION	REV
41	70004774	2	Ring, Retaining	
42	70004775	1	Spring	
101	4460265	1	Connector - 9 Position	
101	4460226	6	Socket, Female	

Go to Discount-Equipment.com to order your parts

SECTION 4 - PLATFORM

FIGURE 4-9. CONTROLLER ASSEMBLY (DRIVE AND STEER) (ORIGINAL EQUIPMENT)



Note: Original Equipment controller may have been replaced with Service Replacement controller. Visually identify controller before ordering parts.

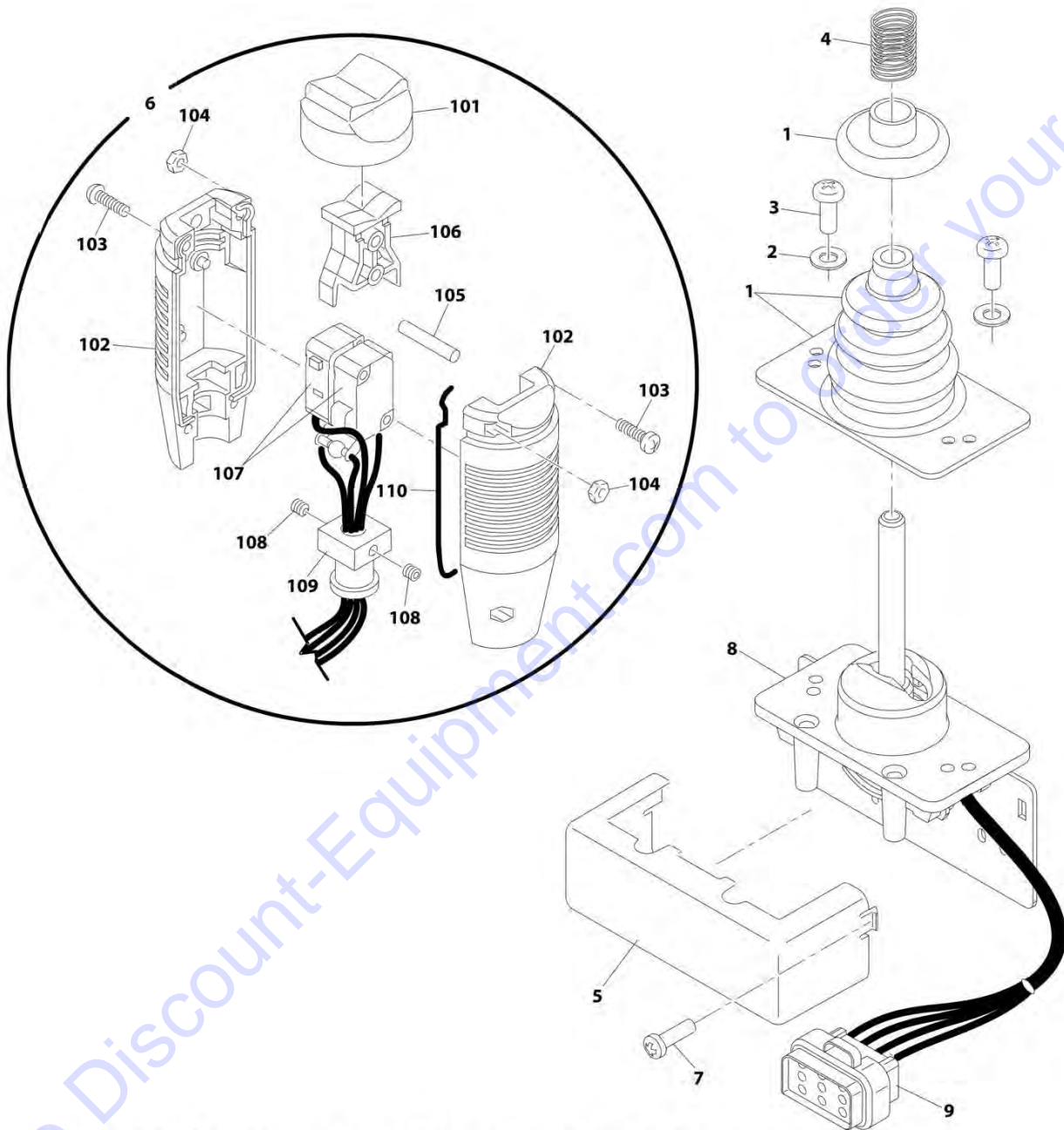
SECTION 4 - PLATFORM

FIGURE 4-9. CONTROLLER ASSEMBLY (DRIVE AND STEER) (ORIGINAL EQUIPMENT)

ITEM	PART NUMBER	QTY	DESCRIPTION	REV
		Ref	Note: Original Equipment controller may have been replaced with Service Replacement controller. Visually identify controller before ordering parts.	
	1600318	Ref	CONTROLLER ASSEMBLY (ORIGINAL EQUIPMENT)	C
		Ref	Note: Use p/n 1001212415 as Replacement.	
1	7022812	1	Handle Assembly (See Items 201-210 for Breakdown)	
2	7019161	1	Boot and Sleeve	
3	7003933	1	Gasket	
4	7019154	2	Clamp, Wire	
5	7022823	1	Bracket, Mounting	
6	7003994	1	Screw	
7	7022822	1	Plate, Pot Mounting	
8	7003986	1	Strip, Terminal - 3 Position	
9	7022824	1	Electric Assembly	
9A	1001113961	1	Plug, Male - 8 Position (Black) (was p/n 7022825)	
9A	4460871	7	Socket, Female	
10	7019151	AR	Tie-Strap	
11	7019162	1	Spring	
12	7003969	2	Screw	
13	7003941	2	Washer	
14	See Note	NSS	Plate, Mounting (Left Side) (Note: Not Available for Purchase)	
15	7019115	2	Stand-Off	
16	7019155	1	Shaft 8mm	
17	7019111	2	Bearing	
18	7019110	2	Spacer, Head Gear	
19	7019112	1	Washer	
20	7003946	1	Spring, Return	
21	7019103	4	Pin	
22	See Note	1	Rivet (Note: Not Available - Purchase Locally)	
23	7019168	1	Plate, Mounting (Right Side)	
24	7003992	1	Washer	
25	7003993	1	Nut	
26	7003935	1	Gear, Slave	
27	7019160	1	Plate, Base	
28	7019114	1	Coupling, Potentiometer	
29	See Note	1	Screw, Cup Point (Note: Not Available - Purchase Locally)	
	7022812	Ref	HANDLE ASSEMBLY	
201	7003972	1	Boot, Switch	
202	7003973	2	Half, Handle	
203	7003980	4	Screw	
204	7019167	4	Nut	
205	7019164	1	Axle	
206	7019165	1	Rocker	
207	7019196	1	Wiring Assembly	
207	7019166	2	Switch, Micro	
208	7003983	2	Setscrew	
209	7019194	1	Coupling	
210	7003989	2	Gasket	

SECTION 4 - PLATFORM

FIGURE 4-10. CONTROLLER ASSEMBLY (DRIVE AND STEER) (SERVICE REPLACEMENT)



Note: Original Equipment controller may have been replaced with Service Replacement controller. Visually identify controller before ordering parts.

ART_1001118416

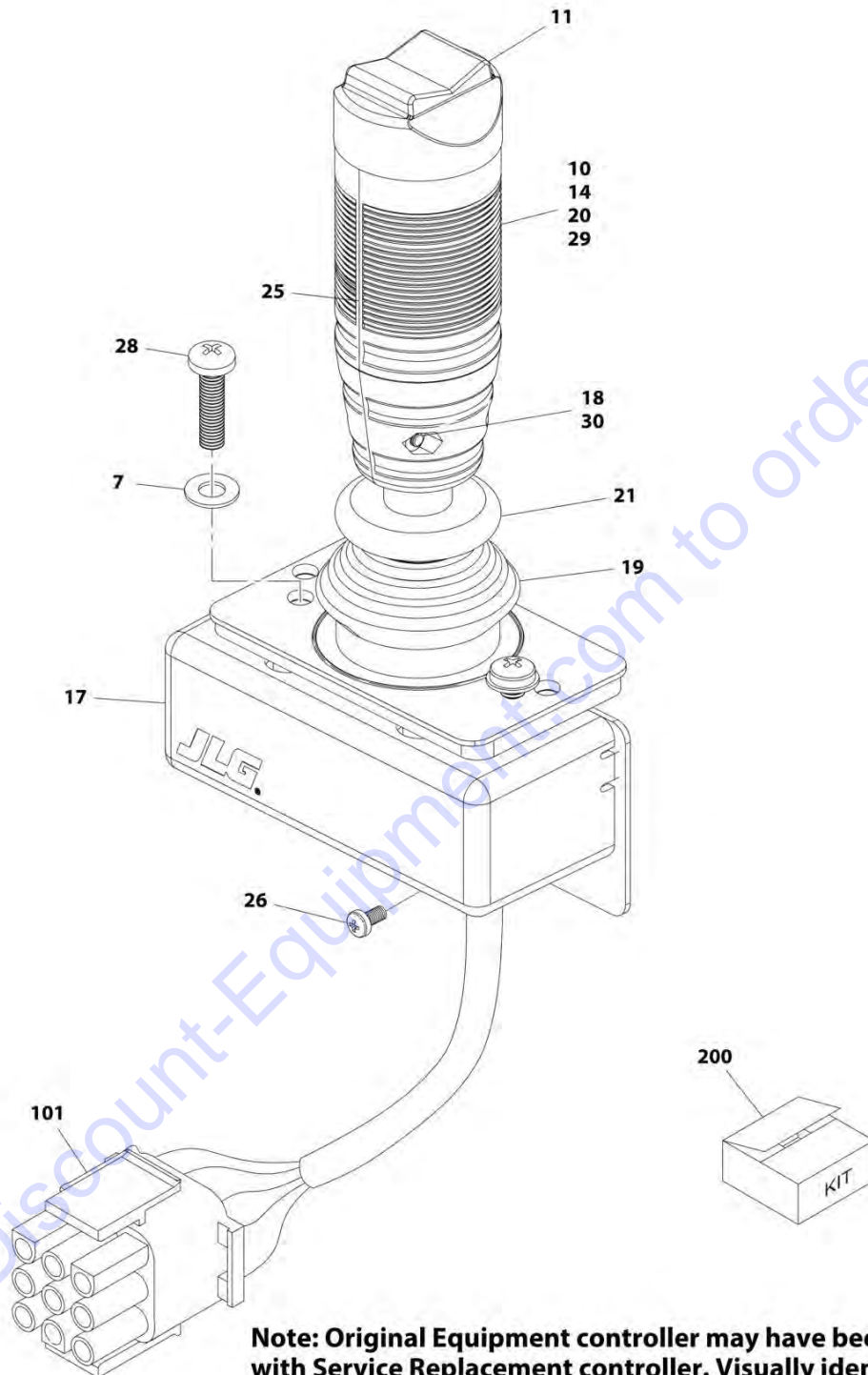
SECTION 4 - PLATFORM

FIGURE 4-10. CONTROLLER ASSEMBLY (DRIVE AND STEER) (SERVICE REPLACEMENT)

ITEM	PART NUMBER	QTY	DESCRIPTION	REV
		Ref	Note: Original Equipment controller may have been replaced with Service Replacement controller. Visually identify controller before ordering parts.	
	1001118416	Ref	CONTROLLER ASSEMBLY (DRIVE AND STEER) (SERVICE REPLACEMENT)	A
		Ref	Note: Use p/n 1001212415 as Replacement.	
1	70002724	1	Boot and Control Lock Assembly	
2	7003941	2	Washer	
3	70002725	2	Screw	
4	7019162	1	Spring	
5	70002726	1	Enclosure	
6	70002727	1	Handle Assembly (See Items 101-110 for Breakdown)	
7	70002728	1	Screw	
8	See Note	NSS	Mechanical Assembly (Note: Not Available for Purchase)	
9	1001113961	1	Plug, Male - 8 Position (Black) (was p/n 7022825)	
9	4460871	7	Socket, Female	
	70002727	Ref	HANDLE ASSEMBLY	
101	7003972	1	Boot, Switch	
102	7003973	2	Half, Handle	
103	7003980	4	Screw	
104	7019167	4	Nut	
105	7019164	1	Axle	
106	7019165	1	Rocker	
107	70002729	1	Wiring Assembly	
107	7003982	2	Switch, Micro	
108	7003983	2	Setscrew	
109	7019194	1	Coupling	
110	7003989	2	Gasket	

SECTION 4 - PLATFORM

FIGURE 4-11. CONTROLLER ASSEMBLY (DRIVE AND STEER) (SERVICE REPLACEMENT)



Note: Original Equipment controller may have been replaced with Service Replacement controller. Visually identify controller before ordering parts.

ART_1001166538

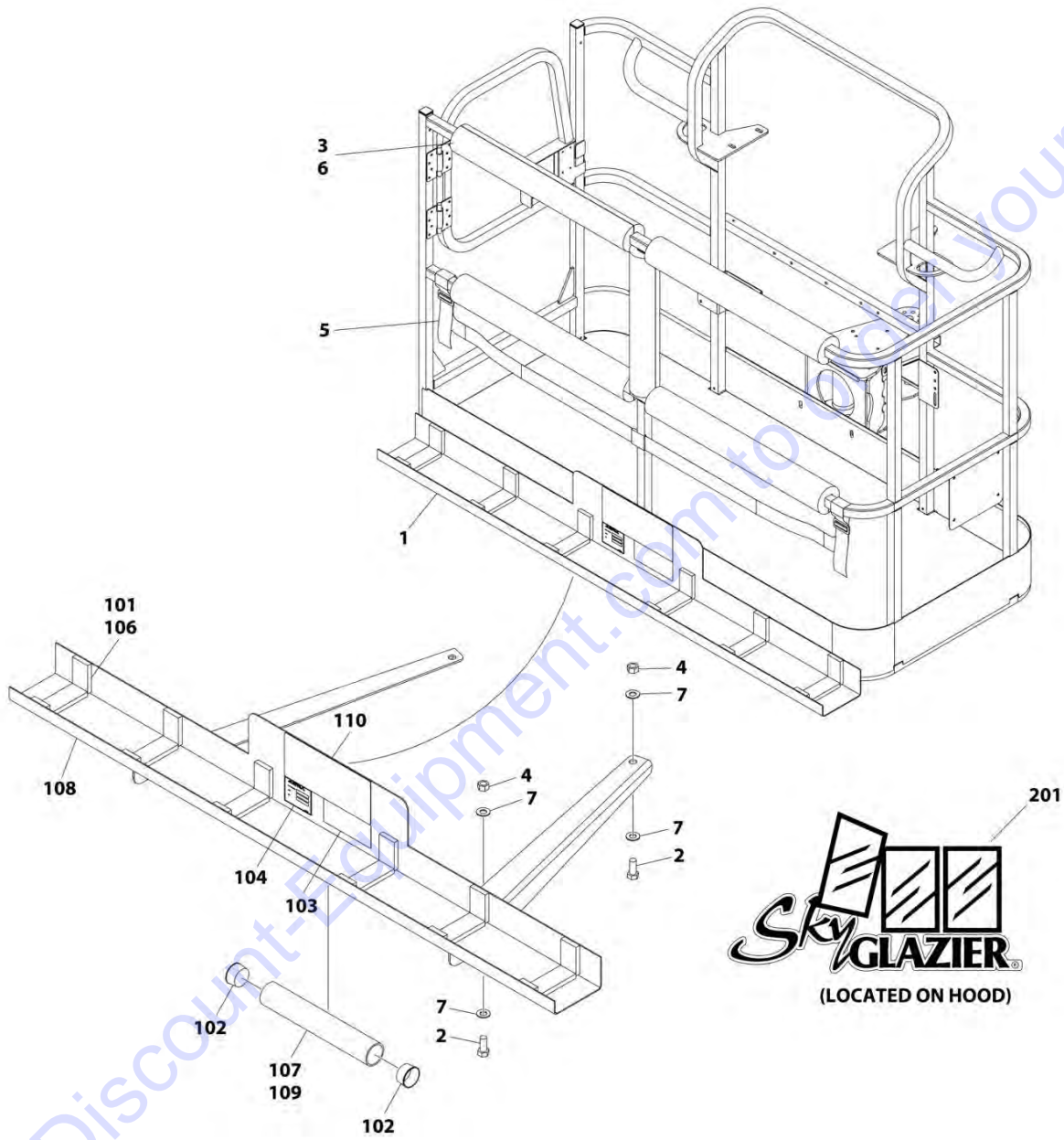
SECTION 4 - PLATFORM

FIGURE 4-11. CONTROLLER ASSEMBLY (DRIVE AND STEER) (SERVICE REPLACEMENT)

ITEM	PART NUMBER	QTY	DESCRIPTION	REV
		Ref	Note: Original Equipment controller may have been replaced with Service Replacement controller. Visually identify controller before ordering parts.	
	1001166538	Ref	CONTROLLER ASSEMBLY (DRIVE AND STEER) (SERVICE REPLACEMENT)	A
		Ref	Note: Use p/n 1001212415 as Replacement.	
7	70004738	2	Washer	
10	70004739	1	Roller	
11	70004740	1	Boot, Switch	
14	70004741	2	Half, Handle	
17	70004742	1	Enclosure	
18	70004743	4	Nut	
19	70004744	NLA	Boot, Controller (Note: Use Item 200)	
20	70004745	NLA	Tube, Locking (Note: Use Item 200)	
21	70004746	NLA	Disc, Locking (Note: Use Item 200)	
25	70004747	2	Seal, Rope	
26	70004748	1	Screw, M3 x 6	
28	70004749	2	Screw, M5 x 20	
29	70004750	1	Pin, Dowel	
30	70004751	4	Screw, M3 x 16	
101	4460265	1	Connector - 9 Position	
101	4460226	7	Socket, Female	
200	70005230	1	Boot Kit (Includes Items 19-21)	

SECTION 4 - PLATFORM

FIGURE 4-12. SKYGLAZIER INSTALLATION - WITHOUT LSS (ANSI, CSA AND AUSTRALIAN SPECS)



ART_1001173975

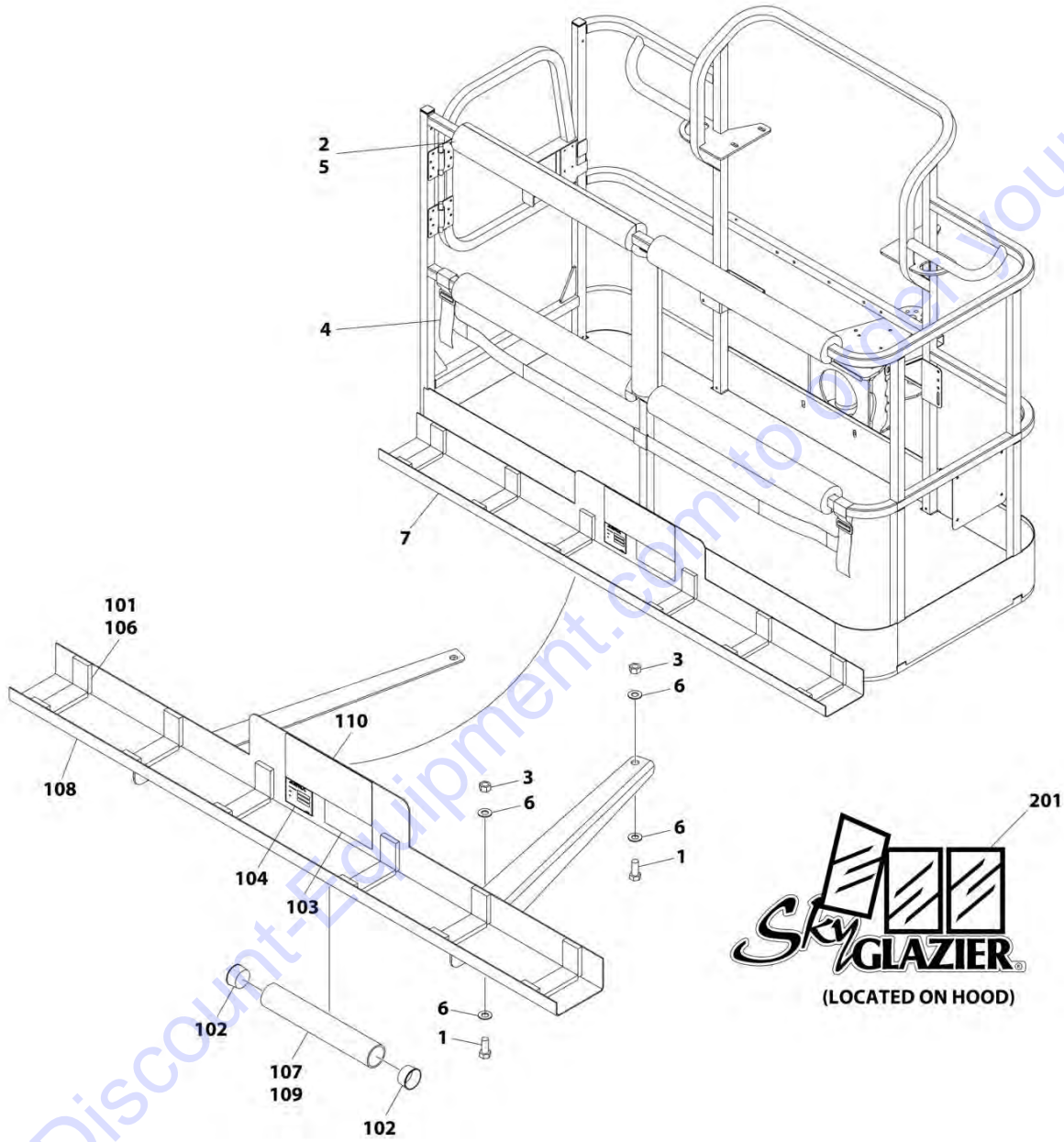
SECTION 4 - PLATFORM

FIGURE 4-12. SKYGLAZIER INSTALLATION - WITHOUT LSS (ANSI, CSA AND AUSTRALIAN SPECS)

ITEM	PART NUMBER	QTY	DESCRIPTION	REV
	1001101423	Ref	SKYGLAZIER INSTALLATION	A
1	1001101424	1	Tray Assembly (See Items 101-110 for Breakdown)	
2	0642012	4	Bolt 5/8 x 1-1/2	
3	0940199	1	Bumper Kit	
4	3312005	4	Nut 5/8	
5	4240149	1	Strap Kit	
6	4420014	AR	Tape	
7	4712000	8	Washer 5/8	
	1001101424	Ref	TRAY ASSEMBLY	A
101	0100081	AR	Adhesive	
102	1120555	2	Cap, Tube	
103	1701509	1	Decal - Manual	
104	See Note	NSS	Nameplate - Serial Number (Note: Not Available for Purchase)	
106	3340956	1	Pad Kit	
107	3460334	1	Tube	
108	4341415	1	Support	
109	4420066	AR	Tape, Double Sided	
110	1001102446	1	Decal - Glazier Capacity	
201	1705358	2	Decal - SkyGlazier	

SECTION 4 - PLATFORM

FIGURE 4-13. SKYGLAZIER INSTALLATION - WITH LSS (AUSTRALIAN SPECS)



ART_1001102648

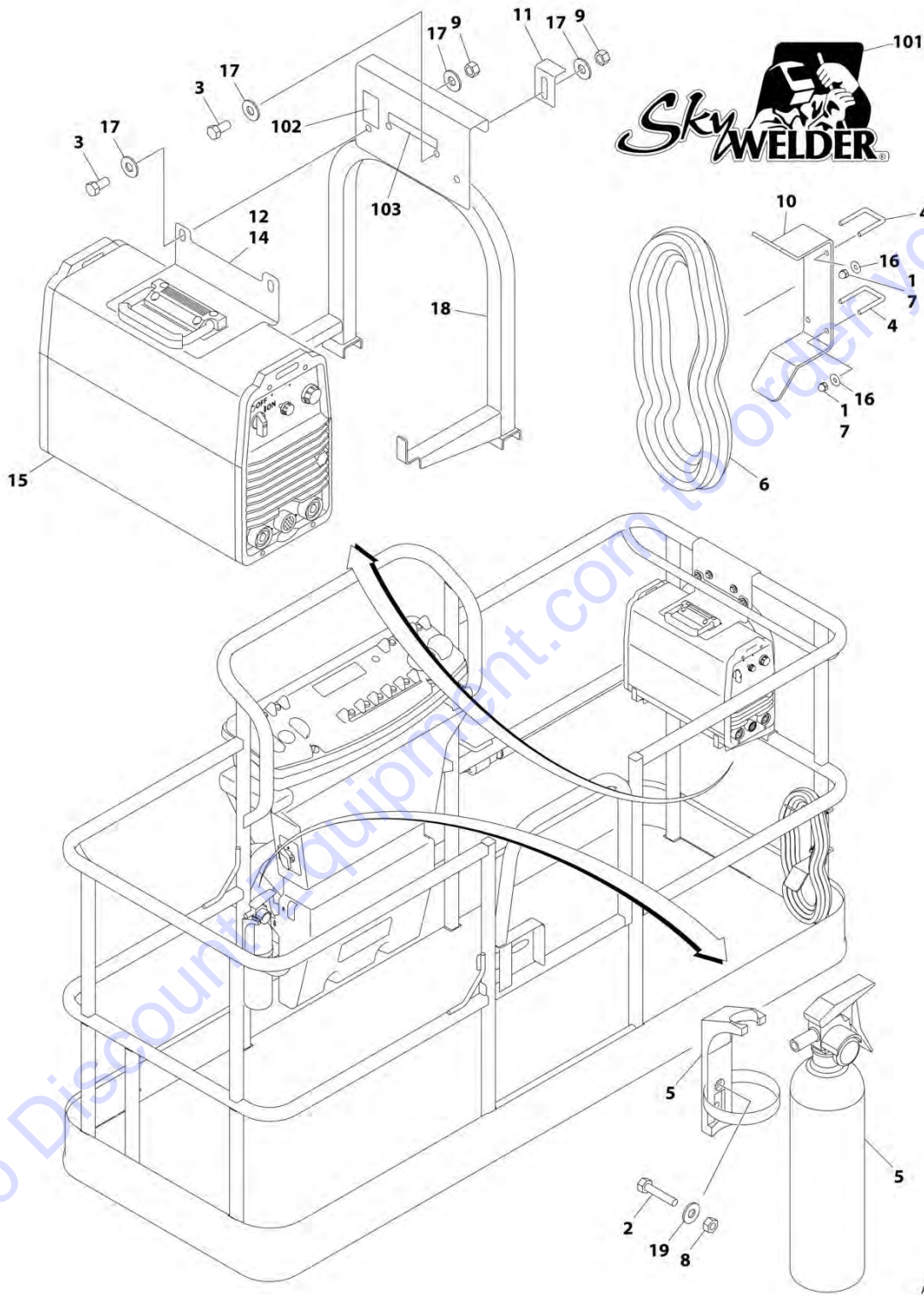
SECTION 4 - PLATFORM

FIGURE 4-13. SKYGLAZIER INSTALLATION - WITH LSS (AUSTRALIAN SPECS)

ITEM	PART NUMBER	QTY	DESCRIPTION	REV
	1001102648	Ref	SKYGLAZIER INSTALLATION	A
1	0642026	4	Bolt 5/8 x 3-1/4	
2	0940199	1	Bumper Kit	
3	3312005	4	Nut 5/8	
4	4240149	1	Strap Kit	
5	4420014	AR	Tape	
6	4712000	8	Washer 5/8	
7	1001101424	1	Tray Assembly (See Items 101-110 for Breakdown)	
	1001101424	Ref	TRAY ASSEMBLY	A
101	0100081	AR	Adhesive	
102	1120555	2	Cap, Tube	
103	1701509	1	Decal - Manual	
104	See Note	NSS	Nameplate - Serial Number (Note: Not Available for Purchase)	
106	3340956	1	Pad Kit	
107	3460334	1	Tube	
108	4341415	1	Support	
109	4420066	AR	Tape, Double Sided	
110	1001102446	2	Decal - Glazier Capacity	
201	1705358	2	Decal - SkyGlazier	

SECTION 4 - PLATFORM

FIGURE 4-14. SKYWELDER INSTALLATION (50HZ)



Go to DiscountEquipment.com to order your parts

ART_0272521

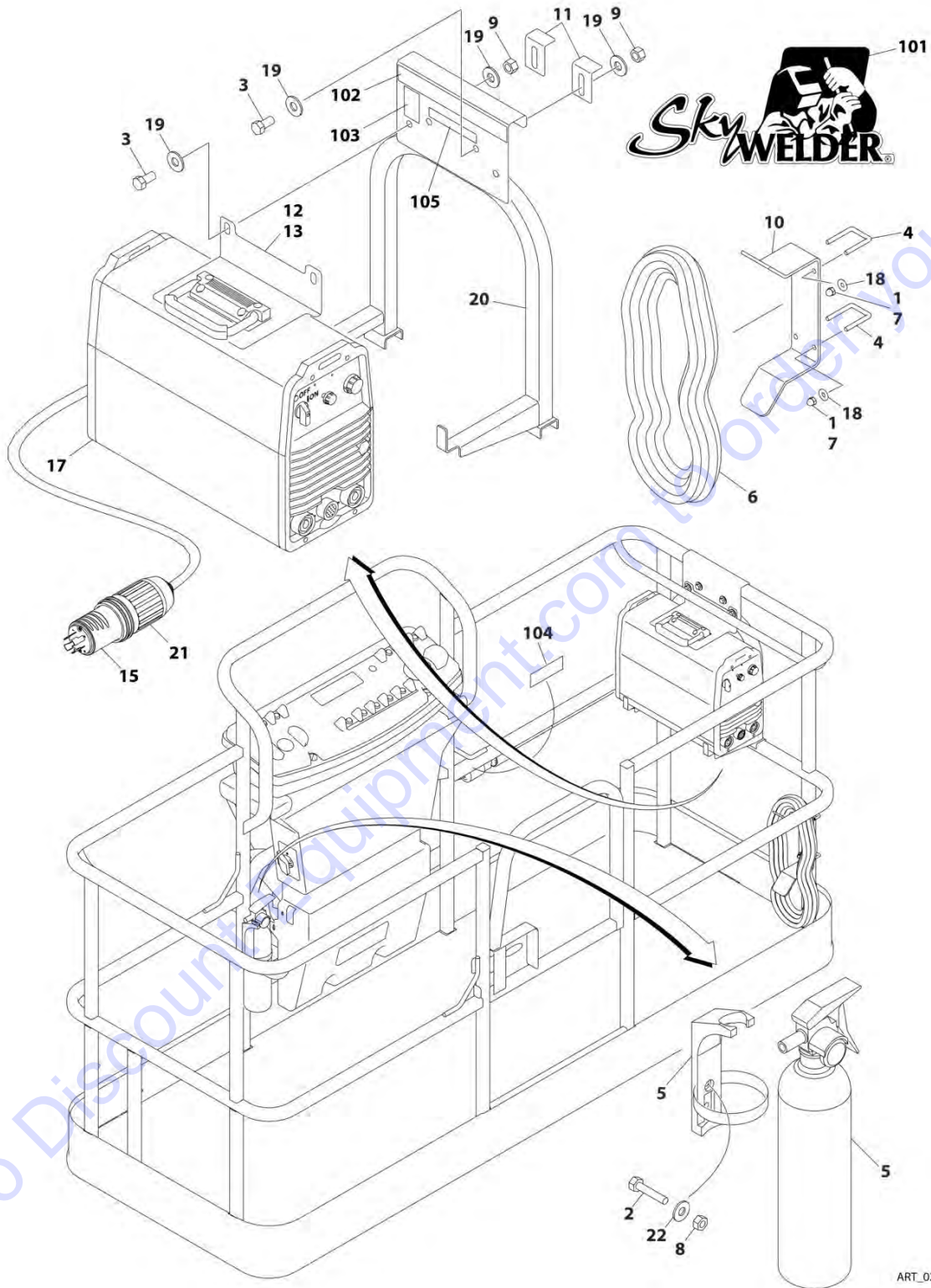
SECTION 4 - PLATFORM

FIGURE 4-14. SKYWELDER INSTALLATION (50HZ)

ITEM	PART NUMBER	QTY	DESCRIPTION	REV
	0272521	Ref	SKYWELDER INSTALLATION (50HZ)	F
1	0100011	AR	Compound, Locking	
2	0641406	2	Bolt 1/4 x 3/4	
2	0630518	2	Screw #10 x 3/4	
3	0641606	4	Bolt 3/8 x 3/4	
4	1320302	2	U-Clamp	
5	2030010	1	Extinguisher, Fire	
6	2902217	1	Weld Leads Kit	
7	3300151	4	Nut 1/4	
8	3311405	2	Nut 1/4	
8	3311005	2	Nut #10	
9	3311605	4	Nut 3/8	
10	3573400	1	Bracket	
11	3577121	2	Angle	
12	3573642	1	Plate	
13	4240099	AR	Tie-Strap (Not Shown)	
14	4420037	AR	Tape	
15		Ref	Welder Assembly Options (See WELDER ASSEMBLY for Breakdown):	
15	4530022	1	Miller Model CST250 (SN 0300065080 through 0300083532)	
15	4530028	1	Miller Model CST280 (SN 0300083533 through 0300123999)	
16	4751400	4	Washer 1/4	
17	4751600	8	Washer 3/8	
18	4846627	1	Support	
19	4751000	2	Washer #10	
	0272588	Ref	SKYWELDER DECAL INSTALLATION	A
101	1705355	2	Decal - SkyWelder	
102	1705305	1	Decal - Weld Lead	
103	1705466	1	Decal - Weight	

SECTION 4 - PLATFORM

FIGURE 4-15. SKYWELDER INSTALLATION (60HZ)



ART_0272254

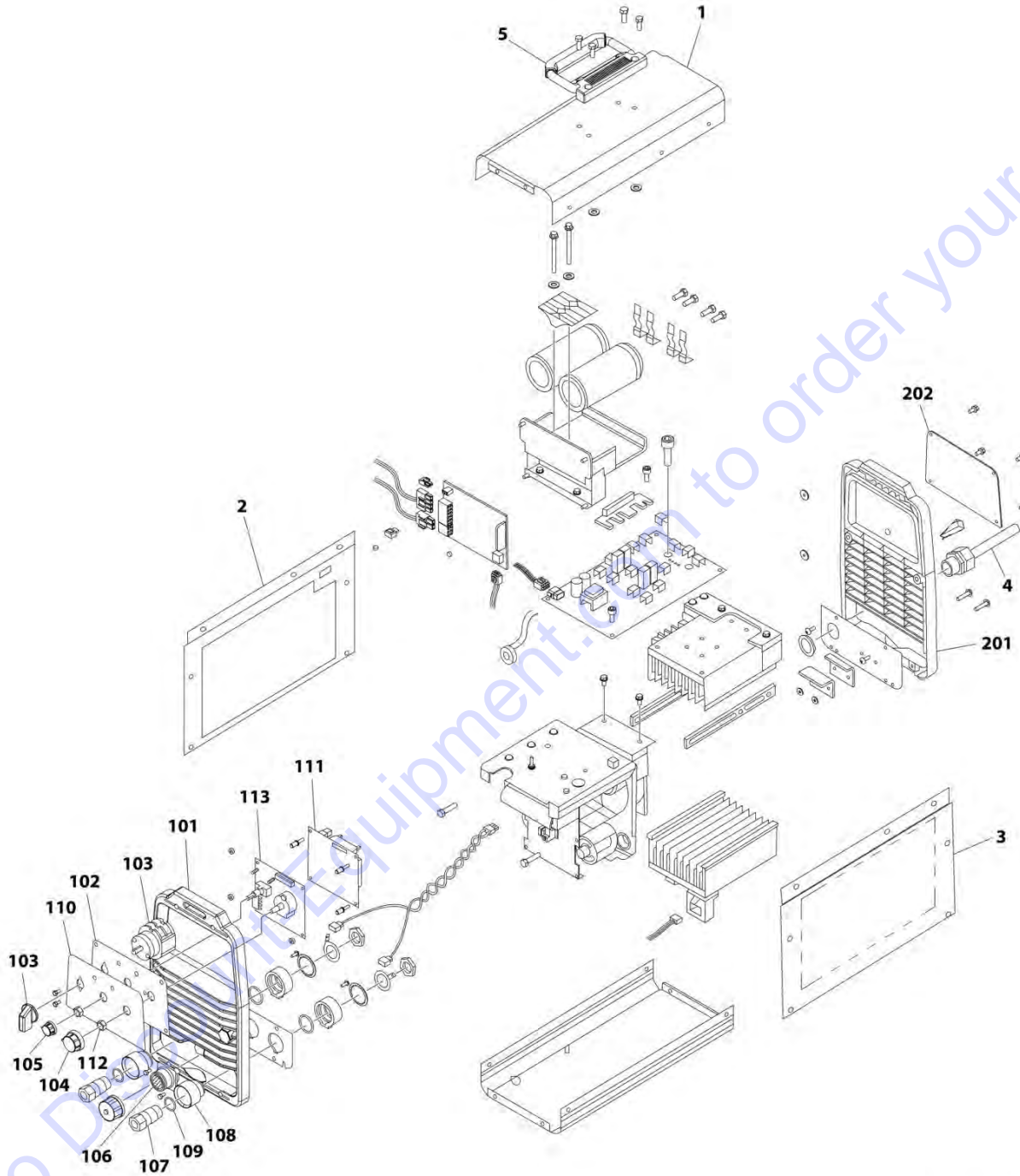
SECTION 4 - PLATFORM

FIGURE 4-15. SKYWELDER INSTALLATION (60HZ)

ITEM	PART NUMBER	QTY	DESCRIPTION	REV
	0272254	Ref	SKYWELDER INSTALLATION (60HZ)	H
1	0100011	AR	Compound, Locking	
2	0641406	2	Bolt 1/4 x 3/4	
2	0630518	2	Screw #10 x 3/4	
3	0641606	4	Bolt 3/8 x 3/4	
4	1320302	2	U-Clamp	
5	2030010	1	Extinguisher, Fire	
6	2902217	1	Weld Leads Kit	
7	3300151	4	Nut 1/4	
8	3311405	2	Nut 1/4	
8	3311005	2	Nut #10	
9	3311605	4	Nut 3/8	
10	3573400	1	Bracket	
11	3573641	NLA	Angle (Use p/n 3577121)	
12	3573642	1	Plate	
13	4420037	AR	Tape	
14	4240099	AR	Tie-Strap (Not Shown)	
15	4460962	1	Plug, Male Twistlock	
17		Ref	Welder Assembly Options (See WELDER ASSEMBLY for Breakdown):	
17	4530022	1	Miller Model CST250 (SN 0300065080 through 0300083532)	
17	4530028	1	Miller Model CST280 (SN 0300083533 through 0300123999)	
18	4751400	4	Washer 1/4	
19	4751600	8	Washer 3/8	
20	4846627	1	Support	
21	1671093	1	Cover, Plug	
22	4751000	2	Washer #10	
	0272448	Ref	SKYWELDER DECAL INSTALLATION	A
101	1705355	2	Decal - SkyWelder	
102	1702868	1	Decal - No Hands	
103	1705305	1	Decal - Weld Lead	
104	1705375	1	Decal - 240V - 3 Phase - 60Hz	
105	1705466	1	Decal - Weight	

SECTION 4 - PLATFORM

FIGURE 4-16. WELDER ASSEMBLY



ART_4530028

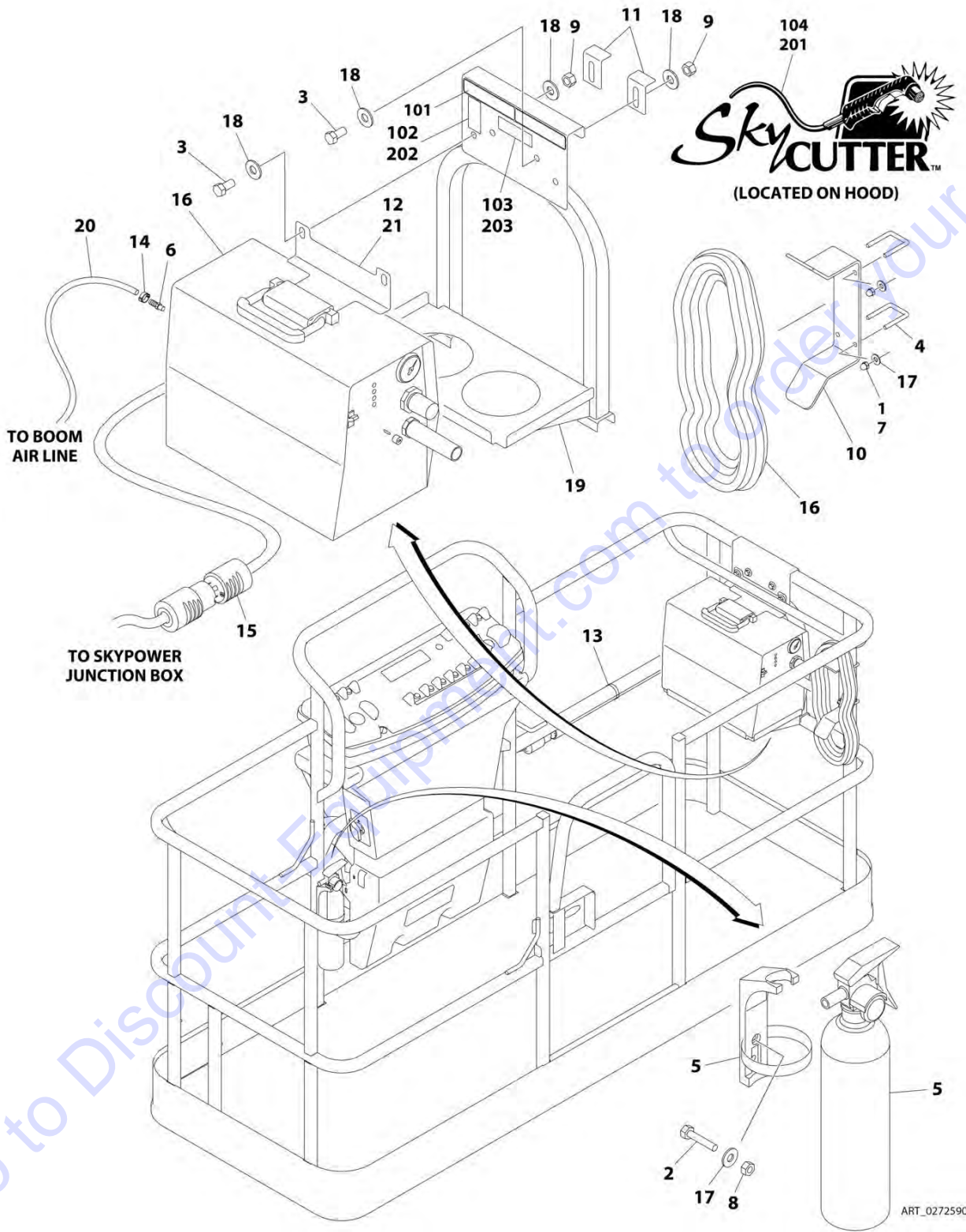
SECTION 4 - PLATFORM

FIGURE 4-16. WELDER ASSEMBLY

ITEM	PART NUMBER	QTY	DESCRIPTION	REV
		Ref	WELDER ASSEMBLY	
	4530022	Ref	Miller Model CST 250 (SN 0300065080 through 0300083532)	C
	4530028	Ref	Miller Model CST 280 (SN 0300083533 through 0300123999)	B
		Ref	Note: For Other Components, contact your Miller Welder Dealer	
1		Ref	Cover, Top Options:	
1	7024464	1	Miller Model CST 250 (SN 0300065080 through 0300083532)	
1	7027773	1	Miller Model CST 280 (SN 0300083533 through 0300123999)	
1	7027774	1	Decal - Static Precautionary Warning	
2		Ref	Panel, LH Side Options:	
2	7024465	1	Miller Model CST 250 (SN 0300065080 through 0300083532)	
2	See Note	NSS	Miller Model CST 280 (Note: Part of Item 1. Purchase Item 1) (SN 0300083533 through 0300123999)	
3		Ref	Panel, RH Side Options:	
3	7024466	1	Miller Model CST 250 (SN 0300065080 through 0300083532)	
3	See Note	NSS	Miller Model CST 280 (Note: Part of Item 1. Purchase Item 1) (SN 0300083533 through 0300123999)	
4	7024467	1	Cable, Power	
4	7027775	1	Decal - Electrical Shock Warning (Used on Miller Model CST 280) (Not Shown) (SN 0300083533 through 0300123999)	
5		Ref	Handle, Carrying Options:	
5	7024468	1	Miller Model CST 250 (SN 0300065080 through 0300083532)	
5	7027776	1	Miller Model CST 280 (SN 0300083533 through 0300123999)	
101	7024462	1	Panel, Front	
102	7024463	1	Panel, Console	
103	7024469	1	Switch with Lead	
104	7024470	1	Knob	
105	7024471	1	Knob	
106	7024472	1	Receptacle with Leads and Plugs	
107	7024473	2	Receptacle, Twistlock Female	
108	7024474	2	Insulator	
109	7024475	2	O-Ring	
110		Ref	Nameplate Options:	
110	7024476	1	Miller Model CST 250 (SN 0300065080 through 0300083532)	
110	7027777	1	Miller Model CST 280 (SN 0300083533 through 0300123999)	
111		Ref	Circuit Card Assembly (Process Control) Options:	
111	7024477	1	Miller Model CST 250 (SN 0300065080 through 0300083532)	
111	7027779	1	Miller Model CST 280 (SN 0300083533 through 0300123999)	
112	7024478	2	Nut	
113		Ref	Circuit Card Assembly (Operator Interface) Options:	
113	See Note	NSS	Miller Model CST 250 (Note: Not Available for Purchase) (SN 0300065080 through 0300083532)	
113	7027778	1	Miller Model CST 280 (SN 0300083533 through 0300123999)	
201	7024462	1	Panel, Rear	
202		Ref	Panel, Cover Options:	
202	7024479	1	Miller Model CST 250 (SN 0300065080 through 0300083532)	
202	7027780	1	Miller Model CST 280 (SN 0300083533 through 0300123999)	

SECTION 4 - PLATFORM

FIGURE 4-17. SKYCUTTER INSTALLATION (SN 0300035080 through 0300119210)



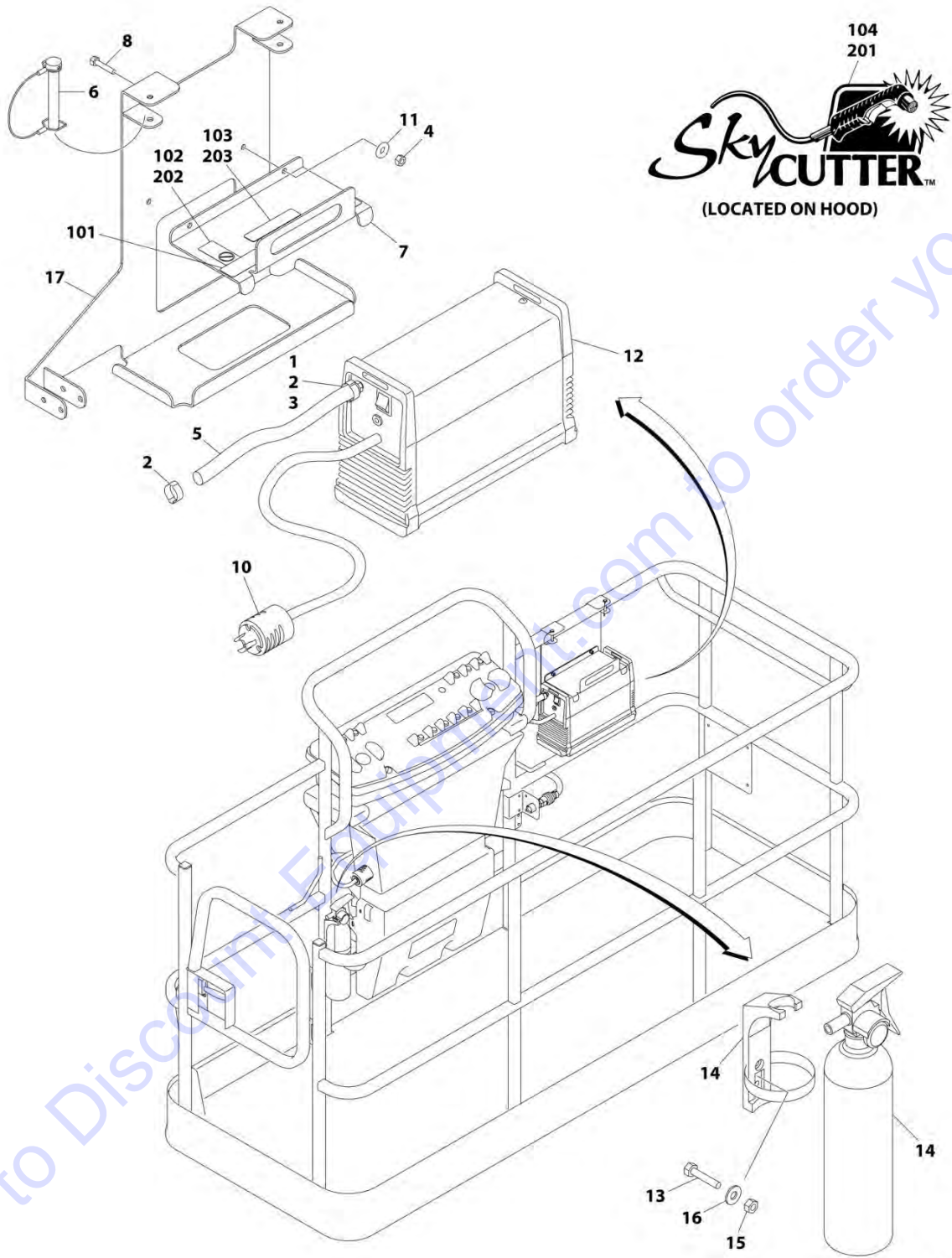
SECTION 4 - PLATFORM

FIGURE 4-17. SKYCUTTER INSTALLATION (SN 0300035080 through 0300119210)

ITEM	PART NUMBER	QTY	DESCRIPTION	REV
		Ref	SKYCUTTER INSTALLATION (SN 0300035080 through 0300119210)	
	0272590	Ref	SkyCutter Installation - 60Hz Power Supply	D
	0272606	Ref	SkyCutter Installation - 50Hz Power Supply	D
		Ref	Note: When replacing platform on machines with SkyCutter option, new bracket p/n 1001145405 must be purchased to accommodate SkyCutter components	
1	0100011	AR	Compound, Locking	
2	0641406	2	Bolt 1/4 x 3/4	
3	0641606	4	Bolt 3/8 x 3/4	
4	1320302	2	Clamp	
5	2030010	1	Extinguisher, Fire	
6	2180832	1	Fitting, NPT/Barbed	
7	3300151	4	Nut 1/4	
8	3311405	2	Nut 1/4	
9	3311605	4	Nut 3/8	
10	3573400	1	Bracket, Cable	
11	3573641	2	Plate, Clamp (Use p/n 3577121)	
12	3573643	1	Plate, Top Support	
13	4240099	AR	Tie, Wire	
14	1320177	2	Clamp, Hose	
15	4460971	1	Plug, Twistlock	
16	4530024	1	Plasma Cutter Assembly - 60Hz Power Supply (See PLASMA CUTTER ASSEMBLY for Breakdown)	
16	4530025	1	Plasma Cutter Assembly - 50Hz Power Supply (See PLASMA CUTTER ASSEMBLY for Breakdown)	
17	4751400	6	Washer 1/4	
18	4751600	8	Washer 3/8	
19	4846571	1	Support	
20	2720160	4 ft/1.2m	Hose	
21	4420037	AR	Tape, Insulation	
	0272599	Ref	SKYCUTTER DECAL INSTALLATION (ANSI, ANSI Export and CSA Specs)	A
101	1702868	1	Decal - No Hands (60Hz Power Supply Only)	
102	1705305	1	Decal - Weld Lead	
103	1705466	1	Decal - Weight	
104	1705490	2	Decal - SkyCutter	
	0272607	Ref	SKYCUTTER DECAL INSTALLATION (JAPANESE SPECS)	A
201	1705490	2	Decal - SkyCutter	
202	1705305	1	Decal - Weld Lead	
203	1705466	1	Decal - Weight	

SECTION 4 - PLATFORM

FIGURE 4-18. SKYCUTTER INSTALLATION (SN 0300119211 through 0300123999)



ART_1001098149

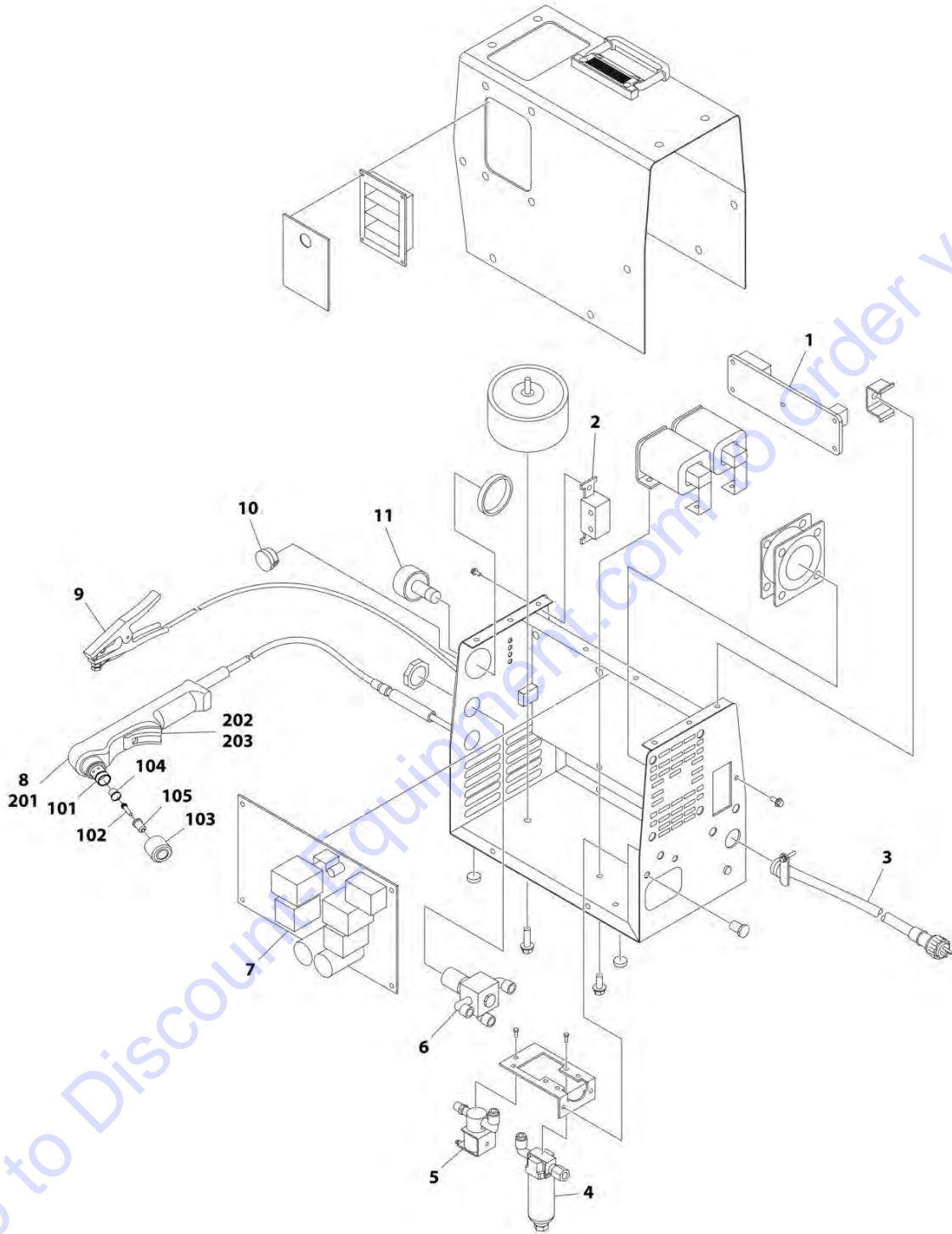
SECTION 4 - PLATFORM

FIGURE 4-18. SKYCUTTER INSTALLATION (SN 0300119211 through 0300123999)

ITEM	PART NUMBER	QTY	DESCRIPTION	REV
	1001098149	Ref	SKYCUTTER SPEC INSTALLATION (SN 0300119211 through 0300123999)	D
		Ref	Note: When replacing platform on machines with SkyCutter option, new bracket p/n 1001145405 must be purchased to accommodate SkyCutter components	
1	0100020	AR	Sealant	
2	1320177	2	Clamp, Hose	
3	2180832	1	Fitting, NPT/Barbed	
4	3290605	2	Nut M6	
5	2720160	3 ft/0.9m	Hose	
6	3421453	3	Pin	
7	3576799	1	Plate, Hold-Down	
8	4010608	2	Screw M6 x 16	
10	4460971	1	Plug, Twistlock	
11	4811700	2	Washer M6	
12	1001098012	1	Plasma Cutter Assembly (See PLASMA CUTTER ASSEMBLY for Breakdown)	
13	0641406	2	Bolt 1/4 x 3/4	
13	0630518	2	Screw #10 x 3/4	
14	2030010	1	Extinguisher, Fire	
15	3311405	2	Nut 1/4	
15	3311005	2	Nut #10	
16	4751400	2	Washer 1/4	
17	4751000	2	Washer #10	
17	4341301	NLA	Support (Use p/n 1001145405)	
	0272599	Ref	SKYCUTTER DECAL INSTALLATION (ANSI, ANSI EXPORT AND CSA SPECS)	A
101	1702868	1	Decal - No Hands	
102	1705305	1	Decal - Weld Lead	
103	1705466	1	Decal - Weight	
104	1705490	2	Decal - SkyCutter	
	0272607	Ref	SKYCUTTER DECAL INSTALLATION (JAPANESE SPECS)	A
201	1705490	2	Decal - SkyCutter	
202	1705305	1	Decal - Weld Lead	
203	1705466	1	Decal - Weight	

SECTION 4 - PLATFORM

FIGURE 4-19. PLASMA CUTTER ASSEMBLY



ART_4530024

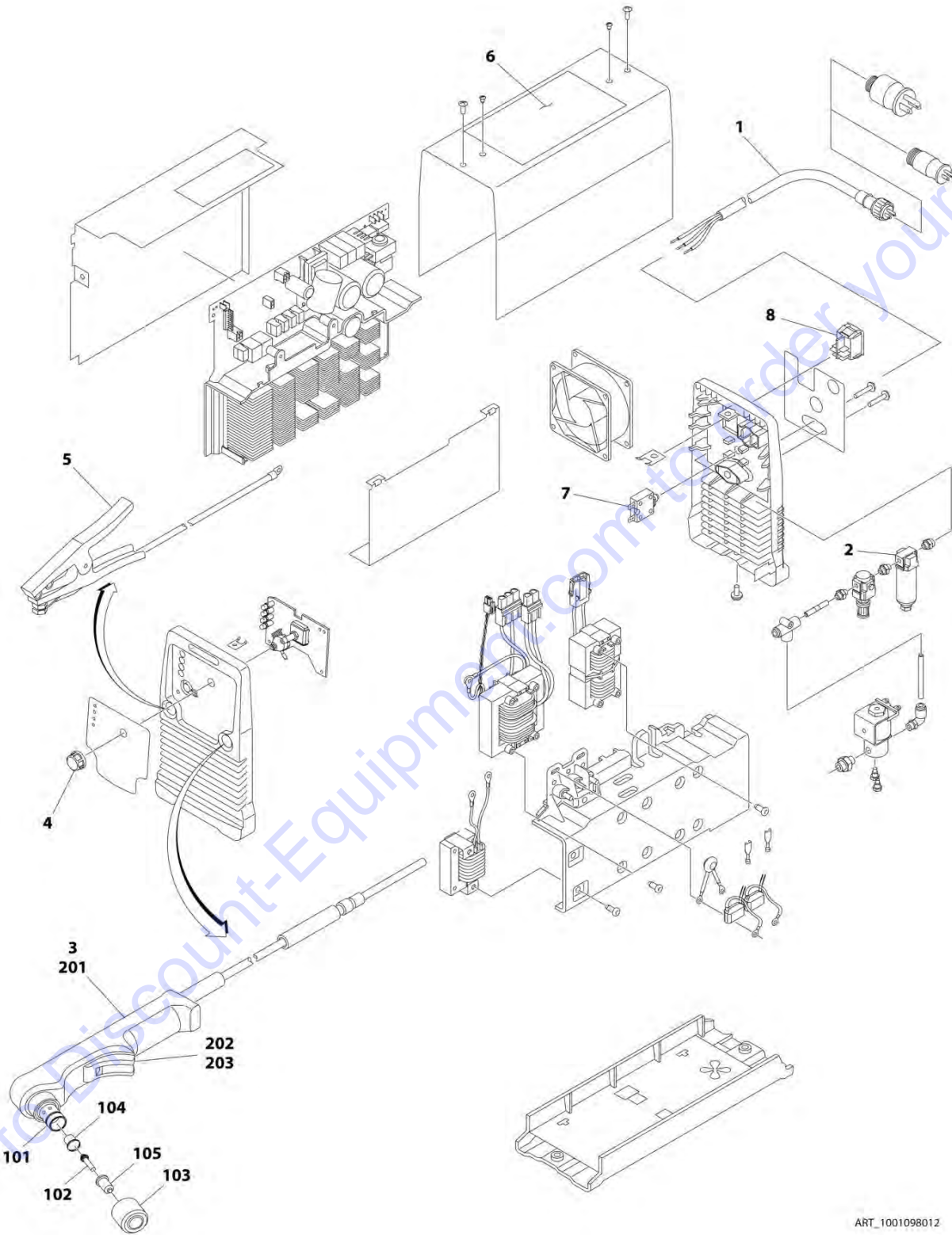
SECTION 4 - PLATFORM

FIGURE 4-19. PLASMA CUTTER ASSEMBLY

ITEM	PART NUMBER	QTY	DESCRIPTION	REV
		Ref	PLASMA CUTTER ASSEMBLY	
	4530024	Ref	Plasma Cutter Assembly - 60Hz Power Supply	D
	4530025	Ref	Plasma Cutter Assembly - 50Hz Power Supply	D
		Ref	Note: For Other Components, contact your Miller Welder Dealer	
1	7024519	1	Circuit Card - 60Hz Power Supply	
1	7024538	1	Circuit Card - 50Hz Power Supply	
2	7024520	1	Switch	
3	7024521	10 ft/3m	Cable, Power - 60Hz Power Supply	
3	7024539	10 ft/3m	Cable, Power - 50Hz Power Supply	
4	7024522	1	Filter, Air	
5	7024523	1	Valve, Air - 60Hz Power Supply	
5	7024540	1	Valve, Air - 50Hz Power Supply	
6	7024524	1	Regulator, Air	
7	7024525	1	Circuit Card - 60Hz Power Supply	
7	7024541	1	Circuit Card - 50Hz Power Supply	
8	7024526	1	Torch Assembly (See Items 101-203 for Breakdown)	
9	7024527	1	Clamp	
10	7024528	1	Knob	
11	7024529	1	Gauge, Air	
	7024526	Ref	TORCH ASSEMBLY	
101	7024530	1	O-Ring	
102	7024531	1	Electrode	
103	7024532	1	Cup, Retaining	
104	7024533	1	Swirl Ring	
105	7024534	1	Tip	
201	7024535	1	Handle, Torch	
202	7024536	1	Switch	
203	7024537	1	Trigger	

SECTION 4 - PLATFORM

FIGURE 4-20. PLASMA CUTTER ASSEMBLY



ART_1001098012

SECTION 4 - PLATFORM

FIGURE 4-20. PLASMA CUTTER ASSEMBLY

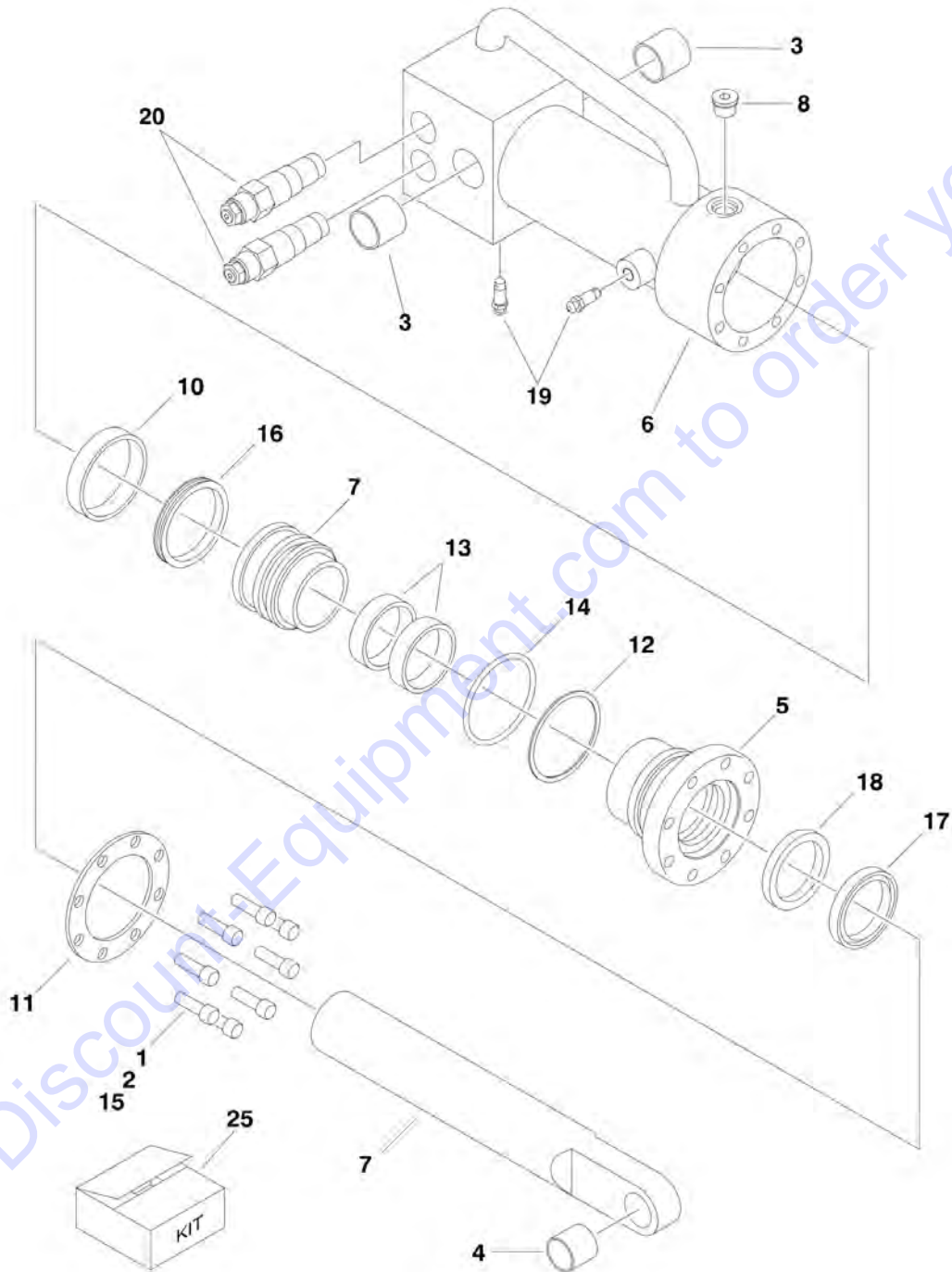
ITEM	PART NUMBER	QTY	DESCRIPTION	REV
		Ref	PLASMA CUTTER ASSEMBLY	
	1001098012	Ref	Plasma Cutter Assembly - 50Hz/60Hz Power Supply	A
		Ref	Note: For Other Components, contact your Miller Welder Dealer	
1	70001424	1	Cable, Power	
1	70001425	1	Decal - Voltage Warning	
2	70001427	1	Filter, Regulator	
3	70001428	1	Torch Assembly (See Items 101-203 for Breakdown)	
4	7024471	1	Knob	
5	70001429	1	Clamp with Cable	
6	70001430	1	Decal - Caution	
7	70001431	1	Breaker, Circuit	
8	70001432	1	Switch, Rocker	
	70001428	Ref	TORCH ASSEMBLY	
101	7024530	1	O-Ring	
102	7024531	1	Electrode	
103	7024532	1	Cup, Retaining	
104	7024533	1	Swirl Ring	
105	7024534	1	Tip	
201	7024535	1	Handle, Torch	
202	7024536	1	Switch	
203	7024537	1	Trigger	

SECTION 5 - CYLINDER

Go to Discount-Equipment.com to order your parts

SECTION 5 - CYLINDER

FIGURE 5-1. USA BUILT MACHINES/AXLE LOCKOUT CYLINDER (SN 0300065080 through 0300107511)



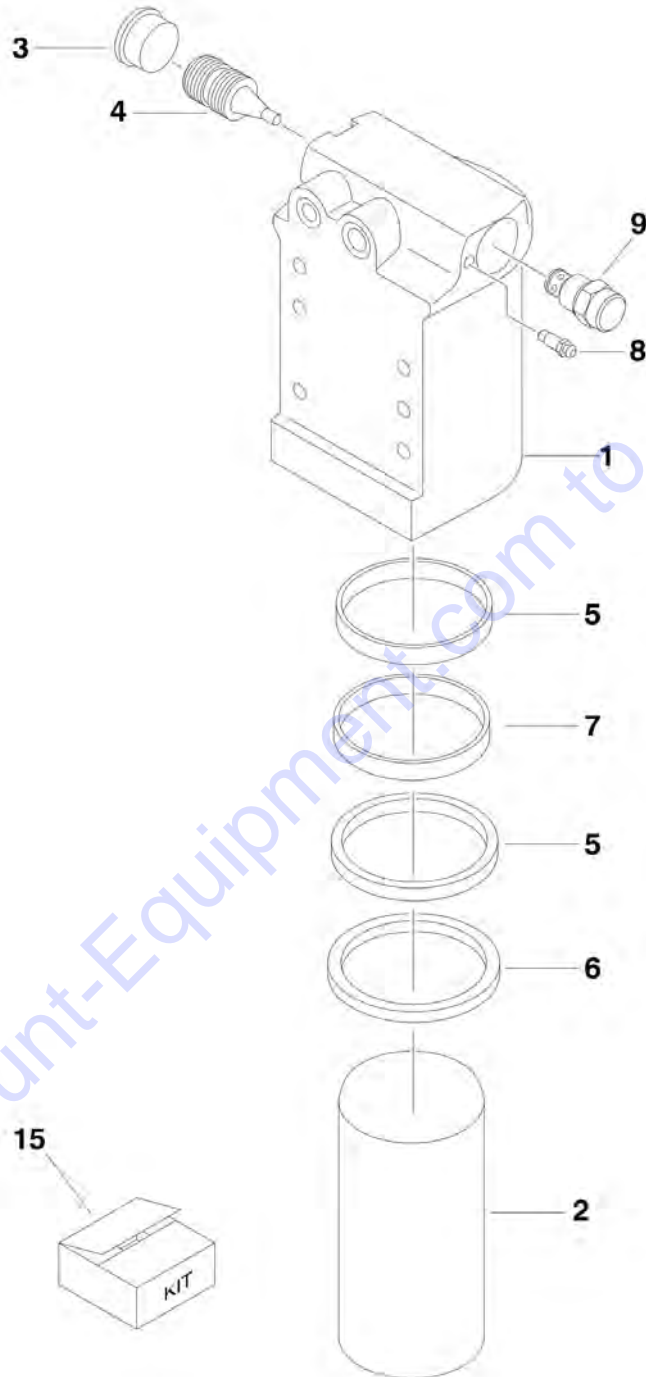
SECTION 5 - CYLINDER

FIGURE 5-1. USA BUILT MACHINES/AXLE LOCKOUT CYLINDER (SN 0300065080 through 0300107511)

ITEM	PART NUMBER	QTY	DESCRIPTION	REV
	1684129	Ref	AXLE LOCKOUT CYLINDER ASSEMBLY	C
		Ref	Manufactured in USA (SN 1st digit is 0)	
1	0100011	AR	Compound, Locking	
2	0100038	AR	Primer, Locking	
3		Ref	Bushing	
3	0961890	2	Bushing (SN 0300065080 through 0300069154)	
3	0962474	2	Bushing (SN 0300069155 through 0300170511)	
4		Ref	Bushing	
4	0962395	1	Bushing (SN 0300065080 through 0300069154)	
4	0962466	1	Bushing (SN 0300069155 through 0300123999)	
5	1683076	1	Head	
6	1683572	1	Barrel Weldment	
7	1684130	1	Rod/Piston	
8	2220885	1	Plug, O-Ring #6	
10	2901548	1	Ring, Wear	
11	3760367	1	Ring, Washer	
12	2901548	1	Ring, Back-up	
13	2901548	2	Ring, Wear	
14	2901548	1	O-Ring	
15	3931516	8	Capscrew, Socket Head 5/16in-18NC x1in	
16	2901548	1	T-Seal	
17	2901548	1	Seal, Wiper	
18	2901548	1	Seal, Rod	
19	4640858	2	Valve, Bleeder	
20	4641162	2	Valve, Counterbalance	
20	2900770	2	Seal Kit - 4641162 Valve (1 Per Assembly)	
25	2901548	1	Seal Kit, Cylinder (Includes Items 10, 12-14 & 16-18)	

SECTION 5 - CYLINDER

FIGURE 5-2. USA BUILT MACHINES/AXLE LOCKOUT CYLINDER (SN 0300107512 through 0300123999)



SECTION 5 - CYLINDER

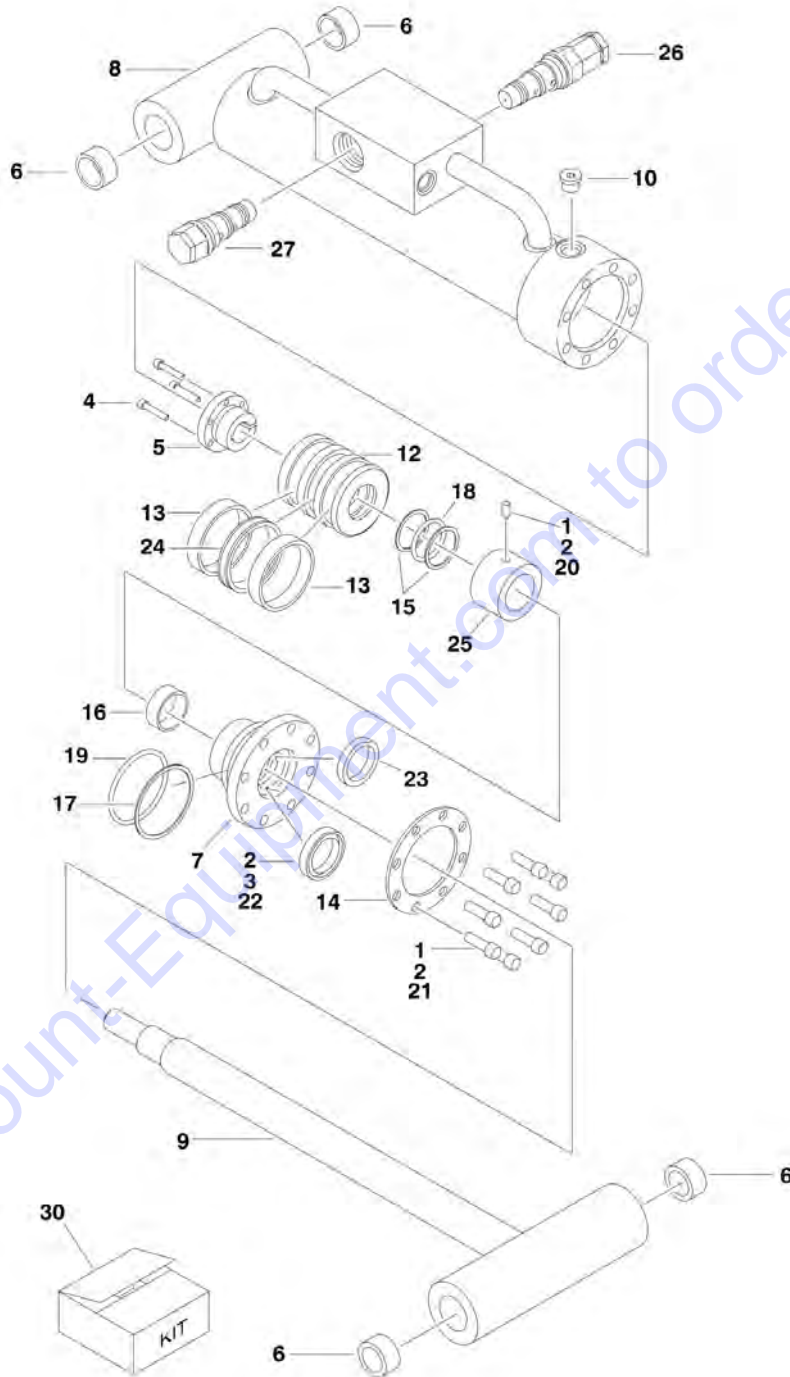
FIGURE 5-2. USA BUILT MACHINES/AXLE LOCKOUT CYLINDER (SN 0300107512 through 0300123999)

ITEM	PART NUMBER	QTY	DESCRIPTION	REV
	1684465	Ref	AXLE LOCKOUT CYLINDER ASSEMBLY	B
		Ref	Manufactured in USA (SN 1st digit is 0)	
1	0370026	1	Barrel	
2	1684290	1	Rod	
3	2220890	1	Plug	
4	3480288	1	Piston, Pilot	
5	2902266	2	Ring, Wear	
6	2902266	1	Wiper	
7	2902266	1	Seal, Rod	
8	4640858	1	Bleeder	
9	4641390	1	Cartridge, Valve	
9	7017496	1	Seal Kit	
15	2902266	1	Seal Kit, Cylinder (Includes Items 4-6)	

Go to Discount-Equipment.com to order your parts

SECTION 5 - CYLINDER

FIGURE 5-3. USA BUILT MACHINES/LEVEL (PLATFORM SLAVE) CYLINDER (450A SERIES II)
(ORIGINAL EQUIPMENT) (SN 0300065080 through 0300123999)



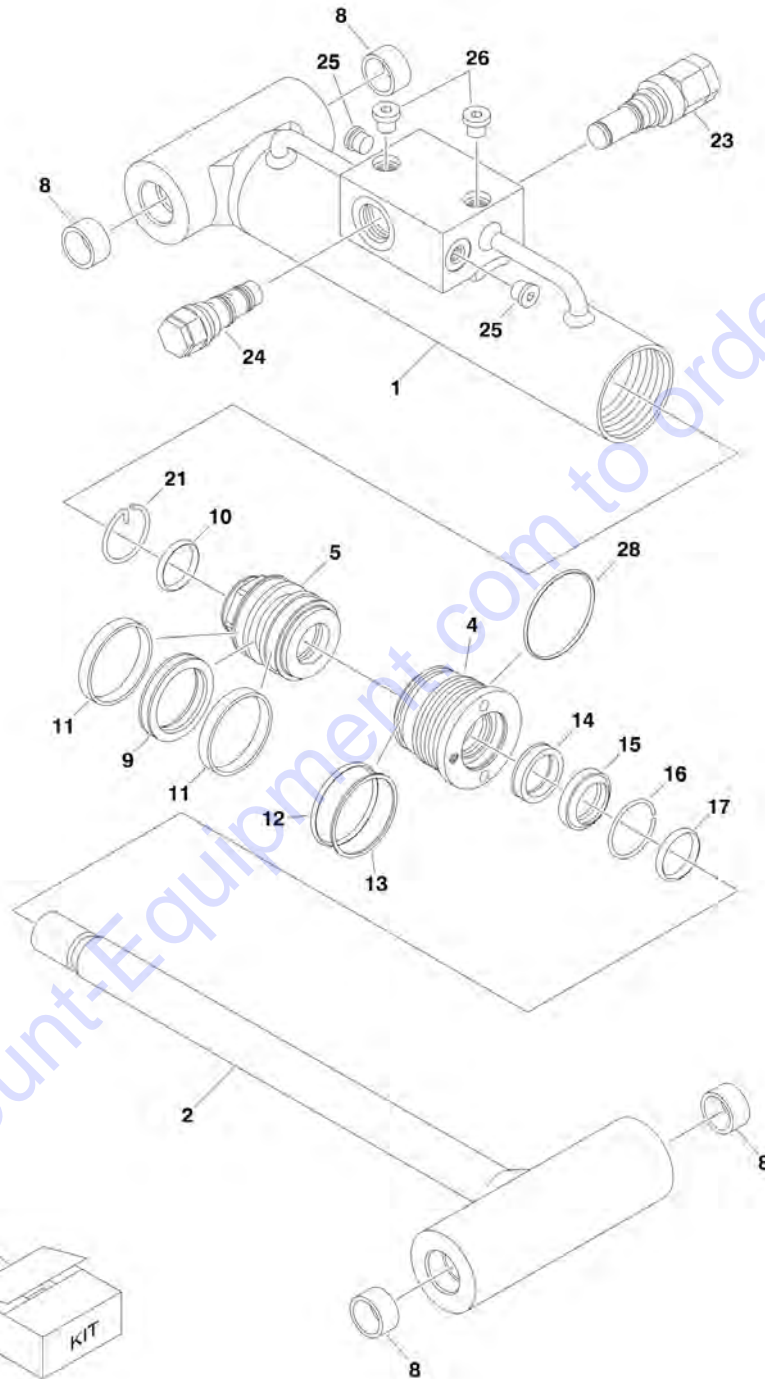
SECTION 5 - CYLINDER

**FIGURE 5-3. USA BUILT MACHINES/LEVEL (PLATFORM SLAVE) CYLINDER (450A SERIES II)
(ORIGINAL EQUIPMENT) (SN 0300065080 through 0300123999)**

ITEM	PART NUMBER	QTY	DESCRIPTION	REV
		Ref	Note: Original Equipment Cylinder may have been replaced with Service Replacement Cylinder. Identify p/n stamped on cylinder before ordering parts.	
		Ref	Manufactured in USA (SN 1st digit is 0)	
	1684165	Ref	LEVEL (PLATFORM SLAVE) CYLINDER ASSEMBLY (450A SERIES II) (ORIGINAL EQUIPMENT)	A
1	0100011	AR	Compound, Locking	
2	0100038	AR	Primer, Locking	
3	0100063	AR	Loctite RC 609	
4	0630534	3	Capscrew #10-24NC x 1in	
5	0962185	1	Bushing, Tapered	
6	0961947	4	Bushing, Garmax	
7	1683050	1	Head	
8	1684166	1	Barrel Weldment	
9	1684167	1	Rod Weldment	
10	2220885	1	Plug, O-Ring	
12	3480232	1	Piston	
13	2901549	2	Ring, Wear	
14	3760367	1	Ring, Washer	
15	2901549	2	Ring, Back-up	
16	2901549	1	Ring, Wear	
17	2901549	1	Ring, Back-up	
18	2901549	1	O-Ring	
19	2901549	1	O-Ring	
20	3900139	1	Setscrew 1/4in-20NC x 1/2in	
21	3931516	8	Capscrew 5/16in-18NC x 1in	
22	2901549	1	Wiper	
23	2901549	1	Seal	
24	2901549	1	T-Seal	
25	4568068	1	Tube, Spacer	
26	4640932	1	Cartridge, Valve (Counterbalance Vented)	
26	7011112	1	Seal Kit - 4640932 Valve	
27	4641086	1	Cartridge, Valve (Counterbalance Non-Vented)	
27	2900792	1	Seal Kit - 4641086 Valve	
30	2901549	1	Seal Kit, Cylinder (Includes Items 13, 15-19 & 22-24)	

SECTION 5 - CYLINDER

FIGURE 5-4. USA BUILT MACHINES/LEVEL (PLATFORM SLAVE) CYLINDER ASSEMBLY (450A SERIES II) (SERVICE REPLACEMENT) (SN 0300065080 through 0300123999)



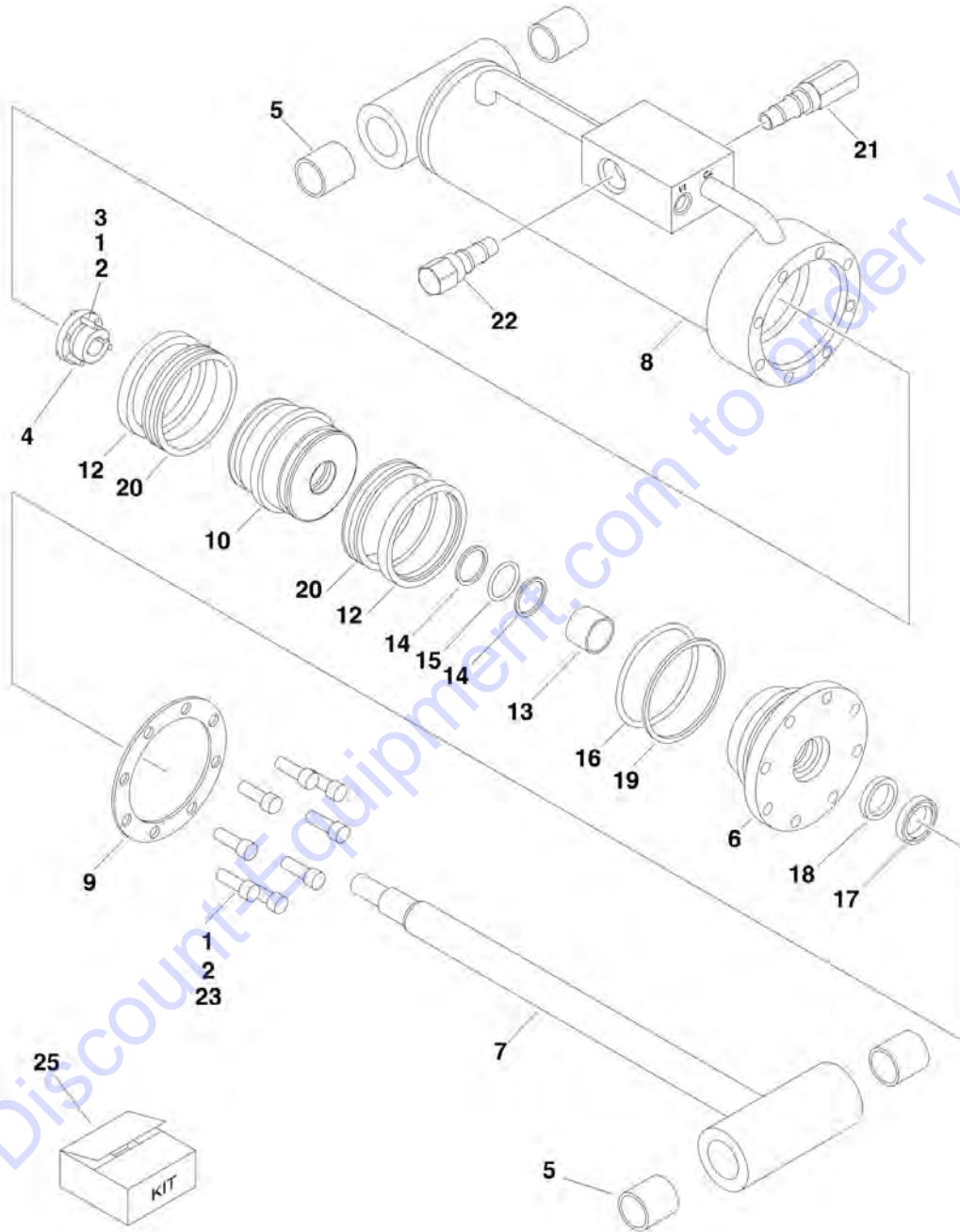
SECTION 5 - CYLINDER

FIGURE 5-4. USA BUILT MACHINES/LEVEL (PLATFORM SLAVE) CYLINDER ASSEMBLY (450A SERIES II) (SERVICE REPLACEMENT) (SN 0300065080 through 0300123999)

ITEM	PART NUMBER	QTY	DESCRIPTION	REV
		Ref	Note: Original Equipment Cylinder may have been replaced with Service Replacement Cylinder. Identify p/n stamped on cylinder before ordering parts.	
		Ref	Manufactured in USA (SN 1st digit is 0)	
	1001140274	Ref	LEVEL (PLATFORM SLAVE) CYLINDER ASSEMBLY (450A SERIES II) (SERVICE REPLACEMENT)	A
1	70003812	1	Barrel	
2	70003813	1	Rod	
4	70003809	1	Head	
5	70003810	1	Piston	
8	0961947	4	Bushing	
9	70003814	1	Seal	
10	70003814	1	O-Ring	
11	70003814	2	Ring, Wear	
12	70003814	1	O-Ring	
13	70003814	1	Ring, Back-up	
14	70003814	1	Seal	
15	70003814	1	Wiper	
16	70002217	1	Ring, Retaining	
17	7026084	1	O-Ring	
21	70002216	1	Retainer	
23	4640932	1	Cartridge, Counterbalance Valve	
23	7011112	1	Seal Kit - 4640932 Valve	
24	4641086	1	Cartridge, Counterbalance Valve	
24	2900792	1	Seal Kit - 4641086 Valve	
25	7024844	2	Plug	
26	See Note	2	Plug (Note: Not available for purchase)	
28	70003814	1	O-Ring	
50	70003814	1	Seal Kit (Includes Items 9-15 & 28)	

SECTION 5 - CYLINDER

FIGURE 5-5. USA BUILT MACHINES/LEVEL (PLATFORM) CYLINDER (450AJ SERIES II) (ORIGINAL EQUIPMENT) (SN 0300065080 through 0300123999)



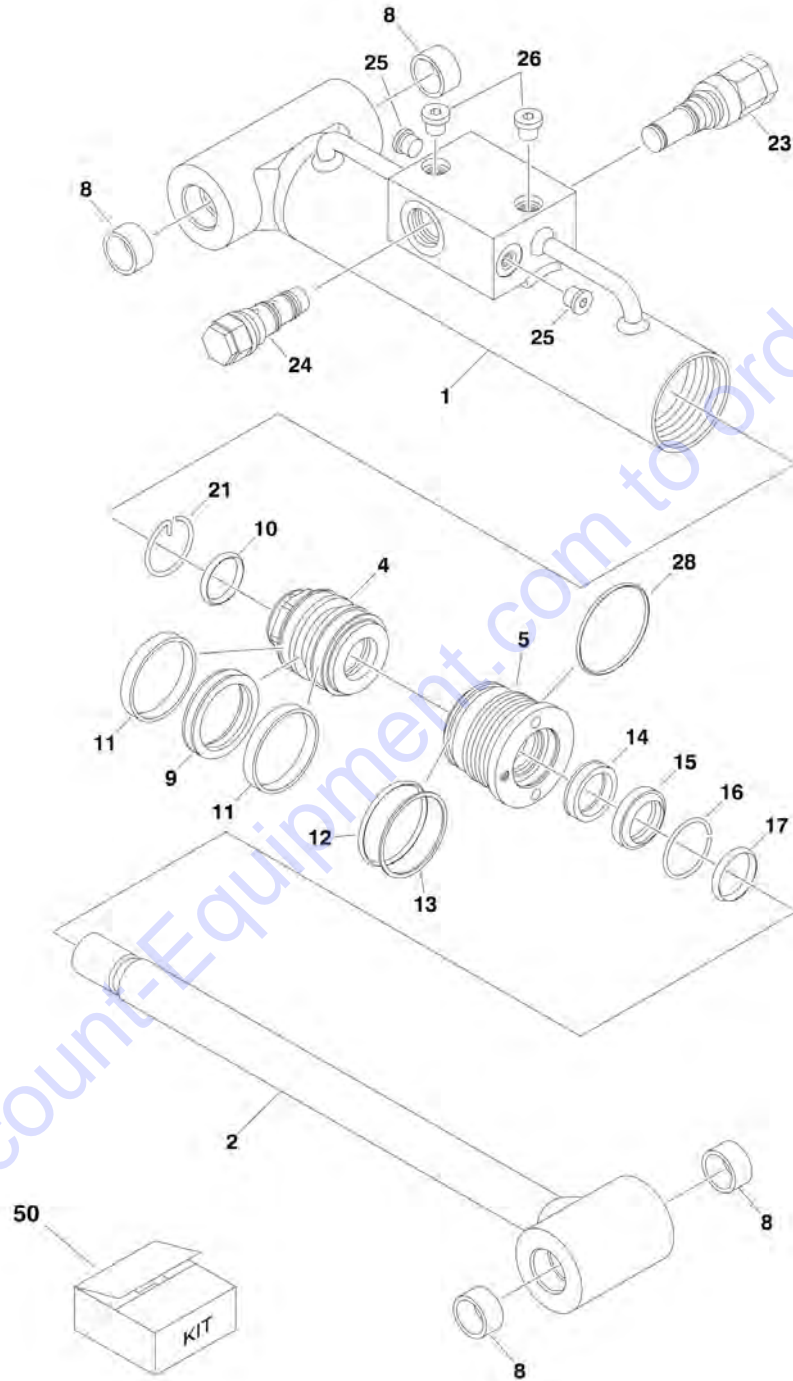
SECTION 5 - CYLINDER

FIGURE 5-5. USA BUILT MACHINES/LEVEL (PLATFORM) CYLINDER (450AJ SERIES II) (ORIGINAL EQUIPMENT) (SN 0300065080 through 0300123999)

ITEM	PART NUMBER	QTY	DESCRIPTION	REV
		Ref	Note: Original Equipment Cylinder may have been replaced with Service Replacement Cylinder. Identify p/n stamped on cylinder before ordering parts.	
	1683760	Ref	Manufactured in USA (SN 1st digit is 0)	D
		Ref	LEVEL (PLATFORM SLAVE) CYLINDER ASSEMBLY (450AJ SERIES II) (ORIGINAL EQUIPMENT)	
1	0100011	AR	Compound, Locking	
2	0100038	AR	Primer, Locking #7471	
3	0630534	3	Bolt, Socket Head #10-24NC x 1in	
4	0962185	1	Tapered Bushing	
5	0961951	4	Bushing, Garmax	
6	1683052	1	Head	
7	1683759	1	Rod	
8	1683761	1	Barrel	
9	3760368	1	Washer, Ring	
10	3480247	1	Piston	
12	2901776	2	Ring, Lock	
13	2901776	1	Ring, Wear	
14	2901776	2	Ring, Back-Up	
15	2901776	1	O-Ring	
16	2901776	1	O-Ring	
17	2901776	1	Wiper	
18	2901776	1	Seal	
19	2901776	1	Ring, Back-Up	
20	2901776	2	Seal	
21	4640932	1	Cartridge, Valve (Counterbalance Vented)	
21	7011112	1	Seal Kit - 4640932 Valve	
22	4641086	1	Cartridge, Valve (Counterbalance Non-Vented)	
22	2900792	1	Seal Kit - 4641086 Valve	
23	3931516	8	Bolt, Socket Head 5/16in-18NC x 1in	
25	2901776	1	Seal Kit, Cylinder (Includes Items 12-20)	

SECTION 5 - CYLINDER

FIGURE 5-6. USA BUILT MACHINES/LEVEL (PLATFORM) CYLINDER (450AJ SERIES II) (SERVICE REPLACEMENT) (SN 0300065080 through 0300123999)



PARTS FINDER

**Search Website
by Part Number**



**Search Manual
Library For Parts
Manual & Lookup Part
Numbers – Purchase
or Request Quote**

**Can't Find Part or
Manual? Request Help
by Manufacturer,
Model & Description**

Discount-Equipment.com is your online resource for quality parts & equipment.

Florida: **561-964-4949** Outside Florida TOLL FREE: **877-690-3101**

Need parts?

Click on this link: <http://www.discount-equipment.com/category/5443-parts/> and choose one of the options to help get the right parts and equipment you are looking for. Please have the machine model and serial number available in order to help us get you the correct parts. If you don't find the part on the website or on one of the online manuals, please fill out the request form and one of our experienced staff members will get back to you with a quote for the right part that your machine needs.

We sell worldwide for the brands: Genie, Terex, JLG, MultiQuip, Mikasa, Essick, Whiteman, Mayco, Toro Stone, Diamond Products, Generac Magnum, Airman, Haulotte, Barreto, Power Blanket, Nifty Lift, Atlas Copco, Chicago Pneumatic, Allmand, Miller Curber, Skyjack, Lull, Skytrak, Tsurumi, Husquvarna Target, Stow, Wacker, Sakai, Mi-T-M, Sullair, Basic, Dynapac, MBW, Weber, Bartell, Bennar Newman, Haulotte, Ditch Runner, Menegotti, Morrison, Contec, Buddy, Crown, Edco, Wyco, Bomag, Laymor, EZ Trench, Bil-Jax, F.S. Curtis, Gehl Pavers, Heli, Honda, ICS/PowerGrit, IHI, Partner, Imer, Clipper, MMD, Koshin, Rice, CH&E, General Equipment, Amida, Coleman, NAC, Gradall, Square Shooter, Kent, Stanley, Tamco, Toku, Hatz, Kohler, Robin, Wisconsin, Northrock, Oztec, Toker TK, Rol-Air, APT, Wylie, Ingersoll Rand / Doosan, Innovatech, Con X, Ammann, Mecalac, Makinex, Smith Surface Prep, Small Line, Wanco, Yanmar

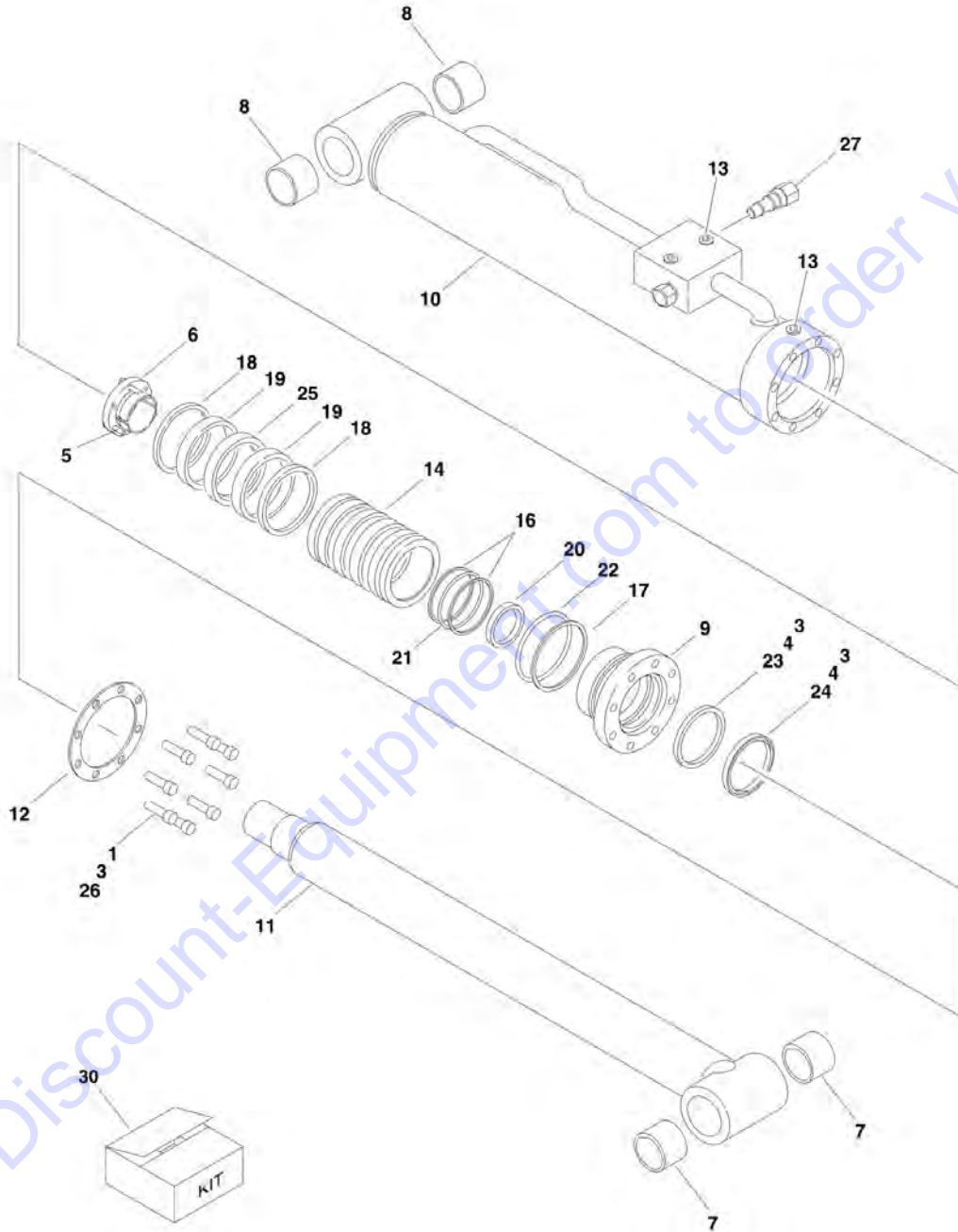
SECTION 5 - CYLINDER

FIGURE 5-6. USA BUILT MACHINES/LEVEL (PLATFORM) CYLINDER (450AJ SERIES II) (SERVICE REPLACEMENT) (SN 0300065080 through 0300123999)

ITEM	PART NUMBER	QTY	DESCRIPTION	REV
		Ref	Note: Original Equipment component may have been replaced with Service Replacement component. Identify p/n stamped on cylinder before ordering parts.	
		Ref	Manufactured in USA (SN 1st digit is 0)	
	1001140279	Ref	PLATFORM LEVEL CYLINDER ASSEMBLY (450AJ SERIES II) (SERVICE REPLACEMENT)	A
1	70003846	1	Barrel	
2	70003847	1	Rod	
4	70003819	1	Piston	
5	7026082	1	Head	
8	0961951	4	Bushing	
9	70003845	1	Seal	
10	70003845	1	O-Ring	
11	70003845	2	Ring, Wear	
12	70003845	1	O-Ring	
13	70003845	1	Ring, Back-up	
14	70003845	1	Seal	
15	70003845	1	Wiper	
16	70002217	1	Ring, Retaining	
17	7026084	1	O-Ring	
21	70002216	1	Retainer	
23	4640932	1	Cartridge, Counterbalance Valve	
23	7011112	1	Seal Kit - 4640932 Valve	
24	4641086	1	Cartridge, Counterbalance Valve	
24	2900792	1	Seal Kit - 4641086 Valve	
25	7024844	2	Plug	
26	See Note	2	Plug (Note: Not available for purchase)	
28	70003845	1	O-Ring	
50	70003845	1	Seal Kit (Includes Items 9-15 & 28)	

SECTION 5 - CYLINDER

FIGURE 5-7. USA BUILT MACHINES/LIFT (JIB) CYLINDER (450AJ SERIES II ONLY) (ORIGINAL EQUIPMENT) (SN 0300065080 through 0300123999)



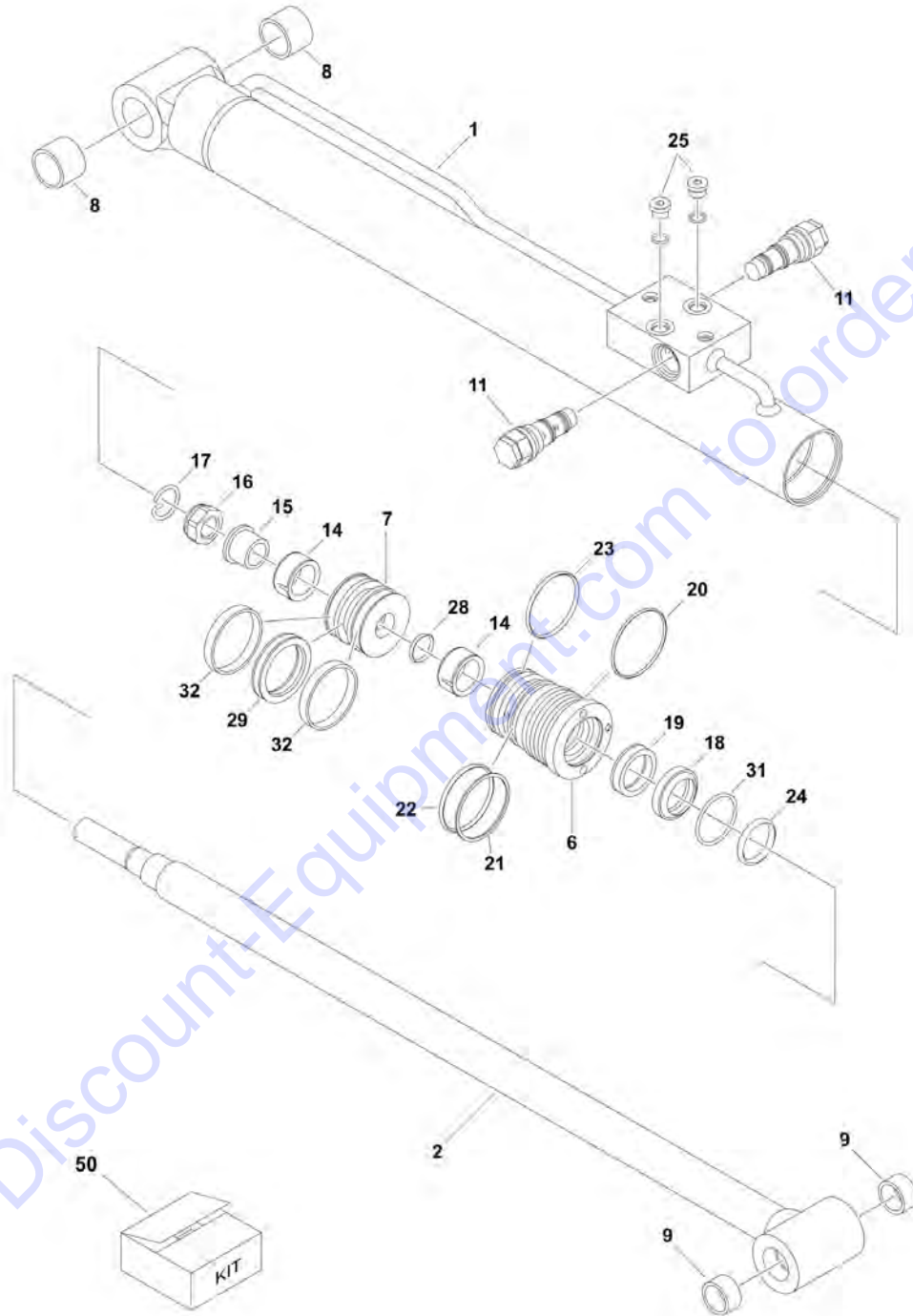
SECTION 5 - CYLINDER

FIGURE 5-7. USA BUILT MACHINES/LIFT (JIB) CYLINDER (450AJ SERIES II ONLY) (ORIGINAL EQUIPMENT) (SN 0300065080 through 0300123999)

ITEM	PART NUMBER	QTY	DESCRIPTION	REV
		Ref	Note: Original Equipment Cylinder may have been replaced with Service Replacement Cylinder. Identify p/n stamped on cylinder before ordering parts.	
	1683959	Ref	Manufactured in USA (SN 1st digit is 0)	
		Ref	JIB LIFT CYLINDER ASSEMBLY (450AJ SERIES II ONLY) (ORIGINAL EQUIPMENT)	B
1	0100011	AR	Compound, Locking	
3	0100038	AR	Primer, Locking	
4	0100063	AR	Loctite #RC609	
5	0630534	3	Bolt #10-24NC x 1in	
6	0961893	1	Bushing, Tapered	
7	0961947	2	Bushing	
8	0961951	2	Bushing	
9	1683051	1	Head	
10	1683960	1	Barrel Weldment	
11	1683961	1	Rod Weldment	
12	3760367	1	Washer, Ring	
13	2220885	3	Plug, O-Ring	
14	3480249	1	Piston	
16	2901810	2	Ring, Back-up	
17	2901810	1	Ring, Back-up	
18	2901810	2	Seal	
19	2901810	2	Ring, Wear	
20	2901810	1	Ring, Wear	
21	2901810	1	O-Ring	
22	2901810	1	O-Ring	
23	2901810	1	Seal	
24	2901810	1	Wiper	
25	2901810	1	T-Seal	
26	3931516	8	Bolt, Socket Head 5/16in-18NC x 2in	
27	4640509	2	Cartridge, Valve (Counterbalance Non-Vented)	
27	2900792	2	Seal Kit - 4640509 Valve	
30	2901810	1	Seal Kit, Cylinder (Includes Items 16-25)	

SECTION 5 - CYLINDER

FIGURE 5-8. USA BUILT MACHINES/LIFT (JIB) CYLINDER (450AJ SERIES II ONLY) (SERVICE REPLACEMENT) (SN 0300065080 through 0300123999)



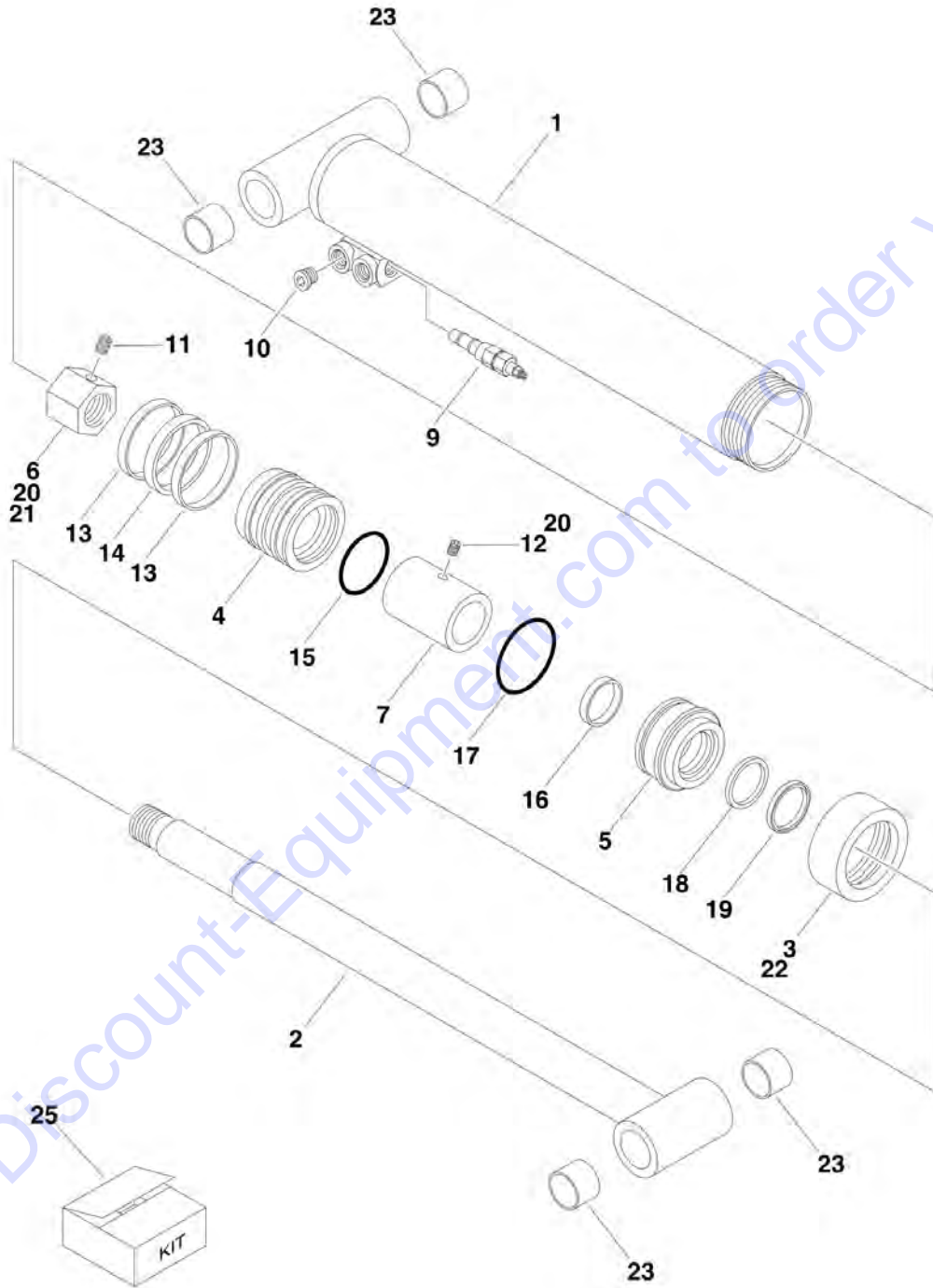
SECTION 5 - CYLINDER

FIGURE 5-8. USA BUILT MACHINES/LIFT (JIB) CYLINDER (450AJ SERIES II ONLY) (SERVICE REPLACEMENT) (SN 0300065080 through 0300123999)

ITEM	PART NUMBER	QTY	DESCRIPTION	REV
		Ref	Note: Original Equipment Cylinder may have been replaced with Service Replacement Cylinder. Identify p/n stamped on cylinder before ordering parts.	
		Ref	Manufactured in USA (SN 1st digit is 0)	
	1001140282	Ref	LIFT (JIB) CYLINDER ASSEMBLY (450AJ SERIES II ONLY) (SERVICE REPLACEMENT)	A
1	70003834	1	Barrel	
2	70003835	1	Rod	
6	7026088	1	Head	
7	70003833	1	Piston	
8	0961951	2	Bushing	
9	0961947	2	Bushing	
11	464509	2	Cartridge, Counterbalance Valve	
11	2900792	2	Seal Kit - 464509 Valve	
14	7026090	2	Bushing	
15	7026091	1	Sleeve	
16	7026092	1	Nut	
17	70002223	1	Retainer	
18	70003836	1	Wiper	
19	70003836	1	Seal	
20	70003836	1	O-Ring	
21	70003836	1	Ring, Backup	
22	70003836	1	O-Ring	
23	70003836	1	O-Ring	
24	7026068	1	O-Ring	
25	7024844	2	Plug	
28	70003836	1	O-Ring	
29	70003836	1	Seal	
31	70002220	1	Ring, Retaining	
32	70003836	2	Ring, Wear	
50	70003836	1	Seal Kit - 1001140282 Cylinder (Includes Items 18-23, 28, 29 & 32)	

SECTION 5 - CYLINDER

FIGURE 5-9. USA BUILT MACHINES/LIFT (MAIN BOOM) CYLINDER (SN 0300065080 through 0300123999)



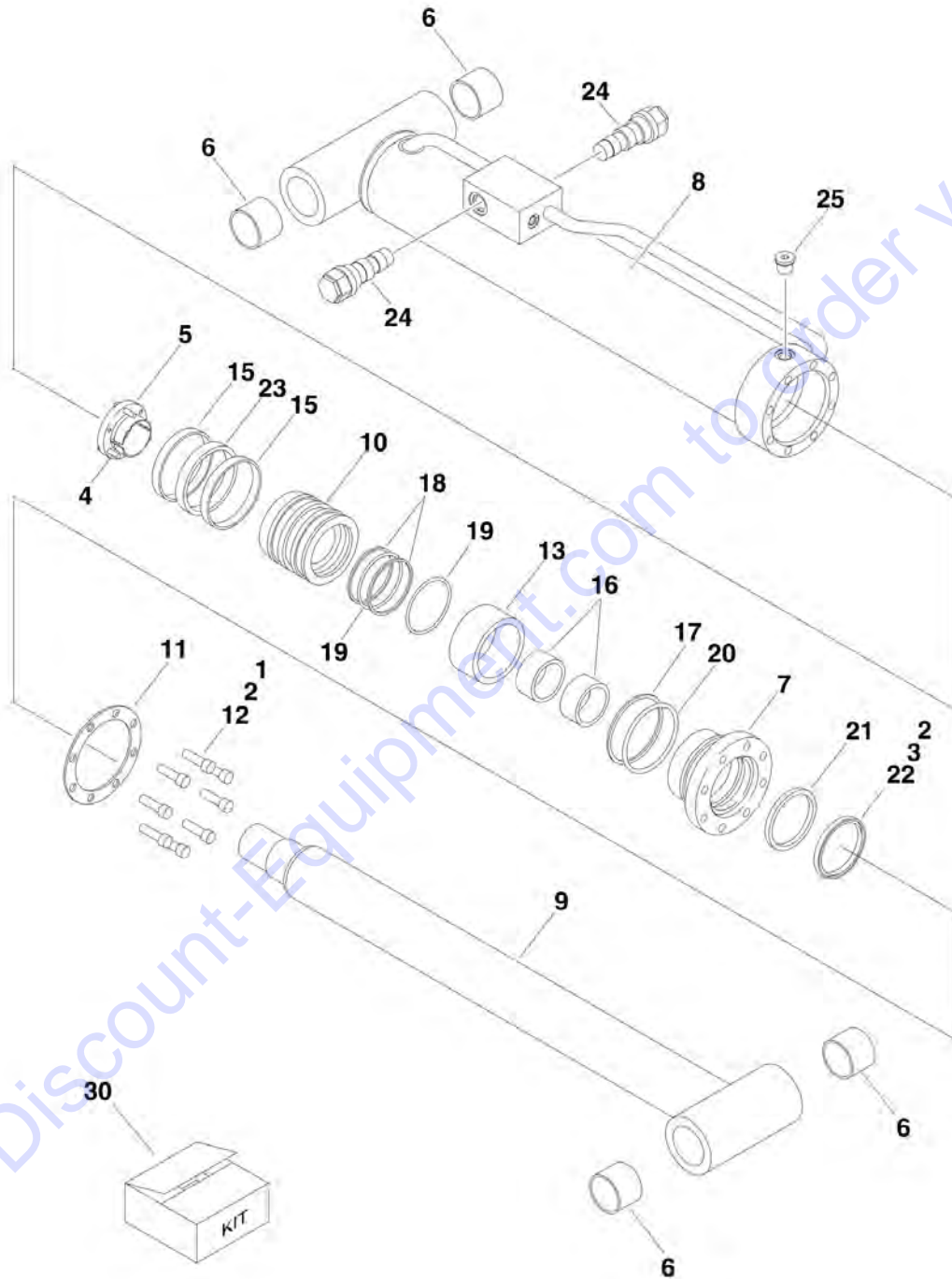
SECTION 5 - CYLINDER

FIGURE 5-9. USA BUILT MACHINES/LIFT (MAIN BOOM) CYLINDER (SN 0300065080 through 0300123999)

ITEM	PART NUMBER	QTY	DESCRIPTION	REV
		Ref	MAIN LIFT CYLINDER ASSEMBLY	
	1684155	Ref	Main Lift Cylinder Assembly (450A Series II Manufactured in USA) (SN 1st digit is 0)	1-B
	1684154	Ref	Main Lift Cylinder Assembly (450AJ Series II Manufactured in USA) (SN 1st digit is 0)	1-B
1		Ref	Barrel Weldment Options:	
1	1684060	1	Barrel Weldment (1684155 Cylinder)	
1	1683946	1	Barrel Weldment (1684154 Cylinder)	
2		Ref	Rod Weldment Options:	
2	1684059	1	Rod Weldment (1684155 Cylinder)	
2	1683947	1	Rod Weldment (1684154 Cylinder)	
3	1120108	1	Cap, End	
4	3480240	1	Piston	
5	1683504	1	Head	
6		Ref	Nut, Hex Options:	
6	3300315	1	Nut, Hex (1684155 Cylinder)	
6	3300279	1	Nut, Hex (1684154 Cylinder)	
7		Ref	Spacer, Tube Options:	
7	4567177	1	Spacer, Tube (1684155 Cylinder)	
7	4567908	1	Spacer, Tube (1684154 Cylinder)	
9	4640936	1	Cartridge, Valve	
9	2900770	1	Seal Kit - 4640936 Valve	
10	2220885	1	Plug, O-Ring	
11	3900170	1	Setscrew	
12		Ref	Setscrew Options:	
12	3951402	1	Setscrew (1684155 Cylinder)	
12	3900142	1	Setscrew (1684154 Cylinder)	
13	2902074	2	Ring, Wear	
14	2902074	1	Seal	
15	2902074	1	O-Ring	
16	2902074	1	Ring, Wear	
17	2902074	1	O-Ring	
18	2902074	1	Seal	
19	2902074	1	Wiper	
20	0100011	AR	Compound, Locking	
21	0100038	AR	Primer, Locking	
22	0100035	AR	Compound, Locking	
23	0961950	4	Bushing	
25	2902074	1	Seal Kit, Cylinder (Includes Items 13-19)	

SECTION 5 - CYLINDER

FIGURE 5-10. USA BUILT MACHINES/LIFT (TOWER BOOM) CYLINDER (SN 0300065080 through 0300123999)



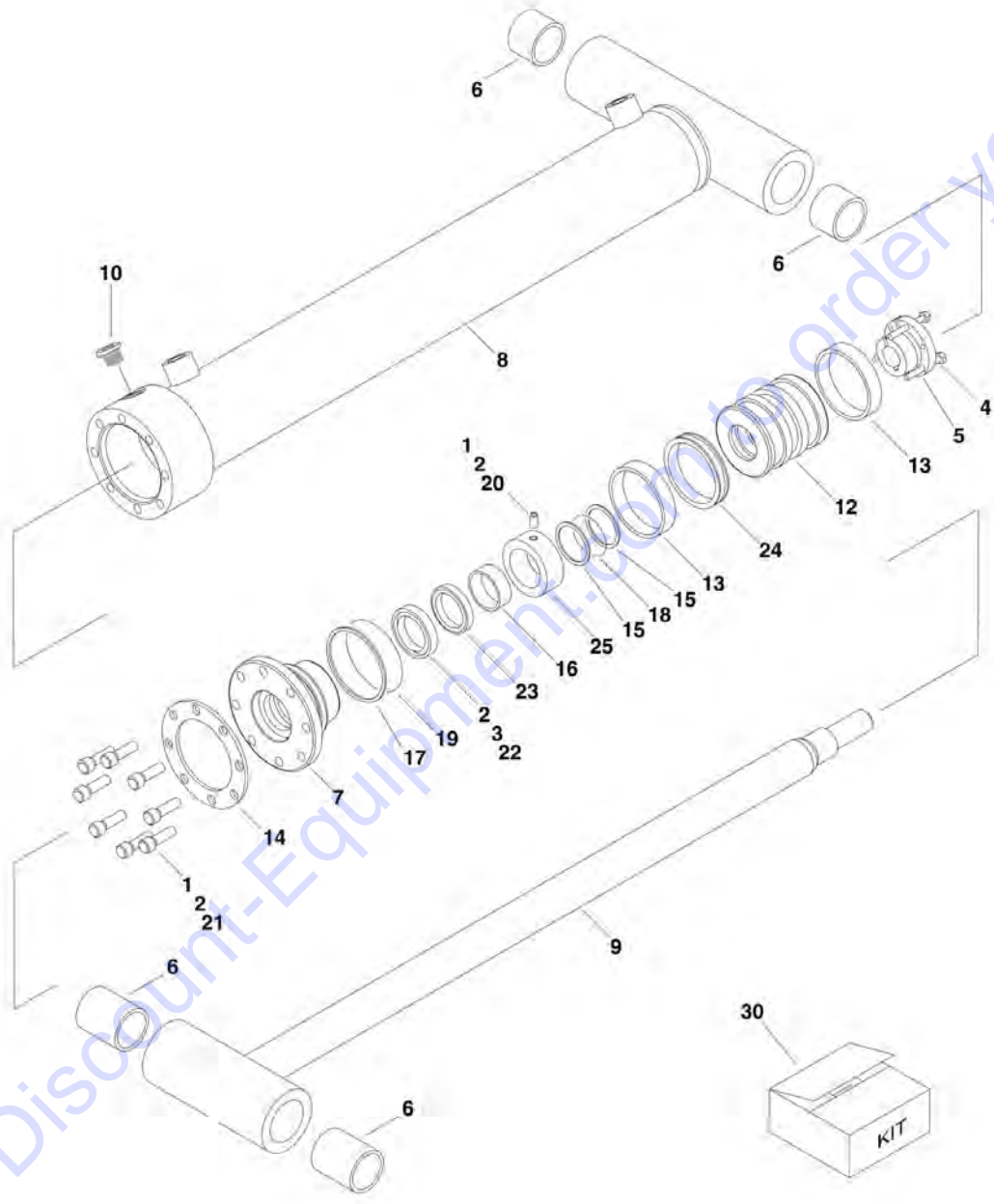
SECTION 5 - CYLINDER

FIGURE 5-10. USA BUILT MACHINES/LIFT (TOWER BOOM) CYLINDER (SN 0300065080 through 0300123999)

ITEM	PART NUMBER	QTY	DESCRIPTION	REV
		Ref	Manufactured in USA (SN 1st digit is 0)	
	1684070	Ref	TOWER LIFT CYLINDER ASSEMBLY	E
1	0100011	AR	Compound, Locking	
2	0100038	AR	Primer, Locking	
3	0100063	AR	Loctite RC609 (SN 0300065080 through 0300087393)	
4	0630535	3	Capscrew 1/4in-20NC x 1-1/8in	
5	0961897	1	Bushing, Tapered	
6	0961950	4	Bushing	
7	1683063	1	Head	
8	1684067	1	Barrel Weldment	
9	1684069	1	Rod Weldment	
10	3480253	1	Piston	
11	3760371	1	Washer, Ring	
12	3931824	8	Bolt, Socket Head 1/2in-13NC x 1-1/2in	
13		Ref	Spacer, Tube Options:	
13	4567949	1	Spacer, Tube (SN 0300065080 through 0300078894)	
13	4100099	1	Spacer, Tube (SN 0300078895 through 0300123999)	
15	2902044	2	Ring, Wear	
16	2902044	2	Ring, Wear	
17	2902044	1	Ring, Back-up	
18	2902044	2	Ring, Back-up	
19	2902044	Ref	O-Ring Options:	
19	2902044	1	O-Ring (SN 0300065080 through 0300078894)	
19	2902044	2	O-Ring (SN 0300078895 through 0300123999)	
20	2902044	1	O-Ring	
21	2902044	1	Seal	
22	2902044	1	Wiper	
23	2902044	1	T-Seal	
24	4640509	2	Cartridge, Valve (Counterbalance Non-Vented)	
24	2900792	2	Seal Kit - 4640509 Valve	
25	2220886	1	Plug, O-Ring	
30	2902044	1	Seal Kit, Cylinder (Includes Items 15-23)	

SECTION 5 - CYLINDER

FIGURE 5-11. USA BUILT MACHINES/MASTER CYLINDER (450A SERIES II) (ORIGINAL EQUIPMENT)
(SN 0300065080 through 0300123999)



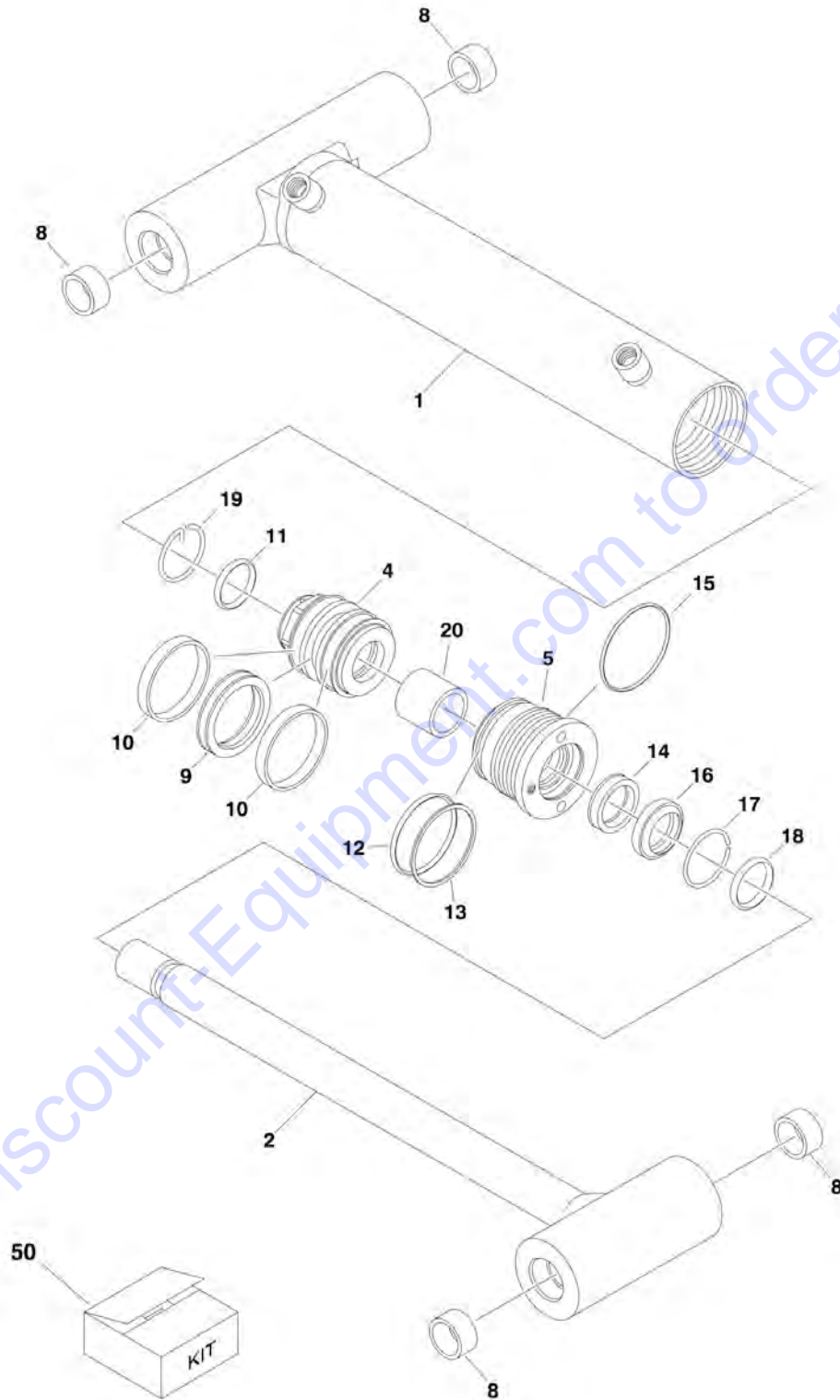
SECTION 5 - CYLINDER

**FIGURE 5-11. USA BUILT MACHINES/MASTER CYLINDER (450A SERIES II) (ORIGINAL EQUIPMENT)
(SN 0300065080 through 0300123999)**

ITEM	PART NUMBER	QTY	DESCRIPTION	REV
		Ref	Note: Original Equipment Cylinder may have been replaced with Service Replacement Cylinder. Identify p/n stamped on cylinder before ordering parts.	
		Ref	Manufactured in USA (SN 1st digit is 0)	
	1684170	Ref	MASTER CYLINDER ASSEMBLY (450A SERIES II) (ORIGINAL EQUIPMENT)	A
1	0100011	AR	Compound, Locking	
2	0100038	AR	Primer, Locking	
3	0100035	AR	Loctite RC 609	
4	0630534	3	Capscrew #10-24NC x 1in	
5	0962185	1	Bushing, Tapered	
6	0961947	4	Bushing, Garmax	
7	1683050	1	Head	
8	1684171	1	Barrel Weldment	
9	1684172	1	Rod Weldment	
10	2220885	1	Plug, O-Ring	
12	3480232	1	Piston	
13	2901549	2	Ring, Wear	
14	3760367	1	Ring, Washer	
15	2901549	2	Ring, Back-up	
16	2901549	1	Ring, Wear	
17	2901549	1	Ring, Back-up	
18	2901549	1	O-Ring	
19	2901549	1	O-Ring	
20	3900139	1	Setscrew 1/4in-20NC x 1/2in	
21	3931516	8	Capscrew 5/16in-18NC x 1in	
22	2901549	1	Wiper	
23	2901549	1	Seal	
24	2901549	1	T-Seal	
25	4568068	1	Tube, Spacer	
30	2901549	1	Seal Kit, Cylinder (Includes Items 13, 15-19 & 22-24)	

SECTION 5 - CYLINDER

FIGURE 5-12. USA BUILT MACHINES/MASTER CYLINDER (450A SERIES II) (SERVICE REPLACEMENT) (SN 0300065080 through 0300123999)



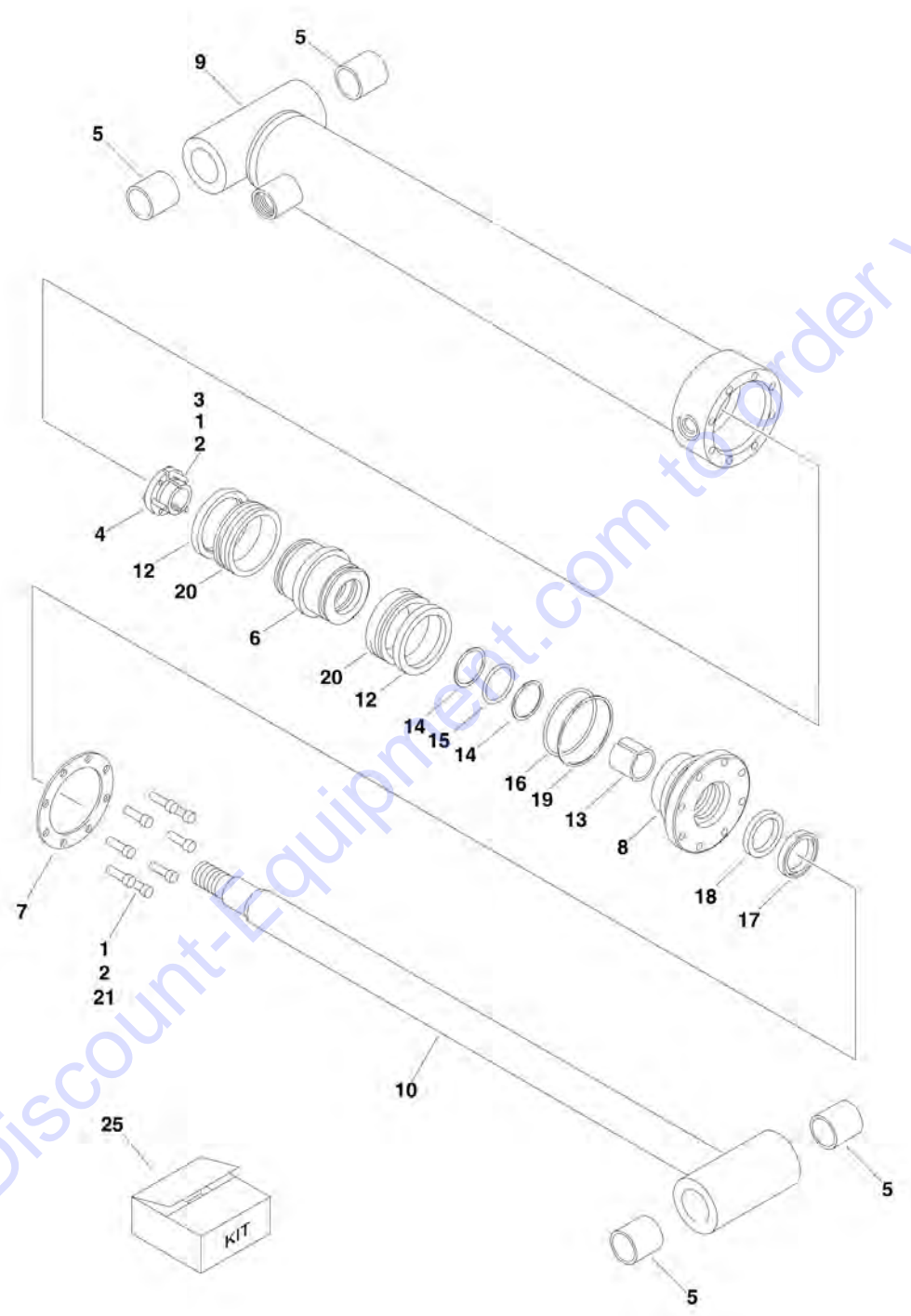
SECTION 5 - CYLINDER

FIGURE 5-12. USA BUILT MACHINES/MASTER CYLINDER (450A SERIES II) (SERVICE REPLACEMENT) (SN 0300065080 through 0300123999)

ITEM	PART NUMBER	QTY	DESCRIPTION	REV
		Ref	Note: Original Equipment Cylinder may have been replaced with Service Replacement Cylinder. Identify p/n stamped on cylinder before ordering parts.	
		Ref	Manufactured in USA (SN 1st digit is 0)	
	1001140276	Ref	MASTER CYLINDER ASSEMBLY (450A SERIES II) (SERVICE REPLACEMENT)	A
1	70003831	1	Barrel	
2	70003832	1	Rod	
4	70003810	1	Piston	
5	70003809	1	Head	
8	0961947	4	Bushing	
9	70003814	1	Seal	
10	70003814	2	Ring, Wear	
11	70003814	1	O-Ring	
12	70003814	1	O-Ring	
13	70003814	1	Ring, Back-up	
14	70003814	1	Seal	
15	70003814	1	O-Ring	
16	70003814	1	Wiper	
17	70002217	1	Ring, Retaining	
18	7026084	1	O-Ring	
19	70002216	1	Retainer	
20	70003830	1	Spacer	
50	70003814	1	Seal Kit (Includes Items 9-16)	

SECTION 5 - CYLINDER

FIGURE 5-13. USA BUILT MACHINES/MASTER CYLINDER (450AJ SERIES II) (ORIGINAL EQUIPMENT) (SN 0300065080 through 0300123999)



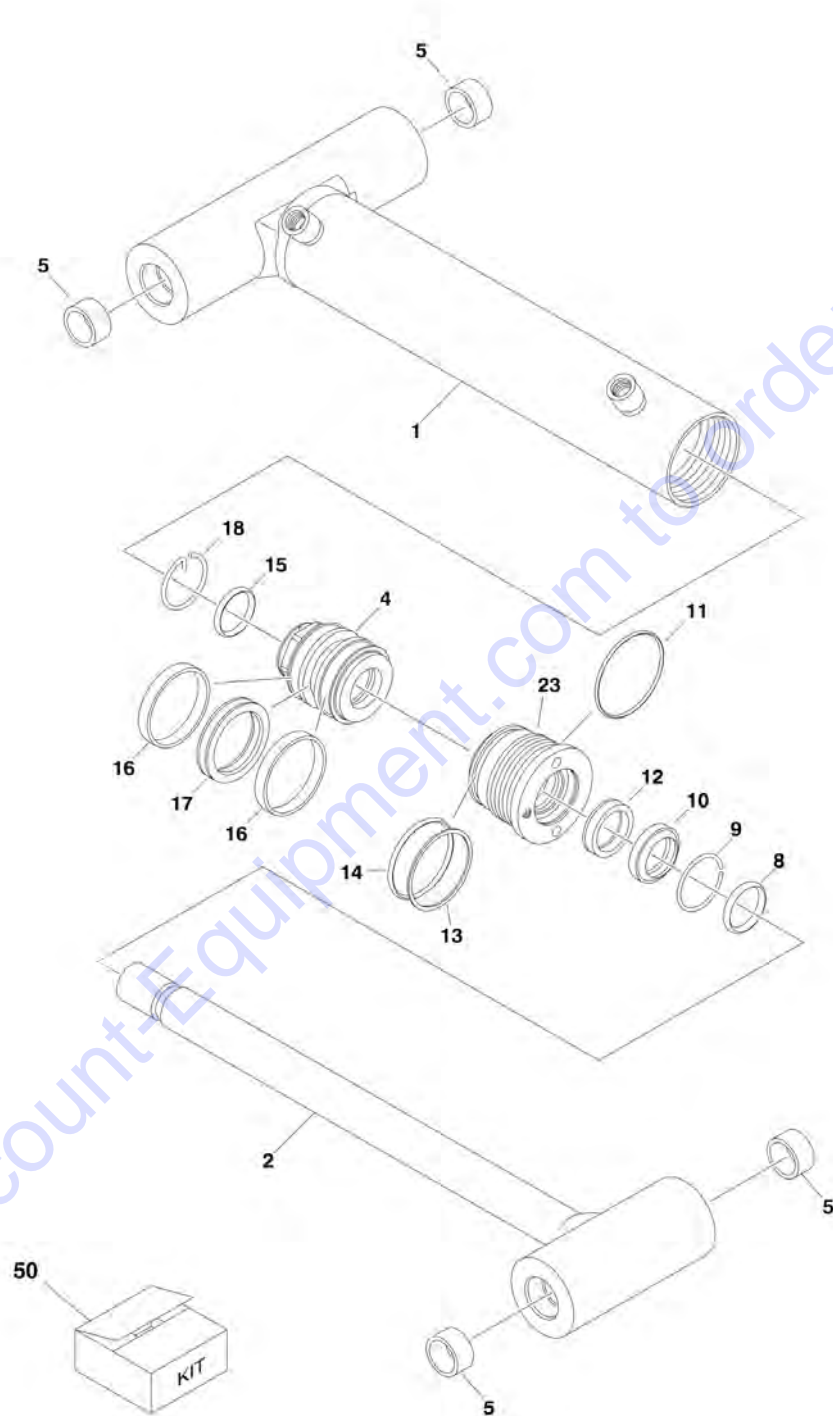
SECTION 5 - CYLINDER

FIGURE 5-13. USA BUILT MACHINES/MASTER CYLINDER (450AJ SERIES II) (ORIGINAL EQUIPMENT) (SN 0300065080 through 0300123999)

ITEM	PART NUMBER	QTY	DESCRIPTION	REV
		Ref	Note: Original Equipment Cylinder may have been replaced with Service Replacement Cylinder. Identify p/n stamped on cylinder before ordering parts.	
	1683773	Ref	Manufactured in USA (SN 1st digit is 0)	
		Ref	MASTER CYLINDER ASSEMBLY (450AJ SERIES II) (ORIGINAL EQUIPMENT)	F
1	0100011	AR	Compound, Locking	
2	0100038	AR	Primer, Locking	
3	3931016	3	Bolt Socket Head #10-24NC x 1in	
4	0962185	1	Bushing, Tapered	
5	0961951	4	Bushing, Garmax	
6	3480247	1	Piston	
7	3760368	1	Washer, Ring	
8	1683052	1	Head	
9	1683756	1	Barrel	
10	1683772	1	Rod	
12	2901776	2	Ring, Lock	
13	2901776	1	Ring, Wear	
14	2901776	2	Ring, Back-Up	
15	2901776	1	O-Ring	
16	2901776	1	O-Ring	
17	2901776	1	Wiper	
18	2901776	1	Seal	
19	2901776	1	Ring, Back-Up	
20	2901776	2	Seal	
21	3931516	8	Bolt Socket Head 5/16in-18NC x 1in	
25	2901776	1	Seal Kit - Cylinder (Includes Items 12-20)	

SECTION 5 - CYLINDER

FIGURE 5-14. USA BUILT MACHINES/MASTER CYLINDER (450AJ SERIES II) (SERVICE REPLACEMENT) (SN 0300065080 through 0300123999)



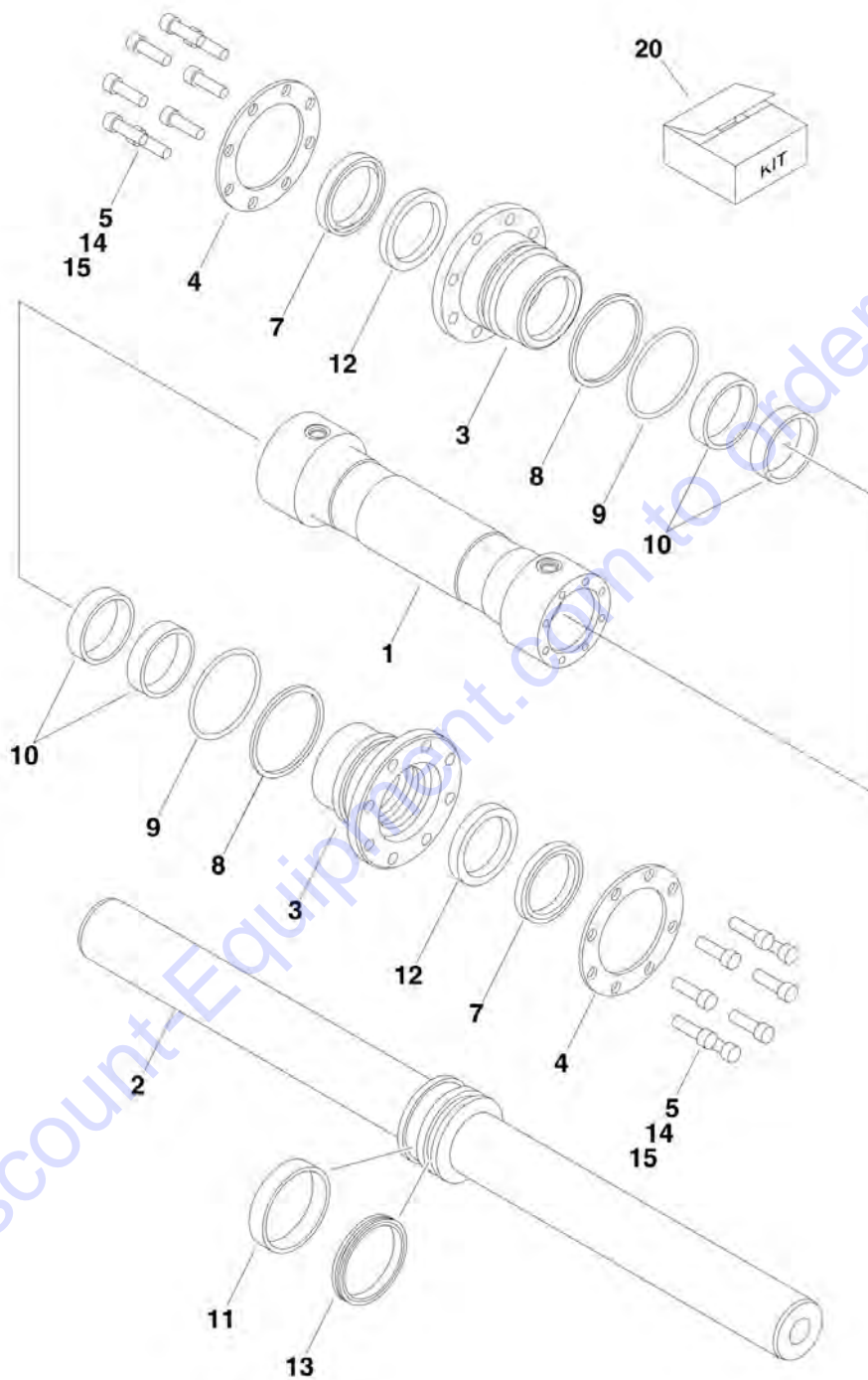
SECTION 5 - CYLINDER

FIGURE 5-14. USA BUILT MACHINES/MASTER CYLINDER (450AJ SERIES II) (SERVICE REPLACEMENT) (SN 0300065080 through 0300123999)

ITEM	PART NUMBER	QTY	DESCRIPTION	REV
		Ref	Note: Original Equipment component may have been replaced with Service Replacement component. Identify p/n stamped on cylinder before ordering parts.	
		Ref	Manufactured in USA (SN 1st digit is 0)	
	1001140278	Ref	MASTER CYLINDER ASSEMBLY (450AJ SERIES II) (SERVICE REPLACEMENT)	A
1	70003843	1	Barrel	
2	70003844	1	Rod	
4	70003819	1	Piston	
5	0961951	4	Bushing	
8	7026084	1	O-Ring	
9	70002217	1	Ring, Retaining	
10	70003845	1	Wiper	
11	70003845	1	O-Ring	
12	70003845	1	Seal	
13	70003845	1	Ring, Back-up	
14	70003845	1	O-Ring	
15	70003845	1	O-Ring	
16	70003845	2	Ring, Wear	
17	70003845	1	Seal	
18	70002216	1	Retainer	
23	7026082	1	Head	
50	70003845	1	Seal Kit (Includes Items 10-17)	

SECTION 5 - CYLINDER

FIGURE 5-15. USA BUILT MACHINES/STEER CYLINDER (SN 0300065080 through 0300087392)



SECTION 5 - CYLINDER

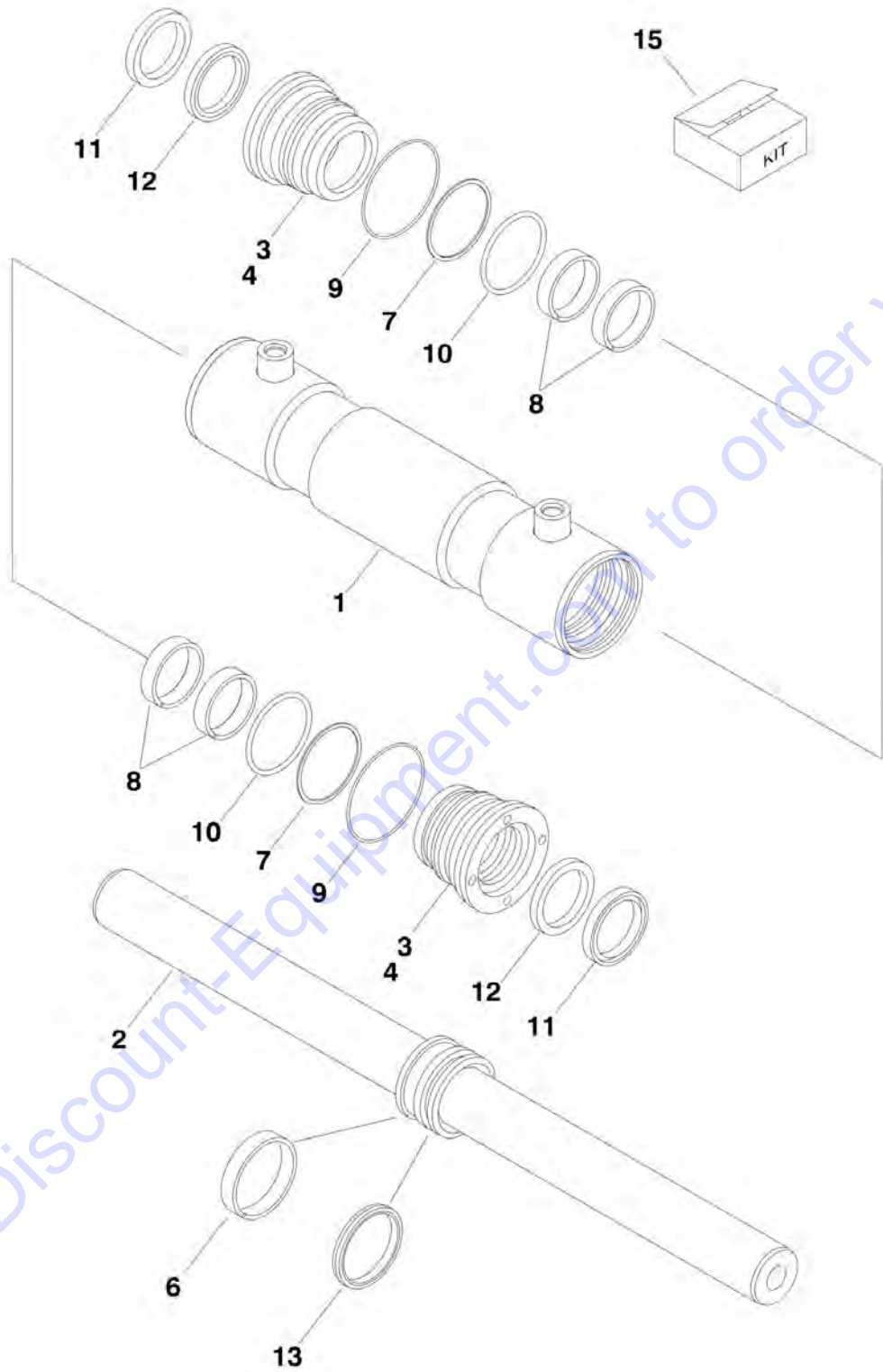
FIGURE 5-15. USA BUILT MACHINES/STEER CYLINDER (SN 0300065080 through 0300087392)

ITEM	PART NUMBER	QTY	DESCRIPTION	REV
		Ref	Note: Original Equipment Cylinder may have been replaced with Service Replacement Cylinder. Identify p/n stamped on cylinder before ordering parts.	
		Ref	Manufactured in USA (SN 1st digit is 0)	
	1683614	Ref	STEER CYLINDER ASSEMBLY	C
1	1683615	1	Barrel Weldment	
2	1683658	1	Rod Weldment	
3	1683076	2	Cap	
4	3760367	2	Washer, Ring	
5	3931516	16	Bolt, Socket Head 5/16in-18NC x 2in	
7	2901547	1	Wiper	
8	2901547	2	Ring, Back-up	
9	2901547	2	O-Ring	
10	2901547	4	Ring, Wear	
11	2901547	1	Ring, Wear	
12	2901547	2	Seal	
13	2901547	1	T-Seal	
14	0100011	AR	Compound, Locking	
15	0100038	AR	Primer, Locking	
20	2901547	1	Seal Kit, Cylinder (Includes Items 7-13)	

Go to Discount-Equipment.com to order your parts

SECTION 5 - CYLINDER

FIGURE 5-16. USA BUILT MACHINES/STEER CYLINDER (SN 0300087393 through 0300123999)



SECTION 5 - CYLINDER

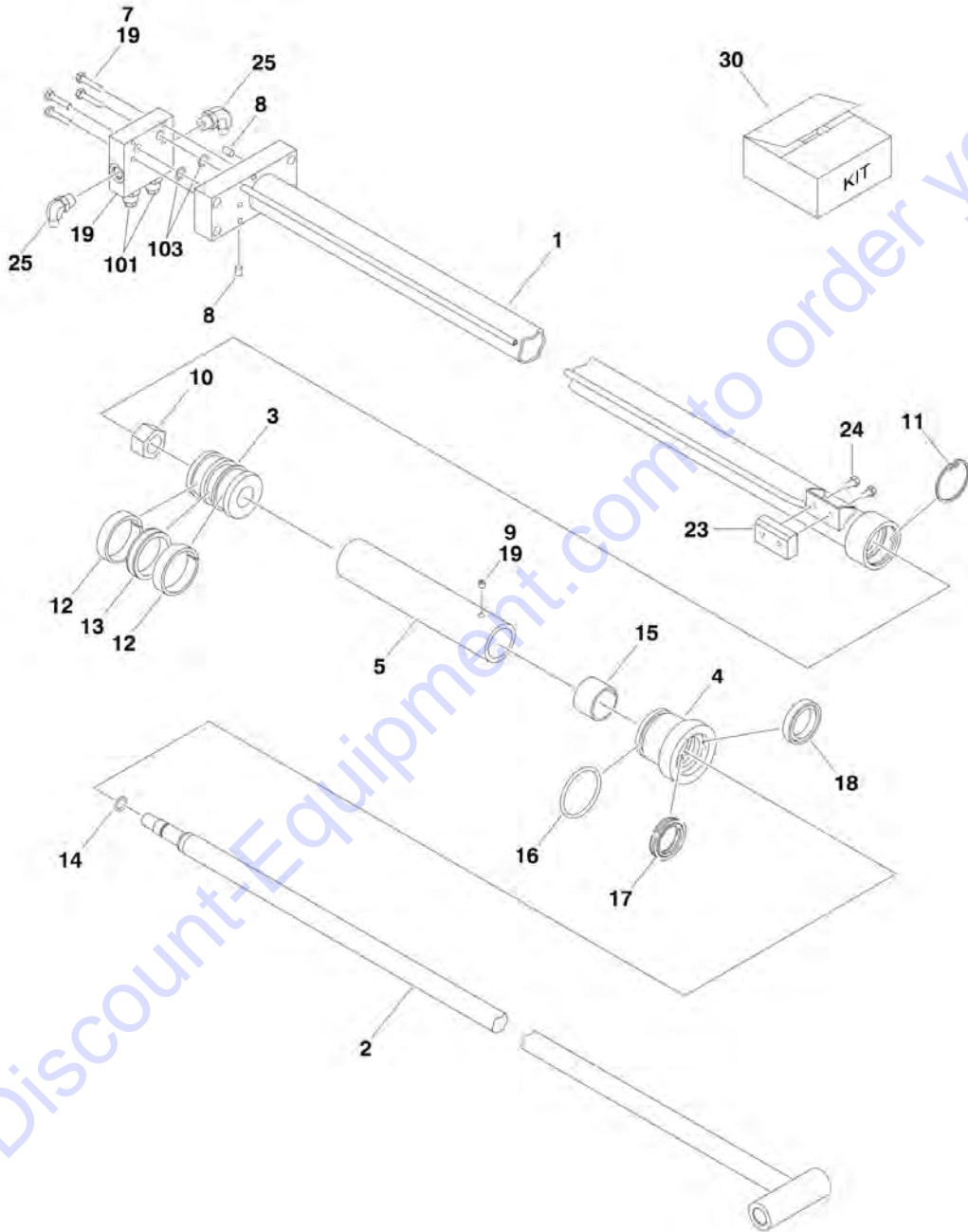
FIGURE 5-16. USA BUILT MACHINES/STEER CYLINDER (SN 0300087393 through 0300123999)

ITEM	PART NUMBER	QTY	DESCRIPTION	REV
	1684412	Ref	Manufactured in USA (SN 1st digit is 0)	A
	1684412	Ref	STEER CYLINDER ASSEMBLY	A
1	0370024	1	Barrel Weldment	
2	1683658	1	Rod Weldment	
3	2570008	2	Head, Cylinder	
4	3020043	1	Lube, Anti-Seize	
6	2902409	1	Ring, Wear	
7	2902409	2	Ring, Back-up	
8	2902409	4	Ring, Wear	
9	2902409	2	O-Ring	
10	2902409	2	O-Ring	
11	2902409	2	Wiper	
12	2902409	2	Seal	
13	2902409	1	T-Seal	
15	2902409	1	Seal Kit, Cylinder (Includes Items 6-13)	

Go to Discount-Equipment.com to order your parts

SECTION 5 - CYLINDER

FIGURE 5-17. USA BUILT MACHINES/TELESCOPE CYLINDER (SN 0300065080 through 0300123999)



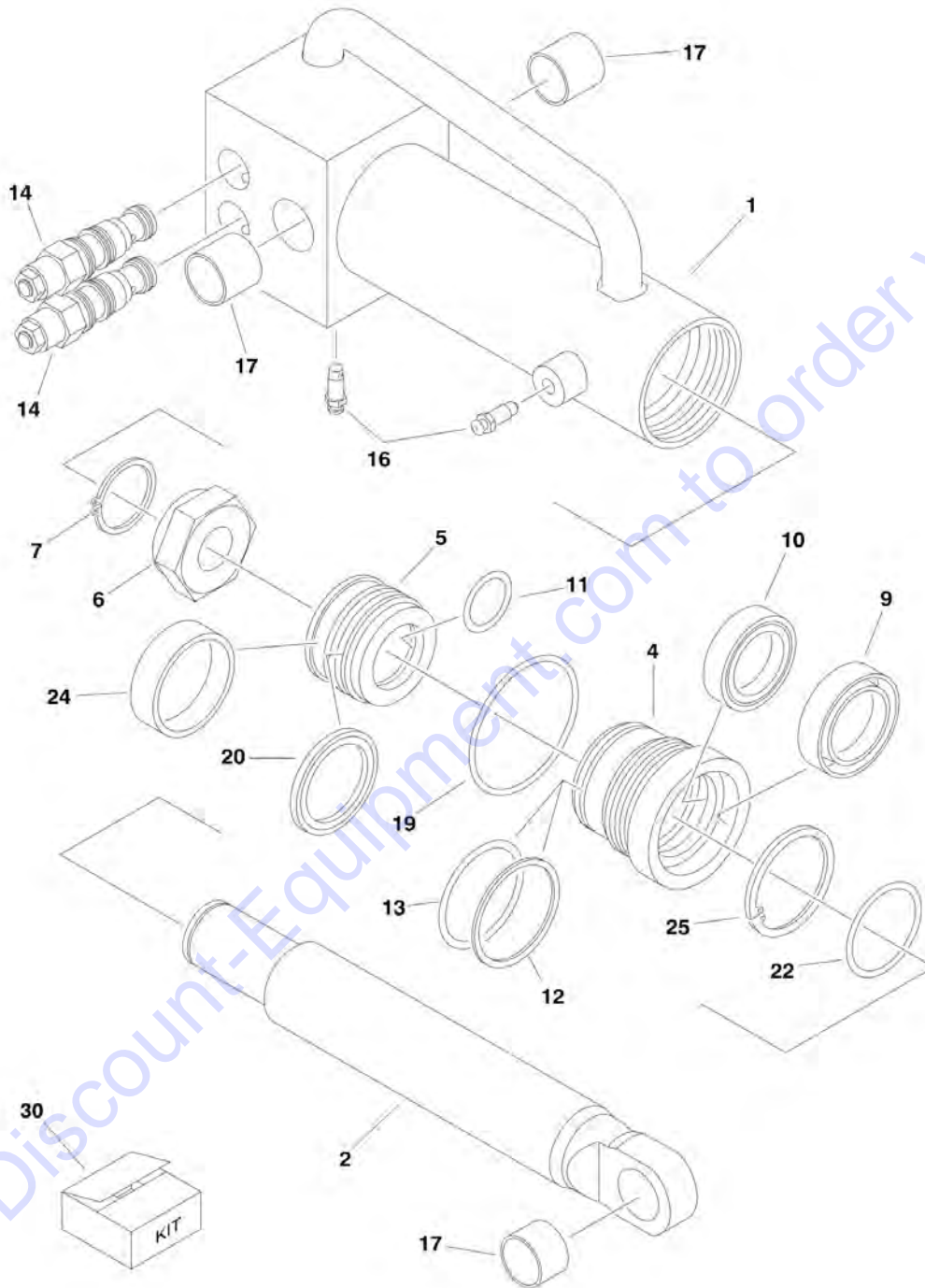
SECTION 5 - CYLINDER

FIGURE 5-17. USA BUILT MACHINES/TELESCOPE CYLINDER (SN 0300065080 through 0300123999)

ITEM	PART NUMBER	QTY	DESCRIPTION	REV
		Ref	TELESCOPE CYLINDER ASSEMBLY	
	1684095	Ref	Telescope Cylinder Assembly (450A Series II) (Manufactured in USA) (SN 1st digit is 0)	E
	1684140	Ref	Telescope Cylinder Assembly (450AJ Series II) (Manufactured in USA) (SN 1st digit is 0)	4-E
1		Ref	Barrel Weldment Options:	
1	1684096	1	Barrel Weldment (450A Series II)	
1	1683800	1	Barrel Weldment (450AJ Series II)	
2		Ref	Rod Weldment Options:	
2	1684098	1	Rod Weldment (450A Series II)	
2	1683802	1	Rod Weldment (450AJ Series II)	
3	3480239	1	Piston	
4	1682892	1	Head	
5		Ref	Spacer, Tube Options:	
5	4568218	1	Spacer, Tube (450A Series II)	
5	4566027	1	Spacer, Tube (450AJ Series II)	
6	4641200	1	Counterbalance Valve Assembly (See Items 101-103 for Breakdown)	
7	0641512	4	Bolt 5/16in-18NC x 1-1/2in	
8	2220883	2	Plug, O-Ring	
9	3951402	1	Setscrew 1/4in-20NC x 1/4in	
10	3322205	1	Locknut	
11	3760318	1	Ring, Retaining	
12	2902073	2	Ring, Wear	
13	2902073	1	Seal, Cap	
14	2902073	1	O-Ring	
15	2902073	1	Ring, Wear	
16	2902073	1	O-Ring	
17	2902073	1	Seal, Rod	
18	2902073	1	Wiper	
19	0100011	AR	Compound, Locking	
23		Ref	Wear Pad Assembly Options:	
23	Not Required	0	Wear Pad Assembly (450A Series II)	
23	3340679	1	Wear Pad Assembly (450AJ Series II) (SN 0300065080 through 0300065633)	
24	0641604	2	Bolt 3/8in-16NC x 1/2in (SN 0300065080 through 0300065633)	
25	2130608	2	Adapter, Elbow (SN 0300065161 through 0300123999)	
30	2902073	1	Seal Kit, Cylinder (Includes Items 12-18)	
	4641200	Ref	COUNTERBALANCE VALVE ASSEMBLY	C
101	7011347	2	Cartridge, Counterbalance	
101	2900770	2	Seal Kit - Cartridge (1 Per Cartridge)	
103	3790113	2	O-Ring (Between Valve and Cylinder Block)	

SECTION 5 - CYLINDER

FIGURE 5-18. BELGIUM BUILT MACHINES/AXLE LOCKOUT CYLINDER (Prior to SN 130003222)



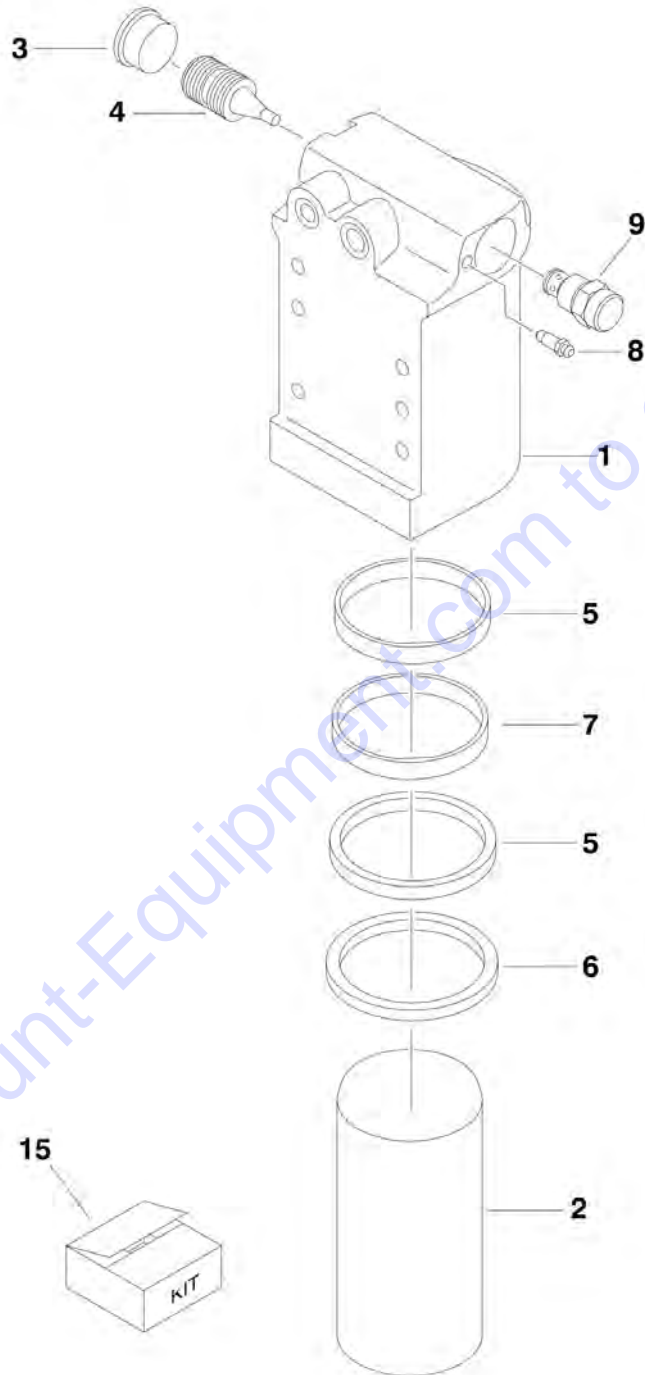
SECTION 5 - CYLINDER

FIGURE 5-18. BELGIUM BUILT MACHINES/AXLE LOCKOUT CYLINDER (Prior to SN 1300003222)

ITEM	PART NUMBER	QTY	DESCRIPTION	REV
		Ref	Manufactured in Belgium (SN 1st digit is 1)	
	1684243	Ref	AXLE LOCKOUT CYLINDER ASSEMBLY	E
1	7026114	1	Barrel	
2	7026115	1	Rod	
4	7026104	1	Head	
5	7026110	1	Piston	
6	7026111	1	Locknut	
7	70002216	1	Ring, Retaining	
9	7026116	1	Wiper	
10	7026116	1	Seal	
11	7026116	1	O-Ring	
12	7026116	1	Ring, Back-up	
13	7026116	1	O-Ring	
14	4641162	2	Cartridge, Valve	
14	2900770	2	Seal Kit - 4641162 Valve (1 Per Assembly)	
16	4640858	2	Bleeder	
17	0962466	3	Bearing	
19	7026116	1	O-Ring	
20	7026116	1	Seal	
21	7026116	1	O-Ring (Not Shown)	
22	7026116	1	O-Ring	
24	Item 30	1	Ring, Wear	
25	70002219	1	Ring, Retaining	
30	7026116	1	Seal Kit, Cylinder (Includes Items 9-13, 19-22 & 24)	

SECTION 5 - CYLINDER

FIGURE 5-19. BELGIUM BUILT MACHINES/AXLE LOCKOUT CYLINDER (SN 130003222 through 130006000)



SECTION 5 - CYLINDER

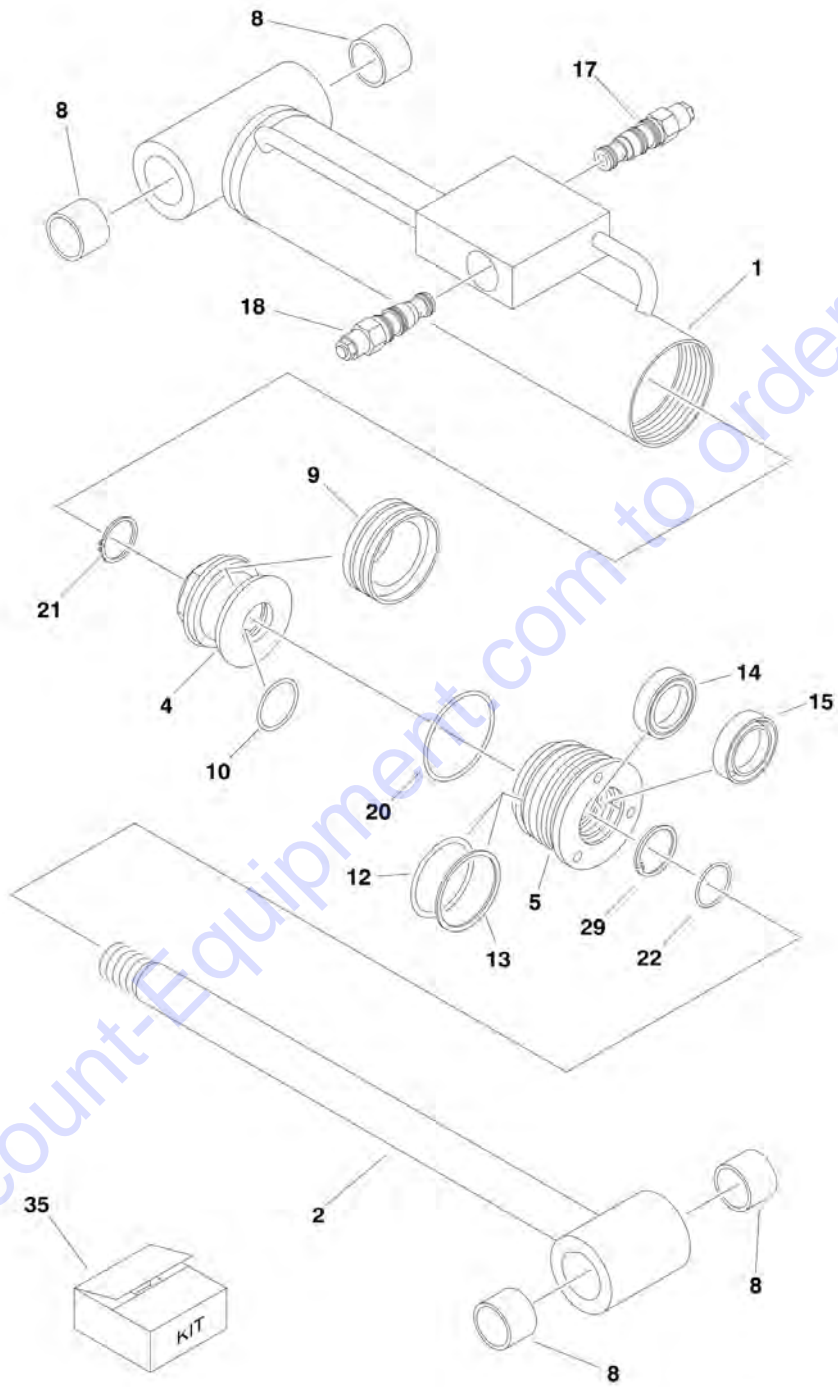
FIGURE 5-19. BELGIUM BUILT MACHINES/AXLE LOCKOUT CYLINDER (SN 1300003222 through 1300006000)

ITEM	PART NUMBER	QTY	DESCRIPTION	REV
		Ref	Manufactured in Belgium (SN 1st digit is 1)	
	1684465	Ref	AXLE LOCKOUT CYLINDER ASSEMBLY	B
1	0370026	1	Barrel	
2	1684290	1	Rod	
3	2220890	1	Plug	
4	3480288	1	Piston, Pilot	
5	2902266	2	Ring, Wear	
6	2902266	1	Wiper	
7	2902266	1	Seal, Rod	
8	4640858	1	Bleeder	
9	4641390	1	Cartridge, Valve	
9	7017496	1	Seal Kit	
15	2902266	1	Seal Kit, Cylinder (Includes Items 4-6)	

Go to Discount-Equipment.com to order your parts

SECTION 5 - CYLINDER

FIGURE 5-20. BELGIUM BUILT MACHINES/LEVEL (PLATFORM) CYLINDER (450AJ SERIES II)



Go to Discount-Equipment.com to order your parts

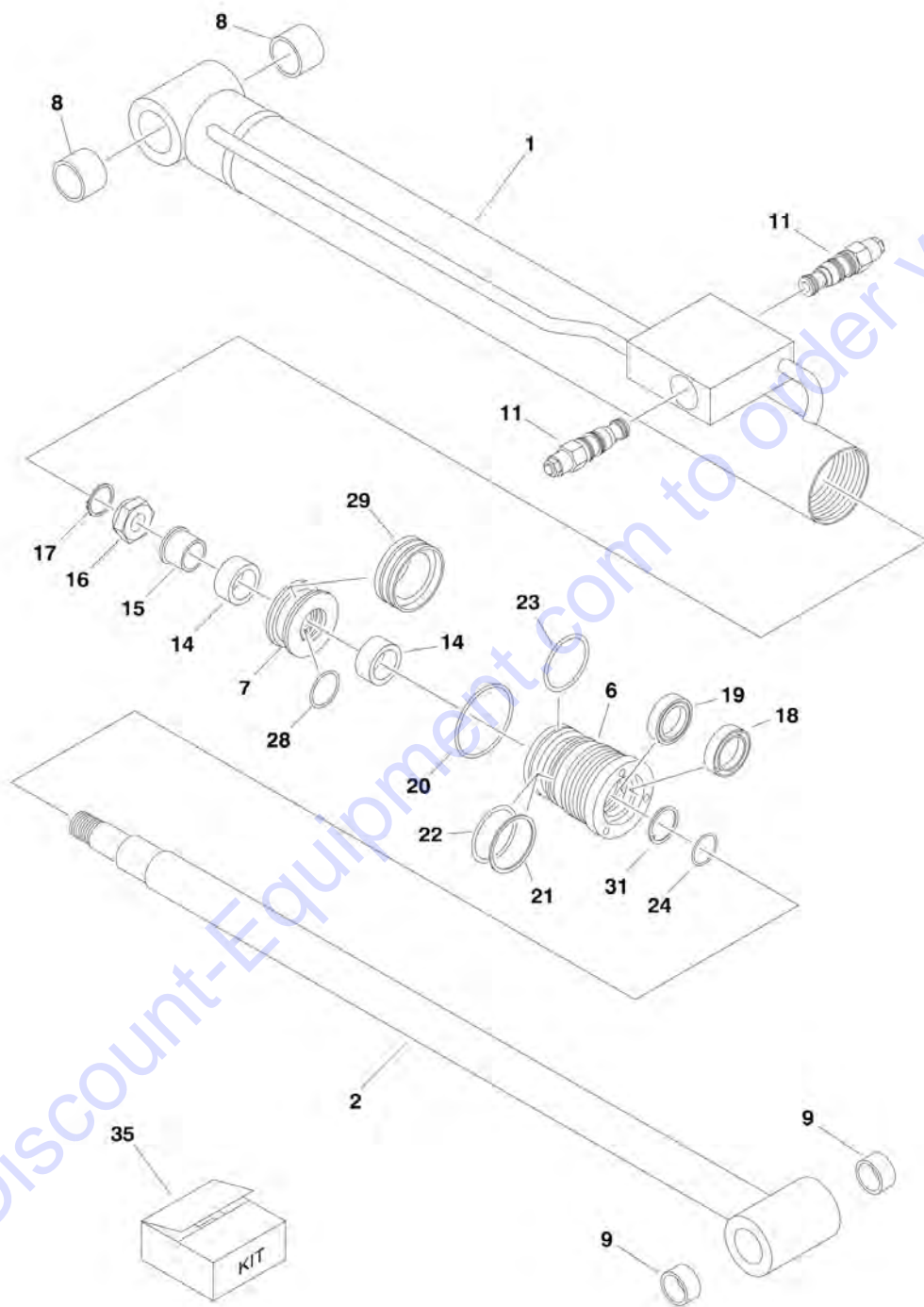
SECTION 5 - CYLINDER

FIGURE 5-20. BELGIUM BUILT MACHINES/LEVEL (PLATFORM) CYLINDER (450AJ SERIES II)

ITEM	PART NUMBER	QTY	DESCRIPTION	REV
		Ref	Note: Original Equipment Cylinder may have been replaced with Service Replacement Cylinder. Identify p/n stamped on cylinder before ordering parts.	
		Ref	Manufactured in Belgium (SN 1st digit is 1)	
		Ref	LEVEL CYLINDER ASSEMBLY	
	1684240	Ref	Level Cylinder Assembly (Prior to SN 1300004150)	D
	1001094789	Ref	Level Cylinder Assembly (SN 1300004150 through 1300006000)	A
1	7026117	1	Barrel	
2	7026118	1	Rod	
4	7026081	1	Piston	
5	7026082	NLA	Head (1684240 Cylinder) (Use p/n 70005580)	
5	70005580	1	Head (1001094789 Cylinder)	
8	0961951	4	Bearing	
9	7026087	1	Seal	
10	7026087	1	O-Ring	
12	7026087	1	O-Ring	
13	7026087	1	Ring, Back-up	
14	7026087	1	Seal	
15	7026087	1	Wiper	
17		Ref	Cartridge, Valve Options:	
17	7011378	1	Cartridge (Prior to SN 1300004150)	
17	70001086	1	Cartridge (SN 1300004150 through 1300006000)	
17	2900770	1	Seal Kit - 7011378 & 70001086 Valves	
18	7011377	1	Cartridge, Valve	
18	7011358	1	Seal Kit - 7011377 Valve	
20	7026087	1	O-Ring	
21	70002216	1	Ring, Retaining	
22	7026087	1	O-Ring	
29	70002217	1	Ring, Retaining	
35	7026087	1	Seal Kit - Cylinder (Includes Items 9, 10, 12-15, 20, & 22) (Wear Rings (Not Shown) in Head p/n 70005580 are also included kit)	

SECTION 5 - CYLINDER

FIGURE 5-21. BELGIUM BUILT MACHINES/LIFT (JIB) CYLINDER (450AJ SERIES II ONLY)



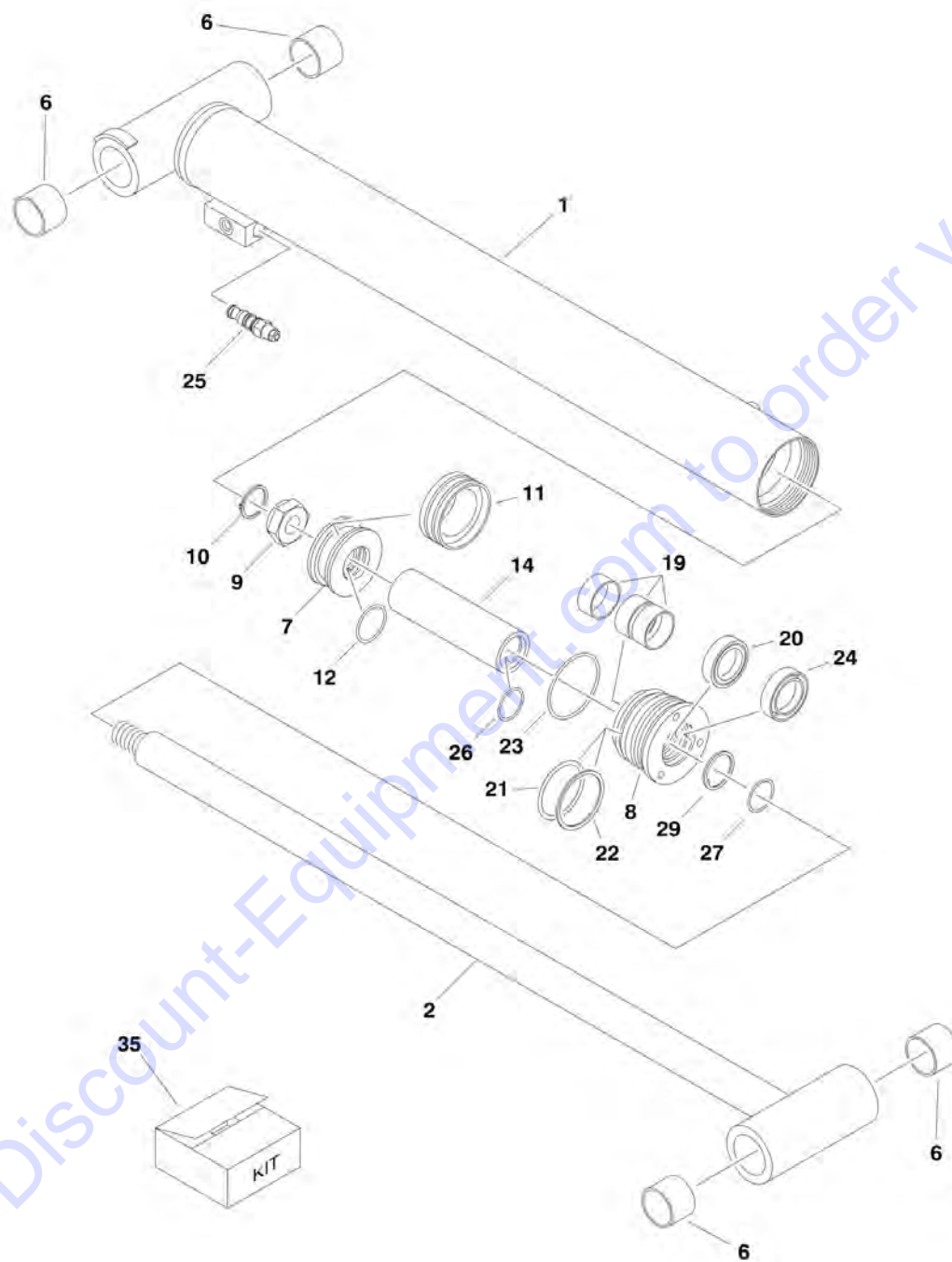
SECTION 5 - CYLINDER

FIGURE 5-21. BELGIUM BUILT MACHINES/LIFT (JIB) CYLINDER (450AJ SERIES II ONLY)

ITEM	PART NUMBER	QTY	DESCRIPTION	REV
		Ref	Manufactured in Belgium (SN 1st digit is 1)	
	1684242	Ref	JIB LIFT CYLINDER ASSEMBLY (450AJ SERIES II ONLY)	B
1	7026093	1	Barrel	
2	7026094	1	Rod	
6	7026088	NLA	Head (Use p/n 70005581)	
7	7026089	1	Piston	
8	0961951	2	Bearing	
9	0961947	2	Bearing	
11	7026096	2	Cartridge, Valve	
11	2900770	2	Seal Kit - 7026096 Valve (1 Per Cartridge)	
14	7026090	2	Bushing	
15	7026091	1	Sleeve	
16	7026092	1	Nut	
17	70002223	1	Ring, Retaining	
18	7026095	1	Wiper	
19	7026095	1	Seal	
20	7026095	1	O-Ring	
21	7026095	1	Ring, Back-up	
22	7026095	1	O-Ring	
23	7026095	1	O-Ring	
24	7026095	1	O-Ring	
28	7026095	1	O-Ring	
29	7026095	1	Seal	
31	70002220	1	Ring, Retaining	
35	7026095	1	Seal Kit, Cylinder (Includes Items 18-24, 28 & 29)	

SECTION 5 - CYLINDER

FIGURE 5-22. BELGIUM BUILT MACHINES/LIFT (MAIN BOOM) CYLINDER



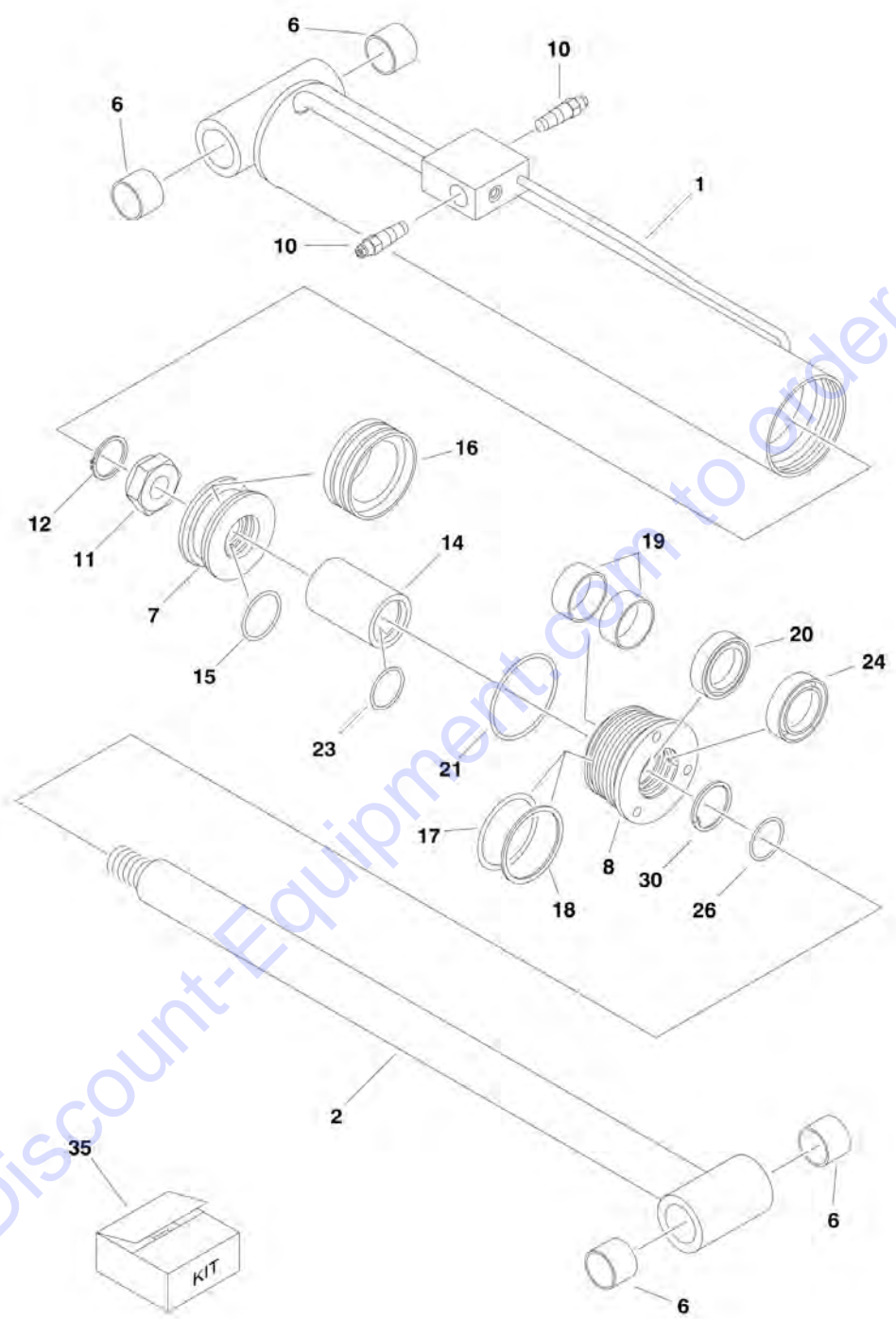
SECTION 5 - CYLINDER

FIGURE 5-22. BELGIUM BUILT MACHINES/LIFT (MAIN BOOM) CYLINDER

ITEM	PART NUMBER	QTY	DESCRIPTION	REV
		Ref	Manufactured in Belgium (SN 1st digit is 1)	
	1684244	Ref	MAIN LIFT CYLINDER ASSEMBLY	E
1	7026101	1	Barrel	
2	7026102	1	Rod	
6	0961950	4	Bearing	
7	7026097	1	Piston	
8	7026098	1	Head	
9	7026099	1	Nut	
10	70002224	1	Ring, Retaining	
11	70002225	1	Seal	
12	70002225	1	O-Ring	
14	See Note	1	Spacer (Note: Not available for purchase)	
19	70002225	3	Ring, Wear	
20	70002225	1	Seal	
21	70002225	1	O-Ring	
22	70002225	1	Ring, Back-up	
23	70002225	1	O-Ring	
24	70002225	1	Wiper	
25	4640936	1	Cartridge, Valve	
25	2900770	1	Seal Kit - 4640936 Valve	
26	70002225	1	O-Ring	
27	70002225	1	O-Ring	
29	70002219	1	Ring, Retaining	
35	70002225	1	Seal Kit, Cylinder (Includes Items 11, 12, 19-24, 26 & 27)	

SECTION 5 - CYLINDER

FIGURE 5-23. BELGIUM BUILT MACHINES/LIFT (TOWER BOOM) CYLINDER



Go to Discount-Equipment.com to order your parts

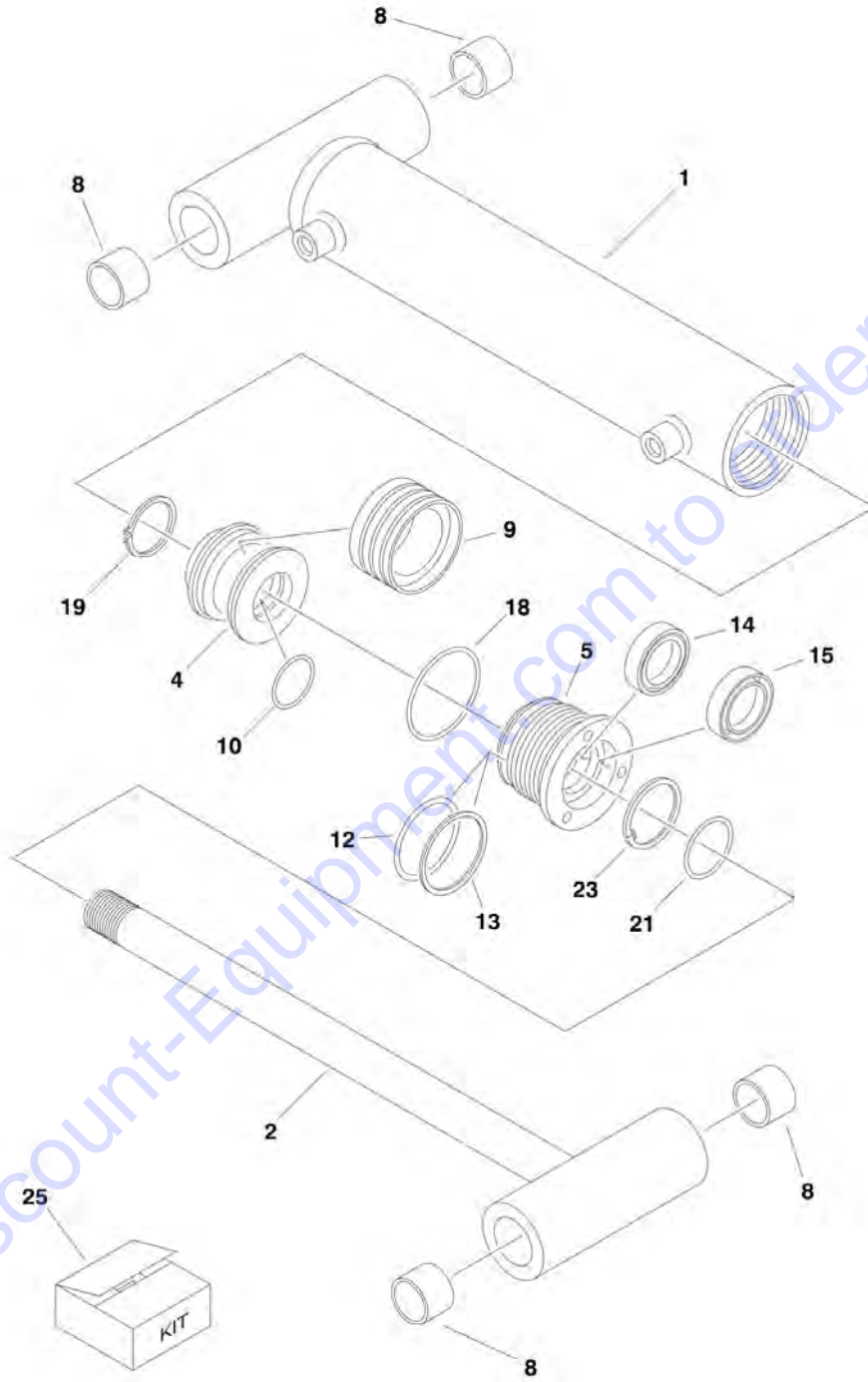
SECTION 5 - CYLINDER

FIGURE 5-23. BELGIUM BUILT MACHINES/LIFT (TOWER BOOM) CYLINDER

ITEM	PART NUMBER	QTY	DESCRIPTION	REV
		Ref	Manufactured in Belgium (SN 1st digit is 1)	
	1684239	Ref	TOWER LIFT CYLINDER ASSEMBLY	D
1	7026078	1	Barrel	
2	7026079	1	Rod	
6	0961950	4	Bearing	
7	7026073	1	Piston	
8	7026074	1	Head	
10	4641260	2	Cartridge, Valve	
10	2900770	2	Seal Kit - 4641260 Valve (1 Per Assembly)	
11	7026075	1	Nut	
12	70002221	1	Ring, Retaining	
14	7026076	1	Spacer	
15	7026080	1	O-Ring	
16	7026080	1	Seal	
17	7026080	1	O-Ring	
18	7026080	1	Ring, Back-up	
19	7026080	2	Ring, Wear	
20	7026080	1	Seal	
21	7026080	1	O-Ring	
23	7026080	1	O-Ring	
24	7026080	1	Wiper	
26	7026080	1	O-Ring	
30	70002222	1	Ring, Retaining	
35	7026080	1	Seal Kit, Cylinder (Includes Items 15-21, 23, 24 & 26)	

SECTION 5 - CYLINDER

FIGURE 5-24. BELGIUM BUILT MACHINES/MASTER CYLINDER (450AJ SERIES II)



Go to Discount-Equipment.com to order your parts

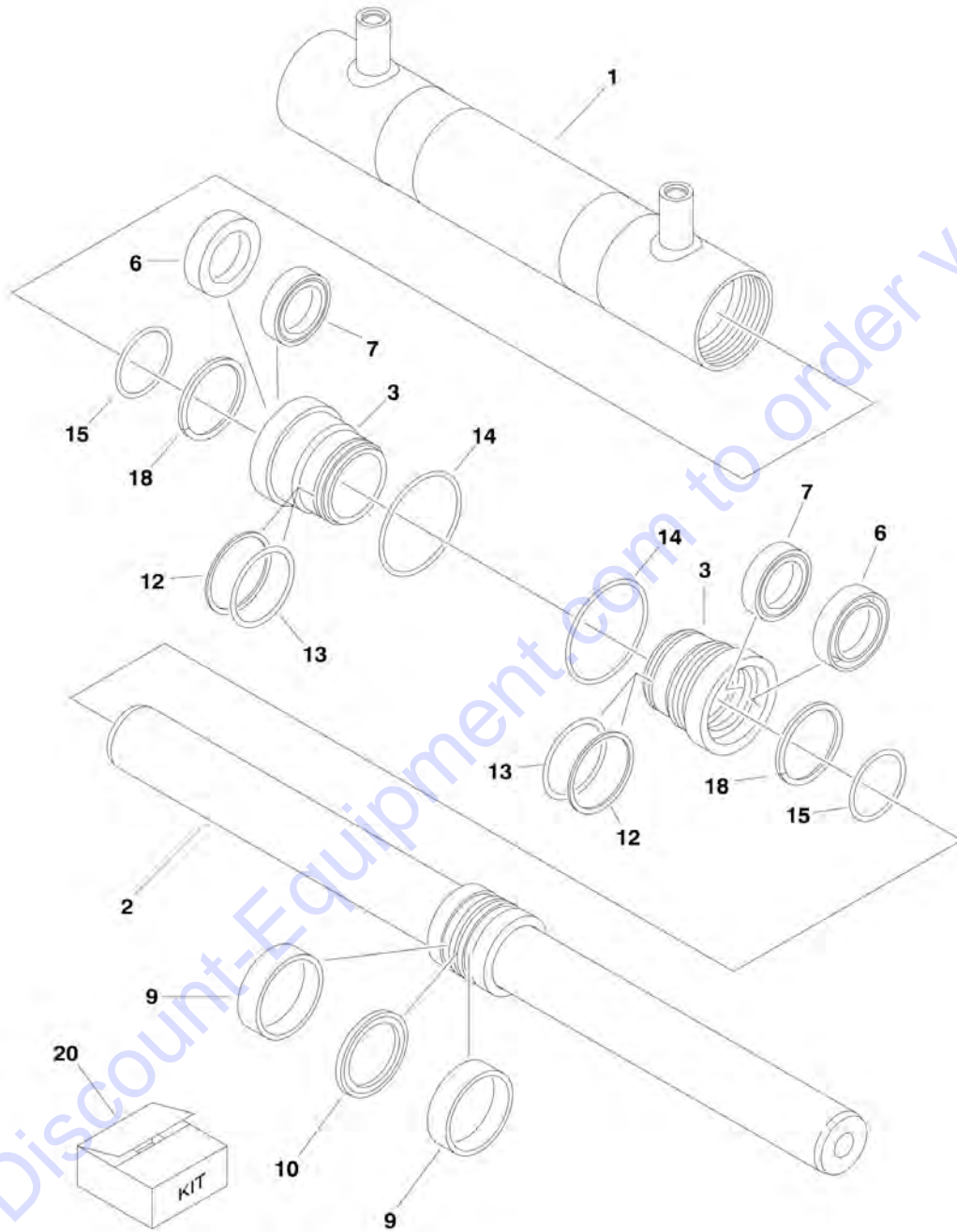
SECTION 5 - CYLINDER

FIGURE 5-24. BELGIUM BUILT MACHINES/MASTER CYLINDER (450AJ SERIES II)

ITEM	PART NUMBER	QTY	DESCRIPTION	REV
		Ref	Manufactured in Belgium (SN 1st digit is 1)	
	1684241	Ref	MASTER CYLINDER ASSEMBLY	C
1	7026085	1	Barrel	
2	7026086	1	Rod	
4	7026081	1	Piston	
5	7026082	1	Head	
8	0961951	4	Bearing	
9	7026087	1	Seal	
10	7026087	1	O-Ring	
12	7026087	1	O-Ring	
13	7026087	1	Ring, Back-up	
14	7026087	1	Seal	
15	7026087	1	Wiper	
18	7026087	1	O-Ring	
19	70002216	1	Ring, Retaining	
21	7026087	1	O-Ring	
23	70002217	1	Ring, Retaining	
25	7026087	1	Seal Kit, Cylinder (Includes Items 9, 10, 12-15, 18 & 21)	

SECTION 5 - CYLINDER

FIGURE 5-25. BELGIUM BUILT MACHINES/STEER CYLINDER



Go to Discount-Equipment.com to order your parts

SECTION 5 - CYLINDER

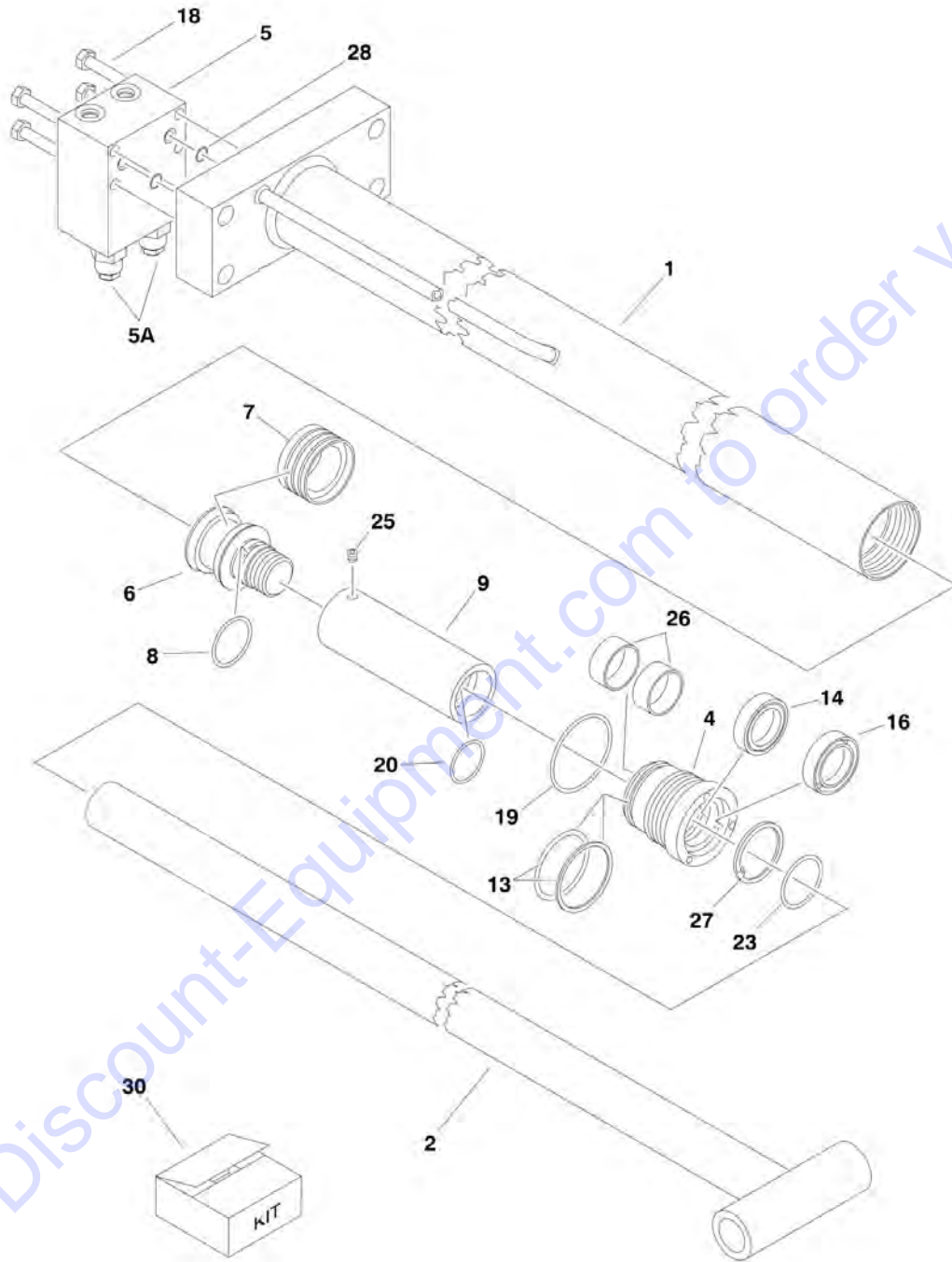
FIGURE 5-25. BELGIUM BUILT MACHINES/STEER CYLINDER

ITEM	PART NUMBER	QTY	DESCRIPTION	REV
		Ref	Manufactured in Belgium (SN 1st digit is 1)	
	1684246	Ref	STEER CYLINDER ASSEMBLY	B
1	7026105	1	Barrel	
2	7026106	1	Rod	
3	7026104	1	Head	
6	7026107	2	Wiper	
7	7026107	2	Seal	
9	7026107	2	Ring, Wear	
10	7026107	1	Seal	
12	7026107	2	Ring, Back-up	
13	7026107	2	O-Ring	
14	7026107	2	O-Ring	
15	7026100	2	O-Ring	
18	70002219	2	Ring, Retaining	
20	7026107	1	Seal Kit, Cylinder (Includes Items 6-10 & 12-14)	

Go to Discount-Equipment.com to order your parts

SECTION 5 - CYLINDER

FIGURE 5-26. BELGIUM BUILT MACHINES/TELESCOPE CYLINDER



Go to Discount-Equipment.com to order your parts

SECTION 5 - CYLINDER

FIGURE 5-26. BELGIUM BUILT MACHINES/TELESCOPE CYLINDER

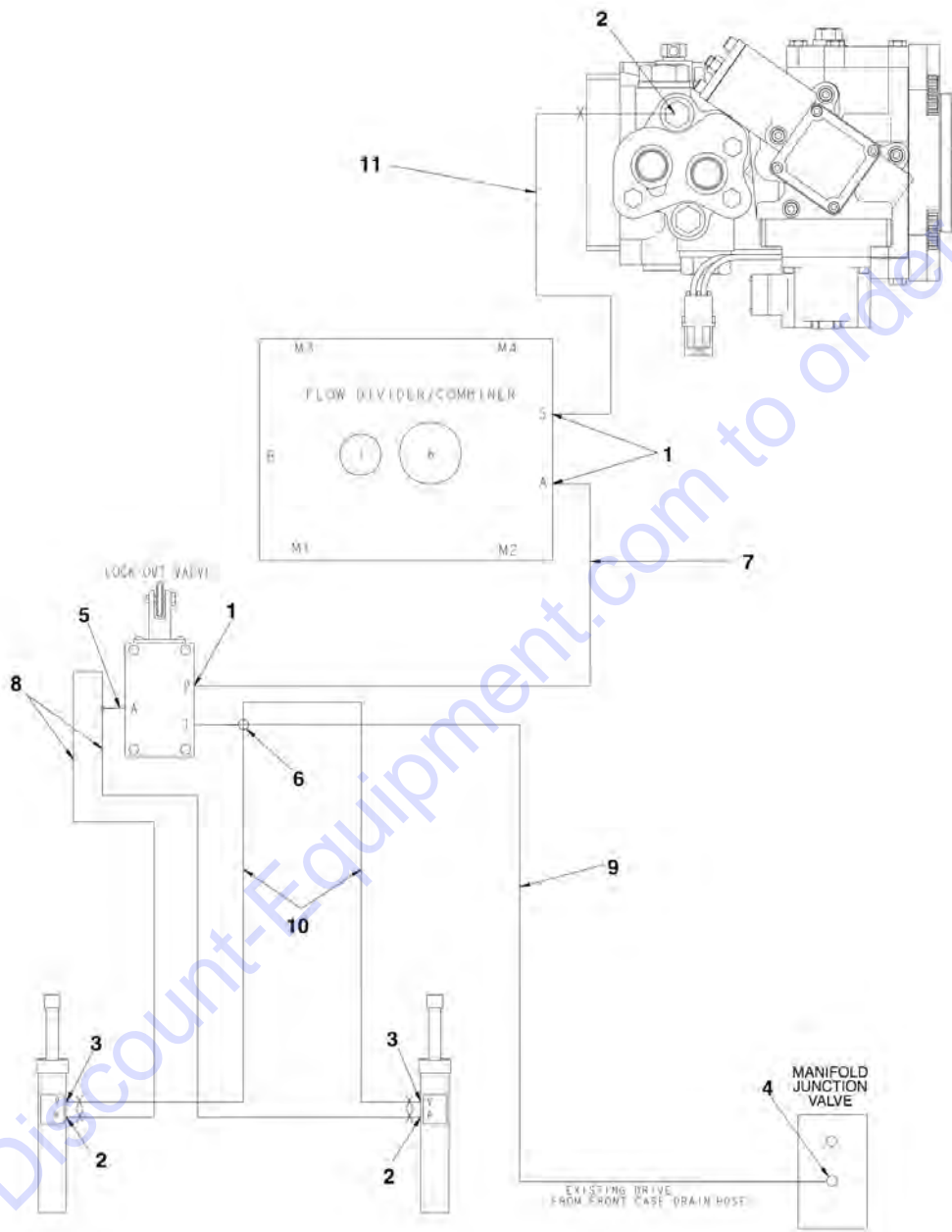
ITEM	PART NUMBER	QTY	DESCRIPTION	REV
		Ref	Manufactured in Belgium (SN 1st digit is 1)	
	1684262	Ref	TELESCOPE CYLINDER ASSEMBLY	C
1	7026108	1	Barrel	
2	7026109	1	Rod	
4	7026064	1	Head	
5	70001963	1	Valve Block Assembly w/Cartridges	
5A	7011347	2	Cartridge, Valve	
5A	2900770	2	Seal Kit - 7011347 Valve (1 Per Assembly)	
6	7026065	1	Piston	
7	7026072	1	Seal	
8	7026072	1	O-Ring	
9	7026066	1	Spacer	
13	7026072	1	O-Ring	
13	7026072	1	Ring, Back-up	
14	7026072	1	Seal	
16	7026072	1	Wiper	
18	7026067	4	Bolt	
19	7026072	1	O-Ring	
20	7026072	1	O-Ring	
23	7026072	1	O-Ring	
25	7026069	1	Setscrew	
26	7026072	2	Ring, Wear	
27	70002220	1	Ring, Retaining	
28	70000779	2	O-Ring	
30	7026072	1	Seal Kit, Cylinder (Includes Items 7, 8, 13, 14, 16, 19, 20, 23 & 26)	

SECTION 6 - HYDRAULIC

Go to Discount-Equipment.com to order your parts

SECTION 6 - HYDRAULIC

FIGURE 6-1. AXLE LOCKOUT HYDRAULIC DIAGRAM - 2WD (USA BUILT MACHINES AND BELGIUM BUILT MACHINES) (SN 0300065080 through 0300077284, Prior to SN 1300000353)



SECTION 6 - HYDRAULIC

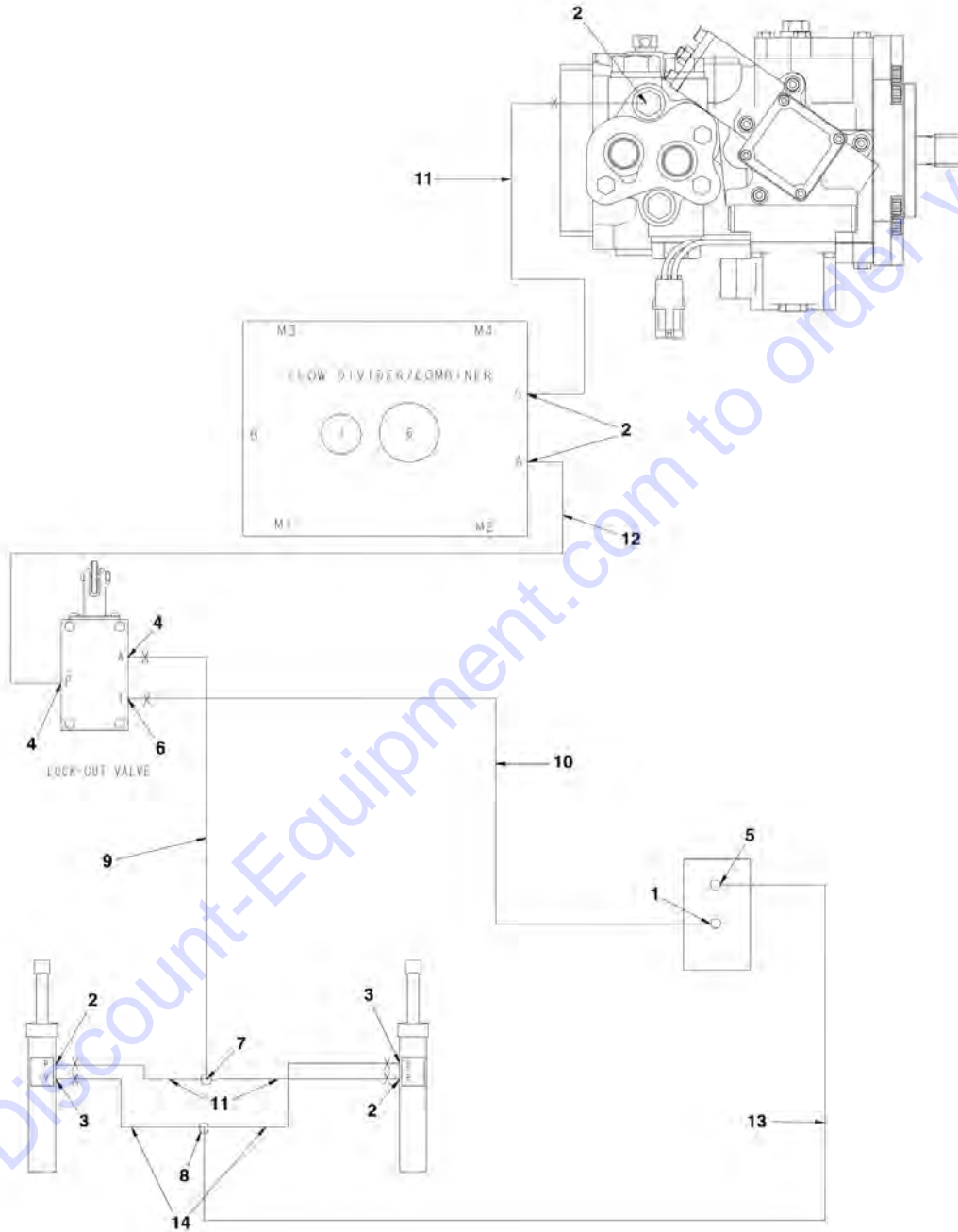
FIGURE 6-1. AXLE LOCKOUT HYDRAULIC DIAGRAM - 2WD (USA BUILT MACHINES AND BELGIUM BUILT MACHINES) (SN 0300065080 through 0300077284, Prior to SN 1300000353)

ITEM	PART NUMBER	QTY	DESCRIPTION	REV
		Ref	AXLE LOCKOUT HYDRAULIC DIAGRAM	
	2792472	Ref	2WD	1
1	2110404	3	Fitting, Fitting	
2	2110406	3	Fitting, Straight	
3	2110606	2	Fitting, Straight	
4	2130604	1	Fitting, Elbow	
5	2170404	1	Fitting, Tee	
6	2221083	1	Fitting, Cross	
7	2753540	1	Hose	
8	2753543	2	Hose	
9	2753576	1	Hose	
10	2753577	2	Hose	
11	2753544	1	Hose	

Go to Discount-Equipment.com to order your parts

SECTION 6 - HYDRAULIC

FIGURE 6-2. AXLE LOCKOUT HYDRAULIC DIAGRAM - 2WD (USA BUILT MACHINES AND BELGIUM BUILT MACHINES) (SN 0300077285 through 0300107511, SN 1300000353 through 1300003221)



SECTION 6 - HYDRAULIC

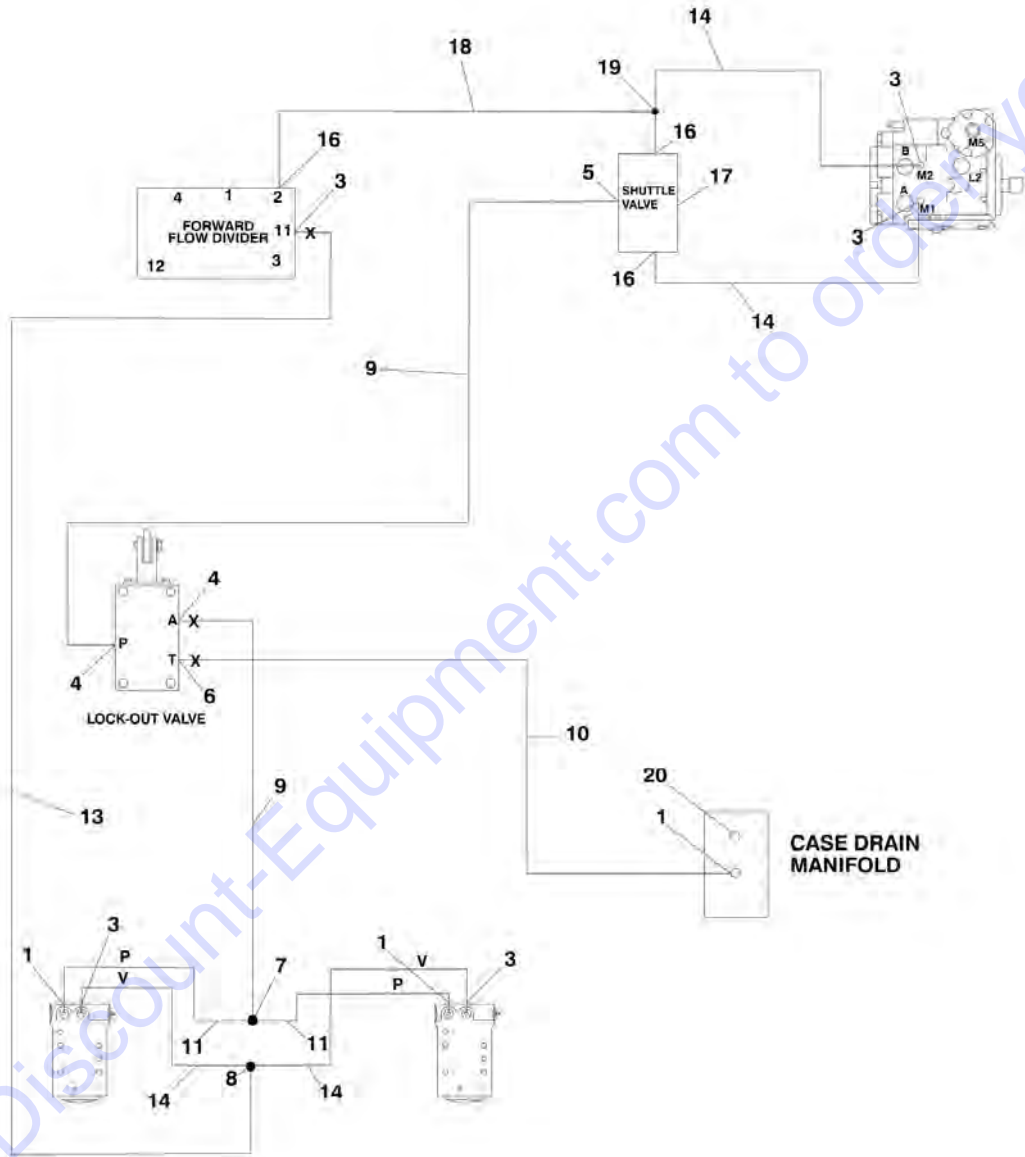
FIGURE 6-2. AXLE LOCKOUT HYDRAULIC DIAGRAM - 2WD (USA BUILT MACHINES AND BELGIUM BUILT MACHINES) (SN 0300077285 through 0300107511, SN 1300000353 through 1300003221)

ITEM	PART NUMBER	QTY	DESCRIPTION	REV
		Ref	AXLE LOCKOUT HYDRAULIC DIAGRAM	
	2792619	Ref	2WD	3
1	2110404	3	Fitting, Fitting	
2	2110406	3	Fitting, Straight	
3	2110606	2	Fitting, Straight	
4	2130404	2	Fitting, Elbow	
5	2130604	1	Fitting, Elbow	
6	2150404	1	Fitting, Elbow	
7	2170504	1	Fitting, Tee	
8	2170506	1	Fitting, Tee	
9	2753935	1	Hose	
10	2753934	1	Hose	
11	2753936	2	Hose	
12	2753937	1	Hose	
13	2753625	1	Hose	
14	2753577	2	Hose	
15	2753544	1	Hose	

Go to Discount-Equipment.com to order your parts

SECTION 6 - HYDRAULIC

FIGURE 6-3. AXLE LOCKOUT HYDRAULIC DIAGRAM - 2WD (USA BUILT MACHINES AND BELGIUM BUILT MACHINES) (SN 0300107512 through 0300123999, SN 1300003222 through 1300006000)



SECTION 6 - HYDRAULIC

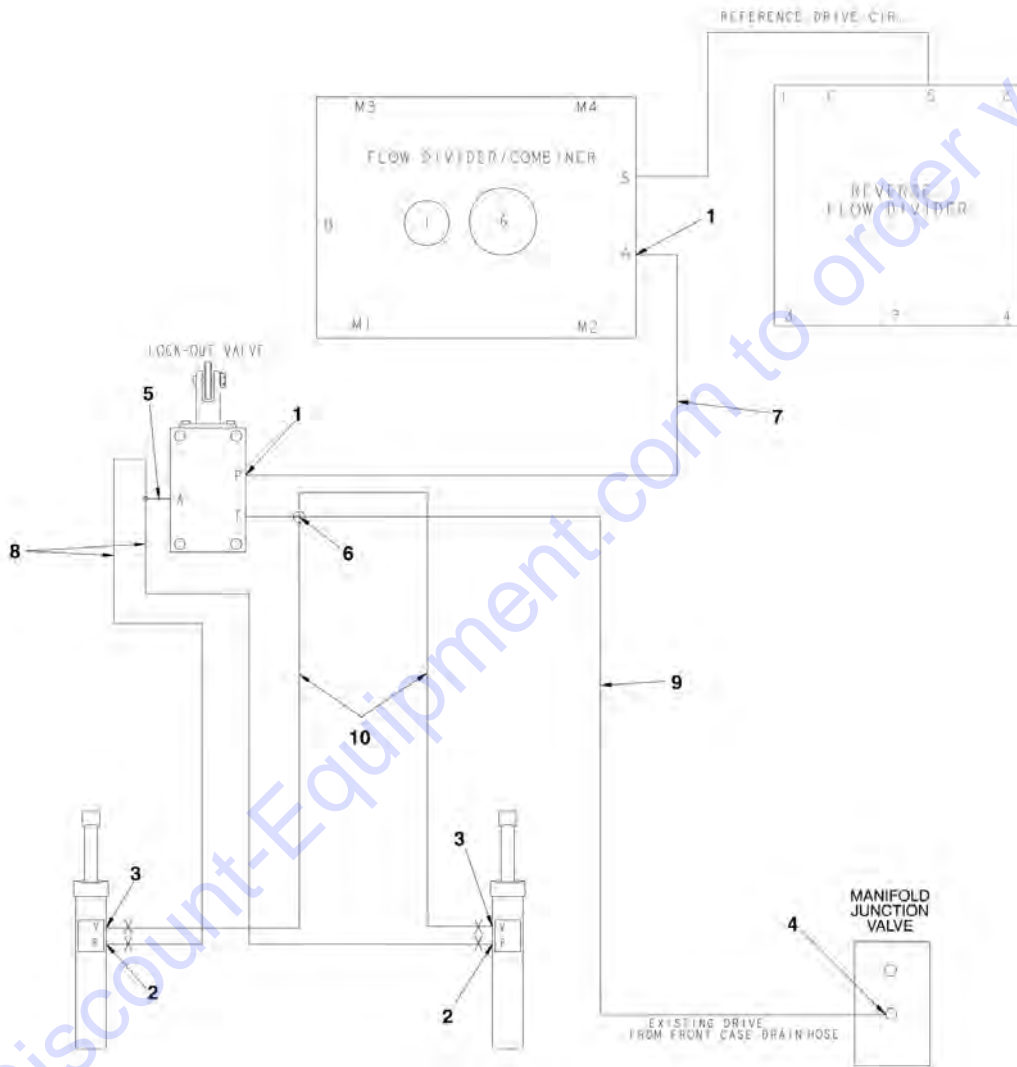
FIGURE 6-3. AXLE LOCKOUT HYDRAULIC DIAGRAM - 2WD (USA BUILT MACHINES AND BELGIUM BUILT MACHINES) (SN 0300107512 through 0300123999, SN 1300003222 through 1300006000)

ITEM	PART NUMBER	QTY	DESCRIPTION	REV
		Ref	AXLE LOCKOUT HYDRAULIC DIAGRAM	
	2792777	Ref	2WD	4
1	2110404	3	Fitting, Straight	
3	2110606	5	Fitting, Straight	
4	2130404	2	Fitting, Elbow	
5	1001098446	1	Fitting, Straight	
6	2150404	1	Fitting, Elbow	
7	2170504	1	Fitting, Tee	
8	2170506	1	Fitting, Tee	
9	2753782	2	Hose	
10	2753934	1	Hose	
11	2753939	2	Hose	
13	2754471	1	Hose	
14	2753625	4	Hose	
16	2130606	2	Fitting, Elbow	
17	8902175	1	Valve, Shuttle	
18	2753727	1	Hose	
19	2170306	2	Fitting, Tee	
20	2220235	1	Plug #4	

Go to Discount-Equipment.com to order your parts

SECTION 6 - HYDRAULIC

FIGURE 6-4. AXLE LOCKOUT HYDRAULIC DIAGRAM - 4WD (USA BUILT MACHINES AND BELGIUM BUILT MACHINES) (SN 0300065080 through 0300077284, Prior to SN 130000353)



SECTION 6 - HYDRAULIC

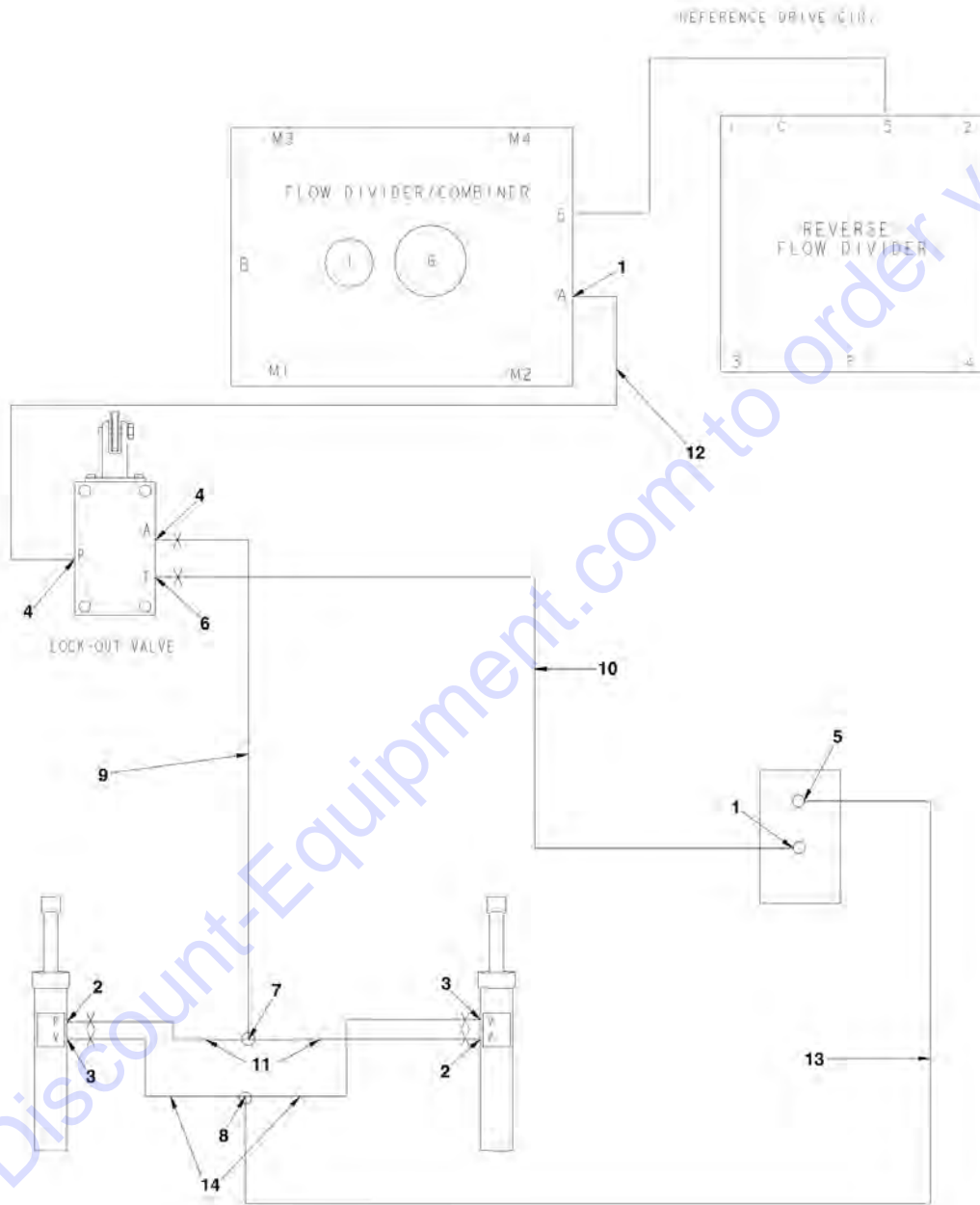
FIGURE 6-4. AXLE LOCKOUT HYDRAULIC DIAGRAM - 4WD (USA BUILT MACHINES AND BELGIUM BUILT MACHINES) (SN 0300065080 through 0300077284, Prior to SN 1300000353)

ITEM	PART NUMBER	QTY	DESCRIPTION	REV
		Ref	AXLE LOCKOUT HYDRAULIC DIAGRAM	
	2792474	Ref	4WD	1
1	2110404	2	Fitting, Fitting	
2	2110406	2	Fitting, Straight	
3	2110606	2	Fitting, Straight	
4	2130604	1	Fitting, Elbow	
5	2170404	1	Fitting, Tee	
6	2221083	1	Fitting, Cross	
7	2753540	1	Hose	
8	2753543	2	Hose	
9	2753576	1	Hose	
10	2753577	2	Hose	

Go to Discount-Equipment.com to order your parts

SECTION 6 - HYDRAULIC

FIGURE 6-5. AXLE LOCKOUT HYDRAULIC DIAGRAM - 4WD (USA BUILT MACHINES AND BELGIUM BUILT MACHINES) (SN 0300077285 through 0300107511, SN 1300000353 through 1300003221)



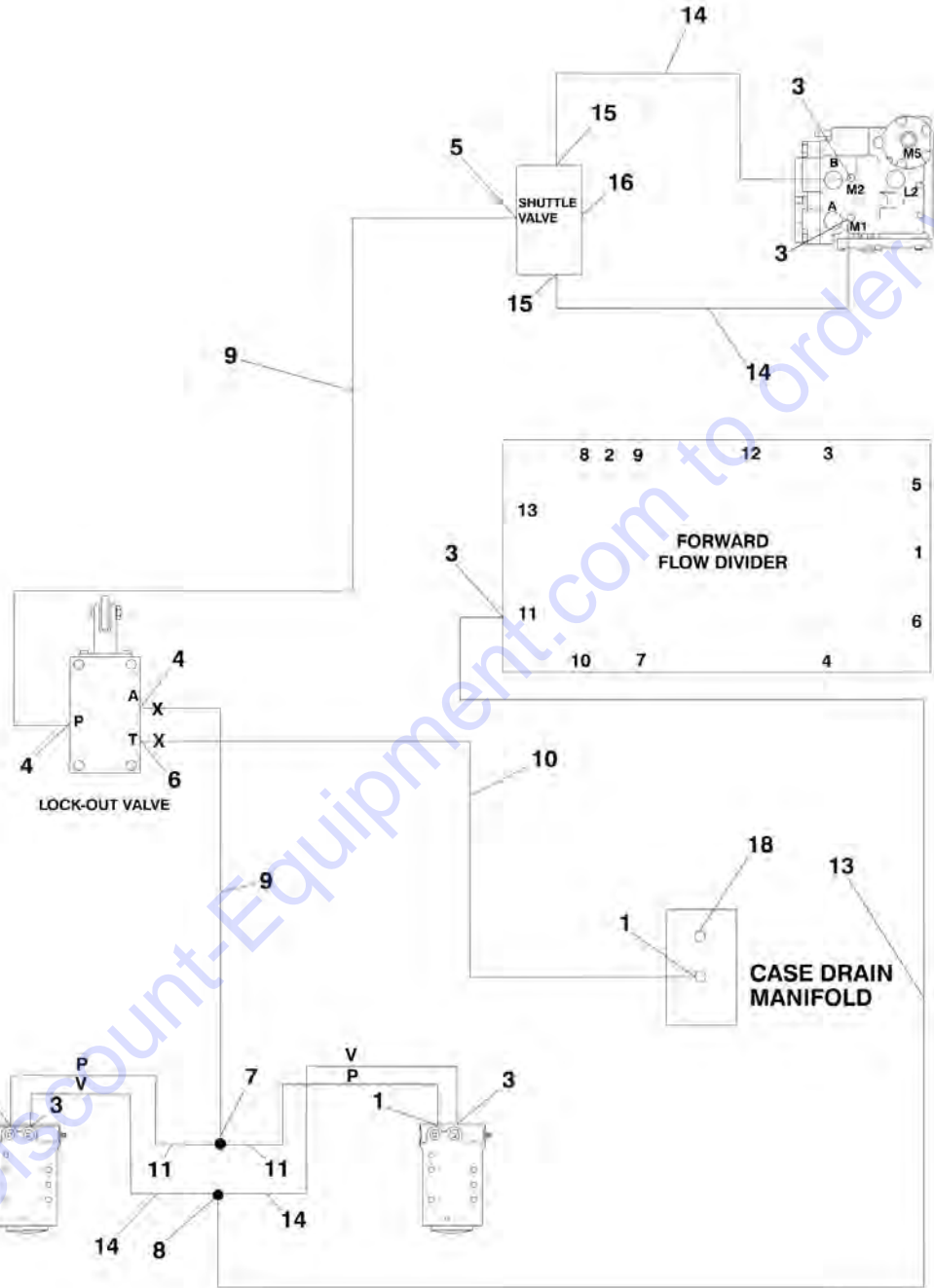
SECTION 6 - HYDRAULIC

FIGURE 6-5. AXLE LOCKOUT HYDRAULIC DIAGRAM - 4WD (USA BUILT MACHINES AND BELGIUM BUILT MACHINES) (SN 0300077285 through 0300107511, SN 1300000353 through 1300003221)

ITEM	PART NUMBER	QTY	DESCRIPTION	REV
		Ref	AXLE LOCKOUT HYDRAULIC DIAGRAM	
	2792620	Ref	4WD	3
1	2110404	2	Fitting, Fitting	
2	2110406	2	Fitting, Straight	
3	2110606	2	Fitting, Straight	
4	2130404	2	Fitting, Elbow	
5	2130604	1	Fitting, Elbow	
6	2150404	1	Fitting, Elbow	
7	2170504	1	Fitting, Tee	
8	2170506	1	Fitting, Tee	
9	2753935	1	Hose	
10	2753934	1	Hose	
11	2753936	2	Hose	
12	2753937	1	Hose	
13	2753625	1	Hose	
14	2753577	2	Hose	

SECTION 6 - HYDRAULIC

FIGURE 6-6. AXLE LOCKOUT HYDRAULIC DIAGRAM - 4WD (USA BUILT MACHINES AND BELGIUM BUILT MACHINES) (SN 0300107512 through 0300123999, SN 1300003222 through 1300006000)



SECTION 6 - HYDRAULIC

FIGURE 6-6. AXLE LOCKOUT HYDRAULIC DIAGRAM - 4WD (USA BUILT MACHINES AND BELGIUM BUILT MACHINES) (SN 0300107512 through 0300123999, SN 1300003222 through 1300006000)

ITEM	PART NUMBER	QTY	DESCRIPTION	REV
		Ref	AXLE LOCKOUT HYDRAULIC DIAGRAM	
	2792778	Ref	4WD	4
1	2110404	3	Fitting, Straight	
3	2110606	5	Fitting, Straight	
4	2130404	2	Fitting, Elbow	
5	1001098446	1	Fitting, Straight	
6	2150404	1	Fitting, Elbow	
7	2170504	1	Fitting, Tee	
8	2170506	1	Fitting, Tee	
9	2753782	2	Hose	
10	2753934	1	Hose	
11	2753939	2	Hose	
13	2753851	1	Hose	
14	2753625	4	Hose	
15	2130606	2	Fitting, Elbow	
16	8902175	1	Valve, Shuttle	
18	2220235	1	Plug	

Go to Discount-Equipment.com to order your parts

SECTION 6 - HYDRAULIC

FIGURE 6-7. DRIVE HYDRAULIC DIAGRAM - 2WD

ITEM	PART NUMBER	QTY	DESCRIPTION	REV
		Ref	DRIVE HYDRAULIC DIAGRAM - 2WD OPTIONS:	
	2792470	Ref	USA Built Machines (SN 0300065080 through 0300087630)	6
	2792706	Ref	USA Built Machines with Caterpillar/Deutz/Ford/Perkins Engines (SN 0300087631 through 0300100513)	4
	DRIVE HYDRAULIC DIAGRAM - 2WD	Ref	USA Built Machines with Caterpillar/Deutz/Ford/Perkins Engines (SN 0300100514 through 0300107512)	
	DRIVE HYDRAULIC DIAGRAM - 2WD	Ref	USA Built Machines with GM Engines (SN 0300065080 through 0300107511)	
	DRIVE HYDRAULIC DIAGRAM - 2WD	Ref	USA Built Machines with All Engines (SN 0300107512 through 0300123999)	
	2792470	Ref	Belgium Built Machines (Prior to SN 1300001158)	6
	2792706	Ref	Belgium Built Machines (SN 1300001158 through 1300002283)	4
	DRIVE HYDRAULIC DIAGRAM - 2WD	Ref	Belgium Built Machines (SN 1300002284 through 1300003221)	
	DRIVE HYDRAULIC DIAGRAM - 2WD	Ref	Belgium Built Machines (SN 1300003222 through 1300006000)	
1	2130404	2	Fitting, Elbow	
2	2110808	AR	Fitting, Straight	
3	2130812	1	Fitting, Elbow	
4	2111212	4	Fitting, Straight	
5	2170504	1	Fitting, Tee	
6	2220235	4	Plug (USA Built Machines) (SN 0300065080 through 0300087630)	
6	2220235	4	Plug (Belgium Built Machines) (Prior to SN 1300001158)	
7	4641198	NLA	Valve, Check (Use p/n 4641281)	
8	2221087	2	Fitting, Elbow	
9	2110806	2	Fitting, Straight	
10	2131212	AR	Fitting, Elbow	
11	2170516	1	Fitting, Tee	
12	2220238	2	Plug	
13	2220240	2	Plug	
14	2111616	AR	Fitting, Straight	
15	2111010	AR	Fitting, Straight	
16		Ref	Fitting, Elbow Options:	
16	2131012	1	USA Built Machines (SN 0300065080 through 0300087630)	
16	2131012	1	Belgium Built Machines (Prior to SN 1300001158)	
16	2131008	1	USA Built Machines (SN 0300087631 through 0300100514)	
16	2131008	1	Belgium Built Machines (SN 1300001158 through 1300002284)	
17	2221088	1	Fitting, Tee	
18	2151616	AR	Fitting, Elbow	
19	2221084	AR	Fitting, Tee	
20	2111620	1	Fitting, Straight	
21	2131216	1	Fitting, Elbow	
22	2130808	1	Fitting, Elbow	
23	2130608	1	Fitting, Elbow	
24	2753538	1	Hose	

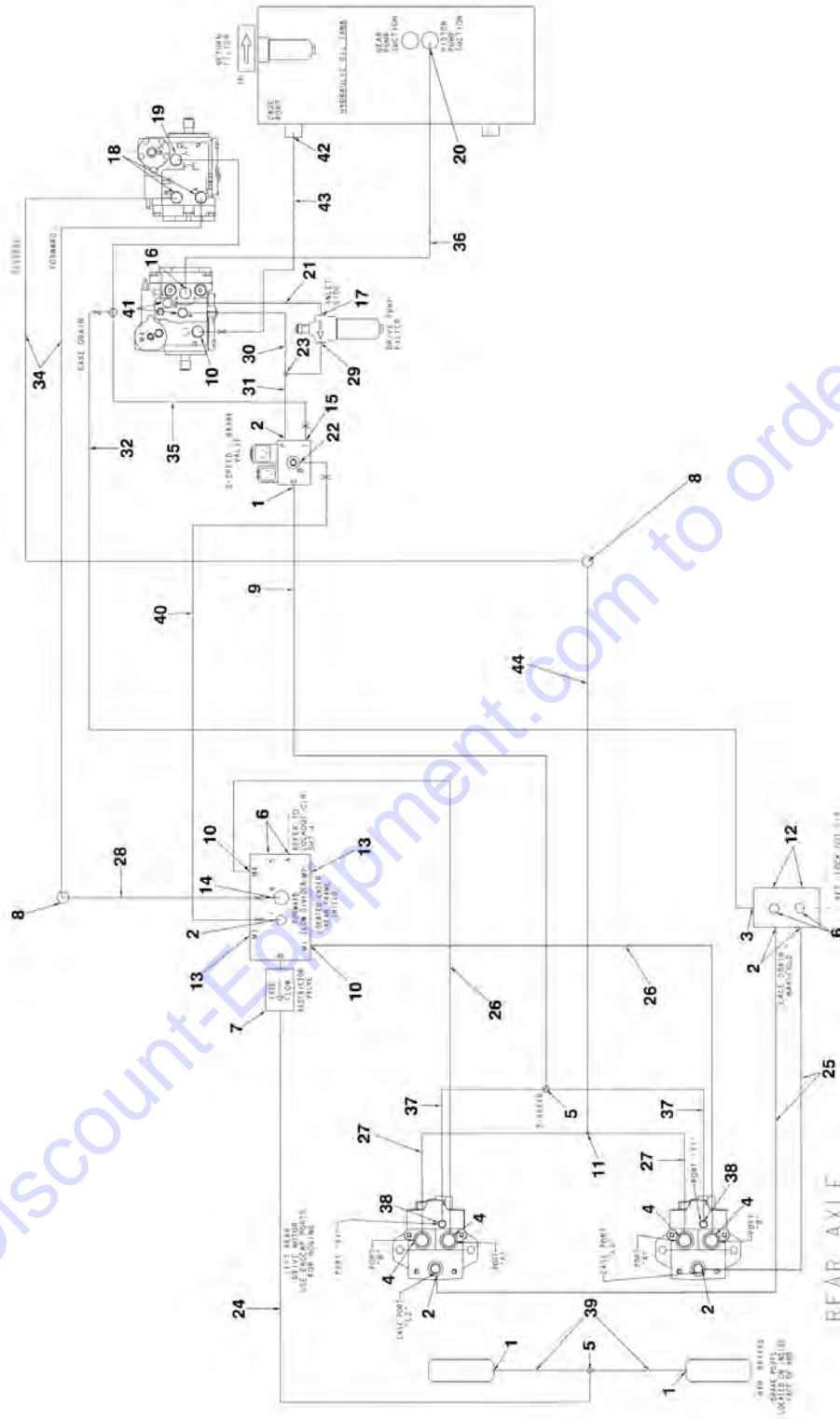
SECTION 6 - HYDRAULIC

ITEM	PART NUMBER	QTY	DESCRIPTION	REV
25	2753579	2	Hose	
26	2753605	2	Hose	
27	2753909	2	Hose	
28	2753607	1	Hose	
29	2753608	1	Hose	
30	2753588	1	Hose	
31	2753587	1	Hose	
32	2753588	1	Hose	
33	2753575	1	Hose	
34	2753609	2	Hose	
35	2753610	1	Hose	
36	2753596	1	Hose	
37	2753592	1	Hose	
38	2753593	1	Hose	
39	2753940	2	Hose	
40	2221216	1	Fitting, Straight	

Go to Discount-Equipment.com to order your parts

SECTION 6 - HYDRAULIC

FIGURE 6-8. DRIVE HYDRAULIC DIAGRAM - 2WD



SECTION 6 - HYDRAULIC

FIGURE 6-8. DRIVE HYDRAULIC DIAGRAM - 2WD

ITEM	PART NUMBER	QTY	DESCRIPTION	REV
		Ref	DRIVE HYDRAULIC DIAGRAM - 2WD OPTIONS:	
		Ref	USA Built Machines (SN 0300065080 through 0300087630)	
	DRIVE HYDRAULIC DIAGRAM - 2WD			
	DRIVE HYDRAULIC DIAGRAM - 2WD	Ref	USA Built Machines with Caterpillar/Deutz/Ford/Perkins Engines (SN 0300087631 through 0300100513)	
	2792753	Ref	USA Built Machines with Caterpillar/Deutz/Ford/Perkins Engines (SN 0300100514 through 0300107512)	5
	2792753	Ref	USA Built Machines with GM Engines (SN 0300065080 through 0300107511)	5
	DRIVE HYDRAULIC DIAGRAM - 2WD	Ref	USA Built Machines with All Engines (SN 0300107512 through 0300123999)	
	DRIVE HYDRAULIC DIAGRAM - 2WD	Ref	Belgium Built Machines (Prior to SN 1300001158)	
	DRIVE HYDRAULIC DIAGRAM - 2WD	Ref	Belgium Built Machines (SN 1300001158 through 1300002283)	
	2792753	Ref	Belgium Built Machines (SN 1300002284 through 1300003221)	5
	DRIVE HYDRAULIC DIAGRAM - 2WD	Ref	Belgium Built Machines (SN 1300003222 through 1300006000)	
1	2130404	3	Fitting, Elbow	
2	2110808	6	Fitting, Straight	
3	2130812	1	Fitting, Elbow	
4	2111212	4	Fitting, Straight	
5	2170504	2	Fitting, Tee	
6	Not Required	0	Plug	
7	4641281	1	Valve, Check	
8	2221087	2	Fitting, Elbow	
9	2753675	1	Hose	
10	2131212	2	Fitting, Elbow	
11	2170516	1	Fitting, Tee	
12	2220238	2	Plug	
13	2220240	2	Plug	
14	2111616	1	Fitting, Straight	
15	2110604	1	Fitting, Straight	
17	2131008	1	Fitting, Elbow	
18	2151612	2	Fitting, Elbow	
20	2111620	1	Fitting, Straight	
21	2753594	1	Hose	
22	2130808	1	Fitting, Elbow	
23	2221088	1	Fitting, Tee	
24	2753538	1	Hose	
25	2753579	2	Hose	
26	2753605	2	Hose	
27	2753909	2	Hose	
28	2753607	1	Hose	
29	2221216	1	Fitting, Straight	
30	2753595	1	Hose	
31	2753752	1	Hose	

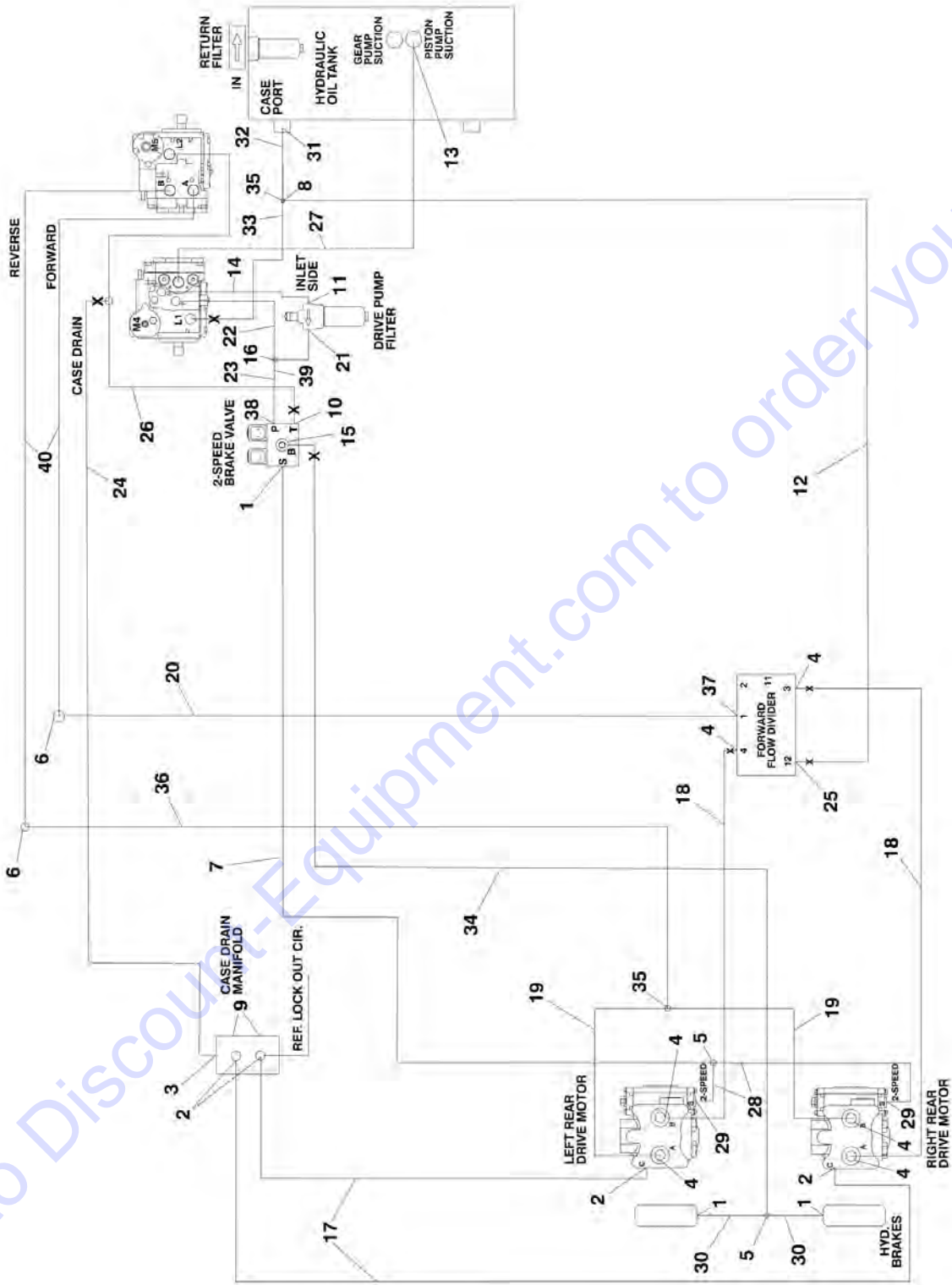
SECTION 6 - HYDRAULIC

ITEM	PART NUMBER	QTY	DESCRIPTION	REV
32	2753588	1	Hose	
34	2753609	2	Hose	
35	2753578	1	Hose	
36	2753610	1	Hose	
37	2753939	2	Hose	
38	2110406	2	Fitting, Straight	
39	2753940	2	Hose	
40	2753585	1	Hose	
42	2131216	1	Fitting, Elbow	
43	2753597	1	Hose	
44	2753608	1	Hose	

Go to Discount-Equipment.com to order your parts

SECTION 6 - HYDRAULIC

FIGURE 6-9. DRIVE HYDRAULIC DIAGRAM - 2WD



SECTION 6 - HYDRAULIC

FIGURE 6-9. DRIVE HYDRAULIC DIAGRAM - 2WD

ITEM	PART NUMBER	QTY	DESCRIPTION	REV
		Ref	DRIVE HYDRAULIC DIAGRAM - 2WD OPTIONS:	
	DRIVE HYDRAULIC DIAGRAM - 2WD	Ref	USA Built Machines (SN 0300065080 through 0300087630)	
	DRIVE HYDRAULIC DIAGRAM - 2WD	Ref	USA Built Machines with Caterpillar/Deutz/Ford/Perkins Engines (SN 0300087631 through 0300100513)	
	DRIVE HYDRAULIC DIAGRAM - 2WD	Ref	USA Built Machines with Caterpillar/Deutz/Ford/Perkins Engines (SN 0300107514 through 0300107512)	
	DRIVE HYDRAULIC DIAGRAM - 2WD	Ref	USA Built Machines with GM Engines (SN 0300065080 through 0300107511)	
	2792785	Ref	USA Built Machines with All Engines (SN 0300107512 through 0300123999)	4
	DRIVE HYDRAULIC DIAGRAM - 2WD	Ref	Belgium Built Machines (Prior to SN 1300001158)	
	DRIVE HYDRAULIC DIAGRAM - 2WD	Ref	Belgium Built Machines (SN 1300001158 through 1300002283)	
	DRIVE HYDRAULIC DIAGRAM - 2WD	Ref	Belgium Built Machines (SN 1300002284 through 1300003221)	
	2792785	Ref	Belgium Built Machines with All Engines (SN 1300003222 through 1300006000)	4
1	2130404	3	Fitting, Elbow	
2	2110808	5	Fitting, Straight	
3	2130812	1	Fitting, Elbow	
4	2111212	6	Fitting, Straight	
5	2170504	2	Fitting, Tee	
6	2221085	2	Fitting, Elbow	
7	2753675	1	Hose	
8	2221296	1	Fitting, Straight	
9	2220238	2	Plug	
10	2110604	1	Fitting, Straight	
11	2131008	1	Fitting, Elbow	
12	2754471	1	Hose	
13	2111620	1	Fitting, Straight	
14	2753594	1	Hose	
15	4641281	1	Valve, Check	
16	2221088	1	Fitting, Tee	
17	2753579	2	Hose	
18	2753582	2	Hose	
19	2755076	2	Hose	
20	2753605	1	Hose	
21	2221216	1	Fitting, Straight	
22	2753595	1	Hose	
23	2753538	1	Hose	
24	2753588	1	Hose	
25	2110606	2	Fitting, Straight	
26	2753578	1	Hose	
27	2753610	1	Hose	

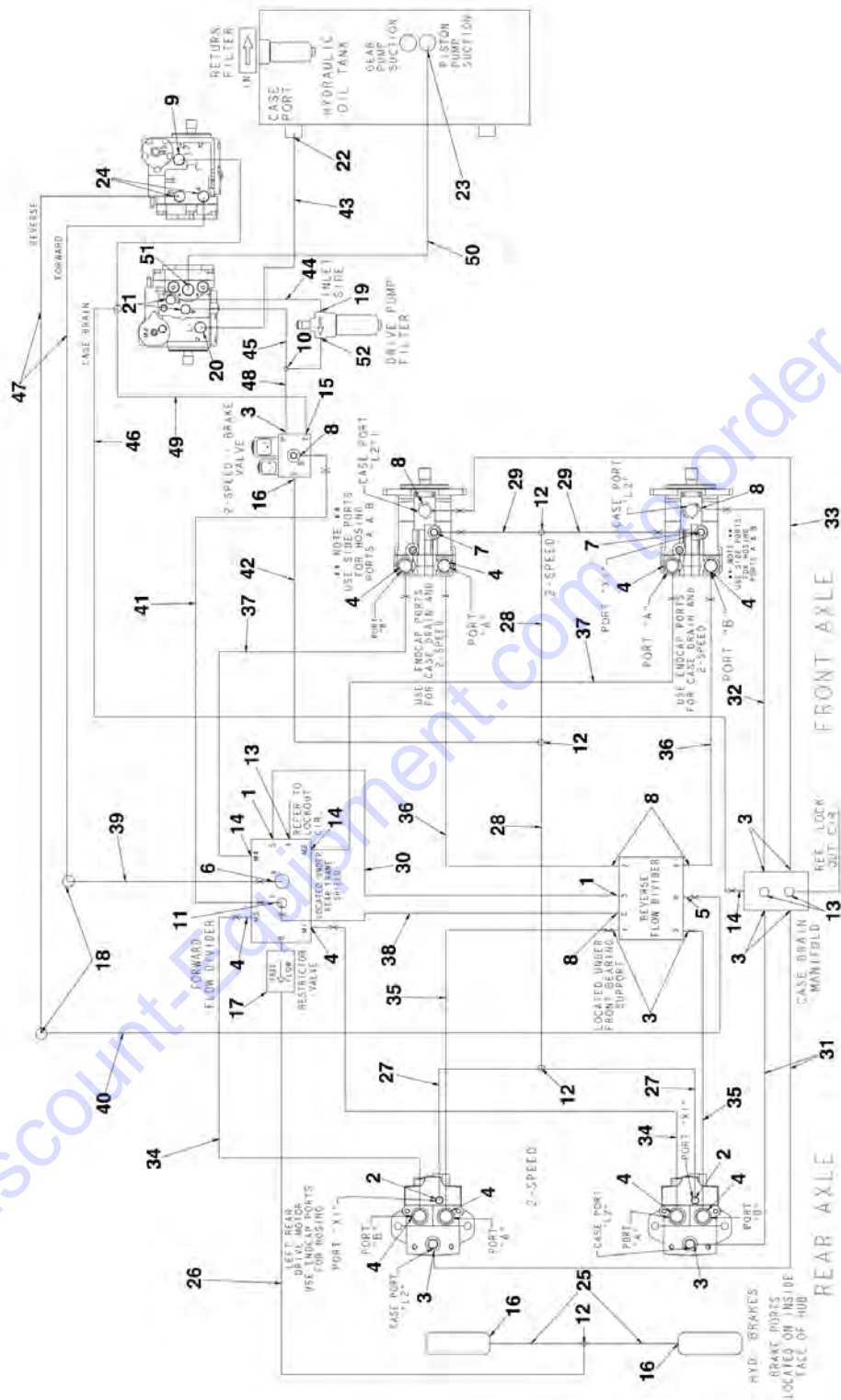
SECTION 6 - HYDRAULIC

ITEM	PART NUMBER	QTY	DESCRIPTION	REV
28	2753939	2	Hose	
29	2110406	2	Fitting, Straight	
30	2753940	2	Hose	
31	2131216	1	Fitting, Elbow	
32	2753698	1	Hose	
33	2753843	1	Hose	
34	2753787	1	Hose	
35	2170512	2	Fitting, Tee	
36	2753688	1	Hose	
37	2111216	1	Fitting, Straight	
38	2110404	1	Fitting, Straight	
39	2221183	1	Fitting, Straight	
40	2753604	2	Hose	

Go to Discount-Equipment.com to order your parts

SECTION 6 - HYDRAULIC

FIGURE 6-10. DRIVE HYDRAULIC DIAGRAM - 4WD



Go to Discount-www.discount-4wheel.com to order your parts

SECTION 6 - HYDRAULIC

FIGURE 6-10. DRIVE HYDRAULIC DIAGRAM - 4WD

ITEM	PART NUMBER	QTY	DESCRIPTION	REV
		Ref	DRIVE HYDRAULIC DIAGRAM - 4WD	
	2792471	Ref	USA Built Machines (SN 0300065080 through 0300087630)	6
	2792708	Ref	USA Built Machines with Caterpillar/Deutz/Ford/Perkins Engines (SN 0300087631 through 0300107511)	4
	DRIVE HYDRAULIC DIAGRAM - 4WD	Ref	USA Built Machines with Caterpillar/Deutz/Ford/Perkins Engines (SN 0300087512 through 0300123999)	
	2792726	Ref	USA Built Machines with GM Engines (SN 0300065080 through 0300107511)	3
	DRIVE HYDRAULIC DIAGRAM - 4WD	Ref	USA Built Machines to with GM Engines (SN 0300107512 through 0300123999)	
	2792729	Ref	USA Built Machines with Arctic Package (SN 0300065080 through 0300107511)	2-B
	DRIVE HYDRAULIC DIAGRAM - 4WD	Ref	USA Built Machines with Arctic Package (SN 0300107512 through 0300123999)	
	2792471	Ref	Belgium Built Machines (Prior to SN 1300001158)	6
	2792708	Ref	Belgium Built Machines (SN 1300001158 through 1300003221)	4
	DRIVE HYDRAULIC DIAGRAM - 4WD	Ref	Belgium Built Machines (SN 1300003222 through 1300006000)	
1	2110404	2	Fitting, Straight	
2	2110406	2	Fitting, Straight	
3	2110808	9	Fitting, Straight	
4	2110812	10	Fitting, Straight	
5	2111212	1	Fitting, Straight	
6	2111216	1	Fitting, Straight	
7	2130406	2	Fitting, Elbow	
8	2130808	6	Fitting, Elbow	
9	2221084	AR	Fitting, Tee	
10	2221088	1	Fitting, Tee	
11	2170308	1	Fitting, Tee	
12	2170504	4	Fitting, Tee	
13	2220235	3	Plug (USA Built Machines) (SN 0300065080 through 0300087630)	
13	2220235	3	Plug (Belgium Built Machines) (Prior to SN 1300001158)	
14	2130812	3	Fitting, Elbow	
15	2110604	1	Fitting, Straight	
16	2130404	3	Fitting, Elbow	
17	4641198	NLA	Valve, Check (Use p/n 4641281)	
18	2221085	2	Fitting, Elbow	
19		Ref	Fitting, Elbow Options:	
19	2131012	1	USA Built Machines (SN 0300065080 through 0300087630)	
19	2131012	1	Belgium Built Machines (Prior to SN 1300001158)	
19	2131008	1	USA Built Machines (SN 0300087631 through 0300123999)	
19	2131008	1	Belgium Built Machines (SN 1300001158 through 1300006000)	
20	2131212	AR	Fitting, Elbow	
21	2111010	AR	Fitting, Straight	
22	2131216	2	Fitting, Straight	
23	2111620	1	Fitting, Straight	

PARTS FINDER

**Search Website
by Part Number**



**Search Manual
Library For Parts
Manual & Lookup Part
Numbers – Purchase
or Request Quote**

**Can't Find Part or
Manual? Request Help
by Manufacturer,
Model & Description**

Discount-Equipment.com is your online resource for quality parts & equipment.

Florida: **561-964-4949** Outside Florida TOLL FREE: **877-690-3101**

Need parts?

Click on this link: <http://www.discount-equipment.com/category/5443-parts/> and choose one of the options to help get the right parts and equipment you are looking for. Please have the machine model and serial number available in order to help us get you the correct parts. If you don't find the part on the website or on one of the online manuals, please fill out the request form and one of our experienced staff members will get back to you with a quote for the right part that your machine needs.

We sell worldwide for the brands: Genie, Terex, JLG, MultiQuip, Mikasa, Essick, Whiteman, Mayco, Toro Stone, Diamond Products, Generac Magnum, Airman, Haulotte, Barreto, Power Blanket, Nifty Lift, Atlas Copco, Chicago Pneumatic, Allmand, Miller Curber, Skyjack, Lull, Skytrak, Tsurumi, Husquvarna Target, Stow, Wacker, Sakai, Mi-T-M, Sullair, Basic, Dynapac, MBW, Weber, Bartell, Bennar Newman, Haulotte, Ditch Runner, Menegotti, Morrison, Contec, Buddy, Crown, Edco, Wyco, Bomag, Laymor, EZ Trench, Bil-Jax, F.S. Curtis, Gehl Pavers, Heli, Honda, ICS/PowerGrit, IHI, Partner, Imer, Clipper, MMD, Koshin, Rice, CH&E, General Equipment, Amida, Coleman, NAC, Gradall, Square Shooter, Kent, Stanley, Tamco, Toku, Hatz, Kohler, Robin, Wisconsin, Northrock, Oztec, Toker TK, Rol-Air, APT, Wylie, Ingersoll Rand / Doosan, Innovatech, Con X, Ammann, Mecalac, Makinex, Smith Surface Prep, Small Line, Wanco, Yanmar

SECTION 6 - HYDRAULIC

ITEM	PART NUMBER	QTY	DESCRIPTION	REV
24	2151212	AR	Fitting, Elbow	
25	2753940	2	Hose	
26	2753538	1	Hose	
27	2753939	2	Hose	
28	2753540	2	Hose	
29		Ref	Hose Options:	
29	2753541	2	Hose (Without Arctic Package)	
29	2754722	2	Hose (With Arctic Package)	
30	2753542	1	Hose	
31	2753579	2	Hose	
32		Ref	Hose Options:	
32	2753580	1	Hose (Without Arctic Package)	
32	2754723	1	Hose (With Arctic Package)	
33		Ref	Hose Options:	
33	2753581	1	Hose (Without Arctic Package)	
33	2754724	1	Hose (With Arctic Package)	
34	2753598	2	Hose	
35	2753599	2	Hose	
36		Ref	Hose Options:	
36	2753600	2	Hose (Without Arctic Package)	
36	2754725	2	Hose (With Arctic Package)	
37		Ref	Hose Options:	
37	2753601	2	Hose (Without Arctic Package)	
37	2754726	2	Hose (With Arctic Package)	
38	2753582	1	Hose	
39	2753602	1	Hose	
40	2753603	1	Hose	
41	2753585	1	Hose	
42	2753555	1	Hose	
43	2753597	1	Hose	
44	2753594	1	Hose	
45		Ref	Hose Options:	
45	2753595	1	Hose (Caterpillar/Deutz/Ford/Perkins Engines)	
45	2753661	1	Hose (GM Engines)	
46	2753588	1	Hose	
47	2753604	2	Hose	
48		Ref	Hose Options:	
48	2753584	1	Hose (Caterpillar/Deutz/Ford/Perkins Engines)	
48	2753752	1	Hose (GM Engines)	
49	2753578	1	Hose	
50	2753610	1	Hose	
51	2111612	1	Fitting, Straight (USA Built Machines) (SN 0300065080 through 0300092804)	
51	2111612	1	Fitting, Straight (Belgium Built Machines) (Prior to SN 1300001787)	
52	2221216	1	Fitting Straight (USA Built Machines) (SN 0300087631 through 0300123999)	
52	2221216	1	Fitting, Straight (Belgium Built Machines) (SN 1300001158 through 1300006000)	

SECTION 6 - HYDRAULIC

FIGURE 6-11. DRIVE HYDRAULIC DIAGRAM - 4WD

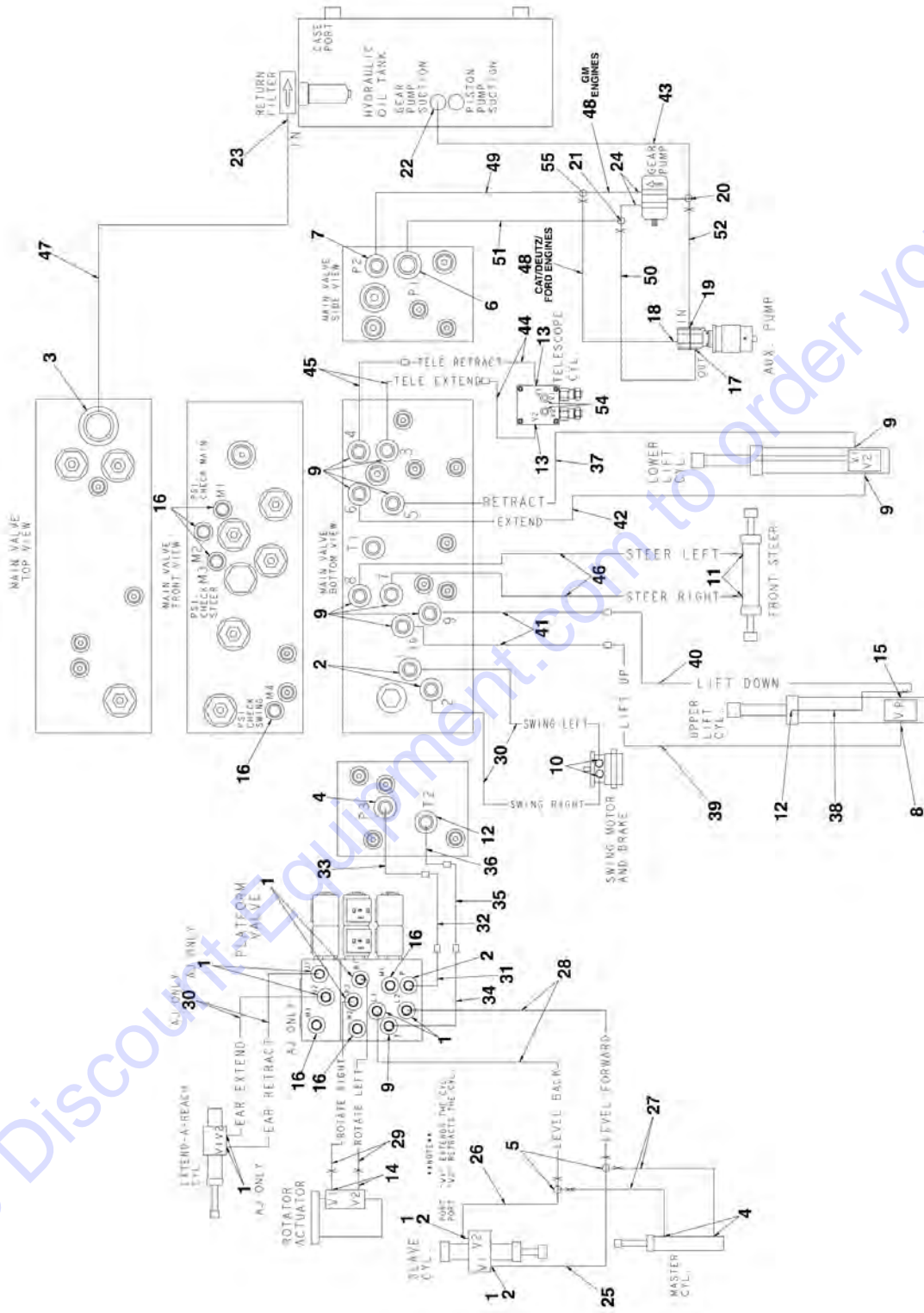
ITEM	PART NUMBER	QTY	DESCRIPTION	REV
		Ref	DRIVE HYDRAULIC DIAGRAM - 4WD	
		Ref	USA Built Machines (SN 0300065080 through 0300087630)	
	DRIVE HYDRAULIC DIAGRAM - 4WD			
		Ref	USA Built Machines with Caterpillar/Deutz/Ford/Perkins Engines (SN 0300087631 through 0300107511)	
	DRIVE HYDRAULIC DIAGRAM - 4WD 2792782			
		Ref	USA Built Machines with Caterpillar/Deutz/Ford/Perkins Engines (SN 0300107512 through 0300123999)	4
		Ref	USA Built Machines with GM Engines (SN 0300065080 through 0300107511)	
	DRIVE HYDRAULIC DIAGRAM - 4WD 2792783			
		Ref	USA Built Machines with GM Engines (SN 0300107512 through 0300123999)	3
		Ref	USA Built Machines with Arctic Package (SN 0300065080 through 0300107511)	
	DRIVE HYDRAULIC DIAGRAM - 4WD 1001094337			
		Ref	USA Built Machines with Arctic Package (SN 0300107512 through 0300123999)	A-1
		Ref	Belgium Built Machines (Prior to SN 1300001158)	
		Ref	Belgium Built Machines (SN 1300001158 through 1300003221)	
	DRIVE HYDRAULIC DIAGRAM - 4WD 2792782			
		Ref	Belgium Built Machines (SN 1300003222 through 1300006000)	4
1	2110406	2	Fitting, Straight	
2	2110808	10	Fitting, Straight	
3	2110812	8	Fitting, Straight	
4	2130406	2	Fitting, Elbow	
5	2130808	6	Fitting, Elbow	
6	2221088	1	Fitting, Tee	
7	2170504	4	Fitting, Tee	
8	2130812	1	Fitting, Elbow	
9	2110604	2	Fitting, Straight	
10	2130404	3	Fitting, Elbow	
11	2221085	2	Fitting, Elbow	
12	2131008	1	Fitting, Elbow	
13	2111620	1	Fitting, Straight	
14	2753940	2	Hose	
15	2753939	2	Hose	
16	2753540	2	Hose	
17		Ref	Hose Options:	
17	2753541	3	Hose (Without Arctic Package)	
17	2754722	3	Hose (With Arctic Package)	
18	2753579	2	Hose	
19	2753580	1	Hose	
20	2753581	1	Hose	
21	2754244	4	Hose	
22		Ref	Hose Options:	
22	2753601	4	Hose (Without Arctic Package)	
22	2754726	4	Hose (With Arctic Package)	
23	2753605	1	Hose	

SECTION 6 - HYDRAULIC

ITEM	PART NUMBER	QTY	DESCRIPTION	REV
25	2753843	1	Hose	
26	2753594	1	Hose	
27		Ref	Hose Options:	
27	2753595	1	Hose (Caterpillar/Deutz/Perkins Engines)	
27	2753661	1	Hose (GM Engines)	
28	2753588	1	Hose	
29	2753604	2	Hose	
30		Ref	Hose Options:	
30	2753538	1	Hose (Caterpillar/Deutz/Perkins Engines)	
30	2753537	1	Hose (GM Engines)	
31	2753578	1	Hose	
32	2753610	1	Hose	
33	2221216	1	Fitting, Straight	
34	2221183	1	Fitting, Straight	
35	2110404	1	Fitting, Straight	
36	2753787	1	Hose	
37	2753602	1	Hose	
38	2754471	1	Hose	
39	2131216	1	Fitting, Elbow	
40	2221296	1	Fitting, Straight	
41	2170512	1	Fitting, Tee	
42	2753698	1	Hose	
44	2111212	2	Fitting, Straight	
45	4641281	1	Valve, Check	

SECTION 6 - HYDRAULIC

FIGURE 6-12. STANDARD HYDRAULIC DIAGRAM



SECTION 6 - HYDRAULIC

FIGURE 6-12. STANDARD HYDRAULIC DIAGRAM

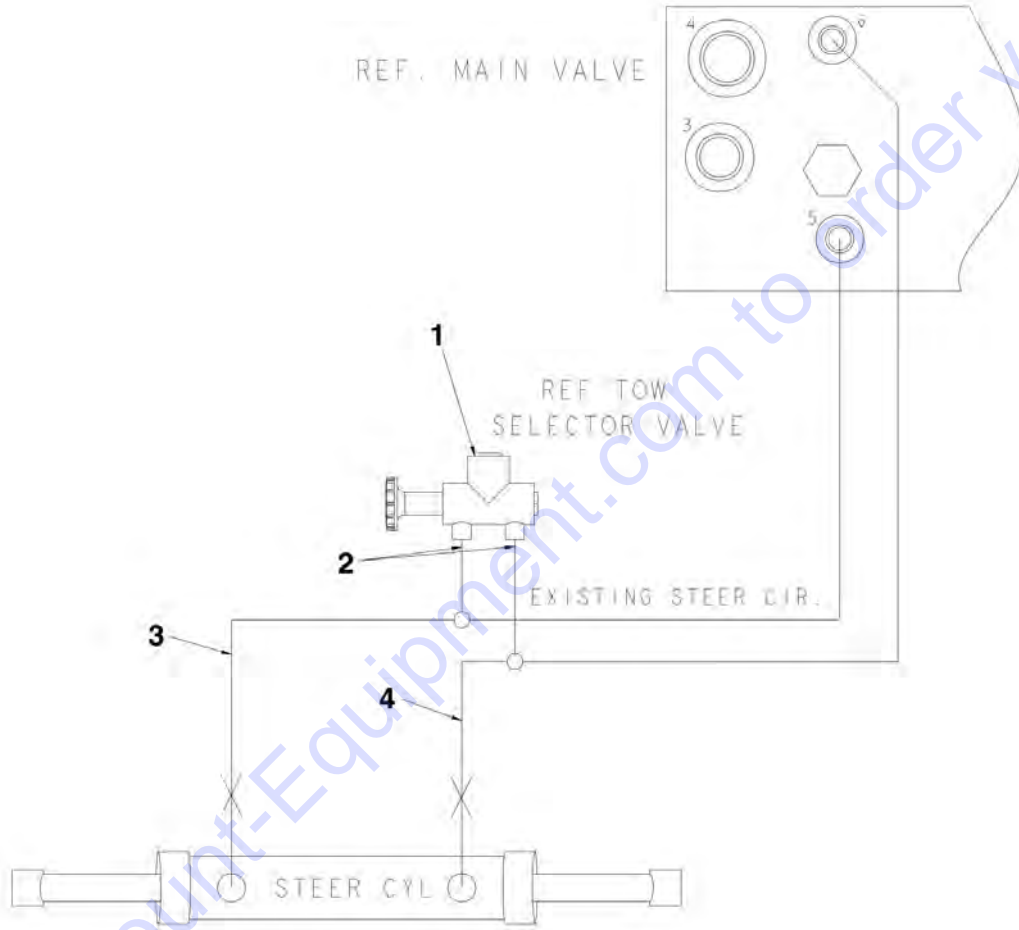
ITEM	PART NUMBER	QTY	DESCRIPTION	REV
		Ref	STANDARD HYDRAULIC DIAGRAM	
	2792468	Ref	450A Series II (USA Built Machines with Caterpillar/Deutz/Ford/Perkins Engines) (1st SN Digit is 0)	6
	2792724	Ref	450A Series II (USA Built Machines with GM Engines) (SN 0300093402 through 0300123999)	4
	2792469	Ref	450AJ Series II (USA Built Machines with Caterpillar/Deutz/Ford/Perkins Engines) (1st SN Digit is 0)	5
	2792725	Ref	450AJ Series II (USA Built Machines with GM Engines) (SN 0300093402 through 0300123999)	4
	2792580	Ref	Turntable Hydraulic Diagram (Belgium Built Machines) (1st SN Digit is 1)	6
	2792590	Ref	Main Boom Hydraulic Diagram (Belgium Built Machines) (1st SN Digit is 1)	2
	2792583	Ref	Tower Boom Hydraulic Diagram (Belgium Built Machines) (1st SN Digit is 1)	1
1	2110404	AR	Fitting, Straight	
2	2110406	5	Fitting, Straight	
3	2111212	1	Fitting, Straight	
4	2130406	3	Fitting, Elbow	
5	2170504	2	Fitting, Tee	
6	2150808	1	Fitting, Elbow	
7	2150606	1	Fitting, Elbow	
8	2170206	1	Fitting, Long Elbow	
9	2110606	11	Fitting, Straight	
10	2110410	2	Fitting, Straight	
11	2170106	2	Fitting, Long Straight	
12	2130606	2	Fitting, Elbow	
13	2130608	2	Fitting, Elbow (USA Built Machines Only)	
14	2150404	2	Fitting, Elbow	
15	2170406	1	Fitting, Tee	
16	2221086	AR	Fitting, Pressure, Check	
17		Ref	Fitting Options:	
17	2130604	1	Fitting, Elbow	
17	2110604	1	Fitting, Straight	
18	2110604	1	Fitting, Straight	
19	2131210	1	Fitting, Elbow	
20	2170316	1	Fitting, Tee	
21	2170808	1	Fitting, Tee	
22	2111620	1	Fitting, Straight	
23	2111216	1	Fitting, Straight	
24	4641199	2	Valve, Check	
25		Ref	Hose Options:	
25	2753554	1	Hose (46in - USA Built Machines)	
25	2753545	1	Hose (34in - USA Built Machines)	
25	2753546	1	Hose (Belgium Built Machines)	
26		Ref	Hose Options:	
26	2753542	1	Hose (450A Series II)	
26	2753546	1	Hose (450AJ Series II)	
27		Ref	Hose Options:	
27	2753558	2	Hose (450A Series II)	
27	2753547	2	Hose (450AJ Series II)	

SECTION 6 - HYDRAULIC

ITEM	PART NUMBER	QTY	DESCRIPTION	REV
28		Ref	Hose Options:	
28	2753549	2	Hose (450A Series II)	
28	2753548	2	Hose (450AJ Series II)	
29	2753557	2	Hose	
30		Ref	Hose Options:	
30	2753550	2	Hose (66in Length)	
30	2753675	2	Hose (84in Length)	
31		Ref	Hose Options:	
31	2753556	1	Hose (450A Series II)	
31	2753551	1	Hose (450AJ Series II)	
32	2753552	1	Hose	
33	2753553	1	Hose	
34		Ref	Hose Options:	
34	2753559	1	Hose (450A Series II)	
34	2753560	1	Hose (450AJ Series II)	
35	2753561	1	Hose	
36	2753562	1	Hose	
37	2753563	1	Hose	
38		Ref	Tube Options:	
38	4568281	1	Tube (450A Series II)	
38	4568280	1	Tube (450AJ Series II)	
39	2753565	1	Hose	
40	2753566	1	Hose	
41	2753567	2	Hose	
42	2753568	1	Hose	
43		Ref	Hose Options:	
43	2753611	1	Hose (111in Length) (Belgium Built Machines)	
43	2753612	1	Hose (98in Length) (USA Built Machines)	
44	2753569	2	Hose	
45	2753570	2	Hose	
46		Ref	Hose Options:	
46	2753571	2	USA Built Machines (SN 0300065080 through 0300091060)	
46	2753571	2	Belgium Built Machines (Prior to SN 1300001242)	
46	2754702	2	USA Built Machines (SN 0300091061 through 0300123999)	
46	2754702	2	Belgium Built Machines (SN 1300001242 through 1300006000)	
47	2753613	1	Hose	
48	2753572	1	Hose	
49		Ref	Hose Options:	
49	2753573	1	Hose (77in Length)	
49	2753574	1	Hose (71in Length)	
49	2753563	1	Hose (68in Length)	
50	2753589	1	Hose	
51		Ref	Hose Options:	
51	2753590	1	Hose (77in Length)	
51	2753591	1	Hose (71in Length)	
52	2753614	1	Hose	
53	1705091	1	Decal, Hose Tags (Not Shown)	
54	2130606	2	Fitting, Elbow (Belgium Built Machines Only)	
55		Ref	Fitting, Tee Options:	
55	2170808	1	Caterpillar/Deutz/Ford/Perkins Engines	
55	2170706	1	GM Engines	

SECTION 6 - HYDRAULIC

FIGURE 6-13. TOW BAR HYDRAULIC DIAGRAM



SECTION 6 - HYDRAULIC

FIGURE 6-13. TOW BAR HYDRAULIC DIAGRAM

ITEM	PART NUMBER	QTY	DESCRIPTION	REV
	2792473	Ref	TOW BAR HYDRAULIC DIAGRAM	
1	2220240	1	Plug	
2	2221090	2	Fitting, Tee	
3	2753615	1	Hose	
4	2753616	1	Hose	

Go to Discount-Equipment.com to order your parts

SECTION 6 - HYDRAULIC

FIGURE 6-14. HYDRAULIC DIAGRAM LIST

ITEM	PART NUMBER	QTY	DESCRIPTION	REV
		Ref	Note: Information on diagrams not shown is available from Discount-equipment.com	Ref
		Ref	Axle Lockout Hydraulic Diagrams:	
		Ref	2WD Machines	
		Ref	USA Built Machines	
	2792472	Ref	USA Built Machines (SN 0300065080 through 0300077284)	
	1283245	Ref	USA Built Machines (SN 0300065080 through 0300077284)	
	2792619	Ref	USA Built Machines (SN 0300077285 through 0300107511)	
	1283373	Ref	USA Built Machines (SN 0300077285 through 0300107511)	
	2792777	Ref	USA Built Machines (SN 0300107512 through 0300123999)	
	1283460	Ref	USA Built Machines (SN 0300107512 through 0300123999)	
		Ref	Belgium Built Machines	
	2792472	Ref	Belgium Built Machines (Prior to SN 1300000353)	
	1283245	Ref	Belgium Built Machines (Prior to SN 1300000353)	
	2792619	Ref	Belgium Built Machines (SN 1300000353 through 1300003221)	
	1283373	Ref	Belgium Built Machines (SN 1300000353 through 1300003221)	
	2792777	Ref	Belgium Built Machines (SN 1300003222 through 1300006000)	
	1283460	Ref	Belgium Built Machines (SN 1300003222 through 1300006000)	
		Ref	4WD Machines	
		Ref	USA Built Machines	
	2792474	Ref	USA Built Machines (SN 0300065080 through 0300077284)	
	1283245	Ref	USA Built Machines (SN 0300065080 through 0300077284)	
	2792620	Ref	USA Built Machines (SN 0300077285 through 0300107511)	
	1283373	Ref	USA Built Machines (SN 0300077285 through 0300107511)	
	2792778	Ref	USA Built Machines (SN 0300107512 through 0300123999)	
	1283460	Ref	USA Built Machines (SN 0300107512 through 0300123999)	
		Ref	Belgium Built Machines	
	2792474	Ref	Belgium Built Machines (Prior to SN 1300000353)	
	1283245	Ref	Belgium Built Machines (Prior to SN 1300000353)	
	2792620	Ref	Belgium Built Machines (SN 1300000353 through 1300003221)	
	1283373	Ref	Belgium Built Machines (SN 1300000353 through 1300003221)	
	2792778	Ref	Belgium Built Machines (SN 1300003222 through 1300006000)	
	1283460	Ref	Belgium Built Machines (SN 1300003222 through 1300006000)	
		Ref	Axle Fixed Hydraulic Diagrams:	
		Ref	2WD Machines	
		Ref	USA Built Machines	
	Not Required	Ref	USA Built Machines (SN 0300065080 through 0300107511)	
	2792779	Ref	USA Built Machines (SN 0300107512 through 0300123999)	
	1283460	Ref	USA Built Machines (SN 0300107512 through 0300123999)	
		Ref	Belgium Built Machines	
	Not Required	Ref	Belgium Built Machines (Prior to SN 1300003222)	
	2792779	Ref	Belgium Built Machines (SN 1300003222 through 1300006000)	

SECTION 6 - HYDRAULIC

ITEM	PART NUMBER	QTY	DESCRIPTION	REV
	1283460	Ref	Belgium Built Machines (SN 1300003222 through 1300006000)	
		Ref	4WD Machines	
		Ref	USA Built Machines	
	Not Required	Ref	USA Built Machines (SN 0300065080 through 0300107511)	
	2792784	Ref	USA Built Machines (SN 0300107512 through 0300123999)	
	1283460	Ref	USA Built Machines (SN 0300107512 through 0300123999)	
		Ref	Belgium Built Machines	
	Not Required	Ref	Belgium Built Machines (Prior to SN 1300003222)	
	2792784	Ref	Belgium Built Machines (SN 1300003222 through 1300006000)	
	1283460	Ref	Belgium Built Machines (SN 1300003222 through 1300006000)	
	2792590	Ref	Boom (Main) Hydraulic Diagram (Belgium Built Machines)	
	1283373	Ref	Boom (Main) Hydraulic Diagram (Belgium Built Machines)	
	2792583	Ref	Boom (Tower) Hydraulic Diagram (Belgium Built Machines)	
	1283373	Ref	Boom (Tower) Hydraulic Diagram (Belgium Built Machines)	
		Ref	Drive Hydraulic Diagrams:	
		Ref	2WD Machines	
	2792470	Ref	USA Built Machines with Caterpillar/Deutz/Ford/Perkins Engines (SN 0300065080 through 0300087630)	
	1283245	Ref	USA Built Machines with Caterpillar/Deutz/Ford/Perkins Engines (SN 0300065080 through 0300087630)	
	2792706	Ref	USA Built Machines with Caterpillar/Deutz/Ford/Perkins Engines (SN 0300087631 through 0300100513)	
	1283373	Ref	USA Built Machines with Caterpillar/Deutz/Ford/Perkins Engines (SN 0300087631 through 0300100513)	
	2792753	Ref	USA Built Machines with Caterpillar/Deutz/Ford/Perkins Engines (SN 0300100514 through 0300107512)	
	1283373	Ref	USA Built Machines with Caterpillar/Deutz/Ford/Perkins Engines (SN 0300100514 through 0300107512)	
	2792753	Ref	USA Built Machines with GM Engines	
	1283373	Ref	USA Built Machines with GM Engines	
	2792785	Ref	USA Built Machines with All Engines (SN 0300107512 through 0300123999)	
	1283460	Ref	USA Built Machines with All Engines (SN 0300107512 through 0300123999)	
	2792470	Ref	Belgium Built Machines (Prior to SN 1300001158)	
	1283245	Ref	Belgium Built Machines (Prior to SN 1300001158)	
	2792706	Ref	Belgium Built Machines (SN 1300001158 through 1300002283)	
	1283373	Ref	Belgium Built Machines (SN 1300001158 through 1300002283)	
	2792753	Ref	Belgium Built Machines (SN 1300002284 through 1300003221)	
	1283373	Ref	Belgium Built Machines (SN 1300002284 through 1300003221)	
	2792785	Ref	Belgium Built Machines (SN 1300003222 through 1300006000)	
	1283460	Ref	Belgium Built Machines (SN 1300003222 through 1300006000)	
		Ref	4WD Machines	
	2792471	Ref	USA Built Machines (SN 0300065080 through 0300087630)	
	1283245	Ref	USA Built Machines (SN 0300065080 through 0300087630)	
	2792708	Ref	USA Built Machines with Caterpillar/Deutz/Ford/Perkins	

SECTION 6 - HYDRAULIC

ITEM	PART NUMBER	QTY	DESCRIPTION	REV
	1283373	Ref	Engines (SN 0300087631 through 0300107511) USA Built Machines with Caterpillar/Deutz/Ford/Perkins Engines (SN 0300087631 through 0300107511)	
	2792782	Ref	USA Built Machines to with Caterpillar/Deutz/Ford/Perkins Engines (SN 0300107512 through 0300123999)	
	1283460	Ref	USA Built Machines to with Caterpillar/Deutz/Ford/Perkins Engines (SN 0300107512 through 0300123999)	
	2792726	Ref	USA Built Machines with GM Engines (SN 0300065080 through 0300107511)	
	1283373	Ref	USA Built Machines with GM Engines (SN 0300065080 through 0300107511)	
	2792783	Ref	USA Built Machines to with GM Engines (SN 0300107512 through 0300123999)	
	1283460	Ref	USA Built Machines to with GM Engines (SN 0300107512 through 0300123999)	
	2792729	Ref	USA Built Machines with Arctic Package (SN 0300065080 through 0300107511)	
	1283373	Ref	USA Built Machines with Arctic Package (SN 0300065080 through 0300107511)	
	1001094337	Ref	USA Built Machines with Arctic Package (SN 0300107512 through 0300123999)	
	1283460	Ref	USA Built Machines with Arctic Package (SN 0300107512 through 0300123999)	
	2792471	Ref	Belgium Built Machines (Prior to SN 1300001158)	
	1283245	Ref	Belgium Built Machines (Prior to SN 1300001158)	
	2792708	Ref	Belgium Built Machines (SN 1300001158 through 1300003221)	
	1283373	Ref	Belgium Built Machines (SN 1300001158 through 1300003221)	
	2792782	Ref	Belgium Built Machines (SN 1300003222 through 1300006000)	
	1283460	Ref	Belgium Built Machines (SN 1300003222 through 1300006000)	
		Ref	Standard Hydraulic Diagrams:	
	2792468	Ref	450A Series II (USA Built Machines with Caterpillar/Deutz/Ford/ Perkins Engines)	
	1283373	Ref	450A Series II (USA Built Machines with Caterpillar/Deutz/Ford/ Perkins Engines)	
	1283460	Ref	450A Series II (USA Built Machines with Caterpillar/Deutz/Ford/ Perkins Engines)	
	2792724	Ref	450A Series II (USA Built Machines with GM Engines)	
	1283373	Ref	450A Series II (USA Built Machines with GM Engines)	
	1283460	Ref	450A Series II (USA Built Machines with GM Engines)	
	2792469	Ref	450AJ Series II (USA Built Machines with Caterpillar/Deutz/Ford/Perkins Engines)	
	1283373	Ref	450AJ Series II (USA Built Machines with Caterpillar/Deutz/Ford/Perkins Engines)	
	1283460	Ref	450AJ Series II (USA Built Machines with Caterpillar/Deutz/Ford/Perkins Engines)	
	2792725	Ref	450AJ Series II (USA Built Machines with GM Engines)	
	1283373	Ref	450AJ Series II (USA Built Machines with GM Engines)	
	1283460	Ref	450AJ Series II (USA Built Machines with GM Engines)	
	2792580	Ref	450AJ Series II (Belgium Built Machines)	
	1283373	Ref	450AJ Series II (Belgium Built Machines)	
	1283460	Ref	450AJ Series II (Belgium Built Machines)	
		Ref	Standard Hydraulic Schematic	

SECTION 6 - HYDRAULIC

ITEM	PART NUMBER	QTY	DESCRIPTION	REV
	2792518	Ref	USA Built Machines (SN 0300065080 through 0300107511)	
	2792780	Ref	USA Built Machines (SN 0300107512 through 0300123999)	
	2792518	Ref	USA Built Machines (Prior to SN 1300003222)	
	2792780	Ref	USA Built Machines (SN 1300003222 through 1300006000)	
	2792473	Ref	Tow Bar Hydraulic Diagram	
	1283373	Ref	Tow Bar Hydraulic Diagram	
	1283460	Ref	Tow Bar Hydraulic Diagram	

Go to Discount-Equipment.com to order your parts

SECTION 7 - ELECTRICAL

Go to Discount-Equipment.com to order your parts

SECTION 7 - ELECTRICAL

FIGURE 7-1. ELECTRICAL DIAGRAM LIST

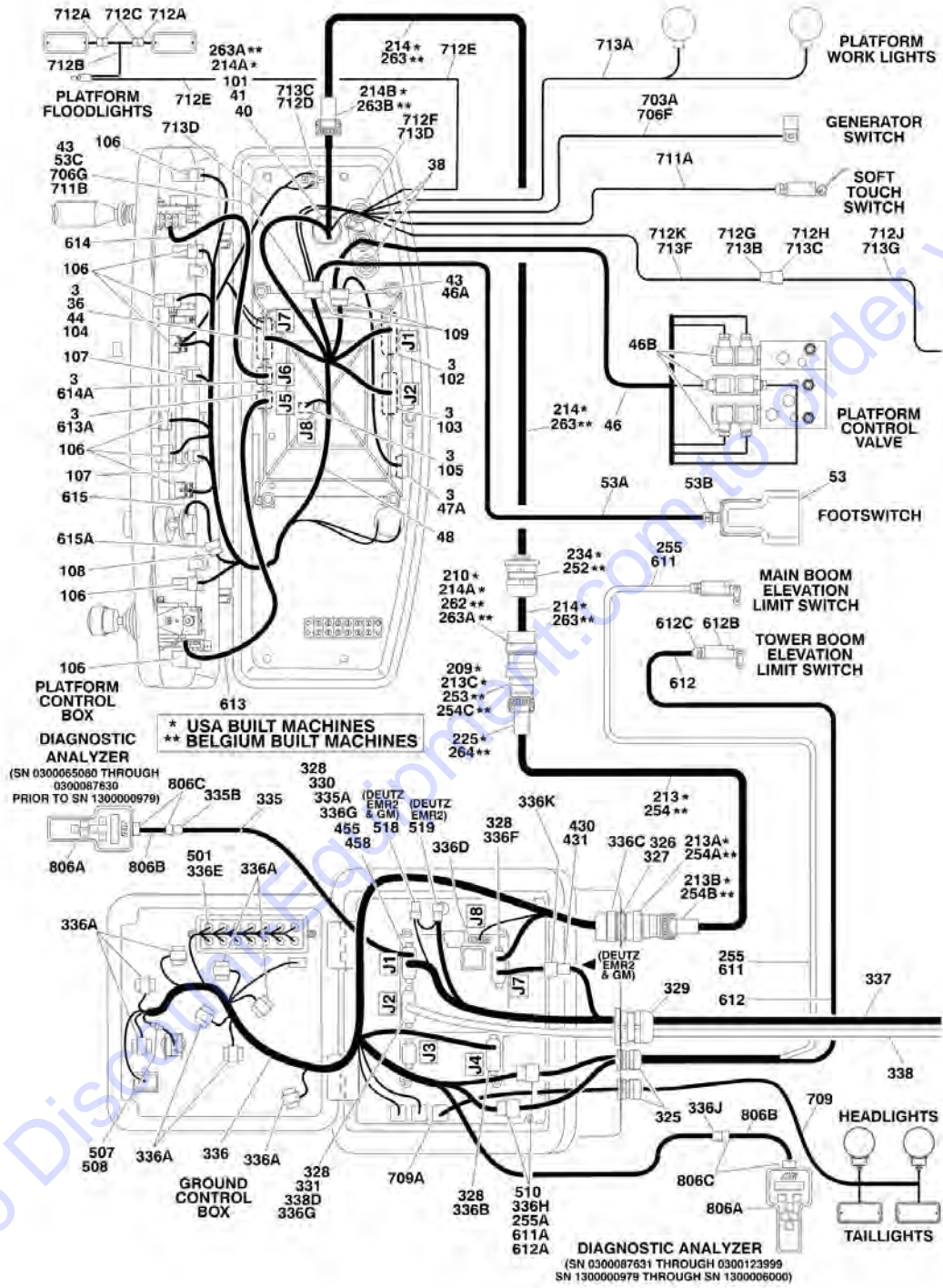
ITEM	PART NUMBER	QTY	DESCRIPTION	REV
	0257887	Ref	ALARM ELECTRICAL DIAGRAM	
	0258921	Ref	ETHER START ELECTRICAL DIAGRAM	
	1283002	Ref	ETHER START ELECTRICAL DIAGRAM	
		Ref	GENERATOR ELECTRICAL DIAGRAM (2500W)	
		Ref	Note: For Diagram for Machines with SkyPower Generator, see JLG Supplement P/N 3124242.	
		Ref	110V (Caterpillar)	
	4933215	Ref	USA Built Machines (SN 0300065080 through 0300087208)	
	4933300	Ref	USA Built Machines (SN 0300087209 through 0300123999)	
		Ref	110V (Deutz)	
	4933215	Ref	USA Built Machines (110V/60Hz) (SN 0300065080 through 0300077520)	
	4933250	Ref	USA Built Machines (110V/50Hz) (SN 0300065080 through 0300077520)	
	4933238	Ref	USA Built Machines (SN 0300077521 through 0300082708)	
	4933300	Ref	USA Built Machines (SN 0300082709 through 0300123999)	
	4933215	Ref	Belgium Built machines (110V/60Hz) (Prior to SN 1300000316)	
	4933250	Ref	Belgium Built Machines (110V/50Hz) (Prior to SN 1300000316)	
	4933238	Ref	Belgium Built Machines (SN 1300000316 through 1300000730)	
	4933300	Ref	Belgium Built Machines (SN 1300000731 through 1300006000)	
		Ref	110V (Ford)	
	4933215	Ref	USA Built Machines (SN 0300065080 through 0300078472)	
	4933300	Ref	USA Built Machines (SN 0300078473 through 0300123999)	
	4933350	Ref	110V (GM)	
	4933300	Ref	110V (Perkins)	
		Ref	220V (Caterpillar) (ANSI Export Only)	
	4933239	Ref	USA Built Machines (SN 0300065080 through 0300087208)	
	4933300	Ref	USA Built Machines (SN 0300087209 through 0300123999)	
		Ref	220V (Deutz)	
	4933216	Ref	USA Built Machines (SN 0300065080 through 0300077520)	
	4933239	Ref	USA Built Machines (SN 0300077521 through 0300082708)	
	4933300	Ref	USA Built Machines (SN 0300082709 through 0300123999)	
	4933216	Ref	Belgium Built Machines (Prior to SN 1300000316)	
	4933239	Ref	Belgium Built Machines (SN 1300000316 through 1300000730)	
	4933300	1	Belgium Built Machines (SN 1300000731 through 1300006000)	
		Ref	220V (Ford)	
	4933216	Ref	USA Built Machines (SN 0300065080 through 0300078472)	
	4933300	Ref	USA Built Machines (SN 0300078473 through 0300123999)	
	See Note	Ref	220V (GM) (Note: Not Available)	
	4933300	Ref	220V (Perkins)	
	4933217	Ref	GLOW PLUG ELECTRICAL DIAGRAM (DEUTZ MACHINES)	
		Ref	LIGHTS ELECTRICAL DIAGRAMS	
	4933219	Ref	Headlights and Taillights	
	4933231	Ref	Chassis Floodlights	

SECTION 7 - ELECTRICAL

ITEM	PART NUMBER	QTY	DESCRIPTION	REV
	0270814	Ref	PLATFORM WORKLIGHTS ELECTRICAL DIAGRAM	
	4933218	Ref	SOFT TOUCH ELECTRICAL DIAGRAM	
		Ref	STANDARD ELECTRICAL DIAGRAMS	
		Ref	Caterpillar Engine	
	4933280	Ref	USA Built Machines (SN 0300065080 through 0300087630)	
	4933332	Ref	USA Built Machines (SN 0300087631 through 0300092619)	
	4933352	Ref	USA Built Machines (SN 0300092620 through 0300099084)	
	4933382	Ref	USA Built Machines (SN 0300099085 through 0300123999)	
	4933280	Ref	Belgium Built Machines (Prior to SN 130001008)	
	4933332	Ref	Belgium Built Machines (SN 130001008 through 130001426)	
	4933352	Ref	Belgium Built Machines (SN 130001427 through 130002603)	
	4933382	Ref	Belgium Built Machines (SN 130002604 through 130006000)	
		Ref	Deutz Engine	
	4933171	Ref	USA Built Machines (SN 0300065080 through 0300085628)	
	4933326	Ref	USA Built Machines (SN 0300085629 through 0300099084)	
	4933384	Ref	USA Built Machines (SN 0300099085 through 0300123999)	
	4933171	Ref	Belgium Built Machines (Prior to SN 130000979)	
	4933326	Ref	Belgium Built Machines (SN 130000979 through 130002603)	
	4933384	Ref	Belgium Built Machines (SN 130002604 through 130006000)	
		Ref	Ford Engine	
	4933170	Ref	USA Built Machines (SN 0300065080 through 0300087630)	
	4933333	Ref	USA Built Machines (SN 0300087631 through 0300123999)	
		Ref	GM Engine	
	4933347	Ref	USA Built Machines (SN 0300065080 through 0300099084)	
	4933381	Ref	USA Built Machines (SN 0300099085 through 0300123999)	
	4933382	Ref	Perkins Engine (All Machines)	
		Ref	STANDARD ELECTRICAL SCHEMATIC	
		Ref	Caterpillar Engine Machines:	
	1870144	Ref	USA Built (SN 0300065080 through 0300116045)	
	1870215	Ref	USA Built (SN 0300116046 through 0300123999)	
	1870144	Ref	Belgium Built Machines (Prior to SN 1300004780)	
	1870215	Ref	Belgium Built Machines (SN 1300004780 through 130006000)	
		Ref	Deutz Engine Machines:	
	1870144	Ref	USA Built Machines (SN 0300065080 through 0300085628)	
	1870191	Ref	USA Built Machines (SN 0300085629 through 0300099084)	
	1870215	Ref	USA Built Machines (SN 0300099085 through 0300123999)	
	1870144	Ref	Belgium Built Machines (Prior to SN 130000979)	
	1870191	Ref	Belgium Built Machines (SN 130000979 through 130002603)	
	1870215	Ref	Belgium Built Machines (SN 130002604 through 130006000)	
	1870144	Ref	Ford Engine (All Machines)	
		Ref	GM Engine Machines:	
	1870191	Ref	USA Built Machines (SN 0300065080 through 0300099084)	
	1870215	Ref	USA Built Machines (SN 0300099085 through 0300123999)	
	1870215	Ref	Perkins Engine (All Machines)	

SECTION 7 - ELECTRICAL

FIGURE 7-2. HARNESS COMPONENTS INSTALLATION



SECTION 7 - ELECTRICAL

FIGURE 7-2. HARNESS COMPONENTS INSTALLATION

ITEM	PART NUMBER	QTY	DESCRIPTION	REV
	0861512	Ref	PLATFORM CONSOLE BOX COMPONENTS	
3	0100048	AR	Grease, Dielectric	
38	4460428	2	Connector, Strain Relief	
40	4460470	1	Nut, Terminal	
41	4460471	1	Lockwasher, Terminal	
43	4460708	2	Receptacle - 15 Position	
44	4460905	5	Seal, Plug	
46	4922533	1	Harness, Upper Valve	3-C
46A	4460226	7	Socket, Female	
46B	4460880	6	Connector, DIN	
47	4922666	1	Harness, Analyzer Cable	2-B
47	4460226	4	Socket, Female (Not Shown - Located at J2)	
47A	4460761	1	Connector, Female - 4 Position	
47A	4460227	4	Pin, Male	
53	0272970	Ref	Footswitch Components	A
53A	1060918	8 ft/2.4m	Cable, Electrical - 18/3	
53B	4460071	1	Connector, Strain Relief	
53C	4460226	2	Socket, Female	
53C	4460464	1	Pin, Male Deutsch	
54	4922669	1	Harness, Platform Box (See Items 101-109 for Breakdown)	
	4922669	Ref	PLATFORM BOX HARNESS ASSEMBLY	2-B
101	4460866	1	Connector - 19 Position	
101	4460464	7	Pin, Male Deutsch 16 Ga	
101	4460508	3	Pin, Male Deutsch 12 Ga	
102	4460874	1	Connector - 35 Position (Natural)	
102	4460871	28	Socket, Female	
103	4460875	1	Connector - 35 Position (Gray)	
103	4460871	23	Socket, Female	
104	4460873	1	Connector - 35 Position (Black)	
104	4460871	25	Socket, Female	
105	4460879	1	Connector, Male 2 Position	
105	4460887	2	Terminal (12 Gauge)	
106	4460418	8	Connector, Female - 6 Position	
106	4460419	24	Socket, Female	
107	4460225	4	Plug, Male - 6 Position	
107	4460226	18	Socket, Female	
108	4460225	1	Plug, Male - 6 Position	
108	4460227	5	Pin, Male	
109	4460434	2	Plug, Male - 15 Position	
109	4460227	25	Pin, Male	
		Ref	BOOM CABLES INSTALLATION (USA BUILT MACHINES - 1ST SN DIGIT IS 0)	
	0271311	Ref	450A Series II without SkyPower (ANSI, ANSI Export and CSA Specs)	J
	0271310	Ref	450A Series II without SkyPower (Australian and CE Specs)	J
	0273279	Ref	450A Series II with SkyPower	C
	1001097502	Ref	450A Series II with Arctic Package	A
	1001097503	Ref	450A Series II with Arctic Package with SkyPower	A
	0271122	Ref	450AJ Series II without SkyPower (ANSI, ANSI Export and CSA Specs)	J

SECTION 7 - ELECTRICAL

ITEM	PART NUMBER	QTY	DESCRIPTION	REV
	0271206	Ref	450AJ Series II without SkyPower (Australian and CE Specs)	J
	0273280	Ref	450AJ Series II with SkyPower	C
	0275116	Ref	450AJ Series II with Arctic Package	C
	0275786	Ref	450AJ Series II with Arctic Package with SkyPower	C
205	4460425	1	Connector, Strain Relief (Without SkyPower Only)	
209	4460865	1	Connector - 19 Position	
209	2820031	AR	Heat Shrink	
210	4460866	1	Connector - 19 Position	
210	2820031	AR	Heat Shrink	
213		Ref	Harness Assembly - Tower Boom (12/4 - 18/8) Options:	
213	4922530	1	Harness Assembly (Without Arctic Package)	3-D
213	4923458	1	Harness Assembly (With Arctic Package)	1-A
213		Ref	Cable, Electrical - 12/4 & 18/8 Options:	
213	1060896	34 ft/10.4m	Cable, Electrical (Without Arctic Package)	
213	4923462	34 ft/10.4m	Cable, Electrical (With Arctic Package Only)	
213	2820118	6 in/15cm	Heat Shrink	
213A	4460865	1	Connector - 19 Position	
213A	4460465	11	Socket, Female 18 Gauge	
213A	4460509	4	Socket, Female 12 Gauge	
213A	4460466	4	Seal, Plug	
213B	4460473	1	Clamp, Cable	
213C	4460464	11	Pin, Male 18 Gauge	
213C	4460508	4	Pin, Male 12 Gauge	
214		Ref	Harness Assembly - Main Boom (12/4 - 18/8) Options:	
214		Ref	Cable, Electrical - 12/4 & 18/8 Options:	
214	1060896	29 ft/8.84m	Cable, Electrical (Without Arctic Package)	
214	4923462	28 ft/8.5m	Cable, Electrical (With Arctic Package)	
214	2820118	6 in/15cm	Heat Shrink	
214A	4460865	2	Connector - 19 Position	
214A	4460465	22	Socket, Female 18 Gauge	
214A	4460509	8	Socket, Female 12 Gauge	
214A	4460466	4	Seal, Plug	
214B	4460473	1	Clamp, Cable	
225	4460473	1	Clamp, Cable	
226		Ref	Cable, Electrical 8/5 - SkyPower Main Boom Options:	
226	Not Required	0	Cable, Electrical 8/5 - SkyPower Main Boom (Without SkyPower)	
226	Not Required	0	Cable, Electrical 8/5 - SkyPower Main Boom (With Artic Package)	
226	4922929	1	Cable, Electrical 8/5 - SkyPower Main Boom (With SkyPower)	
226	4923616	NLA	Cable Electrical 8/5 - SkyPower Main Boom (With Artic Package and SkyPower) (Use p/n 4922929)	
227		Ref	Cable, Electrical 8/5 - SkyPower Tower Boom Options:	
227	Not Required	0	Cable, Electrical 8/5 - SkyPower Tower Boom (Without SkyPower)	
227	Not Required	0	Cable, Electrical 8/5 - SkyPower Tower Boom (With Artic Package)	
227	4922857	1	Cable, Electrical 8/5 - SkyPower Tower Boom (With SkyPower)	
227	4923615	NLA	Cable Electrical 8/5-SkyPower Main Boom (With Artic Package and SkyPower) (Use p/n 4922857)	

SECTION 7 - ELECTRICAL

ITEM	PART NUMBER	QTY	DESCRIPTION	REV
228	1671092	1	Cover, Female Connector (With SkyPower Only)	
229	1671093	1	Cover, Male Plug (With SkyPower Only)	
230		Ref	Cable, Electrical 12/3 Options:	
230		Ref	Machines Without Arctic Package or SkyPower	
230	1060494	NLA	ANSI, ANSI Export and CSA Specs (Use p/n 1060987) (SN 0300065080 through 0300068439)	
230	1060987	1	ANSI, ANSI Export and CSA Specs (SN 0300068440 through 0300123999)	
230	1060461	NLA	Australian and CE Specs (Use p/n 1060989) (SN 0300065080 through 0300068439)	
230	1060989	1	Australian and CE Specs (SN 0300068440 through 0300123999)	
230		Ref	Machines With Arctic Package and/or SkyPower	
230	4923460	1	With Arctic Package	
230	Not Required	0	With Arctic Package with SkyPower	
230	Not Required	0	With SkyPower	
231		Ref	Cable, Electrical 12/3 Options:	
231		Ref	Machines Without Arctic Package or SkyPower	
231	1060494	NLA	ANSI, ANSI Export and CSA Specs (Use p/n 1060988) (SN 0300065080 through 0300068439)	
231	1060988	1	ANSI, ANSI Export and CSA Specs (SN 0300068440 through 0300123999)	
231	1060461	NLA	Australian and CE Specs (Use p/n 1060990) (SN 0300065080 through 0300068439)	
231	1060990	1	Australian and CE Specs (SN 0300068440 through 0300123999)	
231		Ref	Machines With Arctic Package and/ or SkyPower	
231	4923461	1	With Arctic Package	
231	Not Required	0	With Arctic Package with SkyPower	
231	Not Required	0	With SkyPower	
232	4460960	1	Plug, Female (With SkyPower Only)	
233	4460959	1	Connector, Male (With SkyPower Only)	
234		Ref	Connector, Strain Relief	
234	4460425	1	Without Arctic Package (SN 0300065080 through 0300104164)	
234	1321692	1	Without Arctic Package (SN 0300104165 through 0300123999)	
234	1321692	1	Terminal, Strain Relief, with SkyPower Only (SN 0300104165 through 0300123999)	
234	1321692	1	450AJ Series II With Arctic Package and Arctic Package with SkyPower (SN 0300104165 through 0300123999)	
234	1321694	1	450AJ Series II With Arctic Package and Arctic Package with SkyPower (SN 0300104165 through 0300123999)	
		Ref	BOOM CABLES INSTALLATION (BELGIUM BUILT MACHINES - 1ST SN DIGIT IS 1)	
	0272594	Ref	Tower Boom Components without SkyPower	D
	0275436	Ref	Tower Boom Components with SkyPower	D
251	1060991	1	Cable, Electrical 12/3 (Without SkyPower Only)	
252		Ref	Connector, Strain Relief Options:	
252	4460425	2	Without SkyPower	
252	4460425	1	With SkyPower (Prior to SN 1300002739)	
252	1321692	1	With SkyPower (SN 1300002739 through 1300006000)	
253	4460866	1	Connector - 19 Position	
253	2820031	AR	Heat Shrink	

SECTION 7 - ELECTRICAL

ITEM	PART NUMBER	QTY	DESCRIPTION	REV
254	4922530	1	Harness Assembly - Tower Boom (12/4 - 18/8)	3-D
254	1060896	34 ft/10.4m	Cable, Electrical - 12/4 & 18/8	
254	2820118	6 in/15cm	Heat Shrink	
254A	4460865	1	Connector - 19 Position	
254A	4460465	11	Socket, Female 18 Gauge	
254A	4460509	4	Socket, Female 12 Gauge	
254A	4460466	4	Seal, Plug	
254B	4460473	1	Clamp, Cable	
254C	4460464	11	Pin, Male 18 Gauge	
254C	4460508	4	Pin, Male 12 Gauge	
255	4922770	1	Cable, Electrical 18/2	
255A	4460226	2	Socket, Female	
256	1671093	1	Cover, Male Plug (With SkyPower Only)	
257	4460960	1	Plug, Female (With SkyPower Only)	
258		Ref	Cable, Electrical 8/5 - SkyPower Tower Boom Options:	
258	Not Required	0	Cable, Electrical 8/5 - SkyPower Tower Boom (Without SkyPower)	
258	4922857	1	Cable, Electrical 8/5 - SkyPower Tower Boom (With SkyPower)	
	0272665	Ref	Main Boom Components without SkyPower	C
	0275437	Ref	Main Boom Components with SkyPower	B
261	1060996	1	Cable, Electrical 12/3	
262	4460865	1	Connector - 19 Position	
263	4922532	1	Harness Assembly - Main Boom (12/4 - 18/8)	B
263	1060896	29 ft/8.84m	Cable, Electrical - 12/4 & 18/8	
263	2820118	6 in/15cm	Heat Shrink	
263A	4460865	2	Connector - 19 Position	
263A	4460465	22	Socket, Female 18 Gauge	
263A	4460509	8	Socket, Female 12 Gauge	
263A	4460466	4	Seal, Plug	
263B	4460473	1	Clamp, Cable	
264	4460473	1	Clamp, Cable	
265	1671092	1	Cover, Female Connector (With SkyPower Only)	
266	4460959	1	Connector, Male (With SkyPower Only)	
267		Ref	Cable, Electrical 8/5 - SkyPower Main Boom Options:	
267	Not Required	0	Cable, Electrical 8/5 - SkyPower Main Boom (Without SkyPower)	
267	4922858	1	Cable, Electrical 8/5 - SkyPower Main Boom (With SkyPower) (Prior to SN 1300002739)	
267	4922929	1	Cable, Electrical 8/5 - SkyPower Main Boom (With SkyPower) (SN 1300002739 through 1300006000)	
		Ref	GROUND CONTROL BOX COMPONENTS	
325	4460426	AR	Connector, Strain Relief	
325	3520035	AR	Plug	
326	4460470	1	Nut, Terminal	
327	4460471	1	Locknut, Terminal	
328	0100048	AR	Grease, Dielectric	
329	4460526	1	Connector, Strain Relief	
330	4460874	1	Connector (Natural)	
330	4460905	4	Seal, Plug	
331	4460875	1	Connector (Gray)	

SECTION 7 - ELECTRICAL

ITEM	PART NUMBER	QTY	DESCRIPTION	REV
331	4460905	4	Seal, Plug	
335	4922666	1	Cable, Analyzer (USA Built Machines) (SN 0300065080 through 0300087630)	2
335	4922666	1	Cable, Analyzer (Belgium Built Machines) (Prior to SN 1300000979)	2
335A	4460226	4	Socket, Female (Located at J1)	
335B	4460761	1	Connector, Female - 4 Position	
335B	4460227	4	Pin, Male	
336		Ref	Ground Control Box Harness Assembly	
336		Ref	Caterpillar/Perkins Engines:	
336	4922638	1	USA Built Machines (SN 0300065080 through 0300087630)	5-F
336	4923455	1	USA Built Machines (SN 0300087631 through 0300099084)	2-B
336	4923575	1	USA Built Machines (SN 0300099085 through 0300123999)	C
336	4922638	1	Belgium Built Machines (Prior to SN 1300001008)	
336	4923455	1	Belgium Built Machines (SN 1300001008 through 1300002603)	
336	4923575	1	Belgium Built Machines (SN 1300002604 through 1300006000)	
336		Ref	Deutz Engines:	
336	4922638	1	USA Built Machines (SN 0300065080 through 0300085628)	
336	4923223	1	USA Built Machines (SN 0300085629 through 0300099084)	G
336	4923575	1	USA Built Machines (SN 0300099085 through 0300123999)	C
336	4922638	1	Belgium Built Machines (Prior to SN 1300000979)	5-F
336	4923223	1	Belgium Built Machines (SN 1300000979 through 1300002603)	G
336	4923575	1	Belgium Built Machines (SN 1300002604 through 1300006000)	C
336		Ref	Ford Engines:	
336	4922638	1	USA Built Machines (SN 0300065080 through 0300087630)	5-F
336	4923231	1	USA Built Machines (SN 0300087631 through 0300099084)	5-E
336	4923575	1	USA Built Machines (SN 0300099085 through 0300123999)	C
336		Ref	GM Engines	
336	4923223	1	USA Built Machines (SN 0300065080 through 0300099084)	F
336	4923575	1	USA Built Machines (SN 0300099085 through 0300123999)	C
336	3990010	2	Diode 6 Amp (Not Shown)	
336A	4460418	9	Connector, Female - 6 Position	
336A	4460419	27	Socket, Female	
336B	4460876	1	Connector - 35 Position (Blue)	
336B	4460871	28	Socket, Female	
336B	4460905	31	Seal, Plug	
336C	4460866	1	Connector - 19 Pin	
336C	4460464	10	Pin, Male Deutsch 16 Ga	
336D	4460878	1	Housing, Terminal - 4 Position	
336D	4460887	3	Terminal (12 Gauge)	
336E	4120035	7	Base, Light	
336E	4460634	8	Terminal (16 Gauge)	
336E	4460635	6	Terminal (12 Gauge)	
336F	4460873	1	Connector - 35 Position (Black)	
336F	4460871	17	Socket, Female	
336F	4460905	2	Seal, Plug	
336G	4460871	3	Socket, Female	
336H	4460434	AR	Plug, Male - 15 Position	
336H	4460227	17	Pin	

SECTION 7 - ELECTRICAL

ITEM	PART NUMBER	QTY	DESCRIPTION	REV
336J	4460761	1	Connector, Female - 4 Position (USA Built Machines) (SN 0300087631 through 0300123999)	
336J	4460761	1	Connector, Female - 4 Position (Belgium Built Machines) (SN 1300000979 through 1300006000)	
336J	4460227	4	Pin, Male	
336K	4460536	1	Connector, Female - 3 Position (USA Built Machines) (SN 0300099085 through 0300123999)	
336K	4460536	1	Connector, Female - 3 Position (Belgium Built Machines) (SN 1300002604 through 1300006000)	
336K	4460943	3	Pin	
337		Ref	Engine Harness Assembly (See Items 401-469 for Breakdown)	
337		Ref	Caterpillar/Perkins Engine Machines	
337	4922881	1	USA Built Machines (SN 0300065080 through 0300087630)	
337	4923252	1	USA Built Machines (SN 0300087631 through 0300092619)	
337	4923357	1	USA Built Machines (SN 0300092620 through 0300099084)	
337	4923581	1	USA Built Machines (SN 0300099085 through 0300119210)	
337	1001098840	1	USA Built Machines (SN 0300119211 through 0300123999)	
337	4922881	1	Belgium Built Machine (Prior to SN 1300001008)	
337	4923252	1	Belgium Built Machines (SN 1300001008 through 1300001426)	
337	4923357	1	Belgium Built Machines (SN 1300001427 through 1300002603)	
337	4923581	1	Belgium Built Machines (SN 1300002604 through 1300005189)	
337	1001098840	1	Belgium Built Machines (SN 1300005190 through 1300006000)	
337		Ref	Deutz Engine Machines	
337	4922522	1	USA Built Machines (SN 0300065080 through 0300085628)	
337	4923265	1	USA Built Machines (SN 0300085629 through 0300123999)	
337	4922522	1	Belgium Built Machines (Prior to SN 1300000979)	
337	4923265	1	Belgium Built Machines (SN 1300000979 through 1300006000)	
337		Ref	Ford Engine Machines	
337	4922521	1	USA Built Machines (SN 0300065080 through 0300087630)	
337	4923251	1	USA Built Machines (SN 0300087631 through 0300123999)	
337	4923395	1	GM Engine Machines	
338	4922523	1	Valve Harness Assembly	2-C
338A	4460880	12	DIN Connector	
338B	4460320	2	Connector, Female - 2 Position	
338B	4460267	4	Pin, Male	
338C	4460424	1	Connector, Male - 2 Position	
338C	4460268	2	Pin, Female	
338D	4460871	20	Socket, Female	
339		Ref	Ground Control Box Wiring Diagram (Not Shown - See Items 501 to 519 for Breakdown)	
339		Ref	Caterpillar/Perkins Engine	
339	4933280	Ref	USA Built Machines (SN 0300065080 through 0300087630)	
339	4933332	Ref	USA Built Machines (SN 0300087631 through 0300092619)	
339	4933352	Ref	USA Built Machines (SN 0300092620 through 0300099084)	
339	4933382	Ref	USA Built Machines (SN 0300099085 through 0300123999)	
339	4933280	1	Belgium Built Machines (Prior to SN 1300001008)	
339	4933332	1	Belgium Built Machines (SN 1300001008 through 1300001426)	
339	4933352	1	Belgium Built Machines (SN 1300001427 through	

SECTION 7 - ELECTRICAL

ITEM	PART NUMBER	QTY	DESCRIPTION	REV
339	4933382	Ref	1300002603) Belgium Built Machines (SN 1300002604 through 1300006000)	
339		Ref	Deutz Engine	
339	4933171	Ref	USA Built Machines (SN 0300065080 through 0300087630)	
339	4933326	Ref	USA Built Machines (SN 0300087631 through 0300099084)	
339	4933384	Ref	USA Built Machines (SN 0300099085 through 0300123999)	
339	4933171	Ref	Belgium Built Machines (Prior to SN 130000979)	
339	4933326	Ref	Belgium Built Machines (SN 130000979 through 1300002603)	
339	4933384	Ref	Belgium Built Machines (SN 1300002604 through 1300006000)	
339		Ref	Ford Engine	
339	4933170	Ref	USA Built Machines (SN 0300065080 through 0300087630)	
339	4933333	Ref	USA Built Machines (SN 0300087631 through 0300123999)	
339		Ref	GM Engine	
339	4933347	Ref	USA Built Machines (SN 0300065080 through 0300099084)	
339	4933381	Ref	USA Built Machines (SN 0300099085 through 0300123999)	
		Ref	ENGINE HARNESS ASSEMBLY	
		Ref	Caterpillar/Perkins Engine Machines	
	4922881	Ref	USA Built Machines (SN 0300065080 through 0300087630)	5-E
	4923252	Ref	USA Built Machines (SN 0300087631 through 0300092619)	3-C
	4923357	Ref	USA Built Machines (SN 0300092620 through 0300099084)	2-C
	4923581	Ref	USA Built Machines (SN 0300099085 through 0300119210)	B
	1001098840	Ref	USA Built Machines (SN 0300119211 through 0300123999)	A
	4922881	Ref	Belgium Built Machines (Prior to SN 1300001008)	5-E
	4923252	Ref	Belgium Built Machines (SN 1300001008 through 1300001426)	3-C
	4923357	Ref	Belgium Built Machines (SN 1300001427 through 1300002603)	2-C
	4923581	Ref	Belgium Built Machines (SN 1300002604 through 1300005189)	B
	1001098840	Ref	Belgium Built Machines (SN 1300005190 through 1300006000)	A
		Ref	Deutz Engine Machines	
	4922522	Ref	USA Built Machines (SN 0300065080 through 0300085628)	8-H
	4923265	Ref	USA Built Machines (SN 0300085629 through 0300123999)	E
	4922522	Ref	Belgium Built Machines (Prior to SN 1300000979)	8-H
	4923265	Ref	Belgium Built Machines (SN 1300000979 through 1300006000)	E
		Ref	Ford Engine Machines	
	4922521	Ref	USA Built Machines (SN 0300065080 through 0300087630)	7-I
	4923251	Ref	USA Built Machines (SN 0300087631 through 0300123999)	3-C
	4923395	Ref	GM Engine Machines	D
418	4460424	1	Receptacle, Female - 2 Position	
419	4460268	2	Socket, Female	
420	4460880	AR	DIN Connector without Diode	
426	4461070	6	Receptacle with Resistor (Deutz EMR2 Engine Only)	
426	4460944	1	Terminal, Gold (Deutz EMR2 Engine Only)	
426	4461095	1	Plug, Male - 3 Position (Deutz EMR2 Engine Only)	
427	4460582	3	Terminal (Ford Engine Only)	
427	4460580	1	Lock, Terminal (Ford Engine Only)	
427	4460579	1	Housing - 3 Position (Ford Engine Only)	

SECTION 7 - ELECTRICAL

ITEM	PART NUMBER	QTY	DESCRIPTION	REV
430	4460539	1	Plug, Male - 3 Position (Deutz EMR2 and GM Engines Only)	
431	4460944	1	Terminal, Gold (Deutz EMR2 and GM Engines Only)	
432	4461157	1	Receptacle, Female - 2 Position (GM Engine Only)	
432	4460979	2	Pin, Male (GM Engine Only)	
432	4460458	2	Seal, Terminal (GM Engine Only)	
434		Ref	Receptacle, Female - 2 Position Options:	
434	4460890	1	Deutz Engine	
434	4460890	Ref	Caterpillar/Perkins Engine USA Built Machines (SN 0300065080 through 0300119210)	
434	4460890	Ref	Caterpillar/Perkins Engine Belgium Built Machines (Prior to SN 1300005190)	
434	1001098923	1	Caterpillar/Perkins Engine USA Built Machines (SN 0300119211 through 0300123999)	
434	1001098923	1	Caterpillar/Perkins Engine Belgium Built Machines (SN 1300005190 through 1300006000)	
435		Ref	Terminal Options:	
435	4460889	2	Deutz Engine Only	
435	4460889	Ref	Caterpillar/Perkins Engine USA Built Machines (SN 0300065080 through 0300119210)	
435	4460889	Ref	Caterpillar/Perkins Engine Belgium Built Machines (Prior to SN 1300005190)	
435	4460465	2	Caterpillar/Perkins Engine USA Built Machines (SN 0300119211 through 0300123999)	
435	4460465	2	Caterpillar/Perkins Engine Belgium Built Machines (SN 1300005190 through 1300006000)	
436	4461052	1	Plug - 25 Position (Deutz EMR2 Engine Only)	
436	4461005	5	Terminal 18-20 Gauge (Deutz EMR2 Engine Only)	
436	4461060	2	Terminal 14-16 Gauge (Deutz EMR2 Engine Only)	
436	4461006	5	Seal 18-20 Gauge (Deutz EMR2 Engine Only)	
436	4461054	2	Seal 14-16 Gauge (Deutz EMR2 Engine Only)	
436	4461008	18	Plug, Hole (Deutz EMR2 Engine Only)	
436	4461053	1	Cover, Plug (Deutz EMR2 Engine Only)	
437	4460742	AR	Plug, Male - 2 Position	
438	4460457	AR	Terminal, Female	
439	4460458	AR	Seal, Terminal	
440	4460713	1	Connector, Housing 42 Position (Ford Engine Only)	
441	4460725	1	Connector Wedge Lock, Center (Ford Engine Only)	
442	4460726	2	Connector Wedge Lock, Side (Ford Engine Only)	
443	4460800	29	Connector, Plug (Ford Engine Only)	
444	4460799	7	Pin, Male (Ford Engine Only)	
445	4460891	1	Connector, 2 Position Deutsch	
446	4460539	1	Connector, 3 Position Deutsch	
447	4460728	3	Pin, Male (Ford Engine Only)	
448	4461121	1	Plug, Male - 4 Position (GM Engine Only)	
448	4461122	4	Socket, Female (GM Engine Only)	
448	4461123	4	Seal, Terminal (GM Engine Only)	
449	2400061	1	Fuse 10 Amp (Ford Engine Only)	
450	2400060	2	Holder, Fuse (Ford Engine Only)	
451	4460996	1	Receptacle, Female - 3 Position (Caterpillar Engine Only) (USA Built Machines) (SN 0300065080 through 0300092620)	
451	4460996	1	Receptacle, Female - 3 Position (Caterpillar Engine Only) (Belgium Built Machines) (Prior to SN 1300001427)	
452	4460995	2	Terminal (Caterpillar Engine Only) (USA Built Machines) (SN 0300065080 through 0300092620)	

SECTION 7 - ELECTRICAL

ITEM	PART NUMBER	QTY	DESCRIPTION	REV
452	4460995	2	Terminal (Caterpillar Engine Only) (Belgium Built Machines) (Prior to SN 1300001427)	
453	4461124	1	Receptacle, Female - 4 Position (GM Engine Only)	
453	4460693	4	Pin, Male (GM Engine Only)	
453	4460608	4	Seal, Terminal (GM Engine Only)	
453	4461161	1	Lock, Terminal (GM Engine Only)	
454	4461109	1	Plug, Male - 16 Position (GM Engine Only)	
454	4461111	7	Pin, Male (GM Engine Only)	
454	4461113	7	Seal, Terminal (GM Engine Only)	
454	4461222	9	Terminal, Cavity Plug (GM Engine Only)	
455	4460871	AR	Socket, Female	
455	3990001	1	Diode (Caterpillar/Perkins Engine Only)	
459	2400065	1	Fuse (Ford Engine Only)	
462	2400065	1	Fuse 30 Amp (Ford Engine Only)	
464	3730120	1	Resistor Assembly (Ford Engine Only)	
465	4460891	1	Plug, Male - 2 Position (Caterpillar/Perkins Engine Only)	
466	4460465	5	Socket, Female (Caterpillar/Perkins Engine Only)	
467	4460539	1	Plug, Male - 3 Position (Caterpillar/Perkins Engine Only)	
468	4460994	1	Receptacle, Female - 2 Position (Caterpillar/Perkins Engine)	
468	4460993	1	Terminal (Caterpillar/Perkins Engine)	
469	3730125	1	Resistor, 120 OHM (Not Shown - Caterpillar/Perkins Engine) (USA Built Machines) (SN 0300092620 through 0300123999)	
469	3730125	1	Resistor, 120 OHM (Not Shown - Caterpillar/Perkins Engine) (Belgium Built Machines) (SN 1300001427 through 1300006000)	
		Ref	GROUND CONTROL BOX WIRING DIAGRAM	
		Ref	Caterpillar/Perkins Engine	
	4933280	Ref	USA Built Machines (SN 0300065080 through 0300087630)	3-E
	4933332	Ref	USA Built Machines (SN 0300087631 through 0300092619)	3-C
	4933352	Ref	USA Built Machines (SN 0300092620 through 0300099084)	2-B
	4933382	Ref	USA Built Machines (SN 0300099085 through 0300123999)	B
	4933280	Ref	Belgium Built Machines (Prior to SN 1300001008)	3-E
	4933332	Ref	Belgium Built Machines (SN 1300001008 through 1300001426)	3-C
	4933352	Ref	Belgium Built Machines (SN 1300001427 through 1300002603)	2-B
	4933382	Ref	Belgium Built Machines (SN 1300002604 through 1300006000)	B
		Ref	Deutz Engine	
	4933171	Ref	USA Built Machines (SN 0300065080 through 0300085628)	9-I
	4933326	Ref	USA Built Machines (SN 0300085629 through 0300099084)	F
	4933384	Ref	USA Built Machines (SN 0300099085 through 0300123999)	A
	4933171	Ref	Belgium Built Machines (Prior to SN 1300000979)	9-I
	4933326	Ref	Belgium Built Machines (SN 1300000979 through 1300002603)	F
	4933384	Ref	Belgium Built Machines (SN 1300002604 through 1300006000)	A
		Ref	Ford Engine	
	4933170	Ref	USA Built Machines (SN 0300065080 through 0300087630)	8-I
	4933333	Ref	USA Built Machines (SN 0300087631 through 0300123999)	2-B
		Ref	GM Engine	
	4933347	Ref	USA Built Machines (SN 0300065080 through 0300099084)	C
	4933381	Ref	USA Built Machines (SN 0300099085 through 0300123999)	A

SECTION 7 - ELECTRICAL

ITEM	PART NUMBER	QTY	DESCRIPTION	REV
501	2920129	AR	Bulb, Light	
507	2400065	1	Fuse, 30Amp	
508	2400066	1	Fuse, Holder	
510	4460708	AR	Receptacle, Female - 15 Position	
510	4460226	AR	Socket, Female	
510	4922637	1	Harness, Jumper (Not Shown)	
518	4460894	1	Plug, Male - 6 Position (Caterpillar/Perkins Engine Machines USA Built Machines /All Deutz EMR2) (SN 0300099085 through 0300123999)	
518	4460894	1	Plug, Male - 6 Position (Caterpillar/Perkins Engine Machines Belgium Built Machines / All GM Engines) (SN 1300002604 through 1300006000)	
518	4460892	1	Connector, Bussbar - 6 Position (Caterpillar/Perkins Engine Machines USA Built Machines /All Deutz EMR2) (SN 0300099085 through 0300123999)	
518	4460892	1	Connector, Bussbar - 6 Position (Caterpillar/Perkins Engine Machines Belgium Built Machines /All GM Engines) (SN 1300002604 through 1300006000)	
519	2902443	1	Receptacle Kit (Deutz EMR2 Only)	
519	4461071	8	Socket, Female	
519	4461072	1	Receptacle	
519	4461073	1	Cap, Dust	
519	4461074	1	Shell, Black	
		Ref	STANDARD HARNESS COMPONENTS	
601		Ref	Battery Cable Kit Options:	
601	2902060	1	Caterpillar/Deutz/Perkins Engines	C
601	2902059	1	Ford Engines	A
601	2902510	1	GM Engines	B
601A		Ref	Cable - Battery to Starter Relay Options:	
601A	7016817	1	Caterpillar/Deutz/Perkins Engines	
601A	7016839	1	Ford and GM Engines	
601B		Ref	Cable - Battery and Auxiliary Pump to Ground	
601B	7027041	1	Caterpillar/Deutz/Perkins Engines (was p/n 7016837)	
601B	7016840	1	Ford and GM Engines	
601C		Ref	Cable - Starter Relay to Starter Options:	
601C	7016834	1	Caterpillar/Deutz/Perkins Engines	
601C	7016841	1	Ford and GM Engines	
601D		Ref	Cable - Starter Relay to Auxiliary Relay	
601D	7016838	1	Caterpillar/Deutz/Perkins Engines	
601D	Not Required	0	Ford and GM Engines	
601E		Ref	Cable - Auxiliary Relay to Auxiliary Pump	
601E	7016820	1	Caterpillar/Deutz/Perkins Engines	
601E	7016842	1	Ford Engines	
601E	7027014	1	GM Engines	
602		Ref	Harness Options:	
602	1060904	1	Cable, Jumper (Caterpillar/Perkins Engine Machines)	
602	4922978	1	Harness, Start Assist Solenoid (Deutz Engines USA Built Machines) (SN 0300077683 through 0300085629)	
602	4922978	1	Harness, Start Assist Solenoid (Deutz Engines Belgium Built Machines) (SN 1300000353 through 1300000979)	
603	4922737	1	Engine Grounding Harness (Caterpillar/Perkins Engine Machines)	
604	1001099927	1	Caterpillar/Perkins Throttle Actuator Harness (Includes Throttle Actuator)	

SECTION 7 - ELECTRICAL

ITEM	PART NUMBER	QTY	DESCRIPTION	REV
604A	4460897	1	Receptacle, Female -2 Position	
604A	4460464	2	Pin, Male	
604A	2820018	AR	Heat Shrink	
605		Ref	Deutz EMR2 Engine Harness Components	
605A	7027796	1	Deutz Engine Harness	
605B	See Note	1	Receptacle (Note: Not Available - Purchase Item 605A)	
605C	7027793	1	Plug-In, Connector	
605D	70000345	3	Glow Plug (Used on p/n 2000338 Engine Only) (USA Built Machines) (SN 0300095215 through 0300123999)	
605D	70000345	3	Glow Plug (Used on p/n 2000338 Engine Only) (Belgium Built Machines) (SN 1300001787 through 1300006000)	
605E	7027794	1	Deutz Engine Harness (For other replacement parts refer to Deutz engine dealer)	
606	1001099926	1	Caterpillar/Perkins Speed Sensor Harness (Includes Speed Sensor)	
606A	4460536	1	Receptacle, Female -3 Position (Caterpillar/Perkins Engines Only)	
606A	4460464	3	Pin, Male (Caterpillar/Perkins Engines Only)	
606A	2820018	AR	Heat Shrink	
607		Ref	Ford Control Processor Harness Options (For other replacement parts refer to Ford engine dealer):	
607	7023663	1	Harness, ECM (SN 0300065080 through 0300078472)	
607	7027403	1	Harness, ECM (SN 0300078473 through 0300123999)	
608	See Note	1	Ford Dual Fuel Shut-Off Filter Harness (Note: Not available for purchase)	
608A	7023679	1	Electrical Connector Kit (Includes [1] 2 Position Connector, 2 Pins & 2 Seals)	
609	7027991	1	GM Engine Harness (Not Shown - For other replacement parts refer to GM industrial engine dealer)	
609	7027989	1	Connector - 10 Position (Not Shown)	
609	See Note	1	Box, Fuse (Note: Part of Harness - Not Available for Purchase)	
609	70002627	1	Cover, Fuse Box	
609	70001950	2	Relay (Power & Fuel Pump)	
609	70001951	1	Relay (Starter)	
609	70001931	1	Fuse - 60 Amp (Alternator)	
609	See Note	1	Fuse - 20 Amp (Note: Not Available - Purchase Locally)	
609	See Note	3	Fuse - 15 Amp (Note: Not Available - Purchase Locally)	
609	See Note	1	Fuse - 10 Amp (Note: Not Available - Purchase Locally)	
609	See Note	1	Fuse - 5 Amp (Note: Not Available - Purchase Locally)	
610		Ref	Pump Harness Options:	
610	See Note	2	2WD (Note: Not available for purchase)	
610	7024830	2	4WD with Series 42 Pump	
610	See Note	1	4WD With Series 42 Pump (Note: Not available for purchase)	
610A	7007498	1	Connector - 4 Position (2WD)	
610A	4460867	2	Connector - 2 Position (4WD)	
610A	4460850	4	Pin, Male (4WD)	
610B	7007497	1	Connector (2WD)	
610B	Not Required	0	4WD	
611		Ref	Limit Switch Harness Options (Does not include Limit Switch) (Part of Boom Installation on USA Built Machines Only):	
611	4922770	1	Limit Switch Harness (Without Arctic Package)	B
611	4923469	1	Limit Switch Harness (With Arctic Package)	A
611A	4460226	2	Socket, Female	

SECTION 7 - ELECTRICAL

ITEM	PART NUMBER	QTY	DESCRIPTION	REV
612		Ref	Limit Switch Harness Options (Includes Limit Switch):	
612	4922714	1	Limit Switch Harness (Without Arctic Package)	B
612	4923467	1	Limit Switch Harness (With Arctic Package)	A
612		Ref	Cable, Electrical 18/2 Options:	
612	1060902	8.5 ft/2.6m	Cable, Electrical 18/2 (Without Arctic Package)	
612	4923466	8.5 ft/2.6m	Cable, Electrical 18/2 (With Arctic Package)	
612A	4460226	2	Socket, Female	
612B		Ref	Switch, Limit Switch Options:	
612B	4360321	1	USA Built Machines (SN 0300065080 through 0300074318)	
612B	4360548	1	USA Built Machines (SN 0300074319 through 0300123999)	
612B	4360548	1	USA Built Machines	
612B	4360321	1	Belgium Built Machines (Prior to SN 1300000133)	
612B	4360548	1	Belgium Built Machines (SN 1300000133 through 1300006000)	
612C		Ref	Switch, Limit Switch Options:	
612C	4460428	1	USA Built Machines (SN 0300065080 through 0300074318)	
612C	4460968	1	USA Built Machines (SN 0300074319 through 0300123999)	
612C	4460968	1	USA Built Machines with Artic Package	
612C	4460428	1	Belgium Built Machines (Prior to SN 1300000133)	
612C	4460968	1	Belgium Built Machines (SN 1300000133 through 1300006000)	
613	See Note	1	Controller Harness Assembly (Lift and Swing) (Note: Not available for purchase Complete Controller)	
613A	7022819	1	Plug, Male - 8 Position (Natural)	
613A	4460871	8	Socket, Female	
614	7022824	1	Controller Harness/Circuit Board Assembly (Drive and Steer)	
614A	7022825	1	Plug, Male - 8 Position (Black)	
614A	4460871	7	Socket, Female	
615	See Note	1	Controller Harness Assembly (Speed Control) (Note: Not Available for Purchase Complete Controller)	
615A	4460224	1	Receptacle, Female - 6 Position	
615A	4460226	8	Socket, Female	
616	4923451	1	Harness, Glow Plugs (Used on p/n 2000338 Engine Only) (USA Built Machines) (SN 0300095215 through 0300123999)	
616	4923451	1	Harness, Glow Plug (Used on p/n 2000338 Engine Only) (Belgium Built Machines) (SN 1300001787 through 1300006000)	
617	7022134	1	Ford Fuel Pump Harness (Not Shown)	
		Ref	OPTIONAL HARNESS COMPONENTS	
701		Ref	AC to Platform Receptacle Components	
701	0258303	Ref	110V GFI Receptacle (ANSI and CSA Specs)	5
701	0258305	Ref	220V GFI Receptacle (ANSI and CSA Specs)	4
701	0258304	Ref	110V/220V (Plug and Receptacle Supplied Locally) (ANSI Export and Australian)	3
701		Ref	110V220V CE Spec Only Options:	
701		Ref	Without Generator:	
701	0258304	Ref	110V/220V (plug and Receptacle Supplied Locally)	3
701	0275681	Ref	110V with IEC Yellow Receptacle and Plug and Circuit Breaker	B
701	0275678	Ref	220V with CEE 7 Post Ground Receptacle and Plug and Circuit Breaker (2x4 Box)	B
701	0275679	Ref	220V with CEE 7 Side Ground Receptacle and Plug and	B

SECTION 7 - ELECTRICAL

ITEM	PART NUMBER	QTY	DESCRIPTION	REV
701	0275683	Ref	Circuit Breaker (2x4 Box) 220V with CEE 7 Post Ground Receptacle and Plug and Circuit Breaker (70mm x 70mm Box)	B
701	0275684	Ref	220V with CEE 7 Side Ground Receptacle and Plug and Circuit Breaker (70mm x 70mm Box)	B
701	0275680	Ref	220V with AFSINT 107 Keyed Ground Receptacle and Plug and Circuit Breaker (2x4 Box)	B
701	0275682	Ref	220V with IEC Blue Receptacle and Plug and Circuit Breaker	B
701		Ref	With Generator:	
701	1001101913	Ref	110V with IEC Yellow Receptacle and Plug and Circuit Breaker	B
701	1001101910	Ref	220V with CEE 7 Post Ground Receptacle and Plug and Circuit Breaker (2x4 Box)	B
701	1001101911	Ref	220V with CEE 7 Side Ground Receptacle and Plug and Circuit Breaker (2x4 Box)	B
701	1001101915	Ref	220V with CEE 7 Post Ground Receptacle and Plug and Circuit Breaker (70mm x 70mm Box)	B
701	1001101916	Ref	220V with CEE 7 Side Ground Receptacle and Plug and Circuit Breaker (70mm x 70mm Box)	B
701	1001101912	Ref	220V with AFSINT 107 Keyed Ground Receptacle and Plug and Circuit Breaker (2x4 Box)	B
701	1001101914	Ref	220V with IEC Blue Receptacle and Plug and Circuit Breaker	B
701A		Ref	Box Options:	
701A	0860038	Ref	Box (0258303/0258305 Installations)	
701A	See Note	Ref	Box (0258304 Installation) (Note: Not Available - Purchase Locally)	
701A	0861781	Ref	Box (0275681/ 0275680/ 1001101913/ 1001101914 Installations)	
701A	0861731	Ref	Box (0275678/ 0275679/ 1001101910/ 1001101911/ 1001101912 Installations)	
701A	See Note	1	Box (0275683/0275684/1001101915/1001101916 Installations) (Note: was p/n 0861782 which is no longer available. use p/n 100110034 CEE 7 Side Ground Service Kit or p/n 1001100343 CEE 7 Post Ground Service Kit. Kit includes Box p/n 1001141967 and Items 701B, 701C, 701L & 701N.)	
701A	0861781	1	Box (0275682 Installation)	
701B		Ref	Receptacle Options:	
701B	4460346	1	Receptacle (0258303 Installations)	
701B	4460125	1	Receptacle (0258305 Installations)	
701B	See Note	1	Receptacle (0258304 Installation) (Note: Not Available - Purchase Locally)	
701B	4461198	1	Receptacle (0275681/1001101913 Installations)	
701B	4461244	1	Receptacle (0275678/1001101910 Installations)	
701B	4461245	1	Receptacle (0275679/1001101911 Installations)	
701B	4461204	NLA	Receptacle (0275683/1001101915 Installations) (Use p/n 1001100343)	
701B	1001141971	NLA	Receptacle (0275683/1001101915 Installations) (Use p/n 1001100343)	
701B	4461207	NLA	Receptacle (0275684/1001101916 Installations) (Use p/n 1001100344)	
701B	1001141970	NLA	Receptacle (0275684/1001101916 Installations) (Use p/n 1001100344)	
701B	4461246	1	Receptacle (0275680/1001101912 Installations)	
701B	4461201	1	Receptacle (0275682/1001101914 Installations)	
701B	1001141968	1	Receptacle (1001100343 & 1001141971 Kits)	

SECTION 7 - ELECTRICAL

ITEM	PART NUMBER	QTY	DESCRIPTION	REV
701B	1001141969	1	Receptacle (1001100344 & 1001141970 Kits)	
701C		Ref	Plug Options:	
701C	4460205	1	Plug (0258303 Installations)	
701C	4460233	1	Plug (0258305 Installations)	
701C	See Note	1	Plug (0258304 Installation) (Note: Not Available - Purchase Locally)	
701C	4461196	1	Plug (0275681 Installation)	
701C	4461202	1	Plug (0275678/0275683 Installations) and 1001100343/1001141971 Kits	
701C	4461205	1	Plug (0275679/0275684 Installations and 1001100344/1001141970 Kits)	
701C	4461249	1	Plug (0275680 Installation)	
701C	4461199	1	Plug (0275682 Installation)	
701C	Not Required	0	Plug (1001101910/ 1001101911/ 1001101912/ 1001101913/ 1001101914/ 1001101915/ 1001101916 Installations)	
701D	0903484	1	Bracket (All Installations except 0258303/0258304/0258305 Installations)	
701E	0903612	1	Bracket (All Installations except 0258303/0258304/0258305 Installations)	
701F		Ref	Decal Options:	
701F	1705325	1	Decal (110V)	
701F	3252507	1	Decal (220V)	
701G		Ref	Circuit Breaker Box Kit Options (All Installations except 0258303/0258304/0258305 Installations):	
701G	2902549	1	Circuit Breaker Box Kit (Without Generator)	D
701G	1001096070	1	Circuit Breaker Box Kit (With Generator)	D
701G	See Note	1	Breaker, Circuit - 16 Amp (was p/n 2400093)	
		Ref	Note: For service replacement purchase (1) p/n 1001109475 & (1) p/n 1001109482.	
701G	0861880	1	Box, Breaker	
701G	4460956	1	Barrier, Terminal Block End	
701G	4460957	1	Block, Terminal	
701H		Ref	Connector, Strain Relief Options:	
701H	4460633	2	Connector, Strain Relief (M20 Diameter)	
701H	1001097150	2	Connector, Strain Relief (M25 Diameter)	
701J	1060908	AR	Cable, Electrical 12/3 Options (All Installations except 0258303/0258304/0258305 Installations):	
701J		Ref	Cable, Electrical 12/3 (Without Generator)	
701J		Ref	Cable, Electrical 12/3 (With Generator)	
701K		Ref	Connector, Strain Relief	
701K	4460968	1	Connector, Strain Relief (All Installations except 0258303/0258304/0258305)	
701K	See Note	1	Connector, Strain Relief (0258304 Installation) (Note: Not Available - Purchase Locally)	
701K	4460071	1	Connector, Strain Relief (0258303/0258305 Installations)	
701L		Ref	Shield, Cover	
701L	Part of Item 701A	1	Shield, Cover (All Except 0258303/0258304/0258305 Installations)	
701L	4060700	1	Shield, Cover (0258303 Installation)	
701L	See Note	1	Shield, Cover (0258304 Installation) (Note: Not Available - Purchase Locally)	
701L	4060092	1	Shield, Cover (0258305 Installation)	
701L	3960422	1	Gasket, Cover (0258303/0258305 Installations)	

SECTION 7 - ELECTRICAL

ITEM	PART NUMBER	QTY	DESCRIPTION	REV
701M		Ref	Plug, Male Options:	
701M	4460709	1	Plug, Male (All Installations Except 0258303 Installation)	
701M	4460205	1	Plug, Male (0258303 Installation)	
701N		Ref	Connector, Female Options:	
701N	4460710	1	Connector, Female (All Installations Except 0258303/0258305 Installations)	
701N	4460134	1	Connector, Female (0258303 Installation)	
701N	4460701	1	Connector, Female (0258305 Installation)	
701N	4461197	1	Connector, Female (1001101913 Installation)	
701N	4461200	1	Connector, Female (1001101914 Installation)	
701N	4461203	1	Connector, Female (1001101910/1001101915 Installations and 1001100343/1001141971 Kits)	
701N	4461206	1	Connector, Female (1001101911/1001101916 Installations and 1001100344/1001141970 Kits)	
701N	4461250	1	Connector, Female (1001101912 Installation)	
		Ref	Kit, Plug and Socket Options:	
		Ref	Without Generator:	
	See Note	Ref	0258303 & 0258305 Installation (Note: Not Available Purchase Individual Components)	
	See Note	Ref	0258304 Installation (Note: Not Available - Purchase Locally)	
	0275216	Ref	110V with IEC Yellow (Includes Items 701A, 701B, 701C & 701L) (0275681 Installation)	A
	0275452	Ref	220V with CEE 7 Post Ground (2 x 4 Box) (Includes Items 701A, 701B, 701C & 701L) (0275678 Installation)	A
	0275453	Ref	220V with CEE 7 Side Ground (2 x 4 Box) (Includes Items 701A, 701B, 701C & 701L) (0275679 Installation)	A
	0275218	Ref	220V with CEE 7 Post Ground (70mm x 70mm Box) (Includes Items 701A-701C, 701L & 701N) (0275683 Installation) (Use p/n 1001100343)	B-2
	0275219	Ref	220V with CEE 7 Side Ground (70mm x 70mm Box) (Includes Items 701A-701C, 701L & 701N) (0275684 Installation) (Use p/n 1001100344)	B-A
	0275454	Ref	220V with AFSINT 107 Keyed Ground (Includes Items 701A, 701B, 701C & 701L) (0275680 Installation) 220V with IEC Blue (Includes Items 701A, 701B, 701C & 701L) (0275682 Installation)	A
701N	0275217	1	220V WITH IEU Blue (include Items 701A, 701B, 701C & 701L) (0275682 Installation)	A
		Ref	With Generator:	
	1001100341	Ref	110V with IEC Yellow (Includes Items 701A, 701B & 701L) (1001101913 Installation)	A
	1001100345	Ref	220V with CEE 7 Post Ground (2 x 4 Box) (Includes Items 701A, 701B & 701L) (1001101910 Installation)	A
	1001100347	Ref	220V with CEE 7 Side Ground (2 x 4 Box) (Includes Items 701A, 701B & 701L) (1001101911 Installation)	A
	1001100346	Ref	220V with AFSINT 107 Keyed Ground (Includes Items 701A, 701B & 701L) (1001101912 Installation)	A
	1001100342	Ref	220V with IEC Blue (Includes Items 701A, 701B & 701L) (1001101914 Installation)	A
	1001091971	Ref	220V with CEE 7 Post Ground (70mm x 70mm Box) (Includes Items 701A, 701B & 701L) (1001101915 Installation) (Use p/n 1001100343 Kit)	B
	1001091970	Ref	220V with CEE 7 Side Ground (70mm x 70mm Box) (Includes Items 701A, 701B & 701L) (1001101916 Installation) (Use p/n 1001100344 Kit)	B
702	4921829	1	2500W Generator to Rear of Boom Harness (110V) (ANSI and	2

SECTION 7 - ELECTRICAL

ITEM	PART NUMBER	QTY	DESCRIPTION	REV
702	4921954	1	CSA Specs) 2500W Generator to Rear of Boom Harness (220V) (ANSI and CSA Specs)	2
702	See Note	1	2500W Generator to Rear of Boom Harness (Australian 7 CE Specs)	2
702		Ref	Note: Harness used to connect AC at platform harness to generator receptacle to power platform receptacle.	
702	1060494	AR	Cable, Electrical - 12/3 (ANSI and CSA Specs)	
702	1060461	AR	Cable, Electrical - 12/3 (Australian and CE Specs)	
702		Ref	Cable, Electrical - 12/3 (110V)	
702		Ref	Cable, Electrical - 12/3 (220V)	
702A	4460205	1	Plug, Male (110V)	
702A	4460233	1	Plug, Male (220V)	
702B		Ref	Receptacle, Female Options:	
702B	4460134	1	110V (ANSI and CSA Specs)	
702B	4460701	1	220V (ANSI and CSA Specs)	
702B	See Note	1	110V/220V (Machines with Locally Supplied Plug and Receptacle) (ANSI Export, Australian and CE Specs) (Note: Not Available - Purchase Locally)	
702B	4461197	1	110V with IEC Yellow Receptacle and Plug and Circuit Breaker (CE Specs Option)	
702B	4461203	1	220V with CEE 7 Post Ground Receptacle and Plug and Circuit Breaker (2x4 Box) (CE Specs Option)	
702B	4461206	1	220V with CEE 7 Side Ground Receptacle and Plug and Circuit Breaker (2x4 Box) (CE Specs Option)	
702B	4461203	1	220V with CEE 7 Post Ground Receptacle and Plug and Circuit Breaker (70mm X 70mm Box) (CE Specs Option)	
702B	4461250	1	220V with AFSINT 107 Keyed Ground Receptacle and Plug and Circuit Breaker (2x4 Box) (CE Specs Option)	
702B	4461200	1	220V with IEC Blue Receptacle and Plug and Circuit Breaker (CE Specs Option)	
703		Ref	2500W Generator Electrical Components	
703		Ref	110V (Caterpillar)	
703	4933215	AR	USA Built Machines (SN 0300065080 through 0300087208)	2-C
703	4933300	AR	USA Built Machines (SN 0300087209 through 0300123999)	2-A
703		Ref	110V (Deutz)	
703	4933215	AR	USA Built Machines (ANSI, ANSI Export & CSA Specs) (SN 0300065080 through 0300077521)	2-C
703	4933250	AR	USA Built Machines (Australian and CE Specs) (SN 0300065080 through 0300077521)	2-C
703		Ref	2500W Generator Electrical Components	
703		Ref	110V (Deutz) (Continued)	
703	4933238	AR	USA Built Machines (SN 0300077521 through 0300082708)	1-A
703	4933300	AR	USA Built Machines (SN 0300082709 through 0300123999)	2-A
703	4933215	AR	Belgium Built Machines (ANSI, ANSI Export & CE Specs) (Prior to SN 1300000316)	2-C
703	4933250	AR	Belgium Built Machines (Australian and CE Specs) (Prior to SN 1300000316)	2-C
703	4933238	AR	Belgium Built Machines (SN 1300000316 through 1300000730)	1-A
703	4933300	AR	Belgium Built Machines (SN 1300000731 through 1300006000)	2-A
703		Ref	110V (Ford)	
703	4933215	AR	USA Built Machines (SN 0300065080 through 0300078473)	2-C
703	4933300	AR	USA Built Machines (SN 0300065080 through 0300078473)	2-A

SECTION 7 - ELECTRICAL

ITEM	PART NUMBER	QTY	DESCRIPTION	REV
703	4933350	AR	110V (GM)	A
703	4933300	AR	110V (Perkins)	2/A
703		Ref	220V (Caterpillar) (ANSI Export Only)	
703	4933239	AR	USA Built Machines (SN 0300065080 through 0300087208)	1-A
703	4933300	AR	USA Built Machines (SN 0300087209 through 0300123999)	2-A
703		Ref	220V (Deutz)	
703	4933216	AR	USA Built Machines (SN 0300065080 through 0300077520)	1-B
703	4933239	AR	USA Built Machines (SN 0300077521 through 0300082708)	1-A
703	4933300	AR	USA Built Machines (SN 0300082709 through 0300123999)	2-A
703	4933216	AR	Belgium Built Machines (Prior to SN 1300000316)	1-B
703	4933239	AR	Belgium Built Machines (SN 1300000316 through 1300000730)	1-A
703	4933300	AR	Belgium Built Machines (SN 1300000731 through 1300006000)	2-A
703		Ref	220V (Ford)	
703	4933216	AR	USA Built Machines (Including 0300078473)	1-B
703	4933300	AR	USA Built Machines (SN 0300078473 through 0300123999)	2-B
703	See Note	AR	220V (GM) (Note: Not Available for Purchase)	
703	4933300	1	220V (Perkins)	2-A
703	3990010	1	Diode - 6 Amp (Not Shown) (USA Built Machines) (SN 0300065080 through 0300087209)	
703	3990010	1	Diode - 6 Amp (Not Shown) (Belgium Built Machines) (Prior to SN 1300000731)	
703A	4922641	1	Harness - On/Off Switch	1-A
703A	4460226	2	Socket, Female	
703B		Ref	Powermite Control Box to Relay	
703B	4922482	1	USA Built Machines with Caterpillar/Deutz/Ford/Perkins Engines (SN 0300065080 through 0300087208)	
703B	4922970	1	USA Built Machines with Caterpillar/Deutz/Ford/Perkins Engines (SN 0300087209 through 0300123999)	
703B	4923445	1	USA Built Machines With GM Engines	
703B	4922482	1	Belgium Built Machines (Prior to SN 1300000316)	
703B	4922970	1	Belgium Built Machines (SN 1300000731 through 1300006000)	
703C	4460321	1	Connector, Male - 4 Position (USA Built Machines) (SN 0300087209 through 0300123999)	
703C	4460321	1	Connector, Male - 4 Position (Belgium Built Machines) (SN 1300000731 through 1300006000)	
703C	4460906	4	Socket, Female	
703D	4460961	1	Connector, Female - 4 Position (USA Built Machines) (SN 0300087209 through 0300123999)	
703D	4460961	1	Connector, Female - 4 Position (Belgium Built Machines) (SN 1300000731 through 1300006000)	
703D	4460705	4	Pin, Male	
703E	7020193	1	Harness, Generator Power	
704		Ref	7500W Generator Electrical Components	
704	0274711	AR	Caterpillar Engines Machines 60Hz	B
704	0273160	AR	Deutz Engines Machines 60Hz	D
704	0273420	AR	Deutz Engines Machines 50Hz	C
704	0274288	AR	Ford Engines Machines 60Hz	A
704	0275035	AR	GM Engines Machines 60Hz	C
704	1001097400	AR	Perkins Engines Machines 60Hz	A
704	1001097401	AR	Perkins Engines Machines 50Hz	A
704A		Ref	Receptacle, Female Twist-Lock Options:	

SECTION 7 - ELECTRICAL

ITEM	PART NUMBER	QTY	DESCRIPTION	REV
704A	4460958	1	Receptacle, Female Twist-Lock (60Hz Spec)	
704A	See Note	1	Receptacle, Female Twist-Lock (50Hz Spec) (Note: Not Available - Purchase Locally)	
704B		Ref	Gasket Options:	
704B	3960422	2	Gasket (60Hz Spec)	
704B	See Note	2	Gasket (50Hz Spec) (Note: Not Available - Purchase Locally)	
704C		Ref	Cover, Receptacle Options:	
704C	4060700	1	Cover, Receptacle (60Hz Spec)	
704C	See Note	1	Cover, Receptacle (50Hz Spec) (Note: Not Available - Purchase Locally)	
704D		Ref	Cover, Receptacle Options:	
704D	4061043	1	Cover, Receptacle (60Hz Spec)	
704D	See Note	1	Cover, Receptacle (50Hz Spec) (Note: Not Available - Purchase Locally)	
704E		Ref	Receptacle Options:	
704E	4460346	1	Cover, Receptacle (60Hz Spec)	
704E	See Note	1	Cover, Receptacle (50Hz Spec) (Note: Not Available - Purchase Locally)	
704F	4460051	1	Connector, Strain Relief	
704G	4460071	1	Connector, Strain Relief	
704H	4922925	1	Harness, Generator	A
704J	See Note	1	Plug, Male - 6 Position (Note: Not Available for Purchase)	
704J	See Note	6	Socket, Female (Note: Not Available for Purchase)	
704K	4460225	1	Plug, Male - 6 Position	
704K	4460226	6	Socket, Female	
704K	7026626	1	Receptacle, Female - 6 Position (Part of Generator)	
705		Ref	7500W SkyPower Generator Junction Box Components	
705	0861542	Ref	7500W SkyPower Generator Junction Box (60Hz Spec)	C
705	0861567	Ref	7500W SkyPower Generator Junction Box (50Hz Specs)	B
705A		Ref	Cable, Electrical 12/3	
705A	1060494	2 ft/.6m	Cable, Electrical 12/3 (60Hz Spec)	
705A	See Note	2 ft/.6m	Cable, Electrical 12/3 (50Hz Spec) (Note: Not Available - Purchase Locally)	
705B		Ref	Cable, Electrical 10/3	
705B	1060708	2.5 ft/.76m	Cable, Electrical 10/3 (60Hz Spec)	
705B	See Note	2.5 ft/.76m	Cable, Electrical 10/3 (50Hz Spec) (Note: Not Available - Purchase Locally)	
705C	1060343	1.5 ft/.46m	Cable, Electrical 10/4 (60Hz Spec Only)	
705D	4460425	2	Connector, Strain Relief	
705E		Ref	Component Options:	
705E	4460426	2	Connector, Strain Relief (60Hz Spec Only)	
705E	4460426	1	Connector, Strain Relief (50Hz Spec Only)	
705E	3520189	1	Plug (50Hz Spec Only)	
705F	1671092	1	Cover (60Hz Spec Only)	
705F	4460963	1	Connector (60Hz Spec Only)	
706		Ref	7500W Generator Electrical Diagram Components	
706	4933264	Ref	Caterpillar/Deutz/Perkins Engine Machines	C
706	4933316	Ref	Ford Engine Machines	1-A
706	4933349	Ref	GM Engine Machines	B
706A		Ref	Generator Harness Options:	
706A	4922757	1	Caterpillar/Deutz/Perkins Engine Machines	3-C

SECTION 7 - ELECTRICAL

ITEM	PART NUMBER	QTY	DESCRIPTION	REV
706A	4923199	1	Ford Engine Machines	1-A
706A	4923420	1	GM Engine Machines	A
706B	4460374	2	Plug, Sealed Relay	
706B	4460375	7	Terminal	
706C	4460967	1	Plug, Male - 3 Position	
706C	4460465	3	Socket, Female	
706D	2400060	AR	Fuseholder Options:	
706D		Ref	Caterpillar/Deutz/GM/Perkins Engine Machines	
706D		Ref	Ford Engine Machines	
706D	2400064	AR	Fuse - 5 Amp Options:	
706D		Ref	Caterpillar/Deutz/GM/Perkins Engine Machines	
706D		Ref	Ford Engine Machines	
706E	4460742	1	Plug, Male - 2 Position (GM Engine Only)	
706E	4460743	2	Socket, Female (GM Engine Only)	
706F	4922641	1	Switch Harness	
706G	4460226	2	Socket, Female	
707	0255917	1	Strobe Light Harness (Includes Strobe Light)	
707A	4460320	1	Connector, Female - 2 Position	
707A	4460267	2	Pin, Male	
708	0257887	1	Alarm Harness (Includes Alarm)	
708A	4460424	1	Plug, Male - 2 Position	
708A	4460268	2	Socket, Female	
709	See Note	1	Lights Harness (Note: Not Available for Purchase)	
709	1060341	37 ft /11.3m	Cable, Electrical - 16/2	
709A	3740049	1	Relay	
709A		Ref	Harness, Bag Options (Located at Ground Control Box) (Not Shown):	
709A	4922484	1	USA Built Machines (SN 0300065080 through 0300065194)	
709A	4922643	1	USA Built Machines (SN 0300065195 through 0300123999)	
709A	4922643	1	Belgium Built Machines	
711	See Note	1	Soft-Touch System Harness (Note: Not Available for Purchase)	
711A	1060341	AR	Cable, Electrical - 16/2 Options:	
711A		Ref	Cable, Electrical - 16/2 (2.5ft/.7m x 6ft/8m Platform)	
711A		Ref	Cable, Electrical - 16/2 (3ft/.9m x 6ft/8m Platform)	
711B	4460871	2	Socket, Female	
712	4933308	1	Floodlights Harness Components	1-A
712A	4460320	2	Plug, Male - 2 Position	
712A	4460227	4	Pin, Male	
712B	4922764	1	Floodlight Harness (Lights to Switch)	1-A
712C	4460424	2	Connector, Female - 2 Position	
712C	4460226	4	Socket, Female	
712D	4360232	1	Circuit Breaker - 15 Amp	
712E	1060977	1	Cord, 2 Wire Coiled (Console Box Circuit Breaker to Switch)	
712F	4460425	1	Connector, Strain Relief	
712G	4460459	1	Plug, Male - 3 Position	
712G	4460790	3	Socket, Female	
712G	4460789	3	Seal	
712H	4460476	1	Receptacle, Female	
712H	4460850	3	Pin, Male	
712H	4460790	3	Socket, Female	
712J	1060494	33	Electrical Cable 12/3 (Lower Boom to Aux Relay)	

SECTION 7 - ELECTRICAL

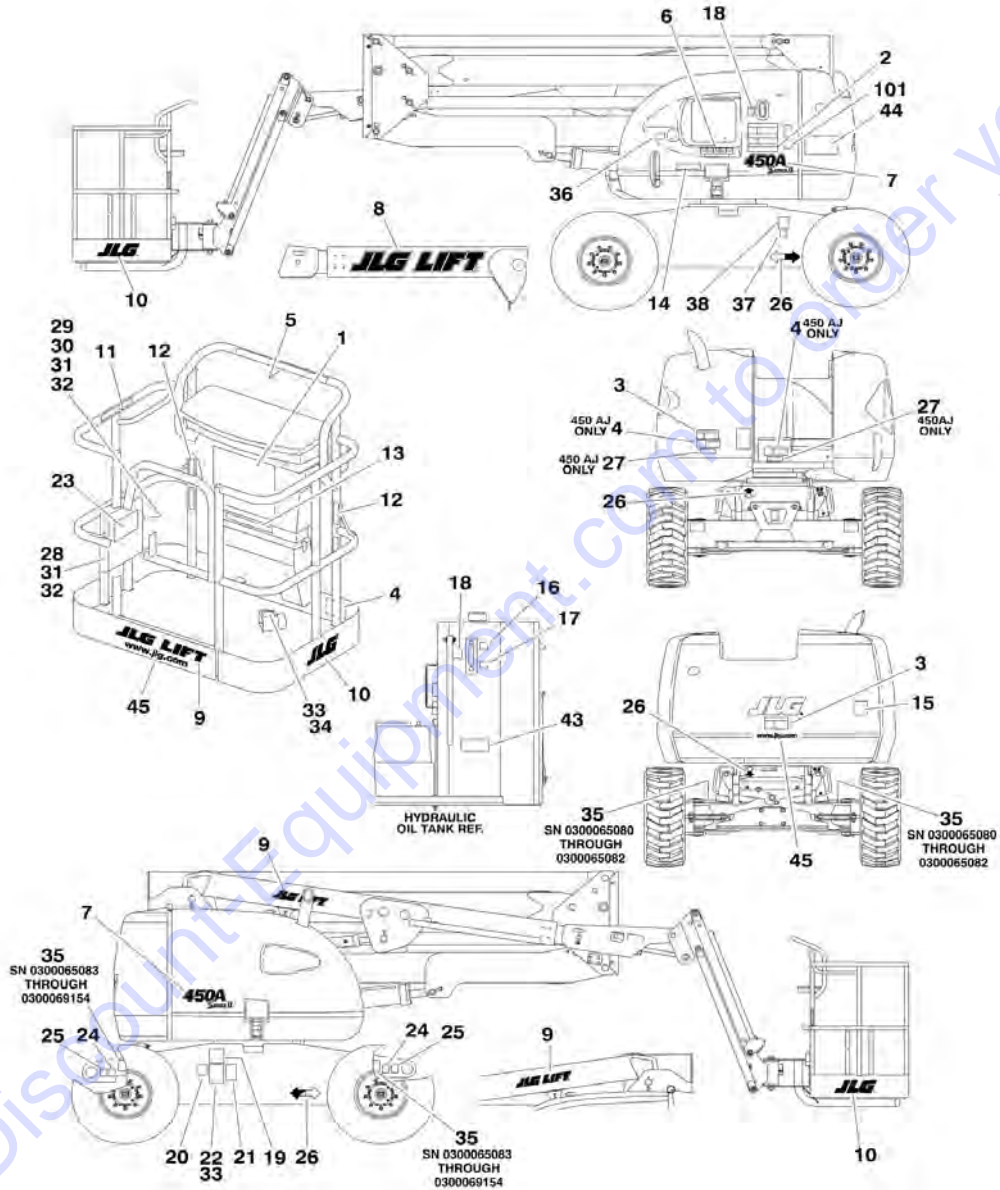
ITEM	PART NUMBER	QTY	DESCRIPTION	REV
712K	1060494	ft/10.1m 47	Electrical Cable 12/3 (Upper Boom to Console Box)	
713		ft/14.3m Ref	Platform Worklights Components	
713A	2920140	2	Platform Worklights External Harness (Includes Light and Wire Only)	
713B	4460459	1	Plug, Male - 3 Position	
713B	4460790	3	Socket, Female	
713B	4460789	3	Seal	
713C	4460476	1	Receptacle, Female	
713C	4460850	3	Pin, Male	
713C	4460790	3	Socket, Female	
713D	4460426	1	Connector, Strain Relief	
713E	2400070	1	Fuse	
713E	2400066	1	Holder, Fuse	
713F	1060987	1	Worklights Harness (Upper Boom to Worklights)	
713G	1060988	1	Worklights Harness (Lower Boom to Aux. Power Solenoid)	
		Ref	TOOLS	
801	7002821	1	Crimper (For Wire to Pin/Socket Connections) (Not Shown)	
802	7002823	1	Extractor (For Removal of Pin/Socket from Connectors) (Not Shown)	
803	4460467	1	Extractor, Pin (Blue 16-18 Gauge) (For Removal of Pin/Socket from Connectors) (Not Shown)	
804	4460510	1	Extractor, Pin (Yellow 12-14 Gauge) (For Removal of Pin/Socket from Connectors) (Not Shown)	
805	7002828	1	Stripper, Wire (Not Shown)	
806	2901443	1	Analyzer Kit (Not Shown)	
806A	1600244	1	Analyzer	
806B	1060633	1	Cable, Analyzer	1-A
806C	4460321	2	Plug, Male	
806C	4460226	8	Socket, Female	
807	1001137005	1	Kit, Software Cable	

SECTION 8 - DECALS

Go to Discount-Equipment.com to order your parts

SECTION 8 - DECALS

FIGURE 8-1. DECAL INSTALLATION - ANSI SPEC (USA BUILT MACHINES) (SN 0300065080 through 0300069154)



SECTION 8 - DECALS

FIGURE 8-1. DECAL INSTALLATION - ANSI SPEC (USA BUILT MACHINES) (SN 0300065080 through 0300069154)

ITEM	PART NUMBER	QTY	DESCRIPTION	REV
		Ref	STANDARD DECAL INSTALLATION	
	0271168	Ref	Standard Decal Installation 450A Series II	2
	0271169	Ref	Standard Decal Installation 450AJ Series II	2
	0271241	Ref	JLG Logo Decals	2
1	1703797	1	Decal - Danger/Warning	
2	1703798	1	Decal - Danger/Warning	
3	1703805	2	Decal - Danger/Electrocution	
4	1703804	3	Decal - Warning/Crushing	
5	1702784	1	Decal - Legend	
6	1703808	1	Decal - Legend	
9	1702774	3	Decal - JLG Lift (3 1/2in)	
10	1702773	2	Decal - JLG (5in)	
11	1702868	2	Decal - No Hands	
12	1704277	3	Decal - Attach Lanyard Here	
13	1701645	1	Decal - 500LBS Max Capacity	
14	1702688	1	Decal - 500LBS Max Capacity	
15	3251813	1	Decal - USA	
16	1701502	1	Decal - High Oil Level	
17	1701503	1	Decal - Low Oil Level	
18	1701504	2	Decal - Hydraulic Oil	
19	1702153	1	Decal - Inspection	
20	See Note	1	Decal - Bar Code (Note: Not available for purchase)	
21	1700584	1	Decal - Patent	
22	See Note	1	Nameplate - Serial Number (Note: Not available for purchase)	
23	1701509	1	Decal - Manual	
24	1702300	4	Decal - Tie Down/Lift	
25	1701500	4	Decal - Tie Down/Lift	
26	1701529	4	Decal- Arrow	
27		Ref	Nameplate Options:	
27	3251243	1	Nameplate (120V-60Hz)	
27	3252507	1	Nameplate (220V-/5060Hz)	
28	0860520	1	Box, Manual Storage	
29	1060279	1	Cable, Lanyard	
30	0641408	1	Bolt 1/4in-20NC x 1in	
31	4751400	6	Flatwasher 1/4in Regular	
32	3311405	5	Locknut 1/4in-20NC	
33	3820001	AR	Rivet	
34	3252347	1	Decal - Footswitch (Part of 4360031 Footswitch)	
35	1703486	4	Decal - Max Tire Load	
36		Ref	Decal - Fuel	
36	1701542	1	Gas Engine Machines	
36	1701505	1	Diesel Engine Machines	
37		Ref	Decal - LPG Gas (Dual Fuel Machines Only)	
37	Not Required	1	Non-Dual Fuel Machines	
37	1701543	1	Dual Fuel Machines	
38	1700818	1	Decal - LP (Dual Fuel Machines Only)	
43	1704412	1	Decal - Hydraulic Fluid	
44	3252768	1	Decal - Lift Diagram	
45	1704885	2	Decal - Website	

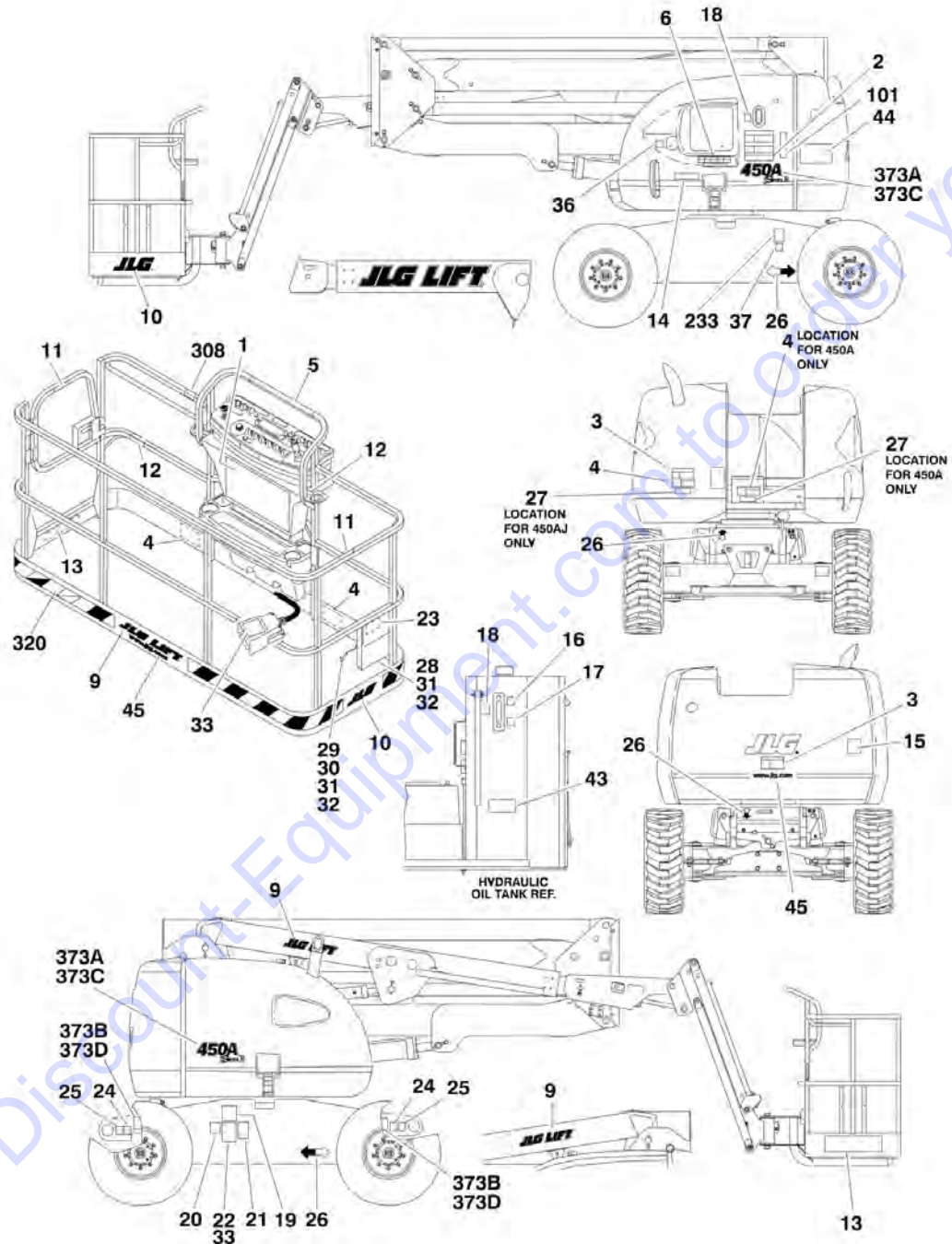
SECTION 8 - DECALS

ITEM	PART NUMBER	QTY	DESCRIPTION	REV
	0272341	Ref	TIRE SEALANT DECAL INSTALLATIONS	1
101	1705363	1	Decal - Tire Sealant	

Go to Discount-Equipment.com to order your parts

SECTION 8 - DECALS

FIGURE 8-2. DECAL INSTALLATION - ANSI SPEC (USA BUILT MACHINES AND BELGIUM BUILT MACHINES) (SN 0300069155 through 0300123999, SN 1300000001 through 1300006000)



SECTION 8 - DECALS

FIGURE 8-2. DECAL INSTALLATION - ANSI SPEC (USA BUILT MACHINES AND BELGIUM BUILT MACHINES) (SN 0300069155 through 0300123999, SN 1300000001 through 1300006000)

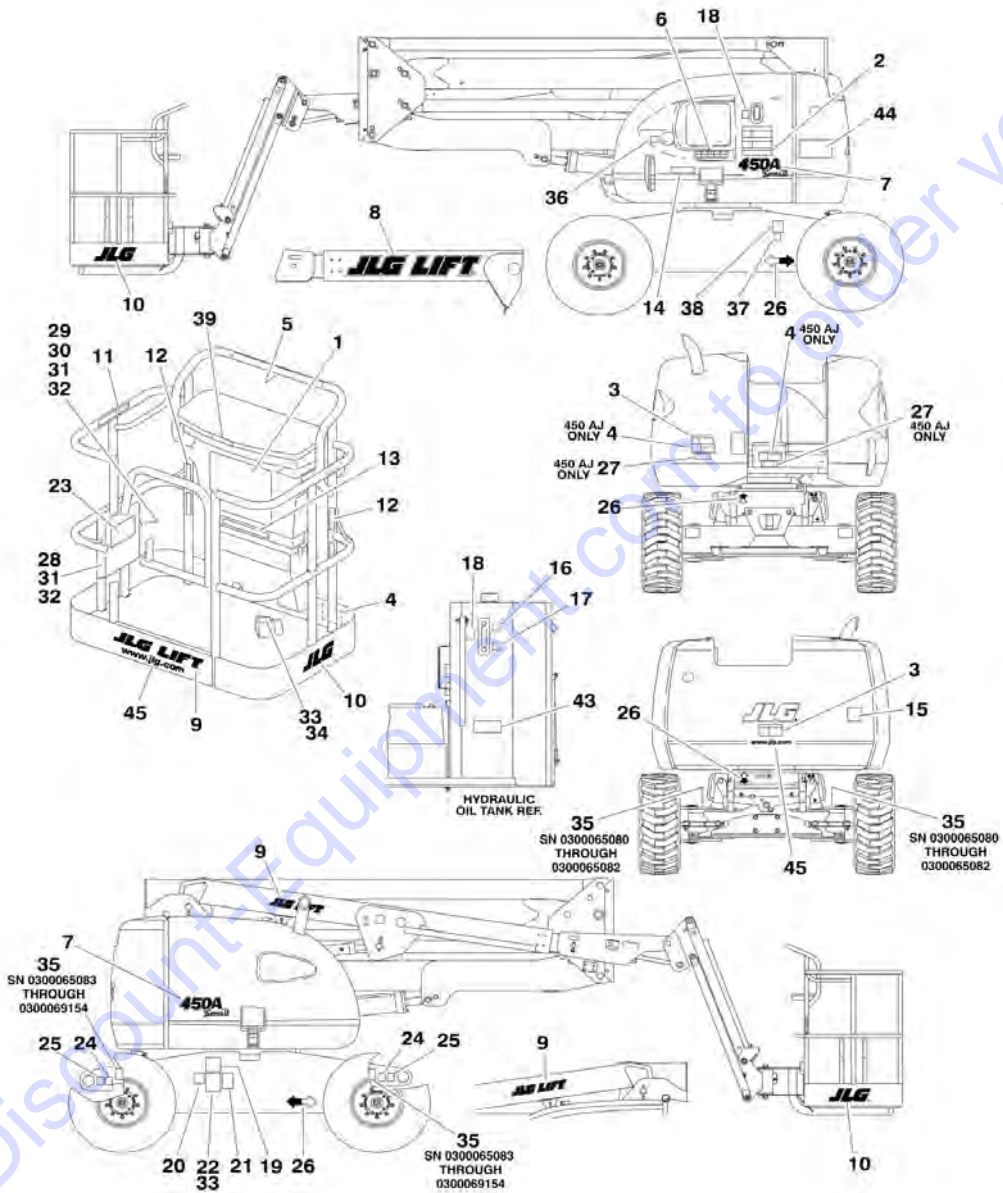
ITEM	PART NUMBER	QTY	DESCRIPTION	REV
		Ref	STANDARD DECAL INSTALLATION	
	0272573	Ref	450A/AJ Series II	7
	0272530	Ref	JLG Logo Decals	1
1	1703797	1	Decal - Danger/Warning	
2	1703798	1	Decal - Danger/Warning	
3	1703805	2	Decal - Danger/Electrocution	
4	1703804	3	Decal - Warning/Crushing	
5		Ref	Decal - Legend Options:	
5	1702784	1	USA Built Machines (SN 0300069155 through 0300099084)	
5	1706931	1	USA Built Machines (SN 0300099085 through 0300123999)	
5	1702784	1	Belgium Built Machines (SN 1300000001 through 1300002603)	
5	1706931	1	Belgium Built Machines (SN 1300002604 through 1300006000)	
6		Ref	Decal - Legend Options:	
6	1703808	1	USA Built Machines (SN 0300069155 through 0300099084)	
6	1706941	1	USA Built Machines (SN 0300099085 through 0300123999)	
6	1703808	1	Belgium Built Machines (SN 1300000001 through 1300002603)	
6	1706941	1	Belgium Built Machines (SN 1300002604 through 1300006000)	
9	1702774	3	Decal - JLG Lift (3 1/2in)	
10	1702773	2	Decal - JLG (5in)	
11	1702868	2	Decal - No Hands	
12	1704277	3	Decal - Attach Lanyard Here	
13	1701645	1	Decal - Max Capacity	
14		Ref	Decal - Max Capacity	
14	1702688	1	USA Built Machines (SN 0300069155 through 0300100315)	
14	1707013	1	USA Built Machines (SN 0300100316 through 0300123999)	
14	1702688	1	Belgium Built Machines (SN 1300000001 through 1300002600)	
14	1707013	1	Belgium Built Machines (SN 1300002601 through 1300006000)	
15	3251813	1	Decal - USA	
16	1701502	1	Decal - High Oil Level	
17	1701503	1	Decal - Low Oil Level	
18	1701504	2	Decal - Hydraulic Oil	
19	1702153	1	Decal - Inspection	
20	See Note	1	Decal - Bar Code (Note: Not available for purchase)	
21	1700584	1	Decal - Patent	
22	See Note	1	Nameplate - Serial Number (Note: Not available for purchase)	
23	1701509	1	Decal - Manual	
24	1702300	4	Decal - Tie Down /Lift	
25	1701500	4	Decal - Tie Down /Lift	
26	1701529	4	Decal- Arrow	
27	3251243	1	Nameplate 120V-60Hz	
28	0860520	1	Box, Manual Storage	
29	1060279	1	Cable, Lanyard	
30	0641408	1	Bolt 1/4in-20NC x 1in	
31	4751400	6	Flatwasher 1/4in Regular	

SECTION 8 - DECALS

ITEM	PART NUMBER	QTY	DESCRIPTION	REV
32	3311405	5	Locknut 1/4in-20NC	
33	3820001	AR	Rivet	
36		Ref	Decal - Fuel	
36	1701542	1	Gas Engine Machines	
36	1701505	1	Diesel Engine Machines	
37		Ref	Decal - LPG Gas (Dual Fuel Machines Only)	
37	Not Required	0	Non-Dual Fuel Machines	
37	1701543	1	Dual Fuel Machines	
43	1704412	1	Decal - Hydraulic Fluid	
44	3252768	1	Decal - Lift Diagram	
45	1704885	2	Decal - Website	
46	0641406	4	Bolt, 1/4in-20NC x 3/4in (Not Shown)	
	0272341	Ref	TIRE SEALANT DECAL INSTALLATIONS	1
101	1705363	1	Decal - Tire Sealant	
	0010578	Ref	DECAL OPTIONS	
233	1700818	1	Decal - LP (Dual Fuel Machines Only)	
308		Ref	Decal - Warning Prop Options:	
308	1702962	1	Diesel Machines	
308	1702961	1	Gas Machines	
320	0272165	Ref	Warning Stripe Decal Installation	
320	4420051	21.7 ft /6.61m	Decal - Warning Stripes	
373		Ref	Model Designation Decal Installation Options	
373	0272580	Ref	450A Series II	2
373B	1703486	4	Decal - Max Tire Load	
373	0272581	Ref	450AJ Series II	2
373D	1703486	4	Decal - Max Tire Load	

SECTION 8 - DECALS

FIGURE 8-3. DECAL INSTALLATION - ANSI EXPORT SPECS (USA BUILT MACHINES) (SN 0300065080 through 0300069154)



SECTION 8 - DECALS

FIGURE 8-3. DECAL INSTALLATION - ANSI EXPORT SPECS (USA BUILT MACHINES) (SN 0300065080 through 0300069154)

ITEM	PART NUMBER	QTY	DESCRIPTION	REV
		Ref	DECAL INSTALLATIONS	
	0271194	Ref	450A Series II Brazil Spec (Spanish/Portuguese)	1
	0271192	Ref	450A Series II Chinese Spec (English/Chinese)	1
	0271190	Ref	450A Series II CSA Spec (English/French)	1
	0271184	Ref	450A Series II Japanese Spec	1
	0271186	Ref	450A Series II Korean Spec	1
	0271188	Ref	450A Series II Latin America Spec (English/Spanish)	1
	0271195	Ref	450AJ Series II Brazil Spec (Spanish/Portuguese)	1
	0271191	Ref	450AJ Series II CSA Spec (English/French)	1
	0271193	Ref	450AJ Series II Chinese Spec (English/Chinese)	1
	0271185	Ref	450AJ Series II Japanese Spec	1
	0271187	Ref	450AJ Series II Korean Spec	1
	0271189	Ref	450AJ Series II Latin America Spec (English/Spanish)	1
	0271241	Ref	JLG Logo Decals	2
1		Ref	Decal - Danger/Warning Options:	
1	1703928	1	Brazil Spec	
1	1703925	1	Chinese Spec	
1	1703924	1	CSA Spec	
1	1703926	1	Japanese Spec	
1	1703927	1	Korean Spec	
1	1703923	1	Latin American Spec	
2		Ref	Decal - Danger/Warning Options:	
2	1703934	1	Brazil Spec	
2	1703931	1	Chinese Spec	
2	1703930	1	CSA Spec	
2	1703932	1	Japanese Spec	
2	1703933	1	Korean Spec	
2	1703929	1	Latin American Spec	
3		Ref	Decal - Danger Electrocution Options:	
3	1703940	2	Brazil Spec	
3	1703937	2	Chinese Spec	
3	1703936	2	CSA Spec	
3	1703938	2	Japanese Spec	
3	1703939	2	Korean Spec	
3	1703935	2	Latin American Spec	
4		Ref	Decal - Warning/Crushing	
4	1703952	3	Brazil Spec	
4	1703949	3	Chinese Spec	
4	1703948	3	CSA Spec	
4	1703950	3	Japanese Spec	
4	1703951	3	Korean Spec	
4	1703947	3	Latin American Spec	
5		Ref	Decal - Legend Options:	
5	Not Required	0	Brazil/ Chinese/ Japanese/ Korean Spec	
5	1702784	1	CSA/Latin America Spec	
6		Ref	Decal - Legend Options:	
6	Not Required	0	Brazil/ Chinese/ Japanese/ Korean Spec	
6	1703808	AR	CSA/Latin American Spec	
9	1702774	3	Decal - Lift (3 1/2in)	

SECTION 8 - DECALS

ITEM	PART NUMBER	QTY	DESCRIPTION	REV
10	1702773	2	Decal - JLG (5 in)	
11		Ref	Decal - No Hands Options:	
11	1704002	2	Brazil Spec	
11	Not Required	0	Chinese/ Japanese/ Korean Spec	
11	1704000	2	CSA Spec	
11	1704001	2	Latin American Spec	
12	1704277	3	Decal - Attach Lanyard	
13	1703996	1	Decal - 500LBS Max Capacity	
14	1704112	1	Decal - 500LBS Max Capacity	
15		Ref	Decal - USA Options:	
15	3251813	1	Brazil/CSA/Latin American Spec	
15	Not Required	0	Chinese/Japanese/Korean Spec	
16	1701502	1	Decal - High Oil Level	
17	1701503	1	Decal - Low Oil Level	
18	1701504	2	Decal - Hydraulic Oil	
19		Ref	Decal - Inspection Options:	
19	1704008	1	Brazil Spec	
19	1704006	1	CSA Spec	
19	1704007	1	Latin American Spec	
19	Not Required	0	Chinese/ Japanese/ Korean Spec	
20	See Note	1	Decal - Bar Code (Note: Not available for purchase)	
21	1700584	1	Decal - Patent	
22	See Note	1	Nameplate - Serial Number (Note: Not available for purchase)	
23	1701509	1	Decal - Manual	
24	1702300	4	Decal - Tie Down /Lift	
25	1701500	4	Decal - Tie Down /Lift	
26	1701529	4	Decal - Arrow	
27		Ref	Decal Options:	
27	3251243	1	120V-60Hz - Brazil/ CSA/ Latin American Spec	
27	3252507	1	220V-50/60Hz - Brazil/ CSA/ Latin American Spec	
27	Not Required	0	Chinese/ Japanese/ Korean Spec	
28	0860520	1	Box, Manual Storage	
29	1060279	1	Cable, Lanyard	
30	0641408	1	Bolt 1/4in-20NC x 1in	
31	4751400	6	Flatwasher 1/4in Regular	
32	3311405	5	Locknut 1/4in-20NC	
33	3820001	8	Rivet	
34		Ref	Decal - Footswitch Options:	
34	1703985	1	Brazil Spec	
34	1703982	1	Chinese Spec	
34	1703984	1	CSA Spec	
34	1703980	1	Japanese Spec	
34	1703981	1	Korean Spec	
34	1703983	1	Latin American Spec	
35	1703486	4	Decal - Maximum Tire Load	
36		Ref	Decal - Fuel Options:	
36	1701542	1	Gas Engine Machines	
36	1701505	1	Diesel Engine Machines	
37		Ref	Decal - LPG Gas (Dual Fuel Machines Only)	
37	Not Required	0	Non-Dual Fuel Machines	
37	1701543	1	Dual Fuel Machines	

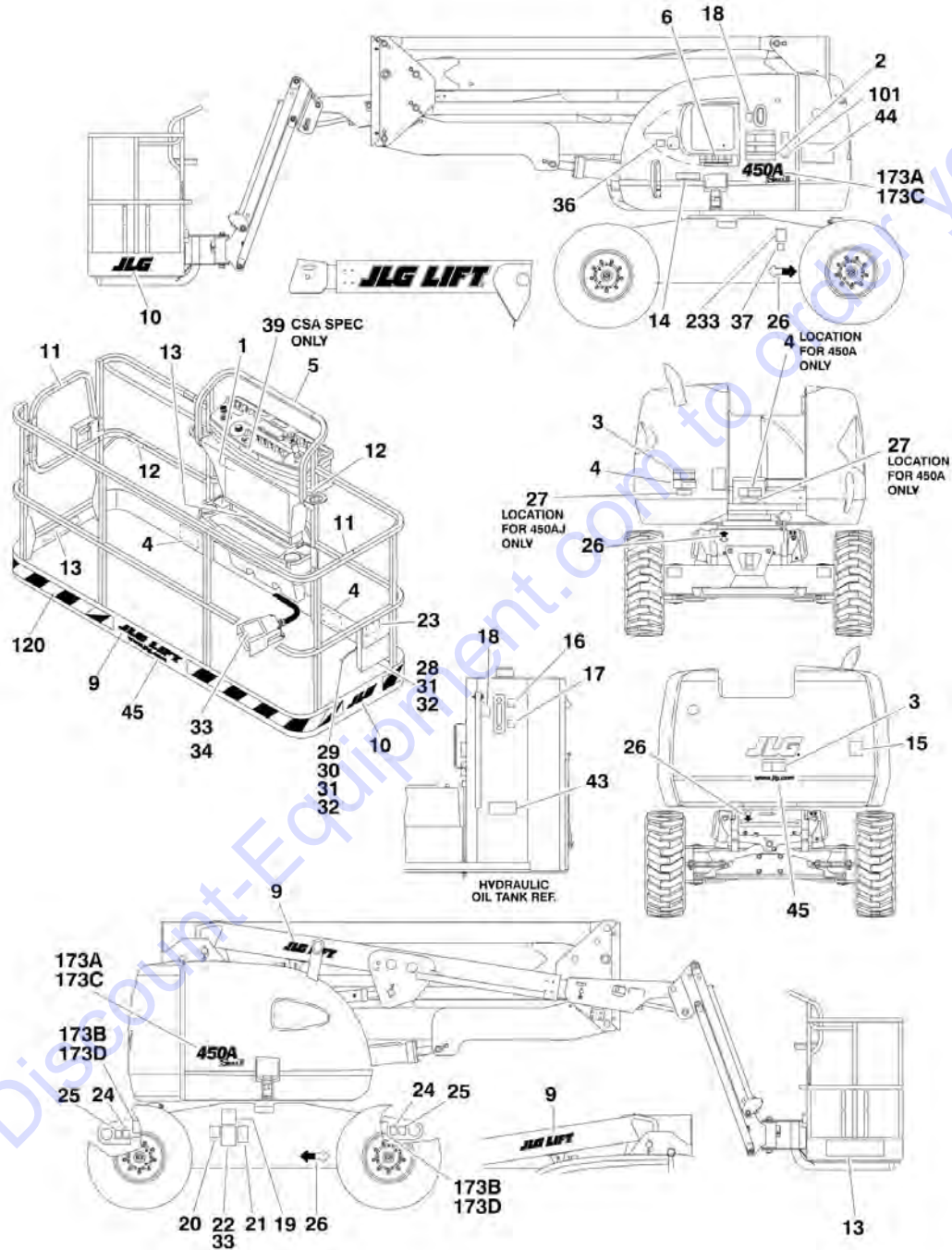
SECTION 8 - DECALS

ITEM	PART NUMBER	QTY	DESCRIPTION	REV
38		Ref	Decal - LP Gas Liquid Withdrawal System (Dual Fuel Machines Only)	
38	Not Required	0	Non-Dual Fuel Machines	
38	1700818	1	Dual Fuel Machines (English Language)	
38	1704271	1	Dual Fuel Machines (CSA Spec)	
38	1702720	1	Dual Fuel Machines (Spanish Language)	
39		Ref	Decal - CSA Options:	
39	3252221	1	CSA Spec	
39	Not Required	0	Brazil/ Chinese/ Japanese/ Korean/ Latin American Spec	
43	1704412	1	Decal - Hydraulic Fluid	
44	3252768	1	Decal - Lift Diagram	
45	1704885	2	Decal - Website	

Go to Discount-Equipment.com to order your parts

SECTION 8 - DECALS

FIGURE 8-4. DECAL INSTALLATION - ANSI EXPORT SPECS (USA BUILT MACHINES AND BELGIUM BUILT MACHINES) (SN 0300069155 through 0300123999, SN 1300000001 through 1300006000)



SECTION 8 - DECALS

FIGURE 8-4. DECAL INSTALLATION - ANSI EXPORT SPECS (USA BUILT MACHINES AND BELGIUM BUILT MACHINES) (SN 0300069155 through 0300123999, SN 1300000001 through 1300006000)

ITEM	PART NUMBER	QTY	DESCRIPTION	REV
		Ref	DECAL INSTALLATIONS	
	0272579	Ref	450A/AJ Series II Brazil Spec (Spanish/Portuguese)	8
	0272578	Ref	450A/AJ Series II Chinese Spec (English/Chinese)	7
	0272577	Ref	450A/AJ Series II CSA Spec (English/French)	8
	0272575	Ref	450A/AJ Series II Japanese Spec	7
	0272576	Ref	450A/AJ Series II Korean Spec	7
	0271189	Ref	450A/AJ Series II Latin America Spec (English/Spanish)	2
	0272530	Ref	JLG Logo Decals	2
1		Ref	Decal - Danger/Warning Options:	
1	1703928	1	Brazil Spec	
1	1703925	1	Chinese Spec	
1	1703924	1	CSA Spec	
1	1703926	1	Japanese Spec	
1	1703927	1	Korean Spec	
1	1703923	1	Latin American Spec	
2		Ref	Decal - Danger/Warning Options:	
2	1703934	1	Brazil Spec	
2	1703931	1	Chinese Spec	
2	1703930	1	CSA Spec	
2	1703932	1	Japanese Spec	
2	1703933	1	Korean Spec	
2	1703929	1	Latin American Spec	
3		Ref	Decal - Danger Electrocution Options:	
3	1703940	2	Brazil Spec	
3	1703937	2	Chinese Spec	
3	1703936	2	CSA Spec	
3	1703938	2	Japanese Spec	
3	1703939	2	Korean Spec	
3	1703935	2	Latin American Spec	
4		Ref	Decal - Warning/Crushing	
4	1703952	3	Brazil Spec	
4	1703949	3	Chinese Spec	
4	1703948	3	CSA Spec	
4	1703950	3	Japanese Spec	
4	1703951	3	Korean Spec	
4	1703947	3	Latin American Spec	
5		Ref	Decal - Legend Options:	
5	Not Required	0	Brazil/ Chinese/ Japanese/ Korean Spec	
5	1702784	1	CSA/Latin America Spec (Prior to SN 1300002605)	
5	1706931	1	CSA/Latin America Spec (SN 1300002605 through 1300006000)	
6		Ref	Decal - Legend Options:	
6	Not Required	0	Brazil/ Chinese/ Japanese/ Korean Spec	
6	1703808	AR	CSA/Latin American Spec (Prior to SN 1300002605)	
6	1706941	AR	CSA/Latin America Spec (SN 1300002605 through 1300006000)	
9	1702774	3	Decal - Lift (3 1/2in)	
10	1702773	2	Decal - JLG (5 in)	
11		Ref	Decal - No Hands Options:	

SECTION 8 - DECALS

ITEM	PART NUMBER	QTY	DESCRIPTION	REV
11	1704002	2	Brazil Spec	
11	Not Required	0	Chinese/Japanese Spec	
11	1704000	2	CSA Spec	
11	1705969	2	Korean Spec	
11	1704001	2	Latin American Spec	
12	1704277	3	Decal - Attach Lanyard	
13		Ref	Decal - Max Capacity	
13	1703996	2	Brazil Spec USA Built Machines (SN 0300069155 through 0300100315)	
13	1703996	2	Brazil Spec Belgium Built Machines (Prior to SN 1300002601)	
13	1707134	2	Brazil Spec USA Built Machines (SN 0300100316 through 0300123999)	
13	1707134	2	Brazil Spec Belgium Built Machines (SN 1300002601 through 1300006000)	
13	1703996	2	Chinese Spec USA Built Machine (SN 0300069155 through 0300100315)	
13	1703996	2	Chinese Spec Belgium Built Machines (Prior to SN 1300002601)	
13	1707060	2	Chinese Spec USA Built Machines (SN 0300100316 through 0300123999)	
13	1707060	2	Chinese Spec Belgium Built Machines (SN 1300002601 through 1300006000)	
13	1703996	2	CSA Spec USA Built Machines (SN 0300069155 through 0300100315)	
13	1703996	2	CSA Spec Belgium Built Machines (Prior to SN 1300002601)	
13	1707055	2	CSA Spec USA Built Machines (SN 0300100316 through 0300123999)	
13	1707055	2	CSA Spec Belgium Built Machines (SN 1300002601 through 1300006000)	
13	1703996	2	Japanese Spec USA Built Machines (SN 0300069155 through 0300100315)	
13	1703996	2	Japanese Spec Belgium Built Machines (Prior to SN 1300002601)	
13	1707059	2	Japanese Spec USA Built Machines (SN 0300100316 through 0300123999)	
13	1707059	2	Japanese Spec Belgium Built Machines (SN 1300002601 through 1300006000)	
13	1703996	2	Korean Spec USA Built Machines (SN 0300069155 through 0300100315)	
13	1703996	2	Korean Spec Belgium Built Machines (Prior to SN 1300002601)	
13	1707058	2	Korean Spec USA Built Machines (SN 0300100316 through 0300123999)	
13	1707058	2	Korean Spec Belgium Built Machines (SN 1300002601 through 1300006000)	
13	1703996	2	Latin American Spec USA Built Machines (SN 0300069155 through 0300102727)	
13	1703996	2	Latin American Spec Belgium Built Machines (Prior to SN 1300002775)	
13	1707056	2	Latin American Spec USA Built Machines (SN 0300102728 through 0300123999)	
13	1707056	2	Latin American Spec Belgium Built Machines (SN 1300002775 through 1300006000)	
14		Ref	Decal - Max Capacity Options:	
14	1704112	1	Brazil Spec USA Built Machines (SN 0300069155 through 0300100554)	

SECTION 8 - DECALS

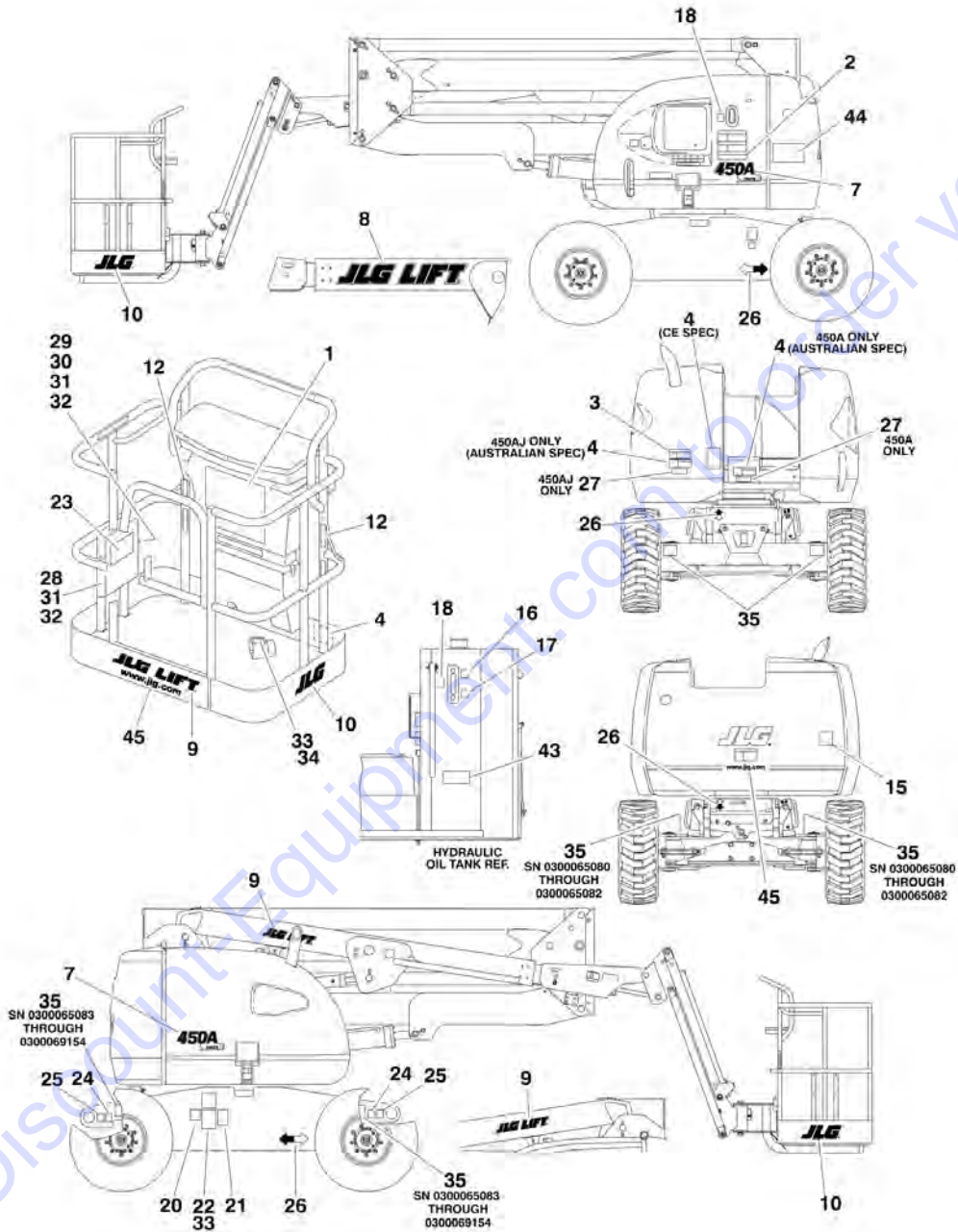
ITEM	PART NUMBER	QTY	DESCRIPTION	REV
14	1704112	1	Brazil Spec Belgium Built Machines (Prior to SN 1300002385)	
14	1707133	1	Brazil Spec USA Built Machines (SN 0300100555 through 0300123999)	
14	1707133	1	Brazil Spec Belgium Built Machines (SN 1300002385 through 1300006000)	
14	Not Required	0	Chinese Spec USA Built Machines (SN 0300069155 through 0300100315)	
14	Not Required	0	Chinese Spec Belgium Built Machines (Prior to SN 1300002601)	
14	1707044	1	Chinese Spec USA Built Machines (SN 0300100316 through 0300123999)	
14	1707044	1	Chinese Spec Belgium Built Machines (SN 1300002601 through 1300006000)	
14	1704112	1	CSA Spec USA Built Machines (SN 030009155 through 0300100315)	
14	1704112	1	CSA Spec Belgium Built Machines (Prior to SN 1300002601)	
14	1707047	1	CSA Spec USA Built Machines (SN 0300100316 through 0300123999)	
14	1707047	1	CSA Spec Belgium Built Machines (SN 1300002601 through 1300006000)	
14	Not Required	0	Japanese Spec USA Built Machines (SN 0300069155 through 1300002385)	
14	1707054	1	Japanese Spec USA Built Machines (SN 0300100555 through 0300123999)	
14	1707054	1	Japanese Spec Belgium Built Machines (SN 1300002385 through 1300006000)	
14	Not Required	0	Korean Spec USA Built Machines (SN 0300069155 through 0300100315)	
14	Not Required	0	Korean Spec Belgium Built Machines (Prior to SN 1300002601)	
14	1705042	1	Korean Spec USA Built Machines (SN 0300100316 through 0300123999)	
14	1705042	1	Korean Spec Belgium Built Machines (SN 1300002601 through 1300006000)	
14	1704112	1	Latin American Spec USA Built Machines (SN 0300069155 through 0300102727)	
14	1704112	1	Latin American Spec Belgium Built Machines (Prior to SN 1300002775)	
14	1707049	1	Latin American Spec USA Built Machines (SN 0300102728 through 0300123999)	
14	1707049	1	Latin American Spec Belgium Built Machines (SN 1300002775 through 1300006000)	
15		Ref	Decal - USA Options:	
15	3251813	1	Brazil/ CSA/ Latin American Spec	
15	Not Required	0	Chinese/ Japanese/ Korean Spec	
16	1701502	1	Decal - High Oil Level	
17	1701503	1	Decal - Low Oil Level	
18	1701504	2	Decal - Hydraulic Oil	
19		Ref	Decal - Inspection Options:	
19	1704008	1	Brazil Spec	
19	1704006	1	CSA Spec	
19	1704007	1	Latin American Spec	
19	Not Required	0	Chinese/Japanese/Korean Spec	
20	See Note	1	Decal - Bar Code (Note: Not available for purchase)	
21	1700584	1	Decal - Patent	
22	See Note	1	Nameplate - Serial Number (Note: Not available for purchase)	

SECTION 8 - DECALS

ITEM	PART NUMBER	QTY	DESCRIPTION	REV
23	1701509	1	Decal - Manual	
24	1702300	4	Decal - Tie Down /Lift	
25	1701500	4	Decal - Tie Down /Lift	
26	1701529	4	Decal - Arrow	
27		Ref	Decal Options:	
27	3251243	1	120V-60Hz - Brazil/ CSA/ Latin American Spec	
27	Not Required	0	Chinese/ Japanese/ Korean Spec	
28	0860520	1	Box, Manual Storage	
29	1060279	1	Cable, Lanyard	
30	0641408	1	Bolt 1/4in-20NC x 1in	
31	4751400	6	Flatwasher 1/4in Regular	
32	3311405	5	Locknut 1/4in-20NC	
33	3820001	AR	Rivet	
34		Ref	Decal - Footswitch Options:	
34	1703985	1	Brazil Spec	
34	1703982	1	Chinese Spec	
34	1703984	1	CSA Spec	
34	1703980	1	Japanese Spec	
34	1703981	1	Korean Spec	
34	1703983	1	Latin American Spec	
36		Ref	Decal - Fuel Options:	
36	1701542	1	Gas Engine Machines	
36	1701505	1	Diesel Engine Machines	
37		Ref	Decal - LPG Gas (Dual Fuel Machines Only)	
37	Not Required	0	Non-Dual Fuel Machines	
37	1701543	1	Dual Fuel Machines	
38		Ref	Decal - LP Gas Liquid Withdrawal System (Dual Fuel Machines Only)	
38	Not Required	0	Non-Dual Fuel Machines	
38	1700818	1	Dual Fuel Machines (English Language)	
38	1704271	1	Dual Fuel Machines (CSA Spec)	
38	1702720	1	Dual Fuel Machines (Spanish Language)	
39		Ref	Decal - CSA Options:	
39	1705514	1	CSA Spec	
39	Not Required	0	Brazil/ Chinese/ Japanese/ Korean/ Latin American Spec	
43	1704412	1	Decal - Hydraulic Fluid	
44	3252768	1	Decal - Lift Diagram	
45	1704885	2	Decal - Website	
46	0641406	4	Bolt, 1/4in-20NC x 3/4in (Not Shown)	
	0010578	Ref	DECAL OPTIONS	
120	0272165	Ref	Warning Stripe Decal Installation	
120	4420051	21.7 ft /6.61m	Decal - Warning Stripes	
173		Ref	Model Designation Decal Installation Options	
173	0272580	Ref	450A Series II	2
173B	1703486	4	Decal - Max Tire Load	
173	0272581	Ref	450AJ Series II	2
173D	1703486	4	Decal - Max Tire Load	

SECTION 8 - DECALS

FIGURE 8-5. DECAL INSTALLATION - CE AND AUSTRALIAN SPECS (USA BUILT MACHINES) (SN 0300065080 through 0300069154)



SECTION 8 - DECALS

FIGURE 8-5. DECAL INSTALLATION - CE AND AUSTRALIAN SPECS (USA BUILT MACHINES) (SN 0300065080 through 0300069154)

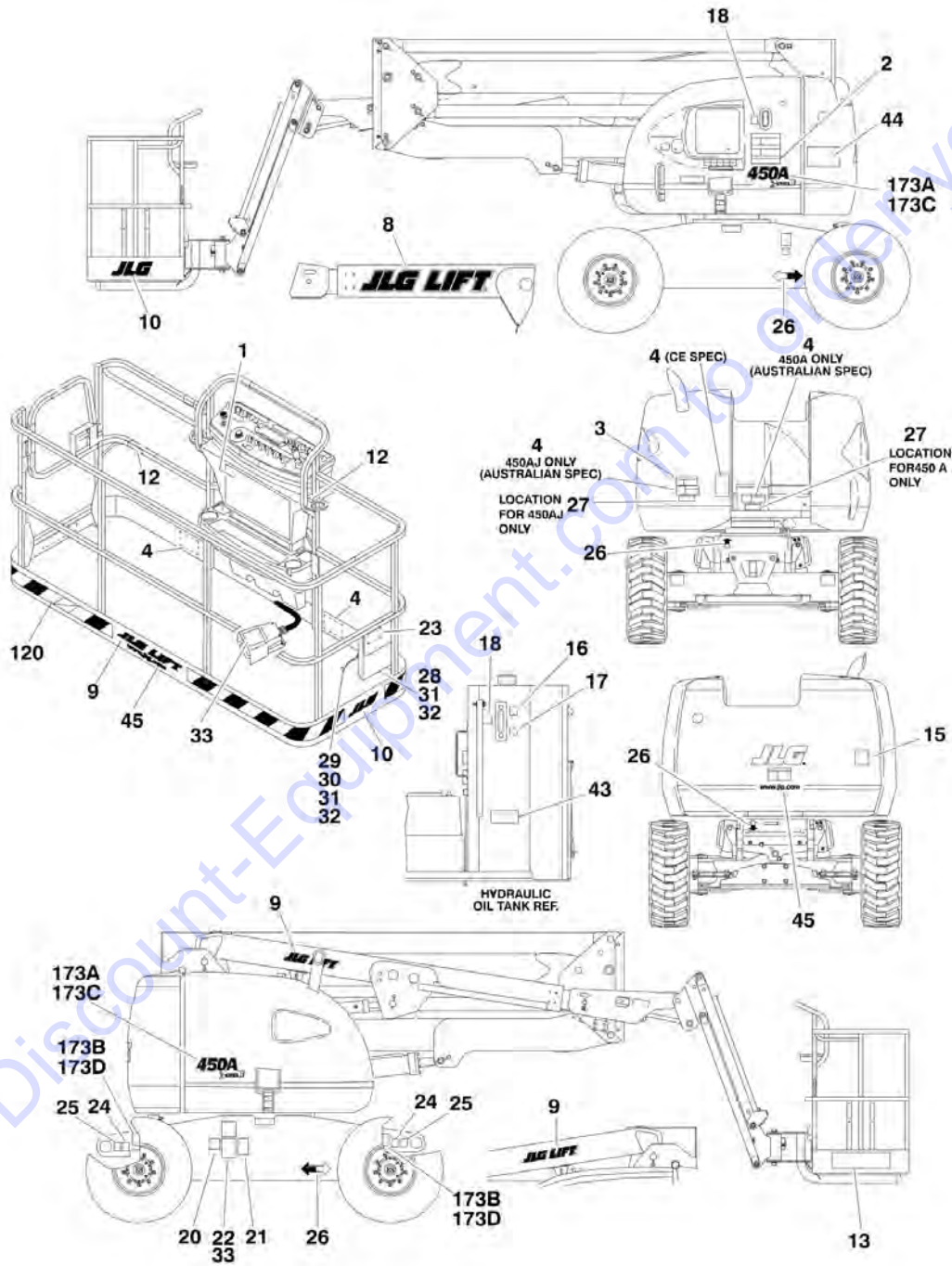
ITEM	PART NUMBER	QTY	DESCRIPTION	REV
		Ref	DECAL INSTALLATIONS	
	0271170	Ref	450A Series II Australian Spec	1
	0271176	Ref	450A Series II Dutch Spec	2
	0271180	Ref	450A Series II French Spec	2
	0271174	Ref	450A Series II German Spec	2
	0271178	Ref	450A Series II Italian Spec	2
	0271182	Ref	450A Series II Spanish Spec	2
	0271172	Ref	450A Series II UK Spec	2
	0271171	Ref	450AJ Series II Australian Spec	1
	0271177	Ref	450AJ Series II Dutch Spec	2
	0271181	Ref	450AJ Series II French Spec	2
	0271175	Ref	450AJ Series II German Spec	2
	0271179	Ref	450AJ Series II Italian Spec	2
	0271183	Ref	450AJ Series II Spanish Spec	2
	0271173	Ref	450AJ Series II UK Spec	2
	0271241	Ref	JLG Logo Decals	2
1		Ref	Decal - Danger/Warning Options:	
1	1703992	1	Australian Spec	
1	1704809	1	Dutch Spec	
1	1704811	1	French Spec	
1	1704767	1	German Spec	
1	1704810	1	Italian Spec	
1	1704812	1	Spanish Spec	
1	1704808	1	UK Spec	
2		Ref	Decal - Danger/Warning Options:	
2	1704819	1	Australian Spec	
2	1704821	1	Dutch Spec	
2	1704823	1	French Spec	
2	1704820	1	German Spec	
2	1704822	1	Italian Spec	
2	1704824	1	Spanish Spec	
2	1704819	1	UK Spec	
4	1701518	3	Decal - Warning/Crushing	
7		Ref	Decal - Model Options:	
7	1704951	2	Decal (450A Series II)	
7	1704957	2	Decal (450AJ Series II)	
9	1702774	3	Decal - Lift (3 1/2in)	
10	1702773	2	Decal - JLG (5 in)	
12	1704277	3	Decal - Attach Lanyard	
15	1705084	1	Decal - Sound Power Level (Not Required - Australian Spec)	
16	1701502	1	Decal - High Oil Level	
17	1701503	1	Decal - Low Oil Level	
18	1701504	2	Decal - Hydraulic Oil	
20	See Note	1	Decal - Bar Code (Note: Not Available for Purchase)	
21	1700584	1	Decal - Patent	
22	See Note	1	Nameplate - Serial Number (Note: Not Available for Purchase)	
23	1701509	1	Decal - Manual	
24	1702300	4	Decal - Tie Down /Lift	
25	1701500	4	Decal - Tie Down /Lift	

SECTION 8 - DECALS

ITEM	PART NUMBER	QTY	DESCRIPTION	REV
26	1701529	4	Decal - Arrow	
27		Ref	Decal Options:	
27	3251242	1	Decal (240V-50Hz - Australian Spec)	
27	Not Required	0	All Other Specs	
28	0860520	1	Box, Manual Storage	
29	1060279	1	Cable, Lanyard	
30	0641408	1	Bolt 1/4in-20NC x 1in	
31	4751400	6	Flatwasher 1/4in Regular	
32	3311405	5	Locknut 1/4in-20NC	
33	3820001	8	Rivet	
34		Ref	Decal - Footswitch Options:	
34	3252347	1	Australian Spec	
34	1703518	1	Dutch Spec	
34	1693292	1	French Spec	
34	1693294	1	German Spec	
34	1701600	1	Italian Spec	
34	1701791	1	Spanish Spec	
34	3252347	1	UK Spec	
35	1703486	4	Decal - Maximum Tire Load	
36	1701505	1	Decal - Fuel	
43	1704412	1	Decal - Hydraulic Fluid	
44	3252768	1	Decal - Lift Diagram	
45	1704885	2	Decal - Website	

SECTION 8 - DECALS

FIGURE 8-6. DECALS INSTALLATION - AUSTRALIAN AND CE SPECS (USA BUILT MACHINES AND BELGIUM BUILT MACHINES) (SN 0300069155 through 0300074818, SN 1300000001 through 1300000180)



SECTION 8 - DECALS

FIGURE 8-6. DECALS INSTALLATION - AUSTRALIAN AND CE SPECS (USA BUILT MACHINES AND BELGIUM BUILT MACHINES) (SN 0300069155 through 0300074818, SN 1300000001 through 1300000180)

ITEM	PART NUMBER	QTY	DESCRIPTION	REV
		Ref	DECAL INSTALLATIONS	
	0272574	Ref	450A/AJ Series II Australian Spec	4
	0272500	Ref	Dutch Spec	5
	0272502	Ref	French Spec	5
	0272499	Ref	German Spec	5
	0272501	Ref	Italian Spec	5
	0273184	Ref	Norwegian Spec	3
	0272503	Ref	Spanish Spec	5
	0272498	Ref	UK Spec	5
	0272530	Ref	JLG Logo Decals	1
1		Ref	Decal - Danger/Warning Options:	
1	1703992	1	Australian Spec	
1	1704809	1	Dutch Spec	
1	1704811	1	French Spec	
1	1704767	1	German Spec	
1	1704810	1	Italian Spec	
1	1705270	1	Norwegian Spec	
1	1704812	1	Spanish Spec	
1	1704808	1	UK Spec	
2		Ref	Decal - Danger/Warning Options:	
2	1705332	1	Australian Spec	
2	1705410	1	Dutch Spec	
2	1705412	1	French Spec	
2	1705409	1	German Spec	
2	1705411	1	Italian Spec	
2	1705272	1	Norwegian Spec	
2	1705413	1	Spanish Spec	
2	1705408	1	UK Spec	
4	1701518	3	Decal - Warning/Crushing	
9	1702774	3	Decal - Lift (3 1/2in)	
10	1702773	2	Decal - JLG (5 in)	
12	1704277	3	Decal - Attach Lanyard	
15	1705084	1	Decal - Sound Power Level (Not Required - Australian Spec)	
16	1701502	1	Decal - High Oil Level	
17	1701503	1	Decal - Low Oil Level	
18	1701504	2	Decal - Hydraulic Oil	
20	See Note	1	Decal - Bar Code (Note: Not available for purchase)	
21	1700584	1	Decal - Patent	
22	See Note	1	Nameplate - Serial Number (Note: Not available for purchase)	
23	1701509	1	Decal - Manual	
24	1702300	4	Decal - Tie Down /Lift	
25	1701500	4	Decal - Tie Down /Lift	
26	1701529	4	Decal - Arrow	
27		Ref	Decal Options:	
27	3251242	1	Decal (240V-50Hz - Australian Spec)	
27	Not Required	0	All Other Specs	
28	0860520	1	Box, Manual Storage	
29	1060279	1	Cable, Lanyard	

SECTION 8 - DECALS

ITEM	PART NUMBER	QTY	DESCRIPTION	REV
30	0641408	1	Bolt 1/4in-20NC x 1in	
31	4751400	6	Flatwasher 1/4in Regular	
32	3311405	5	Locknut 1/4in-20NC	
33		Ref	Fastener Options:	
33	2080057	2	Amtak	
33	3820001	4	Rivet (Norwegian Spec Only)	
34		Ref	Decal - Footswitch Options:	
34	Not Required	0	Australian Spec	
34	1703518	1	Dutch Spec	
34	1693292	1	French Spec	
34	1693294	1	German Spec	
34	1701600	1	Italian Spec	
34	1705275	1	Norwegian Spec	
34	1701791	1	Spanish Spec	
34	Not Required	0	UK Spec	
36	1701505	1	Decal - Fuel	
43	1704412	1	Decal - Hydraulic Fluid	
44	3252768	1	Decal - Lift Diagram	
45	1704885	2	Decal - Website	
46	0641406	4	Bolt, 1/4in-20NC x 3/4in (Not Shown)	
47	1705821	1	Decal, Tipping/Elect (PLF) (Not Shown)	
48	1705822	1	Decal, Elect/Safety Manual (MTB) (Not Shown)	
	0010578	Ref	DECAL OPTIONS	
120	0272165	Ref	Warning Stripe Decal Installation	
120	4420051	21.7 ft /6.61m	Decal - Warning Stripes	
173		Ref	Model Designation Decal Installation Options	
173	0272580	Ref	450A Series II	2
173B	1703486	4	Decal - Max Tire Load	
173	0272581	Ref	450AJ Series II	2
173D	1703486	4	Decal - Max Tire Load	

PARTS FINDER

**Search Website
by Part Number**



**Search Manual
Library For Parts
Manual & Lookup Part
Numbers – Purchase
or Request Quote**

**Can't Find Part or
Manual? Request Help
by Manufacturer,
Model & Description**

Discount-Equipment.com is your online resource for quality parts & equipment.

Florida: **561-964-4949** Outside Florida TOLL FREE: **877-690-3101**

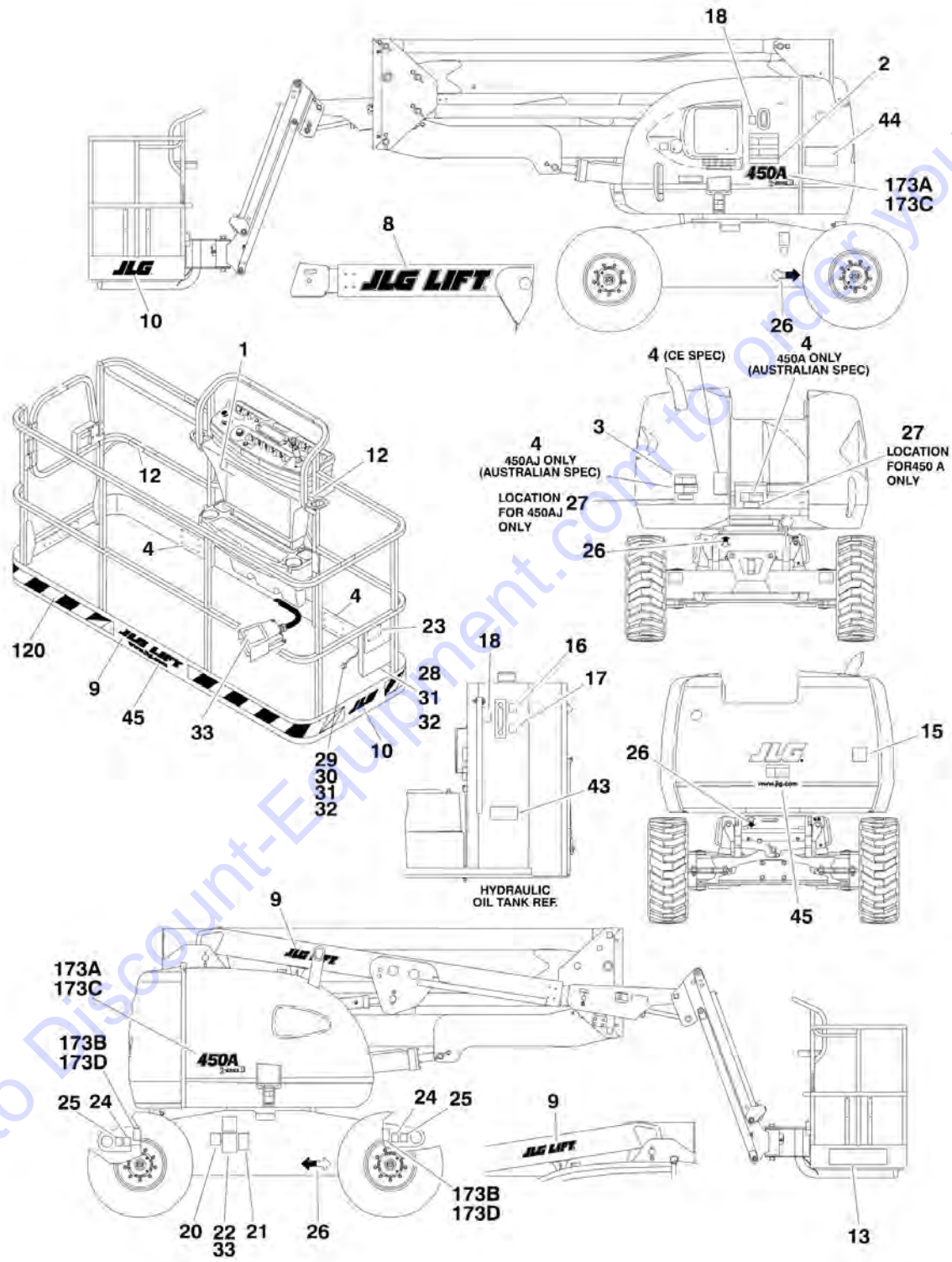
Need parts?

Click on this link: <http://www.discount-equipment.com/category/5443-parts/> and choose one of the options to help get the right parts and equipment you are looking for. Please have the machine model and serial number available in order to help us get you the correct parts. If you don't find the part on the website or on one of the online manuals, please fill out the request form and one of our experienced staff members will get back to you with a quote for the right part that your machine needs.

We sell worldwide for the brands: Genie, Terex, JLG, MultiQuip, Mikasa, Essick, Whiteman, Mayco, Toro Stone, Diamond Products, Generac Magnum, Airman, Haulotte, Barreto, Power Blanket, Nifty Lift, Atlas Copco, Chicago Pneumatic, Allmand, Miller Curber, Skyjack, Lull, Skytrak, Tsurumi, Husquvarna Target, Stow, Wacker, Sakai, Mi-T-M, Sullair, Basic, Dynapac, MBW, Weber, Bartell, Bennar Newman, Haulotte, Ditch Runner, Menegotti, Morrison, Contec, Buddy, Crown, Edco, Wyco, Bomag, Laymor, EZ Trench, Bil-Jax, F.S. Curtis, Gehl Pavers, Heli, Honda, ICS/PowerGrit, IHI, Partner, Imer, Clipper, MMD, Koshin, Rice, CH&E, General Equipment, Amida, Coleman, NAC, Gradall, Square Shooter, Kent, Stanley, Tamco, Toku, Hatz, Kohler, Robin, Wisconsin, Northrock, Oztec, Toker TK, Rol-Air, APT, Wylie, Ingersoll Rand / Doosan, Innovatech, Con X, Ammann, Mecalac, Makinex, Smith Surface Prep, Small Line, Wanco, Yanmar

SECTION 8 - DECALS

FIGURE 8-7. DECALS INSTALLATION - AUSTRALIAN AND CE SPECS (USA BUILT MACHINES AND BELGIUM BUILT MACHINES) (SN 0300074819 through 0300123999, SN 1300000180 through 1300006000)



SECTION 8 - DECALS

FIGURE 8-7. DECALS INSTALLATION - AUSTRALIAN AND CE SPECS (USA BUILT MACHINES AND BELGIUM BUILT MACHINES) (SN 0300074819 through 0300123999, SN 1300000180 through 1300006000)

ITEM	PART NUMBER	QTY	DESCRIPTION	REV
		Ref	DECAL INSTALLATIONS	
	0272574	Ref	Australian Spec	4
	0273452	Ref	CE Spec	3
	0272530	Ref	JLG Logo Decals	1
1		Ref	Decal - Danger/Warning Options:	
1	1703992	1	Australian Spec	
1	1705821	1	CE Spec	
2		Ref	Decal - Danger/Warning Options:	
2	1705332	1	Australian Spec	
2	1705822	1	CE Spec	
4	1701518	3	Decal - Warning/Crushing	
9	1702774	3	Decal - Lift (3 1/2in)	
10	1702773	2	Decal - JLG (5 in)	
12	1704277	3	Decal - Attach Lanyard	
15	1705084	1	Decal - Sound Power Level (Not Required - Australian Spec)	
16	1701502	1	Decal - High Oil Level	
17	1701503	1	Decal - Low Oil Level	
18	1701504	2	Decal - Hydraulic Oil	
20	See Note	1	Decal - Bar Code (Note: Not available for purchase)	
21	1700584	1	Decal - Patent	
22	See Note	1	Nameplate - Serial Number (Note: Not available for purchase)	
23	1701509	1	Decal - Manual	
24	1702300	4	Decal - Tie Down /Lift	
25	1701500	4	Decal - Tie Down /Lift	
26	1701529	4	Decal - Arrow	
27		Ref	Decal Options:	
27	3251242	1	Decal (240V-50Hz - Australian Spec)	
27	Not Required	0	CE Spec	
28	0860520	1	Box, Manual Storage	
29	1060279	1	Cable, Lanyard	
30	0641408	1	Bolt 1/4in-20NC x 1in	
31	4751400	6	Flatwasher 1/4in Regular	
32	3311405	5	Locknut 1/4in-20NC	
33	2080057	2	Fastener	
34		Ref	Decal - Footswitch Options:	
34	Not Required	0	Australian Spec	
34	1705828	1	CE Spec	
36	1701505	1	Decal - Fuel	
43	1704412	1	Decal - Hydraulic Fluid	
44	3252768	1	Decal - Lift Diagram	
45	1704885	2	Decal - Website	
46	0641406	4	Bolt, 1/4in-20NC x 3/4in (Not Shown)	
47	1705821	1	Decal, Tipping/Elect (PLF) (Not Shown)	
48	1705822	1	Decal, Elect/Safety Manual (MTB) (Not Shown)	
	0010578	Ref	DECAL OPTIONS	
120	0272165	Ref	Warning Stripe Decal Installation	
120	4420051	21.7 ft /6.61m	Decal - Warning Stripes	

SECTION 8 - DECALS

ITEM	PART NUMBER	QTY	DESCRIPTION	REV
173		Ref	Model Designation Decal Installation Options	
173	0272580	Ref	450A Series II	2
173B	1703486	4	Decal - Max Tire Load	
173	0272581	Ref	Decal (450AJ Series II)	2
173D	1703486	4	Decal - Max Tire Load	

Go to Discount-Equipment.com to order your parts

SECTION 9 - RECOMMENDED SERVICE PARTS STOCK

SECTION 9 - RECOMMENDED SERVICE PARTS STOCK

Go to Discount-Equipment.com to order your parts

SECTION 9 - RECOMMENDED SERVICE PARTS STOCK

FIGURE 9-1. MODEL 450A / 450AJ SERIES II STANDARD PARTS

ITEM	PART NUMBER	QTY	DESCRIPTION	REV
	Note	Ref	Note: The following list will service fleets of machines (built to current production per date on the front cover) with emergency repair parts which can be installed in the field. Parts from the list should be replaced when inventory is depleted to keep service parts stock supplied. For further information, go to Discount-equipment.com	
		Ref	STANDARD PARTS	
	2120210	1	Element, Filter	
	7012944	1	Coil	
	7012943	1	Coil	
	7017451	1	Coil	
	7012664	1	Element, Air Cleaner	
	3740067	1	Relay	
	7024444	1	Breather, Hydraulic Tank	
	7023205	1	Element, Return Filter	
	3740049	1	Relay	
	4360328	1	Switch, Toggle	
	2860030	1	Key, Replacement	
	4360475	1	Switch, Mushroom	
	4360476	1	Contact, Switch Block	
	2940074	1	Latch	
	4360387	1	Switch, Push Button	
	4360407	1	Control, Speed	
	4360331	1	Switch, Toggle	
	1001129555	1	Controller (Lift and Swing)	
	1001212415	1	Controller (Drive and Steer)	
	3990010	2	Diode 6 Amp	
	2400065	2	Fuse	

SECTION 9 - RECOMMENDED SERVICE PARTS STOCK

FIGURE 9-2. MODEL 450A / 450AJ SERIES II VARIABLE PARTS

ITEM	PART NUMBER	QTY	DESCRIPTION	REV
	Note	Ref	Note: The following list will service fleets of machines (built to current production per date on the front cover) with emergency repair parts which can be installed in the field. Parts from the list should be replaced when inventory is depleted to keep service parts stock supplied. For further information, go to Discount-equipment.com	
		Ref	VARIABLE PARTS	
	70001403	1	Filter, Oil Element, (Caterpillar Engine Machines)	
	7026871	1	Filter, Fuel (Caterpillar Engine Machines)	
	70001990	1	Solenoid, Shutdown (Caterpillar Engine Machines)	
	7016331	1	Filter, Oil Element, (Deutz Engine Machines)	
	7020023	1	Filter, Fuel (Deutz Engine Machines)	
	7027795	1	Module, Control (Deutz Engine Machines)	
	7027965	1	Filter, Oil (GM Engine Machines)	
	7027972	1	Filter, Fuel (GM Engine Machines)	
	7027994	1	Module, ECU Engine Control (GM Engine Machines)	
	70001403	1	Filter Oil Element, (Perkins Engine Machines)	
	70001409	1	Filter, Fuel (Perkins Engine Machines)	
	3740080	1	Relay (Machines with Generator Option)	
	4360336	1	Switch, Toggle (Machines with Generator Option)	
	4360336	1	Switch, Toggle (GM Engine Machines)	
	2915239	1	Module, Ground Control (Caterpillar/Perkins Engines)	
	1600411	1	Module, Ground Control (GM Engines)	
	4360469	1	Switch, Key (ANSI and ANSI Export Specs)	
	4360470	1	Switch, Key (CE and Australian Specs)	
	4360548	1	Switch, Limit	
	4360057	1	Switch, Limit (Soft-Touch Option)	
	1600376	1	Module, Platform Control	
	3990001	2	Diode (Caterpillar/Perkins Engine Machines)	
	2400093	1	Breaker, Circuit (CE Machines with AC Platform Receptacle)	
	4360232	1	Breaker, Circuit (Floodlights Option)	
	2400070	2	Fuse (Platform Worklights Option)	

SECTION 10 - SPECIAL OPTIONS

Go to Discount-Equipment.com to order your parts

SECTION 10 - SPECIAL OPTIONS

FIGURE 10-1. SPECIAL OPTIONS

ITEM	PART NUMBER	QTY	DESCRIPTION	REV
		Ref	MISCELLANEOUS SPECIAL OPTIONS	
	Note	Ref	Note: This list is to accommodate machines ordered with special equipment. Options may not be applicable to all models. For more specific parts information go to Discount-equipment.com	
	1340061	Ref	Air Cleaner with Dust Evacuator Valve	
		Ref	Air Line at Platform Installations	
	0271527	Ref	450A & 450AJ with 60Hz SkyPower (ANSI, ANSI Export and CSA Specs)	
	0275910	Ref	450A & 450AJ with 50Hz SkyPower (ANSI Export, Australian and CE Specs)	
	0275438	Ref	Special Boom with Airline to Platform plus SkyPower (CE Spec)	
	0275437	Ref	Main Boom Cables and Airlines Components	
	0275438	Ref	Tower Boom Cables and Airlines Components	
		Ref	Axle Stop Block Installations (Australian and CE Specs)	
	01001093802	Ref	2WD	
	01001093752	Ref	4WD - USA Machines Built (SN 0300107512 through 0300123999)	
	01001093752	Ref	4WD - Belgium Built Machines (SN 1300003222 through 1300006000)	
	0270723	Ref	Beacon Installation Mounted Under Platform	
		Ref	Bellows Installations	
	0271399	Ref	450A with Oscillating Axle (Belgium Built Machines) (Prior to SN 1300003222)	
	0275855	Ref	450A with Oscillating Axle (Belgium Built Machines) (SN 1300003222 through 1300006000)	
	0273764	Ref	450AJ with Oscillating Axle (Belgium Built Machines) (Prior to SN 1300003222)	
	0275857	Ref	450AJ with Oscillating Axle (Belgium Built Machines) (SN 1300003222 through 1300006000)	
	0271315	Ref	Boom Wiper Installation	
	0256789	Ref	Camera Mount Assembly	
		Ref	ClearSky (Telematics) Installations	
	1001107008	Ref	ANSI Spec	
	1001107009	Ref	ANSI Export/CE/Japanese Specs	
	1001139127	Ref	Australian Spec	
	1001107010	Ref	CSA Spec	
		Ref	Note: Refer to ClearSky (Telematics) Manual p/n 3128499 for Serviceable Parts.	
		Ref	Clear Sky (Telematic) Kit (Includes Installation, Decals, User Guide and Manual 3128499)	
	1001117254	Ref	ANSI Spec	
	1001121610	Ref	ANSI Export and Japanese Specs	
	1001139127	Ref	Australian Specs	
	1001117261	Ref	CSA Spec	
		Ref	Cold Weather Start Kits	
	0273064	Ref	Caterpillar/Perkins Engine Machines	
	0258921	Ref	Deutz Engine Machines (Ether)	
	0271912	Ref	Deutz Engine Machines (Glow Plugs)	
	0258923	Ref	Ford Engine Machines	

SECTION 10 - SPECIAL OPTIONS

ITEM	PART NUMBER	QTY	DESCRIPTION	REV
	0275054	Ref	GM Engine Machines	
		Ref	DECAL INSTALLATIONS	
	0257195	Ref	Decal - Government Warranty Installation (ANSI Specs)	
	1704150	Ref	Decal - Glow Plug Warning	
	0274530	Ref	Decal - Head and Enquist Equipment	
	0272942	Ref	Decal - Hertz	
	1703175	Ref	Decal - Lanyard Attach (GM K-1 Spec)	
	0270464	Ref	Decal - Nations Rent	
	0274245	Ref	Decal - National Equipment Services	
	1702962	Ref	Decal - Prop 65 Warning (Diesel Machines) (California Spec)	
	1702961	Ref	Decal - Prop 65 Warning (Gasoline Machines) (California Spec)	
	1001095408	Ref	Decal - RSC Equipment Rental	
		Ref	Decal - Sunbelt Options:	
	0271111	Ref	USA Built Machines (SN 0300065080 through 0300070958)	
	0271111	Ref	Belgium Built Machines (Prior to SN 1300000005)	
	1283029	Ref	USA Built Machines (SN 0300065080 through 0300070958)	
	1283029	Ref	Belgium Built Machines (Prior to SN 1300000005)	
	0271628	Ref	USA Built Machines (SN 0300070959 through 0300123999)	
	0271628	Ref	Belgium Built Machines (SN 1300000005 through 1300006000)	
	1283346	Ref	USA Built Machines (SN 0300070959 through 0300123999)	
	1283346	Ref	Belgium Built Machines (SN 1300000005 through 1300006000)	
	0271627	Ref	Decal - United Rentals	
		Ref	Decal Installation - Warning Stripes	
	0257733	Ref	Decal (SN 0300065080 through 0300065907)	
	0272165	Ref	Decal (SN 0300065908 through 0300123999)	
		Ref	Electrical Connector Kits	
	1001148902	Ref	Amp/Tyco Electrical Connector Kit	
	1001148903	Ref	Deutsch DT Electrical Connector Kit	
	1001148904	Ref	Deutsch HD Electrical Connector Kit	
	1001148905	Ref	Packard Electrical Connector Kit	
	1001148906	Ref	Various Electrical Connectors Kit	
		Ref	Engine Block Heater Installation	
	0258922	Ref	Ford Engines	
	0275055	Ref	GM Engines	
		Ref	Engine Replacement Kits	
	1001145838	Ref	Engine Kit - Replace Perkins Tier II with Deutz D2011L03 Tier II	
	1001139760	Ref	Engine Kit - Replace Perkins Tier II with Perkins Tier IVi	
	0258919	Ref	Ether Start Installation (Deutz Engine Machines)	
	1001130758	Ref	Engine Fan Kit (Perkins Engine Machines) (Kit converts Electric Cooling Fan to Engine Driven Cooling Fan)	
		Ref	Filter Kits	
		Ref	Boom Hydraulic Air Filter Kit Options:	
		Ref	Caterpillar Engines	
	1001114121	Ref	Caterpillar Engines (Use p/n 1001109698) (SN 0300065080 through 0300123999)	
		Ref	Deutz Engines	
	1001114061	Ref	Duetz Engines (Use p/n 1001109698) (SN 0300065080 through 0300123999)	
	1001114121	Ref	Duetz Engines (Use p/n 1001109698) (SN 0300065080 through 0300123999)	
		Ref	Ford LRG-425 Engines	

SECTION 10 - SPECIAL OPTIONS

ITEM	PART NUMBER	QTY	DESCRIPTION	REV
	2910947	Ref	Ford LRG-425 Engines (Use p/n 2910455) (SN 0300065080 through 0300087630)	
		Ref	GM Engines	
	1001114059	Ref	GM Engines (Use p/n 1001114131) (SN 0300087631 through 0300123999)	
		Ref	Perkins Engines	
	1001114060	Ref	Perkins Engines (Use p/n 1001109694) (SN 0300065080 through 0300087630)	
	1001114120	Ref	Perkins Engines (Use p/n 1001109694) (SN 0300065080 through 0300087630)	
	1001114061	Ref	Perkins Engines (Use p/n 1001109698) (SN 0300087631 through 0300123999)	
	1001114121	Ref	Perkins Engines (Use p/n 1001109698) (SN 0300087631 through 0300123999)	
		Ref	Combined Filter Kit Options:	
		Ref	Caterpillar Engines	
	1001114035	Ref	USA Built Machines (Use p/n 1001110998) (SN 0300065080 through 0300087630)	
	1001114034	Ref	USA Built Machines with Electric Cooling Fan w/o UGM (Use p/n 1001111000) (SN 0300087631 through 0300123999)	
	1001151644	Ref	USA Built Machines with Mechanical Cooling Fan w/o UGM (SN 0300087631 through 0300123999)	
	2910495	Ref	USA Built Machines (Use p/n 1001110997) (SN 0300065080 through 0300087630)	
	1001114129	Ref	USA Built Machines (Use p/n 1001110997) (SN 0300065080 through 0300087630)	
	2910495	Ref	Belgium Built Machines (Use p/n 1001110997) (Prior to SN 1300001242)	
	1001114129	Ref	Belgium Built Machines (Use p/n 1001110997) (Prior to SN 1300001242)	
	1001114128	Ref	USA Built Machines (Use p/n 1001110999) (SN 0300087631 through 0300160835)	
	1001114128	Ref	Belgium Built Machines (Use p/n 1001110999) (SN 1300001242 through 1300006000)	
		Ref	Ford LRG-425 Engines	
	2910496	Ref	Ford LRG-425 Engines (Use p/n 2910949) (SN 0300065080 through 0300087630)	
	1001114126	Ref	Ford LRG-425 Engines (Use p/n 2910949) (SN 0300065080 through 0300087630)	
	1001114119	Ref	Ford LRG-425 Engines (Use p/n 1001114125) (SN 0300087631 through 0300123999)	
	1001114137	Ref	Ford LRG-425 Engines (Use p/n 1001114125) (SN 0300087631 through 0300123999)	
	1001114059	Ref	GM Engines (Use p/n 1001114131)	
		Ref	Perkins Engines	
	1001114063	Ref	Machines with Electric Cooling Fan w/o UGM (Use p/n 1001111001) (SN 0300087631 through 0300123999)	
	1001151645	Ref	Machines with Mechanical Cooling Fan w/o UGM	
		Ref	Engine Fuel/Oil Filter Kit Options:	
	1001110138	Ref	Deutz Engines	
	1001110143	Ref	Perkins Engines	
	1001139099	Ref	Fire Extinguisher Installation	
		Ref	Fluids	
	2300014	Ref	Brake Fluid (4WD Drive Brake)	
	2300040	Ref	Conditioner , Diesel Fuel	
		Ref	Coolant, Antifreeze (Caterpillar, GM and Perkins Engines)	

SECTION 10 - SPECIAL OPTIONS

ITEM	PART NUMBER	QTY	DESCRIPTION	REV
	2300004	Ref	Machines without Arctic Package	
	2300041	Ref	Machines with Arctic Package	
	2300016	Ref	Hydraulic Fluid (Drive Hubs/System)	
	3020021	Ref	Engine Coupling Grease	
		Ref	Engine Oil	
	3020016	Ref	Motor Oil Mobil Delvac MX 15W-40 (Machines Without Arctic Package)	
	3020044	Ref	Motor Oil Mobil 0W-40 (Machines With Arctic Package)	
	2300014	Ref	Mobil 424	
	2300027	Ref	Mobil 224H Bio	
	2300029	Ref	Mobil EAL ISO 46 Bio	
	2300016	Ref	Mobil DTE 13M	
	2300019	Ref	Quaker State Quintolubric 888-46 Fire Resistant	
	2300039	Ref	Exxon Univis Hvl 26 (Machines with Arctic Package)	
		Ref	Footswitch Shield Installation	
	4060959	Ref	USA Built Machines (SN 0300065080 through 0300081557)	
	4060959	Ref	Belgium Built Machines (Prior to SN 1300000603)	
	3380652	Ref	USA Built Machines (SN 0300081558 through 0300123999)	
	3380652	Ref	Belgium Built Machines (SN 1300000603 through 1300006000)	
		Ref	Generator Add-on Kit Options:	
	1001227348	Ref	7500W Generator Add-on Kit (Deutz Engines) (SN 0300075503 through 0300124000)	
	1001227349	Ref	7500W Generator Add-on Kit (GM Engines)	
	0271548	Ref	Glow Plug Installation (Deutz Engine Machines)	
	1001094475	Ref	Hourmeter for Generator Installation	
	1001148971	Ref	Lanyard (Bolt-On) Kit Installation	
		Ref	Oil Cooler Installation (Deutz and GM Engines)	
	0275004	Ref	Oil Cooler Installation (SN 0300065080 through 0300113121)	
	1001096182	Ref	Oil Cooler Installation (SN 0300113122 through 0300123999)	
	0271528	Ref	Oxy/Acetylene Lines to Platform Installation	
	0258703	Ref	Platform Console Cover Installation	
	1001205175	Ref	Platform Console Cover Kit	
		Ref	Platform Entry Kit	
	1001142504	Ref	Replace Swing Gate with Drop Bar Kit	
	1001142505	Ref	Replace Drop Bar with Swing Gate Kit	
		Ref	Platform Mesh Installations (Side Entry Platforms) (ANSI Specs)	
	0273148	Ref	30in X 6ft (76cm x 1.83m) (Mesh to Top Rail)	
	1001140315	Ref	30in X 5ft (76cm x 1.52m) (Mesh to Mid Rail)	
	0273146	Ref	30in X 5ft (76cm x 1.22m) (Mesh to Top Rail)	
	1001140318	Ref	30in X 4ft (76cm x 1.52m) (Mesh to Mid Rail)	
	0273147	Ref	30in X 4ft (76cm x 1.22m) (Mesh to Top Rail)	
	0274095	Ref	Platform Top Rail Extension	
	1001149560	Ref	SkyGuard Complete Installation Kit (ADE/Non-UGM Equipped Machines)	
	1001143256	Ref	SkyGuard Optional Blue Beacon Light Installation Kit	
	1001228964	Ref	Telematic Retrofit Harness Kit (Machines with UGM)	
		Ref	Tools for Service	
	2901443	Ref	Analyzer Kit	
	8896941	Ref	Wire Stripper	
	7002821	Ref	Wire Crimper (To install wire ends to wires)	
	7002823	Ref	Pin/Socket Extractor - Universal (To Remove Pins/Sockets from	

SECTION 10 - SPECIAL OPTIONS

ITEM	PART NUMBER	QTY	DESCRIPTION	REV
	4460467	Ref	Connectors) Extractor - 16-18 Gauge (For Removal of Pin/Sockets from Deutsch Connectors)	
	4460510	Ref	Extractor - 12-14 Gauge (For Removal of Pin/Sockets from Deutsch Connectors)	
	7002822	Ref	Screwdriver, Potentiometer (To Adjust Drive Controllers)	
	7016654	Ref	Screwdriver, Magnetic	
	7004275	Ref	Seal Installation Tool - 1in	
	7004276	Ref	Seal Installation Tool - 1 1/2in	
	7002826	Ref	Seal Installation Tool - 2in	
	7016655	Ref	Wire Rope Sheave Gauge	
	7002840	Ref	Anti-Rotation Pin Removal Tool (Use to Disassemble Lockout Valve)	
	1001137005	Ref	Kit, Software Cable	
	0274884	Ref	Transformer (Cold Weather Package) Installation (ANSI Export Spec Only)	
	0257728	Ref	Tube Rack Installation	
		Ref	Turntable Bearing Kit Options:	
	1001219625	Ref	Turntable Bearing Kit (replaces 2915081) (SN 0300065080 through 0300069336)	
	1001231278	Ref	Turntable Bearing Kit (replaces 2915082 & 1001160532) (SN 0300069337 through 0300123999, SN 1300000001 through 1300006000)	
	0271529	Ref	Weld Leads at Platform Installation	

PART NUMBER INDEX

Go to Discount-Equipment.com to order your parts

PART NUMBER INDEX

0010578....514, 524, 532, 535	0200048 343	0270839 291, 305	0271315.....542
0020005.....79	0200632 238	0270870 29, 71	0271340.....347
0060050.....305, 309, 317	0200741 233	0270871 30, 72	0271379.....79
0060062.....301, 317	0200742 ... 227, 233, 249	0270943 136	0271380.....79
0060096.....305, 317	0240049 80	0270944 135	0271384.....79
0080163.... 123, 131, 173, 179	0240050 80	0270945 136	0271385.....79
0080181.... 110, 162, 184	0240152 80	0270946 135	0271391.....151
0080201.... 110, 137, 145, 158, 162, 184	0255917 504	0270968 21	0271399.....542
0080214..... 137, 145	0256632 347	0270969 21	0271506.....87
0080231.... 121, 128, 170, 177	0256789 542	0270970 13	0271527.....542
0100009.....345	0256847 ... 123, 131, 173, 179	0270971 13	0271528.....545
0100010.....333	0257195 543	0271011 24	0271529.....546
0100011.... 13, 14, 17, 18, 21, 22, 24, 29, 30, 35, 75, 79, 83, 110, 112, 114, 121, 126, 128, 136, 137, 144, 145, 151, 156, 157, 158, 162, 164, 165, 169, 170, 176, 177, 184, 186, 207, 213, 219, 220, 223, 227, 233, 238, 241, 245, 249, 253, 257, 263, 269, 273, 279, 285, 291, 292, 293, 297, 299, 301, 305, 309, 313, 314, 321, 322, 325, 329, 337, 343, 346, 369, 371, 375, 385, 389, 393, 397, 401, 403, 405, 409, 413, 417	0257728 546	0271012 14	0271548.....545
0100019.... 13, 17, 22, 29, 30, 87, 241, 253, 257, 263, 269, 273, 279, 285	0257733 543	0271019 136, 347	0271593.....231
0100020.... 110, 112, 121, 126, 128, 137, 144, 147, 156, 158, 162, 164, 169, 170, 176, 177, 186, 207, 208, 377	0257740 32	0271020 135	0271594.....231
0100035.....401, 405	0257746 32	0271021 136, 347	0271627.....543
0100038... 13, 17, 22, 385, 389, 393, 397, 401, 403, 405, 409, 413	0257755 32	0271022 135	0271628.....543
0100040.....333	0257756 32	0271027 120	0271653.....18
0100048.... 139, 144, 156, 216, 219, 220, 329, 345, 486, 489	0257887 ... 220, 482, 504	0271029 120	0271656.....17
0100062.....257, 263	0258009 32	0271072 219, 347	0271912.....542
0100063.... 389, 397, 403	0258010 32	0271073 219	0271931.....333, 337
0100079.... 113, 165, 187, 207	0258011 32	0271074 207	0272057.....219
0100081.... 314, 345, 365, 367	0258012 32	0271111 543	0272070.....325
01001093752.....542	0258028 31	0271122 ... 292, 306, 486	0272110.....347
01001093802.....542	0258028 31	0271124 83, 321, 325	0272162.....231
0140001.....83	0258029 31	0271168 509	0272165.... 514, 524, 532, 535, 543
0140011.....345	0258030 31	0271169 509	0272167.....87
0140032.....220	0258031 32	0271170 527	0272254.....371
0181727.... 110, 121, 126, 136, 144, 156, 162, 169	0258033 151	0271171 527	0272299.....31
0181949.....151	0258033 151	0271172 527	0272300.....32
	0258052 140	0271173 527	0272320.....30, 72
	0258253 140	0271174 527	0272340.....297
	0258303 497	0271175 527	0272341.....510, 514
	0258304 497	0271176 527	0272356.....32
	0258305 497	0271177 527	0272357.....32
	0258400 88	0271178 527	0272360.....32
	0258430 225	0271179 527	0272361.....32
	0258703 545	0271180 527	0272448.....371
	0258830 32	0271181 527	0272489.....170
	0258831 32	0271182 527	0272490.....169
	0258919 543	0271183 527	0272491.....207
	0258921 482, 542	0271184 517	0272497.....293, 299
	0258922 543	0271185 517	0272498.....531
	0258923 542	0271186 517	0272499.....531
	0259128 32	0271187 517	0272500.....531
	0259129 32	0271188 517	0272501.....531
	0259845 75	0271189 517, 521	0272502.....531
	0259853 75	0271190 517	0272503.....531
	0270015 321	0271191 517	0272521.....369
	0270029 79	0271192 517	0272529.....219
	0270086 79, 80	0271193 517	0272530.... 513, 521, 531, 535
	0270115 75	0271194 517	0272573.....513
	0270116 75	0271195 517	0272574.....531, 535
	0270119 75	0271197 83, 321, 325	0272575.....521
	0270180 80	0271199 293	0272576.....521
	0270186 80	0271206 ... 292, 306, 487	0272577.....521
	0270464 543	0271209 223	0272578.....521
	0270532 321	0271210 223	0272579.....521
	0270671 31	0271216 291, 301	0272580.... 514, 524, 532, 536
	0270672 32	0271217 220	0272581.... 514, 524, 532, 536
	0270673 32	0271224 237	0272588.....369
	0270674 31	0271226 237	
	0270675 32	0271241 ... 509, 517, 527	
	0270676 32	0271310 292, 301, 486	
	0270723 542	0271311 292, 301, 486	
	0270814 ... 334, 338, 347, 483	0271313 322	

PART NUMBER INDEX

0272589 ... 259, 265, 281, 287	0274095 545	0275872 112	0630544 18
0272590 375	0274240 343, 347	0275873 126	0630548 213
0272594 298, 488	0274245 543	0275874 112	0630568 346
0272599 375, 377	0274288 269, 502	0275910 542	0630569 ... 110, 162, 184
0272606 375	0274332 126	0280199 21, 23	0641403 ... 253, 257, 263, 279, 285
0272607 375, 377	0274333 126	0280200 13, 14	0641404 ... 37, 45, 83, 314
0272614 231	0274335 176	0280201 17, 18	0641405 ... 130, 207, 241, 245, 254, 269, 273, 329
0272615 231	0274530 543	0280202 23	0641406 ... 110, 112, 120, 129, 137, 146, 158, 162, 164, 169, 170, 177, 184, 186, 293, 299, 305, 309, 333, 337, 339, 345, 369, 371, 375, 377, 514, 524, 532, 535
0272616 231	0274610 144	0340041 ... 110, 121, 129, 137, 145, 158, 162, 170, 177, 184	0641407 ... 138, 156, 220, 329
0272639 21	0274611 144	0340046 ... 110, 140, 146, 162, 184	0641408 79, 110, 136, 162, 184, 223, 253, 257, 263, 269, 273, 279, 285, 293, 298, 333, 337, 509, 513, 518, 524, 528, 532, 535
0272652 24	0274612 112	0362519 151	0641409 129
0272660 35	0274613 112	0362763 13, 18, 21	0641410 ... 110, 122, 126, 138, 146, 158, 162, 170, 176, 177
0272664 297, 309	0274615 83	0362764 13, 18, 21	0641414 ... 137, 146, 334, 338, 343
0272665 310, 489	0274616 83	0362910 75	0641416 . 13, 17, 22, 207, 329, 345
0272669 207	0274685 13	0363012 71, 72	0641418 ... 112, 122, 126, 139, 144, 156, 164, 169, 176, 186, 333
0272703 329	0274688 35	0363082 241	0641420 71, 72, 156
0272891 135	0274690 13	0363097 241, 269	0641422 144
0272892 136	0274702 21	0363201 269	0641505 75, 253, 257, 263, 269, 291, 297
0272893 135	0274703 21	0363202 269	0641506 ... 110, 138, 146, 158, 162, 184, 213, 302, 306, 310
0272894 136	0274705 17	0370026 387, 421	0641507 ... 110, 129, 140, 146, 162, 184, 291, 297
0272895 30, 72	0274706 18	0400075 ... 110, 121, 126, 136, 144, 156, 162, 169	0641508 18, 156, 227, 234, 238, 241, 249, 279, 285
0272907 29, 71	0274711 253, 502	0440161 24	0641510 ... 101, 103, 121, 129, 170, 177, 245
0272921 339	0274742 21	0440162 14, 18	0641512 ... 170, 176, 186, 417
0272922 110	0274884 546	0440203 87, 97	0641514 245
0272942 543	0274927 343, 347	0440255 87, 97	0641516 ... 253, 257, 263, 269, 273, 279, 285, 329
0272970 338, 486	0275004 545	0440271 24	0641518 ... 305, 309, 339
0272987 112	0275015 156	0440272 87, 97	0641520 97, 105
0272988 112	0275033 223	0440274 25	0641524 298
0272996 114	0275035 273, 502	0440291 25	0641526 321, 325
0272997 114	0275039 245	0440339 101	0641528 292, 298
0273050 227	0275054 543	0480050 238	0641530 71, 72
0273051 227	0275055 543	0480111 238	0641538 72
0273064 542	0275106 126	0480118 233	0641542 71
0273077 18	0275116 ... 292, 306, 487	0480120 ... 227, 233, 249	0641560 72
0273146 545	0275125 291, 305	0480121 227, 249	0641604 ... 138, 146, 158, 314, 417
0273147 545	0275126 293	0480122 227, 233	0641605 ... 298, 313, 314
0273148 545	0275216 500	0480126 279, 285	
0273160 257, 502	0275217 500	0480128 257, 263	
0273184 531	0275218 500	0480129 ... 253, 257, 263, 279	
0273279 ... 292, 301, 486	0275219 500	0480131 269	
0273280 ... 292, 306, 487	0275436 298, 488	0480135 241	
0273358 87	0275437 ... 310, 489, 542	0480142 245, 273	
0273380 ... 255, 259, 265, 271, 275, 281	0275438 ... 297, 309, 542	0561076 291, 297	
0273420 ... 257, 263, 502	0275452 500	0561300 ... 13, 14, 17, 18, 21, 23	
0273452 535	0275453 500	0561459 301, 306	
0273487 13	0275454 500	0561460 292, 298	
0273488 21	0275470 29, 71	0561511 23	
0273489 17	0275479 112	0561515 309	
0273495 338, 347	0275661 263	0561696 301	
0273498 21	0275678 497	0630401 313, 314	
0273500 35	0275679 497	0630462 343	
0273507 241	0275680 498	0630467 321, 325	
0273511 241	0275681 497	0630498 ... 110, 121, 126, 136, 144, 156, 162, 170, 292, 298	
0273754 169	0275682 498	0630518 ... 213, 369, 371, 377	
0273764 542	0275683 498	0630534 ... 389, 393, 397, 405	
0273796 126	0275684 498	0630535 403	
0273797 126	0275786 ... 292, 306, 487		
0274013 144	0275815 186		
0274014 144	0275853 29, 71		
0274020 223	0275854 30, 72		
0274079 231	0275855 542		
0274084 227	0275857 542		
0274085 231	0275866 223		
0274088 227	0275868 223		
0274089 231	0275869 126		
	0275870 156		
	0275871 176		

PART NUMBER INDEX

0641606..14, 18, 24, 223, 313, 321, 325, 369, 371, 375	0642684 321, 325, 329	0801272 291	0902444.... 112, 122, 126, 138, 144, 156, 164, 169, 176, 186
0641607.... 13, 17, 21, 22, 29, 30, 35, 83, 151, 301, 305, 309, 313	0651405 83	0801273 291	0902457..... 140, 146
0641608.... 114, 120, 128, 137, 170, 177, 193, 207, 223, 269, 291, 301, 305, 309, 313	0681608 325, 329	0801288 301, 313	0902504..... 223
0641609..... 88, 110, 120, 129, 137, 146, 158, 162, 184	0681610 97, 105, 321	0801289 313	0902520..... 88
0641610.... 110, 112, 114, 120, 126, 129, 136, 144, 146, 156, 158, 162, 164, 165, 169, 170, 176, 177, 184, 186, 223, 227, 234, 257, 263, 269, 273, 280, 286, 291, 297, 301, 305, 309, 337	0681612 238	0801290 313	0902535..... 207
0641611.... 111, 129, 162, 185, 241, 269	0681810 29, 30	0801312 305, 313	0902539..... 136, 148
0641612.... 112, 136, 146, 158, 164, 186, 241, 269	0681814 87, 341	0801356 297	0902724..... 139
0641614.... 223, 253, 257, 263, 269, 273, 279, 285	0681822 341	0801357 297	0902740.... 122, 129, 170, 177
0641616..... 21, 305, 309	0681824 18	0801361 309, 314	0902751..... 345
064161871, 72, 254, 257, 263, 280, 286, 305, 309	0681826 14	0801362 314	0902756..... 238
0641620..... 21	0681832 79	0801363 314	0902888.... 253, 258, 269, 273, 279, 285
0641626..... 13, 18	0681856 79	0801379 314	0902894..... 329
0641708..... 269	0682014 29, 30	0801380 314	0902919..... 329
0641710..... 245	0682016 75	0801592 297	0902920..... 329
0641718..... 241	0682038 87	0801593 309, 314	0902952..... 241
0641772.... 227, 233, 238, 249	0682040 87	0811608 274	0903010..... 148
0641806..... 291, 297	0682048 87	0840055 329	0903063..... 129
064180879, 97, 105, 253, 257, 263, 273, 279, 285	0682248 13, 17, 22	0860038 ... 253, 257, 263, 269, 273, 279, 286, 498	0903484..... 499
0641810..... 97, 105, 241, 269, 291, 297, 301, 305, 309	0682648 18	0860520 ... 509, 513, 518, 524, 528, 531, 535	0903612..... 499
0641812..... 22, 101, 103, 114, 120, 128, 135, 145, 157, 165, 170, 177, 184, 301, 305, 309, 325	0700808 110, 167, 188	0861414 345, 346	0940048..... 291, 297
0641814..... 13, 17, 24	0700810 ... 123, 131, 135, 158, 173, 179	0861419 213	0940071..... 223
0641818..... 87, 313, 314	0700816 ... 121, 129, 170, 177	0861420 212	0940083..... 223
0641820.... 110, 120, 129, 136, 146, 158, 162, 170, 177, 184, 321	0700819 137, 146, 158	0861421 212	0940167..... 343
0641822..... 329	0700820 245, 273	0861422 212	0940177..... 343
0641826..... 24	0701010 322	0861423 212	0940199..... 365, 367
0641832..... 274	0701012 ... 120, 129, 138, 146, 170, 177	0861427 212	0961845..... 333
0642010.... 22, 112, 121, 126, 137, 144, 156, 164, 169, 176, 186	0701014 ... 129, 135, 146, 177	0861428 212	0961890..... 385
0642012.... 13, 17, 18, 21, 22, 291, 297, 365	0701015 ... 120, 238, 241, 269	0861441 345, 346	0961893..... 397
0642014..... 291, 297	0701016 245, 269, 273	0861512 337, 345, 486	0961897..... 403
0642016..... 291, 297	0701022 135, 146	0861538 ... 253, 257, 263, 269, 273, 279	0961947.... 305, 309, 317, 389, 391, 397, 399, 405, 407, 425
0642024..... 329	0701217 ... 227, 249, 253, 279, 285	0861541 ... 254, 259, 265, 270, 274, 281, 286	0961948..... 79, 313, 314
0642026..... 367	0711014 177	0861542 ... 253, 254, 257, 259, 263, 265, 269, 270, 273, 274, 279, 281, 503	0961950.... 13, 17, 18, 21, 22, 291, 297, 313, 314, 401, 403, 427, 429
0642612..... 219	0711414 ... 120, 129, 170, 177	0861567 ... 257, 259, 263, 265, 279, 281, 285, 286, 503	0961951.. 15, 19, 25, 305, 309, 393, 395, 397, 399, 409, 411, 423, 425, 431
	0721003 347	0861572 ... 257, 263, 279, 285	0962140..... 15, 19, 25
	0721004 75, 110, 162, 184, 223, 257, 263, 269, 273, 280, 286	0861595 211	0962172.... 110, 121, 129, 137, 146, 158, 162, 170, 177, 184
	0721005 139, 343	0861596 211	0962185.... 389, 393, 405, 409
	0721006... 110, 135, 162, 184, 223, 225, 234, 238, 346	0861597 211	0962257..... 315, 317
	0721008 ... 225, 227, 234, 238	0861598 211	0962270..... 341
	0721010 135	0861726 212	0962293..... 79
	0741606 241, 269	0861727 212	0962395..... 385
	0741607 75	0861728 211	0962450..... 329
	0741610 ... 110, 121, 129, 138, 146, 158, 162, 170, 177, 184	0861729 211	0962466..... 385, 419
	0741808 241, 269	0861741 212	0962474..... 385
	0760606 146	0861742 212	0962520.... 253, 257, 263, 269, 273, 279, 285
	0760612 163, 186	0861743 212	1001091079..... 223
	0760810 163, 186	0861769 213	1001091093..... 225
	0771012 177	0861770 213	1001091094..... 225
	0771415 259, 265	0861781 498	1001091124..... 225
	0791506 14, 18, 24	0861880 499	1001091125..... 225
	0791606 314	0902109 88	1001091179..... 129, 178
	0791607 314	0902206 219	1001091560..... 207
	0801192 313	0902443 ... 112, 122, 126, 138, 144, 156, 164, 169, 176, 186	1001091567..... 207
	0801260 313		

PART NUMBER INDEX

1001091583..... 158	1001100341..... 500	1001141968..... 498	1100134..... 22
1001091587..... 157	1001100342..... 500	1001141969..... 499	1120108..... 401
1001091600..... 158	1001100345..... 500	1001141970..... 498	1120484..... 208
1001091601..... 157	1001100346..... 500	1001141971..... 498	1120487..... 208
1001091602..... 156	1001100347..... 500	1001142504..... 545	1120532..... 207
1001091794..... 159	1001101160..... 225	1001142505..... 545	1120552..... 32
1001091970..... 500	1001101423..... 365	1001143256..... 545	1120555..... 365, 367
1001091971..... 500	1001101424..... 365, 367	1001144629..... 337	1180227..... 313
1001092723..... 129, 131, 177, 179	1001101910..... 498	1001145838..... 543	1180352..... 313
1001094337..... 467, 478	1001101911..... 498	1001148902..... 543	1180378..... 315
1001094475..... 545	1001101912..... 498	1001148903..... 543	1271538..... 329
1001094789..... 309, 423	1001101913..... 498	1001148904..... 543	1283002..... 482
1001095205..... 163, 166, 184, 187	1001101914..... 498	1001148905..... 543	1283029..... 543
1001095208..... 164	1001101915..... 498	1001148906..... 543	1283245..... 476, 477, 478
1001095210..... 165	1001101916..... 498	1001148971..... 545	1283346..... 543
1001095213..... 162	1001102354..... 79	1001149560..... 545	1283373... 476, 477, 478, 479
1001095217..... 164	1001102446..... 365, 367	1001151644..... 544	1283460... 476, 477, 478, 479
1001095219..... 165	1001102648..... 367	1001151645..... 544	1320012... 110, 137, 146, 158, 162, 184
1001095221..... 162	1001105455..... 95	1001153016..... 105	1320016... 110, 121, 129, 137, 146, 158, 162, 170, 177, 184
1001095408..... 543	1001107008..... 542	1001153017..... 103	1320019..... 136
1001096070..... 499	1001107009..... 542	1001166538..... 363	1320022... 110, 112, 121, 126, 128, 129, 135, 137, 144, 146, 156, 158, 162, 164, 169, 170, 176, 177, 184, 186
1001096182..... 545	1001107010..... 542	1001166539..... 355	1320023..... 151
1001096617..... 293, 299	1001110138..... 544	1001205175..... 545	1320032..... 139
1001096954..... 213	1001110143..... 544	1001212415..... 538	1320033..... 146
1001096956..... 213	1001110872..... 254, 258, 264, 280, 286	1001219625..... 546	1320060.... 136, 146, 216
1001097150..... 499	1001110873..... 254, 258, 264, 274, 280, 286	1001225900..... 315	1320061..... 293, 298
1001097324..... 249	1001113961..... 359, 361	1001225902..... 313	1320070..... 305, 309
1001097325..... 249	1001114034..... 544	1001227348..... 545	1320136..... 329
1001097339..... 249	1001114035..... 544	1001227349..... 545	1320176... 122, 130, 173, 178
1001097400..... 279, 502	1001114059..... 544	1001228964..... 545	1320177.... 298, 375, 377
1001097401..... 279, 285, 502	1001114060..... 544	1001231277..... 107	1320202.... 302, 306, 310
1001097501..... 291, 301	1001114061..... 543, 544	1001231278..... 546	1320218..... 151
1001097502..... 292, 301, 486	1001114063..... 544	1060279.... 509, 513, 518, 524, 528, 531, 535	1320220..... 151
1001097503..... 292, 301, 486	1001114119..... 544	1060341..... 343, 504	1320222... 122, 129, 139, 177, 339
1001097504..... 301	1001114120..... 544	1060343.... 254, 259, 265, 271, 274, 281, 503	1320223... 112, 127, 129, 139, 146, 158, 164, 169, 170, 186
1001097551..... 163, 186	1001114121..... 543, 544	1060461..... 488, 501	1320224..... 329
1001097552..... 164, 186	1001114126..... 544	1060494.... 254, 259, 265, 271, 274, 281, 292, 488, 501, 503, 504, 505	1320300..... 292, 298
1001097553..... 164, 186	1001114128..... 544	1060584..... 75	1320302.... 369, 371, 375
1001097554..... 116, 164, 186	1001114129..... 544	1060625..... 114, 127, 165	1320323..... 156
1001097555..... 164, 186	1001114137..... 544	1060626.... 114, 127, 165	1321138..... 146
1001097583..... 285	1001114872..... 274	1060633..... 505	1321692.... 293, 298, 488
1001097588..... 164, 186	1001117254..... 542	1060663..... 339	1321694..... 293, 488
1001097893..... 164, 186	1001117261..... 542	1060663..... 339	1321695..... 292
1001097968..... 225	1001117320..... 338	1060708.... 254, 259, 265, 271, 274, 281, 503	1321696..... 306
1001098012..... 377, 381	1001118416..... 361	1060896..... 487, 489	1321738..... 298
1001098149..... 377	1001118417..... 345, 353	1060902..... 293, 299, 497	1340060... 110, 121, 129, 137, 146, 158, 162, 170, 177, 184
1001098446..... 443, 449	1001121340..... 255, 259, 265, 266, 275, 281	1060903..... 343	1340061..... 542
1001098567..... 224	1001121610..... 542	1060904.... 110, 129, 162, 179, 184, 495	1580011... 110, 137, 148, 158, 162, 184
1001098568..... 224	1001129555..... 538	1060908..... 499	1580012..... 334, 339
1001098640..... 297, 309	1001130758..... 543	1060918..... 334, 338, 486	1580013..... 334, 339
1001098840..... 216, 491, 492	1001137005..... 505, 546	1060919..... 341	1580049..... 185
1001098923..... 493	1001138135..... 120, 130, 171, 179	1060977..... 504	
1001099833..... 313	1001139099..... 544	1060987.... 292, 488, 505	
1001099838..... 313	1001139127..... 542	1060988.... 302, 306, 488, 505	
1001099926..... 164, 186, 496	1001139760..... 543	1060989..... 488	
1001099927..... 163, 186, 495	1001140274..... 391	1060990..... 302, 488	
1001100321..... 227, 232, 237, 241, 249	1001140276..... 407	1060991.... 292, 298, 488	
	1001140278..... 411	1060996..... 310, 489	
	1001140279..... 395	1100107..... 22	
	1001140282..... 399	1100127..... 13, 17	
	1001140315..... 545	1100133..... 13, 17, 22	
	1001140318..... 545		
	1001141181..... 274		

PART NUMBER INDEX

1600244.....505	1684154.....305, 401	1702774 ... 509, 513, 517,	1704001.....518, 522
1600314.....136	1684155.....301, 401	521, 527, 531, 535	1704002.....518, 522
1600317.....345, 351	1684165.....301, 389	1702784 ... 509, 513, 517,	1704006.....518, 523
1600318.....345, 359	1684166.....389	521	1704007.....518, 523
1600320.....345	1684167.....389	1702868 ... 371, 375, 377,	1704008.....518, 523
1600327.....213	1684170.....301, 405	509, 513	1704112.....518, 522, 523
1600363.....140	1684171.....405	1702938343, 347	1704150.....543
1600364.....213	1684172.....405	1702941 112, 127, 164	1704260.....216, 345
1600374.....148	1684239.....297, 429	1702942 112, 127, 164	1704271.....519, 524
1600376.....345, 540	1684240.....309, 423	1702943 114, 127, 165	1704277....509, 513, 518,
1600387.....329	1684241.....309, 431	1702944 114, 127, 165	522, 527, 531, 535
1600411.....213, 540	1684242.....310, 425	1702961514, 543	1704412....509, 514, 519,
1641422.....136	1684243.....22, 419	1702962514, 543	524, 528, 532, 535
1660234....123, 131, 173,	1684244.....309, 427	170306732	1704455.....75
179	1684246.....25, 433	1703084348	1704456.....76
1660250.....139, 147	1684262.....315, 435	1703162 ... 112, 122, 129,	1704457.....75
1660255....110, 162, 184	1684290.....387, 421	138, 146, 158, 162,	1704482.....75
1670678.....314	1684412...14, 18, 25, 415	170, 177, 185	1704576.....75
1670829.....213	1684465. 14, 17, 22, 387,	1703175543	1704577.....75
1670964.....321, 325	421	170345075	1704578.....75
1670998.....293, 299	1693292528, 532	1703486 ... 509, 514, 518,	1704586.....79
1671013.....291, 297	1693294528, 532	524, 528, 532, 536	1704767.....527, 531
1671037.....345	1700584 ... 509, 513, 518,	1703518528, 532	1704808.....527, 531
1671079.....315	523, 527, 531, 535	1703689347	1704809.....527, 531
1671083.....309	1700818 ... 509, 514, 519,	1703690214	1704810.....527, 531
1671086.....293, 299	524	1703691214	1704811.....527, 531
1671092....254, 259, 265,	1701500 ... 509, 513, 518,	1703797509, 513	1704812.....527, 531
271, 275, 281, 488,	524, 527, 531, 535	1703798509, 513	1704819.....527
489, 503	1701502 ... 509, 513, 518,	1703804509, 513	1704820.....527
1671093....371, 488, 489	523, 527, 531, 535	1703805509, 513	1704821.....527
1671111.....315	1701503 ... 509, 513, 518,	1703808 ... 509, 513, 517,	1704822.....527
1671176.....345	523, 527, 531, 535	521	1704823.....527
1682892.....417	1701504 ... 509, 513, 518,	1703876 ... 111, 122, 126,	1704824.....527
1683050.....389, 405	523, 527, 531, 535	138, 144, 156, 162	1704885....509, 514, 519,
1683051.....397	1701505 ... 112, 122, 126,	1703923517, 521	524, 528, 532, 535
1683052.....393, 409	164, 170, 176, 186,	1703924517, 521	1704951.....527
1683063.....403	509, 514, 518, 524,	1703925517, 521	1704957.....527
1683076.....385, 413	528, 532, 535	1703926517, 521	1704972....113, 127, 157,
1683504.....401	1701509 ... 365, 367, 509,	1703927517, 521	165
1683572.....385	513, 518, 524, 527,	1703928517, 521	1705014.....341
1683614... 14, 18, 25, 413	531, 535	1703929517, 521	1705042.....523
1683615.....413	1701518.... 75, 527, 531,	1703930517, 521	1705084....527, 531, 535
1683658.....413, 415	535	1703931517, 521	1705091.....472
1683756.....409	1701529 ... 509, 513, 518,	1703932517, 521	1705132.....216, 346
1683759.....393	524, 528, 531, 535	1703933517, 521	1705212.....348
1683760.....305, 393	1701542 ... 138, 144, 156,	1703934517, 521	1705270.....531
1683761.....393	509, 514, 518, 524	1703935517, 521	1705272.....531
1683772.....409	1701543 ... 144, 156, 509,	1703936517, 521	1705275.....532
1683773.....305, 409	514, 518, 524	1703937517, 521	1705305....369, 371, 375,
1683800.....417	1701600528, 532	1703938517, 521	377
1683802.....417	1701645509, 513	1703939517, 521	1705325.....499
1683946.....401	1701791528, 532	1703940517, 521	1705332.....531, 535
1683947.....401	1702153509, 513	1703947517, 521	1705355.....369, 371
1683959.....305, 397	1702300 ... 509, 513, 518,	1703948517, 521	1705358.....365, 367
1683960.....397	524, 527, 531, 535	1703949517, 521	1705363.....510, 514
1683961.....397	1702564345	1703950517, 521	1705364.....32
1684059.....401	1702565345	1703951517, 521	1705375....255, 259, 265,
1684060.....401	1702566345	1703952517, 521	271, 275, 281, 371
1684067.....403	1702567345	1703980518, 524	1705376....254, 259, 265,
1684069.....403	1702590242	1703981518, 524	271, 274, 281, 286
1684070.....291, 403	1702610214	1703982518, 524	1705387....255, 259, 265,
1684095.....314, 417	1702676347	1703983518, 524	271, 275, 281
1684096.....417	1702688509, 513	1703984518, 524	1705408.....531
1684098.....417	1702720519, 524	1703985518, 524	1705409.....531
1684129... 14, 17, 22, 385	170274032	1703992 527, 531, 535	1705410.....531
1684130.....385	1702773 ... 509, 513, 518,	1703996518, 522	1705411.....531
1684140.....314, 417	521, 527, 531, 535	1704000518, 522	1705412.....531

PART NUMBER INDEX

1705413 531	2000197 135, 139, 151	2111620....451, 455, 459, 463, 467, 471	2180536 ... 112, 122, 169, 186
1705460 ... 255, 259, 265, 271, 275, 281, 287	2000207 146, 147	2120150.....83	2180798 ... 110, 121, 129, 137, 146, 170
1705461 ... 259, 265, 281, 287	2000212 145	2120163.....83	2180822 88
1705466 ... 369, 371, 375, 377	2000217 ... 129, 131, 170, 171	2120209.....83	2180832 375, 377
1705489 ... 259, 265, 281, 287	2000228 170	2120210.....83, 538	2180877 159
1705490 375, 377	2000240 128	2130404....441, 443, 447, 449, 451, 455, 459, 463, 467	2200221 129, 178
1705514 524	2000243 128	2130406....463, 467, 471	2200222 ... 113, 122, 126, 138, 144, 157, 165, 170, 176, 187, 208
1705752 214	2000244 128	2130604.... 114, 166, 439, 441, 445, 447, 471	2200261 88
1705753 214	2000254 145	2130606....443, 449, 471, 472	2220001 88
1705821 532, 535	2000255 145	2130608....417, 451, 471	2220124 88
1705822 532, 535	2000273 ... 129, 131, 177, 179	2130808....451, 455, 463, 467	2220235 . 13, 18, 21, 443, 449, 451, 463
1705828 535	2000288 128	2130812....451, 455, 459, 463, 467	2220238 451, 455, 459
1705969 522	2000289 128	2131008....451, 455, 459, 463, 467	2220240 451, 455, 475
1706059 ... 113, 127, 157, 165	2000290 128	2131012.....451, 463	2220250 ... 112, 121, 138, 164, 169, 186
1706060 ... 113, 127, 157, 165	2000291 177	2131210..... 114, 166, 471	2220273 ... 113, 121, 137, 165, 170, 187
1706061 ... 114, 128, 157, 165	2000314 145	2131212.... 114, 166, 179, 184, 193, 198, 451, 455, 463	2220290 151
1706062 ... 113, 127, 157, 165	2000315 110	2131216....451, 456, 460, 463, 468	2220313 ... 112, 121, 126, 138, 144, 157, 164, 169, 176, 186
1706063 ... 114, 128, 157, 165	2000316 145	2150404....441, 443, 447, 449, 471	2220409 120
1706064 ... 113, 127, 157, 165	2000317 145	2150606.....471	2220451 ... 120, 129, 170, 178
1706098 113, 177, 187	2000318 114	2150808.....471	2220459 ... 112, 122, 164, 169, 186
1706385 341	2000319 114	2151212.... 114, 166, 179, 184, 464	2220794 ... 112, 121, 137, 164, 169, 187
1706712 214	2000338 ... 129, 131, 177, 179	2151612.....455	2220805 138
1706920 214	2000345 128	2151616.... 114, 193, 198, 451	2220829 298
1706921 214	2000354 158	2160001..... 18, 87	2220883 59, 67, 417
1706931 513, 521	2000355 158	2160002..... 18, 88	2220885 ... 385, 389, 397, 401, 405
1706941 513, 521	2000357 157	2160003..... 101, 103	2220886 59, 67, 403
1707013 513	2000363 128	2170106.....471	2220888 67
1707044 523	2000364 128	2170206.....471	2220890 387, 421
1707047 523	2000388 110	2170306.....443	2221037 299
1707049 523	2000389 114	2170308.....463	2221083 439, 445
1707054 523	2000396 184	2170316.... 114, 166, 179, 185, 201, 471	2221084 ... 114, 166, 179, 185, 193, 198, 451, 463
1707055 522	2030004 145	2170404.....439, 445	2221085 459, 463, 467
1707056 522	2030010 ... 369, 371, 375, 377	2170406.....471	2221086 471
1707058 522	2060025 ... 121, 129, 137, 146, 158, 170, 177	2170504....441, 443, 447, 449, 451, 455, 459, 463, 467, 471	2221087 451, 455
1707059 522	2060032 110, 162, 184	2170506....441, 443, 447, 449	2221088 ... 451, 455, 459, 463, 467
1707060 522	2080040 333, 337, 338	2170512.....460, 468	2221090 475
1707133 523	2080057 532, 535	2170516..... 451, 455	2221176 ... 126, 144, 156, 170, 176
1707134 522	2110404 ... 439, 441, 443, 445, 447, 449, 460, 463, 468, 471	2170706.....472	2221183 460, 468
1787217 170, 176, 186	2110406 ... 193, 439, 441, 445, 447, 456, 460, 463, 467, 471	2170808.... 114, 166, 179, 185, 201, 471, 472	2221216 ... 452, 455, 459, 464, 468
1810118 213	2110410 471	2180344.....88	2221296 459, 468
1810119 212	2110604 ... 114, 166, 455, 459, 463, 467, 471	2180348....126, 144, 156, 164, 170, 176	2300004 ... 113, 157, 165, 187, 545
1810120 212	2110606 ... 439, 441, 443, 445, 447, 449, 459, 471	2180387 151	2300014 544, 545
1810121 211, 213	2110806 451	2180389..... 151	2300016 31, 545
1810122 213	2110808 ... 451, 455, 459, 463, 467	2180467 137, 146	2300019 545
1810123 212	2110812 463, 467	2180482.... 110, 162, 184	2300027 545
1810124 212	2111010 ... 114, 166, 179, 184, 193, 198, 451, 463	2180504..... 151	2300029 545
1810125 211, 213	2111212 ... 451, 455, 459, 463, 468, 471		2300039 545
1870144 483	2111216 460, 463, 471		2300040 544
1870191 483	2111612 ... 114, 166, 179, 184, 198, 464		2300041 165, 545
1870215 483	2111616 ... 114, 193, 451, 455		
2000172 135, 139			
2000174 135, 139, 151			
2000175 120, 122			
2000188 135, 139, 151			
2000190 ... 120, 122, 170, 171			
2000195 110, 115			

PART NUMBER INDEX

2400060....255, 259, 265, 271, 275, 281, 287, 493, 504	2720507 110, 162, 184	2753587 452	2780221..... 79
2400061.....493	2720508 110, 162, 184	2753588 ... 452, 456, 459, 464, 468	2780230..... 14, 15, 18, 19
2400064....255, 259, 266, 271, 275, 281, 287, 504	2720514 146, 158	2753589 472	2780256..... 29, 30, 37
2400065....494, 495, 538	2720563 158	2753590 472	2780257..... 30, 31, 45
2400066.....495, 505	2720564 158	2753591 472	2780267..... 29, 30, 41
2400070.....505, 540	2720565 156	2753592 452	2780268..... 31, 49
2400093.....540	2720566 156	2753593 452	2792468..... 471, 478
2410014.....341	2720567 156	2753594 ... 455, 459, 464, 468	2792469..... 471, 478
2420115.....207	2720646 299	2753595 ... 455, 459, 464, 468	2792470..... 451, 477
2420172.....215	2750529 88	2753596 452	2792471.... 463, 477, 478
2420187..... 139, 147	2750532 ... 110, 112, 121, 126, 129, 135, 137, 144, 147, 157, 158, 162, 165, 169, 170, 176, 178, 184, 187	2753597 456, 464	2792472..... 439, 476
2420202.....329	2750807 88	2753598 464	2792473..... 475, 479
2420203....228, 233, 237, 242, 245, 249	2753537 468	2753599 464	2792474..... 445, 476
2460011.....237	2753538 ... 451, 455, 459, 464, 468	2753600 464	2792518..... 479
2460013....227, 231, 232, 237	2753540 ... 439, 445, 464, 467	2753601 464, 467	2792580..... 471, 478
2460032....227, 231, 237	2753541 464, 467	2753602 464, 468	2792583..... 471, 477
2460034.....231, 237	2753542 464, 471	2753603 464	2792619..... 441, 476
2460039.....231, 232	2753543 439, 445	2753604 460, 464, 468	2792620..... 447, 476
2460044.....237	2753544 439, 441	2753605 ... 452, 455, 459, 467	2792706..... 451, 477
2460048....253, 257, 263, 269, 273, 279, 285	2753545 471	2753607 452, 455	2792708.... 463, 477, 478
2460049.....232, 249	2753546 471	2753608 452, 456	2792724..... 471, 478
2460051.....241, 245	2753547 471	2753609 452, 456	2792725..... 471, 478
2460052.....241	2753548 472	2753610 ... 452, 456, 459, 464, 468	2792726..... 463, 478
2460055....227, 231, 232, 249	2753549 472	2753611 472	2792729..... 463, 478
2460056....227, 231, 232, 249	2753550 472	2753612 472	2792753..... 455, 477
2460057231, 232, 249	2753551 472	2753613 472	2792777..... 443, 476
2560136.....345	2753552 472	2753614 472	2792778..... 449, 476
2560173.....339	2753553 472	2753615 475	2792779..... 476
2570008.....415	2753554 471	2753616 475	2792780..... 479
2580024.... 112, 127, 164, 165	2753555 464	2753625 ... 441, 443, 447, 449	2792782..... 467, 478
2580050.... 114, 127, 165	2753556 472	2753661 464, 468	2792783..... 467, 478
2580054..... 112, 164	2753557 472	2753675 ... 455, 459, 472	2792784..... 477
2580062..... 131	2753558 471	2753688 460	2792785..... 459, 477
2600210.....225	2753559 472	2753698 460, 468	2820018.... 164, 186, 496
2600211.....346	2753560 472	2753727 443	2820031....228, 234, 238, 242, 245, 250, 258, 264, 280, 285, 487, 488
2600216.....333	2753561 472	2753752 455, 464	2820035....207, 219, 220, 334, 338
2600219.....333	2753562 472	2753782 443, 449	2820099.....225
2600246.....225	2753563 472	2753787 460, 468	2820100.....225
2600281.....337	2753565 472	2753843 460, 468	2820118..... 487, 489
2720058.... 110, 112, 121, 128, 137, 144, 157, 158, 162, 164, 169, 176, 184, 187	2753566 472	2753851 449	2820130.....224
2720149.....151	2753567 472	2753909 452, 455	2820172..... 146
2720160.....375, 377	2753568 472	2753934 ... 441, 443, 447, 449	2820173..... 146
2720271.... 112, 122, 165, 169, 187	2753569 472	2753935 441, 447	2820174..... 147
2720351.....121	2753570 472	2753936 441, 447	2820175..... 224
2720434.... 121, 129, 170, 178	2753571 472	2753937 441, 447	2820176..... 224
2720435..... 138, 146	2753572 472	2753939 ... 443, 449, 456, 460, 464, 467	2820177..... 224
2720436..... 137, 146	2753573 472	2753940 ... 452, 456, 460, 464, 467	2820647..... 310
2720449.... 121, 129, 170, 178	2753574 472	2754244 467	2860012..... 234, 238
2720467120, 129, 170, 178	2753575 452	2754471 443, 459, 468	2860030..... 215, 538
2720468.....152	2753576 439, 445	2754702 472	2900714..... 53
2720496..... 138, 144	2753577 ... 439, 441, 445, 447	2754722 464, 467	2900752.... 191, 192, 193
	2753578 ... 456, 459, 464, 468	2754723 464	2900770.... 385, 401, 417, 419, 423, 425, 427, 429, 435
	2753579 ... 452, 455, 459, 464, 467	2754724 464	2900792.... 389, 391, 393, 395, 397, 399, 403
	2753580 464, 467	2754725 464	2900804..... 80
	2753581 464, 467	2754726 464, 467	2900826..... 193
	2753582 459, 464	2754725 464	2901443..... 505, 545
	2753584 464	2755076 459	2901547..... 413
	2753585 456, 464	2760105 215	2901548..... 385
		2760112 148	2901549..... 389, 405
			2901776..... 393, 409

PART NUMBER INDEX

2901810	397	3251243 ...	238, 242, 245, 509, 513, 518, 524	331150571, 72, 111, 121, 130, 138, 140, 146, 156, 159, 163, 170, 171, 176, 178, 185, 187, 223, 245, 254, 258, 264, 270, 274, 280, 286, 298, 302, 306, 310, 314, 315	3422454	301	
2902044	403	3251813 ...	509, 513, 518, 523	3311508.....	329	3422520	14, 17, 22
2902059	138, 144, 495	3252221	519	3311601.....	207, 223, 346	3422558	301
2902060 ...	110, 121, 128, 162, 171, 178, 184, 495	3252347	509, 528	331160572, 88, 111, 120, 126, 130, 136, 144, 146, 156, 159, 163, 170, 171, 178, 185, 223, 225, 228, 234, 238, 254, 258, 264, 270, 274, 280, 286, 291, 292, 297, 298, 301, 305, 309, 310, 314, 315, 321, 338, 341, 369, 371, 375	3422568	291, 297	
2902073	417	3252507	499, 509, 518	3311705.....	228, 234, 238, 250	3422582	305, 309
2902074	401	3252692	76	3311801.29, 30, 258, 264		3422592 ...	13, 14, 17, 18, 21, 22
2902217	369, 371	3252693	76	3311805....	111, 120, 130, 136, 146, 159, 163, 171, 178, 185, 274, 301, 305, 309, 310, 321, 325, 329	3422664	291, 297
2902266	387, 421	3252764 ...	242, 258, 264, 270, 274, 280, 286	3312005....	112, 121, 126, 137, 144, 156, 165, 169, 176, 187, 291, 297, 329, 365, 367	3422669	305, 310
2902400	26	3252768 ...	509, 514, 519, 524, 528, 532, 535	3312008.....	14, 18, 25	3422692	14, 18
2902409	415	3271805	79, 341	3322201.....	14, 18, 25	3422716	25
2902443	495	3272005	75	3322205.....	417	3422786	79
2902510	157, 495	3272201	14, 17, 22	3323003.....	14, 18	3422791	305, 310
2902549	499	3272605	18, 321, 325, 329	33300399....	111, 112, 121, 126, 130, 136, 144, 146, 156, 159, 163, 165, 176, 178, 185, 187	3422792	305, 310
2910495	544	3290405	156	3340399.....	314, 315	3422793	301, 305, 310
2910496	544	3290501	113, 165, 187	3340940.....	314, 315	3422794	305, 310
2910947	544	3290505	156	3340943.....	310	3422804	314
2915014	213	3290601	113, 165, 187	3340956.....	365, 367	3422806	305, 309
2915133	346	3290605	164, 186, 377	3340958.....	169, 171, 176	3422841	75
2915239	540	3290801	164, 186	3380434.....	334, 338	3422847	75
2920110	219	3300106	29, 31	3380445.....	223	3422848	18
2920113	219	3300151 ...	301, 306, 333, 369, 371, 375	3380505.....	35	3422849	397
2920129	495	3300205	215	3380610.....	35	3422912	291, 297
2920140	334, 338, 505	3300220	111, 163, 185	3380652.....	545	3422913	291, 297
2920146	219	3300255	79	3380694.....	156	3422996	315
2920154	345	3300279	401	3420156.....	346	3423015	297
2920157	219, 339	3300315	401	3420372.....	75	3423081	25
2920162	228, 233, 237	3300353	345	3420447	75	3450608	15, 19
2940074	333, 337, 538	3300396 ...	254, 259, 265, 271, 274, 281, 286	3421453.....	377	3450808	15
2940109	225	3300408	215, 345	3421565.....	75	3450812	19
3010140	298	3300420	292, 298	3422177....	301, 305, 309	3460334	365, 367
3020008	31	3310601 ...	254, 259, 265, 271, 274, 281, 286	3422178....	301, 305, 309	3460373	224
3020016 ...	129, 166, 178, 187, 545	3310805	152	3422179.....	301	3480232	389, 405
3020021 ...	123, 131, 173, 179, 545	3311001 ...	219, 333, 337, 347	3422180.....	301	3480239	417
3020029	26, 87	3311005 ...	111, 135, 139, 163, 185, 219, 224, 225, 228, 234, 238, 242, 245, 250, 258, 264, 270, 274, 280, 286, 293, 299, 346, 369, 371, 377			3480240	401
3020043	415	3311401 ...	171, 178, 215, 223, 301, 306, 314, 343			3480247	393, 409
3020044	130, 166, 545	3311402	310			3480249	397
3124114	136, 140	3311405 .	14, 17, 24, 111, 112, 120, 126, 130, 136, 137, 144, 146, 156, 158, 163, 165, 169, 171, 176, 178, 185, 187, 207, 223, 242, 245, 254, 258, 264, 270, 274, 280, 286, 293, 298, 305, 310, 329, 333, 334, 338, 339, 345, 369, 371, 375, 377, 509, 514, 518, 524, 528, 532, 535			3480253	403
3160158	29, 53	3311501 ...	305, 310, 343			3480288	387, 421
3160260	31, 63					3510693	333
3160266	31, 63					3510716	333
3160278	87, 91					3510738	333
3160287	87, 88, 91					3510742	333
3160298	29, 55					3510744	333
3160348	31, 67					3510754	333
3160351	29, 59					3510779	333
3160352	67					3510780	333
3200378 ...	111, 120, 136, 162, 171, 184					3510781	333
3200406 ...	130, 146, 158, 171, 178					3510825	333
3220110 ...	122, 130, 173, 178					3510830	337
3220112	122, 173					3510831	337
3220113 ...	111, 140, 163, 184					3510832	337
3220114	140					3510884	341
3220134	148					3520028 ...	228, 233, 234, 237, 238, 241, 245, 249, 345
3220154	111, 163, 184					3520035	216, 489
3250585	339					3520072	333, 337, 341
3250872	76					3520172	333
3251102 ...	228, 234, 238, 245, 250, 347					3520174	346
3251242	528, 531, 535					3520189 ...	259, 265, 281, 286, 503
						3520192	265, 286
						3520198	337
						3536089	334, 338
						3539219	215
						3539685	333
						3539972	135

PART NUMBER INDEX

3570535.....301	3577135 185	3760318 417	3951420.....310
3570571....111, 120, 130, 136, 147, 159, 163	3577139 185	3760367 ... 385, 389, 397, 405, 413	3960407....121, 130, 171, 178
3570607....120, 130, 136, 146	3580134 ... 228, 233, 237, 250	3760368 393, 409	3960422....254, 258, 264, 270, 274, 280, 286, 499, 503
3570801....120, 171, 178	3580158 231	3760371 403	3960438....111, 138, 144, 158, 163, 185
3570901.....13, 18, 21	3580250 237	3780117 321, 325	3960461.....219
3570958.....314	3580276 ... 228, 233, 237, 250	3780182 26	3960462.....223
3571008....111, 138, 147, 159, 163	3580307 237	3790012 ... 144, 156, 219, 345, 347	3960464.....223
3571009....111, 138, 147, 159, 163	3580312 ... 242, 245, 270, 274	3790045 29, 31	3960526.....31
3571019....111, 138, 146, 159, 163	3580313 242, 270	3790113 417	3960591.....147
3571462.....306, 309	3580314 270, 274	3790152 ... 115, 121, 128, 135, 145, 158, 166, 171, 178, 185	3980007....112, 127, 164
3571498.....135	3580315 228, 250	3820001 76, 509, 514, 518, 524, 528, 532	3990001.....494, 540
3571502.....136, 146	3580316 ... 254, 280, 286, 280, 286	3820020 337	3990010....490, 502, 538
3571818.....79	3580318 ... 254, 258, 264, 280	3841143 19, 301, 305, 309, 310	3990108.....322
3571833.....79	3580319 ... 258, 264, 280, 286	3841203 79, 301, 306, 309, 310	4010608.....377
3571860.....79	3580320 258, 264	3841220 14	4032015.....258, 264
3571975.....19	3580324 242, 245	3841258 ... 13, 14, 17, 18, 21, 22, 291, 297, 309	4060092.....499
3572009.....75	3580325 242	3841329 75	4060700....254, 258, 264, 270, 274, 280, 286, 499, 503
3572010.....75	3580348 245, 274	3841367 25	4060802....228, 234, 238, 242, 245, 250, 254, 258, 264, 270, 274, 280, 286, 339, 347
3572011.....75	3600279 ... 114, 120, 130, 138, 146, 159, 171, 178, 203	3841377 15	4060803....294, 299, 333
3572012.....75	3600296 ... 115, 120, 135, 171, 195	3841458 19	4060805.....224
3572102.....75	3600316 ... 115, 120, 135, 191	3841517 15, 19, 25	4060865.....219
3572448.....315	3600318 ... 115, 120, 135, 166, 171, 178, 185, 201	3841520 17, 22, 23	4060906.....215
3572551.....305	3600377 139, 147	3860096 292, 298	4060950.....15, 25
3572600.....136	3600385 ... 115, 120, 135, 166, 171, 178, 185, 195	3900054 341	4060959.....545
3572691.....291, 297	3600406 ... 128, 145, 191	3900109 15, 19, 25	4061010.....224
3572750.....291	3600407 ... 128, 145, 158, 195	3900139 389, 405	4061020....13, 14, 17, 21, 23, 35
3572826.....291	3600408 ... 128, 145, 201	3900142 401	4061021.....29, 31, 35
3573024.....223	3600423 ... 114, 130, 159, 166, 178, 185, 203	3900170 401	4061032.....292, 298
3573400....369, 371, 375	3600441 158, 201	3900205 337	4061043....254, 258, 264, 270, 274, 280, 286, 503
3573641.....371, 375	3620033 ... 120, 130, 171, 178	3900224 346	4061054.....329
3573642.....369, 371	3620040 ... 136, 147, 159	3900232 223, 225	4070410.....207
3573643.....375	3620046 ... 111, 163, 185	3900254 ... 113, 121, 126, 137, 144, 156, 165, 169, 176, 187	4070497....111, 121, 130, 136, 147, 159, 163, 185
3573667....111, 130, 146, 159, 163	3640986 ... 255, 260, 271, 276, 282, 286	3900268 215	4070498....111, 121, 130, 136, 147, 159, 163, 185
3573668.....264	3641533 ... 255, 260, 266, 271, 276, 282, 287	3900283 315, 329	4070897.....314
3573895.....171, 178	3641569 343	3900316 315	4070898.....314
3573937....171, 178, 185	3730120 494	3900322 242	4070972.....13, 18
3574066.....297, 298	3730125 494	3910606 ... 254, 258, 264, 270, 274, 280, 286	4070973.....13, 18, 21
3574162.....137	3740049 ... 215, 504, 538	3910610 ... 254, 259, 265, 271, 275, 281, 287	4070974.....13, 18, 21
3574163....254, 258, 264, 270, 274, 280, 286	3740067 ... 111, 121, 130, 137, 147, 159, 163, 178, 185, 538	3910804 215	4070982.....314
3574224.....270	3740080 ... 111, 163, 185, 228, 234, 238, 242, 245, 250, 254, 258, 264, 270, 274, 280, 286, 540	3910808 152	4070991.....215
3574225.....242, 270	3740140 171, 178	3911008 333	4071056.....315
3574253.....111, 163	3760115 314, 315	3911014 219	4071057.....315
3574259.....111, 163	3760170 75	3911018 346	4100025.....140
3574264.....111, 163		3911040 219	4100099.....403
3574282.....163, 186		3931016 409	4120035.....490
3574496.....137, 146		3931024 293, 294, 299	4130363.....25
3574523....254, 258, 264, 270, 274, 280, 286		3931030 293, 294, 299	4130364.....25
3574532....302, 306, 310		3931516 ... 385, 389, 393, 397, 405, 409, 413	4130391.....25
3575359.....343		3931620 ... 114, 128, 135, 145, 158, 166, 185	4130392.....26
3575705.....343		3931672 346	4130405.....25
3576799.....377		3931824 403	4130406.....25
3576939.....80		3941406 315	4130407.....26
3576972.....130		3951402 401, 417	4160170.....223
3577121.....369			4220162.....219
3577130.....185			
3577131.....185			
3577132.....185			
3577133.....185			
3577134.....185			

PART NUMBER INDEX

4220165 333	4460023 228, 234, 238	4460464 164, 186, 338,	4460880 486, 491, 492
4220244 306	4460027 ... 228, 233, 241,	346, 486, 487, 489,	4460887 486, 490
4220267 21	245, 249	490, 496	4460889 493
4240018 ... 242, 245, 292,	4460049 343	4460465 255, 259, 265,	4460890 493
298	4460051 ... 258, 264, 280,	271, 275, 281, 287,	4460891 493, 494
4240032 219	286, 503	329, 487, 489, 493,	4460892 495
4240033 322, 329	4460071 ... 254, 258, 264,	494, 504	4460894 495
4240099 ... 122, 126, 138,	280, 286, 334, 338,	4460466 329, 487, 489	4460897 164, 186, 496
144, 156, 170, 176,	486, 499, 503	4460467 505, 546	4460905 ... 216, 346, 486,
292, 334, 338, 343,	4460125 498	4460470 215, 346, 486,	489, 490
369, 371, 375	4460134 500, 501	489	4460906 245, 502
4240136 207	4460190 ... 228, 233, 237,	4460471 215, 346, 486,	4460933 329
4240145 207	241, 245, 249	489	4460943 491
4240149 365, 367	4460205 499, 500, 501	4460473 487, 489	4460944 492, 493
4280295 207	4460224 497	4460476 504, 505	4460956 ... 255, 260, 266,
4300157 258, 264	4460225 ... 254, 258, 265,	4460488 114, 165, 215,	271, 275, 282, 287, 499
4340738 242, 270	270, 274, 280, 286,	346	4460957 ... 255, 260, 266,
4340745 130, 147, 159	486, 503	4460508 486, 487, 489	271, 276, 282, 287, 499
4341177 224	4460226 ... 293, 299, 329,	4460509 487, 489	4460958 ... 254, 258, 264,
4341301 377	338, 356, 363, 486,	4460510 505, 546	270, 274, 280, 286, 503
4341389 224	489, 490, 495, 496,	4460526 215, 489	4460959 488, 489
4341390 224	497, 502, 503, 504, 505	4460536 164, 186, 491,	4460960 488, 489
4341415 365, 367	4460227 ... 486, 490, 491,	496	4460961 502
4360031 334, 338	504	4460539 493, 494	4460962 371
4360057 343, 540	4460233 499, 501	4460579 492	4460963 ... 255, 259, 265,
4360070 ... 254, 259, 265,	4460234 219, 343	4460580 492	271, 275, 281, 503
271, 275, 281, 287	4460265 356, 363	4460582 492	4460967 ... 255, 259, 265,
4360188 151	4460267 219, 491, 504	4460598 339, 347	271, 275, 281, 287, 504
4360232 ... 347, 504, 540	4460268 ... 220, 491, 492,	4460607 255, 260, 266,	4460968 ... 293, 294, 299,
4360294 234	504	271, 275, 282, 287	497, 499
4360321 293, 299, 497	4460320 219, 491, 504	4460608 494	4460971 375, 377
4360328 ... 215, 346, 347,	4460321 502, 505	4460633 499	4460979 493
538	4460346 ... 254, 258, 264,	4460634 490	4460993 494
4360331 347, 538	270, 274, 280, 286,	4460635 490	4460994 494
4360336 ... 144, 156, 219,	498, 503	4460693 494	4460995 493, 494
228, 234, 238, 242,	4460374 ... 255, 259, 265,	4460701 500, 501	4460996 493
245, 250, 254, 258,	271, 275, 281, 287, 504	4460705 502	4461001 ... 255, 260, 266,
264, 270, 274, 280,	4460375 ... 255, 259, 265,	4460708 346, 486, 495	271, 276, 282, 287
286, 339, 347, 540	271, 275, 281, 287, 504	4460709 500	4461005 493
4360387 ... 343, 346, 347,	4460411 ... 255, 260, 266,	4460710 500	4461006 493
538	271, 275, 281, 287	4460713 493	4461008 493
4360392 ... 111, 121, 129,	4460412 ... 255, 260, 266,	4460725 493	4461052 493
137, 147, 171	271, 275, 281, 287	4460726 493	4461053 493
4360407 346, 538	4460413 ... 255, 260, 266,	4460728 493	4461054 493
4360436 207	271, 275, 282, 287	4460742 275, 493, 504	4461060 493
4360469 215, 540	4460414 ... 255, 260, 266,	4460743 275, 504	4461070 492
4360470 215, 540	271, 275, 282, 287	4460761 329, 486, 490,	4461071 495
4360475 215, 346, 538	4460415 ... 255, 260, 266,	491	4461072 495
4360476 215, 346, 538	271, 275, 282, 287	4460789 504, 505	4461073 495
4360542 ... 228, 232, 233,	4460418 486, 490	4460790 504, 505	4461074 495
237, 241, 245, 249	4460419 486, 490	4460799 493	4461095 492
4360548 ... 293, 294, 299,	4460424 ... 220, 491, 492,	4460800 493	4461109 494
497, 540	504	4460836 329	4461111 494
4400275 151	4460425 ... 254, 259, 265,	4460850 496, 504, 505	4461113 494
4400408 207	271, 275, 281, 287,	4460865 487, 489	4461121 493
4400420 151	292, 293, 298, 343,	4460866 486, 487, 488,	4461122 493
4400435 207	487, 488, 503, 504	490	4461123 493
4400451 207, 208	4460426 ... 215, 254, 259,	4460867 496	4461124 494
4420014 365, 367	265, 271, 275, 281,	4460871 351, 353, 359,	4461157 493
4420037 ... 339, 369, 371,	287, 339, 347, 489,	361, 486, 490, 491,	4461161 494
375	503, 505	494, 497, 504	4461196 499
4420051 76, 514, 524,	4460428 ... 293, 299, 346,	4460873 486, 490	4461197 500, 501
532, 535	486, 497	4460874 215, 486, 489	4461198 498
4420055 333	4460434 486, 490	4460875 215, 486, 489	4461199 499
4420066 365, 367	4460457 493	4460876 490	4461200 500, 501
4420068 343	4460458 275, 493	4460878 490	4461201 498
4460007 346	4460459 504, 505	4460879 486	4461202 499

PART NUMBER INDEX

4461203.....500, 501	4641086 ... 389, 391, 393, 395	4740537 24	4791400.....83, 122, 130, 137, 147, 159, 164, 186, 254, 258, 265, 270, 280, 286
4461204.....498	4641108 ... 113, 122, 126, 138, 145, 156, 169, 176	4740538 24	4791600..... 138
4461205.....499	4641155 71, 73	4740539 24	4811700..... 377
4461206.....500, 501	4641162 385, 419	4740540 24	4811900.....246, 274
4461207.....498	4641175 321, 325	4750600 ... 254, 259, 265, 271, 275, 281, 287	4812000..... 147, 238
4461222.....494	4641176 83, 85	4750800 139, 152, 223	4812200..... 130, 179
4461244.....498	4641177 321, 325	4751000 75, 111, 135, 163, 185, 219, 224, 225, 228, 234, 238, 242, 246, 250, 258, 265, 270, 274, 280, 286, 333, 337, 346, 369, 371, 377	4831900.... 123, 131, 137, 147, 159, 164, 173, 179, 186
4461246.....498	4641198 451, 463	4751400 83, 111, 113, 120, 127, 130, 136, 137, 145, 147, 157, 159, 163, 165, 169, 171, 177, 178, 185, 187, 207, 215, 223, 264, 292, 294, 298, 299, 301, 306, 310, 314, 329, 334, 338, 343, 346, 369, 371, 375, 377, 509, 513, 518, 524, 528, 532, 535	4832000.... 123, 131, 138, 147, 173
4461249.....499	4641199 ... 115, 166, 179, 186, 201, 471	4751500 71, 73, 111, 122, 130, 135, 138, 147, 159, 163, 170, 177, 185, 187, 223, 228, 234, 238, 246, 250, 291, 297, 302, 306, 310, 329, 343	4845194..... 224
4461250.....500, 501	4641200 417	4751600 ... 13, 18, 21, 29, 31, 35, 72, 73, 88, 111, 113, 115, 120, 127, 130, 136, 145, 147, 152, 157, 159, 163, 165, 166, 169, 171, 177, 178, 185, 187, 207, 223, 225, 228, 233, 238, 242, 270, 291, 297, 306, 321, 338, 369, 371, 375	4845288..... 333
4520212.....32	4641206 71	4751700 250	4845327..... 333
4520216.....32	4641207 71, 72	4751800 ... 14, 15, 17, 19, 23, 26, 111, 122, 130, 138, 147, 159, 163, 185, 219, 242, 270, 291, 297, 321, 339, 341, 343	4845395.... 121, 130, 171, 179
4520217.....32	4641208 72	4751900 122, 171, 178	4845426..... 333
4520224.....79	4641260 429	4752000 23, 113, 121, 127, 137, 145, 157, 165, 169, 177, 187	4845613..... 120, 136
4520240.....32	4641265 14, 17, 23	4760600 ... 254, 259, 265, 271, 275, 281, 287	4845665..... 224
4530022.... 369, 371, 373	4641272 111, 163, 185	4761000 333, 337, 347	4845711..... 26
4530024.....375, 379	4641281 455, 459, 468	4761400 215	4845767..... 314
4530025.....375, 379	4641281 ... 113, 127, 156, 165, 176, 187	4761500 ... 136, 254, 258, 265, 270, 274, 280, 286	4845927..... 306
4530028.... 369, 371, 373	4641390 387, 421	4761500 ... 136, 254, 258, 265, 270, 274, 280, 286	4845951..... 333
4558765..... 111	4641509 71	4761600 75, 207	4846011..... 137
4564281..... 139	4641510 72	4761800 314	4846033..... 314
4564417..... 238	464509 399	4761900 215	4846037..... 224
4566027..... 417	4711400 ... 14, 17, 23, 71, 73, 79, 83, 112, 127, 130, 137, 147, 157, 159, 163, 177, 185, 220, 242, 245, 254, 258, 264, 270, 274, 280, 286, 306, 315, 329, 334, 338, 339	4762000 365, 367	4846046..... 137
4566605..... 135, 147	4711500 75, 111, 139, 140, 157, 163, 185, 254, 258, 264, 270, 274, 280, 286, 291, 292, 297, 298, 314, 321, 325, 346	4712600 19	4846114..... 79
4567073..... 140	4711600 83, 111, 145, 159, 163, 185, 254, 258, 265, 270, 274, 280, 286, 292, 298, 314, 315, 321, 325, 329	4713000 15, 19	4846126..... 79
4567177..... 401	4711700 242, 246, 270	4740036 75	4846158..... 321
4567462..... 14, 17, 23	4711800 ... 254, 258, 265, 270, 274, 280, 286	4740086 15, 19, 26	4846162..... 19
4567495.... 121, 130, 171, 178	4712000 365, 367	4740155 19	4846168..... 75
4567627..... 207	4712600 19	4740158 ... 13, 14, 17, 18, 21, 23	4846169..... 75
4567878..... 138, 147	4713000 15, 19	4740274 ... 111, 120, 130, 136, 147, 159, 163, 171, 178, 185	4846218..... 321, 325
4567908..... 401	4740036 75	4740362 ... 219, 223, 334, 338	4846259..... 151
4567949..... 403	4740086 15, 19, 26	4740397 ... 234, 238, 242, 246, 347	4846278..... 306
4568033..... 75	4740155 19	4740411 333	4846298..... 321
4568068..... 389, 405	4740158 ... 13, 14, 17, 18, 21, 23	4740444 215	4846335..... 291
4568114..... 145, 156	4740274 ... 111, 120, 130, 136, 147, 159, 163, 171, 178, 185	4740491 19	4846336..... 291
4568158..... 136	4740362 ... 219, 223, 334, 338	4740500 224	4846343..... 291
4568218..... 417	4740397 ... 234, 238, 242, 246, 347		4846346..... 291
4568280..... 472	4740411 333		4846352..... 13, 14
4568281..... 472	4740444 215		4846353..... 21, 23
4568734..... 242, 270	4740491 19		4846356..... 306
4568735.... 242, 245, 270, 274	4740500 224		4846366..... 291
4568743.... 111, 163, 185			4846370..... 343
4568951..... 147			4846375..... 207
4568955..... 147			4846418..... 79
4569083..... 147			4846419..... 79
4569173..... 147			4846424..... 224
4569176.... 111, 163, 186			4846426..... 17, 18
4569342..... 159			4846428..... 291, 298
4569345..... 159			4846452..... 337
4640113..... 32, 79			4846478..... 120
4640261..... 75			4846561..... 339
4640509..... 397, 403			4846567.... 120, 130, 171, 179
4640751.... 122, 130, 171, 178			4846571..... 375
4640858.... 385, 387, 419, 421			4846573..... 325, 329
4640871..... 14, 17, 23			4846627..... 369, 371
4640932.... 389, 391, 393, 395			4846665..... 207
4640936..... 401, 427			4846683..... 171, 179
4640952..... 159			4846688..... 310
4640989..... 135, 147			4846689..... 310
4641061.... 113, 122, 126, 138, 145			

PART NUMBER INDEX

4846693	310	4922869	329	70000123..	227, 232, 237, 241, 249	70001404	166, 187
4846697	298	4922881	216, 491, 492	70000124..	228, 233, 237, 241, 249	70001405	166, 187
4846698	219	4922925 ...	254, 258, 265, 270, 274, 280, 286, 503	70000125..	228, 233, 237, 241, 249	70001406	166, 187
4846700	298	4922929 ...	292, 298, 306, 310, 487, 489	70000126..	228, 233, 237, 241, 249	70001407	166, 187
4846701	298	4922970	502	70000127..	228, 232, 241, 249	70001408	166, 188
4846703	298	4922978	127, 170, 495	70000264.....	123	70001409 ..	166, 188, 540
4846725	23	4923199	271, 504	70000342.....	318	70001410	166, 188
4846733	26	4923223	215, 216, 490	70000345.....	496	70001411	167, 188
4846734	315	4923231	216, 490	70000544.....	115	70001412	167, 188
4846806	147	4923251	216, 491, 492	70000619..	253, 257, 263, 269, 273, 279, 285	70001413	167, 188
4846820	111, 163	4923252	216, 491, 492	70000681.....	98, 105, 107	70001414	167, 188
4846821	111, 163, 185	4923265	216, 491, 492	70000779.....	435	70001415	167, 188
4846905	298	4923357	216, 491, 492	70000781.....	71, 73	70001416	167, 188
4860178	32	4923395	216, 491, 492	70000797.....	59, 67	70001417	167, 188
4860179	32	4923420	275, 504	70000863..	253, 257, 263, 269, 273, 279, 285	70001418	167, 188
4860193	32	4923445	502	70000865... 101, 103, 107		70001419	167, 188
4860218	79	4923451	130, 179, 497	70000868.....	101	70001423 ..	131, 172, 179
4891500	97, 101, 103, 105, 242	4923455	215, 490	70000916... 131, 172, 179		70001424	381
4891600 ...	112, 115, 121, 128, 136, 145, 158, 164, 166, 171, 179, 186, 242, 246, 270, 274, 315, 325, 329	4923458	292, 487	70000934.....	83	70001425	381
4891800 ...	14, 18, 24, 29, 31, 79, 88, 315, 325, 329	4923459	306	70000969.....	203	70001427	381
4892000 .	29, 31, 88, 242, 329	4923460	292, 488	70000970.....	203	70001428	381
4892200	14, 18, 23, 24	4923461	302, 488	70000971.....	203	70001429	381
4892600	325, 329	4923462	487	70000973.....	203	70001430	381
4920385	140, 159	4923466	497	70000975.....	204	70001431	381
4921829	500	4923467	294, 497	70000976.....	203	70001432	381
4921954	501	4923469	292, 306, 496	70000977.....	204	70001435	131, 179
4922482	502	4923481	306	70000978.....	203, 204	70001695.....	115
4922484	504	4923575	215, 216, 490	70001002.....	131, 172	70001696 .	253, 258, 264, 270, 273, 280, 285
4922521	216, 491, 492	4923581	216, 491, 492	70001017..	111, 140, 163, 184	70001697	318
4922522	216, 491, 492	4923615	292, 302, 487	70001086.....	423	70001792	167, 188
4922523	216, 491	4923616	306, 487	70001100..	253, 257, 263, 269, 273, 279, 285	70001793	167, 188
4922530 ...	292, 298, 487, 489	4933170	483, 492, 494	70001103.....	208	70001794	167, 188
4922531	301	4933171	483, 492, 494	70001180.....	115	70001796	167, 188
4922532	306, 310, 489	4933215	482, 501	70001181.....	132, 180	70001931	496
4922533	346, 486	4933216	482, 502	70001257.....	116	70001950	496
4922537	495	4933217	482	70001349.....	41, 49	70001951	496
4922638	215, 216, 490	4933218	483	70001384..	253, 257, 263, 269, 273, 279, 285	70001953 .	253, 257, 263, 269, 273, 279, 285
4922641 ...	255, 259, 266, 271, 275, 281, 287, 502, 504	4933219	482	70001386.....	166, 187	70001963	435
4922642	131	4933231	482	70001387.....	166, 187	70001966 .	253, 257, 263, 269, 273, 279, 285
4922643	504	4933238	482, 501	70001388.....	166, 187	70001973 .	253, 258, 264, 270, 273, 280, 286
4922666 ...	215, 346, 486, 490	4933239	482, 502	70001389.....	166, 187	70001974 .	253, 258, 264, 270, 273, 280, 285
4922669	346, 486	4933250	482, 501	70001390.....	166, 187	70001990	115, 540
4922705	329	4933264 ...	255, 259, 265, 281, 287, 503	70001391.....	166, 187	70001996	313, 314
4922714 ...	293, 294, 299, 497	4933280	483, 491, 494	70001392.....	166, 187	70001998	313, 314
4922737 ...	112, 163, 185, 495	4933300	482, 501, 502	70001393.....	166, 187	7000206	41, 49
4922757 ...	255, 259, 265, 281, 287, 503	4933308	504	70001394.....	166, 187	70002088 .	253, 257, 263, 269, 273, 279, 285
4922764	504	4933316	271, 503	70001395.....	166, 187	70002098	167, 188
4922770 ...	292, 293, 298, 306, 489, 496	4933326	483, 492, 494	70001396.....	166, 187	70002099	167, 188
4922857 ...	293, 298, 302, 306, 310, 487, 489	4933332	483, 491, 494	70001397.....	166, 187	70002100	167, 188
4922858	489	4933333	483, 492, 494	70001398.....	166, 187	70002101	167, 188
		4933334	483, 492, 494	70001399.....	166, 187	70002102	167, 188
		4933347	483, 492, 494	70001400.....	166, 187	70002103	167, 188
		4933349	275, 503	70001401.....	166, 187	70002104	167, 188
		4933350	482, 502	70001402.....	166, 187	70002105	167, 188
		4933352	483, 491, 494	70001403..	115, 166, 187, 540	70002106	167, 188
		4933381	483, 492, 494			70002107	167, 188
		4933382 ...	483, 491, 492, 494			70002108	167, 188
		4933384	483, 492, 494			70002109	167, 188
		5240600	164, 186			70002206	95
		5240800	164, 186			70002207	95
		70000042	98				
		70000088	95				
		70000089	95				
		70000122	232, 249				

PART NUMBER INDEX

70002216..391, 395, 407, 411, 419, 423, 431	70002824 . 255, 260, 266, 276, 282	70004747 363	7003953..... 351
70002217..391, 395, 407, 411, 423, 431	70002825 . 255, 260, 266, 276, 282	70004748 363	7003969..... 359
70002219...419, 427, 433	70002826 . 255, 260, 266, 276, 282	70004749 363	7003972..... 359, 361
70002220...399, 425, 435	70002906 353	70004750 363	7003973..... 359, 361
70002221.....429	70002962 73	70004751 363	7003976..... 351
70002222.....429	70003033 167	70004752 355	7003977..... 351
70002223.....399, 425	70003034 167	70004753 355	7003980..... 359, 361
70002224.....427	70003138 107	70004754 355	7003982..... 361
70002225.....427	70003479 132	70004755 355	7003983..... 359, 361
70002234... 122, 131, 172	70003480 132	70004756 355	7003986..... 359
70002235...228, 232, 237	70003481 132	70004757 355	7003989..... 359, 361
70002239.....232	70003483 338	70004758 355	7003992..... 351, 359
70002240.....232	70003631 . 253, 257, 263, 269, 273, 279, 285	70004759 355	7003993..... 351, 359
70002257.....197	70003649 85	70004760 355	7003994..... 359
7000229.....41, 49	70003708 . 253, 257, 263, 269, 273, 279, 285	70004761 355	7004035..... 95
70002297..253, 257, 263, 269, 273, 279, 285	70003709 . 253, 257, 263, 269, 273, 279, 285	70004762 355	7004036..... 95
7000230.....41, 49	70003784 346	70004763 355	7004043..... 95
70002307..... 139, 148	70003791 115	70004764 355	7004044..... 95
7000232.....41, 49	70003809 391, 407	70004765 355	7004045..... 95
70002390.....71	70003810 391, 407	70004766 355	7004047..... 95
70002437..... 167, 188	70003812 391	70004767 355	7004049..... 95
7000246.....41, 49	70003813 391	70004768 355	7004275..... 546
70002460..253, 258, 264, 270, 273, 279, 285	70003814 391, 407	70004769 355	7004276..... 546
7000248.....41, 49	70003819 395, 411	70004770 355	7004906..... 53
7000253.....41, 49	70003830 407	70004771 355	7004907..... 53
70002567.....140	70003831 407	70004772 355	7004908..... 53
7000257.....41, 49	70003832 407	70004773 355	7004910..... 53
7000258.....41, 49	70003833 399	70004774 356	7004917..... 53
7000261.....41, 49	70003834 399	70004775 356	7005843..... 92
7000262.....41, 49	70003835 399	70005230 363	7005881..... 91, 92
70002627.....496	70003836 399	70005483 42	7005882..... 91, 92
7000263.....41, 49	70003837 411	70005580 423	7005887..... 92
70002647.....107	70003843 411	70005704 188	7005889..... 91
70002648.....107	70003844 411	70005705 188	7005891..... 91
70002649.....107	70003845 395, 411	7000625 334, 338	7006139..... 313
70002651.....107	70003846 395	70006267 315	7006151..... 313
70002705... 111, 163, 185	70003847 395	70006269 313	7006152..... 313
70002706... 111, 163, 185	70003932 . 123, 132, 172, 180	70006275 315	7006156..... 313
70002724.....361	70004158 105	70006280 313	7007006..... 37, 45
70002725.....361	70004159 103	70006428 42, 50	7007208..... 192
70002726.....361	70004169 . 253, 257, 258, 263, 264, 269, 270, 273, 274, 279, 280, 285	70006429 42, 50	7007289..... 198
70002727.....361	70004254 107	7000663 ... 122, 131, 172, 180	7007412..... 193, 197
70002728.....361	70004257 107	70006739 107	7007413..... 191
70002729.....361	70004258 107	70006740 107	7007414..... 191
70002730.....353	70004259 107	70006741 107	7007416..... 192
70002731.....353	70004260 107	70006742 107	7007417..... 192
70002732.....353	70004261 107	7000731 42	7007419..... 63, 192, 196
70002733.....353	70004262 107	7000897 139	7007423..... 192
70002734.....353	70004263 107	7000974 203	7007425..... 192
70002735.....353	70004264 107	7001481 197	7007435..... 192
70002768.....208	70004265 107	7001485 196	7007437.... 55, 60, 64, 68, 192
70002818..255, 260, 266, 275, 281	70004257 107	7001498 193	7007438.... 55, 59, 63, 67, 192
70002819..255, 260, 266, 275, 282	70004258 107	7001913 37, 45	7007439.... 55, 59, 63, 67, 192
70002820..255, 260, 266, 275, 282	70004259 107	7001998 41, 49	7007441..... 192
70002821..255, 260, 266, 275, 282	70004260 107	7002821 505, 545	7007442..... 192
70002822..255, 260, 266, 275, 282	70004261 107	7002822 546	7007444..... 192
70002823..255, 260, 266, 275, 282	70004262 107	7002823 505, 545	7007446.... 55, 59, 63, 67, 192
	70004263 107	7002826 546	7007452..... 192
	70004264 107	7002828 505	7007454..... 192
	70004265 107	7002840 .. 14, 17, 23, 546	7007457..... 192
	70004266 107	7003657 ... 227, 232, 237	7007463..... 192
	70004267 107	7003928 351, 353	7007464..... 192
	70004268 107	7003933 359	7007465..... 192
	70004269 107	7003935 359	
	70004270 107	7003941 359, 361	
	70004271 107	7003946 359	
	70004272 107		
	70004273 107		
	70004274 107		
	70004275 107		
	70004276 107		
	70004277 107		
	70004278 107		
	70004279 107		
	70004280 107		
	70004281 107		
	70004282 107		
	70004283 107		
	70004284 107		
	70004285 107		
	70004286 107		
	70004287 107		
	70004288 107		
	70004289 107		
	70004290 107		
	70004291 107		
	70004292 107		
	70004293 107		
	70004294 107		
	70004295 107		
	70004296 107		
	70004297 107		
	70004298 107		
	70004299 107		
	70004300 107		

PART NUMBER INDEX

7007466..... 192	7012941 ... 113, 122, 127, 138, 145, 157, 165, 169, 176, 177, 187	7016839.... 138, 144, 157, 495	7019154..... 359
7007470 ... 192, 196, 197, 198	7012943 85, 113, 122, 127, 138, 139, 145, 157, 169, 177, 538	7016840.... 138, 144, 157, 495	7019155..... 359
7007472..... 193	7012944 85, 113, 122, 127, 138, 145, 157, 165, 169, 176, 177, 187, 321, 322, 325, 326, 538	7016841.... 138, 144, 157, 495	7019160..... 359
7007475..... 193	7012953 85, 321, 325	7016842.... 138, 144, 495	7019161..... 359
7007476..... 193	7012967 85, 321, 322, 325	7017059..... 41, 49	7019162..... 359, 361
7007478..... 193	7012974 ... 113, 122, 127, 138, 145, 156, 169, 176	7017067..... 41, 49	7019164..... 359, 361
7007484..... 193	7012975 85	7017070..... 41, 49	7019165..... 359, 361
7007485..... 193	7012989 321, 325	7017080..... 41, 49	7019166..... 359
7007487..... 193	7012995 ... 113, 122, 127, 138, 145, 157, 169, 176	7017082..... 38, 46	7019167..... 359, 361
7007488..... 193	7012998 85	7017092..... 37, 45	7019168..... 359
7007494..... 192	7013701 203	7017093..... 37, 45	7019171..... 351
7007496..... 193	7013711 203	7017094.... 38, 41, 45, 49	7019174..... 351
7007497..... 193, 496	7013757 203	7017095..... 37, 45	7019177..... 351
7007498..... 193, 496	7013766 203	7017097..... 38, 45	7019194..... 359, 361
7007601..... 41, 49	7013771 203	7017136..... 317	7019196..... 359
7007640..... 41, 49	7014801 208	7017137..... 318	7019197..... 351
7007874..... 53	7014802 208	7017138..... 318	7019656 111, 163, 185
7007875..... 53	7014811 208	7017139..... 317	7019680 ... 227, 232, 241, 245, 249
7007876..... 53	7014812 207	7017140..... 317	7019925..... 140, 148
7007878..... 53	7014816 208	7017142..... 318	7019930..... 140
7007879..... 53	7016180 121, 136	7017143..... 317	7019932..... 140
7007880..... 53	7016314 208	7017148..... 317	7019933..... 140
7010116..... 192	7016319 219	7017158..... 318	7019976..... 140, 147
7010429..... 41, 49	7016331 ... 122, 131, 172, 179, 540	7017159..... 318	7019977..... 139, 147
7010542. 71, 72, 85, 321, 325	7016360 80	7017162..... 317	7019978..... 148
7010543. 71, 72, 85, 113, 122, 127, 138, 145, 157, 165, 169, 176, 177, 187, 321, 325	7016372 219	7017163..... 317	7019986..... 139
7011016..... 203	7016399 334, 338	7017164..... 317	7019993..... 139, 148
7011044..... 203	7016422 91	7017172..... 317	7019994..... 139, 148
7011067..... 203	7016423 91	7017192..... 317	7020020..... 83
7011112 ... 389, 391, 393, 395	7016424 91	7017195..... 317	7020023 ... 123, 131, 172, 179, 540
7011347..... 417, 435	7016428 91	7017402.... 85, 321, 322, 325, 326	7020026 ... 123, 131, 172, 179
7011358..... 423	7016429 91	7017410..... 85	7020027..... 123
7011377..... 423	7016430 91	7017421..... 85	7020033..... 15, 19
7011378..... 423	7016431 92	7017422..... 85	7020034..... 15, 19
7012513 ... 227, 232, 237, 241, 245, 249	7016432 91	7017428..... 85	7020035..... 15, 19
7012514 ... 227, 232, 237, 241, 245, 249	7016433 91	7017433..... 85	7020036..... 15, 19
7012518 85, 113, 122, 127, 138, 145, 157, 169, 177	7016434 92	7017440..... 85	7020037..... 15, 19
7012519..... 79	7016435 92	7017441..... 85	7020038..... 15, 19
7012520..... 79	7016628 219	7017451..... 85, 538	7020039..... 15, 19
7012521..... 79	7016654 546	7017452.... 321, 322, 325, 326	7020040..... 15, 19
7012522..... 79	7016655 546	7017454..... 85	7020041..... 15, 19
7012523..... 79	7016676 97	7017479.... 113, 122, 127, 138, 145	7020042..... 15, 19
7012540..... 85	7016744 203	7017482..... 85	7020054..... 15, 19
7012558 ... 227, 232, 237, 241, 245, 249	7016745 203	7017496. 71, 73, 387, 421	7020055..... 15, 19
7012596..... 97	7016746 203	7019103..... 359	7020056..... 207
7012597..... 97	7016768 203	7019110..... 359	7020108 ... 227, 232, 237, 241, 245, 249
7012654..... 97	7016769 203	7019111..... 351, 359	7020109 ... 227, 232, 237, 241, 245, 249
7012655..... 97	7016817 ... 110, 121, 128, 162, 171, 178, 184, 495	7019112..... 359	7020110 ... 227, 232, 237, 241, 245, 249
7012664 ... 110, 121, 129, 137, 146, 158, 162, 170, 177, 184, 538	7016820 ... 111, 121, 128, 162, 171, 178, 184, 495	7019114..... 359	7020111 ... 227, 232, 237, 241, 245, 249
7012679..... 147	7016834 ... 111, 121, 128, 162, 171, 178, 184, 495	7019115..... 359	7020168..... 123, 172
7012693..... 14, 17, 23	7016838 ... 111, 121, 162, 171, 184, 495	7019122..... 351	7020175..... 215, 346
7012903..... 85		7019123..... 351	7020176..... 215, 346
7012914..... 321, 325		7019141..... 351	7020190 ... 227, 232, 237, 241, 245, 249
7012918..... 321, 325		7019142..... 351	7020191 228, 233, 237
		7019143..... 351	7020192 ... 228, 233, 237, 242, 249
		7019144..... 351	7020193 ... 227, 232, 237, 241, 245, 249, 502
		7019145..... 351	
		7019147..... 351	
		7019149..... 351	
		7019150..... 351	
		7019151..... 359	

PART NUMBER INDEX

7020226.....	208	7021258.....	196	7022302....	55, 59, 63, 67	7023660.....	151
7020246.....	213	7021259.....	196	7022305....	55, 59, 63, 67	7023662.....	139
7020279.....	80	7021260.....	196	7022310....	55, 59, 63, 67	7023663.....	139, 496
7020280.....	80	7021263.....	193, 197	7022311....	55, 59, 63, 67	7023665.....	151
7020281.....	80	7021264.....	192, 197	7022312....	55, 59, 63, 67	7023679.....	496
7020282.....	80	7021265.....	197	7022314....	55, 59, 63, 67	7023680.....	148, 151
7020283.....	80	7021268.....	197	7022318....	55, 63, 192	7023681.....	139, 147
7020284.....	80	7021269.....	197	7022321....	55, 63	7023682.....	147
7020285.....	80	7021270.....	197	7022323....	63, 68	7023683.....	139, 147
7020286.....	80	7021271.....	197	7022326....	55, 60, 64, 68	7023698.....	148
7020403.....	131, 172	7021272.....	197	7022328... 55, 56, 59, 60,		7023699.....	148
7020408....	123, 131, 172, 179	7021273.....	197	63, 64, 67, 68		7023907....	55, 56, 59, 63, 67
7020411....	123, 131, 172, 179	7021274.....	197	7022329.....	63, 67	7023908....	55, 59, 63, 67
7020447....	131, 172, 179	7021275... 55, 59, 63, 67,		7022341.....	196	7023910....	55, 59, 63, 67
7020449....	123, 131, 172, 179	197		7022342.....	196	7023911....	321, 325
7020458....	123, 132, 172	7021276... 55, 59, 63, 67,		7022346.....	197	7023912.....	322, 325
7020459....	132, 173, 180	197		7022347.....	197	7023913.....	85
7020460....	132, 173, 180	7021277... 55, 59, 63, 67,		7022367.....	63	7023914.....	85
7020461....	122, 132, 172	197		7022368.... 55, 59, 63, 67		7023915.....	321, 325
7020463.....	123, 172	7021278.....	197	7022370.....	55, 63	7023917.....	71, 72
7020464....	122, 131, 172, 180	7021279.....	197	7022371.... 56, 60, 64, 68		7023922.....	85
7020465....	123, 131, 172, 179	7021280... 196, 197, 198		7022372.....	63, 67	7023929....	115, 120, 135, 171, 178, 201
7020467.....	123, 172	7021281.....	197	7022373.....	196	7023933.....	71
7020468....	123, 131, 172, 179	7021283.....	196	7022374.....	196	7023934.....	72
7020471....	131, 172, 179	7021284.....	196	7022375.....	196	7023935.....	72
7020477.....	123	7021288.....	197	7022376.....	196	7023936.....	72
7020479....	122, 131, 172, 180	7021290.....	197	7022377.....	196	7023970.....	85
7020480.....	123, 172	7021291.....	197	7022378.....	196	7023978.....	192
7020482.....	123, 172	7021292.....	197	7022379.....	196	7023979.....	192
7020488.....	123, 172	7021294.....	197	7022380.....	196	7023980.....	193
7020495....	131, 172, 179	7021296.....	198	7022381.....	196	7023984.....	321, 325
7021202.....	192	7021297.....	198	7022382.....	197	7024105.....	37, 45
7021203.....	192	7021298.....	193, 198	7022383.....	197	7024106.....	37
7021206.....	193	7021299.....	198	7022384.....	197	7024107.....	37, 45
7021207.....	192	7021611.....	85	7022385.....	197	7024108.....	38, 45
7021209.....	193	7021625.....	71, 72	7022386.....	197	7024109.....	37, 45
7021212.....	192	7021639.....	71, 73	7022387.....	197	7024110.....	37, 45
7021214.....	192	7021655.....	72, 73	7022397.....	71, 72, 73	7024111.....	37, 45
7021218.....	192	7021868.....	139	7022399.....	71, 72, 73	7024112.....	37, 45
7021219.....	192	7021869.....	147	7022808.....	351, 353	7024113.....	37, 45
7021220.....	192	7022134... 139, 148, 497		7022812.....	359	7024114.....	38, 46
7021221.....	193	7022139... 139, 147		7022814.....	351	7024115.....	38, 45
7021222.....	193	7022142.....	148	7022815.....	351, 353	7024116.....	37, 45
7021223.....	193	7022143.....	139, 148	7022816.....	351	7024117.....	37, 45
7021226.....	193	7022144.....	140	7022817.....	351	7024118.....	37, 45
7021237.....	196	7022149.....	140	7022818.....	351	7024119.....	37, 45
7021238.....	196	7022150.....	140, 147	7022819.... 351, 353, 497		7024120.....	37, 45
7021239.....	196	7022151.....	140	7022822.....	359	7024121.....	37, 45
7021240.....	196	7022153.....	140, 148	7022823.....	359	7024122.....	37, 45
7021242.....	196	7022154.....	140	7022824.....	359, 497	7024123.....	37, 45
7021243.....	196	7022155.....	140, 148	7022825.....	497	7024124.....	37, 45
7021248.....	196	7022156.....	140, 148	7023205.....	208, 538	7024125.....	37, 45
7021249....	55, 59, 63, 67, 196	7022157.....	140	7023206.....	83	7024126.....	37, 45
7021250.....	196	7022158.....	139	7023207.....	83	7024127.....	37, 45
7021251.....	196	7022159.....	139	7023318.....	95	7024128.....	37, 45
7021254.....	196	7022160.....	139	7023484.....	97	7024129.....	37, 45
7021255.....	196, 197	7022161.....	139	7023603.....	151	7024130.....	37, 45
7021256.....	198	7022162.....	139	7023613.....	139	7024131.....	38, 45
7021257.....	196	7022165.....	151	7023637.....	139, 148	7024132.....	37, 45
		7022166.....	151	7023652.....	139	7024133.....	38, 45
		7022167.....	151	7023653.....	139	7024134.....	37, 45
		7022168.....	151	7023654.....	139	7024182.....	42
		7022170.....	151	7023655.....	139	7024189.....	42
		7022171.....	151	7023656.....	139	7024190.....	42
		7022178.....	140, 148	7023657.....	140	7024191.....	42
		7022179.....	140	7023658.....	139		
		7022180.....	140, 148	7023659.....	151		

PART NUMBER INDEX

7024192.....	42	7024540.....	379	7026079.....	429	7026861.....	116
7024193.....	42	7024541.....	379	7026080.....	429	7026862.....	116
7024194.....	42	7024565 ...	123, 132, 172, 180	7026081.....	423, 431	7026863.....	115
7024196.....	42	7024579 ...	123, 132, 173, 180	7026082....	395, 411, 423, 431	7026864.....	115
7024197.....	42	7024705.....	42	7026084....	391, 395, 407, 411	7026865.....	115
7024198.....	38, 46	7024709.....	37	7026085.....	431	7026866.....	115
7024318.....	123, 172	7024710.....	37	7026086.....	431	7026867.....	115
7024379.....	95	7024711.....	37	7026087.....	423, 431	7026868.....	115
7024380.....	95	7024712.....	41, 49	7026088.....	399, 425	7026869.....	115
7024381.....	95	7024713.....	41, 49	7026089.....	425	7026870.....	115
7024389.....	95	7024714.....	41, 49	7026090.....	399, 425	7026871.....	540
7024390.....	95	7024715.....	41, 49	7026091.....	399, 425	7026872.....	115
7024439.....	208	7024716.....	41, 49	7026092.....	399, 425	7026873.....	115
7024440.....	208	7024717.....	42	7026093.....	425	7026874.....	115
7024441.....	208	7024718.....	42	7026094.....	425	7026875.....	115
7024442.....	208	7024719.....	37	7026095.....	425	7026878.....	115
7024443.....	208	7024800.....	197	7026096.....	425	7026879.....	116
7024444.....	208, 538	7024804.....	197	7026097.....	427	7026880.....	116
7024445.....	208	7024830.....	496	7026098.....	427	7026881 ...	116, 164, 186
7024446.....	208	7024844 ...	391, 395, 399	7026099.....	427	7026882.....	116
7024452.....	339	7024852.....	55	7026100.....	433	7026883.....	116
7024453.....	95	7024853.....	55, 59	7026101.....	427	7026884.....	116
7024462.....	373	7024854.....	55, 60, 68	7026102.....	427	7026885 ...	116, 164, 186
7024463.....	373	7024855.....	196	7026104.....	419, 433	7026886 ...	116, 164, 186
7024464.....	373	7024856.....	196	7026105.....	433	7027014.....	157, 495
7024465.....	373	7024857.....	196	7026106.....	433	7027041 ...	110, 121, 128, 162, 171, 178, 184, 495
7024466.....	373	7024858.....	196	7026107.....	433	7027236 ...	122, 131, 172, 179
7024467.....	373	7024868 ...	55, 59, 63, 67	7026108.....	435	7027239 ...	132, 173, 180
7024468.....	373	7024881.....	71, 73	7026109.....	435	7027241.....	131, 172
7024469.....	373	7025124.....	140	7026110.....	419	7027242.....	172
7024470.....	373	7025134.....	140, 148	7026111.....	419	7027245 ...	132, 173, 180
7024471.....	373, 381	7026041.....	107	7026114.....	419	7027246 ...	131, 172, 179
7024472.....	373	7026042 ...	97, 101, 103, 105, 107	7026115.....	419	7027276 ...	123, 132, 172, 180
7024473.....	373	7026043 ...	97, 101, 103, 105, 107	7026116.....	419	7027350 ...	101, 103, 107
7024474.....	373	7026044 ...	97, 105, 107	7026117.....	423	7027351 ...	101, 103, 107
7024475.....	373	7026045 ...	97, 105, 107	7026118.....	423	7027352 ...	101, 103, 107
7024476.....	373	7026046.....	97, 105, 107	7026119.....	315	7027353.....	101, 103
7024477.....	373	7026047.....	97, 105, 107	7026120.....	315	7027354.....	98, 101, 103, 105, 107
7024478.....	373	7026048.....	97, 105, 107	7026188....	253, 258, 264, 270, 273, 280, 285	7027355.....	98, 101, 103, 105, 107
7024479.....	373	7026049.....	97, 105, 107	7026199....	227, 232, 237, 241, 245, 249	7027356.....	98, 101, 103, 105, 107
7024485 ...	253, 258, 264, 270, 273, 279, 285	7026050.....	97, 105, 107	7026597....	253, 258, 264, 270, 273, 280, 285	7027358.....	97, 101, 103, 105
7024488 ...	253, 257, 263, 269, 273, 279, 285	7026051.....	97, 105, 107	7026608....	131, 172, 180	7027359.....	101, 103
7024489 ...	253, 257, 263, 269, 273, 279, 285	7026052.....	97, 105, 107	7026626....	253, 258, 264, 270, 273, 280, 285, 503	7027360 ...	101, 103, 107
7024519.....	379	7026053.....	97, 105, 107	7026835.....	116	7027361.....	101, 103
7024520.....	379	7026054.....	98	7026836.....	116	7027363.....	101, 103
7024521.....	379	7026055.....	98, 105, 107	7026840.....	116	7027400.....	147
7024522.....	379	7026056.....	98	7026843....	116, 163, 186	7027402 ...	139, 140, 148
7024523.....	379	7026057.....	98, 105, 107	7026846.....	115	7027403.....	496
7024524.....	379	7026058.....	98	7026847....	115, 164, 186	7027404.....	147
7024525.....	379	7026059.....	97, 98, 105	7026848.....	115	7027405.....	148
7024526.....	379	7026060.....	97, 98, 105	7026848.....	115	7027410.....	148
7024527.....	379	7026064.....	435	7026849.....	115	7027411.....	140, 148
7024528.....	379	7026065.....	435	7026850.....	115	7027413.....	148
7024529.....	379	7026066.....	435	7026851.....	116	7027419.....	55, 59
7024530.....	379, 381	7026067.....	435	7026852.....	115	7027608 ...	131, 172, 179
7024531.....	379, 381	7026068.....	399	7026853.....	115	7027609 ...	131, 172, 179
7024532.....	379, 381	7026069.....	435	7026854.....	116	7027610 ...	131, 172, 179
7024533.....	379, 381	7026072.....	435	7026855.....	115	7027730.....	97
7024534.....	379, 381	7026073.....	429	7026856.....	115	7027769 ...	132, 173, 180
7024535.....	379, 381	7026074.....	429	7026857.....	115	7027773.....	373
7024536.....	379, 381	7026075.....	429	7026858.....	115	7027774.....	373
7024537.....	379, 381	7026076.....	429	7026859.....	116	7027775.....	373
7024538.....	379	7026078.....	429	7026860.....	115		

PART NUMBER INDEX

7027776.....	373	7027794.....	496	7027989.....	496	91083218.....	139, 147
7027777.....	373	7027795....	132, 180, 540	7027991.....	496	DRIVE HYDRAULIC	
7027778.....	373	7027796.....	496	7027994.....	158, 540	DIAGRAM - 2WD..	451,
7027779.....	373	7027799... 253, 257, 264,		7027996.....	158	455, 459	
7027780.....	373	269, 273, 279, 285		8008750....	169, 177, 187	DRIVE HYDRAULIC	
7027790.....	132, 180	7027887... 228, 233, 238,		8180311....	136, 147, 159	DIAGRAM - 4WD..	463,
7027791.....	131, 180	242, 245, 250		8786514.....	32	467	
7027792.....	132, 180	7027965.....	158, 540	8896941.....	545	NPN.....	275
7027793.....	496	7027972.....	158, 540	8902175.....	443, 449		

Go to Discount-Equipment.com to order your parts

PARTS FINDER

**Search Website
by Part Number**



**Search Manual
Library For Parts
Manual & Lookup Part
Numbers – Purchase
or Request Quote**

**Can't Find Part or
Manual? Request Help
by Manufacturer,
Model & Description**

Discount-Equipment.com is your online resource for quality parts & equipment.

Florida: **561-964-4949** Outside Florida TOLL FREE: **877-690-3101**

Need parts?

Click on this link: <http://www.discount-equipment.com/category/5443-parts/> and choose one of the options to help get the right parts and equipment you are looking for. Please have the machine model and serial number available in order to help us get you the correct parts. If you don't find the part on the website or on one of the online manuals, please fill out the request form and one of our experienced staff members will get back to you with a quote for the right part that your machine needs.

We sell worldwide for the brands: Genie, Terex, JLG, MultiQuip, Mikasa, Essick, Whiteman, Mayco, Toro Stone, Diamond Products, Generac Magnum, Airman, Haulotte, Barreto, Power Blanket, Nifty Lift, Atlas Copco, Chicago Pneumatic, Allmand, Miller Curber, Skyjack, Lull, Skytrak, Tsurumi, Husquvarna Target, Stow, Wacker, Sakai, Mi-T-M, Sullair, Basic, Dynapac, MBW, Weber, Bartell, Bennar Newman, Haulotte, Ditch Runner, Menegotti, Morrison, Contec, Buddy, Crown, Edco, Wyco, Bomag, Laymor, EZ Trench, Bil-Jax, F.S. Curtis, Gehl Pavers, Heli, Honda, ICS/PowerGrit, IHI, Partner, Imer, Clipper, MMD, Koshin, Rice, CH&E, General Equipment, Amida, Coleman, NAC, Gradall, Square Shooter, Kent, Stanley, Tamco, Toku, Hatz, Kohler, Robin, Wisconsin, Northrock, Oztec, Toker TK, Rol-Air, APT, Wylie, Ingersoll Rand / Doosan, Innovatech, Con X, Ammann, Mecalac, Makinex, Smith Surface Prep, Small Line, Wanco, Yanmar