



Illustrated Parts Manual

Models
450A & 450AJ
Series II

SN 0300124000
THROUGH 0300160834

&

SN 1300006000
TO PRESENT

&

SN E300000001
THROUGH E300001114

3121244

July 17, 2018 - Rev U

ANSI

CE



An Oshkosh Corporation Company

PARTS FINDER

**Search Website
by Part Number**



**Search Manual
Library For Parts
Manual & Lookup Part
Numbers – Purchase
or Request Quote**

**Can't Find Part or
Manual? Request Help
by Manufacturer,
Model & Description**

Discount-Equipment.com is your online resource for quality parts & equipment.

Florida: **561-964-4949** Outside Florida TOLL FREE: **877-690-3101**

Need parts?

Click on this link: <http://www.discount-equipment.com/category/5443-parts/> and choose one of the options to help get the right parts and equipment you are looking for. Please have the machine model and serial number available in order to help us get you the correct parts. If you don't find the part on the website or on one of the online manuals, please fill out the request form and one of our experienced staff members will get back to you with a quote for the right part that your machine needs.

We sell worldwide for the brands: Genie, Terex, JLG, MultiQuip, Mikasa, Essick, Whiteman, Mayco, Toro Stone, Diamond Products, Generac Magnum, Airman, Haulotte, Barreto, Power Blanket, Nifty Lift, Atlas Copco, Chicago Pneumatic, Allmand, Miller Curber, Skyjack, Lull, Skytrak, Tsurumi, Husquvarna Target, Stow, Wacker, Sakai, Mi-T-M, Sullair, Basic, Dynapac, MBW, Weber, Bartell, Bennar Newman, Haulotte, Ditch Runner, Menegotti, Morrison, Contec, Buddy, Crown, Edco, Wyco, Bomag, Laymor, EZ Trench, Bil-Jax, F.S. Curtis, Gehl Pavers, Heli, Honda, ICS/PowerGrit, IHI, Partner, Imer, Clipper, MMD, Koshin, Rice, CH&E, General Equipment, Amida, Coleman, NAC, Gradall, Square Shooter, Kent, Stanley, Tamco, Toku, Hatz, Kohler, Robin, Wisconsin, Northrock, Oztec, Toker TK, Rol-Air, APT, Wylie, Ingersoll Rand / Doosan, Innovatech, Con X, Ammann, Mecalac, Makinex, Smith Surface Prep, Small Line, Wanco, Yanmar

REVISION LOG

NOTE: The 450A/AJ Series II may be manufactured by JLG Industries in the following countries: USA, Belgium or Romania. Refer to the Serial Number Tag to determine the country of manufacture. The country of manufacture may be determined by the Serial Number. Boom Lifts manufactured in the USA will have a serial number prefix of 03 (i.e. 03XXXXXXXX), Boom Lifts manufactured in Belgium will have a prefix of 13 (i.e. 13XXXXXXXX) and Boom Lifts manufactured in Romania will have a prefix of E3 (i.e. E3XXXXXXXX).

NOTE: Is the Parts Manual you are viewing correct for the machine that you are ordering parts for? See Below:

USA Built Machines Prior to SN 0300124000 - Use Parts Manual p/n 3121243

USA Built Machines SN 0300124000 through 0300160835 - Use Parts Manual p/n 3121244

USA Built Machines SN 0300160835 to Present - Use Parts Manual p/n 3121291

Belgium Built Machines Prior to SN 1300006000 - Use Parts Manual p/n 3121243

Belgium Built Machines SN 1300006000 to Present - Use Parts Manual p/n 3121244

Romanian Built Machines SN E300000100 through E300001114 - Use Parts Manual P/N 3121244

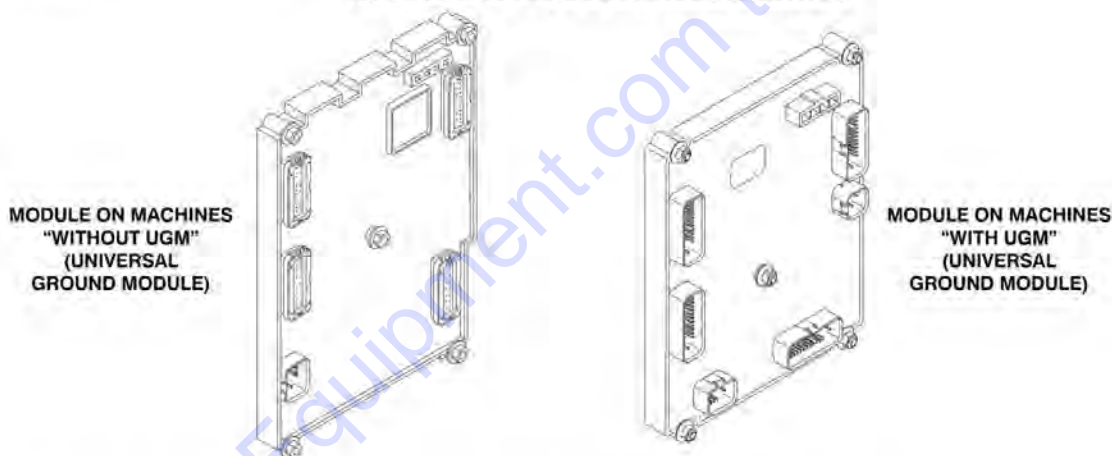
Romanian Built Machines SN E300001114 to Present - Use Parts Manual P/N 3121291

NOTE: USA Built Machines with SNs 0300159794, 0300159795, 0300160088 & 0300160456 are also built to the same specs as USA Built Machines SN 0300160835 to Present - Use Parts Manual p/n 3121291.

Romanian Built Machine SN E300001067 is also built to the same specs as Romanian Built Machines SN E00001114 to Present - Use Parts Manual p/n 3121291.

NOTE:

GROUND MODULE MODULE IDENTIFICATION



December 15, 2007 - A - Original Issue (Edited to 0010717 Revision 1 & 0010718 Revision 1)

April 15, 2008 - B - Revised Issue (Edited to 0010717 Revision 1 & 0010718 Revision 1)

March 30, 2009 - C - Revised Issue (Edited to 0010717 Revision 5 & 0010718 Revision 9)

October 30, 2009 - D - Revised Issue (Edited to 0010717 Revision 5 & 0010718 Revision 9)

August 25, 2010 - E - Revised Issue (Edited to 0010717 Revision 19 & 0010718 Revision 31)

April 4, 2011 - F - Revised Issue (Edited to 0010717 Revision 19 & 0010718 Revision 33)

July 8, 2011 - G - Revised Issue (Edited to 0010717 Revision 21 & 0010718 Revision 38)

October 18, 2011 - H - Revised Issue (Edited to 0010717 Revision 25 & 0010718 Revision 41)

December 12, 2011 - I - Revised Issue (Edited to 0010717 Revision 25 & 0010718 Revision 41)

March 30, 2012 - J - Revised Issue (Edited to 0010717 Revision B & 0010718 Revision B)

June 15, 2012 - K - Revised Issue (Edited to 0010717 Revision C & 0010718 Revision G)

REVISION LOG

August 22, 2012 - L - Revised Manual (Edited to 0010717 Revision C & 0010718 Revision G)
November 6, 2012 - M - Revised Manual (Edited to 0010717 Revision C & 0010718 Revision G)
March 25, 2013 - N - Revised Manual (Edited to 0010717 Revision C & 0010718 Revision G)
May 15, 2013 - O - Revised Manual (Edited to 0010717 Revision C & 0010718 Revision G)
August 28, 2013 - P - Revised Manual (Edited to 0010717 Revision C & 0010718 Revision H)
November 27, 2013 - Q - Revised Manual
November 1, 2014 - R - Revised Manual (Revision 1)
September 1, 2016 - S - Revised Manual
July 21, 2017 - T - Revised Manual (Revision 1)
July 17, 2018 - U - Revised Manual

Go to Discount-Equipment.com to order your parts

GENERAL INFORMATION

6) NON-SERVICED PARTS

In some instances, it is necessary to display non-serviced parts, assemblies or installations. In the case of assemblies and installations there will be a Ref in the Qty column. In case of parts that are not available for service within assemblies or components, there will be a NSS (Not Sold Separately) or NLA (No Longer Available) listed in the Qty. column of the manual.

7) PARTS LIST ITEM NUMBERS

Numbers shown in the item# column correspond to numbers used in the associated illustration (s). Item numbers which are missing from the sequence in the parts list are not used on that page.

8) INDENTED PARTS DESCRIPTION

An indented part description is included in the item under which it is indented.

9) ABBREVIATION AND SYMBOLS

AC.....	.. Alternating Current	LCD	Liquid Crystal Display
ADE.....	..Advanced Design Electronics	LED	Light Emitting Diodes
ANSIAmerican National Standards Institute	LH.....	.. Left Hand
AR.....	..As Required	LSSLoad Sensing System
ASSY Assembly	M(m).....	..Metric/Meter
AUX.....	..Auxiliary	MM (mm).....	..Milimeter
AWG.....	..American Wire Gauge	mA.....	.. Milliamps
B/M.....	.. Bill of Material	NLA.....	..No Longer Available
CE.....	..European Conformity	NPT National Pipe Threads
CCWCounter Clockwise	NSSNot Sold Separately
cm.....	..Centimeter	OD.....	..Outside Diameter
CW.....	..Clockwise	ORB.....	.. O-Ring Boss
CSA.....	..Canadian Standards Association	ORFS.....	..O-Ring Face Seal
CYL.....	..Cylinder	OZ (oz).....	..Ounces
DIA.....	..Diameter	PGPage
DC.....	..Direct Current	P/N.....	..Part Number
EMSEmergency Stop	qt.....	..Quarts
ENGEngine	QTY.....	..Quantity
FT(ft).....	..Feet	REFReference
GA(Ga).....	..Gauge	REVRevision Level
HYDHydraulic	RH.....	..Right Hand
Hz.....	..Hertz	SAE.....	..Society of Automotive Engineers
ID.....	..Inside Diameter	SN.....	..Serial Number
in.....	..inches	SPEC(S).....	..Specifications
ISO.....	..International Organization for Standards	T/T.....	..Turntable
JIC.....	..Joint Industry Council	UGMUniversal Ground Module
KGKilogram	V.....	..Volts
L.....	..Liter	W.....	..Watts
LBPounds	#.....	..Number

10) ILLUSTRATION REFERENCE LETTERS

When necessary, illustrations may contain reference letters that are intended to track information (i. e. hoses, harnesses) from one point to another or to track visual enlargement of components to show details that may be located in another area on the illustration.

Note: Due to continuous product improvements, JLG Industries, Inc. reserves the right to make specification changes without prior notification.

TABLE OF CONTENTS

SECTION 1 - FRAME.....	11
FIGURE 1-1. AXLE AND STEERING INSTALLATION - 2WD WITHOUT TOW BAR.....	12
FIGURE 1-2. AXLE AND STEERING INSTALLATION - 2WD WITH TOW BAR.....	16
FIGURE 1-3. AXLE AND STEERING INSTALLATION - 4WD.....	20
FIGURE 1-4. TIRE AND WHEEL DRIVE INSTALLATION.....	24
FIGURE 1-5. DRIVE HUB/BRAKE ASSEMBLY (REAR).....	28
FIGURE 1-6. DRIVE HUB ASSEMBLY (FRONT) (4WD ONLY).....	32
FIGURE 1-7. DRIVE MOTOR ASSEMBLY (2WD).....	34
FIGURE 1-8. DRIVE MOTOR ASSEMBLY (4WD).....	36
FIGURE 1-9. DRIVE VALVES AND FRAME SHIELDS INSTALLATION.....	38
FIGURE 1-10. TOW BAR INSTALLATION (OPTIONAL).....	42
FIGURE 1-11. SEMI-TRACK INSTALLATION.....	46
SECTION 2 - TURNTABLE.....	49
FIGURE 2-1. CONTROL VALVE INSTALLATION.....	50
FIGURE 2-2. MAIN CONTROL VALVE ASSEMBLY.....	52
FIGURE 2-3. TURNTABLE AND SWING DRIVE INSTALLATIONS.....	54
FIGURE 2-4. SWING MOTOR ASSEMBLY.....	58
FIGURE 2-5. SWING MOTOR ASSEMBLY.....	60
FIGURE 2-6. SWING BEARING AND ROTATION BOX ASSEMBLY (ORIGINAL EQUIPMENT).....	62
FIGURE 2-7. SWING BEARING AND ROTATION BOX ASSEMBLY (SERVICE REPLACEMENT).....	64
FIGURE 2-8. USA BUILT MACHINES/CATERPILLAR ENGINE INSTALLATION (WITH ELECTRICAL DRIVEN COOLING FAN) (WITHOUT UGM).....	66
FIGURE 2-9. USA BUILT MACHINES/CATERPILLAR ENGINE INSTALLATION (WITH ENGINE DRIVEN COOLING FAN) (WITHOUT UGM).....	74
FIGURE 2-10. USA BUILT MACHINES/CATERPILLAR ENGINE INSTALLATION (WITH UGM).....	82
FIGURE 2-11. USA BUILT MACHINES/DEUTZ ENGINE INSTALLATION.....	90
FIGURE 2-12. USA BUILT MACHINES/GM ENGINE INSTALLATION (WITHOUT UGM).....	98
FIGURE 2-13. USA BUILT MACHINES/GM ENGINE INSTALLATION (WITH UGM).....	104
FIGURE 2-14. USA BUILT MACHINES/PERKINS ENGINE INSTALLATION (WITH ELECTRICAL DRIVEN COOLING FAN) (WITHOUT UGM).....	110
FIGURE 2-15. USA BUILT MACHINES/PERKINS ENGINE INSTALLATION (WITH ENGINE DRIVEN COOLING FAN (WITHOUT UGM).....	120
FIGURE 2-16. USA BUILT MACHINES/PERKINS ENGINE INSTALLATION (WITH UGM).....	130
FIGURE 2-17. BELGIUM AND ROMANIAN BUILT MACHINES/CATERPILLAR ENGINE INSTALLATION.....	138
FIGURE 2-18. BELGIUM AND ROMANIAN BUILT MACHINES/DEUTZ ENGINE INSTALLATION.....	146
FIGURE 2-19. BELGIUM BUILT MACHINES/PERKINS ENGINE INSTALLATION (WITH ELECTRICAL DRIVEN COOLING FAN) (WITHOUT UGM).....	152
FIGURE 2-20. BELGIUM BUILT MACHINES/PERKINS ENGINE INSTALLATION (WITH ENGINE DRIVEN COOLING FAN) (WITHOUT UGM).....	160
FIGURE 2-21. BELGIUM BUILT MACHINES/PERKINS ENGINE INSTALLATION (WITH UGM).....	168
FIGURE 2-22. PISTON PUMP ASSEMBLY.....	176
FIGURE 2-23. GEAR PUMP ASSEMBLY.....	180
FIGURE 2-24. AUXILIARY PUMP ASSEMBLY.....	182
FIGURE 2-25. TANK INSTALLATIONS.....	184
FIGURE 2-26. LP TANK INSTALLATION (GM ENGINE MACHINES ONLY).....	188
FIGURE 2-27. GROUND CONTROL BOX ASSEMBLY (WITHOUT UGM).....	190
FIGURE 2-28. GROUND CONTROL BOX ASSEMBLY (WITH UGM).....	194
FIGURE 2-29. ELECTRICAL OPTIONS INSTALLATION (TURNTABLE MOUNTED).....	198
FIGURE 2-30. HOODS INSTALLATION.....	202
FIGURE 2-31. HOODS INSTALLATION.....	206
FIGURE 2-32. 2500W GENERATOR INSTALLATION - CATERPILLAR MACHINES (OPTIONAL).....	210
FIGURE 2-33. 2500W GENERATOR INSTALLATION - DEUTZ MACHINES (OPTIONAL).....	214
FIGURE 2-34. 2500W GENERATOR INSTALLATION - GM MACHINES (OPTIONAL).....	218
FIGURE 2-35. 2500W GENERATOR INSTALLATION - PERKINS MACHINES (OPTIONAL).....	222
FIGURE 2-36. 7500W GENERATOR INSTALLATION - CATERPILLAR ENGINE MACHINES (USA BUILT MACHINES).....	226
FIGURE 2-37. 7500W GENERATOR INSTALLATION - DEUTZ ENGINE MACHINES (USA BUILT MACHINES).....	232
FIGURE 2-38. 7500W GENERATOR INSTALLATION - DEUTZ ENGINE MACHINES (BELGIUM AND ROMANIAN BUILT MACHINES).....	238
FIGURE 2-39. 7500W GENERATOR INSTALLATION - GM ENGINE MACHINES (USA BUILT MSCHINES).....	244
FIGURE 2-40. 7500W GENERATOR INSTALLATION - PERKINS ENGINE MACHINES (BELGIUM AND ROMANAIN BUILT MACHINES).....	250
SECTION 3 - BOOM.....	255

TABLE OF CONTENTS

FIGURE 3-1. TOWER/MID BOOMS AND CYLINDERS INSTALLATION (USA BUILT MACHINES)	256
FIGURE 3-2. TOWER/MID BOOMS AND CYLINDERS INSTALLATION (BELGIUM AND ROMANIAN BUILT MACHINES)	260
FIGURE 3-3. MAIN BOOM INSTALLATION - 450A SERIES II	264
FIGURE 3-4. MAIN BOOM INSTALLATION - 450AJ SERIES II (USA BUILT MACHINES)	268
FIGURE 3-5. MAIN BOOM INSTALLATION - 450AJ SERIES II (BELGIUM AND ROMANIAN BUILT MACHINES)	272
FIGURE 3-6. MAIN BOOM ASSEMBLIES	276
FIGURE 3-7. ROTATOR ASSEMBLIES	280
FIGURE 3-8. PLATFORM SUPPORT AND CONTROL VALVES INSTALLATIONS	284
FIGURE 3-9. PLATFORM SUPPORT INSTALLATION - WITH LSS	288
SECTION 4 - PLATFORM	291
FIGURE 4-1. PLATFORM INSTALLATION	292
FIGURE 4-2. FALL ARREST PLATFORM COMPONENTS INSTALLATION (OPTIONAL)	296
FIGURE 4-3. SOFT TOUCH SYSTEM INSTALLATION (OPTIONAL)	298
FIGURE 4-4. PLATFORM CONSOLE ASSEMBLY	300
FIGURE 4-5. CONTROLLER ASSEMBLY (SWING AND LIFT) (ADE SYSTEM) (ORIGINAL EQUIPMENT)	306
FIGURE 4-6. CONTROLLER ASSEMBLY (LIFT AND SWING) (SERVICE REPLACEMENT)	308
FIGURE 4-7. CONTROLLER ASSEMBLY (LIFT AND SWING) (SERVICE REPLACEMENT)	310
FIGURE 4-8. CONTROLLER ASSEMBLY (DRIVE AND STEER) (ADE SYSTEM) (ORIGINAL EQUIPMENT)	314
FIGURE 4-9. CONTROLLER ASSEMBLY (DRIVE AND STEER) (SERVICE REPLACEMENT)	316
FIGURE 4-10. CONTROLLER ASSEMBLY (DRIVE AND STEER) (SERVICE REPLACEMENT)	318
FIGURE 4-11. SKYGLAZIER INSTALLATION - WITHOUT LSS (ANSI, CSA AND AUSTRALIAN SPECS)	320
FIGURE 4-12. SKYGLAZIER INSTALLATION - WITH LSS (AUSTRALIAN SPECS)	322
FIGURE 4-13. SKYWELDER INSTALLATION (50HZ)	324
FIGURE 4-14. SKYWELDER INSTALLATION (60HZ)	326
FIGURE 4-15. WELDER ASSEMBLY	328
FIGURE 4-16. SKYCUTTER INSTALLATION (USA BUILT MACHINES)	330
FIGURE 4-17. PLASMA CUTTER ASSEMBLY	332
SECTION 5 - CYLINDER	335
FIGURE 5-1. USA BUILT MACHINES/AXLE LOCKOUT CYLINDER	336
FIGURE 5-2. USA BUILT MACHINES/LEVEL (PLATFORM SLAVE) CYLINDER (450A SERIES II) (ORIGINAL EQUIPMENT)	338
FIGURE 5-3. USA BUILT MACHINES/LEVEL (PLATFORM SLAVE) CYLINDER ASSEMBLY (450A SERIES II) (SERVICE REPLACEMENT)	340
FIGURE 5-4. USA BUILT MACHINES/LEVEL (PLATFORM) CYLINDER (450AJ SERIES II) (ORIGINAL EQUIPMENT)	342
FIGURE 5-5. USA BUILT MACHINES/LEVEL (PLATFORM) CYLINDER (450AJ SERIES II) (SERVICE REPLACEMENT)	344
FIGURE 5-6. USA BUILT MACHINES/LIFT (JIB) CYLINDER (450AJ SERIES II ONLY) (ORIGINAL EQUIPMENT)	346
FIGURE 5-7. USA BUILT MACHINES/LIFT (JIB) CYLINDER (450AJ SERIES II ONLY) (SERVICE REPLACEMENT)	348
FIGURE 5-8. USA BUILT MACHINES/LIFT (MAIN BOOM) CYLINDER	350
FIGURE 5-9. USA BUILT MACHINES/LIFT (TOWER BOOM) CYLINDER	352
FIGURE 5-10. USA BUILT MACHINES/MASTER CYLINDER (450A SERIES II) (ORIGINAL EQUIPMENT)	354
FIGURE 5-11. USA BUILT MACHINES/MASTER CYLINDER (450A SERIES II) (SERVICE REPLACEMENT)	356
FIGURE 5-12. USA BUILT MACHINES/MASTER CYLINDER (450AJ SERIES II) (ORIGINAL EQUIPMENT)	358
FIGURE 5-13. USA BUILT MACHINES/MASTER CYLINDER (450AJ SERIES II) (SERVICE REPLACEMENT)	360
FIGURE 5-14. USA BUILT MACHINES/STEER CYLINDER	362
FIGURE 5-15. USA BUILT MACHINES/TELESCOPE CYLINDER	364
FIGURE 5-16. BELGIUM AND ROMANIAN BUILT MACHINES/AXLE LOCKOUT CYLINDER	366
FIGURE 5-17. BELGIUM AND ROMANIAN BUILT MACHINES/LIFT (JIB) CYLINDER (450AJ SERIES II ONLY)	368
FIGURE 5-18. BELGIUM AND ROMANIAN BUILT MACHINES/LIFT (MAIN BOOM) CYLINDER	370
FIGURE 5-19. BELGIUM AND ROMANIAN BUILT MACHINES/LIFT (TOWER BOOM) CYLINDER	372
FIGURE 5-20. BELGIUM AND ROMANIAN BUILT MACHINES/STEER CYLINDER	374
FIGURE 5-21. BELGIUM AND ROMANIAN BUILT MACHINES/TELESCOPE CYLINDER	376
SECTION 6 - HYDRAULIC	379
FIGURE 6-1. AXLE LOCKOUT HYDRAULIC DIAGRAM - 2WD	380
FIGURE 6-2. AXLE LOCKOUT HYDRAULIC DIAGRAM - 4WD	382
FIGURE 6-3. DRIVE HYDRAULIC DIAGRAM - 2WD	384
FIGURE 6-4. DRIVE HYDRAULIC DIAGRAM - 4WD	388
FIGURE 6-5. STANDARD HYDRAULIC DIAGRAM	392
FIGURE 6-6. TOW BAR HYDRAULIC DIAGRAM	396
FIGURE 6-7. HYDRAULIC DIAGRAM LIST	398
SECTION 7 - ELECTRICAL	401

TABLE OF CONTENTS

FIGURE 7-1. ELECTRICAL DIAGRAM LIST	402
FIGURE 7-2. HARNESS COMPONENTS INSTALLATION (WITHOUT UGM)	404
FIGURE 7-3. HARNESS COMPONENTS INSTALLATION (WITH UGM).....	422
SECTION 8 - DECALS	439
FIGURE 8-1. DECAL INSTALLATION - ANSI SPEC	440
FIGURE 8-2. DECAL INSTALLATION - ANSI EXPORT SPECS	444
FIGURE 8-3. DECALS INSTALLATION - AUSTRALIAN AND CE SPECS	450
SECTION 9 - RECOMMENDED SERVICE PARTS STOCK	453
FIGURE 9-1. MODEL 450A / 450AJ SERIES II STANDARD PARTS	454
FIGURE 9-2. MODEL 450A / 450AJ SERIES II VARIABLE PARTS	456
SECTION 10 - SPECIAL OPTIONS	457
FIGURE 10-1. SPECIAL OPTIONS.....	458
PART NUMBER INDEX	463

SECTION 1 - FRAME

Go to Discount-Equipment.com to order your parts

SECTION 1 - FRAME

FIGURE 1-1. AXLE AND STEERING INSTALLATION - 2WD WITHOUT TOW BAR

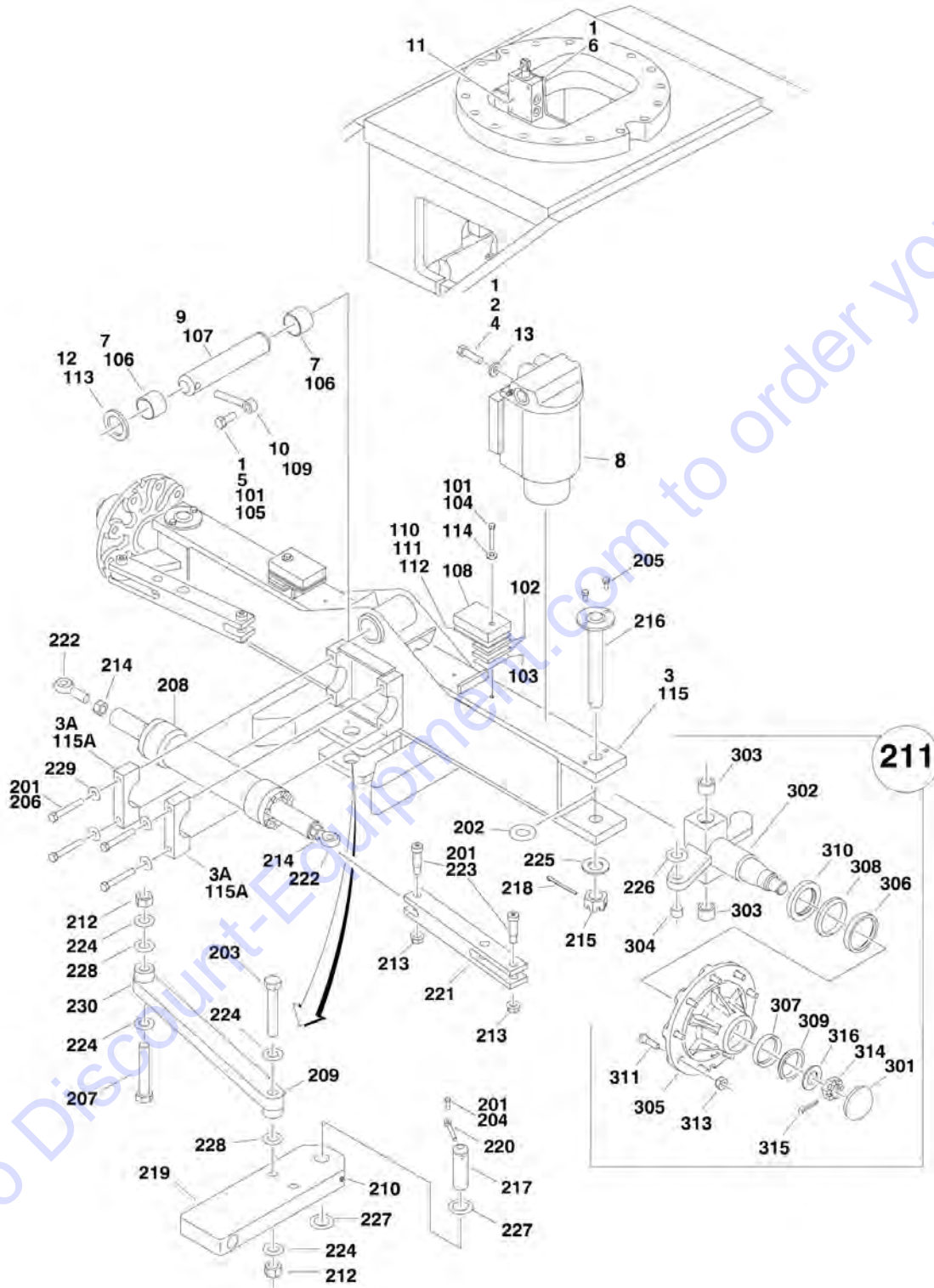
ITEM	PART NUMBER	QTY	DESCRIPTION	REV
		Ref	Note: USA Manufacture Only.	
	0274690	Ref	FIXED AXLE INSTALLATION	B
1	0100011	AR	Compound, Locking	
2	0362763	4	Bar, Stop	
3	0362764	2	Bar, Stop	
5	0641626	2	Bolt 3/8in-16NC x 3-1/4in	
6	0642012	1	Bolt 5/8in-11NC x 1-1/2in	
7	0961950	2	Bushing, Garmax	
8	3422592	1	Pin, Axle Pivot	
9	3570901	2	Plate, Stop	
10	3841258	1	Keeper, Pin	
12	4070972	AR	Shim 3/16in	
13	4070973	AR	Shim 1/8in	
14	4070974	AR	Shim 1/16in	
15	4740158	1	Thrustwasher	
17	0280200	1	Axle Weldment	
17A	0561300	2	Steer Cylinder Mounting Block Assembly (Use p/n 1001100424)	
18	2220235	3	Fitting, O-Ring (Not Shown)	
	0274685	Ref	OSCILLATING AXLE INSTALLATION	C
101	0100011	AR	Compound, Locking	
102	0100038	AR	Primer, Locking #7471	
103	0280200	1	Axle Weldment	
103A	0561300	2	Steer Cylinder Mounting Block Assembly (Use p/n 1001100424)	
104	0641814	8	Bolt 1/2in-13NC x 1-3/4in	
105	0642012	1	Bolt 5/8in-11NC x 1-1/2in	
106	0791506	4	Screw, 5/16in-18NC x 3/4in	
107	0961950	2	Bushing, Garmax	
108	1684465	2	Lockout Cylinder Assembly (See CYLINDER SECTION for Breakdown)	
109	3422592	1	Pin, Axle Pivot	
110	3841258	1	Keeper, Pin	
111	4641265	1	Lockout Valve Assembly	
112	4740158	1	Thrustwasher	
113	4891800	8	Flatwasher, Hardened 1/2in	
	0271012	Ref	STEERING INSTALLATION	H
201	0100011	AR	Compound, Locking	
202	0440162	2	Thrustwasher	
203	0641606	4	Bolt 3/8in-16NC x 3/4in	
204		Ref	Bolt Options:	
204	0641824	4	Bolt 1/2in-13NC x 3in	
204	0641826	4	Bolt 1/2in-13NC x 3-1/4in	
205	1684412	1	Steer Cylinder Assembly (See CYLINDER SECTION for Breakdown)	
206	2780230	2	Hub/Spindle Assembly (See Items 301 to 316 for Breakdown)	
207	3312008	4	Nut 5/8in-11NC	
208	3322201	2	Nut 3/4in-16NF	
209	3323003	2	Nut 1-1/4in-12NF	
210	3422692	2	Kingpin	
211	3450808	2	Pin, Cotter 1/4in x 2in	
212	3841377	2	Tie-Rod	

SECTION 1 - FRAME

ITEM	PART NUMBER	QTY	DESCRIPTION	REV
213	3841517	2	Rod-End with Grease Fitting	
214	3900109	4	Screw, Shoulder	
216	4713000	2	Flatwasher 1-1/4in	
217	4740086	2	Thrustwasher	
218	4751800	4	Flatwasher 1/2in Regular	
	2780230	Ref	HUB ASSEMBLY	A
301	7020033	2	Cap, Dust (1 per Assembly)	
302	7020034	2	Spindle Assembly (1 per Assembly)	
303	0961951	4	Bushing, Garmax (2 Per Assembly)	
304	0962140	2	Bearing, Garmax (1 per Assembly)	
305	7020035	2	Hub (1 per Assembly) (Includes 306 & 307)	
306	7020036	2	Cup, Bearing - Inner(1 per Assembly)	
307	7020038	2	Cup, Bearing - Outer (1 per Assembly)	
308	7020037	2	Cone, Bearing - Inner (1 per Assembly)	
309	7020039	2	Cone, Bearing - Outer (1 per Assembly)	
310	7020040	2	Seal (1 Per Assembly)	
311	7020041	18	Stud, Wheel (9 Per Assembly)	
313	7020042	18	Lugnut (9 per Assembly)	
314	7020054	2	Nut, Castle (1 per Assembly)	
315	3450608	2	Pin, Cotter (1 Per Assembly)	
316	7020055	2	Washer, Spindle (1 Per Assembly)	

SECTION 1 - FRAME

FIGURE 1-2. AXLE AND STEERING INSTALLATION - 2WD WITH TOW BAR



SECTION 1 - FRAME

FIGURE 1-2. AXLE AND STEERING INSTALLATION - 2WD WITH TOW BAR

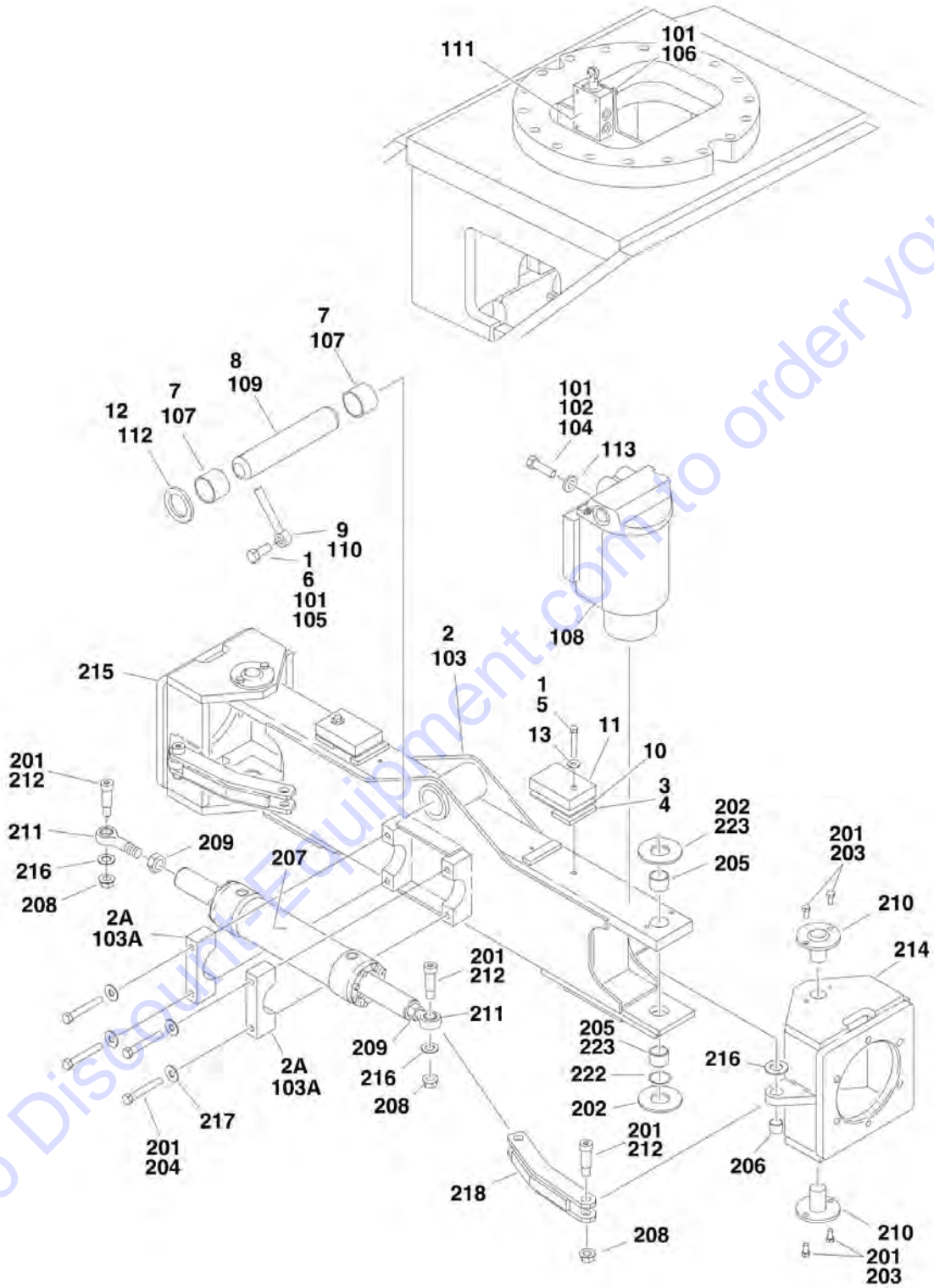
ITEM	PART NUMBER	QTY	DESCRIPTION	REV
		Ref	Note: USA Manufacture Only.	
	0274705	Ref	OSCILLATING AXLE INSTALLATION	B
1	0100011	AR	Compound, Locking	
2	0100038	AR	Primer, Locking #7471	
3	0280201	1	Axle Weldment	
3A	0561300	2	Steer Cylinder Mounting Block Assy (Use p/n 1001100424)	
4	0641814	8	Bolt 1/2in-13NC x 1-3/4in	
5	0642012	1	Bolt 5/8in-11NC x 1-1/2in	
6	0791506	4	Screw, 5/16in-18NC x 3/4in	
7	0961950	2	Bushing, Garmax	
8	1684465	2	Lockout Cylinder Assembly (See CYLINDER SECTION for Breakdown)	
9	3422592	1	Pin, Axle Pivot	
10	3841258	1	Keeper, Pin	
11	4641265	1	Lockout Valve Assembly	
12	4740158	1	Thrustwasher	
13	4891800	8	Flatwasher, 1/2in Hardened	
	0274706	Ref	FIXED AXLE INSTALLATION	B
101	0100011	AR	Compound, Locking	
102	0362763	4	Bar, Stop	
103	0362764	2	Bar, Stop	
104	0641626	2	Bolt 3/8in-16NC x 3-1/4in	
105	0642012	1	Bolt 5/8in-11NC x 1-1/2in	
106	0961950	2	Bushing, Garmax	
107	3422592	1	Pin, Axle Pivot	
108	3570901	2	Plate, Stop	
109	3841258	1	Keeper, Pin	
110	4070972	AR	Shim 3/16in	
111	4070973	AR	Shim 1/8in	
112	4070974	AR	Shim 1/16in	
113	4740158	1	Thrustwasher	
114	4751600	2	Flatwasher 3/8in Regular	
115	0280201	1	Axle Weldment	
115A	0561300	2	Steer Cylinder Mounting Block Assy (Use p/n 1001100424)	
116	2220235	4	Fitting, O-Ring (Not Shown - See HYDRAULIC SECTION)	
	0271653	Ref	STEERING INSTALLATION	F
201	0100011	AR	Compound, Locking	
202	0440162	2	Thrustwasher	
203	0630544	1	Bolt 1in-8NC x 6in	
204	0641508	1	Bolt 5/16in-18NC x 1in	
205	0641606	4	Bolt 3/8in-16NC x 3/4in	
206	0681824	4	Bolt 1/2in-13NC x 3in	
207	0682648	1	Bolt 1in-8NC x 6in	
208	1684412	1	Steer Cylinder Assembly (See CYLINDER SECTION for Breakdown)	
209	2160001	2	Fitting, STR Grease	
210	2160002	1	Fitting, STR Grease	
211	2780230	2	Hub/Spindle Assembly (See 301 to 316 for Breakdown)	
212	3272605	2	Locknut 1in-8NC	
213	3312008	4	Nut 5/8in-11NC	

SECTION 1 - FRAME

ITEM	PART NUMBER	QTY	DESCRIPTION	REV
214	3322201	2	Nut 3/4in-16NF	
215	3323003	2	Nut 1-1/4in-12NF	
216	3422692	2	Kingpin	
217	3422848	1	Pin, Hitch	
218	3450812	2	Pin, Cotter 1/4in x 3in	
219	3571975	1	Plate, Tow Bar Pivot	
220	3841143	1	Keeper	
221	3841458	2	Tie-Rod	
222	3841517	2	Rod-End	
223	3900109	4	Screw, Shoulder	
224	4712600	4	Flatwasher 1in Thin	
225	4713000	2	Flatwasher 1-1/4in Thin	
226	4740086	2	Thrustwasher	
227	4740155	2	Thrustwasher	
228	4740491	2	Thrustwasher	
229	4751800	4	Flatwasher 1/2in Regular	
230	4846162	1	Link	
	2780230	Ref	HUB ASSEMBLY	A
301	7020033	2	Cap, Dust (1 per Assembly)	
302	7020034	2	Spindle Assembly (1 per Assembly)	
303	0961951	4	Bushing, Garmax (2 Per Assembly)	
304	0962140	2	Bearing, Garmax (1 per Assembly)	
305	7020035	2	Hub (1 per Assembly) (Includes 306 & 307)	
306	7020036	2	Cup, Bearing - Inner(1 per Assembly)	
307	7020038	2	Cup, Bearing - Outer (1 per Assembly)	
308	7020037	2	Cone, Bearing - Inner (1 per Assembly)	
309	7020039	2	Cone, Bearing - Outer (1 per Assembly)	
310	7020040	2	Seal (1 Per Assembly)	
311	7020041	18	Stud, Wheel (9 Per Assembly)	
313	7020042	18	Lugnut (9 per Assembly)	
314	7020054	2	Nut, Castle (1 per Assembly)	
315	3450608	2	Pin, Cotter (1 Per Assembly)	
316	7020055	2	Washer, Spindle (1 Per Assembly)	

SECTION 1 - FRAME

FIGURE 1-3. AXLE AND STEERING INSTALLATION - 4WD



SECTION 1 - FRAME

FIGURE 1-3. AXLE AND STEERING INSTALLATION - 4WD

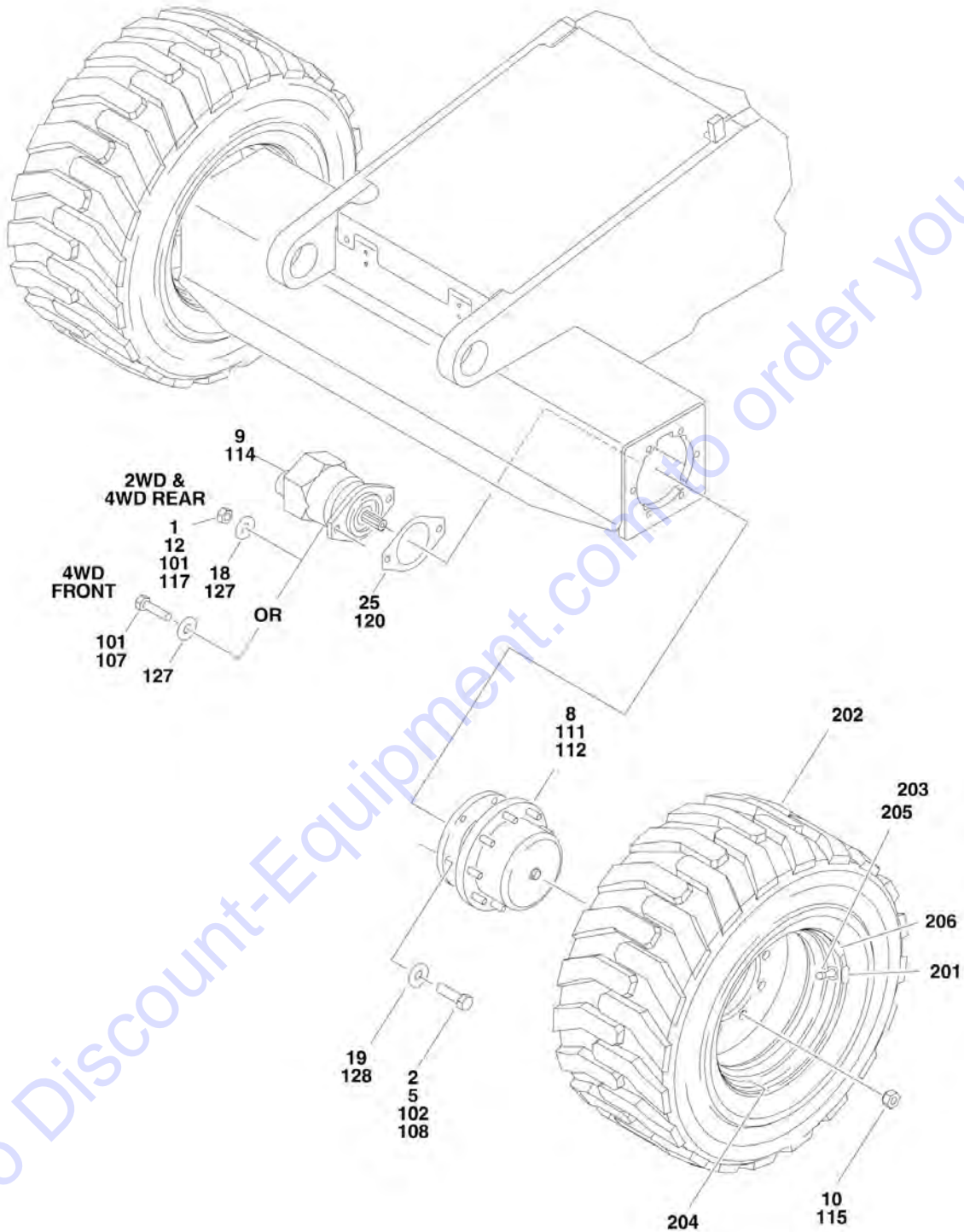
ITEM	PART NUMBER	QTY	DESCRIPTION	REV
		Ref	USA Built Machines use SNs 03xxxxxxxx	
		Ref	Belgium Built Machines use SNs 13xxxxxxxx	
		Ref	Romanian Built Machines use SNs E3xxxxxxxx.	
	0274703	Ref	FIXED AXLE INSTALLATION	B
		Ref	Note: USA Manufacture Only.	
1	0100011	AR	Compound, Locking	
2	0280199	1	Axle Weldment	
2A	0561300	2	Steer Cylinder Mounting Block Assy (Use p/n 1001100424)	
3	0362763	4	Bar, Stop - 3/8in	
4	0362764	2	Bar, Stop - 1/8in Bar	
5	0641616	2	Bolt 3/8in-16NC x 2in	
6	0642012	1	Bolt 5/8in-11NC x 1-1/2in	
7	0961950	2	Bushing, Garmax	
8	3422592	1	Pin, Axle Pivot	
9	3841258	1	Keeper, Pin	
10	4070973	AR	Shim	
11	4220267	2	Plate, Stop	
12	4740158	1	Thrustwasher	
13	4751600	2	Flatwasher 3/8in Regular	
		Ref	OSCILLATING AXLE INSTALLATIONS	
	0274702	Ref	USA Built Machines	C
	0274742	Ref	Belgium Built Machines	A
	0274742	Ref	Romanian Built Machines	A
101	0100011	AR	Compound, Locking	
102	0100019	AR	Compound, Locking	
103		Ref	Axle Weldment Options:	
103	0280199	1	USA Built Machines	
103	0280202	1	Belgium Built Machines	
103A		Ref	Steer Cylinder Mounting Block Assembly Options:	
103A	0561300	2	USA Built Machines (Use p/n 1001100424)	
103A	0561511	2	Belgium Built Machines	
103A	0561511	2	Romanian Built Machines	
104	0641814	8	Bolt 1/2in-13NC x 1-3/4in	
105	0642012	1	Bolt 5/8in-11NC x 1-1/2in	
106	0791506	4	Screw, 5/16in-18NC x 3/4in	
107	0961950	2	Bushing, Garmax	
108	1684465	2	Lockout Cylinder Assembly (See CYLINDER SECTION for Breakdown)	
109	3422592	1	Pin, Axle Pivot	
110	3841258	1	Keeper, Pin	
111	4641265	1	Lockout Valve Assembly	
112	4740158	1	Thrustwasher	
113	4891800	8	Flatwasher, 1/2in Hardened	
		Ref	STEERING INSTALLATION	
	0271011	Ref	USA Built Machines	J
	0272652	Ref	Belgium Built Machines	F
	0272652	Ref	Romanian Built Machines	F
201	0100011	AR	Compound, Locking	
202		Ref	Thrustwasher Options:	
202	4740537	AR	.0625in (Top Kingpin Location)	

SECTION 1 - FRAME

ITEM	PART NUMBER	QTY	DESCRIPTION	REV
202	4740538	AR	.125in (Top Kingpin Location)	
202	4740539	AR	.188in (Top Kingpin Location)	
202	4740540	AR	.250in (Top Kingpin Location)	
202	0440271	AR	All Bottom Kingpin Locations	
203	0641606	16	Bolt 3/8in-16NC x 3/4in	
204		Ref	Bolt Options:	
204	0641824	4	Bolt 1/2in-13NC x 3in	
204	0641826	4	Bolt 1/2in-13NC x 3-1/4in	
205		Ref	Bushing / Bearing	
205	0440291	2	Top Kingpin Location	
205	0440274	2	Bottom Kingpin Location	
206	0962140	2	Bearing, Garmax	
207		Ref	Steer Cylinder Assembly Options (See CYLINDER SECTION for Breakdown):	
207	1684412	1	USA Built Machine	
207	1684246	1	Belgium Built Machines	
207	1684246	1	Romanian Built Machines	
208	3312008	4	Nut 5/8in-11NC	
209	3322201	2	Nut 3/4in-16NC	
210	3423081	4	Kingpin	
211	3841517	2	Rod-End with Grease Fitting	
212	3900109	4	Screw, Shoulder	
214		Ref	Spindle (Left Side) Options:	
214	4130405	1	USA Built Machines	
214	4130406	1	Belgium Built Machines	
214	4130406	1	Romanian Built Machines	
215		Ref	Spindle (Right Side) Options:	
215	4130406	1	USA Built Machines	
215	4130407	1	Belgium Built Machines	
215	4130407	1	Romanian Built Machines	
216	4740086	4	Thrustwasher	
217	4751800	4	Flatwasher 1/2in Regular	
218		Ref	Tie-Rod Options:	
218	4845711	2	USA Built Machines	
218	4846733	2	Belgium Built Machines	
218	4846733	2	Romanian Built Machines	
222	3780182	2	O-Ring	
223	3020029	AR	Grease, Bearing (Not Shown)	

SECTION 1 - FRAME

FIGURE 1-4. TIRE AND WHEEL DRIVE INSTALLATION



SECTION 1 - FRAME

FIGURE 1-4. TIRE AND WHEEL DRIVE INSTALLATION

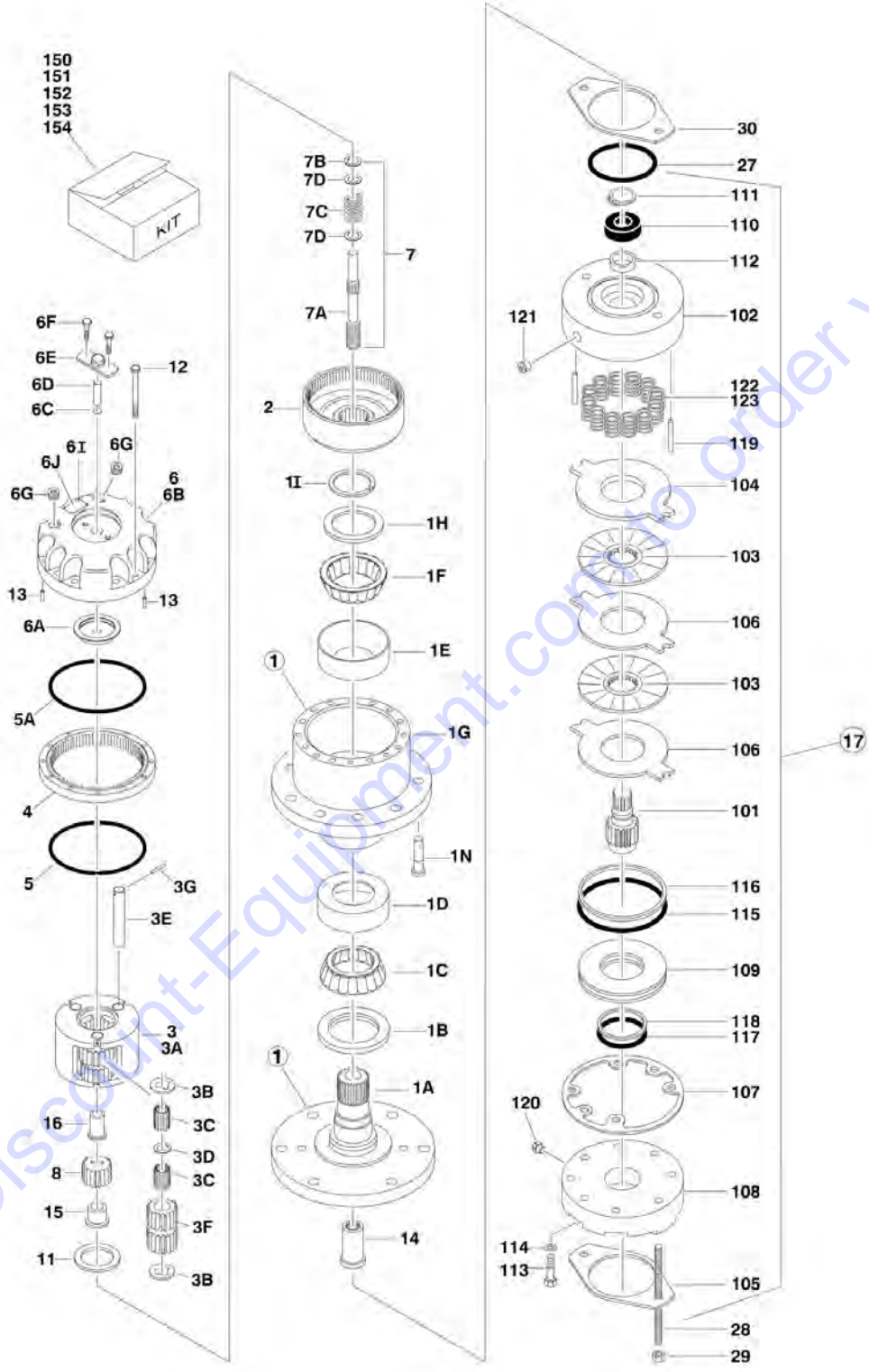
ITEM	PART NUMBER	QTY	DESCRIPTION	REV
	0275853	Ref	WHEEL DRIVE INSTALLATION (2WD)	F
		Ref	Note: USA Manufacture Only.	
1	0100011	AR	Compound, Locking	
2	0100019	AR	Compound, Locking	
5	0682014	12	Bolt 5/8in-11NC x 1-3/4in (Grade 8)	
8	2780267	2	Drive Hub/Brake Assembly (See DRIVE HUB/BRAKE ASSEMBLY (REAR) for Breakdown)	
9	3160351	2	Drive Motor Assembly (See DRIVE MOTOR ASSEMBLY (2WD) for Breakdown)	
10	3300106	18	Lugnut	
12	3311801	4	Nut 1/2in-13NC	
18	4891800	4	Flatwasher 1/2in Hardened	
19	4892000	12	Flatwasher 5/8in Hardened	
25	3960526	2	Gasket	
	0275854	Ref	WHEEL DRIVE INSTALLATIONS (4WD)	C
101	0100011	AR	Compound, Locking	
102	0100019	AR	Compound, Locking	
107	0681810	4	Bolt 1/2in-13NC x 1-1/4in (Grade 8) (Front Axle)	
108	0682014	12	Bolt 5/8in-11NC x 1-3/4in (Grade 8)	
111	2780267	2	Drive Hub/Brake Assembly (Rear) (See DRIVE HUB/BRAKE ASSEMBLY (REAR) for Breakdown)	
112	2780268	2	Drive Hub/Brake Assembly (Front - Not Shown) (See DRIVE HUB ASSEMBLY (FRONT) (4WD ONLY) for Breakdown)	
114	3160348	4	Drive Motor Assembly (See DRIVE MOTOR ASSEMBLY (4WD) for Breakdown)	
115	3300106	36	Lugnut	
117	3311801	4	Nut 1/2in-13NC (Rear Axle)	
120	3960526	4	Gasket	
127	4891800	8	Flatwasher 1/2in Hardened	
128	4892000	24	Flatwasher 5/8in Hardened	
		Ref	TIRE AND WHEEL INSTALLATIONS	
	0258028	Ref	12 x 16.5 Pneumatic (Available on ANSI, ANSI Export, CSA and Japanese Specs)	A
	0272299	Ref	12 x 16.5 Pneumatic TS (Available on ANSI Specs)	1
	0258030	Ref	12 x 16.5 Foam-Filled (Available on all Specs)	A
	0270671	Ref	12 x 16.5 Pneumatic Non-Marking (Available on ANSI, ANSI Export, CSA and Japanese Specs)	B
	0270674	Ref	12 x 16.5 Foam-Filled Non-Marking (Available on All Specs)	B
	0258029	Ref	33/1550 x 16.5 Pneumatic (Available on ANSI, ANSI Export, CSA and Japanese Specs)	B
	0272300	Ref	33/1550 x 16.5 Pneumatic TS (Available on ANSI Specs)	1
	0258031	Ref	33/1550 x 16.5 Foam-Filled (Available on All Specs)	B
	0258831	Ref	33/16LL x 16.1 Pneumatic (Available on 4WD Machines with ANSI, ANSI Export, CSA and Japanese Specs)	A
	1001103501	Ref	33/16LL x 16.1 Pneumatic TS (Available on 4WD Machines with ANSI, ANSI Export, CSA and Japanese Specs)	A
	0259129	Ref	33/16LL x 16.1 Foam-Filled (Available on 4WD Machines/All Specs)	A
	1001113366	Ref	33x6x11Solid Flex (Available on 450AJ Series II with ANSI Spec)	A
	0257740	2	12 x 16.5 Pneumatic Right Side	C
	0272357	2	12 x 16.5 Pneumatic TS Right Side	A

SECTION 1 - FRAME

ITEM	PART NUMBER	QTY	DESCRIPTION	REV
	0257746	2	12 x 16.5 Pneumatic Left Side	C
	0272356	2	12 x 16.5 Pneumatic TS Left Side	A
	0258009	2	12 x 16.5 Foam-Filled Right Side	C
	0258010	2	12 x 16.5 Foam-Filled Left Side	C
	0270672	2	12 x 16.5 Pneumatic Non-Marking Right Side	A
	0270673	2	12 x 16.5 Pneumatic Non-Marking Left Side	A
	0270675	2	12 x 16.5 Foam-Filled Non-Marking Right Side	A
	0270676	2	12 x 16.5 Foam-Filled Non-Marking Left Side	A
	0257755	2	33/1550 x 16.5 Pneumatic Right Side	C
	0272360	2	33/1550 x 16.5 Pneumatic TS Right Side	A
	0257756	2	33/1550 x 16.5 Pneumatic Left Side	C
	0272361	2	33/1550 x 16.5 Pneumatic TS Left Side	A
	0258011	2	33/1550 x 16.5 Foam-Filled Right Side	D
	0258012	2	33/1550 x 16.5 Foam-Filled Left Side	D
	0258830	4	33/16LL x 16.1 Pneumatic	
	1001103502	4	33/16LL x 16.1 Pneumatic TS	
	0259128	4	33/16LL x 16.1 Foam-Filled	
	1001113307	2	33x6x11Solid Left Side	
	1001113308	2	33x6x11Solid Right Side	
		Ref	Note: Assemblies may require ballast/foam filling to manufacture's specifications prior to installing on a machine. Refer to Operation and Safety or Service and Maintenance Manuals. Purchase individual tire and/or rim only if able to foam fill tire and wheel assembly, otherwise, purchase complete assembly.	
201		Ref	Decal Options (Pneumatic Only):	
201	1702740	1	Decal - 90PSI	
201	1703067	1	Decal - 40PSI	
202		Ref	Tire Options:	
202	4520216	1	12 x 16.5 NHS (OTR Brand)	
202	4520240	1	12 x 16.5 Non-Marking	
202	4520217	1	33/1550 x 16.5 NHS (OTR Brand)	
202	4520212	1	33/16LL x 16.1	
203		Ref	Valve Stem Options (Pneumatic Only):	
203	4640113	1	All except 33/1550 x 16.5 Foam-Filled Tire and Wheel Assy	
203	8786514	1	33/1550 x 16.5 Foam-Filled Tire and Wheel Assy Only	
204		Ref	Rim, Wheel Options:	
204	4860178	1	16.5 x 12 (Use with 12 x 16.5 Tires)	
204	4860179	1	16.5 x 12 (Use with 33/1550 x 16.5 Tires)	
204	4860193	1	16.1 x 14 (Use with 33/16LL x 16.1 Tires)	
205	1120552	1	Cap, Valve Stem (TS Tire Only)	
206	1705364	1	Decal - Tire Sealant (TS Tire Only)	

SECTION 1 - FRAME

FIGURE 1-5. DRIVE HUB/BRAKE ASSEMBLY (REAR)



SECTION 1 - FRAME

FIGURE 1-5. DRIVE HUB/BRAKE ASSEMBLY (REAR)

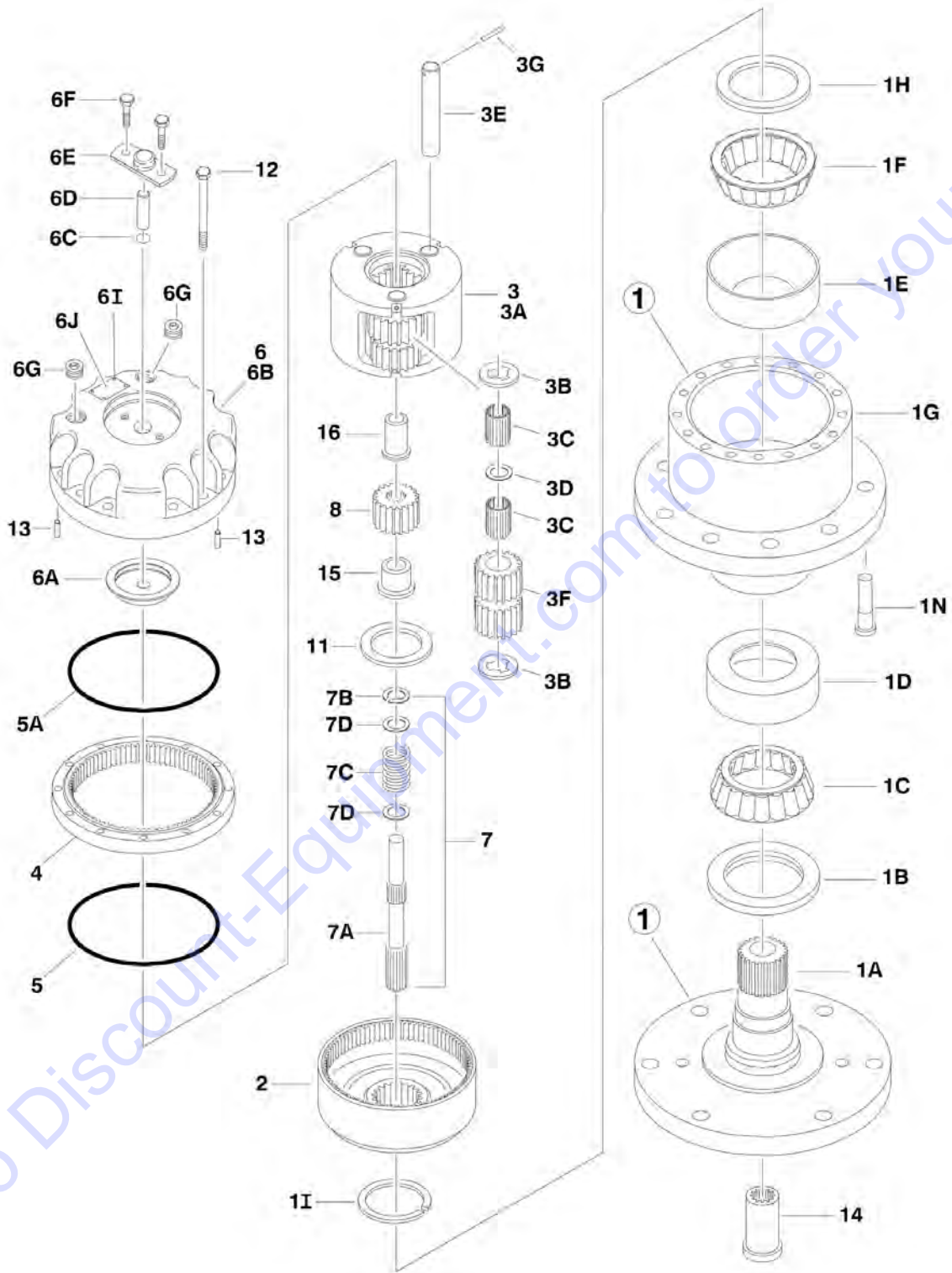
ITEM	PART NUMBER	QTY	DESCRIPTION	REV
	2780267	Ref	DRIVE HUB/BRAKE ASSEMBLY	D
1	See Note	1	Spindle/Housing Assembly (Note: Not Available - Individual Components)	
1A	7017059	1	Spindle	
1B	7001998	1	Seal	
1C	7010429	1	Cone, Bearing (Includes Item 1D)	
1D	7010429	1	Cup, Bearing (Includes Item 1C)	
1E	7000257	1	Cup, Bearing	
1F	7000258	1	Cone, Bearing	
1G	7007601	1	Housing/Ring Gear	
1H	7000232	1	Thrustwasher	
1I	7000229	1	Ring, Retaining	
1N	7007640	9	Stud, Wheel	
2	7000246	1	Gear, Internal	
3	7024712	1	Carrier Assembly	
3A	7024712	1	Carrier	
3B	7024712	6	Ring, Retaining	
3C	7024712	AR	Bearing, Needle	
3D	7024712	3	Thrustwasher	
3E	7024712	3	Shaft, Planet	
3F	7024712	3	Gear, Planet	
3G	7024712	3	Rollpin	
4	7000248	1	Ring Gear	
5	7000230	1	O-Ring	
5A	7017070	1	O-Ring	
6	70001349	1	Cover Assembly (was p/n 7017090)	
6A	70001349	1	Spacer, Thrust (was p/n 7017097)	
6B	70001349	1	Plate, Cover (was p/n 7017091)	
6C	70001349	1	O-Ring (was p/n 7017095)	
6D	70001349	1	Rod, Disconnect (was p/n 7017092)	
6E	70001349	1	Cap, Disengage (was p/n 7017093)	
6F	70001349	2	Bolt (was p/n 0641404)	
6G	7017094	1	Plug, Pipe	
6I	See Note	4	Rivet (Note: Not Available - Purchase Locally)	
6J	See Note	1	Plate, ID (Note: Not Available for Purchase)	
7		Ref	Input Shaft Assembly	
7A	7024714	1	Shaft	
7B	7000261	1	Ring, Retaining	
7C	7000262	1	Spring	
7D	7000263	2	Spacer, Thrust	
8	7024713	1	Gear, Sun	
11	7000253	1	Thrustwasher	
12	7017067	12	Bolt	
13	7017080	4	Pin, Dowell	
14	7000206	1	Coupling	
15	7024715	1	Spacer, Input	
16	7024716	1	Spacer, Input	
17	7024182	1	Brake Assembly (See Items 101-154 for Breakdown)	
27	7024705	1	O-Ring	
28	7024717	2	Rod, Threaded	

SECTION 1 - FRAME

ITEM	PART NUMBER	QTY	DESCRIPTION	REV
29	7024718	2	Nut 1/2in-13NC	
30	70005483	1	Gasket	
	7024182	Ref	BRAKE ASSEMBLY	
101	7024189	1	Shaft	
102	7024182	1	Housing	
103	7024193	2	Plate, Friction	
104	7024193	1	Plate, Pressure	
105	7000731	1	Gasket	
106	7024193	2	Plate, Outer	
107	See Note	1	Gasket (Note: Use Item 150, 153 or 154.)	
108	7024191	1	Cylinder	
109	7024192	1	Piston	
110	See Note	1	Bearing, Ball (Note: Use Item 154)	
111	See Note	1	Ring, Retaining (Note: Use Item 154)	
112	See Note	1	Seal, Shaft (Note: Use Item 154)	
113	See Note	6	Capscrew (Note: Not Available - Purchase Locally)	
114	See Note	6	Lockwasher (Note: Not Available - Purchase Locally)	
115	7024194	1	O-Ring	
116	7024194	1	Ring, Back-up	
117	7024194	1	O-Ring	
118	7024194	1	Ring, Back-up	
119	7024190	2	Pin, Dowel	
120	See Note	1	Plug (Note: Not Available - Purchase Locally)	
121	See Note	2	Plug (Note: Not Available - Purchase Locally)	
122	7024196	10	Spring Kit (Natural)	
123	7024196	2	Spring Kit (Blue)	
150	70006429	1	Seal Kit, Hub (Includes Items 1I, 5, 5A & 12)	
150	70006428	1	Seal & Bearing Kit, Hub (Includes Items 1C-1F, 1I, 5, 5A & 12)	
150	7024194	1	Seal Kit, Brake (Includes Items 105, 107 & 115-118)	
151	7024196	1	Spring Kit, Brake (Includes 12 Natural Colored Springs Item 122) (was p/n 7024195)	
152	7024196	1	Spring Kit, Brake (Includes 12 Natural Colored Springs Item 122 & 2 Blue Colored Springs Item 123)	
153	7024193	1	Friction Disc Kit, Brake (Includes Items 103, 104, 106 & 107)	
154	7024197	1	Bearing Kit - 7024182 Brake (Includes Items 107 & 110-112)	

SECTION 1 - FRAME

FIGURE 1-6. DRIVE HUB ASSEMBLY (FRONT) (4WD ONLY)



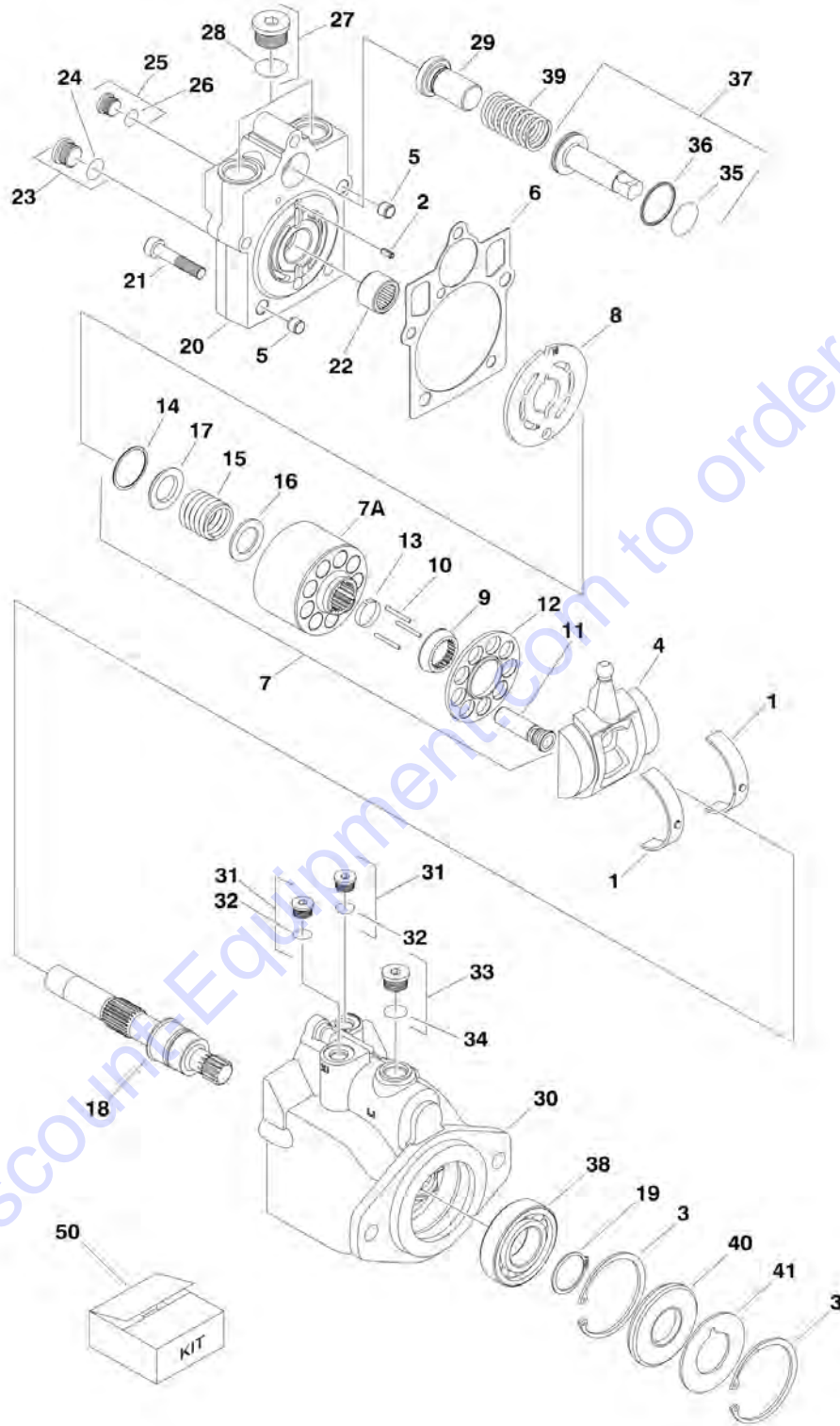
SECTION 1 - FRAME

FIGURE 1-6. DRIVE HUB ASSEMBLY (FRONT) (4WD ONLY)

ITEM	PART NUMBER	QTY	DESCRIPTION	REV
	2780268	Ref	DRIVE HUB ASSEMBLY	C
1	See Note	1	Spindle/Housing Assembly (Note: Not Available - Individual Components)	
1A	7017059	1	Spindle	
1B	7001998	1	Seal	
1C	7010429	1	Cone, Bearing (Includes Item 1D)	
1D	7010429	1	Cup, Bearing (Includes Item 1C)	
1E	7000257	1	Cup, Bearing	
1F	7000258	1	Cone, Bearing	
1G	7007601	1	Housing/Ring Gear	
1H	7000232	1	Thrustwasher	
1I	7000229	1	Ring, Retaining	
1N	7007640	9	Stud, Wheel	
2	7000246	1	Gear, Internal	
3	7024712	1	Carrier Assembly	
3A	7024712	1	Carrier	
3B	7024712	6	Ring, Retaining	
3C	7024712	AR	Bearing, Needle	
3D	7024712	3	Thrustwasher	
3E	7024712	3	Shaft, Planet	
3F	7024712	3	Gear, Planet	
3G	7024712	3	Rollpin	
4	7000248	1	Ring Gear	
5	7000230	1	O-Ring	
5A	7017070	1	O-Ring	
6	70001349	1	Cover Assembly (was p/n 7017090)	
6A	70001349	1	Spacer, Thrust (was p/n 7017097)	
6B	70001349	1	Plate, Cover (was p/n 7017091)	
6C	70001349	1	O-Ring (was p/n 7017095)	
6D	70001349	1	Rod, Disconnect (was p/n 7017092)	
6E	70001349	1	Cap, Disengage (was p/n 7017093)	
6F	70001349	2	Bolt (was p/n 0641404)	
6G	7017094	1	Plug, Pipe	
6I	See Note	4	Rivet (Note: Not Available - Purchase Locally)	
6J	See Note	1	Plate, ID (Note: Not Available for Purchase)	
7		Ref	Input Shaft Assembly	
7A	7024714	1	Shaft	
7B	7000261	1	Ring, Retaining	
7C	7000262	1	Spring	
7D	7000263	2	Spacer, Thrust	
8	7024713	1	Gear, Sun	
11	7000253	1	Thrustwasher	
12	7017067	12	Bolt	
13	7017080	4	Pin, Dowel	
14	7000206	1	Coupling	
15	7024715	1	Spacer, Input	
16	7024716	1	Spacer, Input	
150	70006429	1	Seal Kit, Hub (Includes Items 1I, 5, 5A & 12) (Not Shown)	
150	70006428	1	Seal & Bearing Kit, Hub (Includes Items 1C-1F, 1I, 5, 5A & 12) (Not Shown)	

SECTION 1 - FRAME

FIGURE 1-7. DRIVE MOTOR ASSEMBLY (2WD)



SECTION 1 - FRAME

FIGURE 1-7. DRIVE MOTOR ASSEMBLY (2WD)

ITEM	PART NUMBER	QTY	DESCRIPTION	REV
	3160351	Ref	DRIVE MOTOR ASSEMBLY (2WD)	B
1	7022302	2	Bearing, Journal	
2	7007446	1	Pin	
3	7007438	2	Ring, Retaining	
4	7022305	1	Swashplate	
5	See Note	2	Pin (Note: Not Available for Purchase)	
6	7022328	1	Gasket	
7	7023907	1	Cylinder Block Kit (Includes Items 7A & 9-17)	
7A	7023907	1	Block, Cylinder	
8	7023908	1	Plate, Valve	
9	7021277	1	Guide, Slipper Retainer	
10	7021275	3	Pin, Slipper Hold Down	
11	7023907	9	Piston Assembly	
12	7021276	1	Retainer, Hold Down Pin	
13	7023907	1	Retainer, Slipper	
14	7022311	1	Ring, Retaining	
15	7022312	1	Spring	
16	7024868	1	Washer	
17	7022314	1	Retainer, Spring	
18	7023910	1	Shaft	
19	7007439	1	Ring, Retaining	
20	70000797	1	Cap, End - Axial	
21	7022368	5	Screw	
22	7021249	1	Bearing, Needle	
23	2220886	1	Plug (Includes Item 24)	
24	7022328	1	O-Ring	
25	2220883	1	Plug (Includes Item 26)	
26	7022328	1	O-Ring	
27	7027419	2	Plug (Includes Item 28)	
28	7022328	2	O-Ring	
29	7024853	1	Seat, Spring	
30	3160351	1	Housing	
31	2220883	2	Plug (Includes Item 32)	
32	7022328	2	O-Ring	
33	2220886	1	Plug (Includes Item 34)	
34	7022328	1	O-Ring	
35	7022328	1	O-Ring	
36	7022328	1	Ring, Seal	
37	7024854	1	Piston, Servo (Includes Items 35 & 36)	
38	7007437	1	Bearing	
39	7022326	1	Spring	
40	7022328	1	Seal, Lip	
41	7022371	1	Washer, Support	
50	7022328	1	Seal Kit (Includes Items 6, 24, 26, 28, 32, 34, 35, 36 & 40)	

SECTION 1 - FRAME

FIGURE 1-8. DRIVE MOTOR ASSEMBLY (4WD)

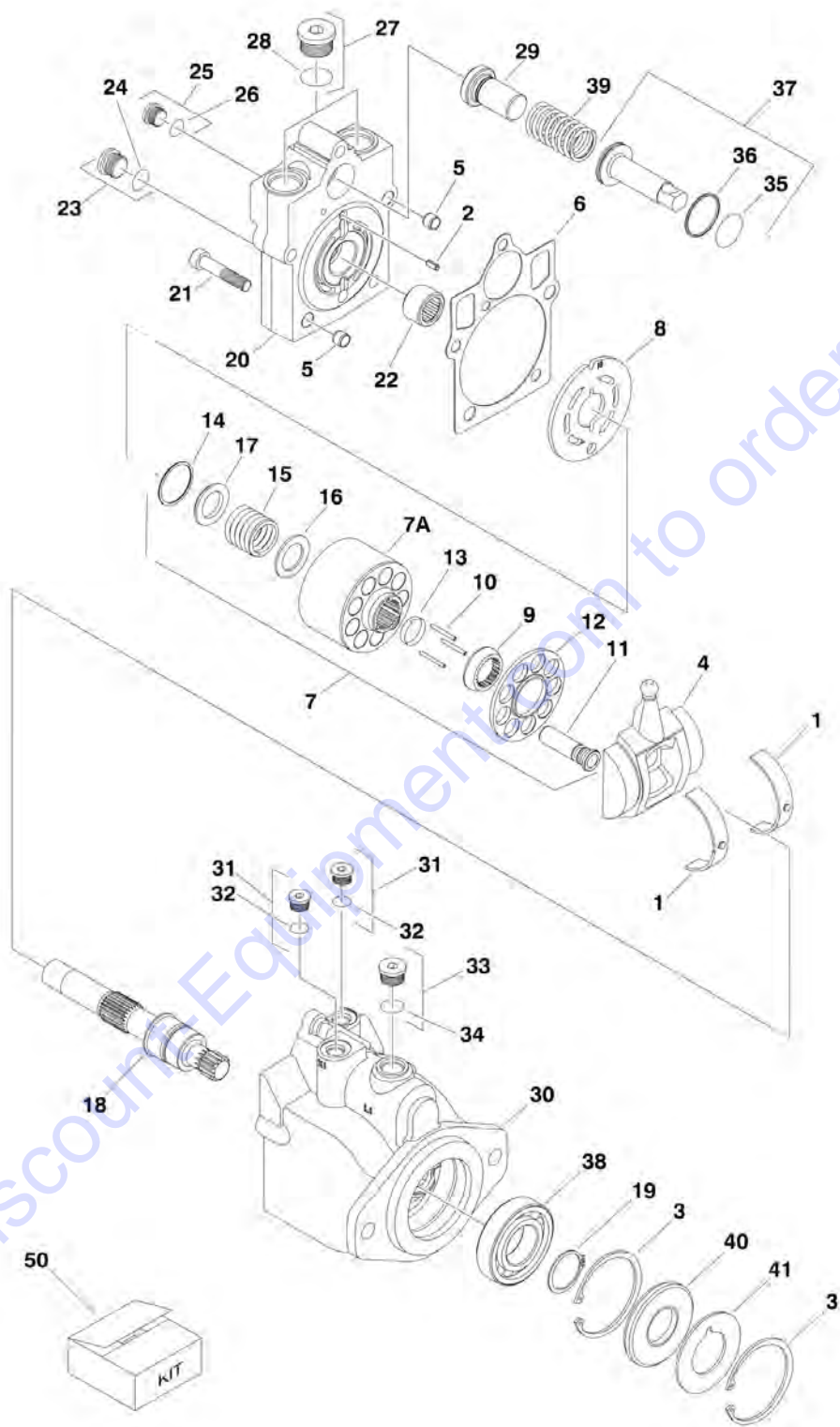
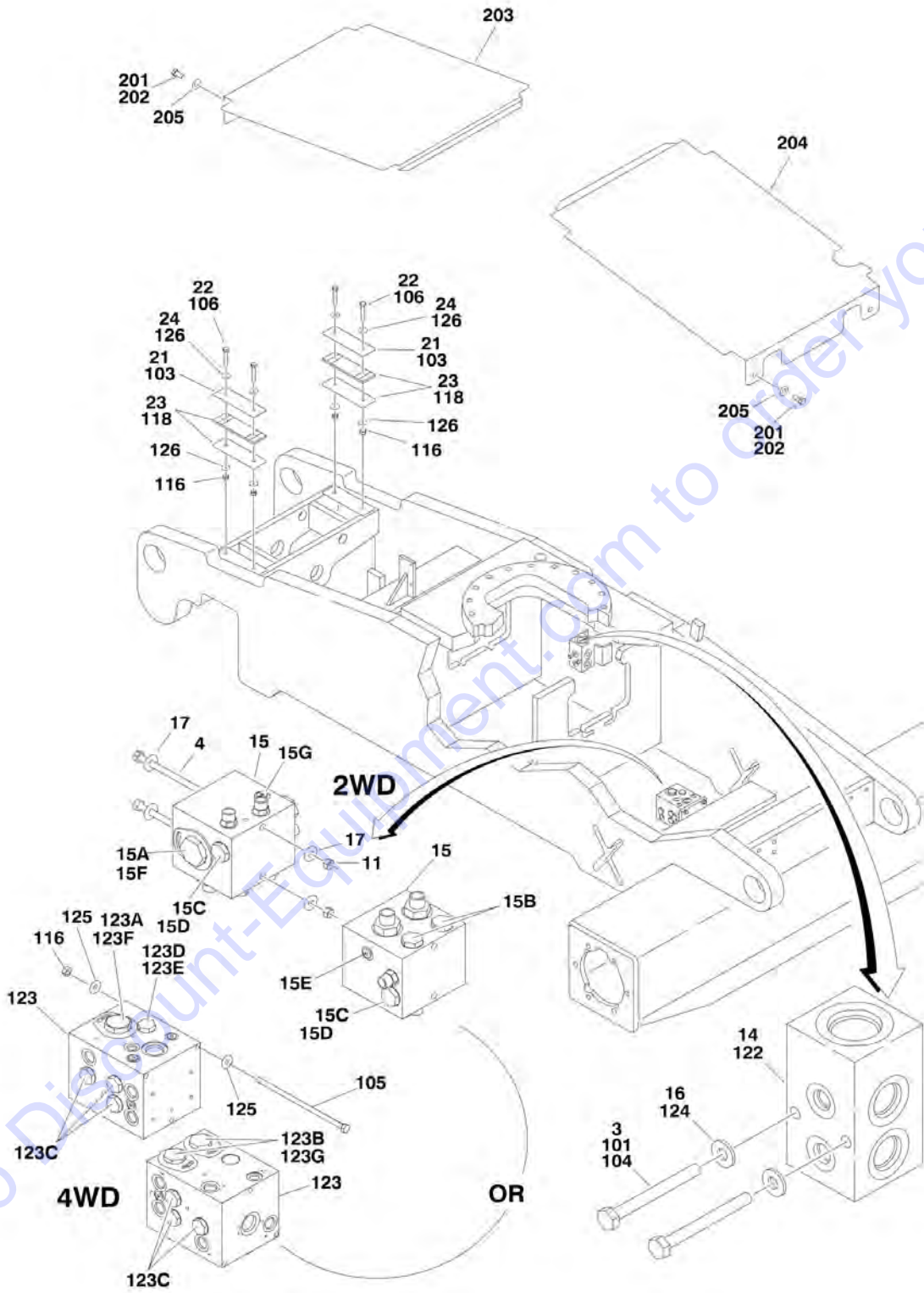


FIGURE 1-8. DRIVE MOTOR ASSEMBLY (4WD)

ITEM	PART NUMBER	QTY	DESCRIPTION	REV
	3160348	Ref	DRIVE MOTOR ASSEMBLY (4WD)	B
1	7022302	2	Bearing, Journal	
2	7007446	1	Pin	
3	7007438	2	Ring, Retaining	
4	7022305	1	Swashplate	
5	See Note	2	Pin (Note: Not Available for Purchase)	
6	7022328	1	Gasket	
7	7023907	1	Cylinder Block Kit (Includes Items 7A & 9-17)	
7A	7023907	1	Block, Cylinder	
8	7023908	1	Plate, Valve	
9	7021277	1	Guide, Slipper Retainer	
10	7021275	3	Pin, Slipper Hold Down	
11	7023907	9	Piston Assembly	
12	7021276	1	Retainer, Hold Down Pin	
13	7022310	1	Retainer, Slipper	
14	7022311	1	Ring, Retaining	
15	7022312	1	Spring	
16	7024868	1	Washer	
17	7022314	1	Retainer, Spring	
18	7023910	1	Shaft	
19	7007439	1	Ring, Retaining	
20	70000797	1	Cap, End - Axial	
21	7022368	5	Screw	
22	7021249	1	Bearing, Needle	
23	2220886	1	Plug (Includes Item 24)	
24	7022328	1	O-Ring	
25	2220883	1	Plug (Includes Item 26)	
26	7022328	1	O-Ring	
27	2220888	2	Plug (Includes Item 28)	
28	7022328	2	O-Ring	
29	7022372	1	Seat, Spring	
30	3160348	1	Housing	
31	2220883	2	Plug (Items Item 32)	
32	7022328	2	O-Ring	
33	2220886	1	Plug (Items Item 34)	
34	7022328	1	O-Ring	
35	7022328	1	O-Ring	
36	7022328	1	Ring, Seal	
37	7024854	1	Piston, Servo (Includes Items 35 & 36)	
38	7007437	1	Bearing	
39	7022326	1	Spring	
40	7022328	1	Seal, Lip	
41	7022371	1	Washer, Support	
50	7022328	1	Seal Kit (Includes Items 6, 24, 26, 28, 32, 34, 35, 36 & 40)	

SECTION 1 - FRAME

FIGURE 1-9. DRIVE VALVES AND FRAME SHIELDS INSTALLATION



SECTION 1 - FRAME

FIGURE 1-9. DRIVE VALVES AND FRAME SHIELDS INSTALLATION

ITEM	PART NUMBER	QTY	DESCRIPTION	REV
	0275853	Ref	DRIVE VALVES INSTALLATION - 2WD	F
		Ref	Note: 2WD Models Manufactured in USA Only.	
3	0641420	2	Bolt 1/4in-20NC x 2-1/2in	
4	0641542	2	Bolt 5/16in-18NC x 5-1/4in	
11	3311505	2	Locknut 5/16in-18NC	
14	4641155	1	Valve, Junction Manifold	B
15	4641509	1	Valve, Flow Divider (2WD) (Use p/n 1001099390)	
		Ref	Note: Original Equipment Valve may have been replaced with Service Replacement Valve p/n 1001099390. Identify p/n stamped on Valve before ordering parts.	
15A	7023917	1	Valve, Cartridge (4641509 & 1001099390 Valves)	
15A	7021625	1	Seal Kit - 7023917 Cartridge	
15B	7022397	2	Valve, Cartridge (4641509 & 1001099390 Valves)	
15B	7022399	AR	Seal Kit - 7022397 Cartridge	
15C	7021639	2	Valve, Cartridge (4641509 Valve)	
15C	7017496	AR	Seal Kit - 7021639 Cartridge (was p/n 2900756)	
15C	70002390	2	Valve, Cartridge (1001099390 Valve)	
15C	7022399	AR	Seal Kit - 70002390 Cartridge	
15D	7024881	1	Piston (4641509 & 1001099390 Valves)	
15E	7024844	1	Plug (4641509 & 1001099390 Valves)	
15F	70000781	1	Lockdown Kit (4641509 & 1001099390 Valves)	
15G	7017406	1	Plug (1001099390 Valve)	
16	4711400	2	Flatwasher 1/4in Thin	
17	4751500	4	Flatwasher 5/16in Regular	
21	0363012	2	Bar, Clamping	
22	0641618	4	Bolt 3/8in-16NC x 2-1/4in	
23	3340911	4	Rubber, Clamp	
24	4751600	4	Flatwasher 3/8in Regular	
	0275854	Ref	DRIVE VALVES INSTALLATIONS - 4WD	C
101	0100011	AR	Compound, Locking	
103	0363012	2	Bar, Clamping	
104	0641420	2	Bolt 1/4in-20NC x 2-1/2in	
105	0641560	3	Bolt 5/16in-18NC x 7-1/2in	
106	0641618	4	Bolt 3/8in-16NC x 2-1/4in	
116	3311505	AR	Locknut 5/16in-18NC	
118	3340911	4	Rubber, Clamp	
122	4641155	1	Valve, Junction Manifold	B
123	4641510	1	Flow Divider Valve Assembly	D
123A	7023917	1	Valve, Cartridge (Flow Divider)	
123A	7021625	1	Seal Kit - 7021625 Flow Divider Cartridge	
123B	7023934	2	Valve, Cartridge (Flow Divider)	
123B	7021655	2	Seal Kit - 7023934 Flow Divider Cartridge	
123C	7022397	6	Valve, Cartridge (Check)	
123C	7022399	6	Seal Kit - 7022397 Check Cartridge	
123D	7021639	2	Valve, Cartridge (Check)	
123D	7017496	2	Seal Kit - 7021639 Check Cartridge (was p/n 2900756)	
123E	7024881	1	Piston, Pilot	
123F	70000781	1	Lockdown Kit (Port FD1)	
123G	70003962	2	Lockdown Kit (Ports FD2 & FD3)	
124	4711400	2	Flatwasher 1/4in Thin	

SECTION 1 - FRAME

ITEM	PART NUMBER	QTY	DESCRIPTION	REV
125	4751500	6	Flatwasher 5/16in Regular	
126	4751600	AR	Flatwasher 3/8in Regular	
	0274688	Ref	FRAME SHIELDS INSTALLATION	A
201	0100011	AR	Compound, Locking	
202	0641607	4	Bolt 3/8in-16NC x 7/8in	
203	3380610	1	Shield, Frame (Front)	
204	4061021	1	Shield, Frame (Rear)	
205	4751600	4	Flatwasher 3/8in Regular	

Go to Discount-Equipment.com to order your parts

SECTION 1 - FRAME

FIGURE 1-10. TOW BAR INSTALLATION (OPTIONAL)

ITEM	PART NUMBER	QTY	DESCRIPTION	REV
		Ref	Note: Only Available on 2WD Machines.	
	0259845	Ref	TOW BAR INSTALLATION - 2WD	B
2	0641505	2	Bolt 5/16in-18NC x 5/8in	
7	3572102	1	Plate (Weld on Part)	
9	3841329	1	Rod, Extension	
10	4640261	1	Steer/Tow Select Valve	
11	4711500	2	Flatwasher 5/16in	
12	4761600	1	Lockwasher 3/8in	
	0259853	Ref	TOW BAR ASSEMBLY	B
101	0362910	1	Pintle, Draw Eye	
102	0682016	4	Bolt 5/8in-11NC x 2in	
103	0741607	24	Flat Head Socket Screw 3/8in-16NC x 5/8in	
104	1060584	6	Cable, Lanyard	
105	3272005	4	Locknut 5/8in-11NC	
106	0100011	AR	Compound, Locking	
107	3420372	2	Pin, Cotter	
108	3420447	1	Pin, Towing	
109	3421565	2	Pin, Snapper	
110	3422841	2	Pin	
111	3422847	1	Pin	
112	3572009	2	Plate, Slide Stop	
113	3572010	2	Plate, Slide Stop	
114	3572011	2	Plate, Slide Stop	
115	3572012	2	Plate, Slide Stop	
116	3760170	8	Ring, Split	
117	4568033	1	Tube, Tow Bar	
118	0721004	8	Screw #10-24NC x 1/2in	
119	4740036	1	Flatwasher	
120	4751000	2	Flatwasher #10 (Wide)	
121	4846168	1	Weldment, Tow Bar Attach	
122	4846169	1	Weldment, Pintle Attach	
		Ref	TOW BAR DECAL INSTALLATION	
	0270115	Ref	English Language (ANSI and ANSI Export Specs)	1
	0270119	Ref	English/Spanish Language (Dual Language) (ANSI Export Specs)	1
	0270116	Ref	Spanish Language (CE Spec)	1
201		Ref	Decal - Tow Instructions (Not Shown Located on Frame Shield)	
201	1704482	1	English Language (ANSI and ANSI Export Specs)	
201	1704457	1	English/Spanish Language (Dual Language) (ANSI Export Specs)	
201	1704455	1	Spanish Language (CE Spec)	
202		Ref	Decal - Crushing	
202	1704578	3	English Language (ANSI and ANSI Export Specs)	
202	1704577	3	English/Spanish Language (Dual Language) (ANSI Export Specs)	
202	1701518	3	Spanish Language (CE Spec)	
203		Ref	Decal - Warning	
203	1703450	1	English Language (ANSI and ANSI Export Specs)	
203	1704576	1	English/Spanish Language (Dual Language) (ANSI Export Specs)	

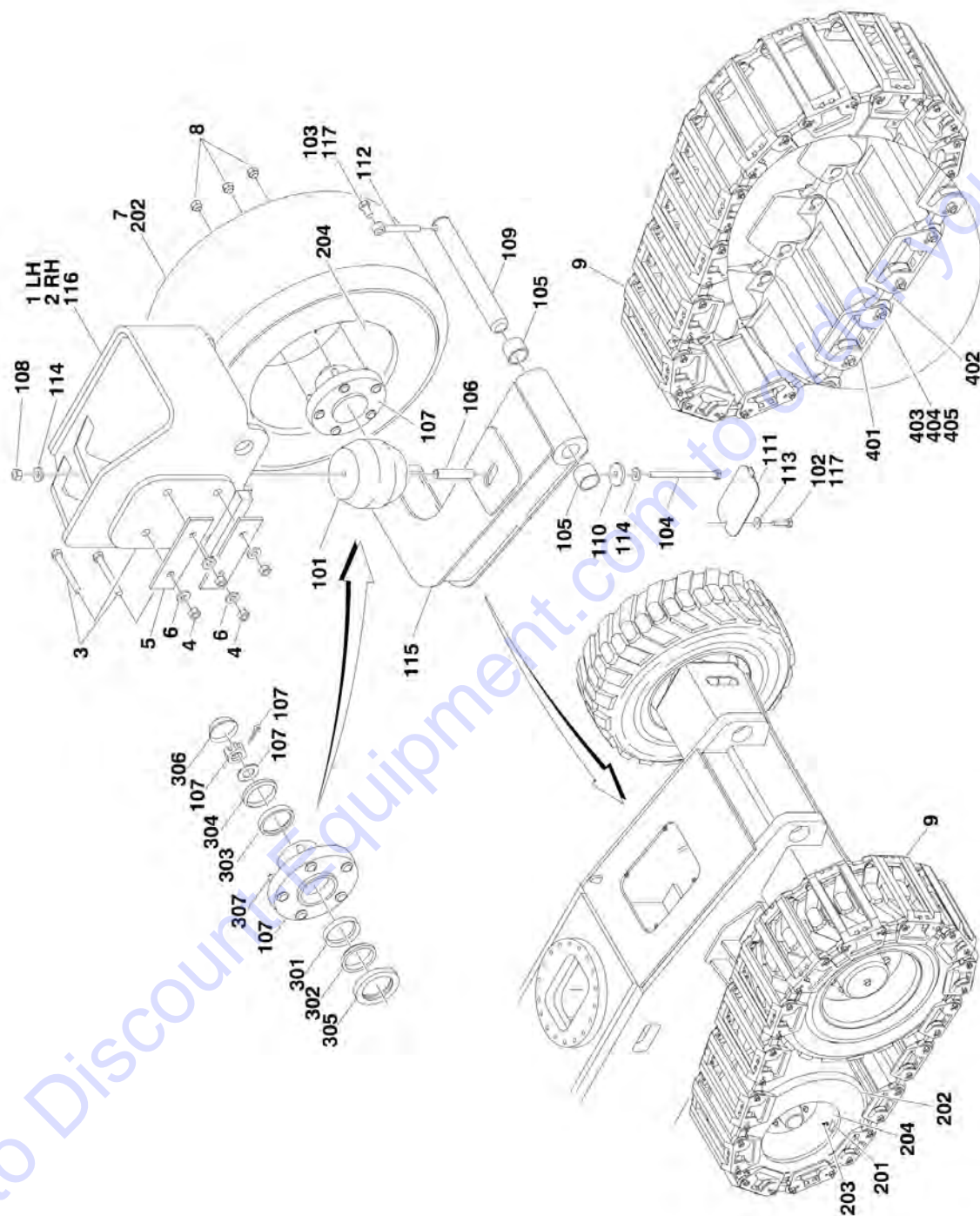
SECTION 1 - FRAME

ITEM	PART NUMBER	QTY	DESCRIPTION	REV
203	1704456	1	Spanish Language (CE Spec)	
204		Ref	Nameplate - Steer/Tow Select Valve	
204	3250872	1	English Language (ANSI and ANSI Export Specs)	
204	3252693	1	English/Spanish Language (Dual Language) (ANSI Export Specs)	
204	3252692	1	Spanish Language (CE Spec)	
205	3820001	4	Rivet	
206	4420051	43 in/1.1m	Tape	

Go to Discount-Equipment.com to order your parts

SECTION 1 - FRAME

FIGURE 1-11. SEMI-TRACK INSTALLATION



SECTION 1 - FRAME

FIGURE 1-11. SEMI-TRACK INSTALLATION

ITEM	PART NUMBER	QTY	DESCRIPTION	REV
		Ref	SEMI-TRACK INSTALLATIONS	
	0271384	Ref	IDLER INSTALLATION	2
1	0271380	1	Mount, Idler (Left) (See Items 101-117 for Breakdown)	
2	0271379	1	Mount, Idler (Right) (See Items 101-117 for Breakdown)	
3	0681832	8	Bolt 1/2in-13NC x 4in (Grade 8)	
4	3271805	8	Locknut 1/2in-13NC (Grade 8)	
5	3571860	4	Plate, Spacer	
6	4891800	8	Flatwasher 1/2in Hardened	
		Ref	TRACK INSTALLATIONS	
	0271385	Ref	12in Steel Track	1
7	0270029	2	Wheel Assembly (See Items 201-204 for Breakdown):	
8	3300255	10	Nut	
9	0270086	2	Track (See Items 401-405 for Breakdown)	
		Ref	IDLER MOUNT ASSEMBLIES	
	0271380	Ref	Left Side	A
	0271379	Ref	Right Side	A
101	0020005	1	Absorber, Rubber Spring	
102	0641408	1	Bolt 1/4in-20NC x 1in	
103	0641808	1	Bolt 1/2in-13NC x 1in	
104	0681856	1	Bolt 1/2in-13NC x 7in (Grade 8)	
105	0961948	2	Bearing	
106	0962293	1	Bushing, Track Spring	
107	2780221	1	Hub Assembly (See Items 301-307 for Breakdown)	
108	3271805	1	Locknut 1/2in-13NC (Grade 8)	
109	3422786	1	Pin	
110	3571818	1	Plate	
111	3571833	1	Cover, Bottom	
112	3841203	1	Keeper, Pin	
113	4711400	1	Flatwasher 1/4in Thin	
114	4891800	2	Flatwasher 1/2in Hardened	
115		Ref	Arm Weldment Options:	
115	4846419	1	Left Side	
115	4846418	1	Right Side	
116		Ref	Bracket Weldment Options:	
116	4846114	1	Left Side	
116	4846126	1	Right Side	
117	0100011	AR	Compound, Locking	
		Ref	WHEEL ASSEMBLIES	
	0270029	Ref	12in Track	B
201	1704586	1	Decal, Tire Pressure	
202	4520224	1	Tire	
203	4640113	1	Valve, Air	
204	4860218	1	Rim, Wheel	
	2780221	Ref	HUB ASSEMBLY	-
301	7012519	1	Cup, Inner Bearing	
302	7012520	1	Cone, Inner Bearing	
303	7012521	1	Cup, Outer Bearing	
304	7012522	1	Cone, Outer Bearing	
305	7012523	1	Seal	
306	1001102354	1	Cap, Dust (was p/n 7012524)	

SECTION 1 - FRAME

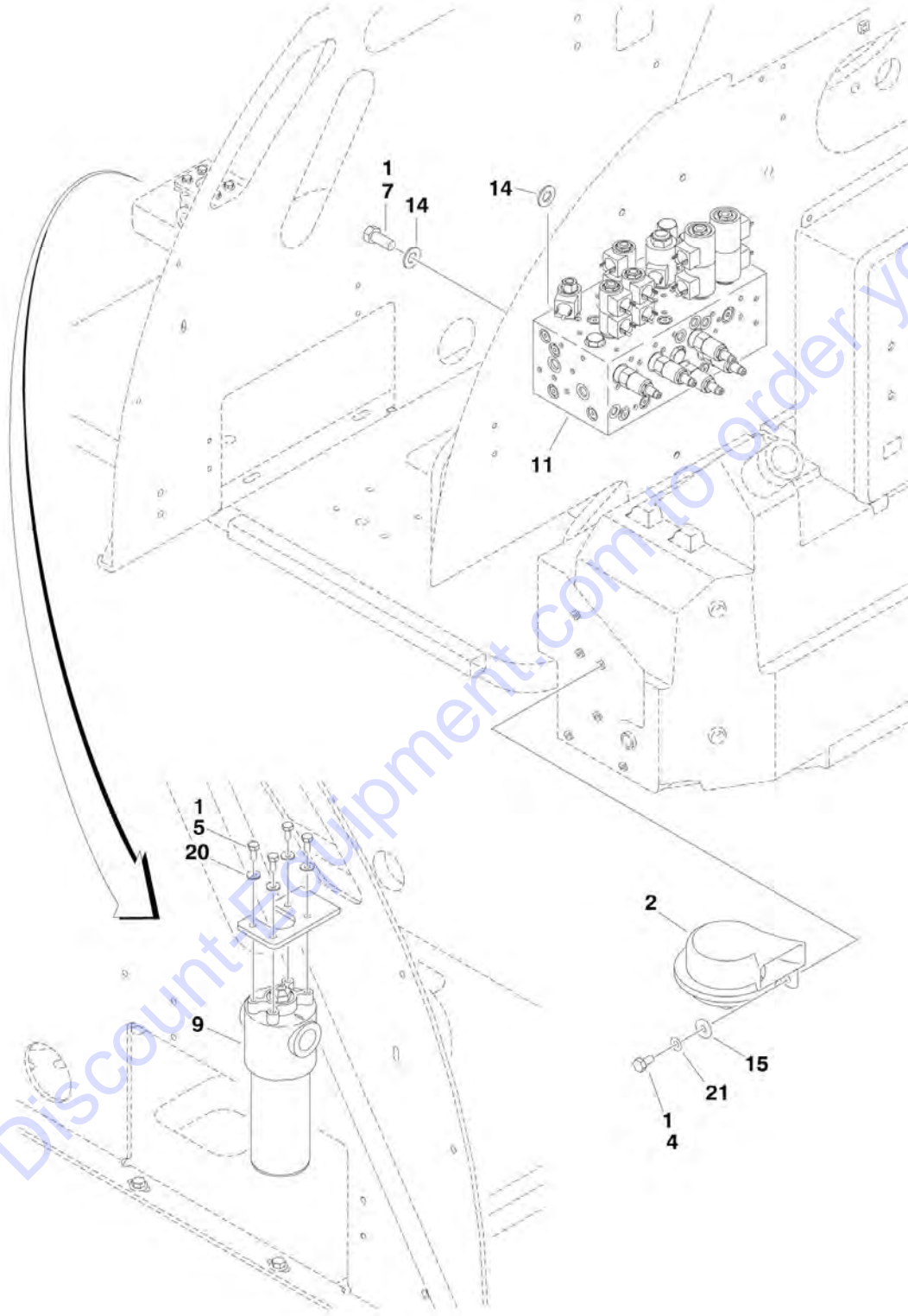
ITEM	PART NUMBER	QTY	DESCRIPTION	REV
307	7016360	1	Stud, Wheel 1/2in-20NF	
	2900804	1	Bearing Kit (Includes Qty 1 of Items 301-305)	
		Ref	STEEL TRACK ASSEMBLY	
	0270086	Ref	12in Steel Track	
401		Ref	Pad Options:	
401	7020279	30	12in Track Pad	
401	7020280	30	12in Track Pad Complete with Links, Bushings and Hdw	
402	7020281	AR	Link (2 Per Pad)	
403	7020282	AR	Bushing (4 Per Pad)	
404	7020283	AR	Bolt, Carriage 1/2in-NF x 1-7/8in (4 Per Pad)	
405	7020284	AR	Nut 1/2in-NF (4 Per Pad)	
		Ref	Track Rebuild Kits Options:	
	7020285	1	Hardware and Bushing Kit for 12in Steel Track	
	7020286	1	Link, Hardware and Bushing Kit for 12in Steel Track	
		Ref	TREAD ACCESSORIES (NOT SHOWN)	
	0270180	Ref	Soft Puck	C
		Ref	Puck, Soft Options:	
	0240152	32	Puck (Mounts Across Center of Track Pad) (USA Built Machines)	
	0240152	32	Puck (Mounts Across Center of Track Pad) (Belgium Built Machines)	
	3576939	32	Plate, Puck Mounting (Mounts Across Center of Track Pad) (Belgium Built Machines) (SN 1300002349 to Present)	
	0270186	Ref	Flotation Plate	A
	0240050	64	Plate, Flotation	

SECTION 2 - TURNTABLE

Go to Discount-Equipment.com to order your parts

SECTION 2 - TURNTABLE

FIGURE 2-1. CONTROL VALVE INSTALLATION



SECTION 2 - TURNTABLE

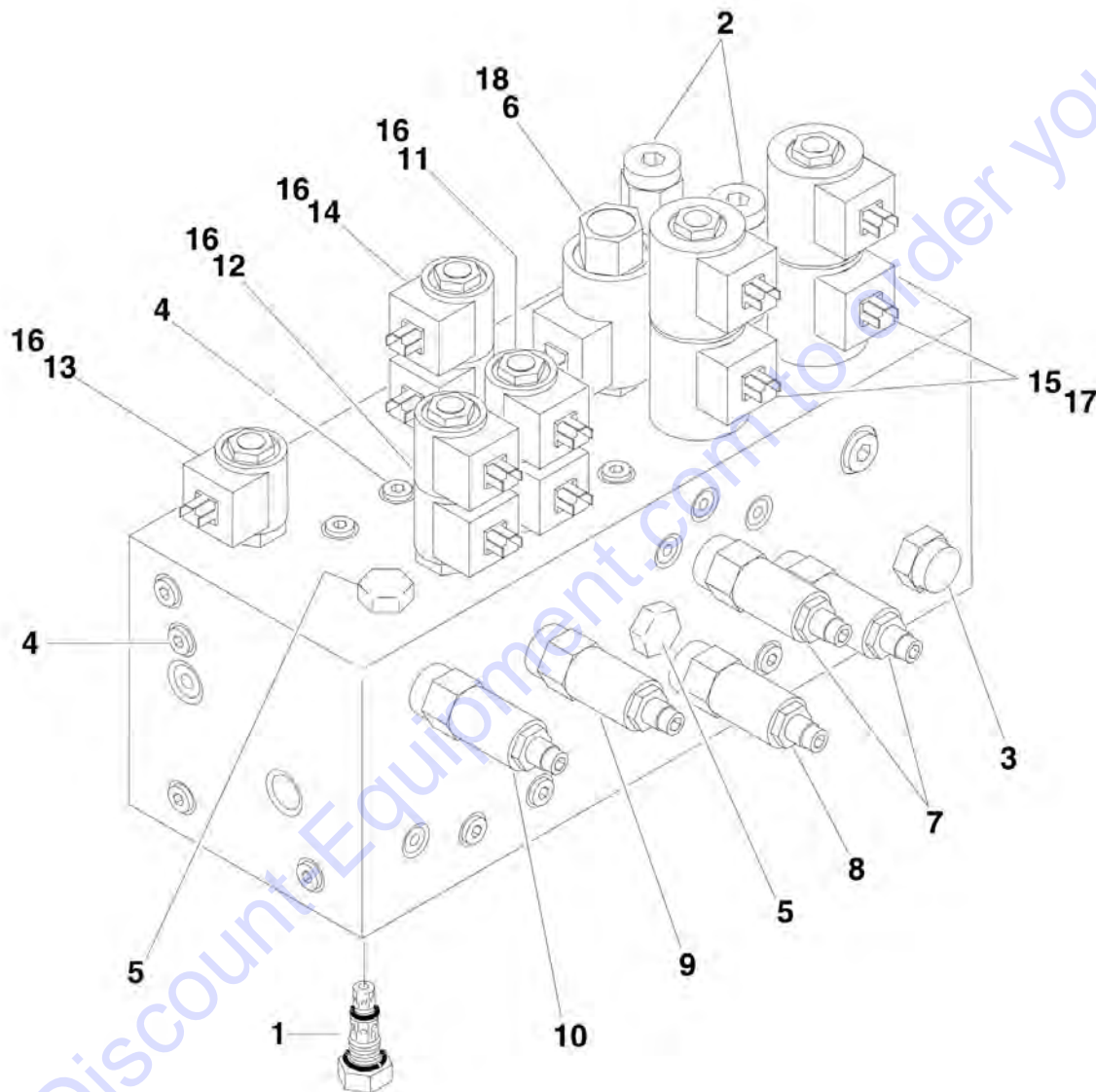
FIGURE 2-1. CONTROL VALVE INSTALLATION

ITEM	PART NUMBER	QTY	DESCRIPTION	REV
		Ref	VALVES INSTALLATIONS	
	0274615	Ref	Valves Installations 450A Series II	A
	0274616	Ref	Valves Installations 450AJ Series II	A
1	0100011	AR	Compound, Locking	
2	0140001	1	Horn	
4	0641404	1	Bolt 1/4in-20NC x 1/2in	
5	0651405	4	Bolt 1/4in-24NF x 5/8in	
7	0641607	4	Bolt 3/8in-16NC x 7/8in	
9	2120209	1	Pressure Filter Assembly	
9	2120210		Element, Filter	
9	7020020	1	Indicator	
9	70000934	1	O-Ring, Filter Bowl	
11	4641176	1	Main Control Valve Assembly (See MAIN CONTROL VALVE ASSEMBLY for Breakdown)	
14	4711600	10	Flatwasher 3/8in Thin	
15	4751400	1	Flatwasher 1/4in Regular	
20	4711400	4	Flatwasher 1/4in Thin	
21	4791400	1	Starwasher 1/4in	

Go to Discount-Equipment.com to order your parts

SECTION 2 - TURNTABLE

FIGURE 2-2. MAIN CONTROL VALVE ASSEMBLY



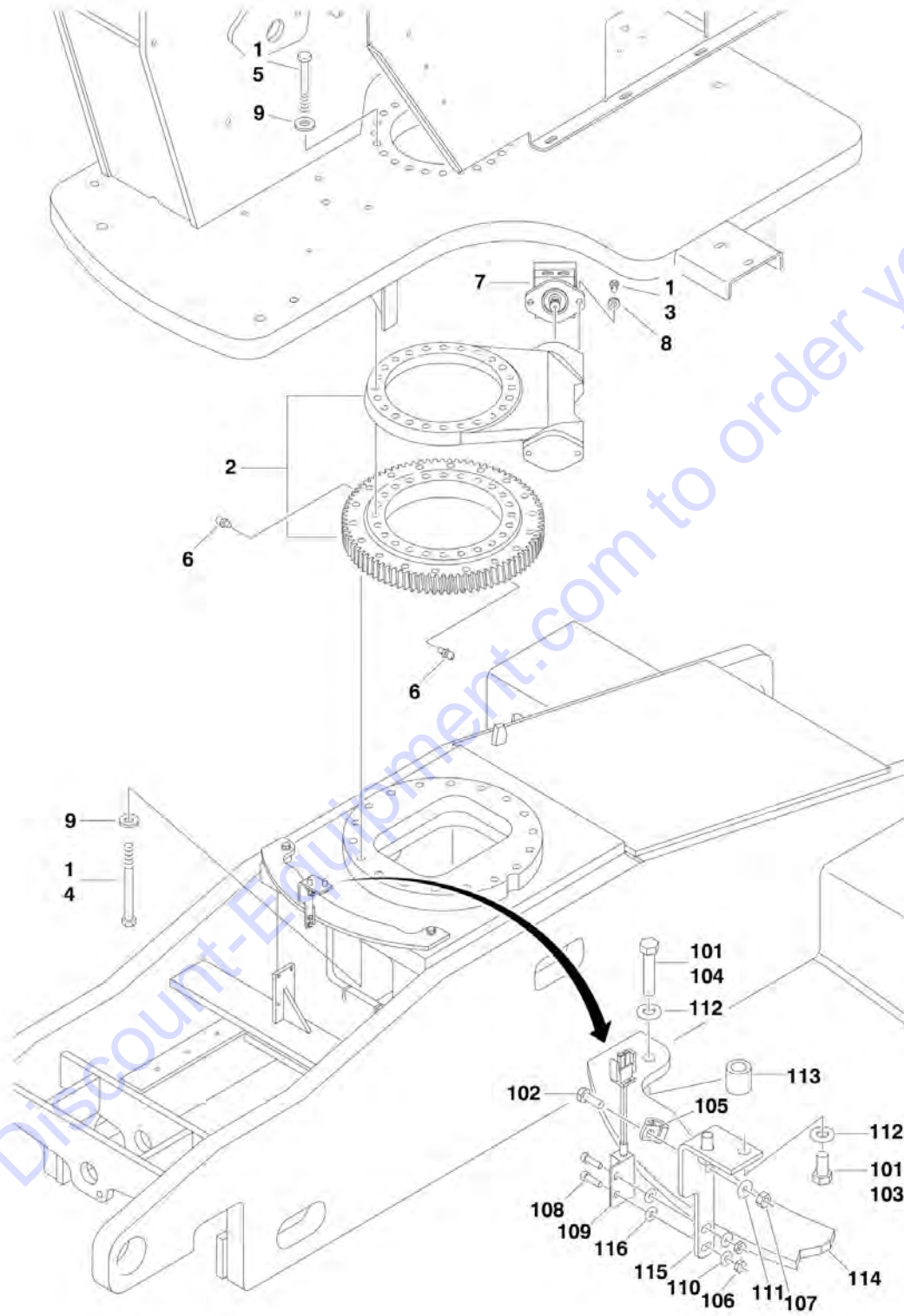
SECTION 2 - TURNTABLE

FIGURE 2-2. MAIN CONTROL VALVE ASSEMBLY

ITEM	PART NUMBER	QTY	DESCRIPTION	REV
	4641176	Ref	PROPORTIONAL VALVE ASSEMBLY	E
1	7012975	1	Cartridge, Check	
1	7012540	1	Seal Kit - 7012975 Cartridge	
2	7017482	2	Cartridge	
2	70003649	2	Seal Kit - 7017482 Cartridge (was p/n 7012518)	
3	7023970	1	Cartridge, Flow Regulator	
3	7012953	1	Seal Kit - 7023970 Cartridge	
4	7017440	3	Cartridge, Load Shuttle	
4	7017441	3	Seal Kit - 7017440 Cartridge	
5	7010542	2	Cartridge, Load Shuttle	
5	7010543	2	Seal Kit - 7010542 Cartridge	
6	7021611	1	Cartridge (Proportional Dump)	
6	7012518	1	Seal Kit - 7021611 Cartridge	
7	7023913	2	Cartridge, Relief (Telescope and Lower Lift)	
7	7012998	2	Seal Kit - 7023913 Cartridge	
8	7017422	1	Cartridge, Relief (Steer)	
8	7012998	1	Seal Kit - 7017422 Cartridge	
9	7017421	1	Cartridge, Relief (Upper Lift)	
9	7012998	1	Seal Kit - 7017421 Cartridge	
10	7017428	1	Cartridge, Relief (Swing)	
10	7012998	1	Seal Kit - 7017428 Cartridge	
11	7023922	1	Cartridge without Coil (Upper Lift)	
11	7017402	1	Seal Kit - 7023922 Cartridge	
12	7023914	1	Cartridge without Coil (Swing)	
12	7017402	1	Seal Kit - 7023914 Cartridge	
13	7017410	1	Cartridge without Coil (Main Dump)	
13	7012967	1	Seal Kit - 7017410 Cartridge	
14	7017433	1	Cartridge without Coil (Steer)	
14	7017402	1	Seal Kit - 7017433 Cartridge	
15	7017454	2	Cartridge without Coil (Lower Lift and Telescope)	
15	7012903	2	Seal Kit - 7017454 Cartridge	
16	7012944	7	Coil	
17	7012943	4	Coil	
18	7017451	1	Coil	

SECTION 2 - TURNTABLE

FIGURE 2-3. TURNTABLE AND SWING DRIVE INSTALLATIONS



SECTION 2 - TURNTABLE

FIGURE 2-3. TURNTABLE AND SWING DRIVE INSTALLATIONS

ITEM	PART NUMBER	QTY	DESCRIPTION	REV
		Ref	USA Built Machines use SNs 03xxxxxxx	
		Ref	Belgium Built Machines use SNs 13xxxxxxx	
		Ref	Romanian Built Machines use SNs E3xxxxxxx	
		Ref	SWING DRIVE INSTALLATIONS	
	0273358	Ref	SWING DRIVE INSTALLATION (DOHI)	D
	1001153365	Ref	SWING DRIVE INSTALLATION (JING WEI)	A
1	0100019	AR	Compound, Locking	
2		Ref	Swing Bearing and Rotation Box Assembly Options (See SWING BEARING AND ROTATION BOX ASSEMBLY for Breakdown):	
2	0440272	NLA	Swing Bearing and Rotation Box Assembly (DOHI) (use p/n 1001231278)	
2	1001153016	NLA	Swing Bearing and Rotation Box Assembly (JING WEI) (use p/n 1001231278)	
3		Ref	Bolt 1/2in-13NC Options:	
3	0641818	2	2-1/4in Length (USA Built Machines) (SN 0300124000 through 0300137174)	
3	0641818	1	2-1/4in Length (Belgium Built Machines) (SN 1300006000 through 1300006700)	
3	3931832	2	2in Length (USA Built Machines) (SN 0300137175 through 0300160834)	
3	3931832	2	2in Length (Belgium Built Machines) (SN 1300006701 to Present)	
3	3931832	2	2in Length (Romanian Built Machines) (SN E300000001 through E300001114)	
4	0682040	18	Bolt 5/8in-11NC x 5in (Grade 8)	
5	0682048	24	Bolt 5/8in-11NC x 6in (Grade 8)	
6	2160001	2	Fitting, Grease	
7		Ref	Swing Motor Assembly Options (See SWING MOTOR ASSEMBLY for Breakdown):	
7	3160287	1	Motor for USA Built Machines (SN 0300124000 through 0300137174)	
7	3160287	1	Motor for Belgium Built Machines (SN 1300006000 through 1300006700)	
7	1001104850	1	Motor for USA Built Machines (SN 0300137175 through 0300160834)	
7	1001104850	1	Motor for Belgium Built Machines (SN 1300006701 to Present)	
7	1001104850	1	Motor for Romanian Built Machines (SN E300000001 through E300001114)	
8		Ref	Flatwasher 1/2in Options:	
8	4891800	2	Hardened - USA Built Machines (SN 0300124000 through 0300137174)	
8	4891800	2	Hardened -Belgium Built Machines (SN 1300006000 through 1300006700)	
8	4740171	2	Special - USA Built Machines (SN 0300137175 through 0300160834)	
	4740171	1	Special -Belgium Built Machines (SN 1300006701 to Present)	
	4740171	1	Special -Romanian Built Machines (SN E300000001 through E300001114)	
9	4892000	42	Flatwasher 5/8in	
9	1001102695	Ref	DRIVE ORIENTATION INSTALLATION (USA BUILT MACHINES) (SN 0300137906 through 0300160834)	D
9	1001102695	Ref	DRIVE ORIENTATION INSTALLATION (BELGIUM BUILT MACHINES) (SN 1300006701 to Present)	D
9	1001102695	Ref	DRIVE ORIENTATION INSTALLATION (ROMANIAN BUILT	D

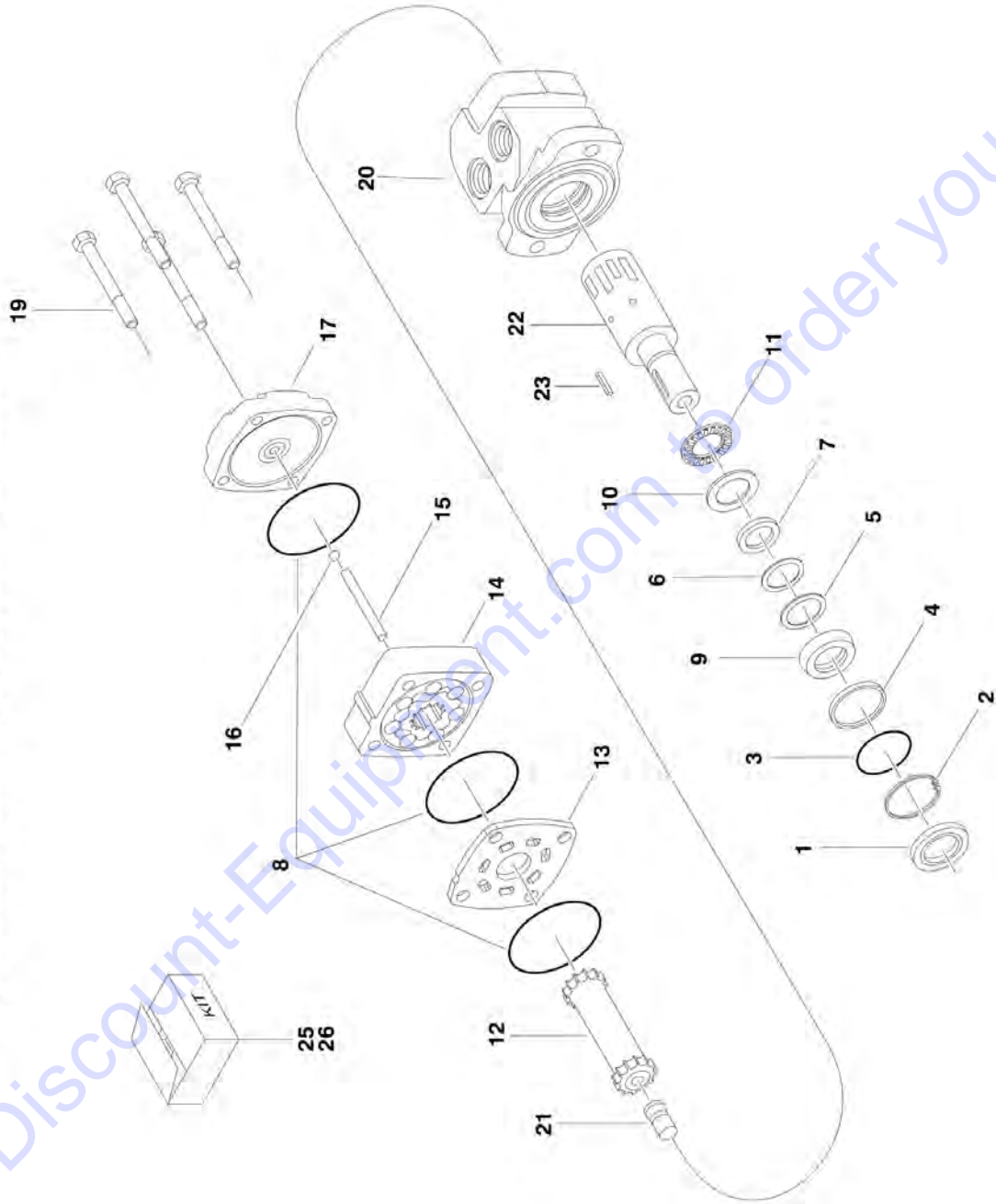
SECTION 2 - TURNTABLE

ITEM	PART NUMBER	QTY	DESCRIPTION	REV
			MACHINES) (SN E300000001 through E300001114)	
101	0100011	AR	Compound, Locking	
102	0641406	1	Bolt 1/4in-20NC x 3/4in	
103	0641606	2	Bolt 3/8in-16NC x 3/4in	
104		Ref	Fastener Options:	
104	0641614	2	Hex Bolt 3/8in-16NC x 1-3/4in	
104	88261039	2	Button Head Screw 3/8in-16NC x 2in	
105	1320041	1	Clamp	
106	3311005	2	Locknut #10	
107	3311405	1	Locknut 1/4in-20NC	
108	3931010	2	Screw #10-24 x 5/8in	
109	4360517	1	Switch, Proximity	
109	4460320	1	Connector, Male	
109	4460227	2	Pin, Male	
110	4711000	2	Flatwasher #10 Regular	
111	4711400	1	Flatwasher 1/4in Thin	
112	4711600	4	Flatwasher 3/8in Thin	
113	1001145163	2	Spacer (was p/n 7116691 & 1001114757)	
114	1001102526	1	Cam	
115	1001102527	1	Bracket, Switch	
116	4740120	2	Flatwasher, Special	

SECTION 2 - TURNTABLE

FIGURE 2-4. SWING MOTOR ASSEMBLY

NOTE: FOR APPLICATION - SEE USAGE CHART ON PARTS LIST



SECTION 2 - TURNTABLE

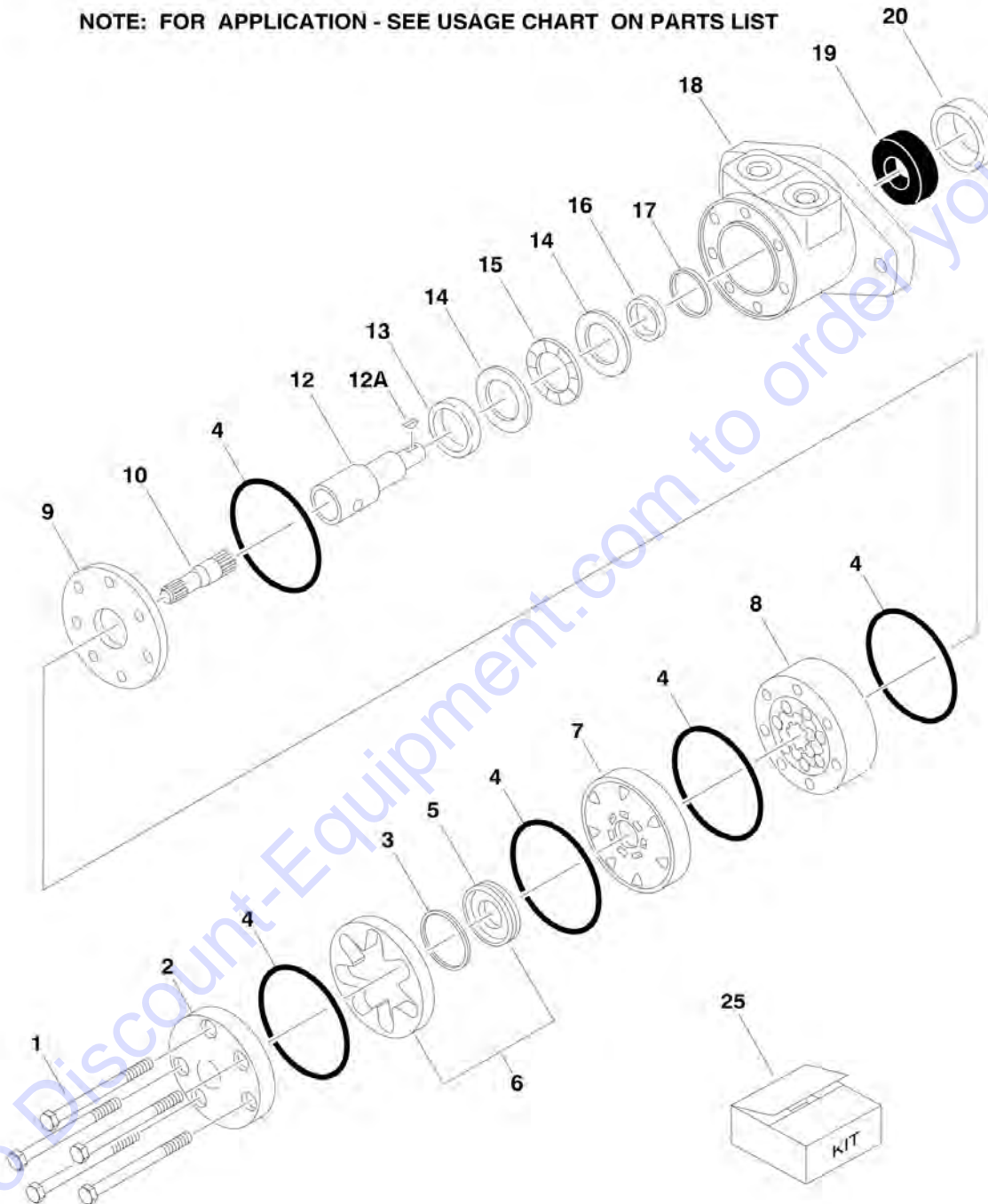
FIGURE 2-4. SWING MOTOR ASSEMBLY

ITEM	PART NUMBER	QTY	DESCRIPTION	REV
		Ref	Usage Chart:	
		Ref	Original Equipment Motor for Machines and Machines (SN 0300124000 through 0300137175, SN 1300006000 through 1300006701)	
		Ref	Note: Original Equipment motor p/n 3120287 may have been replaced with Service Replacement motor p/n 1001105455. Visually identify motor before ordering parts.	
	3160287	Ref	SWING MOTOR ASSEMBLY	A
1	2900477	1	Seal, Dust	
2	2900477	1	Ring, Retaining	
3	2900477	1	Shim, Metal Back-Up	
4	2900477	1	Seal, High Pressure	
5	2900477	1	Shim, Metal Back-Up	
6	2900477	1	Shim, Teflon Back-Up	
7	2900477	1	Seal, Shaft	
8	2900477	3	Seal, Body	
9	2900477	1	Washer, Carrier	
10	2900477	1	Thrustwasher	
11	See Note	1	Bearing, Thrust (Note: Not Available - Purchase Complete Motor)	
12	See Note	1	Link, Drive (Note: Not Available - Purchase Complete Motor)	
13	See Note	1	Plate, Wear (Note: Not Available - Purchase Complete Motor)	
14	7016432	1	Rotor Set Assembly	
15	7016433	1	Pin, Drive Link	
16	See Note	1	Ball (Note: Not Available - Purchase Complete Motor)	
17	See Note	1	Cover, End (Note: Not Available - Purchase Complete Motor)	
18	See Note	1	Nameplate (Note: Not Available for Purchase)	
19	7016434	1	Bolt Set (Includes 4 Bolts)	
20	7016435	1	Housing	
21	7016435	1	Plug, Cooling	
22	7005843	1	Shaft	
23	7005887	1	Key	
25	2900477	1	Seal Kit (Includes Items 1-10)	
26	7016435	1	Housing/Shaft Kit (Includes Items 20-23)	

SECTION 2 - TURNTABLE

FIGURE 2-5. SWING MOTOR ASSEMBLY

NOTE: FOR APPLICATION - SEE USAGE CHART ON PARTS LIST



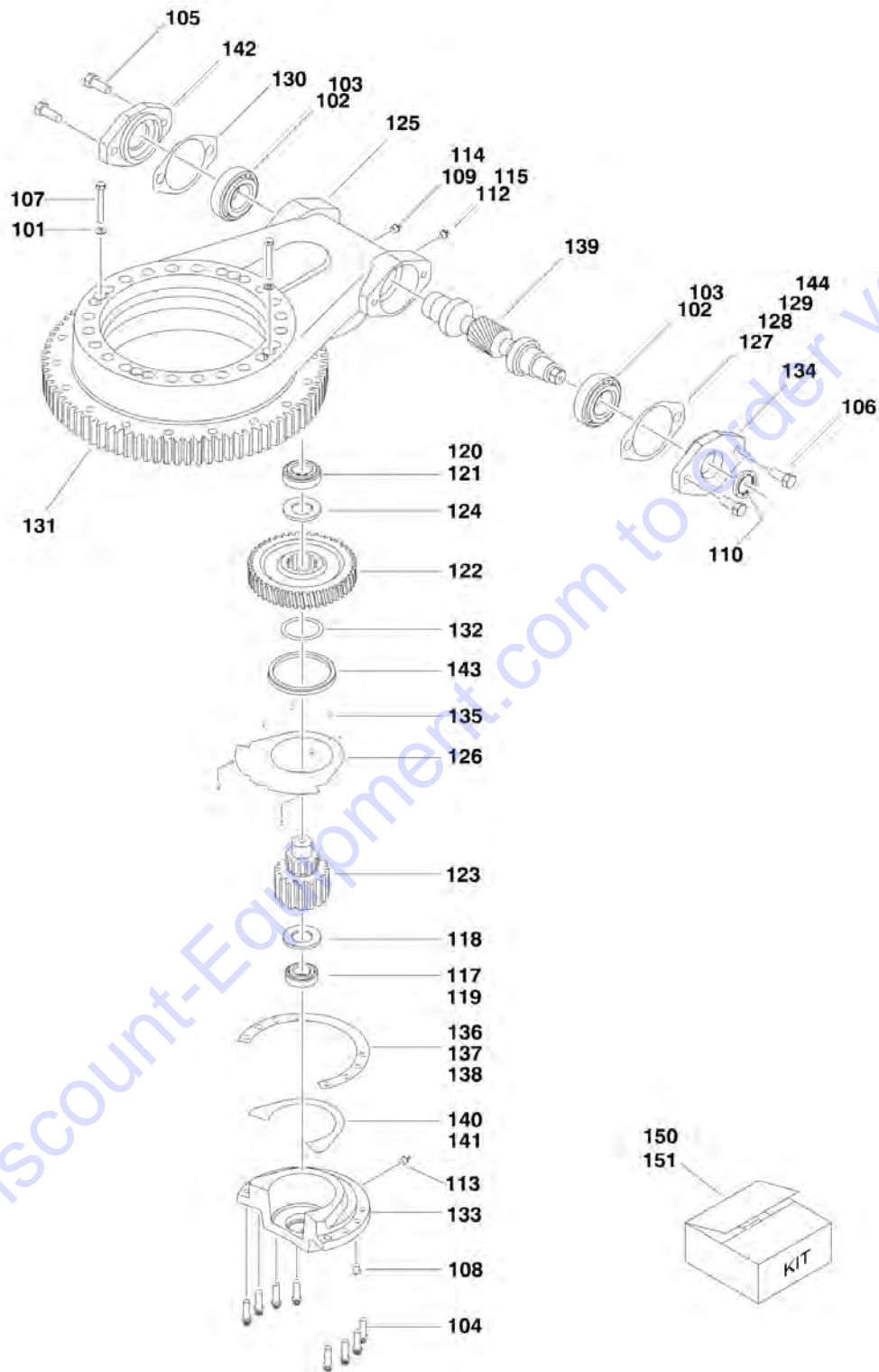
SECTION 2 - TURNTABLE

FIGURE 2-5. SWING MOTOR ASSEMBLY

ITEM	PART NUMBER	QTY	DESCRIPTION	REV
		Ref	USAGE CHART: Original Equipment Motor for Machines SN 0300137175 to SN 0300160834 & Machines SN 1300006701 to Present and Machines SN E300000001 to SN E300001114 Service Replacement Motor for Machines SN 0300124000 to SN 0300137175 and Machines SN 1300006000 to SN 1300006701	
		Ref	Note: Original Equipment motor p/n 3120287 may have been replaced with Service Replacement motor p/n 1001105455. Visually identify motor before ordering parts.	
		Ref	SWING MOTOR ASSEMBLY	
	1001105455	Ref	Service Replacement for Machines and Machines (SN 0300124000 through 0300137174, SN 1300006000 through 1300006700)	A
	1001104850	Ref	Original Equipment for Machines and Machines and Machines (SN 0300137175 through 0300160834, SN 1300006701 to Present, SN E300000001 through E300001114)	A
1	See Note	5	Bolt (Note: Not Available for Purchase)	
2	7004035	1	Cover, End	
3	7023318	1	Seal, Commutator	
4	7004036	5	O-Ring	
5	7024453	1	Commutator	
6	7024453	1	Commutator and Ring Assembly (Includes Items 5)	
7	7024379	1	Manifold	
8	70002206	1	Rotor Set	
9	7024380	1	Plate, Wear	
10	70002207	1	Link, Drive	
12	70000088	1	Shaft, Coupling	
12A	70000089	1	Key	
13	7024381	1	Bushing, Inner	
14	7004043	1	Thrustwasher	
15	7004044	1	Bearing, Thrust	
16	7004049	1	Seal, Inner Shaft	
17	7004045	1	Ring, Backup	
18	See Note	1	Housing (Note: Not Available - Purchase Complete Motor)	
19	7024390	1	Bearing	
20	7004047	1	Seal, Outer Shaft	
25	7024389	1	Seal Kit (Includes Items 3, 4, 16, 17 & 20)	

SECTION 2 - TURNTABLE

FIGURE 2-6. SWING BEARING AND ROTATION BOX ASSEMBLY (ORIGINAL EQUIPMENT)



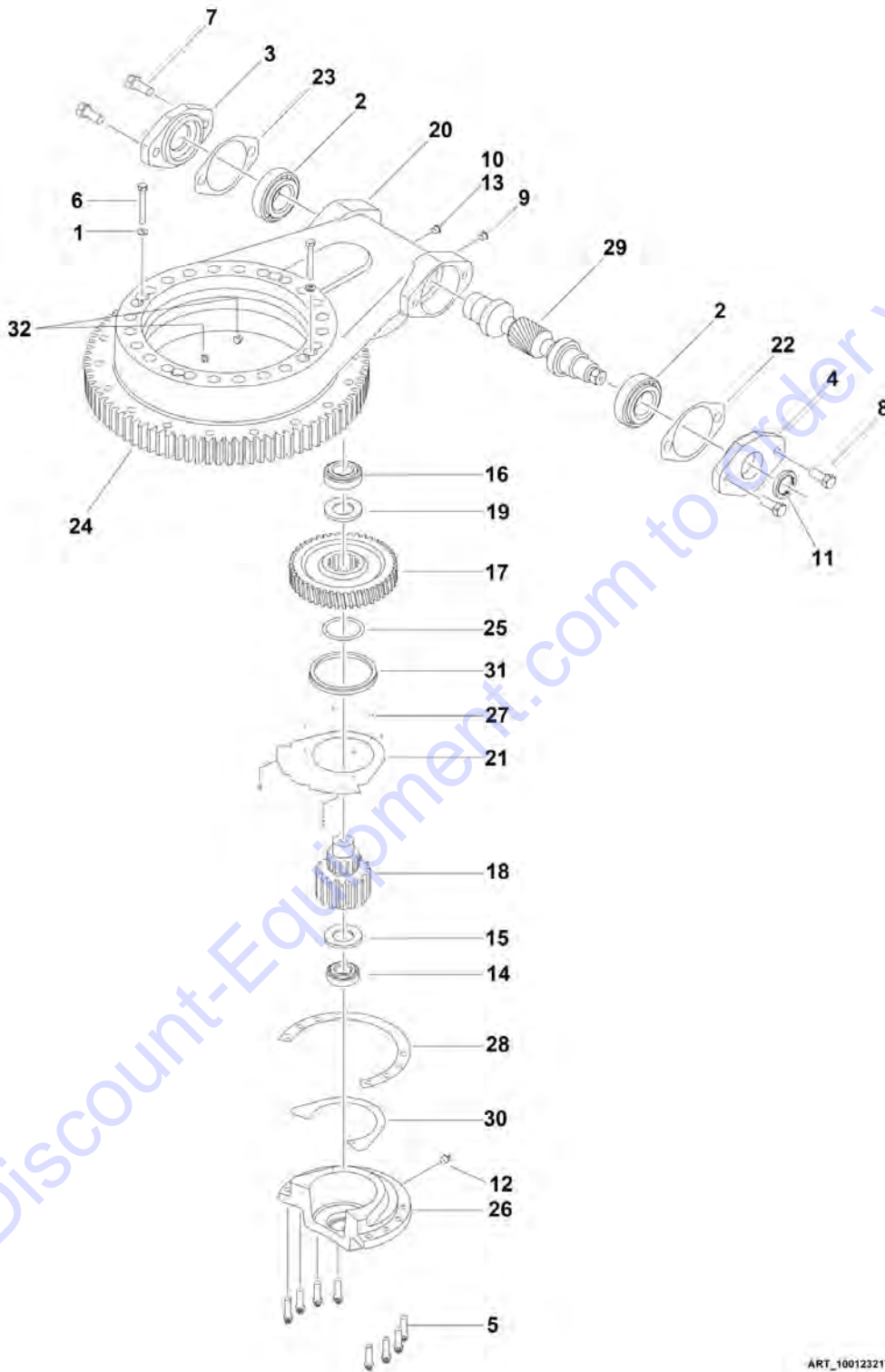
SECTION 2 - TURNTABLE

FIGURE 2-6. SWING BEARING AND ROTATION BOX ASSEMBLY (ORIGINAL EQUIPMENT)

ITEM	PART NUMBER	QTY	DESCRIPTION	REV
		Ref	SWING BEARING AND ROTATION BOX ASSEMBLIES	
	0440272	Ref	SWING BEARING AND ROTATION BOX ASSEMBLY (DOHI)	D
	1001153016	Ref	SWING BEARING AND ROTATION BOX ASSEMBLY (JING WEI)	B
101	4891500	2	Flatwasher 5/16in Hardened	
102	7026042	2	Cup, Bearing	
103	7026043	2	Cone, Bearing	
104	0681610	8	Bolt 3/8in-16NC x 1-1/4in (Grade 8)	
105	0641808	2	Bolt 1/2in-13NC x 1in	
106	0641810	2	Bolt 1/2in-13NC x 1-1/4in	
107	0641520	2	Bolt 5/16in-18NC x 2-1/2in	
108	See Note	1	Plug 1/8in (Note: Not Available - Purchase Locally)	
109	See Note	1	Plug (Note: Not Available - Purchase Locally)	
110	7026060	1	Seal, Oil	
112	See Note	2	Cap (Note: Not Available - Purchase Complete Assembly)	
113	See Note	1	Fitting, Grease (Note: Not Available - Purchase Locally)	
114	7026044	1	Bushing, Reducer	
115	7027358	1	Fitting, Grease	
117	7026045	1	Cup, Bearing	
118	7026046	1	Ring, Grease	
119	7026047	1	Cone, Bearing	
120	7026048	1	Cup, Bearing	
121	7026049	1	Cone, Bearing	
122	7026050	1	Worm-Gear	
123	7026051	1	Pinion, Output	
124	7026052	1	Spacer, Washer	
125	See Note	1	Housing (Note: Not Available - Purchase Complete Assembly)	
126	7026053	1	Cover, Gear	
127	7026059	AR	Shim, Brown (.010in)	
128	7026059	AR	Shim, Clear (.0075in)	
129	7026059	AR	Shim, Blue (.005in)	
130	7026059	AR	Shim, Yellow (.020in)	
131		Ref	Bearing, Turntable Options:	
131	70000042	1	DOHI Brand	
131	70004158	1	JING WEI Brand	
132	7026060	1	O-Ring	
133	7026055	1	Cap, Gear	
134	7027354	1	Cap, Worm	
135	70000681	8	Screw #6-32 x 3/8in	
136	7026059	AR	Shim, Natural (.0075)	
137	7026059	AR	Shim, Blue (.005)	
138	7026059	AR	Shim, Green (.003)	
139	7026057	1	Gear, Worm	
140	7026059	AR	Shim, Blue (.005)	
141	7026059	AR	Shim, Yellow (.020)	
142	7027356	1	Adapter, Motor	
143	7026060	1	Seal, Face	
144	7026059	AR	Shim, Green (.003)	
150	7026060	1	Seal Kit (Includes Items 110, 132 & 143)	
151	7026059	1	Shim Kit (Includes Items 127-130, 136-138, 140-141 A& 144)	

SECTION 2 - TURNTABLE

FIGURE 2-7. SWING BEARING AND ROTATION BOX ASSEMBLY (SERVICE REPLACEMENT)



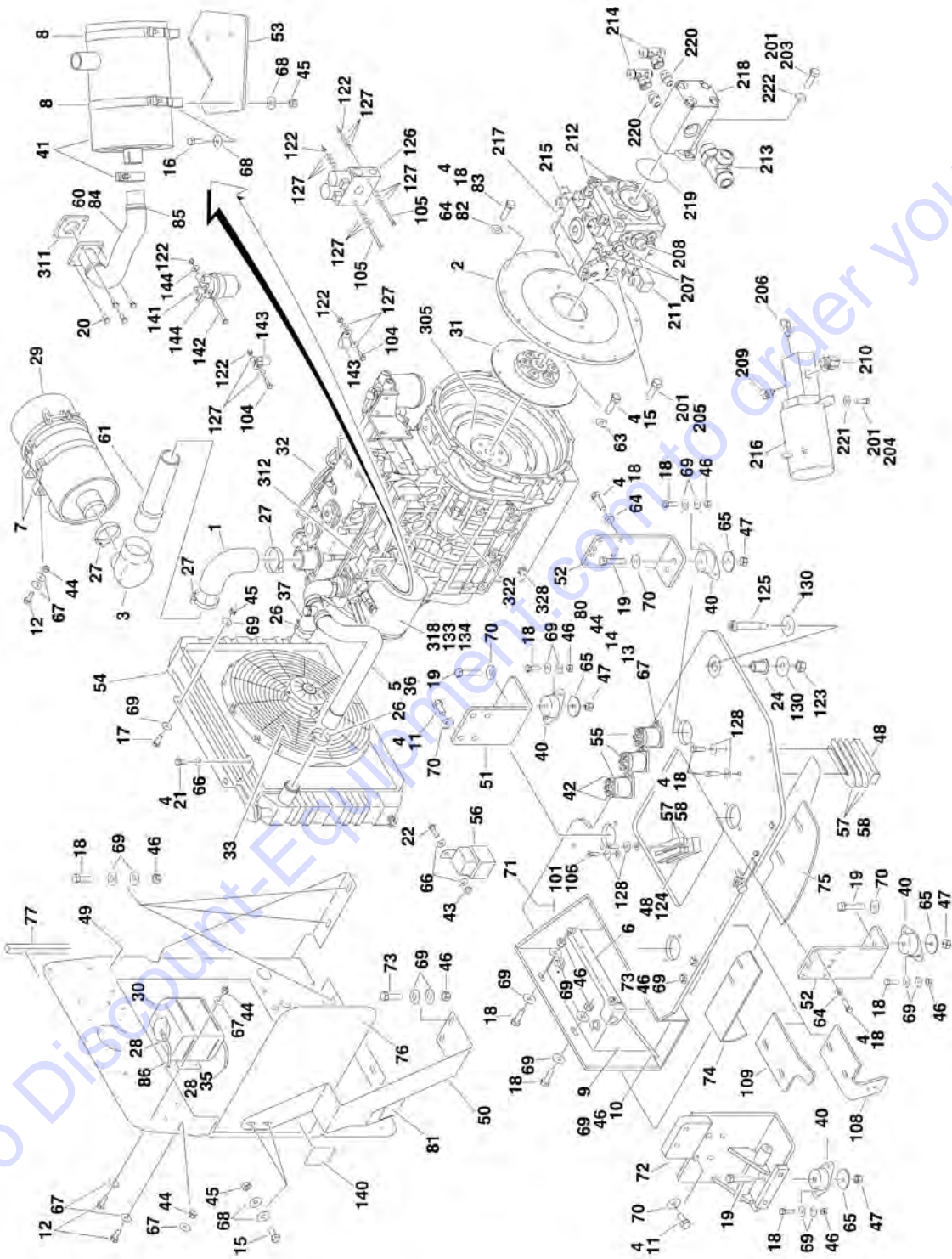
SECTION 2 - TURNTABLE

FIGURE 2-7. SWING BEARING AND ROTATION BOX ASSEMBLY (SERVICE REPLACEMENT))

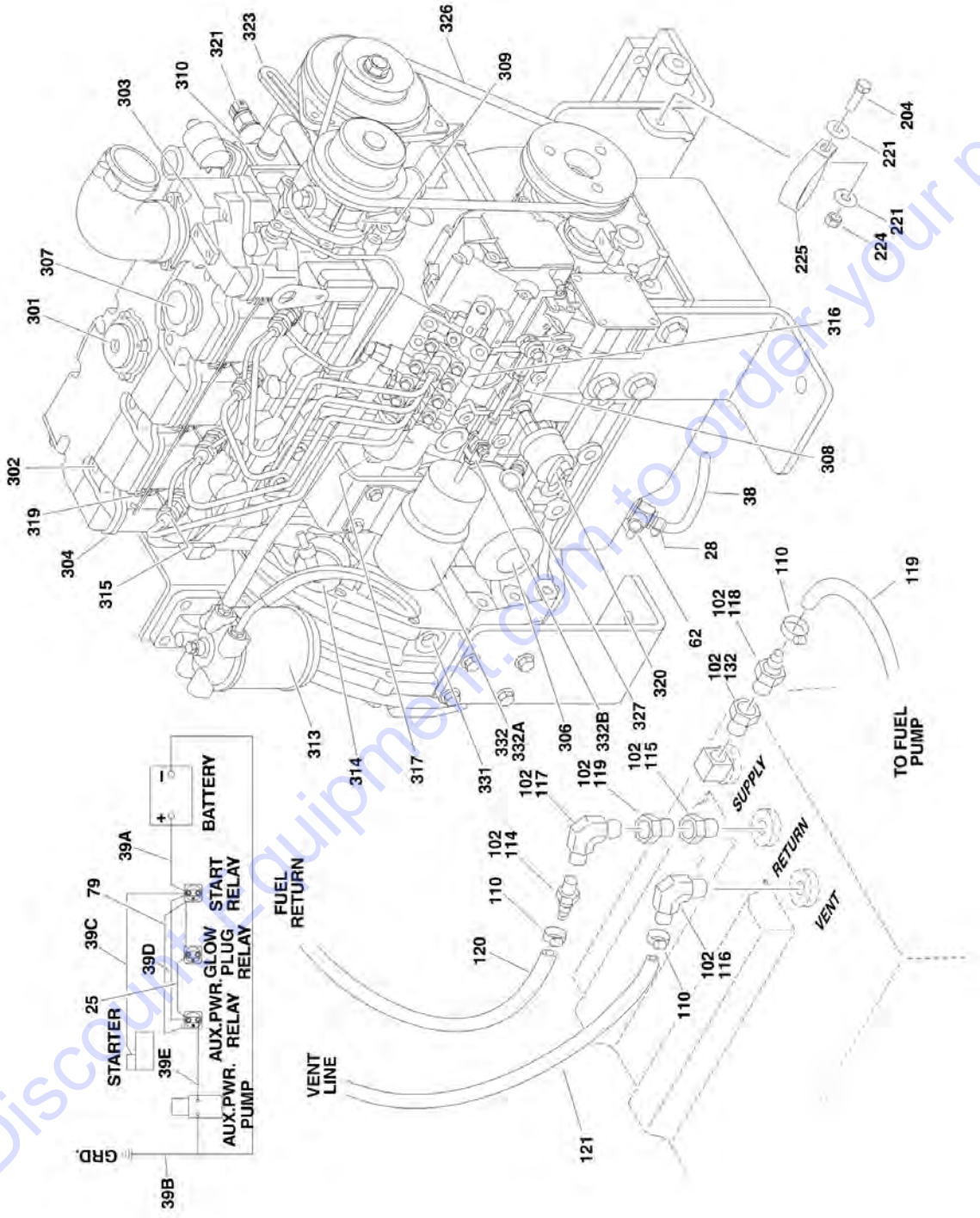
ITEM	PART NUMBER	QTY	DESCRIPTION	REV
	1001231277	Ref	SWING BEARING AND ROTATION BOX ASSEMBLY	B
1	7026041	2	Flatwasher 5/16	
2	7026042	2	Cup, Bearing	
2	7026043	2	Cone, Bearing	
3	7027356	1	Adapter, Motor	
4	7027354	1	Cap, Worm	
5	70006739	8	Bolt 3/8 x 1-1/4	
6	70003138	2	Bolt 5/16 x 2-1/2	
7	70002647	2	Bolt 1/2 x 1	
8	70002648	1	Bolt 1/2 x 1-1/4	
9	70000865	2	Plug	
10	70002649	1	Vent, Pressure	
11	7027360	1	Seal, Oil	
12	70002651	1	Fitting, Grease	
13	7026044	1	Bushing, Reducer	
14	7026045	1	Cup, Bearing	
14	7026047	1	Cone, Bearing	
15	7026046	1	Ring, Grease	
16	7026048	1	Cup, Bearing	
16	7026049	1	Cone, Bearing	
17	7026050	1	Worm-Gear	
18	7026051	1	Pinion, Output	
19	7026052	1	Spacer, Washer	
20	See Note	1	Housing (Note: Not Available - Purchase Complete Assy)	
21	7026053	1	Cover, Gear	
22	7027352	AR	Shim, Brown (.010)	
22	7027351	AR	Shim, Clear (.0075)	
22	7027350	AR	Shim, Blue (.005)	
23	70006740	1	Shim, Yellow(.020)	
24	70006741	1	Shim, Blue (.005)	
25	70004254	1	O-Ring	
26	7026055	1	Cap, Gear	
27	70000681	8	Screw #6 x 3/8	
28	70004259	AR	Shim, Natural (.0075)	
28	70004258	AR	Shim, Blue (.005)	
28	70004257	AR	Shim, Green (.003)	
29	7026057	1	Worm, Ground	
30	70004260	1	Shim, Blue (.005)	
30	70004261	1	Shim, Yellow (.020)	
31	70004262	1	Seal, Oil	
32	70006742	1	Plug	

SECTION 2 - TURNTABLE

FIGURE 2-8. USA BUILT MACHINES/CATERPILLAR ENGINE INSTALLATION (WITH ELECTRICAL DRIVEN COOLING FAN) (WITHOUT UGM)



SECTION 2 - TURNTABLE



SECTION 2 - TURNTABLE

FIGURE 2-8. USA BUILT MACHINES/CATERPILLAR ENGINE INSTALLATION (WITH ELECTRICAL DRIVEN COOLING FAN) (WITHOUT UGM)

ITEM	PART NUMBER	QTY	DESCRIPTION	REV
		Ref	USA Built Machines use SNs 03xxxxxxx	
		Ref	Belgium Built Machines use SNs 13xxxxxxx	
		Ref	Romanian Built Machines use SNs E3xxxxxxx.	
		Ref	Note: For Module (with/without UGM) Identification, refer to Revision Log page A.	
		Ref	CATERPILLAR ENGINE ASSEMBLY	
	2000315	Ref	Machines without Arctic Package	F
	2000388	Ref	Machines with Arctic Package	G
1	2180482	1	Elbow, Rubber	
2	0080181	1	Adaptor, Pump Mounting Plate	
3	0080201	1	Elbow, Rubber	
4	0100011	AR	Compound, Locking	
5	0100020	AR	Sealant	
6	0181727	1	Angle, Battery Hold-Down	
7	0340041	2	Band, Air Cleaner Mounting	
8	0340046	2	Band, Muffler Mounting	
9	0400075	1	Battery, 12V	
10	0630498	2	Bolt, Battery Hold-Down	
11	0630569	8	Bolt M14 x 30mm	
12	0641406	8	Bolt 1/4in-20NC x 3/4in	
13	0641408	5	Bolt 1/4in-20NC x 1in	
14	0641410	1	Bolt 1/4in-20NC x 1-1/4in	
15	0641506	10	Bolt 5/16in-18NC x 3/4in	
16	0641507	4	Bolt 5/16in-18NC x 7/8in	
17	0641609	4	Bolt 3/8in-16NC x 1-1/8in	
18	0641610	34	Bolt 3/8in-16NC x 1-1/4in	
19	0641820	4	Bolt 1/2in-13NC x 2-1/2in	
20	0700808	4	Bolt M8 x 16mm	
21	0721004	4	Screw #10-24NC x 1/2in	
22	0721006	1	Screw #10-24NC x 3/4in	
23	0741610	2	Screw, Countersunk 3/8in-16NC x 1-1/4in	
24	0962172	1	Bushing, Flanged	
25	1060904	1	Cable, Jumper	
26	1320012	AR	Clamp	
27	1320016	4	Clamp	
28	1320022	AR	Clamp	
29	1340060	1	Air Cleaner Assembly	
29	7012664	1	Element, Air Cleaner	
30	1580011	1	Container, Overflow	
31	1660255	1	Pump, Coupling	
32		Ref	Caterpillar Engine Assembly	
32	2000195	1	Caterpillar Engine Assembly (SN 0300124000 through 0300138554)	
32	1001104689	1	Caterpillar Engine Assembly (SN 0300138555 through 0300160834)	
33	2060032	1	Fan, Electric	
35	2720058	4 in/10cm	Hose	
36		Ref	Hose, Radiator (Top) Options:	
36		Ref	Hose, Radiator (1 piece): (SN 0300124000 through 0300130140)	

SECTION 2 - TURNTABLE

ITEM	PART NUMBER	QTY	DESCRIPTION	REV
36	2720507	1	Hose, Radiator (Top) (Use p/n 1001102308)	
36		Ref	Hose, Radiator (3 piece): (SN 0300130141 through 0300160834)	
36	1001101232	1	Hose, Radiator (Top) (Engine block to adapter tube)	
36	1001101233	1	Hose, Radiator (Top) (Adapter tube to Radiator)	
36	1001101228	1	Tube, Adapter	
37	2720508	1	Hose, Radiator (Bottom)	
38	2750532	6 in/25cm	Hose	
39	2902060	1	Battery Cable Kit	B
39A	7016817	1	Cable - Battery to Starter Relay	
39B	7027041	1	Cable - Battery and Auxiliary Pump to Ground (was p/n .)	
39C	7016834	1	Cable - Starter Relay to Starter	
39D	7016838	1	Cable - Starter Relay to Auxiliary Relay	
39E	7016820	1	Cable - Auxiliary Relay to Auxiliary Pump	
40	3200378	4	Mount, Motor	
41		Ref	Muffler Options:	
41	3220113	1	Spark Arresting Muffler	
41	70001017	1	Clamp	
41	3220154	1	Catalytic Muffler (Use p/n 1001107116)	
41	70002705	1	Clamp	
41	70002706	1	Plug, Brass	
42	3300220	6	Nut, Washer	
43	3311005	1	Locknut #10-24NC	
44	3311405	19	Locknut 1/4in-20NC	
45	3311505	6	Locknut 5/16in-18NC	
46	3311605	20	Locknut 3/8in-16NC	
47	3311805	4	Locknut 1/2in-13NC	
48	3340399	2	Pad, Wear	
49	3570571	1	Plate, Radiator Mount	
50	3573667	1	Plate, Radiator Support	
51	3574253	1	Plate, Engine Mounting (Front)	
52	3574259	2	Plate, Engine Mounting (Rear)	
53	1001098525	1	Plate, Muffler Support	
54	3620046	1	Radiator	
54	7019656	1	Cap, Radiator	
55	3740067	3	Relay	
56	3740080	1	Relay	
57	4070497	4	Shim	
58	4070498	2	Shim	
60	4568743	1	Pipe, Exhaust	
61	4569176	1	Tube, Air Intake	
62	4641272	1	Valve, Oil Drain	
63	4711500	8	Flatwasher 5/16in Thin	
64	4711600	18	Flatwasher 3/8in Thin	
65	4740274	4	Washer, Snubbing	
66	4751000	6	Flatwasher #10 Regular	
67	4751400	38	Flatwasher 1/4in Regular	
68	4751500	12	Flatwasher 5/16in Regular	
69	4751600	42	Flatwasher 3/8in Regular	
70	4751800	11	Flatwasher 1/2in Regular	
71	4846820	1	Weldment, Engine Tray	
72	4846821	1	Mount, Motor/Generator	

PARTS FINDER

**Search Website
by Part Number**



**Search Manual
Library For Parts
Manual & Lookup Part
Numbers – Purchase
or Request Quote**

**Can't Find Part or
Manual? Request Help
by Manufacturer,
Model & Description**

Discount-Equipment.com is your online resource for quality parts & equipment.

Florida: **561-964-4949** Outside Florida TOLL FREE: **877-690-3101**

Need parts?

Click on this link: <http://www.discount-equipment.com/category/5443-parts/> and choose one of the options to help get the right parts and equipment you are looking for. Please have the machine model and serial number available in order to help us get you the correct parts. If you don't find the part on the website or on one of the online manuals, please fill out the request form and one of our experienced staff members will get back to you with a quote for the right part that your machine needs.

We sell worldwide for the brands: Genie, Terex, JLG, MultiQuip, Mikasa, Essick, Whiteman, Mayco, Toro Stone, Diamond Products, Generac Magnum, Airman, Haulotte, Barreto, Power Blanket, Nifty Lift, Atlas Copco, Chicago Pneumatic, Allmand, Miller Curber, Skyjack, Lull, Skytrak, Tsurumi, Husquvarna Target, Stow, Wacker, Sakai, Mi-T-M, Sullair, Basic, Dynapac, MBW, Weber, Bartell, Bennar Newman, Haulotte, Ditch Runner, Menegotti, Morrison, Contec, Buddy, Crown, Edco, Wyco, Bomag, Laymor, EZ Trench, Bil-Jax, F.S. Curtis, Gehl Pavers, Heli, Honda, ICS/PowerGrit, IHI, Partner, Imer, Clipper, MMD, Koshin, Rice, CH&E, General Equipment, Amida, Coleman, NAC, Gradall, Square Shooter, Kent, Stanley, Tamco, Toku, Hatz, Kohler, Robin, Wisconsin, Northrock, Oztec, Toker TK, Rol-Air, APT, Wylie, Ingersoll Rand / Doosan, Innovatech, Con X, Ammann, Mecalac, Makinex, Smith Surface Prep, Small Line, Wanco, Yanmar

SECTION 2 - TURNTABLE

ITEM	PART NUMBER	QTY	DESCRIPTION	REV
73	0641611	2	Bolt, 3/8in-16NC x 1-3/8in	
74	3571008	1	Plate, Air	
75	3571009	1	Plate, Baffle	
76	3571019	1	Plate, Air Panel	
77	3960438	2.35 ft/.72m	Seal, Self Gripping	
78	1703876	1	Decal, Engine Tray Swing	
79	4922737	1	Harness, Engine Grounding	
80	4711400	12	Flatwasher, 1/4in Thin	
81	1703162	2	Decal - Fan Blade	
82	4891600	2	Flatwasher 3/8in Hardened	
83	0641612	2	Bolt 3/8in-16NC x 1-1/2in	
84	4100025	1.58 ft/0.49mm	Sleeve, Firberglass (SN 0300130141 through 0300160834)	
85	1001100825	2	Strap, Ties (SN 0300130141 through 0300160834)	
86	2720271	1.5 ft/0.46m	Hose (SN 0300135293 through 0300160834)	
		Ref	Note: Arctic Package Items 90 - 94 Not Shown - Used on Machines with Arctic Package Only	
90	3980007	1	Seat, Battery	
91	1702941	1	Decal - Battery Heater	
92	1702942	1	Decal - Engine Block Heater	
93	2580024	1	Heater, Battery	
94	2580054	1	Heater, Engine Block	
		Ref	CATERPILLAR ENGINE INSTALLATION	
	0275872	Ref	Machines without Arctic Package	F
	0275874	Ref	Machines without Arctic Package	G
101	0100011	AR	Compound, Locking	
102	0100020	AR	Sealant	
104	0641406	AR	Bolt, 1/4in-20NC x 3/4in (Not Shown)	
105	0641418	2	Bolt, 1/4in-20NC x 2-1/4in	
106	0641610	2	Bolt, 3/8in-16NC x 1-1/4in	
107	0642010	1	Bolt, 5/8in-11NC x 1-1/4in	
108	0902443	1	Bracket, Hood Latch Mount	
109	0902444	1	Bracket, Hood Support	
110	1320022	5	Clamp, Fuel Line	
111	1320223	1	Clamp, J Clip 1/2in (Not Shown)	
112	1701505	1	Decal, Diesel Fuel (Not Shown)	
114	2180536	1	Fitting, Straight Barbed	
115	2220250	1	Fitting, Reducer	
116	2220313	1	Fitting, Elbow Barbed	
117	2220459	1	Fitting, Elbow	
118	2220794	1	Fitting, Straight Barbed	
119	2720058	8 ft/2.4m	Hose	
120	2720271	8 ft/2.4m	Hose	
121	2750532	7 ft/2.13m	Hose	
122	3311405	AR	Locknut 1/4in-20NC	
123	3312005	1	Locknut, 5/8in-11NC	
124	3340399	1	Pad, Wear	
125	3900254	1	Screw, Shoulder	
126	4641317	1	Valve Assembly	
126	7012941	2	Cartridge without Coil	

SECTION 2 - TURNTABLE

ITEM	PART NUMBER	QTY	DESCRIPTION	REV
126	7010543	2	Seal Kit - 7012941 Cartridge	
126	7012944	2	Coil	
127	4751400	AR	Flatwasher 1/4in Regular	
128	4751600	2	Flatwasher 3/8in Regular	
129	4752000	1	Flatwasher 5/8in Regular (Not Shown)	
130	4752200	2	Flatwasher 3/4in Regular	
131	2300004	2.7 gal	Coolant, Antifreeze (Not Shown)	
132	2220273	1	Fitting, Reducer	
133	3290501	1	Nut M5	
134	3290601	1	Nut M6	
135	2200222	1	Plug, Pipe (Not Shown - Located on Bottom of Fuel Tank)	
136	0100079	AR	Sealant (Not Shown)	
140		Ref	Decal - Warning Explosion/Fire	
140	1704972	1	ANSI Spec	
140	1706098	1	Australian Spec	
140	1706059	1	Brazilian Spec	
140	1706098	1	CE Spec	
140	1706060	1	Chinese Spec	
140	1706064	1	CSA Spec	
140	1706062	1	Japanese Spec	
140	1706061	1	Korean Spec	
140	1706063	1	Spanish Language	
141	1001100857	1	Separator, Water/Fuel Filter (SN 0300139053 through 0300160834)	
142	0641420	1	Bolt 1/4in-20NC x 2-1/2in (SN 0300139053 through 0300160834)	
143	1320318	2	Clamp, Hose (SN 0300139053 through 0300160834)	
144	4711400	3	Flatwasher 1/4in Thin (SN 0300139053 through 0300160834)	
		Ref	Note: Arctic Package Items 145 - 150 Not Shown - Used on Machines with Arctic Package Only	
145	1060625	1	Cable, Immersion Heater	
146	1060626	1	Cord, 3-Way Extension	
147	1702943	1	Decal - Hydraulic Tank Heater	
148	1702944	1	Decal - Heater Cord	
149	2580050	1	Heater, Hydraulic Tank	
150	4460488	4	Terminal, Mounting Base	
		Ref	CATERPILLAR ENGINE ASSEMBLY OPTIONS:	
	2000318	Ref	Machines without Arctic Package	F
	2000389	Ref	Machines with Arctic Package	F
201	0100011	AR	Compound, Locking	
203	3931620	2	Bolt 3/8in-16NC x 1-1/4in	
204	0641610	AR	Bolt, 3/8in-16NC x 1-1/4in	
205	0641812	2	Bolt, 1/2in-13NC x 1-1/2in	
206	2110604	1	Fitting, Straight	
207	2111010	2	Fitting, Straight	
208	2111612	1	Fitting, Straight	
209	2130604	1	Fitting, Elbow	
210	2131210	1	Fitting, Elbow	
211	2131212	1	Fitting, Elbow	
212	2151212	2	Fitting, Elbow	
213	2170316	1	Fitting, Tee	
214	2170808	1	Fitting, Tee	

SECTION 2 - TURNTABLE

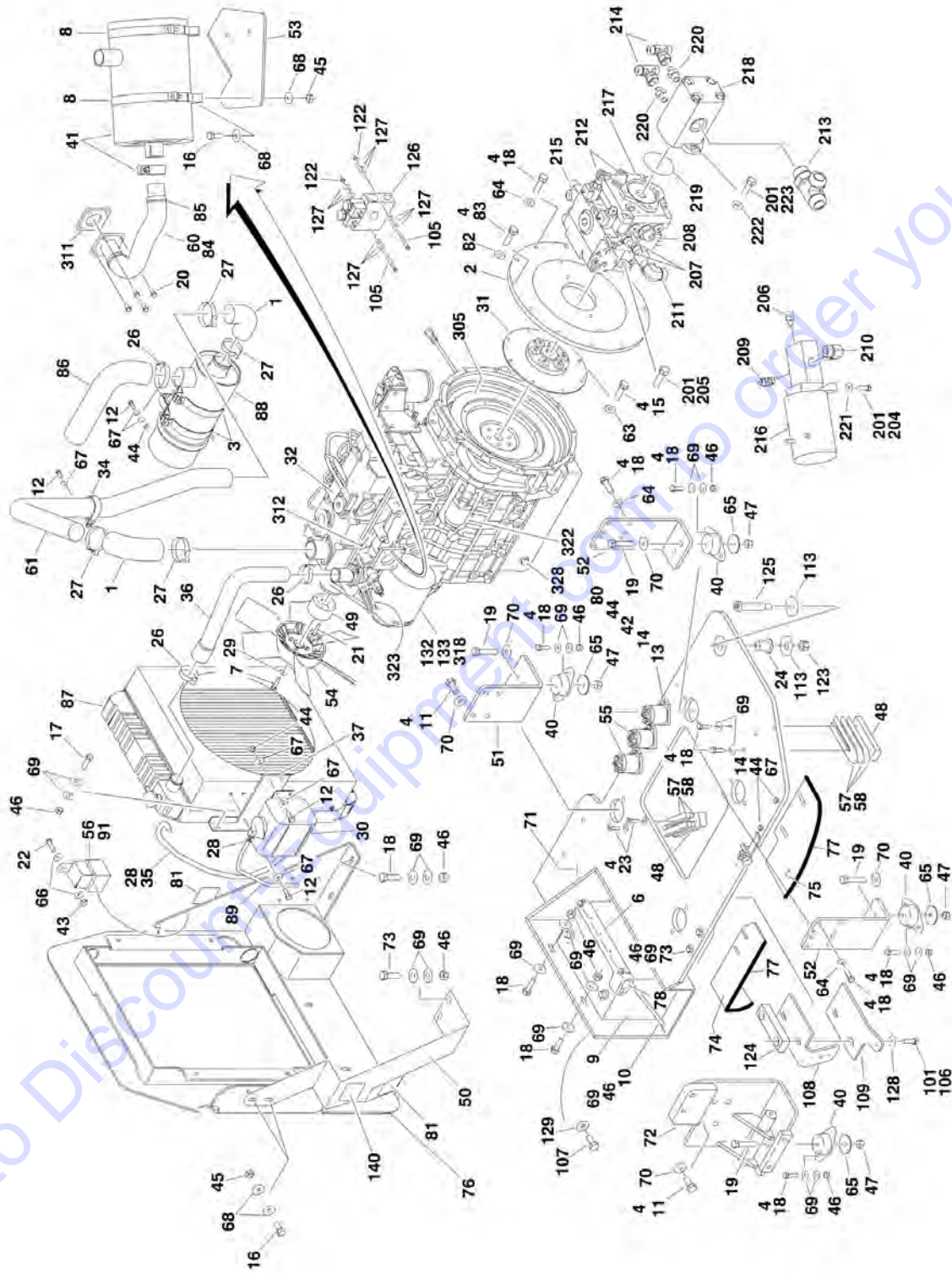
ITEM	PART NUMBER	QTY	DESCRIPTION	REV
215	2221084	1	Fitting, Tee	
216	3600423	1	Auxiliary Pump Assembly (See AUXILIARY PUMP ASSEMBLY Breakdown)	
217	3600385	1	Piston Pump Assembly (See PISTON PUMP ASSEMBLY for Breakdown)	
218	3600318	1	Gear Pump Assembly (See GEAR PUMP ASSEMBLY for Breakdown)	
218	7023929	1	Seal Kit - 3600318 Pump	
219	3790152	1	O-Ring	
220	4641199	2	Valve, Check	
221	4751600	AR	Flatwasher 3/8in Regular	
222	4891600	2	Flatwasher 3/8in Hardened	
224	3020016	2.5 gal	Motor Oil Mobil Delvac MX 15W-40	
225	1001097588	1	Clip, Tube	
226	3311605	1	Locknut 3/8in-16NC	
		Ref	CATERPILLAR ENGINE COMPONENTS	
	2000195	Ref	Caterpillar Engine Components (SN 0300124000 through 0300138554)	E
	1001104689	Ref	Caterpillar Engine Components (SN 0300138555 through 0300160834)	B
301	7026848	1	Breather, Valve	
301	7026846	1	Gauze, Breather Valve	
302	7026847	4	Seal, Valve Cover Nut	
303	7026849	1	Gasket, Air Intake	
304	7026850	1	Seal, Valve Cover	
305	7026852	1	Flywheel with Starter Gear Set	
305	7026853	1	Gear, Flywheel	
306	70001403	1	Filter, Oil (was p/n 7026855)	
307	7026860	1	Cap, Oil Fill	
307	7026856	1	Seal, Oil Fill Cap	
308	7026858	1	Valve, Relief	
308	7026857	1	Seal	
309	7026864	1	Pump, Water	
309	7026863	1	Gasket, Water Pump (Fits Between Pump and Pump Rear Plate)	
309	7026865	1	Gasket, Water Pump (Fits Between Pump Rear Plate and Engine Block)	
310	7026867	1	Thermostat	
310	See Note	1	Regulator, Water (Note: Not Available for Purchase)	
310	7026866	1	Gasket (Fits Between Regulator and Engine Block)	
310	7026868	1	Gasket, Thermostat (Fits Between Regulator and Hose Adapter)	
311	7026869	1	Gasket, Exhaust	
312	7026870	1	Gasket, Exhaust Manifold	
313	70001695	1	Fuel Filter Assembly	
313	70003791	1	Element, Fuel Filter (was p/n 7026871)	
313	7026872	1	Gasket, Fuel Filter Element	
314	7026873	1	Pump, Fuel Transfer	
314	7026874	1	Seal	
315	7026875	4	Injector, Fuel	
316	See Note	1	Pump, Fuel Injection (Note: Not Available for Purchase)	
317	70001990	1	Solenoid, Fuel Shut-Off (Was p/n 7026876) (Note: P/N 70001990 includes adapter harness if required.)	
318	70000544	1	Alternator	
318	70001180	1	Bolt, Long	

SECTION 2 - TURNTABLE

ITEM	PART NUMBER	QTY	DESCRIPTION	REV
319	7026878	4	Glowplug	
320	1001097554	1	Switch, Oil Pressure (was p/n 7026844)	
321	7026840	1	Switch, Water Temperature	
321	7026882	1	Seal, Sensor	
322	7026879	1	Starter	
323	70001257	1	Lever, Alternator Adjustment	
324	7026854	1	Seal, Front Main (Not Shown - Located on Front of Engine Block)	
325	7026851	1	Seal, Rear Main (Not Shown - Located on Rear of Engine Block)	
326	7026880	1	Belt	
327	7026885	1	Dipstick Oil Level	
327	7026886	1	Tube, Dipstick	
327	7026881	1	O-Ring, Dipstick Tube	
328	7026861	1	Plug, Drain	
329	7026862	1	Gasket, Valve Bracket (Not Shown - Located on Between Valve Bracket and Head)	
330	7026859	1	Gasket, Oil Pan (Not Shown)	
331	7026883	1	Speed Sensor Kit	
331	7026836	1	Connector, Speed Sensor	
332	See Note	1	Actuator/Linkage Assembly - Throttle (Note: Was p/n 1600351 which is not available as a service part. Use service replacement parts below.)	
332A	7026884	1	Actuator and Electrical Connector Kit	
332A	7026835	1	Connector, Actuator	
332B	7026843	1	Linkage Kit	

SECTION 2 - TURNTABLE

FIGURE 2-9. USA BUILT MACHINES/CATERPILLAR ENGINE INSTALLATION (WITH ENGINE DRIVEN COOLING FAN) (WITHOUT UGM)



SECTION 2 - TURNTABLE

FIGURE 2-9. USA BUILT MACHINES/CATERPILLAR ENGINE INSTALLATION (WITH ENGINE DRIVEN COOLING FAN) (WITHOUT UGM)

ITEM	PART NUMBER	QTY	DESCRIPTION	REV
		Ref	USA Built Machines use SNs 03xxxxxxxx.	
		Ref	Belgium Built Machines use SNs 13xxxxxxxx.	
		Ref	Romanian Built Machines use SNs E3xxxxxxxx.	
		Ref	Note: For Module (with/without UGM) Identification, refer to Revision Log page A.	
		Ref	CATERPILLAR ENGINE ASSEMBLY	
	1001130517	Ref	Machines without Arctic Package	A
	1001130520	Ref	Machines with Arctic Package	A
1	2180482	2	Elbow, Rubber	
2	0080181	1	Adaptor, Pump Mounting Plate	
3	0340012	2	Band, Air Cleaner Mounting	
4	0100011	AR	Compound, Locking	
5	0100020	AR	Sealant	
6	0181727	1	Angle, Battery Hold-Down	
7	0760815	4	Bolt M8 x 35mm	
8	0340046	2	Band, Muffler Mounting	
9	0400075	1	Battery, 12V	
10	0630498	2	Bolt, Battery Hold-Down	
11	0630569	8	Bolt M14 x 30mm	
12	0641406	9	Bolt 1/4in-20NC x 3/4in	
13	0641408	5	Bolt 1/4in-20NC x 1in	
14	0641410	3	Bolt 1/4in-20NC x 1-1/4in	
15	0641506	8	Bolt 5/16in-18NC x 3/4in	
16	0641507	6	Bolt 5/16in-18NC x 7/8in	
17	0641609	4	Bolt 3/8in-16NC x 1-1/8in	
18	0641610	32	Bolt 3/8in-16NC x 1-1/4in	
19	0641820	4	Bolt 1/2in-13NC x 2-1/2in	
20	0700808	4	Bolt M8 x 16mm	
21	4031711	4	Bolt M6 x 35mm	
22	0721006	1	Screw #10-24NC x 3/4in	
23	0741610	2	Screw, Countersunk 3/8in-16NC x 1-1/4in	
24	0962172	1	Bushing, Flanged	
25	1060904	1	Cable, Jumper	
26	1320012	4	Clamp	
27	1320016	5	Clamp	
28	1320022	4	Clamp	
29	4891500	4	Flatwasher 5/16in Hardened	
30	1580011	1	Container, Overflow	
31	1660255	1	Pump, Coupling	
32	1001104689	1	Caterpillar Engine Assembly	
33	1001097553	1	Washer, Coolant Sensor	
34	1001097588	1	Clip, Tube	
35	2720058	2.5 ft/0.8m	Hose	
36	1001100577	1	Hose, Radiator (Top)	
37	1001100837	1	Bracket, Bottle	
38	2750532	6 in/25cm	Hose	
39	2902060	1	Battery Cable Kit	B
39A	7016817	1	Cable - Battery to Starter Relay	

SECTION 2 - TURNTABLE

ITEM	PART NUMBER	QTY	DESCRIPTION	REV
39B	7027041	1	Cable - Battery and Auxiliary Pump to Ground (was p/n 7016837)	
39C	7016834	1	Cable - Starter Relay to Starter	
39D	7016838	1	Cable - Starter Relay to Auxiliary Relay	
39E	7016820	1	Cable - Auxiliary Relay to Auxiliary Pump	
40	3200378	4	Mount, Motor	
41		Ref	Muffler Options:	
41	3220113	1	Spark Arresting Muffler	
41	70001017	1	Clamp	
41	1001107116	1	Catalytic Muffler	
41	70002705	1	Clamp	
41	70002706	1	Plug, Brass	
42	3300220	6	Nut, Washer	
43	3311005	1	Locknut #10-24NC	
44	3311405	14	Locknut 1/4in-20NC	
45	3311505	6	Locknut 5/16in-18NC	
46	3311605	20	Locknut 3/8in-16NC	
47	3311805	4	Locknut 1/2in-13NC	
48	3340399	2	Pad, Wear	
49	1001101201	1	Spacer, Fan	
50	3573667	1	Plate, Radiator Support	
51	3574253	1	Plate, Engine Mounting (Front)	
52	3574259	2	Plate, Engine Mounting (Rear)	
53	1001098525	1	Plate, Muffler Support	
54	1001101408	1	Fan	
55	3740067	3	Relay	
56	3740080	1	Relay	
57	4070497	4	Shim	
58	4070498	2	Shim	
59	1001125978	1	Sensor, Coolant	
60	4568743	1	Pipe, Exhaust	
61	1001130038	1	Tube, Air Cleaner	
62	4641272	1	Valve, Oil Drain	
63	4711500	8	Flatwasher 5/16in Thin	
64	4711600	18	Flatwasher 3/8in Thin	
65	4740274	4	Washer, Snubbing	
66	4751000	2	Flatwasher #10 Regular	
67	4751400	19	Flatwasher 1/4in Regular	
68	4751500	12	Flatwasher 5/16in Regular	
69	4751600	AR	Flatwasher 3/8in Regular	
70	4751800	11	Flatwasher 1/2in Regular	
71	4846820	1	Weldment, Engine Tray	
72	4846821	1	Mount, Motor/Generator	
73	0641611	2	Bolt, 3/8in-16NC x 1-3/8in	
74	3571008	1	Plate, Air	
75	3571009	1	Plate, Baffle	
76	1001130040	1	Panel, Radiator Mount	
77	3960438	2.35 ft/.72m	Seal, Self Gripping	
78	1703876	1	Decal, Engine Tray Swing	
79	4922737	1	Harness, Engine Grounding	
80	4711400	12	Flatwasher, 1/4in Thin	

SECTION 2 - TURNTABLE

ITEM	PART NUMBER	QTY	DESCRIPTION	REV
81	1703162	2	Decal - Fan Blade	
82	4891600	2	Flatwasher 3/8in Hardened	
83	0641612	2	Bolt 3/8in-16NC x 1-1/2in	
84	4100025	1.58 ft/0.49mm	Sleeve, Firberglass	
85	1001100825	2	Strap, Ties	
86	1001130041	1	Elbow, Air Cleaner	
87	1001130042	1	Radiator, Assembly	
87	7027412	1	Cap, Radiator	
88	1001130524	1	Air Cleaner Assembly	
88	70004172	1	Element, Air Cleaner (was p/n 7020820)	
89	2720271	1.5 ft/0.46m	Hose	
90	1001100818	1	Hose, Radiator (Bottom)	
91	4460121	2	Terminal, Cap	
		Ref	Note: Arctic Package Items 92 - 96 Not Shown - Used on Machines with Arctic Package Only	
92	3980007	1	Seat, Battery	
93	1702941	1	Decal - Battery Heater	
94	1702942	1	Decal - Engine Block Heater	
95	2580024	1	Heater, Battery	
96	2580054	1	Heater, Engine Block	
		Ref	CATERPILLAR ENGINE INSTALLATION	
	1001130515	Ref	Machines without Arctic Package	A
	1001130518	Ref	Machines with Arctic Package	A
101	0100011	AR	Compound, Locking	
102	0100020	AR	Sealant	
104	0641406	AR	Bolt, 1/4in-20NC x 3/4in (Not Shown)	
105	0641418	2	Bolt, 1/4in-20NC x 2-1/4in	
106	0641610	2	Bolt, 3/8in-16NC x 1-1/4in	
107	0642010	1	Bolt, 5/8in-11NC x 1-1/4in	
108	0902443	1	Bracket, Hood Latch Mount	
109	0902444	1	Bracket, Hood Support	
110	1320022	AR	Clamp, Fuel Line	
111	1320223	1	Clamp, J Clip 1/2in (Not Shown)	
112	1701505	1	Decal, Diesel Fuel (Not Shown)	
113	4752200	2	Flatwasher 3/4in Regular	
114	2180536	1	Fitting, Straight Barbed	
115	2220250	1	Fitting, Reducer	
116	2220313	1	Fitting, Elbow Barbed	
117	2220459	1	Fitting, Elbow	
118	2220794	1	Fitting, Straight Barbed	
119	2720058	8 ft/2.4m	Hose	
120	2720271	8 ft/2.4m	Hose	
121	2750532	7 ft/2.13m	Hose	
122	3311405	6	Locknut 1/4in-20NC	
123	3312005	1	Locknut, 5/8in-11NC	
124	3340399	1	Pad, Wear	
125	3900254	1	Screw, Shoulder	
126	4641317	1	Valve Assembly	
126	7012941	2	Cartridge without Coil	
126	7010543	2	Seal Kit - 7012941 Cartridge	

SECTION 2 - TURNTABLE

ITEM	PART NUMBER	QTY	DESCRIPTION	REV
126	7012944	2	Coil	
127	4751400	18	Flatwasher 1/4in Regular	
128	4751600	2	Flatwasher 3/8in Regular	
129	4752000	1	Flatwasher 5/8in Regular (Not Shown)	
130	2300004	2.7 gal	Coolant, Antifreeze (Not Shown)	
131	2220273	1	Fitting, Reducer	
132	3290501	1	Nut M5	
133	3290601	1	Nut M6	
134	1001100857	1	Separator, Water/Fuel Filter	
135	0641420	1	Bolt 1/4in-20NC x 2-1/2in	
136	1320318	2	Clamp, Hose	
137	4711400	3	Flatwasher 1/4in Thin	
140		Ref	Decal - Warning Explosion/Fire	
140	1704972	1	ANSI Spec	
140	1706098	1	Australian Spec	
140	1706059	1	Brazilian Spec	
140	1706098	1	CE Spec	
140	1706060	1	Chinese Spec	
140	1706064	1	CSA Spec	
140	1706062	1	Japanese Spec	
140	1706061	1	Korean Spec	
140	1706063	1	Spanish Language	
		Ref	Note: Arctic Package Items 141 - 146 Not Shown - Used on Machines with Arctic Package Only	
141	1060625	1	Cable, Immersion Heater	
142	1060626	1	Cord, 3-Way Extension	
143	1702943	1	Decal - Hydraulic Tank Heater	
144	1702944	1	Decal - Heater Cord	
145	2580050	1	Heater, Hydraulic Tank	
146	4460488	4	Terminal, Mounting Base	
		Ref	CATERPILLAR ENGINE ASSEMBLY OPTIONS:	
	1001130516	Ref	Machines without Arctic Package	A
	1001130519	Ref	Machines with Arctic Package	A
201	0100011	AR	Compound, Locking	
204	0641610	AR	Bolt, 3/8in-16NC x 1-1/4in	
205	0641812	2	Bolt, 1/2in-13NC x 1-1/2in	
206	2110604	1	Fitting, Straight	
207	2111010	2	Fitting, Straight	
208	2111612	1	Fitting, Straight	
209	2130604	1	Fitting, Elbow	
210	2131210	1	Fitting, Elbow	
211	2131212	1	Fitting, Elbow	
212	2151212	2	Fitting, Elbow	
213	2170316	1	Fitting, Tee	
214	2170808	1	Fitting, Tee	
215	2221084	1	Fitting, Tee	
216	3600423	1	Auxiliary Pump Assembly (See AUXILIARY PUMP ASSEMBLY for Breakdown)	
217	3600385	1	Piston Pump Assembly (See PISTON PUMP ASSEMBLY for Breakdown)	
218	3600318	1	Gear Pump Assembly (See GEAR PUMP ASSEMBLY for Breakdown)	

SECTION 2 - TURNTABLE

ITEM	PART NUMBER	QTY	DESCRIPTION	REV
218	7023929	1	Seal Kit - 3600318 Pump	
219	3790152	1	O-Ring	
220	4641199	2	Valve, Check	
221	4751600	AR	Flatwasher 3/8in Regular	
222	4891600	2	Flatwasher 3/8in Hardened	
223	3931620	2	Bolt 3/8in-16NC x 1-1/4in	
224	3020016	2.5 gal	Motor Oil Mobil Delvac MX 15W-40	
225	1001097588	1	Clip, Tube	
226	3311605	1	Locknut 3/8in-16NC	
	1001104689	Ref	CATERPILLAR ENGINE COMPONENTS	B
		Ref	Note: Service Breakdown Not Available at Time of Printing.	
301	See Note Above	1	Breather, Valve	
301	See Note Above	1	Gauze, Breather Valve	
302	See Note Above	4	Seal, Valve Cover Nut	
303	See Note Above	1	Gasket, Air Intake	
304	See Note Above	1	Seal, Valve Cover	
305	See Note Above	1	Flywheel with Starter Gear Set	
305	See Note Above	1	Gear, Flywheel	
306	See Note Above	1	Filter, Oil	
307	See Note Above	1	Cap, Oil Fill	
307	See Note Above	1	Seal, Oil Fill Cap	
308	See Note Above	1	Valve, Relief	
308	See Note Above	1	Seal	
309	See Note Above	1	Pump, Water	
309	See Note Above	1	Gasket, Water Pump (Fits Between Pump and Pump Rear Plate)	
309	See Note Above	1	Gasket, Water Pump (Fits Between Pump Rear Plate and Engine Block)	
310	See Note Above	1	Thermostat	
310	See Note Above	1	Regulator, Water	
310	See Note Above	1	Gasket (Fits Between Regulator and Engine Block)	
310	See Note Above	1	Gasket, Thermostat (Fits Between Regulator and Hose Adapter)	
311	See Note Above	1	Gasket, Exhaust	
312	See Note Above	1	Gasket, Exhaust Manifold	
313	See Note Above	1	Fuel Filter Assembly	
313	See Note Above	1	Element, Fuel Filter	
313	See Note Above	2	Gasket, Fuel Filter Element	
314	See Note Above	1	Pump, Fuel Transfer	
314	See Note Above	1	Seal,	
315	See Note Above	4	Injector, Fuel	
316	See Note Above	1	Pump, Fuel Injection	
317	See Note Above	1	Solenoid, Fuel Shut-Off	
318	See Note Above	1	Alternator	
318	See Note Above	1	Bolt, Long	
319	See Note Above	4	Glowplug	
320	See Note Above	1	Switch, Oil Pressure	
321	See Note Above	1	Switch, Water Temperature	
321	See Note Above	1	Seal, Sensor	
322	See Note Above	1	Starter	
323	See Note Above	1	Lever, Alternator Adjustment	
324	See Note Above	1	Seal, Front Main (Not Shown - Located on Front of Engine Block)	
325	See Note Above	1	Seal, Rear Main (Not Shown - Located on Rear of Engine Block)	
326	See Note Above	1	Belt	

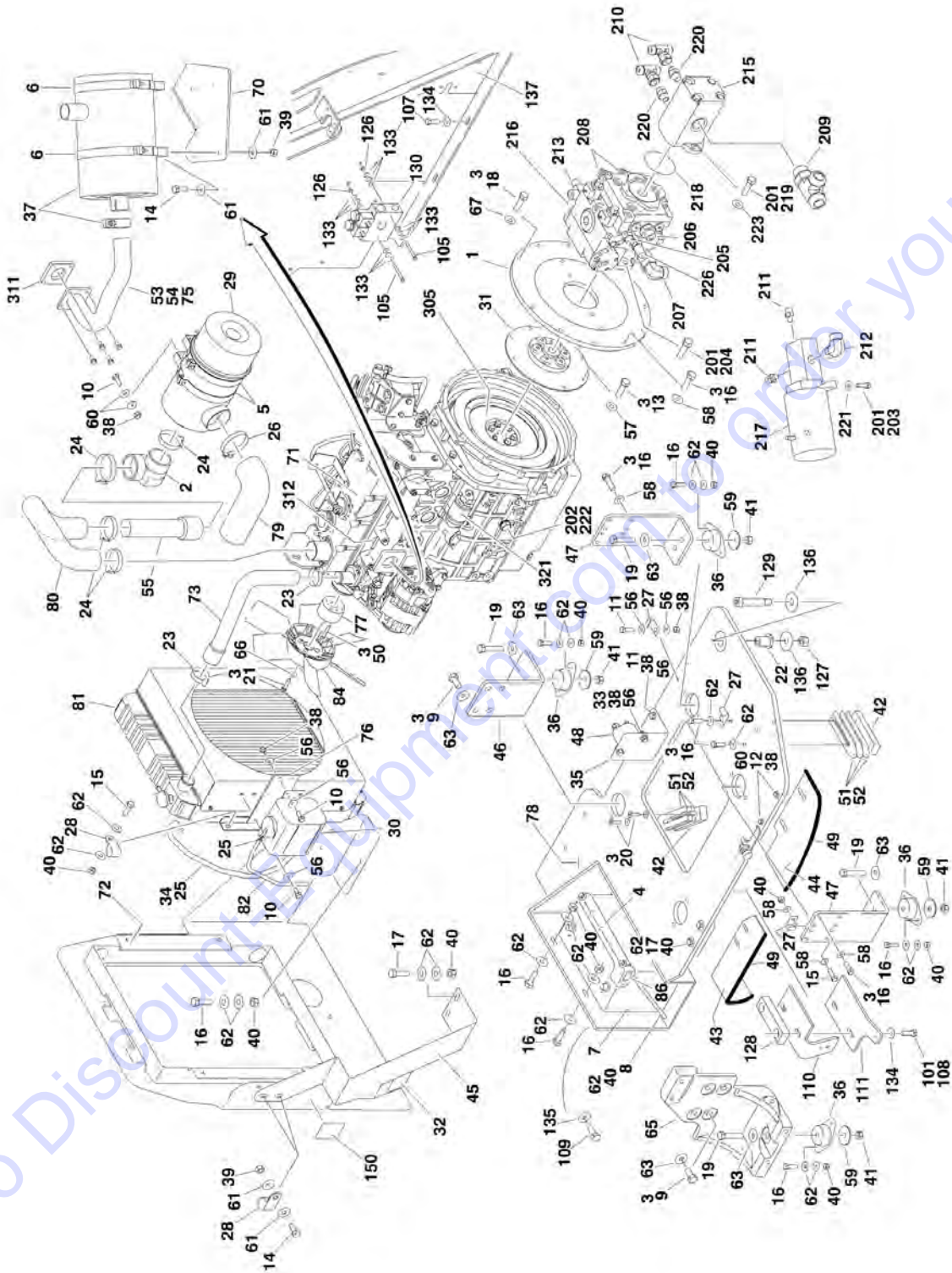
SECTION 2 - TURNTABLE

ITEM	PART NUMBER	QTY	DESCRIPTION	REV
327	See Note Above	1	Dipstick Oil Level	
327	See Note Above	1	Tube, Dipstick	
327	See Note Above	1	O-Ring, Dipstick Tube	
328	See Note Above	1	Plug, Drain	
329	See Note Above	1	Gasket, Valve Bracket (Not Shown - Located on Between Valve Bracket and Head)	
330	See Note Above	1	Gasket, Oil Pan (Not Shown)	
331	See Note Above	1	Speed Sensor Kit	
331	See Note Above	1	Connector, Speed Sensor	
332	See Note Above	1	Actuator/Linkage Assembly - Throttle	
332A	See Note Above	1	Actuator and Electrical Connector Kit	
332A	See Note Above	1	Connector, Actuator	
332B	See Note Above	1	Linkage Kit	

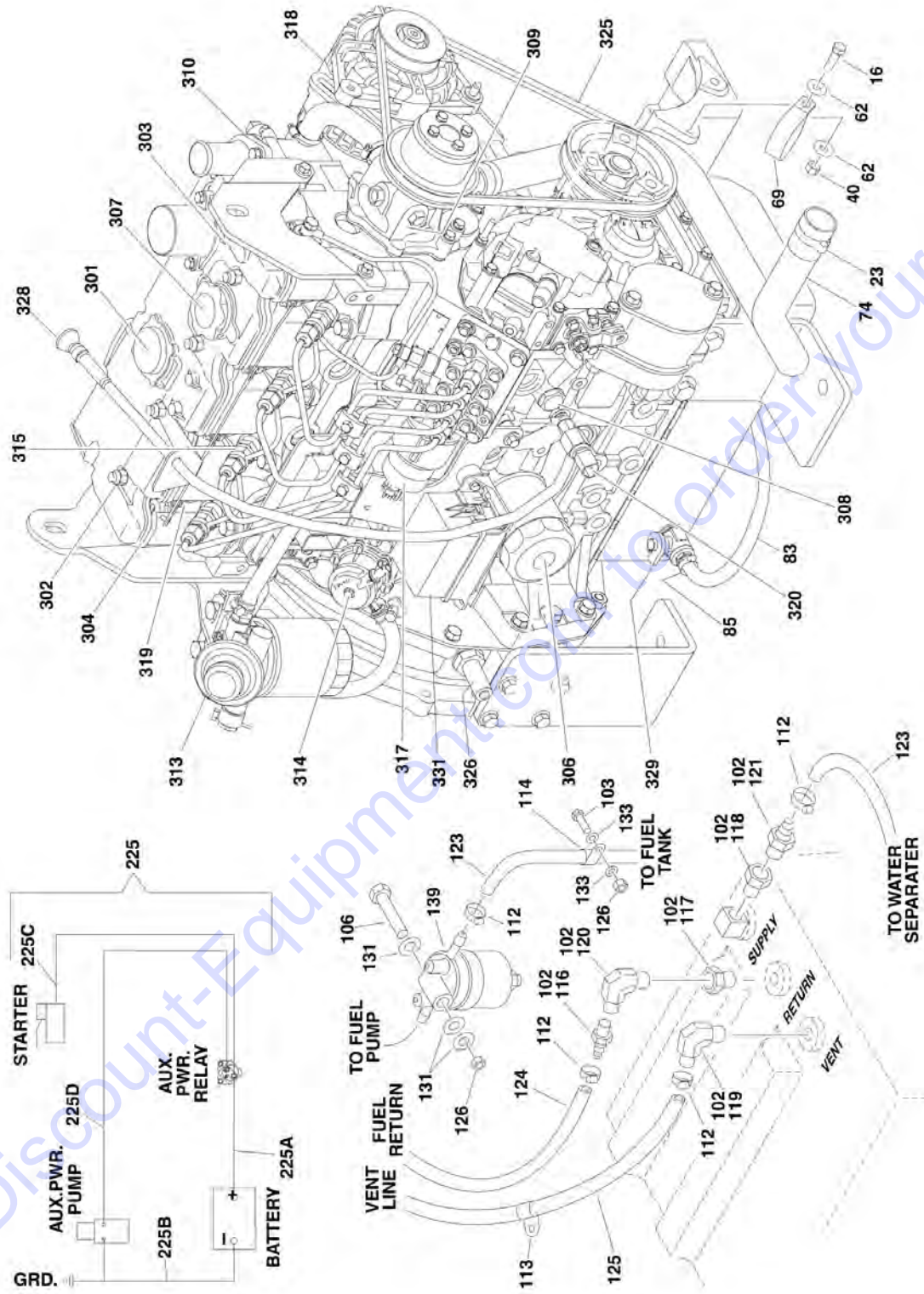
Go to Discount-Equipment.com to order your parts

SECTION 2 - TURNTABLE

FIGURE 2-10. USA BUILT MACHINES/CATERPILLAR ENGINE INSTALLATION (WITH UGM)



SECTION 2 - TURNTABLE



SECTION 2 - TURNTABLE

FIGURE 2-10. USA BUILT MACHINES/CATERPILLAR ENGINE INSTALLATION (WITH UGM)

ITEM	PART NUMBER	QTY	DESCRIPTION	REV
		Ref	USA Built Machines use SNs 03xxxxxxxx.	
		Ref	Belgium Built Machines use SNs 13xxxxxxxx.	
		Ref	Romanian Built Machines use SNs E3xxxxxxxx.	
		Ref	Note: For Module (with/without UGM) Identification, refer to Revision Log page A.	
		Ref	CATERPILLAR ENGINE ASSEMBLY	
	1001106427	Ref	Machines without Arctic Package	E
	1001106432	Ref	Machines with Arctic Package	D
1	0080181	1	Adaptor, Pump Mounting Plate	
2	0080201	1	Elbow, Rubber	
3	0100011	AR	Compound, Locking	
4	0181727	1	Angle, Battery Hold-Down	
5	0340041	2	Band, Air Cleaner Mounting	
6	0340046	2	Band, Muffler Mounting	
7	0400075	1	Battery, 12V	
8	0630498	2	Bolt, Battery Hold-Down	
9	0630569	8	Bolt M14 x 30mm	
10	0641406	8	Bolt 1/4in-20NC x 3/4in	
11	0641408	4	Bolt 1/4in-20NC x 1in	
12	0641410	2	Bolt 1/4in-20NC x 1-1/4in	
13	0641506	8	Bolt 5/16in-18NC x 3/4in	
14	0641507	6	Bolt 5/16in-18NC x 7/8in	
15	0641609	5	Bolt 3/8in-16NC x 1-1/8in	
16	0641610	34	Bolt 3/8in-16NC x 1-1/4in	
17	0641611	2	Bolt 3/8in-16NC x 1-3/8in	
18	0641614	2	Bolt 3/8in-16NC x 1-3/4in	
19	0641820	4	Bolt 1/2in-13NC x 2-1/2in	
20	0741610	2	Screw, Countersunk 3/8in-16NC x 1-1/4in	
21	0760815	4	Bolt M8 x 35mm	
22	0962172	1	Bushing, Flanged	
23	1320012	4	Clamp	
24	1320016	4	Clamp	
25	1320022	3	Clamp	
26	1320058	1	Clamp	
27	1320223	6	Clamp	
28	1320318	2	P-Clamp	
29	1340060	1	Air Cleaner Assembly	
29	7012664	1	Element, Air Cleaner	
30	1580011	1	Container, Coolant Overflow	
31	1660255	1	Coupling, Pump	
32	1703162	2	Decal - Caution Fan	
33	0641405	2	Bolt 1/4in-20NC x 5/8in	
34	2720058	2.5 ft/0.8m	Hose	
35	1001121115	1	Mount, Relay	
36	3200378	4	Mount, Motor	
37		Ref	Muffler Options:	
37	3220113	1	Spark Arresting Muffler	
37	70001017	1	Clamp	
37	1001107116	1	Catalytic Muffler	

SECTION 2 - TURNTABLE

ITEM	PART NUMBER	QTY	DESCRIPTION	REV
37	70002705	1	Clamp	
37	70002706	1	Plug, Brass	
38	3311405	14	Locknut 1/4in-20NC	
39	3311505	6	Locknut 5/16in-18NC	
40	3311605	23	Locknut 3/8in-16NC	
41	3311805	4	Locknut 1/2in-13NC	
42	3340399	2	Pad, Wear	
43	3571008	1	Plate, Air	
44	3571009	1	Plate, Baffle	
45	3573667	1	Plate, Radiator Support	
46	3574253	1	Plate, Engine Mounting (Front)	
47	3574259	2	Plate, Engine Mounting (Rear)	
48	3740067	1	Relay	
49	3960438	28	Seal, Self Gripping	
		in/71cm		
50	4031711	4	Bolt M6 x 35mm	
51	4070497	4	Shim	
52	4070498	2	Shim	
53	4100025	1.6	Sleeve, Fiberglass	
		ft/0.49mm		
54	4568743	1	Pipe, Exhaust	
55	4569176	1	Tube, Air Intake	
56	4711400	18	Flatwasher, 1/4in Thin	
57	4711500	8	Flatwasher 5/16in Thin	
58	4711600	24	Flatwasher 3/8in Thin	
59	4740274	4	Washer, Snubbing	
60	4751400	12	Flatwasher 1/4in Regular	
61	4751500	12	Flatwasher 5/16in Regular	
62	4751600	42	Flatwasher 3/8in Regular	
63	4751800	12	Flatwasher 1/2in Regular	
65	1001102585	1	Mount, Motor/Generator	
66	4891500	4	Flatwasher 5/16in Hardened	
67	4891600	2	Flatwasher 3/8in Hardened	
69	1001097588	1	Clip, Tube	
70	1001098525	1	Plate, Muffler Support	
71	1001106426	1	Caterpillar Engine Assembly	
72	1001099442	1	Plate, Radiator Mount	
73	1001100577	1	Hose, Radiator (Top)	
74	1001100818	1	Hose, Radiator (Bottom)	
75	1001100825	2	Strap, Ties	
76	1001100837	1	Bracket, Bottle	
77	1001101201	1	Spacer, Fan	
78	1001101620	1	Weldment, Engine Tray	
79	1001101681	1	Elbow, Rubber	
80	1001101950	1	Tube, Air Intake	
81	1001102706	1	Radiator	
81	7027412	1	Cap, Radiator	
81	70023056	1	Petcock	
82	2720271	1.25	Hose	
		ft/0.38m		
83	2720615	1.5	Hose	
		ft/0.46m		

SECTION 2 - TURNTABLE

ITEM	PART NUMBER	QTY	DESCRIPTION	REV
84	1001101408	1	Fan	
85	8405006	1	Clamp, Gear	
86	1703876	AR	Decal - Engine Tray Swing	
		Ref	Note: Arctic Package Items 87 - 91 Not Shown - Used on Arctic Machines Only	
87	1702941	1	Decal - Battery Heater	
88	1702942	1	Decal - Engine Block Heater	
89	2580024	1	Heater, Battery	
90	2580054	1	Heater, Engine Block	
91	3980007	1	Seat, Battery	
		Ref	CATERPILLAR ENGINE INSTALLATION	
	1001106430	Ref	Machines without Arctic Package	A
	1001106431	Ref	Machines with Arctic Package	B
101	0100011	AR	Compound, Locking	
102	0100020	AR	Sealant	
103	0641406	3	Bolt, 1/4in-20NC x 3/4in	
104	0641408	7	Bolt, 1/4in-20NC x 1in	
105	0641418	2	Bolt, 1/4in-20NC x 2-1/4in	
106	0641420	1	Bolt, 1/4in-20NC x 2-1/2in	
107	0641608	3	Bolt, 3/8in-16NC x 1in	
108	0641610	2	Bolt, 3/8in-16NC x 1-1/4in	
109	0642010	1	Bolt, 5/8in-11NC x 1-1/4in	
110	0902443	1	Bracket, Hood Latch Mount	
111	0902444	1	Bracket, Hood Support	
112	1320022	7	Clamp, Fuel Line	
113	1320223	AR	Clamp, J Clip 1/2in (Not Shown)	
114	1320318	2	Clamp	
115	1701505	1	Decal, Diesel (Not Shown)	
116	2180536	1	Fitting, Barbed	
117	2220250	1	Fitting, Reducer	
118	2220273	1	Fitting, Reducer	
119	2220313	1	Fitting, Elbow Barbed	
120	2220459	1	Fitting, Elbow	
121	2220794	1	Fitting, Straight Barbed	
122		Ref	Coolant, Anti-Freeze Options (Not Shown):	
122	2300004	2.7 Gal	Without Arctic Package (ANSI/ANSI Export/CE Spec)	
122	2300041	2.7 Gal	With Arctic Package	
123	2720058	10 ft/3.0m	Hose	
124	2720271	8 ft/2.4m	Hose	
125	2750532	7 ft/2.1m	Hose	
126	3311405	13	Locknut 1/4in-20NC	
127	3312005	1	Locknut 5/8in-11NC	
128	3340399	1	Pad, Wear	
129	3900254	1	Screw, Shoulder	
130	4641317	1	Valve Assembly	
130	7012941	2	Cartridge without Coil	
130	7010543	2	Seal Kit - 7012941 Cartridge	
130	7012944	2	Coil	
131	4711400	3	Flatwasher 1/4in Thin	
132	4740362	7	Washer, Fender	
133	4751400	25	Flatwasher 1/4in Regular	
134	4751600	5	Flatwasher 3/8in Regular	

SECTION 2 - TURNTABLE

ITEM	PART NUMBER	QTY	DESCRIPTION	REV
135	4752000	1	Flatwasher 5/8in Regular	
136	4752200	2	Flatwasher 3/4in Regular	
137	1001099364	1	Mount, Hood	
139	1001100857	1	Separator, Fuel-Water	
139	70002377	1	Filter	
139	70002378	1	Seal, O-Ring	
140	1001103791	1	Panel, Rubber	
		Ref	Note: Arctic Package Items 141-146 Not Shown - Used on Arctic Machines Only	
141	1060625	1	Cord, Immersion Heater (Located on Bottom of Hyd Oil Tank)	
142	1060626	1	Cord, 3 Way Extension (Located on Left Front of Engine)	
143	1702943	1	Decal - Hydraulic Tank Heater (Located on bottom of Hydraulic Oil Tank)	
144	1702944	1	Decal - Heater Cord (Located on Left Front of Engine)	
145	2580050	1	Heater, Hydraulic Tank (Located on Bottom of Hyd Oil Tank)	
146	4460488	3	Clamp (Located on Left Front of Engine)	
150		Ref	Decal - Warning Explosion/Fire Options:	
150	1704972	1	ANSI Spec	
150	1706059	1	Brazilian Spec	
150	1706060	1	Chinese Spec	
150	1706064	1	CSA Spec	
150	1706062	1	Japanese Spec	
150	1706061	1	Korean Spec	
150	1706063	1	Spanish Language	
		Ref	CATERPILLAR ENGINE ASSEMBLY OPTIONS:	
	1001106428	Ref	Machines without Arctic Package	C
	1001106433	Ref	Machines with Arctic Package	C
201	0100011	AR	Compound, Locking	
202	0630569	1	Bolt M14 x 30mm	
203	0641610	2	Bolt 3/8in-16NC x 1-1/4in	
204	0641812	2	Bolt 1/2in-13NC x 1-1/2in	
205	2111010	1	Fitting, Straight	
206	2111612	1	Fitting, Straight	
207	2131212	1	Fitting, Elbow	
208	2151212	2	Fitting, Elbow	
209	2170316	1	Fitting, Tee	
210	2170808	2	Fitting, Tee	
211	2110604	2	Fitting, Straight	
212	2131210	1	Fitting, Elbow	
213	2221084	1	Fitting, Tee	
214		Ref	Oil, Motor Options (Not Shown):	
214	3020016	2.5 gl Gal	Without Arctic Package (Mobil Delvac MX 15W-40)	
214	3020044	2.5 gl Gal	With Arctic Package (Mobil 0W-40)	
215	3600318	1	Gear Pump Assembly (See GEAR PUMP ASSEMBLY for Breakdown)	
216	3600385	1	Piston Pump Assembly (See PISTON PUMP ASSEMBLY for Breakdown)	
217	3600423	1	Auxiliary Pump Assembly (See AUXILIARY PUMP ASSEMBLY for Breakdown)	
218	3790152	1	O-Ring	
219	3931620	2	Capscrew, Socket Head 3/8in-16NC x 1-1/4in	
220	4641199	2	Valve, Check	

SECTION 2 - TURNTABLE

ITEM	PART NUMBER	QTY	DESCRIPTION	REV
221	4751600	2	Flatwasher 3/8in Regular	
222	4751800	1	Flatwasher 1/2in Regular	
223	4891600	2	Flatwasher 3/8in Hardened	
225	1001102860	1	Battery Cable Kit	A
225A	7027025	1	Cable - Battery to Auxiliary Relay	
225B	7027026	1	Cable - Battery and Auxiliary Pump to Ground	
225C	7027023	1	Cable - Auxiliary Relay to Starter	
225D	7027024	1	Cable - Auxiliary Relay to Auxiliary Pump	
226	2170110	1	Fitting, Straight	
	1001106426	Ref	CATERPILLAR ENGINE COMPONENTS	C
301	7026848	1	Valve, Breather	
301	7026846	1	Gauze, Breather Valve	
302	7026847	4	Seal, Valve Cover Nut	
303	7026849	1	Gasket, Air Intake	
304	7026850	1	Seal, Valve Cover	
305	7026852	1	Flywheel with Starter Gear Set	
305	7026853	1	Gear, Rim	
305	7026851	1	Seal, Rear Main (Not Shown)	
306	70001403	1	Filter, Oil (was p/n 7026855)	
307	7026860	1	Cap, Oil Fill	
307	7026856	1	Seal, Oil Fill Cap	
308	7026858	1	Valve, Relief	
308	7026857	1	Seal	
309	7026864	1	Pump, Water	
309	7026863	1	Gasket, Water Pump (Fits Between Pump and Pump Rear Plate)	
309	7026865	1	Gasket, Water Pump (Fits Between Pump Rear Plate and Engine Block)	
310	7026867	1	Thermostat	
310	7026866	1	Gasket (Fits Between Regulator and Engine Block)	
310	7026868	1	Gasket (Fits Between Regulator and Hose Adapter)	
311	7026869	1	Gasket, Exhaust	
312	7026870	1	Gasket, Exhaust Manifold	
313	70003758	1	Filter Assembly	
313	70003791	1	Element, Fuel Filter (was p/n 7026871)	
313	7026872	1	Gasket, Fuel Filter Element	
314	7026873	1	Pump, Fuel Transfer	
314	7026874	1	Seal	
315	7026875	4	Injector, Fuel	
317	70003541	1	Actuator	
318	70003768	1	Alternator	
319	7026878	4	Glowplug	
320	70003759	1	Switch, Oil Pressure	
320	70003760	1	Adapter, Oil Pressure Switch	
321	70003769	1	Starter	
322	7026854	1	Seal, Front Main (Not Shown)	
323	7026859	1	Gasket, Oil Pan (Not Shown)	
324	7026862	1	Gasket, Valve Bracket (Not Shown - Located Between Valve Bracket and Cylinder Head)	
325	70003761	1	Belt	
326	70003766	1	Sensor, Speed	
327	70003765	1	Sensor, Temperature (Not Shown)	
328	70003763	1	Dipstick	

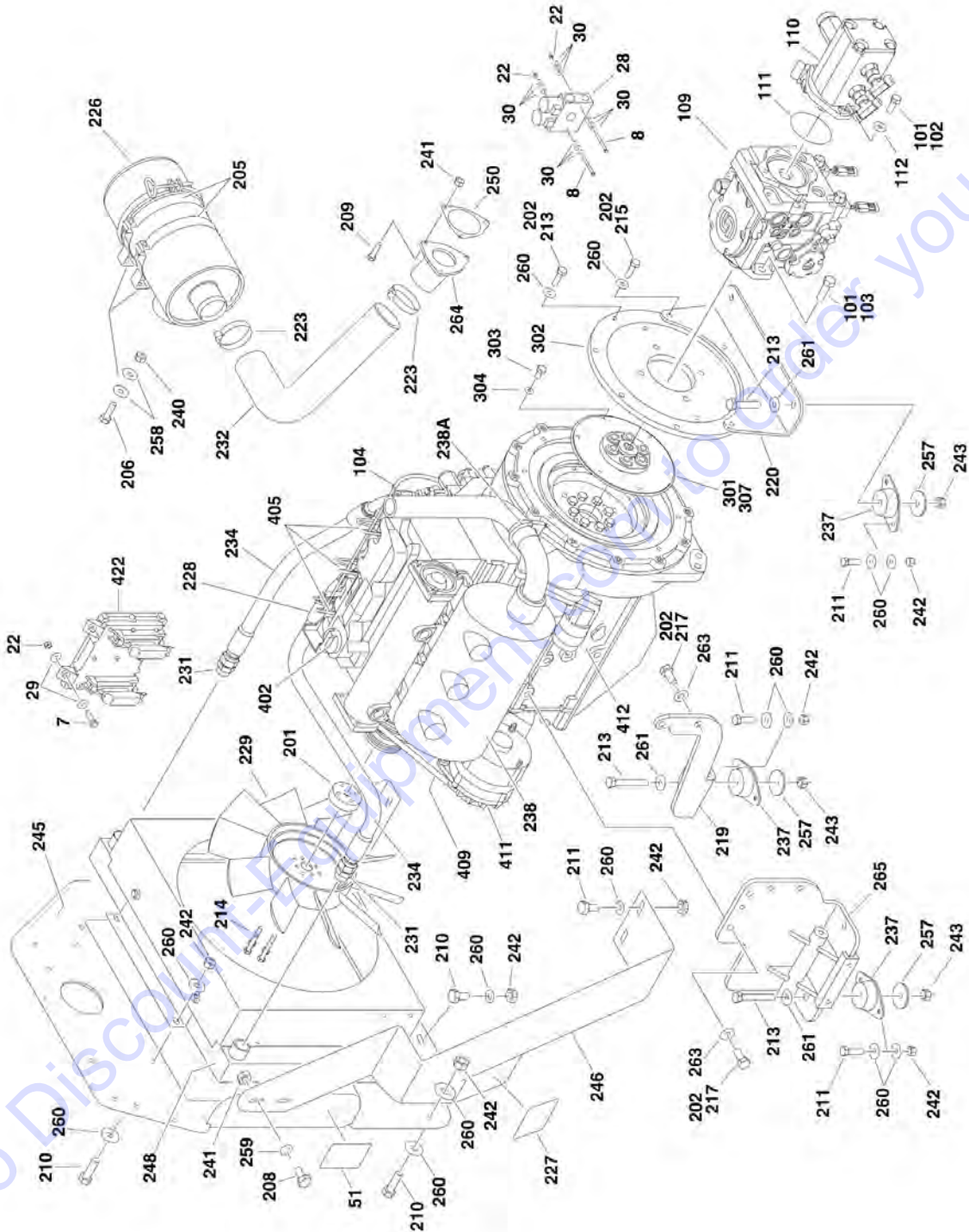
SECTION 2 - TURNTABLE

ITEM	PART NUMBER	QTY	DESCRIPTION	REV
328	70003764	1	Tube, Dipstick	
329	4641272	1	Valve, Oil Drain	
329	7026861	1	Seal, Oil Drain Valve	
330	70003767	1	Harness, Engine (Not Shown)	
331	70003770	1	ECM	

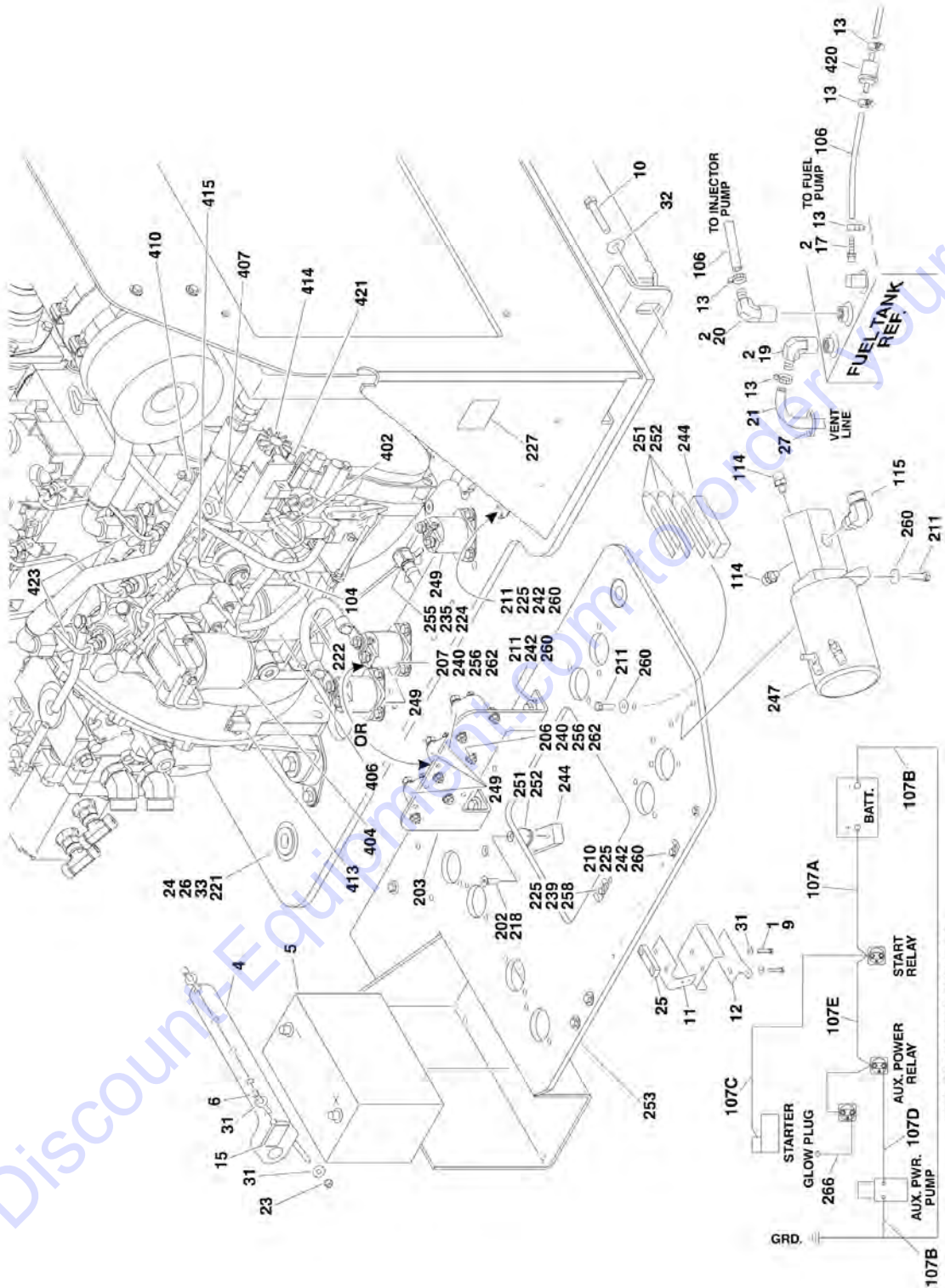
Go to Discount-Equipment.com to order your parts

SECTION 2 - TURNTABLE

FIGURE 2-11. USA BUILT MACHINES/DEUTZ ENGINE INSTALLATION



SECTION 2 - TURNTABLE



Go to Discount Equipment.com for parts

SECTION 2 - TURNTABLE

FIGURE 2-11. USA BUILT MACHINES/DEUTZ ENGINE INSTALLATION

ITEM	PART NUMBER	QTY	DESCRIPTION	REV
		Ref	USA Built Machines use SNs 03xxxxxxxx.	
		Ref	Belgium Built Machines use SNs 13xxxxxxxx.	
		Ref	Romanian Built Machines use SNs E3xxxxxxxx.	
		Ref	DEUTZ ENGINE INSTALLATIONS	
	0275869	Ref	Machines without Arctic Package	D
	0275873	Ref	Machines with Arctic Package	E
1	0100011	AR	Compound, Locking	
2	0100020	AR	Sealant, Pipe	
4	0181727	1	Angle, Battery Hold Down	
5	0400075	1	Battery (Wet)	
6	0630498	2	Bolt, Battery Hold Down	
7	0641410	4	Bolt 1/4in-20NC x 1-1/4in	
8	0641418	2	Bolt 1/4in-20NC x 2-1/4in	
9	0641610	2	Bolt 3/8in-16NC x 1-1/4in	
10	0642010	1	Bolt 5/8in-11NC x 1-1/4in	
11	0902443	1	Bracket, Hood Latch Mount	
12	0902444	1	Bracket, Hood Support	
13	1320022	AR	Clamp, Fuel Line	
14	1701505	1	Decal, Diesel Fuel (Not Shown)	
15	1703876	1	Decal, Engine Tray Swing (USA Built Machines) (SN 0300124000 through 0300153995)	
17	2180348	1	Fitting, Barbed	
18	2200222	1	Plug, Pipe (Not Shown - Located on Bottom of Fuel Tank)	
19	2220313	1	Fitting, Elbow Barbed	
20	2221176	1	Fitting, Elbow	
21	2750532	6 ft/1.83m	Hose	
22	3311405	6	Locknut 1/4in-20NC	
23	3311605	AR	Locknut 3/8in-16NC	
24	3312005	1	Locknut 5/8in-11NC	
25	3340399	1	Pad, Wear	
26	3900254	1	Screw, Shoulder	
27	4240099	AR	Wire, Tie	
28	4641317	1	Valve Assembly	
28	7012941	2	Cartridge without Coil	
28	7010543	2	Seal Kit - 7012941 Cartridge	
28	7012944	2	Coil	
29	4711400	8	Flatwasher 1/4in Thin	
30	4751400	12	Flatwasher 1/4in Regular	
31	4751600	6	Flatwasher 3/8in Regular	
32	4752000	1	Flatwasher 5/8in Regular	
33	4752200	2	Flatwasher 3/4in Regular	
		Ref	Note: Arctic Package Items 34 - 45 Not Shown - Used on Arctic Machines Only	
34	1060626	1	Cord, 3 Way Extension (Located on Left Front of Engine)	
35	1702943	1	Decal - Hydraulic Tank Heater (Located on bottom of Hydraulic Oil Tank)	
36	2580024	1	Heater, Battery (Located on Battery)	
37	2580050	1	Heater, Hydraulic Tank (Located on bottom of Hydraulic Oil Tank)	
38	3980007	1	Seat, Battery (Located on Battery)	

SECTION 2 - TURNTABLE

ITEM	PART NUMBER	QTY	DESCRIPTION	REV
39	1702941	1	Decal - Battery Heater (Located on Battery Heater)	
40	1702942	1	Decal - Engine Block Heater (Located on Right Side of Engine)	
41	1702944	1	Decal - Heater Cord (Located on Left Front of Engine)	
42	1320223	3	Clamp (Located on Left Front of Engine)	
43	1060625	1	Cable, Immersion Heater (Located on bottom of Hydraulic Oil Tank)	
44	4711600	2	Flatwasher 3/8in Thin (USA Built Machines) (SN 0300153995 through 0300160834)	
45	0641608	2	Bolt 3/8in-16NC x 1in(USA Built Machines) (SN 0300153995 through 0300160834)	
51		Ref	Decal - Warning Explosion/Fire Options:	
51	1704972	1	ANSI Spec	
51	1706059	1	Brazilian Spec	
51	1706060	1	Chinese Spec	
51	1706064	1	CSA Spec	
51	1706062	1	Japanese Spec	
51	1706061	1	Korean Spec	
51	1706063	1	Spanish Language	
		Ref	ENGINE AND PUMPS SUB-ASSEMBLY	
	2000290	Ref	Machines without Arctic Package	I
	2000364	Ref	Machines with Arctic Package	J
101	0100011	AR	Compound, Locking	
102	3931620	2	Bolt 3/8in-16NC x 1-1/4in	
103	0641812	2	Bolt 1/2in-13NC x 1-1/2in	
104	1320022	2	Clamp, Fuel Line	
106	2720058	24 ft/7.32m	Hose	
107		Ref	Battery Cable Kit Options:	
107	2902060	1	Battery Cable Kit (SN 0300124000 through 0300142894)	B
107	1001122202	1	Battery Cable Kit (SN 0300142895 through 0300160834)	A
107A	7016817	1	Cable (Battery + to Starter Relay) (p/n 2902060 Kit)	
107A	7027040	1	Cable (Battery + to Starter Relay) (p/n 1001122202 Kit)	
107B	7027041	1	Cable (Battery - to Auxiliary Pump) (p/n 2902060 Kit) (was p/n 7016837)	
107B	7027041	1	Cable (Battery - to Auxiliary Pump) (p/n 1001122202 Kit)	
107C	7016820	1	Cable (Starter Relay to Starter) (p/n 2902060 Kit)	
107C	7027040	1	Cable (Starter Relay to Starter) (p/n 1001122202 Kit) (Part of 107A)	
107D	7016834	1	Cable (Auxiliary Relay to Auxiliary Pump) (p/n 2902060 Kit)	
107D	7027014	1	Cable (Auxiliary Relay to Auxiliary Pump) (p/n 1001122202 Kit)	
107E	7016838	1	Cable (Starter Relay to Auxiliary Relay) (p/n 2902060 Kit)	
107E	7027040	1	Cable (Starter Relay to Auxiliary Relay) (p/n 1001122202 Kit) (Part of 107A)	
109	3600407	1	Piston Pump Assembly with Fittings (See PISTON PUMP ASSEMBLY for Breakdown)	
110	3600408	1	Gear Pump Assembly with Fittings (See GEAR PUMP ASSEMBLY for Breakdown)	
111	3790152	1	O-Ring	
112	4891600	2	Flatwasher, 3/8in Hardened	
114	2110604	2	Fitting (SN 0300139028 through 0300160834)	
115	2131210	1	Fitting, Elbow (SN 0300139028 through 0300160834)	
		Ref	ENGINE ASSEMBLY	
	2000345	Ref	Machines without Arctic Package	M

SECTION 2 - TURNTABLE

ITEM	PART NUMBER	QTY	DESCRIPTION	REV
	2000363	Ref	Machines with Arctic Package	K
201	0080231	1	Adapter, Fan Spacer	
202	0100011	AR	Compound, Locking	
203	3570808	1	Plate, Relay Mount (SN 0300142978 through 0300160834)	
205	0340041	2	Band, Muffler Bracket	
206	0641406	AR	Bolt 1/4in-20NC x 3/4in	
207	0641409	6	Bolt, 1/4in-20NC x 1-1/8in (SN 0300124000 through 0300142978)	
208	0641507	2	Bolt, 5/16in-10NC x 7/8in	
209	0641510	3	Bolt, 5/16in-10NC x 1-1/4in	
210	0641609	9	Bolt 3/8in-16NC x 1-1/8in	
211	0641610	AR	Bolt 3/8in-16NC x 1-1/4in	
212	0641611	2	Bolt 3/8in-16NC x 1-3/8in	
213	0641820	4	Bolt 1/2in-13NC x 2-1/2in	
214	0700816	4	Bolt, Metric 8mm x 40mm	
215	0701014	4	Bolt, Metric 10mm x 30mm	
216	0701012	4	Bolt, Metric 10mm x 25mm	
217	0711414	6	Bolt, Metric 14mm x 30mm	
218	0741610	2	Screw, Countersunk 3/8in-16NC x 1-1/4in	
219	0902740	1	Bracket, Engine Mounting	
220	0903063	1	Plate, Engine Mounting	
221	0962172	1	Bushing, Flanged	
222	1060904	1	Cable, Jumper (SN 0300124000 through 0300142978)	
223	1320016	2	Clamp	
224	1320022	1	Clamp, Hose (SN 0300124000 through 0300137659)	
225	1320223	4	Clamp, J Clip 1/2in	
226	1340060	1	Air Cleaner Assembly	
226	7012664	1	Element, Air Cleaner	
227	1703162	2	Decal, Fan Blade	
228	1001092723	1	Engine, Deutz	
229	2060025	1	Fan	
231	2220451	2	Fitting	
232	1001091179	1	Hose, Elbow	
234	2720467	2	Hose, Oil Cooler	
235		Ref	Hose Options:	
235	2750532	1	Hose (SN 0300124000 through 0300137658)	
		ft/30.5cm		
235	1001091892	6 in/16cm	Hose (SN 0300137659 through 0300141374)	
235	2750532	1	Hose (SN 0300141375 to Present)	
		ft/30.5cm		
236		Ref	Motor Oil Options (Not Shown):	
236	3020016	2.5	Mobil Delvac MX 15W-40 (Without Arctic Package)	
		gal/9.46Li		
236	3020044	2.5	Mobil 0W-40 (With Arctic Package)	
		gal/9.46Li		
237	3200406	4	Mount, Rubber	
238		Ref	Muffler Options:	
238	3220110	1	Standard Spark Arresting Muffler	
238	3220112	1	Optional Catalytic Muffler (Not Available on Arctic Machines)	
238A	1320176	1	Clamp, Muffler	
239	0641405	1	Bolt 1/4in-20NC x 5/8in	
240	3311405	10	Locknut 1/4in-20NC	

SECTION 2 - TURNTABLE

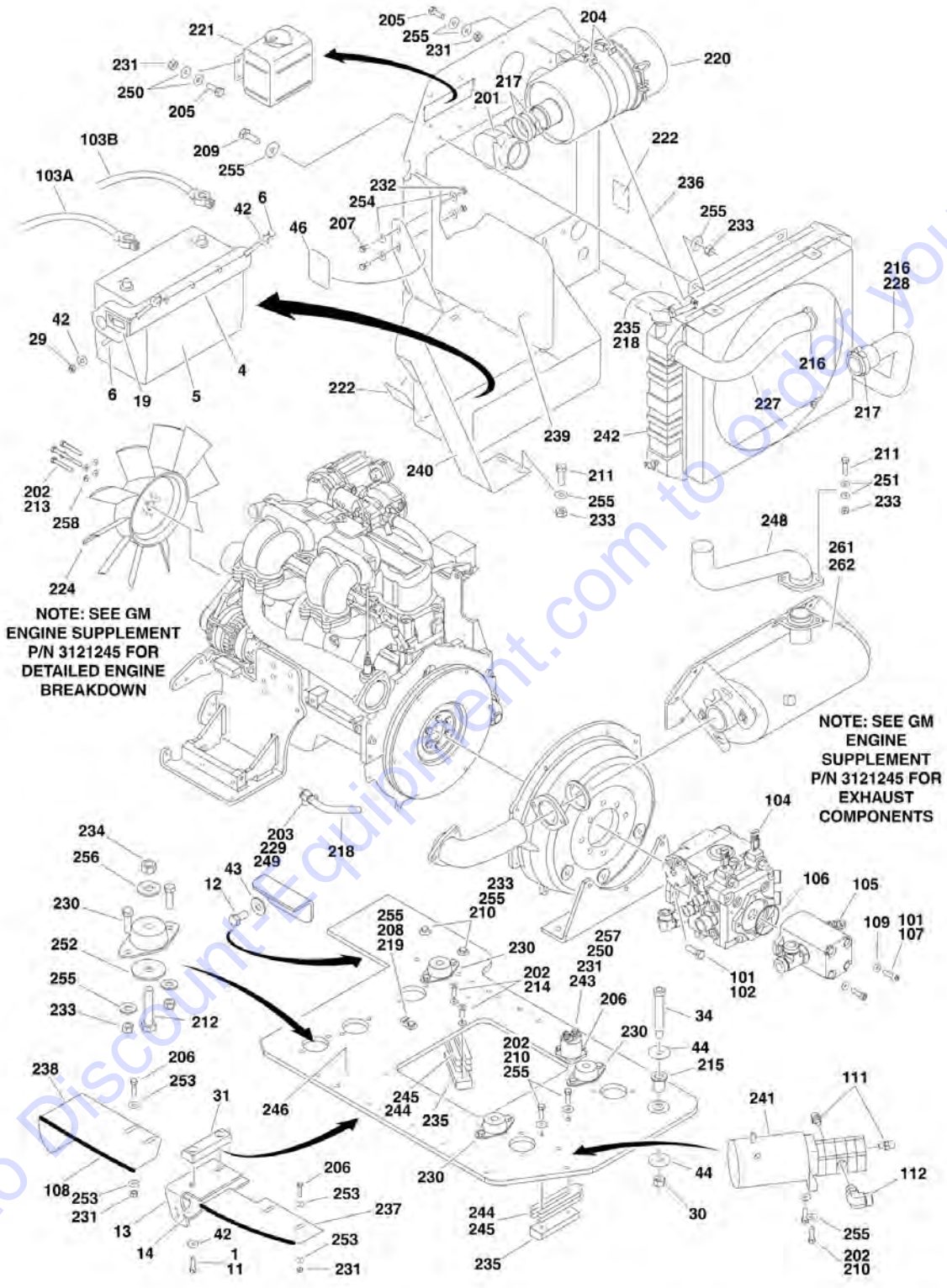
ITEM	PART NUMBER	QTY	DESCRIPTION	REV
241	3311505	5	Locknut 5/16in-18NC	
242	3311605	AR	Locknut 3/8in-16NC	
243	3311805	4	Locknut 1/2in-13NC	
244	3340399	2	Pad, Wear	
245	3576972	1	Plate, Radiator Mount	
246	3573667	1	Support, Radiator	
247	3600423	1	Auxiliary Pump Assembly (See AUXILIARY PUMP ASSEMBLY for Breakdown):	
248	3620033	1	Radiator (Use p/n 1001150998)	
249	3740067	3	Relay (Auxiliary Power)	
250	3960407	1	Gasket, Air Intake	
251	4070497	4	Shim (11 Gauge)	
252	4070498	2	Shim (16 Gauge)	
253	4340745	1	Tray, Engine Mounting	
255		Ref	Valve, Oil Drain Options:	
255	4640751	1	Valve, Oil Drain (SN 0300124000 through 0300140523)	
255	1001104308	1	Valve, Oil Drain (Use p/n 4640751) (SN 0300140524 through 0300160834)	
256	4711400	12	Flatwasher 1/4in Thin	
257	4740274	4	Washer, Snubbing	
258	4751400	9	Flatwasher 1/4in Regular	
259	4751500	4	Flatwasher 5/16in Regular	
260	4751600	AR	Flatwasher 3/8in Regular	
261	4751800	4	Flatwasher 1/2in Regular	
262	4791400	6	Starwasher 1/4in	
263	4812200	6	Flatwasher, Metric 14mm	
264	4845395	1	Weldment, Adapter	
265		Ref	Bracket, Motor Mount Options:	
265	4846567	1	Machines with Generator	
265	4846567	1	Machines without Generator (Standard)	
265	1001138135	1	Machines without Generator (Optional Service Replacement - No Generator Mounting Capabilities) (Not Shown)	
266		Ref	Harness, Glow Plugs Options:	
266	4923451	1	Machines without Arctic Package	
266	4922642	1	Machines with Arctic Package	
		Ref	Note: Arctic Package Item 267 Not Shown - Used on Arctic Machines Only	
267	2580062	1	Heater, Engine Block	
	0256847	Ref	PUMP COUPLING INSTALLATION	2
301	1660234	1	Coupling, Hayes	
302	0080163	1	Plate, Pump Adapter	
303	0700810	6	Bolt M8 x 20mm	
304	4831900	6	Lockwasher M8	
307	3020021	AR	Grease, Coupling	
	1001092723	Ref	ENGINE COMPONENTS	
401	7020026	1	Dipstick (was p/n 7027244) (Not Shown)	
402	7020465	2	Cap, Filler	
403	7020495	1	Pump, Oil Lube (Not Shown)	
403	7020468	1	Seal Between Oil Pump and Engine Block (Not Shown)	
404	7016331	1	Filter, Oil	
404	7027236	1	Sensor, Oil Temperature (Not Shown - Located in Rear Of Filter Mount)	

SECTION 2 - TURNTABLE

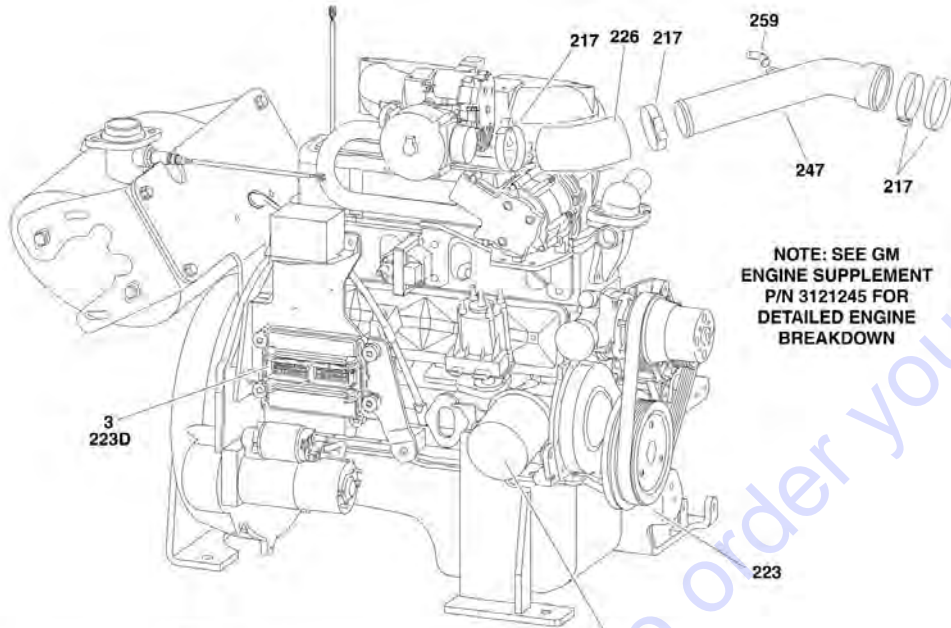
ITEM	PART NUMBER	QTY	DESCRIPTION	REV
405		Ref	Pump, Injector Options:	
405	7027246	3	Series A Injector	
405	7027608	3	Series B Injector	
405	7027609	3	Series C Injector	
405	7027610	3	Series D Injector	
405	7020447	3	Gasket, Injector Pump	
406	7020023	1	Filter, Fuel	
406	70001423	1	Bracket, Fuel Filter	
407	70000916	1	Pump Fuel Supply (was p/n 7027238)	
407	7020411	1	O-Seal Between Fuel Pump and Engine Block (Not Shown)	
407	70001435	1	Replacement Filter	
408	7020449	3	Gasket, Intake Manifold (Not Shown)	
408	7020471	3	Gasket, Exhaust (Not Shown)	
408	70002200	6	Stud, Exhaust (Not Shown)	
409	7020408	1	V-Belt	
410	7027791	1	Sensor, Temperature	
411	7020410	1	Alternator	
411	7020464		Regulator, Voltage (Not Shown)	
412	7020479	1	Starter	
412	7026608	1	Relay, Starter	
413	7024565	1	Tacho-Generator	
413	70003932	1	Spacer, Sleeve	
414	7027792	1	Actuator, Throttle	
414	7027276	2	Spring, Replacement	
415	7027790	1	Sensor, Oil Pressure	
418	7020459	1	Thermostat	
418	7020460	1	Spring, Compression	
419	See Note	1	Flywheel (Not Shown) (Note: Not Available for Purchase)	
419	7024579	1	Rim, Gear (Not Shown)	
420	7027245	1	Filter, Fuel	
421	7027239	1	Solenoid, Start	
422	7027795	1	Module, EMR2	
423	7027769	2	Connector, Radiator	

SECTION 2 - TURNTABLE

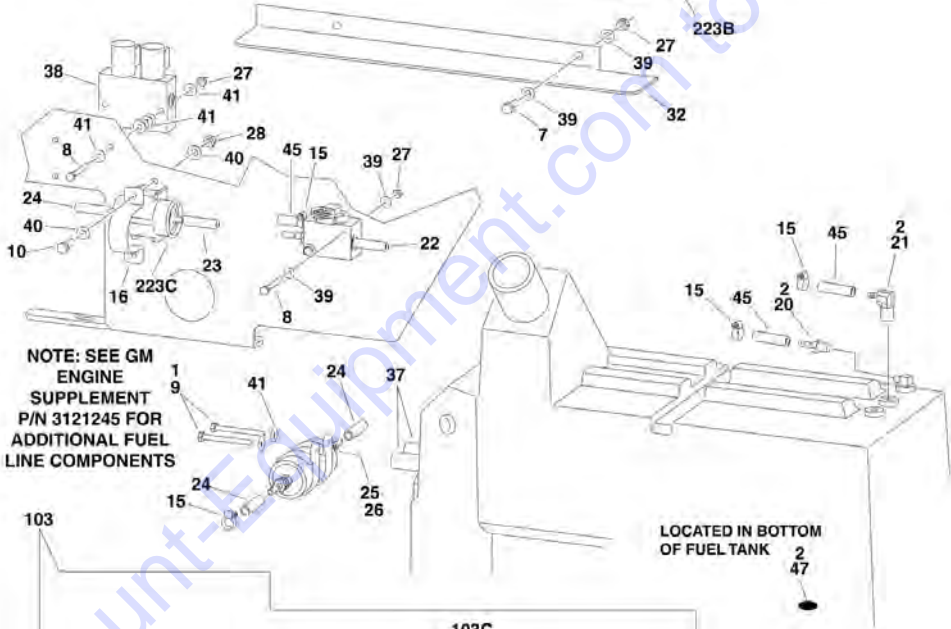
FIGURE 2-12. USA BUILT MACHINES/GM ENGINE INSTALLATION (WITHOUT UGM)



SECTION 2 - TURNTABLE

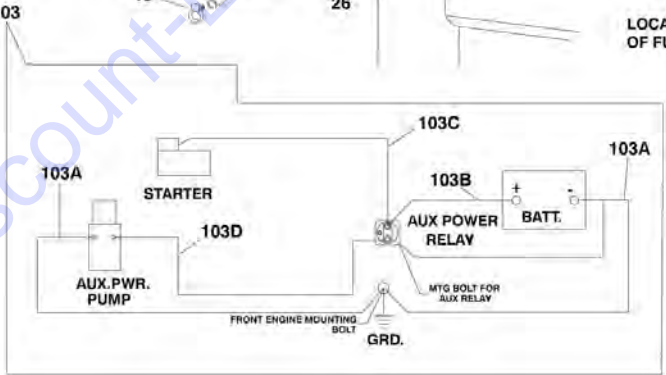


NOTE: SEE GM ENGINE SUPPLEMENT P/N 3121245 FOR DETAILED ENGINE BREAKDOWN



NOTE: SEE GM ENGINE SUPPLEMENT P/N 3121245 FOR ADDITIONAL FUEL LINE COMPONENTS

LOCATED IN BOTTOM OF FUEL TANK



SECTION 2 - TURNTABLE

FIGURE 2-12. USA BUILT MACHINES/GM ENGINE INSTALLATION (WITHOUT UGM)

ITEM	PART NUMBER	QTY	DESCRIPTION	REV
		Ref	USA Built Machines use SNs 03xxxxxxxx.	
		Ref	Belgium Built Machines use SNs 13xxxxxxxx.	
		Ref	Romanian Built Machines use SNs E3xxxxxxxx.	
		Ref	Note: For Module (with/without UGM) Identification, refer to Revision Log page A.	
		Ref	GM ENGINE INSTALLATION	
	1001091602	Ref	Machines without Arctic Package	G
	1001101816	Ref	Machines with Arctic Package	B
1	0100011	AR	Compound, Locking	
2	0100020	AR	Sealant, Pipe	
3	0100048	AR	Grease, Dielectric	
4	0181727	1	Angle, Battery Hold Down	
5	0400075	1	Battery (Wet)	
6	0630498	2	Bolt, Battery Hold Down	
7	0641407	2	Bolt 1/4in-20NC x 7/8in	
8	0641418	4	Bolt 1/4in-20NC x 2-1/4in	
9	0641420	2	Bolt 1/4in-20NC x 2-1/2in	
10	0641508	2	Bolt 5/16in-18NC x 1in	
11	0641610	2	Bolt 3/8in-16NC x 1-1/4in	
12	0642010	1	Bolt 5/8in-11NC x 1-1/4in	
13	0902443	1	Bracket, Hood Latch Mount	
14	0902444	1	Bracket, Hood Support	
15	1320022	5	Clamp, Fuel Line	
16	1320323	1	Clamp	
17	1701542	1	Decal, Gas (Not Shown)	
18	1701543	1	Decal, LPG (Not Shown)	
19	1703876	1	Decal, Engine Tray Swing (SN 0300124000 through 0300151948)	
20	2180348	1	Fitting, Barbed	
21	2221176	1	Fitting, 90	
22	2720565	1	Hose (78in/2m Length)	
23	2720566	1	Hose (6in/15cm Length)	
24	2720567	1	Hose (48in/122cm Length)	
25	3290405	1	Locknut M4 x 0.7	
26	3290505	1	Locknut M5 x 0.8	
27	3311405	6	Locknut 1/4in-20NC	
28	3311505	2	Locknut 5/16in-18NC	
29	3311605	2	Locknut 3/8in-16NC	
30	3312005	1	Locknut 5/8in-11NC	
31	3340399	1	Pad, Wear	
32	3380694	1	Panel, Shield	
33	3790012	1	O-Ring (Not Shown - Located in Console Box)	
34	3900254	1	Screw, Shoulder	
35	4240099	1	Wire, Tie (Not Shown)	
36	4360336	1	Switch, Toggle (Not Shown - Located in Console Box)	
37	4568114	2	Tube, Spacer	
38	4641317	1	Valve Assembly	
38	7012941	2	Cartridge without Coil	
38	7010543	2	Seal Kit - 7012941 Cartridge	
38	7012944	2	Coil	

SECTION 2 - TURNTABLE

ITEM	PART NUMBER	QTY	DESCRIPTION	REV
39	4711400	8	Flatwasher 1/4in Thin	
40	4711500	4	Flatwasher 5/16in Thin	
41	4751400	14	Flatwasher 1/4in Regular	
42	4751600	6	Flatwasher 3/8in Regular	
43	4752000	1	Flatwasher 5/8in Regular	
44	4752200	2	Flatwasher 3/4in Regular	
45	1001091587	7.5 ft/2.3m	Hose	
46		Ref	Decal - Warning Explosion/Fire Options: (SN 0300092804 through 0300160834)	
46	1704972	1	ANSI Spec	
46	1706059	1	Brazilian Spec	
46	1706060	1	Chinese Spec	
46	1706064	1	CSA Spec	
46	1706062	1	Japanese Spec	
46	1706061	1	Korean Spec	
46	1706063	1	Spanish Language	
47	2200222	1	Plug, Pipe	
48		Ref	Coolant, Antifreeze Options (Not Shown):	
48	2300004	2.7 gal	Machines without Arctic Package	
48	2300041	2.7 gal	Machines with Arctic Package	
		Ref	Note: Items 60-71 are Not Shown - Used on Arctic Package Machines Only	
60	1060625	1	Cable, Immersion Heater	
61	1060626	1	Cord, 3-Way Extension	
62	1320041	1	Clamp	
63	1320223	2	J-Clip	
64	1702941	1	Decal - Battery Heater	
65	1702942	1	Decal - Engine Block Heater	
66	1702943	1	Decal - Hydraulic Tank Heater	
67	1702944	1	Decal - Heater Cord	
68	2580024	1	Heater, Battery	
69	2580050	1	Heater, Hydraulic Tank	
70	2580063	1	Heater, Engine Block	
71	3980007	1	Seat, Battery	
		Ref	GM ENGINE AND PUMP SUB-ASSEMBLY	
	1001091601	Ref	Machines without Arctic Package	E
	1001101817	Ref	Machines with Arctic Package	D
101	0100011	AR	Compound, Locking	
102	0641812	2	Bolt 1/2in-13NC x 1-1/2in	
103	2902510	1	Battery Cable Kit	D
103A	7016840	1	Cable (Battery - to Ground)	
103B	7016839	1	Cable (Battery + to Auxilliary Relay)	
103C	7027014	1	Cable (Auxilliary Relay to Starter)	
103D	7016841	1	Cable (Auxilliary Relay to Auxilliary Pump)	
104	3600407	1	Pump Assembly (See PISTON PUMP ASSEMBLY for Breakdown)	
105	3600441	1	Gear Pump Assembly (See GEAR PUMP ASSEMBLY for Breakdown)	
106	3790152	1	O-Ring	
107	3931620	2	Capscrew, Socket Head 3/8in-16NC x 1-1/4in	
108	3960438	2.3 ft/.7m	Seal, Self Gripping	

SECTION 2 - TURNTABLE

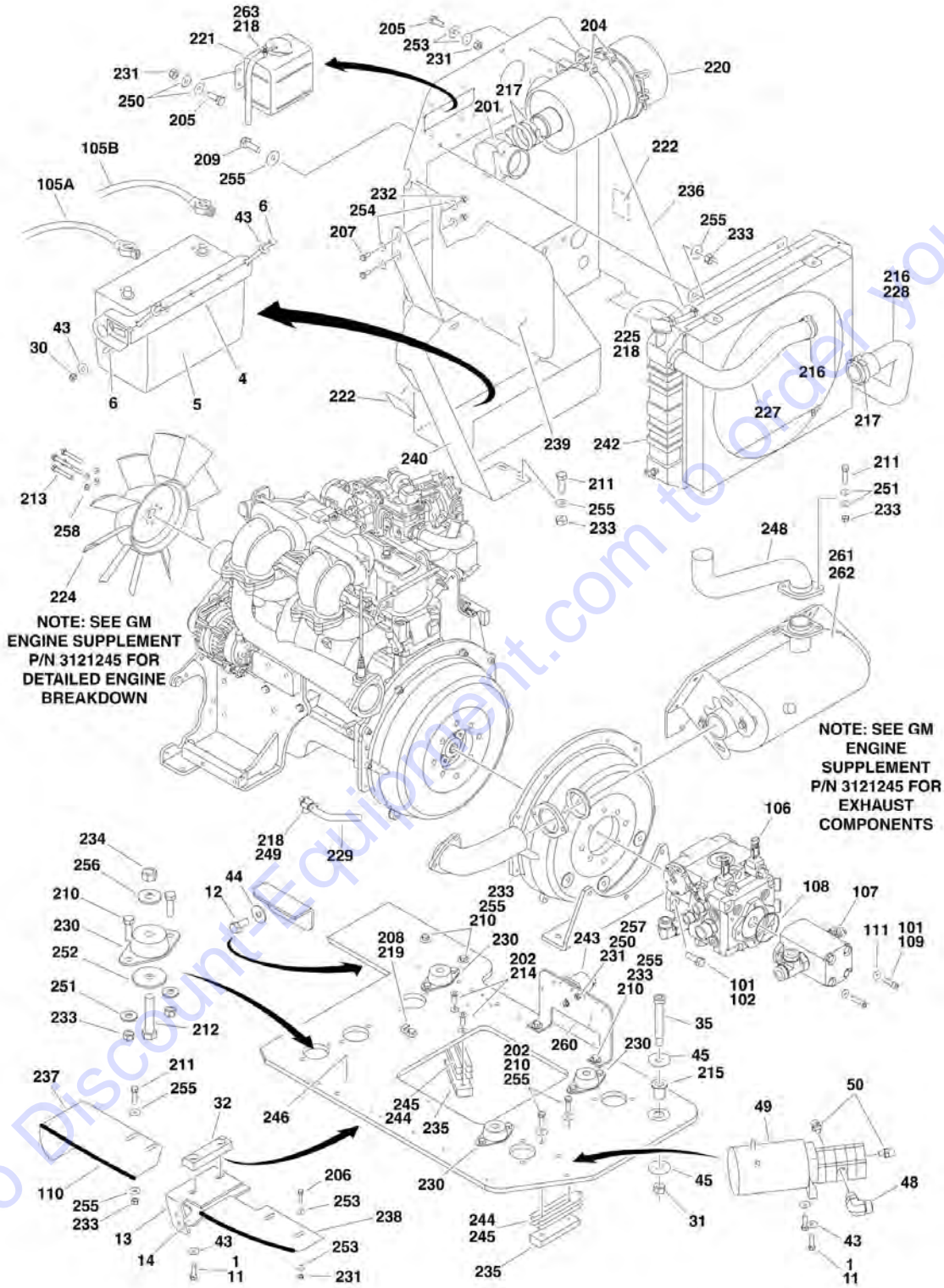
ITEM	PART NUMBER	QTY	DESCRIPTION	REV
109	4891600	2	Flatwasher 3/8in Hardened	
111	2110604	2	Fitting, Straight (SN 0300138812 through 0300160834)	
112	2131210	1	Fitting, 90 (SN 0300138812 through 0300160834)	
		Ref	GM ENGINE ASSEMBLY	
	1001091600	Ref	Machines without Arctic Package	E
	1001101818	Ref	Machines without Arctic Package	C
201	0080201		Fitting, 90	
202	0100011	AR	Compound, Locking	
203	0100020	AR	Sealant (SN 0300124000 through 0300136774)	
204	0340041	2	Band, Mounting	
205	0641406	8	Bolt 1/4in-20NC x 3/4in	
206	0641410	4	Bolt 1/4in-20NC x 1-1/4in	
207	0641506	2	Bolt 5/16in-18NC x 3/4in	
208	0641604	1	Bolt 3/8in-16NC x 1/2in	
209	0641609	4	Bolt 3/8in-16NC x 1-1/8in	
210	0641610	14	Bolt 3/8in-16NC x 1-1/4in	
211	0641612	4	Bolt 3/8in-16NC x 1-1/2in	
212	0641820	4	Bolt 1/2in-13NC x 2-1/2in	
213	0700810	4	Bolt M8 x 20mm	
214	0741610	2	Screw, Flat Head 3/8in-16NC x 1-1/4in	
215	0962172	1	Bushing, Flanged	
216	1320012	3	Clamp	
217	1320016	5	Clamp	
218	1320022	AR	Clamp	
219	1320223	1	J-Clip	
220	1340060	1	Air Cleaner Assembly	
220	7012664	1	Element, Air Cleaner	
221	1580011	1	Container, Coolant Overflow	
222	1703162	2	Decal - Caution Fan	
223		Ref	Engine, GM 3.0L Options (See GM Engine Supplement P/N 3121245 for Breakdown of Additional Components):	
223	1001091583	1	Machines without Arctic Package	
223	1001101819	1	Machines with Arctic Package	
223A	7027996	4	Plug, Spark (Not Shown)	
223B	7027965	1	Filter, Oil	
223C	7027972	1	Filter, Fuel	
223D	7027994	1	Module, Control (ECU)	
224	2060025	1	Fan	
225	2720058	4 in/10cm	Hose	
226	2720514	1	Hose	
227	2720563	1	Hose, Radiator (Top)	
228	2720564	1	Hose, Radiator (Bottom)	
229		Ref	Hose Options:	
229	2750532	8 in/20cm	Hose (SN 0300124000 through 0300136773)	
229	1001091892	12 in/30cm	Hose (SN 0300136774 through 0300160834)	
230	3200406	4	Mount, Motor	
231	3311405	12	Locknut 1/4in-20NC	
232	3311505	2	Locknut 5/16in-18NC	
233	3311605	18	Locknut 3/8in-16NC	
234	3311805	1	Locknut 1/2in-13NC	
235	3340399	4	Pad, Wear	

SECTION 2 - TURNTABLE

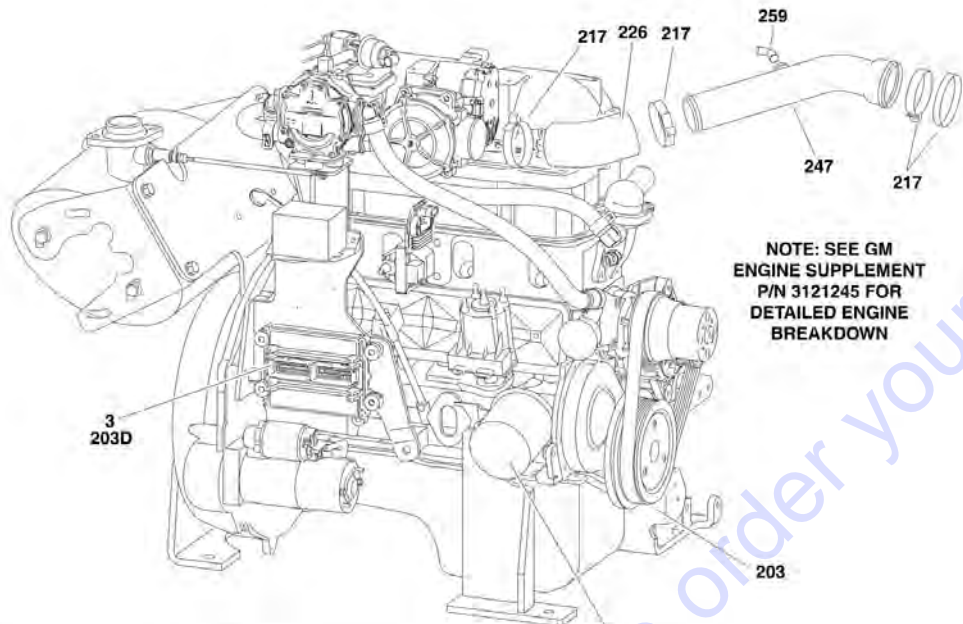
ITEM	PART NUMBER	QTY	DESCRIPTION	REV
236	3570571	1	Plate, Radiator Mounting	
237	3571008	1	Plate, Air	
238	3571009	1	Plate, Baffle	
239	3571019	1	Plate, Air Panel	
240	3573667	1	Plate, Radiator Support	
241	3600423	1	Auxiliary Pump Assembly (See AUXILIARY PUMP ASSEMBLY for Breakdown)	
242	3620040	1	Radiator	
242	7019656	1	Cap, Radiator	
243	3740067	1	Relay	
244	4070497	4	Shim (11 Gauge)	
245	4070498	2	Shim (16 Gauge)	
246	4340745	1	Tray, Engine	
247	4569342	1	Tube, Air Intake	
248	4569345	1	Pipe, Exhaust	
249		Ref	Valve, Oil Drain Options:	
249	4640952	1	Valve, Oil Drain (SN 0300124000 through 0300136773)	
249	1001105872	1	Valve, Oil Drain (Use p/n 4640952) (SN 0300136774 through 0300160834)	
250	4711400	12	Flatwasher 1/4in Thin	
251	4711600	4	Flatwasher 3/8in Thin	
252	4740274	4	Flatwasher, Snubbing	
253	4751400	12	Flatwasher 1/4in Regular	
254	4751500	4	Flatwasher 5/16in Regular	
255	4751600	29	Flatwasher 3/8in Regular	
256	4751800	4	Flatwasher 1/2in Regular	
257	4791400	2	Starwasher 1/4in	
258	4831900	4	Lockwasher M8	
259	2180877	1	Fitting, 90	
261	4920385	10 ft/3m	Wire, Safety	
262	1001091794	1	Insulation, Exhaust	
263	2720271	1.5 ft/0.5mm	Hose (SN 0300136774 through 0300160834)	

SECTION 2 - TURNTABLE

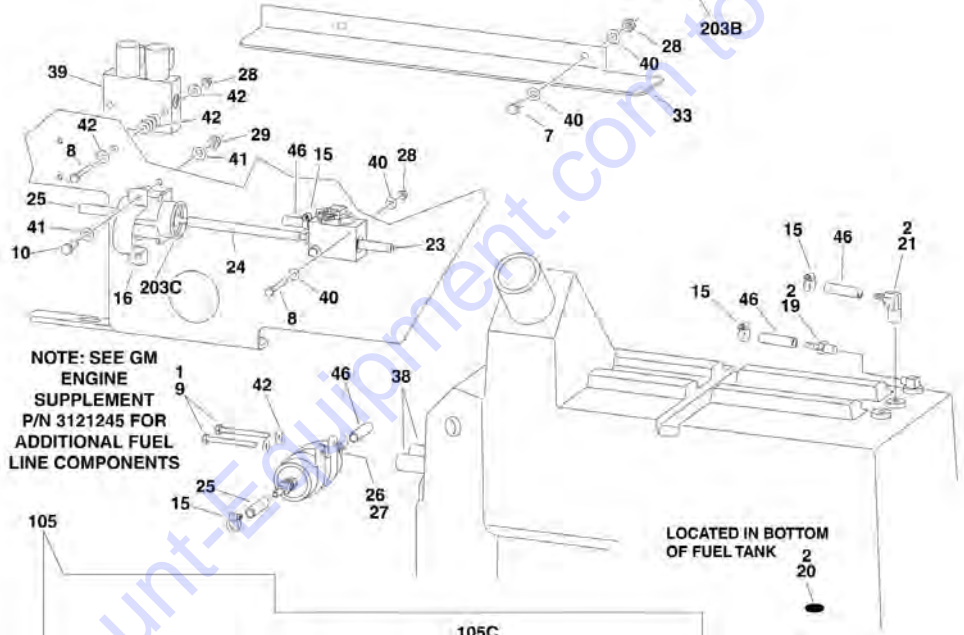
FIGURE 2-13. USA BUILT MACHINES/GM ENGINE INSTALLATION (WITH UGM)



SECTION 2 - TURNTABLE

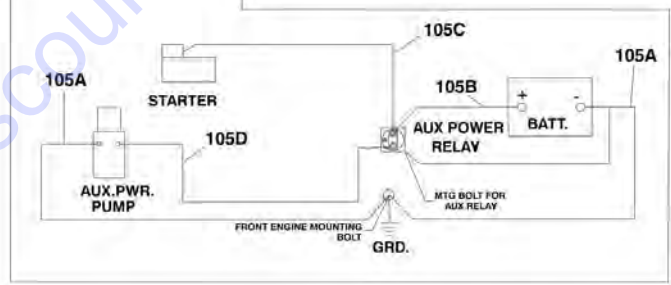


NOTE: SEE GM ENGINE SUPPLEMENT P/N 3121245 FOR DETAILED ENGINE BREAKDOWN



NOTE: SEE GM ENGINE SUPPLEMENT P/N 3121245 FOR ADDITIONAL FUEL LINE COMPONENTS

LOCATED IN BOTTOM OF FUEL TANK



SECTION 2 - TURNTABLE

FIGURE 2-13. USA BUILT MACHINES/GM ENGINE INSTALLATION (WITH UGM)

ITEM	PART NUMBER	QTY	DESCRIPTION	REV
		Ref	USA Built Machines use SNs 03xxxxxxxx.	
		Ref	Belgium Built Machines use SNs 13xxxxxxxx.	
		Ref	Romanian Built Machines use SNs E3xxxxxxxx.	
		Ref	Note: For Module (with/without UGM) Identification, refer to Revision Log page A.	
		Ref	GM ENGINE INSTALLATION	
	1001114598	Ref	Machines without Arctic Package	B
	1001114603	Ref	Machines with Arctic Package	B
1	0100011	AR	Compound, Locking	
2	0100020	AR	Sealant, Pipe	
3	0100048	AR	Grease, Dielectric	
4	0181727	1	Angle, Battery Hold Down	
5	0400075	1	Battery (Wet)	
6	0630498	2	Bolt, Battery Hold Down	
7	0641407	2	Bolt 1/4in-20NC x 7/8in	
8	0641418	4	Bolt 1/4in-20NC x 2-1/4in	
9	0641420	2	Bolt 1/4in-20NC x 2-1/2in	
10	0641508	2	Bolt 5/16in-18NC x 1in	
11	0641610	4	Bolt 3/8in-16NC x 1-1/4in	
12	0642010	1	Bolt 5/8in-11NC x 1-1/4in	
13	0902443	1	Bracket, Hood Latch Mount	
14	0902444	1	Bracket, Hood Support	
15	1320022	5	Clamp, Fuel Line	
16	1320323	1	Clamp	
17	1701542	1	Decal, Gas (Not Shown)	
18	1701543	1	Decal, LPG (Not Shown)	
19	2180348	1	Fitting, Barbed	
20	2200222	1	Plug, Pipe	
21	2221176	1	Fitting, 90	
22		Ref	Coolant, Antifreeze Options (Not Shown):	
22	2300004	2.7 gal	Machines without Arctic Package	
22	2300041	2.7 gal	Machines with Arctic Package	
23	2720565	1	Hose (78in/2m Length)	
24	2720566	1	Hose (6in/15cm Length)	
25	2720567	1	Hose (48in/122cm Length)	
26	3290405	1	Locknut M4 x 0.7	
27	3290505	1	Locknut M5 x 0.8	
28	3311405	6	Locknut 1/4in-20NC	
29	3311505	2	Locknut 5/16in-18NC	
30	3311605	2	Locknut 3/8in-16NC	
31	3312005	1	Locknut 5/8in-11NC	
32	3340399	1	Pad, Wear	
33	3380694	1	Panel, Shield	
34	3790012	1	O-Ring (Not Shown - Located in Console Box)	
35	3900254	1	Screw, Shoulder	
37	4360336	1	Switch, Toggle (Not Shown - Located in Console Box)	
38	4568114	2	Tube, Spacer	
39	4641317	1	Valve Assembly	
39	7012941	2	Cartridge without Coil	
39	7010543	2	Seal Kit - 7012941 Cartridge	

SECTION 2 - TURNTABLE

ITEM	PART NUMBER	QTY	DESCRIPTION	REV
39	7012944	2	Coil	
40	4711400	8	Flatwasher 1/4in Thin	
41	4711500	4	Flatwasher 5/16in Thin	
42	4751400	14	Flatwasher 1/4in Regular	
43	4751600	8	Flatwasher 3/8in Regular	
44	4752000	1	Flatwasher 5/8in Regular	
45	4752200	2	Flatwasher 3/4in Regular	
46	1001091587	7.5 ft/2.3m	Hose	
48	2131210	1	Fitting, 90	
49	3600423	1	Auxiliary Pump Assembly (See AUXILIARY PUMP ASSEMBLY for Breakdown):	
50	2110604	2 Ref	Fitting, Straight Note: Items 51-61 are Not Shown - Used on Arctic Package Machines Only	
51	1060625	1	Cable, Immersion Heater	
52	1060626	1	Cord, 3-Way Extension	
53	1320223	3	J-Clip	
53	3311605	2	Locknut 3/8in-16NC	
53	0641608	2	Bolt 3/8in-16NC x 1in	
53	4711600	6	Flatwasher 3/8in Thin	
54	1702941	1	Decal - Battery Heater	
55	1702942	1	Decal - Engine Block Heater	
56	1702943	1	Decal - Hydraulic Tank Heater	
57	1702944	1	Decal - Heater Cord	
58	2580024	1	Heater, Battery	
59	2580050	1	Heater, Hydraulic Tank	
60	2580063	1	Heater, Engine Block	
61	3980007	1 Ref	Seat, Battery GM ENGINE AND PUMP SUB-ASSEMBLY	
	1001114597	Ref	Machines without Arctic Package	F
	1001114602	Ref	Machines with Arctic Package	F
101	0100011	AR	Compound, Locking	
102	0641812	2	Bolt 1/2in-13NC x 1-1/2in	
105	2902510	1	Battery Cable Kit	D
105A	7016840	1	Cable (Battery - to Ground)	
105B	7016839	1	Cable (Battery + to Auxilliary Relay)	
105C	7027014	1	Cable (Auxilliary Relay to Starter)	
105D	7016841	1	Cable (Auxilliary Relay to Auxilliary Pump)	
106	3600407	1	Pump Assembly (See PISTON PUMP ASSEMBLY for Breakdown)	
107	3600441	1	Gear Pump Assembly (See GEAR PUMP ASSEMBLY for Breakdown)	
108	3790152	1	O-Ring	
109	3931620	2	Capscrew, Socket Head 3/8in-16NC x 1-1/4in	
110	3960438	2.3 ft/.7m	Seal, Self Gripping	
111	4891600	2	Flatwasher 3/8in Hardened	
	1001114596	Ref	GM ENGINE ASSEMBLY	F
201	0080201		Fitting, 90	
202	0100011	AR	Compound, Locking	
203	1001114595	1	ENGINE, GM 3.0L (SEE GM ENGINE SUPPLEMENT P/N 3121245 FOR BREAKDOWN OF ADDITIONAL COMPONENTS)	
203A	70000164	4	Plug, Spark (Not Shown)	

SECTION 2 - TURNTABLE

ITEM	PART NUMBER	QTY	DESCRIPTION	REV
203B	7027965	1	Filter, Oil	
203C	7027972	1	Filter, Fuel	
203D	70002895	1	Module, Control (ECU)	
204	0340041	2	Band, Mounting	
205	0641406	8	Bolt 1/4in-20NC x 3/4in	
206	0641410	2	Bolt 1/4in-20NC x 1-1/4in	
207	0641506	2	Bolt 5/16in-18NC x 3/4in	
208	0641604	1	Bolt 3/8in-16NC x 1/2in	
209	0641609	4	Bolt 3/8in-16NC x 1-1/8in	
210	0641610	14	Bolt 3/8in-16NC x 1-1/4in	
211	0641612	4	Bolt 3/8in-16NC x 1-1/2in	
212	0641820	4	Bolt 1/2in-13NC x 2-1/2in	
213	0700810	4	Bolt M8 x 20mm	
214	0741610	2	Screw, Flat Head 3/8in-16NC x 1-1/4in	
215	0962172	1	Bushing, Flanged	
216	1320012	3	Clamp	
217	1320016	5	Clamp	
218	1320022	4	Clamp	
219	1320223	1	J-Clip	
220	1340060	1	Air Cleaner Assembly	
220	7012664	1	Element, Air Cleaner	
221	1580011	1	Container, Coolant Overflow	
222	1703162	2	Decal - Caution Fan	
223	0100020	AR	Sealant	
224	2060025	1	Fan	
225	2720058	4 in/10cm	Hose	
226	1001116544	1	Hose	
227	2720563	1	Hose, Radiator (Top)	
228	2720564	1	Hose, Radiator (Bottom)	
229	2750532	8 in/20cm	Hose	
230	3200406	4	Mount, Motor	
231	3311405	12	Locknut 1/4in-20NC	
232	3311505	2	Locknut 5/16in-18NC	
233	3311605	20	Locknut 3/8in-16NC	
234	3311805	4	Locknut 1/2in-13NC	
235	3340399	2	Pad, Wear	
236	3570571	1	Plate, Radiator Mounting	
237	3571008	1	Plate, Air	
238	3571009	1	Plate, Baffle	
239	3571019	1	Plate, Air Panel	
240	3573667	1	Plate, Radiator Support	
242	3620040	1	Radiator	
242	8180311	1	Cap, Radiator (was p/n 7019656)	
243	3740067	1	Relay	
244	4070497	4	Shim (11 Gauge)	
245	4070498	2	Shim (16 Gauge)	
246	4340745	1	Tray, Engine	
247	1001116545	1	Tube, Air Intake	
248	4569345	1	Pipe, Exhaust	
249	4640952	1	Valve, Oil Drain	
250	4711400	12	Flatwasher 1/4in Thin	

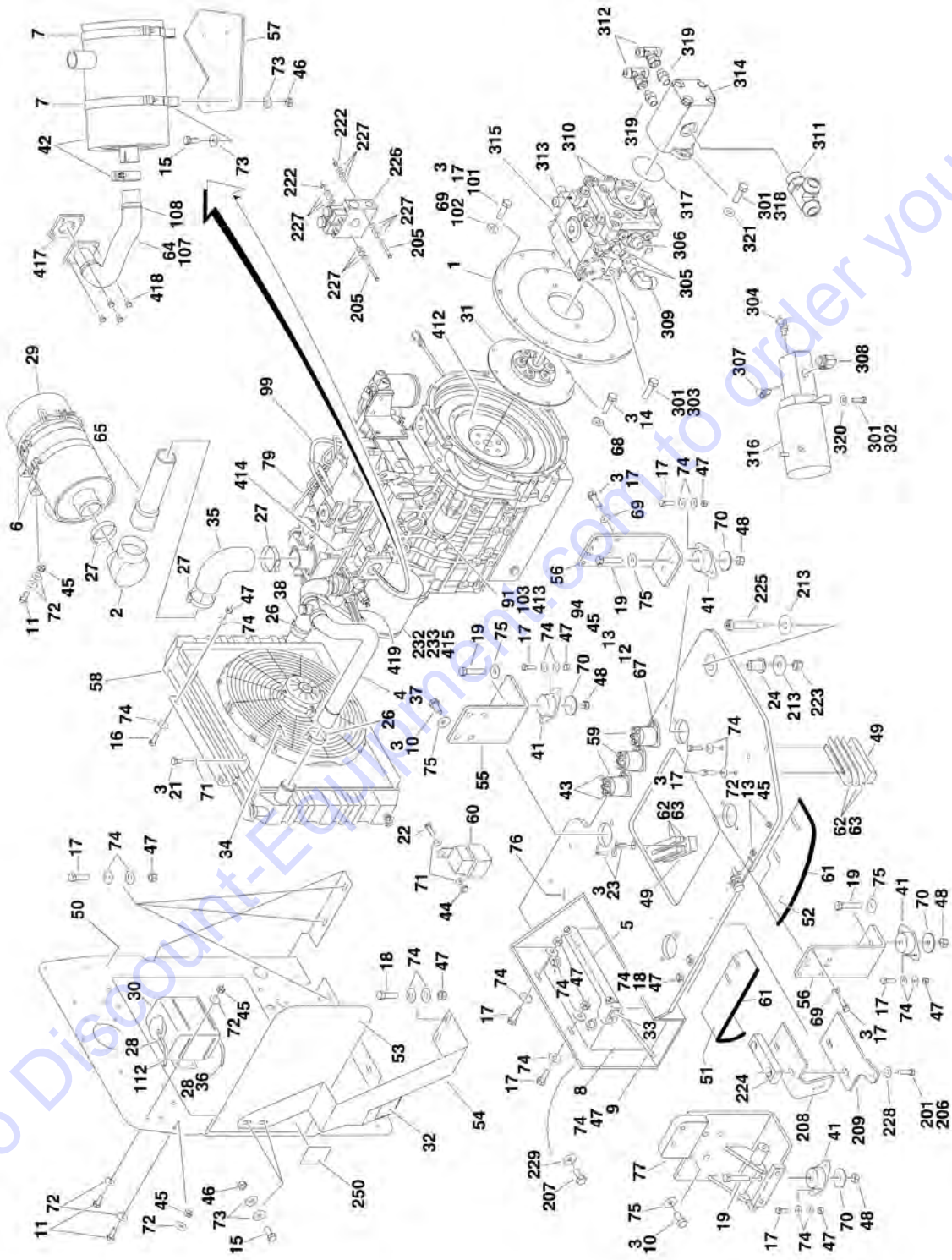
SECTION 2 - TURNTABLE

ITEM	PART NUMBER	QTY	DESCRIPTION	REV
251	4711600	20	Flatwasher 3/8in Thin	
252	4740274	4	Flatwasher, Snubbing	
253	4751400	12	Flatwasher 1/4in Regular	
254	4751500	4	Flatwasher 5/16in Regular	
255	4751600	22	Flatwasher 3/8in Regular	
256	4751800	4	Flatwasher 1/2in Regular	
257	0641405	2	Bolt 1/4in-20NC x 5/8in	
258	4831900	4	Lockwasher M8	
259	2180877	1	Fitting, 90	
260		Ref	Plate, Relay Mount Options:	
260	3570808	1	Plate, Relay Mount (Up to 3 Relays) (SN 0300124000 through 0300144845)	
260	1001121115	1	Plate, Relay Mount (Single Relay) (SN 0300144846 through 0300160834)	
261	4920385	10 ft/3m	Wire, Safety	
262	1001091794	1	Insulation, Exhaust	
263	2720271	1.5 ft/0.5mm	Hose	

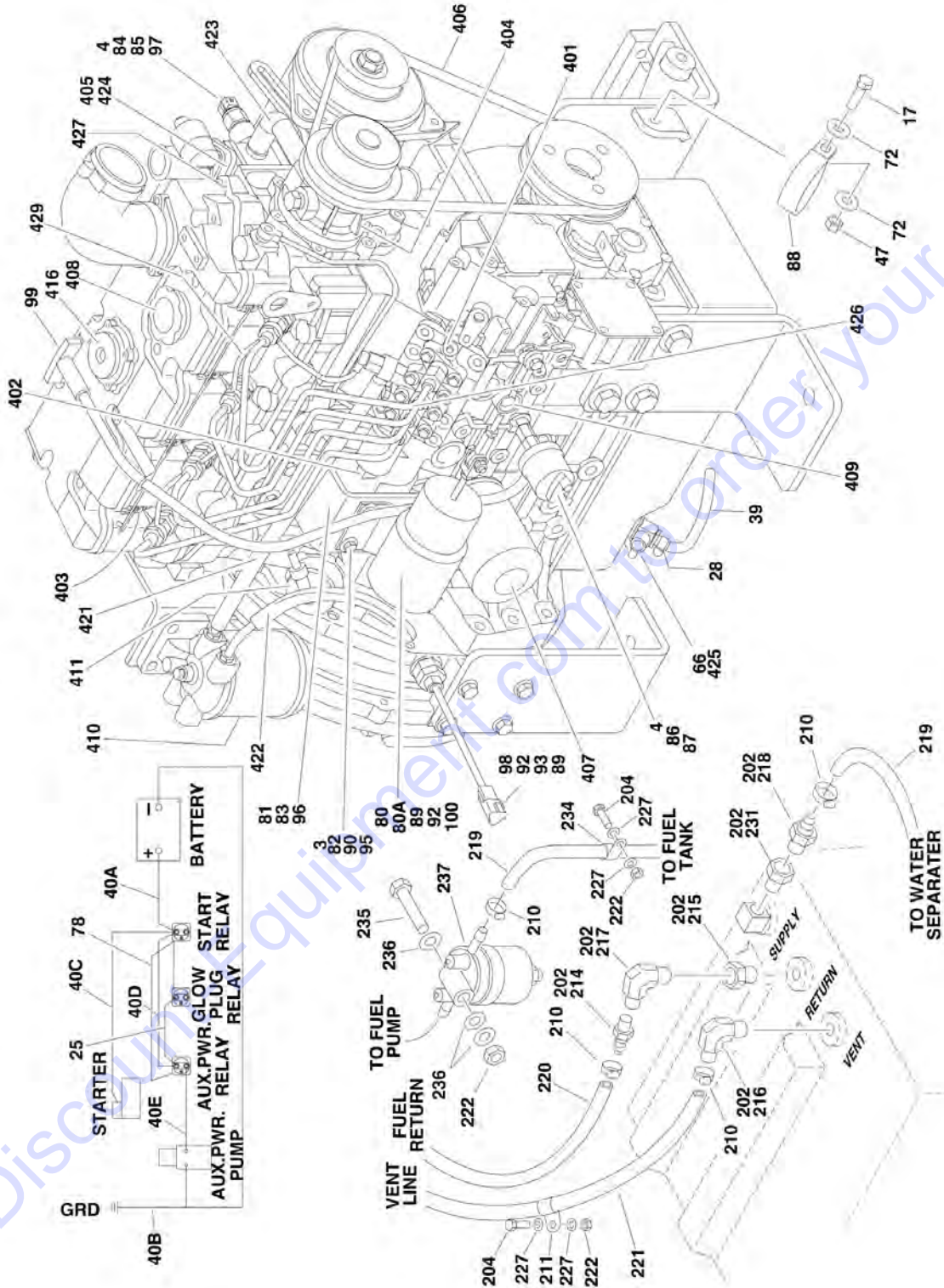
Go to Discount-Equipment.com to order your parts

SECTION 2 - TURNTABLE

FIGURE 2-14. USA BUILT MACHINES/PERKINS ENGINE INSTALLATION (WITH ELECTRICAL DRIVEN COOLING FAN) (WITHOUT UGM)



SECTION 2 - TURNTABLE



SECTION 2 - TURNTABLE

FIGURE 2-14. USA BUILT MACHINES/PERKINS ENGINE INSTALLATION (WITH ELECTRICAL DRIVEN COOLING FAN) (WITHOUT UGM)

ITEM	PART NUMBER	QTY	DESCRIPTION	REV
		Ref	USA Built Machines use SNs 03xxxxxxx.	
		Ref	Belgium Built Machines use SNs 13xxxxxxx.	
		Ref	Romanian Built Machines use SNs E3xxxxxxx.	
		Ref	Note: For Module (with/without UGM) Identification, refer to Revision Log page A.	
		Ref	PERKINS ENGINE ASSEMBLY	
	1001095213	Ref	Without Arctic Package (ANSI /ANSI Export Spec)	J
		Ref	Without Arctic Package (CE Spec)	C
	1001095213	Ref	Perkins Engine Assembly (SN 0300124000 through 0300131588)	F
	1001102927	Ref	Perkins Engine Assembly (SN 0300131589 through 0300160834)	E
	1001095221	Ref	With Arctic Package (ANSI /ANSI Export Spec)	J
1	0080181	1	Adapter, Pump Mounting Plate	
2	0080201	1	Adapter, 90 Air Intake	
3	0100011	AR	Compound, Locking	
4	0100020	AR	Sealant	
5	0181727	1	Angle, Battery Hold-Down	
6	0340041	2	Band, Air Cleaner Mounting	
7	0340046	2	Band, Muffler Mounting	
8	0400075	1	Battery	
9	0630498	2	Bolt, Battery Hold-Down	
10	0630569	8	Bolt M14 x 30mm	
11	0641406	8	Bolt 1/4in-20NC x 3/4in	
12	0641408	5	Bolt 1/4in-20NC x 1in	
13	0641410	3	Bolt 1/4in-20NC x 1-1/4in	
14	0641506	8	Bolt 5/16in-18NC x 3/4in	
15	0641507	6	Bolt 5/16in-18NC x 7/8in	
16	0641609	4	Bolt 3/8in-16NC x 1-1/8in	
17	0641610	33	Bolt 3/8in-16NC x 1-1/4in	
18	0641611	2	Bolt 3/8in-16NC x 1-3/8in	
19	0641820	4	Bolt 1/2in-13NC x 2-1/2in	
21	0721004	4	Capscrew #10-24NC x 1/2in	
22	0721006	1	Capscrew #10-24NC x 3/4in	
23	0741610	2	Screw, Flat Head 3/8in-16NC x 1-1/4in	
24	0962172	1	Bushing, Flanged	
25	1060904	1	Cable, Jumper	
26	1320012	AR	Clamp	
27	1320016	4	Clamp	
28	1320022	AR	Clamp	
29	1340060	1	Air Cleaner Assembly	
29	7012664	1	Element, Air Cleaner	
30	1580011	1	Container, Coolant Overflow	
31	1660255	1	Coupling, Pump	
32	1703162	2	Decal - Caution Fan	
33	1703876	1	Decal - Engine Tray Swing	
34	2060032	1	Fan, Electric	
35	2180482	1	Elbow, Rubber	
36	2720058	4 in/10cm	Hose	

SECTION 2 - TURNTABLE

ITEM	PART NUMBER	QTY	DESCRIPTION	REV
37		Ref	Hose, Radiator (Top) Options:	
37		Ref	Hose, Radiator (Top) (1 piece): (SN 0300124000 through 0300130140)	
37	2720507	1	Hose, Radiator (Top) (Use p/n 1001102308)	
37		Ref	Hose, Radiator (Top) (3 piece): (SN 0300130141 through 0300160834)	
37	1001101232	1	Hose, Radiator (Top) (Engine block to adapter tube)	
37	1001101233	1	Hose, Radiator (Top) (Adapter tube to Radiator)	
37	1001101228	1	Tube, Adapter	
38	2720508	1	Hose, Radiator (Bottom)	
39	2750532	6 in/15cm	Hose	
40	2902060	1	Battery Cable Kit	B
40A	7016817	1	Cable - Battery to Starter Relay	
40B	7027041	1	Cable - Battery and Auxiliary Pump to Ground (was p/n 7016837)	
40C	7016834	1	Cable - Starter Relay to Starter	
40D	7016838	1	Cable - Starter Relay to Auxiliary Relay	
40E	7016820	1	Cable - Auxiliary Relay to Auxiliary Pump	
41	3200378	4	Mount, Motor	
42		Ref	Muffler Options:	
42	3220113	1	Spark Arresting Muffler	
42	70001017	1	Clamp	
42	3220154	1	Catalytic Muffler (Use p/n 1001107116)	
42	70002705	1	Clamp	
42	70002706	1	Plug, Brass	
43	3300220	6	Nut, Washer (SN 0300124000 through 0300131589)	
44	3311005	1	Locknut #10-24NC	
45	3311405	16	Locknut 1/4in-20NC	
46	3311505	6	Locknut 5/16in-18NC	
47	3311605	21	Locknut 3/8in-16NC	
48	3311805	4	Locknut 1/2in-13NC	
49	3340399	2	Pad, Wear	
50	3570571	1	Plate, Radiator Mount	
51	3571008	1	Plate, Air	
52	3571009	1	Plate, Baffle	
53	3571019	1	Plate, Air Panel	
54	3573667	1	Plate, Radiator Support	
55	3574253	1	Plate, Engine Mounting (Front)	
56	3574259	2	Plate, Engine Mounting (Rear)	
57	1001098525	1	Plate, Muffler Support	
58	3620046	1	Radiator	
58	7019656	1	Cap, Radiator	
59	3740067	3	Relay	
60	3740080	1	Relay	
61	3960438	28	Seal, Self Gripping	
		in/71cm		
62	4070497	4	Shim	
63	4070498	2	Shim	
64	4568743	1	Pipe, Exhaust	
65	4569176	1	Tube, Air Intake	
66	4641272	1	Valve, Oil Drain	
67	4711400	12	Flatwasher, 1/4in Thin	

SECTION 2 - TURNTABLE

ITEM	PART NUMBER	QTY	DESCRIPTION	REV
68	4711500	8	Flatwasher 5/16in Thin	
69	4711600	18	Flatwasher 3/8in Thin	
70	4740274	4	Washer, Snubbing	
71	4751000	6	Flatwasher #10 Regular	
72	4751400	20	Flatwasher 1/4in Regular	
73	4751500	12	Flatwasher 5/16in Regular	
74	4751600	44	Flatwasher 3/8in Regular	
75	4751800	11	Flatwasher 1/2in Regular	
76	4846820	1	Weldment, Engine Tray	
77	4846821	1	Mount, Motor/Generator	
78	4922737	1	Harness, Engine Grounding	
79		Ref	Engine, Perkins 404C-22 Options:	
79		Ref	ANSI/ANSI Export Spec	
79	1001095205	1	Engine, Perkins 404C-22 (SN 0300124000 through 0300131597)	
79	1001102131	1	Engine, Perkins 404C-22 (SN 0300131598 through 0300160834)	
79		Ref	CE Spec	
79	1001095205	1	Engine, Perkins 404C-22 (SN 0300124000 through 0300131597)	
79	1001102270	1	Engine, Perkins 404C-22 (SN 0300131598 through 0300160834)	
80	1001099927	1	Actuator Kit, Governor Pull (Includes 1600351 Actuator and Items 80A, 89, 92 & 100)	
80A	7026843	1	Linkage	
81	3574282	1	Plate, Actuator Mounting	
82	0760612	4	Capscrew M6 x 25mm	
83	0760810	2	Capscrew M8 x 20mm	
84		Ref	Sensor, Coolant Options:	
84	1001097551	1	Sensor, Coolant (Use p/n 1001125978) (SN 0300124000 through 0300143528)	
84	1001125978	1	Sensor, Coolant (SN 0300143529 through 0300160834)	
85	1001097552	1	Adapter, Coolant Sensor (Use p/n 1001125978)	
86	1001097554	1	Sensor, Oil Pressure	
87	1001097555	1	Adapter, Oil Pressure Sensor	
88	1001097588	1	Clip, Tube	
89	2820018	1 ft/31cm	Heat Shrink	
90	3290605	4	Locknut M6	
91	3290801	1	Nut M8	
92	4460464	5	Pin, Male	
93	4460536	1	Connector, Female - 3 Position	
94	4791400	6	Starwasher 1/4in	
95	5240600	8	Flatwasher 6mm Hardened	
96	5240800	2	Flatwasher 8mm Hardened	
97	1001097553	1	Washer, Coolant Sensor	
98	1001099926	1	Sensor Kit, Speed (Includes 1001097556 Speed Sensor and Items 89, 92 & 93)	
99	1001097893	1	Dipstick Assembly	
99	7026885	1	Dipstick	
99	7026886	1	Tube, Dipstick	
99	7026847	2	Washer	
99	7026881	1	O-Ring	
100	4460897	1	Connector, Female - 2 Position	

SECTION 2 - TURNTABLE

ITEM	PART NUMBER	QTY	DESCRIPTION	REV
101	0641614	2	Bolt 3/8in-16NC x 1-3/4in	
102	4891600	2	Flatwasher 3/8in Hardened	
103	4831900	2	Lockwasher M8	
107	4100025	1.58 ft/0.49mm	Sleeve, Fiberglass (SN 0300130141 through 0300160834)	
108	1001100825	2	Strap, Ties (SN 0300130141 through 0300160834)	
112	2720271	1.5 ft/0.46m	Hose (SN 0300135293 through 0300160834)	
		Ref	Note: Arctic Package Items 113 - 117 Not Shown - Used on Arctic Machines Only	
113	1702941	1	Decal - Battery Heater	
114	1702942	1	Decal - Engine Block Heater	
115	2580024	1	Heater, Battery	
116	2580054	1	Heater, Engine Block	
117	3980007	1	Seat, Battery	
		Ref	PERKINS ENGINE INSTALLATION	
	1001095208	Ref	Without Arctic Package (ANSI /ANSI Export Spec)	F
	1001102929	Ref	Without Arctic Package (CE Spec)	B
	1001095217	Ref	With Arctic Package	G
201	0100011	AR	Compound, Locking	
202	0100020	AR	Sealant, Pipe	
204	0641406	3	Bolt 1/4in-20NC x 3/4in	
205	0641418	2	Bolt 1/4in-20NC x 2-1/4in	
206	0641610	2	Bolt 3/8in-16NC x 1-1/4in	
207	0642010	1	Bolt 5/8in-11NC x 1-1/4in	
208	0902443	1	Bracket, Hood Latch Mount	
209	0902444	1	Bracket, Hood Support	
210	1320022	7	Clamp, Fuel Line	
211	1320223	1	Clamp	
212	1701505	1	Decal, Diesel (Not Shown)	
213	4752200	2	Flatwasher 3/4in Regular	
214	2180536	1	Fitting, Barbed	
215	2220250	1	Fitting, Reducer	
216	2220313	1	Fitting, 90 Barbed	
217	2220459	1	Fitting, 90	
218	2220794	1	Fitting, Straight Barbed	
219	2720058	10 ft/3.0m	Hose	
220	2720271	8 ft/2.4m	Hose	
221	2750532	7 ft/2.1m	Hose	
222	3311405	6	Locknut 1/4in-20NC	
223	3312005	1	Locknut 5/8in-11NC	
224	3340399	1	Pad, Wear	
225	3900254	1	Screw, Shoulder	
226	4641317	1	Valve Assembly	
226	7012941	2	Cartridge without Coil	
226	7010543	2	Seal Kit - 7012941 Cartridge	
226	7012944	2	Coil	
227	4751400	18	Flatwasher 1/4in Regular	
228	4751600	2	Flatwasher 3/8in Regular	
229	4752000	1	Flatwasher 5/8in Regular	
230		Ref	Coolant, Anti-Freeze Options (Not Shown):	
230	2300004	2.7 Gal	Without Arctic Package (ANSI/ANSI Export/CE Spec)	

SECTION 2 - TURNTABLE

ITEM	PART NUMBER	QTY	DESCRIPTION	REV
230	2300041	2.7 Gal	With Arctic Package	
231	2220273	1	Fitting, Reducer	
232	3290501	1	Nut M5	
233	3290601	1	Nut M6	
234	1320318	2	P-Clamp (SN 0300127547 through 0300160834)	
235	0641420	1	Bolt 1/4in-20NC x 2-1/2in	
236	4711400	3	Flatwasher 1/4in Thin	
237	1001100857	1	Separator, Fuel-Water (SN 0300127547 through 0300160834)	
237	70002377	1	Filter	
237	70002378	1	Seal, O-Ring	
238	2200222	1	Plug, Pipe (Not Shown - Located on Bottom of Fuel Tank)	
239	0100079	AR	Sealant (Not Shown)	
		Ref	Note: Arctic Package Items 241-246 Not Shown - Used on Arctic Machines Only	
241	1060626	1	Cord, 3 Way Extension (Located on Left Front of Engine)	
242	1702943	1	Decal - Hydraulic Tank Heater (Located on bottom of Hydraulic Oil Tank)	
243	1702944	1	Decal - Heater Cord (Located on Left Front of Engine)	
243	2580024	1	Heater, Battery (Located on Battery)	
244	2580050	1	Heater, Hydraulic Tank (Located on Bottom of Hyd Oil Tank)	
245	4460488	2	Clamp (Located on Left Front of Engine)	
246	1060625	1	Cord, Immersion Heater (Located on Bottom of Hyd Oil Tank)	
250		Ref	Decal - Warning Explosion/Fire Options:	
250	1704972	1	ANSI Spec	
250	1706059	1	Brazilian Spec	
250	1706060	1	Chinese Spec	
250	1706064	1	CSA Spec	
250	1706062	1	Japanese Spec	
250	1706061	1	Korean Spec	
250	1706063	1	Spanish Language	
		Ref	PERKINS ENGINE AND PUMP SUB-ASSEMBLY	
	1001095210	Ref	Without Arctic Package (ANSI /ANSI Export Spec)	D
	1001102928	Ref	Without Arctic Package (CE Spec)	C
	1001095219	Ref	With Arctic Package	D
301	0100011	AR	Compound, Locking	
302	0641610	2	Bolt 3/8in-16NC x 1-1/4in	
303	0641812	2	Bolt 1/2in-13NC x 1-1/2in	
304	2110604	1	Fitting, Straight	
305	2111010	2	Fitting, Straight	
306	2111612	1	Fitting, Straight	
307	2130604	1	Fitting, 90	
308	2131210	1	Fitting, 90	
309	2131212	1	Fitting, 90	
310	2151212	2	Fitting, 45	
311	2170316	1	Fitting, Tee	
312	2170808	2	Fitting, Tee	
313	2221084	1	Fitting, Tee	
314	3600318	1	Gear Pump Assembly (See GEAR PUMP ASSEMBLY for Breakdown)	
315	3600385	1	Piston Pump Assembly (See PISTON PUMP ASSEMBLY for Breakdown)	
316	3600423	1	Auxiliary Pump Assembly (See AUXILIARY PUMP ASSEMBLY	

SECTION 2 - TURNTABLE

ITEM	PART NUMBER	QTY	DESCRIPTION	REV
			for Breakdown)	
317	3790152	1	O-Ring	
318	3931620	2	Capscrew, Socket Head 3/8in-16NC x 1-1/4in	
319	4641199	2	Valve, Check	
320	4751600	2	Flatwasher 3/8in Regular	
321	4891600	2	Flatwasher 3/8in Hardened	
323		Ref	Oil, Motor Options (Not Shown):	
323	3020016	2.5 Gal	Without Arctic Package (Mobil Delvac MX 15W-40) (ANSI/ANSI Export/CE Spec)	
323	3020044	2.5 Gal	With Arctic Package (Mobil 0W-40)	
		Ref	ENGINE COMPONENTS OPTIONS:	
		Ref	Engine Components (SN 0300124000 through 0300131597)	
	1001095205	Ref	ANSI/ANSI Export/CE Spec	F
		Ref	Engine Components (SN 0300131598 through 0300160834)	
	1001102131	Ref	ANSI/ANSI Export	B
	1001102270	Ref	CE Spec	B
401	70001386	1	Pump, Fuel Injection	
401	70001388	AR	Shim, 0.20mm	
401	70001389	AR	Shim, 0.25mm	
401	70001390	AR	Shim, 0.30mm	
401	70001391	AR	Shim, 0.35mm	
401	70001392	AR	Shim, 0.40mm	
401	70001393	AR	Shim, 0.50mm	
401	70001394	AR	Shim, 0.50mm Flat	
402	70001387	1	Solenoid, Fuel Injection	
403	70001395	4	Glowplug	
404	70001396	1	Pump, Water (Includes p/n 70001397 Only)	
404	70001397	1	Gasket, Water Pump to Plate	
404	70001398	1	Gasket, Plate to Engine Block	
405	70001400	1	Thermostat	
405	70001399	1	Gasket, Thermostat Neck to Thermostat Housing	
405	70001401	1	Gasket, Thermostat Housing to Engine Block	
406	70001402	1	Belt	
407	70001403	1	Filter, Oil	
408	70001404	1	Cap, Oil Fill	
408	70001405	1	Seal, Oil Fill Cap	
409	70001406	1	Valve, Relief	
409	70001407	1	Seal, O-Ring	
410	70001408	1	Fuel Bowl and Filter Assembly	
410	70001409	1	Fuel Filter Kit (Includes 1 Filter Element and 4 Seals)	
411	70001410	1	Pump, Lift	
411	70001411	1	Seal, O-Ring	
412	70001412	1	Flywheel	
412	70001413	1	Ring, Starter	
413	70001414	1	Starter	
413	70001415	1	Solenoid, Start	
414	70001416	1	Gasket, Exhaust Manifold to Engine Block	
415	70001417	1	Alternator	
416	70001418	1	Valve, Breather	
417	70001419	1	Gasket, Exhaust Manifold to Exhaust Tube	
418	0700808	4	Bolt M8 x 16mm	
419	70001792	1	Lever, Alternator Adjustment Arm	

SECTION 2 - TURNTABLE

ITEM	PART NUMBER	QTY	DESCRIPTION	REV
419	70001793	2	Screw	
419	70001794	1	Washer (Engine Block Side of Lever)	
419	70001796	1	Washer (Alternator Side of Lever)	
420	70002107	1	Fitting, Oil Sensor Adapter to Engine Block	
421	70002109	1	Pipe, Fuel	
422	70002098	1	Hose, Fuel	
423	70002106	1	Hose	
424	70002105	1	Housing, Thermostat	
425	70002108	1	Washer	
426	70002100	1	Pipe, Fuel Injection #1	
426	70002101	1	Pipe, Fuel Injection #2	
426	70002102	1	Pipe, Fuel Injection #3	
426	70002103	1	Pipe, Fuel Injection #4	
427	70002099	1	Gasket, Cover	
428		Ref	Piston and Rings Kit Options (Not Shown):	
428	See Note	4	ANSI/ANSI Export/CE Spec (1001095205 Engines) (Note: Not Available for Purchase)	
428	70002461	4	ANSI/ANSI Export (1001102131 Engines)	
428	See Note	4	CE Spec (1001102270 Engines) (Note: Not Available for Purchase)	
428		Ref	Pin, Piston Wrist Options (Not Shown):	
428	See Note	4	ANSI/ANSI Export/CE Spec (1001095205 Engines) (Note: Not Available for Purchase)	
428	70002462	4	ANSI/ANSI Export (1001102131 Engines)	
428	See Note	4	CE Spec (1001102270 Engines) (Note: Not Available for Purchase)	
428		Ref	Circlip, Wrist Pin Options (Not Shown):	
428	See Note	4	ANSI/ANSI Export/CE Spec (1001095205 Engines) (Note: Not Available for Purchase)	
428	70002463	4	ANSI/ANSI Export (1001102131 Engines)	
428	See Note	4	CE Spec (1001102270 Engines) (Note: Not Available for Purchase)	
429		Ref	Line, Fuel Injection Options Return:	
429	70002437	4	ANSI/ANSI Export/CE Spec (was p/n 70002433) (1001095205 Engines)	
429	See Note	4	ANSI/ANSI Export (1001102131 Engines) (Note: Not Available for Purchase)	
429	70002437	4	CE Spec (was p/n 70002433) (1001102270 Engines)	
430	70002104	1	Pipe, Oil (Not Shown)	
431		Ref	Gasket, Oil Pan Options (Not Shown):	
431	See Note	1	ANSI/ANSI Export/CE Spec (1001095205 Engines) (Note: Not Available for Purchase)	
431	70002704	1	ANSI/ANSI Export (1001102131 Engines)	
431	See Note	1	CE Spec (1001102270 Engines) (Note: Not Available for Purchase)	
432		Ref	Gasket, Cylinder Head Options (Not Shown):	
432		Ref	0.4mm	
432	70003033	1	ANSI/ANSI Export/CE Spec (1001095205 Engines) (was p/n 70003034)	
432	See Note	1	ANSI/ANSI Export (1001102131 Engines) (Note: Not Available for Purchase)	
432		Ref	0.5mm	
432	70003033	1	ANSI/ANSI Export/CE Spec (1001095205 Engines)	
432	See Note	1	ANSI/ANSI Export (1001102131 Engines) (Note: Not Available for Purchase)	

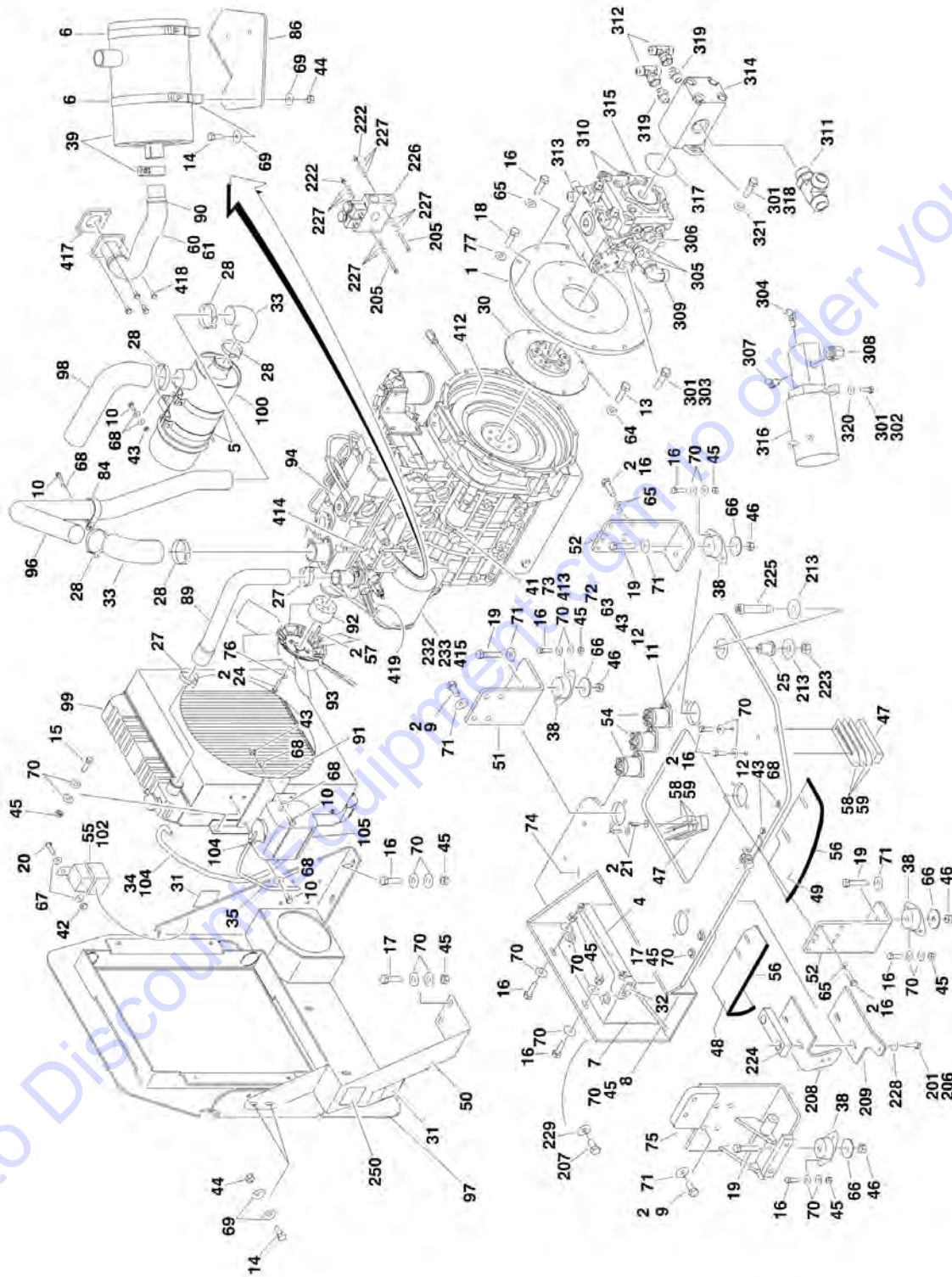
SECTION 2 - TURNTABLE

ITEM	PART NUMBER	QTY	DESCRIPTION	REV
432	See Note	1	Available for Purchase) CE Spec (1001102270 Engines) (Note: Not Available for Purchase)	
433	70005771	4	Injector, Fuel (W/Fuel Rail Seal) (Not Shown - Used on Engines 1001095205 & 1001102270)	
434	70005772	4	Seal Fuel Injector (Bottom) (Not Shown - Used on Engines 1001095205 & 1001102270)	

Go to Discount-Equipment.com to order your parts

SECTION 2 - TURNTABLE

FIGURE 2-15. USA BUILT MACHINES/PERKINS ENGINE INSTALLATION (WITH ENGINE DRIVEN COOLING FAN (WITHOUT UGM))



SECTION 2 - TURNTABLE

FIGURE 2-15. USA BUILT MACHINES/PERKINS ENGINE INSTALLATION (WITH ENGINE DRIVEN COOLING FAN (WITHOUT UGM))

ITEM	PART NUMBER	QTY	DESCRIPTION	REV
		Ref	USA Built Machines use SNs 03xxxxxxxx.	
		Ref	Belgium Built Machines use SNs 13xxxxxxxx.	
		Ref	Romanian Built Machines use SNs E3xxxxxxxx.	
		Ref	Note: For Module (with/without UGM) Identification, refer to Revision Log page A.	
		Ref	PERKINS ENGINE ASSEMBLY	
	1001130506	Ref	Without Arctic Package (ANSI /ANSI Export Spec)	A
	100113512	Ref	Without Arctic Package (CE Spec)	A
	1001130509	Ref	With Arctic Package (ANSI /ANSI Export Spec)	A
1	0080181	1	Adapter, Pump Mounting Plate	
2	0100011	AR	Compound, Locking	
3	0100020	AR	Sealant	
4	0181727	1	Angle, Battery Hold-Down	
5	0340012	2	Band, Air Cleaner Mounting	
6	0340046	2	Band, Muffler Mounting	
7	0400075	1	Battery	
8	0630498	2	Bolt, Battery Hold-Down	
9	0630569	8	Bolt M14 x 30mm	
10	0641406	8	Bolt 1/4in-20NC x 3/4in	
11	0641408	5	Bolt 1/4in-20NC x 1in	
12	0641410	3	Bolt 1/4in-20NC x 1-1/4in	
13	0641506	8	Bolt 5/16in-18NC x 3/4in	
14	0641507	6	Bolt 5/16in-18NC x 7/8in	
15	0641609	4	Bolt 3/8in-16NC x 1-1/8in	
16	0641610	33	Bolt 3/8in-16NC x 1-1/4in	
17	0641611	2	Bolt 3/8in-16NC x 1-3/8in	
18	0641614	2	Bolt 3/8in-16NC x 1-3/4in	
19	0641820	4	Bolt 1/2in-13NC x 2-1/2in	
20	0721006	1	Capscrew #10-24NC x 3/4in	
21	0741610	2	Screw, Flat Head 3/8in-16NC x 1-1/4in	
22	0760612	4	Capscrew M6 x 25mm	
23	0760810	2	Capscrew M8 x 20mm	
24	0760815	4	Capscrew M8 x 35mm	
25	0962172	1	Bushing, Flanged	
26	1060904	1	Cable, Jumper	
27	1320012	4	Clamp	
28	1320016	5	Clamp	
30	1660255	1	Coupling, Pump	
31	1703162	2	Decal - Caution Fan	
32	1703876	1	Decal - Engine Tray Swing	
33	2180482	2	Elbow, Rubber	
34	2720058	2.5 ft/0.8m	Hose	
35	2720271	1.5 ft/0.46m	Hose	
36	2750532	6 in/15cm	Hose	
37	2902060	1	Battery Cable Kit	B
37A	7016817	1	Cable - Battery to Starter Relay	
37B	7027041	1	Cable - Battery and Auxiliary Pump to Ground (was p/n 7016837)	

SECTION 2 - TURNTABLE

ITEM	PART NUMBER	QTY	DESCRIPTION	REV
37C	7016834	1	Cable - Starter Relay to Starter	
37D	7016838	1	Cable - Starter Relay to Auxiliary Relay	
37E	7016820	1	Cable - Auxiliary Relay to Auxiliary Pump	
38	3200378	4	Mount, Motor	
39		Ref	Muffler Options:	
39	3220113	1	Spark Arresting Muffler	
39	70001017	1	Clamp	
39	1001107116	1	Catalytic Muffler	
39	70002705	1	Clamp	
39	70002706	1	Plug, Brass	
40	3290605	4	Locknut M6	
41	3290801	1	Nut M8	
42	3311005	1	Locknut #10-24NC	
43	3311405	14	Locknut 1/4in-20NC	
44	3311505	6	Locknut 5/16in-18NC	
45	3311605	21	Locknut 3/8in-16NC	
46	3311805	4	Locknut 1/2in-13NC	
47	3340399	2	Pad, Wear	
48	3571008	1	Plate, Air	
49	3571009	1	Plate, Baffle	
50	3573667	1	Plate, Radiator Support	
51	3574253	1	Plate, Engine Mounting (Front)	
52	3574259	2	Plate, Engine Mounting (Rear)	
53	3574282	1	Plate, Actuator Mounting	
54	3740067	3	Relay	
55	3740080	1	Relay	
56	3960438	28	Seal, Self Gripping	
		in/71cm		
57	4031711	4	Bolt M6 x 35mm	
58	4070497	4	Shim	
59	4070498	2	Shim	
60	4100025	1.58	Sleeve, Fiberglass	
		ft/0.49mm		
61	4568743	1	Pipe, Exhaust	
62	4640751	1	Valve, Oil Drain	
63	4711400	12	Flatwasher, 1/4in Thin	
64	4711500	8	Flatwasher 5/16in Thin	
65	4711600	18	Flatwasher 3/8in Thin	
66	4740274	4	Washer, Snubbing	
67	4751000	2	Flatwasher #10	
68	4751400	19	Flatwasher 1/4in Regular	
69	4751500	12	Flatwasher 5/16in Regular	
70	4751600	44	Flatwasher 3/8in Regular	
71	4751800	11	Flatwasher 1/2in Regular	
72	4791400	6	Starwasher 1/4in	
73	4831900	1	Lockwasher M8	
74	4846820	1	Weldment, Engine Tray	
75	4846821	1	Mount, Motor/Generator	
76	4891500	4	Flatwasher 5/16in Hardened	
77	4891600	2	Flatwasher 3/8in Hardened	
78	4922737	1	Harness, Engine Grounding	
79	5240600	8	Flatwasher 6mm Hardened	

SECTION 2 - TURNTABLE

ITEM	PART NUMBER	QTY	DESCRIPTION	REV
80	5240800	2	Flatwasher 8mm Hardened	
81	1001097553	1	Washer, Coolant Sensor	
82	1001097554	1	Sensor, Oil Pressure	
83	1001097555	1	Adapter, Oil Pressure Sensor	
84	1001097588	2	Clip, Tube	
85	1001097893	1	Dipstick Assembly	
85	7026885	1	Dipstick	
85	7026886	1	Tube, Dipstick	
85	7026847	2	Washer	
85	7026881	1	O-Ring	
86	1001098525	1	Plate, Muffler Support	
87	1001099926	1	Sensor Kit, Speed	
87	2820018	6 in/15cm	Heat Shrink	
87	1001097556	1	Speed Sensor	
87	4460464	3	Pin, Male	
87	4460536	1	Connector, Female - 3 Position	
88	1001099927	1	Actuator Kit, Governor Pull	
88	1600351	1	Controller, Governor Pull	
88	7026843	1	Linkage	
88	2820018	6 in/15cm	Heat Shrink	
88	4460897	1	Connector, Female - 2 Position	
88	4460464	2	Pin, Male	
89	1001100577	1	Hose, Radiator (Top)	
90	1001100825	2	Strap, Ties	
91	1001100837	1	Bracket, Bottle	
92	1001101201	1	Adapter, Fan Spacer	
93	1001101408	1	Fan	
94		Ref	Engine, Perkins 404C-22 Options:	
94	1001102131	1	ANSI/ANSI Export Spec	
94	1001102270	1	CE Spec	
95	1001125978	1	Sensor, Coolant	
96	1001130038	1	Tube, Air Cleaner	
97	1001130040	1	Panel, Radiator Mount	
98	1001130041	1	Elbow, Air Cleaner	
99	1001130042	1	Radiator, Assembly	
99	7027412	1	Cap, Radiator	
100	1001130524	1	Air Cleaner Assembly	
100	70004172	1	Element, Air Cleaner (was p/n 7020820)	
102	4460121	2	Terminal, Cap	
103	1001100818	1	Hose, Radiator (Bottom)	
104	1320022	4	Clamp	
105	1580011	1	Container, Coolant Overflow	
		Ref	Note: Arctic Package Items 106 - 110 Not Shown - Used on Arctic Machines Only	
106	1702941	1	Decal - Battery Heater	
107	1702942	1	Decal - Engine Block Heater	
108	2580024	1	Heater, Battery	
109	2580054	1	Heater, Engine Block	
110	3980007	1	Seat, Battery	
		Ref	PERKINS ENGINE INSTALLATION	
	1001130504	Ref	Without Arctic Package (ANSI /ANSI Export Spec)	A
	1001130510	Ref	Without Arctic Package (CE Spec)	A

SECTION 2 - TURNTABLE

ITEM	PART NUMBER	QTY	DESCRIPTION	REV
	1001130507	Ref	With Arctic Package	A
201	0100011	AR	Compound, Locking	
202	0100020	AR	Sealant, Pipe	
204	0641406	3	Bolt 1/4in-20NC x 3/4in	
205	0641418	2	Bolt 1/4in-20NC x 2-1/4in	
206	0641610	2	Bolt 3/8in-16NC x 1-1/4in	
207	0642010	1	Bolt 5/8in-11NC x 1-1/4in	
208	0902443	1	Bracket, Hood Latch Mount	
209	0902444	1	Bracket, Hood Support	
210	1320022	7	Clamp, Fuel Line	
211	1320223	1	Clamp	
212	1701505	1	Decal, Diesel (Not Shown)	
213	4752200	2	Flatwasher 3/4in Regular	
214	2180536	1	Fitting, Barbed	
215	2220250	1	Fitting, Reducer	
216	2220313	1	Fitting, 90 Barbed	
217	2220459	1	Fitting, 90	
218	2220794	1	Fitting, Straight Barbed	
219	2720058	10 ft/3.0m	Hose	
220	2720271	8 ft/2.4m	Hose	
221	2750532	7 ft/2.1m	Hose	
222	3311405	6	Locknut 1/4in-20NC	
223	3312005	1	Locknut 5/8in-11NC	
224	3340399	1	Pad, Wear	
225	3900254	1	Screw, Shoulder	
226	4641317	1	Valve Assembly	
226	7012941	2	Cartridge without Coil	
226	7010543	2	Seal Kit - 7012941 Cartridge	
226	7012944	2	Coil	
227	4751400	18	Flatwasher 1/4in Regular	
228	4751600	2	Flatwasher 3/8in Regular	
229	4752000	1	Flatwasher 5/8in Regular	
230		Ref	Coolant, Anti-Freeze Options (Not Shown):	
230	2300004	2.7 Gal	Without Arctic Package (ANSI/ANSI Export/CE Spec)	
230	2300041	2.7 Gal	With Arctic Package	
231	2220273	1	Fitting, Reducer	
232	3290501	1	Nut M5	
233	3290601	1	Nut M6	
234	1320318	2	P-Clamp	
235	0641420	1	Bolt 1/4in-20NC x 2-1/2in	
236	4711400	3	Flatwasher 1/4in Thin	
237	1001100857	1	Separator, Fuel-Water	
237	70002377	1	Filter	
237	70002378	1	Seal, O-Ring	
		Ref	Note: Arctic Package Items 238-244 Not Shown - Used on Arctic Machines Only	
238	1060626	1	Cord, 3 Way Extension (Located on Left Front of Engine)	
239	1702943	1	Decal - Hydraulic Tank Heater (Located on bottom of Hydraulic Oil Tank)	
240	1702944	1	Decal - Heater Cord (Located on Left Front of Engine)	
241	2580024	1	Heater, Battery (Located on Battery)	
242	2580050	1	Heater, Hydraulic Tank (Located on Bottom of Hyd Oil Tank)	

SECTION 2 - TURNTABLE

ITEM	PART NUMBER	QTY	DESCRIPTION	REV
243	4460488	2	Clamp (Located on Left Front of Engine)	
244	1060625	1	Cord, Immersion Heater (Located on Bottom of Hyd Oil Tank)	
250		Ref	Decal - Warning Explosion/Fire Options:	
250	1704972	1	ANSI Spec	
250	1706059	1	Brazilian Spec	
250	1706060	1	Chinese Spec	
250	1706064	1	CSA Spec	
250	1706062	1	Japanese Spec	
250	1706061	1	Korean Spec	
250	1706063	1	Spanish Language	
		Ref	PERKINS ENGINE and PUMP SUB-ASSEMBLY	
	1001130505	Ref	Without Arctic Package (ANSI /ANSI Export Spec)	A
	1001130511	Ref	Without Arctic Package (CE Spec)	A
	1001130508	Ref	With Arctic Package	A
301	0100011	AR	Compound, Locking	
302	0641610	2	Bolt 3/8in-16NC x 1-1/4in	
303	0641812	2	Bolt 1/2in-13NC x 1-1/2in	
304	2110604	1	Fitting, Straight	
305	2111010	2	Fitting, Straight	
306	2111612	1	Fitting, Straight	
307	2130604	1	Fitting, 90	
308	2131210	1	Fitting, 90	
309	2131212	1	Fitting, 90	
310	2151212	2	Fitting, 45	
311	2170316	1	Fitting, Tee	
312	2170808	2	Fitting, Tee	
313	2221084	1	Fitting, Tee	
314	3600318	1	Gear Pump Assembly (See . GEAR PUMP ASSEMBLY for Breakdown)	
315	3600385	1	Piston Pump Assembly (See PISTON PUMP ASSEMBLY for Breakdown)	
316	3600423	1	Auxiliary Pump Assembly (See AUXILIARY PUMP ASSEMBLY for Breakdown)	
317	3790152	1	O-Ring	
318	3931620	2	Capscrew, Socket Head 3/8in-16NC x 1-1/4in	
319	4641199	2	Valve, Check	
320	4751600	2	Flatwasher 3/8in Regular	
321	4891600	2	Flatwasher 3/8in Hardened	
323		Ref	Oil, Motor Options (Not Shown):	
323	3020016	2.5 Gal	Without Arctic Package (Mobil Delvac MX 15W-40) (ANSI/ANSI Export/CE Spec)	
323	3020044	2.5 Gal	With Arctic Package (Mobil 0W-40)	
		Ref	ENGINE COMPONENTS OPTIONS:	
	1001102131	Ref	ANSI/ANSI Export	B
	1001102270	Ref	CE Spec	B
401	70001386	1	Pump, Fuel Injection	
401	70001388	AR	Shim, 0.20mm	
401	70001389	AR	Shim, 0.25mm	
401	70001390	AR	Shim, 0.30mm	
401	70001391	AR	Shim, 0.35mm	
401	70001392	AR	Shim, 0.40mm	
401	70001393	AR	Shim, 0.50mm	

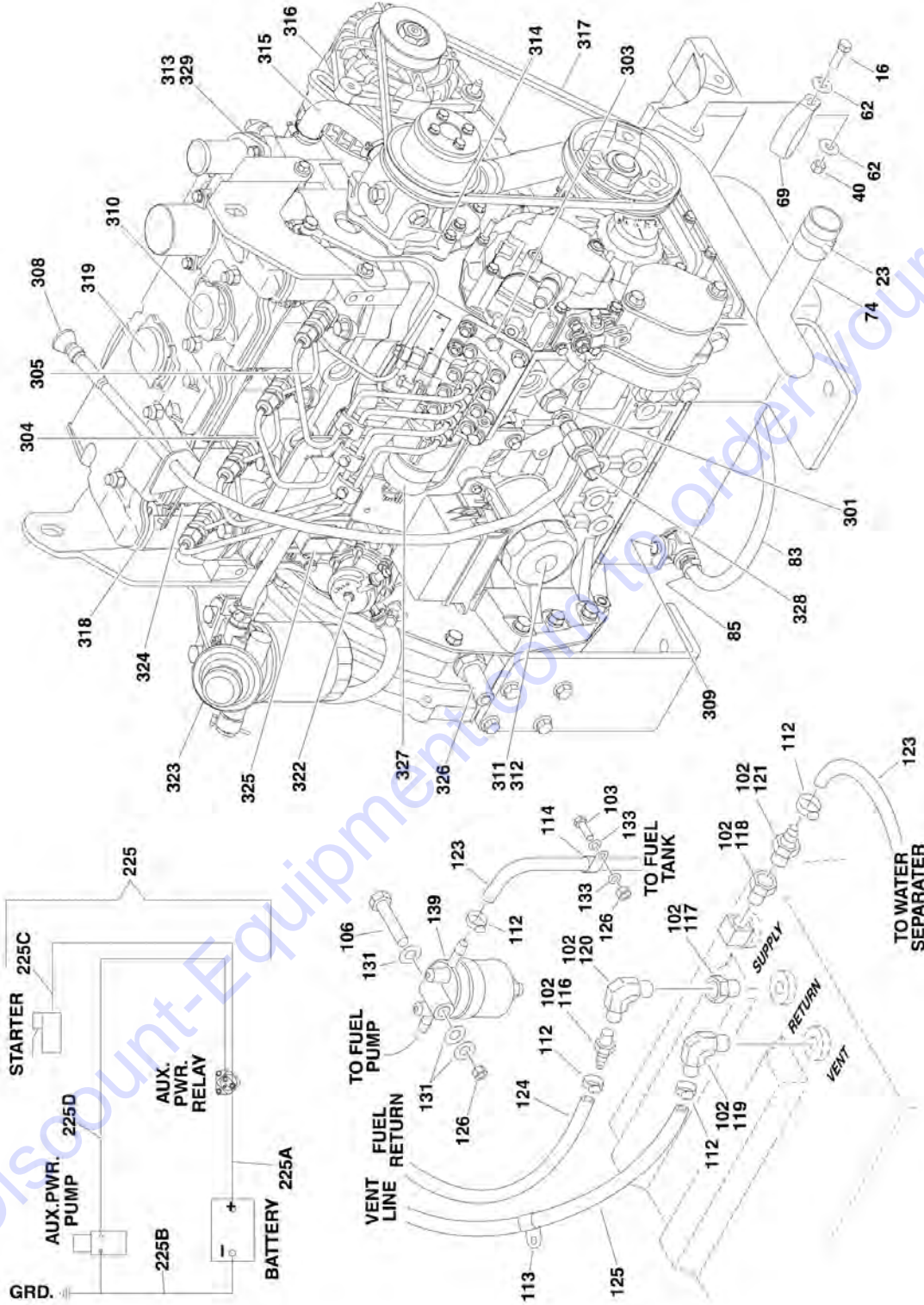
SECTION 2 - TURNTABLE

ITEM	PART NUMBER	QTY	DESCRIPTION	REV
401	70001394	AR	Shim, 0.50mm Flat	
402	70001387	1	Solenoid, Fuel Injection	
403	70001395	4	Glowplug	
404	70001396	1	Pump, Water (Includes p/n 70001397 Only)	
404	70001397	1	Gasket, Water Pump to Plate	
404	70001398	1	Gasket, Plate to Engine Block	
405	70001400	1	Thermostat	
405	70001399	1	Gasket, Thermostat Neck to Thermostat Housing	
405	70001401	1	Gasket, Thermostat Housing to Engine Block	
406	70001402	1	Belt	
407	70001403	1	Filter, Oil	
408	70001404	1	Cap, Oil Fill	
408	70001405	1	Seal, Oil Fill Cap	
409	70001406	1	Valve, Relief	
409	70001407	1	Seal, O-Ring	
410	70001408	1	Fuel Bowl and Filter Assembly	
410	70001409	1	Fuel Filter Kit (Includes 1 Filter Element and 4 Seals)	
411	70001410	1	Pump, Lift	
411	70001411	1	Seal, O-Ring	
412	70001412	1	Flywheel	
412	70001413	1	Ring, Starter	
413	70001414	1	Starter	
413	70001415	1	Solenoid, Start	
414	70001416	1	Gasket, Exhaust Manifold to Engine Block	
415	70001417	1	Alternator	
416	70001418	1	Valve, Breather	
417	70001419	1	Gasket, Exhaust Manifold to Exhaust Tube	
418	0700808	4	Bolt M8 x 16mm	
419	70001792	1	Lever, Alternator Adjustment Arm	
419	70001793	2	Screw	
419	70001794	1	Washer (Engine Block Side of Lever)	
419	70001796	1	Washer (Alternator Side of Lever)	
420	70002107	1	Fitting, Oil Sensor Adapter to Engine Block	
421	70002109	1	Pipe, Fuel	
422	70002098	1	Hose, Fuel	
423	70002106	1	Hose	
424	70002105	1	Housing, Thermostat	
425	70002108	1	Washer	
426	70002100	1	Pipe, Fuel Injection #1	
426	70002101	1	Pipe, Fuel Injection #2	
426	70002102	1	Pipe, Fuel Injection #3	
426	70002103	1	Pipe, Fuel Injection #4	
427	70002099	1	Gasket, Cover	
428		Ref	Piston and Rings Kit Options (Not Shown):	
428	70002461	4	ANSI/ANSI Export (1001102131 Engines)	
428	See Note	4	CE Spec (1001102270 Engines) (Note: Note Available for Purchase)	
428		Ref	Pin, Piston Wrist Options (Not Shown):	
428	70002462	4	ANSI/ANSI Export (1001102131 Engines)	
428	See Note	4	CE Spec (1001102270 Engines) (Note: Note Available for Purchase)	
428		Ref	Circlip, Wrist Pin Options (Not Shown):	

SECTION 2 - TURNTABLE

ITEM	PART NUMBER	QTY	DESCRIPTION	REV
428	70002463	4	ANSI/ANSI Export (1001102131 Engines)	
428	See Note	4	CE Spec (1001102270 Engines) (Note: Note Available for Purchase)	
429		Ref	Line, Fuel Injection Options Return:	
429	See Note	4	ANSI/ANSI Export (1001102131 Engines) (Note: Note Available for Purchase)	
429	70002437	4	CE Spec (was p/n 70002433) (1001102270 Engines)	
430	70002104	1	Pipe, Oil (Not Shown)	
431		Ref	Gasket, Oil Pan Options (Not Shown):	
431	70002704	1	ANSI/ANSI Export (1001102131 Engines)	
431	See Note	1	CE Spec (1001102270 Engines) (Note: Note Available for Purchase)	
432		Ref	Gasket, Cylinder Head Options (Not Shown):	
432	See Note	1	0.4mm (Note: Note Available for Purchase)	
432	See Note	1	0.5mm (Note: Note Available for Purchase)	
433	70004675	1	Gear, Oil Pump (Not Shown)	
434	70005771	4	Injector, Fuel (W/Fuel Rail Seal) (Not Shown - Used on Engine 1001102270)	
435	70005772	4	Seal, Fuel Injector (Bottom) (Not Shown - Used on Engine 1001102270)	

SECTION 2 - TURNTABLE



SECTION 2 - TURNTABLE

FIGURE 2-16. USA BUILT MACHINES/PERKINS ENGINE INSTALLATION (WITH UGM)

ITEM	PART NUMBER	QTY	DESCRIPTION	REV
		Ref	USA Built Machines use SNs 03xxxxxxxx.	
		Ref	Belgium Built Machines use SNs 13xxxxxxxx.	
		Ref	Romanian Built Machines use SNs E3xxxxxxxx.	
		Ref	Note: For Module (with/without UGM) Identification, refer to Revision Log page A.	
		Ref	PERKINS ENGINE ASSEMBLY	
	1001099371	Ref	Without Arctic Package	F
	1001106418	Ref	With Arctic Package (ANSI/ANSI Export Spec)	D
1	0080181	1	Adapter, Pump Mounting Plate	
2	0080201	1	Adapter, 90 Air Intake	
3	0100011	AR	Compound, Locking	
4	0181727	1	Angle, Battery Hold-Down	
5	0340041	2	Band, Air Cleaner Mounting	
6	0340046	2	Band, Muffler Mounting	
7	0400075	1	Battery	
8	0630498	2	Bolt, Battery Hold-Down	
9	0630569	8	Bolt M14 x 30mm	
10	0641406	8	Bolt 1/4in-20NC x 3/4in	
11	0641408	3	Bolt 1/4in-20NC x 1in	
12	0641410	2	Bolt 1/4in-20NC x 1 1/4in	
13	0641506	8	Bolt 5/16in-18NC x 3/4in	
14	0641507	6	Bolt 5/16in-18NC x 7/8in	
15	0641609	5	Bolt 3/8in-16NC x 1 1/8in	
16	0641610	35	Bolt 3/8in-16NC x 1 1/4in	
17	0641611	2	Bolt 3/8in-16NC x 1 3/8in	
18	0641614	2	Bolt 3/8in-16NC x 1 3/4in	
19	0641820	4	Bolt 1/2in-13NC x 2 1/2in	
20	0741610	2	Screw, Flat Head 3/8in-16NC x 1 1/4in	
21	0760815	4	Bolt M8 x 35mm	
22	0962172	1	Bushing, Flanged	
23	1320012	4	Clamp	
24	1320016	4	Clamp	
25	1320022	3	Clamp	
26	1320058	1	Clamp	
27	1320223	6	Clamp	
28	1320318	2	P-Clamp	
29	1340060	1	Air Cleaner Assembly	
29	7012664	1	Element, Air Cleaner	
30	1580011	1	Container, Coolant Overflow	
31	1660255	1	Coupling, Pump	
32	1703162	2	Decal - Caution Fan	
33	1001121115	1	Mount, Relay	
34	2720058	2.5 ft/0.8m	Hose	
35	0641405	2	Bolt 1/4in-20NC x 5/8in	
36	3200378	4	Mount, Motor	
37		Ref	Muffler Options:	
37	3220113	1	Spark Arresting Muffler	
37	70001017	1	Clamp	
37	1001107116	1	Catalytic Muffler	

SECTION 2 - TURNTABLE

ITEM	PART NUMBER	QTY	DESCRIPTION	REV
37	70002705	1	Clamp	
37	70002706	1	Plug, Brass	
38	3311405	13	Locknut 1/4in-20NC	
39	3311505	6	Locknut 5/16in-18NC	
40	3311605	24	Locknut 3/8in-16NC	
41	3311805	4	Locknut 1/2in-13NC	
42	3340399	2	Pad, Wear	
43	3571008	1	Plate, Air	
44	3571009	1	Plate, Baffle	
45	3573667	1	Plate, Radiator Support	
46	3574253	1	Plate, Engine Mounting (Front)	
47	3574259	2	Plate, Engine Mounting (Rear)	
48	3740067	1	Relay	
49	3960438	28	Seal, Self Gripping	
		in/71cm		
50	4031711	4	Bolt M6 x 35mm	
51	4070497	4	Shim	
52	4070498	2	Shim	
53	4100025	1.6	Sleeve, Fiberglass	
		ft/0.49mm		
54	4568743	1	Pipe, Exhaust	
55	4569176	1	Tube, Air Intake	
56	4711400	16	Flatwasher, 1/4in Thin	
57	4711500	8	Flatwasher 5/16in Thin	
58	4711600	26	Flatwasher 3/8in Thin	
59	4740274	4	Washer, Snubbing	
60	4751400	12	Flatwasher 1/4in Wide	
61	4751500	12	Flatwasher 5/16in Wide	
62	4751600	42	Flatwasher 3/8in Wide	
63	4751800	12	Flatwasher 1/2in Wide	
65	1001102585	1	Mount, Motor/Generator	
66	4891500	4	Flatwasher 5/16in Hardened	
67	4891600	2	Flatwasher 3/8in Hardened	
68	85941018	1	P-Clamp	
69	1001097588	1	Clip, Tube	
70	1001098525	1	Plate, Muffler Support	
71	1001099370	1	Engine, Perkins 404C-22	
72	1001099442	1	Plate, Radiator Mount	
73	1001100577	1	Hose, Radiator (Top)	
74	1001100818	1	Hose, Radiator (Bottom)	
75	1001100825	2	Strap, Ties	
76	1001100837	1	Bracket, Bottle	
77	1001101201	1	Spacer, Fan	
78	1001101620	1	Weldment, Engine Tray	
79	1001101681	1	Elbow, Rubber	
80	1001101950	1	Tube, Air Intake	
81	1001102706	1	Radiator	
81	7027412	1	Cap, Radiator	
81	70023056	1	Petcock	
82	2720271	1.25	Hose	
		ft/0.38m		
83	2720615	1.5	Hose	

SECTION 2 - TURNTABLE

ITEM	PART NUMBER	QTY	DESCRIPTION	REV
		ft/0.46m		
84	1001101408	1	Fan	
85	8405006	1	Clamp, Gear	
86	1703876	AR	Decal - Engine Tray Swing	
		Ref	Note: arctic package items 87 - 92 not shown - used on arctic machines only	
87	1702941	1	Decal - Battery Heater	
88	1702942	1	Decal - Engine Block Heater	
89	2580024	1	Heater, Battery	
90	2580054	1	Heater, Engine Block	
91	3980007	1	Seat, Battery	
92	0641405	2	Bolt 1/4in-20NC x 5/8in	
		Ref	PERKINS ENGINE INSTALLATION	
	1001099373	Ref	Without Arctic Package	B
	1001106420	Ref	With Arctic Package	B
101	0100011	AR	Compound, Locking	
102	0100020	AR	Sealant, Pipe	
103	0641406	3	Bolt 1/4in-20NC x 3/4in	
104	0641408	7	Bolt 1/4in-20NC x 1in	
105	0641418	2	Bolt 1/4in-20NC x 2 1/4in	
106	0641420	1	Bolt 1/4in-20NC x 2 1/2in	
107	0641608	3	Bolt 3/8in-16NC x 1in	
108	0641610	2	Bolt 3/8in-16NC x 1 1/4in	
109	0642010	1	Bolt 5/8in-11NC x 1 1/4in	
110	0902443	1	Bracket, Hood Latch Mount	
111	0902444	1	Bracket, Hood Support	
112	1320022	7	Clamp, Fuel Line	
113	1320223	AR	Clamp, J Clip	
114	1320318	2	Clamp	
115	1701505	1	Decal, Diesel (Not Shown)	
116	2180536	1	Fitting, Barbed	
117	2220250	1	Fitting, Reducer	
118	2220273	1	Fitting, Reducer	
119	2220313	1	Fitting, 90 Barbed	
120	2220459	1	Fitting, 90	
121	2220794	1	Fitting, Straight Barbed	
122		Ref	Coolant, Anti-Freeze Options (Not Shown):	
122	2300004	2.7 Gal	Without Arctic Package (ANSI/ANSI Export/CE Spec)	
122	2300041	2.7 Gal	With Arctic Package	
123	2720058	10 ft/3.0m	Hose	
124	2720271	8 ft/2.4m	Hose	
125	2750532	7 ft/2.1m	Hose	
126	3311405	13	Locknut 1/4in-20NC	
127	3312005	1	Locknut 5/8in-11NC	
128	3340399	1	Pad, Wear	
129	3900254	1	Screw, Shoulder	
130	4641317	1	Valve Assembly	
130	7012941	2	Cartridge without Coil	
130	7010543	2	Seal Kit - 7012941 Cartridge	
130	7012944	2	Coil	
131	4711400	3	Flatwasher 1/4in Narrow	
132	4740362	7	Washer, Fender	

SECTION 2 - TURNTABLE

ITEM	PART NUMBER	QTY	DESCRIPTION	REV
133	4751400	25	Flatwasher 1/4in Wide	
134	4751600	5	Flatwasher 3/8in Wide	
135	4752000	1	Flatwasher 5/8in Wide	
136	4752200	2	Flatwasher 3/4in Wide	
137	1001099364	1	Mount, Hood	
139	1001100857	1	Separator, Fuel-Water	
139	70002377	1	Filter	
139	70002378	1	Seal, O-Ring	
140	1001103791	1	Panel, Rubber (Not Shown)	
		Ref	Note: Arctic Package Items 141-146 Not Shown - Used on Arctic Machines Only	
141	1060625	1	Cord, Immersion Heater (Located on Bottom of Hyd Oil Tank)	
142	1060626	1	Cord, 3 Way Extension (Located on Left Front of Engine)	
143	1702943	1	Decal - Hydraulic Tank Heater (Located on bottom of Hydraulic Oil Tank)	
144	1702944	1	Decal - Heater Cord (Located on Left Front of Engine)	
145	2580050	1	Heater, Hydraulic Tank (Located on Bottom of Hyd Oil Tank)	
146	4460488	3	Clamp (Located on Left Front of Engine)	
150		Ref	Decal - Warning Explosion/Fire Options:	
150	1704972	1	ANSI Spec	
150	1706059	1	Brazilian Spec	
150	1706060	1	Chinese Spec	
150	1706064	1	CSA Spec	
150	1706062	1	Japanese Spec	
150	1706061	1	Korean Spec	
150	1706063	1	Spanish Language	
		Ref	PERKINS ENGINE AND PUMP SUB-ASSEMBLY	
	1001099372	Ref	Without Arctic Package	D
	1001106419	Ref	With Arctic Package	C
201	0100011	AR	Compound, Locking	
202	0630569	1	Bolt M14 x 30mm	
203	0641610	2	Bolt 3/8in-16NC x 1 1/4in	
204	0641812	2	Bolt 1/2in-13NC x 1 1/2in	
205	2111010	1	Fitting, Straight	
206	2111612	1	Fitting, Straight	
207	2131212	1	Fitting, 90	
208	2151212	2	Fitting, 45	
209	2170316	1	Fitting, Tee	
210	2170808	2	Fitting, Tee	
211	2110604	2	Fitting, Straight	
212	2131210	1	Fitting, 90	
213	2221084	1	Fitting, Tee	
214		Ref	Oil, Motor Options (Not Shown):	
214	3020016	2.5 gl	Without Arctic Package (Mobil Delvac MX 15W-40)	
214	3020044	2.5 Gal	With Arctic Package (Mobil 0W-40)	
215	3600318	1	Gear Pump Assembly (See GEAR PUMP ASSEMBLY for Breakdown)	
216	3600385	1	Piston Pump Assembly (See . PISTON PUMP ASSEMBLY for Breakdown)	
217	3600423	1	Auxiliary Pump Assembly (See AUXILIARY PUMP ASSEMBLY for Breakdown)	
218	3790152	1	O-Ring	

SECTION 2 - TURNTABLE

ITEM	PART NUMBER	QTY	DESCRIPTION	REV
219	3931620	2	Capscrew, Socket Head 3/8in-16NC x 1 1/4in	
220	4641199	2	Valve, Check	
221	4751600	2	Flatwasher 3/8in Wide	
222	4751800	1	Flatwasher 1/2in Wide	
223	4891600	2	Flatwasher 3/8in Hardened	
225	1001102860	1	Battery Cable Kit	A
225A	7027025	1	Cable - Battery to Auxiliary Relay	
225B	7027026	1	Cable - Battery and Auxiliary Pump to Ground	
225C	7027023	1	Cable - Auxiliary Relay to Starter	
225D	7027024	1	Cable - Auxiliary Relay to Auxiliary Pump	
226	2170110	1	Fitting, Straight	
	1001099370	Ref	ENGINE COMPONENTS	D
301	70001406	1	Valve, Relief	
301	70001407	1	Seal, O-Ring	
302	70002459	1	Sensor, Speed (Not Shown)	
303	70002436	1	Pump, Fuel Injection	
303	70001388	1	Shim 0.2mm	
303	70001389	1	Shim 0.25mm	
303	70001390	1	Shim 0.3mm	
303	70001391	1	Shim 0.35mm	
303	70001392	1	Shim 0.4mm	
303	70001393	1	Shim 0.5mm	
303	70001394	1	Shim 0.5mm Flat	
304	70002100	1	Pipe, Fuel Injector (#1 Cylinder)	
304	70002101	1	Pipe, Fuel Injector (#2 Cylinder)	
304	70002102	1	Pipe, Fuel Injector (#3 Cylinder)	
304	70002103	1	Pipe, Fuel Injector (#4 Cylinder)	
305	70002437	1	Pipe, Fuel Injector Return	
306	70001412	1	Flywheel	
306	70001413	1	Ring, Starter	
307	70001414	1	Starter	
308	70002438	1	Dipstick	
308	70002439	1	Tube, Dipstick	
308	70002440	3	O-Ring	
309	70002441	1	Valve, Oil Drain	
310	70001404	1	Cap, Oil Fill	
310	70001405	1	Seal, Oil Fill Cap	
311	70001403	1	Filter, Oil	
312	70002442	1	Connector, Oil Filter	
313	70002443	1	Thermostat	
313	70001399	1	Gasket, Thermostat Neck to Thermostat Housing	
313	70001401	1	Gasket, Thermostat Housing to Engine Block	
314	70002444	1	Pump, Water (Includes p/n 70002445 Only)	
314	70002445	1	Gasket, Water Pump to Plate	
315	70002446	1	Hose, Water Pump to Engine Head	
316	70001417	1	Alternator	
317	70002447	1	Belt	
318	70002099	1	Gasket, Head Cover	
319	70001418	1	Valve, Breather	
320	70001416	1	Gasket, Exhaust Manifold to Engine Block	
321	70001419	1	Gasket, Exhaust Manifold to Exhaust Tube	

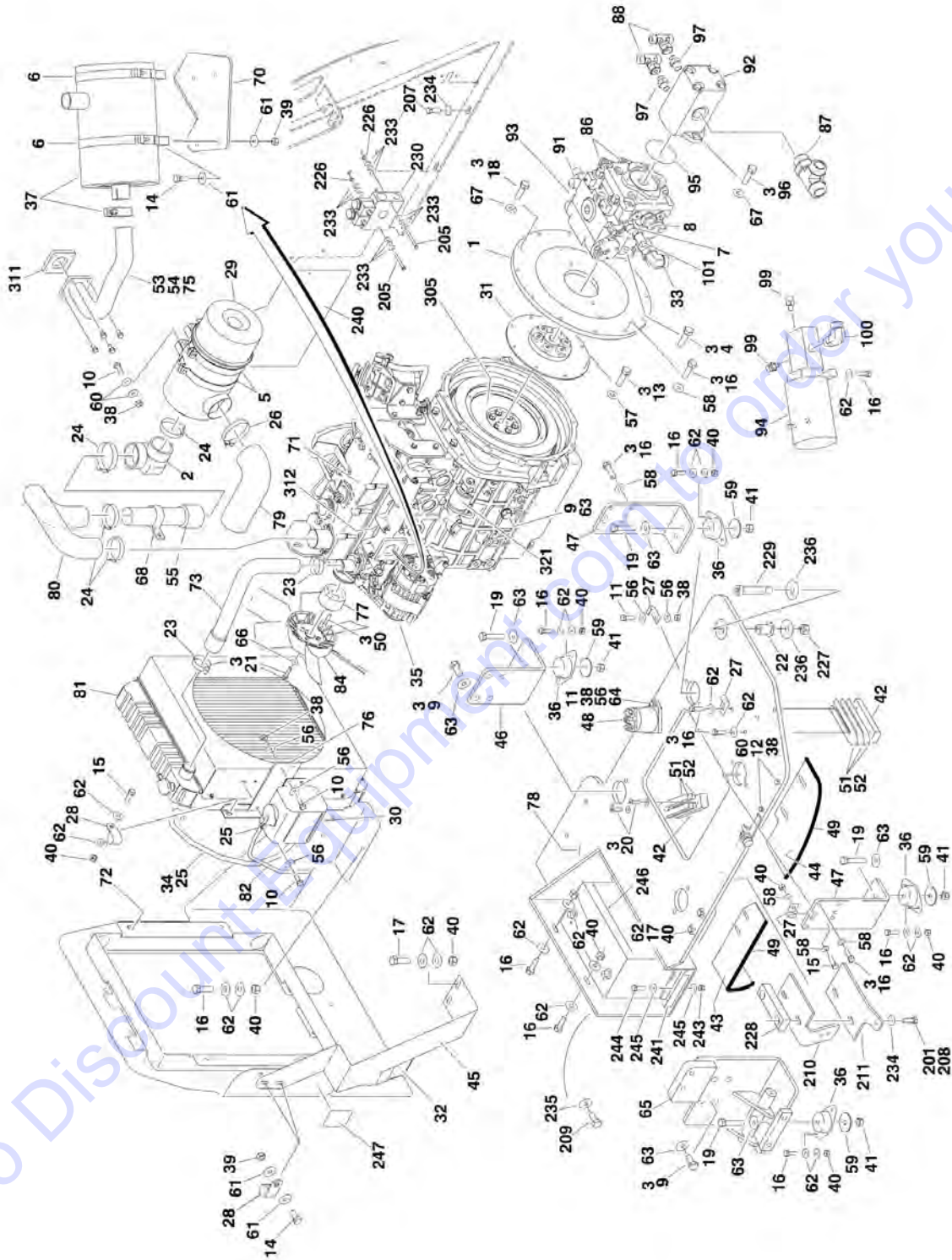
SECTION 2 - TURNTABLE

ITEM	PART NUMBER	QTY	DESCRIPTION	REV
322	70002448	1	Pump, Lift	
322	70001411	1	Seal, O-Ring	
323	70002449	1	Fuel Filter Head Assembly	
323	70002450	1	Fuel Filter	
324	70001395	4	Glowplug	
325	70002451	1	Module, Engine Control	
325	70002452	1	Harness, Wiring	
325	70002453	1	Bracket	
325	70002454	1	Isolator	
326	70002455	1	Sensor, Speed	
327	70002456	1	Actuator	
327	70002108	1	Washer	
328	70002457	1	Switch, Oil Pressure	
329	70002458	1	Switch, Water Temperature	

Go to Discount-Equipment.com to order your parts

SECTION 2 - TURNTABLE

FIGURE 2-17. BELGIUM AND ROMANIAN BUILT MACHINES/CATERPILLAR ENGINE INSTALLATION



PARTS FINDER

**Search Website
by Part Number**



**Search Manual
Library For Parts
Manual & Lookup Part
Numbers – Purchase
or Request Quote**

**Can't Find Part or
Manual? Request Help
by Manufacturer,
Model & Description**

Discount-Equipment.com is your online resource for quality parts & equipment.

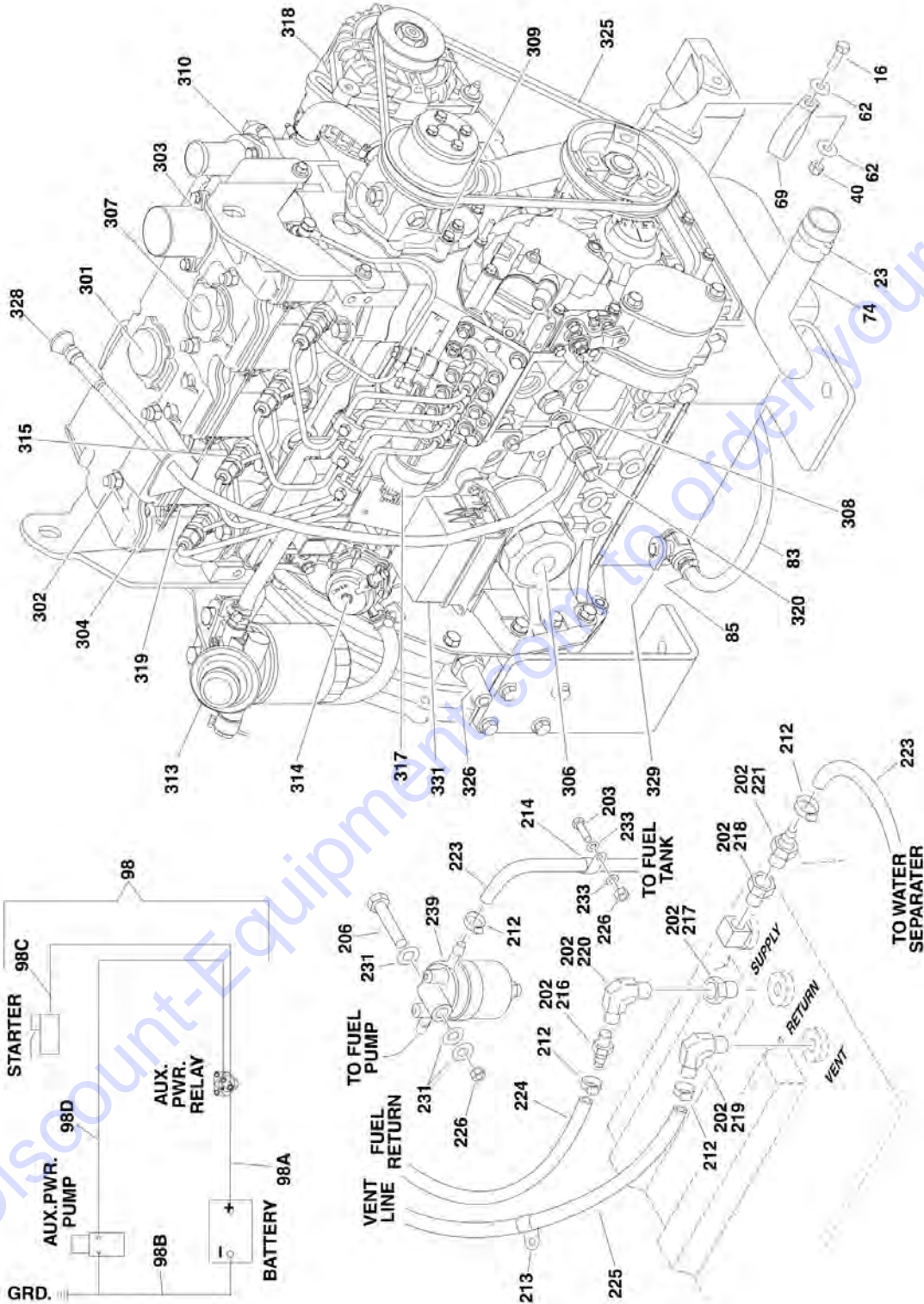
Florida: **561-964-4949** Outside Florida TOLL FREE: **877-690-3101**

Need parts?

Click on this link: <http://www.discount-equipment.com/category/5443-parts/> and choose one of the options to help get the right parts and equipment you are looking for. Please have the machine model and serial number available in order to help us get you the correct parts. If you don't find the part on the website or on one of the online manuals, please fill out the request form and one of our experienced staff members will get back to you with a quote for the right part that your machine needs.

We sell worldwide for the brands: Genie, Terex, JLG, MultiQuip, Mikasa, Essick, Whiteman, Mayco, Toro Stone, Diamond Products, Generac Magnum, Airman, Haulotte, Barreto, Power Blanket, Nifty Lift, Atlas Copco, Chicago Pneumatic, Allmand, Miller Curber, Skyjack, Lull, Skytrak, Tsurumi, Husquvarna Target, Stow, Wacker, Sakai, Mi-T-M, Sullair, Basic, Dynapac, MBW, Weber, Bartell, Bennar Newman, Haulotte, Ditch Runner, Menegotti, Morrison, Contec, Buddy, Crown, Edco, Wyco, Bomag, Laymor, EZ Trench, Bil-Jax, F.S. Curtis, Gehl Pavers, Heli, Honda, ICS/PowerGrit, IHI, Partner, Imer, Clipper, MMD, Koshin, Rice, CH&E, General Equipment, Amida, Coleman, NAC, Gradall, Square Shooter, Kent, Stanley, Tamco, Toku, Hatz, Kohler, Robin, Wisconsin, Northrock, Oztec, Toker TK, Rol-Air, APT, Wylie, Ingersoll Rand / Doosan, Innovatech, Con X, Ammann, Mecalac, Makinex, Smith Surface Prep, Small Line, Wanco, Yanmar

SECTION 2 - TURNTABLE



SECTION 2 - TURNTABLE

FIGURE 2-17. BELGIUM AND ROMANIAN BUILT MACHINES/CATERPILLAR ENGINE INSTALLATION

ITEM	PART NUMBER	QTY	DESCRIPTION	REV
		Ref	USA Built Machines use SNs 03xxxxxxxx.	
		Ref	Belgium Built Machines use SNs 13xxxxxxxx.	
		Ref	Romanian Built Machines use SNs E3xxxxxxxx.	
	1001108389	Ref	CATERPILLAR ENGINE ASSEMBLY	D
1	0080181	1	Adapter, Pump Mounting Plate	
2	0080201	1	Adapter, Elbow Air Intake	
3	0100011	AR	Compound, Locking	
4	0641812	2	Bolt 1/2in-13NC x 1-1/2in	
5	0340041	2	Band, Air Cleaner Mounting	
6	0340046	2	Band, Muffler Mounting	
7	2111010	1	Fitting, Straight	
8	2111612	1	Fitting, Straight	
9	0630569	9	Bolt M14 x 30mm	
10	0641406	8	Bolt 1/4in-20NC x 3/4in	
11	0641408	3	Bolt 1/4in-20NC x 1in	
12	0641410	2	Bolt 1/4in-20NC x 1-1/4in	
13	0641506	8	Bolt 5/16in-18NC x 3/4in	
14	0641507	6	Bolt 5/16in-18NC x 7/8in	
15	0641609	5	Bolt 3/8in-16NC x 1-1/8in	
16	0641610	39	Bolt 3/8in-16NC x 1-1/4in	
17	0641611	2	Bolt 3/8in-16NC x 1-3/8in	
18	0641614	2	Bolt 3/8in-16NC x 1-3/4in	
19	0641820	4	Bolt 1/2in-13NC x 2-1/2in	
20	0741610	2	Screw, Flat Head 3/8in-16NC x 1-1/4in	
21	0760815	4	Bolt M8 x 35mm	
22	0962172	1	Bushing, Flanged	
23	1320012	4	Clamp	
24	1320016	4	Clamp	
25	1320022	3	Clamp	
26	1320058	1	Clamp	
27	1320223	6	Clamp	
28	1320318	2	P-Clamp	
29	1340060	1	Air Cleaner Assembly	
29	7012664	1	Element, Air Cleaner	
30	1580011	1	Container, Coolant Overflow	
31	1660255	1	Coupling, Pump	
32	1703162	2	Decal - Caution Fan	
33	2131212	1	Fitting, Elbow	
34	2720058	2.5 ft/0.8m	Hose	
35	1001106426	1	Caterpillar Engine Assembly (See Items 301-331 of Breakdown)	
36	3200378	4	Mount, Motor	
37		Ref	Muffler Options:	
37	3220113	1	Spark Arresting Muffler	
37	70001017	1	Clamp	
37	1001107116	1	Catalytic Muffler	
37	70002705	1	Clamp	
37	70002706	1	Plug, Brass	
38	3311405	11	Locknut 1/4in-20NC	
39	3311505	6	Locknut 5/16in-18NC	

SECTION 2 - TURNTABLE

ITEM	PART NUMBER	QTY	DESCRIPTION	REV
40	3311605	22	Locknut 3/8in-16NC	
41	3311805	4	Locknut 1/2in-13NC	
42	3340399	2	Pad, Wear	
43	3577133	1	Plate, Air	
44	3577132	1	Plate, Baffle	
45	3573937	1	Plate, Radiator Support	
46	3577130	1	Plate, Engine Mounting (Front)	
47	3577135	2	Plate, Engine Mounting (Rear)	
48	3740067	1	Relay	
49	3960438	28 in/71cm	Seal, Self Gripping	
50	4031711	4	Bolt M6 x 35mm	
51	4070497	4	Shim	
52	4070498	2	Shim	
53	4100025	1.6 ft/0.49mm	Sleeve, Fiberglass	
54	4568743	1	Pipe, Exhaust	
55	4569176	1	Tube, Air Intake	
56	4711400	12	Flatwasher, 1/4in Thin	
57	4711500	8	Flatwasher 5/16in Thin	
58	4711600	26	Flatwasher 3/8in Thin	
59	4740274	4	Washer, Snubbing	
60	4751400	12	Flatwasher 1/4in Regular	
61	4751500	12	Flatwasher 5/16in Regular	
62	4751600	42	Flatwasher 3/8in Regular	
63	4751800	13	Flatwasher 1/2in Regular	
64	4791400	2	Star Washer 1/4in	
65	4846821	1	Mount, Motor/Generator	
66	4891500	4	Flatwasher 5/16in Hardened	
67	4891600	4	Flatwasher 3/8in Hardened	
68	85941018	1	P-Clamp	
69	1001097588	1	Clip, Tube	
70	1001098525	1	Plate, Muffler Support	
72	1001106793	1	Plate, Radiator Mount	
73	1001100577	1	Hose, Radiator (Top)	
74	1001100818	1	Hose, Radiator (Bottom)	
75	1001100825	2	Strap, Ties	
76	1001100837	1	Bracket, Bottle	
77	1001101201	1	Spacer, Fan	
78	1001106790	1	Weldment, Engine Tray	
79	1001101681	1	Elbow, Rubber	
80	1001101950	1	Tube, Air Intake	
81	1001102706	1	Radiator	
81	7027412	1	Cap, Radiator	
81	70023056	1	70023056	
82	2720271	1.25 ft/0.38m	Hose	
83	2720615	1.5 ft/0.46m	Hose	
84	1001101408	1	Fan	
85	8405006	1	Clamp, Gear	
86	2151212	2	Fitting, Elbow	

SECTION 2 - TURNTABLE

ITEM	PART NUMBER	QTY	DESCRIPTION	REV
87	2170316	1	Fitting, Tee	
88	2170808	2	Fitting, Tee	
91	2221084	1	Fitting, Tee	
92	3600318	1	Gear Pump Assembly (See GEAR PUMP ASSEMBLY for Breakdown)	
93	3600385	1	Piston Pump Assembly (See PISTON PUMP ASSEMBLY for Breakdown)	
94	3600423	1	Auxiliary Pump Assembly (See AUXILIARY PUMP ASSEMBLY for Breakdown)	
95	3790152	1	O-Ring	
96	3931620	2	Capscrew, Socket Head 3/8in-16NC x 1-1/4in	
97	4641199	2	Valve, Check	
98	1001102860	1	Battery Cable Kit	A
98A	7027025	1	Cable - Battery to Auxiliary Relay	
98B	7027026	1	Cable - Battery and Auxiliary Pump to Ground	
98C	7027023	1	Cable - Auxiliary Relay to Starter	
98D	7027024	1	Cable - Auxiliary Relay to Auxiliary Pump	
99	2110604	2	Fitting, Straight	
100	2131210	1	Fitting, Elbow	
101	2170110	1	Fitting, Straight	
	1001108388	Ref	CATERPILLAR ENGINE INSTALLATION	A
201	0100011	AR	Compound, Locking	
202	0100020	AR	Sealant, Pipe	
203	0641406	3	Bolt 1/4in-20NC x 3/4in	
204	0641408	7	Bolt 1/4in-20NC x 1in	
205	0641418	2	Bolt 1/4in-20NC x 2-1/4in	
206	0641420	1	Bolt 1/4in-20NC x 2-1/2in	
207	0641608	3	Bolt 3/8in-16NC x 1in	
208	0641610	2	Bolt 3/8in-16NC x 1-1/4in	
209	0642010	1	Bolt 5/8in-11NC x 1-1/4in	
210	0902443	1	Bracket, Hood Latch Mount	
211	0902444	1	Bracket, Hood Support	
212	1320022	7	Clamp, Fuel Line	
213	1320223	1	Clamp, J Clip	
214	1320318	2	Clamp	
215	1701505	1	Decal, Diesel (Not Shown)	
216	2180536	1	Fitting, Barbed	
217	2220250	1	Fitting, Reducer	
218	2220273	1	Fitting, Reducer	
219	2220313	1	Fitting, Elbow Barbed	
220	2220459	1	Fitting, Elbow	
221	2220794	1	Fitting, Straight Barbed	
222	2300004	2.7 Gal	Coolant, Anti-Freeze (Not Shown)	
223	2720058	10 ft/3.05m	Hose	
224	2720271	8 ft/2.4m	Hose	
225	2750532	7 ft/2.1m	Hose	
226	3311405	13	Locknut 1/4in-20NC	
227	3312005	1	Locknut 5/8in-11NC	
228	3340399	1	Pad, Wear	
229	3900254	1	Screw, Shoulder	
230	4641317	1	Valve Assembly	

SECTION 2 - TURNTABLE

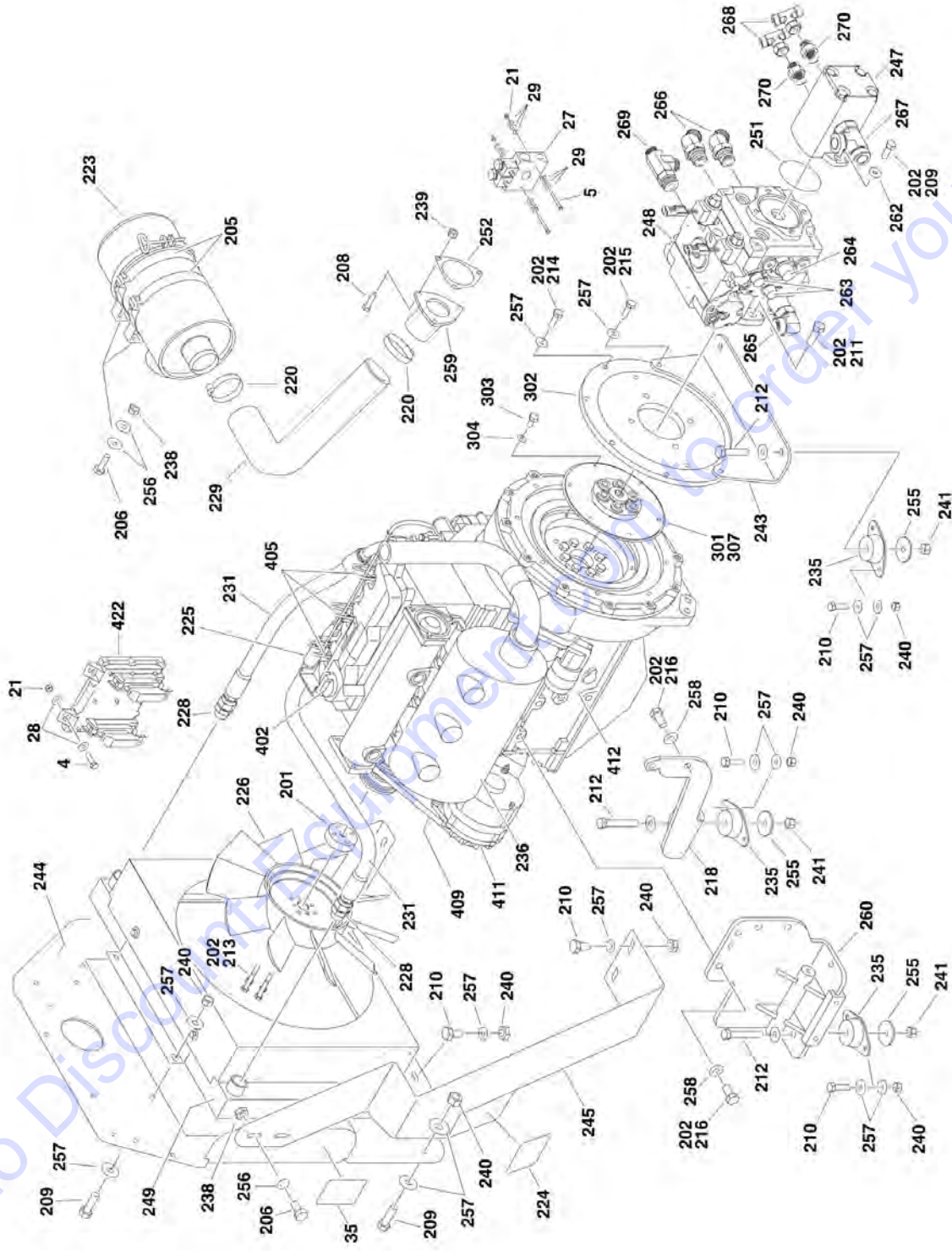
ITEM	PART NUMBER	QTY	DESCRIPTION	REV
230	7012941	2	Cartridge without Coil	
230	7010543	2	Seal Kit - 7012941 Cartridge	
230	7012944	2	Coil	
231	4711400	3	Flatwasher 1/4in Thin	
232	4740362	7	Washer, Fender	
233	4751400	25	Flatwasher 1/4in Regular	
234	4751600	5	Flatwasher 3/8in Regular	
235	4752000	1	Flatwasher 5/8in Regular	
236	4752200	2	Flatwasher 3/4in Regular	
239	1001100857	1	Separator, Fuel-Water	
239	70002377	1	Filter	
239	70002378	1	Seal, O-Ring	
240	1001103791	1	Panel, Rubber	
241	1787217	1	Clamp, Battery Holddown	
242	3020016	2.5 gal	Motor Oil Mobil Delvac MX 15W-40	
243	3311505	2	Locknut 5/16in-18NC	
244	0641512	1	Bolt 5/16in-18NC x 1-1/2in	
245	4751500	4	Flatwasher 5/16in Regular	
246	8008750	1	Battery	
247	1706098	1	Decal - Warning Explosion/Fire	
	1001106426	Ref	CATERPILLAR ENGINE COMPONENTS	C
301	7026848	1	Valve, Breather	
301	7026846	1	Gauze, Breather Valve	
302	7026847	4	Seal, Valve Cover Nut	
303	7026849	1	Gasket, Air Intake	
304	7026850	1	Seal, Valve Cover	
305	7026852	1	Flywheel with Starter Gear Set	
305	7026853	1	Gear, Rim	
305	7026851	1	Seal, Rear Main (Not Shown)	
306	70001403	1	Filter, Oil (was p/n 7026855)	
307	7026860	1	Cap, Oil Fill	
307	7026856	1	Seal, Oil Fill Cap	
308	7026858	1	Valve, Relief	
308	7026857	1	Seal	
309	7026864	1	Pump, Water	
309	7026863	1	Gasket, Water Pump (Fits Between Pump and Pump Rear Plate)	
309	7026865	1	Gasket, Water Pump (Fits Between Pump Rear Plate and Engine Block)	
310	7026867	1	Thermostat	
310	7026866	1	Gasket (Fits Between Regulator and Engine Block)	
310	7026868	1	Gasket (Fits Between Regulator and Hose Adapter)	
311	7026869	1	Gasket, Exhaust	
312	7026870	1	Gasket, Exhaust Manifold	
313	70003758	1	Filter Assembly	
313	70003791	1	Element, Fuel Filter (was p/n 7026871)	
313	7026872	1	Gasket, Fuel Filter Element	
314	7026873	1	Pump, Fuel Transfer	
314	7026874	1	Seal	
315	7026875	4	Injector, Fuel	
317	70003541	1	Actuator	
318	70003768	1	Alternator	
319	7026878	4	Glowplug	

SECTION 2 - TURNTABLE

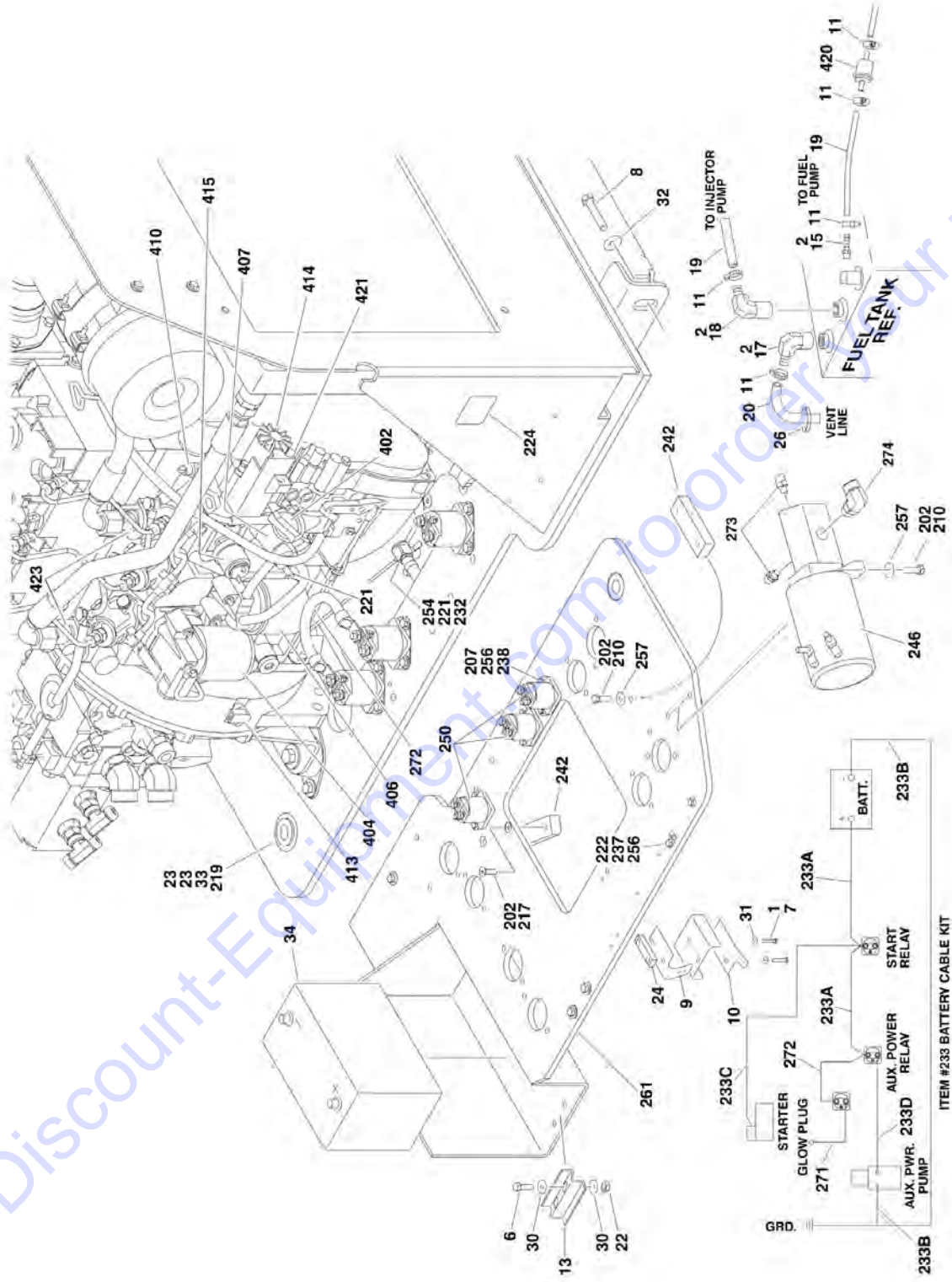
ITEM	PART NUMBER	QTY	DESCRIPTION	REV
320	70003759	1	Switch, Oil Pressure	
320	70003760	1	Adapter, Oil Pressure Switch	
321	70003769	1	Starter	
322	7026854	1	Seal, Front Main (Not Shown)	
323	7026859	1	Gasket, Oil Pan (Not Shown)	
324	7026862	1	Gasket, Valve Bracket (Not Shown - Located Between Valve Bracket and Cylinder Head)	
325	70003761	1	Belt	
326	70003766	1	Sensor, Speed	
327	70003765	1	Sensor, Temperature (Not Shown)	
328	70003763	1	Dipstick	
328	70003764	1	Tube, Dipstick	
329	4641272	1	Valve, Oil Drain	
329	7026861	1	Seal, Oil Drain Valve	
330	70003767	1	Harness, Engine (Not Shown)	
331	70003770	1	ECM	

SECTION 2 - TURNTABLE

FIGURE 2-18. BELGIUM AND ROMANIAN BUILT MACHINES/DEUTZ ENGINE INSTALLATION



SECTION 2 - TURNTABLE



Go to Discount-Equipment.com to order your parts

SECTION 2 - TURNTABLE

FIGURE 2-18. BELGIUM AND ROMANIAN BUILT MACHINES/DEUTZ ENGINE INSTALLATION

ITEM	PART NUMBER	QTY	DESCRIPTION	REV
		Ref	USA Built Machines use SNs 03xxxxxxxx.	
		Ref	Belgium Built Machines use SNs 13xxxxxxxx.	
		Ref	Romanian Built Machines use SNs E3xxxxxxxx.	
	0275871	Ref	DEUTZ ENGINE INSTALLATIONS	C
1	0100011	AR	Compound, Locking	
2	0100020	AR	Sealant, Pipe	
4	0641410	4	Bolt 1/4in-20NC x 1-1/4in	
5	0641418	2	Bolt 1/4in-20NC x 2-1/4in	
6	0641512	2	Bolt 5/16in-18NC x 1-1/2in	
7	0641610	2	Bolt 3/8in-16NC x 1-1/4in	
8	0642010	1	Bolt 5/8in-11NC x 1-1/4in	
9	0902443	1	Bracket, Hood Latch Mount	
10	0902444	1	Bracket, Hood Support	
11	1320022	5	Clamp, Fuel Line	
12	1701505	1	Decal, Diesel Fuel (Not Shown)	
13	1787217	1	Clamp, Battery Hold-Down	
15	2180348	1	Fitting, Barbed	
16	2200222	1	Plug, Pipe (Not Shown - Located on Bottom of Fuel Tank)	
17	2220313	1	Fitting, 90 Barbed	
18	2221176	1	Fitting, 90	
19	2720058	15.1 ft/4.6m	Hose	
20	2750532	6 ft/1.83m	Hose	
21	3311405	6	Locknut 1/4in-20NC	
22	3311505	2	Locknut 5/16in-18NC	
23	3312005	1	Locknut 5/8in-11NC	
24	3340958	1	Pad, Wear	
25	3900254	1	Screw, Shoulder	
26	4240099	AR	Wire, Tie	
27	4641317	1	Valve Assembly	
27	7012941	2	Cartridge without Coil (4641317 Valve)	
27	7010543	2	Seal Kit - 7012941 Cartridge (4641317 Valve)	
27	7012944	2	Coil (4641317 Valve)	
28	4711400	8	Flatwasher 1/4in Thin	
29	4751400	12	Flatwasher 1/4in Regular	
30	4751500	4	Flatwasher 5/16in Regular	
31	4751600	6	Flatwasher 3/8in Regular	
32	4752000	1	Flatwasher 5/8in Regular	
33	4752200	2	Flatwasher 3/4in Regular	
34	8008750	1	Battery (Wet)	
35	1706098	1	Decal - Warning Explosion/Fire	
	2000291	Ref	ENGINE ASSEMBLY	O
201	0080231	1	Adapter, Fan Spacer	
202	0100011	AR	Compound, Locking	
205	0340041	2	Band, Muffler Bracket	
206	0641406	6	Bolt 1/4in-20NC x 3/4in	
207	0641410	6	Bolt, 1/4in-20NC x 1-1/4in	
208	0641510	3	Bolt, 5/16in-10NC x 1-1/4in	
209	0641608	AR	Bolt 3/8in-16NC x 1in	
210	0641610	16	Bolt 3/8in-16NC x 1-1/4in	

SECTION 2 - TURNTABLE

ITEM	PART NUMBER	QTY	DESCRIPTION	REV
211	0641812	2	Bolt 1/2in-13NC x 1-1/2in	
212	0641820	4	Bolt 1/2in-13NC x 2-1/2in	
213	0700816	4	Bolt M8 x 40mm	
214	0771012	4	Bolt M10 x 25mm	
215	0711014	4	Bolt M10 x 30mm	
216	0711414	AR	Bolt M14 x 30mm	
217	0741610	2	Screw, Countersunk 3/8in-16NC x 1-1/4in	
218	0902740	1	Bracket, Engine Mounting	
219	0962172	1	Bushing, Flanged	
220	1320016	2	Clamp	
221	1320022	1	Clamp, Hose	
222	1320222	3	Clamp, J Clip	
223	1340060	1	Air Cleaner Assembly	
223	7012664	1	Element, Air Cleaner	
224	1703162	2	Decal, Fan Blade	
225	1001092723	1	Engine, Deutz	
226	2060025	1	Fan	
228	2220451	1	Fitting	
229	1001091179	1	Hose, 90 Elbow	
231	2720467	2	Hose, Oil Cooler	
232	2750532	380 mm	Hose	
233	2902060	1	Battery Cable Kit	B
233A	7027041	1	Cable (Battery - to Ground) (was p/n 7016837)	
233B	7016817	1	Cable (Battery + to Auxilliary Relay)	
233C	7016820	1	Cable (Auxilliary Relay to Starter)	
233D	7016834	1	Cable (Auxilliary Relay to Auxilliary Pump)	
234	3020016	2.5 gal/9.46l	Motor Oil Mobil Delvac MX 15W-40(Not Shown)	
235	3200406	4	Mount, Rubber	
236		Ref	Muffler Options:	
236	3220110	1	Standard Spark Arresting Muffler	
236	3220112	1	Optional Catalytic Muffler	
236A	1320176	1	Clamp, Muffler	
237	3311401	1	Nut 1/4in-20NC	
238	3311405	12	Locknut 1/4in-20NC	
239	3311505	3	Locknut 5/16in-18NC	
240	3311605	AR	Locknut 3/8in-16NC	
241	3311805	4	Locknut 1/2in-13NC	
242	3340399	2	Pad, Wear	
243	3570801	1	Plate, Engine Mounting (Use p/n 0903063)	
244	3573895	1	Plate, Radiator Mounting	
245	3573937	1	Support, Radiator	
246	3600423	1	Auxiliary Pump Assembly (See AUXILIARY PUMP ASSEMBLY for Breakdown):	
247	3600318	1	Gear Pump Assembly (See GEAR PUMP ASSEMBLY for Breakdown)	
247	7023929	1	Seal Kit - 3600318 Pump	
248	3600385	1	Piston Pump Assembly with Fittings (See PISTON PUMP ASSEMBLY for Breakdown)	
249	3620033	1	Radiator (Use p/n 1001150998)	
250	3740067	3	Relay	
251	3790152	1	O-Ring	

SECTION 2 - TURNTABLE

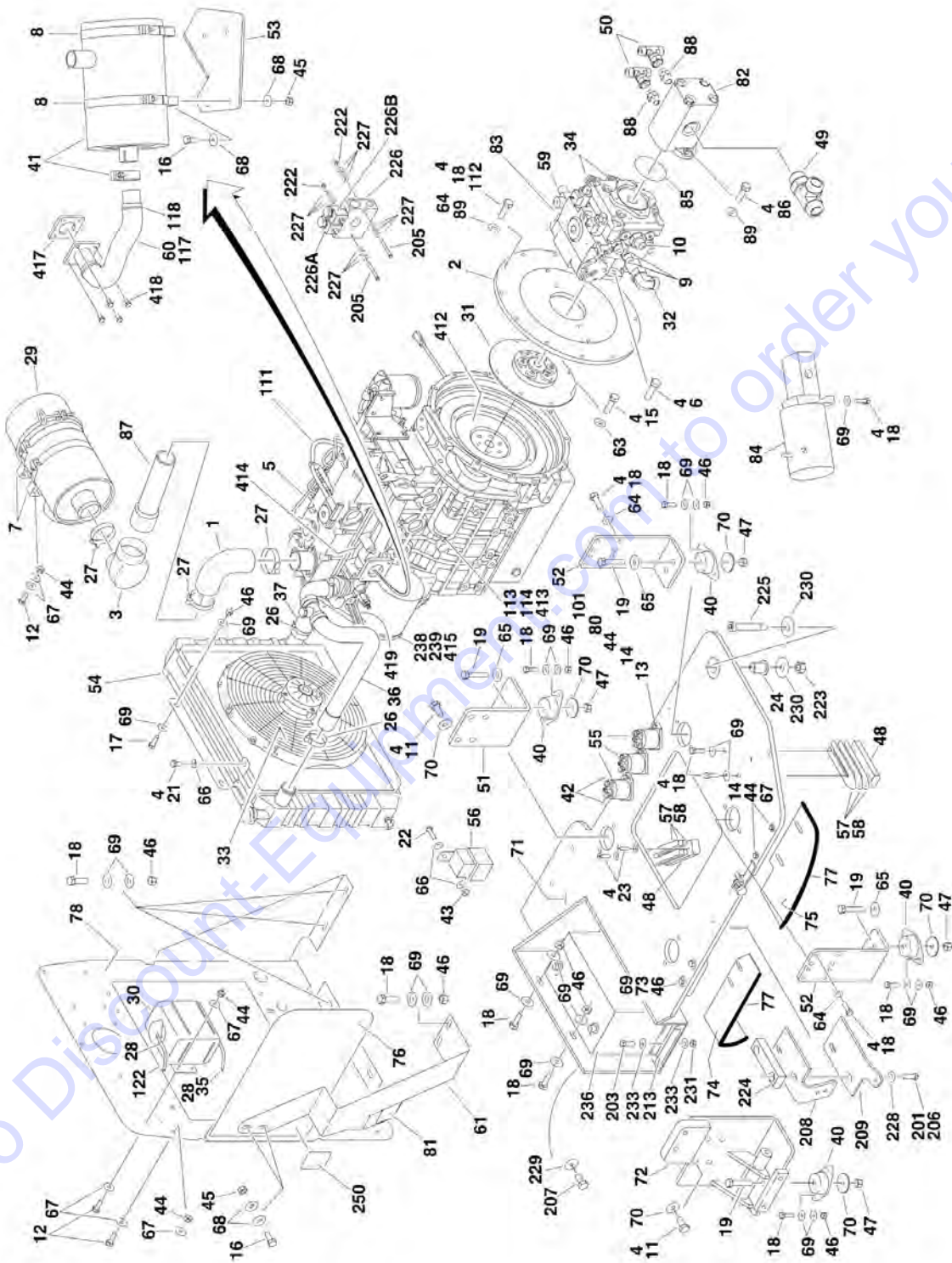
ITEM	PART NUMBER	QTY	DESCRIPTION	REV
252	3960407	1	Gasket, Air Intake	
254	4640751	1	Valve, Oil Drain	
255	4740274	4	Washer, Snubbing	
256	4751400	21	Flatwasher 1/4in Regular	
257	4751600	AR	Flatwasher 3/8in Regular	
258	4812200	AR	Flatwasher 14mm	
259	4845395	1	Adapter	
260		Ref	Bracket, Motor Mount Options:	
260	4846567	1	Bracket with Generator Mounting Capabilities (Shown)	
260	1001138135	1	Bracket with No Generator Mounting Capabilities (Not Shown)	
		Ref	Note: P/N 4846567 was original equipment Romanian Built Machines SN E300000001 to SN E300000593 and All Belgium Built Machines. Romanian Built Machines SN E300000593 to SN E300001114 may use either as required.	
261	4846683	1	Tray, Engine Mounting	
262	4891600	2	Flatwasher 3/8in Hardened	
263	2111010	2	Fitting, Straight	
264	2111612	1	Fitting, Straight	
265	2131212	1	Fitting, 90	
266	2151212	2	Fitting, 45	
267	2170316	1	Fitting, Tee	
268	2170808	2	Fitting, Tee	
269	2221084	1	Fitting, Tee	
270	4641199	2	Valve, Check	
271	4923451	1	Harness, Glow Plug (Not Shown)	
272	1060904	1	Cable, Jumper	
273	2110604	2	Fitting, Straight	
274	2131210	1	Fitting, 90	
	0256847	Ref	PUMP COUPLING INSTALLATION	2
301	1660234	1	Coupling, Hayes	
302	0080163	1	Plate, Pump Adapter	
303	0700810	63	Bolt Metric 8mm x 20mm	
304	4831900	6	Lockwasher 8mm	
307	3020021	AR	Grease, Coupling	
	1001092723	Ref	ENGINE COMPONENTS	
401	7020026	1	Dipstick (was p/n 7027244) (Not Shown)	
402	7020465	2	Cap, Filler	
403	7020495	1	Pump, Oil Lube (Not Shown)	
403	7020468	1	Seal Between Oil Pump and Engine Block (Not Shown)	
404	7016331	1	Filter, Oil	
404	7027236	1	Sensor, Oil Temperature (Not Shown - Located in Rear Of Filter Mount)	
405		Ref	Pump, Injector Options:	
405	7027246	3	Series A Injector	
405	7027608	3	Series B Injector	
405	7027609	3	Series C Injector	
405	7027610	3	Series D Injector	
405	7020447	3	Gasket, Injector Pump	
406	7020023	1	Filter, Fuel	
406	70001423	1	Bracket, Fuel Filter	
407	70000916	1	Pump Fuel Supply (was p/n 7027238)	
407	7020411	1	O-Seal Between Fuel Pump and Engine Block (Not Shown)	

SECTION 2 - TURNTABLE

ITEM	PART NUMBER	QTY	DESCRIPTION	REV
407	70001435	1	Replacement Filter	
408	7020449	3	Gasket, Intake Manifold (Not Shown)	
408	7020471	3	Gasket, Exhaust (Not Shown)	
409	7020408	1	V-Belt	
410	7027791	1	Sensor, Temperature	
411	7000663	1	Alternator (was p/n 7020410)	
411	7020464		Regulator, Voltage (Not Shown)	
412	7020479	1	Starter	
412	7026608	1	Relay, Starter	
413	7024565	1	Tacho-Generator	
413	70003932	1	Spacer, Sleeve	
414	7027792	1	Actuator, Throttle	
414	7027276	2	Spring, Actuator	
415	7027790	1	Sensor, Oil Pressure	
418	7020459	1	Thermostat	
418	7020460	1	Spring, Compression	
419	See Note	1	Flywheel (Not Shown) (Note: Not Available for Purchase)	
419	7024579	1	Rim, Gear (Not Shown)	
420	7027245	1	Filter, Fuel	
421	7027239	1	Solenoid, Start	
422	7027795	1	Module, EMR2	
423	7027769	2	Connector, Radiator	

SECTION 2 - TURNTABLE

FIGURE 2-19. BELGIUM BUILT MACHINES/PERKINS ENGINE INSTALLATION (WITH ELECTRICAL DRIVEN COOLING FAN) (WITHOUT UGM)



SECTION 2 - TURNTABLE

FIGURE 2-19. BELGIUM BUILT MACHINES/PERKINS ENGINE INSTALLATION (WITH ELECTRICAL DRIVEN COOLING FAN) (WITHOUT UGM)

ITEM	PART NUMBER	QTY	DESCRIPTION	REV
		Ref	USA Built Machines use SNs 03xxxxxxx.	
		Ref	Belgium Built Machines use SNs 13xxxxxxx.	
		Ref	Note: No Romanian Built Machines were built with Perkins Engines	
		Ref	Note: For Module (with/without UGM) Identification, refer to Revision Log page A.	
	2000396	Ref	PERKINS ENGINE ASSEMBLY	J
1	2180482	1	Elbow, Rubber	
2	0080181	1	Adapter, Pump Mounting Plate	
3	0080201	1	Adapter, 90 Air Intake	
4	0100011	AR	Compound, Locking	
5		Ref	Engine, Perkins 404C-22 Options:	
5	1001095205	1	Engine, Perkins 404C-22 (SN 1300006000 through 1300005956)	
5	1001102270	1	Engine, Perkins 404C-22 (SN 1300005957 to Present)	
6	0641812	2	Bolt 1/2in-13NC x 1-1/2in	
7	0340041	2	Band, Air Cleaner Mounting	
8	0340046	2	Band, Muffler Mounting	
9	2111010	2	Fitting, Straight	
10	2111612	1	Fitting, Straight	
11	0630569	8	Bolt M14 x 30mm	
12	0641406	8	Bolt 1/4in-20NC x 3/4in	
13	0641408	5	Bolt 1/4in-20NC x 1in	
14	0641410	3	Bolt 3/8in-16NC x 1-1/4in	
15	0641506	8	Bolt 5/16in-18NC x 3/4in	
16	0641507	6	Bolt 5/16in-18NC x 7/8in	
17	0641609	4	Bolt 3/8in-16NC x 1-1/8in	
18	0641610	35	Bolt 3/8in-16NC x 1-1/4in	
19	0641820	4	Bolt 1/2in-13NC x 2-1/2in	
21	0721004	4	Capscrew #10-24NC x 1/2in	
22	0721006	1	Capscrew #10-24NC x 3/4in	
23	0741610	2	Screw, Flat Head 3/8in-16NC x 1-1/4in	
24	0962172	1	Bushing, Flanged	
25	1060904	1	Cable, Jumper	
26	1320012	AR	Clamp	
27	1320016	4	Clamp	
28	1320022	AR	Clamp	
29	1340060	1	Air Cleaner Assembly	
29	7012664	1	Element, Air Cleaner	
30	1580011	1	Container, Coolant Overflow	
31	1660255	1	Coupling, Pump	
32	2131212	1	Fitting, 90	
33	2060032	1	Fan, Electric	
34	2151212	2	Fitting, 45	
35	2720058	4 in/10cm	Hose	
36		Ref	Hose, Radiator (Top) Options:	
36		Ref	Hose, Radiator (Top) (1 piece): (SN 1300006000 through 1300006424)	
36	2720507	1	Hose, Radiator (Top) (Use p/n 1001102308)	
36		Ref	Hose, Radiator (Top) (3 piece): (SN 1300006425 to Present)	

SECTION 2 - TURNTABLE

ITEM	PART NUMBER	QTY	DESCRIPTION	REV
36	1001101232	1	Hose, Radiator (Top) (Engine block to adapter tube)	
36	1001101233	1	Hose, Radiator (Top) (Adapter tube to Radiator)	
36	1001101228	1	Tube, Adapter	
37	2720508	1	Hose, Radiator (Bottom)	
38	2750532	6 in/15cm	Hose	
39	2902060	1	Battery Cable Kit	B
39A	7016817	1	Cable - Battery to Starter Relay	
39B	7027041	1	Cable - Battery and Auxiliary Pump to Ground (was p/n 7016837)	
39C	7016834	1	Cable - Starter Relay to Starter	
39D	7016838	1	Cable - Starter Relay to Auxiliary Relay	
39E	7016820	1	Cable - Auxiliary Relay to Auxiliary Pump	
40	3200378	4	Mount, Motor	
41		Ref	Muffler Options:	
41	3220113	1	Standard Muffler	
41	70001017	1	Clamp	
41	3220154	1	Catalytic Muffler (Use p/n 1001107116)	
41	70002705	1	Clamp	
41	70002706	1	Plug, Brass	
42	3300220	AR	Nut, Washer	
43	3311005	1	Locknut #10-24NC	
44	3311405	16	Locknut 1/4in-20NC	
45	3311505	6	Locknut 5/16in-18NC	
46	3311605	19	Locknut 3/8in-16NC	
47	3311805	4	Locknut 1/2in-13NC	
48	3340399	2	Pad, Wear	
49	2170316	1	Fitting, Tee	
50	2170808	2	Fitting, Tee	
51	3577130	1	Plate, Engine Mounting (Front)	
52	3577135	2	Plate, Engine Mounting (Rear)	
53	1001098525	1	Plate, Muffler Support	
54	3620046	1	Radiator	
54	7019656	1	Cap, Radiator	
55	3740067	3	Relay	
56	3740080	1	Relay	
57	4070497	4	Shim	
58	4070498	2	Shim	
59	2221084	1	Fitting, Tee	
60	4568743	1	Pipe, Exhaust	
61	3573937	1	Plate, Radiator Support	
62	4641272	1	Valve, Oil Drain	
63	4711500	8	Flatwasher 5/16in Thin	
64	4711600	18	Flatwasher 3/8in Thin	
65	4740274	4	Washer, Snubbing	
66	4751000	6	Flatwasher #10 Regular	
67	4751400	20	Flatwasher 1/4in Regular	
68	4751500	12	Flatwasher 5/16in Regular	
69	4751600	42	Flatwasher 3/8in Regular	
70	4751800	11	Flatwasher 1/2in Regular	
71	1580049	1	Weldment, Engine Tray	
72	4846821	1	Mount, Motor/Generator	
73	0641611	2	Bolt 3/8in-16NC x 1-3/8in	

SECTION 2 - TURNTABLE

ITEM	PART NUMBER	QTY	DESCRIPTION	REV
74	3577133	1	Plate, Air	
75	3577132	1	Plate, Baffle	
76	3577131	1	Plate, Air Panel	
77	3960438	28 in/71cm	Seal, Self Gripping	
78	3577139	1	Plate, Radiator Mount	
79	4922737	1	Harness, Engine Grounding	
80	4711400	12	Flatwasher, 1/4in Thin	
81	1703162	2	Decal - Caution Fan	
82	3600318	1	Gear Pump Assembly (See GEAR PUMP ASSEMBLY for Breakdown)	
83	3600385	1	Piston Pump Assembly (See PISTON PUMP ASSEMBLY for Breakdown)	
84	3600423	1	Auxiliary Pump Assembly (See AUXILIARY PUMP ASSEMBLY for Breakdown)	
85	3790152	1	O-Ring	
86	3931620	2	Capscrew, Socket Head 3/8in-16NC x 1-1/4in	
87	4569176	1	Tube, Air Intake	
88	4641199	2	Valve, Check	
89	4891600	4	Flatwasher 3/8in Hardened	
90	0100020	AR	Sealant	
91	0760612	4	Capscrew M6 x 25mm	
92	0760810	2	Capscrew M8 x 20mm	
93	1001099927	1	Actuator Kit, Governor Pull (Includes 1600351 Actuator and Items 93A, 94, 98 & 100)	
93A	7026843	1	Linkage	
94	2820018	1 ft/31cm	Heat Shrink	
95	3290605	4	Locknut M6	
97	3574282	1	Plate, Actuator Mounting	
98	4460464	5	Pin, Male	
99	4460536	1	Connector, Female - 3 Position	
100	4460897	1	Connector, Female - 2 Position	
101	4791400	6	Starwasher 1/4in	
102	5240600	8	Flatwasher 6mm Hardened	
103	5240800	2	Flatwasher 8mm Hardened	
104		Ref	Sensor, Coolant Options:	
104	1001097551	1	Sensor, Coolant (Use p/n 1001125978) (SN 1300006000 through 1300006864)	
104	1001125978	1	Sensor, Coolant (SN 1300006865 to Present)	
105	1001097552	1	Adapter, Coolant Sensor (Use p/n 1001125978)	
106	1001097553	1	Washer, Coolant Sensor	
107	1001097554	1	Sensor, Oil Pressure	
108	1001097555	1	Adapter, Oil Pressure Sensor	
109	1001099926	1	Sensor Kit, Speed (Includes 1001097556 Speed Sensor and Items 94, 98 & 99)	
110	1001097588	1	Clip, Tube	
111	1001097893	1	Dipstick Assembly	
111	7026885	1	Dipstick	
111	7026886	1	Tube, Dipstick	
111	7026847	2	Washer	
111	7026881	1	O-Ring	
112	0641612	3	Bolt 3/8in-16NC x 1-1/2in	
113	3290801	1	Nut M8	

SECTION 2 - TURNTABLE

ITEM	PART NUMBER	QTY	DESCRIPTION	REV
114	4831900	1	Lockwasher M8	
117	4100025	1.58 ft/0.49mm	Sleeve, Firberglass (SN 1300006425 to Present)	
118	1001100825	2	Strap, Ties (SN 1300006425 to Present)	
122	2720271	1.5 ft/0.46m	Hose (SN 1300006649 to Present)	
	0275815	Ref	PERKINS ENGINE INSTALLATION	H
201	0100011	AR	Compound, Locking	
202	0100020	AR	Sealant, Pipe	
203	0641512	2	Bolt 5/16in-18NC x 1-1/2in	
204	0641406	2	Bolt 1/4in-20NC x 3/4in	
205	0641418	2	Bolt 1/4in-20NC x 2-1/4in	
206	0641610	2	Bolt 3/8in-16NC x 1-1/4in	
207	0642010	1	Bolt 5/8in-11NC x 1-1/4in	
208	0902443	1	Bracket, Hood Latch Mount	
209	0902444	1	Bracket, Hood Support	
210	1320022	7	Clamp, Fuel Line	
211	1320223	1	Clamp	
212	1701505	1	Decal, Diesel (Not Shown)	
213	1787217	1	Clamp, Battery Hold-Down	
214	2180536	1	Fitting, Barbed	
215	2220250	1	Fitting, Reducer	
216	2220313	1	Fitting, 90 Barbed	
217	2220459	1	Fitting, 90	
218	2220794	1	Fitting, Straight Barbed	
219	2720058	10 ft/3.05m	Hose	
220	2720271	8 ft/2.4m	Hose	
221	2750532	7 ft/2.1m	Hose	
222	3311405	5	Locknut 1/4in-20NC	
223	3312005	1	Locknut 5/8in-11NC	
224	3340399	1	Pad, Wear	
225	3900254	1	Screw, Shoulder	
226	4641317	1	Valve Assembly	
226A		Ref	Cartridge and Coil Components:	
226A	7012941	1	Cartridge without Coil	
226A	7010543	1	Seal Kit - 7012941 Cartridge	
226A	7012944	1	Coil	
226B		Ref	Cartridge and Coil Components:	
226B	7012941	1	Cartridge without Coil	
226B	7010543	1	Seal Kit - 7012941 Cartridge	
226B	7012944	1	Coil	
227	4751400	16	Flatwasher 1/4in Regular	
228	4751600	2	Flatwasher 3/8in Regular	
229	4752000	1	Flatwasher 5/8in Regular	
230	4752200	2	Flatwasher 3/4in Regular	
231	3311505	3	Locknut 5/16in-18NC	
233	4751500	1	Flatwasher 5/16in Regular	
234	2300004	2.7 Gal	Coolant, Anti-Freeze (Not Shown)	
235	3020016	2.5 Gal	Oil, Motor Mobil Delvac MX 15W-40	
236	8008750	1	Battery	
237	2220273	1	Fitting, Reducer	

SECTION 2 - TURNTABLE

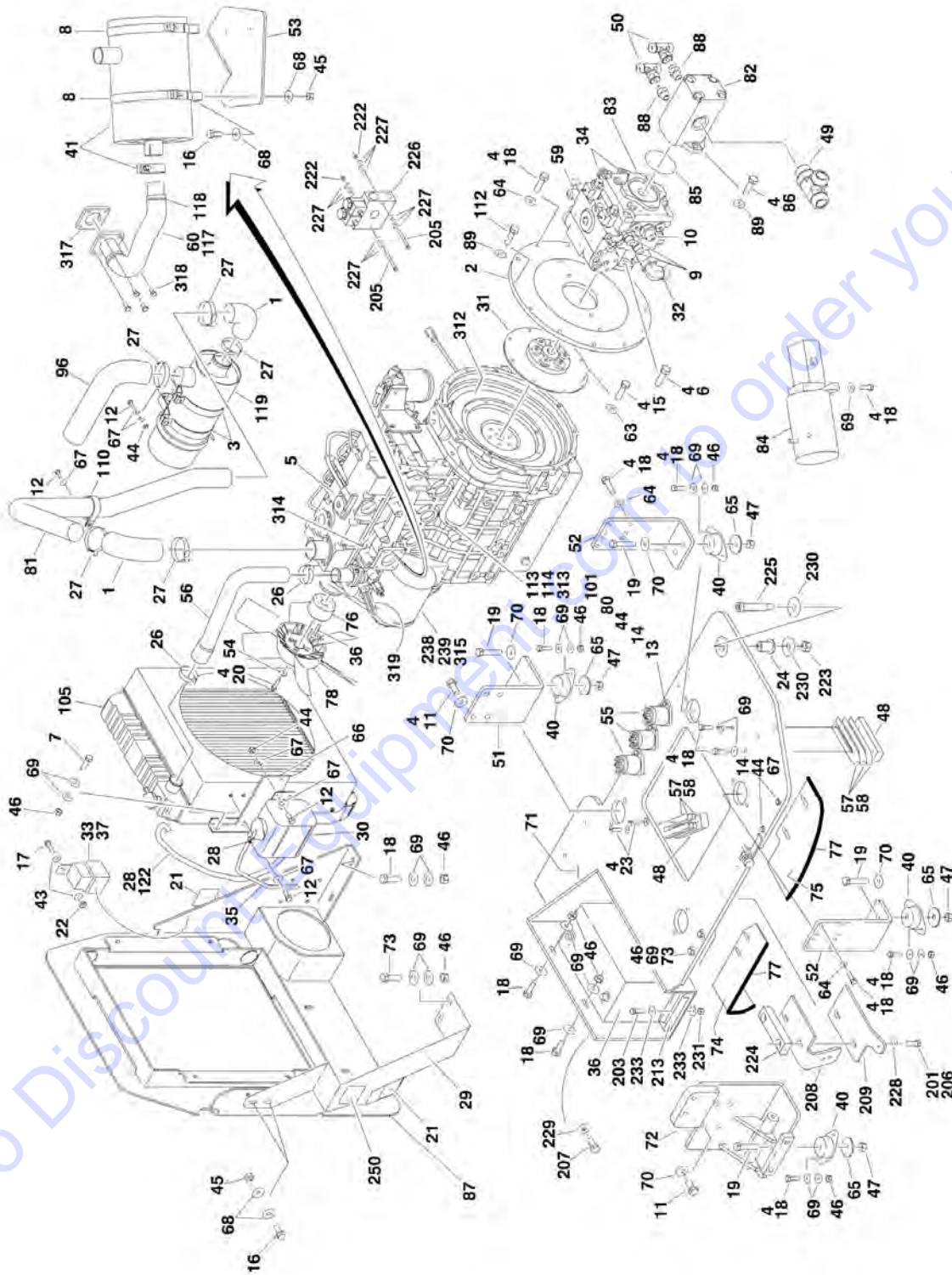
ITEM	PART NUMBER	QTY	DESCRIPTION	REV
238	3290501	1	Nut M5	
239	3290601	1	Nut M6	
240	0641420	1	Bolt 1/4in-20NC x 2-1/2in	
241	1320318	1	P-Clamp (SN 1300006208 to Present)	
242	4711400	3	Flatwasher 1/4in Thin	
243	1001100857	1	Separator, Fuel-Water (SN 1300006208 to Present)	
243	70002377	1	Filter	
243	70002378	1	Seal, O-Ring	
244	2200222	1	Plug, Pipe (Not Shown - Located on Bottom of Fuel Tank)	
245	0100079	AR	Sealant (Not Shown)	
250	1706098	1	Decal - Warning Explosion/Fire	
		Ref	ENGINE COMPONENTS	
	1001095205	Ref	Engine Components (SN 1300006000 through 1300006478)	F
	1001102270	Ref	Engine Components (SN 1300006479 to Present)	
401	70001386	1	Pump, Fuel Injection	
401	70001388	AR	Shim 0.20mm	
401	70001389	AR	Shim 0.25mm	
401	70001390	AR	Shim 0.30mm	
401	70001391	AR	Shim 0.35mm	
401	70001392	AR	Shim 0.40mm	
401	70001393	AR	Shim 0.50mm	
401	70001394	AR	Shim 0.50mm Flat	
402	70001387	1	Solenoid, Fuel Injection	
403	70001395	4	Glowplug	
404	70001396	1	Pump, Water (Includes p/n 70001397 Only)	
404	70001397	1	Gasket, Water Pump to Plate	
404	70001398	1	Gasket, Plate to Engine Block	
405	70001400	1	Thermostat	
405	70001399	1	Gasket, Thermostat Neck to Thermostat Housing	
405	70001401	1	Gasket, Thermostat Housing to Engine Block	
406	70001402	1	Belt	
407	70001403	1	Filter, Oil	
408	70001404	1	Cap, Oil Fill	
408	70001405	1	Seal, Oil Fill Cap	
409	70001406	1	Valve, Relief	
409	70001407	1	Seal, O-Ring	
410	70001408	1	Fuel Bowl and Filter Assembly	
410	70001409	1	Fuel Filter Kit (Includes 1 Filter Element and 4 Seals)	
411	70001410	1	Pump, Lift	
411	70001411	1	Seal, O-Ring	
412	70001412	1	Flywheel	
412	70001413	1	Ring, Starter	
413	70001414	1	Starter	
413	70001415	1	Solenoid, Start	
414	70001416	1	Gasket, Exhaust Manifold to Engine Block	
415	70001417	1	Alternator	
416	70001418	1	Valve, Breather	
417	70001419	1	Gasket, Exhaust Manifold to Exhaust Tube	
418	0700808	4	Bolt M8 x 16mm	
419	70001792	1	Lever, Alternator Adjustment Arm	
419	70001793	2	Screw	

SECTION 2 - TURNTABLE

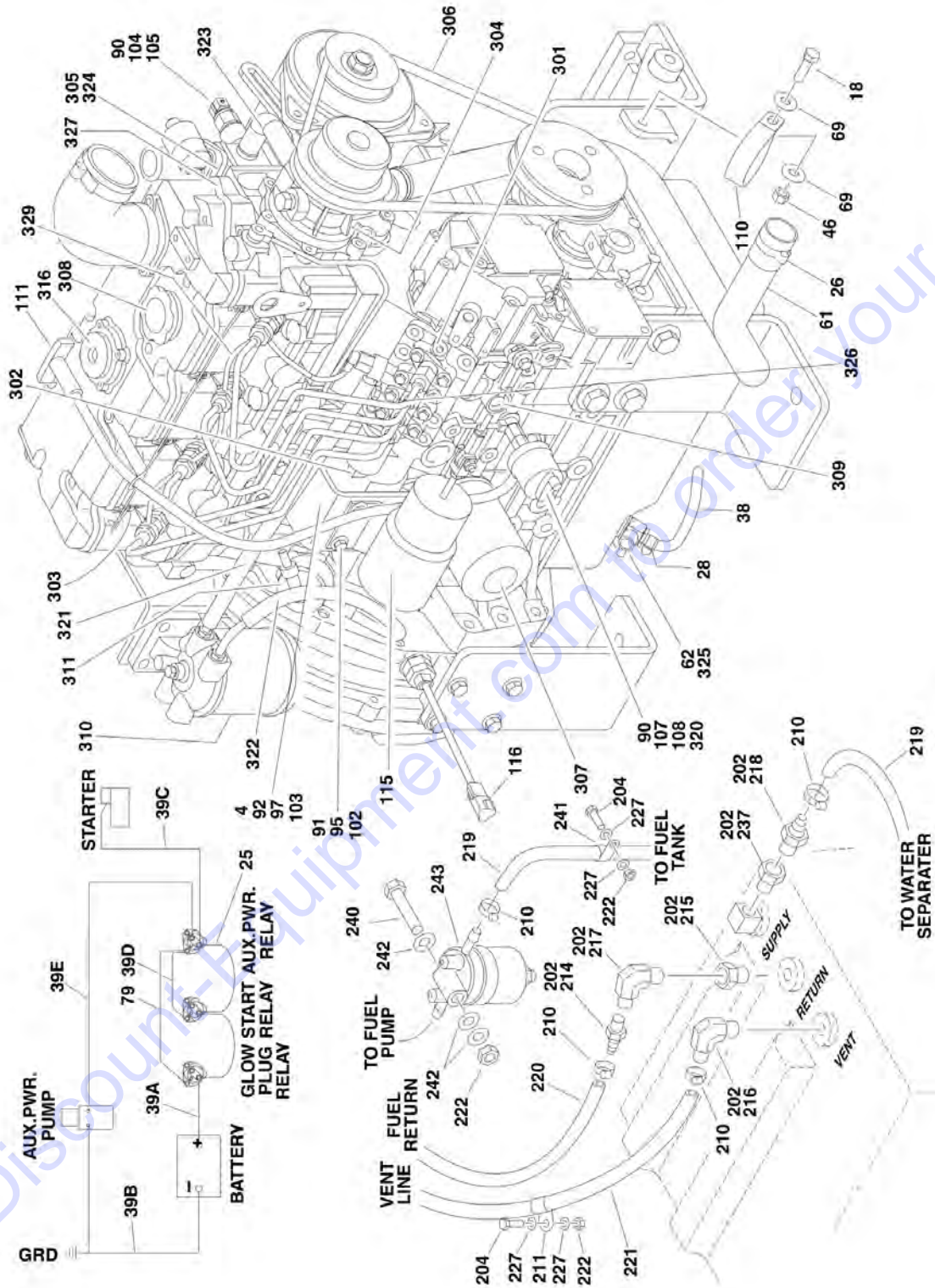
ITEM	PART NUMBER	QTY	DESCRIPTION	REV
419	70001794	1	Washer (Engine Block Side of Lever)	
419	70001796	1	Washer (Alternator Side of Lever)	
420	70002107	1	Fitting, Oil Sensor Adapter to Engine Block	
421	70002109	1	Pipe, Fuel	
422	70002098	1	Hose, Fuel	
423	70002106	1	Hose	
424	70002105	1	Housing, Thermostat	
425	70002108	1	Washer	
426	70002100	1	Pipe, Fuel Injection #1	
426	70002101	1	Pipe, Fuel Injection #2	
426	70002102	1	Pipe, Fuel Injection #3	
426	70002103	1	Pipe, Fuel Injection #4	
427	70002099	1	Gasket, Cover	
429	70002437	1	Line, Fuel Injection Return (Was p/n 70002433)	
430	70002104	1	Pipe, Oil (Not Shown)	
431	70005704	1	Gasket Kit (Top) (Not Shown - Used on Engine p/n 1001095205)	
432	70005705	1	Gasket Kit (Bottom) (Not Shown - Used on Engine p/n 1001095205)	
433	70005771	4	Injector, Fuel (W/Fuel Rail Seal) (Not Shown)	
434	70005772	4	Seal, Fuel Injector (Bottom) (Not Shown)	

SECTION 2 - TURNTABLE

FIGURE 2-20. BELGIUM BUILT MACHINES/PERKINS ENGINE INSTALLATION (WITH ENGINE DRIVEN COOLING FAN) (WITHOUT UGM)



SECTION 2 - TURNTABLE



SECTION 2 - TURNTABLE

FIGURE 2-20. BELGIUM BUILT MACHINES/PERKINS ENGINE INSTALLATION (WITH ENGINE DRIVEN COOLING FAN) (WITHOUT UGM)

ITEM	PART NUMBER	QTY	DESCRIPTION	REV
		Ref	USA Built Machines use SNs 03xxxxxxx.	
		Ref	Belgium Built Machines use SNs 13xxxxxxx.	
		Ref	Note: No Romanian Built Machines were built with Perkins Engines	
		Ref	Note: For Module (with/without UGM) Identification, refer to Revision Log page A.	
	1001130514	Ref	PERKINS ENGINE ASSEMBLY	A
1	2180482	2	Elbow, Rubber	
2	0080181	1	Adapter, Pump Mounting Plate	
3	0340012	2	Band, Air Cleaner Mounting	
4	0100011	AR	Compound, Locking	
5	1001102270	1	Engine, Perkins 404C-22	
6	0641812	2	Bolt 1/2in-13NC x 1-1/2in	
7	0641609	4	Bolt 3/8in-16NC x 1-1/8in	
8	0340046	2	Band, Muffler Mounting	
9	2111010	2	Fitting, Straight	
10	2111612	1	Fitting, Straight	
11	0630569	8	Bolt M14 x 30mm	
12	0641406	9	Bolt 1/4in-20NC x 3/4in	
13	0641408	5	Bolt 1/4in-20NC x 1in	
14	0641410	3	Bolt 1/4in-20NC x 1-1/4in	
15	0641506	8	Bolt 5/16in-18NC x 3/4in	
16	0641507	6	Bolt 5/16in-18NC x 7/8in	
17	0721004	1	Capscrew #10-24NC x 1/2in	
18	0741610	35	Screw, Flat Head 3/8in-16NC x 1-1/4in	
19	0641820	4	Bolt 1/2in-13NC x 2-1/2in	
20	0760815	4	Capscrew M8 x 35mm	
21	1703162	2	Decal - Caution Fan	
22	3311005	1	Locknut #10-24NC	
23	0741610	2	Screw, Flat Head 3/8in-16NC x 1-1/4in	
24	0962172	1	Bushing, Flanged	
25	1060904	1	Cable, Jumper	
26	1320012	4	Clamp	
27	1320016	5	Clamp	
28	1320022	4	Clamp	
29	3573667	1	Plate, Radiator Support	
30	1580011	1	Container, Coolant Overflow	
31	1660255	1	Coupling, Pump	
32	2131212	1	Fitting, 90	
33	3740080	1	Relay	
34	2151212	2	Fitting, 45	
35	2720058	2.5 ft/0.7m	Hose	
36	4031711	4	Bolt M6 x 35mm	
37	4460121	2	Terminal, Cap	
38	2750532	6 in/15cm	Hose	
39	2902060	1	Battery Cable Kit	B
39A	7016817	1	Cable - Battery to Starter Relay	
39B	7027041	1	Cable - Battery and Auxiliary Pump to Ground (was p/n 7016837)	

SECTION 2 - TURNTABLE

ITEM	PART NUMBER	QTY	DESCRIPTION	REV
39C	7016834	1	Cable - Starter Relay to Starter	
39D	7016838	1	Cable - Starter Relay to Auxiliary Relay	
39E	7016820	1	Cable - Auxiliary Relay to Auxiliary Pump	
40	3200378	4	Mount, Motor	
41		Ref	Muffler Options:	
41	3220113	1	Standard Muffler	
41	70001017	1	Clamp	
41	3220154	1	Catalytic Muffler (Use p/n 1001107116)	
41	70002705	1	Clamp	
41	70002706	1	Plug, Brass	
43	4751000	2	Flatwasher #10 Regular	
44	3311405	16	Locknut 1/4in-20NC	
45	3311505	6	Locknut 5/16in-18NC	
46	3311605	19	Locknut 3/8in-16NC	
47	3311805	4	Locknut 1/2in-13NC	
48	3340399	2	Pad, Wear	
49	2170316	1	Fitting, Tee	
50	2170808	2	Fitting, Tee	
51	3577130	1	Plate, Engine Mounting (Front)	
52	3577135	2	Plate, Engine Mounting (Rear)	
53	1001098525	1	Plate, Muffler Support	
54	4891500	4	Flatwasher 5/16in Hardened	
55	3740067	3	Relay	
56	1001100577	1	Hose, Radiator (Top)	
57	4070497	4	Shim	
58	4070498	2	Shim	
59	2221084	1	Fitting, Tee	
60	4568743	1	Pipe, Exhaust	
61	1001100818	1	Hose, Radiator (Bottom)	
62	4641272	1	Valve, Oil Drain	
63	4711500	8	Flatwasher 5/16in Thin	
64	4711600	18	Flatwasher 3/8in Thin	
65	4740274	4	Washer, Snubbing	
66	1001100837	1	Bracket, Bottle	
67	4751400	20	Flatwasher 1/4in Regular	
68	4751500	12	Flatwasher 5/16in Regular	
69	4751600	44	Flatwasher 3/8in Regular	
70	4751800	11	Flatwasher 1/2in Regular	
71	1580049	1	Weldment, Engine Tray	
72	4846821	1	Mount, Motor/Generator	
73	0641611	2	Bolt 3/8in-16NC x 1-3/8in	
74	3577133	1	Plate, Air	
75	3577132	1	Plate, Baffle	
76	1001101201	1	Adapter, Fan Spacer	
77	3960438	28	Seal, Self Gripping	
		in/71cm		
78	1001101408	1	Fan, Suction	
79	4922737	1	Harness, Engine Grounding	
80	4711400	12	Flatwasher, 1/4in Thin	
81	1001130038	1	Tube, Air Cleaner	
82	3600318	1	Gear Pump Assembly (See GEAR PUMP ASSEMBLY for Breakdown)	

SECTION 2 - TURNTABLE

ITEM	PART NUMBER	QTY	DESCRIPTION	REV
83	3600385	1	Piston Pump Assembly (See PISTON PUMP ASSEMBLY for Breakdown)	
84	3600423	1	Auxiliary Pump Assembly (See AUXILIARY PUMP ASSEMBLY for Breakdown)	
85	3790152	1	O-Ring	
86	3931620	2	Capscrew, Socket Head 3/8in-16NC x 1-1/4in	
87	1001130040	1	Panel, Radiator Mount	
88	4641199	2	Valve, Check	
89	4891600	4	Flatwasher 3/8in Hardened	
90	0100020	AR	Sealant	
91	0760612	4	Capscrew M6 x 25mm	
92	0760810	2	Capscrew M8 x 20mm	
95	3290605	4	Locknut M6	
96	1001130041	1	Elbow, Air Cleaner	
97	3574282	1	Plate, Actuator Mounting	
101	4791400	6	Starwasher 1/4in	
102	5240600	8	Flatwasher 6mm Hardened	
103	5240800	2	Flatwasher 8mm Hardened	
104	1001125978	1	Sensor, Coolant	
105	1001130042	1	Radiator, Assembly	
105	7027412	1	Cap, Radiator	
106	1001097553	1	Washer, Coolant Sensor	
107	1001097554	1	Sensor, Oil Pressure	
108	1001097555	1	Adapter, Oil Pressure Sensor	
110	1001097588	2	Clip, Tube	
111	1001097893	1	Dipstick Assembly	
111	7026885	1	Dipstick	
111	7026886	1	Tube, Dipstick	
111	7026847	2	Washer	
111	7026881	1	O-Ring	
112	0641612	2	Bolt 3/8in-16NC x 1-1/2in	
113	3290801	1	Nut M8	
114	4831900	1	Lockwasher M8	
115	1001099927	1	Actuator Kit, Governor Pull	
115	1600351	1	Controller, Governor Pull	
115	7026843	1	Linkage	
115	2820018	6 in/15cm	Heat Shrink	
115	4460897	1	Connector, Female - 2 Position	
115	4460464	2	Pin, Male	
116	1001099926	1	Sensor Kit, Speed	
116	2820018	6 in/15cm	Heat Shrink	
116	1001097556	1	Speed Sensor	
116	4460464	3	Pin, Male	
116	4460536	1	Connector, Female - 3 Position	
117	4100025	1.58 ft/0.49mm	Sleeve, Firberglass	
118	1001100825	2	Strap, Ties	
119	1001130524	1	Air Cleaner Assembly	
119	70004172	1	Element, Air Cleaner (was p/n 7020820)	
122	2720271	1.5 ft/0.46m	Hose	
	1001130513	Ref	PERKINS ENGINE INSTALLATION	A

SECTION 2 - TURNTABLE

ITEM	PART NUMBER	QTY	DESCRIPTION	REV
201	0100011	AR	Compound, Locking	
202	0100020	AR	Sealant, Pipe	
203	0641512	2	Bolt 5/16in-18NC x 1-1/2in	
204	0641406	2	Bolt 1/4in-20NC x 3/4in	
205	0641418	2	Bolt 1/4in-20NC x 2-1/4in	
206	0641610	2	Bolt 3/8in-16NC x 1-1/4in	
207	0642010	1	Bolt 5/8in-11NC x 1-1/4in	
208	0902443	1	Bracket, Hood Latch Mount	
209	0902444	1	Bracket, Hood Support	
210	1320022	7	Clamp, Fuel Line	
211	1320223	1	Clamp	
212	1701505	1	Decal, Diesel (Not Shown)	
213	1787217	1	Clamp, Battery Hold-Down	
214	2180536	1	Fitting, Barbed	
215	2220250	1	Fitting, Reducer	
216	2220313	1	Fitting, 90 Barbed	
217	2220459	1	Fitting, 90	
218	2220794	1	Fitting, Straight Barbed	
219	2720058	10 ft/3.05m	Hose	
220	2720271	8 ft/2.4m	Hose	
221	2750532	7 ft/2.1m	Hose	
222	3311405	5	Locknut 1/4in-20NC	
223	3312005	1	Locknut 5/8in-11NC	
224	3340399	1	Pad, Wear	
225	3900254	1	Screw, Shoulder	
226	4641317	1	Valve Assembly	
226	7012941	2	Cartridge without Coil	
226	7010543	2	Seal Kit - 7012941 Cartridge	
226	7012944	2	Coil	
227	4751400	16	Flatwasher 1/4in Regular	
228	4751600	2	Flatwasher 3/8in Regular	
229	4752000	1	Flatwasher 5/8in Regular	
230	4752200	2	Flatwasher 3/4in Regular	
231	3311505	3	Locknut 5/16in-18NC	
233	4751500	1	Flatwasher 5/16in Regular	
234	2300004	2.7 Gal	Coolant, Anti-Freeze (Not Shown)	
235	3020016	2.5 Gal	Oil, Motor Mobil Delvac MX 15W-40 (Not Shown)	
236	8008750	1	Battery	
237	2220273	1	Fitting, Reducer	
238	3290501	1	Nut M5	
239	3290601	1	Nut M6	
240	0641420	1	Bolt 1/4in-20NC x 2-1/2in	
241	1320318	1	P-Clamp (SN 130006208 to Present)	
242	4711400	3	Flatwasher 1/4in Thin	
243	1001100857	1	Separator, Fuel-Water	
243	70002377	1	Filter	
243	70002378	1	Seal, O-Ring	
244	2200222	1	Plug, Pipe (Not Shown - Located on Bottom of Fuel Tank)	
245	0100079	AR	Sealant (Not Shown)	
250	1706098	1	Decal - Warning Explosion/Fire	
	1001102270	Ref	ENGINE COMPONENTS	

B

SECTION 2 - TURNTABLE

ITEM	PART NUMBER	QTY	DESCRIPTION	REV
301	70001386	1	Pump, Fuel Injection	
301	70001388	AR	Shim 0.20mm	
301	70001389	AR	Shim 0.25mm	
301	70001390	AR	Shim 0.30mm	
301	70001391	AR	Shim 0.35mm	
301	70001392	AR	Shim 0.40mm	
301	70001393	AR	Shim 0.50mm	
301	70001394	AR	Shim 0.50mm Flat	
302	70001387	1	Solenoid, Fuel Injection	
303	70001395	4	Glowplug	
304	70001396	1	Pump, Water (Includes p/n 70001397 Only)	
304	70001397	1	Gasket, Water Pump to Plate	
304	70001398	1	Gasket, Plate to Engine Block	
305	70001400	1	Thermostat	
305	70001399	1	Gasket, Thermostat Neck to Thermostat Housing	
305	70001401	1	Gasket, Thermostat Housing to Engine Block	
306	70001402	1	Belt	
307	70001403	1	Filter, Oil	
308	70001404	1	Cap, Oil Fill	
308	70001405	1	Seal, Oil Fill Cap	
309	70001406	1	Valve, Relief	
309	70001407	1	Seal, O-Ring	
310	70001408	1	Fuel Bowl and Filter Assembly	
310	70001409	1	Fuel Filter Kit (Includes 1 Filter Element & 4 Seals)	
311	70001410	1	Pump, Lift	
311	70001411	1	Seal, O-Ring	
312	70001412	1	Flywheel	
312	70001413	1	Ring, Starter	
313	70001414	1	Starter	
313	70001415	1	Solenoid, Start	
314	70001416	1	Gasket, Exhaust Manifold to Engine Block	
315	70001417	1	Alternator	
316	70001418	1	Valve, Breather	
317	70001419	1	Gasket, Exhaust Manifold to Exhaust Tube	
318	0700808	4	Bolt M8 x 16mm	
319	70001792	1	Lever, Alternator Adjustment Arm	
319	70001793	2	Screw	
319	70001794	1	Washer (Engine Block Side of Lever)	
319	70001796	1	Washer (Alternator Side of Lever)	
320	70002107	1	Fitting, Oil Sensor Adapter to Engine Block	
321	70002109	1	Pipe, Fuel	
322	70002098	1	Hose, Fuel	
323	70002106	1	Hose	
324	70002105	1	Housing, Thermostat	
325	70002108	1	Washer	
326	70002100	1	Pipe, Fuel Injection #1	
326	70002101	1	Pipe, Fuel Injection #2	
326	70002102	1	Pipe, Fuel Injection #3	
326	70002103	1	Pipe, Fuel Injection #4	
327	70002099	1	Gasket, Cover	
329	70002433	1	Pipe, Oil	

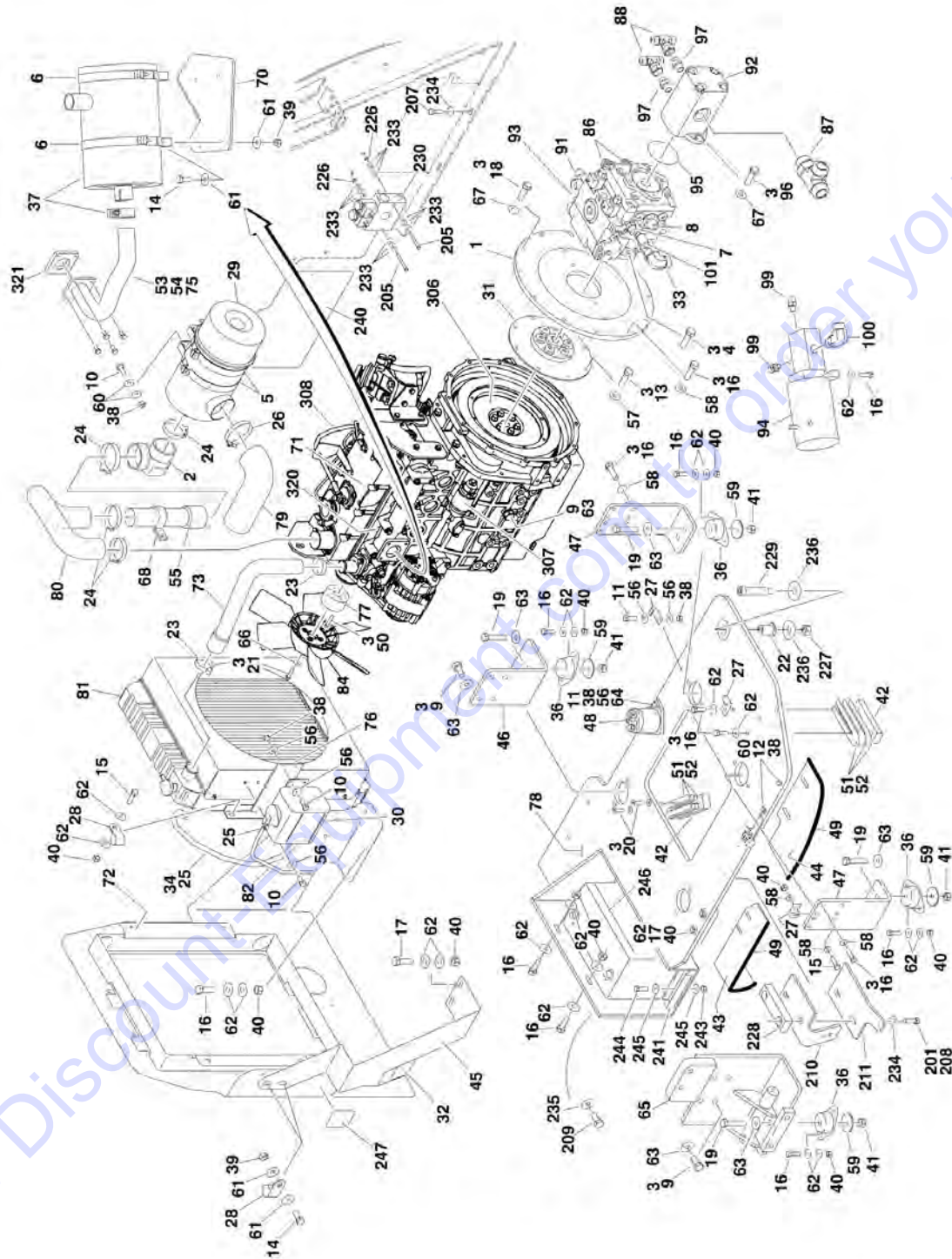
SECTION 2 - TURNTABLE

ITEM	PART NUMBER	QTY	DESCRIPTION	REV
329	70002437	1	Line, Fuel Injection (Was p/n 70002433)	
330	70005771	4	Injector, Fuel (W/Fuel Rail Seal) (Not Shown)	
331	70005772	4	Seal, Fuel Injector (Bottom) (Not Shown)	

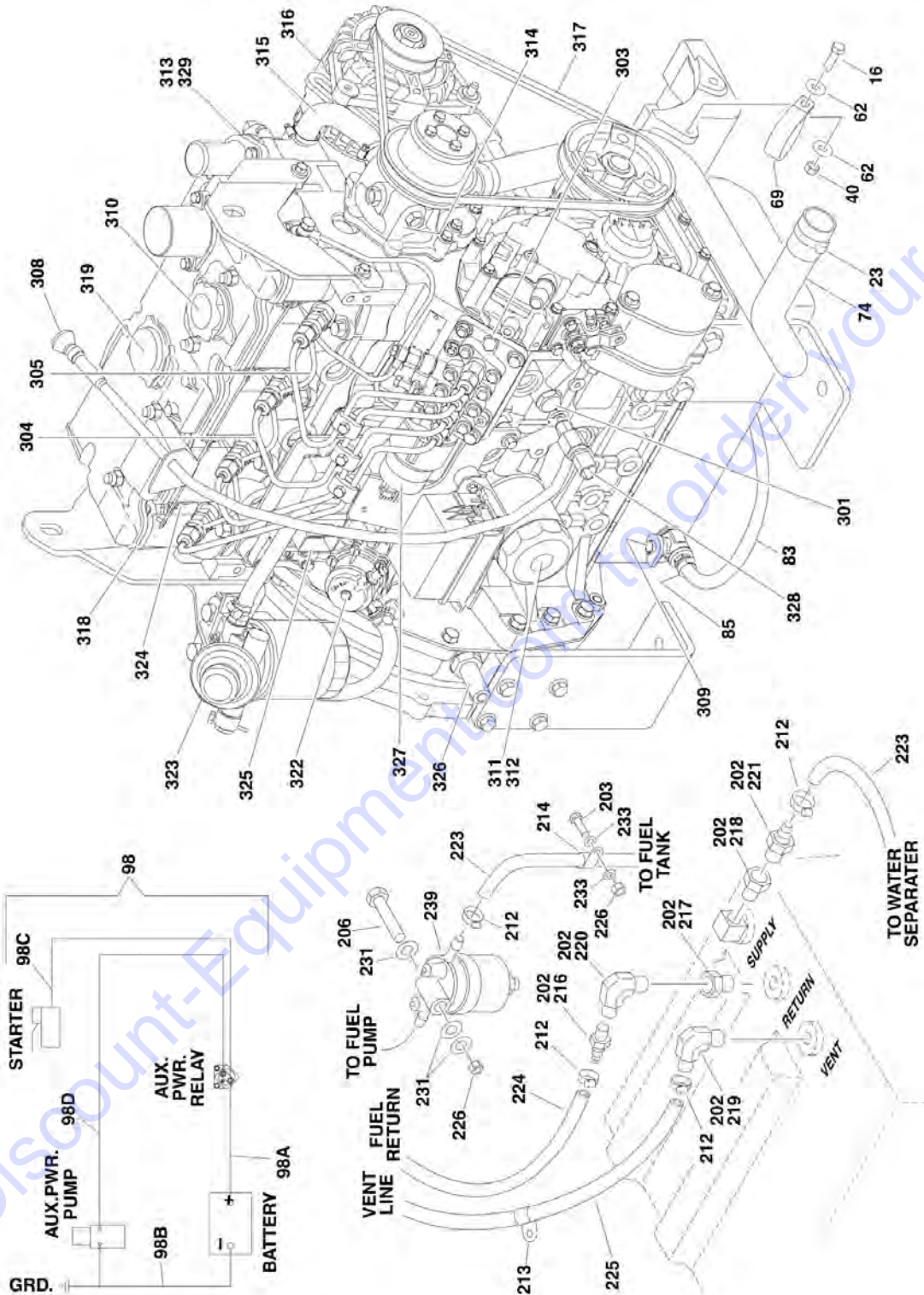
Go to Discount-Equipment.com to order your parts

SECTION 2 - TURNTABLE

FIGURE 2-21. BELGIUM BUILT MACHINES/PERKINS ENGINE INSTALLATION (WITH UGM)



SECTION 2 - TURNTABLE



SECTION 2 - TURNTABLE

FIGURE 2-21. BELGIUM BUILT MACHINES/PERKINS ENGINE INSTALLATION (WITH UGM)

ITEM	PART NUMBER	QTY	DESCRIPTION	REV
		Ref	USA Built Machines use SNs 03xxxxxxxx.	
		Ref	Belgium Built Machines use SNs 13xxxxxxxx.	
		Ref	Note: No Romanian Built Machines were built with Perkins Engines	
		Ref	Note: For Module (with/without UGM) Identification, refer to Revision Log page A.	
	1001106788	Ref	PERKINS ENGINE ASSEMBLY	F
1	0080181	1	Adapter, Pump Mounting Plate	
2	0080201	1	Adapter, 90 Air Intake	
3	0100011	AR	Compound, Locking	
4	0641812	2	Bolt 1/2in-13NC x 1 1/2in	
5	0340041	2	Band, Air Cleaner Mounting	
6	0340046	2	Band, Muffler Mounting	
7	2111010	1	Fitting, Straight	
8	2111612	1	Fitting, Straight	
9	0630569	9	Bolt M14 x 30mm	
10	0641406	8	Bolt 1/4in-20NC x 3/4in	
11	0641408	3	Bolt 1/4in-20NC x 1in	
12	0641410	2	Bolt 1/4in-20NC x 1 1/4in	
13	0641506	8	Bolt 5/16in-18NC x 3/4in	
14	0641507	6	Bolt 5/16in-18NC x 7/8in	
15	0641609	5	Bolt 3/8in-16NC x 1 1/8in	
16	0641610	37	Bolt 3/8in-16NC x 1 1/4in	
17	0641611	2	Bolt 3/8in-16NC x 1 3/8in	
18	0641614	2	Bolt 3/8in-16NC x 1 3/4in	
19	0641820	4	Bolt 1/2in-13NC x 2 1/2in	
20	0741610	2	Screw, Flat Head 3/8in-16NC x 1 1/4in	
21	0760815	4	Bolt M8 x 35mm	
22	0962172	1	Bushing, Flanged	
23	1320012	4	Clamp	
24	1320016	4	Clamp	
25	1320022	3	Clamp	
26	1320058	1	Clamp	
27	1320223	6	Clamp	
28	1320318	2	P-Clamp	
29	1340060	1	Air Cleaner Assembly	
29	7012664	1	Element, Air Cleaner	
30	1580011	1	Container, Coolant Overflow	
31	1660255	1	Coupling, Pump	
32	1703162	2	Decal - Caution Fan	
33	2131212	1	Fitting, 90	
34	2720058	2.5 ft/0.8m	Hose	
36	3200378	4	Mount, Motor	
37		Ref	Muffler Options:	
37	3220113	1	Spark Arresting Muffler	
37	70001017	1	Clamp	
37	1001107116	1	Catalytic Muffler	
37	70002705	1	Clamp	
37	70002706	1	Plug, Brass	

SECTION 2 - TURNTABLE

ITEM	PART NUMBER	QTY	DESCRIPTION	REV
38	3311405	11	Locknut 1/4in-20NC	
39	3311505	6	Locknut 5/16in-18NC	
40	3311605	22	Locknut 3/8in-16NC	
41	3311805	4	Locknut 1/2in-13NC	
42	3340399	2	Pad, Wear	
43	3577133	1	Plate, Air	
44	3577132	1	Plate, Baffle	
45	3573937	1	Plate, Radiator Support	
46	3577130	1	Plate, Engine Mounting (Front)	
47	3577135	2	Plate, Engine Mounting (Rear)	
48	3740067	1	Relay	
49	3960438	28	Seal, Self Gripping	
		in/71cm		
50	4031711	4	Bolt M6 x 35mm	
51	4070497	4	Shim	
52	4070498	2	Shim	
53	4100025	1.6	Sleeve, Fiberglass	
		ft/0.49mm		
54	4568743	1	Pipe, Exhaust	
55	4569176	1	Tube, Air Intake	
56	4711400	12	Flatwasher, 1/4in Narrow	
57	4711500	8	Flatwasher 5/16in Narrow	
58	4711600	26	Flatwasher 3/8in Narrow	
59	4740274	4	Washer, Snubbing	
60	4751400	12	Flatwasher 1/4in Wide	
61	4751500	12	Flatwasher 5/16in Wide	
62	4751600	40	Flatwasher 3/8in Wide	
63	4751800	13	Flatwasher 1/2in Wide	
64	4791400	2	Star Washer 1/4in	
65	4846821	1	Mount, Motor/Generator	
66	4891500	4	Flatwasher 5/16in Hardened	
67	4891600	4	Flatwasher 3/8in Hardened	
68	85941018	1	P-Clamp	
69	1001097588	1	Clip, Tube	
70	1001098525	1	Plate, Muffler Support	
71	1001099370	1	Engine, Perkins 404C-22 (See Items 301 to 329 for Serviced Components)	
72	1001106793	1	Plate, Radiator Mount	
73	1001100577	1	Hose, Radiator (Top)	
74	1001100818	1	Hose, Radiator (Bottom)	
75	1001100825	2	Strap, Ties	
76	1001100837	1	Bracket, Bottle	
77	1001101201	1	Spacer, Fan	
78	1001106790	1	Weldment, Engine Tray	
79	1001101681	1	Elbow, Rubber	
80	1001101950	1	Tube, Air Intake	
81	1001102706	1	Radiator	
81	7027412	1	Cap, Radiator	
81	70023056	1	Petcock	
82	2720271	1.25	Hose	
		ft/0.38m		
83	2720615	1.5	Hose	

SECTION 2 - TURNTABLE

ITEM	PART NUMBER	QTY	DESCRIPTION	REV
		ft/0.46m		
84	1001101408	1	Fan	
85	8405006	1	Clamp, Gear	
86	2151212	2	Fitting, 45	
87	2170316	1	Fitting, Tee	
88	2170808	2	Fitting, Tee	
91	2221084	1	Fitting, Tee	
92	3600318	1	Gear Pump Assembly (See GEAR PUMP ASSEMBLY for Breakdown)	
93	3600385	1	Piston Pump Assembly (See PISTON PUMP ASSEMBLY for Breakdown)	
94	3600423	1	Auxiliary Pump Assembly (See AUXILIARY PUMP ASSEMBLY for Breakdown)	
95	3790152	1	O-Ring	
96	3931620	2	Capscrew, Socket Head 3/8in-16NC x 1 1/4in	
97	4641199	2	Valve, Check	
98	1001102860	1	Battery Cable Kit	A
98A	7027025	1	Cable - Battery to Auxiliary Relay	
98B	7027026	1	Cable - Battery and Auxiliary Pump to Ground	
98C	7027023	1	Cable - Auxiliary Relay to Starter	
98D	7027024	1	Cable - Auxiliary Relay to Auxiliary Pump	
99	2110604	2	Fitting, Straight	
100	2131210	1	Fitting, 90	
101	2170110	1	Fitting, Straight	
	1001106789	Ref	PERKINS ENGINE INSTALLATION	A
201	0100011	AR	Compound, Locking	
202	0100020	AR	Sealant, Pipe	
203	0641406	3	Bolt 1/4in-20NC x 3/4in	
204	0641408	7	Bolt 1/4in-20NC x 1in	
205	0641418	2	Bolt 1/4in-20NC x 2 1/4in	
206	0641420	1	Bolt 1/4in-20NC x 2 1/2in	
207	0641608	3	Bolt 3/8in-16NC x 1in	
208	0641610	2	Bolt 3/8in-16NC x 1 1/4in	
209	0642010	1	Bolt 5/8in-11NC x 1 1/4in	
210	0902443	1	Bracket, Hood Latch Mount	
211	0902444	1	Bracket, Hood Support	
212	1320022	7	Clamp, Fuel Line	
213	1320223	1	Clamp, J Clip	
214	1320318	2	Clamp	
215	1701505	1	Decal, Diesel (Not Shown)	
216	2180536	1	Fitting, Barbed	
217	2220250	1	Fitting, Reducer	
218	2220273	1	Fitting, Reducer	
219	2220313	1	Fitting, 90 Barbed	
220	2220459	1	Fitting, 90	
221	2220794	1	Fitting, Straight Barbed	
222	2300004	2.7 Gal	Coolant, Anti-Freeze (Not Shown)	
223	2720058	10 ft/3.05m	Hose	
224	2720271	8 ft/2.4m	Hose	
225	2750532	7 ft/2.1m	Hose	
226	3311405	13	Locknut 1/4in-20NC	

SECTION 2 - TURNTABLE

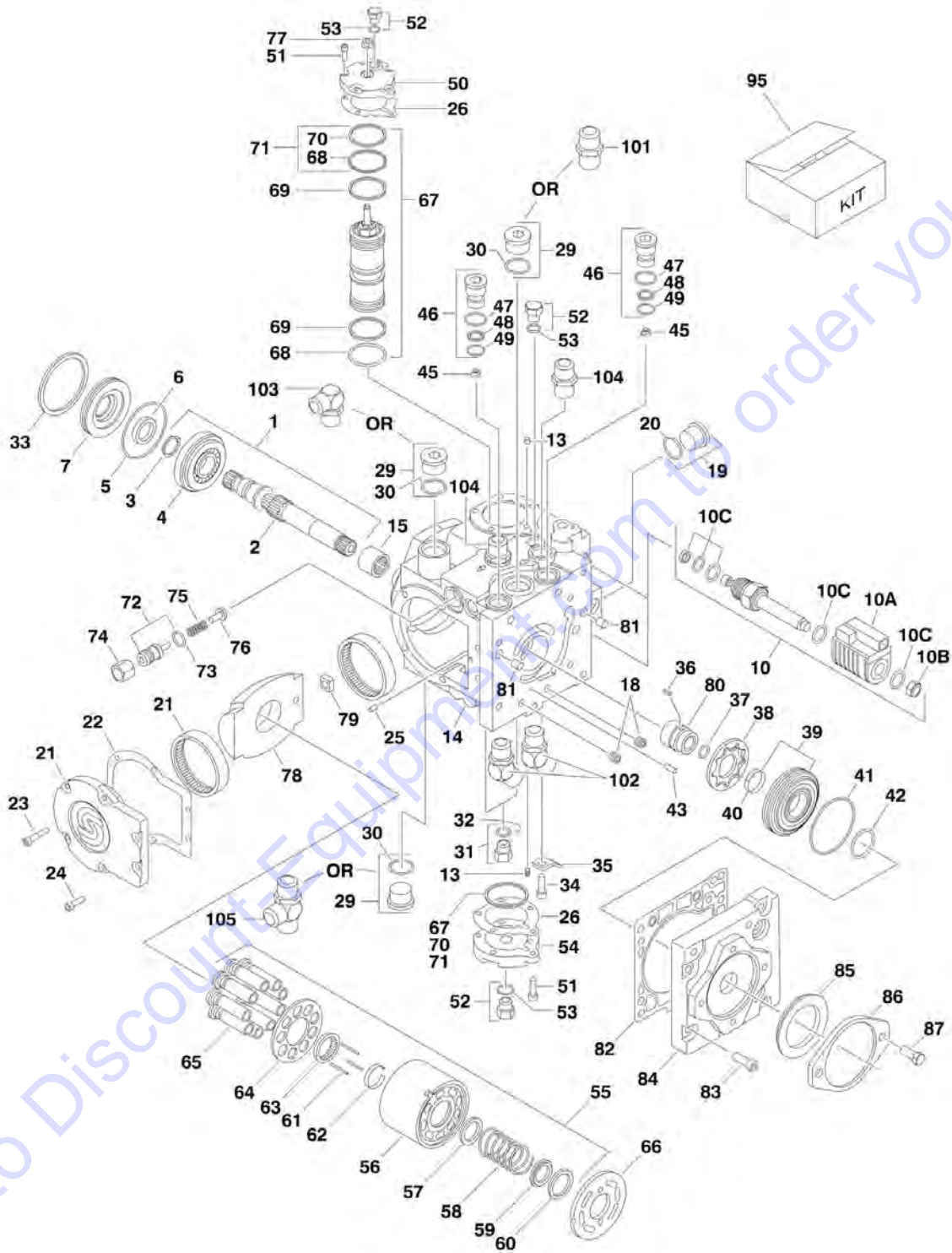
ITEM	PART NUMBER	QTY	DESCRIPTION	REV
227	3312005	1	Locknut 5/8in-11NC	
228	3340399	1	Pad, Wear	
229	3900254	1	Screw, Shoulder	
230	4641317	1	Valve Assembly	
230	7012941	2	Cartridge without Coil	
230	7010543	2	Seal Kit - 7012941 Cartridge	
230	7012944	2	Coil	
231	4711400	3	Flatwasher 1/4in Narrow	
232	4740362	7	Washer, Fender	
233	4751400	25	Flatwasher 1/4in Wide	
234	4751600	5	Flatwasher 3/8in Wide	
235	4752000	1	Flatwasher 5/8in Wide	
236	4752200	2	Flatwasher 3/4in Wide	
239	1001100857	1	Separator, Fuel-Water	
239	70002377	1	Filter	
239	70002378	1	Seal, O-Ring	
240	1001103791	1	Panel, Rubber	
241	1787217	1	Clamp, Battery Holddown	
242	3020016	2.5 gal	Motor Oil Mobil Delvac MX 15W-40	
243	3311505	2	Locknut 5/16in-18NC	
244	0641512	1	Bolt 5/16in-18NC x 1 1/2in	
245	4751500	4	Flatwasher 5/16in Wide	
246	8008750	1	Battery	
247	1706098	1	Decal - Warning Explosion/Fire	
	1001099370	Ref	ENGINE COMPONENTS	
301	70001406	1	Valve, Relief	
301	70001407	1	Seal, O-Ring	
302	70002459	1	Sensor, Speed (Not Shown)	
303	70002436	1	Pump, Fuel Injection	
303	70001388	1	Shim 0.2mm	
303	70001389	1	Shim 0.25mm	
303	70001390	1	Shim 0.3mm	
303	70001391	1	Shim 0.35mm	
303	70001392	1	Shim 0.4mm	
303	70001393	1	Shim 0.5mm	
303	70001394	1	Shim 0.5mm Flat	
304	70002100	1	Pipe, Fuel Injector (#1 Cylinder)	
304	70002101	1	Pipe, Fuel Injector (#2 Cylinder)	
304	70002102	1	Pipe, Fuel Injector (#3 Cylinder)	
304	70002103	1	Pipe, Fuel Injector (#4 Cylinder)	
305	70002437	1	Pipe, Fuel Injector Return	
306	70001412	1	Flywheel	
306	70001413	1	Ring, Starter	
307	70001414	1	Starter	
308	70002438	1	Dipstick	
308	70002439	1	Tube, Dipstick	
308	70002440	3	O-Ring	
309	70002441	1	Valve, Oil Drain	
310	70001404	1	Cap, Oil Fill	
310	70001405	1	Seal, Oil Fill Cap	
311	70001403	1	Filter, Oil	

SECTION 2 - TURNTABLE

ITEM	PART NUMBER	QTY	DESCRIPTION	REV
312	70002442	1	Connector, Oil Filter	
313	70002443	1	Thermostat	
313	70001399	1	Gasket, Thermostat Neck to Thermostat Housing	
313	70001401	1	Gasket, Thermostat Housing to Engine Block	
314	70002444	1	Pump, Water (Includes p/n 70002445 Only)	
314	70002445	1	Gasket, Water Pump to Plate	
315	70002446	1	Hose, Water Pump to Engine Head	
316	70001417	1	Alternator	
317	70002447	1	Belt	
318	70002099	1	Gasket, Head Cover	
319	70001418	1	Valve, Breather	
320	70001416	1	Gasket, Exhaust Manifold to Engine Block	
321	70001419	1	Gasket, Exhaust Manifold to Exhaust Tube	
322	70002448	1	Pump, Lift	
322	70001411	1	Seal, O-Ring	
323	70002449	1	Fuel Filter Head Assembly	
323	70002450	1	Fuel Filter	
324	70001395	4	Glowplug	
325	70002451	1	Module, Engine Control	
325	70002452	1	Harness, Wiring	
325	70002453	1	Bracket	
325	70002454	1	Isolator	
326	70002455	1	Sensor, Speed	
327	70002456	1	Actuator	
327	70002108	1	Washer	
328	70002457	1	Switch, Oil Pressure	
329	70002458	1	Switch, Water Temperature	

SECTION 2 - TURNTABLE

FIGURE 2-22. PISTON PUMP ASSEMBLY



SECTION 2 - TURNTABLE

FIGURE 2-22. PISTON PUMP ASSEMBLY

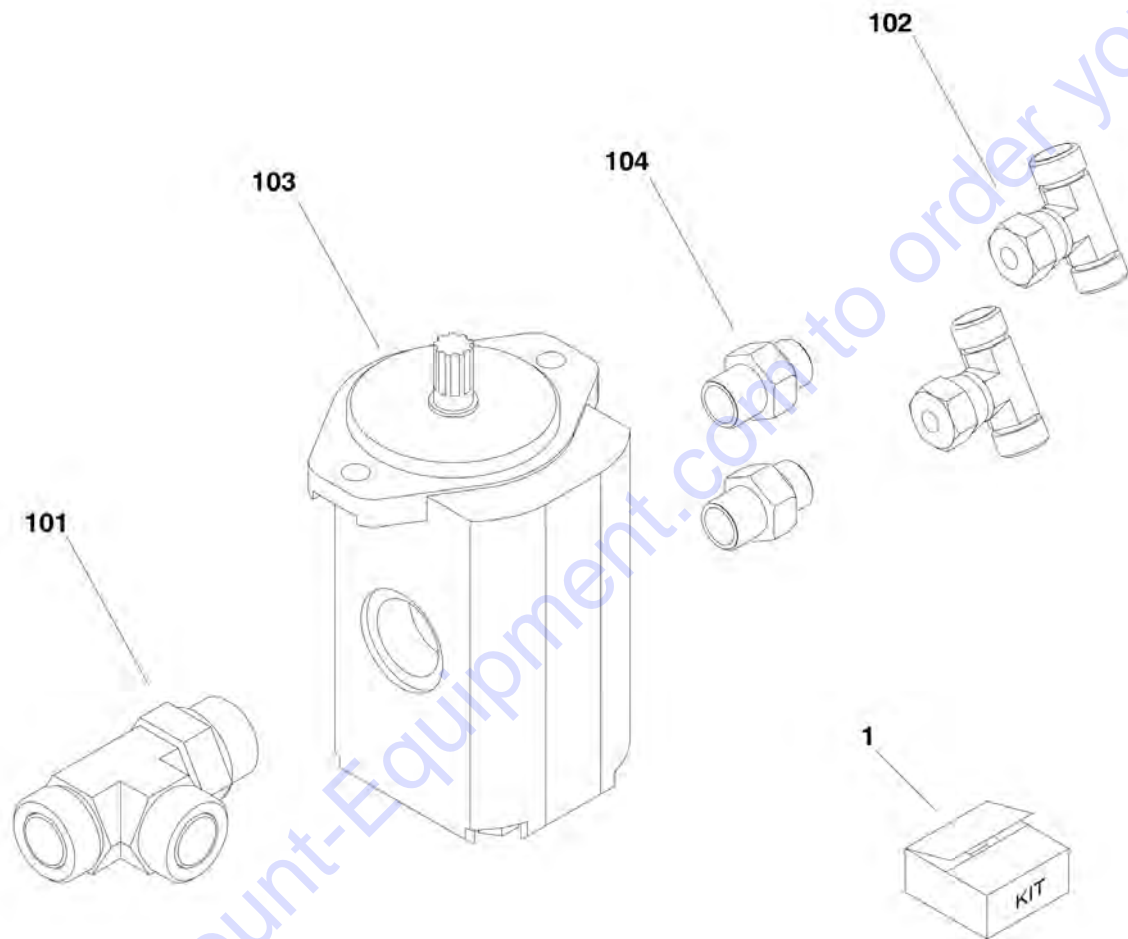
ITEM	PART NUMBER	QTY	DESCRIPTION	REV
		Ref	PISTON PUMP USAGE CHART:	
	3600385	Ref	Caterpillar Engine Machines:	
		Ref	Deutz Engine Machines:	
	3600407	Ref	USA Built Machines	
	3600385	Ref	Belgium Built Machines	
	3600385	Ref	Romanian Built Machines	
	3600407	Ref	GM Engine Machines:	
	3600385	Ref	Perkins Engine Machines:	
		Ref	PISTON PUMP ASSEMBLIES	
	3600385	Ref	Pump Assembly (Without Fittings)	A
	3600407	Ref	Pump Assembly (With Fittings)	B
1	7021240	1	Shaft Assembly (Includes Items 2-4)	
2	7021237	1	Shaft	
3	7021238	1	Ring, Retaining	
4	7021239	1	Bearing, Roller	
5	7021280	1	O-Ring	
6	7021242	1	Seal, Lip	
7	7021243	1	Carrier, Seal Shaft	
10	7024855	2	Solenoid Assembly	
10A	7024856	2	Coil (1 Per Assy)	
10B	7024857	2	Nut (1 Per Assy)	
10C	7024858	2	Seal Kit - 7024855 Cartridge (1 Per Assy)	
13	7022377	2	Orifice	
14	7022378	1	Housing Assembly (Includes Items 15-20)	
15	7021249	1	Bearing, Needle	
18	7001485	2	Plug	
19	7022380	1	Plug (Includes Item 20)	
20	7022381	1	O-Ring	
21	7021248	1	Side Cover Assembly (Includes Item 22)	
22	7021280	1	Gasket	
23	7021255	4	Screw	
24	7021251	2	Screw	
25	7021250	1	Pin	
26	7021280	2	Gasket	
29	7007419	2	Plug Assembly	
30	7021280	2	O-Ring	
31	7007470	2	Plug Assembly	
32	7021280	2	O-Ring	
33	7021257	1	Ring, Retaining	
34	7021251	1	Screw	
35	7022342	1	Bracket, Lifting	
36	7022342	1	Key	
37	7022341	1	Ring, Retaining	
38	7021258	1	Gerotor	
39	7021260	1	Gerotor Cover Assembly	
40	7021259	1	Bearing, Journal	
42	7021280	1	O-Ring	
43	See Note	1	Pin (Note: Not Available for Purchase)	
45	7024800	1	Spring	
46	7021265	2	Bypass Valve Assembly (Includes Items 47-49)	

SECTION 2 - TURNTABLE

ITEM	PART NUMBER	QTY	DESCRIPTION	REV
47	7021280	2	O-Ring	
48	7021280	2	Ring, Back Up	
49	7021280	2	O-Ring	
50	7022382	1	Cover, Servo	
51	7021255	10	Screw	
52	7007470	1	Plug Assembly	
53	7021280	1	O-Ring	
54	7021268	1	Cover, Servo	
55	7021269	1	Cylinder Block Assembly (Includes Items 56-65)	
56	7021270	1	Cylinder Block	
57	7021271	1	Washer	
58	7021272	1	Spring	
59	7021273	1	Washer	
60	7021274	1	Ring, Retaining	
61	7021275	3	Pin, Slipper Hold Down	
62	7021276	1	Retainer, Hold Down Pin	
63	7021277	1	Guide, Slipper Retainer	
64	7021278	1	Retainer, Slipper	
65	7021279	9	Piston Assembly	
66	7021281	1	Plate, Valve	
67	7022385	1	Servo Piston Assembly (Includes Items 68-70)	
68	7021280	2	O-Ring	
69	7021280	2	Ring, Bearing	
70	7021280	2	Ring, Piston	
71	7007412	1	Servo Piston Ring Kit (Includes Items 68 & 70 Only)	
72	7022346	1	Plug Assembly	
73	7021280	1	O-Ring	
74	7021290	1	Nut	
75	7022347	1	Spring	
76	7024804	1	Poppet	
77	7021280	1	Nut, Seal	
78	7022386	1	Swashplate	
79	7022387	1	Slider, Block	
80	7021294	1	Coupling	
81	7001481	2	Pin	
82	70002257	1	Gasket	
83	7021296	7	Screw	
84	7021297	1	Cover, Charge Pump	
85	7021298	1	Seal	
86	7021299	1	Plate, Cover	
87	7007289	2	Screw	
88	7007470	1	Plug (Not Shown)	
89	7021256	1	O-Ring (Not Shown)	
95	7021280		Seal Kit (Includes Items 5-6, 22, 26, 30, 32, 42, 47-49, 53, 68-70, 73, 77, 82 & 89)	
		Ref	PUMP ASSEMBLY FITTINGS (3600407 PUMP ONLY)	B
101	2111010	2	Fitting, Straight	
102	2111612	1	Fitting, Straight	
103	2131212	1	Fitting, Elbow	
104	2151212	2	Fitting, Elbow	
105	2221084	1	Fitting, Tee	

SECTION 2 - TURNTABLE

FIGURE 2-23. GEAR PUMP ASSEMBLY



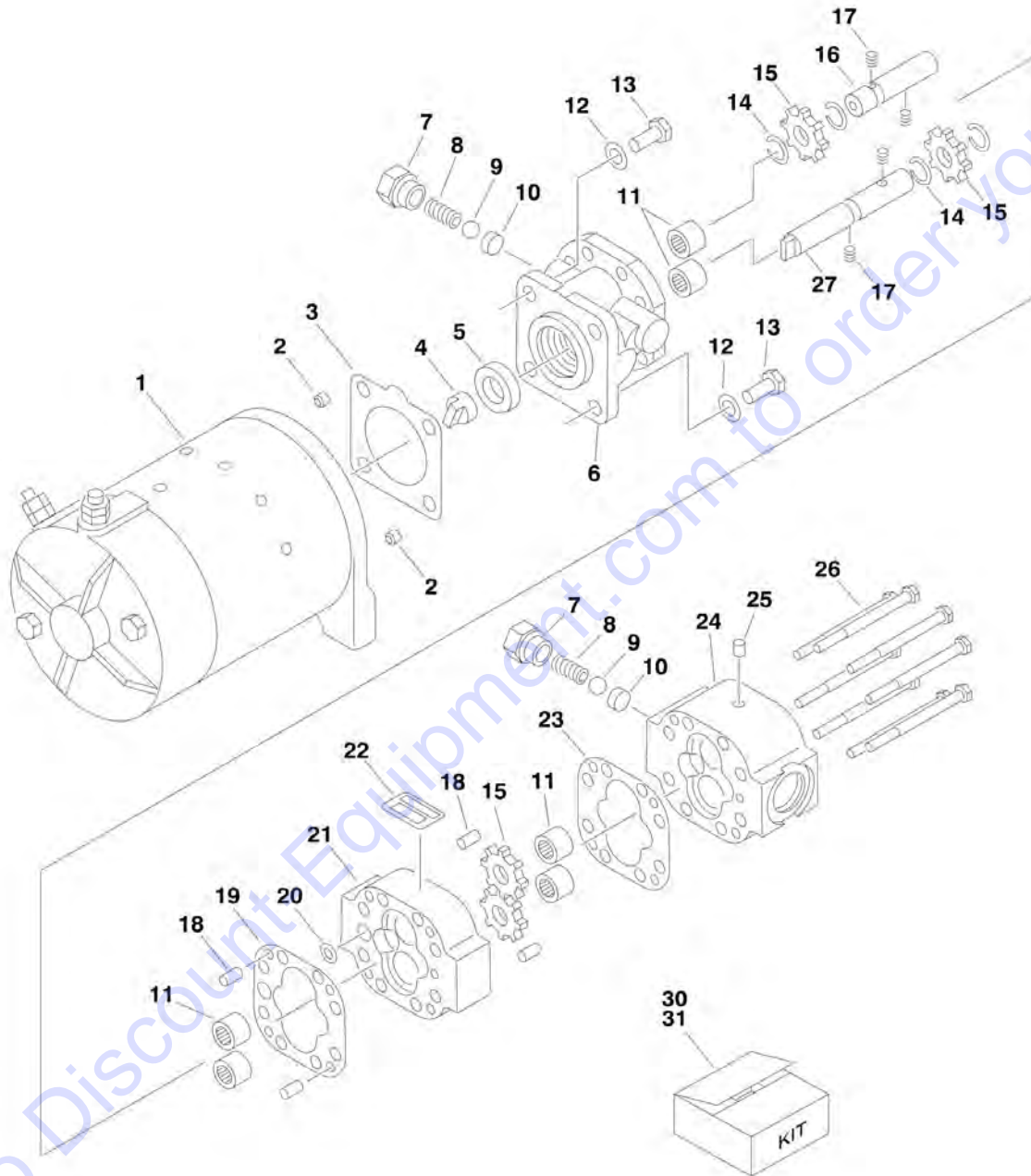
SECTION 2 - TURNTABLE

FIGURE 2-23. GEAR PUMP ASSEMBLY

ITEM	PART NUMBER	QTY	DESCRIPTION	REV
		Ref	GEAR PUMP ASSEMBLY	
		Ref	Usage:	
	3600318	Ref	Caterpillar Engine Machines (All Machines)	
	3600408	Ref	Deutz Engine Machines (USA Built Machines) (SN 0300124000 through 0300160834)	
	3600318	Ref	Deutz Engine Machines (All Belgium Built Machines)	
	3600318	Ref	Deutz Engine Machines (All Romanian Built Machines)	
	3600441	Ref	GM Engine Machines (All Machines)	
	3600318	Ref	Perkins Engine Machines (All Machines)	
	3600318	Ref	GEAR PUMP ASSEMBLY	B
1	7023929	1	Seal Kit (Not Shown)	
		Ref	Note: Seal kit is Only serviceable part for this item.	
		Ref	GEAR PUMP SUB-ASSEMBLY	
	3600408	Ref	Deutz Engine Machines (USA Built Machines) (SN 030012400 through 0300160834)	A
	3600441	Ref	GM Engine Machines	A
101	2170316	1	Fitting, Tee	
102	2170808	Ref	Fitting, Tee Options:	
102	2170808	2	Deutz and Ford Engine Machines	
102	2170808	1	GM Engine Machines	
103	3600318	1	Gear Pump Assembly	
103	7023929	1	Seal Kit - 3600318 Pump	
		Ref	Note: Seal kit is Only serviceable part for this item.	
104	4641199	2	Valve, Check	

SECTION 2 - TURNTABLE

FIGURE 2-24. AUXILIARY PUMP ASSEMBLY



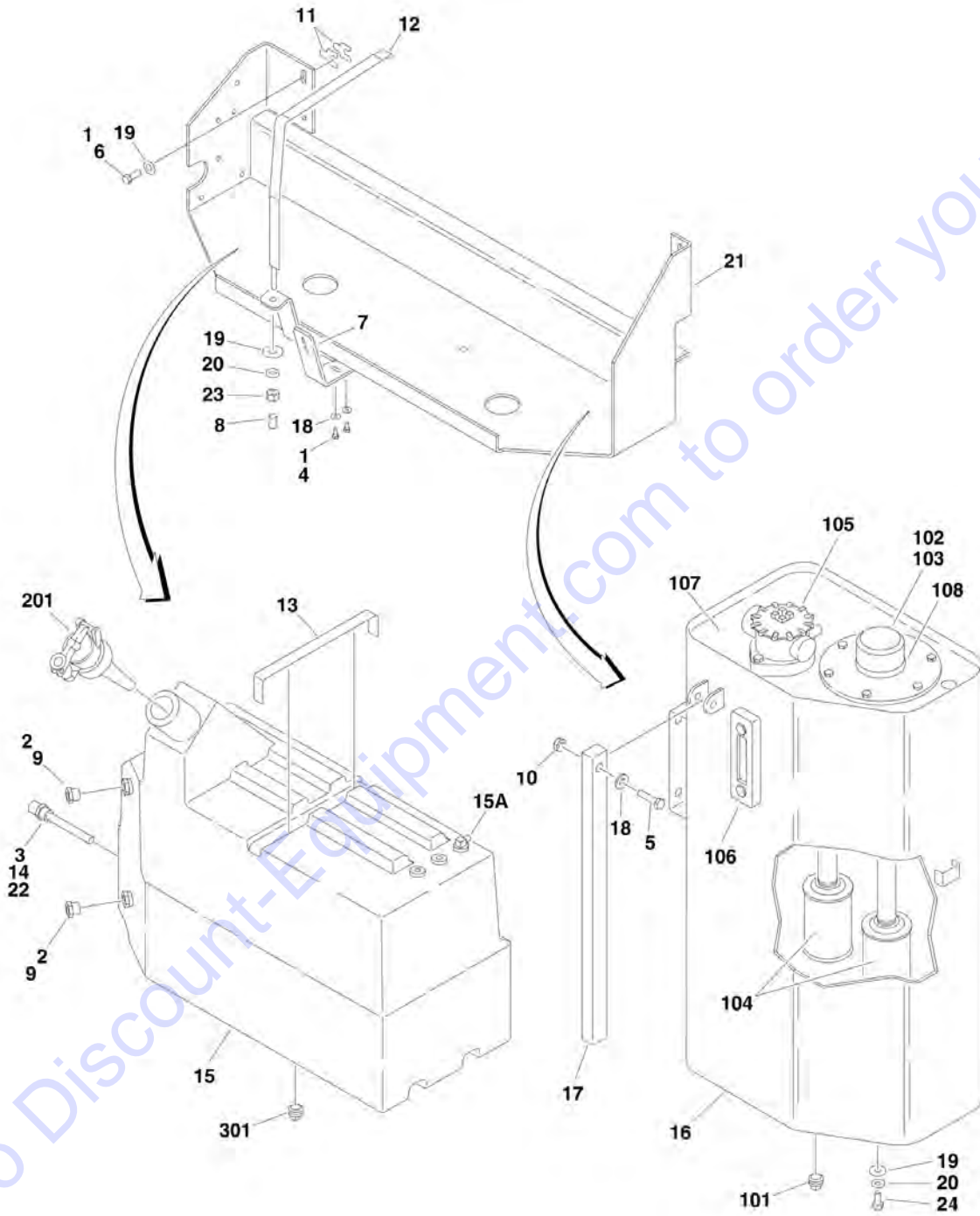
SECTION 2 - TURNTABLE

FIGURE 2-24. AUXILIARY PUMP ASSEMBLY

ITEM	PART NUMBER	QTY	DESCRIPTION	REV
	3600423	Ref	AUXILIARY PUMP ASSEMBLY	A
1	7011067	1	Motor and Adapter	
2	See Note	2	Setscrew (Note: Not Available - Purchase Locally)	
3	7011044	1	Gasket, Mounting	
4	7011016	1	Coupling	
5	70000969	1	Seal, Shaft	
6	70000978	1	Stator	
7	See Note	2	Cap Assembly (Note: Use Item 30 or 31.)	
8	70000978	2	Spring	
9	70000978	2	Ball	
10	70000978	2	Seat	
11	70000976	6	Bearing, Needle	
12	70000978	4	Washer	
13	70000978	4	Screw	
14	70000970	4	Ring, Retaining	
15	70000971	4	Gear	
16	70000972	1	Shaft, Idler	
17	70000978	4	Pin, Drive	
18	70000978	4	Pin, Dowel	
19	70000973	1	Gasket	
20	See Note	1	O-Ring (Note: Use Item 30 or 31.)	
21	70000978	1	Housing, Gear	
22	See Note	1	Label (Note: Not Available for Purchase)	
23	7000974	1	Gasket	
24	70000978	1	Housing, Gear	
25	70000978	1	Plug	
26	70000978	8	Screw	
27	70000975	1	Shaft, Drive	
30	70000977	1	Seal Kit (Includes Items 3, 5, 20 & Qty 2 O-Rings for Item 7)	
31	70000978	1	Replacement Pump Kit (Includes Items 3-21 & 23-27)	

SECTION 2 - TURNTABLE

FIGURE 2-25. TANK INSTALLATIONS



SECTION 2 - TURNTABLE

FIGURE 2-25. TANK INSTALLATIONS

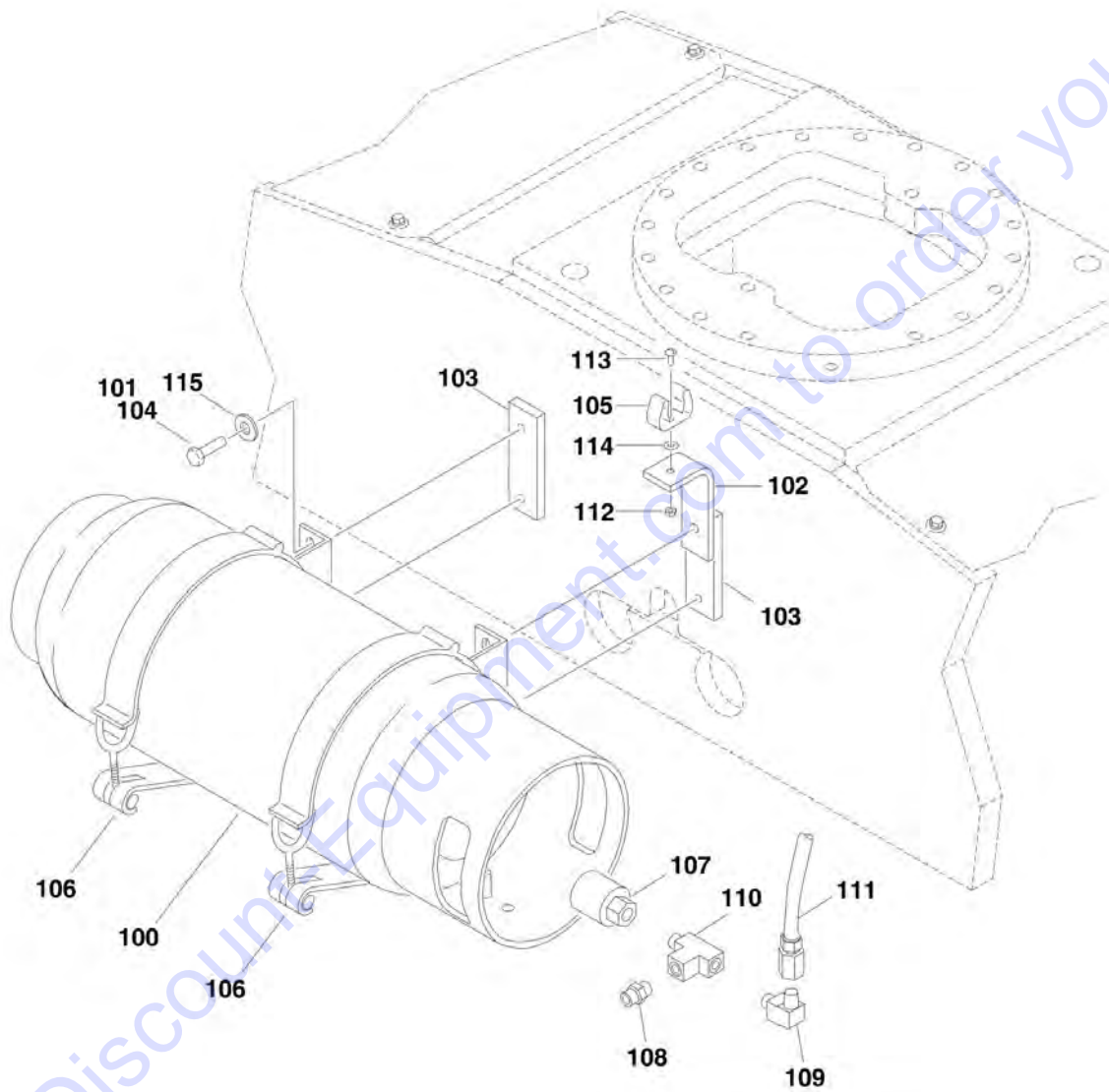
ITEM	PART NUMBER	QTY	DESCRIPTION	REV
		Ref	TANK INSTALLATIONS	
	0272669	Ref	USA Built Machines (Caterpillar, Deutz and Perkins Engines)	F
	1001091567	Ref	USA Built Machines (GM Engines)	B
	0272491	Ref	Belgium Built Machines	F
	0272491	Ref	Romanian Built Machines	F
1	0100011	AR	Compound, Locking	
2	0100020	AR	Sealant, Pipe	
3	0100079	AR	Permatex	
4	0641405	2	Bolt 1/4in-20NC x 5/8in	
5	0641416	1	Bolt 1/4in-20NC x 2in	
6	0641608	4	Bolt 3/8in-16NC x 1in	
7	0902535	1	Bracket, Hood Latch	
8	1120532	1	Cap, Protective	
9	2420115	2	Gauge, Sight (USA Built Machines) (SN 0300124000 through 0300156246)	
9	2420115	2	Gauge, Sight (All belgium Built Machines)	
9	2420115	2	Gauge, Sight (Romanian Built Machines) (SN E300000001 through E300000323)	
10	3311405	1	Locknut 1/4in-20NC	
11	4070410	2	Shim	
12	4240145	1	Strap, Tank Mount	
13	4280295	2 ft/.61m	Strip, Bumper	
14	4360436	1	Switch, Fuel Level	
15		Ref	Tank, Fuel Options (Includes Standard Non-Locking Cap):	
15	4400408	1	Diesel	
15	1001091560	1	Gas/Petrol	
15A	7020056	1	Fitting and Hose (Supply Line)	
16	4400451	1	Hydraulic Tank Assembly (See Items 101-109 for Breakdown)	
17	4567627	1	Tube, Hood Prop	
18	4751400	4	Flatwasher 1/4in Regular	
19	4751600	8	Flatwasher 3/8in Regular	
20	4761600	4	Lockwasher 3/8in	
21		Ref	Tray Weldment Options:	
21	4846375	1	USA Built Machines	
21	4846665	1	Belgium Built Machines	
22	2820035	2 ft/.61m	Insulate, Tubing	
23		Ref	Nut 3/8in-16NC Options:	
23	3311601	3	0272491 Installation	
	Not Required	0	0272669 / 1001091567 Installation	
24		Ref	Bolt Options:	
24	0641608	3	Bolt 3/8in-16NC x 1in (USA Built Machines)	
24	0641606	3	Bolt 3/8in-16NC x 3/4in (Belgium Built Machines)	
	4400451	Ref	HYDRAULIC TANK ASSEMBLY	H
101	7024446	1	Plug, Magnetic	
102	7024444	1	Cap, Fill (Lenz Brand)	
102	See Note	1	Cap, Fill (Hydrac Brand) (Note: Use p/n 70004862)	
103	7024445	1	Screen (Lenz Brand)	
103	See Note	1	Screen (Hydrac Brand) (Note: Use p/n 70004862)	
104	7024442	2	Strainer	
105		Ref	Assembly Filter, Return Options:	

SECTION 2 - TURNTABLE

ITEM	PART NUMBER	QTY	DESCRIPTION	REV
105		Ref	USA Built Machines (SN 0300124000 through 0300139753)	
105		Ref	Belgium Built Machines (SN 1300006000 through 1300006858)	
105	7020226	1	Assembly Filter, Return	
105	7023205	1	Filter, Element	
105		Ref	USA Built Machines (SN 0300139754 through 0300160834)	
105		Ref	Belgium Built Machines (SN 1300006859 to Present)	
105		Ref	Romanian Built Machines (SN E300000001 through E300001114)	
105	70001959	1	Assembly Filter, Return	
105	70001960	1	Filter, Element	
105	70002768	1	Spring, Return Filter Assembly	
106	7024441	1	Gauge, Sight	
107	7024439	1	Cover	
108	7024443	1	Filler Neck	
109	7024440	1	Gasket (Not Shown)	
201		Ref	FUEL CAP OPTIONS	
201	7016314	Ref	Standard Non-Locking Cap (Diesel Engine Machines)	
201	1120487	Ref	Optional Locking Cap (Diesel Engine Machines)	
201	70001103	Ref	Standard Non-Locking Cap (Gas Engine Machines)	
		Ref	ENGINE INSTALLATIONS	
301	2200222	1	Plug	
301	0100020	AR	Sealant	

SECTION 2 - TURNTABLE

FIGURE 2-26. LP TANK INSTALLATION (GM ENGINE MACHINES ONLY)



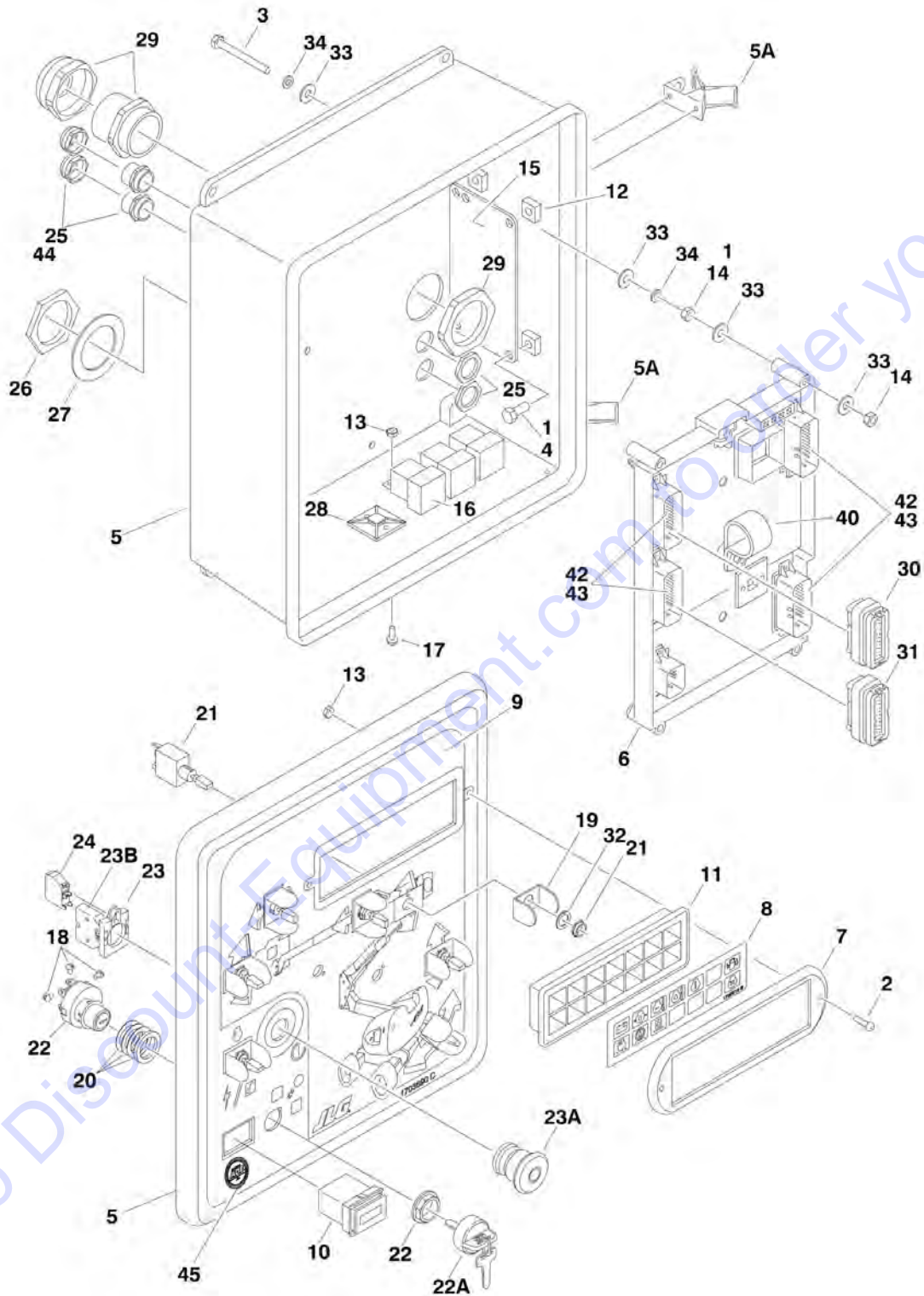
SECTION 2 - TURNTABLE

FIGURE 2-26. LP TANK INSTALLATION (GM ENGINE MACHINES ONLY)

ITEM	PART NUMBER	QTY	DESCRIPTION	REV
		Ref	LP TANK AND BRACKETS INSTALLATIONS	
	0258033	Ref	Standard Machines	B
	0271391	Ref	Semi-Track Machines Note: Not Shown - Located on Rear of Frame	A
100		Ref	Tank, LPG Options:	
100	4400275	1	Aluminum Tank	
100	4400420	1	Steel Tank	
101	0100011	AR	Compound, Locking	
102		Ref	Angle, Support Options:	
102	0181949	1	Angle, Support (Standard Machines)	
102	4846259	2	Bracket, Support (Semi-Track Machines)	
103		Ref	Bar, Mounting (Standard Machines Only)	
103	0362519	2	USA Built Machines (SN 0300124000 through 0300069273)	
103	Not Required	2	USA Built Machines (SN 0300069274 through 0300160834)	
103	Not Required	2	Belgium Built Machines (SN 1300000001 to Present)	
104	0641607	4	Bolt 3/8in-16NC x 7/8in	
105	1320218	1	Clamp, Spring (Standard Machines Only)	
106		Ref	Clamp Kit Options:	
106	1320220	1	Standard Machines	
106	1320023	1	Semi-Track Machines	
107	2180387	1	Fitting, LP	
108	2180389	1	Fitting	
109	2180504	1	Fitting, 90 (Standard Machines Only)	
110	2220290	1	Fitting, Tee	
111		Ref	Hose Options:	
111	2720149	1	Standard Machines	
111	2720468	1	Semi-Track Machines	
112	3310805	1	Locknut #8-32NC (Standard Machines Only)	
113	3910808	1	Screw #8-32NC x 1in (Standard Machines Only)	
114	4750800	1	Flatwasher #8 Regular (Standard Machines Only)	
115	4751600	4	Flatwasher 3/8in Regular	

SECTION 2 - TURNTABLE

FIGURE 2-27. GROUND CONTROL BOX ASSEMBLY (WITHOUT UGM)



SECTION 2 - TURNTABLE

FIGURE 2-27. GROUND CONTROL BOX ASSEMBLY (WITHOUT UGM)

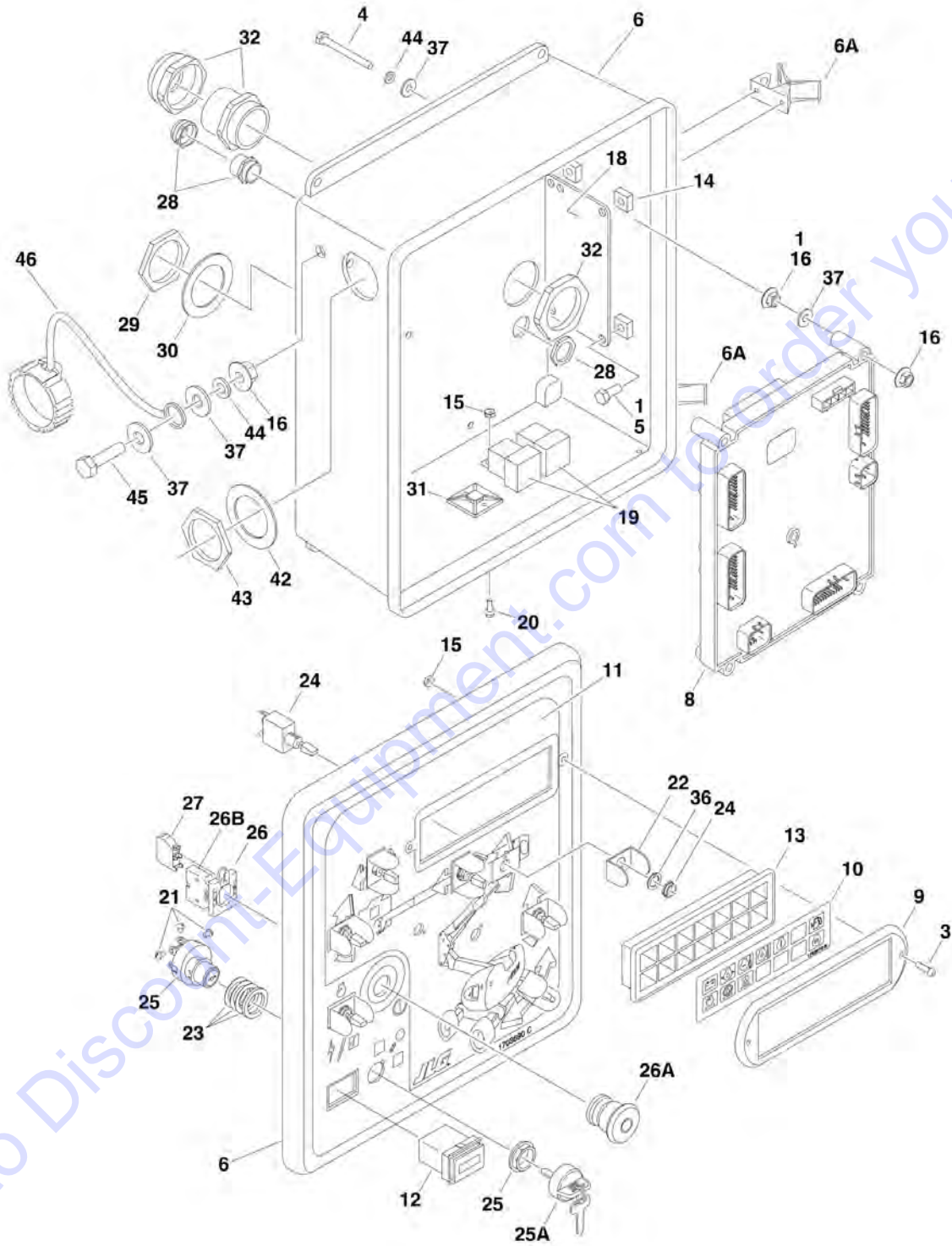
ITEM	PART NUMBER	QTY	DESCRIPTION	REV
		Ref	USA Built Machines use SNs 03xxxxxxx.	
		Ref	Belgium Built Machines use SNs 13xxxxxxx.	
		Ref	Romanian Built Machines use SNs E3xxxxxxx.	
		Ref	Note: All Romanian Built Machines were built with UGM.	
		Ref	Note: For Module (with/without UGM) Identification, refer to Revision Log page A.	
		Ref	GROUND CONTROL BOX ASSEMBLIES	
		Ref	Ground Control Box Assemblies 450A Series II	
		Ref	ANSI AND ANSI EXPORT SPECS	
	1810121	Ref	Caterpillar Engine Machines	E
	1810119	Ref	Deutz Engine Machines	E
	1810118	Ref	GM Engine Machines	D
	1810121	Ref	Perkins Engine Machines	E
		Ref	AUSTRALIAN & CE SPECS	
	1810120	Ref	Deutz Engine Machines	E
	1001096954	Ref	Perkins Engine Machines	E
		Ref	Ground Control Box Assemblies 450AJ Series II	
		Ref	ANSI AND ANSI EXPORT SPECS	
	1810125	Ref	Caterpillar Engine Machines	E
	1810123	Ref	Deutz Engine Machines	E
	1810122	Ref	GM Engine Machines	D
	1810125	Ref	Perkins Engine Machines	E
		Ref	AUSTRALIAN & CE SPECS	
	1810124	Ref	Deutz Engine Machines	E
	1001096956	Ref	Perkins Engine Machines	E
1	0100011	AR	Compound, Locking	
2	0630518	2	Screw, Button Head	
3	0630548	5	Bolt	
4	0641506	4	Bolt 5/16in-18NC x 3/4in	
5	0861419	1	Box, Fiberglass	
5A	7020246	2	Latch	
6		Ref	Module, Control Options (Re-calibration Required When Replaced):	
		Ref	Note: 2915239 is an Update Kit. Includes Module, Cables, Programming Instructions and CD Software.	
6	1600364	1	Caterpillar/Perkins Engines (Use p/n 2915239)	
6	1600411	1	Deutz/GM Engines	
7	1670829	1	Bezel	
8	1706712	1	Decal - Ground Control Display	
9		Ref	Decal - Faceplate	
9		Ref	Decal 450A Series II:	
9	1706920	1	USA Built Machines (SN 0300124000 through 0300135292)	
9	1706920	1	Belgium Built Machines (SN 1300006000 through 1300006690)	
9	1001102597	1	USA Built Machines (SN 0300135293 through 0300160834)	
9	1001102597	1	Belgium Built Machines (SN 1300006691 to Present)	
9		Ref	450AJ Series II:	
9	1706921	1	USA Built Machines (SN 0300124000 through 0300135292)	

SECTION 2 - TURNTABLE

ITEM	PART NUMBER	QTY	DESCRIPTION	REV
9	1706921	1	Belgium Built Machines (SN 1300006000 through 1300006690)	
9	1001102598	1	USA Built Machines (SN 0300135293 through 0300160834)	
9	1001102598	1	Belgium Built Machines (SN 1300006691 to Present)	
10	2420172	1	Gauge, Hourmeter	
11	2760105	1	Housing, Display Light	
12	3300205	4	Nut, Retainer	
13	3300408	AR	Locknut, Plastic Insert	
14	3311401	10	Nut 1/4in-20NC	
15	3539219	1	Plate, Reinforcement	
16	3740049	AR	Relay - SPDT	
17	3900268	AR	Screw #10-24NC x 1/2in	
18	3910804	6	Screw #8-32NC x 1/4in	
19	4060906	AR	Shield, Toggle Switch	
20	4070987	1	Shim (.015in)	
21	4360328	AR	Switch, Toggle	
22		Ref	Switch, Key Options:	
22	4360469	1	ANSI/ANSI Export/CSA Specs	
22	4360470	1	CE/Australian Specs	
22A	2860030	1	Key	
23	4360475	1	Switch, Emergency Stop	
23A	7020175	1	Cap, Mushroom Head	
23B	7020176	1	Block, Contact	
24	4360476	1	Switch, Contact Block	
25	4460426	AR	Connector, Strain Relief	
26	4460470	1	Nut, Terminal	
27	4460471	1	Locknut, Terminal	
28	4460488	11	Base, Terminal Mounting	
29	4460526	1	Connector, Strain Relief	
30	4460874	1	Connector (Natural)	
31	4460875	1	Connector (Gray)	
32	4740444	AR	Washer, Special	
33	4751400	21	Flatwasher 1/4in Regular	
34	4761400	10	Lockwasher 1/4in	
36	4923575	1	Ground Control Box Harness Assembly (Not Shown - See ELECTRICAL SECTION for Breakdown)	
37		Ref	Engine Harness Assembly (Not Shown - See ELECTRICAL SECTION for Breakdown)	
37	1001098840	1	Caterpillar/Perkins Engine Machines	
37	4923265	1	Deutz Engine Machines	
37	4923395	1	GM Engine Machines	
38	4922523	1	Valve Harness Assembly (Not Shown - See ELECTRICAL SECTION for Breakdown)	
40	1320060	1	Clamp, Hose	
42	0100048	AR	Grease, Dielectric	
43	4460905	4	Seal, Plug	
44	3520035	1	Plug	
45	1705132	1	Decal - ADE Control	

SECTION 2 - TURNTABLE

FIGURE 2-28. GROUND CONTROL BOX ASSEMBLY (WITH UGM)



SECTION 2 - TURNTABLE

FIGURE 2-28. GROUND CONTROL BOX ASSEMBLY (WITH UGM)

ITEM	PART NUMBER	QTY	DESCRIPTION	REV
		Ref	USA Built Machines use SNs 03xxxxxxx.	
		Ref	Belgium Built Machines use SNs 13xxxxxxx.	
		Ref	Romanian Built Machines use SNs E3xxxxxxx.	
		Ref	Note: All Romanian Built Machines were built with UGM.	
		Ref	Note: For Module (with/without UGM) Identification, refer to Revision Log page A.	
		Ref	GROUND CONTROL BOX ASSEMBLIES	
		Ref	Ground Control Box Assemblies 450A Series II	
		Ref	ANSI and ANSI Export Specs	
	1001102892	Ref	Caterpillar Engine Machines	D
	1001109823	Ref	Deutz Engine Machines	A
	1001109719	Ref	GM Engine Machines	A
	1001102892	Ref	PERKINS Engine Machines	D
		Ref	AUSTRALIAN SPECS (SN 0300124000 through 0300150680)	
	1001102895	Ref	Caterpillar Engine Machines	D
	1001109824	Ref	Deutz Engine Machines	A
	1001102895	Ref	Perkins Engine Machines	D
		Ref	AUSTRALIAN SPECS (SN 0300150681 through 0300160834)	
	1001102892	Ref	Caterpillar Engine Machines	D
	1001109823	Ref	Deutz Engine Machines	A
	1001102892	Ref	Perkins Engine Machines	D
		Ref	CE SPECS	
	1001102895	Ref	Caterpillar Engine Machines	D
	1001109824	Ref	Deutz Engine Machines	A
	1001102895	Ref	Perkins Engine Machines	D
		Ref	Ground Control Box Assemblies 450AJ Series II	
		Ref	ANSI and ANSI Export Specs	
	1001102893	Ref	Caterpillar Engine Machines	D
	1001109826	Ref	Deutz Engine Machines	A
	1001109825	Ref	GM Engine Machines	A
	1001102893	Ref	Perkins Engine Machines	D
		Ref	AUSTRALIAN SPECS USA Built Machines (SN 0300124000 through 0300150680)	
		Ref	AUSTRALIAN SPECS Belgium Built Machines (SN 1300006000 to Present)	
		Ref	AUSTRALIAN SPECS Romanian Built Machines (SN E300000001 through E300000104)	
	1001102894	Ref	Caterpillar Engine Machines	D
	1001109827	Ref	Deutz Engine Machines	A
	1001102894	Ref	Perkins Engine Machines	D
		Ref	AUSTRALIAN SPECS USA Built Machines (SN 0300150681 through 0300160834)	
		Ref	AUSTRALIAN SPECS Romanian Built Machines (SN E300000105 through E300001114)	
	1001102893	Ref	Caterpillar Engine Machines	D
	1001109826	Ref	Deutz Engine Machines	A
		Ref	CE SPECS	
	1001102894	Ref	Caterpillar Engine Machines	D
	1001109827	Ref	Deutz Engine Machines	A
	1001102894	Ref	Perkins Engine Machines	D
1	0100011	AR	Compound, Locking	

SECTION 2 - TURNTABLE

ITEM	PART NUMBER	QTY	DESCRIPTION	REV
2	0100048	AR	Grease, Dielectric	
3	0630518	2	Screw, Button Head	
4	0630548	5	Bolt	
5	0641506	4	Bolt 5/16in-18NC x 3/4in	
6	1001105784	1	Box, Fiberglass	
6A	7020246	2	Latch	
8	1001103667	1	Module, Control (Re-Calibration Rquired When Replaced)	
9	1670829	1	Bezel	
10	1706712	1	Decal - Ground Control Display	
11		Ref	Decal - Faceplate	
11	1001102597	1	Decal - Faceplate 450A Series II	
11	1001102598	1	Decal - Faceplate 450AJ Series II	
12	2420172	1	Gauge, Hourmeter	
13	2760105	1	Housing, Display Light	
14	3300205	4	Nut, Retainer	
15	3300408	4	Locknut, Plastic Insert	
16	77143013	11	Locknut 1/4in-20NC	
18	3539219	1	Plate, Reinforcement	
19	3740049	2	Relay - SPDT	
20	3900268	2	Screw #10-24NC x 1/2in	
21	3910804	6	Screw #8-32NC x 1/4in	
22	4060906	1	Shield, Toggle Switch	
23	4070987	1	Shim (.015in)	
24	4360328	7	Switch, Toggle	
25		Ref	Switch, Key Options:	
25	4360469	1	ANSI/ANSI Export/CSA Specs	
25	4360470	1	Australian Specs USA Built Machines (SN 0300124000 through 0300150680)	
25	4360470	1	Australian Specs Belgium Built Machines (SN 1300006000 to Present)	
25	4360470	1	Australian Specs Romanian Built Machines (SN E300000001 through E300000104)	
25	4360469	1	Australian Specs USA Built Machines (SN 0300150681 through 0300160834)	
25	4360469	1	Australian Specs Romanian Built Machines (SN E300000105 through E300001114)	
25	4360470	1	CE Specs	
25A	2860030	1	Key	
26	4360475	1	Switch, Emergency Stop	
26A	7020175	1	Cap, Mushroom Head	
26B	7020176	1	Block, Contact	
27	4360476	1	Switch, Contact Block	
28	4460426	1	Connector, Strain Relief	
29	4460470	1	Nut, Terminal	
30	4460471	1	Locknut, Terminal	
31	4460488	10	Base, Terminal Mounting	
32	4460526	1	Connector, Strain Relief	
36	4740444	7	Washer, Special	
37	4751400	12	Flatwasher 1/4in Regular	
39	1001105637	1	Valve Harness Assembly (Not Shown - See ELECTRICAL SECTION for Breakdown)	
40	1001105636	1	Ground Control Box Harness Assembly (Not Shown - See ELECTRICAL SECTION for Breakdown)	

SECTION 2 - TURNTABLE

ITEM	PART NUMBER	QTY	DESCRIPTION	REV
41		Ref	Engine Harness Assembly (Not Shown - See ELECTRICAL SECTION for Breakdown)	
41	1001102715	1	Caterpillar/Perkins Engine Machines	
41	1001109728	1	Deutz Engine Machines	
41	1001109729	1	GM Engine Machines	
42	4460496	1	Lockwasher	
43	4460497	1	NUT	
44	4761400	6	Lockwasher 1/4in	
45	0641407	1	Bolt 1/4in-20NC x 7/8in	
46	1001106736	1	Cap, Dust	

Go to Discount-Equipment.com to order your parts

PARTS FINDER

**Search Website
by Part Number**



**Search Manual
Library For Parts
Manual & Lookup Part
Numbers – Purchase
or Request Quote**

A screenshot of the "Search Manuals" form. The form is titled "Search Manuals" and contains several input fields for "Find", "Serial Number", "Year", "Make", "Model", "Part Number", "Part Name", and "Category". There is a "Search" button at the bottom of the form.

**Can't Find Part or
Manual? Request Help
by Manufacturer,
Model & Description**

A screenshot of the "Parts Order Form". The form is titled "Parts Order Form" and contains several input fields for "Manufacturer", "Model", "Description", "Part Number", "Part Name", "Quantity", "Price", and "Comments". There is a "Submit" button at the bottom of the form.

Discount-Equipment.com is your online resource for quality parts & equipment.

Florida: **561-964-4949** Outside Florida TOLL FREE: **877-690-3101**

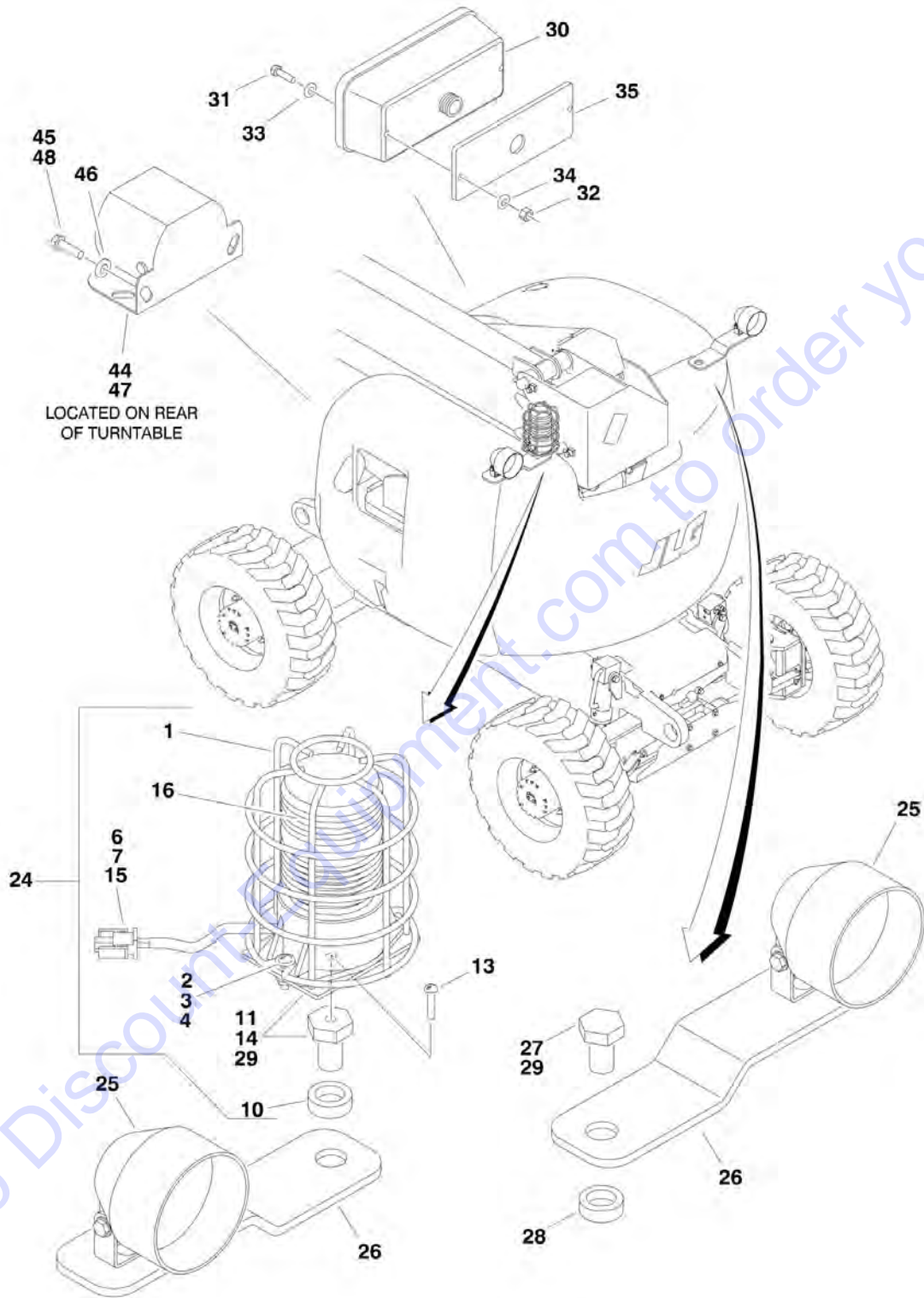
Need parts?

Click on this link: <http://www.discount-equipment.com/category/5443-parts/> and choose one of the options to help get the right parts and equipment you are looking for. Please have the machine model and serial number available in order to help us get you the correct parts. If you don't find the part on the website or on one of the online manuals, please fill out the request form and one of our experienced staff members will get back to you with a quote for the right part that your machine needs.

We sell worldwide for the brands: Genie, Terex, JLG, MultiQuip, Mikasa, Essick, Whiteman, Mayco, Toro Stone, Diamond Products, Generac Magnum, Airman, Haulotte, Barreto, Power Blanket, Nifty Lift, Atlas Copco, Chicago Pneumatic, Allmand, Miller Curber, Skyjack, Lull, Skytrak, Tsurumi, Husquvarna Target, Stow, Wacker, Sakai, Mi-T-M, Sullair, Basic, Dynapac, MBW, Weber, Bartell, Bennar Newman, Haulotte, Ditch Runner, Menegotti, Morrison, Contec, Buddy, Crown, Edco, Wyco, Bomag, Laymor, EZ Trench, Bil-Jax, F.S. Curtis, Gehl Pavers, Heli, Honda, ICS/PowerGrit, IHI, Partner, Imer, Clipper, MMD, Koshin, Rice, CH&E, General Equipment, Amida, Coleman, NAC, Gradall, Square Shooter, Kent, Stanley, Tamco, Toku, Hatz, Kohler, Robin, Wisconsin, Northrock, Oztec, Toker TK, Rol-Air, APT, Wylie, Ingersoll Rand / Doosan, Innovatech, Con X, Ammann, Mecalac, Makinex, Smith Surface Prep, Small Line, Wanco, Yanmar

SECTION 2 - TURNTABLE

FIGURE 2-29. ELECTRICAL OPTIONS INSTALLATION (TURNTABLE MOUNTED)



SECTION 2 - TURNTABLE

FIGURE 2-29. ELECTRICAL OPTIONS INSTALLATION (TURNTABLE MOUNTED)

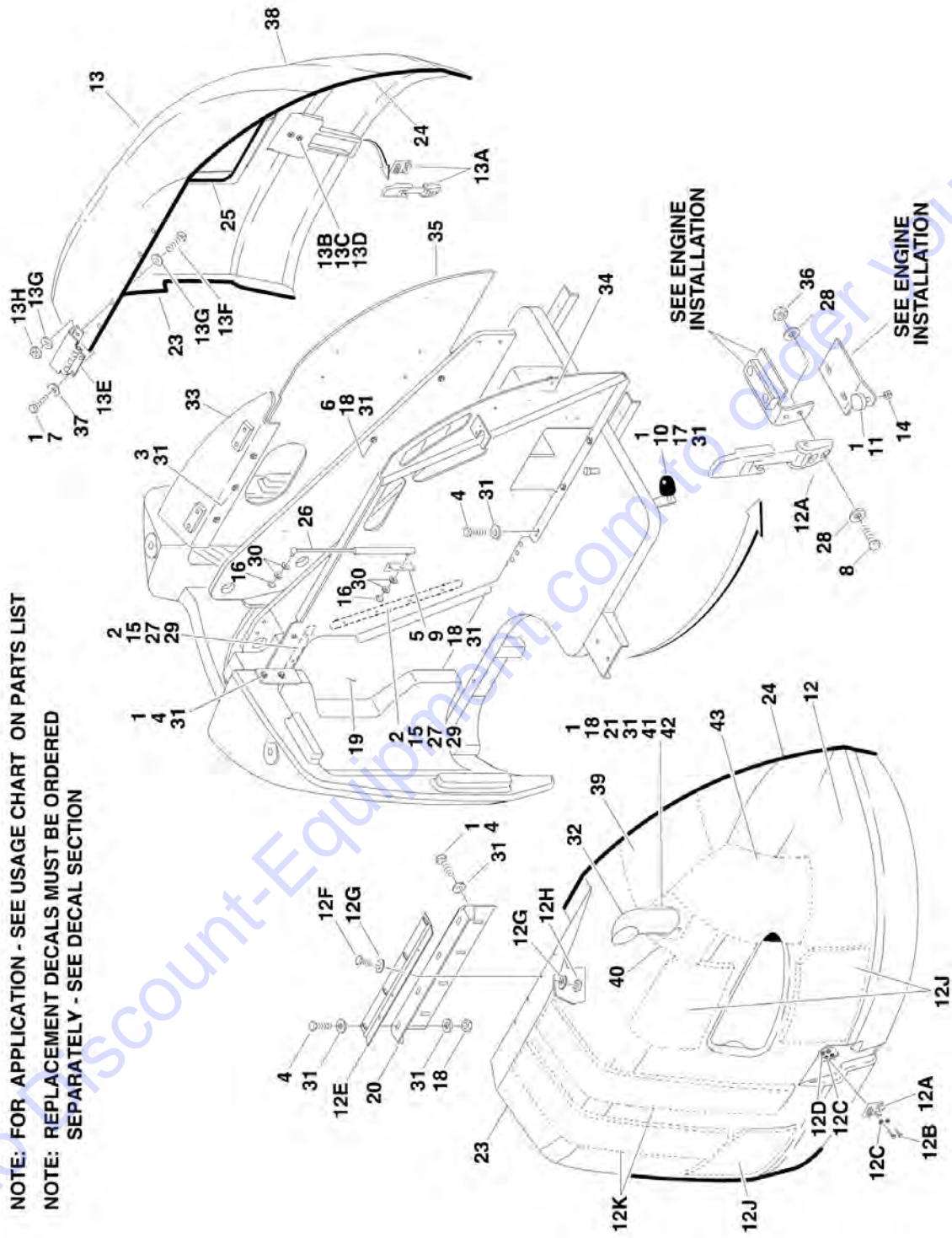
ITEM	PART NUMBER	QTY	DESCRIPTION	REV
	1001108204	1	INSTALL, CHASSIS FLOOD LIGHTS	
	0271073	Ref	STROBE LIGHT INSTALLATION (AMBER) (OPTIONAL)	D
		Ref	Note: If machine is equipped with BLUE Strobe Light, See SPECIAL OPTIONS SECTION SkyGuard Kit	
1	4060865	1	Guard	
2	3911014	2	Screw, Machine #10-24NC x 7/8in	
3	4751000	4	Flatwasher #10 Regular	
4	3311001	2	Nut #10-24NC	
5	2820035	12 ft/31cm	Loom (Not Shown)	
6	4460320	1	Plug, Terminal	
7	4460267	2	Pin, Male	
8	4240032	1	Tiestrap (Not Shown)	
9	4460234	1	Clamp (Not Shown)	
10	4220162	1	Spacer, Stop	
11	4846698	1	Mounting, Light	
14	0100011	AR	Compound, Locking	
15	0100048	AR	Sealant, Silicone	
16	2920146	1	Strobe Light Assembly (Use p/n 0272529)	
16	7016319	1	Bulb, Replacement	
16	7016372	1	Lens	
24	0272529	1	Strobe Light Kit (Includes Items 1-7, 10, 11 & 16)	
		Ref	LIGHTS INSTALLATIONS (OPTIONAL)	
	0271072	Ref	Headlights and Taillights	C
	0272057	Ref	Chassis Floodlights (USA Built Machines - Not Shown) (SN 0300124000 through 0300137905)	1-A
	0272057	Ref	Chassis Floodlights (Belgium Built Machines - Not Shown) (SN 13000066000 through 1300006700)	1-A
	1001108204	Ref	Chassis Floodlights (USA Built Machines - Not Shown) (SN 0300137906 through 0300160834)	A
	1001108204	Ref	Chassis Floodlights (Belgium Built Machines - Not Shown) (SN 1300006701 to Present)	A
	1001108204	Ref	Chassis Floodlights (Romanian Built Machines - Not Shown) (SN E300000001 through E300001114)	A
25		Ref	Light Options:	
25	2920110	2	Headlight (Round Shape)	
25	7016628	2	Bulb, Light (1 Per Light)	
25	2920157	2	Floodlight (Rectangular Shape)	
26	0902206	2	Bracket, Mounting	
27	0642612	1	Bolt 1in-8NC x 1-1/2in	
28	4220162	2	Spacer	
29	0100011	AR	Compound, Locking	
30		Ref	Light Options:	
30	2920113	2	Taillight	
30	2920157	2	Floodlight (Rectangular Shape)	
31	3911040	4	Screw, Machine #10-24NC x 2-1/2in (0271072 Installation)	
32	3311005	4	Nut #10-24NC (0271072 Installation Only)	
33	4751000	4	Flatwasher #10 Regular (0271072 Installation Only)	
34		Ref	Washer Options:	
34	4740362	4	Headlights and Taillights	
34	4751800	4	Chassis Floodlights	
35	3960461	2	Gasket (0271072 Installation Only)	

SECTION 2 - TURNTABLE

ITEM	PART NUMBER	QTY	DESCRIPTION	REV
37	4240032	12	Tie-Strap (Not Shown)	
38	4460234	12	Mount, Tie-Strap (Not Shown)	
39		Ref	Switch Options (Not Shown - Located on Console):	
39	4360336	1	Toggle Switch	
39	4360522	1	Pushbutton Switch	
40	3790012	AR	O-Ring (Not Shown - Located on Console)	
41		Ref	Decal, Lights (USA Built Machines) (Not Shown - Located on Console) (SN 0300137906 through 0300160834)	
41		Ref	Decal, Lights (Belgium Built Machines) (Not Shown - Located on Console) (SN 130000698 to Present)	
41		Ref	Decal, Lights (Romanian Built Machines) (Not Shown - Located on Console) (SN E300000001 through E300001114)	
	0271217	Ref	ALARM INSTALLATION	B
44	0257887	1	Alarm/Harness Assembly	
44	0140032	1	Alarm	
44	2820035	AR	Loom	
44	4460424	1	Plug	
44	4460268	2	Socket	
45	0641407	2	Bolt 1/4in-20NC x 3/4in	
46	4711400	2	Flatwasher 1/4in Thin	
47	0100048	AR	Sealant, Silicone	
48	0100011	AR	Compound, Locking	

SECTION 2 - TURNTABLE

FIGURE 2-30. HOODS INSTALLATION



NOTE: FOR APPLICATION - SEE USAGE CHART ON PARTS LIST

NOTE: REPLACEMENT DECALS MUST BE ORDERED

SEPARATELY - SEE DECAL SECTION

SECTION 2 - TURNTABLE

FIGURE 2-30. HOODS INSTALLATION

ITEM	PART NUMBER	QTY	DESCRIPTION	REV
		Ref	USAGE CHART: Machines SN 0300124000 to SN 0300134874 & Machines SN 1300006000 to SN 1300006658	
		Ref	HOODS INSTALLATION	
	0275866	Ref	Caterpillar/Perkins Engine Machines	D
		Ref	Deutz Engine Machines	A
	1001100285	Ref	USA Built Machines	A
	1001091079	Ref	Belgium Built Machines	C
	0275868	Ref	GM Engine Machines	A
1	0100011	AR	Compound, Locking	
2	0641408	6	Bolt 1/4in-20NC x 1-1/4in	
3	0641606	3	Bolt 3/8in-16NC x 3/4in	
4	0641608	13	Bolt 3/8in-16NC x 1in	
5	0641610	2	Bolt 3/8in-16NC x 1-1/4in	
6	0641614	4	Bolt 3/8in-16NC x 1-3/4in	
7	0721004	4	Bolt #10-24NC x 1/2in	
8	0721006	4	Bolt #10-24NC x 3/4in	
9	0902504	1	Angle, Mounting	
10	0940071	1	Bumper	
11	0940083	2	Bumper	
12		Ref	Hood Kit (Engine Side) Options:	
12	2680438	1	Caterpillar/Perkins Engine USA Built Machines (Includes items 12A-12H, 23, 24, 32 and Current Heat Shields) (Use p/n 1001091093)	3
12	2680438	1	Deutz Engine Machines (Includes items 12A-12K, 23, 24, 32 and Current Heat Shields) (Use p/n 1001091124)	1
12	2680438	1	Deutz Engine Machines (Includes items 12A-12K, 23, 24, 32 and Current Heat Shields) (Use p/n 1001091124)	3
12	1671169	1	GM Engine Machines (Includes items 12A-12H, 23, 24, 32 and Current Heat Shields) (Use p/n 1001091094)	1
		Ref	Note: Replacement Decals Must be Ordered Separately - See DECAL SECTION.	
12A	2940109	1	Latch	
12B	0721008	2	Screw, Machine #10-24NC x 1in	
12C	4751000	4	Flatwasher #10 Regular	
12D	3311005	2	Locknut #10-24NC	
12E	2600210	1	Hinge	
12F	3900232	4	Screw, Button Head 3/8in-16NC x 1-1/4in	
12G	4751600	8	Flatwasher 3/8in Regular	
12H	3311605	4	Locknut 3/8in-16NC	
12J	2820099	3	Foam, Acoustical (Deutz Engine Machines Only)	
12K	2820100	2	Foam, Acoustical (Deutz Engine Machines Only)	
13	2680439	1	Hood Kit (Tank Side) (Includes Items 13A-13H, 23, 24 & 38) (Use p/n 1001091125)	1
13A	2940109	1	Latch	
13B	0721008	2	Screw, Machine #10-24NC x 1in	
13C	4750800	4	Flatwasher #8 Regular	
13D	3311005	2	Locknut #10-24NC	
13E	2600246	2	Hinge	
13F	0721006	4	Screw, Machine #10-24NC x 3/4in	
13G	4750800	8	Flatwasher #8 Regular	
13H	3311005	4	Locknut #10-24NC	

SECTION 2 - TURNTABLE

ITEM	PART NUMBER	QTY	DESCRIPTION	REV
14	3311401	2	Nut 1/4in-20NC	
15	3311405	6	Locknut 1/4in-20NC	
16	3311505	2	Nut 5/16in - 18NC	
17	3311601	5	Nut 3/8in-16NC	
18	3311605	10	Locknut 3/8in-16NC	
19	3380445	1	Panel, Rubber	
20	3573024	1	Plate, Hinge Mounting	
21	3900232	3	Capscrew, Button Head 3/8in-16NC 1-1/4in	
23	3960462	9 ft/2.74m	Seal, Hood	
24	3960464	9 ft/2.74m	Seal, Hood	
26	4160170	1	Spring, Gas	
27	4740362	6	Washer, Fender	
28	4750800	12	Flatwasher #8 Regular	
29	4751400	6	Flatwasher 1/4in Regular	
30	4751500	4	Flatwasher 5/16in Regular	
31	4751600	40	Flatwasher 3/8in Regular	
32		Ref	Exhaust Tube Weldment Options:	
32	4845194	1	Caterpillar/Deutz/Perkins Engine Machines	
32	3460373	1	GM Engine Machines	
33	4846037	1	Hood Mounting Weldment	
34		Ref	Hood Mounting Weldment Options:	
34	4341390	1	Caterpillar/Deutz/Perkins Engine	
34	4341389	1	GM Engine Machines	
35	4846424	1	Hood Mounting Weldment	
36	3311005	4	Locknut #10-24NC	
37	4751000	8	Flatwasher #10 Regular	
38	4060805	6 ft/1.75m	Flex-Trim	
39		Ref	Insulation, Heat Shield Options:	
39	1001098567	1	Caterpillar/Perkins Engine Machines	
39	Not Required	1	Deutz Engine Machines	
39	2820176	1	GM Engine Machines	
40		Ref	Insulation, Heat Shield Options:	
40	1001098567	1	Caterpillar/Perkins Engine Machines	
40	Not Required	1	Deutz Engine Machines	
40	2820177	1	GM Engine Machines	
41	4740500	3	Washer, Special (Not Used on Deutz Engine Machines)	
42		Ref	Shield, Heat (Not Used on Deutz Engine Machines)	
42	4061010	1	Caterpillar/Perkins Engine Machines	
42	Not Required	1	Deutz Engine Machines	
42	4061010	1	GM Engine Machines	
43		Ref	Insulation, Heat Shield Options:	
43	1001098568	1	Caterpillar/Perkins Engine Machines	
43	Not Required	1	Deutz Engine Machines	
43	2820175	1	GM Engine Machines	

SECTION 2 - TURNTABLE

FIGURE 2-31. HOODS INSTALLATION

ITEM	PART NUMBER	QTY	DESCRIPTION	REV
		Ref	USAGE CHART: Machines SN 0300134874 through SN 0300134874 and Machines SN 1300006658 to Present Machines SN E300000001 through E300001114	
		Ref	HOODS INSTALLATION	
		Ref	Caterpillar Engine Machines	
	1001105632	Ref	USA Built Machines (SN 0300134874 through 0300145623)	B
	1001103771	Ref	USA Built Machines (SN 0300145624 through 0300160834)	B
	0275866	Ref	Belgium Built Machines (SN 1300006658 through 1300007162)	E
	1001107280	Ref	Belgium Built Machines (SN 1300007163 to Present)	C
	1001107280	Ref	Romanian Built Machines (SN E300000001 through E300001114)	C
		Ref	Deutz Engine Machines	
	1001105632	Ref	USA Built Machines	D
	1001091079	Ref	Belgium Built Machines	D
	0275868	Ref	GM Engine Machines	D
		Ref	Perkins Engine Machines	
	1001105632	Ref	USA Built Machines	D
	0275866	Ref	Belgium Built Machines	E
1	0100011	AR	Compound, Locking	
2	0641408	AR	Bolt 1/4in-20NC x 1-1/4in	
3	0641606	3	Bolt 3/8in-16NC x 3/4in	
4	0641608	13	Bolt 3/8in-16NC x 1in	
5	0641610	2	Bolt 3/8in-16NC x 1-1/4in	
6	0641614	4	Bolt 3/8in-16NC x 1-3/4in	
7	0721004	4	Bolt #10-24NC x 1/2in	
8	0721006	4	Bolt #10-24NC x 3/4in	
9	0902504	1	Angle, Mounting	
10	0940071	1	Bumper	
11	0940083	2	Bumper	
12		Ref	Hood Kit (Engine Side) Options:	
12		Ref	USA Built Machines	
12	2680438	1	Caterpillar Engine Machines (Includes Items 12A-12H, 23, 24 and Current Heat Shields) (Use p/n 1001101160) (Note: Item 32 must be ordered separately) (SN 0300134874 through 0300145623)	3
12	2680438	1	Caterpillar Engine Machines (Includes Items 12A-12K, 23, 24, 32 and Current Heat Shields) (Use p/n 1001091093) (SN 0300145624 through 0300160834)	5
12	2680438	1	Deutz Engine Machines (Includes Items 12A-12K, 23, 24, 32 and Current Heat Shields) (Use p/n 1001091093)	5
12	1671169	1	GM Engine Machines (Includes Items 12A-12H, 23, 24, 32 and Current Heat Shields) (Use p/n 1001091094) (SN 0300124000 through 0300140603)	3
12	1001117042	1	GM Engine Machines (Includes Items 12A-12H, 23, 24, 32 and Current Heat Shields) (SN 0300140604 through 0300160834)	A
12	2680438	1	Perkins Engine (Includes Items 12A-12H, 23, 24 and Current Heat Shields) (Use p/n 1001101160) (Note: Item 32 must be ordered separately)	3
12		Ref	Belgium and Romanian Built Machines	
12	2680438	1	Caterpillar/Perkins Engine (Includes Items 12A-12H, 23, 24 and Current Heat Shields) (Use p/n 1001101160) (Note:	3

SECTION 2 - TURNTABLE

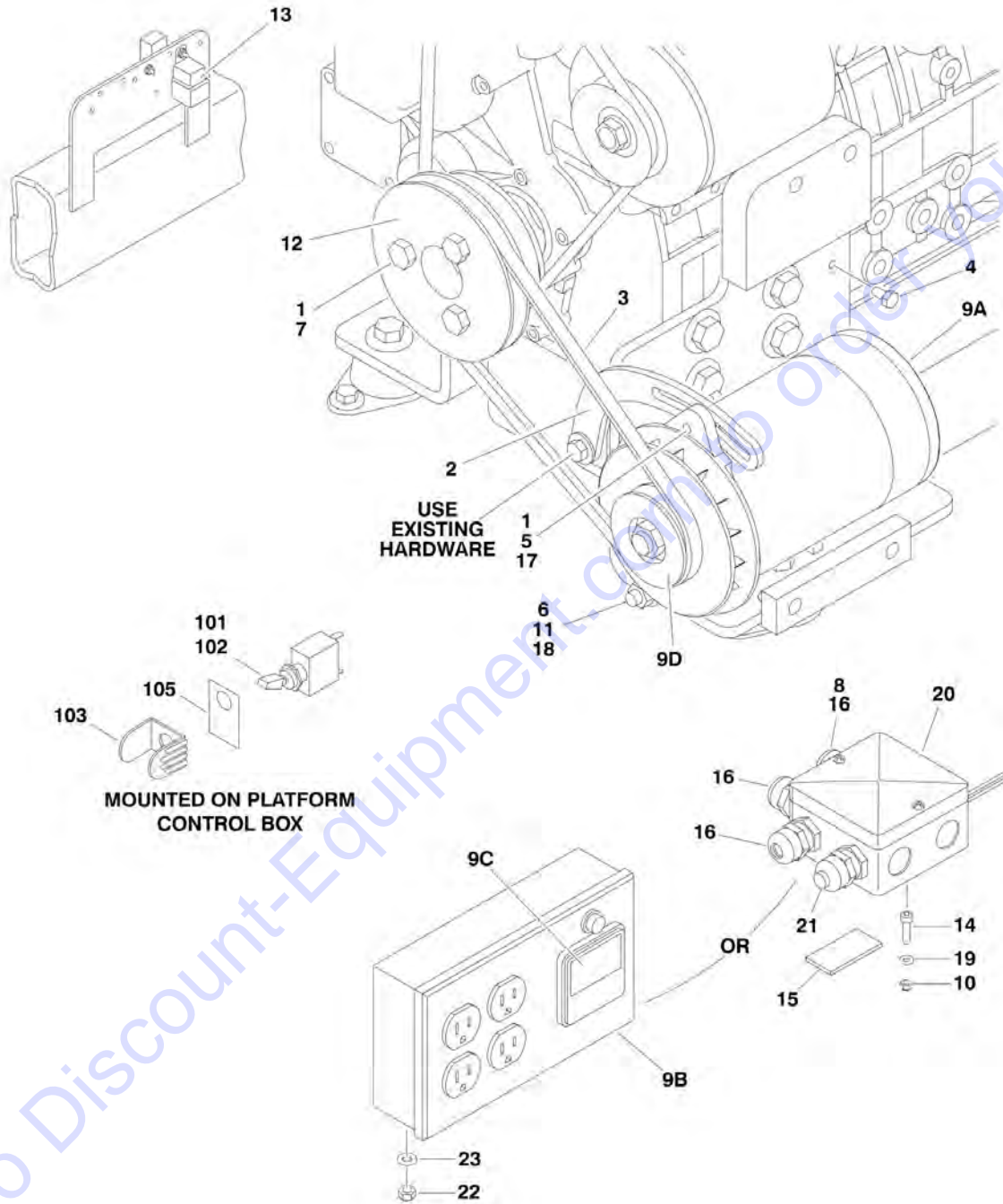
ITEM	PART NUMBER	QTY	DESCRIPTION	REV
12	2680438	1	Item 32 must be ordered separately) Deutz Engine Machines (Includes items 12A-12K, 23, 24, 32 and Current Heat Shields) (Use p/n 1001091124)	3
		Ref	Note: Replacement Decals Must be Ordered Separately - See DECAL SECTION.	
12A	2940109	1	Latch	
12B	0721008	2	Screw, Machine #10-24NC x 1in	
12C	4751000	4	Flatwasher #10 Regular	
12D	3311005	2	Locknut #10-24NC	
12E	2600210	1	Hinge	
12F	3900232	4	Screw, Button Head 3/8in-16NC x 1-1/4in	
12G	4751600	8	Flatwasher 3/8in Regular	
12H	3311605	4	Locknut 3/8in-16NC	
12J	2820099	3	Foam, Acoustical (Deutz Engine Machines Only)	
12K	2820100	2	Foam, Acoustical (Deutz Engine Machines Only)	
13	2680439	1	Hood Kit (Tank Side) (Includes Items 13A-13H, 23, 24 & 38) (Use p/n 1001091125)	1
		Ref	Note: Replacement Decals Must be Ordered Separately - See DECAL SECTION.	
13A	2940109	1	Latch	
13B	0721008	2	Screw, Machine #10-24NC x 1in	
13C	4751000	4	Flatwasher #10 Regular	
13D	3311005	2	Locknut #10-24NC	
13E	2600246	2	Hinge	
13F	0721006	4	Screw, Machine #10-24NC x 3/4in	
13G	4751000	8	Flatwasher #10 Regular	
13H	3311005	4	Locknut #10-24NC	
14	3311401	2	Nut 1/4in-20NC	
15	3311405	AR	Locknut 1/4in-20NC	
16	3311505	2	Nut 5/16in - 18NC	
17	3311601	AR	Nut 3/8in-16NC	
18	3311605	10	Locknut 3/8in-16NC	
19		Ref	Panel, Rubber Options:	
19		Ref	Deutz/GM/Perkins Engine Machines	
19	3380445	1	USA Built Machines (SN 0300134874 through 0300159527)	
19	1001138444	1	USA Built Machines (SN 0300159528 through 0300160834)	
19	3380445	1	Belgium Built Machines	
19	3380445	1	Romanian Built Machines (SN E300000001 through E300000493)	
19	1001138444	1	Romanian Built Machines (SN E300000494 through E300001114)	
19		Ref	Caterpillar Engine Machines	
19	3380445	1	USA Built Machines (SN 0300134874 through 0300145623)	
19	1001103791	1	USA Built Machines (SN 0300145624 through 0300160834)	
19	3380445	1	Belgium Built Machines (SN 1300006658 through 1300007162)	
19	No Required	0	Belgium Built Machines (SN 1300007163 to Present)	
19	No Required	0	Romanian Built Machines (SN E300000001 to Present)	
20	3573024	1	Plate, Hinge Mounting	
21	3900232	3	Capscrew, Button Head 3/8in-16NC 1-1/4in	
23	3960462	9 ft/2.74m	Seal, Hood	
24	3960464	9 ft/2.74m	Seal, Hood	
26	4160170	1	Spring, Gas	

SECTION 2 - TURNTABLE

ITEM	PART NUMBER	QTY	DESCRIPTION	REV
27	4740362	AR	Washer, Fender	
28	4750800	12	Flatwasher #8 Regular	
29	4751400	AR	Flatwasher 1/4in Regular	
30	4751500	AR	Flatwasher 5/16in Regular	
31	4751600	40	Flatwasher 3/8in Regular	
32		Ref	Exhaust Tube Weldment Options:	
32	4845194	1	Caterpillar/Deutz/Perkins Engine Machines	
32		Ref	GM Engine Machines	
32	3460373	1	GM Engine Machines (SN 0300124000 through 0300140603)	
32	1001117038	1	GM Engine Machines (SN 0300140604 through 0300160834)	
33	4846037	1	Hood Mounting Weldment	
34		Ref	Hood Mounting Weldment Options:	
34	4341390	1	Deutz/Perkins Engine	
34		Ref	Caterpillar Engine Options:	
34	4341390	1	USA Built Machines (SN 0300134874 through 0300145623)	
34	1001099364	1	USA Built Machines (SN 0300145624 through 0300160834)	
34	4341390	1	Belgium Built Machines (SN 1300006658 through 1300007162)	
34	1001099364	1	Belgium Built Machines (SN 1300007163 to Present)	
34	1001099364	1	Romanian Built Machines (SN E300000001 through E300001114)	
34	4341389	1	GM Engine Machines	
35	4846424	1	Hood Mounting Weldment	
36	3311005	4	Locknut #10-24NC	
37	4751000	8	Flatwasher #10 Regular	
38	4060805	6 ft/1.75m	Flex-Trim	
39	1001105273	1	Insulation, Heat Shield (Used on Caterpillar/Deutz/Perkins Engine Machines)	
39	1001105273	1	Insulation, Heat Shield (Used on GM Engine Machines) (Use p/n 1001117139)	
40	1001105275	1	Insulation, Heat Shield (Used on Caterpillar/Deutz/Perkins Engine Machines)	
40	1001105275	1	Insulation, Heat Shield (Used on GM Engine Machines) (Use p/n 1001117139)	
41	4740500	3	Washer, Special (Not Used on Deutz Engine Machines)	
42	1001105272	1	Insulation, Heat Shield (Used on Caterpillar/Deutz/Perkins Engine Machines)	
42	1001105272	1	Insulation, Heat Shield (Used on GM Engine Machines) (Use p/n 1001117139)	
43	1001105276	1	Insulation, Heat Shield (Used on Caterpillar/Deutz/Perkins Engine Machines)	
43	1001105276	1	Insulation, Heat Shield (Used on GM Engine Machines) (Use p/n 1001117139)	
44	1001109495	1	Insulation, Heat Shield (Used on Caterpillar/Deutz/Perkins Engine Machines)	
45	1001117140	AR	Tape, Aluminized Polyester (Used on GM Engine Machines) (SN 0300140604 through 0300160834)	

SECTION 2 - TURNTABLE

FIGURE 2-32. 2500W GENERATOR INSTALLATION - CATERPILLAR MACHINES (OPTIONAL)



SECTION 2 - TURNTABLE

FIGURE 2-32. 2500W GENERATOR INSTALLATION - CATERPILLAR MACHINES (OPTIONAL)

ITEM	PART NUMBER	QTY	DESCRIPTION	REV
		Ref	Note: For Module (with/without UGM) Identification, refer to Revision Log page A.	
		Ref	GENERATOR INSTALLATION	
		Ref	Without UGM	
	0274084	Ref	110V/60Hz Generator	C
	1001097340	Ref	110V/50Hz Generator (USA Built Machines) (SN 0300124000 through 0300132831)	B
	1001097340	Ref	110V/50Hz Generator (Belgium Built Machines) (SN 1300006000 through 1300006617)	B
	1001100944	Ref	110V/50Hz Generator (USA Built Machines) (SN 0300132832 through 0300160834)	B
	1001100944	Ref	110V/50Hz Generator (Belgium Built Machines) (SN 1300006618 to Present)	B
	1001100944	Ref	110V/50Hz Generator (Romanian Built Machines) (SN E300000001 through E300001114)	B
	1001097324	Ref	220V/50HZ Generator (USA Built Machines) (SN 0300124000 through 0300132831)	B
	1001097324	Ref	220V/50HZ Generator (Belgium Built Machines) (SN 1300006000 through 1300006617)	B
	1001100943	Ref	220V/50HZ Generator (USA Built Machines) (SN 0300132832 through 0300160834)	B
	1001100943	Ref	220V/50HZ Generator (Belgium Built Machines) (SN 1300006618 to Present)	B
	1001100943	Ref	220V/50HZ Generator (Romanian Built Machines) (SN E300000001 through E300001114)	B
		Ref	With UGM	
	1001111285	Ref	110V/60HZ Generator	A
	1001100944	Ref	110V/50Hz Generator	B
	1001100943	Ref	220V/50HZ Generator	B
1	0100011	AR	Compound, Locking	
2	0200742	1	Arm, Adjusting	
3		Ref	V-Belt Options:	
3	0480121	1	110V/60Hz	
3	0480121	1	110V/50Hz (USA Built Machines) (SN 0300124000 through 0300132831)	
3	0480121	1	110V/50Hz (Belgium Built Machines) (SN 1300006000 through 1300006617)	
3	0480120	1	110V/50Hz (USA Built Machines) (SN 0300132832 through 0300160834)	
3	0480120	1	110V/50Hz (Belgium Built Machines) (SN 1300006618 to Present)	
3	0480120	1	110V/50Hz (Romanian Built Machines) (SN E300000001 through E300001114)	
3	0480120	1	220V/50Hz	
4	0641404	1	Bolt 1/4in-20NC x 1/2in	
5	0641508	1	Bolt 5/16in-18NC x 1in	
6	0641772	1	Bolt 7/16in-14NC x 9in	
7	0701217	3	Bolt M12 x 45mm	
8	0962449	1	Bushing	
9		Ref	Generator and Control Box Assembly Options:	
9	2460055	1	110V/60Hz	
9	2460057	1	110V/50Hz (USA Built Machines) (SN 0300124000 through 0300132831)	

SECTION 2 - TURNTABLE

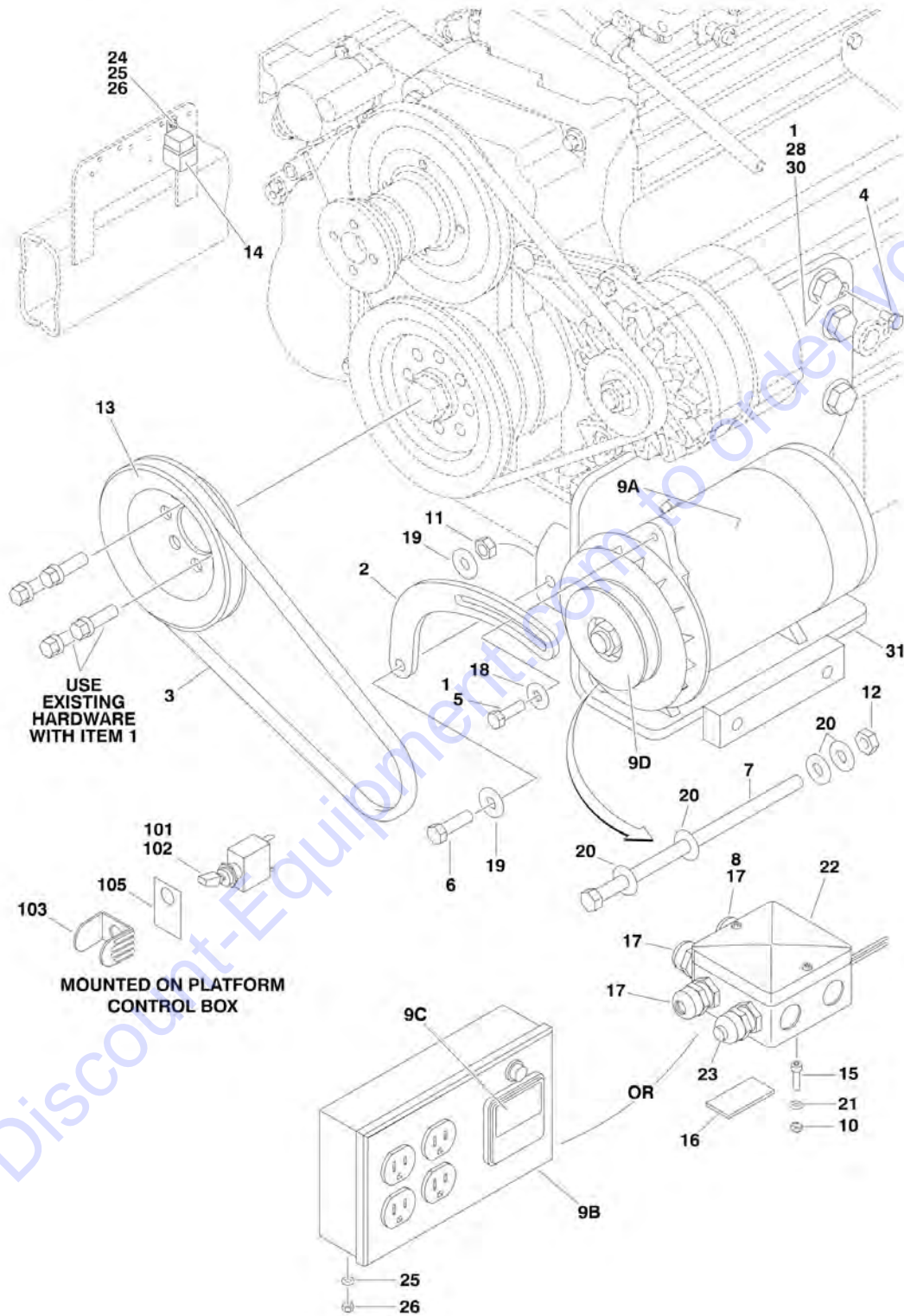
ITEM	PART NUMBER	QTY	DESCRIPTION	REV
9	2460057	1	110V/50Hz (Belgium Built Machines) (SN 1300006000 through 1300006617)	
9	2460049	1	110V/50Hz Generator Only (USA Built Machines) (SN 0300132832 through 0300160834)	
9	2460049	1	110V/50Hz Generator Only (Belgium Built Machines) (SN 1300006618 to Present)	
9	2460049	1	110V/50Hz Generator Only (Romanian Built Machines) (SN E300000001 through E300001114)	
9	2460056	1	220V/50Hz (USA Built Machines) (SN 0300124000 through 0300132831)	
9	2460056	1	220V/50Hz (Belgium Built Machines) (SN 1300006000 through 1300006617)	
9	1001100321	1	220V/50Hz Generator Only (USA Built Machines) (SN 0300132832 through 0300160834)	
9	1001100321	1	220V/50Hz Generator Only (Belgium Built Machines) (SN 1300006618 to Present)	
9	1001100321	1	220V/50Hz Generator Only (Romanian Built Machines) (SN E300000001 through E300001114)	
9A	7012558	1	Replacement Generator - 110V/60Hz	
9A	2460049	1	Replacement Generator - 110V/50Hz	
9A	1001100321	1	Replacement Generator - 220V/50Hz	
		Ref	Note: All Replacement Generators come standard with P/N 3580134 Pulley. This Pulley may not be correct for all applications. Refer to Pulley options below.	
9A	7026199	1	110V/60Hz Armature with Slip Rings	
9A	70000122	1	110V/50Hz Armature with Slip Rings	
9A	70000123	1	220V/50Hz Armature with Slip Rings	
9A	7020109	4	Holder, Brush	
9A	7020108	4	Brush	
9A	7012513	4	Cap, Brush Holder	
9A	7012514	1	Fan	
9A	7020190	2	Bearing	
9A	7020110	1	End Bell, Front	
9A	7020111	1	End Bell, Rear	
9A	7020193	1	Cord, Power	
9B		Ref	Replacement Control Box Options:	
9B	7019680	1	110V	
9B	70000127	1	220V	
9B		Ref	Circuit Breaker Options:	
9B	4360542	1	110V	
9B	70000126	1	220V	
9B	4460190	1	Receptacle, Double (110V Box)	
9B	4460027	1	Receptacle, Double Twist Lock (110V Box)	
9B	70000124	1	Receptacle, Double (220V Box)	
9B	70000125	1	Receptacle, Single Twist Lock (220V Box)	
9B	3520028	1	Plug, Hole	
9C		Ref	Voltmeter Options:	
9C	2420203	1	110V	
9C	7020192	1	220V	
9D		Ref	Pulley Options:	
9D	3580276	1	110V/60Hz	
9D	3580134	1	110V/50Hz	
9D	3580134	1	220V/50Hz	
9D	7027887	1	Key, Woodruff	

SECTION 2 - TURNTABLE

ITEM	PART NUMBER	QTY	DESCRIPTION	REV
10	3290505	1	Locknut M5	
11	3311705	1	Locknut 7/16in-14NC	
12	3580315	1	Pulley	
13	3740080	1	Relay	
14	4031608	1	Bolt M5 x 20mm	
15	4420060	3 in/8cm	Tape, Double Sided Foam Acrylic	
16	4460968	3	Connector, Strain Relief	
17	4751500	1	Flatwasher 5/16in	
18	4751700	AR	Flatwasher 7/16in	
19	4811600	1	Flatwasher M5	
20	1001099869	1	Box, Junction	
21		Ref	Light, Red Options:	
21	1001100233	1	125V	
21	1001100234	1	250V	
22	3311005	2	Locknut #10-24NC	
23	4751000	8	Flatwasher #10	
		Ref	PLATFORM COMPONENTS	
		Ref	Note: For Module (with/without UGM) Identification, refer to Revision Log page A.	
		Ref	Without UGM	
	0274084	Ref	110V/60Hz Generator	C
	1001097339	Ref	110V/50Hz Generator (USA Built Machines) (SN 0300124000 through 0300132831)	B
	1001097339	Ref	110V/50Hz Generator (Belgium Built Machines) (SN 1300006000 through 1300006617)	B
	1001100942	Ref	110V/50Hz Generator (USA Built Machines) (SN 0300132832 through 0300160835)	A
	1001100942	Ref	110V/50Hz Generator (Belgium Built Machines) (SN 1300006618 to Present)	A
	1001100942	Ref	110V/50Hz Generator (Romanian Built Machines) (SN E300000001 through E300001114)	A
	1001097324	Ref	220V/50HZ Generator (USA Built Machines) (SN 0300124000 through 0300132831)	B
	1001097324	Ref	220V/50HZ Generator (Belgium Built Machines) (SN 1300006000 through 1300006617)	B
	1001100941	Ref	220V/50HZ Generator (USA Built Machines) (SN 0300132832 through 0300160834)	A
	1001100941	Ref	220V/50HZ Generator (Belgium Built Machines) (SN 1300006618 to Present)	A
	1001100941	Ref	220V/50HZ Generator (Romanian Built Machines) (SN E300000001 through E300001114)	A
		Ref	With UGM	
	1001111285	Ref	110V/60HZ Generator	A
	1001111815	Ref	110V/50HZ Generator	A
	1001111814	Ref	220V/50HZ Generator	A
101	4360336	1	Switch, Toggle	
102	4740397	1	Washer	
103	4060802	1	Guard, Switch	
104	2820031	1	Heatshrink (Not Shown)	
105	3251102	1	Nameplate	

SECTION 2 - TURNTABLE

FIGURE 2-33. 2500W GENERATOR INSTALLATION - DEUTZ MACHINES (OPTIONAL)



SECTION 2 - TURNTABLE

FIGURE 2-33. 2500W GENERATOR INSTALLATION - DEUTZ MACHINES (OPTIONAL)

ITEM	PART NUMBER	QTY	DESCRIPTION	REV
		Ref	Note: For Module (with/without UGM) Identification, refer to Revision Log page A.	
		Ref	GENERATOR INSTALLATION OPTIONS:	
		Ref	Without UGM	
	0274079	Ref	110V/60Hz Generator	2-B
		Ref	110V/50Hz Generator Options:	
	0274089	Ref	USA Built Machines (SN 0300124000 through 0300132831)	2-B
	0274089	Ref	Belgium Built Machines (SN 1300006000 through 1300006617)	2-B
	1001100732	Ref	USA Built Machines (SN 0300132832 through 0300160834)	C
	1001100732	Ref	Belgium Built Machines (SN 1300006618 to Present)	C
	1001100732	Ref	Romanian Built Machines (SN E300000001 through E300001114)	C
		Ref	220V/50HZ Generator	
	0274085	Ref	USA Built Machines (SN 0300124000 through 0300132831)	2-B
	0274085	Ref	Belgium Built Machines (SN 1300006000 through 1300006617)	2-B
	1001100749	Ref	USA Built Machines (SN 0300132832 through 0300160834)	B
	1001100749	Ref	Belgium Built Machines (SN 1300006618 to Present)	B
	1001100749	Ref	Romanian Built Machines (SN E300000001 through E300001114)	B
		Ref	With UGM	
	1001115403	Ref	110V/60HZ Generator	A
	1001100732	Ref	110V/50Hz Generator	C
	1001100749	Ref	220V/50Hz Generator	C
1	0100011	AR	Compound, Locking	
2	0200742	1	Arm, Adjusting	
3		Ref	V-Belt Options:	
3	0480122	1	110V/60Hz	
3	0480120	1	110V/50Hz	
3	0480120	1	220V/50Hz	
4	0641404	1	Bolt 1/4in-20NC x 1/2in	
5	0641508	1	Bolt 5/16in-18NC x 1in	
6	0641610	1	Bolt 3/8in-16NC x 1-1/4in	
7	0641772	1	Bolt 7/16in-14NC x 9in	
8	0962449	1	Bushing	
9		Ref	Generator and Control Box Assembly Options:	
9	2460055	1	110V/60Hz	
9	2460057	1	110V/50Hz (USA Built Machines) (SN 0300124000 through 0300132831)	
9	2460057	1	110V/50Hz (Belgium Built Machines) (SN 1300006000 through 1300006617)	
9	2460049	1	110V/50Hz Generator Only (USA Built Machines) (SN 0300132832 through 0300160834)	
9	2460049	1	110V/50Hz Generator Only (Belgium Built Machines) (SN 1300006618 to Present)	
9	2460049	1	110V/50Hz Generator Only (Romanian Built Machines) (SN E300000001 through E300001114)	
9	2460056	1	220V/50Hz (USA Built Machines) (SN 0300124000 through 0300132831)	
9	2460056	1	220V/50Hz (Belgium Built Machines) (SN 1300006000 through 1300006617)	

SECTION 2 - TURNTABLE

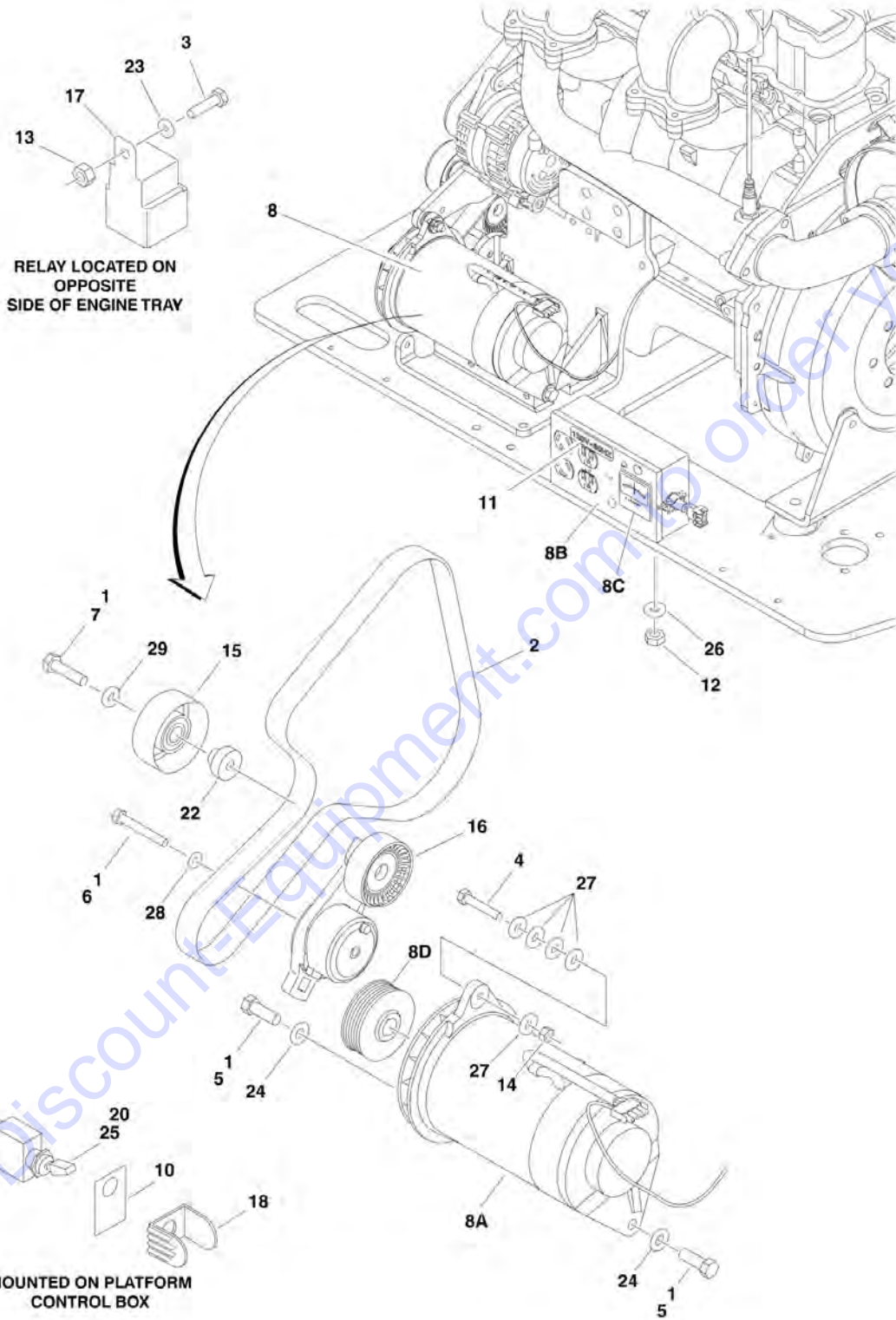
ITEM	PART NUMBER	QTY	DESCRIPTION	REV
9	1001100321	1	220V/50Hz Generator Only (USA Built Machines) (SN 0300132832 through 0300160834)	
9	1001100321	1	220V/50Hz Generator Only (Belgium Built Machines) (SN 1300006618 to Present)	
9	1001100321	1	220V/50Hz Generator Only (Romanian Built Machines) (SN E300000001 through E300001114)	
9A		Ref	Generator Options:	
9A	7012558	1	Generator - 110V/60Hz	
9A	2460049	1	Generator - 110V/50Hz	
9A	1001100321	1	Generator - 220V/50Hz	
		Ref	Note: All Replacement Generators come standard with P/N 3580134 Pulley. This Pulley may not be correct for all applications. Refer to Pulley options below.	
9A	7026199	1	110V/60Hz Armature with Slip Rings	
9A	70000122	1	110V/50Hz Armature with Slip Rings	
9A	70000123	1	220V/50Hz Armature with Slip Rings	
9A	7020109	4	Holder, Brush	
9A	7020108	4	Brush	
9A	7012513	4	Cap, Brush Holder	
9A	7012514	1	Fan	
9A	7020190	2	Bearing	
9A	7020110	1	End Bell, Front	
9A	7020111	1	End Bell, Rear	
9A	7020193	1	Cord, Power	
9B		Ref	Control Box Options:	
9B	7019680	1	110V	
9B	70000127	1	220V	
9B		Ref	Breaker, Circuit Options:	
9B	4360542	1	110V	
9B	70000126	1	220V	
9B	4460190	1	Receptacle, Double (110V Box)	
9B	4460027	1	Receptacle, Double Twist Lock (110V Box)	
9B	70000124	1	Receptacle, Double (220V Box)	
9B	70000125	1	Receptacle, Single Twist Lock (220V Box)	
9B	3520028	1	Plug, Hole	
9C		Ref	Voltmeter Options:	
9C	2420203	1	110V	
9C	7020192	1	220V	
9D		Ref	Pulley Options:	
9D	3580276	1	110V/60Hz	
9D	3580134	1	110V/50Hz	
9D	3580134	1	220V/50Hz	
9D	7027887	1	Key, Woodruff	
10	3290505	1	Locknut M5	
11	3311605	1	Locknut 3/8in-16NC	
12	3311705	1	Locknut 7/16in-14NC	
13	3580158	1	Pulley	
14	3740080	1	Relay	
15	4031608	1	Bolt M5 x 20mm	
16	4420060	3 in/8cm	Tape, Double Sided Foam Acrylic	
17	4460968	3	Connector, Strain Relief	
18	4751500	1	Flatwasher 5/16in Regular	

SECTION 2 - TURNTABLE

ITEM	PART NUMBER	QTY	DESCRIPTION	REV
19	4751600	2	Flatwasher 3/8in Regular	
20	4751700	4	Flatwasher 7/16in Regular	
21	4811600	1	Flatwasher M5	
22	1001099869	1	Box, Junction	
23		Ref	Light, Red Options:	
23	1001100233	1	125V	
23	1001100234	1	250V	
24	0721006	1	Bolt #10-24NC x 3/4in	
25	3311005	3	Locknut #10-24NC	
26	4751000	6	Flatwasher #10 Regular	
27	0641820	1	Bolt 1/2in-13NC x 2-1/2in (Not Shown - Attaches Item 31 to Engine Tray)	
28	0711414	4	Bolt M14 x 30mm	
29	3311805	1	Locknut 1/2in (Not Shown - Attaches Item 31 to Engine Tray)	
30	4812200	2	Flatwasher M14	
31	4846567	1	Bracket, Motor Mounting	
		Ref	PLATFORM COMPONENTS	
		Ref	Note: For Module (with/without UGM) Identification, refer to Revision Log page A.	
		Ref	Without UGM	
	0274079	Ref	110V/60Hz Generator	2-B
		Ref	110V/50Hz Generator	
	0274089	Ref	USA Built Machines (SN 0300124000 through 0300132831)	2-B
	0274089	Ref	Belgium Built Machines (SN 1300006000 through 1300006617)	2-B
	1001100656	Ref	USA Built Machines (SN 0300132832 through 0300160834)	A
	1001100656	Ref	Belgium Built Machines (SN 1300006618 to Present)	A
	1001100656	Ref	Romanian Built Machines (SN E300000001 through E300001114)	S
		Ref	220V/50HZ Generator	
	0274085	Ref	USA Built Machines (SN 0300124000 through 0300132831)	2-B
	0274085	Ref	Belgium Built Machines (SN 1300006000 to Present)	2-B
	1001100657	Ref	USA Built Machines (SN 0300132832 through 0300139039)	A
	1001100657	Ref	Belgium Built Machines (SN 1300006618 to Present)	A
	1001100657	Ref	Romanian Built Machines (SN E300000001 through E300001114)	A
		Ref	With UGM	
	1001115403	Ref	110V/60HZ Generator	A
	1001115411	Ref	110V/50HZ Generator	A
	1001115412	Ref	220V/50HZ Generator	A
101	4360336	1	Switch, Toggle	
102	4740397	1	Washer	
103	4060802	1	Guard, Switch	
104	2820031	AR	Heatshrink (Not Shown)	
105	3251102	1	Nameplate	

SECTION 2 - TURNTABLE

FIGURE 2-34. 2500W GENERATOR INSTALLATION - GM MACHINES (OPTIONAL)



SECTION 2 - TURNTABLE

FIGURE 2-34. 2500W GENERATOR INSTALLATION - GM MACHINES (OPTIONAL)

ITEM	PART NUMBER	QTY	DESCRIPTION	REV
		Ref	Note: No Romanian Built Machines were built with GM Engines	
		Ref	GENERATOR INSTALLATION OPTIONS:	
	0275039	Ref	110V Generator	E
1	0100011	AR	Compound, Locking	
2	0480142	1	V-Belt	
3	0641405	1	Bolt 1/4in-20NC x 5/8in	
4	0641510	1	Bolt 5/16in-18NC x 1-1/4in	
5	0641710	2	Bolt 7/16in-14NC x 1-1/4in	
6	0700820	1	Bolt M8 x 60mm	
7	0701016	1	Bolt M10 x 340mm	
8	2460051	1	110V/60Hz Generator and Control Box Assembly	
8A	7012558	1	110V/60Hz Replacement Generator	
		Ref	Note: All Replacement Generators come standard with P/N 3580134 Pulley. This Pulley may not be correct for all applications. Refer to Pulley options below.	
8A	7026199	1	Armature with Slip Rings	
8A	7020109	4	Holder, Brush	
8A	7020108	4	Brush	
8A	7012513	4	Cap, Brush Holder	
8A	7012514	1	Fan	
8A	7020190	2	Bearing	
8A	7020110	1	End Bell, Front	
8A	7020111	1	End Bell, Rear	
8A	7020193	1	Cord, Power	
8B	7019680	1	110V/60Hz Control Box	
8B	4360542	1	Circuit Breaker	
8B	4460190	1	Receptacle, Double (110V)	
8B	4460027	1	Receptacle, Double Twist Lock (110V)	
8B	3520028	1	Plug, Hole	
8C	2420203	1	Voltmeter	
8D	3580324	1	Pulley	
8D	7027887	1	Key, Woodruff	
9	2820031	AR	Heatshrink (Not Shown - Located at Platform)	
10	3251102	1	Nameplate - Generator	
11	3251243	1	Decal	
12	3311005	2	Locknut # 10-24NC	
13	3311405	1	Locknut 1/4in-20NC	
14	3311505	1	Locknut 5/16in-18NC	
15	3580312	1	Pulley, Idler	
16	3580348	1	Tensioner, Belt	
17	3740080	1	Relay, Bosch	
18	4060802	1	Guard, Switch	
19	4240018	AR	Tie-Strap (Not Shown)	
20	4360336	1	Switch, Toggle	
21	4460906	3	Terminal (Not Shown)	
22	4568735	1	Spacer, Tube (Idler Pulley Grooved)	
23	4711400	1	Flatwasher 1/4in Thin	
24	4711700	2	Flatwasher 7/16in Thin	
25	4740397	1	Spacer	

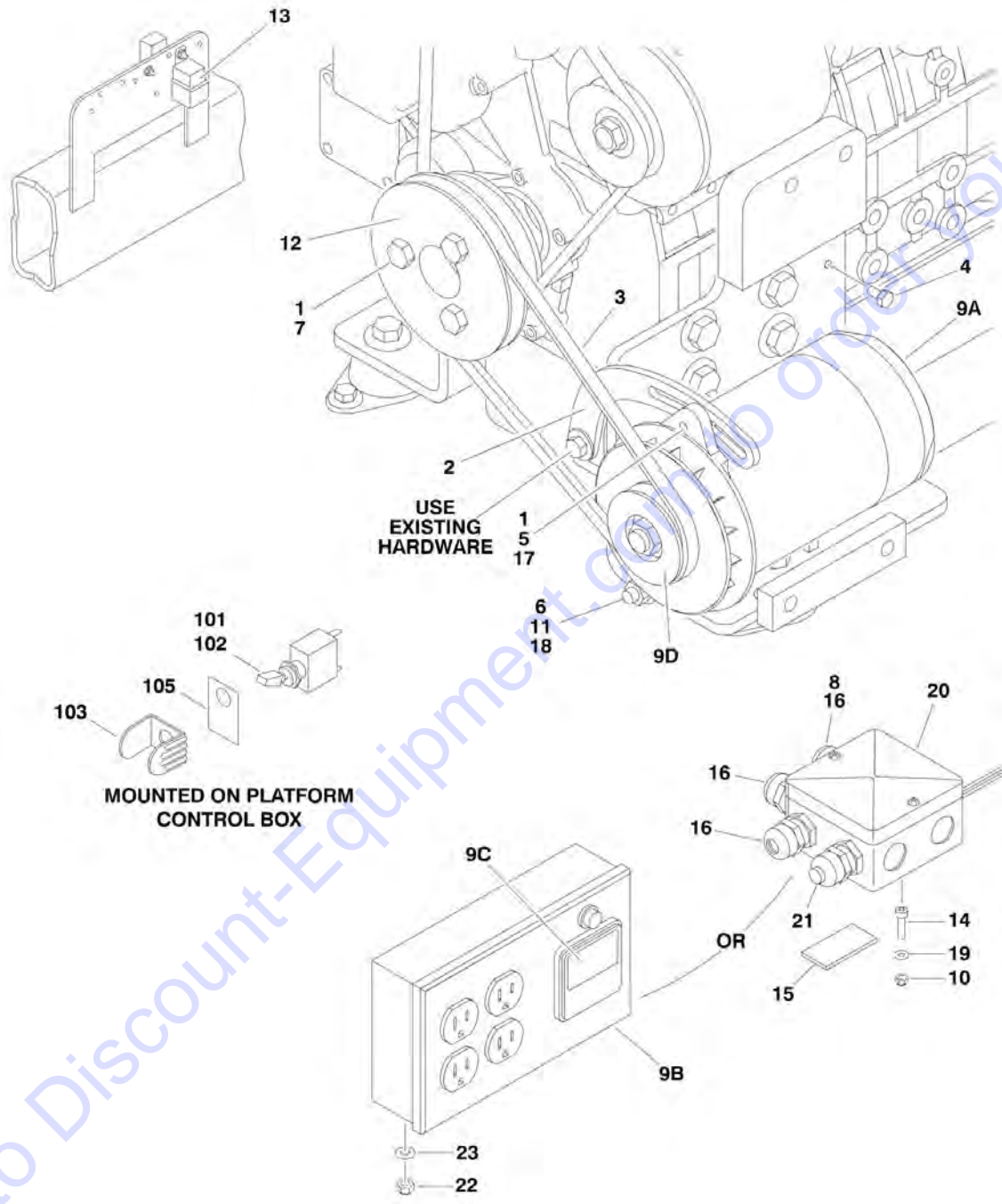
SECTION 2 - TURNTABLE

ITEM	PART NUMBER	QTY	DESCRIPTION	REV
26	4751000	2	Flatwasher #10 Regular	
27	4751500	4	Flatwasher 5/16in Regular	
28	4811900	1	Flatwasher 8mm	
29	4891600	1	Flatwasher 3/8in Hardened	

Go to Discount-Equipment.com to order your parts

SECTION 2 - TURNTABLE

FIGURE 2-35. 2500W GENERATOR INSTALLATION - PERKINS MACHINES (OPTIONAL)



SECTION 2 - TURNTABLE

FIGURE 2-35. 2500W GENERATOR INSTALLATION - PERKINS MACHINES (OPTIONAL)

ITEM	PART NUMBER	QTY	DESCRIPTION	REV
		Ref	Note: For Module (with/without UGM) Identification, refer to Revision Log page A.	
		Ref	Note: No Romanian Built Machines were built with Perkins Engines	
		Ref	GENERATOR INSTALLATION	
		Ref	Without UGM	
	1001097325	Ref	110V/60Hz Generator	D
	1001097340	Ref	110V/50Hz Generator (USA Built Machines) (SN 0300124000 through 0300132831)	B
	1001097340	Ref	110V/50Hz Generator (Belgium Built Machines) (SN 1300006000 through 1300006617)	B
	1001100944	Ref	110V/50Hz Generator (USA Built Machines) (SN 0300132832 through 0300160834)	B
	1001100944	Ref	110V/50Hz Generator (Belgium Built Machines) (SN 1300006618 to Present)	B
	1001097324	Ref	220V/50HZ Generator (USA Built Machines) (SN 0300124000 through 0300132831)	B
	1001097324	Ref	220V/50HZ Generator(Belgium Built Machines) (SN 1300006000 through 1300006617)	B
	1001100943	Ref	220V/50HZ Generator (USA Built Machines) (SN 0300132832 through 0300160834)	B
	1001100943	Ref	220V/50HZ Generator (Belgium Built Machines) (SN 1300006618 to Present)	B
		Ref	With UGM	
	1001111285	Ref	110V/60HZ Generator	A
	1001100944	Ref	110V/50Hz Generator	B
	1001100943	Ref	220V/50HZ Generator	B
1	0100011	AR	Compound, Locking	
2	0200742	1	Arm, Adjusting	
3		Ref	V-Belt Options:	
3	0480121	1	110V/60Hz	
3	0480121	1	110V/50Hz (USA Built Machines) (SN 0300124000 through 0300132831)	
3	0480121	1	110V/50Hz (Belgium Built Machines) (SN 1300006000 through 1300006617)	
3	0480120	1	110V/50Hz (USA Built Machines) (SN 0300132832 through 0300160834)	
3	0480120	1	110V/50Hz (Belgium Built Machines) (SN 1300006618 to Present)	
3	0480120	1	220V/50Hz	
4	0641508	1	Bolt 1/4in-20NC x 1/2in	
5	0641508	1	Bolt 5/16in-18NC x 1in	
6	0641772	1	Bolt 7/16in-14NC x 9in	
7	0701217	3	Bolt M12 x 45mm	
8	0962449	1	Bushing	
9		Ref	Generator and Control Box Assembly Options:	
9	2460055	1	110V/60Hz	
9	2460057	1	110V/50Hz (USA Built Machines) (SN 0300124000 through 0300132831)	
9	2460057	1	110V/50Hz (Belgium Built Machines) (SN 1300006000 through 1300006617)	
9	2460049	1	110V/50Hz Generator Only (USA Built Machines) (SN 0300132832 through 0300160834)	

SECTION 2 - TURNTABLE

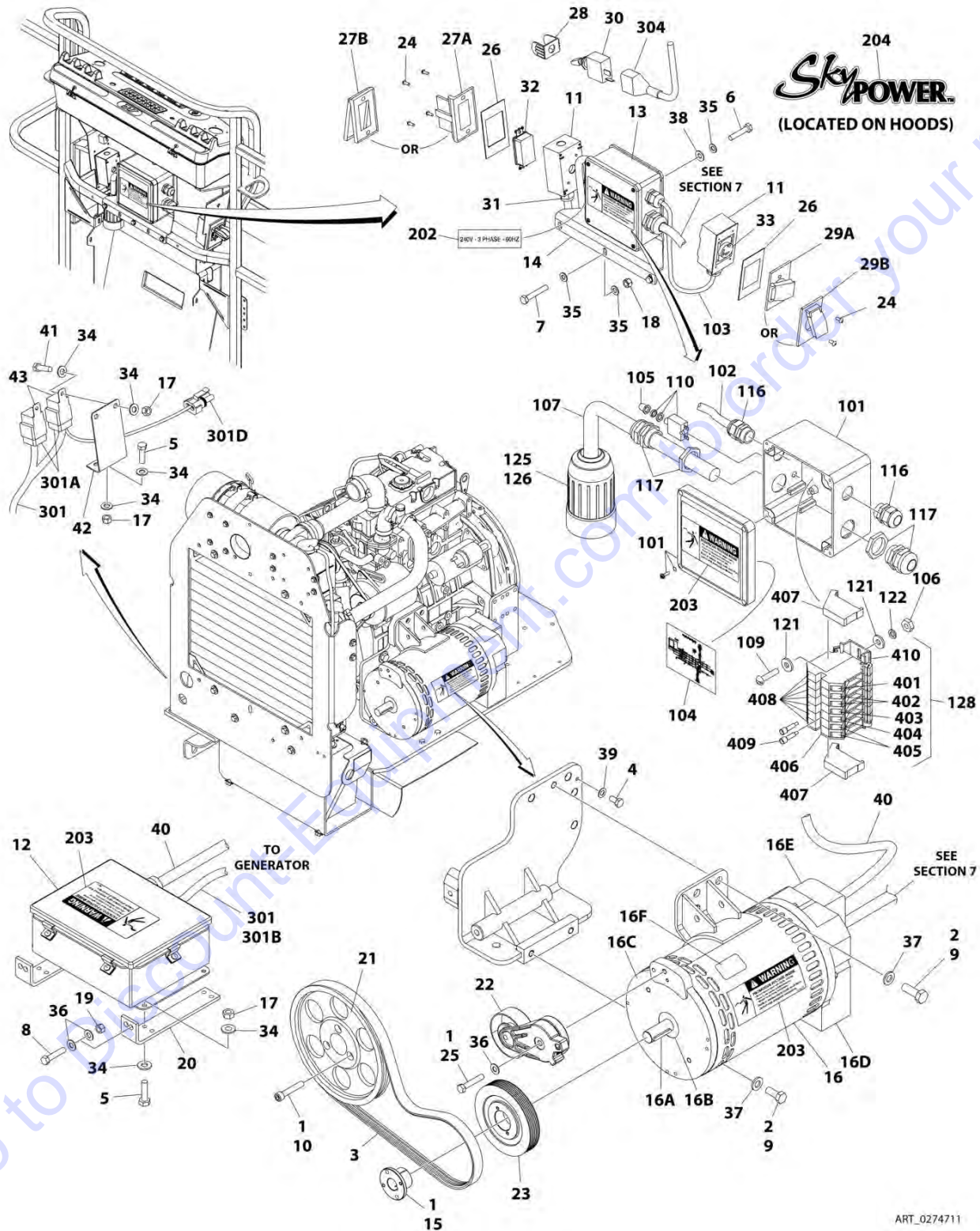
ITEM	PART NUMBER	QTY	DESCRIPTION	REV
9	2460049	1	110V/50Hz Generator Only (Belgium Built Machines) (SN 1300006618 to Present)	
9	2460056	1	220V/50Hz (USA Built Machines) (SN 0300124000 through 0300132831)	
9	2460056	1	220V/50Hz (Belgium Built Machines) (SN 1300006000 through 1300006617)	
9	1001100321	1	220V/50Hz Generator Only (USA Built Machines) (SN 0300132832 through 0300160834)	
9	1001100321	1	220V/50Hz Generator Only (Belgium Built Machines) (SN 1300006618 to Present)	
9A	7012558	1	Replacement Generator - 110V/60Hz	
9A	2460049	1	Replacement Generator - 110V/50Hz	
9A	1001100321	1	Replacement Generator - 220V/50Hz	
		Ref	Note: All Replacement Generators come standard with P/N 3580134 Pulley. This Pulley may not be correct for all applications. Refer to Pulley options below.	
9A	7026199	1	110V/60Hz Armature with Slip Rings	
9A	70000122	1	110V/50Hz Armature with Slip Rings	
9A	70000123	1	220V/50Hz Armature with Slip Rings	
9A	7020109	4	Holder, Brush	
9A	7020108	4	Brush	
9A	7012513	4	Cap, Brush Holder	
9A	7012514	1	Fan	
9A	7020190	2	Bearing	
9A	7020110	1	End Bell, Front	
9A	7020111	1	End Bell, Rear	
9A	7020193	1	Cord, Power	
9B		Ref	Replacement Control Box Options:	
9B	7019680	1	110V	
9B	70000127	1	220V	
9B		Ref	Circuit Breaker Options:	
9B	4360542	1	110V	
9B	70000126	1	220V	
9B	4460190	1	Receptacle, Double (110V Box)	
9B	4460027	1	Receptacle, Double Twist Lock (110V Box)	
9B	70000124	1	Receptacle, Double (220V Box)	
9B	70000125	1	Receptacle, Single Twist Lock (220V Box)	
9B	3520028	1	Plug, Hole	
9C		Ref	Voltmeter Options:	
9C	2420203	1	110V	
9C	7020192	1	220V	
9D		Ref	Pulley Options:	
9D	3580276	1	110V/60Hz	
9D	3580134	1	110V/50Hz	
9D	3580134	1	220V/50Hz	
9D	7027887	1	Key, Woodruff	
10	3290505	1	Locknut M5	
11	3311705	1	Locknut 7/16in-14NC	
12	3580315	1	Pulley	
13	3740080	1	Relay	
14	4031608	1	Bolt M5 x 20mm	
15	4420060	3 in/8cm	Tape, Double Sided Foam Acrylic	
16	4460968	3	Connector, Strain Relief	

SECTION 2 - TURNTABLE

ITEM	PART NUMBER	QTY	DESCRIPTION	REV
17	4751500	1	Flatwasher 5/16in Regular	
18	4751700	AR	Flatwasher 7/16in Regular	
19	4811600	1	Flatwasher M5	
20	1001099869	1	Box, Junction	
21		Ref	Light, Red Options:	
21	1001100233	1	125V	
21	1001100234	1	250V	
22	3311005	2	Locknut #10-24NC	
23	4751000	8	Flatwasher #10 Regular	
		Ref	PLATFORM COMPONENTS	
		Ref	Note: For Module (with/without UGM) Identification, refer to Revision Log page A.	
		Ref	Without UGM	
	1001097325	Ref	110V/60Hz Generator	D
	1001097339	Ref	110V/50Hz Generator (USA Built Machines) (SN 0300124000 through 0300132831)	B
	1001097339	Ref	110V/50Hz Generator (Belgium Built Machines) (SN 1300006000 through 1300006617)	B
	1001100942	Ref	110V/50Hz Generator (USA Built Machines) (SN 0300132832 through 0300160834)	B
	1001100942	Ref	110V/50Hz Generator (Belgium Built Machines) (SN 1300006618 to Present)	B
	1001097324	Ref	220V/50HZ Generator (USA Built Machines) (SN 0300124000 through 0300132831)	B
	1001097324	Ref	220V/50HZ Generator (Belgium Built Machines) (SN 1300006000 through 1300006617)	B
	1001100941	Ref	220V/50HZ Generator (USA Built Machines) (SN 0300132832 through 0300160834)	B
	1001100941	Ref	220V/50HZ Generator (Belgium Built Machines) (SN 1300006618 to Present)	B
		Ref	With UGM	
	1001111285	Ref	110V/60HZ Generator	A
	1001111815	Ref	110V/50HZ Generator	A
	1001111814	Ref	220V/50HZ Generator	A
101	4360336	1	Switch, Toggle	
102	4740397	1	Washer	
103	4060802	1	Guard, Switch	
104	2820031	1	Heatshrink (Not Shown)	
105	3251102	1	Nameplate	

SECTION 2 - TURNTABLE

FIGURE 2-36. 7500W GENERATOR INSTALLATION - CATERPILLAR ENGINE MACHINES (USA BUILT MACHINES)



SECTION 2 - TURNTABLE

FIGURE 2-36. 7500W GENERATOR INSTALLATION - CATERPILLAR ENGINE MACHINES (USA BUILT MACHINES)

ITEM	PART NUMBER	QTY	DESCRIPTION	REV
		Ref	7500W GENERATOR INSTALLATION - CATERPILLAR ENGINE MACHINES (USA BUILT MACHINES)	
	0274711	Ref	Caterpillar Engine Machines - Without UGM (60Hz Spec)	E
	1001111404	Ref	Caterpillar Engine Machines - With UGM (60Hz Spec)	B
1	0100011	AR	Compound, Locking	
2	0100019	AR	Compound, Locking	
3	0480129	1	Belt	
4	0641403	1	Bolt 1/4 x 3/8	
5	0641408	5	Bolt 1/4 x 1	
6	0641505	4	Bolt 5/16 x 5/8	
6	0641508	4	Bolt 5/16 x 1	
7	0641516	3	Bolt 5/16 x 2	
8	0641614	2	Bolt 3/8 x 1-3/4	
9	0641808	4	Bolt 1/2 x 1	
10	0701217	3	Bolt M12 x 45	
11	0860038	2	Box, Switch	
12	0861538	1	Control Box Assembly	
12	7024488	1	Card, Circuit - Generator Power	
12	See Note	1	Fuse (Note: Not Available - Purchase Locally)	
12	7024489	1	Card, Circuit - Control	
12	70000619	1	Harness, Circuit Card	
13	0861542	1	Junction Box Assembly (See Items 101-128 for Breakdown)	
14	0902888	1	Bracket	
15	0962520	1	Bushing	
16	2460048	1	Generator Assembly	
16	70001100	1	Rotor (Includes p/n 70001384 & 70000863) (Not Shown)	
16	70001384	1	Bearing, Ball Radial (Not Shown)	
16	70000863	1	Fan (Not Shown)	
16	70002088	1	Stator (Not Shown)	
16	70002297	1	Stud	
16	70003631	1	Brushholder Assembly (Not Shown)	
16A	70004171	1	Key	
16B	70001966	1	Bearing, Ball Radial (Located in Belt Tensioner Endbell)	
16B	70003708	1	Ring, Internal Retaining (Located in Belt Tensioner Endbell)	
16B	70003709	1	Ring, External Retaining (Located in Belt Tensioner Endbell)	
16C	70001953	1	Endbell, Belt Tensioner	
16D	70004169	1	Endbell, Brush Block	
16E	70004169	1	Shroud	
16E	See Note	NSS	Insulator, Endbell (Note: Not Available for Purchase)	
16E	7027799	1	Block, Connector - 6 Position (Not Shown)	
16E	70002460	1	Nut, Brass (Attaches p/n 7027799 to Cover) (Not Shown)	
16E	7024485	1	Breaker, Circuit 30Amp (Not Shown)	
16E	70001696	1	Boot, Breaker (Not Shown)	
16E	7026626	1	Connector - 6 Position (Includes Seal) (Not Shown - Plugs into Item 39)	
16E	7026597	1	Connector, with Leads (Not Shown)	
16E	7026188	1	Clamp, Cable Options (Not Shown)	
16E	70004169	1	Plate, End Panel	
16E	70001974	1	Decal - Terminal Connections	

SECTION 2 - TURNTABLE

ITEM	PART NUMBER	QTY	DESCRIPTION	REV
16F	70001973	1	Decal - Warning Moving Parts	
17	3311405	AR	Nut 1/4	
17	3311005	AR	Nut #10	
18	3311505	3	Nut 5/16	
19	3311605	2	Nut 3/8	
20	3574523	2	Plate	
21	3580316	1	Pulley	
22	3580317	1	Pulley	
23	3580318	1	Pulley	
24	3910606	8	Screw #6 x 3/8	
25	0641618	1	Bolt 3/8 x 2-1/4	
26	3960422	2	Gasket	
27		Ref	Cover, Receptacle Options:	
27A	4060700	1	Cover (Side Hinge)	
27B	1001110873	1	Cover (Top Hinge)	
28	4060802	1	Guard, Switch	
29		Ref	Cover, Receptacle Options:	
29A	4061043	1	Cover (Side Hinge)	
29B	1001110872	1	Cover (Top Hinge)	
30	4360336	1	Switch, Toggle	
31	4460071	2	Connector, Strain Relief	
32	4460346	1	Receptacle	
33	4460958	1	Receptacle, Female Twist-Lock	
34	4711400	AR	Washer 1/4	
35	4711500	10	Washer 5/16	
36	4711600	AR	Washer 3/8	
37	4711800	4	Washer 1/2	
38	4761500	4	Washer 5/16	
39	4791400	1	Washer 1/4	
40	4922925	1	Harness, Generator	
40	4460225	1	Plug, Male 6 Position (Plugs into Generator)	
40	See Note	NSS	Socket, Female (Use with 4460225)	
40	See Note	NSS	Seal, Plug (Use with 4460225)	
40	See Note	NSS	Seal, Interface (Use with 4460225)	
41	0641405	2	Bolt 1/4 x 5/8	
41	0721004	2	Bolt #10 x 1/2	
42	3574163	1	Bracket	
43	3740080	2	Relay	
	0861542	Ref	JUNCTION BOX ASSEMBLY	
101	0861541	1	Box, Junction	
102	1060494	2 ft/.6m	Cable, Electrical - 12/3	
103	1060708	2.5 ft/ 0.8m	Cable, Electrical - 10/3	
104	1705376	1	Decal - Wiring Schematic	
105	3300396	1	Cover, Fuse	
106	3310601	2	Nut 6	
107	1060343	1.5 ft/ 0.5m	Cable, Electrical - 10/4	
109	3910610	2	Bolt 6 x 5/8	
110	4360070	1	Circuit Breaker - 15Amp	
116	4460425	2	Strain Relief, Terminal	
117	4460426	2	Connector, Strain Relief	

D

SECTION 2 - TURNTABLE

ITEM	PART NUMBER	QTY	DESCRIPTION	REV
121	4750600	4	Washer, #6	
122	4760600	2	Washer #6	
125	1671092	1	Cover (60Hz Spec Only)	
126	4460963	1	Connector	
128	1001121340	1	Terminal Block Assembly (See Items 401-410 for Breakdown)	
	0273380	Ref	DECAL INSTALLATION	B
202	1705375	1	Decal - 240V - 3 Phase - 60Hz	
203	1705387	3	Decal - Hazardous Voltage	
204	1705460	2	Decal - SkyPower	
		Ref	ELECTRICAL DIAGRAM COMPONENTS	
	4933264	Ref	Electrical Diagram - Without UGM	C
	1001112586	Ref	Electrical Diagram - With UGM	A
		Ref	Generator Harness Options (See ELECTRICAL SECTION for Breakdown):	
301	4922757	1	Generator Harness - Without UGM	3-C
301	1001112587	1	Generator Harness - With UGM	A
301A	4460374	2	Plug, Sealed Relay	
301A	4460375	7	Terminal	
301B	4460967	1	Plug, Male - 3 Position	
301B	4460465	3	Socket, Female	
301C	2400060	1	Fuseholder (Not Shown)	
301C	2400064	1	Fuse - 5Amp (Not Shown)	
301D	4460742	1	Connector - 2 Position (With UGM Only)	
301D	4460743	2	Socket, Female (With UGM Only)	
301D	4460458	2	Seal (With UGM Only)	
304	4922641	1	Switch Harness	
		Ref	TERMINAL BLOCK ASSEMBLY	
	NPN	Ref	Gray Terminal Block Assembly (Complete Assembly Not Available - Purchase Individual Components)	
	1001121340	Ref	Tan Terminal Block Assembly	A
401		Ref	Marker Strip #1 Options:	
401	4460411	2	Gray Terminal Block Assembly	
401	70002818	2	Tan Terminal Block Assembly	
402		Ref	Marker Strip #2 Options:	
402	4460412	AR	Gray Terminal Block Assembly	
402	70002819	4	Tan Terminal Block Assembly	
403		Ref	Marker Strip #3 Options:	
403	4460413	2	Gray Terminal Block Assembly	
403	70002820	2	Tan Terminal Block Assembly	
404		Ref	Marker Strip #4 Options:	
404	4460414	2	Gray Terminal Block Assembly	
404	70002821	2	Tan Terminal Block Assembly	
405		Ref	Marker Strip #5 Options:	
405	4460415	AR	Gray Terminal Block Assembly	
405	70002822	4	Tan Terminal Block Assembly	
406		Ref	Terminal, End Barrier Options:	
406	4460956	1	Gray Terminal Block Assembly	
406	70002823	1	Tan Terminal Block Assembly	
407		Ref	Terminal, End Block Options:	
407	4460607	2	Gray Terminal Block Assembly	
407	70002824	2	Tan Terminal Block Assembly	
408		Ref	Terminal, Block Options:	

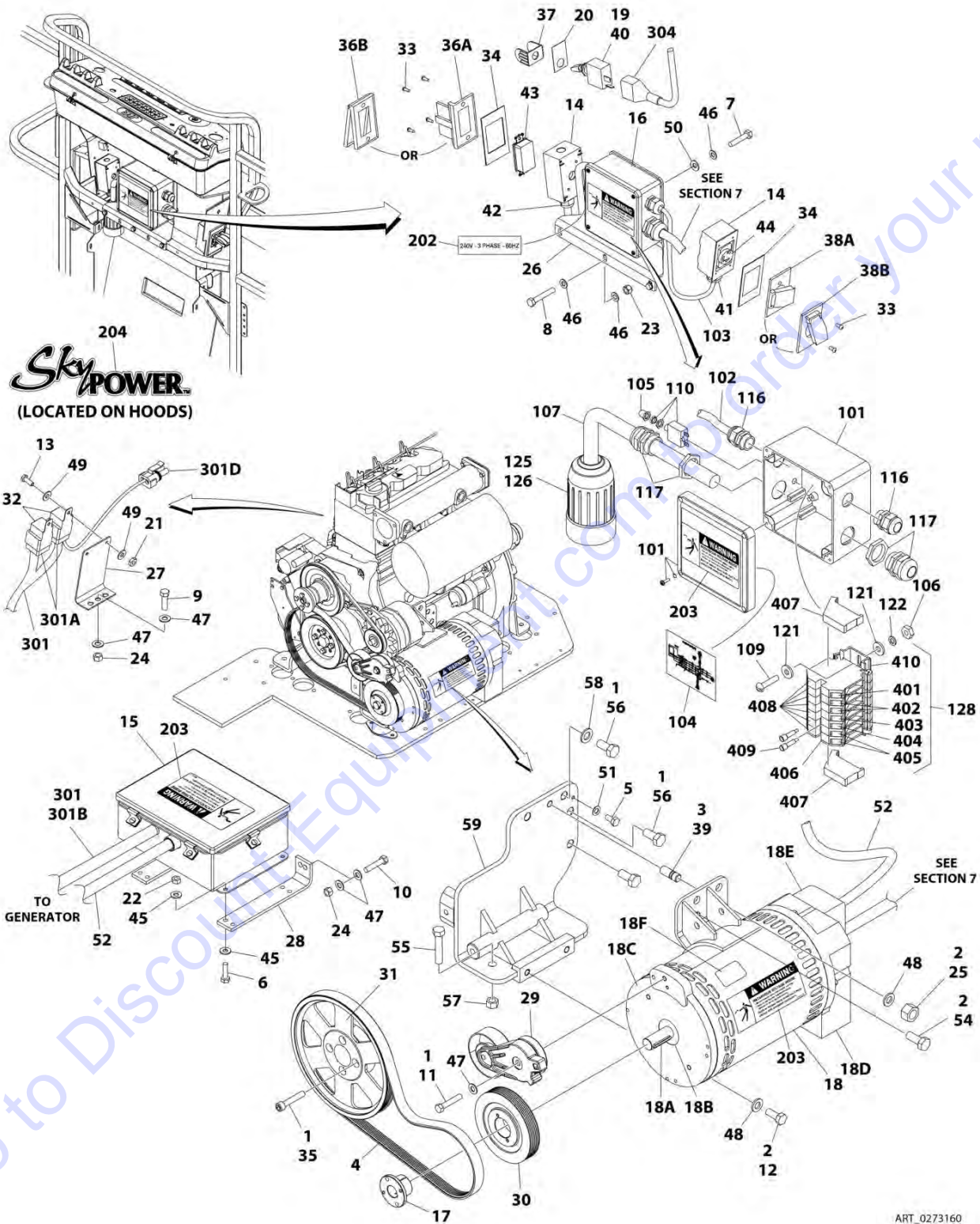
SECTION 2 - TURNTABLE

ITEM	PART NUMBER	QTY	DESCRIPTION	REV
408	4460957	AR	Gray Terminal Block Assembly	
408	70002825	7	Tan Terminal Block Assembly	
409		Ref	Terminal, Cross Connector Jumper Options:	
409	4461001	2	Gray Terminal Block Assembly	
409	70002826	2	Tan Terminal Block Assembly	
410	3640986	1	Rail, Relay (Prior to SN 0300072911)	
410	3641533	1	Rail, Relay (SN 0300072911 to Present)	

Go to Discount-Equipment.com to order your parts

SECTION 2 - TURNTABLE

FIGURE 2-37. 7500W GENERATOR INSTALLATION - DEUTZ ENGINE MACHINES (USA BUILT MACHINES)



SECTION 2 - TURNTABLE

FIGURE 2-37. 7500W GENERATOR INSTALLATION - DEUTZ ENGINE MACHINES (USA BUILT MACHINES)

ITEM	PART NUMBER	QTY	DESCRIPTION	REV
		Ref	7500W GENERATOR INSTALLATION - DEUTZ ENGINE MACHINES (USA BUILT MACHINES)	
		Ref	Deutz Engine Machines without UGM:	
	0273420	Ref	50Hz Spec	G
	0273160	Ref	60Hz Spec	G
		Ref	Deutz Engine Machines with UGM:	
	1001115396	Ref	50Hz Spec	D
	1001115395	Ref	60Hz Spec	C
1	0100011	AR	Compound, Locking	
2	0100019	AR	Compound, Locking	
3	0100062	AR	Loctite, #RC/680	
4	0480129	1	Belt (50Hz Spec)	
4	0480128	1	Belt (60Hz Spec)	
5	0641403	1	Bolt 1/4 x 3/8	
6	0641408	4	Bolt 1/4 x 1	
7	0641505	4	Bolt 5/16 x 5/8	
8	0641516	3	Bolt 5/16 x 2	
9	0641610	1	Bolt 3/8 x 1-1/4	
10	0641614	2	Bolt 3/8 x 1-3/4	
11	0641618	1	Bolt 3/8 x 2-1/4	
12	0641808	2	Bolt 1/2 x 1	
13	0721004	2	Bolt #10 x 1/2	
14	0860038	2	Box, Switch	
15	0861572	1	Control Box Assembly (50Hz Spec)	
15	0861538	1	Control Box Assembly (60Hz Spec)	
15	7024488	1	Card, Circuit - Generator Power	
15	See Note	1	Fuse (Note: Not Available - Purchase Locally)	
15	7024489	1	Card, Circuit - Control	
		Ref	Note: Same Circuit Card (P/N 7024489) is used for both 50Hz and 60Hz. When replacing card, rocker switch on card must be set for required application.	
15	70000619	1	Harness, Circuit Card	
16	0861567	1	Junction Box Assembly (50Hz Spec) (See Items 101-128 for Breakdown)	
16	0861542	1	Junction Box Assembly (60Hz Spec) (See Items 101-128 for Breakdown)	
17	0962520	1	Bushing	
18	2460048	1	Generator Assembly	
18	70001100	1	Rotor (Includes p/n 70001384 & 70000863) (Not Shown)	
18	70001384	1	Bearing, Ball Radial (Not Shown)	
18	70000863	1	Fan (Not Shown)	
18	70002088	1	Stator (Not Shown)	
18	70002297	1	Stud	
18	70003631	1	Brushholder Assembly (Not Shown)	
18A	70004171	1	Key	
18B	70001966	1	Bearing, Ball Radial (Located in Belt Tensioner Endbell)	
18B	70003708	1	Ring, Internal Retaining (Located in Belt Tensioner Endbell)	
18B	70003709	1	Ring, External Retaining (Located in Belt Tensioner Endbell)	
18C	70001953	1	Endbell, Belt Tensioner	
18D	70004169	1	Endbell, Brush Block	

SECTION 2 - TURNTABLE

ITEM	PART NUMBER	QTY	DESCRIPTION	REV
18E	70004169	1	Shroud	
18E	See Note	NSS	Insulator, Endbell (Note: Not Available for Purchase)	
18E	7027799	1	Block, Connector - 6 Position (Not Shown)	
18E	70002460	1	Nut, Brass (Attaches p/n 7027799 to Cover) (Not Shown)	
18E	7024485	1	Breaker, Circuit - 30Amp (Not Shown)	
18E	70001696	1	Boot, Breaker (Not Shown)	
18E	7026626	1	Connector - 6 Position (Includes Seal) (Not Shown - Plugs into Item 39)	
18E	7026597	1	Connector, with Leads (Not Shown)	
18E	7026188	1	Clamp, Cable Options (Not Shown)	
18E	70004169	1	Plate, End Panel	
18E	70001974	1	Decal - Terminal Connections	
18F	70001973	1	Decal - Warning Moving Parts	
19	2820031	1	Heat Shrink	
20	3252764	1	Nameplate	
21	3311005	2	Nut #10	
22	3311405	4	Nut 1/4	
23	3311505	3	Nut 5/16	
24	3311605	3	Nut 3/8	
25	3311801	1	Nut 1/2	
26	0902888	1	Bracket	
27	3574163	1	Bracket	
28	3574523	2	Plate	
29	3580317	1	Pulley	
30	3580319	1	Pulley (50Hz Spec)	
30	3580318	1	Pulley (60Hz Spec)	
31	3580320	1	Pulley	
32	3740080	2	Relay	
33	3910606	8	Screw #6 x 3/8	
34	3960422	2	Gasket	
35	4032015	4	Bolt M10 x 55	
36		Ref	Cover, Receptacle Options:	
36A	4060700	1	Cover (Side Hinge)	
36B	1001110873	1	Cover (Top Hinge)	
37	4060802	1	Guard, Switch	
38		Ref	Cover, Receptacle Options:	
38A	4061043	1	Cover (Side Hinge)	
38B	1001110872	1	Cover (Top Hinge)	
39	4300157	1	Stud	
40	4360336	1	Switch, Toggle	
41	4460051	1	Connector, Strain Relief	
42	4460071	1	Connector, Strain Relief	
43	4460346	1	Receptacle	
44	4460958	1	Receptacle, Female Twist-Lock	
45	4711400	8	Washer 1/4	
46	4711500	10	Washer 5/16	
47	4711600	7	Washer 3/8	
48	4711800	3	Washer 1/2	
49	4751000	4	Washer #10	
50	4761500	4	Washer 5/16	
51	4791400	1	Washer 1/4	
52	4922925	1	Harness, Generator	

SECTION 2 - TURNTABLE

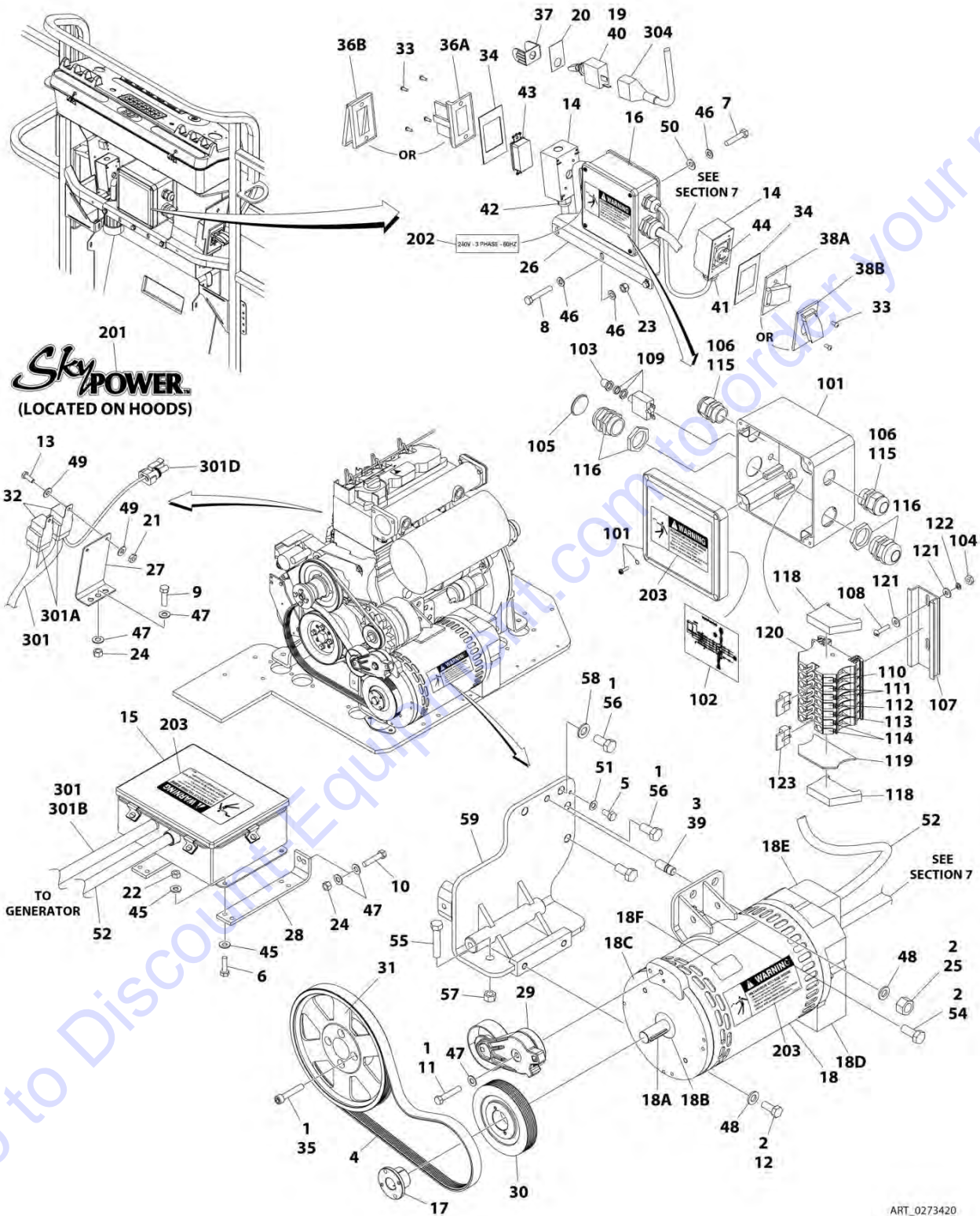
ITEM	PART NUMBER	QTY	DESCRIPTION	REV
52	4460225	1	Plug, Male - 6 Position (Plugs into Generator)	
52	See Note	NSS	Socket, Female (Use with 4460225)	
52	See Note	NSS	Seal, Plug (Use with 4460225)	
52	See Note	NSS	Seal, Interface (Use with 4460225)	
		Ref	Note: Items 54-59 used on machines with UGM.	
54	0771415	1	Bolt M14 x 35 Grade 10.9	
55	0641820	1	Bolt 1/2 x 2-1/2	
56	0711414	3	Bolt M14 x 30 Grade 10.9	
57	3311805	1	Nut 1/2	
58	4812200	1	Washer M14	
59	4846567	1	Mount, Motor	
		Ref	JUNCTION BOX ASSEMBLY	
	0861567	Ref	50Hz Spec	B
	0861542	Ref	60Hz Spec	D
101	0861541	1	Box, Junction	
102	See Note	NSS	Cable, Electrical 12/3 (50Hz Spec) (Supply Locally)	
102	1060494	2 ft/0.6m	Cable, Electrical 12/3 (60Hz Spec)	
103	See Note	NSS	Cable, Electrical 10/3 (50Hz Spec) (Supply Locally)	
103	1060708	2.5 ft/0.76m	Cable, Electrical 10/3 (60Hz Spec)	
104	1705376	1	Decal - Wiring Schematic	
105	3300396	1	Cover, Fuse	
106	3310601	2	Nut 6	
107	1060343	1.5 ft/0.46m	Cable, Electrical 10/4 (60Hz Spec Only)	
109	3910610	2	Bolt 6-32NC x 5/8	
110	4360070	1	Circuit Breaker - 15Amp	
116	4460425	2	Strain Relief, Terminal	
117	4460426	2	Connector, Strain Relief	
121	4750600	4	Washer #6	
122	4760600	2	Washer #6	
125	1671092	1	Cover (60Hz Spec Only)	
126	4460963	1	Connector (60Hz Spec Only)	
127	3520189	1	Plug (50Hz Spec Only)	
128	NPN	1	Gray Terminal Block Assembly (See Items 401-410 for Breakdown)	
128	1001121340	1	Tan Terminal Block Assembly (See Items 401-410 for Breakdown)	
		Ref	DECAL INSTALLATIONS	
	0272589	Ref	50Hz Spec	A
	0273380	Ref	60Hz Spec	B
202		Ref	Decal - 240V - 3 Phase Options:	
202	1705461	1	50Hz Spec	
202	1705375	1	60Hz Spec	
203		Ref	Decal - Hazardous Voltage Options:	
203	1705489	3	50Hz Spec	
203	1705387	3	60Hz Spec	
204	1705460	2	Decal - SkyPower	
		Ref	ELECTRICAL DIAGRAM COMPONENTS	
	4933264	Ref	Electrical Diagram - Without UGM	C
	100112586	Ref	Electrical Diagram - With UGM	A
		Ref	Generator Harness Options (See Separate Breakdown in	

SECTION 2 - TURNTABLE

ITEM	PART NUMBER	QTY	DESCRIPTION	REV
301	4922757	1	ELECTRICAL SECTION): Generator Harness - Without UGM	3-C
301	1001112587	1	Generator Harness - With UGM	A
301A	4460374	2	Plug, Sealed Relay	
301A	4460375	7	Terminal	
301B	4460967	1	Plug, Male - 3 Position	
301B	4460465	3	Socket, Female	
301C	2400060	1	Fuseholder (Not Shown)	
301C	2400064	1	Fuse - 5Amp (Not Shown)	
301D	4460742	1	Connector - 2 Position (With UGM Only)	
301D	4460743	2	Socket, Female (With UGM Only)	
301D	4460458	2	Seal (With UGM Only)	
304	4922641	1	Switch Harness	
		Ref	TERMINAL BLOCK ASSEMBLY	
	NPN	Ref	Gray Terminal Block Assembly (Complete Assembly Not Available - Purchase Individual Components)	
	1001121340	Ref	Tan Terminal Block Assembly	A
401		Ref	Marker Strip #1 Options:	
401	4460411	2	Gray Terminal Block Assembly	
401	70002818	2	Tan Terminal Block Assembly	
402		Ref	Marker Strip #2 Options:	
402	4460412	AR	Gray Terminal Block Assembly	
402	70002819	4	Tan Terminal Block Assembly	
403		Ref	Marker Strip #3 Options:	
403	4460413	2	Gray Terminal Block Assembly	
403	70002820	2	Tan Terminal Block Assembly	
404		Ref	Marker Strip #4 Options:	
404	4460414	2	Gray Terminal Block Assembly	
404	70002821	2	Tan Terminal Block Assembly	
405		Ref	Marker Strip #5 Options:	
405	4460415	AR	Gray Terminal Block Assembly	
405	70002822	4	Tan Terminal Block Assembly	
406		Ref	Terminal, End Barrier Options:	
406	4460956	1	Gray Terminal Block Assembly	
406	70002823	1	Tan Terminal Block Assembly	
407		Ref	Terminal, End Block Options:	
407	4460607	AR	Gray Terminal Block Assembly	
407	70002824	2	Tan Terminal Block Assembly	
408		Ref	Terminal, Block Options:	
408	4460957	7	Gray Terminal Block Assembly	
408	70002825	7	Tan Terminal Block Assembly	
409		Ref	Terminal, Cross Connector Jumper Options:	
409	4461001	2	Gray Terminal Block Assembly	
409	70002826	2	Tan Terminal Block Assembly	
410	3640986	1	Rail, Relay (Prior to SN 0300072911)	
410	3641533	1	Rail, Relay (SN 0300072911 to Present)	

SECTION 2 - TURNTABLE

FIGURE 2-38. 7500W GENERATOR INSTALLATION - DEUTZ ENGINE MACHINES (BELGIUM AND ROMANIAN BUILT MACHINES)



SECTION 2 - TURNTABLE

FIGURE 2-38. 7500W GENERATOR INSTALLATION - DEUTZ ENGINE MACHINES (BELGIUM AND ROMANIAN BUILT MACHINES)

ITEM	PART NUMBER	QTY	DESCRIPTION	REV
		Ref	7500W GENERATOR INSTALLATION - DEUTZ ENGINE MACHINES (BELGIUM AND ROMANIAN BUILT MACHINES)	
		Ref	Deutz Engine Machines without UGM:	
	0273420	Ref	110V/50Hz Spec	G
	0275661	Ref	220V/50Hz Spec	C
		Ref	Deutz Engine Machines with UGM:	
	1001115396	Ref	110V/50Hz Spec	D
	1001115408	Ref	220V/50Hz Spec	C
1	0100011	AR	Compound, Locking	
2	0100019	AR	Compound, Locking	
3	0100062	AR	Loctite, #RC/680	
4	0480129	1	Belt	
5	0641403	1	Bolt 1/4 x 3/8	
6	0641408	4	Bolt 1/4 x 1	
7	0641505	4	Bolt 5/16 x 5/8	
8	0641516	3	Bolt 5/16 x 2	
9	0641410	2	Bolt 1/4 x 1-1/4	
9	0641610	1	Bolt 3/8 x 1-1/4	
10	0641614	2	Bolt 3/8 x 1-3/4	
11	0641618	1	Bolt 3/8 x 2-1/4	
12	0641808	2	Bolt 1/2 x 1	
13	0721004	2	Bolt #10 x 1/2	
14	0860038	2	Box, Switch (Used With 0273420 & 1001115396 Only)	
15	0861572	1	Control Box Assembly	
15	7024488	1	Card, Circuit - Generator Power	
15	See Note	1	Fuse (Note: Not Available - Purchase Locally)	
15	7024489	1	Card, Circuit - Control	
		Ref	Note: Same Circuit Card (P/N 7024489) is used for both 50Hz and 60Hz. When replacing card, rocker switch on card must be set for required application.	
15	70000619	1	Harness, Circuit Card	
16	0861567	1	Junction Box Assembly (See Items 101-128 for Breakdown)	
17	0962520	1	Bushing	
18	2460048	1	Generator Assembly	
18	70001100	1	Rotor (Includes p/n 70001384 & 70000863) (Not Shown)	
18	70001384	1	Bearing, Ball Radial (Not Shown)	
18	70000863	1	Fan (Not Shown)	
18	70002088	1	Stator (Not Shown)	
18	70002297	1	Stud	
18	70003631	1	Brushholder Assembly (Not Shown)	
18A	70004171	1	Key	
18B	70001966	1	Bearing, Ball Radial (Located in Belt Tensioner Endbell)	
18B	70003708	1	Ring, Internal Retaining (Located in Belt Tensioner Endbell)	
18B	70003709	1	Ring, External Retaining (Located in Belt Tensioner Endbell)	
18C	70001953	1	Endbell, Belt Tensioner	
18D	70004169	1	Endbell, Brush Block	
18E	70004169	1	Shroud	
18E	See Note	NSS	Insulator, Endbell (Note: Not Available for Purchase)	
18E	7027799	1	Block, Connector 6 Position (Not Shown)	

SECTION 2 - TURNTABLE

ITEM	PART NUMBER	QTY	DESCRIPTION	REV
18E	70002460	1	Nut, Brass (Attaches p/n 7027799 to Cover) (Not Shown)	
18E	7024485	1	Breaker, Circuit 30Amp (Not Shown)	
18E	70001696	1	Boot, Breaker (Not Shown)	
18E	7026626	1	Connector, 6 Position (Includes Seal) (Not Shown - Plugs into Item 39)	
18E	7026597	1	Connector, with Leads (Not Shown)	
18E	7026188	1	Clamp, Cable Options (Not Shown)	
18E	70004169	1	Plate, End Panel	
18E	70001974	1	Decal - Terminal Connections	
18F	70001973	1	Decal - Warning Moving Parts	
19	2820031	1	Heat Shrink	
20	3252764	1	Nameplate	
21	3311005	2	Nut #10	
22	3311405	4	Nut 1/4	
23	3311505	3	Nut 5/16	
24	3311605	3	Nut 3/8	
25	3311801	1	Nut 1/2	
26	0902888	1	Bracket	
27	3574163	1	Bracket	
28	3574523	2	Plate	
29	3580317	1	Pulley	
30	3580319	1	Pulley	
31	3580320	1	Pulley	
32	3740080	2	Relay	
33	3910606	8	Screw #6 x 3/8 (Used With 0273420 &1001115396 Only)	
34	3960422	2	Gasket (Used With 0273420 &1001115396 Only)	
35	4032015	4	Bolt M10 x 55	
36		Ref	Cover, Receptacle Options (Used With 0273420 &1001115396 Only):	
36A	4060700	1	Cover (Side Hinge)	
36B	1001110873	1	Cover (Top Hinge)	
37	4060802	1	Guard, Switch	
38		Ref	Cover, Receptacle Options (Used With 0273420 &1001115396 Only):	
38A	4061043	1	Cover (Side Hinge)	
38B	1001110872	1	Cover (Top Hinge)	
39	4300157	1	Stud	
40	4360336	1	Switch, Toggle	
41	4460051	1	Connector, Strain Relief (Used With 0273420 &1001115396 Only)	
42	4460071	1	Connector, Strain Relief (Used With 0273420 &1001115396 Only)	
43	4460346	1	Receptacle (Used With 0273420 &1001115396 Only)	
44	4460958	1	Receptacle, Female Twist-Lock (Used With 0273420 &1001115396 Only)	
45	4711400	8	Washer 1/4	
45	4751400	8	Washer 1/4	
46	4711500	AR	Washer 5/16	
47	4711600	AR	Washer 3/8	
48	4711800	3	Washer 1/2	
49	4751000	4	Washer #10	
50	4761500	4	Washer 5/16	
51	4791400	1	Washer 1/4	

SECTION 2 - TURNTABLE

ITEM	PART NUMBER	QTY	DESCRIPTION	REV
52	4922925	1	Harness, Generator	
52	4460225	1	Plug, Male 6 Position (Plugs into Generator)	
52	See Note	NSS	Socket, Female (Use with 4460225)	
52	See Note	NSS	Seal, Plug (Use with 4460225)	
52	See Note	NSS	Seal, Interface (Use with 4460225)	
		Ref	Note: Items 54-59 used on machines with UGM.	
54	0771415	1	Bolt M14 x 35 Grade 10.9	
55	0641820	1	Bolt 1/2 x 2-1/2	
56	0711414	3	Bolt M14 x 30 Grade 10.9	
57	3311805	1	Nut 1/2	
58	4812200	1	Washer M14	
59	4846567	1	Mount, Motor	
	0861567	Ref	JUNCTION BOX ASSEMBLY	B
101	0861541	1	Box, Junction	
102	1705376	1	Decal - Wiring Schematic	
103	3300396	1	Cover, Fuse	
104	3310601	2	Nut 6	
105	3520189	1	Plug	
106	3520192	2	Plug	
107	3640986	1	Rail, Relay (Prior to SN 0300072911)	
107	3641533	1	Rail, Relay (SN 0300072911 to Present)	
108	3910610	2	Bolt 6 x 5/8	
109	4360070	1	Circuit Breaker - 15Amp	
110	4460411	2	Marker Strip #1	
111	4460412	1	Marker Strip #2	
112	4460413	2	Marker Strip #3	
113	4460414	2	Marker Strip #4	
114	4460415	4	Marker Strip #5	
115	4460425	2	Strain Relief, Terminal	
116	4460426	2	Connector, Strain Relief	
118	4460607	2	Terminal, End Block	
119	4460956	1	Terminal, End Barrier	
120	4460957	7	Terminal, Block	
121	4750600	4	Washer, #6	
122	4760600	2	Washer #6	
123	4461001	2	Terminal, Cross Connector Jumper	
	0272589	Ref	DECAL INSTALLATION	A
201	1705460	2	Decal - SkyPower	
202	1705461	1	Decal - 240V - 3 Phase	
203	1705489	3	Decal - Hazardous Voltage	
		Ref	ELECTRICAL DIAGRAM COMPONENTS	
	4933264	Ref	Electrical Diagram – Without UGM	C
	1001112586	Ref	Electrical Diagram – With UGM	A
301		Ref	Generator Harness Options (See ELECTRICAL SECTION for Breakdown):	
301	4922757	1	Generator Harness - Without UGM	3-C
301	1001112587	1	Generator Harness - With UGM	A
301A	4460374	2	Plug, Sealed Relay	
301A	4460375	7	Terminal	
301B	4460967	1	Plug, Male - 3 Position	
301B	4460465	3	Socket, Female	
301C	2400060	1	Fuseholder (Not Shown)	

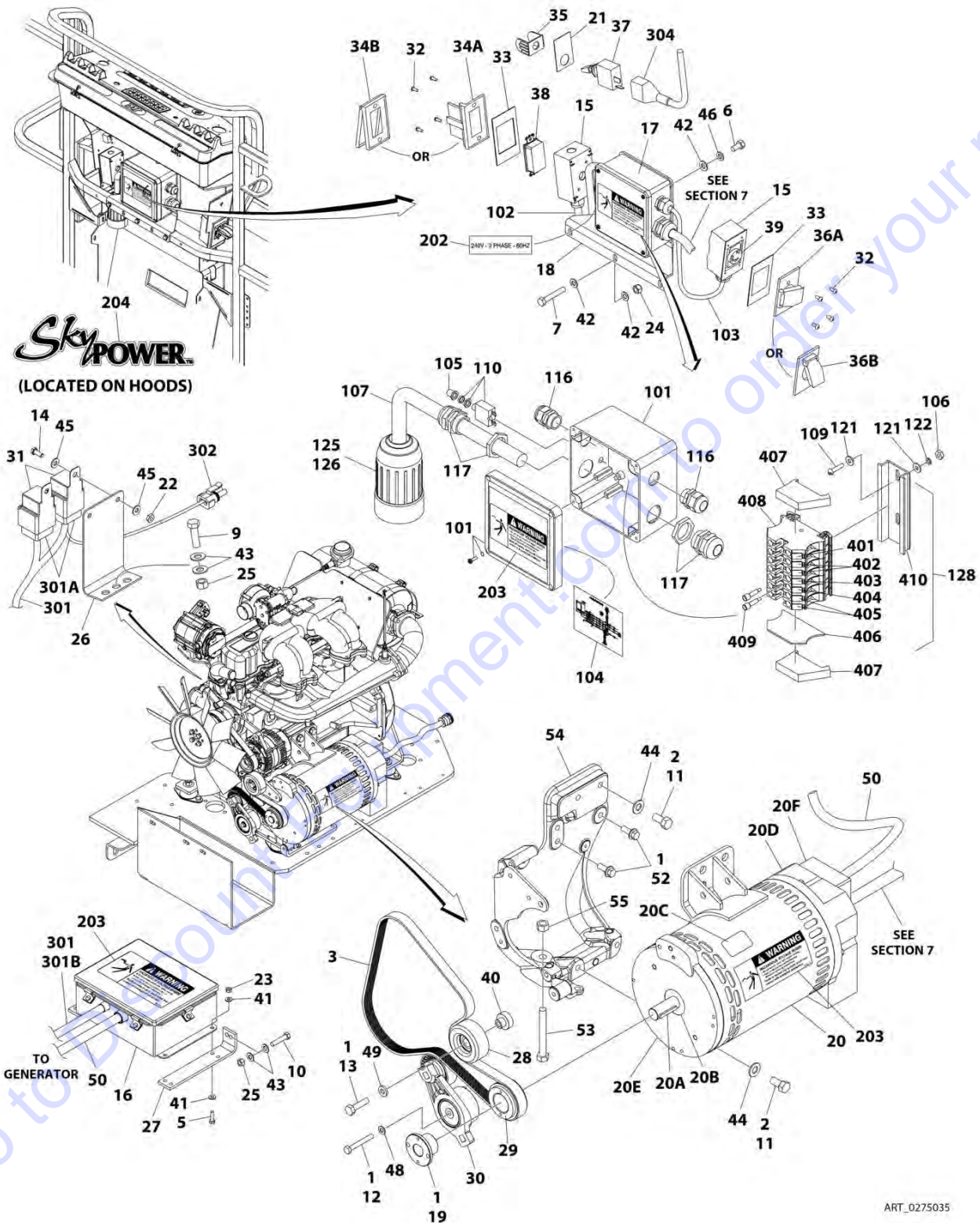
SECTION 2 - TURNTABLE

ITEM	PART NUMBER	QTY	DESCRIPTION	REV
301C	2400064	1	Fuse - 5Amp (Not Shown)	
301D	4460742	1	Connector - 2 Position (With UGM Only)	
301D	4460743	2	Socket, Female (With UGM Only)	
301D	4460458	2	Seal (With UGM Only)	
304	4922641	1	Switch Harness	

Go to Discount-Equipment.com to order your parts

SECTION 2 - TURNTABLE

FIGURE 2-39. 7500W GENERATOR INSTALLATION - GM ENGINE MACHINES (USA BUILT MACHINES)



SECTION 2 - TURNTABLE

FIGURE 2-39. 7500W GENERATOR INSTALLATION - GM ENGINE MACHINES (USA BUILT MSCHINES)

ITEM	PART NUMBER	QTY	DESCRIPTION	REV
	0275035	Ref	7500W GENERATOR INSTALLATION - GM ENGINE MACHINES (USA BUILT MSCHINES)	G
1	0100011	AR	Compound, Locking	
2	0100019	AR	Compound, Locking	
3	0480142	1	Belt, Generator	
5	0641408	4	Bolt 1/4 x 1	
6	0641405	4	Bolt 1/4 x 5/8	
7	0641516	3	Bolt 5/16 x 2	
9	0641610	1	Bolt 3/8 x 1-1/4	
10	0641614	2	Bolt 3/8 x 1-3/4	
11	0641808	4	Bolt 1/2 x 1	
12	0700820	1	Bolt M8 x 60	
13	0701016	1	Bolt M10 x 40	
14	0721004	2	Bolt #10 x 1/2	
15	0860038	2	Box, Switch	
16	0861538	1	Control Box Assembly	
16	7024488	1	Card, Circuit - Generator Power	
16	See Note	1	Fuse (Note: Not Available - Purchase Locally)	
16	7024489	1	Card, Circuit - Control	
16	70000619	1	Harness, Circuit Card	
17	0861542	1	Junction Box Assembly (See Items 101-128 for Breakdown)	
18	0902888	1	Bracket, Box Mounting	
19	0962520	1	Bushing, Split Taper	
20	2460048	1	Generator Assembly	
20	70003631	1	Brushholder Assembly (Not Shown) (was p/n 7024484)	
20	7024485	1	Breaker, Circuit 30Amp (Not Shown)	
20	70001696	1	Boot, Breaker (was p/n 7024486 - Not Shown)	
20	70001966	1	Bearing, Ball Radial (Located In Belt Tensioner Endbell - Not Shown)	
20	7027799	1	Block, Connector - 6 Position (Not Shown)	
20	7026626	1	Connector - 6 Position with Seal (Not Shown)	
20	70002460	6	Nut, Brass (Attaches p/n 7027799 to Cover) (Not Shown)	
20	7026188	1	Clamp, Cable (Not Shown)	
20	7026597	1	Connector, with Leads (Not Shown)	
20	70002088	1	Stator (Not Shown)	
20	70004169	1	Panel, End (Not Shown) (was p/n 70002255)	
20	70001974	1	Decal - Terminal Connections (Not Shown)	
20	70000863	1	Fan (Not Shown)	
20	70002297	4	Stud (Not Shown)	
20A	70004171	1	Key (was p/n 7024561)	
20A	70001100	1	Armature, Generator (Includes Radial Ball Bearing on End with Brushes and Fan)	
20A	70001384	1	Bearing, Ball Radial	
20B	70001966	1	Bearing, Radial Ball	
20B	70003708	1	Ring, Internal Retaining (Located in Belt Tensioner Endbell)	
20B	70003709	1	Ring, External Retaining (Located in Belt Tensioner Endbell)	
20C	70001973	1	Decal - Warning Moving Parts	
20D	70004169	1	Endbell, Brush Block (was p/n 70001385)	
20E	70001953	1	Endbell, Belt Tensioner	

SECTION 2 - TURNTABLE

ITEM	PART NUMBER	QTY	DESCRIPTION	REV
20F	70004169	1	Endbell, Shroud Assembly (was p/n 70002290)	
21	3252764	1	Nameplate	
22	3311005	2	Nut #10	
23	3311405	4	Nut 1/4	
24	3311505	3	Nut 5/16	
25	3311605	3	Nut 3/8	
26	3574163	1	Bracket	
27	3574523	2	Plate	
28	3580312	1	Pulley, Idler	
29	3580314	1	Pulley, Drive Grooved	
30	3580348	1	Tensioner, Belt with Pulley	
31	3740080	2	Relay	
32	3910606	8	Screw #6 x 3/8	
33	3960422	2	Gasket	
34		Ref	Cover, Receptacle Options:	
34A	4060700	1	Cover (Side Hinge)	
34B	1001110873	1	Cover (Top Hinge)	
35	4060802	1	Guard, Switch	
36		Ref	Cover, Receptacle Options	
36A	4061043	1	Cover (Side Hinge)	
36B	1001114872	1	Cover (Top Hinge)	
37	4360336	1	Switch, Toggle	
38	4460346	1	Receptacle	
39	4460958	1	Receptacle, Female Twist-Lock	
40	4568735	1	Tube, Spacer Pulley Grooved	
41	4711400	8	Washer 1/4	
42	4711500	10	Washer 5/16	
43	4711600	6	Washer 3/8	
44	4711800	4	Washer 1/2	
45	4751000	4	Washer #10	
46	4761500	4	Washer 5/16	
48	4811900	1	Washer M8	
49	4891600	1	Washer 3/8 Hardened	
50	4922925	1	Harness, Generator	
50	4460225	1	Plug, Male 6 Position (Plugs into Generator)	
50	See Note	NSS	Socket, Female (Use with 4460225)	
50	See Note	NSS	Seal, Plug (Use with 4460225)	
50	See Note	NSS	Seal, Interface (Use with 4460225)	
52	0811608	4	Screw 3/8 x 1	
53	0641832	1	Bolt 1/2 x 4	
54	1001141181	1	Support	
55	3311805	1	Nut 1/2	
	0861542	Ref	JUNCTION BOX ASSEMBLY	D
101	0861541	1	Box, Junction	
102	1060494	2 ft/.6m	Cable, Electrical 12/3	
103	1060708	2.5 ft/ 0.8m	Cable, Electrical 10/3	
104	1705376	1	Decal - Wiring Schematic	
105	3300396	1	Cover, Fuse	
106	3310601	2	Nut 6	
107	1060343	1.5 ft/ 0.5m	Cable, Electrical 10/4	

SECTION 2 - TURNTABLE

ITEM	PART NUMBER	QTY	DESCRIPTION	REV
109	3910610	2	Bolt #6 x 5/8	
110	4360070	1	Circuit Breaker - 15Amp	
116	4460425	2	Strain Relief, Terminal	
117	4460426	2	Connector, Strain Relief	
121	4750600	4	Washer #6	
122	4760600	2	Washer #6	
125	1671092	1	Cover	
126	4460963	1	Connector	
128		Ref	Terminal Block Assembly Options (See Items 401-410 for Breakdown):	
128	NPN	1	Gray Terminal Block Assembly	
128	1001121340	1	Tan Terminal Block Assembly	
	0273380	Ref	DECAL INSTALLATION	B
202	1705375	1	Decal - 240V - 3 Phase	
203	1705387	3	Decal, Hazardous Voltage	
204	1705460	2	Decal - SkyPower	
	4933349	Ref	ELECTRICAL DIAGRAM COMPONENTS	B
301	4923420	1	Generator Harness	A
301A	4460374	2	Plug, Sealed Relay	
301A	4460375	8	Terminal	
301B	4460967	1	Plug, Male - 3 Position	
301B	4460465	3	Socket, Female	
301C	2400060	2	Fuseholder (Not Shown)	
301C	2400064	2	Fuse - 5Amp (Not Shown)	
302	4460742	1	Connector - 2 Position	
302	4460743	2	Socket, Female	
302	4460458	2	Seal	
304	4922641	1	Switch Harness	
		Ref	TERMINAL BLOCK ASSEMBLY	
	NPN	Ref	Gray Terminal Block Assembly (Complete Assembly Not Available - Purchase Individual Components)	
	1001121340	Ref	Tan Terminal Block Assembly	A
401		Ref	Marker Strip #1 Options	
401	4460411	2	Gray Terminal Block Assembly	
401	70002818	2	Tan Terminal Block Assembly	
402		Ref	Marker Strip #2 Options:	
402	4460412	AR	Gray Terminal Block Assembly	
402	70002819	4	Tan Terminal Block Assembly	
403		Ref	Marker Strip #3 Options:	
403	4460413	2	Gray Terminal Block Assembly	
403	70002820	2	Tan Terminal Block Assembly	
404		Ref	Marker Strip #4 Options:	
404	4460414	2	Gray Terminal Block Assembly	
404	70002821	2	Tan Terminal Block Assembly	
405		Ref	Marker Strip #5 Options:	
405	4460415	AR	Gray Terminal Block Assembly	
405	70002822	4	Tan Terminal Block Assembly	
406		Ref	Terminal, End Barrier Options:	
406	4460956	1	Gray Terminal Block Assembly	
406	70002823	1	Tan Terminal Block Assembly	
407		Ref	Terminal, End Block Options:	
407	4460607	2	Gray Terminal Block Assembly	

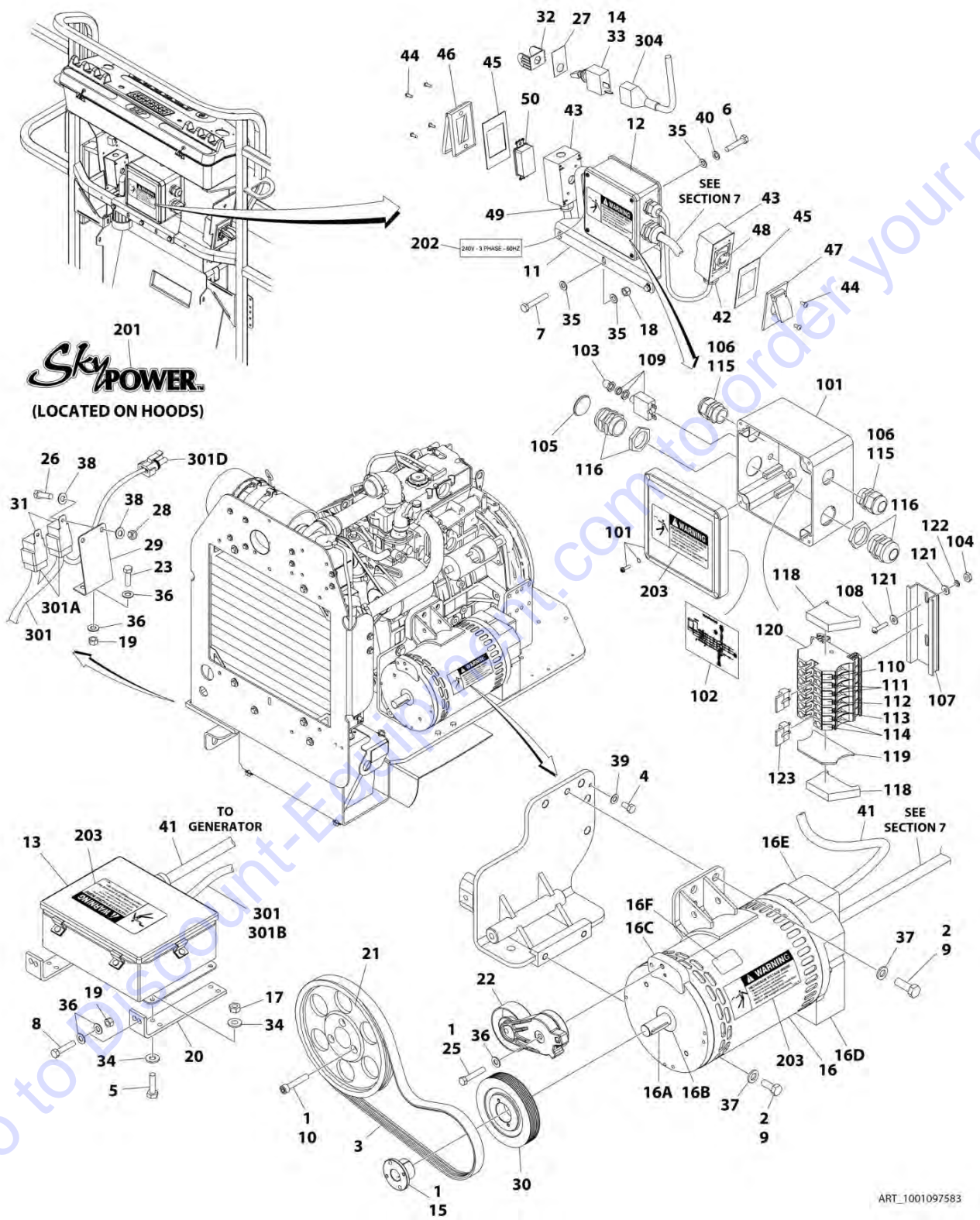
SECTION 2 - TURNTABLE

ITEM	PART NUMBER	QTY	DESCRIPTION	REV
407	70002824	2	Tan Terminal Block Assembly	
408		Ref	Terminal, Block Options:	
408	4460957	AR	Gray Terminal Block Assembly	
408	70002825	7	Tan Terminal Block Assembly	
409		Ref	Terminal, Cross Connector Jumper Options:	
409	4461001	2	Gray Terminal Block Assembly	
409	70002826	2	Tan Terminal Block Assembly	
410	3640986	1	Rail, Relay (SN 0300065080 through 0300072910)	
410	3641533	1	Rail, Relay (SN 0300072911 to Present)	

Go to Discount-Equipment.com to order your parts

SECTION 2 - TURNTABLE

FIGURE 2-40. 7500W GENERATOR INSTALLATION - PERKINS ENGINE MACHINES (BELGIUM AND ROMANIAN BUILT MACHINES)



ART_1001097583

SECTION 2 - TURNTABLE

FIGURE 2-40. 7500W GENERATOR INSTALLATION - PERKINS ENGINE MACHINES (BELGIUM AND ROMANIAN BUILT MACHINES)

ITEM	PART NUMBER	QTY	DESCRIPTION	REV
		Ref	7500W GENERATOR INSTALLATION - PERKINS ENGINE MACHINES (BELGIUM AND ROMANIAN BUILT MACHINES)	
	1001097583	Ref	Perkins Engine Machines - Without UGM (50Hz Spec)	C
	1001111818	Ref	Perkins Engine Machines - With UGM (50Hz Spec) (ANSI Export, Australian, CE and Japanese Specs)	C
	1001112044	Ref	Perkins Engine Machines - With UGM (50Hz Spec) (Australian and CE Specs)	B
1	0100011	AR	Compound, Locking	
2	0100019	AR	Compound, Locking	
3	0480126	1	Belt	
4	0641403	1	Bolt 1/4 x 3/8	
5	0641408	4	Bolt 1/4 x 1	
6	0641508	4	Bolt 5/16 x 1	
7	0641516	3	Bolt 5/16 x 2	
8	0641614	2	Bolt 3/8 x 1-3/4	
9	0641808	4	Bolt 1/2 x 1	
10	0701217	3	Bolt M12 x 45	
11	0902888	1	Bracket	
12	0861567	1	Junction Box Assembly (See Items 101-123 for Breakdown)	
13	0861572	1	Control Box Assembly	
13	7024488	1	Card, Circuit - Generator Power	
13	See Note	1	Fuse (Note: Not Available - Purchase Locally)	
13	7024489	1	Card, Circuit - Control	
13	70000619	1	Harness, Circuit Card	
14	2820031	AR	Heat Shrink	
15	0962520	1	Bushing	
16	2460048	1	Generator Assembly	
16	70001100	1	Rotor (Includes p/n 70001384 & 70000863) (Not Shown)	
16	70001384	1	Bearing, Ball Radial (Not Shown)	
16	70000863	1	Fan (Not Shown)	
16	70002088	1	Stator (Not Shown)	
16	70002297	1	Stud	
16	70003631	1	Brushholder Assembly (Not Shown)	
16A	70004171	1	Key	
16B	70001966	1	Bearing, Ball Radial (Located in Belt Tensioner Endbell)	
16B	70003708	1	Ring, Internal Retaining (Located in Belt Tensioner Endbell)	
16B	70003709	1	Ring, External Retaining (Located in Belt Tensioner Endbell)	
16C	70001953	1	Endbell, Belt Tensioner	
16D	70004169	1	Endbell, Brush Block	
16E	70004169	1	Shroud	
16E	See Note	NSS	Insulator, Endbell (Note: Not Available for Purchase)	
16E	7027799	1	Block, Connector 6 Position (Not Shown)	
16E	70002460	1	Nut, Brass (Attaches p/n 7027799 to Cover) (Not Shown)	
16E	7024485	1	Breaker, Circuit 30Amp (Not Shown)	
16E	70001696	1	Boot, Breaker (Not Shown)	
16E	7026626	1	Connector, 6 Position (Includes Seal) (Not Shown - Plugs into Item 39)	
16E	7026597	1	Connector, with Leads (Not Shown)	
16E	7026188	1	Clamp, Cable Options (Not Shown)	
16E	70004169	1	Plate, End Panel	

SECTION 2 - TURNTABLE

ITEM	PART NUMBER	QTY	DESCRIPTION	REV
16E	70001974	1	Decal - Terminal Connections	
16F	70001973	1	Decal - Warning Moving Parts	
17	3311405	4	Nut 1/4	
18	3311505	3	Nut 5/16	
19	3311605	2	Nut 3/8	
20	3574523	2	Plate	
21	3580316	1	Pulley	
22	3580317	1	Pulley	
23	0641408	1	Bolt 1/4 x 1	
23	0641610	1	Bolt 3/8 x 1-1/4	
25	0641618	1	Bolt 3/8 x 2-1/4	
26	0721004	2	Bolt #10 x 1/2	
27	3252764	1	Nameplate	
28	3311005	2	Nut #10	
29	3574163	1	Bracket	
30	3580319	1	Pulley	
31	3740080	2	Relay	
32	4060802	1	Guard, Switch	
33	4360336	1	Switch, Toggle	
34	4711400	8	Washer 1/4	
35	4711500	10	Washer 5/16	
36	4711600	7	Washer 3/8	
37	4711800	4	Washer 1/2	
38	4751000	4	Washer #10	
39	4791400	1	Washer 1/4	
40	4761500	4	Washer 5/16	
41	4922925	1	Harness, Generator	
41	4460225	1	Plug, Male 6 Position (Plugs into Generator)	
41	See Note	NSS	Socket, Female (Use with 4460225)	
41	See Note	NSS	Seal, Plug (Use with 4460225)	
41	See Note	NSS	Seal, Interface (Use with 4460225)	
42	4460051	1	Connector, Strain Relief (Used With 1001111818 Only)	
43	0860038	2	Box, Switch (Used With 1001111818 Only)	
44	3910606	8	Screw #6 x 3/8 (Used With 1001111818 Only)	
45	3960422	2	Gasket (Used With 1001111818 Only)	
46	1001110873	1	Cover, Receptacle (Used With 1001111818 Only)	
47	1001110872	1	Cover, Receptacle (Used With 1001111818 Only)	
48	4460958	1	Receptacle, Female Twist-Lock (Used With 1001111818 Only)	
49	4460071	1	Connector, Strain Relief (Used With 1001111818 Only)	
50	4460346	1	Receptacle (Used With 1001111818 Only)	
	0861567	Ref	JUNCTION BOX ASSEMBLY	B
101	0861541	1	Box, Junction	
102	1705376	1	Decal - Wiring Schematic	
103	3300396	1	Cover, Fuse	
104	3310601	2	Nut 6	
105	3520189	1	Plug	
106	3520192	2	Plug	
107	3640986	1	Rail, Relay (Prior to SN 0300072911)	
107	3641533	1	Rail, Relay (SN 0300072911 to Present)	
108	3910610	2	Bolt 6 x 5/8	
109	4360070	1	Circuit Breaker - 15Amp	

SECTION 2 - TURNTABLE

ITEM	PART NUMBER	QTY	DESCRIPTION	REV
110	4460411	2	Marker Strip #1	
111	4460412	4	Marker Strip #2	
112	4460413	2	Marker Strip #3	
113	4460414	2	Marker Strip #4	
114	4460415	4	Marker Strip #5	
115	4460425	2	Strain Relief, Terminal	
116	4460426	2	Connector, Strain Relief	
118	4460607	2	Terminal, End Block	
119	4460956	1	Terminal, End Barrier	
120	4460957	7	Terminal, Block	
121	4750600	4	Washer #6	
122	4760600	2	Washer #6	
123	4461001	2	Terminal, Cross Connector Jumper	
	0272589	Ref	DECAL INSTALLATION	A
201	1705460	2	Decal - SkyPower	
202	1705461	1	Decal - 240V - 3 Phase	
203	1705489	3	Decal - Hazardous Voltage	
		Ref	ELECTRICAL DIAGRAM COMPONENTS	
	4933264	Ref	Electrical Diagram - Without UGM	C
	1001112586	Ref	Electrical Diagram - With UGM	
301		Ref	Generator Harness Options (See ELECTRICAL SECTION for Breakdown):	
301	4922757	1	Generator Harness - Without UGM	3-C
301	1001112587	1	Generator Harness - With UGM	A
301A	4460374	2	Plug, Sealed Relay	
301A	4460375	7	Terminal	
301B	4460967	1	Plug, Male - 3 Position	
301B	4460465	3	Socket, Female	
301C	2400060	1	Fuseholder (Not Shown)	
301C	2400064	1	Fuse - 5Amp (Not Shown)	
301D	4460742	1	Connector - 2 Position (With UGM Only)	
301D	4460743	2	Socket, Female (With UGM Only)	
301D	4460458	2	Seal (With UGM Only)	
304	4922641	1	Switch Harness	

SECTION 3 - BOOM

Go to Discount-Equipment.com to order your parts

SECTION 3 - BOOM

FIGURE 3-1. TOWER/MID BOOMS AND CYLINDERS INSTALLATION (USA BUILT MACHINES)

ITEM	PART NUMBER	QTY	DESCRIPTION	REV
		Ref	USA Built Machines use SNs 03xxxxxxxx.	
		Ref	Belgium Built Machines use SNs 13xxxxxxxx.	
		Ref	Romanian Built Machines use SNs E3xxxxxxxx.	
		Ref	TOWER BOOMS AND CYLINDERS INSTALLATIONS	
	0271216	Ref	Tower Booms and Cylinders Installations 450A Series II	J
	1001097501	Ref	Tower Booms and Cylinders Installations 450A Series II (Arctic Package)	A
	0270839	Ref	Tower Booms and Cylinders Installations 450AJ Series II	O
	0275125	Ref	Tower Booms and Cylinders Installations 450AJ Series II (Arctic Package)	F
2	0100011	AR	Compound, Locking	
3	0561076	1	Block, Boom Rest	
5	0641505	4	Bolt 5/16in-18NC x 5/8in	
6	4751800	3	Flatwasher 1/2in Regular	
9	0641608	4	Bolt 3/8in-16NC x 1in	
10	0641610	AR	Bolt 3/8in-16NC x 1-1/4in	
13	0641806	2	Bolt 1/2in-13NC x 3/4in	
14	0641810	3	Bolt 1/2in-13NC x 1-1/4in	
16	0642012	6	Bolt 5/8in-11NC x 1-1/2in	
17	0642014	2	Bolt 5/8in-11NC x 1-3/4in	
18	0642016	4	Bolt 5/8in-11NC x 2in	
20	0801272	1	Boom, Mid	
21	0801273	1	Boom, Tower	
22	0940048	1	Bumper	
24	0961950	20	Bearing, Garmax	
31	1684070	1	Tower Lift Cylinder Assembly (See CYLINDER SECTION for Breakdown)	
34	3311605	AR	Locknut 3/8in-16NC	
36	3312005	3	Locknut 5/8in-11NC	
40	3422568	6	Pin	
42	3422664	2	Pin	
49	3422912	3	Pin	
50	3422913	1	Pin	
52	3572691	1	Bracket, Boom Rest	
54	3572826	1	Cover	
57	3841258	12	Keeper, Pin	
59	4751500	4	Flatwasher 5/16in Regular	
60	4751600	AR	Flatwasher 3/8in Regular	
63		Ref	Upright (Upper) Options:	
63	4846366	1	Upright (Upper) 450A Series II	
63	4846335	1	Upright (Upper) 450AJ Series II	
64	4846336	2	Link	
65	4846343	1	Link, Timing	
66	4846346	1	Upright (Lower)	
68		Ref	Rest, Boom Options:	
68A	3572750	1	Rest, Boom 450A Series II	
68B	4846428	1	Rest, Boom 450AJ Series II	
69	0641507	2	Bolt 5/16in-18NC x 7/8in	
70	1671013	1	Cover	
71	3340914	1	Pad	

SECTION 3 - BOOM

ITEM	PART NUMBER	QTY	DESCRIPTION	REV
72	4711500	2	Flatwasher 5/16in Thin	
73		Ref	Cable, Electrical 18/2 Options (Not Shown):	
73	4922770	1	Without Arctic Package	
73	4923469	1	With Arctic Package	
		Ref	BOOM CABLES AND CLAMPS INSTALLATIONS	
	0271311	Ref	Boom Cables and Clamps Installations 450A Series II (ANSI/ANSI Export /CSA Specs)	J
	0271310	Ref	Boom Cables and Clamps Installations 450A Series II (Australian/CE Specs)	J
	0273279	Ref	Boom Cables and Clamps Installations 450A Series II (All Specs with SkyPower)	C
	1001097502	Ref	Boom Cables and Clamps Installations 450A Series II (All Specs with Arctic Package)	A
	1001097503	Ref	Boom Cables and Clamps Installations 450A Series II (All Specs with Arctic Package and SkyPower)	B
	0271122	Ref	Boom Cables and Clamps Installations 450AJ Series II (ANSI/ANSI Export /CSA Specs without SkyPower)	J
	0271206	Ref	Boom Cables and Clamps Installations 450AJ Series II (Australian/CE Specs without SkyPower)	J
	0275116	Ref	Boom Cables and Clamps Installations 450AJ Series II (All Specs without SkyPower with Arctic Package)	D
	1001115917	Ref	Boom Cables and Clamps Installations 450AJ Series II (ANSI Spec without SkyPower with Communication System)	A
	0273280	Ref	Boom Cables and Clamps Installations 450AJ Series II (All Specs with SkyPower)	C
	0275786	Ref	Boom Cables and Clamps Installations 450AJ Series II (All Specs with SkyPower with Arctic Package)	C
	1001116516	Ref	Boom Cables and Clamps Installations 450AJ Series II (ANSI Spec with SkyPower with Communication System)	A
		Ref	Note: For Additional Components See ELECTRICAL SECTION	
105	4460425	1	Connector, Strain Relief (without SkyPower)	
111	4751400	2	Flatwasher 1/4in Regular	
113		Ref	Harness, Tower Boom Options (Not Shown - See ELECTRICAL SECTION):	
113	4922530	1	Without Arctic Package	
113	4923458	1	With Arctic Package	
115	3300420	1	Nut, Acorn 1/4in-20NC	
116	3311605	3	Locknut 3/8in-16NC	
117	3860096	1	Roller	
118	0630498	1	Bolt	
119	4711500	3	Flatwasher 5/16in Thin	
120		Ref	Tie-Strap Options (Not Shown):	
120	4240099	AR	Without Arctic Package	
120	4240018	AR	With Arctic Package	
120	4240018	AR	With Communication System	
121	4061032	2	Shield, Cable	
123	0641528	3	Bolt 5/16in-18NC x 3-1/2in	
124		Ref	Block, Clamp Options:	
124	0561460	1	All Machines Except Machines with Both Arctic Package and SkyPower	
124	1321695	1	Machines with Arctic Package Only	
124	1321695	1	Machines with SkyPower Only	
124	0561460	1	Machines with SkyPower with Communication System	
127	0100011	AR	Compound, Locking	

SECTION 3 - BOOM

ITEM	PART NUMBER	QTY	DESCRIPTION	REV
128	1320300	1	Clamp, Hose	
129	4711600	2	Flatwasher 3/8in Thin	
130		Ref	Cable, Electrical (Not Shown - See ELECTRICAL SECTION)	
130		Ref	Machines without Arctic Package or SkyPower (12/3 AC Power Cable):	
130	1060987	1	ANSI/ANSI Export /CSA Specs	
130	1060991	1	Australian /CE Specs	
130		Ref	Machines With SkyPower and/or Arctic Package:	
130	4922929	AR	With SkyPower Only (8/5 AC Power Cable)	
130	4923460	AR	With Arctic Package Only (12/3 AC Power Cable)	
130	4922857	AR	With Arctic Package with Sky Power (8/5 AC Power Cable)	
130	4922857	AR	With Sky Power With Communication System (8/5 AC Power Cable)	
132	0641408	1	Bolt 1/4in-20NC x 1in	
133	1320061	1	Clamp, Hose	
134		Ref	Connector, Strain Relief	
134	1321692	1	Without Arctic Package	
134	1321692	1	With SkyPower Only	
134	1321692	1	With Arctic Package and Arctic Package with SkyPower (450A Series II)	
134	1321694	1	With Arctic Package and Arctic Package with SkyPower (450AJ Series II)	
134	1321692	1	With Communication System	
135	3311405	1	Locknut 1/4in-20NC	
136	1001115713	AR	Cable, Communication (with Communication System Only) (Not Shown)	
		Ref	LIMIT SWITCHES INSTALLATIONS	
	0272497	Ref	Limit Switches Installations 450A/AJ Series II without Arctic Package	E
	0275126	Ref	Limit Switches Installations 450A/AJ Series II with Arctic Package (Arctic Package)	C
201	0100011	AR	Compound, Locking	
202	0641406	2	Capscrew, 1/4in-20NC x 3/4in	
203		Ref	Cover, Switch Options:	
203	1670998	1	Cover, Switch (SN 0300077285 through 0300116244)	
203	1001096617	1	Cover, Switch (SN 0300116245 through 0300160834)	
204	1671086	1	Cover, Switch	
205	3311005	4	Locknut #10-24NC	
206	3931024	2	Capscrew, Socket Head #10-24NC x 1-1/2in	
207	3931030	2	Capscrew, Socket Head #10-24NC x 1-7/8in	
208	4360548	1	Switch, Limit	
209	4751400	2	Flatwasher, 1/4in Regular	
210		Ref	Cable/Limit Switch Harness Assembly Options (See ELECTRICAL SECTION for Breakdown):	
210	4922714	1	Without Arctic Package	B
210	4923467	1	With Arctic Package	A
210A	4360548	1	Switch, Limit	
210B	4460968	1	Connector, Strain Relief	
211	4060803	8.5 in/217mm	Shield, Flex Trim (Not Shown)	
212	4460968	1	Connector, Strain Relief	

SECTION 3 - BOOM

FIGURE 3-2. TOWER/MID BOOMS AND CYLINDERS INSTALLATION (BELGIUM AND ROMANIAN BUILT MACHINES)

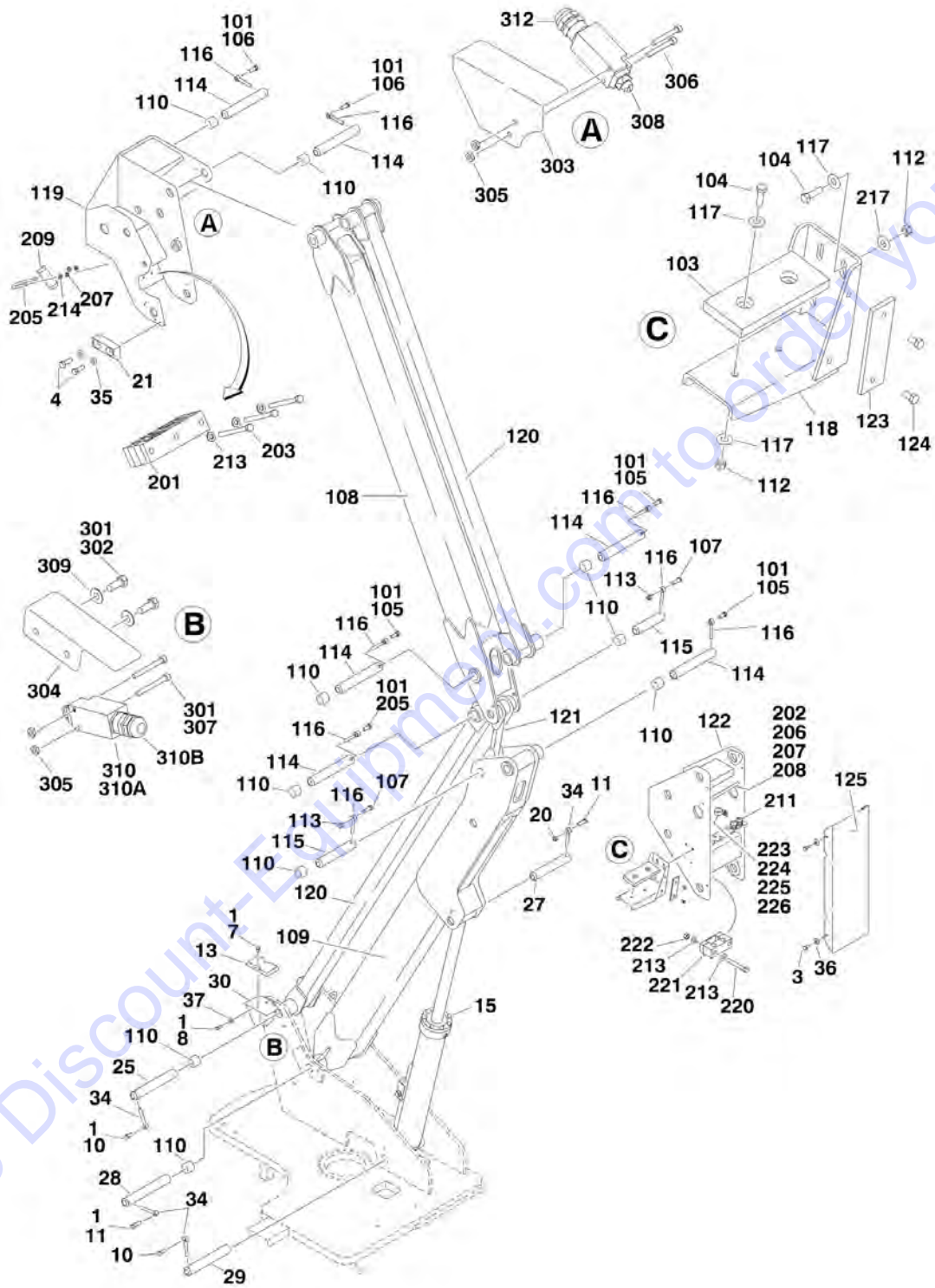


FIGURE 3-2. TOWER/MID BOOMS AND CYLINDERS INSTALLATION (BELGIUM AND ROMANIAN BUILT MACHINES)

ITEM	PART NUMBER	QTY	DESCRIPTION	REV
		Ref	USA Built Machines use SNs 03xxxxxxx.	
		Ref	Belgium Built Machines use SNs 13xxxxxxx.	
		Ref	Romanian Built Machines use SNs E3xxxxxxx.	
		Ref	TOWER BOOMS AND CYLINDERS INSTALLATION	
	0272664	Ref	Tower Booms and Cylinders Installations 450AJ Series II Booms and Cylinders Installation	H
	1001098640	Ref	Tower Booms and Cylinders Installations 450AJ Series II Boom Assembly	C
	0275438	Ref	Tower Booms and Cylinders Installations 450AJ Series II with SkyPower	C
	1001107354	Ref	Tower Booms and Cylinders Installations 450AJ Series II Boom Assembly with SkyPower	B
1	0100011	AR	Compound, Locking	
3	0641505	4	Bolt 5/16in-18NC x 5/8in	
4	0641507	2	Bolt 5/16in-18NC x 7/8in	
7	0641806	2	Bolt 1/2in-13NC x 3/4in	
8	0641810	3	Bolt 1/2in-13NC x 1-1/4in	
10	0642012	2	Bolt 5/8in-11NC x 1-1/2in	
11	0642016	2	Bolt 5/8in-11NC x 2in	
13	0940048	1	Bumper	
15	1684239	1	Lower Lift Cylinder Assembly (See CYLINDER SECTION for Breakdown)	
20	3312005	1	Locknut 5/8in-11NC	
21	3340914	1	Pad	
25	3422664	1	Pin	
27	3422912	1	Pin	
28	3422913	1	Pin	
29	3422664	1	Pin	
30	3572691	1	Bracket, Boom Rest	
34	3841258	4	Keeper, Pin	
35	4711500	2	Flatwasher 5/16in Thin	
36	4751500	4	Flatwasher 5/16in Regular	
37	4751800	3	Flatwasher 1/2in Regular	
		Ref	TOWER BOOM ASSEMBLY	
	0272340	Ref	Tower Boom Assembly 450AJ Series II	G
	0801592	Ref	Tower Boom Assembly 450AJ Series II with SkyPower	E
101	0100011	AR	Compound, Locking	
103	0561076	1	Block, Boom Rest	
104	0641610	6	Bolt 3/8in-16NC x 1-1/4in	
105	0642012	4	Bolt 5/8in-11NC x 1-1/2in	
106	0642014	2	Bolt 5/8in-11NC x 1-3/4in	
107	0642016	2	Bolt 5/8in-11NC x 2in	
108	0801356	1	Boom, Mid	
109	0801357	1	Boom, Tower	
110	0961950	20	Bearing, Garmax	
112	3311605	6	Locknut 3/8in-16NC	
113	3312005	2	Locknut 5/8in-11NC	
114	3422568	6	Pin	
115	3422912	2	Pin	
116	3841258	8	Keeper, Pin	

SECTION 3 - BOOM

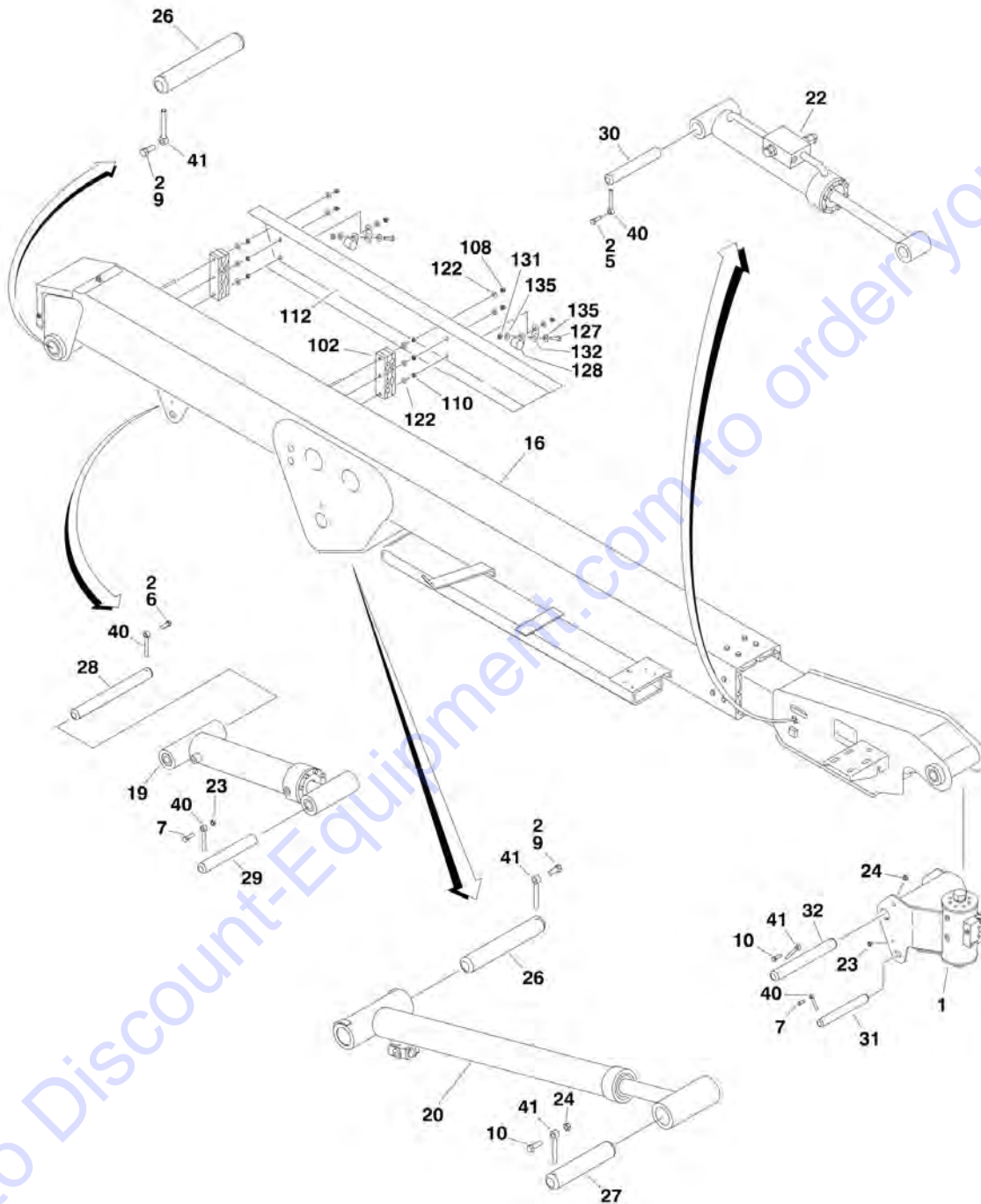
ITEM	PART NUMBER	QTY	DESCRIPTION	REV
117	4751600	14	Flatwasher 3/8in Regular	
118	4846905	1	Rest, Boom	
119	4846697	1	Upright (Upper)	
120	3010140	2	Link	
121	4846701	1	Link, Timing	
122	4846703	1	Upright (Lower)	
123	3340608	1	Pad, Wear	
124	0641605	2	Bolt, 3/8in-16NC x 3/8in	
125	3574066	1	Cover	
		Ref	BOOM CABLES AND CLAMPS INSTALLATIONS	
	0272594	Ref	Boom Cables and Clamps Installations 450AJ Series II	D
	0275436	Ref	Boom Cables and Clamps Installations 450AJ Series II with SkyPower	D
		Ref	Note: For Additional Components See ELECTRICAL SECTION	
201	0561460	1	Block, Clamp	
202	0630498	1	Bolt	
203	0641528	3	Bolt 5/16in-18NC x 3-1/2in	
204		Ref	Cable, Electrical Options (Not Shown - See ELECTRICAL SECTION):	
204	1060991	1	Without SkyPower (12/3 AC Power Cable)	
204	4922857	1	With SkyPower	
205	1320300	1	Clamp, Hose	
206	3300420	1	Nut, Acorn 1/4in-20NC	
207	3311605	3	Locknut 3/8in-16NC	
208	3860096	1	Roller	
209	4061032	2	Shield, Cable	
210	4240018	7	Tie-Strap (Not Shown)	
211		Ref	Connector, Strain Relief	
211	4460425	2	Without SkyPower	
211	1321692	1	With SkyPower	
213	4711500	AR	Flatwasher 5/16in Thin	
214	4711600	2	Flatwasher 3/8in Thin	
215	4922530	1	Harness, Tower Boom (Not Shown - See ELECTRICAL SECTION)	
216	4922770	1	Cable, Electrical (18/2 Limit Switch) (Not Shown - See ELECTRICAL SECTION)	
220	0641524	AR	Bolt 5/16in-18NC x 3in	
221	1321738	1	Clamp, Block (Machines with SkyPower Only)	
222	3311505	AR	Nut 5/16in-18NC	
223	0641408	1	Bolt 1/4in-20NC x 1in	
224	1320061	1	Clamp, Hose (Machines with SkyPower Only)	
225	3311405	1	Locknut 1/4in-20NC	
226	4751400	2	Flatwasher 1/4in Regular	
227	1320177	1	Clamp, Hose (Not Shown - Used on Airline) (Machines with SkyPower Only)	
228	2220829	1	Fitting, Plug (Not Shown - Used on Airline) (Machines with SkyPower Only)	
229	2221037	1	Fitting, Barbed (Not Shown - Used on Airline) (Machines with SkyPower Only)	
230	2720646	1	Hose, Airline (Not Shown) (Machines with SkyPower Only)	
	0272497	Ref	LIMIT SWITCHES INSTALLATION	D
301	0100011	AR	Compound, Locking	

SECTION 3 - BOOM

ITEM	PART NUMBER	QTY	DESCRIPTION	REV
302	0641406	2	Capscrew, 1/4in-20NC x 3/4in	
303	1001096617	1	Cover, Switch	
304	1671086	1	Cover, Switch	
305	3311005	4	Locknut #10-24NC	
306	3931024	2	Capscrew, Socket Head #10-24NC x 1-1/2in	
307	3931030	2	Capscrew, Socket Head #10-24NC x 1-7/8in	
308	4360548	1	Switch, Limit	
309	4751400	2	Flatwasher, 1/4in Regular	
310	4922714	1	Cable/Limit Switch Harness Assembly	
310	1060902	8.5 ft/2.6m	Cable, Electrical 18/2 (Not Shown - See ELECTRICAL SECTION)	
310	4460226	2	Socket, Contact (Not Shown)	
310A	4360548	1	Switch, Limit	
310B	4460968	1	Connector, Strain Relief	
311	4060803	8.5 in/217mm	Shield, Flex Trim (Not Shown)	
312	4460968	1	Connector, Strain Relief	

SECTION 3 - BOOM

FIGURE 3-3. MAIN BOOM INSTALLATION - 450A SERIES II



Go to Discount-Equipment.com to order your parts

FIGURE 3-3. MAIN BOOM INSTALLATION - 450A SERIES II

ITEM	PART NUMBER	QTY	DESCRIPTION	REV
		Ref	BOOM AND CYLINDERS INSTALLATION - 450A SERIES II	
	0271216	Ref	Without Arctic Package	K
	1001097501	Ref	With Arctic Package	B
1	0060062	1	Rotator Assembly (See ROTATOR ASSEMBLIES for Breakdown)	
2	0100011	AR	Compound, Locking	
5	0641607	1	Bolt 3/8in-16NC x 7/8in	
6	0641608	1	Bolt 3/8in-16NC x 1in	
7	0641610	2	Bolt 3/8in-16NC x 1-1/4in	
9	0641810	1	Bolt 1/2in-13NC x 1-1/4in	
10	0641812	2	Bolt 1/2in-13NC x 1-1/2in	
16	0801288	1	Main Boom Assembly (See MAIN BOOM ASSEMBLY for Breakdown)	
19	1684170	1	Master Cylinder Assembly (Use p/n 1001140276) (See CYLINDER SECTION for Breakdown)	
20	1684155	1	Main Lift Cylinder Assembly (See CYLINDER SECTION for Breakdown)	
22	1684165	1	Level (Platform Level) Cylinder Assembly (Use p/n 1001140274) (See CYLINDER SECTION for Breakdown)	
23	3311605	2	Locknut 3/8in-16NC	
24	3311805	2	Locknut 1/2in-13NC	
26	3422177	2	Pin	
27	3422178	1	Pin	
28	3422179	1	Pin	
29	3422180	1	Pin	
30	3422454	1	Pin (Use p/n 3422578)	
31	3422558	1	Pin	
32	3422793	1	Pin	
40	3841143	4	Keeper, Pin	
41	3841203	4	Keeper, Pin	
		Ref	BOOM CABLES AND CLAMPS INSTALLATIONS	
	0271311	Ref	Boom Cables and Clamps Installations 450A Series II (ANSI/ANSI Export/CSA Specs)	J
	0271310	Ref	Boom Cables and Clamps Installations 450A Series II (Australian/CE Specs)	J
	0273279	Ref	Boom Cables and Clamps Installations 450A Series II (All Specs with SkyPower)	C
	1001097502	Ref	Boom Cables and Clamps Installations 450A Series II (All Specs with Arctic Package)	A
	1001097503	Ref	Boom Cables and Clamps Installations 450A Series II (All Specs with Arctic Package and SkyPower)	B
		Ref	Note: For Additional Components See ELECTRICAL SECTION	
102		Ref	Block, Clamp Options:	
102	0561459	2	Without Arctic Package	
102	1321696	2	With Arctic Package	
108	3300151	6	Nut, Acorn 1/4in-20NC	
110	3311401	6	Nut 1/4in-20NC	
112	3570535	1	Shield	
122	4751400	12	Flatwasher 1/4in Regular	
124		Ref	Harness, Main Boom Options (Not Shown - See ELECTRICAL SECTION):	

SECTION 3 - BOOM

ITEM	PART NUMBER	QTY	DESCRIPTION	REV
124	4922531	1	Without Arctic Package	
124	1001097504	1	With Arctic Package	
125		Ref	Cable, Electrical (Not Shown - See ELECTRICAL SECTION)	
125		Ref	Machines without Arctic Package or SkyPower (12/3 AC Power Cable):	
125	1060988	1	ANSI/ANSI Export/CSA Specs	
125	1060990	1	Australian/CE Specs	
125		Ref	Machines with Arctic Package or SkyPower:	
125	4922857	1	With SkyPower Only (8/5 AC Power Cable)	
125	4923461	1	With Arctic Package Only (12/3 AC Power Cable)	
125	4922857	1	With Both Arctic Package and Sky Power (8/5 AC Power Cable)	
127	0641506	2	Bolt 5/16in-18NC x 3/4in (With SkyPower Only)	
128	1320202	2	Clamp (With SkyPower Only)	
131	3311505	2	Locknut 5/16in-18NC (With SkyPower Only)	
132	3574532	2	Plate, Clamp Mounting (With SkyPower Only)	
135	4751500	4	Flatwasher 5/16in Regular (With SkyPower Only)	

PARTS FINDER

**Search Website
by Part Number**



**Search Manual
Library For Parts
Manual & Lookup Part
Numbers – Purchase
or Request Quote**

**Can't Find Part or
Manual? Request Help
by Manufacturer,
Model & Description**

Discount-Equipment.com is your online resource for quality parts & equipment.

Florida: **561-964-4949** Outside Florida TOLL FREE: **877-690-3101**

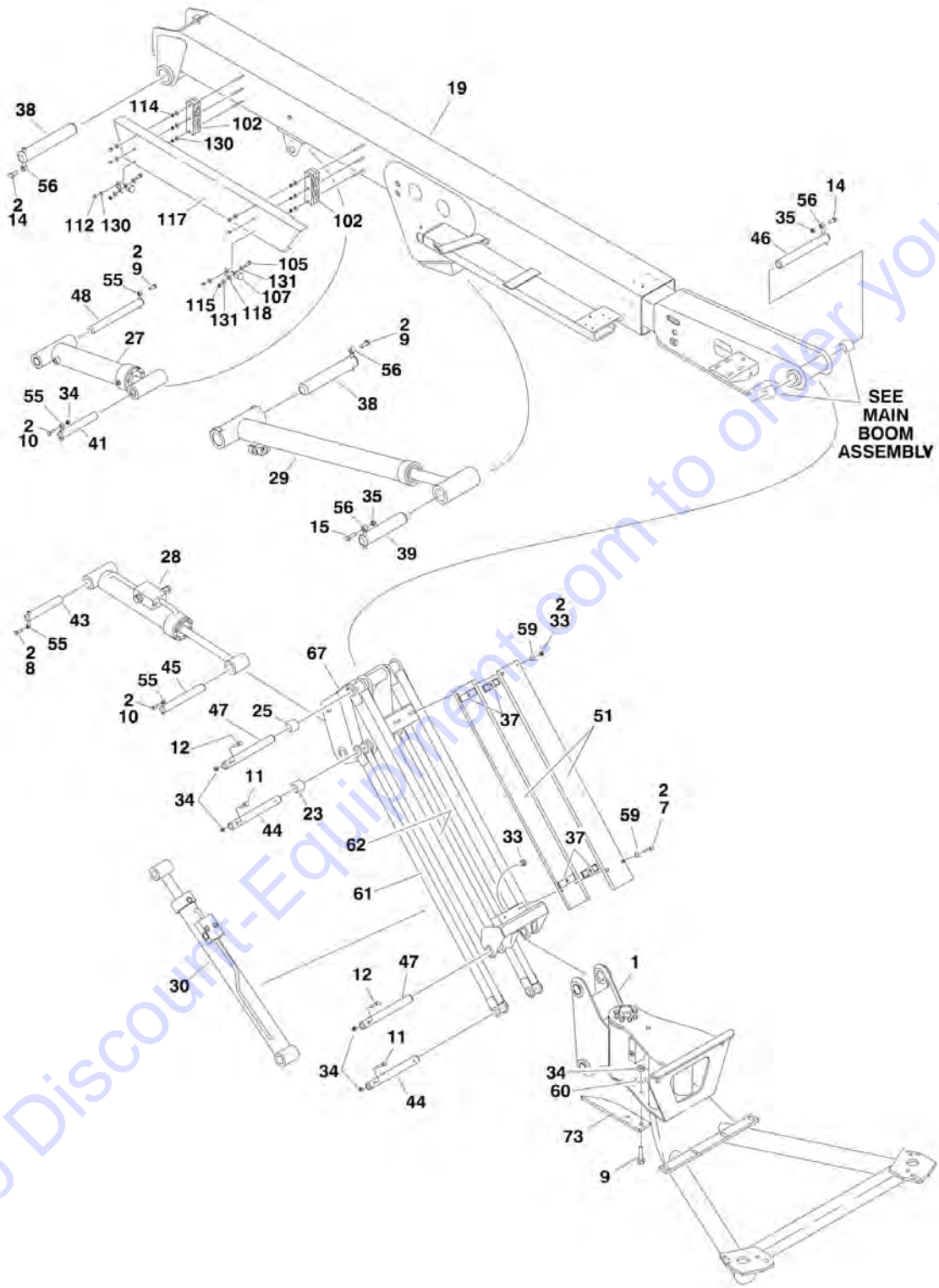
Need parts?

Click on this link: <http://www.discount-equipment.com/category/5443-parts/> and choose one of the options to help get the right parts and equipment you are looking for. Please have the machine model and serial number available in order to help us get you the correct parts. If you don't find the part on the website or on one of the online manuals, please fill out the request form and one of our experienced staff members will get back to you with a quote for the right part that your machine needs.

We sell worldwide for the brands: Genie, Terex, JLG, MultiQuip, Mikasa, Essick, Whiteman, Mayco, Toro Stone, Diamond Products, Generac Magnum, Airman, Haulotte, Barreto, Power Blanket, Nifty Lift, Atlas Copco, Chicago Pneumatic, Allmand, Miller Curber, Skyjack, Lull, Skytrak, Tsurumi, Husquvarna Target, Stow, Wacker, Sakai, Mi-T-M, Sullair, Basic, Dynapac, MBW, Weber, Bartell, Bennar Newman, Haulotte, Ditch Runner, Menegotti, Morrison, Contec, Buddy, Crown, Edco, Wyco, Bomag, Laymor, EZ Trench, Bil-Jax, F.S. Curtis, Gehl Pavers, Heli, Honda, ICS/PowerGrit, IHI, Partner, Imer, Clipper, MMD, Koshin, Rice, CH&E, General Equipment, Amida, Coleman, NAC, Gradall, Square Shooter, Kent, Stanley, Tamco, Toku, Hatz, Kohler, Robin, Wisconsin, Northrock, Oztec, Toker TK, Rol-Air, APT, Wylie, Ingersoll Rand / Doosan, Innovatech, Con X, Ammann, Mecalac, Makinex, Smith Surface Prep, Small Line, Wanco, Yanmar

SECTION 3 - BOOM

FIGURE 3-4. MAIN BOOM INSTALLATION - 450AJ SERIES II (USA BUILT MACHINES)



SECTION 3 - BOOM

FIGURE 3-4. MAIN BOOM INSTALLATION - 450AJ SERIES II (USA BUILT MACHINES)

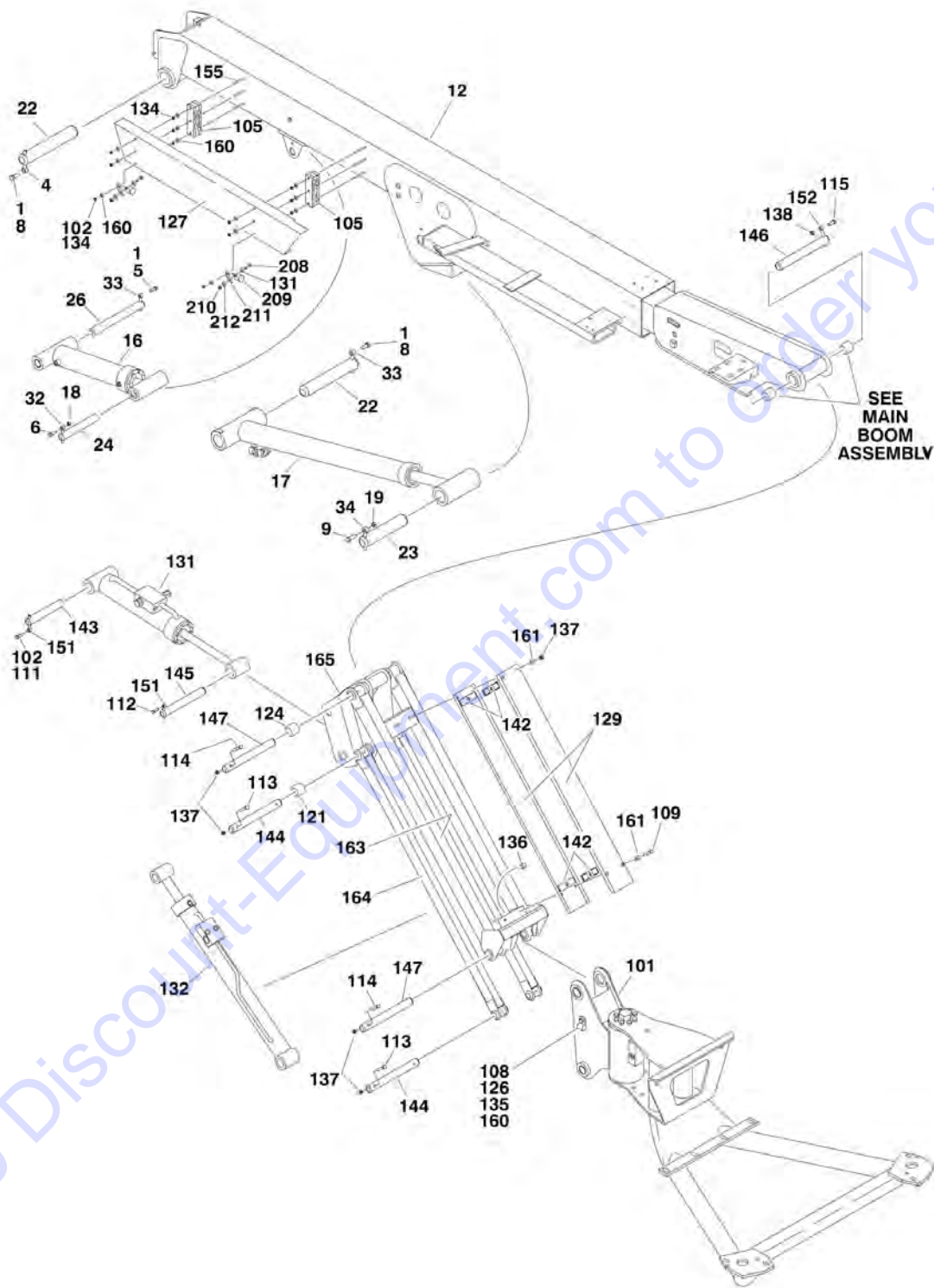
ITEM	PART NUMBER	QTY	DESCRIPTION	REV
		Ref	USA Built Machines use SNs 03xxxxxxx.	
		Ref	Belgium Built Machines use SNs 13xxxxxxx.	
		Ref	Romanian Built Machines use SNs E3xxxxxxx.	
		Ref	BOOM AND CYLINDERS INSTALLATION	
	0270839	Ref	Boom and Cylinders Installation 450AJ Series II	O
	0275125	Ref	Boom and Cylinders Installation 450AJ Series II (Arctic Package)	F
1		Ref	Rotator Assembly Options (See ROTATOR ASSEMBLIES for Breakdown):	
1	0060050	1	Without Arctic Package	
1	0060096	1	With Arctic Package	
2	0100011	AR	Compound, Locking	
7	0641518	2	Bolt 5/16in-18NC x 2-1/4in	
8	0641607	1	Bolt 3/8in-16NC x 7/8in	
9	0641608	3	Bolt 3/8in-16NC x 1in	
10	0641610	2	Bolt 3/8in-16NC x 1-1/4in	
11	0641616	4	Bolt 3/8in-16NC x 2in	
12	0641618	2	Bolt 3/8in-16NC x 2-1/4in	
14	0641810	AR	Bolt 1/2in-13NC x 1-1/4in	
15	0641812	1	Bolt 1/2in-13NC x 1-1/2in	
19	0801312	1	Main Boom Assembly (See MAIN BOOM ASSEMBLY for Breakdown)	
23		Ref	Bushing Options:	
23	0961947	2	Bushing (SN 0300124000 through 0300144007)	
23	0962292	2	Bushing (SN 0300144008 through 0300160834)	
25	0961951	2	Bushing	
27	1683773	1	Master Cylinder Assembly (See CYLINDER SECTION for Breakdown)	
28	1683760	1	Level Cylinder Assembly (See CYLINDER SECTION for Breakdown)	
29	1684154	1	Main Lift Cylinder Assembly (See CYLINDER SECTION for Breakdown)	
30	1683959	1	Jib Lift Cylinder Assembly (Use p/n 1001140282) (See CYLINDER SECTION for Breakdown)	
33	3311501	4	Locknut 5/16in-18NC	
34	3311605	9	Locknut 3/8in-16NC	
35	3311805	2	Locknut 1/2in-13NC	
37	3340860	4	Pad, Rubber	
38	3422177	2	Pin	
39	3422178	1	Pin	
41	3422582	1	Pin	
43	3422669	1	Pin	
44	3422791	2	Pin	
45	3422792	1	Pin	
46	3422793	1	Pin	
47	3422794	2	Pin	
48	3422806	1	Pin	
51	3572551	2	Channel, Hose Carrier	
55	3841143	4	Keeper, Pin	
56	3841203	4	Keeper, Pin	
59	4751500	6	Flatwasher 5/16in Regular	

SECTION 3 - BOOM

ITEM	PART NUMBER	QTY	DESCRIPTION	REV
60	4751600	2	Flatwasher 3/8in Regular	
61	4845927	2	Link, Jib (Lower) (Use p/n 1001094670)	
62	4846278	1	Link, Jib (Upper)	
67	4846356	1	Pivot, Jib	
73	4220244	1	Stop	
74		Ref	Cable, Electrical 18/2 Options (Not Shown):	
74	4922770	1	Without Arctic Package	
74	4923469	1	With Arctic Package	
		Ref	BOOM CABLES AND CLAMPS INSTALLATIONS	
	0271122	Ref	ANSI/ANSI Export /CSA Specs without SkyPower	J
	0271206	Ref	Australian/CE Specs without SkyPower	J
	0275116	Ref	Without SkyPower with Arctic Package	D
	1001115917	Ref	Without SkyPower with Communication System	A
	0273280	Ref	With SkyPower	C
	0275786	Ref	With SkyPower with Arctic Package	C
	1001116516	Ref	With SkyPower with Communication System	A
		Ref	Note: For Additional Components See ELECTRICAL SECTION	
102		Ref	Block, Clamp Options:	
102	0561459	2	Without Arctic Package	
102	1321696	2	With Arctic Package	
105	0641506	2	Bolt 5/16in-18NC x 3/4in (With SkyPower Only)	
107	1320202	2	Clamp (With SkyPower Only)	
112	3300151	6	Nut, Acorn 1/4in-20NC	
114	3311401	6	Nut 1/4in-20NC	
115	3311505	2	Locknut 5/16in-18NC (With SkyPower Only)	
117	3571462	1	Shield	
118	3574532	2	Plate, Clamp Mounting (With SkyPower Only)	
130	4751400	12	Flatwasher 1/4in Regular	
131	4751500	4	Flatwasher 5/16in Regular (With SkyPower Only)	
134		Ref	Harness, Main Boom Options (Not Shown - See ELECTRICAL SECTION):	
134	4922532	1	Without Arctic Package	
134	4923459	1	With Arctic Package	
135		Ref	Cable, Electrical (Not Shown - See ELECTRICAL SECTION)	
135	1060988	1	Without SkyPower (12/3 AC Power Cable)	
135	4923481	1	With Arctic Package (12/3 AC Power Cable)	
135	4922857	1	With SkyPower (8/5 AC Power Cable)	
135	4922929	1	With Arctic Package with SkyPower(8/5 AC Power Cable)	
135	4922929	1	With Communication System with SkyPower(8/5 AC Power Cable)	
136	1001115916	AR	Cable, Communication (with Communication System Only) (Not Shown)	

SECTION 3 - BOOM

FIGURE 3-5. MAIN BOOM INSTALLATION - 450AJ SERIES II (BELGIUM AND ROMANIAN BUILT MACHINES)



SECTION 3 - BOOM

FIGURE 3-5. MAIN BOOM INSTALLATION - 450AJ SERIES II (BELGIUM AND ROMANIAN BUILT MACHINES)

ITEM	PART NUMBER	QTY	DESCRIPTION	REV
		Ref	USA Built Machines use SNs 03xxxxxxxx.	
		Ref	Belgium Built Machines use SNs 13xxxxxxxx.	
		Ref	Romanian Built Machines use SNs E3xxxxxxxx.	
		Ref	MAIN BOOM AND CYLINDERS INSTALLATION	
	0272664	Ref	Main Boom and Cylinders Installation 450AJ Series II Booms and Cylinders Installation	H
	1001098640	Ref	Main Boom and Cylinders Installation 450AJ Series II Boom Assembly	B
	0275438	Ref	Main Boom and Cylinders Installation 450AJ Series II with SkyPower	C
	1001107354	Ref	Main Boom and Cylinders Installation 450AJ Series II Boom Assembly with SkyPower	B
1	0100011	AR	Compound, Locking	
5	0641608	3	Bolt 3/8in-16NC x 1in	
6	0641610	1	Bolt 3/8in-16NC x 1-1/4in	
8	0641810	2	Bolt 1/2in-13NC x 1-1/4in	
9	0641812	1	Bolt 1/2in-13NC x 1-1/2in	
12		Ref	Main Boom Assembly Options (See MAIN BOOM ASSEMBLY and Items 101-165 for Breakdown):	
12	0801361	1	Without SkyPower	
12	0801593	1	With SkyPower	
16	1684241	1	Master Cylinder Assembly (See CYLINDER SECTION for Breakdown)	
17	1684244	1	Upper Lift Cylinder Assembly (See CYLINDER SECTION for Breakdown)	
18	3311605	3	Locknut 3/8in-16NC	
19	3311805	1	Locknut 1/2in-13NC	
22	3422177	2	Pin	
23	3422178	1	Pin	
24	3422582	1	Pin	
26	3422806	1	Pin	
32	3841143	2	Keeper, Pin	
33	3841203	3	Keeper, Pin	
34	3841258	4	Keeper, Pin	
39	4220244	1	Stop, Platform (Belgium Built Machines) (SN 1300006698 to Present)	
39	4220244	1	Stop, Platform (All Romanian Built Machines)	
40	4751600	2	Flatwasher 3/8in Regular (Belgium Built Machines) (SN 1300006698 to Present)	
40	4751600	1	Flatwasher 3/8in Regular (All Romanian Built Machines)	
		Ref	JIB INSTALLATION	
	0801361	Ref	Without SkyPower	J
	0801593	Ref	With SkyPower	H
101	0060050	1	Rotator Assembly (See ROTATOR ASSEMBLIES for Breakdown)	
102	0100011	AR	Compound, Locking	
105	0561515	2	Clamp, Block	
109	0641518	2	Bolt 5/16in-18NC x 2-1/4in	
111	0641607	1	Bolt 3/8in-16NC x 7/8in	
112	0641610	1	Bolt 3/8in-16NC x 1-1/4in	
113	0641616	4	Bolt 3/8in-16NC x 2in	

SECTION 3 - BOOM

ITEM	PART NUMBER	QTY	DESCRIPTION	REV
114	0641618	2	Bolt 3/8in-16NC x 2-1/4in	
115	0641810	1	Bolt 1/2in-13NC x 1-1/4in	
121		Ref	Bushing Options:	
121	0961947	2	Belgium Built Machines (SN 1300006000 through 1300006883)	
121	0962292	2	Belgium Built Machines (SN 1300006884 to Present)	
121	0962292	2	Romanian Built Machines (SN 1300006884 through E300001114)	
124	0961951	2	Bushing	
127	3571462	1	Shield	
129	1671083	2	Cover, Jib Hose	
131	1001094789	1	Level (Platform Level) Cylinder Assembly (See CYLINDER SECTION for Breakdown):	
132	1684242	1	Jib Lift Cylinder Assembly (See CYLINDER SECTION for Breakdown)	
134	3311402	12	Nut, Jam 1/4in-20NC	
136	3311505	4	Locknut 5/16in-18NC	
137	3311605	12	Locknut 3/8in-16NC	
138	3311805	1	Locknut 1/2in-13NC	
142	3340943	4	Pad, Rubber	
143	3422669	1	Pin	
144	3422791	2	Pin	
145	3422792	1	Pin	
146	3422793	1	Pin	
147	3422794	2	Pin	
151	3841143	2	Keeper, Pin	
152	3841203	1	Keeper, Pin	
155	3951420	6	Setscrew 1/4in-20NC x 2-1/2in	
160	4751400	12	Flatwasher 1/4in Regular	
161	4751500	6	Flatwasher 5/16in Regular	
163	4846688	1	Link, Jib (Upper)	
164	4846689	2	Link, Jib (Lower)	
165	4846693	1	Pivot, Jib	
169	3311501	4	Nut, 5/16in-18NC (Not Shown)	
		Ref	BOOM CABLES AND CLAMPS INSTALLATION	
	0272665	Ref	Without SkyPower	C
	0275437	Ref	With SkyPower	B
		Ref	Note: For Additional Components See ELECTRICAL SECTION	
201	1060996	1	Cable, Electrical (AC Cable) (Not Shown - See ELECTRICAL SECTION)	
203	4922532	1	Harness, Main Boom (Not Shown - See ELECTRICAL SECTION)	
207	4922929	1	Cable, Electrical (8/5 Generator Cable) (With SkyPower Only) (Not Shown - See ELECTRICAL SECTION):	
208	0641506	2	Bolt 5/16in-18NC x 3/4in (With SkyPower Only)	
209	1320202	2	Clamp (With SkyPower Only)	
210	3311505	2	Locknut 5/16in-18NC (With SkyPower Only)	
211	3574532	2	Plate, Clamp Mounting (With SkyPower Only)	
212	4751500	4	Flatwasher 5/16in Regular (With SkyPower Only)	
213	2820647	1	Hose, Air Line (With SkyPower Only) (Not Shown)	

FIGURE 3-6. MAIN BOOM ASSEMBLIES

ITEM	PART NUMBER	QTY	DESCRIPTION	REV
		Ref	USA Built Machines use SNs 03xxxxxxx.	
		Ref	Belgium Built Machines use SNs 13xxxxxxx.	
		Ref	Romanian Built Machines use SNs E3xxxxxxx.	
		Ref	MAIN BOOM ASSEMBLY OPTIONS (USA BUILT MACHINES)	
	0801288	Ref	Main Boom Assembly 450A Series II	E
	0801312	Ref	Main Boom Assembly 450AJ Series II	6-C
1	0100011	AR	Compound, Locking	
2	0630401	2	Bolt, Carriage 5/16in-18NC x 2in	
3	0641605	8	Bolt 3/8in-16NC x 5/8in	
4	0641606	22	Bolt 3/8in-16NC x 3/4in	
5	0641607	4	Bolt 3/8in-16NC x 7/8in	
6	0641608	4	Bolt 3/8in-16NC x 1in	
7	0641818	4	Bolt 1/2in-13NC x 2-1/4in	
8		Ref	Base Weldment Options:	
8	0801289	1	Base Weldment 450A Series II	
8	0801260	1	Base Weldment 450AJ Series II	
8A	0961950	2	Bearing	
9		Ref	Fly Weldment Options:	
9	0801290	1	Fly Weldment 450A Series II	
9	0801192	1	Fly Weldment 450AJ Series II	
10	0961948	2	Bearing	
11		Ref	Power Track for 450A Series II Options:	
11	1180227	NLA	Power Track for 450A Series II (Original Equipment) (Use p/n 1001225902)	
11	1001099838	NLA	Power Track for 450A Series II (Service Replacement) (Use p/n 1001225902)	
11	1001225902	1	Power Track for 450A Series II (Service Replacement)	
		Ref	Note: Original Equipment Power Track p/n 1180227 may have been replaced with Service Replacement Power Track p/n 1001099838. Visually identify the power track before ordering parts.	
11A		Ref	Gemco Replacement Parts:	
11A	7006139	AR	Repair Section for p/n 1180227 (was p/n 7006187)	
11A	7006156	1	Rod, Carrier for p/n 1180227	
11A	7006151	2 pr	Feet, Mounting for p/n 1180227	
11A	7006152	AR	Pin Kit for p/n 1180227 (Includes 1 Link Pin, 4 Different Size Washers and 1 Retaining Ring) (was p/n 7006177)	
11B		Ref	Gortrac Replacement Parts:	
11B	70001996	AR	Repair Section for p/n 1001099838 (Includes 1 Pin Assembly for each end)	
11B	70001998	2 pr	Mounting Foot Kit for p/n 1001099838 (Includes Both Pair of Feet)	
11B	70006269	AR	Repair Section for p/n 1001225902 (Includes 1 Pin Assembly for each end)	
11B	70006280	2 pr	Mounting Foot Kit for p/n 1001225902 (Includes Both Pair of Feet)	
12		Ref	Power Track for 450AJ Series II Options:	
12A	1180352	NLA	Power Track for 450AJ Series II (Original Equipment) (Use p/n 1001099833) (SN 0300124000 through 0300135632)	
		Ref	Note: Original Equipment Power Track p/n 1180352 may have been replaced with Service Replacement Power Track p/n 1001099833. Visually identify the power track before ordering parts.	

SECTION 3 - BOOM

ITEM	PART NUMBER	QTY	DESCRIPTION	REV
12A		Ref	Gemco Replacement Parts:	
12A	7006139	AR	Repair Section for p/n 1180352	
12A	7006151	2 pr	Feet, Mounting for p/n 1180352	
12A	7006152	AR	Pin Kit for p/n 1180352 (Includes 1 Link Pin, 4 Different Size Washers and 1 Retaining Ring)	
12B	1001099833	1	Power Track 450AJ Series II (Service Replacement) (SN 0300135633 through 0300160834)	
12B		Ref	Gortrac Replacement Parts:	
12B	70001996	AR	Repair Section for p/n 1001099833 (Includes 1 Pin Assembly for each end)	
12B	70001998	2 pr	Mounting Foot Kit for p/n 1001099833 (Includes Both Pair of Feet)	
13		Ref	Telescope Cylinder Assembly Options (See CYLINDER SECTION for Breakdown):	
13	1684095	1	Telescope Cylinder Assembly 450A Series II	
13	1684140	1	Telescope Cylinder Assembly 450AJ Series II	
14	3311401	2	Nut 1/4in-20NC	
15	3311505	4	Locknut 5/16in-18NC	
16	3311605	4	Locknut 3/8in-16NC	
17	3340881	8	Pad, Wear	
18	3340837	5	Pad, Wear	
19		Ref	Pad, Rubber Options:	
19	3340940	2	Pad, Rubber (SN 0300124000 through 0300135632)	
19	3340939	2	Pad, Rubber (SN 0300135633 through 0300160834)	
20	3422804	1	Pin	
21		Ref	Plate, Clamp Options:	
21	3570958	3	Plate, Clamp (SN 0300124000 through 0300135632)	
21	1001106757	3	Plate, Clamp (SN 0300135633 through 0300160834)	
22	3760115	2	Ring, Retaining	
23	4070897	AR	Shim (#18)	
24	4070898	AR	Shim (#11)	
25	4711500	2	Flatwasher 5/16in Thin	
26	4711600	12	Flatwasher 3/8in Thin	
27	4751400	10	Flatwasher 1/4in Regular	
28	4761800	4	Lockwasher 1/2in	
29		Ref	Tube, Carrier	
29	4845767	1	Tube, Carrier 450A Series II	
29	4846033	1	Tube, Carrier 450AJ Series II	
30	4070982	AR	Shim (#16)	
31	0100081	AR	Adhesive # 454	
32	1670678	1	Cover, Boom End (Use p/n 1670679)	
		Ref	MAIN BOOM ASSEMBLY OPTIONS (BELGIUM AND ROMANIAN BUILT MACHINES)	
	0801361	Ref	Main Boom Assembly 450AJ Series II without SkyPower	J
	0801593	Ref	Main Boom Assembly 450AJ Series II with SkyPower	H
102	0100011	AR	Compound, Locking	
103	0100081	AR	Adhesive #454	
106	0630401	2	Bolt, Carriage 5/16in-18NC x 2in	
107	0641404	4	Bolt 1/4in-20NC x 1/2in	
110	0641604	4	Bolt 3/8in-16NC x 1/2in	
110	0641605	4	Bolt 3/8in-16NC x 5/8in	
116	0641818	4	Bolt 1/2in-13NC x 2-1/4in	
117	0791606	12	Screw 3/8in-16NC x 3/4in	

SECTION 3 - BOOM

ITEM	PART NUMBER	QTY	DESCRIPTION	REV
118	0791607	16	Screw 3/8in-16NC x 7/8in	
119	0801379	1	Base Weldment	
120	0801380	1	Fly Weldment	
122	0961948	2	Bearing	
123	0961950	2	Bearing	
125		Ref	Power Track Options:	
125	1180378	NLA	Power Track (Use p/n 1001225900)	
125	1001225900	1	Power Track	
125	7026120	AR	2ft Repair Section (Used with 1180378)	
125	7026119	1	Feet, Mounting (Includes 4 Feet and Mounting Hardware) (Used with 1180378)	
125	70006267	AR	2 Ft Repair Section (Used with 1001225900)	
125	70006275	1	Feet, Mounting (Includes 4 Feet and Mounting Hardware) (Used with 1001225900)	
128	1671111	1	Cover, Boom End	
130	1684262	1	Telescope Cylinder Assembly (See CYLINDER SECTION for Breakdown)	
136	3311505	2	Locknut 5/16in-18NC	
137	3311605	10	Locknut 3/8in-16NC	
139	3340837	4	Pad, Wear	
140	3340881	10	Pad, Wear	
141	3340940	2	Pad, Rubber	
148	3422996	1	Pin	
149	3572448	2	Plate, Clamp	
150	3760115	2	Ring, Retaining	
153	3900283	4	Screw, Button Head 3/8in-16NC x 3/4in	
154	3900316	4	Screw, Button Head 3/8in-16NC x 1in	
156	4071056	10	Shim (1mm)	
157	4071057	10	Shim (3mm)	
158	4711400	4	Flatwasher 1/4in Thin	
159	4711600	4	Flatwasher 3/8in Thin	
162	4846734	1	Tube, Carrier	
166	4891800	4	Flatwasher 1/2in Hardened	
168	3941406	1	Screw, Self-Tapping	
170	4891600	4	Flatwasher 3/8in Hardened	

SECTION 3 - BOOM

FIGURE 3-7. ROTATOR ASSEMBLIES

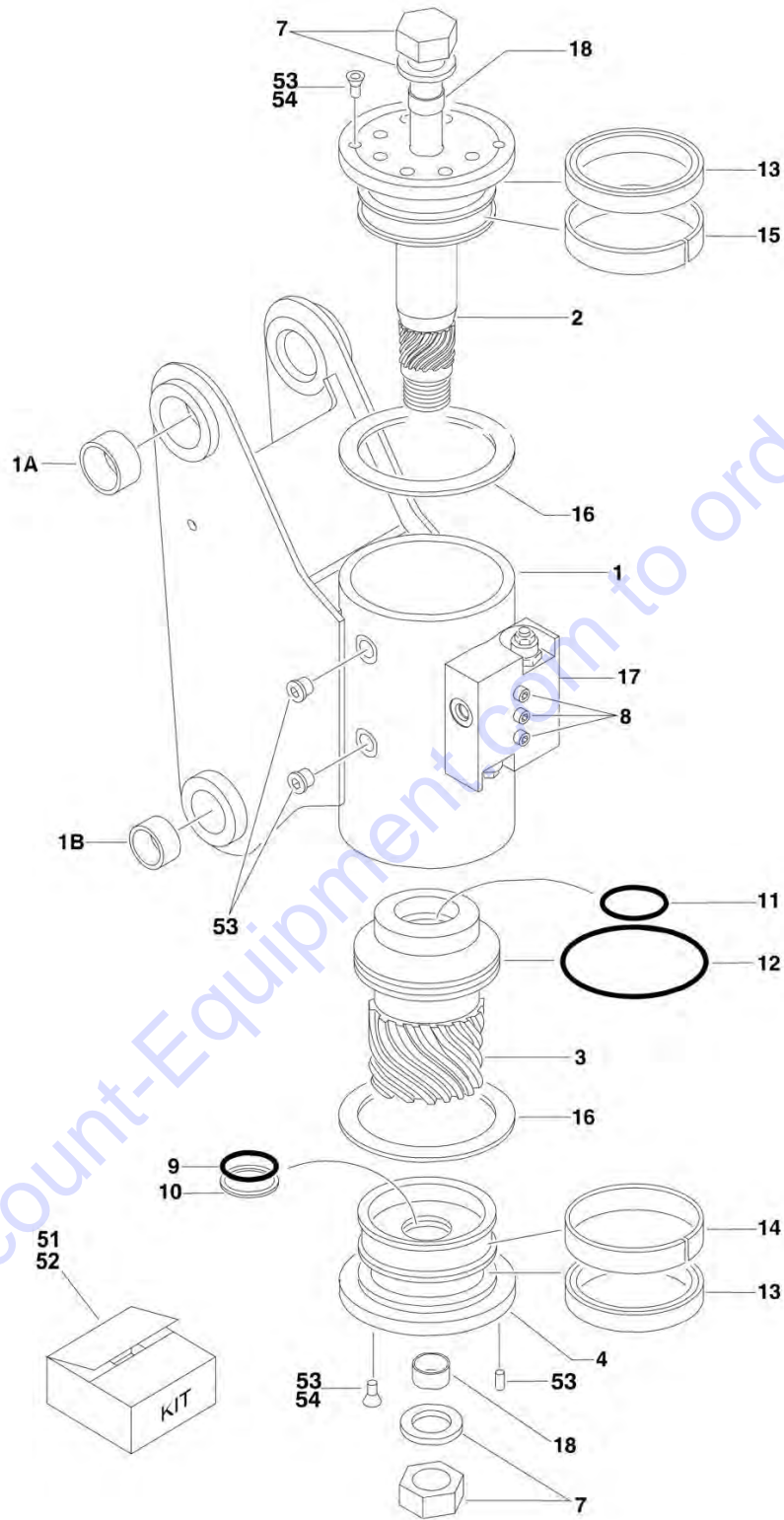


FIGURE 3-7. ROTATOR ASSEMBLIES

ITEM	PART NUMBER	QTY	DESCRIPTION	REV
		Ref	ROTATOR ASSEMBLIES	
	0060062	Ref	Rotator Assemblies 450A Series II	C
	0060050	Ref	Rotator Assemblies 450AJ Series II without Arctic Package	G
	0060096	Ref	Rotator Assemblies 450AJ Series II With Arctic Package	A
1	See Note	1	Case/Bracket Weldment (Note: Not Available - Purchase Complete Assembly)	
1A		Ref	Bushing Options: (Top)	
1A	Not Required	0	0060062 Rotator	
1A	0962257	2	0060050 & 0060096 Rotators	
1B		Ref	Bushing Options: (Bottom)	
1B	Not Required	0	0060062 Rotator	
1B	0961947	2	0060050 & 0060096 Rotators	
2		Ref	Shaft Options:	
2	7017162	1	0060062 Rotator	
2	7017140	1	0060050 Rotator	
2	7017162	1	0060096 Rotator	
3		Ref	Sleeve, Piston Options:	
3	7017163	1	0060062 Rotator	
3	7017139	1	0060050 Rotator	
3	7017163	1	0060096 Rotator	
4		Ref	Cap, End Options:	
4	7017164	1	0060062 Rotator	
4	7017148	1	0060050 Rotator	
4	7017164	1	0060096 Rotator	
7	See Note	1	Tie Rod Assembly	
		Ref	Note: See Platform Support Installation for Components.	
8	See Note	3	Bolt 1/4in-20NC x 1-1/2 (Grade 8) (Note: Not Available for Purchase)	
9	See Note	1	Seal, Cap (Note: Use Item 51)	
10	See Note	1	Ring, Back-Up Cap (Note: Use Item 51)	
11	See Note	1	Seal, Rod (Note: Use Item 51)	
12	See Note	1	Seal, Piston (Note: Use Item 51)	
13	See Note	2	Packing, Bearing (Note: Use Item 51)	
14	See Note	1	Bearing, Cap (Note: Use Item 52)	
15	See Note	1	Bearing, Shaft (Note: Use Item 52)	
16	See Note	2	Thrustwasher (Note: Use Item 52)	
17	7017172	1	Counterbalance Valve Assembly	
17	7017192	2	Cartridge (No Seal Kit Available)	
18		Ref	Bushing Options:	
18	7017195	2	0060062 Rotator	
18	7017136	2	0060050 Rotator	
18	See Note	2	0060096 Rotator (Note: Not Available for Purchase)	
51		Ref	Seal Kit Options: (Includes Items 9-13)	
51	7017158	1	0060062 Rotator	
51	7017137	1	0060050 Rotator	
51	70000342	1	0060096 Rotator	
52		Ref	Bearing Kit Options: (Includes Items 14-16)	
52	7017159	1	0060062 Rotator	
52	7017138	1	0060050 Rotator	
52	7017159	1	0060096 Rotator	

SECTION 3 - BOOM

ITEM	PART NUMBER	QTY	DESCRIPTION	REV
53		Ref	Hardware Kit Options:	
53	See Note	1	0060050 Rotator (Note: Not Available for Purchase)	
53	7017142	1	0060062 & 0060096 Rotator	
54	70001697	4	Screw, Countersunk 1/4in-20NC x 3/8in (Grade 8)	

Go to Discount-Equipment.com to order your parts

SECTION 3 - BOOM

FIGURE 3-8. PLATFORM SUPPORT AND CONTROL VALVES INSTALLATIONS

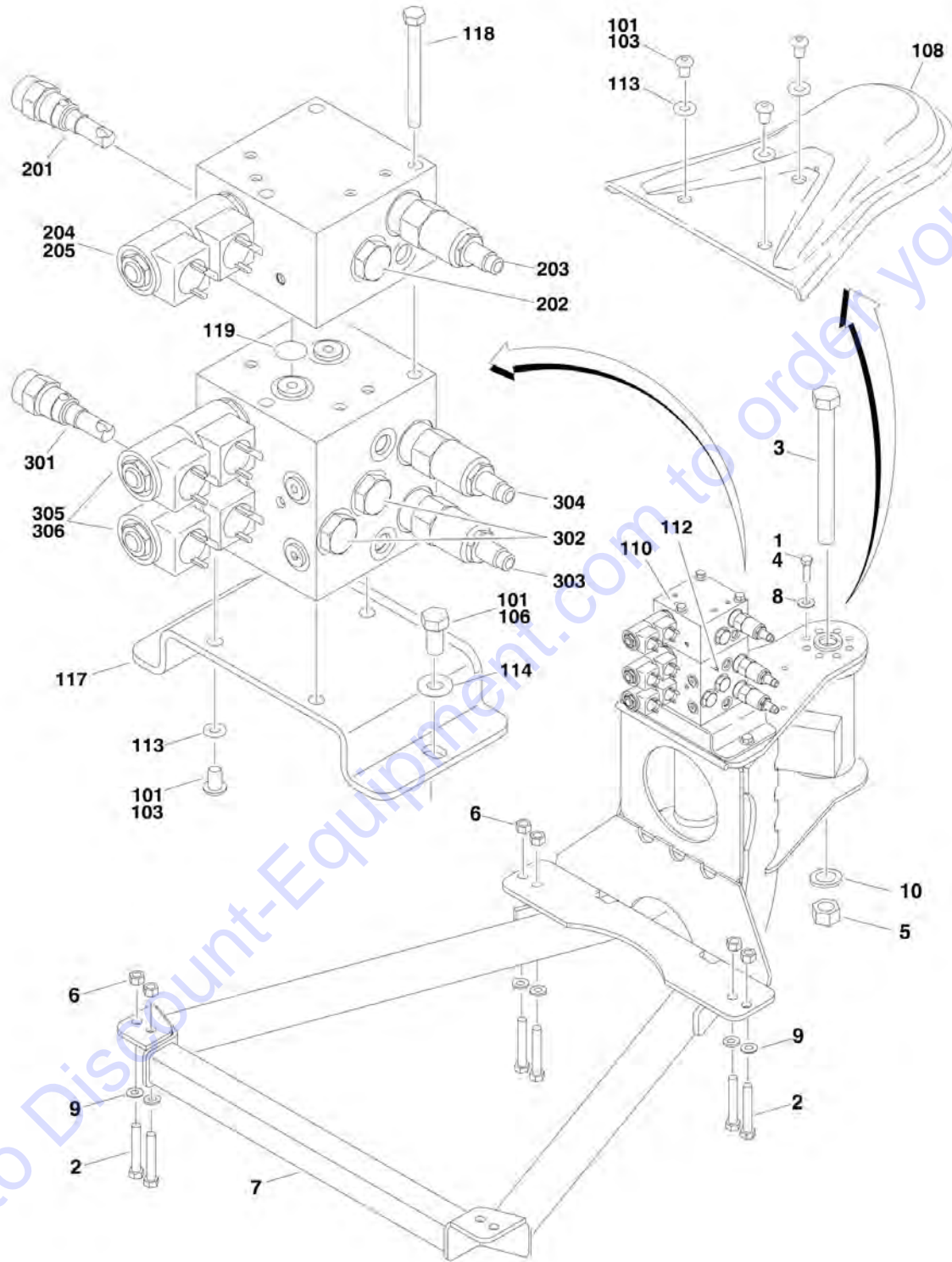


FIGURE 3-8. PLATFORM SUPPORT AND CONTROL VALVES INSTALLATIONS

ITEM	PART NUMBER	QTY	DESCRIPTION	REV
		Ref	PLATFORM SUPPORT INSTALLATION	
	0272070	Ref	Machines without LSS	E
	See Note	Ref	Machines with LSS (Note: Refer to JLG Supplement p/n 3124287 for Components)	
1	0100011	AR	Compound, Locking	
2	0641812	8	Bolt 1/2in-13NC x 1-1/2in	
3	0642684	1	Bolt 1in-8NC x 10-1/2in	
4	0681608	8	Bolt 3/8in-16NC x 1in	
5	3300243	1	Locknut 1in-8NC	
6	3311805	8	Locknut 1/2in-13NC	
7	4846573	1	Support Weldment	
8	4891600	8	Flatwasher 3/8in Hardened	
9	4891800	8	Flatwasher 1/2in Hardened	
10	4892600	1	Flatwasher 1in Hardened	
		Ref	CONTROL VALVE INSTALLATIONS	
	0274615	Ref	Control Valve Installations 450A Series II	A
	0274616	Ref	Control Valve Installations 450AJ Series II	A
101	0100011	AR	Compound, Locking	
103	0630467	6	Screw, Button Head	
106	0641606	2	Bolt 3/8in-16NC x 3/4in	
108	1670964	1	Cover	
110		Ref	Valve, Jib Options (See Items 201-205 for Breakdown):	
110	Not Required	0	Valve, Jib 450A Series II	
110	4641175	1	Valve, Jib 450AJ Series II	
112	4641177	1	Valve, Level/Rotate (See Items 301-306 for Breakdown)	
113	4711500	9	Flatwasher 5/16in Thin	
114	4711600	2	Flatwasher 3/8in Thin	
117	4846218	1	Plate, Valve Mounting	
118	0641526	3	Bolt 5/16in-18NC x 3-1/4in	
119	3780117	2	O-Ring	
	4641175	Ref	JIB VALVE ASSEMBLY	D
201	7023984	1	Valve, Cartridge	
201	7012953	1	Seal Kit - 7023984 Valve	
202	7010542	1	Valve, Load Shuttle	
202	7010543	1	Seal Kit - 7010542 Valve	
203	7023915	1	Valve, Relief	
203	7012967	1	Seal Kit - 7023915 Valve	
204	7017452	1	Valve, Solenoid	
204	7017402	1	Seal Kit - 7017452 Valve	
205	7012944	2	Coil	
	4641177	Ref	LEVEL/ROTATE VALVE ASSEMBLY	C
301	7012989	1	Valve, Cartridge	
301	7012953	1	Seal Kit - 7012965 Valve	
302	7012914	2	Valve, Pressure Control	
302	7012918	2	Seal Kit - 7012914 Valve	
303	7023911	1	Valve, Relief	
303	7012967	1	Seal Kit - 7023911 Valve	
304	7023912	1	Valve, Relief	
304	7012967	1	Seal Kit - 7023912 Valve	
305	7017452	2	Valve, Solenoid	

SECTION 3 - BOOM

ITEM	PART NUMBER	QTY	DESCRIPTION	REV
305	7017402	2	Seal Kit - 7017452 Valve	
306	7012944	4	Coil	

Go to Discount-Equipment.com to order your parts

SECTION 3 - BOOM

FIGURE 3-9. PLATFORM SUPPORT INSTALLATION - WITH LSS

ITEM	PART NUMBER	QTY	DESCRIPTION	REV
	0272703	Ref	PLATFORM SUPPORT INSTALLATION - WITH LSS	Q
1	0100011	AR	Compound, Locking	
2	0100048	AR	Grease, Dielectric	
3	0641405	6	Bolt 1/4 x 5/8	
4	0641416	3	Bolt 1/4 x 2	
5	0641407	1	Bolt 1/4 x 7/8	
6	0641516	3	Bolt 5/16 x 2	
7	0641822	8	Bolt 1/2 x 2-3/4	
8	0642024	4	Bolt 5/8 x 3	
9	0642684	1	Bolt 1 x 10-1/2	
10	0681608	8	Bolt 3/8 x 1 Grade 8	
11	0902919	2	Bracket, Cell Guard	
12	0902920	2	Bracket, Cell Guard	
13		Ref	Bracket, Module Mount Options:	
13A	0902894	1	Bracket (USA Built Machines) (SN 0300124000 through 0300138470)	
13B	1001113483	1	Bracket (USA Built Machines) (SN 0300138471 through 0300160834)	
14	0962450	4	Bushing, Spacer	
15	1271538	2	Channel	
16	1320136	6	Clamp	
17	1320224	2	Clamp	
18	1600387	1	Module, Control - LSS (Note: Re-calibration Required When Replaced)	
19	2420202	4	Cell, Load (Includes Cable)	
20	3272605	1	Nut 1 Grade 8	
21	3311405	10	Nut 1/4	
22	3311508	3	Nut 5/16	
23	3311805	8	Nut 1/2	
24	3312005	4	Nut 5/8	
25	3900283	4	Screw 3/8 x 3/4	
26	4061054	2	Shield	
27	4240033	AR	Tie-Strap (Not Shown)	
28	4711400	10	Washer 1/4	
29	4711600	4	Washer 3/8	
30	4751400	1	Washer 1/4	
31	4751500	3	Washer 5/16	
32	4846573	1	Support, Platform	
33	4891600	8	Washer 3/8	
34	4891800	8	Washer 1/2	
35	4892000	4	Washer 5/8	
36	4892600	1	Washer 1	
37	4922869	1	LSS Harness	
37	4922705	1	Analyzer Harness (Not Shown)	
37	4460761	1	Receptacle, Female - 4 Position (Not Shown)	
37	4460226	2	Socket, Female	
37	4460836	1	Connector - 12 Position (Black) (J2)	
37	4460465	2	Socket, Female	
37	4460466	10	Plug, Terminal	
37	0840055	1	Boot	

SECTION 3 - BOOM

ITEM	PART NUMBER	QTY	DESCRIPTION	REV
37	4460933	1	Connector - 12 Position (Grey) (J1)	
37	4460465	3	Socket, Female	
37	4460466	9	Plug, Terminal	
37	0840055	1	Boot	
39	2540038	2	Grommet	
40	2920129	1	Bulb, Light (Not Shown - Located on Ground Control Box)	
41	1001216630	2	Decal - Tie Down/No Lift	

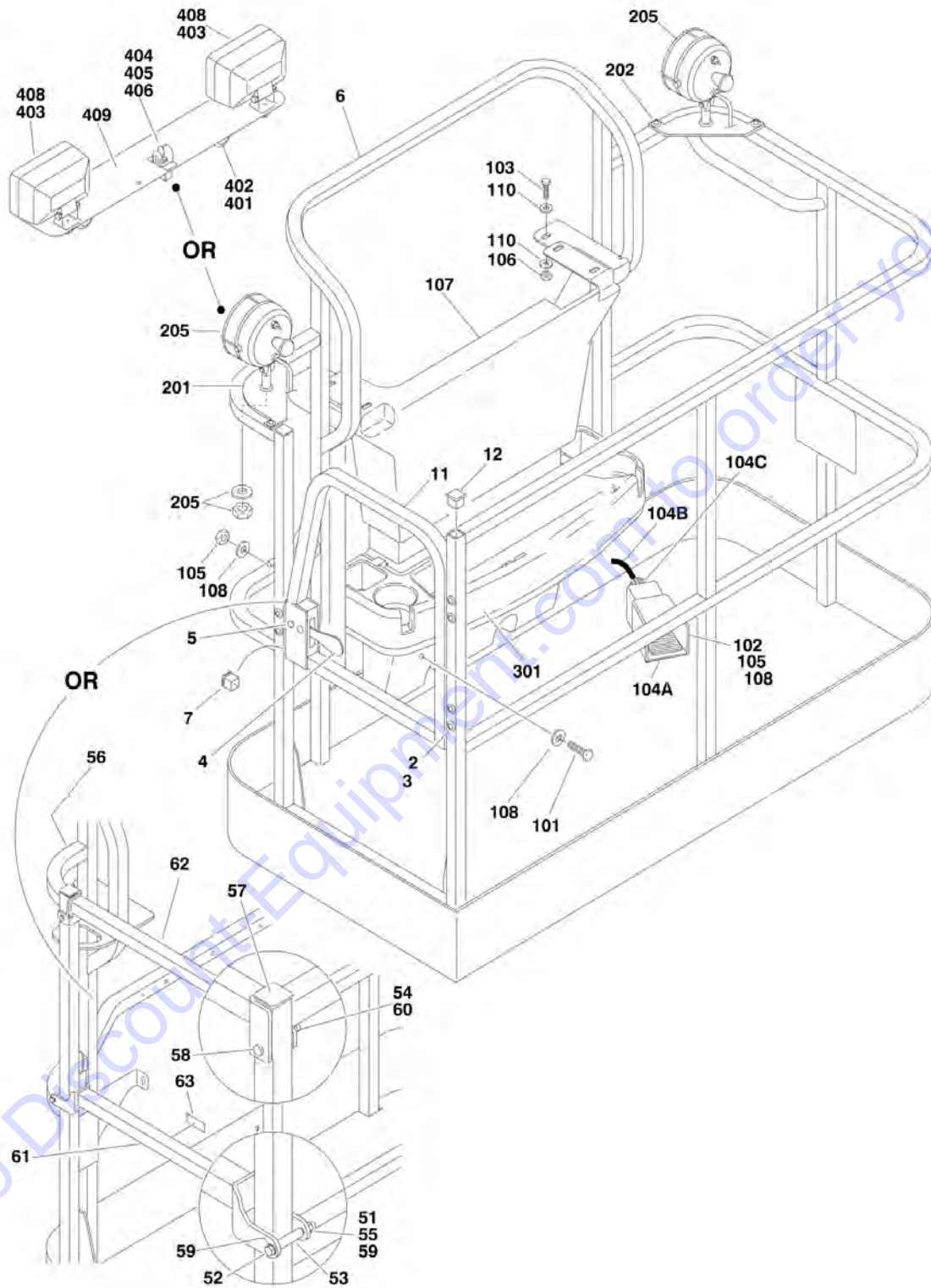
Go to Discount-Equipment.com to order your parts

SECTION 4 - PLATFORM

Go to Discount-Equipment.com to order your parts

SECTION 4 - PLATFORM

FIGURE 4-1. PLATFORM INSTALLATION



SECTION 4 - PLATFORM

FIGURE 4-1. PLATFORM INSTALLATION

ITEM	PART NUMBER	QTY	DESCRIPTION	REV
		Ref	PLATFORM ASSEMBLY WITH GATE	
	3510832	Ref	6ft (1.83m) with No Mesh (Use p/n 1001144025)	B-L
	3510831	Ref	5ft (1.52m) with No Mesh (Use p/n 1001144026)	B-L
	3510830	Ref	4ft (1.22m) with No Mesh (Use p/n 1001144027)	B-M
		Ref	Note: Original Equipment platform may have been replaced with Service Replacement platform. Identify platform before ordering parts.	
		Ref	Note: Platform and Mesh must be ordered separately for Platforms with Mesh. See SPECIAL OPTIONS SECTION for Mesh Installations.	
		Ref	Note: Replacement Decals Must be Ordered Separately - See DECALS SECTION.	
2	2080040	16	Fastener, Huck	
3	2600281	2	Hinge, Self-Closing	
4	2940074	1	Latch	
5	3820020	2	Rivet, Pop	
6	See Note	1	Platform Weldment (Note: Purchase Platform Assembly)	
7	3520072	1	Cap-Plug	
11		Ref	Gate Weldment Options:	
11	4846452	1	Gate for Original Equipment Platform p/n 3510830, 3510831, 3510832	
11	1001144629	1	Gate for Service Replacement Platform p/ns 1001144025, 1001144026, 1001144027	
12	3520198	2	Plug, Square Tube	
		Ref	PLATFORM ASSEMBLY WITH DROP-BAR	
	1001138433	Ref	6ft (1.83m) with No Mesh (Use p/n 1001144020)	B-B
	1001138432	Ref	5ft (1.52m) with No Mesh (Use p/n 1001144019)	B-B
	1001138431	Ref	4ft (1.22m) with No Mesh (Use p/n 1001144018)	B-B
		Ref	Note: Platform and Mesh must be ordered separately for Platforms with Mesh. See SPECIAL OPTIONS SECTION for Mesh Installations.	
		Ref	Note: Replacement Decals Must be Ordered Separately - See DECALS SECTION.	
51	0100011	AR	Compound, Locking	
52	0641418	2	Bolt 1/4in-20NC x 2-1/4in	
53	0961845	2	Bushing	
54	3290606	2	Nut M6	
55	3300151	2	Nut, Acorn	
56	See Note	1	Platform Weldment (Note: Purchase Platform Assembly)	
57	3520198	2	Cap-Plug	
58	4010618	2	Screw M6 x 50mm	
59	4711400	4	Flatwasher 1/4in	
60	4811700	2	Flatwasher M6	
61	1001138494	1	Bar, Drop	
62	1001138514	1	Rail (Top)	
63	1001140429	1	Decal - Drop-Bar	
		Ref	CONSOLE BOX AND FOOTSWITCH INSTALLATION	
		Ref	Note: For Module (with/without UGM) Identification, refer to Revision Log page A.	
		Ref	Note: All Romanian Built Machines are built with UGM.	
		Ref	Without UGM	
	0271931	Ref	Deutz/GM Engines - USA Built Machines (SN 0300124000)	C

SECTION 4 - PLATFORM

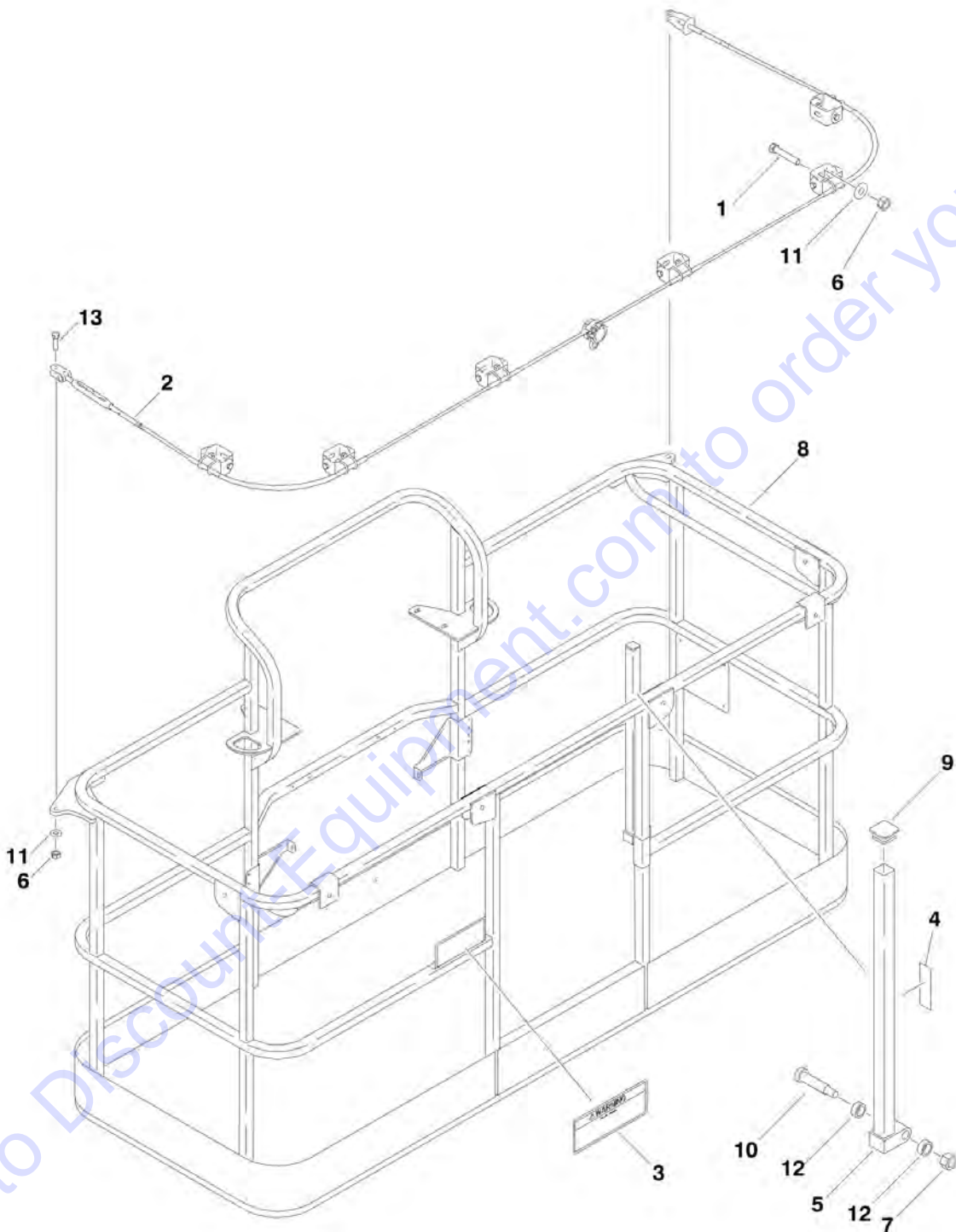
ITEM	PART NUMBER	QTY	DESCRIPTION	REV
	0271931	Ref	through 0300137905) Deutz/GM Engines - Belgium Built Machines (SN 1300006000 through 1300006700)	C
	1001108829	Ref	Deutz/GM Engines - USA Built Machines (SN 0300137906 through 0300160834)	B
	1001108829	Ref	Deutz/GM Engines - Belgium Built Machines (SN 1300006701 to Present)	B
	1001106932	Ref	Caterpillar/Perkins Engines	B
		Ref	With UGM	
	1001108902	Ref	Caterpillar/Deutz/GM/Perkins Engines	B
101	0641406	2	Bolt 1/4in-20NC x 3/4in	
102	0641408	3	Bolt 1/4in-20NC x 1in	
103	0641610	4	Bolt 3/8in-16NC x 1-1/4in	
104		Ref	Platform Console Box Assembly Options (Not Shown) (See PLATFORM CONSOLE ASSEMBLY for Breakdown):	
104		Ref	Without UGM	
104	0861512	1	Deutz/GM Engines - USA Built Machines (SN 0300124000 through 0300137905)	
104	0861512	1	Deutz/GM Engines - Belgium Built Machines (SN 1300006000 through 1300006700)	
104	1001108828	1	Deutz/GM Engines - USA Built Machines (SN 0300140496 through 0300160834)	
104	1001108828	1	Deutz/GM Engines - Belgium Built Machines (SN 1300006701 to Present)	
104	1001106931	1	Caterpillar/Perkins Engines	
104		Ref	With UGM	
104	1001108901	1	Caterpillar/Deutz/GM/Perkins Engines	F
104A	0272970	1	Footswitch Assembly (Includes Footswitch and Items 104B-104E)	B
		Ref	Note: Assembly p/n 0272970 may use either p/n 4360031 or p/n 1001117320. If Original Equipment was replaced as an "assembly," p/n 1001117320 may have been used as part of the Service Replacement. Identify component before ordering parts.	
104A		Ref	Footswitch Options:	
104A	4360031	1	USA Built Machines (SN 0300124000 through 0300143947)	
104A	4360031	1	Belgium Built Machines (SN 1300006000 through 1300006894)	
104A	7000625	2	Block, Contact for 4360031 Footswitch	
104A	1001117320	1	USA Built Machines (SN 0300143948 through 0300160834)	
104A	1001117320	1	Belgium Built Machines (SN 1300006895 to Present)	
104A	1001117320	1	Romanian Built Machines (SN E300000001 through E300001114)	
104A	70003483	2	Block, Contact for 1001117320 Footswitch	
104B	1060918	7.5 ft/2.3m	Cable, Electrical - 18/3	
104C	4460071	1	Connector, Strain Relief	
104D	4460464	1	Pin, Male (Not Shown)	
104E	4460226	2	Socket, Female (Not Shown)	
105	3311405	5	Locknut 1/4in-20NC	
106	3311605	4	Locknut 3/8in-16NC	
107	3380434	1	Panel, Decal Mount	
108	4740362	1	Washer, Fender 1/4in	

SECTION 4 - PLATFORM

ITEM	PART NUMBER	QTY	DESCRIPTION	REV
110	4751600	8	Flatwasher 3/8in Regular	
	0273495	Ref	WORKLIGHTS INSTALLATIONS (OPTIONAL)	E
201	3536089	2	Plate, Mounting	
202	2080040	4	Fastener, Huck	
205	2920140	2	Worklight	
205	7016399	2	Bulb, Replacement (1 Per Worklight)	
206	4240099	10	Tie-Strap (Not Shown)	
207	2820035	9	Loom, Vinyl (Not Shown)	
209	4460426	1	Connector, Strain Relief (Not Shown - Located at Console Box)	
		Ref	TRAY INSTALLATIONS (OPTIONAL)	
301	1580012	1	Tray, Storage (Center)	
302	1580013	1	Tray, Storage (Rail Mounted - Not Shown)	
	0272921	Ref	FLOODLIGHTS INSTALLATION (OPTIONAL)	A
401	0641518	2	Bolt 5/16in-18NC x 2-1/4in	
402	2560173	2	Handle, Star Knob	
403	2920157	2	Floodlight	
403	7024452	2	Bulb, Replacement (1 Per Light)	
404	3250585	1	Nameplate - Lights On	
405	4060802	1	Guard, Switch	
406	4360336	1	Switch, Toggle	
407	4420037	AR	Tape, Insulation (Not Shown)	
408	4751800	2	Flatwasher 1/2in Regular	
409	4846561	1	Mount, Light	
411	0641406		Bolt 1/4in-20NC x 3/4in (Used with #413 - Not Shown)	
412	1060663	72 ft/22m	Cable, Electrical 12/3 (Not Shown)	
413	1320222	1	J-Clip (Not Shown)	
414	3311405	1	Locknut 1/4in-20NC (Used with #413 - Not Shown)	
415	4711400	2	Flatwasher 1/4in Thin (Used with #413 - Not Shown)	

SECTION 4 - PLATFORM

FIGURE 4-2. FALL ARREST PLATFORM COMPONENTS INSTALLATION (OPTIONAL)



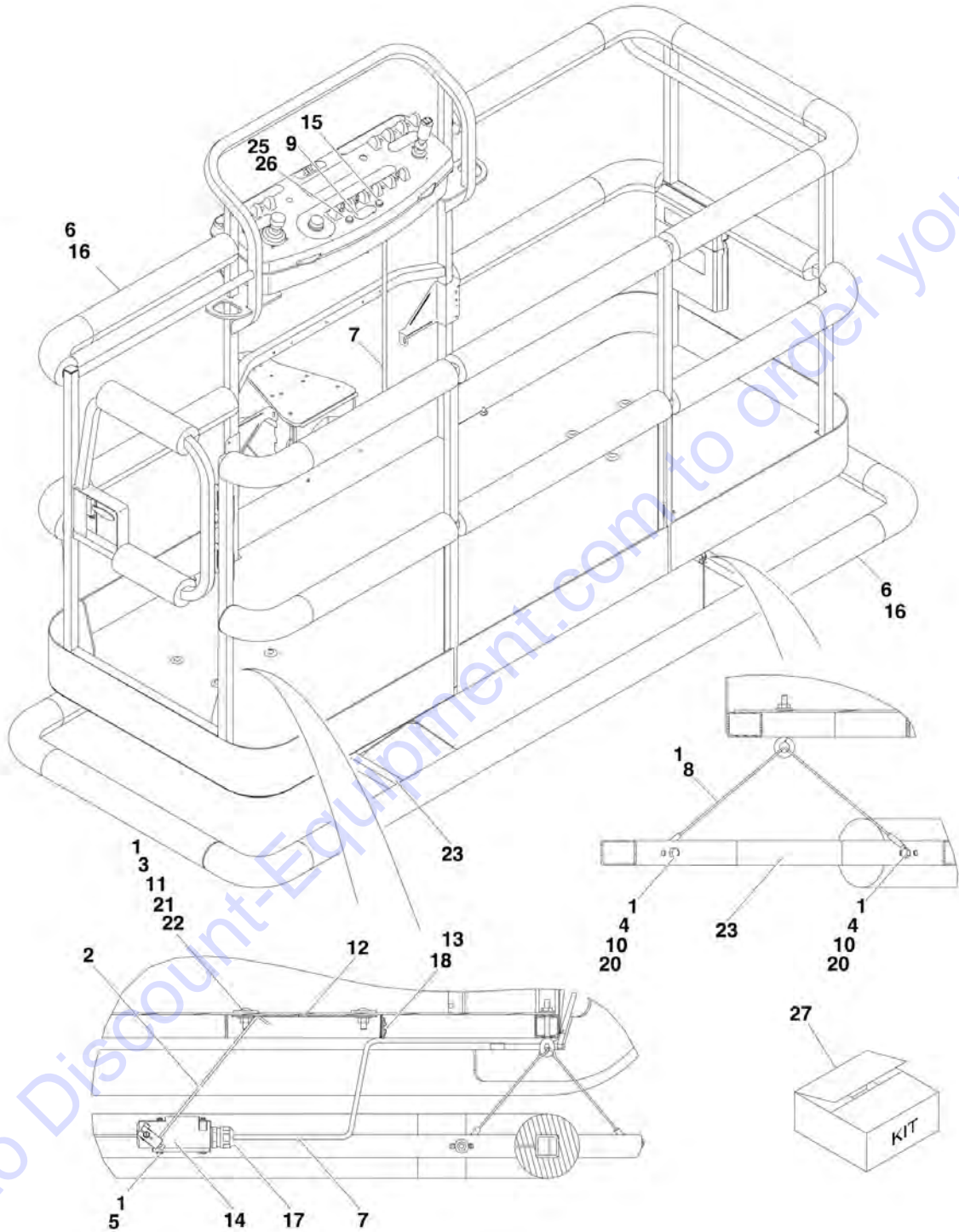
SECTION 4 - PLATFORM

FIGURE 4-2. FALL ARREST PLATFORM COMPONENTS INSTALLATION (OPTIONAL)

ITEM	PART NUMBER	QTY	DESCRIPTION	REV
		Ref	Note: USA Built Machines Only.	
		Ref	Note: Available on ANSI and CSA Specs Only.	
		Ref	PLATFORM ASSEMBLY (FALL ARREST)	
	3510884	Ref	PLATFORM ASSEMBLY (FALL ARREST) 450A Series II	E
	1001112103	Ref	PLATFORM ASSEMBLY (FALL ARREST) 450AJ Series II	A
		Ref	Note: Only Available on ANSI and CSA Specs.	
1	0681822	4	Bolt 1/2in-13NC x 2-3/4in (Grade 8)	
2		Ref	Cable, Fall Arrest Options:	
2	1060919	1	Cable, Fall Arrest 450A Series II	
2	1001112943	1	Cable, Fall Arrest 450AJ Series II	
3	1705014	1	Decal - Safety	
4	1706385	1	Decal - Drop Bar	
5	2410014	1	Gate Weldment	
6	3271805	6	Locknut 1/2in-13NC (Grade 8)	
7	3311605	1	Locknut 3/8in-16NC	
8	See Note	1	Platform Weldment (Note: Purchase Platform Assembly)	
9	3520072	1	Cap-Plug	
10	3900054	1	Bolt 1/2in-13NC x 1-3/4in	
11	4751800	8	Flatwasher 1/2in Regular	
12	0962270	2	Bearing, Oilite	
13	0681814	4	Bolt 1/2in-13NC x 1-3/4in (Grade 8)	

SECTION 4 - PLATFORM

FIGURE 4-3. SOFT TOUCH SYSTEM INSTALLATION (OPTIONAL)



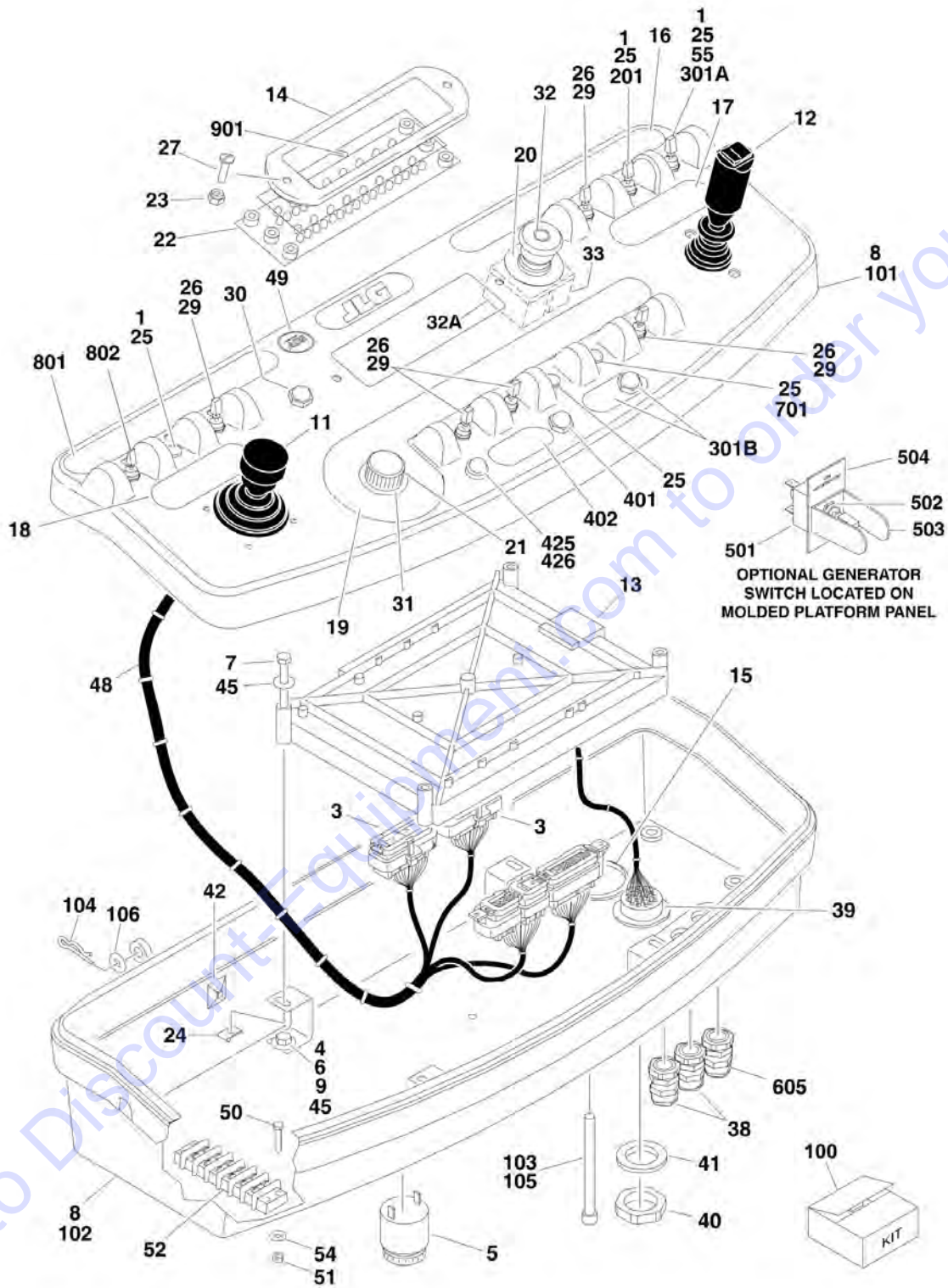
SECTION 4 - PLATFORM

FIGURE 4-3. SOFT TOUCH SYSTEM INSTALLATION (OPTIONAL)

ITEM	PART NUMBER	QTY	DESCRIPTION	REV
		Ref	Note: USA Built Machines Only.	
		Ref	Note: Fall Arrest Platforms available on ANSI and CSA Specs Only.	
		Ref	SOFT TOUCH SYSTEM INSTALLATION	
	0274240	Ref	2.5ft/.7m x 6ft/1.83m Platform	C
	1001115639	Ref	2.5ft/.7m x 5ft/1.52m Fall Arrest Platform (Not Shown)	A
		Ref	3ft/.9m x 6ft/1.83m Fall Arrest Platform (Not Shown)	
	0274927	Ref	Soft Touch System Installation (SN 0300124000 through 0300137905)	A
	1001108256	Ref	Soft Touch System Installation (SN 0300137906 through 0300160834)	A
1	0100011	AR	Compound, Locking	
2	0200048	2	Arm, Switch Activator	
3	0630462	8	Bolt, Carriage	
4	0641414	8	Bolt 1/4in-20NC x 1-3/4in	
5	0721005	4	Screw #10-32NF x 5/8in	
6	See Note	AR	Bumper, Soft Touch (Note: Use Item 27)	
7	1060341	Ref	Cable, Control - 16/2 Options:	
7	1060341	15 ft/4.6m	Cable, Control - 16/2, 2.5ft/.7m x 6ft/1.83m Platform	
7	1060341	15 ft/4.6m	Cable, Control - 16/2, 2.5ft/.7m x 5ft/1.52m Platform	
7	1060341	22.7 ft/6.9m	Cable, Control - 16/2, 3ft/.9m x 6ft/1.83mm Platform	
8	1060903	4	Wire Rope and Eyebolt Assembly	
9	1702938	1	Decal, Soft Touch Override	
10	3311401	8	Nut 1/4in-20NC	
11	3311501	8	Nut 5/16in-18NC	
12		Ref	Plate, Switch Strike Options:	
12	3575705	2	2.5ft/.7m x 6ft/1.83mm Platform	
12	3575705	2	2.5ft/.7m x 5ft/1.52mm Fall Arrest Platform	
12	3575359	2	3ft/.9m x 6ft/1.83mm Fall Arrest Platform	
13	4240099	1	Tie, Wire	
14	4360057	2	Switch, Limit	
15	4360387	1	Switch, Yellow Push Button	
16	4420068	1	Tape, Yellow Adhesive	
17	4460049	2	Connector, Strain Relief	
18	4460234	2	Terminal, Mount Cable Tie	
19	4460425	1	Terminal, Strain Relief (Not Shown)	
20	4751400	16	Flatwasher 1/4in Regular	
21	4751500	8	Flatwasher 5/16in Regular	
22	4751800	8	Flatwasher 1/2in Regular	
23		Ref	Weldment, Soft Touch Rail Options:	
23	4846370	1	2.5ft/.7m x 6ft/1.83mm Platform	
23	1001115641	1	2.5ft/.7m x 5ft/1.52mm Fall Arrest Platform	
23	3641569	1	3ft/.9m x 6ft/1.83mm Fall Arrest Platform	
25	2920028	1	Lamp, Indicator (SN 0300137906 through 0300160834)	
26	2920029	1	Bulb, Light (SN 0300137906 through 0300160834)	
27		Ref	Bumper Kit Options (Includes Corners and Enough Straight Material for One Platform):	
27	0940167	1	2.5ft/.7m x 6ft/1.83mm Platform	
27	1001115848	1	2.5ft/.7m x 5ft/1.52mm Fall Arrest Platform	
27	0940177	1	3ft/.9m x 6ft/1.83mm Fall Arrest Platform	

SECTION 4 - PLATFORM

FIGURE 4-4. PLATFORM CONSOLE ASSEMBLY



SECTION 4 - PLATFORM

FIGURE 4-4. PLATFORM CONSOLE ASSEMBLY

ITEM	PART NUMBER	QTY	DESCRIPTION	REV
		Ref	Note: For Module (with/without UGM) Identification, refer to Revision Log page A.	
		Ref	Note: All Romanian Built Machines are built with UGM.	
		Ref	PLATFORM CONSOLE ASSEMBLY	
		Ref	Without UGM:	
	0861512	Ref	Deutz/GM Engines - USA Built Machines (SN 0300124000 through 0300137905)	L
	0861512	Ref	Deutz/GM Engines - Belgium Built Machines (SN 1300006000 through 1300006700)	
	1001108828	Ref	Deutz/GM Engines - USA Built Machines (SN 0300137906 through 0300160834)	C
	1001108828	Ref	Deutz/GM Engines - Belgium Built Machines (SN 1300006701 to Present)	
	1001106931	Ref	Caterpillar/Perkins Engines	B
		Ref	With UGM:	
	1001108901	Ref	Caterpillar/Deutz/GM/Perkins Engines	G
1	0100009	AR	Sealant	
3	0100048	AR	Grease, Dielectric	
4	0100081	AR	Adhesive #454	
5	0140011	1	Alarm	
6	0641406	4	Bolt 1/4in-20NC x 3/4in	
7		Ref	Bolt 1/4in-20NC Options:	
7	0641414	4	1-3/4in Length	
7	0641416	4	2in Length	
8	0861441	1	Box, Console (See Items 101-106 for Breakdown)	
9	0902751	4	Bracket, Support	
11		Ref	Controller Assembly (Lift and Swing) Options (See CONTROLLER ASSEMBLY (LIFT AND SWING) for Breakdown):	
11	1600317	1	Controller Assembly (USA Built Machines) (Use p/n 1001129555) (SN 0300124000 through 0300146173)	
11	1600317	1	Controller Assembly (Belgium Built Machines) (Use p/n 1001129555) (SN 1300006000 through 1300007076)	
11	1001118417	1	Controller Assembly (USA Built Machines) (Use p/n 1001129555) (SN 0300146174 through 0300160834)	
11	1001118417	1	Controller Assembly (Belgium Built Machines) (Use p/n 1001129555) (SN 1300007077 to Present)	
11	1001118417	1	Controller Assembly (Romanian Built Machines) (Use p/n 1001129555) (SN E300000001 through E300001114)	
12		Ref	Controller Assembly (Drive and Steer) Options (See CONTROLLER ASSEMBLY (DRIVE AND STEER) for Breakdown):	
12	1600318	NLA	Controller Assembly (USA Built Machines) (Use p/n 1001212415) (SN 0300124000 through 0300146173)	
12	1600318	NLA	Controller Assembly (Belgium Built Machines) (Use p/n 1001212415) (SN 1300006000 through 1300007076)	
12	1001118416	NLA	Controller Assembly (Use p/n 1001212415) (USA Built Machines) (SN 0300146174 through 0300160834)	
12	1001118416	NLA	Controller Assembly (Use p/n 1001212415) (Belgium Built Machines) (SN 1300007077 to Present)	
12	1001118416	NLA	Controller Assembly (Use p/n 1001212415) (Romanian Built Machines) (SN E300000001 through E300001114)	
13		Ref	Controller, Module Options (Re-calibration Required when Replaced):	
13		Ref	Without UGM	

SECTION 4 - PLATFORM

ITEM	PART NUMBER	QTY	DESCRIPTION	REV
13	1600376	1	Deutz/GM Engines	
13	1001106938	1	Caterpillar/Perkins Engines	
13	1001106938	1	With UGM	
14	1671176	1	Bezel	
15		Ref	Cover Options:	
15	1671037	1	Deutz/GM Engines - USA Built Machines (Use p/n 1001110434) (SN 0300124000 through 0300139527)	
15	1671037	1	Deutz/GM Engines - Belgium Built Machines (Use p/n 1001110434) (SN 1300006000 through 1300006743)	
15	1001110434	1	Deutz/GM Engines - USA Built Machines (SN 0300139528 through 0300160834)	
15	1001110434	1	Deutz/GM Engines - Belgium Built Machines (SN 1300006744 to Present)	
15	1001110434	1	Deutz/GM Engines - Romanian Built Machines (SN E300000001 through E300001114)	
15	1671037	1	Caterpillar/Perkins Engines (Use p/n 1001110434)	
16		Ref	Decal (Stop) Options:	
16		Ref	Without UGM:	
16	1704997	1	Deutz/GM Engines - USA Built Machines (SN 0300124000 through 0300137905)	
16	1704997	1	Deutz/GM Engines - Belgium Built Machines (SN 1300006000 through 1300006700)	
16	1001107677	1	Deutz/GM Engines - USA Built Machines (Use p/n 1001131168) (SN 0300137906 through 0300160834)	
16	1001107677	1	Deutz/GM Engines - Belgium Built Machines (Use p/n 1001131168) (SN 1300006701 to Present)	
16	1001107527	1	Caterpillar/Perkins Engines	
16		Ref	With UGM:	
16	1001107677	1	Caterpillar/Deutz/Perkins Engines (Use p/n 1001131168)	
17	1702565	1	Decal (Drive and Steer)	
18	1702566	1	Decal (Lift and Swing)	
19	1702567	1	Decal (Function Speed)	
20	1704260	1	Decal - EMS	
21	2560136	1	Handle, Knob	
22	2920154	1	Panel, LED Light	
23	3300408	2	Insert, Nylon	
24	3300353	4	Nut, Tinneman	
25		Ref	Plug, Hole Options:	
25	3520028	AR	USA Built Machines (SN 0300124000 through 0300143991)	
25	3520028	1	Belgium Built Machines (SN 1300006000 through 1300006880)	
25	3520054	AR	USA Built Machines (SN 0300143992 through 0300160834)	
25	3520054	1	Belgium Built Machines (SN 1300006881 to Present)	
25	3520054	1	Romanian Built Machines (SN E300000001 through E300001114)	
26	3790012	AR	O-Ring	
27	3911018	2	Screw, Round Head #10	
29	4360328	5	Switch, Toggle	
30	4360387	1	Switch, Pushbutton	
31	4360407	1	Controller, Speed	
31	See Note	1	Gasket "Top Hat" (Included W/Switch) (Note: Not Available - Purchase Complete Controller.)	
31	70003784	1	Seal	
32	4360475	1	Switch, Emergency Stop	

SECTION 4 - PLATFORM

ITEM	PART NUMBER	QTY	DESCRIPTION	REV
32	7020175	1	Cap, Red	
32A	7020176	1	Contact Block	
33	4360476	1	Block, Contact	
38	4460428	2	Connector, Strain Relief	
39	4460464	1	Terminal, Deutsch	
40	4460470	1	Nut, Terminal	
41	4460471	1	Lockwasher, Terminal	
42	4460488	1	Base, Mounting	
43	4460708	2	Receptacle - 15 Position (Not Shown)	
44	4460905	5	Seal, Plug (Not Shown)	
45	4751400	8	Flatwasher 1/4in Regular	
46	4922533	1	Harness, Upper Valve (Not Shown - See ELECTRICAL SECTION for Breakdown)	
47	4922666	1	Harness, Analyzer Cable (Not Shown - See ELECTRICAL SECTION for Breakdown)	
48		Ref	Harness, Platform Box (See ELECTRICAL SECTION for Breakdown)	
48	4922669	1	USA Built Machines (SN 0300124000 through 0300137905)	
48	4922669	1	Belgium Built Machines (SN 1300006000 through 1300006700)	
48	1001107007	1	USA Built Machines (SN 0300137906 through 0300160834)	
48	1001107007	1	Belgium Built Machines (SN 1300006701 to Present)	
48	1001107007	1	Romanian Built Machines (SN E300000001 through E300001114)	
49	1705132	1	Decal - ADE Control (USA Built Machines) (SN 0300065538 through 0300160834)	
49	1705132	1	Decal - ADE Control (All Belgium Built Machines)	
49	1705132	1	Decal - ADE Control (Romanian Built Machines) (SN E300000001 through E300001114)	
50	0721006	2	Screw, Machine #10-24NC x 3/4in	
51	3311005	2	Locknut #10-24NC	
52	4460007	1	Bussbar (USA Built Machines Only) (SN 0300071527 through 0300160834)	
52	4460007	1	Bussbar (All Belgium Built Machines)	
52	4460007	1	Bussbar (Romanian Built Machines) (SN E300000001 through E300001114)	
54	4751000	2	Flatwasher #10 Regular	
55	4360330	1	Switch, Toggle (USA Built Machines) (SN 0300137906 through 0300160834)	
55	4360330	1	Switch, Toggle (Belgium Built Machines) (SN 1300006701 to Present)	
55	4360330	1	Switch, Toggle (Romanian Built Machines) (SN E300000001 through E300001114)	
56	4460234	3	Base, Mounting (Not Shown - USA Built Machines) (SN 0300137906 through 0300160834)	
56	4460234	3	Base, Mounting (Not Shown - Belgium Built Machines) (SN 1300006701 to Present)	
56	4460234	3	Base, Mounting (Not Shown - Romanian Built Machines) (SN E300000001 through E300001114)	
100		Ref	Decal Kit Options (Includes Items 16-20, 49, 801 & 901):	
100	2915133	1	USA Built Machines (SN 0300124000 through 0300137905)	
	2915133	1	Belgium Built Machines (SN 1300006000 through 130006700)	
100	1001119559	1	USA Built Machines (SN 0300137906 through 0300160834)	
	1001119559	1	Belgium Built Machines (SN 130006701 to Present)	
	1001119559	1	Romanian Built Machines (SN E300000001 through E300001114)	

SECTION 4 - PLATFORM

ITEM	PART NUMBER	QTY	DESCRIPTION	REV
	0861441	Ref	CONSOLE BOX ASSEMBLY	F
101	0861441	1	Console Top (Note: Not Available for Purchase)	
102	0861441	1	Console Bottom (Note: Not Available for Purchase)	
103	3311601	1	Nut 3/8in-16NC	
104	3470003	2	Hair, Pin	
105	0630568	1	Screw 3/8in-16NC x 4-1/2in	
106	4711500	2	Flatwasher 5/16in Thin	
		Ref	DUAL FUEL SWITCH INSTALLATION (GM ENGINE MACHINES ONLY)	
201	4360336	1	Switch, Toggle	
201	3790012	1	O-Ring	
		Ref	LIGHT COMPONENTS (OPTIONAL)	
		Ref	USA Built Machines (SN 0300124000 through 0300137905)	
		Ref	Belgium Built Machines (SN 13000066000 through 1300006700)	
301A	4360336	1	Switch, Toggle	
301A	3790012	1	O-Ring	
		Ref	USA Built Machines (SN 0300137906 through 0300160834)	
		Ref	Belgium Built Machines (SN 1300006701 to Present)	
		Ref	Romanian Built Machines (SN E300000001 through E300001114)	
301B	4360522		Switch, Pushbutton	
301B	1705170		Decal, Lights	
		Ref	SOFT TOUCH SYSTEM COMPONENTS	
401	4360387	1	Switch, Pushbutton	
402	1702938	1	Decal - Soft Touch Override	
425	2920028	1	Lamp, Indicator (USA Built Machines) (SN 0300137906 through 0300160834)	
425	2920028	1	Lamp, Indicator (Belgium Built Machines) (SN 1300006701 to Present)	
425	2920028	1	Lamp, Indicator (Romanian Built Machines) (SN E300000001 through E300001114)	
426	2920029	1	Bulb, Light (USA Built Machines) (SN 0300137906 through 0300160834)	
426	2920029	1	Bulb, Light (Belgium Built Machines) (SN 1300006701 to Present)	
426	2920029	1	Bulb, Light (Romanian Built Machines) (SN E300000001 through E300001114)	
		Ref	GENERATOR INSTALLATION (OPTIONAL)	
501	4360336	1	Switch, Toggle	
502	4740397	1	Bushing	
503	4060802	1	Guard, Switch	
504	3251102	1	Decal - Generator ON/OFF	
	0273495	Ref	PLATFORM WORKLIGHT INSTALLATION (OPTIONAL)	D
605	4460426	1	Connector, Strain Relief	
	0271340	Ref	JIB SWITCH INSTALLATION (450AJ SERIES II ONLY)	1-A
701	4360328	1	Switch, Toggle	
701	3790012	1	O-Ring	
		Ref	DRIVE SWITCH INSTALLATION (FROM WHEEL DRIVE INSTALLATIONS)	
801	1702676	1	Decal	
802	4360331		Switch, Toggle	
802	3790012		O-Ring	
		Ref	LIGHT PANEL DECAL INSTALLATIONS	
	0272110	Ref	USA Built Machines (SN 0300124000 through 0300137905)	B

SECTION 4 - PLATFORM

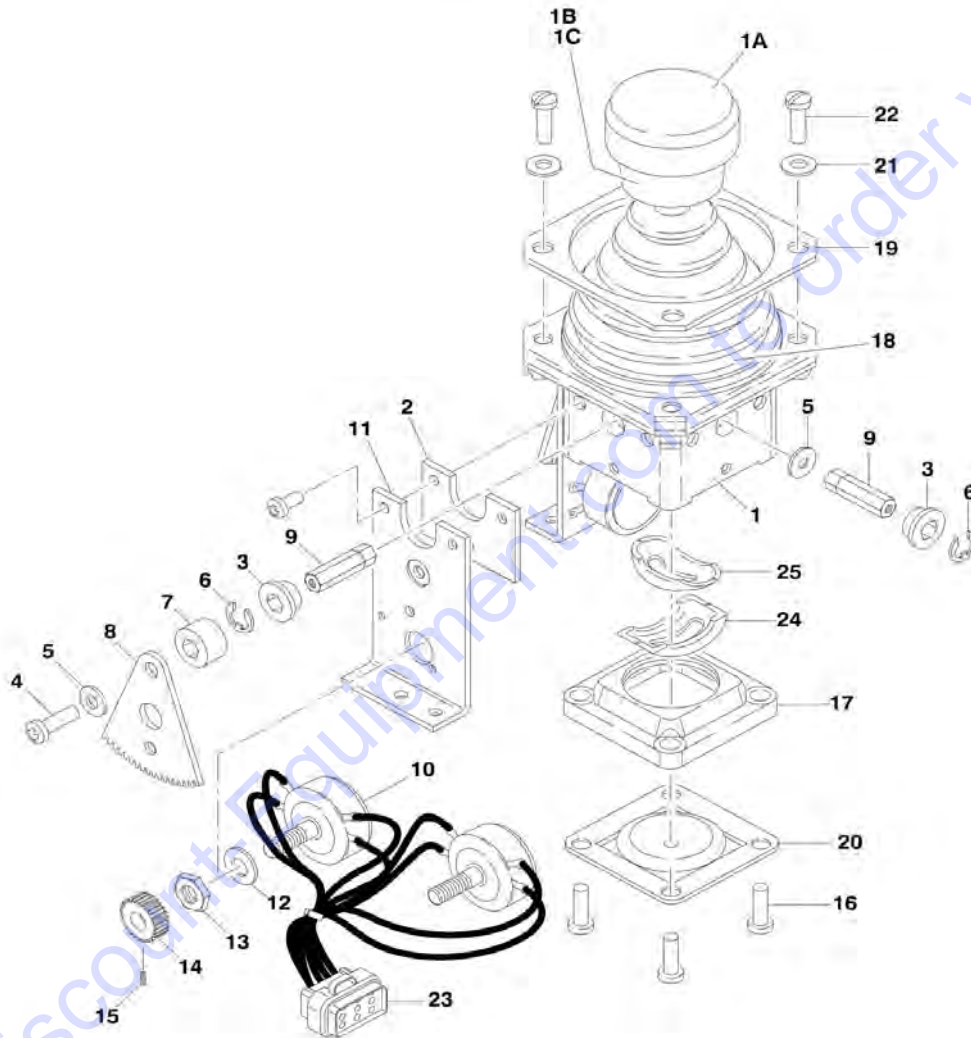
ITEM	PART NUMBER	QTY	DESCRIPTION	REV
	0272110	Ref	Belgium Built Machines (SN 13000066000 through 1300006700)	B
	1001108994	Ref	USA Built Machines (SN 0300137906 through 0300160834)	A
	1001108994	Ref	Belgium Built Machines (SN 1300006701 to Present)	A
	1001108994	Ref	Romanian Built Machines (SN E300000001 through E300001114)	A
901		Ref	Decal - Display Options:	
901	1705212	1	USA Built Machines (SN 0300124000 through 0300137905)	
901	1705212	1	Belgium Built Machines (SN 1300006000 through 1300006700)	
901	1001107853	1	USA Built Machines (SN 0300137906 through 0300160834)	
901	1001107853	1	Belgium Built Machines (SN 1300006701 to Present)	
901	1001107853	1	Romanian Built Machines (SN E300000001 through E300001114)	

Go to Discount-Equipment.com to order your parts

SECTION 4 - PLATFORM

FIGURE 4-5. CONTROLLER ASSEMBLY (SWING AND LIFT) (ADE SYSTEM) (ORIGINAL EQUIPMENT)

Note: Original Equipment controller may have been replaced with Service Replacement controller. Visually identify controller before ordering parts.



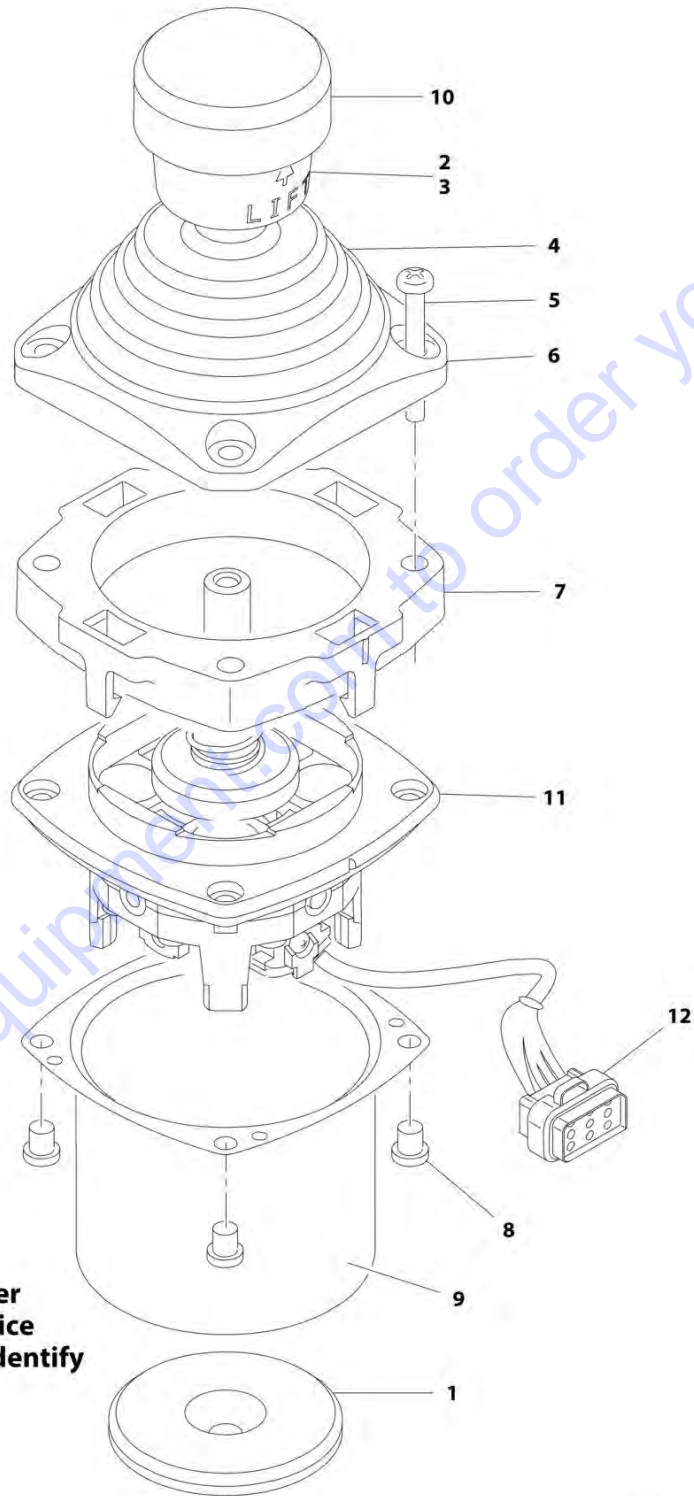
SECTION 4 - PLATFORM

FIGURE 4-5. CONTROLLER ASSEMBLY (SWING AND LIFT) (ADE SYSTEM) (ORIGINAL EQUIPMENT)

ITEM	PART NUMBER	QTY	DESCRIPTION	REV
		Ref	Note: Original Equipment controller may have been replaced with Service Replacement controller. Visually identify controller before ordering parts.	
	1600317	Ref	CONTROLLER ASSEMBLY (ORIGINAL EQUIPMENT)	B
		Ref	Note: Purchase Controller Kit p/n 1001129555 for Complete Controller Replacement.	
1	7019141	1	Mechanical Assembly (Includes Base, Handle Stem and Items 1A, 1B, 1C & 18)	
1A	7019197	1	Handle Cap and Rod	
1B	7003928	1	Spring	
1C	7022808	1	Cap, Lift	
2	7019171	2	Plate	
3	7019111	4	Bearing, Gear	
4	7019143	2	Screw	
5	7019144	2	Spacer, Cam	
6	7019145	4	E-Clip	
7	7019174	2	Spacer	
8	7003977	2	Gear, Drive	
9		Ref	Shaft Options:	
9	7019147	2	Shaft, Short	
9	7019177	2	Shaft, Long	
10	7022818	2	Potentiometer	
11	7019142	2	Plate	
12	7003992	2	Washer	
13	7003993	2	Nut	
14	7003976	2	Gear, Slave	
15	7019149	2	Setscrew	
16	7022816	4	Screw	
17	7019150	1	Gate	
18	7022814	1	Boot	
19	7022815	1	Bezel	
20	See Note	NSS	Center, Detent (Note: Use p/n 1001129555)	
21	7003953	4	Washer	
22	7022817	4	Screw	
23	7022819	1	Plug, Male 8 Position (Natural)	
23	4460871	8	Socket, Female	
24	7019122	1	Gimble, Outer	
25	7019123	1	Gimble, Inner	

SECTION 4 - PLATFORM

FIGURE 4-6. CONTROLLER ASSEMBLY (LIFT AND SWING) (SERVICE REPLACEMENT)



Note: Original Equipment controller may have been replaced with Service Replacement controller. Visually identify controller before ordering parts.

ART_100118417

SECTION 4 - PLATFORM

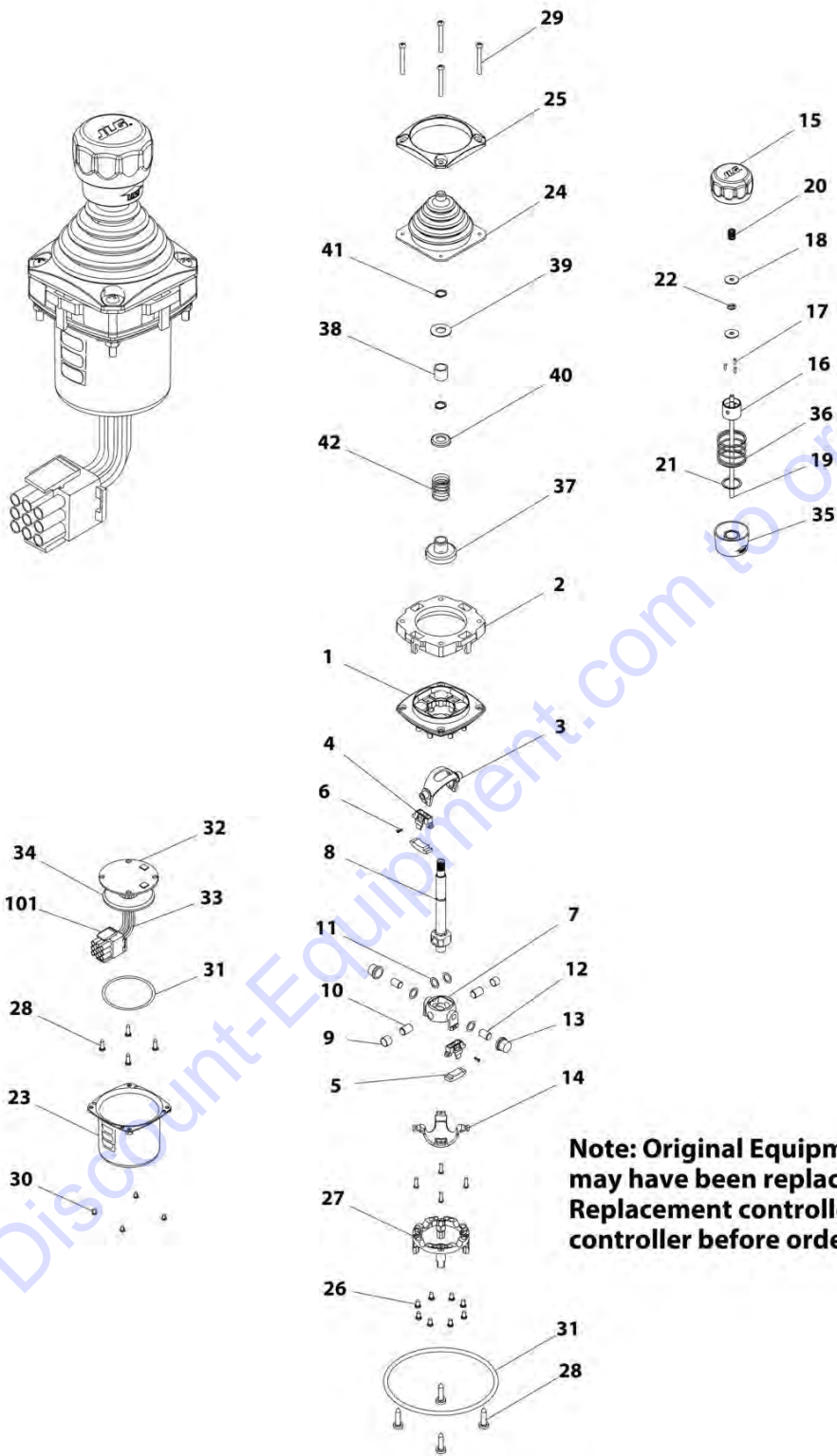
FIGURE 4-6. CONTROLLER ASSEMBLY (LIFT AND SWING) (SERVICE REPLACEMENT)

ITEM	PART NUMBER	QTY	DESCRIPTION	REV
		Ref	Note: Original Equipment controller may have been replaced with Service Replacement controller. Visually Identify controller before ordering parts.	
	1001118417	Ref	CONTROLLER ASSEMBLY (LIFT AND SWING) (SERVICE REPLACEMENT)	A
		Ref	Note: Use p/n 1001129555 as Replacement.	
1	70002730	1	Gasket	
2	7003928	1	Spring	
3	7022808	1	Cap, Lift	
4	70002731	1	Boot	
5	70002732	4	Screw	
6	7022815	1	Bezel	
7	70002733	1	Adapter	
8	70002734	4	Screw	
9	70002735	1	Can, Enclosure	
10	70002906	1	Cap	
11	See Note	NSS	Mechanical Assembly (Note: Use p/n 1001129555)	
12	7022819	1	Connector - 8 Position	
12	4460871	6	Socket, Female	

Go to Discount-Equipment.com to order your parts

SECTION 4 - PLATFORM

FIGURE 4-7. CONTROLLER ASSEMBLY (LIFT AND SWING) (SERVICE REPLACEMENT)



ART_1001166539

SECTION 4 - PLATFORM

FIGURE 4-7. CONTROLLER ASSEMBLY (LIFT AND SWING) (SERVICE REPLACEMENT)

ITEM	PART NUMBER	QTY	DESCRIPTION	REV
		Ref	Note: Original Equipment controller may have been replaced with Service Replacement controller. Visually identify controller before ordering parts.	
	1001166539	Ref	CONTROLLER ASSEMBLY (LIFT AND SWING) (SERVICE REPLACEMENT)	A
		Ref	Note: Use p/n 1001129555 as Replacement.	
1	See Note	1	Main Cast Body (Note: Not Available - Purchase Complete Assembly)	
2	70004752	1	Adapter	
3	See Note	NSS	Pivot Arm, Plastic (Note: Not Available - Purchase Complete Assembly)	
4	See Note	NSS	Holder, Magnet (Note: Not Available - Purchase Complete Assembly)	
5	See Note	NSS	Arc, Magnet (Note: Not Available - Purchase Complete Assembly)	
6	See Note	NSS	Screw (Note: Not Available for Purchase)	
7	See Note	NSS	Pivot Arm, Cast (Note: Not Available - Purchase Complete Assembly)	
8	See Note	NSS	Shaft, Main (Note: Not Available - Purchase Complete Assembly)	
9	See Note	NSS	Bearing (Note: Not Available - Purchase Complete Assembly)	
10	See Note	NSS	Pin (Note: Not Available - Purchase Complete Assembly)	
11	See Note	NSS	Shim (Note: Not Available - Purchase Complete Assembly)	
12	See Note	NSS	Pin (Note: Not Available - Purchase Complete Assembly)	
13	See Note	NSS	Bearing (Note: Not Available - Purchase Complete Assembly)	
14	See Note	NSS	Dome, Centering (Note: Not Available - Purchase Complete Assembly)	
15	70004753	1	Cap	
16	70004754	1	Insert, Cap	
17	70004755	3	Pin	
18	70004756	2	Washer	
19	70004757	1	Pin, Centering	
20	70004758	1	Spring	
21	70004759	1	Ring, Retaining	
22	70004760	1	E-Ring	
23	70004761	1	Can, Enclosure	
24	70004762	1	Boot	
25	70004763	1	Bezel	
26	See Note	NSS	Screw (Note: Not Available for Purchase)	
27	See Note	NSS	Base Mounting (Note: Not Available - Purchase Complete Assembly)	
28	See Note	NSS	Screw (Note: Not Available for Purchase)	
29	70004764	4	Screw	
30	70004765	4	Screw	
31	70004766	1	O-Ring	
32	See Note	NSS	Plate (Note: Not Available - Purchase Complete Assembly)	
33	See Note	NSS	Harness (Note: Not Available - Purchase Complete Assembly)	
34	70004767	1	Gromment, Rubber	
35	70004768	1	Housing	
36	70004769	1	Spring	
37	70004770	1	Stopper	
38	70004771	1	Spacer	
39	70004772	1	Washer	
40	70004773	1	Disc	

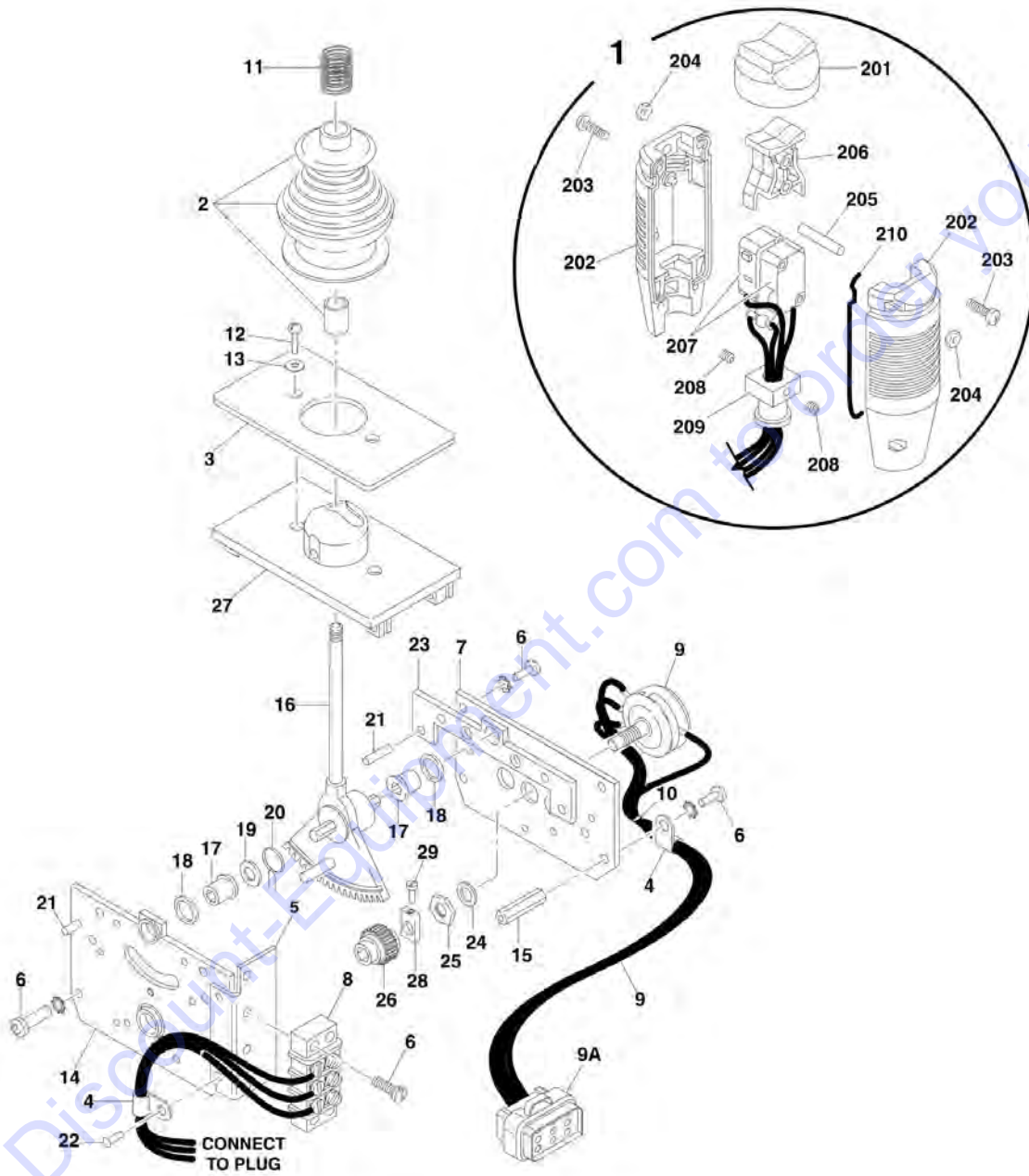
SECTION 4 - PLATFORM

ITEM	PART NUMBER	QTY	DESCRIPTION	REV
41	70004774	2	Ring, Retaining	
42	70004775	1	Spring	
101	4460265	1	Connector - 9 Position	
101	4460226	6	Socket, Female	

Go to Discount-Equipment.com to order your parts

SECTION 4 - PLATFORM

FIGURE 4-8. CONTROLLER ASSEMBLY (DRIVE AND STEER) (ADE SYSTEM) (ORIGINAL EQUIPMENT)



Note: Original Equipment controller may have been replaced with Service Replacement controller. Visually identify controller before ordering parts.

SECTION 4 - PLATFORM

FIGURE 4-8. CONTROLLER ASSEMBLY (DRIVE AND STEER) (ADE SYSTEM) (ORIGINAL EQUIPMENT)

ITEM	PART NUMBER	QTY	DESCRIPTION	REV
		Ref	Note: Original Equipment controller may have been replaced with Service Replacement controller. Visually identify controller before ordering parts.	
	1600318	Ref	CONTROLLER ASSEMBLY (ORIGINAL EQUIPMENT)	C
		Ref	Note: Use p/n 1001212415 as Replacement.	
1	7022812	1	Handle Assembly (See Items 201-210 for Breakdown)	
2	7019161	1	Boot and Sleeve	
3	7003933	1	Gasket	
4	7019154	2	Clamp, Wire	
5	7022823	1	Bracket, Mounting	
6	7003994	1	Screw	
7	7022822	1	Plate, Pot Mounting	
8	7003986	1	Strip, Terminal - 3 Position	
9	7022824	1	Electric Assembly	
9A	1001113961	1	Plug, Male - 8 Position (Black) (was p/n 7022825)	
9A	4460871	7	Socket, Female	
10	7019151	AR	Tie-Strap	
11	7019162	1	Spring	
12	7003969	2	Screw	
13	7003941	2	Washer	
14	See Note	NSS	Plate, Mounting (Left Side) (Note: Not Available for Purchase)	
15	7019115	2	Stand-Off	
16	7019155	1	Shaft 8mm	
17	7019111	2	Bearing	
18	7019110	2	Spacer, Head Gear	
19	7019112	1	Washer	
20	7003946	1	Spring, Return	
21	7019103	4	Pin	
22	See Note	1	Rivet (Note: Not Available - Purchase Locally)	
23	7019168	1	Plate, Mounting (Right Side)	
24	7003992	1	Washer	
25	7003993	1	Nut	
26	7003935	1	Gear, Slave	
27	7019160	1	Plate, Base	
28	7019114	1	Coupling, Potentiometer	
29	See Note	1	Screw, Cup Point (Note: Not Available - Purchase Locally)	
	7022812	Ref	HANDLE ASSEMBLY	
201	7003972	1	Boot, Switch	
202	7003973	2	Half, Handle	
203	7003980	4	Screw	
204	7019167	4	Nut	
205	7019164	1	Axle	
206	7019165	1	Rocker	
207	7019196	1	Wiring Assembly	
207	7019166	2	Switch, Micro	
208	7003983	2	Setscrew	
209	7019194	1	Coupling	
210	7003989	2	Gasket	

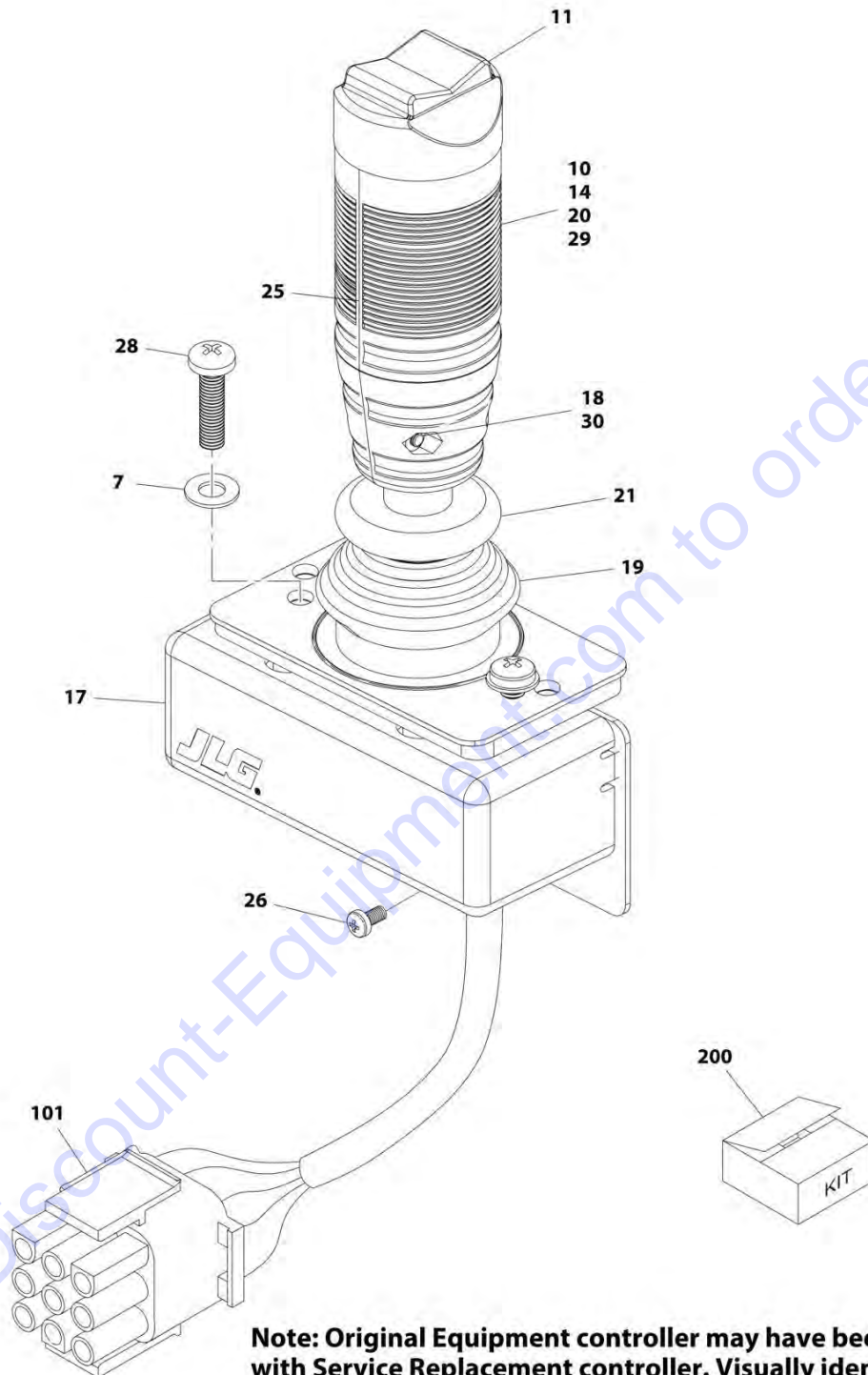
SECTION 4 - PLATFORM

FIGURE 4-9. CONTROLLER ASSEMBLY (DRIVE AND STEER) (SERVICE REPLACEMENT)

ITEM	PART NUMBER	QTY	DESCRIPTION	REV
		Ref	Note: Original Equipment controller may have been replaced with Service Replacement controller. Visually identify controller before ordering parts.	
	1001118416	Ref	CONTROLLER ASSEMBLY (DRIVE AND STEER) (SERVICE REPLACEMENT)	A
		Ref	Note: Use p/n 1001212415 as Replacement.	
1	70002724	1	Boot and Control Lock Assembly	
2	7003941	2	Washer	
3	70002725	2	Screw	
4	7019162	1	Spring	
5	70002726	1	Enclosure	
6	70002727	1	Handle Assembly (See Items 101-110 for Breakdown)	
7	70002728	1	Screw	
8	See Note	NSS	Mechanical Assembly (Note: Not Available for Purchase)	
9	1001113961	1	Plug, Male - 8 Position (Black) (was p/n 7022825)	
9	4460871	7	Socket, Female	
	70002727	Ref	HANDLE ASSEMBLY	
101	7003972	1	Boot, Switch	
102	7003973	2	Half, Handle	
103	7003980	4	Screw	
104	7019167	4	Nut	
105	7019164	1	Axle	
106	7019165	1	Rocker	
107	70002729	1	Wiring Assembly	
107	7003982	2	Switch, Micro	
108	7003983	2	Setscrew	
109	7019194	1	Coupling	
110	7003989	2	Gasket	

SECTION 4 - PLATFORM

FIGURE 4-10. CONTROLLER ASSEMBLY (DRIVE AND STEER) (SERVICE REPLACEMENT)



Note: Original Equipment controller may have been replaced with Service Replacement controller. Visually identify controller before ordering parts.

ART_1001166538

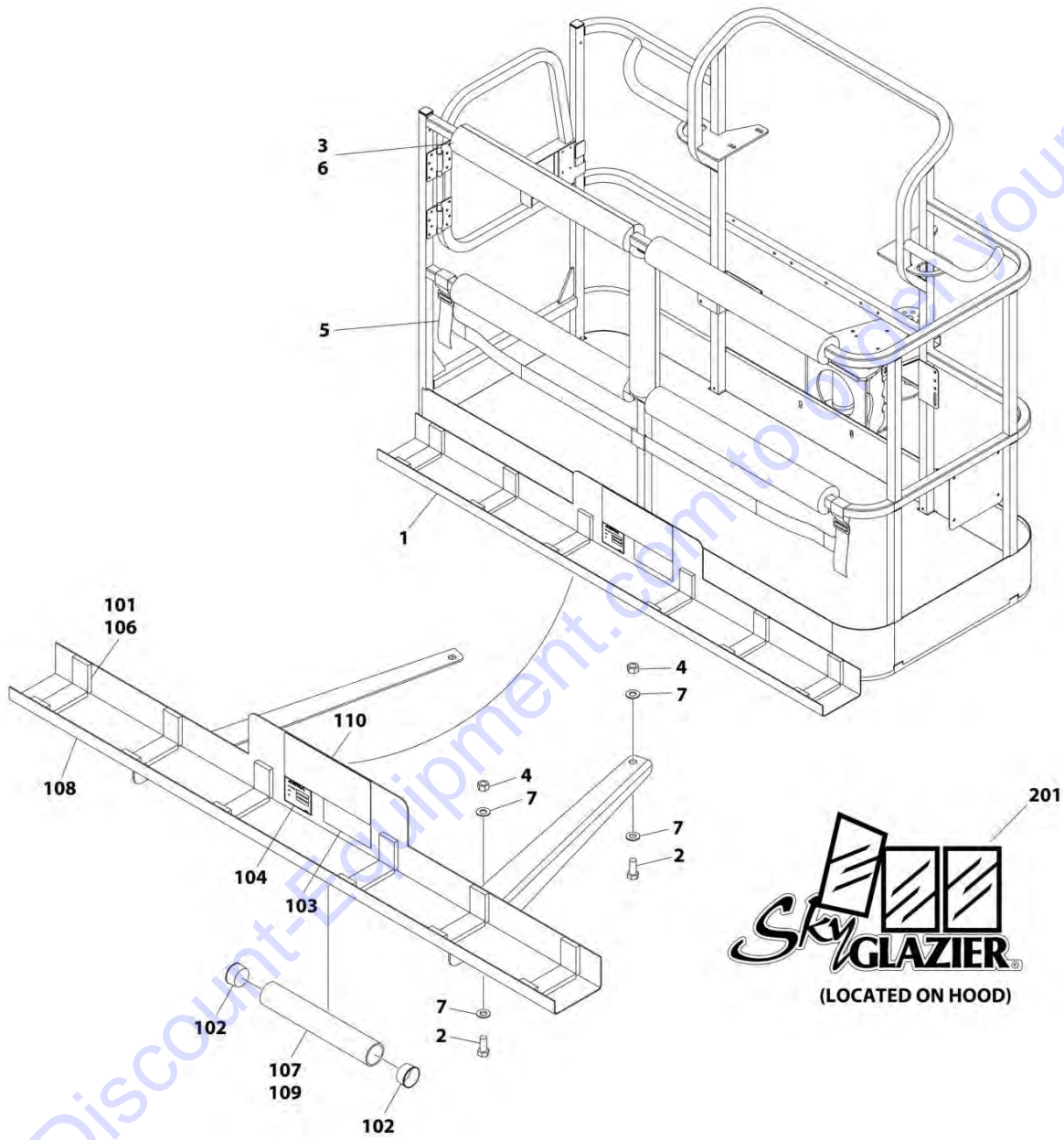
SECTION 4 - PLATFORM

FIGURE 4-10. CONTROLLER ASSEMBLY (DRIVE AND STEER) (SERVICE REPLACEMENT)

ITEM	PART NUMBER	QTY	DESCRIPTION	REV
		Ref	Note: Original Equipment controller may have been replaced with Service Replacement controller. Visually identify controller before ordering parts.	
	1001166538	Ref	CONTROLLER ASSEMBLY (DRIVE AND STEER) (SERVICE REPLACEMENT)	A
		Ref	Note: Use p/n 1001212415 as Replacement.	
7	70004738	2	Washer	
10	70004739	1	Roller	
11	70004740	1	Boot, Switch	
14	70004741	2	Half, Handle	
17	70004742	1	Enclosure	
18	70004743	4	Nut	
19	70004744	NLA	Boot, Controller (Note: Use Item 200)	
20	70004745	NLA	Tube, Locking (Note: Use Item 200)	
21	70004746	NLA	Disc, Locking (Note: Use Item 200)	
25	70004747	2	Seal, Rope	
26	70004748	1	Screw, M3 x 6	
28	70004749	2	Screw, M5 x 20	
29	70004750	1	Pin, Dowel	
30	70004751	4	Screw, M3 x 16	
101	4460265	1	Connector - 9 Position	
101	4460226	7	Socket, Female	
200	70005230	1	Boot Kit (Includes Items 19-21)	

SECTION 4 - PLATFORM

FIGURE 4-11. SKYGLAZIER INSTALLATION - WITHOUT LSS (ANSI, CSA AND AUSTRALIAN SPECS)



ART_1001173975

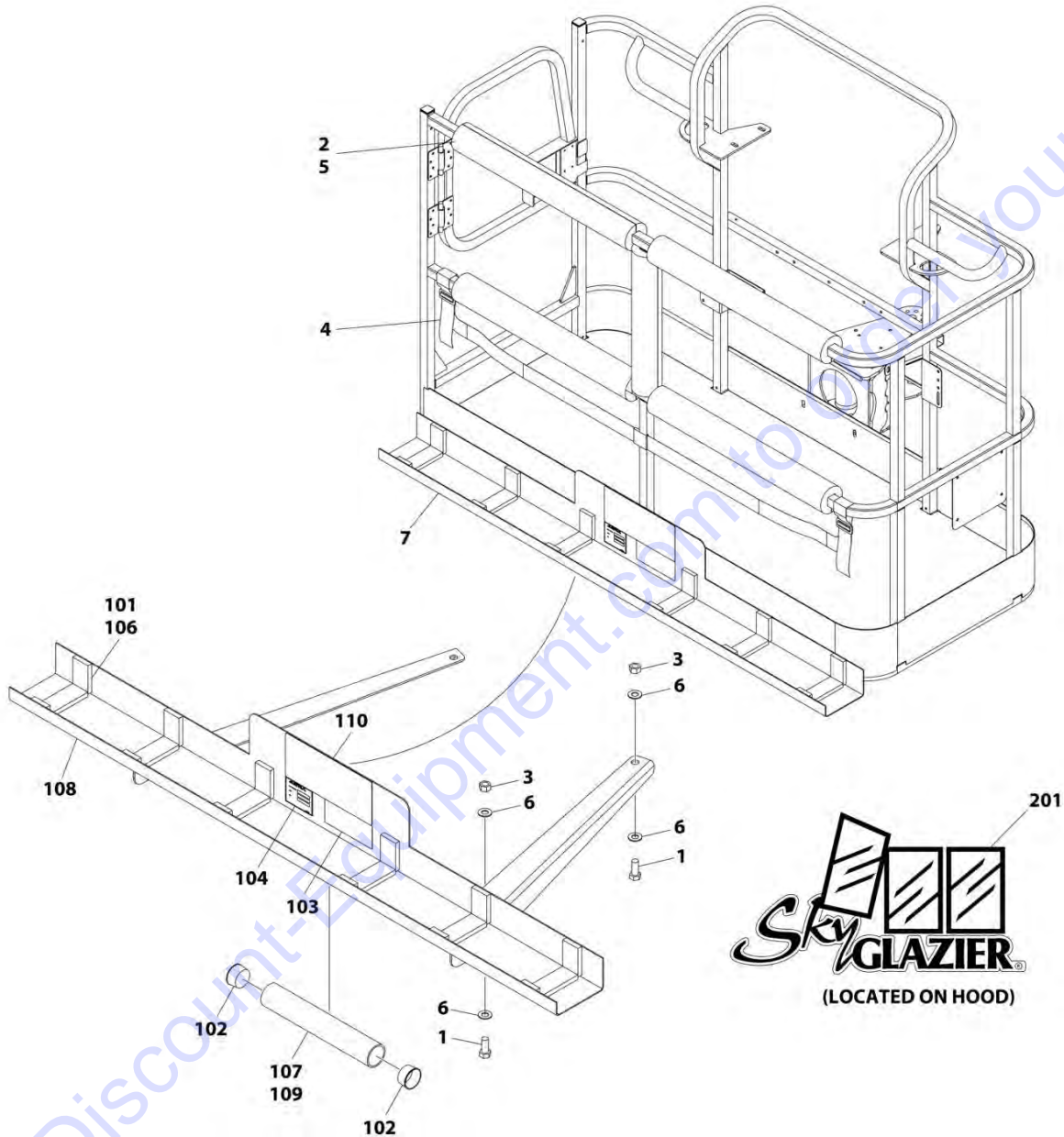
SECTION 4 - PLATFORM

FIGURE 4-11. SKYGLAZIER INSTALLATION - WITHOUT LSS (ANSI, CSA AND AUSTRALIAN SPECS)

ITEM	PART NUMBER	QTY	DESCRIPTION	REV
	1001101423	Ref	SKYGLAZIER INSTALLATION	A
1	1001101424	1	Tray Assembly (See Items 101-110 for Breakdown)	
2	0642012	4	Bolt 5/8 x 1-1/2	
3	0940199	1	Bumper Kit	
4	3312005	4	Nut 5/8	
5	4240149	1	Strap Kit	
6	4420014	AR	Tape	
7	4712000	8	Washer 5/8	
	1001101424	Ref	TRAY ASSEMBLY	A
101	0100081	AR	Adhesive	
102	1120555	2	Cap, Tube	
103	1701509	1	Decal - Manual	
104	See Note	NSS	Nameplate - Serial Number (Note: Not Available for Purchase)	
106	3340956	1	Pad Kit	
107	3460334	1	Tube	
108	4341415	1	Support	
109	4420066	AR	Tape, Double Sided	
110	1001102446	1	Decal - Glazier Capacity	
201	1705358	2	Decal - SkyGlazier	

SECTION 4 - PLATFORM

FIGURE 4-12. SKYGLAZIER INSTALLATION - WITH LSS (AUSTRALIAN SPECS)



ART_1001102648

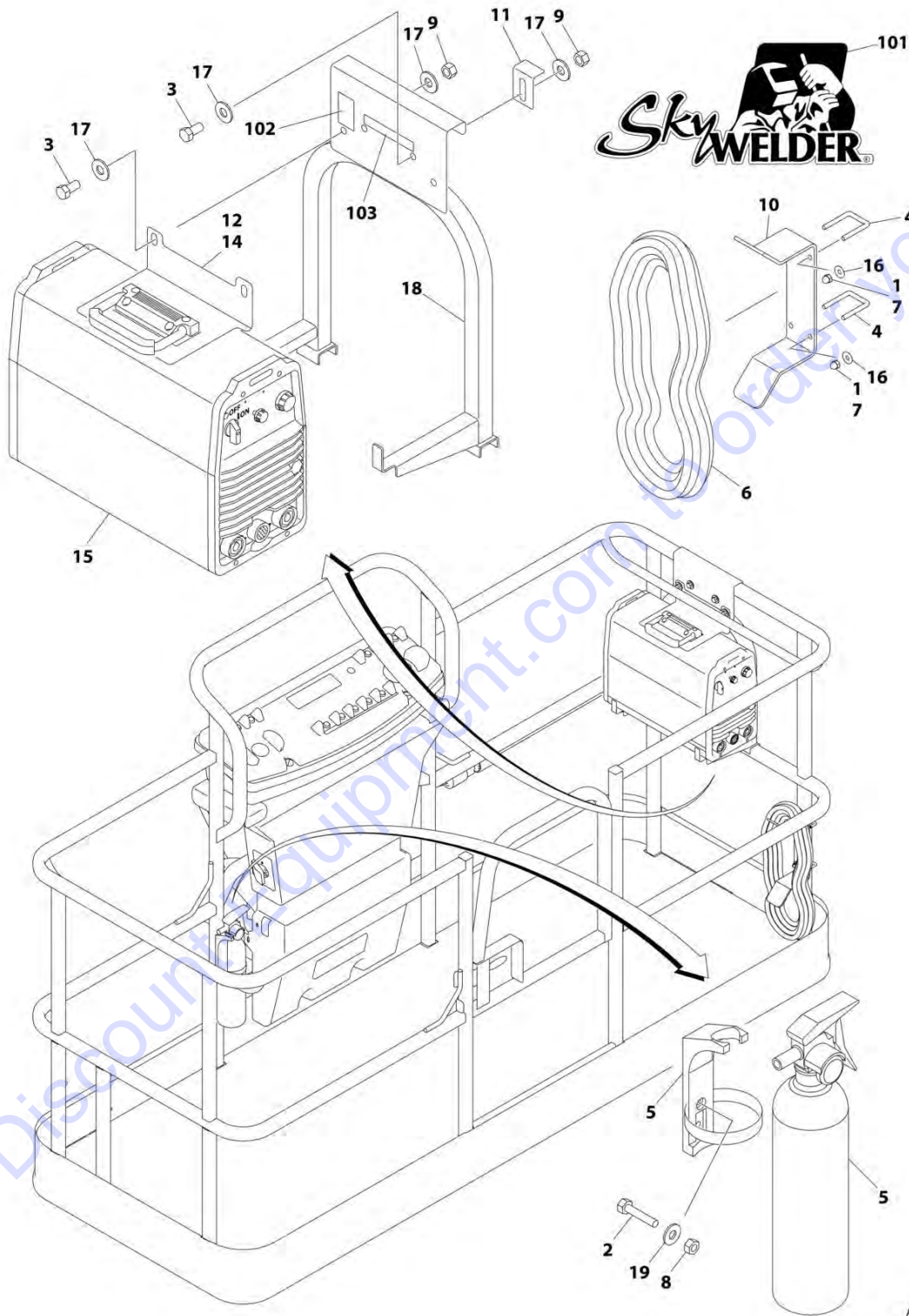
SECTION 4 - PLATFORM

FIGURE 4-12. SKYGLAZIER INSTALLATION - WITH LSS (AUSTRALIAN SPECS)

ITEM	PART NUMBER	QTY	DESCRIPTION	REV
	1001102648	Ref	SKYGLAZIER INSTALLATION	A
1	0642026	4	Bolt 5/8 x 3-1/4	
2	0940199	1	Bumper Kit	
3	3312005	4	Nut 5/8	
4	4240149	1	Strap Kit	
5	4420014	AR	Tape	
6	4712000	8	Washer 5/8	
7	1001101424	1	Tray Assembly (See Items 101-110 for Breakdown)	
	1001101424	Ref	TRAY ASSEMBLY	A
101	0100081	AR	Adhesive	
102	1120555	2	Cap, Tube	
103	1701509	1	Decal - Manual	
104	See Note	NSS	Nameplate - Serial Number (Note: Not Available for Purchase)	
106	3340956	1	Pad Kit	
107	3460334	1	Tube	
108	4341415	1	Support	
109	4420066	AR	Tape, Double Sided	
110	1001102446	2	Decal - Glazier Capacity	
201	1705358	2	Decal - SkyGlazier	

SECTION 4 - PLATFORM

FIGURE 4-13. SKYWELDER INSTALLATION (50HZ)



Go to DiscountEquipment.com to order your parts

ART_0272521

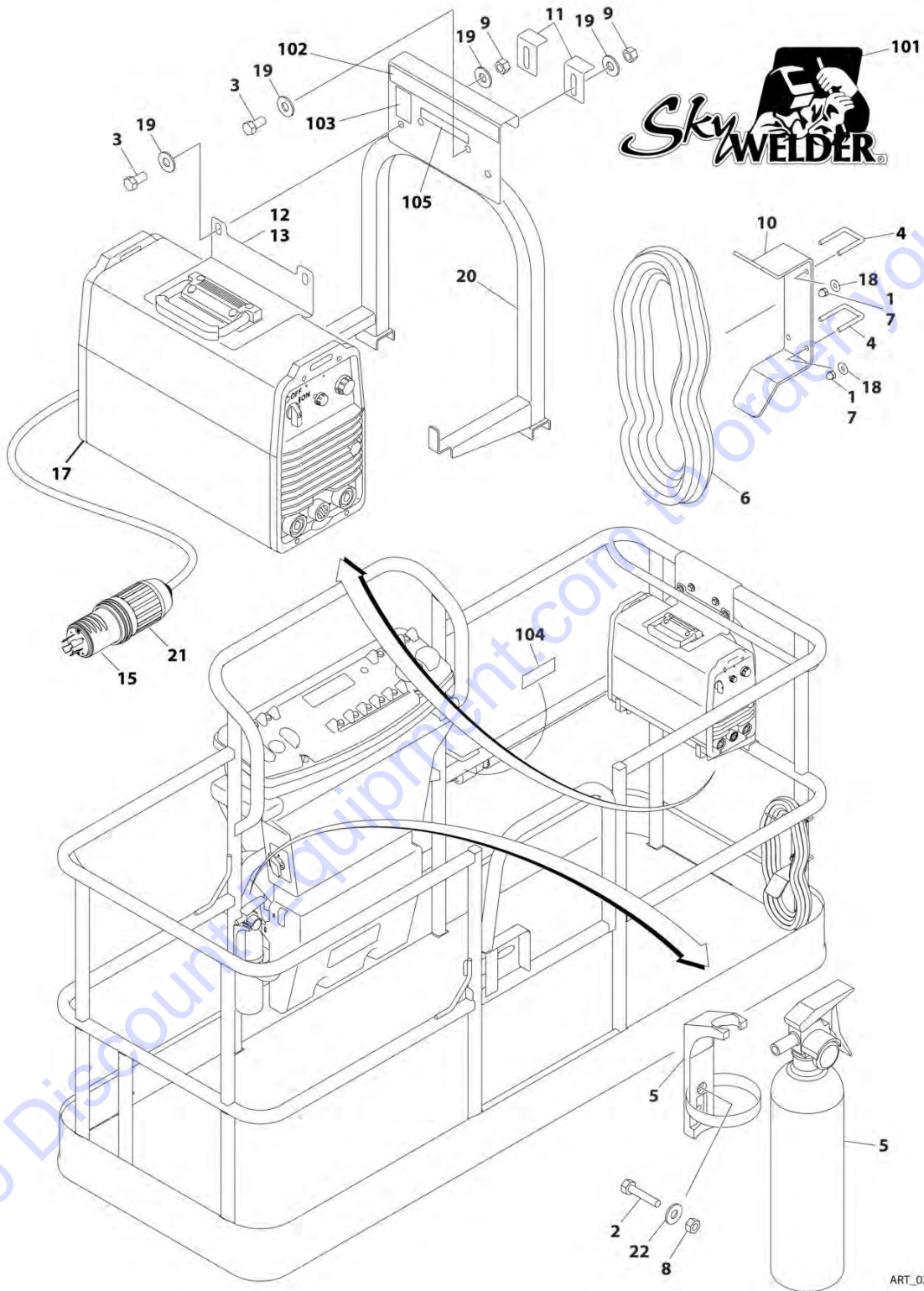
SECTION 4 - PLATFORM

FIGURE 4-13. SKYWELDER INSTALLATION (50HZ)

ITEM	PART NUMBER	QTY	DESCRIPTION	REV
	0272521	Ref	SKYWELDER INSTALLATION (50HZ)	F
1	0100011	AR	Compound, Locking	
2	0641406	2	Bolt 1/4 x 3/4	
2	0630518	2	Screw #10 x 3/4	
3	0641606	4	Bolt 3/8 x 3/4	
4	1320302	2	U-Clamp	
5	2030010	1	Extinguisher, Fire	
6	2902217	1	Weld Leads Kit	
7	3300151	4	Nut 1/4	
8	3311405	2	Nut 1/4	
8	3311005	2	Nut #10	
9	3311605	4	Nut 3/8	
10	3573400	1	Bracket	
11	3577121	2	Angle	
12	3573642	1	Plate	
13	4240099	AR	Tie-Strap (Not Shown)	
14	4420037	AR	Tape	
15	4530028	Ref	Welder Assembly (See WELDER ASSEMBLY for Breakdown)	
16	4751400	4	Washer 1/4	
17	4751600	8	Washer 3/8	
18	4846627	1	Support	
19	4751000	2	Washer #10	
	0272588	Ref	SKYWELDER DECAL INSTALLATION	A
101	1705355	2	Decal - SkyWelder	
102	1705305	1	Decal - Weld Lead	
103	1705466	1	Decal - Weight	

SECTION 4 - PLATFORM

FIGURE 4-14. SKYWELDER INSTALLATION (60HZ)



ART_0272254

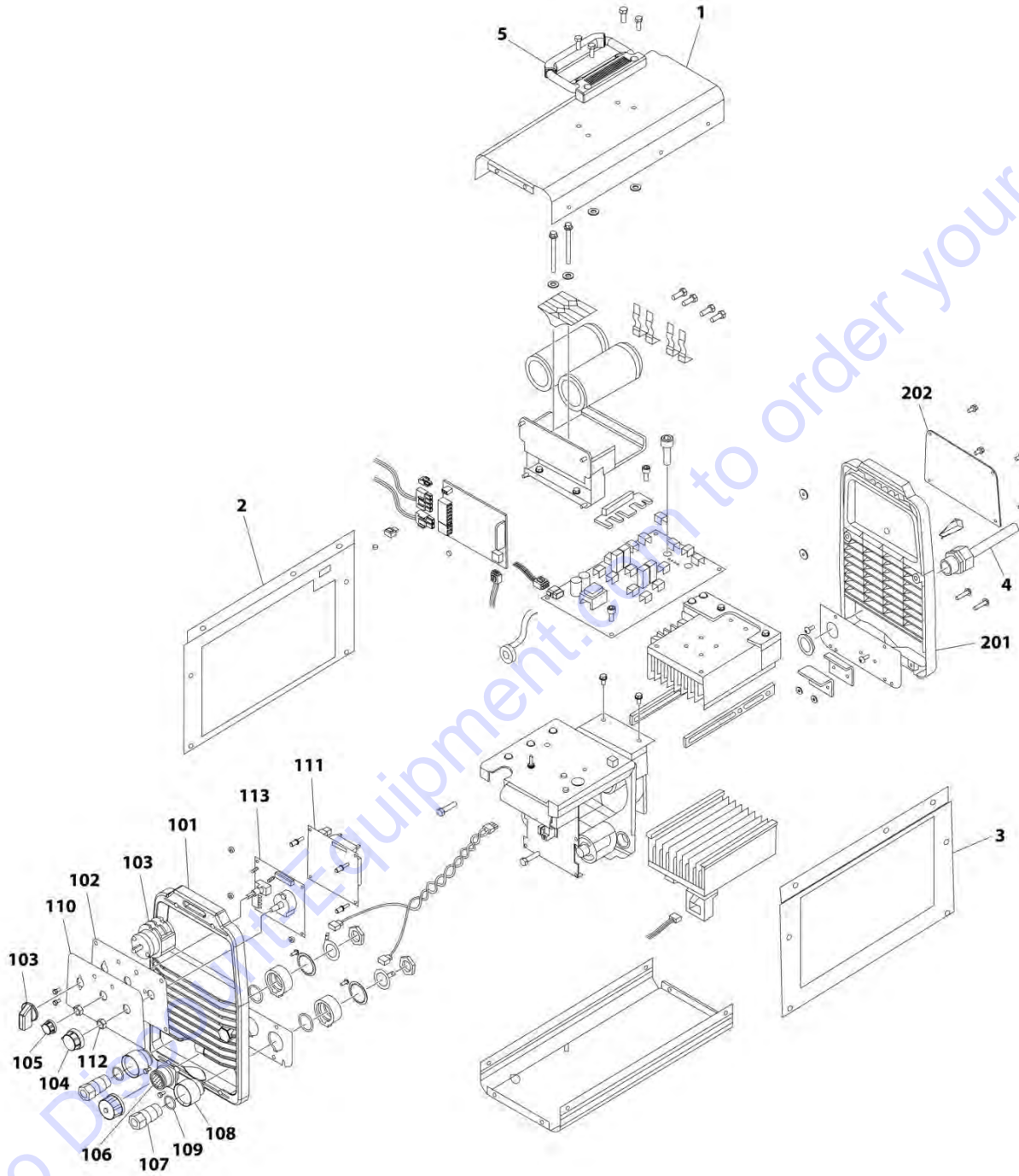
SECTION 4 - PLATFORM

FIGURE 4-14. SKYWELDER INSTALLATION (60HZ)

ITEM	PART NUMBER	QTY	DESCRIPTION	REV
	0272254	Ref	SKYWELDER INSTALLATION	H
1	0100011	AR	Compound, Locking	
2	0641406	2	Bolt 1/4 x 3/4	
2	0630518	2	Screw #10 x 3/4	
3	0641606	4	Bolt 3/8 x 3/4	
4	1320302	2	U-Clamp	
5	2030010	1	Extinguisher, Fire	
6	2902217	1	Weld Leads Kit	
7	3300151	4	Nut 1/4	
8	3311405	2	Nut 1/4	
8	3311005	2	Nut #10	
9	3311605	4	Nut 3/8	
10	3573400	1	Bracket	
11	3577121	2	Angle	
12	3573642	1	Plate	
13	4420037	AR	Tape	
14	4240099	AR	Tie-Strap (Not Shown)	
15	4460962	1	Plug, Male Twistlock	
17	See Note	Ref	Welder Assembly Options (See WELDER ASSEMBLY for Breakdown)	
17		Ref	Welder Assembly Options (See Separate Breakdown in this Section)	
17	4530022	1	Miller Model CST250 (SN 0300065080 through 0300083532)	
17	4530028	1	Miller Model CST280 (SN 0300083533 through 0300123999)	
18	4751400	4	Washer 1/4	
19	4751600	8	Washer 3/8	
20	4846627	1	Support	
21	1671093	1	Cover, Plug	
22	4751000	2	Washer #10	
	0272448	Ref	SKYWELDER DECAL INSTALLATION	A
101	1705355	2	Decal - SkyWelder	
102	1702868	1	Decal - No Hands	
103	1705305	1	Decal - Weld Lead	
104	1705375	1	Decal - 240V - 3 Phase - 60Hz	
105	1705466	1	Decal - Weight	

SECTION 4 - PLATFORM

FIGURE 4-15. WELDER ASSEMBLY



ART_4530028

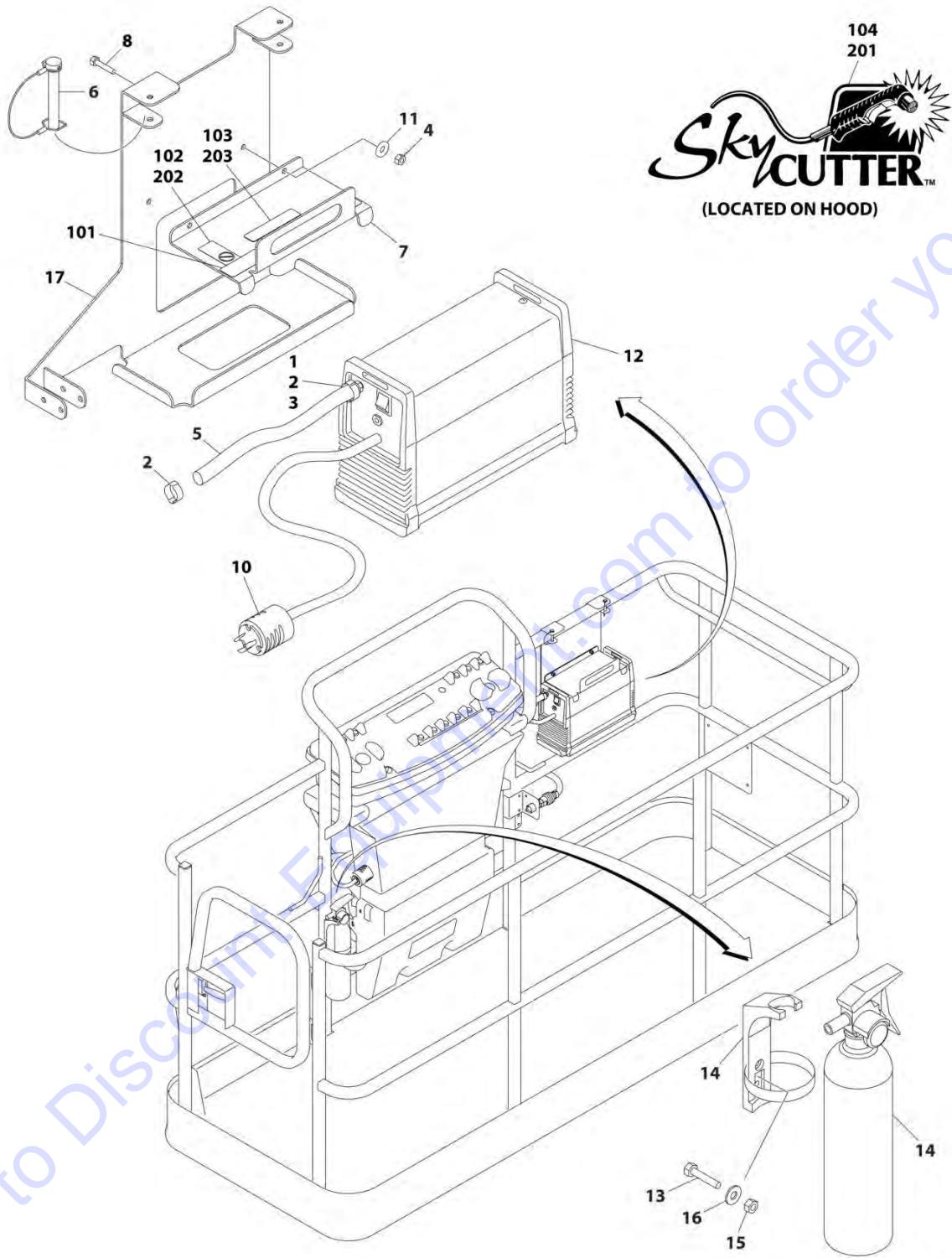
SECTION 4 - PLATFORM

FIGURE 4-15. WELDER ASSEMBLY

ITEM	PART NUMBER	QTY	DESCRIPTION	REV
	4530028	Ref	WELDER ASSEMBLY	B
		Ref	Note: For Other Components, contact your Miller Welder Dealer.	
1	7027773	1	Cover, Top	
1	7027774	1	Decal - Static Precautionary Warning	
2	See Note	NSS	Panel, LH Side (Note: Part of Item 1. Purchase Item 1)	
3	See Note	NSS	Panel, RH Side (Note: Part of Item 1. Purchase Item 1)	
4	7024467	1	Cable, Power	
4	7027775	1	Decal - Electrical Shock Warning (Not Shown)	
5	7027776	1	Handle, Carrying	
101	7024462	1	Panel, Front	
102	7024463	1	Panel, Console	
103	7024469	1	Switch with Lead	
104	7024470	1	Knob	
105	7024471	1	Knob	
106	7024472	1	Receptacle with Leads and Plugs	
107	7024473	2	Receptacle, Twistlock Female	
108	7024474	2	Insulator	
109	7024475	2	O-Ring	
110	7027777	1	Nameplate	
111	7027779	1	Circuit Card Assembly (Process Control)	
112	7024478	2	Nut	
113	7027778	1	Circuit Card Assembly (Operator Interface)	
201	7024462	1	Panel, Rear	
202	7027780	Ref	Panel, Cover	

SECTION 4 - PLATFORM

FIGURE 4-16. SKYCUTTER INSTALLATION (USA BUILT MACHINES)



ART_1001098149

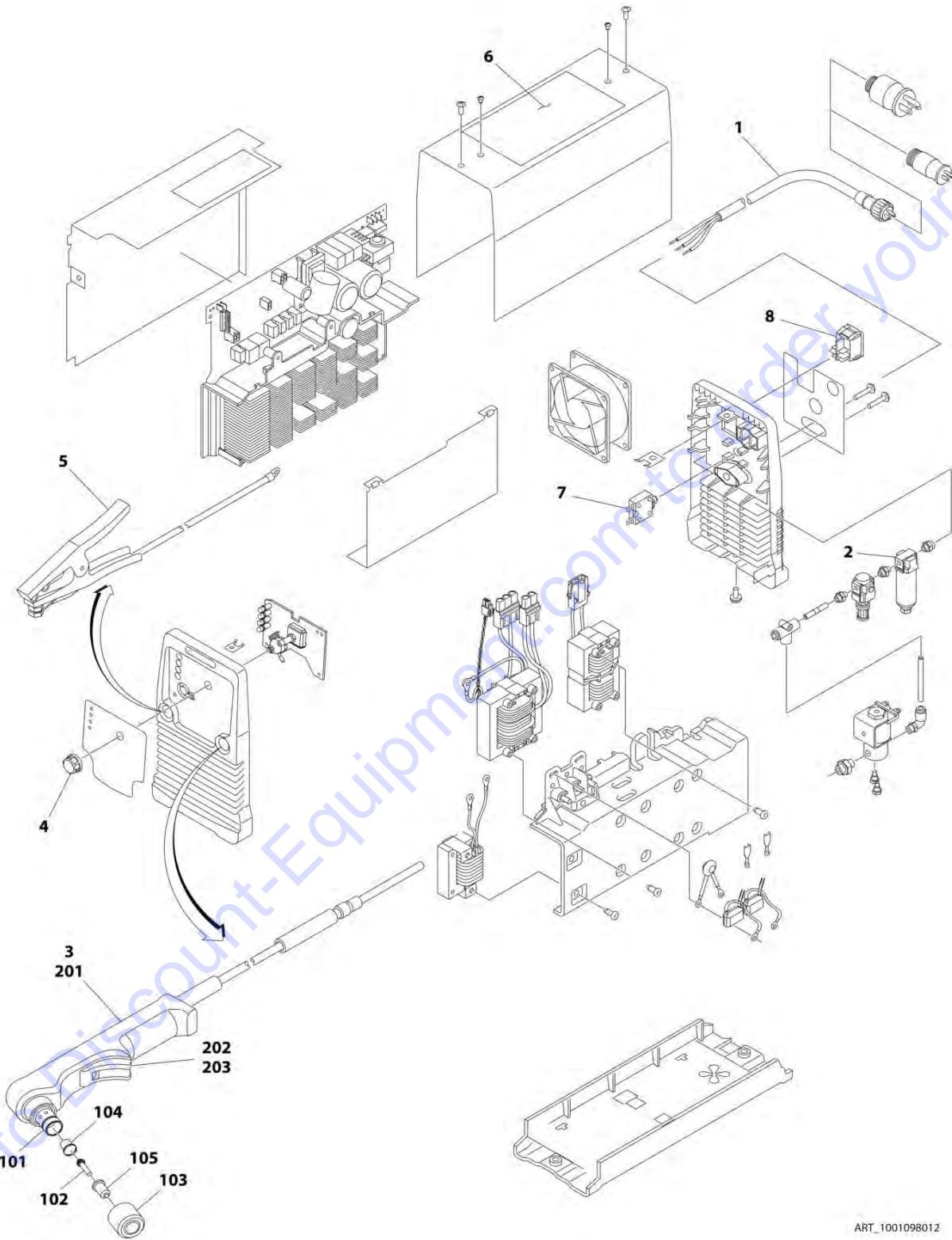
SECTION 4 - PLATFORM

FIGURE 4-16. SKYCUTTER INSTALLATION (USA BUILT MACHINES)

ITEM	PART NUMBER	QTY	DESCRIPTION	REV
	1001098149	Ref	SKYCUTTER SPEC INSTALLATION (USA BUILT MACHINES)	D
		Ref		
			Note: When replacing platform on machines with SkyCutter option, new bracket p/n 1001145405 must be purchased to accommodate SkyCutter components.	
1	0100020	AR	Sealant	
2	1320177	2	Clamp, Hose	
3	2180832	1	Fitting, NPT/Barbed	
4	3290605	2	Nut M6	
5	2720160	3 ft/0.9m	Hose	
6	3421453	3	Pin	
7	3576799	1	Plate, Hold-Down	
8	4010608	2	Screw M6 x 16	
10	4460971	1	Plug, Twistlock	
11	4811700	2	Washer M6	
12	1001098012	1	Plasma Cutter Assembly (See PLASMA CUTTER ASSEMBLY for Breakdown)	
13	0641406	2	Bolt 1/4 x 3/4	
13	0630518	2	Screw #10 x 3/4	
14	2030010	1	Extinguisher, Fire	
15	3311405	2	Nut 1/4	
15	3311005	2	Nut #10	
16	4751400	2	Washer 1/4	
16	4751000	2	Washer #10	
17	4341301	NLA	Support (Use p/n 1001145405)	
	0272599	Ref	SKYCUTTER DECAL INSTALLATION (ANSI, ANSI EXPORT AND CSA SPECS)	A
101	1702868	1	Decal - No Hands	
102	1705305	1	Decal - Weld Lead	
103	1705466	1	Decal - Weight	
104	1705490	2	Decal - SkyCutter	
	0272607	Ref	SKYCUTTER DECAL INSTALLATION (JAPANESE SPECS)	A
201	1705490	2	Decal - SkyCutter	
202	1705305	1	Decal - Weld Lead	
203	1705466	1	Decal - Weight	

SECTION 4 - PLATFORM

FIGURE 4-17. PLASMA CUTTER ASSEMBLY



ART_1001098012

SECTION 4 - PLATFORM

FIGURE 4-17. PLASMA CUTTER ASSEMBLY

ITEM	PART NUMBER	QTY	DESCRIPTION	REV
	1001098012	Ref	PLASMA CUTTER ASSEMBLY	A
		Ref	Note: For Other Components, contact your Miller Welder Dealer.	
1	70001424	1	Cable, Power	
1	70001425	1	Decal - Voltage Warning	
2	70001427	1	Filter, Regulator	
3	70001428	1	Torch Assembly (See Items 101-203 for Breakdown)	
4	7024471	1	Knob	
5	70001429	1	Clamp with Cable	
6	70001430	1	Decal - Caution	
7	70001431	1	Breaker, Circuit	
8	70001432	1	Switch, Rocker	
	70001428	Ref	TORCH ASSEMBLY	
101	7024530	1	O-Ring	
102	7024531	1	Electrode	
103	7024532	1	Cup, Retaining	
104	7024533	1	Swirl Ring	
105	7024534	1	Tip	
201	7024535	1	Handle, Torch	
202	7024536	1	Switch	
203	7024537	1	Trigger	

SECTION 5 - CYLINDER

Go to Discount-Equipment.com to order your parts

PARTS FINDER

**Search Website
by Part Number**



**Search Manual
Library For Parts
Manual & Lookup Part
Numbers – Purchase
or Request Quote**

**Can't Find Part or
Manual? Request Help
by Manufacturer,
Model & Description**

Discount-Equipment.com is your online resource for quality parts & equipment.

Florida: **561-964-4949** Outside Florida TOLL FREE: **877-690-3101**

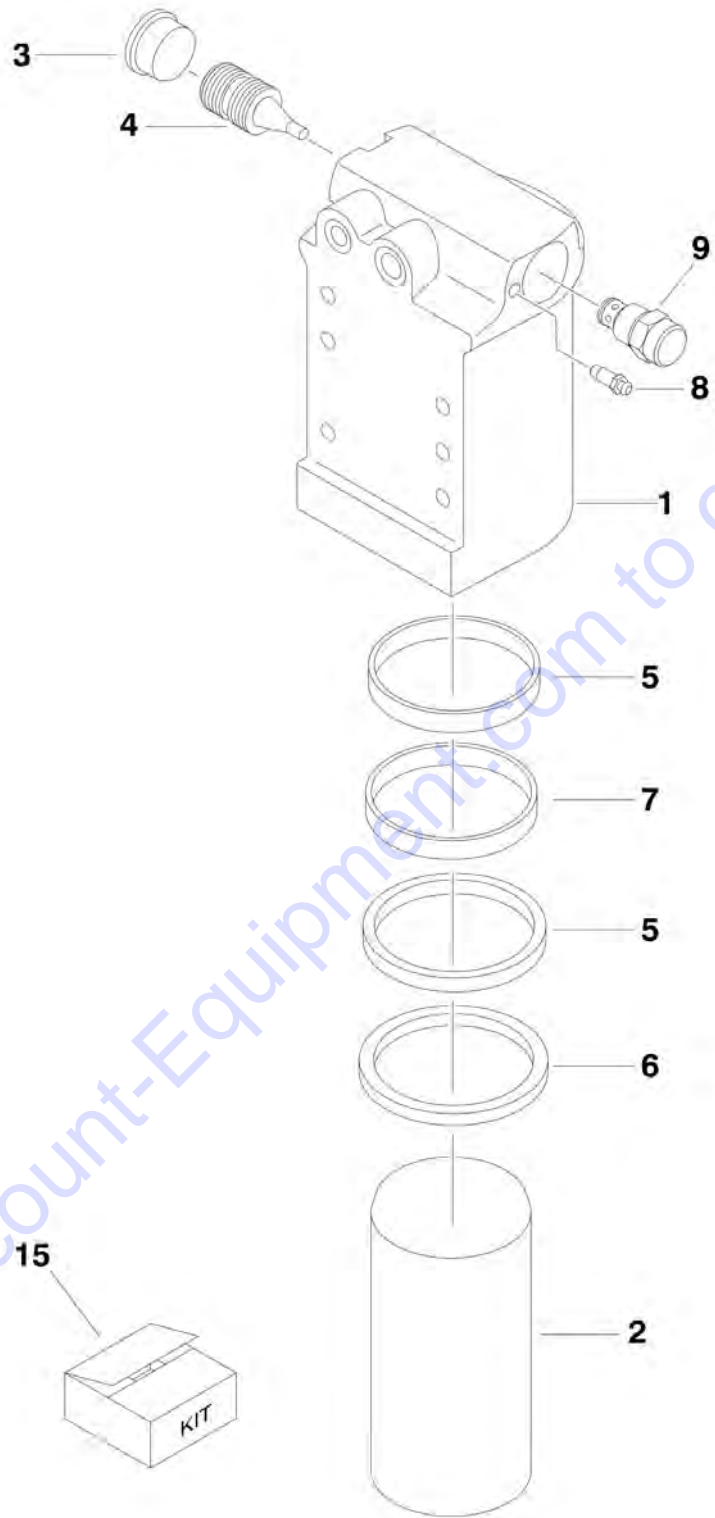
Need parts?

Click on this link: <http://www.discount-equipment.com/category/5443-parts/> and choose one of the options to help get the right parts and equipment you are looking for. Please have the machine model and serial number available in order to help us get you the correct parts. If you don't find the part on the website or on one of the online manuals, please fill out the request form and one of our experienced staff members will get back to you with a quote for the right part that your machine needs.

We sell worldwide for the brands: Genie, Terex, JLG, MultiQuip, Mikasa, Essick, Whiteman, Mayco, Toro Stone, Diamond Products, Generac Magnum, Airman, Haulotte, Barreto, Power Blanket, Nifty Lift, Atlas Copco, Chicago Pneumatic, Allmand, Miller Curber, Skyjack, Lull, Skytrak, Tsurumi, Husquvarna Target, Stow, Wacker, Sakai, Mi-T-M, Sullair, Basic, Dynapac, MBW, Weber, Bartell, Bennar Newman, Haulotte, Ditch Runner, Menegotti, Morrison, Contec, Buddy, Crown, Edco, Wyco, Bomag, Laymor, EZ Trench, Bil-Jax, F.S. Curtis, Gehl Pavers, Heli, Honda, ICS/PowerGrit, IHI, Partner, Imer, Clipper, MMD, Koshin, Rice, CH&E, General Equipment, Amida, Coleman, NAC, Gradall, Square Shooter, Kent, Stanley, Tamco, Toku, Hatz, Kohler, Robin, Wisconsin, Northrock, Oztec, Toker TK, Rol-Air, APT, Wylie, Ingersoll Rand / Doosan, Innovatech, Con X, Ammann, Mecalac, Makinex, Smith Surface Prep, Small Line, Wanco, Yanmar

SECTION 5 - CYLINDER

FIGURE 5-1. USA BUILT MACHINES/AXLE LOCKOUT CYLINDER



SECTION 5 - CYLINDER

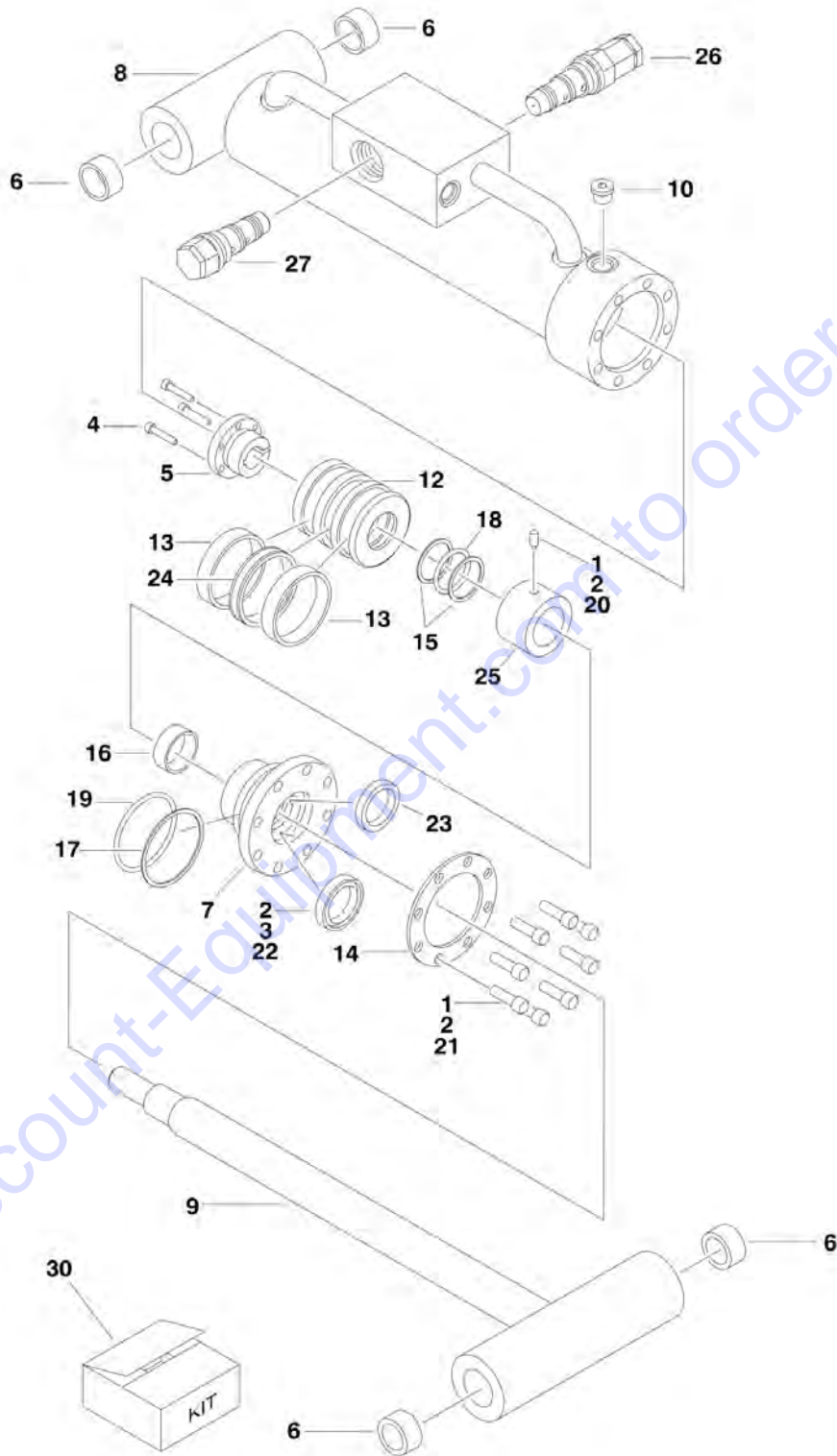
FIGURE 5-1. USA BUILT MACHINES/AXLE LOCKOUT CYLINDER

ITEM	PART NUMBER	QTY	DESCRIPTION	REV
		Ref	USA Built Machines use SNs 03xxxxxxxx.	
		Ref	Belgium Built Machines use SNs 13xxxxxxxx.	
		Ref	Romanian Built Machines use SNs E3xxxxxxxx.	
	1684465	Ref	AXLE LOCKOUT CYLINDER ASSEMBLY	F
1	0370026	1	Barrel	
2	1684290	1	Rod	
3	2220890	1	Plug	
4	3480288	1	Piston, Pilot	
5	2902266	2	Ring, Wear	
6	2902266	1	Wiper	
7	2902266	1	Seal, Rod	
8	4640858	1	Bleeder	
9	4641390	1	Cartridge, Valve	
9	7017496	1	Seal Kit	
15	2902266	1	Seal Kit, Cylinder (Includes Items 5-7)	

Go to Discount-Equipment.com to order your parts

SECTION 5 - CYLINDER

FIGURE 5-2. USA BUILT MACHINES/LEVEL (PLATFORM SLAVE) CYLINDER (450A SERIES II)
(ORIGINAL EQUIPMENT)



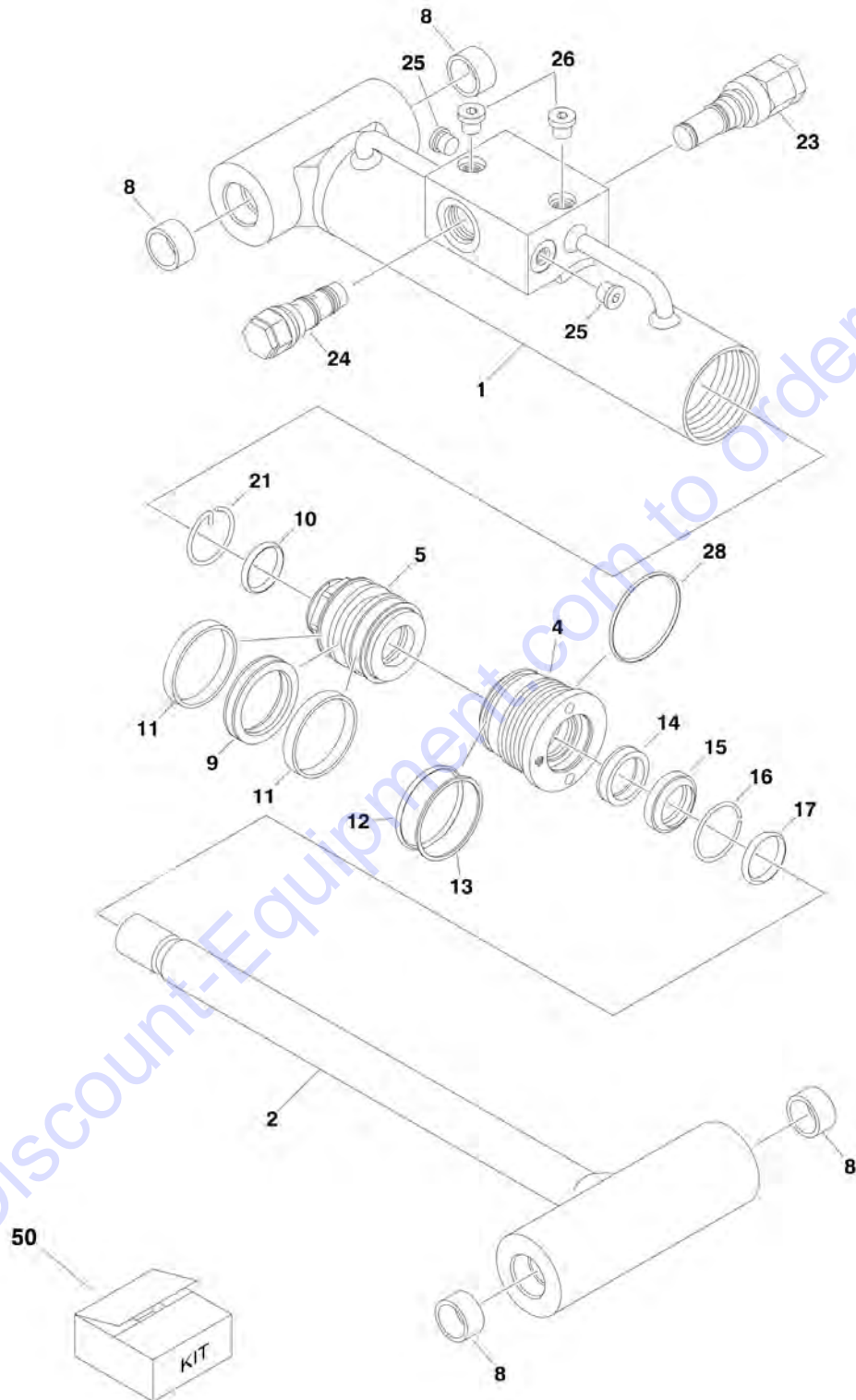
SECTION 5 - CYLINDER

**FIGURE 5-2. USA BUILT MACHINES/LEVEL (PLATFORM SLAVE) CYLINDER (450A SERIES II)
(ORIGINAL EQUIPMENT)**

ITEM	PART NUMBER	QTY	DESCRIPTION	REV
		Ref	Note: Original Equipment Cylinder may have been replaced with Service Replacement Cylinder. Identify p/n stamped on cylinder before ordering parts.	
		Ref	USA Built Machines use SNs 03xxxxxxxx.	
		Ref	Belgium Built Machines use SNs 13xxxxxxxx.	
		Ref	Romanian Built Machines use SNs E3xxxxxxxx.	
	1684165	Ref	LEVEL (PLATFORM SLAVE) CYLINDER ASSEMBLY (450A SERIES II) (ORIGINAL EQUIPMENT)	C
1	0100011	AR	Compound, Locking	
2	0100038	AR	Primer, Locking	
3	0100063	AR	Loctite RC 609 (SN 0300124000 through 0300133424)	
4	0630534	3	Capscrew #10-24NC x 1in	
5	0962185	1	Bushing, Tapered	
6	0961947	4	Bushing, Garmax	
7	1683050	1	Head	
8	1684166	1	Barrel Weldment	
9	1684167	1	Rod Weldment	
10	2220885	1	Plug, O-Ring	
12	3480232	1	Piston	
13	2901549	2	Ring, Wear	
14	3760367	1	Ring, Washer	
15	2901549	2	Ring, Back-up	
16	2901549	1	Ring, Wear	
17	2901549	1	Ring, Back-up	
18	2901549	1	O-Ring	
19	2901549	1	O-Ring	
20	3900139	1	Setscrew 1/4in-20NC x 1/2in	
21	3931516	8	Capscrew 5/16in-18NC x 1in	
22	2901549	1	Wiper	
23	2901549	1	Seal	
24	2901549	1	T-Seal	
25	4568068	1	Tube, Spacer	
26	4640932	1	Cartridge, Valve (Counterbalance Vented)	
26	7011112	1	Seal Kit - 4640932 Valve	
27	4641086	1	Cartridge, Valve (Counterbalance Non-Vented)	
27	2900792	1	Seal Kit - 4641086 Valve	
30	2901549	1	Seal Kit, Cylinder (Includes Items 13,15-19 & 22-24)	

SECTION 5 - CYLINDER

FIGURE 5-3. USA BUILT MACHINES/LEVEL (PLATFORM SLAVE) CYLINDER ASSEMBLY (450A SERIES II) (SERVICE REPLACEMENT)



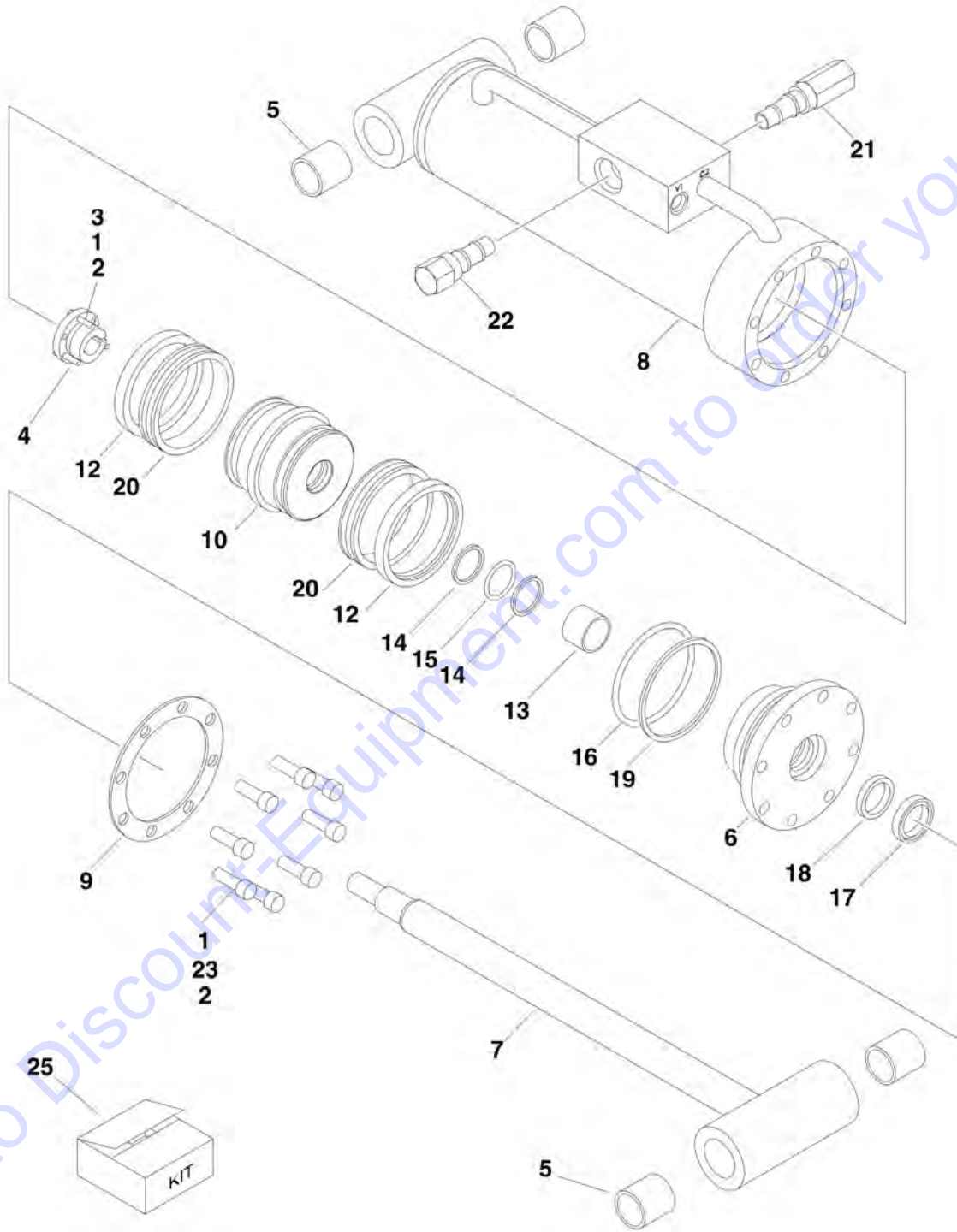
SECTION 5 - CYLINDER

FIGURE 5-3. USA BUILT MACHINES/LEVEL (PLATFORM SLAVE) CYLINDER ASSEMBLY (450A SERIES II) (SERVICE REPLACEMENT)

ITEM	PART NUMBER	QTY	DESCRIPTION	REV
		Ref	Note: Original Equipment Cylinder may have been replaced with Service Replacement Cylinder. Identify p/n stamped on cylinder before ordering parts.	
	1684165	Ref	USA Built Machines use SNs 03xxxxxxxx.	A
		Ref	Belgium Built Machines use SNs 13xxxxxxxx.	
		Ref	Romanian Built Machines use SNs E3xxxxxxxx.	
	1001140274	Ref	LEVEL (PLATFORM SLAVE) CYLINDER ASSEMBLY (450A SERIES II) (SERVICE REPLACEMENT)	A
1	70003812	1	Barrel	
2	70003813	1	Rod	
4	70003809	1	Head	
5	70003810	1	Piston	
8	0961947	4	Bushing	
9	70003814	1	Seal	
10	70003814	1	O-Ring	
11	70003814	2	Ring, Wear	
12	70003814	1	O-Ring	
13	70003814	1	Ring, Back-up	
14	70003814	1	Seal	
15	70003814	1	Wiper	
16	70002217	1	Ring, Retaining	
17	7026084	1	O-Ring	
21	70002216	1	Retainer	
23	4640932	1	Cartridge, Counterbalance Valve	
23	7011112	1	Seal Kit - 4640932 Valve	
24	4641086	1	Cartridge, Counterbalance Valve	
24	2900792	1	Seal Kit - 4641086 Valve	
25	7024844	2	Plug	
26	See Note	2	Plug (Note: Not Available for Purchase)	
28	70003814	1	O-Ring	
50	70003814	1	Seal Kit (Includes Items 9-15 & 28)	

SECTION 5 - CYLINDER

FIGURE 5-4. USA BUILT MACHINES/LEVEL (PLATFORM) CYLINDER (450AJ SERIES II) (ORIGINAL EQUIPMENT)



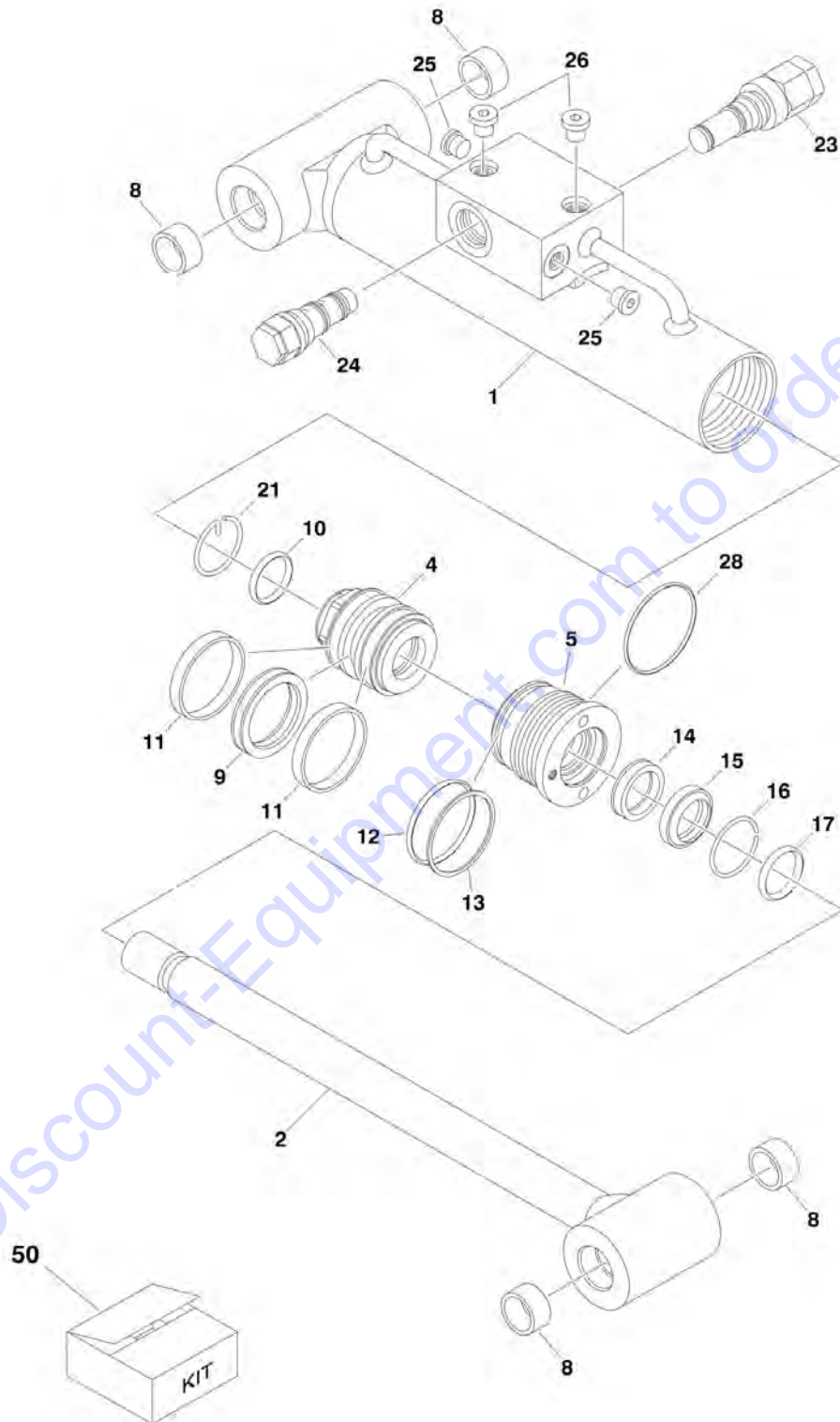
SECTION 5 - CYLINDER

FIGURE 5-4. USA BUILT MACHINES/LEVEL (PLATFORM) CYLINDER (450AJ SERIES II) (ORIGINAL EQUIPMENT)

ITEM	PART NUMBER	QTY	DESCRIPTION	REV
		Ref	Note: Original Equipment Cylinder may have been replaced with Service Replacement Cylinder. Identify p/n stamped on cylinder before ordering parts.	
		Ref	USA Built Machines use SNs 03xxxxxxxx.	
		Ref	Belgium Built Machines use SNs 13xxxxxxxx.	
		Ref	Romanian Built Machines use SNs E3xxxxxxxx.	
	1683760	Ref	LEVEL (PLATFORM SLAVE) CYLINDER ASSEMBLY (450AJ SERIES II) (ORIGINAL EQUIPMENT)	G
1	0100011	AR	Compound, Locking	
2	0100038	AR	Primer, Locking	
3	0630534	3	Bolt, Socket Head #10-24NC x 1in	
4	0962185	1	Tapered Bushing	
5	0961951	4	Bushing, Garmax	
6	1683052	1	Head	
7	1683759	1	Rod	
8	1683761	1	Barrel	
9	3760368	1	Washer, Ring	
10	3480247	1	Piston	
12	2901776	2	Ring, Lock	
13	2901776	1	Ring, Wear	
14	2901776	2	Ring, Back-Up	
15	2901776	1	O-Ring	
16	2901776	1	O-Ring	
17	2901776	1	Wiper	
18	2901776	1	Seal	
19	2901776	1	Ring, Back-Up	
20	2901776	2	Seal	
21	4640932	1	Cartridge, Valve (Counterbalance Vented)	
21	7011112	1	Seal Kit - 4640932 Valve	
22	4641086	1	Cartridge, Valve (Counterbalance Nonvented)	
22	2900792	1	Seal Kit - 4641086 Valve	
23	3931516	8	Bolt, Socket Head 5/16in-18NC x 1in	
25	2901776	1	Seal Kit, Cylinder (Includes Items 12-20)	

SECTION 5 - CYLINDER

FIGURE 5-5. USA BUILT MACHINES/LEVEL (PLATFORM) CYLINDER (450AJ SERIES II) (SERVICE REPLACEMENT)



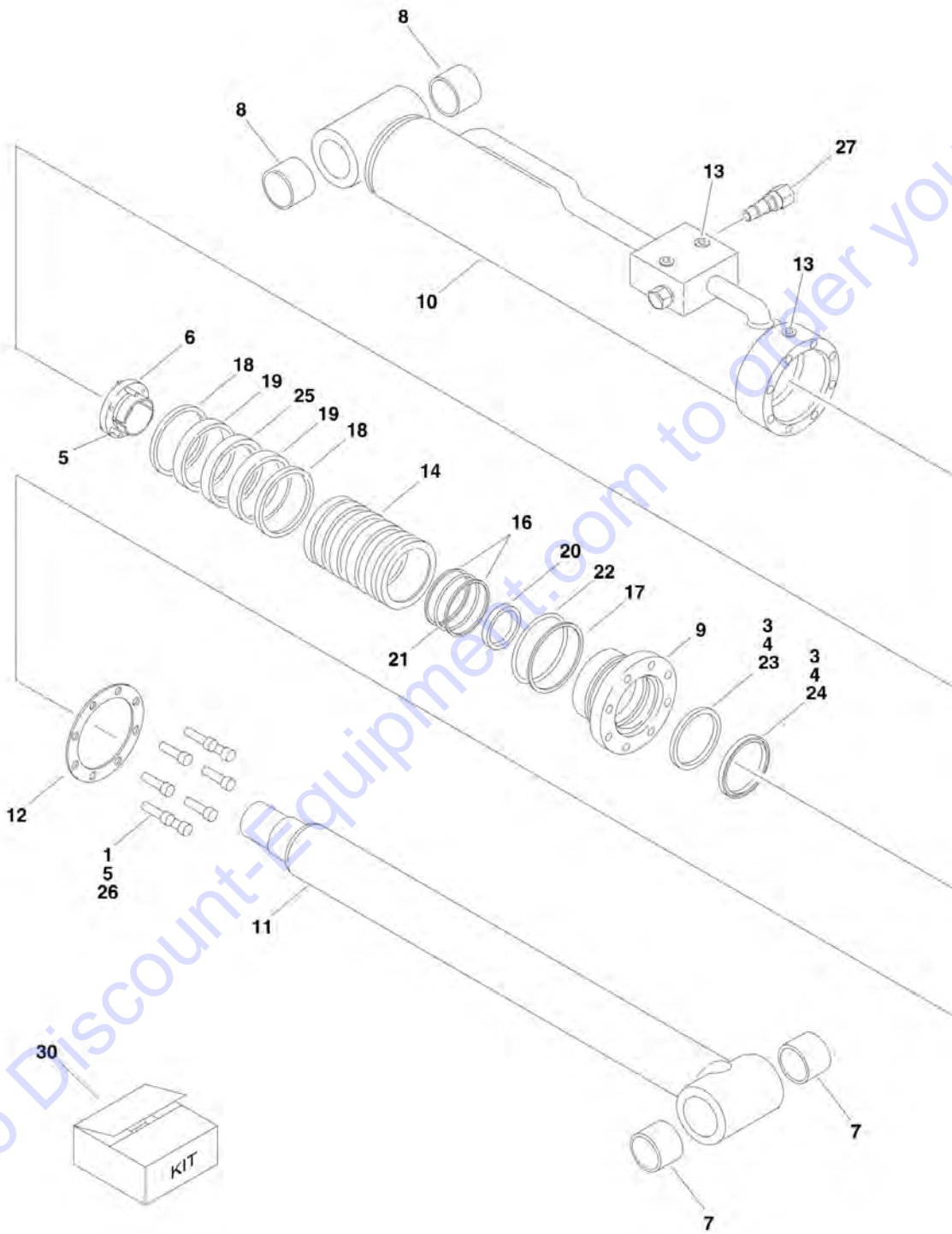
SECTION 5 - CYLINDER

FIGURE 5-5. USA BUILT MACHINES/LEVEL (PLATFORM) CYLINDER (450AJ SERIES II) (SERVICE REPLACEMENT)

ITEM	PART NUMBER	QTY	DESCRIPTION	REV
		Ref	Note: Original Equipment component may have been replaced with Service Replacement component. Identify p/n stamped on cylinder before ordering parts.	
		Ref	USA Built Machines use SNs 03xxxxxxxx.	
		Ref	Belgium Built Machines use SNs 13xxxxxxxx.	
		Ref	Romanian Built Machines use SNs E3xxxxxxxx.	
	1001140279	Ref	PLATFORM LEVEL CYLINDER ASSEMBLY (450AJ SERIES II) (SERVICE REPLACEMENT)	A
1	70003846	1	Barrel	
2	70003847	1	Rod	
4	70003819	1	Piston	
5	7026082	1	Head	
8	0961951	4	Bushing	
9	70003845	1	Seal	
10	70003845	1	O-Ring	
11	70003845	2	Ring, Wear	
12	70003845	1	O-Ring	
13	70003845	1	Ring, Back-up	
14	70003845	1	Seal	
15	70003845	1	Wiper	
16	70002217	1	Ring, Retaining	
17	7026084	1	O-Ring	
21	70002216	1	Retainer	
23	4640932	1	Cartridge, Counterbalance Valve	
23	7011112	1	Seal Kit - 4640932 Valve	
24	4641086	1	Cartridge, Counterbalance Valve	
24	2900792	1	Seal Kit - 4641086 Valve	
25	7024844	2	Plug	
26	See Note	2	Plug (Note: Not Available for Purchase)	
28	70003845	1	O-Ring	
50	70003845	1	Seal Kit (Includes Items 9-15 & 28)	

SECTION 5 - CYLINDER

FIGURE 5-6. USA BUILT MACHINES/LIFT (JIB) CYLINDER (450AJ SERIES II ONLY) (ORIGINAL EQUIPMENT)



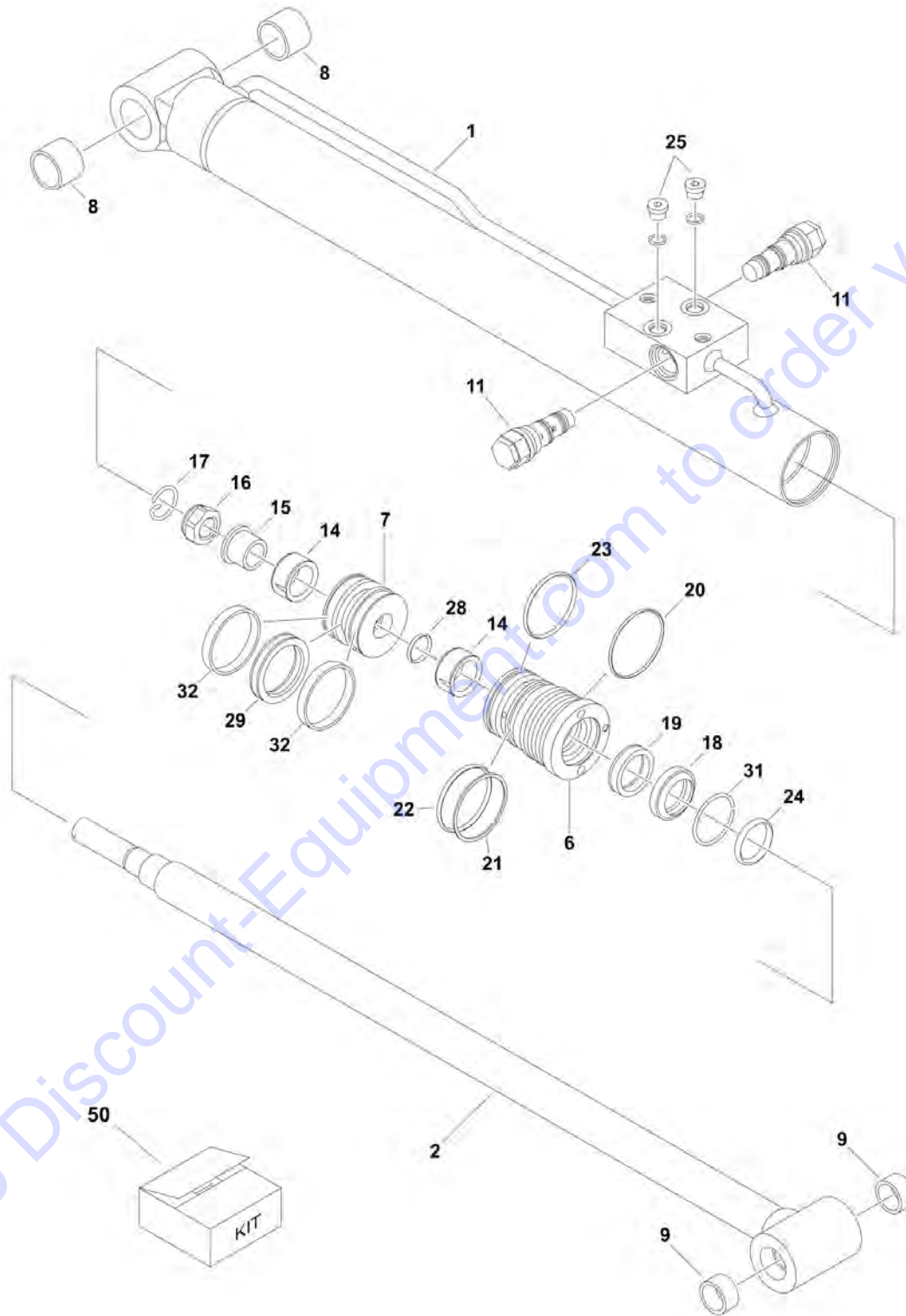
SECTION 5 - CYLINDER

FIGURE 5-6. USA BUILT MACHINES/LIFT (JIB) CYLINDER (450AJ SERIES II ONLY) (ORIGINAL EQUIPMENT)

ITEM	PART NUMBER	QTY	DESCRIPTION	REV
		Ref	Note: Original Equipment Cylinder may have been replaced with Service Replacement Cylinder. Identify p/n stamped on cylinder before ordering parts.	
		Ref	USA Built Machines use SNs 03xxxxxxxx.	
		Ref	Belgium Built Machines use SNs 13xxxxxxxx.	
		Ref	Romanian Built Machines use SNs E3xxxxxxxx.	
	1683959	Ref	JIB LIFT CYLINDER ASSEMBLY (450AJ SERIES II ONLY) (ORIGINAL EQUIPMENT)	D
1	0100011	AR	Compound, Locking	
3	0100038	AR	Primer, Locking	
4	0100063	AR	Loctite #RC609	
5	0630534	3	Bolt #10-24NC x 1in	
6	0961893	1	Bushing, Tapered	
7	0961947	2	Bushing	
8	0961951	2	Bushing	
9	1683051	1	Head	
10	1683960	1	Barrel Weldment	
11	1683961	1	Rod Weldment	
12	3760367	1	Washer, Ring	
13	2220885	3	Plug, O-Ring	
14	3480249	1	Piston	
16	2901810	2	Ring, Back-up	
17	2901810	1	Ring, Back-up	
18	2901810	2	Seal	
19	2901810	2	Ring, Wear	
20	2901810	1	Ring, Wear	
21	2901810	1	O-Ring	
22	2901810	1	O-Ring	
23	2901810	1	Seal	
24	2901810	1	Wiper	
25	2901810	1	T-Seal	
26	3931516	8	Bolt, Socket Head 5/16in-18NC x 2in	
27	4640509	2	Cartridge, Valve (Counterbalance Non-Vented)	
27	2900792	2	Seal Kit - 4640509 Valve	
30	2901810	1	Seal Kit, Cylinder (Includes Items 16-25)	

SECTION 5 - CYLINDER

FIGURE 5-7. USA BUILT MACHINES/LIFT (JIB) CYLINDER (450AJ SERIES II ONLY) (SERVICE REPLACEMENT)



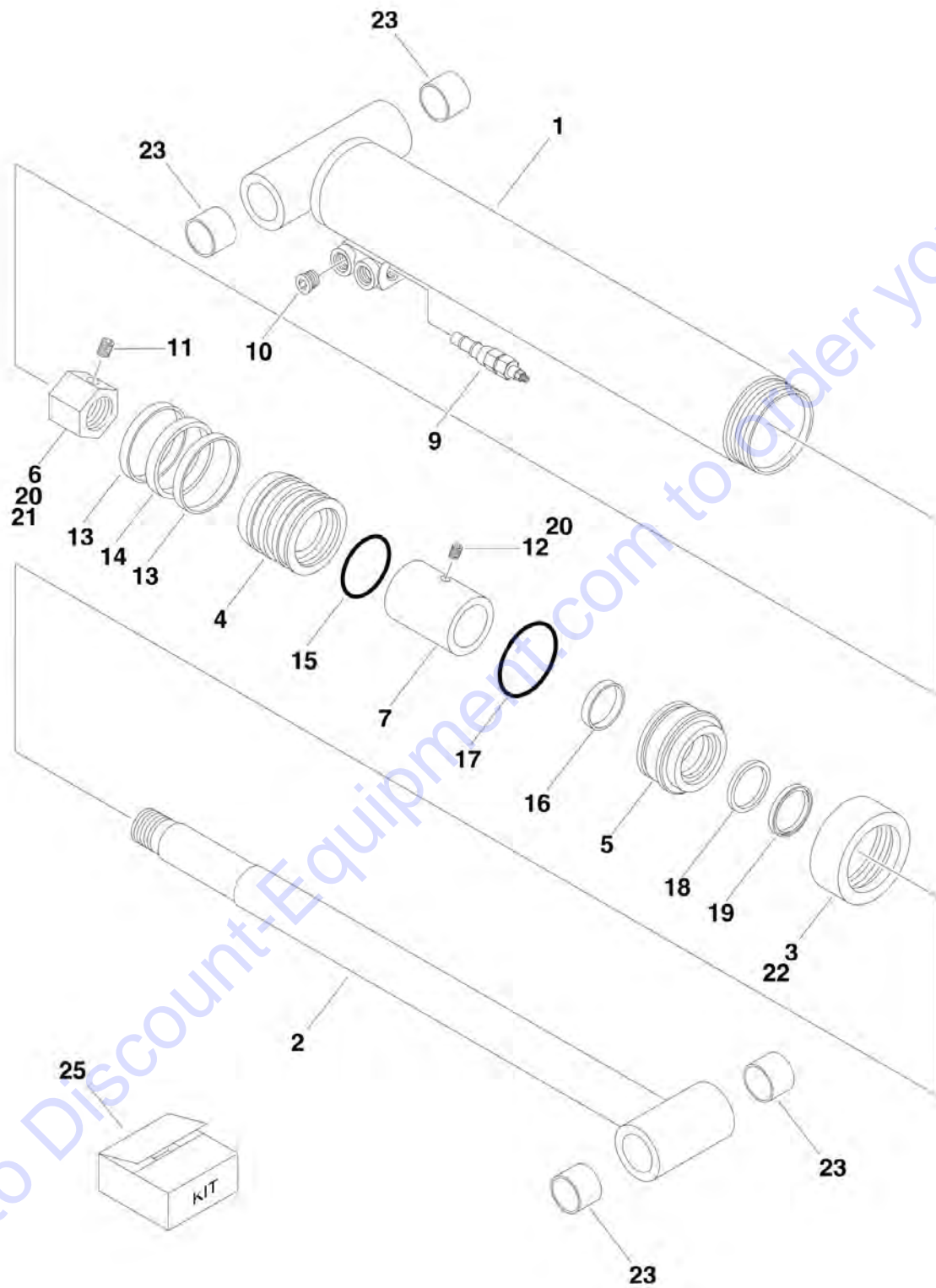
SECTION 5 - CYLINDER

FIGURE 5-7. USA BUILT MACHINES/LIFT (JIB) CYLINDER (450AJ SERIES II ONLY) (SERVICE REPLACEMENT)

ITEM	PART NUMBER	QTY	DESCRIPTION	REV
		Ref	Note: Original Equipment Cylinder may have been replaced with Service Replacement Cylinder. Identify p/n stamped on cylinder before ordering parts.	
		Ref	USA Built Machines use SNs 03xxxxxxxx.	
		Ref	Belgium Built Machines use SNs 13xxxxxxxx.	
		Ref	Romanian Built Machines use SNs E3xxxxxxxx.	
	1001140282	Ref	LIFT (JIB) CYLINDER ASSEMBLY (450AJ SERIES II ONLY) (SERVICE REPLACEMENT)	A
1	70003834	1	Barrel	
2	70003835	1	Rod	
6	7026088	1	Head	
7	70003833	1	Piston	
8	0961951	2	Bushing	
9	0961947	2	Bushing	
11	464509	2	Cartridge, Counterbalance Valve	
11	2900792	2	Seal Kit - 464509 Valve	
14	7026090	2	Bushing	
15	7026091	1	Sleeve	
16	7026092	1	Nut	
17	70002223	1	Retainer	
18	70003836	1	Wiper	
19	70003836	1	Seal	
20	70003836	1	O-Ring	
21	70003836	1	Ring, Backup	
22	70003836	1	O-Ring	
23	70003836	1	O-Ring	
24	7026068	1	O-Ring	
25	7024844	2	Plug	
28	70003836	1	O-Ring	
29	70003836	1	Seal	
31	70002220	1	Ring, Retaining	
32	70003836	2	Ring, Wear	
50	70003836	1	Seal Kit - 1001140282 Cylinder (Includes Items 18-23, 28, 29 & 32)	

SECTION 5 - CYLINDER

FIGURE 5-8. USA BUILT MACHINES/LIFT (MAIN BOOM) CYLINDER



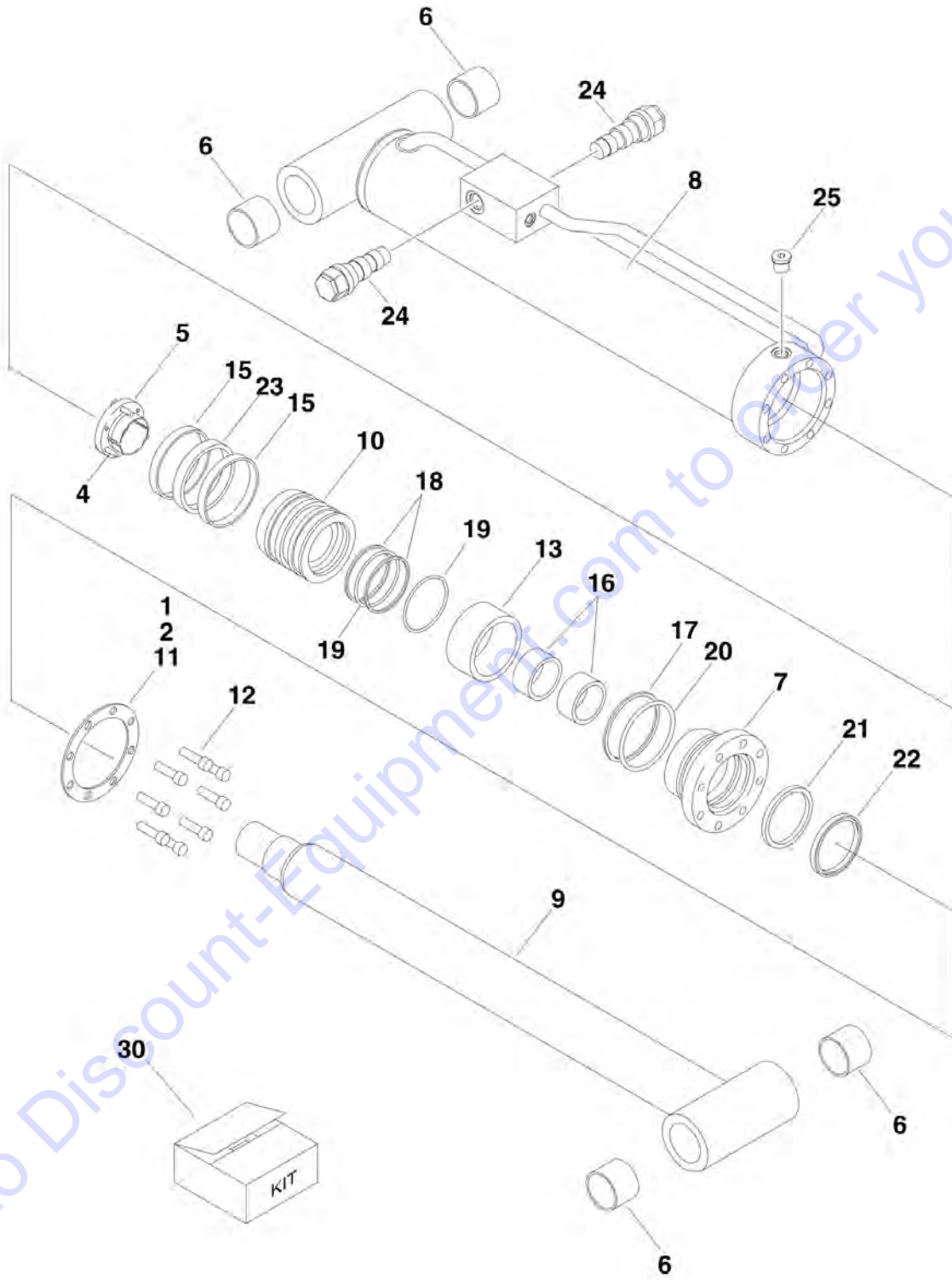
SECTION 5 - CYLINDER

FIGURE 5-8. USA BUILT MACHINES/LIFT (MAIN BOOM) CYLINDER

ITEM	PART NUMBER	QTY	DESCRIPTION	REV
		Ref	USA Built Machines use SNs 03xxxxxxx.	
		Ref	Belgium Built Machines use SNs 13xxxxxxx.	
		Ref	Romanian Built Machines use SNs E3xxxxxxx.	
		Ref	MAIN LIFT CYLINDER ASSEMBLY	
	1684155	Ref	Main Lift Cylinder Assembly 450A SERIES II	2-D
	1684154	Ref	Main Lift Cylinder Assembly 450AJ SERIES II	2-D
1		Ref	Barrel Weldment Options:	
1	1684060	1	1684155 Cylinder	
1	1683946	1	1684154 Cylinder	
2		Ref	Rod Weldment Options:	
2	1684059	1	1684155 Cylinder	
2	1683947	1	1684154 Cylinder	
3	1120108	1	Cap, End	
4	3480240	1	Piston	
5	1683504	1	Head	
6		Ref	Nut, Hex Options:	
6	3300315	1	1684155 Cylinder	
6	3300279	1	1684154 Cylinder	
7		Ref	Spacer, Tube Options:	
7	4567177	1	1684155 Cylinder	
7	4567908	1	1684154 Cylinder	
9	4640936	1	Cartridge, Valve	
9	2900770	1	Seal Kit - 4640936 Valve	
10	2220885	1	Plug, O-Ring	
11	3900170	1	Setscrew	
12		Ref	Setscrew Options:	
12	3951402	1	1684155 Cylinder	
12	3900142	1	1684154 Cylinder	
13	See Note	2	Ring, Wear (Note: Use Item 25)	
14	See Note	1	Seal (Note: Use Item 25)	
15	See Note	1	O-Ring (Note: Use Item 25)	
16	See Note	1	Ring, Wear (Note: Use Item 25)	
17	See Note	1	O-Ring (Note: Use Item 25)	
18	See Note	1	Seal (Note: Use Item 25)	
19	See Note	1	Wiper (Note: Use Item 25)	
20	0100011	AR	Compound, Locking	
21	0100038	AR	Primer, Locking	
22	0100035	AR	Compound, Locking	
23	0961950	4	Bushing	
25		Ref	Seal Kit, Cylinder (Includes Items 13-19)	
25	2902074	1	USA Built Machines (SN 0300124000 through 0300139629)	
25	1001118241	1	USA Built Machines (SN 0300139630 through 0300160834)	

SECTION 5 - CYLINDER

FIGURE 5-9. USA BUILT MACHINES/LIFT (TOWER BOOM) CYLINDER



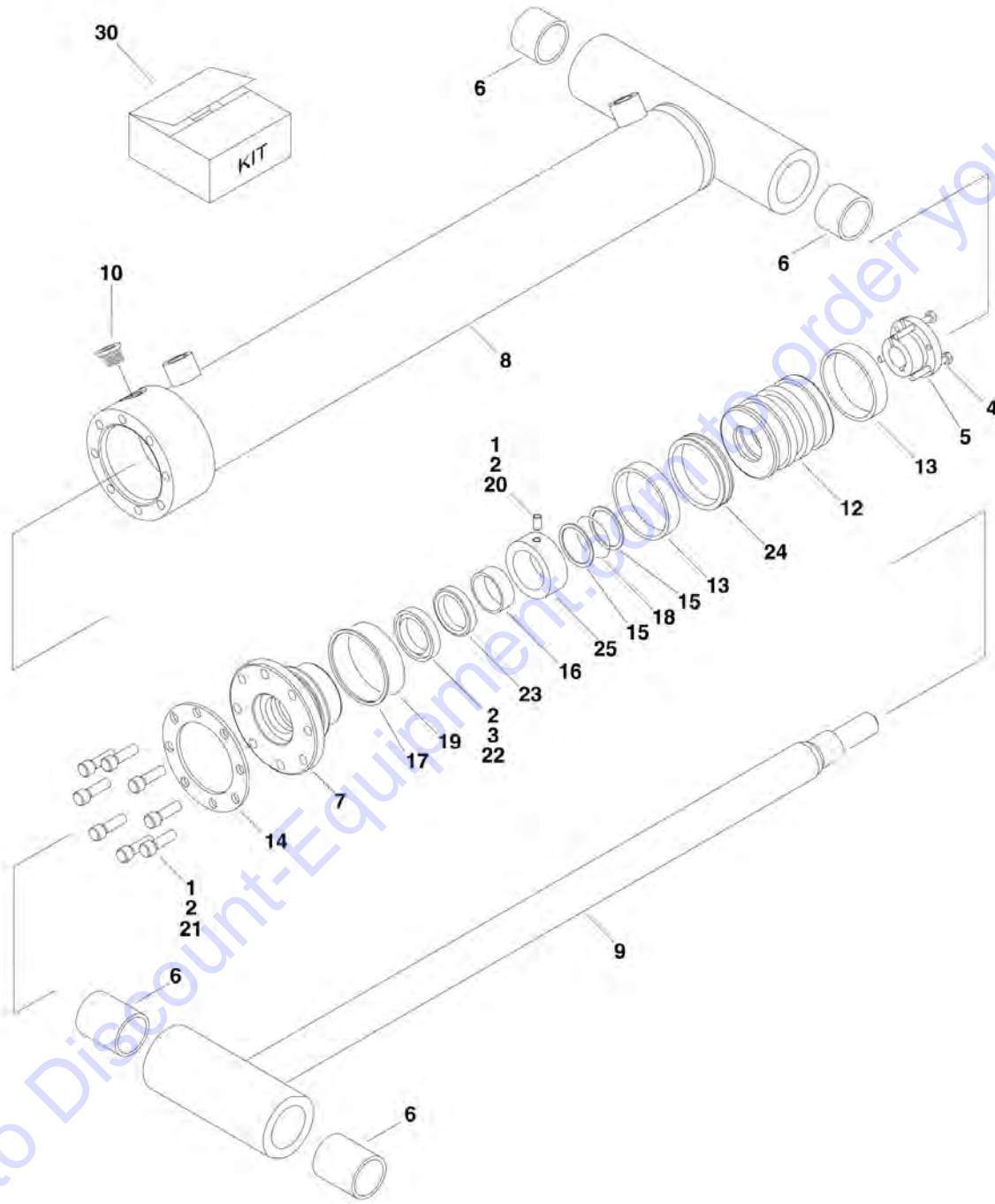
SECTION 5 - CYLINDER

FIGURE 5-9. USA BUILT MACHINES/LIFT (TOWER BOOM) CYLINDER

ITEM	PART NUMBER	QTY	DESCRIPTION	REV
		Ref	USA Built Machines use SNs 03xxxxxxxx.	
		Ref	Belgium Built Machines use SNs 13xxxxxxxx.	
		Ref	Romanian Built Machines use SNs E3xxxxxxxx.	
	1684070	Ref	TOWER LIFT CYLINDER ASSEMBLY	G
1	0100011	AR	Compound, Locking	
2	0100038	AR	Primer, Locking	
4	0630535	3	Capscrew 1/4in-20NC x 1-1/8in	
5	0961897	1	Bushing, Tapered	
6	0961950	4	Bushing	
7	1683063	1	Head	
8	1684067	1	Barrel Weldment	
9	1684069	1	Rod Weldment	
10	3480253	1	Piston	
11	3760371	1	Washer, Ring	
12	3931824	8	Bolt, Socket Head 1/2in-13NC x 1-1/2in	
13	4100099	1	Spacer, Tube	
15	2902044	2	Ring, Wear	
16	2902044	2	Ring, Wear	
17	2902044	1	Ring, Back-up	
18	2902044	2	Ring, Back-up	
19	2902044	2	O-Ring	
20	2902044	1	O-Ring	
21	2902044	1	Seal	
22	2902044	1	Wiper	
23	2902044	1	T-Seal	
24	4640509	2	Cartridge, Valve (Counterbalance Non-Vented)	
24	2900792	2	Seal Kit - 4640509 Valve	
25	2220886	1	Plug, O-Ring	
30	2902044	1	Seal Kit, Cylinder (Includes Items 15-23)	

SECTION 5 - CYLINDER

FIGURE 5-10. USA BUILT MACHINES/MASTER CYLINDER (450A SERIES II) (ORIGINAL EQUIPMENT)



Go to Discount-Equipment.com to order your parts

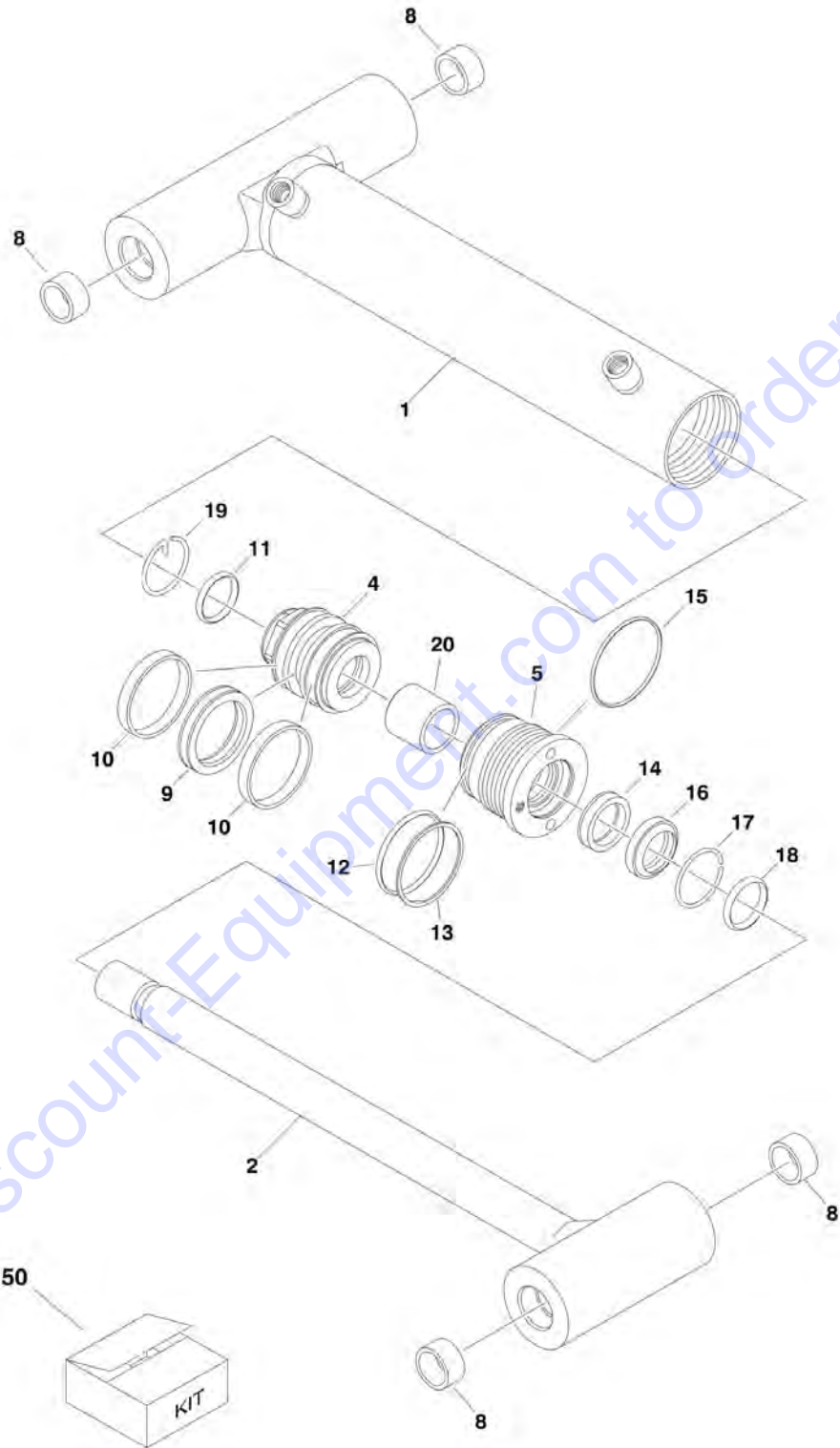
SECTION 5 - CYLINDER

FIGURE 5-10. USA BUILT MACHINES/MASTER CYLINDER (450A SERIES II) (ORIGINAL EQUIPMENT)

ITEM	PART NUMBER	QTY	DESCRIPTION	REV
		Ref	Note: Original Equipment Cylinder may have been replaced with Service Replacement Cylinder. Identify p/n stamped on cylinder before ordering parts.	
		Ref	USA Built Machines use SNs 03xxxxxxxx.	
		Ref	Belgium Built Machines use SNs 13xxxxxxxx.	
		Ref	Romanian Built Machines use SNs E3xxxxxxxx.	
	1684170	Ref	MASTER CYLINDER ASSEMBLY (450A SERIES II) (ORIGINAL EQUIPMENT)	A
1	0100011	AR	Compound, Locking	
2	0100038	AR	Primer, Locking	
3	0100035	AR	Loctite RC 609	
4	0630534	3	Capscrew #10-24NC x 1in	
5	0962185	1	Bushing, Tapered	
6	0961947	4	Bushing, Garmax	
7	1683050	1	Head	
8	1684171	1	Barrel Weldment	
9	1684172	1	Rod Weldment	
10	2220885	1	Plug, O-Ring	
12	3480232	1	Piston	
13	2901549	2	Ring, Wear	
14	3760367	1	Ring, Washer	
15	2901549	2	Ring, Back-up	
16	2901549	1	Ring, Wear	
17	2901549	1	Ring, Back-up	
18	2901549	1	O-Ring	
19	2901549	1	O-Ring	
20	3900139	1	Setscrew 1/4in-20NC x 1/2in	
21	3931516	8	Capscrew 5/16in-18NC x 1in	
22	2901549	1	Wiper	
23	2901549	1	Seal	
24	2901549	1	T-Seal	
25	4568068	1	Tube, Spacer	
30	2901549	1	Seal Kit, Cylinder (Includes Items 13,15-19 & 22-24)	

SECTION 5 - CYLINDER

FIGURE 5-11. USA BUILT MACHINES/MASTER CYLINDER (450A SERIES II) (SERVICE REPLACEMENT)



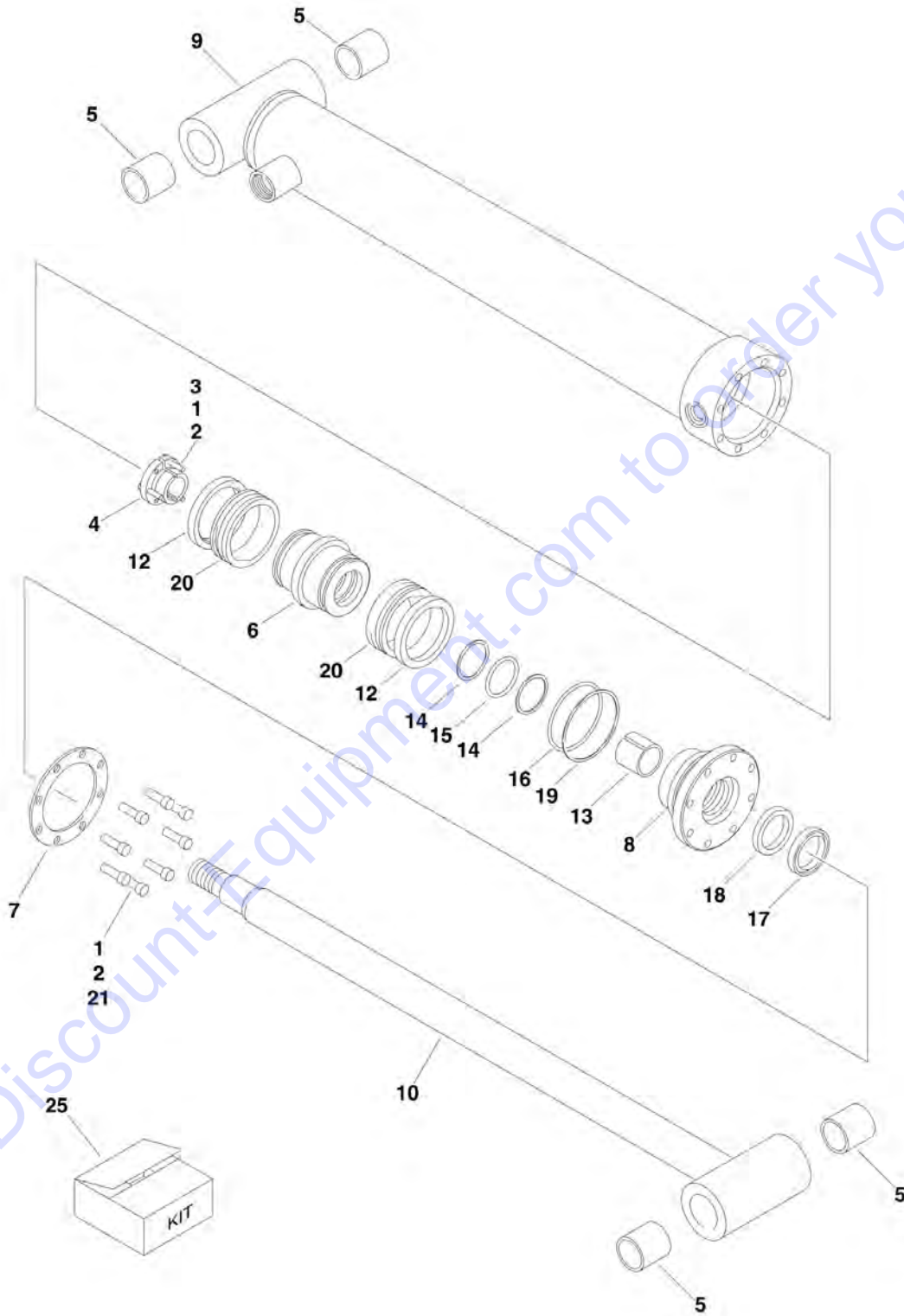
SECTION 5 - CYLINDER

FIGURE 5-11. USA BUILT MACHINES/MASTER CYLINDER (450A SERIES II) (SERVICE REPLACEMENT)

ITEM	PART NUMBER	QTY	DESCRIPTION	REV
		Ref	Note: Original Equipment Cylinder may have been replaced with Service Replacement Cylinder. Identify p/n stamped on cylinder before ordering parts.	
		Ref	USA Built Machines use SNs 03xxxxxxxx.	
		Ref	Belgium Built Machines use SNs 13xxxxxxxx.	
		Ref	Romanian Built Machines use SNs E3xxxxxxxx.	
	1001140276	Ref	MASTER CYLINDER ASSEMBLY (450A SERIES II) (SERVICE REPLACEMENT)	A
1	70003831	1	Barrel	
2	70003832	1	Rod	
4	70003810	1	Piston	
5	70003809	1	Head	
8	0961947	4	Bushing	
9	70003814	1	Seal	
10	70003814	2	Ring, Wear	
11	70003814	1	O-Ring	
12	70003814	1	O-Ring	
13	70003814	1	Ring, Back-up	
14	70003814	1	Seal	
15	70003814	1	O-Ring	
16	70003814	1	Wiper	
17	70002217	1	Ring, Retaining	
18	7026084	1	O-Ring	
19	70002216	1	Retainer	
20	70003830	1	Spacer	
50	70003814	1	Seal Kit (Includes Items 9-16)	

SECTION 5 - CYLINDER

FIGURE 5-12. USA BUILT MACHINES/MASTER CYLINDER (450AJ SERIES II) (ORIGINAL EQUIPMENT)



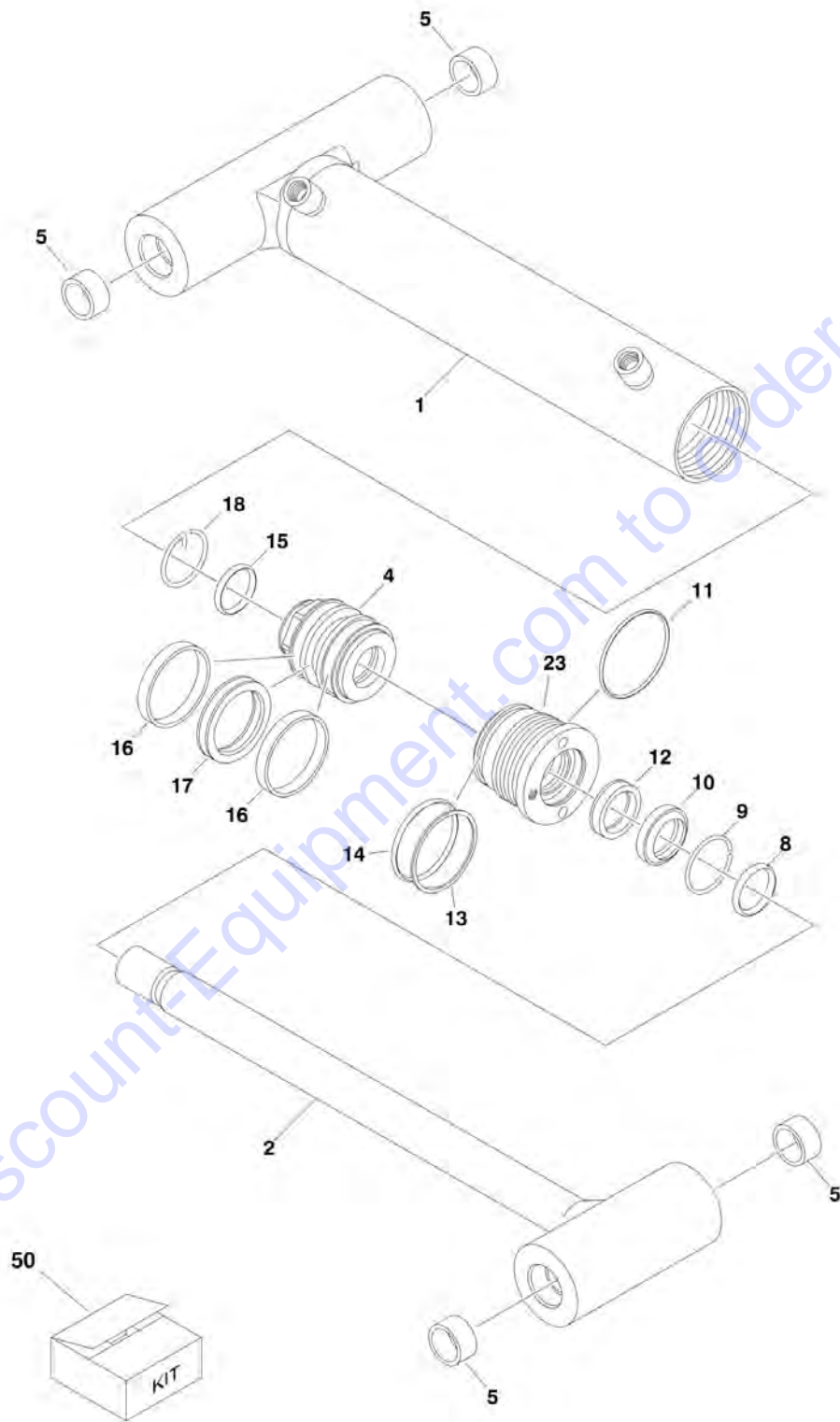
SECTION 5 - CYLINDER

FIGURE 5-12. USA BUILT MACHINES/MASTER CYLINDER (450AJ SERIES II) (ORIGINAL EQUIPMENT)

ITEM	PART NUMBER	QTY	DESCRIPTION	REV
		Ref	Note: Original Equipment Cylinder may have been replaced with Service Replacement Cylinder. Identify p/n stamped on cylinder before ordering parts.	
		Ref	USA Built Machines use SNs 03xxxxxxxx.	
		Ref	Belgium Built Machines use SNs 13xxxxxxxx.	
		Ref	Romanian Built Machines use SNs E3xxxxxxxx.	
	1683773	Ref	MASTER CYLINDER ASSEMBLY (450AJ SERIES II) (ORIGINAL EQUIPMENT)	F
1	0100011	AR	Compound, Locking	
2	0100038	AR	Primer, Locking	
3	3931016	3	Bolt Socket Head #10-24NC x 1in	
4	0962185	1	Bushing, Tapered	
5	0961951	4	Bushing, Garmax	
6	3480247	1	Piston	
7	3760368	1	Washer, Ring	
8	1683052	1	Head	
9	1683756	1	Barrel	
10	1683772	1	Rod	
12	2901776	2	Ring, Lock	
13	2901776	1	Ring, Wear	
14	2901776	2	Ring, Back-Up	
15	2901776	1	O-Ring	
16	2901776	1	O-Ring	
17	2901776	1	Wiper	
18	2901776	1	Seal	
19	2901776	1	Ring, Back-Up	
20	2901776	2	Seal	
21	3931516	8	Bolt Socket Head 5/16in-18NC x 1in	
25	2901776	1	Seal Kit, Cylinder (Includes Items 12-20)	

SECTION 5 - CYLINDER

FIGURE 5-13. USA BUILT MACHINES/MASTER CYLINDER (450AJ SERIES II) (SERVICE REPLACEMENT)



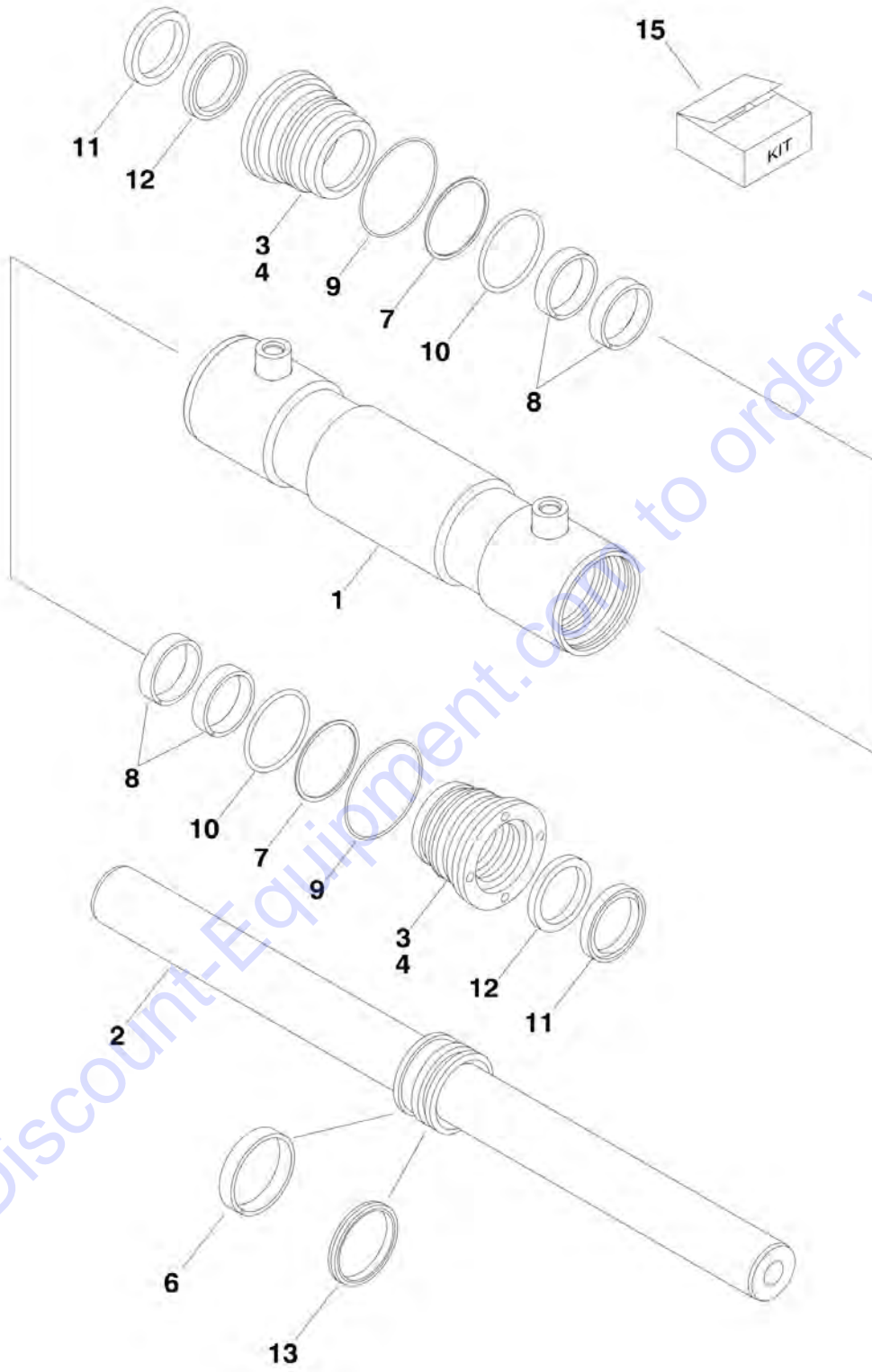
SECTION 5 - CYLINDER

FIGURE 5-13. USA BUILT MACHINES/MASTER CYLINDER (450AJ SERIES II) (SERVICE REPLACEMENT)

ITEM	PART NUMBER	QTY	DESCRIPTION	REV
		Ref	Note: Original Equipment Cylinder may have been replaced with Service Replacement Cylinder. Identify p/n stamped on cylinder before ordering parts.	
		Ref	USA Built Machines use SNs 03xxxxxxxx.	
		Ref	Belgium Built Machines use SNs 13xxxxxxxx.	
		Ref	Romanian Built Machines use SNs E3xxxxxxxx.	
	1001140278	Ref	MASTER CYLINDER ASSEMBLY (450AJ SERIES II) (SERVICE REPLACEMENT)	A
1	70003843	1	Barrel	
2	70003844	1	Rod	
4	70003819	1	Piston	
5	0961951	4	Bushing	
8	7026084	1	O-Ring	
9	70002217	1	Ring, Retaining	
10	70003845	1	Wiper	
11	70003845	1	O-Ring	
12	70003845	1	Seal	
13	70003845	1	Ring, Back-up	
14	70003845	1	O-Ring	
15	70003845	1	O-Ring	
16	70003845	2	Ring, Wear	
17	70003845	1	Seal	
18	70002216	1	Retainer	
23	7026082	1	Head	
50	70003845	1	Seal Kit (Includes Items 10-17)	

SECTION 5 - CYLINDER

FIGURE 5-14. USA BUILT MACHINES/STEER CYLINDER



Go to Discount-Equipment.com to order your parts

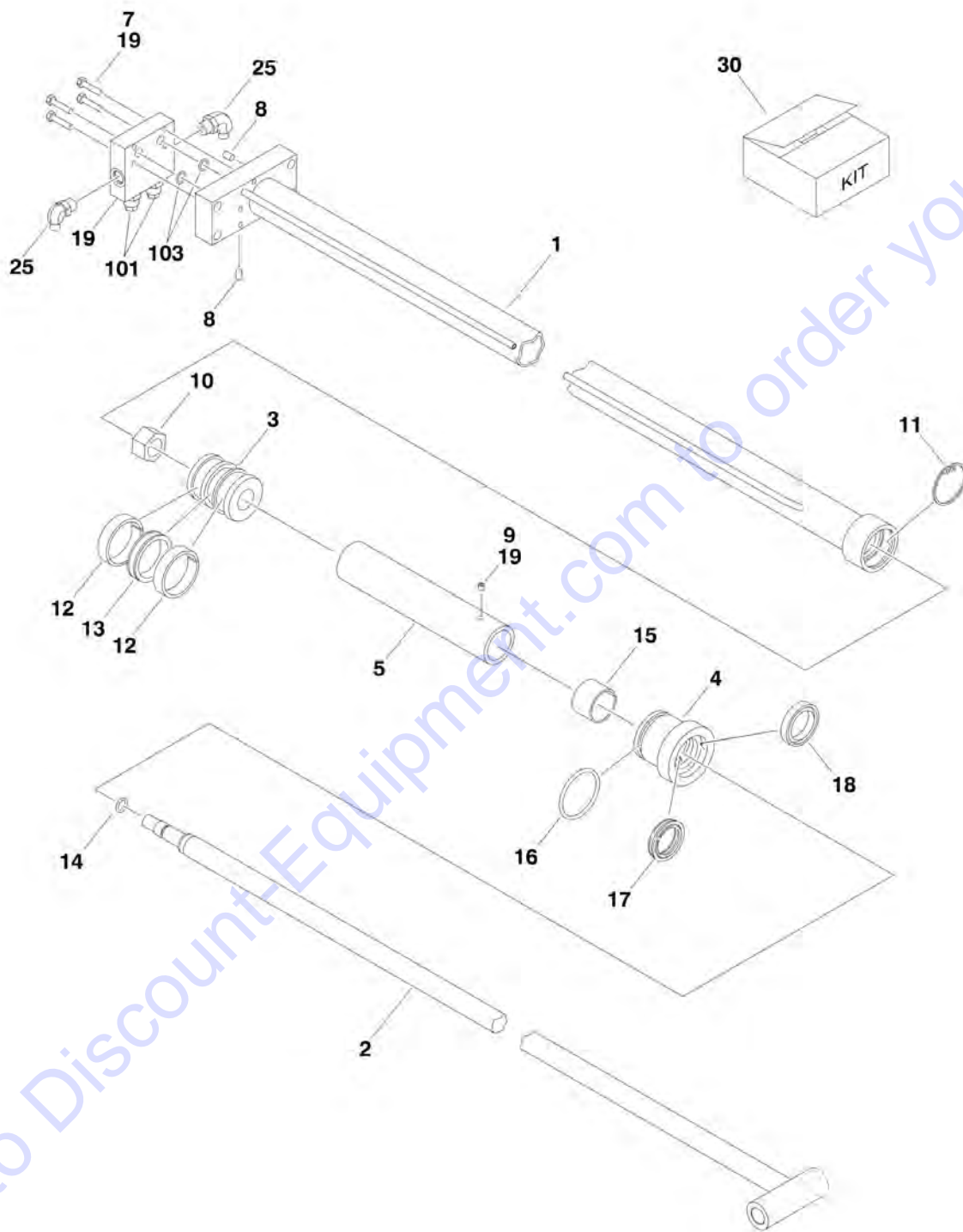
SECTION 5 - CYLINDER

FIGURE 5-14. USA BUILT MACHINES/STEER CYLINDER

ITEM	PART NUMBER	QTY	DESCRIPTION	REV
		Ref	USA Built Machines use SNs 03xxxxxxx.	
		Ref	Belgium Built Machines use SNs 13xxxxxxx.	
		Ref	Romanian Built Machines use SNs E3xxxxxxx.	
	1684412	Ref	STEER CYLINDER ASSEMBLY	A
1	0370024	1	Barrel Weldment	
2	1683658	1	Rod Weldment	
3	2570008	2	Head, Cylinder	
4	3020043	1	Lube, Anti-Seize	
6	2902409	1	Ring, Wear	
7	2902409	2	Ring, Back-up	
8	2902409	4	Ring, Wear	
9	2902409	2	O-Ring	
10	2902409	2	O-Ring	
11	2902409	2	Wiper	
12	2902409	2	Seal	
13	2902409	1	T-Seal	
15	2902409	1	Seal Kit, Cylinder (Includes Items 6-13)	

SECTION 5 - CYLINDER

FIGURE 5-15. USA BUILT MACHINES/TELESCOPE CYLINDER



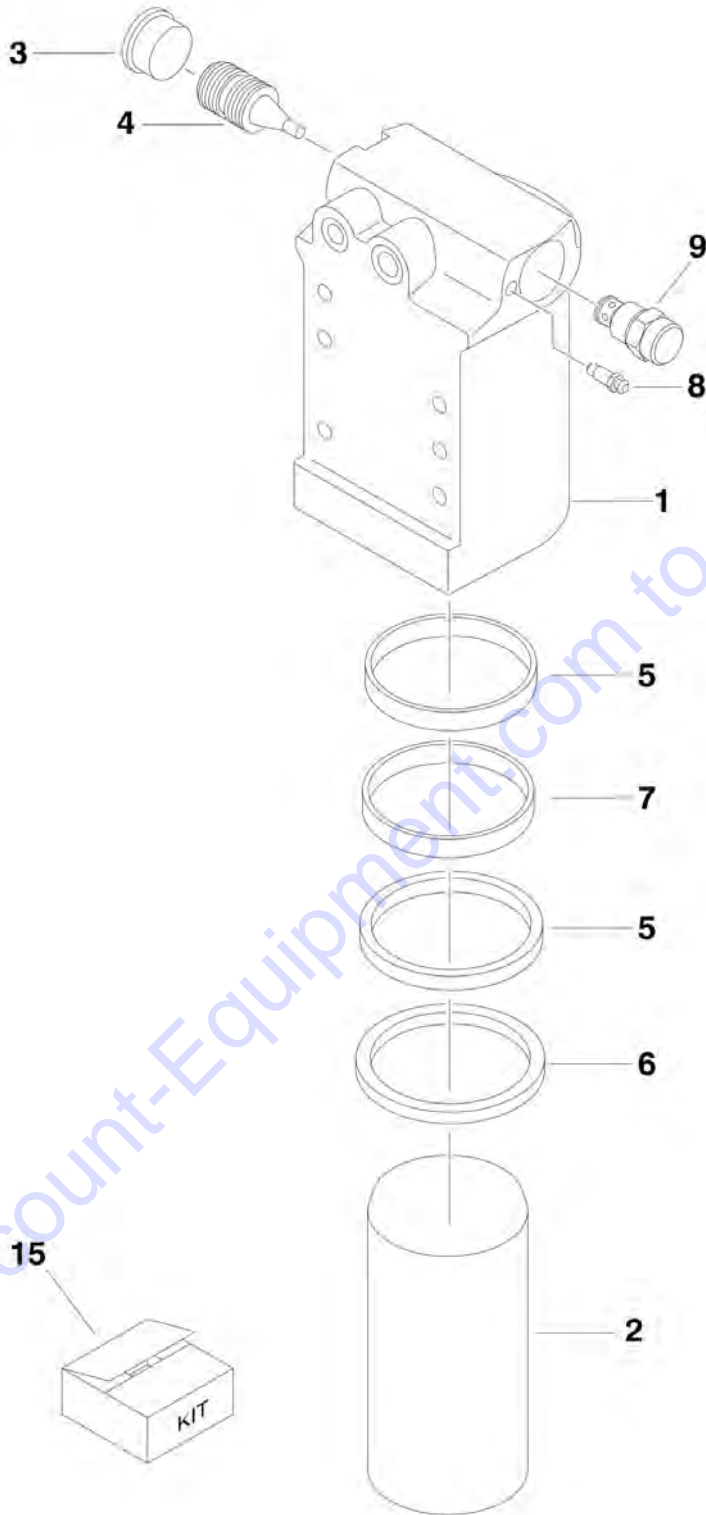
SECTION 5 - CYLINDER

FIGURE 5-15. USA BUILT MACHINES/TELESCOPE CYLINDER

ITEM	PART NUMBER	QTY	DESCRIPTION	REV
		Ref	USA Built Machines use SNs 03xxxxxxx.	
		Ref	Belgium Built Machines use SNs 13xxxxxxx.	
		Ref	Romanian Built Machines use SNs E3xxxxxxx.	
		Ref	TELESCOPE CYLINDER ASSEMBLY	
	1684095	Ref	Telescope Cylinder Assembly 450A Series II	E
	1684140	Ref	Telescope Cylinder Assembly 450AJ Series II	4-E
1		Ref	Barrel Weldment Options:	
1	1684096	1	Barrel Weldment 450A Series II	
1	1683800	1	Barrel Weldment 450AJ Series II	
2		Ref	Rod Weldment Options:	
2	1684098	1	Rod Weldment 450A Series II	
2	1683802	1	Rod Weldment 450AJ Series II	
3	3480239	1	Piston	
4	1682892	1	Head	
5		Ref	Spacer, Tube Options:	
5	4568218	1	Spacer, Tube 450A Series II	
5	4566027	1	Spacer, Tube 450AJ Series II	
6	4641200	1	Counterbalance Valve Assembly (See Items 101-103 for Breakdown)	
7	0641512	4	Bolt 5/16in-18NC x 1-1/2in	
8	2220883	2	Plug, O-Ring	
9	3951402	1	Setscrew 1/4in-20NC x 1/4in	
10	3322205	1	Locknut	
11	3760318	1	Ring, Retaining	
12	2902073	2	Ring, Wear	
13	2902073	1	Seal, Cap	
14	2902073	1	O-Ring	
15	2902073	1	Ring, Wear	
16	2902073	1	O-Ring	
17	2902073	1	Seal, Rod	
18	2902073	1	Wiper	
19	0100011	AR	Compound, Locking	
25	2130608	2	Adapter, Elbow	
30	2902073	1	Seal Kit, Cylinder (Includes Items 12-18)	
	4641200	Ref	COUNTERBALANCE VALVE ASSEMBLY	C
101	7011347	2	Cartridge, Counterbalance	
101	2900770	2	Seal Kit - Cartridge (1 Per Cartridge)	
103	3790113	2	O-Ring (Between Valve and Cylinder Block)	

SECTION 5 - CYLINDER

FIGURE 5-16. BELGIUM AND ROMANIAN BUILT MACHINES/AXLE LOCKOUT CYLINDER



SECTION 5 - CYLINDER

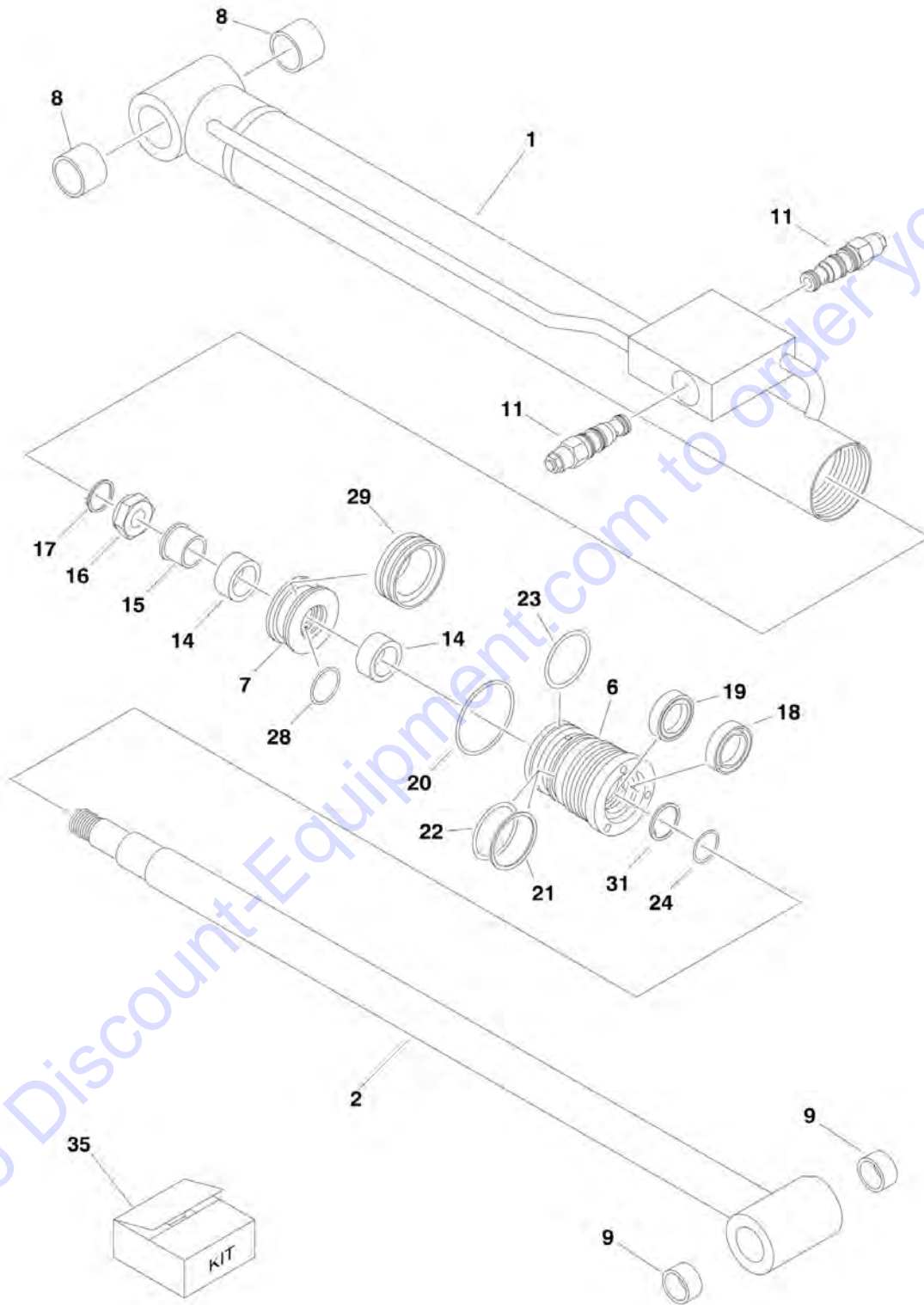
FIGURE 5-16. BELGIUM AND ROMANIAN BUILT MACHINES/AXLE LOCKOUT CYLINDER

ITEM	PART NUMBER	QTY	DESCRIPTION	REV
		Ref	USA Built Machines use SNs 03xxxxxxx.	
		Ref	Belgium Built Machines use SNs 13xxxxxxx.	
		Ref	Romanian Built Machines use SNs E3xxxxxxx.	
	1684465	Ref	AXLE LOCKOUT CYLINDER ASSEMBLY	C
1	0370026	1	Barrel	
2	1684290	1	Rod	
3	2220890	1	Plug	
4	3480288	1	Piston, Pilot	
5	2902266	2	Ring, Wear	
6	2902266	1	Wiper	
7	2902266	1	Seal, Rod	
8	4640858	1	Bleeder	
9	4641390	1	Cartridge, Valve	
9	7017496	1	Seal Kit	
15	2902266	1	Seal Kit, Cylinder (Includes Items 5-7)	

Go to Discount-Equipment.com to order your parts

SECTION 5 - CYLINDER

FIGURE 5-17. BELGIUM AND ROMANIAN BUILT MACHINES/LIFT (JIB) CYLINDER (450AJ SERIES II ONLY)



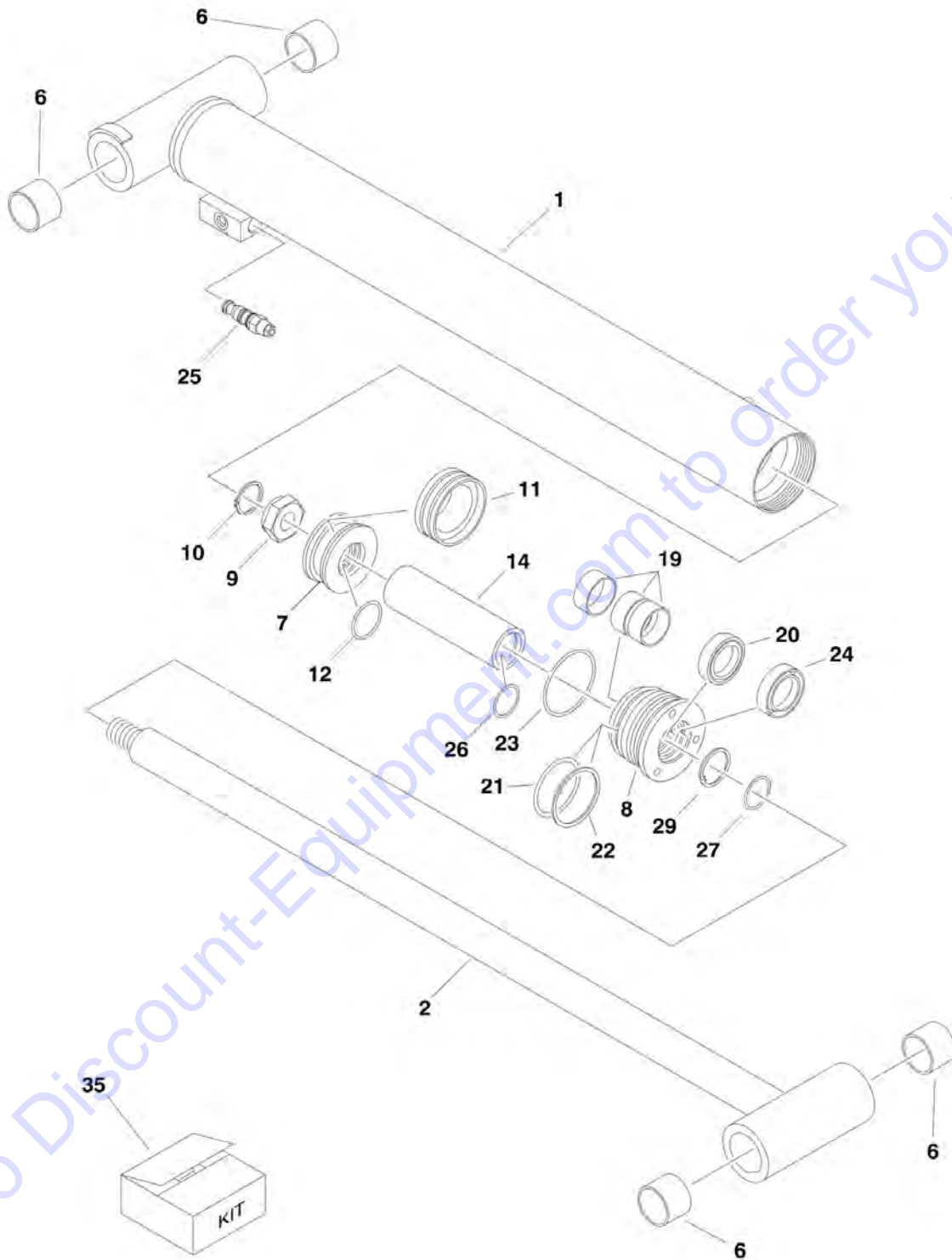
SECTION 5 - CYLINDER

FIGURE 5-17. BELGIUM AND ROMANIAN BUILT MACHINES/LIFT (JIB) CYLINDER (450AJ SERIES II ONLY)

ITEM	PART NUMBER	QTY	DESCRIPTION	REV
		Ref	USA Built Machines use SNs 03xxxxxxxx.	
		Ref	Belgium Built Machines use SNs 13xxxxxxxx.	
		Ref	Romanian Built Machines use SNs E3xxxxxxxx.	
	1684242	Ref	JIB LIFT CYLINDER ASSEMBLY (450AJ SERIES II ONLY)	B
1	7026093	1	Barrel	
2	7026094	1	Rod	
6	7026088	NLA	Head (Use p/n 70005581)	
7	7026089	1	Piston	
8	0961951	2	Bearing	
9	0961947	2	Bearing	
11	7026096	2	Cartridge, Valve	
11	2900770	2	Seal Kit - 7026096 Valve (1 Per Cartridge)	
14	7026090	2	Bushing	
15	7026091	1	Sleeve	
16	7026092	1	Nut	
17	70002223	1	Ring, Retaining	
18	7026095	1	Wiper	
19	7026095	1	Seal	
20	7026095	1	O-Ring	
21	7026095	1	Ring, Back-up	
22	7026095	1	O-Ring	
23	7026095	1	O-Ring	
24	7026095	1	O-Ring	
28	7026095	1	O-Ring	
29	7026095	1	Seal	
31	70002220	1	Ring, Retaining	
35	7026095	1	Seal Kit, Cylinder (Includes Items 18-24, 28 & 29)	

SECTION 5 - CYLINDER

FIGURE 5-18. BELGIUM AND ROMANIAN BUILT MACHINES/LIFT (MAIN BOOM) CYLINDER



Go to Discount-Equipment.com to order your parts

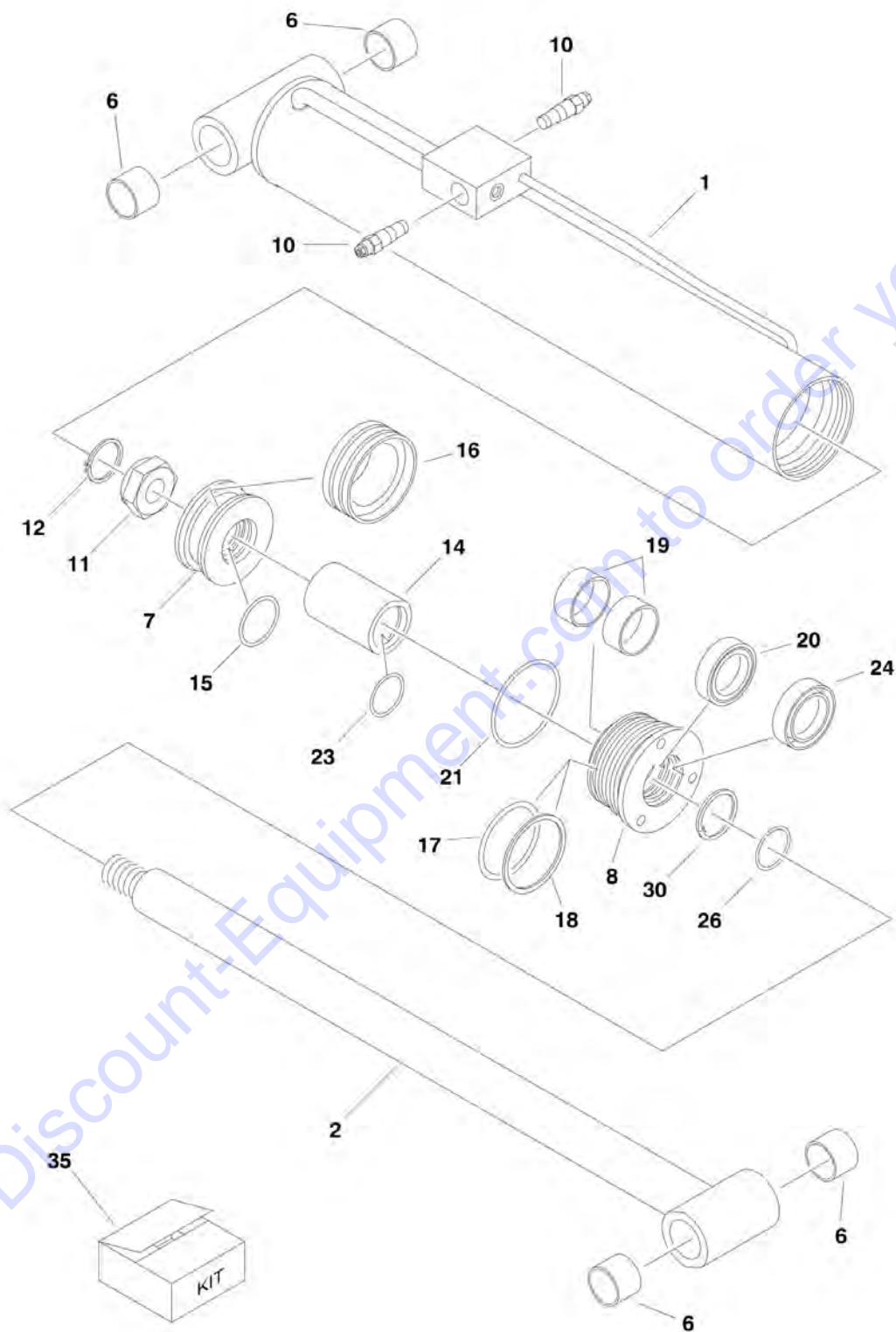
SECTION 5 - CYLINDER

FIGURE 5-18. BELGIUM AND ROMANIAN BUILT MACHINES/LIFT (MAIN BOOM) CYLINDER

ITEM	PART NUMBER	QTY	DESCRIPTION	REV
		Ref	USA Built Machines use SNs 03xxxxxxxx.	
		Ref	Belgium Built Machines use SNs 13xxxxxxxx.	
		Ref	Romanian Built Machines use SNs E3xxxxxxxx.	
	1684244	Ref	MAIN LIFT CYLINDER ASSEMBLY	E
1	7026101	1	Barrel	
2	7026102	1	Rod	
6	0961950	4	Bearing	
7	7026097	1	Piston	
8	7026098	1	Head	
9	7026099	1	Nut	
10	70002224	1	Ring, Retaining	
11	70002225	1	Seal	
12	70002225	1	O-Ring	
14	See Note	1	Spacer (Note: Not Available for Purchase)	
19	70002225	3	Ring, Wear	
20	70002225	1	Seal	
21	70002225	1	O-Ring	
22	70002225	1	Ring, Back-up	
23	70002225	1	O-Ring	
24	70002225	1	Wiper	
25	4640936	1	Cartridge, Valve	
25	2900770	1	Seal Kit - 4640936 Valve	
26	70002225	1	O-Ring	
27	70002225	1	O-Ring	
29	70002219	1	Ring, Retaining	
35	70002225	1	Seal Kit, Cylinder (Includes Items 11, 12, 19-24, 26 & 27)	

SECTION 5 - CYLINDER

FIGURE 5-19. BELGIUM AND ROMANIAN BUILT MACHINES/LIFT (TOWER BOOM) CYLINDER



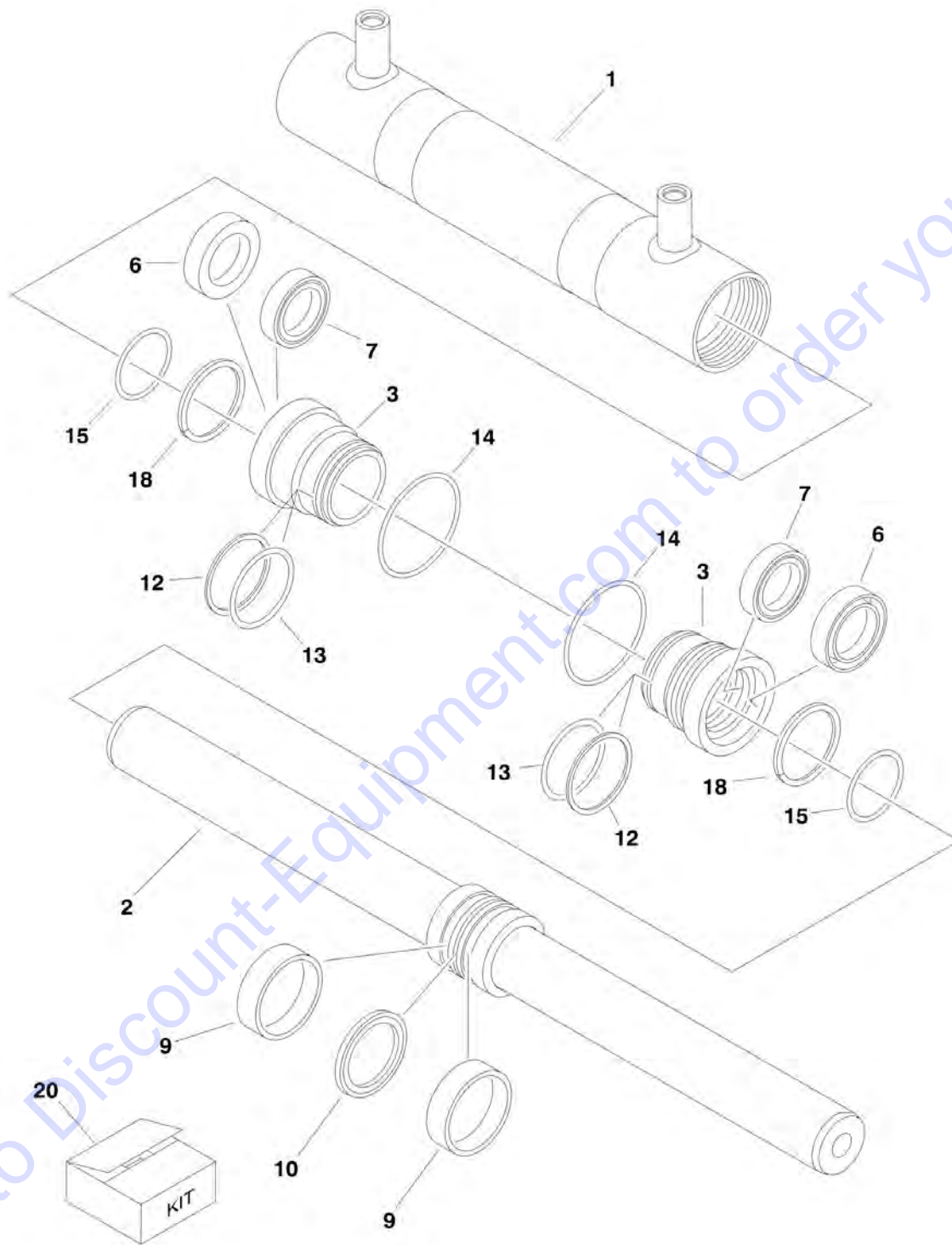
SECTION 5 - CYLINDER

FIGURE 5-19. BELGIUM AND ROMANIAN BUILT MACHINES/LIFT (TOWER BOOM) CYLINDER

ITEM	PART NUMBER	QTY	DESCRIPTION	REV
		Ref	USA Built Machines use SNs 03xxxxxxx.	
		Ref	Belgium Built Machines use SNs 13xxxxxxx.	
		Ref	Romanian Built Machines use SNs E3xxxxxxx.	
	1684239	Ref	TOWER LIFT CYLINDER ASSEMBLY	D
1	7026078	1	Barrel	
2	7026079	1	Rod	
6	0961950	4	Bearing	
7	7026073	1	Piston	
8	7026074	1	Head	
10	4641260	2	Cartridge, Valve	
10	2900770	2	Seal Kit - 4641260 Valve (1 Per Assembly)	
11	7026075	1	Nut	
12	70002221	1	Ring, Retaining	
14	7026076	1	Spacer	
15	7026080	1	O-Ring	
16	7026080	1	Seal	
17	7026080	1	O-Ring	
18	7026080	1	Ring, Back-up	
19	7026080	2	Ring, Wear	
20	7026080	1	Seal	
21	7026080	1	O-Ring	
23	7026080	1	O-Ring	
24	7026080	1	Wiper	
26	7026080	1	O-Ring	
30	70002222	1	Ring, Retaining	
35	7026080	1	Seal Kit, Cylinder (Includes Items 15-21, 23, 24 & 26)	

SECTION 5 - CYLINDER

FIGURE 5-20. BELGIUM AND ROMANIAN BUILT MACHINES/STEER CYLINDER



SECTION 5 - CYLINDER

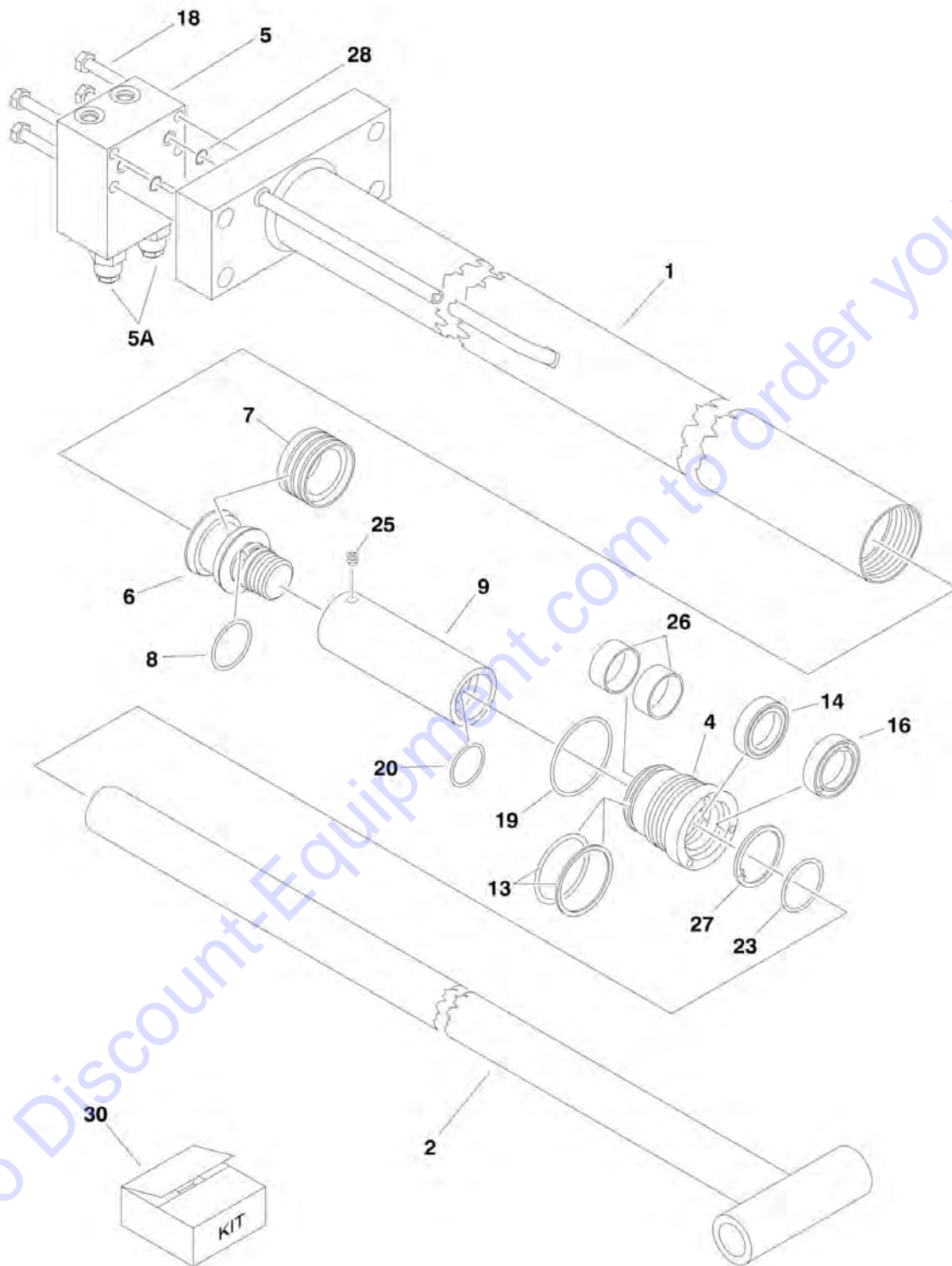
FIGURE 5-20. BELGIUM AND ROMANIAN BUILT MACHINES/STEER CYLINDER

ITEM	PART NUMBER	QTY	DESCRIPTION	REV
		Ref	USA Built Machines use SNs 03xxxxxxx.	
		Ref	Belgium Built Machines use SNs 13xxxxxxx.	
		Ref	Romanian Built Machines use SNs E3xxxxxxx.	
	1684246	Ref	STEER CYLINDER ASSEMBLY	B
1	7026105	1	Barrel	
2	7026106	1	Rod	
3	7026104	2	Head	
6	7026107	2	Wiper	
7	7026107	2	Seal	
9	7026107	2	Ring, Wear	
10	7026107	1	Seal	
12	7026107	2	Ring, Back-up	
13	7026107	2	O-Ring	
14	7026107	2	O-Ring	
15	7026100	2	O-Ring	
18	70002219	2	Ring, Retaining	
20	7026107	1	Seal Kit, Cylinder (Includes Items 6-10 & 12-14)	

Go to Discount-Equipment.com to order your parts

SECTION 5 - CYLINDER

FIGURE 5-21. BELGIUM AND ROMANIAN BUILT MACHINES/TELESCOPE CYLINDER



SECTION 5 - CYLINDER

FIGURE 5-21. BELGIUM AND ROMANIAN BUILT MACHINES/TELESCOPE CYLINDER

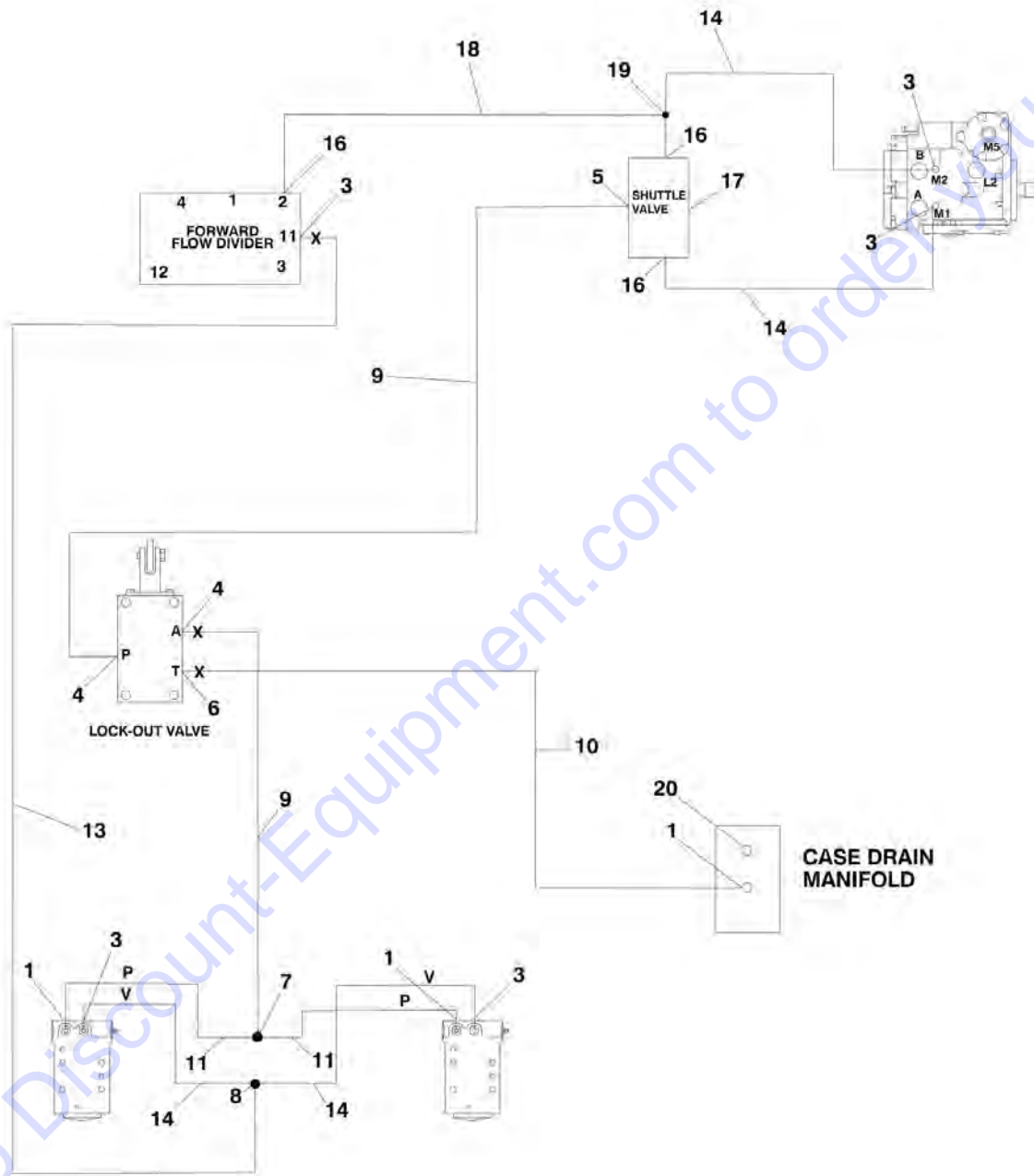
ITEM	PART NUMBER	QTY	DESCRIPTION	REV
		Ref	USA Built Machines use SNs 03xxxxxxxx.	
		Ref	Belgium Built Machines use SNs 13xxxxxxxx.	
		Ref	Romanian Built Machines use SNs E3xxxxxxxx.	
	1684262	Ref	TELESCOPE CYLINDER ASSEMBLY	B
1	7026108	1	Barrel	
2	7026109	1	Rod	
4	7026064	1	Head	
5	70001963	1	Valve Block Assembly w/Cartridges	
5A	7011347	2	Cartridge, Valve	
5A	2900770	2	Seal Kit - 7011347 Valve (1 Per Assembly)	
6	7026065	1	Piston	
7	7026072	1	Seal	
8	7026072	1	O-Ring	
9	7026066	1	Spacer	
13	7026072	1	O-Ring	
13	7026072	1	Ring, Back-up	
14	7026072	1	Seal	
16	7026072	1	Wiper	
18	7026067	4	Bolt	
19	7026072	1	O-Ring	
20	7026072	1	O-Ring	
23	7026072	1	O-Ring	
25	7026069	1	Setscrew	
26	7026072	2	Ring, Wear	
27	70002220	1	Ring, Retaining	
28	70000779	2	O-Ring	
30	7026072	1	Seal Kit, Cylinder (Includes Items 7, 8, 13, 14, 16, 19, 20, 23 & 26)	

SECTION 6 - HYDRAULIC

Go to Discount-Equipment.com to order your parts

SECTION 6 - HYDRAULIC

FIGURE 6-1. AXLE LOCKOUT HYDRAULIC DIAGRAM - 2WD



SECTION 6 - HYDRAULIC

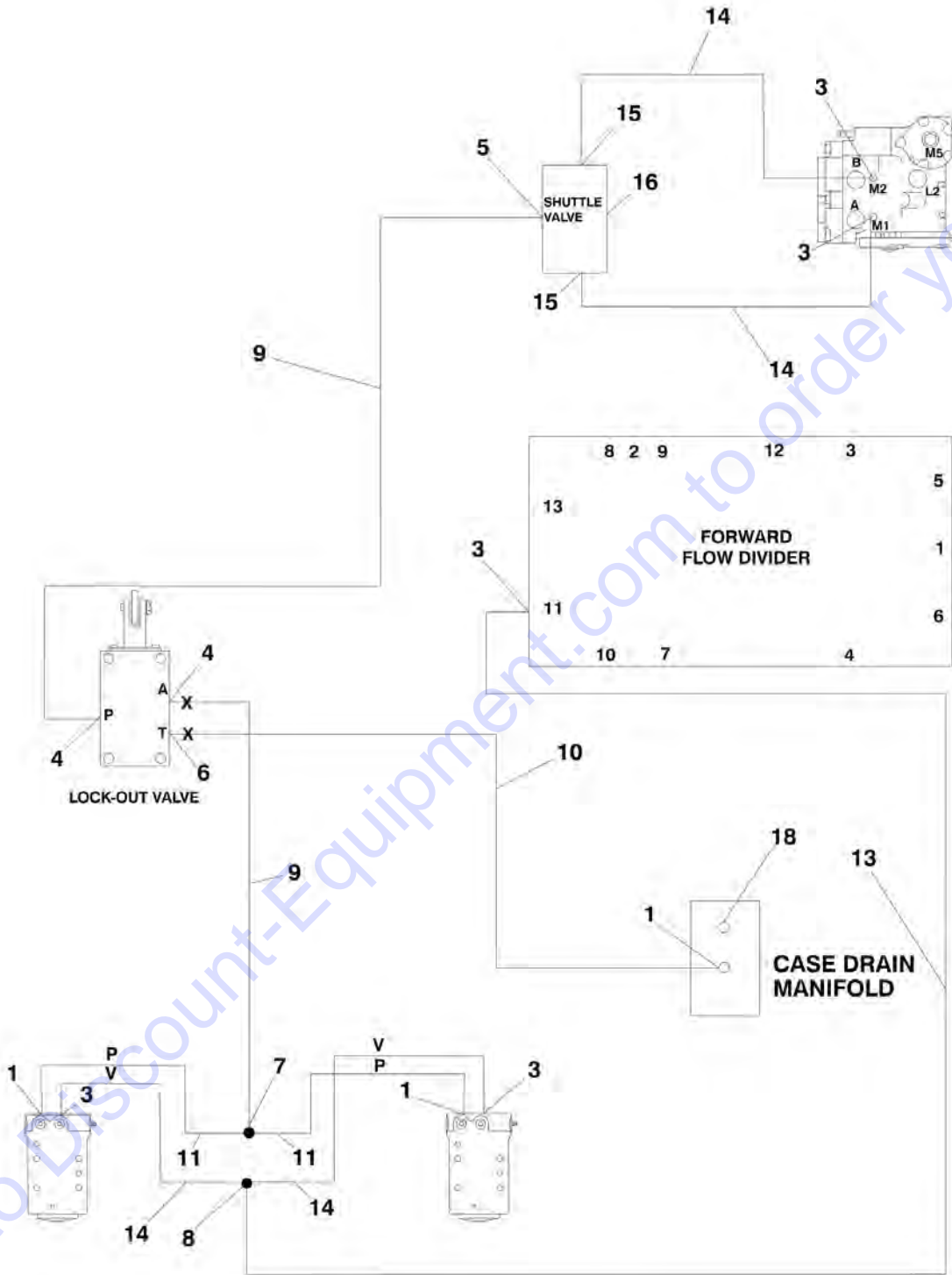
FIGURE 6-1. AXLE LOCKOUT HYDRAULIC DIAGRAM - 2WD

ITEM	PART NUMBER	QTY	DESCRIPTION	REV
		Ref	AXLE LOCKOUT HYDRAULIC DIAGRAM	
	2792777	Ref	2WD	6
1	2110404	3	Fitting, Straight	
3	2110606	5	Fitting, Straight	
4	2130404	2	Fitting, Elbow	
5	1001098446	1	Fitting, Straight	
6	2150404	1	Fitting, Elbow	
7	2170504	1	Fitting, Tee	
8	2170506	1	Fitting, Tee	
9	2753782	2	Hose	
10	2753934	1	Hose (Use p/n 1001103977)	
11	2753939	2	Hose	
13	2754471	1	Hose	
14	2753625	4	Hose	
16	2130606	2	Fitting, Elbow	
17	8902175	1	Valve, Shuttle	
18	2753727	1	Hose	
19	2170306	2	Fitting, Tee	
20	2220235	1	Plug #4	

Go to Discount-Equipment.com to order your parts

SECTION 6 - HYDRAULIC

FIGURE 6-2. AXLE LOCKOUT HYDRAULIC DIAGRAM - 4WD



SECTION 6 - HYDRAULIC

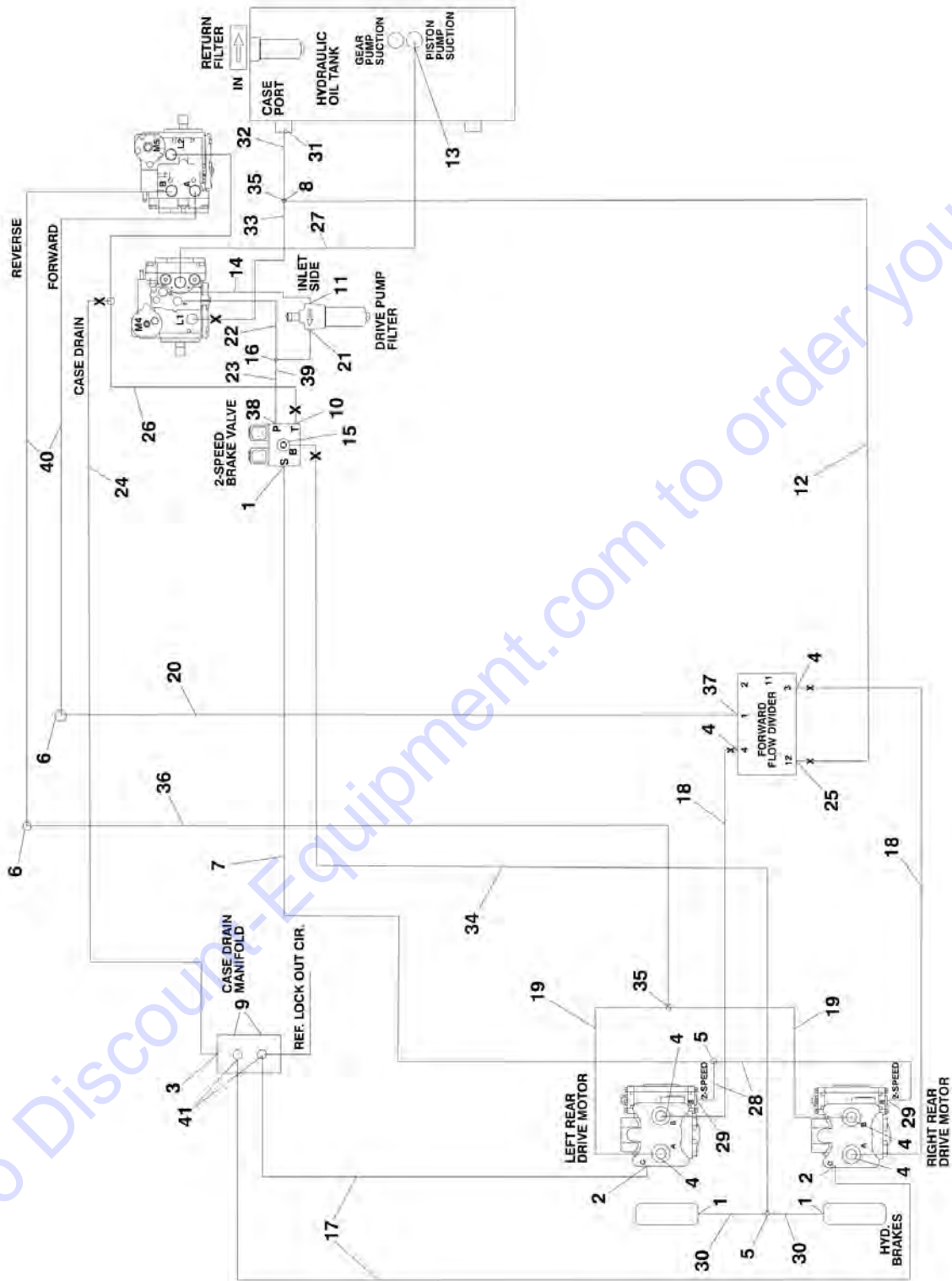
FIGURE 6-2. AXLE LOCKOUT HYDRAULIC DIAGRAM - 4WD

ITEM	PART NUMBER	QTY	DESCRIPTION	REV
		Ref	AXLE LOCKOUT HYDRAULIC DIAGRAM	
	2792778	Ref	4WD	6
1	2110404	3	Fitting, Straight	
3	2110606	5	Fitting, Straight	
4	2130404	2	Fitting, Elbow	
5	1001098446	1	Fitting, Straight	
6	2150404	1	Fitting, Elbow	
7	2170504	1	Fitting, Tee	
8	2170506	1	Fitting, Tee	
9	2753782	2	Hose	
10	2753934	1	Hose (Use p/n 1001103977)	
11	2753939	2	Hose	
13	2753851	1	Hose	
14	2753625	4	Hose	
15	2130606	2	Fitting, Elbow	
16	8902175	1	Valve, Shuttle	
18	2220235	1	Plug	

Go to Discount-Equipment.com to order your parts

SECTION 6 - HYDRAULIC

FIGURE 6-3. DRIVE HYDRAULIC DIAGRAM - 2WD



SECTION 6 - HYDRAULIC

FIGURE 6-3. DRIVE HYDRAULIC DIAGRAM - 2WD

ITEM	PART NUMBER	QTY	DESCRIPTION	REV
	2792785	Ref	DRIVE HYDRAULIC DIAGRAM - 2WD	6
1	2130404	3	Fitting, Elbow	
2	2110808	3	Fitting, Straight	
3	2130812	1	Fitting, Elbow	
4	2111212	6	Fitting, Straight	
5	2170504	2	Fitting, Tee	
6	2221085	2	Fitting, Elbow	
7	2753675	1	Hose	
8	2221296	1	Fitting, Straight	
9	2220238	2	Plug	
10	2110604	1	Fitting, Straight	
11	2131008	1	Fitting, Elbow	
12	2754471	1	Hose	
13	2111620	1	Fitting, Straight	
14	2753594	1	Hose	
15	4641281	1	Valve, Check	
16	2221088	1	Fitting, Tee	
17	2753579	2	Hose	
18	2753582	2	Hose	
19	2755076	2	Hose	
20	2753605	1	Hose	
21	2221216	1	Fitting, Straight	
22	2753595	1	Hose	
23	2753538	1	Hose	
24	2753588	1	Hose	
25	2110606	2	Fitting, Straight	
26	2753578	1	Hose	
27	2753610	1	Hose	
28	2753939	2	Hose	
29	2110406	2	Fitting, Straight	
30	2753940	2	Hose	
31	2131216	1	Fitting, Elbow	
32	2753698	1	Hose	
33	2753843	1	Hose	
34	2753787	1	Hose	
35	2170512	2	Fitting, Tee	
36		Ref	Hose Options:	
36	2753688	1	USA Built Machines (SN 0300124000 through 0300142977)	
36	2753688	1	Belgium Built Machines (SN 1300006000 through 1300006853)	
36	1001119867	1	USA Built Machines (SN 0300142978 through 0300160834)	
36	1001119867	1	Belgium Built Machines (SN 1300006854 to Present)	
36	1001119867	1	Romanian Built Machines (SN E300000001 through E300001114)	
37	2111216	1	Fitting, Straight	
38	2110404	1	Fitting, Straight	
39	2221183	1	Fitting, Straight	
40	2753604	2	Hose	
41		Ref	Fitting Options:	
41	2110808	2	Fitting, Straight (USA Built Machines) (SN 0300124000 through 0300145501)	

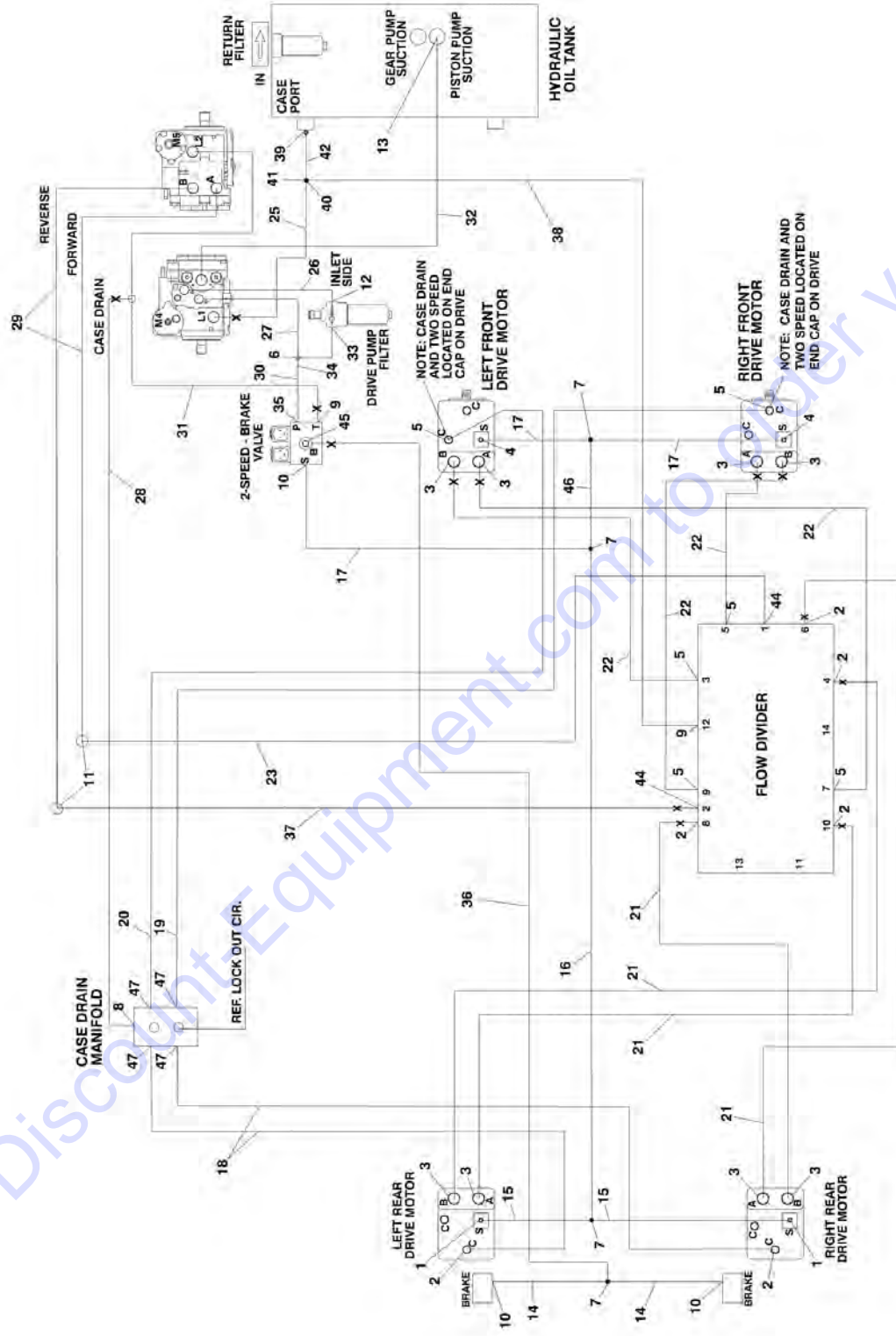
SECTION 6 - HYDRAULIC

ITEM	PART NUMBER	QTY	DESCRIPTION	REV
41	2110808	2	Fitting, Straight (Belgium Built Machines) (SN 1300006000 through 1300006960)	
41	2150808	2	Fitting, Elbow (USA Built Machines) (SN 0300145502 through 0300160834)	
41	2150808	2	Fitting, Elbow (Belgium Built Machines) (SN 1300006961 to Present)	
41	2150808	2	Fitting, Elbow (Romanian Built Machines) (SN E300000001 through E300001114)	

Go to Discount-Equipment.com to order your parts

SECTION 6 - HYDRAULIC

FIGURE 6-4. DRIVE HYDRAULIC DIAGRAM - 4WD



Go to DiscountEquipment.com to order your parts

SECTION 6 - HYDRAULIC

FIGURE 6-4. DRIVE HYDRAULIC DIAGRAM - 4WD

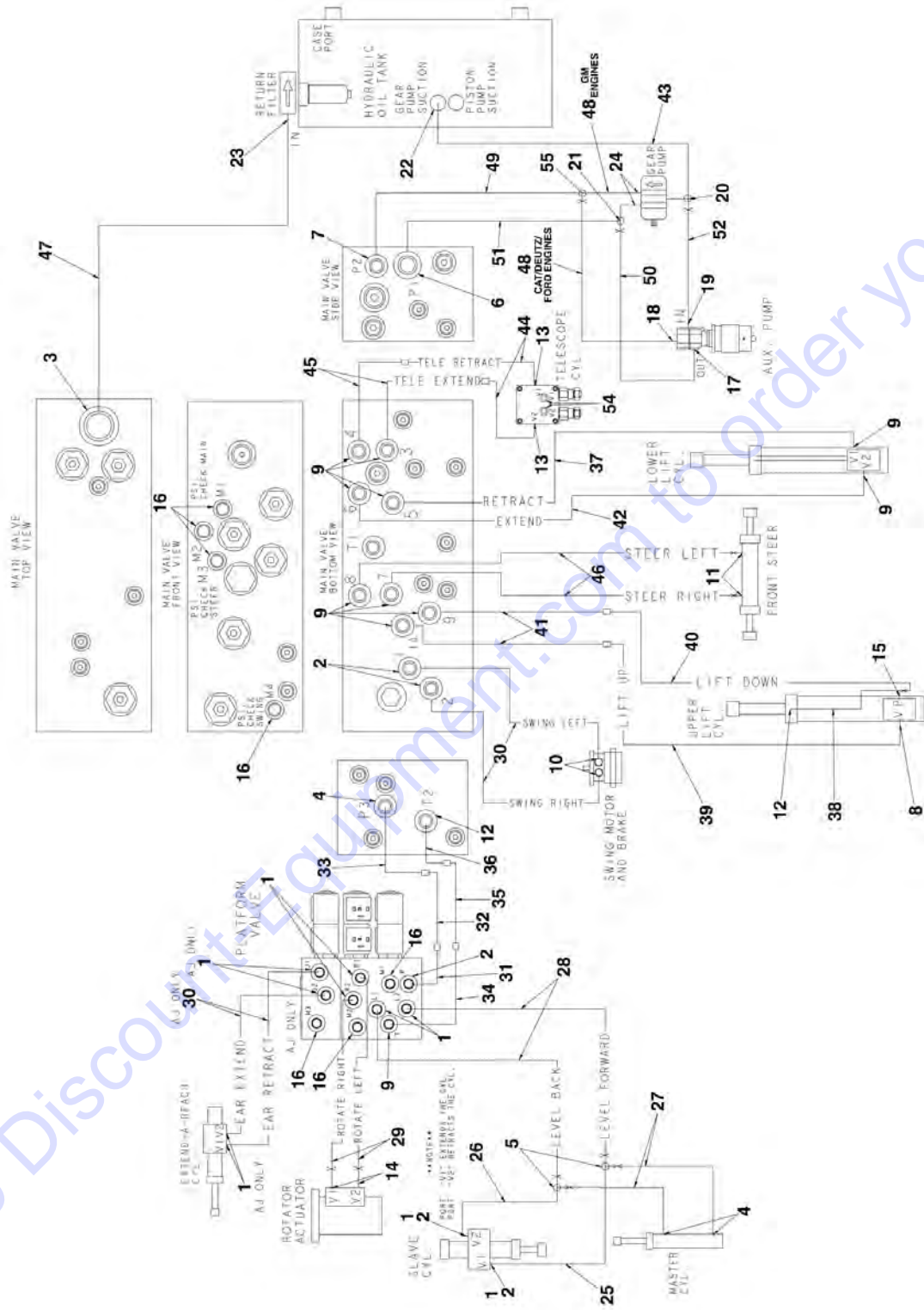
ITEM	PART NUMBER	QTY	DESCRIPTION	REV
		Ref	USA Built Machines use SNs 03xxxxxxxx.	
		Ref	Belgium Built Machines use SNs 13xxxxxxxx.	
		Ref	Romanian Built Machines use SNs E3xxxxxxxx.	
		Ref	DRIVE HYDRAULIC DIAGRAM - 4WD	
		Ref	Standard Machines:	
	2792782	Ref	Caterpillar/Deutz/Perkins Engines	5
	2792783	Ref	GM Engines	4
		Ref	Machines with Arctic Package:	
	1001094337	Ref	Caterpillar/Deutz/Perkins Engines	2
	1001102318	Ref	GM Engines	1
1	2110406	2	Fitting, Straight	
2	2110808	6	Fitting, Straight	
3	2110812	8	Fitting, Straight	
4	2130406	2	Fitting, Elbow	
5	2130808	6	Fitting, Elbow	
6	2221088	1	Fitting, Tee	
7	2170504	4	Fitting, Tee	
8	2130812	1	Fitting, Elbow	
9	2110604	2	Fitting, Straight	
10	2130404	3	Fitting, Elbow	
11	2221085	2	Fitting, Elbow	
12	2131008	1	Fitting, Elbow	
13	2111620	1	Fitting, Straight	
14	2753940	2	Hose	
15	2753939	2	Hose	
16	2753540	1	Hose	
17		Ref	Hose Options:	
17	2753541	3	Without Arctic Package	
17	2754722	3	With Arctic Package	
18	2753579	2	Hose (Use p/n 1001103971)	
19	2753580	1	Hose (Use p/n 1001103972)	
20	2753581	1	Hose (Use p/n 1001103972)	
21	2754244	4	Hose (Use p/n 1001103974)	
22		Ref	Hose Options:	
22	0273601	4	Without Arctic Package (Use p/n 1001103975)	
22	2754726	4	With Arctic Package (Use p/n 1001103976)	
23	2753605	1	Hose	
25	2753843	1	Hose	
26	2753594	1	Hose	
27		Ref	Hose Options:	
27	2753595	1	Caterpillar/Deutz/Perkins Engines	
27	2753661	1	GM Engines	
28	2753588	1	Hose	
29	2753604	2	Hose	
30		Ref	Hose Options:	
30	2753538	1	Caterpillar/Deutz/Perkins Engines	
30	2753537	1	GM Engines	
31	2753578	1	Hose	
32	2753610	1	Hose	
33	2221216	1	Fitting, Straight	

SECTION 6 - HYDRAULIC

ITEM	PART NUMBER	QTY	DESCRIPTION	REV
34	2221183	1	Fitting, Straight	
35	2110404	1	Fitting, Straight	
36	2753787	1	Hose	
37	2753602	1	Hose	
38	2754471	1	Hose	
39	2131216	1	Fitting, Elbow	
40	2221296	1	Fitting, Straight	
41	2170512	1	Fitting, Tee	
42	2753698	1	Hose	
44	2111212	2	Fitting, Straight	
45	4641281	1	Valve, Check	
46		Ref	Hose Options:	
46	2753540	1	Belgium Built Machines (SN 1300006000 through 1300006697)	
46	2753540	1	USA Built Machines (SN 0300124000 through 0300135457)	
46	1001103970	1	Belgium Built Machines (SN 1300006698 to Present)	
46	1001103970	1 in	USA Built Machines (SN 0300135458 through 0300160834)	
46	1001103970	1 in	Romanian Built Machines (SN E300000001 through E300001114)	
47		Ref	Fitting Options:	
47	2110808	4	Fitting, Straight (Belgium Built Machines) (SN 1300006000 through 1300006697)	
47	2110808	4	Fitting, Straight (USA Built Machines) (SN 0300124000 through 0300135457)	
47	2150808	4	Fitting, Elbow (Belgium Built Machines) (SN 1300006698 to Present)	
47	2150808	4	Fitting, Elbow (USA Built Machines) (SN 0300135458 through 0300160834)	
47	2150808	4	Fitting, Elbow (Romanian Built Machines) (SN E300000001 through E300001114)	

SECTION 6 - HYDRAULIC

FIGURE 6-5. STANDARD HYDRAULIC DIAGRAM



SECTION 6 - HYDRAULIC

FIGURE 6-5. STANDARD HYDRAULIC DIAGRAM

ITEM	PART NUMBER	QTY	DESCRIPTION	REV
		Ref	USA Built Machines use SNs 03xxxxxxx.	
		Ref	Belgium Built Machines use SNs 13xxxxxxx.	
		Ref	Romanian Built Machines use SNs E3xxxxxxx.	
		Ref	STANDARD HYDRAULIC DIAGRAM	
	2792468	Ref	Standard Hydraulic Diagram 450A Series II (USA Built Machines with Caterpillar/ Deutz/ Perkins Engines)	7
	2792724	Ref	Standard Hydraulic Diagram 450A Series II (USA Built Machines with GM Engines)	5
	2792469	Ref	Standard Hydraulic Diagram 450AJ Series II (USA Built Machines with Caterpillar/ Deutz/ Perkins Engines)	6
	2792725	Ref	Standard Hydraulic Diagram 450AJ Series II (USA Built Machines with GM Engines)	5
	2792580	Ref	Turntable Hydraulic Diagram (Belgium and Romanian Built Machines)	7
	2792590	Ref	Main Boom Hydraulic Diagram (Belgium and Romanian Built Machines)	2
	2792583	Ref	Tower Boom Hydraulic Diagram (Belgium and Romanian Built Machines)	1
1	2110404	AR	Fitting, Straight	
2	2110406	5	Fitting, Straight	
3	2111212	1	Fitting, Straight	
4	2130406	3	Fitting, Elbow	
5	2170504	2	Fitting, Tee	
6	2150808	1	Fitting, Elbow	
7	2150606	1	Fitting, Elbow	
8	2170206	1	Fitting, Long Elbow	
9	2110606	11	Fitting, Straight	
10	2110410	2	Fitting, Straight	
11	2170106	2	Fitting, Long Straight (2.27in Length)	
11	2110606	2	Fitting, Straight (1.25in Length)	
12	2130606	2	Fitting, Elbow	
13	2130608	2	Fitting, Elbow (USA Built Machines Only)	
14	2150404	2	Fitting, Elbow	
15	2170406	1	Fitting, Tee	
16	2221086	AR	Fitting, Pressure, Check	
17		Ref	Fitting Options:	
17	2130604	1	Fitting, Elbow	
17	2110604	1	Fitting, Straight	
18	2110604	1	Fitting, Straight	
19	2131210	1	Fitting, Elbow	
20	2170316	1	Fitting, Tee	
21	2170808	1	Fitting, Tee	
22	2111620	1	Fitting, Straight	
23	2111216	1	Fitting, Straight	
24	4641199	2	Valve, Check	
25		Ref	Hose Options:	
25	2753554	1	46in - USA Built Machines	
25	2753545	1	34in - USA Built Machines	
25	2753546	1	All Belgium and Romanian Built Machines	
26		Ref	Hose Options:	
26	2753542	1	Hose 450A Series II	

SECTION 6 - HYDRAULIC

ITEM	PART NUMBER	QTY	DESCRIPTION	REV
26	2753546	1	Hose 450AJ Series II	
27		Ref	Hose Options:	
27	2753558	2	Hose 450A Series II	
27	2753547	2	Hose 450AJ Series II	
28		Ref	Hose Options:	
28	2753549	2	Hose 450A Series II	
28	2753548	2	Hose 450AJ Series II	
29	2753557	2	Hose	
30		Ref	Hose Options:	
30	2753550	2	66in Length	
30	2753675	2	84in Length	
31		Ref	Hose Options:	
31	2753556	1	Hose 450A Series II	
31	2753551	1	Hose 450AJ Series II	
32	2753552	1	Hose	
33	2753553	1	Hose	
34		Ref	Hose Options:	
34	2753559	1	Hose 450A Series II	
34	2753560	1	Hose 450AJ Series II	
35	2753561	1	Hose	
36	2753562	1	Hose	
37	2753563	1	Hose	
38		Ref	Tube Options:	
38	4568281	1	Tube 450A Series II	
38	4568280	1	Tube 450AJ Series II	
39	2753565	1	Hose	
40	2753566	1	Hose	
41	2753567	2	Hose	
42	2753568	1	Hose	
43		Ref	Hose Options:	
43	2753611	1	111in Length (Belgium and Romanian Built Machines)	
43	2753612	1	98in Length (USA Built Machines)	
44	2753569	2	Hose	
45	2753570	2	Hose	
46	2754702	2	Hose	
47	2753613	1	Hose	
48	2753572	1	Hose	
49		Ref	Hose Options:	
49	2753573	1	77in Length	
49	2753574	1	71in Length	
49	2753563	1	68in Length	
50	2753589	1	Hose	
51		Ref	Hose Options:	
51	2753590	1	77in Length	
51	2753591	1	71in Length	
52	2753614	1	Hose	
53	1705091	1	Decal, Hose Tags (Not Shown)	
54	2130606	2	Fitting, Elbow (Belgium and Romanian Built Machines Only)	
55		Ref	Fitting, Tee Options:	
55	2170808	1	Caterpillar/Deutz/Perkins Engines	
55	2170706	1	GM Engines	

PARTS FINDER

**Search Website
by Part Number**



**Search Manual
Library For Parts
Manual & Lookup Part
Numbers – Purchase
or Request Quote**

**Can't Find Part or
Manual? Request Help
by Manufacturer,
Model & Description**

Discount-Equipment.com is your online resource for quality parts & equipment.

Florida: **561-964-4949** Outside Florida TOLL FREE: **877-690-3101**

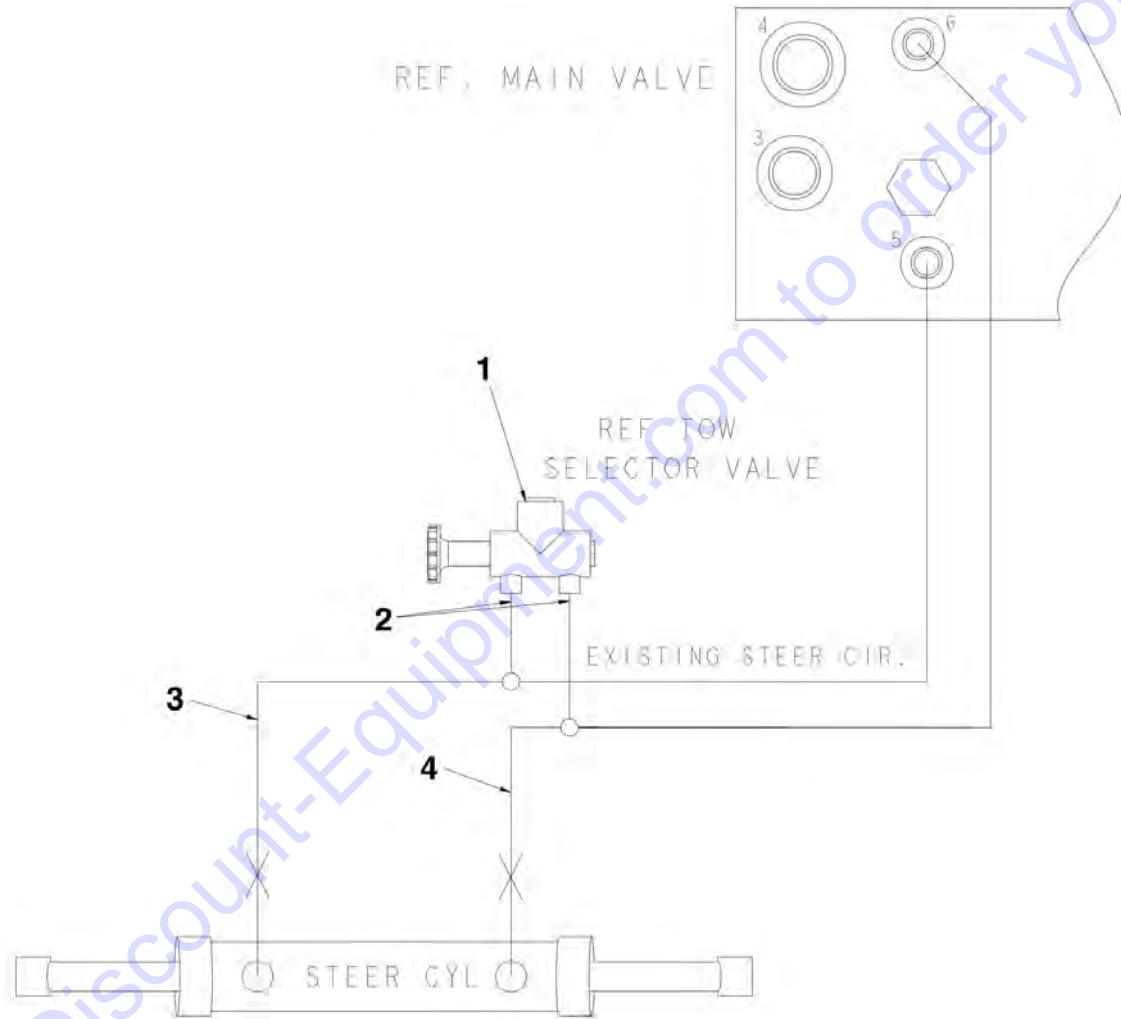
Need parts?

Click on this link: <http://www.discount-equipment.com/category/5443-parts/> and choose one of the options to help get the right parts and equipment you are looking for. Please have the machine model and serial number available in order to help us get you the correct parts. If you don't find the part on the website or on one of the online manuals, please fill out the request form and one of our experienced staff members will get back to you with a quote for the right part that your machine needs.

We sell worldwide for the brands: Genie, Terex, JLG, MultiQuip, Mikasa, Essick, Whiteman, Mayco, Toro Stone, Diamond Products, Generac Magnum, Airman, Haulotte, Barreto, Power Blanket, Nifty Lift, Atlas Copco, Chicago Pneumatic, Allmand, Miller Curber, Skyjack, Lull, Skytrak, Tsurumi, Husquvarna Target, Stow, Wacker, Sakai, Mi-T-M, Sullair, Basic, Dynapac, MBW, Weber, Bartell, Bennar Newman, Haulotte, Ditch Runner, Menegotti, Morrison, Contec, Buddy, Crown, Edco, Wyco, Bomag, Laymor, EZ Trench, Bil-Jax, F.S. Curtis, Gehl Pavers, Heli, Honda, ICS/PowerGrit, IHI, Partner, Imer, Clipper, MMD, Koshin, Rice, CH&E, General Equipment, Amida, Coleman, NAC, Gradall, Square Shooter, Kent, Stanley, Tamco, Toku, Hatz, Kohler, Robin, Wisconsin, Northrock, Oztec, Toker TK, Rol-Air, APT, Wylie, Ingersoll Rand / Doosan, Innovatech, Con X, Ammann, Mecalac, Makinex, Smith Surface Prep, Small Line, Wanco, Yanmar

SECTION 6 - HYDRAULIC

FIGURE 6-6. TOW BAR HYDRAULIC DIAGRAM



SECTION 6 - HYDRAULIC

FIGURE 6-6. TOW BAR HYDRAULIC DIAGRAM

ITEM	PART NUMBER	QTY	DESCRIPTION	REV
	2792473	Ref	TOW BAR HYDRAULIC DIAGRAM	1
1	2220240	1	Plug	
2	2221090	2	Fitting, Tee	
3	2753615	1	Hose	
4	2753616	1	Hose	

Go to Discount-Equipment.com to order your parts

SECTION 6 - HYDRAULIC

FIGURE 6-7. HYDRAULIC DIAGRAM LIST

ITEM	PART NUMBER	QTY	DESCRIPTION	REV
		Ref	Note: Diagrams not shown is available from Discount-equipment.com	Ref
		Ref	USA Built Machines use SNs 03xxxxxxxx.	
		Ref	Belgium Built Machines use SNs 13xxxxxxxx.	
		Ref	Romanian Built Machines SNs E3xxxxxxxx.	
		Ref	Axle Lockout Hydraulic Diagrams:	
	2792777	Ref	2WD Machines	
	1283460	Ref	2WD Machines	
	2792778	Ref	4WD Machines	
	1283460	Ref	4WD Machines	
		Ref	Axle Fixed Hydraulic Diagrams:	
	2792779	Ref	2WD Machines	
	1283460	Ref	2WD Machines	
	2792784	Ref	4WD Machines	
	2792590	Ref	Boom (Main) Hydraulic Diagram (Belgium and Romanian Built Machines)	
	1283373	Ref	Boom (Main) Hydraulic Diagram (Belgium and Romanian Built Machines)	
	2792583	Ref	Boom (Tower) Hydraulic Diagram (Belgium and Romanian Built Machines)	
	1283373	Ref	Boom (Main) Hydraulic Diagram (Belgium and Romanian Built Machines)	
		Ref	Drive Hydraulic Diagrams:	
	2792785	Ref	2WD Machines	
	1283460	Ref	2WD Machines	
		Ref	4WD Standard Machines	
	2792782	Ref	Caterpillar/Deutz/Perkins Engines	
	1283460	Ref	Caterpillar/Deutz/Perkins Engines	
	2792783	Ref	GM Engines	
	1283460	Ref	GM Engines	
		Ref	4WD Machines With Arctic Package	
	1001094337	Ref	Caterpillar/Deutz/Perkins Engines	
	1283460	Ref	Caterpillar/Deutz/Perkins Engines	
	1001102318	Ref	GM Engines	
	1283460	Ref	GM Engines	
		Ref	Oil Cooler Hydraulic Diagrams:	
	1001107591	Ref	Caterpillar/Perkins Engines	
	1001096182	Ref	Deutz/GM Engines	
		Ref	Standard Hydraulic Diagrams:	
		Ref	USA Built Machines:	
	2792468	Ref	USA Built Machines 450A Series II (Caterpillar/Deutz/Perkins Engines)	
	1283460	Ref	USA Built Machines 450A Series II (Caterpillar/Deutz/Perkins Engines)	
	2792724	Ref	USA Built Machines 450A Series II (GM Engines)	
	1283460	Ref	USA Built Machines 450A Series II (GM Engines)	
	2792469	Ref	USA Built Machines 450AJ Series II (Caterpillar/Deutz/Perkins Engines)	
	1283460	Ref	USA Built Machines 450AJ Series II (Caterpillar/Deutz/Perkins Engines)	

SECTION 6 - HYDRAULIC

ITEM	PART NUMBER	QTY	DESCRIPTION	REV
	2792725	Ref	USA Built Machines 450AJ Series II (GM Engines)	
	1283460	Ref	USA Built Machines 450AJ Series II (GM Engines)	
	2792580	Ref	Belgium Built Machines	
	1283460	Ref	Belgium Built Machines	
	2792580	Ref	Romanian Built Machines	
	1283460	Ref	Romanian Built Machines	
	2792780	Ref	Standard Hydraulic Schematic	
	2792473	Ref	Tow Bar Hydraulic Diagram	
	1283460	Ref	Tow Bar Hydraulic Diagram	

Go to Discount-Equipment.com to order your parts

SECTION 7 - ELECTRICAL

Go to Discount-Equipment.com to order your parts

SECTION 7 - ELECTRICAL

FIGURE 7-1. ELECTRICAL DIAGRAM LIST

ITEM	PART NUMBER	QTY	DESCRIPTION	REV
		Ref	USA Built Machines use SNs 03xxxxxxxx.	
		Ref	Belgium Built Machines use SNs 13xxxxxxxx.	
		Ref	Romanian Built Machines SNs E3xxxxxxxx.	
		Ref	Note: All Romanian Built Machines uses UGM.	
		Ref	Note: No Romanian Built Machines built with Perkins	
	0257887	Ref	ALARM ELECTRICAL DIAGRAM	
		Ref	GENERATOR ELECTRICAL DIAGRAM (2500W)	
		Ref	Note: For Diagram for Machines with SkyPower Generator, see JLG Supplement P/N 3124242.	
		Ref	Note: For Module (with/without UGM) Identification, refer to Revision Log page A.	
		Ref	Without UGM	
	4933300	Ref	Caterpillar	
		Ref	Deutz/Perkins	
	4933300	Ref	110V/60Hz	
		Ref	110V/50Hz & 220V/50Hz	
	4933300	Ref	USA Built Machines (SN 0300124000 through 0300132831)	
	4933300	Ref	Belgium Built Machines (SN 1300006000 through 1300006617)	
	1001100027	Ref	USA Built Machines (SN 0300132832 through 0300160834)	
	1001100027	Ref	Belgium Built Machines (SN 1300006618 to Present)	
	1001100027	Ref	Romanian Built Machines (SN E300000001 through E300001114)	
	4933350	Ref	GM	
		Ref	With UGM	
		Ref	Caterpillar/Deutz/Perkins	
	1001112588	Ref	110V/60HZ	
	1001112743	Ref	110V/50HZ & 220V/50HZ	
	4933350	Ref	GM	
	4933217	Ref	GLOW PLUG ELECTICAL DIAGRAM (DEUTZ MACHINES)	
		Ref	LIGHTS ELECTRICAL DIAGRAMS	
	4933219	Ref	Headlights and Taillights	
	4933231	Ref	Chassis Floodlights	
	0270814	Ref	PLATFORM WORKLIGHTS ELECTRICAL DIAGRAM	
	4933218	Ref	SOFT TOUCH ELECTRICAL DIAGRAM	
		Ref	STANDARD ELECTRICAL DIAGRAMS	
		Ref	Note: For Module (with/without UGM) Identification, refer to Revision Log page A.	
		Ref	Without UGM:	
	4933382	Ref	Caterpillar Engine	
	4933384	Ref	Deutz Engine	
	4933381	Ref	GM Engine	
	4933382	Ref	Perkins Engine	
		Ref	With UGM:	
	1001102900	Ref	Caterpillar Engine	
	1001109727	Ref	Deutz Engine	
	1001109725	Ref	GM Engine	
	1001102900	Ref	Perkins Engine	

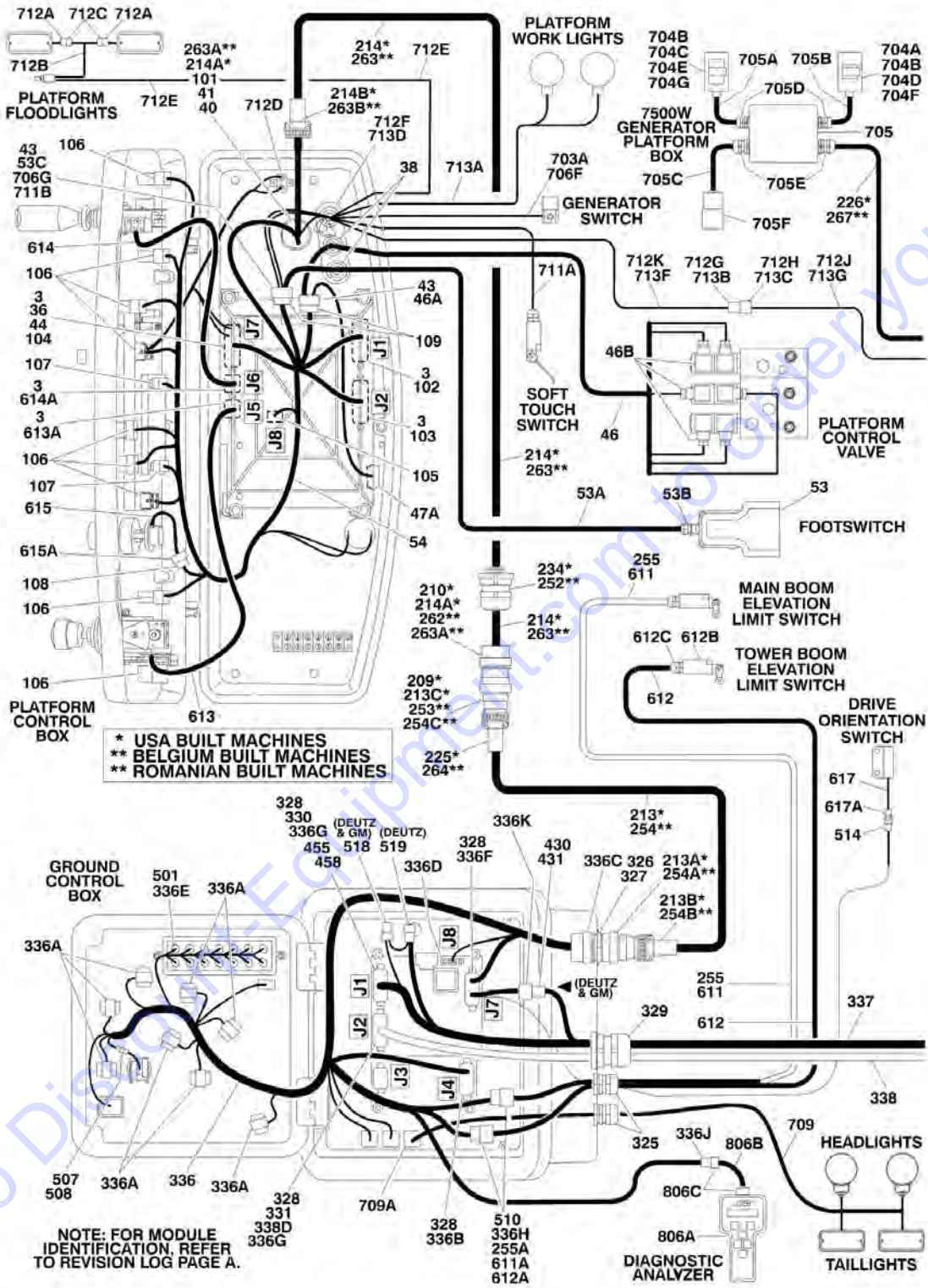
SECTION 7 - ELECTRICAL

ITEM	PART NUMBER	QTY	DESCRIPTION	REV
		Ref	STANDARD ELECTRICAL SCHEMATICS	
		Ref	Note: For Module (with/without UGM) Identification, refer to Revision Log page A.	
	1870215	Ref	Without UGM	
	1001108879	Ref	With UGM	
	1001131992	Ref	GM Engine Schematic (Engine Schematic Only. P/N 1001108879 is schematic for complete machine.)	

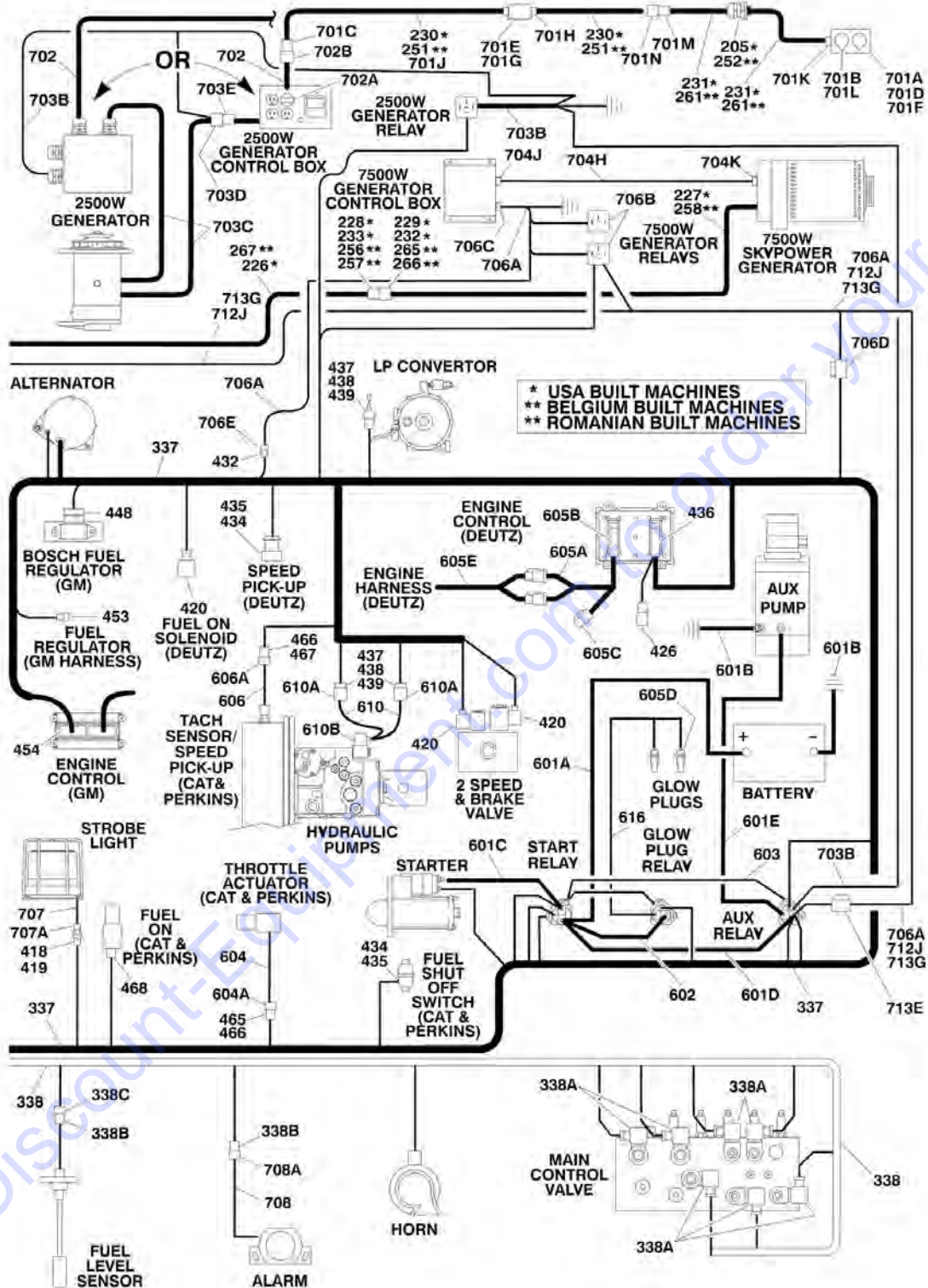
Go to Discount-Equipment.com to order your parts

SECTION 7 - ELECTRICAL

FIGURE 7-2. HARNESS COMPONENTS INSTALLATION (WITHOUT UGM)



SECTION 7 - ELECTRICAL



SECTION 7 - ELECTRICAL

FIGURE 7-2. HARNESS COMPONENTS INSTALLATION (WITHOUT UGM)

ITEM	PART NUMBER	QTY	DESCRIPTION	REV
		Ref	USA Built Machines use SNs 03xxxxxxx.	
		Ref	Belgium Built Machines use SNs 13xxxxxxx.	
		Ref	Romanian Built Machines use SNs E3xxxxxxx.	
		Ref	Note: For Module (with/without UGM) Identification, refer to Revision Log page A.	
		Ref	Note: All Romanian Built Machines uses UGM.	
	0861512	Ref	PLATFORM CONSOLE BOX COMPONENTS	I
3	0100048	AR	Grease, Dielectric	
38	4460428	2	Connector, Strain Relief	
40	4460470	1	Nut, Terminal	
41	4460471	1	Lockwasher, Terminal	
43	4460708	2	Connector - 15 Position	
44	4460905	5	Seal, Plug	
46	4922533	1	Harness, Upper Valve	3-C
46A	4460226	7	Socket, Female	
46B	4460880	6	Connector, DIN	
47	4922666	1	Harness, Analyzer Cable	2-B
47	4460226	4	Socket, Female (Not Shown - Located at J2)	
47A	4460761	1	Connector, Female - 4 Position	
47A	4460227	4	Pin, Male	
53	0272970	Ref	Footswitch Components	A
53A	1060918	8 ft/2.4m	Cable, Electrical - 18/3	
53B	4460071	1	Connector, Strain Relief	
53C	4460226	2	Socket, Female	
53C	4460464	1	Pin, Male Deutsch	
54		Ref	Harness, Platform Box Options (See Items 101-109 for Breakdown):	
54	4922669	1	USA Built Machines (SN 0300124000 through 0300135457)	
54	4922669	1	Belgium Built Machines (SN 1300006000 through 1300006692)	
54	1001107007	1	USA Built Machines (SN 0300135458 through 0300160834)	
54	1001107007	1	Belgium Built Machines (SN 1300006693 to Present)	
		Ref	PLATFORM BOX HARNESS ASSEMBLY	
	4922669	Ref	USA Built Machines (SN 0300124000 through 0300137905)	3-C
	4922669	Ref	Belgium Built Machines (SN 1300006000 through 1300006700)	3-C
	1001107007	Ref	USA Built Machines (SN 0300137906 through 0300160834)	C
	1001107007	Ref	Belgium Built Machines (SN 1300006701 to Present)	C
101	4460866	1	Connector - 19 Position	
101	4460464	7	Pin, Male Deutsch 16 Ga	
101	4460508	3	Pin, Male Deutsch 12 Ga	
102	4460874	1	Connector - 35 Position (Natural)	
102	4460871	AR	Socket, Female	
103	4460875	1	Connector - 35 Position (Gray)	
103	4460871	AR	Socket, Female	
104	4460873	1	Connector - 35 Position (Black)	
104	4460871	AR	Socket, Female	
105	4460879	1	Connector, Male 2 Position	
105	4460887	2	Terminal (12 Gauge)	
106	4460418	8	Connector, Female - 6 Position	

SECTION 7 - ELECTRICAL

ITEM	PART NUMBER	QTY	DESCRIPTION	REV
106	4460419	24	Socket, Female	
107	4460225	4	Connector - 6 Position	
107	4460226	18	Socket, Female	
108	4460225	1	Connector - 6 Position	
108	4460227	5	Pin, Male	
109	4460434	2	Connector - 15 Position	
109	4460227	25	Pin, Male	
		Ref	BOOM CABLES INSTALLATION (USA BUILT MACHINES)	
	0271311	Ref	Boom Cables Installation 450A Series II without SkyPower (ANSI, ANSI Export and CSA Specs)	J
	0271310	Ref	Boom Cables Installation 450A Series II without SkyPower (Australian and CE Specs)	J
	0273279	Ref	Boom Cables Installation 450A Series II with SkyPower	C
	1001097502	Ref	Boom Cables Installation 450A Series II with Arctic Package	A
	1001097503	Ref	Boom Cables Installation 450A Series II with Arctic Package with SkyPower	B
	0271122	Ref	Boom Cables Installation 450AJ Series II without SkyPower (ANSI, ANSI Export and CSA Specs)	J
	0271206	Ref	Boom Cables Installation 450AJ Series II without SkyPower (Australian amd CE Specs)	J
	1001115917	Ref	Boom Cables Installation 450AJ Series II without SkyPower with Communication Package	A
	0273280	Ref	Boom Cables Installation 450AJ Series II with SkyPower	C
	1001116516	Ref	Boom Cables Installation 450AJ Series II with SkyPower with Communication Package	A
	0275116	Ref	Boom Cables Installation 450AJ Series II with Arctic Package	C
	0275786	Ref	Boom Cables Installation 450AJ Series II with Arctic Package with SkyPower	C
205	4460425	1	Connector, Strain Relief (Without SkyPower Only)	
209	4460865	1	Connector - 19 Position	
209	2820031	AR	Heat Shrink	
210	4460866	1	Connector - 19 Position	
210	2820031	AR	Heat Shrink	
213		Ref	Harness Assembly - Tower Boom (12/4 - 18/8) Options:	
213	4922530	1	Without Arctic Package	3-D
213	4923458	1	With Arctic Package	1-A
213		Ref	Cable, Electrical - 12/4&18/8 Options:	
213	1060896	34	Without Arctic Package	
		ft/10.4m		
213	4923462	34	With Arctic Package Only	
		ft/10.4m		
213	2820118	6 in/15cm	Heat Shrink	
213A	4460865	1	Connector - 19 Position	
213A	4460465	11	Socket, Female 18 Gauge	
213A	4460509	4	Socket, Female 12 Gauge	
213A	4460466	4	Seal, Plug	
213B	4460473	1	Clamp, Cable	
213C	4460464	11	Pin, Male 18 Gauge	
213C	4460508	4	Pin, Male 12 Gauge	
214		Ref	Harness Assembly - Main Boom (12/4 -18/8) Options:	
214		Ref	Cable, Electrical - 12/4 & 18/8 Options:	
214	1060896	29	Without Arctic Package	
		ft/8.84m		

SECTION 7 - ELECTRICAL

ITEM	PART NUMBER	QTY	DESCRIPTION	REV
214	4923462	28 ft/8.5m	With Arctic Package	
214	2820118	6 in/15cm	Heat Shrink	
214A	4460865	2	Connector - 19 Position	
214A	4460465	22	Socket, Female 18 Gauge	
214A	4460509	8	Socket, Female 12 Gauge	
214A	4460466	4	Seal, Plug	
214B	4460473	1	Clamp, Cable	
225	4460473	1	Clamp, Cable	
226		Ref	Cable, Electrical 8/5 - SkyPower Main Boom Options:	
226	Not Required	0	Without SkyPower	
226	Not Required	0	With Arctic Package	
226	4922929	1	With SkyPower	
226	4922929	1	With Arctic Package and SkyPower	
227		Ref	Cable, Electrical 8/5 - SkyPower Tower Boom Options:	
227	Not Required	0	Without SkyPower	
227	4922857	1	With SkyPower	
228	1671092	1	Cover, Female Connector (With SkyPower Only)	
229	1671093	1	Cover, Male Plug (With SkyPower Only)	
230		Ref	Cable, Electrical 12/3 Options:	
230		Ref	Machines Without Arctic Package or SkyPower	
230	1060987	1	ANSI, ANSI Export and CSA Specs	
230	1060989	1	Australian and CE Specs	
230		Ref	Machines With Arctic Package and/ or SkyPower	
230	4923460	1	With Arctic Package	
230	Not Required	1	With Arctic Package with SkyPower	
230	Not Required	1	With SkyPower	
231		Ref	Cable, Electrical 12/3 Options:	
231		Ref	Machines Without Arctic Package or SkyPower	
231	1060988	1	ANSI, ANSI Export and CSA Specs	
231	1060990	1	Australian and CE Specs	
231		Ref	Machines With Arctic Package and/ or SkyPower	
231	4923461	1	With Arctic Package	
231	Not Required	1	With Arctic Package with SkyPower	
231	Not Required	1	With SkyPower	
232	4460960	1	Plug, Female (With SkyPower Only)	
233	4460959	1	Connector, Male (With SkyPower Only)	
234		Ref	Connector, Strain Relief	
234	1321692	1	Without Arctic Package	
234	1321692	1	With SkyPower Only	
234	1321692	1	Connector, Strain Relief 450A Series II With Arctic Package and Arctic Package with SkyPower	
234	1321694	1	Connector, Strain Relief 450AJ Series II With Arctic Package and Arctic Package with SkyPower	
234	1321692	1	Connector, Strain Relief 450AJ Series II With Communication Package	
234	1321694	1	Connector, Strain Relief 450AJ Series II With Communication Package with SkyPower	
235	1001115713	1	Cable, Communication (Tower Boom) (450AJ Series II With Communication Package Only) (Not Shown)	
236	1001115916	1	Cable, Communication (Main Boom) (450AJ Series II With Communication Package Only) (Not Shown)	
		Ref	BOOM CABLES INSTALLATION (BELGIUM BUILT MACHINES)	
	0272594	Ref	Tower Boom Components without SkyPower	D

SECTION 7 - ELECTRICAL

ITEM	PART NUMBER	QTY	DESCRIPTION	REV
	0275436	Ref	Tower Boom Components with SkyPower	D
251	1060991	1	Cable, Electrical 12/3 (Without SkyPower Only)	
252		Ref	Connector, Strain Relief Options:	
252	4460425	2	Without SkyPower	
252	1321692	1	With SkyPower	
253	4460866	1	Connector - 19 Position	
253	2820031	AR	Heat Shrink	
254	4922530	1	Harness Assembly - Tower Boom (12/4 - 18/8)	3-D
254	1060896	34	Cable, Electrical - 12/4 & 18/8	
		ft/10.4m		
254	2820118	6 in/15cm	Heat Shrink	
254A	4460865	1	Connector - 19 Position	
254A	4460465	11	Socket, Female 18 Gauge	
254A	4460509	4	Socket, Female 12 Gauge	
254A	4460466	4	Seal, Plug	
254B	4460473	1	Clamp, Cable	
254C	4460464	11	Pin, Male 18 Gauge	
254C	4460508	4	Pin, Male 12 Gauge	
255	4922770	1	Cable, Electrical 18/2	
255A	4460226	2	Socket, Female	
256	1671093	1	Cover, Male Plug (With SkyPower Only)	
257	4460960	1	Plug, Female (With SkyPower Only)	
258		Ref	Cable, Electrical 8/5 - SkyPower Tower Boom Options:	
258	Not Required	0	Without SkyPower	
258	4922857	1	With SkyPower	
	0272665	Ref	Main Boom Components without SkyPower	C
	0275437	Ref	Main Boom Components with SkyPower	B
261	1060996	1	Cable, Electrical 12/3	
262	4460865	1	Connector - 19 Position	
263	4922532	1	Harness Assembly - Main Boom (12/4 - 18/8)	B
263	1060896	29	Cable, Electrical - 12/4 & 18/8	
		ft/8.84m		
263	2820118	6 in/15cm	Heat Shrink	
263A	4460865	2	Connector - 19 Position	
263A	4460465	22	Socket, Female 18 Gauge	
263A	4460509	8	Socket, Female 12 Gauge	
263A	4460466	4	Seal, Plug	
263B	4460473	1	Clamp, Cable	
264	4460473	1	Clamp, Cable	
265	1671092	1	Cover, Female Connector (With SkyPower Only)	
266	4460959	1	Connector, Male (With SkyPower Only)	
267		Ref	Cable, Electrical 8/5 - SkyPower Main Boom Options:	
267	Not Required	0	Without SkyPower	
267	4922929	1	With SkyPower	
		Ref	GROUND CONTROL BOX COMPONENTS	
325	4460426	AR	Connector, Strain Relief	
325	3520035	AR	Plug	
326	4460470	1	Nut, Terminal	
327	4460471	1	Locknut, Terminal	
328	0100048	AR	Grease, Dielectric	
329	4460526	1	Connector, Strain Relief	
330	4460874	1	Connector (Natural)	

SECTION 7 - ELECTRICAL

ITEM	PART NUMBER	QTY	DESCRIPTION	REV
330	4460905	4	Seal, Plug	
331	4460875	1	Connector (Gray)	
331	4460905	4	Seal, Plug	
336	4923575	1	Ground Control Box Harness Assembly	F
336	3990010	2	Diode 6 Amp (Not Shown)	
336A	4460418	9	Connector, Female - 6 Position	
336A	4460419	27	Socket, Female	
336B	4460876	1	Connector - 35 Position (Blue)	
336B	4460871	28	Socket, Female	
336B	4460905	31	Seal, Plug	
336C	4460866	1	Connector - 19 Pin	
336C	4460464	10	Pin, Male Deutsch 16 Ga	
336D	4460878	1	Housing, Terminal - 4 Position	
336D	4460887	3	Terminal (12 Gauge)	
336E	4120035	7	Base, Light	
336E	4460634	8	Terminal (16 Gauge)	
336E	4460635	6	Terminal (12 Gauge)	
336F	4460873	1	Connector - 35 Position (Black)	
336F	4460871	AR	Socket, Female	
336F	4460905	2	Seal, Plug	
336G	4460871	3	Socket, Female	
336H	4460434	AR	Connector - 15 Position	
336H	4460227	17	Pin	
336J	4460761	1	Connector, Female - 4 Position	
336J	4460227	4	Pin, Male	
336K	4460536	1	Connector, Female - 3 Position	
336K	4460943	3	Pin	
337		Ref	Engine Harness Assembly (See Items 401-468 for Breakdown)	
337	1001098840	1	Caterpillar/Perkins Engine Machines	
337	4923265	1	Deutz Engine Machines	
337	4923395	1	GM Engine Machines	
338	4922523	1	Valve Harness Assembly	2-C
338A	4460880	12	DIN Connector	
338B	4460320	2	Connector, Female - 2 Position	
338B	4460267	4	Pin, Male	
338C	4460424	1	Connector, Male - 2 Position	
338C	4460268	2	Pin, Female	
338D	4460871	20	Socket, Female	
339		Ref	Ground Control Box Wiring Diagram (Not Shown - See Items 501 to 519 for Breakdown)	
339	4933382	Ref	Caterpillar/Perkins Engine	
339	4933384	Ref	Deutz Engine	
339	4933381	Ref	GM Engine	
		Ref	ENGINE HARNESS ASSEMBLY	
	1001098840	Ref	Caterpillar/Perkins Engine Machines	B
	4923265	Ref	Deutz Engine Machines	F
	4923395	Ref	GM Engine Machines	E
418	4460424	1	Connector - 2 Position	
419	4460268	2	Socket, Female	
420	4460880	AR	DIN Connector without Diode	
426	4461070	6	Receptacle with Resistor (Deutz Engine Only)	
426	4460944	1	Terminal, Gold (Deutz Engine Only)	

SECTION 7 - ELECTRICAL

ITEM	PART NUMBER	QTY	DESCRIPTION	REV
426	4461095	1	Connector - 3 Position (Deutz Engine Only)	
430	4460539	1	Connector - 3 Position (Deutz and GM Engines Only)	
431	4460944	1	Terminal, Gold (Deutz and GM Engines Only)	
432	4461157	1	Connector - 2 Position (GM Engine Only)	
432	4460979	2	Pin, Male (GM Engine Only)	
432	4460458	2	Seal, Terminal (GM Engine Only)	
434		Ref	Connector - 2 Position Options:	
434	4460890	1	Deutz Engine	
434	1001098923	1	Caterpillar/Perkins Engine	
435		Ref	Terminal Options:	
435	4460889	2	Deutz Engine Only	
435	4460465	2	Caterpillar/Perkins Engine	
436	4461052	1	Connector - 25 Position (Deutz Engine Only)	
436	4461005	5	Terminal 18-20 Gauge (Deutz Engine Only)	
436	4461060	2	Terminal 14-16 Gauge (Deutz Engine Only)	
436	4461006	5	Seal 18-20 Gauge (Deutz Engine Only)	
436	4461054	2	Seal 14-16 Gauge (Deutz Engine Only)	
436	4461008		Plug, Hole (Deutz Engine Only)	
436	4461053	1	Cover, Plug (Deutz Engine Only)	
437	4460742	AR	Connector - 2 Position	
438	4460457	AR	Terminal, Female	
439	4460458	AR	Seal, Terminal	
445	4460891	1	Connector, 2 Position Deutsch	
446	4460539	1	Connector, 3 Position Deutsch	
448	4461121	1	Plug, Male - 4 Position (GM Engine Only)	
448	4461122	4	Socket, Female (GM Engine Only)	
448	4461123	4	Seal, Terminal (GM Engine Only)	
453	4461124	1	Connector - 4 Position (GM Engine Only)	
453	4460693	4	Pin, Male (GM Engine Only)	
453	4460608	4	Seal, Terminal (GM Engine Only)	
453	4461161	1	Lock, Terminal (GM Engine Only)	
454	4461109	1	Connector - 16 Position (GM Engine Only)	
454	4461111	7	Pin, Male (GM Engine Only)	
454	4461113	7	Seal, Terminal (GM Engine Only)	
454	4461222	9	Terminal, Cavity Plug (GM Engine Only)	
455	4460871	AR	Socket, Female	
455	3990001	1	Diode (Caterpillar/Perkins Engine Only)	
465	4460891	1	Connector - 2 Position (Caterpillar/Perkins Engine Only)	
466	4460465	5	Socket, Female (Caterpillar/Perkins Engine Only)	
467	4460539	1	Connector - 3 Position (Caterpillar/Perkins Engine Only)	
468	4460994	1	Connector - 2 Position (Caterpillar/Perkins Engine)	
468	4460993	1	Terminal (Caterpillar/Perkins Engine)	
469	3730125	1	Resistor, 120 OHM (Not Shown - Caterpillar/Perkins Engine)	
		Ref	GROUND CONTROL BOX WIRING DIAGRAM	
	4933382	Ref	Caterpillar/Perkins Engine	D
	4933384	Ref	Deutz Engine	D
	4933381	Ref	GM Engine	D
501	2920129	AR	Bulb, Light	
507	2400065	1	Fuse, 30Amp	
508	2400066	1	Fuse, Holder	
510	4460708	AR	Connector - 15 Position	

SECTION 7 - ELECTRICAL

ITEM	PART NUMBER	QTY	DESCRIPTION	REV
510	4460226	AR	Socket, Female	
510	4922637	1	Harness, Jumper (Not Shown)	
514	4460424	1	Connector - 2 Position (USA Built Machines) (SN 0300137906 through 0300160834)	
514	4460424	1	Connector - 2 Position (Belgium Built Machines) (SN 1300006701 to Present)	
514	4460226	2	Socket, Female	
518	4460894	1	Plug, Male - 6 Position	
518	4460892	1	Connector, Bussbar - 6 Position	
519	2902443	1	Receptacle Kit (Deutz EMR2 Only)	
519	4461071	8	Socket, Female	
519	4461072	1	Receptacle	
519	4461073	1	Cap, Dust	
519	4461074	1	Shell, Black	
		Ref	STANDARD HARNESS COMPONENTS	
601		Ref	Battery Cable Kit Options:	
601	2902060	1	Caterpillar/Deutz/Perkins Engines	B
601	2902510	1	GM Engines	B
601A		Ref	Cable - Battery to Starter Relay Options;	
601A	7016817	1	Caterpillar/Deutz/Perkins Engines	
601A	7016839	1	GM Engines	
601B		Ref	Cable - Battery and Auxiliary Pump to Ground	
601B	7027041	1	Caterpillar/Deutz/Perkins Engines (was p/n 7016837)	
601B	7016840	1	GM Engines	
601C		Ref	Cable - Starter Relay to Starter Options:	
601C	7016834	1	Caterpillar/Deutz/Perkins Engines	
601C	7016841	1	GM Engines	
601D		Ref	Cable - Starter Relay to Auxiliary Relay	
601D	7016838	1	Caterpillar/Deutz/Perkins Engines	
601D	Not Required	1	GM Engines	
601E		Ref	Cable - Auxiliary Relay to Auxiliary Pump	
601E	7016820	1	Caterpillar/Deutz/Perkins Engines	
601E	7027014	1	GM Engines	
602		Ref	Harness Options:	
602	1060904	1	Cable, Jumper (Caterpillar/Perkins Engine Machines)	
603	4922737	1	Engine Grounding Harness (Caterpillar/Perkins Engine Machines)	
604	1001099927	1	Caterpillar/Perkins Throttle Actuator Harness (Includes Actuator)	
604A	4460897	1	Connector -2 Position (Caterpillar/Perkins Engines Only)	
604A	4460464	2	Pin, Male (Caterpillar/Perkins Engines Only)	
604A	2820018	AR	Heatshrink	
605		Ref	Deutz Engine Harness Components	
605A	7027796	1	Deutz Engine Harness	
605B	See Note	1	Receptacle (Note: Not Available - Purchase Item 605A)	
605C	7027793	1	Plug-In, Connector	
605D	70000345	3	Glow Plug	
605E	7027794	1	Deutz Engine Harness (For other replacement parts refer to Deutz engine dealer)	
606	1001099926	1	Caterpillar/Perkins Speed Sensor Harness (Includes Speed Sensor)	
606A	4460536	1	Connector -3 Position (Caterpillar/Perkins Engines Only)	
606A	4460464	3	Pin, Male (Caterpillar/Perkins Engines Only)	

SECTION 7 - ELECTRICAL

ITEM	PART NUMBER	QTY	DESCRIPTION	REV
606A	2820018	AR	Heatshrink	
609		Ref	Harness Kit Options:	
609	7027991	1	Tier 1 Engines	
609	70000718	1	Tier 2 Engines	
609		Ref	Tier 3 & 4 interim	
609	70002898	1	All Tier 3 & 4 Interim Engines except p/n 1001141139 Engines	
609	70003908	1	Tier 3 & 4 Interim 1001141139 Engine Only	
609	7027989	1	Connector, Male - 10 Position (Not Shown)	
609	See Note	1	Box, Fuse (Note: Parts of Harness - Not Available for Purchase)	
609	70002627	1	Cover, Fuse Box	
609	70001950	2	Relay (Power & Fuel Pump)	
609	70001951	1	Relay (Starter)	
609	70001931	1	Fuse - 60 Amp (Alternator)	
609	See Note	1	Fuse - 20 Amp (Note: Not Available - Purchase Locally)	
609	See Note	3	Fuse - 15 Amp (Note: Not Available - Purchase Locally)	
609	See Note	1	Fuse - 10 Amp (Note: Not Available - Purchase Locally)	
609	See Note	1	Fuse - 5 Amp (Note: Not Available - Purchase Locally)	
610		Ref	Pump Harness Options:	
610	See Note	2	2WD (Note: Not Available for Purchase)	
610	7024830	2	4WD	
610A	7007498	1	Connector - 4 Position (2WD)	
610A	4460867	2	Connector - 2 Position (4WD)	
610A	4460850	4	Pin, Male (4WD)	
610B	7007497	1	Connector (2WD)	
610B	Not Required	0	4WD	
611		Ref	Limit Switch Harness Options (Does not include Limit Switch) (Part of Boom Installation on USA Built Machines Only):	
611	4922770	1	Without Arctic Package	B
611	4923469	1	With Arctic Package	A
611A	4460226	2	Socket, Female	
612		Ref	Limit Switch Harness Options (Includes Limit Switch):	
612	4922714	1	Without Arctic Package	B
612	4923467	1	With Arctic Package	A
612		Ref	Cable, Electrical 18/2 Options:	
612	1060902	8.5 ft/2.6m	Without Arctic Package	
612	4923466	8.5 ft/2.6m	With Arctic Package	
612A	4460226	2	Socket, Female	
612B	4360548	1	Switch, Limit	
612C	4460968	1	Relief, Strain	
613	See Note	1	Controller Harness Assembly (Lift and Swing) (Note: Not Available - Purchase Complete Controller)	
613A	7022819	1	Connector - 8 Position (Natural)	
613A	4460871	8	Socket, Female	
614	7022824	1	Controller Harness/Circuit Board Assembly (Drive and Steer)	
614A	7022825	1	Connector - 8 Position (Black)	
614A	4460871	7	Socket, Female	
615	See Note	1	Controller Harness Assembly (Speed Control) (Note: Not Available - Purchase Complete Controller)	
615A	4460224	1	Connector - 6 Position	
615A	4460226	8	Socket, Female	

SECTION 7 - ELECTRICAL

ITEM	PART NUMBER	QTY	DESCRIPTION	REV
616	4923451	1	Harness, Glow Plugs	
617	4360517	1	Switch, Proximity	
617A	4460320	1	Connector - 2 Position	
617A	4460227	2	Pin, Male	
		Ref	OPTIONAL HARNESS COMPONENTS	
701		Ref	AC to Platform Receptacle Components	
701	0258303	Ref	110V GFI Receptacle (ANSI and CSA Specs)	6
701	0258305	Ref	220V GFI Receptacle (ANSI and CSA Specs)	4
701	0258304	Ref	110V/220V (Plug and Receptacle Supplied Locally) (ANSI Export and Australian)	3
701		Ref	110V/220V CE Spec Only Options:	
701		Ref	Without Generator:	
701	0258304	Ref	110V/220V (Plug and Receptacle Supplied Locally)	3
701	0275681	Ref	110V with IEC Yellow Receptacle and Plug and Circuit Breaker	B
701	0275678	Ref	220V with CEE 7 Post Ground Receptacle and Plug and Circuit Breaker (2x4 Box)	B
701	0275679	Ref	220V with CEE 7 Side Ground Receptacle and Plug and Circuit Breaker (2x4 Box)	B
701	0275683	Ref	220V with CEE 7 Post Ground Receptacle and Plug and Circuit Breaker (70mm x 70mm Box)	B
701	0275684	Ref	220V with CEE 7 Side Ground Receptacle and Plug and Circuit Breaker (70mm x 70mm Box)	B
701	0275680	Ref	220V with AFSINT 107 Keyed Ground Receptacle and Plug and Circuit Breaker (2x4 Box)	B
701	0275682	Ref	220V with IEC Blue Receptacle and Plug and Circuit Breaker	B
701		Ref	With Generator:	
701	1001101913	Ref	110V with IEC Yellow Receptacle and Plug and Circuit Breaker	B
701	1001101910	Ref	220V with CEE 7 Post Ground Receptacle and Plug and Circuit Breaker (2x4 Box)	B
701	1001101911	Ref	220V with CEE 7 Side Ground Receptacle and Plug and Circuit Breaker (2x4 Box)	B
701	1001101915	Ref	220V with CEE 7 Post Ground Receptacle and Plug and Circuit Breaker (70mm x 70mm Box)	B
701	1001101916	Ref	220V with CEE 7 Side Ground Receptacle and Plug and Circuit Breaker (70mm x 70mm Box)	B
701	1001101912	Ref	220V with AFSINT 107 Keyed Ground Receptacle and Plug and Circuit Breaker (2x4 Box)	B
701	1001101914	Ref	220V with IEC Blue Receptacle and Plug and Circuit Breaker	B
701A		Ref	Box Options:	
701A	0860038	Ref	0258303/0258305 Installations	
701A	See Note	Ref	0258304 Installation (Note: Not Available - Purchase Locally)	
701A	0861781	Ref	0275681/ 0275680/ 1001101913/ 1001101914 Installations	
701A	0861731	Ref	0275678/ 0275679/ 1001101910/ 1001101911/ 1001101912 Installations	
701A	See Note	Ref	0275683/ 0275684/ 1001101915/ 1001101916 Installations (Note: Was p/n 0861782 which is no longer available. use p/n 100110034 CEE 7 Side Ground Service Kit or p/n 1001100343 CEE 7 Post Ground Service Kit. Kit includes Box p/n 1001141967 and Items 701B, 701C, 701L & 701N.)	
701A	0861781	Ref	0275682 Installation	
701A	1001141967	Ref	1001100344, 1001100344, 1001141970 & 1001141971 Kits Installation	

SECTION 7 - ELECTRICAL

ITEM	PART NUMBER	QTY	DESCRIPTION	REV
701B		Ref	Receptacle Options:	
701B	4460346	1	0258303 Installations	
701B	4460125	1	0258305 Installations	
701B	See Note	1	0258304 Installation (Note: Not Available - Purchase Locally)	
701B	4461198	1	0275681/1001101913 Installations	
701B	4461244	1	0275678/1001101910 Installations	
701B	4461245	1	0275679/1001101911 Installations	
701B	4461204	1	0275683/1001101915 Installations (Use p/n 1001100343)	
701B	1001141971	1	0275683/1001101915 Installations (Use p/n 1001100343)	
701B	4461207	1	0275684/1001101916 Installations (Use p/n 1001100344)	
701B	1001141970	1	0275684/1001101916 Installations (Use p/n 1001100344)	
701B	4461246	1	0275680/1001101912 Installations	
701B	4461201	1	0275682/1001101914 Installations	
701B	1001141968	1	1001100343 & 1001141971 Kits	
701B	1001141969	1	1001100344 & 1001141970 Kits	
701C		Ref	Plug Options:	
701C	4460205	1	0258303 Installations	
701C	4460233	1	0258305 Installations	
701C	See Note	1	0258304 Installation (Note: Not Available - Purchase Locally)	
701C	4461196	1	0275681/1001101913 Installations	
701C	4461202	1	0275678/ 0275683/ 1001101910/ 1001101915 Installations & 1001100343/1001141971 Kits	
701C	4461205	1	0275679/ 0275684/ 1001101911/ 1001101916 Installations & 1001100344/1001141970 Kits	
701C	4461249	1	0275680/1001101912 Installation	
701C	4461199	1	0275682/1001101914 Installation	
701D	0903484	1	Bracket (All Installations except 0258303/0258304/0258305 Installations)	
701E	0903612	1	Bracket (All Installations except 0258303/0258304/0258305 Installations)	
701F		Ref	Decal Options:	
701F	1705325	1	110V	
701F	3252507	1	220V	
701G		Ref	Circuit Breaker Box Kit Options (All Installations except 0258303/0258304/0258305 Installations):	
701G	2902549	1	Without Generator	D
701G	1001096070	1	With Generator	D
701G		Ref	Breaker, Circuit - 16 Amp Options:	
701G	See Note	1	USA Built Machines (was p/n 2400093) (Note: For service replacement purchase (1) p/n 1001109475 & (1) p/n 1001109482.) (SN 0300124000 through 0300136283)	
701G	See Note	1	Belgium Built Machines (was p/n 2400093) (Note: For service replacement purchase (1) p/n 1001109475 & (1) p/n 1001109482.) (SN 1300006000 through 1300006700)	
		Ref	USA Built Machines (SN 0300136284 through 0300160834)	
		Ref	Belgium Built Machines (SN 1300006701 to Present)	
701G	1001109475	1	Without Latch and Bracket	
701G	1001109482	1	With Latch and Bracket	
701G	0861880	1	Box, Breaker	
701G	4460956	1	Barrier, Terminal Block End	
701G	4460957	1	Block, Terminal	

SECTION 7 - ELECTRICAL

ITEM	PART NUMBER	QTY	DESCRIPTION	REV
701H		Ref	Connector, Strain Relief Options:	
701H	4460633	2	M20 Diameter	
701H	1001097150	2	M25 Diameter	
701J	1060908	Ref	Cable, Electrical 12/3 Options (All Installations except 0258303/0258304/0258305 Installations):	
701J	1060908	6 ft/1.8m	Cable, Electrical 12/3, Without Generator	
701J	1060908	12 ft/3.7m	Cable, Electrical 12/3, With Generator	
701K		Ref	Connector, Strain Relief	
701K	4460968	1	All Installations except 0258303/0258304/0258305	
701K	See Note	1	0258304 Installation (Note: Not Available - Purchase Locally)	
701K	4460071	1	0258303/0258305 Installations	
701L		Ref	Shield, Cover	
701L	Part of Item 701A	1	All Installations except 0258303/0258304/0258305 Installation	
701L		Ref	0258303 Installation Options	
701L	4060700	1	Side Hinged	
701L	1001110873	1	Top Hinged	
701L	See Note	1	0258304 Installation (Note: Not Available - Purchase Locally)	
701L	4060092	1	0258305 Installation	
701L	3960422	1	Gasket, Cover (0258303/0258305 Installations)	
701M		Ref	Plug, Male Options:	
701M	4460709	1	All Installations Except 0258303 Installation	
701M	4460205	1	0258303 Installation	
701N		Ref	Connector, Female Options:	
701N	4460710	1	All Installations Except 0258303/0258305 Installation	
701N	4460134	1	0258303 Installation	
701N	4460701	1	0258305 Installation	
701N	4461197	1	1001101913 Installation	
701N	4461200	1	1001101914 Installation	
701N	4461203	1	1001101910/1001101915 Installations and 1001100343/ 1001141971 Kits	
701N	4461206	1	1001101911/1001101916 Installations and 1001100344/ 1001141970 Kits	
701N	4461250	1	1001101912 Installation	
		Ref	KIT, PLUG AND SOCKET OPTIONS:	
		Ref	Without Generator:	
	Not Available		0258303 & 0258305 Installation (Purchase Individual Components)	
	Not Available		0258304 Installation (Purchase Locally)	
	0275216	Ref	110V with IEC Yellow (Includes Items 701A, 701B, 701C & 701L) (0275681 Installation)	A
	0275452	Ref	220V with CEE 7 Post Ground (2 x 4 Box) (Includes Items 701A, 701B, 701C & 701L) (0275678 Installation)	A
	0275453	Ref	220V with CEE 7 Side Ground (2 x 4 Box) (Includes Items 701A, 701B, 701C & 701L) (0275679 Installation)	A
	0275218	Ref	220V with CEE 7 Post Ground (70mm x 70mm Box) (Includes Items 701A-701C, 701L & 701N) (0275683 Installation) (Use p/n 1001100343)	B-2
	0275219	Ref	220V with CEE 7 Side Ground (70mm x 70mm Box) (Includes Items 701A-701C, 701L & 701N) (0275684 Installation) (Use p/n 1001100344)	B-2
	0275454	Ref	220V with AFSINT 107 Keyed Ground (Includes Items 701A, 701B, 701C & 701L) (0275680 Installation)	A
	0275217	Ref	220V with IEC Blue (Includes Items 701A, 701B, 701C & 701L) (0275682 Installation)	A

SECTION 7 - ELECTRICAL

ITEM	PART NUMBER	QTY	DESCRIPTION	REV
		Ref	With Generator:	
	1001100341	Ref	110V with IEC Yellow (Includes Items 701A - 701C, 701L & 701N) (1001101913 Installation)	2-A
	1001100345	Ref	220V with CEE 7 Post Ground (2 x 4 Box) (Includes Items 701A - 701C, 701L & 701N)(1001101910 Installation)	2-A
	1001100347	Ref	220V with CEE 7 Side Ground (2 x 4 Box) (Includes Items 701A - 701C, 701L & 701N) (1001101911 Installation)	3-A
	1001100346	Ref	220V with AFSINT 107 Keyed Ground (Includes Items 701A - 701C, 701L & 701N) (1001101912 Installation)	2-A
	1001100342	Ref	220V with IEC Blue (Includes Items 701A - 701C, 701L & 701N) (1001101914 Installation)	2-A
	1001091971	Ref	220V with CEE 7 Post Ground (70mm x 70mm Box) (Includes Items 701A - 701C, 701L & 701N) (1001101915 Installation) (Use p/n 1001100343 Kit)	B
	1001091970	Ref	220V with CEE 7 Side Ground (70mm x 70mm Box) (Includes Items 701A - 701C, 701L & 701N) (1001101916 Installation) (Use p/n 1001100344 Kit)	B
702	4921829	1	2500W Generator to Rear of Boom Harness (110V) (ANSI and CSA Specs)	2
702	4921954	1	2500W Generator to Rear of Boom Harness (220V) (ANSI and CSA Specs)	2
702	See Note	1	2500W Generator to Rear of Boom Harness (Australian and CE Specs) (Note: Not Available for Purchase)	2
		Ref	Note: Harness used to connect AC at platform harness to generator receptacle to power platform receptacle.	
702	1060494	AR	Cable, Electrical - 12/3 (ANSI and CSA Specs)	
702	1060461	Ref	Cable, Electrical - 12/3 (Australian and CE Specs)	
702	1060461	6 ft/1.83m	Cable, Electrical - 12/3 (Australian and CE Specs), 110V	
702	1060461	26 ft/8m	Cable, Electrical - 12/3 (Australian and CE Specs), 220V	
702A	4460205	1	Plug, Male (110V)	
702A	4460233	1	Plug, Male (220V)	
702B		Ref	Receptacle, Female Options:	
702B	4460134	1	110V (ANSI and CSA Specs)	
702B	4460701	1	220V (ANSI and CSA Specs)	
702B	See Note	1	110V/220V (Machines with Locally Supplied Plug and Receptacle) (ANSI Export, Australian and CE Specs) (Note: Not Available - Purchase Locally)	
702B	4461197	1	110V with IEC Yellow Receptacle and Plug and Circuit Breaker (CE Specs Option)	
702B	4461203	1	220V with CEE 7 Post Ground Receptacle and Plug and Circuit Breaker (2x4 Box) (CE Specs Option)	
702B	4461206	1	220V with CEE 7 Side Ground Receptacle and Plug and Circuit Breaker (2x4 Box) (CE Specs Option)	
702B	4461203	1	220V with CEE 7 Post Ground Receptacle and Plug and Circuit Breaker (70mm x 70mm Box) (CE Specs Option)	
702B	4461206	1	220V with CEE 7 Side Ground Receptacle and Plug and Circuit Breaker (70mm x 70mm Box) (CE Specs Option)	
702B	4461250	1	220V with AFSINT 107 Keyed Ground Receptacle and Plug and Circuit Breaker (2x4 Box) (CE Specs Option)	
702B	4461200	1	220V with IEC Blue Receptacle and Plug and Circuit Breaker (CE Specs Option)	
703		Ref	2500W Generator Electrical Components	
703	4933300	AR	Caterpillar Engines	2-B
703		Ref	Deutz/Perkins Engines	
703	4933300	AR	110V/60Hz	2-B
703		Ref	110V/50Hz & 220V/50Hz	

SECTION 7 - ELECTRICAL

ITEM	PART NUMBER	QTY	DESCRIPTION	REV
703	4933300	AR	USA Built Machines (SN 0300124000 through 0300132831)	2-B
703	4933300	AR	Belgium Built Machines (SN 1300006000 through 1300006617)	2-B
703	1001100027	AR	USA Built Machines (SN 0300132832 through 0300160834)	4-D
703	1001100027	AR	Belgium Built Machines (SN 1300006618 to Present)	4-D
703	4933350	AR	GM Engines	B
703A	4922641	1	Harness - On/Off Switch	1-A
703A	4460226	2	Socket, Female	
703B		Ref	Powermite Control Box to Relay	
703B	4922970	1	Caterpillar/Deutz/Perkins Engines	
703B	4923445	1	GM Engines	
703C	7020193	1	Harness, Generator Power	
		Ref	Note: Items 703D & 703E used on Following Applications:	
		Ref	Caterpillar Engines - All	
		Ref	GM Engines - All	
		Ref	Deutz and Perkins Engines	
		Ref	- All with 110V/60Hz	
		Ref	- 110V/50Hz & 220V/50Hz USA Built (SN 0300124000 through 0300132832)	
		Ref	- 110V/50Hz & 220V/50Hz Belgium Built (SN 1300006000 through 1300006618)	
703D	4460321	1	Connector, Male - 4 Position	
703D	4460906	4	Socket, Female	
703E	4460961	1	Connector, Female - 4 Position	
703E	4460705	4	Pin, Male	
704		Ref	7500W Generator Electrical Components	
704	0274711	AR	Caterpillar Engines Machines 60Hz	E
704	0273160	AR	Deutz Engines Machines 60Hz	G
704	0273420	AR	Deutz Engines Machines 50Hz	F
704	0274288	AR	Ford Engines Machines 60Hz	A
704	0275035	AR	GM Engines Machines 60Hz	E
704	1001097400	AR	Perkins Engines Machines 60Hz	D
704	1001097401	AR	Perkins Engines Machines 50Hz	D
704A	4460958	1	Receptacle, Female Twist-Lock	
704B	3960422	2	Gasket	
704C		Ref	Cover, Receptacle Options:	
704C	4060700	1	Side Hinged	
704C	1001110873	1	Top Hinged	
704D		Ref	Cover, Receptacle Options:	
704D	4061043	1	Side Hinged	
704D	1001110872	1	Top Hinged	
704E	4460346	1	Receptacle, 110V	
704F	4460051	1	Connector, Strain Relief	
704G	4460071	1	Connector, Strain Relief	
704H	4922925	1	Harness, Generator	A
704J	See Note	1	Connector - 6 Position (Note: Not Available for Purchase)	
704J	See Note	6	Socket, Female (Note: Not Available for Purchase)	
704K	4460225	1	Connector - 6 Position	
704K	4460226	6	Socket, Female	
704K	7026626	1	Receptacle, Female - 6 Position (Part of Generator)	
705		Ref	7500W SkyPower Generator Junction Box Components	
705	0861542	Ref	60Hz SPEC	D

SECTION 7 - ELECTRICAL

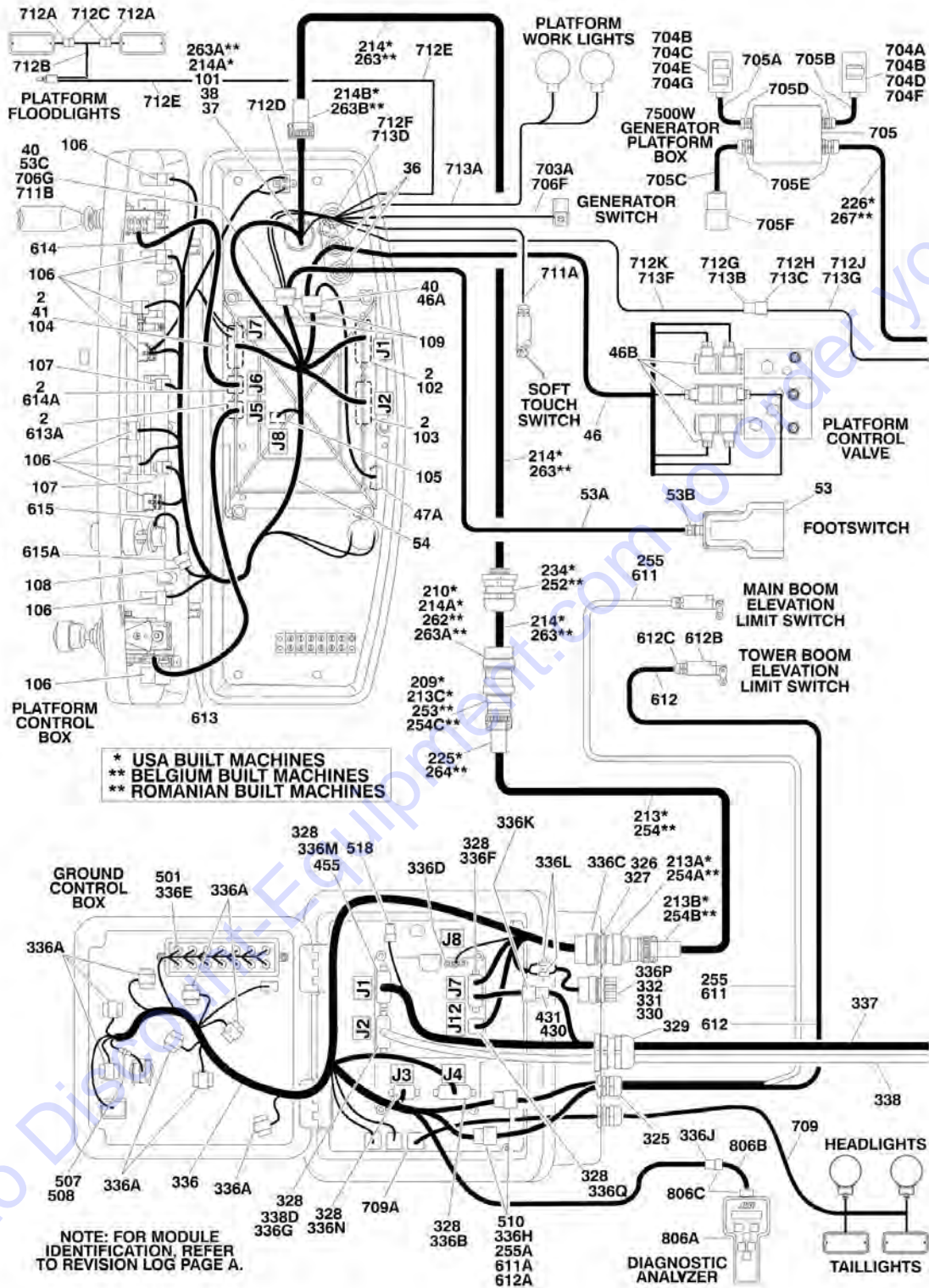
ITEM	PART NUMBER	QTY	DESCRIPTION	REV
705	0861567	Ref	50Hz Specs	B
705A		Ref	Cable, Electrical 12/3	
705A	1060494	2 ft/.6m	60Hz Spec	
705A	See Note	2 ft/.6m	50Hz Spec (Note: Not Available - Purchase Locally)	
705B		Ref	Cable, Electrical 10/3	
705B	1060708	2.5 ft/.76m	60Hz Spec	
705B	See Note	2.5 ft/.76m	50Hz Spec (Note: Not Available - Purchase Locally)	
705C	1060343	1.5 ft/.46m	Cable, Electrical 10/4 (60Hz Spec Only)	
705D	4460425	2	Connector, Strain Relief	
705E		Ref	Component Options:	
705E	4460426	2	Connector, Strain Relief (60Hz Spec Only)	
705E	4460426	1	Connector, Strain Relief (50Hz Spec Only)	
705E	3520189	1	Plug (50Hz Spec Only)	
705F	1671092	1	Cover (60Hz Spec Only)	
705F	4460963	1	Connector (60Hz Spec Only)	
706		Ref	7500W Generator Electrical Diagram Components	
706	4933264	Ref	Caterpillar/Deutz/Perkins Engine Machines	C
706	4933349	Ref	GM Engine Machines	B
706A		Ref	Generator Harness Options:	
706A	4922757	1	Caterpillar/Deutz/Perkins Engine Machines	3-C
706A	4923420	1	GM Engine Machines	A
706B	4460374	2	Plug, Sealed Relay	
706B	4460375	7	Terminal	
706C	4460967	1	Connector - 3 Position	
706C	4460465	3	Socket, Female	
706D	2400060	1	Fuseholder	
706D	2400064	1	Fuse - 5 Amp	
706E	4460742	1	Connector - 2 Position (GM Engine Only)	
706E	4460743	2	Socket, Female (GM Engine Only)	
706F	4922641	1	Switch Harness	
706G	4460226	2	Socket, Female	
707	0255917	1	Strobe Light Harness (Includes Strobe Light)	
707A	4460320	1	Connector, Female - 2 Position	
707A	4460267	2	Pin, Male	
708	0257887	1	Alarm Harness (Includes Alarm)	
708A	4460424	1	Connector - 2 Position	
708A	4460268	2	Socket, Female	
709	See Note	1	Lights Harness (Note: Not Available for Purchase)	
709	1060341	37 ft/11.3m	Cable, Electrical - 16/2	
709A	3740049	1	Relay	
709A	4922643	1	Harness, Bag (Located at Ground Control Box) (Not Shown):	
711	See Note	1	Soft-Touch System Harness (Note: Not Available for Purchase)	
711A	1060341	Ref	Cable, Electrical - 16/2 Options:	
711A	1060341	15 ft/4.6m	Cable, Electrical - 16/2, 2.5ft/.7m x 6ft/8m Platform	
711A	1060341	22.7 ft/6.9m	Cable, Electrical - 16/2, 3ft/.9m x 6ft/8m Platform	
711B	4460871	2	Socket, Female	
712	4933308	1	Floodlights Harness Components	1-A

SECTION 7 - ELECTRICAL

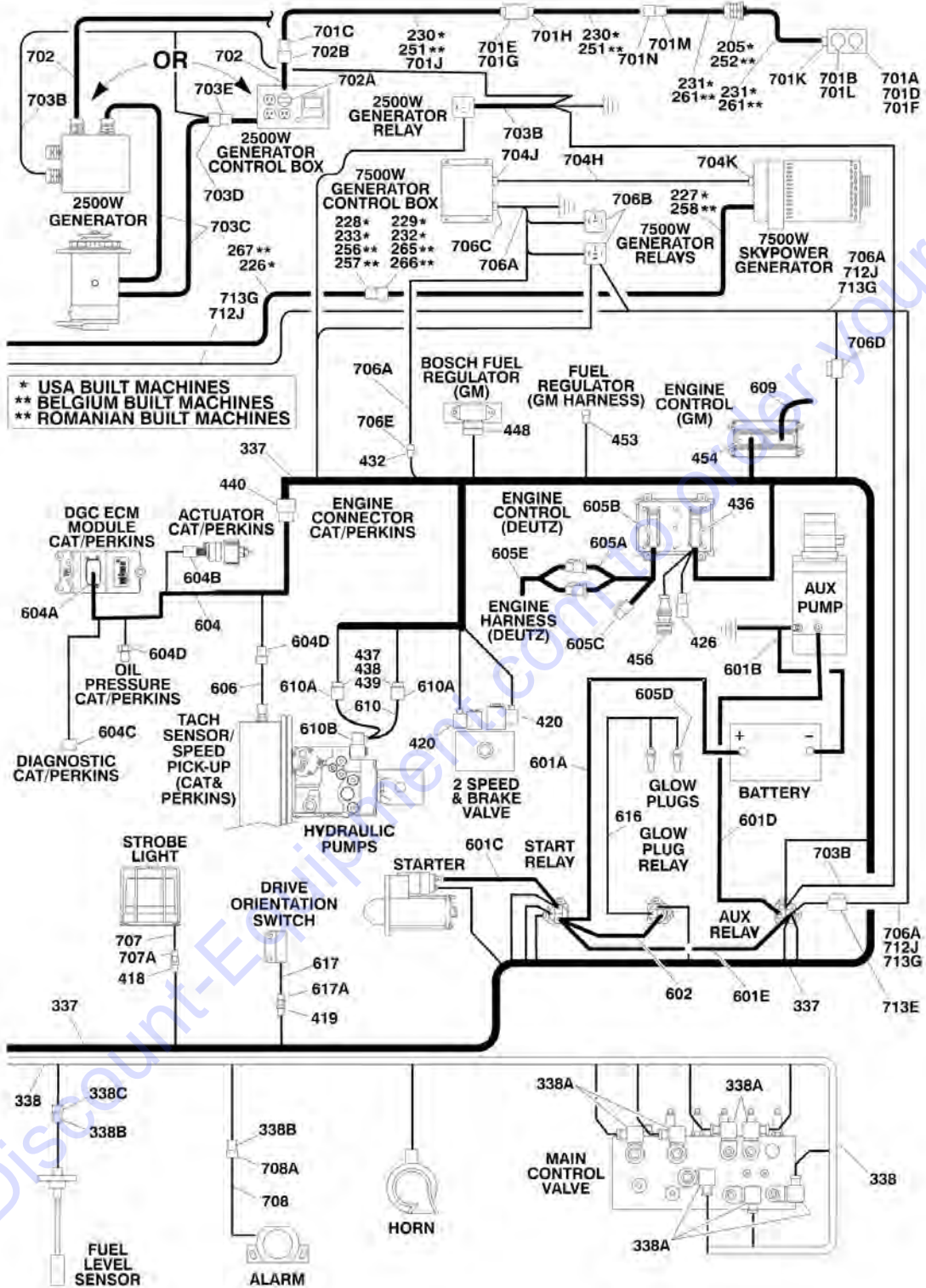
ITEM	PART NUMBER	QTY	DESCRIPTION	REV
712A	4460320	2	Connector - 2 Position	1-A
712A	4460227	4	Pin, Male	
712B	4922764	1	Floodlight Harness (Lights to Switch)	
712C	4460424	2	Connector, Female - 2 Position	
712C	4460226	4	Socket, Female	
712D	4360232	1	Circuit Breaker - 15 Amp	
712E	1060977	1	Cord, 2 Wire Coiled (Console Box Circuit Breaker to Switch)	
712F	4460425	1	Connector, Strain Relief	
712G	4460459	1	Connector - 3 Position	
712G	4460790	3	Socket, Female	
712G	4460789	3	Seal	
712H	4460476	1	Receptacle, Female	
712H	4460850	3	Pin, Male	
712H	4460790	3	Socket, Female	
712J	1060494	33 ft/10.1m	Electrical Cable 12/3 (Lower Boom to Aux Relay)	
712K	1060494	47 ft/14.3m	Electrical Cable 12/3 (Upper Boom to Console Box)	
713		Ref	Platform Worklights Components	
713A	2920140	2	Platform Worklights External Harness (Includes Light and Wire Only)	
713B	4460459	1	Connector - 3 Position	
713B	4460790	3	Socket, Female	
713B	4460789	3	Seal	
713C	4460476	1	Receptacle, Female	
713C	4460850	3	Pin, Male	
713C	4460790	3	Socket, Female	
713D	4460426	1	Connector, Strain Relief	
713E	2400070	1	Fuse	
713E	2400066	1	Holder, Fuse	
713F	1060987	1	Worklights Harness (Upper Boom to Worklights)	
713G	1060988	1	Worklights Harness (Lower Boom to Aux Power Solenoid)	
		Ref	TOOLS (NOT SHOWN)	
801	7002821	1	Crimper (For Wire to Pin/Socket Connections)	
802	7002823	1	Extractor (For Removal of Pin/Socket from Connectors)	
803	4460467	1	Extractor, Pin (Blue 16-18 Gauge) (For Removal of Pin/Socket from Connectors)	
804	4460510	1	Extractor, Pin (Yellow 12-14 Gauge) (For Removal of Pin/Socket from Connectors)	
805	7002828	1	Stripper, Wire	
806	2901443	1	Analyzer Kit	
806A	1600244	1	Analyzer	
806B	1060633	1	Cable, Analyzer	1-A
806C	4460321	2	Plug, Male	
806C	4460226	8	Socket, Female	
807	1001137005	1	Cable Kit, Software (Not Shown)	

SECTION 7 - ELECTRICAL

FIGURE 7-3. HARNESS COMPONENTS INSTALLATION (WITH UGM)



SECTION 7 - ELECTRICAL



SECTION 7 - ELECTRICAL

FIGURE 7-3. HARNESS COMPONENTS INSTALLATION (WITH UGM)

ITEM	PART NUMBER	QTY	DESCRIPTION	REV
		Ref	USA Built Machines use SNs 03xxxxxxxx.	
		Ref	Belgium Built Machines use SNs 13xxxxxxxx.	
		Ref	Romanian Built Machines use SNs E3xxxxxxxx.	
		Ref	Note: For Module (with/without UGM) Identification, refer to Revision Log page A.	
		Ref	Note: All Romanian Built Machines uses UGM.	
	1001108901	Ref	PLATFORM CONSOLE BOX COMPONENTS	E
2	0100048	AR	Grease, Dielectric	
36	4460428	2	Connector, Strain Relief	
37	4460470	1	Nut, Terminal	
38	4460471	1	Lockwasher, Terminal	
40	4460708	2	Connector - 15 Position	
41	4460905	5	Seal, Plug	
46	4922533	1	Harness, Upper Valve	3-C
46A	4460226	7	Socket, Female	
46B	4460880	6	Connector, DIN	
47	4922666	1	Harness, Analyzer Cable	2-B
47	4460226	4	Socket, Female (Not Shown - Located at J2)	
47A	4460761	1	Connector, Female - 4 Position	
47A	4460227	4	Pin, Male	
53	0272970	Ref	Footswitch Components	B
53A	1060918	8 ft/2.4m	Cable, Electrical - 18/3	
53B	4460071	1	Connector, Strain Relief	
53C	4460226	2	Socket, Female	
53C	4460464	1	Pin, Male Deutsch	
54	1001107007	1	Harness, Platform Box (See Items 101-109 for Breakdown)	
	1001107007	Ref	PLATFORM BOX HARNESS ASSEMBLY	C
101	4460866	1	Connector - 19 Position	
101	4460464	7	Pin, Male Deutsch 16 Ga	
101	4460508	3	Pin, Male Deutsch 12 Ga	
102	4460874	1	Connector - 35 Position (Natural)	
102	4460871	29	Socket, Female	
103	4460875	1	Connector - 35 Position (Gray)	
103	4460871	26	Socket, Female	
104	4460873	1	Connector - 35 Position (Black)	
104	4460871	26	Socket, Female	
105	4460879	1	Connector, Male 2 Position	
105	4460887	2	Terminal (12 Gauge)	
106	4460418	8	Connector, Female - 6 Position	
106	4460419	24	Socket, Female	
107	4460225	4	Connector - 6 Position	
107	4460226	18	Socket, Female	
108	4460225	1	Connector - 6 Position	
108	4460227	5	Pin, Male	
109	4460434	2	Connector - 15 Position	
109	4460227	25	Pin, Male	
		Ref	BOOM CABLES INSTALLATION (USA BUILT MACHINES)	
	0271311	Ref	Boom Cables Installation 450A Series II without SkyPower (ANSI, ANSI Export and CSA Specs)	J
	0271310	Ref	Boom Cables Installation 450A Series II without SkyPower	J

SECTION 7 - ELECTRICAL

ITEM	PART NUMBER	QTY	DESCRIPTION	REV
			(Australian and CE Specs)	
	0273279	Ref	Boom Cables Installation 450A Series II with SkyPower	C
	1001097502	Ref	Boom Cables Installation 450A Series II with Arctic Package	A
	1001097503	Ref	Boom Cables Installation 450A Series II with Arctic Package with SkyPower	A
	0271122	Ref	Boom Cables Installation 450AJ Series II without SkyPower (ANSI, ANSI Export and CSA Specs)	J
	0271206	Ref	Boom Cables Installation 450AJ Series II without SkyPower (Australian and CE Specs)	J
	1001115917	Ref	Boom Cables Installation 450AJ Series II without SkyPower with Communication Package	A
	0273280	Ref	Boom Cables Installation 450AJ Series II with SkyPower	C
	1001116516	Ref	Boom Cables Installation 450AJ Series II with SkyPower with Communication Package	A
	0275116	Ref	Boom Cables Installation 450AJ Series II with Arctic Package	C
	0275786	Ref	Boom Cables Installation 450AJ Series II with Arctic Package with SkyPower	C
205	4460425	1	Connector, Strain Relief (Without SkyPower Only)	
209	4460865	1	Connector - 19 Position	
209	2820031	AR	Heat Shrink	
210	4460866	1	Connector - 19 Position	
210	2820031	AR	Heat Shrink	
213		Ref	Harness Assembly - Tower Boom (12/4 - 18/8) Options:	
213	4922530	1	Without Arctic Package	3-D
213	4923458	1	With Arctic Package	1-A
213		Ref	Cable, Electrical - 12/4 & 18/8 Options:	
213	1060896	34	Without Arctic Package	
		ft/10.4m		
213	4923462	34	With Arctic Package Only	
		ft/10.4m		
213	2820118	6 in/15cm	Heat Shrink	
213A	4460865	1	Connector - 19 Position	
213A	4460465	11	Socket, Female 18 Gauge	
213A	4460509	4	Socket, Female 12 Gauge	
213A	4460466	4	Seal, Plug	
213B	4460473	1	Clamp, Cable	
213C	4460464	11	Pin, Male 18 Gauge	
213C	4460508	4	Pin, Male 12 Gauge	
214		Ref	Harness Assembly - Main Boom (12/4 - 18/8) Options:	
214		Ref	Cable, Electrical - 12/4 & 18/8 Options:	
214	1060896	29	Without Arctic Package	
		ft/8.84m		
214	4923462	28 ft/8.5m	With Arctic Package	
214	2820118	6 in/15cm	Heat Shrink	
214A	4460865	2	Connector - 19 Position	
214A	4460465	22	Socket, Female 18 Gauge	
214A	4460509	8	Socket, Female 12 Gauge	
214A	4460466	4	Seal, Plug	
214B	4460473	1	Clamp, Cable	
225	4460473	1	Clamp, Cable	
226		Ref	Cable, Electrical 8/5 - SkyPower Main Boom Options:	
226	Not Required	0	Without SkyPower	
226	Not Required	0	With Arctic Package	

SECTION 7 - ELECTRICAL

ITEM	PART NUMBER	QTY	DESCRIPTION	REV
226	4922929	1	With SkyPower	
226	4922929	1	With Arctic Package and SkyPower	
227		Ref	Cable, Electrical 8/5 - SkyPower Tower Boom Options:	
227	Not Required	0	Without SkyPower	
227	4922857	1	With SkyPower	
228	1671092	1	Cover, Female Connector (With SkyPower Only)	
229	1671093	1	Cover, Male Plug (With SkyPower Only)	
230		Ref	Cable, Electrical 12/3 Options:	
230		Ref	Machines Without Arctic Package or SkyPower	
230	1060987	1	ANSI, ANSI Export and CSA Specs	
230	1060989	1	Australian and CE Specs	
230		Ref	Machines With Arctic Package and/ or SkyPower	
230	4923460	1	With Arctic Package	
230	Not Required	1	With Arctic Package with SkyPower	
230	Not Required	1	With SkyPower	
231		Ref	Cable, Electrical 12/3 Options:	
231		Ref	Machines Without Arctic Package or SkyPower	
231	1060988	1	ANSI, ANSI Export and CSA Specs	
231	1060990	1	Australian and CE Specs	
231		Ref	Machines With Arctic Package and/ or SkyPower	
231	4923461	1	With Arctic Package	
231	Not Required	1	With Arctic Package with SkyPower	
231	Not Required	1	With SkyPower	
232	4460960	1	Plug, Female (With SkyPower Only)	
233	4460959	1	Connector, Male (With SkyPower Only)	
234		Ref	Connector, Strain Relief	
234	1321692	1	Without Arctic Package	
234	1321692	1	With SkyPower Only	
234	1321692	1	Connector, Strain Relief 450A Series II With Arctic Package and Arctic Package with SkyPower	
234	1321694	1	Connector, Strain Relief 450AJ Series II With Arctic Package and Arctic Package with SkyPower	
234	1321692	1	Connector, Strain Relief 450AJ Series II With Communication Package	
234	1321694	1	Connector, Strain Relief 450AJ Series II With Communication Package with SkyPower	
235	1001115713	1	Cable, Communication (Tower Boom) (450AJ Series II With Communication Package Only) (Not Shown)	
236	1001115916	1	Cable, Communication (Main Boom) (450AJ Series II With Communication Package Only) (Not Shown)	
		Ref	BOOM CABLES INSTALLATION (BELGIUM AND ROMANIAN BUILT MACHINES)	
	0272594	Ref	Tower Boom Components without SkyPower	D
	0275436	Ref	Tower Boom Components with SkyPower	D
251	1060991	1	Cable, Electrical 12/3 (Without SkyPower Only)	
252		Ref	Connector, Strain Relief Options:	
252	4460425	2	Without SkyPower	
252	1321692	1	With SkyPower	
253	4460866	1	Connector - 19 Position	
253	2820031	AR	Heat Shrink	
254	4922530	1	Harness Assembly - Tower Boom (12/4 - 18/8)	3-D
254	1060896	34	Cable, Electrical - 12/4 & 18/8	
		ft/10.4m		

SECTION 7 - ELECTRICAL

ITEM	PART NUMBER	QTY	DESCRIPTION	REV
254	2820118	6 in/15cm	Heat Shrink	
254A	4460865	1	Connector - 19 Position	
254A	4460465	11	Socket, Female 18 Gauge	
254A	4460509	4	Socket, Female 12 Gauge	
254A	4460466	4	Seal, Plug	
254B	4460473	1	Clamp, Cable	
254C	4460464	11	Pin, Male 18 Gauge	
254C	4460508	4	Pin, Male 12 Gauge	
255	4922770	1	Cable, Electrical 18/2	
255A	4460226	2	Socket, Female	
256	1671093	1	Cover, Male Plug (With SkyPower Only)	
257	4460960	1	Plug, Female (With SkyPower Only)	
258		Ref	Cable, Electrical 8/5 - SkyPower Tower Boom Options:	
258	Not Required	0	Without SkyPower	
258	4922857	1	With SkyPower	
	0272665	Ref	Main Boom Components without SkyPower	C
	0275437	Ref	Main Boom Components with SkyPower	B
261	1060996	1	Cable, Electrical 12/3	
262	4460865	1	Connector - 19 Position	
263	4922532	1	Harness Assembly - Main Boom (12/4 - 18/8)	B
263	1060896	29 ft/8.84m	Cable, Electrical - 12/4 & 18/8	
263	2820118	6 in/15cm	Heat Shrink	
263A	4460865	2	Connector - 19 Position	
263A	4460465	22	Socket, Female 18 Gauge	
263A	4460509	8	Socket, Female 12 Gauge	
263A	4460466	4	Seal, Plug	
263B	4460473	1	Clamp, Cable	
264	4460473	1	Clamp, Cable	
265	1671092	1	Cover, Female Connector (With SkyPower Only)	
266	4460959	1	Connector, Male (With SkyPower Only)	
267		Ref	Cable, Electrical 8/5 - SkyPower Main Boom Options:	
267	Not Required	0	Without SkyPower	
267	4922929	1	With SkyPower	
		Ref	GROUND CONTROL BOX COMPONENTS	
325	4460426	1	Connector, Strain Relief	
325	3520035	AR	Plug	
326	4460470	1	Nut, Terminal	
327	4460471	1	Locknut, Terminal	
328	0100048	AR	Grease, Dielectric	
329	4460526	1	Connector, Strain Relief	
330	4460497	1	Nut, Terminal	
331	4460496	1	Locknut, Terminal	
332	1001106736	1	Cap, Dust	
336	1001105636	1	Ground Control Box Harness Assembly	D
336	3990010	2	Diode 6 Amp (Not Shown)	
336A	4460418	9	Connector, Female - 6 Position	
336A	4460419	27	Socket, Female	
336B	4460876	1	Connector - 35 Position (Blue)	
336B	4460871	28	Socket, Female	
336B	4460905	31	Seal, Plug	
336C	4460866	1	Connector - 19 Pin	

SECTION 7 - ELECTRICAL

ITEM	PART NUMBER	QTY	DESCRIPTION	REV
336C	4460464	7	Pin, Male Deutsch 16 Ga	
336C	4460508	3	Pin, Male Deutsch 12 Ga	
336D	4460878	1	Housing, Terminal - 4 Position	
336D	4460887	3	Terminal (12 Gauge)	
336E	4120035	6	Base, Light	
336E	4460634	7	Terminal (16 Gauge)	
336E	4460635	5	Terminal (12 Gauge)	
336F	4460873	1	Connector - 35 Position (Black)	
336F	4460871	21	Socket, Female	
336F	4460905	2	Seal, Plug	
336G	4460875	1	Connectorr - 35 Position (Gray)	
336G	4460871	3	Socket, Female	
336H	4460434	2	Connector - 15 Position	
336H	4460227	22	Pin	
336J	4460761	1	Connector, Female - 4 Position	
336J	4460227	4	Pin, Male	
336K	4460536	1	Connector, Female - 3 Position	
336K	4460943	3	Pin	
336L	8229242	2	Fuse 5A	
336L	2400060	2	Holder, Fuse	
336M	4460874	1	Connector, Natural	
336M	4460871	8	Socket, Female	
336M	4460905	AR	Plug, Seal	
336N	1001106339	1	Connector, Male - 14 Position	
336N	4460871	2	Socket, Female	
336N	4460905	AR	Plug, Seal	
336P	1001112612	1	Connector - 9 Position	
336P	4460943	4	Socket, Female	
336Q	1001106340	1	Connector, Male - 14 Position	
336Q	4460871	5	Socket, Female	
337		Ref	Engine Harness Assembly (See Items 401-456 for Breakdown)	
337	1001102715	1	Caterpillar/Perkins Engine Machines	
337	1001109728	1	Deutz Engine Machines	
337	1001109729	1	GM Engine Machines	
338	1001105637	1	Valve Harness Assembly	B
338A	4460880	12	DIN Connector	
338B	4460320	2	Connector, Female - 2 Position	
338B	4460267	4	Pin, Male	
338C	4460424	1	Connector, Male - 2 Position	
338C	4460268	2	Pin, Female	
338D	4460871	20	Socket, Female	
339		Ref	Ground Control Box Wiring Diagram (Not Shown - See Items 501 to 518 for Breakdown)	
339	1001102900	Ref	Caterpillar/Perkins Engine	
339	1001109727	Ref	Deutz Engine	
339	1001109725	Ref	GM Engine	
		Ref	ENGINE HARNESS ASSEMBLY	
	1001102715	Ref	Caterpillar/Perkins Engine Machines	E
	1001109728	Ref	Deutz Engine Machines	A
	1001109729	Ref	GM Engine Machines	A
418	4460424	1	Connector - 2 Position	
418	4460268	2	Socket, Female	

SECTION 7 - ELECTRICAL

ITEM	PART NUMBER	QTY	DESCRIPTION	REV
419	4460424	1	Connector - 2 Position	
419	4460226	2	Socket, Female	
420	4460880	2	DIN Connector without Diode	
426	4461070	1	Receptacle with Resistor (Deutz Engine Only)	
426	4460944	3	Terminal, Gold (Deutz Engine Only)	
426	4461095	1	Connector - 3 Position (Deutz Engine Only)	
430	4460539	1	Connector - 3 Position	
431	4460944	3	Terminal, Gold	
432	4461157	1	Connector - 2 Position	
432	4460979	2	Pin, Male	
432	4460458	2	Seal, Terminal	
436	4461052	1	Connector - 25 Position (Deutz Engine Only)	
436	4461005	5	Terminal 18-20 Gauge (Deutz Engine Only)	
436	4461060	2	Terminal 14-16 Gauge (Deutz Engine Only)	
436	4461006	5	Seal 18-20 Gauge (Deutz Engine Only)	
436	4461054	2	Seal 14-16 Gauge (Deutz Engine Only)	
436	4461008	18	Plug, Hole (Deutz Engine Only)	
436	4461053	1	Cover, Plug (Deutz Engine Only)	
437	4460742	2	Connector - 2 Position	
438	4460457	4	Terminal, Female	
439	4460458	4	Seal, Terminal	
440	4460899	1	Connector - 6 Position (Caterpillar Engine Only)	
440	4460464	5	Pin, Male (Caterpillar Engine Only)	
440	4460466	1	Seal, Plug (Caterpillar Engine Only)	
448	4461121	1	Connector - 4 Position (GM Engine Only)	
448	4461122	4	Socket, Female (GM Engine Only)	
448	4461123	4	Seal, Terminal (GM Engine Only)	
453	4461124	1	Connector - 4 Position (GM Engine Only)	
453	4460693	4	Pin, Male (GM Engine Only)	
453	4460608	4	Seal, Terminal (GM Engine Only)	
453	4461161	1	Lock, Terminal (GM Engine Only)	
454	4461109	1	Connector - 16 Position (GM Engine Only)	
454	4461111	7	Pin, Male (GM Engine Only)	
454	4461113	7	Seal, Terminal (GM Engine Only)	
454	4461222	9	Terminal, Cavity Plug (GM Engine Only)	
455	4460871	AR	Socket, Female	
456	2902443	1	Receptacle Kit (Deutz Engine Only)	
456	4461071	8	Socket, Female (Gold)	
456	4461072	1	Receptacle 8 Position with Mounting Flange	
456	4461073	1	Cap, Dust	
456	4461074	1	Shell	
		Ref	GROUND CONTROL BOX WIRING DIAGRAM	
	1001102900	Ref	Caterpillar/Perkins Engine	F
	1001109727	Ref	Deutz Engine	B
	1001109725	Ref	GM Engine	B
501	2920129	AR	Bulb, Light	
507	2400065	1	Fuse, 30Amp	
508	2400066	1	Fuse, Holder	
510	4460708	2	Connector - 15 Position	
510	4460226	4	Socket, Female	
510	4922637	1	Harness, Jumper (Not Shown)	

SECTION 7 - ELECTRICAL

ITEM	PART NUMBER	QTY	DESCRIPTION	REV
510	4460905	AR	Seal, Plug	
518	4460894	1	Connector - 6 Position	
518	4460892	1	Connector, Bussbar - 6 Position	
		Ref	STANDARD HARNESS COMPONENTS	
601		Ref	Battery Cable Kit Options:	
601		Ref	Deutz Engines	
601	2902060	1	USA Built Machines (SN 0300124000 through 0300142894)	B
601	1001122202	1	USA Built Machines (SN 0300142895 through 0300160834)	A
601	2902060	1	Belgium Built Machines	B
601	2902060	1	Romanian Built Machines	B
601	1001102860	1	Caterpillar/Perkins Engines	A
601	2902510	1	GM Engines	B
601A		Ref	Cable, Battery (Red)	
601A		Ref	Deutz Engines (Battery to Starter Relay)	
601A	7016817	1	p/n 2902060 Kit	
601A	7027040	1	p/n 1001122202 Kit	
601A	7027025	1	Caterpillar/Perkins Engines (Battery to Auxiliary Power Relay)	
601A	7016839	1	GM Engines (Battery to Auxiliary Power Relay)	
601B		Ref	Cable, Battery (Battery – and Auxiliary Pump to Ground)	
601B		Ref	Deutz Engines	
601B	7027041	1	p/n 2902060 Kit (was p/n 7016837)	
601B	7027041	1	p/n 1001122202 Kit	
601B	7027026	1	Caterpillar/Perkins Engines	
601B	7016840	1	GM Engines	
601C		Ref	Cable, Battery (Red)	
601C		Ref	Deutz Engines (Starter Relay to Starter)	
601C	7016820	1	p/n 2902060 Kit	
601C	7027040	1	p/n 1001122202 Kit (Part of 601A)	
601C	7027023	1	Caterpillar/Perkins Engines (Auxiliary Power Relay to Starter)	
601C	7027014	1	GM Engines (Auxiliary Power Relay to Starter)	
601D		Ref	Cable, Battery (Red) (Auxiliary Relay to Auxiliary Pump)	
601D		Ref	Deutz Engines	
601D	7016834	1	p/n 2902060 Kit	
601D	7027014	1	p/n 1001122202 Kit	
601D	7027024	1	Caterpillar/Perkins Engines	
601D	7016841	1	GM Engines	
601E		Ref	Cable (Starter Relay to Auxiliary Relay)	
601E		Ref	Deutz Engines	
601E	7016838	1	p/n 2902060 Kit	
601E	7027040	1	p/n 1001122202 Kit (Part of 601A)	
601E	Not Required	1	CaterpillarGM/Perkins Engines	
602	1060904	1	Cable, Jumper (Deutz Engine Machines) (SN 0300124000 through 0300142978)	
604	70003767	AR	Caterpillar/Perkins Engine Harness Components	
604A	70020808	1	Connector - 23 Position	
604A	4460871	16	Socket, Female	
604B	91503103	1	Connector - 6 Position	
604B	77363228	6	Terminal	
604B	91504107	1	Lock, Connector	
604B	4460466	AR	Plug	

SECTION 7 - ELECTRICAL

ITEM	PART NUMBER	QTY	DESCRIPTION	REV
604C	See Note	1	Connector - 8 Position (Note: Not Available for Purchase)	
604D	7026408	2	Connector - 2 Position	
604D	77363229	4	Terminal	
604D	80604018	2	Lock, Connector	
605		Ref	Deutz Engine Harness Components	
605A	7027796	1	Deutz Engine Harness	
605B	See Note	1	Receptacle (Note: Not Available - Purchase Item 605A)	
605C	7027793	1	Plug-In, Connector	
605D	70000345	3	Glow Plug	
605E	7027794	1	Deutz Engine Harness (For other replacement parts refer to Deutz engine dealer)	
606	70002455	1	Caterpillar/Perkins Speed Sensor Harness (Includes Speed Sensor)	
609	See Note	1	GM Engine Harness (Note: For other replacement parts refer to GM industrial engine dealer)	
609	See Note	1	Connector - 10 Position (Note: Not Available for Purchase)	
610		Ref	Pump Harness Options:	
610	See Note	2	2WD (Note: Not Available for Purchase)	
610	7024830	2	4WD	
610A	7007498	1	Connector - Position (2WD)	
610A	4460867	2	Receptacle, Female - 2 Position (4WD)	
610A	4460850	4	Pin, Male (4WD)	
610B	7007497	1	Connector (2WD)	
610B	Not Required	0	4WD	
611		Ref	Limit Switch Harness Options (Does not include Limit Switch) (Part of Boom Installation on USA Built Machines Only):	
611	4922770	1	Without Arctic Package	B
611	4923469	1	With Arctic Package	A
611A	4460226	2	Socket, Female	
612		Ref	Limit Switch Harness Options (Includes Limit Switch):	
612	4922714	1	Without Arctic Package	B
612	4923467	1	With Arctic Package	A
612		Ref	Cable, Electrical 18/2 Options:	
612	1060902	8.5 ft/2.6m	Without Arctic Package	
612	4923466	8.5 ft/2.6m	With Arctic Package	
612A	4460226	2	Socket, Female	
612B	4360548	1	Switch, Limit	
612C	4460968	1	Relief, Strain	
613	See Note	1	Controller Harness Assembly (Lift and Swing) (Note: Not Available - Purchase Complete Controller)	
613A	7022819	1	Connector - 8 Position (Natural)	
613A	4460871	8	Socket, Female	
614	7022824	1	Controller Harness/Circuit Board Assembly (Drive and Steer)	
614A	7022825	1	Connector - 8 Position (Black)	
614A	4460871	7	Socket, Female	
615	See Note	1	Controller Harness Assembly (Speed Control) (Note: Not Available - Purchase Complete Controller)	
615A	4460224	1	Connector - 6 Position	
615A	4460226	8	Socket, Female	
616		Ref	Harness, Glow Plugs Options:	
616	4923451	1	Machines without Arctic Package	

SECTION 7 - ELECTRICAL

ITEM	PART NUMBER	QTY	DESCRIPTION	REV
616	4922642	1	Machines with Arctic Package	
617	4360517	1	Switch, Proximity	
617A	4460320	1	Connector - 2 Position	
617A	4460227	2	Pin, Male	
		Ref	OPTIONAL HARNESS COMPONENTS	
701		Ref	AC to Platform Receptacle Components	
701	0258303	Ref	110V GFI Receptacle (ANSI, ANSI Export and CSA Specs)	6
701	0258305	Ref	220V GFI Receptacle (ANSI and CSA Specs)	4
701	0258304	Ref	110V/220V (Plug and Receptacle Supplied Locally) (ANSI Export and Australian)	3
701		Ref	110V/220V CE Spec Only Options:	
701		Ref	Without Generator:	
701	0258304	Ref	110V/220V (Plug and Receptacle Supplied Locally)	3
701	0275681	Ref	110V with IEC Yellow Receptacle and Plug and Circuit Breaker	B
701	0275678	Ref	220V with CEE 7 Post Ground Receptacle and Plug and Circuit Breaker (2x4 Box)	B
701	0275679	Ref	220V with CEE 7 Side Ground Receptacle and Plug and Circuit Breaker (2x4 Box)	B
701	0275683	Ref	220V with CEE 7 Post Ground Receptacle and Plug and Circuit Breaker (70mm x 70mm Box)	B
701	0275684	Ref	220V with CEE 7 Side Ground Receptacle and Plug and Circuit Breaker (70mm x 70mm Box)	B
701	0275680	Ref	220V with AFSINT 107 Keyed Ground Receptacle and Plug and Circuit Breaker (2x4 Box)	B
701	0275682	Ref	220V with IEC Blue Receptacle and Plug and Circuit Breaker	B
701		Ref	With Generator:	
701	1001101913	Ref	110V with IEC Yellow Receptacle and Plug and Circuit Breaker	B
701	1001101910	Ref	220V with CEE 7 Post Ground Receptacle and Plug and Circuit Breaker (2x4 Box)	B
701	1001101911	Ref	220V with CEE 7 Side Ground Receptacle and Plug and Circuit Breaker (2x4 Box)	B
701	1001101915	Ref	220V with CEE 7 Post Ground Receptacle and Plug and Circuit Breaker (70mm x 70mm Box)	B
701	1001101916	Ref	220V with CEE 7 Side Ground Receptacle and Plug and Circuit Breaker (70mm x 70mm Box)	B
701	1001101912	Ref	220V with AFSINT 107 Keyed Ground Receptacle and Plug and Circuit Breaker (2x4 Box)	B
701	1001101914	Ref	220V with IEC Blue Receptacle and Plug and Circuit Breaker	B
701A		Ref	Box Options:	
701A	0860038	1	0258303/0258305 Installations	
701A	See Note	1	0258304 Installation (Note: Not Available - Purchase Locally)	
701A	0861781	1	0275681/ 0275680/ 1001101913/ 1001101914 Installations	
701A	0861731	1	0275678/ 0275679/ 1001101910/ 1001101911/ 1001101912 Installations	
701A	See Note	1	0275683/ 0275684/ 1001101915/ 1001101916 Installations (Note: Was p/n 0861782 which is no longer available. use p/n 100110034 CEE 7 Side Ground Service Kit or p/n 1001100343 CEE 7 Post Ground Service Kit. Kit includes Box p/n 1001141967 and Items 701B, 701C, 701L & 701N.)	
701A	0861781	1	0275682 Installation	
701B		Ref	Receptacle Options:	
701B	4460346	1	0258303 Installations	

SECTION 7 - ELECTRICAL

ITEM	PART NUMBER	QTY	DESCRIPTION	REV
701B	4460125	1	0258305 Installations	
701B	See Note	1	0258304 Installation (Note: Not Available - Purchase Locally)	
701B	4461198	1	0275681/1001101913 Installations	
701B	4461244	1	0275678/1001101910 Installations	
701B	4461245	1	0275679/1001101911 Installations	
701B	4461204	1	0275683/1001101915 Installations (Use p/n 1001100343)	
701B	1001141971	1	0275683/1001101915 Installations (Use p/n 1001100343)	
701B	4461207	1	0275684/1001101916 Installations (Use p/n 1001100344)	
701B	1001141970	1	0275684/1001101916 Installations (Use p/n 1001100344)	
701B	4461246	1	0275680/1001101912 Installations	
701B	4461201	1	0275682/1001101914 Installations	
701B	1001141968	1	1001100343 & 1001141971 Kits	
701B	1001141969	1	1001100344 & 1001141970 Kits	
701C		Ref	Plug Options:	
701C	4460205	1	0258303 Installations	
701C	4460233	1	0258305 Installations	
701C	See Note	1	0258304 Installation (Note: Not Available - Purchase Locally)	
701C	4461196	1	0275681/1001101913 Installations	
701C	4461202	1	0275678/ 0275683/ 1001101910/ 1001101915 Installations and 1001100343 & 1001141971 Kits	
701C	4461205	1	0275679/ 0275684/ 1001101911/ 1001101916 Installations and 1001100344 & 1001141970 Kits	
701C	4461249	1	0275680/1001101912 Installation	
701C	4461199	1	0275682/1001101914 Installation	
701D	0903484	1	Bracket (All Installations except 0258303/0258304/0258305 Installations)	
701E	0903612	1	Bracket (All Installations except 0258303/0258304/0258305 Installations)	
701F		Ref	Decal Options:	
701F	1705325	1	110V	
701F	3252507	1	220V	
701G		Ref	Circuit Breaker Box Kit Options (All Installations except 0258303/0258304/0258305 Installations):	
701G	2902549	1	Without Generator	D
701G	1001096070	1	With Generator	D
701G		Ref	Breaker, Circuit - 16 Amp Options:	
701G	1001109475	1	Without Latch and Bracket	
701G	1001109482	1	With Latch and Bracket	
701G	0861880	1	Box, Breaker	
701G	4460956	1	Barrier, Terminal Block End	
701G	4460957	1	Block, Terminal	
701H		Ref	Connector, Strain Relief Options:	
701H	4460633	2	M20 Diameter	
701H	1001097150	2	M25 Diameter	
701J	1060908	Ref	Cable, Electrical 12/3 Options (All Installations except 0258303/0258304/0258305 Installations):	
701J	1060908	6 ft/1.8m	Cable, Electrical 12/3, Without Generator	
701J	1060908	12 ft/3.7m	Cable, Electrical 12/3, With Generator	
701K		Ref	Connector, Strain Relief	
701K	4460968	1	All Installations except 0258303/0258304/0258305	
701K	See Note	1	0258304 Installation (Note: Not Available - Purchase Locally)	

PARTS FINDER

**Search Website
by Part Number**



**Search Manual
Library For Parts
Manual & Lookup Part
Numbers – Purchase
or Request Quote**

**Can't Find Part or
Manual? Request Help
by Manufacturer,
Model & Description**

Discount-Equipment.com is your online resource for quality parts & equipment.

Florida: **561-964-4949** Outside Florida TOLL FREE: **877-690-3101**

Need parts?

Click on this link: <http://www.discount-equipment.com/category/5443-parts/> and choose one of the options to help get the right parts and equipment you are looking for. Please have the machine model and serial number available in order to help us get you the correct parts. If you don't find the part on the website or on one of the online manuals, please fill out the request form and one of our experienced staff members will get back to you with a quote for the right part that your machine needs.

We sell worldwide for the brands: Genie, Terex, JLG, MultiQuip, Mikasa, Essick, Whiteman, Mayco, Toro Stone, Diamond Products, Generac Magnum, Airman, Haulotte, Barreto, Power Blanket, Nifty Lift, Atlas Copco, Chicago Pneumatic, Allmand, Miller Curber, Skyjack, Lull, Skytrak, Tsurumi, Husquvarna Target, Stow, Wacker, Sakai, Mi-T-M, Sullair, Basic, Dynapac, MBW, Weber, Bartell, Bennar Newman, Haulotte, Ditch Runner, Menegotti, Morrison, Contec, Buddy, Crown, Edco, Wyco, Bomag, Laymor, EZ Trench, Bil-Jax, F.S. Curtis, Gehl Pavers, Heli, Honda, ICS/PowerGrit, IHI, Partner, Imer, Clipper, MMD, Koshin, Rice, CH&E, General Equipment, Amida, Coleman, NAC, Gradall, Square Shooter, Kent, Stanley, Tamco, Toku, Hatz, Kohler, Robin, Wisconsin, Northrock, Oztec, Toker TK, Rol-Air, APT, Wylie, Ingersoll Rand / Doosan, Innovatech, Con X, Ammann, Mecalac, Makinex, Smith Surface Prep, Small Line, Wanco, Yanmar

SECTION 7 - ELECTRICAL

ITEM	PART NUMBER	QTY	DESCRIPTION	REV
701K	4460071	1	0258303/0258305 Installations	
701L		Ref	Shield, Cover	
701L	Part of Item 701A	1	All Installations except 0258303/0258304/0258305 Installation	
701L		Ref	0258303 Installation Options	
701L	4060700	1	Side Hinged	
701L	1001110873	1	Top Hinged	
701L	Not Available		0258304 Installation (Purchase Locally)	
701L	4060092	1	0258305 Installation	
701L	3960422	1	Gasket, Cover (0258303/0258305 Installations)	
701M		Ref	Plug, Male Options:	
701M	4460709	1	All Installations Except 0258303 Installation	
701M	4460205	1	0258303 Installation	
701N		Ref	Connector, Female Options:	
701N	4460710	1	All Installations Except 0258303/0258305 Installation	
701N	4460134	1	0258303 Installation	
701N	4460701	1	0258305 Installation	
701N	4461197	1	1001101913 Installation	
701N	4461200	1	1001101914 Installation	
701N	4461203	1	1001101910/1001101915 Installations and 1001100343 & 1001141971 Kits	
701N	4461206	1	1001101911/1001101916 Installations and 1001100344 & 1001141970 Kits	
701N	4461250	1	1001101912 Installation	
		Ref	Kit, Plug and Socket Options:	
		Ref	Without Generator:	
	See Note	Ref	0258303 & 0258305 Installation (Note: Purchase Individual Components)	
	See Note	Ref	0258304 Installation (Note: Not Available - Purchase Locally)	
	0275216	Ref	110V with IEC Yellow (Includes Items 701A, 701B, 701C & 701L) (0275681 Installation)	A
	0275452	Ref	220V with CEE 7 Post Ground (2 x 4 Box) (Includes Items 701A, 701B, 701C & 701L) (0275678 Installation)	A
	0275453	Ref	220V with CEE 7 Side Ground (2 x 4 Box) (Includes Items 701A, 701B, 701C & 701L) (0275679 Installation)	A
	0275218	1	220V with CEE 7 Post Ground (70mm x 70mm Box) (Includes Items 701A-701C, 701L & 701N) (0275683 Installation) (Use p/n 1001100343)	B-2
	0275219	1	220V with CEE 7 Side Ground (70mm x 70mm Box) (Includes Items 701A-701C, 701L & 701N) (0275684 Installation) (Use p/n 1001100344)	B-2
	0275454	Ref	220V with AFSINT 107 Keyed Ground (Includes Items 701A, 701B, 701C & 701L) (0275680 Installation)	A
	0275217	Ref	220V with IEC Blue (Includes Items 701A, 701B, 701C & 701L) (0275682 Installation)	A
		Ref	With Generator:	
	1001100341	Ref	110V with IEC Yellow (Includes Items 701A - 701C, 701L & 701N) (1001101913 Installation)	2-A
	1001100345	Ref	220V with CEE 7 Post Ground (2 x 4 Box) (Includes Items 701A - 701C, 701L & 701N)(1001101910 Installation)	2-A
	1001100347	Ref	220V with CEE 7 Side Ground (2 x 4 Box) (Includes Items 701A - 701C, 701L & 701N) (1001101911 Installation)	3-A
	1001100346	Ref	220V with AFSINT 107 Keyed Ground (Includes Items 701A - 701C, 701L & 701N) (1001101912 Installation)	2-A
	1001100342	Ref	220V with IEC Blue (Includes Items 701A - 701C, 701L & 701N) (1001101914 Installation)	2-A

SECTION 7 - ELECTRICAL

ITEM	PART NUMBER	QTY	DESCRIPTION	REV
	1001101971	1	220V with CEE 7 Post Ground (70mm x 70mm Box) (Includes Items 701A - 701C, 701L & 701N) (1001101915 Installation) (Use p/n 1001100343 Kit)	B
	1001101970	1	220V with CEE 7 Side Ground (70mm x 70mm Box) (Includes Items 701A - 701C, 701L & 701N) (1001101916 Installation) (Use p/n 1001100344 Kit)	B
702	4921829	1	2500W Generator to Rear of Boom Harness (110V) (ANSI and CSA Specs)	2
		Ref	Note: Harness used to connect AC at platform harness to generator receptacle to power platform receptacle.	
702	1060494	6 ft/1.83m	110V Cable, Electrical - 12/3 (ANSI and CSA Specs)	
702A	4460205	1	Plug, Male (110V)	
702B		Ref	Receptacle, Female Options:	
702B	4460134	1	110V (ANSI and CSA Specs)	
702B	4460701	1	220V (ANSI and CSA Specs)	
702B	See Note	1	110V/220V (Machines with Locally Supplied Plug and Receptacle) (ANSI Export, Australian and CE Specs) (Note: Not Available - Purchase Locally)	
702B	4461197	1	110V with IEC Yellow Receptacle and Plug and Circuit Breaker (CE Specs Option)	
702B	4461203	1	220V with CEE 7 Post Ground Receptacle and Plug and Circuit Breaker (2x4 Box) (CE Specs Option)	
702B	4461206	1	220V with CEE 7 Side Ground Receptacle and Plug and Circuit Breaker (2x4 Box) (CE Specs Option)	
702B	4461203	1	220V with CEE 7 Post Ground Receptacle and Plug and Circuit Breaker (70mm x 70mm Box) (CE Specs Option)	
702B	4461206	1	220V with CEE 7 Side Ground Receptacle and Plug and Circuit Breaker (70mm x 70mm Box) (CE Specs Option)	
702B	4461250	1	220V with AFSINT 107 Keyed Ground Receptacle and Plug and Circuit Breaker (2x4 Box) (CE Specs Option)	
702B	4461200	1	220V with IEC Blue Receptacle and Plug and Circuit Breaker (CE Specs Option)	
703		Ref	2500W Generator Electrical Components	
703		Ref	Caterpillar/Deutz/Perkins Engines	
703	1001112588	AR	110V/60HZ	A
703	1001112743	AR	110V/50Hz & 220V/50Hz	B
703	4933350	AR	GM Engines	B
703A	4922641	1	Harness - On/Off Switch	1-A
703A	4460226	2	Socket, Female	
703B		Ref	Powermite Control Box to Relay	
703B	1001112589	1	Caterpillar/Deutz/Perkins Engines	
703B	4923445	1	GM Engines	
703C	7020193	1	Harness, Generator Power	
		Ref	Note: Items 703D & 703E used on Following Applications:	
		Ref	Caterpillar Engines - All	
		Ref	GM Engines - All	
		Ref	Deutz & Perkins Engines - All with 110V/60H	
703D	4460321	1	Connector, Male - 4 Position	
703D	4460906	4	Socket, Female	
703E	4460961	1	Connector, Female - 4 Position	
703E	4460705	4	Pin, Male	
704		Ref	7500W Generator Electrical Components	
704	1001111404	AR	Caterpillar Engines Machines 60Hz	A
704	1001115395	AR	Deutz Engines Machines 60Hz	A
704	1001115396	AR	Deutz Engines Machines 50Hz	A

SECTION 7 - ELECTRICAL

ITEM	PART NUMBER	QTY	DESCRIPTION	REV
704	1001111404	AR	Perkins Engines Machines 60Hz	A
704	1001111818	AR	Perkins Engines Machines 50Hz	A
704A	4460958	1	Receptacle, Female Twist-Lock	
704B	3960422	2	Gasket	
704C	1001110873	1	Cover, Receptacle	
704D	1001110872	1	Cover, Receptacle	
704E	4460346	1	Receptacle, 110V	
704F	4460051	AR	Connector, Strain Relief	
704G	4460071	AR	Connector, Strain Relief	
704H	4922925	1	Harness, Generator	A
704J	See Note	1	Connector - 6 Position (Note: Not Available for Purchase)	
704J	See Note	6	Socket, Female (Note: Not Available for Purchase)	
704K	4460225	1	Connector - 6 Position	
704K	4460226	6	Socket, Female	
705		Ref	7500W SkyPower Generator Junction Box Components	
705	0861542	Ref	60Hz Spec	C
705	0861567	Ref	50Hz Specs	B
705A		Ref	Cable, Electrical 12/3	
705A	1060494	2 ft/.6m	60Hz Spec	
705A	See Note	2 ft/.6m	50Hz Spec (Note: Not Available - Purchase Locally)	
705B		Ref	Cable, Electrical 10/3	
705B	1060708	2.5 ft/.76m	60Hz Spec	
705B	See Note	2.5 ft/.76m	50Hz Spec (Note: Not Available - Purchase Locally)	
705C	1060343	1.5 ft/.46m	Cable, Electrical 10/4 (60Hz Spec Only)	
705D	4460425	2	Connector, Strain Relief	
705E		Ref	Component Options:	
705E	4460426	2	Connector, Strain Relief (60Hz Spec Only)	
705E	4460426	1	Connector, Strain Relief (50Hz Spec Only)	
705E	3520189	1	Plug (50Hz Spec Only)	
705F	1671092	1	Cover (60Hz Spec Only)	
705F	4460963	1	Connector (60Hz Spec Only)	
706		Ref	7500W Generator Electrical Diagram Components	
706	1001112586	Ref	Caterpillar/Deutz/Perkins Engine Machines	A
706A		Ref	Generator Harness Options:	
706A	1001112587	1	Caterpillar/Deutz/Perkins Engine Machines	A
706B	4460374	2	Plug, Sealed Relay	
706B	4460375	7	Terminal	
706C	4460967	1	Connector - 3 Position	
706C	4460465	3	Socket, Female	
706D	2400060	1	Fuseholder	
706D	2400064	1	Fuse - 5 Amp	
706E	4460742	1	Connector - 2 Position	
706E	4460743	2	Socket, Female	
706F	4922641	1	Switch Harness	
707	0255917	1	Strobe Light Harness (Includes Strobe Light)	
707A	4460320	1	Connector, Female - 2 Position	
707A	4460267	2	Pin, Male	
708	0257887	1	Alarm Harness (Includes Alarm)	
708A	4460424	1	Connector - 2 Position	

SECTION 7 - ELECTRICAL

ITEM	PART NUMBER	QTY	DESCRIPTION	REV
708A	4460268	2	Socket, Female	
709	See Note	1	Lights Harness (Note: Not Available for Purchase)	
709	1060341	37 ft/11.3m	Cable, Electrical - 16/2	
709A	3740049	1	Relay	
709A	4922643	1	Harness, Bag (Located at Ground Control Box) (Not Shown):	
711	See Note	1	Soft-Touch System Harness (Note: Not Available for Purchase)	
711A	1060341	Ref	Cable, Electrical - 16/2 Options:	
711A	1060341	15 ft/4.6m	Cable, Electrical - 16/2, 2.5ft/.7m x 6ft/8m Platform	
711A	1060341	22.7 ft/6.9m	Cable, Electrical - 16/2, 3ft/.9m x 6ft/8m Platform	
711B	4460871	2	Socket, Female	
712	4933308	1	Floodlights Harness Components	1-A
712A	4460320	2	Connector - 2 Position	
712A	4460227	4	Pin, Male	
712B	4922764	1	Floodlight Harness (Lights to Switch)	1-A
712C	4460424	2	Connector, Female - 2 Position	
712C	4460226	4	Socket, Female	
712D	4360232	1	Circuit Breaker - 15 Amp	
712E	1060977	1	Cord, 2 Wire Coiled (Console Box Circuit Breaker to Switch)	
712F	4460425	1	Connector, Strain Relief	
712G	4460459	1	Connector - 3 Position	
712G	4460790	3	Socket, Female	
712G	4460789	3	Seal	
712H	4460476	1	Receptacle, Female	
712H	4460850	3	Pin, Male	
712H	4460790	3	Socket, Female	
712J	1060494	33 ft/10.1m	Electrical Cable 12/3 (Lower Boom to Aux Relay)	
712K	1060494	47 ft/14.3m	Electrical Cable 12/3 (Upper Boom to Console Box)	
713		Ref	Platform Worklights Components	
713A	2920140	2	Platform Worklights External Harness (Includes Light and Wire Only)	
713B	4460459	1	Connector - 3 Position	
713B	4460790	3	Socket, Female	
713B	4460789	3	Seal	
713C	4460476	1	Receptacle, Female	
713C	4460850	3	Pin, Male	
713C	4460790	3	Socket, Female	
713D	4460426	1	Connector, Strain Relief	
713E	2400070	1	Fuse	
713E	2400066	1	Holder, Fuse	
713F	1060987	1	Worklights Harness (Upper Boom to Worklights)	
713G	1060988	1	Worklights Harness (Lower Boom to Aux Power Solenoid)	
		Ref	TOOLS (NOT SHOWN)	
801	7002821	1	Crimper (For Wire to Pin/Socket Connections)	
802	7002823	1	Extractor (For Removal of Pin/Socket from Connectors)	
803	4460467	1	Extractor, Pin (Blue 16-18 Gauge) (For Removal of Pin/Socket from Connectors)	
804	4460510	1	Extractor, Pin (Yellow 12-14 Gauge) (For Removal of Pin/Socket from Connectors)	
805	7002828	1	Stripper, Wire	

SECTION 7 - ELECTRICAL

ITEM	PART NUMBER	QTY	DESCRIPTION	REV
806	2901443	1	Analyzer Kit	1-A
806A	1600244	1	Analyzer	
806B	1060633	1	Cable, Analyzer	
806C	4460321	2	Plug, Male	
806C	4460226	8	Socket, Female	
807	1001137005	1	Cable Kit, Software (Not Shown)	

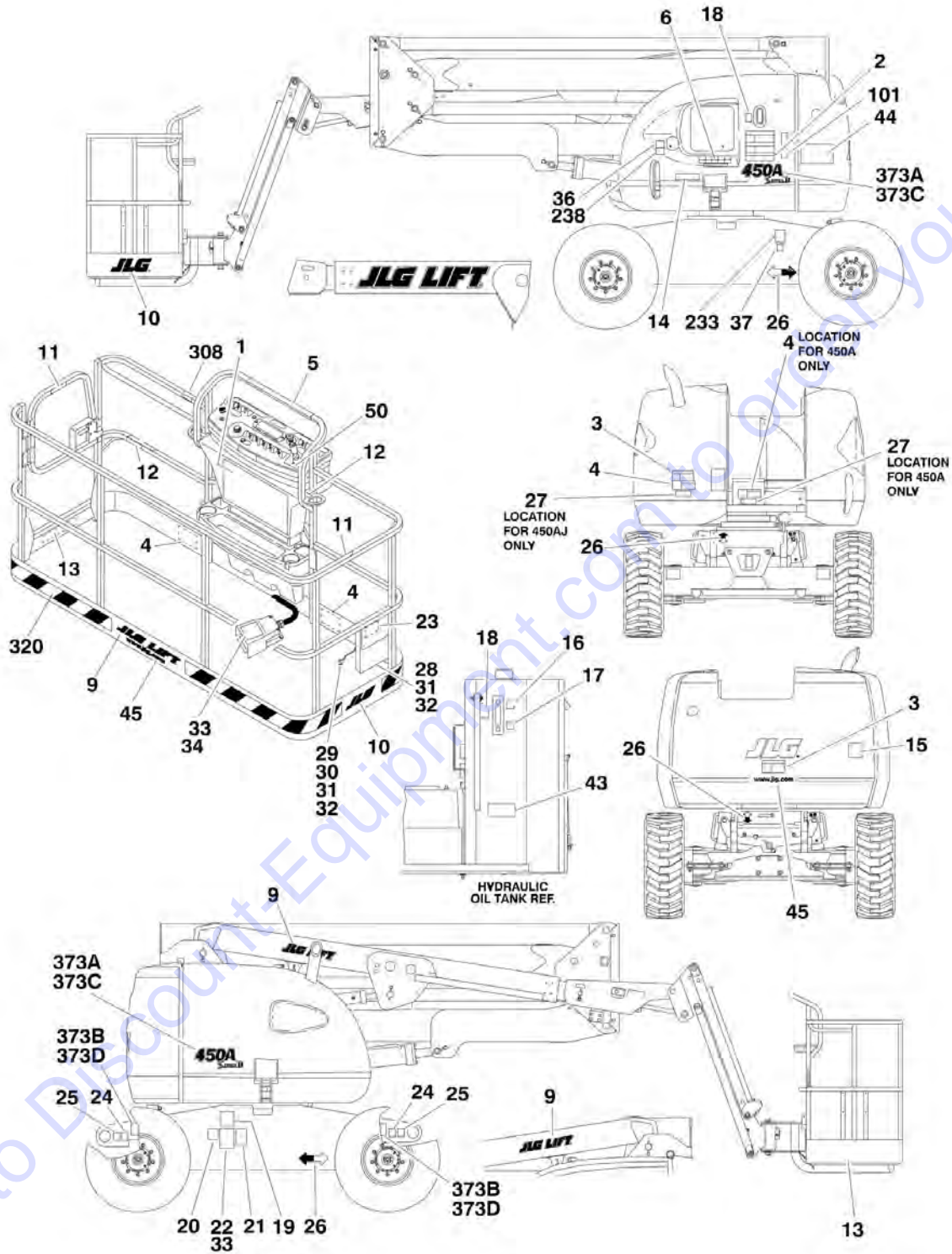
Go to Discount-Equipment.com to order your parts

SECTION 8 - DECALS

Go to Discount-Equipment.com to order your parts

SECTION 8 - DECALS

FIGURE 8-1. DECAL INSTALLATION - ANSI SPEC



SECTION 8 - DECALS

FIGURE 8-1. DECAL INSTALLATION - ANSI SPEC

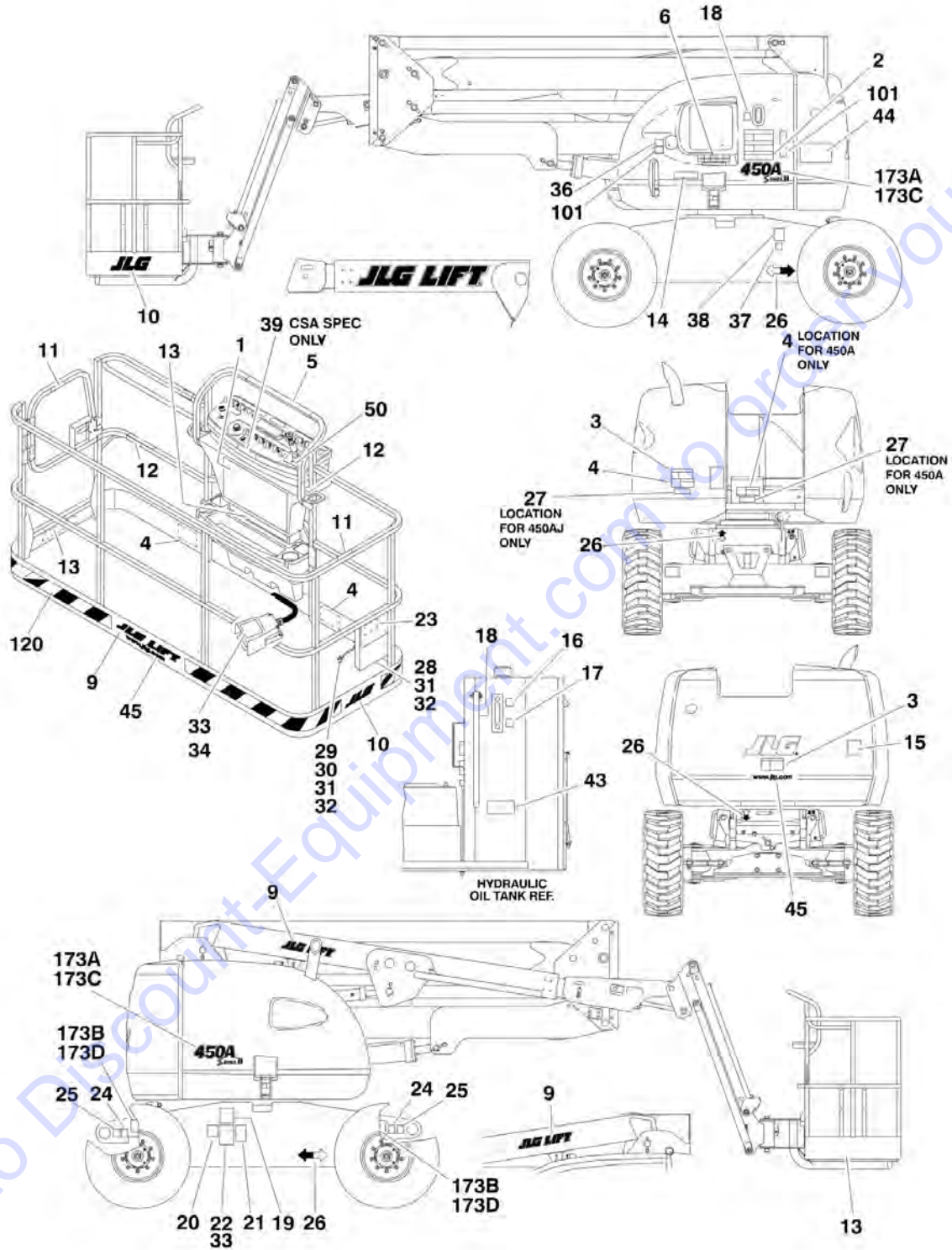
ITEM	PART NUMBER	QTY	DESCRIPTION	REV
		Ref	USA Built Machines use SNs 03xxxxxxx.	
		Ref	Belgium Built Machines use SNs 13xxxxxxx.	
		Ref	Romanian Built Machines use SNs E3xxxxxxx.	
		Ref	STANDARD DECAL INSTALLATION	
	0272573	Ref	Standard Decal Installation 450A/AJ SERIES II	12
	0272530	Ref	JLG Logo Decals	1
1	1703797	1	Decal - Danger/Warning	
2	1703798	1	Decal - Danger/Warning	
3	1703805	2	Decal - Danger/Electrocution	
4	1703804	3	Decal - Warning/Crushing	
5		Ref	Decal - Legend Options:	
5	1706931	1	USA Built Machines (SN 0300124000 through 0300137891)	
	1706931	1	Belgium Built Machines (SN 1300006000 through 1300006700)	
5	1001108493	1	USA Built Machines (SN 0300137892 through 0300160834)	
	1001108493	1	Belgium Built Machines (SN 1300006701 to Present)	
	1001108493	1	Romanian Built Machines (SN E300000001 through E300001114)	
6	1706941	1	Decal - Legend	
9	1702774	3	Decal - JLG Lift (3 1/2in)	
10	1702773	2	Decal - JLG (5in)	
11	1702868	2	Decal - No Hands	
12	1704277	3	Decal - Attach Lanyard Here	
13		Ref	Decal - Max Capacity Options:	
13	1701645	1	USA Built Machines (SN 0300124000 through 0300142592)	
13	1701645	1	Belgium Built Machines (SN 1300006000 through 1300006858)	
13	1001121801	1	USA Built Machines (SN 0300142593 through 0300160834)	
13	1001121801	1	Belgium Built Machines (SN 1300006859 to Present)	
13	1001121801	1	Romanian Built Machines (SN E300000001 through E300001114)	
14		Ref	Decal - Max Capacity Options:	
14	1707013	1	USA Built Machines (SN 0300124000 through 0300142592)	
14	1707013	1	Belgium Built Machines (SN 1300006000 through 1300006858)	
14	1001121814	1	USA Built Machines (SN 0300142593 through 0300160834)	
14	1001121814	1	Belgium Built Machines (SN 1300006859 to Present)	
14	1001121814	1	Romanian Built Machines (SN E300000001 through E300001114)	
15	3251813	1	Decal - USA	
16	See Note	1	Decal - High Oil Level (Note: Was p/n 1701502 - No Longer Required)	
17	See Note	1	Decal - Low Oil Level (Note: Was p/n 1701503 - No Longer Required)	
18	1701504	AR	Decal - Hydraulic Oil	
19	See Note	1	Decal - Inspection (Note: Was p/n 1702153 - No Longer Required)	
20	See Note	1	Decal - Bar Code (Note: Not Available for Purchase)	
21	1700584	1	Decal - Patent	
22	See Note	1	Nameplate - Serial Number (Note: Not Available for Purchase)	
23	1701509	1	Decal - Manual	
24	1702300	4	Decal - Tie Down/Lift	

SECTION 8 - DECALS

ITEM	PART NUMBER	QTY	DESCRIPTION	REV
25	1701500	4	Decal - Tie Down/Lift	
26	1701529	4	Decal - Arrow	
27	3251243	1	Nameplate 120V-60Hz	
28	0860520	1	Box, Manual Storage	
29	1060279	1	Cable, Lanyard (USA Built Machines) (SN 0300124000 through 0300143948)	
29	1060279	1	Cable, Lanyard (Belgium Built Machines) (SN 1300006000 through 1300006895)	
30	0641408	1	Bolt 1/4in-20NC x 1in (USA Built Machines) (SN 0300124000 through 0300143948)	
30	0641408	1	Bolt 1/4in-20NC x 1in (Belgium Built Machines) (SN 1300006000 through 1300006895)	
31	4751400	AR	Flatwasher 1/4in Regular	
32	3311405	AR	Locknut 1/4in-20NC	
33	3820001	AR	Rivet	
34	3252347	1	Decal - Footswitch	
36		Ref	Decal - Fuel	
36	1701542	1	Gas Engine Machines	
36	1701505	1	Diesel Engine Machines	
37		Ref	Decal - LPG Gas (Dual Fuel Machines Only)	
37	Not Required	0	Non-Dual Fuel Machines	
37	1701543	1	Dual Fuel Machines	
43	1704412	1	Decal - Hydraulic Fluid	
44	3252768	1	Decal - Lift Diagram	
45	1704885	2	Decal - Website	
46	0641406	4	Bolt, 1/4in-20NC x 3/4in (Not Shown)	
50	1705351	1	Decal, Drive/Steer (USA Built Machines) (SN 0300137892 through 0300160834)	
50	1705351	1	Decal, Drive/Steer (Belgium Built Machines) (SN 1300006701 to Present)	
	0272341	Ref	TIRE SEALANT DECAL INSTALLATIONS	1
101	1705363	1	Decal - Tire Sealant	
	0010718	Ref	DECAL OPTIONS	
233	1700818	1	Decal - LP (Dual Fuel Machines Only)	
238	1001108923	1	Decal - Low Sulfur Fuel (Caterpillar, Deutz and Perkins Engine Machines)	
308		Ref	Decal - Warning Prop Options:	
308	1702962		Diesel Machines	
308	1702961		Gas Machines	
320	0272165	Ref	Warning Stripe Decal Installation	
320	4420051	21.7 ft/6.61m	Decal - Warning Stripes	
373		Ref	Model Designation Decal Installation Options	
373	0272580	Ref	Model Designation Decal Installation 450A SERIES II	4
373B	1703486	4	Decal - Max Tire Load	
373B	0272581	Ref	Model Designation Decal Installation 450AJ Series II	2
373D	1703486	4	Decal - Max Tire Load	

SECTION 8 - DECALS

FIGURE 8-2. DECAL INSTALLATION - ANSI EXPORT SPECS



SECTION 8 - DECALS

FIGURE 8-2. DECAL INSTALLATION - ANSI EXPORT SPECS

ITEM	PART NUMBER	QTY	DESCRIPTION	REV
		Ref	USA Built Machines use SNs 03xxxxxxx.	
		Ref	Belgium Built Machines use SNs 13xxxxxxx.	
		Ref	Romanian Built Machines use SNs E3xxxxxxx.	
		Ref	DECAL INSTALLATIONS	
	0272579	Ref	Decal Installations 450A/AJ SERIES II Brazil Spec (SPANISH/PORTUGUESE)	11
	0272578	Ref	Decal Installations 450A/AJ SERIES II Chinese Spec (ENGLISH/CHINESE)	10
	0272577	Ref	Decal Installations 450A/AJ SERIES II CSA Spec (ENGLISH/FRENCH)	12
	0272575	Ref	Decal Installations 450A/AJ SERIES II Japanese Spec	10
	0272576	Ref	Decal Installations 450A/AJ SERIES II Korean Spec	10
	0271189	Ref	Decal Installations 450A/AJ SERIES II Latin America Spec (ENGLISH/SPANISH)	7
	0272530	Ref	JLG Logo Decals	2
1		Ref	Decal - Danger/Warning Options:	
1	1703928	1	Brazil Spec	
1	1703925	1	Chinese Spec	
1	1703924	1	CSA Spec	
1	1703926	1	Japanese Spec	
1	1703927	1	Korean Spec	
1	1703923	1	Latin American Spec	
2		Ref	Decal - Danger/Warning Options:	
2	1703934	1	Brazil Spec	
2	1703931	1	Chinese Spec	
2	1703930	1	CSA Spec	
2	1703932	1	Japanese Spec	
2	1703933	1	Korean Spec	
2	1703929	1	Latin American Spec	
3		Ref	Decal - Danger Electrocution Options:	
3	1703940	2	Brazil Spec	
3	1703937	2	Chinese Spec	
3	1703936	2	CSA Spec	
3	1703938	2	Japanese Spec	
3	1703939	2	Korean Spec	
3	1703935	2	Latin American Spec	
4		Ref	Decal - Warning/Crushing	
4	1703952	3	Brazil Spec	
4	1703949	3	Chinese Spec	
4	1703948	3	CSA Spec	
4	1703950	3	Japanese Spec	
4	1703951	3	Korean Spec	
4	1703947	3	Latin American Spec	
5		Ref	Decal - Legend Options:	
5	Not Required	1	Brazil/Chinese/Japanese/Korean Spec	
5	1706931	1	CSA/Latin American Specs (USA Built Machines) (SN 0300124000 through 0300137891)	
5	1706931	1	CSA/Latin American Specs (Belgium Built Machines) (SN 1300006000 through 1300006700)	
5	1001108493	1	CSA/Latin American Specs (USA Built Machines) (SN 0300137892 through 0300160834)	

SECTION 8 - DECALS

ITEM	PART NUMBER	QTY	DESCRIPTION	REV
5	1001108493	1	CSA/Latin American Specs (Belgium Built Machines) (SN 1300006701 to Present)	
5	1001108493	1	CSA/Latin American Specs (Romanian Built Machines) (SN E300000001 through E300001114)	
6		Ref	Decal - Legend Options:	
6	Not Required	0	Brazil/Chinese/Japanese/Korean Spec	
6	1706941	AR	CSA/Latin America Spec	
9	1702774	3	Decal - Lift (3 1/2in)	
10	1702773	2	Decal - JLG (5 in)	
11		Ref	Decal - No Hands Options:	
11	1704002	2	Brazil Spec	
11	Not Required	2	Chinese/Japanese Spec	
11	1704000	2	CSA Spec	
11	1705969	2	Korean Spec	
11	1704001	2	Latin American Spec	
12	1704277	3	Decal - Attach Lanyard	
13		Ref	Decal - Max Capacity	
13		Ref	BRAZIL SPEC OPTIONS:	
13	1707134	2	USA Built Machines (SN 0300124000 through 0300142592)	
13	1707134	2	Belgium Built Machines (SN 1300006000 through 1300006858)	
13	1001121920	2	USA Built Machines (SN 0300142593 through 0300160834)	
13	1001121920	2	Belgium Built Machines (SN 1300006859 to Present)	
13	1001121920	2	Romanian Built Machines, Romanian Built Machines (SN E300000001 through E300001114)	
13		Ref	Chinese Spec Options:	
13	1707060	2	USA Built Machines (SN 0300124000 through 0300142592)	
13	1707060	2	Belgium Built Machines (SN 1300006000 through 1300006858)	
13	1001121810	2	USA Built Machines (SN 0300142593 through 0300160834)	
13	1001121810	2	Belgium Built Machines (SN 1300006859 to Present)	
13	1001121810	2	Romanian Built Machines (SN E300000001 through E300001114)	
13		Ref	CSA Spec Options:	
13	1707055	2	USA Built Machines (SN 0300124000 through 0300142592)	
13	1707055	2	Belgium Built Machines (SN 1300006000 through 1300006858)	
13	1001121803	2	USA Built Machines (SN 0300142593 through 0300160834)	
13	1001121803	2	Belgium Built Machines (SN 1300006859 to Present)	
13	1001121803	2	Romanian Built Machines (SN E300000001 through E300001114)	
13		Ref	JAPANESE SPEC OPTIONS:	
13	1707059	2	USA Built Machines (SN 0300124000 through 0300142592)	
13	1707059	2	Belgium Built Machines (SN 1300006000 through 1300006858)	
13	1001121808	2	USA Built Machines (SN 0300142593 through 0300160834)	
13	1001121808	2	Belgium Built Machines (SN 1300006859 to Present)	
13	1001121808	2	Romanian Built Machines (SN E300000001 through E300001114)	
13		Ref	Korean Spec Options:	
13	1707058	2	USA Built Machines (SN 0300124000 through 0300142592)	
13	1707058	2	Belgium Built Machines (SN 1300006000 through 1300006858)	
13	1001121918	2	USA Built Machines (SN 0300142593 through 0300160834)	

SECTION 8 - DECALS

ITEM	PART NUMBER	QTY	DESCRIPTION	REV
13	1001121918	2	Belgium Built Machines (SN 1300006859 to Present)	
13	1001121918	2	Romanian Built Machines (SN E300000001 through E300001114)	
13		Ref	LATIN AMERICAN SPEC OPTIONS:	
13	1707056	2	USA Built Machines (SN 0300124000 through 0300142592)	
13	1707056	2	Belgium Built Machines (SN 1300006000 through 1300006858)	
13	1001121805	2	USA Built Machines (SN 0300142593 through 0300160834)	
13	1001121805	2	Belgium Built Machines (SN 1300006859 to Present)	
13	1001121805	2	Romanian Built Machines (SN E300000001 through E300001114)	
14		Ref	Decal - Max Capacity Options:	
14		Ref	BRAZIL SPEC OPTIONS:	
14	1707133	1	USA Built Machines (SN 0300124000 through 0300142592)	
14	1707133	1	Belgium Built Machines (SN 1300006000 through 1300006858)	
14	1001121923	1	USA Built Machines (SN 0300142593 through 0300160834)	
14	1001121923	1	Belgium Built Machines (SN 1300006859 to Present)	
14	1001121923	1	Romanian Built Machines (SN E300000001 through E300001114)	
14		Ref	Chinese Spec Options:	
14	1707044	1	USA Built Machines (SN 0300124000 through 0300142592)	
14	1707044	1	Belgium Built Machines (SN 1300006000 through 1300006858)	
14	1001121823	1	USA Built Machines (SN 0300142593 through 0300160834)	
14	1001121823	1	Belgium Built Machines (SN 1300006859 to Present)	
14	1001121823	1	Romanian Built Machines (SN E300000001 through E300001114)	
14		Ref	CSA Spec Options:	
14	1707047	1	USA Built Machines (SN 0300124000 through 0300142592)	
14	1707047	1	Belgium Built Machines (SN 1300006000 through 1300006858)	
14	1001121816	1	USA Built Machines (SN 0300142593 through 0300160834)	
14	1001121816	1	Belgium Built Machines (SN 1300006859 to Present)	
14	1001121816	1	Romanian Built Machines, Romanian Built Machines (SN E300000001 through E300001114)	
14		Ref	JAPANESE SPEC OPTIONS:	
14	1707054	1	USA Built Machines (SN 0300124000 through 0300142592)	
14	1707054	1	Belgium Built Machines (SN 1300006000 through 1300006858)	
14	1001121821	1	USA Built Machines (SN 0300142593 through 0300160834)	
14	1001121821	1	Belgium Built Machines (SN 1300006859 to Present)	
14	1001121821	1	Romanian Built Machines (SN E300000001 through E300001114)	
14		Ref	Korean Spec Options:	
14	1707042	1	USA Built Machines (SN 0300124000 through 0300142592)	
14	1707042	1	Belgium Built Machines (SN 1300006000 through 1300006858)	
14	1001121921	1	USA Built Machines (SN 0300142593 through 0300160834)	
14	1001121921	1	Belgium Built Machines (SN 1300006859 to Present)	
14	1001121921	1	Romanian Built Machines (SN E300000001 through E300001114)	
14		Ref	LATIN AMERICAN SPEC OPTIONS:	
14	1707049	1	USA Built Machines (SN 0300124000 through 0300142592)	

SECTION 8 - DECALS

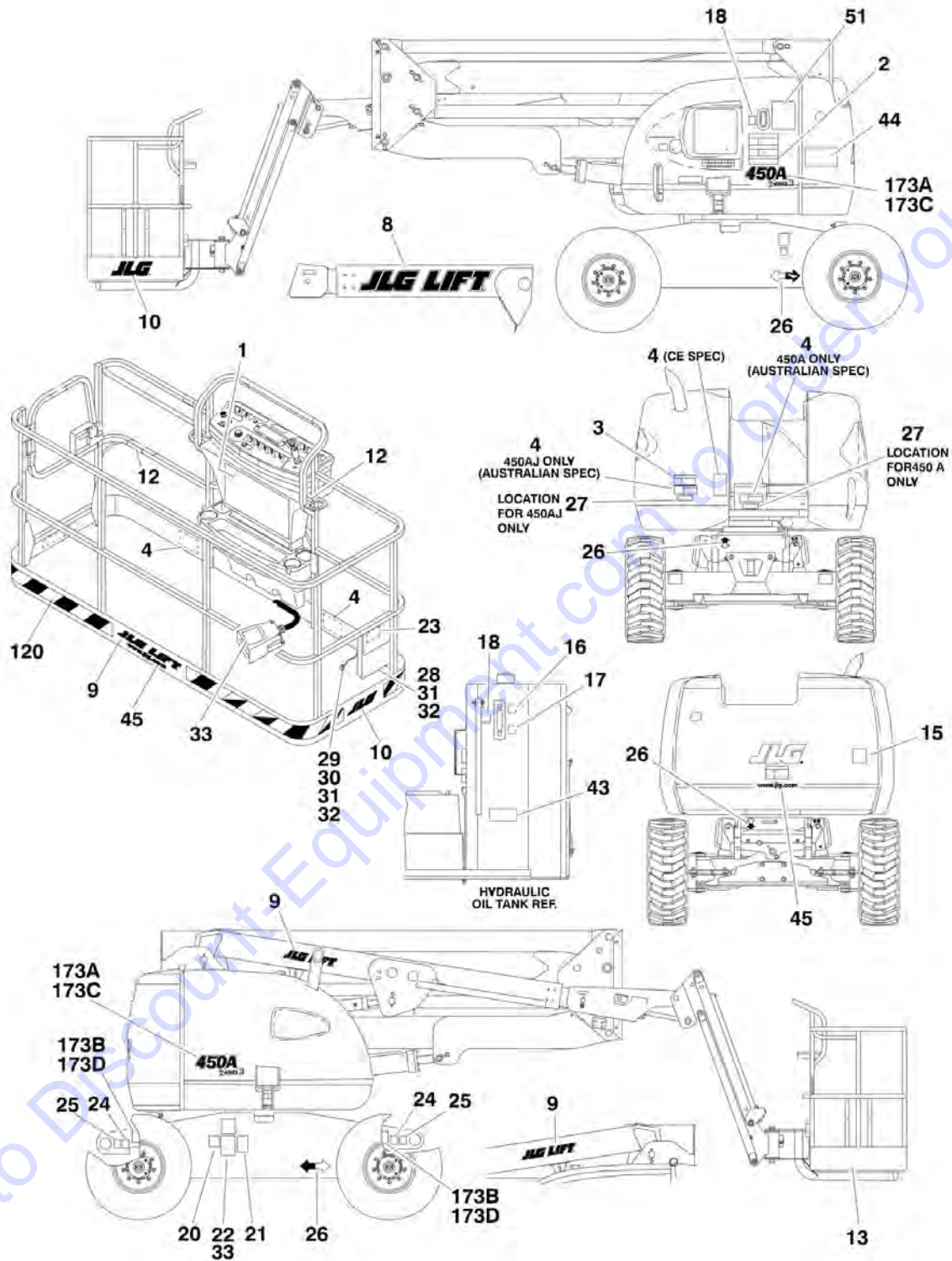
ITEM	PART NUMBER	QTY	DESCRIPTION	REV
14	1707049	1	Belgium Built Machines (SN 1300006000 through 1300006858)	
14	1001121818	1	USA Built Machines (SN 0300142593 through 0300160834)	
14	1001121818	1	Belgium Built Machines (SN 1300006859 to Present)	
14	1001121818	1	Romanian Built Machines (SN E300000001 through E300001114)	
15		Ref	Decal - USA Options:	
15	3251813	1	Brazil/CSA/Latin American Spec	
15	Not Required	1	Chinese/Japanese/Korean Spec	
16	See Note	1	Decal - High Oil Level (Note: Was p/n 1701502 - No Longer Required)	
17	See Note	1	Decal - Low Oil Level (Note: Was p/n 1701503 - No Longer Required)	
18	1701504	AR	Decal - Hydraulic Oil	
19		Ref	Decal - Inspection Options:	
19	1704008	1	Brazil Spec	
19	1704006	1	CSA Spec	
19	1704007	1	Latin American Spec	
19	Not Required	1	Chinese/Japanese/Korean Spec	
20	See Note	1	Decal - Bar Code (Note: Not Available for Purchase)	
21	1700584	1	Decal - Patent	
22	See Note	1	Nameplate - Serial Number (Note: Not Available for Purchase)	
23	1701509	1	Decal - Manual	
24	1702300	4	Decal - Tie Down / Lift	
25	1701500	4	Decal - Tie Down / Lift	
26	1701529	4	Decal - Arrow	
27		Ref	Decal Options:	
27	3251243	1	120V-60Hz - Brazil/CSA/Latin American Spec	
27	Not Required	0	Chinese/Japanese/Korean Spec	
28	0860520	1	Box, Manual Storage	
29	1060279	1	Cable, Lanyard	
30	0641408	1	Bolt 1/4in-20NC x 1in	
31	4751400	6	Flatwasher 1/4in Regular	
32	3311405	5	Locknut 1/4in-20NC	
33	3820001	AR	Rivet	
34		Ref	Decal - Footswitch Options:	
34	1703985	1	Brazil Spec	
34	1703982	1	Chinese Spec	
34	1703984	1	CSA Spec	
34	1703980	1	Japanese Spec	
34	1703981	1	Korean Spec	
34	1703983	1	Latin American Spec	
36		Ref	Decal - Fuel Options:	
36	1701542	1	Gas Engine Machines	
36	1701505	1	Diesel Engine Machines	
37		Ref	Decal - LPG Gas (Dual Fuel Machines Only)	
37	Not Required	0	Non-Dual Fuel Machines	
37	1701543	1	Dual Fuel Machines	
38		Ref	Decal - LP Gas Liquid Withdrawal System (Dual Fuel Machines Only)	
38	Not Required	0	Non-Dual Fuel Machines	
38	1700818	1	Dual Fuel Machines (English Language)	

SECTION 8 - DECALS

ITEM	PART NUMBER	QTY	DESCRIPTION	REV
38	1704271	1	Dual Fuel Machines (CSA Spec)	
38	1702720	1	Dual Fuel Machines (Spanish Language)	
39		Ref	Decal - CSA Options:	
39	1705514	1	CSA Spec	
39	Not Required	0	Brazil/ Chinese/ Japanese/ Korean/ Latin American Spec	
43	1704412	1	Decal - Hydraulic Fluid	
44	3252768	1	Decal - Lift Diagram	
45	1704885	2	Decal - Website	
46	0641406	4	Bolt 1/4in-20NC x 3/4in (Not Shown)	
50		Ref	Decal, Drive/Steer (USA Built Machines): (SN 0300137892 through 0300160834)	
		Ref	Decal, Drive/Steer (Belgium Built Machines) (SN 1300006701 to Present)	
		Ref	Decal, Drive/Steer (Romanian Built Machines) (SN E300000001 through E300001114)	
50	1705905	1	Brazil Spec	
50	1705430	1	Chinese Spec	
50	1705429	1	CSA Spec	
50	1705426	1	Japanese Spec	
50	1705427	1	Korean Spec	
50	1705910	1	Latin American Spec	
	0010718	Ref	DECAL OPTIONS	
101		Ref	Decal - Low Sulfur Fuel Options (Caterpillar, Deutz and Perkins Engine Machines):	
101	1001108923	1	CSA Spec	
101	Not Required	0	Brazil/ Chinese/ Japanese/ Korean/ Latin American Spec	
120	0272165	Ref	Warning Stripe Decal Installation	
120	4420051	21.7 ft/6.61m	Decal - Warning Stripes	
173		Ref	Model Designation Decal Installation Options	
173	0272580	Ref	Model Designation Decal Installation 450A Series II	3
173B	1703486	AR	Decal - Max Tire Load	
173B	0272581	Ref	Model Designation Decal Installation 450AJ Series II	2
173D	1703486	4	Decal - Max Tire Load	

SECTION 8 - DECALS

FIGURE 8-3. DECALS INSTALLATION - AUSTRALIAN AND CE SPECS



SECTION 8 - DECALS

FIGURE 8-3. DECALS INSTALLATION - AUSTRALIAN AND CE SPECS

ITEM	PART NUMBER	QTY	DESCRIPTION	REV
		Ref	USA Built Machines use SNs 03xxxxxxx.	
		Ref	Belgium Built Machines use SNs 13xxxxxxx.	
		Ref	Romanian Built Machines use SNs E3xxxxxxx.	
		Ref	DECAL INSTALLATIONS	
	0272574	Ref	Australian Spec	7
	0273452	Ref	CE Spec	4
	0272530	Ref	JLG Logo Decals	1
1		Ref	Decal - Danger/Warning Options:	
1	1703992	1	Australian Spec	
1	1705821	1	CE Spec	
2		Ref	Decal - Danger/Warning Options:	
2	1705332	1	Australian Spec	
2	1705822	1	CE Spec	
4	1701518	3	Decal - Warning/Crushing	
9	1702774	3	Decal - Lift (3 1/2in)	
10	1702773	2	Decal - JLG (5 in)	
12	1704277	3	Decal - Attach Lanyard	
15	1705084	1	Decal - Sound Power Level (Not Required - Australian Spec)	
16	See Note	1	Decal - High Oil Level (Note: Was p/n 1701502 - No Longer Required)	
17	See Note	1	Decal - Low Oil Level (Note: Was p/n 1701503 - No Longer Required)	
18	1701504	AR	Decal - Hydraulic Oil	
20	See Note	1	Decal - Bar Code (Note: Not Available for Purchase)	
21	1700584	1	Decal - Patent	
22	See Note	1	Nameplate - Serial Number (Note: Not Available for Purchase)	
23	1701509	1	Decal - Manual	
24	1702300	4	Decal - Tie Down / Lift	
25	1701500	4	Decal - Tie Down / Lift	
26	1701529	4	Decal - Arrow	
27		Ref	Decal Options:	
27	3251242	1	240V-50Hz - Australian Spec	
27	Not Required	0	CE Spec	
28	0860520	1	Box, Manual Storage	
29	1060279	1	Cable, Lanyard (USA Built Machines) (SN 0300124000 through 0300143948)	
29	1060279	1	Cable, Lanyard (Belgium Built Machines) (SN 1300006000 through 1300006895)	
30	0641408	1	Bolt 1/4in-20NC x 1in (USA Built Machines) (SN 0300124000 through 0300143948)	
30	0641408	1	Bolt 1/4in-20NC x 1in (Belgium Built Machines) (SN 1300006000 through 1300006895)	
31	4751400	AR	Flatwasher 1/4in Regular	
32	3311405	AR	Locknut 1/4in-20NC	
33	2080057	2	Fastener	
34		Ref	Decal - Footswitch Options:	
34	3252347	1	Australian Spec	
34	1705828	1	CE Spec	
36	1701505	1	Decal - Fuel	
43	1704412	1	Decal - Hydraulic Fluid	
44	3252768	1	Decal - Lift Diagram	

SECTION 8 - DECALS

ITEM	PART NUMBER	QTY	DESCRIPTION	REV
45	1704885	2	Decal - Website	
46	0641406	4	Bolt, 1/4in-20NC x 3/4in (Not Shown)	
47	1705821	1	Decal, Tipping/Elect (PLF) (Not Shown)	
48	1705822	1	Decal, Elect/Safety Manual (MTB) (Not Shown)	
51	1001112551	1	Decal - Emergency Controls (Australian Spec Only USA Built Machines) (SN 0300138555 through 0300160834)	
51	1001112551	1	Decal - Emergency Controls (Belgium Built Machines) (SN 1300006704 to Present)	
51	1001112551	1	Decal - Emergency Controls (Romanian Built Machines) (SN E300000001 through E300001114)	
	0010717	Ref	DECAL OPTIONS	
120	0272165	Ref	Warning Stripe Decal Installation	
120	4420051	21.7 ft/6.61m	Decal - Warning Stripes	
173		Ref	Model Designation Decal Installation Options	
173	0272580	Ref	Model Designation Decal Installation 450A Series II	2
173B	1703486	AR	Decal - Max Tire Load	
173B	0272581	Ref	450AJ Series II	2
173D	1703486	4	Decal - Max Tire Load	

SECTION 9 - RECOMMENDED SERVICE PARTS STOCK

SECTION 9 - RECOMMENDED SERVICE PARTS STOCK

Go to Discount-Equipment.com to order your parts

SECTION 9 - RECOMMENDED SERVICE PARTS STOCK

FIGURE 9-1. MODEL 450A / 450AJ SERIES II STANDARD PARTS

ITEM	PART NUMBER	QTY	DESCRIPTION	REV
	Note	Ref	Note: The following list will service one machine (built to current production per date on the front cover) with emergency repair parts which can be installed in the field. Parts from the list should be replaced when inventory is depleted to keep service parts stock supplied. For further information, go to Discount-equipment.com	
		Ref	STANDARD PARTS	
	2120210	1	Element, Filter	
	7012944	1	Coil	
	7012943	1	Coil	
	7017451	1	Coil	
	4360517	1	Switch, Proximity	
	7012664	1	Element, Air Cleaner	
	3740067	1	Relay	
	7024444	1	Breather, Hydraulic Tank	
	70001960	1	Element, Return Filter	
	3740049	1	Relay	
	4360328	1	Switch, Toggle	
	2860030	1	Key, Replacement	
	4360475	1	Switch, Mushroom	
	4360476	1	Contact, Switch Block	
	2940074	1	Latch	
	4360387	1	Switch, Push Button	
	4360407	1	Control, Speed	
	4360330	1	Switch, Toggle	
	4360331	1	Switch, Toggle	
	1001129555	1	Controller (Lift and Swing)	
	1001212415	1	Controller (Drive and Steer)	
	3990010	2	Diode 6 Amp	
	2400065	2	Fuse	

SECTION 9 - RECOMMENDED SERVICE PARTS STOCK

FIGURE 9-2. MODEL 450A / 450AJ SERIES II VARIABLE PARTS

ITEM	PART NUMBER	QTY	DESCRIPTION	REV
	Note	Ref	Note: The following list will service one machine (built to current production per date on the front cover) with emergency repair parts which can be installed in the field. Parts from the list should be replaced when inventory is depleted to keep service parts stock supplied. For further information, go to Discount-equipment.com	
		Ref	VARIABLE PARTS	
	70001403	1	Filter, Oil Element, (Caterpillar Engine Machines)	
	7026871	1	Filter, Fuel (Caterpillar Engine Machines)	
	7016331	1	Filter, Oil Element, (Deutz Engine Machines)	
	7020023	1	Filter, Fuel (Deutz Engine Machines)	
	7027795	1	Module, Control (Deutz Engine Machines)	
	7027965	1	Filter, Oil (GM Engine Machines)	
	7027972	1	Filter, Fuel (GM Engine Machines)	
	70002895	1	Module, ECU Engine Control (GM Engine Machines)	
	70001403	1	Filter, Oil Element, (Perkins Engine Machines)	
	70002450	1	Filter, Fuel (Perkins Engine Machines)	
	70002451	1	Module, ECU Engine Control (Perkins Engine Machines)	
	3740080	1	Relay (Machines with Generator Option)	
	4360336	1	Switch, Toggle (Machines with Generator Option)	
	1001103667	1	Module, Ground Control	
	4360469	1	Switch, Key (ANSI, ANSI Export and Australian Specs)	
	4360470	1	Switch, Key (CE Specs)	
	4360548	1	Switch, Limit	
	4360057	1	Switch, Limit (Soft-Touch Option)	
	4360336	1	Switch, Toggle (Dual Fuel) (GM Engine Machines)	
	1001106938	1	Module, Platform Control	
	1001109475	1	Breaker, Circuit (CE Machines with AC Platform Receptacle)	
	1001109482	1	Breaker, Circuit (CE Machines with AC Platform Receptacle)	
	4360232	1	Breaker, Circuit (Floodlights Option)	
	2400070	2	Fuse (Platform Worklights Option)	

SECTION 10 - SPECIAL OPTIONS

Go to Discount-Equipment.com to order your parts

SECTION 10 - SPECIAL OPTIONS

FIGURE 10-1. SPECIAL OPTIONS

ITEM	PART NUMBER	QTY	DESCRIPTION	REV
		Ref	MISCELLANEOUS SPECIAL OPTIONS	
	Note	Ref	Note: This list is to accommodate machines ordered with special equipment. Options may not be applicable to all models. For more specific parts information go to Discount-equipment.com	
	1340061	Ref	Air Cleaner with Dust Evacuator Valve	
		Ref	Air Line at Platform Installations	
		Ref	USA Built Machines:	
		Ref	Belgium Built Machines:	
		Ref	Axle Stop Block Installations (CE Specs)	
	1001093803	Ref	2WD	
	1001093752	Ref	4WD	
		Ref	Bellows Installations	
	0271315	Ref	Boom Wiper Installation	
	0256789	Ref	Camera Mount Assembly	
		Ref	Clear Sky (Telematic) Installation (Factory Installed)	
		Ref	Note: Refer to Manual Supplement p/n 3128499 for available replacement parts.	
		Ref	Note: For Module (with/without UGM) Identification, refer to Revision Log page A.	
		Ref	ADE Machines	
	1001107008	Ref	ANSI Spec	
	1001107009	Ref	ANSI Export and Japanese Specs	
	1001139127	Ref	Australian Specs	
	1001107010	Ref	CSA Spec	
		Ref	ADE/UGM Machines	
	1001112983	Ref	ANSI Spec	
	1001112984	Ref	ANSI Export and Japanese Specs	
	1001132727	Ref	Australian Spec	
	1001112985	Ref	CSA Spec	
	1001127090	Ref	Brazil and New Zealand Spec Only	
		Ref	Clear Sky (Telematic) Kit (Includes Installation, Decals, User Guide and Manual 3128499) (Aftermarket Installed)	
		Ref	Note: For Module (with/without UGM) Identification, refer to Revision Log page A.	
		Ref	ADE Machines	
	1001117254	Ref	ANSI Spec	
	1001121610	Ref	ANSI Export and Japanese Specs	
	1001139127	Ref	Australian Specs	
	1001117261	Ref	CSA Spec	
		Ref	ADE/UGM Machines	
	1001119945	Ref	ANSI Spec	
	1001121614	Ref	ANSI Export and Japanese Specs	
	1001139146	Ref	Australian Specs	
	1001119950	Ref	CSA Spec	
	See Note	Ref	Brazil and New Zealand Spec Only (Note: Not Available for Purchase)	
		Ref	Cold Weather Start Kits	
	0273064	Ref	Caterpillar/Perkins Engine Machines	
	0271912	Ref	Deutz Engine Machines	

SECTION 10 - SPECIAL OPTIONS

ITEM	PART NUMBER	QTY	DESCRIPTION	REV
	0275054	Ref	GM Engine Machines	
	1001115476	Ref	Communication System (David Clark Intercom) Installation	
	0272031	Ref	Container Transport Wheels (Belgium and Romanian Built Machines Only)	
		Ref	Decals Installations	
	1001116373	Ref	Decal - ClearSky (ANSI Spec)	
	1001116374	Ref	Decal - ClearSky (CSA Spec)	
	0274530	Ref	Decal - Head and Enquist Equipment	
	0272942	Ref	Decal - Hertz (USA Built Machines) (SN 0300124000 through 0300147527)	
	0272942	Ref	Decal - Hertz (Belgium Built Machines) (SN 1300006000 through 1300007090)	
	1001128983	Ref	Decal - Hertz (USA Built Machines) (SN 0300147528 through 0300160834)	
	1001128983	Ref	Decal - Hertz (Belgium Built Machines) (SN 1300007091 to Present)	
	1001143074	Ref	Decal - Hewitt (English Language)	
	1001143509	Ref	Decal - Hewitt (French Language)	
	1703175	Ref	Decal - Lanyard Attach (GM K-1 Spec)	
	1001140620	Ref	Decal - Leavitt	
	0274245	Ref	Decal - National Equipment Services	
	1702962	Ref	Decal - Prop 65 Warning (Diesel Machines) (California Spec)	
	1702961	Ref	Decal - Prop 65 Warning (Gasoline Machines) (California Spec)	
	1001095408	Ref	Decal - RSC Equipment Rental	
	0271628	Ref	Decal - Sunbelt	
		Ref	Decal - Telematics Options (ClearSky) (Without UGM):	
	1001116373	Ref	ANSI Spec	
	1001116374	Ref	CSA Spec	
	1001127096	Ref	Decal - Telematics (ClearSky) (With UGM)	
	0271627	Ref	Decal - United Rentals	
	1001141472	Ref	Decal - Volvo	
	0272165	Ref	Decal Installation - Warning Stripes	
		Ref	Electrical Connector Kits	
	1001148902	Ref	Amp/Tyco Electrical Connector Kit	
	1001148903	Ref	Deutsch DT Electrical Connector Kit	
	1001148904	Ref	Deutsch HD Electrical Connector Kit	
	1001148905	Ref	Packard Electrical Connector Kit	
	1001148906	Ref	Various Electrical Connectors Kit	
	0275055	Ref	Engine Block Heater Installation (GM Engine Machines)	
	1001130758	Ref	Engine Fan Kit (Perkins Engine Machines) (Kit converts Electric Cooling Fan to Engine Driven Cooling Fan)	
		Ref	Engine Replacement Kits	
	1001145838	Ref	Engine Kit - Replace Perkins Tier II with Deutz D2011L03 Tier II	
	1001139760	Ref	Engine Kit - Replace Perkins Tier II with Perkins Tier IVi	
		Ref	Filter Kits	
		Ref	Boom Hydraulic Air Filter Kit Options:	
		Ref	Caterpillar Engines	
	1001114121	Ref	Caterpillar Engines (Use p/n 1001109698) (SN 0300124000 through 0300160834)	
		Ref	Deutz Engines	
	1001114061	Ref	USA Built Machines (Use p/n 1001109698)	
	1001114121	Ref	USA Built Machines (Use p/n 1001109698)	
		Ref	Perkiins Engines	

SECTION 10 - SPECIAL OPTIONS

ITEM	PART NUMBER	QTY	DESCRIPTION	REV
	1001114061	Ref	Perkiins Engines (Use p/n 1001109698) (SN 0300124000 through 0300160834)	
	1001114121	Ref	Perkiins Engines (Use p/n 1001109698) (SN 0300124000 through 0300160834)	
		Ref	Combined Filter Kit Options:	
		Ref	Caterpillar Engines	
	1001114034	Ref	USA Built Machines with UGM (Use p/n 1001111000) (SN 0300124000 through 03000160834)	
	1001114034	Ref	USA Built Machines with e Cooling Fan w/o UGM (Use p/n 1001111000) (SN 0300124000 through 03000160834)	
	1001151644	Ref	USA Built Machines with Mechanical Cooling Fan w/o UGM (SN 0300124000 through 03000160834)	
		Ref	Deutz Engines	
	1001114128	Ref	USA Built Machines (Use p/n 1001110999) (SN 0300087631 through 0300160834)	
	1001114128	Ref	Belgium Built Machines (Use p/n 1001110999) (SN 1300001242 to Present)	
		Ref	GM Engines	
	1001114059	Ref	GM Engines (Use p/n 1001114131) (SN 0300124000 through 0300160834)	
		Ref	Perkiins Engines	
	1001114063	Ref	Machines with Electric Cooling Fan w/o UGM (Use p/n 1001111001)	
	1001151645	Ref	Machines with Mechanical Cooling Fan w/o UGM	
	1001114122	Ref	Machines with UGM	
		Ref	Engine Fuel/Oil Filter Kit Options:	
	1001110138	Ref	Deutz Engines	
	1001110143	Ref	Perkiins Engines	
	1001139099	Ref	Fire Extinguisher Installation	
		Ref	Fluids	
	2300014	Ref	Brake Fluid (4WD Drive Brake)	
	2300040	Ref	Conditioner, Diesel Fuel	
		Ref	Coolant, Antifreeze (Caterpillar, GM and Perkins Engines)	
	2300004	Ref	Machines without Arctic Package	
	2300041	Ref	Machines with Arctic Package	
	2300016	Ref	Hydraulic Fluid (Drive Hubs/System)	
	3020021	Ref	Engine Coupling Grease	
		Ref	Engine Oil	
	3020016	Ref	Motor Oil Mobil Delvac MX 15W-40 (Machines Without Arctic Package)	
	3020044	Ref	Motor Oil 0W-40 (Machines With Arctic Package)	
	1001115930	Ref	Motor Oil 10W-30 (Machines With GM Tier III Engines)	
	1001115931	Ref	Motor Oil 5W-30 Synthetic (Machines With GM Tier III Engines)	
		Ref	Hydraulic Fluids:	
	2300014	Ref	Mobil 424	
	2300027	Ref	Mobil 224H Bio	
	2300029	Ref	Mobil EAL ISO 46 Bio	
	2300016	Ref	Mobil DTE 10 EXCEL 32	
	2300019	Ref	Quaker State Quintolubric 888-46 Fire Resistant	
	2300039	Ref	Exxon Univis Hvl 26 (Machines with Arctic Package)	
	3380652	Ref	Footswitch Shield Installation	
	1001094475	Ref	Hourmeter for Generator Installation	
	1001148971	Ref	Lanyard (Bolt-On) Kit Installation	
		Ref	Oil Cooler Installation	

SECTION 10 - SPECIAL OPTIONS

ITEM	PART NUMBER	QTY	DESCRIPTION	REV
	1001096182	Ref	Deutz and GM Engines	
	1001107591	Ref	Caterpillar and Perkins Engines	
	0258703	Ref	Platform Console Cover Installation	
	1001205175	Ref	Platform Console Cover Kit	
		Ref	Platform Entry Kit	
	1001142504	Ref	Kit, Replace Swing Gate with Drop Bar	
	1001142505	Ref	Kit, Replace Drop Bar with Swing Gate	
		Ref	Platform Mesh Installations (Side Entry Platforms) (ANSI, ANSI Export and CSA Specs)	
	0273148	Ref	30in X 6ft (76cm x 1.83m) (Mesh to Top Rail)	
	1001140315	Ref	30in X 5ft (76cm x 1.52m) (Mesh to Mid Rail)	
	0273146	Ref	30in X 5ft (76cm x 1.22m) (Mesh to Top Rail)	
	1001140318	Ref	30in X 4ft (76cm x 1.52m) (Mesh to Mid Rail)	
	0273147	Ref	30in X 4ft (76cm x 1.22m) (Mesh to Top Rail)	
	0274095	Ref	Platform Top Rail Extension	
	1001099806	Ref	Security Lock (Programmable) (ANSI and CE Specs)	
		Ref	SkyPower Generator Add-on Kits Options (Deutz & GM):	
	1001227348	Ref	SkyPower Generator Add-on Kit (Deutz Engines)	
	1001227349	Ref	SkyPower Generator Add-on Kit (GM Engines)	
		Ref	SkyPower Generator Add-on Kits Options (Perkins Without UGM):	
	1001097403	Ref	SkyPower Generator Add-on Kit - 50Hz (Perkins) (ANSI Export, Australian , CE and Japanese Specs)	
	1001097584	Ref	SkyPower Generator Add-on Kit -50Hz (Perkins) (Australian and CE Specs)	
		Ref	SkyPower Generator Add-on Kits Options (Perkins With UGM):	
	1001097402	Ref	SkyPower Generator Add-on Kit - 60Hz (Perkins) (ANSI/ANSI Export Spec)	
	1001097403	Ref	SkyPower Generator Add-on Kit - 50Hz (Perkins) (ANSI Export, Australian , CE and Japanese Specs)	
	1001097584	Ref	SkyPower Generator Add-on Kit -50Hz (Perkins) (Australian and CE Specs)	
		Ref	SkyGuard Components	
	1001149560	Ref	SkyGuard Complete Installation Kit (ADE/Non-UGM Equipped Machines)	
	1001143669	Ref	SkyGuard Complete Installation Kit (UGM Equipped Machines)	
	1001137672	Ref	SkyGuard Platform Sensor Installation Kit (UGM Equipped Machines)	
	1001143256	Ref	SkyGuard Optional Blue Beacon Light Installation Kit	
	1001228964	Ref	Telematic Retrofit Harness Kit (Machines with UGM)	
		Ref	Tire Sealant Service (Pneumatic Tires Only)	
	0272307	Ref	12 x 16.5 Tires	
	0272308	Ref	33/1550 x 16.5 Tires	
		Ref	Tools for Service	
	2901443	Ref	Analyzer Kit	
	8896941	Ref	Wire Stripper	
	7002821	Ref	Wire Crimper (To install wire ends to wires)	
	7002823	Ref	Pin/Socket Extractor - Universal (To Remove Pins/ Sockets from Connectors)	
	4460467	Ref	Extractor - 16-18 Gauge (For Removal of Pin/Sockets from Deutsch Connectors)	
	4460510	Ref	Extractor - 12-14 Gauge (For Removal of Pin/Sockets from	

SECTION 10 - SPECIAL OPTIONS

ITEM	PART NUMBER	QTY	DESCRIPTION	REV
	7002822	Ref	Deutsch Connectors)	
	7016654	Ref	Screwdriver, Potentiometer (To Adjust Drive Controllers)	
	7004275	Ref	Screwdriver, Magnetic	
	7004276	Ref	Seal Installation Tool - 1in	
	7004276	Ref	Seal Installation Tool - 1 1/2in	
	7002826	Ref	Seal Installation Tool - 2in	
	7016655	Ref	Wire Rope Sheave Gauge	
	7002840	Ref	Anti-Rotation Pin Removal Tool (Use to Disassemble Lockout Valve)	
	1001137005	Ref	Kit, Software Cable	
	0274883	Ref	Transformer (Cold Weather Package) Installation (ANSI Export Spec Only)	
	0272031	Ref	Transport Wheel Installation (Belgium and Romanian Built Machines Only)	
	1001231278	Ref	Turntable Bearing Kit (replaces 2915082 & 1001160532)	
	0271529	Ref	Weld Leads at Platform Installation	

PART NUMBER INDEX

Go to Discount-Equipment.com to order your parts

PART NUMBER INDEX

0010717.....452	0256847..... 95, 150	0271653..... 17	0274089.....215, 217
0010718.....442, 449	0257740..... 25	0271912..... 458	0274095.....461
0020005.....47	0257746..... 26	0271931..... 293, 294	0274240.....299
0060050.....269, 273, 281	0257755..... 26	0272031..... 459, 462	0274245.....459
0060062.....265, 281	0257756..... 26	0272057..... 199	0274288.....418
0060096.....269, 281	0257887 ... 200, 402, 419, 436	0272070..... 285	0274530.....459
0080163.....95, 150	0258009..... 26	0272110..... 304, 305	0274615..... 51, 285
0080181...68, 76, 84, 112, 122, 132, 140, 154, 162, 170	0258010..... 26	0272165 ... 442, 449, 452, 459	0274616..... 51, 285
0080201 68, 84, 102, 107, 112, 132, 140, 154, 170	0258011..... 26	0272254..... 327	0274685.....13
0080231.....94, 148	0258012..... 26	0272299..... 25	0274688.....40
0100009.....301	0258028..... 25	0272300..... 25	0274690.....13
0100011....13, 17, 21, 25, 39, 40, 43, 47, 51, 56, 68, 70, 71, 76, 78, 79, 84, 86, 87, 92, 93, 94, 100, 101, 102, 106, 107, 112, 115, 116, 122, 125, 126, 132, 134, 135, 140, 142, 148, 154, 157, 162, 165, 170, 172, 185, 189, 191, 195, 199, 200, 203, 207, 211, 215, 219, 223, 227, 233, 239, 245, 251, 257, 258, 259, 261, 262, 265, 269, 273, 277, 278, 285, 289, 293, 299, 325, 327, 339, 343, 347, 351, 353, 355, 359, 365	0258029..... 25	0272307..... 461	0274702.....21
0100019...21, 25, 55, 227, 233, 239, 245, 251	0258030..... 25	0272308..... 461	0274703.....21
0100020....68, 70, 76, 78, 86, 92, 100, 102, 106, 108, 112, 115, 122, 125, 134, 142, 148, 156, 157, 164, 165, 172, 185, 186, 331	0258031..... 25	0272340..... 261	0274705..... 17
0100035.....351, 355	0258033..... 189	0272341..... 442	0274706..... 17
0100038 13, 17, 339, 343, 347, 351, 353, 355, 359	0258303..... 414, 432	0272354..... 26	0274711..... 227, 418
0100048.... 100, 106, 192, 196, 199, 200, 289, 301, 406, 409, 424, 427	0258304..... 414, 432	0272356..... 26	0274742.....21
0100062.....233, 239	0258305..... 414, 432	0272357..... 25	0274883.....462
0100063.....339, 347	0258703..... 461	0272360..... 26	0274927.....299
0100079.....71, 116, 158, 165, 185	0258830..... 26	0272361..... 26	0275035.....245, 418
0100081....278, 301, 321, 323	0258831..... 25	0272448..... 327	0275039.....219
0140001.....51	0259128..... 26	0272491..... 185	0275054.....459
0140011.....301	0259129..... 25	0272497..... 259, 262	0275055.....459
0140032.....200	0259845..... 43	0272521..... 325	0275116....258, 270, 407, 425
0181727....68, 76, 84, 92, 100, 106, 112, 122, 132	0259853..... 43	0272529..... 199	0275125.....257, 269
0181949.....189	0270029..... 47	0272530 ... 441, 445, 451	0275126.....259
0200048.....299	0270086..... 47, 48	0272573..... 441	0275216.....416, 434
0200742....211, 215, 223	0270115..... 43	0272574..... 451	0275217.....416, 434
0240050.....48	0270116..... 43	0272575..... 445	0275218.....416, 434
0240152.....48	0270119..... 43	0272576..... 445	0275219.....416, 434
0255917.....419, 436	0270180..... 48	0272577..... 445	0275436....262, 409, 426
0256789.....458	0270186..... 48	0272578..... 445	0275437....274, 409, 427
	0270671..... 25	0272579..... 445	0275438.....261, 273
	0270672..... 26	0272580 ... 442, 449, 452	0275452.....416, 434
	0270673..... 26	0272581 ... 442, 449, 452	0275453.....416, 434
	0270674..... 25	0272588..... 325	0275454.....416, 434
	0270675..... 26	0272589 ... 235, 241, 253	0275661.....239
	0270676..... 26	0272594 ... 262, 408, 426	0275678.....414, 432
	0270814..... 402	0272599..... 331	0275679.....414, 432
	0270839..... 257, 269	0272607..... 331	0275680.....414, 432
	0271011..... 21	0272652..... 21	0275681.....414, 432
	0271012..... 13	0272664..... 261, 273	0275682.....414, 432
	0271072..... 199	0272665 ... 274, 409, 427	0275683.....414, 432
	0271073..... 199	0272669..... 185	0275684.....414, 432
	0271122 ... 258, 270, 407, 425	0272703..... 289	0275786....258, 270, 407, 425
	0271189..... 445	0272921..... 295	0275815.....157
	0271206 ... 258, 270, 407, 425	0272942..... 459	0275853..... 25, 39
	0271216..... 257, 265	0272970 ... 294, 406, 424	0275854..... 25, 39
	0271217..... 200	0273064..... 458	0275866.....203, 207
	0271310 ... 258, 265, 407, 424	0273146..... 461	0275868.....203, 207
	0271311 ... 258, 265, 407, 424	0273147..... 461	0275869.....92
	0271315..... 458	0273148..... 461	0275871.....148
	0271340..... 304	0273160..... 233, 418	0275872.....70
	0271379..... 47	0273279 ... 258, 265, 407, 425	0275873.....92
	0271380..... 47	0273280 ... 258, 270, 407, 425	0275874.....70
	0271384..... 47	0273358..... 55	0280199.....21
	0271385..... 47	0273380 ... 229, 235, 247	0280200.....13
	0271391..... 189	0273420 ... 233, 239, 418	0280201.....17
	0271529..... 462	0273452..... 451	0280202.....21
	0271627..... 459	0273495..... 295, 304	0340012.....76, 122, 162
	0271628..... 459	0273601..... 389	0340041..68, 84, 94, 102, 108, 112, 132, 140, 148, 154, 170
		0274079..... 215, 217	
		0274084..... 211, 213	
		0274085..... 215, 217	

PART NUMBER INDEX

0340046 . 68, 76, 84, 112, 122, 132, 140, 154, 162, 170	140, 142, 154, 162, 170, 172, 203, 207, 227, 233, 239, 245, 251, 252, 259, 262, 294, 442, 448, 451	0641611.....70, 77, 84, 94, 112, 122, 132, 140, 155, 163, 170	0701012..... 94
0362519..... 189	0641409..... 94	0641612 70, 78, 102, 108, 156, 164	0701014..... 94
0362763..... 13, 17, 21	0641410 ... 68, 76, 84, 92, 102, 108, 112, 122, 132, 140, 148, 154, 162, 170, 239	0641614 56, 84, 115, 122, 132, 140, 170, 203, 207, 227, 233, 239, 245, 251	0701016..... 219, 245
0362910..... 43	0641414 299, 301	0641616.....21, 269, 273	0701217... 211, 223, 227, 251
0363012..... 39	0641416 185, 289, 301	0641618.....39, 228, 233, 239, 252, 269, 274	0711014..... 149
0370024..... 363	0641418 ... 70, 78, 86, 92, 100, 106, 115, 125, 134, 142, 148, 157, 165, 172, 293	0641626..... 13, 17	0711414..... 94, 149, 217, 235, 241
0370026..... 337, 367	0641420 ... 39, 71, 79, 86, 100, 106, 116, 125, 134, 142, 158, 165, 172	0641710.....219	0721004 43, 68, 112, 154, 162, 203, 207, 228, 233, 239, 245, 252
0400075... 68, 76, 84, 92, 100, 106, 112, 122, 132	0641505 43, 227, 233, 239, 257, 261	0641772.....211, 215, 223	0721005..... 299
0440162..... 13, 17	0641506 . 68, 76, 84, 102, 108, 112, 122, 132, 140, 154, 162, 170, 191, 196, 266, 270, 274	0641806.....257, 261	0721006 68, 76, 112, 122, 154, 203, 207, 208, 217, 303
0440271..... 22	0641507 ... 68, 76, 84, 94, 112, 122, 132, 140, 154, 162, 170, 257, 261	0641808 47, 63, 227, 233, 239, 245, 251	0721008..... 203, 208
0440272..... 55, 63	0641508 17, 100, 106, 211, 215, 223, 227, 251	0641810.....63, 257, 261, 265, 269, 273, 274	0741607..... 43
0440274..... 22	0641510 94, 148, 219	0641812....71, 79, 87, 93, 101, 107, 116, 126, 135, 140, 149, 154, 162, 170, 265, 269, 273, 285	0741610... 68, 76, 84, 94, 102, 108, 112, 122, 132, 140, 149, 154, 162, 170
0440291..... 22	0641512 ... 143, 148, 157, 165, 173, 365	0641814..... 13, 17, 21	0760612... 114, 122, 156, 164
0480120 211, 215, 223	0641516 ... 227, 233, 239, 245, 251, 289	0641818..... 55, 277, 278	0760810... 114, 122, 156, 164
0480121 211, 223	0641518 269, 273, 295	0641820....68, 76, 84, 94, 102, 108, 112, 122, 132, 140, 149, 154, 162, 170, 217, 235, 241	0760815 76, 84, 122, 132, 140, 162, 170
0480122 215	0641520 63	0641822.....289	0771012..... 149
0480126..... 251	0641524 262	0641824..... 13, 22	0771415..... 235, 241
0480128..... 233	0641526 285	0641826..... 13, 22	0791506..... 13, 17, 21
0480129 227, 233, 239	0641528 258, 262	0641832.....246	0791606..... 278
0480142 219, 245	0641542 39	0642010....70, 78, 86, 92, 100, 106, 115, 125, 134, 142, 148, 157, 165, 172	0791607..... 279
0561076 257, 261	0641560 39	0642012.. 13, 17, 21, 257, 261, 321	0801192..... 277
0561300 13, 17, 21	0641604 102, 108, 278	0642014..... 257, 261	0801260..... 277
0561459 265, 270	0641605 262, 277, 278	0642016..... 257, 261	0801272 257
0561460 258, 262	0641606 ... 13, 17, 22, 56, 185, 203, 207, 277, 285, 325, 327	0642024..... 289	0801273 257
0561511 21	0641607 40, 51, 189, 265, 269, 273, 277	0642026..... 323	0801288 265, 277
0561515 273	0641608 86, 93, 107, 134, 142, 148, 172, 185, 203, 207, 257, 265, 269, 273, 277	0642612..... 199	0801289 277
0630401 277, 278	0641609 ... 68, 76, 84, 94, 102, 108, 112, 122, 132, 140, 154, 162, 170	0642684..... 285, 289	0801290 277
0630462 299	0641610 ... 68, 70, 71, 76, 78, 79, 84, 86, 87, 92, 94, 100, 102, 106, 108, 112, 115, 116, 122, 125, 126, 132, 134, 135, 140, 142, 148, 154, 157, 165, 170, 172, 203, 207, 215, 233, 239, 245, 252, 257, 261, 265, 269, 273, 294	0651405..... 51	0801312 269, 277
0630467 285		0681608..... 285, 289	0801356 261
0630498 ... 68, 76, 84, 92, 100, 106, 112, 122, 132, 258, 262		0681610..... 63	0801357 261
0630518 ... 191, 196, 325, 327, 331		0681810..... 25	0801361 273, 278
0630534 ... 339, 343, 347, 355		0681814..... 297	0801379 279
0630535 353		0681822..... 297	0801380 279
0630544 17		0681824..... 17	0801592 261
0630548 191, 196		0681832..... 47	0801593 273, 278
0630568 304		0681856..... 47	0811608 246
0630569 ... 68, 76, 84, 87, 112, 122, 132, 135, 140, 154, 162, 170		0682014..... 25	0840055 289, 290
0641403 ... 227, 233, 239, 251		0682016..... 43	0860038 ... 227, 233, 239, 245, 252, 414, 432
0641404 51, 211, 215, 278		0682040..... 55	0861419 191
0641405 84, 94, 109, 132, 134, 185, 219, 228, 245, 289		0682048..... 55	0861441 301, 304
0641406 ... 56, 68, 70, 76, 78, 84, 86, 94, 102, 108, 112, 115, 122, 125, 132, 134, 140, 142, 148, 154, 157, 162, 165, 170, 172, 259, 263, 294, 295, 301, 325, 327, 331, 442, 449, 452		0682648 17	0861512 294, 301, 406
0641407 ... 100, 106, 197, 200, 289		0700808 68, 76, 117, 127, 158, 166	0861538 227, 233, 245
0641408 ... 47, 68, 76, 84, 86, 112, 122, 132, 134,		0700810.....95, 102, 108, 150	0861541 ... 228, 235, 241, 246, 252
		0700816.....94, 149	0861542 ... 227, 228, 233, 235, 245, 246, 418, 436
		0700820.....219, 245	0861567 ... 233, 235, 239, 241, 251, 252, 419, 436
			0861572 233, 239, 251
			0861731 414, 432
			0861781 414, 432
			0861880 415, 433
			0902206 199

PART NUMBER INDEX

0902443.....70, 78, 86, 92, 100, 106, 115, 125, 134, 142, 148, 157, 165, 172	1001092723 . 94, 95, 149, 150	1001099371 132	1001101915.....414, 432
0902444.....70, 78, 86, 92, 100, 106, 115, 125, 134, 142, 148, 157, 165, 172	1001093752 458	1001099372 135	1001101916.....414, 432
0902504.....203, 207	1001093803 458	1001099373 134	100110195085, 133, 141, 171
0902535.....185	1001094337 389, 398	1001099442 85, 133	1001101970.....435
0902740.....94, 149	1001094475 460	1001099806 461	1001101971.....435
0902751.....301	1001094789 274	1001099833 278	1001102131.....114, 117, 124, 126
0902888.....227, 234, 240, 245, 251	1001095205 114, 117, 154, 158	1001099838 277	1001102270.....114, 117, 124, 126, 154, 158, 162, 165
0902894.....289	1001095208 115	1001099869 213, 217, 225	1001102318.....389, 398
0902919.....289	1001095210 116	1001099926 114, 124, 156, 164, 412	1001102354.....47
0902920.....289	1001095213 112	1001099927 114, 124, 156, 164, 412	1001102446.....321, 323
0903063.....94	1001095217 115	1001100027 402, 418	1001102526.....56
0903484.....415, 433	1001095219 116	1001100233 213, 217, 225	1001102527.....56
0903612.....415, 433	1001095221 112	1001100234 213, 217, 225	1001102585.....85, 133
0940048.....257, 261	1001095408 459	1001100285 203	1001102597.....191, 196
0940071.....203, 207	1001096070 415, 433	1001100321 212, 216, 224	1001102598.....192, 196
0940083.....203, 207	1001096182 398, 461	1001100341 417, 434	1001102648.....323
0940167.....299	1001096617 259, 263	1001100342 417, 434	1001102695.....55
0940177.....299	1001096954 191	1001100345 417, 434	100110270685, 133, 141, 171
0940199.....321, 323	1001096956 191	1001100346 417, 434	1001102715.....197, 428
0961845.....293	1001097150 416, 433	1001100347 417, 434	100110286088, 136, 142, 172, 430
0961893.....347	1001097324 211, 213, 223, 225	1001100577 . 76, 85, 124, 133, 141, 163, 171	1001102892.....195
0961897.....353	1001097325 223, 225	1001100656 217	1001102893.....195
0961947.....269, 274, 281, 339, 341, 347, 349, 355, 357, 369	1001097339 213, 225	1001100657 217	1001102894.....195
0961948.....47, 277, 279	1001097340 211, 223	1001100732 215	1001102895.....195
0961950.....13, 17, 21, 257, 261, 277, 279, 351, 353, 371, 373	1001097400 418	1001100749 215	1001102900.....402, 428, 429
096195114, 18, 269, 274, 343, 345, 347, 349, 359, 361, 369	1001097401 418	1001100818 . 78, 85, 124, 133, 141, 163, 171	1001102927.....112
0962140.....14, 18, 22	1001097402 461	1001100825 ... 70, 78, 85, 115, 124, 133, 141, 157, 164, 171	1001102928.....116
0962172.....68, 76, 84, 94, 102, 108, 112, 122, 132, 140, 149, 154, 162, 170	1001097403 461	1001100837 . 76, 85, 124, 133, 141, 163, 171	1001102929.....115
0962185.....339, 343, 355, 359	1001097501 257, 265	1001100857 ... 71, 79, 87, 116, 125, 135, 143, 158, 165, 173	1001103501.....25
0962257.....281	1001097502 258, 265, 407, 425	1001100857 ... 71, 79, 87, 116, 125, 135, 143, 158, 165, 173	1001103502.....26
0962270.....297	1001097503 258, 265, 407, 425	1001100941 213, 225	1001103667.....196, 456
0962292.....269, 274	1001097504 266	1001100942 213, 225	1001103771.....207
0962293.....47	1001097551 114, 156	1001100943 211, 223	100110379187, 135, 143, 173, 208
0962449.....211, 215, 223	1001097552 114, 156	1001100944 211, 223	1001103970.....390
0962450.....289	100109755376, 114, 124, 156, 164	10011010201 . 77, 85, 124, 133, 141, 163, 171	1001104308.....95
0962520.....227, 233, 239, 245, 251	100109755473, 114, 124, 156, 164	1001101228 69, 113, 155	1001104689...68, 72, 76, 80
1001091079.....203, 207	1001097555 114, 124, 156, 164	1001101232 69, 113, 155	1001104850.....55, 61
1001091179.....94, 149	1001097556 124, 164	1001101233 69, 113, 155	1001105272.....209
1001091560.....185	1001097583 251	1001101233 69, 113, 155	1001105273.....209
1001091567.....185	1001097584 461	1001101408 . 77, 86, 124, 134, 141, 163, 172	1001105275.....209
1001091583 102	1001097588 ... 72, 76, 80, 85, 114, 124, 133, 141, 156, 164, 171	1001101423 321	1001105276.....209
1001091587 101, 107	1001097893 114, 124, 156, 164	1001101424 321, 323	1001105455.....61
1001091600 102	1001098012 331, 333	1001101620 85, 133	1001105632.....207
1001091601 101	1001098149 331	100110168185, 133, 141, 171	1001105636.....196, 427
1001091602 100	1001098446 381, 383	1001101816 100	1001105637.....196, 428
1001091794 103, 109	1001098525 ... 69, 77, 85, 113, 124, 133, 141, 155, 163, 171	1001101817 101	1001105784.....196
1001091892 94, 102	1001098567 204	1001101818 102	1001105872.....103
1001091970 417	1001098568 204	1001101819 102	1001106339.....428
1001091971 417	1001098640 261, 273	1001101910 414, 432	1001106340.....428
	1001098840 192, 410	1001101911 414, 432	1001106418.....132
	1001098923 411	1001101912 414, 432	1001106419.....135
	1001099364 87, 135, 209	1001101913 414, 432	1001106420.....134
	1001099370 133, 136, 171, 173	1001101914 414, 432	1001106426..85, 88, 140, 143
			1001106427.....84
			1001106428.....87
			1001106430.....86
			1001106431.....86

PART NUMBER INDEX

1001106432 84	1001111814 213, 225	1001117320 294	1001138494 293
1001106433 87	1001111815 213, 225	1001118241 351	1001138514 293
1001106736 197, 427	1001111818 251, 436	1001118416 301, 317	1001139099 460
1001106757 278	1001112044 251	1001118417 301, 309	1001139127 458
1001106788 170	1001112103 297	1001119559 303	1001139146 458
1001106789 172	1001112551 452	1001119867 385	1001139760 459
1001106790 141, 171	1001112586 229, 235, 241, 253, 436	1001119945 458	1001140274 341
1001106793 141, 171	1001112587 229, 236, 241, 253, 436	1001119950 458	1001140276 357
1001106931 294, 301	1001112588 402, 435	1001121115.84, 109, 132	1001140278 361
1001106932 294	1001112589 435	1001121340 229, 235, 236, 247	1001140279 345
1001106938 302, 456	1001112612 428	1001121610 458	1001140282 349
1001107007 303, 406, 424	1001112743 402, 435	1001121614 458	1001140315 461
1001107008 458	1001112943 297	1001121801 441	1001140318 461
1001107009 458	1001112943 297	1001121803 446	1001140429 293
1001107010 458	1001112983 458	1001121805 447	1001140620 459
1001107116.77, 84, 123, 132, 140, 170	1001112984 458	1001121808 446	1001141181 246
1001107280 207	1001112985 458	1001121810 446	1001141472 459
1001107354 261, 273	1001113307 26	1001121814 441	1001141967 414
1001107527 302	1001113308 26	1001121816 447	1001141968 415, 433
1001107591 398, 461	1001113366 25	1001121818 448	1001141969 415, 433
1001107677 302	1001113483 289	1001121821 447	1001141970 415, 433
1001107853 305	1001113961 315, 317	1001121823 447	1001141971 415, 433
1001108204 199	1001114034 460	1001121918 446, 447	1001142504 461
1001108256 299	1001114059 460	1001121920 446	1001142505 461
1001108388 142	1001114061 459, 460	1001121921 447	1001143074 459
1001108389 140	1001114063 460	1001121923 447	1001143256 461
1001108493 441, 445, 446	1001114121 459, 460	1001122202 93, 430	1001143509 459
1001108828 294, 301	1001114122 460	1001125978.77, 114, 124, 156, 164	1001143669 461
1001108829 294	1001114128 460	1001127090 458	1001144629 293
1001108879 403	1001114595 107	1001127096 459	1001145163 56
1001108901 294, 301, 424	1001114596 107	1001128983 459	1001145838 459
1001108902 294	1001114597 107	1001129555 454	1001148902 459
1001108923 442, 449	1001114598 106	1001130038.77, 124, 163	1001148903 459
1001108994 305	1001114602 107	1001130040.77, 124, 164	1001148904 459
1001109475 415, 433, 456	1001114603 106	1001130041.78, 124, 164	1001148905 459
1001109482 415, 433, 456	1001114603 233, 435	1001130042.78, 124, 164	1001148906 459
1001109495 209	1001115396 233, 239, 435	1001130504 124	1001148971 460
1001109719 195	1001115403 215, 217	1001130505 126	1001149560 461
1001109725 402, 428, 429	1001115408 239	1001130506 122	1001151644 460
1001109727 402, 428, 429	1001115411 217	1001130507 125	1001151645 460
1001109728 197, 428	1001115412 217	1001130508 126	1001153016 55, 63
1001109729 197, 428	1001115412 217	1001130509 122	1001153365 55
1001109823 195	1001115476 459	1001130510 124	1001166538 319
1001109824 195	1001115639 299	1001130511 126	1001166539 311
1001109825 195	1001115641 299	1001130513 164	1001205175 461
1001109826 195	1001115713 259, 408, 426	1001130514 162	1001212415 454
1001109827 195	1001115848 299	1001130515 78	1001216630 290
1001110138 460	1001115916 270, 408, 426	1001130516 79	1001225900 279
1001110143 460	1001115917 258, 270, 407, 425	1001130517 76	1001225902 277
1001110434 302	1001115930 460	1001130518 78	1001227348 461
1001110872 228, 234, 240, 252, 418, 436	1001115931 460	1001130519 79	1001227349 461
1001110873 228, 234, 240, 246, 252, 416, 418, 434, 436	1001116373 459	1001130520 76	1001228964 461
1001111285 211, 213, 223, 225	1001116374 459	1001130524.78, 124, 164	1001231277 65
1001111404 227, 435, 436	1001116516 258, 270, 407, 425	1001130758 459	1001231278 462
	1001116544 108	1001131992 403	1060279 442, 448, 451
	1001116545 108	1001132727 458	1060341 299, 419, 437
	1001117038 209	100113512 122	1060343 228, 235, 246, 419, 436
	1001117042 207	1001137005 420, 438, 462	1060461 417
	1001117140 209	1001137672 461	1060494 228, 235, 246, 417, 419, 420, 435, 436, 437
	1001117254 458	1001138135 95, 150	1060584 43
	1001117261 458	1001138431 293	1060625 71, 79, 87, 93, 101, 107, 116, 126, 135
		1001138432 293	1060626 71, 79, 87, 92, 101, 107, 116, 125, 135
		1001138433 293	
		1001138444 208	

PART NUMBER INDEX

1060633.....420, 438	1320224.....289	1683946.....351	1702944....71, 79, 87, 93,
1060663.....295	1320300.....259, 262	1683947.....351	101, 107, 116, 125, 135
1060708....228, 235, 246,	1320302.....325, 327	1683959.....269, 347	1702961.....442, 459
419, 436	1320318...71, 79, 84, 86,	1683960.....347	1702962.....442, 459
1060896....407, 409, 425,	116, 125, 132, 134,	1683961.....347	1703067.....26
426, 427	140, 142, 158, 165,	1684059.....351	1703162....70, 78, 84, 94,
1060902....263, 413, 431	170, 172	1684060.....351	102, 108, 112, 122,
1060903.....299	1320323.....100, 106	1684067.....353	132, 140, 149, 156,
1060904...68, 76, 94, 112,	1321692...259, 262, 408,	1684069.....353	162, 170
122, 150, 154, 162,	409, 426	1684070.....257, 353	1703175.....459
412, 430	1321694....259, 408, 426	1684095.....278, 365	1703450.....43
1060908.....416, 433	1321695.....258	1684096.....365	1703486....442, 449, 452
1060918....294, 406, 424	1321696.....265, 270	1684098.....365	1703797.....441
1060919.....297	1321738.....262	1684140.....278, 365	1703798.....441
1060977.....420, 437	1340060...68, 84, 94, 102,	1684154.....269, 351	1703804.....441
1060987....259, 408, 420,	108, 112, 132, 140,	1684155.....265, 351	1703805.....441
426, 437	149, 154, 170	1684165....265, 339, 341	1703876....70, 77, 86, 92,
1060988....266, 270, 408,	1340061.....458	1684166.....339	100, 112, 122, 134
420, 426, 437	1580011...68, 76, 84, 102,	1684167.....339	1703923.....445
1060989.....408, 426	108, 112, 124, 132,	1684170.....265, 355	1703924.....445
1060990....266, 408, 426	140, 154, 162, 170	1684171.....355	1703925.....445
1060991....259, 262, 409,	1580012.....295	1684172.....355	1703926.....445
426	1580013.....295	1684239.....261, 373	1703927.....445
1060996....274, 409, 427	1580049.....155, 163	1684241.....273	1703928.....445
1120108.....351	1600244.....420, 438	1684242.....274, 369	1703929.....445
1120487.....186	1600317.....301, 307	1684244.....273, 371	1703930.....445
1120532.....185	1600318.....301, 315	1684246.....22, 375	1703931.....445
1120552.....26	1600351.....124, 164	1684262.....279, 377	1703932.....445
1120555.....321, 323	1600364.....191	1684290.....337, 367	1703933.....445
1180227.....277	1600376.....302	1684412...13, 17, 22, 363	1703934.....445
1180352.....277	1600387.....289	1684465...13, 17, 21, 337,	1703935.....445
1180378.....279	1600411.....191	367	1703936.....445
1271538.....289	1660234.....95, 150	1700584....441, 448, 451	1703937.....445
1283373.....398	1660255...68, 76, 84, 112,	1700818.....442, 448	1703938.....445
1283460.....398, 399	122, 132, 140, 154,	1701500....442, 448, 451	1703939.....445
1320012...68, 76, 84, 102,	162, 170	1701504....441, 448, 451	1703940.....445
108, 112, 122, 132,	1670678.....278	1701505...70, 78, 86, 92,	1703947.....445
140, 154, 162, 170	1670829.....191, 196	115, 125, 134, 142,	1703948.....445
1320016....68, 76, 84, 94,	1670964.....285	148, 157, 165, 172,	1703949.....445
102, 108, 112, 122,	1670998.....259	442, 448, 451	1703950.....445
132, 140, 149, 154,	1671013.....257	1701509...321, 323, 441,	1703951.....445
162, 170	1671037.....302	448, 451	1703952.....445
1320022....68, 70, 76, 78,	1671083.....274	1701518.....43, 451	1703980.....448
84, 86, 92, 93, 94, 100,	1671086.....259, 263	1701529....442, 448, 451	1703981.....448
102, 106, 108, 112,	1671092...229, 235, 247,	1701542...100, 106, 442,	1703982.....448
115, 124, 125, 132,	408, 409, 419, 426,	448	1703983.....448
134, 140, 142, 148,	427, 436	1701543...100, 106, 442,	1703984.....448
149, 154, 157, 162,	1671093...327, 408, 409,	448	1703985.....448
165, 170, 172	426, 427	1701645.....441	1703992.....451
1320023.....189	1671111.....279	1702300....441, 448, 451	1704000.....446
1320041.....56, 101	1671169.....203, 207	1702565.....302	1704001.....446
1320058....84, 132, 140,	1671176.....302	1702566.....302	1704002.....446
170	1682892.....365	1702567.....302	1704006.....448
1320060.....192	1683050.....339, 355	1702676.....304	1704007.....448
1320061.....259, 262	1683051.....347	1702720.....449	1704008.....448
1320136.....289	1683052.....343, 359	1702740.....26	1704260.....302
1320176.....94, 149	1683063.....353	1702773....441, 446, 451	1704271.....449
1320177.....262, 331	1683504.....351	1702774....441, 446, 451	1704277....441, 446, 451
1320202....266, 270, 274	1683658.....363	1702868....327, 331, 441	1704412....442, 449, 451
1320218.....189	1683756.....359	1702938.....299, 304	1704455.....43
1320220.....189	1683759.....343	1702941...70, 78, 86, 93,	1704456.....44
1320222.....149, 295	1683760.....269, 343	101, 107, 115, 124, 134	1704457.....43
1320223....70, 78, 84, 86,	1683761.....343	1702942...70, 78, 86, 93,	1704482.....43
93, 94, 101, 102, 107,	1683772.....359	101, 107, 115, 124, 134	1704576.....43
108, 115, 125, 132,	1683773.....269, 359	1702943...71, 79, 87, 92,	1704577.....43
134, 140, 142, 157,	1683800.....365	101, 107, 116, 125, 135	1704578.....43
165, 170, 172	1683802.....365		1704586.....47

PART NUMBER INDEX

1704885 442, 449, 452	1707056 447	2130812..... 385, 389	2220794 . 70, 78, 86, 115,
1704972 ... 71, 79, 87, 93,	1707058 446	2131008..... 385, 389	125, 134, 142, 157,
101, 116, 126, 135	1707059 446	2131210.... 71, 79, 87, 93,	165, 172
1704997 302	1707060 446	102, 107, 116, 126,	2220829 262
1705014 297	1707133 447	135, 142, 150, 172, 393	2220883 35, 37, 365
1705084 451	1707134 446	2131212.. 71, 79, 87, 116,	2220885 ... 339, 347, 351,
1705091 394	1787217 ... 143, 148, 157,	126, 135, 140, 150,	355
1705132 192, 303	165, 173	154, 162, 170, 178	2220886 35, 37, 353
1705170 304	1810118 191	2131216..... 385, 390	2220888 37
1705212 305	1810119 191	2150404.... 381, 383, 393	2220890 337, 367
1705305 ... 325, 327, 331	1810120 191	2150606..... 393	2221037 262
1705325 415, 433	1810121 191	2150808.... 386, 390, 393	2221084 . 72, 79, 87, 116,
1705332 451	1810122 191	2151212.. 71, 79, 87, 116,	126, 135, 142, 150,
1705351 442	1810123 191	126, 135, 141, 150,	155, 163, 172, 178
1705355 325, 327	1810124 191	154, 162, 172, 178	2221085 385, 389
1705358 321, 323	1810125 191	2160001..... 17, 55	2221086 393
1705363 442	1870215 403	2160002..... 17	2221088 385, 389
1705364 26	2000195 68, 72	2170106..... 393	2221090 397
1705375 ... 229, 235, 247,	2000290 93	2170110..... 88, 136, 142,	2221176 92, 100, 106,
327	2000291 148	172	148
1705376 ... 228, 235, 241,	2000315 68	2170206..... 393	2221183 385, 390
246, 252	2000318 71	2170306..... 381	2221216 385, 389
1705387 229, 235, 247	2000345 93	2170316.. 71, 79, 87, 116,	2221296 385, 390
1705426 449	2000363 94	126, 135, 142, 150,	2300004 . 71, 79, 86, 101,
1705427 449	2000364 93	155, 163, 172, 181, 393	106, 115, 125, 134,
1705429 449	2000388 68	2170406..... 393	142, 157, 165, 172, 460
1705430 449	2000389 71	2170504.... 381, 383, 385,	2300014 460
1705460 ... 229, 235, 241,	2000396 154	389, 393	2300016 460
247, 253	2030010 ... 325, 327, 331	2170506..... 381, 383	2300019 460
1705461 235, 241, 253	2060025 94, 102, 108,	2170512..... 385, 390	2300027 460
1705466 325, 327, 331	149	2170706..... 394	2300029 460
1705489 235, 241, 253	2060032 68, 112, 154	2170808.. 71, 79, 87, 116,	2300039 460
1705490 331	2080040 293, 295	126, 135, 142, 150,	2300040 460
1705514 449	2080057 451	155, 163, 172, 181,	2300041 86, 101, 106,
1705821 451, 452	2110404 ... 381, 383, 385,	393, 394	116, 125, 134, 460
1705822 451, 452	390, 393	2180348..... 92, 100, 106,	2400060 ... 229, 236, 241,
1705828 451	2110406 ... 385, 389, 393	148	247, 253, 419, 428, 436
1705905 449	2110410 393	2180387 189	2400064 ... 229, 236, 242,
1705910 449	2110604 ... 71, 79, 87, 93,	2180389 189	247, 253, 419, 436
1705969 446	102, 107, 116, 126,	2180482 68, 76, 112, 122,	2400065 411, 429, 454
1706059 ... 71, 79, 87, 93,	135, 142, 150, 172,	154, 162	2400066 ... 411, 420, 429,
101, 116, 126, 135	385, 389, 393	2180504 189	437
1706060 ... 71, 79, 87, 93,	2110606 ... 381, 383, 385,	2180536.. 70, 78, 86, 115,	2400070 420, 437, 456
101, 116, 126, 135	393	125, 134, 142, 157,	2410014 297
1706061 ... 71, 79, 87, 93,	2110808 ... 385, 386, 389,	165, 172	2420115 185
101, 116, 126, 135	390	2180832..... 331	2420172 192, 196
1706062 ... 71, 79, 87, 93,	2110812 389	2180877 103, 109	2420202 289
101, 116, 126, 135	2111010 . 71, 79, 87, 116,	2200222 71, 92, 101, 106,	2420203 ... 212, 216, 219,
1706063 ... 71, 79, 87, 93,	126, 135, 140, 150,	116, 148, 158, 165, 186	224
101, 116, 126, 135	154, 162, 170, 178	2220235. 13, 17, 381, 383	2460048 ... 227, 233, 239,
1706064 ... 71, 79, 87, 93,	2111212 385, 390, 393	2220238..... 385	245, 251
101, 116, 126, 135	2111216 385, 393	2220240 397	2460049 ... 212, 215, 216,
1706098 71, 79, 143, 148,	2111612 . 71, 79, 87, 116,	2220250.. 70, 78, 86, 115,	223, 224
158, 165, 173	126, 135, 140, 150,	125, 134, 142, 157,	2460051 219
1706385 297	154, 162, 170, 178	165, 172	2460055 211, 215, 223
1706712 191, 196	2111620 ... 385, 389, 393	2220273.. 71, 79, 86, 116,	2460056 212, 215, 224
1706920 191	2120209 51	125, 134, 142, 157,	2460057 ... 211, 212, 215,
1706921 191, 192	2120210 51, 454	165, 172	223
1706931 441, 445	2130404 ... 381, 383, 385,	2220290 189	2540038 290
1706941 441, 446	389	2220313.... 70, 78, 86, 92,	2560136 302
1707013 441	2130406 389, 393	115, 125, 134, 142,	2560173 295
1707042 447	2130604 71, 79, 116, 126,	148, 157, 165, 172	2570008 363
1707044 447	393	2220451 94, 149	2580024 ... 70, 78, 86, 92,
1707047 447	2130606 ... 381, 383, 393,	2220459.. 70, 78, 86, 115,	101, 107, 115, 116,
1707049 447, 448	394	125, 134, 142, 157,	124, 125, 134
1707054 447	2130608 365, 393	165, 172	2580050 ... 71, 79, 87, 92,
1707055 446	2130808 389		101, 107, 116, 125, 135

PART NUMBER INDEX

2580054 ..70, 78, 86, 115, 124, 134	2753569 394	2820018 ... 114, 124, 156, 164, 412, 413	3200406.....94, 102, 108, 149
2580062.....95	2753570 394	2820031 ... 213, 217, 219, 225, 234, 240, 251, 407, 409, 425, 426	3220110.....94, 149
2580063.....101, 107	2753572 394	2820035 ... 185, 199, 200, 295	3220112.....94, 149
2600210.....203, 208	2753573 394	2820099 203, 208	3220113..69, 77, 84, 113, 123, 132, 140, 155, 163, 170
2600246.....203, 208	2753574 394	2820100 203, 208	3220154.....69, 113, 155, 163
2600281.....293	2753578 385, 389	2820118 ... 407, 408, 409, 425, 427	3250585.....295
2680438.....203, 207, 208	2753579 385, 389	2820175 204	3250872.....44
2680439.....203, 208	2753580 389	2820176 204	3251102....213, 217, 219, 225, 304
2720058....68, 70, 76, 78, 84, 86, 93, 102, 108, 112, 115, 122, 125, 132, 134, 140, 142, 148, 154, 157, 162, 165, 170, 172	2753582 385	2820177 204	3251242.....451
2720149.....189	2753588 385, 389	2820647 274	3251243....219, 442, 448
2720160.....331	2753589 394	2860030 192, 196, 454	3251813.....441, 448
2720271....70, 78, 85, 86, 103, 109, 115, 122, 125, 133, 134, 141, 142, 157, 164, 165, 171, 172	2753590 394	2900477 59	3252347.....442, 451
2720467.....94, 149	2753591 394	2900770 ... 351, 365, 369, 371, 373, 377	3252507.....415, 433
2720468.....189	2753594 385, 389	2900792 ... 339, 341, 343, 345, 347, 349, 353	3252692.....44
2720507.....69, 113, 154	2753595 385, 389	2900804 48	3252693.....44
2720508.....69, 113, 155	2753602 390	2901443 420, 438, 461	3252764....234, 240, 246, 252
2720514.....102	2753604 385, 389	2901549 339, 355	3252768....442, 449, 451
2720563.....102, 108	2753605 385, 389	2901776 343, 359	3271805.....47, 297
2720564.....102, 108	2753610 385, 389	2901810 347	3272005.....43
2720565.....100, 106	2753611 394	2902044 353	3272605.....17, 289
2720566.....100, 106	2753612 394	2902060 .69, 76, 93, 113, 122, 149, 155, 162, 412, 430	3290405.....100, 106
2720567.....100, 106	2753613 394	2902073 365	329050171, 79, 116, 125, 158, 165
2720615.....85, 133, 141, 171	2753614 394	2902074 351	3290505....100, 106, 213, 216, 224
2720646.....262	2753615 397	2902217 325, 327	329060171, 79, 116, 125, 158, 165
2750532....69, 70, 76, 78, 86, 92, 94, 102, 108, 113, 115, 122, 125, 134, 142, 148, 149, 155, 157, 162, 165, 172	2753616 397	2902266 337, 367	3290605....114, 123, 156, 164, 331
2753537.....389	2753625 381, 383	2902409 363	3290606.....293
2753538.....385, 389	2753661 389	2902443 412, 429	3290801....114, 123, 156, 164
2753540.....389, 390	2753675 385, 394	2902510 ... 101, 107, 412, 430	3300106.....25
2753541.....389	2753688 385	2902549 415, 433	3300151....265, 270, 293, 325, 327
2753542.....393	2753698 385, 390	2915133 303	3300205.....192, 196
2753545.....393	2753727 381	2920028 299, 304	3300220.69, 77, 113, 155
2753546.....393, 394	2753782 381, 383	2920029 299, 304	3300243.....285
2753547.....394	2753787 385, 390	2920110 199	3300255.....47
2753548.....394	2753788 381, 383	2920113 199	3300279.....351
2753549.....394	2753789 385, 390	2920129 ... 290, 411, 429	3300315.....351
2753550.....394	2753843 385, 389	2920140 ... 295, 420, 437	3300353.....302
2753551.....394	2753851 383	2920146 199	3300396....228, 235, 241, 246, 252
2753552.....394	2753934 381, 383	2920154 302	3300408....192, 196, 302
2753553.....394	2753939 ... 381, 383, 385, 389	2920157 199, 295	3300420.....258, 262
2753554.....393	2753940 385, 389	2940074 293, 454	3310601....228, 235, 241, 246, 252
2753556.....394	2754244 389	2940109 203, 208	3310805.....189
2753557.....394	2754471 ... 381, 385, 390	3010140 262	3311001.....199
2753558.....394	2754702 394	3020016 ... 72, 80, 87, 94, 117, 126, 135, 143, 149, 157, 165, 173, 460	3311005..56, 69, 77, 113, 123, 155, 162, 199, 203, 204, 208, 209, 213, 217, 219, 225, 228, 234, 240, 246, 252, 259, 263, 303, 325, 327, 331
2753559.....394	2754722 389	3020021 95, 150, 460	3311401....149, 192, 204, 208, 265, 270, 278, 299
2753560.....394	2754726 389	3020029 22	3311402.....274
2753561.....394	2755076 385	3020043 363	
2753562.....394	2760105 192, 196	302004487, 94, 117, 126, 135, 460	
2753563.....394	2780221 47	3160287 55, 59	
2753565.....394	2780230 ... 13, 14, 17, 18	3160348 25, 37	
2753566.....394	2780267 25, 29	3160351 25, 35	
2753567.....394	2780268 25, 33	3200378 .69, 77, 84, 113, 123, 132, 140, 155, 163, 170	
2753568.....394	2792468 393, 398		
	2792469 393, 398		
	2792473 397, 399		
	2792580 393, 399		
	2792583 393, 398		
	2792590 393, 398		
	2792724 393, 398		
	2792725 393, 399		
	2792777 381, 398		
	2792778 383, 398		
	2792779 398		
	2792780 399		
	2792782 389, 398		
	2792783 389, 398		
	2792784 398		
	2792785 385, 398		

PART NUMBER INDEX

3311405 ... 56, 69, 70, 77, 78, 85, 86, 92, 94, 100, 102, 106, 108, 113, 115, 123, 125, 133, 134, 140, 142, 148, 149, 155, 157, 163, 165, 171, 172, 185, 204, 208, 219, 228, 234, 240, 246, 252, 259, 262, 289, 294, 295, 325, 327, 331, 442, 448, 451	3340940 278, 279 3340943 274 3340956 321, 323 3340958 148 3380434 294 3380445 204, 208 3380610 40 3380652 460 3380694 100, 106 3420372 43 3420447 43 3421453 331 3421565 43 3422177 ... 265, 269, 273 3422178 ... 265, 269, 273 3422179 265 3422180 265 3422454 265 3422558 265 3422568 257, 261 3422582 269, 273 3422592 13, 17, 21 3422664 257, 261 3422669 269, 274 3422692 13, 18 3422786 47 3422791 269, 274 3422792 269, 274 3422793 ... 265, 269, 274 3422794 269, 274 3422804 278 3422806 269, 273 3422841 43 3422847 43 3422848 18 3422912 257, 261 3422913 257, 261 3422996 279 3423081 22 3450608 14, 18 3450808 13 3450812 18 3460334 321, 323 3460373 204, 209 3470003 304 3480232 339, 355 3480239 365 3480240 351 3480247 343, 359 3480249 347 3480253 353 3480288 337, 367 3510830 293 3510831 293 3510832 293 3510884 297 3520028 ... 212, 216, 219, 224, 302 3520035 ... 192, 409, 427 3520054 302 3520072 293, 297 3520189 ... 235, 241, 252, 419, 436 3520192 241, 252 3520198 293 3536089 295 3539219 192, 196	3570535 265 3570571 69, 103, 108, 113 3570801 149 3570808 94, 109 3570901 13, 17 3570958 278 3571008 .. 70, 77, 85, 103, 108, 113, 123, 133 3571009 .. 70, 77, 85, 103, 108, 113, 123, 133 3571019 70, 103, 108, 113 3571462 270, 274 3571818 47 3571833 47 3571860 47 3571975 18 3572009 43 3572010 43 3572011 43 3572012 43 3572102 43 3572448 279 3572551 269 3572691 257, 261 3572750 257 3572826 257 3573024 204, 208 3573400 325, 327 3573642 325, 327 3573667 ... 69, 77, 85, 95, 103, 108, 113, 123, 133, 162 3573895 149 3573937 ... 141, 149, 155, 171 3574066 262 3574163 ... 228, 234, 240, 246, 252 3574253 .. 69, 77, 85, 113, 123, 133 3574259 .. 69, 77, 85, 113, 123, 133 3574282 ... 114, 123, 156, 164 3574523 ... 228, 234, 240, 246, 252 3574532 ... 266, 270, 274 3575359 299 3575705 299 3576799 331 3576939 48 3576972 95 3577121 325, 327 3577130 ... 141, 155, 163, 171 3577131 156 3577132 ... 141, 156, 163, 171 3577133 ... 141, 156, 163, 171 3577135 ... 141, 155, 163, 171 3577139 156 3580134 ... 212, 216, 224 3580158 216	3580276 212, 216, 224 3580312 219, 246 3580314 246 3580315 213, 224 3580316 228, 252 3580317 ... 228, 234, 240, 252 3580318 228, 234 3580319 ... 234, 240, 252 3580320 234, 240 3580324 219 3580348 219, 246 3600318 .. 72, 79, 87, 116, 126, 135, 142, 149, 156, 163, 172, 181 3600385 .. 72, 79, 87, 116, 126, 135, 142, 149, 156, 164, 172, 177 3600407 93, 101, 107, 177 3600408 93, 181 3600423 ... 72, 79, 87, 95, 103, 107, 116, 126, 135, 142, 149, 156, 164, 172, 183 3600441 101, 107, 181 3620033 95, 149 3620040 103, 108 3620046 69, 113, 155 3640986 ... 230, 236, 241, 248, 252 3641533 ... 230, 236, 241, 248, 252 3641569 299 3730125 411 3740049 ... 192, 196, 419, 437, 454 3740067 ... 69, 77, 85, 95, 103, 108, 113, 123, 133, 141, 149, 155, 163, 171, 454 3740080 69, 77, 113, 123, 155, 162, 213, 216, 219, 224, 228, 234, 240, 246, 252, 456 3760115 278, 279 3760170 43 3760318 365 3760367 ... 339, 347, 355 3760368 343, 359 3760371 353 3780117 285 3780182 22 3790012 ... 100, 106, 200, 302, 304 3790113 365 3790152 ... 72, 80, 87, 93, 101, 107, 117, 126, 135, 142, 149, 156, 164, 172 3820001 44, 442, 448 3820020 293 3841143 18, 265, 269, 273, 274 3841203 47, 265, 269, 273, 274
---	---	--	---

PART NUMBER INDEX

3841258...13, 17, 21, 257, 261, 273	4060802 ... 213, 217, 219, 225, 228, 234, 240, 246, 252, 295, 304	228, 234, 240, 246, 252, 295, 304, 456	4460268....200, 410, 419, 428, 437
3841329.....43	4060803 259, 263	4360387 ... 299, 302, 304, 454	4460320.....56, 199, 410, 414, 419, 420, 428, 432, 436, 437
3841377.....13	4060805 204, 209	4360407 302, 454	4460321....418, 420, 435, 438
3841458.....18	4060865 199	4360436 185	4460346....228, 234, 240, 246, 252, 415, 418, 432, 436
3841517 14, 18, 22	4060906 192, 196	4360469 192, 196, 456	4460374....229, 236, 241, 247, 253, 419, 436
3860096.....258, 262	4061010 204	4360470 192, 196, 456	4460375....229, 236, 241, 247, 253, 419, 436
3900054.....297	4061021 40	4360475 ... 192, 196, 302, 454	4460411....229, 236, 241, 247, 253
3900109.....14, 18, 22	4061032 258, 262	4360476 ... 192, 196, 303, 454	4460412....229, 236, 241, 247, 253
3900139.....339, 355	4061043 ... 228, 234, 240, 246, 418	4360517 56, 414, 432, 454	4460413....229, 236, 241, 247, 253
3900142.....351	4061054 289	4360522 200, 304	4460414....229, 236, 241, 247, 253
3900170.....351	4070410 185	4360542 ... 212, 216, 219, 224	4460415....229, 236, 241, 247, 253
3900232....203, 204, 208	4070497 ... 69, 77, 85, 95, 103, 108, 113, 123, 133, 141, 155, 163, 171	4360548 ... 259, 263, 413, 431, 456	4460418....406, 410, 424, 427
3900254....70, 78, 86, 92, 100, 106, 115, 125, 134, 142, 148, 157, 165, 173	4070498 ... 69, 77, 85, 95, 103, 108, 113, 123, 133, 141, 155, 163, 171	4400275 189	4460419....407, 410, 424, 427
3900268.....192, 196	4070897 278	4400408 185	4460424....200, 410, 412, 419, 420, 428, 429, 436, 437
3900283.....279, 289	4070898 278	4400420 189	4460425....228, 235, 241, 247, 253, 258, 262, 299, 407, 409, 419, 420, 425, 426, 436, 437
3900316.....279	4070972 13, 17	4400451 185	4460426....192, 196, 228, 235, 241, 247, 253, 295, 304, 409, 419, 420, 427, 436, 437
3910606....228, 234, 240, 246, 252	4070973 13, 17, 21	4420014 321, 323	4460428....303, 406, 424
3910610....228, 235, 241, 247, 252	4070974 13, 17	4420037 295, 325, 327	4460434....407, 410, 424, 428
3910804.....192, 196	4070982 278	4420051 44, 442, 449, 452	4460457.....411, 429
3910808.....189	4070987 192, 196	4420060 213, 216, 224	4460458....229, 236, 242, 247, 253, 411, 429
3911014.....199	4071056 279	4420066 321, 323	4460459.....420, 437
3911018.....302	4071057 279	4420068 299	4460464....114, 124, 156, 164, 294, 303, 406, 407, 409, 410, 412, 424, 425, 427, 428, 429
3911040.....199	4100025 . 70, 78, 85, 115, 123, 133, 141, 157, 164, 171	4460007 303	4460465....229, 236, 241, 247, 253, 289, 290, 407, 408, 409, 411, 419, 425, 427, 436
3931010.....56	4100099 353	4460027 ... 212, 216, 219, 224	4460466....289, 290, 407, 408, 409, 425, 427, 429, 430
3931016.....359	4120035 410, 428	4460049 299	4460467....420, 437, 461
3931024.....259, 263	4130405 22	4460051 ... 234, 240, 252, 418, 436	4460470....192, 196, 303, 406, 409, 424, 427
3931030.....259, 263	4130406 22	4460071 ... 228, 234, 240, 252, 294, 406, 416, 418, 424, 434, 436	4460471....192, 196, 303, 406, 409, 424, 427
3931516....339, 343, 347, 355, 359	4130407 22	4460121 78, 124, 162	4460473....407, 408, 409, 425, 427
3931620....71, 80, 87, 93, 101, 107, 117, 126, 136, 142, 156, 164, 172	4160170 204, 208	4460125 415, 433	4460476.....420, 437
3931824.....353	4220162 199	4460134 ... 416, 417, 434, 435	4460488..71, 79, 87, 116, 126, 135, 192, 196, 303
3931832.....55	4220244 270, 273	4460190 ... 212, 216, 219, 224	
3941406.....279	4220267 21	4460205 ... 415, 416, 417, 433, 434, 435	
3951402.....351, 365	4240018 ... 219, 258, 262	4460224 413, 431	
3951420.....274	4240032 199, 200	4460225 ... 228, 235, 241, 246, 252, 407, 418, 424, 436	
3960407.....95, 150	4240033 289	4460226 ... 263, 289, 294, 312, 319, 406, 407, 409, 412, 413, 418, 419, 420, 424, 427, 429, 431, 435, 436, 437, 438	
3960422....228, 234, 240, 246, 252, 416, 418, 434, 436	4240099 92, 100, 148, 258, 295, 299, 325, 327	4460227 56, 406, 407, 410, 414, 420, 424, 428, 432, 437	
3960438..70, 77, 85, 101, 107, 113, 123, 133, 141, 156, 163, 171	4240145 185	4460233 415, 417, 433	
3960461.....199	4240149 321, 323	4460234 ... 199, 200, 299, 303	
3960462.....204, 208	4280295 185	4460265 312, 319	
3960464.....204, 208	4300157 234, 240	4460267 ... 199, 410, 419, 428, 436	
3960526.....25	4340745 95, 103, 108		
3980007....70, 78, 86, 92, 101, 107, 115, 124, 134	4341301 331		
3990001.....411	4341389 204, 209		
3990010....410, 427, 454	4341390 204, 209		
4010608.....331	4341415 321, 323		
4010618.....293	4360031 294		
4031608....213, 216, 224	4360057 299, 456		
403171176, 85, 123, 133, 141, 162, 171	4360070 ... 228, 235, 241, 247, 252		
4032015.....234, 240	4360232 420, 437, 456		
4060092.....416, 434	4360328 ... 192, 196, 302, 304, 454		
4060700....228, 234, 240, 246, 416, 418, 434	4360330 303, 454		
	4360331 304, 454		
	4360336 ... 100, 106, 200, 213, 217, 219, 225,		

PART NUMBER INDEX

4460496	197, 427	4460899	429	4461206....	416, 417, 434, 435	4711000	56
4460497	197, 427	4460905 ...	192, 303, 406, 410, 424, 427, 428, 430	4461207	415, 433	4711400 ...	39, 47, 51, 56, 70, 71, 77, 79, 85, 86, 92, 95, 101, 103, 107, 108, 113, 116, 123, 125, 133, 134, 141, 143, 148, 156, 158, 163, 165, 171, 173, 200, 219, 228, 234, 240, 246, 252, 279, 289, 293, 295
4460508 ...	406, 407, 409, 424, 425, 427, 428	4460906	219, 418, 435	4461222	411, 429	4711500 ...	43, 69, 77, 85, 101, 107, 114, 123, 133, 141, 155, 163, 171, 228, 234, 240, 246, 252, 258, 261, 262, 278, 285, 304
4460509 ...	407, 408, 409, 425, 427	4460933	290	4461244	415, 433	4711600 ...	51, 56, 69, 77, 85, 93, 103, 107, 109, 114, 123, 133, 141, 155, 163, 171, 228, 234, 240, 246, 252, 278, 279, 285, 289
4460510	420, 437, 461	4460943	410, 428	4461245	415, 433	4711700	219
4460526 ...	192, 196, 409, 427	4460944	410, 411, 429	4461246	415, 433	4711800 ...	228, 234, 240, 246, 252
4460536 ...	114, 124, 156, 164, 410, 412, 428	4460956 ...	229, 236, 241, 247, 253, 415, 433	4461249	415, 433	4712000	321, 323
4460539	411, 429	4460957 ...	230, 236, 241, 248, 253, 415, 433	4461250....	416, 417, 434, 435	4712600	18
4460607 ...	229, 236, 241, 247, 253	4460958 ...	228, 234, 240, 246, 252, 418, 436	4520212	26	4713000	14, 18
4460608	411, 429	4460959 ...	408, 409, 426, 427	4520216	26	4740036	43
4460633	416, 433	4460960 ...	408, 409, 426, 427	4520217	26	4740086	14, 18, 22
4460634	410, 428	4460961	418, 435	4520224	47	4740120	56
4460635	410, 428	4460962	327	4520240	26	4740155	18
4460693	411, 429	4460963 ...	229, 235, 247, 419, 436	4530022	327	4740158	13, 17, 21
4460701 ...	416, 417, 434, 435	4460967 ...	229, 236, 241, 247, 253, 419, 436	4530028....	325, 327, 329	4740171	55
4460705	418, 435	4460968 ...	213, 216, 224, 259, 263, 413, 416, 431, 433	4566027	365	4740274 ...	69, 77, 85, 95, 103, 109, 114, 123, 133, 141, 155, 163, 171, 228, 234, 240, 246, 252, 259, 262, 278, 279, 285, 289
4460708 ...	303, 406, 411, 424, 429	4460971	331	4567177	351	4711700	219
4460709	416, 434	4460979	411, 429	4567627	185	4711800 ...	228, 234, 240, 246, 252
4460710	416, 434	4460993	411	4567908	351	4712000	321, 323
4460742 ...	229, 236, 242, 247, 253, 411, 419, 429, 436	4460994	411	4568033	43	4712600	18
4460743 ...	229, 236, 242, 247, 253, 419, 436	4461001 ...	230, 236, 241, 248, 253	4568068	339, 355	4713000	14, 18
4460761 ...	289, 406, 410, 424, 428	4461005	411, 429	4568114	100, 106	4740036	43
4460789	420, 437	4461006	411, 429	4568218	365	4740086	14, 18, 22
4460790	420, 437	4461008	411, 429	4568280	394	4740120	56
4460836	289	4461052	411, 429	4568281	394	4740155	18
4460850 ...	413, 420, 431, 437	4461053	411, 429	4568735	219, 246	4740158	13, 17, 21
4460865 ...	407, 408, 409, 425, 427	4461054	411, 429	4568743..	69, 77, 85, 113, 123, 133, 141, 155, 163, 171	4740171	55
4460866 ...	406, 407, 409, 410, 424, 425, 426, 427	4461060	411, 429	4569176	69, 85, 113, 133, 141, 156, 171	4740274 ...	69, 77, 85, 95, 103, 109, 114, 123, 133, 141, 150, 155, 163, 171
4460867	413, 431	4461070	410, 429	4569342	103	4740362	86, 134, 143, 173, 199, 204, 209, 294
4460871 ...	307, 309, 315, 317, 406, 410, 411, 413, 419, 424, 427, 428, 429, 430, 431, 437	4461071	412, 429	4569345	103, 108	4740397 ...	213, 217, 219, 225, 304
4460873 ...	406, 410, 424, 428	4461072	412, 429	4640113	26, 47	4740444	192, 196
4460874 ...	192, 406, 409, 424, 428	4461073	412, 429	4640261	43	4740491	18
4460875 ...	192, 406, 410, 424, 428	4461074	412, 429	4640509	347, 353	4740500	204, 209
4460876	410, 427	4461095	411, 429	4640751	95, 123, 150	4740537	21
4460878	410, 428	4461109	411, 429	4640858	337, 367	4740538	22
4460879	406, 424	4461111	411, 429	4640932	339, 341, 343, 345	4740539	22
4460880 ...	406, 410, 424, 428, 429	4461113	411, 429	4640936	351, 371	4740540	22
4460887 ...	406, 410, 424, 428	4461121	411, 429	4640952	103, 108	4750600 ...	229, 235, 241, 247, 253
4460889	411	4461122	411, 429	4641086	339, 341, 343, 345	4750800 ...	189, 203, 204, 209
4460890	411	4461123	411, 429	4641155	39	4751000 .	43, 69, 77, 114, 123, 155, 163, 199, 203, 204, 208, 209, 213, 217, 220, 225, 234, 240, 246, 252, 303, 325, 327, 331
4460891	411	4461124	411, 429	4641175	285	4751400 ...	51, 69, 71, 77, 79, 85, 86, 92, 95, 101, 103, 107, 109, 114, 115, 123, 125, 133, 135, 141, 143, 148, 150, 155, 157, 163,
4460892	412, 430	4461157	411, 429	4641176	51, 53		
4460894	412, 430	4461159	411, 429	4641177	285		
4460897 ...	114, 124, 156, 164, 412	4461161	411, 429	4641199..	72, 80, 87, 117, 126, 136, 142, 150, 156, 164, 172, 181, 393		
		4461162	411, 429	4641200	365		
		4461164	411, 429	4641260	373		
		4461196	415, 433	4641265	13, 17, 21		
		4461197 ...	416, 417, 434, 435	4641272 ..	69, 77, 89, 113, 144, 155, 163		
		4461198	415, 433	4641281	385, 390		
		4461199	415, 433	4641317	70, 78, 86, 92, 100, 106, 115, 125, 134, 142, 148, 157, 165, 173		
		4461200 ...	416, 417, 434, 435	4641390	337, 367		
		4461201	415, 433	4641509	39		
		4461202	415, 433	4641510	39		
		4461203 ...	416, 417, 434, 435	464509	349		
		4461204	415, 433				
		4461205	415, 433				

PART NUMBER INDEX

165, 171, 173, 185, 192, 196, 204, 209, 240, 258, 259, 262, 263, 265, 270, 274, 278, 289, 299, 303, 325, 327, 331, 442, 448, 451	4846126 47 4846162 18 4846168 43 4846169 43 4846218 285 4846259 189 4846278 270 4846335 257 4846336 257 4846343 257 4846346 257 4846356 270 4846366 257 4846370 299 4846375 185 4846418 47 4846419 47 4846424 204, 209 4846428 257 4846452 293 4846561 295 4846567 95, 150, 217, 235, 241 4846573 285, 289 4846627 325, 327 4846665 185 4846683 150 4846688 274 4846689 274 4846693 274 4846697 262 4846698 199 4846701 262 4846703 262 4846733 22 4846734 279 4846820 69, 77, 114, 123 4846821 69, 77, 114, 123, 141, 155, 163, 171 4846905 262 4860178 26 4860179 26 4860193 26 4860218 47 4891500 63, 76, 85, 123, 133, 141, 163, 171 4891600 ... 70, 72, 78, 80, 85, 88, 93, 102, 107, 115, 117, 123, 126, 133, 136, 141, 150, 156, 164, 171, 220, 246, 279, 285, 289 4891800 ... 13, 17, 21, 25, 47, 55, 279, 285, 289 4892000 25, 55, 289 4892600 285, 289 4920385 103, 109 4921829 417, 435 4921954 417 4922523 192, 410 4922530 ... 258, 262, 407, 409, 425, 426 4922531 266 4922532 ... 270, 274, 409, 427 4922533 ... 303, 406, 424 4922637 412, 429	4922641 ... 229, 236, 242, 247, 253, 418, 419, 435, 436 4922642 95, 432 4922643 419, 437 4922666 ... 303, 406, 424 4922669 303, 406 4922705 289 4922714 ... 259, 263, 413, 431 4922737 70, 77, 114, 123, 156, 163, 412 4922757 ... 229, 236, 241, 253, 419 4922764 420, 437 4922770 ... 258, 262, 270, 409, 413, 427, 431 4922857 ... 259, 262, 266, 270, 408, 409, 426, 427 4922869 289 4922925 ... 228, 234, 241, 246, 252, 418, 436 4922929 ... 259, 270, 274, 408, 409, 426, 427 4922970 418 4923265 192, 410 4923395 192, 410 4923420 247, 419 4923445 418, 435 4923451 95, 150, 414, 431 4923458 ... 258, 407, 425 4923459 270 4923460 ... 259, 408, 426 4923461 ... 266, 408, 426 4923462 ... 407, 408, 425 4923466 413, 431 4923467 ... 259, 413, 431 4923469 ... 258, 270, 413, 431 4923481 270 4923575 192, 410 4933217 402 4933218 402 4933219 402 4933231 402 4933264 ... 229, 235, 241, 253, 419 4933300 ... 402, 417, 418 4933308 419, 437 4933349 247, 419 4933350 ... 402, 418, 435 4933381 ... 402, 410, 411 4933382 ... 402, 410, 411 4933384 ... 402, 410, 411 5240600 ... 114, 123, 156, 164 5240800 ... 114, 124, 156, 164 70000042 63 70000088 61 70000089 61 70000122 .. 212, 216, 224 70000123 .. 212, 216, 224 70000124 .. 212, 216, 224 70000125 .. 212, 216, 224 70000126 .. 212, 216, 224	70000127 ... 212, 216, 224 70000164 107 70000342 281 70000345 412, 431 70000544 72 70000619 .. 227, 233, 239, 245, 251 70000681 63, 65 70000718 413 70000779 377 70000781 39 70000797 35, 37 70000863 .. 227, 233, 239, 245, 251 70000865 65 70000916 96, 150 70000934 51 70000969 183 70000970 183 70000971 183 70000972 183 70000973 183 70000975 183 70000976 183 70000977 183 70000978 183 70001017 69, 77, 84, 113, 123, 132, 140, 155, 163, 170 70001100 .. 227, 233, 239, 245, 251 70001103 186 70001180 72 70001257 73 70001349 29, 33 70001384 .. 227, 233, 239, 245, 251 70001386 .. 117, 126, 158, 166 70001387 .. 117, 127, 158, 166 70001388 .. 117, 126, 136, 158, 166, 173 70001389 .. 117, 126, 136, 158, 166, 173 70001390 .. 117, 126, 136, 158, 166, 173 70001391 .. 117, 126, 136, 158, 166, 173 70001392 .. 117, 126, 136, 158, 166, 173 70001393 .. 117, 126, 136, 158, 166, 173 70001394 .. 117, 127, 136, 158, 166, 173 70001395 .. 117, 127, 137, 158, 166, 174 70001396 .. 117, 127, 158, 166 70001397 .. 117, 127, 158, 166 70001398 .. 117, 127, 158, 166 70001399 .. 117, 127, 136, 158, 166, 174 70001400 .. 117, 127, 158, 166
--	--	---	---

PART NUMBER INDEX

70001401 . 117, 127, 136, 158, 166, 174	70001960 186, 454	70002439..... 136, 173	70002826 .. 230, 236, 248
70001402 . 117, 127, 158, 166	70001963 377	70002440..... 136, 173	70002895 108, 456
70001403 72, 88, 117, 127, 136, 143, 158, 166, 173, 456	70001966 . 227, 233, 239, 245, 251	70002441..... 136, 173	70002898 413
70001404 . 117, 127, 136, 158, 166, 173	70001973 . 228, 234, 240, 245, 252	70002442..... 136, 174	70002906 309
70001405 . 117, 127, 136, 158, 166, 173	70001974 . 227, 234, 240, 245, 252	70002443..... 136, 174	70003033 118
70001406 . 117, 127, 136, 158, 166, 173	70001990 72	70002444..... 136, 174	70003138 65
70001407 . 117, 127, 136, 158, 166, 173	70001996 277, 278	70002445..... 136, 174	70003483 294
70001408 . 117, 127, 158, 166	70001998 277, 278	70002446..... 136, 174	70003541 88, 143
70001409 . 117, 127, 158, 166	7000206 29, 33	70002447..... 136, 174	70003631 . 227, 233, 239, 245, 251
70001410 . 117, 127, 158, 166	70002088 . 227, 233, 239, 245, 251	70002448..... 137, 174	70003649 53
70001411 . 117, 127, 137, 158, 166, 174	70002098 . 118, 127, 159, 166	70002449..... 137, 174	70003708 . 227, 233, 239, 245, 251
70001412 . 117, 127, 136, 158, 166, 173	70002099 . 118, 127, 136, 159, 166, 174	70002450... 137, 174, 456	70003709 . 227, 233, 239, 245, 251
70001413 . 117, 127, 136, 158, 166, 173	70002100 . 118, 127, 136, 159, 166, 173	70002451... 137, 174, 456	70003758 88, 143
70001414 . 117, 127, 136, 158, 166, 173	70002101 . 118, 127, 136, 159, 166, 173	70002452..... 137, 174	70003759 88, 144
70001415 . 117, 127, 158, 166	70002102 . 118, 127, 136, 159, 166, 173	70002453..... 137, 174	70003760 88, 144
70001416 . 117, 127, 136, 158, 166, 174	70002103 . 118, 127, 136, 159, 166, 173	70002454..... 137, 174	70003761 88, 144
70001417 . 117, 127, 136, 158, 166, 174	70002104 . 118, 128, 159	70002455... 137, 174, 431	70003763 88, 144
70001418 . 117, 127, 136, 158, 166, 174	70002105 . 118, 127, 159, 166	70002456..... 137, 174	70003764 89, 144
70001419 . 117, 127, 136, 158, 166, 174	70002106 . 118, 127, 159, 166	70002457..... 137, 174	70003765 88, 144
70001423 96, 150	70002107 . 118, 127, 159, 166	70002458..... 137, 174	70003766 88, 144
70001424 333	70002108 . 118, 127, 137, 159, 166, 174	70002459..... 136, 173	70003767 89, 144, 430
70001425 333	70002109 . 118, 127, 159, 166	7000246 29, 33	70003768 88, 143
70001427 333	70002200 96	70002462..... 118, 127	70003769 88, 144
70001428 333	70002206 61	70002463..... 118, 128	70003770 89, 144
70001429 333	70002207 61	70002464..... 29, 33	70003784 302
70001430 333	70002216 . 341, 345, 357, 361	70002465..... 29, 33	70003791 72, 88, 143
70001431 333	70002217 . 341, 345, 357, 361	70002466..... 29, 33	70003809 341, 357
70001432 333	70002219 371, 375	70002467..... 413	70003810 341, 357
70001433 333	70002220 .. 349, 369, 377	70002468..... 29, 33	70003812 341
70001435 96, 151	70002221 373	70002469..... 29, 33	70003813 341
70001695 72	70002222 373	70002470..... 65	70003814 341, 357
70001696 . 227, 234, 240, 245, 251	70002223 349, 369	70002471..... 65	70003819 345, 361
70001697 282	70002224 371	70002472..... 65	70003830 357
70001792 . 117, 127, 158, 166	70002225 371	70002473..... 65	70003831 357
70001793 . 118, 127, 158, 166	70002257 178	70002474..... 65	70003832 357
70001794 . 118, 127, 159, 166	7000229 29, 33	70002475..... 65	70003833 349
70001796 . 118, 127, 159, 166	70002297 . 227, 233, 239, 245, 251	70002476..... 65	70003834 349
70001931 413	7000230 29, 33	70002477..... 65	70003835 349
70001950 413	7000232 29, 33	70002478..... 65	70003836 349
70001951 413	70002377 ... 87, 116, 125, 135, 143, 158, 165, 173	70002479..... 65	70003843 361
70001953 . 227, 233, 239, 245, 251	70002378 ... 87, 116, 125, 135, 143, 158, 165, 173	70002480..... 65	70003844 361
70001959 186	70002390 39	70002481..... 65	70003845 345, 361
	70002433 166	70002482..... 65	70003846 345
	70002436 136, 173	70002483..... 65	70003847 345
	70002437 . 118, 128, 136, 159, 167, 173	70002484..... 65	70003908 413
	70002438 136, 173	70002485... 229, 236, 247	70003932 96, 151
		70002486... 229, 236, 247	70003962 39
		70002487... 229, 236, 247	70004158 63
		70002488... 229, 236, 247	70004169 . 227, 233, 234, 239, 240, 245, 246, 251
		70002489... 229, 236, 247	70004171 . 227, 233, 239, 245, 251
		70002490... 229, 236, 247	70004172 78, 124, 164
		70002491... 229, 236, 247	70004254 65
		70002492... 229, 236, 247	70004257 65
		70002493... 229, 236, 247	70004258 65
		70002494... 229, 236, 247	70004259 65
		70002495... 229, 236, 247	70004260 65
		70002496... 229, 236, 247	70004261 65
		70002497... 229, 236, 247	70004262 65
		70002498... 229, 236, 247	70004675 128
		70002499... 229, 236, 247	70004738 319
		70002500... 229, 236, 247	70004739 319
		70002501... 229, 236, 247	70004740 319

PART NUMBER INDEX

70004741.....	319	7002828.....	420, 437	7012521.....	47	7017148.....	281
70004742.....	319	7002840.....	462	7012522.....	47	7017158.....	281
70004743.....	319	7003928.....	307, 309	7012523.....	47	7017159.....	281
70004744.....	319	7003933.....	315	7012540.....	53	7017162.....	281
70004745.....	319	7003935.....	315	7012558... 212, 216, 219,		7017163.....	281
70004746.....	319	7003941.....	315, 317	224		7017164.....	281
70004747.....	319	7003946.....	315	7012664 . 68, 84, 94, 102,		7017172.....	281
70004748.....	319	7003953.....	307	108, 112, 132, 140,		7017192.....	281
70004749.....	319	7003969.....	315	149, 154, 170, 454		7017195.....	281
70004750.....	319	7003972.....	315, 317	7012903.....	53	7017402.....	53, 285, 286
70004751.....	319	7003973.....	315, 317	7012914.....	285	7017406.....	39
70004752.....	311	7003976.....	307	7012918.....	285	7017410.....	53
70004753.....	311	7003977.....	307	7012941 ... 70, 78, 86, 92,		7017421.....	53
70004754.....	311	7003980.....	315, 317	100, 106, 115, 125,		7017422.....	53
70004755.....	311	7003982.....	317	134, 143, 148, 157,		7017428.....	53
70004756.....	311	7003983.....	315, 317	165, 173		7017433.....	53
70004757.....	311	7003986.....	315	7012943.....	53, 454	7017440.....	53
70004758.....	311	7003989.....	315, 317	7012944 ... 53, 71, 79, 86,		7017441.....	53
70004759.....	311	7003992.....	307, 315	92, 100, 107, 115, 125,		7017451.....	53, 454
70004760.....	311	7003993.....	307, 315	134, 143, 148, 157,		7017452.....	285
70004761.....	311	7003994.....	315	165, 173, 285, 286, 454		7017454.....	53
70004762.....	311	7004035.....	61	7012953.....	53, 285	7017482.....	53
70004763.....	311	7004036.....	61	7012967.....	53, 285	7017496.....	39, 337, 367
70004764.....	311	7004043.....	61	7012975.....	53	7019103.....	315
70004765.....	311	7004044.....	61	7012989.....	285	7019110.....	315
70004766.....	311	7004045.....	61	7012998.....	53	7019111.....	307, 315
70004767.....	311	7004047.....	61	7016314.....	186	7019112.....	315
70004768.....	311	7004049.....	61	7016319.....	199	7019114.....	315
70004769.....	311	7004275.....	462	7016331.....	95, 150, 456	7019115.....	315
70004770.....	311	7004276.....	462	7016360.....	48	7019122.....	307
70004771.....	311	7005843.....	59	7016372.....	199	7019123.....	307
70004772.....	311	7005887.....	59	7016399.....	295	7019141.....	307
70004773.....	311	7006139.....	277, 278	7016432.....	59	7019142.....	307
70004774.....	312	7006151.....	277, 278	7016433.....	59	7019143.....	307
70004775.....	312	7006152.....	277, 278	7016434.....	59	7019144.....	307
70005230.....	319	7006156.....	277	7016435.....	59	7019145.....	307
70005483.....	30	7007289.....	178	7016628.....	199	7019147.....	307
70005704.....	159	7007412.....	178	7016654.....	462	7019149.....	307
70005705.....	159	7007419.....	177	7016655.....	462	7019150.....	307
70005771.. 119, 128, 159,		7007437.....	35, 37	7016817 . 69, 76, 93, 113,		7019151.....	315
167		7007438.....	35, 37	122, 149, 155, 162,		7019154.....	315
70005772.. 119, 128, 159,		7007439.....	35, 37	412, 430		7019155.....	315
167		7007446.....	35, 37	7016820 . 69, 77, 93, 113,		7019160.....	315
7000625.....	294	7007470.....	177, 178	123, 149, 155, 163,		7019161.....	315
70006267.....	279	7007497.....	413, 431	412, 430		7019162.....	315, 317
70006269.....	277	7007498.....	413, 431	7016834 . 69, 77, 93, 113,		7019164.....	315, 317
70006275.....	279	7007601.....	29, 33	123, 149, 155, 163,		7019165.....	315, 317
70006280.....	277	7007640.....	29, 33	412, 430		7019166.....	315
70006428.....	30, 33	7010429.....	29, 33	7016838 . 69, 77, 93, 113,		7019167.....	315, 317
70006429.....	30, 33	7010542.....	53, 285	123, 155, 163, 412, 430		7019168.....	315
7000663.....	151	7010543 ... 53, 71, 78, 86,		7016839 ... 101, 107, 412,		7019171.....	307
70006739.....	65	92, 100, 106, 115, 125,		430		7019174.....	307
70006740.....	65	134, 143, 148, 157,		7016840 ... 101, 107, 412,		7019177.....	307
70006741.....	65	165, 173, 285		430		7019194.....	315, 317
70006742.....	65	7011016.....	183	7016841 ... 101, 107, 412,		7019196.....	315
7000731.....	30	7011044.....	183	430		7019197.....	307
7000974.....	183	7011067.....	183	7017059.....	29, 33	7019656.....	69, 103, 113,
7001481.....	178	7011112 ... 339, 341, 343,		7017067.....	29, 33	155	
7001485.....	177	345		7017070.....	29, 33	7019680.... 212, 216, 219,	
7001998.....	29, 33	7011347.....	365, 377	7017080.....	29, 33	224	
70020808.....	430	7012513 ... 212, 216, 219,		7017094.....	29, 33	7020020.....	51
70023056.... 85, 133, 141,		224		7017136.....	281	7020023.....	96, 150, 456
171		7012514 ... 212, 216, 219,		7017137.....	281	7020026.....	95, 150
7002821.... 420, 437, 461		224		7017138.....	281	7020033.....	14, 18
7002822.....	462	7012518.....	53	7017139.....	281	7020034.....	14, 18
7002823.... 420, 437, 461		7012519.....	47	7017140.....	281	7020035.....	14, 18
7002826.....	462	7012520.....	47	7017142.....	282	7020036.....	14, 18

PART NUMBER INDEX

7020037 14, 18	7021271 178	7023914 53	7024800 177
7020038 14, 18	7021272 178	7023915 285	7024804 178
7020039 14, 18	7021273 178	7023917 39	7024830 413, 431
7020040 14, 18	7021274 178	7023922 53	7024844 39, 341, 345, 349
7020041 14, 18	7021275 35, 37, 178	7023929 72, 80, 149, 181	7024853 35
7020042 14, 18	7021276 35, 37, 178	7023934 39	7024854 35, 37
7020054 14, 18	7021277 35, 37, 178	7023970 53	7024855 177
7020055 14, 18	7021278 178	7023984 285	7024856 177
7020056 185	7021279 178	7024182 29, 30	7024857 177
7020108 ... 212, 216, 219, 224	7021280 177, 178	7024189 30	7024858 177
7020109 ... 212, 216, 219, 224	7021281 178	7024190 30	7024868 35, 37
7020110 ... 212, 216, 219, 224	7021290 178	7024191 30	7024881 39
7020111 ... 212, 216, 219, 224	7021294 178	7024192 30	7026041 65
7020175 192, 196, 303	7021296 178	7024193 30	7026042 63, 65
7020176 192, 196, 303	7021297 178	7024194 30	7026043 63, 65
7020190 ... 212, 216, 219, 224	7021298 178	7024196 30	7026044 63, 65
7020192 ... 212, 216, 224	7021299 178	7024197 30	7026045 63, 65
7020193 ... 212, 216, 219, 224, 418, 435	7021611 53	7024379 61	7026046 63, 65
7020226 186	7021625 39	7024380 61	7026047 63, 65
7020246 191, 196	7021639 39	7024381 61	7026048 63, 65
7020279 48	7021655 39	7024389 61	7026049 63, 65
7020280 48	7022302 35, 37	7024390 61	7026050 63, 65
7020281 48	7022305 35, 37	7024439 186	7026051 63, 65
7020282 48	7022310 37	7024440 186	7026052 63, 65
7020283 48	7022311 35, 37	7024441 186	7026053 63, 65
7020284 48	7022312 35, 37	7024442 185	7026055 63, 65
7020285 48	7022314 35, 37	7024443 186	7026057 63, 65
7020286 48	7022326 35, 37	7024444 185, 454	7026059 63
7020408 96, 151	7022328 35, 37	7024445 185	7026060 63
7020410 96	7022341 177	7024446 185	7026064 377
7020411 96, 150	7022342 177	7024452 295	7026065 377
7020447 96, 150	7022346 178	7024453 61	7026066 377
7020449 96, 151	7022347 178	7024462 329	7026067 377
7020459 96, 151	7022368 35, 37	7024463 329	7026068 349
7020460 96, 151	7022371 35, 37	7024467 329	7026069 377
7020464 96, 151	7022372 37	7024469 329	7026072 377
7020465 95, 150	7022377 177	7024470 329	7026073 373
7020468 95, 150	7022378 177	7024471 329, 333	7026074 373
7020471 96, 151	7022380 177	7024472 329	7026075 373
7020479 96, 151	7022381 177	7024473 329	7026076 373
7020495 95, 150	7022382 178	7024474 329	7026078 373
7021237 177	7022385 178	7024475 329	7026079 373
7021238 177	7022386 178	7024478 329	7026080 373
7021239 177	7022387 178	7024485 ... 227, 234, 240, 245, 251	7026082 345, 361
7021240 177	7022388 178	7024488 ... 227, 233, 239, 245, 251	7026084 ... 341, 345, 357, 361
7021242 177	7022389 39	7024489 ... 227, 233, 239, 245, 251	7026088 349, 369
7021243 177	7022397 39	7024530 333	7026089 369
7021248 177	7022399 39	7024531 333	7026090 349, 369
7021249 35, 37, 177	7022808 307, 309	7024532 333	7026091 349, 369
7021250 177	7022812 315	7024533 333	7026092 349, 369
7021251 177	7022814 307	7024534 333	7026093 369
7021255 177, 178	7022815 307, 309	7024535 333	7026094 369
7021256 178	7022816 307	7024536 333	7026095 369
7021257 177	7022817 307	7024537 333	7026096 369
7021258 177	7022818 307	7024565 96, 151	7026097 371
7021259 177	7022819 ... 307, 309, 413, 431	7024579 96, 151	7026098 371
7021260 177	7022822 315	7024705 29	7026099 371
7021265 177	7022823 315	7024712 29, 33	7026100 375
7021268 178	7022824 ... 315, 413, 431	7024713 29, 33	7026101 371
7021269 178	7022825 413, 431	7024714 29, 33	7026102 371
7021270 178	7023205 186	7024715 29, 33	7026104 375
	7023318 61	7024716 29, 33	7026105 375
	7023907 35, 37	7024717 29	7026106 375
	7023908 35, 37	7024718 30	7026107 375
	7023910 35, 37		7026108 377
	7023911 285		
	7023912 285		
	7023913 53		

PART NUMBER INDEX

7026109.....377	7026862 73, 88, 144	7027026 88, 136, 142, 172, 430	7027791.....96, 151
7026119.....279	7026863 72, 88, 143	7027040 93, 430	7027792.....96, 151
7026120.....279	7026864 72, 88, 143	7027041 . 69, 77, 93, 113, 122, 149, 155, 162, 412, 430	7027793.....412, 431
7026188....227, 234, 240, 245, 251	7026865 72, 88, 143	7027236 95, 150	7027794.....412, 431
7026199....212, 216, 219, 224	7026866 72, 88, 143	7027239 96, 151	7027795.....96, 151, 456
7026408.....431	7026867 72, 88, 143	7027245 96, 151	7027796.....412, 431
7026597....227, 234, 240, 245, 251	7026868 72, 88, 143	7027246 96, 150	7027799....227, 234, 239, 245, 251
7026608.....96, 151	7026869 72, 88, 143	7027276 96, 151	7027887....212, 216, 219, 224
7026626....227, 234, 240, 245, 251, 418	7026870 72, 88, 143	7027350 65	7027965.... 102, 108, 456
7026835.....73	7026871 456	7027351 65	7027972.... 102, 108, 456
7026836.....73	7026872 72, 88, 143	7027352 65	7027989.....413
7026840.....73	7026873 72, 88, 143	7027354 63, 65	7027991.....413
7026843.....73, 114, 124, 156, 164	7026874 72, 88, 143	7027356 63, 65	7027994.....102
7026846.....72, 88, 143	7026875 72, 88, 143	7027358 63	77143013.....196
7026847 72, 88, 114, 124, 143, 156, 164	7026878 73, 88, 143	7027360 65	77363228.....430
7026848.....72, 88, 143	7026879 73	7027412 78, 85, 124, 133, 141, 164, 171	77363229.....431
7026849.....72, 88, 143	7026880 73	7027419 35	8008750.... 143, 148, 157, 165, 173
7026850.....72, 88, 143	7026881 73, 114, 124, 156, 164	7027608 96, 150	80604018.....431
7026851.....73, 88, 143	7026882 73	7027609 96, 150	8180311.....108
7026852.....72, 88, 143	7026883 73	7027610 96, 150	8229242.....428
7026853.....72, 88, 143	7026884 73	7027769 96, 151	8405006.....86, 134, 141, 172
7026854.....73, 88, 144	7026885 73, 114, 124, 156, 164	7027773 329	85941018... 133, 141, 171
7026856.....72, 88, 143	7027014 93, 101, 107, 412, 430	7027774 329	8786514.....26
7026857.....72, 88, 143	7027023 88, 136, 142, 172, 430	7027775 329	88261039.....56
7026858.....72, 88, 143	7027024 88, 136, 142, 172, 430	7027776 329	8896941.....461
7026859.....73, 88, 144	7027025 88, 136, 142, 172, 430	7027777 329	8902175.....381, 383
7026860.....72, 88, 143		7027778 329	91503103.....430
7026861.....73, 89, 144		7027780 329	91504107.....430
		7027790 96, 151	

PARTS FINDER

**Search Website
by Part Number**



**Search Manual
Library For Parts
Manual & Lookup Part
Numbers – Purchase
or Request Quote**

**Can't Find Part or
Manual? Request Help
by Manufacturer,
Model & Description**

Discount-Equipment.com is your online resource for quality parts & equipment.

Florida: **561-964-4949** Outside Florida TOLL FREE: **877-690-3101**

Need parts?

Click on this link: <http://www.discount-equipment.com/category/5443-parts/> and choose one of the options to help get the right parts and equipment you are looking for. Please have the machine model and serial number available in order to help us get you the correct parts. If you don't find the part on the website or on one of the online manuals, please fill out the request form and one of our experienced staff members will get back to you with a quote for the right part that your machine needs.

We sell worldwide for the brands: Genie, Terex, JLG, MultiQuip, Mikasa, Essick, Whiteman, Mayco, Toro Stone, Diamond Products, Generac Magnum, Airman, Haulotte, Barreto, Power Blanket, Nifty Lift, Atlas Copco, Chicago Pneumatic, Allmand, Miller Curber, Skyjack, Lull, Skytrak, Tsurumi, Husquvarna Target, Stow, Wacker, Sakai, Mi-T-M, Sullair, Basic, Dynapac, MBW, Weber, Bartell, Bennar Newman, Haulotte, Ditch Runner, Menegotti, Morrison, Contec, Buddy, Crown, Edco, Wyco, Bomag, Laymor, EZ Trench, Bil-Jax, F.S. Curtis, Gehl Pavers, Heli, Honda, ICS/PowerGrit, IHI, Partner, Imer, Clipper, MMD, Koshin, Rice, CH&E, General Equipment, Amida, Coleman, NAC, Gradall, Square Shooter, Kent, Stanley, Tamco, Toku, Hatz, Kohler, Robin, Wisconsin, Northrock, Oztec, Toker TK, Rol-Air, APT, Wylie, Ingersoll Rand / Doosan, Innovatech, Con X, Ammann, Mecalac, Makinex, Smith Surface Prep, Small Line, Wanco, Yanmar