



Illustrated Parts Manual

Models
400S
460SJ

SN 0300096000
THROUGH
SN 0300203770*

* See Revision Log Page for exceptions

P/N
3121236

July 17, 2018 - Rev AB

ANSI

CE



An Oshkosh Corporation Company

Go to Discount-Equipment.com to order your parts

PARTS FINDER

**Search Website
by Part Number**



**Search Manual
Library For Parts
Manual & Lookup Part
Numbers – Purchase
or Request Quote**

**Can't Find Part or
Manual? Request Help
by Manufacturer,
Model & Description**

Discount-Equipment.com is your online resource for quality parts & equipment.

Florida: **561-964-4949** Outside Florida TOLL FREE: **877-690-3101**

Need parts?

Click on this link: <http://www.discount-equipment.com/category/5443-parts/> and choose one of the options to help get the right parts and equipment you are looking for. Please have the machine model and serial number available in order to help us get you the correct parts. If you don't find the part on the website or on one of the online manuals, please fill out the request form and one of our experienced staff members will get back to you with a quote for the right part that your machine needs.

We sell worldwide for the brands: Genie, Terex, JLG, MultiQuip, Mikasa, Essick, Whiteman, Mayco, Toro Stone, Diamond Products, Generac Magnum, Airman, Haulotte, Barreto, Power Blanket, Nifty Lift, Atlas Copco, Chicago Pneumatic, Allmand, Miller Curber, Skyjack, Lull, Skytrak, Tsurumi, Husquvarna Target, Stow, Wacker, Sakai, Mi-T-M, Sullair, Basic, Dynapac, MBW, Weber, Bartell, Bennar Newman, Haulotte, Ditch Runner, Menegotti, Morrison, Contec, Buddy, Crown, Edco, Wyco, Bomag, Laymor, EZ Trench, Bil-Jax, F.S. Curtis, Gehl Pavers, Heli, Honda, ICS/PowerGrit, IHI, Partner, Imer, Clipper, MMD, Koshin, Rice, CH&E, General Equipment, Amida, Coleman, NAC, Gradall, Square Shooter, Kent, Stanley, Tamco, Toku, Hatz, Kohler, Robin, Wisconsin, Northrock, Oztec, Toker TK, Rol-Air, APT, Wylie, Ingersoll Rand / Doosan, Innovatech, Con X, Ammann, Mecalac, Makinex, Smith Surface Prep, Small Line, Wanco, Yanmar

REVISION LOG

NOTES:

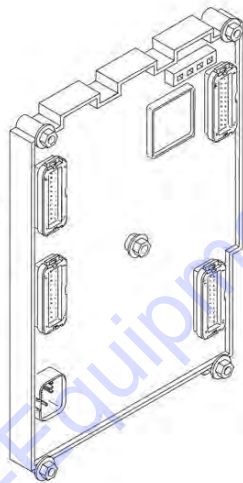
List of SN exceptions:

For these SNs use Parts Manual 3121672 for:

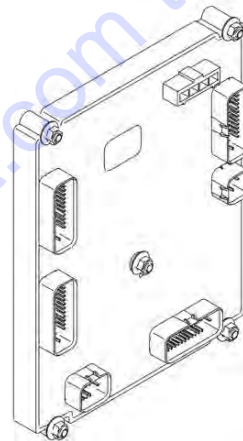
0300184729, 0300200144, 0300200145, 0300200476, 0300200477, 0300202448, 0300202449, 0300202450, 0300203261, 0300203262, 0300203307, 0300203308, 0300203351, 0300203352, 0300203394, 0300203395, 0300203439, 0300203440, 0300203580, 0300203581, 0300203582, 0300203583, 0300203584, 0300203628, 0300203629, 0300203630, 0300203631, 0300203632, 0300203677, 0300203678, 0300203679, 0300203680, 0300203681, 0300203724, 0300203725, 0300203727, 0300203728, 0300203771, 0300203772, 0300203773, 0300203774, 0300203775.

GROUND MODULE IDENTIFICATION

MODULE ON MACHINES
"WITHOUT UGM"
(UNIVERSAL
GROUND MODULE)



MODULE ON MACHINES
"WITH UGM"
(UNIVERSAL
GROUND MODULE)



REVISION LOG:

April 30, 2006 - A - Original Issue Of Manual (Edited to B/M 0010579 Revision 67)

September 12, 2006 - B - Revised (Edited to B/M 0010579 Revision 69)

January 4, 2007 - C - Revised (Edited to B/M 0010579 Revision 70)

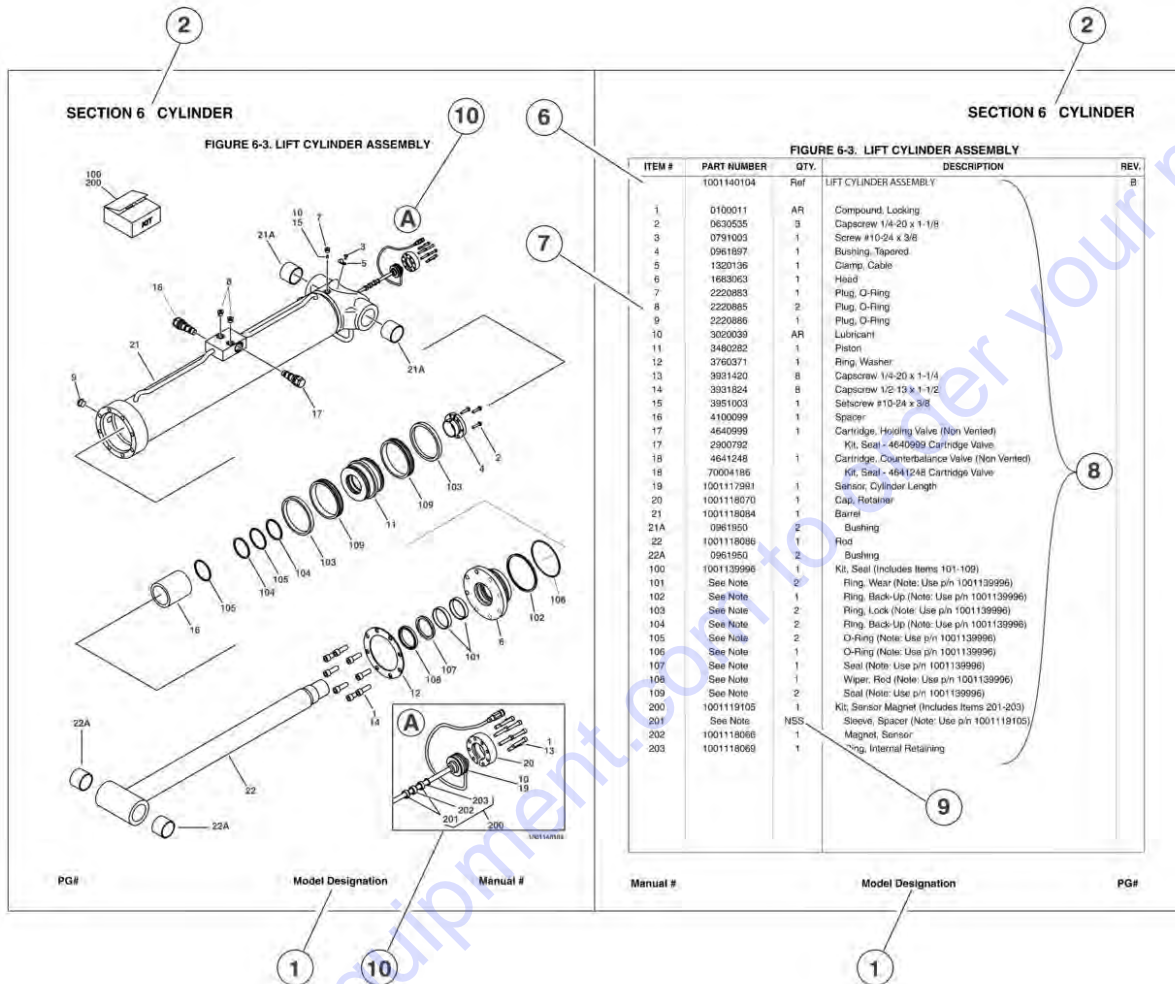
April 15, 2007 - D - Revised (Edited to B/M 0010579 Revision 75)

August 31, 2007 - E - Revised (Edited to B/M 0010579 Revision 80)

REVISION LOG

January 11, 2008 - F - Revised (Edited to B/M 0010579 Revision 83)
June 15, 2008 - G - Revised (Edited to B/M 0010579 Revision 83)
March 1, 2009 - H - Revised (Edited to B/M 0010579 Revision 91)
January 8, 2010 - I - Revised (Edited to B/M 0010579 Revision 107)
July 26, 2010 - J - Revised (Edited to B/M 0010579 Revision 111)
January 27, 2011 - K - Revised (Edited to B/M 0010579 Revision 112)
May 16, 2011 - L - Revised (Edited to B/M 0010579 Revision 117)
August 12, 2011 - M - Revised (Edited to B/M 0010579 Revision 123)
December 8, 2011 - N - Revised (Edited to B/M 0010579 Revision 125)
March 30, 2012 - O - Revised (Edited to B/M 0010579 Revision 125)
July 19, 2012 - P - Revised (Edited to B/M 0010579 Revision F)
October 19, 2012 - Q - Revised (Edited to B/M 0010579 Revision F)
February 28, 2013 - R - Revised (Edited to B/M 0010579 Revision F)
May 13, 2013 - S - Revised (Edited to B/M 0010579 Revision F)
August 21, 2013 - T - Revised (Edited to B/M 0010579 Revision F)
November 27, 2013 - U - Revised (Edited to B/M 0010579 Revision Z & 1001160080 Revision C)
December 1, 2014 - V - Revised (Edited to B/M 0010579 Revision Z & 1001160080 Revision C)
March 15, 2015 - W - Revised (Edited to B/M 1001160080 Revision L)
June 1, 2015 - X - Revised (Edited to B/M 1001160080 Revision N)
November 20, 2015 - Y - Revised (Edited to B/M 1001160080 Revision N) (Revision 1)
July 15, 2016 - Z - Revised (Edited to B/M 1001160080 Revision Q) (Revision 1)
June 30, 2017 - AA - Revised (Edited to B/M 1001160080 Revision Q)
July 17, 2018 - AB - Revised (Edited to B/M 1001160080 Revision Q)

GENERAL INFORMATION



1) MACHINE IDENTIFICATION

Machines are identified by model and in some cases a combination of models, serial number (SN) or regional standard (i.e. ANSI, CE, CSA). Components may also be identified by SN or manufacturer. Common components that may be identified by these characteristics are engines and hydraulic components.

2) PARTS MANUAL ORGANIZATION

Product information in this manual is organized under section titles. Frame, Cylinder, Hydraulic and Electrical are a few examples. Each section is organized by figure and page number. The information within the Figure is then organized by item number, part number, description and corresponding illustration(s).

3) TABLE OF CONTENTS

A table of contents is found toward the beginning of the manual. Figure number, description and page number are provided for quick reference to the page containing the related information.

4) RECOMMENDED SPARE PARTS

The Recommended Spare Parts, located near the end of the manual, reference most frequently used maintenance parts.

5) PART NUMBER INDEX

A numerical index listing all part numbers and the corresponding page number(s) appears at the back of the manual.

GENERAL INFORMATION

6) NON-SERVICED PARTS

In some instances, it is necessary to display non-serviced parts, assemblies or installations. In the case of assemblies and installations there will be a Ref in the Qty column. In case of parts that are not available for service within assemblies or components, there will be a NSS (Not Sold Separately) or NLA (No Longer Available) listed in the Qty. column of the manual.

7) PARTS LIST ITEM NUMBERS

Numbers shown in the item# column correspond to numbers used in the associated illustration (s). Item numbers which are missing from the sequence in the parts list are not used on that page

8) INDENTED PARTS DESCRIPTION

An indented part description is included in the item under which it is indented.

9) ABBREVIATION AND SYMBOLS

| | | | |
|--------------|--|--------------|-----------------------------------|
| AC..... | .. Alternating Current | LCD..... | .. Liquid Crystal Display |
| ADE..... | ..Advanced Design Electronics | LED..... | .. Light Emitting Diodes |
| ANSI..... | ..American National Standards Institute | LH..... | .. Left Hand |
| AR..... | ..As Required | LSS..... | ..Load Sensing System |
| ASSY..... | .. Assembly | M(m)..... | .. Metric/Meter |
| AUX..... | ..Auxiliary | MM (mm)..... | ..Milimeter |
| AWG..... | ..American Wire Gauge | mA..... | .. Milliamps |
| B/M..... | .. Bill of Material | NLA..... | ..No Longer Available |
| CE..... | ..European Conformity | NPT..... | .. National Pipe Threads |
| CCW..... | ..Counter Clockwise | NSS..... | ..Not Sold Separately |
| cm..... | ..Centimeter | OD..... | ..Outside Diameter |
| CW..... | ..Clockwise | ORB..... | .. O-Ring Boss |
| CSA..... | ..Canadian Standards Association | ORFS..... | .. O-Ring Face Seal |
| CYL..... | ..Cylinder | OZ (oz)..... | ..Ounces |
| DIA..... | ..Diameter | PG..... | ..Page |
| DC..... | ..Direct Current | P/N..... | ..Part Number |
| EMS..... | ..Emergency Stop | qt..... | ..Quarts |
| ENG..... | ..Engine | QTY..... | ..Quantity |
| FT (ft)..... | ..Feet | REF..... | ..Reference |
| GA (Ga)..... | ..Gauge | REV..... | ..Revision Level |
| HYD..... | ..Hydraulic | RH..... | ..Right Hand |
| Hz..... | ..Hertz | SAE..... | ..Society of Automotive Engineers |
| ID..... | ..Inside Diameter | SN..... | ..Serial Number |
| in..... | ..Inches | SPEC(S)..... | ..Specifications |
| ISO..... | ..International Organization for Standards | T/T..... | ..Turntable |
| JIC..... | ..Joint Industry Council | UGM..... | ..Universal Ground Module |
| KG..... | ..Kilogram | V..... | ..Volts |
| L..... | ..Liter | W..... | ..Watts |
| LB..... | ..Pounds | #..... | ..Number |

10) ILLUSTRATION REFERENCE LETTERS

When necessary, illustrations may contain reference letters that are intended to track information (i. e. hoses, harnesses) from one point to another or to track visual enlargement of components to show details that may be located in another area on the illustration.

Note: Due to continuous product improvements, JLG Industries, Inc. reserves the right to make specification changes without prior notification.

TABLE OF CONTENTS

| | |
|--|-----|
| SECTION 1 - FRAME..... | 11 |
| FIGURE 1-1. AXLE AND STEERING INSTALLATION - 2WD WITHOUT TOW PACKAGE | 12 |
| FIGURE 1-2. AXLE AND STEERING INSTALLATION - 2WD WITH TOW PACKAGE | 18 |
| FIGURE 1-3. AXLE AND STEERING INSTALLATION - 4WD (SN 0300096000 through 0300161284) | 24 |
| FIGURE 1-4. AXLE AND STEERING INSTALLATION - 4WD (SN 0300161285 through 0300203770) | 28 |
| FIGURE 1-5. TIRE AND WHEEL DRIVE INSTALLATIONS..... | 32 |
| FIGURE 1-6. DRIVE HUB AND HUB WITH BRAKE ASSEMBLIES..... | 36 |
| FIGURE 1-7. DRIVE MOTOR ASSEMBLY - 4 BOLT (SN 0300096000 through 0300098501) | 40 |
| FIGURE 1-8. DRIVE MOTOR ASSEMBLY - 5 BOLT (SN 0300098502 through 0300203770)..... | 44 |
| FIGURE 1-9. FRAME VALVES AND SHIELDS INSTALLATION (SN 0300096000 through 0300115395) | 48 |
| FIGURE 1-10. FRAME VALVES AND SHIELDS INSTALLATION (SN 0300115396 through 0300203770) | 50 |
| FIGURE 1-11. SEMI-TRACK INSTALLATION | 54 |
| FIGURE 1-12. TOW PACKAGE INSTALLATION | 58 |
| SECTION 2 - TURNTABLE | 61 |
| FIGURE 2-1. VALVES INSTALLATIONS | 62 |
| FIGURE 2-2. MAIN CONTROL VALVE ASSEMBLY..... | 64 |
| FIGURE 2-3. ACCESSORY VALVE ASSEMBLY..... | 68 |
| FIGURE 2-4. TURNTABLE AND SWING DRIVE INSTALLATIONS | 70 |
| FIGURE 2-5. SWING HUB ASSEMBLY (SN 0300096000 through 0300137200)..... | 74 |
| FIGURE 2-6. SWING MOTOR ASSEMBLY (SN 0300096000 through 0300137200) | 76 |
| FIGURE 2-7. SWING MOTOR/BRAKE/HUB ASSEMBLY (SN 0300137201 through 0300203770) | 78 |
| FIGURE 2-8. CATERPILLAR ENGINE INSTALLATION - WITH ELECTRICAL DRIVEN COOLING FAN (WITHOUT UGM)..... | 82 |
| FIGURE 2-9. CATERPILLAR ENGINE INSTALLATION - WITH MECHANICAL DRIVEN COOLING FAN (WITHOUT UGM) | 90 |
| FIGURE 2-10. CATERPILLAR ENGINE INSTALLATION (WITH UGM)..... | 98 |
| FIGURE 2-11. DEUTZ D2011 ENGINE INSTALLATION | 106 |
| FIGURE 2-12. DEUTZ TD2.9L4 ENGINE INSTALLATION | 116 |
| FIGURE 2-13. GM ENGINE INSTALLATION (WITHOUT UGM)..... | 128 |
| FIGURE 2-14. GM ENGINE INSTALLATION (WITH UGM) | 134 |
| FIGURE 2-15. PERKINS ENGINE INSTALLATION - WITH ELECTRICAL DRIVEN COOLING FAN (WITHOUT UGM) | 140 |
| FIGURE 2-16. PERKINS ENGINE INSTALLATION - WITH MECHANICAL DRIVEN COOLING FAN (WITHOUT UGM) | 150 |
| FIGURE 2-17. PERKINS ENGINE INSTALLATION (WITH UGM) | 158 |
| FIGURE 2-18. PISTON PUMP ASSEMBLY | 166 |
| FIGURE 2-19. AUXILIARY PUMP ASSEMBLY..... | 170 |
| FIGURE 2-20. DUAL FUEL INSTALLATIONS (GM MACHINES ONLY)..... | 174 |
| FIGURE 2-21. TANK INSTALLATIONS..... | 178 |
| FIGURE 2-22. ROTARY COUPLING INSTALLATION (SN 0300096000 through 0300140364)..... | 182 |
| FIGURE 2-23. ROTARY COUPLING INSTALLATION (SN 0300140365 through 0300203770)..... | 184 |
| FIGURE 2-24. GROUND CONTROL BOX ASSEMBLY (WITHOUT UGM) | 186 |
| FIGURE 2-25. GROUND CONTROL BOX ASSEMBLY (WITH UGM) (SN 0300069000 through 0300177682)..... | 190 |
| FIGURE 2-26. GROUND CONTROL BOX ASSEMBLY (WITH UGM) (SN 0300177683 through 0300203770)..... | 194 |
| FIGURE 2-27. ELECTRICAL OPTIONS INSTALLATION (TURNTABLE MOUNTED)..... | 198 |
| FIGURE 2-28. HOODS INSTALLATION (SN 0300096000 through 0300126456) | 202 |
| FIGURE 2-29. HOODS INSTALLATION (SN 0300126457 through 0300203770) | 206 |
| FIGURE 2-30. 2500W GENERATOR INSTALLATION - CATERPILLAR ENGINE MACHINES (OPTIONAL) | 212 |
| FIGURE 2-31. 2500W GENERATOR INSTALLATION - DEUTZ D2011 ENGINE MACHINES (OPTIONAL) | 216 |
| FIGURE 2-32. 2500W GENERATOR INSTALLATION - DEUTZ TD2.9L4 ENGINE MACHINES (OPTIONAL) | 220 |
| FIGURE 2-33. 2500W GENERATOR INSTALLATION - GM ENGINES MACHINES (OPTIONAL) | 224 |
| FIGURE 2-34. 4000W GENERATOR INSTALLATION - DEUTZ D2011 ENGINE MACHINES (OPTIONAL) | 228 |
| FIGURE 2-35. 4000W GENERATOR INSTALLATION - DEUTZ TD2.9L4 ENGINE MACHINES (OPTIONAL) | 232 |
| FIGURE 2-36. 4000W GENERATOR INSTALLATION - GM ENGINES..... | 236 |
| FIGURE 2-37. 7500W SKYPOWER GENERATOR INSTALLATION - CATERPILLAR, DEUTZ D2011 AND PERKINS ENGINE MACHINES..... | 240 |
| FIGURE 2-38. 7500W SKYPOWER GENERATOR INSTALLATION - DEUTZ TD2.9L4 ENGINE MACHINES..... | 246 |
| FIGURE 2-39. 7500W SKYPOWER GENERATOR INSTALLATION - GM ENGINE MACHINES | 250 |
| FIGURE 2-40. SKYAIR AIR COMPRESSOR INSTALLATION..... | 256 |
| FIGURE 2-41. AIR COMPRESSOR ASSEMBLY | 258 |
| SECTION 3 - BOOM | 261 |
| FIGURE 3-1. BOOM INSTALLATIONS | 262 |
| FIGURE 3-2. BOOM ASSEMBLY - 400S | 266 |
| FIGURE 3-3. BOOM ASSEMBLY - 460SJ | 270 |
| FIGURE 3-4. ROTATOR ASSEMBLIES (SN 0300096000 through 0300200817)..... | 274 |

TABLE OF CONTENTS

| | |
|---|------------|
| FIGURE 3-5. ROTATOR ASSEMBLIES (SN 0300200818 through 0300203770) | 276 |
| FIGURE 3-6. PLATFORM SUPPORT INSTALLATION - WITH LSS | 278 |
| FIGURE 3-7. PLATFORM AND GLAZIER SUPPORT INSTALLATION - WITH LSS (400S ONLY) | 282 |
| SECTION 4 - PLATFORM | 285 |
| FIGURE 4-1. PLATFORM INSTALLATION | 286 |
| FIGURE 4-2. PLATFORM COMPONENTS INSTALLATION (FALL ARREST PLATFORM) | 292 |
| FIGURE 4-3. SOFT TOUCH INSTALLATION (OPTIONAL) | 294 |
| FIGURE 4-4. PLATFORM CONSOLE ASSEMBLY | 296 |
| FIGURE 4-5. CONTROLLER ASSEMBLY (LIFT AND SWING) | 302 |
| FIGURE 4-6. CONTROLLER ASSEMBLY (LIFT AND SWING) | 304 |
| FIGURE 4-7. CONTROLLER ASSEMBLY (SWING AND LIFT) | 306 |
| FIGURE 4-8. CONTROLLER ASSEMBLY (DRIVE AND STEER) | 310 |
| FIGURE 4-9. CONTROLLER ASSEMBLY (DRIVE AND STEER) | 312 |
| FIGURE 4-10. CONTROLLER ASSEMBLY (DRIVE AND STEER) | 314 |
| FIGURE 4-11. SKYGUARD SYSTEM INSTALLATION | 316 |
| FIGURE 4-12. CROSS RAIL INSTALLATION | 318 |
| FIGURE 4-13. SKYGLAZIER INSTALLATION | 320 |
| FIGURE 4-14. SKYWELDER/SKYCUTTER COMBO INSTALLATION (60HZ) | 324 |
| FIGURE 4-15. SKYWELDER INSTALLATION (50HZ) | 328 |
| FIGURE 4-16. SKYWELDER INSTALLATION (60HZ) | 330 |
| FIGURE 4-17. SKYWELDER PREP PACKAGE (60HZ) | 332 |
| FIGURE 4-18. WELDER ASSEMBLY | 334 |
| FIGURE 4-19. SKYCUTTER INSTALLATION | 336 |
| FIGURE 4-20. PLASMA CUTTER ASSEMBLY | 338 |
| FIGURE 4-21. PIPE RACKS INSTALLATION | 340 |
| SECTION 5 - CYLINDER | 343 |
| FIGURE 5-1. AXLE LOCKOUT CYLINDER ASSEMBLY (SN 0300096000 through 0300115395) | 344 |
| FIGURE 5-2. AXLE LOCKOUT CYLINDER ASSEMBLY (SN 0300115396 through 0300203770) | 346 |
| FIGURE 5-3. LEVEL (PLATFORM SLAVE) CYLINDER ASSEMBLY | 348 |
| FIGURE 5-4. LEVEL (PLATFORM SLAVE) CYLINDER ASSEMBLY - 400S | 350 |
| FIGURE 5-5. LIFT CYLINDER ASSEMBLY - JIB (460SJ) (ORIGINAL EQUIPMENT) | 352 |
| FIGURE 5-6. LIFT CYLINDER ASSEMBLY - JIB (460SJ) (USAGE MAY VARY) (SERVICE REPLACEMENT) | 354 |
| FIGURE 5-7. LIFT CYLINDER ASSEMBLY - JIB (460SJ) (USAGE MAY VARY) (SERVICE REPLACEMENT) | 356 |
| FIGURE 5-8. LIFT CYLINDER ASSEMBLY - MAIN | 358 |
| FIGURE 5-9. MASTER CYLINDER ASSEMBLY (ORIGINAL EQUIPMENT FOR) (SN 0300096000 through 0300165144) | 360 |
| FIGURE 5-10. MASTER CYLINDER ASSEMBLY (SERVICE REPLACEMENT FOR SN 0300096000 THROUGH SN 0300165144 AND ORIGINAL EQUIPMENT FOR SN 0300165145 THROUGH 0300203770) | 362 |
| FIGURE 5-11. STEER CYLINDER ASSEMBLY (SN 0300096000 through 0300161284) | 364 |
| FIGURE 5-12. STEER CYLINDER ASSEMBLY (SN 0300161285 through 0300203770) | 366 |
| FIGURE 5-13. TELESCOPE CYLINDER ASSEMBLY | 368 |
| SECTION 6 - HYDRAULIC | 371 |
| FIGURE 6-1. AXLE LOCKOUT HYDRAULIC DIAGRAM (SN 0300096000 through 0300115395) | 372 |
| FIGURE 6-2. AXLE LOCKOUT HYDRAULIC DIAGRAM (ANSI SPEC) (SN 0300115396 through 0300140364) | 374 |
| FIGURE 6-3. AXLE LOCKOUT HYDRAULIC DIAGRAM (CE SPEC) (SN 0300115396 through 0300140364) | 376 |
| FIGURE 6-4. AXLE LOCKOUT HYDRAULIC DIAGRAM (ANSI AND CE SPEC) (SN 0300140365 through 0300203770) | 378 |
| FIGURE 6-5. DRIVE HYDRAULIC DIAGRAM - 2WD (SN 0300096000 through 0300115395) | 380 |
| FIGURE 6-6. DRIVE HYDRAULIC DIAGRAM - 2WD (SN 0300115396 through 0300140364) | 382 |
| FIGURE 6-7. DRIVE HYDRAULIC DIAGRAM - 2WD (SN 0300140365 through 0300203770) | 384 |
| FIGURE 6-8. DRIVE HYDRAULIC DIAGRAM - 4WD (SN 0300096000 through 0300115395) | 386 |
| FIGURE 6-9. DRIVE HYDRAULIC DIAGRAM - 4WD (SN 0300115396 through 0300140364) | 390 |
| FIGURE 6-10. DRIVE HYDRAULIC DIAGRAM - 4WD (SN 0300140365 through 0300203770) | 392 |
| FIGURE 6-11. STANDARD HYDRAULIC DIAGRAM | 394 |
| FIGURE 6-12. STANDARD HYDRAULIC DIAGRAM | 398 |
| FIGURE 6-13. STANDARD HYDRAULIC DIAGRAM | 402 |
| FIGURE 6-14. STANDARD HYDRAULIC DIAGRAM | 406 |
| FIGURE 6-15. HYDRAULIC DIAGRAM LIST | 410 |
| SECTION 7 - ELECTRICAL | 413 |
| FIGURE 7-1. ELECTRICAL DIAGRAM LIST | 414 |
| FIGURE 7-2. HARNESS COMPONENTS INSTALLATION (MACHINES WITHOUT UGM) | 416 |

TABLE OF CONTENTS

| | |
|--|-----|
| FIGURE 7-3. HARNESS COMPONENTS INSTALLATION (MACHINES WITH UGM) (SN 0300069000 through 0300177682) | 432 |
| FIGURE 7-4. HARNESS COMPONENTS INSTALLATION (MACHINES WITH UGM) (SN 0300177683 through 0300203770) | 448 |
| SECTION 8 - DECALS | 465 |
| FIGURE 8-1. DECAL INSTALLATION (ANSI SPEC) | 466 |
| FIGURE 8-2. DECAL INSTALLATION (ANSI EXPORT SPECS) | 470 |
| FIGURE 8-3. DECAL INSTALLATION (AUSTRALIAN AND CE SPECS) | 478 |
| SECTION 9 - RECOMMENDED SERVICE PARTS STOCK | 481 |
| FIGURE 9-1. MODEL 400S/460SJ STANDARD PARTS | 482 |
| FIGURE 9-2. MODEL 400S/460SJ VARIABLE PARTS | 484 |
| SECTION 10 - SPECIAL OPTIONS | 485 |
| FIGURE 10-1. SPECIAL OPTIONS LIST | 486 |
| PART NUMBER INDEX | 493 |

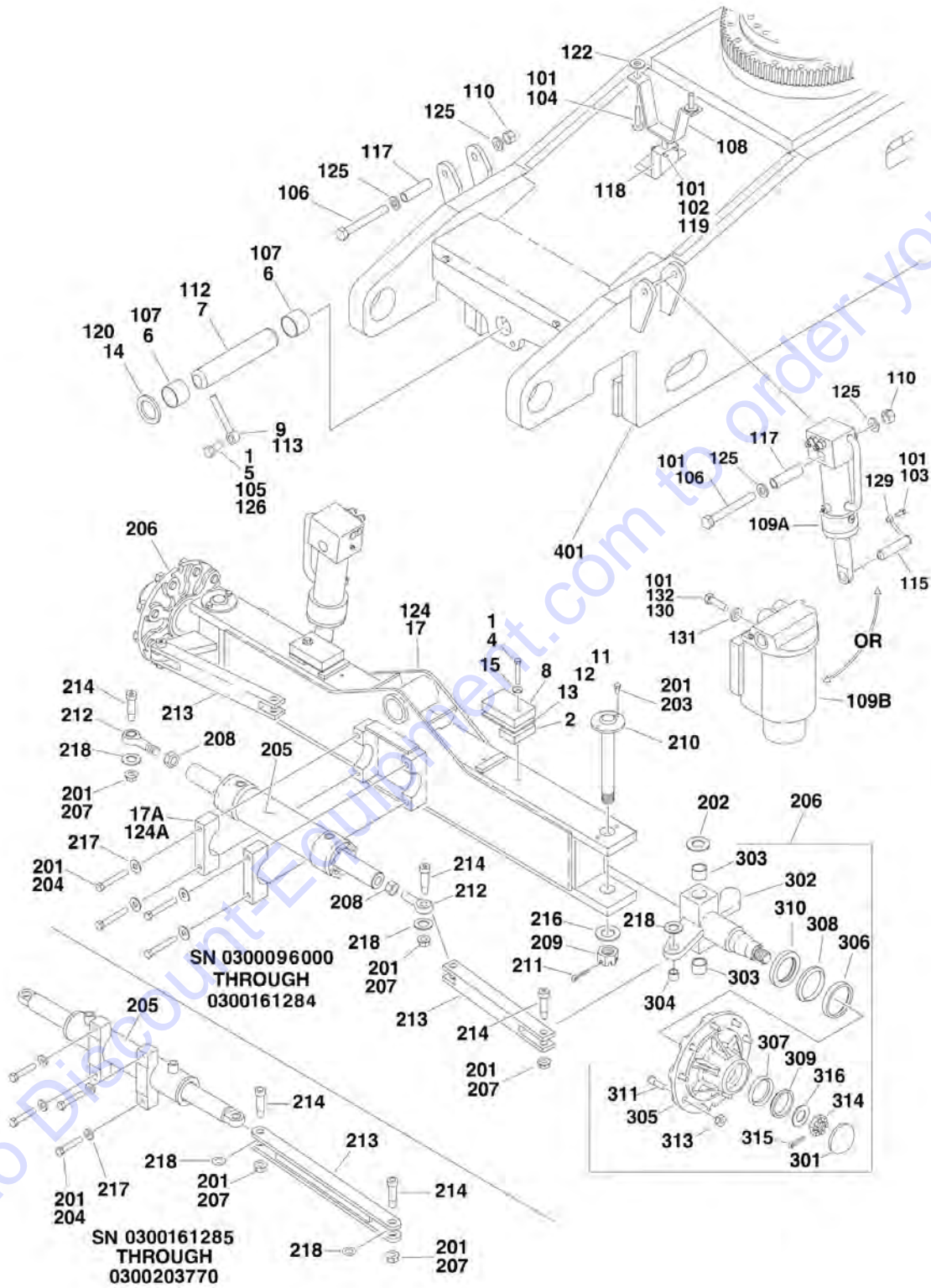
Go to Discount-Equipment.com to order your parts

SECTION 1 - FRAME

Go to Discount-Equipment.com to order your parts

SECTION 1 - FRAME

FIGURE 1-1. AXLE AND STEERING INSTALLATION - 2WD WITHOUT TOW PACKAGE



SECTION 1 - FRAME

FIGURE 1-1. AXLE AND STEERING INSTALLATION - 2WD WITHOUT TOW PACKAGE

| ITEM | PART NUMBER | QTY | DESCRIPTION | REV |
|------|-------------|-----|---|-----|
| | | Ref | FIXED AXLE INSTALLATION | |
| | 0272902 | Ref | Fixed Axle Installation (SN 0300096000 through 0300115395) | B |
| | 1001093844 | Ref | Fixed Axle Installation (SN 0300115396 through 0300161284) | D |
| | 1001139700 | Ref | Fixed Axle Installation (SN 0300161285 through 0300203770) | B |
| 1 | 0100011 | AR | Locking, Compound | |
| 2 | | Ref | Block, Stop Plate Options: | |
| 2 | 0362932 | 2 | Block, Stop Plate (SN 0300096000 through 0300115395) | |
| 2 | 1001093846 | 2 | Block, Stop Plate (SN 0300115396 through 0300203770) | |
| 4 | | Ref | Bolt 3/8in-16NC Options: | |
| 4 | 0641626 | 2 | Bolt 3/8in-16NC (SN 0300096000 through 0300115395) | |
| 4 | 0641616 | 2 | Bolt 3/8in-16NC (SN 0300115396 through 0300203770) | |
| 5 | 0642012 | 1 | Bolt 5/8in-11NC x 1-1/2in | |
| 6 | 0961950 | 2 | Bushing | |
| 7 | 3422592 | 1 | Pin, Axle Pivot | |
| 8 | | Ref | Plate, Stop Options: | |
| 8 | 0362954 | 2 | Plate, Stop (SN 0300096000 through 0300115395) | |
| 8 | 1001093851 | 2 | Plate, Stop (SN 0300115396 through 0300203770) | |
| 9 | 3841258 | 1 | Keeper, Pin | |
| 11 | 4071002 | 4 | Shim, 20 - Gauge (SN 0300096000 through 0300115396) | |
| 12 | 4070973 | 2 | Shim 1/8in (SN 0300096000 through 0300115396) | |
| 13 | 4071121 | 2 | Shim.063in (SN 0300161285 through 0300203770) | |
| 14 | 4740158 | 1 | Thrustwasher | |
| 15 | 4751600 | 2 | Flatwasher 3/8in Regular | |
| 17 | | Ref | Axle Weldment Options: | |
| 17 | 4846551 | 1 | Axle Weldment (SN 0300096000 through 0300115395) | |
| 17 | 1001093381 | 1 | Axle Weldment (SN 0300115396 through 0300161284) | |
| 17 | 1001139704 | 1 | Axle Weldment (SN 0300161285 through 0300203770) | |
| 17A | | Ref | Steer Cylinder Mounting Block Assembly Options: | |
| 17A | 0561300 | 2 | Steer Cylinder Mounting Block Assembly (SN 0300096000 through 0300115395) | |
| 17A | 1001100424 | 2 | Steer Cylinder Mounting Block Assembly (SN 0300115396 through 0300161284) | |
| 17A | See Note | 2 | Steer Cylinder Mounting Block Assembly (Note: Part of Steer Cylinder - Not Available for Purchase) (SN 0300161285 through 0300203770) | |
| | | Ref | OSCILLATING AXLE INSTALLATION | |
| | | Ref | All Specs Except CE Spec | |
| | 0272900 | Ref | Oscillating Axle Installation (SN 0300096000 through 0300115395) | B |
| | 1001093845 | Ref | Oscillating Axle Installation (SN 0300115396 through 0300140364) | C |
| | 1001106910 | Ref | Oscillating Axle Installation (SN 0300140365 through 0300161284) | C |
| | 1001139699 | Ref | Oscillating Axle Installation (SN 0300161285 through 0300203770) | B |
| | | Ref | CE Spec | |
| | 0272904 | Ref | Oscillating Axle Installation (SN 0300096000 through 0300115395) | B |
| | 1001093973 | Ref | Oscillating Axle Installation (SN 0300115396 through 0300140364) | D |
| | 1001106910 | Ref | Oscillating Axle Installation (SN 0300140365 through 0300161284) | C |

SECTION 1 - FRAME

| ITEM | PART NUMBER | QTY | DESCRIPTION | REV |
|------|-------------|-----|---|-----|
| | 1001139699 | Ref | Oscillating Axle Installation (SN 0300161285 through 0300203770) | B |
| 101 | 0100011 | AR | Locking, Compound | |
| 102 | | Ref | Bolt Options: | |
| 102 | 0641414 | 4 | Bolt 1/4in-20NC x 1-3/4in (All Specs Except CE Spec) (SN 0300096000 through 0300140365) | |
| 102 | 0641424 | 4 | Bolt 1/4in-20NC x 3in (CE Spec) (SN 0300096000 through 0300140365) | |
| 103 | 0641607 | 2 | Bolt 3/8in-16NC x 7/8in (SN 0300096000 through 0300115396) | |
| 104 | 0642010 | 2 | Bolt 5/8in-11NC x 1-1/4in | |
| 105 | 0642012 | 1 | Bolt 5/8in-11NC x 1-1/2in | |
| 106 | 0682248 | 2 | Bolt 3/4in-10NC x 6in (Grade 8) (SN 0300096000 through 0300115395) | |
| 107 | 0961950 | 2 | Bushing | |
| 108 | | Ref | Cam, Lockout | |
| 108 | 1100118 | 1 | All Specs Except CE Spec | |
| 108 | | Ref | CE Spec (Not Shown) | |
| 108 | 1100123 | 1 | Cam, Lockout (SN 0300096000 through 0300115395) | |
| 108 | 1100118 | 1 | Cam, Lockout (SN 0300115396 through 0300140365) | |
| 109 | | Ref | Lockout Cylinder Assembly Options (See CYLINDER SECTION for Breakdown): | |
| 109A | 1684139 | 2 | Lockout Cylinder Assembly (SN 0300096000 through 0300115395) | |
| 109B | 1684465 | 2 | Lockout Cylinder Assembly (SN 0300115396 through 0300203770) | |
| 110 | 3272201 | 2 | Nut 3/4in-10NC (SN 0300096000 through 0300115396) | |
| 112 | 3422592 | 1 | Pin, Axle Pivot | |
| 113 | 3841258 | 1 | Keeper, Pin | |
| 115 | 3422936 | 2 | Pin (SN 0300096000 through 0300115396) | |
| 117 | 4567462 | 2 | Tube, Mounting (SN 0300096000 through 0300115395) | |
| 118 | 4640871 | AR | Lockout Valve Assembly (SN 0300096000 through 0300140365) | |
| 118 | | Ref | All Specs Except CE Spec | |
| 118 | | Ref | CE Spec | |
| 118 | 7012693 | 1 | Seal Kit - 4640871 Valve | |
| 118 | 7002840 | 1 | Anti-Rotation Pin Removal Tool | |
| 119 | 4711400 | 4 | Flatwasher 1/4in Thin (SN 0300096000 through 0300140365) | |
| 120 | 4740158 | 1 | Thrustwasher | |
| 122 | 4752000 | AR | Flatwasher 5/8in Regular (SN 0300096000 through 0300140365) | |
| 124 | | Ref | Axle Weldment Options: | |
| 124 | 4846551 | 1 | Axle Weldment (SN 0300096000 through 0300115395) | |
| 124 | 1001093381 | 1 | Axle Weldment (SN 0300115396 through 0300161284) | |
| 124 | 1001139704 | 1 | Axle Weldment (SN 0300161285 through 0300203770) | |
| 124A | | Ref | Steer Cylinder Mounting Block Assembly Options: | |
| 124A | 0561300 | 2 | Steer Cylinder Mounting Block Assembly (SN 0300096000 through 0300131322) | |
| 124A | 1001100424 | 2 | Steer Cylinder Mounting Block Assembly (SN 0300131323 through 0300161284) | |
| 124A | See Note | 2 | Steer Cylinder Mounting Block Assembly (Note: Part of Steer Cylinder - Not Available for Purchase) (SN 0300161285 through 0300203770) | |
| 125 | 4892200 | 4 | Flatwasher 3/4in Hardened (SN 0300096000 through 0300115396) | |

SECTION 1 - FRAME

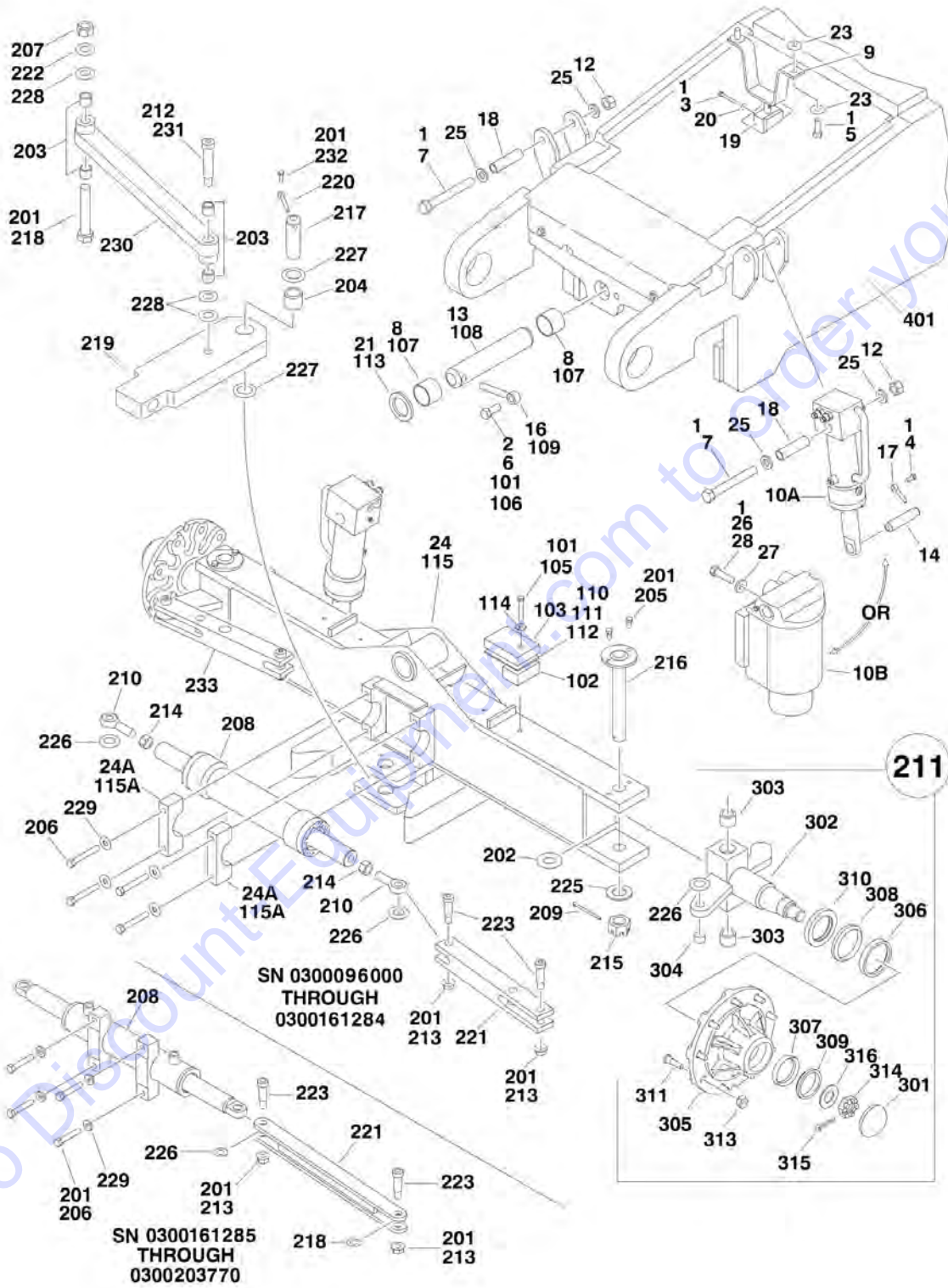
| ITEM | PART NUMBER | QTY | DESCRIPTION | REV |
|------|--------------|-----|---|-----|
| 126 | 0100019 | AR | Locking, Compound (SN 0300096000 through 0300140365) | |
| 129 | 3841520 | 2 | Keeper, Pin (SN 0300096000 through 0300115395) | |
| 130 | 0641814 | 8 | Bolt 1/2in-13NC x 1-3/4in (SN 0300115396 through 0300203770) | |
| 131 | 4891800 | 8 | Flatwasher 1/2in Hardened (SN 0300115396 through 0300203770) | |
| 132 | 0100038 | AR | Primer, Locking | |
| | | Ref | STEERING INSTALLATION | |
| | 0259148 | Ref | Steering Installation (SN 0300096000 through 0300161284) | I |
| | 1001139697 | Ref | Steering Installation (SN 0300161285 through 0300203770) | B |
| 201 | 0100011 | AR | Locking, Compound | |
| 202 | 0440162 | 2 | Thrustwasher | |
| 203 | 0641606 | 4 | Bolt 3/8in-16NC x 3/4in | |
| 204 | | Ref | Bolt 1/2in-13NC (Grade 8) Options: | |
| 204 | 0681828 | 4 | Bolt 1/2in-13NC x 3-1/2in | |
| 204 | 0681822 | 4 | Bolt 1/2in-13NC x 2-3/4in | |
| 205 | | Ref | Steer Cylinder Assembly Options (See CYLINDER SECTION for Breakdown): | |
| 205 | 1684412 | 1 | Steer Cylinder Assembly (SN 0300096000 through 0300161284) | |
| 205 | 1001143434 | 1 | Steer Cylinder Assembly (SN 0300161285 through 0300203770) | |
| 206 | 2780230 | 2 | Hub/Spindle Assembly (See 301 to 316 for Breakdown) | |
| 207 | 3312008 | 4 | Nut 5/8in-11NC | |
| 208 | 3322201 | 2 | Nut 3/4in-16NF (SN 0300096000 through 0300161285) | |
| 209 | 3323003 | 2 | Nut 1-1/4in-12NF | |
| 210 | 3422692 | 2 | Kingpin | |
| 211 | 3450808 | 2 | Pin, Cotter 1/4in x 2in | |
| 212 | | Ref | Rod-End Options: | |
| 212 | 3841367 | NLA | Rod-End (Use p/n 3841517 Rod-End and p/n 7020180 Grease Fitting) (SN 0300096000 through 0300110479) | |
| 212 | 3841517 | 2 | Rod-End (SN 0300110480 through 0300161284) | |
| 212 | Not Required | 0 | Rod-End (SN 0300161285 through 0300203770) | |
| 213 | | Ref | Tie-Rod Options: | |
| 213 | 3841442 | 2 | Tie-Rod (SN 0300096000 through 0300161284) | |
| 213 | 1001140570 | 2 | Tie-Rod (SN 0300161285 through 0300203770) | |
| 214 | 3900109 | 4 | Screw, Shoulder | |
| 216 | 4713000 | 2 | Flatwasher 1-1/4in Thin | |
| 217 | 4751800 | 4 | Flatwasher 1/2in Regular | |
| 218 | 4740086 | 4 | Thrustwasher | |
| | 2780230 | Ref | HUB ASSEMBLY | A |
| 301 | 7020033 | 2 | Cap, Dust (1 per Assembly) | |
| 302 | 7020034 | 2 | Spindle Assembly (1 per Assembly) | |
| 303 | 0961951 | 4 | Bushing (2 Per Assembly) | |
| 304 | 0962140 | 2 | Bearing (1 per Assembly) | |
| 305 | 7020035 | 2 | Hub (1 per Assembly) (Includes Items 306 & 307) | |
| 306 | 7020036 | 2 | Cup, Bearing - Inner(1 per Assembly) | |
| 307 | 7020038 | 2 | Cup, Bearing - Outer (1 per Assembly) | |
| 308 | 7020037 | 2 | Cone, Bearing - Inner (1 per Assembly) | |
| 309 | 7020039 | 2 | Cone, Bearing - Outer (1 per Assembly) | |
| 310 | 7020040 | 2 | Seal (1 Per Assembly) | |
| 311 | 7020041 | 18 | Stud, Wheel (9 Per Assembly) | |
| 313 | 7020042 | 18 | Lugnut (9 per Assembly) | |

SECTION 1 - FRAME

| ITEM | PART NUMBER | QTY | DESCRIPTION | REV |
|------|-------------|-----|---|-----|
| 314 | 7020054 | 2 | Nut, Castle (1 per Assembly) | |
| 315 | 3450608 | 2 | Pin, Cotter (1 Per Assembly) | |
| 316 | 7020055 | 2 | Washer, Spindle (1 Per Assembly) | |
| 401 | | Ref | FRAME WELDMENTS | |
| 401 | | Ref | Frame Weldments 400S with 500lbs Capacity | |
| 401 | 2360650 | Ref | Frame Weldments (SN 0300096000 through 0300115395) | |
| 401 | 2360756 | Ref | Frame Weldments (SN 0300115396 through 0300140364) | |
| 401 | 1001106761 | Ref | Frame Weldments (SN 0300140365 through 0300161284) | |
| 401 | 1001141045 | Ref | Frame Weldments (All Specs except CE Specs with Foam-Filled Tires) (SN 0300161285 through 0300203770) | |
| 401 | 1001141065 | Ref | Frame Weldments (All Specs except CE Specs with Pneumatic Tires) (SN 0300161285 through 0300203770) | |
| 401 | 1001141065 | Ref | Frame Weldments (CE Specs) (SN 0300161285 through 0300203770) | |
| 401 | | Ref | Frame Weldments 400S with 750lbs Capacity | |
| 401 | 2360651 | Ref | Frame Weldments (SN 0300096000 through 0300115395) | |
| 401 | 2360794 | Ref | Frame Weldments (SN 0300115396 through 0300140364) | |
| 401 | 1001106762 | Ref | Frame Weldments (SN 0300140365 through 0300161284) | |
| 401 | 1001143571 | Ref | Frame Weldments (SN 0300161285 through 0300203770) | |
| 401 | | Ref | Frame Weldments 460SJ (All Specs Except CE Spec) | |
| 401 | 2360652 | Ref | Frame Weldments (SN 0300096000 through 0300115395) | |
| 401 | 2360795 | Ref | Frame Weldments (SN 0300115396 through 0300140364) | |
| 401 | 1001106763 | Ref | Frame Weldments (SN 0300140365 through 0300161284) | |
| 401 | 1001143571 | Ref | Frame Weldments (With Foam-Filled Tires) (SN 0300161285 through 0300203770) | |
| 401 | 1001141058 | Ref | Frame Weldments (With Pneumatic Tires) (SN 0300161285 through 0300203770) | |
| 401 | | Ref | Frame Weldments 460SJ (CE Spec with Pneumatic Tires) | |
| 401 | 2360653 | Ref | Frame Weldments (SN 0300096000 through 0300115395) | |
| 401 | 2360796 | Ref | Frame Weldments (SN 0300115396 through 0300140364) | |
| 401 | 1001106764 | Ref | Frame Weldments (SN 0300140365 through 0300161284) | |
| 401 | 1001141058 | Ref | Frame Weldments (SN 0300161285 through 0300203770) | |
| 401 | | Ref | Frame Weldments 460SJ (CE Spec with Foam-Filled Tires) | |
| 401 | 2360652 | Ref | Frame Weldments (SN 0300096000 through 0300115395) | |
| 401 | 2360795 | Ref | Frame Weldments (SN 0300115396 through 0300140364) | |
| 401 | 1001106763 | Ref | Frame Weldments (SN 0300140365 through 0300161284) | |
| 401 | 1001141058 | Ref | Frame Weldments (SN 0300161285 through 0300203770) | |

SECTION 1 - FRAME

FIGURE 1-2. AXLE AND STEERING INSTALLATION - 2WD WITH TOW PACKAGE



SECTION 1 - FRAME

FIGURE 1-2. AXLE AND STEERING INSTALLATION - 2WD WITH TOW PACKAGE

| ITEM | PART NUMBER | QTY | DESCRIPTION | REV |
|------|-------------|-----|--|-----|
| | | Ref | OSCILLATING AXLE INSTALLATION | |
| | 0273473 | Ref | Oscillating Axle Installation (SN 0300096000 through 0300115395) | C |
| | 1001093929 | Ref | Oscillating Axle Installation (SN 0300115396 through 0300140364) | D |
| | 1001108382 | Ref | Oscillating Axle Installation (SN 0300140365 through 0300161284) | B |
| | 1001139743 | Ref | Oscillating Axle Installation (SN 0300161285 through 0300203770) | B |
| 1 | 0100011 | AR | Locking, Compound | |
| 2 | 0100019 | AR | Locking, Compound | |
| 3 | 0641424 | 4 | Bolt 1/4in-20NC x 3in (SN 0300096000 through 0300140365) | |
| 4 | 0641607 | 2 | Bolt 3/8in-16NC x 7/8in (SN 0300096000 through 0300115396) | |
| 5 | 0642010 | 2 | Bolt 5/8in-11NC x 1-1/4in (SN 0300096000 through 0300140365) | |
| 6 | 0642012 | 1 | Bolt 5/8in-11NC x 1-1/2in | |
| 7 | 0682248 | 2 | Bolt 3/4in-10NC x 6in Grade 8 (SN 0300096000 through 0300115396) | |
| 8 | 0961950 | 2 | Bushing | |
| 9 | | Ref | Cam, Lockout Options: | |
| 9 | 1100123 | 1 | Cam, Lockout (SN 0300096000 through 0300115395) | |
| 9 | 1100118 | 1 | Cam, Lockout (SN 0300115396 through 0300140365) | |
| 10 | | Ref | Lockout Cylinder Assembly Options (See CYLINDER SECTION for Breakdown): | |
| 10A | 1684139 | 2 | Lockout Cylinder Assembly (SN 0300096000 through 0300115395) | |
| 10B | 1684465 | 2 | Lockout Cylinder Assembly (SN 0300115396 through 0300203770) | |
| 12 | 3272201 | 2 | Nut 3/4in-10NC (SN 0300096000 through 0300115396) | |
| 13 | 3422592 | 1 | Pin, Axle Pivot | |
| 14 | 3422936 | 2 | Pin Only (SN 0300096000 through 0300115396) | |
| 16 | 3841258 | 1 | Keeper, Pin | |
| 17 | 3841520 | 2 | Keeper, Pin (SN 0300096000 through 0300115396) | |
| 18 | 4567462 | 2 | Tube, Mounting (SN 0300096000 through 0300115396) | |
| 19 | 4640871 | 1 | Lockout Valve Assembly (SN 0300096000 through 0300140365) | |
| 19 | 7012693 | 1 | Seal Kit - 4640871 Valve | |
| 19 | 7002840 | 1 | Anti-Rotation Pin Removal Tool | |
| 20 | 4711400 | 4 | Flatwasher 1/4in Thin (SN 0300096000 through 0300140365) | |
| 21 | 4740158 | 1 | Thrustwasher | |
| 23 | 4752000 | AR | Flatwasher 5/8in Regular (SN 0300096000 through 0300140365) | |
| 24 | | Ref | Axle Weldment Options: | |
| 24 | 4846801 | 1 | Axle Weldment (SN 0300096000 through 0300115395) | |
| 24 | 1001093879 | 1 | Axle Weldment (SN 0300115396 through 0300161284) | |
| 24 | 1001139705 | 1 | Axle Weldment (SN 0300161285 through 0300203770) | |
| 24A | | Ref | Steer Cylinder Mounting Block Assembly Options: | |
| 24A | 0561300 | 2 | Steer Cylinder Mounting Block Assembly (SN 0300096000 through 0300131323) | |
| 24A | 1001100424 | 2 | Steer Cylinder Mounting Block Assembly (SN 0300115396 through 0300161284) | |
| 24A | See Note | 2 | Steer Cylinder Mounting Block Assembly (Note: Part of Steer Cylinder - Not Available for Purchase) (SN 0300161285 through 0300203770) | |

SECTION 1 - FRAME

| ITEM | PART NUMBER | QTY | DESCRIPTION | REV |
|------|-------------|-----|---|-----|
| 25 | 4892200 | 4 | Flatwasher 3/4in Hardened (SN 0300096000 through 0300115395) | |
| 26 | 0641814 | 8 | Bolt 1/2in-13NC x 1-3/4in (SN 0300115396 through 0300203770) | |
| 27 | 4891800 | 8 | Flatwasher 1/2in Hardened (SN 0300115396 through 0300203770) | |
| 28 | 0100038 | AR | Primer, Locking | |
| | | Ref | FIXED AXLE INSTALLATION | |
| | 0272906 | Ref | Fixed Axle Installation (SN 0300096000 through 0300115395) | C |
| | 1001093928 | Ref | Fixed Axle Installation (SN 0300115396 through 0300161284) | E |
| | 1001139742 | Ref | Fixed Axle Installation (SN 0300161285 through 0300203770) | B |
| 101 | 0100011 | AR | Locking, Compound | |
| 102 | | Ref | Block, Stop Plate Options: | |
| 102 | 0362932 | 2 | Block, Stop Plate (SN 0300096000 through 0300115395) | |
| 102 | 1001093846 | 2 | Block, Stop Plate (SN 0300115396 through 0300203770) | |
| 103 | | Ref | Plate, Stop Options: | |
| 103 | 0362954 | 2 | Plate, Stop (SN 0300096000 through 0300115395) | |
| 103 | 1001093851 | 2 | Plate, Stop (SN 0300115396 through 0300203770) | |
| 105 | | Ref | Bolt 3/8in-16NC Options: | |
| 105 | 0641626 | 2 | Bolt 3/8in-16NC (SN 0300096000 through 0300115395) | |
| 105 | 0641616 | 2 | Bolt 3/8in-16NC (SN 0300115396 through 0300203770) | |
| 106 | 0642012 | 1 | Bolt 5/8in-11NC x 1-1/2in | |
| 107 | 0961950 | 2 | Bushing | |
| 108 | 3422592 | 1 | Pin, Axle Pivot | |
| 109 | 3841258 | 1 | Keeper, Pin | |
| 110 | 4071121 | 2 | Shim.063in (SN 0300161285 through 0300203770) | |
| 111 | 4070973 | 2 | Shim 11Ga (SN 0300096000 through 0300115396) | |
| 112 | 4071002 | 4 | Shim 20Ga (SN 0300096000 through 0300115396) | |
| 113 | 4740158 | 1 | Thrustwasher | |
| 114 | 4751600 | 2 | Flatwasher 3/8in Regular | |
| 115 | | Ref | Axle Weldment Options: | |
| 115 | 4846426 | 1 | Axle Weldment (SN 0300096000 through 0300115395) | |
| 115 | 1001093879 | 1 | Axle Weldment (SN 0300115396 through 0300161284) | |
| 115 | 1001139705 | 1 | Axle Weldment (SN 0300161285 through 0300203770) | |
| 115A | | Ref | Steer Cylinder Mounting Block Assembly Options: | |
| 115A | 0561300 | 2 | Steer Cylinder Mounting Block Assembly (SN 0300096000 through 0300131322) | |
| 115A | 1001100424 | 2 | Steer Cylinder Mounting Block Assembly (SN 0300131323 through 0300161284) | |
| 115A | See Note | 2 | Steer Cylinder Mounting Block Assembly (Note: Part of Steer Cylinder - Not Available for Purchase) (SN 0300161285 through 0300203770) | |
| | | Ref | STEERING INSTALLATION | |
| | 0272804 | Ref | Steering Installation (SN 0300096000 through 0300161284) | H |
| | 1001139901 | Ref | Steering Installation (SN 0300161285 through 0300203770) | C |
| 201 | 0100011 | AR | Locking, Compound | |
| 202 | 0440162 | 2 | Thrustwasher | |
| 203 | 0962292 | 4 | Bushing | |
| 204 | 0962348 | 1 | Bushing | |
| 205 | 0641606 | 4 | Bolt 3/8in-16NC x 3/4in | |
| 206 | | Ref | Bolt 1/2in-13NC (Grade 8) Options: | |
| 206 | 0681824 | 4 | Bolt 1/2in-13NC x 3in | |
| 206 | 0681822 | 4 | Bolt 1/2in-13NC x 2-3/4in | |

SECTION 1 - FRAME

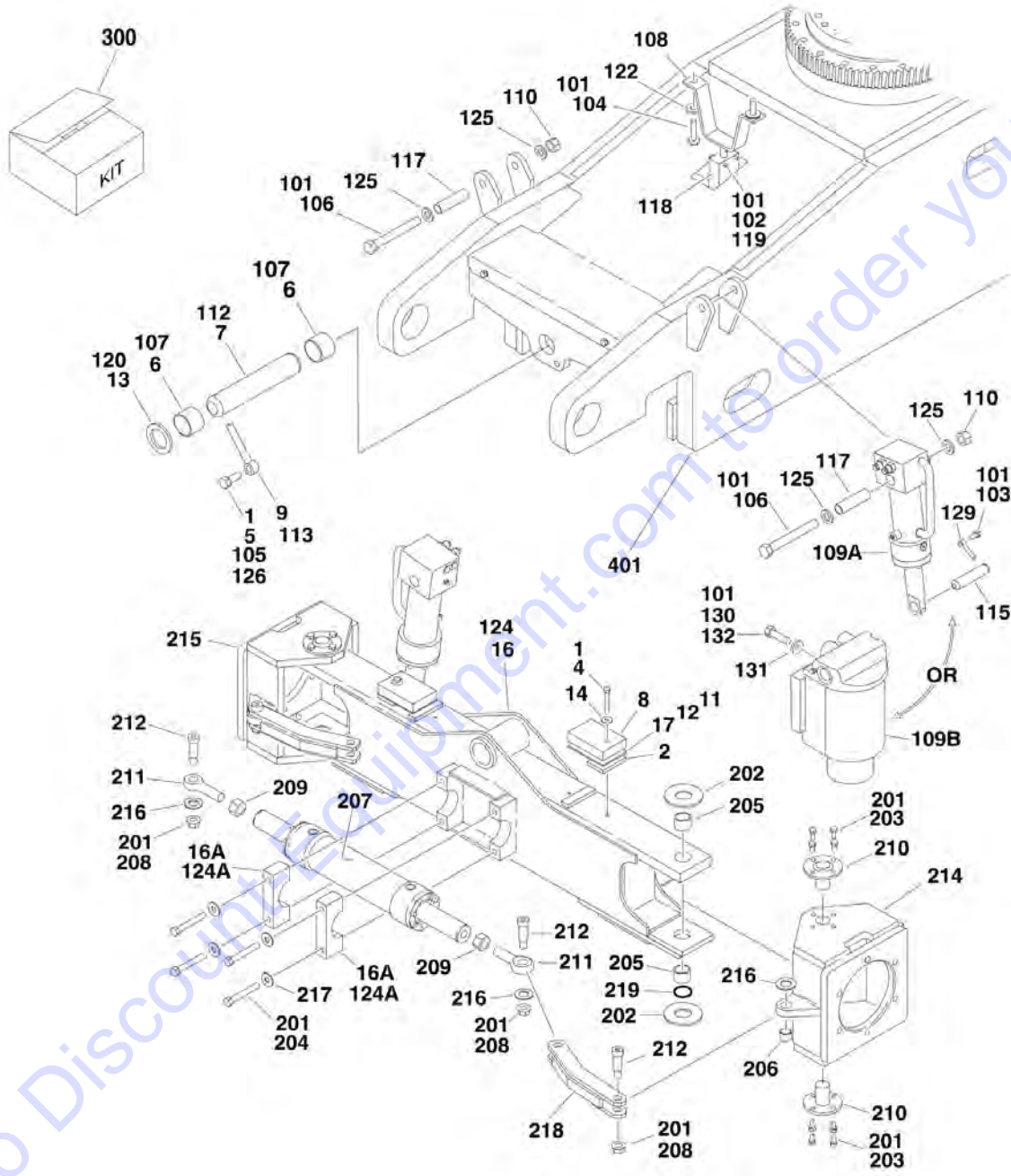
| ITEM | PART NUMBER | QTY | DESCRIPTION | REV |
|------|--------------|-----|--|-----|
| 207 | 3272205 | 2 | Locknut 3/4in-16NF | |
| 208 | | Ref | Steer Cylinder Assembly Options (See CYLINDER SECTION for Breakdown): | |
| 208 | 1684412 | 1 | Steer Cylinder Assembly (SN 0300096000 through 0300161284) | |
| 208 | 1001143434 | 1 | Steer Cylinder Assembly (SN 0300161285 through 0300203770) | |
| 209 | 3450808 | 2 | Pin, Cotter 1/4in x 2in | |
| 210 | | Ref | Rod-End Options: | |
| 210 | 3841367 | NLA | Rod-End (Use p/n 3841517Rod-End and p/n 7020180 Grease Fitting) (SN 0300096000 through 0300110479) | |
| 210 | 3841517 | 2 | Rod-End (SN 0300110480 through 0300161284) | |
| 210 | Not Required | 0 | Rod-End (SN 0300161285 through 0300203770) | |
| 211 | 2780230 | 2 | Hub/Spindle Assembly (See 301 to 316 for Breakdown) | |
| 212 | 3900295 | 1 | Bolt, Shoulder 1in x 3in | |
| 213 | 3312008 | 4 | Nut 5/8in-11NC | |
| 214 | 3322201 | 2 | Nut 3/4in-16NF (SN 0300096000 through 0300161285) | |
| 215 | 3323003 | 2 | Nut 1-1/4in-12NF | |
| 216 | 3422692 | 2 | Kingpin | |
| 217 | 3422848 | 1 | Pin, Hitch | |
| 218 | 3900296 | 1 | Bolt, Shoulder 1in x 4-1/2in | |
| 219 | 3574235 | 1 | Plate, Tow Bar Pivot | |
| 220 | 3841143 | 1 | Keeper | |
| 221 | | Ref | Tie-Rod Options: | |
| 221 | 3841619 | 1 | Tie-Rod (SN 0300096000 through 0300161284) | |
| 221 | 1001139877 | NLA | Tie-Rod (Use p/n 1001150314) (SN 0300161285 through 0300203770) | |
| 222 | 4712400 | 1 | Flatwasher 7/8in Thin | |
| 223 | | Ref | Bolt, Shoulder Options: | |
| 223 | 3900109 | AR | Bolt, Shoulder 3/4in x 1-3/4in | |
| 223 | 3900327 | AR | Bolt, Shoulder 3/4in x 2in | |
| 225 | 4713000 | 2 | Flatwasher 1-1/4in Thin | |
| 226 | 4740086 | 4 | Thrustwasher | |
| 227 | 4740155 | 2 | Thrustwasher | |
| 228 | 4740491 | 3 | Thrustwasher | |
| 229 | 4751800 | 4 | Flatwasher 1/2in Regular | |
| 230 | 4846802 | NLA | Weldment, Link (Use p/n 1001150315) | |
| 231 | 0100019 | AR | Locking, Compound | |
| 232 | 0641508 | 1 | Bolt 5/16in-18NC x 1in | |
| 233 | | Ref | Tie-Rod Options: | |
| 233 | 3841619 | 1 | Tie-Rod (SN 0300096000 through 0300161284) | |
| 233 | 1001140570 | 1 | Tie-Rod (SN 0300161285 through 0300203770) | |
| | 2780230 | Ref | HUB ASSEMBLY | A |
| 301 | 7020033 | 2 | Cap, Dust (1 per Assembly) | |
| 302 | 7020034 | 2 | Spindle Assembly (1 per Assembly) | |
| 303 | 0961951 | 4 | Bushing (2 Per Assembly) | |
| 304 | 0962140 | 2 | Bearing (1 per Assembly) | |
| 305 | 7020035 | 2 | Hub (1 per Assembly) (Includes Items 306 & 307) | |
| 306 | 7020036 | 2 | Cup, Bearing - Inner(1 per Assembly) | |
| 307 | 7020038 | 2 | Cup, Bearing - Outer (1 per Assembly) | |
| 308 | 7020037 | 2 | Cone, Bearing - Inner (1 per Assembly) | |
| 309 | 7020039 | 2 | Cone, Bearing - Outer (1 per Assembly) | |

SECTION 1 - FRAME

| ITEM | PART NUMBER | QTY | DESCRIPTION | REV |
|------|-------------|-----|---|-----|
| 310 | 7020040 | 2 | Seal (1 Per Assembly) | |
| 311 | 7020041 | 18 | Stud, Wheel (9 Per Assembly) | |
| 313 | 7020042 | 18 | Lugnut (9 per Assembly) | |
| 314 | 7020054 | 2 | Nut, Castle (1 per Assembly) | |
| 315 | 3450608 | 2 | Pin, Cotter (1 Per Assembly) | |
| 316 | 7020055 | 2 | Washer, Spindle (1 Per Assembly) | |
| 401 | | Ref | FRAME WELDMENTS | |
| 401 | | Ref | Frame Weldments 400S with 500lbs Capacity | |
| 401 | 2360650 | Ref | Frame Weldments (SN 0300096000 through 0300115395) | |
| 401 | 2360756 | Ref | Frame Weldments (SN 0300115396 through 0300140364) | |
| 401 | 1001106761 | Ref | Frame Weldments (SN 0300140365 through 0300161284) | |
| 401 | 1001141045 | Ref | Frame Weldments (All Specs except CE Specs with Foam-Filled Tires) (SN 0300161285 through 0300203770) | |
| 401 | 1001141065 | Ref | Frame Weldments (All Specs except CE Specs with Pneumatic Tires) (SN 0300161285 through 0300203770) | |
| 401 | 1001141065 | Ref | Frame Weldments (CE Specs) (SN 0300161285 through 0300203770) | |
| 401 | | Ref | Frame Weldments 400S with 750lbs Capacity | |
| 401 | 2360651 | Ref | Frame Weldments (SN 0300096000 through 0300115395) | |
| 401 | 2360794 | Ref | Frame Weldments (SN 0300115396 through 0300140364) | |
| 401 | 1001106762 | Ref | Frame Weldments (SN 0300140365 through 0300161284) | |
| 401 | 1001143571 | Ref | Frame Weldments (SN 0300161285 through 0300203770) | |
| 401 | | Ref | Frame Weldments 460SJ (All Specs Except CE Spec) | |
| 401 | 2360652 | Ref | Frame Weldments (SN 0300096000 through 0300115395) | |
| 401 | 2360795 | Ref | Frame Weldments (SN 0300115396 through 0300140364) | |
| 401 | 1001106763 | Ref | Frame Weldments (SN 0300140365 through 0300161284) | |
| 401 | 1001143571 | Ref | Frame Weldments (With Foam-Filled Tires) (SN 0300161285 through 0300203770) | |
| 401 | 1001141058 | Ref | Frame Weldments (With Pneumatic Tires) (SN 0300161285 through 0300203770) | |
| 401 | | Ref | Frame Weldments 460SJ (CE Spec with Pneumatic Tires) | |
| 401 | 2360653 | Ref | Frame Weldments (SN 0300096000 through 0300115395) | |
| 401 | 2360796 | Ref | Frame Weldments (SN 0300115396 through 0300140364) | |
| 401 | 1001106764 | Ref | Frame Weldments (SN 0300140365 through 0300161284) | |
| 401 | 1001141058 | Ref | Frame Weldments (SN 0300161285 through 0300203770) | |
| 401 | | Ref | Frame Weldments 460SJ (CE Spec with Foam-Filled Tires) | |
| 401 | 2360652 | Ref | Frame Weldments (SN 0300096000 through 0300115395) | |
| 401 | 2360795 | Ref | Frame Weldments (SN 0300115396 through 0300140364) | |
| 401 | 1001106763 | Ref | Frame Weldments (SN 0300140365 through 0300161284) | |
| 401 | 1001141058 | Ref | Frame Weldments (SN 0300161285 through 0300203770) | |

SECTION 1 - FRAME

FIGURE 1-3. AXLE AND STEERING INSTALLATION - 4WD (SN 0300096000 through 0300161284)



SECTION 1 - FRAME

FIGURE 1-3. AXLE AND STEERING INSTALLATION - 4WD (SN 0300096000 through 0300161284)

| ITEM | PART NUMBER | QTY | DESCRIPTION | REV |
|------|-------------|-----|--|-----|
| | | Ref | FIXED AXLE INSTALLATION | |
| | 0272903 | Ref | Fixed Axle Installation (SN 0300096000 through 0300115395) | B |
| | 0275112 | Ref | Fixed Axle Installation (SN 0300115396 through 0300161285) | E |
| 1 | 0100011 | AR | Locking, Compound | |
| 2 | 0362965 | 2 | Bar, Stop Only (SN 0300096000 through 0300115396) | |
| 4 | 0641620 | 2 | Bolt 3/8in-16NC x 2-1/2in | |
| 5 | 0642012 | 1 | Bolt 5/8in-11NC x 1-1/2in | |
| 6 | 0961950 | 2 | Bushing | |
| 7 | 3422592 | 1 | Pin, Axle Pivot | |
| 8 | | Ref | Plate, Stop Options: | |
| 8 | 0362954 | 2 | Plate, Stop (SN 0300096000 through 0300115395) | |
| 8 | 4071119 | 2 | Plate, Stop (SN 0300115396 through 03001154778) | |
| 8 | 1001093851 | 2 | Plate, Stop (SN 03001154779 through 0300161285) | |
| 9 | 3841258 | 1 | Keeper, Pin | |
| 11 | 4070973 | AR | Shim 1/8in Only (SN 0300096000 through 0300115396) | |
| 12 | | Ref | Shim Options: | |
| 12 | 4070972 | AR | Shim (SN 0300096000 through 0300115395) | |
| 12 | 4071121 | 2 | Shim (SN 0300115396 through 0300161285) | |
| 13 | 4740158 | 1 | Thrustwasher | |
| 14 | 4751600 | 2 | Flatwasher 3/8in Regular | |
| 16 | | Ref | Axle Weldment Options: | |
| 16 | 4846550 | 1 | Axle Weldment (SN 0300096000 through 0300115395) | |
| 16 | 1001093380 | 1 | Axle Weldment (SN 0300115396 through 0300161285) | |
| 16A | | Ref | Steer Cylinder Mounting Block Assembly Options: | |
| 16A | 0561300 | 2 | Steer Cylinder Mounting Block Assembly (SN 0300096000 through 0300131322) | |
| 16A | 1001100424 | 2 | Steer Cylinder Mounting Block Assembly (SN 0300131323 through 0300161285) | |
| 17 | 4071002 | AR | Shim 20 - Gauge (SN 0300096000 through 0300115396) | |
| | | Ref | OSCILLATING AXLE INSTALLATION | |
| | | Ref | All Specs Except CE Spec | |
| | 0272901 | Ref | Oscillating Axle Installation (SN 0300096000 through 0300115395) | B |
| | 0275113 | Ref | Oscillating Axle Installation (SN 0300115396 through 0300140364) | C |
| | 1001106911 | Ref | Oscillating Axle Installation (SN 0300140365 through 0300161285) | C |
| | | Ref | CE Spec | |
| | 0272905 | Ref | Oscillating Axle Installation (SN 0300096000 through 0300115395) | B |
| | 1001093972 | Ref | Oscillating Axle Installation (SN 0300115396 through 0300140364) | D |
| | 1001106911 | Ref | Oscillating Axle Installation (SN 0300140365 through 0300161285) | C |
| 101 | 0100011 | AR | Locking, Compound | |
| 102 | | Ref | Bolt Options: (SN 0300096000 through 0300140365) | |
| 102 | 0641414 | 4 | Bolt 1/4in-20NC x 1-3/4in (All Specs Except CE Spec) | |
| 102 | 0641424 | 4 | Bolt 1/4in-20NC x 3in (CE Spec) | |
| 103 | 0641607 | 2 | Bolt 3/8in-16NC x 7/8in (SN 0300096000 through 0300115396) | |
| 104 | 0642010 | 2 | Bolt 5/8in-11NC x 1-1/4in | |
| 105 | 0642012 | 1 | Bolt 5/8in-11NC x 1-1/2in | |

SECTION 1 - FRAME

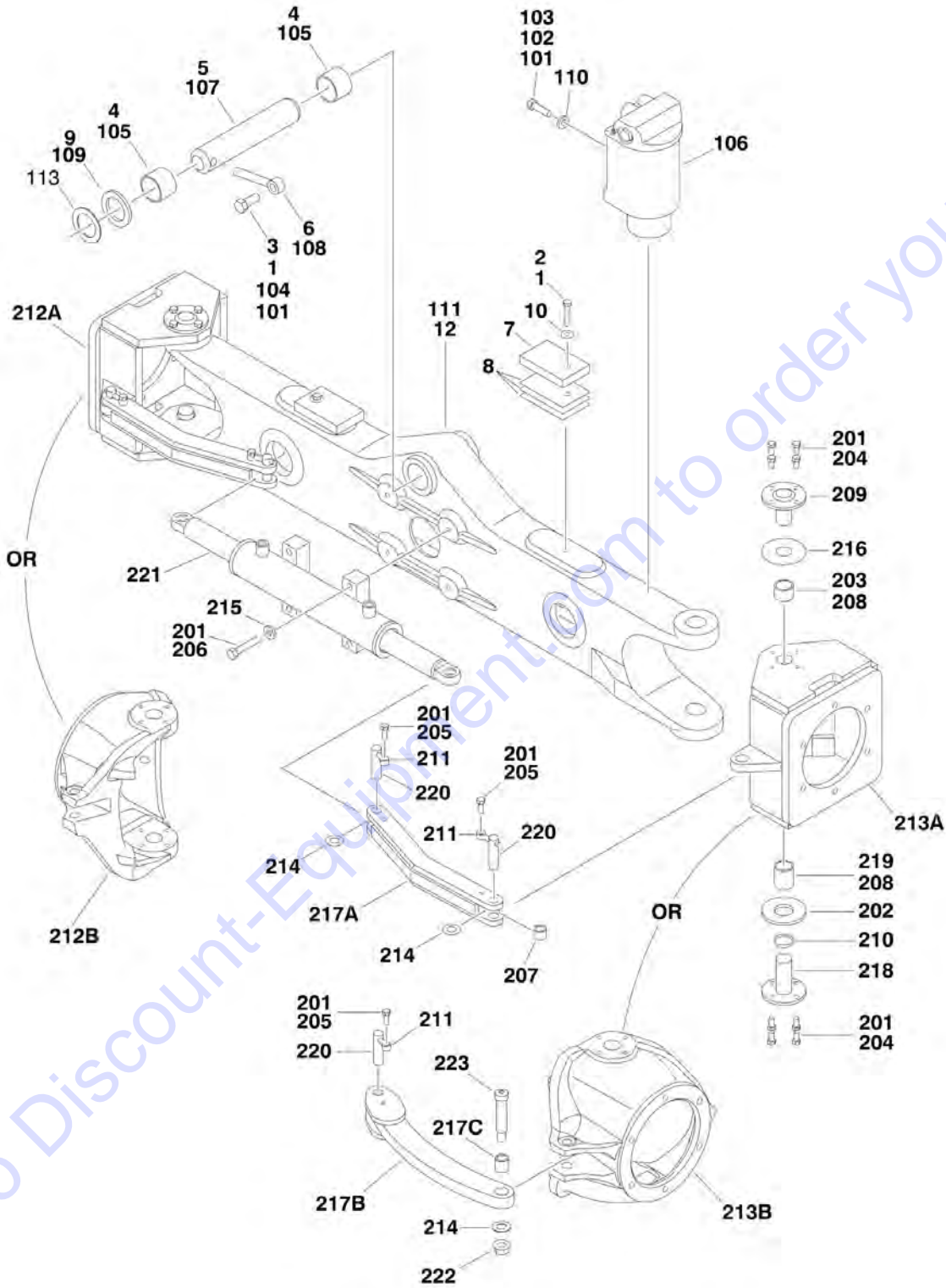
| ITEM | PART NUMBER | QTY | DESCRIPTION | REV |
|------|-------------|-----|---|-----|
| 106 | 0682248 | 2 | Bolt 3/4in-10NC x 6in (Grade 8) (SN 0300096000 through 0300115396) | |
| 107 | 0961950 | 2 | Bushing | |
| 108 | | Ref | Cam, Lockout Options: (SN 0300096000 through 0300140365) | |
| 108 | 1100118 | 1 | All Specs Except CE Spec | |
| 108 | | Ref | CE Spec (Not Shown) | |
| 108 | 1100123 | 1 | Cam, Lockout (SN 0300096000 through 0300115395) | |
| 108 | 1100118 | 1 | Cam, Lockout (SN 0300115396 through 0300140365) | |
| 109 | | Ref | Lockout Cylinder Assembly Options (See CYLINDER SECTION for Breakdown): | |
| 109A | 1684139 | 2 | Lockout Cylinder Assembly (SN 0300096000 through 0300115395) | |
| 109B | 1684465 | 2 | Lockout Cylinder Assembly (SN 0300115396 through 0300161285) | |
| 110 | 3272201 | 2 | Nut 3/4in-10NC (SN 0300096000 through 0300115396) | |
| 112 | 3422592 | 1 | Pin, Axle Pivot | |
| 113 | 3841258 | 1 | Keeper, Pin | |
| 115 | 3422936 | 2 | Pin Only (SN 0300096000 through 0300115396) | |
| 117 | 4567462 | 2 | Tube, Mounting (SN 0300096000 through 0300115396) | |
| 118 | 4640871 | AR | Lockout Valve Assembly (SN 0300096000 through 0300140365) | |
| 118 | | Ref | All Specs Except CE Spec | |
| 118 | | Ref | CE Spec | |
| 118 | 7012693 | 1 | Seal Kit - 4640871 Valve | |
| 118 | 7002840 | 1 | Anti-Rotation Pin Removal Tool | |
| 119 | 4711400 | 4 | Flatwasher 1/4in Thin | |
| 120 | 4740158 | 1 | Thrustwasher | |
| 122 | 4752000 | 4 | Flatwasher 5/8in Regular | |
| 124 | | Ref | Axle Weldment Options: | |
| 124 | 4846550 | 1 | Axle Weldment (SN 0300096000 through 0300115395) | |
| 124 | 1001093380 | 1 | Axle Weldment (SN 0300115396 through 0300161285) | |
| 124A | | Ref | Steer Cylinder Mounting Block Assembly Options: | |
| 124A | 0561300 | 2 | Steer Cylinder Mounting Block Assembly (SN 0300096000 through 0300131322) | |
| 124A | 1001100424 | 2 | Steer Cylinder Mounting Block Assembly (SN 0300131323 through 0300161285) | |
| 125 | 4892200 | 4 | Flatwasher 3/4in Hardened (SN 0300096000 through 0300115396) | |
| 126 | 0100019 | AR | Locking, Compound | |
| 129 | 3841520 | 2 | Keeper, Pin (SN 0300096000 through 0300115395) | |
| 130 | 0641814 | 8 | Bolt 1/2in-13NC x 1-3/4in (SN 0300115396 through 0300161285) | |
| 131 | 4891800 | 8 | Flatwasher 1/2in Hardened (SN 0300115396 through 0300161285) | |
| 132 | 0100038 | AR | Primer, Locking | |
| | 0272927 | Ref | STEERING INSTALLATION | H |
| 201 | 0100011 | AR | Locking, Compound | |
| 202 | | Ref | Thrustwasher Options: | |
| 202 | 4740537 | AR | Thrustwasher (.0625) (Top Kingpin Location) | |
| 202 | 4740538 | AR | Thrustwasher (.125) (Top Kingpin Location) | |
| 202 | 4740539 | AR | Thrustwasher (.188) (Top Kingpin Location) | |
| 202 | 4740540 | AR | Thrustwasher (.250) (Top Kingpin Location) | |
| 202 | 0440271 | 2 | Thrustwasher (Bottom Kingpin Location) | |
| 203 | 0641606 | 16 | Bolt 3/8in-16NC x 3/4in | |

SECTION 1 - FRAME

| ITEM | PART NUMBER | QTY | DESCRIPTION | REV |
|------|-------------|-----|---|-----|
| 204 | 0681828 | 4 | Bolt 1/2in-13NC x 3-1/2in (Grade 8) Options: | |
| 205 | | Ref | Bushing Options: | |
| 205 | 0440291 | 2 | Bushing (Top Kingpin Location) | |
| 205 | 0440274 | 2 | Bushing (Bottom Kingpin Location) | |
| 206 | 0962140 | 2 | Bearing | |
| 207 | 1684412 | 1 | Steer Cylinder Assembly (See CYLINDER SECTION for Breakdown) | |
| 208 | 3312008 | AR | Nut 5/8in-11NC | |
| 209 | 3322201 | 2 | Nut 3/4in-16NF | |
| 210 | 3423081 | 4 | Kingpin | |
| 211 | | Ref | Rod-End Options: | |
| 211 | 3841367 | NLA | Rod-End (Use p/n 3841517Rod-End and p/n 7020180 Grease Fitting) (SN 0300096000 through 0300110479) | |
| 211 | 3841517 | 2 | Rod-End (SN 0300110480 through 0300161285) | |
| 212 | 3900109 | 4 | Screw, Shoulder | |
| 214 | 4130405 | 1 | Spindle (Left Side) | |
| 215 | 4130406 | 1 | Spindle (Right Side) | |
| 216 | 4740086 | 4 | Thrustwasher | |
| 217 | 4751800 | 4 | Flatwasher 1/2in Regular | |
| 218 | 4846070 | 2 | Tie-Rod | |
| 219 | 3780182 | 2 | O-Ring (Bottom Kingpin Location Only) | |
| 224 | 3020029 | AR | Grease, Bearing | |
| 300 | 2902400 | 1 | Kingpin and Bushings Rebuild Kit (Includes Items 202, 203, 205, 210 & 219) | |
| 401 | | Ref | FRAME WELDMENTS | |
| 401 | | Ref | Frame Weldments 400S with 500lbs Capacity | |
| 401 | 2360650 | Ref | Frame Weldments (SN 0300096000 through 0300115395) | |
| 401 | 2360756 | Ref | Frame Weldments (SN 0300115396 through 0300140364) | |
| 401 | 1001106761 | Ref | Frame Weldments (SN 0300140365 through 0300161285) | |
| 401 | | Ref | Frame Weldments 400S with 750lbs Capacity | |
| 401 | 2360651 | Ref | Frame Weldments (SN 0300096000 through 0300115395) | |
| 401 | 2360794 | Ref | Frame Weldments (SN 0300115396 through 0300140364) | |
| 401 | 1001106762 | Ref | Frame Weldments (SN 0300140365 through 0300161285) | |
| 401 | | Ref | Frame Weldments 460SJ (All Specs Except CE Spec) | |
| 401 | 2360652 | Ref | Frame Weldments (SN 0300096000 through 0300115395) | |
| 401 | 2360795 | Ref | Frame Weldments (SN 0300115396 through 0300140364) | |
| 401 | 1001106763 | Ref | Frame Weldments (SN 0300140365 through 0300161285) | |
| 401 | | Ref | Frame Weldments 460SJ (CE Spec with Pneumatic Tires) | |
| 401 | 2360653 | Ref | Frame Weldments (SN 0300096000 through 0300115395) | |
| 401 | 2360796 | Ref | Frame Weldments (SN 0300115396 through 0300140364) | |
| 401 | 1001106764 | Ref | Frame Weldments (SN 0300140365 through 0300161285) | |
| 401 | | Ref | Frame Weldments 460SJ (CE Spec with Foam-Filled Tires) | |
| 401 | 2360652 | Ref | Frame Weldments (SN 0300096000 through 0300115395) | |
| 401 | 2360795 | Ref | Frame Weldments (SN 0300115396 through 0300140364) | |
| 401 | 1001106763 | Ref | Frame Weldments (SN 0300140365 through 0300161285) | |

SECTION 1 - FRAME

FIGURE 1-4. AXLE AND STEERING INSTALLATION - 4WD (SN 0300161285 through 0300203770)



SECTION 1 - FRAME

FIGURE 1-4. AXLE AND STEERING INSTALLATION - 4WD (SN 0300161285 through 0300203770)

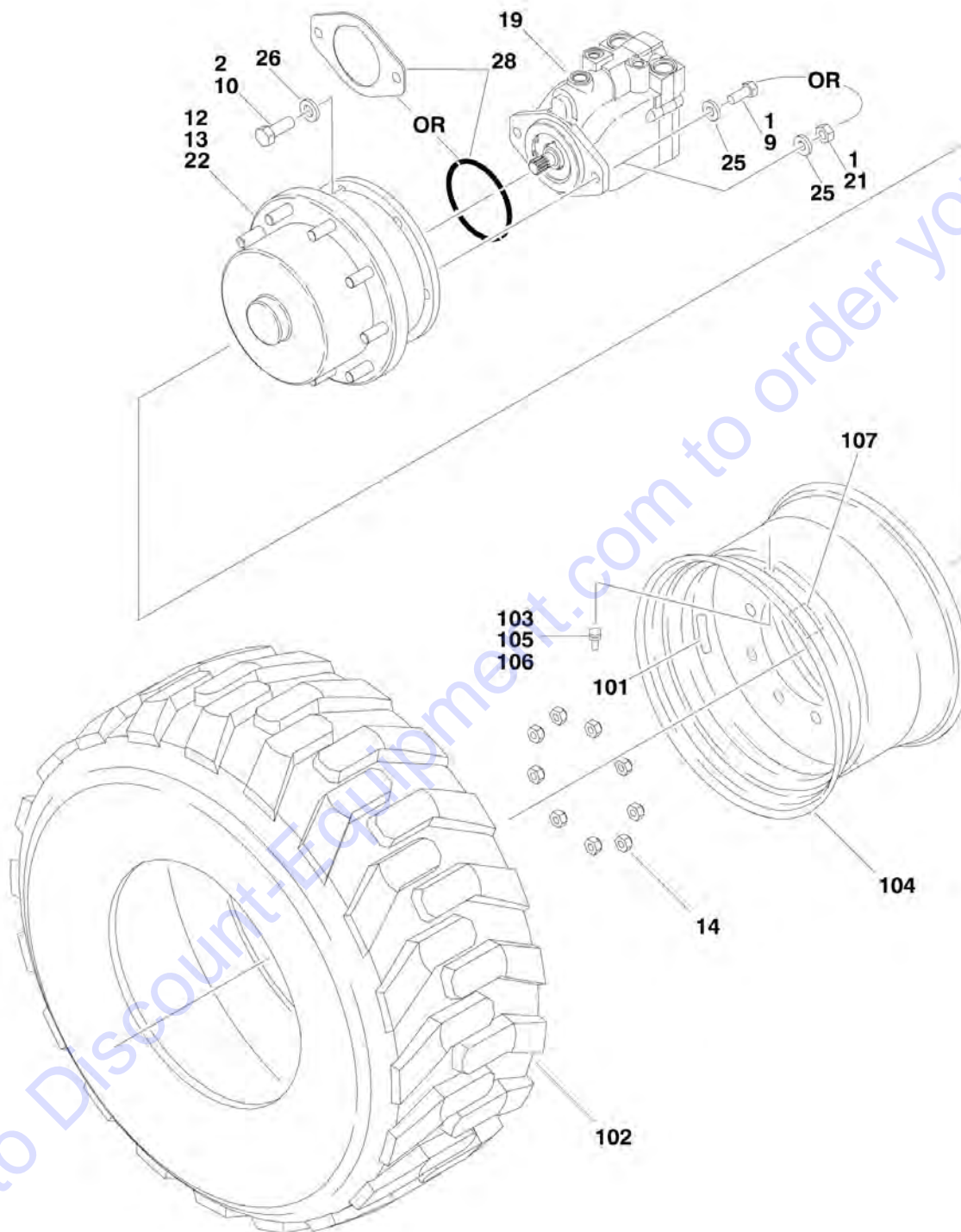
| ITEM | PART NUMBER | QTY | DESCRIPTION | REV |
|------|-------------|-----|---|-----|
| | 1001139617 | Ref | FIXED AXLE INSTALLATION | B |
| 1 | 0100011 | AR | Locking, Compound | |
| 2 | 0641612 | 2 | Bolt 3/8in-16NC x 1-1/2in | |
| 3 | 0642012 | 1 | Bolt 5/8in-11NC x 1-1/2in | |
| 4 | 0961950 | 2 | Bushing | |
| 5 | 3422592 | 1 | Pin, Axle Pivot | |
| 6 | 3841258 | 1 | Keeper, Pin | |
| 7 | 1001093851 | 2 | Plate | |
| 8 | 4071121 | 2 | Shim Options | |
| 9 | 4740158 | 1 | Thrustwasher | |
| 10 | 4751600 | 2 | Flatwasher 3/8in Regular | |
| 12 | 1001098130 | 1 | Axle Weldment | |
| | 1001139616 | Ref | OSCILLATING AXLE INSTALLATION | C |
| 101 | 0100011 | AR | Locking, Compound | |
| 102 | 0100038 | AR | Primer, Locking | |
| 103 | 0641814 | 8 | Bolt 1/2in-13NC x 1-3/4in | |
| 104 | 0642012 | 1 | Bolt 5/8in-11NC x 1-1/2in | |
| 105 | 0961950 | 2 | Bushing | |
| 106 | 1684465 | 2 | Lockout Cylinder Assembly (See CYLINDER SECTION for Breakdown) | |
| 107 | 3422592 | 1 | Pin, Axle Pivot | |
| 108 | 3841258 | 1 | Keeper, Pin | |
| 109 | | Ref | Thrustwasher Options: | |
| 109 | 4740158 | 1 | Thrustwasher (SN 0300096000 through 0300167045) | |
| 109 | 4740229 | 1 | Thrustwasher (SN 0300167046 through 0300203770) | |
| 110 | 4891800 | 8 | Flatwasher 1/2in Hardened | |
| 111 | 1001098130 | 1 | Axle | |
| 113 | 4071101 | AR | Shim (SN 0300167046 through 0300203770) | |
| | | Ref | STEERING INSTALLATION | |
| | 1001139049 | Ref | Steering Installation (SN 0300161285 through 0300164033) | C |
| | 1001139935 | Ref | Steering Installation (SN 0300164034 through 0300203770) | D |
| 201 | 0100011 | AR | Locking, Compound | |
| 202 | 0440271 | 2 | Thrustwasher | |
| 203 | 0440291 | 2 | Bearing | |
| 204 | 0641606 | 16 | Bolt 3/8in-16NC x 3/4in | |
| 204 | 0641607 | 16 | Bolt 3/8in-16NC x 7/8in | |
| 205 | | Ref | Bolt 3/8in-16NC Options: | |
| 205 | 0681608 | 4 | Bolt 1in Grade 8 (SN 0300161285 through 0300164033) | |
| 205 | 0641607 | 2 | Bolt 7/8in Grade 5 (SN 0300164034 through 0300203770) | |
| 206 | 0681820 | 4 | Bolt 1/2in-13NC x 2-1/2in | |
| 207 | 0962140 | 2 | Bearing Only (SN 0300161285 through 0300164034) | |
| 208 | 3020029 | AR | Grease, Bearing | |
| 209 | | Ref | Kingpin Options: | |
| 209 | 3423081 | 2 | Kingpin (SN 0300161285 through 0300164033) | |
| 209 | 1001139141 | 2 | Kingpin (SN 0300164034 through 0300203770) | |
| 210 | 3780182 | 2 | O-Ring | |
| 211 | 3841520 | AR | Keeper | |
| 212 | | Ref | Spindle (Left Side) Options: | |
| 212A | 4130405 | 1 | Spindle (SN 0300161285 through 0300164033) | |
| 212B | 1001139645 | 1 | Spindle (SN 0300164034 through 0300203770) | |

SECTION 1 - FRAME

| ITEM | PART NUMBER | QTY | DESCRIPTION | REV |
|------|---------------|-----|---|-----|
| 213 | | Ref | Spindle (Right Side) Options: | |
| 213A | 4130406 | 1 | Spindle (SN 0300161285 through 0300164033) | |
| 213B | 1001139645 | 1 | Spindle (SN 0300164034 through 0300203770) | |
| 214 | 4740086 | 4 | Thrustwasher | |
| 215 | 4891800 | 4 | Flatwasher 1/2in Hardened | |
| 216 | 1001138780 | AR | Shim (SN 0300161285 through 0300164034) | |
| 217 | | Ref | Tie-Rod Options: | |
| 217A | 1001139048 | 2 | Tie-Rod (SN 0300161285 through 0300164033) | |
| 217B | 1001139892 | 2 | Tie-Rod (SN 0300164034 through 0300203770) | |
| 217C | 1001139943 | 2 | Bushing for 1001139892 Tie-Rod (1 Per Tie-Rod) | |
| 218 | 1001139141 | 2 | Kingpin | |
| 219 | 1001139476 | 2 | Bearing | |
| 220 | | Ref | Pin Options: | |
| 220 | 1001139586 | 4 | Pin (SN 0300161285 through 0300164033) | |
| 220 | 1001116867 | 2 | Pin (SN 0300164034 through 0300203770) | |
| 221 | 1001143434 | 1 | Steer Cylinder Assembly (See CYLINDER SECTION for Breakdown) | |
| 222 | 3312008 | AR | Nut, Flanged 5/8in-11NC (SN 0300164034 through 0300203770) | |
| 223 | 3900255 | 2 | Screw, Shoulder (SN 0300164034 through 0300203770) | |
| | | Ref | FRAME WELDMENTS | |
| | | Ref | Frame Weldments 400S with 500lbs Capacity | |
| | 1001141045 | Ref | All Specs except CE Specs with Foam-Filled Tires and Australian Specs | |
| | 1001141065 | Ref | All Specs except CE Specs with Pneumatic Tires and Australian Specs | |
| | 1001141065 | Ref | CE Specs | |
| | Not Available | | Australian Spec | |
| | | Ref | Frame Weldments 400S with 750lbs Capacity | |
| | 1001143571 | Ref | All Specs Except Australian Spec | |
| | Not Available | | Australian Spec | |
| | | Ref | Frame Weldments 460SJ | |
| | 1001143571 | Ref | All Specs Except CE Spec with Foam-Filled Tires | |
| | 1001141058 | Ref | All Specs Except CE Spec with Pneumatic Tires | |
| | 1001141058 | Ref | CE Spec with Pneumatic Tires | |
| | 1001141058 | Ref | CE Spec with Foam-Filled Tires | |

SECTION 1 - FRAME

FIGURE 1-5. TIRE AND WHEEL DRIVE INSTALLATIONS



SECTION 1 - FRAME

FIGURE 1-5. TIRE AND WHEEL DRIVE INSTALLATIONS

| ITEM | PART NUMBER | QTY | DESCRIPTION | REV |
|------|--------------|-----|--|-----|
| | | Ref | WHEEL DRIVE INSTALLATIONS | |
| | | Ref | 2WD | |
| | 0272926 | Ref | Wheel Drive Installations (SN 0300096000 through 0300115395) | E |
| | 1001093749 | Ref | Wheel Drive Installations (SN 0300115396 through 0300203770) | F |
| | | Ref | 4WD | |
| | 0272925 | Ref | Wheel Drive Installations (SN 0300096000 through 0300115395) | G |
| | 1001093747 | Ref | Wheel Drive Installations (SN 0300115396 through 0300203770) | D |
| 1 | 0100011 | AR | Locking, Compound | |
| 2 | 0100019 | AR | Locking, Compound | |
| 9 | 0681810 | 4 | Bolt 1/2in-13NC x 1-1/4in (Grade 8) (4WD Front Axle Only) | |
| 10 | 0682014 | AR | Bolt 5/8in-11NC x 1-3/4in (Grade 8) | |
| 11 | 2300016 | AR | Fluid, Hydraulic (Not Shown - Use with Brake) | |
| 12 | 2780267 | 2 | Drive Hub/Brake Assembly (Rear) (See DRIVE HUB AND HUB WITH BRAKE ASSEMBLIES for Breakdown) | |
| 13 | | Ref | Drive Hub Assembly Options (Front): | |
| 13 | Not Required | 0 | 2WD | |
| 13 | 2780268 | 2 | 4WD (See DRIVE HUB AND HUB WITH BRAKE ASSEMBLIES for Breakdown) | |
| 14 | 3300106 | AR | Lugnut (9 Per Hub) | |
| 19 | | Ref | Drive Motor Assembly Options: | |
| 19 | | Ref | 2WD Rear Options: | |
| 19 | 3160298 | NLA | Drive Motor Assembly (See DRIVE MOTOR ASSEMBLY (4 BOLT) for Breakdown) (See DRIVE MOTOR ASSEMBLY (5 BOLT) for Breakdown) (SN 0300096000 through 0300098501) | |
| 19 | 3160351 | 2 | Drive Motor Assembly (See DRIVE MOTOR ASSEMBLY (5 BOLT) for Breakdown) (SN 0300098502 through 0300203770) | |
| 19 | | Ref | 4WD Front and Rear Options: | |
| 19 | 3160266 | NLA | Drive Motor Assembly (See DRIVE MOTOR ASSEMBLY (4 BOLT) for Breakdown) (See DRIVE MOTOR ASSEMBLY (5 BOLT) for Breakdown) (SN 0300096000 through 0300098501) | |
| 19 | 3160348 | 4 | Drive Motor Assembly (See DRIVE MOTOR ASSEMBLY (5 BOLT) for Breakdown) (SN 0300098502 through 0300203770) | |
| 21 | 3311801 | 4 | Nut 1/2in-13NC (All Rear Axles) | |
| 22 | 3020008 | AR | Lube, Gear 80W-90 | |
| 25 | 4891800 | AR | Flatwasher 1/2in Hardened | |
| 26 | 4892000 | AR | Flatwasher 5/8in Hardened | |
| 28 | | Ref | Hardware Options: | |
| 28 | 3790045 | AR | O-Ring (1 Per Motor) (SN 0300096000 through 0300103380) | |
| 28 | 3960526 | AR | Gasket (1 Per Motor) (SN 0300103381 through 0300203770) | |
| | | Ref | TIRE AND WHEEL INSTALLATIONS | |
| | 0270091 | Ref | 12 x 16.5 Pneumatic (ANSI and ANSI Export Specs) | C |
| | 0270650 | Ref | 12 x 16.5 Pneumatic (Non-Marking) (ANSI and ANSI Export Specs) | B |
| | 0272924 | Ref | 12 x 16.5 Pneumatic LT (ANSI Spec Only) | A |
| | 0272310 | Ref | 12 x 16.5 Pneumatic TS (ANSI and ANSI Export Specs) | B |

SECTION 1 - FRAME

| ITEM | PART NUMBER | QTY | DESCRIPTION | REV |
|------|-------------|-----|---|-----|
| | 0270092 | Ref | 12 x 16.5 Foam-Filled (All Specs) | C |
| | 0270653 | Ref | 12 x 16.5 Foam-Filled (Non-Marking) (All Specs) | B |
| | 0271995 | Ref | 14 x 17.5 Pneumatic (ANSI and ANSI Export Specs) | B |
| | 0272311 | Ref | 14 x 17.5 Pneumatic TS (ANSI and ANSI Export Specs) | B |
| | 0271998 | Ref | 14 x 17.5 Foam-Filled (All Specs) | B |
| | 0270093 | Ref | 33/16LL x 16.1 Pneumatic (ANSI and ANSI Export Specs) | A |
| | 1001103479 | Ref | 33/16LL x 16.1 Pneumatic TS (ANSI and ANSI Export Specs) | A |
| | 0270094 | Ref | 33/16LL x 16.1 Foam-Filled (All Specs) | A |
| | 1001113366 | Ref | 33 x 6 x 11 Solidflex (460SJ Only) (ANSI Spec Only) | A |
| | 0270074 | NLA | 12 x 16.5 Pneumatic Right Side (Use p/n 1001148863) | B-B |
| | 0270075 | NLA | 12 x 16.5 Pneumatic Left Side (Use p/n 1001148864) | B-B |
| | 0272923 | 4 | 12 x 16.5 Pneumatic (LT) | A |
| | 0272336 | NLA | 12 x 16.5 Pneumatic Right Side (TS) (Use p/n 1001148871) | B-B |
| | 0272337 | NLA | 12 x 16.5 Pneumatic Left Side (TS) (Use p/n 1001148872) | B-B |
| | 0270651 | NLA | 12 x 16.5 Pneumatic Right Side (See Note) (Use p/n 1001148867) | B-B |
| | 0270652 | NLA | 12 x 16.5 Pneumatic Left Side (See Note) (Use p/n 1001148868) | B-B |
| | 0270076 | NLA | 12 x 16.5 Foam-Filled Right Side (See Note) (Use p/n 1001148865) | C-C |
| | 0270077 | NLA | 12 x 16.5 Foam-Filled Left Side (See Note) (Use p/n 1001148866) | C-C |
| | 0270654 | NLA | 12 x 16.5 Foam-Filled Right Side (Non-Marking) (See Note) (Use p/n 1001148869) | C-C |
| | 0270655 | NLA | 12 x 16.5 Foam-Filled Left Side (Non-Marking) (See Note) (Use p/n 1001148870) | C-C |
| | 0271993 | NLA | 14 x 17.5 Pneumatic Right Side (Use p/n 1001148873) | B-B |
| | 0271994 | NLA | 14 x 17.5 Pneumatic Left Side (Use p/n 1001148874) | B-B |
| | 0272352 | NLA | 14 x 17.5 Pneumatic Right Side (TS) (Use p/n 1001148877) | B-B |
| | 0272353 | NLA | 14 x 17.5 Pneumatic Left Side (TS) (Use p/n 1001148878) | B-B |
| | 0271997 | NLA | 14 x 17.5 Foam-Filled Right Side (See Note) (Use p/n 1001148875) | B-B |
| | 0271996 | 2 | 14 x 17.5 Foam-Filled Left Side (See Note) (Use p/n 1001148876) | B-B |
| | 0270078 | 4 | 33/16LL x 16.1 Pneumatic | A |
| | 1001103478 | 4 | 33/16LL x 16.1 Pneumatic (TS) | A |
| | 0270079 | 4 | 33/16LL x 16.1 Foam-Filled (See Note) | C |
| | 1001113307 | 2 | 33 x 6 x 11 Solidflex Left Side | A |
| | 1001113308 | 2 | 33 x 6 x 11 Solidflex Right Side | A |
| | | Ref | Note: Assemblies may require ballast/foam filling to manufacturer's specifications prior to installing on a machine. Refer to Operation and Safety or Service and Maintenance Manuals. Purchase individual tire and/or rim only if able to foam fill tire and wheel assembly, otherwise, purchase complete assembly. | |
| 101 | | Ref | Decal Options (Pneumatic Only): | |
| 101 | 1702740 | 1 | Decal - 90PSI | |
| 101 | 1702738 | 1 | Decal - 45PSI | |
| 101 | 1703067 | 1 | Decal - 40PSI | |
| 102 | | Ref | Tire Options: | |
| 102 | 4520216 | 1 | 12 x 16.5 NHS | |
| 102 | 4520240 | 1 | 12 x 16.5 NHS (Non-Marking) | |
| 102 | 4520266 | 1 | 12 x 16.5 LT | |
| 102 | 4520212 | 1 | 14 x 16.1 | |
| 102 | 4520259 | 1 | 14 x 17.5 NHS | |

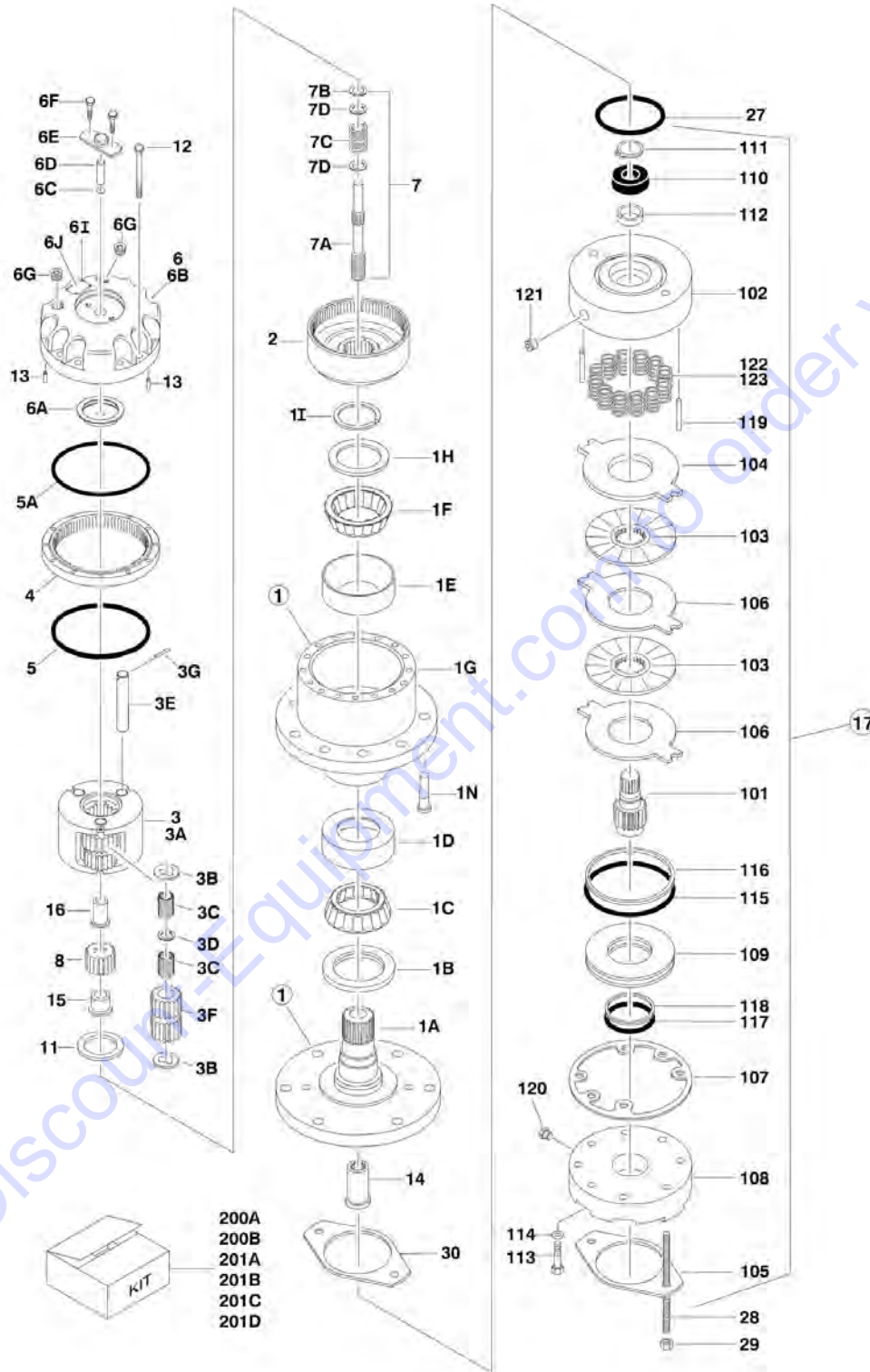
SECTION 1 - FRAME

| ITEM | PART NUMBER | QTY | DESCRIPTION | REV |
|------|-------------|-----|--|-----|
| 102 | 4520212 | 1 | 33/16LL x 16.1 | |
| 103 | 4640113 | 1 | Valve, Air (Pneumatic Only) | |
| 103 | 4641122 | 1 | Valve, Air-Liquid Tire (Foam Filled Only) | |
| 103 | 1001149953 | 1 | Cap, Valve Stem (Foam Filled Only) | |
| 104 | | Ref | Rim, Wheel | |
| 104 | 4860214 | 1 | 16.1 x 14 (Use with 33/16LL x 16.1 & 14 x 16.1Tires) | |
| 104 | 4860213 | NLA | 16.5 x 9.75 (Use with 12 x 16.5 Tires) (Use p/n 1001147274) | |
| 104 | 4860198 | NLA | 17.5 x 10.50 (Use with 14 x 17.5 Tires) (Use p/n 1001146397) | |
| 105 | 1120552 | 1 | Cap, Valve Stem (Green) (Pneumatic TS Tires Only) | |
| 106 | 1300019 | AR | Chemical, Tire Sealant (Pneumatic TS Tires Only) | |
| 107 | 1705364 | 1 | Decal - Tire Sealant (Pneumatic TS Tires Only) | |

Go to Discount-Equipment.com to order your parts

SECTION 1 - FRAME

FIGURE 1-6. DRIVE HUB AND HUB WITH BRAKE ASSEMBLIES



SECTION 1 - FRAME

FIGURE 1-6. DRIVE HUB AND HUB WITH BRAKE ASSEMBLIES

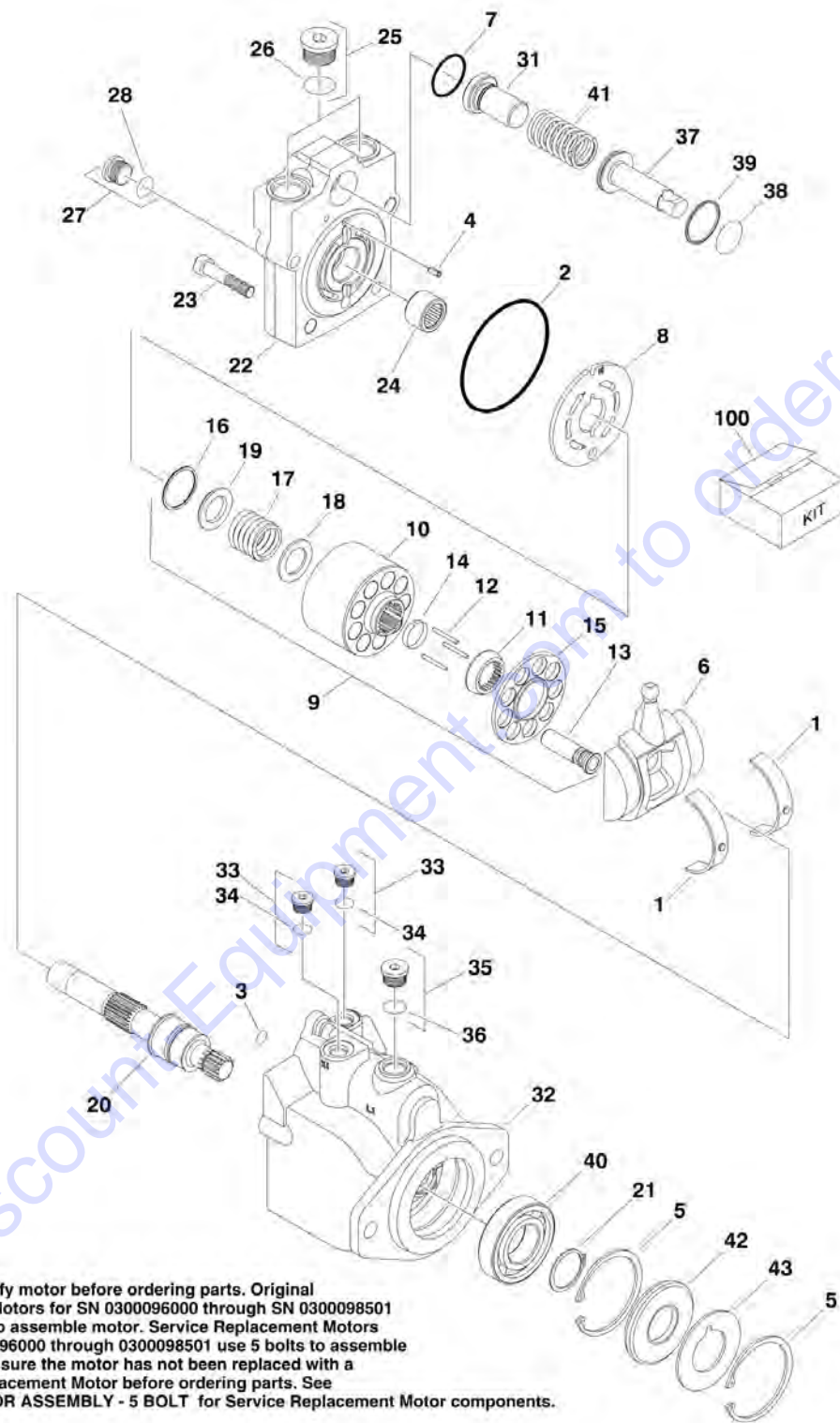
| ITEM | PART NUMBER | QTY | DESCRIPTION | REV |
|------|-------------|-----|---|-----|
| | | Ref | DRIVE HUB ASSEMBLIES | |
| | 2780268 | Ref | Drive Hub without Brake Assembly (4WD Front) (Includes Items 1-16) | D |
| | 2780267 | Ref | Drive Hub with Brake Assembly (2WD and 4WD Rear) (Includes Items 1-123) | F |
| 1 | See Note | 1 | Spindle/Housing Assembly (Note: Not Available - Purchase Complete Drive Hub Assembly) | |
| 1A | 7017059 | 1 | Spindle | |
| 1B | 7001998 | 1 | Seal | |
| 1C | 7010429 | 1 | Cone, Bearing (Includes Item 1D) | |
| 1D | 7010429 | 1 | Cup, Bearing (Includes Item 1C) | |
| 1E | 7000257 | 1 | Cup, Bearing | |
| 1F | 7000258 | 1 | Cone, Bearing | |
| 1G | 7007601 | 1 | Housing/Ring Gear | |
| 1H | 7000232 | 1 | Thrustwasher | |
| 1I | 7000229 | 1 | Ring, Retaining | |
| 1N | 7007640 | 9 | Stud, Wheel | |
| 2 | 7000246 | 1 | Gear, Internal | |
| 3 | 7024712 | 1 | Carrier Assembly (Purchase p/n 7024712 for items 3A-3G) | |
| 3A | See Note | NSS | Carrier (Note: Use Item 3) | |
| 3B | See Note | NSS | Ring, Retaining (Note: Use Item 3) | |
| 3C | See Note | NSS | Bearing, Needle (Note: Use Item 3) | |
| 3D | See Note | NSS | Thrustwasher (Note: Use Item 3) | |
| 3E | See Note | NSS | Shaft, Planet (Note: Use Item 3) | |
| 3F | See Note | NSS | Gear, Planet (Note: Use Item 3) | |
| 3G | See Note | NSS | Roll Pin (Note: Use Item 3) | |
| 4 | 7000248 | 1 | Ring Gear | |
| 5 | 7000230 | 1 | O-Ring | |
| 5A | 7017070 | 1 | O-Ring | |
| 6 | 7017090 | NLA | Cover Assembly (Use p/n 70001349 Kit - Includes Items 6A-6J) | |
| 6A | 7017097 | NLA | Spacer, Thrust | |
| 6B | 7017091 | NLA | Plate, Cover | |
| 6C | 7017095 | NLA | O-Ring | |
| 6D | 7017092 | NLA | Rod, Disconnect | |
| 6E | 7017093 | NLA | Cap, Disengage | |
| 6F | 0641404 | 2 | Bolt 1/2in-20NC x 1/2in | |
| 6G | 7017094 | NLA | Plug, Pipe | |
| 6I | See Note | NSS | Rivet (Note: Not Available for Purchase) | |
| 6J | See Note | NSS | Plate, ID (Note: Not Available for Purchase) | |
| 7 | | Ref | Input Shaft Assembly | |
| 7A | 7024714 | 1 | Shaft | |
| 7B | 7000261 | 1 | Ring, Retaining | |
| 7C | 7000262 | 1 | Spring | |
| 7D | 7000263 | 2 | Spacer, Thrust | |
| 8 | 7024713 | 1 | Gear, Sun | |
| 11 | 7000253 | 1 | Thrustwasher | |
| 12 | 7017067 | 12 | Bolt | |
| 13 | 7017080 | 4 | Pin, Dowell | |
| 14 | 7000206 | 1 | Coupling | |
| 15 | 7024715 | 1 | Spacer, Input | |

SECTION 1 - FRAME

| ITEM | PART NUMBER | QTY | DESCRIPTION | REV |
|------|-------------|-----|--|-----|
| 16 | 7024716 | 1 | Spacer, Input | |
| 17 | 7024182 | 1 | Brake Assembly (See Items 101-123 for Breakdown) | |
| 27 | 7024705 | 1 | O-Ring | |
| 28 | 7024717 | 2 | Rod, Threaded | |
| 29 | 7024718 | 2 | Nut 1/2in-13NC | |
| 30 | 70005483 | 1 | Gasket | |
| | 7024182 | Ref | BRAKE ASSEMBLY | |
| 101 | 7024189 | 1 | Shaft | |
| 102 | 7024182 | 1 | Housing (Note: Not Available - Purchase Complete Brake Assembly) | |
| 103 | See Note | NSS | Plate, Friction (Note: Use Item 201C) | |
| 104 | See Note | NSS | Plate, Pressure (Note: Use Item 201C) | |
| 105 | 7000731 | 1 | Gasket | |
| 106 | See Note | NSS | Plate, Outer (Note: Use Item 201C) | |
| 107 | See Note | NSS | Gasket (Note: Use Item 200A, 201C or 201D) | |
| 108 | 7024191 | 1 | Cylinder | |
| 109 | 7024192 | 1 | Piston | |
| 110 | See Note | NSS | Bearing, Ball (Note: Use Item 201D) | |
| 111 | See Note | NSS | Ring, Retaining (Note: Use Item 201D) | |
| 112 | See Note | NSS | Seal, Shaft (Note: Use Item 201D) | |
| 113 | See Note | 6 | Capscrew (Note: Not Available - Purchase Locally) | |
| 114 | See Note | 6 | Lockwasher (Note: Not Available - Purchase Locally) | |
| 115 | See Note | NSS | O-Ring (Note: Use Item 200B) | |
| 116 | See Note | NSS | Ring, Back-up (Note: Use Item 200B) | |
| 117 | See Note | NSS | O-Ring (Note: Use Item 200B) | |
| 118 | See Note | NSS | Ring, Back-up (Note: Use Item 200B) | |
| 119 | 7024190 | 2 | Pin, Dowel | |
| 120 | See Note | 1 | Plug (Note: Not Available - Purchase Locally) | |
| 121 | See Note | 2 | Plug (Note: Not Available - Purchase Locally) | |
| 122 | See Note | NSS | Spring Kit (Natural) (Note: Use Item 201B) | |
| 123 | See Note | NSS | Spring Kit (Blue) (Note: Use Item 201B) | |
| 200 | | Ref | Seal Kit Options: | |
| 200A | See Note | 1 | Hub Seal Kit (Note: Not Available - Purchase Individual Components) | |
| 200B | 7024194 | 1 | Brake Seal Kit (Includes Items 105, 107 & 115-118) | |
| 201 | | Ref | Repair Kit Options: | |
| 201A | 7024195 | NLA | Spring Kit - 7024182 Brake (Includes 12 Natural Colored Springs) (Use p/n 7024196) | |
| 201B | 7024196 | 1 | Brake Spring Kit (Includes 12 Natural and 2 Blue Colored Springs) | |
| 201C | 7024193 | 1 | Brake Friction Disc Kit (Includes Items 103, 104, 106 & 107) | |
| 201D | 7024197 | 1 | Brake Bearing Kit (Includes Items 107 & 110-112) | |

SECTION 1 - FRAME

FIGURE 1-7. DRIVE MOTOR ASSEMBLY - 4 BOLT (SN 0300096000 through 0300098501)



NOTE: Identify motor before ordering parts. Original Equipment Motors for SN 0300096000 through SN 0300098501 use 4 bolts to assemble motor. Service Replacement Motors for SN 0300096000 through 0300098501 use 5 bolts to assemble motor. Make sure the motor has not been replaced with a Service Replacement Motor before ordering parts. See DRIVE MOTOR ASSEMBLY - 5 BOLT for Service Replacement Motor components.

SECTION 1 - FRAME

FIGURE 1-7. DRIVE MOTOR ASSEMBLY - 4 BOLT (SN 0300096000 through 0300098501)

| ITEM | PART NUMBER | QTY | DESCRIPTION | REV |
|------|-------------|-----|---|-----|
| | | Ref | DRIVE MOTOR ASSEMBLY | |
| | 3160298 | Ref | 2WD Rear | C |
| | 3160266 | Ref | 4WD Front and Rear | D |
| | | Ref | NOTE: Identify motor before ordering parts. Original Equipment Motors for SN 0300096000 through SN 0300098501 use 4 bolts to assemble motor. Service Replacement Motors for SN 0300096000 through SN 0300098501 use 5 bolts to assemble motor. Make sure the motor has not been replaced with a Service Replacement Motor before ordering parts. See DRIVE MOTOR ASSEMBLY - 5 BOLT for Service Replacement Motor components. | |
| 1 | 7022302 | 2 | Bearing, Journal | |
| 2 | See Note | NSS | O-Ring (Note: Use Item 100) | |
| 3 | See Note | NSS | O-Ring (Note: Use Item 100) | |
| 4 | 7007446 | 1 | Pin | |
| 5 | 7007438 | 2 | Ring, Retaining | |
| 6 | 7022305 | 1 | Swash Plate | |
| 7 | See Note | NSS | O-Ring (Note: Use Item 100) | |
| 8 | 7023908 | 1 | Plate, Valve | |
| 9 | 7023907 | 1 | Cylinder Block Assembly (Includes Items 10-19) | |
| 10 | 7023907 | 1 | Block, Cylinder (Note: Not Available - Purchase Complete Cylinder Block Assembly) | |
| 11 | 7021277 | 1 | Guide, Slipper Retainer | |
| 12 | 7021275 | 3 | Pin, Slipper Hold Down | |
| 13 | 7023907 | 9 | Piston Assembly (Note: Not Available - Purchase Complete Cylinder Block Assembly) | |
| 14 | 7021276 | 1 | Retainer, Hold Down Pin | |
| 15 | 7022310 | 1 | Retainer, Slipper | |
| 16 | 7022311 | 1 | Ring, Retaining | |
| 17 | 7022312 | 1 | Spring | |
| 18 | 7024868 | 1 | Washer | |
| 19 | 7022314 | 1 | Retainer, Spring | |
| 20 | 7023910 | 1 | Shaft | |
| 21 | 7007439 | 1 | Ring, Retaining | |
| 22 | | Ref | Cap, End - Axial Options: | |
| 22 | 7022367 | 1 | 3160266 Motors | |
| 22 | 7024852 | 1 | 3160298 Motor | |
| 23 | 7022368 | 4 | Screw | |
| 24 | 7021249 | 1 | Bearing, Needle | |
| 25 | 7022321 | 2 | Plug (Includes Item 26) | |
| 26 | See Note | NSS | O-Ring (Note: Use Item 25 or 100) | |
| 27 | 7022318 | 1 | Plug (Includes Item 28) | |
| 28 | See Note | NSS | O-Ring (Note: Use Item 27 or 100) | |
| 29 | 7027419 | 1 | Plug (Includes Item 30) (Not Shown) | |
| 30 | See Note | NSS | O-Ring (Not Shown) (Note: Use Item 29 or 100) | |
| 31 | | Ref | Seat, Spring Options: | |
| 31 | 7022372 | 1 | 3160266 Motors | |
| 31 | 7024853 | 1 | 3160298 Motor | |
| 32 | 7022370 | 1 | Housing | |
| 33 | 7022318 | 2 | Plug (Includes Item 34) | |
| 34 | See Note | NSS | O-Ring (Note: Use Item 33 or 100) | |
| 35 | 7022321 | 1 | Plug (Includes Item 36) | |

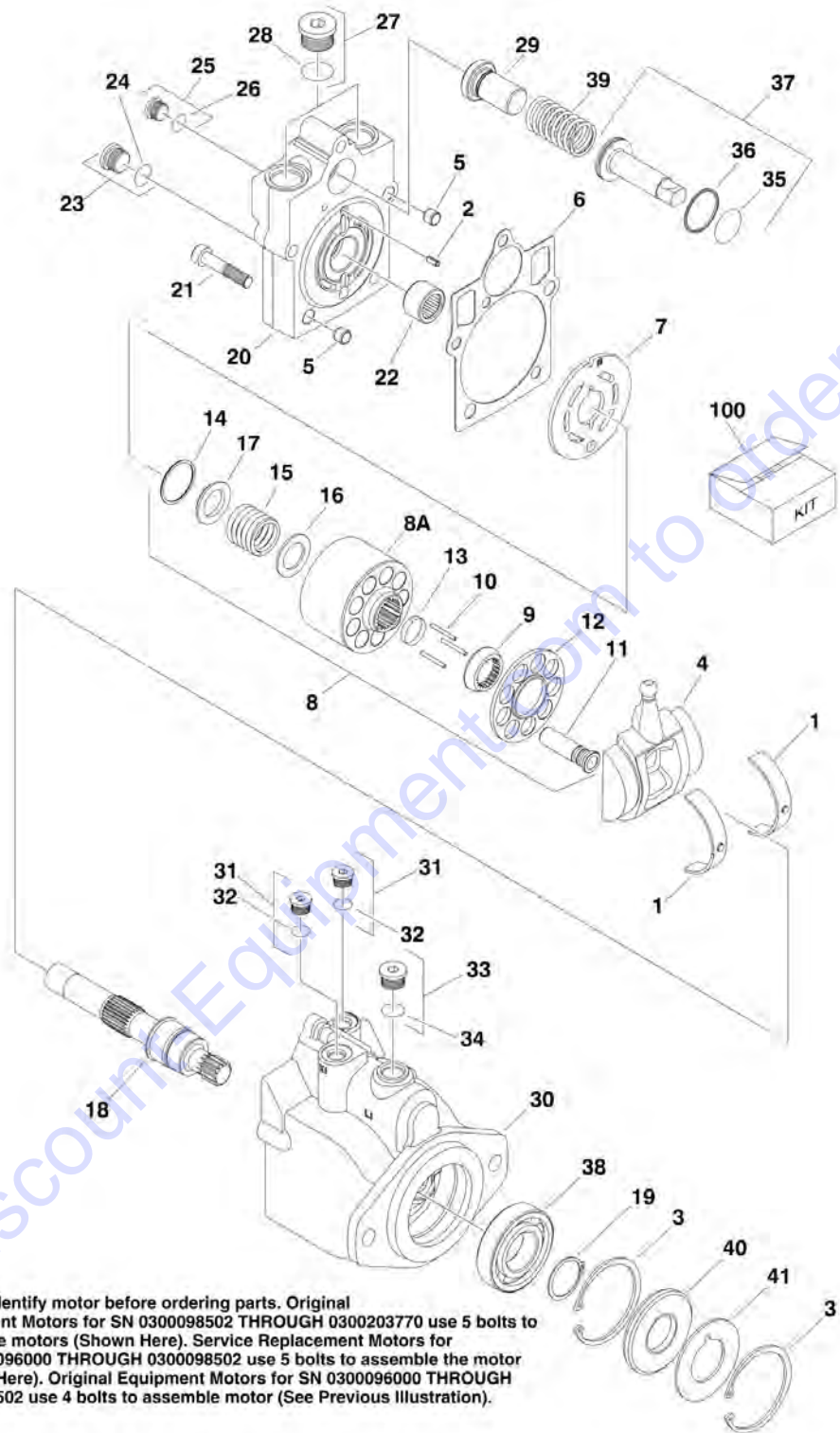
SECTION 1 - FRAME

| ITEM | PART NUMBER | QTY | DESCRIPTION | REV |
|------|-------------|-----|--|-----|
| 36 | See Note | NSS | O-Ring (Note: Use Item 35 or 100) | |
| 37 | | Ref | Piston, Servo Options: | |
| 37 | 7022326 | 1 | 3160266 Motors | |
| 37 | 7024854 | 1 | 3160298 Motor | |
| 38 | See Note | NSS | O-Ring (Note: Use Item 100) | |
| 39 | See Note | NSS | Ring, Seal (Note: Use Item 100) | |
| 40 | 7007437 | 1 | Bearing | |
| 41 | 7022326 | 1 | Spring | |
| 42 | See Note | NSS | Seal, Lip (Note: Use Item 100) | |
| 43 | 7022371 | 1 | Washer, Support | |
| 100 | 7022328 | 1 | Seal Kit (Includes Items 2, 3, 7, 26, 28, 30, 34, 36, 38, 39 & 42) | |

Go to Discount-Equipment.com to order your parts

SECTION 1 - FRAME

FIGURE 1-8. DRIVE MOTOR ASSEMBLY - 5 BOLT (SN 0300098502 through 0300203770)



SECTION 1 - FRAME

FIGURE 1-8. DRIVE MOTOR ASSEMBLY - 5 BOLT (SN 0300098502 through 0300203770)

| ITEM | PART NUMBER | QTY | DESCRIPTION | REV |
|------|-------------|-----|--|-----|
| | | Ref | DRIVE MOTOR ASSEMBLIES: | |
| | 3160351 | Ref | 2WD Original Equipment (SN 0300098502 through 0300203770) | B |
| | 3160351 | Ref | 2WD Service Replacement (SN 0300096000 through 0300098501) | B |
| | 3160348 | Ref | 4WD Original Equipment (SN 0300098502 through 0300203770) | B |
| | 3160348 | Ref | 4WD Service Replacement (SN 0300096000 through 0300098501) | B |
| | | Ref | NOTE: Identify motor before ordering parts. Original Equipment Motors for SN 0300098502 through SN 0300203770 use 5 bolts to assemble motor. Service Replacement Motors for SN 0300096000 to SN 0300098502 use 5 bolts to assemble the motor also. Original Equipment Motors for SN 0300096000 to SN 0300098502 use 4 bolts to assemble motor. See DRIVE MOTOR ASSEMBLY - 4 BOLT for Original Equipment Motor components. | |
| 1 | 7022302 | 2 | Bearing, Journal | |
| 2 | 7007446 | 1 | Pin | |
| 3 | 7007438 | 2 | Ring, Retaining | |
| 4 | 7022305 | 1 | Swashplate | |
| 5 | See Note | 2 | Pin (Note: Not Available for Purchase) | |
| 6 | See Note | NSS | Gasket (Note: Use Item 100) | |
| 7 | 7023908 | 1 | Plate, Valve | |
| 8 | 7023907 | 1 | Cylinder Block Kit (Includes Items 8A & 9-17) | |
| 8A | 7023907 | 1 | Block, Cylinder (Note: Not Available - Purchase Complete Cylinder Block Assembly) | |
| 9 | 7021277 | 1 | Guide, Slipper Retainer | |
| 10 | 7021275 | 3 | Pin, Slipper Hold Down | |
| 11 | 7023907 | 9 | Piston Assembly (Note: Not Available - Purchase Complete Cylinder Block Assembly) | |
| 12 | 7022310 | 1 | Retainer, Slipper | |
| 13 | 7021276 | 1 | Retainer, Hold Down Pin | |
| 14 | 7022311 | 1 | Ring, Retaining | |
| 15 | 7022312 | 1 | Spring | |
| 16 | 7024868 | 1 | Washer | |
| 17 | 7022314 | 1 | Retainer, Spring | |
| 18 | 7023910 | 1 | Shaft | |
| 19 | 7007439 | 1 | Ring, Retaining | |
| 20 | 70000797 | 1 | Cap, End - Axial | |
| 21 | 7022368 | 5 | Screw | |
| 22 | 7021249 | 1 | Bearing, Needle | |
| 23 | 2220886 | 1 | Plug (Includes Item 24) | |
| 24 | See Note | NSS | O-Ring (Note: Use Item 23 or 100) | |
| 25 | 2220883 | 1 | Plug (Includes Item 26) | |
| 26 | See Note | NSS | O-Ring (Note: Use Item 25 or 100) | |
| 27 | | Ref | Plug (Includes Item 28) Options: | |
| 27 | 7027419 | 2 | 2WD | |
| 27 | 2220888 | 2 | 4WD | |
| 28 | See Note | NSS | O-Ring (Note: Use Item 27 or 100) | |
| 29 | | Ref | Seat, Spring Options: | |
| 29 | 7024853 | 1 | 2WD | |

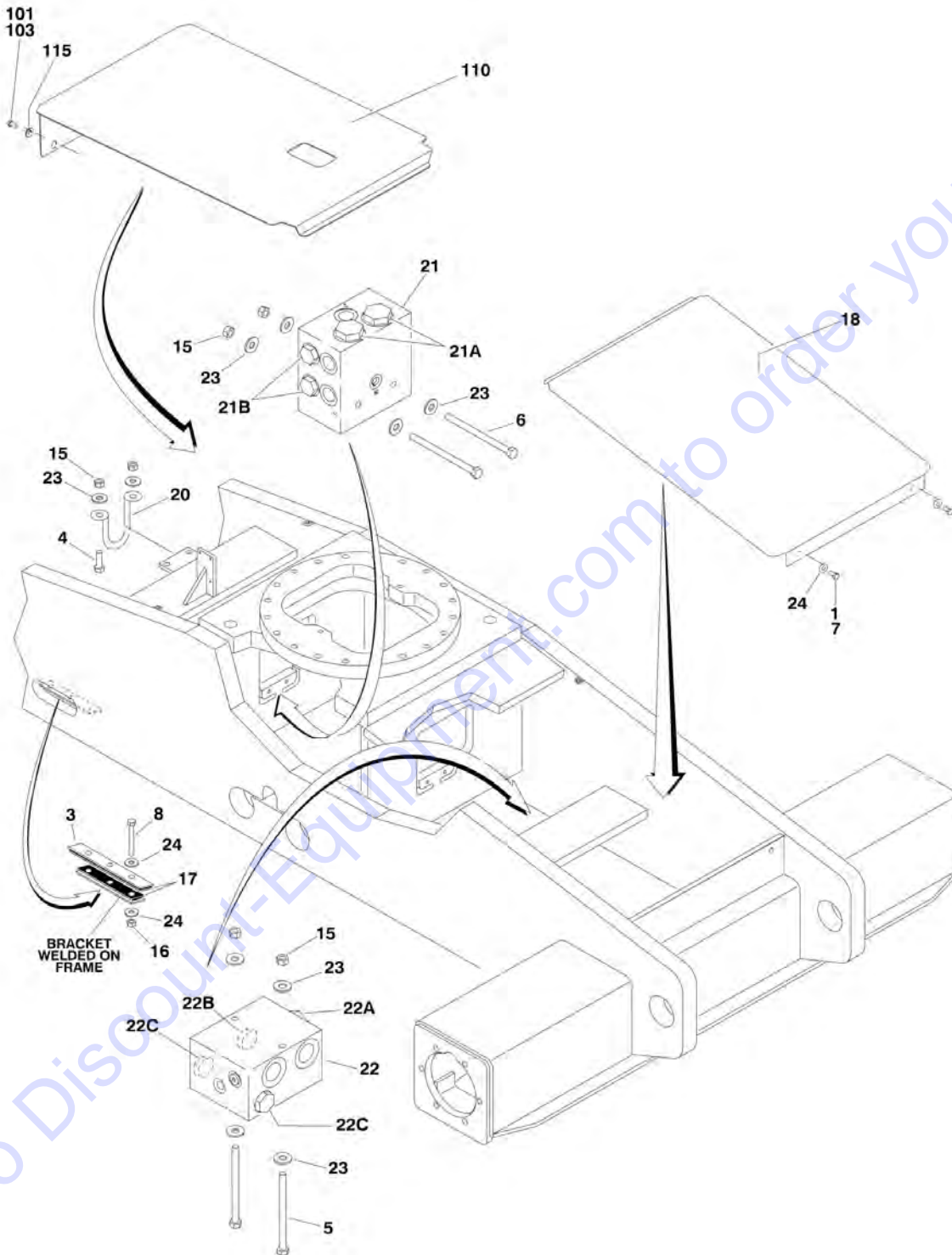
SECTION 1 - FRAME

| ITEM | PART NUMBER | QTY | DESCRIPTION | REV |
|------|-------------|-----|--|-----|
| 29 | 7022372 | 1 | 4WD | |
| 30 | See Note | 1 | Housing (Note: Not Available - Purchase Complete Drive Motor Assembly) | |
| 31 | 2220883 | 2 | Plug (Includes Item 32) | |
| 32 | See Note | NSS | O-Ring (Note: Use Item 31 or 100) | |
| 33 | 2220886 | 1 | Plug (Includes Item 34) | |
| 34 | See Note | NSS | O-Ring (Note: Use Item 33 or 100) | |
| 35 | See Note | NSS | O-Ring (Note: Use Item 37 or 100) | |
| 36 | See Note | NSS | Ring, Seal (Note: Use Item 37 or 100) | |
| 37 | 7024854 | 1 | Piston, Servo (Includes Items 35 & 36) | |
| 38 | 7007437 | 1 | Bearing | |
| 39 | 7022326 | 1 | Spring | |
| 40 | See Note | NSS | Seal, Lip (Note: Use Item 100) | |
| 41 | 7022371 | 1 | Washer, Support | |
| 100 | 7022328 | 1 | Seal Kit (Includes Items 6, 24, 26, 28, 32, 34, 35, 36 & 40) | |

Go to Discount-Equipment.com to order your parts

SECTION 1 - FRAME

FIGURE 1-9. FRAME VALVES AND SHIELDS INSTALLATION (SN 0300096000 through 0300115395)



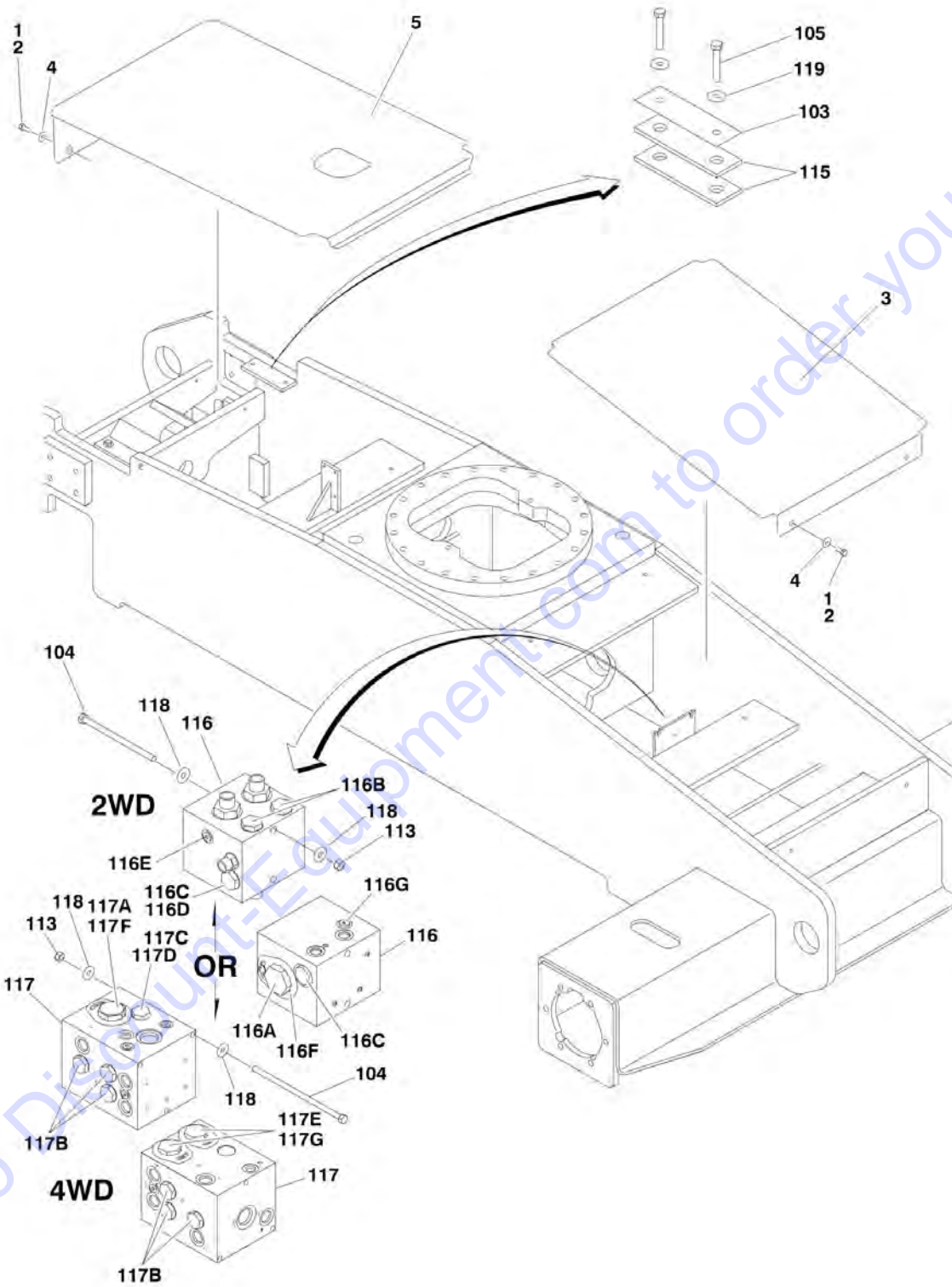
SECTION 1 - FRAME

FIGURE 1-9. FRAME VALVES AND SHIELDS INSTALLATION (SN 0300096000 through 0300115395)

| ITEM | PART NUMBER | QTY | DESCRIPTION | REV |
|------|--------------|-----|--|-----|
| | | Ref | VALVES AND REAR SHIELD INSTALLATION | |
| | 0272926 | Ref | 2WD | E |
| | 0272925 | Ref | 4WD | G |
| | | Ref | Note: See AXLE AND STEERING INSTALLATIONS for Oscillating Axle Lockout Valve. | |
| 1 | 0100011 | AR | Locking, Compound | |
| 3 | 0362936 | 2 | Bar, Hose Clamp (4WD Only) | |
| 4 | 0641508 | 2 | Bolt 5/16in-18NC x 1/2in (4WD Only) | |
| 5 | 0641530 | 2 | Bolt 5/16in-18NC x 3-3/4in | |
| 6 | 0641538 | 2 | Bolt 5/16in-18NC x 4-3/4in (4WD Only) | |
| 7 | 0641607 | 6 | Bolt 3/8in-16NC x 7/8in | |
| 8 | 0641618 | 8 | Bolt 3/8in-16NC x 2-1/4in (4WD Only) | |
| 15 | 3311505 | AR | Locknut 5/16in-18NC | |
| 16 | 3311605 | 6 | Nut 3/8in-16NC (4WD Only) | |
| 17 | 3340898 | 4 | Pad, Rubber (4WD Only) | |
| 18 | 3574210 | 1 | Shield, Frame - Rear Top | |
| 20 | 3841340 | 1 | Loop, Hose (4WD Only) | |
| 21 | | Ref | Flow Divider Valve Assembly Options: | |
| 21 | Not Required | 0 | 2WD Machines | |
| 21 | 4641208 | 1 | 4WD Machines | A |
| 21A | 7023934 | 2 | Valve, Cartridge (Flow Divider) | |
| 21A | 7021655 | 2 | Seal Kit - 7023934 Cartridge | |
| 21B | 7023935 | 4 | Valve, Cartridge (Check) | |
| 21B | 7023936 | | Seal Kit - 7023935 Cartridge | |
| 22 | 4641207 | 1 | Flow Divider Valve Assembly | A |
| 22A | 7023917 | 1 | Valve, Cartridge (Flow Divider) | |
| 22A | 7021625 | 1 | Seal Kit - 7023917Cartridges | |
| 22B | 7022397 | 1 | Valve, Cartridge (Check) | |
| 22B | 7022399 | 1 | Seal Kit - 7022397Cartridges | |
| 22C | 7010542 | 2 | Valve, Cartridge (Load Shuttle) | |
| 22C | 7010543 | 2 | Seal Kit - 7010542 Cartridge | |
| 23 | 4751500 | AR | Flatwasher 5/16in Regular | |
| 24 | 4751600 | AR | Flatwasher 3/8in Regular | |
| | | Ref | FRONT SHIELD INSTALLATION | |
| | | Ref | With Fixed Axle | |
| | 0272902 | Ref | 2WD without Tow Package | B |
| | 0272906 | Ref | 2WD with Tow Package | B |
| | 0272903 | Ref | 4WD | B |
| | | Ref | With Oscillating Axle | |
| | 0272900 | Ref | 2WD without Tow Package (except CE Spec) | B |
| | 0272904 | Ref | 2WD without Tow Package (CE Spec) | B |
| | 0273473 | Ref | 2WD with Tow Package | B |
| | 0272901 | Ref | 4WD (except CE Spec) | B |
| | 0272905 | Ref | 4WD (CE Spec) | B |
| 101 | 0100011 | AR | Locking, Compound | |
| 103 | 0641607 | 2 | Bolt 3/8in-16NC x 7/8in | |
| 110 | 3574254 | 1 | Shield, Frame | |
| 115 | 4751600 | 2 | Flatwasher 3/8in Regular | |

SECTION 1 - FRAME

FIGURE 1-10. FRAME VALVES AND SHIELDS INSTALLATION (SN 0300115396 through 0300203770)



SECTION 1 - FRAME

FIGURE 1-10. FRAME VALVES AND SHIELDS INSTALLATION (SN 0300115396 through 0300203770)

| ITEM | PART NUMBER | QTY | DESCRIPTION | REV |
|------|-------------|-----|---|-----|
| | | Ref | FRAME SHIELDS INSTALLATION | |
| | | Ref | Machines without Tow Package | |
| | 1001093856 | Ref | Frame Shields Installation (SN 0300115396 through 0300161284) | C |
| | 1001142456 | Ref | Frame Shields Installation (SN 0300161285 through 0300203770) | A |
| | | Ref | Machines with Tow Package | |
| | 1001093890 | Ref | Frame Shields Installation (SN 0300115396 through 0300161284) | C |
| | 1001142964 | Ref | Frame Shields Installation (SN 0300161285 through 0300203770) | A |
| 1 | 0100011 | AR | Locking, Compound | |
| 2 | 0641606 | 4 | Bolt 3/8in-16NC x 3/4in | |
| 3 | | Ref | Shield, Rear Frame Options: | |
| 3 | 3574210 | 1 | Shield, Rear Frame (SN 0300096000 through 0300161284) | |
| 3 | 1001142455 | 1 | Shield, Rear Frame (SN 0300161285 through 0300203770) | |
| 4 | 4751600 | 4 | Flatwasher 3/8in Regular | |
| 5 | | Ref | Shield, Front Frame Options: | |
| 5 | | Ref | Machines without Tow Package Options: | |
| 5 | 1001093861 | 1 | Shield, Front Frame (SN 0300096000 through 0300143461) | |
| 5 | 1001125957 | 1 | Shield, Front Frame (SN 0300143462 through 0300161284) | |
| 5 | 1001142454 | 1 | Shield, Front Frame (SN 0300161285 through 0300203770) | |
| 5 | | Ref | Machines with Tow Package Options: | |
| 5 | 1001093889 | 1 | Shield, Front Frame (SN 0300096000 through 0300143461) | |
| 5 | 1001125958 | 1 | Shield, Front Frame (SN 0300143462 through 0300161284) | |
| 5 | 1001142963 | 1 | Shield, Front Frame (SN 0300161285 through 0300203770) | |
| | | Ref | FRAME VALVES INSTALLATION | |
| | 1001093749 | Ref | 2WD | F |
| | 1001093747 | Ref | 4WD | D |
| | | Ref | Note: See AXLE AND STEERING INSTALLATIONS for Oscillating Axle Lockout Valve used on SN 0300115396 to SN 0300140365. | |
| 103 | 0363012 | 2 | Bar, Hose Clamping (4WD Only) | |
| 104 | | Ref | Bolt 5/16in-18NC Options: | |
| 104 | 0641542 | 2 | 2WD | |
| 104 | 0641560 | 3 | 4WD | |
| 105 | 0641618 | 4 | Bolt 3/8in-16NC x 2-1/4in (4WD Only) | |
| 113 | 3311505 | AR | Locknut 5/16in-18NC | |
| 115 | 3340911 | 4 | Pad, Hose Clamping (4WD Only) | |
| 116 | 4641509 | 1 | Valve, Flow Divider (2WD) (Use p/n 1001099390) | |
| 116A | 7023917 | 1 | Valve, Cartridge | |
| 116A | 7021625 | 1 | Seal Kit - 7023917 Cartridge | |
| 116B | 7022397 | 2 | Valve, Cartridge | |
| 116B | 7022399 | AR | Seal Kit - 7022397 Cartridge | |
| 116C | 7021639 | 2 | Valve, Cartridge (Valve 4641509 Only) | |
| 116C | 2900756 | AR | Seal Kit - 7021639 Cartridge | |
| 116C | 70002390 | 2 | Valve, Cartridge (Valve 1001099390 Only) | |
| 116C | 7022399 | AR | Seal Kit - 70002390 Cartridge | |
| 116D | 7024881 | 1 | Piston | |
| 116E | 7024844 | 1 | Plug | |
| 116F | 70000781 | 1 | Lockdown Kit | |

SECTION 1 - FRAME

| ITEM | PART NUMBER | QTY | DESCRIPTION | REV |
|------|-------------|-----|-------------------------------------|-----|
| 116G | 7017406 | 1 | Plug (Valve 1001099390 Only) | |
| 117 | 4641510 | 1 | Valve, Flow Divider (4WD) | |
| 117A | 7023917 | 1 | Valve, Cartridge | |
| 117A | 7021625 | 1 | Seal Kit - 7023917 Cartridge | |
| 117B | 7022397 | 6 | Valve, Cartridge | |
| 117B | 7022399 | AR | Seal Kit - 7022399 Cartridge | |
| 117C | 7021639 | 2 | Valve, Cartridge | |
| 117C | 2900756 | AR | Seal Kit - 7021639 Cartridge | |
| 117D | 7024881 | 1 | Piston | |
| 117E | 7023934 | 2 | Valve, Cartridge | |
| 117E | 7021655 | AR | Seal Kit - 7023934 Cartridge | |
| 117F | 70000781 | 1 | Plate, Locking (FD1) | |
| 117G | 70002962 | 2 | Plate, Locking (FD2 and FD3) | |
| 118 | 4751500 | AR | Flatwasher 5/16in Regular | |
| 119 | 4751600 | 4 | Flatwasher 3/8in Regular (4WD Only) | |

Go to Discount-Equipment.com to order your parts

FIGURE 1-11. SEMI-TRACK INSTALLATION

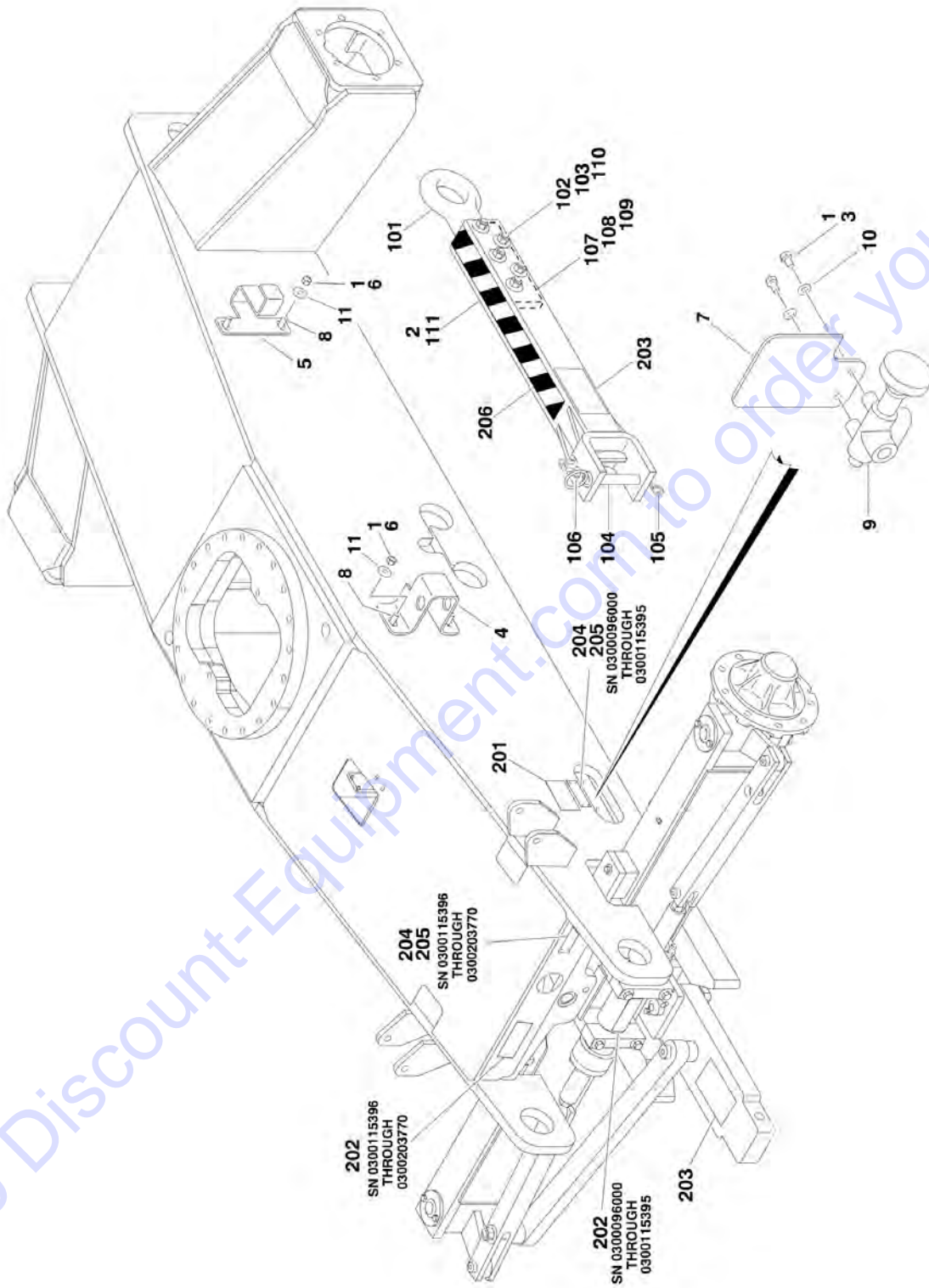
| ITEM | PART NUMBER | QTY | DESCRIPTION | REV |
|------|-------------|-----|---|-----|
| | | Ref | SEMI-TRACK INSTALLATIONS | |
| | 0270193 | Ref | IDLER INSTALLATION | 3 |
| 1 | 0271212 | 1 | Mount, Idler (Left) (See Items 101-117 for Breakdown) | |
| 2 | 0271211 | 1 | Mount, Idler (Right) (See Items 101-117 for Breakdown) | |
| 3 | 0681822 | 8 | Bolt 1/2in-13NC x 2-3/4in (Grade 8) | |
| 4 | 3271805 | 8 | Locknut 1/2in-13NC (Grade 8) | |
| 5 | 3572032 | 2 | Plate, Spacer | |
| 6 | 4891800 | 8 | Flatwasher 1/2in Hardened | |
| | | Ref | TRACK INSTALLATIONS | |
| | 0271218 | Ref | 12in Steel Track | 1 |
| | 0270192 | Ref | 14in Steel Track | 3 |
| 7 | | Ref | Wheel Assembly Options (See Items 201-204 for Breakdown): | |
| 7 | 0270029 | 2 | 12in Track | |
| 7 | 0270030 | 2 | 14in Track | |
| 8 | 3300255 | 10 | Nut | |
| 9 | | Ref | Track Options: | |
| 9 | 0271213 | 1 | 12in Steel Track | |
| 9 | 0271215 | 1 | 14in Steel Track | |
| | | Ref | IDLER MOUNT ASSEMBLIES | |
| | 0271212 | Ref | Left Side | A |
| | 0271211 | Ref | Right Side | A |
| | | Ref | Note: Qty shown is for one side. | |
| 101 | 0020006 | 1 | Absorber, Rubber Spring | |
| 102 | 0641408 | 1 | Bolt 1/4in-20NC x 1in | |
| 103 | 0641808 | 1 | Bolt 1/2in-13NC x 1in | |
| 104 | | Ref | Bolt Options: | |
| 104 | 0681856 | 1 | Bolt 1/2in-13NC x 7in (Grade 8) | |
| 104 | 0681872 | 1 | Bolt 1/2in-13NC x 9in (Grade 8) | |
| 105 | 0961948 | 2 | Bearing | |
| 106 | 0962293 | 1 | Bushing, Track Spring | |
| 107 | 2780221 | 1 | Hub Assembly (See Items 301-307 for Breakdown) | |
| 108 | 3271805 | 1 | Locknut 1/2in-13NC (Grade 8) | |
| 109 | 3422786 | 1 | Pin | |
| 110 | 3571818 | 1 | Plate | |
| 111 | 3571833 | 1 | Cover, Bottom | |
| 112 | 3841203 | 1 | Keeper, Pin | |
| 113 | 4711400 | 1 | Flatwasher 1/4in Thin | |
| 114 | 4891800 | 2 | Flatwasher 1/2in Hardened | |
| 115 | | Ref | Arm Weldment Options: | |
| 115 | 4846113 | 1 | Left Side | |
| 115 | 4846112 | 1 | Right Side | |
| 116 | | Ref | Bracket Weldment Options: | |
| 116 | 4846394 | 1 | Left Side | |
| 116 | 4846393 | 1 | Right Side | |
| 117 | 0100011 | AR | Locking, Compound | |
| | | Ref | WHEEL ASSEMBLIES | |
| | 0270029 | Ref | 12in Track | B |
| | 0270030 | Ref | 14in Track | A |
| | | Ref | Note: Qty shown is for one side. | |
| 201 | 1704586 | 1 | Decal, Tire Pressure | |

SECTION 1 - FRAME

| ITEM | PART NUMBER | QTY | DESCRIPTION | REV |
|------|-------------|-----|---|-----|
| 202 | | Ref | Tire Options: | |
| 202 | 4520224 | 1 | 12in Track | |
| 202 | 4520234 | 1 | 14in Track | |
| 203 | 4640113 | 1 | Valve, Air | |
| 204 | | Ref | Rim, Wheel Options: | |
| 204 | 4860218 | 1 | 12in Track | |
| 204 | 4860215 | 1 | 14in Track | |
| | 2780221 | Ref | HUB ASSEMBLY | |
| | | Ref | Note: Qty shown is for one side. | |
| 301 | 7012519 | 1 | Cup, Inner Bearing | |
| 302 | 7012520 | 1 | Cone, Inner Bearing | |
| 303 | 7012521 | 1 | Cup, Outer Bearing | |
| 304 | 7012522 | 1 | Cone, Outer Bearing | |
| 305 | 7012523 | 1 | Seal | |
| 306 | 1001102354 | 1 | Cap, Dust (was p/n 7012524) | |
| 307 | 7016360 | 5 | Stud, Wheel 1/2in-20NF | |
| 308 | 2900804 | | Bearing Kit (Includes Qty 1 of Items 301-305) | |
| | 0270193 | Ref | SEMI-TRACK INSTALLATIONS | A |
| 401 | 3572032 | 2 | Plate, Spacer (Welded to Frame) | |
| | | Ref | TREAD ACCESSORIES (NOT SHOWN) | |
| | 0270180 | Ref | Soft Puck | C |
| | 0240049 | 64 | Puck, Soft (Mounts on Both Sides of Track Pad) (SN 0300096000 through 0300100069) | |
| | 0240152 | 32 | Puck, Soft (Mounts Across Center of Track Pad) (SN 0300100070 through 0300203770) | |
| | 3576939 | 32 | Plate, Puck Mounting (Mounts Across Center of Track Pad) (SN 0300100070 through 0300203770) | |
| | 0270186 | Ref | Flotation Plate | A |
| | 0240050 | 64 | Plate, Flotation | |
| | 0270187 | Ref | Ice Pick | A |
| | 0240047 | 32 | Plate, Flotation | |

SECTION 1 - FRAME

FIGURE 1-12. TOW PACKAGE INSTALLATION



SECTION 1 - FRAME

FIGURE 1-12. TOW PACKAGE INSTALLATION

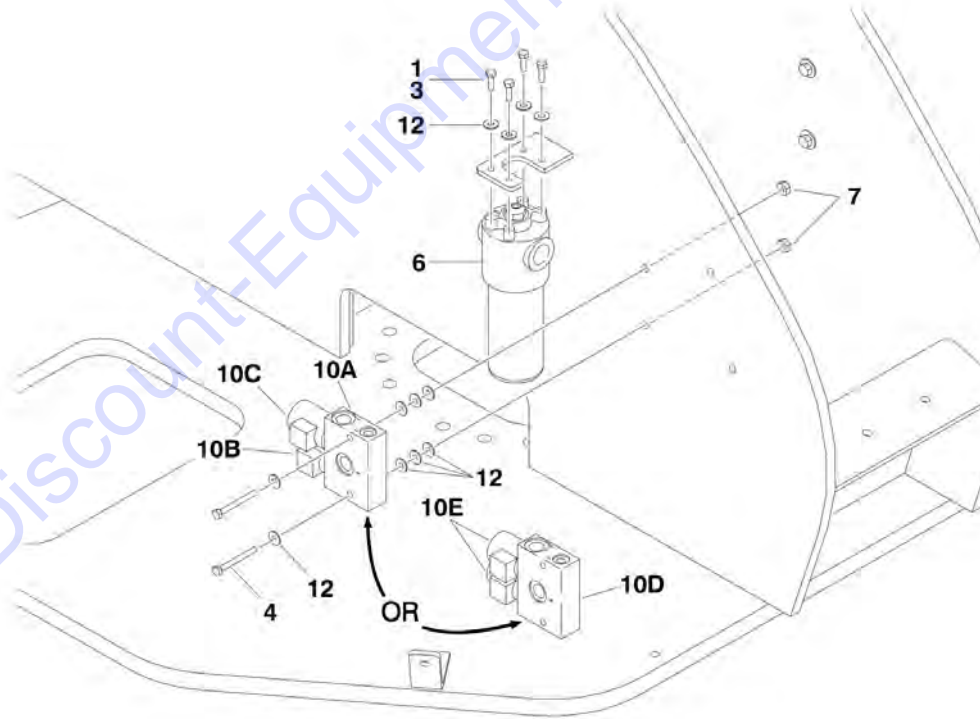
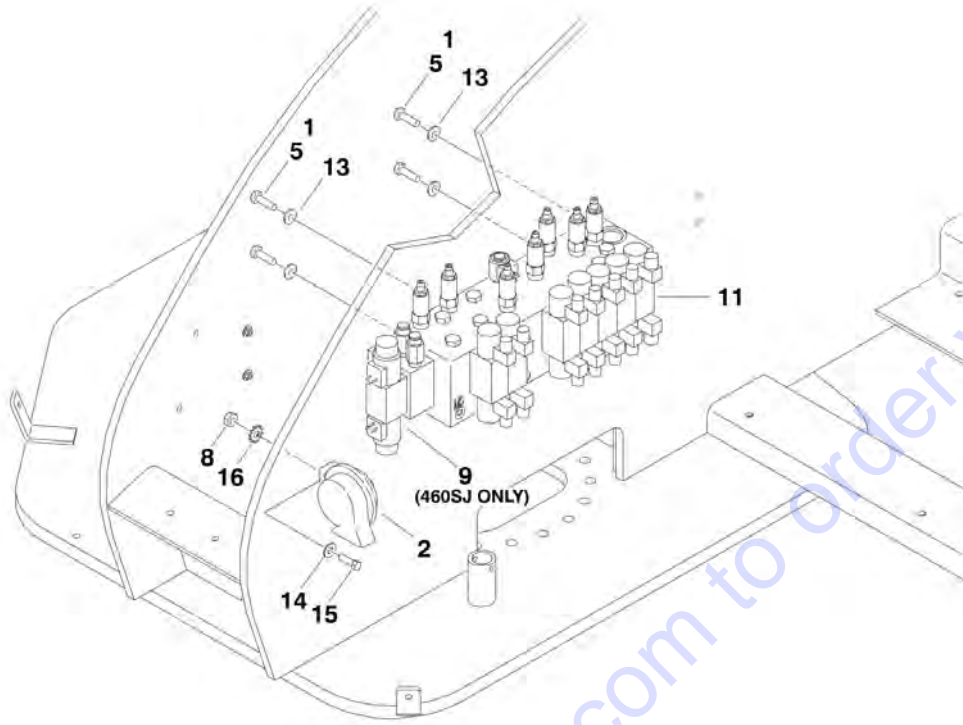
| ITEM | PART NUMBER | QTY | DESCRIPTION | REV |
|------|-------------|------------|--|-----|
| | | Ref | TOW BAR INSTALLATION - 2WD | |
| | 0272805 | Ref | Tow Bar Installation – 2WD (SN 0300096000 through 0300115395) | B |
| | 1001093876 | Ref | Tow Bar Installation – 2WD (SN 0300115396 through 0300203770) | D |
| 1 | 0100011 | AR | Locking, Compound | |
| 2 | 0363019 | 1 | Tow Bar Assembly | |
| 3 | 0641504 | 2 | Bolt 5/16in-18NC x 1/2in | |
| 4 | 0902733 | 1 | Bracket, Storage (Front) | |
| 5 | 0902734 | 1 | Bracket, Storage (Rear) | |
| 6 | 3311801 | 4 | Nut 1/2in-13NC | |
| 7 | | Ref | Plate, Valve Mounting Options (Welded on Plate): | |
| 7 | 3572506 | 1 | Plate, Valve Mounting (SN 0300096000 through 0300115395) | |
| 7 | 3539662 | 1 | Plate, Valve Mounting (SN 0300115396 through 0300203770) | |
| 8 | 4300048 | 4 | Stud (Welded on Plate) | |
| 9 | 4640261 | 1 | Steer/Tow Select Valve | |
| 10 | 4711500 | 2 | Flatwasher 5/16in Thin | |
| 11 | 4751800 | 4 | Flatwasher 1/2in Regular | |
| | 0363019 | Ref | TOW BAR ASSEMBLY | B |
| 101 | 0360406 | 1 | Pintle, Draw Eye | |
| 102 | 0682040 | 5 | Bolt 5/8in-11NC x 5in | |
| 103 | 3312005 | 5 | Locknut 5/8in-11NC | |
| 104 | 3420352 | 1 | Pin, Towing | |
| 105 | 3420372 | 1 | Hairpin | |
| 106 | 3760170 | 1 | Ring, Split | |
| 107 | 4070450 | 2 | Shim (.07) | |
| 108 | 4070560 | 2 | Shim (.88) | |
| 109 | 4070561 | 2 | Shim (.12) | |
| 110 | 4752000 | 10 | Flatwasher 5/8in Regular | |
| 111 | 0363019 | 1 | Tow Bar Weldment | |
| | | Ref | TOW BAR DECAL INSTALLATION | |
| | 0272828 | Ref | Tow Bar Decal Installation (SN 0300096000 through 0300115395) | C |
| | 1001094003 | Ref | Tow Bar Decal Installation (SN 0300115396 through 0300203770) | B |
| 201 | 1703450 | 1 | Decal - Warning Only (SN 0300096000 through 0300115396) | |
| 202 | 1702968 | 1 | Decal - Tow Instructions | |
| 203 | 1704578 | AR | Decal - Crushing | |
| 204 | 3250872 | 1 | Nameplate - Steer/Tow Select Valve | |
| 205 | 3820001 | 4 | Rivet | |
| 206 | 4420051 | 56 in/1.4m | Tape | |

SECTION 2 - TURNTABLE

Go to Discount-Equipment.com to order your parts

SECTION 2 - TURNTABLE

FIGURE 2-1. VALVES INSTALLATIONS



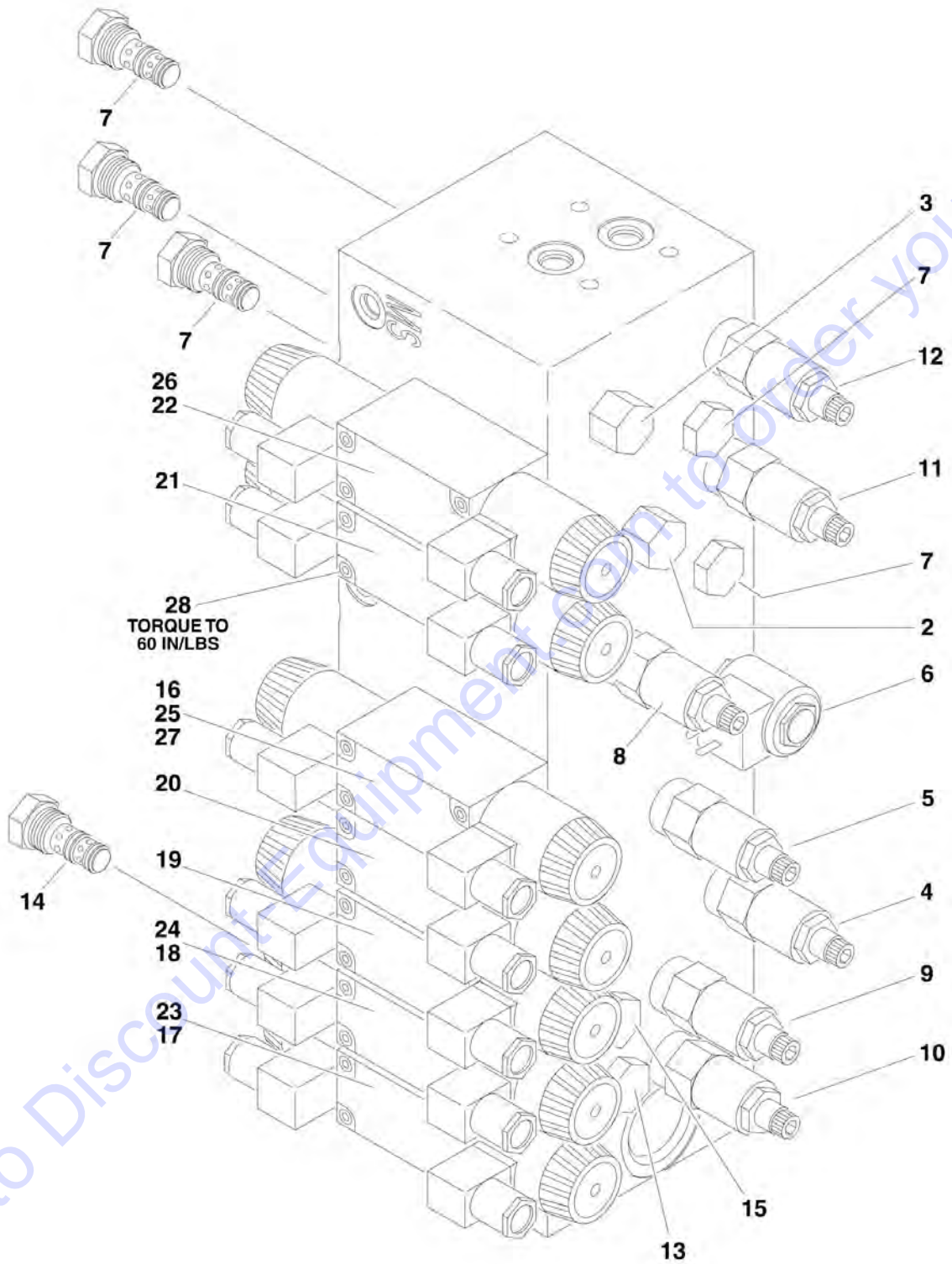
SECTION 2 - TURNTABLE

FIGURE 2-1. VALVES INSTALLATIONS

| ITEM | PART NUMBER | QTY | DESCRIPTION | REV |
|------|--------------|-----|--|-----|
| | | Ref | VALVES INSTALLATIONS | |
| | | Ref | Valves Installations 400S | |
| | 0274600 | Ref | Valves Installations 400S (SN 0300096000 through 0300115395) | C |
| | 1001093434 | Ref | Valves Installations 400S (SN 0300115396 through 0300203770) | B |
| | | Ref | Valves Installations 460SJ | |
| | 0274601 | Ref | Valves Installations 460SJ (SN 0300096000 through 0300115395) | C |
| | 1001093435 | Ref | Valves Installations 460SJ (SN 0300115396 through 0300203770) | B |
| 1 | 0100011 | AR | Locking, Compound | |
| 2 | 0140001 | 1 | Horn | |
| 3 | 0651406 | AR | Bolt 1/4in-28NF x 3/4in | |
| 4 | 0641420 | 2 | Bolt 1/4in-20NC x 2-1/2in | |
| 5 | 0641610 | 4 | Bolt 3/8in-16NC x 1-1/4in | |
| 6 | 2120209 | 1 | Pressure Filter Assembly | |
| 6 | 2120210 | 1 | Element, Filter - p/n 2120209 | |
| 6 | 7020020 | 1 | Manual Indicator - p/n 2120209 | |
| 7 | 3311405 | 2 | Locknut 1/4in-20NC | |
| 8 | 3311505 | 1 | Locknut 5/16in-18NC | |
| 9 | | Ref | Valve Assembly - Jib | |
| 9 | Not Required | 0 | Valve Assembly - Jib 400S | |
| 9 | 4640921 | 1 | Valve Assembly - Jib 460SJ (See ACCESSORY VALVE ASSEMBLY for Breakdown) | |
| 10 | | Ref | Dual Select Valve Assembly Options: | |
| 10A | 4641108 | NLA | Valve (Use p/n 1001099391) (SN 0300096000 through 0300136445) | |
| 10B | 7012944 | 1 | Coil | |
| 10B | 7012941 | 1 | Cartridge without Coil (was p/n 7012974) | |
| 10B | 7010543 | 1 | Seal Kit - 7012974 & 7012941 Cartridges | |
| 10C | 7012943 | 1 | Coil | |
| 10C | 7012995 | 1 | Cartridge without Coil | |
| 10C | 7012518 | 1 | Seal Kit - 7012995 Cartridge | |
| 10D | 4641317 | 1 | Valve (SN 0300115396 through 0300203770) | |
| 10E | 7012944 | 2 | Coil | |
| 10E | 7012941 | 2 | Cartridge without Coil (was p/n 7012974) | |
| 10E | 7010543 | 2 | Seal Kit - 7012941 Cartridge | |
| 11 | 4641499 | 1 | Main Control Valve Assembly (See MAIN CONTROL VALVE ASSEMBLY for Breakdown) | |
| 12 | 4751400 | AR | Flatwasher 1/4in Regular | |
| 13 | 4751600 | AR | Flatwasher 3/8in Regular | |
| 14 | 4751500 | 2 | Flatwasher 5/16in Regular | |
| 15 | 0641510 | 1 | Bolt 5/16in-18NC x 1-1/4in | |
| 16 | 4791500 | 1 | Washer, Star 5/16in | |
| 17 | 4921927 | 1 | Harness, Sub (See ELECTRICAL SECTION for Breakdown) (Not Shown) (460SJ Only) | |

SECTION 2 - TURNTABLE

FIGURE 2-2. MAIN CONTROL VALVE ASSEMBLY



Go to Discount Equipment to order your parts

SECTION 2 - TURNTABLE

FIGURE 2-2. MAIN CONTROL VALVE ASSEMBLY

| ITEM | PART NUMBER | QTY | DESCRIPTION | REV |
|------|-------------|-----|--|-----|
| | 4641499 | Ref | MAIN CONTROL VALVE ASSEMBLY | A |
| 2 | 7017411 | 1 | Cartridge, Pilot Valve (Bang-Bang Controls) | |
| 2 | 7012518 | 1 | Seal Kit - 7017411 Cartridge | |
| 3 | 7017411 | 1 | Cartridge, Pilot Valve (Proportional Controls) | |
| 3 | 7012518 | 1 | Seal Kit - 7017411 Cartridge | |
| 4 | 7021647 | 1 | Cartridge, Relief Valve (Bang-Bang Main) | |
| 4 | 7012998 | 1 | Seal Kit - 7021647 Cartridge | |
| 5 | 7017422 | 1 | Cartridge, Relief Valve (Proportional Main) | |
| 5 | 7012998 | 1 | Seal Kit - 7017422 Cartridge | |
| 6 | 7017410 | 1 | Cartridge without Coil (Proportional Dump) | |
| 6 | 7012967 | 1 | Seal Kit - 7017410 Cartridge | |
| 6 | 7012944 | 1 | Coil | |
| 7 | 7010542 | 5 | Cartridge, Load Shuttle Valve | |
| 7 | 7010543 | 5 | Seal Kit - 7010542 Cartridge | |
| 8 | 7017422 | 1 | Cartridge, Relief Valve (Steer) | |
| 8 | 7012998 | 1 | Seal Kit - 7017422 Cartridge | |
| 9 | 7017427 | 1 | Cartridge, Relief Valve (Platform) | |
| 9 | 7012998 | 1 | Seal Kit - 7017427 Cartridge | |
| 10 | 7017428 | 1 | Cartridge, Relief Valve (Platform Level) | |
| 10 | 7012998 | 1 | Seal Kit - 7017428 Cartridge | |
| 11 | 7021648 | 1 | Cartridge, Relief Valve (Lift Down) | |
| 11 | 7012998 | 1 | Seal Kit - 7021648 Cartridge | |
| 12 | 7017428 | 1 | Cartridge, Relief Valve (Swing) | |
| 12 | 7012998 | 1 | Seal Kit - 7017428 Cartridge | |
| 13 | 7012914 | 1 | Cartridge, Pilot Check Valve (Platform Level) | |
| 13 | 7012918 | 1 | Seal Kit - 7012914 Cartridge | |
| 14 | 7012914 | 1 | Cartridge, Pilot Check Valve (Platform Level) | |
| 14 | 7012918 | 1 | Seal Kit - 7012914 Cartridge | |
| 15 | 7012975 | 1 | Cartridge, Check Valve (Platform Rotate) | |
| 15 | 7012540 | 1 | Seal Kit - 7012975 Cartridge | |
| 16 | 70001256 | 1 | Control Valve Assembly (Steer) | |
| 16 | 70001256 | 1 | Seal Kit (Note: Not Available for Purchase) | |
| 16 | 70001256 | 2 | Nut (Note: Not Available for Purchase) | |
| 16 | 70001256 | 2 | Coil (Note: Not Available for Purchase) | |
| 17 | 70001976 | 1 | Control Valve Assembly (Platform Level) (was p/n 7012770) | |
| 17 | 7012773 | 1 | Seal Kit | |
| 17 | 7021375 | 2 | Nut | |
| 17 | 7018991 | 2 | Coil | |
| 18 | 70001976 | 1 | Control Valve Assembly (Platform Rotate) (was p/n 7012770) | |
| 18 | 7012773 | 1 | Seal Kit | |
| 18 | 7021375 | 2 | Nut | |
| 18 | 7018991 | 2 | Coil | |
| 19 | 70001976 | 1 | Control Valve Assembly (Telescope) (was p/n 7012770) | |
| 19 | 7012773 | 1 | Seal Kit | |
| 19 | 7021375 | 2 | Nut | |
| 19 | 7018991 | 2 | Coil | |
| 20 | 7021374 | 1 | Control Valve Assembly (Flow Control) | |
| 20 | 7012773 | 1 | Seal Kit - 7021374 Valve | |
| 20 | 7021375 | 1 | Nut | |
| 20 | 7018991 | 1 | Coil | |

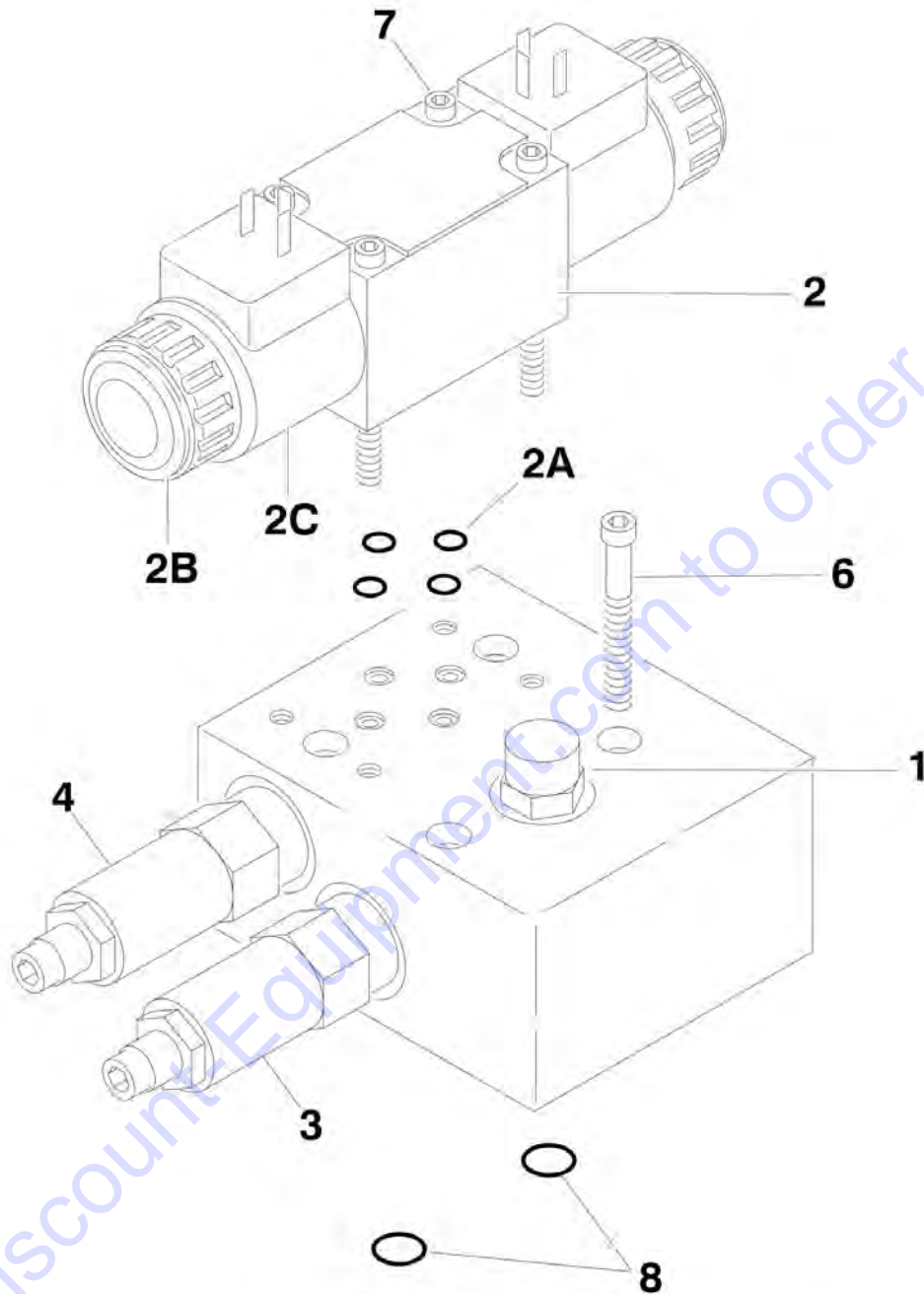
SECTION 2 - TURNTABLE

| ITEM | PART NUMBER | QTY | DESCRIPTION | REV |
|------|-------------|-----|-------------------------------------|-----|
| 21 | 7012775 | 1 | Control Valve Assembly (Upper Lift) | |
| 21 | 7012773 | 1 | Seal Kit - 7012775 Valve | |
| 21 | 7018912 | 2 | Nut | |
| 21 | 7012772 | 2 | Coil | |
| 22 | 7012775 | 1 | Control Valve Assembly (Swing) | |
| 22 | 7012773 | 1 | Seal Kit - 7012775 Valve | |
| 22 | 7018912 | 2 | Nut | |
| 22 | 7018991 | 2 | Coil | |
| 23 | 7018900 | 2 | Orifice (Platform Level) | |
| 24 | 7023821 | 1 | Orifice (Platform Rotate) | |
| 25 | 7023822 | 1 | Orifice (Steer) | |
| 26 | 7023823 | 1 | Orifice (Swing) | |
| 27 | 7023824 | 2 | Orifice (Steer) | |
| 28 | 7018942 | 28 | Capscrew, Socket #10-24NC x 2in | |

Go to Discount-Equipment.com to order your parts

SECTION 2 - TURNTABLE

FIGURE 2-3. ACCESSORY VALVE ASSEMBLY



**NOTE: TORQUE ITEMS 6 & 7
TO 60 IN/LBS.**

SECTION 2 - TURNTABLE

FIGURE 2-3. ACCESSORY VALVE ASSEMBLY

| ITEM | PART NUMBER | QTY | DESCRIPTION | REV |
|------|-------------|-----|--|-----|
| | 4640921 | Ref | ARTICULATING JIB VALVE ASSEMBLY | D |
| 1 | 7012965 | 1 | Cartridge, Flow Control | |
| 1 | 7012953 | 1 | Seal Kit - 7012965 Cartridge | |
| 2 | 7012770 | 1 | Directional Control Valve Assembly | |
| 2 | 7012773 | 1 | Seal Kit | |
| 2A | 7018945 | 4 | O-Ring | |
| 2B | 7018912 | 2 | Nut | |
| 2C | 7012772 | 2 | Coil | |
| 3 | 7017421 | 1 | Cartridge, Relief | |
| 3 | 7012998 | 1 | Seal Kit - 7017421 Cartridge | |
| 4 | 7017422 | 1 | Cartridge, Relief | |
| 4 | 7012998 | 1 | Seal Kit - 7017422 Cartridge | |
| 5 | 4460499 | 2 | Connector, DIN with Diode (Not Shown - Part of Valve Harness) | |
| 6 | 7012777 | 4 | Capscrew, Socket Head 5/16in-18NC x 2-1/4in (Used to Mount Valve Assembly) | |
| 7 | 7018942 | 4 | Capscrew, Socket Head #10-24NC x 2in | |
| 8 | 7012776 | 2 | O-Ring (Used to Mount Main Valve) | |

Go to Discount-Equipment.com to order your parts

PARTS FINDER

**Search Website
by Part Number**



**Search Manual
Library For Parts
Manual & Lookup Part
Numbers – Purchase
or Request Quote**

**Can't Find Part or
Manual? Request Help
by Manufacturer,
Model & Description**

Discount-Equipment.com is your online resource for quality parts & equipment.

Florida: **561-964-4949** Outside Florida TOLL FREE: **877-690-3101**

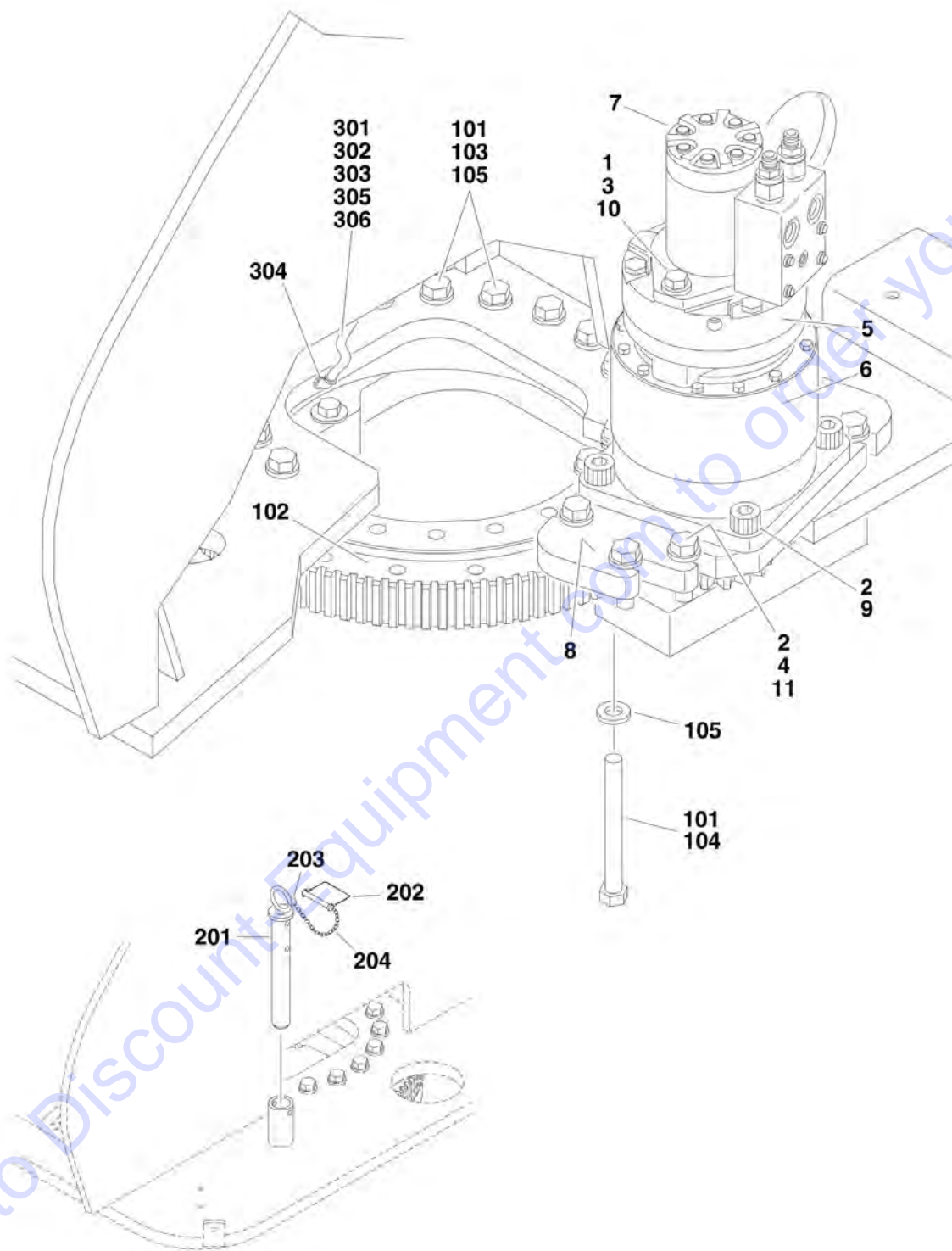
Need parts?

Click on this link: <http://www.discount-equipment.com/category/5443-parts/> and choose one of the options to help get the right parts and equipment you are looking for. Please have the machine model and serial number available in order to help us get you the correct parts. If you don't find the part on the website or on one of the online manuals, please fill out the request form and one of our experienced staff members will get back to you with a quote for the right part that your machine needs.

We sell worldwide for the brands: Genie, Terex, JLG, MultiQuip, Mikasa, Essick, Whiteman, Mayco, Toro Stone, Diamond Products, Generac Magnum, Airman, Haulotte, Barreto, Power Blanket, Nifty Lift, Atlas Copco, Chicago Pneumatic, Allmand, Miller Curber, Skyjack, Lull, Skytrak, Tsurumi, Husquvarna Target, Stow, Wacker, Sakai, Mi-T-M, Sullair, Basic, Dynapac, MBW, Weber, Bartell, Bennar Newman, Haulotte, Ditch Runner, Menegotti, Morrison, Contec, Buddy, Crown, Edco, Wyco, Bomag, Laymor, EZ Trench, Bil-Jax, F.S. Curtis, Gehl Pavers, Heli, Honda, ICS/PowerGrit, IHI, Partner, Imer, Clipper, MMD, Koshin, Rice, CH&E, General Equipment, Amida, Coleman, NAC, Gradall, Square Shooter, Kent, Stanley, Tamco, Toku, Hatz, Kohler, Robin, Wisconsin, Northrock, Oztec, Toker TK, Rol-Air, APT, Wylie, Ingersoll Rand / Doosan, Innovatech, Con X, Ammann, Mecalac, Makinex, Smith Surface Prep, Small Line, Wanco, Yanmar

SECTION 2 - TURNTABLE

FIGURE 2-4. TURNTABLE AND SWING DRIVE INSTALLATIONS



SECTION 2 - TURNTABLE

FIGURE 2-4. TURNTABLE AND SWING DRIVE INSTALLATIONS

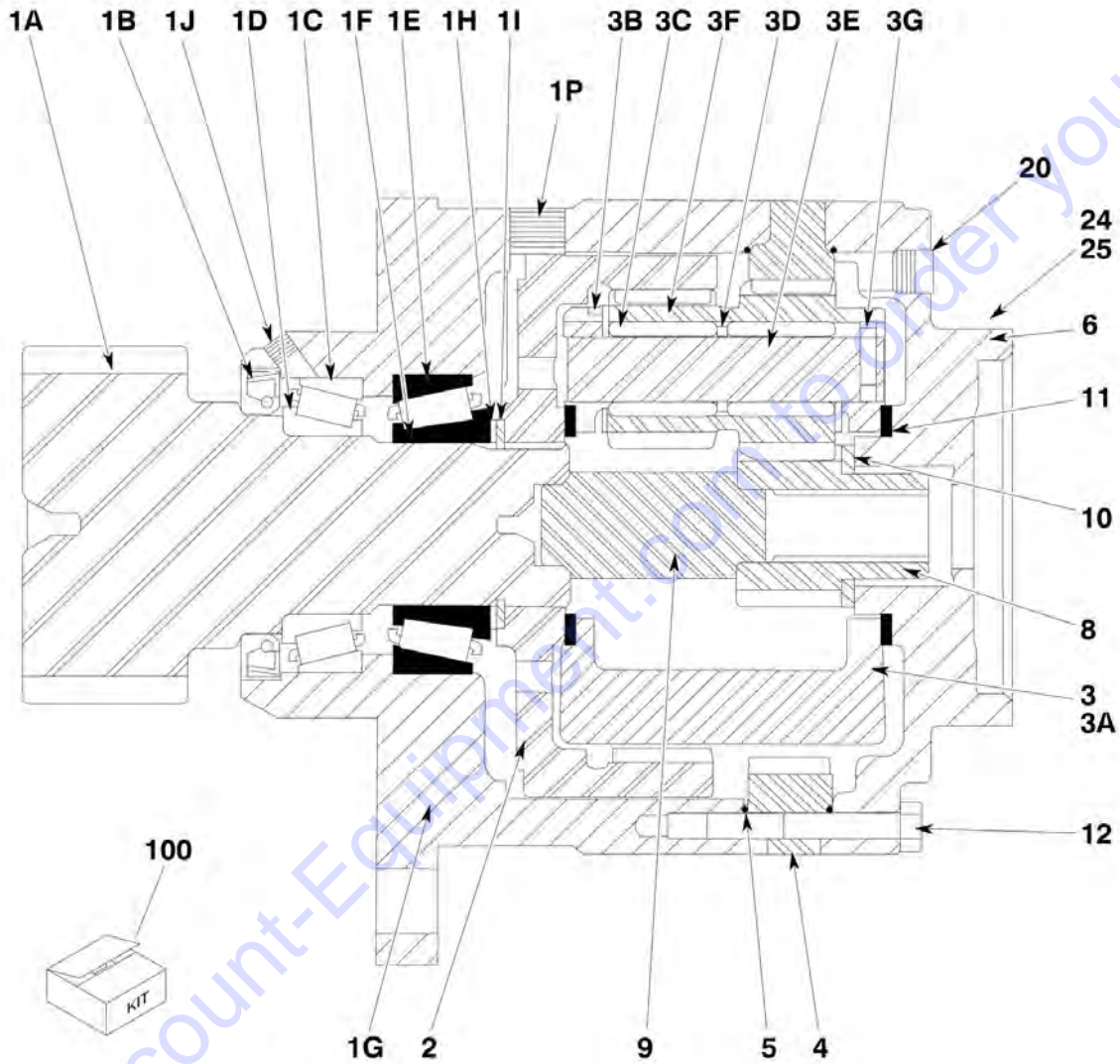
| ITEM | PART NUMBER | QTY | DESCRIPTION | REV |
|------|-------------|-----|--|-----|
| | | Ref | SWING DRIVE INSTALLATION | |
| | 0270326 | Ref | Swing Drive Installation (SN 0300096000 through 0300137200) | C |
| | 1001095198 | Ref | Swing Drive Installation (SN 0300137201 through 0300203770) | D |
| 1 | 0100011 | AR | Locking, Compound | |
| 2 | 0100019 | AR | Locking, Compound | |
| 3 | | Ref | Bolt Options: | |
| 3 | 0681832 | 2 | Bolt 1/2in-13NC x 4in (Grade 8) (SN 0300096000 through 0300137200) | |
| 3 | See Note | 2 | Bolt (Note: See SWING MOTOR/BRAKE HUB/HUB ASSEMBLY for bolt) (SN 0300137201 through 0300203770) | |
| 4 | 0682018 | 8 | Bolt 5/8in-11NC x 2-1/4in (Grade 8) | |
| 5 | | Ref | Swing Brake Assembly Options: | |
| 5 | 0920119 | 1 | Brake (SN 0300096000 through 0300137200) | |
| 5 | 7007933 | 1 | Gasket, Mounting Face (0920119 Brake) | |
| 5 | 7007990 | 1 | O-Ring, Mounting Face (0920119 Brake) | |
| 5 | 7018612 | 1 | Repair Kit (0920119 Brake) | |
| | | Ref | Note: Mounting Face Gasket, Mounting Face O-Ring and Repair Kit are the only parts available for 0920119 Brake. | |
| 5 | 1001101062 | 1 | Brake (See SWING MOTOR/BRAKE HUB/HUB ASSEMBLY for Breakdown) (SN 0300137201 through 0300203770) | |
| 6 | | Ref | Swing Hub Assembly Options: | |
| 6 | 2780247 | 1 | Hub (See SWING MOTOR ASSEMBLY for Breakdown) (SN 0300096000 through 0300137200) | |
| 6 | 1001101062 | 1 | Hub (See SWING MOTOR/BRAKE HUB/HUB ASSEMBLY for Breakdown) (SN 0300137201 through 0300203770) | |
| 7 | | Ref | Swing Motor Assembly Options | |
| 7 | 3160280 | 1 | Motor (See SWING MOTOR ASSEMBLY for Breakdown) (SN 0300096000 through 0300137200) | |
| 7 | 1001101062 | 1 | Motor (See SWING MOTOR/BRAKE HUB/HUB ASSEMBLY for Breakdown) (SN 0300137201 through 0300203770) | |
| 8 | 3572041 | | Plate, Mount | |
| 9 | 3932224 | 4 | Capscrew, Socket Head 3/4in-1NC x 1-1/2in | |
| 10 | | Ref | Flatwasher Options: | |
| 10 | 4891800 | 2 | Flatwasher 1/2in Hardened (SN 0300096000 through 0300137200) | |
| 10 | See Note | 2 | Flatwasher (Note: See SWING MOTOR/BRAKE HUB/HUB ASSEMBLY for flatwasher) (SN 0300137201 through 0300203770) | |
| 11 | 4892000 | 6 | Flatwasher 5/8in Hardened | |
| 12 | 4071009 | 1 | Shim, Drive Gear (Not Shown) | |
| | | Ref | SWING BEARING AND ROTATION BOX ASSEMBLY | |
| | 0259156 | Ref | Swing Bearing and Rotation Box Assembly (SN 0300096000 through 0300161284) | D |
| | 1001143234 | Ref | Swing Bearing and Rotation Box Assembly (SN 0300161285 through 0300203770) | A |
| 101 | 0100019 | AR | Locking, Compound | |
| 102 | 0440240 | NLA | Bearing, Turntable (Use p/n 2915078) (SN 0300096000 through 0300161284) | |
| 102 | 0440240 | NLA | Bearing, Turntable (Use p/n 1001169827) (SN 0300161285 through 0300203770) | |
| 103 | 0682026 | 20 | Bolt 5/8in-11NC x 3-1/4in (Grade 8) | |
| 104 | | Ref | Bolt 5/8in-11NC Options: | |
| 104 | 0682048 | 20 | Bolt 5/8in-11NC x 6in (Grade 8) | |

SECTION 2 - TURNTABLE

| ITEM | PART NUMBER | QTY | DESCRIPTION | REV |
|------|-------------|-----------|---|-----|
| 104 | 0682034 | 20 | Bolt 5/8in-11NC x 4-1/4in (Grade 8) | |
| 105 | 4892000 | 40 | Flatwasher 5/8in Hardened | |
| | 0259147 | Ref | TURNTABLE LOCK INSTALLATION | B |
| 201 | 4844958 | 1 | Pin Weldment | |
| 202 | 3421565 | 1 | Pin, Snap | |
| 203 | 3760170 | 2 | Ring, Quick Release | |
| 204 | 1260017 | 9 in/23cm | Chain | |
| | 0259158 | Ref | REMOTE BEARING LUBE INSTALLATION | B |
| 301 | 2160002 | 1 | Fitting, Grease | |
| 302 | 2180344 | 1 | Fitting, Bulkhead | |
| 303 | 2220001 | 1 | Fitting, Straight | |
| 304 | 2220124 | 1 | Fitting, Elbow | |
| 305 | 2751095 | 1 | Hose | |
| 306 | 2220273 | 1 | Fitting, Reducer | |

SECTION 2 - TURNTABLE

FIGURE 2-5. SWING HUB ASSEMBLY (SN 0300096000 through 0300137200)



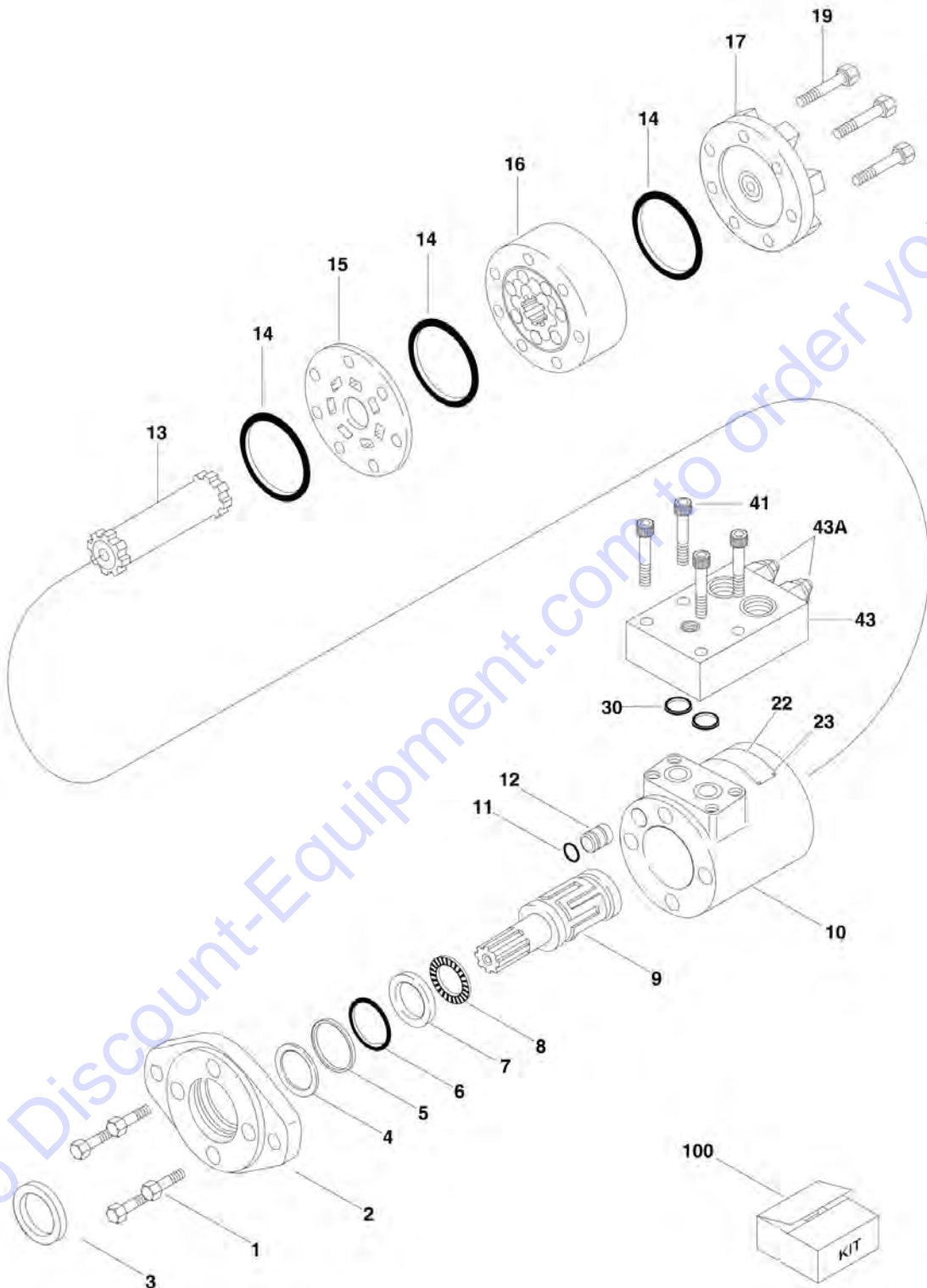
SECTION 2 - TURNTABLE

FIGURE 2-5. SWING HUB ASSEMBLY (SN 0300096000 through 0300137200)

| ITEM | PART NUMBER | QTY | DESCRIPTION | REV |
|------|-------------|-----|---|-----|
| | 2780247 | Ref | SWING HUB ASSEMBLY | A |
| 1 | 2780247 | 1 | Housing and Shaft Assembly (Note: Not Available - Purchase Complete Swing Hub Assembly) | |
| 1A | 7017064 | 1 | Shaft, Output | |
| 1B | 7000228 | 1 | Seal, Lip | |
| 1C | 7000255 | 1 | Cup, Bearing | |
| 1D | 7000256 | 1 | Cone, Bearing | |
| 1E | 7000257 | 1 | Cup, Bearing | |
| 1F | 7000258 | 1 | Cone, Bearing | |
| 1G | 7017065 | 1 | Housing | |
| 1H | 7007633 | 1 | Thrustwasher | |
| 1I | 7000229 | 1 | Ring, Retaining | |
| 1J | 7010494 | 1 | Plug, Pipe | |
| 1P | See Note | 2 | Plug, Pipe (Note: Not Available - Purchase Locally) | |
| 2 | 7000246 | 1 | Gear, Internal | |
| 3 | 7017066 | 1 | Carrier Assembly (Includes Items 3A-3G) | |
| 3A | See Note | 1 | Housing, Carrier (Note: Use p/n 7017066) | |
| 3B | See Note | 6 | Washer, Special (Note: Use p/n 7017066) | |
| 3C | See Note | AR | Bearing, Needle (Note: Use p/n 7017066) | |
| 3D | See Note | 3 | Thrustwasher (Note: Use p/n 7017066) | |
| 3E | See Note | 3 | Pin (Note: Use p/n 7017066) | |
| 3F | See Note | 3 | Gear (Note: Use p/n 7017066) | |
| 3G | See Note | 3 | Pin, Retaining (Note: Use p/n 7017066) | |
| 4 | 7001988 | 1 | Gear, Ring | |
| 5 | 7000230 | 2 | O-Ring | |
| 6 | 7000209 | 1 | Cover, Input | |
| 8 | 7010488 | 1 | Gear, Sun | |
| 9 | 7000269 | 1 | Spacer, Input | |
| 10 | 7000270 | 1 | Thrustwasher | |
| 11 | 7000253 | 2 | Thrustwasher | |
| 12 | 7000217 | 8 | Bolt | |
| 20 | 2200222 | 1 | Plug, Pipe | |
| 24 | See Note | 1 | Plate, ID (Note: Not Available for Purchase) | |
| 25 | 7000281 | 2 | Screw, Drive | |
| 100 | 7024100 | 1 | Seal Kit | |

SECTION 2 - TURNTABLE

FIGURE 2-6. SWING MOTOR ASSEMBLY (SN 0300096000 through 0300137200)



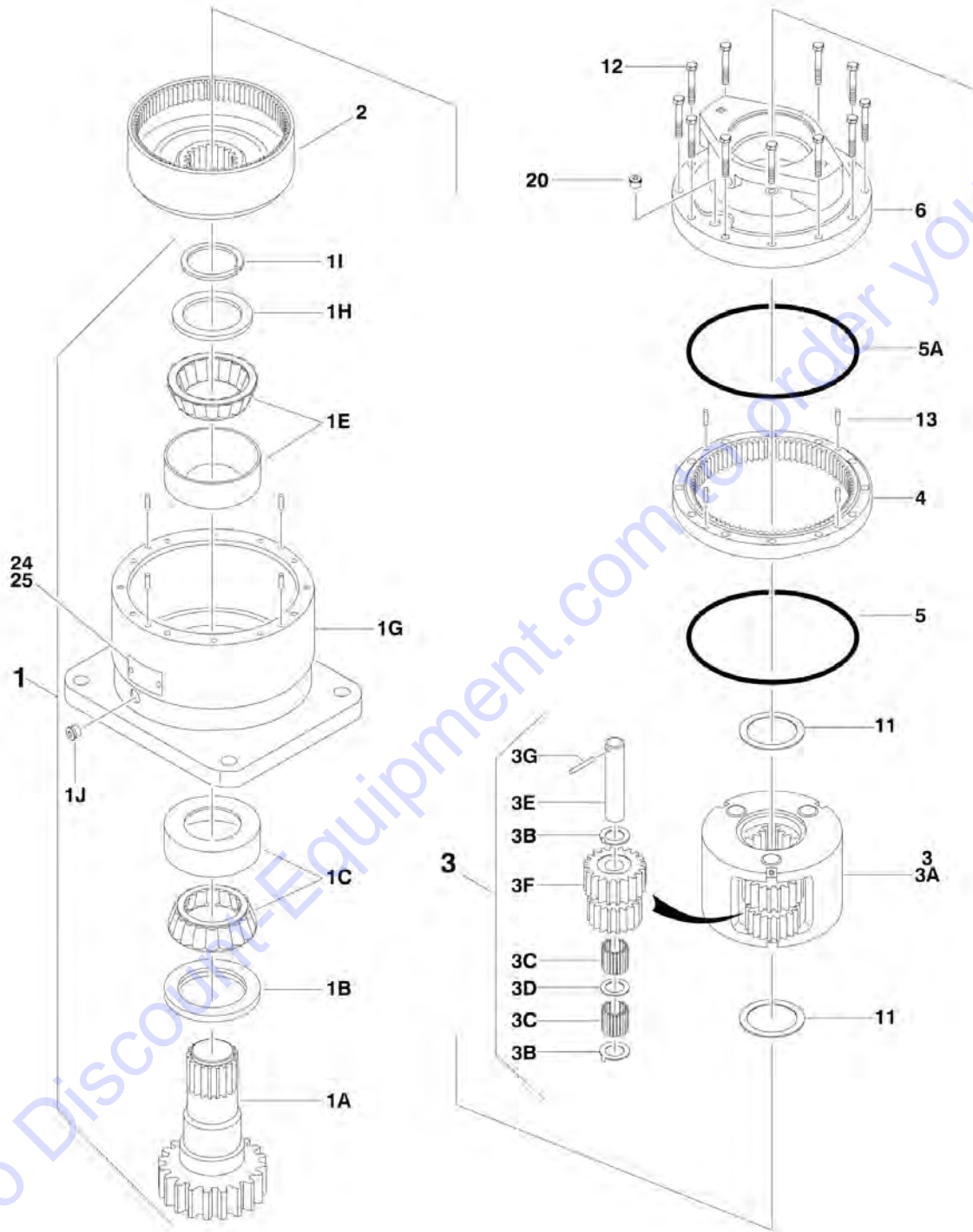
SECTION 2 - TURNTABLE

FIGURE 2-6. SWING MOTOR ASSEMBLY (SN 0300096000 through 0300137200)

| ITEM | PART NUMBER | QTY | DESCRIPTION | REV |
|------|-------------|-----|--|-----|
| | 3160280 | Ref | SWING MOTOR ASSEMBLY | B |
| 1 | 7020357 | 4 | Capscrew | |
| 2 | 7009996 | 1 | Flange, Mounting | |
| 3 | See Note | NSS | Seal, Exclusion (Note: Use Item 100) | |
| 4 | See Note | NSS | Washer, Back-up (Note: Use Item 100) | |
| 5 | See Note | NSS | Seal, Pressure (Note: Use Item 100) | |
| 6 | See Note | NSS | Seal (Note: Use Item 100) | |
| 7 | 7002117 | 1 | Race, Bearing | |
| 8 | 7002111 | 1 | Bearing, Thrust Needle | |
| 9 | 7009998 | 1 | Shaft, Output | |
| 10 | 7020352 | 1 | Housing | |
| 11 | See Note | NSS | O-Ring (Note: Use Item 100) | |
| 12 | 7009992 | 1 | Plug, Housing | |
| 13 | 7002112 | 1 | Drive | |
| 14 | See Note | NSS | Seal (Note: Use Item 100) | |
| 15 | 7002110 | 1 | Plate, Spacer | |
| 16 | 7002125 | 1 | Gerotor Sub-Assembly | |
| 17 | 7002107 | 1 | Cap, End | |
| 19 | 7014900 | 7 | Capscrew | |
| 22 | See Note | 1 | Nameplate (Note: Not Available for Purchase) | |
| 23 | See Note | 2 | Rivet (Note: Not Available for Purchase) | |
| 30 | See Note | NSS | O-Ring (Note: Use Item 100) | |
| 41 | 7020353 | 4 | Capscrew | |
| 43 | 7020359 | 1 | Cartridge, Counterbalance Valve | |
| 43A | 7020362 | 2 | Cartridge | |
| 100 | 2900733 | 1 | Seal Kit - Includes Items 3-6, 11, 14 & 30 | |

SECTION 2 - TURNTABLE

FIGURE 2-7. SWING MOTOR/BRAKE/HUB ASSEMBLY (SN 0300137201 through 0300203770)



SECTION 2 - TURNTABLE

FIGURE 2-7. SWING MOTOR/BRAKE/HUB ASSEMBLY (SN 0300137201 through 0300203770)

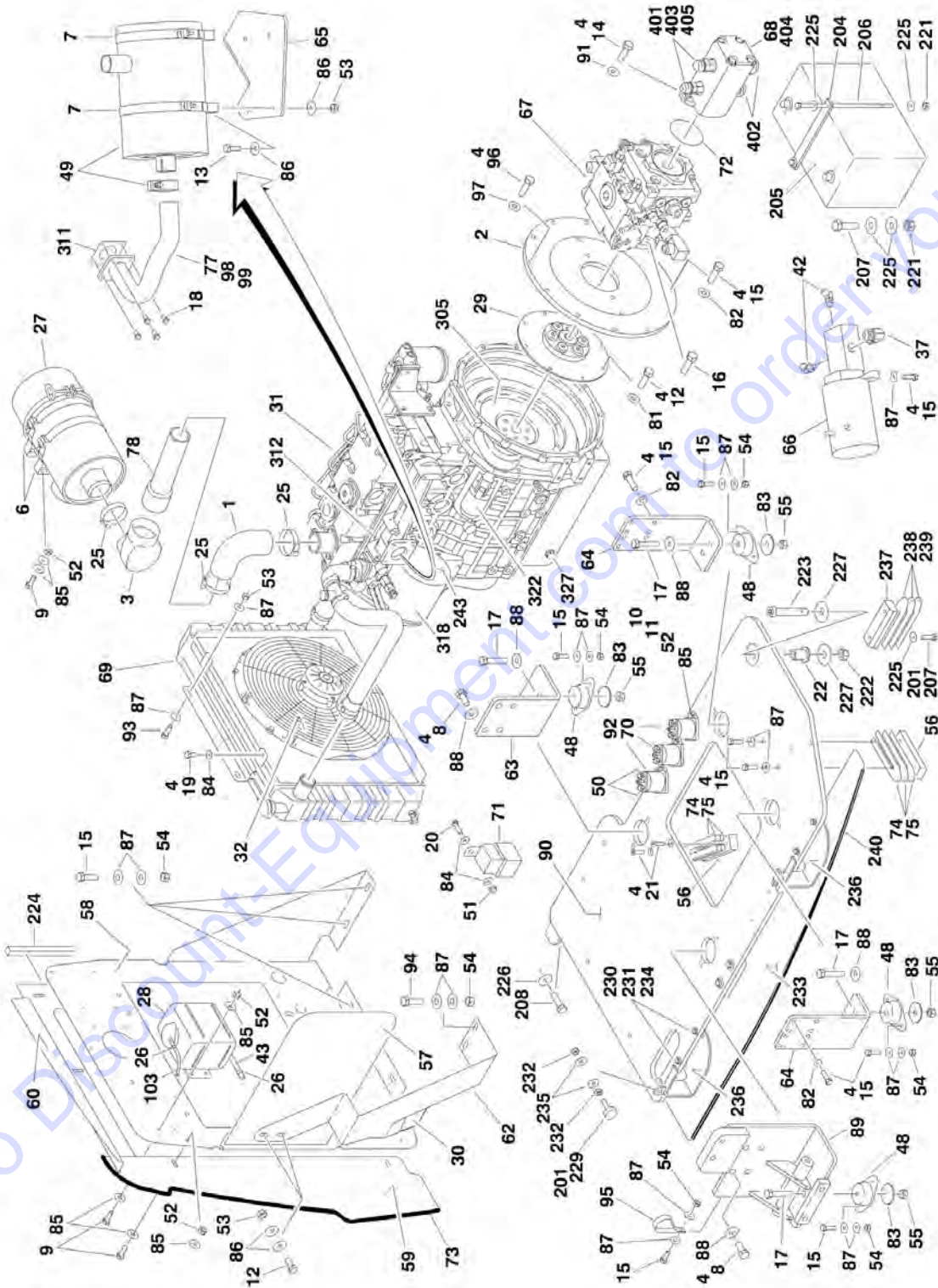
| ITEM | PART NUMBER | QTY | DESCRIPTION | REV |
|------|-------------|-----|---|-----|
| | 1001101062 | Ref | SWING MOTOR/HUB ASSEMBLY | A |
| 1 | 1001101062 | 1 | Housing/Shaft Assembly (Note: Not Available - Purchase Complete Swing Motor/Hub Assembly) | |
| 1A | 7017064 | 1 | Shaft, Output | |
| 1B | 7000228 | 1 | Seal, Lip | |
| 1C | 7000255 | 1 | Bearing Kit (Includes Cup and Cone) | |
| 1E | 7000257 | 1 | Bearing Kit (Includes Cup and Cone) | |
| 1G | 1001101062 | 1 | Housing (Note: Not Available for Purchase) | |
| 1H | 7007633 | 1 | Thrustwasher | |
| 1I | 7000229 | 1 | Ring, Retaining | |
| 1J | 7017072 | 1 | Plug, Pipe | |
| 2 | 7000246 | 1 | Gear, Internal | |
| 3 | 80424002 | 1 | Carrier Assembly | |
| 3A | 7001931 | 1 | Carrier | |
| 3B | 7001985 | 6 | Washer, Tanged | |
| 3C | 7001909 | 96 | Bearing, Needle | |
| 3D | 7000263 | 3 | Thrustwasher | |
| 3E | 7001911 | 3 | Shaft, Planet | |
| 3F | 7001912 | 3 | Gear, Cluster | |
| 3G | 7010474 | 3 | Roll Pin | |
| 4 | 7000248 | 1 | Gear, Ring | |
| 5 | 7000230 | 1 | O-Ring (Black) | |
| 5A | 7017070 | 1 | O-Ring (White) | |
| 6 | 1001101062 | 1 | Housing, Brake (Note: Not Available for Purchase) | |
| 7 | 70002065 | 1 | Gear, Sun | |
| 8 | | Ref | Brake Components | |
| 8A | 70000782 | 1 | Piston, Brake | |
| 8D | 70002070 | 1 | O-Ring | |
| 8E | 70002071 | 1 | Ring, Back-up | |
| 8F | 70002073 | 1 | O-Ring | |
| 8H | 70002072 | 1 | Ring, Back-up | |
| 8J | 70002067 | 4 | Rotor, Brake | |
| 8K | 70002068 | 5 | Stator, Brake | |
| 8L | 70002066 | 14 | Spring, Brake | |
| 11 | 7000253 | 2 | Thrustwasher | |
| 12 | 7000217 | 12 | Bolt 5/16in-18NC x 2-1/4in (Grade 8) | |
| 13 | 7017080 | 4 | Pin, Dowel | |
| 20 | 7017072 | 1 | Plug, Pipe | |
| 21 | 7024704 | 4 | Bolt 5/16in-18NC x 2in (Grade 8) | |
| 22 | See Note | 4 | Lockwasher (Note: Not Available - Purchase Locally) | |
| 23 | 7017023 | 2 | Plug, Pipe | |
| 24 | See Note | 1 | Plate, ID (Note: Not Available for Purchase) | |
| 25 | 7000281 | 2 | Screw, Drive | |
| 26 | 7024763 | 1 | O-Ring | |
| 28 | See Note | 2 | Lug, Lifting (Note: Not Available for Purchase) | |
| 29 | 7017081 | 2 | Bolt 1/2in-13NC x 1-1/2in (Grade 8) | |
| 30 | 7017085 | 2 | Elbow | |
| 31 | 70002075 | 1 | Motor Assembly (See Items 101-126 for Breakdown) | |
| 32 | 7024784 | 1 | Valve (No Serviceable Parts) | |
| 33 | 7017082 | 1 | Plug, Pipe (Not Shown) | |

SECTION 2 - TURNTABLE

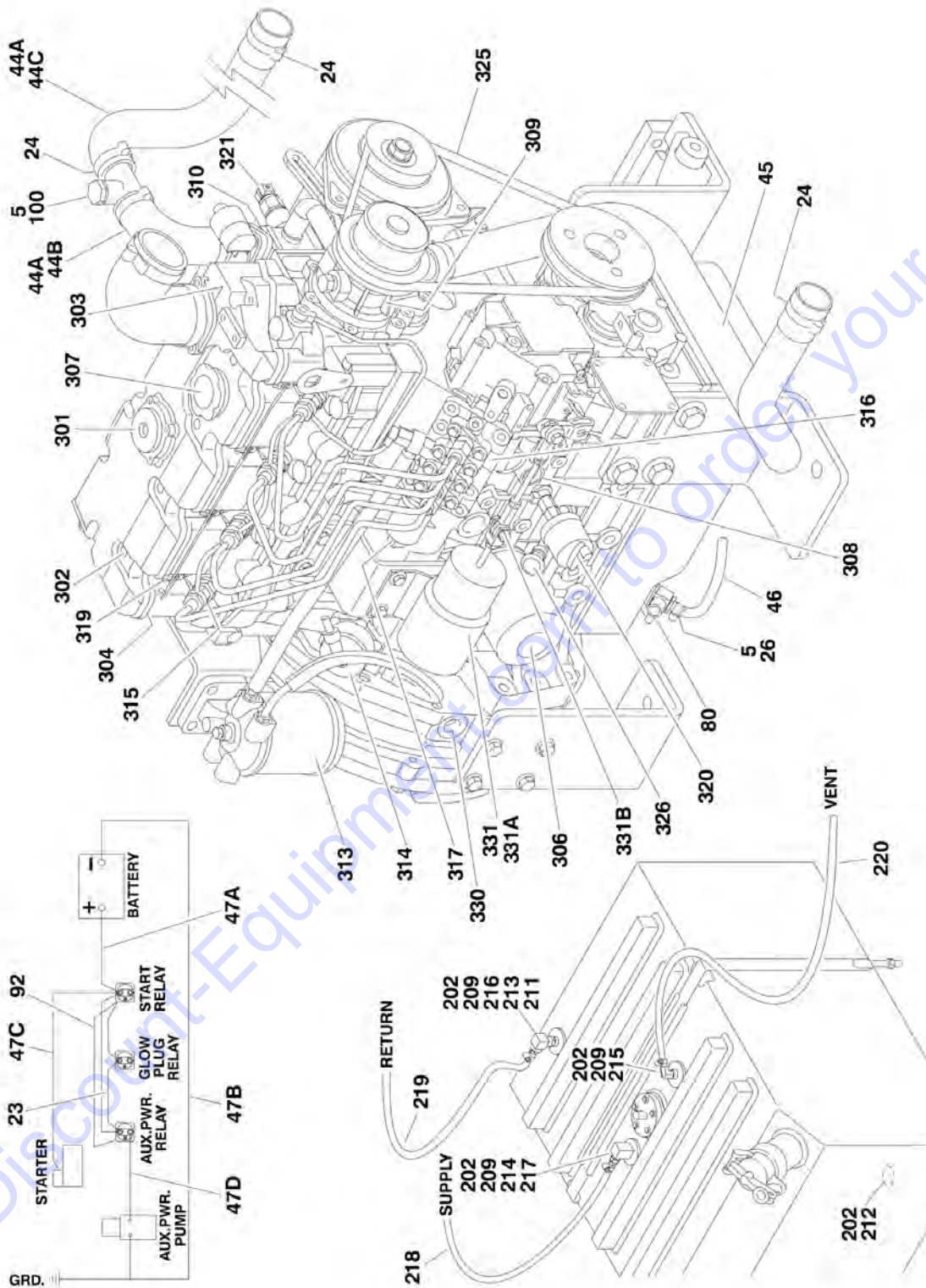
| ITEM | PART NUMBER | QTY | DESCRIPTION | REV |
|------|-------------|-----|--|-----|
| 35 | 70002074 | 1 | Tube | |
| 44 | 7017028 | 1 | Ring, Retainer | |
| 45 | 7000213 | 2 | O-Ring | |
| 51 | 7024100 | 1 | Seal Kit - Swing Hub (Includes Items 1B, 1I, 5, 5A & 11) | |
| | 70002075 | Ref | MOTOR ASSEMBLY | |
| 101 | 7024454 | 6 | Bolt | |
| 102 | 7004035 | 1 | Cover, End | |
| 103 | See Note | NSS | Seal, Commutator (Note: Use Item 126) | |
| 104 | See Note | NSS | Seal, Ring (Note: Use Item 126) | |
| 105 | 7024453 | 1 | Commutator and Ring Assembly | |
| 106 | 7024453 | 1 | Ring | |
| 107 | 7024379 | 1 | Manifold | |
| 108 | 7024455 | 1 | Rotor Set | |
| 109 | 7024380 | 1 | Plate, Wear | |
| 110 | 7024456 | 1 | Link, Drive | |
| 112 | 7024458 | 1 | Shaft, Coupling | |
| 113 | 7024381 | 1 | Bushing, Bronze | |
| 114 | 7004043 | 1 | Thrustwasher | |
| 115 | 7004044 | 1 | Bearing, Thrust | |
| 116 | See Note | NSS | Seal, Inner (Note: Use Item 126) | |
| 117 | See Note | NSS | Washer, Back-up (Note: Use Item 126) | |
| 118 | 1001101062 | 1 | Housing (Note: Not Available for Purchase) | |
| 119 | 7024390 | 1 | Bearing | |
| 120 | See Note | NSS | Seal (Note: Use Item 126) | |
| 125 | See Note | NSS | Washer, Back-up (Note: Use Item 126) | |
| 126 | 7024396 | 1 | Seal Kit, Motor (Includes Items 103, 104, 116, 117, 120 & 125) | |

SECTION 2 - TURNTABLE

FIGURE 2-8. CATERPILLAR ENGINE INSTALLATION - WITH ELECTRICAL DRIVEN COOLING FAN (WITHOUT UGM)



SECTION 2 - TURNTABLE



SECTION 2 - TURNTABLE

**FIGURE 2-8. CATERPILLAR ENGINE INSTALLATION - WITH ELECTRICAL DRIVEN COOLING FAN
(WITHOUT UGM)**

| ITEM | PART NUMBER | QTY | DESCRIPTION | REV |
|------|-------------|-----------|--|-----|
| | | Ref | NOTE: FOR MODULE IDENTIFICATION, REFER TO REVISION LOG PAGE A. | |
| | | Ref | NOTE: TO CONVERT ELECTRIC FAN TO MECHANICAL FAN, SEE SPECIAL OPTION SECTION. | |
| | | Ref | CATERPILLAR ENGINE ASSEMBLY | |
| | 2000313 | Ref | Without Arctic Package | I |
| | 1001093898 | Ref | With Arctic Package | G |
| 1 | 2180482 | 1 | Elbow, Rubber | |
| 2 | 0080181 | 1 | Adaptor, Pump Mounting Plate | |
| 3 | 0080201 | 1 | Elbow, Rubber | |
| 4 | 0100011 | AR | Locking, Compound | |
| 5 | 0100020 | AR | Sealant | |
| 6 | 0340041 | 2 | Band, Air Cleaner Mounting | |
| 7 | 0340046 | 2 | Band, Muffler Mounting | |
| 8 | 0630569 | 8 | Bolt M14 x 30mm | |
| 9 | 0641406 | 13 | Bolt 1/4in-20NC x 3/4in | |
| 10 | 0641408 | 5 | Bolt 1/4in-20NC x 1in | |
| 11 | 0641410 | 1 | Bolt 1/4in-20NC x 1-1/4in | |
| 12 | 0641506 | 10 | Bolt 5/16in-18NC x 3/4in | |
| 13 | 0641507 | 4 | Bolt 5/16in-18NC x 7/8in | |
| 14 | 0641608 | 2 | Bolt 3/8in-16NC x 1in | |
| 15 | 0641610 | AR | Bolt 3/8in-16NC x 1-1/4in | |
| 16 | 0641812 | 2 | Bolt 1/2in-13NC x 1-1/2in | |
| 17 | 0641820 | 4 | Bolt 1/2in-13NC x 2-1/2in | |
| 18 | 0700808 | 4 | Bolt M8 x 16mm | |
| 19 | 0721004 | 4 | Screw #10-24NC x 1/2in | |
| 20 | 0721006 | 1 | Screw #10-24NC x 3/4in | |
| 21 | 0741610 | 2 | Screw, Countersunk 3/8in-16NC x 1-1/4in | |
| 22 | 0962172 | 1 | Bushing, Flanged | |
| 23 | 1060904 | 1 | Cable, Jumper | |
| 24 | 1320012 | 6 | Clamp | |
| 25 | 1320016 | 4 | Clamp | |
| 26 | 1320022 | 3 | Clamp | |
| 27 | 1340060 | 1 | Air Cleaner Assembly | |
| 27 | 7012664 | 1 | Element, Air Cleaner | |
| 28 | 1580011 | 1 | Container, Overflow | |
| 29 | 1660255 | 1 | Pump, Coupling | |
| 30 | 1703162 | 2 | Decal - Fan Blade | |
| 31 | 2000195 | NLA | Caterpillar Engine Assembly (Use p/n 1001104689) | |
| 32 | 2060032 | 1 | Fan, Electric | |
| 37 | 2220567 | 1 | Fitting, Elbow | |
| 42 | 2221045 | 2 | Fitting | |
| 43 | 2720058 | 4 in/10cm | Hose | |
| 44 | | Ref | Hose, Radiator (Top) Options: | |
| 44A | 2720507 | NLA | Hose (Use p/n 1001102308. 1001102308 Service Kit - Includes Qty 1 of Items 44B, 44C, 100 and Qty 2 of Item 24) (SN 0300096000 through 0300130133) | |
| 44B | 1001101232 | 1 | Hose for (Block to Adapter) (SN 0300130134 through 0300203770) | |
| 44C | 1001101233 | 1 | Hose for (Adapter to Radiator) (SN 0300130134 through | |

SECTION 2 - TURNTABLE

| ITEM | PART NUMBER | QTY | DESCRIPTION | REV |
|------|-------------|-----------|--|-----|
| | | | 0300203770) | |
| 45 | 2720508 | 1 | Hose, Radiator (Bottom) | |
| 46 | 2750532 | 6 in/25cm | Hose | |
| 47 | 2901880 | 1 | Battery Cable Kit | D |
| 47A | 7016843 | 1 | Cable - Battery to Starter Relay | |
| 47B | 7016835 | 1 | Cable - Battery and Auxiliary Pump to Ground | |
| 47C | 7016834 | 1 | Cable - Starter Relay to Starter | |
| 47D | 7016820 | 1 | Cable - Auxiliary Relay to Auxiliary Pump | |
| 48 | 3200378 | 4 | Mount, Motor | |
| 49 | | Ref | Muffler Options: | |
| 49 | 3220113 | 1 | Spark Arresting Muffler | |
| 49 | 70001017 | 1 | Clamp | |
| 49 | 3220154 | NLA | Catalytic Muffler (Use p/n 1001107116) | |
| 49 | 70002705 | 1 | Clamp | |
| 49 | 70002706 | 1 | Plug, Brass | |
| 50 | 3300220 | 6 | Nut, Washer | |
| 51 | 3311005 | 1 | Locknut #10-24NC | |
| 52 | 3311405 | 19 | Locknut 1/4in-20NC | |
| 53 | 3311505 | 6 | Locknut 5/16in-18NC | |
| 54 | 3311605 | AR | Locknut 3/8in-16NC | |
| 55 | 3311805 | 4 | Locknut 1/2in-13NC | |
| 56 | 3340399 | 2 | Pad, Wear | |
| 57 | 3571019 | 1 | Plate, Air Panel | |
| 58 | 3571692 | 1 | Plate, Radiator Mounting | |
| 59 | 3572502 | 1 | Plate, Air Flow (Side) | |
| 60 | 3572503 | 1 | Plate, Air Flow (Top) | |
| 62 | 3573667 | 1 | Plate, Radiator Support | |
| 63 | 3574253 | 1 | Plate, Engine Mounting (Front) | |
| 64 | 3574259 | 2 | Plate, Engine Mounting (Rear) | |
| 65 | | Ref | Plate, Muffler Support Options: | |
| 65 | 3574264 | 1 | Plate, Muffler Support (SN 0300096000 through 0300118774) | |
| 65 | 1001098525 | 1 | Plate, Muffler Support (SN 0300118775 through 0300203770) | |
| 66 | | Ref | Auxiliary Power Pump Assembly Options (See AUXILIARY POWER PUMP ASSEMBLY for Breakdown): | |
| 66 | 3600279 | NLA | Auxiliary Power Pump Assembly (SN 0300096000 through 0300105248) | |
| 66 | 3600423 | 1 | Auxiliary Power Pump Assembly (SN 0300105249 through 0300203770) | |
| 67 | 3600404 | 1 | Piston Pump Assembly (See PISTON PUMP ASSEMBLY for Breakdown) | |
| 68 | 3600405 | 1 | Gear Pump Assembly with Fittings (See Items 401-405 for Breakdown) | |
| 69 | 3620046 | 1 | Radiator | |
| 69 | 8180311 | 1 | Cap, Radiator (Use p/n 8180311) | |
| 70 | 3740067 | 3 | Relay | |
| 71 | 3740080 | 1 | Relay | |
| 72 | 3790152 | 1 | O-Ring | |
| 73 | 3960389 | AR | Seal | |
| 73 | | Ref | Seal (SN 0300096000 through 0300110479) | |
| 73 | | Ref | Seal (SN 0300110480 through 0300203770) | |
| 74 | 4070497 | 4 | Shim | |
| 75 | 4070498 | 2 | Shim | |

SECTION 2 - TURNTABLE

| ITEM | PART NUMBER | QTY | DESCRIPTION | REV |
|------|-------------|---------------|--|-----|
| 77 | 4568743 | 1 | Pipe, Exhaust | |
| 78 | 4569176 | 1 | Tube, Air Intake | |
| 80 | 4641272 | 1 | Valve, Oil Drain | |
| 81 | 4711500 | 8 | Flatwasher 5/16in Thin | |
| 82 | 4711600 | 18 | Flatwasher 3/8in Thin | |
| 83 | 4740274 | 4 | Washer, Snubbing | |
| 84 | 4751000 | 6 | Flatwasher #10 Regular | |
| 85 | 4751400 | 38 | Flatwasher 1/4in Regular | |
| 86 | 4751500 | 12 | Flatwasher 5/16in Regular | |
| 87 | 4751600 | AR | Flatwasher 3/8in Regular | |
| 88 | 4751800 | 11 | Flatwasher 1/2in Regular | |
| 89 | 4846821 | 1 | Mount, Motor/Generator | |
| 90 | 4846852 | 1 | Tray | |
| 91 | 4891600 | 2 | Flatwasher 3/8in Hardened | |
| 92 | 4922737 | 1 | Harness, Engine Grounding | |
| 93 | 0641609 | 4 | Bolt 3/8in-16NC x 1-1/8in | |
| 94 | 0941611 | 2 | Bolt 3/8in-16NC x 1-3/8in | |
| 95 | 1001097588 | 1 | Clamp, Tubing | |
| 96 | | Ref | Bolt Options: | |
| 96 | 0641610 | 2 | Bolt 3/8in-16NC x 1-1/4in (SN 0300096000 through 0300118774) | |
| 96 | 0641612 | 2 | Bolt 3/8in-16NC x 1-1/2in (SN 0300118775 through 0300203770) | |
| 97 | | Ref | Flatwasher Options: | |
| 97 | 4751600 | 2 | Flatwasher 3/8in Regular (SN 0300096000 through 0300118774) | |
| 97 | 4891600 | 2 | Flatwasher 3/8in Hardened (SN 0300118775 through 0300203770) | |
| 98 | 4100025 | 19 in/48cm | Sleeve, Fiberglass Only (SN 0300130134 through 0300203770) | |
| 99 | 1001100825 | 2 | Tie-Strap Only (SN 0300130134 through 0300203770) | |
| 100 | 1001101228 | 1 | Adapter Only (SN 0300130134 through 0300203770) | |
| 103 | 2720271 | 18 in/46cm | Hose (SN 0300135381 through 0300203770) | |
| | | Ref | Note: Following Items (Not Shown) Used on Arctic Package Machines Only. | |
| | 1702942 | 1 | Decal, Engine Block Heater (Located at End of Heater Cord) | |
| | 2580054 | 1 | Heater, Engine Block | |
| | 2300041 | AR | Fluid, Antifreeze 60/40 Arctic Antifreeze | |
| | 3020044 | AR | Oil, Motor 0W-40 | |
| | | Ref | CATERPILLAR ENGINE INSTALLATION | |
| | 0274605 | Ref | Without Arctic Package | |
| | 1001093899 | Ref | With Arctic Package | |
| 201 | 0100011 | AR | Locking, Compound | |
| 202 | 0100020 | AR | Sealant | |
| 204 | 0361810 | 1 | Bar, Battery Hold-Down | |
| 205 | 0400075 | 1 | Battery | |
| 206 | 0630541 | 2 | Bolt, Battery | |
| 207 | 0641616 | 3 | Bolt 3/8in-16NC x 2in | |
| 208 | 0642010 | 1 | Bolt 5/8in-11NC x 1-1/4in | |
| 209 | 1320022 | 5 | Clamp | |
| 210 | 1320223 | 1 | J-Clip | |
| 211 | 2180536 | 1 | Fitting, Straight Barbed | |

F
E

SECTION 2 - TURNTABLE

| ITEM | PART NUMBER | QTY | DESCRIPTION | REV |
|------|-------------|------------|--|-----|
| 212 | 2200222 | 1 | Plug | |
| 213 | 2220250 | 1 | Fitting, Reducer | |
| 214 | 2220273 | 1 | Fitting, Reducer | |
| 215 | 2220313 | 1 | Fitting, Elbow Barbed | |
| 216 | 2220459 | 1 | Fitting, Elbow | |
| 217 | 2220794 | 1 | Fitting, Straight Barbed | |
| 218 | 2720058 | 12 ft/3.7m | Hose | |
| 219 | 2720271 | 12 ft/3.7m | Hose | |
| 220 | 2750532 | 5 ft/1.5m | Hose | |
| 221 | 3311605 | 3 | Locknut 3/8in-16NC | |
| 222 | 3312005 | 1 | Locknut 5/8in-11NC | |
| 223 | 3900255 | 1 | Screw, Shoulder | |
| 224 | 3960469 | 1 | Seal, Foam Gasket | |
| 225 | 4751600 | 8 | Flatwasher 3/8in Regular | |
| 226 | 4752000 | 1 | Flatwasher 5/8in-11NC | |
| 227 | 4752200 | 2 | Flatwasher 3/4in | |
| 228 | 1701505 | 1 | Decal - Diesel Fuel (Not Shown - See DECAL SECTION) | |
| 229 | 0940049 | 2 | Bumper, Hood | |
| 230 | 0641410 | 4 | Bolt 1/4in-20NC x 1-1/4in | |
| 231 | 3311405 | 4 | Locknut 1/4in-20NC | |
| 232 | 3311501 | 4 | Nut 5/16in-18NC | |
| 233 | 3572504 | 1 | Plate | |
| 234 | 4751400 | 8 | Flatwasher 1/4in Regular | |
| 235 | 4751500 | 4 | Flatwasher 5/16in Regular | |
| 236 | | Ref | Latch, Hood Options: | |
| 236 | 4846096 | NLA | Latch, Hood (SN 0300096000 through 0300121155) | |
| 236 | 1001094608 | 2 | Latch, Hood (SN 0300121156 through 0300203770) | |
| 237 | 3340399 | 1 | Pad, Wear | |
| 238 | 4070498 | 1 | Shim (16Ga) | |
| 239 | 4070497 | 2 | Shim (11Ga) | |
| 240 | 3960389 | 4 ft/1.2m | Seal, Bulb | |
| 241 | | Ref | Coolant, Anti-Freeze Options (Not Shown): | |
| 241 | 2300004 | 2.7 Gal | Without Arctic Package | |
| 241 | 2300041 | 2.7 Gal | With Arctic Package | |
| 243 | 3290601 | 1 | Nut M6 x 1 (SN 0300121156 through 0300203770) | |
| 244 | 3290501 | 1 | Nut M5 x 0.8 (SN 0300121156 through 0300203770) | |
| | | Ref | Note: Following Items (Not Shown) Used on Arctic Package Machines Only. | |
| | 1702944 | 1 | Decal - Heater Cord | |
| | 1060626 | 1 | Cord, 3-Way Extension (Located on Left Front of Engine) | |
| | 1702941 | 1 | Decal - Battery Heater | |
| | 2580024 | 1 | Heater, Battery (Located on Battery) | |
| | 1702943 | 1 | Decal - Hydraulic Tank Heater | |
| | 2580050 | 1 | Heater, Hydraulic Tank | |
| | 3980007 | 1 | Seat, Battery (Located Under Battery) | |
| | | Ref | CATERPILLAR ENGINE COMPONENTS | |
| | 1001104689 | NLA | Engine p/n 2000195 no longer available. Use p/n 1001104689 for Service Replacement. | E |
| | 1001104689 | Ref | Service Replacement | B |
| 301 | 7026848 | 1 | Breather, Valve | |
| 301 | 7026846 | 1 | Gauze, Breather Valve | |
| 302 | 7026847 | 4 | Seal, Valve Cover Nut | |

SECTION 2 - TURNTABLE

| ITEM | PART NUMBER | QTY | DESCRIPTION | REV |
|------|-------------|-----|---|-----|
| 303 | 7026849 | 1 | Gasket, Air Intake | |
| 304 | 7026850 | 1 | Seal, Valve Cover | |
| 305 | 7026852 | 1 | Flywheel with Starter Gear Set | |
| 305 | 7026853 | 1 | Gear, Flywheel | |
| 306 | 70001403 | 1 | Filter, Oil (was p/n 7026855) | |
| 307 | 7026860 | 1 | Cap, Oil Fill | |
| 307 | 7026856 | 1 | Seal, Oil Fill Cap | |
| 308 | 7026858 | 1 | Valve, Relief | |
| 308 | 7026857 | 1 | Seal | |
| 309 | 7026864 | 1 | Pump, Water | |
| 309 | 7026863 | 1 | Gasket, Water Pump (Fits Between Pump and Pump Rear Plate) | |
| 309 | 7026865 | 1 | Gasket, Water Pump (Fits Between Pump Rear Plate and Engine Block) | |
| 310 | 7026867 | 1 | Thermostat | |
| 310 | See Note | 1 | Regulator, Water (Note: Not Available for Purchase) | |
| 310 | 7026866 | 1 | Gasket (Fits Between Regulator and Engine Block) | |
| 310 | 7026868 | 1 | Gasket, Thermostat (Fits Between Regulator and Hose Adapter) | |
| 311 | 7026869 | 1 | Gasket, Exhaust | |
| 312 | 7026870 | 1 | Gasket, Exhaust Manifold | |
| 313 | 70001695 | 1 | Filter Assembly | |
| 313 | 7026871 | 1 | Element, Fuel Filter | |
| 313 | 7026872 | 2 | Gasket, Fuel Filter Element | |
| 314 | 7026873 | 1 | Pump, Fuel Transfer | |
| 314 | 7026874 | 1 | Seal, | |
| 315 | 7026875 | 4 | Injector, Fuel | |
| 316 | See Note | 1 | Pump, Fuel Injection (Note: Not Available for Purchase) | |
| 317 | 70001990 | 1 | Solenoid, Fuel Shut-Off (was p/n 7026876) (Note: P/N 70001990 includes adapter harness if required.) | |
| 318 | 70000544 | 1 | Alternator (Note: Not Available for Purchase) | |
| 318 | 70000544 | 1 | Alternator Conversion Kit (Includes Alternator, Adapter Harness, Alternator Bracket, Lever and Mounting Hardware) | |
| 318 | 70001180 | 1 | Bolt, Lower Pivot | |
| 318 | 70001257 | 1 | Bracket, Adjusting (Not Shown): | |
| 319 | 7026878 | 4 | Glowplug | |
| 320 | 1001097554 | 1 | Switch, Oil Pressure (was p/n 7026844) | |
| 321 | 7026840 | 1 | Switch, Water Temperature | |
| 321 | 7026882 | 1 | Seal, Sensor | |
| 322 | 7026879 | 1 | Starter | |
| 323 | 7026854 | 1 | Seal, Front Main (Not Shown - Located on Front of Engine Block) | |
| 324 | 7026851 | 1 | Seal, Rear Main (Not Shown - Located on Rear of Engine Block) | |
| 325 | 7026880 | 1 | Belt | |
| 326 | 7026885 | 1 | Dipstick Oil Level | |
| 326 | 7026886 | 1 | Tube, Dipstick | |
| 326 | 7026881 | 1 | O-Ring, Dipstick Tube | |
| 327 | 7026861 | 1 | Plug, Drain | |
| 328 | 7026862 | 1 | Gasket, Valve Bracket (Not Shown - Located on Between Valve Bracket and Head) | |
| 329 | 7026859 | 1 | Gasket, Oil Pan (Not Shown) | |
| 330 | 7026883 | 1 | Speed Sensor Kit | |
| 330 | 7026836 | 1 | Connector, Speed Sensor | |
| 331 | See Note | 1 | Actuator/Linkage Assembly - Throttle (was p/n 1600351 which is | |

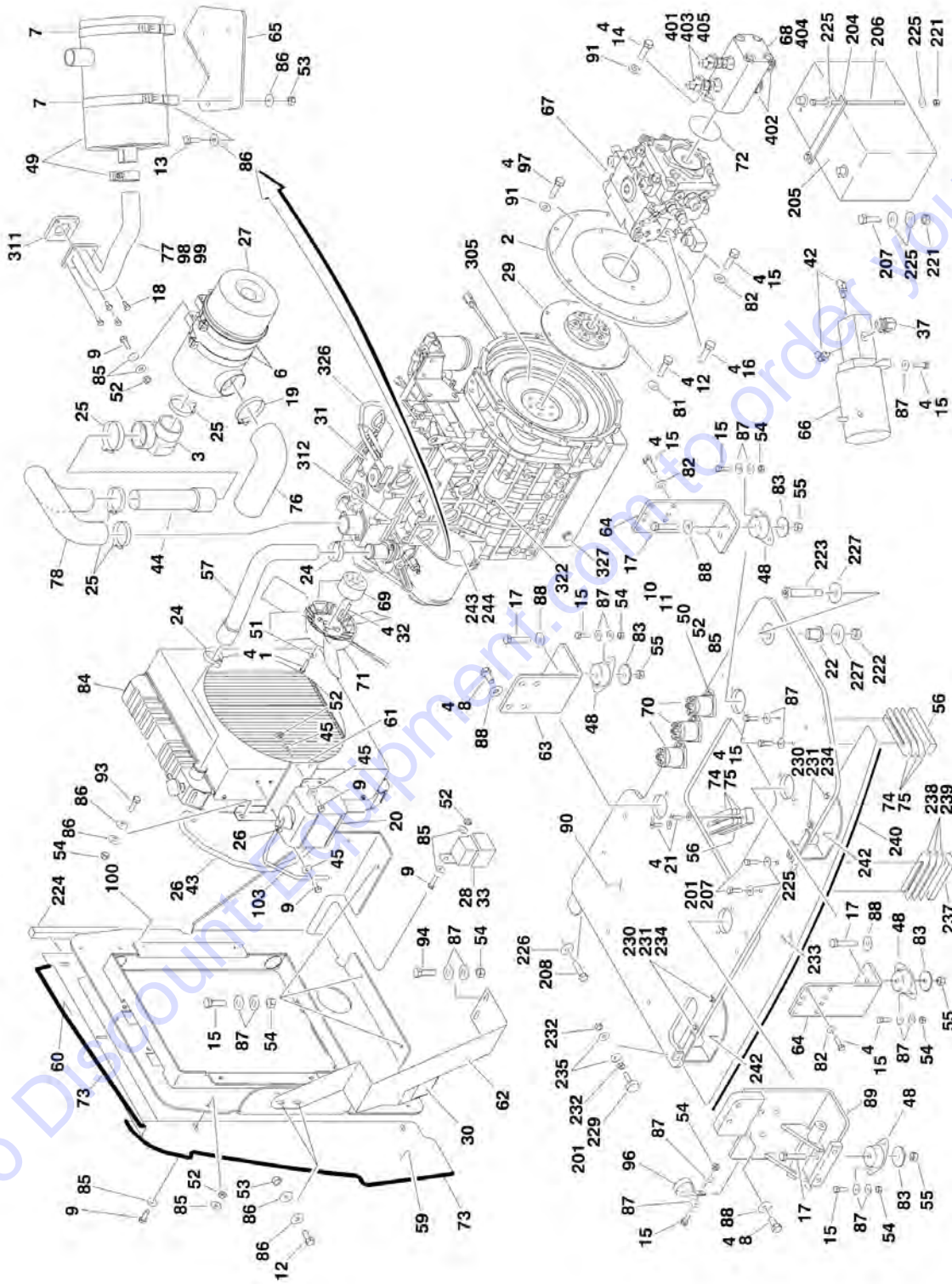
SECTION 2 - TURNTABLE

| ITEM | PART NUMBER | QTY | DESCRIPTION | REV |
|------|-------------|-----|---|-----|
| | | | not available as a service part. Use service replacement parts below.) (Note: Not Available for Purchase) | |
| 331A | 7026884 | 1 | Actuator and Electrical Connector Kit | |
| 331A | 7026835 | 1 | Connector, Actuator | |
| 331B | 7026843 | 1 | Linkage Kit | |
| | 3600405 | Ref | GEAR PUMP ASSEMBLY WITH FITTINGS | A |
| 401 | 2220385 | 2 | Fitting, Tee | |
| 402 | 2220479 | 2 | Fitting, Straight | |
| 403 | 2220810 | 2 | Fitting, Reducer | |
| 404 | 3600368 | 1 | Gear Pump Assembly Less Fittings | |
| 404 | 7024962 | 1 | Seal Kit - 3600368 Pump (Includes Soft Seals) | |
| | | Ref | Note: Seal Kit is the only service part available. | |
| 405 | 4640744 | 2 | Valve, Check | |

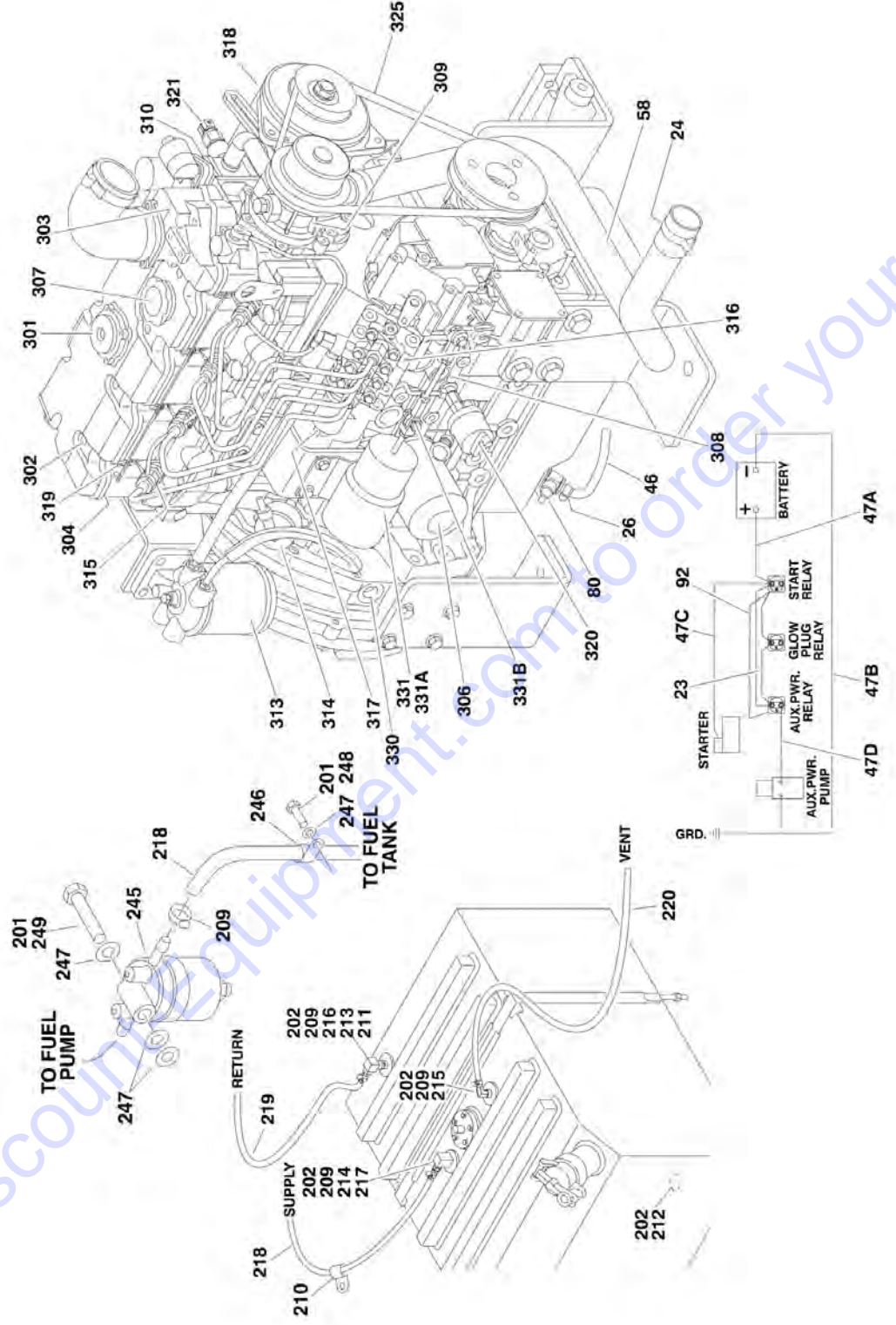
Go to Discount-Equipment.com to order your parts

SECTION 2 - TURNTABLE

FIGURE 2-9. CATERPILLAR ENGINE INSTALLATION - WITH MECHANICAL DRIVEN COOLING FAN (WITHOUT UGM)



SECTION 2 - TURNTABLE



SECTION 2 - TURNTABLE

**FIGURE 2-9. CATERPILLAR ENGINE INSTALLATION - WITH MECHANICAL DRIVEN COOLING FAN
(WITHOUT UGM)**

| ITEM | PART NUMBER | QTY | DESCRIPTION | REV |
|------|-------------|-----------|---|-----|
| | | Ref | NOTE: FOR MODULE IDENTIFICATION, REFER TO REVISION LOG PAGE A. | |
| | | Ref | CATERPILLAR ENGINE ASSEMBLY | |
| | 1001130447 | Ref | Without Arctic Package | B |
| | 1001130446 | Ref | With Arctic Package | B |
| 1 | 0760815 | 4 | Bolt M8 x 35mm | |
| 2 | 0080181 | 1 | Adaptor, Pump Mounting Plate | |
| 3 | 0080201 | 1 | Elbow, Rubber | |
| 4 | 0100011 | AR | Locking, Compound | |
| 5 | 0100020 | AR | Sealant | |
| 6 | 0340041 | 2 | Band, Air Cleaner Mounting | |
| 7 | 0340046 | 2 | Band, Muffler Mounting | |
| 8 | 0630569 | 8 | Bolt M14 x 30mm | |
| 9 | 0641406 | 13 | Bolt 1/4in-20NC x 3/4in | |
| 10 | 0641408 | 5 | Bolt 1/4in-20NC x 1in | |
| 11 | 0641410 | 1 | Bolt 1/4in-20NC x 1-1/4in | |
| 12 | 0641506 | 10 | Bolt 5/16in-18NC x 3/4in | |
| 13 | 0641507 | 4 | Bolt 5/16in-18NC x 7/8in | |
| 14 | 0641608 | 2 | Bolt 3/8in-16NC x 1in | |
| 15 | 0641610 | 34 | Bolt 3/8in-16NC x 1-1/4in | |
| 16 | 0641812 | 2 | Bolt 1/2in-13NC x 1-1/2in | |
| 17 | 0641820 | 4 | Bolt 1/2in-13NC x 2-1/2in | |
| 18 | 0700808 | 4 | Bolt M8 x 16mm | |
| 19 | 1320058 | 1 | Clamp | |
| 20 | 1580011 | 1 | Container, Overflow | |
| 21 | 0741610 | 2 | Screw, Countersunk 3/8in-16NC x 1-1/4in | |
| 22 | 0962172 | 1 | Bushing, Flanged | |
| 23 | 1060904 | 1 | Cable, Jumper | |
| 24 | 1320012 | 4 | Clamp | |
| 25 | 1320016 | 4 | Clamp | |
| 26 | 1320022 | 4 | Clamp | |
| 27 | 1340060 | 1 | Air Cleaner Assembly | |
| 27 | 7012664 | 1 | Element, Air Cleaner | |
| 28 | 3740080 | 1 | Relay | |
| 29 | 1660255 | 1 | Pump, Coupling | |
| 30 | 1703162 | 2 | Decal - Fan Blade | |
| 31 | 1001104689 | 1 | Caterpillar Engine Assembly | |
| 32 | 4031711 | 4 | Bolt M6 x 35mm | |
| 33 | 4460121 | 2 | Terminal | |
| 37 | 2220567 | 1 | Fitting, Elbow | |
| 42 | 2221045 | 2 | Fitting | |
| 43 | 2720058 | 4 in/10cm | Hose | |
| 44 | 4569176 | 1 | Tube, Air Intake | |
| 45 | 4711400 | AR | Flatwasher 1/4in Thin | |
| 46 | 2750532 | 6 in/25cm | Hose | |
| 47 | 2901880 | 1 | Battery Cable Kit | E |
| 47A | 7016843 | 1 | Cable - Battery to Starter Relay | |
| 47B | 7016835 | 1 | Cable - Battery and Auxiliary Pump to Ground | |
| 47C | 7016834 | 1 | Cable - Starter Relay to Starter | |

SECTION 2 - TURNTABLE

| ITEM | PART NUMBER | QTY | DESCRIPTION | REV |
|------|-------------|---------|---|-----|
| 47D | 7016820 | 1 | Cable - Auxiliary Relay to Auxiliary Pump | |
| 48 | 3200378 | 4 | Mount, Motor | |
| 49 | | Ref | Muffler Options: | |
| 49 | 3220113 | 1 | Spark Arresting Muffler | |
| 49 | 70001017 | 1 | Clamp | |
| 49 | 1001107116 | 1 | Catalytic Muffler | |
| 49 | 70002705 | 1 | Clamp | |
| 49 | 70002706 | 1 | Plug, Brass | |
| 50 | 3300220 | 6 | Nut, Washer | |
| 51 | 4891500 | 4 | Flatwasher 5/16in Hardened | |
| 52 | 3311405 | 17 | Locknut 1/4in-20NC | |
| 53 | 3311505 | 6 | Locknut 5/16in-18NC | |
| 54 | 3311605 | 18 | Locknut 3/8in-16NC | |
| 55 | 3311805 | 4 | Locknut 1/2in-13NC | |
| 56 | 3340399 | 2 | Pad, Wear | |
| 57 | 1001100577 | 1 | Hose, Radiator (Top) | |
| 58 | 1001100818 | 1 | Hose, Radiator (Bottom) | |
| 59 | 3572502 | 1 | Plate, Air Flow (Side) | |
| 60 | 3572503 | 1 | Plate, Air Flow (Top) | |
| 61 | 1001100837 | 1 | Bracket, Bottle | |
| 62 | 3573667 | 1 | Plate, Radiator Support | |
| 63 | 3574253 | 1 | Plate, Engine Mounting (Front) | |
| 64 | 3574259 | 2 | Plate, Engine Mounting (Rear) | |
| 65 | 1001098525 | 1 | Plate, Muffler Support | |
| 66 | 3600423 | 1 | Auxiliary Power Pump Assembly (See AUXILIARY PUMP ASSEMBLY for Breakdown) | |
| 67 | 3600404 | 1 | Piston Pump Assembly (See PISTON PUMP ASSEMBLY for Breakdown) | |
| 68 | 3600405 | 1 | Gear Pump Assembly with Fittings (See Items 401-405 for Breakdown) | |
| 69 | 1001101201 | 1 | Adapter, Fan Spacer | |
| 70 | 3740067 | 3 | Relay | |
| 71 | 1001101408 | 1 | Fan | |
| 72 | 3790152 | 1 | O-Ring | |
| 73 | 3960389 | 6 ft/2m | Seal | |
| 74 | 4070497 | 4 | Shim | |
| 75 | 4070498 | 2 | Shim | |
| 76 | 1001101681 | 1 | Elbow, Rubber | |
| 77 | 4568743 | 1 | Pipe, Exhaust | |
| 78 | 1001101950 | 1 | Tube, Air Intake | |
| 80 | 4641272 | 1 | Valve, Oil Drain | |
| 81 | 4711500 | 8 | Flatwasher 5/16in Thin | |
| 82 | 4711600 | 18 | Flatwasher 3/8in Thin | |
| 83 | 4740274 | 4 | Washer, Snubbing | |
| 84 | 1001102706 | 1 | Radiator | |
| 84 | 7027412 | 1 | Cap, Radiator | |
| 84 | 70023056 | 1 | Valve, Drain | |
| 84 | 70004091 | 1 | Shroud | |
| 85 | 4751400 | 30 | Flatwasher 1/4in Regular | |
| 86 | 4751500 | 20 | Flatwasher 5/16in Regular | |
| 87 | 4751600 | 33 | Flatwasher 3/8in Regular | |
| 88 | 4751800 | 11 | Flatwasher 1/2in Regular | |

SECTION 2 - TURNTABLE

| ITEM | PART NUMBER | QTY | DESCRIPTION | REV |
|------|-------------|------------|--|-----|
| 89 | 4846821 | 1 | Mount, Motor/Generator | |
| 90 | 4846852 | 1 | Tray | |
| 91 | 4891600 | 4 | Flatwasher 3/8in Hardened | |
| 92 | 4922737 | 1 | Harness, Engine Grounding | |
| 93 | 0641609 | 4 | Bolt 3/8in-16NC x 1-1/8in | |
| 94 | 0941611 | 2 | Bolt 3/8in-16NC x 1-3/8in | |
| 96 | 1001097588 | 1 | Clamp, Tubing | |
| 97 | 0641612 | 2 | Bolt 3/8in-16NC x 1-1/2in | |
| 98 | 4100025 | 19 | Sleeve, Fiberglass | |
| | | in/48cm | | |
| 99 | 1001100825 | 2 | Tie-Strap | |
| 100 | 1001128125 | 1 | Plate, Radiator Mount | |
| 103 | 2720271 | 18 | Hose | |
| | | in/46cm | | |
| | | Ref | Note: Following Items (Not Shown) Used on Arctic Package Machines Only. | |
| | 1702942 | 1 | Decal, Engine Block Heater (Located at End of Heater Cord) | |
| | 2580054 | 1 | Heater, Engine Block | |
| | 2300041 | AR | Fluid, Antifreeze 60/40 Arctic Antifreeze | |
| | 3020044 | AR | Oil, Motor 0W-40 | |
| | | Ref | CATERPILLAR ENGINE INSTALLATION | |
| | 1001130547 | Ref | Without Arctic Package | A |
| | 1001130546 | Ref | With Arctic Package | A |
| 201 | 0100011 | AR | Locking, Compound | |
| 202 | 0100020 | AR | Sealant | |
| 204 | 0361810 | 1 | Bar, Battery Hold-Down | |
| 205 | 0400075 | 1 | Battery | |
| 206 | 0630541 | 2 | Bolt, Battery | |
| 207 | 0641616 | 3 | Bolt 3/8in-16NC x 2in | |
| 208 | 0642010 | 1 | Bolt 5/8in-11NC x 1-1/4in | |
| 209 | 1320022 | 7 | Clamp | |
| 210 | 1320223 | 1 | J-Clip | |
| 211 | 2180536 | 1 | Fitting, Straight Barbed | |
| 212 | 2200222 | 1 | Plug | |
| 213 | 2220250 | 1 | Fitting, Reducer | |
| 214 | 2220273 | 1 | Fitting, Reducer | |
| 215 | 2220313 | 1 | Fitting, Elbow Barbed | |
| 216 | 2220459 | 1 | Fitting, Elbow | |
| 217 | 2220794 | 1 | Fitting, Straight Barbed | |
| 218 | 2720058 | 14 ft/4.3m | Hose | |
| 219 | 2720271 | 12 ft/3.7m | Hose | |
| 220 | 2750532 | 5 ft/1.5m | Hose | |
| 221 | 3311605 | 3 | Locknut 3/8in-16NC | |
| 222 | 3312005 | 1 | Locknut 5/8in-11NC | |
| 223 | 3900255 | 1 | Screw, Shoulder | |
| 224 | 3960469 | 1 | Seal, Foam Gasket | |
| 225 | 4751600 | 8 | Flatwasher 3/8in Regular | |
| 226 | 4752000 | 1 | Flatwasher 5/8in Regular | |
| 227 | 4752200 | 2 | Flatwasher 3/4in Regular | |
| 228 | 1701505 | 1 | Decal - Diesel Fuel (Not Shown - See DECAL SECTION) | |
| 229 | 0940049 | 2 | Bumper, Hood | |
| 230 | 0641410 | 4 | Bolt 1/4in-20NC x 1-1/4in | |

SECTION 2 - TURNTABLE

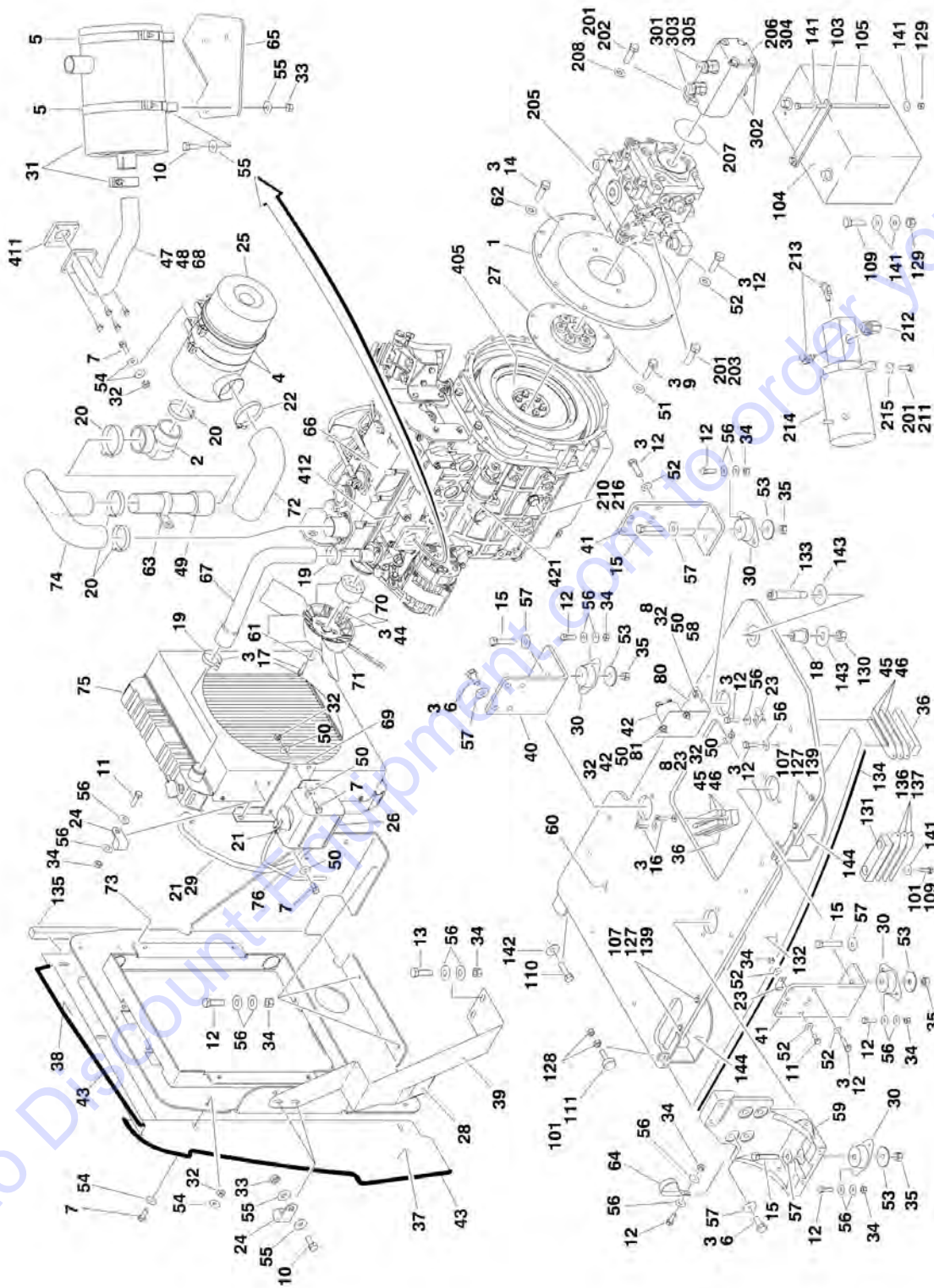
| ITEM | PART NUMBER | QTY | DESCRIPTION | REV |
|------|-------------|-----------|--|-----|
| 231 | 3311405 | 4 | Locknut 1/4in-20NC | |
| 232 | 3311501 | 4 | Nut 5/16in-18NC | |
| 233 | 3572504 | 1 | Plate | |
| 234 | 4751400 | 8 | Flatwasher 1/4in Regular | |
| 235 | 4751500 | 4 | Flatwasher 5/16in Regular | |
| 237 | 3340399 | 1 | Pad, Wear | |
| 238 | 4070497 | 2 | Shim (11Ga) | |
| 239 | 4070498 | 1 | Shim (16Ga) | |
| 240 | 3960389 | 4 ft/1.2m | Seal, Bulb | |
| 241 | | Ref | Coolant, Anti-Freeze Options (Not Shown): | |
| 241 | 2300004 | 2.7 Gal | Without Arctic Package | |
| 241 | 2300041 | 2.7 Gal | With Arctic Package | |
| 242 | 1001094608 | 2 | Latch, Hood | |
| 243 | 3290601 | 1 | Nut M6 x 1 | |
| 244 | 3290501 | 1 | Nut M5 x 0.8 | |
| 245 | 1001100857 | 1 | Separator, Fuel/Water | |
| 245 | 70002378 | 1 | O-Ring | |
| 245 | 70002377 | 1 | Filter, Fuel | |
| 246 | 1320318 | 2 | Clamp | |
| 247 | 4711400 | 5 | Flatwasher 1/4in Thin | |
| 248 | 0641405 | 2 | Bolt 1/4in-20NC x 5/8in | |
| 249 | 0641418 | 1 | Bolt 1/4in-20NC x 2-1/4in | |
| | | Ref | Note: Following Items (Not Shown) Used on Arctic Package Machines Only. | |
| | 1702944 | 1 | Decal - Heater Cord | |
| | 1060626 | 1 | Cord, 3-Way Extension (Located on Left Front of Engine) | |
| | 1702941 | 1 | Decal - Battery Heater | |
| | 2580024 | 1 | Heater, Battery (Located on Battery) | |
| | 1702943 | 1 | Decal - Hydraulic Tank Heater | |
| | 2580050 | 1 | Heater, Hydraulic Tank | |
| | 3980007 | 1 | Seat, Battery (Located Under Battery) | |
| | 1001104689 | Ref | CATERPILLAR ENGINE COMPONENTS | B |
| 301 | 7026848 | 1 | Breather, Valve | |
| 301 | 7026846 | 1 | Gauze, Breather Valve | |
| 302 | 7026847 | 4 | Seal, Valve Cover Nut | |
| 303 | 7026849 | 1 | Gasket, Air Intake | |
| 304 | 7026850 | 1 | Seal, Valve Cover | |
| 305 | 7026852 | 1 | Flywheel with Starter Gear Set | |
| 305 | 7026853 | 1 | Gear, Flywheel | |
| 306 | 70001403 | 1 | Filter, Oil | |
| 307 | 7026860 | 1 | Cap, Oil Fill | |
| 307 | 7026856 | 1 | Seal, Oil Fill Cap | |
| 308 | 7026858 | 1 | Valve, Relief | |
| 308 | 7026857 | 1 | Seal | |
| 309 | 7026864 | 1 | Pump, Water | |
| 309 | 7026863 | 1 | Gasket, Water Pump (Fits Between Pump and Pump Rear Plate) | |
| 309 | 7026865 | 1 | Gasket, Water Pump (Fits Between Pump Rear Plate and Engine Block) | |
| 310 | 7026867 | 1 | Thermostat | |
| 310 | See Note | 1 | Regulator, Water (Note: Not Available for Purchase) | |
| 310 | 7026866 | 1 | Gasket (Fits Between Regulator and Engine Block) | |
| 310 | 7026868 | 1 | Gasket, Thermostat (Fits Between Regulator and Hose Adapter) | |

SECTION 2 - TURNTABLE

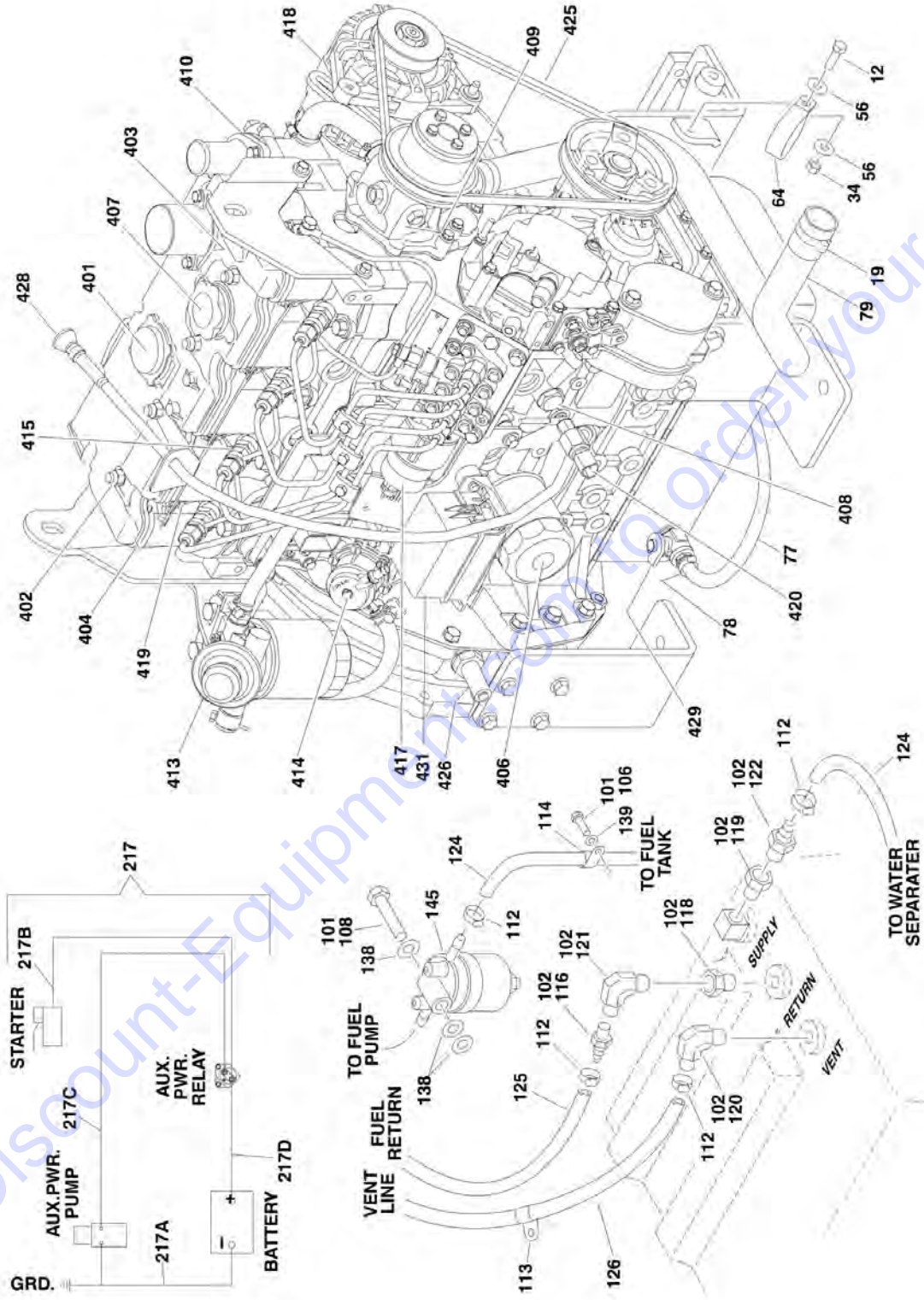
| ITEM | PART NUMBER | QTY | DESCRIPTION | REV |
|------|-------------|-----|--|-----|
| 311 | 7026869 | 1 | Gasket, Exhaust | |
| 312 | 7026870 | 1 | Gasket, Exhaust Manifold | |
| 313 | 70001695 | 1 | Filter Assembly | |
| 313 | 7026871 | 1 | Element, Fuel Filter | |
| 313 | 7026872 | 2 | Gasket, Fuel Filter Element | |
| 314 | 7026873 | 1 | Pump, Fuel Transfer | |
| 314 | 7026874 | 1 | Seal, | |
| 315 | 7026875 | 4 | Injector, Fuel | |
| 316 | See Note | 1 | Pump, Fuel Injection (Note: Not Available for Purchase) | |
| 317 | 70001990 | 1 | Solenoid, Fuel Shut-Off (Note: P/N 70001990 includes adapter harness if required.) | |
| 318 | 70000544 | 1 | Alternator (Note: Not Available for Purchase) | |
| 318 | 70000544 | 1 | Alternator Conversion Kit (Includes Alternator, Adapter Harness, Alternator Bracket, Lever and Mounting Hardware) | |
| 318 | 70001180 | 1 | Bolt, Lower Pivot | |
| 318 | 70001257 | 1 | BRACKET, ADJUSTING (NOT SHOWN) | |
| 319 | 7026878 | 4 | Glowplug | |
| 320 | 1001097554 | 1 | Switch, Oil Pressure | |
| 321 | 7026840 | 1 | Switch, Water Temperature | |
| 321 | 7026882 | 1 | Seal, Sensor | |
| 322 | 7026879 | 1 | Starter | |
| 323 | 7026854 | 1 | Seal, Front Main (Not Shown - Located on Front of Engine Block) | |
| 324 | 7026851 | 1 | Seal, Rear Main (Not Shown - Located on Rear of Engine Block) | |
| 325 | 7026880 | 1 | Belt | |
| 326 | 7026885 | 1 | Dipstick Oil Level | |
| 326 | 7026886 | 1 | Tube, Dipstick | |
| 326 | 7026881 | 1 | O-Ring, Dipstick Tube | |
| 327 | 7026861 | 1 | Plug, Drain | |
| 328 | 7026862 | 1 | Gasket, Valve Bracket (Not Shown - Located on Between Valve Bracket and Head) | |
| 329 | 7026859 | 1 | Gasket, Oil Pan (Not Shown) | |
| 330 | 7026883 | 1 | Speed Sensor Kit | |
| 330 | 7026836 | 1 | Connector, Speed Sensor | |
| 331 | See Note | 1 | Actuator/Linkage Assembly - Throttle (was p/n 1600351 which is not available as a service part. Use service replacement parts below.) (Note: Not Available for Purchase) | |
| 331A | 7026884 | 1 | Actuator and Electrical Connector Kit | |
| 331A | 7026835 | 1 | Connector, Actuator | |
| 331B | 7026843 | 1 | Linkage Kit | |
| | 3600405 | Ref | GEAR PUMP ASSEMBLY WITH FITTINGS | A |
| 401 | 2220385 | 2 | Fitting, Tee | |
| 402 | 2220479 | 2 | Fitting, Straight | |
| 403 | 2220810 | 2 | Fitting, Reducer | |
| 404 | 3600368 | 1 | Gear Pump Assembly Less Fittings | |
| 404 | 7024962 | 1 | Seal Kit - 3600368 Pump (Includes Soft Seals) | |
| | | Ref | Note: Seal Kit is only service part available. | |
| 405 | 4640744 | 2 | Valve, Check | |

SECTION 2 - TURNTABLE

FIGURE 2-10. CATERPILLAR ENGINE INSTALLATION (WITH UGM)



SECTION 2 - TURNTABLE



SECTION 2 - TURNTABLE

FIGURE 2-10. CATERPILLAR ENGINE INSTALLATION (WITH UGM)

| ITEM | PART NUMBER | QTY | DESCRIPTION | REV |
|------|-------------|-----------|---|-----|
| | | Ref | NOTE: FOR MODULE IDENTIFICATION, REFER TO REVISION LOG PAGE A. | |
| | 1001106467 | Ref | CATERPILLAR ENGINE ASSEMBLY | E |
| 1 | 0080181 | 1 | Adaptor, Pump Mounting Plate | |
| 2 | 0080201 | 1 | Elbow, Rubber | |
| 3 | 0100011 | AR | Locking, Compound | |
| 4 | 0340041 | 2 | Band, Air Cleaner Mounting | |
| 5 | 0340046 | 2 | Band, Muffler Mounting | |
| 6 | 0630569 | 8 | Bolt M14 x 30mm | |
| 7 | 0641406 | 13 | Bolt 1/4in-20NC x 3/4in | |
| 8 | 0641408 | 5 | Bolt 1/4in-20NC x 1in | |
| 9 | 0641506 | 8 | Bolt 5/16in-18NC x 3/4in | |
| 10 | 0641507 | 6 | Bolt 5/16in-18NC x 7/8in | |
| 11 | 0641609 | 5 | Bolt 3/8in-16NC x 1-1/8in | |
| 12 | 0641610 | 32 | Bolt 3/8in-16NC x 1-1/4in | |
| 13 | 0641611 | 2 | Bolt 3/8in-16NC x 1-3/8in | |
| 14 | 0641614 | 2 | Bolt 3/8in-16NC x 1-3/4in | |
| 15 | 0641820 | 4 | Bolt 1/2in-13NC x 2-1/2in | |
| 16 | 0741610 | 2 | Screw, Countersunk 3/8in-16NC x 1-1/4in | |
| 17 | 0760815 | 4 | Bolt M8 x 35mm | |
| 18 | 0962172 | 1 | Bushing, Flanged | |
| 19 | 1320012 | 4 | Clamp | |
| 20 | 1320016 | 4 | Clamp | |
| 21 | 1320022 | 3 | Clamp | |
| 22 | 1320058 | 1 | Clamp | |
| 23 | 1320223 | 5 | J-Clip | |
| 24 | 1320318 | 2 | Clamp | |
| 25 | 1340060 | 1 | Air Cleaner Assembly | |
| 25 | 7012664 | 1 | Element, Air Cleaner | |
| 26 | 1580011 | 1 | Container, Overflow | |
| 27 | 1660255 | 1 | Pump, Coupling | |
| 28 | 1703162 | 2 | Decal - Fan Blade | |
| 29 | 2720058 | 3 ft/0.9m | Hose | |
| 30 | 3200378 | 4 | Mount, Motor | |
| 31 | | Ref | Muffler Options: | |
| 31 | 3220113 | 1 | Spark Arresting Muffler | |
| 31 | 70001017 | 1 | Clamp | |
| 31 | 1001107116 | 1 | Catalytic Muffler | |
| 31 | 70002705 | 1 | Clamp | |
| 31 | 70002706 | 1 | Plug, Brass | |
| 32 | 3311405 | AR | Locknut 1/4in-20NC | |
| 33 | 3311505 | 6 | Locknut 5/16in-18NC | |
| 34 | 3311605 | 19 | Locknut 3/8in-16NC | |
| 35 | 3311805 | 4 | Locknut 1/2in-13NC | |
| 36 | 3340399 | 2 | Pad, Wear | |
| 37 | 3572502 | 1 | Plate, Air Flow (Side) | |
| 38 | 3572503 | 1 | Plate, Air Flow (Top) | |
| 39 | 3573667 | 1 | Plate, Radiator Support | |
| 40 | 3574253 | 1 | Plate, Engine Mounting (Front) | |
| 41 | 3574259 | 2 | Plate, Engine Mounting (Rear) | |

SECTION 2 - TURNTABLE

| ITEM | PART NUMBER | QTY | DESCRIPTION | REV |
|------|-------------|---------------|---|-----|
| 42 | 3740067 | 1 | Relay | |
| 43 | 3960438 | 6 ft/1.8m | Seal, Self Gripping | |
| 44 | 4031711 | 4 | Bolt M6 x 35mm | |
| 45 | 4070497 | 4 | Shim | |
| 46 | 4070498 | 2 | Shim | |
| 47 | 4100025 | 19 in/48cm | Sleeve, Fiberglass | |
| 48 | 4568743 | 1 | Pipe, Exhaust | |
| 49 | 4569176 | 1 | Tube, Air Intake | |
| 50 | 4711400 | AR | Flatwasher 1/4in Thin | |
| 51 | 4711500 | 8 | Flatwasher 5/16in Thin | |
| 52 | 4711600 | 20 | Flatwasher 3/8in Thin | |
| 53 | 4740274 | 4 | Washer, Snubbing | |
| 54 | 4751400 | 18 | Flatwasher 1/4in Regular | |
| 55 | 4751500 | 12 | Flatwasher 5/16in Regular | |
| 56 | 4751600 | 38 | Flatwasher 3/8in Regular | |
| 57 | 4751800 | 12 | Flatwasher 1/2in Regular | |
| 58 | 4791400 | 2 | Starwasher 1/4in (Prior to SN 0300143951) | |
| 59 | | Ref | Mount, Motor/Generator Options: | |
| 59 | 4846821 | 1 | Mount, Motor/Generator (Prior to SN 0300151953) | |
| 59 | 1001102585 | 1 | Mount, Motor/Generator (SN 0300151953 through 0300203770) | |
| 60 | 4846852 | 1 | Weldment, Engine Tray | |
| 61 | 4891500 | 4 | Flatwasher 5/16in Hardened | |
| 62 | 4891600 | 2 | Flatwasher 3/8in Hardened | |
| 63 | 85941018 | 1 | Clamp | |
| 64 | 1001097588 | 1 | Clip, Tube | |
| 65 | 1001098525 | | Plate, Muffler Support | |
| 66 | 1001106426 | 1 | Engine, Caterpillar C2.2 | |
| 67 | 1001100577 | 1 | Hose, Radiator (Top) | |
| 68 | 1001100825 | 2 | Tie-Strap | |
| 69 | 1001100837 | 1 | Bracket, Bottle | |
| 70 | 1001101201 | 1 | Adapter, Fan Spacer | |
| 71 | 1001101408 | 1 | Fan | |
| 72 | 1001101681 | 1 | Elbow, Rubber | |
| 73 | 1001101733 | 1 | Mount, Radiator | |
| 74 | 1001101950 | 1 | Tube, Air Intake | |
| 75 | 1001102706 | 1 | Radiator | |
| 75 | 7027412 | 1 | Cap, Radiator | |
| 75 | 70023056 | 1 | Valve, Drain | |
| 75 | 70004091 | 1 | Shroud | |
| 76 | 2720271 | 18 in/46cm | Hose | |
| 77 | 2720615 | 6 in/15cm | Hose | |
| 78 | 8405006 | 1 | Clamp | |
| 79 | 1001100818 | 1 | Hose, Radiator (Bottom) | |
| 80 | 1001121115 | 1 | Mount, Relay (SN 0300143951 through 0300203770) | |
| 81 | 0641405 | 2 | Bolt 1/4in-20NC X 5/8in (SN 0300143951 through 0300203770) | |
| | | Ref | CATERPILLAR ENGINE INSTALLATION | |
| | 1001106469 | Ref | Without Arctic Package | D |
| | 1001106471 | Ref | With Arctic Package | B |
| 101 | 0100011 | AR | Locking, Compound | |
| 102 | 0100020 | AR | Sealant | |

SECTION 2 - TURNTABLE

| ITEM | PART NUMBER | QTY | DESCRIPTION | REV |
|------|-------------|------------|--|-----|
| 103 | 0361810 | 1 | Bar, Battery Hold-Down | |
| 104 | 0400075 | 1 | Battery | |
| 105 | 0630541 | 2 | Bolt, Battery | |
| 106 | 0641405 | 2 | Bolt 1/4in-20NC x 5/8in | |
| 107 | 0641410 | 4 | Bolt 1/4in-20NC x 1-1/4in | |
| 108 | 0641418 | 1 | Bolt 1/4in-20NC x 2-1/4in | |
| 109 | 0641616 | 3 | Bolt 3/8in-16NC x 2in | |
| 110 | 0642010 | 1 | Bolt 5/8in-11NC x 1-1/4in | |
| 111 | 0940049 | 2 | Bumper, Hood | |
| 112 | 1320022 | 7 | Clamp | |
| 113 | 1320223 | 1 | J-Clip | |
| 114 | 1320318 | 2 | Clamp | |
| 115 | 1701505 | 1 | Decal - Diesel Fuel (Not Shown - See DECAL SECTION) | |
| 116 | 2180536 | 1 | Fitting, Straight Barbed | |
| 117 | 2200222 | 1 | Plug, Pipe (Not Shown - Located on Bottom of Fuel Tank) | |
| 118 | 2220250 | 1 | Fitting, Reducer | |
| 119 | 2220273 | 1 | Fitting, Reducer | |
| 120 | 2220313 | 1 | Fitting, Elbow Barbed | |
| 121 | 2220459 | 1 | Fitting, Elbow | |
| 122 | 2220794 | 1 | Fitting, Straight Barbed | |
| 123 | | Ref | Coolant, Anti-Freeze Options (Not Shown): | |
| 123 | 2300004 | 2.7 Gal | Without Arctic Package | |
| 123 | 2300041 | 2.7 Gal | With Arctic Package | |
| 124 | 2720058 | 14 ft/4.3m | Hose | |
| 125 | 2720271 | 12 ft/3.7m | Hose | |
| 126 | 2750532 | 5 ft/1.5m | Hose | |
| 127 | 3311405 | 4 | Locknut 1/4in-20NC | |
| 128 | 3311501 | 4 | Nut 5/16in-18NC | |
| 129 | 3311605 | 3 | Locknut 3/8in-16NC | |
| 130 | 3312005 | 1 | Locknut 5/8in-11NC | |
| 131 | 3340399 | 1 | Pad, Wear | |
| 132 | 3572504 | 1 | Plate | |
| 133 | 3900255 | 1 | Screw, Shoulder | |
| 134 | 3960389 | 4 ft/1.2m | Seal, Bulb | |
| 135 | 3960469 | 1 | Seal, Foam Gasket | |
| 136 | 4070497 | 2 | Shim (11Ga) | |
| 137 | 4070498 | 1 | Shim (16Ga) | |
| 138 | 4711400 | 3 | Flatwasher 1/4in Thin | |
| 139 | 4751400 | 10 | Flatwasher 1/4in Regular | |
| 141 | 4751600 | 8 | Flatwasher 3/8in Regular | |
| 142 | 4752000 | 1 | Flatwasher 5/8in Regular | |
| 143 | 4752200 | 2 | Flatwasher 3/4in Regular | |
| 144 | 1001094608 | 2 | Latch, Hood | |
| 145 | 1001100857 | 1 | Separator, Fuel/Water | |
| 145 | 70002378 | 1 | O-Ring | |
| 145 | 70002377 | 1 | Filter, Fuel | |
| | | Ref | Note: Following Items 147 & 153 (Not Shown) Used on Arctic Package Machines Only. | |
| 147 | 1060626 | 1 | Cord, 3-Way Extension (Located on Left Front of Engine) | |
| 148 | 1702941 | 1 | Decal - Battery Heater | |
| 149 | 1702943 | 1 | Decal - Hydraulic Tank Heater | |
| 150 | 1702944 | 1 | Decal - Heater Cord | |

SECTION 2 - TURNTABLE

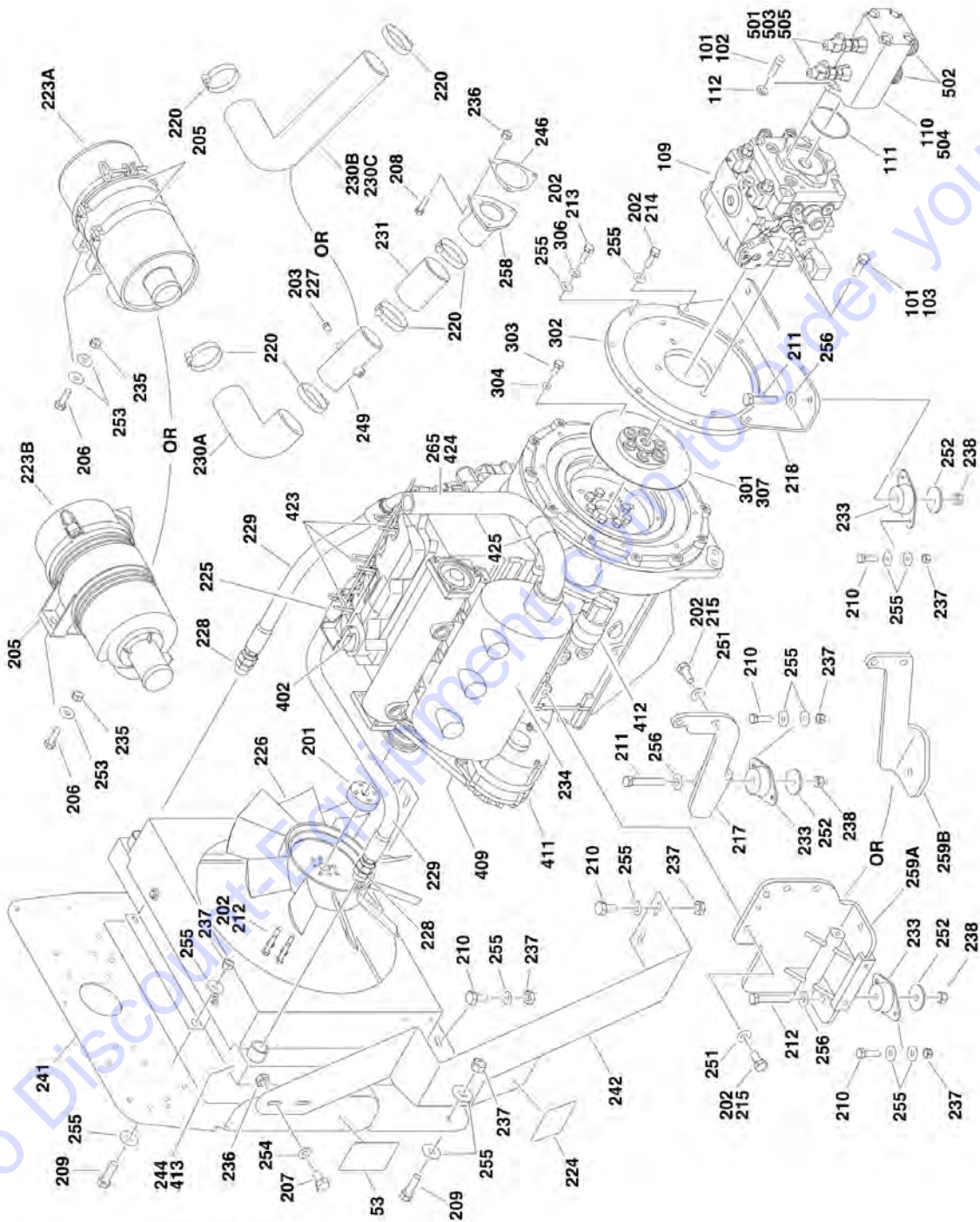
| ITEM | PART NUMBER | QTY | DESCRIPTION | REV |
|------|-------------|---------|--|-----|
| 151 | 2580024 | 1 | Heater, Battery (Located on Battery) | |
| 152 | 2580050 | 1 | Heater, Hydraulic Tank | |
| 153 | 3980007 | 1 | Seat, Battery (Located Under Battery) | |
| | | Ref | ENGINE AND PUMPS SUB-ASSEMBLY | |
| | 1001106468 | Ref | Without Arctic Package | A |
| | 1001106470 | Ref | With Arctic Package | A |
| 201 | 0100011 | AR | Locking, Compound | |
| 202 | 0641608 | 2 | Bolt 3/8in-16NC x 1in | |
| 203 | 0641812 | 2 | Bolt 1/2in13NC x 1-1/2in | |
| 204 | | Ref | Oil, Engine Options (Not Shown): | |
| 204 | 3020016 | 2.5 Gal | Without Arctic Package (15W-40) | |
| 204 | 3020044 | 2.5 Gal | With Arctic Package (0W-40) | |
| 205 | 3600404 | 1 | Piston Pump Assembly (See PISTON PUMP ASSEMBLY for Breakdown) | |
| 206 | 3600405 | 1 | Gear Pump Assembly With Fittings (See Items 301-305 for Breakdown) | |
| 207 | 3790152 | 1 | O-Ring | |
| 208 | 4891600 | 2 | Flatwasher 3/8in Hardened | |
| 210 | 0630569 | 1 | Bolt M14 x 30mm | |
| 211 | 0641610 | 2 | Bolt 3/8in-16NC x 1-1/4in | |
| 212 | 2220567 | 1 | Fitting, Elbow | |
| 213 | 2221045 | 2 | Fitting | |
| 214 | 3600423 | 1 | Auxiliary Power Pump Assembly (See AUXILIARY PUMP ASSEMBLY for Breakdown) | |
| 215 | 4751600 | 2 | Flatwasher 3/8in Regular | |
| 216 | 4751800 | 1 | Flatwasher 1/2in Regular | |
| 217 | 1001102859 | 1 | Battery Cable Kit | B |
| 217A | 7027022 | 1 | Cable - Battery and Auxiliary Pump to Ground | |
| 217B | 7027024 | 1 | Cable - Auxiliary Power Relay to Starter | |
| 217C | 7027023 | 1 | Cable - Auxiliary Power Relay to Auxiliary Pump | |
| 217D | 7027021 | 1 | Cable - Battery to Relays | |
| | | Ref | Note: Following Items 218 & 219 (Not Shown) Used on Arctic Package Machines Only. | |
| 218 | 1702942 | 1 | Decal - Engine Block Heater (Located on Right Side of Engine) | |
| 219 | 2580054 | 1 | Heater, Engine Block (Located on Right Side of Engine) | |
| | 3600405 | Ref | GEAR PUMP ASSEMBLY WITH FITTINGS | A |
| 301 | 2220385 | 2 | Fitting, Tee | |
| 302 | 2220479 | 2 | Fitting, Straight | |
| 303 | 2220810 | 2 | Fitting, Reducer | |
| 304 | 3600368 | 1 | Gear Pump Assembly Less Fittings | |
| 304 | 7024962 | 1 | Seal Kit - 3600368 Pump (Includes Soft Seals) | |
| | | Ref | Note: Seal Kit is only service part available. | |
| 305 | 4640744 | 2 | Valve, Check | |
| | 1001106426 | Ref | CATERPILLAR ENGINE COMPONENTS | C |
| 401 | 7026848 | 1 | Valve, Breather | |
| 401 | 7026846 | 1 | Gauze, Breather Valve | |
| 402 | 7026847 | 4 | Seal, Valve Cover Nut | |
| 403 | 7026849 | 1 | Gasket, Air Intake | |
| 404 | 7026850 | 1 | Seal, Valve Cover | |
| 405 | 7026852 | 1 | Flywheel with Starter Gear Set | |
| 405 | 7026853 | 1 | Gear, Rim | |
| 405 | 7026851 | 1 | Seal, Rear Main (Not Shown) | |

SECTION 2 - TURNTABLE

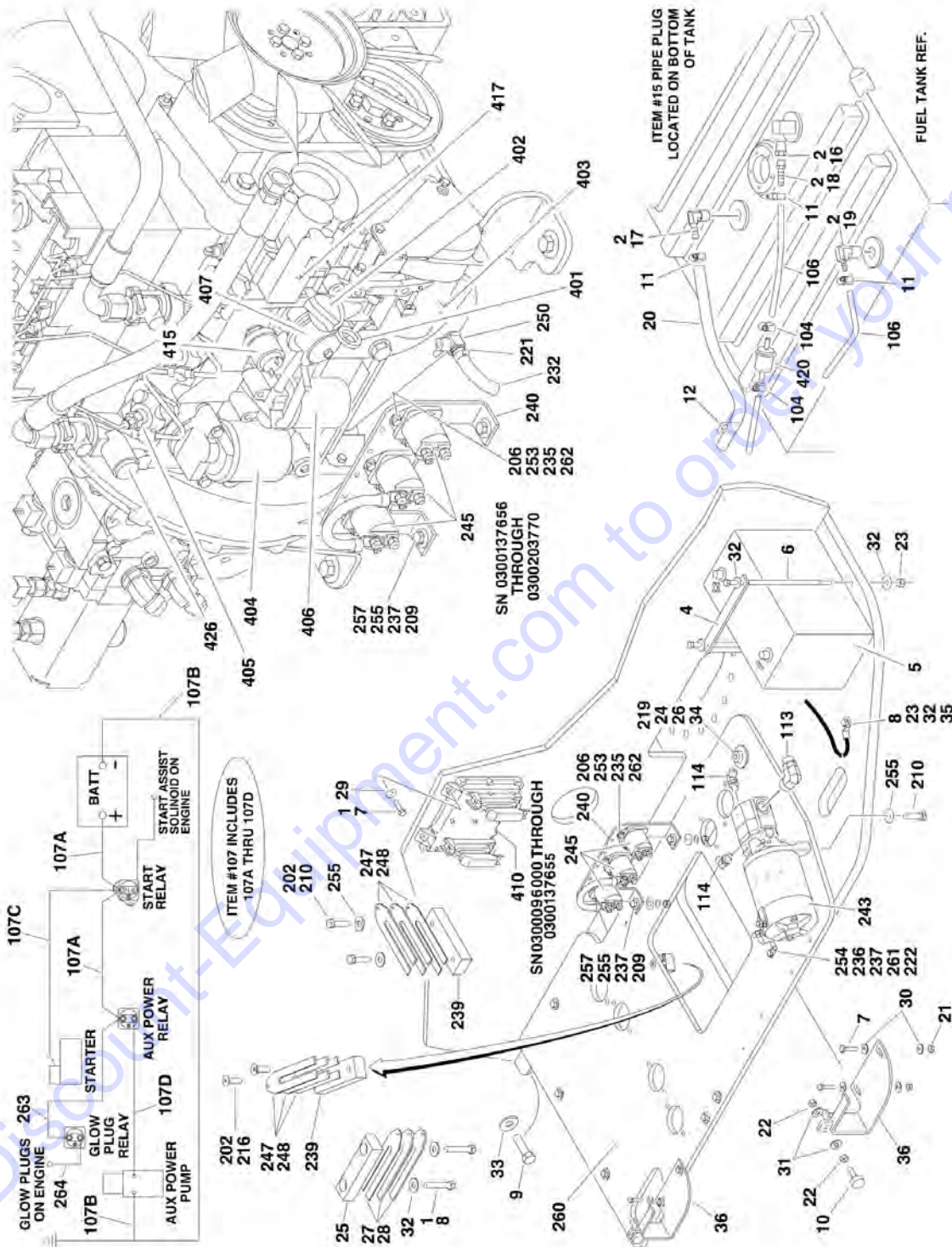
| ITEM | PART NUMBER | QTY | DESCRIPTION | REV |
|------|-------------|-----|---|-----|
| 406 | 70001403 | 1 | Filter, Oil (was p/n 7026855) | |
| 407 | 7026860 | 1 | Cap, Oil Fill | |
| 407 | 7026856 | 1 | Seal, Oil Fill Cap | |
| 408 | 7026858 | 1 | Valve, Relief | |
| 408 | 7026857 | 1 | Seal | |
| 409 | 7026864 | 1 | Pump, Water | |
| 409 | 7026863 | 1 | Gasket, Water Pump (Fits Between Pump and Pump Rear Plate) | |
| 409 | 7026865 | 1 | Gasket, Water Pump (Fits Between Pump Rear Plate and Engine Block) | |
| 410 | 7026867 | 1 | Thermostat | |
| 410 | 7026866 | 1 | Gasket (Fits Between Regulator and Engine Block) | |
| 410 | 7026868 | 1 | Gasket (Fits Between Regulator and Hose Adapter) | |
| 411 | 7026869 | 1 | Gasket, Exhaust | |
| 412 | 7026870 | 1 | Gasket, Exhaust Manifold | |
| 413 | 70003758 | 1 | Filter Assembly | |
| 413 | 70003791 | 2 | Element, Fuel Filter (was p/n 7026871) | |
| 413 | 7026872 | 2 | Gasket, Fuel Filter Element | |
| 414 | 7026873 | 1 | Pump, Fuel Transfer | |
| 414 | 7026874 | 1 | Seal | |
| 415 | 7026875 | 4 | Injector, Fuel | |
| 417 | 70003541 | 1 | Actuator | |
| 418 | 70003768 | 1 | Alternator | |
| 419 | 7026878 | 4 | Glowplug | |
| 420 | 70003759 | 1 | Switch, Oil Pressure | |
| 420 | 70003760 | 1 | Adapter, Oil Pressure Switch | |
| 421 | 70003769 | 1 | Starter | |
| 422 | 7026854 | 1 | Seal, Front Main (Not Shown) | |
| 423 | 7026859 | 1 | Gasket, Oil Pan (Not Shown) | |
| 424 | 7026862 | 1 | Gasket, Valve Bracket (Not Shown - Located Between Valve Bracket and Cylinder Head) | |
| 425 | 70003761 | 1 | Belt | |
| 426 | 70003766 | 1 | Sensor, Speed | |
| 427 | 70003765 | 1 | Sensor, Temperature (Not Shown) | |
| 428 | 70003763 | 1 | Dipstick | |
| 428 | 70003764 | 1 | Tube, Dipstick | |
| 429 | 4641272 | 1 | Valve, Oil Drain | |
| 429 | 7026861 | 1 | Seal, Oil Drain Valve | |
| 430 | 70003767 | 1 | Harness, Engine (Not Shown) | |
| 431 | 70003770 | 1 | ECM | |

SECTION 2 - TURNTABLE

FIGURE 2-11. DEUTZ D2011 ENGINE INSTALLATION



SECTION 2 - TURNTABLE



SECTION 2 - TURNTABLE

FIGURE 2-11. DEUTZ D2011 ENGINE INSTALLATION

| ITEM | PART NUMBER | QTY | DESCRIPTION | REV |
|------|-------------|-----------|--|-----|
| | | Ref | DEUTZ ENGINE INSTALLATIONS | |
| | | Ref | Without Arctic Package | |
| | 0274334 | Ref | ANSI Export, CE, Australian and Japanese Specs | J |
| | 0274334 | Ref | ANSI and CSA Specs (Prior to SN 0300169776) | J |
| | 1001137831 | Ref | ANSI and CSA Specs (SN 0300169776 through 0300186709) | C |
| | | Ref | With Arctic Package | |
| | 1001093894 | Ref | ANSI Export, CE, Australian and Japanese Specs | H |
| | 1001093894 | Ref | ANSI and CSA Specs (Prior to SN 0300169776) | H |
| | 1001137834 | Ref | ANSI and CSA Specs (SN 0300169776 through 0300186709) | C |
| 1 | 0100011 | AR | Locking, Compound | |
| 2 | 0100020 | AR | Sealant, Pipe | |
| 4 | 0361810 | 1 | Bar, Battery Hold-Down | |
| 5 | 0400075 | 1 | Battery | |
| 6 | 0630541 | 2 | Bolt, Battery | |
| 7 | 0641410 | 4 | Bolt 1/4in-20NC x 1-1/4in | |
| 8 | 0641616 | 3 | Bolt 3/8in-16NC x 2in | |
| 9 | 0642010 | 1 | Bolt 5/8in-11NC x 1-1/4in | |
| 10 | 0940049 | 2 | Bumper, Hood | |
| 11 | 1320022 | 3 | Clamp | |
| 12 | 1320223 | 1 | J-Clip (Not Shown - Located on Fuel Vent Line) | |
| 13 | 1701505 | 1 | Decal - Diesel Fuel (Not Shown - See DECAL SECTION for Location) | |
| 15 | 2200222 | 1 | Plug, Pipe (Not Shown - Located on Bottom of Fuel Tank) | |
| 16 | | Ref | Fitting Options: | |
| 16 | 2220273 | 1 | Fitting, Reducer (Prior to SN 0300171436) | |
| 16 | 2180348 | 1 | Fitting, Straight Barbed (SN 0300171436 through 0300203770) | |
| 17 | 2220313 | 1 | Fitting, Elbow Barbed | |
| 18 | 2220794 | 1 | Fitting, Straight Barbed (Prior to SN 0300171436) | |
| 19 | 2221176 | 1 | Fitting, Elbow | |
| 20 | 2750532 | 5 ft/1.5m | Hose | |
| 21 | 3311405 | 4 | Locknut 1/4in-20NC | |
| 22 | 3311501 | 4 | Nut 5/16in-18NC | |
| 23 | 3311605 | 3 | Locknut 3/8in-16NC | |
| 24 | 3312005 | 1 | Locknut 5/8in-11NC | |
| 25 | 3340399 | 1 | Pad, Wear | |
| 26 | 3900255 | 1 | Bolt, Shoulder | |
| 27 | 4070498 | 1 | Shim (16Ga.) | |
| 28 | 4070497 | 2 | Shim (11 Ga.) | |
| 29 | 4711400 | 4 | Flatwasher 1/4in Thin | |
| 30 | 4751400 | 8 | Flatwasher 1/4in Regular | |
| 31 | 4751500 | 4 | Flatwasher 5/16in Regular Only (SN 0300096000 through 0300137656) | |
| 32 | 4751600 | 8 | Flatwasher 3/8in Regular | |
| 33 | 4752000 | 1 | Flatwasher 5/8in Regular | |
| 34 | 4752200 | 2 | Flatwasher 3/4in Regular | |
| 35 | 4791600 | 1 | Starwasher 3/8in | |
| 36 | | Ref | Latch, Hood Options: | |
| 36 | 4846096 | NLA | Latch, Hood (SN 0300096000 through 0300133982) | |
| 36 | 1001094608 | 2 | Latch, Hood (SN 0300133983 through 0300203770) | |

SECTION 2 - TURNTABLE

| ITEM | PART NUMBER | QTY | DESCRIPTION | REV |
|------|-------------|----------|--|-----|
| 53 | | Ref | Decal - Warning Explosion/Fire Options: | |
| 53 | 1704972 | 1 | ANSI English | |
| 53 | 1706098 | 1 | Australian and CE | |
| 53 | 1706064 | 1 | CSA | |
| 53 | 1706060 | 1 | English/Chinese | |
| 53 | 1706061 | 1 | English/Korean | |
| 53 | 1706062 | 1 | English/Japanese | |
| 53 | 1706059 | 1 | English/Portuguese | |
| 53 | 1706063 | 1 | English/Spanish | |
| | | Ref | Note: Following Items (Not Shown) Used on Arctic Package Machines Only. | |
| 53 | 1060626 | 1 | Cord, 3 Way Extension | |
| 53 | 2580024 | 1 | Heater, Battery (Located on Battery) | |
| 53 | 2580050 | 1 | Heater, Hydraulic Tank (Located on bottom of Hydraulic Oil Tank) | |
| 53 | 3980007 | 1 | Seat, Battery (Located Under Battery) | |
| 53 | 1702941 | 1 | Decal - Battery Heater (Located on Battery Heater) | |
| 53 | 1702942 | 1 | Decal - Engine Block Heater (Located on Right Side of Engine) | |
| 53 | 1702943 | 1 | Decal - Hydraulic Tank Heater (Located on bottom of Hydraulic Oil Tank) | |
| 53 | 1702944 | 1 | Decal - Heater Cord | |
| | | Ref | ENGINE AND PUMPS SUB-ASSEMBLY | |
| | | Ref | Without Arctic Package | |
| | 2000286 | Ref | All Specs (SN 0300096000 through 0300161284) | I |
| | 1001143873 | Ref | ANSI Export, CE, Australian and Japanese Specs (SN 0300161285 through 0300203770) | B |
| | 1001143873 | Ref | ANSI and CSA Specs (SN 0300161285 through 0300169775) | B |
| | 1001137830 | Ref | ANSI and CSA Specs (SN 0300169776 through 0300203770) | B |
| | | Ref | With Arctic Package | |
| | 1001093895 | Ref | All Specs (SN 0300096000 through 0300161284) | G |
| | 1001143875 | Ref | ANSI Export, CE, Australian and Japanese Specs (SN 0300161285 through 0300203770) | B |
| | 1001143875 | Ref | ANSI and CSA Specs (SN 0300161285 through 0300169775) | B |
| | 1001137833 | Ref | ANSI and CSA Specs (SN 0300169776 through 0300203770) | B |
| 101 | 0100011 | AR | Locking, Compound | |
| 102 | 3931616 | 2 | Bolt 3/8in-16NC x 1in | |
| 103 | 0641812 | 2 | Bolt 1/2in-13NC x 1-1/2in | |
| 104 | 1320022 | 2 | Clamp | |
| 106 | 2720058 | 20 ft/6m | Hose | |
| 107 | 2901880 | 1 | Battery Cable Kit | E |
| 107A | 7016843 | 1 | Cable - Battery to Starter and Auxiliary Relays | |
| 107B | 7016835 | 1 | Cable - Battery and Auxiliary Pump to Ground | |
| 107C | 7016834 | 1 | Cable - Starter Relay to Starter | |
| 107D | 7016820 | 1 | Cable - Auxiliary Relay to Auxiliary Pump | |
| 109 | 3600404 | 1 | Piston Pump Assembly with Fittings (See PISTON PUMP ASSEMBLY for Breakdown) | |
| 110 | 3600405 | 1 | Gear Pump Assembly with Fittings (See Items 501-505 for Breakdown) | |
| 111 | 3790152 | 1 | O-Ring | |
| 112 | 4891600 | 2 | Flatwasher 3/8in Hardened | |
| 113 | 2220567 | 1 | Fitting, Elbow | |
| 114 | 2221045 | 2 | Fitting, Elbow | |
| | | Ref | ENGINE ASSEMBLY | |

SECTION 2 - TURNTABLE

| ITEM | PART NUMBER | QTY | DESCRIPTION | REV |
|------|-------------|-----|--|-----|
| | | Ref | Without Arctic Package | |
| | 2000347 | Ref | All Specs (SN 0300096000 through 0300161284) | N |
| | 1001143872 | Ref | ANSI Export, CE, Australian and Japanese Specs (SN 0300161285 through 0300203770) | F |
| | 1001143872 | Ref | ANSI and CSA Specs (SN 0300161285 through 0300169775) | F |
| | 1001137829 | Ref | ANSI and CSA Specs (SN 0300169776 through 0300203770) | D |
| | | Ref | With Arctic Package | |
| | 1001093896 | Ref | All Specs (SN 0300096000 through 0300161284) | G |
| | 1001143874 | Ref | ANSI Export, CE, Australian and Japanese Specs (SN 0300161285 through 0300203770) | E |
| | 1001143874 | Ref | ANSI and CSA Specs (SN 0300161285 through 0300169775) | E |
| | 1001137832 | Ref | ANSI and CSA Specs (SN 0300169776 through 0300203770) | C |
| 201 | 0080231 | 1 | Adapter, Fan Spacer | |
| 202 | 0100011 | AR | Locking, Compound | |
| 203 | 0100020 | AR | Sealant, Pipe (SN 0300096000 through 0300161285) | |
| 205 | | Ref | Hardware, Air Cleaner | |
| 205 | 0340041 | 2 | Band, Air Cleaner (SN 0300096000 through 0300161284) | |
| 205 | 1001141694 | 1 | Clamp, Air Cleaner (SN 0300161285 through 0300203770) | |
| 206 | 0641406 | AR | Bolt 1/4in-20NC x 3/4in | |
| 206 | 0641409 | AR | Bolt 1/4in-20NC x 1 1/8in | |
| 207 | 0641507 | 2 | Bolt 5/16in-18NC x 7/8in | |
| 208 | 0641510 | AR | Bolt 5/16in-18NC x 1-1/4in | |
| 208 | 0641512 | AR | Bolt 5/16in-18NC x 1-1/2in | |
| 208 | 0641511 | AR | Bolt 5/16in-18NC x 1-3/8in | |
| 209 | 0641609 | AR | Bolt 3/8in-16NC x 1-1/8in | |
| 209 | 0641610 | AR | Bolt 3/8in-16NC x 1-1/4in | |
| 210 | 0641611 | AR | Bolt 3/8in-16NC x 1-3/8in | |
| 210 | 0641610 | AR | Bolt 3/8in-16NC x 1-1/4in | |
| 211 | 0641820 | 4 | Bolt 1/2in-13NC x 2-1/2in | |
| 212 | 0700816 | 4 | Bolt 8mm x 40mm | |
| 213 | 0771012 | 4 | Bolt 10mm x 25mm | |
| 214 | 0711014 | 4 | Bolt 10mm x 30mm | |
| 215 | 0711414 | AR | Bolt 14mm x 30mm | |
| 216 | 0741610 | 2 | Screw, Countersunk 3/8in-16NC x 1-1/4in | |
| 217 | 0902740 | 1 | Bracket, Engine Mounting (Right Side) | |
| 218 | 0903063 | 1 | Plate, Engine, Mounting | |
| 219 | 0962172 | 1 | Bushing, Flanged | |
| 220 | 1320016 | AR | Clamp, Hose | |
| 221 | 1320022 | 1 | Clamp, Hose Only (SN 0300096000 through 0300161285) | |
| 222 | 1320223 | 1 | J-Clip | |
| 223 | | Ref | Air Cleaner Assembly Filter Element Options: | |
| 223A | 1340060 | 1 | Air Cleaner Assembly (SN 0300096000 through 0300161284) | |
| 223A | 7012664 | 1 | Element, Filter (Not Shown) | |
| 223B | 1001141693 | 1 | Air Cleaner Assembly (SN 0300161285 through 0300203770) | |
| 223B | 70003783 | 1 | Element, Filter (Not Shown) | |
| 224 | 1703162 | 2 | Decal - Caution Fan Blade | |
| 225 | | Ref | Engine, Deutz Options: | |
| 225 | 2000338 | 1 | All Specs (F3M2011) (SN 0300096000 through 0300106862) | |
| 225 | 1001092723 | 1 | All Specs (D2011L03) (SN 0300106863 through 0300161284) | |

SECTION 2 - TURNTABLE

| ITEM | PART NUMBER | QTY | DESCRIPTION | REV |
|------|--------------|-----------|---|-----|
| 225 | 1001144476 | 1 | ANSI Export, CE, Australian and Japanese Specs (D2011L03) (SN 0300161285 through 0300203770) | |
| 225 | 1001144476 | 1 | ANSI and CSA Specs (D2011L03) (SN 0300161285 through 0300169775) | |
| 225 | 1001137828 | 1 | ANSI and CSA Specs (D2011L03) (SN 0300169776 through 0300203770) | |
| 226 | 2060025 | 1 | Fan | |
| 227 | 2200221 | 1 | Plug Only (SN 0300096000 through 0300106863) | |
| 228 | 2220451 | 2 | Fitting, Straight | |
| 229 | 2720398 | 2 | Hose, Oil Cooler | |
| 230 | | Ref | Elbow, Rubber Options: | |
| 230A | 2720434 | 1 | Elbow, Rubber (SN 0300096000 through 0300106862) | |
| 230B | 1001091179 | 1 | Elbow, Rubber (SN 0300106863 through 0300161284) | |
| 230C | 1001140334 | 1 | Elbow, Rubber (SN 0300161285 through 0300203770) | |
| 231 | 2720449 | 1 | Hose, Air Cleaner Only (SN 0300096000 through 0300106863) | |
| 232 | | Ref | Hose, Oil Drain Options: | |
| 232 | 2750532 | 1 ft/30cm | Hose, Oil Drain (SN 0300096000 through 0300140523) | |
| 232 | 1001091892 | 6 in/15cm | Hose, Oil Drain (SN 0300140524 through 0300141404) | |
| 232 | 2750532 | 1 ft/30cm | Hose, Oil Drain (SN 0300141405 through 0300161284) | |
| 232 | Not Required | 0 | Hose, Oil Drain (SN 0300161285 through 0300203770) | |
| 233 | 3200406 | 4 | Mount, Motor | |
| 234 | | Ref | Muffler Options: | |
| 234 | 3220110 | 1 | Standard Muffler (SN 0300096000 through 0300106862) | |
| 234 | 1001141708 | 1 | Standard Muffler (SN 0300106863 through 0300161284) | |
| 234 | 7020455 | 1 | Standard Muffler (SN 0300161285 through 0300203770) | |
| 234 | 70001844 | 1 | Clamp | |
| 234 | 3220112 | 1 | Optional Catalytic Muffler | |
| 234 | 1320176 | 1 | Clamp | |
| 235 | 3311405 | AR | Locknut 1/4in-20NC | |
| 236 | 3311505 | 5 | Locknut 5/16in-18NC | |
| 237 | 3311605 | AR | Locknut 3/8in-16NC | |
| 238 | 3311805 | 4 | Locknut 1/2in-13NC | |
| 239 | 3340399 | 2 | Pad, Wear | |
| 240 | 3570808 | 1 | Plate, Relay Mounting | |
| 241 | | Ref | Plate, Radiator Mounting Options: | |
| 241 | 3571692 | 1 | Plate, Radiator Mounting (SN 0300096000 through 0300161284) | |
| 241 | 1001142826 | 1 | Plate, Radiator Mounting (SN 0300161285 through 0300203770) | |
| 242 | 3573667 | 1 | Support, Radiator | |
| 243 | | Ref | Auxiliary Power Pump Assembly Options (See AUXILIARY PUMP ASSEMBLY for Breakdown) | |
| 243 | 3600279 | NLA | Auxiliary Power Pump Assembly (SN 0300096000 through 0300105248) | |
| 243 | 3600423 | 1 | Auxiliary Power Pump Assembly (SN 0300105249 through 0300203770) | |
| 244 | | Ref | Radiator | |
| 244 | 3620033 | 1 | Radiator (Prior to SN 0300171436) | |
| 244 | 1001150998 | 1 | Radiator (SN 0300171436 through 0300203770) | |
| 245 | 3740067 | 3 | Relay | |
| 246 | 3960407 | 1 | Gasket, Air Intake | |
| 247 | 4070497 | 4 | Shim (11 Ga.) | |
| 248 | 4070498 | 2 | Shim (16 Ga.) | |

SECTION 2 - TURNTABLE

| ITEM | PART NUMBER | QTY | DESCRIPTION | REV |
|------|--------------|-----|---|-----|
| 249 | 4567495 | 1 | Tube, Tee Only (SN 0300096000 through 0300106863) | |
| 250 | | Ref | Valve, Oil Drain Options: | |
| 250 | 4640751 | 1 | Valve, Oil Drain (SN 0300096000 through 0300140523) | |
| 250 | 1001104308 | 1 | Valve, Oil Drain (SN 0300140524 through 0300141404) | |
| 250 | 4640751 | 1 | Valve, Oil Drain (SN 0300141405 through 0300161284) | |
| 250 | Not Required | 0 | Valve, Oil Drain (SN 0300161285 through 0300203770) | |
| 251 | 4812200 | AR | Flatwasher 14mm | |
| 252 | 4740274 | 4 | Washer, Snubbing | |
| 253 | 4751400 | 8 | Flatwasher 1/4in Regular | |
| 253 | 4711400 | 6 | Flatwasher 1/4in Thin | |
| 254 | 4751500 | 5 | Flatwasher 5/16in Regular | |
| 255 | 4751600 | 44 | Flatwasher 3/8in Regular | |
| 256 | 4751800 | 4 | Flatwasher 1/2in Regular | |
| 257 | 4791600 | 2 | Starwasher 3/8in | |
| 258 | | Ref | Plate, Adapter Options: | |
| 258 | 4845395 | 1 | Plate, Adapter (SN 0300096000 through 0300161284) | |
| 258 | 1001139819 | 1 | Plate, Adapter (SN 0300161285 through 0300203770) | |
| 259 | | Ref | Bracket, Engine Mounting (Left Side) Options: | |
| 259A | 4846567 | 1 | All Machines (SN 0300096000 through 0300161285) | |
| | | Ref | Note: Bracket p/n 1001138135 may be used as an optional service replacement if no generator mounting capability is required. | |
| 259A | 4846567 | 1 | Machines with Generator | |
| 259B | 1001138135 | 1 | Machines without Generator | |
| 260 | 4846809 | 1 | Tray | |
| 261 | 0641510 | AR | Bolt 5/16in-18NC x 1-1/4in | |
| 261 | 0641608 | AR | Bolt 3/8in-16NC x 1in | |
| 262 | 4791400 | 6 | Starwasher 1/4in | |
| 263 | 1060904 | 1 | Cable, Jumper | |
| 264 | 4923451 | 1 | Harness, Glow Plug | |
| 265 | 1001141748 | 1 | Pipe, Exhaust Pipe (SN 0300161285 through 0300203770) | |
| | | Ref | Note: Following Items (Not Shown) Used on Arctic Package Machines Only. | |
| | 2580062 | 1 | Heater, Engine Block | |
| | 3020044 | AR | Oil, Motor 0W-40 | |
| | 0256847 | Ref | PUMP COUPLING INSTALLATION | 2 |
| 301 | 1660234 | 1 | Coupling, Hayes | |
| 302 | 0080163 | 1 | Plate, Pump Adapter | |
| 303 | 0700810 | 6 | Bolt Metric 8mm x 20mm | |
| 304 | 4831900 | 6 | Lockwasher 8mm | |
| 307 | 3020021 | AR | Grease, Coupling | |
| | | Ref | ENGINE COMPONENTS | |
| | 2000338 | Ref | All Specs (F3M2011) (SN 0300096000 through 0300106862) | B |
| | 1001092723 | Ref | All Specs (D2011L03) (SN 0300106863 through 0300161284) | F |
| | 1001144476 | Ref | ANSI Export, CE, Australian and Japanese Specs (D2011L03) (SN 0300161285 through 0300203770) | C |
| | 1001144476 | Ref | ANSI and CSA Specs (D2011L03) (SN 0300161285 through 0300169775) | C |
| | 1001137828 | Ref | ANSI and CSA Specs (D2011L03) (SN 0300169776 through 0300203770) | C |
| 401 | 7020026 | 1 | Dipstick | |
| 401 | 70001002 | 1 | Tube, Dipstick | |
| 402 | 7020465 | 2 | Cap, Filler | |

SECTION 2 - TURNTABLE

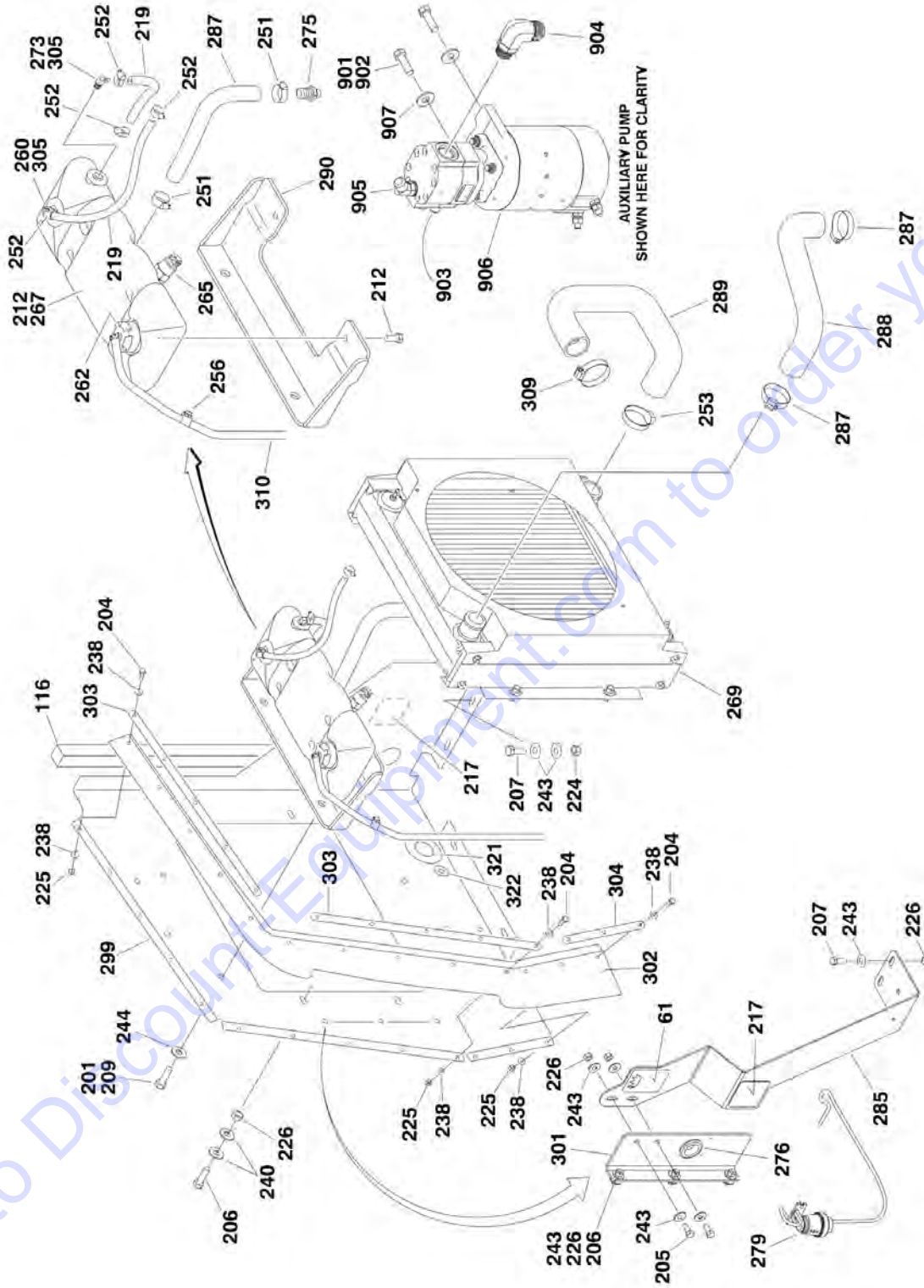
| ITEM | PART NUMBER | QTY | DESCRIPTION | REV |
|------|-------------|-----|---|-----|
| 403 | | Ref | Pump, Oil Lube Options: | |
| 403 | 7020495 | 1 | Engines 2000338 & 1001092723 | |
| 403 | 70001850 | 1 | Engines 1001144476 & 1001137828 | |
| 403 | 7020468 | 1 | Seal Between Oil Pump and Engine Block (Not Shown) | |
| 404 | 7016331 | 1 | Filter, Oil | |
| 404 | 70003472 | 1 | Bracket, Oil Filter (Engines 1001144476 & 1001137828) | |
| 404 | 70003473 | 1 | Gasket, Oil Filter Bracket (Engines 1001144476 & 1001137828) (Not Shown - Located Between Oil Filter Bracket and Engine Block) | |
| 404 | 7027236 | 1 | Sensor, Oil Temperature (Not Shown - Located in Rear Of Filter Mount) | |
| 405 | | Ref | Pump, Injector Options: | |
| 405 | 70000912 | 3 | Series A Pump (was p/n 7027246) | |
| 405 | 70000913 | 3 | Series B Pump (was p/n 7027608) | |
| 405 | 70000914 | 3 | Series C Pump (was p/n 7027609) | |
| 405 | 70000915 | 3 | Series D Pump (was p/n 7027610) | |
| 405 | 7020447 | 3 | Gasket, Injector Pump (Engines 2000338 & 1001092723) | |
| 405 | 70003464 | 3 | O-Ring, Injector Pump (Engines 1001144476 & 1001137828) | |
| 406 | | Ref | Filter, Fuel Options: | |
| 406 | 7020023 | 1 | Standard | |
| 406 | 70003463 | 1 | RME Resistant (Note: Use with European Bio-Diesel Fuels) | |
| 406 | 70001423 | 1 | Bracket, Fuel Filter | |
| 407 | 70000916 | 1 | Pump Fuel Supply (was p/n 7027238) | |
| 407 | 70001435 | 1 | Repair Kit - Pump | |
| 407 | | Ref | O-Seal Between Fuel Pump and Engine Block Options (Not Shown): | |
| 407 | 7020411 | 1 | Engines 2000338 & 1001092723 | |
| 407 | 70000917 | 1 | Engines 1001144476 & 1001137828 | |
| 407 | 70000918 | 1 | Seal Between Fuel Pump and Hand Pump (Engines 1001144476 & 1001137828) (Not Shown) | |
| 407 | 70000919 | AR | Pump, Hand (Engines 1001144476 & 1001137828) (Not Shown) | |
| 408 | | Ref | Seal and Gasket Options (Not Shown): | |
| 408 | 70002718 | 1 | Seal, Rear Main Crankshaft (Engines 1001144476 & 1001137828 Only) | |
| 408 | 7020430 | 1 | Gasket, Valve Cover | |
| 408 | | Ref | Gasket, Cylinder Head Options: | |
| 408 | 70003479 | 1 | Gasket (1 Notch) | |
| 408 | 70003480 | 1 | Gasket (2 Notch) | |
| 408 | 70003481 | 1 | Gasket (3 Notch) | |
| 408 | 70001871 | 3 | Gasket, Intake Manifold (Not Shown) (was p/n 7020449) | |
| 408 | 7020471 | 3 | Gasket, Exhaust Manifold (Not Shown) | |
| 408 | 70002200 | 6 | Stud, Exhaust (Not Shown) | |
| 409 | | Ref | V-Belt Options: | |
| 409 | 7020408 | 1 | Engines 2000338 & 1001092723 | |
| 409 | 70004102 | 1 | Engines 1001144476 & 1001137828 | |
| 410 | 7027795 | 1 | Control, EMR2 | |
| 410 | | Ref | Plug, Connector Options (Not Shown): | |
| 410 | 7027793 | 1 | Engines 2000338 & 1001092723 | |
| 410 | 70004060 | 1 | Engines 1001144476 & 1001137828 | |
| 410 | 70004059 | 1 | Plug, Analyzer (Not Shown) | |
| 410 | 7027796 | 1 | Cable, Interconnection (Not Shown) | |
| 411 | | Ref | Alternator Options: | |
| 411 | | Ref | Engines 2000338 & 1001092723 | |

SECTION 2 - TURNTABLE

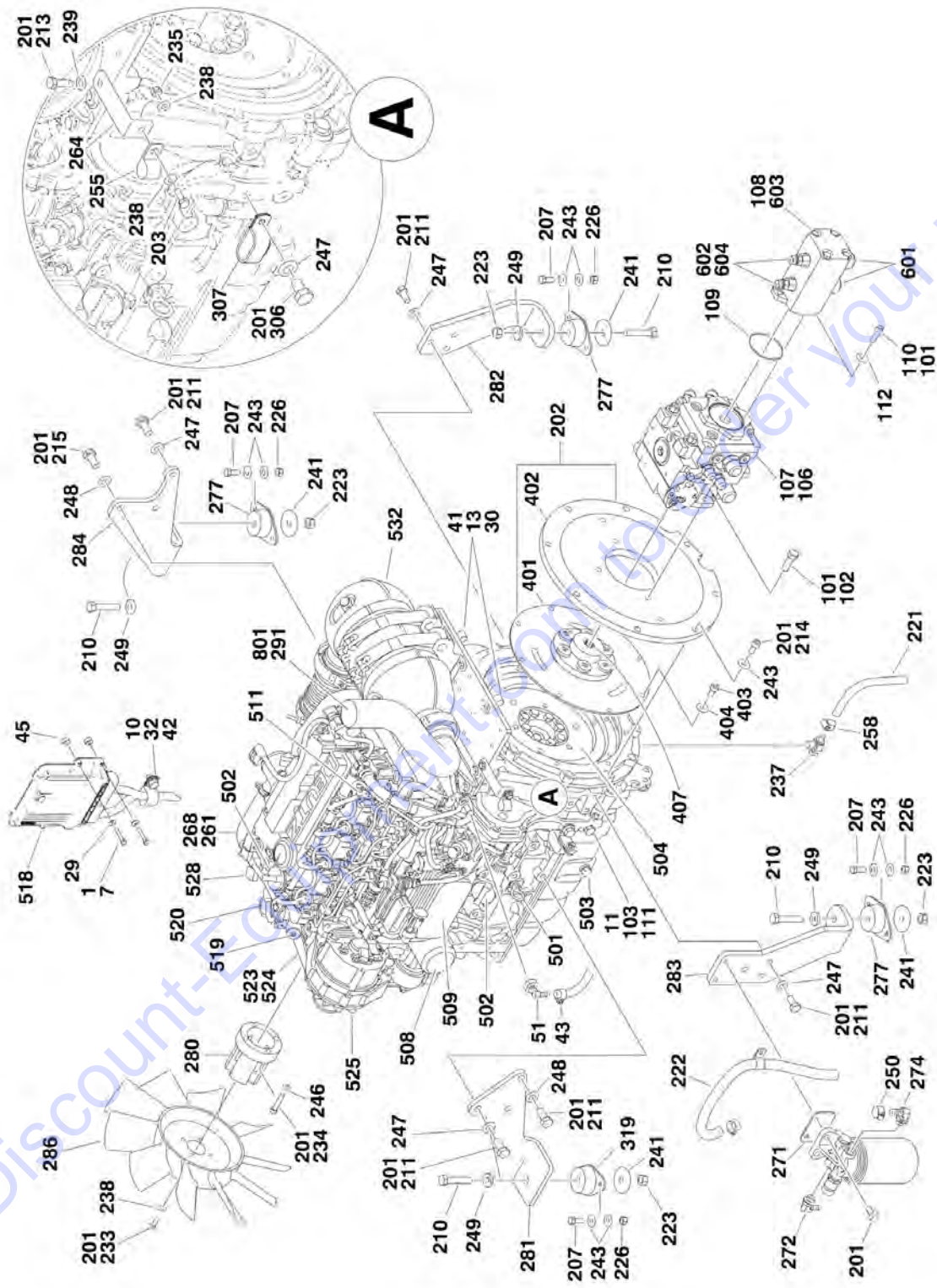
| ITEM | PART NUMBER | QTY | DESCRIPTION | REV |
|------|-------------|-----|--|-----|
| 411 | 7000663 | 1 | Alternator (was p/n 7020410) | |
| 411 | 7020464 | 1 | Regulator, Voltage (Not Shown) | |
| 411 | | Ref | Engines 1001144476 & 1001137828 | |
| 411 | 70004056 | 1 | Alternator | |
| 411 | 70001868 | 1 | Regulator, Voltage (Not Shown) | |
| 411 | 70001866 | 1 | Gasket Set for Regulator (Not Shown) | |
| 411 | 70004103 | 1 | Cable, Alternator Interconnection (Not Shown) | |
| 412 | | Ref | Starter Options: | |
| 412 | | Ref | Engines 2000338 & 1001092723 | |
| 412 | 7020479 | 1 | Starter | |
| 412 | 7026608 | 1 | Relay, Starter | |
| 412 | | Ref | Engines 1001144476 & 1001137828 | |
| 412 | 70004057 | 1 | Starter | |
| 412 | 70004058 | 1 | Relay, Starter | |
| 412 | 70004062 | 1 | Cable, Starter Interconnection (Not Shown) | |
| 413 | 7027769 | 1 | Radiator Connector Kit (Engines 2000338 & 1001092723) | |
| 414 | 7027791 | 1 | Sender, Oil Temperature (Not Shown) | |
| 415 | 7027790 | 1 | Sensor, Oil Pressure | |
| 416 | 7024565 | 1 | Sensor, Speed (Not Shown) | |
| 416 | 70003932 | 1 | Spacer, Sleeve (Not Shown) | |
| 417 | 7027792 | 1 | Actuator, Throttle | |
| 417 | 7027276 | 2 | Spring for Actuator | |
| 418 | 70003475 | 1 | Thermostat (was p/n 7020459) | |
| 418 | 7020460 | 1 | Spring, Compression | |
| 419 | 70000264 | 1 | Flywheel (Not Shown) (Note: Not available for purchase) | |
| 419 | 7024579 | 1 | Rim, Gear (Not Shown) | |
| 420 | 7027245 | 1 | Filter, Fuel (In-Line) (Engines 2000338 & 1001092723) | |
| 421 | 7027239 | 1 | Solenoid, Start (Not Shown - Located near Throttle Actuator) (Engines 2000338 & 1001092723) | |
| 422 | 70001872 | 1 | Engine Harness (was p/n 7027794) | |
| 423 | 70003478 | 3 | Injector, Fuel | |
| 423 | 70003136 | 3 | O-Ring, Fuel Injector | |
| 423 | 70000345 | 3 | Plug, Glow | |
| 424 | 7020169 | 1 | Pipe, Exhaust Pipe (SN 0300096000 through 0300161285) | |
| 425 | 1320176 | 1 | Clamp, Exhaust | |
| 426 | 70000800 | 1 | Repair Kit for Timing Belt Tensioner (Not Shown) | |
| | 3600405 | Ref | GEAR PUMP ASSEMBLY WITH FITTINGS | A |
| 501 | 2220385 | 2 | Fitting, Tee | |
| 502 | 2220479 | 2 | Fitting, Straight | |
| 503 | 2220810 | 2 | Fitting, Reducer | |
| 504 | 3600368 | 1 | Gear Pump Assembly Less Fittings | |
| 504 | 7024962 | 1 | Seal Kit - 3600368 Pump (Includes Soft Seals) (Note: Seal Kit is only service part are available.) | |
| 505 | 4640744 | 2 | Valve, Check | |

SECTION 2 - TURNTABLE

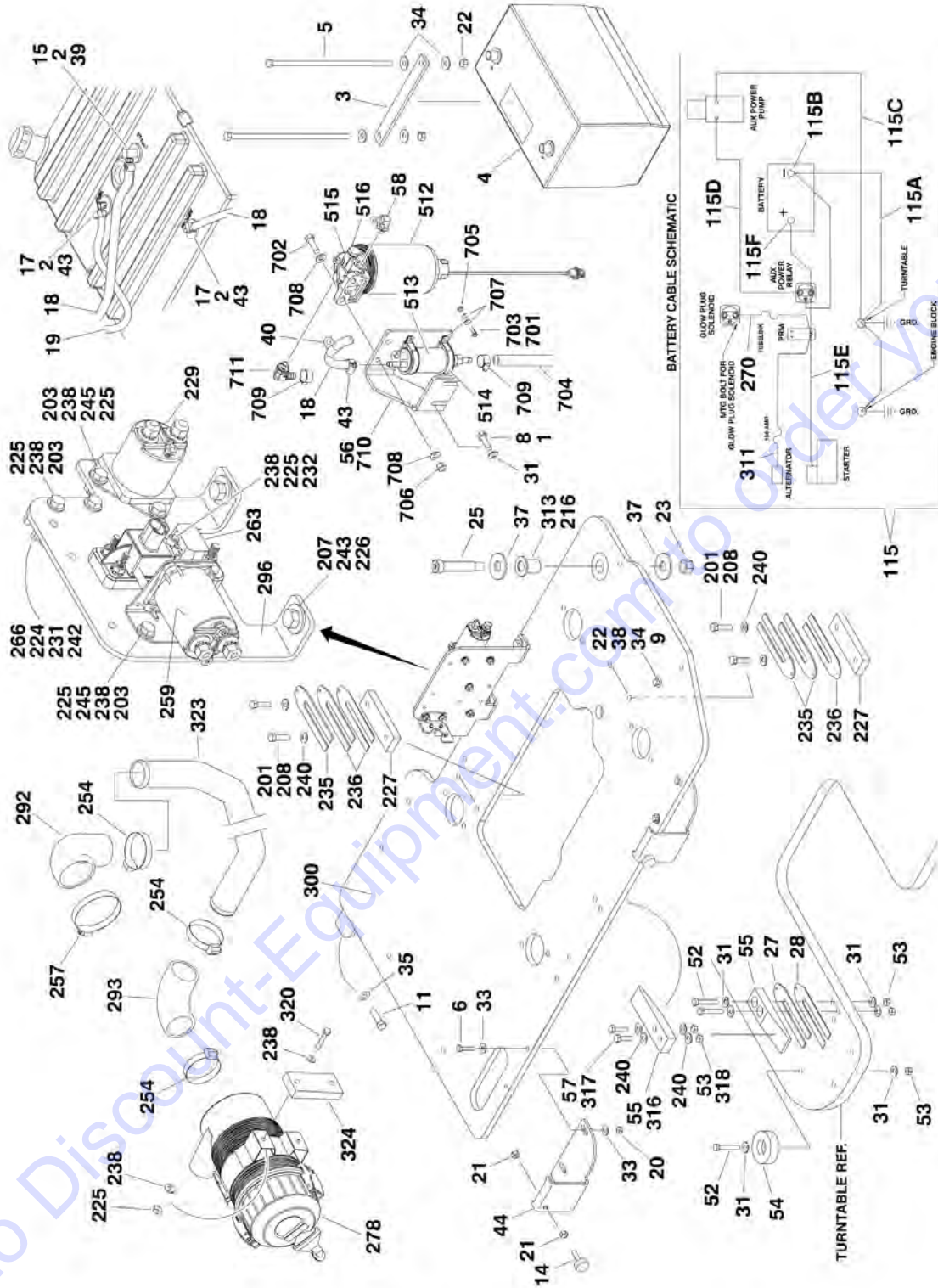
FIGURE 2-12. DEUTZ TD2.9L4 ENGINE INSTALLATION



SECTION 2 - TURNTABLE



SECTION 2 - TURNTABLE



SECTION 2 - TURNTABLE

FIGURE 2-12. DEUTZ TD2.9L4 ENGINE INSTALLATION

| ITEM | PART NUMBER | QTY | DESCRIPTION | REV |
|------|-------------|------------|--|-----|
| | | Ref | DEUTZ ENGINE INSTALLATIONS | |
| | 1001146496 | Ref | Without Arctic Package | H |
| | 1001146499 | Ref | With Arctic Package | H |
| 1 | 0100011 | AR | Locking, Compound | |
| 2 | 0100020 | AR | Sealant, Pipe | |
| 3 | 0361810 | 1 | Bar, Battery Hold-Down | |
| 4 | 0400075 | 1 | Battery | |
| 5 | 0630541 | 2 | Bolt, Battery | |
| 6 | 0641410 | 4 | Bolt 1/4in-20NC x 1-1/4in | |
| 7 | 0641412 | 4 | Bolt 1/4in-20NC x 1-1/2in | |
| 8 | 0641608 | 2 | Bolt 3/8in-16NC x 1in | |
| 9 | 0641616 | 1 | Bolt 3/8in-16NC x 2in | |
| 10 | 0641806 | 1 | Bolt 1/2in-13NC x 3/4in | |
| 11 | 0642010 | 1 | Bolt 5/8in-11NC x 1-1/4in | |
| 13 | 0760808 | 1 | Capscrew M8 x 16mm | |
| 14 | 0940049 | 2 | Bumper, Hood | |
| 15 | 2180832 | 1 | Fitting, Barbed | |
| 16 | 2200222 | 1 | Plug, Pipe (Not Shown - Located on Bottom of Fuel Tank) | |
| 17 | 2220313 | 1 | Fitting, Elbow Barbed | |
| 18 | 1001165035 | 26.5 ft/8m | Hose | |
| 19 | 1001154405 | 2 ft/0.6m | Hose | |
| 20 | 3311405 | 4 | Locknut 1/4in-20NC | |
| 21 | 3311501 | 4 | Nut 5/16in-18NC | |
| 22 | 3311605 | 3 | Locknut 3/8in-16NC | |
| 23 | 3312005 | 1 | Locknut 5/8in-11NC | |
| 25 | 3900255 | 1 | Bolt, Shoulder | |
| 27 | 4070497 | AR | Shim (11 Ga.) | |
| 28 | 4070498 | AR | Shim (16Ga.) | |
| 29 | 4711400 | 4 | Flatwasher 1/4in Thin | |
| 30 | 4711500 | 2 | Flatwasher 5/16in Thin | |
| 31 | 4711600 | AR | Flatwasher 3/8in Thin | |
| 32 | 4711800 | 1 | Flatwasher 1/2in Thin | |
| 33 | 4751400 | 8 | Flatwasher 1/4in Regular | |
| 34 | 4751600 | 6 | Flatwasher 3/8in Regular | |
| 35 | 4752000 | 1 | Flatwasher 5/8in Regular | |
| 36 | 1701505 | 1 | Decal - Diesel Fuel (Not Shown - See DECAL SECTION for Location) | |
| 37 | 4752200 | 2 | Flatwasher 3/4in Regular | |
| 38 | 4791600 | 1 | Starwasher 3/8in | |
| 39 | 8405006 | 2 | Clamp | |
| 40 | 8406101 | 2 | Clip | |
| 41 | 8406112 | 2 | Clip | |
| 42 | 8406302 | 1 | Clamp | |
| 43 | 8410013 | 5 | Clamp | |
| 44 | 1001094608 | 2 | Latch, Hood | |
| 45 | 1001110425 | 4 | Spacer | |
| 46 | 1001138491 | 1 | Harness, Fuel (Not Shown - See ELECTRICAL SECTION for Breakdown) | |
| 51 | 1001155823 | 1 | Fitting, 90 Quick Disconnect | |
| 52 | 0641516 | 3 | Bolt 5/16in-18NC x 2in | |

SECTION 2 - TURNTABLE

| ITEM | PART NUMBER | QTY | DESCRIPTION | REV |
|------|-------------|-----|--|-----|
| 53 | 3311505 | 5 | Locknut 5/16in-18NC | |
| 54 | 1001112607 | 1 | Block | |
| 55 | 1001163579 | 2 | Pad | |
| 56 | 1001162335 | 1 | Bracket, Fuel Pump/Filter Assembly (See Items 701 - 711 for Breakdown) | |
| 57 | 0641510 | 2 | Bolt 5/16-18NC x 1 ¼ (SN 0300195785 through 0300203770) | |
| 58 | 1001142501 | 1 | Fitting, Barbed 90 Degree (SN 0300199614 through 0300203770) | |
| 61 | | Ref | Decal - Warning Explosion/Fire Options: | |
| 61 | 1704972 | 1 | ANSI English | |
| 61 | 1706098 | 1 | Australian and CE | |
| 61 | 1706064 | 1 | CSA | |
| 61 | 1706060 | 1 | English/Chinese | |
| 61 | 1706061 | 1 | English/Korean | |
| 61 | 1706062 | 1 | English/Japanese | |
| 61 | 1706059 | 1 | English/Portuguese | |
| 61 | 1706063 | 1 | English/Spanish | |
| | | Ref | Note: Arctic Package Items 75 - 84 (Used on Arctic Machines Only) Not Shown. | |
| 75 | 1060625 | 1 | Cable, Immersion Heater | |
| 76 | 1060626 | 1 | Plug, 3 Way | |
| 77 | 1702941 | 1 | Decal - Battery Heater | |
| 78 | 1702942 | 1 | Decal - Engine Block Heater | |
| 79 | 1702943 | 1 | Decal - Hydraulic Tank Heater | |
| 80 | 1702944 | 1 | Decal - Heater Cord | |
| 81 | 2580024 | 1 | Heater, Battery | |
| 82 | 2580050 | 1 | Heater, Hydraulic Tank | |
| 83 | 3980007 | 1 | Seat, Battery | |
| 84 | 0641610 | 1 | Bolt 3/8in-16NC x 1-1/4in | |
| | | Ref | ENGINE AND PUMPS SUB-ASSEMBLY | |
| | 1001146495 | Ref | Without Arctic Package | B |
| | 1001146498 | Ref | With Arctic Package | B |
| 101 | 0100011 | AR | Locking, Compound | |
| 102 | 0641812 | 2 | Bolt 1/2in-13NC x 1-1/2in | |
| 103 | 0761210 | 1 | Bolt M12 x 20mm | |
| 106 | 3020037 | AR | Grease, Pump Coupling | |
| 107 | 3600404 | 1 | Pump Assembly (See PISTON PUMP ASSEMBLY for Breakdown) | |
| 108 | 1001155024 | 1 | Gear Pump Assembly with Fittings (See Items 601-604 for Breakdown) | |
| 109 | 3790152 | 1 | O-Ring | |
| 110 | 3931616 | 2 | Bolt 3/8in-16NC x 1in | |
| 111 | 4812100 | 1 | Flatwasher M12 | |
| 112 | 4891600 | 2 | Flatwasher 3/8in Hardened | |
| 115 | 1001147701 | 1 | Battery Cable Kit | D |
| 115A | 7027061 | 1 | Cable, Battery (Black) (Battery - to Tray Pivot Grd, Engine Block Grd and Relay Grounds) | |
| 115B | 4461266 | 1 | Terminal, Battery | |
| 115B | See Note | NSS | Boot, Black (Note: Not Available for Purchase) | |
| 115C | 7027062 | 1 | Cable, Battery (Black) (Aux Pump to Engine to Tray Pivot Grd) | |
| 115C | See Note | NSS | Boot, Black (Note: Not Available for Purchase) | |
| 115D | 7027060 | 1 | Cable (Red) (Aux Relay to Aux Pump) | |
| 115D | 70003952 | NSS | Boot, Red | |

SECTION 2 - TURNTABLE

| ITEM | PART NUMBER | QTY | DESCRIPTION | REV |
|------|-------------|-----------------|---|--------|
| 115E | 7027059] | 1 | Cable (Red) (Battery + to Aux Relay/Power Module/Starter) | U T |
| 115E | 70003952 | NSS | Boot, Red (Starter) | |
| 115F | 4461265 | 1 | Terminal, Battery Boot, Red (Battery) | |
| 115F | See Note | NSS | Boot, Red (Note: Not Available for Purchase) | |
| 116 | 1001147454 | 1 | Seal | |
| | | Ref | ENGINE ASSEMBLY | |
| | 1001146494 | Ref | Without Arctic Package | |
| | 1001146497 | Ref | With Arctic Package | |
| 201 | 0100011 | AR | Locking, Compound | |
| 202 | 0256847 | 1 | Pump Coupling Kit (See Items 401-407 for Breakdown) | |
| 203 | 0641406 | 7 | Bolt 1/4in-20NC x 3/4in | |
| 204 | 0641407 | 13 | Bolt 1/4in-20NC x 7/8in | |
| 205 | 0641607 | 2 | Bolt 3/8in-16NC x 7/8in | |
| 206 | 0641608 | 7 | Bolt 3/8in-16NC x 1in | |
| 207 | 0641610 | 16 | Bolt 3/8in-16NC x 1-1/4in | |
| 208 | 0641611 | 4 | Bolt 3/8in-16NC x 1-3/8in | |
| 209 | 0641707 | 2 | Bolt 7/16in-14NC x 7/8in | |
| 210 | 0681822 | 4 | Bolt 1/2in-13NC x 2-3/4in Grade 8 | |
| 211 | 0711214 | 8 | Bolt M12 x 30mm Grade 10.9 | |
| 212 | 0741606 | 2 | Screw, Flathead 3/8in-16NC x 3/4in | |
| 213 | 0760810 | 1 | Capscrew M8 x 20mm | |
| 214 | 0771012 | 8 | Bolt 10mm x 25mm Grade 10.9 | |
| 215 | 0771414 | 4 | Bolt 14mm x 30mm Grade 10.9 | |
| 216 | 0962172 | 1 | Bushing, Flanged | |
| 217 | 1703162 | 2 | Decal - Caution Fan Blade | |
| 218 | | Ref | Anti-Freeze Options (Not Shown): | |
| 218 | 2300004 | 3.6 Gal | Without Arctic Package | |
| 218 | 2300041 | 3.6 Gal | With Arctic Package | |
| 219 | 2720015 | 2.25 ft/0.7m | Hose | |
| 221 | 2720340 | 1 ft/30cm | Hose | |
| 222 | 1001154405 | 1.5 ft/0.4m | Hose | |
| 223 | 3271801 | 4 | Nut 1/2in-13NC Grade 8 | |
| 224 | 3310401 | 3 | Nut #4-40NC | |
| 225 | 3311405 | 21 | Locknut 1/4in-20NC | |
| 226 | 3311605 | 25 | Locknut 3/8in-16NC | |
| 227 | 3340399 | 2 | Pad, Wear | |
| 229 | 3740067 | 1 | Relay | |
| 231 | 3910408 | 3 | Screw #4-40NC x 1/2in | |
| 232 | 3931432 | 1 | Capscrew, Socket Head 1/4in-20NC x 2in | |
| 233 | 3931512 | 4 | Capscrew, Socket Head 5/16in-18NC x 3/4in | |
| 234 | 4031914 | 4 | Bolt M8 x 50mm | |
| 235 | 4070497 | 4 | Shim (11 Ga.) | |
| 236 | 4070498 | 2 | Shim (16 Ga.) | |
| 237 | 4640751 | 1 | Valve, Oil Drain | |
| 238 | 4711400 | AR | Flatwasher 1/4in Thin | |
| 239 | 4711500 | AR | Flatwasher 5/16in Thin | |
| 240 | 4711600 | AR | Flatwasher 3/8in Thin | |
| 241 | 1001139409 | 4 | Washer, Snubbing | |
| 242 | 4750400 | AR | Flatwasher #4 | |
| 243 | 4751600 | AR | Flatwasher 3/8in Regular | |

SECTION 2 - TURNTABLE

| ITEM | PART NUMBER | QTY | DESCRIPTION | REV |
|------|-------------|------------|---|-----|
| 244 | 4751700 | AR | Flatwasher 7/16in Regular | |
| 245 | 4791400 | 4 | Starwasher 1/4in | |
| 246 | 4811900 | AR | Flatwasher 8mm | |
| 247 | 4812100 | AR | Flatwasher 12mm | |
| 248 | 4812200 | AR | Flatwasher 14mm | |
| 249 | 4891800 | AR | Flatwasher 1/2in Hardened | |
| 250 | 8405006 | 2 | Clamp | |
| 251 | 8405007 | 2 | Clamp | |
| 252 | 8405009 | 4 | Clamp | |
| 253 | 8405104 | 3 | Clamp | |
| 254 | 8405202 | 3 | Clamp | |
| 255 | 8406102 | 1 | Clip | |
| 256 | 8406110 | 2 | Clip | |
| 257 | | Ref | Clamp Options: | |
| 257 | 8410011 | 1 | Clamp (Prior to SN 0300187624) | |
| 257 | 8405204 | 1 | Clamp (SN 0300187624 through 0300203770) | |
| 258 | 8410013 | 1 | Clamp | |
| 259 | 1001117308 | 1 | Relay | |
| 260 | 1001134488 | 1 | Fitting, Elbow Barbed | |
| 261 | | Ref | Oil, Motor Options: | |
| 261 | 1001136079 | 2.4 gal/9L | Without Arctic Package | |
| 261 | 1001136172 | 2.4 gal/9L | With Arctic Package | |
| 262 | 1001136834 | 1 | Cap, Tank | |
| 263 | 1001138228 | 1 | Relay, Power Module | |
| 264 | 1001138717 | 1 | Bracket | |
| 265 | 1001138827 | 1 | Sensor, Coolant Level | |
| 266 | 1001139240 | 1 | Bracket | |
| 267 | 1001140535 | 1 | Tank | |
| 268 | 1001140609 | 1 | Engine, Deutz TD2.9L4 (See Items 501-532 for Serviced Components) | |
| 269 | 1001155339 | 1 | Radiator | |
| 270 | 1001141304 | 1 | Harness, Glow Fuse (See ELECTRICAL SECTION for Breakdown) | |
| 271 | 1001141546 | 1 | Shim | |
| 272 | 1001152489 | 1 | Fitting, Elbow Barbed | |
| 273 | 1001140564 | 1 | Fitting, Elbow Barbed | |
| 274 | 1001142501 | 1 | Fitting, Elbow Barbed | |
| 275 | 1001143797 | 1 | Fitting, Straight Barbed | |
| 276 | 1001144089 | 1 | Grommet | |
| 277 | 1001144112 | 3 | Mount, Motor | |
| 278 | 1001144113 | 1 | Air Cleaner Assembly Filter Element | |
| 278 | 70003937 | 1 | Element, Filter (Not Shown) | |
| 279 | 1001144115 | 1 | Indicator, Service | |
| 280 | 1001144116 | 1 | Adapter | |
| 281 | 1001144534 | 1 | Mount, Front Engine | |
| 282 | 1001144535 | 1 | Mount, Rear Engine | |
| 283 | 1001144536 | 1 | Mount, Rear Engine | |
| 284 | 1001144537 | 1 | Mount, Front Engine | |
| 285 | 1001144569 | 1 | Bracket | |
| 286 | 1001144664 | 1 | Fan | |
| 287 | 1001144687 | 1 | Hose, Coolant | |
| 288 | 1001155554 | 1 | Hose, Radiator - Upper | |

SECTION 2 - TURNTABLE

| ITEM | PART NUMBER | QTY | DESCRIPTION | REV |
|------|-------------|----------------|--|-----|
| 289 | 1001155555 | 1 | Hose, Radiator - Lower | |
| 290 | 1001155367 | 1 | Bracket | |
| 291 | | Ref | Pipe, Exhaust Options: | |
| 291 | 1001167172 | NLA | Without Arctic Package (Use p/n 1001167170) (Prior to SN 0300187624) | |
| | 1001167170 | 1 | Without Arctic Package (SN 0300187624 through 0300203770) | |
| 291 | 1001167170 | 1 | With Arctic Package | |
| 292 | | Ref | Elbow Options: | |
| 292 | 1001167302 | 1 | Elbow (Prior to SN 0300187624) | |
| 292 | 1001145006 | 1 | Elbow (SN 0300187624 through 0300203770) | |
| 293 | 1001145007 | 1 | Elbow | |
| 294 | 1001170435 | 1 | Pipe, Intake | |
| 296 | 1001145016 | 1 | Plate, Relay Mounting | |
| 298 | 1001146268 | 1 | Harness, Engine (Not Shown - See ELECTRICAL SECTION for Breakdown) | |
| 299 | 1001155375 | 1 | Plate, Radiator Mounting | |
| 300 | 1001146870 | 1 | Tray | |
| 301 | 1001147073 | 1 | Bracket | |
| 302 | 1001147424 | 1 | Baffle, Rubber | |
| 303 | 1001147437 | 2 | Plate | |
| 304 | 1001147438 | 1 | Plate | |
| 305 | 0100020 | AR | Sealant, Pipe | |
| 306 | 0761210 | 1 | Bolt M12 x 20mm | |
| 307 | | Ref | Clamp Options: | |
| 307 | 1321716 | NLA | Clamp (Use p/n 1001181899) (Prior to SN 0300195785) | |
| 307 | 1001181899 | 1 | Clamp (SN 0300195785 through 0300203770) | |
| 308 | 4240099 | AR | Tie-Strap (Not Shown) | |
| 309 | 8405201 | 1 | Clamp | |
| 310 | 1001138248 | 3.5 ft/1.1m | Hose | |
| 311 | 1001143907 | 1 | Cable, Alternator Power (See ELECTRICAL SECTION for Breakdown) | |
| 312 | 1001148641 | 1 | Bracket (Not Shown) (Prior to SN 0300195785) | |
| 313 | 0100062 | AR | Retaining Compound #680 | |
| 316 | 1001163579 | 1 | Pad (Prior to SN 0300195785) | |
| 317 | 0641510 | 2 | Bolt 5/16in-18NC x 1-1/4in (Prior to SN 0300195785) | |
| 318 | 3311505 | 2 | Locknut 5/16in-18NC (Prior to SN 0300195785) | |
| 319 | 1001170571 | 1 | Mount, Engine | |
| 320 | 0791512 | 2 | Screw, 5/16-18NC | |
| 321 | 4060804 | 1 ft/0.3m | Trim | |
| 322 | 1001111341 | 1 | Grommet | |
| 323 | 1001170435 | 1 | Pipe, Intake | |
| 324 | 1001144568 | 1 | Shim | |
| 325 | 3271501 | 2 | Nut 5/16-18NC Grade 8 | |
| 326 | 4751500 | AR | Flatwasher 5/16in Wide | |
| 327 | 1001181895 | AR | Locking, Compound (Not Shown) | |
| | | Ref | Note: Following Items (Not Shown) Used on Arctic Package Machines Only. | |
| 324 | 1001140312 | 1 | Heater, Engine Block | |
| | 0256847 | Ref | PUMP COUPLING INSTALLATION | 2 |
| 401 | 1660234 | 1 | Coupling, Hayes | |
| 402 | 0080163 | 1 | Plate, Pump Adapter | |

SECTION 2 - TURNTABLE

| ITEM | PART NUMBER | QTY | DESCRIPTION | REV |
|------|-------------|-----|---|-----|
| 403 | 0700810 | 6 | Bolt Metric 8mm x 20mm | |
| 404 | 4831900 | 6 | Lockwasher 8mm | |
| 407 | 3020021 | AR | Grease, Coupling | |
| | 1001140609 | Ref | ENGINE COMPONENTS | |
| 501 | 70004274 | 1 | Dipstick | |
| 501 | 70024905 | 1 | Seal | |
| 502 | 7020465 | 2 | Cap, Oil Fill | |
| 503 | 70025088 | 1 | Plug | |
| 503 | 7020404 | 1 | Seal | |
| 504 | 7000264 | 1 | Flywheel with Ring Gear | |
| 504 | 7024579 | 1 | Gear, Ring | |
| 505 | | Ref | Gasket and Seal Options (Not Shown): | |
| 505 | 70024906 | 1 | Gasket, Head | |
| 505 | 70025206 | 1 | Gasket, Small Valve Cover | |
| 505 | 70025207 | 1 | Gasket, Large Valve Cover | |
| 505 | 7002508 | 1 | Gasket, Valve Cover to Air Charge Elbow | |
| 505 | 70002718 | 1 | Seal, Rear Main | |
| 505 | 70024907 | 1 | Gasket, Front Cover | |
| 505 | 70024912 | 1 | Gasket, Exhaust Manifold | |
| 505 | 70025164 | 1 | Gasket, Exhaust Manifold to Head | |
| 505 | 70025179 | 1 | Gasket, Pipe/Line/Lead to EGR Module | |
| 505 | 70025180 | 1 | Gasket, Pipe/Line/Lead to EGR Module | |
| 505 | 70004279 | 1 | Gasket Kit | |
| 506 | 70025091 | 1 | Plug (Not Shown - Located On Side Left Front) | |
| 506 | 70025082 | 1 | Seal | |
| 506 | 70025176 | 1 | Spring | |
| 506 | 70025076 | 1 | Valve | |
| 507 | 70025202 | 1 | Pump, Oil Lube (Not Shown - Located at Front of Engine) | |
| 507 | 70025135 | 1 | O-Ring | |
| 507 | 70025136 | 1 | Seal | |
| 508 | 7016331 | 1 | Filter, Oil | |
| 509 | 70004275 | 1 | Cooler, Oil | |
| 509 | 70024925 | 1 | Gasket | |
| 510 | 70024924 | 1 | Pump, High Pressure (Not Shown - Located Front Left Side) | |
| 510 | 70025152 | 1 | O-Ring (Between Pump and Spacer) | |
| 510 | 70024488 | 1 | Spacer | |
| 510 | 70025152 | 1 | O-Ring (Between Spacer and Engine Block) | |
| 511 | 70004281 | 4 | Injector, Fuel | |
| 511 | 70025140 | 4 | Washer, Sealing | |
| 511 | 70025146 | 4 | Clamp (Top of Injector) | |
| 511 | 70025416 | 4 | O-Seal | |
| 511 | 70025154 | 4 | Shoe, Clamping | |
| 511 | 70000345 | 4 | Plug, Glow | |
| 511 | 70025231 | 1 | Harness, Glow Plug (Not Shown) | |
| 512 | 70025153 | 1 | Filter, Fuel | |
| 512 | 70024513 | 1 | Cable, Sensor | |
| 512 | 70025239 | 1 | Seal | |
| 513 | 70024486 | 1 | Pump, Fuel | |
| 514 | 70025144 | 2 | Clamp | |
| 515 | 70025160 | 1 | Filter with Head | |
| 515 | 70025161 | 1 | Filter, Fuel | |

SECTION 2 - TURNTABLE

| ITEM | PART NUMBER | QTY | DESCRIPTION | REV |
|------|-------------|----------------|--|-----|
| 516 | 70024919 | 1 | Sensor, Pressure | |
| 516 | 70024920 | 1 | Seal | |
| 517 | 70025151 | 1 | Rail, Fuel (Not Shown) | |
| 517 | 70025235 | 1 | Repair Kit | |
| 518 | 70025210 | 1 | ECU (Engine Control Unit) | |
| 519 | 70024910 | 1 | Pump, Water | |
| 519 | 70025200 | 1 | Seal | |
| 519 | 70025084 | 2 | Plug | |
| 519 | 7020492 | 2 | Seal | |
| 520 | 70024473 | 1 | Thermostat | |
| 520 | 70025143 | 1 | O-SEAL | |
| 520 | 70025142 | 1 | Cover, Thermostat | |
| 521 | 70025177 | 1 | Pipe (Not Shown - Located On Left Side) | |
| 521 | 70025179 | 2 | Gasket | |
| 522 | 70004283 | 1 | Module, EGR (Not Shown - Located on Left Side) | |
| 523 | 70025477 | 1 | Tensioner, Belt | |
| 524 | 70004277 | 1 | Belt, Drive | |
| 525 | 70024914 | 1 | Alternator | |
| 525 | 70025149 | 1 | Regulator, Voltage | |
| 526 | 70024915 | 1 | Starter (Not Shown - Located on Left Side) | |
| 527 | 70004284 | 1 | Harness, Engine (Not Shown) | |
| 528 | 70024921 | 1 | Sensor, Pressure | |
| 528 | 70025120 | 1 | Seal | |
| 529 | 70024503 | 2 | Sensor, Speed (Not Shown - Located Left Side Front and Flywheel Housing) | |
| 529 | 70024917 | 2 | Seal | |
| 530 | 70024918 | 1 | Sender, Temperature (Not Shown - Located Top Front) | |
| 531 | 70024504 | 1 | Sensor, Pressure (Not Shown - Located Left Side Front) | |
| 531 | 70024920 | 1 | Seal | |
| 532 | See Note | 1 | Muffler (Note: Not Available at Time of Printing) | |
| 532 | 70004286 | 1 | Outlet, Muffler | |
| | 1001155024 | Ref | GEAR PUMP ASSEMBLY WITH FITTINGS | A |
| 601 | 2220479 | 2 | Fitting, Straight | |
| 602 | 2220810 | 2 | Fitting, Reducer | |
| 603 | 3600368 | 1 | Gear Pump Assembly Less Fittings | |
| 603 | 7024962 | 1 | Seal Kit - 3600368 Pump (Includes Soft Seals) | |
| | | Ref | Note: Seal Kit is only service part are available. | |
| 604 | 4640744 | 2 | Valve, Check | |
| | 1001162335 | Ref | BRACKET ASSEMBLY (LESS FUEL PUMP AND FILTER) | D |
| 701 | 0100011 | AR | Locking, Compound | |
| 702 | 0641610 | 2 | Bolt 3/8in-16NC x 1-1/4in | |
| 703 | 0721006 | 4 | Bolt #10-24NC x 3/4in | |
| 704 | 1001154405 | 1.5 ft/0.4m | Hose | |
| 705 | 3311001 | 4 | Nut #10-20NC | |
| 706 | 3311605 | 2 | Locknut 3/8in-16NC | |
| 707 | 4711000 | 8 | Flatwasher #10 Thin | |
| 708 | 4711600 | 4 | Flatwasher 3/8in Thin | |
| 709 | 8405006 | 2 | Clamp | |
| 710 | 1001141870 | 1 | Plate, Fuel Pump Mount | |
| 711 | 1001142501 | 1 | Fitting, Elbow Barbed | |
| | 1001146715 | Ref | SPARK ARRESTER INSTALLATION (OPTIONAL) | A |

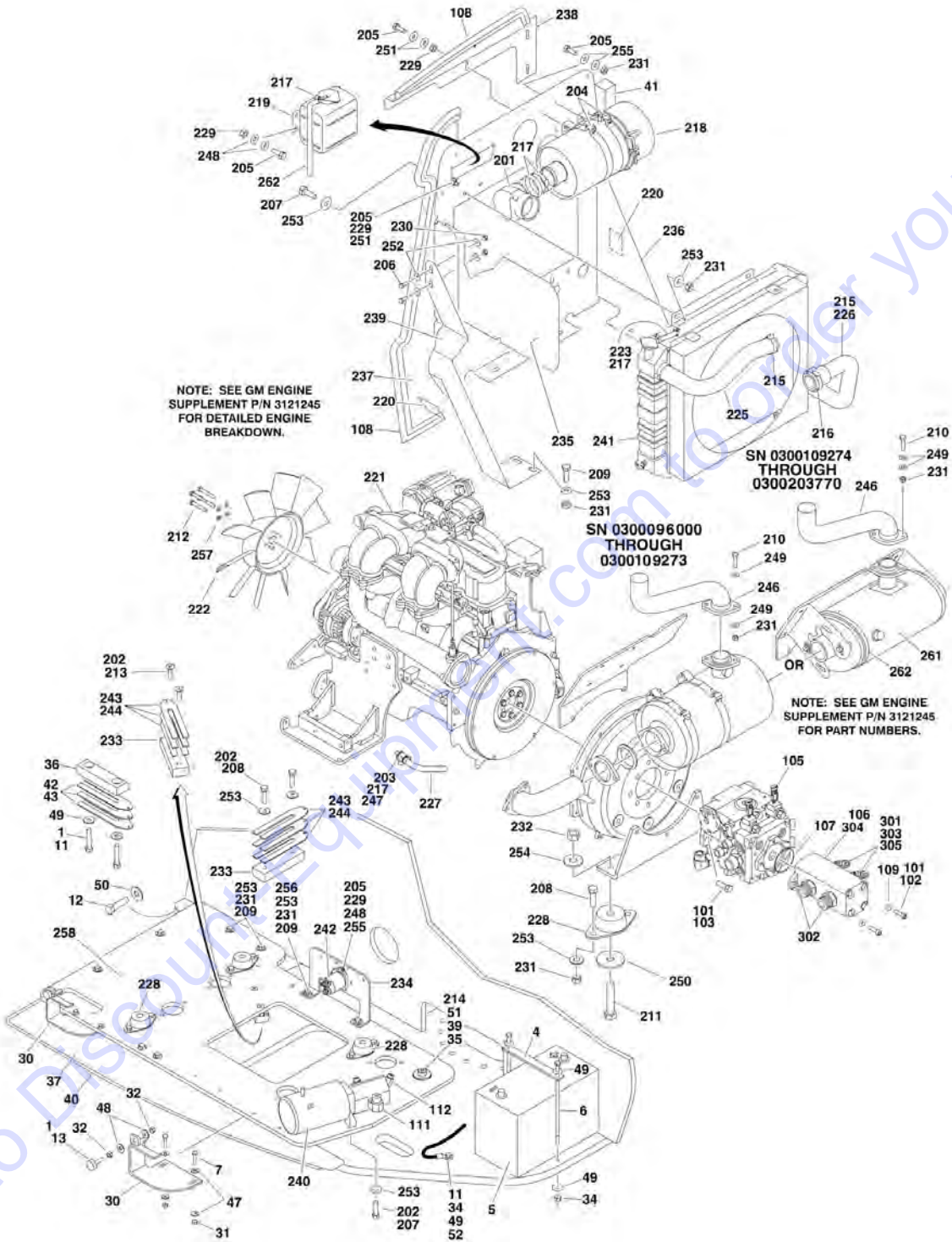
SECTION 2 - TURNTABLE

| ITEM | PART NUMBER | QTY | DESCRIPTION | REV |
|------|-------------|-----|---|-----|
| 801 | 1001146714 | 1 | Arrester, Spark | A |
| | 1001154852 | Ref | AUXILIARY PUMP INSTALLATION | |
| 901 | 0100011 | AR | Locking, Compound | |
| 902 | 0641610 | 2 | Bolt 3/8in-16NC x 1-1/4in | |
| 903 | 2220371 | 1 | Fitting, Straight | |
| 904 | 2220567 | 1 | Fitting, Elbow | |
| 905 | 2221045 | 1 | Fitting, Elbow | |
| 906 | 3600423 | 1 | Auxiliary Power Pump Assembly (See AUXILIARY PUMP ASSEMBLY for Breakdown) | |
| 907 | 4751600 | 2 | Flatwasher 3/8in Regular | |

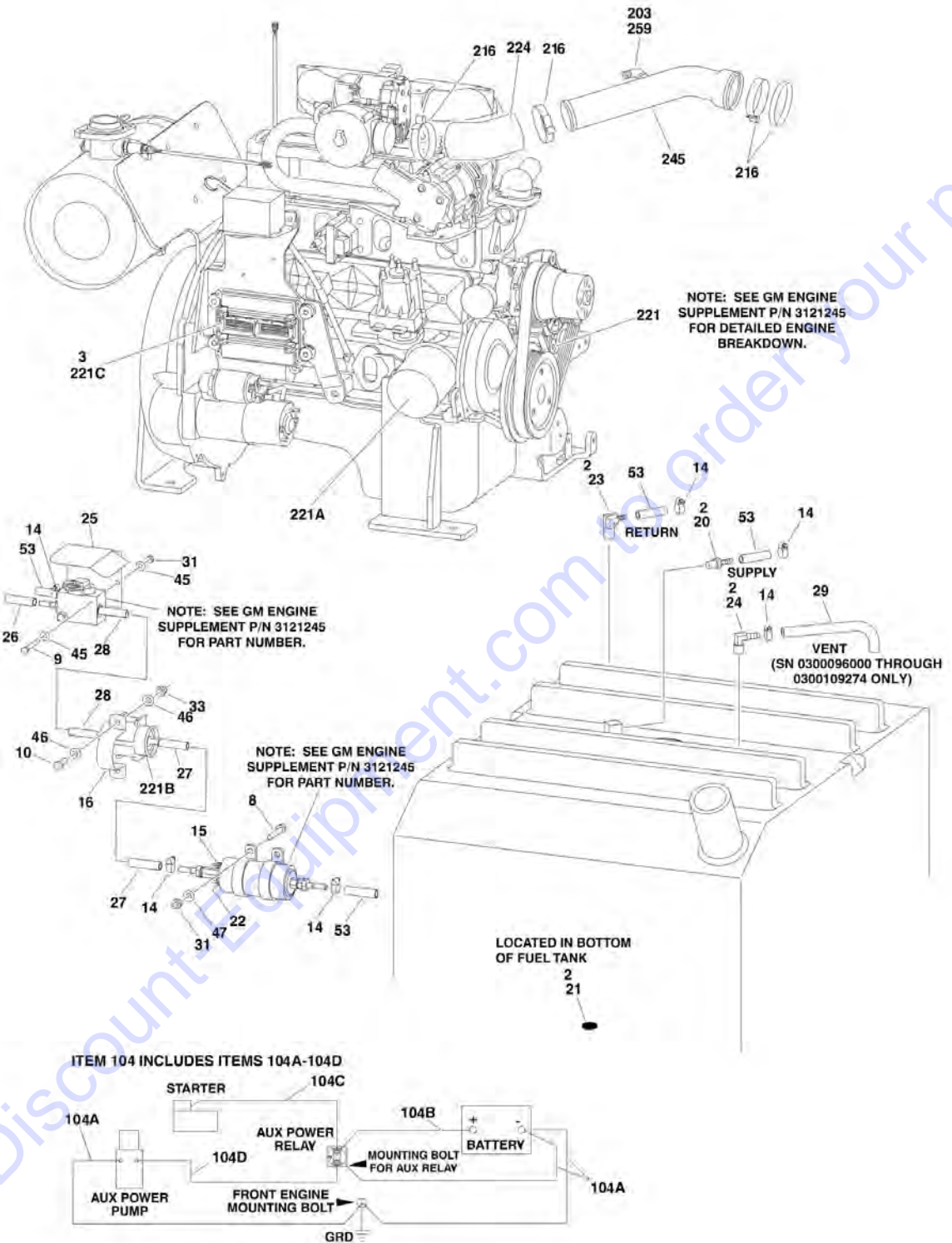
Go to Discount-Equipment.com to order your parts

SECTION 2 - TURNTABLE

FIGURE 2-13. GM ENGINE INSTALLATION (WITHOUT UGM)



SECTION 2 - TURNTABLE



SECTION 2 - TURNTABLE

FIGURE 2-13. GM ENGINE INSTALLATION (WITHOUT UGM)

| ITEM | PART NUMBER | QTY | DESCRIPTION | REV |
|------|-------------|-----------|--|-----|
| | | Ref | GM ENGINE INSTALLATION | |
| | 0275032 | Ref | GM Engine Installation (SN 0300096000 through 0300109273) | G |
| | 1001091629 | Ref | GM Engine Installation (SN 0300109274 through 0300203770) | G |
| 1 | 0100011 | AR | Locking, Compound | |
| 2 | 0100020 | AR | Sealant, Pipe | |
| 3 | 0100048 | AR | Grease, Dielectric | |
| 4 | 0361810 | 1 | Bar, Battery Hold Down | |
| 5 | 0400075 | 1 | Battery (Wet) | |
| 6 | 0630541 | 2 | Bolt, Battery Hold Down | |
| 7 | 0641410 | 4 | Bolt 1/4in-20NC x 1-1/4in | |
| 8 | 0641412 | 2 | Bolt 1/4in-20NC x 1-1/2in (Not Shown) | |
| 9 | 0641422 | 2 | Bolt 1/4in-20NC x 2-3/4in | |
| 10 | 0641511 | 2 | Bolt 5/16in-18NC x 1-3/8in | |
| 11 | 0641616 | 3 | Bolt 3/8in-16NC x 2in | |
| 12 | 0642010 | 1 | Bolt 5/8in-11NC x 1-1/4in | |
| 13 | 0940049 | 2 | Stopper, Hood | |
| 14 | 1320022 | AR | Clamp, Fuel Line | |
| 15 | 3290405 | 1 | Locknut M4 | |
| 16 | 1320323 | 1 | Clamp | |
| 17 | 1701542 | 1 | Decal, Gas (Not Shown) | |
| 18 | 1701543 | 1 | Decal, LPG (Not Shown) | |
| 20 | 2180348 | 1 | Fitting, Barbed | |
| 21 | 2200222 | 1 | Plug, Pipe | |
| 22 | 3290505 | 1 | Locknut M5 | |
| 23 | 2221176 | 1 | Fitting, Elbow | |
| 24 | 2220313 | 1 | Fitting, Elbow Barbed Only (SN 0300096000 through 0300109274) | |
| 25 | 3380741 | 1 | Shield, Cover | |
| 26 | 2720565 | 1 | Hose (78in/2m Length) | |
| 27 | 2720566 | 1 | Hose (6in/15cm Length) | |
| 28 | 2720567 | 1 | Hose (48in/122cm Length) | |
| 29 | 2720474 | 1 | Hose Only (SN 0300096000 through 0300109274) | |
| 29 | 1320223 | 1 | Clamp (Not Shown - Located on Fuel Line Vent Hose Only) (SN 0300096000 through 0300109274) | |
| 30 | | Ref | Weldment, Hood Latch Options: | |
| 30 | 4846096 | NLA | Weldment, Hood Latch (SN 0300096000 through 0300121155) | |
| 30 | 1001094608 | 2 | Weldment, Hood Latch (SN 0300121156 through 0300203770) | |
| 31 | 3311405 | 8 | Locknut 1/4in-20NC | |
| 32 | 3311501 | 4 | Nut 5/16in-18NC | |
| 33 | 3311505 | 2 | Locknut 5/16in-18NC | |
| 34 | 3311605 | 2 | Locknut 3/8in-16NC | |
| 35 | 3312005 | 1 | Locknut 5/8in-11NC | |
| 36 | 3340399 | 1 | Pad, Wear | |
| 37 | 3572504 | 1 | Plate | |
| 38 | 3790012 | 1 | O-Ring (Not Shown - Located in Console Box) | |
| 39 | 3900255 | 1 | Screw, Shoulder | |
| 40 | 3960389 | 10 ft/30m | Seal, Self Gripping | |
| 41 | 3960469 | 1 | Seal, Foam Gasket | |
| 42 | 4070497 | 2 | Shim | |
| 43 | 4070498 | 1 | Shim | |

SECTION 2 - TURNTABLE

| ITEM | PART NUMBER | QTY | DESCRIPTION | REV |
|------|-------------|------------|---|-----|
| 44 | 4360336 | 1 | Switch, Toggle (Not Shown - Located in Console Box) | |
| 45 | 4711400 | 4 | Flatwasher 1/4in Thin | |
| 46 | 4711500 | 4 | Flatwasher 5/16in Thin | |
| 47 | 4751400 | 10 | Flatwasher 1/4in Regular | |
| 48 | 4751500 | 4 | Flatwasher 5/16in Regular Only (SN 0300096000 through 0300137656) | |
| 49 | 4751600 | 7 | Flatwasher 3/8in Regular | |
| 50 | 4752000 | 1 | Flatwasher 5/8in Regular | |
| 51 | 4752200 | 2 | Flatwasher 3/4in Regular | |
| 52 | 4791600 | 1 | Starwasher 3/8in | |
| 53 | | Ref | Hose Options: | |
| 53 | 2720058 | 11 ft/3.4m | Hose (SN 0300096000 through 0300109273) | |
| 53 | 1001091587 | 11 ft/3.4m | Hose (SN 0300109274 through 0300203770) | |
| | | Ref | GM ENGINE AND PUMP SUB-ASSEMBLY | |
| | 2000359 | Ref | GM Engine and Pump Sub-Assembly (SN 0300096000 through 0300109273) | B |
| | 1001091628 | Ref | GM Engine and Pump Sub-Assembly (SN 0300109274 through 0300203770) | E |
| 101 | 0100011 | AR | Locking, Compound | |
| 102 | 0641608 | 2 | Bolt 3/8in-16NC x 1in | |
| 103 | 0641812 | 2 | Bolt 1/2in-13NC x 1-1/2in | |
| 104 | 2902511 | 1 | Battery Cable Kit | C |
| 104A | 7027013 | 1 | Cable (Battery - to Ground) | |
| 104B | 7027012 | 1 | Cable (Battery + to Auxiliary Relay) | |
| 104C | 7016808 | 1 | Cable (Auxiliary Relay to Starter) | |
| 104D | 7016820 | 1 | Cable (Auxiliary Relay to Auxiliary Pump) | |
| 105 | 3600404 | 1 | Pump Assembly (See PISTON PUMP ASSEMBLY for Breakdown) | |
| 106 | 3600405 | 1 | Gear Pump Assembly With Fittings (See Items 301-305 for Breakdown) | |
| 107 | 3790152 | 1 | O-Ring | |
| 108 | 3960389 | 10 ft/3m | Seal | |
| 109 | 4891600 | 2 | Flatwasher 3/8in Hardened | |
| 111 | 2220567 | 1 | Fitting, Elbow | |
| 112 | 2221045 | 2 | Fitting, Elbow | |
| | | Ref | GM ENGINE ASSEMBLY | |
| | 2000358 | Ref | GM Engine Assembly (SN 0300096000 through 0300109273) | E |
| | 1001091627 | Ref | GM Engine Assembly (SN 0300109274 through 0300203770) | E |
| 201 | 0080201 | 1 | Fitting, Elbow | |
| 202 | 0100011 | AR | Locking, Compound | |
| 203 | 0100020 | AR | Sealant Only (SN 0300096000 through 0300136281) | |
| 204 | 0340041 | 2 | Band, Mounting | |
| 205 | 0641406 | 15 | Bolt 1/4in-20NC x 3/4in | |
| 206 | 0641507 | 2 | Bolt 5/16in-18NC x 7/8in | |
| 207 | 0641609 | 6 | Bolt 3/8in-16NC x 1-1/8in | |
| 208 | 0641610 | 10 | Bolt 3/8in-16NC x 1-1/4in | |
| 209 | 0641611 | 6 | Bolt 3/8in-16NC x 1-3/8in | |
| 210 | 0641612 | 2 | Bolt 3/8in-16NC x 1-1/2in | |
| 211 | 0641820 | 4 | Bolt 1/2in-13NC x 2-1/2in | |
| 212 | 0700810 | 4 | Bolt M8 x 20mm | |
| 213 | 0741610 | 2 | Screw, Flat Head 3/8in-16NC x 1-1/4in | |
| 214 | 0962172 | 1 | Bushing, Flanged | |

SECTION 2 - TURNTABLE

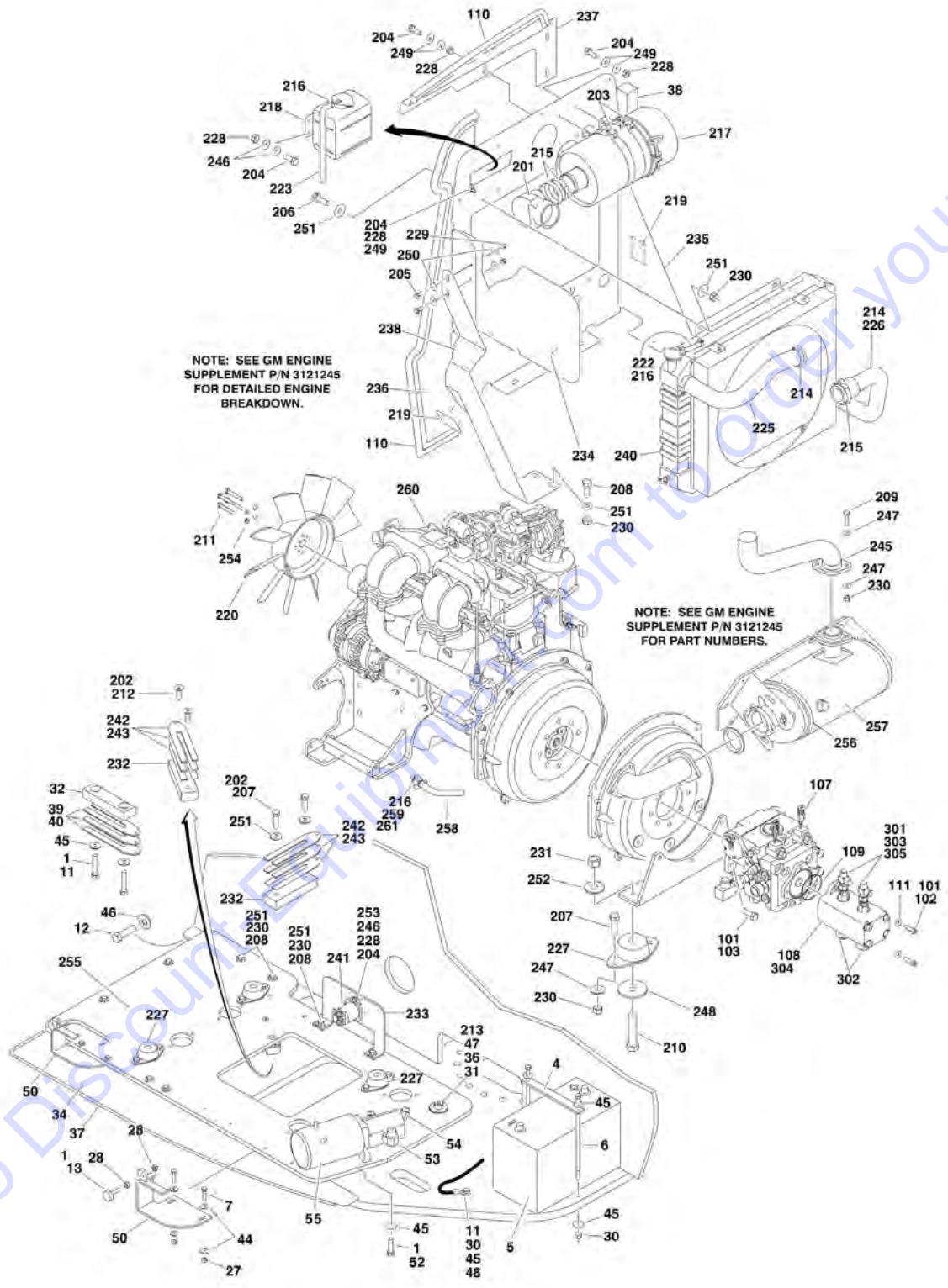
| ITEM | PART NUMBER | QTY | DESCRIPTION | REV |
|------|-------------|-----------|--|-----|
| 215 | 1320012 | 3 | Clamp | |
| 216 | 1320016 | 5 | Clamp | |
| 217 | 1320022 | 3 | Clamp | |
| 218 | 1340060 | 1 | Air Cleaner Assembly | |
| 218 | 7012664 | 1 | Element, Air Cleaner | |
| 219 | 1580011 | 1 | Container, Coolant Overflow | |
| 220 | 1703162 | 2 | Decal - Caution Fan | |
| 221 | | Ref | Engine, GM 3.0L Options (See GM Engine Supplement p/n 3121245 for Breakdown of Additional Components): | |
| 221 | 2000354 | 1 | Engine, GM 3.0L (SN 0300096000 through 0300109273) | |
| 221 | 1001091583 | 1 | Engine, GM 3.0L (SN 0300109274 through 0300203770) | |
| 221 | 7027996 | 4 | Plug, Spark (Not Shown) | |
| 221A | 7027965 | 1 | Filter, Oil | |
| 221B | 7027972 | 1 | Filter, Fuel | |
| 221C | 7027994 | 1 | Module, Control (ECU) | |
| 222 | 2060025 | 1 | Fan | |
| 223 | 2720058 | 4 in/10cm | Hose | |
| 224 | 2720514 | 1 | Hose | |
| 225 | 2720563 | 1 | Hose, Radiator (Top) | |
| 226 | 2720564 | 1 | Hose, Radiator (Bottom) | |
| 227 | | Ref | Hose Options: | |
| 227 | 2750532 | 8 in/20cm | Hose (SN 0300096000 through 0300136280) | |
| 227 | 1001091892 | 1 ft/30cm | Hose (SN 0300136281 through 0300203770) | |
| 228 | 3200406 | 4 | Mount, Motor | |
| 229 | 3311405 | 15 | Locknut 1/4in-20NC | |
| 230 | 3311505 | 2 | Locknut 5/16in-18NC | |
| 231 | 3311605 | 20 | Locknut 3/8in-16NC | |
| 232 | 3311805 | 4 | Locknut 1/2in-13NC | |
| 233 | 3340399 | 2 | Pad, Wear | |
| 234 | 3570808 | 1 | Plate, Relay Mount | |
| 235 | 3571019 | 1 | Plate, Air Panel | |
| 236 | 3571692 | 1 | Plate, Radiator Mounting | |
| 237 | 3572502 | 1 | Plate, Air Flow Control (Side) | |
| 238 | 3572503 | 1 | Plate, Air Flow Control (Top) | |
| 239 | 3573667 | 1 | Plate, Radiator Support | |
| 240 | | Ref | Auxiliary Power Pump Assembly Options (See AUXILIARY PUMP ASSEMBLY for Breakdown): | |
| 240 | 3600279 | NLA | Auxiliary Power Pump Assembly (SN 0300096000 through 0300105248) | |
| 240 | 3600423 | 1 | Auxiliary Power Pump Assembly (SN 0300105249 through 0300203770) | |
| 241 | 3620040 | 1 | Radiator | |
| 241 | 8180311 | 1 | Cap, Radiator (was p/n 7019656) | |
| 242 | 3740067 | 1 | Relay | |
| 243 | 4070497 | 4 | Shim (11 Gauge) | |
| 244 | 4070498 | 2 | Shim (16 Gauge) | |
| 245 | 4569342 | 1 | Tube, Air Intake | |
| 246 | 4569345 | 1 | Pipe, Exhaust | |
| 247 | | Ref | Valve, Oil Drain Options: | |
| 247 | 4640952 | 1 | Valve, Oil Drain (SN 0300096000 through 0300136280) | |
| 247 | 1001105872 | 1 | Valve, Oil Drain (SN 0300136281 through 0300203770) | |
| 248 | 4711400 | 12 | Flatwasher 1/4in Thin | |

SECTION 2 - TURNTABLE

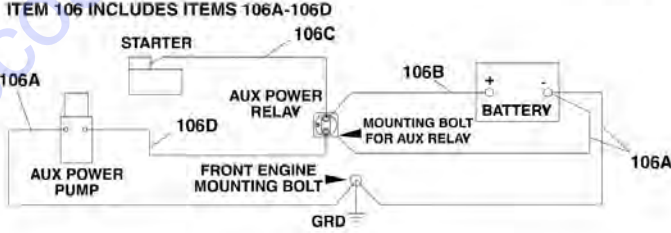
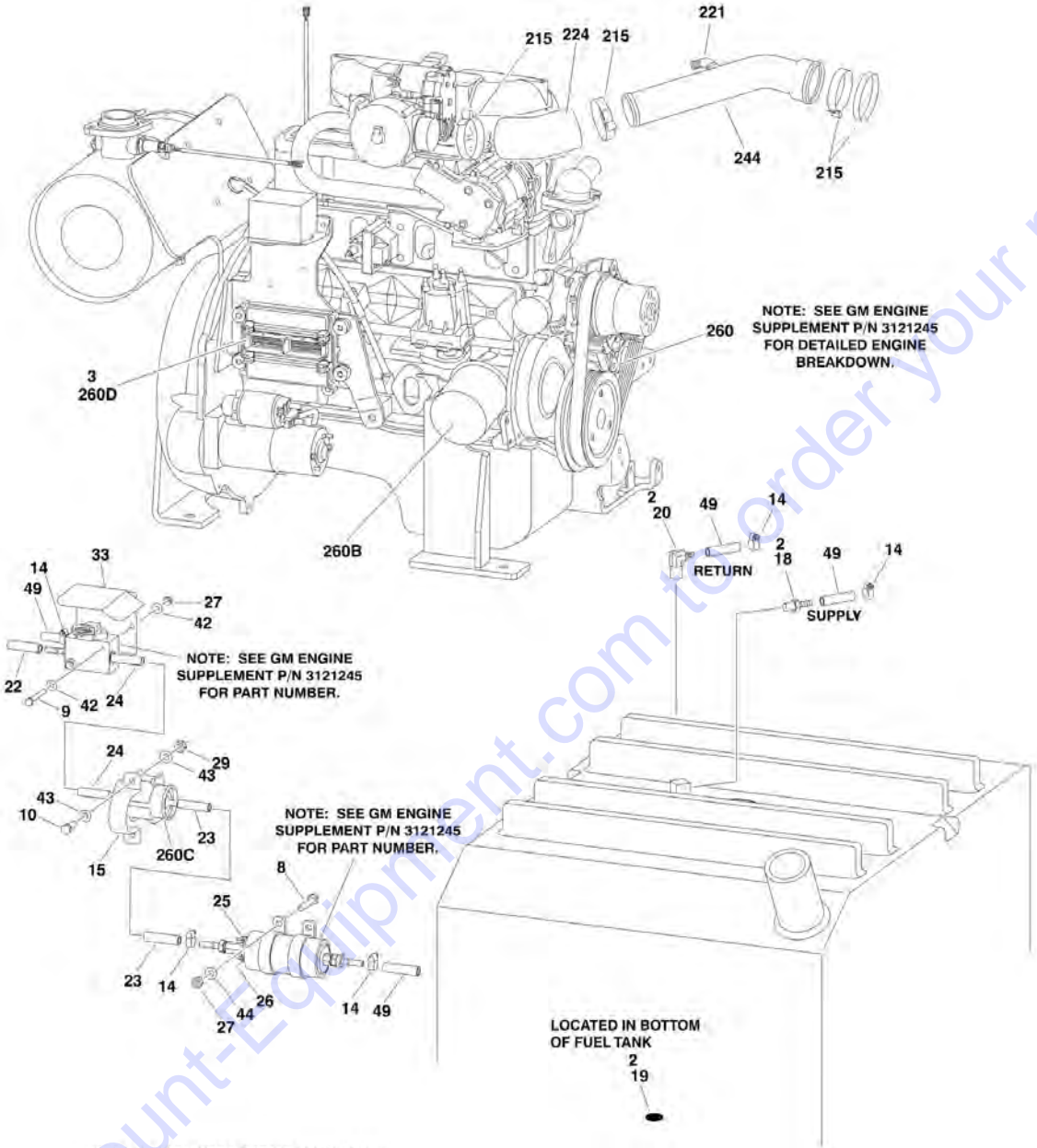
| ITEM | PART NUMBER | QTY | DESCRIPTION | REV |
|------|-------------|---------|--|-----|
| 249 | 4711600 | 4 | Flatwasher 3/8in Thin | |
| 250 | 4740274 | 4 | Flatwasher, Snubbing | |
| 251 | 4751400 | 18 | Flatwasher 1/4in Regular | |
| 252 | 4751500 | 4 | Flatwasher 5/16in Regular | |
| 253 | 4751600 | 32 | Flatwasher 3/8in Regular | |
| 254 | 4751800 | 4 | Flatwasher 1/2in Regular | |
| 255 | 4791400 | 2 | Starwasher 1/4in | |
| 256 | 4791600 | 2 | Starwasher 3/8in | |
| 257 | 4831900 | 4 | Lockwasher 8mm | |
| 258 | 4846809 | 1 | Tray, Engine | |
| 259 | 2180877 | 1 | Fitting, Elbow | |
| 261 | 1001091794 | 1 | Insulation, Muffler | |
| 262 | 4920385 | AR | Wire, Safety | |
| 263 | 2720271 | 18 | Hose Only (SN 0300136281 through 0300203770) | |
| | | in/46cm | | |
| | 3600405 | Ref | GEAR PUMP ASSEMBLY WITH FITTINGS | A |
| 301 | 2220385 | 2 | Fitting, Tee | |
| 302 | 2220479 | 2 | Fitting, Straight | |
| 303 | 2220810 | 2 | Fitting, Reducer | |
| 304 | 3600368 | 1 | Gear Pump Assembly Less Fittings | |
| 304 | 7024962 | 1 | Seal Kit - 3600368 Pump (Includes Soft Seals) Note: Seal Kit is only service part are available. | |
| 305 | 4640744 | 2 | Valve, Check | |

SECTION 2 - TURNTABLE

FIGURE 2-14. GM ENGINE INSTALLATION (WITH UGM)



SECTION 2 - TURNTABLE



SECTION 2 - TURNTABLE

FIGURE 2-14. GM ENGINE INSTALLATION (WITH UGM)

| ITEM | PART NUMBER | QTY | DESCRIPTION | REV |
|------|-------------|-----------|---|-----|
| | 1001114607 | Ref | GM ENGINE INSTALLATION | F |
| 1 | 0100011 | AR | Locking, Compound | |
| 2 | 0100020 | AR | Sealant, Pipe | |
| 3 | 0100048 | AR | Grease, Dielectric | |
| 4 | 0361810 | 1 | Bar, Battery Hold Down | |
| 5 | 0400075 | 1 | Battery (Wet) | |
| 6 | 0630541 | 2 | Bolt, Battery Hold Down | |
| 7 | 0641410 | 4 | Bolt 1/4in-20NC x 1-1/4in | |
| 8 | 0641412 | 2 | Bolt 1/4in-20NC x 1-1/2in (Not Shown) | |
| 9 | 0641422 | 2 | Bolt 1/4in-20NC x 2-3/4in | |
| 10 | 0641511 | 2 | Bolt 5/16in-18NC x 1-3/8in | |
| 11 | 0641616 | 3 | Bolt 3/8in-16NC x 2in | |
| 12 | 0642010 | 1 | Bolt 5/8in-11NC x 1-1/4in | |
| 13 | 0940049 | 2 | Stopper, Hood | |
| 14 | 1001174486 | 4 | Clamp, Fuel Line | |
| 15 | 1320323 | 1 | Clamp | |
| 16 | 1701542 | 1 | Decal, Gas (Not Shown) | |
| 17 | 1701543 | 1 | Decal, LPG (Not Shown) | |
| 18 | 2180348 | 1 | Fitting, Barbed | |
| 19 | 2200222 | 1 | Plug, Pipe | |
| 20 | 2221176 | 1 | Fitting, Elbow | |
| 21 | 2300004 | 2.7 Gal | Coolant, Anti-Freeze (Not Shown) | |
| 22 | | Ref | Hose Options: | |
| 22 | 2720565 | NLA | Hose (Prior to SN 0300181781) | |
| 22 | 1001156822 | 1 | Hose (SN 0300181781 through 0300203770) | |
| 23 | | Ref | Hose Options: | |
| 23 | 2720566 | NLA | Hose (Prior to SN 0300181781) | |
| 23 | 1001156823 | 1 | Hose (SN 0300181781 through 0300203770) | |
| 24 | | Ref | Hose Options: | |
| 24 | 2720567 | NLA | Hose (Prior to SN 0300181781) | |
| 24 | 1001156824 | 1 | Hose (SN 0300181781 through 0300203770) | |
| 25 | 3290405 | 1 | Locknut M4 | |
| 26 | 3290505 | 1 | Locknut M5 | |
| 27 | 3311405 | 8 | Locknut 1/4in-20NC | |
| 28 | 3311501 | 4 | Nut 5/16in-18NC | |
| 29 | 3311505 | 2 | Locknut 5/16in-18NC | |
| 30 | 3311605 | 2 | Locknut 3/8in-16NC | |
| 31 | 3312005 | 1 | Locknut 5/8in-11NC | |
| 32 | 3340399 | 1 | Pad, Wear | |
| 33 | 3380741 | 1 | Shield, Cover | |
| 34 | 3572504 | 1 | Plate | |
| 35 | 3790012 | 1 | O-Ring (Not Shown - Located in Console Box) | |
| 36 | 3900255 | 1 | Screw, Shoulder | |
| 37 | 3960389 | 4 ft/1.2m | Seal, Self Gripping | |
| 38 | 3960469 | 1 | Seal, Foam Gasket | |
| 39 | 4070497 | 2 | Shim | |
| 40 | 4070498 | 1 | Shim | |
| 41 | 4360336 | 1 | Switch, Toggle (Not Shown - Located in Console Box) | |
| 42 | 4711400 | 4 | Flatwasher 1/4in Thin | |
| 43 | 4711500 | 4 | Flatwasher 5/16in Thin | |

SECTION 2 - TURNTABLE

| ITEM | PART NUMBER | QTY | DESCRIPTION | REV |
|------|-------------|-----------------|---|-----|
| 44 | 4751400 | 10 | Flatwasher 1/4in Regular | |
| 45 | 4751600 | 9 | Flatwasher 3/8in Regular | |
| 46 | 4752000 | 1 | Flatwasher 5/8in Regular | |
| 47 | 4752200 | 2 | Flatwasher 3/4in Regular | |
| 48 | 4791600 | 1 | Starwasher 3/8in | |
| 49 | | Ref | Hose Options: | |
| 49 | 1001091587 | 17.5 ft/5.3m | Hose (Prior to SN 0300181781) | |
| 49 | 1001156819 | 17.5 ft/5.3m | Hose (SN 0300181781 through 0300203770) | |
| 50 | 1001094608 | 2 | Weldment, Hood Latch | |
| 52 | 0641609 | 2 | Bolt 3/8in-16NC x 1-1/8in | |
| 53 | 2220567 | 1 | Fitting, Elbow | |
| 54 | 2221045 | 2 | Fitting, Elbow | |
| 55 | 3600423 | 1 | Auxiliary Power Pump Assembly (See AUXILIARY PUMP ASSEMBLY for Breakdown) | |
| 56 | 1001174093 | 2 | Coupling, Quick Connect | |
| | 1001114606 | Ref | GM ENGINE AND PUMP SUB-ASSEMBLY | E |
| 101 | 0100011 | AR | Locking, Compound | |
| 102 | 0641608 | 2 | Bolt 3/8in-16NC x 1in | |
| 103 | 0641812 | 2 | Bolt 1/2in-13NC x 1-1/2in | |
| 106 | 2902511 | 1 | Battery Cable Kit | C |
| 106A | 7027013 | 1 | Cable (Battery - to Ground) | |
| 106B | 7027012 | 1 | Cable (Battery + to Auxiliary Relay) | |
| 106C | 7016808 | 1 | Cable (Auxiliary Relay to Starter) | |
| 106D | 7016820 | 1 | Cable (Auxiliary Relay to Auxiliary Pump) | |
| 107 | 3600404 | 1 | Pump Assembly (See PISTON PUMP ASSEMBLY for Breakdown) | |
| 108 | 3600405 | 1 | Gear Pump Assembly With Fittings (See Items 301-305 for Breakdown) | |
| 109 | 3790152 | 1 | O-Ring | |
| 110 | 3960389 | 6 ft/1.8m | Seal | |
| 111 | 4891600 | 2 | Flatwasher 3/8in Hardened | |
| 113 | 1001115930 | 1 | Engine Oil, (10W-30) (Not Shown) | |
| | 1001114605 | Ref | GM ENGINE ASSEMBLY | D |
| 201 | 0080201 | 1 | Fitting, Elbow | |
| 202 | 0100011 | AR | Locking, Compound | |
| 203 | 0340041 | 2 | Band, Mounting | |
| 204 | 0641406 | 15 | Bolt 1/4in-20NC x 3/4in | |
| 205 | 0641507 | 2 | Bolt 5/16in-18NC x 7/8in | |
| 206 | 0641609 | 4 | Bolt 3/8in-16NC x 1-1/8in | |
| 207 | 0641610 | 10 | Bolt 3/8in-16NC x 1-1/4in | |
| 208 | 0641611 | 6 | Bolt 3/8in-16NC x 1-3/8in | |
| 209 | 0641612 | 2 | Bolt 3/8in-16NC x 1-1/2in | |
| 210 | 0641820 | 4 | Bolt 1/2in-13NC x 2-1/2in | |
| 211 | 0700810 | 4 | Bolt M8 x 20mm | |
| 212 | 0741610 | 2 | Screw, Flat Head 3/8in-16NC x 1-1/4in | |
| 213 | 0962172 | 1 | Bushing, Flanged | |
| 214 | 1320012 | 3 | Clamp | |
| 215 | 1320016 | 5 | Clamp | |
| 216 | 1320022 | AR | Clamp | |
| 217 | 1340060 | 1 | Air Cleaner Assembly | |
| 217 | 7012664 | 1 | Element, Air Cleaner | |

SECTION 2 - TURNTABLE

| ITEM | PART NUMBER | QTY | DESCRIPTION | REV |
|------|-------------|---------------|--|-----|
| 218 | 1580011 | 1 | Container, Coolant Overflow | |
| 219 | 1703162 | 2 | Decal - Caution Fan | |
| 220 | 2060025 | 1 | Fan | |
| 221 | 2180877 | 1 | Fitting, Elbow | |
| 222 | 2720058 | 4 in/10cm | Hose | |
| 223 | 2720271 | 18 in/46cm | Hose | |
| 224 | 2720514 | 1 | Hose | |
| 225 | 2720563 | 1 | Hose, Radiator (Top) | |
| 226 | 2720564 | 1 | Hose, Radiator (Bottom) | |
| 227 | 3200406 | 4 | Mount, Motor | |
| 228 | 3311405 | 15 | Locknut 1/4in-20NC | |
| 229 | 3311505 | 2 | Locknut 5/16in-18NC | |
| 230 | 3311605 | 20 | Locknut 3/8in-16NC | |
| 231 | 3311805 | 4 | Locknut 1/2in-13NC | |
| 232 | 3340399 | 2 | Pad, Wear | |
| 233 | 3570808 | 1 | Plate, Relay Mount | |
| 234 | 3571019 | 1 | Plate, Air Panel | |
| 235 | 3571692 | 1 | Plate, Radiator Mounting | |
| 236 | 3572502 | 1 | Plate, Air Flow Control (Side) | |
| 237 | 3572503 | 1 | Plate, Air Flow Control (Top) | |
| 238 | 3573667 | 1 | Plate, Radiator Support | |
| 240 | 3620040 | 1 | Radiator | |
| 240 | 8180311 | 1 | Cap, Radiator (was p/n 7019656) | |
| 241 | 3740067 | 1 | Relay | |
| 242 | 4070497 | 4 | Shim (11 Gauge) | |
| 243 | 4070498 | 2 | Shim (16 Gauge) | |
| 244 | 4569342 | 1 | Tube, Air Intake | |
| 245 | 4569345 | 1 | Pipe, Exhaust | |
| 246 | 4711400 | 12 | Flatwasher 1/4in Thin | |
| 247 | 4711600 | 12 | Flatwasher 3/8in Thin | |
| 248 | 4740274 | 4 | Flatwasher, Snubbing | |
| 249 | 4751400 | 18 | Flatwasher 1/4in Regular | |
| 250 | 4751500 | 4 | Flatwasher 5/16in Regular | |
| 251 | 4751600 | 22 | Flatwasher 3/8in Regular | |
| 252 | 4751800 | 4 | Flatwasher 1/2in Regular | |
| 253 | 4791600 | 2 | Starwasher 3/8in | |
| 254 | 4831900 | 4 | Lockwasher 8mm | |
| 255 | 4846809 | 1 | Tray, Engine | |
| 256 | 4920385 | 10 ft/3.0m | Wire, Safety | |
| 257 | 1001091794 | 1 | Insulation, Muffler | |
| 258 | 2750532 | 1 ft/0.3m | Hose Only (SN 0300096000 through 0300161285) | |
| 259 | 4640952 | 1 | Valve, Oil Drain Only (SN 0300096000 through 0300161285) | |
| 260 | | Ref | Engine, GM 3.0L Options (See GM Engine Supplement p/n 3121245 for Breakdown of Additional Components): | |
| 260 | 1001114595 | 1 | Engine, GM 3.0L (SN 0300096000 through 0300161284) | |
| 260 | 1001141139 | 1 | Engine, GM 3.0L (SN 0300161285 through 0300203770) | |
| 260A | 70000164 | 4 | Plug, Spark (Not Shown) | |
| 260B | 7027965 | 1 | Filter, Oil | |
| 260C | 7027972 | 1 | Filter, Fuel | |
| 260D | 70002895 | 1 | Module, Control (ECU) | |
| 261 | 0100020 | AR | Sealant, Pipe Only (SN 0300096000 through 0300161285) | |

PARTS FINDER

**Search Website
by Part Number**



**Search Manual
Library For Parts
Manual & Lookup Part
Numbers – Purchase
or Request Quote**

**Can't Find Part or
Manual? Request Help
by Manufacturer,
Model & Description**

Discount-Equipment.com is your online resource for quality parts & equipment.

Florida: **561-964-4949** Outside Florida TOLL FREE: **877-690-3101**

Need parts?

Click on this link: <http://www.discount-equipment.com/category/5443-parts/> and choose one of the options to help get the right parts and equipment you are looking for. Please have the machine model and serial number available in order to help us get you the correct parts. If you don't find the part on the website or on one of the online manuals, please fill out the request form and one of our experienced staff members will get back to you with a quote for the right part that your machine needs.

We sell worldwide for the brands: Genie, Terex, JLG, MultiQuip, Mikasa, Essick, Whiteman, Mayco, Toro Stone, Diamond Products, Generac Magnum, Airman, Haulotte, Barreto, Power Blanket, Nifty Lift, Atlas Copco, Chicago Pneumatic, Allmand, Miller Curber, Skyjack, Lull, Skytrak, Tsurumi, Husquvarna Target, Stow, Wacker, Sakai, Mi-T-M, Sullair, Basic, Dynapac, MBW, Weber, Bartell, Bennar Newman, Haulotte, Ditch Runner, Menegotti, Morrison, Contec, Buddy, Crown, Edco, Wyco, Bomag, Laymor, EZ Trench, Bil-Jax, F.S. Curtis, Gehl Pavers, Heli, Honda, ICS/PowerGrit, IHI, Partner, Imer, Clipper, MMD, Koshin, Rice, CH&E, General Equipment, Amida, Coleman, NAC, Gradall, Square Shooter, Kent, Stanley, Tamco, Toku, Hatz, Kohler, Robin, Wisconsin, Northrock, Oztec, Toker TK, Rol-Air, APT, Wylie, Ingersoll Rand / Doosan, Innovatech, Con X, Ammann, Mecalac, Makinex, Smith Surface Prep, Small Line, Wanco, Yanmar

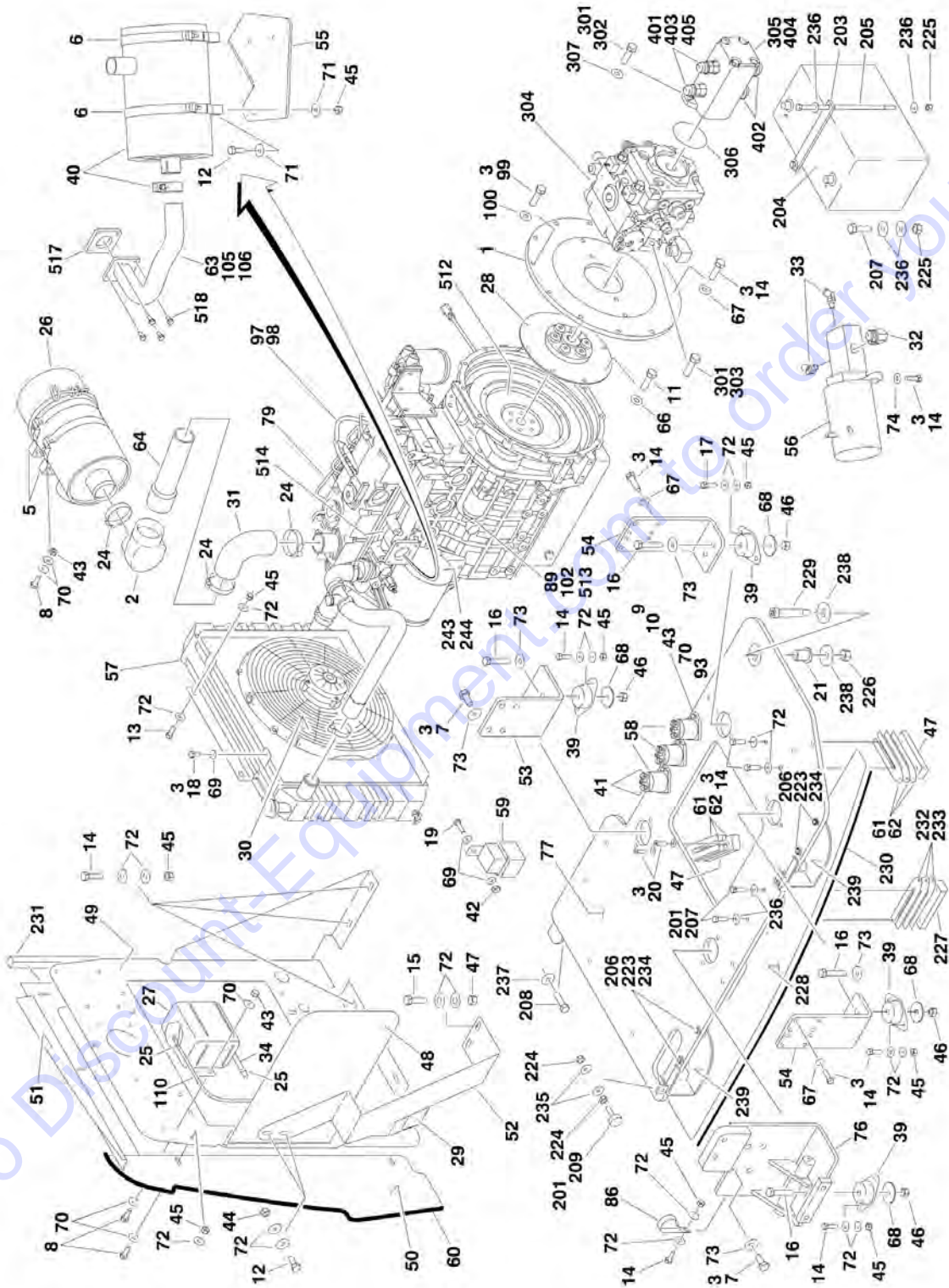
SECTION 2 - TURNTABLE

| ITEM | PART NUMBER | QTY | DESCRIPTION | REV |
|------|-------------|-----|--|-----|
| | 3600405 | Ref | GEAR PUMP ASSEMBLY WITH FITTINGS | A |
| 301 | 2220385 | 2 | Fitting, Tee | |
| 302 | 2220479 | 2 | Fitting, Straight | |
| 303 | 2220810 | 2 | Fitting, Reducer | |
| 304 | 3600368 | 1 | Gear Pump Assembly Less Fittings | |
| 304 | 7024962 | 1 | Seal Kit - 3600368 Pump (Includes Soft Seals) Note: Seal Kit is only service part are available. | |
| 305 | 4640744 | 2 | Valve, Check | |

Go to Discount-Equipment.com to order your parts

SECTION 2 - TURNTABLE

FIGURE 2-15. PERKINS ENGINE INSTALLATION - WITH ELECTRICAL DRIVEN COOLING FAN (WITHOUT UGM)



SECTION 2 - TURNTABLE

**FIGURE 2-15. PERKINS ENGINE INSTALLATION - WITH ELECTRICAL DRIVEN COOLING FAN
(WITHOUT UGM)**

| ITEM | PART NUMBER | QTY | DESCRIPTION | REV |
|------|-------------|-----------|---|-----|
| | | Ref | NOTE: FOR MODULE IDENTIFICATION, REFER TO REVISION LOG PAGE A. | |
| | | Ref | NOTE: TO CONVERT ELECTRIC FAN TO MECHANICAL FAN, SEE SPECIAL OPTION SECTION. | |
| | | Ref | PERKINS ENGINE ASSEMBLY | |
| | 1001095204 | Ref | Without Arctic Package (All Specs except CE Spec) | J |
| | 1001102991 | Ref | Without Arctic Package (CE Spec Only) | E |
| | 1001095207 | Ref | With Arctic Package | J |
| 1 | 0080181 | 1 | Adapter, Pump Mounting Plate | |
| 2 | 0080201 | 1 | Adapter, Elbow Air Intake | |
| 3 | 0100011 | AR | Locking, Compound | |
| 4 | 0100020 | AR | Sealant | |
| 5 | 0340041 | 2 | Band, Air Cleaner Mounting | |
| 6 | 0340046 | 2 | Band, Muffler Mounting | |
| 7 | 0630569 | 8 | Bolt M14 x 30mm | |
| 8 | 0641406 | 13 | Bolt 1/4in-20NC x 3/4in | |
| 9 | 0641408 | 5 | Bolt 1/4in-20NC x 1in | |
| 10 | 0641410 | 1 | Bolt 1/4in-20NC x 1-1/4in | |
| 11 | 0641506 | 8 | Bolt 5/16in-18NC x 3/4in | |
| 12 | 0641507 | 6 | Bolt 5/16in-18NC x 7/8in | |
| 13 | 0641609 | 4 | Bolt 3/8in-16NC x 1-1/8in | |
| 14 | 0641610 | 35 | Bolt 3/8in-16NC x 1-1/4in | |
| 15 | 0641611 | 2 | Bolt 3/8in-16NC x 1-3/8in | |
| 16 | 0641820 | 4 | Bolt 1/2in-13NC x 2-1/2in | |
| 18 | 0721004 | 4 | Capscrew #10-24NC x 1/2in | |
| 19 | 0721006 | 1 | Capscrew #10-24NC x 3/4in | |
| 20 | 0741610 | 2 | Screw, Flat Head 3/8in-16NC x 1-1/4in | |
| 21 | 0962172 | 1 | Bushing, Flanged | |
| 22 | 1060904 | 1 | Cable, Jumper | |
| 23 | 1320012 | 6 | Clamp | |
| 24 | 1320016 | 4 | Clamp | |
| 25 | 1320022 | AR | Clamp | |
| 26 | 1340060 | 1 | Air Cleaner Assembly | |
| 26 | 7012664 | 1 | Element, Air Cleaner | |
| 27 | 1580011 | 1 | Container, Coolant Overflow | |
| 28 | 1660255 | 1 | Coupling, Pump | |
| 29 | 1703162 | 2 | Decal - Caution Fan | |
| 30 | 2060032 | 1 | Fan, Electric | |
| 31 | 2180482 | 1 | Elbow, Rubber | |
| 32 | 2220567 | 1 | Fitting, Elbow Adapter | |
| 33 | 2221045 | 2 | Fitting, Elbow Adapter | |
| 34 | 2720058 | 4 in/10cm | Hose | |
| 36 | 2720508 | 1 | Hose, Radiator (Bottom) | |
| 37 | 2750532 | 6 in/15cm | Hose | |
| 38 | 2901880 | 1 | Battery Cable Kit | D |
| 38A | 7016843 | 1 | Cable - Battery to Relays | |
| 38B | 7016835 | 1 | Cable - Battery and Auxiliary Pump to Ground | |
| 38C | 7016834 | 1 | Cable - Starter Relay to Starter | |
| 38D | 7016820 | 1 | Cable - Auxiliary Relay to Auxiliary Pump | |

SECTION 2 - TURNTABLE

| ITEM | PART NUMBER | QTY | DESCRIPTION | REV |
|------|-------------|-----------|---|-----|
| 39 | 3200378 | 4 | Mount, Motor | |
| 40 | | Ref | Muffler Options: | |
| 40 | 3220113 | 1 | Spark Arresting Muffler | |
| 40 | 70001017 | 1 | Clamp | |
| 40 | 3220154 | NLA | Catalytic Muffler (Use p/n 1001107116) | |
| 40 | 70002705 | 1 | Clamp | |
| 40 | 70002706 | 1 | Plug, Brass | |
| 41 | 3300220 | 6 | Nut, Washer Only (SN 0300096000 through 0300131588) | |
| 42 | 3311005 | 1 | Locknut #10-24NC | |
| 43 | 3311405 | 19 | Locknut 1/4in-20NC | |
| 44 | 3311505 | 6 | Locknut 5/16in-18NC | |
| 45 | 3311605 | 19 | Locknut 3/8in-16NC | |
| 46 | 3311805 | 4 | Locknut 1/2in-13NC | |
| 47 | 3340399 | 2 | Pad, Wear | |
| 48 | 3571019 | 1 | Plate, Air Panel | |
| 49 | 3571692 | 1 | Plate, Radiator Mount | |
| 50 | 3572502 | 1 | Plate, Air Control Side | |
| 51 | 3572503 | 1 | Plate, Air Control Top | |
| 52 | 3573667 | 1 | Plate, Radiator Support | |
| 53 | 3574253 | 1 | Plate, Engine Mounting (Front) | |
| 54 | 3574259 | 2 | Plate, Engine Mounting (Rear) | |
| 55 | | Ref | Plate, Muffler Support Options: | |
| 55 | 3574264 | 1 | Plate, Muffler Support (SN 0300096000 through 0300118774) | |
| 55 | 1001098525 | 1 | Plate, Muffler Support (SN 0300118775 through 0300145000) | |
| 56 | 3600423 | 1 | Auxiliary Pump Assembly (See AUXILIARY PUMP ASSEMBLY for Breakdown) | |
| 57 | 3620046 | 1 | Radiator | |
| 57 | 8180311 | 1 | Cap, Radiator (was p/n 7019656) | |
| 58 | 3740067 | 3 | Relay | |
| 59 | 3740080 | 1 | Relay | |
| 60 | 3960389 | 6 ft/1.8m | Seal, Self Gripping | |
| 61 | 4070497 | 4 | Shim | |
| 62 | 4070498 | 2 | Shim | |
| 63 | 4568743 | 1 | Pipe, Exhaust | |
| 64 | 4569176 | 1 | Tube, Air Intake | |
| 65 | 4641272 | 1 | Valve, Oil Drain | |
| 66 | 4711500 | 8 | Flatwasher 5/16in Thin | |
| 67 | 4711600 | 18 | Flatwasher 3/8in Thin | |
| 68 | 4740274 | 4 | Washer, Snubbing | |
| 69 | 4751000 | 6 | Flatwasher #10 | |
| 70 | 4751400 | 38 | Flatwasher 1/4in Regular | |
| 71 | 4751500 | 12 | Flatwasher 5/16in Regular | |
| 72 | 4751600 | 42 | Flatwasher 3/8in Regular | |
| 73 | 4751800 | 11 | Flatwasher 1/2in Regular | |
| 74 | 0760612 | 4 | Capscrew M6 x 25mm | |
| 75 | 0760810 | 2 | Capscrew M8 x 20mm | |
| 76 | 4846821 | 1 | Mount, Motor/Generator | |
| 77 | 4846852 | 1 | Weldment, Engine Tray | |
| 78 | 4922737 | 1 | Harness, Engine Grounding | |
| 79 | | Ref | Engine, Perkins 404C-22 Options: | |
| 79 | | Ref | All Specs Except CE Spec | |
| 79 | 1001095205 | 1 | Engine, Perkins 404C-22 (SN 0300096000 through | |

SECTION 2 - TURNTABLE

| ITEM | PART NUMBER | QTY | DESCRIPTION | REV |
|------|-------------|---------|---|-----|
| 79 | 1001102131 | 1 | 0300135380 Engine, Perkins 404C-22 (SN 0300135381 through 0300203770) | |
| 79 | | Ref | CE Spec Only | |
| 79 | 1001095205 | 1 | Engine, Perkins 404C-22 (SN 0300096000 through 0300203770) | |
| 81 | 3574282 | 1 | Plate, Actuator Mounting | |
| 82 | 1001097551 | NLA | Sensor, Coolant (Use p/n 1001125978) | |
| 82 | 1001097552 | NLA | Adapter, Coolant Sensor (Use p/n 1001125978) | |
| 84 | 1001097554 | 1 | Sensor, Oil Pressure | |
| 85 | | Ref | Adapter, Oil Pressure Sensor Options: | |
| 85 | 1001097555 | 1 | Adapter (Closest to Block) | |
| 85 | 70002107 | 1 | Adapter (Closest to Sensor) | |
| 86 | 1001097588 | 1 | Clip, Tube | |
| 88 | 3290605 | 4 | Locknut M6 | |
| 89 | | Ref | Nut Options: | |
| 89 | 3311501 | 1 | Nut 5/16in-18NC (SN 0300096000 through 0300122763) | |
| 89 | 3290801 | 1 | M8 x 1.25 (SN 0300122764 through 0300203770) | |
| 93 | 4791400 | 6 | Starwasher 1/4in | |
| 94 | 5240600 | 8 | Flatwasher M6 Hardened | |
| 95 | 5240800 | 2 | Flatwasher M8 Hardened | |
| 96 | 1001097553 | 1 | Washer, Coolant Sensor | |
| 97 | 1001097588 | 1 | Clip, Dipstick Tube | |
| 98 | 1001097893 | 1 | Dipstick Assembly | |
| 98 | 7026885 | 1 | Dipstick | |
| 98 | 7026886 | 1 | Tube, Dipstick | |
| 98 | 7026847 | 2 | Washer | |
| 98 | 7026881 | 1 | O-Ring | |
| 99 | | Ref | Bolt Options: | |
| 99 | 0641610 | 2 | Bolt 3/8in-16NC x 1-1/4in (SN 0300096000 through 0300118774) | |
| 99 | 0641612 | 2 | Bolt 3/8in-16NC x 1-1/2in (SN 0300118775 through 0300203770) | |
| 100 | | Ref | Flatwasher Options: | |
| 100 | 4751600 | 2 | Flatwasher 3/8in Regular | |
| 100 | 4891600 | 2 | Flatwasher 3/8in Hardened | |
| 102 | 4831900 | 1 | Lockwasher 8mm Only (SN 0300125679 through 0300203770) | |
| 103 | 1001099926 | 1 | Speed Sensor Kit (Includes Speed Sensor and Connectors) | |
| 104 | 1001099927 | 1 | Actuator Kit (Includes Actuator, Linkage and Connectors) | |
| 104A | 7026843 | 1 | Linkage | |
| 105 | 4100025 | 19 | Sleeve, Fiberglass Only (SN 0300130134 through 0300203770) | |
| | | in/48cm | | |
| 106 | 1001100825 | 2 | Tie-Strap Only (SN 0300130134 through 0300203770) | |
| 107 | 1001101228 | 1 | Adapter Only (SN 0300130134 through 0300203770) | |
| 108 | | Ref | Hose, Radiator (Top) Options: | |
| 108A | 2720507 | NLA | Hose (Use p/n 1001102308. 1001102308 Service Kit - Includes Qty 1 of Items 44B, 44C, 107 and Qty 2 of Item 23) (SN 0300096000 through 0300130133) | |
| 108B | 1001101232 | 1 | Hose (Block to Adapter) (SN 0300130134 through 0300203770) | |
| 108C | 1001101233 | 1 | Hose (Adapter to Radiator) (SN 0300130134 through 0300203770) | |
| 110 | 2720271 | 18 | Hose | |
| | | in/46cm | | |

SECTION 2 - TURNTABLE

| ITEM | PART NUMBER | QTY | DESCRIPTION | REV |
|------|-------------|------------|--|-----|
| | | Ref | Note: Arctic Package Items 111 - 112 Not Shown - Used on Arctic Machines Only | |
| 111 | 1702942 | 1 | Decal - Engine Block Heater | |
| 112 | 2580054 | 1 | Heater, Engine Block | |
| | | Ref | PERKINS ENGINE INSTALLATION | |
| | 1001095203 | Ref | Without Arctic Package (All Specs except CE Spec) | E |
| | 1001102993 | Ref | Without Arctic Package (CE Spec Only) | B |
| | 1001095206 | Ref | With Arctic Package | G |
| 201 | 0100011 | AR | Locking, Compound | |
| 202 | 0100020 | AR | Sealant, Pipe | |
| 203 | 0361810 | 1 | Bar, Battery Hold-Down | |
| 204 | 0400075 | 1 | Battery | |
| 205 | 0630541 | 2 | Bolt, Battery Hold-Down | |
| 206 | 0641410 | 4 | Bolt 1/4in-20NC x 1-1/4in | |
| 207 | 0641616 | 3 | Bolt 3/8in-16NC x 2in | |
| 208 | 0642010 | 1 | Bolt 5/8in-11NC x 1-1/4in | |
| 209 | 0940049 | 2 | Bumper, Hood | |
| 210 | 1320022 | 7 | Clamp, Fuel Line | |
| 211 | 1320223 | 1 | Clamp | |
| 212 | 1701505 | 1 | Decal, Diesel (Not Shown - See DECAL SECTION for Decal Location) | |
| 213 | 2180536 | 1 | Fitting, Barbed | |
| 214 | 2200222 | 1 | Plug, Pipe (Not Shown - Located in Bottom of Fuel Tank) | |
| 215 | 2220250 | 1 | Fitting, Reducer | |
| 216 | 2220273 | 1 | Fitting, Reducer | |
| 217 | 2220313 | 1 | Fitting, Elbow Barbed | |
| 218 | 2220459 | 1 | Fitting, Elbow | |
| 219 | 2220794 | 1 | Fitting, Straight Barbed | |
| 220 | 2720058 | 14 ft/4.2m | Hose | |
| 221 | 2720271 | 12 ft/3.7m | Hose | |
| 222 | 2750532 | 5 ft/1.6m | Hose | |
| 223 | 3311405 | 4 | Locknut 1/4in-20NC | |
| 224 | 3311501 | 4 | Nut 5/16in-18NC | |
| 225 | 3311605 | 3 | Locknut 3/8in-16NC | |
| 226 | 3312005 | 1 | Locknut 5/8in-11NC | |
| 227 | 3340399 | 1 | Pad, Wear | |
| 228 | 3572504 | 1 | Plate, Air Control Bottom | |
| 229 | 3900255 | 1 | Screw, Shoulder | |
| 230 | 3960389 | 4 ft/1.2m | Seal, Self Gripping | |
| 231 | 3960469 | 1 | Seal, Foam | |
| 232 | 4070497 | 2 | Shim | |
| 233 | 4070498 | 1 | Shim | |
| 234 | 4751400 | 8 | Flatwasher 1/4in Regular | |
| 235 | 4751500 | 9 | Flatwasher 5/16in Regular | |
| 236 | 4751600 | 8 | Flatwasher 3/8in Regular | |
| 237 | 4752000 | 1 | Flatwasher 5/8in Regular | |
| 238 | 4752200 | 2 | Flatwasher 3/4in Regular | |
| 239 | | Ref | Bracket, Hood Latch Options: | |
| 239 | 4846096 | NLA | Bracket, Hood Latch (SN 0300096000 through 0300121155) | |
| 239 | 1001094608 | 2 | Bracket, Hood Latch (SN 0300121156 through 0300203770) | |
| 240 | 0641408 | 5 | Bolt 1/4in-20NC x 1in | |
| 241 | | Ref | Coolant, Anti-Freeze Options (Not Shown): | |

SECTION 2 - TURNTABLE

| ITEM | PART NUMBER | QTY | DESCRIPTION | REV |
|------|-------------|---------|--|-----|
| 241 | 2300004 | 2.7 Gal | Without Arctic Package | |
| 241 | 2300041 | 2.7 Gal | With Arctic Package | |
| 243 | 3290501 | 1 | Nut M5 x 0.8 (SN 0300121156 through 0300203770) | |
| 244 | 3290601 | 1 | Nut M6 x 1 (SN 0300121156 through 0300203770) | |
| 245 | 0641420 | 1 | Bolt 1/4in-20NC x 2-1/2in | |
| 246 | 1320318 | 1 | Clamp | |
| 247 | 4711400 | 3 | Flatwasher 1/4in Thin | |
| 248 | 1001100857 | 1 | Separator, Fuel/Water | |
| 248 | 70002378 | 1 | O-Ring | |
| 248 | 70002377 | 1 | Filter, Fuel | |
| | | Ref | Note: Arctic Package Items 251-257 Not Shown - Used on Arctic Machines Only | |
| 251 | 1060626 | 1 | Cord, 3 Way Extension | |
| 252 | 1320318 | 1 | Clamp (Located on Between Battery and Engine) | |
| 253 | 1702941 | 1 | Decal - Battery Heater | |
| 253 | 1702943 | 1 | Decal - Hydraulic Tank Heater (Located on bottom of Hydraulic Oil Tank) | |
| 254 | 1702944 | 1 | Decal - Heater Cord (Located on Between Battery and Engine) | |
| 255 | 2580024 | 1 | Heater, Battery (Located on Battery) | |
| 256 | 2580050 | 1 | Heater, Hydraulic Tank (Located on bottom of Hydraulic Oil Tank) | |
| 257 | 3980007 | 1 | Seat, Battery | |
| | | Ref | PERKINS ENGINE AND PUMP SUB-ASSEMBLY | |
| | 1001095879 | Ref | Without Arctic Package (All Specs except CE Spec) | D |
| | 1001102992 | Ref | Without Arctic Package (CE Spec Only) | C |
| | 1001095880 | Ref | With Arctic Package | D |
| 301 | 0100011 | AR | Locking, Compound | |
| 302 | 0641608 | 2 | Bolt 3/8in-16NC x 1in | |
| 303 | 0641812 | 2 | Bolt 1/2in-13NC x 1-1/2in | |
| 304 | 3600404 | 1 | Piston Pump Assembly (See PISTON PUMP ASSEMBLY for Breakdown) | |
| 305 | 3600405 | 1 | Gear Pump Assembly (See Items 401-405 for Breakdown) | |
| 306 | 3790152 | 1 | O-Ring | |
| 307 | 4891600 | 2 | Flatwasher 3/8in Hardened | |
| 309 | | Ref | Oil, Engine Options (Not Shown): | |
| 309 | 3020016 | 2.5 Gal | Without Arctic Package (15W-40) | |
| 309 | 3020044 | 2.5 Gal | With Arctic Package (0W-40) | |
| | 3600405 | Ref | GEAR PUMP ASSEMBLY WITH FITTINGS | A |
| 401 | 2220385 | 2 | Fitting, Tee | |
| 402 | 2220479 | 2 | Fitting, Straight | |
| 403 | 2220810 | 2 | Fitting, Reducer | |
| 404 | 3600368 | 1 | Gear Pump Assembly Less Fittings | |
| 404 | 7024962 | 1 | Seal Kit - 3600368 Pump (Includes Soft Seals) | |
| | | Ref | Note: Seal Kit is only service part are available. | |
| 405 | 4640744 | 2 | Valve, Check | |
| | | Ref | ENGINE COMPONENTS | |
| | | Ref | All Specs Except CE Spec | |
| | 1001095205 | Ref | Engine Components (SN 0300096000 through 0300135380) | |
| | 1001102131 | Ref | Engine Components (SN 0300135381 through 0300203770) | |
| | 1001095205 | Ref | CE Spec Only | |
| 501 | 70001386 | 1 | Pump, Fuel Injection | |
| 501 | 70001388 | AR | Shim 0.2mm | |

SECTION 2 - TURNTABLE

| ITEM | PART NUMBER | QTY | DESCRIPTION | REV |
|------|-------------|-----|--|-----|
| 501 | 70001389 | AR | Shim 0.25mm | |
| 501 | 70001390 | AR | Shim 0.3mm | |
| 501 | 70001391 | AR | Shim 0.35mm | |
| 501 | 70001392 | AR | Shim 0.4mm | |
| 501 | 70001393 | AR | Shim 0.5mm | |
| 501 | 70001394 | AR | Shim 0.5mm Flat | |
| 502 | 70001387 | 1 | Solenoid, Fuel Injection | |
| 503 | 70001395 | 4 | Glowplug | |
| 504 | 70001396 | 1 | Pump, Water (Includes p/n 70001397 Only) | |
| 504 | 70001397 | 1 | Gasket, Water Pump to Plate | |
| 504 | 70001398 | 1 | Gasket, Plate to Engine Block | |
| 505 | 70001400 | 1 | Thermostat | |
| 505 | 70001399 | 1 | Gasket, Thermostat Neck to Thermostat Housing | |
| 505 | 70001401 | 1 | Gasket, Thermostat Housing to Engine Block | |
| 505 | 70002105 | 1 | Housing, Thermostat | |
| 505 | 70002106 | 1 | Hose, Thermostat Housing to Water Pump | |
| 506 | 70001402 | 1 | Belt | |
| 507 | 70001403 | 1 | Filter, Oil | |
| 508 | 70001404 | 1 | Cap, Oil Fill | |
| 508 | 70001405 | 1 | Seal, Oil Fill Cap | |
| 509 | 70001406 | 1 | Valve, Relief | |
| 509 | 70001407 | 1 | Seal, O-Ring | |
| 510 | 70001408 | 1 | Fuel Bowl and Filter Assembly | |
| 510 | 70001409 | 1 | Fuel Filter Kit (Includes 1 Filter Element and 4 Seals) | |
| 511 | 70001410 | 1 | Pump, Lift | |
| 511 | 70001411 | 1 | Seal, O-Ring | |
| 512 | 70001412 | 1 | Flywheel | |
| 512 | 70001413 | 1 | Ring, Starter | |
| 513 | 70001414 | 1 | Starter | |
| 513 | 70001415 | 1 | Solenoid, Start | |
| 514 | 70001416 | 1 | Gasket, Exhaust Manifold to Engine Block | |
| 515 | 70001417 | 1 | Alternator | |
| 515 | 70002234 | 1 | Bracket, Adjusting | |
| 516 | 70001418 | 1 | Valve, Breather | |
| 517 | 70001419 | 1 | Gasket, Exhaust Manifold to Exhaust Tube | |
| 518 | 0700808 | 4 | Bolt M8 x 16mm | |
| 519 | 70001792 | 1 | Arm, Alternator Adjusting | |
| 520 | 70001793 | 2 | Screw | |
| 520 | 70001794 | 1 | Washer (Located at Arm Pivot Bolt) | |
| 520 | 70001796 | 1 | Washer (Located at Alternator Adjustment Bolt) | |
| 521 | 70002109 | 1 | Pipe, Fuel | |
| 522 | 70002098 | 1 | Hose, Fuel | |
| 523 | 70002108 | 1 | Washer, Drain Plug Sealing | |
| 524 | 70002104 | 1 | PIPE, OIL SUMP (NOT SHOWN - LOCATED INSIDE OIL PAN) | |
| 525 | 70002100 | 1 | Pipe, Fuel Injector (#1 Cylinder) | |
| 525 | 70002101 | 1 | Pipe, Fuel Injector (#2 Cylinder) | |
| 525 | 70002102 | 1 | Pipe, Fuel Injector (#3 Cylinder) | |
| 525 | 70002103 | 1 | Pipe, Fuel Injector (#4 Cylinder) | |
| 526 | 70002099 | 1 | Gasket, Head Cover | |
| 527 | 70002433 | 1 | Pipe, Fuel Injector Return | |
| 528 | 70002461 | 1 | Piston and Ring Kit (Engine p/n 1001102131 Only) (Not Shown) | |

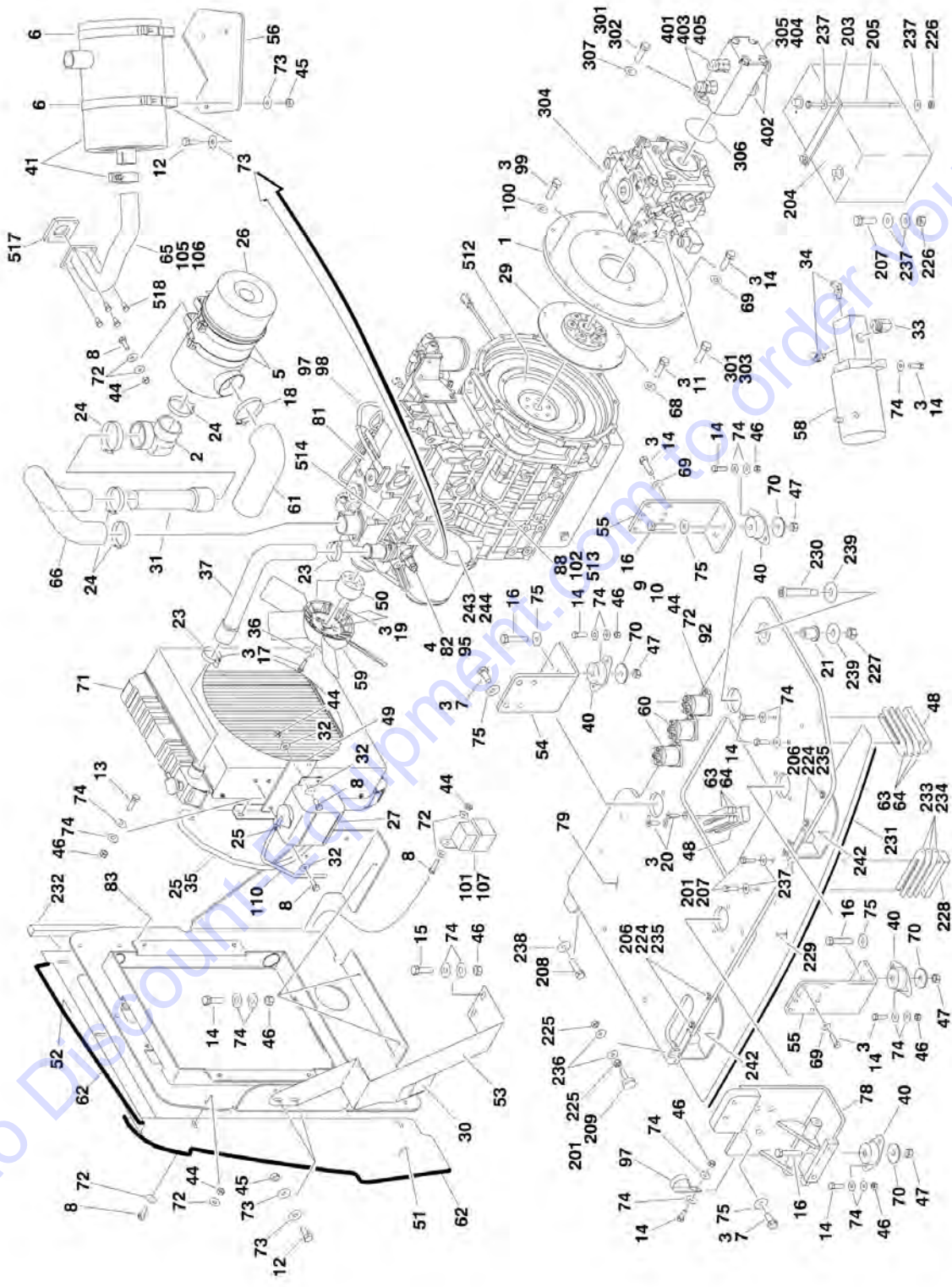
SECTION 2 - TURNTABLE

| ITEM | PART NUMBER | QTY | DESCRIPTION | REV |
|------|-------------|-----|--|-----|
| 529 | 70002462 | 4 | Pin (Engine p/n 1001102131 Only) (Not Shown) | |
| 530 | 70002463 | 8 | Circlip (Engine p/n 1001102131 Only) (Not Shown) | |
| 531 | 70002704 | 1 | Gasket, Oil Pan (Not Shown) | |
| 532 | | Ref | Gasket, Head Options (Not Shown): | |
| 532 | 70003033 | 1 | Gasket, Head - 0.5mm | |
| 532 | 70003033 | 1 | Gasket, Head - 0.4mm (was p/n 70003034) | |

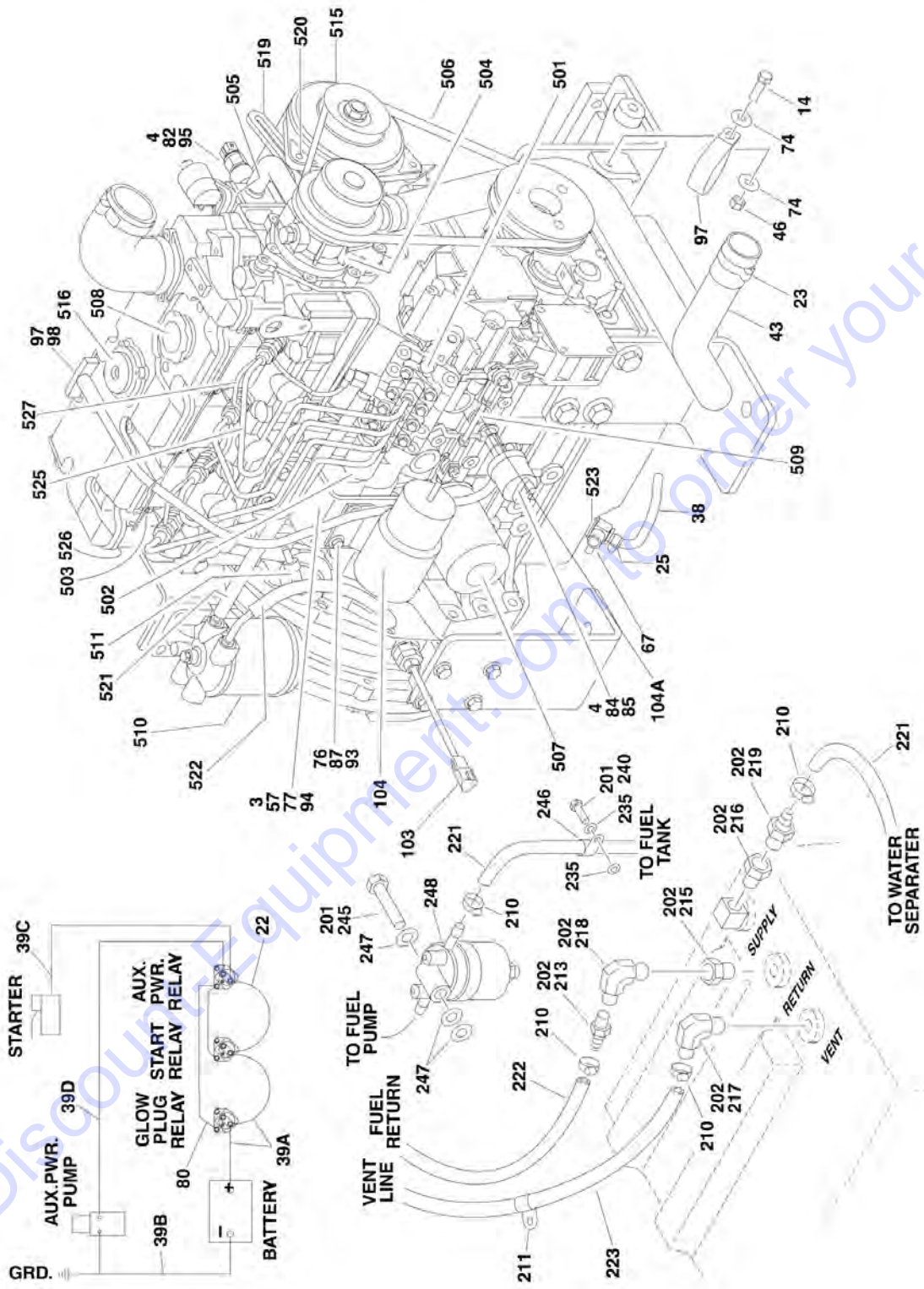
Go to Discount-Equipment.com to order your parts

SECTION 2 - TURNTABLE

FIGURE 2-16. PERKINS ENGINE INSTALLATION - WITH MECHANICAL DRIVEN COOLING FAN (WITHOUT UGM)



SECTION 2 - TURNTABLE



SECTION 2 - TURNTABLE

**FIGURE 2-16. PERKINS ENGINE INSTALLATION - WITH MECHANICAL DRIVEN COOLING FAN
(WITHOUT UGM)**

| ITEM | PART NUMBER | QTY | DESCRIPTION | REV |
|------|-------------|-----------|---|-----|
| | | Ref | NOTE: FOR MODULE IDENTIFICATION, REFER TO REVISION LOG PAGE A. | |
| | | Ref | PERKINS ENGINE ASSEMBLY | |
| | 1001130296 | Ref | Without Arctic Package (All Specs except CE Spec) | B |
| | 1001130294 | Ref | Without Arctic Package (CE Spec Only) | B |
| | 1001130295 | Ref | With Arctic Package | B |
| 1 | 0080181 | 1 | Adapter, Pump Mounting Plate | |
| 2 | 0080201 | 1 | Adapter, Elbow Air Intake | |
| 3 | 0100011 | AR | Locking, Compound | |
| 4 | 0100020 | AR | Sealant | |
| 5 | 0340041 | 2 | Band, Air Cleaner Mounting | |
| 6 | 0340046 | 2 | Band, Muffler Mounting | |
| 7 | 0630569 | 8 | Bolt M14 x 30mm | |
| 8 | 0641406 | 13 | Bolt 1/4in-20NC x 3/4in | |
| 9 | 0641408 | 5 | Bolt 1/4in-20NC x 1in | |
| 10 | 0641410 | 1 | Bolt 1/4in-20NC x 1-1/4in | |
| 11 | 0641506 | 8 | Bolt 5/16in-18NC x 3/4in | |
| 12 | 0641507 | 6 | Bolt 5/16in-18NC x 7/8in | |
| 13 | 0641609 | 4 | Bolt 3/8in-16NC x 1-1/8in | |
| 14 | 0641610 | 34 | Bolt 3/8in-16NC x 1-1/4in | |
| 15 | 0641611 | 2 | Bolt 3/8in-16NC x 1-3/8in | |
| 16 | 0641820 | 4 | Bolt 1/2in-13NC x 2-1/2in | |
| 17 | 0760815 | 4 | Bolt M8 x 35mm | |
| 18 | 1320058 | 1 | Clamp | |
| 19 | 4031711 | 4 | Bolt M6 x 35mm | |
| 20 | 0741610 | 2 | Screw, Flat Head 3/8in-16NC x 1-1/4in | |
| 21 | 0962172 | 1 | Bushing, Flanged | |
| 22 | 1060904 | 1 | Cable, Jumper | |
| 23 | 1320012 | 4 | Clamp | |
| 24 | 1320016 | 4 | Clamp | |
| 25 | 1320022 | AR | Clamp | |
| 26 | 1340060 | 1 | Air Cleaner Assembly | |
| 26 | 7012664 | 1 | Element, Air Cleaner | |
| 27 | 1580011 | 1 | Container, Coolant Overflow | |
| 29 | 1660255 | 1 | Coupling, Pump | |
| 30 | 1703162 | 2 | Decal - Caution Fan | |
| 31 | 4569176 | 1 | Tube, Air Intake | |
| 32 | 4711400 | 6 | Flatwasher 1/4in Thin | |
| 33 | 2220567 | 1 | Fitting, Elbow Adapter | |
| 34 | 2221045 | 2 | Fitting, Elbow Adapter | |
| 35 | 2720058 | 4 in/10cm | Hose | |
| 36 | 4891500 | 4 | Flatwasher 5/16in Hardened | |
| 37 | 1001100577 | 1 | Hose, Radiator (Top) | |
| 38 | 2750532 | 6 in/15cm | Hose | |
| 39 | 2901880 | 1 | Battery Cable Kit | E |
| 39A | 7016843 | 1 | Cable - Battery to Relays | |
| 39B | 7016835 | 1 | Cable - Battery and Auxiliary Pump to Ground | |
| 39C | 7016834 | 1 | Cable - Starter Relay to Starter | |
| 39D | 7016820 | 1 | Cable - Auxiliary Relay to Auxiliary Pump | |

SECTION 2 - TURNTABLE

| ITEM | PART NUMBER | QTY | DESCRIPTION | REV |
|------|-------------|-----|---|-----|
| 40 | 3200378 | 4 | Mount, Motor | |
| 41 | | Ref | Muffler Options: | |
| 41 | 3220113 | 1 | Spark Arresting Muffler | |
| 41 | 70001017 | 1 | Clamp | |
| 41 | 1001107116 | 1 | Catalytic Muffler | |
| 41 | 70002705 | 1 | Clamp | |
| 41 | 70002706 | 1 | Plug, Brass | |
| 43 | 1001100818 | 1 | Hose, Radiator (Bottom) | |
| 44 | 3311405 | 17 | Locknut 1/4in-20NC | |
| 45 | 3311505 | 6 | Locknut 5/16in-18NC | |
| 46 | 3311605 | 18 | Locknut 3/8in-16NC | |
| 47 | 3311805 | 4 | Locknut 1/2in-13NC | |
| 48 | 3340399 | 2 | Pad, Wear | |
| 49 | 1001100837 | 1 | Bracket, Bottle | |
| 50 | 1001101201 | 1 | Adapter, Fan Spacer | |
| 51 | 3572502 | 1 | Plate, Air Control Side | |
| 52 | 3572503 | 1 | Plate, Air Control Top | |
| 53 | 3573667 | 1 | Plate, Radiator Support | |
| 54 | 3574253 | 1 | Plate, Engine Mounting (Front) | |
| 55 | 3574259 | 2 | Plate, Engine Mounting (Rear) | |
| 56 | 1001098525 | 1 | Plate, Muffler Support | |
| 57 | 3574282 | 1 | Plate, Actuator Mounting | |
| 58 | 3600423 | 1 | Auxiliary Pump Assembly (See AUXILIARY PUMP ASSEMBLY for Breakdown) | |
| 59 | 1001101408 | 1 | Fan | |
| 60 | 3740067 | 3 | Relay | |
| 61 | 1001101681 | 1 | Elbow, Rubber | |
| 62 | 3960389 | 1 | Seal, Self Gripping | |
| 63 | 4070497 | 4 | Shim | |
| 64 | 4070498 | 2 | Shim | |
| 65 | 4568743 | 1 | Pipe, Exhaust | |
| 66 | 1001101950 | 1 | Tube, Air Intake | |
| 67 | | Ref | Valve, Oil Drain Options: | |
| 67 | 4640751 | 1 | Without Arctic Package (All Specs except CE Spec) | |
| 67 | 4641272 | 1 | Without Arctic Package (CE Spec Only) | |
| 67 | 4641272 | 1 | With Arctic Package | |
| 68 | 4711500 | 8 | Flatwasher 5/16in Thin | |
| 69 | 4711600 | 18 | Flatwasher 3/8in Thin | |
| 70 | 4740274 | 4 | Washer, Snubbing | |
| 71 | 1001102706 | 1 | Radiator | |
| 71 | 7027412 | 1 | Cap, Radiator | |
| 71 | 70023056 | 1 | Valve, Drain | |
| 71 | 70004091 | 1 | Shroud | |
| 72 | 4751400 | 30 | Flatwasher 1/4in Regular | |
| 73 | 4751500 | 12 | Flatwasher 5/16in Regular | |
| 74 | 4751600 | 40 | Flatwasher 3/8in Regular | |
| 75 | 4751800 | 11 | Flatwasher 1/2in Regular | |
| 76 | 0760612 | 4 | Capscrew M6 x 25mm | |
| 77 | 0760810 | 2 | Capscrew M8 x 20mm | |
| 78 | 4846821 | 1 | Mount, Motor/Generator | |
| 79 | 4846852 | 1 | Weldment, Engine Tray | |
| 80 | 4922737 | 1 | Harness, Engine Grounding | |

SECTION 2 - TURNTABLE

| ITEM | PART NUMBER | QTY | DESCRIPTION | REV |
|------|-------------|---------|--|-----|
| 81 | | Ref | Engine, Perkins 404C-22 Options: | |
| 81 | 1001102131 | 1 | All Specs except CE Spec | |
| 81 | 1001102270 | 1 | CE Spec Only | |
| 82 | 1001125978 | 1 | Sensor, Temperature | |
| 83 | 1001128125 | 1 | Plate, Radiator Mount | |
| 84 | 1001097554 | 1 | Sensor, Oil Pressure | |
| 85 | 1001097555 | 1 | Adapter, Oil Pressure Sensor | |
| 87 | 3290605 | 4 | Locknut M6 | |
| 88 | 3290801 | 1 | Nut m8 x 1.25 | |
| 92 | 4791400 | 6 | Starwasher 1/4in | |
| 93 | 5240600 | 8 | Flatwasher M6 Hardened | |
| 94 | 5240800 | 2 | Flatwasher M8 Hardened | |
| 95 | 1001097553 | 1 | Washer, Coolant Sensor | |
| 97 | 1001097588 | 1 | Clip, Tube | |
| 98 | 1001097893 | 1 | Dipstick Assembly | |
| 98 | 7026885 | 1 | Dipstick | |
| 98 | 7026886 | 1 | Tube, Dipstick | |
| 98 | 7026847 | 2 | Washer | |
| 98 | 7026881 | 1 | O-Ring | |
| 99 | 0641612 | 2 | Bolt 3/8in-16NC x 1-1/2in | |
| 100 | 4891600 | 2 | Flatwasher 3/8in Hardened | |
| 101 | 3740080 | 1 | Relay | |
| 102 | 4831900 | 1 | Lockwasher 8mm | |
| 103 | 1001099926 | 1 | Speed Sensor Kit (Includes Speed Sensor and Connectors) | |
| 104 | 1001099927 | 1 | Actuator Kit (Includes Actuator, Linkage and Connectors) | |
| 104A | 7026843 | 1 | Linkage | |
| 105 | 4100025 | 19 | Sleeve, Fiberglass | |
| | | in/48cm | | |
| 106 | 1001100825 | 2 | Tie-Strap | |
| 107 | 4460121 | 2 | Terminal | |
| 110 | 2720271 | 18 | Hose | |
| | | in/46cm | | |
| | | Ref | Note: Arctic Package Items 111 - 112 Not Shown - Used on Arctic Machines Only | |
| 111 | 1702942 | 1 | Decal - Engine Block Heater | |
| 112 | 2580054 | 1 | Heater, Engine Block | |
| | | Ref | PERKINS ENGINE INSTALLATION | |
| | 1001130549 | Ref | Without Arctic Package (All Specs except CE Spec) | A |
| | 1001130550 | Ref | Without Arctic Package (CE Spec Only) | A |
| | 1001130548 | Ref | With Arctic Package | A |
| 201 | 0100011 | AR | Locking, Compound | |
| 202 | 0100020 | AR | Sealant, Pipe | |
| 203 | 0361810 | 1 | Bar, Battery Hold-Down | |
| 204 | 0400075 | 1 | Battery | |
| 205 | 0630541 | 2 | Bolt, Battery Hold-Down | |
| 206 | 0641410 | 4 | Bolt 1/4in-20NC x 1-1/4in | |
| 207 | 0641616 | 3 | Bolt 3/8in-16NC x 2in | |
| 208 | 0642010 | 1 | Bolt 5/8in-11NC x 1-1/4in | |
| 209 | 0940049 | 2 | Bumper, Hood | |
| 210 | 1320022 | 7 | Clamp, Fuel Line | |
| 211 | 1320223 | 1 | Clamp | |
| 212 | 1701505 | 1 | Decal, Diesel (Not Shown - See DECAL SECTION for Decal | |

SECTION 2 - TURNTABLE

| ITEM | PART NUMBER | QTY | DESCRIPTION | REV |
|------|-------------|------------|--|-----|
| | | | Location) | |
| 213 | 2180536 | 1 | Fitting, Barbed | |
| 214 | 2200222 | 1 | Plug, Pipe (Not Shown - Located in Bottom of Fuel Tank) | |
| 215 | 2220250 | 1 | Fitting, Reducer | |
| 216 | 2220273 | 1 | Fitting, Reducer | |
| 217 | 2220313 | 1 | Fitting, Elbow Barbed | |
| 218 | 2220459 | 1 | Fitting, Elbow | |
| 219 | 2220794 | 1 | Fitting, Straight Barbed | |
| 220 | | Ref | Coolant, Anti-Freeze Options (Not Shown): | |
| 220 | 2300004 | 2.7 Gal | Without Arctic Package | |
| 220 | 2300041 | 2.7 Gal | With Arctic Package | |
| 221 | 2720058 | 14 ft/4.2m | Hose | |
| 222 | 2720271 | 12 ft/3.7m | Hose | |
| 223 | 2750532 | 5 ft/1.6m | Hose | |
| 224 | 3311405 | 4 | Locknut 1/4in-20NC | |
| 225 | 3311501 | 4 | Nut 5/16in-18NC | |
| 226 | 3311605 | 3 | Locknut 3/8in-16NC | |
| 227 | 3312005 | 1 | Locknut 5/8in-11NC | |
| 228 | 3340399 | 1 | Pad, Wear | |
| 229 | 3572504 | 1 | Plate, Air Control Bottom | |
| 230 | 3900255 | 1 | Screw, Shoulder | |
| 231 | 3960389 | 4 ft/1.2m | Seal, Self Gripping | |
| 232 | 3960469 | 1 | Seal, Foam | |
| 233 | 4070497 | 2 | Shim | |
| 234 | 4070498 | 1 | Shim | |
| 235 | 4751400 | 9 | Flatwasher 1/4in Regular | |
| 236 | 4751500 | 4 | Flatwasher 5/16in Regular | |
| 237 | 4751600 | 8 | Flatwasher 3/8in Regular | |
| 238 | 4752000 | 1 | Flatwasher 5/8in Regular | |
| 239 | 4752200 | 2 | Flatwasher 3/4in Regular | |
| 240 | 0641408 | 1 | Bolt 1/4in-20NC x 1in | |
| 242 | 1001094608 | 2 | Bracket, Hood Latch | |
| 243 | 3290501 | 1 | Nut M5 x 0.8 | |
| 244 | 3290601 | 1 | Nut M6 x 1 | |
| 245 | 0641420 | 1 | Bolt 1/4in-20NC x 2-1/2in | |
| 246 | 1320318 | 1 | Clamp | |
| 247 | 4711400 | 3 | Flatwasher 1/4in Thin | |
| 248 | 1001100857 | 1 | Separator, Fuel/Water | |
| 248 | 70002378 | 1 | O-Ring | |
| 248 | 70002377 | 1 | Filter, Fuel | |
| | | Ref | Note: Arctic Package Items 251-257 Not Shown - Used on Arctic Machines Only | |
| 251 | 1060626 | 1 | Cord, 3 Way Extension | |
| 252 | 1320318 | 1 | Clamp (Located on Between Battery and Engine) | |
| 253 | 1702941 | 1 | Decal - Battery Heater | |
| 253 | 1702943 | 1 | Decal - Hydraulic Tank Heater (Located on bottom of Hydraulic Oil Tank) | |
| 254 | 1702944 | 1 | Decal - Heater Cord (Located on Between Battery and Engine) | |
| 255 | 2580024 | 1 | Heater, Battery (Located on Battery) | |
| 256 | 2580050 | 1 | Heater, Hydraulic Tank (Located on bottom of Hydraulic Oil Tank) | |
| 257 | 3980007 | 1 | Seat, Battery | |

SECTION 2 - TURNTABLE

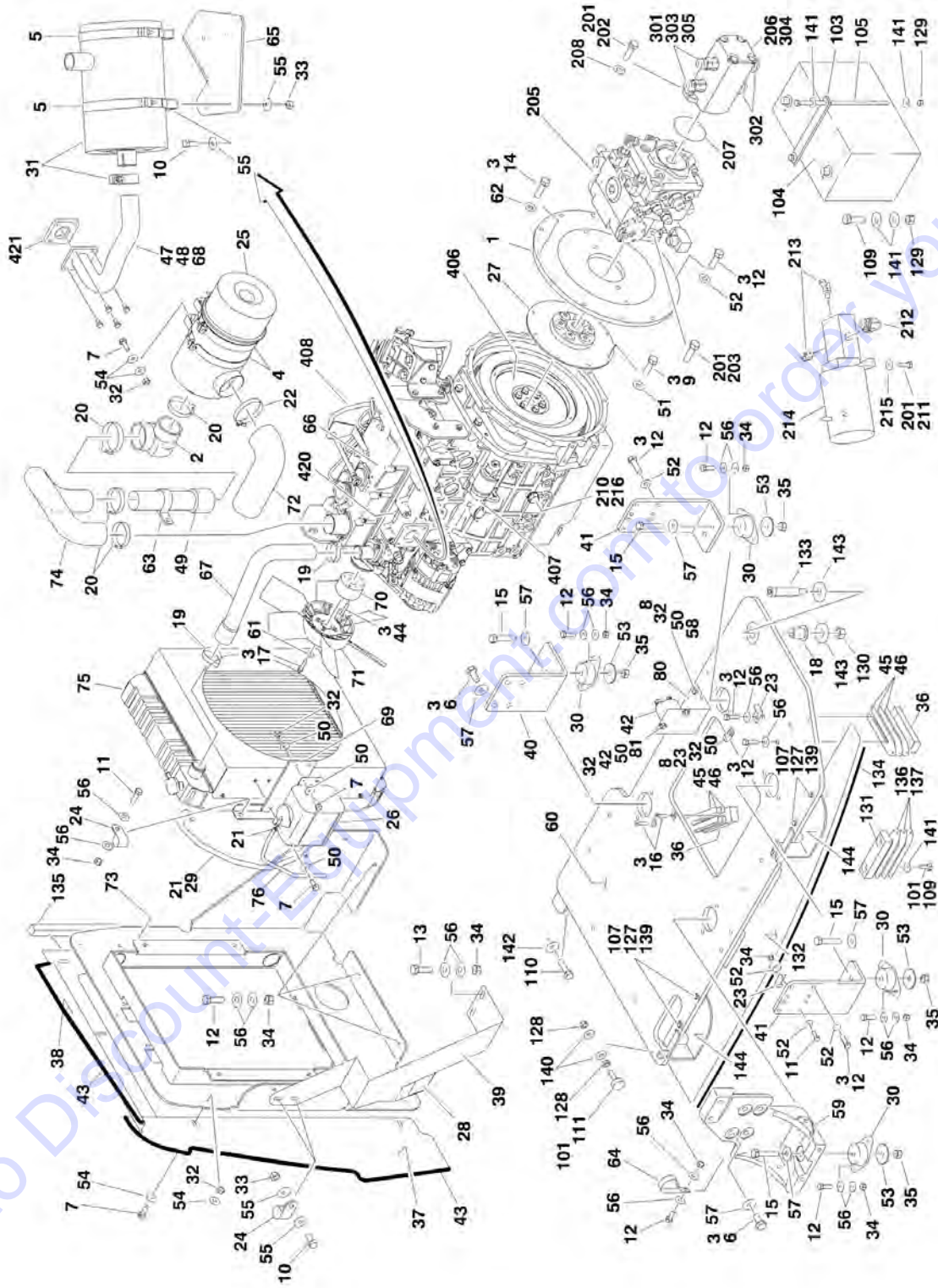
| ITEM | PART NUMBER | QTY | DESCRIPTION | REV |
|------|-------------|---------|---|-----|
| | | Ref | PERKINS ENGINE AND PUMP SUB-ASSEMBLY | |
| | 1001130544 | Ref | Without Arctic Package (All Specs except CE Spec) | A |
| | 1001130543 | Ref | Without Arctic Package (CE Spec Only) | A |
| | 1001130545 | Ref | With Arctic Package | A |
| 301 | 0100011 | AR | Locking, Compound | |
| 302 | 0641608 | 2 | Bolt 3/8in-16NC x 1in | |
| 303 | 0641812 | 2 | Bolt 1/2in-13NC x 1-1/2in | |
| 304 | 3600404 | 1 | Piston Pump Assembly (See PISTON PUMP ASSEMBLY for Breakdown) | |
| 305 | 3600405 | 1 | Gear Pump Assembly (See Items 401-405 for Breakdown) | |
| 306 | 3790152 | 1 | O-Ring | |
| 307 | 4891600 | 2 | Flatwasher 3/8in Hardened | |
| 308 | | Ref | Oil, Engine Options (Not Shown): | |
| 308 | 3020016 | 2.5 Gal | Without Arctic Package (15W-40) | |
| 308 | 3020044 | 2.5 Gal | With Arctic Package (0W-40) | |
| | 3600405 | Ref | GEAR PUMP ASSEMBLY WITH FITTINGS | A |
| 401 | 2220385 | 2 | Fitting, Tee | |
| 402 | 2220479 | 2 | Fitting, Straight | |
| 403 | 2220810 | 2 | Fitting, Reducer | |
| 404 | 3600368 | 1 | Gear Pump Assembly Less Fittings | |
| 404 | 7024962 | 1 | Seal Kit - 3600368 Pump (Includes Soft Seals) | |
| | | Ref | Note: Seal Kit is only service part are available. | |
| 405 | 4640744 | 2 | Valve, Check | |
| | | Ref | ENGINE COMPONENTS | |
| | 1001102131 | Ref | All Specs except CE Spec | |
| | 1001102270 | Ref | CE Spec Only | |
| 501 | 70001386 | 1 | Pump, Fuel Injection | |
| 501 | 70001388 | AR | Shim 0.2mm | |
| 501 | 70001389 | AR | Shim 0.25mm | |
| 501 | 70001390 | AR | Shim 0.3mm | |
| 501 | 70001391 | AR | Shim 0.35mm | |
| 501 | 70001392 | AR | Shim 0.4mm | |
| 501 | 70001393 | AR | Shim 0.5mm | |
| 501 | 70001394 | AR | Shim 0.5mm Flat | |
| 502 | 70001387 | 1 | Solenoid, Fuel Injection | |
| 503 | 70001395 | 4 | Glowplug | |
| 504 | 70001396 | 1 | Pump, Water (Includes p/n 70001397 Only) | |
| 504 | 70001397 | 1 | Gasket, Water Pump to Plate | |
| 504 | 70001398 | 1 | Gasket, Plate to Engine Block | |
| 505 | 70001400 | 1 | Thermostat | |
| 505 | 70001399 | 1 | Gasket, Thermostat Neck to Thermostat Housing | |
| 505 | 70001401 | 1 | Gasket, Thermostat Housing to Engine Block | |
| 505 | 70002105 | 1 | Housing, Thermostat | |
| 505 | 70002106 | 1 | Hose, Thermostat Housing to Water Pump | |
| 506 | 70001402 | 1 | Belt | |
| 507 | 70001403 | 1 | Filter, Oil | |
| 508 | 70001404 | 1 | Cap, Oil Fill | |
| 508 | 70001405 | 1 | Seal, Oil Fill Cap | |
| 509 | 70001406 | 1 | Valve, Relief | |
| 509 | 70001407 | 1 | Seal, O-Ring | |
| 510 | 70001408 | 1 | Fuel Bowl and Filter Assembly | |
| 510 | 70001409 | 1 | Fuel Filter Kit (Includes 1 Filter Element and 4 Seals) | |

SECTION 2 - TURNTABLE

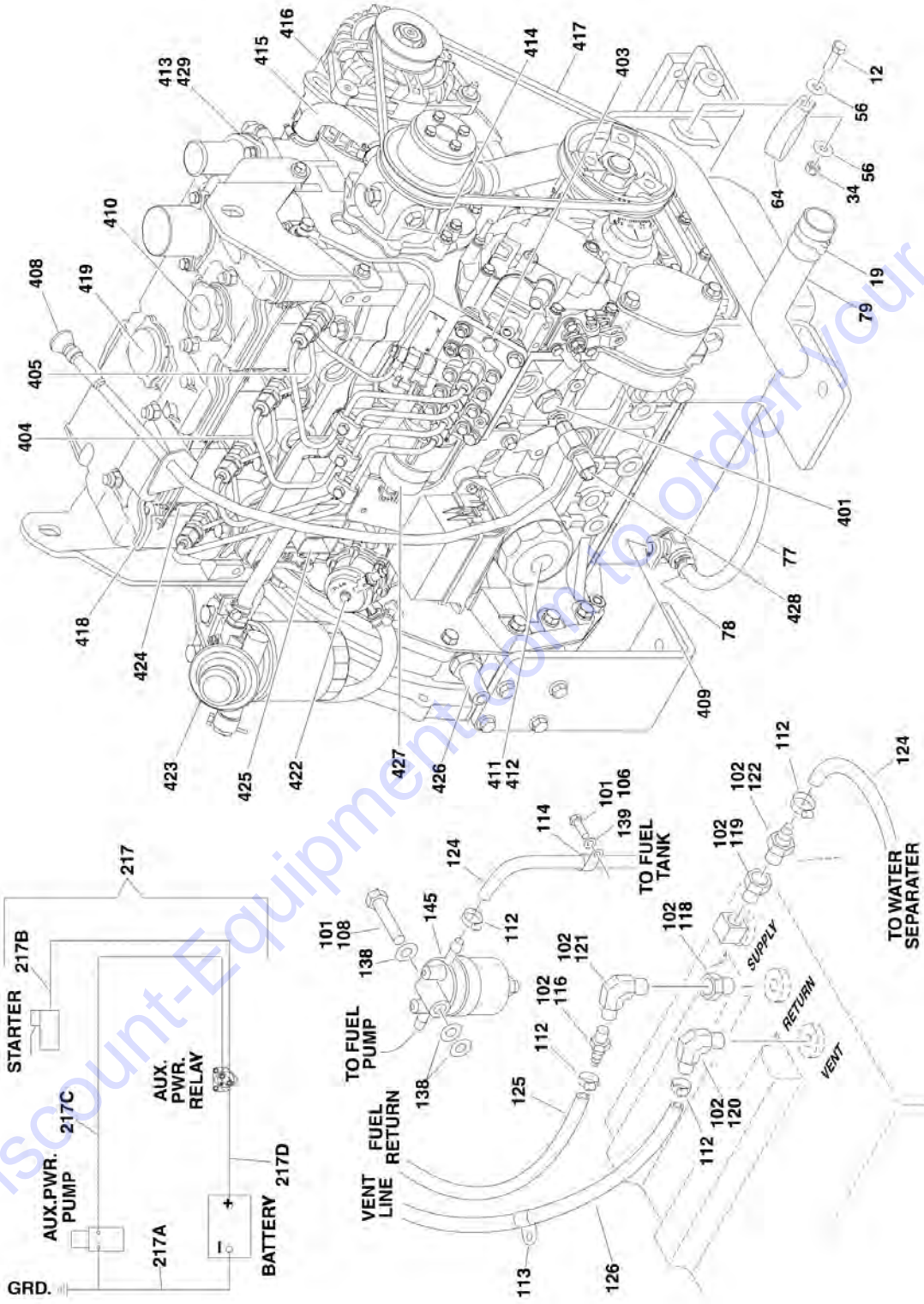
| ITEM | PART NUMBER | QTY | DESCRIPTION | REV |
|------|-------------|-----|--|-----|
| 511 | 70001410 | 1 | Pump, Lift | |
| 511 | 70001411 | 1 | Seal, O-Ring | |
| 512 | 70001412 | 1 | Flywheel | |
| 512 | 70001413 | 1 | Ring, Starter | |
| 513 | 70001414 | 1 | Starter | |
| 513 | 70001415 | 1 | Solenoid, Start | |
| 514 | 70001416 | 1 | Gasket, Exhaust Manifold to Engine Block | |
| 515 | 70001417 | 1 | Alternator | |
| 515 | 70002234 | 1 | Bracket, Adjusting | |
| 516 | 70001418 | 1 | Valve, Breather | |
| 517 | 70001419 | 1 | Gasket, Exhaust Manifold to Exhaust Tube | |
| 518 | 0700808 | 4 | Bolt M8 x 16mm | |
| 519 | 70001792 | 1 | Arm, Alternator Adjusting | |
| 520 | 70001793 | 2 | Screw | |
| 520 | 70001794 | 1 | Washer (Located at Arm Pivot Bolt) | |
| 520 | 70001796 | 1 | Washer (Located at Alternator Adjustment Bolt) | |
| 521 | 70002109 | 1 | Pipe, Fuel | |
| 522 | 70002098 | 1 | Hose, Fuel | |
| 523 | 70002108 | 1 | Washer, Drain Plug Sealing | |
| 524 | 70002104 | 1 | Pipe, Oil Sump (Not Shown – Located Inside Oil Pan) | |
| 525 | 70002100 | 1 | Pipe, Fuel Injector (#1 Cylinder) | |
| 525 | 70002101 | 1 | Pipe, Fuel Injector (#2 Cylinder) | |
| 525 | 70002102 | 1 | Pipe, Fuel Injector (#3 Cylinder) | |
| 525 | 70002103 | 1 | Pipe, Fuel Injector (#4 Cylinder) | |
| 526 | 70002099 | 1 | Gasket, Head Cover | |
| 527 | 70002433 | 1 | Pipe, Fuel Injector Return (Engine p/n 1001102131 Only) | |
| 527 | 70005771 | 4 | Injector, Fuel (Includes Top Seal) (1001102270 Engine Only) | |
| 527 | 70005772 | 4 | Seal, Bottom Injector (1001102270 Engine Only) | |
| 528 | 70002461 | 1 | Piston and Ring Kit (Engine p/n 1001102131 Only) (Not Shown) | |
| 529 | 70002462 | 4 | Pin (Engine p/n 1001102131 Only) (Not Shown) | |
| 530 | 70002463 | 8 | Circlip (Engine p/n 1001102131 Only) (Not Shown) | |
| 531 | 70002704 | 1 | Gasket, Oil Pan (Not Shown) | |
| 532 | | Ref | Gasket, Head Options (Engine p/n 1001102131 Only) (Not Shown): | |
| 532 | 70003033 | 1 | Gasket, Head - 0.5mm | |
| 532 | 70003034 | 1 | Gasket, Head - 0.4mm | |

SECTION 2 - TURNTABLE

FIGURE 2-17. PERKINS ENGINE INSTALLATION (WITH UGM)



SECTION 2 - TURNTABLE



SECTION 2 - TURNTABLE

FIGURE 2-17. PERKINS ENGINE INSTALLATION (WITH UGM)

| ITEM | PART NUMBER | QTY | DESCRIPTION | REV |
|------|-------------|-----------|---|-----|
| | | Ref | NOTE: FOR MODULE IDENTIFICATION, REFER TO REVISION LOG PAGE A. | |
| | 1001100469 | Ref | PERKINS ENGINE ASSEMBLY | E |
| 1 | 0080181 | 1 | Adapter, Pump Mounting Plate | |
| 2 | 0080201 | 1 | Adapter, Elbow Air Intake | |
| 3 | 0100011 | AR | Locking, Compound | |
| 4 | 0340041 | 2 | Band, Air Cleaner Mounting | |
| 5 | 0340046 | 2 | Band, Muffler Mounting | |
| 6 | 0630569 | 8 | Bolt M14 x 30mm | |
| 7 | 0641406 | 13 | Bolt 1/4in-20NC x 3/4in | |
| 8 | 0641408 | 5 | Bolt 1/4in-20NC x 1in | |
| 9 | 0641506 | 8 | Bolt 5/16in-18NC x 3/4in | |
| 10 | 0641507 | 6 | Bolt 5/16in-18NC x 7/8in | |
| 11 | 0641609 | 5 | Bolt 3/8in-16NC x 1-1/8in | |
| 12 | 0641610 | 32 | Bolt 3/8in-16NC x 1-1/4in | |
| 13 | 0641611 | 2 | Bolt 3/8in-16NC x 1-3/8in | |
| 14 | 0641614 | 2 | Bolt 3/8in-16NC x 1-3/4in | |
| 15 | 0641820 | 4 | Bolt 1/2in-13NC x 2-1/2in | |
| 16 | 0741610 | 2 | Screw, Flat Head 3/8in-16NC x 1-1/4in | |
| 17 | 0760815 | 4 | Bolt M8 x 35mm | |
| 18 | 0962172 | 1 | Bushing, Flanged | |
| 19 | 1320012 | 4 | Clamp | |
| 20 | 1320016 | 4 | Clamp | |
| 21 | 1320022 | 3 | Clamp | |
| 22 | 1320058 | 1 | Clamp | |
| 23 | 1320223 | 5 | Clamp | |
| 24 | 1320318 | 2 | Clamp | |
| 25 | 1340060 | 1 | Air Cleaner Assembly | |
| 25 | 7012664 | 1 | Element, Air Cleaner | |
| 26 | 1580011 | 1 | Container, Coolant Overflow | |
| 27 | 1660255 | 1 | Coupling, Pump | |
| 28 | 1703162 | 2 | Decal - Caution Fan | |
| 29 | 2720058 | 3 ft/0.9m | Hose | |
| 30 | 3200378 | 4 | Mount, Motor | |
| 31 | | Ref | Muffler Options: | |
| 31 | 3220113 | 1 | Spark Arresting Muffler | |
| 31 | 70001017 | 1 | Clamp | |
| 31 | 3220154 | NLA | Catalytic Muffler (Use p/n 1001107116) | |
| 31 | 70002705 | 1 | Clamp | |
| 31 | 70002706 | 1 | Plug, Brass | |
| 32 | 3311405 | AR | Locknut 1/4in-20NC | |
| 33 | 3311505 | 6 | Locknut 5/16in-18NC | |
| 34 | 3311605 | 19 | Locknut 3/8in-16NC | |
| 35 | 3311805 | 4 | Locknut 1/2in-13NC | |
| 36 | 3340399 | 2 | Pad, Wear | |
| 37 | 3572502 | 1 | Plate, Air Control Side | |
| 38 | 3572503 | 1 | Plate, Air Control Top | |
| 39 | 3573667 | 1 | Plate, Radiator Support | |
| 40 | 3574253 | 1 | Plate, Engine Mounting (Front) | |
| 41 | 3574259 | 2 | Plate, Engine Mounting (Rear) | |

SECTION 2 - TURNTABLE

| ITEM | PART NUMBER | QTY | DESCRIPTION | REV |
|------|-------------|---------------|---|-----|
| 42 | 3740067 | 1 | Relay, Assy | |
| 43 | 3960438 | 6 ft/1.8m | Seal, Self Gripping | |
| 44 | 4031711 | 4 | Bolt M6 x 35mm | |
| 45 | 4070497 | 4 | Shim | |
| 46 | 4070498 | 2 | Shim | |
| 47 | 4100025 | 19 in/48cm | Sleeve, Fiberglass | |
| 48 | 4568743 | 1 | Pipe, Exhaust | |
| 49 | 4569176 | 1 | Tube, Air Intake | |
| 50 | 4711400 | AR | Flatwasher 1/4in Thin | |
| 51 | 4711500 | 8 | Flatwasher 5/16in Thin | |
| 52 | 4711600 | 20 | Flatwasher 3/8in Thin | |
| 53 | 4740274 | 4 | Washer, Snubbing | |
| 54 | 4751400 | 18 | Flatwasher 1/4in Regular | |
| 55 | 4751500 | 12 | Flatwasher 5/16in Regular | |
| 56 | 4751600 | 38 | Flatwasher 3/8in Regular | |
| 57 | 4751800 | 12 | Flatwasher 1/2in Regular | |
| 58 | 4791400 | 2 | Starwasher 1/4in (Prior to SN 0300151953) | |
| 59 | | Ref | Mount, Motor/Generator Options: | |
| 59 | 4846821 | 1 | Mount, Motor/Generator (Prior to SN 0300151953) | |
| 59 | 1001102585 | 1 | Mount, Motor/Generator (SN 0300151953 through 0300203770) | |
| 60 | 4846852 | 1 | Weldment, Engine Tray | |
| 61 | 4891500 | 4 | Flatwasher 5/16in Hardened | |
| 62 | 4891600 | 2 | Flatwasher 3/8in Hardened | |
| 63 | 85941018 | 1 | Clamp | |
| 64 | 1001097588 | 1 | Clip, Tube | |
| 65 | 1001098525 | | Plate, Muffler Support | |
| 66 | 1001099370 | 1 | Engine, Perkins 404C-22 | |
| 67 | 1001100577 | 1 | Hose, Radiator (Top) | |
| 68 | 1001100825 | 2 | Tie-Strap | |
| 69 | 1001100837 | 1 | Bracket, Bottle | |
| 70 | 1001101201 | 1 | Adapter, Fan Spacer | |
| 71 | 1001101408 | 1 | Fan | |
| 72 | 1001101681 | 1 | Elbow, Rubber | |
| 73 | 1001101733 | 1 | Mount, Radiator | |
| 74 | 1001101950 | 1 | Tube, Air Intake | |
| 75 | 1001102706 | 1 | Radiator | |
| 75 | 7027412 | 1 | Cap, Radiator | |
| 75 | 70023056 | 1 | Valve, Drain | |
| 75 | 70004091 | 1 | Shroud | |
| 76 | 2720271 | 18 in/46cm | Hose | |
| 77 | 2720615 | 6 in/15cm | Hose | |
| 78 | 8405006 | 1 | Clamp | |
| 79 | 1001100818 | 1 | Hose, Radiator (Bottom) | |
| 80 | 1001121115 | 1 | Mount, Relay (SN 0300151953 through 0300203770) | |
| 81 | 0641405 | 2 | Bolt 1/4in-20NC X 5/8in (SN 0300151953 through 0300203770) | |
| | | Ref | PERKINS ENGINE INSTALLATION | |
| | 1001103770 | Ref | Without Arctic Package | B |
| | 1001106461 | Ref | With Arctic Package | A |
| 101 | 0100011 | AR | Locking, Compound | |
| 102 | 0100020 | AR | Sealant, Pipe | |

SECTION 2 - TURNTABLE

| ITEM | PART NUMBER | QTY | DESCRIPTION | REV |
|------|-------------|------------|---|-----|
| 103 | 0361810 | 1 | Bar, Battery Hold-Down | |
| 104 | 0400075 | 1 | Battery | |
| 105 | 0630541 | 2 | Bolt, Battery Hold-Down | |
| 106 | 0641405 | 2 | Bolt 1/4in-20NC x 5/8in | |
| 107 | 0641410 | 4 | Bolt 1/4in-20NC x 1-1/4in | |
| 108 | 0641418 | 1 | Bolt 1/4in-20NC x 2-1/4in | |
| 109 | 0641616 | 3 | Bolt 3/8in-16NC x 2in | |
| 110 | 0642010 | 1 | Bolt 5/8in-11NC x 1-1/4in | |
| 111 | 0940049 | 2 | Bumper, Hood | |
| 112 | 1320022 | 7 | Clamp, Fuel Line | |
| 113 | 1320223 | 1 | Clamp | |
| 114 | 1320318 | 2 | Clamp | |
| 115 | 1701505 | 1 | Decal, Diesel (Not Shown - See DECAL SECTION for Decal Location) | |
| 116 | 2180536 | 1 | Fitting, Barbed | |
| 117 | 2200222 | 1 | Plug, Pipe (Not Shown - Located in Bottom of Fuel Tank) | |
| 118 | 2220250 | 1 | Fitting, Reducer | |
| 119 | 2220273 | 1 | Fitting, Reducer | |
| 120 | 2220313 | 1 | Fitting, Elbow Barbed | |
| 121 | 2220459 | 1 | Fitting, Elbow | |
| 122 | 2220794 | 1 | Fitting, Straight Barbed | |
| 123 | | Ref | Coolant, Anti-Freeze Options (Not Shown): | |
| 123 | 2300004 | 2.7 Gal | Without Arctic Package | |
| 123 | 2300041 | 2.7 Gal | With Arctic Package | |
| 124 | 2720058 | 14 ft/4.2m | Hose | |
| 125 | 2720271 | 12 ft/3.7m | Hose | |
| 126 | 2750532 | 5 ft/1.6m | Hose | |
| 127 | 3311405 | 4 | Locknut 1/4in-20NC | |
| 128 | 3311501 | 4 | Nut 5/16in-18NC | |
| 129 | 3311605 | 3 | Locknut 3/8in-16NC | |
| 130 | 3312005 | 1 | Locknut 5/8in-11NC | |
| 131 | 3340399 | 1 | Pad, Wear | |
| 132 | 3572504 | 1 | Plate, Air Control Bottom | |
| 133 | 3900255 | 1 | Screw, Shoulder | |
| 134 | 3960389 | 4 ft/1.2m | Seal, Self Gripping | |
| 135 | 3960469 | 1 | Seal, Foam | |
| 136 | 4070497 | 2 | Shim | |
| 137 | 4070498 | 1 | Shim | |
| 138 | 4711400 | 3 | Flatwasher 1/4in Thin | |
| 139 | 4751400 | 10 | Flatwasher 1/4in Regular | |
| 140 | 4751500 | 4 | Flatwasher 5/16in Regular | |
| 141 | 4751600 | 8 | Flatwasher 3/8in Regular | |
| 142 | 4752000 | 1 | Flatwasher 5/8in Regular | |
| 143 | 4752200 | 2 | Flatwasher 3/4in Regular | |
| 144 | 1001094608 | 2 | Bracket, Hood Latch | |
| 145 | 1001100857 | 1 | Separator, Fuel/Water | |
| 145 | 70002378 | 1 | O-Ring | |
| 145 | 70002377 | 1 | Filter, Fuel | |
| | | Ref | Note: Arctic Package Items 147-153 Not Shown - Used on Arctic Machines Only. | |
| 147 | 1060626 | 1 | Cord, 3 Way Extension | |
| 148 | 1702941 | 1 | Decal - Battery Heater | |

SECTION 2 - TURNTABLE

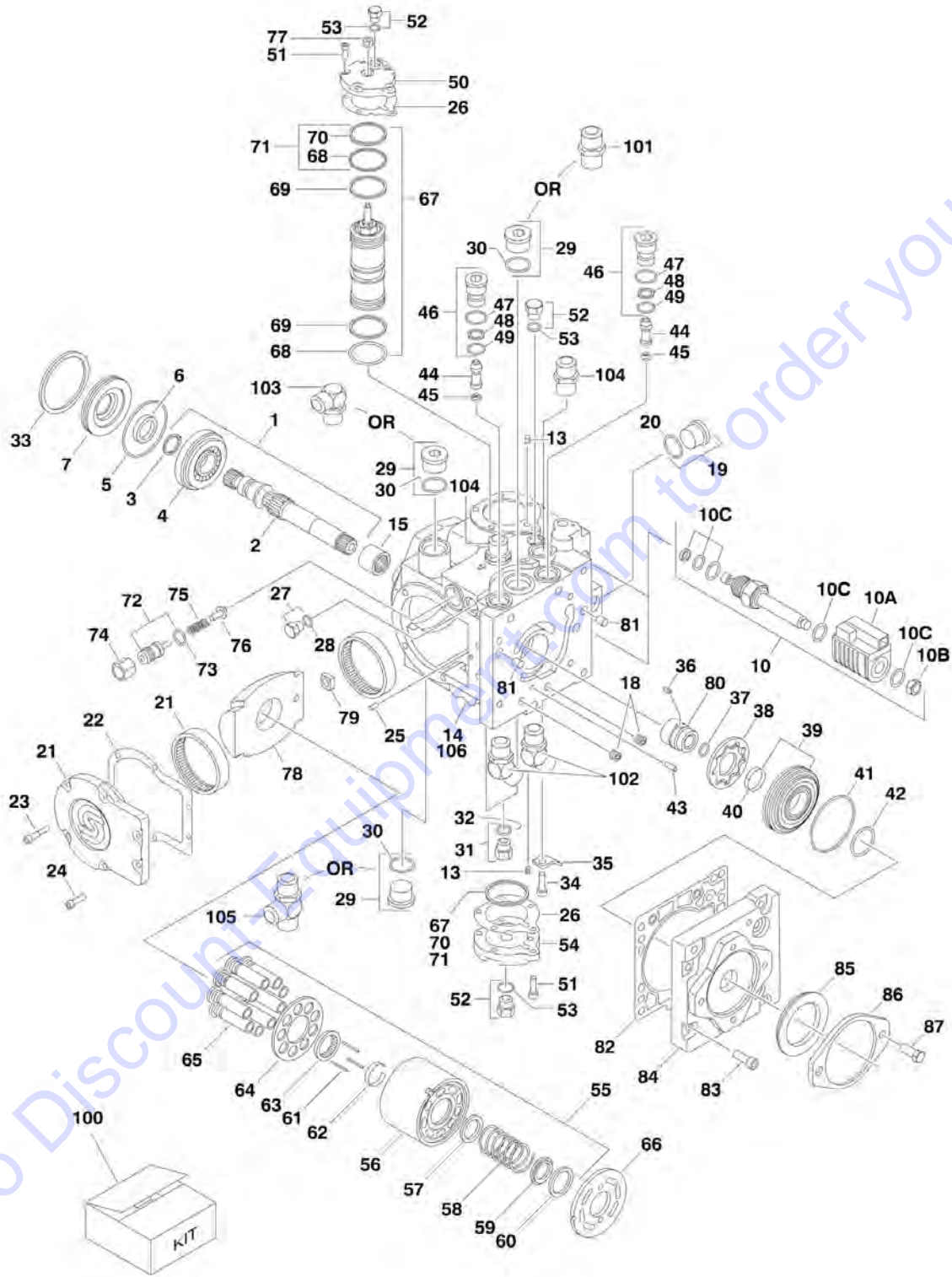
| ITEM | PART NUMBER | QTY | DESCRIPTION | REV |
|------|-------------|---------|---|-----|
| 149 | 1702943 | 1 | Decal - Hydraulic Tank Heater (Located on bottom of Hydraulic Oil Tank) | |
| 150 | 1702944 | 1 | Decal - Heater Cord (Located on Between Battery and Engine) | |
| 151 | 2580024 | 1 | Heater, Battery (Located on Battery) | |
| 152 | 2580050 | 1 | Heater, Hydraulic Tank (Located on bottom of Hydraulic Oil Tank) | |
| 153 | 3980007 | 1 | Seat, Battery | |
| | | Ref | PERKINS ENGINE AND PUMP SUB-ASSEMBLY | |
| | 1001103769 | Ref | Without Arctic Package | B |
| | 1001106460 | Ref | With Arctic Package | A |
| 201 | 0100011 | AR | Locking, Compound | |
| 202 | 0641608 | 2 | Bolt 3/8in-16NC x 1in | |
| 203 | 0641812 | 2 | Bolt 1/2in-13NC x 1-1/2in | |
| 204 | | Ref | Oil, Engine Options (Not Shown): | |
| 204 | 3020016 | 2.5 Gal | Without Arctic Package (15W-40) | |
| 204 | 3020044 | 2.5 Gal | With Arctic Package (0W-40) | |
| 205 | 3600404 | 1 | Piston Pump Assembly (See PISTON PUMP ASSEMBLY for Breakdown) | |
| 206 | 3600405 | 1 | Gear Pump Assembly (See Items 301-305 for Breakdown) | |
| 207 | 3790152 | 1 | O-Ring | |
| 208 | 4891600 | 2 | Flatwasher 3/8in Hardened | |
| 210 | 0630569 | 1 | Bolt M14 x 1.5 x 30mm | |
| 211 | 0641610 | 2 | Bolt 3/8in-16NC x 1-1/4in | |
| 212 | 2220567 | 1 | Fitting, Elbow | |
| 213 | 2221045 | 2 | Fitting, Straight | |
| 214 | 3600423 | 1 | Auxiliary Pump Assembly (See AUXILIARY PUMP ASSEMBLY for Breakdown) | |
| 215 | 4751600 | 2 | Flatwasher 3/8in Wide | |
| 216 | 4751800 | 2 | Flatwasher 1/2in Wide | |
| 217 | 1001102859 | 1 | Battery Cable Kit | B |
| 217A | 7027022 | 1 | Cable - Battery and Auxiliary Pump to Ground | |
| 217B | 7027024 | 1 | Cable - Auxiliary Power Relay to Starter | |
| 217C | 7027023 | 1 | Cable - Auxiliary Power Relay to Auxiliary Pump | |
| 217D | 7027021 | 1 | Cable - Battery to Relays | |
| | | Ref | Note: Arctic Package Items 218-219 Not Shown - Used on Arctic Machines Only. | |
| 218 | 1702942 | 1 | Decal - Engine Block Heater | |
| 219 | 2580054 | 1 | Heater, Engine Block | |
| | 3600405 | Ref | GEAR PUMP ASSEMBLY WITH FITTINGS | A |
| 301 | 2220385 | 2 | Fitting, Tee | |
| 302 | 2220479 | 2 | Fitting, Straight | |
| 303 | 2220810 | 2 | Fitting, Reducer | |
| 304 | 3600368 | 1 | Gear Pump Assembly Less Fittings | |
| 304 | 7024962 | 1 | Seal Kit - 3600368 Pump (Includes Soft Seals) | |
| | | Ref | Note: Seal Kit is only service part are available. | |
| 305 | 4640744 | 2 | Valve, Check | |
| | 1001099370 | Ref | ENGINE COMPONENTS | |
| 401 | 70001406 | 1 | Valve, Relief | |
| 401 | 70001407 | 1 | Seal, O-Ring | |
| 402 | 70002459 | 1 | Sensor, Speed (Not Shown) | |
| 403 | 70002436 | 1 | Pump, Fuel Injection | |
| 403 | 70001388 | 1 | Shim 0.2MM | |

SECTION 2 - TURNTABLE

| ITEM | PART NUMBER | QTY | DESCRIPTION | REV |
|------|-------------|-----|---|-----|
| 403 | 70001389 | 1 | Shim 0.25mm | |
| 403 | 70001390 | 1 | Shim 0.3MM | |
| 403 | 70001391 | 1 | Shim 0.35mm | |
| 403 | 70001392 | 1 | Shim 0.4MM | |
| 403 | 70001393 | 1 | Shim 0.5MM | |
| 403 | 70001394 | 1 | Shim 0.5MM Flat | |
| 404 | 70002100 | 1 | Pipe, Fuel Injector (#1 Cylinder) | |
| 404 | 70002101 | 1 | Pipe, Fuel Injector (#2 Cylinder) | |
| 404 | 70002102 | 1 | Pipe, Fuel Injector (#3 Cylinder) | |
| 404 | 70002103 | 1 | Pipe, Fuel Injector (#4 Cylinder) | |
| 405 | 70002437 | 1 | Pipe, Fuel Injector Return | |
| 406 | 70001412 | 1 | Flywheel | |
| 406 | 70001413 | 1 | Ring, Starter | |
| 407 | 70001414 | 1 | Starter | |
| 408 | 70002438 | 1 | Dipstick | |
| 408 | 70002439 | 1 | Tube, Dipstick | |
| 408 | 70002440 | 3 | O-Ring | |
| 409 | 70002441 | 1 | Washer, Drain Plug Sealing | |
| 410 | 70001404 | 1 | Cap, Oil Fill | |
| 410 | 70001405 | 1 | Seal, Oil Fill Cap | |
| 411 | 70001403 | 1 | Filter, Oil | |
| 412 | 70002442 | 1 | Connector, Oil Filter | |
| 413 | 70002443 | 1 | Thermostat | |
| 413 | 70001399 | 1 | Gasket, Thermostat Neck to Thermostat Housing | |
| 413 | 70001401 | 1 | Gasket, Thermostat Housing to Engine Block | |
| 414 | 70002444 | 1 | Pump, Water (Includes p/n 70002445 Only) | |
| 414 | 70002445 | 1 | Gasket, Water Pump to Plate | |
| 415 | 70002446 | 1 | Hose, Water Pump to Engine Head | |
| 416 | 70001417 | 1 | Alternator | |
| 417 | 70002447 | 1 | Belt | |
| 418 | 70002099 | 1 | Gasket, Head Cover | |
| 419 | 70001418 | 1 | Valve, Breather | |
| 420 | 70001416 | 1 | Gasket, Exhaust Manifold to Engine Block | |
| 421 | 70001419 | 1 | Gasket, Exhaust Manifold to Exhaust Tube | |
| 422 | 70002448 | 1 | Pump, Lift | |
| 422 | 70001411 | 1 | Seal, O-Ring | |
| 423 | 70002449 | 1 | Fuel Filter Head Assembly | |
| 423 | 70002450 | 1 | Fuel Filter | |
| 424 | 70001395 | 4 | Glowplug | |
| 425 | 70002451 | 1 | Module, Engine Control | |
| 425 | 70002452 | 1 | Harness, Wiring | |
| 425 | 70002453 | 1 | Bracket | |
| 425 | 70002454 | 1 | Isolator | |
| 426 | 70002455 | 1 | Sensor, Speed | |
| 427 | 70002456 | 1 | Actuator | |
| 427 | 70002108 | 1 | Washer | |
| 428 | 70002457 | 1 | Switch, Oil Pressure | |
| 429 | 70002458 | 1 | Switch, Water Temperature | |

SECTION 2 - TURNTABLE

FIGURE 2-18. PISTON PUMP ASSEMBLY



SECTION 2 - TURNTABLE

FIGURE 2-18. PISTON PUMP ASSEMBLY

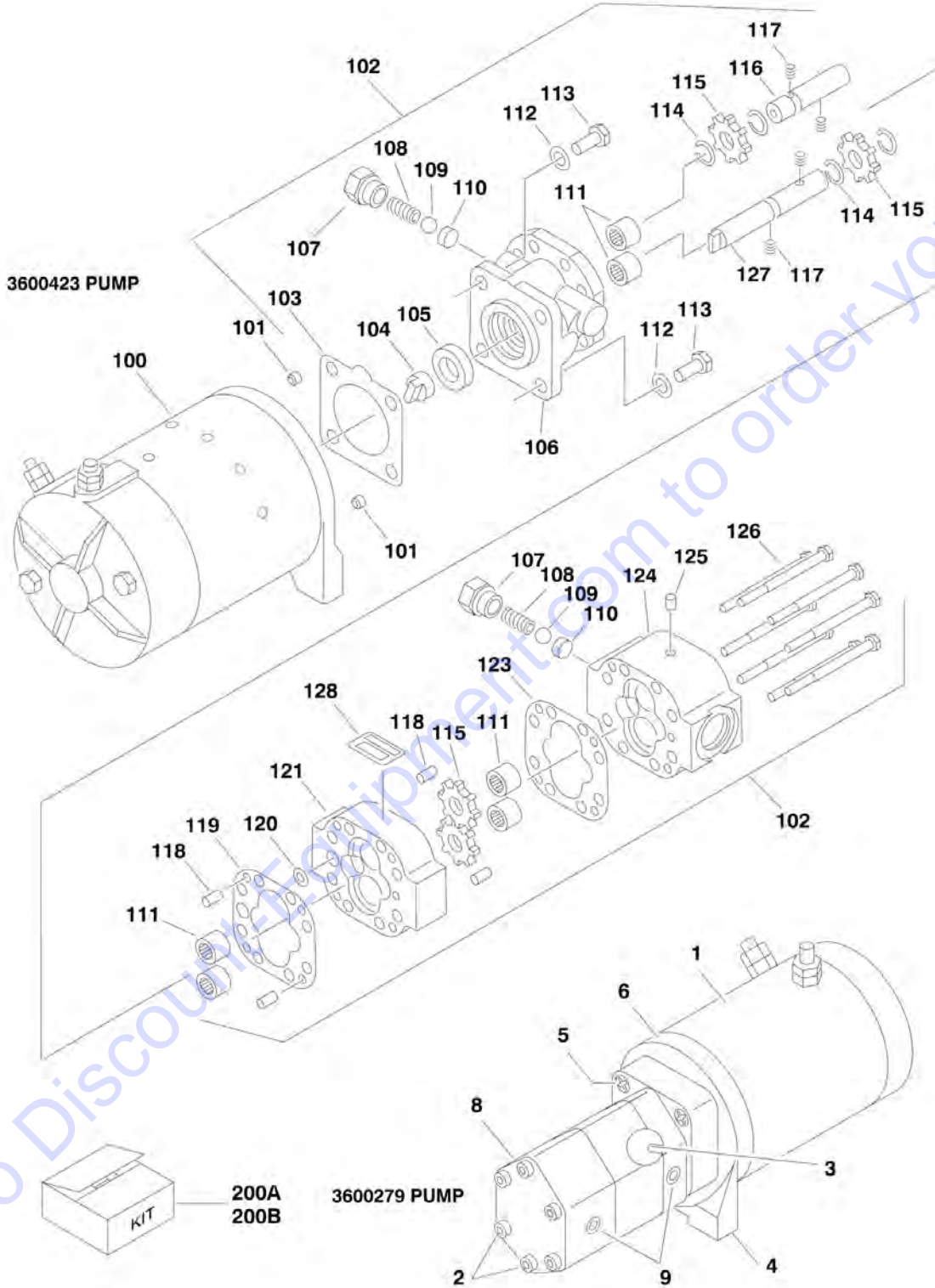
| ITEM | PART NUMBER | QTY | DESCRIPTION | REV |
|------|-------------|-----|--|-----|
| | 3600385 | Ref | PISTON PUMP ASSEMBLY | B |
| 1 | 7021240 | 1 | Shaft Assembly (Includes Items 2-4) | |
| 2 | 7021237 | 1 | Shaft | |
| 3 | 7021238 | 1 | Ring, Retaining | |
| 4 | 7021239 | 1 | Bearing, Roller | |
| 5 | See Note | NSS | O-Ring (Note: Use Item 100) | |
| 6 | 7021242 | 1 | Seal, Lip | |
| 7 | 7021243 | 1 | Carrier, Seal Shaft | |
| 10 | 7024855 | 1 | Solenoid Assembly (Includes Items 10A-10C) | |
| 10A | 7024856 | 2 | Coil | |
| 10B | 7024857 | 2 | Nut | |
| 10C | 7024858 | 2 | Seal Kit - 7024855 Cartridge | |
| 13 | 7022377 | 2 | Orifice | |
| 14 | 7022378 | 1 | Housing Assembly (Includes Items 15-20) | |
| 15 | 7021249 | 1 | Bearing, Needle | |
| 18 | 7001485 | 2 | Plug | |
| 19 | 7022380 | 1 | Plug (Includes Item 20) | |
| 20 | 7022381 | 1 | O-Ring | |
| 21 | 7021248 | 1 | Side Cover Assembly (Includes Item 22) | |
| 22 | See Note | NSS | Gasket (Note: Use Item 21 or 100) | |
| 23 | 7021255 | 4 | Screw | |
| 24 | 7021251 | 2 | Screw | |
| 25 | 7021250 | 1 | Pin | |
| 26 | See Note | NSS | Gasket (Note: Use Item 100) | |
| 29 | 7007419 | 2 | Plug Assembly | |
| 30 | See Note | NSS | O-Ring (Note: Use Item 29 or 100) | |
| 31 | 7007470 | 2 | Plug Assembly | |
| 32 | See Note | NSS | O-Ring (Note: Use Item 31 or 100) | |
| 33 | 7021257 | 1 | Ring, Retaining | |
| 34 | 7021251 | 1 | Screw | |
| 35 | 7022340 | 1 | Bracket, Lifting | |
| 36 | 7022342 | 1 | Key | |
| 37 | 7022341 | 1 | Ring, Retaining | |
| 38 | 7021258 | 1 | Gerotor | |
| 39 | 7021260 | 1 | Gerotor Cover Assembly | |
| 40 | 7021259 | 1 | Bearing, Journal | |
| 42 | 7021280 | 1 | O-Ring | |
| 43 | See Note | 1 | Pin (Note: Not Available for Purchase.) | |
| 44 | 7021263 | 2 | SCR Valve | |
| 45 | 7024800 | 2 | Spring | |
| 46 | 7021265 | 2 | Bypass Valve Assembly (Includes Items 47-49) | |
| 47 | See Note | NSS | O-Ring (Note: Use Item 46 or 100) | |
| 48 | See Note | NSS | Ring, Back Up (Note: Use Item 46 or 100) | |
| 49 | See Note | NSS | O-Ring (Note: Use Item 46 or 100) | |
| 50 | 7022382 | 1 | Cover, Servo | |
| 51 | 7021255 | 10 | Screw | |
| 52 | 7007470 | 1 | Plug Assembly | |
| 53 | See Note | NSS | O-Ring (Note: Use Item 52 or 100) | |
| 54 | 7021268 | 1 | Cover, Servo | |
| 55 | 7021269 | 1 | Cylinder Block Assembly (Includes Items 56-65) | |

SECTION 2 - TURNTABLE

| ITEM | PART NUMBER | QTY | DESCRIPTION | REV |
|------|-------------|-----|--|-----|
| 56 | 7021270 | 1 | Cylinder Block | |
| 57 | 7021271 | 1 | Washer | |
| 58 | 7021272 | 1 | Spring | |
| 59 | 7021273 | 1 | Washer | |
| 60 | 7021274 | 1 | Ring, Retaining | |
| 61 | 7021275 | 3 | Pin, Slipper Hold Down | |
| 62 | 7021276 | 1 | Retainer, Hold Down Pin | |
| 63 | 7021277 | 1 | Guide, Slipper Retainer | |
| 64 | 7021278 | 1 | Retainer, Slipper | |
| 65 | 7021279 | 9 | Piston Assembly | |
| 66 | 7021281 | 1 | Plate, Valve | |
| 67 | 7022385 | 1 | Servo Piston Assembly (Includes Items 68-70) | |
| 68 | See Note | 2 | O-Ring (Note: Use Items 67, 71 or 100) | |
| 69 | See Note | 2 | Ring, Bearing (Note: Use items 67, 71 or 100) | |
| 70 | See Note | 2 | Ring, Piston (Note: Use Items 67, 71 or 100) | |
| 71 | 7007412 | 1 | Servo Piston Ring Kit (Includes Items 68 & 70 Only) | |
| 72 | 7022346 | 1 | Plug Assembly | |
| 73 | 7021280 | 1 | O-Ring | |
| 74 | 7021290 | 1 | Nut | |
| 75 | 7022347 | 1 | Spring | |
| 76 | 7024804 | 1 | Poppet | |
| 77 | 7021280 | 1 | Nut, Seal | |
| 78 | 7022386 | 1 | Swash Plate | |
| 79 | 7022387 | 1 | Slider, Block | |
| 80 | 7021294 | 1 | Coupling | |
| 81 | 7001481 | 2 | Pin | |
| 82 | 70002257 | 1 | Gasket | |
| 83 | 7021296 | 7 | Screw | |
| 84 | 7021297 | 1 | Cover, Charge Pump | |
| 85 | 7021298 | 1 | Seal | |
| 86 | 7021299 | 1 | Plate, Cover | |
| 87 | 7007289 | 2 | Screw | |
| 100 | 7021280 | 1 | Seal Kit (Includes Items 5-6, 22, 26, 30, 32, 42, 47-49, 53, 68-70, 73, 77 & 82) | |
| | 3600404 | Ref | PISTON PUMP SUB-ASSEMBLY | B |
| 101 | 2220376 | 1 | Fitting, Straight | |
| 102 | 2220498 | 2 | Fitting, Elbow | |
| 103 | 2220578 | 1 | Fitting, Elbow | |
| 104 | 2220947 | 2 | Fitting, Straight | |
| 105 | | Ref | Fitting Options: | |
| 105 | 2221041 | 1 | Fitting (SN 0300096000 through 0300115395) | |
| 105 | 2220375 | 1 | Fitting (SN 0300115396 through 0300203770) | |
| 106 | 3600385 | 1 | Pump Assembly (Includes Items 1-87) | |

SECTION 2 - TURNTABLE

FIGURE 2-19. AUXILIARY PUMP ASSEMBLY



SECTION 2 - TURNTABLE

FIGURE 2-19. AUXILIARY PUMP ASSEMBLY

| ITEM | PART NUMBER | QTY | DESCRIPTION | REV |
|------|-------------|-----|--|-----|
| | | Ref | AUXILIARY PUMP ASSEMBLIES | |
| | | Ref | Usage: | |
| | 3600279 | Ref | Auxiliary Pump Assemblies (Original Equipment) (SN 0300096000 through 0300105248) | |
| | 3600423 | Ref | Auxiliary Pump Assemblies (Service Replacement) (SN 0300096000 through 0300105248) | |
| | 3600423 | Ref | Auxiliary Pump Assemblies (SN 0300105249 through 0300203770) | |
| | | Ref | Note: Original Equipment pump may have been replaced with Service Replacement pump. Identify Pump by p/n before ordering replacement parts. | |
| | 3600279 | Ref | AUXILIARY PUMP ASSEMBLY | B |
| 1 | 7016768 | 1 | Motor, Replacement | |
| 1 | 7013757 | 1 | Brush Kit | |
| 2 | 7016745 | 4 | Capscrew, Socket Head 5/16in-24NF x 4-3/4in | |
| 3 | 7013711 | 1 | Coupling, Drive | |
| 4 | 7016769 | 1 | Bracket, Mounting | |
| 5 | 7016744 | 2 | Screw 5/16in-18NC x 1in | |
| 6 | 7016746 | 1 | Adapter, Mounting | |
| 7 | 7013766 | 2 | Pin (Not Shown) | |
| 8 | 7013771 | 1 | Pump, Replacement | |
| 9 | See Note | 2 | Valve, Check (Note: Not Available for Purchase) | |
| | 3600423 | Ref | AUXILIARY PUMP ASSEMBLY | A |
| 100 | 7011067 | 1 | Motor and Adapter | |
| 101 | See Note | 2 | Setscrew (Note: Not Available - Purchase Locally.) | |
| 102 | 70000978 | 1 | Pump Assembly (Includes Items 103-127) | |
| 103 | 7011044 | 1 | Gasket, Mounting | |
| 104 | 7011016 | 1 | Coupling | |
| 105 | 70000969 | 1 | Seal, Shaft | |
| 106 | See Note | 1 | Stator (Note: Use Item 102) | |
| 107 | See Note | 2 | Cap Assembly (Note: Use Item 102) | |
| 108 | See Note | 2 | Spring (Note: Use Item 102) | |
| 109 | See Note | 2 | Ball (Note: Use Item 102) | |
| 110 | See Note | 2 | Seat (Note: Use Item 102) | |
| 111 | 70000976 | 6 | Bearing, Needle | |
| 112 | See Note | 4 | Washer (Note: Use Item 102) | |
| 113 | See Note | 4 | Screw (Note: Use Item 102) | |
| 114 | 70000970 | 4 | Ring, Retaining | |
| 115 | 70000971 | 4 | Gear | |
| 116 | 70000972 | 1 | Shaft, Idler | |
| 117 | 70000978 | 4 | Pin, Drive | |
| 118 | 70000978 | 4 | Pin, Dowel | |
| 119 | 70000973 | 1 | Gasket | |
| 120 | See Note | 1 | O-Ring (Note: Use Item 200C) | |
| 121 | See Note | 1 | Housing, Gear (Note: Use Item 102) | |
| 122 | See Note | 1 | Label (Note: Not Available for Purchase) | |
| 123 | 7000974 | 1 | Gasket | |
| 124 | See Note | 1 | Housing, Gear (Note: Use Item 102) | |
| 125 | See Note | 1 | Plug (Note: Use Item 102) | |
| 126 | See Note | 8 | Screw (Note: Use Item 102) | |
| 127 | 70000975 | 1 | Shaft, Drive | |

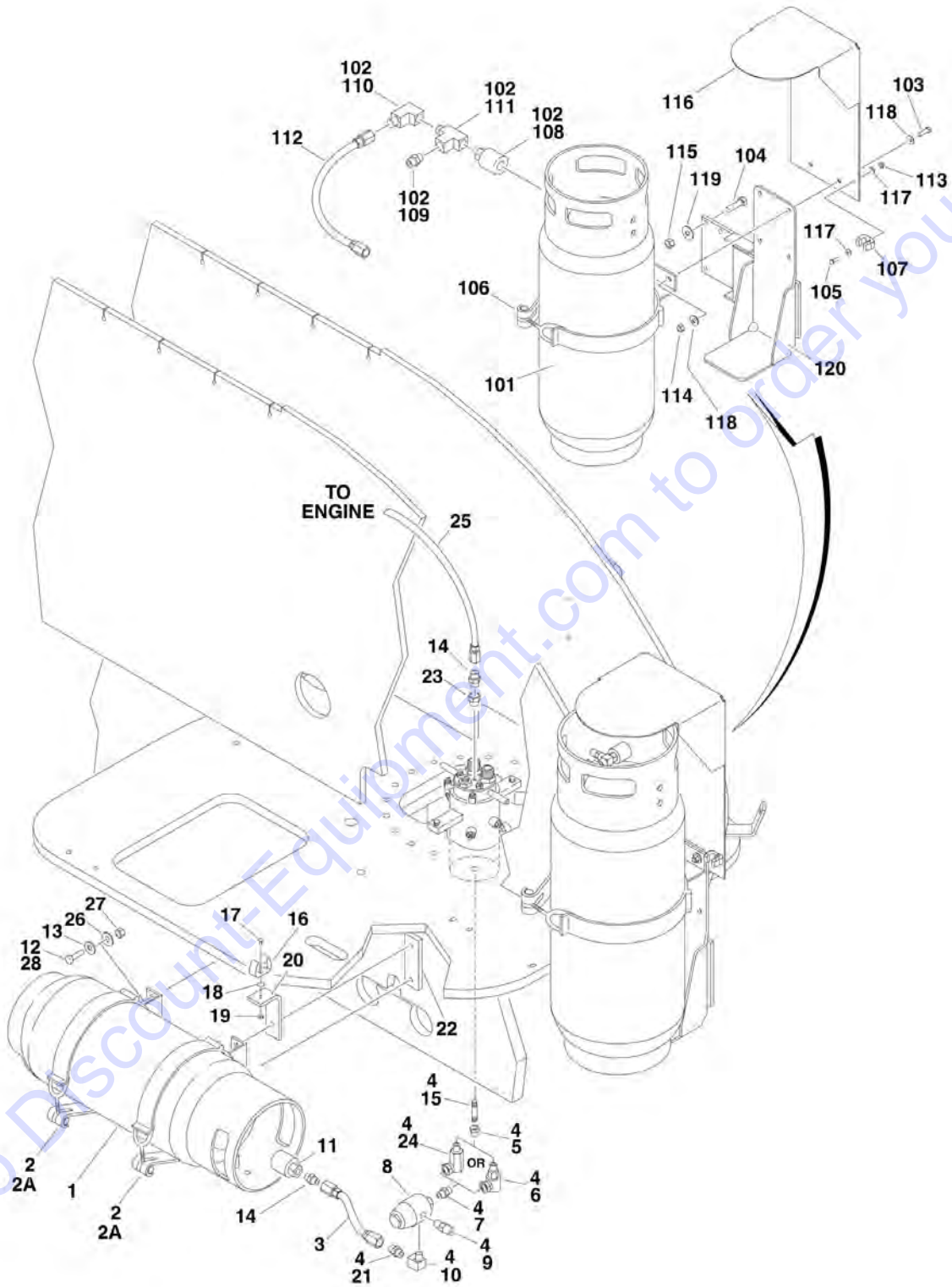
SECTION 2 - TURNTABLE

| ITEM | PART NUMBER | QTY | DESCRIPTION | REV |
|------|-------------|-----|---|-----|
| 128 | See Note | 1 | Label (Note: Not Available for Purchase) | |
| 200 | | Ref | SEAL KIT OPTIONS | |
| 200A | 7016701 | 4 | O-Rings - 3600279 Pump | |
| 200B | 7000754 | 1 | Seal, Shaft | |
| 200C | 70000977 | 1 | Seal Kit - 3600423 Assembly (Includes Items 103, 105, 120 and Qty 2 O-Rings for Item 107) | |

Go to Discount-Equipment.com to order your parts

SECTION 2 - TURNTABLE

FIGURE 2-20. DUAL FUEL INSTALLATIONS (GM MACHINES ONLY)



SECTION 2 - TURNTABLE

FIGURE 2-20. DUAL FUEL INSTALLATIONS (GM MACHINES ONLY)

| ITEM | PART NUMBER | QTY | DESCRIPTION | REV |
|------|-------------|-----|--|-----|
| | | Ref | LP TANK AND BRACKETS INSTALLATION - FRAME MOUNTED | |
| | 0259144 | Ref | LP Tank and Brackets Installation (SN 0300096000 through 0300161284) | 4-D |
| | 1001143393 | Ref | LP Tank and Brackets Installation (SN 0300161285 through 0300203770) | B |
| 1 | | Ref | Tank, LP Options: | |
| 1 | 4400275 | 1 | Aluminum | |
| 1 | 4400420 | 1 | Steel | |
| 2 | 1320220 | 1 | Clamp Kit | |
| 2A | 1320127 | 1 | Toggle | |
| 3 | 2720144 | 1 | Hose | |
| 4 | 0100020 | AR | Sealant, Pipe | |
| 5 | 2221019 | 1 | Fitting, Reducer | |
| 6 | 2180125 | 1 | Fitting, Elbow | |
| 7 | 2220261 | 1 | Fitting, Nipple | |
| 8 | 2180388 | 1 | Filter, Bulkhead | |
| 9 | 2180389 | 1 | Valve, Relief | |
| 10 | 2220648 | 1 | Fitting, Elbow | |
| 11 | 2180387 | 1 | Fitting, LP | |
| 12 | | Ref | Bolt 3/8in-16NC Options: | |
| 12 | 0641606 | 4 | Bolt 3/8in-16NC x 3/4in | |
| 12 | 0641615 | 4 | Bolt 3/8in-16NC x 1-7/8in | |
| 13 | 4751600 | 4 | Flatwasher 3/8in Regular | |
| 14 | 2180418 | 2 | Fitting, Straight | |
| 15 | 2221018 | 1 | Fitting, Nipple | |
| 16 | 1320218 | 1 | Clamp, Spring | |
| 17 | 3910808 | 1 | Screw #8-32NC x 1in | |
| 18 | 4750800 | 2 | Flatwasher #8 Regular | |
| 19 | 3310805 | 1 | Locknut #8-32NC | |
| 20 | 0181949 | 1 | Angle, Support | |
| 21 | 2221024 | 1 | Fitting, Union | |
| 22 | 0362519 | 2 | Bar, Mounting (Part of Frame Only) (SN 0300096000 through 0300161285) | |
| 23 | 2220005 | 1 | Fitting, Reducer | |
| 24 | 2220082 | 1 | Fitting Only (SN 0300096000 through 0300109274) | |
| 25 | 2720392 | 1 | Hose | |
| 26 | 4891600 | 4 | Flatwasher 3/8in Hardened | |
| 27 | 3311601 | 1 | Nut 3/8in-16NC | |
| 28 | 0100011 | AR | Compound, Locking | |
| | 0270659 | Ref | LP TANK AND BRACKETS INSTALLATION - TURNTABLE MOUNTED ONLY (SN 0300096000 through 0300161285) | A |
| 101 | 4400275 | 1 | Tank, LP | |
| 102 | 0100020 | AR | Sealant, Pipe | |
| 103 | 0641610 | 2 | Bolt 3/8in-16NC x 1-1/4in | |
| 104 | 0641814 | 3 | Bolt 1/2in-13NC x 1-3/4in | |
| 105 | 0721005 | 1 | Screw | |
| 106 | 1320126 | 1 | Clamp, Tank | |
| 107 | 1320218 | 1 | Clamp, Spring | |
| 108 | 2180387 | 1 | Fitting | |
| 109 | 2180389 | 1 | Fitting, Relief Valve | |

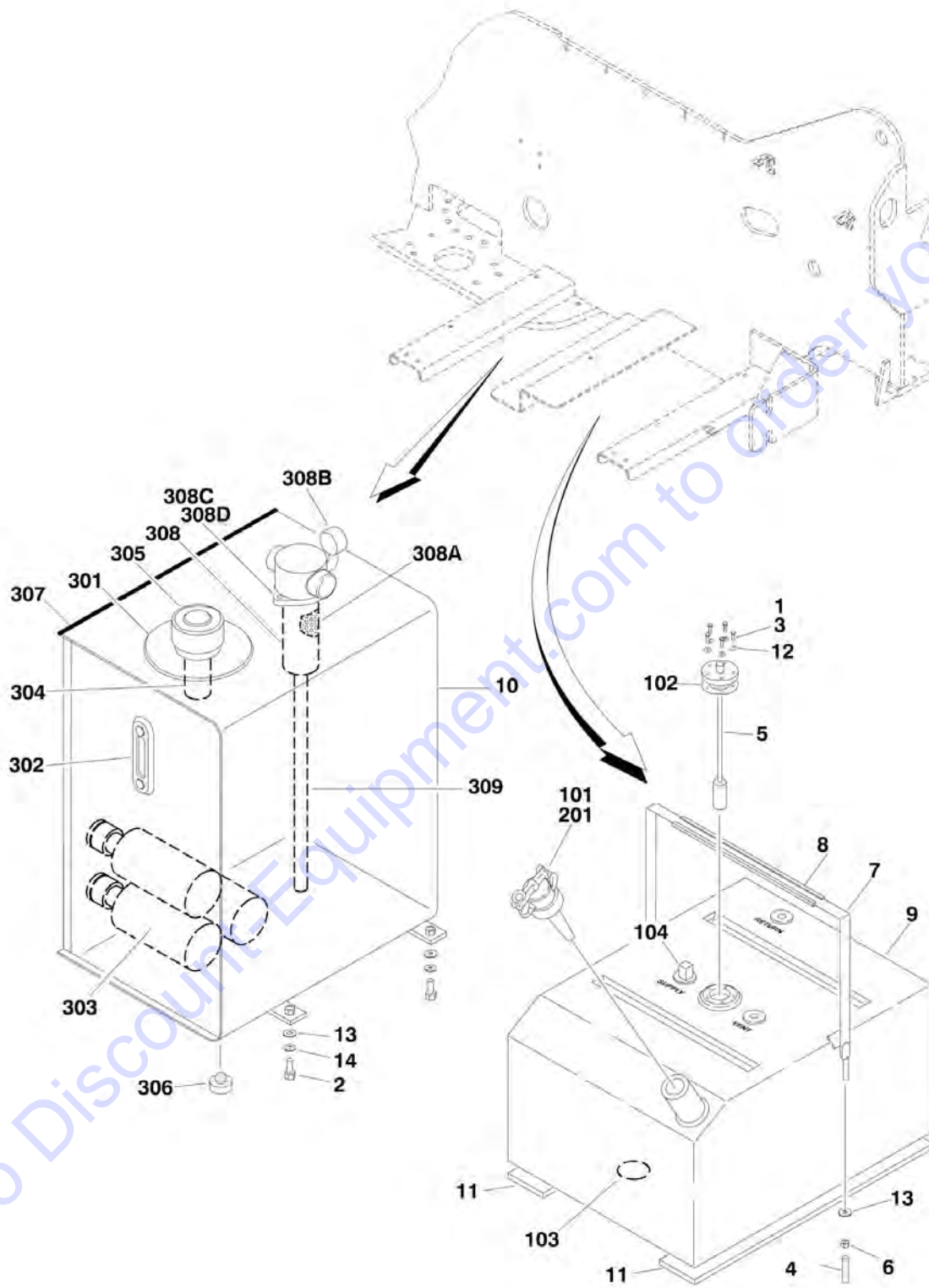
SECTION 2 - TURNTABLE

| ITEM | PART NUMBER | QTY | DESCRIPTION | REV |
|------|-------------|-----|--------------------------|-----|
| 110 | 2180504 | 1 | Fitting, Elbow | |
| 111 | 2220290 | 1 | Fitting, Tee | |
| 112 | 2720149 | 1 | Hose | |
| 113 | 3311005 | 1 | Locknut #10-24NC | |
| 114 | 3311605 | 2 | Locknut 3/8in-16NC | |
| 115 | 3311805 | 3 | Locknut 1/2in-13NC | |
| 116 | 4061012 | 1 | Shield, LP Tank | |
| 117 | 4751000 | 2 | Flatwasher #10 Regular | |
| 118 | 4751600 | 4 | Flatwasher 3/8in Regular | |
| 119 | 4751800 | 3 | Flatwasher 1/2in Regular | |
| 120 | 4846310 | 1 | Mount, Tank | |

Go to Discount-Equipment.com to order your parts

SECTION 2 - TURNTABLE

FIGURE 2-21. TANK INSTALLATIONS



SECTION 2 - TURNTABLE

FIGURE 2-21. TANK INSTALLATIONS

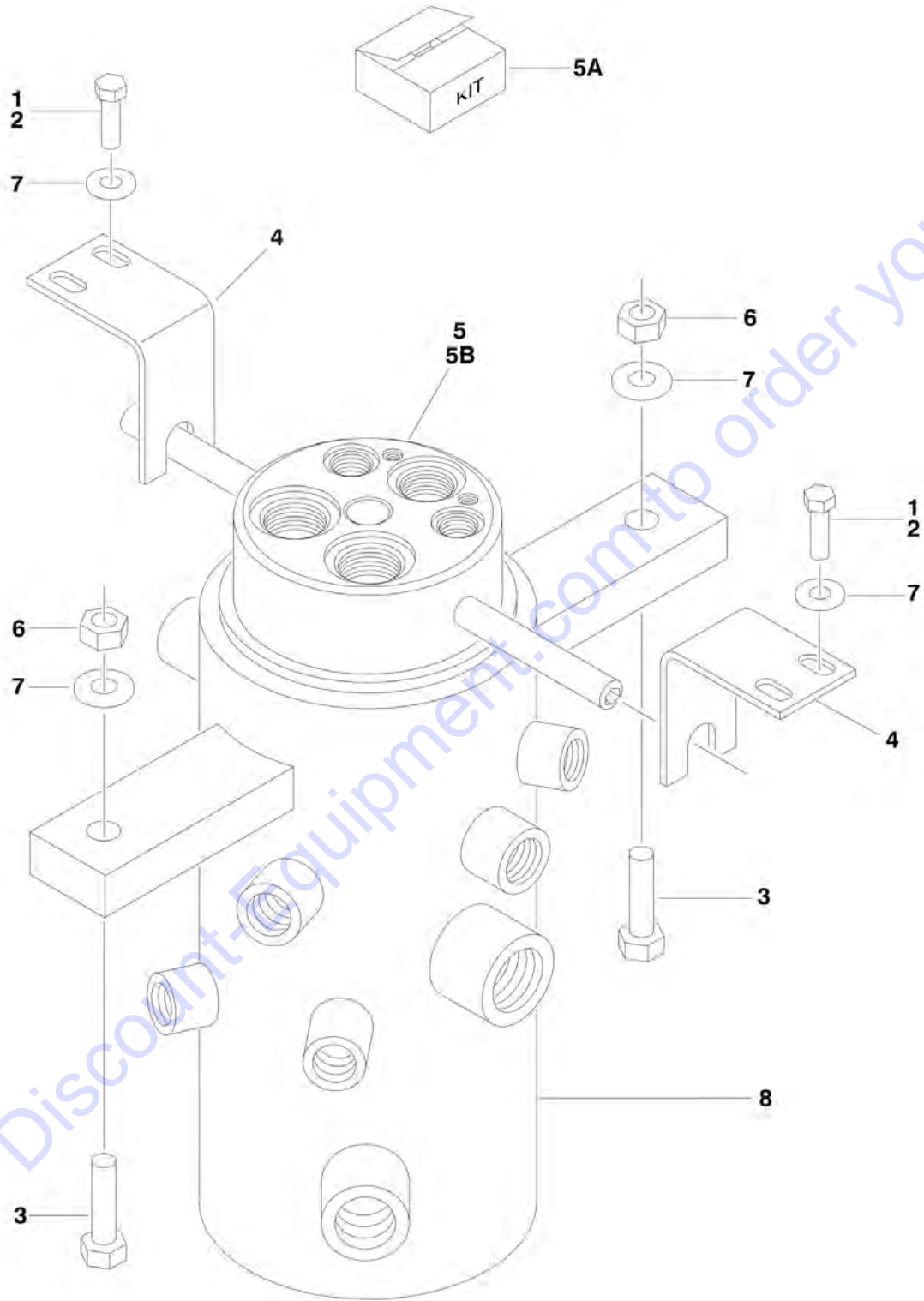
| ITEM | PART NUMBER | QTY | DESCRIPTION | REV |
|------|-------------|----------------|--|-----|
| | | Ref | TANKS INSTALLATION | |
| | 0272731 | Ref | All Machines (SN 0300096000 through 0300109273) | C |
| | | Ref | Diesel Machines | |
| | 0272731 | Ref | Diesel Machines (SN 0300109274 through 0300178757) | D |
| | 1001143604 | Ref | Diesel Machines (SN 0300178758 through 0300203770) | C |
| | | Ref | Gas Machines | |
| | 1001091566 | Ref | Gas Machines (SN 0300109274 through 0300178757) | B |
| | 1001143605 | Ref | Gas Machines (SN 0300178758 through 0300203770) | B |
| 1 | 0100011 | AR | Locking, Compound | |
| 2 | 0641608 | 4 | Bolt 3/8in-16NC x 1in | |
| 3 | | Ref | Screw, Indented Options: | |
| 3 | 0731007 | NLA | Screw, Indented #10-24NC (Use p/n 0731005) (Prior to SN 0300189454) | |
| 3 | 0731005 | 5 | Screw, Indented #10-32NC x .625 (SN 0300189454 through 0300203770) | |
| 4 | 1120532 | 2 | Cap, Protector | |
| 5 | | Ref | Gauge, Fuel Level Options: | |
| 5 | 2420191 | 1 | Gauge, Fuel Level (SN 0300109274 through 0300178757) | |
| 5 | 1001148607 | 1 | Gauge, Fuel Level (SN 0300178758 through 0300203770) | |
| 5 | 3960525 | 1 | Gasket, Sender | |
| 6 | 3311601 | 2 | Nut 3/8in-16NC | |
| 7 | 4240135 | 1 | Strap, Tank Mount | |
| 8 | 4280295 | 2.2 ft/0.7m | Strip, Bumper | |
| 9 | | Ref | Tank, Fuel Options (See Items 101-104 for Breakdown): | |
| 9 | 4400429 | NLA | All Machines (SN 0300096000 through 0300109273) | |
| 9 | | Ref | Diesel Machines Options: | |
| 9 | 4400429 | NLA | Diesel Machines (SN 0300109274 through 0300189453) | |
| 9 | 1001160571 | 1 | Diesel Machines (SN 0300189454 through 0300203770) | |
| 9 | | Ref | Gas Machines Options: | |
| 9 | 1001091559 | NLA | Gas Machines (SN 0300109274 through 0300185525) | |
| 9 | 1001160560 | 1 | Gas Machines (SN 0300185526 through 0300203770) | |
| 10 | | Ref | Hydraulic Tank Assembly (See Items 301-309 for Breakdown) | |
| 10 | 4400450 | NLA | Hydraulic Tank Assembly (SN 0300069000 through 0300178757) | |
| 10 | 1001147118 | 1 | Hydraulic Tank Assembly (SN 0300178758 through 0300203770) | |
| 11 | 4420038 | 6 ft/1.8m | Tape, Rubber | |
| 12 | 4751000 | 5 | Flatwasher #10 Regular | |
| 13 | 4751600 | 6 | Flatwasher 3/8in Regular | |
| 14 | 4761600 | 6 | Lockwasher 3/8in | |
| | | Ref | FUEL TANK ASSEMBLY | |
| | 4400429 | Ref | All Machines (SN 0300096000 through 0300109273) | D |
| | 4400429 | Ref | Diesel Machines (SN 0300109274 through 0300189453) | D |
| | 1001160571 | Ref | Diesel Machines (SN 0300189454 through 0300203770) | C |
| | 1001091559 | Ref | Gas Machines (SN 0300109274 through 0300203770) | A |
| | 1001160560 | Ref | Gas Machines (SN 0300185526 through 0300203770) | B |
| 101 | See Note | 1 | Cap, Fill (Note: Tank Includes Non-Locking Cap) (Note: See Item 201) | |
| 102 | 7016680 | 1 | Gasket, Cover Plate | |
| 103 | See Note | 1 | Plug (Note: Not Available - Purchase Locally.) | |

SECTION 2 - TURNTABLE

| ITEM | PART NUMBER | QTY | DESCRIPTION | REV |
|------|-------------|---------|--|-----|
| 104 | 7020043 | 1 | Tube | |
| 201 | | Ref | FUEL CAP OPTIONS: | |
| 201 | 1120484 | 1 | Locking Cap (Red - Gas Machines Only) (SN 0300096000 through 0300109274) | |
| 201 | | Ref | Standard Non-Locking Cap Options: | |
| 201 | 7016314 | 1 | All Machines (SN 0300096000 through 0300109273) | |
| 201 | 7016314 | 1 | Diesel Machines (SN 0300109274 through 0300189453) | |
| 201 | 70004414 | 1 | Diesel Machines (SN 0300189454 through 0300203770) | |
| 201 | 70001103 | 1 | Gas Machines (SN 0300109274 through 0300203770) | |
| | | Ref | HYDRAULIC TANK ASSEMBLY | |
| | 4400450 | Ref | Hydraulic Tank Assembly (SN 0300069000 through 0300178757) | G |
| | 1001147118 | Ref | Hydraulic Tank Assembly (SN 0300178758 through 0300203770) | B |
| 301 | 7024439 | 1 | Cover | |
| 301 | 7024440 | | Gasket | |
| 302 | 7024441 | 1 | Gauge, Sight | |
| 303 | 7024442 | 3 | Strainer | |
| 304 | 7024443 | 1 | Filler Neck Assembly | |
| 304 | 7024445 | 1 | Strainer | |
| 305 | 7024444 | 1 | Cap, Fill | |
| 306 | 7024446 | 1 | Plug, Magnetic | |
| 307 | 4060803 | 22 | Flex-Trim | |
| | | in/56cm | | |
| 308 | 70001959 | 1 | Filter (was p/n 7020226) | |
| 308A | 7023205 | 1 | Element (Filter p/n 7020226) | |
| 308A | 70001960 | 1 | Element (Filter p/n 70001959) | |
| 308B | See Note | 1 | Gauge, Pressure (Note: Not Available for Purchase) | |
| 308C | 7023306 | 1 | Seal | |
| 308D | 70002768 | 1 | Spring | |
| 309 | 70001863 | 1 | Pipe | |

SECTION 2 - TURNTABLE

FIGURE 2-22. ROTARY COUPLING INSTALLATION (SN 0300096000 through 0300140364)



SECTION 2 - TURNTABLE

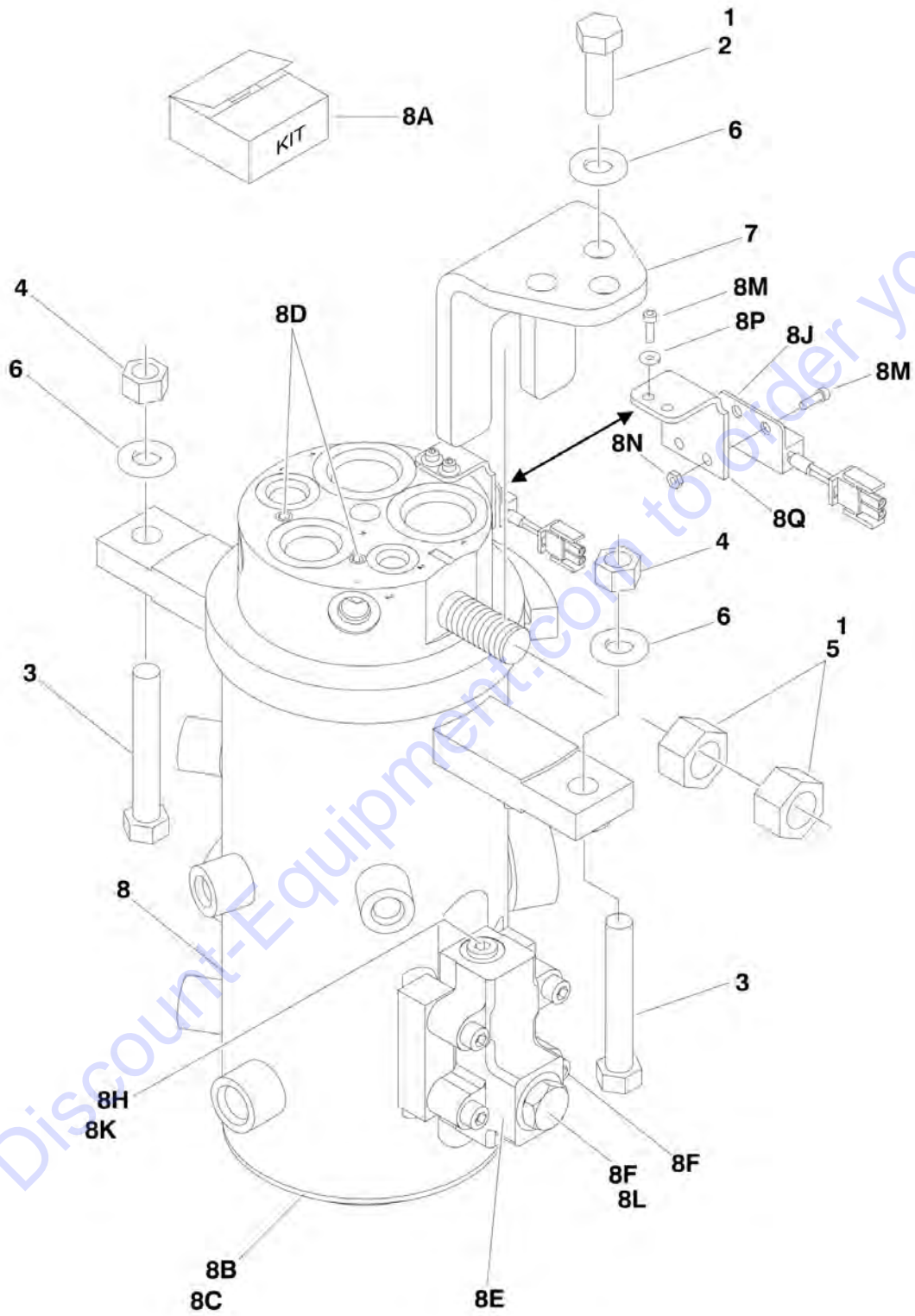
FIGURE 2-22. ROTARY COUPLING INSTALLATION (SN 0300096000 through 0300140364)

| ITEM | PART NUMBER | QTY | DESCRIPTION | REV |
|------|-------------|-----|-------------------------------------|-----|
| | 0259155 | Ref | ROTARY COUPLING INSTALLATION | D |
| 1 | 0100011 | AR | Locking, Compound | |
| 2 | 0641810 | 4 | Bolt 1/2in-13NC x 1-1/4in | |
| 3 | 0641826 | 2 | Bolt 1/2in-13NC x 3-1/4in | |
| 4 | 0902556 | 2 | Bracket | |
| 5 | 1660219 | 1 | Coupling, Rotary | |
| 5A | 7013187 | 1 | Seal Kit | |
| 5B | 1660219RR | 1 | Rebuilt Coupling | |
| 6 | 3311801 | 2 | Nut 1/2in-13NC | |
| 7 | 4751800 | 8 | Flatwasher 1/2in Regular | |

Go to Discount-Equipment.com to order your parts

SECTION 2 - TURNTABLE

FIGURE 2-23. ROTARY COUPLING INSTALLATION (SN 0300140365 through 0300203770)



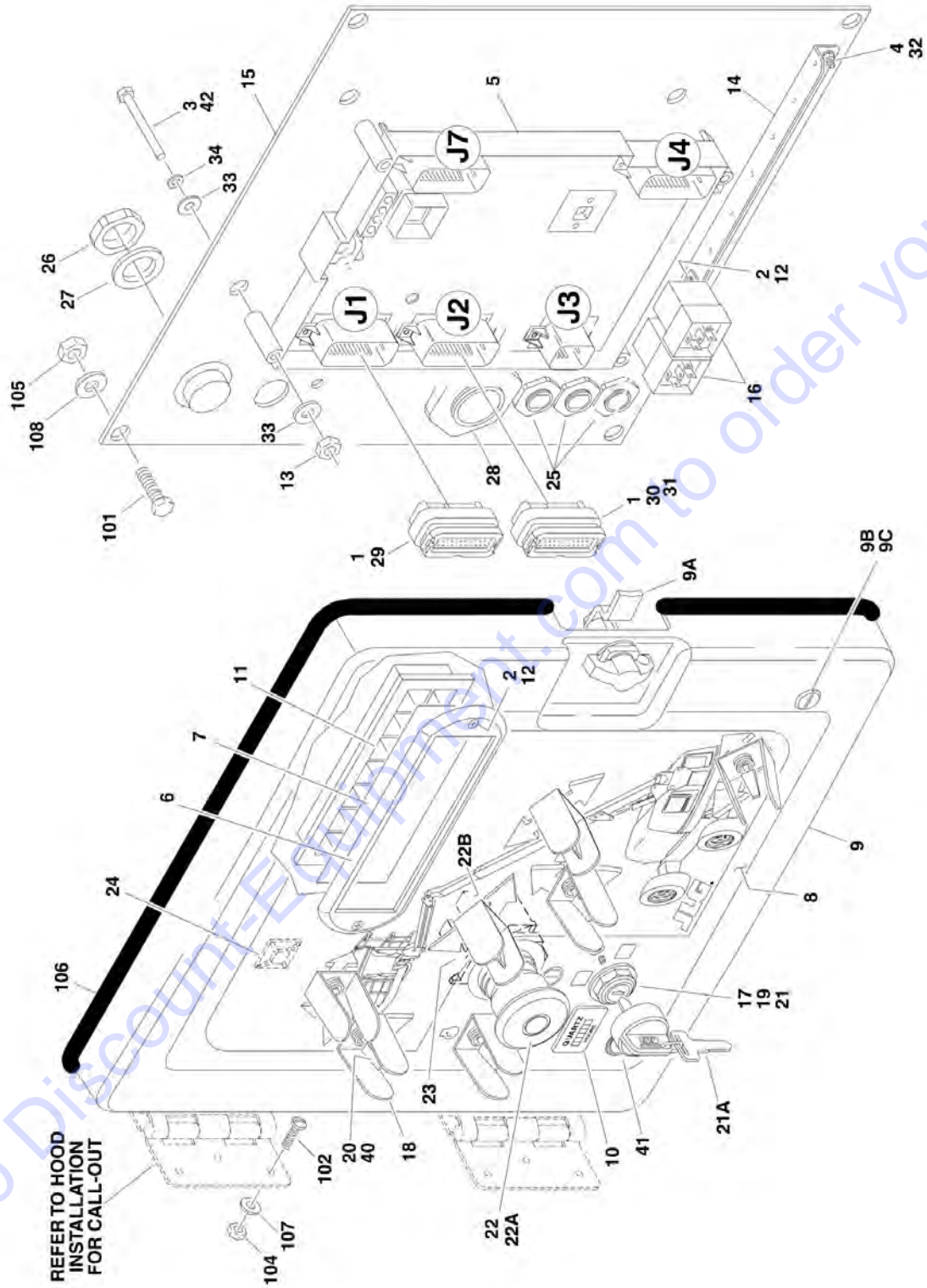
SECTION 2 - TURNTABLE

FIGURE 2-23. ROTARY COUPLING INSTALLATION (SN 0300140365 through 0300203770)

| ITEM | PART NUMBER | QTY | DESCRIPTION | REV |
|------|-------------|-----|--|-----|
| | 1001109542 | Ref | ROTARY COUPLING INSTALLATION | C |
| 1 | 0100011 | AR | Locking, Compound | |
| 2 | 0641812 | 3 | Bolt 1/2in-13NC x 1-1/2in | |
| 3 | | Ref | Bolt 1/2in-13NC Options: | |
| 3 | 0641826 | 2 | Bolt 1/2in-13NC x 3-1/4in | |
| 3 | 0641828 | 2 | Bolt 1/2in-13NC x 3-1/2in | |
| 4 | 3311805 | 2 | Locknut 1/2in-13NC | |
| 5 | 3322201 | 2 | Nut 3/4in-16NC | |
| 6 | 4711800 | 7 | Flatwasher 1/2in Thin | |
| 7 | 1001106837 | 1 | Mount, Swivel | |
| 8 | 1001106974 | 1 | Coupling, Rotary | |
| 8A | 70001248 | 1 | Seal Kit | |
| 8B | 7026503 | 2 | Ring, Thrust | |
| 8C | 7026504 | 1 | Ring, Retaining | |
| 8D | 80934561 | 2 | Plug | |
| 8E | 7024404 | 1 | Valve Assembly | |
| 8F | 7026197 | 4 | Bolt 5/16in-18 NC x 1-1/4in | |
| 8G | 7026507 | 1 | Plug, W/O-ring | |
| 8H | 7026505 | 1 | Plug | |
| 8J | 4360517 | 1 | Switch, Proximity | |
| 8K | 7026506 | 1 | Valve, Check | |
| 8L | 7026509 | 1 | Spring, Compression | |
| 8M | See Note | 4 | Screw, Socket Head #10-24NC x 1/2in (Note: Not Available - Purchase Locally) | |
| 8N | See Note | 2 | Locknut #10-24NC (Note: Not Available - Purchase Locally) | |
| 8P | See Note | 2 | Flatwasher #10 (Note: Not Available - Purchase Locally) | |
| 8Q | 70003454 | 1 | Bracket, Switch Mounting | |

SECTION 2 - TURNTABLE

FIGURE 2-24. GROUND CONTROL BOX ASSEMBLY (WITHOUT UGM)



SECTION 2 - TURNTABLE

FIGURE 2-24. GROUND CONTROL BOX ASSEMBLY (WITHOUT UGM)

| ITEM | PART NUMBER | QTY | DESCRIPTION | REV |
|------|-------------|-----|--|-----|
| | | Ref | NOTE: FOR MODULE IDENTIFICATION, REFER TO REVISION LOG PAGE A. | |
| | | Ref | GROUND CONTROL BOX ASSEMBLIES | |
| | | Ref | Ground Control Box Assemblies 400S: (SN 0300096000 through 0300099083) | |
| | 0861706 | Ref | Caterpillar Engine (ANSI and ANSI Export Specs) | E |
| | 0861708 | Ref | Caterpillar Engine (Australian and CE Specs) | E |
| | 0861736 | Ref | Deutz Engine (ANSI and ANSI Export Specs) | C |
| | 0861737 | Ref | Deutz Engine (Australian and CE Specs) | C |
| | 0861774 | Ref | GM Engine (ANSI and ANSI Export Specs) | C |
| | | Ref | Ground Control Box Assemblies 460SJ: (SN 0300096000 through 0300099083) | |
| | 0861707 | Ref | Caterpillar Engine (ANSI and ANSI Export Specs) | E |
| | 0861709 | Ref | Caterpillar Engine (Australian and CE Specs) | E |
| | 0861739 | Ref | Deutz Engine (ANSI and ANSI Export Specs) | D |
| | 0861738 | Ref | Deutz Engine (Australian and CE Specs) | C |
| | 0861773 | Ref | GM Engine (ANSI and ANSI Export Specs) | C |
| | | Ref | Ground Control Box Assemblies 400S: (SN 0300099084 through 0300203770) | |
| | 1810111 | Ref | Caterpillar and Perkins Engine (ANSI and ANSI Export Specs) | D |
| | 1810112 | Ref | Caterpillar and Perkins Engine (Australian and CE Specs) | D |
| | 1810109 | Ref | Deutz Engine (ANSI and ANSI Export Specs) | D |
| | 1810110 | Ref | Deutz Engine (Australian and CE Specs) | D |
| | 1810108 | Ref | GM Engine (ANSI and ANSI Export Specs) | D |
| | | Ref | Ground Control Box Assemblies 460SJ: (SN 0300099084 through 0300203770) | |
| | 1810116 | Ref | Caterpillar and Perkins Engine (ANSI and ANSI Export Specs) | D |
| | 1810117 | Ref | Caterpillar and Perkins Engine (Australian and CE Specs) | D |
| | 1810114 | Ref | Deutz Engine (ANSI and ANSI Export Specs) | D |
| | 1810115 | Ref | Deutz Engine (Australian and CE Specs) | D |
| | 1810113 | Ref | GM Engine (ANSI and ANSI Export Specs) | E |
| 1 | 0100048 | AR | Grease, Dielectric | |
| 2 | 0630518 | AR | Capscrew, Button Head | |
| 3 | 0630548 | 5 | Tap Bolt, 2-1/2in | |
| 4 | 0721004 | 2 | Screw #10-24NC x 1/2in | |
| 5 | 1600411 | 1 | Module, Ground Control (Re-calibration Required when Replaced) | |
| 6 | 1670829 | 1 | Bezel | |
| 7 | 1706712 | 1 | Decal - Ground Control Display | |
| 8 | | Ref | Decal - Faceplate Options: | |
| 8 | 1704465 | 1 | Decal 400S (SN 0300096000 through 0300099083) | |
| 8 | 1706946 | 1 | Decal 400S (SN 0300099084 through 0300135380) | |
| 8 | 1001102595 | 1 | Decal 400S (SN 0300135381 through 0300203770) | |
| 8 | 1704466 | 1 | Decal 460SJ (SN 0300096000 through 0300099083) | |
| 8 | 1706945 | 1 | Decal 460SJ (SN 0300099084 through 0300135380) | |
| 8 | 1001102596 | 1 | Decal 460SJ (SN 0300135381 through 0300203770) | |
| 9 | | Ref | Lid Assembly Options: | |
| 9 | 1780307 | 1 | Lid Assembly With Item 9A | |
| 9 | 1001109545 | 1 | Lid Assembly Without Item 9A | |

SECTION 2 - TURNTABLE

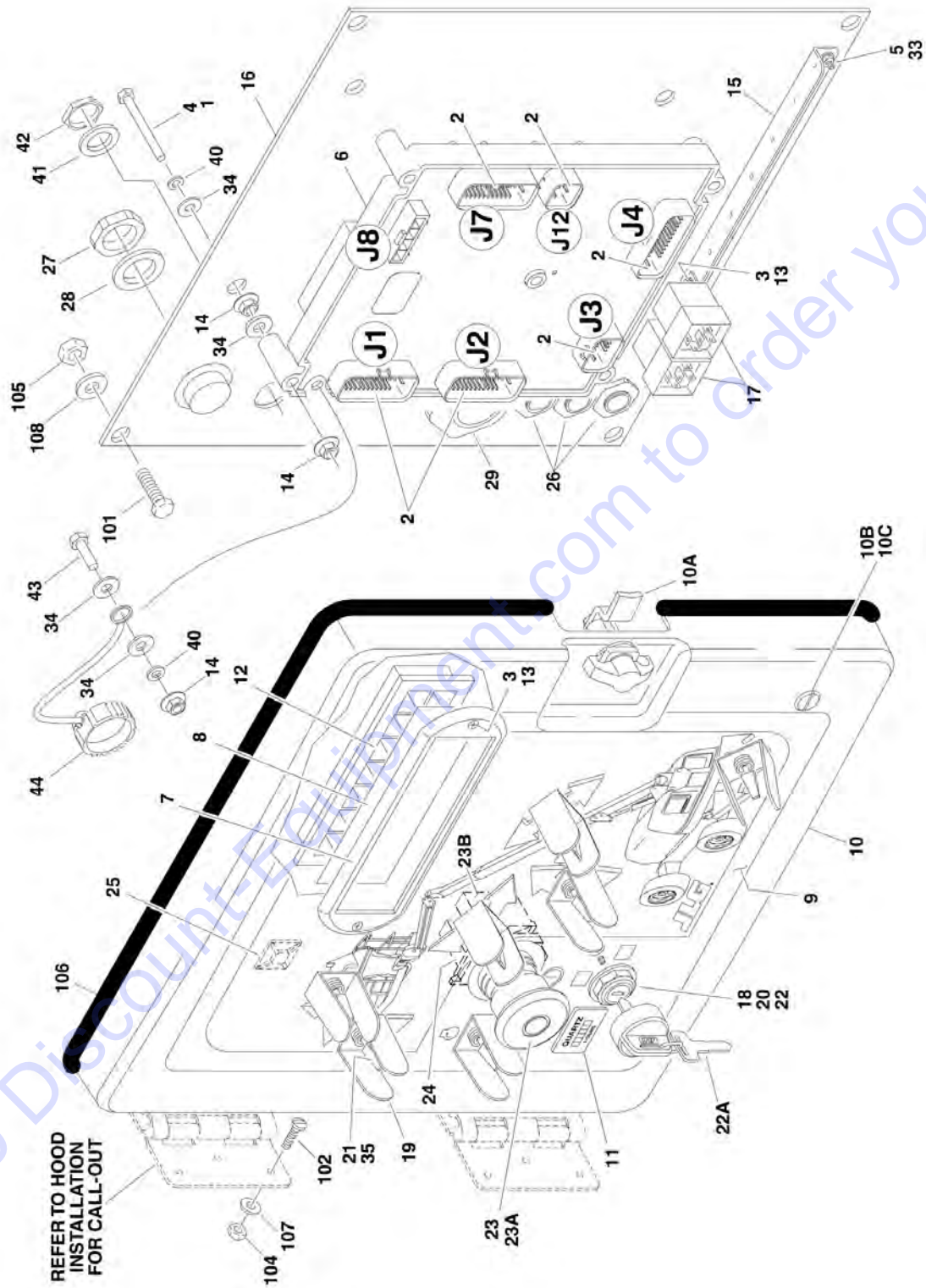
| ITEM | PART NUMBER | QTY | DESCRIPTION | REV |
|------|-------------|-----|--|-----|
| 9A | 2940073 | 1 | Latch | |
| 9B | 7024319 | 2 | Screw | |
| 9C | 7024320 | 2 | Retainer | |
| 10 | 2420172 | 1 | Gauge, Hourmeter | |
| 11 | 2760105 | 1 | Housing, Display Light | |
| 12 | 3300408 | AR | Locknut, Plastic Insert | |
| 13 | 3311401 | AR | Nut 1/4in-20NC | |
| 14 | 3539275 | 1 | Bracket, Relay Mounting | |
| 15 | 3572827 | 1 | Plate | |
| 16 | 3740049 | AR | Relay | |
| 17 | 3910804 | 6 | Screw #8-32NC x 1/4in | |
| 18 | 4060906 | AR | Shield, Toggle Switch | |
| 19 | 4070987 | 1 | Shim.015 | |
| 20 | 4360328 | AR | Switch, Toggle | |
| 21 | | Ref | Switch, Key Options: | |
| 21 | 4360469 | 1 | ANSI and ANSI Export Specs | |
| 21 | 4360470 | 1 | Australian and CE Specs | |
| 21A | 2860030 | 1 | Key | |
| 22 | 4360475 | 1 | Switch, Emergency Stop | |
| 22A | 7020175 | 1 | Cap, Mushroom Head | |
| 22B | 7020176 | 1 | Block, Contact | |
| 23 | 4360476 | 1 | Switch, Contact Block | |
| 24 | 4460234 | AR | Base, Tie-Strap | |
| 25 | 4460428 | 3 | Connector, Strain Relief | |
| 26 | 4460470 | 1 | Nut, Terminal | |
| 27 | 4460471 | 1 | Washer, Terminal | |
| 28 | 4460526 | 1 | Connector, Strain Relief | |
| 29 | 4460874 | 1 | Connector, Natural | |
| 30 | 4460875 | 1 | Connector, Gray | |
| 31 | 4460905 | 4 | Connector, Amp Seal Plug | |
| 32 | 4751000 | 2 | Flatwasher #10 Regular | |
| 33 | 4751400 | AR | Flatwasher 1/4in Regular | |
| 34 | 4761400 | AR | Lockwasher 1/4in | |
| 35 | | Ref | Engine Harness Assembly (Not Shown - See ELECTRICAL SECTION for Breakdown) | |
| 35 | 4923356 | 1 | Caterpillar and Perkins Engine Machines (SN 0300096000 through 0300099083) | |
| 35 | 4923580 | 1 | Caterpillar and Perkins Engine Machines (SN 0300099084 through 0300119200) | |
| 35 | 1001098839 | 1 | Caterpillar and Perkins Engine Machines (SN 0300119201 through 0300203770) | |
| 35 | 4923260 | 1 | Deutz Engine Machines | |
| 35 | 4923419 | 1 | GM Engine Machines | |
| 36 | 4922538 | 1 | Valve Harness Assembly (Not Shown - See ELECTRICAL SECTION for Breakdown) | |
| 37 | | Ref | Ground Control Box Harness Assembly (Not Shown - See ELECTRICAL SECTION for Breakdown) | |
| 37 | 4923456 | 1 | Caterpillar Engine Machines (SN 0300096000 through 0300099083) | |
| 37 | 4923261 | 1 | Deutz and GM Engine Machines (SN 0300096000 through 0300099083) | |
| 37 | 4923583 | 1 | Caterpillar, Perkins and GM Engine Machines (SN 0300099084 through 0300203770) | |

SECTION 2 - TURNTABLE

| ITEM | PART NUMBER | QTY | DESCRIPTION | REV |
|------|-------------|-----|--|-----|
| 37 | 4923583 | 1 | Deutz Engine Machines (SN 0300099084 through 0300203770) | |
| 40 | 3790012 | AR | O-Ring | |
| 41 | 1705132 | 1 | Decal - ADE Control (SN 0300096000 through 0300099084) | |
| 42 | 0100011 | AR | Locking, Compound | |
| | | Ref | GROUND CONTROL BOX INSTALLATIONS | |
| | | Ref | Ground Control Box Installations 400S: | |
| | 0274415 | Ref | Caterpillar and Perkins Engine (ANSI and ANSI Export Specs) | 3 |
| | 0274417 | Ref | Caterpillar and Perkins Engine (Australian and CE Specs) | 3 |
| | 0271657 | Ref | Deutz Engine (ANSI and ANSI Export Specs) | 8 |
| | 0271660 | Ref | Deutz Engine (Australian and CE Specs) | 8 |
| | 0275059 | Ref | GM Engine (ANSI and ANSI Export Specs) | 3 |
| | | Ref | Ground Control Box Installations 460SJ: | |
| | 0274416 | Ref | Caterpillar and Perkins Engine (ANSI and ANSI Export Specs) | 3 |
| | 0274418 | Ref | Caterpillar and Perkins Engine (Australian and CE Specs) | 3 |
| | 0271661 | Ref | Deutz Engine (ANSI and ANSI Export Specs) | 8 |
| | 0271658 | Ref | Deutz Engine (Australian and CE Specs) | 8 |
| | 0275060 | Ref | GM Engine (ANSI and ANSI Export Specs) | 3 |
| 101 | 0641406 | 4 | Bolt 1/4in-20NC x 3/4in | |
| 102 | 0720805 | 6 | Screw, Machine #8-32NC | |
| 104 | 3310805 | 6 | Locknut #8-32NC | |
| 105 | 3311405 | 4 | Locknut 1/4in-20NC | |
| 106 | 3960438 | AR | Seal | |
| 107 | 4750800 | 6 | Flatwasher #8 Regular | |
| 108 | 4751400 | 8 | Flatwasher 1/4in Regular | |

SECTION 2 - TURNTABLE

FIGURE 2-25. GROUND CONTROL BOX ASSEMBLY (WITH UGM) (SN 0300069000 through 0300177682)



SECTION 2 - TURNTABLE

FIGURE 2-25. GROUND CONTROL BOX ASSEMBLY (WITH UGM) (SN 0300069000 through 0300177682)

| ITEM | PART NUMBER | QTY | DESCRIPTION | REV |
|------|-------------|-----|---|-----|
| | | Ref | NOTE: FOR MODULE IDENTIFICATION, REFER TO REVISION LOG PAGE A. | |
| | | Ref | GROUND CONTROL BOX ASSEMBLIES | |
| | | Ref | Ground Control Box Assemblies 400S: | |
| | | Ref | Caterpillar and Perkins Engine | |
| | 1001102896 | Ref | ANSI and ANSI Export Specs | F |
| | 1001102898 | Ref | Australian and CE Specs | F |
| | | Ref | Deutz Engine | |
| | 1001108979 | Ref | ANSI and ANSI Export Specs | B |
| | 1001108980 | Ref | Australian and CE Specs | B |
| | 1001108978 | Ref | GM Engine (ANSI and ANSI Export Specs) | B |
| | | Ref | Ground Control Box Assemblies 460SJ: | |
| | | Ref | Caterpillar and Perkins Engine | |
| | 1001102897 | Ref | ANSI and ANSI Export Specs | F |
| | 1001102899 | Ref | Australian Specs (SN 0300096000 through 0300149521) | F |
| | 1001102897 | Ref | Australian Specs (SN 0300149522 through 0300177682) | F |
| | 1001102899 | Ref | CE Specs | F |
| | | Ref | Deutz Engine | |
| | 1001108982 | Ref | ANSI and ANSI Export Specs | B |
| | 1001108983 | Ref | Australian Specs (SN 0300096000 through 0300149521) | B |
| | 1001108982 | Ref | Australian Specs (SN 0300149522 through 0300177682) | B |
| | 1001108983 | Ref | CE Specs | B |
| | 1001108981 | Ref | GM Engine (ANSI and ANSI Export Specs) | B |
| 1 | 0100011 | AR | Locking, Compound | |
| 2 | 0100048 | AR | Grease, Dielectric | |
| 3 | 0630518 | 4 | Capscrew, Button Head | |
| 4 | 0630548 | 5 | Tap Bolt, 2-1/2in | |
| 5 | 0721004 | 2 | Screw #10-24NC x 1/2in | |
| 6 | 1001103667 | 1 | Module, Ground Control (Re-Calibration required when replaced) | |
| 7 | 1670829 | 1 | Bezel | |
| 8 | 1706712 | 1 | Decal - Ground Control Display | |
| 9 | | Ref | Decal - Faceplate Options: | |
| 9 | 1001102595 | 1 | Decal 400S | |
| 9 | 1001102596 | 1 | Decal 460SJ | |
| 10 | 1001109545 | 1 | Lid Assembly | |
| 10A | 2940073 | 1 | Latch | |
| 10B | 7024319 | 2 | Screw | |
| 10C | 7024320 | 2 | Retainer | |
| 11 | 2420172 | 1 | Gauge, Hourmeter | |
| 12 | 2760105 | 1 | Housing, Display Light | |
| 13 | 3300408 | 4 | Locknut, Plastic Insert | |
| 14 | 77143013 | 11 | Locknut 1/4in-20NC | |
| 15 | 3539275 | 1 | Bracket, Relay Mounting | |
| 16 | 1001107107 | 1 | Plate | |
| 17 | 3740049 | 2 | Relay | |
| 18 | 3910804 | 6 | Screw #8-32NC x 1/4in | |
| 19 | 4060906 | 1 | Shield, Toggle Switch | |
| 20 | 4070987 | 1 | Shim.015 | |

SECTION 2 - TURNTABLE

| ITEM | PART NUMBER | QTY | DESCRIPTION | REV |
|------|-------------|-----|--|-----|
| 21 | 4360328 | 6 | Switch, Toggle | |
| 22 | | Ref | Switch, Key Options: | |
| 22 | 4360469 | 1 | ANSI and ANSI Export Specs | |
| 22 | 4360470 | 1 | Australian Specs (SN 0300096000 through 0300149521) | |
| 22 | 4360469 | 1 | Australian Specs (SN 0300149522 through 0300177682) | |
| 22 | 4360470 | 1 | CE Specs | |
| 22A | 2860030 | 1 | Key | |
| 23 | 4360475 | 1 | Switch, Emergency Stop | |
| 23A | 7020175 | 1 | Cap, Mushroom Head | |
| 23B | 7020176 | 1 | Block, Contact | |
| 24 | 4360476 | 1 | Switch, Contact Block | |
| 25 | 4460234 | 4 | Base, Tie-Strap | |
| 26 | 4460428 | 3 | Connector, Strain Relief | |
| 27 | 4460470 | 1 | Nut, Terminal | |
| 28 | 4460471 | 1 | Washer, Terminal | |
| 29 | 4460526 | 1 | Connector, Strain Relief | |
| 33 | 4751000 | 2 | Flatwasher #10 Regular | |
| 34 | 4751400 | 12 | Flatwasher 1/4in Regular | |
| 35 | 3790012 | 6 | O-Ring | |
| 36 | 4922538 | 1 | Valve Harness Assembly (Not Shown - See ELECTRICAL SECTION for Breakdown) | |
| 37 | | Ref | Engine Harness Assembly (Not Shown - See ELECTRICAL SECTION for Breakdown) | |
| 37 | 1001102798 | 1 | Caterpillar and Perkins Engine Machines | |
| 37 | 1001109114 | 1 | Deutz Engine Machines | |
| 37 | 1001109089 | 1 | GM Engine Machines | |
| 38 | 1001106999 | 1 | Ground Control Box Harness Assembly (Not Shown - See ELECTRICAL SECTION for Breakdown) | |
| 40 | 4761400 | 6 | Lockwasher 1/4in | |
| 41 | 4460496 | 1 | Lockwasher, Terminal | |
| 42 | 4460497 | 1 | Nut, Terminal | |
| 43 | 0641407 | 1 | Bolt 1/4in-20NC x 7/8in | |
| 44 | 1001106736 | 1 | Cap, Dust | |
| | | Ref | GROUND CONTROL BOX INSTALLATIONS | |
| | | Ref | Ground Control Box Installations 400S: | |
| | | Ref | Caterpillar and Perkins Engine | |
| | 1001107626 | Ref | ANSI and ANSI Export Specs | C |
| | 1001107628 | Ref | Australian and CE Specs | C |
| | | Ref | Deutz Engine | |
| | 1001109041 | Ref | ANSI and ANSI Export Specs | B |
| | 1001109043 | Ref | Australian and CE Specs | B |
| | 1001109039 | Ref | GM Engine (ANSI and ANSI Export Specs) | B |
| | | Ref | Ground Control Box Installations 460SJ: | |
| | | Ref | Caterpillar and Perkins Engine | |
| | 1001107627 | Ref | ANSI and ANSI Export Specs | C |
| | 1001107629 | Ref | Australian Specs (SN 0300096000 through 0300149521) | C |
| | 1001107627 | Ref | Australian Specs (SN 0300149522 through 0300177682) | C |
| | 1001107629 | Ref | CE Specs | C |
| | | Ref | Deutz Engine | |
| | 1001109042 | Ref | ANSI and ANSI Export Specs | B |
| | 1001109044 | Ref | Australian Specs (SN 0300096000 through 0300149521) | B |
| | 1001109042 | Ref | Australian Specs (SN 0300149522 through 0300177682) | B |

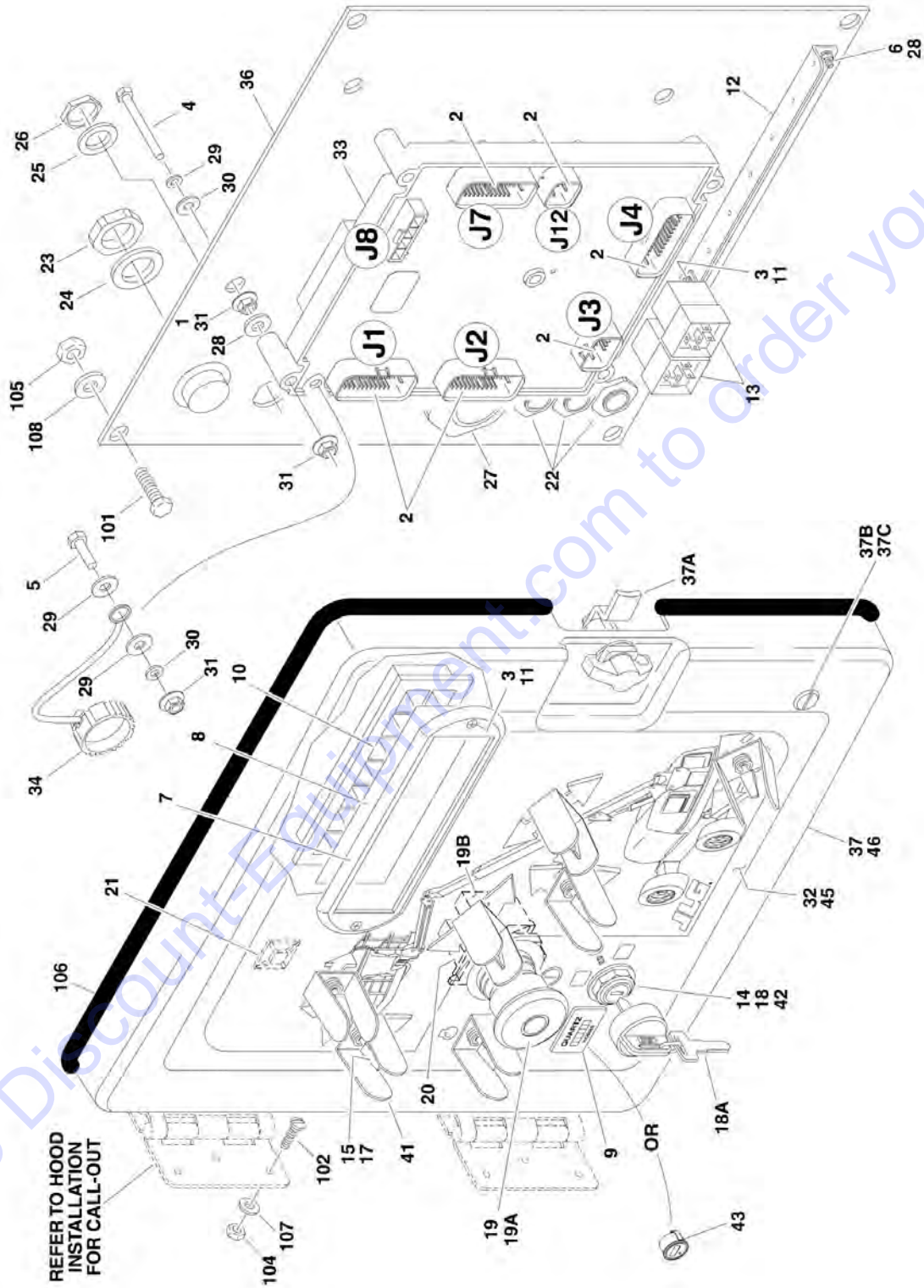
SECTION 2 - TURNTABLE

| ITEM | PART NUMBER | QTY | DESCRIPTION | REV |
|------|-------------|-----|---|-----|
| | 1001109044 | Ref | CE Specs | B |
| | 1001109040 | Ref | GM Engine (ANSI and ANSI Export Specs) | B |
| 101 | 0641406 | 4 | Bolt 1/4in-20NC x 3/4in | |
| 102 | 0720805 | 6 | Screw, Machine #8-32NC | |
| 104 | 3310805 | 6 | Locknut #8-32NC | |
| 105 | 3311405 | 4 | Locknut 1/4in-20NC | |
| 106 | 3960438 | AR | Seal | |
| 107 | 4750800 | 6 | Flatwasher #8 Regular | |
| 108 | 4751400 | 8 | Flatwasher 1/4in Regular | |

Go to Discount-Equipment.com to order your parts

SECTION 2 - TURNTABLE

FIGURE 2-26. GROUND CONTROL BOX ASSEMBLY (WITH UGM) (SN 0300177683 through 0300203770)



SECTION 2 - TURNTABLE

FIGURE 2-26. GROUND CONTROL BOX ASSEMBLY (WITH UGM) (SN 0300177683 through 0300203770)

| ITEM | PART NUMBER | QTY | DESCRIPTION | REV |
|------|-------------|-----|--|-----|
| | | Ref | NOTE: FOR MODULE IDENTIFICATION, REFER TO REVISION LOG PAGE A. | |
| | | Ref | GROUND CONTROL BOX ASSEMBLIES | |
| | | Ref | Ground Control Box Assemblies 400S: | |
| | | Ref | Deutz D2011 Engine | |
| | 1001142926 | Ref | ANSI and ANSI Export Specs | D |
| | | Ref | Australian and CE Specs | |
| | 1001142929 | Ref | Australian and CE Specs (Use p/n 1001188033) (Prior to SN 0300200773) | D |
| | 1001188033 | Ref | Australian and CE Specs (SN 0300200773 through 0300203770) | A |
| | 1001188052 | Ref | CE Specs | A |
| | 1001147011 | Ref | Deutz TD2.9L4 Engine | C |
| | 1001142924 | Ref | GM Engine (ANSI and ANSI Export Specs) | D |
| | | Ref | Ground Control Box Assemblies 460SJ: | |
| | | Ref | Deutz D2011 Engine | |
| | 1001142927 | Ref | ANSI, ANSI Export and Australian Specs | D |
| | | Ref | CE Specs | |
| | 1001142930 | Ref | CE Specs (Use p/n 1001188034) (Prior to SN 0300200773) | D |
| | 1001188034 | Ref | CE Specs (SN 0300200773 through 0300203770) | A |
| | | Ref | CAT Engine | |
| | 1001142932 | Ref | CE Specs (Use p/n 1001188035) (Prior to SN 0300200773) | A |
| | 1001188035 | Ref | CE Specs (SN 0300200773 through 0300203770) | A |
| | 1001147011 | Ref | Deutz TD2.9L4 Engine | C |
| | 1001142925 | Ref | GM Engine (ANSI and ANSI Export Specs) | D |
| 1 | 0100011 | AR | Locking, Compound | |
| 2 | 0100048 | AR | Grease, Dielectric | |
| 3 | 0630518 | 4 | Capscrew, Button Head | |
| 4 | 0630548 | 5 | Tap Bolt, 2-1/2in | |
| 5 | 0641407 | 1 | Bolt 1/4in-20NC x 7/8in | |
| 6 | 0721004 | 2 | Screw #10-24NC x 1/2in | |
| 7 | 1670829 | 1 | Bezel | |
| 8 | 1706712 | 1 | Decal - Ground Control Display | |
| 9 | 2420172 | 1 | Gauge, Hourmeter | |
| 10 | 2760105 | 1 | Housing, Display Light | |
| 11 | 3300408 | 4 | Locknut, Plastic Insert | |
| 12 | 3539275 | 1 | Bracket, Relay Mounting | |
| 13 | 3740049 | 2 | Relay | |
| 14 | 3910804 | 6 | Screw #8-32NC x 1/4in | |
| 15 | 4060906 | 1 | Shield, Toggle Switch | |
| 17 | 4360328 | 6 | Switch, Toggle | |
| 18 | | Ref | Switch, Key Options: | |
| 18 | 4360469 | 1 | ANSI, ANSI Export and Australian Specs | |
| 18 | 4360470 | 1 | CE Specs | |
| 18A | 2860030 | 1 | Key | |
| 19 | 4360475 | 1 | Switch, Emergency Stop | |
| 19A | 7020175 | 1 | Cap, Mushroom Head | |
| 19B | 7020176 | 1 | Block, Contact | |
| 20 | 4360476 | 1 | Switch, Contact Block | |

SECTION 2 - TURNTABLE

| ITEM | PART NUMBER | QTY | DESCRIPTION | REV |
|------|-------------|-----|--|-----|
| 21 | 4460234 | 4 | Base, Tie-Strap | |
| 22 | 4460428 | 3 | Connector, Strain Relief | |
| 23 | 4460470 | 1 | Nut, Terminal | |
| 24 | 4460471 | 1 | Washer, Terminal | |
| 25 | 4460496 | 1 | Lockwasher, Terminal | |
| 26 | 4460497 | 1 | Nut, Terminal | |
| 27 | 4460526 | 1 | Connector, Strain Relief | |
| 28 | 4751000 | 2 | Flatwasher #10 Regular | |
| 29 | 4751400 | 12 | Flatwasher 1/4in Regular | |
| 30 | 4761400 | 6 | Lockwasher 1/4in | |
| 31 | 77143013 | 11 | Locknut 1/4in-20NC | |
| 32 | | Ref | Decal - Faceplate Options: | |
| 32 | 1001102595 | 1 | Decal 400S | |
| 32 | 1001102596 | 1 | Decal 460SJ | |
| 33 | 1001103667 | 1 | Module, Ground Control (Re-Calibration Required when Replaced) | |
| 34 | 1001106736 | 1 | Cap, Dust | |
| 35 | | Ref | Ground Control Box Harness Assembly (Not Shown - See ELECTRICAL SECTION for Breakdown) | |
| 35 | 1001106999 | 1 | Deutz D2011 and GM Engine Machines | |
| 35 | 1001147013 | 1 | Deutz TD2.9L4 Engine Machines | |
| 35 | 1001187856 | 1 | Deutz D2011 and CAT Engine Machines (SN 0300200773 through 0300203770) | |
| 36 | 1001107107 | 1 | Plate | |
| 37 | 1001109545 | 1 | Lid Assembly | |
| 37A | 2940073 | 1 | Latch | |
| 37B | 7024319 | 2 | Screw | |
| 37C | 7024320 | 2 | Retainer | |
| 38 | 1001142939 | 1 | Valve Harness Assembly Options (Not Shown - See ELECTRICAL SECTION for Breakdown): | |
| 40 | | Ref | Engine Harness Assembly (Not Shown - See ELECTRICAL SECTION for Breakdown) | |
| 40 | 1001151211 | 1 | Deutz D2011 Engine Machines | |
| 40 | 1001147012 | 1 | Deutz TD2.9L4 Engine Machines | |
| 40 | 1001151210 | 1 | CAT Engine Machines (SN 0300200773 through 0300203770) | |
| 40 | 1001151212 | 1 | GM Engine Machines | |
| 41 | 3790012 | 6 | O-Ring | |
| 42 | 1001151393 | 1 | Shim, Nylon (Deutz TD2.9L4 Engine Machines Only) | |
| 43 | 1001109503 | 1 | Gauge, Indicator (SN 0300200773 through 0300203770) | |
| 44 | 1001176469 | 1 | Shroud, Push Button Switch (Not Shown) (SN 0300200773 through 0300203770) | |
| 45 | | Ref | Decal, MTB Options: (SN 0300200773 through 0300203770) | |
| | 1001180561 | 1 | Decal, MTB 400S | |
| | 1001180568 | 1 | Decal, MTB 460SJ | |
| 46 | 1001188043 | 1 | Door Main Terminal Box (SN 0300200773 through 0300203770) | |
| | | Ref | GROUND CONTROL BOX INSTALLATIONS | |
| | | Ref | Ground Control Box Installations 400S: | |
| | | Ref | Deutz D2011 Engine | |
| | 1001142915 | Ref | ANSI and ANSI Export Specs | A |
| | | Ref | Australian and CE Specs | |
| | 1001142917 | Ref | Australian and CE Specs (SN 0300096000 through | A |

SECTION 2 - TURNTABLE

| ITEM | PART NUMBER | QTY | DESCRIPTION | REV |
|------|-------------|-----|---|-----|
| | 1001188020 | Ref | 0300200772) Australian and CE Specs (SN 0300200773 through 0300203770) | A |
| | 1001188022 | Ref | CE Specs | A |
| | 1001147007 | Ref | Deutz TD2.9L4 Engine | A |
| | 1001142903 | Ref | GM Engine (ANSI and ANSI Export Specs) | A |
| | | Ref | Ground Control Box Installations 460SJ: | |
| | | Ref | Deutz D2011 Engine | |
| | 1001142916 | Ref | ANSI, ANSI Export and Australian Specs | A |
| | 1001142918 | Ref | CE Specs (SN 0300096000 through 0300200772) | A |
| | 1001188021 | Ref | CE Specs (SN 0300200773 through 0300203770) | A |
| | | Ref | CAT Engine | |
| | 1001142920 | Ref | CE Specs (SN 0300096000 through 0300200772) | A |
| | 1001188023 | Ref | CE Specs (SN 0300200773 through 0300203770) | A |
| | 1001147008 | Ref | Deutz TD2.9L4 Engine | A |
| | 1001142904 | Ref | GM Engine (ANSI and ANSI Export Specs) | A |
| 101 | 0641406 | 4 | Bolt 1/4in-20NC x 3/4in | |
| 102 | 0720805 | 6 | Screw, Machine #8-32NC | |
| 104 | 3310805 | 6 | Locknut #8-32NC | |
| 105 | 3311405 | 4 | Locknut 1/4in-20NC | |
| 106 | 3960438 | AR | Seal | |
| 107 | 4750800 | 6 | Flatwasher #8 Regular | |
| 108 | 4751400 | 8 | Flatwasher 1/4in Regular | |

PARTS FINDER

**Search Website
by Part Number**



**Search Manual
Library For Parts
Manual & Lookup Part
Numbers – Purchase
or Request Quote**

Search Manuals

Part Number:

Serial Number:

Make:

Find:

Submit:

Send:

**Can't Find Part or
Manual? Request Help
by Manufacturer,
Model & Description**

Parts Order Form

Manufacturer:

Model:

Description:

Part Number:

Quantity:

Price:

Notes:

Submit:

Discount-Equipment.com is your online resource for quality parts & equipment.

Florida: **561-964-4949** Outside Florida TOLL FREE: **877-690-3101**

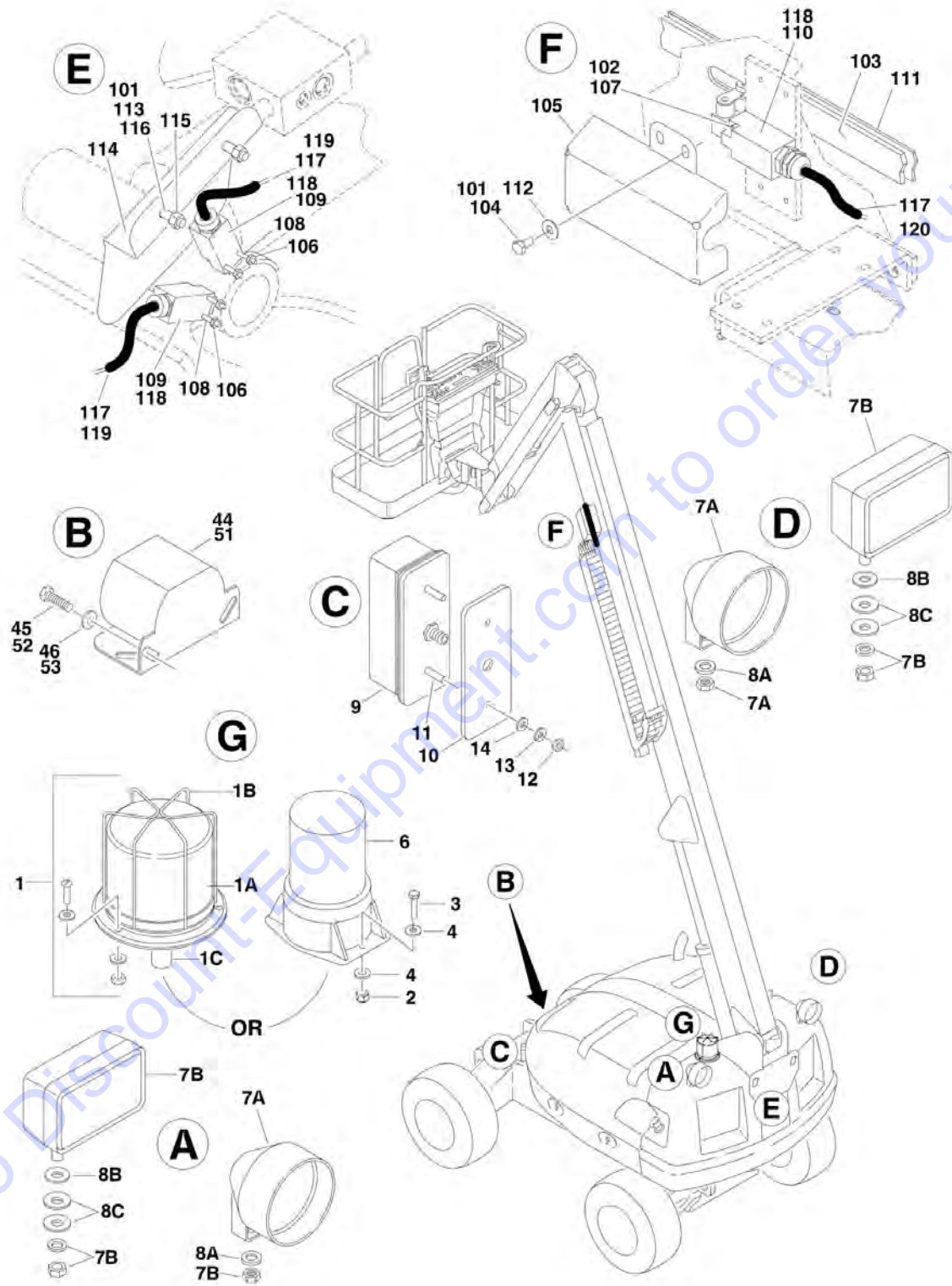
Need parts?

Click on this link: <http://www.discount-equipment.com/category/5443-parts/> and choose one of the options to help get the right parts and equipment you are looking for. Please have the machine model and serial number available in order to help us get you the correct parts. If you don't find the part on the website or on one of the online manuals, please fill out the request form and one of our experienced staff members will get back to you with a quote for the right part that your machine needs.

We sell worldwide for the brands: Genie, Terex, JLG, MultiQuip, Mikasa, Essick, Whiteman, Mayco, Toro Stone, Diamond Products, Generac Magnum, Airman, Haulotte, Barreto, Power Blanket, Nifty Lift, Atlas Copco, Chicago Pneumatic, Allmand, Miller Curber, Skyjack, Lull, Skytrak, Tsurumi, Husquvarna Target, Stow, Wacker, Sakai, Mi-T-M, Sullair, Basic, Dynapac, MBW, Weber, Bartell, Bennar Newman, Haulotte, Ditch Runner, Menegotti, Morrison, Contec, Buddy, Crown, Edco, Wyco, Bomag, Laymor, EZ Trench, Bil-Jax, F.S. Curtis, Gehl Pavers, Heli, Honda, ICS/PowerGrit, IHI, Partner, Imer, Clipper, MMD, Koshin, Rice, CH&E, General Equipment, Amida, Coleman, NAC, Gradall, Square Shooter, Kent, Stanley, Tamco, Toku, Hatz, Kohler, Robin, Wisconsin, Northrock, Oztec, Toker TK, Rol-Air, APT, Wylie, Ingersoll Rand / Doosan, Innovatech, Con X, Ammann, Mecalac, Makinex, Smith Surface Prep, Small Line, Wanco, Yanmar

SECTION 2 - TURNTABLE

FIGURE 2-27. ELECTRICAL OPTIONS INSTALLATION (TURNTABLE MOUNTED)



SECTION 2 - TURNTABLE

FIGURE 2-27. ELECTRICAL OPTIONS INSTALLATION (TURNTABLE MOUNTED)

| ITEM | PART NUMBER | QTY | DESCRIPTION | REV |
|------|-------------|-----|---|-----|
| | 0271342 | Ref | STROBE LIGHT INSTALLATIONS (AMBER) (OPTIONAL) (SN 0300069000 through 0300177682) | E |
| | | Ref | Note: If machine is equipped with BLUE Strobe Light, See SPECIAL OPTIONS SECTION for SkyGuard Kit. | |
| 1 | 0255917 | 1 | Strobe Light Assemblies | 2-C |
| 1A | 2920130 | 1 | Strobe Light - ECCO Model 6640 (Use p/n 0255917) | |
| 1A | 2920214 | 1 | Strobe Light - ECCO Model 6650 (Use p/n 0255917) | |
| 1A | | Ref | Bulb, Replacement Options: | |
| 1A | 7016380 | 1 | Bulb for ECCO Model 6640 | |
| 1A | 70001941 | 1 | Bulb for ECCO Model 6650 | |
| 1B | | Ref | Guard Options: | |
| 1B | 4060907 | 1 | Used with ECCO Model 6640 | |
| 1B | 2920215 | 1 | Used with ECCO Model 6650 | |
| 1C | | Ref | Adapter Options: | |
| 1C | 0630491 | 1 | Used with ECCO Model 6640 | |
| 1C | 0080241 | 1 | Used with ECCO Model 6650 | |
| 2 | 0100048 | AR | Sealant, Silicone (Not Shown) | |
| | 1001151344 | Ref | STROBE LIGHT INSTALLATIONS (AMBER) (OPTIONAL) (SN 0300177683 through 0300203770) | A |
| | | Ref | Note: If machine is equipped with BLUE Strobe Light, See SPECIAL OPTIONS SECTION for SkyGuard Kit. | |
| 3 | 0760410 | 2 | Bolt (Metric) M4 x 20mm | |
| 4 | 3290405 | 2 | Locknut (Metric) M4 | |
| 5 | 1001091102 | 4 | Flatwasher (Metric) M4 | |
| 6 | 2920161 | 1 | Strobe Light Assembly | |
| 6 | 7016319 | 1 | Bulb, Replacement | |
| 6 | 7016372 | 1 | Len, Amber, Replacement | |
| | | Ref | LIGHTS INSTALLATIONS (OPTIONAL) | |
| | 0272018 | Ref | Headlights and Taillights | C |
| | 0274574 | Ref | Chassis Illumination Lights | C |
| 7 | | Ref | Light Options: | |
| 7A | 2920110 | 2 | Headlight Assembly (Round) (Includes Mounting Hardware) | |
| 7A | 7016628 | 2 | Bulb, Replacement (1 Per Assembly) | |
| 7B | 2920157 | 2 | Chassis Illumination Light Assembly (Rectangular) (Includes Mounting Hardware) | |
| 7B | 7024452 | 2 | Bulb, Replacement (1 Per Assembly) | |
| 8 | | Ref | Washer Options: | |
| 8A | 4740076 | 2 | Washer, Fender (Use with Headlights and Taillights) | |
| 8B | 4740274 | 2 | Washer, Snubbing (Use with Illumination Lights) | |
| 8C | 4740546 | 4 | Washer, Rubber Cushioning (Use with Illumination Lights) | |
| 9 | 2920113 | 2 | Taillight Assembly | |
| 10 | 3960461 | 2 | Gasket | |
| 11 | 3911040 | 4 | Screw, Machine #10-24NC x 2-1/2in | |
| 12 | 3311005 | 4 | Nut #10-24NC | |
| 13 | 4751000 | 4 | Flatwasher #10 Regular | |
| 14 | 4740362 | 4 | Washer, Fender | |
| 15 | 4460234 | 14 | Mount, Tie-Strap (Not Shown) | |
| 16 | 4240032 | 14 | Tie-Strap (Not Shown) | |
| 18 | | Ref | Switch Options (Not Shown - Located on Console): | |
| 18 | 4360336 | 1 | Switch, Toggle Used (SN 0300096000 through 0300137200) | |
| 18 | 4360522 | 1 | Switch, Toggle Used (SN 0300137201 through 0300203770) | |

SECTION 2 - TURNTABLE

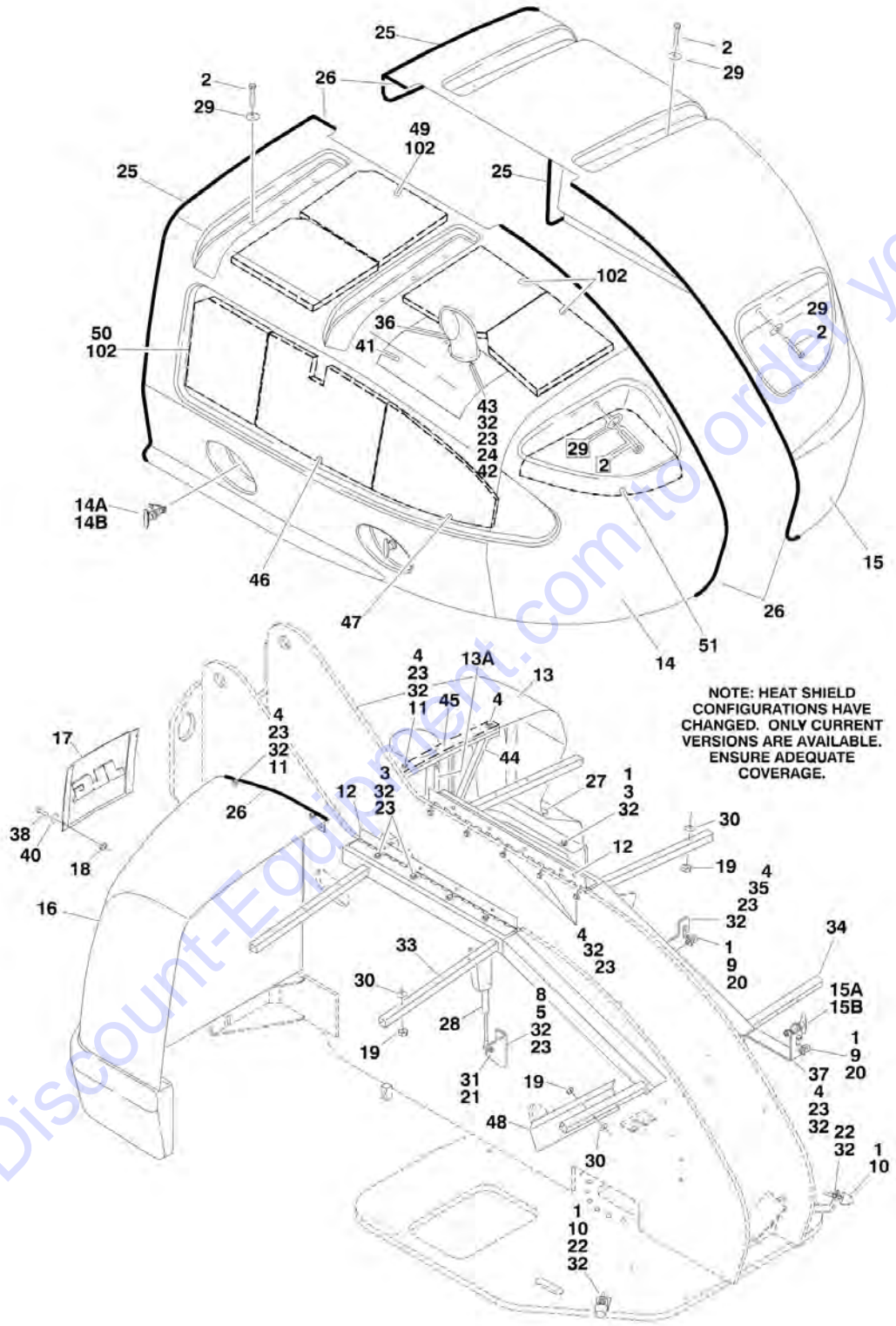
| ITEM | PART NUMBER | QTY | DESCRIPTION | REV |
|------|--------------|-----------|---|-----|
| 19 | 3790012 | 1 | O-Ring (Not Shown - Located on Console Only) (SN 0300096000 through 0300137201) | |
| | 0258308 | Ref | ALARMS INSTALLATIONS (SN 0300069000 through 0300177682) | A |
| 44 | See Note | 1 | Alarm/Harness Assembly (was p/n 0257887) (Note: Not Available - Purchase individual parts) | |
| 44 | 0140032 | 1 | Alarm | |
| 44 | 2820035 | 6 in/15cm | Loom | |
| 44 | 4460424 | 1 | Plug, Male - 2 Position | |
| 44 | 4460268 | 2 | Socket, Female | |
| 45 | 0641406 | 2 | Bolt 1/4in-20NC x 3/4in | |
| 46 | 4711400 | 2 | Flatwasher 1/4in Thin | |
| 47 | 0100048 | AR | Sealant, Silicone (Not Shown) | |
| | 1001152327 | Ref | ALARMS INSTALLATIONS (SN 0300177683 through 0300203770) | A |
| 51 | 0140044 | 1 | Alarm/Harness Assembly | |
| 51 | 4460536 | 1 | Connector - 3 Position | |
| 51 | 4460464 | 2 | Pin, Male Deutsch 16 Ga | |
| 52 | 0641406 | 2 | Bolt 1/4in-20NC x 3/4in | |
| 53 | 4711400 | 2 | Flatwasher 1/4in Thin | |
| 54 | 0100048 | AR | Sealant, Silicone (Not Shown) | |
| | | Ref | LIMIT SWITCHES INSTALLATIONS | |
| | 0271164 | Ref | Limit Switches Installations 400S with 500/1000lb Capacity (All Specs Except CE Spec) | G |
| | 1001093910 | Ref | Limit Switches Installations 400S with 500/1000lb Capacity and Arctic Package (All Specs Except CE Spec) | B |
| | 0271165 | Ref | Limit Switches Installations 400S with 750/1000lb Capacity (All Specs Except CE Spec) | G |
| | 1001093912 | Ref | Limit Switches Installations 400S with 750/1000lb Capacity and Arctic Package (All Specs Except CE Spec) | B |
| | 0271163 | Ref | Limit Switches Installations 400S (CE Specs) | G |
| | 0271166 | Ref | Limit Switches Installations 460SJ (All Specs Except CE Spec) | D |
| | 1001093913 | Ref | Limit Switches Installations 460SJ with Arctic Package (All Specs Except CE Spec) | A |
| | 0271163 | Ref | Limit Switches Installations 460SJ (CE Specs) | G |
| 101 | 0100011 | AR | Locking, Compound | |
| 102 | 0100035 | AR | Locking, Compound | |
| 103 | | Ref | Bar, Fiberglass Options: | |
| 103 | 0362528 | 1 | Bar, Fiberglass 400S with 500/1000lb Cap. (All Specs Except CE Spec) (Use p/n 1001106479) | |
| 103 | 0362909 | 1 | Bar, Fiberglass 400S with 750/1000lb Cap. (All Specs Except CE Spec) (Use p/n 1001106478) | |
| 103 | 0362610 | 1 | Bar, Fiberglass 400S (CE Specs) (Use p/n 1001106482) | |
| 103 | Not Required | 0 | Bar, Fiberglass 460SJ (All Specs Except CE Spec) | |
| 103 | 0362610 | 1 | Bar, Fiberglass 460SJ (CE Specs) (Use p/n 1001106482) | |
| 104 | 0641404 | 4 | Bolt #8-32NC x 1/2in (400S Only) | |
| 105 | | Ref | Cover, Limit Switch Options: | |
| 105 | 1670824 | 1 | Cover, Limit Switch 400S (All Specs Except CE Spec) | |
| 105 | 1670824 | 1 | Cover, Limit Switch 460SJ (CE Specs) | |
| 105 | Not Required | 0 | Cover, Limit Switch 460SJ (All Specs Except CE Spec) | |
| 105 | 1670824 | 1 | Cover, Limit Switch 460SJ (CE Specs) | |
| 106 | 3311005 | 4 | Locknut #10-24NC | |
| 107 | 3930816 | 2 | Capscrew, Socket Head #8-32NC x 1in (400S Only) | |

SECTION 2 - TURNTABLE

| ITEM | PART NUMBER | QTY | DESCRIPTION | REV |
|------|--------------|-----------|--|-----|
| 108 | 3931028 | 4 | Capscrew, Socket Head #10-24NC x 1-3/4in | |
| 109 | 4360548 | 2 | Switch, Limit (Part of Item 119) | |
| 110 | | Ref | Switch, Limit Options: | |
| 110 | 4360578 | 1 | Switch, Limit 400S (All Specs Except CE Spec) | |
| 110 | 4360578 | 1 | Switch, Limit 400S (CE Specs) | |
| 110 | Not Required | 0 | Switch, Limit 460SJ (All Specs Except CE Spec) | |
| 110 | 4360578 | 1 | Switch, Limit 460SJ (CE Specs) | |
| 100 | 4460968 | AR | Connector, Strain Relief | |
| 111 | 4420060 | 9 ft/2.7m | Tape, Double Sided | |
| 112 | 4751400 | 4 | Flatwasher 1/4in Regular | |
| 113 | 0641610 | 2 | Bolt 3/8in-16NC x 1-1/4in | |
| 114 | 1670956 | 1 | Cover, Limit Switch | |
| 115 | 3311601 | 2 | Nut 3/8in-16NC | |
| 116 | 4711600 | 4 | Flatwasher 3/8in Narrow | |
| 117 | | Ref | Cable, Electrical Options: | |
| 117 | See Note | AR | Cable, Electrical 400S (Note: Refer to Items 119 & 120) | |
| 117 | See Note | AR | Cable, Electrical 460SJ (Note: Refer to Item 119) | |
| 118 | 4460968 | AR | Connector, Strain Relief | |
| 119 | | Ref | Cable, Electrical - 18/2 Options: | |
| 119 | 4922714 | 2 | Cable, Electrical - 18/2 400S (Includes Items 8.5ft/2.6m of p/n 1060902 18/2 Electrical Cable and Items 109 & 118) (All Specs Except CE Spec) | B |
| 119 | 1001093914 | 2 | Cable, Electrical - 18/2 400S with Arctic Package (Includes Items 8.5ft/2.6m of p/n 4923466 18/2 Polar Electrical Cable and Items 109 & 118) (All Specs Except CE Spec) | A |
| 119 | 4922714 | 1 | Cable, Electrical - 18/2 400S (Includes Items 8.5ft/2.6m of p/n 1060902 18/2 Electrical Cable and Items 109 & 118) (CE Spec Only) | B |
| 119 | 4922714 | 1 | Cable, Electrical - 18/2 460SJ (Includes Items 8.5ft/2.6m of p/n 1060902 18/2 Electrical Cable and Items 109 & 118) (All Specs Except CE Spec) | B |
| 119 | 1001093914 | 1 | Cable, Electrical - 18/2 460SJ with Arctic Package (Includes Items 8.5ft/2.6m of p/n 4923466 18/2 Polar Electrical Cable and Items 109 & 118) (All Specs Except CE Spec) | A |
| 119 | 4922714 | 1 | Cable, Electrical - 18/2 460SJ (Includes Items 8.5ft/2.6m of p/n 1060902 18/2 Electrical Cable and Items 109 & 118) (CE Spec Only) | B |
| 120 | | Ref | Cable, Electrical - 18/2 | |
| 120 | 4922769 | 1 | Cable, Electrical - 18/2 400S (Includes Items 26.5ft/8.1m of p/n 1060680 18/2 Electrical Cable and 2 Sockets) | B |
| 120 | 1001093915 | 1 | Cable, Electrical - 18/2 400S with Arctic Package (Includes Items 26.5ft/8.1m of p/n 4923466 18/2 Polar Electrical Cable and 2 Sockets) | A |
| 120 | Not Required | 0 | Cable, Electrical - 18/2 460SJ | |

SECTION 2 - TURNTABLE

FIGURE 2-28. HOODS INSTALLATION (SN 0300096000 through 0300126456)



SECTION 2 - TURNTABLE

FIGURE 2-28. HOODS INSTALLATION (SN 0300096000 through 0300126456)

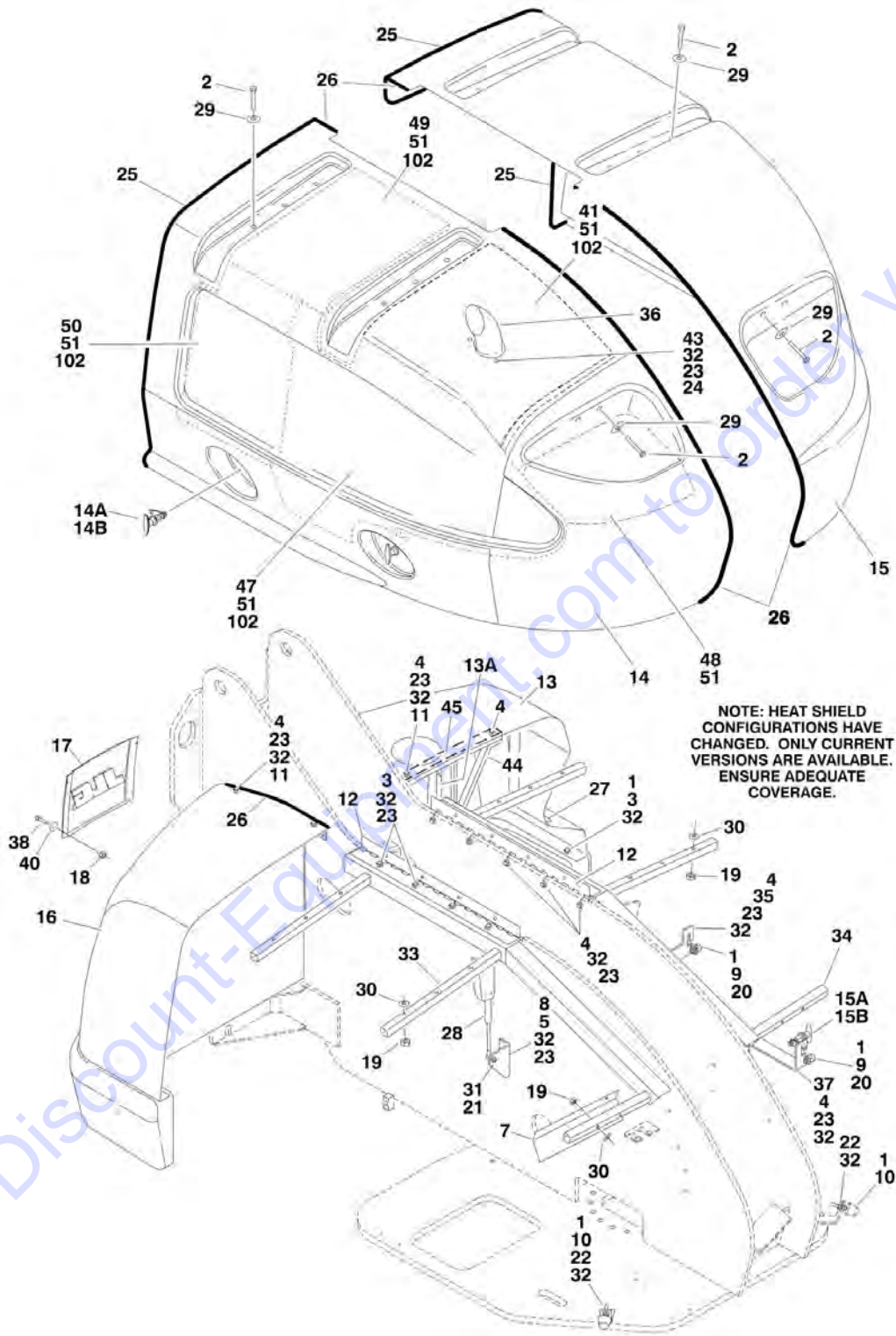
| ITEM | PART NUMBER | QTY | DESCRIPTION | REV |
|------|-------------|------------|--|-----|
| | | Ref | HOODS INSTALLATIONS | |
| | 0259141 | Ref | Caterpillar, Deutz and Perkins Machines | J |
| | 0274016 | Ref | GM Machines | B |
| 1 | 0100011 | AR | Locking, Compound | |
| 2 | 0641416 | 16 | Bolt 1/4in-20NC x 2in | |
| 3 | 0641608 | 13 | Bolt 3/8in-16NC x 1in | |
| 4 | 0641610 | 18 | Bolt 3/8in-16NC x 1-1/4in | |
| 5 | 0641612 | 5 | Bolt 3/8in-16NC x 1-3/4in | |
| 8 | 0902669 | 2 | Angle, Mounting | |
| 9 | 0940049 | 2 | Stopper, Hood | |
| 10 | 0940071 | 2 | Bumper | |
| 11 | 2540035 | 5 | Grommet | |
| 12 | 2600209 | 2 | Hinge, Hood | |
| 13 | 2680463 | 1 | Cover, Hood (Front Right Side) | G |
| 13A | 2600258 | 2 | Hinge, Ground Control Lid | |
| 14 | | Ref | Hood (Engine Side) Options: | |
| | | Ref | Note: Replacement decals must be ordered separately. | |
| 14 | 2680464 | NLA | Hood Kit for Caterpillar, Deutz and Perkins Machines (Use p/n 1001097963) (Includes Non-Lockable Hood with Current Heat Shields) | |
| 14 | 1671170 | NLA | Hood Kit for GM Machines (Includes Non-Lockable Hood and with Current Heat Shields) (Use p/n 1001097962) | |
| 14A | | Ref | Latch Options: | |
| 14A | 2940117 | 2 | Non-Lockable | |
| 14A | 7027858 | 2 | Lockable | |
| 14B | 0902668 | 2 | Catch, Hood Latch | |
| 15 | 2680465 | 1 | Hood (Tank Side) | G |
| | | Ref | Note: Replacement decals must be ordered separately. | |
| 15A | | Ref | Latch Options: | |
| 15A | 2940117 | 2 | Non-Lockable | |
| 15A | 7027858 | 2 | Lockable | |
| 15B | 0902668 | 2 | Catch, Hood Latch | |
| 16 | 2680516 | 1 | Cover, Hood (Front Left Side) | |
| 17 | 2680471 | 1 | Cover, Hood (Front Center) | D |
| 18 | 3300441 | 4 | Nut, Tinnerman | |
| 19 | 3311405 | 16 | Locknut 1/4in-20NC | |
| 20 | 3311501 | 4 | Nut 5/16in-18NC | |
| 21 | 3311505 | 4 | Locknut 5/16in-18NC | |
| 22 | 3311601 | 4 | Nut 3/8in-16NC | |
| 23 | 3311605 | 34 | Locknut 3/8in-16NC | |
| 24 | 3900232 | 3 | Capscrew, Button Head 3/8in-16NC 1-1/4in | |
| 26 | 3960389 | 27 ft/8.2m | Seal, Hood | |
| 27 | 4060805 | 1 ft/30cm | Flex-Trim | |
| 28 | 4160182 | 2 | Spring, Gas | |
| 29 | 4740362 | 16 | Washer, Fender | |
| 30 | 4751400 | 16 | Flatwasher 1/4in Regular | |
| 31 | 4751500 | 4 | Flatwasher 5/16in Regular | |
| 32 | 4751600 | 74 | Flatwasher 3/8in Regular | |
| 33 | 4846092 | 1 | Hood Mounting Weldment (Engine Side) | |
| 34 | 4846095 | 1 | Hood Mounting Weldment (Tank Side) | |

SECTION 2 - TURNTABLE

| ITEM | PART NUMBER | QTY | DESCRIPTION | REV |
|------|-------------|-----|--|-----|
| 35 | 4846100 | 1 | Latch, Hood | |
| 36 | | Ref | Exhaust Tube Weldment Options: | |
| 36 | 4846110 | 1 | Caterpillar, Deutz and Perkins Machines | F |
| 36 | 3460375 | 1 | GM Machines | A |
| 37 | 4846111 | 1 | Latch, Hood | |
| 38 | 0750808 | 4 | Screw | |
| 40 | 4740120 | 4 | Washer, Nylon | |
| 41 | | Ref | Insulation, Heat Shield Options: | |
| 41 | 2820129 | NLA | Caterpillar/Deutz/Perkins Engines (Use p/n 2820181) | |
| 41 | 2820181 | 1 | GM Engine | |
| | | Ref | Note: Customer required to cut hole for exhaust stack on replacement heat shield p/n 2820181. | |
| 42 | 4061010 | 1 | Shield, Heat Gasket | |
| 43 | 4740500 | 3 | Shoulder Washer, Nylon | |
| 44 | 0902673 | 1 | Bracket, Front Cover Support | |
| 45 | 0902674 | 1 | Bracket, Front Cover Support | |
| 46 | 2820128 | NLA | Insulation, Heat Shield (Silver) (Use p/n 1001101835) | |
| 47 | 2820182 | NLA | Insulation, Heat Shield (Silver) (Use p/n 1001101835) | |
| 48 | 3380569 | 1 | Shield, Heat (GM Engine Only) | |
| | | Ref | Note: Items 49-51 are part of Item 14 Ford and GM Hood Kit p/n 1001097962. Item 51 is part of Item 14 Deutz, Caterpillar and Perkins Hood Kit p/n 1001097963. | |
| 49 | 1001109402 | 1 | Insulation, Heat Shield (Silver) (GM Engine Only) | |
| 50 | 1001109403 | 1 | Insulation, Heat Shield (Silver) (GM Engine Only) | |
| 51 | 1001101836 | 1 | Insulation, Heat Shield (Silver) | |
| | 0270354 | Ref | NOISE REDUCTION INSTALLATION (DEUTZ MACHINES) | C |
| 102 | 2820099 | 9 | Insulation, Foam | |
| | 6000394 | NLA | Insulation Kit (Use p/n 1001146992) | |

SECTION 2 - TURNTABLE

FIGURE 2-29. HOODS INSTALLATION (SN 0300126457 through 0300203770)



SECTION 2 - TURNTABLE

FIGURE 2-29. HOODS INSTALLATION (SN 0300126457 through 0300203770)

| ITEM | PART NUMBER | QTY | DESCRIPTION | REV |
|------|-------------|-----|--|-----|
| | | Ref | HOODS INSTALLATIONS | |
| | 0259141 | Ref | Caterpillar, Deutz D2011 and Perkins Machines (All Specs except Australian/CE Specs) | M |
| | 1001149540 | Ref | Caterpillar, Deutz D2011 and Perkins Machines (Australian/CE Specs) | A |
| | 1001146886 | Ref | Deutz TD2.9L4 Machines (ANSI and CSA Specs) | D |
| | 0274016 | Ref | GM Machines | H |
| 1 | 0100011 | AR | Locking, Compound | |
| 2 | 0641416 | 16 | Bolt 1/4in-20NC x 2in | |
| 3 | 0641608 | 13 | Bolt 3/8in-16NC x 1in | |
| 4 | 0641610 | 18 | Bolt 3/8in-16NC x 1-1/4in | |
| 5 | 0641612 | 5 | Bolt 3/8in-16NC x 1-3/4in | |
| 7 | 3380569 | 1 | Insulation, Heat Shield (GM Engine Only) | |
| 8 | 0902669 | 2 | Angle, Mounting (Caterpillar, Deutz D2011, GM and Perkins Engines) | |
| 8 | 0902669 | 1 | Angle, Mounting (Deutz TD2.9L4) (SN 0300096000 through 0300192503) | |
| 8 | 1001178708 | 1 | Angle, Mounting (Deutz TD2.9L4) (SN 0300192504 through 0300203770) | |
| 9 | 0940049 | 2 | Stopper, Hood | |
| 10 | 0940071 | 2 | Bumper | |
| 11 | 2540035 | 5 | Grommet | |
| 12 | 2600209 | 2 | Hinge, Hood | |
| 13 | 2680463 | 1 | Cover, Hood (Front Right Side) | G |
| 13A | 2600258 | 2 | Hinge, Ground Control Lid | |
| 14 | | Ref | Hood (Engine Side) Options: | |
| | | Ref | Note: Replacement Decals Must be Ordered Separately - See DECAL SECTION. | |
| 14 | 2680464 | NLA | Hood for Caterpillar, Deutz D2011 and Perkins Engines (ANSI and ANSI Export Specs) (Use Kit p/n 1001146956 - Kit Includes Non-Lockable Hood, Current Heat Shields and Item 36 Installed) (SN 0300096000 through 0300161618) | H |
| 14 | 2680464 | NLA | Hood for Caterpillar, Deutz D2011 and Perkins Engines (ANSI and ANSI Export Specs) (Use Kit p/n 1001097963 - Kit Includes Non-Lockable Hood and Current Heat Shields. Purchase Item 36 Separately) (SN 0300096000 through 0300161618) | H |
| 14 | 1001146956 | 1 | Hood for Caterpillar, Deutz D2011 and Perkins Engines (ANSI and ANSI Export Specs) (Includes Non-Lockable Hood, Current Heat Shields and Item 36 Installed) (SN 0300161619 through 0300203770) | E |
| 14 | 1001146956 | 1 | Hood for Caterpillar, Deutz D2011 and Perkins Engines (ANSI and ANSI Export Specs) (Use Kit p/n 1001097963 - Kit Includes Non-Lockable Hood and Current Heat Shields. Purchase Item 36 Separately) (SN 0300161619 through 0300203770) | E |
| 14 | 1001146992 | 1 | Hood for Caterpillar, Deutz D2011 and Perkins Engines (Australian and CE Specs) (Includes Non-Lockable Hood, Current Heat Shields and Items 36 & 102 Installed) | E |
| 14 | 1001146885 | 1 | Hood for Deutz TD2.9L4 Engines (Includes Non-Lockable Hood, Current Heat Shields and Item 36 Installed) | C |
| 14 | 1671170 | NLA | Hood for GM Engines (Use Kit p/n 1001117041 - Kit Includes Non-Lockable Hood, Current Heat Shields and Item 36 Installed) (SN 0300096000 through 0300146618) | B |
| 14 | 1671170 | NLA | Hood for GM Engines (Use Kit p/n 1001097962 - Kit Includes Non-Lockable Hood and Current Heat Shields. Purchase Item 36 Separately) (SN 0300096000 through 0300146618) | B |

SECTION 2 - TURNTABLE

| ITEM | PART NUMBER | QTY | DESCRIPTION | REV |
|------|-------------|------------|---|-----|
| 14 | 1001117041 | 1 | Hood for GM Engines (Includes Non-Lockable Hood, Current Heat Shields and Item 36 Installed) (SN 0300146619 through 0300203770) | A |
| 14A | | Ref | Latch Options: | |
| 14A | 2940117 | 2 | Non-Lockable | |
| 14A | 7027858 | 2 | Lockable | |
| 14B | 0902668 | 2 | Catch, Hood Latch | |
| 15 | 2680465 | 1 | Hood (Tank Side) | H |
| | | Ref | Note: Replacement Decals Must be Ordered Separately - See DECAL SECTION. | |
| 15A | | Ref | Latch Options: | |
| 15A | 2940117 | 2 | Non-Lockable | |
| 15A | 7027858 | 2 | Lockable | |
| 15B | 0902668 | 2 | Catch, Hood Latch | |
| 16 | 2680516 | 1 | Cover, Hood (Front Left Side) | |
| 17 | 2680471 | 1 | Cover, Hood (Front Center) | D |
| 18 | 3300441 | 4 | Nut, Tinnerman | |
| 19 | 3311405 | 16 | Locknut 1/4in-20NC | |
| 20 | 3311501 | 4 | Nut 5/16in-18NC | |
| 21 | 3311505 | 4 | Locknut 5/16in-18NC | |
| 22 | 3311601 | 4 | Nut 3/8in-16NC | |
| 23 | 3311605 | AR | Locknut 3/8in-16NC | |
| 24 | 3900232 | 3 | Capscrew, Button Head 3/8in-16NC 1-1/4in | |
| 26 | 3960389 | 27 ft/8.2m | Seal, Hood Only (SN 0300126457 through 0300161619) | |
| 27 | 4060805 | 1 ft/30cm | Flex-Trim Only (SN 0300126457 through 0300161619) | |
| 28 | 4160182 | 2 | Spring, Gas (Caterpillar, Deutz D2011, GM and Perkins Engines) | |
| 28 | 4160182 | 1 | Spring, Gas (Deutz TD2.9L4) (SN 0300096000 through 0300190966) | |
| 28 | 4160143 | 1 | Spring, Gas (Deutz TD2.9L4) (SN 0300190967 through 0300203770) | |
| 29 | 4740362 | 16 | Washer, Fender | |
| 30 | 4751400 | 16 | Flatwasher 1/4in Regular | |
| 31 | 4751500 | 4 | Flatwasher 5/16in Regular | |
| 32 | 4751600 | AR | Flatwasher 3/8in Regular | |
| 33 | | Ref | Hood Mounting Weldment (Engine Side) Options: | |
| 33 | 4846092 | 1 | Caterpillar, Deutz D2011, GM and Perkins Machines | |
| 33 | 1001146884 | 1 | Deutz TD2.9L4 Machines | |
| 34 | 4846095 | 1 | Hood Mounting Weldment (Tank Side) | |
| 35 | 4846100 | 1 | Latch, Hood | |
| 36 | | Ref | Exhaust Tube Weldment Options: | |
| 36 | 4846110 | 1 | Caterpillar, Deutz D2011 and Perkins Machines | F |
| 36 | 1001147045 | 1 | Deutz TD2.9L4 Machines | A |
| 36 | 3460375 | 1 | GM Machines (SN 0300126457 through 0300146955) | A |
| 36 | 1001117037 | 1 | GM Machines (SN 0300146956 through 0300203770) | A |
| 37 | 4846111 | 1 | Latch, Hood | |
| 38 | 0750808 | 4 | Screw | |
| 40 | 4740120 | 4 | Washer, Nylon | |
| 41 | | Ref | Insulation, Heat Shield Options: | |
| 41 | | Ref | Caterpillar/Perkins Engines | |
| 41 | 2820129 | NLA | 1001146956 Hood (Use p/n 1001152836) (SN 0300096000 through 0300179056) | |
| 41 | 2820129 | NLA | 1001146992 Hood (Use p/n 1001152836) | |
| 41 | 2820129 | NLA | 1001097963 Hood (Use p/n 1001152836) | |

SECTION 2 - TURNTABLE

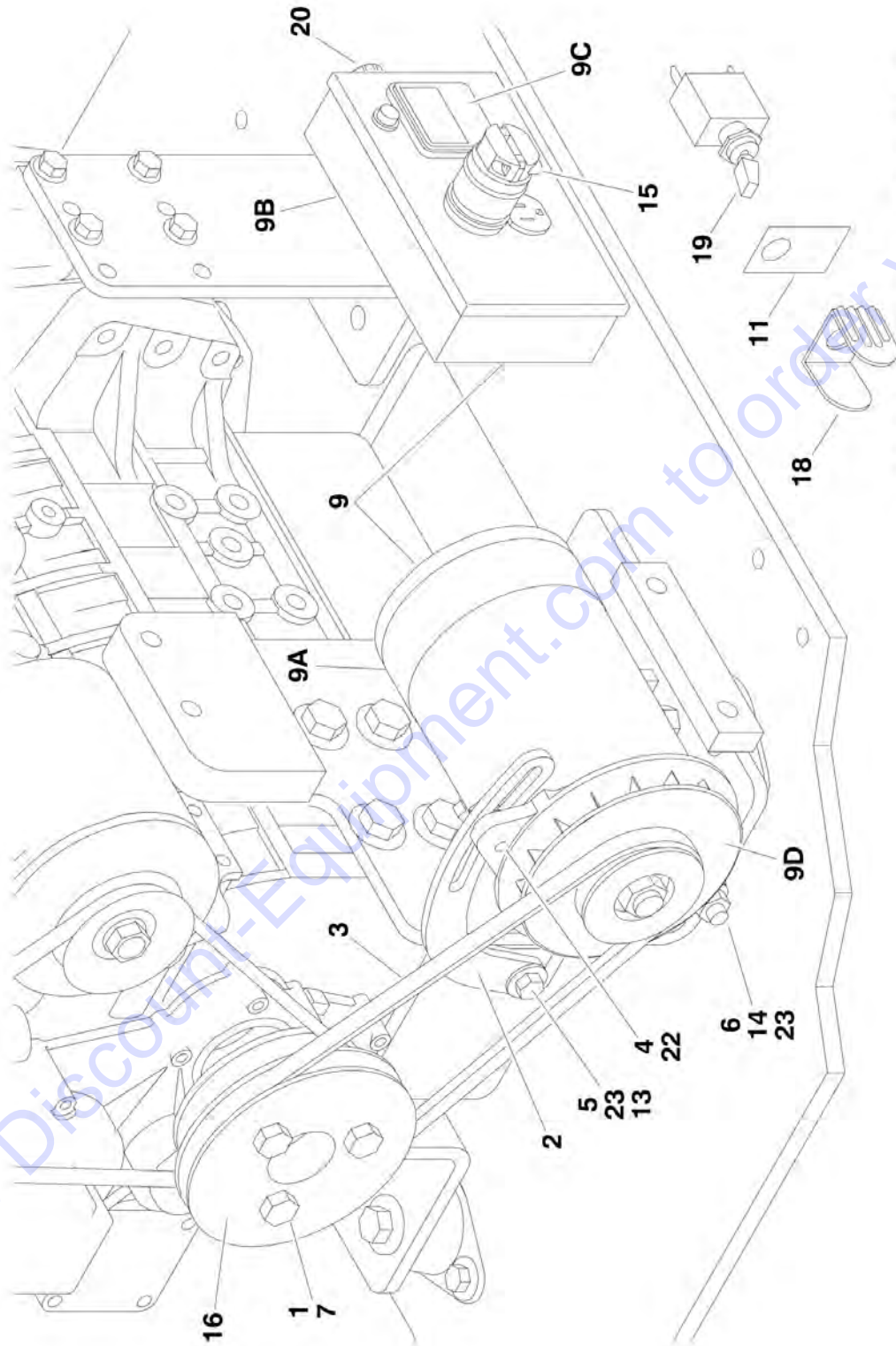
| ITEM | PART NUMBER | QTY | DESCRIPTION | REV |
|------|-------------|-----|---|-----|
| 41 | | Ref | Deutz D2011 Engines | |
| 41 | 2820129 | NLA | 1001146956 Hood (Use p/n 1001152836) (SN 0300096000 through 0300179055) | |
| 41 | 1001152836 | 1 | 1001146956 Hood (SN 0300179056 through 0300203770) | |
| 41 | 2820129 | NLA | 1001146992 Hood (Use p/n 1001152836) | |
| 41 | 2820129 | NLA | 1001097963 Hood (Use p/n 1001152836) | |
| 41 | | Ref | Deutz TD2.9L4 Engines | |
| 41 | 1001152566 | AR | Insulation, Heat Shield | |
| 41 | | Ref | GM Engines | |
| 41 | 2820181 | NLA | Insulation, Heat Shield (Use p/n 1001117139) (SN 0300126457 through 0300146955) | |
| 41 | 1001117139 | 1 | Insulation, Heat Shield (SN 0300146956 through 0300203770) | |
| | | Ref | Note: Customer required to cut hole for exhaust stack on replacement heat shield p/n | |
| 43 | 4740500 | 3 | Shoulder Washer, Nylon | |
| 44 | 0902673 | 1 | Bracket, Front Cover Support | |
| 45 | 0902674 | 1 | Bracket, Front Cover Support | |
| 47 | | Ref | Insulation, Heat Shield (Silver) (Engine Side) Options: | |
| 47 | | Ref | Caterpillar/Perkins Engines | |
| 47 | 2820182 | NLA | 1001146956 Hood (Use p/n 1001152837) (SN 0300096000 through 0300179056) | |
| 47 | 2820182 | NLA | 1001146992 Hood (Use p/n 1001152837) | |
| 47 | 2820182 | NLA | 1001097963 Hood (Use p/n 1001152837) | |
| 47 | | Ref | Deutz D2011 Engines | |
| 47 | 2820182 | NLA | 1001146956 Hood (Use p/n 1001152837) (SN 0300096000 through 0300179055) | |
| 47 | 1001152837 | 1 | 1001146956 Hood (SN 0300179056 through 0300203770) | |
| 47 | 2820182 | NLA | 1001146992 Hood (Use p/n 1001152837) | |
| 47 | 2820182 | NLA | 1001097963 Hood (Use p/n 1001152837) | |
| 47 | | Ref | Deutz TD2.9L4 Engines | |
| 47 | 1001152566 | AR | Insulation, Heat Shield | |
| 47 | | Ref | GM Engines | |
| 47 | 2820182 | NLA | Insulation, Heat Shield (Silver) (Engine Side) (Use p/n 1001117139) (SN 0300126457 through 0300146955) | |
| 47 | 1001101835 | NLA | Insulation, Heat Shield (Silver) (Engine Side) (Use p/n 1001117139) (SN 0300126457 through 0300146955) | |
| 47 | 1001117139 | 1 | Insulation, Heat Shield (Silver) (Engine Side) (SN 0300146956 through 0300203770) | |
| 48 | | Ref | Insulation, Heat Shield (Silver) (Engine Side) Options: | |
| 48 | | Ref | Caterpillar/Perkins Engines | |
| 48 | 1001101836 | NLA | 1001146956 Hood (Use p/n 1001152838) (SN 0300096000 through 0300179055) | |
| 48 | 1001101836 | NLA | 1001146992 Hood (Use p/n 1001152838) | |
| 48 | 1001101836 | NLA | 1001097963 Hood (Use p/n 1001152838) | |
| 48 | | Ref | Deutz D2011 Engines | |
| 48 | 1001101836 | NLA | 1001146956 Hood (Use p/n 1001152838) (SN 0300096000 through 0300179055) | |
| 48 | 1001152838 | 1 | 1001146956 Hood (SN 0300179056 through 0300203770) | |
| 48 | 1001101836 | NLA | 1001146992 Hood (Use p/n 1001152838) | |
| 48 | 1001101836 | NLA | 1001097963 Hood (Use p/n 1001152838) | |
| 48 | | Ref | Deutz TD2.9L4 Engines | |
| 48 | 1001152566 | AR | Insulation, Heat Shield | |
| 48 | | Ref | GM Engines | |

SECTION 2 - TURNTABLE

| ITEM | PART NUMBER | QTY | DESCRIPTION | REV |
|------|-------------|-----|--|-----|
| 48 | 1001101836 | NLA | Insulation, Heat Shield (Silver) (Engine Side) (Use p/n 1001117139) (SN 0300126457 through 0300146955) | |
| 48 | 1001117139 | 1 | Insulation, Heat Shield (Silver) (Engine Side) (SN 0300146956 through 0300203770) | |
| 49 | | Ref | Insulation, Heat Shield (Silver) (Engine Side) Options: | |
| 49 | | Ref | Caterpillar/Perkins Engines | |
| 49 | 1001109402 | NLA | 1001146956 Hood (Use p/n 1001152839) (SN 0300096000 through 0300179055) | |
| 49 | 1001109402 | NLA | 1001146992 Hood (Use p/n 1001152839) | |
| 49 | 1001109402 | NLA | 1001097963 Hood (Use p/n 1001152839) | |
| 49 | | Ref | Deutz D2011 Engines | |
| 49 | 1001109402 | NLA | 1001146956 Hood (Use p/n 1001152839) (SN 0300096000 through 0300179055) | |
| 49 | 1001152839 | 1 | 1001146956 Hood (SN 0300179056 through 0300203770) | |
| 49 | 1001109402 | NLA | 1001146992 Hood (Use p/n 1001152839) | |
| 49 | 1001109402 | NLA | 1001097963 Hood (Use p/n 1001152839) | |
| 49 | | Ref | Deutz TD2.9L4 Engines | |
| 49 | 1001152566 | 1 | Insulation, Heat Shield | |
| 49 | | Ref | GM Engines | |
| 49 | 1001109402 | NLA | Insulation, Heat Shield (Silver) (Engine Side) (Use p/n 1001117139) (SN 0300126457 through 0300146955) | |
| 49 | 1001117139 | 1 | Insulation, Heat Shield (Silver) (Engine Side) (SN 0300146956 through 0300203770) | |
| 50 | | Ref | Insulation, Heat Shield (Silver) (Engine Side) Options: | |
| 50 | | Ref | Caterpillar/Perkins Engines | |
| 50 | 1001109403 | NLA | 1001146956 Hood (Use p/n 1001152840) (SN 0300096000 through 0300179055) | |
| 50 | 1001109403 | NLA | 1001146992 Hood (Use p/n 1001152840) | |
| 50 | 1001109403 | NLA | 1001097963 Hood (Use p/n 1001152840) | |
| 50 | | Ref | Deutz D2011 Engines | |
| 50 | 1001109403 | NLA | 1001146956 Hood (Use p/n 1001152840) (SN 0300096000 through 0300179055) | |
| 50 | 1001152840 | 1 | 1001146956 Hood (SN 0300179056 through 0300203770) | |
| 50 | 1001109403 | NLA | 1001146992 Hood (Use p/n 1001152840) | |
| 50 | 1001109403 | NLA | 1001097963 Hood (Use p/n 1001152840) | |
| 50 | | Ref | GM Engines | |
| 50 | 1001109403 | NLA | Insulation, Heat Shield (Silver) (Engine Side) (Use p/n 1001117139) (SN 0300126457 through 0300146955) | |
| 50 | 1001117139 | 1 | Insulation, Heat Shield (Silver) (Engine Side) (SN 0300146956 through 0300203770) | |
| 51 | 1001117140 | 1 | Tape, Aluminized (GM and Deutz TD2.9L4 Engines) (SN 0300146956 through 0300203770) | |
| | 0270354 | Ref | NOISE REDUCTION INSTALLATION (DEUTZ MACHINES) (OPTIONAL ON ANSI AND ANSI EXPORT SPECS / STANDARD ON AUSTRALIAN AND CE SPECS) (SN 0300126547 through 0300166185) | C |
| 102 | 2820099 | 9 | Insulation, Foam (Black) | |
| | 6000394 | NLA | Insulation Kit (Use p/n 1001146992 Kit - Kit Includes Non-Lockable Hood, Current Heat Shields and Item 36 Installed) | |

SECTION 2 - TURNTABLE

FIGURE 2-30. 2500W GENERATOR INSTALLATION - CATERPILLAR ENGINE MACHINES
(OPTIONAL)



MOUNTED ON PLATFORM CONTROL BOX.

SECTION 2 - TURNTABLE

FIGURE 2-30. 2500W GENERATOR INSTALLATION - CATERPILLAR ENGINE MACHINES (OPTIONAL)

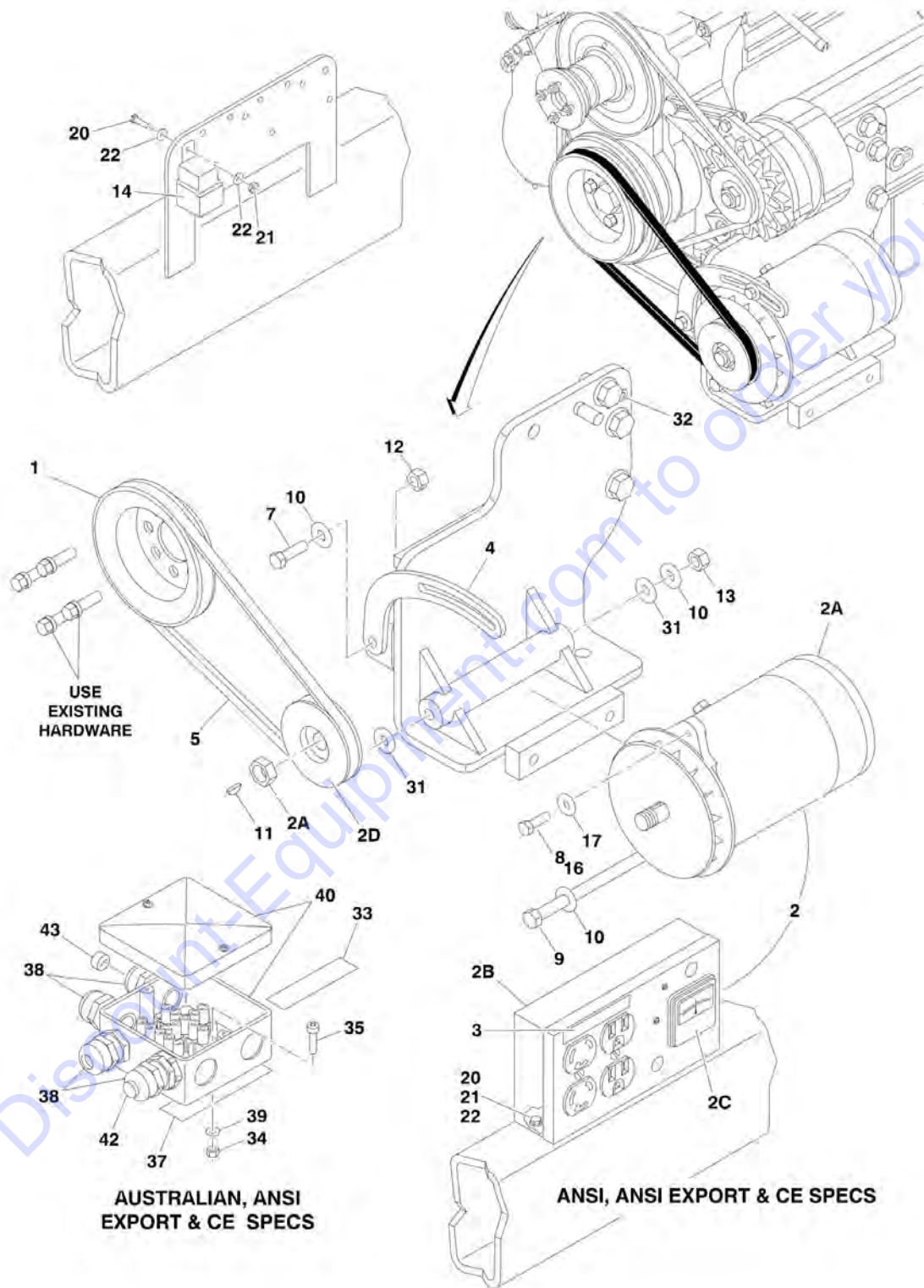
| ITEM | PART NUMBER | QTY | DESCRIPTION | REV |
|------|-------------|-----|--|-----|
| | | Ref | 2500W GENERATOR INSTALLATION - CATERPILLAR ENGINE MACHINES (OPTIONAL) | |
| | 1001111285 | Ref | 110V/60Hz Generator (With UGM) | A |
| | 0274084 | Ref | 110V/60Hz Generator (Without UGM) | C |
| | 0274088 | Ref | 220V/50Hz Generator | A |
| 1 | 0100011 | AR | Compound, Locking | |
| 2 | 0200742 | 1 | Arm, Adjusting | |
| 3 | | Ref | V-Belt Options: | |
| 3 | 0480121 | 1 | 110V | |
| 3 | 0480120 | 1 | 220V | |
| 4 | 0641508 | 1 | Bolt 5/16in-18NC x 1in | |
| 5 | 0641610 | 1 | Bolt 3/8in-16NC x 1-1/4in | |
| 6 | 0641772 | 1 | Bolt 7/16in-14NC x 9in | |
| 7 | 0701217 | 3 | Bolt, Metric 12mm x 45mm | |
| 8 | 0721008 | 2 | Bolt #10-24NC x 1in (Not Shown) | |
| 9 | | Ref | Generator and Control Box Assembly Options: | |
| 9 | 2460055 | 1 | 110V/60Hz Assembly | |
| 9 | 2460056 | 1 | 220V/50Hz Assembly | |
| 9A | 7012558 | 1 | Generator Only - 110V/60Hz | |
| 9A | 1001100321 | 1 | Generator Only - 220V/50Hz | |
| | | Ref | Note: Replacement Generators come standard with p/n 3580134 pulley. This pulley may not be correct for all applications. Refer to pulley options below. | |
| 9A | | Ref | Armature with Slip Rings Options: | |
| 9A | 7026199 | 1 | Armature with Slip Rings - 110V/60Hz | |
| 9A | 70000123 | 1 | Armature with Slip Rings - 220V/50Hz | |
| 9A | 7012513 | 4 | Cap, Brush Holder | |
| 9A | 7020108 | 4 | Brush | |
| 9A | 7020109 | 4 | Holder, Brush | |
| 9A | 7012514 | 1 | Fan | |
| 9A | 7020110 | 1 | Bell, Front | |
| 9A | 7020111 | 1 | Bell, Rear | |
| 9A | 7020190 | 2 | Bearing | |
| 9A | 7020193 | 1 | Cord, Power | |
| 9B | 7019680 | 1 | Box, Control - 110V/60Hz | |
| 9B | 70000127 | 1 | Box, Control - 220V/50Hz | |
| 9B | | Ref | Receptacle Options: | |
| 9B | 4460190 | 1 | Receptacle, Standard (110V Only) | |
| 9B | 4460027 | 1 | Receptacle, Twistlock (110V Only) | |
| 9B | 70000124 | 1 | Receptacle, Double (220V/50Hz Only) | |
| 9B | 70000125 | 1 | Receptacle, Single (220V/50Hz Only) | |
| 9B | | Ref | Breaker, Circuit Options: | |
| 9B | 4360542 | 1 | Breaker 110V/60Hz | |
| 9B | 70000126 | 1 | Breaker 220V/50Hz | |
| 9B | 3520028 | 1 | Plug, Hole | |
| 9C | | Ref | Voltmeter Options: | |
| 9C | 2420203 | 1 | Voltmeter - 110V | |
| 9C | 7020192 | 1 | Voltmeter - 220V | |
| 9D | | Ref | Pulley Options: | |

SECTION 2 - TURNTABLE

| ITEM | PART NUMBER | QTY | DESCRIPTION | REV |
|------|-------------|-----|---|-----|
| 9D | 3580276 | 1 | Pulley - 60Hz | |
| 9D | 3580134 | 1 | Pulley - 50Hz | |
| 9D | 7027887 | 1 | Key, Woodruff | |
| 10 | 2820031 | 1 | Heat Shrink (Not Shown - Located at Platform) | |
| 11 | 3251102 | 1 | Decal (Located at Platform) | |
| 12 | 3311005 | 2 | Locknut #10-24NC (Not Shown) | |
| 13 | 3311605 | 1 | Locknut 3/8in-16NC | |
| 14 | 3311705 | 1 | Locknut 7/16in-14NC | |
| 15 | 3520028 | 1 | Plug, Hole | |
| 16 | 3580315 | 1 | Pulley | |
| 17 | 3740080 | 1 | Relay (Not Shown - Located Back Side of Engine Tray with Existing Relays) | |
| 18 | 4060802 | 1 | Guard, Switch (Located at Platform) | |
| 19 | 4360336 | 1 | Switch, Toggle - SPST (Located at Platform) | |
| 20 | 4460023 | 1 | Connector, Strain Relief | |
| 21 | 4751000 | 8 | Flatwasher #10 Regular (Not Shown) | |
| 22 | 4751500 | 1 | Flatwasher 5/16in Regular | |
| 23 | 4751600 | AR | Flatwasher 3/8in Regular | |
| 23 | 4751700 | AR | Flatwasher 7/16in | |

SECTION 2 - TURNTABLE

FIGURE 2-31. 2500W GENERATOR INSTALLATION - DEUTZ D2011 ENGINE MACHINES (OPTIONAL)



SECTION 2 - TURNTABLE

FIGURE 2-31. 2500W GENERATOR INSTALLATION - DEUTZ D2011 ENGINE MACHINES (OPTIONAL)

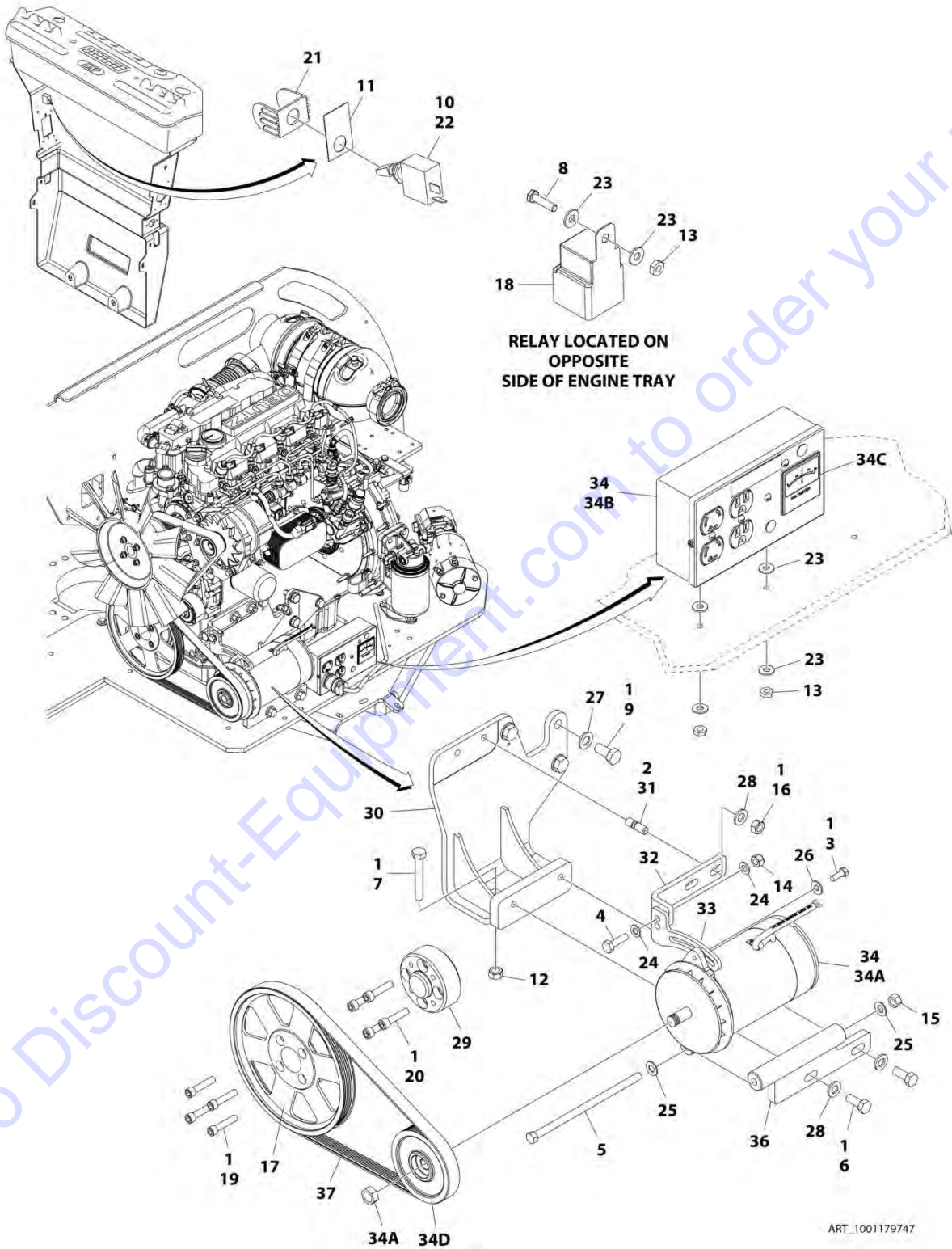
| ITEM | PART NUMBER | QTY | DESCRIPTION | REV |
|------|--------------|-----|--|-----|
| | | Ref | 2500W GENERATOR INSTALLATION - DEUTZ D2011 ENGINE MACHINES (OPTIONAL) | |
| | 0274079 | Ref | 110V-60Hz (ANSI, ANSI Export and CSA Specs) (SN 0300096000 through 0300169775) | 2-B |
| | 1001115403 | Ref | 110V-60Hz (ANSI, ANSI Export and CSA Specs) (SN 0300169776 through 0300203770) | B |
| | 0274089 | Ref | 110V-50Hz (CE Specs) (SN 0300069000 through 0300131126) | 2-B |
| | 1001100732 | Ref | 110V-50Hz (CE Specs) (SN 0300131127 through 0300203770) | C |
| | 0274085 | Ref | 220V-50Hz (ANSI Export, Australian and CE Specs) (SN 0300069000 through 0300131126) | 2-B |
| | 1001100749 | Ref | 220V-50Hz (ANSI Export, Australian and CE Specs) (SN 0300131127 through 0300169775) | C |
| | 1001115412 | Ref | 220V-50Hz (ANSI Export, Australian and CE Specs) (SN 0300169776 through 0300203770) | A |
| 1 | 3580158 | 1 | Pulley | |
| 2 | | Ref | Generator and Control Box Assembly Options: | |
| 2 | 2460055 | 1 | 110V/60Hz (ANSI and ANSI Export Specs) | |
| 2 | 2460057 | 1 | 110V/50Hz (CE Specs) (SN 0300069000 through 0300131126) | |
| 2 | 2460049 | 1 | 110V/50Hz (CE Specs) (SN 0300131127 through 0300203770) | |
| 2 | 2460056 | 1 | 220V/50Hz (Australian and CE Specs) (SN 0300069000 through 0300131126) | |
| 2 | 1001100321 | 1 | 220V/50Hz (Australian and CE Specs) (SN 0300131127 through 0300203770) | |
| 2A | 7012558 | 1 | Generator Only - 110V/60Hz | |
| 2A | 2460049 | 1 | Generator Only - 110V/50Hz | |
| 2A | 1001100321 | 1 | Generator Only - 220V/50Hz | |
| 2A | | Ref | Note: Replacement Generators come standard with p/n 3580134 pulley. This pulley may not be correct for all applications. Refer to pulley options below. | |
| 2A | | Ref | Armature with Slip Rings Options: | |
| 2A | 7026199 | 1 | Armature with Slip Rings - 110V/60Hz | |
| 2A | 70000122 | 1 | Armature with Slip Rings - 110V/50Hz | |
| 2A | 70000123 | 1 | Armature with Slip Rings - 220V/50Hz | |
| 2A | 7012513 | 4 | Cap, Brush Holder | |
| 2A | 7020108 | 4 | Brush | |
| 2A | 7020109 | 4 | Holder, Brush | |
| 2A | 7012514 | 1 | Fan | |
| 2A | 7020110 | 1 | Bell, Front | |
| 2A | 7020111 | 1 | Bell, Rear | |
| 2A | 7020190 | 2 | Bearing | |
| 2B | 7019680 | 1 | Box, Control - 110V/60Hz & 110V/50Hz | |
| 2B | Not Required | 0 | Box, Control - 220V/50Hz | |
| 2B | | Ref | Receptacle Options: | |
| 2B | 4460190 | 1 | Receptacle, Standard (110V Only) | |
| 2B | 4460027 | 1 | Receptacle, Twistlock (110V Only) | |
| 2B | 70000124 | 1 | Receptacle, Double (220V/50Hz Only) | |
| 2B | 70000125 | 1 | Receptacle, Single (220V/50Hz Only) | |
| 2B | | Ref | Breaker, Circuit Options: | |
| 2B | 4360542 | 1 | Breaker 110V/60Hz & 110V/50Hz | |
| 2B | 70000126 | 1 | Breaker 220V/50Hz | |

SECTION 2 - TURNTABLE

| ITEM | PART NUMBER | QTY | DESCRIPTION | REV |
|------|--------------|-----------|--|-----|
| 2B | 3520028 | 1 | Plug, Hole | |
| 2C | | Ref | Voltmeter Options: | |
| 2C | 2420203 | 1 | Voltmeter - 110V | |
| 2C | 7020192 | 1 | Voltmeter - 220V | |
| 2D | | Ref | Pulley Options: | |
| 2D | 3580276 | 1 | Pulley - 60Hz | |
| 2D | 3580134 | 1 | Pulley - 50Hz | |
| 2D | 7027887 | 1 | Key, Woodruff | |
| 3 | | Ref | Decal Options: | |
| 3 | 3251243 | 1 | 110V/60Hz | |
| 3 | 1705325 | 1 | 110V/50Hz | |
| 3 | Not Required | 0 | 220V/50Hz | |
| 4 | 0200742 | 1 | Arm, Adjusting | |
| 5 | | Ref | Belt Options: | |
| 5 | 0480122 | 1 | Belt (110V-60Hz) | |
| 5 | 0480120 | 1 | Belt (110V-50Hz) | |
| 5 | 0480120 | 1 | Belt (220V-50Hz) | |
| 7 | 0641610 | 1 | Bolt 3/8in-16NC x 1-1/4in | |
| 8 | 0100011 | AR | Compound, Locking | |
| 9 | 0641772 | 1 | Bolt 7/16in-14NC x 9in | |
| 10 | 4751600 | 6 | Flatwasher 3/8in Regular | |
| 11 | 2860012 | 1 | Key, Woodruff | |
| 12 | 3311605 | 1 | Locknut 3/8in-16NC | |
| 13 | 3311705 | 1 | Locknut 7/16in-14NC | |
| 14 | 3740080 | 1 | Relay | |
| 16 | 0641508 | 1 | Bolt 5/16in-18NC x 1in | |
| 17 | 4751500 | AR | Flatwasher 5/16in Regular | |
| 20 | 0721006 | AR | Bolt #10-24NC x 3/4in | |
| 21 | 3311005 | AR | Locknut #10-24NC | |
| 22 | 4751000 | AR | Flatwasher #10 Regular | |
| 25 | 4360336 | 1 | Switch, Toggle (Not Shown - Located at Platform) | |
| 26 | 4740397 | 1 | Bushing (Not Shown - Located at Platform) | |
| 27 | 4060802 | 1 | Guard, Switch (Not Shown - Located at Platform) | |
| 28 | 3252507 | 1 | Decal - 220V - 50/60Hz (Not Shown - Located on Turntable) | |
| 29 | 2820031 | 4 in/10cm | Heat Shrink (Not Shown - Located at Platform) | |
| 30 | 3251102 | 1 | Decal (Not Shown - Located at Platform) | |
| 32 | 0641404 | 1 | Bolt 1/4in-20NC x 1/2 | |
| 33 | 3252507 | 2 | Decal - 220V - 50Hz | |
| | | Ref | Note: One Decal Not Shown - Located on the Inside of Platform Rail. | |
| 34 | 3290505 | 1 | Locknut M5 x 0.8mm | |
| 35 | 4031608 | 1 | Bolt M5 x 20mm | |
| 36 | 4240018 | 1 | Tie-Strap (Not Shown) | |
| 37 | 4420060 | 1 | Tape, Double Coated Acrylic Foam | |
| 38 | 4460968 | 3 | Connector, Strain Relief | |
| 39 | 4811600 | 1 | Flatwasher M5 | |
| 40 | 1001099869 | 1 | Box, Junction | |
| 42 | | Ref | Light Red Options: | |
| 42 | 1001100233 | 1 | 125V | |
| 42 | 1001100234 | 1 | 250V | |
| 43 | 0962449 | 1 | Bushing | |
| 50 | 2902085 | 1 | Kit, Powermite Generator Mounting (Not Shown) | |

SECTION 2 - TURNTABLE

FIGURE 2-32. 2500W GENERATOR INSTALLATION - DEUTZ TD2.9L4 ENGINE MACHINES (OPTIONAL)



SECTION 2 - TURNTABLE

FIGURE 2-32. 2500W GENERATOR INSTALLATION - DEUTZ TD2.9L4 ENGINE MACHINES (OPTIONAL)

| ITEM | PART NUMBER | QTY | DESCRIPTION | REV |
|------|-------------|-----------------|--|-----|
| | 1001179747 | Ref | 2500W GENERATOR INSTALLATION - DEUTZ TD2.9L4 ENGINE MACHINES (OPTIONAL) | A |
| 1 | 0100011 | AR | Compound, Locking | |
| 2 | 0100019 | AR | Compound, Locking | |
| 3 | 0641508 | 1 | Bolt 5/16 x 1 | |
| 4 | 0641610 | 1 | Bolt 3/8 x 1-1/4 | |
| 5 | 0641772 | 1 | Bolt 7/16 x 9 | |
| 6 | 0641812 | 2 | Bolt 1/2 x 1-1/2 | |
| 7 | 0681822 | 1 | Bolt 1/2 x 2-3/4 | |
| 8 | 0721006 | 1 | Screw #10 x 3/4 | |
| 9 | 0771414 | 3 | Bolt M14 x 30 Grade 10.9 | |
| 10 | 2820031 | 0.33ft /0.1m | Heatshrink | |
| 11 | 3251102 | 1 | Nameplate - Generator | |
| 12 | 3271801 | 1 | Nut 1/2 | |
| 13 | 3311005 | 3 | Nut #10 | |
| 14 | 3311605 | 1 | Nut 3/8 | |
| 15 | 3311705 | 1 | Nut 7/16 | |
| 16 | 3311801 | 2 | Nut 1/2 | |
| 17 | 3580320 | 1 | Pulley | |
| 18 | 3740080 | 1 | Relay | |
| 19 | 3931628 | 4 | Capscrew 3/8 x 1-3/4 | |
| 20 | 4032014 | 4 | Capscrew M10 x 50 | |
| 21 | 4060802 | 1 | Guard, Switch | |
| 22 | 4360336 | 1 | Switch, Toggle | |
| 23 | 4711000 | 6 | Washer #10 | |
| 24 | 4711600 | 2 | Washer 3/8 | |
| 25 | 4711700 | 2 | Washer 7/16 | |
| 26 | 4751500 | 1 | Washer 5/16 | |
| 27 | 4812200 | 3 | Washer M14 | |
| 28 | 4891800 | 4 | Washer 1/2 | |
| 29 | 1001135679 | 1 | Adapter, Pulley | |
| 30 | 1001146670 | 1 | Mount | |
| 31 | 1001163599 | 2 | Stud | |
| 32 | 1001179836 | 1 | Mount | |
| 33 | 1001179837 | 1 | Arm, Adjustment | |
| 34 | 1001180001 | 1 | Generator and Control Box Assembly - 110V/60Hz | |
| 34A | 7012558 | 1 | Generator Only - 110V/60Hz | |
| 34A | | Ref | Note: Replacement Generators come standard with p/n 3580134 pulley. This pulley may not be correct for all applications. Refer to pulley options below. | |
| 34A | 7026199 | 1 | Armature with Slip Rings | |
| 34A | 7012513 | 4 | Cap, Brush Holder | |
| 34A | 7020108 | 4 | Brush | |
| 34A | 7020109 | 4 | Holder, Brush | |
| 34A | 7012514 | 1 | Fan | |
| 34A | 7020110 | 1 | Bell, Front | |
| 34A | 7020111 | 1 | Bell, Rear | |
| 34A | 7020190 | 2 | Bearing | |
| 34B | 7019680 | 1 | Box, Control - 110V/60Hz | |

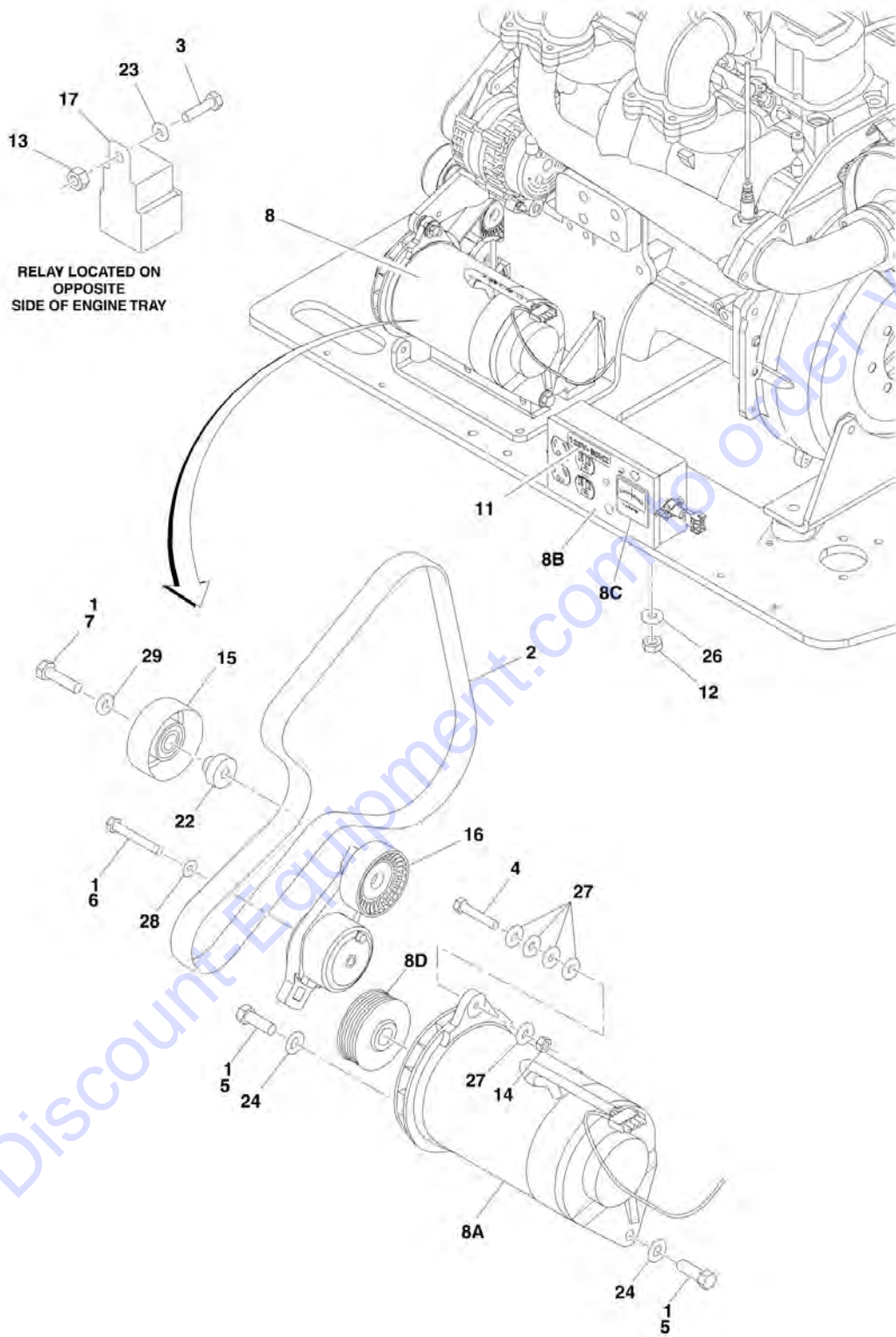
SECTION 2 - TURNTABLE

| ITEM | PART NUMBER | QTY | DESCRIPTION | REV |
|------|-------------|-----|-----------------------------------|-----|
| 34B | | Ref | Receptacle Options: | |
| 34B | 4460190 | 1 | Receptacle, Standard (110V Only) | |
| 34B | 4460027 | 1 | Receptacle, Twistlock (110V Only) | |
| 34B | 4360542 | 1 | Breaker, Circuit | |
| 34B | 3520028 | 1 | Plug, Hole | |
| 34C | 2420203 | 1 | Voltmeter - 110V | |
| 34D | 3580134 | 1 | Pulley | |
| 36 | 1001181243 | 1 | Mount | |
| 37 | 1001148138 | 1 | Belt | |

Go to Discount-Equipment.com to order your parts

SECTION 2 - TURNTABLE

FIGURE 2-33. 2500W GENERATOR INSTALLATION - GM ENGINES MACHINES (OPTIONAL)



SECTION 2 - TURNTABLE

FIGURE 2-33. 2500W GENERATOR INSTALLATION - GM ENGINES MACHINES (OPTIONAL)

| ITEM | PART NUMBER | QTY | DESCRIPTION | REV |
|------|-------------|-----|--|-----|
| | | Ref | 2500W GENERATOR INSTALLATION - GM ENGINES MACHINES (OPTIONAL) | |
| | 0275039 | Ref | 110V Generator (SN 0300069000 through 0300161284) | E |
| | 1001141445 | Ref | 110V Generator (SN 0300161285 through 0300203770) | A |
| 1 | 0100011 | AR | Compound, Locking | |
| 2 | 0480142 | 1 | V-Belt | |
| 3 | 0641405 | 1 | Bolt 1/4in-20NC x 5/8in | |
| 4 | | Ref | Bolt Options: | |
| 4 | 0641514 | 1 | Bolt 5/16in-18NC x 1-3/4in | |
| 4 | 0641510 | 1 | Bolt 5/16in-18NC x 1-1/4in | |
| 5 | 0641710 | 2 | Bolt 7/16in-14NC x 1-1/4in | |
| 6 | 0700820 | 1 | Bolt M8 x 60mm | |
| 7 | 0701016 | 1 | Bolt M10 x 340mm | |
| 8 | 2460051 | 1 | Generator and Control Box Assembly | |
| 8A | 7012558 | 1 | Generator Only - 110V/60Hz | |
| | | Ref | Note: Replacement Generators come standard with p/n 3580134 pulley. This pulley may not be correct for all applications. Refer to pulley options below. | |
| 8A | | Ref | Armature with Slip Rings Options: | |
| 8A | 7026199 | 1 | Armature with Slip Rings - 110V/60Hz | |
| 8A | 70000123 | 1 | Armature with Slip Rings - 220V/50Hz | |
| 8A | 7012513 | 4 | Cap, Brush Holder | |
| 8A | 7020108 | 4 | Brush | |
| 8A | 7020109 | 4 | Holder, Brush | |
| 8A | 7012514 | 1 | Fan | |
| 8A | 7020110 | 1 | Bell, Front | |
| 8A | 7020111 | 1 | Bell, Rear | |
| 8A | 7020190 | 2 | Bearing | |
| 8B | 7019680 | 1 | Box, Control - 110V/60Hz | |
| 8B | | Ref | Receptacle Options: | |
| 8B | 4460190 | 1 | Receptacle, Standard (110V Only) | |
| 8B | 4460027 | 1 | Receptacle, Twistlock (110V Only) | |
| 8B | 4360542 | 1 | Breaker, Circuit | |
| 8B | 3520028 | 1 | Plug, Hole | |
| 8C | 2420203 | 1 | Voltmeter | |
| 8D | 3580324 | 1 | Pulley | |
| 8D | 7027887 | 1 | Key, Woodruff | |
| 9 | 2820031 | AR | Heat Shrink (Not Shown - Located at Platform) | |
| 10 | 3251102 | 1 | Nameplate - Generator (Not Shown - Located at Platform) | |
| 11 | 3251243 | 1 | Decal - 110 Volt | |
| 12 | 3311005 | 2 | Locknut # 10-24NC | |
| 13 | 3311405 | 1 | Locknut 1/4in-20NC | |
| 14 | 3311505 | 1 | Locknut 5/16in-18NC | |
| 15 | 3580312 | 1 | Pulley, Idler | |
| 16 | 3580348 | 1 | Tensioner, Belt | |
| 17 | 3740080 | 1 | Relay, Bosch | |
| 18 | 4060802 | 1 | Guard, Switch (Not Shown - Located at Platform) | |
| 19 | 4240018 | AR | Tie-Strap (Not Shown) | |
| 20 | 4360336 | 1 | Switch, Toggle (Not Shown - Located at Platform) | |
| 21 | 4460906 | 3 | Terminal (Not Shown) | |

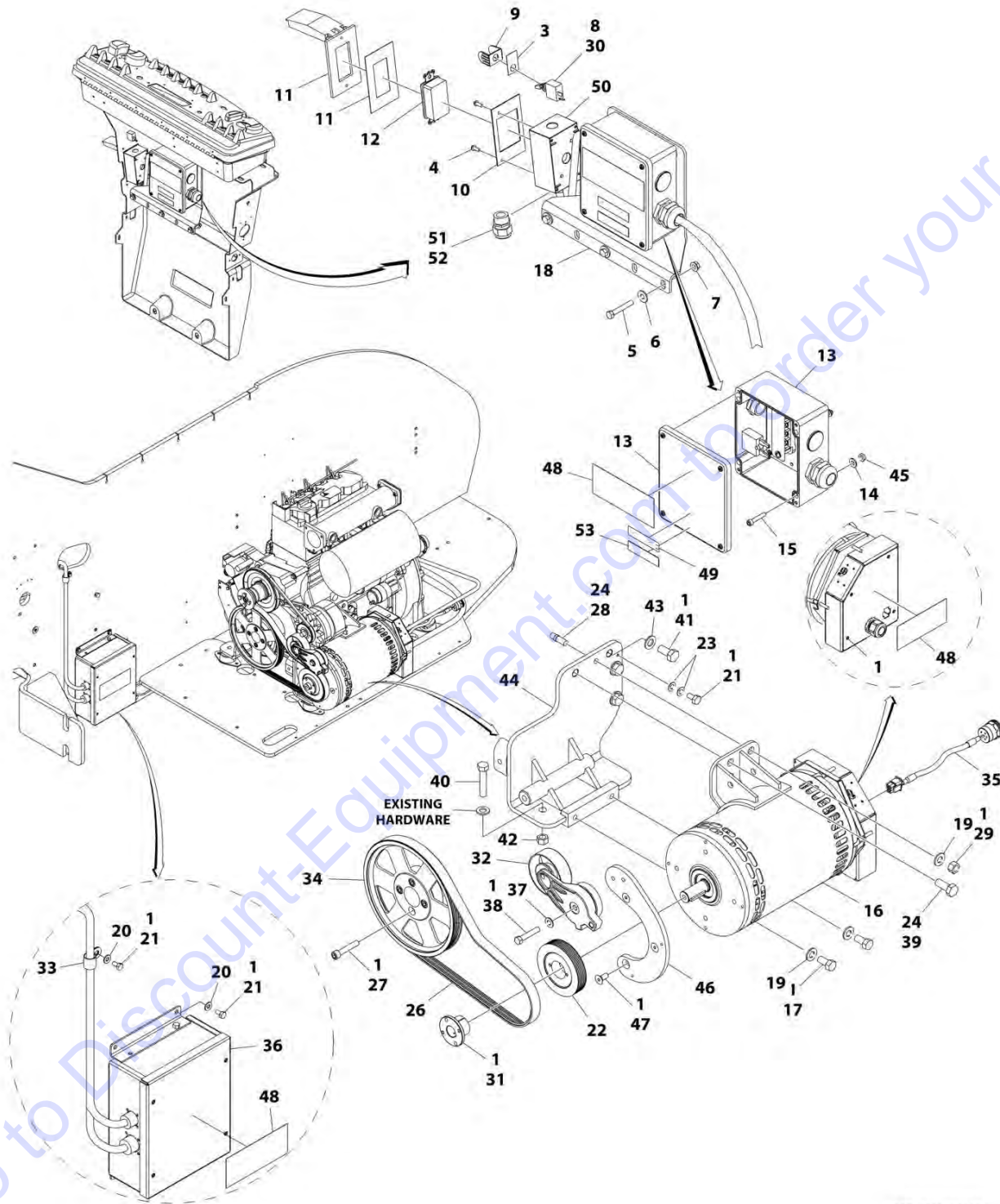
SECTION 2 - TURNTABLE

| ITEM | PART NUMBER | QTY | DESCRIPTION | REV |
|------|-------------|-----|--|-----|
| 22 | 4568735 | 1 | Spacer, Tube (Idler Pulley Grooved) | |
| 23 | 4711400 | 1 | Flatwasher 1/4in Thin | |
| 24 | 4711700 | 2 | Flatwasher 7/16in Thin | |
| 25 | 4740397 | 1 | Spacer (Not Shown - Located at Platform) | |
| 26 | 4751000 | 2 | Flatwasher #10 Regular | |
| 27 | 4751500 | AR | Flatwasher 5/16in Regular | |
| 28 | 4811900 | 1 | Flatwasher M8 | |
| 29 | 4891600 | 1 | Flatwasher 3/8in Hardened | |

Go to Discount-Equipment.com to order your parts

SECTION 2 - TURNTABLE

FIGURE 2-34. 4000W GENERATOR INSTALLATION - DEUTZ D2011 ENGINE MACHINES (OPTIONAL)



SECTION 2 - TURNTABLE

FIGURE 2-34. 4000W GENERATOR INSTALLATION - DEUTZ D2011 ENGINE MACHINES (OPTIONAL)

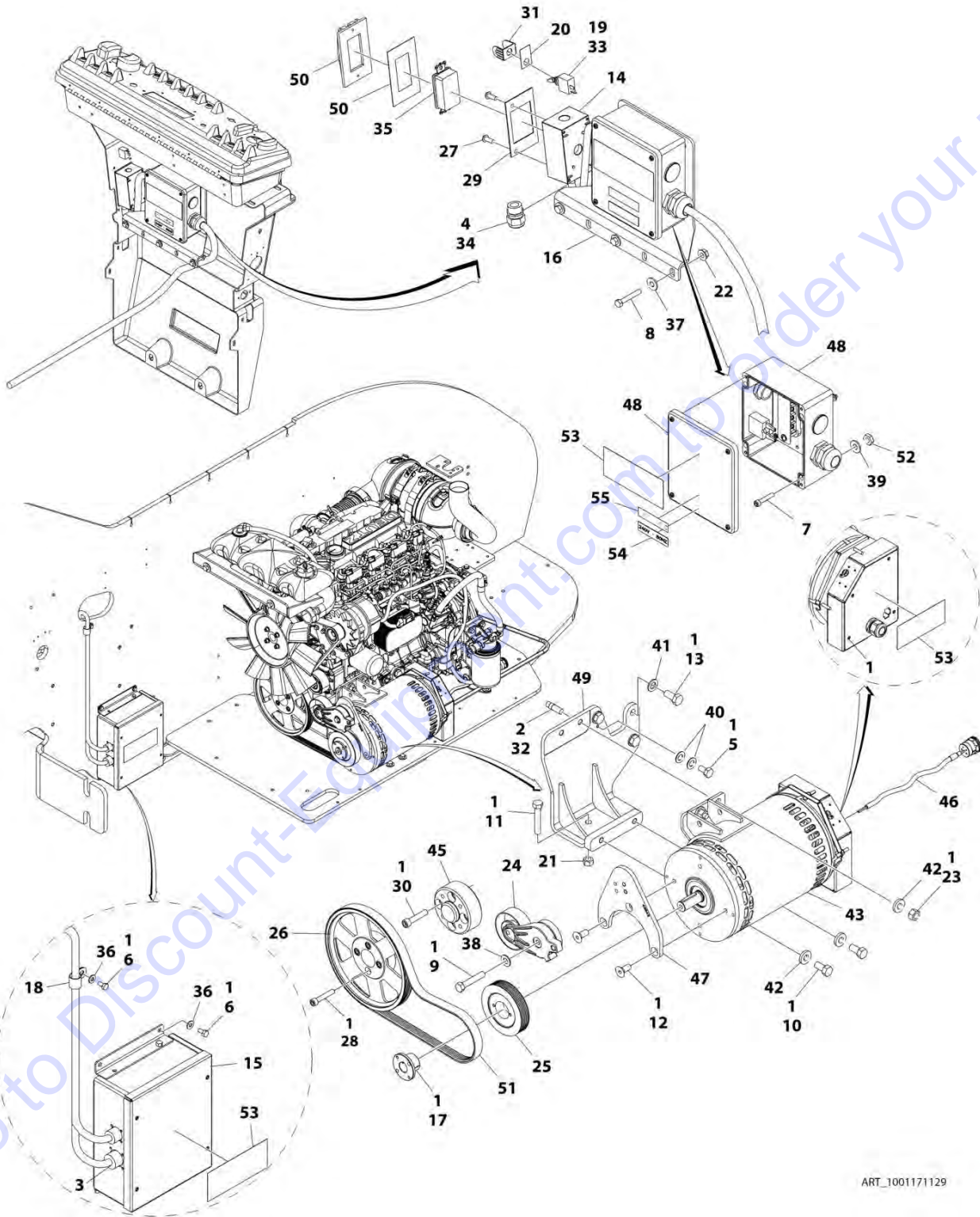
| ITEM | PART NUMBER | QTY | DESCRIPTION | REV |
|------|-------------|-----|--|-----|
| | | Ref | 4000W GENERATOR INSTALLATION - DEUTZ D2011 ENGINE MACHINES (OPTIONAL) | |
| | 1001153267 | Ref | 60Hz Generator | A |
| | 1001153268 | Ref | 50Hz Generator | D |
| 1 | 0100011 | AR | Compound, Locking | |
| 3 | 3251102 | 1 | Nameplate - Generator | |
| 4 | 3910606 | 4 | Screw #6 x 3/8 | |
| 5 | 0641516 | 3 | Bolt 5/16 x 2 | |
| 6 | 4711500 | 3 | Washer 5/16 | |
| 7 | 3311508 | 3 | Nut 5/16 | |
| 8 | 4360336 | 1 | Switch, Toggle | |
| 9 | 4060802 | 1 | Guard, Switch | |
| 10 | 3960422 | 1 | Gasket (60Hz Only) | |
| 11 | 1001110873 | 1 | Cover, Receptacle (60Hz Only) | |
| 12 | 4460346 | 1 | Receptacle (60Hz Only) | |
| 13 | 1001152457 | 1 | Junction Box Assembly (60Hz Only) | |
| 13 | 3300396 | 1 | Cover, Breaker | |
| 13 | 4360070 | 1 | Breaker, Circuit - 15Amp | |
| 13 | 4460425 | 1 | Connector, Strain Relief (LH Side) | |
| 13 | 4460426 | 1 | Connector, Strain Relief (RH Side) | |
| 14 | 4751000 | 4 | Washer #10 | |
| 15 | 3931016 | 4 | Capscrew #10 x 1 | |
| 16 | 1001129858 | 1 | Generator Assembly (60Hz) | |
| 16 | 1001138565 | 1 | Generator Assembly (50Hz) | |
| 16 | 70003709 | 1 | Ring, Retaining (External) | |
| 16 | 70003708 | 1 | Ring, Retaining (Internal) | |
| 16 | 70001966 | 1 | Bearing | |
| 16 | 70004092 | 1 | Endbell (Shaft End) | |
| 16 | 70004171 | 1 | Key | |
| 16 | 70004676 | 1 | Rotor | |
| 16 | 70004684 | 1 | Stator (60Hz) | |
| 16 | 70004677 | 1 | Stator (50Hz) | |
| 16 | 70004678 | 1 | Endbell (Rear) | |
| 16 | 70004679 | 1 | Cover, Endbell (Rear) | |
| 16 | 70004680 | 1 | Enclosure, Wiring | |
| 16 | 70004685 | 1 | Cover, Enclosure (60Hz) | |
| 16 | 70004681 | 1 | Cover, Enclosure (50Hz) | |
| 16 | 70004682 | 1 | Switch, Reset (Located on Enclosure Cover) | |
| 16 | 70004098 | 1 | Connector, Strain Relief (60Hz) (Located on Enclosure Cover) | |
| 16 | 70004683 | 1 | Connector, Strain Relief (50Hz) (Located on Enclosure Cover) | |
| 17 | 0641808 | 2 | Bolt 1/2 x 1 | |
| 18 | 0902888 | 1 | Bracket (60Hz Only) | |
| 19 | 4711800 | 3 | Washer 1/2 | |
| 20 | 4711400 | 5 | Washer 1/4 | |
| 21 | 0641404 | 6 | Bolt 1/4 x 1/2 | |
| 22 | 3580318 | 1 | Pulley (60Hz) | |
| 22 | 3580319 | 1 | Pulley (50Hz) | |
| 23 | 4791400 | 2 | Washer 1/4 | |
| 24 | 0100019 | AR | Compound, Locking | |
| 25 | 4240018 | AR | Tie-Strap (Not Shown) | |

SECTION 2 - TURNTABLE

| ITEM | PART NUMBER | QTY | DESCRIPTION | REV |
|------|-------------|-------------------|--|-----|
| 26 | 0480128 | 1 | Belt (60Hz) | |
| 26 | 0480129 | 1 | Belt (50Hz) | |
| 27 | 4032015 | 4 | Capscrew M10 x 55 | |
| 28 | 4300157 | 1 | Stud | |
| 29 | 3311801 | 1 | Nut 1/2 | |
| 30 | 2820031 | 0.33 ft /0.10m | Heat Shrink | |
| 31 | 0962520 | 1 | Bushing, Split | |
| 32 | 3580317 | 1 | Tensioner, Belt | |
| 33 | 1320318 | 1 | Clamp | |
| 34 | 3580320 | 1 | Pulley | |
| 35 | 1001152532 | 1 | Harness, Generator | |
| 36 | 1001138566 | 1 | Box, Control | |
| 37 | 4711600 | 1 | Washer 3/8 | |
| 38 | 0641616 | 1 | Bolt 3/8 x 2 | |
| 39 | 0771415 | 1 | Bolt M14 x 35 | |
| 40 | 0641820 | 1 | Bolt 1/2 x 2-1/2 | |
| 41 | 0711414 | 3 | Bolt M14 x 30 | |
| 42 | 3311805 | 1 | Nut 1/2 | |
| 43 | 4812200 | 1 | Washer M14 | |
| 44 | 4846567 | 1 | Mount, Motor | |
| 45 | 3311005 | 4 | Nut #10 | |
| 46 | 1001139357 | 1 | Mount, Tensioner | |
| 47 | 0741607 | 3 | Screw 3/8 x 7/8 | |
| 48 | 1705387 | 3 | Decal - Hazardous Voltage (60Hz) | |
| 48 | 1705389 | 2 | Decal - Hazardous Voltage (50Hz) | |
| 49 | 3251243 | 1 | Decal - 120V-60Hz (60Hz Only) | |
| 50 | 0860038 | 1 | Box, Switch (60Hz Only) | |
| 51 | 4460071 | 1 | Connector, Strain Relief (60Hz Only) | |
| 52 | 0100020 | AR | Sealant | |
| 53 | 1705374 | 1 | Decal - 240V-60Hz (60Hz Only) | |
| 60 | 1001096070 | 1 | Breaker Box Kit (50Hz Only) (Not Shown - See ELECTRICAL SECTION for Breakdown) | |
| 61 | 0903566 | 1 | Bracket (50Hz Only) (Not Shown - Attaches Item 60) | |

SECTION 2 - TURNTABLE

FIGURE 2-35. 4000W GENERATOR INSTALLATION - DEUTZ TD2.9L4 ENGINE MACHINES (OPTIONAL)



ART_1001171129

SECTION 2 - TURNTABLE

FIGURE 2-35. 4000W GENERATOR INSTALLATION - DEUTZ TD2.9L4 ENGINE MACHINES (OPTIONAL)

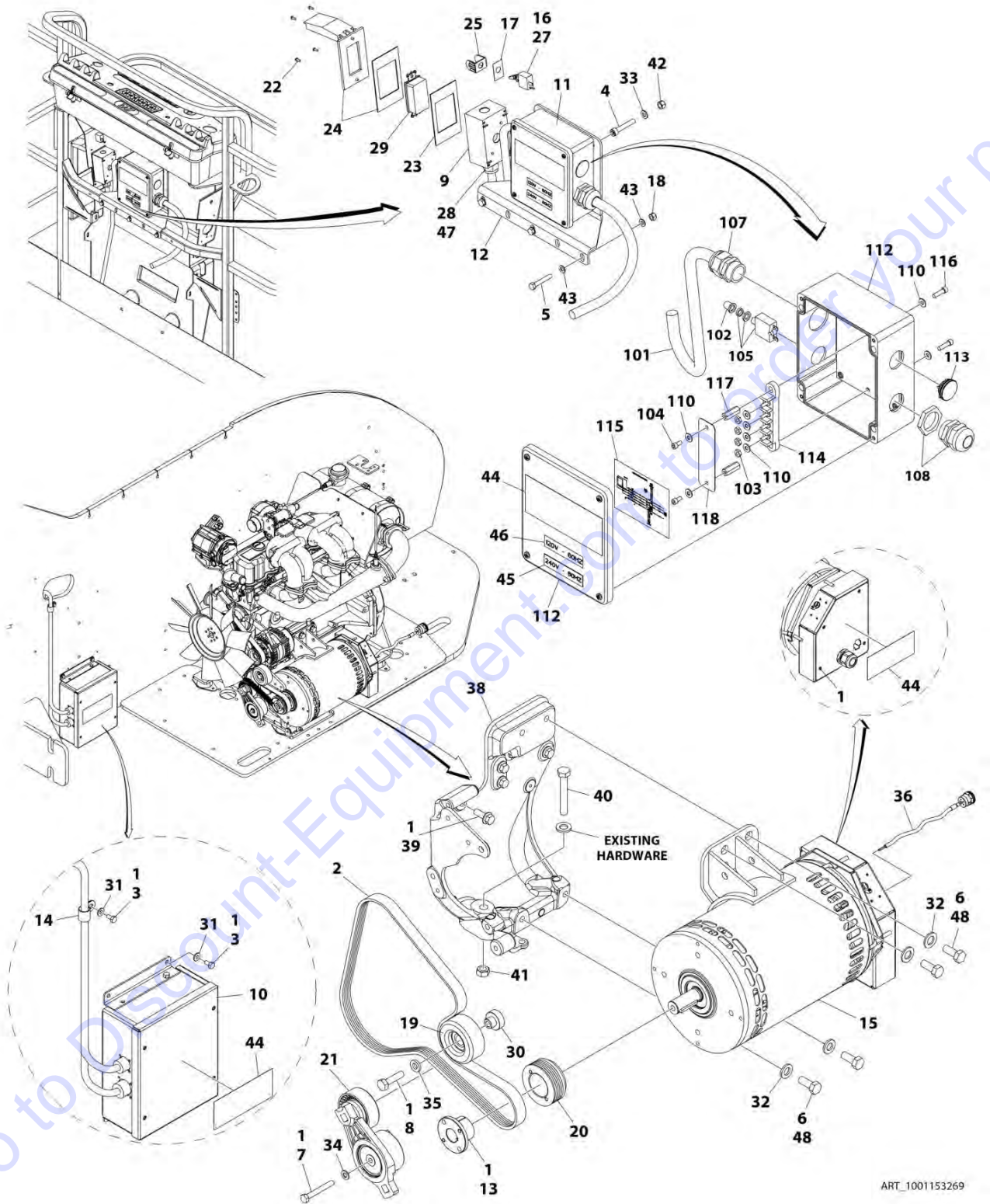
| ITEM | PART NUMBER | QTY | DESCRIPTION | REV |
|------|-------------|------------------|--|-----|
| | | Ref | 4000W GENERATOR INSTALLATION - DEUTZ TD2.9L4 ENGINE MACHINES (OPTIONAL) | |
| | 1001171129 | Ref | 4000W/60Hz Generator Installation - Deutz TD2.9L4 Engines | A |
| 1 | 0100011 | AR | Compound, Locking | |
| 2 | 0100019 | AR | Compound, Locking | |
| 3 | 0100048 | AR | Grease Dielectric | |
| 4 | 0100079 | AR | Sealant | |
| 5 | 0641404 | 1 | Bolt 1/4 x 1/2 | |
| 6 | 0641406 | 5 | Bolt 1/4 x 3/4 | |
| 7 | 3931016 | 4 | Capscrew #10 x 1 | |
| 8 | 0641516 | 3 | Bolt 5/16 x 2 | |
| 9 | 0641616 | 1 | Bolt 3/8 x 2 | |
| 10 | 0641808 | 2 | Bolt 1/2 x 1 | |
| 11 | 0681822 | 1 | Bolt 1/2 x 2-3/4 Grade 8 | |
| 12 | 0741607 | 3 | Screw 3/8 x 7/8 | |
| 13 | 0771414 | 3 | Bolt M14 x 13 | |
| 14 | 0860038 | 1 | Box, Switch (60Hz) | |
| 15 | 1001138566 | 1 | Control Box Assembly | |
| 16 | 0902888 | 1 | Bracket, Junction Box (60Hz) | |
| 17 | 0962520 | 1 | Bushing, Split | |
| 18 | 1320318 | 1 | Clamp | |
| 19 | 2820031 | 0.33 ft /0.1m | Heat Shrink | |
| 20 | 3251102 | 1 | Nameplate, Generator | |
| 21 | 3271801 | 1 | Nut 1/2 Grade 8 | |
| 22 | 3311508 | 3 | Nut 5/16 | |
| 23 | 3311801 | 2 | Nut 1/2 | |
| 24 | 3580317 | 1 | Tensioner, Belt with Pulley | |
| 25 | 3580318 | 1 | Pulley, Generator (60Hz) | |
| 26 | 3580320 | 1 | Pulley | |
| 27 | 3910606 | 4 | Screw 6 x 3/8 | |
| 28 | 3931628 | 4 | Capscrew 3/8 x 1-3/4 | |
| 29 | 3960422 | 1 | Gasket, AC Receptacle (60Hz) | |
| 30 | 4032014 | 4 | Capscrew M10 x 50 | |
| 31 | 4060802 | 1 | Guard, Switch | |
| 32 | 1001163599 | 2 | Stud | |
| 33 | 4360336 | 1 | Switch, Toggle | |
| 34 | 4460071 | 1 | Connector, Strain Relief (60Hz) | |
| 35 | 4460346 | 1 | Receptacle (60Hz) | |
| 36 | 4711400 | 5 | Washer 1/4 | |
| 37 | 4751500 | 3 | Washer 5/16 | |
| 38 | 4711600 | 1 | Washer 3/8 | |
| 39 | 4751000 | 4 | Washer #10 | |
| 40 | 4791400 | 2 | Washer 1/4 | |
| 41 | 4812200 | 3 | Washer M14 | |
| 42 | 4891800 | 4 | Washer 1/2 | |
| 43 | 1001140346 | 1 | Generator Assembly (60Hz) | |
| 43 | 70003709 | 1 | Ring, Retaining (External) | |
| 43 | 70003708 | 1 | Ring, Retaining (Internal) | |

SECTION 2 - TURNTABLE

| ITEM | PART NUMBER | QTY | DESCRIPTION | REV |
|------|-------------|-----|---|-----|
| 43 | 70001966 | 1 | Bearing | |
| 43 | 70004092 | 1 | Endbell (Shaft End) | |
| 43 | 70004099 | 1 | Key | |
| 43 | 70004676 | 1 | Rotor | |
| 43 | 70004687 | 1 | Stator | |
| 43 | 70004678 | 1 | Endbell (Rear) | |
| 43 | 70004679 | 1 | Cover, Endbell (Rear) | |
| 43 | 70004680 | 1 | Enclosure, Wiring | |
| 43 | 70004685 | 1 | Cover, Enclosure | |
| 43 | 70004682 | 1 | Switch, Reset (Located on Enclosure Cover) | |
| 43 | 70004098 | 1 | Connector, Strain Relief (Located on Enclosure Cover) | |
| 45 | 1001135679 | 1 | Adapter, Pulley | |
| 46 | 1001152532 | 1 | Harness, Generator | |
| 47 | 1001142643 | 1 | Support, Tensioner | |
| 48 | 1001152457 | 1 | Junction Box Assembly | |
| 48 | 3300396 | 1 | Cover, Breaker | |
| 48 | 4360070 | 1 | Breaker, Circuit - 15Amp | |
| 48 | 4460425 | 1 | Connector, Strain Relief (LH Side) | |
| 48 | 4460426 | 1 | Connector, Strain Relief (RH Side) | |
| 49 | 1001146670 | 1 | Mount, Motor | |
| 50 | 1001110873 | 1 | Cover, Receptacle (60Hz) | |
| 51 | 1001142646 | 1 | Belt, Generator | |
| 52 | 3311005 | 4 | Nut #10 | |
| 53 | 1705387 | 3 | Decal - Hazardous Voltage (60Hz) | |
| 54 | 1705374 | 1 | Decal - 240V (60Hz) | |
| 55 | 3251243 | 1 | Decal - 120V (60Hz) | |

SECTION 2 - TURNTABLE

FIGURE 2-36. 4000W GENERATOR INSTALLATION - GM ENGINES



ART_1001153269

SECTION 2 - TURNTABLE

FIGURE 2-36. 4000W GENERATOR INSTALLATION - GM ENGINES

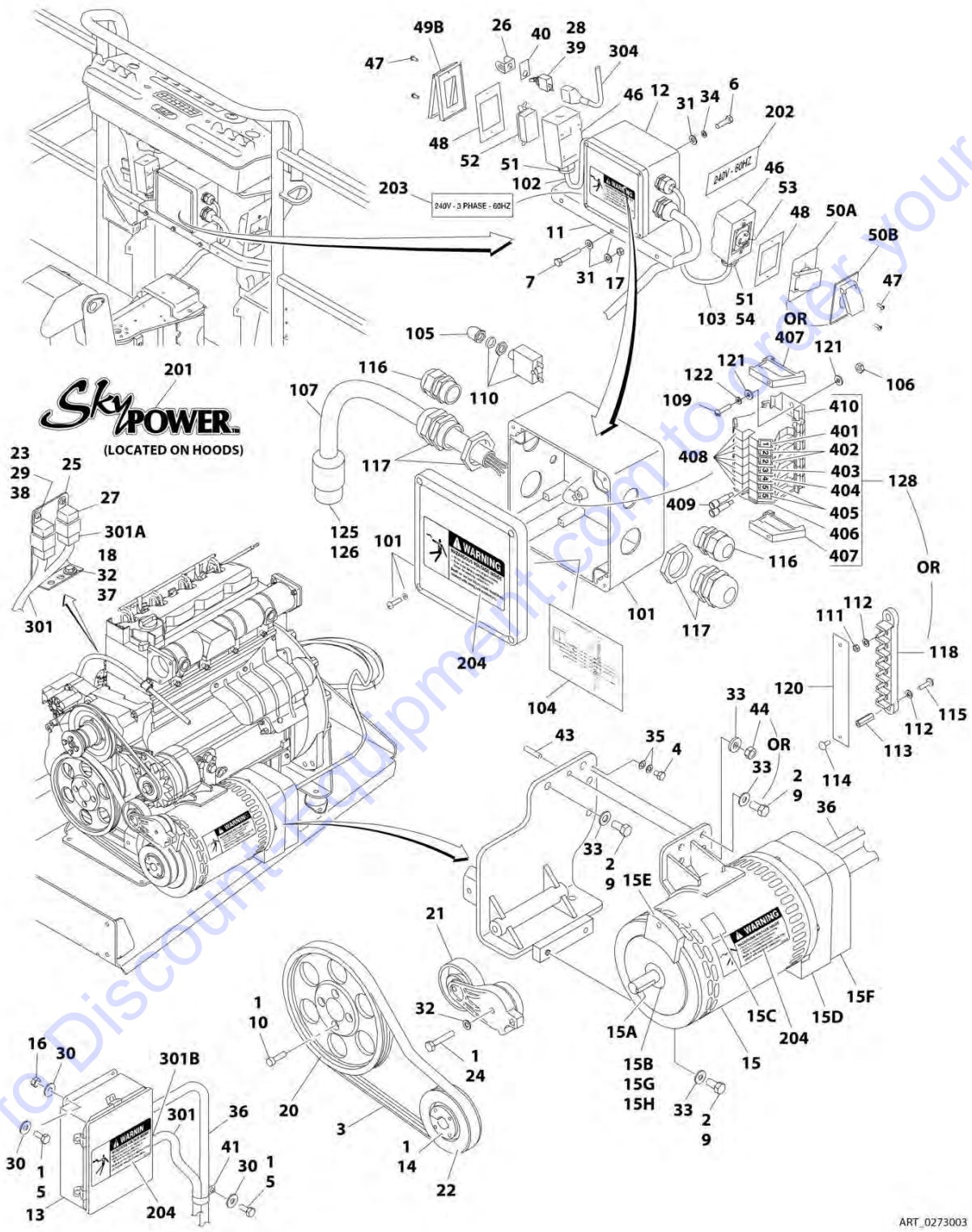
| ITEM | PART NUMBER | QTY | DESCRIPTION | REV |
|------|-------------|------------------|--|-----|
| | 1001153269 | Ref | 4000W GENERATOR INSTALLATION - GM ENGINES | B |
| 1 | 0100011 | AR | Compound, Locking | |
| 2 | 0480142 | 1 | Belt | |
| 3 | 0641404 | 5 | Bolt 1/4 x 1/2 | |
| 4 | 3931016 | 4 | Capscrew #10 x 1 | |
| 5 | 0641516 | 3 | Bolt 5/16 x 2 | |
| 6 | 0641808 | 4 | Bolt 1/2 x 1 | |
| 7 | 0700820 | 1 | Bolt M8 x 60 | |
| 8 | 0701016 | 1 | Bolt M10 x 40 | |
| 9 | 0860038 | 1 | Box, Switch | |
| 10 | 1001138566 | 1 | Box, Control | |
| 11 | 1001152457 | 1 | Generator Junction Box Assembly (See Item 101-118 for Breakdown) | |
| 12 | 0902888 | 1 | Bracket | |
| 13 | 0962520 | 1 | Bushing, Split | |
| 14 | 1320318 | 1 | Clamp | |
| 15 | 1001129858 | 1 | Generator Assembly | |
| 15 | 70003709 | 1 | Ring, Retaining (External) | |
| 15 | 70003708 | 1 | Ring, Retaining (Internal) | |
| 15 | 70001966 | 1 | Bearing | |
| 15 | 70004092 | 1 | Endbell (Shaft End) | |
| 15 | 70004171 | 1 | Key | |
| 15 | 70004676 | 1 | Rotor | |
| 15 | 70004684 | 1 | Stator | |
| 15 | 70004678 | 1 | Endbell (Rear) | |
| 15 | 70004679 | 1 | Cover, Endbell (Rear) | |
| 15 | 70004680 | 1 | Enclosure, Wiring | |
| 15 | 70004685 | 1 | Cover, Enclosure | |
| 15 | 70004682 | 1 | Switch, Reset (Located on Enclosure Cover) | |
| 15 | 70004098 | 1 | Connector, Strain Relief (Located on Enclosure Cover) | |
| 16 | 2820031 | 0.33 ft /0.1m | Heat Shrink | |
| 17 | 3251102 | 1 | Nameplate - Generator | |
| 18 | 3311508 | 3 | Nut 5/16 | |
| 19 | 3580312 | 1 | Pulley, Idler | |
| 20 | 3580314 | 1 | Pulley, Drive | |
| 21 | 3580348 | 1 | Tensioner, Belt | |
| 22 | 3910606 | 4 | Screw #6 x 3/8 | |
| 23 | 3960422 | 1 | Gasket | |
| 24 | 1001110873 | 1 | Cover, Receptacle | |
| 25 | 4060802 | 1 | Guard, Switch | |
| 26 | 4240018 | 1 | Tie-Strap (Not Shown) | |
| 27 | 4360336 | 1 | Switch, Toggle | |
| 28 | 4460071 | 1 | Connector, Strain Relief | |
| 29 | 4460346 | 1 | Terminal, Electrical | |
| 30 | 4568735 | 1 | Tube, Spacer | |
| 31 | 4711400 | 5 | Washer 1/4 | |
| 32 | 4711800 | 4 | Washer 1/2 | |
| 33 | 4751000 | 4 | Washer #10 | |
| 34 | 4811900 | 1 | Washer M8 | |

SECTION 2 - TURNTABLE

| ITEM | PART NUMBER | QTY | DESCRIPTION | REV |
|------|-------------|-----------------|--|-----|
| 35 | 4891600 | 1 | Washer 3/8 | |
| 36 | 1001152532 | 1 | Harness, Generator | |
| 38 | 1001141181 | 1 | Mount, Motor | |
| 39 | 0811608 | 4 | Screw 3/8 x 1 | |
| 40 | 0641832 | 1 | Bolt 1/2 x 4 | |
| 41 | 3311805 | 1 | Nut 1/2 | |
| 42 | 3311005 | 4 | Nut #10 | |
| 43 | 4751500 | 3 | Washer 5/16 | |
| 44 | 1705387 | 3 | Decal - Hazardous Voltage | |
| 45 | 1705374 | 1 | Decal - 240V-60Hz | |
| 46 | 3251243 | 1 | Decal - 120V-60Hz | |
| 47 | 0100020 | AR | Sealant | |
| 48 | 0100019 | AR | Compound, Locking | |
| | 1001152457 | Ref | GENERATOR JUNCTION BOX ASSEMBLY | B |
| 101 | 1001179154 | 2.5 ft /0.8m | Cable, Electrical - 12/3 | |
| 102 | 3300396 | 1 | Cover, Breaker | |
| 103 | 3311001 | 4 | Nut #10 | |
| 104 | 3900300 | 2 | Screw | |
| 105 | 4360070 | 1 | Breaker, Circuit - 15Amp | |
| 107 | 4460425 | 1 | Connector, Strain Relief (LH Side) | |
| 108 | 4460426 | 1 | Connector, Strain Relief (RH Side) | |
| 110 | 4711000 | 8 | Washer #10 | |
| 112 | 1001152456 | 1 | Box Junction | |
| 113 | 1001152525 | 1 | Plug | |
| 114 | 1001152530 | 1 | Terminal, Block | |
| 115 | 1001153260 | 1 | Decal - Wiring Diagram | |
| 116 | 3900267 | 2 | Screw | |
| 117 | 1001158008 | 2 | Stand-Off | |
| 118 | 1001158363 | 1 | Cover, Terminal Block | |

SECTION 2 - TURNTABLE

FIGURE 2-37. 7500W SKYPOWER GENERATOR INSTALLATION - CATERPILLAR, DEUTZ D2011 AND PERKINS ENGINE MACHINES



ART_0273003

SECTION 2 - TURNTABLE

FIGURE 2-37. 7500W SKYPOWER GENERATOR INSTALLATION - CATERPILLAR, DEUTZ D2011 AND PERKINS ENGINE MACHINES

| ITEM | PART NUMBER | QTY | DESCRIPTION | REV |
|------|---------------|-----|---|-----|
| | | Ref | 7500W SKYPOWER GENERATOR INSTALLATION - CATERPILLAR, DEUTZ D2011 AND PERKINS ENGINE MACHINES | |
| | | Ref | Machines without UGM: | |
| | 0273003 | Ref | 60Hz Specs (Caterpillar Engines) | K |
| | 0273004 | Ref | 50Hz Specs (Caterpillar Engines) | G |
| | 0272597 | Ref | 60Hz Specs (Deutz D2011 Engines) | L |
| | 0272596 | Ref | 50Hz Specs (Deutz D2011 Engines) | J |
| | 1001097331 | Ref | 60Hz Specs (Perkins Engines) | D |
| | 1001097332 | Ref | 50Hz Specs (Perkins Engines) | C |
| | | Ref | Machines with UGM: | |
| | 1001112101 | Ref | 60Hz Specs (Caterpillar Engines) | B |
| | 1001112408 | Ref | 50Hz Specs (Caterpillar Engines) | A |
| | 1001115390 | Ref | 60Hz Specs (Deutz D2011 Engines) | A |
| | 1001115721 | Ref | 50Hz Specs (Deutz D2011 Engines) | A |
| | 1001112101 | Ref | 60Hz Specs (Perkins Engines) | A |
| | 1001112408 | Ref | 50Hz Specs (Perkins Engines) | A |
| 1 | 0100011 | AR | Locking, Compound | |
| 2 | 0100019 | AR | Locking, Compound | |
| 3 | | Ref | Belt, Drive Options: | |
| 3 | 0480129 | 1 | 60Hz Generator (Caterpillar and Perkins Engines) | |
| 3 | 0480128 | 1 | 60Hz Generator (Deutz Engine) | |
| 3 | 0480126 | 1 | 50Hz Generator | |
| 4 | 0641403 | 1 | Bolt 1/4in-20NC x 3/8in | |
| 5 | | Ref | Bolt Options: | |
| 5 | 0641404 | 4 | Bolt 1/4in-20NC x 1/2in | |
| 5 | 0641407 | 4 | Bolt 1/4in-20NC x 7/8in | |
| 5 | 0641408 | 4 | Bolt 1/4in-20NC x 1in | |
| 6 | | Ref | Bolt Options: | |
| 6 | 0641505 | 4 | Bolt 5/16in-18NC x 5/8in | |
| 6 | 0641508 | 4 | Bolt 5/16in-18NC x 1in | |
| 7 | 0641516 | 3 | Bolt 5/16in-18NC x 2in | |
| 8 | 0641614 | 2 | Bolt 3/8in-16NC x 1-3/4in (Not Shown) | |
| 9 | 0641808 | AR | Bolt 1/2in-13NC x 1in | |
| 9 | 0771415 | AR | Bolt M14 x 35 | |
| 10 | 0701217 | 3 | Bolt M12 x 45mm (Caterpillar and Perkins Engines) | |
| 10 | 4032015 | 4 | Bolt M10 x 55 (Deutz Engine) | |
| 11 | 0902888 | 1 | Bracket, Junction Box Mounting | |
| 12 | | Ref | Junction Box Assembly Options (See Item 101-128 for Breakdown): | |
| 12 | 0861542 | 1 | 60Hz (SN 0300069000 through 0300182752) | |
| 12 | 1001157592 | 1 | 60Hz (SN 0300182753 through 0300203770) | |
| 12 | 0861567 | 1 | 50Hz (SN 0300069000 through 0300182752) | |
| 12 | 1001157525 | 1 | 50Hz (SN 0300182753 through 0300203770) | |
| 13 | | Ref | Control Box Assembly Options: | |
| 13 | 0861538 | 1 | 60Hz Generator | |
| 13 | 0861572 | 1 | 50Hz Generator | |
| 13 | 7024488 | 1 | Card, Circuit - Generator Power | |
| 13 | Not Available | 1 | Fuse (Purchase Locally) | |

SECTION 2 - TURNTABLE

| ITEM | PART NUMBER | QTY | DESCRIPTION | REV |
|------|-------------|-----|---|-----|
| 13 | 7024489 | 1 | Card, Circuit | |
| 13 | | Ref | Note: Same Circuit Card (P/N 7024489) is used for both 60Hz & 50Hz. When replacing card, rocker switch on card must be set for required application. | |
| 13 | 70000619 | 1 | Harness, Circuit Card | |
| 14 | 0962520 | 1 | Bushing, Split Taper | |
| 15 | 2460048 | 1 | Generator Assembly | |
| 15 | 70003631 | 1 | Brushholder Assembly (Not Shown) (was p/n 7024484) | |
| 15 | 7024485 | 1 | Breaker, Circuit 30Amp (Not Shown) | |
| 15 | 70001696 | 1 | Boot, Breaker (was p/n 7024486 - Not Shown) | |
| 15 | 7027799 | 1 | Block, Connector - 6 Position (Not Shown) | |
| 15 | 70002460 | 6 | Nut, Brass (Attaches p/n 7027799 to Cover) (Not Shown) | |
| 15 | 7026597 | 1 | Connector with Leads (Not Shown) | |
| 15 | 7026188 | 1 | Connector, Clamp (Not Shown) | |
| 15 | 70002255 | NLA | Panel, End (Not Shown) (Use p/n 70004170 Kit) | |
| 15 | 70002088 | 1 | Stator (Not Shown) | |
| 15 | 70001974 | 1 | Decal - Terminal Connections (Not Shown) | |
| 15 | 70000863 | 1 | Fan (Not Shown) | |
| 15 | 70002297 | 4 | Stud (Not Shown) | |
| 15 | 70001100 | 1 | Armature, Generator (Includes Radial Ball Bearing on End with Brushes and Fan) | |
| 15 | 70001384 | 1 | Bearing, Ball Radial | |
| 15A | 70004171 | 1 | Key (was p/n 7024561) | |
| 15B | 70001966 | 1 | Bearing, Radial Ball | |
| 15C | 70001973 | 1 | Decal - Warning Moving Parts | |
| 15D | 70001385 | NLA | Endbell, Brush Block (Use p/n 70004170 Kit) | |
| 15E | 70001953 | 1 | Endbell, Belt Tensioner | |
| 15F | 70002290 | NLA | Endbell, Shroud Assembly (Use p/n 70004170 Kit) | |
| 15G | 70003708 | 1 | Ring, Retaining (Internal) | |
| 15H | 70003709 | 1 | Ring, Retaining (External) | |
| 16 | 3311405 | 4 | Locknut 1/4in-20NC | |
| 17 | 3311505 | 3 | Locknut 5/16-18NC | |
| 18 | 3311605 | AR | Locknut 3/8in-18NC | |
| 19 | 3574523 | 2 | Bracket, Control Box Mounting (Not Shown) | |
| 20 | 3580316 | 1 | Pulley, Crankshaft (Caterpillar and Perkins Engines) | |
| 20 | 3580320 | 1 | Pulley, Crankshaft (Deutz Engines) | |
| 21 | 3580317 | 1 | Tensioner, Belt | |
| 22 | | Ref | Pulley, Generator Options: | |
| 22 | 3580318 | 1 | 60Hz Generator | |
| 22 | 3580319 | 1 | 50Hz Generator | |
| 23 | 3311005 | 2 | Locknut #10-24NC | |
| 24 | 0641618 | 1 | Bolt 3/8in-16NC x 2-1/4in | |
| 25 | 3574163 | 1 | Bracket, Relay Mounting | |
| 26 | 4060802 | 1 | Guard, Switch | |
| 27 | 3740080 | 2 | Relay | |
| 28 | 4360336 | 1 | Switch, Toggle | |
| 28 | 4740397 | 1 | Spacer (Not Shown) | |
| 29 | 4751000 | 4 | Flatwasher #10 | |
| 30 | 4711400 | AR | Flatwasher 1/4in Narrow | |
| 31 | 4711500 | 10 | Flatwasher 5/16in Narrow | |
| 32 | 4711600 | AR | Flatwasher 3/8in Narrow | |
| 33 | 4711800 | 4 | Flatwasher 1/2in Narrow | |

SECTION 2 - TURNTABLE

| ITEM | PART NUMBER | QTY | DESCRIPTION | REV |
|------|--------------|--------------|--|-----|
| 34 | 4761500 | 4 | Lockwasher 5/16in | |
| 35 | 4791400 | AR | Starwasher 1/4in | |
| 36 | 4922925 | 1 | Harness, Generator | |
| 37 | 0641610 | 1 | Bolt 3/8in-16NC x 1-1/4in | |
| 38 | 0721004 | 2 | Screw #10-24NC x 1/2in | |
| 39 | 2820031 | AR | Heat Shrink | |
| 40 | 3252764 | 1 | Nameplate | |
| 41 | 1320318 | AR | Clamp, Hose | |
| 42 | 4240018 | AR | Strap, Tie (Not Shown) | |
| 43 | 4300157 | AR | Stud (Deutz Engines) | |
| 44 | 3311805 | AR | Nut 1/2 | |
| 46 | 0860038 | 2 | Box, Switch (60Hz) | |
| 46 | See Note | NLA | Box, Switch (50Hz) (Note: Purchase Locally) | |
| 47 | 3910606 | 8 | Screw #6-32NC x 3/8in | |
| 48 | 3960422 | 2 | Gasket (60Hz) | |
| 48 | See Note | NLA | Gasket (50Hz) (Note: Purchase Locally) | |
| 49 | | Ref | Cover, Receptacle Options: | |
| 49A | 4060700 | 1 | Cover, Side Hinged (60Hz) | |
| 49B | 1001110873 | 1 | Cover, Top Hinged (60Hz) | |
| 49C | See Note | NLA | Cover, Top Hinged (50Hz) (Not Shown) (Note: Purchase Locally) | |
| 50 | | Ref | Cover, Receptacle Options: | |
| 50A | 4061043 | 1 | Cover, Side Hinged (60Hz) | |
| 50B | 1001110872 | 1 | Cover, Top Hinged (60Hz) | |
| 50C | See Note | NLA | Cover, Top Hinged (50Hz) (Not Shown) (Note: Purchase Locally) | |
| 51 | 4460071 | AR | Connector, Strain Relief | |
| 52 | 4460346 | 1 | Receptacle, Female (110-120V) (60Hz) | |
| 52 | See Note | NLA | Receptacle, Female (110-120V) (50Hz) (Note: Purchase Locally) | |
| 53 | 4460958 | 1 | Receptacle, Female Twist-Lock (220-240V Single) (60Hz) | |
| 53 | See Note | NLA | Receptacle, Female Twist-Lock (220-240V Single) (50Hz) (Note: Purchase Locally) | |
| 54 | 4460051 | AR | Connector, Strain Relief | |
| | | Ref | JUNCTION BOX ASSEMBLY | |
| | 0861542 | Ref | 60Hz (SN 0300096000 through 0300182752) | E |
| | 1001157592 | Ref | 60Hz (SN 0300182753 through 0300203770) | C |
| | 0861567 | Ref | 50Hz (SN 0300096000 through 0300182752) | B |
| | 1001157525 | Ref | 50Hz (SN 0300182753 through 0300203770) | B |
| | | Ref | Box, Junction Options: | |
| 101 | 0861541 | 1 | Box (SN 0300096000 through 0300182752) | |
| 101 | 1001157521 | 1 | Box (SN 0300182753 through 0300203770) | |
| 102 | | Ref | Cable, Electrical 12/3 Options: | |
| 102 | 1060494 | 2 ft /.6m | 60Hz (SN 0300096000 through 0300203770) | |
| 102 | See Note | 2 ft /.6m | 50Hz (Note: Not Available - Purchase Locally) | |
| 103 | | Ref | Cable, Electrical 10/3 Options: | |
| 103 | 1060708 | 2.5 ft /.76m | Cable (SN 0300096000 through 0300182752) | |
| 103 | Not Required | 0 | 60Hz (SN 0300182753 through 0300203770) | |
| 103 | See Note | NLA | 50Hz (ANSI Export, Australian and CE Specs) (Note: Not Available - Purchase Locally) | |
| 104 | 1705376 | 1 | Decal - Wiring Schematic | |
| 105 | 3300396 | 1 | Cover, Fuse | |

SECTION 2 - TURNTABLE

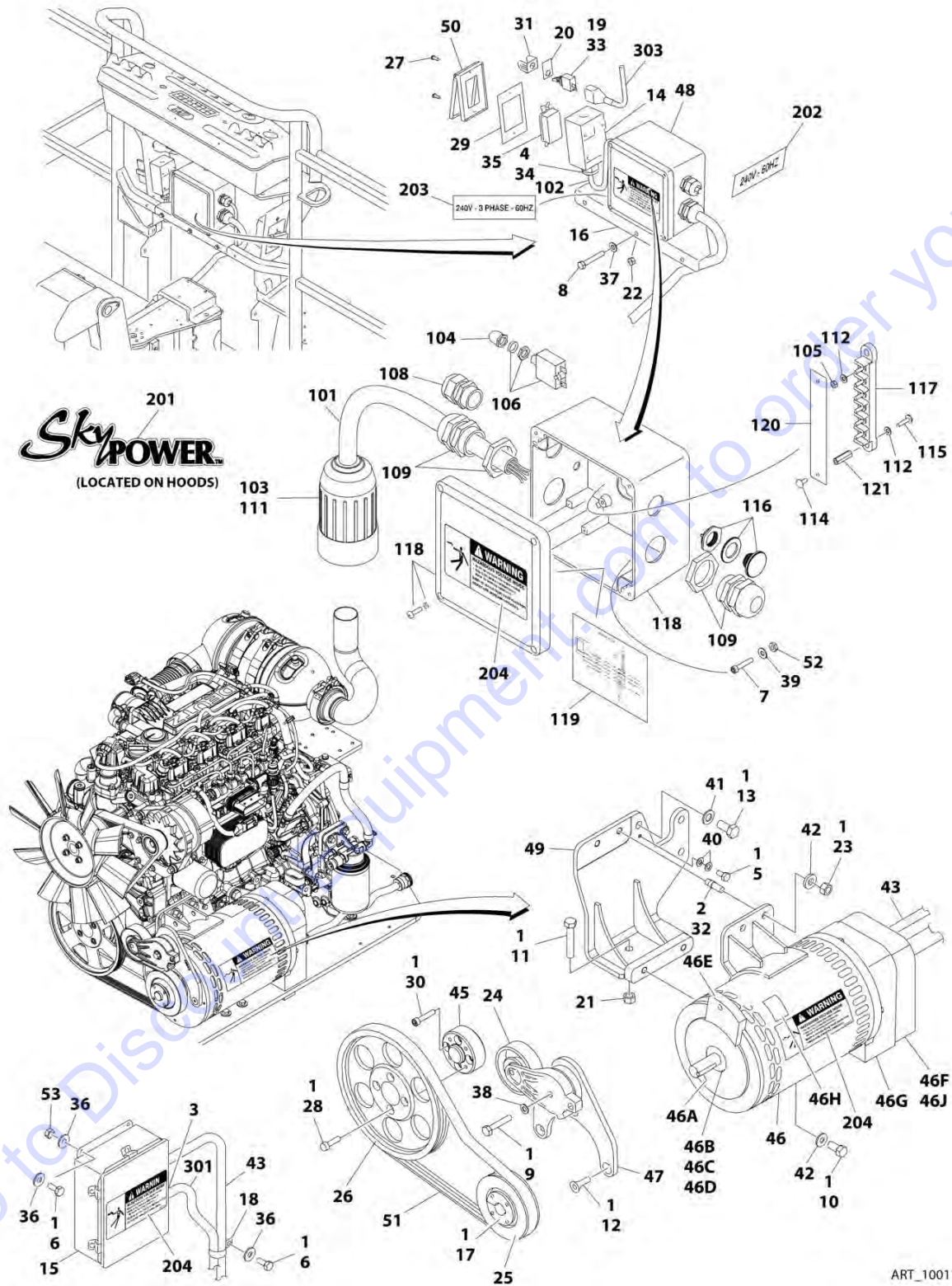
| ITEM | PART NUMBER | QTY | DESCRIPTION | REV |
|------|-------------|-----|--|-----|
| 106 | 3310601 | 2 | Nut #6-32NC | |
| 107 | 1060343 | AR | Cable, Electrical 10/4 (60Hz Spec Only) | |
| 109 | 3910610 | 2 | Bolt #6-32NC x 5/8in | |
| 110 | 4360070 | 1 | Circuit Breaker - 15Amp | |
| 111 | 3311001 | 6 | Nut #10-24NC | |
| 112 | 4711000 | 10 | Flatwasher #10 Thin | |
| 113 | 1001158008 | 2 | Stand-off | |
| 114 | 10702077 | 2 | Screw #10-32NF x 3/8in | |
| 115 | 10702082 | 2 | Screw #10-32NF x 3/4in | |
| 116 | 4460425 | AR | Strain Relief, Terminal (60Hz) | |
| 116 | 3520192 | AR | Plug (50Hz) | |
| 117 | 4460426 | AR | Connector, Strain Relief (60Hz Only) | |
| 117 | 3520189 | AR | Plug (50Hz Only) | |
| 118 | 1001157520 | 1 | Block, Terminal - 6 Pole | |
| 120 | 1001158007 | 1 | Cover, PVC | |
| 121 | 4750600 | 4 | Flatwasher #6 Regular | |
| 122 | 4760600 | 2 | Lockwasher #6 | |
| 125 | 1671092 | 1 | Cover (60Hz Only) | |
| 126 | 4460963 | 1 | Connector (60Hz Only) | |
| 128 | 1001121340 | 1 | Terminal Block Assembly (Deutz D2011 Engines) (See Items 401-410 for Breakdown) (SN 0300096000 through 0300182752) | |
| | | Ref | DECAL INSTALLATION | |
| | 0272435 | Ref | 60Hz Specs | C |
| | 0272589 | Ref | 50Hz Specs | A |
| 201 | 1705460 | 2 | Decal - SkyPower | |
| 202 | 1705374 | 1 | Decal - 240V - 60Hz (60Hz Spec Only) (SN 0300096000 through 0300201771) | |
| 203 | | Ref | Decal - 240V - 3 Phase Options: | |
| 203 | 1705375 | 1 | 60Hz Spec | |
| 203 | 1705461 | 1 | 50Hz Spec | |
| 204 | | Ref | Decal - Hazardous Voltage Options: | |
| 204 | 1705387 | 3 | 60Hz Spec | |
| 204 | 1705489 | 3 | 50Hz Spec | |
| | | Ref | ELECTRICAL DIAGRAM COMPONENTS | |
| | 4933264 | Ref | Machines without UGM | C |
| | 1001112586 | Ref | Machines with UGM | A |
| 301 | | Ref | Generator Harness Options: | |
| 301 | 4922757 | 1 | Machines without UGM | 3/C |
| 301 | 1001112587 | 1 | Machines with UGM | A |
| 301A | 4460374 | 2 | Plug, Sealed Relay | |
| 301A | 4460375 | 7 | Terminal | |
| 301B | 4460967 | 1 | Plug, Male - 3 Position | |
| 301B | 4460465 | 3 | Socket, Female | |
| 301C | 2400060 | 1 | Fuseholder (Not Shown) | |
| 301C | 2400064 | 1 | Fuse - 5Amp (Not Shown) | |
| 301D | 4460742 | 1 | Plug, Male - 2 Position (With UGM Only) (Not Shown) | |
| 301D | 4460743 | 2 | Terminal, Female (With UGM Only) (Not Shown) | |
| 301D | 4460458 | 2 | Seal (With UGM Only) (Not Shown) | |
| 304 | 4922641 | 1 | Switch Harness | |
| | | Ref | TERMINAL BLOCK ASSEMBLY (SN 0300096000 through 0300182752) | |
| | NPN | Ref | Gray Terminal Block Assembly (Complete Assembly Not | |

SECTION 2 - TURNTABLE

| ITEM | PART NUMBER | QTY | DESCRIPTION | REV |
|------|-------------|-----|--|-----|
| | | | Available - Purchase Individual Components) | |
| | 1001121340 | Ref | Tan Terminal Block Assembly | A |
| 401 | | Ref | Marker Strip #1 Options: | |
| 401 | 4460411 | 2 | Gray Terminal Block Assembly | |
| 401 | 70002818 | 2 | Tan Terminal Block Assembly | |
| 402 | | Ref | Marker Strip #2 Options: | |
| 402 | 4460412 | 4 | Gray Terminal Block Assembly | |
| 402 | 70002819 | 4 | Tan Terminal Block Assembly | |
| 403 | | Ref | Marker Strip #3 Options: | |
| 403 | 4460413 | 2 | Gray Terminal Block Assembly | |
| 403 | 70002820 | 2 | Tan Terminal Block Assembly | |
| 404 | | Ref | Marker Strip #4 Options: | |
| 404 | 4460414 | 2 | Gray Terminal Block Assembly | |
| 404 | 70002821 | 2 | Tan Terminal Block Assembly | |
| 405 | | Ref | Marker Strip #5 Options: | |
| 405 | 4460415 | 4 | Gray Terminal Block Assembly | |
| 405 | 70002822 | 4 | Tan Terminal Block Assembly | |
| 406 | | Ref | Terminal, End Barrier Options: | |
| 406 | 4460956 | 1 | Gray Terminal Block Assembly | |
| 406 | 70002823 | 1 | Tan Terminal Block Assembly | |
| 407 | | Ref | Terminal, End Block Options: | |
| 407 | 4460607 | 2 | Gray Terminal Block Assembly | |
| 407 | 70002824 | 2 | Tan Terminal Block Assembly | |
| 408 | | Ref | Terminal, Block Options: | |
| 408 | 4460957 | 7 | Gray Terminal Block Assembly | |
| 408 | 70002825 | 7 | Tan Terminal Block Assembly | |
| 409 | | Ref | Terminal, Cross Connector Jumper Options: | |
| 409 | 4461001 | 2 | Gray Terminal Block Assembly | |
| 409 | 70002826 | 2 | Tan Terminal Block Assembly | |
| 410 | 3641533 | 1 | Rail, Relay | |

SECTION 2 - TURNTABLE

FIGURE 2-38. 7500W SKYPOWER GENERATOR INSTALLATION - DEUTZ TD2.9L4 ENGINE MACHINES



ART_1001147018

SECTION 2 - TURNTABLE

FIGURE 2-38. 7500W SKYPOWER GENERATOR INSTALLATION - DEUTZ TD2.9L4 ENGINE MACHINES

| ITEM | PART NUMBER | QTY | DESCRIPTION | REV |
|------|---------------|-----|---|-----|
| | 1001147018 | Ref | 7500W SKYPOWER GENERATOR INSTALLATION - DEUTZ TD2.9L4 ENGINE MACHINES | C |
| 1 | 0100011 | AR | Locking, Compound | |
| 2 | 0100019 | AR | Locking, Compound | |
| 3 | 0100048 | AR | Grease, Dielectric | |
| 4 | 0100079 | AR | Sealant, Pipe | |
| 5 | 0641404 | AR | Bolt 1/4in-20NC x 1/2in | |
| 6 | | Ref | Bolt Options: | |
| 6 | 0641404 | AR | Bolt 1/4in-20NC x 1/2in | |
| 6 | 0641406 | AR | Bolt 1/4in-20NC x 3/4in | |
| 7 | 3931016 | 4 | Screw #10-24 x 1 | |
| 8 | 0641516 | 3 | Bolt 5/16in-18NC x 2in | |
| 9 | | Ref | Bolt Options: | |
| 9 | 0641616 | 1 | Bolt 3/8in-16NC x 2in | |
| 9 | 0641618 | 1 | Bolt 3/8in-16NC x 2-1/4in | |
| 10 | | Ref | Bolt Options: | |
| 10 | 0641808 | 2 | Bolt 1/2in-13 x 1in | |
| 10 | 0641810 | 2 | Bolt 1/2in-13 x 1-1/4in | |
| 11 | 0681822 | 1 | Bolt 1/2in-13 x 2-3/4in | |
| 12 | 0741607 | 3 | Screw, Flat Head 3/8in-16NC x 7/8in | |
| 13 | 0771414 | 3 | Bolt 14mm x 30mm Grade 10.9 | |
| 14 | 0860038 | 1 | Box, Switch | |
| 15 | 0861538 | 1 | Control Box Assembly | |
| 15 | 7024488 | 1 | Card, Circuit - Generator Power | |
| 15 | Not Available | 1 | Fuse (Purchase Locally) | |
| 15 | 7024489 | 1 | Card, Circuit - Control | |
| 15 | | Ref | Note: Same Circuit Card (P/N 7024489) is used for both 60Hz & 50Hz. When replacing card, rocker switch on card must be set for required application. | |
| 15 | 70000619 | 1 | Harness, Circuit Card | |
| 16 | 0902888 | 1 | Bracket, Box Mounting | |
| 17 | 0962520 | 1 | Bushing, Split Taper | |
| 18 | 1320318 | 1 | Clamp | |
| 19 | 2820031 | 1 | Insulator | |
| 20 | 3252764 | 1 | Nameplate | |
| 21 | 3271801 | 1 | Nut 1/2in-13NC (Grade 8) | |
| 22 | | Ref | Nut Options: | |
| 22 | 3311505 | 3 | Nut 5/16in-18NC (Locking) | |
| 22 | 3311508 | 3 | Nut 5/16in-18NC (Serrated Flange) | |
| 23 | 3311801 | 2 | Nut 1/2in-13NC | |
| 24 | 3580317 | 1 | Tensioner, Belt | |
| 25 | 3580318 | 1 | Pulley | |
| 26 | 3580320 | 1 | Pulley | |
| 27 | 3910606 | 4 | Screw #6-32NC x 3/8in | |
| 28 | 3931628 | 4 | Screw 3/8in-16NC x 1-3/4in | |
| 29 | 3960422 | 1 | Gasket | |
| 30 | 4032014 | 4 | Bolt M10 x 50mm | |
| 31 | 4060802 | 1 | Guard, Switch | |
| 32 | 1001163599 | 2 | Stud | |

SECTION 2 - TURNTABLE

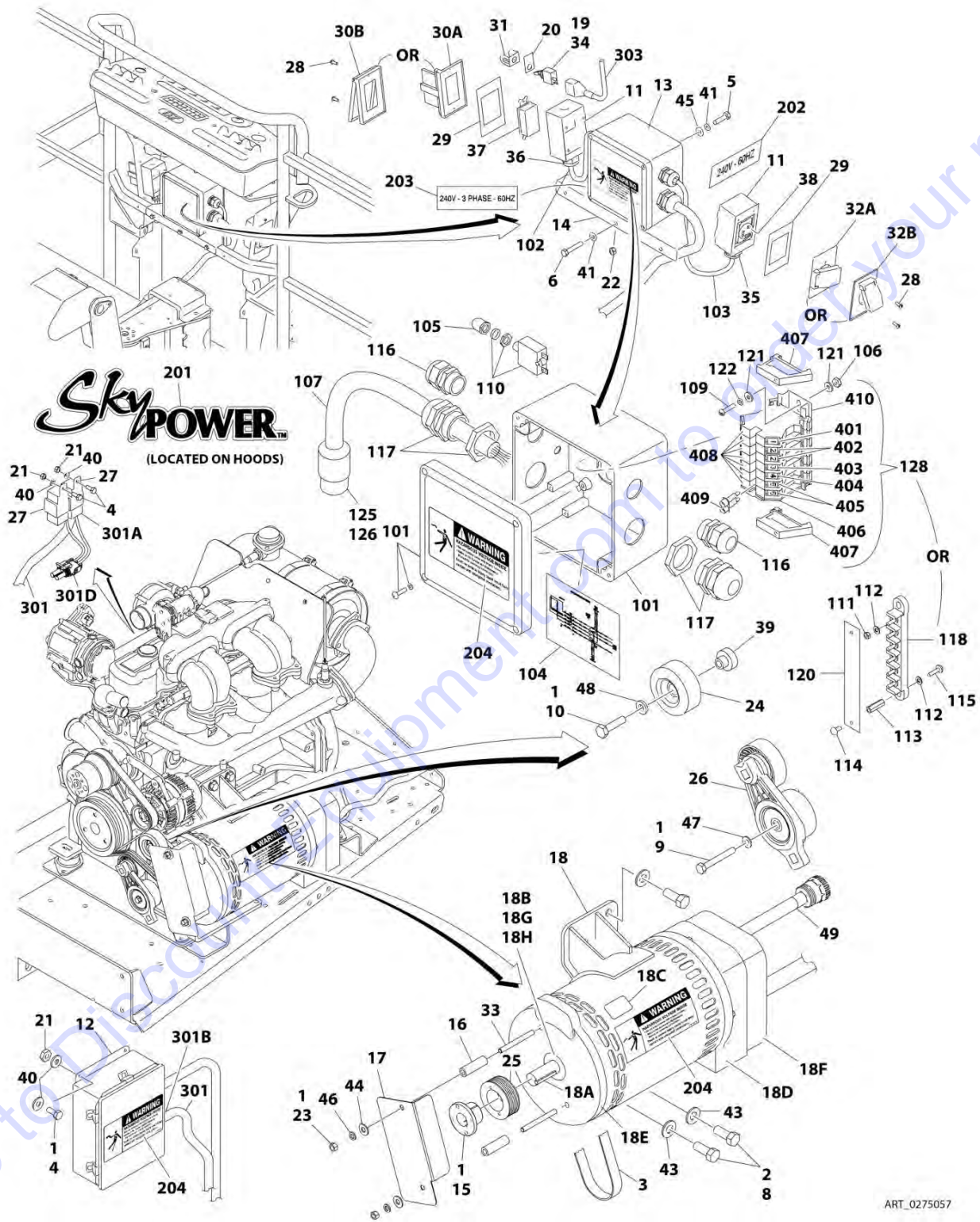
| ITEM | PART NUMBER | QTY | DESCRIPTION | REV |
|------|-------------|-----------------|--|-----|
| 33 | 4360336 | 1 | Switch, Toggle | |
| 34 | 4460071 | 1 | Connector, Strain Relief | |
| 35 | 4460346 | 1 | Receptacle | |
| 36 | 4711400 | AR | Flatwasher 1/4in Narrow | |
| 37 | | Ref | Flatwasher Options: | |
| 37 | 4711500 | AR | Flatwasher 5/16in Narrow | |
| 37 | 4751500 | AR | Flatwasher 5/16in Wide | |
| 38 | 4711600 | 1 | Flatwasher 3/8in Narrow | |
| 39 | 4751000 | 4 | Flatwasher #10 | |
| 40 | 4791400 | 2 | Starwasher 1/4in | |
| 41 | 4812200 | 3 | Flatwasher 14mm | |
| 42 | 4891800 | 4 | Flatwasher 1/2in Hardened | |
| 43 | 4922925 | 1 | Harness, Generator | |
| 45 | 1001135679 | 1 | Adapter | |
| 46 | 1001136988 | 1 | Generator Assembly | |
| 46 | 70001100 | 1 | Armature, Generator (Includes Radial Ball Bearing on End with Brushes and Fan) (Not Shown) | |
| 46 | 70003631 | 1 | Brushholder Assembly (Not Shown) | |
| 46 | 7024485 | 1 | Breaker, Circuit 30Amp (Not Shown) | |
| 46 | 70001696 | 1 | Boot, Breaker (was p/n 7024486 - Not Shown) | |
| 46 | 7027799 | 1 | Block, Connector - 6 Position (Not Shown) | |
| 46 | 7026597 | 1 | Connector, With Leads (Not Shown) | |
| 46 | 70004098 | 1 | Connector, Clamp (Not Shown) | |
| 46 | 70001974 | 1 | Decal - Terminal Connections (Not Shown) | |
| 46 | 70004095 | 1 | Panel, End (Not Shown) | |
| 46 | 70004093 | 1 | Stator (Not Shown) | |
| 46 | 70002297 | 4 | Stud (Not Shown) | |
| 46 | 70001384 | 1 | Bearing, Ball Radial | |
| 46A | 70004099 | 1 | Key | |
| 46B | 70003708 | 1 | Ring, Retaining (Internal) | |
| 46C | 70003709 | 1 | Ring, Retaining (External) | |
| 46D | 70001966 | 1 | Bearing, Radial Ball | |
| 46E | 70001953 | 1 | Endbell, Belt Tensioner | |
| 46F | 70004094 | 1 | Endbell, Shroud Assembly | |
| 46G | 70004096 | 1 | Endbell, Brush Block | |
| 46H | 70001973 | 1 | Decal - Warning Moving Parts | |
| 46J | 2820031 | 1 | Insulator, Endbell | |
| 47 | 1001142643 | 1 | Bracket, Support | |
| 48 | 1001157592 | 1 | Junction Box Assembly (See Items 101-122 for Breakdown) | |
| 49 | 1001146670 | 1 | Generator/Engine Mount | |
| 50 | 1001110873 | 1 | Cover, Receptacle | |
| 51 | 1001142646 | 1 | Belt | |
| 52 | 3311005 | 4 | Locknut #10-24NC | |
| 53 | 3311405 | 4 | Locknut 1/4in-20NC | |
| 55 | 4240018 | AR | Tie-Strap (Not Shown) | |
| | 1001157592 | Ref | JUNCTION BOX ASSEMBLY | A |
| 101 | 1060343 | 1.5 ft /.46m | Cable, Electrical 10/4 | |
| 102 | 1060494 | 2 ft /.6m | Cable, Electrical 12/3 | |
| 103 | 1671092 | 1 | Cover | |
| 104 | 3300396 | 1 | Cover, Fuse | |
| 105 | 3311001 | 6 | Nut 10-24NC | |

SECTION 2 - TURNTABLE

| ITEM | PART NUMBER | QTY | DESCRIPTION | REV |
|------|-------------|-----|--|-----|
| 106 | 4360070 | 1 | Circuit Breaker - 15Amp | |
| 108 | 4460425 | 1 | Strain Relief, Terminal | |
| 109 | 4460426 | 2 | Connector, Strain Relief | |
| 111 | 4460963 | 1 | Connector | |
| 112 | 4711000 | 10 | Flatwasher #10 Narrow | |
| 114 | 10702077 | 2 | Screw 10-32NC x 3/8in | |
| 115 | 10702082 | 2 | Screw 10-32NC x 3/4in | |
| 116 | 1001152525 | 1 | Plug | |
| 117 | 1001157520 | 1 | Block, Terminal | |
| 118 | 1001157521 | 1 | Box, Junction | |
| 119 | 1001157528 | 1 | Decal - Wiring Schematic | |
| 120 | 1001158007 | 1 | Plate, Cover | |
| 121 | 1001158008 | 2 | Stand-off, Threaded | |
| | 0272435 | Ref | DECAL INSTALLATION | C |
| 201 | 1705460 | 2 | Decal - SkyPower | |
| 202 | 1705374 | 1 | Decal - 240V-60Hz (SN 0300096000 through 0300201771) | |
| 203 | 1705375 | 1 | Decal - 240V-3 Phase | |
| 204 | 1705387 | 3 | Decal - Hazardous Voltage | |
| | 1001157770 | Ref | ELECTRICAL DIAGRAM COMPONENTS | A |
| 301 | 1001119968 | 1 | Generator Harness Options: | |
| 301 | 1001117078 | 1 | Fuseholder (Not Shown) | |
| 301 | 2400064 | 1 | Fuse - 5Amp (Not Shown) | |
| 301 | 4460967 | 1 | Plug, Male - 3 Position | |
| 301 | 4460465 | 3 | Socket, Female | |
| 303 | 4922641 | 1 | Switch Harness | |

SECTION 2 - TURNTABLE

FIGURE 2-39. 7500W SKYPOWER GENERATOR INSTALLATION - GM ENGINE MACHINES



SECTION 2 - TURNTABLE

FIGURE 2-39. 7500W SKYPOWER GENERATOR INSTALLATION - GM ENGINE MACHINES

| ITEM | PART NUMBER | QTY | DESCRIPTION | REV |
|------|---------------|-----|--|-----|
| | 0275057 | Ref | 7500W SKYPOWER GENERATOR INSTALLATION - GM ENGINE MACHINES | G |
| 1 | 0100011 | AR | Locking, Compound | |
| 2 | 0100019 | AR | Locking, Compound | |
| 3 | 0480142 | 1 | Belt, Generator | |
| 4 | 0641404 | 5 | Bolt 1/4in-20NC x 1/2in | |
| 5 | 0641505 | 4 | Bolt 5/16in-18NC x 5/8in | |
| 6 | 0641516 | 3 | Bolt 5/16in-18NC x 2in | |
| 8 | 0641808 | 4 | Bolt 1/2in-13NC x 1-1/4in | |
| 9 | 0700820 | 1 | Bolt M8 x 60mm | |
| 10 | 0701016 | 1 | Bolt M10 x 40mm | |
| 11 | 0860038 | 2 | Box, Switch | |
| 12 | 0861538 | 1 | Control Box Assembly | |
| 12 | 7024488 | 1 | Card, Circuit - Generator Power | |
| 12 | Not Available | 1 | Fuse (Purchase Locally) | |
| 12 | 7024489 | 1 | Card, Circuit - Control | |
| 12 | 70000619 | 1 | Harness, Circuit Card | |
| 13 | | Ref | Junction Box Assembly Options (See Items 101-128 for Breakdown): | |
| 13 | 0861542 | 1 | Junction Box Assembly (SN 0300096000 through 0300182752) | |
| 13 | 1001157592 | 1 | Junction Box Assembly (SN 0300182753 through 0300203770) | |
| 14 | 0902888 | 1 | Bracket, Box Mounting | |
| 15 | 0962520 | 1 | Bushing, Split Taper | |
| 16 | 0962521 | 2 | Spacer, Tube (SN 0300096000 through 0300168212) | |
| 17 | 1671311 | 1 | Cover, Generator Belt (SN 0300096000 through 0300168212) | |
| 18 | 2460048 | 1 | Generator Assembly | |
| 18 | 70003631 | 1 | Brushholder Assembly (Not Shown) | |
| 18 | 7024485 | 1 | Breaker, Circuit 30Amp (Not Shown) | |
| 18 | 70001696 | 1 | Boot, Breaker (Not Shown) | |
| 18 | 7027799 | 1 | Block, Connector - 6 Position (Not Shown) | |
| 18 | 70002460 | 6 | Nut, Brass (Attaches p/n 7027799 to Cover) (Not Shown) | |
| 18 | 7026597 | 1 | Connector, With Leads (Not Shown) | |
| 18 | 7026188 | 1 | Connector, Clamp (Not Shown) | |
| 18 | 70002255 | NLA | Panel, End (Not Shown) (Use p/n 70004169 Kit) | |
| 18 | 70002088 | 1 | Stator (Not Shown) | |
| 18 | 70001974 | 1 | Decal - Terminal Connections (Not Shown) | |
| 18 | 70000863 | 1 | Fan (Not Shown) | |
| 18 | 70002297 | 4 | Stud (Not Shown) | |
| 18 | 70001100 | 1 | Armature, Generator (Includes Radial Ball Bearing on End with Brushes and Fan) | |
| 18 | 70001384 | 1 | Bearing, Ball Radial | |
| 18A | 70004171 | 1 | Key | |
| 18B | 70001966 | 1 | Bearing, Radial Ball | |
| 18C | 70001973 | 1 | Decal - Warning Moving Parts | |
| 18D | 70001385 | 1 | Endbell, Brush Block (Use p/n 70004169 Kit) | |
| 18E | 70001953 | 1 | Endbell, Belt Tensioner | |
| 18F | 70002290 | 1 | Endbell, Shroud Assembly (Use p/n 70004169 Kit) | |
| 18G | 70003708 | 1 | Ring, Retaining (Internal) | |
| 18H | 70003709 | 1 | Ring, Retaining (External) | |
| 19 | 2820031 | 1 | Insulator | |

SECTION 2 - TURNTABLE

| ITEM | PART NUMBER | QTY | DESCRIPTION | REV |
|------|-------------|---------------|--|-----|
| 20 | 3252764 | 1 | Nameplate | |
| 21 | 3311405 | 6 | Locknut 1/4in-20NC | |
| 22 | 3311505 | 3 | Locknut 5/16in-18NC | |
| 23 | 3311601 | 2 | Nut 3/8-16NC | |
| 24 | 3580312 | 2 | Pulley, Idler | |
| 25 | 3580314 | 1 | Pulley, Drive Grooved | |
| 26 | 3580348 | 1 | Pulley, Belt Tensioner | |
| 27 | 3740080 | 2 | Relay | |
| 28 | 3910606 | 8 | Screw #6-32NC x 3/8in | |
| 29 | 3960422 | 2 | Gasket | |
| 30 | | Ref | Cover, Receptacle Options: | |
| 30A | 4060700 | 1 | Cover, Side Hinged | |
| 30B | 1001110873 | 1 | Cover, Top Hinged | |
| 31 | 4060802 | 1 | Guard, Switch | |
| 32 | | Ref | Cover, Receptacle Options: | |
| 32A | 4061043 | 1 | Cover, Receptacle (SN 0300096000 through 0300137765) | |
| 32B | 1001110872 | 1 | Cover, Receptacle (SN 0300137766 through 0300203770) | |
| 33 | 4300111 | 2 | Stud (SN 0300096000 through 0300168212) | |
| 34 | 4360336 | 1 | Switch, Toggle | |
| 35 | 4460051 | 1 | Connector, Strain Relief | |
| 36 | 4460071 | 1 | Connector, Strain Relief | |
| 37 | 4460346 | 1 | Receptacle | |
| 38 | 4460958 | 1 | Receptacle, Female Twist-Lock | |
| 39 | 4568735 | 1 | Tube, Spacer | |
| 40 | 4711400 | 10 | Flatwasher 1/4in Narrow | |
| 41 | 4711500 | 10 | Flatwasher 5/16in Narrow | |
| 43 | 4711800 | 4 | Flatwasher 1/2in Narrow | |
| 44 | 4751600 | 2 | Flatwasher 3/8in Wide | |
| 45 | 4761500 | 4 | Lockwasher 5/16in | |
| 46 | 4761600 | 2 | Lockwasher 3/8in | |
| 47 | 4811900 | 1 | Flatwasher 8mm | |
| 48 | 4891600 | 1 | Washer, Hardened 3/8in | |
| 49 | 4922925 | 1 | Harness, Generator | |
| 54 | 0641614 | 2 | Bolt 3/8in-16NC x 1-3/4in (Not Shown) | |
| 55 | 3574523 | 2 | Bracket, Control Box Mounting (Not Shown) | |
| 56 | 1320318 | 1 | Clamp (Not Shown) | |
| 57 | 4240018 | 1 | Tie-Strap (Not Shown) | |
| | | Ref | JUNCTION BOX ASSEMBLY | |
| | 0861542 | Ref | Junction Box Assembly (SN 0300096000 through 03000182752) | E |
| | 1001157525 | Ref | Junction Box Assembly (SN 0300182753 through 0300203770) | C |
| 101 | 0861541 | 1 | Box Junction (SN 0300096000 through 0300182752) | |
| 101 | 1001157521 | 1 | Box Junction (SN 0300182753 through 0300203770) | |
| 102 | 1060494 | 2 ft / .6m | Cable, Electrical 12/3 | |
| 103 | 1060708 | 2.5 ft / .76m | Cable, Electrical 10/3 (SN 0300096000 through 0300182752) | |
| 104 | 1705376 | 1 | Decal - Wiring Schematic | |
| 105 | 3300396 | 1 | Cover, Fuse | |
| 106 | 3310601 | 2 | Nut #6-32NC | |
| 107 | 1060343 | 1.5 ft / .46m | Cable, Electrical 10/4 | |
| 109 | 3910610 | 2 | Bolt #6-32NC x 5/8 | |

SECTION 2 - TURNTABLE

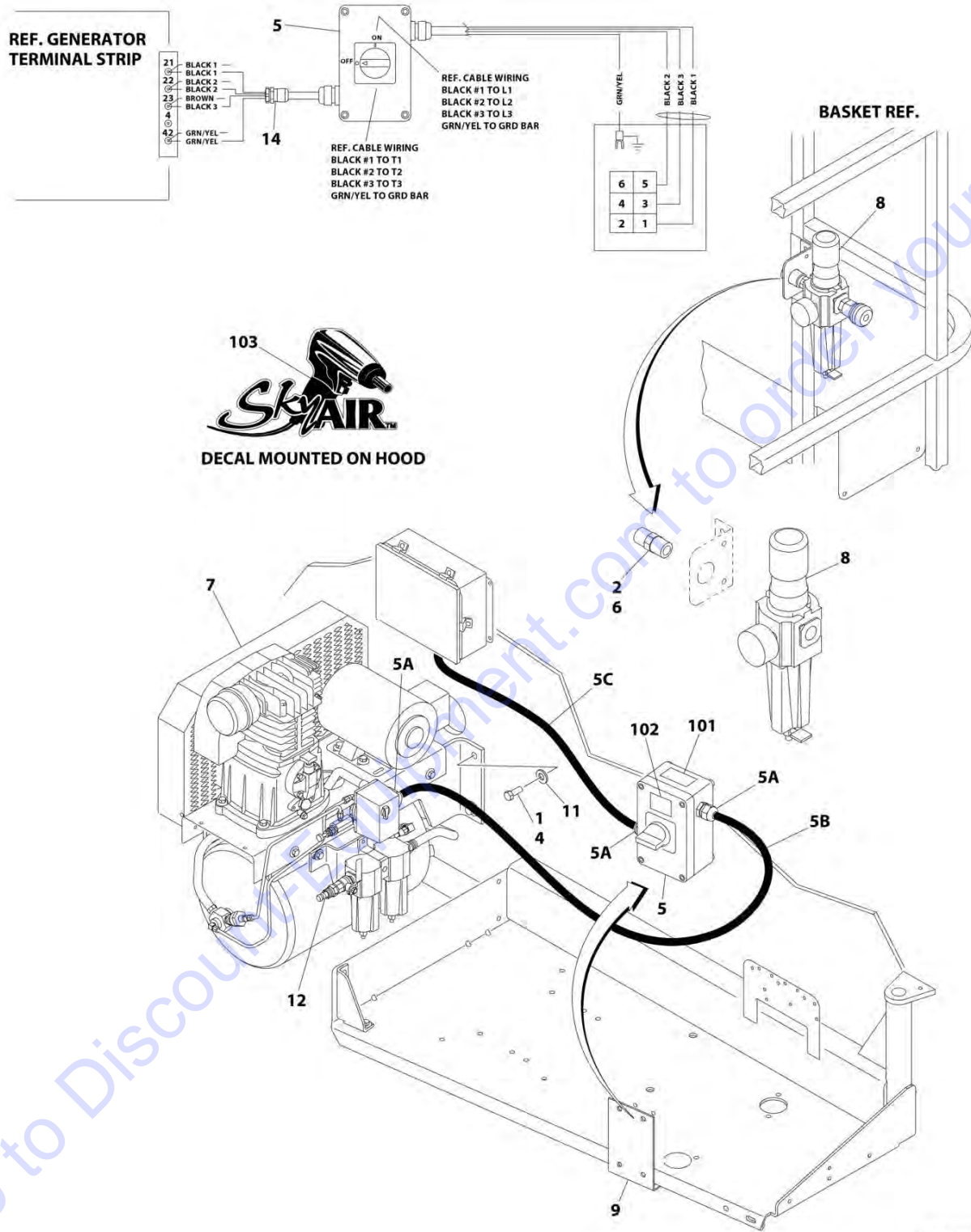
| ITEM | PART NUMBER | QTY | DESCRIPTION | REV |
|------|-------------|-----|--|-----|
| 110 | 4360070 | 1 | Circuit Breaker - 15Amp | |
| 111 | 3311001 | 6 | Nut #10-24NC | |
| 112 | 4711000 | 10 | Flatwasher #10 Thin | |
| 113 | 1001158008 | 2 | Stand-off | |
| 114 | 10702077 | 2 | Screw #10-32NF x 3/8in | |
| 115 | 10702082 | 2 | Screw #10-32NF x 3/4in | |
| 116 | 4460425 | 2 | Strain Relief, Terminal | |
| 117 | 4460426 | 2 | Connector, Strain Relief | |
| 118 | 1001157520 | 1 | Block, Terminal - 6 Pole | |
| 120 | 1001158007 | 1 | Cover | |
| 121 | 4750600 | 1 | Flatwasher #6 Wide | |
| 122 | 4760600 | 1 | Lockwasher #6 | |
| 125 | 1671092 | 1 | Cover | |
| 126 | 4460963 | 1 | Connector | |
| 128 | | Ref | Terminal Block Assembly (See Items 401-410 for Breakdown) (SN 0300096000 through 0300182752) | |
| 128 | NPN | 1 | Gray Terminal Block Assembly | |
| 128 | 1001121340 | 1 | Tan Terminal Block Assembly | |
| | 0272435 | Ref | DECAL INSTALLATION | C |
| 201 | 1705460 | 2 | Decal - SkyPower | |
| 202 | 1705374 | 1 | Decal - 240V-60Hz (SN 0300096000 through 0300201771) | |
| 203 | 1705375 | 1 | Decal - 240V-3 Phase | |
| 204 | 1705387 | 3 | Decal - Hazardous Voltage | |
| | 4933349 | Ref | ELECTRICAL DIAGRAM COMPONENTS | B |
| 301 | 4923420 | 1 | Generator Harness | A |
| 301A | 4460374 | 2 | Plug, Sealed Relay | |
| 301A | 4460375 | 8 | Terminal | |
| 301B | 4460967 | 1 | Plug, Male - 3 Position | |
| 301B | 4460465 | 3 | Socket, Female | |
| 301C | 2400060 | 2 | Fuseholder (Not Shown) | |
| 301C | 2400064 | 2 | Fuse- 5Amp (Not Shown) | |
| 301D | 4460742 | 1 | Connector - 2 Position | |
| 301D | 4460743 | 2 | Socket, Female | |
| 301D | 4460458 | 2 | Seal | |
| 303 | 4922641 | 1 | Switch Harness | |
| | | Ref | TERMINAL BLOCK ASSEMBLY (SN 0300096000 through 0300182752) | |
| | NPN | Ref | Gray Terminal Block Assembly (Complete Assembly Not Available - Purchase Individual Components) | |
| | 1001121340 | Ref | Tan Terminal Block Assembly | A |
| 401 | | Ref | Marker Strip #1 Options: | |
| 401 | 4460411 | 2 | Gray Terminal Block Assembly | |
| 401 | 70002818 | 2 | Tan Terminal Block Assembly | |
| 402 | | Ref | Marker Strip #2 Options: | |
| 402 | 4460412 | 4 | Gray Terminal Block Assembly | |
| 402 | 70002819 | 4 | Tan Terminal Block Assembly | |
| 403 | | Ref | Marker Strip #3 Options: | |
| 403 | 4460413 | 2 | Gray Terminal Block Assembly | |
| 403 | 70002820 | 2 | Tan Terminal Block Assembly | |
| 404 | | Ref | Marker Strip #4 Options: | |
| 404 | 4460414 | 2 | Gray Terminal Block Assembly | |
| 404 | 70002821 | 2 | Tan Terminal Block Assembly | |

SECTION 2 - TURNTABLE

| ITEM | PART NUMBER | QTY | DESCRIPTION | REV |
|------|-------------|-----|---|-----|
| 405 | | Ref | Marker Strip #5 Options: | |
| 405 | 4460415 | 4 | Gray Terminal Block Assembly | |
| 405 | 70002822 | 4 | Tan Terminal Block Assembly | |
| 406 | | Ref | Terminal, End Barrier Options: | |
| 406 | 4460956 | 1 | Gray Terminal Block Assembly | |
| 406 | 70002823 | 1 | Tan Terminal Block Assembly | |
| 407 | | Ref | Terminal, End Block Options: | |
| 407 | 4460607 | 2 | Gray Terminal Block Assembly | |
| 407 | 70002824 | 2 | Tan Terminal Block Assembly | |
| 408 | | Ref | Terminal, Block Options: | |
| 408 | 4460957 | 7 | Gray Terminal Block Assembly | |
| 408 | 70002825 | 7 | Tan Terminal Block Assembly | |
| 409 | | Ref | Terminal, Cross Connector Jumper Options: | |
| 409 | 4461001 | 2 | Gray Terminal Block Assembly | |
| 409 | 70002826 | 2 | Tan Terminal Block Assembly | |
| 410 | 3641533 | 1 | Rail, Relay | |

SECTION 2 - TURNTABLE

FIGURE 2-40. SKYAIR AIR COMPRESSOR INSTALLATION



ART_0273512

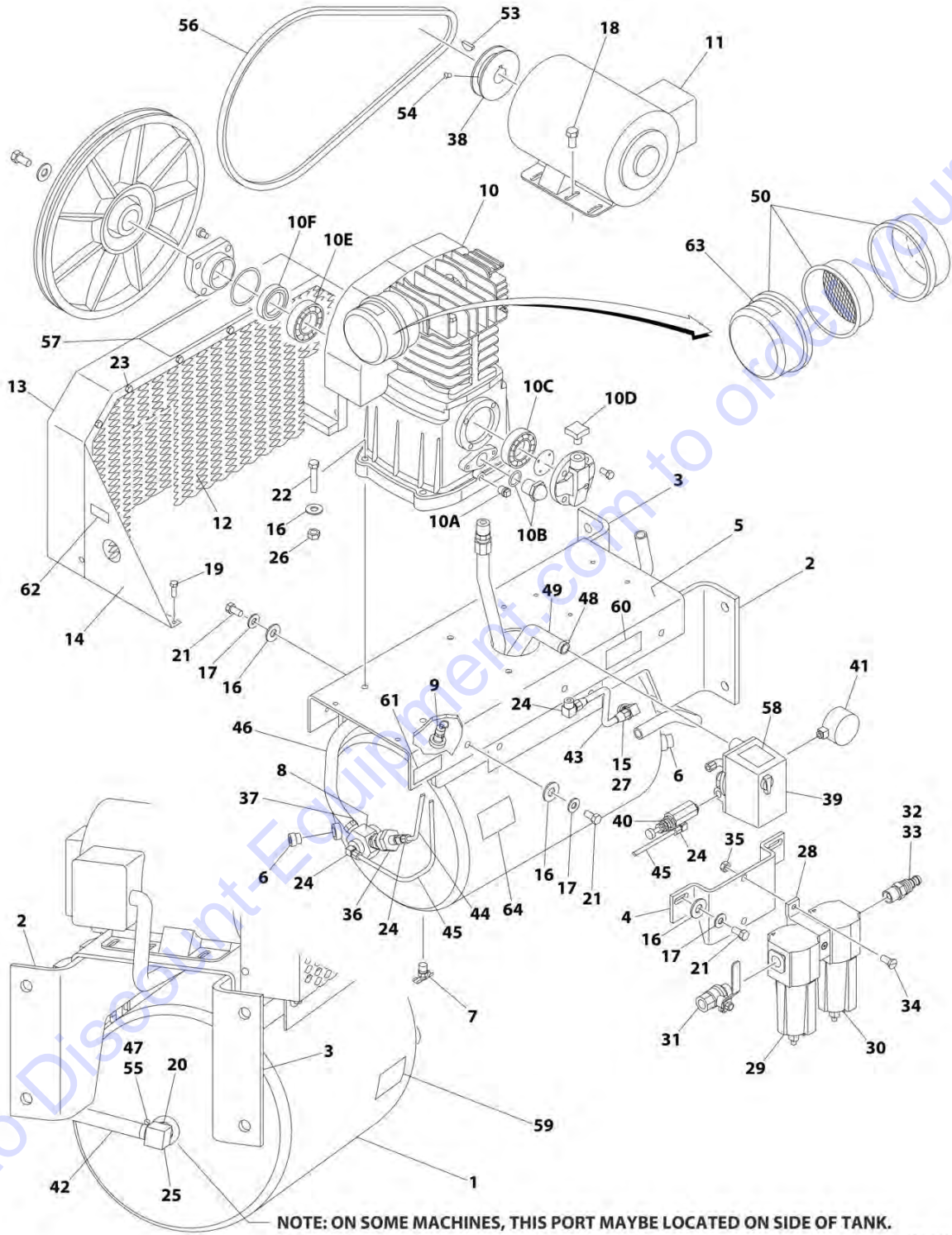
SECTION 2 - TURNTABLE

FIGURE 2-40. SKYAIR AIR COMPRESSOR INSTALLATION

| ITEM | PART NUMBER | QTY | DESCRIPTION | REV |
|------|-------------|-----|---|-----|
| | 0273512 | Ref | SKYAIR AIR COMPRESSOR INSTALLATION | B |
| | | Ref | Note: ANSI Export Specs Only. | |
| 1 | 0100019 | AR | Compound, Locking | |
| 2 | 0100020 | AR | Sealant | |
| 4 | 0641810 | 4 | Bolt 1/2 x 1-1/4 | |
| 5 | 0861642 | 1 | Control Box Assembly | |
| 5A | 4460633 | 3 | Connector, Strain Relief | |
| 5B | 70002948 | AR | Cable, Electrical - 12/4 (13ft/4m) | |
| 5C | 70002948 | AR | Cable, Electrical - 12/4 (30in/76cm) | |
| 6 | 2220252 | 1 | Fitting, Adapter | |
| 7 | 3600399 | 1 | Compressor Assembly (See AIR COMPRESSOR ASSEMBLY for Breakdown) | |
| 8 | 3720021 | 1 | Filter/Regulator Assembly | |
| 8 | 7027781 | 1 | Service Kit (Includes Gaskets and Seals) | |
| 8 | 7027782 | 1 | Filter | |
| 8 | 7027784 | 1 | Gauge | |
| 8 | 7027783 | 1 | Valve, Drain | |
| 9 | 4340749 | 1 | Bracket, Control Box | |
| 11 | 4751800 | 4 | Washer 1/2 | |
| 12 | 2220750 | 1 | Fitting | |
| 14 | 4460428 | 1 | Connector, Strain Relief | |
| | 0273710 | Ref | DECAL INSTALLATION | A |
| 101 | 1705836 | 1 | Decal - Hazard Voltage | |
| 102 | 1705837 | 1 | Decal - Air Compressor | |
| 103 | 1705886 | 2 | Decal - SkyAir | |

SECTION 2 - TURNTABLE

FIGURE 2-41. AIR COMPRESSOR ASSEMBLY



ART_3600399

SECTION 2 - TURNTABLE

FIGURE 2-41. AIR COMPRESSOR ASSEMBLY

| ITEM | PART NUMBER | QTY | DESCRIPTION | REV |
|------|-------------|-----|--|-----|
| | 3600399 | Ref | AIR COMPRESSOR ASSEMBLY | A |
| 1 | 7026632 | 1 | Tank | |
| 2 | See Note | 1 | Bracket, Mounting (Note: Not Available for Purchase) | |
| 3 | See Note | 1 | Bracket, Mounting (Note: Not Available for Purchase) | |
| 4 | See Note | 1 | Bracket, Regulator Mounting (Note: Not Available for Purchase) | |
| 5 | See Note | 1 | Deck (Note: Not Available for Purchase) | |
| 6 | See Note | 2 | Plug (Note: Not Available for Purchase) | |
| 7 | 7026633 | 1 | Valve, Drain | |
| 8 | 7026634 | 1 | Valve, Check | |
| 9 | 7026635 | 1 | Valve, Safety | |
| 10 | 7026636 | 1 | Pump Assembly | |
| 10 | 7026659 | 1 | Gasket and Seal Kit | |
| 10A | 7026651 | 1 | Plug, Oil Drain | |
| 10B | 7026652 | 1 | Gauge, Oil Sight | |
| 10C | 7026653 | 1 | Bearing | |
| 10D | 7026654 | 1 | Cap, Oil Fill | |
| 10E | 7026655 | 1 | Bearing | |
| 10F | 7026656 | 1 | Seal | |
| 11 | 7026637 | 1 | Motor Assembly | |
| 11 | See Note | 1 | Brush Kit (Note: Not Available for Purchase) | |
| 12 | See Note | 1 | Screen, Inner (Note: Not Available for Purchase) | |
| 13 | See Note | 1 | Guard, Belt (Note: Not Available for Purchase) | |
| 14 | See Note | 2 | Support (Note: Not Available for Purchase) | |
| 15 | See Note | 1 | Bushing (Note: Not Available for Purchase) | |
| 16 | 4751600 | 18 | Washer 3/8 | |
| 17 | 4761600 | 10 | Washer 3/8 | |
| 18 | 0641506 | 4 | Bolt 5/16 x 3/4 | |
| 19 | 0641406 | 8 | Bolt 1/4 x 3/4 | |
| 20 | See Note | 1 | Bushing (Note: Not Available for Purchase) | |
| 21 | 0641610 | 10 | Bolt 3/8 x 1-1/4 | |
| 22 | 0641616 | 4 | Bolt 3/8 x 2 | |
| 23 | See Note | 10 | Bolt 1/4 x 1/2 (Note: Not Available for Purchase) | |
| 24 | See Note | 4 | Fitting (Note: Not Available for Purchase) | |
| 25 | See Note | 1 | Fitting, Barbed (Note: Not Available for Purchase) | |
| 26 | 3311605 | 4 | Nut 3/8 | |
| 27 | See Note | 1 | Fitting, Compression (Note: Not Available for Purchase) | |
| 28 | See Note | 1 | Bracket, Mounting (Note: Not Available for Purchase) | |
| 29 | 7026660 | 1 | Filter, Oil Removal | |
| 30 | 7026661 | 1 | Filter, Water Removal | |
| 31 | 70001663 | 1 | Valve, Ball Shut-Off | |
| 32 | See Note | 1 | Bushing (Note: Not Available for Purchase) | |
| 33 | See Note | 1 | Fitting, Barbed (Note: Not Available for Purchase) | |
| 34 | See Note | 2 | Screw 1/4 x 1 (Note: Not Available for Purchase) | |
| 35 | 3311405 | 2 | Nut 1/4 | |
| 36 | See Note | 1 | Unloader (Note: Not Available for Purchase) | |
| 37 | See Note | 1 | Fitting (Note: Not Available for Purchase) | |
| 38 | See Note | 1 | Pulley (Note: Not Available for Purchase) | |
| 39 | 7026638 | 1 | Switch, Pressure | |
| 40 | 7026639 | 1 | Valve, Pilot | |
| 41 | 7026640 | 1 | Gauge | |

SECTION 2 - TURNTABLE

| ITEM | PART NUMBER | QTY | DESCRIPTION | REV |
|------|-------------|-------|--|-----|
| 42 | See Note | 1 | Hose (Note: Not Available for Purchase) | |
| 43 | See Note | 1 | Tube, Feed (Note: Not Available for Purchase) | |
| 44 | See Note | 1 | Tube (Note: Not Available for Purchase) | |
| 45 | See Note | 1 | Tube (Note: Not Available for Purchase) | |
| 46 | See Note | 1 | Aftercooler (Note: Not Available for Purchase) | |
| 47 | See Note | 2 | Clamp (Note: Not Available for Purchase) | |
| 48 | See Note | 2 | Clamp (Note: Not Available for Purchase) | |
| 49 | See Note | 1 | Harness, Wiring (Note: Not Available for Purchase) | |
| 50 | 7026658 | 1 | Filter Assembly | |
| 50 | 7026641 | 1 | Element, Filter | |
| 51 | See Note | 23 oz | Oil, Compressor (Note: Not Available for Purchase) (Not Shown) | |
| 52 | 0100020 | AR | Sealant (Not Shown) | |
| 53 | See Note | 1 | Key (Note: Not Available for Purchase) | |
| 54 | See Note | 2 | Setscrew (Note: Not Available for Purchase) | |
| 55 | See Note | 2 | Cover, Clamp End (Note: Not Available for Purchase) | |
| 56 | 7026642 | 1 | Belt | |
| 57 | 7026643 | 1 | Decal - Unit Warning | |
| 58 | 7026644 | 1 | Decal - Pressure Switch Warning | |
| 59 | 7026645 | 1 | Decal - Drain Tank Warning | |
| 60 | 7026646 | 1 | Decal - Compressor Maintenance | |
| 61 | 7026647 | 1 | Decal - Initial Oil Fill | |
| 62 | 7026648 | 1 | Decal - Hot Surfaces Warning | |
| 63 | 7026649 | 1 | Decal - Paper Element Cleaning | |
| 64 | 7026650 | 1 | Decal - Dual Control | |

SECTION 3 - BOOM

Go to Discount-Equipment.com to order your parts

SECTION 3 - BOOM

FIGURE 3-1. BOOM INSTALLATIONS

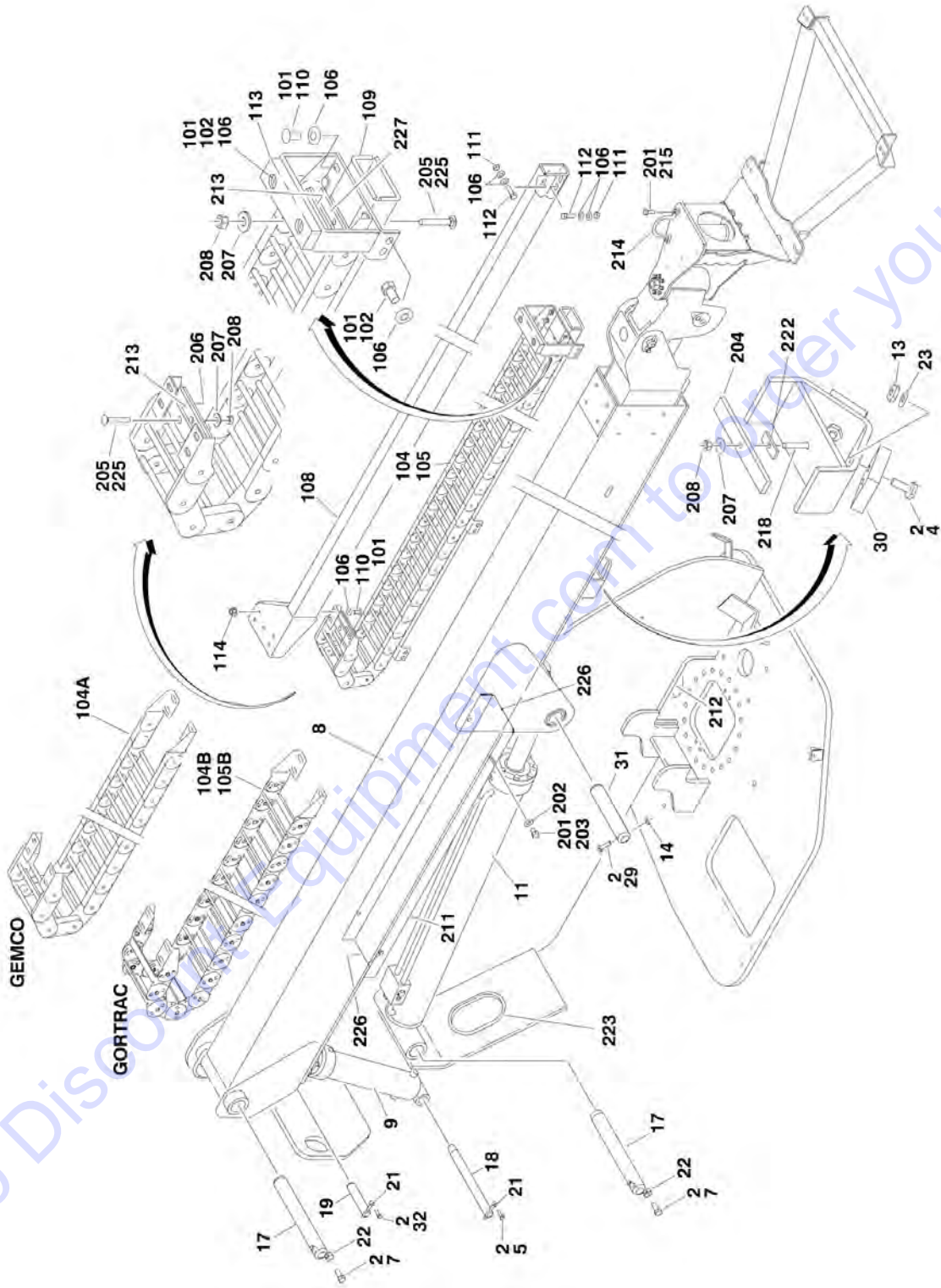


FIGURE 3-1. BOOM INSTALLATIONS

| ITEM | PART NUMBER | QTY | DESCRIPTION | REV |
|------|-------------|-------|--|-----|
| | | Ref | BOOM AND CYLINDERS INSTALLATION | |
| | 0273065 | Ref | Boom and Cylinders Installation 400S | D |
| | 0272999 | Ref | Boom and Cylinders Installation 460SJ | E |
| 2 | 0100011 | AR | Locking, Compound | |
| 4 | 0641610 | 4 | Bolt 3/8in-16NC x 1-1/4in | |
| 5 | 0641608 | 1 | Bolt 3/8in-16NC x 1in | |
| 7 | 0642012 | 2 | Bolt 5/8in-11NC x 1-1/2in | |
| 8 | | Ref | Boom Assembly Options: | |
| 8 | 0801359 | 1 | Boom Assembly 400S (See BOOM ASSEMBLY - 400S for Breakdown) | |
| 8 | 0801360 | 1 | Boom Assembly 460SJ (See BOOM ASSEMBLY- 460SJ for Breakdown) | |
| 9 | | Ref | Master Cylinder Assembly Options (See CYLINDER SECTION for Breakdown): | |
| 9 | 1684284 | NLA | Master Cylinder Assembly (SN 0300096000 through 0300165144) | |
| 9 | 1001140587 | 1 | Master Cylinder Assembly (SN 0300165145 through 0300203770) | |
| 11 | 1683776 | 1 | Lift Cylinder Assembly (See CYLINDER SECTION for Breakdown) | |
| 13 | 3311601 | 4 | Nut 3/8in-16NC | |
| 14 | 3311605 | AR | Locknut 3/8in-16NC | |
| 17 | 3422564 | 2 | Pin, Pivot | |
| 18 | 3422566 | 1 | Pin, Pivot | |
| 19 | 3422561 | 1 | Pin, Pivot | |
| 21 | 3841143 | AR | Keeper, Pin - 3/8in | |
| 22 | 3841258 | 2 | Keeper, Pin - 5/8in | |
| 23 | 4711600 | 8 | Flatwasher 3/8in Thin | |
| 29 | 0681632 | 1 | Bolt 3/8in-16NC x 4in (Grade 8) | |
| 30 | 3340853 | 2 | Pad, Boom Rest | |
| 31 | 3422851 | 1 | Pin, Boom Lift | |
| 32 | 0641606 | 1 | Bolt 3/8in-16NC x 3/4in | |
| | | Ref | POWERTRACK INSTALLATION | |
| | 0270213 | Ref | Standard Powertrack | D |
| | 0272897 | Ref | Inverted Powertrack | B |
| 101 | 0100011 | AR | Locking, Compound | |
| 102 | 0641605 | 10 | Bolt 3/8in-16NC x 5/8in | |
| 104 | | Ref | Power Track Assembly Options: | |
| | | Ref | Note: Original Power Track may have been replaced with a Service Replacement. Visually identify the power track before ordering parts. | |
| 104 | 1180336 | NLA | Standard Power Track Assembly (Original Equipment) (Use p/n 1001225901) | |
| 104 | 1001099830 | NLA | Standard Power Track Assembly (Service Replacement) (Use p/n 1001225901) | |
| 104 | 1001225901 | 1 | Standard Power Track Assembly (Service Replacement) | |
| 104A | | Ref | Gemco Brand Replacement Parts: | |
| 104A | 7006140 | AR | Repair Section for p/n 1180336 Power Track (Includes 10 Link Pins, 4 Radius Links, 8 Carrier Links, 4 Rod Carrier, 8 Screws, 10 Slugs and 20 Bearing Plates) | |
| 104A | 7006151 | 2 pr. | Feet, Mounting for p/n 1180336 Power Track (Includes 2 Round Spacers, Left and Right Mounting Feet) | |

SECTION 3 - BOOM

| ITEM | PART NUMBER | QTY | DESCRIPTION | REV |
|------|-------------|-----------|---|-----|
| 104A | 7006152 | AR | Pin Kit for p/n 1180336 Power Track (Includes 1 Pin, 1 Retaining Ring and Set of 4 Washers (Different Sizes)) | |
| 104B | | Ref | Gortrac Brand Replacement Parts: | |
| 104B | 70001994 | AR | Repair Section - 4 Links for 1001099830 Power Track | |
| 104B | 70001995 | 1 | Mounting Bracket Kit for 1001099830 Power Track | |
| 104B | 70006268 | AR | Repair Section - 1001225901 Power Track | |
| 104B | 70006277 | 1 | Mounting Bracket Kit for 1001225901 Power Track | |
| 105 | 1180379 | 1 | Inverted Power Track Assembly | |
| 105B | 7016505 | AR | Repair Section for 1180379 Power Track (Includes extra pin assemblies for each end but no mounting feet) | |
| 105B | 7016524 | 2 pr. | Feet, Mounting for 1180379 Power Track (Includes 1 each of Left and Right Mounting Feet) | |
| 105B | 7006137 | AR | Pin Kit for 1180379 Power Track (Includes 1 Pin, 1 Retaining Ring and Set of 4 Washers (Different Sizes)) | |
| 106 | 4711600 | 26 | Flatwasher 3/8in Thin | |
| 108 | 4846216 | 1 | Tube, Push | |
| 109 | 4846186 | 1 | Tube, Carrier | |
| 110 | 3900283 | 8 | Screw, Button Head 3/8in-16NC x 3/4in | |
| 111 | 3311601 | 4 | Nut 3/8in-16NC | |
| 112 | 0641609 | 4 | Bolt 3/8in-16NC x 1/8in | |
| 113 | 3340453 | 1 | Pad, Wear | |
| 114 | 3311608 | 4 | Nut, Flanged 3/8in-16NC | |
| | | Ref | BOOM CABLE CLAMPS INSTALLATION | |
| | 0271160 | Ref | Boom Cable Clamps Installation 400S (ANSI and ANSI Export Specs) | A |
| | 1001093916 | Ref | Boom Cable Clamps Installation 400S with Arctic Package (ANSI and ANSI Export Specs) | D |
| | 0271162 | Ref | Boom Cable Clamps Installation 400S (Australian and CE Specs) | A |
| | 0272612 | Ref | Boom Cable Clamps Installation 400S with 7500w SkyPower Generator | A |
| | 1001093922 | Ref | Boom Cable Clamps Installation 400S with 7500w SkyPower Generator and Arctic Package | E |
| | 0271159 | Ref | Boom Cable Clamps Installation 460SJ (ANSI and ANSI Export Specs) | A |
| | 1001093919 | Ref | Boom Cable Clamps Installation 460SJ with Arctic Package (ANSI and ANSI Export Specs) | C |
| | 0271161 | Ref | Boom Cable Clamps Installation 460SJ (Australian and CE Specs) | A |
| | 0272613 | Ref | Boom Cable Clamps Installation 460SJ with 7500w SkyPower Generator | A |
| | 1001093924 | Ref | Boom Cable Clamps Installation 460SJ with 7500w SkyPower Generator and Arctic Package | D |
| 201 | 0100011 | AR | Locking, Compound | |
| 202 | 4711600 | 4 | Flatwasher 3/8in Thin | |
| 203 | 0641604 | 4 | Bolt 3/8in-16NC x 1/2in | |
| 204 | 3572200 | 1 | Clamp, Block | |
| 205 | 0630566 | 2 | Bolt, Carriage 5/16in-18NC x 2-1/4in | |
| 206 | 3572345 | 3 | Clamp, Block | |
| 207 | 4751500 | 3 | Flatwasher 5/16in Regular | |
| 208 | 3311505 | 3 | Locknut 5/16in-18NC | |
| 211 | 3572165 | | Cover | |
| 212 | 4060919 | 6 ft/1.8m | Trim, Protection | |
| 213 | | Ref | Pad Options: | |

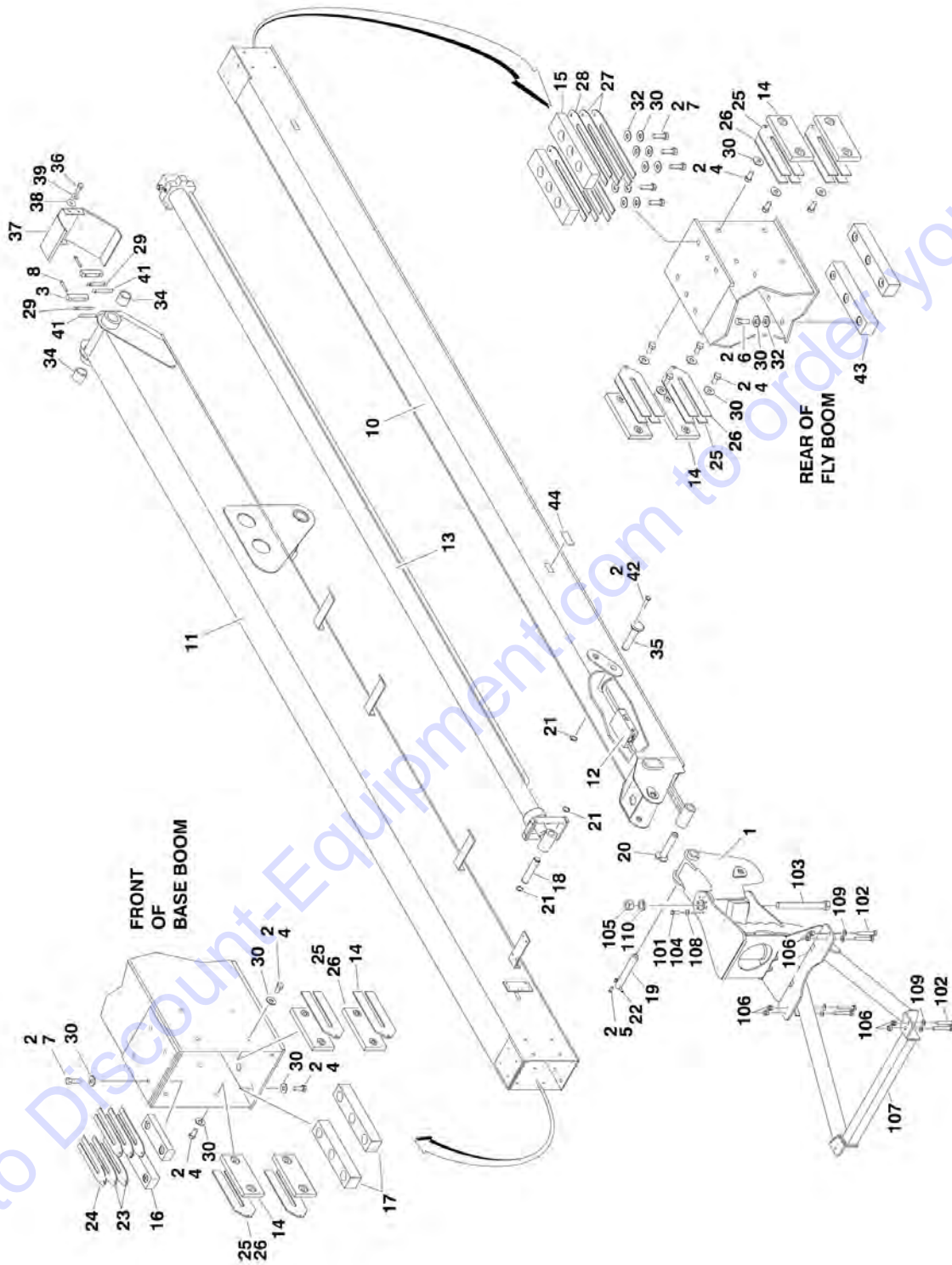
SECTION 3 - BOOM

| ITEM | PART NUMBER | QTY | DESCRIPTION | REV |
|------|-------------|-----------------|--|-----|
| 213 | 3340897 | 2 | Pad (SN 0300096000 through 0300104748) | |
| 213 | 3340942 | 2 | Pad (SN 0300104749 through 0300203770) | |
| 214 | 3841340 | 1 | Rod, Hose Loop | |
| 215 | 0641605 | 2 | Bolt 3/8in-16NC x 5/8in | |
| 218 | 0641516 | 1 | Bolt 5/16in-18NC x 2in | |
| 222 | 3340861 | 1 | Pad (SN 0300181744 through 0300203770) | |
| 223 | 4060808 | 5 ft/1.5m | Trim, Protection | |
| 225 | 0100081 | AR | Adhesive #454 | |
| 226 | 4060805 | 1.5 ft/ 0.5m | Trim, Protection | |
| 227 | | Ref | Clamp Options: | |
| 227 | 3572345 | 1 | Clamp (SN 0300096000 through 0300179055) | |
| 227 | 3340942 | 1 | Clamp (SN 0300179056 through 0300203770) | |

Go to Discount-Equipment.com to order your parts

SECTION 3 - BOOM

FIGURE 3-2. BOOM ASSEMBLY - 400S



PARTS FINDER

**Search Website
by Part Number**



**Search Manual
Library For Parts
Manual & Lookup Part
Numbers – Purchase
or Request Quote**

**Can't Find Part or
Manual? Request Help
by Manufacturer,
Model & Description**

Discount-Equipment.com is your online resource for quality parts & equipment.

Florida: **561-964-4949** Outside Florida TOLL FREE: **877-690-3101**

Need parts?

Click on this link: <http://www.discount-equipment.com/category/5443-parts/> and choose one of the options to help get the right parts and equipment you are looking for. Please have the machine model and serial number available in order to help us get you the correct parts. If you don't find the part on the website or on one of the online manuals, please fill out the request form and one of our experienced staff members will get back to you with a quote for the right part that your machine needs.

We sell worldwide for the brands: Genie, Terex, JLG, MultiQuip, Mikasa, Essick, Whiteman, Mayco, Toro Stone, Diamond Products, Generac Magnum, Airman, Haulotte, Barreto, Power Blanket, Nifty Lift, Atlas Copco, Chicago Pneumatic, Allmand, Miller Curber, Skyjack, Lull, Skytrak, Tsurumi, Husquvarna Target, Stow, Wacker, Sakai, Mi-T-M, Sullair, Basic, Dynapac, MBW, Weber, Bartell, Bennar Newman, Haulotte, Ditch Runner, Menegotti, Morrison, Contec, Buddy, Crown, Edco, Wyco, Bomag, Laymor, EZ Trench, Bil-Jax, F.S. Curtis, Gehl Pavers, Heli, Honda, ICS/PowerGrit, IHI, Partner, Imer, Clipper, MMD, Koshin, Rice, CH&E, General Equipment, Amida, Coleman, NAC, Gradall, Square Shooter, Kent, Stanley, Tamco, Toku, Hatz, Kohler, Robin, Wisconsin, Northrock, Oztec, Toker TK, Rol-Air, APT, Wylie, Ingersoll Rand / Doosan, Innovatech, Con X, Ammann, Mecalac, Makinex, Smith Surface Prep, Small Line, Wanco, Yanmar

SECTION 3 - BOOM

FIGURE 3-2. BOOM ASSEMBLY - 400S

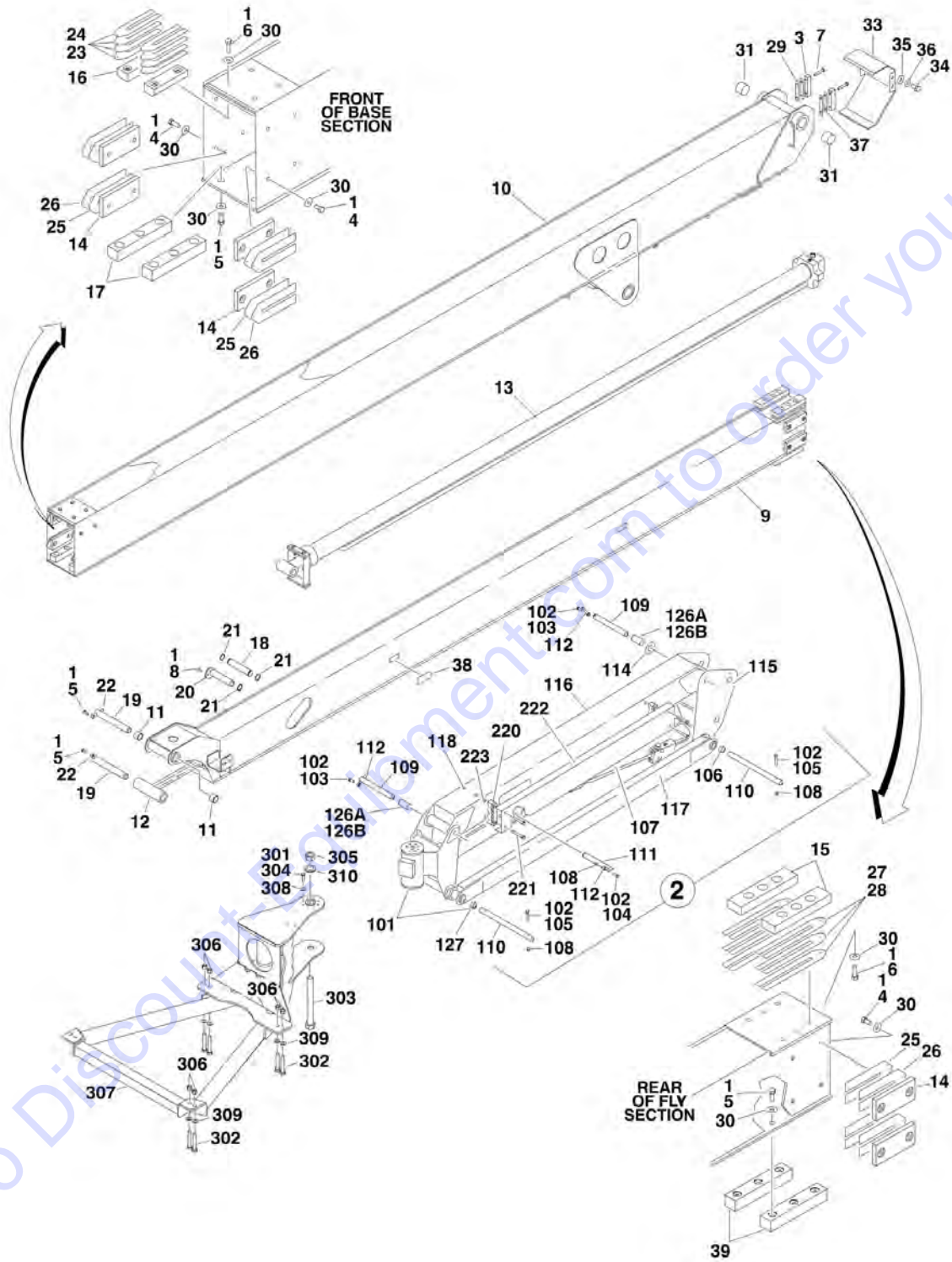
| ITEM | PART NUMBER | QTY | DESCRIPTION | REV |
|------|-------------|-----|--|-----|
| | 0801359 | Ref | BOOM ASSEMBLIES - 400S | F |
| 1 | 0060059 | 1 | Rotator Assembly (See ROTATOR ASSEMBLIES for Breakdown) (SN 0300096000 through 0300200817) | |
| 1 | 1001181050 | 1 | Rotator Assembly (See ROTATOR ASSEMBLIES for Breakdown) (SN 0300200818 through 0300203770) | |
| 2 | 0100011 | AR | Locking, Compound | |
| 3 | 0561185 | 2 | Block, Telescope Cylinder Attach | |
| 4 | 0641606 | 16 | Bolt 3/8in-16NC x 3/4in | |
| 5 | 0641605 | 1 | Bolt 3/8in-16NC x 5/8in | |
| 6 | 0641608 | 6 | Bolt 3/8in-16NC x 1in | |
| 7 | 0641610 | 10 | Bolt 3/8in-16NC x 1-1/4in | |
| 8 | 0641616 | 2 | Bolt 3/8in-16NC x 2in | |
| 10 | 0801213 | 1 | Boom, Fly | |
| 11 | 0801215 | 1 | Boom, Base | |
| 12 | | Ref | Level (Platform Slave) Cylinder Assembly (See CYLINDER SECTION for Breakdown) | |
| 12 | 1683778 | NLA | Level (Platform Slave) Cylinder Assembly (SN 0300096000 through 0300165144) | |
| 12 | 1001140586 | 1 | Level (Platform Slave) Cylinder Assembly (SN 0300165145 through 0300203770) | |
| 13 | 1684194 | 1 | Telescope Cylinder Assembly (See CYLINDER SECTION for Breakdown) | |
| 14 | | Ref | Pad, Wear Options (Fly Rear Sides and Base Front Sides): | |
| 14 | 3340867 | 8 | Pad, Wear (SN 0300096000 through 0300168821) | |
| 14 | 1001149036 | 8 | Pad, Wear (SN 0300168822 through 0300203770) | |
| 15 | 3340868 | 2 | Pad, Wear (Fly Rear Top) | |
| 16 | | Ref | Pad, Wear Options (Base Front Top): | |
| 16 | 3340869 | 2 | Pad, Wear (SN 0300096000 through 0300168821) | |
| 16 | 1001149038 | 2 | Pad, Wear (SN 0300168822 through 0300203770) | |
| 17 | 3340870 | 2 | Pad, Wear (Base Front Bottom) | |
| 18 | 3422457 | 1 | Pin, Telescope Cylinder | |
| 19 | 3422582 | 1 | Pin, Pivot | |
| 20 | 3422865 | 1 | Pin, Pivot | |
| 21 | 3760133 | 3 | Ring, Retaining | |
| 22 | 3841143 | 1 | Keeper, Pin | |
| 23 | 4070497 | 4 | Shim 1/8in | |
| 24 | 4070498 | 2 | Shim 1/16in | |
| 25 | 4070501 | 8 | Shim 1/8in | |
| 26 | 4070502 | 2 | Shim 1/16in | |
| 27 | 4070503 | 4 | Shim 1/8in | |
| 28 | 4070504 | 2 | Shim 1/16in | |
| 29 | 4070929 | 2 | Shim 1/8in | |
| 30 | 4751600 | 26 | Flatwasher 3/8in Regular | |
| 32 | 4711600 | 20 | Flatwasher 3/8in Thin | |
| 33 | 0961951 | 2 | Bushing | |
| 34 | 0961950 | 2 | Bushing | |
| 35 | 3422859 | 1 | Pin | |
| 36 | 0641406 | 4 | Bolt 1/4in-20NC x 3/4in | |
| 37 | 4060995 | 1 | Shield, Rear | |
| 38 | 4751400 | 4 | Flatwasher 1/4in Regular | |
| 39 | 4761400 | 4 | Lockwasher 1/4in | |

SECTION 3 - BOOM

| ITEM | PART NUMBER | QTY | DESCRIPTION | REV |
|------|-------------|-----|---|-----|
| 41 | 4071007 | 2 | Shim, 20 Gauge | |
| 42 | 0741605 | AR | Screw, Flathead Socket 3/8in-16NC x 5/8in | |
| 43 | | Ref | Pad, Wear Options (Fly Rear Bottom): | |
| 43 | 3340870 | 2 | Pad, Wear (SN 0300096000 through 0300168821) | |
| 43 | 1001149039 | 2 | Pad, Wear (SN 0300168822 through 0300203770) | |
| 44 | 1670836 | 6 | Cover Only (SN 0300096000 through 0300128256) | |
| | | Ref | PLATFORM SUPPORT INSTALLATION | |
| | 0272070 | Ref | Machines without Load Sensing and without SkyGlazier | E |
| | See Note | Ref | Machines without Load Sensing and with SkyGlazier (Note: For Replacement Parts, Contact Discount-equipment and Request Manual p/n 3124242) | |
| | See Note | Ref | Machines with Load Sensing and without SkyGlazier (Note: For Replacement Parts, Contact Discount-equipment and Request Manual p/n 3124287) | |
| | See Note | Ref | Machines with Load Sensing and with SkyGlazier (Note: For Replacement Parts, Contact Discount-equipment and Request Manual p/n 3124287) | |
| 101 | 0100011 | AR | Locking, Compound | |
| 102 | 0641812 | 8 | Bolt 1/2in-13NC x 1-1/2in | |
| 103 | 0642684 | 1 | Bolt 1in-8NC x 10-1/2in | |
| 104 | 0681608 | 8 | Bolt 3/8in-16NC x 1in | |
| 105 | 3300243 | 1 | Locknut 1in-8NC | |
| 106 | 3311805 | 8 | Locknut 1/2in-13NC | |
| 107 | 4846573 | 1 | Support Weldment | |
| 108 | 4891600 | 8 | Flatwasher 3/8in Hardened | |
| 109 | 4891800 | 8 | Flatwasher 1/2in Hardened | |
| 110 | 4892600 | 1 | Flatwasher 1in Hardened | |

SECTION 3 - BOOM

FIGURE 3-3. BOOM ASSEMBLY - 460SJ



SECTION 3 - BOOM

FIGURE 3-3. BOOM ASSEMBLY - 460SJ

| ITEM | PART NUMBER | QTY | DESCRIPTION | REV |
|------|-------------|-----|---|-----|
| | 0801360 | Ref | BOOM ASSEMBLIES - 460SJ | F |
| 1 | 0100011 | AR | Locking, Compound | |
| 2 | 0272593 | 1 | Jib Assembly (See Items 101-127 for Breakdown) | |
| 3 | 0561185 | 2 | Block, Telescope Cylinder Attach | |
| 4 | 0641606 | 16 | Bolt 3/8in-16NC x 3/4in | |
| 5 | 0641608 | 14 | Bolt 3/8in-16NC x 1in | |
| 6 | 0641610 | 10 | Bolt 3/8in-16NC x 1-1/4in | |
| 7 | 0641616 | 2 | Bolt 3/8in-16NC x 2in | |
| 8 | 0741605 | 1 | Screw, Flathead Socket 3/8in-16NC x 5/8in | |
| 9 | 0801214 | 1 | Boom, Fly | |
| 10 | 0801216 | 1 | Boom, Base | |
| 11 | 0961951 | 2 | Bushing | |
| 12 | 1684013 | 1 | Platform Level Cylinder Assembly (See CYLINDER SECTION for Breakdown) | |
| 13 | 1684194 | 1 | Telescope Cylinder Assembly (See CYLINDER SECTION for Breakdown) | |
| 14 | | Ref | Pad, Wear Options (Fly Rear Sides and Base Front Sides): | |
| 14 | 3340867 | 8 | Pad, Wear (SN 0300096000 through 0300168821) | |
| 14 | 1001149036 | 8 | Pad, Wear (SN 0300168822 through 0300203770) | |
| 15 | 3340868 | 2 | Pad, Wear (Fly Rear Top) | |
| 16 | | Ref | Pad, Wear Options (Base Front Top): | |
| 16 | 3340869 | 2 | Pad, Wear (SN 0300096000 through 0300168821) | |
| 16 | 1001149038 | 2 | Pad, Wear (SN 0300168822 through 0300203770) | |
| 17 | 3340870 | 2 | Pad, Wear (Base Front Bottom) | |
| 18 | 3422457 | 1 | Pin, Telescope Cylinder | |
| 19 | 3422561 | 2 | Pin, Pivot | |
| 20 | 3422859 | 1 | Pin, Pivot | |
| 21 | 3760133 | 3 | Ring, Retaining | |
| 22 | 3841143 | 2 | Keeper, Pin | |
| 23 | 4070497 | 4 | Shim 1/8in | |
| 24 | 4070498 | 4 | Shim 1/16in | |
| 25 | 4070501 | 8 | Shim 1/8in | |
| 26 | 4070502 | 8 | Shim 1/16in | |
| 27 | 4070503 | 2 | Shim 1/8in | |
| 28 | 4070504 | 4 | Shim 1/16in | |
| 29 | 4070929 | 2 | Shim 1/8in | |
| 30 | 4751600 | 26 | Flatwasher 3/8in Regular | |
| 31 | 0961950 | 2 | Bearing | |
| 33 | 4060995 | 1 | Cover, Rear | |
| 34 | 0641406 | 4 | Bolt 1/4in-20NC x 3/4in | |
| 35 | 4751400 | 4 | Flatwasher 1/4in Regular | |
| 36 | 4761400 | 4 | Lockwasher 1/4in | |
| 37 | 4071007 | 2 | Shim, 20 Gauge | |
| 38 | 1670836 | 6 | Cover Only (SN 0300096000 through 0300128256) | |
| 39 | | Ref | Pad, Wear Options (Fly Rear Bottom): | |
| 39 | 3340870 | 2 | Pad, Wear (SN 0300096000 through 0300168821) | |
| 39 | 1001149039 | 2 | Pad, Wear (SN 0300168822 through 0300203770) | |
| | 0272593 | Ref | JIB ASSEMBLIES | F |
| 101 | 0060048 | 1 | Rotator Assembly (See ROTATOR ASSEMBLIES for Breakdown) (SN 0300096000 through 0300200817) | |

SECTION 3 - BOOM

| ITEM | PART NUMBER | QTY | DESCRIPTION | REV |
|------|-------------|-----|---|-----|
| 101 | 1001181051 | 1 | Rotator Assembly (See ROTATOR ASSEMBLIES for Breakdown) (SN 0300200818 through 0300203770) | |
| 102 | 0100011 | AR | Locking, Compound | |
| 103 | 0641608 | AR | Bolt 3/8in-16NC x 1in | |
| 104 | 0641610 | 1 | Bolt 3/8in-16NC x 1-1/4in | |
| 105 | 0641618 | 4 | Bolt 3/8in-16NC x 2-1/4in | |
| 106 | 0961947 | Ref | Bushing Options: | |
| 106 | 0961947 | 2 | Bushing (SN 0300096000 through 0300129071) | |
| 106 | 0961947 | 4 | Bushing (SN 0300129072 through 0300203770) | |
| | | Ref | Note: For machines SN 0300096000 to SN 0300129071, when replacing 106, recommend using qty 4 instead of qty 2. | |
| 107 | 1683609 | NLA | Jib Lift Cylinder Assembly (Use p/n 1001248012) (Original Equipment) (See CYLINDER SECTION for Breakdown) | |
| 107 | 1001228012 | NLA | Jib Lift Cylinder Assembly (Use p/n 1001248012) (Service Replacement) (See CYLINDER SECTION for Breakdown) | |
| 107 | 1001248012 | 1 | Jib Lift Cylinder Assembly (Service Replacement) (See CYLINDER SECTION for Breakdown) | |
| 108 | 3311605 | 5 | Locknut 3/8in-16NC | |
| 109 | 3422860 | 2 | Pin, Pivot | |
| 110 | 3422861 | 2 | Pin, Pivot | |
| 111 | 3422867 | 1 | Pin, Pivot | |
| 112 | 3841143 | 3 | Keeper, Pin - 3/8in | |
| 114 | 4740439 | 2 | Thrustwasher | |
| 115 | 4844815 | 1 | Pivot Weldment (SN 0300096000 through 0300200817) | |
| 115 | 1001169384 | 1 | Pivot Weldment (SN 0300200818 through 0300203770) | |
| 116 | 4844816 | 1 | Tube (Top) (Includes Item 126B) | |
| 117 | 4844817 | 2 | Tube (Bottom) | |
| 118 | 3520034 | 4 | Plug, Hole (SN 0300103508 through 0300203770) | |
| 126 | | Ref | Bushing Options: | |
| 126A | 0961947 | NLA | Bushing (Use p/n 0962335) (SN 0300096000 through 0300097070) | |
| 126B | 0962335 | 4 | Bushing (Part of Item 116) (SN 0300097071 through 0300203770) | |
| 127 | 0961947 | 2 | Bushing (Part of Item 101) (SN 0300129072 through 0300203770) | |
| | | Ref | BOOM CABLES INSTALLATION | |
| | 0271159 | Ref | Boom Cables Installation 460SJ (ANSI and ANSI Export Specs) | A |
| | 1001093919 | Ref | Boom Cables Installation 460SJ with Arctic Package (ANSI and ANSI Export Specs) | B |
| | 0271161 | Ref | Boom Cables Installation 460SJ (Australian and CE Specs) | A |
| | 0272613 | Ref | Boom Cables Installation 460SJ with 7500w SkyPower Generator | A |
| | 1001093924 | Ref | Boom Cables Installation 460SJ with 7500w SkyPower Generator and Arctic Package | C |
| 220 | 0561237 | 2 | Clamp, Block | |
| 221 | 0641416 | 4 | Bolt 1/4in-20NC x 2in | |
| 222 | 1670769 | 1 | Cover | |
| 223 | 2080044 | 4 | Fastener, Rivnut | |
| | | Ref | PLATFORM SUPPORT INSTALLATION | |
| | 0272070 | Ref | Machines without Load Sensing and without SkyGlazier | E |
| | See Note | Ref | Machines without Load Sensing and with SkyGlazier (Note: For Replacement Parts, Contact Discount-equipment and Request Manual p/n 3124242) | |

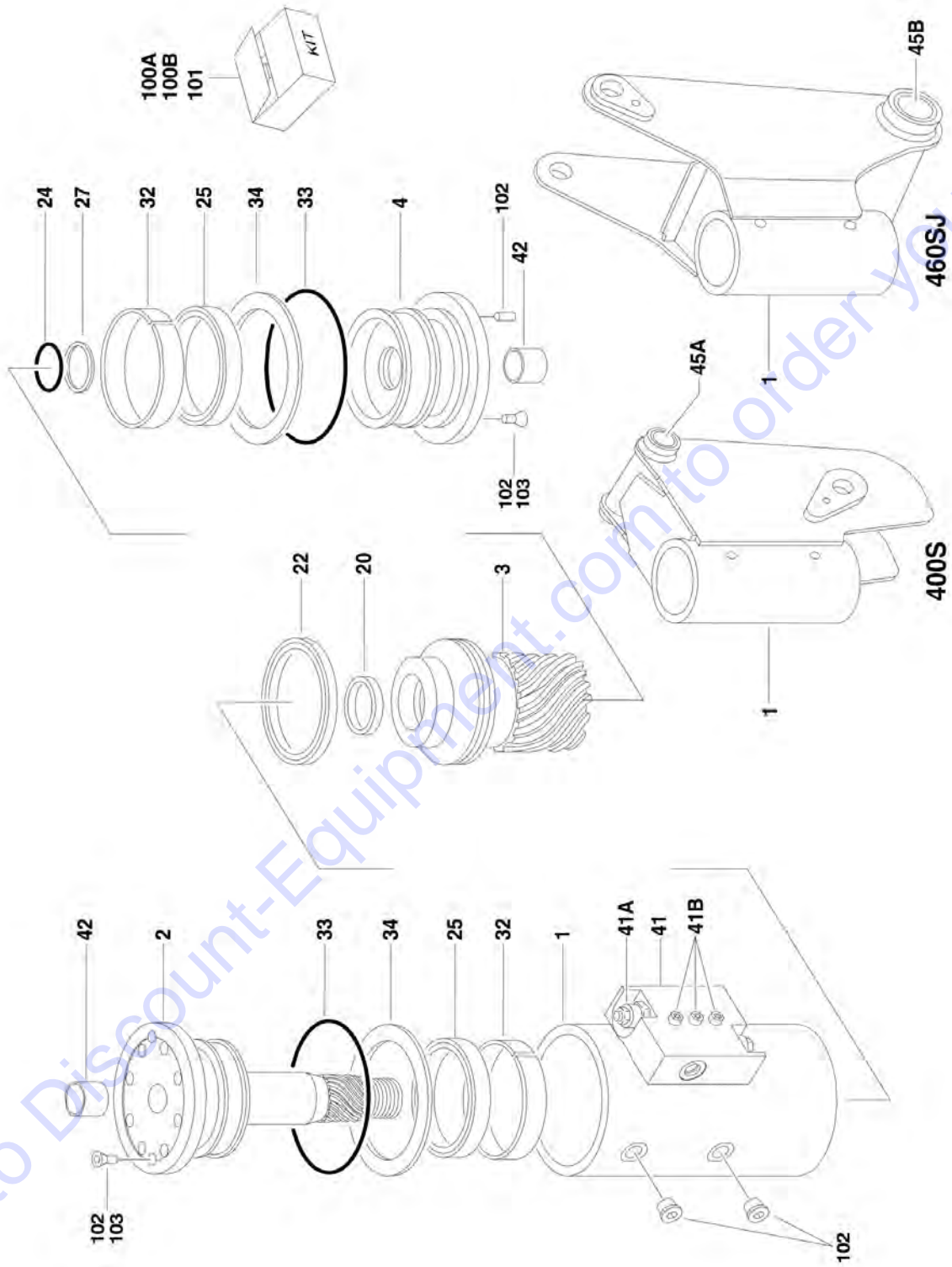
SECTION 3 - BOOM

| ITEM | PART NUMBER | QTY | DESCRIPTION | REV |
|------|-------------|-----|---|-----|
| | See Note | Ref | Machines with Load Sensing and without SkyGlazier (Note: For Replacement Parts, Contact Discount-equipment and Request Manual p/n 3124287) Machines with Load Sensing and with SkyGlazier (Note: For Replacement Parts, Contact Discount-equipment and Request Manual p/n 3124287) | |
| | See Note | Ref | | |
| 301 | 0100011 | AR | Locking, Compound | |
| 302 | 0641812 | 8 | Bolt 1/2in-13NC x 1-1/2in | |
| 303 | 0642684 | 1 | Bolt 1in-8NC x 10-1/2in | |
| 304 | 0681608 | 8 | Bolt 3/8in-16NC x 1in | |
| 305 | 3300243 | 1 | Locknut 1in-8NC | |
| 306 | 3311805 | 8 | Locknut 1/2in-13NC | |
| 307 | 4846573 | 1 | Support Weldment | |
| 308 | 4891600 | 8 | Flatwasher 3/8in Hardened | |
| 309 | 4891800 | 8 | Flatwasher 1/2in Hardened | |
| 310 | 4892600 | 1 | Flatwasher 1in Hardened | |

Go to Discount-Equipment.com to order your parts

SECTION 3 - BOOM

FIGURE 3-4. ROTATOR ASSEMBLIES (SN 0300096000 through 0300200817)



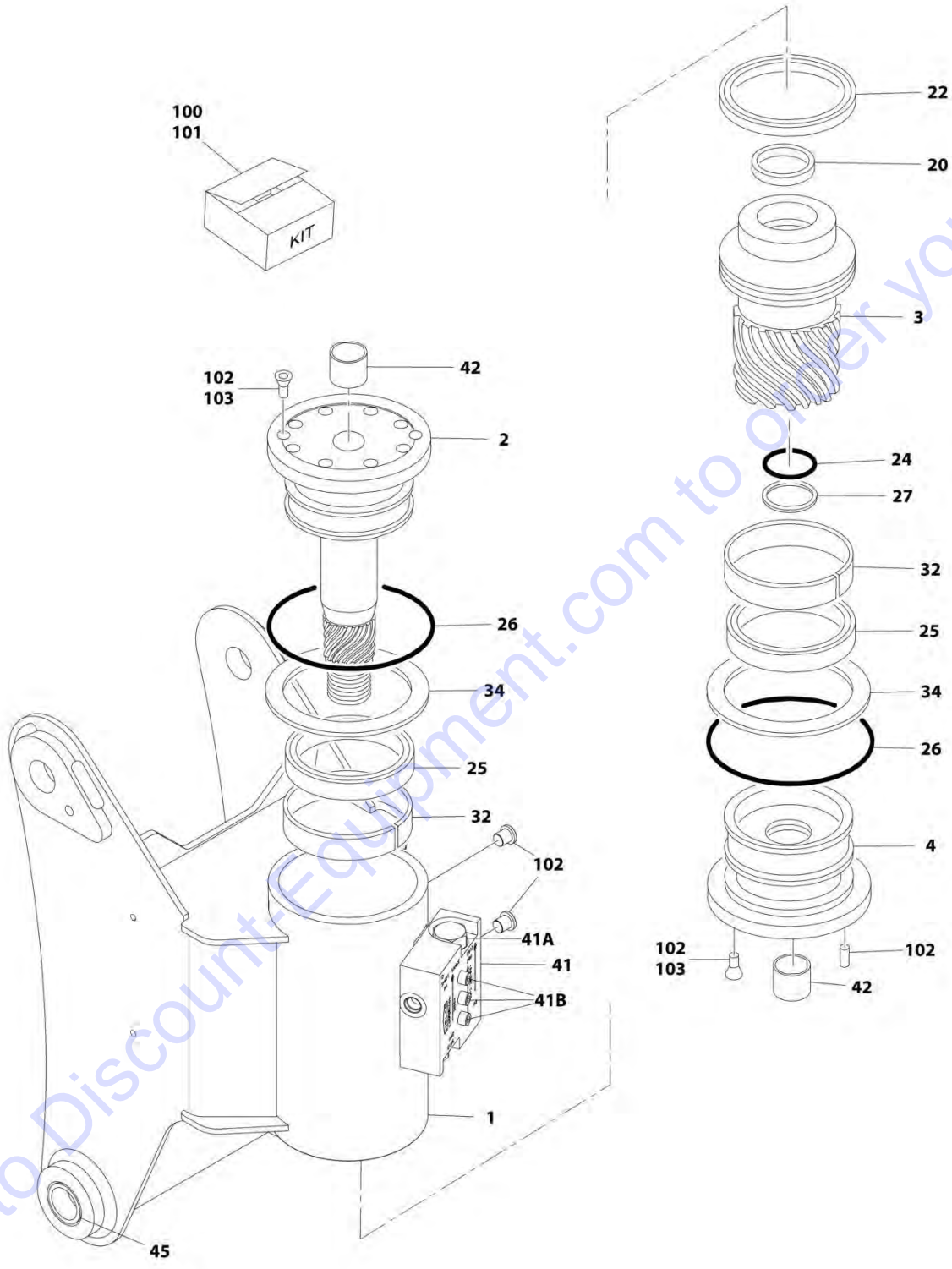
SECTION 3 - BOOM

FIGURE 3-4. ROTATOR ASSEMBLIES (SN 0300096000 through 0300200817)

| ITEM | PART NUMBER | QTY | DESCRIPTION | REV |
|------|-------------|-----|---|-----|
| | | Ref | ROTATOR ASSEMBLIES | |
| | 0060059 | Ref | Rotator Assemblies 400S | F |
| | 0060048 | Ref | Rotator Assemblies 460SJ | J |
| 1 | See Note | 1 | Housing/Ring Gear Assembly (Note: Not Available - Purchase Complete Rotator Assembly) | |
| 2 | 7017162 | 1 | Shaft Weldment | |
| 3 | 7017163 | 1 | Piston/Sleeve Assembly | |
| 4 | 7017164 | 1 | Cap, End | |
| 20 | See Note | 1 | T-Seal (Note: Use Item 100A or 100B) | |
| 22 | See Note | 1 | T-Seal (Note: Use Item 100A or 100B) | |
| 24 | See Note | 1 | O-Ring (Note: Use Item 100A or 100B) | |
| 25 | See Note | 2 | Seal (Note: Use Item 100A or 100B) | |
| 27 | See Note | 1 | Ring, Back-up (Note: Use Item 100A or 100B) | |
| 32 | See Note | NSS | Ring, Wear (Note: Use Item 101) | |
| 33 | See Note | 2 | Ring, Wiper (Note: Use Item 100A or 100B) | |
| 34 | See Note | NSS | Thrustwasher (Note: Use Item 101) | |
| 41 | 7017172 | AR | Valve Assembly | |
| 41A | 7017192 | 2 | Cartridge, Valve | |
| 41A | 7017192 | 2 | Seal Kit - 7017192 Valve (Note: Not Available for Purchase) | |
| 41B | See Note | 3 | Bolt 1/4 x 1-1/2 (Grade 8) (Note: Not Available - Purchase Locally) | |
| 42 | 7017195 | 2 | Bushing | |
| 45 | | Ref | Bushing Options: | |
| 45A | 0961951 | 2 | Bushing 400S | |
| 45B | 0961947 | 2 | Bushing 460SJ | |
| 100 | | Ref | Seal Kit Options (Includes Items 20, 22, 24, 25, 27 & 33): | |
| 100A | 7017158 | 1 | Standard | |
| 100B | 70000342 | 1 | Low Temperature | |
| 101 | 7017159 | 1 | Bearing Kit (Includes Items 32 & 34) | |
| 102 | | Ref | Hardware Kit | |
| 102 | 7017142 | 1 | Platform Rotate Actuator | |
| 103 | 70001697 | 4 | Screw, Countersunk 1/4in-20NC x 3/8in (Grade 8) | |

SECTION 3 - BOOM

FIGURE 3-5. ROTATOR ASSEMBLIES (SN 0300200818 through 0300203770)



Go to DiscountEquipment.com to order your parts

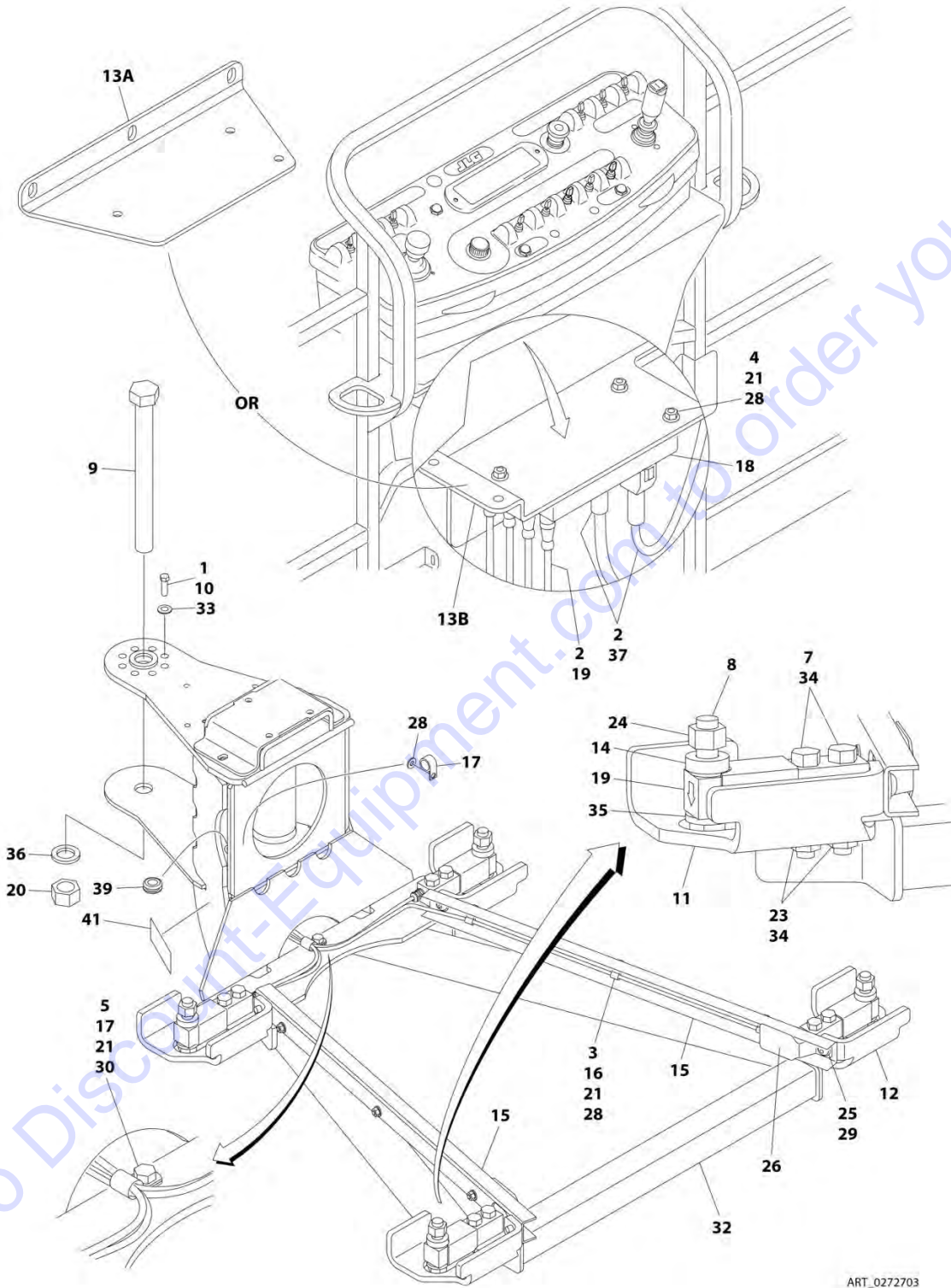
SECTION 3 - BOOM

FIGURE 3-5. ROTATOR ASSEMBLIES (SN 0300200818 through 0300203770)

| ITEM | PART NUMBER | QTY | DESCRIPTION | REV |
|------|-------------|-----|---|-----|
| | | Ref | ROTATOR ASSEMBLIES | |
| | 1001181050 | Ref | Rotator Assemblies - 400SJ | A |
| | 1001181051 | Ref | Rotator Assemblies - 460SJ | A |
| 1 | See Note | NSS | Housing/ring Gear Assembly (Note: Not Available - Purchase Complete Rotator Assembly) | |
| 2 | 7017162 | 1 | Shaft Weldment | |
| 3 | 7017163 | 1 | Piston/Sleeve Assembly | |
| 4 | 7017164 | 1 | Cap, End | |
| 20 | See Note | NSS | T-Seal (Note: Use Item 100) | |
| 22 | See Note | NSS | T-Seal (Note: Use Item 100) | |
| 24 | See Note | NSS | O-Ring (Note: Use Item 100) | |
| 25 | See Note | NSS | Seal (Note: Use Item 100) | |
| 26 | See Note | NSS | O-Ring (Note: Use Item 100) | |
| 27 | See Note | NSS | Ring, Back-up (Note: Use Item 100) | |
| 32 | See Note | NSS | Ring, Wear (Note: Use Item 101) | |
| 34 | See Note | NSS | Thrustwasher (Note: Use Item 101) | |
| 41 | 7017172 | AR | Valve Assembly | |
| 41A | 7017192 | 2 | Cartridge, Valve | |
| 41A | See Note | NSS | Seal Kit - 7017192 Valve (Note: Not Available for Purchase) | |
| 41B | See Note | 3 | Bolt 1/4 x 1-1/2 (Grade 8) (Note: Not Available - Purchase Locally) | |
| 42 | 7017195 | 2 | Bushing | |
| 45 | 7017150 | 2 | Bushing | |
| 100 | 70000342 | 1 | Seal Kit - Low Temperature (Includes Items 20, 22, 24, 25, 27 & 33) | |
| 101 | 7017159 | 1 | Bearing Kit (Includes Items 32 & 34) | |
| 102 | 7017142 | 1 | Hardware Kit | |
| 103 | 70001697 | 4 | Screw, Countersunk 1/4-20 x 3/8 (Grade 8) | |

SECTION 3 - BOOM

FIGURE 3-6. PLATFORM SUPPORT INSTALLATION - WITH LSS



SECTION 3 - BOOM

FIGURE 3-6. PLATFORM SUPPORT INSTALLATION - WITH LSS

| ITEM | PART NUMBER | QTY | DESCRIPTION | REV |
|------|-------------|-----|---|-----|
| | 0272703 | Ref | PLATFORM SUPPORT INSTALLATION - WITH LSS | Q |
| 1 | 0100011 | AR | Compound, Locking | |
| 2 | 0100048 | AR | Grease, Dielectric | |
| 3 | 0641405 | 6 | Bolt 1/4 x 5/8 | |
| 4 | 0641416 | 3 | Bolt 1/4 x 2 | |
| 5 | 0641407 | 1 | Bolt 1/4 x 7/8 | |
| 7 | 0641822 | 8 | Bolt 1/2 x 2-3/4 | |
| 8 | 0642024 | 4 | Bolt 5/8 x 3 | |
| 9 | 0642684 | 1 | Bolt 1 x 10-1/2 | |
| 10 | 0681608 | 8 | Bolt 3/8 x 1 Grade 8 | |
| 11 | 0902919 | 2 | Bracket, Cell Guard | |
| 12 | 0902920 | 2 | Bracket, Cell Guard | |
| 13 | | Ref | Bracket, Module Mount Options: | |
| 13A | 0902894 | 1 | Bracket, Module Mount (SN 0300096000 through 0300138470) | |
| 13B | 1001113483 | 1 | Bracket, Module Mount (SN 0300138471 to Present) | |
| 14 | 0962450 | 4 | Bushing, Spacer | |
| 15 | 1271538 | 2 | Channel | |
| 16 | 1320136 | 6 | Clamp | |
| 17 | 1320224 | 2 | Clamp | |
| 18 | 1600387 | 1 | Module, Control - LSS (Note: Re-calibration Required when Replaced) | |
| 19 | 2420202 | 4 | Cell, Load (Includes Cable) | |
| 20 | 3272605 | 1 | Nut 1 Grade 8 | |
| 21 | 3311405 | 10 | Nut 1/4 | |
| 23 | 3311805 | 8 | Nut 1/2 | |
| 24 | 3312005 | 4 | Nut 5/8 | |
| 25 | 3900283 | 4 | Screw 3/8 x 3/4 | |
| 26 | 4061054 | 2 | Shield | |
| 27 | 4240033 | AR | Tie-Strap (Not Shown) | |
| 28 | 4711400 | 10 | Washer 1/4 | |
| 29 | 4711600 | 4 | Washer 3/8 | |
| 30 | 4751400 | 1 | Washer 1/4 | |
| 32 | 4846573 | 1 | Support, Platform | |
| 33 | 4891600 | 8 | Washer 3/8 | |
| 34 | 4891800 | 8 | Washer 1/2 | |
| 35 | 4892000 | 4 | Washer 5/8 | |
| 36 | 4892600 | 1 | Washer 1 | |
| 37 | 4922869 | 1 | LSS Harness | |
| 37 | 4922705 | 1 | Analyzer Harness (Not Shown) | |
| 37 | 4460761 | 1 | Receptacle, Female - 4 Position (Not Shown) | |
| 37 | 4460226 | 1 | Socket, Female | |
| 37 | 4460836 | 1 | Connector - 12 Position (Black) (J2) | |
| 37 | 4460465 | 1 | Socket, Female | |
| 37 | 4460466 | 1 | Plug, Terminal | |
| 37 | 0840055 | 1 | Boot | |
| 37 | 4460933 | 1 | Connector - 12 Position (Grey) (J1) | |
| 37 | 4460465 | 1 | Socket, Female | |
| 37 | 4460466 | 1 | Plug, Terminal | |
| 37 | 0840055 | 1 | Boot | |
| 39 | 2540038 | 1 | Grommet | |

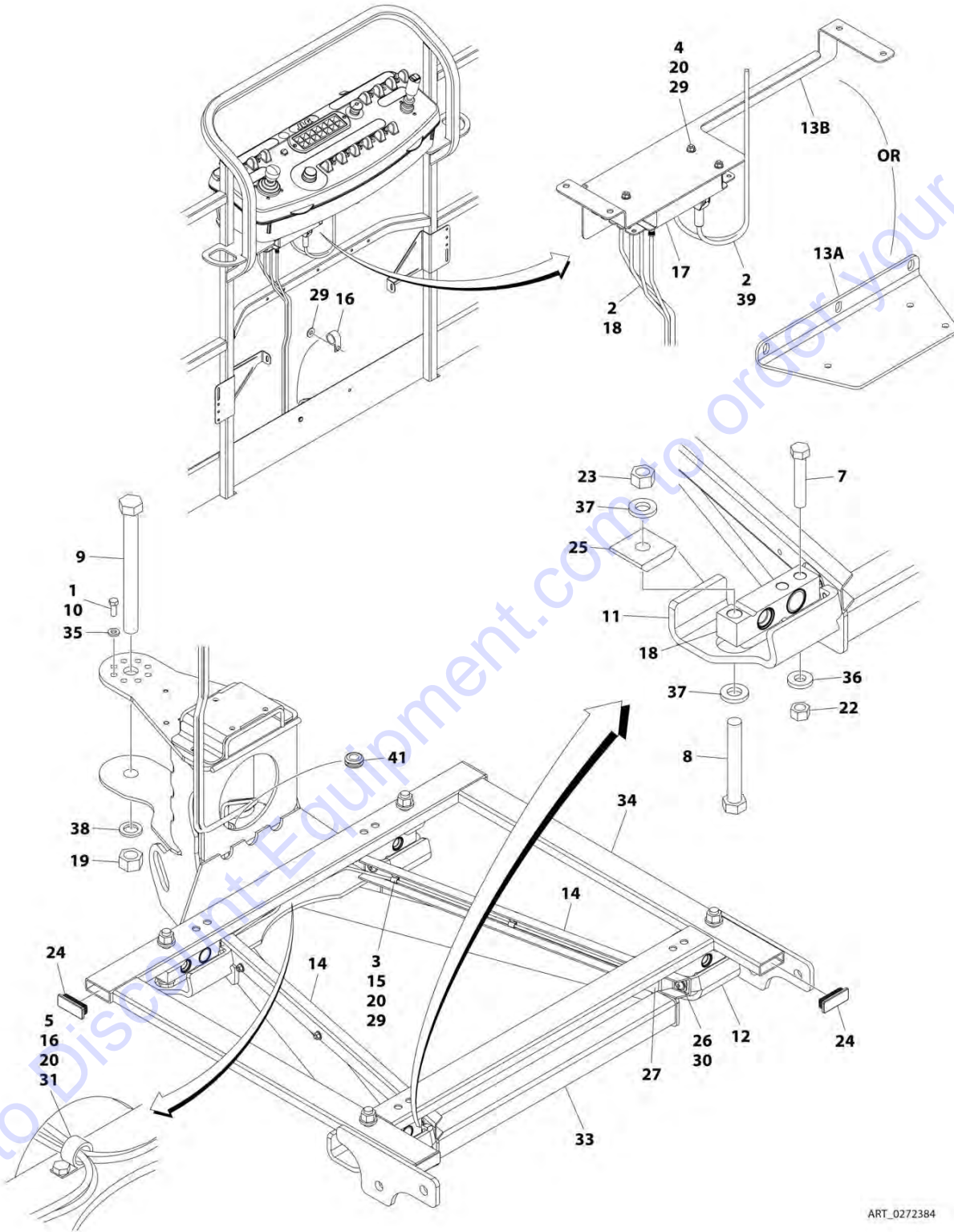
SECTION 3 - BOOM

| ITEM | PART NUMBER | QTY | DESCRIPTION | REV |
|------|-------------|-----|---|-----|
| 40 | 2920129 | 1 | Bulb, Light (Not Shown - Located on Ground Control Box) | |
| 41 | 1001216630 | 2 | Decal - Tie Down/No Lift | |

Go to Discount-Equipment.com to order your parts

SECTION 3 - BOOM

FIGURE 3-7. PLATFORM AND GLAZIER SUPPORT INSTALLATION - WITH LSS (400S ONLY)



ART_0272384

SECTION 3 - BOOM

FIGURE 3-7. PLATFORM AND GLAZIER SUPPORT INSTALLATION - WITH LSS (400S ONLY)

| ITEM | PART NUMBER | QTY | DESCRIPTION | REV |
|------|-------------|-----|---|-----|
| | 0272384 | Ref | PLATFORM AND GLAZIER SUPPORT INSTALLATION - WITH LSS (400S ONLY) | I |
| 1 | 0100011 | AR | Compound, Locking | |
| 2 | 0100048 | AR | Grease, Dielectric | |
| 3 | 0641405 | 6 | Bolt 1/4 x 5/8 | |
| 4 | 0641416 | 3 | Bolt 1/4 x 2 | |
| 5 | 0641407 | 1 | Bolt 1/4 x 7/8 | |
| 7 | 0641822 | 8 | Bolt 1/2 x 2-3/4 | |
| 8 | 0642034 | 4 | Bolt 5/8 x 4-1/4 | |
| 9 | 0642684 | 1 | Bolt 1 x 10-1/2 | |
| 10 | 0681608 | 8 | Bolt 3/8 x 1 Grade 8 | |
| 11 | 0902919 | 2 | Bracket, Cell Guard | |
| 12 | 0902920 | 2 | Bracket, Cell Guard | |
| 13 | | Ref | Bracket, Module Mount Options: | |
| 13A | 0902894 | 1 | Bracket, Module Mount (SN 0300096000 through 0300138470) | |
| 13B | 1001113483 | 1 | Bracket, Module Mount (SN 0300138471 to Present) | |
| 14 | 1271538 | 2 | Channel | |
| 15 | 1320136 | 6 | Clamp | |
| 16 | 1320224 | 2 | Clamp | |
| 17 | 1600387 | 1 | Module, Control - LSS (Note: Re-calibration Required when Replaced) | |
| 18 | 2420202 | 4 | Cell, Load (Includes Cable) | |
| 19 | 3272605 | 1 | Nut 1 Grade 8 | |
| 20 | 3311405 | 10 | Nut 1/4 | |
| 22 | 3311805 | 8 | Nut 1/2 | |
| 23 | 3312005 | 4 | Nut 5/8 | |
| 24 | 3520190 | 4 | Plug | |
| 25 | 3573785 | 4 | Spacer | |
| 26 | 3900283 | 4 | Screw 3/8 x 3/4 | |
| 27 | 4061054 | 2 | Shield | |
| 28 | 4240033 | AR | Tie-Strap (Not Shown) | |
| 29 | 4711400 | 13 | Washer 1/4 | |
| 30 | 4711600 | 4 | Washer 3/8 | |
| 31 | 4751400 | 1 | Washer 1/4 | |
| 33 | 4846573 | 1 | Support, Platform | |
| 34 | 4846651 | 1 | Base, Glazier | |
| 35 | 4891600 | 8 | Washer 3/8 | |
| 36 | 4891800 | 8 | Washer 1/2 | |
| 37 | 4892000 | 8 | Washer 5/8 | |
| 38 | 4892600 | 1 | Washer 1 | |
| 39 | 4922869 | 1 | LSS Harness | |
| 39 | 4922705 | 1 | Analyzer Harness (Not Shown) | |
| 39 | 4460761 | 1 | Receptacle, Female - 4 Position (Not Shown) | |
| 39 | 4460226 | 1 | Socket, Female | |
| 39 | 4460836 | 1 | Connector - 12 Position (Black) (J2) | |
| 39 | 4460465 | 1 | Socket, Female | |
| 39 | 4460466 | 1 | Plug, Terminal | |
| 39 | 0840055 | 1 | Boot | |
| 39 | 4460933 | 1 | Connector - 12 Position (Grey) (J1) | |
| 39 | 4460465 | 1 | Socket, Female | |

SECTION 3 - BOOM

| ITEM | PART NUMBER | QTY | DESCRIPTION | REV |
|------|-------------|-----|---|-----|
| 39 | 4460466 | 1 | Plug, Terminal | |
| 39 | 0840055 | 1 | Boot | |
| 41 | 2540038 | 1 | Grommet | |
| 42 | 2920129 | 1 | Bulb, Light (Not Shown - Located on Ground Control Box) | |

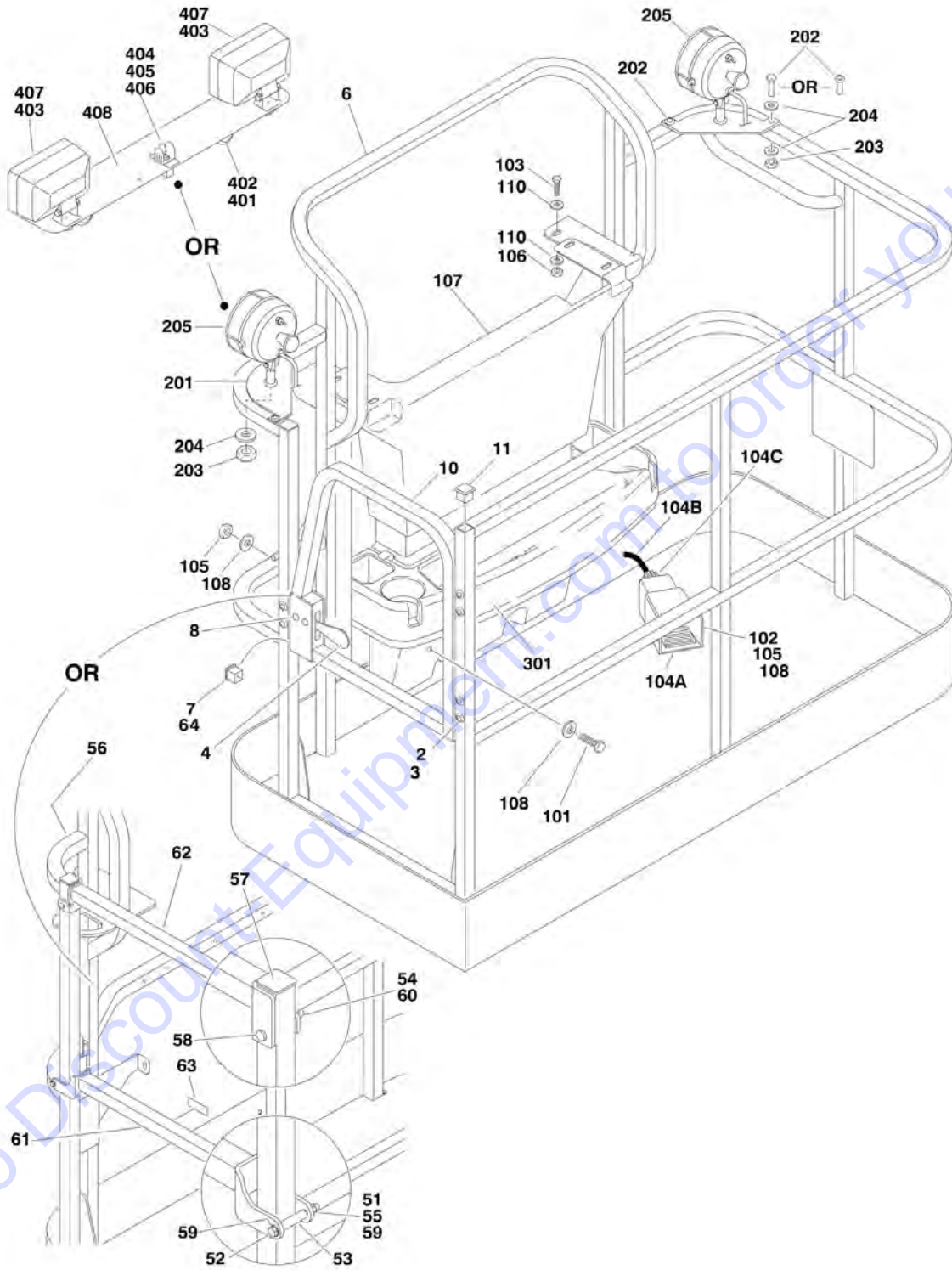
Go to Discount-Equipment.com to order your parts

SECTION 4 - PLATFORM

Go to Discount-Equipment.com to order your parts

SECTION 4 - PLATFORM

FIGURE 4-1. PLATFORM INSTALLATION



SECTION 4 - PLATFORM

FIGURE 4-1. PLATFORM INSTALLATION

| ITEM | PART NUMBER | QTY | DESCRIPTION | REV |
|------|-------------|-----|---|-----|
| | | Ref | PLATFORM ASSEMBLIES WITH GATE | |
| | 3510822 | Ref | Platform 36in x 8ft (91.5cm x 2.44m) with No Mesh (SN 0300096000 through 0300162322) | B-J |
| | 1001144023 | Ref | Platform 36in x 8ft (91.5cm x 2.44m) with No Mesh (SN 0300162323 through 0300200772) | D |
| | 1001186383 | Ref | Platform 36in x 8ft (91.5cm x 2.44m) with No Mesh (SN 0300200773 through 0300203770) | C |
| | 3510833 | Ref | Platform 36in x 6ft (91.5cm x 1.83m) with No Mesh (SN 0300096000 through 0300162322) | B-I |
| | 1001144024 | Ref | Platform 36in x 6ft (91.5cm x 1.83m) with No Mesh (SN 0300162323 through 0300200772) | D |
| | 1001186384 | Ref | Platform 36in x 6ft (91.5cm x 1.83m) with No Mesh (SN 0300200773 through 0300203770) | B |
| | 3510831 | Ref | Platform 30in x 5ft (76cm x 1.52m) with No Mesh (SN 0300096000 through 0300162322) | B-L |
| | 1001144026 | Ref | Platform 30in x 5ft (76cm x 1.52m) with No Mesh (SN 0300162323 through 0300200772) | D |
| | 1001186386 | Ref | Platform 30in x 5ft (76cm x 1.52m) with No Mesh (SN 0300200773 through 0300203770) | B |
| | 3510830 | Ref | Platform 30in x 4ft (76cm x 1.22m) (SN 0300096000 through 0300162322) | B-M |
| | 1001144027 | Ref | Platform 30in x 4ft (76cm x 1.22m) (SN 0300162323 through 0300200772) | D |
| | 1001186387 | Ref | Platform 30in x 4ft (76cm x 1.22m) (SN 0300200773 through 0300203770) | B |
| | | Ref | Note: Original Equipment platform may have been replaced with Service Replacement platform. Identify platform before ordering parts. | |
| | | Ref | Note: Platform and Mesh must be ordered separately for Platforms with Mesh. See SPECIAL OPTION SECTION for Mesh Installations. | |
| | | Ref | Note: Replacement Decals Must be purchased separately - See DECAL SECTION for Breakdown. | |
| 2 | 2080040 | 16 | Fastener, Huck | |
| 3 | 2600281 | 2 | Hinge, Self-Closing | |
| 4 | 2940074 | 1 | Latch | |
| 6 | See Note | 1 | Platform Weldment (Note: Purchase Platform Assembly) | |
| 7 | 3520198 | 2 | Cap-Plug | |
| 8 | 3820020 | 4 | Rivet | |
| 10 | | Ref | Gate Weldment Options: | |
| 10 | 4846452 | 1 | Gate for Platform p/ns 3510822, 3510830, 3510831 & 3510833 | |
| 10 | 1001144629 | 1 | Gate for Platform p/ns 1001144023, 1001144024, 1001144025, 1001144026 & 1001144027 | |
| 10 | 1001144629 | 1 | Gate for Platform p/ns 1001186383, 1001186384, 1001186386 & 1001186387 | |
| 11 | 3520072 | 3 | Cap-Plug | |
| | | Ref | PLATFORM ASSEMBLIES WITH DROP BAR | |
| | 1001138430 | Ref | Platform 36in x 8ft (91.5cm x 2.44m) with No Mesh (SN 0300096000 through 0300162322) | B-B |
| | 1001144022 | Ref | Platform 36in x 8ft (91.5cm x 2.44m) with No Mesh (SN 0300162323 through 0300200772) | D |
| | 1001186382 | Ref | Platform 36in x 8ft (91.5cm x 2.44m) with No Mesh (SN 0300200773 through 0300203770) | C |
| | 1001138431 | Ref | Platform 30in x 4ft (76cm x 1.22m) with No Mesh (SN 0300096000 through 0300162322) | B-B |

SECTION 4 - PLATFORM

| ITEM | PART NUMBER | QTY | DESCRIPTION | REV |
|------|-------------|-----|---|-----|
| | 1001144018 | Ref | Platform 30in x 4ft (76cm x 1.22m) (SN 0300162323 through 0300200772) | D |
| | 1001186375 | Ref | Platform 30in x 4ft (76cm x 1.22m) (SN 0300200773 through 0300203770) | B |
| | 1001144019 | Ref | Platform 30in x 5ft (76.5cm x 1.52m) with No Mesh (SN 0300096000 through 0300162322) | D |
| | 1001186377 | Ref | Platform 30in x 5ft (76.5cm x 1.52m) with No Mesh (SN 0300162323 through 0300200773) | B |
| | 1001144021 | Ref | Platform 30in x 6ft (76.5cm x 1.83m) with No Mesh (SN 0300096000 through 0300162322) | D |
| | 1001186379 | Ref | Platform 30in x 6ft (76.5cm x 1.83m) with No Mesh (SN 0300200773 through 0300203770) | B |
| | | Ref | Note: Platform and Mesh must be ordered separately for Platforms with Mesh. See SPECIAL OPTION SECTION for Mesh Installations. | |
| | | Ref | Note: Replacement Decals Must be purchased separately - See DECAL SECTION for Breakdown. | |
| 51 | 0100011 | AR | Compound, Locking | |
| 52 | 0641418 | 2 | Bolt 1/4in-20NC x 2-1/4in | |
| 53 | 0961845 | 2 | Bushing | |
| 54 | 3290606 | 2 | Nut M6 | |
| 55 | 3300151 | 2 | Nut, Acorn | |
| 56 | See Note | 1 | Platform Weldment (Note: Not Available - Purchase Platform Assembly) | |
| 57 | 3520198 | 2 | Cap-Plug | |
| 58 | 4010618 | 2 | Screw M6 x 50mm | |
| 59 | 4711400 | 4 | Flatwasher 1/4in | |
| 60 | 4811700 | 2 | Flatwasher M6 | |
| 61 | 1001138494 | 1 | Bar, Drop | |
| 62 | 1001138514 | 1 | Rail (Top) | |
| 63 | 1001140429 | 1 | Decal - Drop-Bar | |
| 64 | 3520072 | 2 | Cap-Plug | |
| | | Ref | CONSOLE BOX INSTALLATIONS OPTIONS: | |
| | 0272609 | Ref | Deutz/Caterpillar/Perkins/GM (SN 0300096000 through 0300162322) | B |
| | 1001108881 | Ref | Deutz (SN 0300162323 through 0300200772) | B-C |
| | 1001145875 | Ref | Deutz (Without SkyGuard) (SN 0300200773 through 0300203770) | A |
| | 1001190083 | Ref | Deutz (With SkyGuard) (SN 0300200773 through 0300203770) | A |
| | 1001108878 | Ref | Caterpillar/GM (SN 0300140365 through 0300146031) | B |
| | 1001108881 | Ref | Caterpillar/GM (SN 0300146032 through 0300200772) | B-C |
| | 1001145875 | Ref | Caterpillar/GM (Without SkyGuard) (SN 0300200773 through 0300203770) | A |
| | 1001190083 | Ref | Caterpillar/GM (With SkyGuard) (SN 0300200773 through 0300203770) | A |
| | 1001108878 | Ref | Perkins (SN 0300140365 through 0300188640) | B |
| 101 | 0641406 | 4 | Bolt 1/4in-20NC x 3/4in | |
| 102 | 0641408 | 3 | Bolt 1/4in-20NC x 1in | |
| 103 | 0641610 | 4 | Bolt 3/8in-16NC x 1-1/4in | |
| 104 | | Ref | Platform Console Box Assembly Options (Not Shown) (See PLATFORM CONSOLE ASSEMBLY for Breakdown): | |
| 104 | 0861571 | 1 | Deutz/Caterpillar/Perkins/GM (SN 0300096000 through 0300140364) | |
| 104 | 1001145877 | NLA | Deutz (SN 0300140365 through 0300188639) | |
| | 1001166668 | 1 | Deutz (Without SkyGuard) (SN 0300188640 through | |

SECTION 4 - PLATFORM

| ITEM | PART NUMBER | QTY | DESCRIPTION | REV |
|------|-------------|--------------|---|-----|
| | 1001190082 | 1 | 0300203770) Deutz (With SkyGuard) (SN 0300200773 through 0300203770) | |
| 104 | 1001108877 | 1 | Caterpillar/GM (SN 0300140365 through 0300146031) | |
| 104 | 1001145877 | NLA | Caterpillar/GM (SN 0300146032 through 0300167708) | |
| | 1001166668 | 1 | Caterpillar/GM (Without SkyGuard) (SN 0300188640 through 0300203770) | |
| | 1001190082 | 1 | Caterpillar/GM (With SkyGuard) (SN 0300200773 through 0300203770) | |
| 104 | 1001108877 | 1 | Perkins (SN 0300140365 through 0300188640) | |
| 104A | | Ref | Footswitch Assembly Options (Includes Footswitch and Items 104B-104E): | B |
| 104A | 0272970 | 1 | Footswitch Assembly (SN 0300096000 through 0300167707) | B |
| 104A | 1001117174 | 1 | Footswitch Assembly (SN 0300167708 through 0300203770) | B |
| | | Ref | Note: Assembly p/n 0272970 may use either p/n 4360031 or p/n 1001117320. If Original Equipment on machines SN 0300096000 to SN 0300143951 was replaced as an "assembly," p/n 1001117320 may have been used as part of the Service Replacement. Identify component before ordering parts. | |
| 104A | | Ref | Footswitch Options: | |
| 104A | 4360031 | 1 | Footswitch (SN 0300096000 through 0300143950) | |
| 104A | 7000625 | 2 | Contact Block for 4360031 Footswitch | |
| 104A | 1001117320 | 1 | Footswitch (SN 0300143951 through 0300167707) | |
| 104A | 70003483 | 1 | Contact Block for 1001117320 Footswitch | |
| 104A | 1001117172 | 1 | Footswitch (SN 0300167708 through 0300203770) | |
| 104A | 70002902 | 1 | Block, Contact for 1001117172 Footswitch | |
| 104A | 70002903 | 1 | Gasket for 1001117172 Footswitch | |
| 104A | 70002905 | 1 | Cover for 1001117172 Footswitch | |
| 104A | 70002904 | 1 | Bolt Replacement Kit for 1001117172 Footswitch | |
| 104B | 1060918 | 7.5 ft /2.3m | Cable, Electrical - 18/3 | |
| 104C | 4460071 | 1 | Connector, Strain Relief | |
| 104D | 4460464 | 1 | Pin, Male (Not Shown) | |
| 104E | 4460226 | 2 | Socket, Female (Not Shown) | |
| 105 | 3311405 | 7 | Locknut 1/4in-20NC | |
| 106 | 3311605 | 4 | Locknut 3/8in-16NC | |
| 107 | 3380434 | 1 | Panel, Decal Mount | |
| 108 | 4740362 | 7 | Washer, Fender 1/4in | |
| 109 | 4751400 | 4 | Flatwasher 1/4in Regular | |
| 110 | 4751600 | 8 | Flatwasher 3/8in Regular | |
| | | Ref | WORKLIGHTS INSTALLATIONS (optional) | |
| | 0273493 | Ref | Worklights Installations 400S | B |
| | 0273494 | Ref | Worklights Installations 460SJ | C |
| 201 | 3536089 | 2 | Plate, Mounting | |
| 202 | | Ref | Fastener Options: | |
| 202 | 0641414 | 4 | Bolt 1/4in-20NC x 1-3/4in | |
| 202 | 2080040 | 4 | Rivet 1/4in | |
| 203 | 3311405 | AR | Locknut 1/4in-20NC | |
| 204 | 4711400 | AR | Flatwasher 1/4in Thin | |
| 205 | 2920140 | 2 | Worklight | |
| 205 | 7016399 | 2 | Bulb, Replacement (1 Per Worklight) | |

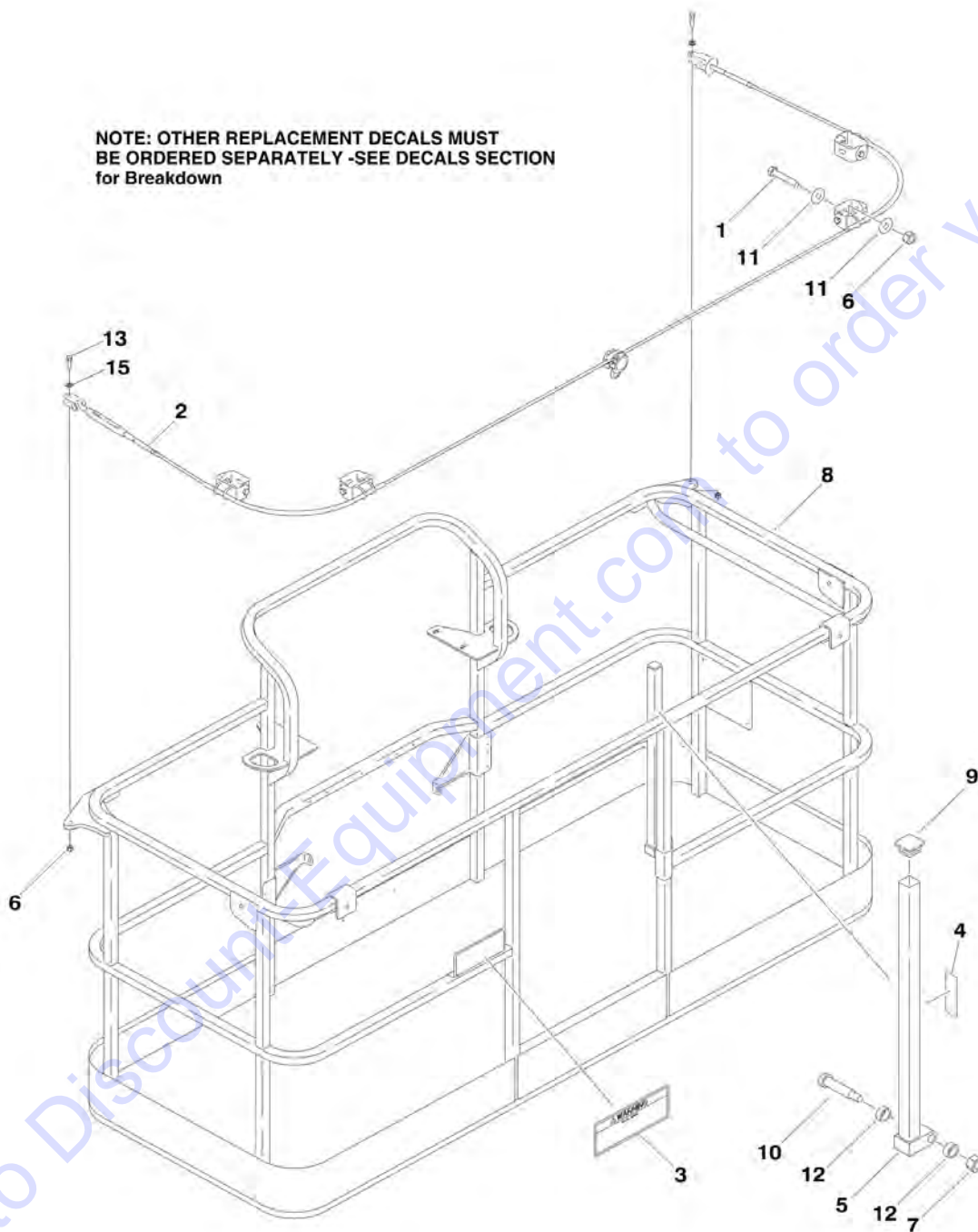
SECTION 4 - PLATFORM

| ITEM | PART NUMBER | QTY | DESCRIPTION | REV |
|------|-------------|-----------------|---|-----|
| 206 | 4240099 | 10 | Tie-Strap (Not Shown) | |
| 207 | 2820035 | 9 | Loom, Vinyl (Not Shown) | |
| 209 | 4460598 | 1 | Connector, Strain Relief (Not Shown - Located at Console Box) | |
| | | Ref | TRAY INSTALLATIONS (OPTIONAL) | |
| 301 | 1580012 | 1 | Tray, Storage (Center) | |
| 302 | 1580013 | 1 | Tray, Storage (Rail Mounted - Not Shown) | |
| | | Ref | FLOODLIGHT INSTALLATION | |
| | 0274570 | Ref | Floodlight Installation 400S | A |
| | 0274584 | Ref | Floodlight Installation 460SJ | A |
| 401 | 0641518 | 2 | Bolt 5/16in-18NC x 2-1/4in | |
| 402 | 2560173 | 2 | Handle | |
| 403 | 2920157 | 2 | Lamp, Work Light | |
| 404 | 3250585 | 1 | Nameplate - Light On | |
| 405 | 4060802 | 1 | Guard, Switch | |
| 406 | 4360336 | 1 | Switch, Toggle | |
| 407 | 4751800 | 2 | Flatwasher 1/2in Regular | |
| 408 | 4846561 | 1 | Mount, Light | |
| 409 | | Ref | Harness 12/3 (Not Shown) | |
| 409 | 1060983 | 63 ft /19.2m | Harness 12/3 400S | |
| 409 | 4922965 | 1 | Harness 12/3 460SJ | |
| 411 | 4420037 | 1 | Tape, Insulation (Not Shown) | |

SECTION 4 - PLATFORM

FIGURE 4-2. PLATFORM COMPONENTS INSTALLATION (FALL ARREST PLATFORM)

NOTE: OTHER REPLACEMENT DECALS MUST BE ORDERED SEPARATELY -SEE DECALS SECTION for Breakdown



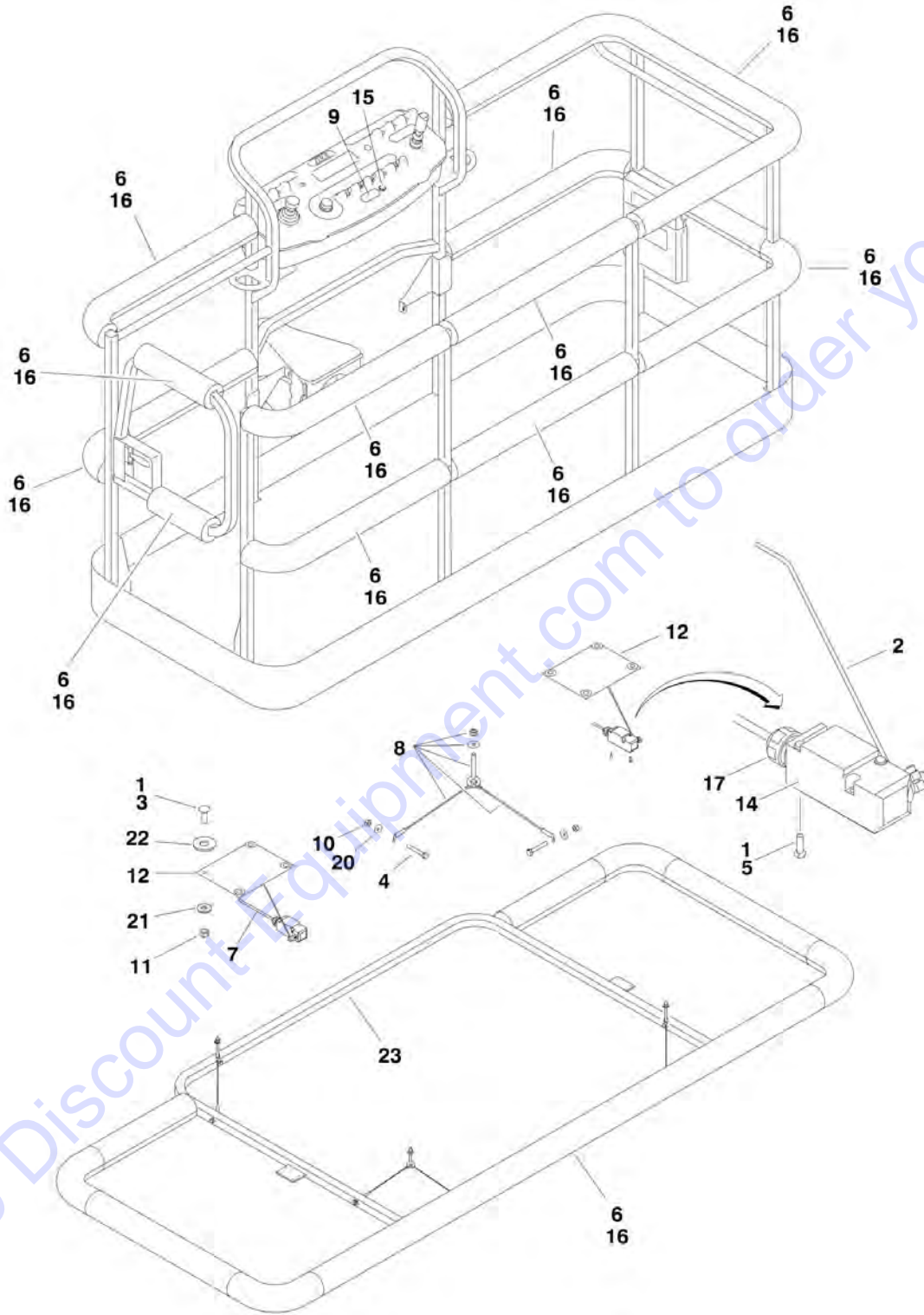
SECTION 4 - PLATFORM

FIGURE 4-2. PLATFORM COMPONENTS INSTALLATION (FALL ARREST PLATFORM)

| ITEM | PART NUMBER | QTY | DESCRIPTION | REV |
|------|-------------|-----|--|-----|
| | | Ref | PLATFORM ASSEMBLY (FALL ARREST) | |
| | 3510884 | Ref | 3ft x 6ft (0.9m x 1.83m) (Prior to SN 0300185919) | E |
| | 1001144597 | Ref | 3ft x 6ft (0.9m x 1.83m) (SN 0300185919 through 0300200772) | D |
| | 1001186333 | Ref | 3ft x 6ft (0.9m x 1.83m) (SN 0300200773 through 0300203770) | A |
| | | Ref | Note: Fall Arrest Not Available on CE Spec Platform. | |
| 1 | 0681822 | 4 | Bolt 1/2in-13NC x 2-3/4in (Grade 8) | |
| 2 | 1060919 | 1 | Cable, Fall Arrest | |
| 3 | 1705014 | 1 | Decal - Safety | |
| 4 | 1706385 | 1 | Decal - Drop Bar | |
| 5 | 2410014 | 1 | Gate Weldment | |
| 6 | 3271805 | 6 | Locknut 1/2in-13NC (Grade 8) | |
| 7 | 3311605 | 1 | Locknut 3/8in-16NC | |
| 8 | See Note | 1 | Platform Weldment (Note: Purchase Platform Assembly) | |
| 9 | 3520072 | 1 | Cap-Plug | |
| 10 | 3900054 | 1 | Bolt 1/2in-13NC x 1-3/4in | |
| 11 | 4751800 | AR | Flatwasher 1/2in Regular | |
| 12 | 0962270 | 2 | Bearing, Oilite | |
| 13 | 0681814 | 2 | Bolt 1/2-13NC x 1 3/4 | |
| 14 | 1702773 | 1 | Decal - JLG (Not Shown) | |
| 15 | 4711800 | 2 | Washer, 1/2in Narrow | |

SECTION 4 - PLATFORM

FIGURE 4-3. SOFT TOUCH INSTALLATION (OPTIONAL)



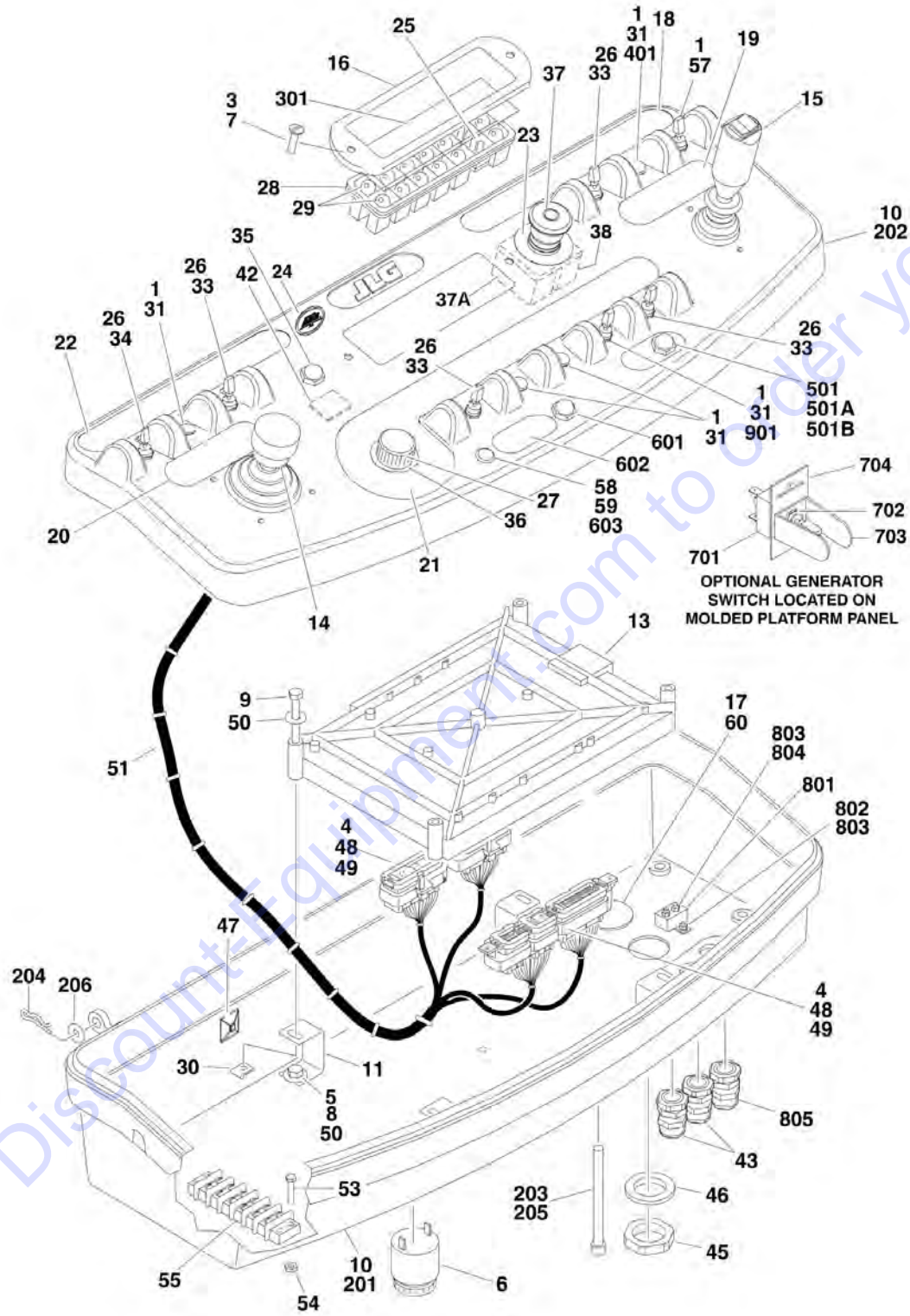
SECTION 4 - PLATFORM

FIGURE 4-3. SOFT TOUCH INSTALLATION (OPTIONAL)

| ITEM | PART NUMBER | QTY | DESCRIPTION | REV |
|------|-------------|-----|---|-----|
| | | Ref | SOFT TOUCH SYSTEM INSTALLATIONS OPTIONS: | |
| | 1001108256 | Ref | 6ft/1.8m Platforms (ANSI, ANSI Export and CSA Specs Only) | A |
| | 0272427 | Ref | 8ft/2.4m Platforms (All Specs) | E |
| | | Ref | Note: For Soft Touch Add-on Kit, See SPECIAL OPTION SECTION for Breakdown. | |
| 1 | 0100011 | AR | Locking, Compound | |
| 2 | 0200048 | 2 | Arm, Switch Activator | |
| 3 | 0630462 | 8 | Bolt, Carriage | |
| 4 | 0641414 | 8 | Bolt 1/4in-20NC x 1-3/4in | |
| 5 | 0731005 | NLA | Screw, Machine #10-32 x 5/8in (Use p/n 0721005) | |
| 6 | | Ref | Bumper Kit Options: | |
| 6 | 0940177 | 1 | 6ft Platform | |
| 6 | 0940103 | 1 | 8ft Platform | |
| 7 | 1060341 | | Cable, Electrical - 16/2 Options: | |
| 7 | | Ref | 6ft Platform | |
| 7 | | Ref | 8ft Platform | |
| 8 | 1060903 | 4 | Wire Rope and Eyebolt Assembly | |
| 9 | 1702938 | 1 | Decal - Soft Touch Override | |
| 10 | 3311401 | 8 | Nut 1/4in-20NC | |
| 11 | 3311501 | 8 | Nut 5/16in-18NC | |
| 12 | | Ref | Plate, Striker Options: | |
| 12 | 3575359 | 2 | 6ft Platform | |
| 12 | 3574091 | 2 | 8ft Platform | |
| 13 | 4240099 | 7 | Tie-Strap (Not Shown) | |
| 14 | 4360057 | 2 | Switch, Limit | |
| 15 | 4360387 | 1 | Switch, Push Button | |
| 16 | 4420068 | 1 | Tape, Yellow Adhesive | |
| 17 | 4460049 | 2 | Connector, Strain Relief | |
| 18 | 4460234 | 7 | Base, Tie-Strap Mounting (Not Shown) | |
| 19 | 4460425 | 1 | Connector, Strain Relief (Not Shown - Located on Bottom of Platform) | |
| 20 | 4751400 | 8 | Flatwasher 1/4in Regular | |
| 21 | 4751500 | 12 | Flatwasher 5/16in Regular | |
| 22 | 4751800 | 8 | Flatwasher 1/2in Regular | |
| 23 | | Ref | Rail, Soft-Touch Options: | |
| 23 | 3641569 | 1 | 6ft Platform | |
| 23 | 4846673 | 1 | 8ft Platform | |
| 100 | | Ref | Soft-Touch Add-On Kit Options (Includes required components to add option to existing machines) (Not Shown): | |
| | | Ref | Note: May not be available for all machines depending on existing options. Contact Discount-equipment before ordering. | |
| 100 | 1001121592 | 1 | 3ft x 6ft (.9m x 1.83m) Platform | |
| 100 | 1001121593 | 1 | 3ft x 6ft (.9m x 2.44m) Platform | |
| | 0272444 | Ref | SOFT TOUCH COUNTERWEIGHT INSTALLATION (NOT SHOWN) | C |
| | 4821397 | 1 | Counterweight (Located in Frame) | |

SECTION 4 - PLATFORM

FIGURE 4-4. PLATFORM CONSOLE ASSEMBLY



SECTION 4 - PLATFORM

FIGURE 4-4. PLATFORM CONSOLE ASSEMBLY

| ITEM | PART NUMBER | QTY | DESCRIPTION | REV |
|------|-------------|-----|--|-----|
| | | Ref | PLATFORM CONSOLE ASSEMBLY | |
| | 0861571 | Ref | Deutz/Caterpillar/Perkins/GM (SN 0300096000 through 0300140364) | G |
| | 1001145877 | Ref | Deutz (SN 0300140365 through 0300188639) | C-F |
| | 1001166668 | Ref | Deutz (Without SkyGuard) (SN 0300188640 through 0300203770) | A |
| | 1001190082 | Ref | Deutz (With SkyGuard) (SN 0300200773 through 0300203770) | A |
| | 1001108877 | Ref | Caterpillar/GM (SN 0300140365 through 0300146031) | B |
| | 1001145877 | Ref | Caterpillar/GM (SN 0300146032 through 0300188639) | C-F |
| | 1001166668 | Ref | Caterpillar/GM (Without SkyGuard) (SN 0300188640 through 0300203770) | A |
| | 1001190082 | Ref | Caterpillar/GM (With SkyGuard) (SN 0300200773 through 0300203770) | A |
| | 1001108877 | Ref | Perkins (SN 0300140365 through 0300188640) | B |
| 1 | 0100009 | AR | Sealant | |
| 3 | 0100035 | AR | Locking, Compound | |
| 4 | 0100048 | AR | Grease, Dielectric | |
| 5 | 0100081 | AR | Loctite #454 | |
| 6 | 0140011 | 1 | Alarm | |
| 7 | 0630464 | 2 | Screw, Button Head #10-24NC x 1/2in | |
| 8 | 0641404 | 4 | Bolt 1/4in-20NC x 1/2in | |
| 9 | 0641414 | 4 | Bolt 1/4in-20NC x 1-3/4in | |
| 10 | | Ref | Box, Console Options: (See Items 201-206 for Breakdown) | |
| 10 | 0861537 | 1 | Box, Console (Without SkyGuard) (SN 0300188640 through 0300203770) | |
| 10 | 1001189116 | 1 | Box, Console (With SkyGuard) (SN 0300200773 through 0300203770) | |
| 11 | | Ref | Bracket, Support Options: | |
| 11 | 0902751 | 4 | Bracket, Support (Prior to SN 0300188640) | |
| 11 | 1001172760 | 4 | Bracket, Support (SN 0300188640 through 0300203770) | |
| 13 | | Ref | Controller, Module Options: | |
| 13 | 1600375 | 1 | Perkins | |
| 13 | 1600375 | 1 | Caterpillar/GM Deutz (SN 0300096000 through 0300146031, SN 0300096000 through 0300140364) | |
| 13 | 1001106355 | 1 | Caterpillar/GM Deutz (SN 0300146032 through 0300203770, SN 0300140365 through 0300203770) | |
| 14 | | Ref | Controller Assembly (Lift and Swing) Options: (See CONTROLLER ASSEMBLY (LIFT AND SWING) for Breakdown) | |
| 14 | 1600317 | NLA | Controller Assembly (Lift and Swing) (Use p/n 1001129555) (SN 0300096000 through 0300146172) | |
| 14 | 1001118417 | NLA | Controller Assembly (Use p/n 1001129555) (SN 0300146173 through 0300188639) | |
| 14 | 1001166539 | NLA | Controller Assembly (Lift and Swing) (Use p/n 1001129555) (SN 0300188640 through 0300203770) | |
| 15 | | Ref | Controller Assembly (Drive and Steer) Options (See CONTROLLER ASSEMBLY (DRIVE AND STEER) for Breakdown): | |
| 15 | 1600318 | NLA | Controller Assembly (Use p/n 1001166538) (SN 0300096000 through 0300146172) | |
| 15 | 1001118416 | NLA | Controller Assembly (Use p/n 1001166538) (SN 0300146173 through 0300188639) | |
| 15 | 1001166538 | 1 | Controller Assembly (SN 0300188640 through 0300203770) | |
| 16 | 1670829 | 1 | Bezel | |

SECTION 4 - PLATFORM

| ITEM | PART NUMBER | QTY | DESCRIPTION | REV |
|------|-------------|-----|---|-----|
| 17 | | Ref | Cover Options: | |
| 17 | 1671037 | NLA | Cover (SN 0300096000 through 0300140364) | |
| 17 | 1001110434 | 1 | Cover (SN 0300140365 through 0300203770) | |
| 18 | | Ref | Decal (Stop) Options: | |
| 18 | 1704997 | NLA | Caterpillar/Deutz/Perkins/GM (SN 0300096000 through 0300137200) | |
| 18 | 1001107527 | 1 | Caterpillar/Deutz/Perkins/GM (SN 0300137201 through 0300140364) | |
| 18 | 1001107677 | 1 | Caterpillar/Deutz/Perkins/GM (Use p/n 1001131168) (SN 0300140365 through 0300203770) | |
| 19 | 1702565 | 1 | Decal (Drive and Steer) | |
| 20 | 1702566 | 1 | Decal (Lift and Swing) | |
| 21 | 1702567 | 1 | Decal (Function Speed) | |
| 22 | 1702676 | 1 | Decal (Horn) | |
| 23 | 1704260 | 1 | Decal - EMS | |
| 24 | 1705132 | 1 | Decal - ADE (Prior to SN 0300188640) | |
| 25 | 2420197 | 1 | Gauge, Fuel | |
| 26 | 3790012 | AR | O-Ring | |
| 27 | 2560136 | 1 | Handle, Knob | |
| 28 | 2760109 | 1 | Housing, Display Light | |
| 29 | 2920129 | 10 | Bulb, Light | |
| 30 | 3300353 | 4 | Nut, Tinnerman | |
| 31 | 3520054 | AR | Plug, Hole | |
| 33 | | Ref | Switch, Toggle Options: | |
| 33 | 4360328 | 4 | Switch, Toggle (Prior to SN 0300188640) | |
| 33 | 1001155045 | 4 | Switch, Toggle (SN 0300188640 through 0300203770) | |
| 34 | | Ref | Switch, Toggle Options: | |
| 34 | 4360331 | 1 | Switch, Toggle (Prior to SN 0300188640) | |
| 34 | 1001161709 | 1 | Switch, Toggle (SN 0300188640 through 0300203770) | |
| 35 | 4360387 | 1 | Switch, Pushbutton | |
| 36 | 4360407 | 1 | Controller, Speed | |
| 36 | See Note | 1 | Gasket, "Top Hat" (Included with Switch) (Note: Not Available - Purchase Complete Controller) | |
| 36 | 70003784 | | Seal | |
| 37 | 4360475 | 1 | Switch, Emergency Stop | |
| 37 | 7020175 | 1 | Cap, Red | |
| 37A | 7020176 | 1 | Contact Block | |
| 38 | 4360476 | 1 | Block, Contact | |
| 42 | 4460234 | 3 | Mount, Tie-Strap | |
| 43 | 4460428 | 2 | Connector, Strain Relief | |
| 45 | 4460470 | 1 | Nut, Terminal | |
| 46 | 4460471 | 1 | Lockwasher, Terminal | |
| 47 | 4460488 | 1 | Base, Mounting | |
| 48 | 4460708 | 2 | Receptacle - 15 Position | |
| 49 | 4460905 | 5 | Seal, Plug (Prior to SN 0300188640) | |
| 50 | 4751400 | 8 | Flatwasher 1/4in Regular | |
| 51 | | Ref | Harness, Platform Box Options (See ELECTRICAL SECTION for Breakdown): | |
| 51 | 4922665 | 1 | Harness, Platform Box (SN 0300096000 through 0300137200) | |
| 51 | | Ref | Harness, Platform Box Options: | |
| | 1001107440 | 1 | Harness, Platform Box (Without SkyGuard) (SN 0300188640 through 0300203770) | |
| | 1001187752 | 1 | Harness, Platform Box (With SkyGuard) (SN 0300200773) | |

SECTION 4 - PLATFORM

| ITEM | PART NUMBER | QTY | DESCRIPTION | REV |
|------|-------------|-----|--|-----|
| 52 | 4922666 | 1 | through 0300203770) Harness, Analyzer Cable (Not Shown - See ELECTRICAL SECTION for Breakdown) | |
| 53 | 0721008 | 1 | Screw #10-24NC x 1in | |
| 54 | 3311001 | 1 | Nut #10-24 | |
| 55 | 4460007 | 1 | Strip, Terminal | |
| 57 | | Ref | Switch, Toggle Options: | |
| 57 | 4360330 | 1 | Switch, Toggle (Prior to SN 0300188640) | |
| 57 | 1001159256 | 1 | Switch, Toggle (SN 0300188640 through 0300203770) | |
| 58 | 2920028 | 1 | Light, Indicator (With SkyGuard) | |
| 59 | 2920029 | 1 | Lamp, Bulb (With SkyGuard) | |
| 60 | 1001185281 | 1 | Plug, Bushing (With SkyGuard) | |
| | | Ref | CONSOLE BOX COMPONENTS | |
| 201 | 0861537 | Ref | Console Box (Without SkyGuard) | E |
| 201 | 1001189116 | Ref | Console Box (With SkyGuard) | A |
| 201 | | Ref | Console Bottom Options: | |
| 201 | 0861537 | 1 | Console Bottom (Without SkyGuard) (Note: Not Available - Purchase Complete Console Box) | |
| 201 | 1001189116 | 1 | Console Bottom (With SkyGuard) (Note: Not Available - Purchase Complete Console Box) | |
| 202 | | Ref | Console Top Options: | |
| 202 | 0861537 | 1 | Console Top (Without SkyGuard) (Note: Not Available - Purchase Complete Console Box) | |
| 202 | 1001189116 | 1 | Console Top (With SkyGuard) (Note: Not Available - Purchase Complete Console Box) | |
| 203 | 3311601 | 1 | Nut 3/8in-16NC | |
| 204 | 3470003 | 2 | Hairpin | |
| 205 | 0630568 | 1 | Screw 3/8in-16NC x 4-1/2in | |
| 206 | 4711500 | 2 | Flatwasher 5/16in Thin | |
| | | Ref | LIGHT PANEL DECAL INSTALLATIONS | |
| | | Ref | Light Panel Decal Installations (SN 0300096000 through 0300140364) | |
| | 0259962 | Ref | 400S with 500LB Capacity (ANSI Spec) | 2 |
| | 0259965 | Ref | 400S with 750LB Capacity (ANSI Spec) | 2 |
| | 0259964 | Ref | 400S with 230KG Capacity (ANSI Export, Australian, CSA and Japanese Specs) | 2 |
| | 0259968 | Ref | 400S with 340KG Capacity (ANSI Export, Australian, CSA and Japanese Specs) | 2 |
| | 0259963 | Ref | 400S (No Dual Capacity) (Australian and CE Specs) | 2 |
| | 0259963 | Ref | 460SJ (No Dual Capacity) (All Specs) | 2 |
| | | Ref | Light Panel Decal Installations (SN 0300140365 through 0300203770) | |
| | 1001108995 | Ref | 400S with 500LB Capacity (ANSI Spec) | A |
| | 1001108996 | Ref | 400S with 750LB Capacity (ANSI Spec) | A |
| | 1001108995 | Ref | 400S with 230KG Capacity (ANSI Export, Australian, CSA and Japanese Specs) | A |
| | 1001108996 | Ref | 400S with 340KG Capacity (ANSI Export, Australian, CSA and Japanese Specs) | A |
| | 1001108997 | Ref | 400S (No Dual Capacity) (Australian and CE Specs) | A |
| | 1001108997 | Ref | 460SJ (No Dual Capacity) (All Specs) | A |
| 301 | | Ref | Decal Options: | |
| 301 | | Ref | Decal (SN 0300096000 through 0300140364) | |
| 301 | 1704484 | 1 | 400S with 500LB Capacity (ANSI Spec) | |
| 301 | 1704487 | 1 | 400S with 750LB Capacity (ANSI Spec) | |

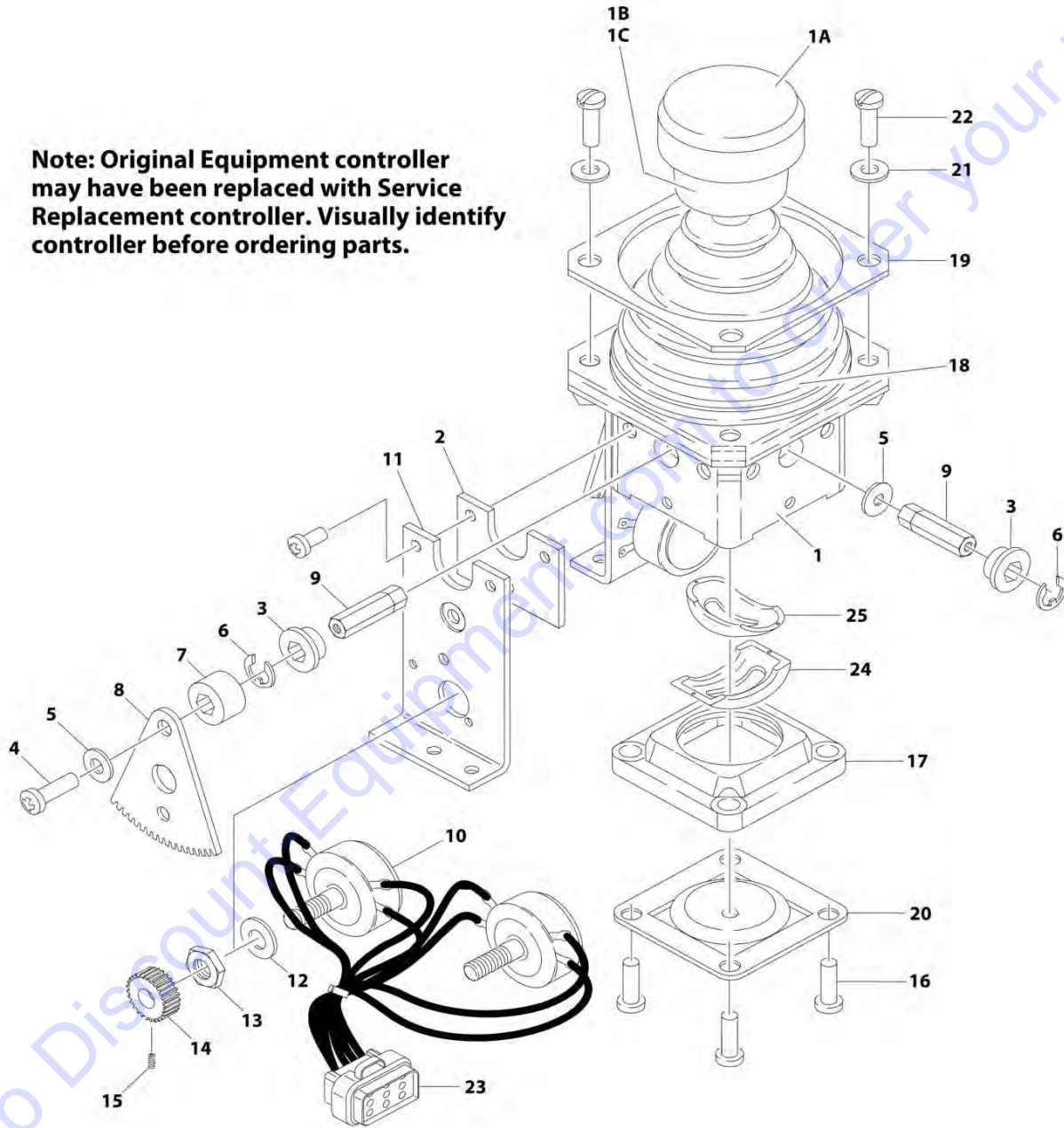
SECTION 4 - PLATFORM

| ITEM | PART NUMBER | QTY | DESCRIPTION | REV |
|------|-------------|-----|--|-----|
| 301 | 1704486 | 1 | 400S with 230KG Capacity (ANSI Export, Australian, CSA and Japanese Specs) | |
| 301 | 1704514 | 1 | 400S with 340KG Capacity (ANSI Export, Australian, CSA and Japanese Specs) | |
| 301 | 1704485 | 1 | 400S (No Dual Capacity) (CE Specs) | |
| 301 | 1704485 | 1 | 460SJ (No Dual Capacity) (All Specs) | |
| 301 | | Ref | Decal (SN 0300140365 through 0300203770) | |
| 301 | 1001107849 | 1 | 400S with 500LB Capacity (ANSI Spec) | |
| 301 | 1001107850 | 1 | 400S with 750LB Capacity (ANSI Spec) | |
| 301 | 1001107849 | 1 | 400S with 230KG Capacity (ANSI Export, Australian, CSA and Japanese Specs) | |
| 301 | 1001107850 | 1 | 400S with 340KG Capacity (ANSI Export, Australian, CSA and Japanese Specs) | |
| 301 | 1001107851 | 1 | 400S (No Dual Capacity) (CE Specs) | |
| 301 | 1001107851 | 1 | 460SJ (No Dual Capacity) (All Specs) | |
| | 0271246 | Ref | DUAL FUEL SWITCH INSTALLATION | 3-C |
| 401 | 4360336 | 1 | Switch, Toggle | |
| 401 | 3790012 | 1 | O-Ring | |
| | | Ref | LIGHTS INSTALLATION (OPTIONAL) | |
| | 0272018 | Ref | Headlights and Taillights | C |
| | 0274574 | Ref | Chassis Illumination Lights | C |
| 501 | 4360522 | 1 | Switch, Push Button | |
| 501A | 3790012 | 1 | O-Ring | |
| 501B | 1705170 | 1 | Decal - Lights | |
| | | Ref | SOFT TOUCH SYSTEM INSTALLATION (OPTIONAL) | |
| 601 | 4360387 | 1 | Switch, Pushbutton | |
| 602 | 1702938 | 1 | Decal - Soft Touch Override | |
| 603 | 2920028 | 1 | Light, Indicator | |
| 603 | 2920029 | 1 | Bulb | |
| | | Ref | GENERATOR INSTALLATION (OPTIONAL) | |
| 701 | 4360336 | 1 | Switch, Toggle | |
| 702 | 4740397 | 1 | Bushing | |
| 703 | 4060802 | 1 | Guard, Switch | |
| 704 | 3251102 | 1 | Decal - Generator ON/OFF | |
| | 0270814 | Ref | PLATFORM WORKLIGHT INSTALLATION (OPTIONAL) | 3 |
| 801 | 4360232 | 1 | Breaker, Circuit - 15Amp | |
| 802 | 0721003 | 2 | Bolt #10-24NC x 3/8in | |
| 803 | 4761000 | 4 | Lockwasher #10 | |
| 804 | 3311001 | 2 | Nut #10-24NC | |
| 805 | 4460598 | 1 | Connector, Strain Relief | |
| | 0271340 | Ref | JIB SWITCH INSTALLATION (460SJ ONLY) | 1-A |
| 901 | 4360328 | 1 | Switch, Toggle | |
| 901 | 3790012 | 1 | O-Ring | |
| | | Ref | SKYGUARD/EN280 DECALS (NOT SHOWN) | |
| | 1001141300 | 1 | Decal - SkyGuard Override | |
| | 1001141302 | 1 | Decal - SkyGuard/Soft Touch Override | |
| | 1001189882 | NLA | Decal - MSSO (Use p/n 1001197408) | |

SECTION 4 - PLATFORM

FIGURE 4-5. CONTROLLER ASSEMBLY (LIFT AND SWING)

Note: Original Equipment controller may have been replaced with Service Replacement controller. Visually identify controller before ordering parts.



ART_1600317

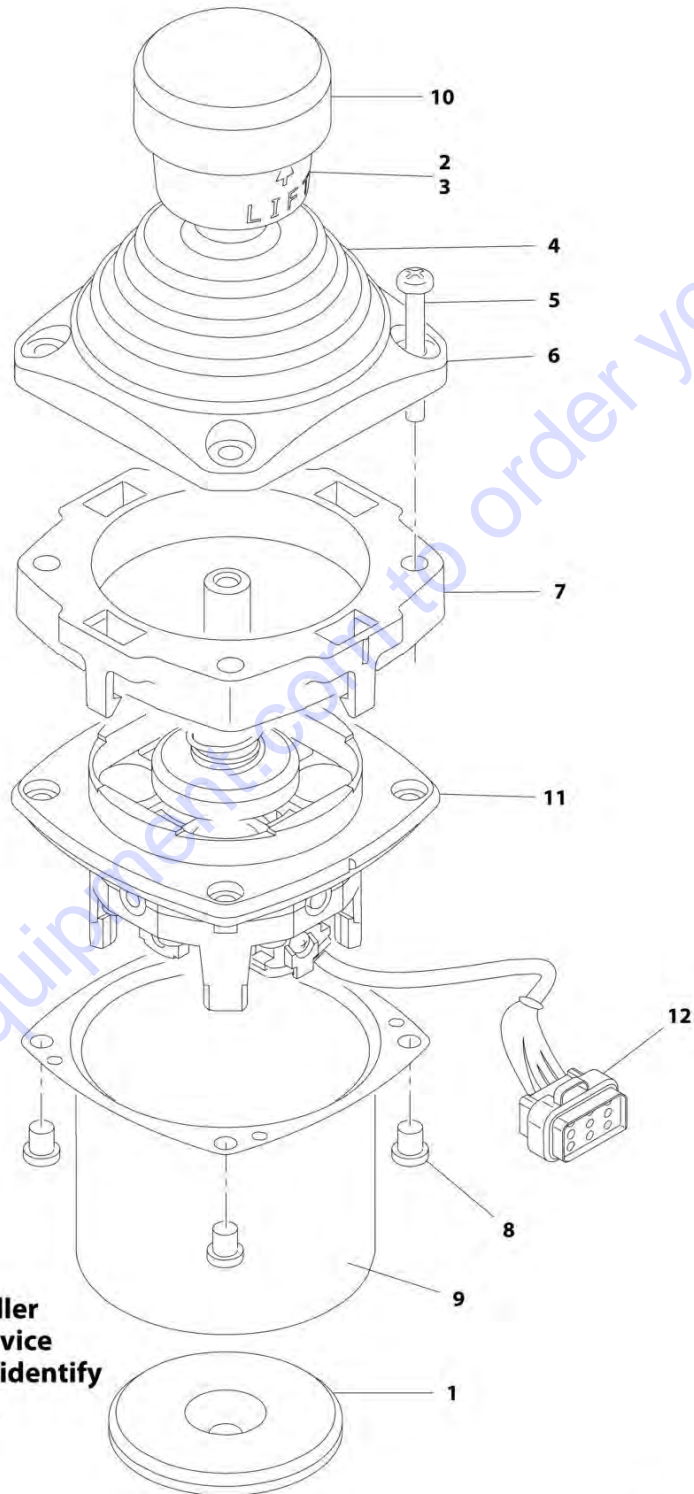
SECTION 4 - PLATFORM

FIGURE 4-5. CONTROLLER ASSEMBLY (LIFT AND SWING)

| ITEM | PART NUMBER | QTY | DESCRIPTION | REV |
|------|-------------|-----|--|-----|
| | | Ref | Note: Original Equipment controller may have been replaced with Service Replacement controller. Visually identify controller before ordering parts. | |
| | 1600317 | Ref | CONTROLLER ASSEMBLY (SN 0300096000 through 0300173146) | C |
| | | Ref | Note: Use p/n 1001129555 Kit as Replacement. | |
| 1 | 7019141 | 1 | Mechanical Assembly (Includes Base, Handle Stem and Items 1A, 1B, 1C & 18) | |
| 1A | 7019197 | 1 | Handle Cap and Rod | |
| 1B | 7003928 | 1 | Spring | |
| 1C | 7022808 | 1 | Cap, Lift | |
| 2 | 7019171 | 2 | Plate | |
| 3 | 7019111 | 4 | Bearing, Gear | |
| 4 | 7019143 | 2 | Screw | |
| 5 | 7019144 | 2 | Spacer, Cam | |
| 6 | 7019145 | 4 | E-Clip | |
| 7 | 7019174 | 2 | Spacer | |
| 8 | 7003977 | 2 | Gear, Drive | |
| 9 | | Ref | Shaft Options: | |
| 9 | 7019147 | 2 | Shaft, Short | |
| 9 | 7019177 | 2 | Shaft, Long | |
| 10 | 7022818 | 2 | Potentiometer | |
| 11 | 7019142 | 2 | Plate | |
| 12 | 7003992 | 2 | Washer | |
| 13 | 7003993 | 2 | Nut | |
| 14 | 7003976 | 2 | Gear, Slave | |
| 15 | 7019149 | 2 | Setscrew | |
| 16 | 7022816 | 4 | Screw | |
| 17 | 7019150 | 1 | Gate | |
| 18 | 7022814 | 1 | Boot | |
| 19 | 7022815 | 1 | Bezel | |
| 20 | See Note | NSS | Center, Detent (Note: Not Available for Purchase) | |
| 21 | 7003953 | 4 | Washer | |
| 22 | 7022817 | 4 | Screw | |
| 23 | 7022819 | 1 | Plug, Male 8 Position (Natural) | |
| 23 | 4460871 | 8 | Socket, Female | |
| 24 | 7019122 | 1 | Gimble, Outer | |
| 25 | 7019123 | 1 | Gimble, Inner | |

SECTION 4 - PLATFORM

FIGURE 4-6. CONTROLLER ASSEMBLY (LIFT AND SWING)



Note: Original Equipment controller may have been replaced with Service Replacement controller. Visually identify controller before ordering parts.

ART_100118417

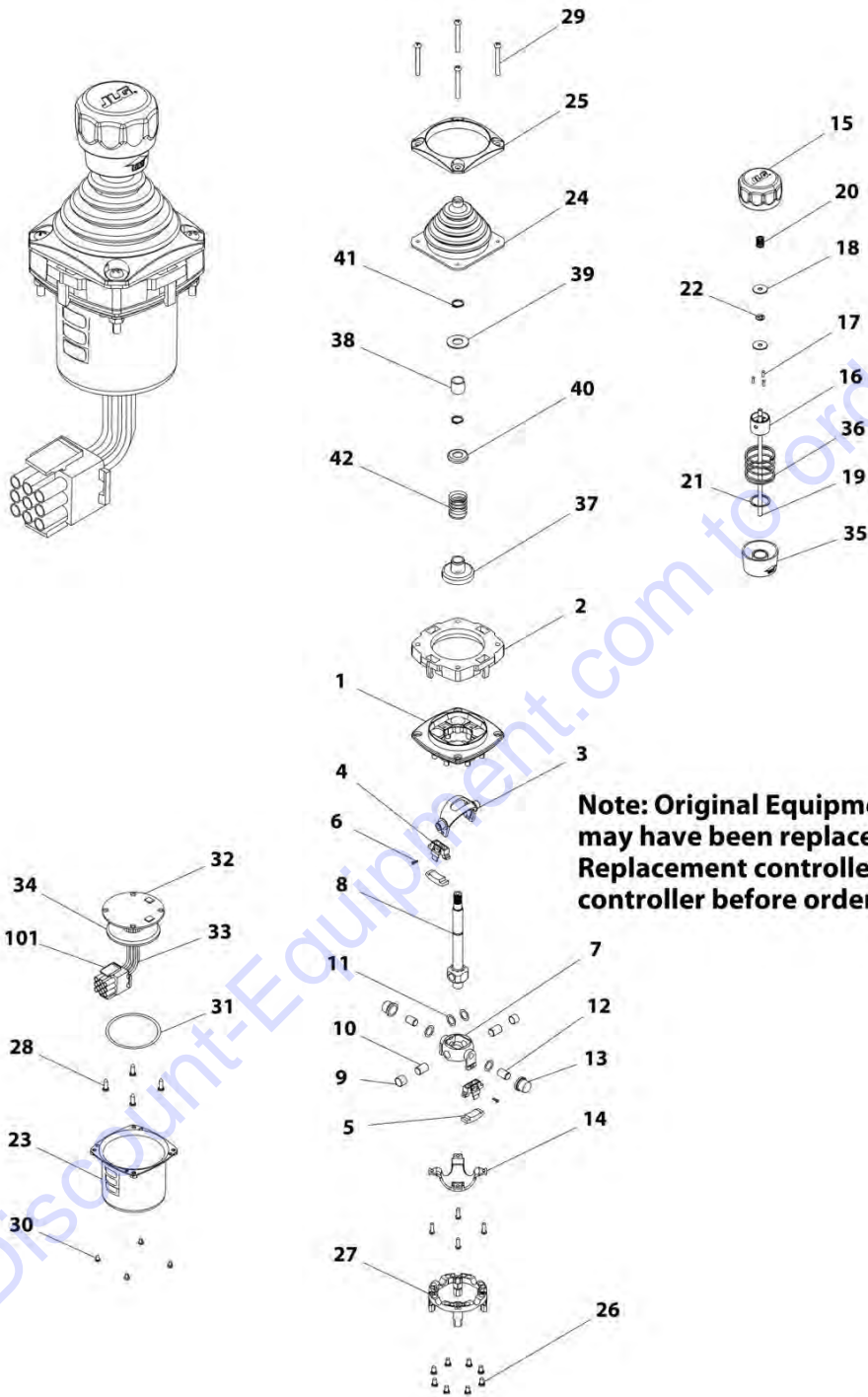
SECTION 4 - PLATFORM

FIGURE 4-6. CONTROLLER ASSEMBLY (LIFT AND SWING)

| ITEM | PART NUMBER | QTY | DESCRIPTION | REV |
|------|-------------|-----|--|-----|
| | | Ref | Note: Original Equipment controller may have been replaced with Service Replacement controller. Visually identify controller before ordering parts. | |
| | 1001118417 | Ref | CONTROLLER ASSEMBLY (LIFT AND SWING) (SN 0300146173 through 0300203770) | E |
| | | Ref | Note: Use p/n 1001129555 as Replacement. | |
| 1 | 70002730 | 1 | Gasket | |
| 2 | 7003928 | 1 | Spring | |
| 3 | 7022808 | 1 | Cap, Lift | |
| 4 | 70002731 | 1 | Boot | |
| 5 | 70002732 | 4 | Screw | |
| 6 | 7022815 | 1 | Bezel | |
| 7 | 70002733 | 1 | Adapter | |
| 8 | 70002734 | 4 | Screw | |
| 9 | 70002735 | 1 | Can, Enclosure | |
| 10 | 70002906 | 1 | Cap | |
| 11 | See Note | NSS | Mechanical Assembly (Note: Use p/n 1001129555) | |
| 12 | 7022819 | 1 | Connector - 9 Position | |
| 12 | 4460871 | 6 | Socket, Female | |

SECTION 4 - PLATFORM

FIGURE 4-7. CONTROLLER ASSEMBLY (SWING AND LIFT)



ART_1001166539

SECTION 4 - PLATFORM

FIGURE 4-7. CONTROLLER ASSEMBLY (SWING AND LIFT)

| ITEM | PART NUMBER | QTY | DESCRIPTION | REV |
|------|-------------|-----|--|-----|
| | | Ref | Note: Original Equipment controller may have been replaced with Service Replacement controller. Visually identify controller before ordering parts. | |
| | 1001166539 | Ref | CONTROLLER ASSEMBLY - LIFT AND SWING | A |
| | | Ref | Note: Use p/n 1001129555 as replacement. | |
| 1 | See Note | 1 | Main Cast Body (Note: Not Available - Purchase Complete Assembly) | |
| 2 | 70004752 | 1 | Adapter | |
| 3 | See Note | 1 | Pivot Arm, Plastic (Note: Not Available - Purchase Complete Assembly) | |
| 4 | See Note | 2 | Holder, Magnet (Note: Not Available - Purchase Complete Assembly) | |
| 5 | See Note | 2 | Arc, Magnet (Note: Not Available - Purchase Complete Assembly) | |
| 6 | See Note | 2 | Screw (Note: Not Available for Purchase) | |
| 7 | See Note | 1 | Pivot Arm, Cast (Note: Not Available - Purchase Complete Assembly) | |
| 8 | See Note | 1 | Shaft, Main (Note: Not Available - Purchase Complete Assembly) | |
| 9 | See Note | 2 | Bearing (Note: Not Available - Purchase Complete Assembly) | |
| 10 | See Note | 2 | Pin (Note: Not Available - Purchase Complete Assembly) | |
| 11 | See Note | 4 | Shim (Note: Not Available - Purchase Complete Assembly) | |
| 12 | See Note | 2 | Pin (Note: Not Available - Purchase Complete Assembly) | |
| 13 | See Note | 2 | Bearing (Note: Not Available - Purchase Complete Assembly) | |
| 14 | See Note | 1 | Dome, Centering (Note: Not Available - Purchase Complete Assembly) | |
| 15 | 70004753 | 1 | Cap | |
| 16 | 70004754 | 1 | Insert, Cap | |
| 17 | 70004755 | 3 | Pin | |
| 18 | 70004756 | 2 | Washer | |
| 19 | 70004757 | 1 | Pin, Centering | |
| 20 | 70004758 | 1 | Spring | |
| 21 | 70004759 | 1 | Ring, Retaining | |
| 22 | 70004760 | 1 | E-Ring | |
| 23 | 70004761 | 1 | Can, Enclosure | |
| 24 | 70004762 | 1 | Boot | |
| 25 | 70004763 | 1 | Bezel | |
| 26 | See Note | 8 | Screw (Note: Not Available for Purchase) | |
| 27 | See Note | 1 | Base Mounting (Note: Not Available - Purchase Complete Assembly) | |
| 28 | See Note | 4 | Screw (Note: Not Available for Purchase) | |
| 29 | 70004764 | 4 | Screw | |
| 30 | 70004765 | 4 | Screw | |
| 31 | 70004766 | 1 | O-Ring | |
| 32 | See Note | 1 | Plate (Note: Not Available - Purchase Complete Assembly) | |
| 33 | See Note | 1 | Harness (Note: Not Available - Purchase Complete Assembly) | |
| 34 | 70004767 | 1 | Grommet, Rubber | |
| 35 | 70004768 | 1 | Housing | |
| 36 | 70004769 | 1 | Spring | |
| 37 | 70004770 | 1 | Stopper | |
| 38 | 70004771 | 1 | Spacer | |
| 39 | 70004772 | 1 | Washer | |
| 40 | 70004773 | 1 | Disc | |

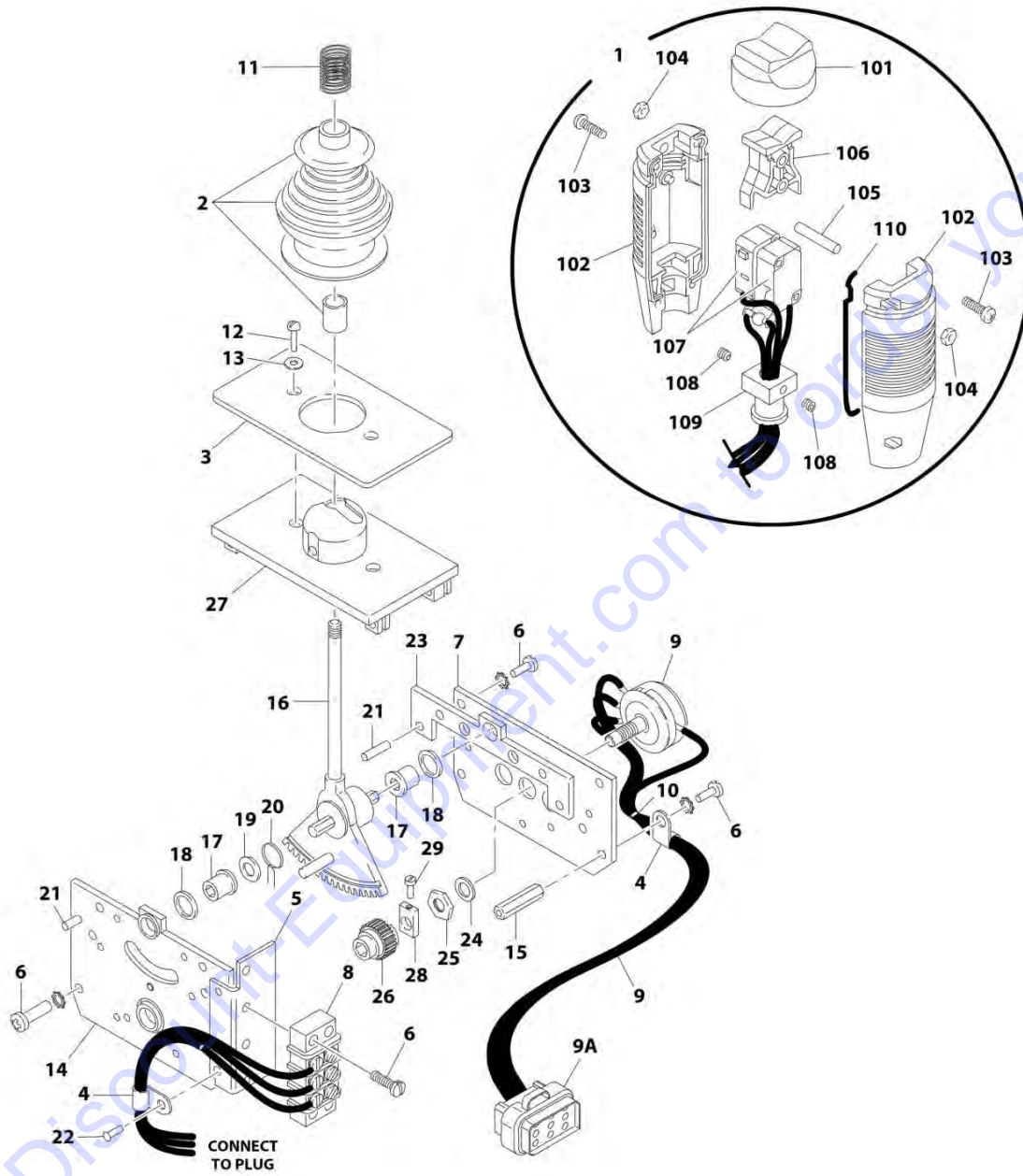
SECTION 4 - PLATFORM

| ITEM | PART NUMBER | QTY | DESCRIPTION | REV |
|------|-------------|-----|------------------------|-----|
| 41 | 70004774 | 2 | Ring, Retaining | |
| 42 | 70004775 | 1 | Spring | |
| 101 | 4460265 | 1 | Connector - 9 Position | |
| 101 | 4460226 | 6 | Socket, Female | |

Go to Discount-Equipment.com to order your parts

SECTION 4 - PLATFORM

FIGURE 4-8. CONTROLLER ASSEMBLY (DRIVE AND STEER)



Note: Original Equipment controller may have been replaced with Service Replacement controller. Visually identify controller before ordering parts.

ART_1600318

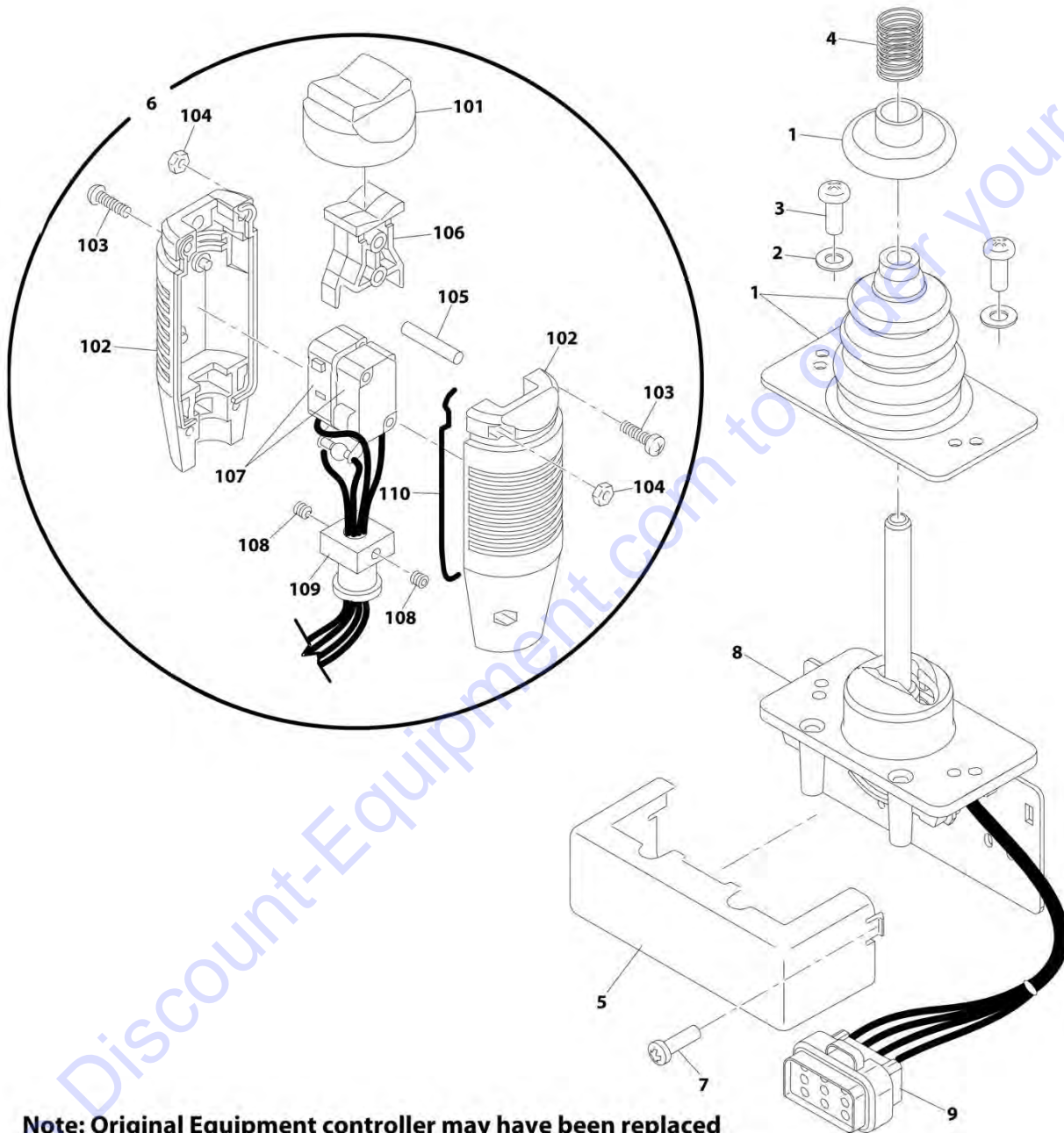
SECTION 4 - PLATFORM

FIGURE 4-8. CONTROLLER ASSEMBLY (DRIVE AND STEER)

| ITEM | PART NUMBER | QTY | DESCRIPTION | REV |
|------|-------------|-----|--|-----|
| | | Ref | Note: Original Equipment controller may have been replaced with Service Replacement controller. Visually identify controller before ordering parts. | |
| | 1600318 | Ref | CONTROLLER ASSEMBLY (SN 0300096000 through 0300146172) | C |
| | | Ref | Note: Use p/n 1001166538 for Replacement. | |
| 1 | 7022812 | 1 | Handle Assembly (See Items 101-110 for Breakdown) | |
| 2 | 7019161 | 1 | Boot and Sleeve | |
| 3 | 7003933 | 1 | Gasket | |
| 4 | 7019154 | 2 | Clamp, Wire | |
| 5 | 7022823 | 1 | Bracket, Mounting | |
| 6 | 7003994 | 1 | Screw | |
| 7 | 7022822 | 1 | Plate, Pot Mounting | |
| 8 | 7003986 | 1 | Strip, Terminal - 3 Position | |
| 9 | 7022824 | 1 | Electric Assembly | |
| 9A | 1001113961 | 1 | Plug, Male - 8 Position (Black) (was p/n 7022825) | |
| 9A | 4460871 | 7 | Socket, Female | |
| 10 | 7019151 | AR | Tie-Strap | |
| 11 | 7019162 | 1 | Spring | |
| 12 | 7003969 | 2 | Screw | |
| 13 | 7003941 | 2 | Washer | |
| 14 | See Note | NSS | Plate, Mounting (Left Side) (Note: Not Available for Purchase) | |
| 15 | 7019115 | 2 | Stand-Off | |
| 16 | 7019155 | 1 | Shaft 8mm | |
| 17 | 7019111 | 2 | Bearing | |
| 18 | 7019110 | 2 | Spacer, Head Gear | |
| 19 | 7019112 | 1 | Washer | |
| 20 | 7003946 | 1 | Spring, Return | |
| 21 | 7019103 | 4 | Pin | |
| 22 | See Note | NSS | Rivet (Note: Not Available - Purchase Locally) | |
| 23 | 7019168 | 1 | Plate, Mounting (Right Side) | |
| 24 | 7003992 | 1 | Washer | |
| 25 | 7003993 | 1 | Nut | |
| 26 | 7003935 | 1 | Gear, Slave | |
| 27 | 7019160 | 1 | Plate, Base | |
| 28 | 7019114 | 1 | Coupling, Potentiometer | |
| 29 | See Note | NSS | Cup Point Screw (Note: Not Available for Purchase) | |
| | 7022812 | Ref | HANDLE ASSEMBLY | |
| 101 | 7003972 | 1 | Boot, Switch | |
| 102 | 7003973 | 2 | Half, Handle | |
| 103 | 7003980 | 4 | Screw | |
| 104 | 7019167 | 4 | Nut | |
| 105 | 7019164 | 1 | Axle | |
| 106 | 7019165 | 1 | Rocker | |
| 107 | See Note | NSS | Wiring for Controller Assembly p/n 1600318 (Note: Use p/n 1001166538) | |
| 107 | 7019166 | 2 | Switch, Micro | |
| 108 | 7003983 | 2 | Setscrew | |
| 109 | 7019194 | 1 | Coupling | |
| 110 | 7003989 | 2 | Gasket | |

SECTION 4 - PLATFORM

FIGURE 4-9. CONTROLLER ASSEMBLY (DRIVE AND STEER)



Note: Original Equipment controller may have been replaced with Service Replacement controller. Visually identify controller before ordering parts.

ART_1001118416

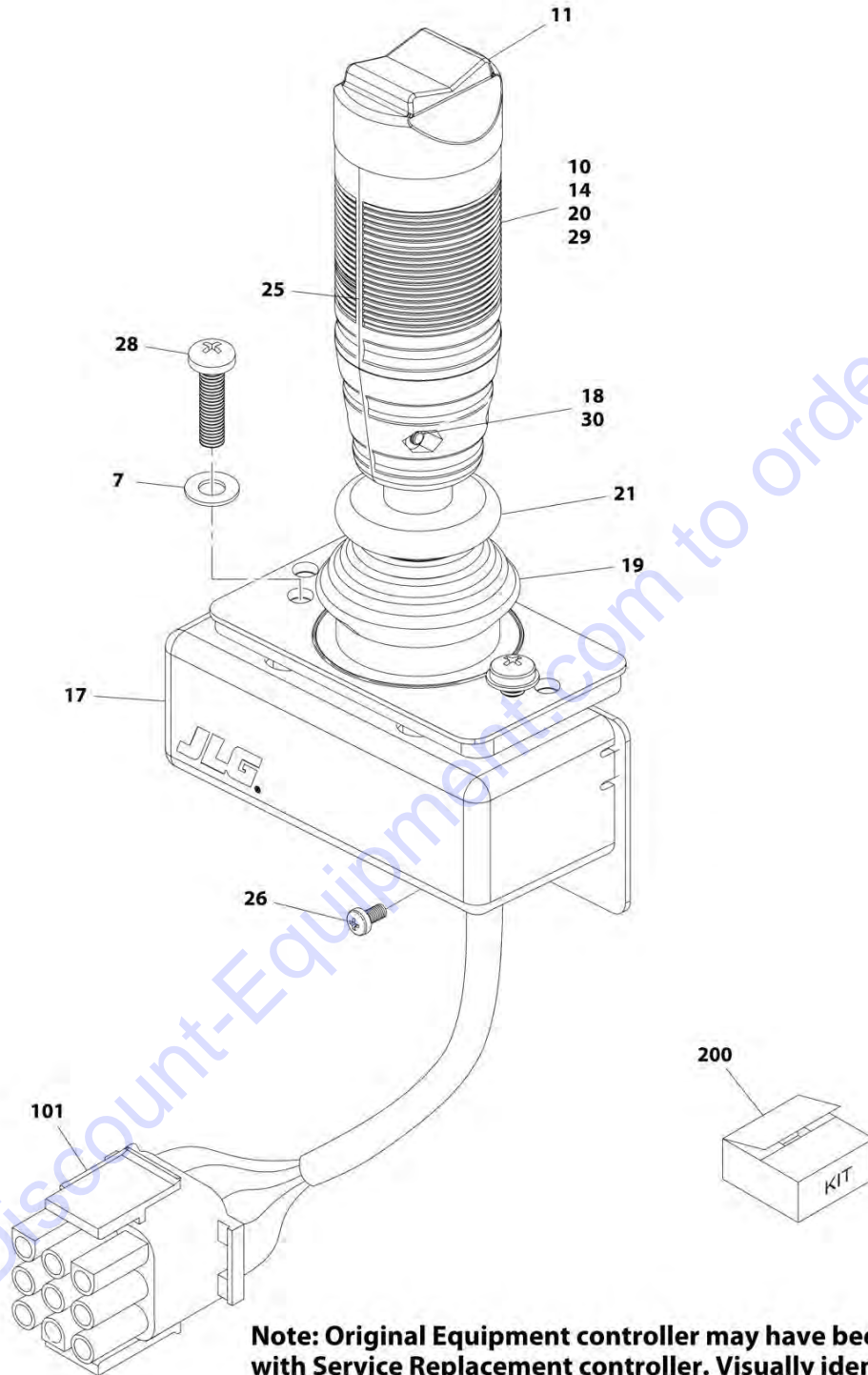
SECTION 4 - PLATFORM

FIGURE 4-9. CONTROLLER ASSEMBLY (DRIVE AND STEER)

| ITEM | PART NUMBER | QTY | DESCRIPTION | REV |
|------|-------------|-----|--|-----|
| | | Ref | Note: Original Equipment controller may have been replaced with Service Replacement controller. Visually identify controller before ordering parts. | |
| | 1001118416 | Ref | CONTROLLER ASSEMBLY (DRIVE AND STEER) (SN 0300146173 through 0300188639) | D |
| | | Ref | Note: Use p/n 1001166538 as Replacement. | |
| 1 | 70002724 | 1 | Boot and Control Lock Assembly | |
| 2 | 7003941 | 2 | Washer | |
| 3 | 70002725 | 2 | Screw | |
| 4 | 7019162 | 1 | Spring | |
| 5 | 70002726 | 1 | Enclosure | |
| 6 | 70002727 | 1 | Handle Assembly (See Items 101-110 for Breakdown) | |
| 7 | 70002728 | 1 | Screw | |
| 8 | See Note | NSS | Mechanical Assembly (Note: Use p/n 1001166538) | |
| 9 | 1001113961 | 1 | Plug, Male - 8 Position (Black) (was p/n 7022825) | |
| 9 | 4460871 | 7 | Socket, Female | |
| | 70002727 | Ref | HANDLE ASSEMBLY | |
| 101 | 7003972 | 1 | Boot, Switch | |
| 102 | 7003973 | 2 | Half, Handle | |
| 103 | 7003980 | 4 | Screw | |
| 104 | 7019167 | 4 | Nut | |
| 105 | 7019164 | 1 | Axle | |
| 106 | 7019165 | 1 | Rocker | |
| 107 | 70002729 | 1 | Wiring Assembly | |
| 107 | 7003982 | 2 | Switch, Micro | |
| 108 | 7003983 | 2 | Set Screw | |
| 109 | 7019194 | 1 | Coupling | |
| 110 | 7003989 | 2 | Gasket | |

SECTION 4 - PLATFORM

FIGURE 4-10. CONTROLLER ASSEMBLY (DRIVE AND STEER)



Note: Original Equipment controller may have been replaced with Service Replacement controller. Visually identify controller before ordering parts.

ART_1001166538

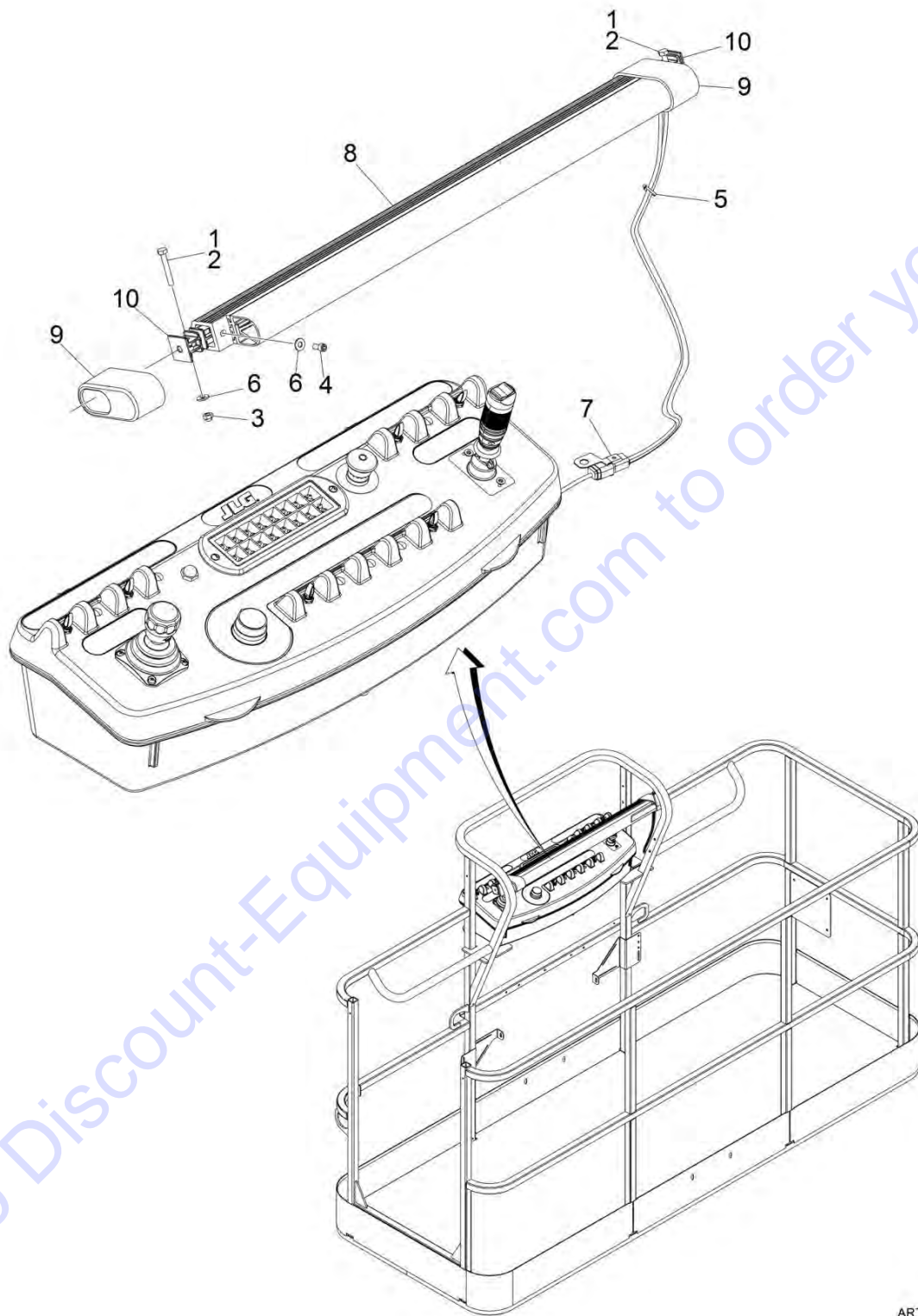
SECTION 4 - PLATFORM

FIGURE 4-10. CONTROLLER ASSEMBLY (DRIVE AND STEER)

| ITEM | PART NUMBER | QTY | DESCRIPTION | REV |
|------|-------------|-----|--|-----|
| | | Ref | Note: Original Equipment controller may have been replaced with Service Replacement controller. Visually identify controller before ordering parts. | |
| | 1001166538 | Ref | CONTROLLER ASSEMBLY - DRIVE AND STEER | A |
| 7 | 70004738 | 2 | Washer | |
| 10 | 70004739 | 1 | Roller | |
| 11 | 70004740 | 1 | Boot, Switch | |
| 14 | 70004741 | 2 | Half, Handle | |
| 17 | 70004742 | 1 | Enclosure | |
| 18 | 70004743 | 4 | Nut | |
| 19 | 70004744 | NSS | Boot, Controller (Note: Use Item 102) | |
| 20 | 70004745 | NSS | Tube, Locking (Note: Use Item 102) | |
| 21 | 70004746 | NSS | Disc, Locking (Note: Use Item 102) | |
| 25 | 70004747 | 2 | Seal, Rope | |
| 26 | 70004748 | 1 | Screw, M3 x 6mm | |
| 28 | 70004749 | 2 | Screw, M5 x 20mm | |
| 29 | 70004750 | 1 | Pin, Dowel | |
| 30 | 70004751 | 4 | Screw, M3 x 16mm | |
| 101 | 4460265 | 1 | Connector - 9 Position | |
| 101 | 4460226 | 7 | Socket, Female | |
| 102 | 70005230 | 1 | Boot Kit (Includes Items 19-21) | |

SECTION 4 - PLATFORM

FIGURE 4-11. SKYGUARD SYSTEM INSTALLATION



ART_1001187508

SECTION 4 - PLATFORM

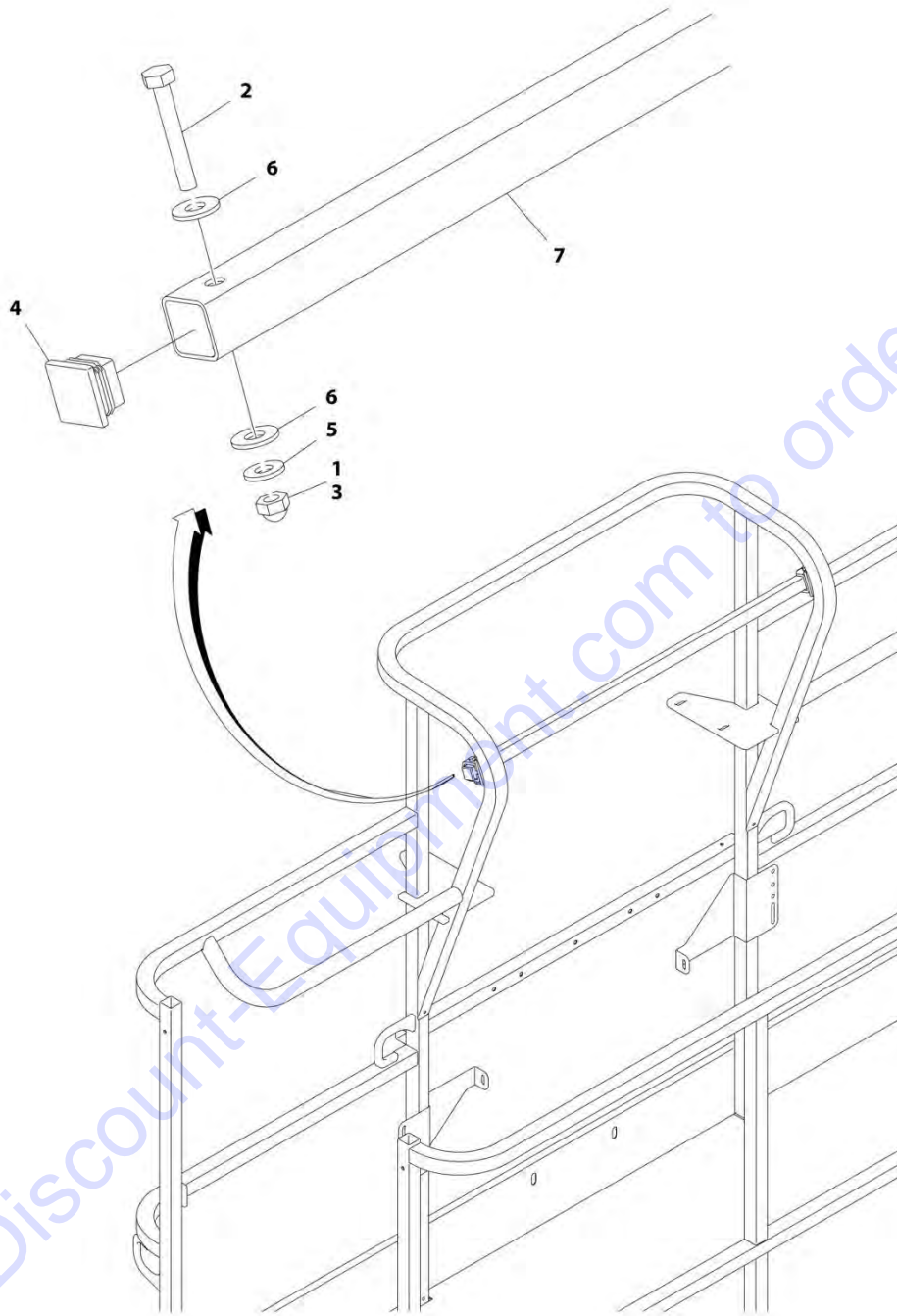
FIGURE 4-11. SKYGUARD SYSTEM INSTALLATION

| ITEM | PART NUMBER | QTY | DESCRIPTION | REV |
|------|-------------|-----|--|-----|
| | 1001187508 | Ref | SKYGUARD SYSTEM INSTALLATION (SN 0300200773 through 0300203770) Note: For machines with SkyGuard SN 0300096000 through 0300200772, See SPECIAL OPTIONS SECTION. | A |
| | | Ref | | |
| 1 | 0100011 | AR | Compound, Locking | |
| 2 | 0641414 | 2 | Bolt, 1/4-20 x 1-3/4 | |
| 3 | 3300430 | 2 | Nut, Acorn 1/4-20 | |
| 4 | 3931424 | 2 | Capscrew, 1/4-20 x 1-1/2 | |
| 5 | 4240033 | 1 | Tie-Strap | |
| 6 | 4711400 | 6 | Washer, 1/4 | |
| 7 | 1001120328 | 1 | Mount | |
| 8 | 1001137673 | 1 | Switch, SkyGuard Assembly | |
| 9 | 1001186517 | 2 | Cover, Platform Sensor | |
| 10 | 1001188889 | 2 | Support, Block | |

Go to Discount-Equipment.com to order your parts

SECTION 4 - PLATFORM

FIGURE 4-12. CROSS RAIL INSTALLATION



ART_1001182138

SECTION 4 - PLATFORM

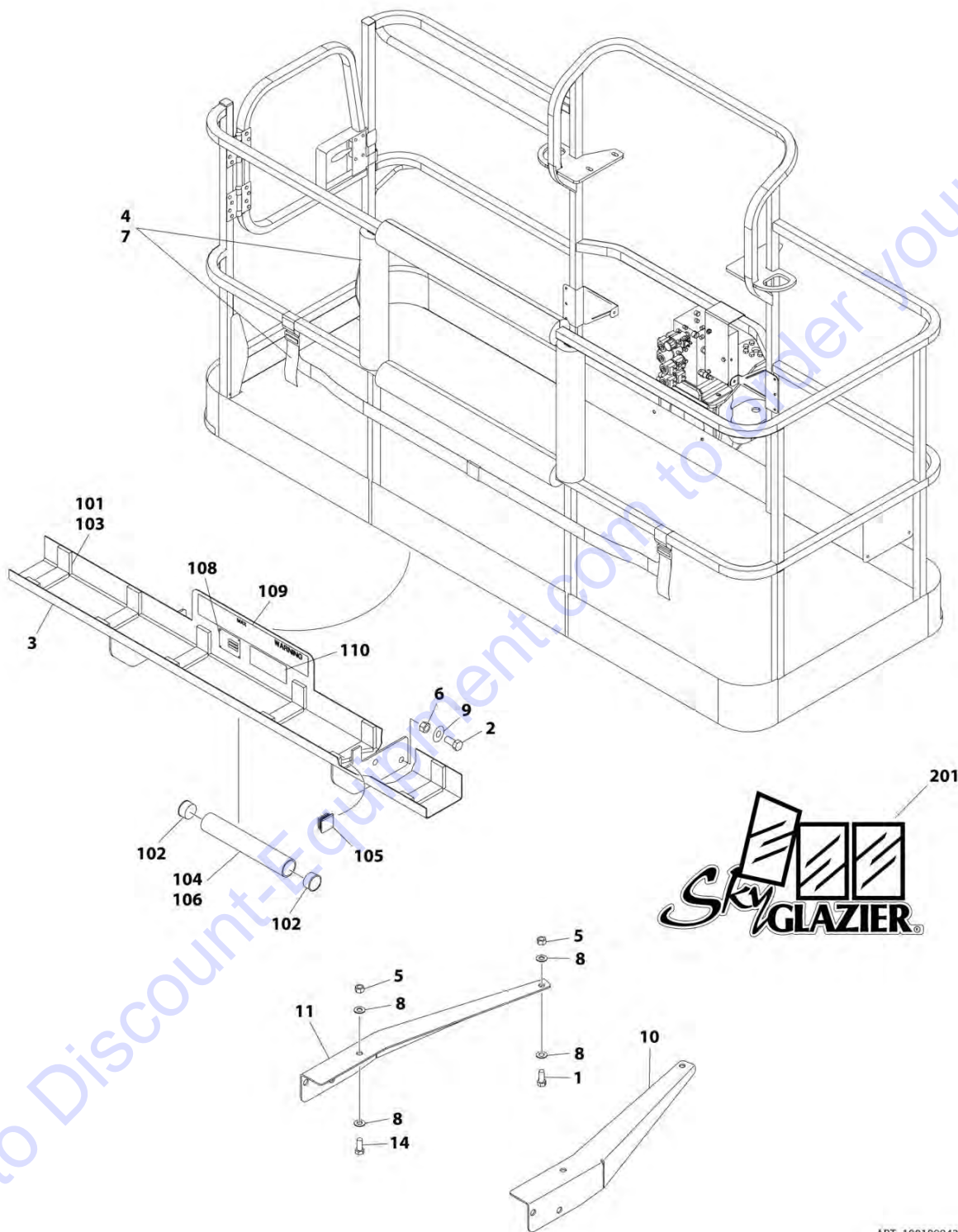
FIGURE 4-12. CROSS RAIL INSTALLATION

| ITEM | PART NUMBER | QTY | DESCRIPTION | REV |
|------|-------------|-----|--------------------------------|-----|
| | 1001182138 | Ref | CROSS RAIL INSTALLATION | A |
| 1 | 0100071 | AR | Compound, Locking | |
| 2 | 0641414 | 2 | Bolt 1/4 x 1-3/4 | |
| 3 | 3300430 | 2 | Nut 1/4 | |
| 4 | 3520182 | 2 | Plug | |
| 5 | 4711400 | 2 | Washer 1/4 | |
| 6 | 4751400 | 4 | Washer 1/4 | |
| 7 | 1001191708 | 1 | Bar | |

Go to Discount-Equipment.com to order your parts

SECTION 4 - PLATFORM

FIGURE 4-13. SKYGLAZIER INSTALLATION



ART_1001099422

SECTION 4 - PLATFORM

FIGURE 4-13. SKYGLAZIER INSTALLATION

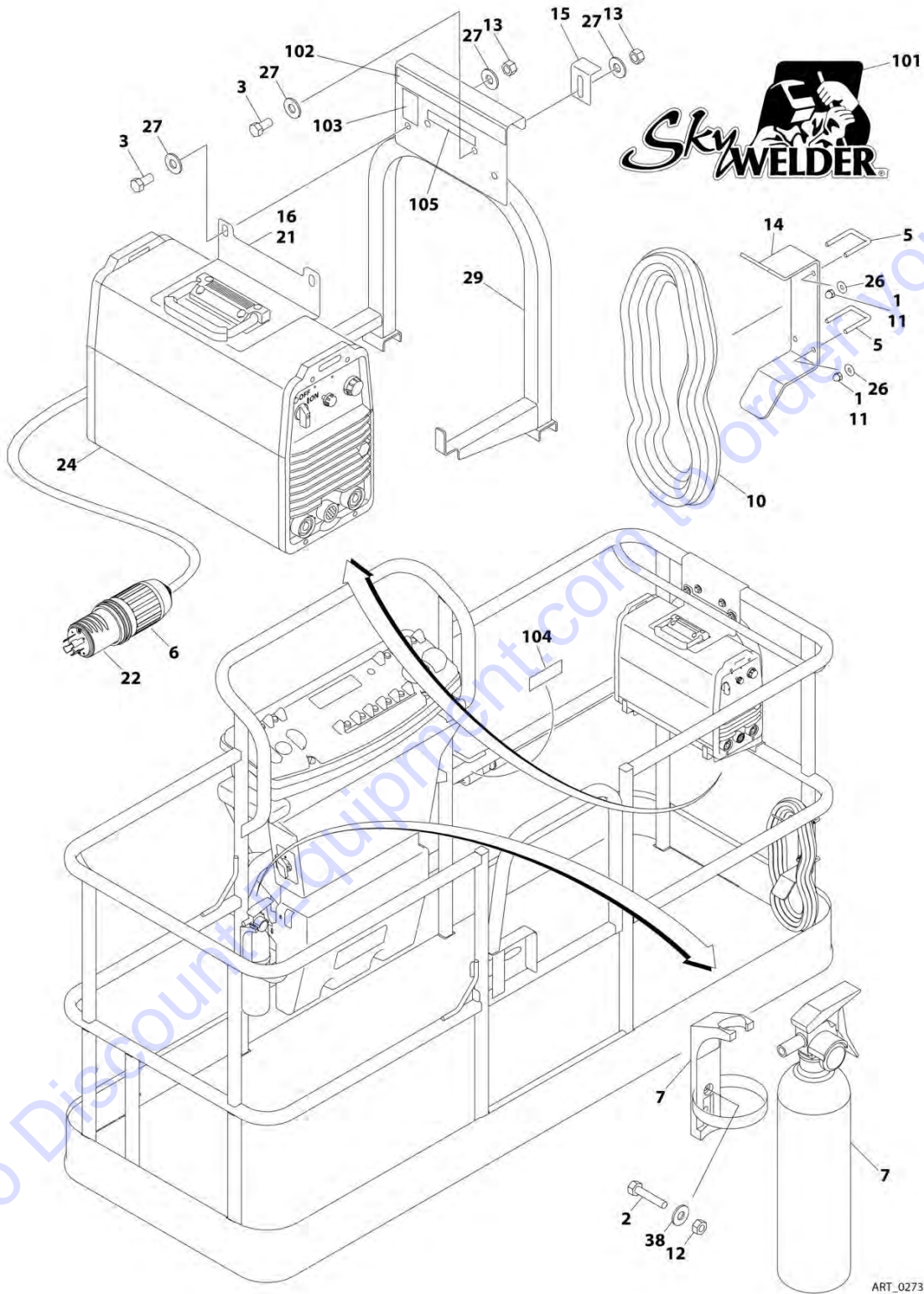
| ITEM | PART NUMBER | QTY | DESCRIPTION | REV |
|------|-------------|-----|---|-----|
| | | Ref | SKYGLAZIER INSTALLATION | |
| | 1001101422 | Ref | ANSI and CSA Specs (400S & 460SJ) | C |
| | 1001102647 | Ref | Australian Specs (With LSS) (460SJ Only) | C |
| | 1001099422 | Ref | Brazil (Portuguese Language) Specs (400S Only) | C |
| | 1001099421 | Ref | Latin American (Spanish Language) Specs (400S Only) | C |
| | 1001099436 | Ref | CE French Specs (With LSS) (400S Only) | C |
| | 1001099437 | Ref | CE German Specs (With LSS) (400S Only) | C |
| | 1001099439 | Ref | CE Italian Specs (With LSS) (400S Only) | C |
| | 1001099422 | Ref | CE Portugal (Portuguese Language) Specs (With LSS) (400S Only) | C |
| | 1001099421 | Ref | CE Spain (Spanish Language) Specs (With LSS) (400S Only) | C |
| | 1001099376 | Ref | CE UK (English Language) Specs (With LSS) (400S Only) | B |
| 1 | 0642012 | 1 | Bolt 5/8 x 1-1/2 | |
| 1 | 0642026 | 1 | Bolt 5/8 x 3-1/4 | |
| 2 | 0642212 | 1 | Bolt 3/4 x 1-1/2 | |
| 3 | | Ref | Glazier Tray Assembly (See Items 101-110 for Breakdown) | |
| 3 | 1001101421 | 1 | ANSI, Australian, CE, UK and CSA Specs | |
| 3 | 0272951 | 1 | Brazil (Portuguese Language) Spec | |
| 3 | 0272948 | 1 | Latin American (Spanish Language) Spec | |
| 3 | 0272949 | 1 | CE French Spec | |
| 3 | 0272950 | 1 | CE German Spec | |
| 3 | 0272952 | 1 | CE Italian Spec | |
| 3 | 0272951 | 1 | CE Portugal (Portuguese Language) Spec | |
| 3 | 0272948 | 1 | CE Spain (Spanish Language) Spec | |
| 4 | 2902212 | 1 | Bumpers and Strap Kit | |
| 4 | 0940102 | 1 | Bumper Only | |
| 4 | 4240149 | 1 | Strap Only | |
| 5 | 3312005 | 4 | Nut 5/8 | |
| 5 | 1001149924 | AR | Nut, Plastic 5/8 | |
| 6 | 3312205 | 4 | Nut 3/4 | |
| 7 | 4420014 | AR | Tape | |
| 8 | 4712000 | 6 | Washer 5/8 | |
| 9 | 4712200 | 8 | Washer 3/4 | |
| 10 | 1001099366 | 1 | Support | |
| 11 | 1001099367 | 1 | Support | |
| 14 | 8310129 | 2 | Bolt 5/8 x 2-1/2 | |
| 14 | 0642026 | 2 | Bolt 5/8 x 3-1/4 | |
| 14 | 8310230 | 2 | Bolt 5/8 x 4 | |
| | | Ref | GLAZIER TRAY ASSEMBLY | |
| | 1001101421 | Ref | ANSI, Australian, CE, UK and CSA Specs | E |
| | 0272951 | Ref | Brazil (Portuguese Language) Spec | E |
| | 0272948 | Ref | Latin American (Spanish Language) Spec | E |
| | 0272949 | Ref | CE French Spec | D |
| | 0272950 | Ref | CE German Spec | D |
| | 0272952 | Ref | CE Italian Spec | D |
| | 0272951 | Ref | CE Portugal (Portuguese Language) Spec | E |
| | 0272948 | Ref | CE Spain (Spanish Language) Spec | E |
| 101 | 0100081 | AR | Adhesive | |
| 102 | 1120555 | 2 | Cap, Tube | |
| 103 | 3340956 | 1 | Pad Kit | |

SECTION 4 - PLATFORM

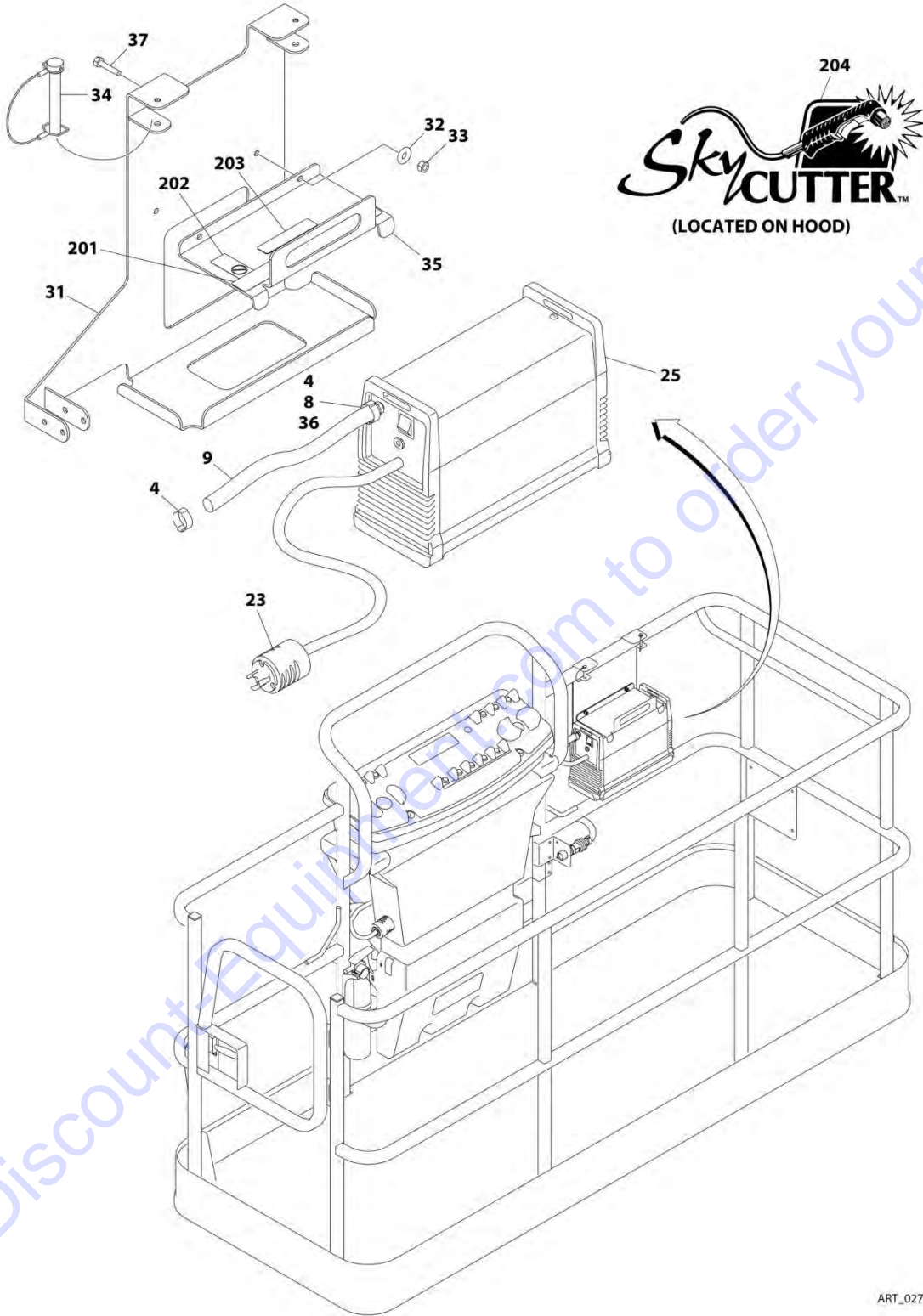
| ITEM | PART NUMBER | QTY | DESCRIPTION | REV |
|------|-------------|-----|--|-----|
| 104 | 3460334 | 1 | Tube | |
| 105 | 3520071 | 2 | Plug | |
| 106 | 4420066 | AR | Tape, Double Sided | |
| 108 | See Note | NSS | Nameplate - Serial Number (Note: Not Available for Purchase) | |
| 109 | 1001163131 | 1 | Decal - Glazier Capacity (English Language) | |
| 109 | 1001163293 | 1 | Decal - Glazier Capacity (French Language) | |
| 109 | 1001163298 | 1 | Decal - Glazier Capacity (German Language) | |
| 109 | 1001163287 | 1 | Decal - Glazier Capacity (Italian Language) | |
| 109 | 1001163297 | 2 | Decal - Glazier Capacity (Portuguese Language) | |
| 109 | 1001163296 | 2 | Decal - Glazier Capacity (Spanish Language) | |
| 110 | 1701509 | 2 | Decal - Manual | |
| | 0272418 | Ref | SKYGLAZIER DECAL INSTALLATION | 4 |
| 201 | 1705358 | 2 | Decal - SkyGlazier | |

SECTION 4 - PLATFORM

FIGURE 4-14. SKYWELDER/SKYCUTTER COMBO INSTALLATION (60HZ)



SECTION 4 - PLATFORM



ART_0273353_20F2

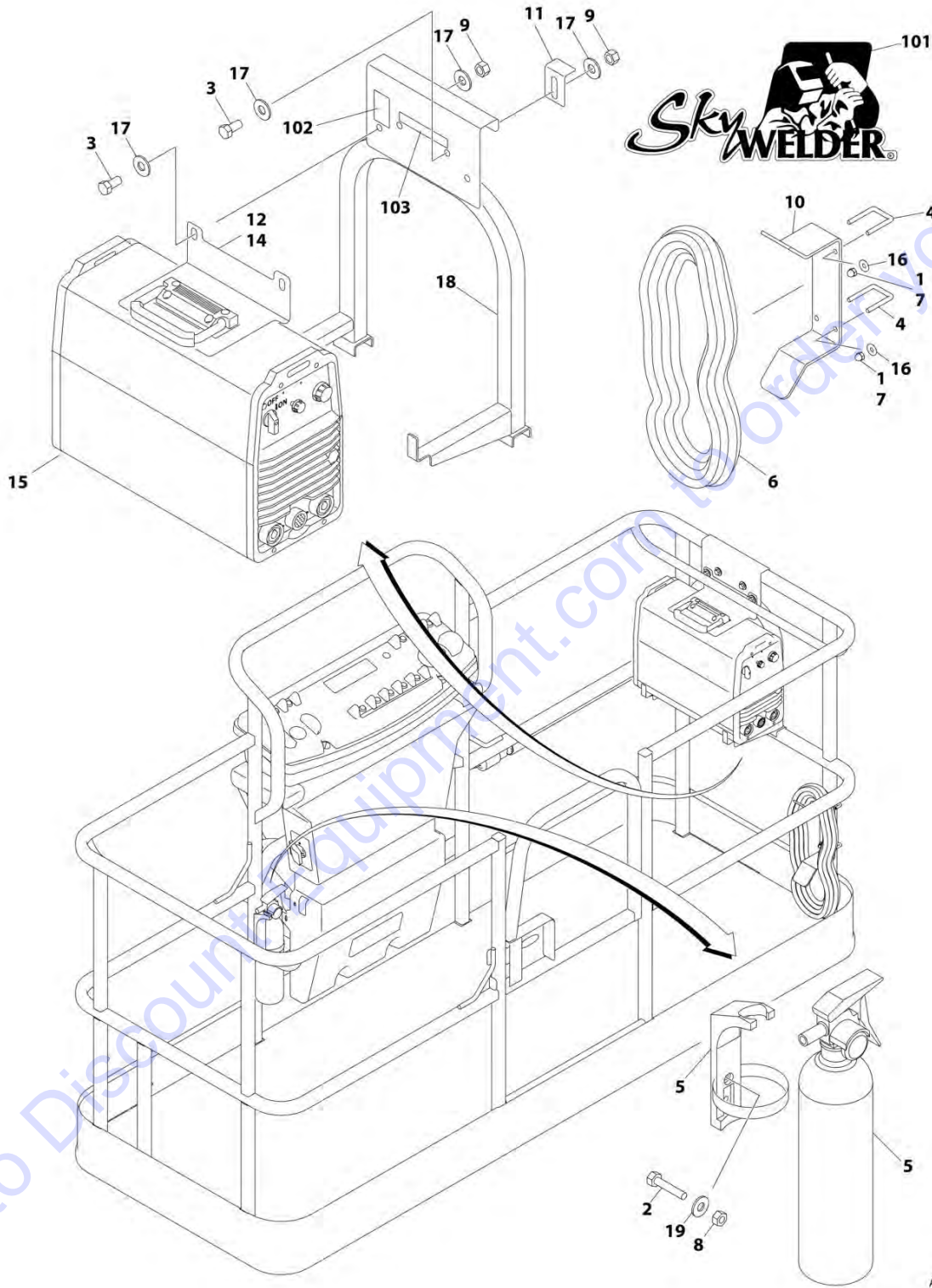
SECTION 4 - PLATFORM

FIGURE 4-14. SKYWELDER/SKYCUTTER COMBO INSTALLATION (60HZ)

| ITEM | PART NUMBER | QTY | DESCRIPTION | REV |
|------|-------------|-------------------|---|-----|
| | 0273353 | Ref | SKYWELDER/SKYCUTTER COMBO INSTALLATION (60HZ) | G |
| | | Ref | Note: ANSI Export Specs Only. | |
| 1 | 0100011 | AR | Compound, Locking | |
| 2 | 0630518 | 2 | Screw #10 x 3/4 | |
| 3 | 0641606 | 4 | Bolt 3/8 x 3/4 | |
| 4 | 1320177 | 2 | Clamp | |
| 5 | 1320302 | 2 | Clamp | |
| 6 | 1671093 | 1 | Cover, Plug | |
| 7 | 2030010 | 1 | Extinguisher, Fire | |
| 8 | 2180832 | 1 | Fitting, Barbed/NPT | |
| 9 | 2720160 | 4.5 ft /1.37m | Hose | |
| 10 | 2902217 | 1 | Weld Leads Kit | |
| 11 | 3300151 | 4 | Nut 1/4 | |
| 12 | 3311005 | 2 | Nut #10 | |
| 13 | 3311605 | 4 | Nut 3/8 | |
| 14 | 3573400 | 1 | Bracket | |
| 15 | 3577121 | 2 | Angle | |
| 16 | 3573642 | 1 | Plate | |
| 20 | 4240099 | AR | Tie-Strap (Not Shown) | |
| 21 | 4420037 | 2.36 ft /0.71m | Tape | |
| 22 | 4460962 | 1 | Plug, Twist Lock | |
| 23 | 4460971 | 1 | Plug, Twist Lock | |
| 24 | 4530028 | 1 | Welder Assembly (See WELDER ASSEMBLY for Breakdown) | |
| 25 | 1001098012 | 1 | Plasma Cutter Assembly (See PLASMA CUTTER ASSEMBLY for Breakdown) | |
| 26 | 4751400 | 4 | Washer 1/4 | |
| 27 | 4751600 | 8 | Washer 3/8 | |
| 29 | 4846627 | 1 | Support | |
| 31 | 1001145405 | 1 | Bracket | |
| 32 | 4811700 | 2 | Washer M6 | |
| 33 | 3290605 | 2 | Nut M6 | |
| 34 | 3421453 | 3 | Pin | |
| 35 | 3576799 | 1 | Plate, Hold-Down | |
| 36 | 0100020 | 1 | Sealant | |
| 37 | 4010608 | 2 | Screw M6 x 16 | |
| 38 | 4751000 | 2 | Washer #10 | |
| | 0272448 | Ref | SKYWELDER DECAL INSTALLATION | A |
| 101 | 1705355 | 2 | Decal - SkyWelder | |
| 102 | 1702868 | 1 | Decal - No Hands | |
| 103 | 1705305 | 1 | Decal - Weld Leads | |
| 104 | 1705375 | 1 | Decal - 240V - 3 Phase - 60Hz | |
| 105 | 1705466 | 1 | Decal - Weight | |
| | 0272599 | Ref | SKYCUTTER DECAL INSTALLATION | A |
| 201 | 1702868 | 1 | Decal - No Hands | |
| 202 | 1705305 | 1 | Decal - Weld Leads | |
| 203 | 1705466 | 1 | Decal - Weight | |
| 204 | 1705490 | 2 | Decal - SkyCutter | |

SECTION 4 - PLATFORM

FIGURE 4-15. SKYWELDER INSTALLATION (50HZ)



ART_0272521

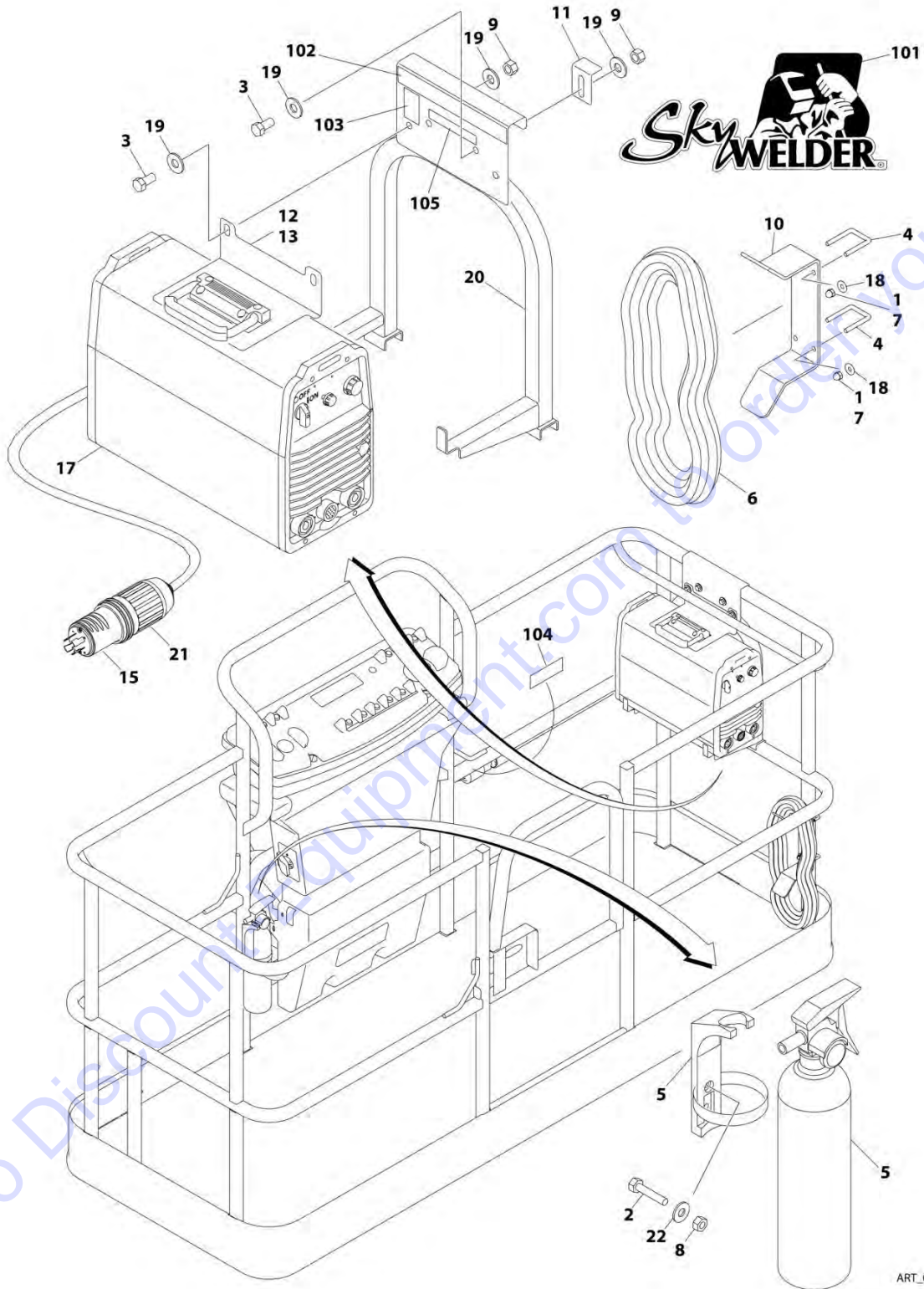
SECTION 4 - PLATFORM

FIGURE 4-15. SKYWELDER INSTALLATION (50HZ)

| ITEM | PART NUMBER | QTY | DESCRIPTION | REV |
|------|-------------|-----|--|-----|
| | 0272521 | Ref | SKYWELDER INSTALLATION (50HZ) | F |
| | | Ref | Note: Australian, CE and Japanese Specs Only. | |
| 1 | 0100011 | AR | Compound, Locking | |
| 2 | 0630518 | 2 | Screw #10 x 3/4 | |
| 3 | 0641606 | 4 | Bolt 3/8 x 3/4 | |
| 4 | 1320302 | 2 | U-Clamp | |
| 5 | 2030010 | 1 | Extinguisher, Fire | |
| 6 | 2902217 | 1 | Weld Leads Kit | |
| 7 | 3300151 | 4 | Nut 1/4 | |
| 8 | 3311005 | 2 | Nut #10 | |
| 9 | 3311605 | 4 | Nut 3/8 | |
| 10 | 3573400 | 1 | Bracket | |
| 11 | 3577121 | 2 | Angle | |
| 12 | 3573642 | 1 | Plate | |
| 13 | 4240099 | AR | Tie-Strap (Not Shown) | |
| 14 | 4420037 | AR | Tape | |
| 15 | 4530028 | 1 | Welder Assembly (See WELDER ASSEMBLY for Breakdown) | |
| 16 | 4751400 | 4 | Washer 1/4 | |
| 17 | 4751600 | 8 | Washer 3/8 | |
| 18 | 4846627 | 1 | Support | |
| 19 | 4751000 | 2 | Washer #10 | |
| | 0272588 | Ref | SKYWELDER DECAL INSTALLATION | A |
| 101 | 1705355 | 2 | Decal - SkyWelder | |
| 102 | 1705305 | 1 | Decal - Weld Lead | |
| 103 | 1705466 | 1 | Decal - Weight | |

SECTION 4 - PLATFORM

FIGURE 4-16. SKYWELDER INSTALLATION (60HZ)



ART_0272254

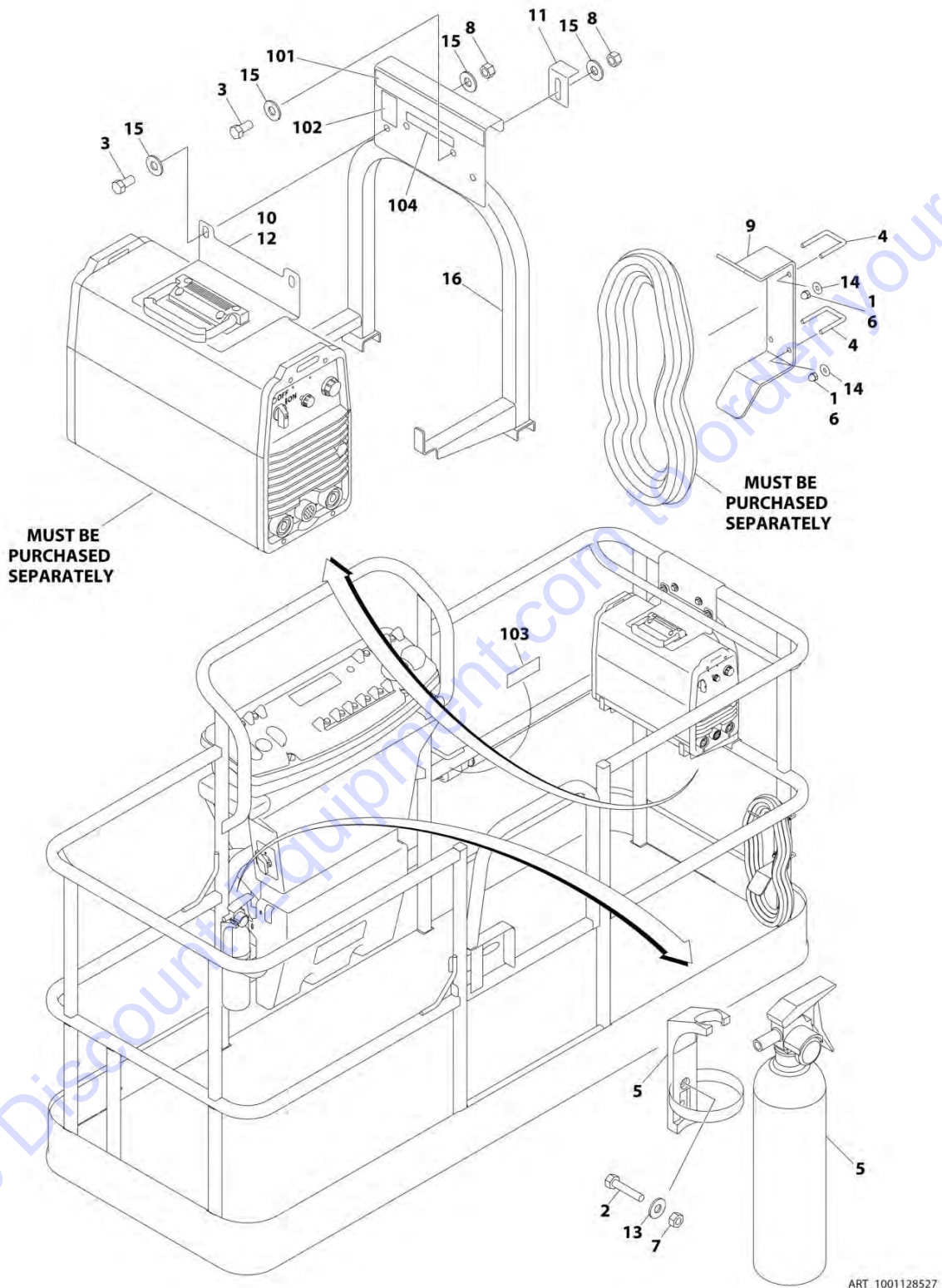
SECTION 4 - PLATFORM

FIGURE 4-16. SKYWELDER INSTALLATION (60HZ)

| ITEM | PART NUMBER | QTY | DESCRIPTION | REV |
|------|-------------|-----|---|-----|
| | 0272254 | Ref | SKYWELDER INSTALLATION (60HZ) | I |
| | | Ref | Note: ANSI, ANSI Export and CSA Specs Only. | |
| 1 | 0100011 | AR | Compound, Locking | |
| 2 | 0630518 | 2 | Screw #10 x 3/4 | |
| 3 | 0641606 | 4 | Bolt 3/8 x 3/4 | |
| 4 | 1320302 | 2 | U-Clamp | |
| 5 | 2030010 | 1 | Extinguisher, Fire | |
| 6 | 2902217 | 1 | Weld Leads Kit | |
| 7 | 3300151 | 4 | Nut 1/4 | |
| 8 | 3311005 | 2 | Nut #10 | |
| 9 | 3311605 | 4 | Nut 3/8 | |
| 10 | 3573400 | 1 | Bracket | |
| 11 | 3577121 | 2 | Angle | |
| 12 | 3573642 | 1 | Plate | |
| 13 | 4420037 | AR | Tape | |
| 14 | 4240099 | AR | Tie-Strap (Not Shown) | |
| 15 | 4460962 | 1 | Plug, Male Twistlock | |
| 17 | 4530028 | 1 | Welder Assembly (See WELDER ASSEMBLY for Breakdown) | |
| 18 | 4751400 | 4 | Washer 1/4 | |
| 19 | 4751600 | 8 | Washer 3/8 | |
| 20 | 4846627 | 1 | Support | |
| 21 | 1671093 | 1 | Cover, Plug | |
| 22 | 4751000 | 2 | Washer #10 | |
| | 0272448 | Ref | SKYWELDER DECAL INSTALLATION | A |
| 101 | 1705355 | 2 | Decal - SkyWelder | |
| 102 | 1702868 | 1 | Decal - No Hands | |
| 103 | 1705305 | 1 | Decal - Weld Lead | |
| 104 | 1705375 | 1 | Decal - 240V - 3 Phase - 60Hz | |
| 105 | 1705466 | 1 | Decal - Weight | |

SECTION 4 - PLATFORM

FIGURE 4-17. SKYWELDER PREP PACKAGE (60HZ)



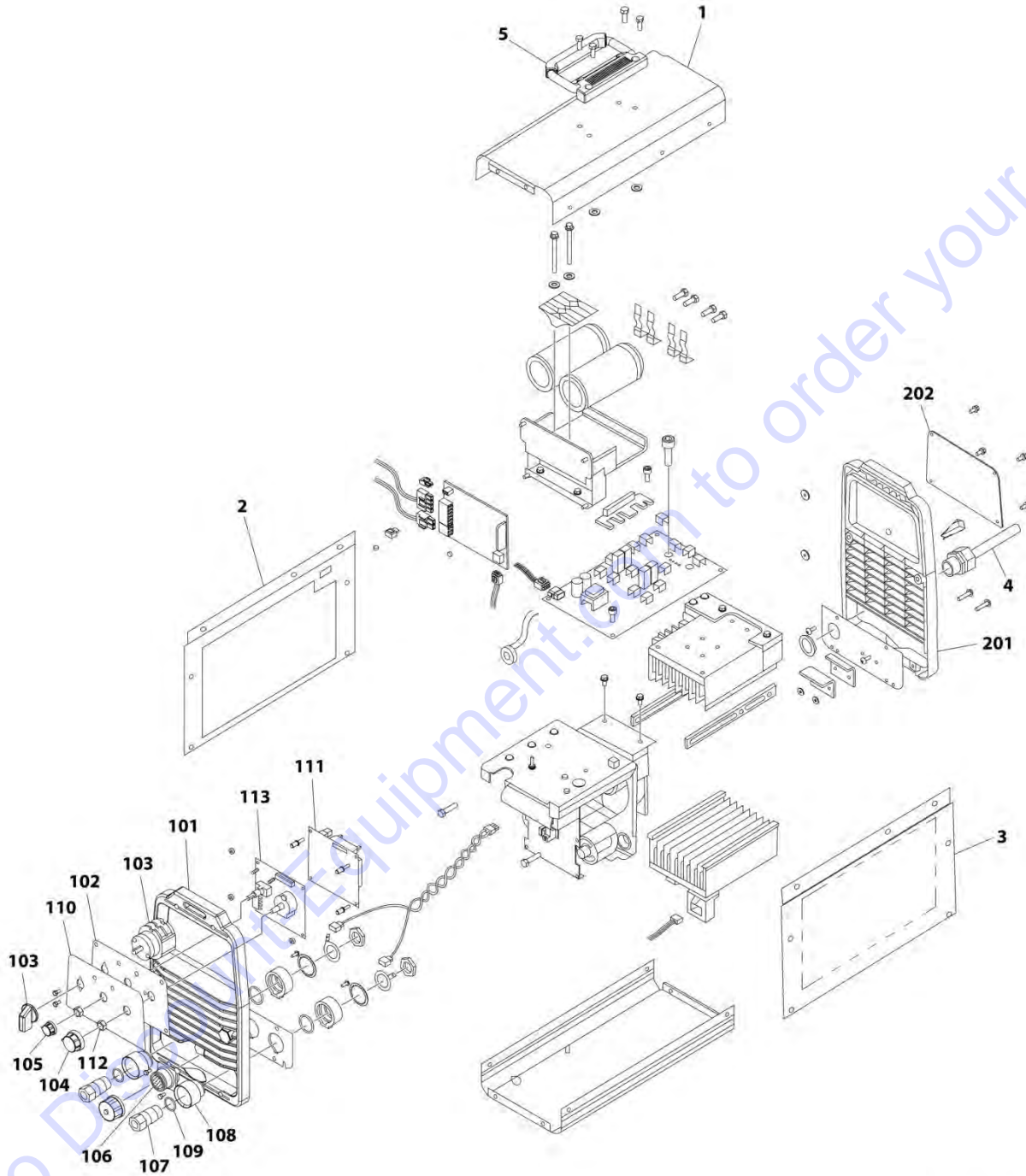
SECTION 4 - PLATFORM

FIGURE 4-17. SKYWELDER PREP PACKAGE (60HZ)

| ITEM | PART NUMBER | QTY | DESCRIPTION | REV |
|------|-------------|-----|--|-----|
| | 1001128527 | Ref | SKYWELDER PREP PACKAGE (60HZ) | B |
| | | Ref | Note: ANSI, ANSI Export and CSA Specs Only. | |
| 1 | 0100011 | AR | Compound, Locking | |
| 2 | 0630518 | 2 | Screw #10 x 3/4 | |
| 3 | 0641606 | 4 | Bolt 3/8 x 3/4 | |
| 4 | 1320302 | 2 | U-Clamp | |
| 5 | 2030010 | 1 | Extinguisher, Fire | |
| 6 | 3300151 | 4 | Nut 1/4 | |
| 7 | 3311005 | 2 | Nut #10 | |
| 8 | 3311605 | 4 | Nut 3/8 | |
| 9 | 3573400 | 1 | Bracket | |
| 10 | 3573642 | 1 | Plate | |
| 11 | 3577121 | 2 | Angle | |
| 12 | 4420037 | AR | Tape | |
| 13 | 4751000 | 2 | Washer #10 | |
| 14 | 4751400 | 4 | Washer 1/4 | |
| 15 | 4751600 | 8 | Washer 3/8 | |
| 16 | 4846627 | 1 | Support | |
| | 1001128556 | Ref | SKYWELDER DECAL INSTALLATION | A |
| 101 | 1702868 | 1 | Decal - No Hands | |
| 102 | 1705305 | 1 | Decal - Weld Lead | |
| 103 | 1705375 | 1 | Decal - 240V - 3 Phase - 60Hz | |
| 104 | 1705466 | 1 | Decal - Weight | |

SECTION 4 - PLATFORM

FIGURE 4-18. WELDER ASSEMBLY



ART_4530028

SECTION 4 - PLATFORM

FIGURE 4-18. WELDER ASSEMBLY

| ITEM | PART NUMBER | QTY | DESCRIPTION | REV |
|------|-------------|-----|---|-----|
| | 4530028 | Ref | WELDER ASSEMBLY | A |
| | | Ref | Note: For Other Components, contact your Miller Welder Dealer. | |
| 1 | 7027773 | 1 | Cover, Top | |
| 1 | 7027774 | 1 | Decal - Static Precautionary Warning | |
| 2 | See Note | NSS | Panel, LH Side (Note: Part of Item 1. Purchase Item 1) | |
| 3 | See Note | NSS | Panel, RH Side (Note: Part of Item 1. Purchase Item 1) | |
| 4 | 7024467 | 1 | Cable, Power | |
| 4 | 7027775 | 1 | Decal - Electrical Shock Warning (Not Shown) | |
| 5 | 7027776 | 1 | Handle, Carrying | |
| 101 | 7024462 | 1 | Panel, Front | |
| 102 | 7024463 | 1 | Panel, Console | |
| 103 | 7024469 | 1 | Switch with Lead | |
| 104 | 7024470 | 1 | Knob | |
| 105 | 7024471 | 1 | Knob | |
| 106 | 7024472 | 1 | Receptacle with Leads and Plugs | |
| 107 | 7024473 | 2 | Receptacle, Twistlock Female | |
| 108 | 7024474 | 2 | Insulator | |
| 109 | 7024475 | 2 | O-Ring | |
| 110 | 7027777 | 1 | Nameplate | |
| 111 | 7027779 | 1 | Circuit Card Assembly (Process Control) | |
| 112 | 7024478 | 2 | Nut | |
| 113 | 7027778 | 1 | Circuit Card Assembly (Operator Interface) | |
| 201 | 7024462 | 1 | Panel, Rear | |
| 202 | 7027780 | 1 | Panel, Cover | |

PARTS FINDER

**Search Website
by Part Number**



**Search Manual
Library For Parts
Manual & Lookup Part
Numbers – Purchase
or Request Quote**

**Can't Find Part or
Manual? Request Help
by Manufacturer,
Model & Description**

Discount-Equipment.com is your online resource for quality parts & equipment.

Florida: **561-964-4949** Outside Florida TOLL FREE: **877-690-3101**

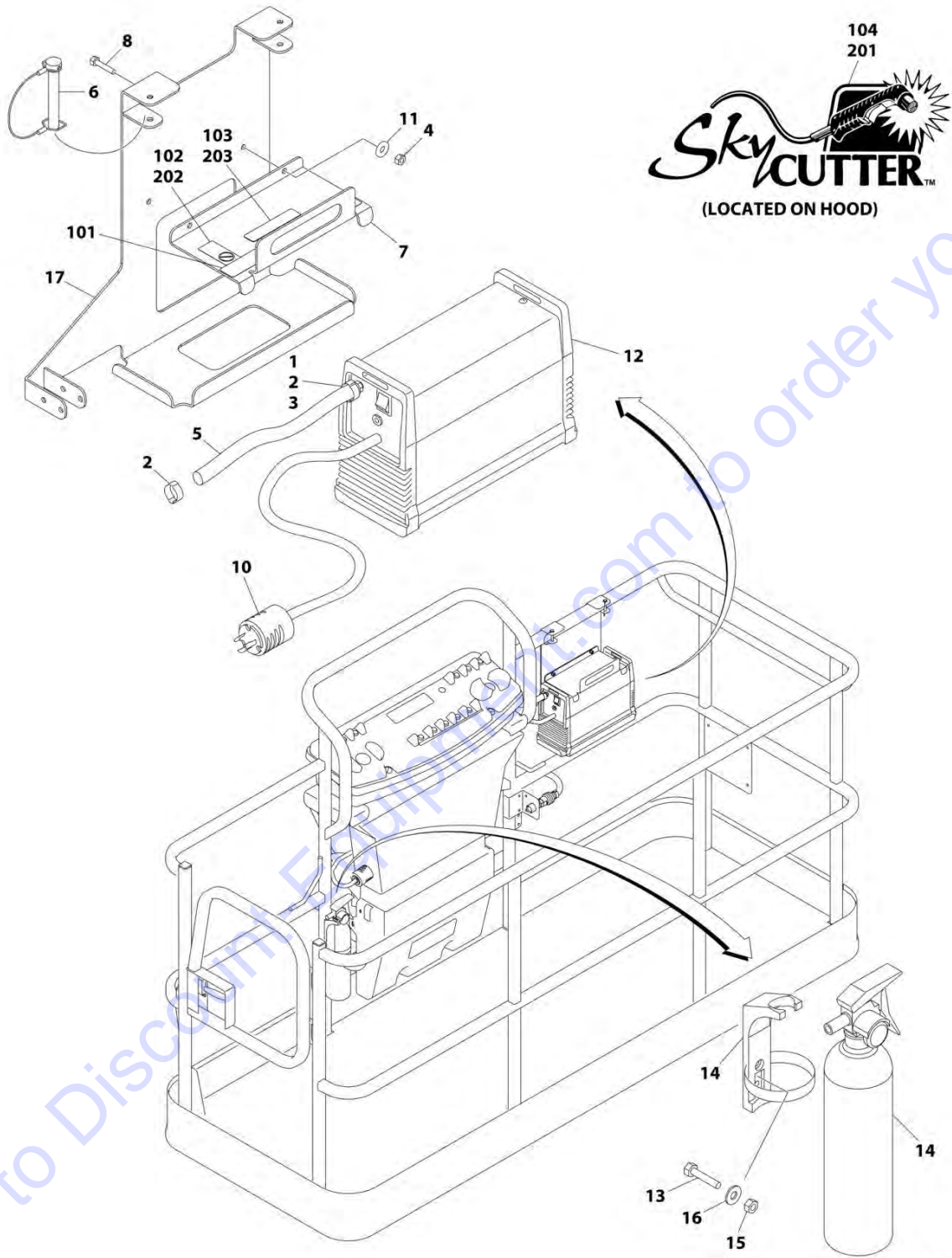
Need parts?

Click on this link: <http://www.discount-equipment.com/category/5443-parts/> and choose one of the options to help get the right parts and equipment you are looking for. Please have the machine model and serial number available in order to help us get you the correct parts. If you don't find the part on the website or on one of the online manuals, please fill out the request form and one of our experienced staff members will get back to you with a quote for the right part that your machine needs.

We sell worldwide for the brands: Genie, Terex, JLG, MultiQuip, Mikasa, Essick, Whiteman, Mayco, Toro Stone, Diamond Products, Generac Magnum, Airman, Haulotte, Barreto, Power Blanket, Nifty Lift, Atlas Copco, Chicago Pneumatic, Allmand, Miller Curber, Skyjack, Lull, Skytrak, Tsurumi, Husquvarna Target, Stow, Wacker, Sakai, Mi-T-M, Sullair, Basic, Dynapac, MBW, Weber, Bartell, Bennar Newman, Haulotte, Ditch Runner, Menegotti, Morrison, Contec, Buddy, Crown, Edco, Wyco, Bomag, Laymor, EZ Trench, Bil-Jax, F.S. Curtis, Gehl Pavers, Heli, Honda, ICS/PowerGrit, IHI, Partner, Imer, Clipper, MMD, Koshin, Rice, CH&E, General Equipment, Amida, Coleman, NAC, Gradall, Square Shooter, Kent, Stanley, Tamco, Toku, Hatz, Kohler, Robin, Wisconsin, Northrock, Oztec, Toker TK, Rol-Air, APT, Wylie, Ingersoll Rand / Doosan, Innovatech, Con X, Ammann, Mecalac, Makinex, Smith Surface Prep, Small Line, Wanco, Yanmar

SECTION 4 - PLATFORM

FIGURE 4-19. SKYCUTTER INSTALLATION



ART_1001098149

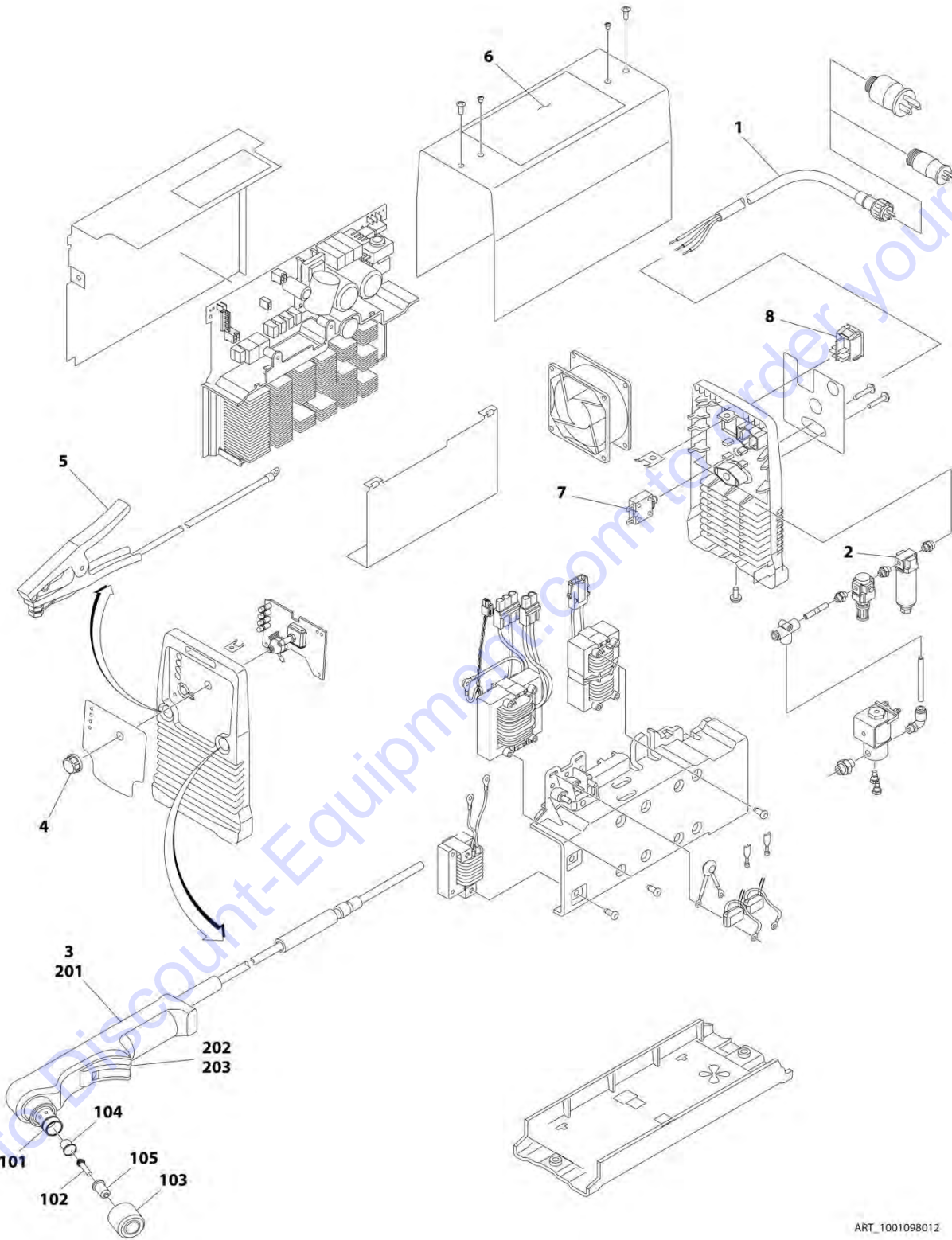
SECTION 4 - PLATFORM

FIGURE 4-19. SKYCUTTER INSTALLATION

| ITEM | PART NUMBER | QTY | DESCRIPTION | REV |
|------|-------------|-----------|---|-----|
| | 1001098149 | Ref | SKYCUTTER INSTALLATION | D |
| | | Ref | Note: ANSI, ANSI Export, CSA and Japanese Specs Only. | |
| | | Ref | Note: When replacing platform on machines with SkyCutter option, new bracket p/n 1001145405 must be purchased to accommodate SkyCutter components. | |
| 1 | 0100020 | AR | Sealant | |
| 2 | 1320177 | 2 | Clamp, Hose | |
| 3 | 2180832 | 1 | Fitting, NPT/Barbed | |
| 4 | 3290605 | 2 | Nut M6 | |
| 5 | 2720160 | 3 ft/0.9m | Hose | |
| 6 | 3421453 | 3 | Pin | |
| 7 | 3576799 | 1 | Plate, Hold-Down | |
| 8 | 4010608 | 2 | Screw M6 x 16 | |
| 10 | 4460971 | 1 | Plug, Twistlock | |
| 11 | 4811700 | 2 | Washer M6 | |
| 12 | 1001098012 | 1 | Plasma Cutter Assembly (See PLASMA CUTTER ASSEMBLY for Breakdown) | |
| 13 | 0630518 | 2 | Screw #10 x 3/4 | |
| 14 | 2030010 | 1 | Extinguisher, Fire | |
| 15 | 3311005 | 2 | Nut #10 | |
| 16 | 4751000 | 2 | Washer #10 | |
| 17 | 1001145405 | 1 | Support | |
| | 0272599 | Ref | SKYCUTTER DECAL INSTALLATION (ANSI, ANSI EXPORT AND CSA SPECS) | A |
| 101 | 1702868 | 1 | Decal - No Hands | |
| 102 | 1705305 | 1 | Decal - Weld Lead | |
| 103 | 1705466 | 1 | Decal - Weight | |
| 104 | 1705490 | 2 | Decal - SkyCutter | |
| | 0272607 | Ref | SKYCUTTER DECAL INSTALLATION (JAPANESE SPECS) | A |
| 201 | 1705490 | 2 | Decal - SkyCutter | |
| 202 | 1705305 | 1 | Decal - Weld Lead | |
| 203 | 1705466 | 1 | Decal - Weight | |

SECTION 4 - PLATFORM

FIGURE 4-20. PLASMA CUTTER ASSEMBLY



ART_1001098012

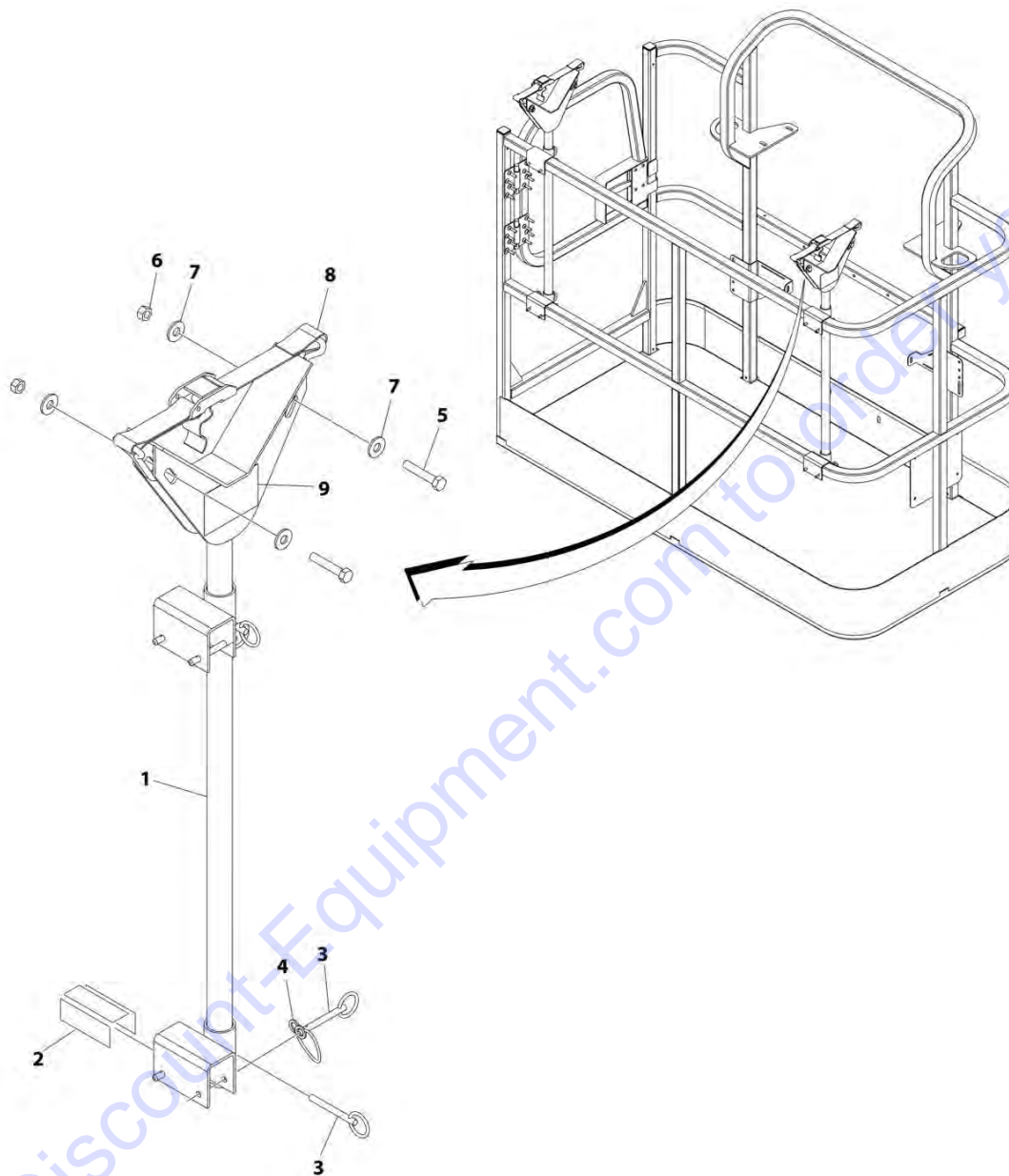
SECTION 4 - PLATFORM

FIGURE 4-20. PLASMA CUTTER ASSEMBLY

| ITEM | PART NUMBER | QTY | DESCRIPTION | REV |
|------|-------------|-----|---|-----|
| | 1001098012 | Ref | PLASMA CUTTER ASSEMBLY | A |
| | | Ref | Note: For Other Components, contact your Miller Welder Dealer. | |
| 1 | 70001424 | 1 | Cable, Power | |
| 1 | 70001425 | 1 | Decal - Voltage Warning | |
| 2 | 70001427 | 1 | Filter, Regulator | |
| 3 | 70001428 | 1 | Torch Assembly (See Items 101-203 for Breakdown) | |
| 4 | 7024471 | 1 | Knob | |
| 5 | 70001429 | 1 | Clamp with Cable | |
| 6 | 70001430 | 1 | Decal - Caution | |
| 7 | 70001431 | 1 | Breaker, Circuit | |
| 8 | 70001432 | 1 | Switch, Rocker | |
| | 70001428 | Ref | TORCH ASSEMBLY | |
| 101 | 7024530 | 1 | O-Ring | |
| 102 | 7024531 | 1 | Electrode | |
| 103 | 7024532 | 1 | Cup, Retaining | |
| 104 | 7024533 | 1 | Swirl Ring | |
| 105 | 7024534 | 1 | Tip | |
| 201 | 7024535 | 1 | Handle, Torch | |
| 202 | 7024536 | 1 | Switch | |
| 203 | 7024537 | 1 | Trigger | |

SECTION 4 - PLATFORM

FIGURE 4-21. PIPE RACKS INSTALLATION



ART_0257728

SECTION 4 - PLATFORM

FIGURE 4-21. PIPE RACKS INSTALLATION

| ITEM | PART NUMBER | QTY | DESCRIPTION | REV |
|------|-------------|-----|---|-----|
| | 0257728 | Ref | PIPE RACK INSTALLATION (ALL SPECS EXCEPT AUSTRALIAN SPECS) | 2/C |
| | 0274661 | Ref | PIPE RACK INSTALLATION (AUSTRALIAN SPECS) | 1/A |
| 1 | 4845582 | 2 | Rack, Pipe | |
| 2 | 4420062 | AR | Tape | |
| 3 | 3422661 | 10 | Pin | |
| 4 | 1060379 | 4 | Lanyard | |
| 5 | 0641514 | 4 | Bolt 5/16 x 1-3/4 | |
| 6 | 3311505 | 4 | Nut 5/16 | |
| 7 | 4751500 | 8 | Washer 5/16 | |
| 8 | 0480100 | 2 | Tie-Down | |
| 9 | 1703683 | 2 | Decal - Capacity (All Specs except Australian Specs) | |
| 9 | 1706510 | 2 | Decal - Capacity (Australian Specs) | |

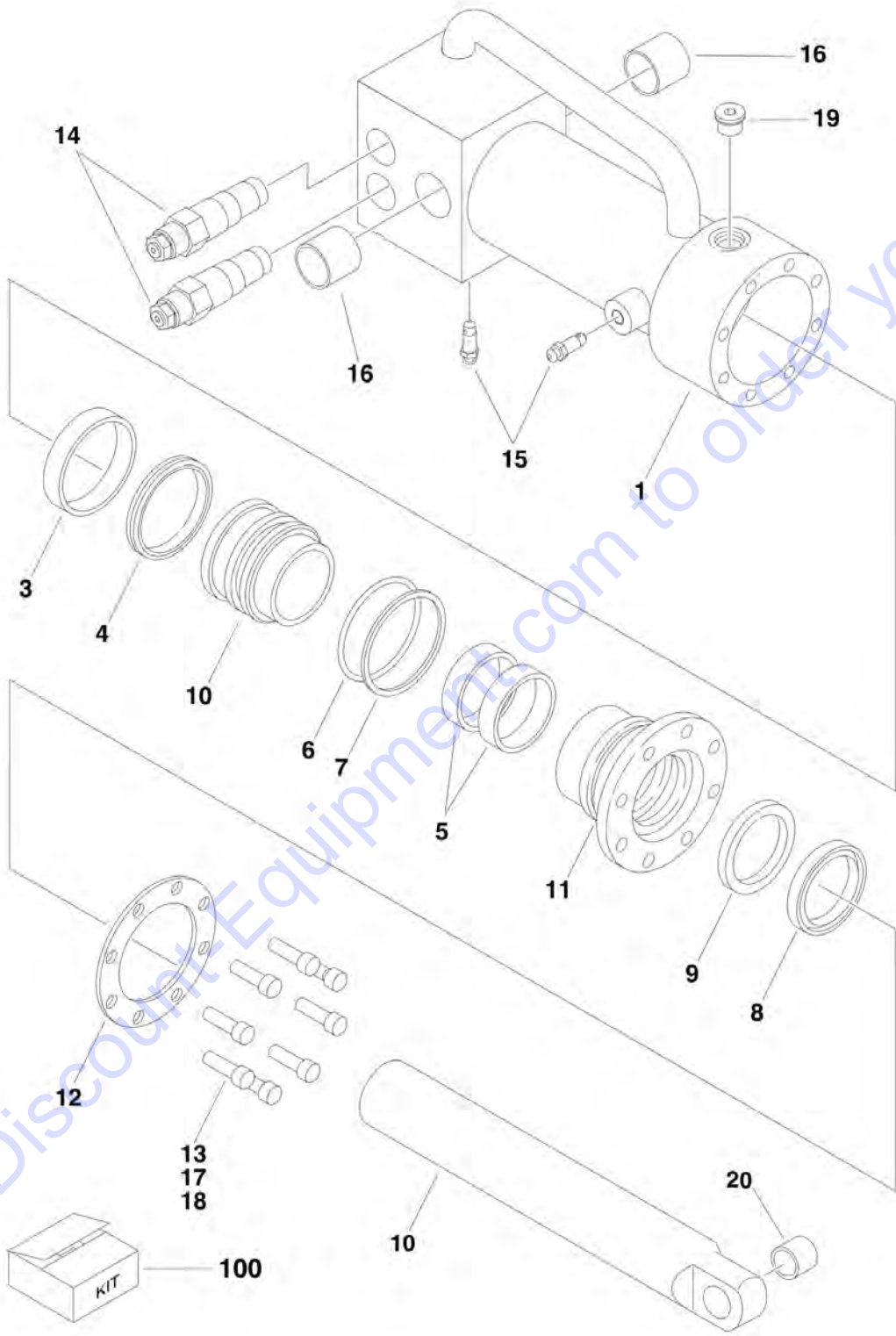
Go to Discount-Equipment.com to order your parts

SECTION 5 - CYLINDER

Go to Discount-Equipment.com to order your parts

SECTION 5 - CYLINDER

FIGURE 5-1. AXLE LOCKOUT CYLINDER ASSEMBLY (SN 0300096000 through 0300115395)



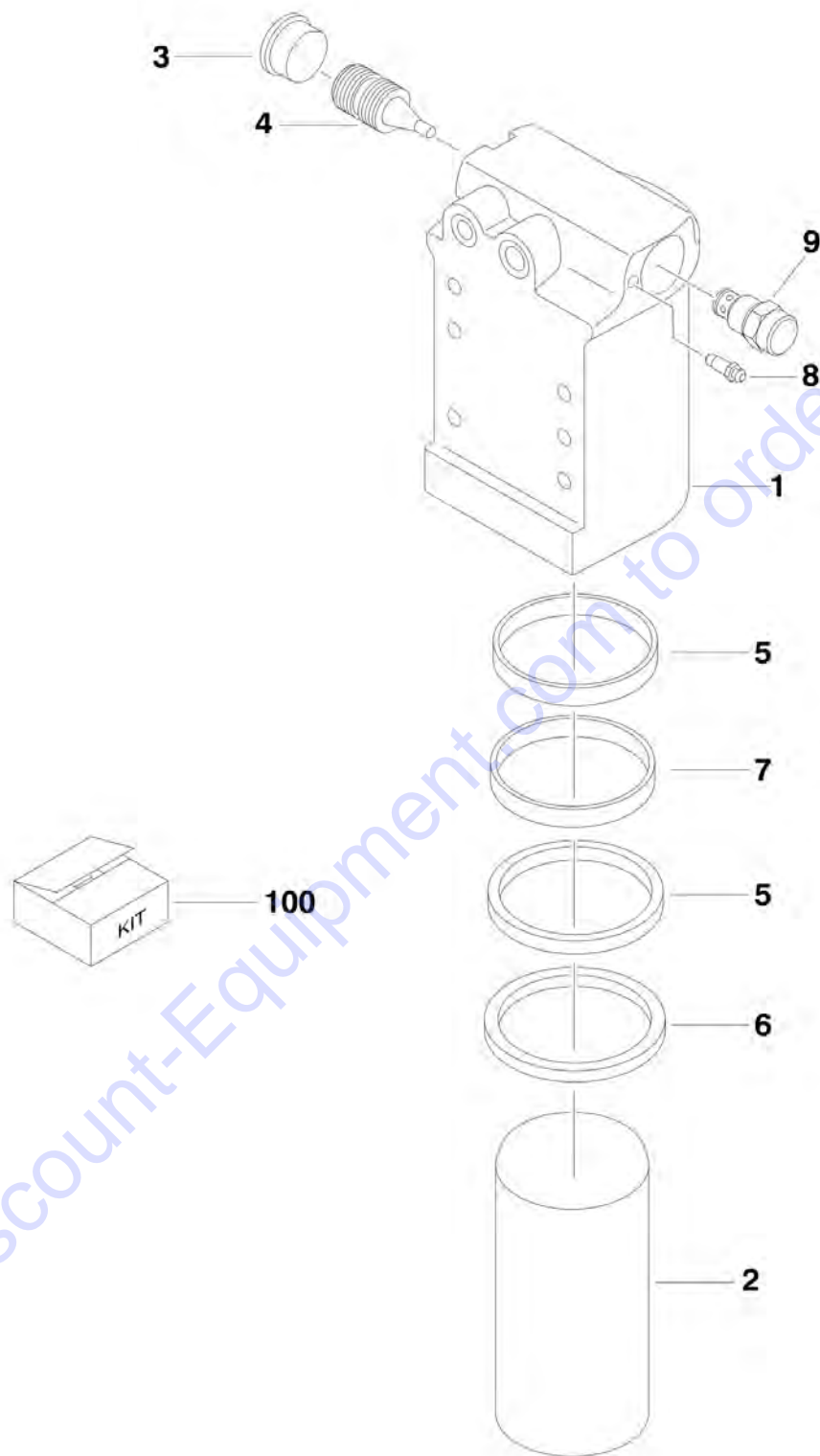
SECTION 5 - CYLINDER

FIGURE 5-1. AXLE LOCKOUT CYLINDER ASSEMBLY (SN 0300096000 through 0300115395)

| ITEM | PART NUMBER | QTY | DESCRIPTION | REV |
|------|-------------|-----|---|-----|
| | 1684139 | Ref | AXLE LOCKOUT CYLINDER ASSEMBLY | D |
| 1 | 1683572 | 1 | Barrel Weldment | |
| 3 | See Note | NSS | Ring, Wear (Note: Use Item 100) | |
| 4 | See Note | NSS | T-Seal (Note: Use Item 100) | |
| 5 | See Note | NSS | Ring, Wear (Note: Use Item 100) | |
| 6 | See Note | NSS | O-Ring (Note: Use Item 100) | |
| 7 | See Note | NSS | Ring, Back-up (Note: Use Item 100) | |
| 8 | See Note | NSS | Wiper (Note: Use Item 100) | |
| 9 | See Note | NSS | Seal (Note: Use Item 100) | |
| 10 | 1684138 | 1 | Rod Weldment | |
| 11 | 1683076 | 1 | Cap | |
| 12 | 3760367 | 1 | Ring, Washer | |
| 13 | 3931516 | 8 | Bolt, Socket Head 5/16in-18NC x 2in | |
| 14 | 4641162 | 2 | Cartridge, Valve (Counterbalance) | |
| 14 | 2900770 | 2 | Seal Kit - 4641162 Valve (1 Per Assembly) | |
| 15 | 4640858 | 2 | Valve, Bleeder | |
| 16 | 0962474 | 2 | Bushing | |
| 17 | 0100011 | AR | Locking, Compound | |
| 18 | 0100038 | AR | Primer, Locking | |
| 19 | 2220885 | 1 | Plug, O-Ring | |
| 20 | 0962140 | 1 | Bushing | |
| 100 | 2901548 | 1 | Seal Kit (Includes Items 3-9) | |

SECTION 5 - CYLINDER

FIGURE 5-2. AXLE LOCKOUT CYLINDER ASSEMBLY (SN 0300115396 through 0300203770)



SECTION 5 - CYLINDER

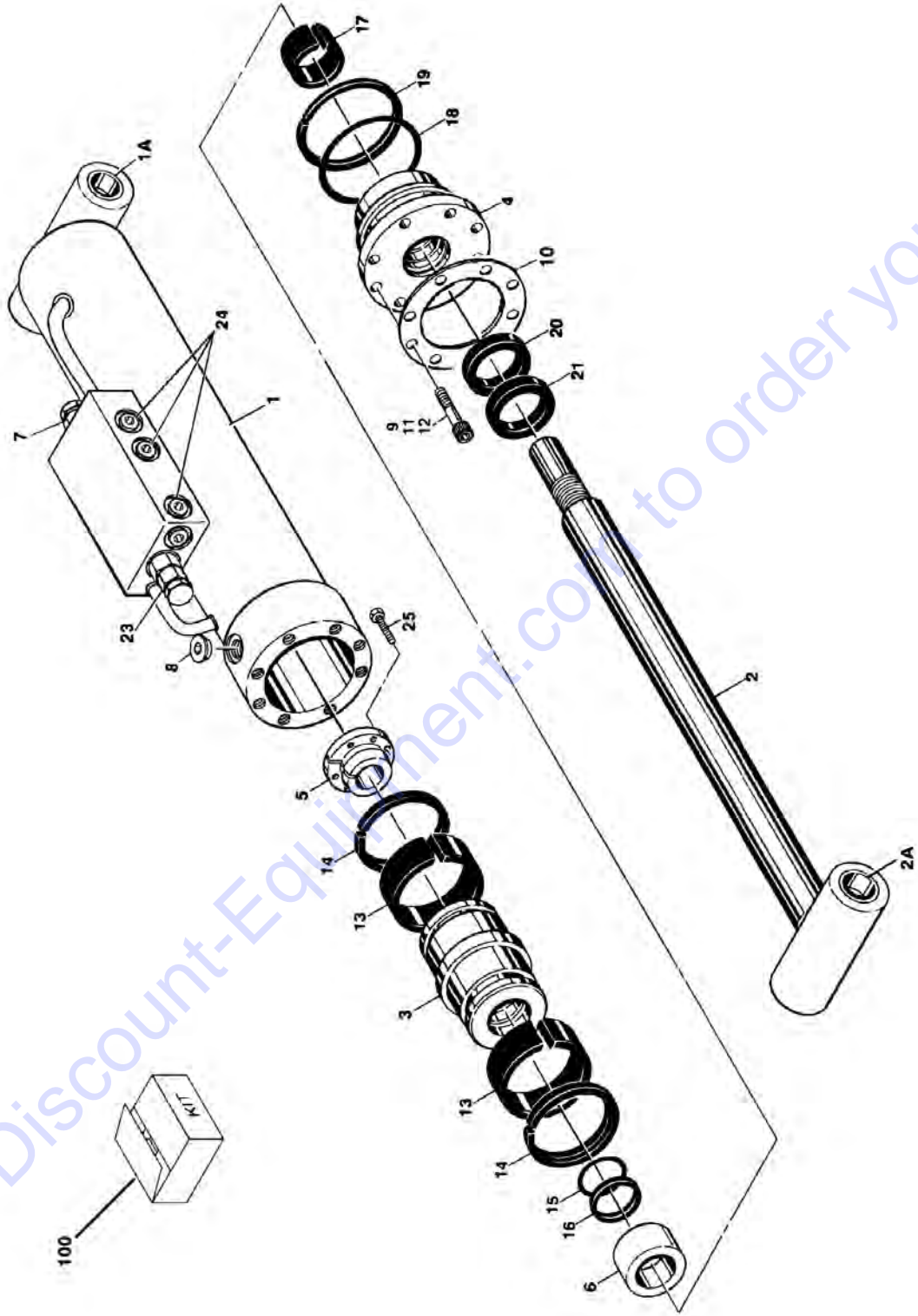
FIGURE 5-2. AXLE LOCKOUT CYLINDER ASSEMBLY (SN 0300115396 through 0300203770)

| ITEM | PART NUMBER | QTY | DESCRIPTION | REV |
|------|-------------|-----|---------------------------------------|-----|
| | 1684465 | Ref | AXLE LOCKOUT CYLINDER ASSEMBLY | I |
| 1 | 0370026 | 1 | Barrel | |
| 2 | 1684290 | 1 | Rod | |
| 3 | 2220890 | 1 | Plug | |
| 4 | 3480288 | 1 | Piston, Pilot | |
| 5 | See Note | NSS | Ring, Wear (Note: Use Item 100) | |
| 6 | See Note | NSS | Wiper (Note: Use Item 100) | |
| 7 | See Note | NSS | Seal, Rod (Note: Use Item 100) | |
| 8 | 4640858 | 1 | Bleeder | |
| 9 | 4641390 | 1 | Cartridge, Valve | |
| 9 | 7017496 | 1 | Seal Kit - 4641390 Cartridge | |
| 100 | 2902266 | 1 | Seal Kit (Includes Items 5-7) | |

Go to Discount-Equipment.com to order your parts

SECTION 5 - CYLINDER

FIGURE 5-3. LEVEL (PLATFORM SLAVE) CYLINDER ASSEMBLY



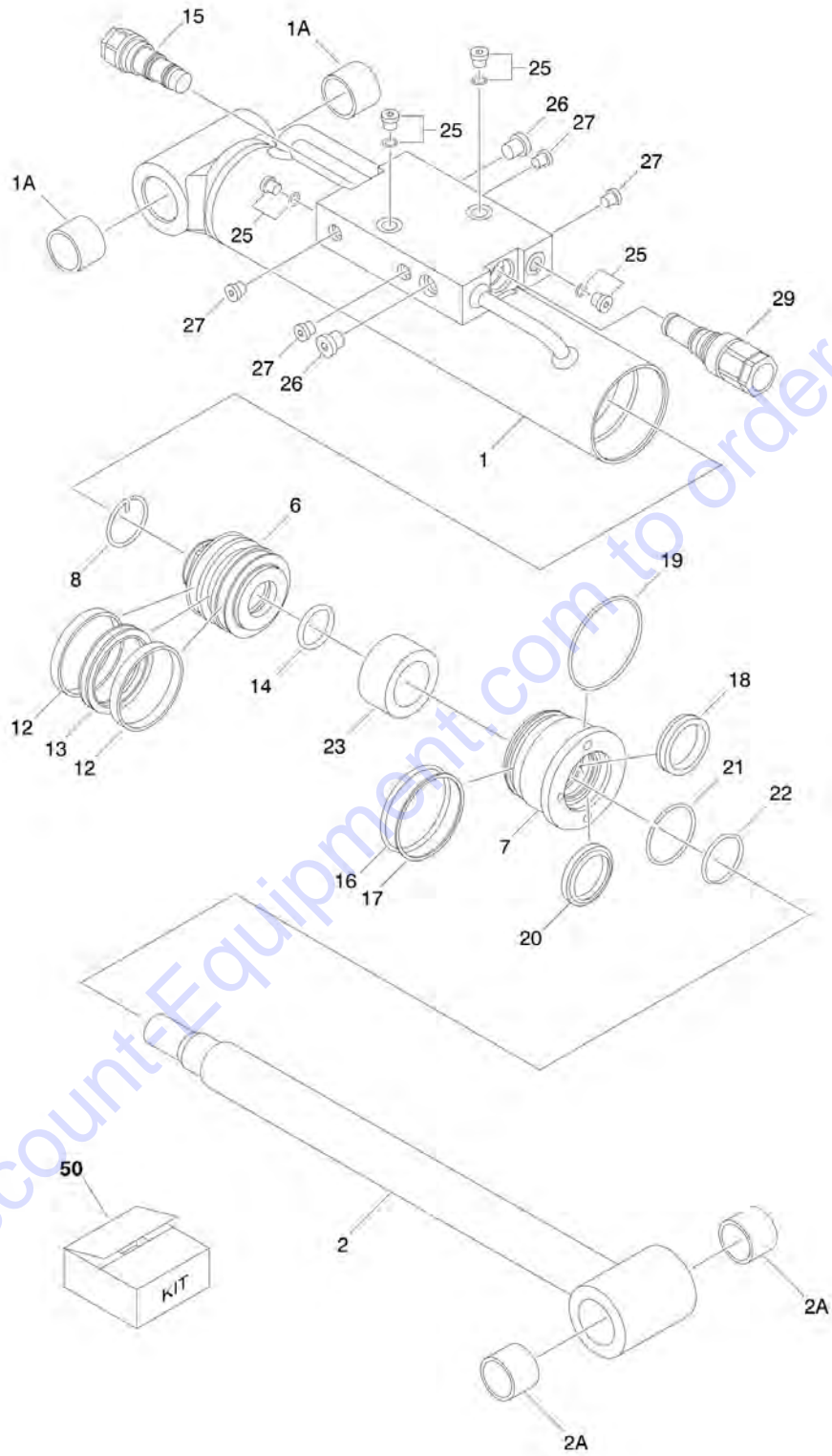
SECTION 5 - CYLINDER

FIGURE 5-3. LEVEL (PLATFORM SLAVE) CYLINDER ASSEMBLY

| ITEM | PART NUMBER | QTY | DESCRIPTION | REV |
|------|-------------|-----|--|-----|
| | | Ref | Note: Original Equipment Cylinder may have been replaced with Service Replacement Cylinder. Identify p/n stamped on cylinder before ordering parts. | |
| | | Ref | PLATFORM LEVEL CYLINDER ASSEMBLIES | |
| | 1683778 | Ref | Platform Level Cylinder Assembly 400S (Original Equipment for) (SN 0300096000 through 0300165145) | D |
| | 1684013 | Ref | Platform Level Cylinder Assembly 460SJ Original Equipment for (SN 0300096000 through 0300203770) | C |
| 1 | 1683952 | 1 | Barrel Weldment (Note: Does not Include Item 1A - Purchase Separately) | |
| 1A | 0961951 | 2 | Bushing | |
| 2 | | Ref | Rod Weldment Options: (Note: Does not Include Item 2A - Purchase Separately) | |
| 2 | 1683861 | 1 | Rod Weldment 400S | |
| 2 | 1684012 | 1 | Rod Weldment 460SJ | |
| 2A | 0961951 | 2 | Bushing | |
| 3 | 3480188 | 1 | Piston | |
| 4 | 1683055 | 1 | Head | |
| 5 | 0961894 | 1 | Bushing, Tapered | |
| 6 | 4566468 | 1 | Spacer | |
| 7 | 4640509 | 1 | Cartridge, Valve | |
| 7 | 2900792 | 1 | Seal Kit - 4640509 Valve | |
| 8 | 2220885 | 1 | Plug, O-Ring | |
| 9 | 3931620 | 8 | Capscrew, Socket Head 3/8in-16NC x 1-1/4in | |
| 10 | 3760369 | 1 | Ring, Washer | |
| 11 | 0100011 | AR | Locking, Compound | |
| 12 | 0100038 | AR | Primer, Locking | |
| 13 | See Note | NSS | Seal (Note: Use Item 100) | |
| 14 | See Note | NSS | Ring, Lock (Note: Use Item 100) | |
| 15 | See Note | NSS | O-Ring (Note: Use Item 100) | |
| 16 | See Note | NSS | Ring, Back-up (Note: Use Item 100) | |
| 17 | See Note | NSS | Ring, Wear (Note: Use Item 100) | |
| 18 | See Note | NSS | O-Ring (Note: Use Item 100) | |
| 19 | See Note | NSS | Ring, Back-up (Note: Use Item 100) | |
| 20 | See Note | NSS | Seal, Rod (Note: Use Item 100) | |
| 21 | See Note | NSS | Wiper (Note: Use Item 100) | |
| 23 | 4640932 | 1 | Cartridge, Valve | |
| 23 | 7011112 | 1 | Seal Kit - 4640932 Valve | |
| 24 | 2220883 | 8 | Plug, O-Ring | |
| 25 | 0630535 | 3 | Screw, Socket Head 1/4in-20NC x 1-1/8in | |
| 100 | 2901301 | 1 | Seal Kit (Includes Items 13-21) | |

SECTION 5 - CYLINDER

FIGURE 5-4. LEVEL (PLATFORM SLAVE) CYLINDER ASSEMBLY - 400S



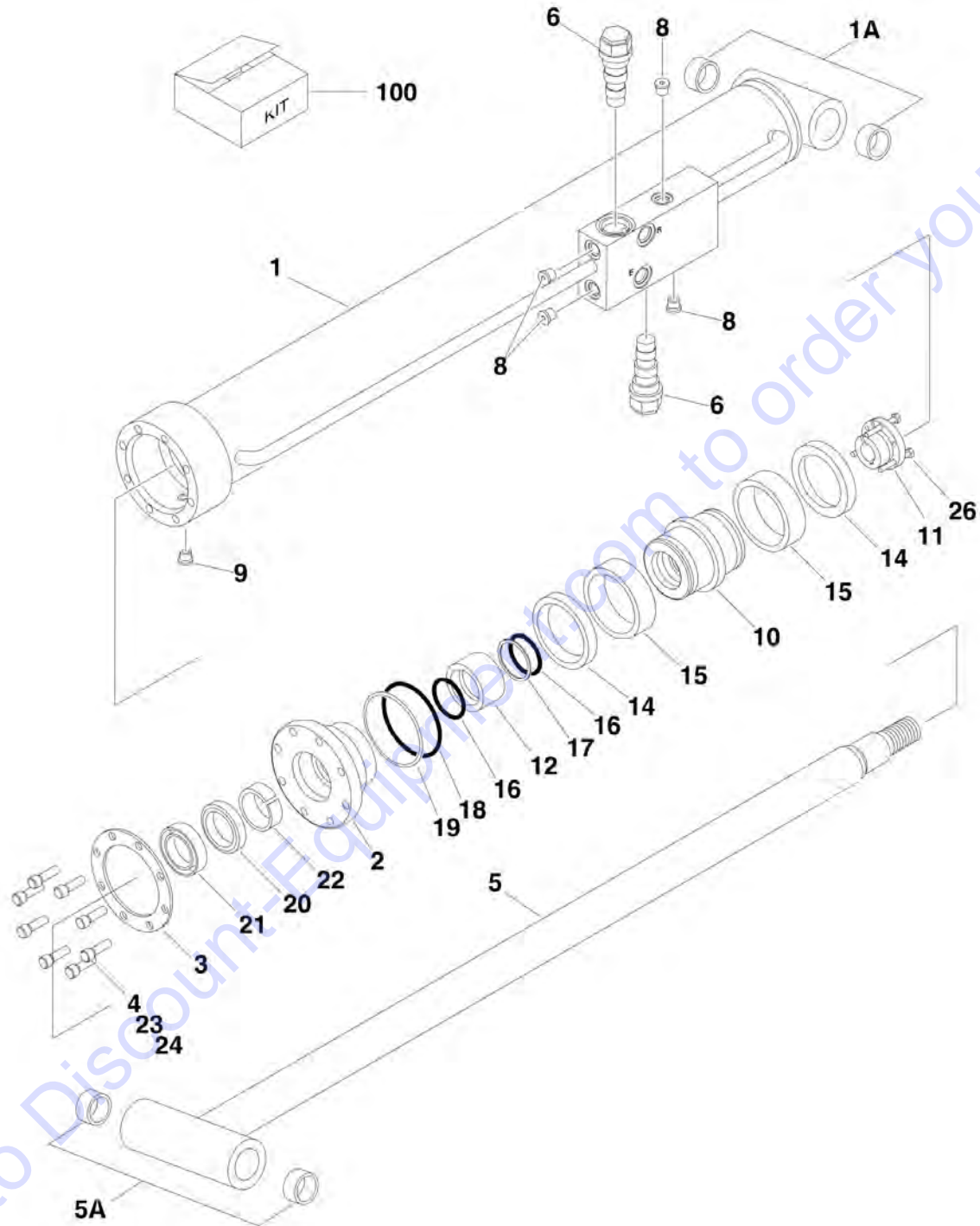
SECTION 5 - CYLINDER

FIGURE 5-4. LEVEL (PLATFORM SLAVE) CYLINDER ASSEMBLY - 400S

| ITEM | PART NUMBER | QTY | DESCRIPTION | REV |
|------|-------------|-----|--|-----|
| | | Ref | Note: Original Equipment Cylinder may have been replaced with Service Replacement Cylinder. Identify p/n stamped on cylinder before ordering parts. | |
| | 1001140586 | Ref | PLATFORM LEVEL CYLINDER ASSEMBLY | B |
| | | Ref | Platform Level Cylinder Assembly 400S (Service Replacement for Machines Prior to SN 0300165145 and Original Equipment for Machines SN 0300165145 through SN 0300203770) | |
| 1 | 70004137 | 1 | Barrel | |
| 1A | 0961951 | 2 | Bushing | |
| 2 | 70004138 | 1 | Rod | |
| 2A | 0961951 | 2 | Bushing | |
| 6 | 70003848 | 1 | Head | |
| 7 | 70004136 | 1 | Piston | |
| 8 | 70002224 | 1 | Retainer | |
| 12 | See Note | NSS | Ring, Wear (Note: Use Item 50) | |
| 13 | See Note | NSS | Seal (Note: Use Item 50) | |
| 14 | See Note | NSS | O-Ring (Note: Use Item 50) | |
| 15 | 4640509 | 1 | Cartridge, Counterbalance Valve | |
| 15 | 2900792 | 1 | Seal Kit - 4640509 Valve | |
| 16 | See Note | NSS | O-Ring (Note: Use Item 50) | |
| 17 | See Note | NSS | Ring, Back-up (Note: Use Item 50) | |
| 18 | See Note | NSS | Seal (Note: Use Item 50) | |
| 19 | See Note | NSS | O-Ring (Note: Use Item 50) | |
| 20 | See Note | NSS | Wiper (Note: Use Item 50) | |
| 21 | 70003838 | 1 | Ring, Retaining | |
| 22 | 70003856 | 1 | O-Ring | |
| 23 | 70003839 | 1 | Spacer | |
| 25 | See Note | 2 | Plug (Note: Not Available for Purchase) | |
| 26 | See Note | 2 | Plug (Note: Not Available for Purchase) | |
| 27 | See Note | 4 | Plug (Note: Not Available for Purchase) | |
| 29 | 4640932 | 1 | Cartridge, Counterbalance Valve | |
| 29 | 7011112 | 1 | Seal Kit - 4640932 Valve | |
| 50 | 70004128 | 1 | Seal Kit - 1001140596 Cylinder (Includes Items 12-14 & 16-20) | |

SECTION 5 - CYLINDER

FIGURE 5-5. LIFT CYLINDER ASSEMBLY - JIB (460SJ) (ORIGINAL EQUIPMENT)



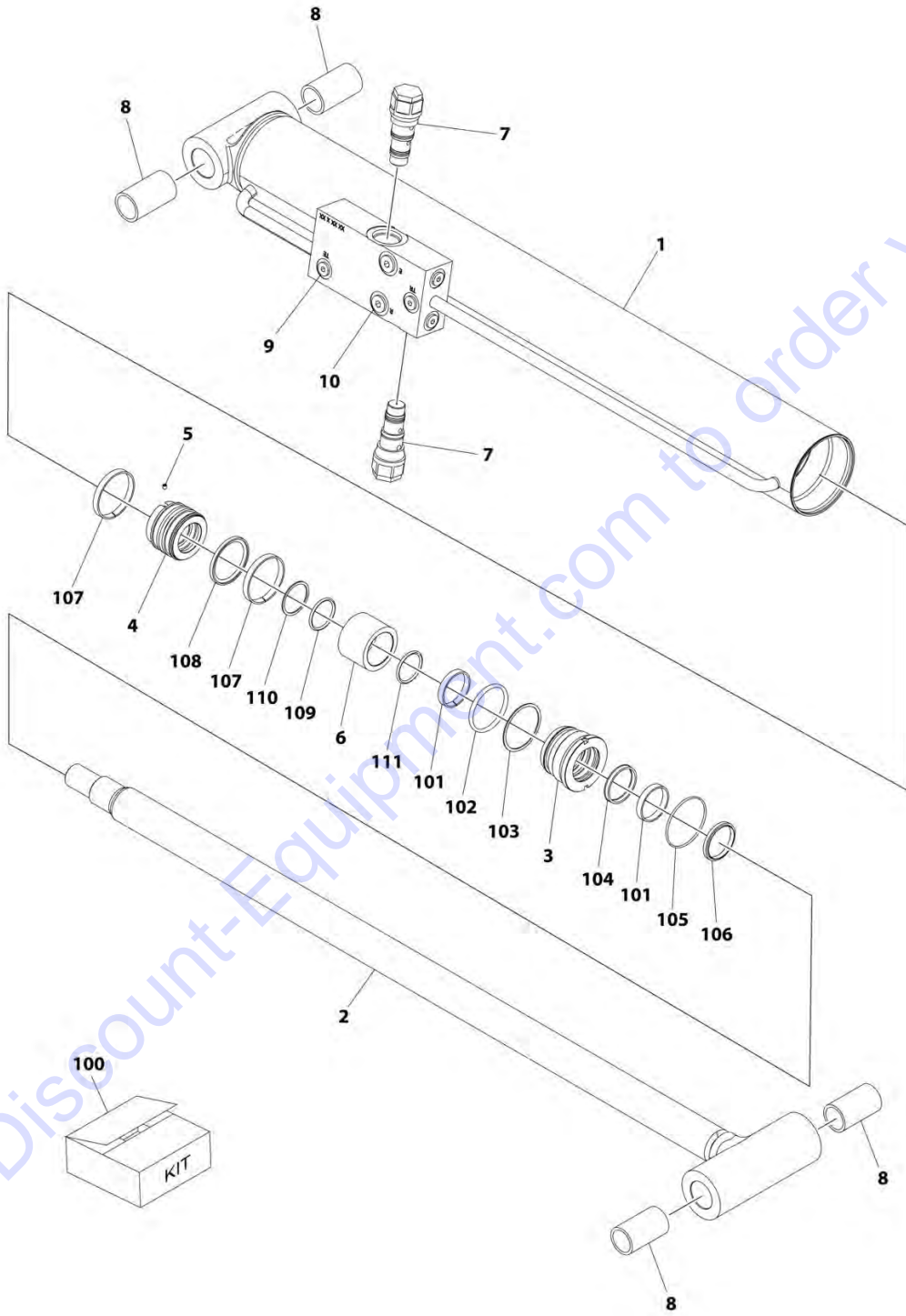
SECTION 5 - CYLINDER

FIGURE 5-5. LIFT CYLINDER ASSEMBLY - JIB (460SJ) (ORIGINAL EQUIPMENT)

| ITEM | PART NUMBER | QTY | DESCRIPTION | REV |
|------|-------------|-----|---|-----|
| | 1683609 | Ref | JIB LIFT CYLINDER ASSEMBLY (460SJ) Note: Original Cylinder May Have Been Replaced with Service Replacement. Identify PN Stamped on Cylinder Before Ordering Parts. | G |
| | | Ref | | |
| 1 | 1683687 | 1 | Barrel Weldment | |
| 1A | 0962336 | 2 | Bushing | |
| 2 | 1683053 | 1 | Head | |
| 3 | 3760368 | 1 | Washer, Ring | |
| 4 | 3931516 | 8 | Bolt, Socket Head 5/16in-18NC x 2in | |
| 5 | 1683261 | 1 | Rod Weldment | |
| 5A | 0962336 | 2 | Bushing | |
| 6 | 4640509 | 2 | Cartridge, Valve (Counterbalance Non-Vented) | |
| 6 | 2900792 | 2 | Seal Kit - 4640509 Valve | |
| 8 | 2220883 | 4 | Plug, O-Ring | |
| 9 | 2220885 | 1 | Plug, O-Ring | |
| 10 | 3480210 | 1 | Piston | |
| 11 | 0961893 | 1 | Bushing, Tapered | |
| 12 | 4100100 | 1 | Spacer, Tube | |
| 14 | See Note | NSS | Ring, Lock (Note: Use Item 100) | |
| 15 | See Note | NSS | Seal, Piston (Note: Use Item 100) | |
| 16 | See Note | NSS | O-Ring (Note: Use Item 100) | |
| 17 | See Note | NSS | Ring, Back-up (Note: Use Item 100) | |
| 18 | See Note | NSS | O-Ring (Note: Use Item 100) | |
| 19 | See Note | NSS | Ring, Back-up (Note: Use Item 100) | |
| 20 | See Note | NSS | Seal (Note: Use Item 100) | |
| 21 | See Note | NSS | Wiper (Note: Use Item 100) | |
| 22 | See Note | NSS | Ring, Wear (Note: Use Item 100) | |
| 23 | 0100011 | AR | Locking, Compound | |
| 24 | 0100038 | AR | Primer, Locking | |
| 26 | 0630534 | 3 | Capscrew, Socket Head #10-24NC x 1in | |
| 100 | 2901303 | 1 | Seal Kit (Includes Items 14-22) | |

SECTION 5 - CYLINDER

FIGURE 5-6. LIFT CYLINDER ASSEMBLY - JIB (460SJ) (USAGE MAY VARY) (SERVICE REPLACEMENT)



ART_1001228012

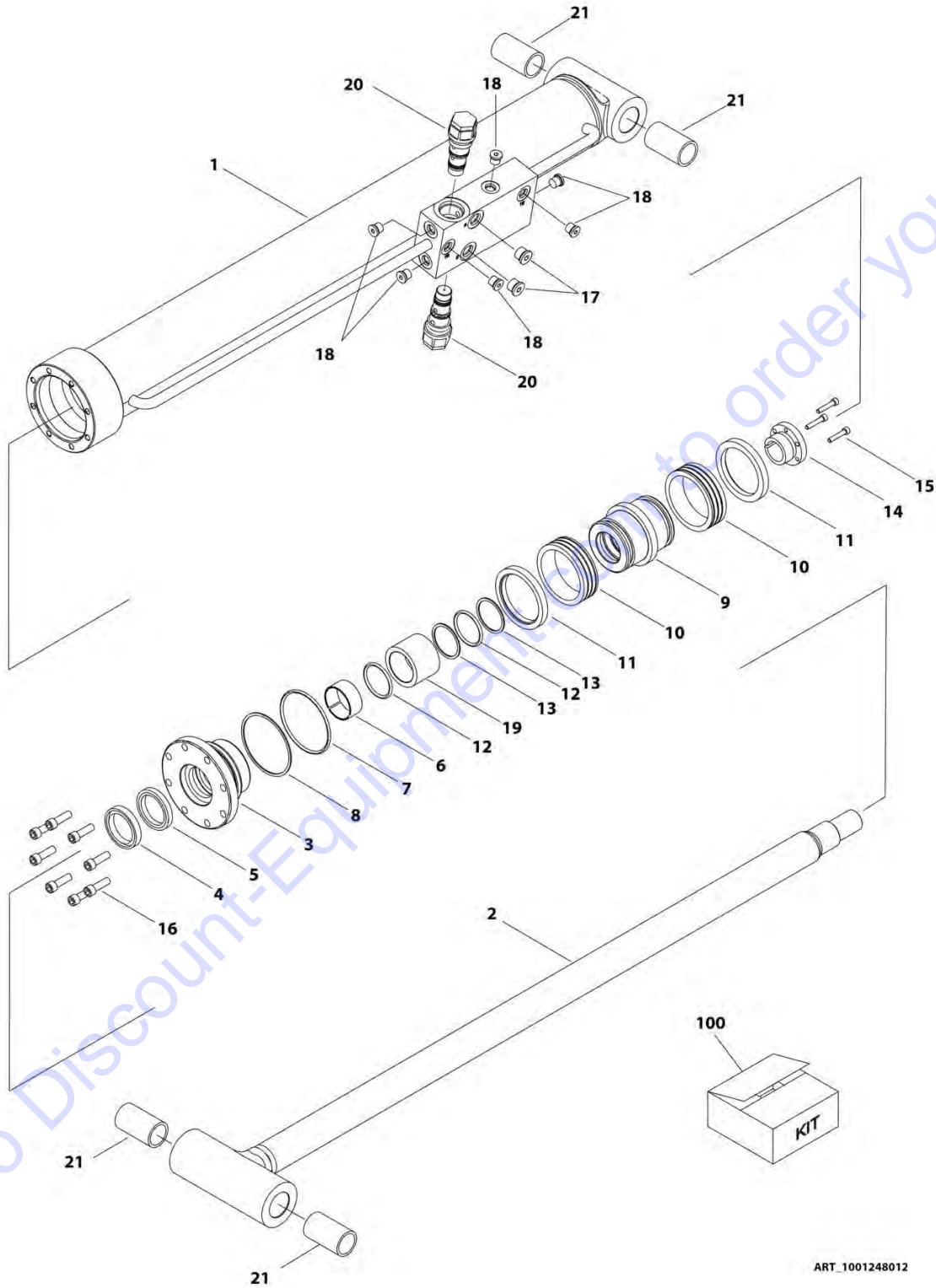
SECTION 5 - CYLINDER

FIGURE 5-6. LIFT CYLINDER ASSEMBLY - JIB (460SJ) (USAGE MAY VARY) (SERVICE REPLACEMENT)

| ITEM | PART NUMBER | QTY | DESCRIPTION | REV |
|------|-------------|-----|---|-----|
| | 1001228012 | Ref | LIFT CYLINDER ASSEMBLY - JIB | C |
| | | Ref | Note: Original Cylinder May Have Been Replaced with Service Replacement. Identify PN Stamped on Cylinder Before Ordering Parts. | |
| 1 | See Note | NSS | Barrel (Note: Not Available for Purchase) | |
| 2 | 70006572 | 1 | Rod | |
| 3 | 70006571 | 1 | Head | |
| 4 | 70006570 | 1 | Piston | |
| 5 | 70023915 | 1 | Screw | |
| 6 | 70006569 | 1 | Spacer | |
| 7 | 4640509 | 2 | Cartridge, Valve | |
| 7 | 2900792 | 2 | Seal Kit - 4640509 Valve | |
| 8 | 0962336 | 4 | Bushing | |
| 9 | 2220883 | 6 | Plug, O-Ring | |
| 10 | 2220885 | 2 | Plug, O-Ring | |
| 100 | 70006568 | 1 | Seal Kit (Includes Items 101-111) | |
| 101 | See Note | NSS | Ring, Wear (Note: Use Item 100) | |
| 102 | See Note | NSS | O-Ring (Note: Use Item 100) | |
| 103 | See Note | NSS | Ring, Back-up (Note: Use Item 100) | |
| 104 | See Note | NSS | Seal, Rod (Note: Use Item 100) | |
| 105 | See Note | NSS | O-Ring (Note: Use Item 100) | |
| 106 | See Note | NSS | Wiper (Note: Use Item 100) | |
| 107 | See Note | NSS | Ring, Wear (Note: Use Item 100) | |
| 108 | See Note | NSS | Seal (Note: Use Item 100) | |
| 109 | See Note | NSS | O-Ring (Note: Use Item 100) | |
| 110 | See Note | NSS | Ring, Back-up (Note: Use Item 100) | |
| 111 | See Note | NSS | O-Ring (Note: Use Item 100) | |

SECTION 5 - CYLINDER

FIGURE 5-7. LIFT CYLINDER ASSEMBLY - JIB (460SJ) (USAGE MAY VARY) (SERVICE REPLACEMENT)



ART_1001248012

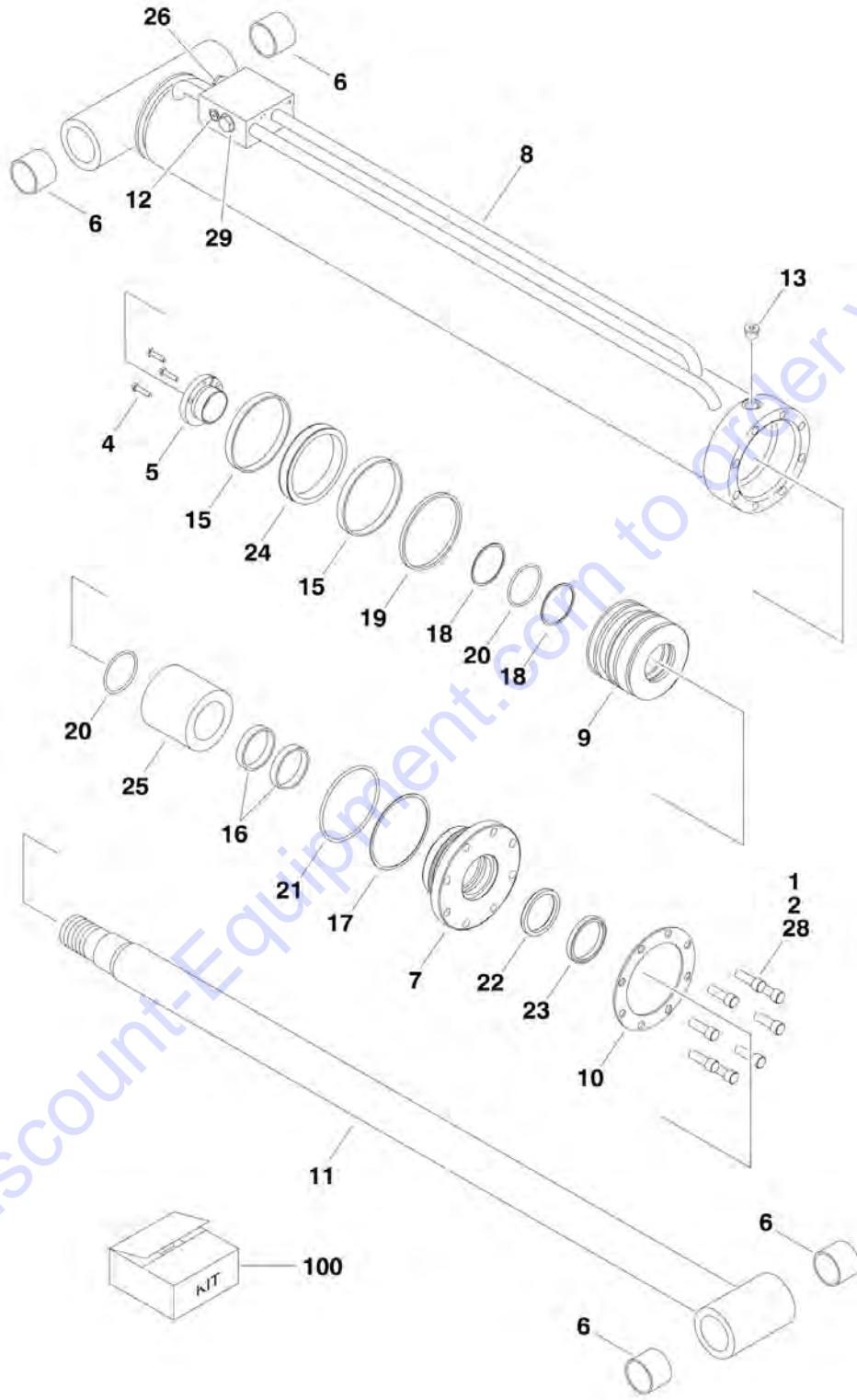
SECTION 5 - CYLINDER

FIGURE 5-7. LIFT CYLINDER ASSEMBLY - JIB (460SJ) (USAGE MAY VARY) (SERVICE REPLACEMENT)

| ITEM | PART NUMBER | QTY | DESCRIPTION | REV |
|------|-------------|-----|---|-----|
| | 1001248012 | Ref | LIFT CYLINDER ASSEMBLY - JIB | A |
| | | Ref | Note: Original Cylinder May Have Been Replaced with Service Replacement. Identify PN Stamped on Cylinder Before Ordering Parts. | |
| 1 | See Note | NSS | Barrel (Note: Not Available for Purchase) | |
| 2 | 70006734 | 1 | Rod | |
| 3 | 70006649 | 1 | Head | |
| 4 | See Note | NSS | Wiper (Note: Use Item 100) | |
| 5 | See Note | NSS | Seal, Rod (Note: Use Item 100) | |
| 6 | See Note | NSS | Ring, Wear (Note: Use Item 100) | |
| 7 | See Note | NSS | O-Ring (Note: Use Item 100) | |
| 8 | See Note | NSS | Ring, Back-up (Note: Use Item 100) | |
| 9 | 70006650 | 1 | Piston | |
| 10 | See Note | NSS | Seal (Note: Use Item 100) | |
| 11 | See Note | NSS | Ring, Lock (Note: Use Item 100) | |
| 12 | See Note | NSS | O-Ring (Note: Use Item 100) | |
| 13 | See Note | NSS | Ring, Back-up (Note: Use Item 100) | |
| 14 | 0961893 | 1 | Bushing, Tapered | |
| 15 | 0630534 | 3 | Capscrew, Socket Head #10 x 1 | |
| 16 | 70006735 | 8 | Capscrew 5/16 | |
| 17 | 2220885 | 2 | Plug, O-Ring | |
| 18 | 2220883 | 6 | Plug, O-Ring | |
| 19 | 70006736 | 1 | Spacer | |
| 20 | 4640509 | 2 | Cartridge, Valve | |
| 20 | 2900792 | 2 | Seal Kit - 4640509 Valve | |
| 21 | 0962336 | 4 | Bushing | |
| 100 | 1001138795 | 1 | Seal Kit (Includes Items 4-8 & 10-13) | |

SECTION 5 - CYLINDER

FIGURE 5-8. LIFT CYLINDER ASSEMBLY - MAIN



Go to DiscountEquipment.com to order your parts

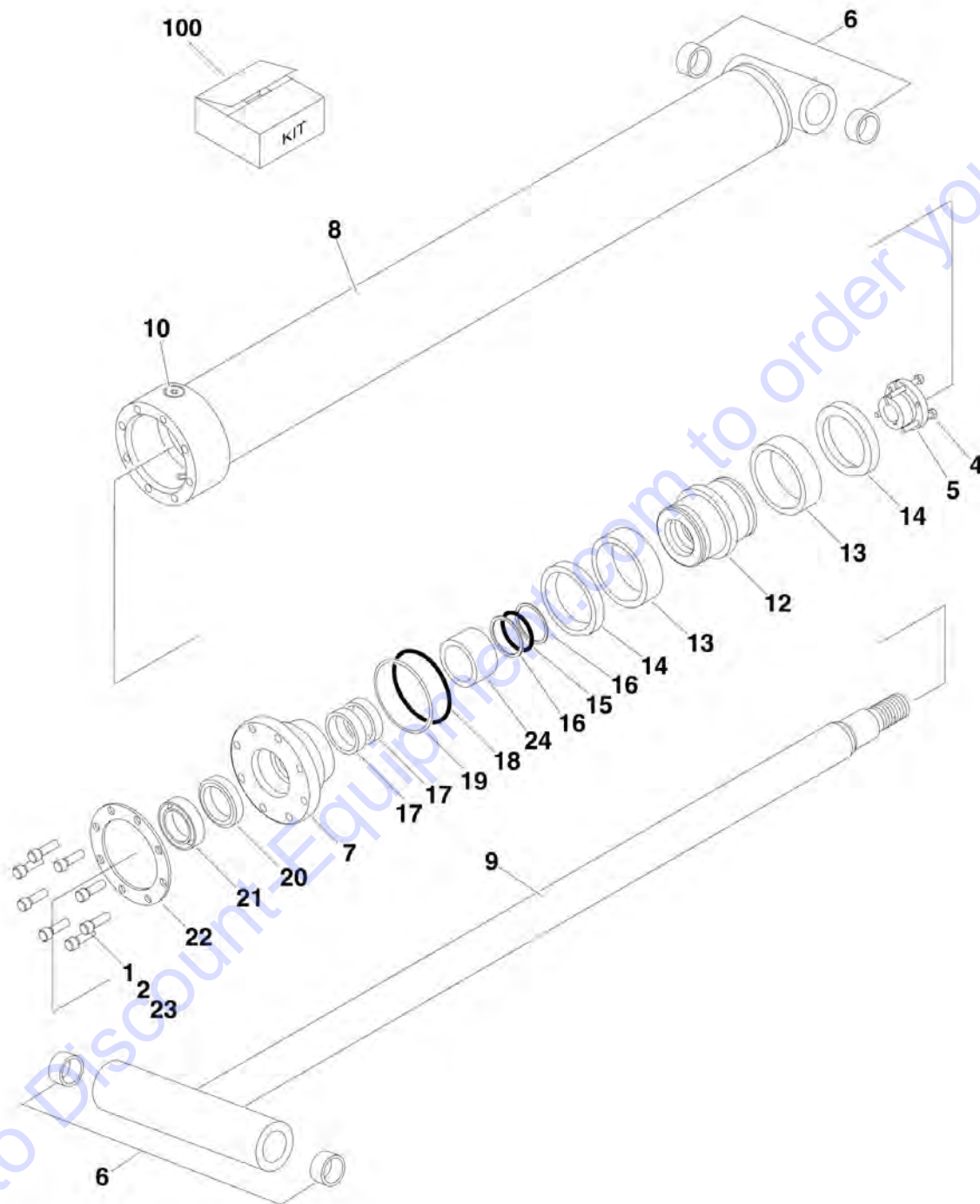
SECTION 5 - CYLINDER

FIGURE 5-8. LIFT CYLINDER ASSEMBLY - MAIN

| ITEM | PART NUMBER | QTY | DESCRIPTION | REV |
|------|-------------|-----|--------------------------------------|-----|
| | 1683776 | Ref | LIFT CYLINDER ASSEMBLY | F |
| 1 | 0100011 | AR | Locking, Compound | |
| 2 | 0100038 | AR | Primer, Locking | |
| 4 | 0630535 | 3 | Bolt, Socket Head #10-24NC x 1-1/8in | |
| 5 | 0961897 | 1 | Bushing, Tapered | |
| 6 | 0961950 | 4 | Bushing | |
| 7 | 1683063 | 1 | Head | |
| 8 | 1683844 | 1 | Barrel Weldment | |
| 9 | 3480253 | 1 | Piston | |
| 10 | 3760371 | 1 | Ring, Wear | |
| 11 | 1683846 | 1 | Rod Weldment | |
| 12 | 2220883 | 1 | Plug, O-Ring #4 | |
| 13 | 2220886 | 1 | Plug, O-Ring #8 | |
| 15 | See Note | NSS | Ring, Wear (Note: Use Item 100) | |
| 16 | See Note | NSS | Ring, Wear (Note: Use Item 100) | |
| 17 | See Note | NSS | Ring, Back-up (Note: Use Item 100) | |
| 18 | See Note | NSS | Ring, Back-up (Note: Use Item 100) | |
| 19 | See Note | NSS | Seal (Note: Use Item 100) | |
| 20 | See Note | NSS | O-Ring (Note: Use Item 100) | |
| 21 | See Note | NSS | O-Ring (Note: Use Item 100) | |
| 22 | See Note | NSS | Seal, Poly (Note: Use Item 100) | |
| 23 | See Note | NSS | Wiper (Note: Use Item 100) | |
| 24 | See Note | NSS | T-Seal (Note: Use Item 100) | |
| 25 | 4100099 | 1 | Spacer, Tube | |
| 26 | 4640509 | 1 | Valve, Counterbalance | |
| 26 | 2900792 | 1 | Seal Kit - 4640509 Valve | |
| 28 | 3931824 | 8 | Capscrew 1/2in-18NC x 1-1/2in | |
| 29 | 4641144 | 1 | Cartridge, Valve | |
| 29 | 7012967 | 1 | Seal Kit - 4641144 Valve | |
| 100 | 2901841 | 1 | Seal Kit (Includes Items 15-24) | |

SECTION 5 - CYLINDER

FIGURE 5-9. MASTER CYLINDER ASSEMBLY (ORIGINAL EQUIPMENT FOR) (SN 0300096000 through 0300165144)



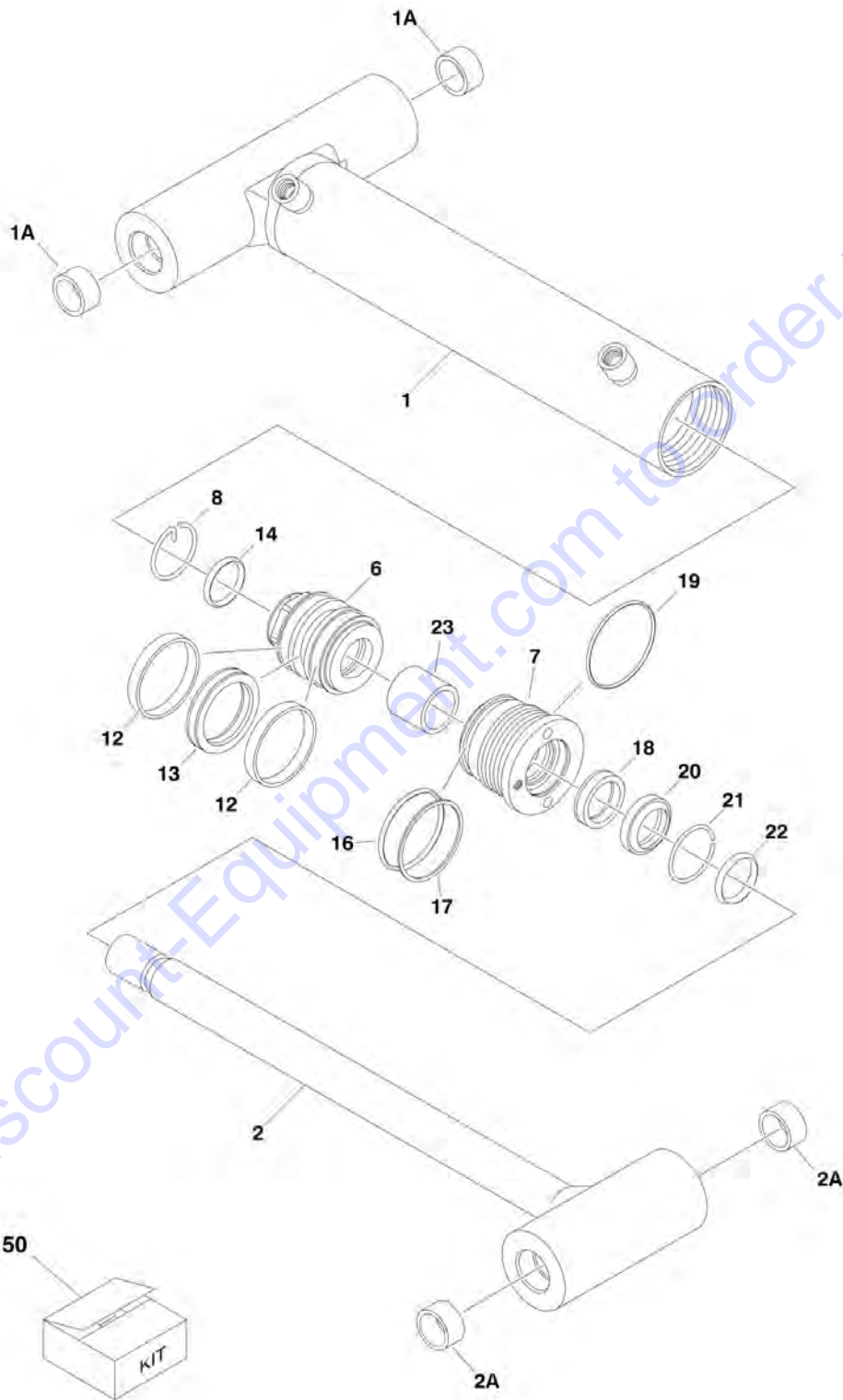
SECTION 5 - CYLINDER

FIGURE 5-9. MASTER CYLINDER ASSEMBLY (ORIGINAL EQUIPMENT FOR) (SN 0300096000 through 0300165144)

| ITEM | PART NUMBER | QTY | DESCRIPTION | REV |
|------|-------------|-----|--|-----|
| | | Ref | Note: Original Equipment Cylinder may have been replaced with Service Replacement Cylinder. Identify p/n stamped on cylinder before ordering parts. | |
| | 1684284 | Ref | MASTER CYLINDER ASSEMBLY | C |
| 1 | 0100011 | AR | Locking, Compound | |
| 2 | 0100038 | AR | Primer, Locking | |
| 4 | 0630535 | 3 | Bolt, Socket Head #10-24NC x 1-1/8in | |
| 5 | 0961894 | 1 | Bushing, Tapered | |
| 6 | 0961951 | 4 | Bushing | |
| 7 | 1683055 | 1 | Head | |
| 8 | 1684283 | 1 | Barrel Weldment | |
| 9 | 1683950 | 1 | Rod Weldment | |
| 10 | 2220885 | 1 | Plug, O-Ring #6 | |
| 12 | 3480188 | 1 | Piston | |
| 13 | See Note | NSS | Ring, Hydrolock (Note: Use Item 100) | |
| 14 | See Note | NSS | Ring, Guidelock (Note: Use Item 100) | |
| 15 | See Note | NSS | O-Ring (Note: Use Item 100) | |
| 16 | See Note | NSS | Ring, Back-up (Note: Use Item 100) | |
| 17 | See Note | NSS | Ring, Wear (Note: Use Item 100) | |
| 18 | See Note | NSS | O-Ring (Note: Use Item 100) | |
| 19 | See Note | NSS | Ring, Back-up (Note: Use Item 100) | |
| 20 | See Note | NSS | Seal, Poly (Note: Use Item 100) | |
| 21 | See Note | NSS | Wiper (Note: Use Item 100) | |
| 22 | 3760369 | 1 | Ring, Washer | |
| 23 | 3931620 | 8 | Capscrew 3/8in-16NC x 1-1/4in | |
| 24 | 4566468 | 1 | Spacer, Tube | |
| 100 | 2901301 | 1 | Seal Kit (Includes Items 13-21) | |

SECTION 5 - CYLINDER

FIGURE 5-10. MASTER CYLINDER ASSEMBLY (SERVICE REPLACEMENT FOR SN 0300096000 THROUGH SN 0300165144 AND ORIGINAL EQUIPMENT FOR SN 0300165145 THROUGH 0300203770)



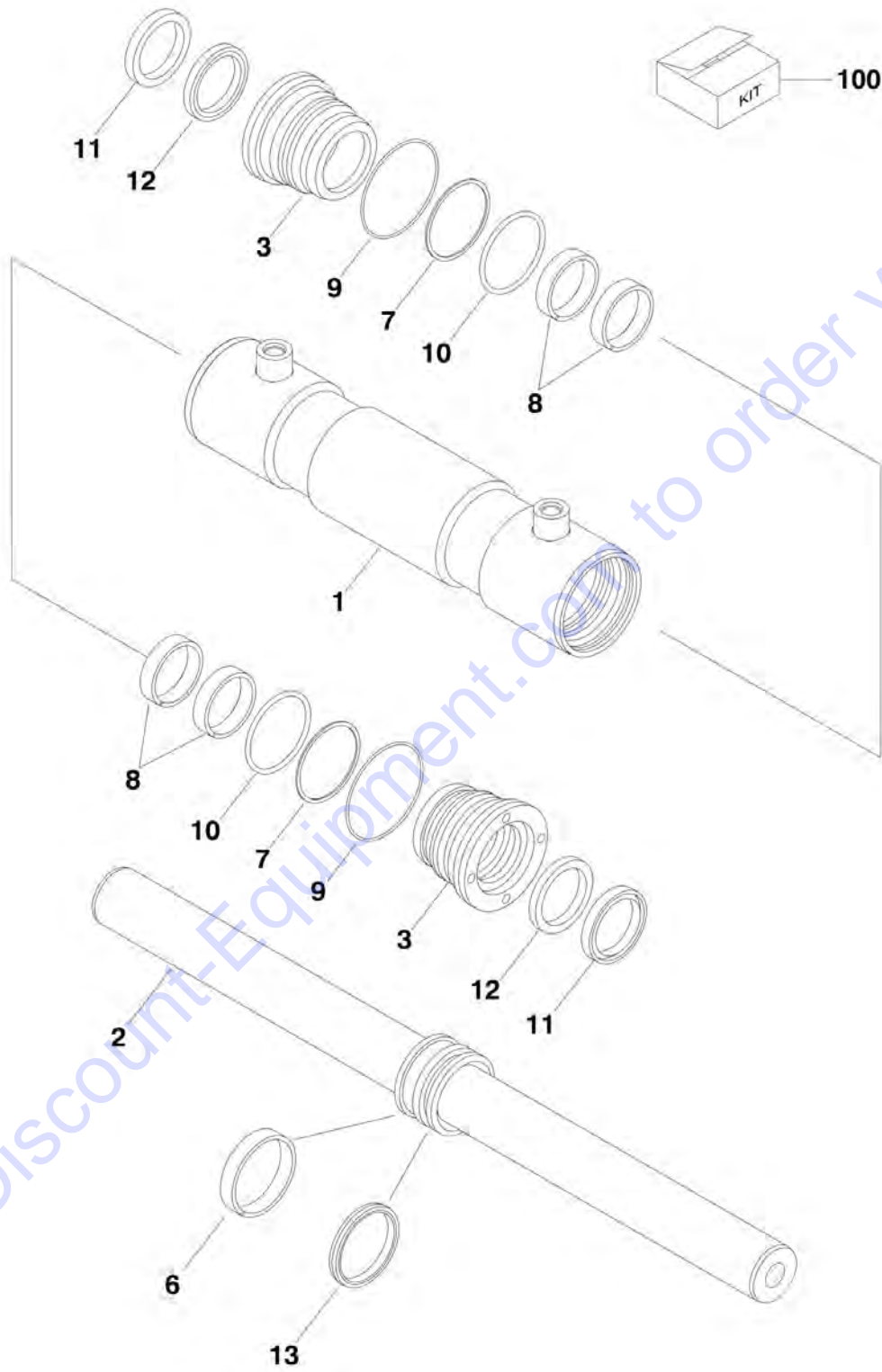
SECTION 5 - CYLINDER

FIGURE 5-10. MASTER CYLINDER ASSEMBLY (SERVICE REPLACEMENT FOR SN 0300096000 THROUGH SN 0300165144 AND ORIGINAL EQUIPMENT FOR SN 0300165145 THROUGH 0300203770)

| ITEM | PART NUMBER | QTY | DESCRIPTION | REV |
|------|-------------|-----|--|-----|
| | | Ref | Note: Original Equipment Cylinder may have been replaced with Service Replacement Cylinder. Identify p/n stamped on cylinder before ordering parts. | |
| | 1001140587 | Ref | MASTER CYLINDER ASSEMBLY | A |
| 1 | 70004139 | 1 | Barrel | |
| 1A | 0961951 | 2 | Bushing | |
| 2 | 70004140 | 1 | Rod | |
| 2A | 0961951 | 2 | Bushing | |
| 6 | 70003848 | 1 | Piston | |
| 7 | 70004136 | 1 | Head | |
| 8 | 70002224 | 1 | Retainer | |
| 12 | See Note | NSS | Ring, Wear (Note: Use Item 50) | |
| 13 | See Note | NSS | Seal (Note: Use Item 50) | |
| 14 | 7026113 | 1 | O-Ring | |
| 16 | See Note | NSS | O-Ring (Note: Use Item 50) | |
| 17 | See Note | NSS | Ring, Back-up (Note: Use Item 50) | |
| 18 | See Note | NSS | Seal (Note: Use Item 50) | |
| 19 | See Note | NSS | O-Ring (Note: Use Item 50) | |
| 20 | See Note | NSS | Wiper (Note: Use Item 50) | |
| 21 | 70003838 | 1 | Ring, Retaining | |
| 22 | 70003856 | 1 | O-Ring | |
| 23 | 70003839 | 1 | Spacer | |
| 50 | 70004129 | 1 | Seal Kit (Includes Items 9-16) | |

SECTION 5 - CYLINDER

FIGURE 5-11. STEER CYLINDER ASSEMBLY (SN 0300096000 through 0300161284)



SECTION 5 - CYLINDER

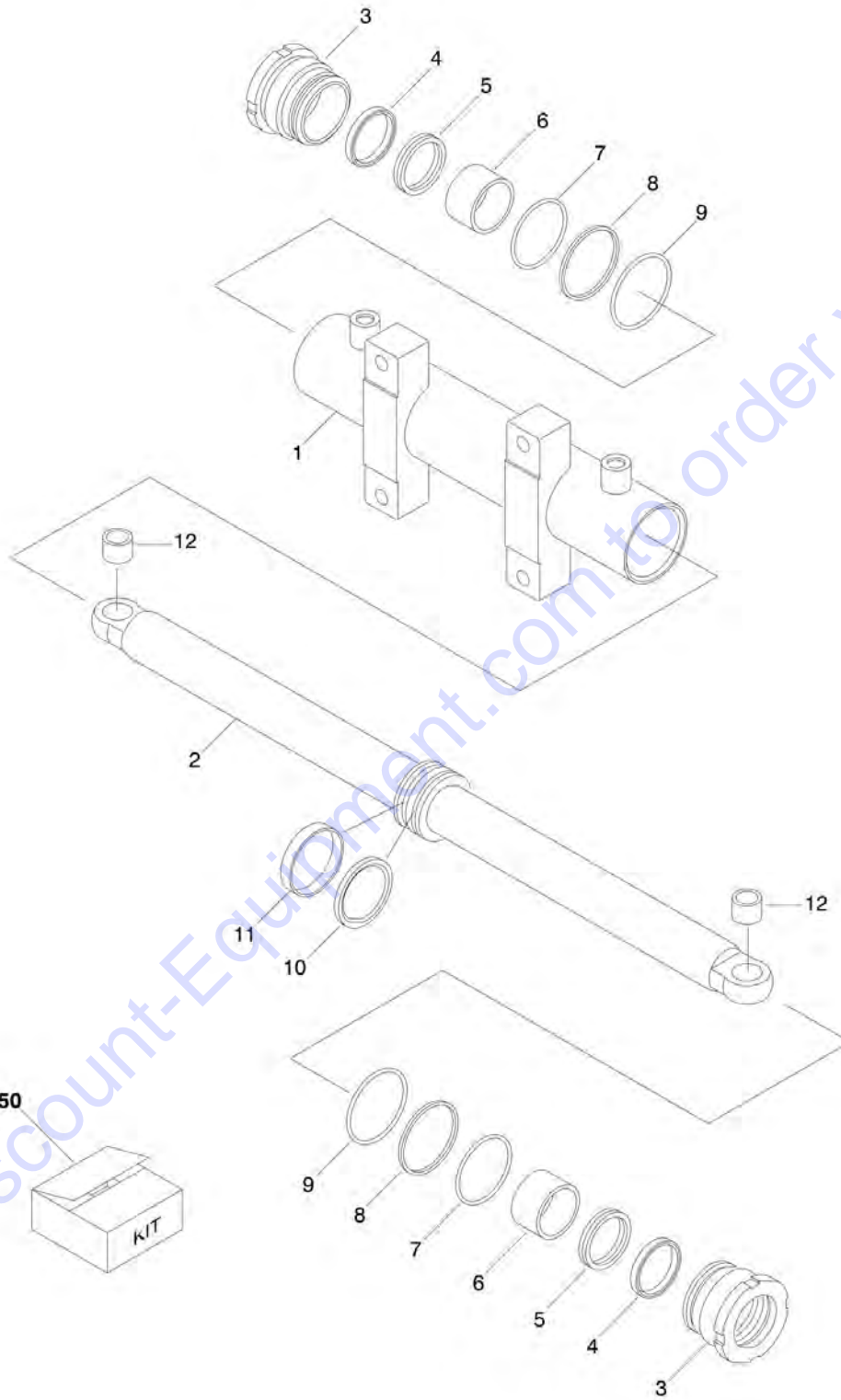
FIGURE 5-11. STEER CYLINDER ASSEMBLY (SN 0300096000 through 0300161284)

| ITEM | PART NUMBER | QTY | DESCRIPTION | REV |
|------|-------------|-----|--|-----|
| | 1684412 | Ref | STEER CYLINDER ASSEMBLY | D |
| 1 | 0370024 | 1 | Barrel Weldment | |
| 2 | 1683658 | 1 | Rod Weldment | |
| 3 | 2570008 | 2 | Head, Cylinder | |
| 4 | 3020043 | 1 | Lube, Anti-Seize (Not Shown - Apply Only to Threads on Item 3) | |
| 6 | See Note | NSS | Ring, Wear (Note: Use Item 100) | |
| 7 | See Note | NSS | Ring, Back-up (Note: Use Item 100) | |
| 8 | See Note | NSS | Ring, Wear (Note: Use Item 100) | |
| 9 | See Note | NSS | O-Ring (Note: Use Item 100) | |
| 10 | See Note | NSS | O-Ring (Note: Use Item 100) | |
| 11 | See Note | NSS | Wiper (Note: Use Item 100) | |
| 12 | See Note | NSS | Seal (Note: Use Item 100) | |
| 13 | See Note | NSS | T-Seal (Note: Use Item 100) | |
| 100 | 2902409 | 1 | Seal Kit (Includes Items 6-13) | |

Go to Discount-Equipment.com to order your parts

SECTION 5 - CYLINDER

FIGURE 5-12. STEER CYLINDER ASSEMBLY (SN 0300161285 through 0300203770)



SECTION 5 - CYLINDER

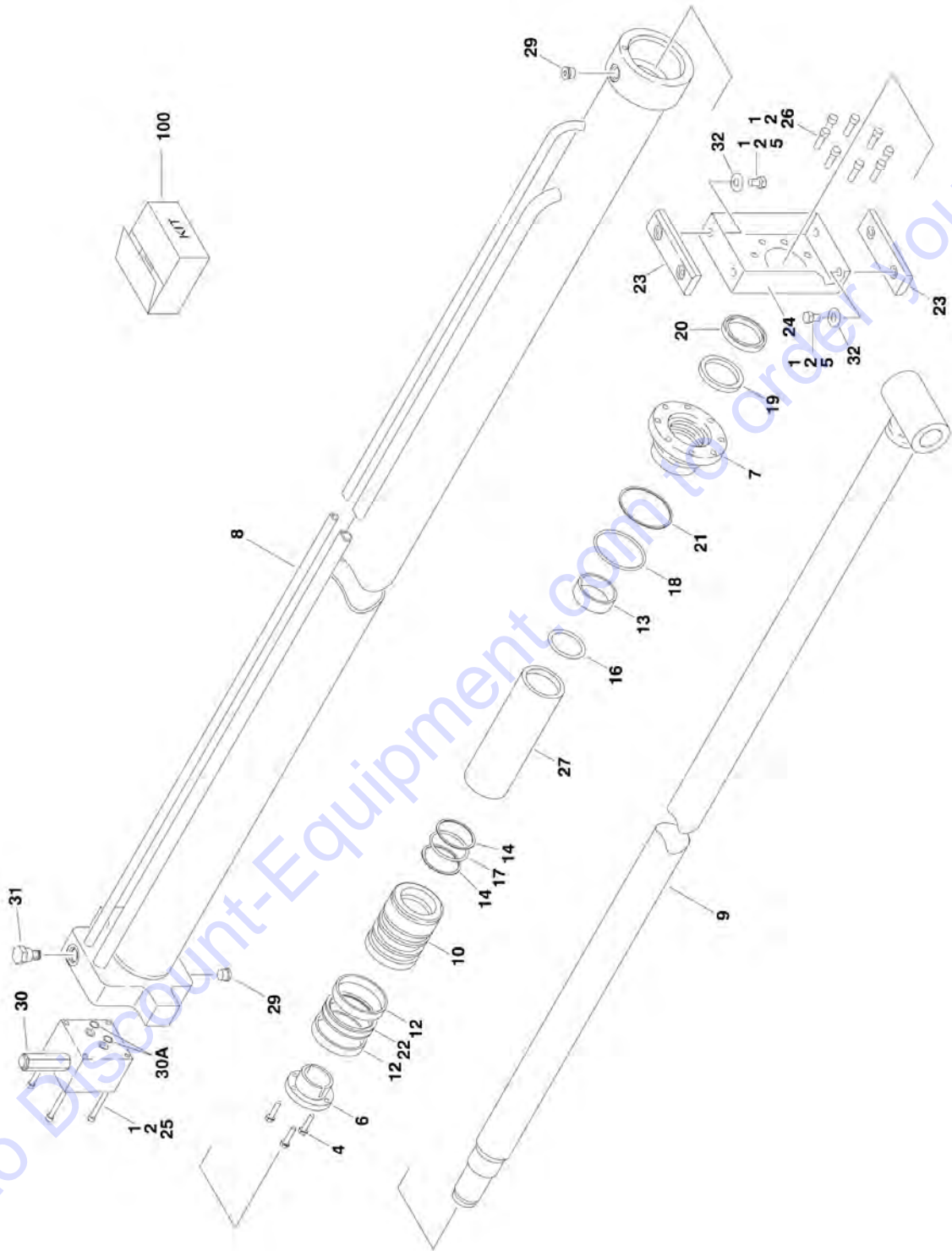
FIGURE 5-12. STEER CYLINDER ASSEMBLY (SN 0300161285 through 0300203770)

| ITEM | PART NUMBER | QTY | DESCRIPTION | REV |
|------|-------------|-----|--|-----|
| | 1001143434 | Ref | STEER CYLINDER ASSEMBLY | E |
| 1 | 70003933 | 1 | Barrel | |
| 2 | 70003934 | 1 | Rod | |
| 3 | 70003098 | 2 | Head | |
| 4 | See Note | NSS | Wiper (Note: Use Item 50) | |
| 5 | See Note | NSS | Seal, Rod (Note: Use Item 50) | |
| 6 | See Note | NSS | Bearing (Note: Use Item 50) | |
| 7 | See Note | NSS | O-Ring (Note: Use Item 50) | |
| 8 | See Note | NSS | Ring, Back-up (Note: Use Item 50) | |
| 9 | See Note | NSS | O-Ring (Note: Use Item 50) | |
| 10 | See Note | NSS | Seal, Piston (Note: Use Item 50) | |
| 11 | See Note | NSS | Ring, Wear (Note: Use Item 50) | |
| 12 | See Note | NSS | Bearing (Note: Use Item 50) | |
| 50 | 70003099 | 1 | Seal Kit - 1001143434 Cylinder (includes Items 4-12) | |

Go to Discount-Equipment.com to order your parts

SECTION 5 - CYLINDER

FIGURE 5-13. TELESCOPE CYLINDER ASSEMBLY



Go to Discount-Equipment.com for your parts

SECTION 5 - CYLINDER

FIGURE 5-13. TELESCOPE CYLINDER ASSEMBLY

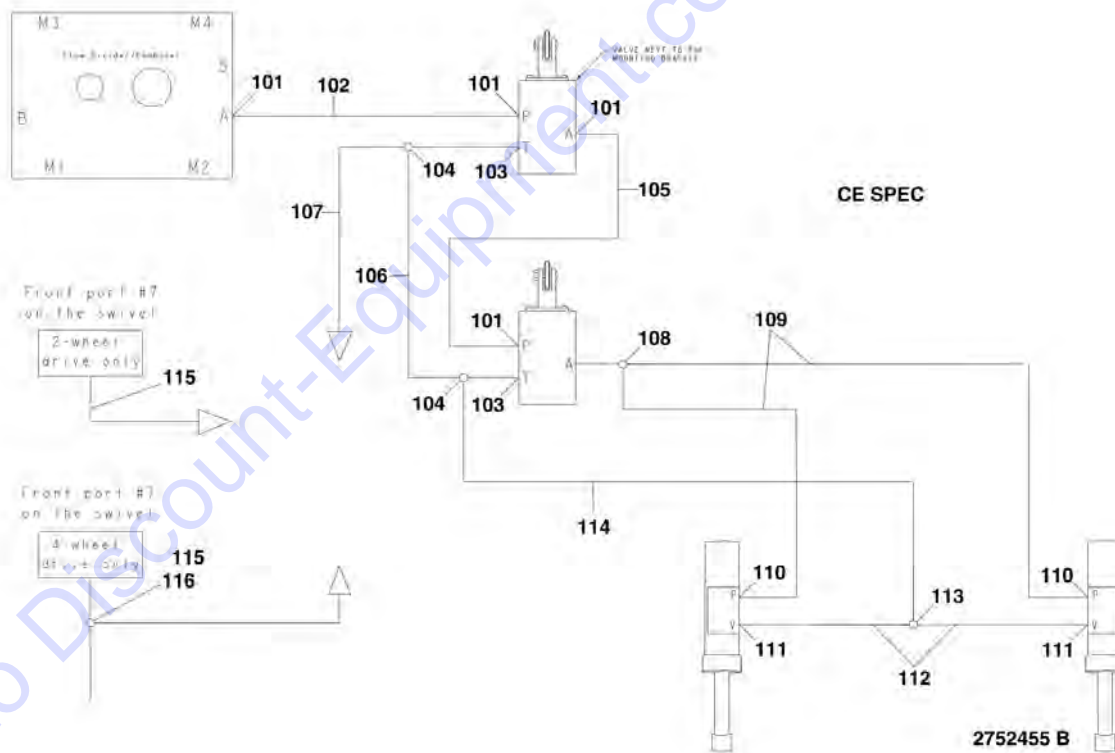
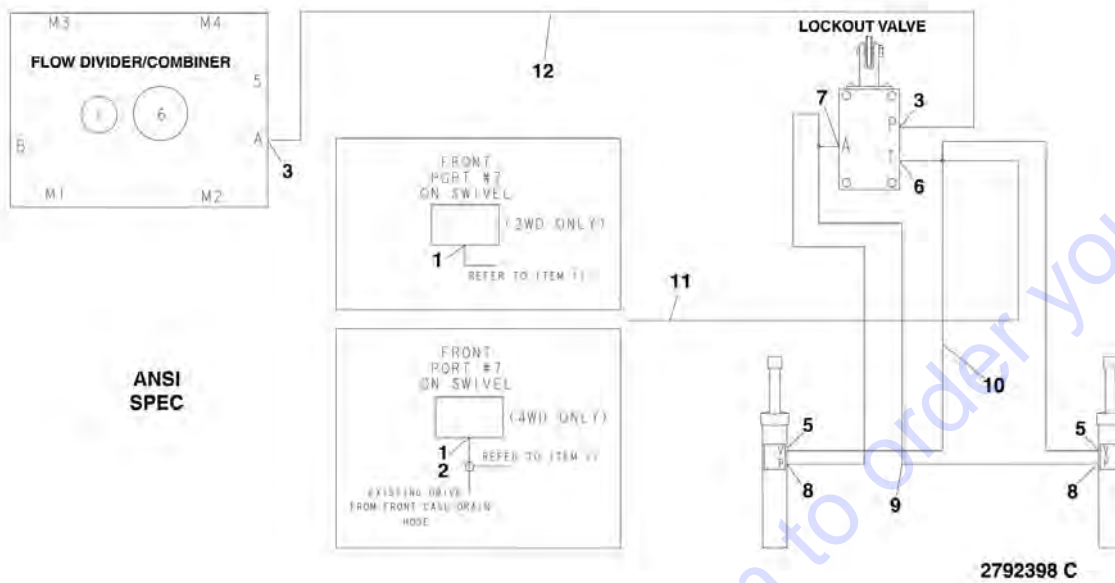
| ITEM | PART NUMBER | QTY | DESCRIPTION | REV |
|------|-------------|-----|--|-----|
| | 1684194 | Ref | TELESCOPE CYLINDER ASSEMBLY | D |
| 1 | 0100011 | AR | Locking, Compound | |
| 2 | 0100038 | AR | Primer, Locking | |
| 3 | 0100063 | AR | Adhesive (SN 0300096000 through 0300138219) | |
| 4 | 0630535 | 3 | Bolt, Socket Head 1/4in-20NC x 1-1/8in | |
| 5 | 0641604 | 4 | Bolt 3/8in-16NC x 1/2in | |
| 6 | 0961896 | 1 | Bushing, Tapered | |
| 7 | 1683054 | 1 | Head | |
| 8 | 1684193 | 1 | Barrel Weldment | |
| 9 | 1684312 | 1 | Rod Weldment | |
| 10 | 3480274 | 1 | Piston | |
| 12 | See Note | NSS | Ring, Wear (Note: Use Item 100) | |
| 13 | See Note | NSS | Ring, Wear (Note: Use Item 100) | |
| 14 | See Note | NSS | Ring, Back-up (Note: Use Item 100) | |
| 16 | See Note | NSS | O-Ring (Note: Use Item 100) | |
| 17 | See Note | NSS | O-Ring (Note: Use Item 100) | |
| 18 | See Note | NSS | O-Ring (Note: Use Item 100) | |
| 19 | See Note | NSS | Seal, Rod (Note: Use Item 100) | |
| 20 | See Note | NSS | Wiper (Note: Use Item 100) | |
| 21 | See Note | NSS | Ring, Back-up (Note: Use Item 100) | |
| 22 | See Note | NSS | Seal (Note: Use Item 100) | |
| 23 | 3340608 | 2 | Pad, Wear | |
| 24 | 3571795 | 1 | Plate, Wear Pad Mounting | |
| 25 | 3931448 | 4 | Capscrew 1/4in-20NC x 3in | |
| 26 | 3931516 | 8 | Capscrew 5/16in-18NC x 1in | |
| 27 | 4566425 | 1 | Spacer, Tube | |
| 29 | 2220885 | 2 | Plug, O-Ring #6 | |
| 30 | 4641033 | 1 | Valve, Counterbalance | |
| 30A | 7024508 | 2 | O-Ring | |
| 31 | 2220886 | 1 | Plug, O-Ring #8 | |
| 32 | 4751600 | 4 | Flatwasher 3/8in Regular | |
| 100 | 2901861 | 1 | Seal Kit (Includes Items 12-14 & 16-22) | |

SECTION 6 - HYDRAULIC

Go to Discount-Equipment.com to order your parts

SECTION 6 - HYDRAULIC

FIGURE 6-1. AXLE LOCKOUT HYDRAULIC DIAGRAM (SN 0300096000 through 0300115395)



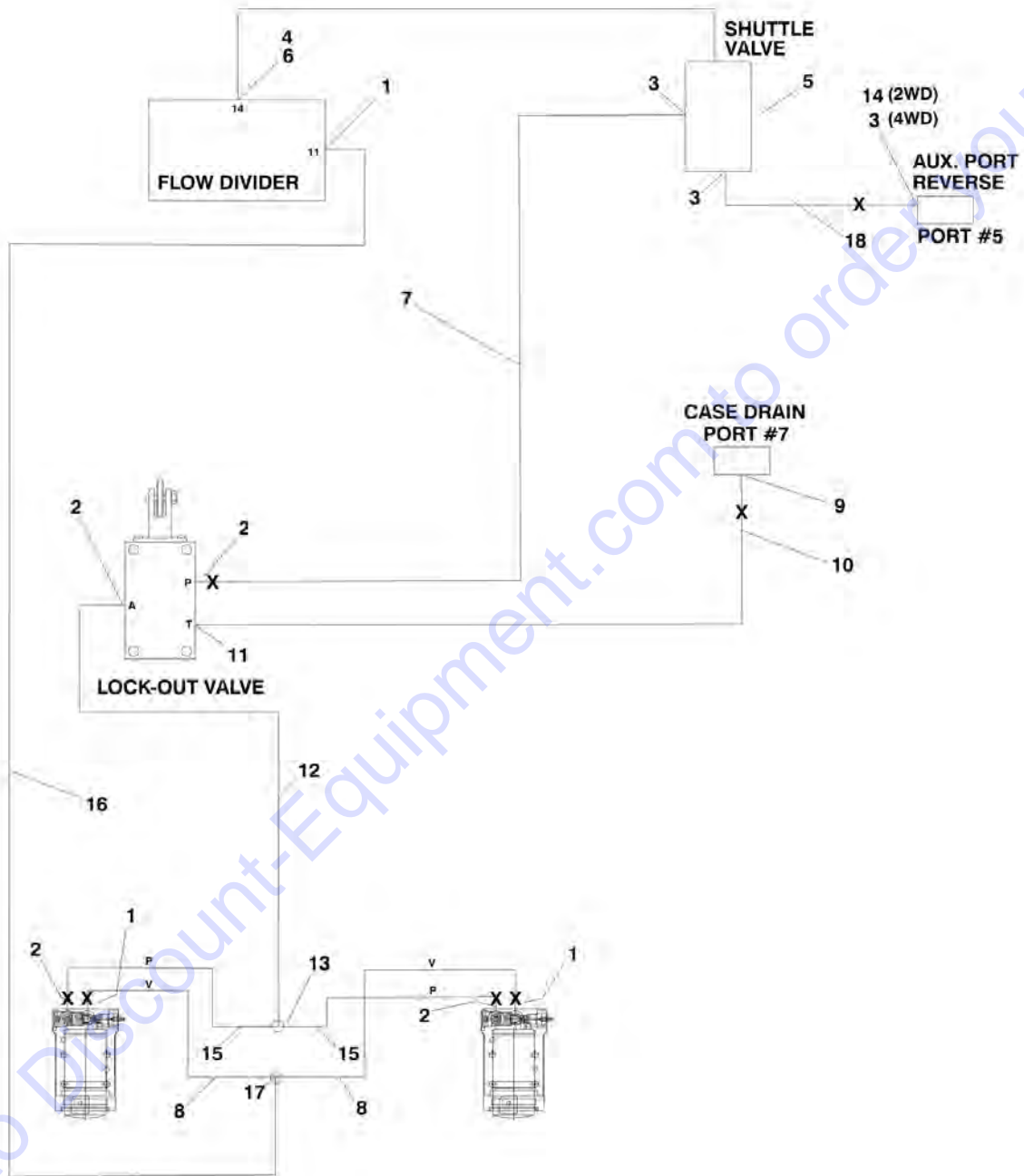
SECTION 6 - HYDRAULIC

FIGURE 6-1. AXLE LOCKOUT HYDRAULIC DIAGRAM (SN 0300096000 through 0300115395)

| ITEM | PART NUMBER | QTY | DESCRIPTION | REV |
|------|-------------|-----|---|-----|
| | 2792398 | Ref | AXLE LOCKOUT HYDRAULIC DIAGRAM (ANSI SPEC) | 3-C |
| 1 | 2220375 | 1 | Fitting, Straight | |
| 2 | 2220385 | 1 | Fitting, Tee | |
| 3 | 2220415 | 2 | Fitting, Straight | |
| 5 | 2220501 | 2 | Fitting, Elbow | |
| 6 | 2221043 | 1 | Fitting, Tee | |
| 7 | 2220711 | 1 | Fitting, Tee | |
| 8 | 2221040 | 2 | Fitting, Elbow | |
| 9 | 2753035 | 2 | Hose | |
| 10 | 2752632 | 2 | Hose | |
| 11 | 2753342 | 1 | Hose | |
| 12 | 2753339 | 1 | Hose | |
| | 2792455 | Ref | AXLE LOCKOUT HYDRAULIC DIAGRAM (CE SPEC) | 2-B |
| 101 | 2220415 | 4 | Fitting, Straight | |
| 102 | 2753339 | 1 | Hose | |
| 103 | 2220603 | 2 | Fitting | |
| 104 | 2220635 | 2 | Fitting | |
| 105 | 2751013 | 1 | Hose | |
| 106 | 2752471 | 1 | Hose | |
| 107 | 2753342 | 1 | Hose | |
| 108 | 2221034 | 1 | Fitting, Tee | |
| 109 | 2753035 | 2 | Hose | |
| 110 | 2221040 | 2 | Fitting, Elbow | |
| 111 | 2220501 | 2 | Fitting, Elbow | |
| 112 | 2753118 | 2 | Hose | |
| 113 | 2220490 | 1 | Fitting, Tee | |
| 114 | 2752469 | 1 | Hose | |
| 115 | 2220375 | 1 | Fitting | |
| 116 | 2220385 | 1 | Fitting, Tee | |

SECTION 6 - HYDRAULIC

FIGURE 6-2. AXLE LOCKOUT HYDRAULIC DIAGRAM (ANSI SPEC) (SN 0300115396 through 0300140364)



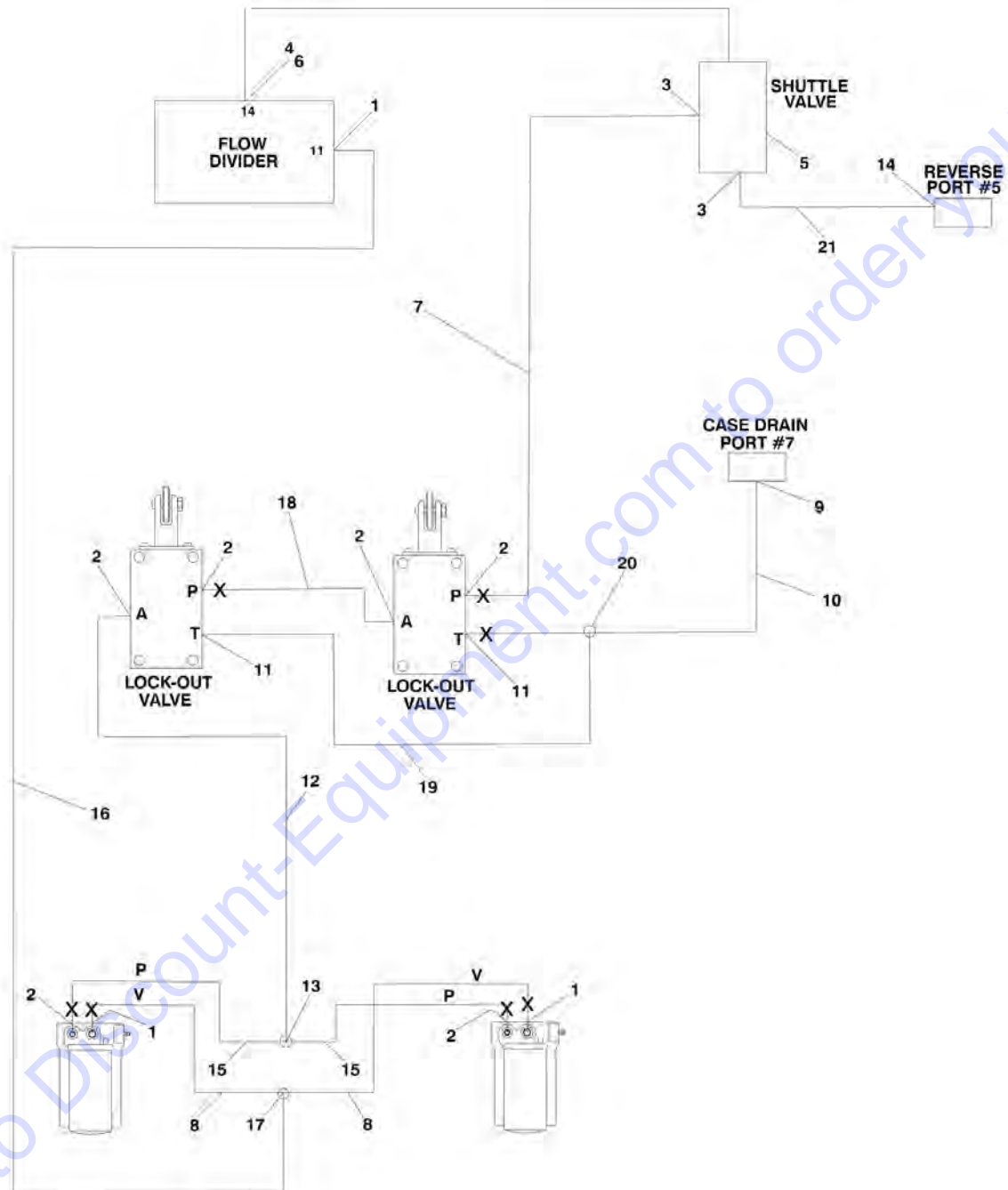
SECTION 6 - HYDRAULIC

FIGURE 6-2. AXLE LOCKOUT HYDRAULIC DIAGRAM (ANSI SPEC) (SN 0300115396 through 0300140364)

| ITEM | PART NUMBER | QTY | DESCRIPTION | REV |
|------|-------------|-----|---|-----|
| | | Ref | AXLE LOCKOUT HYDRAULIC DIAGRAM (ANSI SPEC) | |
| | 1001091926 | Ref | 2WD | 4-D |
| | 1001091729 | Ref | 4WD | 4-C |
| 1 | 2220371 | 3 | Fitting, Straight | |
| 2 | 2220415 | 4 | Fitting, Straight | |
| 3 | 2220582 | AR | Fitting, Straight | |
| 3 | | Ref | 2WD | |
| 3 | | Ref | 4WD | |
| 4 | 2220775 | 1 | Fitting, Elbow | |
| 5 | 8902175 | 1 | Valve, Shuttle | |
| 6 | 2220919 | 1 | Fitting, Swivel | |
| 7 | 2752445 | 1 | Hose | |
| 8 | 1001096193 | 2 | Hose | |
| 9 | 2220385 | 1 | Fitting, Tee | |
| 10 | 1001096557 | 1 | Hose | |
| 11 | 2220603 | 1 | Fitting, Straight | |
| 12 | 1001096192 | 1 | Hose | |
| 13 | 2220504 | 1 | Fitting, Tee | |
| 14 | 2220605 | 1 | Fitting, Tee (2WD Only) | |
| 15 | 1001096191 | 2 | Hose | |
| 16 | 2752487 | 1 | Hose | |
| 17 | 2220490 | 1 | Fitting, Tee | |
| 18 | 2750888 | 1 | Hose | |

SECTION 6 - HYDRAULIC

FIGURE 6-3. AXLE LOCKOUT HYDRAULIC DIAGRAM (CE SPEC) (SN 0300115396 through 0300140364)



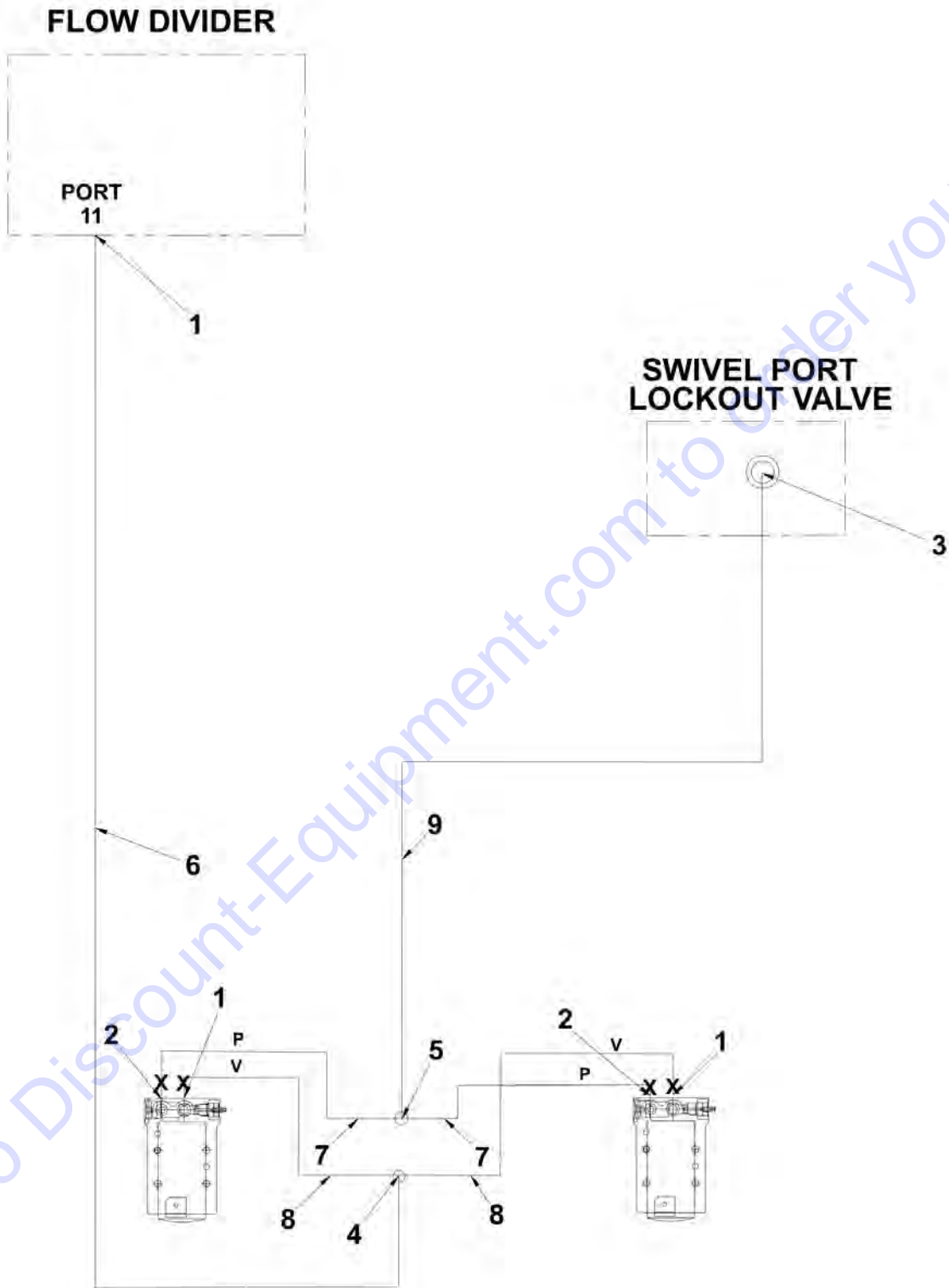
SECTION 6 - HYDRAULIC

FIGURE 6-3. AXLE LOCKOUT HYDRAULIC DIAGRAM (CE SPEC) (SN 0300115396 through 0300140364)

| ITEM | PART NUMBER | QTY | DESCRIPTION | REV |
|------|-------------|-----|---|-----|
| | | Ref | AXLE LOCKOUT HYDRAULIC DIAGRAM (CE SPEC) | |
| | 1001091927 | Ref | 2WD | 4-D |
| | 1001091730 | Ref | 4WD | 4-C |
| 1 | 2220371 | 3 | Fitting, Straight | |
| 2 | 2220415 | 6 | Fitting, Straight | |
| 3 | 2220582 | AR | Fitting, Straight | |
| 3 | | Ref | 2WD | |
| 3 | | Ref | 4WD | |
| 4 | 2220775 | 1 | Fitting, Elbow | |
| 5 | 8902175 | 1 | Valve, Shuttle | |
| 6 | 2220919 | 1 | Fitting, Swivel | |
| 7 | 2752445 | 1 | Hose | |
| 8 | 1001096193 | 2 | Hose | |
| 9 | 2220385 | 1 | Fitting, Tee | |
| 10 | 1001096557 | 1 | Hose | |
| 11 | 2220603 | 2 | Fitting, Straight | |
| 12 | 1001096192 | 1 | Hose | |
| 13 | 2220504 | 1 | Fitting, Tee | |
| 14 | 2220605 | 1 | Fitting, Tee (2WD Only) | |
| 15 | 1001096191 | 2 | Hose | |
| 16 | 2752487 | 1 | Hose | |
| 17 | 2220490 | 1 | Fitting, Tee | |
| 18 | | Ref | Hose Options: | |
| 18 | 2751013 | 1 | 2WD | |
| 18 | 2751015 | 1 | 4WD | |
| 19 | 2752471 | 1 | Hose | |
| 20 | 2220635 | 1 | Fitting, Tee | |
| 21 | 2750888 | 1 | Hose | |

SECTION 6 - HYDRAULIC

FIGURE 6-4. AXLE LOCKOUT HYDRAULIC DIAGRAM (ANSI AND CE SPEC) (SN 0300140365 through 0300203770)



SECTION 6 - HYDRAULIC

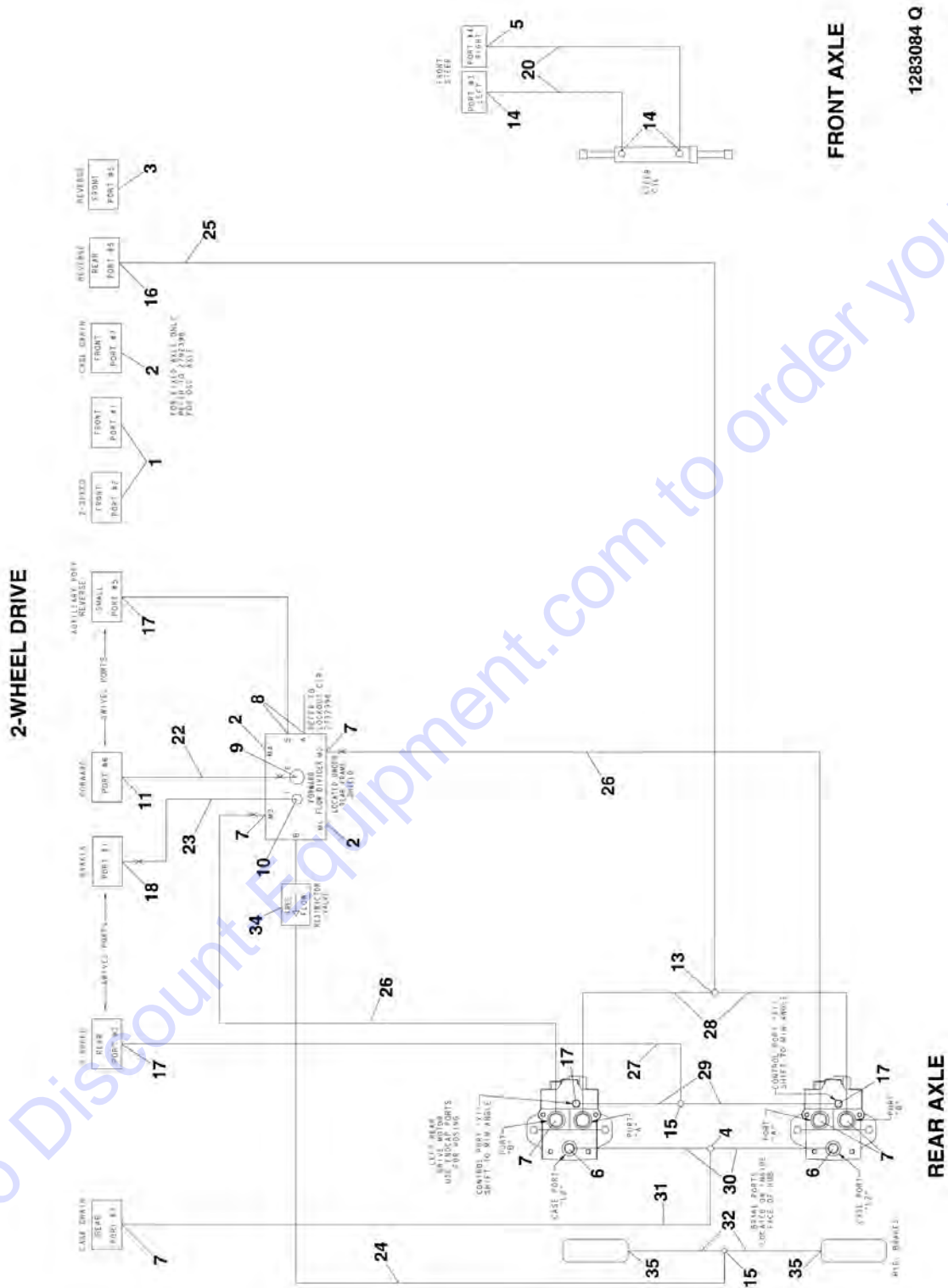
FIGURE 6-4. AXLE LOCKOUT HYDRAULIC DIAGRAM (ANSI AND CE SPEC) (SN 0300140365 through 0300203770)

| ITEM | PART NUMBER | QTY | DESCRIPTION | REV |
|------|-------------|-----|---|-----|
| | 1001106966 | Ref | AXLE LOCKOUT HYDRAULIC DIAGRAM (ANSI SPEC) | A |
| 1 | 2220371 | 3 | Fitting, Straight | |
| 2 | 2220415 | 2 | Fitting, Straight | |
| 3 | 2220468 | 1 | Fitting, Straight | |
| 4 | 2220490 | 1 | Fitting, Tee | |
| 5 | 2220504 | 1 | Fitting, Tee | |
| 6 | 2752487 | 1 | Hose | |
| 7 | 1001096191 | 2 | Hose | |
| 8 | 1001096193 | 2 | Hose | |
| 9 | 1001108482 | 1 | Hose | |

Go to Discount-Equipment.com to order your parts

SECTION 6 - HYDRAULIC

FIGURE 6-5. DRIVE HYDRAULIC DIAGRAM - 2WD (SN 030096000 through 0300115395)



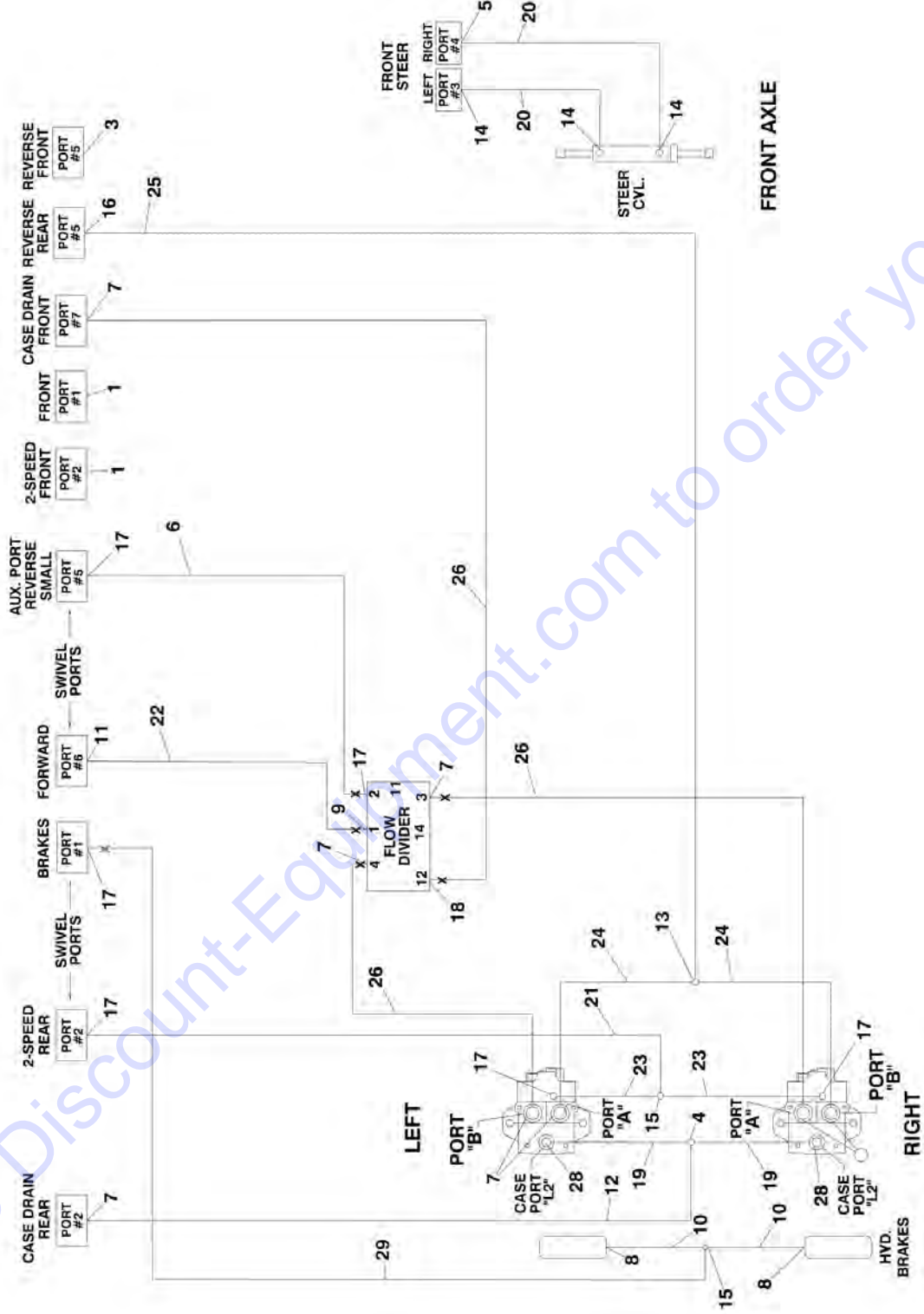
SECTION 6 - HYDRAULIC

FIGURE 6-5. DRIVE HYDRAULIC DIAGRAM - 2WD (SN 0300096000 through 0300115395)

| ITEM | PART NUMBER | QTY | DESCRIPTION | REV |
|------|-------------|-----|---|-----|
| | 2792385 | Ref | DRIVE HYDRAULIC DIAGRAM - 2WD | 9 |
| | 1283084 | Ref | DRIVE HYDRAULIC DIAGRAM - 2WD | R |
| 1 | 2220237 | 2 | Fitting, Plug | |
| 2 | 2220240 | 3 | Fitting, Plug | |
| 3 | 2220242 | 1 | Fitting, Plug | |
| 4 | 2220362 | 1 | Fitting, Tee | |
| 5 | 2220371 | 1 | Fitting, Straight | |
| 6 | 2220373 | 2 | Fitting, Straight (Fittings moved to Pump Assembly) | |
| 7 | 2220375 | AR | Fitting, Straight | |
| 7 | | Ref | Pump Assy without Fittings | |
| 7 | | Ref | Pump Assy with Fittings | |
| 8 | 2220415 | 2 | Fitting, Straight | |
| 9 | 2220435 | 1 | Fitting, Straight | |
| 10 | 2220596 | 2 | Fitting, Elbow | |
| 11 | 2220465 | 1 | Fitting, Elbow | |
| 13 | 2220481 | 1 | Fitting, Tee | |
| 14 | 2220501 | 3 | Fitting, Elbow | |
| 15 | 2220504 | 2 | Fitting, Tee | |
| 16 | 2220568 | 1 | Fitting, Elbow | |
| 17 | 2220582 | 2 | Fitting, Straight | |
| 17 | | Ref | Pump Assy without Fittings | |
| 17 | | Ref | Pump Assy with Fittings | |
| 18 | 2220600 | 1 | Fitting, Straight | |
| 20 | 2752466 | 2 | Hose | |
| 22 | 2753346 | 1 | Hose | |
| 23 | 2752495 | 1 | Hose | |
| 24 | 2752442 | 1 | Hose | |
| 25 | 2753347 | 1 | Hose | |
| 26 | 2753343 | 2 | Hose | |
| 27 | 2752977 | 1 | Hose | |
| 28 | 2753344 | 2 | Hose | |
| 29 | 2752908 | 2 | Hose | |
| 30 | 2752496 | 2 | Hose | |
| 31 | 2752506 | 1 | Hose | |
| 32 | 2754229 | 2 | Hose | |
| 34 | 4641282 | 1 | Valve, Restrictor (.020) | |
| 35 | 2220466 | 2 | Fitting, Elbow | |

SECTION 6 - HYDRAULIC

FIGURE 6-6. DRIVE HYDRAULIC DIAGRAM - 2WD (SN 0300115396 through 0300140364)



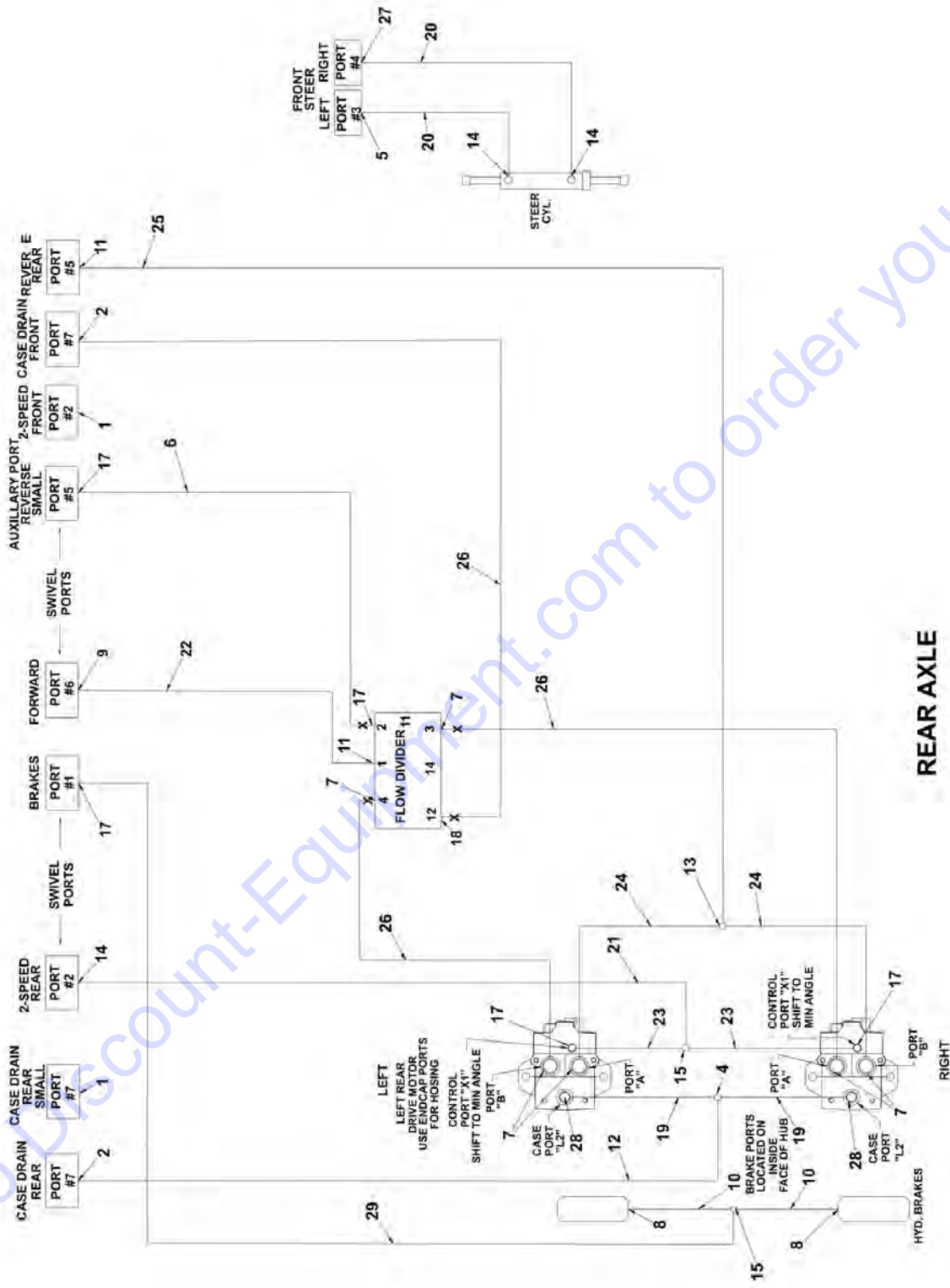
SECTION 6 - HYDRAULIC

FIGURE 6-6. DRIVE HYDRAULIC DIAGRAM - 2WD (SN 0300115396 through 0300140364)

| ITEM | PART NUMBER | QTY | DESCRIPTION | REV |
|------|-------------|-----|---|-----|
| | 1001092120 | Ref | DRIVE HYDRAULIC DIAGRAM - 2WD | 5 |
| | 1001091687 | Ref | DRIVE HYDRAULIC DIAGRAM - 2WD | F |
| 1 | 2220237 | 2 | Fitting, Plug | |
| 3 | 2220242 | 1 | Fitting, Plug | |
| 4 | 2220362 | 1 | Fitting, Tee | |
| 5 | 2220371 | 1 | Fitting, Straight | |
| 6 | 2752437 | 1 | Hose | |
| 7 | 2220375 | 8 | Fitting, Straight | |
| 8 | 2220466 | 2 | Fitting, Elbow | |
| 9 | 2220435 | 1 | Fitting, Straight | |
| 10 | 2754229 | 2 | Hose | |
| 11 | 2220465 | 1 | Fitting, Elbow | |
| 12 | 2752506 | 1 | Hose | |
| 13 | 2220481 | 1 | Fitting, Tee | |
| 14 | 2220501 | 3 | Fitting, Elbow | |
| 15 | 2220504 | 2 | Fitting, Tee | |
| 16 | 2220568 | 1 | Fitting, Elbow | |
| 17 | 2220582 | 6 | Fitting, Straight | |
| 18 | 2220600 | 1 | Fitting, Straight | |
| 19 | 2752492 | 2 | Hose | |
| 20 | 2752466 | 2 | Hose | |
| 21 | | Ref | Hose Option: | |
| 21 | 2752437 | 1 | Hose (SN 0300096000 through 0300122763) | |
| 21 | 2752977 | 1 | Hose (SN 0300122764 through 0300140365) | |
| 22 | 1001096556 | 1 | Hose | |
| 23 | 2752908 | 2 | Hose | |
| 24 | 2753344 | 2 | Hose | |
| 25 | 2753347 | 1 | Hose | |
| 26 | 2753343 | 3 | Hose | |
| 28 | 2220373 | 2 | Fitting, Straight | |
| 29 | 2752594 | 1 | Hose | |

SECTION 6 - HYDRAULIC

FIGURE 6-7. DRIVE HYDRAULIC DIAGRAM - 2WD (SN 0300140365 through 0300203770)



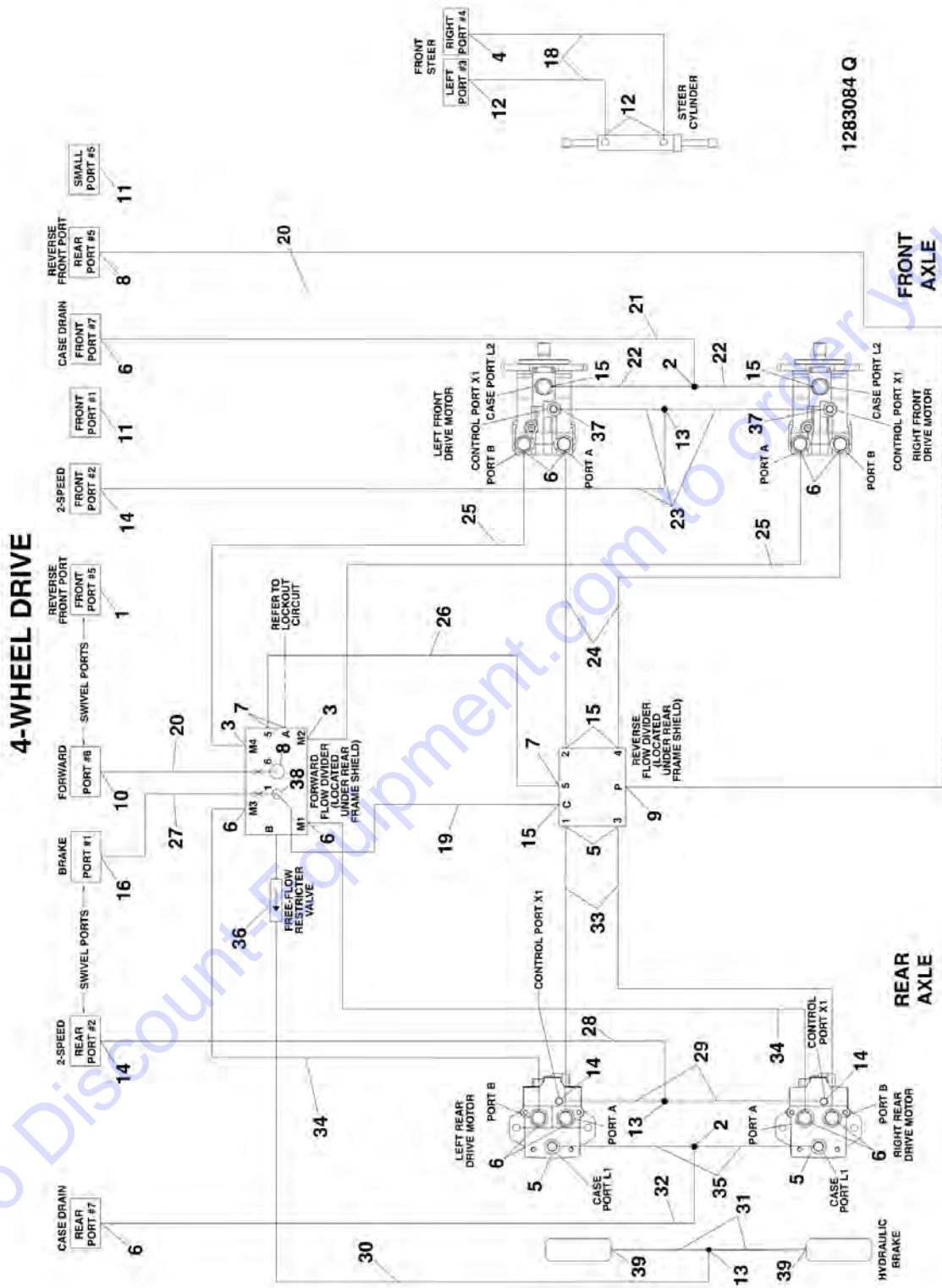
SECTION 6 - HYDRAULIC

FIGURE 6-7. DRIVE HYDRAULIC DIAGRAM - 2WD (SN 0300140365 through 0300203770)

| ITEM | PART NUMBER | QTY | DESCRIPTION | REV |
|------|-------------|-----|--------------------------------------|-----|
| | 1001108466 | Ref | DRIVE HYDRAULIC DIAGRAM - 2WD | A |
| 1 | 2220237 | 2 | Fitting, Plug | |
| 2 | 2220596 | 2 | Fitting, Elbow | |
| 4 | 2220362 | 1 | Fitting, Tee | |
| 5 | 2220371 | 1 | Fitting, Straight | |
| 6 | 2752437 | 1 | Hose | |
| 7 | 2220375 | 6 | Fitting, Straight | |
| 8 | 2220466 | 2 | Fitting, Elbow | |
| 9 | 2220435 | 1 | Fitting, Straight | |
| 10 | 2754229 | 2 | Hose | |
| 11 | 2220465 | 2 | Fitting, Elbow | |
| 12 | 2753416 | 1 | Hose | |
| 13 | 2220481 | 1 | Fitting, Tee | |
| 14 | 2220501 | 3 | Fitting, Elbow | |
| 15 | 2220504 | 2 | Fitting, Tee | |
| 17 | 2220582 | 5 | Fitting, Straight | |
| 18 | 2220600 | 1 | Fitting, Straight | |
| 19 | 2752492 | 2 | Hose | |
| 20 | 2752466 | 2 | Hose | |
| 21 | 1001108478 | 1 | Hose | |
| 22 | 1001096556 | 1 | Hose | |
| 23 | 2752908 | 2 | Hose | |
| 24 | 2753344 | 2 | Hose | |
| 25 | 2753347 | 1 | Hose | |
| 26 | 2753343 | 3 | Hose | |
| 27 | 2220473 | 1 | Fitting, Elbow | |
| 28 | 2220373 | 2 | Fitting, Straight | |
| 29 | 1001108477 | 1 | Hose | |

SECTION 6 - HYDRAULIC

FIGURE 6-8. DRIVE HYDRAULIC DIAGRAM - 4WD (SN 030096000 through 0300115395)



SECTION 6 - HYDRAULIC

FIGURE 6-8. DRIVE HYDRAULIC DIAGRAM - 4WD (SN 0300096000 through 0300115395)

| ITEM | PART NUMBER | QTY | DESCRIPTION | REV |
|------|-------------|-----|--------------------------------------|-----|
| | | Ref | DRIVE HYDRAULIC DIAGRAM - 4WD | |
| | 2792386 | Ref | Without Arctic Package | 7 |
| | 1283084 | Ref | Without Arctic Package | R |
| | 1001093930 | Ref | With Arctic Package | 1-A |
| 1 | 2220242 | 1 | Fitting, Plug | |
| 2 | 2220362 | 2 | Fitting, Tee | |
| 3 | 2220366 | 2 | Fitting, Elbow | |
| 4 | 2220371 | 1 | Fitting, Straight | |
| 5 | 2220373 | Ref | Fitting, Straight Options: | |
| 5 | 2220373 | 4 | Pump Assy without Fittings | |
| 5 | 2220373 | 2 | Pump Assy with Fittings | |
| 6 | 2220375 | Ref | Fitting, Straight Options: | |
| 6 | 2220375 | 12 | Pump Assy without Fittings | |
| 6 | 2220375 | 4 | Pump Assy with Fittings | |
| 7 | 2220415 | 3 | Fitting, Straight | |
| 8 | 2220435 | 2 | Fitting, Straight | |
| 9 | 2220578 | 1 | Fitting, Elbow | |
| 10 | 2220465 | 1 | Fitting, Elbow | |
| 11 | 2220237 | 2 | Plug | |
| 12 | 2220501 | 3 | Fitting, Elbow | |
| 13 | 2220504 | 3 | Fitting, Tee | |
| 14 | 2220582 | Ref | Fitting, Straight Options: | |
| 14 | 2220582 | 4 | Pump Assy without Fittings | |
| 14 | 2220582 | 2 | Pump Assy with Fittings | |
| 15 | 2220596 | Ref | Fitting, Elbow Options: | |
| 15 | 2220596 | 5 | Pump Assy without Fittings | |
| 15 | 2220596 | 3 | Pump Assy with Fittings | |
| 16 | 2220600 | 1 | Fitting, Straight | |
| 18 | 2752466 | 2 | Hose | |
| 19 | 2752502 | 2 | Hose | |
| 20 | 2753346 | 2 | Hose | |
| 21 | 2752944 | 1 | Hose | |
| 22 | | Ref | Hose Options: | |
| 22 | 2753416 | 2 | Without Arctic Package | |
| 22 | 1001093932 | 2 | With Arctic Package | |
| 23 | | Ref | Hose Options: | |
| 23 | 2752594 | 3 | Without Arctic Package | |
| 23 | 1001093933 | 3 | With Arctic Package | |
| 24 | | Ref | Hose Options: | |
| 24 | 2753417 | 2 | Without Arctic Package | |
| 24 | 1001093934 | 2 | With Arctic Package | |
| 25 | | Ref | Hose Options: | |
| 25 | 2753345 | 2 | Without Arctic Package | |
| 25 | 1001093935 | 2 | With Arctic Package | |
| 26 | 2753035 | 1 | Hose | |
| 27 | 2752495 | 1 | Hose | |
| 28 | 2752977 | 1 | Hose | |
| 29 | 2752908 | 2 | Hose | |
| 30 | 2752443 | 1 | Hose | |
| 31 | 2754229 | 2 | Hose | |

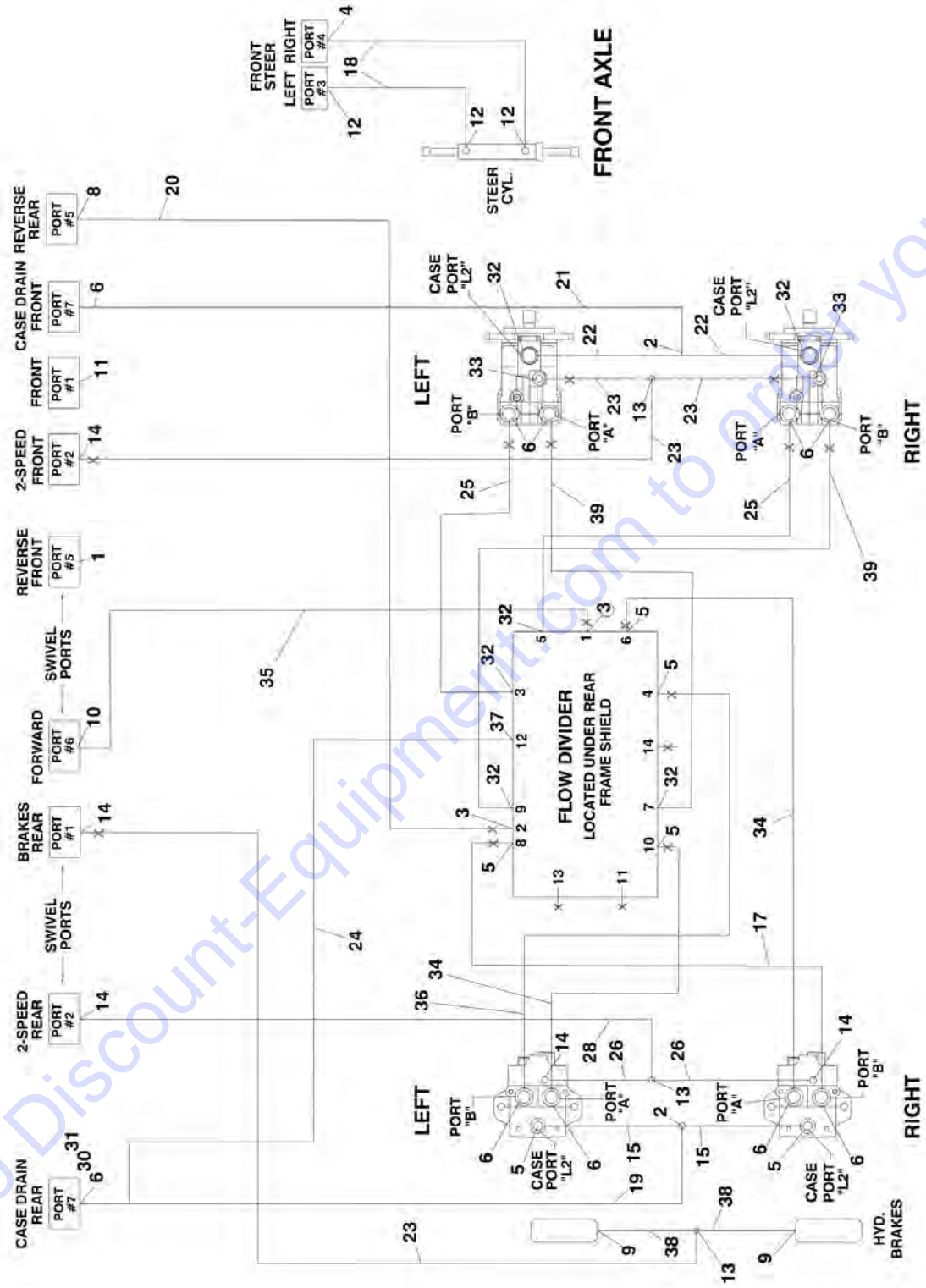
SECTION 6 - HYDRAULIC

| ITEM | PART NUMBER | QTY | DESCRIPTION | REV |
|------|-------------|-----|---|-----|
| 32 | 2752506 | 1 | Hose | |
| 33 | 2753162 | 2 | Hose | |
| 34 | 2753343 | 2 | Hose | |
| 35 | 2752496 | 2 | Hose | |
| 36 | 4641282 | 1 | Valve, Restrictor (.020) | |
| 37 | 2220472 | 2 | Fitting, Elbow (Fitting moved to Pump Assembly) | |
| 38 | 2220602 | 1 | Fitting, Tee | |
| 39 | 2220466 | 2 | Fitting, Elbow | |

Go to Discount-Equipment.com to order your parts

SECTION 6 - HYDRAULIC

FIGURE 6-9. DRIVE HYDRAULIC DIAGRAM - 4WD (SN 0300115396 through 0300140364)



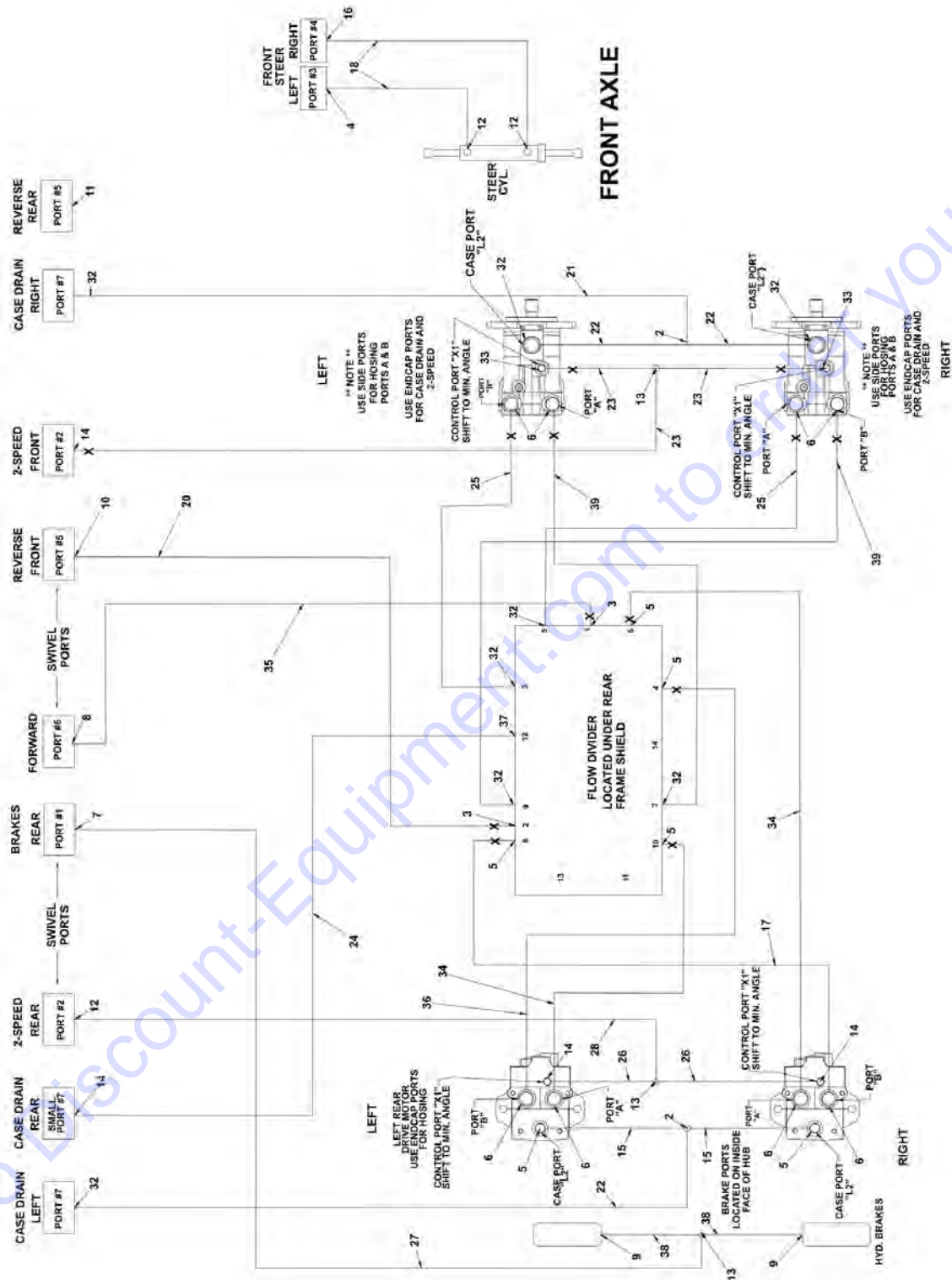
SECTION 6 - HYDRAULIC

FIGURE 6-9. DRIVE HYDRAULIC DIAGRAM - 4WD (SN 0300115396 through 0300140364)

| ITEM | PART NUMBER | QTY | DESCRIPTION | REV |
|------|-------------|-----|---|-----|
| | | Ref | DRIVE HYDRAULIC DIAGRAM - 4WD | |
| | 1001091986 | Ref | Without Arctic Package | 5 |
| | 1001091687 | Ref | Without Arctic Package | F |
| | 1001094684 | Ref | With Arctic Package | 4 |
| | 1001091687 | Ref | With Arctic Package | F |
| 1 | 2220242 | 1 | Fitting, Plug | |
| 2 | 2220362 | 2 | Fitting, Tee | |
| 3 | 2220451 | 2 | Fitting, Straight | |
| 4 | 2220371 | 1 | Fitting, Straight | |
| 5 | 2220373 | 6 | Fitting, Straight | |
| 6 | 2220375 | 10 | Fitting, Straight | |
| 8 | 2220568 | 1 | Fitting, Elbow | |
| 9 | 2220466 | 2 | Fitting, Elbow | |
| 10 | 2220465 | 1 | Fitting, Elbow | |
| 11 | 2220237 | 1 | Plug | |
| 12 | 2220501 | 3 | Fitting, Elbow | |
| 13 | 2220504 | 3 | Fitting, Tee | |
| 14 | 2220582 | 5 | Fitting, Straight | |
| 15 | 2752492 | 2 | Hose | |
| 17 | 2753343 | 1 | Hose | |
| 18 | 2752466 | 2 | Hose | |
| 19 | 2752506 | 1 | Hose | |
| 20 | 1001096160 | 1 | Hose | |
| 21 | 2752514 | 1 | Hose | |
| 22 | 2753416 | 2 | Hose | |
| 23 | | Ref | Hose Options: | |
| 23 | 2752594 | 4 | Without Arctic Package | |
| 23 | 1001093933 | 4 | With Arctic Package | |
| 24 | 2752433 | 1 | Hose | |
| 25 | | Ref | Hose Options: | |
| 25 | 2753345 | 2 | Without Arctic Package | |
| 25 | 1001093935 | 2 | With Arctic Package | |
| 26 | 2752908 | 2 | Hose | |
| 28 | 2752977 | 1 | Hose | |
| 30 | 2220385 | 1 | Fitting, Tee | |
| 31 | 2220618 | 1 | Fitting, Reducer | |
| 32 | 2220596 | 6 | Fitting, Elbow | |
| 33 | 2220472 | 2 | Fitting, Elbow | |
| 34 | 1001096168 | 2 | Hose | |
| 35 | 1001096161 | 1 | Hose | |
| 36 | 1001096167 | 1 | Hose | |
| 37 | 2220415 | 1 | Fitting, Straight | |
| 38 | 2754229 | 2 | Hose | |
| 39 | | Ref | Hose Options: | |
| 39 | | Ref | Without Arctic Package: | |
| 39 | 2753345 | 2 | Hose (SN 0300096000 through 0300119200) | |
| 39 | 1001099161 | 2 | Hose (SN 0300119201 through 0300140365) | |
| 39 | | Ref | With Arctic Package: | |
| 39 | 1001093935 | 2 | Hose (SN 0300096000 through 0300119200) | |
| 39 | 1001099162 | 2 | Hose (SN 0300119201 through 0300140365) | |

SECTION 6 - HYDRAULIC

FIGURE 6-10. DRIVE HYDRAULIC DIAGRAM - 4WD (SN 0300140365 through 0300203770)



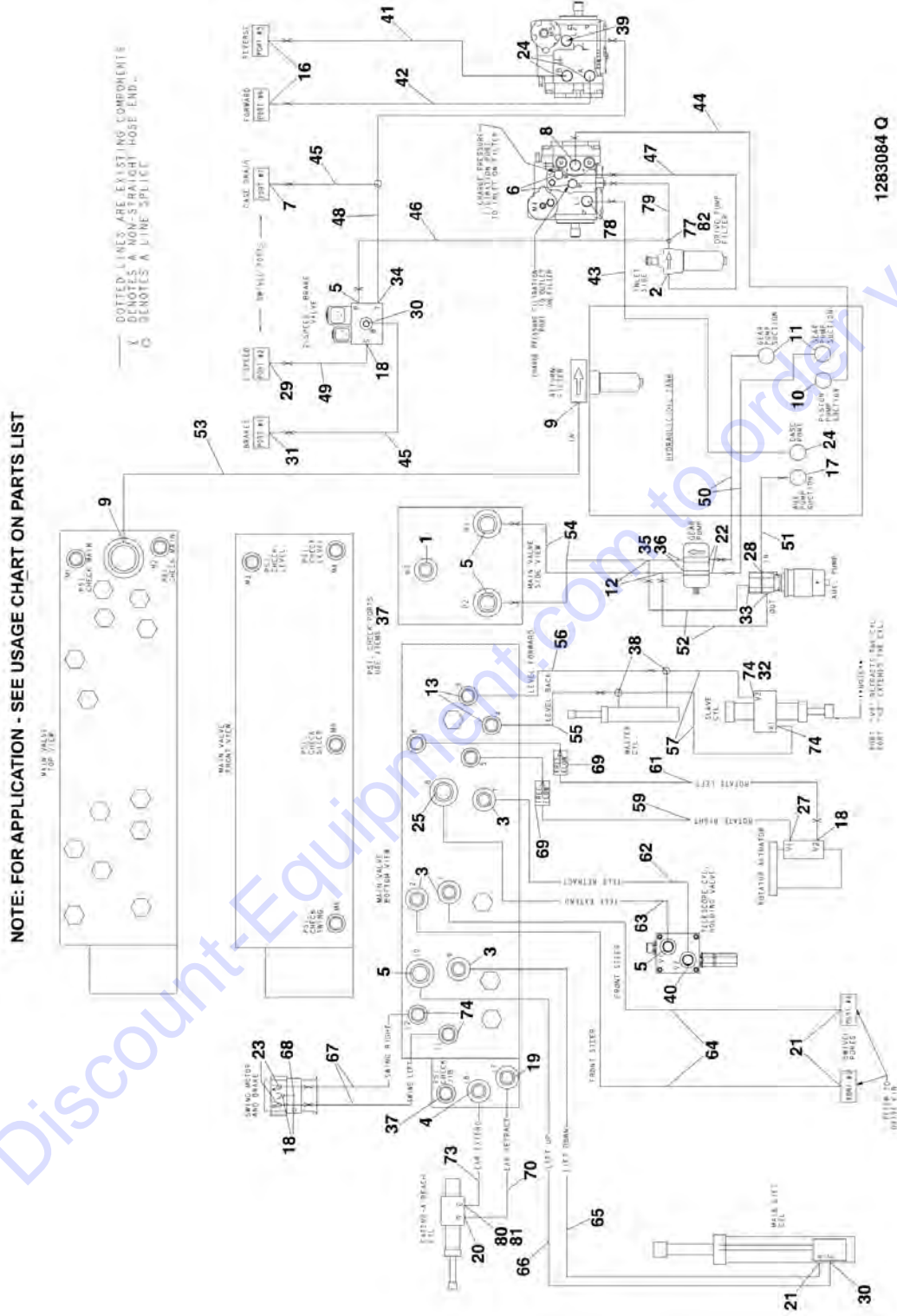
SECTION 6 - HYDRAULIC

FIGURE 6-10. DRIVE HYDRAULIC DIAGRAM - 4WD (SN 0300140365 through 0300203770)

| ITEM | PART NUMBER | QTY | DESCRIPTION | REV |
|------|-------------|-----|--------------------------------------|-----|
| | | Ref | DRIVE HYDRAULIC DIAGRAM - 4WD | |
| | 1001108464 | Ref | Without Arctic Package | B |
| | 1001108465 | Ref | With Arctic Package | A |
| 2 | 2220362 | 2 | Fitting, Tee | |
| 3 | 2220451 | 2 | Fitting, Straight | |
| 4 | 2220371 | 1 | Fitting, Straight | |
| 5 | 2220373 | 6 | Fitting, Straight | |
| 6 | 2220375 | 8 | Fitting, Straight | |
| 7 | 2220468 | 1 | Fitting, Straight | |
| 8 | 2220435 | 1 | Fitting, Straight | |
| 9 | 2220466 | 2 | Fitting, Elbow | |
| 10 | 2220465 | 1 | Fitting, Elbow | |
| 11 | 2220237 | 1 | Plug | |
| 12 | 2220501 | 3 | Fitting, Elbow | |
| 13 | 2220504 | 3 | Fitting, Tee | |
| 14 | 2220582 | 4 | Fitting, Straight | |
| 15 | 2752492 | 2 | Hose | |
| 16 | 2220473 | 1 | Fitting, Elbow | |
| 17 | 2753343 | 1 | Hose | |
| 18 | 2752466 | 2 | Hose | |
| 20 | 1001108480 | 1 | Hose | |
| 21 | 2753196 | 1 | Hose | |
| 22 | 2753416 | 3 | Hose | |
| 23 | | Ref | Hose Options: | |
| 23 | 2752594 | 3 | Without Arctic Package | |
| 23 | 1001093933 | 3 | With Arctic Package | |
| 24 | 1001108476 | 1 | Hose | |
| 25 | | Ref | Hose Options: | |
| 25 | 2753345 | 2 | Without Arctic Package | |
| 25 | 1001093935 | 2 | With Arctic Package | |
| 26 | 2752908 | 2 | Hose | |
| 27 | 1001108477 | 1 | Hose | |
| 28 | 1001108478 | 1 | Hose | |
| 32 | 2220596 | 8 | Fitting, Elbow | |
| 33 | 2220472 | 2 | Fitting, Elbow | |
| 34 | 1001096168 | 2 | Hose | |
| 35 | 1001108481 | 1 | Hose | |
| 36 | 1001096167 | 1 | Hose | |
| 37 | 2220415 | 1 | Fitting, Straight | |
| 38 | 2754229 | 2 | Hose | |
| 39 | | Ref | Hose Options: | |
| 39 | 1001099161 | 2 | Without Arctic Package | |
| 39 | 1001099162 | 2 | With Arctic Package | |

SECTION 6 - HYDRAULIC

FIGURE 6-11. STANDARD HYDRAULIC DIAGRAM



1283084 Q

PARTS FINDER

**Search Website
by Part Number**



**Search Manual
Library For Parts
Manual & Lookup Part
Numbers – Purchase
or Request Quote**

**Can't Find Part or
Manual? Request Help
by Manufacturer,
Model & Description**

Discount-Equipment.com is your online resource for quality parts & equipment.

Florida: **561-964-4949** Outside Florida TOLL FREE: **877-690-3101**

Need parts?

Click on this link: <http://www.discount-equipment.com/category/5443-parts/> and choose one of the options to help get the right parts and equipment you are looking for. Please have the machine model and serial number available in order to help us get you the correct parts. If you don't find the part on the website or on one of the online manuals, please fill out the request form and one of our experienced staff members will get back to you with a quote for the right part that your machine needs.

We sell worldwide for the brands: Genie, Terex, JLG, MultiQuip, Mikasa, Essick, Whiteman, Mayco, Toro Stone, Diamond Products, Generac Magnum, Airman, Haulotte, Barreto, Power Blanket, Nifty Lift, Atlas Copco, Chicago Pneumatic, Allmand, Miller Curber, Skyjack, Lull, Skytrak, Tsurumi, Husquvarna Target, Stow, Wacker, Sakai, Mi-T-M, Sullair, Basic, Dynapac, MBW, Weber, Bartell, Bennar Newman, Haulotte, Ditch Runner, Menegotti, Morrison, Contec, Buddy, Crown, Edco, Wyco, Bomag, Laymor, EZ Trench, Bil-Jax, F.S. Curtis, Gehl Pavers, Heli, Honda, ICS/PowerGrit, IHI, Partner, Imer, Clipper, MMD, Koshin, Rice, CH&E, General Equipment, Amida, Coleman, NAC, Gradall, Square Shooter, Kent, Stanley, Tamco, Toku, Hatz, Kohler, Robin, Wisconsin, Northrock, Oztec, Toker TK, Rol-Air, APT, Wylie, Ingersoll Rand / Doosan, Innovatech, Con X, Ammann, Mecalac, Makinex, Smith Surface Prep, Small Line, Wanco, Yanmar

SECTION 6 - HYDRAULIC

FIGURE 6-11. STANDARD HYDRAULIC DIAGRAM

| ITEM | PART NUMBER | QTY | DESCRIPTION | REV |
|------|-------------|-----|--|-----|
| | | Ref | Usage Chart: | |
| | | Ref | Machines With Caterpillar, Deutz D2011, GM and Perkins Engines (SN 0300096000 through 0300115395) | |
| | | Ref | STANDARD HYDRAULIC DIAGRAM | |
| | 2792704 | Ref | Standard Hydraulic Diagram 400S | 2 |
| | 1283084 | Ref | Standard Hydraulic Diagram 400S | Q |
| | 2792705 | Ref | Standard Hydraulic Diagram 460SJ | 2 |
| | 1283084 | Ref | Standard Hydraulic Diagram 460SJ | Q |
| 1 | 2220237 | 1 | Fitting, Plug | |
| 2 | 2221042 | 1 | Fitting, Elbow | |
| 3 | 2220371 | 4 | Fitting, Straight | |
| 4 | 2220372 | 1 | Fitting, Straight (460SJ Only) | |
| 5 | 2220373 | 7 | Fitting, Straight | |
| 6 | 2220947 | 2 | Fitting, Straight (Fitting moved to Pump Assembly) | |
| 7 | 2220375 | 1 | Fitting, Straight | |
| 8 | 2220376 | 1 | Fitting, Straight (Fitting moved to Pump Assembly) | |
| 9 | 2220377 | 2 | Fitting, Straight | |
| 10 | 2220379 | 1 | Fitting, Straight | |
| 11 | 2220380 | 2 | Fitting, Straight | |
| 12 | 2220385 | 2 | Fitting, Tee (Fitting moved to Pump Assembly) | |
| 13 | 2220415 | AR | Fitting, Straight | |
| 16 | 2220435 | 2 | Fitting, Straight | |
| 17 | 2220451 | 1 | Fitting, Straight | |
| 18 | 2220466 | 4 | Fitting, Elbow | |
| 19 | 2220468 | 1 | Fitting, Straight (460SJ Only) | |
| 20 | 2220472 | 1 | Fitting, Elbow (460SJ Only) | |
| 21 | 2220473 | 3 | Fitting, Elbow | |
| 22 | 2220479 | 2 | Fitting, Straight (Fitting moved to Pump Assembly) | |
| 23 | 2220497 | 2 | Fitting, Straight | |
| 24 | 2220498 | Ref | Fitting, Elbow | |
| 24 | 2220498 | 3 | Pump Assy without Fittings | |
| 24 | 2220498 | 1 | Pump Assy with Fittings | |
| 25 | 2220500 | 1 | Fitting, Elbow | |
| 27 | 2220502 | AR | Fitting, Elbow | |
| 28 | 2220567 | 1 | Fitting, Elbow | |
| 29 | 2220582 | 1 | Fitting, Straight | |
| 30 | 2220596 | 2 | Fitting, Elbow | |
| 31 | 2220600 | 1 | Fitting, Straight | |
| 32 | 4567139 | 1 | Tube | |
| 33 | 2221045 | 2 | Fitting, Elbow | |
| 34 | 2220775 | 1 | Fitting, Elbow | |
| 35 | 2220810 | 2 | Fitting, Reducer (Fitting moved to Pump Assembly) | |
| 36 | 4640744 | 2 | Fitting, Check Valve (Fitting moved to Pump Assembly) | |
| 37 | 2221086 | 6 | Fitting, Pressure Check | |
| 38 | 2220899 | 2 | Fitting, Tee | |
| 39 | 2221041 | 1 | Fitting, Tee (Fitting moved to Pump Assembly) | |
| 40 | 2221044 | 1 | Fitting, Elbow | |
| 41 | 2753352 | 1 | Hose | |
| 42 | 2753353 | 1 | Hose | |
| 43 | 2753354 | 1 | Hose | |

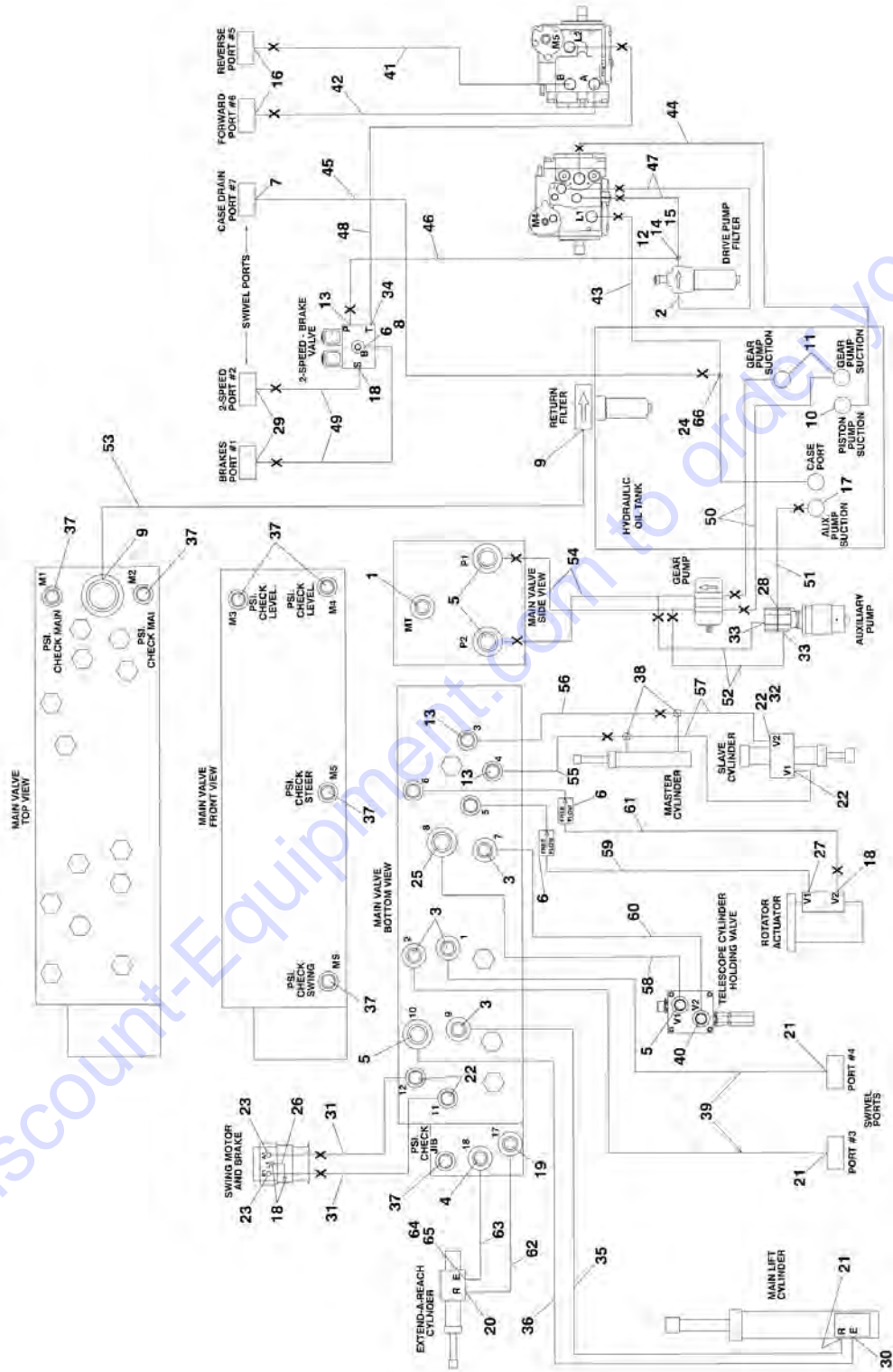
SECTION 6 - HYDRAULIC

| ITEM | PART NUMBER | QTY | DESCRIPTION | REV |
|------|-------------|-----|--|-----|
| 44 | 2753357 | 1 | Hose | |
| 45 | 2753351 | 2 | Hose | |
| 46 | 2752942 | 1 | Hose | |
| 47 | 2752763 | 1 | Hose | |
| 48 | 2753350 | 1 | Hose | |
| 49 | 2752430 | 1 | Hose | |
| 50 | 2753358 | 2 | Hose | |
| 51 | 2753355 | 1 | Hose | |
| 52 | 2753349 | 2 | Hose | |
| 53 | 2753356 | 1 | Hose | |
| 54 | 2752519 | 2 | Hose | |
| 55 | 2753360 | 1 | Hose | |
| 56 | 2753359 | 1 | Hose | |
| 57 | 2753514 | 2 | Hose | |
| 59 | | Ref | Hose Options: | |
| 59 | 2753517 | 1 | Hose 400S | |
| 59 | 2753512 | 1 | Hose 460SJ | |
| 61 | | Ref | Hose Options: | |
| 61 | 2753516 | 1 | Hose 400S | |
| 61 | 2753513 | 1 | Hose 460SJ | |
| 62 | 2753368 | 1 | Hose | |
| 63 | 2753372 | 1 | Hose | |
| 64 | 2753348 | 2 | Hose | |
| 65 | 2753369 | 1 | Hose | |
| 66 | 2753373 | 1 | Hose | |
| 67 | 2752471 | 2 | Hose | |
| 68 | 2752443 | 1 | Hose | |
| 69 | 4641282 | 2 | Valve, Restrictor (.020) | |
| 70 | 2753511 | 1 | Hose (460SJ Only) | |
| 73 | 2753515 | 1 | Hose (460SJ Only) | |
| 74 | 2220603 | 4 | Fitting, Straight | |
| 77 | 2221063 | 1 | Fitting, Tee | |
| 78 | 2220578 | 1 | Fitting, Straight (Fitting moved to Pump Assembly) | |
| 79 | 2753502 | 1 | Hose | |
| 80 | 2180724 | 1 | Fitting, Modified Elbow (460SJ Only) | |
| 81 | 2180422 | 1 | Fitting, Plug (460SJ Only) | |
| 82 | 2221216 | 1 | Fitting, Straight | |

SECTION 6 - HYDRAULIC

FIGURE 6-12. STANDARD HYDRAULIC DIAGRAM

NOTE: FOR APPLICATION - SEE USAGE CHART ON PARTS LIST



SECTION 6 - HYDRAULIC

FIGURE 6-12. STANDARD HYDRAULIC DIAGRAM

| ITEM | PART NUMBER | QTY | DESCRIPTION | REV |
|------|-------------|-----|--|-----|
| | | Ref | Usage Chart: | |
| | | Ref | Machines With Caterpillar, Deutz D2011, GM and Perkins Engines (SN 0300115396 through 0300140364) | |
| | | Ref | STANDARD HYDRAULIC DIAGRAM | |
| | 1001093359 | Ref | Standard Hydraulic Diagram 400S | 4 |
| | 1001091687 | Ref | Standard Hydraulic Diagram 400S | F |
| | 1001093360 | Ref | Standard Hydraulic Diagram 460SJ | 5 |
| | 1001091687 | Ref | Standard Hydraulic Diagram 460SJ | F |
| 1 | 2220237 | 1 | Fitting, Plug | |
| 2 | 2221042 | 1 | Fitting, Elbow | |
| 3 | 2220371 | 4 | Fitting, Straight | |
| 4 | 2220372 | 1 | Fitting, Straight (460SJ Only) | |
| 5 | 2220373 | 4 | Fitting, Straight | |
| 6 | 4641282 | 3 | Valve, Restrictor (.020) | |
| 7 | 2220375 | 1 | Fitting, Straight | |
| 8 | 2220654 | 1 | Fitting, Elbow | |
| 9 | 2220377 | 2 | Fitting, Straight | |
| 10 | 2220379 | 1 | Fitting, Straight | |
| 11 | 2220380 | 2 | Fitting, Straight | |
| 12 | 2220949 | 1 | Fitting, Reducer | |
| 13 | 2220415 | 3 | Fitting, Straight | |
| 14 | 2220852 | 1 | Fitting, Straight | |
| 15 | 2220948 | 1 | Fitting, Tee | |
| 16 | 2220435 | 2 | Fitting, Straight | |
| 17 | 2220451 | 1 | Fitting, Straight | |
| 18 | 2220466 | 4 | Fitting, Elbow | |
| 19 | 2220468 | 1 | Fitting, Straight (460SJ Only) | |
| 20 | 2220472 | 1 | Fitting, Elbow (460SJ Only) | |
| 21 | 2220473 | 3 | Fitting, Elbow | |
| 22 | 2220603 | 4 | Fitting, Straight | |
| 23 | 2220497 | 2 | Fitting, Straight | |
| 24 | 2220738 | 1 | Fitting, Tee | |
| 25 | 2220500 | 1 | Fitting, Elbow | |
| 26 | 2752443 | 1 | Hose | |
| 27 | 2220502 | 1 | Fitting, Elbow | |
| 28 | 2220567 | 1 | Fitting, Elbow | |
| 29 | 2220582 | 2 | Fitting, Straight | |
| 30 | 2220596 | 1 | Fitting, Elbow | |
| 31 | 2752471 | 2 | Hose | |
| 32 | 4567139 | 1 | Tube | |
| 33 | 2221045 | 2 | Fitting, Elbow | |
| 34 | 2220775 | 1 | Fitting, Elbow | |
| 35 | 2753369 | 1 | Hose | |
| 36 | 2753373 | 1 | Hose | |
| 37 | 2221086 | 6 | Fitting, Pressure Check | |
| 38 | 2220899 | 2 | Fitting, Tee | |
| 39 | 2753348 | 2 | Hose | |
| 40 | 2221044 | 1 | Fitting, Elbow | |
| 41 | 2753352 | 1 | Hose | |
| 42 | 2753353 | 1 | Hose | |

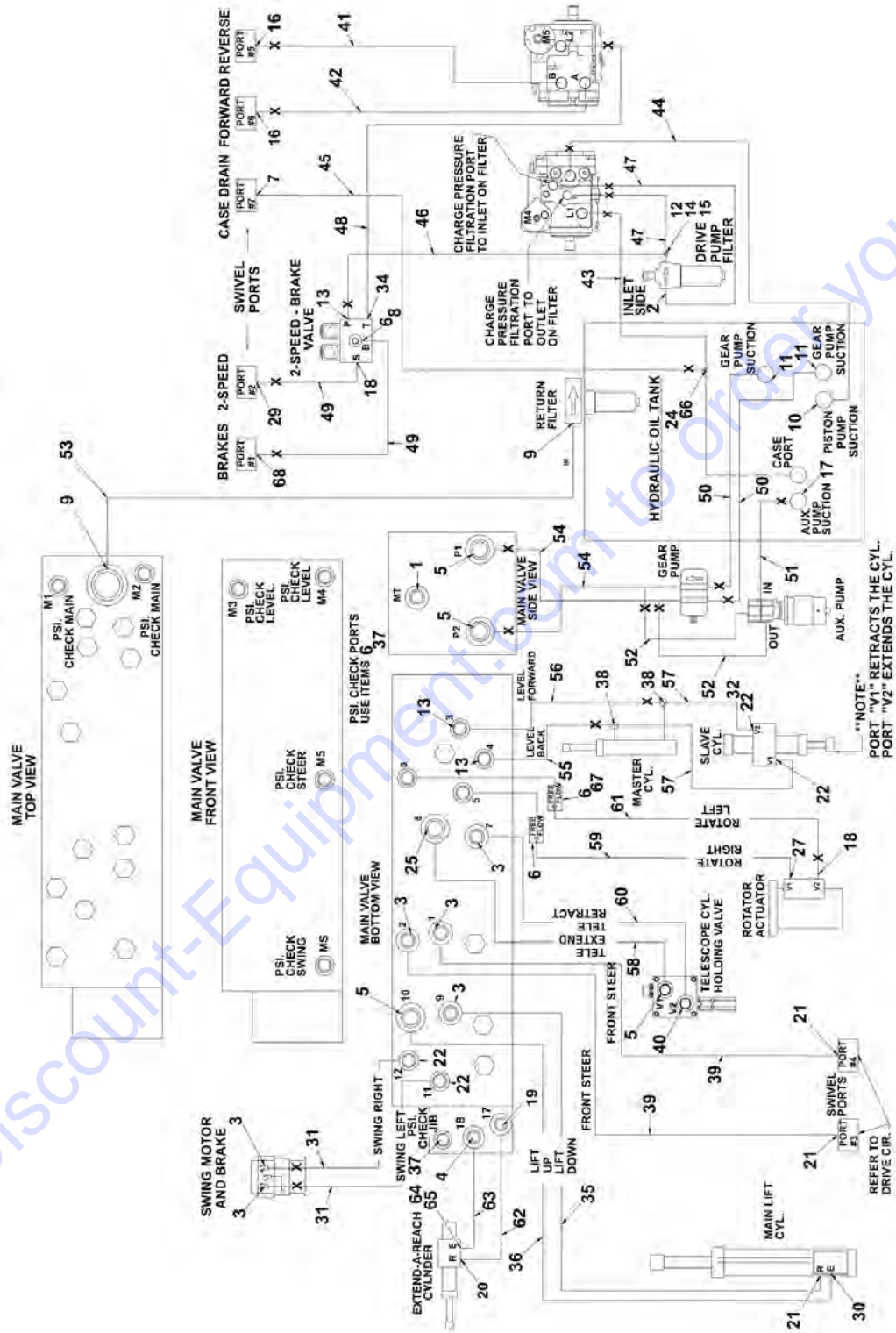
SECTION 6 - HYDRAULIC

| ITEM | PART NUMBER | QTY | DESCRIPTION | REV |
|------|-------------|-----|--------------------------------------|-----|
| 43 | 2753354 | 1 | Hose | |
| 44 | 2753357 | 1 | Hose | |
| 45 | 2753351 | 1 | Hose | |
| 46 | 2752433 | 1 | Hose | |
| 47 | 2752763 | 2 | Hose | |
| 48 | 2753350 | 1 | Hose | |
| 49 | 2752430 | 2 | Hose | |
| 50 | 2753358 | 2 | Hose | |
| 51 | 2753355 | 1 | Hose | |
| 52 | 2753349 | 2 | Hose | |
| 53 | 2753356 | 1 | Hose | |
| 54 | 2752519 | 2 | Hose | |
| 55 | 2753360 | 1 | Hose | |
| 56 | 2753359 | 1 | Hose | |
| 57 | 2753514 | 2 | Hose | |
| 58 | 2753372 | 1 | Hose | |
| 59 | | Ref | Hose Options: | |
| 59 | 2753517 | 1 | Hose 400S | |
| 59 | 2753512 | 1 | Hose 460SJ | |
| 60 | 2753368 | 1 | Hose | |
| 61 | | Ref | Hose Options: | |
| 61 | 2753516 | 1 | Hose 400S | |
| 61 | 2753513 | 1 | Hose 460SJ | |
| 62 | 2753511 | 1 | Hose (460SJ Only) | |
| 63 | 2753515 | 1 | Hose (460SJ Only) | |
| 64 | 2180724 | 1 | Fitting, Modified Elbow (460SJ Only) | |
| 65 | 2180422 | 1 | Fitting, Plug (460SJ Only) | |
| 66 | 2220622 | 1 | Fitting, Adapter | |

SECTION 6 - HYDRAULIC

FIGURE 6-13. STANDARD HYDRAULIC DIAGRAM

NOTE: FOR APPLICATION - SEE USAGE CHART ON PARTS LIST



SECTION 6 - HYDRAULIC

FIGURE 6-13. STANDARD HYDRAULIC DIAGRAM

| ITEM | PART NUMBER | QTY | DESCRIPTION | REV |
|------|-------------|-----|--|-----|
| | | Ref | Usage Chart: | |
| | | Ref | Machines With Caterpillar, Deutz D2011, GM and Perkins Engines (SN 0300140365 through 0300203770) | |
| | | Ref | STANDARD HYDRAULIC DIAGRAM | |
| | 1001108462 | Ref | Standard Hydraulic Diagram 400S | F |
| | 1001108463 | Ref | Standard Hydraulic Diagram 460SJ | D |
| 1 | 2220237 | 1 | Fitting, Plug | |
| 2 | 2221042 | 1 | Fitting, Elbow | |
| 3 | 2220371 | 6 | Fitting, Straight | |
| 4 | 2220372 | 1 | Fitting, Straight (460SJ Only) | |
| 5 | 2220373 | 4 | Fitting, Straight | |
| 6 | 4641282 | 3 | Valve, Restrictor (.020) | |
| 7 | 2220375 | 1 | Fitting, Straight | |
| 8 | 2220654 | 1 | Fitting, Elbow | |
| 9 | 2220377 | 2 | Fitting, Straight | |
| 10 | 2220379 | 1 | Fitting, Straight | |
| 11 | 2220380 | 2 | Fitting, Straight | |
| 12 | 2220949 | 1 | Fitting, Reducer | |
| 13 | 2220415 | 3 | Fitting, Straight | |
| 14 | 2220852 | 1 | Fitting, Straight | |
| 15 | 2220948 | 1 | Fitting, Tee | |
| 16 | 2220435 | 2 | Fitting, Straight | |
| 17 | 2220451 | 1 | Fitting, Straight | |
| 18 | 2220466 | 2 | Fitting, Elbow | |
| 19 | 2220468 | 1 | Fitting, Straight (460SJ Only) | |
| 20 | 2220472 | 1 | Fitting, Elbow (460SJ Only) | |
| 21 | 2220473 | 3 | Fitting, Elbow | |
| 22 | 2220603 | 4 | Fitting, Straight | |
| 24 | 2220738 | 1 | Fitting, Tee | |
| 25 | 2220500 | 1 | Fitting, Elbow | |
| 27 | 2220502 | 1 | Fitting, Elbow | |
| 29 | 2220582 | 1 | Fitting, Straight | |
| 30 | 2220596 | 1 | Fitting, Elbow | |
| 31 | 2752471 | 2 | Hose | |
| 32 | 4567139 | 1 | Tube | |
| 34 | 2220775 | 1 | Fitting, Elbow | |
| 35 | 2753369 | 1 | Hose | |
| 36 | 2753373 | 1 | Hose | |
| 37 | 2221086 | 6 | Fitting, Pressure Check | |
| 38 | 2220899 | 2 | Fitting, Tee | |
| 39 | 2753348 | 2 | Hose | |
| 40 | 2221044 | 1 | Fitting, Elbow | |
| 41 | 2753352 | 1 | Hose | |
| 42 | 2753353 | 1 | Hose | |
| 43 | 2753354 | 1 | Hose | |
| 44 | 2753357 | 1 | Hose | |
| 45 | 2753351 | 1 | Hose | |
| 46 | 2752433 | 1 | Hose | |
| 47 | 2752763 | 2 | Hose | |
| 48 | 2753350 | 1 | Hose | |

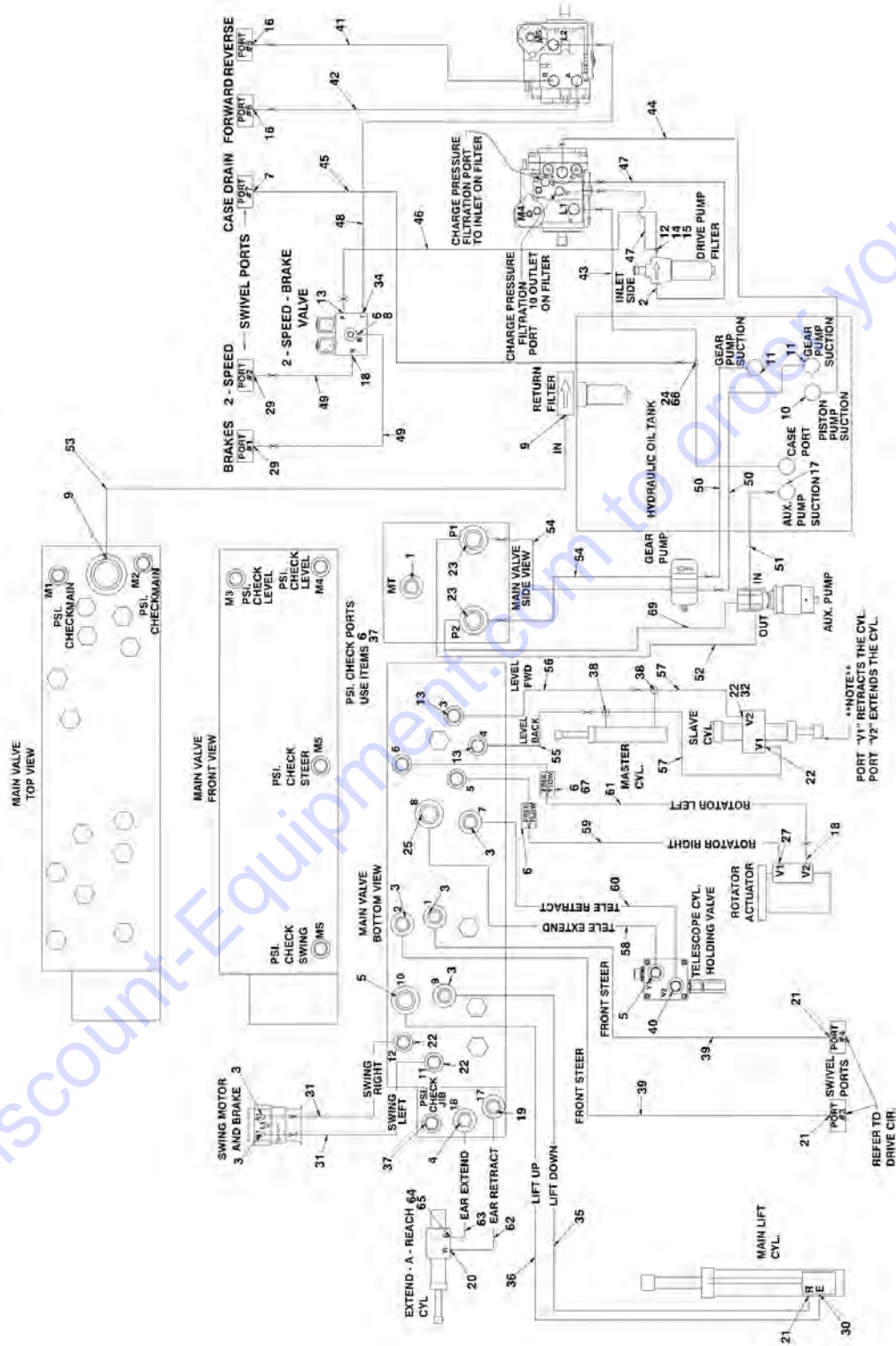
SECTION 6 - HYDRAULIC

| ITEM | PART NUMBER | QTY | DESCRIPTION | REV |
|------|-------------|-----|--------------------------------------|-----|
| 49 | 2752430 | 2 | Hose | |
| 50 | 2753358 | 2 | Hose | |
| 51 | 2753355 | 1 | Hose | |
| 52 | 2753349 | 2 | Hose | |
| 53 | 2753356 | 1 | Hose | |
| 54 | 2752519 | 2 | Hose | |
| 55 | 2753360 | 1 | Hose | |
| 56 | 2753359 | 1 | Hose | |
| 57 | 2753514 | 2 | Hose | |
| 58 | 2753372 | 1 | Hose | |
| 59 | | Ref | Hose Options: | |
| 59 | 2753517 | 1 | Hose 400S | |
| 59 | 2753512 | 1 | Hose 460SJ | |
| 60 | 2753368 | 1 | Hose | |
| 61 | | Ref | Hose Options: | |
| 61 | 2753516 | 1 | Hose 400S | |
| 61 | 2753513 | 1 | Hose 460SJ | |
| 62 | 2753511 | 1 | Hose (460SJ Only) | |
| 63 | 2753515 | 1 | Hose (460SJ Only) | |
| 64 | 2180724 | 1 | Fitting, Modified Elbow (460SJ Only) | |
| 65 | 2180422 | 1 | Fitting, Plug (460SJ Only) | |
| 66 | 2220622 | 1 | Fitting, Adapter | |
| 67 | 2220677 | 1 | Fitting, Elbow | |
| 68 | 2220468 | 1 | Fitting, Adapter (400S Only) | |

SECTION 6 - HYDRAULIC

FIGURE 6-14. STANDARD HYDRAULIC DIAGRAM

NOTE: FOR APPLICATION - SEE USAGE CHART ON PARTS LIST



SECTION 6 - HYDRAULIC

FIGURE 6-14. STANDARD HYDRAULIC DIAGRAM

| ITEM | PART NUMBER | QTY | DESCRIPTION | REV |
|------|-------------|-----|--|-----|
| | | Ref | USAGE CHART: | |
| | | Ref | Machines With Deutz TD2.9L4 Engines | |
| | | Ref | STANDARD HYDRAULIC DIAGRAM | |
| | 1001155126 | Ref | Standard Hydraulic Diagram 400S | A |
| | 1001155127 | Ref | Standard Hydraulic Diagram 460SJ | B |
| 1 | 2220237 | 1 | Fitting, Plug | |
| 2 | 2221042 | 1 | Fitting, Elbow | |
| 3 | 2220371 | 6 | Fitting, Straight | |
| 4 | 2220372 | 1 | Fitting, Straight (460SJ Only) | |
| 5 | 2220373 | 2 | Fitting, Straight | |
| 6 | 4641282 | 3 | Valve, Restrictor (.020) | |
| 7 | 2220375 | 1 | Fitting, Straight | |
| 8 | 2220654 | 1 | Fitting, Elbow | |
| 9 | 2220377 | 2 | Fitting, Straight | |
| 10 | 2220379 | 1 | Fitting, Straight | |
| 11 | 2220380 | 2 | Fitting, Straight | |
| 12 | 2220949 | 1 | Fitting, Reducer | |
| 13 | 2220415 | 3 | Fitting, Straight | |
| 14 | 2220852 | 1 | Fitting, Straight | |
| 15 | 2220948 | 1 | Fitting, Tee | |
| 16 | 2220435 | 2 | Fitting, Straight | |
| 17 | 2220451 | 1 | Fitting, Straight | |
| 18 | 2220466 | 2 | Fitting, Elbow | |
| 19 | 2220468 | 1 | Fitting, Straight (460SJ Only) | |
| 20 | 2220472 | 1 | Fitting, Elbow (460SJ Only) | |
| 21 | 2220473 | 3 | Fitting, Elbow | |
| 22 | 2220603 | 4 | Fitting, Straight | |
| 23 | 2220999 | 2 | Fitting, Tee | |
| 24 | 2220738 | 1 | Fitting, Tee | |
| 25 | 2220500 | 1 | Fitting, Elbow | |
| 27 | 2220502 | 1 | Fitting, Elbow | |
| 29 | 2220582 | 1 | Fitting, Straight | |
| 30 | 2220596 | 1 | Fitting, Elbow | |
| 31 | 2752471 | 2 | Hose | |
| 32 | 4567139 | 1 | Tube | |
| 34 | 2220775 | 1 | Fitting, Elbow | |
| 35 | 2753369 | 1 | Hose | |
| 36 | 2753373 | 1 | Hose | |
| 37 | 2221086 | 6 | Fitting, Pressure Check | |
| 38 | 2220899 | 2 | Fitting, Tee | |
| 39 | 2753348 | 2 | Hose | |
| 40 | 2221044 | 1 | Fitting, Elbow | |
| 41 | 2753352 | 1 | Hose | |
| 42 | 2753353 | 1 | Hose | |
| 43 | 2753354 | 1 | Hose | |
| 44 | 2753357 | 1 | Hose | |
| 45 | 2753351 | 1 | Hose | |
| 46 | 2752437 | 1 | Hose | |
| 47 | 2752763 | 2 | Hose | |
| 48 | 2753350 | 1 | Hose | |

SECTION 6 - HYDRAULIC

| ITEM | PART NUMBER | QTY | DESCRIPTION | REV |
|------|-------------|-----|--------------------------------------|-----|
| 49 | 2752430 | 2 | Hose | |
| 50 | 2753358 | 2 | Hose | |
| 51 | 1001155129 | 1 | Hose | |
| 52 | 1001155135 | 1 | Hose | |
| 53 | 2753356 | 1 | Hose | |
| 54 | 2752519 | 2 | Hose | |
| 55 | 2753360 | 1 | Hose | |
| 56 | 2753359 | 1 | Hose | |
| 57 | 2753514 | 2 | Hose | |
| 58 | 2753372 | 1 | Hose | |
| 59 | | Ref | Hose Options: | |
| 59 | 2753517 | 1 | Hose 400S | |
| 59 | 2753512 | 1 | Hose 460SJ | |
| 60 | 2753368 | 1 | Hose | |
| 61 | | Ref | Hose Options: | |
| 61 | 2753516 | 1 | Hose 400S | |
| 61 | 2753513 | 1 | Hose 460SJ | |
| 62 | 2753511 | 1 | Hose (460SJ Only) | |
| 63 | 2753515 | 1 | Hose (460SJ Only) | |
| 64 | 2180724 | 1 | Fitting, Modified Elbow (460SJ Only) | |
| 65 | 2180422 | 1 | Fitting, Plug (460SJ Only) | |
| 66 | 2220622 | 1 | Fitting, Adapter | |
| 67 | 2220677 | 1 | Fitting, Elbow | |
| 68 | 2220468 | 1 | Fitting, Adapter (400S Only) | |
| 69 | 1001155135 | 1 | Hose | |

SECTION 6 - HYDRAULIC

FIGURE 6-15. HYDRAULIC DIAGRAM LIST

| ITEM | PART NUMBER | QTY | DESCRIPTION | REV |
|------|-------------|-----|---|-----|
| | | Ref | Note: Information on diagrams not shown is available from Discount-equipment.com | |
| | | Ref | Axle Lockout Hydraulic Diagram | |
| | | Ref | Axle Lockout Hydraulic Diagram (SN 0300096000 through 0300115395) | |
| | 2792398 | Ref | ANSI Spec | |
| | 2792455 | Ref | CE Spec | |
| | | Ref | Axle Lockout Hydraulic Diagram (SN 0300115396 through 0300140364) | |
| | 1001091926 | Ref | 2WD - ANSI Spec | |
| | 1001091927 | Ref | 2WD - CE Spec | |
| | 1001091729 | Ref | 4WD - ANSI Spec | |
| | 1001091730 | Ref | 4WD - CE Spec | |
| | | Ref | Axle Lockout Hydraulic Diagram (SN 0300140365 through 0300203770) | |
| | 1001106966 | Ref | ANSI and CE Spec | |
| | 1001092140 | Ref | Axle Fixed Hydraulic Diagram | |
| | | Ref | Drive Hydraulic Diagrams: | |
| | | Ref | 2WD Machines | |
| | 2792385 | Ref | 2WD Machines (SN 0300096000 through 0300115395) | |
| | 1283084 | Ref | 2WD Machines (SN 0300096000 through 0300115395) | |
| | 1001092120 | Ref | 2WD Machines (SN 0300115396 through 0300140364) | |
| | 1001091687 | Ref | 2WD Machines (SN 0300115396 through 0300140364) | |
| | 1001108466 | Ref | 2WD Machines (SN 0300140365 through 0300203770) | |
| | | Ref | 4WD Machines without Arctic Package | |
| | 2792386 | Ref | 4WD Machines without Arctic Package (SN 0300096000 through 0300115395) | |
| | 1283084 | Ref | 4WD Machines without Arctic Package (SN 0300096000 through 0300115395) | |
| | 1001091986 | Ref | 4WD Machines without Arctic Package (SN 0300115396 through 0300140364) | |
| | 1001091687 | Ref | 4WD Machines without Arctic Package (SN 0300115396 through 0300140364) | |
| | 1001108464 | Ref | 4WD Machines without Arctic Package (SN 0300140365 through 0300203770) | |
| | | Ref | 4WD Machines with Arctic Package | |
| | 1001093930 | Ref | 4WD Machines with Arctic Package (SN 0300096000 through 0300115395) | |
| | 1001094684 | Ref | 4WD Machines with Arctic Package (SN 0300115396 through 0300140364) | |
| | 1001091687 | Ref | 4WD Machines with Arctic Package (SN 0300115396 through 0300140364) | |
| | 1001108465 | Ref | 4WD Machines with Arctic Package (SN 0300140365 through 0300203770) | |
| | | Ref | Standard Hydraulic Diagrams: | |
| | | Ref | Standard Hydraulic Diagrams 400S | |
| | | Ref | Caterpillar, Deutz D2011, GM and Perkins Engines | |
| | 2792704 | Ref | Caterpillar, Deutz D2011, GM and Perkins Engines (SN 0300096000 through 0300115395) | |
| | 1283084 | Ref | Caterpillar, Deutz D2011, GM and Perkins Engines (SN 0300096000 through 0300115395) | |
| | 1001093359 | Ref | Caterpillar, Deutz D2011, GM and Perkins Engines (SN | |

SECTION 6 - HYDRAULIC

| ITEM | PART NUMBER | QTY | DESCRIPTION | REV |
|------|-------------|-----|--|-----|
| | | | 0300115396 through 0300140364) | |
| | 1001091687 | Ref | Caterpillar, Deutz D2011, GM and Perkins Engines (SN 0300115396 through 0300140364)) | |
| | 1001108462 | Ref | Caterpillar, Deutz D2011, GM and Perkins Engines (SN 0300140365 through 0300203770)) | |
| | 1001155126 | Ref | Deutz TD2.9L4 Engines | |
| | | Ref | Deutz TD2.9L4 Engines 460SJ | |
| | | Ref | Caterpillar, Deutz D2011, GM and Perkins Engines | |
| | 2792705 | Ref | Caterpillar, Deutz D2011, GM and Perkins Engines (SN 0300096000 through 0300115395)) | |
| | 1283084 | Ref | Caterpillar, Deutz D2011, GM and Perkins Engines (SN 0300096000 through 0300115395)) | |
| | 1001093360 | Ref | Caterpillar, Deutz D2011, GM and Perkins Engines (SN 0300115396 through 0300140364)) | |
| | 1001091687 | Ref | Caterpillar, Deutz D2011, GM and Perkins Engines (SN 0300115396 through 0300140364)) | |
| | 1001108463 | Ref | Caterpillar, Deutz D2011, GM and Perkins Engines (SN 0300140365 through 0300203770)) | |
| | 1001155127 | Ref | Deutz TD2.9L4 Engines | |
| | | Ref | Standard Hydraulic Schematic | |
| | 2792387 | Ref | Standard Hydraulic Schematic (SN 0300096000 through 0300115395)) | |
| | 1001093691 | Ref | Standard Hydraulic Schematic (SN 0300115396 through 0300140364)) | |
| | 1001108461 | Ref | Standard Hydraulic Schematic (SN 0300140365 through 0300203770)) | |
| | 2792432 | Ref | SkyWelder Hydraulic Diagram (Optional) | |
| | | Ref | Tow Hydraulic Diagram | |
| | 2792598 | Ref | Tow Hydraulic Diagram (SN 0300096000 through 0300115395)) | |
| | 1283084 | Ref | Tow Hydraulic Diagram (SN 0300096000 through 0300115395)) | |
| | 1001093941 | Ref | Tow Hydraulic Diagram (SN 0300115396 through 0300140364)) | |
| | 1001091687 | Ref | Tow Hydraulic Diagram (SN 0300115396 through 0300140364)) | |
| | 1001108467 | Ref | Tow Hydraulic Diagram (SN 0300140365 through 0300203770)) | |

SECTION 7 - ELECTRICAL

Go to Discount-Equipment.com to order your parts

SECTION 7 - ELECTRICAL

FIGURE 7-1. ELECTRICAL DIAGRAM LIST

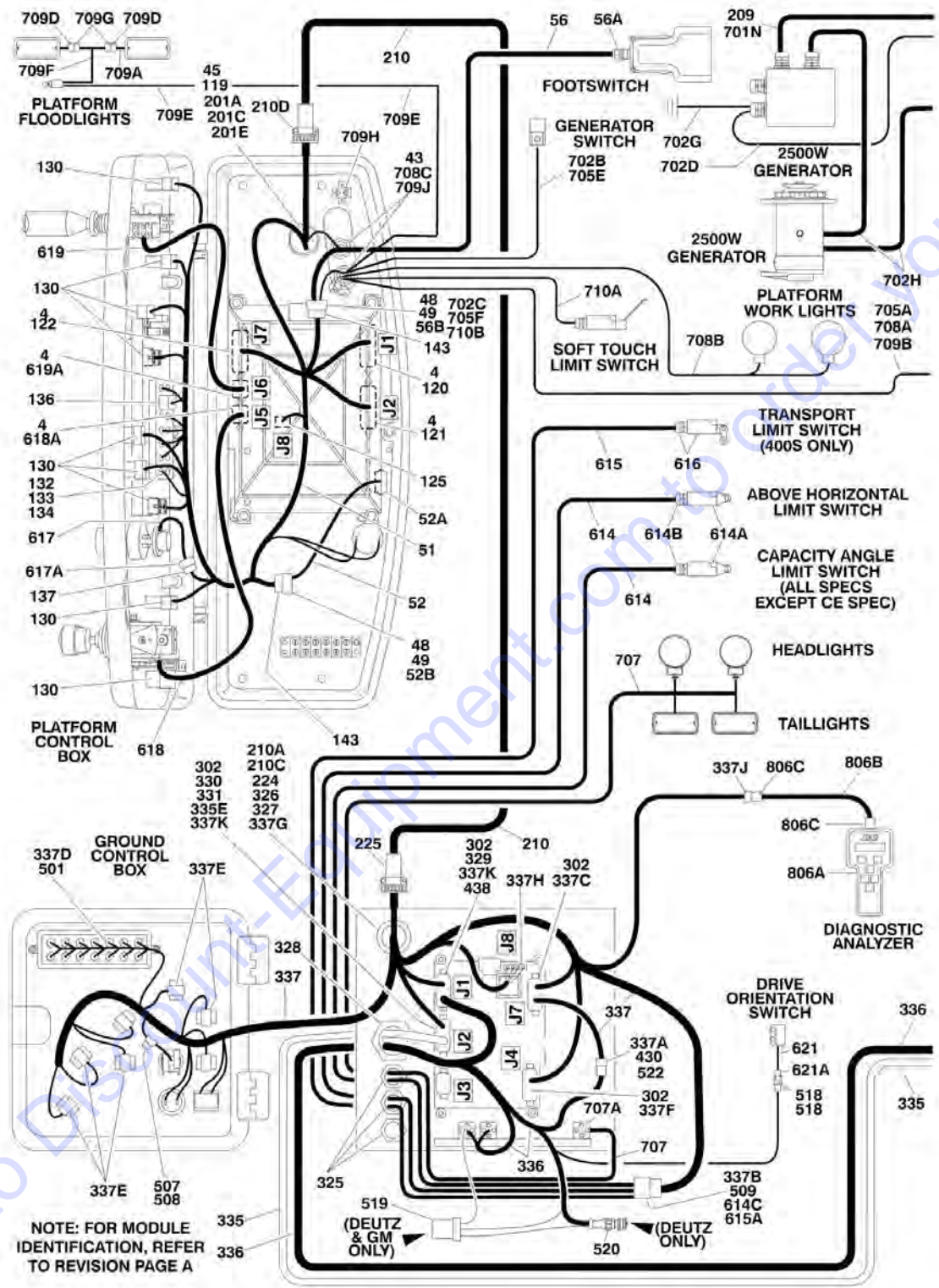
| ITEM | PART NUMBER | QTY | DESCRIPTION | REV |
|------|-------------|-----|---|-----|
| | | Ref | Note: Diagrams are available from Discount-equipment.com | |
| | | Ref | ALARM ELECTRICAL DIAGRAMS | |
| | 4933025 | Ref | Motion Alarm | |
| | 1282937 | Ref | Motion Alarm | |
| | 4933026 | Ref | Travel Alarm | |
| | 1282937 | Ref | Travel Alarm | |
| | 1283002 | Ref | COLD WEATHER KITS WIRING DIAGRAM | |
| | 2902393 | Ref | DRIVE/STEER CUTOFF WIRING DIAGRAM | |
| | 4933307 | Ref | DRIVE/STEER CUTOFF WIRING DIAGRAM | |
| | 0270649 | Ref | ETHER START WIRING DIAGRAM (DEUTZ ENGINE MACHINES) | |
| | | Ref | GENERATOR ELECTRICAL DIAGRAMS (2500W & 7500W GENERATORS) | |
| | | Ref | (Note: See JLG Supplement p/n 3124242 for SkyPower Miller 7500W Generator) | |
| | 4933300 | Ref | CATERPILLAR ENGINES (WITHOUT UGM) | |
| | 1001112588 | Ref | CATERPILLAR ENGINES (WITH UGM) | |
| | 4933300 | Ref | Deutz D2011 Engines (All Specs) (SN 0300096000 through 0300131126) | |
| | 4933300 | Ref | Deutz D2011 Engines (60Hz) (SN 0300131127 through 0300203770) | |
| | 1001100027 | Ref | Deutz D2011 Engines (50Hz) (SN 0300131127 through 0300203770) | |
| | 1001180050 | Ref | Deutz TD2.9L4 Engines (All Specs Except Japanese Spec) | |
| | 1001199437 | Ref | Deutz TD2.9L4 Engines (Japanese Spec) | |
| | 1001100027 | Ref | Perkins Engines (50Hz without UGM) | |
| | 1001112743 | Ref | Perkins Engines (50Hz with UGM) | |
| | 4933350 | Ref | GM Engines | |
| | | Ref | GENERATOR ELECTRICAL DIAGRAMS (4000W GENERATORS) | |
| | 1001159648 | Ref | Australian Spec | |
| | 1001153025 | Ref | CE Spec except UK Spec | |
| | 1001160271 | Ref | UK Spec Only | |
| | 4933217 | Ref | GLOW PLUG WIRING DIAGRAM (DEUTZ ENGINE MACHINES) | |
| | 4933219 | Ref | LIGHTS ELECTRICAL DIAGRAM | |
| | 3740049 | 1 | Relay | |
| | 4922665 | Ref | PLATFORM ELECTRICAL DIAGRAM | |
| | 4933313 | Ref | PLATFORM FLOODLIGHTS ELECTRICAL DIAGRAM | |
| | 0270814 | Ref | PLATFORM WORKLIGHTS ELECTRICAL DIAGRAM | |
| | 4933304 | Ref | SKYAIR ELECTRICAL DIAGRAM | |
| | | Ref | STANDARD ELECTRICAL DIAGRAMS | |
| | | Ref | Without UGM: | |
| | 4933353 | Ref | Caterpillar Engine Machines (SN 0300096000 through 0300099083) | |
| | 4933380 | Ref | Caterpillar/Perkins Engine Machines (SN 0300099084 through 0300203770) | |
| | 4933325 | Ref | Deutz Engine Machines (SN 0300096000 through 0300099083) | |
| | 4933379 | Ref | Deutz Engine Machines (SN 0300099084 through 0300203770) | |

SECTION 7 - ELECTRICAL

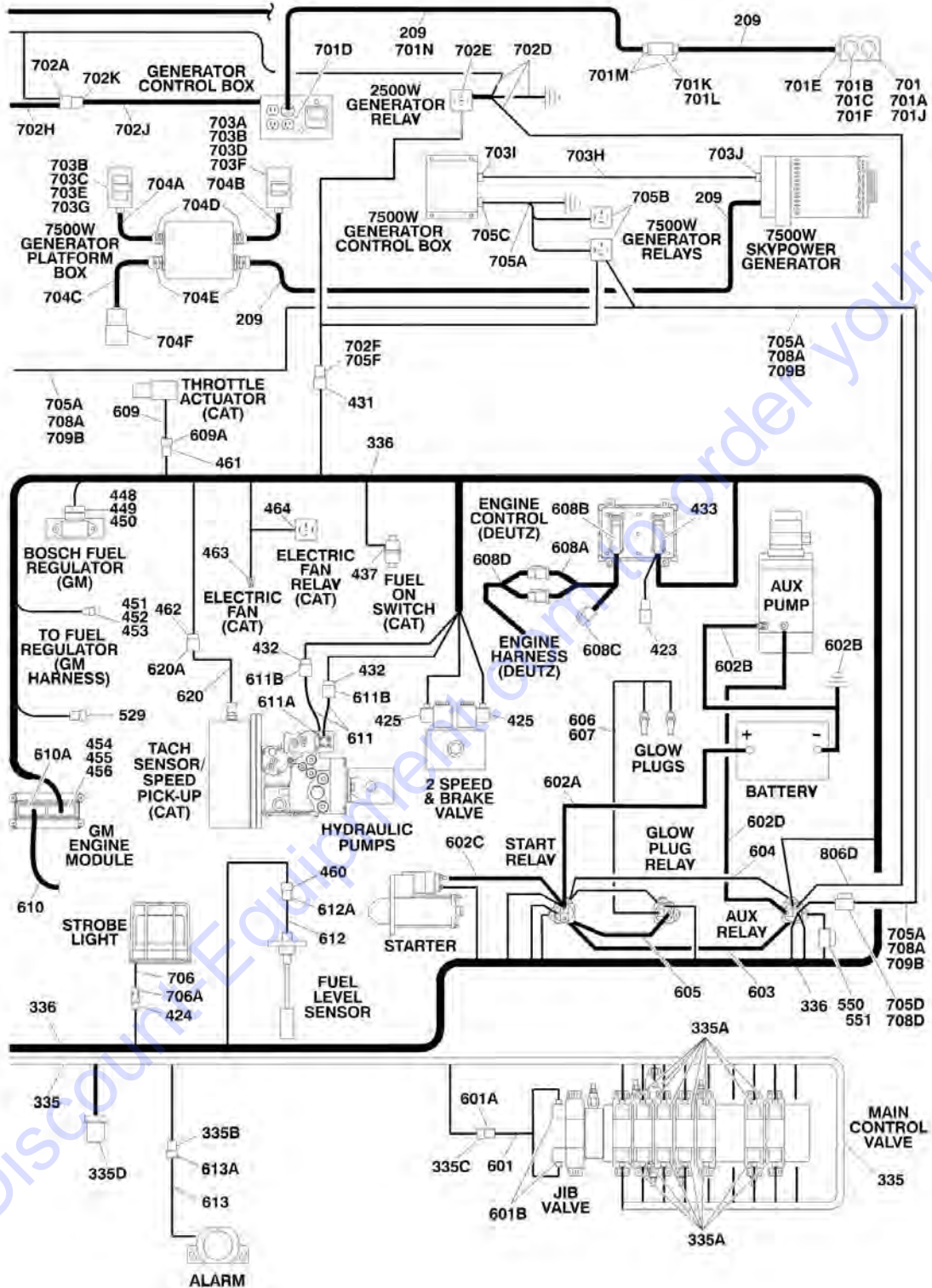
| ITEM | PART NUMBER | QTY | DESCRIPTION | REV |
|------|-------------|-----|--|-----|
| | 4933348 | Ref | GM Engine Machines (SN 0300096000 through 0300099083) | |
| | 4933378 | Ref | GM Engine Machines (SN 0300099084 through 0300203770) | |
| | | Ref | With UGM: | |
| | 1001102901 | Ref | Caterpillar/Perkins Engine Machines | |
| | | Ref | Deutz Engine Machines | |
| | 1001109121 | Ref | Deutz Engine Machines (SN 0300069000 through 0300176737) | |
| | 1001150927 | Ref | Deutz Engine Machines (SN 0300176738 through 0300203770) | |
| | | Ref | GM Engine Machines | |
| | 1001109200 | Ref | GM Engine Machines (SN 0300069000 through 0300176737) | |
| | 1001151230 | Ref | GM Engine Machines (SN 0300176738 through 0300203770) | |
| | | Ref | STANDARD ELECTRICAL SCHEMATICS | |
| | | Ref | Without UGM: | |
| | 1870132 | Ref | Caterpillar Engine Machines (SN 0300096000 through 0300099083) | |
| | 1870191 | Ref | Deutz and GM Engine Machines (SN 0300096000 through 0300099083) | |
| | 1870215 | Ref | GM Engine Machines (SN 0300099084 through 0300203770) | |
| | 1870215 | Ref | Caterpillar, Deutz and Perkins Engine Machines (SN 0300099084 through 0300203770) | |
| | | Ref | With UGM: | |
| | 1001108879 | Ref | Caterpillar and Perkins Engine Machines | |
| | | Ref | Deutz and GM Engine Machines | |
| | 1001108879 | Ref | Deutz and GM Engine Machines (SN 0300069000 through 0300177682) | |
| | 1001141989 | Ref | Deutz and GM Engine Machines (SN 0300177683 through 0300203770) | |
| | 1001131992 | Ref | GM Engine Schematic (Engine Schematic Only. P/N 1001110345 is schematic for complete machine) | |
| | 4933237 | Ref | SOFT TOUCH ELECTRICAL DIAGRAM | |
| | 4933240 | Ref | SKYWELDER ELECTRICAL DIAGRAM (OPTIONAL) | |

SECTION 7 - ELECTRICAL

FIGURE 7-2. HARNESS COMPONENTS INSTALLATION (MACHINES WITHOUT UGM)



SECTION 7 - ELECTRICAL



SECTION 7 - ELECTRICAL

FIGURE 7-2. HARNESS COMPONENTS INSTALLATION (MACHINES WITHOUT UGM)

| ITEM | PART NUMBER | QTY | DESCRIPTION | REV |
|------|-------------|-----------|--|-----|
| | | Ref | NOTE: FOR MODULE IDENTIFICATION, REFER TO REVISION LOG PAGE A. | |
| | | Ref | PLATFORM CONSOLE BOX COMPONENTS | |
| 4 | 0100048 | AR | Grease, Dielectric | |
| 43 | 4460428 | 2 | Connector, Strain Relief | |
| 45 | 4460470 | 1 | Nut, Terminal | |
| 46 | 4460471 | 1 | Locknut, Terminal | |
| 48 | 4460708 | 2 | Connector - 15 Position | |
| 49 | 4460905 | 5 | Seal, Plug | |
| 51 | | Ref | Harness, Platform Box Options (See Items 101-143 for Breakdown): | |
| 51 | 4922665 | 1 | Harness, Platform Box (SN 0300096000 through 0300137200) | |
| 51 | 1001107440 | 1 | Harness, Platform Box (SN 0300137201 through 0300203770) | |
| 52 | 4922666 | 1 | Harness, Analyzer Cable | 2-B |
| 52A | 4460761 | 1 | Connector - 4 Position | |
| 52A | 4460227 | 4 | Pin, Male | |
| 52B | 4460226 | 4 | Socket, Female | |
| 56 | 0272970 | 1 | Footswitch Harness (Includes Footswitch) | A |
| 56 | 1060918 | 7 ft/2.1m | Cable, Electrical - 18/3 | |
| 56A | 4460071 | 1 | Connector, Strain Relief | |
| 56B | 4460226 | 2 | Socket, Female | |
| 56B | 4460464 | 1 | Pin, Male | |
| | | Ref | PLATFORM BOX HARNESS ASSEMBLY | |
| | 4922665 | Ref | Platform Box Harness Assembly (SN 0300096000 through 0300137200) | 4-D |
| | 1001107440 | Ref | Platform Box Harness Assembly (SN 03000137201 through 0300203770) | C |
| 119 | 4460866 | 1 | Connector - 19 Position | |
| 119 | 4460464 | 7 | Pin, Male Deutsch 16 Ga | |
| 119 | 4460508 | 3 | Pin, Male Deutsch 12 Ga | |
| 120 | 4460874 | 1 | Connector - 35 Position (Natural) | |
| 120 | 4460871 | 22 | Socket, Female | |
| 121 | 4460875 | 1 | Connector - 35 Position (Gray) | |
| 121 | 4460871 | 21 | Socket, Female | |
| 122 | 4460873 | 1 | Connector - 35 Position (Black) | |
| 122 | 4460871 | 18 | Socket, Female | |
| 125 | 4460879 | 1 | Connector 2 Position | |
| 125 | 4460887 | 2 | Terminal (12 Gauge) | |
| 130 | 4460418 | 6 | Connector - 6 Position | |
| 130 | 4460419 | 18 | Socket, Female | |
| 132 | 4120035 | 10 | Base, Light | |
| 133 | 4460634 | 10 | Terminal (16 Gauge) (Use p/n 4460226) | |
| 134 | 4460635 | 10 | Terminal (12 Gauge) | |
| 136 | 4460225 | 2 | Connector - 6 Position | |
| 136 | 4460268 | 5 | Socket, Female | |
| 137 | 4460225 | 2 | Connector - 6 Position | |
| 137 | 4460227 | 5 | Pin, Male | |
| 143 | 4460434 | 2 | Connector - 15 Position | |
| 143 | 4460227 | 18 | Pin | |
| | | Ref | BOOM CABLES INSTALLATION | |

SECTION 7 - ELECTRICAL

| ITEM | PART NUMBER | QTY | DESCRIPTION | REV |
|------|-------------|----------|---|-----|
| | 0271160 | Ref | Boom Cables Installation 400S (ANSI and ANSI Export Specs) | 9 |
| | 1001093916 | Ref | Boom Cables Installation 400S with Arctic Package (ANSI and ANSI Export Specs) | B |
| | 0271162 | Ref | Boom Cables Installation 400S (Australian and CE Specs) | 9 |
| | 0272612 | Ref | Boom Cables Installation 400S with 7500w SkyPower Generator | 5 |
| | 1001093922 | Ref | Boom Cables Installation 400S with 7500w SkyPower Generator and Arctic Package | C |
| | 0271159 | Ref | Boom Cables Installation 460SJ (ANSI and ANSI Export Specs) | 9 |
| | 1001093919 | Ref | Boom Cables Installation 460SJ with Arctic Package (ANSI and ANSI Export Specs) | A |
| | 0271161 | Ref | Boom Cables Installation 460SJ (Australian and CE Specs) | 9 |
| | 0272613 | Ref | Boom Cables Installation 460SJ with 7500w SkyPower Generator | 5 |
| | 1001093924 | Ref | Boom Cables Installation 460SJ with 7500w SkyPower Generator and Arctic Package | B |
| 209 | | Ref | Cable, Electrical Options: | |
| 209 | 1060985 | 1 | Cable, Electrical - 12/3 (400S without Arctic Package ANSI and ANSI Export Specs) (57ft/17.4m) | |
| 209 | 1001093917 | 1 | Cable, Electrical - 12/3 (400S with Arctic Package ANSI and ANSI Export Specs) (57ft/17.4m) | |
| 209 | 1060986 | 1 | Cable, Electrical - 12/3 (400S Australian and CE Specs) (57ft/17.4m) | |
| 209 | 4922802 | 1 | Cable, Electrical - 8/5 (400S with 7500W SkyPower Generator) (62ft/18.9m) | |
| | 1001093923 | 1 | Cable, Electrical - 8/5 (400S with Arctic Package and 7500w SkyPower Generator) (62ft/18.9m) | |
| 209 | 1060983 | 1 | Cable, Electrical - 12/3 (460SJ without Arctic Package ANSI and ANSI Export Specs) (63ft/19.2m) | |
| 209 | 1001093920 | 1 | Cable, Electrical - 12/3 (460SJ with Arctic Package ANSI and ANSI Export Specs) (63ft/19.2m) | |
| 209 | 1060984 | 1 | Cable, Electrical - 12/3 (460SJ Australian and CE Specs) (63ft/19.2m) | |
| 209 | 4922803 | 1 | Cable, Electrical - 8/5 (460SJ) (With 7500w SkyPower Generator) (68ft/20.7m) | |
| 209 | 1001093925 | 1 | Cable, Electrical - 8/5 (460SJ with Arctic Package and 7500w SkyPower Generator) (68ft/20.7m) | |
| 210 | | Ref | Harness Assembly (12/4 - 18/8) | |
| 210 | 4922548 | 1 | Harness Assembly 400S without Arctic Package | 3-C |
| 210 | 1001093918 | 1 | Harness Assembly 400S with Arctic Package | A |
| 210 | 4922547 | 1 | Harness Assembly 460SJ without Arctic Package | 3-C |
| 210 | 1001093921 | 1 | Harness Assembly 460SJ with Arctic Package | A |
| 210 | | Ref | Cable, Electrical - 12/4 & 18/8 Options: | |
| 210 | 1060896 | 54 | Cable, Electrical 400S without Arctic Package | |
| | | ft/16.5m | | |
| 210 | 4923462 | 54 | Cable, Electrical 400S with Arctic Package | |
| | | ft/16.5m | | |
| 210 | 1060896 | 60 | Cable, Electrical 460SJ without Arctic Package | |
| | | ft/18.3m | | |
| 210 | 4923462 | 60 | Cable, Electrical 460SJ with Arctic Package | |
| | | ft/18.3m | | |
| 210A | 4460465 | 22 | Socket, Female 18 Gauge | |
| 210B | 4460865 | 1 | Connector Deutsch - 19 Position | |
| 210C | 4460509 | 8 | Socket, Female 12 Gauge | |
| 210D | 4460473 | 1 | Clamp, Cable | |

SECTION 7 - ELECTRICAL

| ITEM | PART NUMBER | QTY | DESCRIPTION | REV |
|------|-------------|-----|--|-----|
| 210E | 4460466 | 4 | Seal, Plug | |
| 224 | 4460865 | 1 | Connector Deutsch - 19 Position | |
| 225 | 4460473 | 1 | Clamp, Cable | |
| | | Ref | GROUND CONTROL BOX COMPONENTS | |
| 302 | 0100048 | AR | Grease, Dielectric | |
| 325 | 4460428 | 3 | Connector, Strain Relief | |
| 326 | 4460470 | 1 | Nut, Terminal | |
| 327 | 4460471 | 1 | Locknut, Terminal | |
| 328 | 4460526 | 1 | Connector, Strain Relief | |
| 329 | 4460874 | 1 | Connector (Natural) | |
| 330 | 4460875 | 1 | Connector (Gray) | |
| 331 | 4460905 | 4 | Seal, Plug | |
| 335 | 4922538 | 1 | Valve Harness Assembly | 4-D |
| 335A | 4460880 | 14 | DIN Connector | |
| 335B | 4460320 | 1 | Connector, Female - 2 Position | |
| 335B | 4460267 | 2 | Pin, Male | |
| 335C | 4460445 | 1 | Connector - 3 Position | |
| 335C | 4460268 | 3 | Pin, Female | |
| 335D | 4460836 | 2 | Connector, Deutsch - 12 Position | |
| 335D | 4460837 | 2 | Housing, Terminal Connector | |
| 335D | 4460465 | 22 | Socket, Female | |
| 335E | 4460871 | 21 | Socket, Female | |
| 336 | | Ref | Engine Harness Assembly (See Items 401-464 for Breakdown) | |
| 336 | 4923356 | 1 | Caterpillar Engine Machines (SN 0300096000 through 0300099083) | |
| 336 | 4923580 | 1 | Caterpillar and Perkins Engine Machines (SN 0300099084 through 0300119201) | |
| 336 | 1001098839 | 1 | Caterpillar and Perkins Engine Machines | |
| 336 | 4923260 | 1 | Deutz Engine Machines | |
| 336 | 4923419 | 1 | GM Engine Machines | |
| 337 | | Ref | Ground Control Box Harness Assembly | |
| 337 | 4923456 | 1 | Caterpillar Engine Machines (SN 0300096000 through 0300099083) | C |
| 337 | 4923261 | 1 | Deutz and GM Engine Machines (SN 0300096000 through 0300099083) | D |
| 337 | 4923583 | 1 | Caterpillar, Deutz, GM and Perkins Engine Machines (SN 0300099084 through 0300203770) | B |
| 337 | 3990010 | 2 | Diode 6 Amp | |
| 337A | 4460536 | 1 | Connector - 3 Position (All Deutz, GM and Perkins Engines Caterpillar Engine) (SN 0300099084 through 0300203770) | |
| 337A | 4460943 | 3 | Socket, Female (All Deutz, GM and Perkins Engines Caterpillar Engine) (SN 0300099084 through 0300203770) | |
| 337B | 4460434 | 1 | Connector - 15 Position | |
| 337B | 4460227 | 14 | Pin | |
| 337C | 4460873 | 1 | Connector - 35 Position (Black) | |
| 337C | 4460871 | AR | Socket, Female | |
| 337C | 4460905 | 1 | Seal, Plug | |
| 337D | 4120035 | AR | Base, Light | |
| 337D | 4460634 | AR | Terminal (16 Gauge) | |
| 337D | 4460635 | AR | Terminal (12 Gauge) | |
| 337E | 4460418 | 7 | Connector - 6 Position | |
| 337E | 4460419 | 21 | Socket, Female | |
| 337F | 4460876 | 1 | Connector - 35 Position (Blue) | |

SECTION 7 - ELECTRICAL

| ITEM | PART NUMBER | QTY | DESCRIPTION | REV |
|------|-------------|-----|---|-----|
| 337F | 4460871 | 22 | Socket, Female | |
| 337F | 4460905 | 1 | Seal, Plug | |
| 337G | 4460866 | 1 | Connector - 19 Pin | |
| 337G | 4460464 | 7 | Pin, Male Deutsch 16 Ga | |
| 337G | 4460508 | 3 | Pin, Male (12 Gauge) | |
| 337H | 4460878 | 1 | Housing, Terminal - 4 Position | |
| 337H | 4460887 | 3 | Terminal (12 Gauge) | |
| 337J | 4460761 | 1 | Connector - 4 Position | |
| 337J | 4460227 | 4 | Pin, Male | |
| 337K | 4460871 | 11 | Socket, Female | |
| 339 | | Ref | Ground Control Box Wiring Diagram (Not Shown - See Items 501-522 for Breakdown) | |
| 339 | 4933353 | Ref | Caterpillar Engine Machines (SN 0300096000 through 0300099083) | |
| 339 | 4933380 | Ref | Caterpillar and Perkins Engine Machines (SN 0300099084 through 0300141405) | |
| 339 | 4933325 | Ref | Deutz Engine Machines (SN 0300096000 through 0300099083) | |
| 339 | 4933379 | Ref | Deutz Engine Machines (SN 0300099084 through 0300203770) | |
| 339 | 4933348 | Ref | GM Engine Machines (SN 0300096000 through 0300099083) | |
| 339 | 4933378 | Ref | GM Engine Machines (SN 0300099084 through 0300203770) | |
| | | Ref | ENGINE HARNESS ASSEMBLY | |
| | 4923356 | Ref | Caterpillar Engine (SN 0300096000 through 0300099083) | 2-B |
| | 4923580 | Ref | Caterpillar and Perkins Engine (SN 0300099084 through 0300119201) | B |
| | 1001098839 | Ref | Caterpillar and Perkins Engine | B |
| | 4923260 | Ref | Deutz Engine | E |
| | 4923419 | Ref | GM Engine | E |
| 423 | 4461070 | 1 | Connector - 3 Position with Resistor (Deutz Engine Only) | |
| 423 | 4460944 | 3 | Socket, Female (Deutz Engine Only) | |
| 423 | 4461095 | 1 | Connector - 3 Position (Deutz Engine Only) | |
| 424 | 4460424 | 1 | Connector - 2 Position | |
| 424 | 4460268 | 2 | Socket, Female | |
| 425 | 4460880 | 2 | DIN Connector without Diode | |
| 430 | 4460539 | 1 | Connector 3 Position (Deutz and GM Engines Only) | |
| 430 | 4460944 | 3 | Socket, Female (Gold) | |
| 431 | 4461157 | 1 | Connector - 2 Position (GM Engines Only) | |
| 431 | 4460979 | 2 | Pin, Male | |
| 431 | 4460458 | 2 | Seal | |
| 432 | 4460742 | AR | Connector - 2 Position | |
| 432 | 4460457 | AR | Terminal, Female | |
| 432 | 4460458 | AR | Seal, Terminal | |
| 433 | 4461052 | 1 | Connector - 25 Position (Deutz Engine Only) | |
| 433 | 4461053 | 1 | Cover, Receptacle (Deutz Engine Only) | |
| 433 | 4461005 | 5 | Terminal (Deutz Engine Only) | |
| 433 | 4461006 | 5 | Seal (Used with p/n 4461005) (Deutz Engine Only) | |
| 433 | 4461060 | 2 | Terminal (Deutz Engine Only) | |
| 433 | 4461054 | 2 | Seal (Used with p/n 4461060) (Deutz Engine Only) | |
| 433 | 4461008 | 18 | Plug, Hole (Deutz Engine Only) | |
| 437 | | Ref | Housing - 2 Position Options: (Caterpillar Engines Only) | |
| 437 | | Ref | Housing - 2 Position (SN 0300096000 through 0300119200) | |
| 437 | 4460890 | 1 | Housing - 2 Position (Caterpillar Engines Only) | |
| 437 | 4460889 | 2 | Terminal (All Caterpillar Engines Only) | |

SECTION 7 - ELECTRICAL

| ITEM | PART NUMBER | QTY | DESCRIPTION | REV |
|------|-------------|-----|---|-----|
| 437 | | Ref | Housing - 2 Position (SN 0300119201 through 0300203770) | |
| 437 | 1001098923 | 1 | Housing - 2 Position (Caterpillar Engines Only) | |
| 437 | 4460465 | 2 | Socket, Female (All Caterpillar Engines Only) | |
| 438 | 4460871 | AR | Socket, Female | |
| 438 | 3990001 | 1 | Diode 6 Amp (Caterpillar Engine Only) | |
| 438 | 3730125 | 1 | Resistor 120 Ohm 4 Watt (Caterpillar and Perkins Engine Only) | |
| 448 | 4461121 | 1 | Connector - 4 Position (GM Engine Only) | |
| 449 | 4461122 | 4 | Terminal, Female (GM Engine Only) | |
| 450 | 4461123 | 4 | Seal (GM Engine Only) | |
| 451 | 4461124 | 1 | Connector - 4 Position (GM Engine Only) | |
| 452 | 4460693 | 4 | Terminal, Male (GM Engine Only) | |
| 452 | 4461161 | 1 | Lock, Terminal (GM Engine Only) | |
| 453 | 4460608 | 4 | Seal (GM Engine Only) | |
| 454 | 4461109 | 1 | Connector, Plug - 16 Position (GM Engine Only) | |
| 455 | 4461111 | 7 | Pin, Male (GM Engine Only) | |
| 456 | 4461113 | 7 | Seal (GM Engine Only) | |
| 456 | 4461222 | 9 | Plug (GM Engine Only) | |
| 460 | 4460834 | 1 | Connector - 2 Position | |
| 460 | 4460842 | 2 | Terminal, Female | |
| 461 | 4460891 | 1 | Connector - 2 Position (Caterpillar and Perkins Engine Only) | |
| 461 | 4460465 | 2 | Socket, Female (Caterpillar and Perkins Engine Only) | |
| 462 | 4460539 | 1 | Connector 3 Position (Caterpillar and Perkins Engine Only) | |
| 462 | 4460465 | 3 | Socket, Female (Caterpillar and Perkins Engine Only) | |
| 463 | 4460993 | 2 | Terminal, Spade (Caterpillar and Perkins Engine Only) | |
| 463 | 4460994 | 1 | Connector - 2 Position (Caterpillar and Perkins Engine Only) | |
| 464 | 4460374 | 1 | Plug, Relay (Caterpillar and Perkins Engine Only) | |
| 464 | 4460375 | 4 | Terminal (Caterpillar and Perkins Engine Only) | |
| | | Ref | GROUND CONTROL BOX WIRING DIAGRAM | |
| | 4933353 | Ref | Caterpillar Engine Machines (SN 0300096000 through 0300099083) | 2-B |
| | 4933380 | Ref | Caterpillar and Perkins Engine Machines (SN 0300099084 through 0300203770) | C |
| | 4933325 | Ref | Deutz Engine Machines (SN 0300096000 through 0300099083) | E |
| | 4933379 | Ref | Deutz Engine Machines (SN 0300099084 through 0300203770) | D |
| | 4933348 | Ref | GM Engine Machines (SN 0300096000 through 0300099083) | C |
| | 4933378 | Ref | GM Engine Machines (SN 0300099084 through 0300203770) | D |
| 501 | 2920129 | AR | Bulb, Light | |
| 507 | 2400065 | 1 | Fuse, 30Amp | |
| 508 | 2400066 | 1 | Fuse, Holder | |
| 509 | 4460708 | 1 | Connector - 15 Position | |
| 509 | 4460226 | AR | Socket, Female | |
| 509 | 4922637 | 1 | Harness, Jumper (Not Shown) | |
| 509 | 4922636 | 1 | Harness, Jumper (Not Shown) | |
| 515 | 4460424 | 1 | Connector - 2 Position (SN 0300137201 through 0300203770) | |
| 516 | 4460226 | AR | Socket, Female (SN 0300137201 through 0300203770) | |
| 519 | 4460894 | 1 | Connector - 6 Position (Deutz and GM Only) | |
| 519 | 4460892 | 1 | Connector, Bussbar - 6 Position (Deutz and GM Only) | |
| 520 | 2902443 | 1 | Receptacle Kit (Deutz Only) | |
| 520 | 4461072 | | Connector - 12 Position (Deutz Only) | |
| 520 | 4461074 | 1 | Shell, Receptacle (Deutz Only) | |
| 520 | 4461071 | 4 | Socket, Female (Gold) (Deutz Only) | |
| 520 | 4461073 | 1 | Cap, Dust (Deutz Only) | |

SECTION 7 - ELECTRICAL

| ITEM | PART NUMBER | QTY | DESCRIPTION | REV |
|------|-------------|-----|---|-----|
| 521 | 4923591 | 1 | Harness, Jumper (Not Shown - Located on Module J7-6 to J7-17 Caterpillar and Perkins Only) (SN 0300099084 through 0300203770) | |
| 522 | 4460539 | 1 | Connector 3 Position (Caterpillar and Perkins Engines Only) (SN 0300099084 through 0300203770) | |
| | | Ref | STANDARD HARNESS COMPONENTS | |
| 601 | 4921927 | 1 | Jib Valve Harness (460SJ Only) | |
| 601A | 4460326 | 1 | Connector - 3 Position | |
| 601A | 4460267 | 3 | Pin, Male | |
| 601B | 4460499 | 2 | Connector, DIN with Diode | |
| 602 | | Ref | Battery Cable Kit Options: | |
| 602 | 2901880 | 1 | Caterpillar, Deutz and Perkins Engines Machines | D |
| 602 | 2902511 | 1 | GM Engine Machines | C |
| 602A | | Ref | Cable, Battery (Red) Options: | |
| 602A | 7016843 | 1 | Caterpillar, Deutz and Perkins Engines Machines (Battery + to Start Relay) | |
| 602A | 7027012 | 1 | GM Engine Machines (Battery + to Auxiliary Relay) | |
| 602B | | Ref | Cable, Battery (Battery - and Auxiliary Pump to Ground) (Black) Options: | |
| 602B | 7016835 | 1 | Caterpillar, Deutz and Perkins Engines Machines | |
| 602B | 7027013 | 1 | GM Engine Machines | |
| 602C | | Ref | Cable, Battery (Red) Options: | |
| 602C | 7016834 | 1 | Caterpillar, Deutz and Perkins Engines Machines (Starter Relay to Starter) | |
| 602C | 7016808 | 1 | GM Engine Machines (Auxiliary Relay to Starter) | |
| 602D | | Ref | Cable, Battery (Auxiliary Relay to Auxiliary Pump) (Red) Options: | |
| 602D | 7016820 | 1 | Caterpillar, Deutz and Perkins Engines Machines | |
| 602D | 7027020 | 1 | GM Engines Machines | |
| 603 | 1060904 | 1 | Cable, Battery (Caterpillar and Perkins Engine Machines Only) | |
| 604 | 14922737 | 1 | Harness, Relay Ground (Caterpillar and Perkins Engine Machines Only) | |
| 605 | 1060904 | 1 | Cable, Jumper (Deutz Engine Machines Only) | |
| 606 | 4923451 | 1 | Harness, Glow Plug (Deutz Engine Machines Only) | |
| 607 | 70000345 | 1 | Harness, Glow Plug (Deutz Engine Machines Only) | |
| 608 | | Ref | Deutz Engine Harness Components (Deutz Engine Machines Only) | |
| 608A | 7027796 | 1 | Deutz Engine Harness | |
| 608B | See Note | 1 | Connector - 25 Position (Deutz Engine Only) (Note: Not Available for Purchase) | |
| 608C | 7027793 | 1 | Plug-In, Connector | |
| 608D | 70001872 | 1 | Deutz Engine Harness (For other replacement parts refer to Deutz engine dealer) (was p/n 7027794) | |
| 609 | 1001099927 | 1 | Throttle Actuator Harness (Includes Actuator) (Caterpillar and Perkins Engines Only) | |
| 609A | 4460897 | 1 | Connector -2 Position (Caterpillar and Perkins Engines Only) | |
| 609A | 4460464 | 2 | Pin, Male (Caterpillar and Perkins Engines Only) | |
| 609A | 2820018 | AR | Heat Shrink | |
| 610 | 7027991 | 1 | GM Engine Harness (GM Engine Only) | |
| 610A | 4461110 | 1 | Connector - 16 Position (GM Engine Only) | |
| 610A | 4461112 | 1 | Socket, Female (GM Engine Only) | |
| 610A | 4461113 | 16 | Seal, Terminal (GM Engine Only) | |
| 611 | See Note | 2 | Pump Harness (Note: Not Available for Purchase) | |
| 611A | 7007497 | 2 | Plug (Pump) | |

SECTION 7 - ELECTRICAL

| ITEM | PART NUMBER | QTY | DESCRIPTION | REV |
|------|--------------|-----|---|-----|
| 611B | 7007498 | 2 | Plug (Valve Harness) | |
| 612 | See Note | 1 | Fuel Sender Harness (Note: Not Available for Purchase) | |
| 612 | See Note | 1 | Connector - 2 Position (Note: Not Available for Purchase) | |
| 612 | See Note | 2 | Terminal, Male (Note: Not Available for Purchase) | |
| 613 | 0257887 | 1 | Alarm Harness (Includes Alarm) | |
| 613A | 4460424 | 1 | Connector - 2 Position | |
| 613A | 4460268 | 2 | Socket, Female | |
| 614 | | Ref | Capacity/Elevation Cut-out Switch Harness Options (Includes Electrical Cable and Items 614A-614C): | |
| 614 | 4922714 | 2 | Capacity/Elevation Cut-out Switch Harness 400S (Includes Items 8.5ft/2.6m of p/n 1060902 18/2 Electrical Cable) (All Specs Except CE Spec) | B |
| 614 | 1001093914 | 2 | Capacity/Elevation Cut-out Switch Harness 400S with Arctic Package (Includes Items 8.5ft/2.6m of p/n 4923466 18/2 Polar Electrical Cable) (All Specs Except CE Spec) | A |
| 614 | 4922714 | 1 | Capacity/Elevation Cut-out Switch Harness 400S (Includes Items 8.5ft/2.6m of p/n 1060902 18/2 Electrical Cable) (CE Spec Only) | B |
| 614 | 4922714 | 1 | Capacity/Elevation Cut-out Switch Harness 460SJ (Includes Items 8.5ft/2.6m of p/n 1060902 18/2 Electrical Cable) (All Specs Except CE Spec) | B |
| 614 | 1001093914 | 1 | Capacity/Elevation Cut-out Switch Harness 460SJ with Arctic Package (Includes Items 8.5ft/2.6m of p/n 4923466 18/2 Polar Electrical Cable) (All Specs Except CE Spec) | A |
| 614 | 4922714 | 1 | Capacity/Elevation Cut-out Switch Harness 460SJ (Includes Items 8.5ft/2.6m of p/n 1060902 18/2 Electrical Cable) (CE Spec Only) | B |
| 614A | 4360548 | 1 | Switch, Limit | |
| 614B | 4460968 | 1 | Connector, Strain Relief | |
| 614C | 4460226 | 2 | Socket, Female | |
| 615 | 4922769 | 1 | Transport Limit Switch Harness - 18/2 (Note: Does NOT include Limit Switch - Purchase Item 616 Separately) | |
| 615 | 4922769 | 1 | Transport Limit Switch Harness 400S (Includes Items 26.5ft/8.1m of p/n 1060680 18/2 Electrical Cable and 2 Sockets) | B |
| 615 | 1001093915 | 1 | Transport Limit Switch Harness 400S with Arctic Package (Includes Items 26.5ft/8.1m of p/n 4923466 18/2 Polar Electrical Cable and 2 Sockets) | A |
| 615 | Not Required | 0 | Transport Limit Switch Harness 400S with Arctic Package (Includes Items 26.5ft/8.1m of p/n 4923466 18/2 Polar Electrical Cable and 2 Sockets) 460SJ | |
| 615A | 4460226 | 2 | Socket, Female | |
| 616 | | Ref | Switch, Limit Options: | |
| 616 | 4360549 | 1 | Switch, Limit 400S (All Specs Except CE Spec) | |
| 616 | 4360578 | 1 | Switch, Limit 400S (CE Specs) | |
| 616 | Not Required | 0 | Switch, Limit 460SJ (All Specs Except CE Spec) | |
| 616 | 4360578 | 1 | Switch, Limit 460SJ (CE Specs) | |
| 616 | 4460968 | 1 | Connector, Strain Relief | |
| 617 | See Note | 1 | Speed Control Harness (Note: Not Available for Purchase) | |
| 617A | 4460224 | 1 | Connector - 6 Position | |
| 617A | 4460226 | 6 | Socket, Female | |
| 618 | See Note | 1 | Controller Harness Assembly (Lift and Swing) (Note: Not Available for Purchase) | |
| 618A | 7022819 | 1 | Connector - 8 Position (Natural) | |
| 618A | 4460871 | 8 | Socket, Female | |
| 619 | 7022824 | 1 | Controller Harness/Circuit Board Assembly (Drive and Steer) | |
| 619A | 7022825 | 1 | Connector - 8 Position Black | |

SECTION 7 - ELECTRICAL

| ITEM | PART NUMBER | QTY | DESCRIPTION | REV |
|------|-------------|-----|--|-----|
| 619A | 4460871 | 7 | Socket, Female | |
| 620 | 1001099926 | 1 | Speed Sensor Harness (Includes Speed Sensor) (Caterpillar and Perkins Engine Only) | |
| 620A | 4460536 | 1 | Connector - 3 Position | |
| 620A | 4460464 | 3 | Pin, Male | |
| 620A | 2820018 | AR | Heat Shrink | |
| 621 | 4360517 | 1 | Switch, Proximity | |
| 621A | 4460320 | 1 | Connector - 2 Position | |
| 621A | 4460227 | 2 | Pin, Male | |
| | | Ref | OPTIONAL HARNESS COMPONENTS | |
| 701 | | Ref | AC to Platform Receptacle Components Options: | |
| 701 | 0270022 | Ref | 110V GFI Receptacle (All Specs Except CE Spec) | 4 |
| 701 | 0270024 | Ref | 220V GFI Receptacle (All Specs Except CE Spec) | 3 |
| 701 | | Ref | CE Specs Options: | |
| 701 | | Ref | Without Generator: | |
| 701 | 1001091969 | Ref | 110V with IEC Yellow Receptacle and Plug | C |
| 701 | 1001091970 | Ref | 220V with IEC Blue Receptacle and Plug | C |
| 701 | 1001091975 | Ref | 220V with AFSINT 107 Keyed Ground Receptacle and Plug | D |
| 701 | 1001091973 | Ref | 220V with CEE 7 Post Ground Receptacle and Plug (2x4 Box) | D |
| 701 | 1001091971 | NLA | 220V with CEE 7 Post Ground Receptacle and Plug (70x70 Box) | C |
| 701 | 1001091974 | Ref | 220V with CEE 7 Side Ground Receptacle and Plug (2x4 Box) | D |
| 701 | 1001091972 | NLA | 220V with CEE 7 Side Ground Receptacle and Plug (70x70 Box) | C |
| 701 | | Ref | With 2500W Generator: | |
| 701 | 1001100326 | Ref | 110V with IEC Yellow Receptacle and Plug | D |
| 701 | 1001100327 | Ref | 220V with IEC Blue Receptacle and Plug | D |
| 701 | 1001100337 | Ref | 220V with AFSINT 107 Keyed Ground Receptacle and Plug | D |
| 701 | 1001100331 | Ref | 220V with CEE 7 Post Ground Receptacle and Plug (2x4 Box) | D |
| 701 | 1001100329 | NLA | 220V with CEE 7 Post Ground Receptacle and Plug (70x70 Box) | D |
| 701 | 1001100333 | Ref | 220V with CEE 7 Side Ground Receptacle and Plug (2x4 Box) | D |
| 701 | 1001100328 | NLA | 220V with CEE 7 Side Ground Receptacle and Plug (70x70 Box) | D |
| 701 | 1001093275 | Ref | Breaker Box Installation (Required on CE Spec Machines without Powermite Generator Control Box) | B |
| 701 | 1001109863 | Ref | Breaker Box Installation (Required on CE Spec Machines with Powermite Generator Control Box) | A |
| 701A | | Ref | Box, Switch Options: | |
| 701A | 0860038 | AR | 0270022 & 0270024 Installations | |
| 701A | 0861781 | AR | 1001091969, 1001091970, 1001100326 & 100110327 Installations | |
| 701A | 0861782 | NLA | 1001091971, 1001091972, 1001100328 & 100110329 Installations (Note: Was p/n 0861782 which is no longer available. Use p/n 1001100344 CEE 7 Side Ground Service Kit or p/n 1001100343 CEE 7 Post Ground Service Kit. Kit include Box p/n 1001141967 & Items 701B, 701C & 701D.) | |
| 701A | 0861731 | AR | 1001091975, 1001091973, 1001091974, 1001100337 1001100331 & 100110333 Installations | |
| 701A | 1001141967 | AR | 1001100343, 1001100344, 1001141970 & 1001141971 Kits | |
| 701B | | Ref | Receptacle Options: | |
| 701B | 4460346 | 1 | 0270022 Installation | |
| 701B | 4460125 | 1 | 0270024 Installation | |
| 701B | 4461198 | 1 | 1001091969 & 1001100326 Installations (Includes Cvr) | |

SECTION 7 - ELECTRICAL

| ITEM | PART NUMBER | QTY | DESCRIPTION | REV |
|------|-------------|-----|--|-----|
| 701B | 4461201 | 1 | 1001091970 & 1001100327 Installations (Includes Cvr) | |
| 701B | 4461204 | NLA | 1001091971 & 1001100328 Installations (Includes Cvr) (Use p/n 1001100343) | |
| 701B | 4461207 | NLA | 1001091972 & 1001100329 Installations (Includes Cvr) (Use p/n 1001100344) | |
| 701B | 4461244 | 1 | 1001091973 & 1001100331 Installations (Includes Cvr) | |
| 701B | 4461245 | 1 | 1001091974 & 1001100333 Installations (Includes Cvr) | |
| 701B | 4461246 | 1 | 1001091975 & 1001100337 Installations (Includes Cvr) | |
| 701B | 1001141968 | 1 | 1001100343 & 1001141971 Kits | |
| 701B | 1001141969 | 1 | 1001100344 & 1001141970 Kits | |
| 701C | | Ref | Cover Options: | |
| 701C | 4060700 | 1 | 0270022 Installation (Side Hinged) | |
| 701C | 1001110873 | 1 | 0270022 Installation (Top Hinged) | |
| 701C | 4060092 | 1 | 0270024 Installation | |
| 701C | 4461198 | 1 | 1001091969 & 1001100326 Installations (Includes Receptacle) | |
| 701C | 4461201 | 1 | 1001091970 & 1001100327 Installations (Includes Receptacle) | |
| 701C | 4461204 | NLA | 1001091971 & 1001100328 Installations (Includes Receptacle) (Use p/n 1001100343) | |
| 701C | 4461207 | NLA | 1001091972 & 1001100329 Installations (Includes Receptacle) (Use p/n 1001100344) | |
| 701C | 4461244 | 1 | 1001091973 & 1001100331 Installations (Includes Receptacle) | |
| 701C | 4461245 | 1 | 1001091974 & 1001100333 Installations (Includes Receptacle) | |
| 701C | 4461246 | 1 | 1001091975 & 1001100337 Installations (Includes Receptacle) | |
| 701C | 1001141968 | 1 | 1001100343 & 1001141971 Kits | |
| 701C | 1001141969 | 1 | 1001100344 & 1001141970 Kits | |
| 701D | | Ref | Plug Options (With 2500W Generator Only): | |
| 701D | 4460205 | 1 | 0270022 Installation (Male) | |
| 701D | 4460233 | 1 | 0270024 Installation (Male) | |
| 701D | 4461196 | 1 | 1001091969 & 1001100326 Installations (Male) | |
| 701D | 4461197 | 1 | 1001091969 & 1001100326 Installations (Female) | |
| 701D | 4461199 | 1 | 1001091970 & 1001100327 Installations (Male) | |
| 701D | 4461200 | 1 | 1001091970 & 1001100327 Installations (Female) | |
| 701D | 4461202 | 1 | 1001091973, 1001091971, 1001100331 & 1001100328 Installations & 1001100343 & 1001141971 Kits (Male) | |
| 701D | 4461203 | 1 | 1001091973, 1001091971, 1001100331 & 1001100328 Installations & 1001100343 & 1001141971 Kits (Female) | |
| 701D | 4461205 | 1 | 1001091974, 1001901972, 1001100333 & 1001100329 Installations & 1001100344 & 1001141970 Kits (Male) | |
| 701D | 4461206 | 1 | 1001091974, 1001901972, 1001100333 & 1001100329 Installations & 1001100344 & 1001141970 Kits (Female) | |
| 701D | 4461249 | 1 | 1001091975 & 1001100337 Installations (Male) | |
| 701D | 4461250 | 1 | 1001091975 & 1001100337 Installations (Female) | |
| 701E | | Ref | Connector, Strain Relief Options: | |
| 701E | 4460071 | 1 | 0270022 & 0270024 Installations | |
| 701E | 4460968 | 1 | 1001091969, 1001091970, 1001091971, 1001091972, 1001100326, 1001100327, 1001100328 & 1001100329 Installations (SN 0300096000 through 0300127204) | |
| 701E | 1001101191 | 1 | 1001091969, 1001091970, 1001091971, 1001091972, 1001100326, 1001100327, 1001100328 & 1001100329 Installations (SN 0300127205 through 0300203770) | |

SECTION 7 - ELECTRICAL

| ITEM | PART NUMBER | QTY | DESCRIPTION | REV |
|------|--------------|-----|---|-----|
| 701E | 4460662 | 1 | 1001091975, 1001091973, 1001091974, 1001100337, 1001100331 & 1001100333 Installations (SN 0300096000 through 0300108584) | |
| 701E | 4460968 | 1 | 1001091975, 1001091973, 1001091974, 1001100337, 1001100331 & 1001100333 Installations (SN 0300108585 through 0300127204) | |
| 701E | 1001101191 | 1 | 1001091975, 1001091973, 1001091974, 1001100337, 1001100331 & 1001100333 Installations (SN 0300127205 through 0300203770) | |
| 701E | Not Required | 0 | 0270022 & 0270024 Installations | |
| 701E | Not Required | 0 | 1001091969, 1001091970, 1001091971, 1001091972, 1001100326, 1001100327, 1001100328 & 1001100329 Installations (SN 0300096000 through 0300127204) | |
| 701E | 1001101196 | 1 | 1001091969, 1001091970, 1001091971, 1001091972, 1001100326, 1001100327, 1001100328 & 1001100329 Installations (SN 0300127205 through 0300203770) | |
| 701E | Not Required | 0 | 1001091975, 1001091973, 1001091974, 1001100337, 1001100331 & 1001100333 Installations (SN 0300096000 through 0300127204) | |
| 701E | 1001101196 | 1 | 1001091975, 1001091973, 1001091974, 1001100337, 1001100331 & 1001100333 Installations (SN 0300127205 through 0300203770) | |
| 701E | 0100020 | AR | Sealant | |
| 701F | 3960422 | 1 | Gasket (0270022 & 0270024 Installations Only) | |
| 701G | 4460315 | 1 | Terminal, Spade (0270022 & 0270024 Installations Only) (Not Shown) | |
| 701H | | Ref | Decal - AC Power (Not Shown) | |
| 701H | 1703464 | 1 | 110V | |
| 701H | 3252507 | 1 | 220V | |
| 701J | 0903484 | AR | Bracket, Receptacle Box Mounting (Only Required on CE Spec Installations) | |
| 701K | 0903566 | 1 | Bracket, Circuit Breaker Mounting (Only Required on CE Spec Installations) | |
| 701L | | Ref | Breaker, Circuit Kit Options (Only Required on CE Spec Installations): | |
| 701L | 2902549 | AR | Kit (Without Powermite Generator Control Box) | E |
| 701L | 1001109864 | AR | Kit (With Powermite Generator Control Box) | B |
| 701L | | Ref | Circuit Breaker Options: | |
| | | Ref | Note: For machines with Powermite Generator Control Box use p/n 1001181046. For machines without Powermite Generator Control Box use p/n 1001181045. | |
| 701L | 1001109477 | NLA | Breaker 10A (Use p/n 1001181046) | |
| 701L | 1001109475 | NLA | Breaker 16A (Use p/n 1001181045) | |
| 701L | 1001109482 | NLA | Breaker 30mA (Use p/n 1001181046 for 10A/30mA combination or p/n 1001181045 for 16A/30mA combination) | |
| 701L | 0861880 | 1 | Breaker Box | |
| 701L | 4460957 | 1 | Terminal Block | |
| 701L | 4460956 | 1 | Barrier, Terminal Block | |
| 701M | | Ref | Connector, Strain Relief Options (Only Required on CE Spec Installations): | |
| 701M | 4460633 | 2 | Connector, Strain Relief (SN 0300096000 through 0300117541) | |
| 701M | 1001097150 | 2 | Connector, Strain Relief (SN 0300117542 through 0300203770) | |
| 701N | 1060908 | Ref | Cable, Extension Options (Only Required on CE Spec Installations): | |

SECTION 7 - ELECTRICAL

| ITEM | PART NUMBER | QTY | DESCRIPTION | REV |
|------|-------------|-----------|---|-----|
| 701N | 1060908 | 6 ft/1.8m | Without Powermite Generator Control Box | |
| 701N | 1060908 | 10 ft/3m | With Powermite Generator Control Box | |
| | 0275216 | 1 | Receptacle, Box and Plug Kit (110V IEC Yellow) (Includes Items 701A-701C & Male 701D Plug End) (1001091969 Installation) | 1-A |
| | 1001100341 | 1 | Receptacle and Box Kit (110V IEC Yellow) (Includes Items 701A-701C & Male 701D Plug End) (1001100326 Installation) | 2-A |
| | 0275217 | 1 | Receptacle, Box and Plug Kit (220V IEC Blue) (Includes Items 701A-701C & Male 701D Plug End) (1001091970 Installation) | 1-A |
| | 1001100342 | 1 | Receptacle and Box Kit (220V IEC Blue) (Includes Items 701A-701C & Male 701D Plug End) (1001100327 Installation) | 2-A |
| | 0275218 | NLA | Receptacle, Box and Plug Kit (220V CEE 7 Post Ground with 70x70 Box) (Includes Items 701A-701C & Male 701D Plug End) (1001091971 Installation) (Use p/n 1001100343) | B-B |
| | 1001100343 | 1 | Receptacle and Box Kit (220V CEE 7 Post Ground with 70x70 Box) (Includes Items 701A-701C & Male 701D Plug End) (1001100328 Installation) | 2-A |
| | 0275219 | NLA | Receptacle, Box and Plug Kit (220V CEE 7 Side Ground with 70x70 Box) (Includes Items 701A-701C & Male 701D Plug End) (1001091972 Installation) (Use p/n 1001100344) | B-B |
| | 1001100344 | 1 | Receptacle and Box Kit (220V CEE 7 Side Ground with 70x70 Box) (Includes Items 701A-701C & Male 701D Plug End) (1001100329 Installation) | 2-A |
| | 0275452 | 1 | Receptacle, Box and Plug Kit (220V CEE 7 Post Ground with 2x4 Box) (Includes Items 701A-701C & Male 701D Plug End) (1001091973 Installation) | 1-A |
| | 1001100345 | 1 | Receptacle and Box Kit (220V CEE 7 Post Ground with 2x4 Box) (Includes Items 701A-701C & Male 701D Plug End) (1001100331 Installation) | 2-A |
| | 0275453 | 1 | Receptacle, Box and Plug Kit (220V CEE 7 Side Ground with 2x4 Box) (Includes Items 701A-701C & Male 701D Plug End) (1001091974 Installation) | 1-A |
| | 1001100347 | 1 | Receptacle and Box Kit (220V CEE 7 Side Ground with 2x4 Box) (Includes Items 701A-701C & Male 701D Plug End) (1001100333 Installation) | 2-A |
| | 0275454 | 1 | Receptacle, Box and Plug Kit (220V AFSINT 107 Keyed Ground) (Includes Items 701A-701C & Male 701D Plug End) (1001091975 Installation) | 1-A |
| | 1001100346 | 1 | Receptacle and Box Kit (220V AFSINT 107 Keyed Ground) (Includes Items 701A-701C & Male 701D Plug End) (1001100337 Installation) | 2-A |
| | 2902549 | 1 | Circuit Breaker Box Kit (Includes Items 701L-701N) (Only Required on CE Spec Installations) | C |
| 702 | | Ref | Generator Electrical Components | |
| 702 | 4933300 | Ref | 110V (Caterpillar/Ford/Perkins Engines) | B |
| 702 | 4933300 | Ref | 110V (Deutz Engines All Specs) (SN 0300096000 through 0300131126) | 1-A |
| 702 | 4933300 | Ref | 110V (Deutz Engines 60Hz) (SN 0300131127 through 0300203770) | 1-A |
| 702 | 1001100027 | Ref | 110V (Deutz Engines 50Hz) (SN 0300131127 through 0300203770) | 4-D |
| 702 | 4933350 | Ref | 110V (GM Engines) | B |
| 702 | 4933300 | Ref | 220V (Except Deutz 50Hz) (SN 0300131127 through 0300203770) | 2-A |
| 702 | 1001100027 | Ref | 220V (Deutz 50Hz Only) (SN 0300131127 through 0300203770) | 4-D |
| 702A | 4460321 | 1 | Connector - 4 Position | |
| 702A | 4460906 | 4 | Socket, Female | |
| 702B | 4922641 | 1 | Harness - On/Off Switch | 1-A |

SECTION 7 - ELECTRICAL

| ITEM | PART NUMBER | QTY | DESCRIPTION | REV |
|------|-------------|-----|--|-----|
| 702C | 4460226 | 2 | Socket, Female | |
| 702D | | Ref | Powermite Control Box to Relay Harness Options: | |
| 702D | 4922970 | 1 | 110V (Caterpillar/ Deutz/ Ford/ Perkins Engines) Options: | 1-A |
| 702D | 4923445 | 1 | 110V (GM Engines) | A |
| 702D | 4922970 | 1 | 220V | 1-A |
| 702E | 4460374 | 1 | Plug, Relay Only (SN 0300096000 through 0300131127) | |
| 702E | 4460375 | 3 | Terminal | |
| 702F | 4460742 | 1 | Connector - 2 Position (GM Engines) | |
| 702F | 4460743 | 2 | Socket, Female (GM Engines) | |
| 702F | 4460458 | 2 | Seal, Wire (GM Engines) | |
| 702G | 1001100305 | 1 | Harness, Ground (50Hz Generators with Junction Box Used Only) (SN 0300096000 through 0300136081) | |
| 702H | 7020193 | 1 | 2500W Generator Power Cable | |
| 702J | See Note | 1 | Control Box Harness (Note: Not Available for Purchase) | |
| 702K | 4460961 | 1 | Connector - 4 Position | |
| 702K | 4460705 | 4 | Pin, Male | |
| 703 | | Ref | 7500W SKYPOWER GENERATOR INSTALLATION | |
| 703 | 0273003 | Ref | 60Hz and Caterpillar Engine | K |
| 703 | 0273004 | Ref | 50Hz Spec and Caterpillar Engine | G |
| 703 | 0272597 | Ref | 60Hz and Deutz Engine | L |
| 703 | 0272596 | Ref | 50Hz Spec and Deutz Engine | I |
| 703 | 0275057 | Ref | 60Hz Spec and GM Engine | F |
| 703 | 1001097331 | Ref | 60Hz and Perkins Engine | D |
| 703 | 1001097332 | Ref | 50Hz Spec and Perkins Engine | C |
| 703A | | Ref | Connector Twist-Lock Options: | |
| 703A | 4460958 | 1 | 60Hz Spec | |
| 703A | See Note | 1 | 50Hz Spec (Note: Not Available - Purchase Locally) | |
| 703B | | Ref | Gasket Options: | |
| 703B | 3960422 | 2 | 60Hz Spec | |
| 703B | See Note | 2 | 50Hz Spec (Note: Not Available - Purchase Locally) | |
| 703C | | Ref | Cover, Receptacle Options: | |
| 703C | 4060700 | 1 | 60Hz Spec (Side Hinged) | |
| 703C | 1001110873 | 1 | 60Hz Spec (Top Hinged) | |
| 703C | See Note | 1 | 50Hz Spec (Note: Not Available - Purchase Locally) | |
| 703D | | Ref | Cover, Receptacle Options: | |
| 703D | 4061043 | 1 | 60Hz Spec (Side Hinged) | |
| 703D | 1001110872 | 1 | 60Hz Spec (Top Hinged) | |
| 703D | See Note | 1 | 50Hz Spec (Note: Not Available - Purchase Locally) | |
| 703E | | Ref | Receptacle Options: | |
| 703E | 4460346 | 1 | 60Hz Spec | |
| 703E | See Note | 1 | 50Hz Spec (Note: Not Available - Purchase Locally) | |
| 703F | 4460051 | 1 | Connector, Strain Relief | |
| 703G | 4460071 | 1 | Connector, Strain Relief | |
| 703H | 4922925 | 1 | Harness, Generator | |
| 703I | 77363233 | 1 | Connector - 6 Position | |
| 703I | 4460465 | 6 | Socket, Female | |
| 703J | 4460225 | 1 | Connector - 6 Position | |
| 703J | 4460226 | 6 | Socket, Female | |
| 704 | | Ref | 7500W SkyPower Generator Junction Box Components | |
| 704 | 0861542 | Ref | 60HZ SPEC | D |
| 704 | 0861567 | Ref | 50Hz Specs | B |
| 704A | | Ref | Cable, Electrical 12/3 | |

SECTION 7 - ELECTRICAL

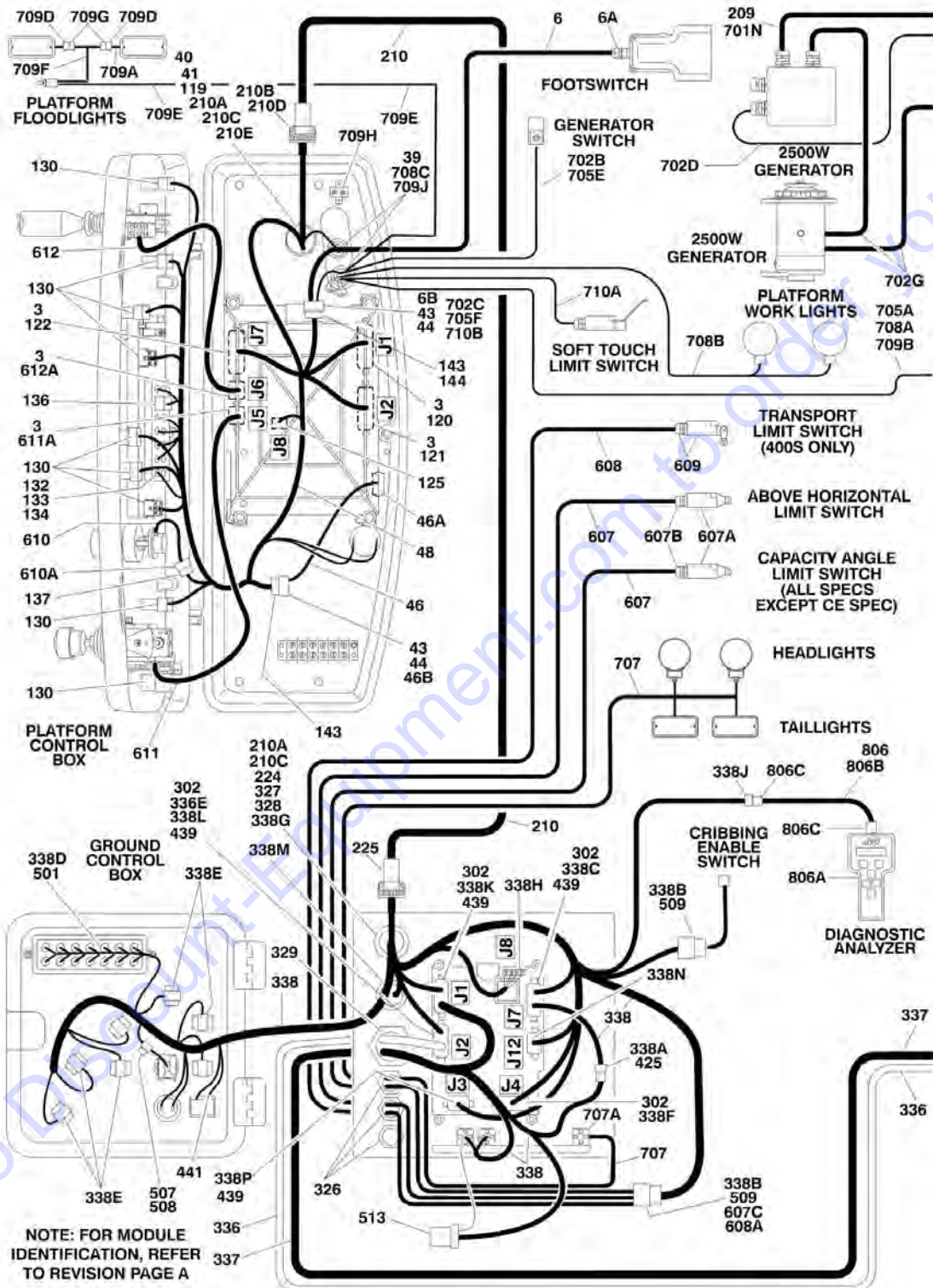
| ITEM | PART NUMBER | QTY | DESCRIPTION | REV |
|------|-------------|----------------|---|-----|
| 704A | 1060494 | 2 ft/.6m | 60Hz Spec | |
| 704A | See Note | 2 ft/.6m | 50Hz Spec (Note: Not Available - Purchase Locally) | |
| 704B | | Ref | Cable, Electrical 10/3 | |
| 704B | 1060708 | 2.5 ft/.76m | 60Hz Spec | |
| 704B | See Note | 2.5 ft/.76m | 50Hz Spec (Note: Not Available - Purchase Locally) | |
| 704C | 1060343 | 1.5 ft/.46m | Cable, Electrical 10/4 (60Hz Spec Only) | |
| 704D | 4460425 | 2 | Connector, Strain Relief | |
| 704E | | Ref | Component Options: | |
| 704E | 4460426 | 2 | Connector, Strain Relief (60Hz Spec Only) | |
| 704E | 4460426 | 1 | Connector, Strain Relief (50Hz Spec Only) | |
| 704E | 3520189 | 1 | Plug (50Hz Spec Only) | |
| 704F | 1671092 | 1 | Cover (60Hz Spec Only) | |
| 704F | 4460963 | 1 | Connector (60Hz Spec Only) | |
| 705 | | Ref | 7500W Generator Electrical Diagram Components | |
| 705 | 4933264 | Ref | Caterpillar, Deutz and Perkins Engine Machines | C |
| 705 | 4933349 | Ref | GM Engine Machines (SN 0300177683 through 0300182510) | B |
| 705 | 1001157768 | Ref | GM Engine Machines (SN 0300182511 through 0300203770) | A |
| 705A | | Ref | Generator Harness Options: | |
| 705A | 4922757 | 1 | Caterpillar, Deutz and Perkins Engine Machines | 3-C |
| 705A | 4923420 | 1 | GM Engine Machines | A |
| 705B | 4460374 | 2 | Plug, Sealed Relay | |
| 705B | 4460375 | 7 | Terminal | |
| 705C | 4460967 | 1 | Connector - 3 Position | |
| 705C | 4460465 | 3 | Socket, Female | |
| 705D | 2400060 | 1 | Fuseholder | |
| 705D | 2400064 | 1 | Fuse - 5 Amp | |
| 705E | 4922641 | 1 | Switch Harness | |
| 705F | 4460742 | 1 | Connector - 2 Position (Caterpillar and Perkins Engines) | |
| 705F | 4460743 | 2 | Socket, Female (Caterpillar and Perkins Engines) | |
| 705F | 4460458 | 2 | Seal, Wire (Caterpillar and Perkins Engines) | |
| 706 | 0255917 | 1 | Strobe Light Harness (Includes Strobe Light) | C |
| 706A | 4460320 | 1 | Connector - 2 Position | |
| 706A | 4460267 | 2 | Pin, Male | |
| 707 | See Note | 1 | Lights Harness (Note: Not Available for Purchase) | |
| 707 | 1060341 | 37 ft/11.3m | Cable, Electrical - 16/2 | |
| 707A | 3740049 | 1 | Relay | |
| 707A | 4922643 | 1 | Harness, Bag (Located at Ground Control Box) (Not Shown) | |
| 708 | | Ref | Platform Worklights Components | |
| 708A | | Ref | Harness, Console Box to Aux Relay Options: | |
| 708A | 1060983 | 1 | 400S (63ft/19.2m of 12/3 Cable P/N 1060494) | |
| 708A | 4922965 | 1 | 460SJ (69ft/21m of 12/3 Cable P/N 1060494) | |
| 708B | 2920140 | 2 | Platform Worklights External Harness (Includes Light and Wire Only) | |
| 708C | 4460426 | 1 | Connector, Strain Relief | |
| 708D | 2400070 | 1 | Fuse | |
| 708D | 2400066 | 1 | Holder, Fuse | |
| 709 | | Ref | Platform Floodlights Components | |
| 709A | 2920157 | 2 | Platform Floodlights External Harness (Includes Lights and Wire Only) (Not Shown) | |

SECTION 7 - ELECTRICAL

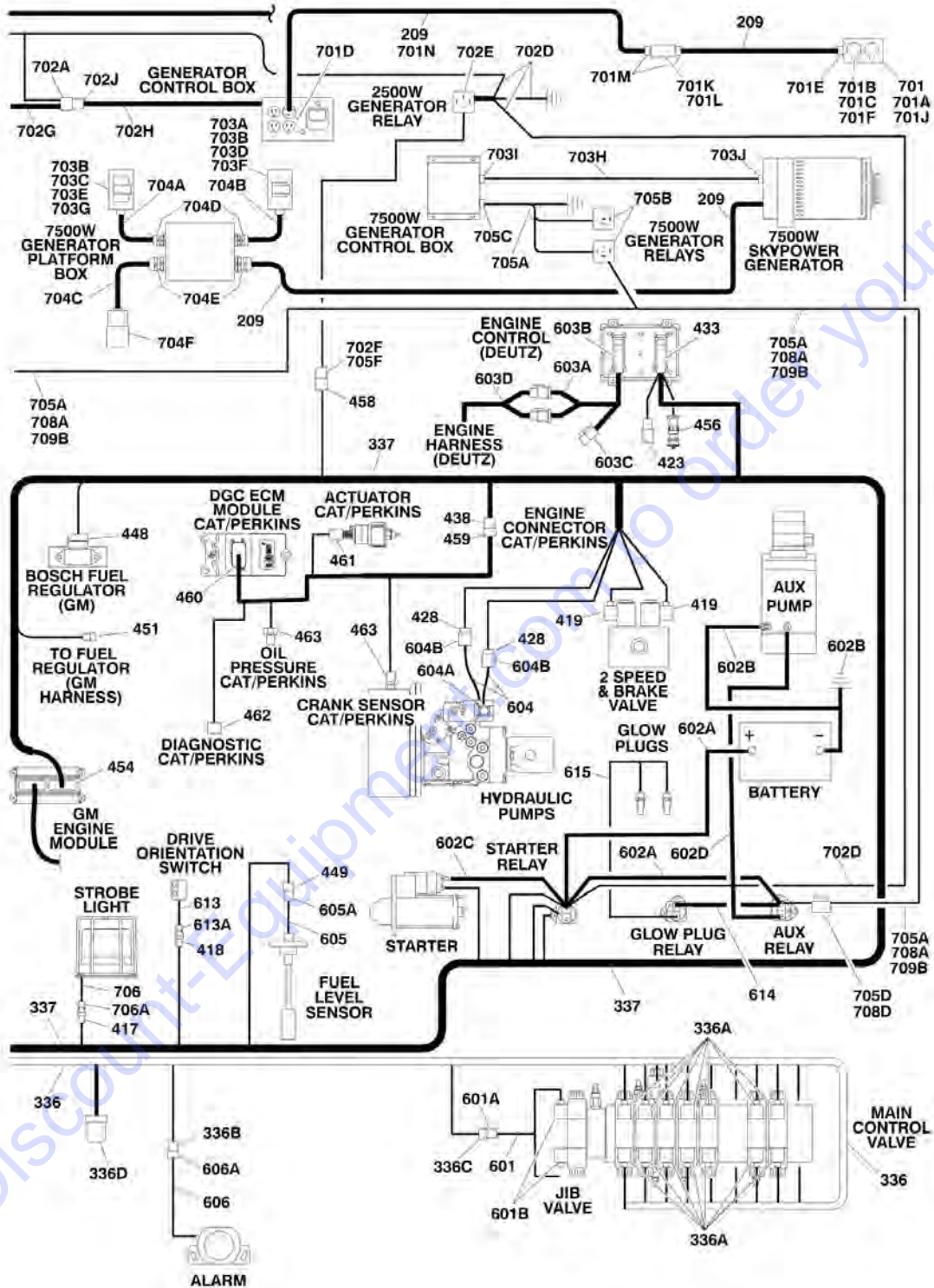
| ITEM | PART NUMBER | QTY | DESCRIPTION | REV |
|------|-------------|----------|---|-----|
| 709B | | Ref | Harness, Console Box to Aux Relay Options: | |
| 709B | 1060983 | 1 | 400S (63ft/19.2m of 12/3 Cable P/N 1060494) | |
| 709B | 4922965 | 1 | 460SJ (69ft/21m of 12/3 Cable P/N 1060494) | |
| 709C | 4933313 | Ref | Platform Floodlight Wiring Diagram Components | 1-A |
| 709D | 4460320 | 2 | Connector - 2 Position | |
| 709D | 4460227 | 4 | Pin, Male | |
| 709E | 1060977 | 1 | Cord, 2 Wire Coiled (Console Box Circuit Breaker to Switch) | |
| 709F | 4922764 | 2 | Platform Floodlights Harness (Lights to Switch) (Not Shown) | 1-A |
| 709G | 4460424 | 2 | Connector - 2 Position | |
| 709G | 4460226 | 4 | Socket, Female | |
| 709H | 4360232 | 1 | Circuit Breaker, 15Amp | |
| 709J | 4460425 | 1 | Connector, Strain Relief | |
| 710 | 4933218 | 1 | Soft-Touch System Wiring Diagram | 1-B |
| 710A | 1060902 | 23 ft/7m | Cable, Electrical - 18/2 | |
| 710B | 4460871 | 2 | Socket, Female | |
| | | Ref | TOOLS | |
| 801 | 7002821 | 1 | Crimper (For Wire to Pin/Socket Connections) (Not Shown) | |
| 802 | 7002823 | 1 | Extractor (For Removal of Pin/Socket from Connectors) (Not Shown) | |
| 803 | 4460467 | 1 | Extractor, Pin (Blue 16-18 Gauge) (For Removal of Pin/Socket from Connectors) (Not Shown) | |
| 804 | 4460510 | 1 | Extractor, Pin (Yellow 12-14 Gauge) (For Removal of Pin/Socket from Connectors) (Not Shown) | |
| 805 | 7002828 | 1 | Stripper, Wire (Not Shown) | |
| 806 | 2901443 | 1 | Analyzer Kit (Not Shown) | 1-A |
| 806A | 1600244 | 1 | Analyzer | |
| 806B | 1060633 | 1 | Cable, Analyzer | |
| 806C | 4460321 | 2 | Plug, Male | |
| 806C | 4460226 | 8 | Socket, Female | |

SECTION 7 - ELECTRICAL

FIGURE 7-3. HARNESS COMPONENTS INSTALLATION (MACHINES WITH UGM) (SN 0300069000 through 0300177682)



SECTION 7 - ELECTRICAL



SECTION 7 - ELECTRICAL

FIGURE 7-3. HARNESS COMPONENTS INSTALLATION (MACHINES WITH UGM) (SN 0300069000 through 0300177682)

| ITEM | PART NUMBER | QTY | DESCRIPTION | REV |
|------|-------------|-----------|---|-----|
| | | Ref | NOTE: FOR MODULE IDENTIFICATION, REFER TO REVISION LOG PAGE A. | |
| | | Ref | PLATFORM CONSOLE BOX COMPONENTS | |
| 3 | 0100048 | AR | Grease, Dielectric | |
| 6 | | Ref | Footswitch Harness Options (Includes Footswitch): | |
| 6 | 0272970 | 1 | Footswitch Harness (SN 0300096000 through 0300167707) | B |
| 6 | 1001117174 | 1 | Footswitch Harness (SN 0300167708 through 0300203770) | B |
| 6 | 1060918 | 7 ft/2.1m | Cable, Electrical - 18/3 | |
| 6A | 4460071 | 1 | Connector, Strain Relief | |
| 6B | 4460226 | 2 | Socket, Female | |
| 6B | 4460464 | 1 | Pin, Male | |
| 39 | 4460428 | 2 | Connector, Strain Relief | |
| 40 | 4460470 | 1 | Nut, Terminal | |
| 41 | 4460471 | 1 | Locknut, Terminal | |
| 43 | 4460708 | 2 | Connector - 15 Position | |
| 44 | 4460905 | 5 | Seal, Plug | |
| 46 | 4922666 | 1 | Harness, Analyzer Cable | 2-B |
| 46A | 4460761 | 1 | Connector - 4 Position | |
| 46A | 4460227 | 4 | Pin, Male | |
| 46B | 4460226 | 4 | Socket, Female | |
| 48 | 1001107440 | 1 | Harness, Platform Box (See Items 101-143 for Breakdown) | |
| | 1001107440 | Ref | PLATFORM BOX HARNESS ASSEMBLY | D |
| 119 | 4460866 | 1 | Connector - 19 Position | |
| 119 | 4460464 | 7 | Pin, Male Deutsch 16 Ga | |
| 119 | 4460508 | 3 | Pin, Male Deutsch 12 Ga | |
| 120 | 4460874 | 1 | Connector - 35 Position (Natural) | |
| 120 | 4460871 | 22 | Socket, Female | |
| 121 | 4460875 | 1 | Connector - 35 Position (Gray) | |
| 121 | 4460871 | 21 | Socket, Female | |
| 122 | 4460873 | 1 | Connector - 35 Position (Black) | |
| 122 | 4460871 | 18 | Socket, Female | |
| 125 | 4460879 | 1 | Connector 2 Position | |
| 125 | 4460887 | 2 | Terminal (12 Gauge) | |
| 130 | 4460418 | 6 | Connector - 6 Position | |
| 130 | 4460419 | 18 | Socket, Female | |
| 132 | 4120035 | 10 | Base, Light | |
| 133 | 4460226 | 10 | Terminal (16 Gauge) | |
| 134 | 4460635 | 10 | Terminal (12 Gauge) | |
| 136 | 4460225 | 1 | Connector - 6 Position | |
| 136 | 4460268 | 5 | Socket, Female | |
| 137 | 4460225 | 1 | Connector - 6 Position | |
| 137 | 4460227 | 5 | Pin, Male | |
| 143 | 4460434 | 2 | Connector - 15 Position | |
| 143 | 4460227 | 18 | Pin | |
| | | Ref | BOOM CABLES INSTALLATION | |
| | 0271160 | Ref | 400S (ANSI and ANSI Export Specs) | 9 |
| | 1001093916 | Ref | 400S with Arctic Package (ANSI and ANSI Export Specs) | D |
| | 0271162 | Ref | 400S (Australian and CE Specs) | 9 |
| | 0272612 | Ref | 400S with 7500w SkyPower Generator | 5 |

SECTION 7 - ELECTRICAL

| ITEM | PART NUMBER | QTY | DESCRIPTION | REV |
|------|-------------|----------|---|-----|
| | 1001093922 | Ref | 400S with 7500w SkyPower Generator and Arctic Package | E |
| | 0271159 | Ref | 460SJ (ANSI and ANSI Export Specs) | 9 |
| | 1001093919 | Ref | 460SJ with Arctic Package (ANSI and ANSI Export Specs) | C |
| | 0271161 | Ref | 460SJ (Australian and CE Specs) | 9 |
| | 0272613 | Ref | 460SJ with 7500w SkyPower Generator | 5 |
| | 1001093924 | Ref | 460SJ with 7500w SkyPower Generator and Arctic Package | D |
| 209 | | Ref | Cable, Electrical Options: | |
| 209 | 1060985 | 1 | Cable, Electrical - 12/3 (400S without Arctic Package ANSI and ANSI Export Specs) (57ft/17.4m) | |
| 209 | 1001093917 | 1 | Cable, Electrical - 12/3 (400S with Arctic Package ANSI and ANSI Export Specs) (57ft/17.4m) | |
| 209 | 1060986 | 1 | Cable, Electrical - 12/3 (400S Australian and CE Specs) (57ft/17.4m) | |
| 209 | 4922802 | 1 | Cable, Electrical - 8/5 (400S with 7500w SkyPower Generator) (62ft/18.9m) | |
| 209 | 4922802 | 1 | Cable, Electrical - 8/5 (400S with Arctic Package and 7500w SkyPower Generator) (62ft/18.9m) | |
| 209 | 1060983 | 1 | Cable, Electrical - 12/3 (460SJ without Arctic Package ANSI and ANSI Export Specs) (63ft/19.2m) | |
| 209 | 1001093920 | 1 | Cable, Electrical - 12/3 (460SJ with Arctic Package ANSI and ANSI Export Specs) (63ft/19.2m) | |
| 209 | 1060984 | 1 | Cable, Electrical - 12/3 (460SJ Australian and CE Specs) (63ft/19.2m) | |
| 209 | 4922803 | 1 | Cable, Electrical - 8/5 (460SJ) (With 7500w SkyPower Generator) (68ft/20.7m) | |
| 209 | 4922803 | 1 | Cable, Electrical - 8/5 (460SJ with Arctic Package and 7500w SkyPower Generator) (68ft/20.7m) | |
| 210 | | Ref | Harness Assembly (12/4 - 18/8) | |
| 210 | 4922548 | 1 | 400S without Arctic Package | 3-C |
| 210 | 1001093918 | 1 | 400S with Arctic Package | A |
| 210 | 4922547 | 1 | 460SJ without Arctic Package | 3-C |
| 210 | 1001093921 | 1 | 460SJ with Arctic Package | A |
| 210 | | Ref | Cable, Electrical - 12/4 & 18/8 Options: | |
| 210 | 1060896 | 54 | 400S without Arctic Package | |
| | | ft/16.5m | | |
| 210 | 4923462 | 54 | 400S with Arctic Package | |
| | | ft/16.5m | | |
| 210 | 1060896 | 60 | 460SJ without Arctic Package | |
| | | ft/18.3m | | |
| 210 | 4923462 | 60 | 460SJ with Arctic Package | |
| | | ft/18.3m | | |
| 210A | 4460465 | 22 | Socket, Female 18 Gauge | |
| 210B | 4460865 | 1 | Connector Deutsch - 19 Position | |
| 210C | 4460509 | 8 | Socket, Female 12 Gauge | |
| 210D | 4460473 | 1 | Clamp, Cable | |
| 210E | 4460466 | 4 | Seal, Plug | |
| 224 | 4460865 | 1 | Connector Deutsch - 19 Position | |
| 225 | 4460473 | 1 | Clamp, Cable | |
| | | Ref | GROUND CONTROL BOX COMPONENTS | |
| 302 | 0100048 | AR | Grease, Dielectric | |
| 326 | 4460428 | 3 | Connector, Strain Relief | |
| 327 | 4460470 | 1 | Nut, Terminal | |
| 328 | 4460471 | 1 | Locknut, Terminal | |
| 329 | 4460526 | 1 | Connector, Strain Relief | |

SECTION 7 - ELECTRICAL

| ITEM | PART NUMBER | QTY | DESCRIPTION | REV |
|------|-------------|-----|--|-----|
| 336 | 4922538 | 1 | Valve Harness Assembly | 4-E |
| 336A | 4460880 | 14 | DIN Connector | |
| 336B | 4460320 | 1 | Connector - 2 Position | |
| 336B | 4460267 | 2 | Pin, Male | |
| 336C | 4460445 | 1 | Connector - 3 Position | |
| 336C | 4460268 | 3 | Pin, Female | |
| 336D | 4460836 | 2 | Connector, Deutsch - 12 Position | |
| 336D | 4460837 | 2 | Housing, Terminal Connector | |
| 336D | 4460465 | 22 | Socket, Female | |
| 336E | 4460871 | 21 | Socket, Female | |
| 337 | | Ref | Engine Harness Assembly (See Items 401-463 for Breakdown) | |
| 337 | 1001102798 | 1 | Caterpillar and Perkins Engine Machines | |
| 337 | 1001109114 | 1 | Deutz Engine Machines | |
| 337 | 1001109089 | 1 | GM Engine Machines | |
| 338 | | Ref | Ground Control Box Harness Assembly | |
| 338 | 1001106999 | 1 | Deutz D2011, Caterpillar and Perkins Engine Machines (Prior to SN 0300200773) | E |
| 338 | 1001187856 | 1 | Deutz D2011, Caterpillar and Perkins Engine Machines (SN 0300200773 through 0300203770) | A |
| 338 | 1001147013 | 1 | Deutz DTD2.9L4 Engine Machines | C |
| 338 | 3990010 | 2 | Diode 6 Amp | |
| 338A | 4460536 | 1 | Connector - 3 Position | |
| 338A | 4460943 | 3 | Socket, Female | |
| 338B | 4460434 | 2 | Connector - 15 Position | |
| 338B | 4460227 | 16 | Pin | |
| 338C | 4460873 | 1 | Connector - 35 Position (Black) | |
| 338C | 4460871 | 15 | Socket, Female | |
| 338C | 4460905 | 1 | Seal, Plug | |
| 338D | 4120035 | 6 | Base, Light | |
| 338D | 4460634 | 7 | Terminal (16 Gauge) | |
| 338D | 4460635 | 5 | Terminal (12 Gauge) | |
| 338E | 4460418 | 7 | Connector - 6 Position | |
| 338E | 4460419 | 21 | Socket, Female | |
| 338F | 4460876 | 1 | Connector - 35 Position (Blue) | |
| 338F | 4460871 | 22 | Socket, Female | |
| 338F | 4460905 | 1 | Seal, Plug | |
| 338G | 4460866 | 1 | Connector - 19 Pin | |
| 338G | 4460464 | 7 | Pin, Male Deutsch 16 Ga | |
| 338G | 4460508 | 3 | Pin, Male (12 Gauge) | |
| 338H | 4460878 | 1 | Housing, Terminal - 4 Position | |
| 338H | 4460887 | 3 | Terminal (12 Gauge) | |
| 338J | 4460761 | 1 | Connector - 4 Position | |
| 338J | 4460227 | 4 | Pin, Male | |
| 338K | 4460874 | 1 | Connector (Natural) | |
| 338K | 4460871 | 8 | Socket, Female | |
| 338L | 4460875 | 1 | Connector (Gray) | |
| 338L | 4460871 | 2 | Socket, Female | |
| 338M | 1001112612 | 1 | Connector | |
| 338M | 4460943 | 4 | Pin, Male (Gold) | |
| 338N | 1001106340 | 1 | Connector | |
| 338N | 4460871 | 5 | Socket, Female | |
| 338P | 1001106339 | 1 | Connector | |

SECTION 7 - ELECTRICAL

| ITEM | PART NUMBER | QTY | DESCRIPTION | REV |
|------|-------------|-----|--|-----|
| 338P | 4460871 | 2 | Socket, Female | |
| 340 | | Ref | Ground Control Box Wiring Diagram (Not Shown - See Items 501 to 513 for Breakdown) | |
| 340 | 1001102901 | Ref | Caterpillar and Perkins Engine Machines | |
| 340 | 1001109121 | Ref | Deutz Engine Machines | |
| 340 | 1001109200 | Ref | GM Engine Machines | |
| | | Ref | ENGINE HARNESS ASSEMBLY | |
| | 1001102798 | Ref | Caterpillar and Perkins Engine | E |
| | 1001109114 | Ref | Deutz Engine | B |
| | 1001109089 | Ref | GM ENGINE | A |
| 417 | 4460424 | 1 | Connector - 2 Position | |
| 417 | 4460268 | 2 | Socket, Female | |
| 418 | 4460424 | 1 | Connector - 2 Position | |
| 418 | 4460226 | 2 | Socket, Female | |
| 419 | 4460880 | 2 | DIN Connector without Diode | |
| 423 | 4461070 | 1 | Connector - 3 Position with Resistor (Deutz Engine Only) | |
| 423 | 4460944 | 3 | Socket, Female (Deutz Engine Only) | |
| 423 | 4461095 | 1 | Connector - 3 Position (Deutz Engine Only) | |
| 425 | 4460539 | 1 | Connector 3 Position | |
| 425 | 4460944 | 3 | Socket, Female (Gold) | |
| 428 | 4460742 | AR | Connector - 2 Position | |
| 428 | 4460457 | AR | Terminal, Female | |
| 428 | 4460458 | AR | Seal, Terminal | |
| 433 | 4461052 | 1 | Connector - 25 Position (Deutz Engine Only) | |
| 433 | 4461053 | 1 | Cover, Receptacle (Deutz Engine Only) | |
| 433 | 4461005 | 5 | Terminal (Deutz Engine Only) | |
| 433 | 4461006 | 5 | Seal (Used with p/n 4461005) (Deutz Engine Only) | |
| 433 | 4461060 | 2 | Terminal (Deutz Engine Only) | |
| 433 | 4461054 | 2 | Seal (Used with p/n 4461060) (Deutz Engine Only) | |
| 433 | 4461008 | 18 | Plug, Hole (Deutz Engine Only) | |
| 433 | 4461053 | 1 | Plug, Cover (Deutz Engine Only) | |
| 438 | 4460899 | 1 | Connector - 6 Position (Caterpillar Engines Only) | |
| 438 | 4460464 | 2 | Pin, Male (Caterpillar Engines Only) | |
| 438 | 4460466 | 1 | Seal, Plug (Caterpillar Engines Only) | |
| 439 | 4460871 | AR | Socket, Female | |
| 441 | 3730125 | 1 | Resistor 120 Ohm 4 Watt (Caterpillar and Perkins Engine Only) | |
| 448 | 4461121 | 1 | Plug, Male - 4 Position (GM Engine Only) | |
| 448 | 4461122 | 4 | Socket, Female (GM Engine Only) | |
| 448 | 4461123 | 4 | Seal, Terminal (GM Engine Only) | |
| 449 | 4460834 | 1 | Connector - 2 Position | |
| 449 | 4460842 | 2 | Terminal, Female | |
| 451 | 4461124 | 1 | Receptacle, Female - 4 Position (GM Engine Only) | |
| 451 | 4460693 | 4 | Pin, Male (GM Engine Only) | |
| 451 | 4460608 | 4 | Seal, Terminal (GM Engine Only) | |
| 451 | 4461161 | 1 | Lock, Terminal (GM Engine Only) | |
| 454 | 4461109 | 1 | Plug, Male - 16 Position (GM Engine Only) | |
| 454 | 4461111 | 7 | Pin, Male (GM Engine Only) | |
| 454 | 4461113 | 7 | Seal, Terminal (GM Engine Only) | |
| 454 | 4461222 | 9 | Plug, Terminal (GM Engine Only) | |
| 456 | 2902443 | 1 | Kit, Receptacle (Deutz Engine Only) | |
| 456 | 4461071 | 8 | Terminal, Female (Gold) (Deutz Engine Only) | |
| 456 | 4461072 | 1 | Connector, Flange Mount (Deutz Engine Only) | |

SECTION 7 - ELECTRICAL

| ITEM | PART NUMBER | QTY | DESCRIPTION | REV |
|------|-------------|-----|--|-----|
| 456 | 4461073 | 1 | Connector, Dust Cap (Deutz Engine Only) | |
| 456 | 4461074 | 1 | Connector, Shell (Deutz Engine Only) | |
| 458 | 4461157 | 1 | Connector - 2 Position | |
| 458 | 4460458 | 2 | Seal, Terminal | |
| 458 | 4460979 | 2 | Pin, Male | |
| 459 | 91504088 | 1 | Connector - 6 Position (Caterpillar and Perkins Engine Only) | |
| 459 | 77363229 | 5 | Terminal (Caterpillar and Perkins Engine Only) | |
| 459 | 4460466 | AR | Plug (Caterpillar and Perkins Engine Only) | |
| 460 | 70020808 | 1 | Connector 23 Position (Caterpillar and Perkins Engine Only) | |
| 460 | 4460871 | 16 | Socket, Female (Caterpillar and Perkins Engine Only) | |
| 461 | 91503103 | 1 | Connector - 6 Position (Caterpillar and Perkins Engine Only) | |
| 461 | 77363228 | 6 | Terminal (Caterpillar and Perkins Engine Only) | |
| 461 | 91504107 | 1 | Lock, Connector (Caterpillar and Perkins Engine Only) | |
| 461 | 4460466 | AR | Plug (Caterpillar and Perkins Engine Only) | |
| 462 | See Note | 1 | Connector - 8 Position (Caterpillar and Perkins Engine Only) (Note: Not Available for Purchase) | |
| 463 | 7026408 | 2 | Connector - 2 Position (Caterpillar and Perkins Engine Only) | |
| 463 | 77363229 | 4 | Terminal (Caterpillar and Perkins Engine Only) | |
| 463 | 80604018 | 2 | Lock, Connector (Caterpillar and Perkins Engine Only) | |
| | | Ref | GROUND CONTROL BOX WIRING DIAGRAM | |
| | 1001102901 | Ref | Caterpillar and Perkins Engine Machines | I |
| | 1001109121 | Ref | Deutz Engine Machines | E |
| | 1001109200 | Ref | GM Engine Machines | D |
| 501 | 2920129 | AR | Bulb, Light | |
| 507 | 2400065 | 1 | Fuse, 30Amp | |
| 508 | 2400066 | 1 | Fuse, Holder | |
| 509 | 4460708 | 2 | Receptacle, Female - 15 Position | |
| 509 | 4460226 | 11 | Socket, Female | |
| 509 | 4922637 | 1 | Harness, Jumper (Not Shown) | |
| 509 | 4922636 | 1 | Harness, Jumper (Not Shown) | |
| 513 | 4460894 | 1 | Connector - 6 Position | |
| 513 | 4460892 | 1 | Connector, Bussbar - 6 Position | |
| | | Ref | STANDARD HARNESS COMPONENTS | |
| 601 | 4921927 | 1 | Jib Valve Harness (460SJ Only) | |
| 601A | 4460326 | 1 | Plug, Male - 3 Position | |
| 601A | 4460267 | 3 | Pin, Male | |
| 601B | 4460499 | 2 | Connector, DIN with Diode | |
| 602 | | Ref | Battery Cable Kits | |
| 602 | 1001102859 | 1 | Caterpillar/Perkins Engine Machines | A |
| 602 | 2901880 | 1 | Deutz Engine Machines | E |
| 602 | 2902511 | 1 | GM Engine Machines | C |
| 602A | 7027021 | 1 | Caterpillar/Perkins Engine Machines - Cable, Battery (Red) (Battery to Auxiliary Power Relay) | |
| 602A | 7016843 | 1 | Deutz Engine Machines - Cable, Battery (Red) (Battery to Starter and Auxiliary Power Relays) | |
| 602A | 7027012 | 1 | GM Engine Machines - Cable, Battery (Red) (Battery to Auxiliary Power Relay) | |
| 602B | 7027022 | 1 | Caterpillar/Perkins Engine Machines - Cable, Battery (Battery - and Auxiliary Pump to Ground) (Black) | |
| 602B | 7016835 | 1 | Deutz Engine Machines - Cable, Battery (Battery - and Auxiliary Pump to Ground) (Black) | |
| 602B | 7027013 | 1 | GM Engine Machines - Cable, Battery (Battery - to Front Engine Mounting Bolt/Auxiliary Pump/Auxiliary Power Relay Ground) | |

SECTION 7 - ELECTRICAL

| ITEM | PART NUMBER | QTY | DESCRIPTION | REV |
|------|--------------|-----|--|-----|
| 602C | 7027024 | 1 | (Black) Caterpillar/Perkins Engine Machines - Cable, Battery (Red) (Auxiliary Power Relay to Starter) | |
| 602C | 7016834 | 1 | Deutz Engine Machines - Cable, Battery (Starter Relay to Starter) (Red) | |
| 602C | 7016808 | 1 | GM Engine Machines - Cable, Battery (Auxiliary Power Relay to Starter) (Red) | |
| 602D | 7027023 | 1 | Caterpillar/Perkins Engine Machines - Cable, Battery (Auxiliary Relay to Auxiliary Pump) (Red) | |
| 602D | 7016820 | 1 | Deutz Engine Machines - Cable, Battery (Auxiliary Relay to Auxiliary Pump) (Red) | |
| 602D | 7016820 | 1 | GM Engine Machines - Cable, Battery (Auxiliary Relay to Auxiliary Pump) (Red) | |
| 603 | See Note | AR | Deutz Engine Harness Components (Deutz Engine Machines Only) (Note: Not Available for Purchase) | |
| 603A | 7027796 | 1 | Deutz Engine Harness | |
| 603B | See Note | 1 | Connector - 25 Position (Deutz Engine Only) (Note: Not Available for Purchase) | |
| 603C | 7027793 | 1 | Plug-In, Connector | |
| 603D | 70001872 | 1 | Deutz Engine Harness (For other replacement parts refer to Deutz Engine Dealer) (was p/n 7027794) | |
| 604 | See Note | 2 | Pump Harness (Note: Not Available for Purchase) | |
| 604A | 7007497 | 2 | Plug (Pump) | |
| 604B | 7007498 | 2 | Plug (Valve Harness) | |
| 605 | See Note | 1 | Fuel Sender Harness (Note: Not Available for Purchase) | |
| 605A | See Note | 1 | Connector - 2 Position (Note: Not Available for Purchase) | |
| 605A | See Note | 2 | Terminal, Male (Note: Not Available for Purchase) | |
| 606 | 0257887 | 1 | Alarm Harness (Includes Alarm) | |
| 606A | 4460424 | 1 | Connector - 2 Position | |
| 606A | 4460268 | 2 | Socket, Female | |
| 607 | | Ref | Capacity/Elevation Cut-out Switch Harness Options (Includes Electrical Cable and Items 614A-614C): | |
| 607 | 4922714 | 2 | 400S (Includes Items 8.5ft/2.6m of p/n 1060902 18/2 Electrical Cable) (All Specs Except CE Spec) | B |
| 607 | 1001093914 | 2 | 400S with Arctic Package (Includes Items 8.5ft/2.6m of p/n 4923466 18/2 Polar Electrical Cable) (All Specs Except CE Spec) | A |
| 607 | 4922714 | 1 | 400S (Includes Items 8.5ft/2.6m of p/n 1060902 18/2 Electrical Cable) (CE Spec Only) | B |
| 607 | 4922714 | 1 | 460SJ (Includes Items 8.5ft/2.6m of p/n 1060902 18/2 Electrical Cable) (All Specs Except CE Spec) | B |
| 607 | 1001093914 | 1 | 460SJ with Arctic Package (Includes Items 8.5ft/2.6m of p/n 4923466 18/2 Polar Electrical Cable) (All Specs Except CE Spec) | A |
| 607 | 4922714 | 1 | 460SJ (Includes Items 8.5ft/2.6m of p/n 1060902 18/2 Electrical Cable) (CE Spec Only) | B |
| 607A | 4360548 | 1 | Switch, Limit | |
| 607B | 4460968 | 1 | Connector, Strain Relief | |
| 607C | 4460226 | 2 | Socket, Female | |
| 608 | | Ref | Transport Limit Switch Harness - 18/2 (Note: Does NOT include Limit Switch - Purchase Item 609 Separately) | |
| 608 | 4922769 | 1 | 400S (Includes Items 26.5ft/8.1m of p/n 1060680 18/2 Electrical Cable and 2 Sockets) | B |
| 608 | 1001093915 | 1 | 400S with Arctic Package (Includes Items 26.5ft/8.1m of p/n 4923466 18/2 Polar Electrical Cable and 2 Sockets) | A |
| 608 | Not Required | 0 | 460SJ | |
| 608A | 4460226 | 2 | Socket, Female | |

SECTION 7 - ELECTRICAL

| ITEM | PART NUMBER | QTY | DESCRIPTION | REV |
|------|--------------|-----|---|-----|
| 609 | | Ref | Switch, Limit Options: | |
| 609 | 4360549 | 1 | 400S (All Specs Except CE Spec) | |
| 609 | 4360578 | 1 | 400S (CE Specs) | |
| 609 | Not Required | 0 | 460SJ (All Specs Except CE Spec) | |
| 609 | 4360578 | 1 | 460SJ (CE Specs) | |
| 609 | 4460968 | 1 | Connector, Strain Relief | |
| 610 | See Note | 1 | Speed Control Harness (Note: Not Available for Purchase) | |
| 610A | 4460224 | 1 | Connector - 6 Position | |
| 610A | 4460226 | 6 | Socket, Female | |
| 611 | See Note | 1 | Controller Harness Assembly (Lift and Swing) (Note: Not Available for Purchase) | |
| 611A | 7022819 | 1 | Connector - 8 Position (Natural) | |
| 611A | 4460871 | 8 | Socket, Female | |
| 612 | 7022824 | 1 | Controller Harness/Circuit Board Assembly (Drive and Steer) | |
| 612A | 7022825 | 1 | Connector - 8 Position Black | |
| 612A | 4460871 | 7 | Socket, Female | |
| 613 | 4360517 | 1 | Switch, Proximity | |
| 613A | 4460320 | 1 | Connector - 2 Position | |
| 613A | 4460227 | 2 | Pin, Male | |
| 614 | 1060904 | 1 | Cable, Jumper (Deutz Engine Machines Only) | |
| 615 | 4923451 | 1 | Harness, Glow Plug (Deutz Engine Machines Only) | |
| | | Ref | OPTIONAL HARNESS COMPONENTS | |
| 701 | | Ref | AC to Platform Receptacle Components Options: | |
| 701 | 0270022 | Ref | 110V GFI Receptacle (All Specs Except CE Spec) | 4 |
| 701 | 0270024 | Ref | 220V GFI Receptacle (All Specs Except CE Spec) | 3 |
| 701 | | Ref | CE Specs Options: | |
| 701 | | Ref | Without Generator: | |
| 701 | 1001091969 | Ref | 110V with IEC Yellow Receptacle and Plug | C |
| 701 | 1001091970 | Ref | 220V with IEC Blue Receptacle and Plug | C |
| 701 | 1001091975 | Ref | 220V with AFSINT 107 Keyed Ground Receptacle and Plug | D |
| 701 | 1001091973 | Ref | 220V with CEE 7 Post Ground Receptacle and Plug (2x4 Box) | D |
| 701 | 1001091971 | NLA | 220V with CEE 7 Post Ground Receptacle and Plug (70x70 Box) | C |
| 701 | 1001091974 | Ref | 220V with CEE 7 Side Ground Receptacle and Plug (2x4 Box) | D |
| 701 | 1001091972 | NLA | 220V with CEE 7 Side Ground Receptacle and Plug (70x70 Box) | C |
| 701 | | Ref | With 2500W Generator: | |
| 701 | 1001100326 | Ref | 110V with IEC Yellow Receptacle and Plug | D |
| 701 | 1001100327 | Ref | 220V with IEC Blue Receptacle and Plug | D |
| 701 | 1001100337 | Ref | 220V with AFSINT 107 Keyed Ground Receptacle and Plug | D |
| 701 | 1001100331 | Ref | 220V with CEE 7 Post Ground Receptacle and Plug (2x4 Box) | D |
| 701 | 1001100329 | NLA | 220V with CEE 7 Post Ground Receptacle and Plug (70x70 Box) | D |
| 701 | 1001100333 | Ref | 220V with CEE 7 Side Ground Receptacle and Plug (2x4 Box) | D |
| 701 | 1001100328 | NLA | 220V with CEE 7 Side Ground Receptacle and Plug (70x70 Box) | D |
| 701 | 1001093275 | Ref | Breaker Box Installation (Required on CE Spec Machines without Powermite Generator Control Box) | B |
| 701 | 1001109863 | Ref | Breaker Box Installation (Required on CE Spec Machines with Powermite Generator Control Box) | A |
| 701A | | Ref | Box, Switch Options: | |
| 701A | 0860038 | AR | 0270022 & 0270024 Installations | |
| 701A | 0861781 | AR | 1001091969, 1001091970, 1001100326 & 100110327 | |

SECTION 7 - ELECTRICAL

| ITEM | PART NUMBER | QTY | DESCRIPTION | REV |
|------|-------------|-----|--|-----|
| 701A | 0861782 | NLA | Installations 1001091971, 1001091972, 1001100328 & 100110329 Installations (Note: Was p/n 0861782 which is no longer available. Use p/n 1001100344 CEE 7 Side Ground Service Kit or p/n 1001100343 CEE 7 Post Ground Service Kit. Kit include Box p/n 1001141967 and Items 701B, 701C & 701D.) | |
| 701A | 0861731 | AR | 1001091975, 1001091973, 1001091974, 1001100337 1001100331 & 100110333 Installations | |
| 701A | 1001141967 | AR | 1001100343, 1001100344, 1001141970 & 1001141971 Kits | |
| 701B | | Ref | Receptacle Options: | |
| 701B | 4460346 | 1 | 0270022 Installation | |
| 701B | 4460125 | 1 | 0270024 Installation | |
| 701B | 4461198 | 1 | 1001091969 & 1001100326 Installations (Includes Cvr) | |
| 701B | 4461201 | 1 | 1001091970 & 1001100327 Installations (Includes Cvr) | |
| 701B | 4461204 | NLA | 1001091971 & 1001100328 Installations (Includes Cvr) (Use p/n 1001100343) | |
| 701B | 4461207 | NLA | 1001091972 & 1001100329 Installations (Includes Cvr) (Use p/n 1001100344) | |
| 701B | 4461244 | 1 | 1001091973 & 1001100331 Installations (Includes Cvr) | |
| 701B | 4461245 | 1 | 1001091974 & 1001100333 Installations (Includes Cvr) | |
| 701B | 4461246 | 1 | 1001091975 & 1001100337 Installations (Includes Cvr) | |
| 701B | 1001141968 | 1 | 1001100343 & 1001141971 Kits | |
| 701B | 1001141969 | 1 | 1001100344 & 1001141970 Kits | |
| 701C | | Ref | Cover Options: | |
| 701C | 4060700 | 1 | 0270022 Installation (Side Hinged) | |
| 701C | 1001110873 | 1 | 0270022 Installation (Top Hinged) | |
| 701C | 4060092 | 1 | 0270024 Installation | |
| 701C | 4461198 | 1 | 1001091969 & 1001100326 Installations (Includes Receptacle) | |
| 701C | 4461201 | 1 | 1001091970 & 1001100327 Installations (Includes Receptacle) | |
| 701C | 4461204 | NLA | 1001091971 & 1001100328 Installations (Includes Cvr) (Use p/n 1001100343) | |
| 701C | 4461207 | NLA | 1001091972 & 1001100329 Installations (Includes Cvr) (Use p/n 1001100344) | |
| 701C | 4461244 | 1 | 1001091973 & 1001100331 Installations (Includes Receptacle) | |
| 701C | 4461245 | 1 | 1001091974 & 1001100333 Installations (Includes Receptacle) | |
| 701C | 4461246 | 1 | 1001091975 & 1001100337 Installations (Includes Receptacle) | |
| 701C | 1001141968 | 1 | 1001100343 & 1001141971 Kits | |
| 701C | 1001141969 | 1 | 1001100344 & 1001141970 Kits | |
| 701D | | Ref | Plug Options (With 2500W Generator Only): | |
| 701D | 4460205 | 1 | 0270022 Installation (Male) | |
| 701D | 4460233 | 1 | 0270024 Installation (Male) | |
| 701D | 4461196 | 1 | 1001091969 & 1001100326 Installations (Male) | |
| 701D | 4461197 | 1 | 1001091969 & 1001100326 Installations (Female) | |
| 701D | 4461199 | 1 | 1001091970 & 1001100327 Installations (Male) | |
| 701D | 4461200 | 1 | 1001091970 & 1001100327 Installations (Female) | |
| 701D | 4461202 | 1 | 1001091973, 1001091971, 1001100331 & 1001100328 Installations & 1001100343 & 1001141971 Kits (Male) | |
| 701D | 4461203 | 1 | 1001091973, 1001091971, 1001100331 & 1001100328 | |

SECTION 7 - ELECTRICAL

| ITEM | PART NUMBER | QTY | DESCRIPTION | REV |
|------|--------------|-----|---|-----|
| 701D | 4461205 | 1 | Installations & 1001100343 & 1001141971 Kits (Female) | |
| 701D | 4461206 | 1 | 1001091974, 1001901972, 1001100333 & 1001100329 Installation & 1001100344 & 1001141970 Kits (Male) | |
| 701D | 4461249 | 1 | 1001091974, 1001901972, 1001100333 & 1001100329 Installation & 1001100344 & 1001141970 Kits (Female) | |
| 701D | 4461250 | 1 | 1001091975 & 1001100337 Installations (Male) | |
| 701E | | Ref | 1001091975 & 1001100337 Installations (Female) | |
| 701E | 4460071 | 1 | Connector, Strain Relief Options: | |
| 701E | 4460968 | 1 | 0270022 & 0270024 Installations | |
| 701E | | 1 | 1001091969, 1001091970, 1001091971, 1001091972, 1001100326, 1001100327, 1001100328 & 1001100329 Installations (SN 0300096000 through 0300127205) | |
| 701E | 1001101191 | 1 | 1001091969, 1001091970, 1001091971, 1001091972, 1001100326, 1001100327, 1001100328 & 1001100329 Installations | |
| 701E | 4460662 | 1 | 1001091975, 1001091973, 1001091974, 1001100337, 1001100331 & 1001100333 Installations | |
| 701E | 4460968 | 1 | 1001091975, 1001091973, 1001091974, 1001100337, 1001100331 & 1001100333 Installations | |
| 701E | 1001101191 | 1 | 1001091975, 1001091973, 1001091974, 1001100337, 1001100331 & 1001100333 Installations | |
| 701E | | Ref | Adapter, Strain Relief Options: | |
| 701E | Not Required | 0 | 0270022 & 0270024 Installations | |
| 701E | Not Required | 0 | 1001091969, 1001091970, 1001091971, 1001091972, 1001100326, 1001100327, 1001100328 & 1001100329 Installations | |
| 701E | 1001101196 | 1 | 1001091969, 1001091970, 1001091971, 1001091972, 1001100326, 1001100327, 1001100328 & 1001100329 Installations | |
| 701E | Not Required | 0 | 1001091975, 1001091973, 1001091974, 1001100337, 1001100331 & 1001100333 Installations | |
| 701E | 1001101196 | 1 | 1001091975, 1001091973, 1001091974, 1001100337, 1001100331 & 1001100333 Installations | |
| 701E | 0100020 | AR | Sealant | |
| 701F | 3960422 | 1 | Gasket (0270022 & 0270024 Installations Only) | |
| 701G | 4460315 | 1 | Terminal, Spade (0270022 & 0270024 Installations Only) (Not Shown) | |
| 701H | | Ref | Decal - AC Power (Not Shown) | |
| 701H | 1703464 | 1 | 110V | |
| 701H | 3252507 | 1 | 220V | |
| 701J | 0903484 | AR | Bracket, Receptacle Box Mounting (Only Required on CE Spec Installations) | |
| 701K | 0903566 | 1 | Bracket, Circuit Breaker Mounting (Only Required on CE Spec Installations) | |
| 701L | | Ref | Breaker, Circuit Kit Options (Only Required on CE Spec Installations): | |
| 701L | 2902549 | AR | Kit (Without Powermite Generator Control Box) | E |
| 701L | 1001109864 | AR | Kit (With Powermite Generator Control Box) | B |
| 701L | | Ref | Circuit Breaker Options: | |
| | | Ref | Note: For machines with Powermite Generator Control Box use p/n 1001181046. For machines without Powermite Generator Control Box use p/n 1001181045. | |
| 701L | 1001109477 | NLA | Breaker 10A (Use p/n 1001181046) | |
| 701L | 1001109475 | NLA | Breaker 16A (Use p/n 1001181045) | |
| 701L | 1001109482 | NLA | Breaker 30mA (Use p/n 1001181046 for 10A/30mA combination or p/n 1001181045 for 16A/30mA) | |

SECTION 7 - ELECTRICAL

| ITEM | PART NUMBER | QTY | DESCRIPTION | REV |
|------|-------------|-----------|---|-----|
| | | | combination) | |
| 701L | 0861880 | 1 | Breaker Box | |
| 701L | 4460957 | 1 | Terminal Block | |
| 701L | 4460956 | 1 | Barrier, Terminal Block | |
| 701M | 1001097150 | 2 | Connector, Strain Relief (Only Required on CE Spec Installations) | |
| 701N | 1060908 | Ref | Cable, Extension Options (Only Required on CE Spec Installations): | |
| 701N | 1060908 | 6 ft/1.8m | Without Powermite Generator Control Box | |
| 701N | 1060908 | 10 ft/3m | With Powermite Generator Control Box | |
| | 0275216 | 1 | Receptacle, Box and Plug Kit (110V IEC Yellow) (Includes Items 701A-701C and Male 701D Plug End) (1001091969 Installation) | 1-A |
| | 1001100341 | 1 | Receptacle and Box Kit (110V IEC Yellow) (Includes Items 701A-701C and Male 701D Plug End) (1001100326 Installation) | 2-A |
| | 0275217 | 1 | Receptacle, Box and Plug Kit (220V IEC Blue) (Includes Items 701A-701C and Male 701D Plug End) (1001091970 Installation) | 1-A |
| | 1001100342 | 1 | Receptacle and Box Kit (220V IEC Blue) (Includes Items 701A-701C and Male 701D Plug End) (1001100327 Installation) | 2-A |
| | 0275218 | NLA | Receptacle, Box and Plug Kit (220V CEE 7 Post Ground with 70x70 Box) (Includes Items 701A-701C and Male 701D Plug End) (1001091971 Installation) (Use p/n 1001100343) | B-B |
| | 1001100343 | 1 | Receptacle and Box Kit (220V CEE 7 Post Ground with 70x70 Box) (Includes Items 701A-701C and Male 701D Plug End) (1001100328 Installation) | 2-A |
| | 0275219 | NLA | Receptacle, Box and Plug Kit (220V CEE 7 Side Ground with 70x70 Box) (Includes Items 701A-701C and Male 701D Plug End) (1001091972 Installation) (Use p/n 1001100344) | B-B |
| | 1001100344 | 1 | Receptacle and Box Kit (220V CEE 7 Side Ground with 70x70 Box) (Includes Items 701A-701C and Male 701D Plug End) (1001100329 Installation) | 2-A |
| | 0275452 | 1 | Receptacle, Box and Plug Kit (220V CEE 7 Post Ground with 2x4 Box) (Includes Items 701A-701C and Male 701D Plug End) (1001091973 Installation) | 1-A |
| | 1001100345 | 1 | Receptacle and Box Kit (220V CEE 7 Post Ground with 2x4 Box) (Includes Items 701A-701C and Male 701D Plug End) (1001100331 Installation) | 2-A |
| | 0275453 | 1 | Receptacle, Box and Plug Kit (220V CEE 7 Side Ground with 2x4 Box) (Includes Items 701A-701C and Male 701D Plug End) (1001091974 Installation) | 1-A |
| | 1001100347 | 1 | Receptacle and Box Kit (220V CEE 7 Side Ground with 2x4 Box) (Includes Items 701A-701C and Male 701D Plug End) (1001100333 Installation) | 2-A |
| | 0275454 | 1 | Receptacle, Box and Plug Kit (220V AFSINT 107 Keyed Ground) (Includes Items 701A-701C and Male 701D Plug End) (1001091975 Installation) | 1-A |
| | 1001100346 | 1 | Receptacle and Box Kit (220V AFSINT 107 Keyed Ground) (Includes Items 701A-701C and Male 701D Plug End) (1001100337 Installation) | 2-A |
| | 2902549 | 1 | Circuit Breaker Box Kit (Includes Items 701L-701N) (Only Required on CE Spec Installations) | C |
| 702 | | Ref | Generator Electrical Components | |
| 702 | 1001112588 | Ref | 110V (Caterpillar, Deutz and Perkins Engines) | A |
| 702 | 1001100027 | Ref | 110V (Deutz Engines 50Hz) | 5-E |
| 702 | 1001112743 | Ref | 110V (Perkins Engines 50Hz) | B |

SECTION 7 - ELECTRICAL

| ITEM | PART NUMBER | QTY | DESCRIPTION | REV |
|------|-------------|-----|--|-----|
| 702 | 4933350 | Ref | 110V (GM Engines) | B |
| 702 | 1001100027 | Ref | 220V (Deutz 50Hz) | 5-E |
| 702 | 1001112743 | Ref | 220V (Perkins 50Hz) | B |
| 702A | 4460321 | 1 | Connector - 4 Position | |
| 702A | 4460906 | 4 | Socket, Female | |
| 702B | 4922641 | 1 | Harness - On/Off Switch | 1-A |
| 702C | 4460226 | 2 | Socket, Female | |
| 702D | | Ref | Powermite Control Box to Relay Harness Options: | |
| 702D | 1001112589 | 1 | 110V (Caterpillar/Deutz/Perkins Engines) | A |
| 702D | 4922970 | 1 | 110V/220V (Deutz Engines) | B |
| 702D | 1001112589 | 1 | 220V (Perkins Engines) | A |
| 702E | 4460375 | 3 | Terminal | |
| 702F | 4460742 | 1 | Connector - 2 Position (Caterpillar/Perkins Engines) | |
| 702F | 4460743 | 2 | Socket, Female (Caterpillar/Perkins Engines) | |
| 702F | 4460458 | 2 | Seal, Wire (Caterpillar/Perkins Engines) | |
| 702G | 7020193 | 1 | 2500W Generator Power Cable | |
| 702H | See Note | 1 | Control Box Harness (Note: Not Available for Purchase) | |
| 702J | 4460961 | 1 | Connector, Female - 4 Position | |
| 702J | 4460705 | 4 | Pin, Male | |
| 703 | | Ref | 7500W SkyPower Generator Installation | |
| 703 | 1001112101 | Ref | 60Hz and Caterpillar/Perkins Engine | A |
| 703 | 1001112408 | Ref | 50Hz Spec and Caterpillar/Perkins Engine | A |
| 703 | 1001115390 | Ref | 60Hz and Deutz Engine | A |
| 703 | 1001115721 | Ref | 50Hz Spec and Deutz Engine | A |
| 703 | 0275057 | Ref | 60Hz Spec and GM Engine | F |
| 703A | | Ref | Connector Twist-Lock Options: | |
| 703A | 4460958 | 1 | 60Hz Spec | |
| 703A | See Note | 1 | 50Hz Spec (Note: Not Available - Purchase Locally) | |
| 703B | | Ref | Gasket Options: | |
| 703B | 3960422 | 2 | 60Hz Spec | |
| 703B | See Note | 2 | 50Hz Spec (Note: Not Available - Purchase Locally) | |
| 703C | | Ref | Cover, Receptacle Options: | |
| 703C | 4060700 | 1 | 60Hz Spec (Side Hinged) | |
| 703C | 1001110873 | 1 | 60Hz Spec (Top Hinged) | |
| 703C | See Note | 1 | 50Hz Spec (Note: Not Available - Purchase Locally) | |
| 703D | | Ref | Cover, Receptacle Options: | |
| 703D | 4061043 | 1 | 60Hz Spec (Side Hinged) | |
| 703D | 1001110872 | 1 | 60Hz Spec (Top Hinged) | |
| 703D | See Note | 1 | 50Hz Spec (Note: Not Available - Purchase Locally) | |
| 703E | | Ref | Receptacle Options: | |
| 703E | 4460346 | 1 | 60Hz Spec | |
| 703E | See Note | 1 | 50Hz Spec (Note: Not Available - Purchase Locally) | |
| 703F | 4460051 | 1 | Connector, Strain Relief | |
| 703G | 4460071 | 1 | Connector, Strain Relief | |
| 703H | 4922925 | 1 | Harness, Generator | |
| 703I | 77363233 | 1 | Connector - 6 Position | |
| 703I | 4460465 | 6 | Socket, Female | |
| 703J | 4460225 | 1 | Plug, Male - 6 Position | |
| 703J | 4460226 | 6 | Socket, Female | |
| 704 | | Ref | 7500W SkyPower Generator Junction Box Components | |
| 704 | 0861542 | Ref | 60HZ SPEC | D |

SECTION 7 - ELECTRICAL

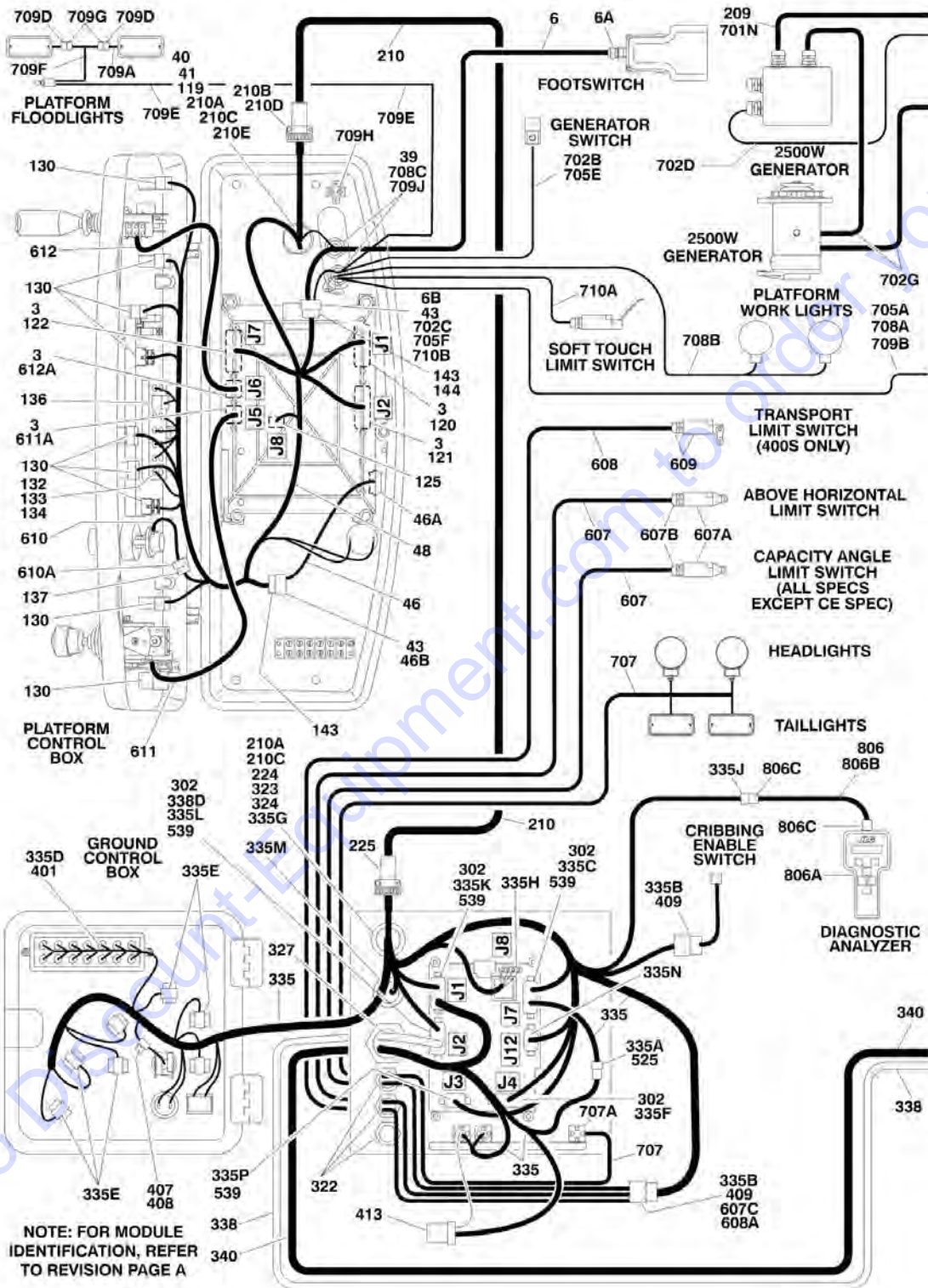
| ITEM | PART NUMBER | QTY | DESCRIPTION | REV |
|------|-------------|----------------|---|-----|
| 704 | 0861567 | Ref | 50Hz Specs | B |
| 704A | | Ref | Cable, Electrical 12/3 | |
| 704A | 1060494 | 2 ft/.6m | 60Hz Spec | |
| 704A | See Note | 2 ft/.6m | 50Hz Spec (Note: Not Available - Purchase Locally) | |
| 704B | | Ref | Cable, Electrical 10/3 | |
| 704B | 1060708 | 2.5 ft/.76m | 60Hz Spec | |
| 704B | See Note | 2.5 ft/.76m | 50Hz Spec (Note: Not Available - Purchase Locally) | |
| 704C | 1060343 | 1.5 ft/.46m | Cable, Electrical 10/4 (60Hz Spec Only) | |
| 704D | 4460425 | 2 | Connector, Strain Relief | |
| 704E | | Ref | Component Options: | |
| 704E | 4460426 | 2 | Connector, Strain Relief (60Hz Spec Only) | |
| 704E | 4460426 | 1 | Connector, Strain Relief (50Hz Spec Only) | |
| 704E | 3520189 | 1 | Plug (50Hz Spec Only) | |
| 704F | 1671092 | 1 | Cover (60Hz Spec Only) | |
| 704F | 4460963 | 1 | Connector (60Hz Spec Only) | |
| 705 | | Ref | 7500W Generator Electrical Diagram Components Options: | |
| 705 | 100112586 | Ref | Caterpillar, Deutz and Perkins Engine Machines | A |
| 705 | 4933349 | Ref | GM Engine Machines (SN 0300177683 through 0300182510) | B |
| 705 | 1001157768 | Ref | GM Engine Machines (SN 0300182511 through 0300203770) | A |
| 705A | | Ref | Generator Harness Options: | |
| 705A | 100112587 | 1 | Caterpillar, Deutz and Perkins Engine Machines | A |
| 705A | 4923420 | 1 | GM Engine Machines | A |
| 705B | 4460374 | 2 | Plug, Sealed Relay | |
| 705B | 4460375 | 7 | Terminal | |
| 705C | 4460967 | 1 | Plug, Male - 3 Position | |
| 705C | 4460465 | 3 | Socket, Female | |
| 705D | 2400060 | 1 | Fuseholder | |
| 705D | 2400064 | 1 | Fuse - 5 Amp | |
| 705E | 4922641 | 1 | Switch Harness | |
| 705F | 4460742 | 1 | Connector - 2 Position (Caterpillar, Deutz and Perkins Engines) | |
| 705F | 4460743 | 2 | Socket, Female (Caterpillar, Deutz and Perkins Engines) | |
| 705F | 4460458 | 2 | Seal, Wire (Caterpillar, Deutz and Perkins Engines) | |
| 706 | 0255917 | 1 | Strobe Light Harness (Includes Strobe Light) | C |
| 706A | 4460320 | 1 | Connector, Female - 2 Position | |
| 706A | 4460267 | 2 | Pin, Male | |
| 707 | See Note | 1 | Lights Harness (Note: Not Available for Purchase) | |
| 707 | 1060341 | 37 ft/11.3m | Cable, Electrical - 16/2 | |
| 707A | 3740049 | 1 | Relay | |
| 707A | 4922643 | 1 | Harness, Bag (Located at Ground Control Box) (Not Shown) | |
| 708 | | Ref | Platform Worklights Components | |
| 708A | | Ref | Harness, Console Box to Aux Relay Options: | |
| 708A | 1060983 | 1 | Harness, Console Box to Aux Relay 400S (63ft/19.2m of 12/3 Cable p/n 1060494) | |
| 708A | 4922965 | 1 | Harness, Console Box to Aux Relay 460SJ (69ft/21m of 12/3 Cable P/N 1060494) | |
| 708B | 2920140 | 2 | Platform Worklights External Harness (Includes Light and Wire Only) | |
| 708C | 4460426 | 1 | Connector, Strain Relief | |

SECTION 7 - ELECTRICAL

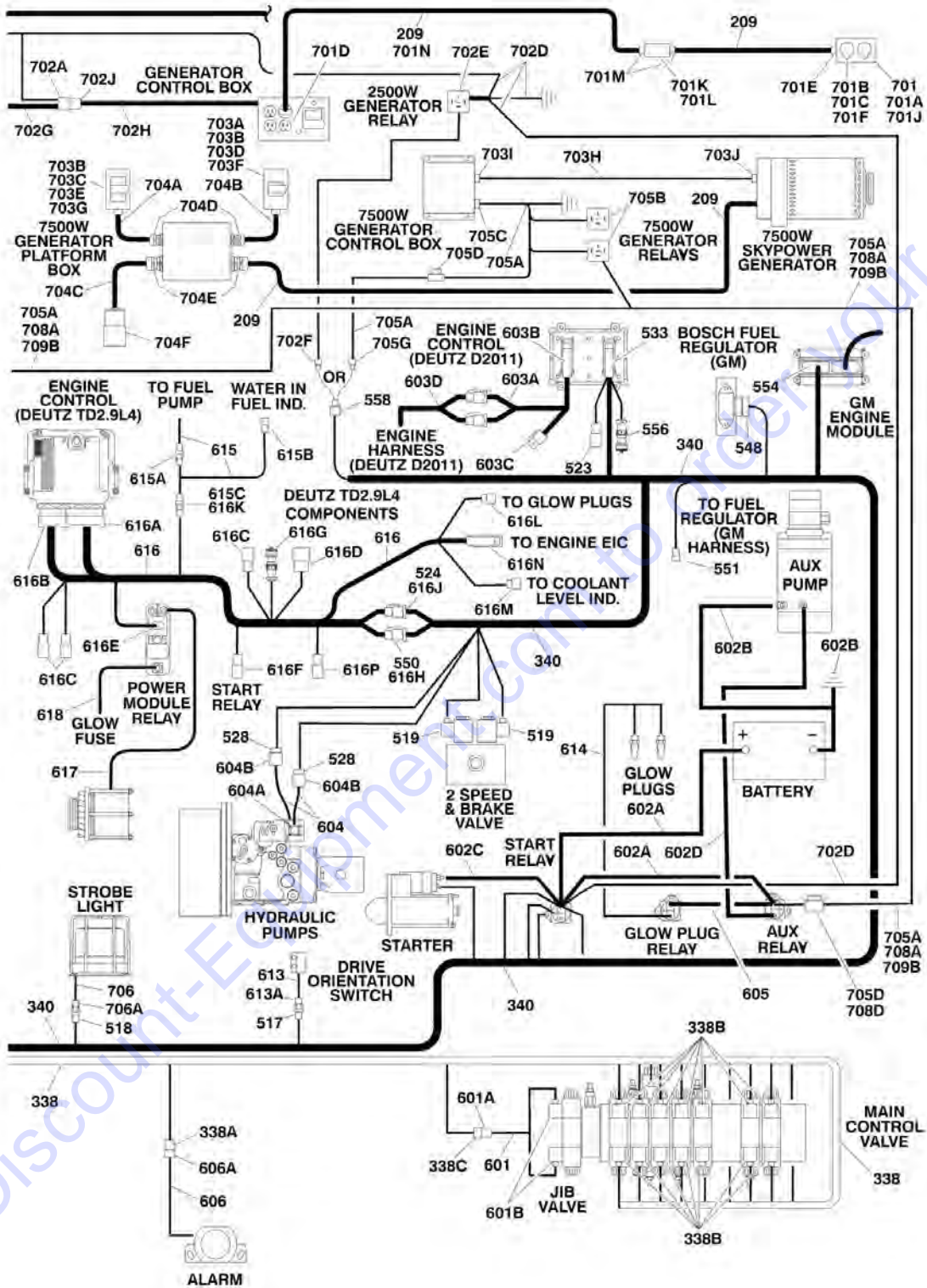
| ITEM | PART NUMBER | QTY | DESCRIPTION | REV |
|------|-------------|----------|---|-----|
| 708D | 2400070 | 1 | Fuse | |
| 708D | 2400066 | 1 | Holder, Fuse | |
| 709 | | Ref | Platform Floodlights Components | |
| 709A | 2920157 | 2 | Platform Floodlights External Harness (Includes Lights and Wire Only) (Not Shown) | |
| 709B | | Ref | Harness, Console Box to Aux Relay Options: | |
| 709B | 1060983 | 1 | Harness, Console Box to Aux Relay 400S (63ft/19.2m of 12/3 Cable P/N 1060494) | |
| 709B | 4922965 | 1 | Harness, Console Box to Aux Relay 460SJ (69ft/21m of 12/3 Cable P/N 1060494) | |
| 709C | 4933313 | Ref | Platform Floodlight Wiring Diagram Components | 1-A |
| 709D | 4460320 | 2 | Connector - 2 Position | |
| 709D | 4460227 | 4 | Pin, Male | |
| 709E | 1060977 | 1 | Cord, 2 Wire Coiled (Console Box Circuit Breaker to Switch) | |
| 709F | 4922764 | 2 | Platform Floodlights Harness (Lights to Switch) (Not Shown) | 1-A |
| 709G | 4460424 | 2 | Connector - 2 Position | |
| 709G | 4460226 | 4 | Socket, Female | |
| 709H | 4360232 | 1 | Circuit Breaker, 15Amp | |
| 709J | 4460425 | 1 | Connector, Strain Relief | |
| 710 | 4933218 | 1 | Soft-Touch System Wiring Diagram | 1-B |
| 710A | 1060902 | 23 ft/7m | Cable, Electrical - 18/2 | |
| 710B | 4460871 | 2 | Socket, Female | |
| | | Ref | TOOLS | |
| 801 | 7002821 | 1 | Crimper (For Wire to Pin/Socket Connections) (Not Shown) | |
| 802 | 7002823 | 1 | Extractor (For Removal of Pin/Socket from Connectors) (Not Shown) | |
| 803 | 4460467 | 1 | Extractor, Pin (Blue 16-18 Gauge) (For Removal of Pin/Socket from Connectors) (Not Shown) | |
| 804 | 4460510 | 1 | Extractor, Pin (Yellow 12-14 Gauge) (For Removal of Pin/Socket from Connectors) (Not Shown) | |
| 805 | 7002828 | 1 | Stripper, Wire (Not Shown) | |
| 806 | 2901443 | 1 | Analyzer Kit | 1-A |
| 806A | 1600244 | 1 | Analyzer | |
| 806B | 1060633 | 1 | Cable, Analyzer | |
| 806C | 4460321 | 2 | Plug, Male | |
| 806C | 4460226 | 8 | Socket, Female | |

SECTION 7 - ELECTRICAL

FIGURE 7-4. HARNESS COMPONENTS INSTALLATION (MACHINES WITH UGM) (SN 0300177683 through 0300203770)



SECTION 7 - ELECTRICAL



SECTION 7 - ELECTRICAL

FIGURE 7-4. HARNESS COMPONENTS INSTALLATION (MACHINES WITH UGM) (SN 0300177683 through 0300203770)

| ITEM | PART NUMBER | QTY | DESCRIPTION | REV |
|------|-------------|-----------|--|-----|
| | | Ref | NOTE: FOR MODULE IDENTIFICATION, REFER TO REVISION LOG PAGE A. | |
| | | Ref | PLATFORM CONSOLE BOX COMPONENTS | |
| 3 | 0100048 | AR | Grease, Dielectric | |
| 6 | 1001117174 | 1 | Footswitch Harness (Includes Footswitch) | B |
| 6 | 1060918 | 7 ft/2.1m | Cable, Electrical - 18/3 | |
| 6A | 4460071 | 1 | Connector, Strain Relief | |
| 6B | 4460226 | 2 | Socket, Female | |
| 6B | 4460464 | 1 | Pin, Male | |
| 39 | 4460428 | 2 | Connector, Strain Relief | |
| 40 | 4460470 | 1 | Nut, Terminal | |
| 41 | 4460471 | 1 | Locknut, Terminal | |
| 43 | 4460708 | 2 | Connector - 15 Position | |
| 46 | 4922666 | 1 | Harness, Analyzer Cable | 2-B |
| 46A | 4460761 | 1 | Connector - 4 Position | |
| 46A | 4460227 | 4 | Pin, Male | |
| 46B | 4460226 | 4 | Socket, Female | |
| 48 | 1001107440 | 1 | Harness, Platform Box (Without SkyGuard) (See Items 101-147 for Breakdown) | |
| 48 | 1001187752 | 1 | Harness, Platform Box (With SkyGuard) (See Items 101-147 for Breakdown) | |
| | 1001107440 | Ref | PLATFORM BOX HARNESS ASSEMBLY (WITHOUT SKYGUARD) | E |
| | 1001187752 | Ref | PLATFORM BOX HARNESS ASSEMBLY (WITH SKYGUARD) | D |
| 119 | 4460866 | 1 | Connector - 19 Position | |
| 119 | 4460464 | 7 | Pin, Male Deutsch 16 Ga | |
| 119 | 4460508 | 3 | Pin, Male Deutsch 12 Ga | |
| 120 | 4460874 | 1 | Connector - 35 Position (Natural) | |
| 120 | 4460871 | 22 | Socket, Female | |
| 120 | 4460905 | 12 | Plug, Terminal | |
| 121 | 4460875 | 1 | Connector - 35 Position (Gray) | |
| 121 | 4460871 | 21 | Socket, Female | |
| 121 | 4460905 | 11 | Plug, Terminal | |
| 122 | 4460873 | 1 | Connector - 35 Position (Black) | |
| 122 | 4460871 | 18 | Socket, Female | |
| 122 | 4460905 | 16 | Plug, Terminal | |
| 125 | 4460879 | 1 | Connector 2 Position | |
| 125 | 4460887 | 2 | Terminal (12 Gauge) | |
| 130 | 4460418 | 6 | Connector - 6 Position | |
| 130 | 4460419 | 18 | Socket, Female | |
| 132 | 4120035 | 10 | Base, Light | |
| 133 | 4460226 | 10 | Terminal (16 Gauge) | |
| 134 | 4460635 | 10 | Terminal (12 Gauge) | |
| 136 | 4460225 | 1 | Connector - 6 Position | |
| 136 | 4460268 | 5 | Socket, Female | |
| 137 | 4460225 | 1 | Connector - 6 Position | |
| 137 | 4460227 | 5 | Pin, Male | |
| 143 | 4460434 | 2 | Connector - 15 Position | |
| 143 | 4460227 | 18 | Pin | |
| 144 | 4460708 | 1 | Connector - 15 Position (With SkyGuard) | |

SECTION 7 - ELECTRICAL

| ITEM | PART NUMBER | QTY | DESCRIPTION | REV |
|------|-------------|-----|---|-----|
| 144 | 4460227 | AR | Pin, Male (With SkyGuard) | |
| 145 | 4460884 | 1 | Connector - 4 Position (With SkyGuard) (Not Shown) | |
| 145 | 4460944 | 4 | Socket, Female (With SkyGuard) (Not Shown) | |
| 146 | 4460536 | 1 | Receptacle - 3 Position (With SkyGuard) (Not Shown) | |
| 146 | 4460943 | 3 | Pin, Male (With SkyGuard) (Not Shown) | |
| 147 | 4460539 | 1 | Plug, Male - 3 Position (With SkyGuard) (Not Shown) | |
| 147 | 4460944 | 3 | Socket, Female (With SkyGuard) (Not Shown) | |
| | | Ref | BOOM CABLES INSTALLATION | |
| | 0271160 | Ref | Boom Cables Installation 400S (ANSI and ANSI Export Specs) | A |
| | 1001093916 | Ref | Boom Cables Installation 400S with Arctic Package (ANSI and ANSI Export Specs) | D |
| | 0271162 | Ref | Boom Cables Installation 400S (Australian and CE Specs) | A |
| | 0272612 | Ref | Boom Cables Installation 400S with 7500w SkyPower Generator | A |
| | 1001093922 | Ref | Boom Cables Installation 400S with 7500w SkyPower Generator and Arctic Package | E |
| | 0271159 | Ref | Boom Cables Installation 460SJ (ANSI and ANSI Export Specs) | A |
| | 1001093919 | Ref | Boom Cables Installation 460SJ with Arctic Package (ANSI and ANSI Export Specs) | C |
| | 0271161 | Ref | Boom Cables Installation 460SJ (Australian and CE Specs) | A |
| | 0272613 | Ref | Boom Cables Installation 460SJ with 7500w SkyPower Generator | A |
| | 1001093924 | Ref | Boom Cables Installation 460SJ with 7500w SkyPower Generator and Arctic Package | D |
| | | Ref | NOTE: For 4000W Generator Components, See SPECIAL OPTIONS Section. | |
| 209 | | Ref | Cable, Electrical Options: | |
| 209 | 1060985 | 1 | Cable, Electrical - 12/3 (400S without Arctic Package ANSI and ANSI Export Specs) (57ft/17.4m) | |
| 209 | 1001093917 | 1 | Cable, Electrical - 12/3 (400S with Arctic Package ANSI and ANSI Export Specs) (57ft/17.4m) | |
| 209 | 1060986 | 1 | Cable, Electrical - 12/3 (400S Australian and CE Specs) (57ft/17.4m) | |
| 209 | 4922802 | 1 | Cable, Electrical - 8/5 (400S with 7500w SkyPower Generator) (62ft/18.9m) | |
| 209 | 4922802 | 1 | Cable, Electrical - 8/5 (400S with Arctic Package and 7500w SkyPower Generator) (62ft/18.9m) | |
| 209 | 1060983 | 1 | Cable, Electrical - 12/3 (460SJ without Arctic Package ANSI and ANSI Export Specs) (63ft/19.2m) | |
| 209 | 1001093920 | 1 | Cable, Electrical - 12/3 (460SJ with Arctic Package ANSI and ANSI Export Specs) (63ft/19.2m) | |
| 209 | 1060984 | 1 | Cable, Electrical - 12/3 (460SJ Australian and CE Specs) (63ft/19.2m) | |
| 209 | 4922803 | 1 | Cable, Electrical - 8/5 (460SJ) (With 7500w SkyPower Generator) (68ft/20.7m) | |
| 209 | 4922803 | 1 | Cable, Electrical - 8/5 (460SJ with Arctic Package and 7500w SkyPower Generator) (68ft/20.7m) | |
| 210 | | Ref | Harness Assembly (12/4 - 18/8) | |
| 210 | 4922548 | 1 | Harness Assembly (12/4 - 18/8) 400S without Arctic Package | 3-C |
| 210 | 1001093918 | 1 | Harness Assembly (12/4 - 18/8) 400S with Arctic Package | A |
| 210 | 4922547 | 1 | Harness Assembly (12/4 - 18/8) 460SJ without Arctic Package | 3-C |
| 210 | 1001093921 | 1 | Harness Assembly (12/4 - 18/8) 460SJ with Arctic Package | A |
| 210 | | Ref | Cable, Electrical - 12/4 & 18/8 Options: | |
| 210 | 1060896 | 54 | Cable, Electrical - 12/4 & 18/8 400S without Arctic Package | |

SECTION 7 - ELECTRICAL

| ITEM | PART NUMBER | QTY | DESCRIPTION | REV |
|------|-------------|----------------|--|-----|
| 210 | 4923462 | ft/16.5m 54 | Cable, Electrical - 12/4 & 18/8 400S with Arctic Package | |
| 210 | 1060896 | ft/16.5m 60 | Cable, Electrical - 12/4 & 18/8 460SJ without Arctic Package | |
| 210 | 4923462 | ft/18.3m 60 | Cable, Electrical - 12/4 & 18/8 460SJ with Arctic Package | |
| 210A | 4460465 | 22 | Socket, Female 18 Gauge | |
| 210B | 4460865 | 1 | Connector Deutsch - 19 Position | |
| 210C | 4460509 | 8 | Socket, Female 12 Gauge | |
| 210D | 4460473 | 1 | Clamp, Cable | |
| 210E | 4460466 | 4 | Seal, Plug | |
| 224 | 4460865 | 1 | Connector Deutsch - 19 Position | |
| 225 | 4460473 | 1 | Clamp, Cable | |
| | | Ref | GROUND CONTROL BOX COMPONENTS | |
| 302 | 0100048 | AR | Grease, Dielectric | |
| 322 | 4460428 | 3 | Connector, Strain Relief | |
| 323 | 4460470 | 1 | Nut, Terminal | |
| 324 | 4460471 | 1 | Locknut, Terminal | |
| 327 | 4460526 | 1 | Connector, Strain Relief | |
| 335 | | Ref | Ground Control Box Harness Assembly | |
| 335 | 1001106999 | 1 | Deutz D2011, Caterpillar and Perkins Engine Machines (Prior to SN 0300200773) | F |
| | 1001187856 | 1 | Deutz D2011, Caterpillar and Perkins Engine Machines (SN 0300200773 through 0300203770) | A |
| 335 | 3990010 | 2 | Diode 6 Amp | |
| 335A | 4460536 | 1 | Connector - 3 Position | |
| 335A | 4460943 | 3 | Socket, Female | |
| 335B | 4460434 | 2 | Connector - 15 Position | |
| 335B | 4460227 | 16 | Pin | |
| 335C | 4460873 | 1 | Connector - 35 Position (Black) | |
| 335C | 4460871 | 15 | Socket, Female | |
| 335C | 4460905 | 22 | Seal, Plug | |
| 335D | 4120035 | 6 | Base, Light | |
| 335D | 4460634 | 7 | Terminal (16 Gauge) | |
| 335D | 4460635 | 5 | Terminal (12 Gauge) | |
| 335E | 4460418 | 7 | Connector - 6 Position | |
| 335E | 4460419 | 21 | Socket, Female | |
| 335F | 4460876 | 1 | Connector - 35 Position (Blue) | |
| 335F | 4460871 | 22 | Socket, Female | |
| 335F | 4460905 | 12 | Seal, Plug | |
| 335G | 4460866 | 1 | Connector - 19 Pin | |
| 335G | 4460464 | 7 | Pin, Male Deutsch 16 Ga | |
| 335G | 4460508 | 3 | Pin, Male (12 Gauge) | |
| 335H | 4460878 | 1 | Housing, Terminal - 4 Position | |
| 335H | 4460887 | 3 | Terminal (12 Gauge) | |
| 335J | 4460761 | 1 | Connector - 4 Position | |
| 335J | 4460227 | 4 | Pin, Male | |
| 335K | 4460874 | 1 | Connector (Natural) | |
| 335K | 4460871 | 8 | Socket, Female | |
| 335K | 4460905 | 20 | Plug, Terminal | |
| 335L | 4460875 | 1 | Connector (Gray) | |

SECTION 7 - ELECTRICAL

| ITEM | PART NUMBER | QTY | DESCRIPTION | REV |
|------|-------------|-----|---|-----|
| 335L | 4460871 | 2 | Socket, Female | |
| 335L | 4460905 | 10 | Plug, Terminal | |
| 335M | 1001112612 | 1 | Connector | |
| 335M | 4460943 | 4 | Pin, Male (Gold) | |
| 335N | 1001106340 | 1 | Connector | |
| 335N | 4460871 | 5 | Socket, Female | |
| 335P | 1001106339 | 1 | Connector | |
| 335P | 4460871 | 2 | Socket, Female | |
| 335P | 4460905 | 11 | Plug, Terminal | |
| 338 | 1001142939 | 1 | Valve Harness Assembly | A |
| 338A | 4460539 | 1 | Connector 3 Position | |
| 338A | 4460465 | 2 | Socket, Female | |
| 338A | 4460466 | 1 | Seal, Plug | |
| 338B | 4460880 | 14 | DIN Connector | |
| 338C | 4460445 | 1 | Connector - 3 Position | |
| 338C | 4460268 | 3 | Pin, Female | |
| 338D | 4460871 | 21 | Socket, Female | |
| 339 | | Ref | Ground Control Box Wiring Diagram (Not Shown - See Items 401-421 for Breakdown) | |
| 339 | 1001150927 | Ref | Deutz D2011 Engine Machines | |
| 339 | 1001147015 | 1 | Deutz TD2.9L4 Engine Machines | |
| 339 | 1001151230 | Ref | GM Engine Machines | |
| 340 | | Ref | Engine Harness Assembly (See Items 501-558 for Breakdown) | |
| 340 | 1001151211 | 1 | Deutz D2011 Engine Machines | |
| 340 | 1001147012 | 1 | Deutz TD2.9L4 Engine Machines | |
| 340 | 1001151212 | 1 | GM Engine Machines | |
| | | Ref | GROUND CONTROL BOX WIRING DIAGRAM | |
| | 1001150927 | Ref | Deutz Engine Machines | A |
| | 1001147015 | Ref | Deutz TD2.9L4 Engine Machines | C |
| | 1001151231 | Ref | CAT / Perkins Engine Machines | A |
| | 1001151230 | Ref | GM Engine Machines | A |
| 401 | 2920129 | AR | Bulb, Light | |
| 406 | 1001173590 | 1 | Fuse, Assembly (Includes Items 407 & 408) | |
| 407 | 2400065 | 1 | Fuse, 30Amp | |
| 408 | 2400066 | 1 | Fuse, Holder | |
| 409 | 4460708 | 2 | Receptacle, Female - 15 Position | |
| 409 | 4460226 | 11 | Socket, Female | |
| 409 | 4922637 | 1 | Harness, Jumper (Not Shown) | |
| 409 | 4922636 | 1 | Harness, Jumper (Not Shown) | |
| 413 | 4460894 | 1 | Connector - 6 Position | |
| 413 | 4460892 | 1 | Connector, Bussbar - 6 Position | |
| 421 | 4460905 | AR | Seal, Plug (Not Shown) | |
| | | Ref | ENGINE HARNESS ASSEMBLY | |
| | 1001151211 | Ref | Deutz D2011 Engine | A |
| | 1001147012 | Ref | Deutz TD2.9L4 Engine | C |
| | 1001151210 | Ref | CAT / Perkins Engine | A |
| | 1001151212 | Ref | GM Engine | A |
| 517 | 4460424 | 1 | Connector - 2 Position | |
| 517 | 4460268 | 2 | Socket, Female | |
| 518 | 4460897 | 1 | Connector -2 Position | |
| 518 | 4460464 | 2 | Pin, Male | |
| 519 | 4460880 | 2 | DIN Connector without Diode | |

SECTION 7 - ELECTRICAL

| ITEM | PART NUMBER | QTY | DESCRIPTION | REV |
|------|-------------|-----|--|-----|
| 523 | 4461070 | 1 | Connector - 3 Position with Resistor (Deutz D2011 Engine Only) | |
| 523 | 4460944 | 3 | Socket, Female (Deutz D2011 Engine Only) | |
| 523 | 4461095 | 1 | Connector - 3 Position (Deutz D2011 Engine Only) | |
| 524 | 4460931 | 1 | Connector, Male - 8 Position (Deutz TD2.9L4 Engines Only) | |
| 524 | 4460464 | 4 | Pin, Male | |
| 524 | 4460466 | 4 | Seal, Plug | |
| 525 | 4460539 | 1 | Connector 3 Position | |
| 525 | 4460944 | 3 | Socket, Female (Gold) | |
| 528 | 4460742 | AR | Connector - 2 Position | |
| 528 | 4460457 | AR | Terminal, Female | |
| 528 | 4460458 | AR | Seal, Terminal | |
| 533 | 4461052 | 1 | Connector - 25 Position (Deutz D2011 Engine Only) | |
| 533 | 4461053 | 1 | Cover, Receptacle (Deutz D2011 Engine Only) | |
| 533 | 4461005 | 5 | Terminal (Deutz D2011 Engine Only) | |
| 533 | 4461006 | 5 | Seal (Used with p/n 4461005) (Deutz D2011 Engine Only) | |
| 533 | 4461060 | 2 | Terminal (Deutz D2011 Engine Only) | |
| 533 | 4461054 | 2 | Seal (Used with p/n 4461060) (Deutz D2011 Engine Only) | |
| 533 | 4461008 | 18 | Plug, Hole (Deutz D2011 Engine Only) | |
| 533 | 4461053 | 1 | Plug, Cover (Deutz D2011 Engine Only) | |
| 539 | 4460871 | AR | Socket, Female | |
| 548 | 4461121 | 1 | Plug, Male - 4 Position (GM Engine Only) | |
| 548 | 4461122 | 4 | Socket, Female (GM Engine Only) | |
| 548 | 4461123 | 4 | Seal, Terminal (GM Engine Only) | |
| 550 | 4460899 | 1 | Connector, Male - 6 Position (Deutz TD2.9L4 Engines Only) | |
| 550 | 4460464 | 5 | Pin, Male | |
| 550 | 4460943 | 5 | Pin, Male (Gold) | |
| 550 | 4460466 | 1 | Seal, Plug | |
| 551 | 4461124 | 1 | Receptacle, Female - 4 Position (GM Engine Only) | |
| 551 | 4460693 | 4 | Pin, Male (GM Engine Only) | |
| 551 | 4460608 | 4 | Seal, Terminal (GM Engine Only) | |
| 551 | 4461161 | 1 | Lock, Terminal (GM Engine Only) | |
| 554 | 4461109 | 1 | Plug, Male - 16 Position (GM Engine Only) | |
| 554 | 4461111 | 7 | Pin, Male (GM Engine Only) | |
| 554 | 4461113 | 7 | Seal, Terminal (GM Engine Only) | |
| 554 | 4461222 | 9 | Plug, Terminal (GM Engine Only) | |
| 556 | 2902443 | 1 | Kit, Receptacle (Deutz D2011 Engine Only) | |
| 556 | 4461071 | 8 | Terminal, Female (Gold) (Deutz D2011 Engine Only) | |
| 556 | 4461072 | 1 | Connector, Flange Mount (Deutz D2011 Engine Only) | |
| 556 | 4461073 | 1 | Connector, Dust Cap (Deutz D2011 Engine Only) | |
| 556 | 4461074 | 1 | Connector, Shell (Deutz D2011 Engine Only) | |
| 558 | 4461157 | 1 | Connector - 2 Position | |
| 558 | 4460458 | 2 | Seal, Terminal | |
| 558 | 4460979 | 2 | Pin, Male | |
| | | Ref | STANDARD HARNESS COMPONENTS | |
| 601 | 4921927 | 1 | Jib Valve Harness (460SJ Only) | |
| 601A | 4460326 | 1 | Plug, Male - 3 Position | |
| 601A | 4460267 | 3 | Pin, Male | |
| 601B | 4460499 | 2 | Connector, DIN with Diode | |
| 602 | | Ref | Battery Cable Kit Options: | |
| 602 | 2901880 | 1 | Deutz D2011 Engine Machines | B |
| 602 | 1001147701 | 1 | Deutz TD2.9L4 Engine Machines | C |

SECTION 7 - ELECTRICAL

| ITEM | PART NUMBER | QTY | DESCRIPTION | REV |
|------|-------------|-----|---|-----|
| 602 | 2902511 | 1 | GM Engine Machines | C |
| 602A | 7016843 | 1 | Deutz D2011 Engines - Cable, Battery (Red) (Battery to Starter Relay and Auxiliary Power Relay) | |
| 602A | 7027059 | 1 | Deutz TD2.9L4 Engines - Cable, Battery (Red) (Battery to Power Relay to Starter Relay and Starter) | |
| 602A | 7027012 | 1 | GM Engines - Cable, Battery (Red) (Battery to Auxiliary Power Relay) | |
| 602B | 7016835 | 1 | Deutz D2011 Engines - Cable, Battery (Black) (Battery - and Auxiliary Pump to Ground) | |
| 602B | 7027061 | 1 | Deutz TD2.9L4 Engines - Cable, Battery (Black) (Battery to Pivot Bolt Ground to Starter Relay and Engine Ground) | |
| 602B | 7027062 | 1 | Deutz TD2.9L4 Engines - Cable, Battery (Black) (Auxiliary Pump to Pivot Bolt Ground) | |
| 602B | 7027013 | 1 | GM Engines - Cable, Battery (Black) (Battery - and Auxiliary Pump to Ground) | |
| 602C | 7016834 | 1 | Deutz D2011 Engines - Cable, Battery (Red) (Starter Relay to Starter) | |
| 602C | See Note | 1 | Deutz TD2.9L4 Engines - Cable, Battery (Red) (Battery to Power Relay to Starter Relay and Starter) (Note: Use Item 602A) | |
| 602C | 7016808 | 1 | GM Engines - Cable, Battery (Red) (Auxiliary Power Relay to Starter) | |
| 602D | 7016820 | 1 | Deutz D2011 and GM Engines - Cable, Battery (Auxiliary Relay to Auxiliary Pump) (Red) | |
| 602D | 7027060 | 1 | Deutz TD2.9L4 Engines - Cable, Battery (Auxiliary Relay to Auxiliary Pump) (Red) | |
| 603 | See Note | AR | Deutz D2011 Engine Harness Components (Deutz Engine Machines Only) (Note: Not Available for Purchase) | |
| 603A | 7027796 | 1 | Deutz D2011 Engine Harness | |
| 603B | See Note | AR | Deutz D2011 Engine Harness Components (Deutz Engine Machines Only) (Note: Not Available for Purchase) | |
| 603C | 7027793 | 1 | Plug-In, Connector | |
| 603D | 70001872 | 1 | Deutz D2011 Engine Harness (For other replacement parts refer to Deutz engine dealer) | |
| 604 | See Note | 2 | Pump Harness (Note: Not Available for Purchase) | |
| 604A | 7007497 | 2 | Plug (Pump) | |
| 604B | 7007498 | 2 | Plug (Valve Harness) | |
| 605 | 1060904 | 1 | Cable, Jumper (Deutz D2011 Engine Machines Only) | |
| 606 | 0140044 | 1 | Alarm Harness (Includes Alarm) | |
| 606A | 4460536 | 1 | Connector - 2 Position | |
| 606A | 4460464 | 2 | Socket, Female | |
| 607 | | Ref | Capacity/Elevation Cut-out Switch Harness Options (Includes Electrical Cable and Items 614A-614C): | |
| 607 | 4922714 | 2 | Capacity/Elevation Cut-out Switch Harness 400S (Includes Items 8.5ft/2.6m of p/n 1060902 18/2 Electrical Cable) (All Specs Except CE Spec) | B |
| 607 | 1001093914 | 2 | Capacity/Elevation Cut-out Switch Harness 400S with Arctic Package (Includes Items 8.5ft/2.6m of p/n 4923466 18/2 Polar Electrical Cable) (All Specs Except CE Spec) | A |
| 607 | 4922714 | 1 | Capacity/Elevation Cut-out Switch Harness 400S (Includes Items 8.5ft/2.6m of p/n 1060902 18/2 Electrical Cable) (CE Spec Only) | B |
| 607 | 4922714 | 1 | Capacity/Elevation Cut-out Switch Harness 460SJ (Includes Items 8.5ft/2.6m of p/n 1060902 18/2 Electrical Cable) (All Specs Except CE Spec) | B |
| 607 | 1001093914 | 1 | Capacity/Elevation Cut-out Switch Harness 460SJ with Arctic Package (Includes Items 8.5ft/2.6m of p/n 4923466 18/2 Polar Electrical Cable) (All Specs Except CE Spec) | A |

SECTION 7 - ELECTRICAL

| ITEM | PART NUMBER | QTY | DESCRIPTION | REV |
|------|--------------|-----|--|-----|
| 607 | 4922714 | 1 | Capacity/Elevation Cut-out Switch Harness 460SJ (Includes Items 8.5ft/2.6m of p/n 1060902 18/2 Electrical Cable) (CE Spec Only) | B |
| 607A | 4360548 | 1 | Switch, Limit | |
| 607B | 4460968 | 1 | Connector, Strain Relief | |
| 607C | 4460226 | 2 | Socket, Female | |
| 608 | | Ref | Transport Limit Switch Harness - 18/2 (Note: Does NOT include Limit Switch - Purchase Item 609 Separately) | |
| 608 | 4922769 | 1 | Transport Limit Switch Harness - 18/2 400S (Includes Items 26.5ft/8.1m of p/n 1060680 18/2 Electrical Cable and 2 Sockets) | B |
| 608 | 1001093915 | 1 | Transport Limit Switch Harness - 18/2 400S with Arctic Package (Includes Items 26.5ft/8.1m of p/n 4923466 18/2 Polar Electrical Cable and 2 Sockets) | A |
| 608 | Not Required | 0 | Transport Limit Switch Harness - 18/2 460SJ | |
| 608A | 4460226 | 2 | Socket, Female | |
| 609 | | Ref | Switch, Limit Options: | |
| 609 | 4360549 | 1 | Switch, Limit 400S (All Specs Except CE Spec) | |
| 609 | 4360578 | 1 | Switch, Limit 400S (CE Specs) | |
| 609 | Not Required | 0 | Switch, Limit 460SJ (All Specs Except CE Spec) | |
| 609 | 4360578 | 1 | Switch, Limit 460SJ (CE Specs) | |
| 609 | 4460968 | 1 | Connector, Strain Relief | |
| 610 | See Note | 1 | Speed Control Harness (Note: Not Available for Purchase) | |
| 610A | 4460224 | 1 | Connector - 6 Position | |
| 610A | 4460226 | 6 | Socket, Female | |
| 611 | See Note | 1 | Controller Harness Assembly (Lift and Swing) (Note: Not Available for Purchase) | |
| 611A | 7022819 | 1 | Connector - 8 Position (Natural) | |
| 611A | 4460871 | 8 | Socket, Female | |
| 612 | 7022824 | 1 | Controller Harness/Circuit Board Assembly (Drive and Steer) | |
| 612A | 7022825 | 1 | Connector - 8 Position Black | |
| 612A | 4460871 | 7 | Socket, Female | |
| 613 | 4360517 | 1 | Switch, Proximity | |
| 613A | 4460320 | 1 | Connector - 2 Position | |
| 613A | 4460227 | 2 | Pin, Male | |
| 614 | 4923451 | 1 | Harness, Glow Plug (Deutz D2011 Engine Machines Only) | |
| 615 | 1001138491 | 1 | Fuel Harness (Deutz TD2.9L4 Engines Only) | |
| 615A | 4460897 | 1 | Receptacle, Female - 2 Position | |
| 615A | 4460941 | 2 | Pin, Male | |
| 615A | 4460891 | 1 | Plug, Male - 2 Position | |
| 615A | 4460942 | 2 | Socket, Female | |
| 615B | 1001116983 | 1 | Receptacle, Female - 2 Position | |
| 615B | 1001116710 | 2 | Terminal | |
| 615B | 4461054 | 2 | Seal | |
| 615C | 4460932 | 1 | Receptacle, Female - 4 Position | |
| 615C | 4460941 | 2 | Pin, Male | |
| 615C | 4460464 | 2 | Pin, Male | |
| 616 | 1001146268 | 1 | Deutz TD2.9L4 Engine Harness | D |
| 616A | 1001133956 | 1 | Connector (Includes Cover, Locks and Retention Plate) | |
| 616A | 1001126352 | 6 | Terminal | |
| 616A | 1001126353 | 6 | Seal, Terminal | |
| 616A | 1001126384 | 19 | Terminal | |
| 616A | 1001126351 | 3 | Terminal | |
| 616A | 1001126356 | 63 | Plug, Seal | |

SECTION 7 - ELECTRICAL

| ITEM | PART NUMBER | QTY | DESCRIPTION | REV |
|------|-------------|-----|---|-----|
| 616A | 1001126357 | 2 | Plug, Seal | |
| 616B | 1001133957 | 1 | Connector (Includes Cover, Locks and Retention Plate) | |
| 616B | 1001126384 | 17 | Terminal | |
| 616B | 1001126351 | 13 | Terminal | |
| 616B | 1001126356 | 19 | Plug, Seal | |
| 616B | 1001126357 | 11 | Plug, Seal | |
| 616C | 4461070 | 3 | Receptacle, Female with Resistor (3 Position) | |
| 616C | 4461095 | 6 | Plug, Male - 3 Position | |
| 616C | 4460944 | 6 | Socket, Female | |
| 616C | 4460466 | 2 | Seal, Plug | |
| 616D | 80484084 | 1 | Receptacle, Female - 8 Position | |
| 616D | 8229242 | 1 | Fuse - 5A | |
| 616D | 80983191 | 1 | Fuse - 10A | |
| 616D | 1001147264 | 1 | Cap | |
| 616D | 1001116727 | 8 | Plug | |
| 616D | 4460458 | 4 | Seal | |
| 616E | 1001116952 | 1 | Plug, Male - 2 Position | |
| 616E | 4460465 | 2 | Socket, Female | |
| 616F | 1001138110 | 1 | Plug, Male - 2 Position | |
| 616F | 1001138111 | 2 | Socket, Female | |
| 616F | 1001138113 | 2 | Seal | |
| 616G | 2902443 | 1 | Kit, Receptacle | |
| 616G | 4461071 | 8 | Terminal, Female (Gold) | |
| 616G | 4461072 | 1 | Connector, Flange Mount | |
| 616G | 4461073 | 1 | Connector, Dust Cap | |
| 616G | 4461074 | 1 | Connector, Shell | |
| 616H | 4460894 | 1 | Plug, Male - 6 Position | |
| 616H | 4460465 | 3 | Socket, Female | |
| 616H | 4460944 | 2 | Socket, Female | |
| 616H | 4460466 | 1 | Seal, Plug | |
| 616J | 4460930 | 1 | Plug, Male - 8 Position | |
| 616J | 4460465 | 1 | Socket, Female | |
| 616J | 4460466 | 7 | Seal, Plug | |
| 616K | 4460884 | 1 | Plug, Male - 4 Position | |
| 616K | 4460465 | 2 | Socket, Female | |
| 616K | 4460942 | 2 | Socket, Female | |
| 616L | 1001142938 | 1 | Plug, Male - 2 Position | |
| 616L | 1001142940 | 2 | Terminal, Female | |
| 616L | 1001142941 | 2 | Seal | |
| 616M | 1001133714 | 1 | Plug, Male - 4 Position | |
| 616M | 1001133715 | 3 | Terminal, Female | |
| 616M | 1001135650 | 3 | Seal | |
| 616M | 4461008 | 1 | Plug, Cavity | |
| 616N | 1001126362 | 1 | Receptacle, Female - 62 Position | |
| 616N | 1001126363 | 33 | Terminal | |
| 616N | 1001126364 | 33 | Seal | |
| 616N | 1001126391 | 23 | Plug | |
| 616N | 4461008 | 4 | Plug, Cavity | |
| 616N | 1001126365 | 2 | Terminal | |
| 616N | 4461054 | 2 | Seal | |
| 616P | 4460891 | 1 | Connector - 2 Position | |

SECTION 7 - ELECTRICAL

| ITEM | PART NUMBER | QTY | DESCRIPTION | REV |
|------|-------------|-----|--|-----|
| 616P | 4460465 | 2 | Socket, Female | |
| 616P | 4460897 | 1 | Connector -2 Position | |
| 616P | See Note | 1 | Resistor (Note: Not Available for Purchase) | |
| 617 | 1001143907 | 1 | Alternator Power Cable (Deutz TD2.9L4 Engines) | |
| 617 | 1001098764 | 1 | Boot, Red (Deutz TD2.9L4 Engines) | |
| 618 | 1001141304 | 1 | Harness, Glow Fuse (Deutz TD2.9L4 Engine Machines Only) | |
| | | Ref | OPTIONAL HARNESS COMPONENTS | |
| 701 | | Ref | AC to Platform Receptacle Components Options: | |
| | | Ref | NOTE: For 240V GFI Receptacle used with 7500W SkyPower Generator, See SPECIAL OPTIONS SECTION. | |
| 701 | 0270022 | Ref | 110V GFI Receptacle (All Specs Except CE Spec) | 4 |
| 701 | 0270024 | Ref | 220V GFI Receptacle (All Specs Except CE Spec) | 3 |
| 701 | | Ref | CE Specs Options: | |
| 701 | | Ref | Without Generator: | |
| 701 | 1001091969 | Ref | 110V with IEC Yellow Receptacle and Plug | C |
| 701 | 1001091970 | Ref | 220V with IEC Blue Receptacle and Plug | C |
| 701 | 1001091975 | Ref | 220V with AFSINT 107 Keyed Ground Receptacle and Plug | C |
| 701 | 1001091973 | Ref | 220V with CEE 7 Post Ground Receptacle and Plug (2x4 Box) | D |
| 701 | 1001091971 | NLA | 220V with CEE 7 Post Ground Receptacle and Plug (70x70 Box) | C |
| 701 | 1001091974 | Ref | 220V with CEE 7 Side Ground Receptacle and Plug (2x4 Box) | D |
| 701 | 1001091972 | NLA | 220V with CEE 7 Side Ground Receptacle and Plug (70x70 Box) | C |
| 701 | | Ref | With 2500W Generator: | |
| 701 | 1001100326 | Ref | 110V with IEC Yellow Receptacle and Plug | D |
| 701 | 1001100327 | Ref | 220V with IEC Blue Receptacle and Plug | D |
| 701 | 1001100337 | Ref | 220V with AFSINT 107 Keyed Ground Receptacle and Plug | D |
| 701 | 1001100331 | Ref | 220V with CEE 7 Post Ground Receptacle and Plug (2x4 Box) | D |
| 701 | 1001100329 | NLA | 220V with CEE 7 Post Ground Receptacle and Plug (70x70 Box) | C |
| 701 | 1001100333 | Ref | 220V with CEE 7 Side Ground Receptacle and Plug (2x4 Box) | C |
| 701 | 1001100328 | NLA | 220V with CEE 7 Side Ground Receptacle and Plug (70x70 Box) | C |
| 701 | 1001093275 | Ref | Breaker Box Installation (Required on CE Spec Machines without Powermite Generator Control Box) | B |
| 701 | 1001109863 | Ref | Breaker Box Installation (Required on CE Spec Machines with Powermite Generator Control Box) | A |
| 701A | | Ref | Box, Switch Options: | |
| 701A | 0860038 | AR | 0270022 & 0270024 Installations | |
| 701A | 0861781 | AR | 1001091969, 1001091970, 1001100326 & 100110327 Installations | |
| 701A | 0861782 | NLA | 1001091971, 1001091972, 1001100328 & 100110329 Installations (Note: Was p/n 0861782 which is no longer available. Use p/n 1001100344 CEE 7 Side Ground Service Kit or p/n 1001100343 CEE 7 Post Ground Service Kit. Kit include Box p/n 1001141967 and Items 701B, 701C & 701D.) | |
| 701A | 0861731 | AR | 1001091975, 1001091973, 1001091974, 1001100337 1001100331 & 100110333 Installations | |
| 701A | 1001141967 | AR | 1001100343, 1001100344, 1001141970 & 1001141971 Kits | |
| 701B | | Ref | Receptacle Options: | |
| 701B | 4460346 | 1 | 0270022 Installation | |
| 701B | 4460125 | 1 | 0270024 Installation | |
| 701B | 4461198 | 1 | 1001091969 & 1001100326 Installations (Includes Cvr) | |

SECTION 7 - ELECTRICAL

| ITEM | PART NUMBER | QTY | DESCRIPTION | REV |
|------|-------------|-----|---|-----|
| 701B | 4461201 | 1 | 1001091970 & 1001100327 Installations (Includes Cvr) | |
| 701B | 4461204 | NLA | 1001091971 & 1001100328 Installations (Includes Cvr) (Use p/n 1001100343) | |
| 701B | 4461207 | NLA | 1001091972 & 1001100329 Installations (Includes Cvr) (Use p/n 1001100344) | |
| 701B | 4461244 | 1 | 1001091973 & 1001100331 Installations (Includes Cvr) | |
| 701B | 4461245 | 1 | 1001091974 & 1001100333 Installations (Includes Cvr) | |
| 701B | 4461246 | 1 | 1001091975 & 1001100337 Installations (Includes Cvr) | |
| 701B | 1001141968 | 1 | 1001100343 & 1001141971 Kits | |
| 701B | 1001141969 | 1 | 1001100344 & 1001141970 Kits | |
| 701C | | Ref | Cover Options: | |
| 701C | 4060700 | 1 | 0270022 Installation (Side Hinged) | |
| 701C | 1001110873 | 1 | 0270022 Installation (Top Hinged) | |
| 701C | 4060092 | 1 | 0270024 Installation | |
| 701C | 4461198 | 1 | 1001091969 & 1001100326 Installations (Includes Receptacle) | |
| 701C | 4461201 | 1 | 1001091970 & 1001100327 Installations (Includes Receptacle) | |
| 701C | 4461204 | NLA | 1001091971 & 1001100328 Installations (Includes Cvr) (Use p/n 1001100343) | |
| 701C | 4461207 | NLA | 1001091972 & 1001100329 Installations (Includes Cvr) (Use p/n 1001100344) | |
| 701C | 4461244 | 1 | 1001091973 & 1001100331 Installations (Includes Receptacle) | |
| 701C | 4461245 | 1 | 1001091974 & 1001100333 Installations (Includes Receptacle) | |
| 701C | 4461246 | 1 | 1001091975 & 1001100337 Installations (Includes Receptacle) | |
| 701C | 1001141968 | 1 | 1001100343 & 1001141971 Kits | |
| 701C | 1001141969 | 1 | 1001100344 & 1001141970 Kits | |
| 701D | | Ref | Plug Options (With 2500W Generator Only): | |
| 701D | 4460205 | 1 | 0270022 Installation (Male) | |
| 701D | 4460233 | 1 | 0270024 Installation (Male) | |
| 701D | 4461196 | 1 | 1001091969 & 1001100326 Installations (Male) | |
| 701D | 4461197 | 1 | 1001091969 & 1001100326 Installations (Female) | |
| 701D | 4461199 | 1 | 1001091970 & 1001100327 Installations (Male) | |
| 701D | 4461200 | 1 | 1001091970 & 1001100327 Installations (Female) | |
| 701D | 4461202 | 1 | 1001091973, 1001091971, 1001100331 & 1001100328 Installations & 1001100343 & 1001141971 Kits (Male) | |
| 701D | 4461203 | 1 | 1001091973, 1001091971, 1001100331 & 1001100328 Installations & 1001100343 & 1001141971 Kits (Female) | |
| 701D | 4461205 | 1 | 1001091974, 1001901972, 1001100333 & 1001100329 Installation & 1001100344 & 1001141970 Kits (Male) | |
| 701D | 4461206 | 1 | 1001091974, 1001901972, 1001100333 & 1001100329 Installation & 1001100344 & 1001141970 Kits (Female) | |
| 701D | 4461249 | 1 | 1001091975 & 1001100337 Installations (Male) | |
| 701D | 4461250 | 1 | 1001091975 & 1001100337 Installations (Female) | |
| 701E | | Ref | Connector, Strain Relief Options: | |
| 701E | 4460071 | 1 | 0270022 & 0270024 Installations | |
| 701E | 4460968 | 1 | 1001091969, 1001091970, 1001091971, 1001091972, 1001100326, 1001100327, 1001100328 & 1001100329 Installations (SN 0300096000 through 0300127205) | |
| 701E | 1001101191 | 1 | 1001091969, 1001091970, 1001091971, 1001091972, 1001100326, 1001100327, 1001100328 & 1001100329 Installations | |

SECTION 7 - ELECTRICAL

| ITEM | PART NUMBER | QTY | DESCRIPTION | REV |
|------|--------------|-----------|---|-----|
| 701E | 4460662 | 1 | 1001091975, 1001091973, 1001091974, 1001100337, 1001100331 & 1001100333 Installations | |
| 701E | 4460968 | 1 | 1001091975, 1001091973, 1001091974, 1001100337, 1001100331 & 1001100333 Installations | |
| 701E | 1001101191 | 1 | 1001091975, 1001091973, 1001091974, 1001100337, 1001100331 & 1001100333 Installations | |
| 701E | | Ref | Adapter, Strain Relief Options: | |
| 701E | Not Required | 0 | 0270022 & 0270024 Installations | |
| 701E | Not Required | 0 | 1001091969, 1001091970, 1001091971, 1001091972, 1001100326, 1001100327, 1001100328 & 1001100329 Installations | |
| 701E | 1001101196 | 1 | 1001091969, 1001091970, 1001091971, 1001091972, 1001100326, 1001100327, 1001100328 & 1001100329 Installations | |
| 701E | Not Required | 0 | 1001091975, 1001091973, 1001091974, 1001100337, 1001100331 & 1001100333 Installations | |
| 701E | 1001101196 | 1 | 1001091975, 1001091973, 1001091974, 1001100337, 1001100331 & 1001100333 Installations | |
| 701E | 0100020 | AR | Sealant | |
| 701F | 3960422 | 1 | Gasket (0270022 & 0270024 Installations Only) | |
| 701G | 4460315 | 1 | Terminal, Spade (0270022 & 0270024 Installations Only) (Not Shown) | |
| 701H | | Ref | Decal - AC Power (Not Shown) | |
| 701H | 1703464 | 1 | 110V | |
| 701H | 3252507 | 1 | 220V | |
| 701J | 0903484 | AR | Bracket, Receptacle Box Mounting (Only Required on CE Spec Installations) | |
| 701K | 0903566 | 1 | Bracket, Circuit Breaker Mounting (Only Required on CE Spec Installations) | |
| 701L | | Ref | Breaker, Circuit Kit Options (Only Required on CE Spec Installations): | |
| 701L | 2902549 | AR | Kit (Without Powermite Generator Control Box) | E |
| 701L | 1001109864 | AR | Kit (With Powermite Generator Control Box) | B |
| 701L | | Ref | Circuit Breaker Options: | |
| | | Ref | Note: For machines with Powermite Generator Control Box use p/n 1001181046. For machines without Powermite Generator Control Box use p/n 1001181045. | |
| 701L | 1001109477 | NLA | Breaker 10A (Use p/n 1001181046) | |
| 701L | 1001109475 | NLA | Breaker 16A (Use p/n 1001181045) | |
| 701L | 1001109482 | NLA | Breaker 30mA (Use p/n 1001181046 for 10A/30mA combination or use p/n 1001181045 for 16A/30mA combination) | |
| 701L | 0861880 | 1 | Breaker Box | |
| 701L | 4460957 | 1 | Terminal Block | |
| 701L | 4460956 | 1 | Barrier, Terminal Block | |
| 701M | 1001097150 | 2 | Connector, Strain Relief (Only Required on CE Spec Installations) | |
| 701N | 1060908 | Ref | Cable, Extension Options (Only Required on CE Spec Installations): | |
| 701N | 1060908 | 6 ft/1.8m | Without Powermite Generator Control Box | |
| 701N | 1060908 | 10 ft/3m | With Powermite Generator Control Box | |
| | 0275216 | 1 | Receptacle, Box and Plug Kit (110V IEC Yellow) (Includes Items 701A-701C and Male 701D Plug End) (1001091969 Installation) | 1-A |
| | 1001100341 | 1 | Receptacle and Box Kit (110V IEC Yellow) (Includes Items 701A-701C and Male 701D Plug End) (1001100326 | 2-A |

SECTION 7 - ELECTRICAL

| ITEM | PART NUMBER | QTY | DESCRIPTION | REV |
|------|-------------|-----|---|-----|
| | 0275217 | 1 | Installation) Receptacle, Box and Plug Kit (220V IEC Blue) (Includes Items 701A-701C and Male 701D Plug End) (1001091970 Installation) | 1-A |
| | 1001100342 | 1 | Receptacle and Box Kit (220V IEC Blue) (Includes Items 701A-701C and Male 701D Plug End) (1001100327 Installation) | 2-A |
| | 0275218 | NLA | Receptacle, Box and Plug Kit (220V CEE 7 Post Ground with 70x70 Box) (Includes Items 701A-701C and Male 701D Plug End) (1001091971 Installation) (Use p/n 1001100343) | B-B |
| | 1001100343 | 1 | Receptacle and Box Kit (220V CEE 7 Post Ground with 70x70 Box) (Includes Items 701A-701C and Male 701D Plug End) (1001100328 Installation) | 2-A |
| | 0275219 | NLA | Receptacle, Box and Plug Kit (220V CEE 7 Side Ground with 70x70 Box) (Includes Items 701A-701C and Male 701D Plug End) (1001091972 Installation) (Use p/n 1001100344) | B-B |
| | 1001100344 | 1 | Receptacle and Box Kit (220V CEE 7 Side Ground with 70x70 Box) (Includes Items 701A-701C and Male 701D Plug End) (1001100329 Installation) | 2-A |
| | 0275452 | 1 | Receptacle, Box and Plug Kit (220V CEE 7 Post Ground with 2x4 Box) (Includes Items 701A-701C and Male 701D Plug End) (1001091973 Installation) | 1-A |
| | 1001100345 | 1 | Receptacle and Box Kit (220V CEE 7 Post Ground with 2x4 Box) (Includes Items 701A-701C and Male 701D Plug End) (1001100331 Installation) | 2-A |
| | 0275453 | 1 | Receptacle, Box and Plug Kit (220V CEE 7 Side Ground with 2x4 Box) (Includes Items 701A-701C and Male 701D Plug End) (1001091974 Installation) | 1-A |
| | 1001100347 | 1 | Receptacle and Box Kit (220V CEE 7 Side Ground with 2x4 Box) (Includes Items 701A-701C and Male 701D Plug End) (1001100333 Installation) | 2-A |
| | 0275454 | 1 | Receptacle, Box and Plug Kit (220V AFSINT 107 Keyed Ground) (Includes Items 701A-701C and Male 701D Plug End) (1001091975 Installation) | 1-A |
| | 1001100346 | 1 | Receptacle and Box Kit (220V AFSINT 107 Keyed Ground) (Includes Items 701A-701C and Male 701D Plug End) (1001100337 Installation) | 2-A |
| | 2902549 | 1 | Circuit Breaker Box Kit (Includes Items 701L-701N) (Only Required on CE Spec Installations) | C |
| 702 | | Ref | 2500W Generator Electrical Components | |
| 702 | 1001112588 | Ref | 110V (Deutz Engines) | A |
| 702 | 4933350 | Ref | 110V (GM Engines) | B |
| 702 | 1001112743 | Ref | 220V (Deutz 50Hz) | B |
| | | Ref | NOTE: For 4000W Generator Installations, See SPECIAL OPTIONS SECTION. | |
| 702A | 4460321 | 1 | Connector - 4 Position | |
| 702A | 4460906 | 4 | Socket, Female | |
| 702B | 4922641 | 1 | Harness - On/Off Switch | 1-A |
| 702C | 4460226 | 2 | Socket, Female | |
| 702D | | Ref | Powermite Control Box to Relay Harness Options: | |
| 702D | 1001112589 | 1 | 110V (Deutz Engines) | A |
| 702D | 1001112589 | 1 | 220V (Deutz Engines) | A |
| 702D | 4923445 | 1 | 110V (GM Engines) | A |
| 702E | 4460375 | 3 | Terminal | |
| 702F | 4460742 | 1 | Connector - 2 Position | |
| 702F | 4460743 | 2 | Socket, Female | |
| 702F | 4460458 | 2 | Seal, Wire | |

SECTION 7 - ELECTRICAL

| ITEM | PART NUMBER | QTY | DESCRIPTION | REV |
|------|-------------|----------|--|-----|
| 702G | 7020193 | 1 | 2500W Generator Power Cable | |
| 702H | See Note | 1 | Control Box Harness (Note: Not Available for Purchase) | |
| 702J | 4460961 | 1 | Connector, Female - 4 Position | |
| 702J | 4460705 | 4 | Pin, Male | |
| 703 | | Ref | 7500W SKYPOWER GENERATOR INSTALLATION | |
| 703 | 1001147018 | Ref | 60Hz and Deutz TD2.9L4 Engine | C |
| 703 | 1001115390 | Ref | 60Hz and Deutz D2011 Engine | C |
| 703 | 1001115721 | Ref | 50Hz Spec and Deutz D2011 Engine | C |
| 703 | 0275057 | Ref | 60Hz Spec and GM Engine | I |
| | | Ref | NOTE: For 4000W Generator Installations, See SPECIAL OPTIONS SECTION. | |
| 703A | | Ref | Connector Twist-Lock Options (Machines with Deutz D2011 and GM Engines Only): | |
| 703A | 4460958 | 1 | 60Hz Spec (SN 0300177683 through 0300182510) | |
| 703A | See Note | 1 | 50Hz Spec (Note: Not Available - Purchase Locally) | |
| 703B | | Ref | Gasket Options: | |
| 703B | 3960422 | AR | 60Hz Spec | |
| 703B | See Note | AR | 50Hz Spec (Note: Not Available - Purchase Locally) | |
| 703C | | Ref | Cover, Receptacle Options: | |
| 703C | 1001110873 | 1 | 60Hz Spec (Top Hinged) | |
| 703C | See Note | 1 | 50Hz Spec (Note: Not Available - Purchase Locally) | |
| 703D | | Ref | Cover, Receptacle Options (Machines with Deutz D2011 and GM Engines Only): (SN 0300177683 through 0300182510) | |
| 703D | 4061043 | 1 | 60Hz Spec (Side Hinged) | |
| 703D | 1001110872 | 1 | 60Hz Spec (Top Hinged) | |
| 703D | See Note | 1 | 50Hz Spec (Note: Not Available - Purchase Locally) | |
| 703E | | Ref | Receptacle Options: | |
| | | Ref | NOTE: For 240V GFI Receptacle, See SPECIAL OPTIONS SECTION. | |
| 703E | 4460346 | 1 | 60Hz Spec | |
| 703E | See Note | 1 | 50Hz Spec (Note: Not Available - Purchase Locally) | |
| 703F | 4460051 | 1 | Connector, Strain Relief (Machines with Deutz D2011 and GM Engines Only) (SN 0300177683 through 0300182510) | |
| 703G | 4460071 | 1 | Connector, Strain Relief | |
| 703H | 4922925 | 1 | Harness, Generator | |
| 703I | 77363233 | 1 | Connector - 6 Position | |
| 703I | 4460465 | 6 | Socket, Female | |
| 703J | 4460225 | 1 | Plug, Male - 6 Position | |
| 703J | 4460226 | 6 | Socket, Female | |
| 704 | | Ref | 7500W SkyPower Generator Junction Box Components | |
| 704 | 0861542 | Ref | 60Hz Spec (Deutz D2011 Engines) (SN 0300177683 through 0300182510) | E |
| | 1001157592 | Ref | 60Hz Spec (Deutz D2011 Engines) (SN 0300182511 through 0300203770) | C |
| 704 | 1001157592 | Ref | 60Hz Spec (Deutz TD2.9L4 Engines) | C |
| 704 | 0861542 | Ref | 60Hz Spec (GM Engines) (SN 0300177683 through 0300182510) | E |
| | 1001157592 | Ref | 60Hz Spec (GM Engines) (SN 0300182511 through 0300203770) | C |
| 704 | 0861567 | Ref | 50Hz Specs (SN 0300177683 through 0300182510) | B |
| | 1001157592 | Ref | 50Hz Specs (SN 0300182511 through 0300203770) | C |
| 704A | | Ref | Cable, Electrical 12/3 | |
| 704A | 1060494 | 2 ft/.6m | 60Hz Spec | |

SECTION 7 - ELECTRICAL

| ITEM | PART NUMBER | QTY | DESCRIPTION | REV |
|------|-------------|----------------|--|-----|
| 704A | See Note | 2 ft/.6m | 50Hz Spec (Note: Not Available - Purchase Locally) | |
| 704B | | Ref | Cable, Electrical 10/3 (Machines with Deutz D2011 and GM Engines Only) | |
| 704B | 1060708 | 2.5 ft/.76m | 60Hz Spec | |
| 704B | See Note | 2.5 ft/.76m | 50Hz Spec (Note: Not Available - Purchase Locally) | |
| 704C | 1060343 | 1.5 ft/.46m | Cable, Electrical 10/4 (60Hz Spec Only) | |
| 704D | 4460425 | AR | Connector, Strain Relief | |
| 704D | 1001152525 | 1 | Plug, Hole (Machines with Deutz TD2.9L4 Engines Only) | |
| 704E | | Ref | Component Options: | |
| 704E | 4460426 | 2 | Connector, Strain Relief (60Hz Spec Only) | |
| 704E | 4460426 | 1 | Connector, Strain Relief (50Hz Spec Only) | |
| 704E | 3520189 | 1 | Plug (50Hz Spec Only) | |
| 704F | 1671092 | 1 | Cover (60Hz Spec Only) | |
| 704F | 4460963 | 1 | Connector (60Hz Spec Only) | |
| 705 | | Ref | 7500W Generator Electrical Diagram Components Options: | |
| 705 | 1001112586 | Ref | Deutz D2011 Engine Machines (SN 0300177683 through 0300182510) | B |
| 705 | 1001157769 | Ref | Deutz D2011 Engine Machines (SN 0300182511 through 0300203770) | C |
| 705 | 1001157770 | Ref | Deutz TD2.9L4 Engine Machines | A |
| 705 | 4933349 | Ref | GM Engine Machines (SN 0300177683 through 0300182510) | B |
| 705 | 1001157768 | Ref | GM Engine Machines (SN 0300182511 through 0300203770) | A |
| 705A | | Ref | Generator Harness Options: | |
| 705A | 1001112587 | 1 | Deutz D2011 Engine Machines (SN 0300177683 through 0300182510) | B |
| 705A | 1001152429 | 1 | Deutz D2011 Engine Machines (SN 0300182511 through 0300203770) | C |
| 705A | 1001119968 | 1 | Deutz TD2.9L4 Engine Machines | C |
| 705A | 4923420 | 1 | GM Engine Machines | A |
| 705B | 4460374 | 2 | Plug, Sealed Relay (Machines with Deutz D2011 Engines Only) (SN 0300177683 through 0300182510) | |
| 705B | 4460374 | 2 | Plug, Sealed Relay (Machines with GM Engines Only) | |
| 705B | 4460375 | 7 | Terminal | |
| 705C | 4460967 | 1 | Plug, Male - 3 Position | |
| 705C | 4460465 | 3 | Socket, Female | |
| 705D | 2400060 | 1 | Fuseholder | |
| 705D | 2400064 | 1 | Fuse - 5 Amp | |
| 705E | 4922641 | 1 | Switch Harness | |
| 705F | 4460226 | 2 | Socket, Female | |
| 705G | 4460742 | 1 | Connector - 2 Position | |
| 705G | 4460743 | 2 | Socket, Female | |
| 705G | 4460458 | 2 | Seal, Wire | |
| 706 | 2920161 | 1 | Strobe Light Harness (Includes Strobe Light) | B |
| 706A | 4460891 | 1 | Connector - 2 Position | |
| 706A | 4460465 | 2 | Socket, Female | |
| 707 | See Note | 1 | Lights Harness (Note: Not Available for Purchase) | |
| 707 | 1060341 | 37 ft/11.3m | Cable, Electrical - 16/2 | |
| 707A | 3740049 | 1 | Relay | |
| 707A | 4922643 | 1 | Harness, Bag (Located at Ground Control Box) (Not Shown) | |
| 708 | | Ref | Platform Worklights Components | |

PARTS FINDER

**Search Website
by Part Number**



**Search Manual
Library For Parts
Manual & Lookup Part
Numbers – Purchase
or Request Quote**

**Can't Find Part or
Manual? Request Help
by Manufacturer,
Model & Description**

Discount-Equipment.com is your online resource for quality parts & equipment.

Florida: **561-964-4949** Outside Florida TOLL FREE: **877-690-3101**

Need parts?

Click on this link: <http://www.discount-equipment.com/category/5443-parts/> and choose one of the options to help get the right parts and equipment you are looking for. Please have the machine model and serial number available in order to help us get you the correct parts. If you don't find the part on the website or on one of the online manuals, please fill out the request form and one of our experienced staff members will get back to you with a quote for the right part that your machine needs.

We sell worldwide for the brands: Genie, Terex, JLG, MultiQuip, Mikasa, Essick, Whiteman, Mayco, Toro Stone, Diamond Products, Generac Magnum, Airman, Haulotte, Barreto, Power Blanket, Nifty Lift, Atlas Copco, Chicago Pneumatic, Allmand, Miller Curber, Skyjack, Lull, Skytrak, Tsurumi, Husquvarna Target, Stow, Wacker, Sakai, Mi-T-M, Sullair, Basic, Dynapac, MBW, Weber, Bartell, Bennar Newman, Haulotte, Ditch Runner, Menegotti, Morrison, Contec, Buddy, Crown, Edco, Wyco, Bomag, Laymor, EZ Trench, Bil-Jax, F.S. Curtis, Gehl Pavers, Heli, Honda, ICS/PowerGrit, IHI, Partner, Imer, Clipper, MMD, Koshin, Rice, CH&E, General Equipment, Amida, Coleman, NAC, Gradall, Square Shooter, Kent, Stanley, Tamco, Toku, Hatz, Kohler, Robin, Wisconsin, Northrock, Oztec, Toker TK, Rol-Air, APT, Wylie, Ingersoll Rand / Doosan, Innovatech, Con X, Ammann, Mecalac, Makinex, Smith Surface Prep, Small Line, Wanco, Yanmar

SECTION 7 - ELECTRICAL

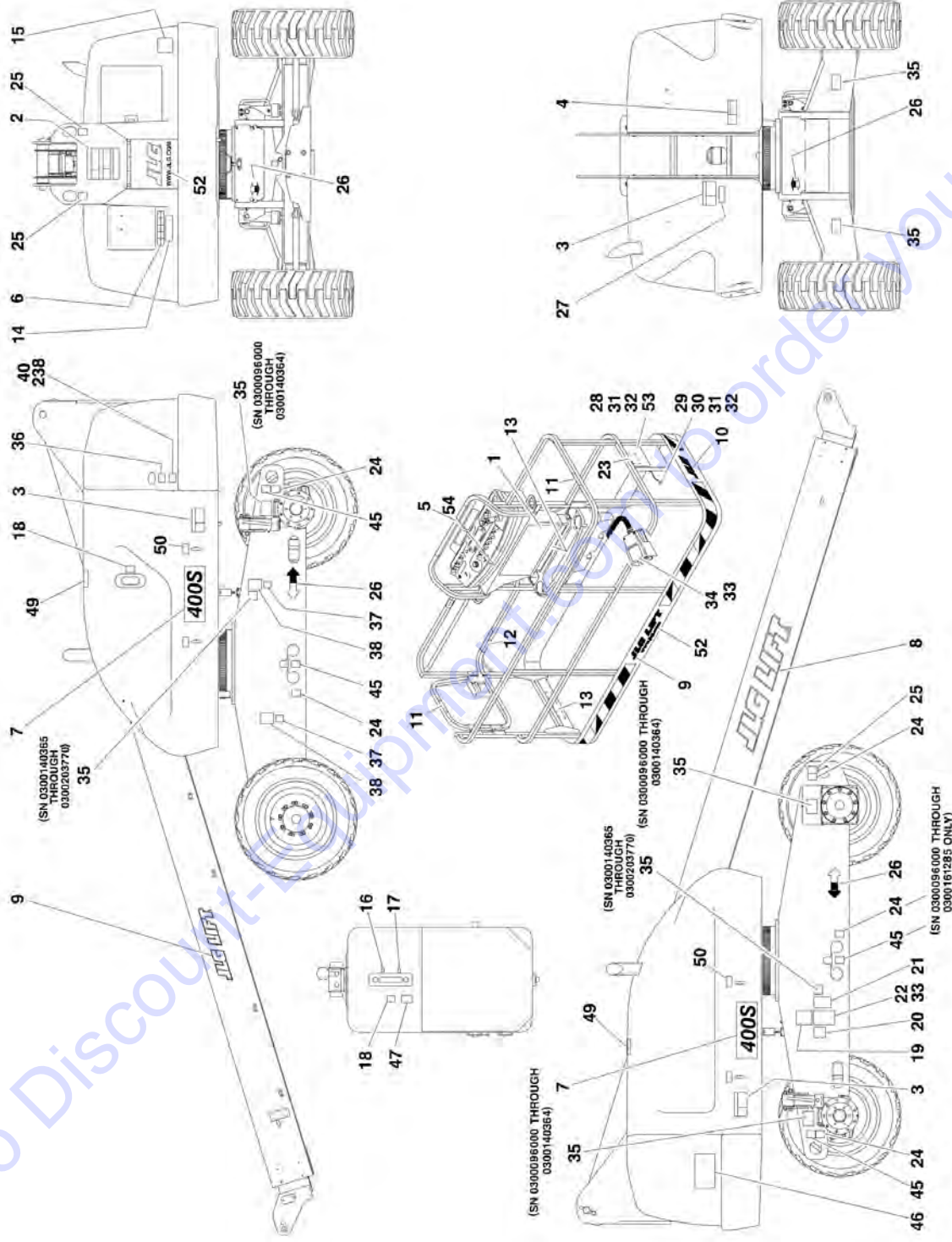
| ITEM | PART NUMBER | QTY | DESCRIPTION | REV |
|------|-------------|----------|---|-----|
| 708A | | Ref | Harness, Console Box to Aux Relay Options: | |
| 708A | 1060983 | 1 | 400S (63ft/19.2m of 12/3 Cable P/N 1060494) | |
| 708A | 4922965 | 1 | 460SJ (69ft/21m of 12/3 Cable P/N 1060494) | |
| 708B | 2920140 | 2 | Platform Worklights External Harness (Includes Light and Wire Only) | |
| 708C | 4460426 | 1 | Connector, Strain Relief | |
| 708D | 2400070 | 1 | Fuse | |
| 708D | 2400066 | 1 | Holder, Fuse | |
| 709 | | Ref | Platform Floodlights Components | |
| 709A | 2920157 | 2 | Platform Floodlights External Harness (Includes Lights and Wire Only) (Not Shown) | |
| 709B | | Ref | Harness, Console Box to Aux Relay Options: | |
| 709B | 1060983 | 1 | 400S (63ft/19.2m of 12/3 Cable P/N 1060494) | |
| 709B | 4922965 | 1 | 460SJ (69ft/21m of 12/3 Cable P/N 1060494) | |
| 709C | 4933313 | Ref | Platform Floodlight Wiring Diagram Components | 1/A |
| 709D | 4460320 | 2 | Connector - 2 Position | |
| 709D | 4460227 | 4 | Pin, Male | |
| 709E | 1060977 | 1 | Cord, 2 Wire Coiled (Console Box Circuit Breaker to Switch) | |
| 709F | 4922764 | 2 | Platform Floodlights Harness (Lights to Switch) (Not Shown) | 1/A |
| 709G | 4460424 | 2 | Connector - 2 Position | |
| 709G | 4460226 | 4 | Socket, Female | |
| 709H | 4360232 | 1 | Circuit Breaker, 15Amp | |
| 709J | 4460425 | 1 | Connector, Strain Relief | |
| 710 | 4933218 | 1 | Soft-Touch System Wiring Diagram | 1/B |
| 710A | 1060902 | 23 ft/7m | Cable, Electrical - 18/2 | |
| 710B | 4460871 | 2 | Socket, Female | |
| | | Ref | TOOLS | |
| 801 | 7002821 | 1 | Crimper (For Wire to Pin/Socket Connections) (Not Shown) | |
| 802 | 7002823 | 1 | Extractor (For Removal of Pin/Socket from Connectors) (Not Shown) | |
| 803 | 4460467 | 1 | Extractor, Pin (Blue 16-18 Gauge) (For Removal of Pin/Socket from Connectors) (Not Shown) | |
| 804 | 4460510 | 1 | Extractor, Pin (Yellow 12-14 Gauge) (For Removal of Pin/Socket from Connectors) (Not Shown) | |
| 805 | 7002828 | 1 | Stripper, Wire (Not Shown) | |
| 806 | 2901443 | 1 | Analyzer Kit | 1/A |
| 806A | 1600244 | 1 | Analyzer | |
| 806B | 1060633 | 1 | Cable, Analyzer | |
| 806C | 4460321 | 2 | Plug, Male | |
| 806C | 4460226 | 8 | Socket, Female | |

SECTION 8 - DECALS

Go to Discount-Equipment.com to order your parts

SECTION 8 - DECALS

FIGURE 8-1. DECAL INSTALLATION (ANSI SPEC)



Go to DiscountJLG.com to order your parts

SECTION 8 - DECALS

FIGURE 8-1. DECAL INSTALLATION (ANSI SPEC)

| ITEM | PART NUMBER | QTY | DESCRIPTION | REV |
|------|-------------|-----|---|-----|
| | | Ref | STANDARD DECAL INSTALLATIONS | |
| | 0270398 | Ref | Decals JLG | B |
| | 0259159 | Ref | Decals JLG Model 400S with 500LB Capacity | C |
| | 0259981 | Ref | Decals JLG Model 400S with 750LB Capacity | D |
| | 0259160 | Ref | Decals JLG Model 460SJ | C |
| 1 | 1703797 | 1 | Decal - Danger/Warning (Platform) | |
| 2 | 1703798 | 1 | Decal - Danger/Warning (Ground Control) | |
| 3 | 1703805 | 2 | Decal - Danger/Electrocution | |
| 4 | 1703804 | 3 | Decal - Warning Crushing | |
| 5 | | Ref | Decal - Legend (Platform) Options: | |
| 5 | 1706708 | 1 | Decal - Legend (Platform) (SN 0300096000 through 0300140364) | |
| 5 | 1001108492 | 1 | Decal - Legend (Platform) (SN 0300140365 through 0300203770) | |
| 6 | | Ref | Decal - Legend (Ground Control) Options: | |
| 6 | 1706709 | 1 | Decal - Legend (Ground Control) (SN 0300096000 through 0300099083) | |
| 6 | 1706941 | 1 | Decal - Legend (Ground Control) (SN 0300099084 through 0300203770) | |
| 7 | | Ref | Decal - Model Designation Options: | |
| 7 | 1704472 | 2 | Decal - Model Designation Model 400S | |
| 7 | 1704473 | 2 | Decal - Model Designation Model 460SJ | |
| 8 | 1702861 | 2 | Decal - JLG Lift (8in) | |
| 9 | 1702774 | 1 | Decal - JLG Lift (3.5in) | |
| 10 | 1702773 | 1 | Decal - JLG (5in) | |
| 11 | 1702868 | 2 | Decal - No Hands | |
| 12 | 1704277 | 3 | Decal - Attach Lanyard Here | |
| 13 | | Ref | Decal - Capacity (Platform) Options: | |
| 13 | | Ref | Decal - Capacity (Platform) 400S with 500lbs. Maximum Capacity Options: | |
| 13 | 1704096 | 2 | Decal - Capacity (Platform) (SN 0300096000 through 0300142869) | |
| 13 | 1001121800 | 2 | Decal - Capacity (Platform) (SN 0300142870 through 0300203770) | |
| 13 | | Ref | Decal - Capacity (Platform) | |
| 13 | 1704488 | 2 | Decal - Capacity (Platform) (SN 0300096000 through 0300142869) | |
| 13 | 1001125322 | 2 | Decal - Capacity (Platform) (SN 0300142870 through 0300203770) | |
| 13 | | Ref | Decal - Capacity (Platform) 460SJ Options: | |
| 13 | 1701645 | 2 | Decal - Capacity (Platform) (SN 0300096000 through 0300142869) | |
| 13 | 1001121801 | 2 | Decal - Capacity (Platform) (SN 0300142870 through 0300203770) | |
| 14 | | Ref | Decal - Capacity (Ground Control) Options: | |
| 14 | | Ref | Decal - Capacity (Ground Control) 400S with 500lbs. Maximum Capacity Options: | |
| 14 | 1704104 | 1 | Decal - Capacity (Ground Control) (SN 0300096000 through 0300100314) | |
| 14 | 1707014 | 1 | Decal - Capacity (Ground Control) (SN 0300100315 through 0300142869) | |
| 14 | 1001121813 | 1 | Decal - Capacity (Ground Control) (SN 0300142870 through 0300203770) | |

SECTION 8 - DECALS

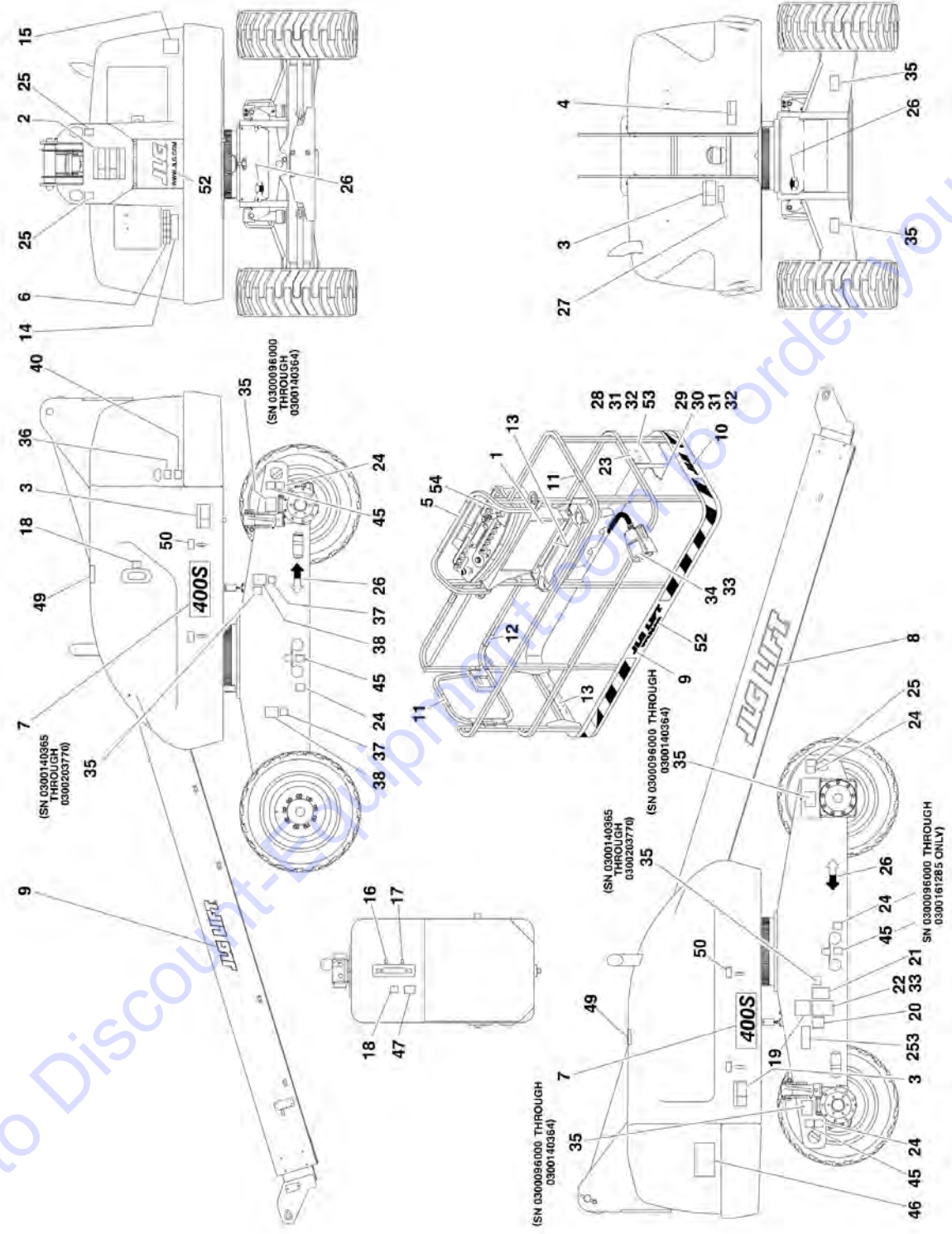
| ITEM | PART NUMBER | QTY | DESCRIPTION | REV |
|------|--------------|-----|---|-----|
| 14 | | Ref | Decal - Capacity (Ground Control) 400S with 750lbs. Maximum Capacity Options: | |
| 14 | 1704489 | 1 | Decal - Capacity (Ground Control) (SN 0300096000 through 0300100314) | |
| 14 | 1707129 | 1 | Decal - Capacity (Ground Control) (SN 0300100315 through 0300142869) | |
| 14 | 1001125331 | 1 | Decal - Capacity (Ground Control) (SN 0300142870 through 0300203770) | |
| 14 | | Ref | Decal - Capacity (Ground Control) 460SJ Options: | |
| 14 | 1702688 | 1 | Decal - Capacity (Ground Control) (SN 0300096000 through 0300100314) | |
| 14 | 1707013 | 1 | Decal - Capacity (Ground Control) (SN 0300100315 through 0300142869) | |
| 14 | 1001121814 | 1 | Decal - Capacity (Ground Control) (SN 0300142870 through 0300203770) | |
| 15 | 3251813 | 1 | Decal - USA | |
| 16 | 1701502 | 1 | Decal - High Oil Level (SN 0300096000 through 0300128256) | |
| 17 | 1701503 | 1 | Decal - Low Oil Level (SN 0300096000 through 0300128256) | |
| 18 | 1701504 | 2 | Decal - Hydraulic Oil | |
| 19 | 1702153 | 1 | Decal - Inspection (SN 0300096000 through 0300128256) | |
| 20 | See Note | 1 | Decal - Bar Code (Note: Not Available for Purchase) | |
| 21 | | Ref | Decal - Patent Options: | |
| 21 | 1700584 | 1 | Decal - Patent (SN 0300096000 through 0300161239) | |
| 21 | 1001131269 | 1 | Decal - Patent (SN 0300161240 through 0300203770) | |
| 22 | See Note | 1 | Nameplate - Serial Number (Note: Not Available for Purchase)) | |
| 23 | 1701509 | 1 | Decal - Manual | |
| 24 | 1702300 | AR | Decal - Tie Down | |
| 25 | 1701500 | 4 | Decal - Lift | |
| 26 | 1701529 | 4 | Decal - Arrow | |
| 27 | 3251243 | 1 | Nameplate - 120V-60Hz | |
| 28 | 0860520 | 1 | Box, Manual Storage | |
| 29 | 1060279 | 1 | Cable, Lanyard (SN 0300096000 through 0300181170) | |
| 30 | 0641408 | 1 | Bolt 1/4in-20NC x 1in (SN 0300096000 through 0300181170) | |
| 31 | 4751400 | AR | Flatwasher 1/4in Regular | |
| 32 | 3311405 | AR | Locknut 1/4in-20NC | |
| 33 | 3820001 | AR | Rivet | |
| 34 | 3252347 | 1 | Decal - Footswitch | |
| 35 | | Ref | Decal - Maximum Tire Load Options: | |
| 35 | | Ref | Decal - Maximum Tire Load (SN 0300096000 through 0300140364) | |
| 35 | 1706126 | 4 | Decal - Maximum Tire Load Model 400S with 500LB Capacity | |
| 35 | 1704829 | 4 | Decal - Maximum Tire Load Model 400S With 750LB Capacity | |
| 35 | 1704828 | 4 | Decal - Maximum Tire Load MODEL 460SJ | |
| 35 | | Ref | Decal - Maximum Tire Load (SN 0300140365 through 0300203770) | |
| 35 | 1706126 | 2 | Decal - Maximum Tire Load Model 400S with 500LB Capacity | |
| 35 | 1704829 | 2 | Decal - Maximum Tire Load Model 400S with 750LB Capacity | |
| 35 | 1704828 | 2 | Decal - Maximum Tire Load MODEL 460SJ | |
| 36 | | Ref | Decal - Fuel | |
| 36 | 1701542 | 1 | GM Engine Machines | |
| 36 | 1701505 | 1 | Caterpillar, Deutz and Perkins Engine Machines | |
| 37 | | Ref | Decal - LPG Gas | |
| 37 | Not Required | 0 | Non-Dual Fuel Machines | |

SECTION 8 - DECALS

| ITEM | PART NUMBER | QTY | DESCRIPTION | REV |
|------|--------------|-----|---|-----|
| 37 | 1701543 | 1 | Dual Fuel Machines | |
| 38 | | Ref | Decal - LP Gas Liquid Withdrawal System | |
| 38 | Not Required | 0 | Non-Dual Fuel Machines | |
| 38 | 1700818 | 1 | Dual Fuel Machines | |
| 40 | 1001108923 | 1 | Decal - EPA/Carb Spec (Diesel Machines) (Caterpillar, Deutz D2011 and Perkins Engine Machine) | |
| 45 | 1701499 | AR | Decal - No Lift | |
| 46 | | Ref | Decal - Lift Diagram Options: | |
| 46 | 3252672 | 1 | Decal - Lift Diagram (SN 0300096000 through 0300161284) | |
| 46 | 1001145140 | 1 | Decal - Lift Diagram (SN 0300161285 through 0300203770) | |
| 47 | 1704412 | 1 | Decal - Hydraulic Oil Chart | |
| 49 | 1701691 | 4 | Decal - No Step | |
| 50 | 1704726 | 4 | Decal - Lock Latch | |
| 52 | 1704885 | AR | Decal - JLG Options: | |
| 52 | | Ref | Decal (SN 0300096000 through 0300173675) | |
| 52 | | Ref | Decal (SN 0300173676 through 0300203770) | |
| 53 | 0641406 | 4 | Bolt 1/4in-20NC x 3/4in | |
| 54 | 1705351 | 1 | Decal - Drive/Steer Instructions (SN 0300140365 through 0300203770) | |
| | 1001160080 | Ref | ADDITIONAL DECAL COMPONENTS | |
| 238 | 1001125387 | 1 | Decal - Ultra Low Sulfur Fuel (Machines with Deutz TD2.9L4 Engines Only) | |

SECTION 8 - DECALS

FIGURE 8-2. DECAL INSTALLATION (ANSI EXPORT SPECS)



Go to DiscountParts.com to order your parts

SECTION 8 - DECALS

FIGURE 8-2. DECAL INSTALLATION (ANSI EXPORT SPECS)

| ITEM | PART NUMBER | QTY | DESCRIPTION | REV |
|------|-------------|-----|--|-----|
| | | Ref | DECAL INSTALLATIONS | |
| | 0270398 | Ref | Decals JLG | B |
| | | Ref | Decal Installations Model 400S with 500LB Capacity | |
| | 0259185 | Ref | Brazilian Spec (Dual Language - Portuguese/Spanish) | D |
| | 0259183 | Ref | Chinese Spec (Dual Language - Chinese/English) | D |
| | 0259181 | Ref | CSA Spec (Dual Language - English/French) | D |
| | 0259175 | Ref | Japanese Spec | D |
| | 0259177 | Ref | Korean Spec | D |
| | 0259179 | Ref | Latin American Spec (Dual Language - English/Spanish) | D |
| | | Ref | Decal Installations Model 400S with 750LB Capacity | |
| | 0259994 | Ref | Brazilian Spec (Dual Language - Portuguese/Spanish) | D |
| | 0259993 | Ref | Chinese Spec (Dual Language - Chinese/English) | D |
| | 0259992 | Ref | CSA Spec (Dual Language - English/French) | D |
| | 0259989 | Ref | Japanese Spec | D |
| | 0259990 | Ref | Korean Spec | D |
| | 0259991 | Ref | Latin American Spec (Dual Language - English/Spanish) | D |
| | | Ref | Decal Installations Model 460SJ | |
| | 0259186 | Ref | Brazilian Spec (Dual Language - Portuguese/Spanish) | D |
| | 0259184 | Ref | Chinese Spec (Dual Language - Chinese/ English) | D |
| | 0259182 | Ref | CSA Spec (Dual Language - English/French) | D |
| | 0259176 | Ref | Japanese Spec | D |
| | 0259178 | Ref | Korean Spec | D |
| | 0259180 | Ref | Latin American Spec (Dual Language - English/Spanish) | D |
| 1 | | Ref | Decal - Danger/Warning (Platform) Options: | |
| 1 | 1703928 | 1 | Brazilian Spec | |
| 1 | 1703925 | 1 | Chinese Spec | |
| 1 | 1703924 | 1 | CSA Spec | |
| 1 | 1703926 | 1 | Japanese Spec | |
| 1 | 1703927 | 1 | Korean Spec | |
| 1 | 1703923 | 1 | Latin American Spec | |
| 2 | | Ref | Decal - Danger/Warning (Ground Control) Options | |
| 2 | 1703934 | 1 | Brazilian Spec | |
| 2 | 1703931 | 1 | Chinese Spec | |
| 2 | 1703930 | 1 | CSA Spec | |
| 2 | 1703932 | 1 | Japanese Spec | |
| 2 | 1703933 | 1 | Korean Spec | |
| 2 | 1703929 | 1 | Latin American Spec | |
| 3 | | Ref | Decal - Danger/Electrocution Options: | |
| 3 | 1703940 | 2 | Brazilian Spec | |
| 3 | 1703937 | 2 | Chinese Spec | |
| 3 | 1703936 | 2 | CSA Spec | |
| 3 | 1703938 | 2 | Japanese Spec | |
| 3 | 1703939 | 2 | Korean Spec | |
| 3 | 1703935 | 2 | Latin American Spec | |
| 4 | | Ref | Decal - Warning Crushing Options: | |
| 4 | 1703952 | 3 | Brazilian Spec | |
| 4 | 1703949 | 3 | Chinese Spec | |
| 4 | 1703948 | 3 | CSA Spec | |
| 4 | 1703950 | 3 | Japanese Spec | |
| 4 | 1703951 | 3 | Korean Spec | |

SECTION 8 - DECALS

| ITEM | PART NUMBER | QTY | DESCRIPTION | REV |
|------|--------------|-----|--|-----|
| 4 | 1703947 | 3 | Latin American Spec | |
| 5 | | Ref | Decal - Legend (Platform) Options: | |
| 5 | 1706708 | 1 | Decal - Legend (Platform) (SN 0300096000 through 0300140364) | |
| 5 | 1001108492 | 1 | Decal - Legend (Platform) (SN 0300140365 through 0300203770) | |
| 6 | | Ref | Decal - Legend (Ground Control) Options: | |
| 6 | 1706709 | 1 | Decal - Legend (Ground Control) (SN 0300096000 through 0300099083) | |
| 6 | 1706941 | 1 | Decal - Legend (Ground Control) (SN 0300099084 through 0300203770) | |
| 7 | | Ref | Decal - Model Designation Options: | |
| 7 | 1704472 | 2 | Decal - Model Designation Model 400S | |
| 7 | 1704473 | 2 | Decal - Model Designation Model 460SJ | |
| 8 | 1702861 | 2 | Decal - JLG Lift (8in) | |
| 9 | 1702774 | 1 | Decal - JLG Lift (3.5in) | |
| 10 | 1702773 | 1 | Decal - JLG (5in) | |
| 11 | | Ref | Decal - No Hands Options: | |
| 11 | 1704002 | 2 | Brazilian Spec | |
| 11 | Not Required | 0 | Chinese/Japanese/Korean Specs | |
| 11 | 1704000 | 2 | CSA Spec | |
| 11 | 1704001 | 2 | Latin American Spec | |
| 12 | | Ref | Decal - Attach Lanyard Here Options: | |
| 12 | 1704005 | 3 | Brazilian Spec | |
| 12 | 1704003 | 3 | CSA Spec | |
| 12 | 1704277 | 3 | Chinese/Japanese/Korean Spec | |
| 12 | 1704004 | 3 | Latin American Spec | |
| 13 | | Ref | Decal - Capacity (Platform) Options: | |
| 13 | | Ref | 230kg/500lb Maximum Capacity Options: | |
| 13 | | Ref | Decal - Capacity (Platform) (SN 0300096000 through 0300100314) | |
| 13 | 1703996 | 2 | Brazilian Spec - 460SJ | |
| 13 | 1703996 | 2 | Chinese Spec - 460SJ | |
| 13 | 1703996 | 2 | CSA Spec - 460SJ | |
| 13 | 1703996 | 1 | Japanese Spec - 460SJ | |
| 13 | | Ref | Decal - Capacity (Platform) (SN 0300096000 through 0300142869) | |
| 13 | 1704100 | 2 | Brazilian Spec - 400S | |
| 13 | 1704101 | 2 | Chinese Spec - 400S | |
| 13 | 1704099 | 2 | CSA Spec - 400S | |
| 13 | 1704102 | 2 | Japanese Spec - 400S | |
| 13 | 1704103 | 2 | Korean Spec - 400S | |
| 13 | 1704098 | 2 | Latin American Spec - 400S | |
| 13 | 1701645 | 2 | Latin American Spec - 460SJ | |
| 13 | | Ref | Decal - Capacity (Platform) (SN 0300096000 through 0300103507) | |
| 13 | 1703996 | 1 | Korean Spec - 460SJ | |
| 13 | | Ref | Decal - Capacity (Platform) (SN 0300100315 through 0300142870) | |
| 13 | 1707134 | 2 | Brazilian Spec - 460SJ | |
| 13 | 1707060 | 2 | Chinese Spec - 460SJ | |
| 13 | 1707055 | 2 | CSA Spec - 460SJ | |
| 13 | 1707059 | 2 | Japanese Spec - 460SJ | |

SECTION 8 - DECALS

| ITEM | PART NUMBER | QTY | DESCRIPTION | REV |
|------|-------------|-----|--|-----|
| 13 | | Ref | Decal - Capacity (Platform) (SN 0300103508 through 0300142869) | |
| 13 | 1707058 | 2 | Korean Spec - 460SJ | |
| 13 | | Ref | Decal - Capacity (Platform) (SN 0300142870 through 0300203770) | |
| 13 | 1001125330 | 2 | Brazilian Spec - 400S | |
| 13 | 1001121920 | 2 | Brazilian Spec - 460SJ | |
| 13 | 1001121809 | 2 | Chinese Spec - 400S | |
| 13 | 1001121812 | 2 | Chinese Spec - 460SJ | |
| 13 | 1001121802 | 2 | CSA Spec - 400S | |
| 13 | 1001121803 | 2 | CSA Spec - 460SJ | |
| 13 | 1001121807 | 2 | Japanese Spec - 400S | |
| 13 | 1001121808 | 2 | Japanese Spec - 460SJ | |
| 13 | 1001122200 | 2 | Korean Spec - 400S | |
| 13 | 1001121918 | 2 | Korean Spec - 460SJ | |
| 13 | 1001121804 | 2 | Latin American Spec - 400S | |
| 13 | 1001121801 | 2 | Latin American Spec - 460SJ | |
| 13 | | Ref | 340kg/750lb Maximum Capacity Options: | |
| 13 | | Ref | Decal - Capacity (Platform) (SN 0300096000 through 0300142869) | |
| 13 | 1705070 | 2 | Brazilian Spec - 400S | |
| 13 | 1705069 | 2 | Chinese Spec - 400S | |
| 13 | 1705068 | 2 | CSA Spec - 400S | |
| 13 | 1705065 | 2 | Japanese Spec - 400S | |
| 13 | 1705066 | 2 | Korean Spec - 400S | |
| 13 | 1705067 | 2 | Latin American Spec - 400S | |
| 13 | | Ref | Decal - Capacity (Platform) (SN 0300142870 through 0300203770) | |
| 13 | 1001125329 | 2 | Brazilian Spec - 400S | |
| 13 | 1001125328 | 2 | Chinese Spec - 400S | |
| 13 | 1001125327 | 2 | CSA Spec - 400S | |
| 13 | 1001125323 | 2 | Japanese Spec - 400S | |
| 13 | 1001125324 | 2 | Korean Spec - 400S | |
| 13 | 1001125325 | 2 | Latin American Spec - 400S | |
| 14 | | Ref | Decal - Capacity (Ground Control) Options: | |
| 14 | | Ref | 230kg/500lb Maximum Capacity Options: | |
| 14 | | Ref | Decal - Capacity (Ground Control) (SN 0300096000 through 0300100314) | |
| 14 | 1704108 | 1 | Brazilian Spec - 400S | |
| 14 | 1704112 | 1 | Brazilian Spec - 460SJ | |
| 14 | 1704109 | 1 | Chinese Spec - 400S | |
| 14 | 1704107 | 1 | CSA Spec - 400S | |
| 14 | 1704112 | 1 | CSA Spec - 460SJ | |
| 14 | 1704110 | 1 | Japanese Spec - 400S | |
| 14 | 1704111 | 1 | Korean Spec - 400S | |
| 14 | 1704106 | 1 | Latin American Spec - 400S | |
| 14 | 1702688 | 1 | Latin American Spec - 460SJ | |
| 14 | | Ref | Decal - Capacity (Ground Control) (SN 0300100315 through 0300142869) | |
| 14 | 1707131 | 1 | Brazilian Spec - 400S | |
| 14 | 1707133 | 1 | Brazilian Spec - 460SJ | |
| 14 | 1707045 | 1 | Chinese Spec - 400S | |
| 14 | 1707046 | 1 | CSA Spec - 400S | |

SECTION 8 - DECALS

| ITEM | PART NUMBER | QTY | DESCRIPTION | REV |
|------|--------------|-----|--|-----|
| 14 | 1707047 | 1 | CSA Spec - 460SJ | |
| 14 | 1707053 | 1 | Japanese Spec - 400S | |
| 14 | 1707043 | 1 | Korean Spec - 400S | |
| 14 | 1707048 | 1 | Latin American Spec - 400S | |
| 14 | 1707013 | 1 | Latin American Spec - 460SJ | |
| 14 | | Ref | Decal - Capacity (Ground Control) (SN 0300103508 through 0300142869) | |
| 14 | 1707044 | 1 | Chinese Spec - 460SJ | |
| 14 | 1707054 | 1 | Japanese Spec - 460SJ | |
| 14 | 1707042 | 1 | Korean Spec - 460SJ | |
| 14 | | Ref | Decal - Capacity (Ground Control) (SN 0300142870 through 0300203770) | |
| 14 | 1001125338 | 1 | Brazilian Spec - 400S | |
| 14 | 1001121923 | 1 | Brazilian Spec - 460SJ | |
| 14 | 1001121822 | 1 | Chinese Spec - 400S | |
| 14 | 1001121825 | 1 | Chinese Spec - 460SJ | |
| 14 | 1001121815 | 1 | CSA Spec - 400S | |
| 14 | 1001121816 | 1 | CSA Spec - 460SJ | |
| 14 | 1001121820 | 1 | Japanese Spec - 400S | |
| 14 | 1001121821 | 1 | Japanese Spec - 460SJ | |
| 14 | 1001122201 | 1 | Korean Spec - 400S | |
| 14 | 1001121921 | 1 | Korean Spec - 460SJ | |
| 14 | 1001121817 | 1 | Latin American Spec - 400S | |
| 14 | 1001121814 | 1 | Latin American Spec - 460SJ | |
| 14 | | Ref | 340kg/750lb Maximum Capacity Options: | |
| 14 | | Ref | Decal - Capacity (Ground Control) (SN 0300096000 through 0300100314) | |
| 14 | 1705076 | 1 | Brazilian Spec - 400S | |
| 14 | 1705075 | 1 | Chinese Spec - 400S | |
| 14 | 1705074 | 1 | CSA Spec - 400S | |
| 14 | 1705071 | 1 | Japanese Spec - 400S | |
| 14 | 1705072 | 1 | Korean Spec - 400S | |
| 14 | 1705073 | 1 | Latin American Spec - 400S | |
| 14 | | Ref | Decal - Capacity (Ground Control) (SN 0300100315 through 0300142869) | |
| 14 | 1707130 | 1 | Brazilian Spec - 400S | |
| 14 | 1707128 | 1 | Chinese Spec - 400S | |
| 14 | 1707127 | 1 | CSA Spec - 400S | |
| 14 | 1707125 | 1 | Japanese Spec - 400S | |
| 14 | 1707126 | 1 | Korean Spec - 400S | |
| 14 | 1707132 | 1 | Latin American Spec - 400S | |
| 14 | | Ref | Decal - Capacity (Ground Control) (SN 0300142870 through 0300203770) | |
| 14 | 1001125337 | 1 | Brazilian Spec - 400S | |
| 14 | 1001125336 | 1 | Chinese Spec - 400S | |
| 14 | 1001125335 | 1 | CSA Spec - 400S | |
| 14 | 1001125332 | 1 | Japanese Spec - 400S | |
| 14 | 1001125333 | 1 | Korean Spec - 400S | |
| 14 | 1001125334 | 1 | Latin American Spec - 400S | |
| 15 | | Ref | Decal - USA Options: | |
| 15 | 3251813 | 1 | Brazilian/CSA/Latin American Specs | |
| 15 | Not Required | 0 | Chinese/Japanese/Korean Specs | |

SECTION 8 - DECALS

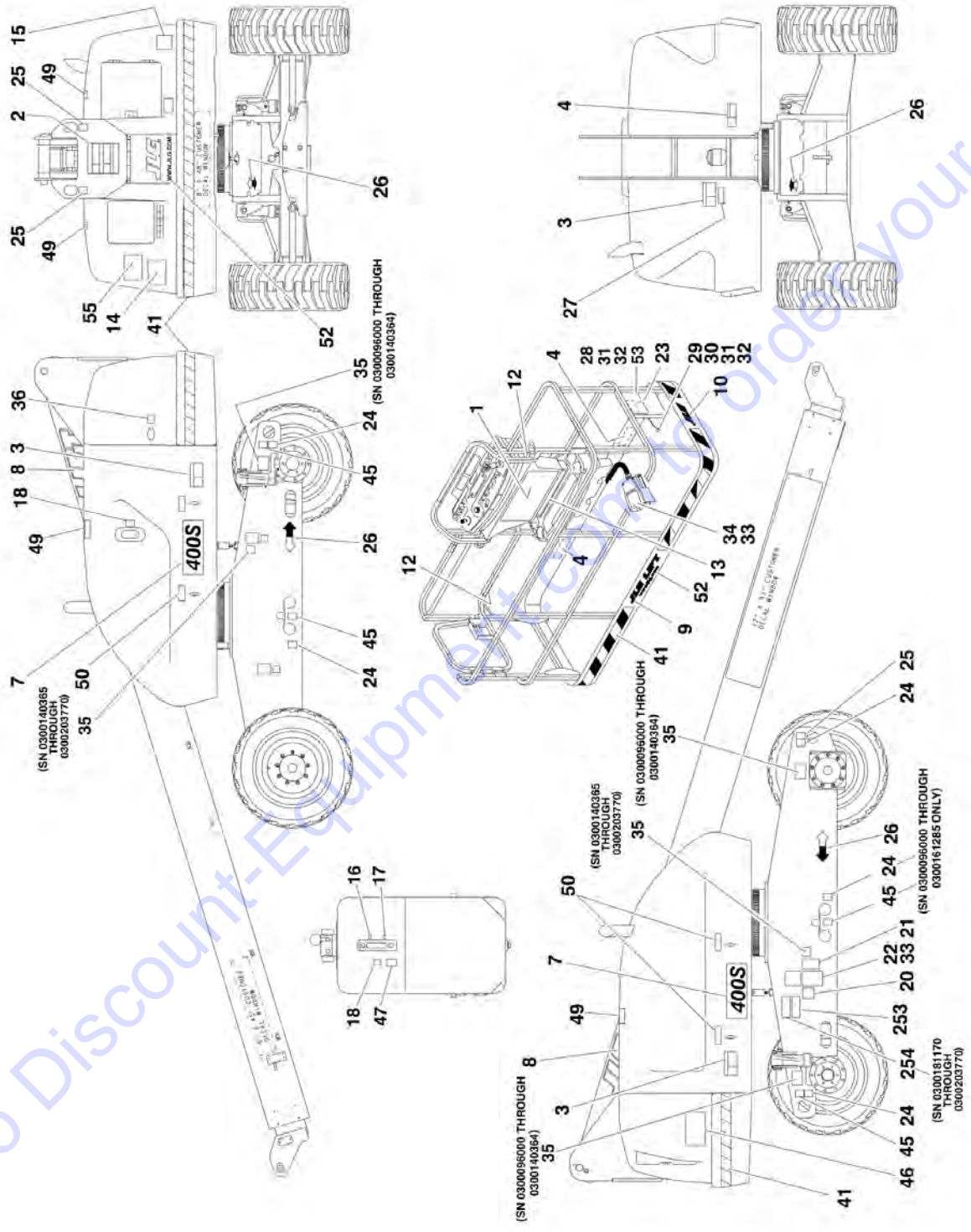
| ITEM | PART NUMBER | QTY | DESCRIPTION | REV |
|------|--------------|-----|--|-----|
| 16 | 1701502 | 1 | Decal - High Oil Level (SN 0300096000 through 0300128256) | |
| 17 | 1701503 | 1 | Decal - Low Oil Level (SN 0300096000 through 0300128256) | |
| 18 | 1701504 | 2 | Decal - Hydraulic Oil | |
| 19 | | Ref | Decal - Inspection Options: | |
| 19 | 1704008 | 1 | Brazilian Spec | |
| 19 | Not Required | 0 | Chinese Spec | |
| 19 | 1704006 | 1 | CSA Spec (SN 0300096000 through 0300151379) | |
| 19 | Not Required | 0 | Japanese Spec | |
| 19 | Not Required | 0 | Korean Spec | |
| 19 | 1704007 | 1 | Latin American Spec (SN 0300096000 through 0300151379) | |
| 20 | See Note | 1 | Decal - Bar Code (Note: Not Available for Purchase) | |
| 21 | | Ref | Decal - Patent Options: | |
| 21 | 1700584 | 1 | Decal - Patent (SN 0300096000 through 0300161239) | |
| 21 | Not Required | 0 | All Specs except CSA Specs (SN 0300161240 through 0300203770) | |
| 21 | 1001131269 | 1 | CSA Spec (Dual Language - English/French) (SN 0300161240 through 0300203770) | |
| 22 | See Note | 1 | Nameplate - Serial Number (Note: Not Available for Purchase) | |
| 23 | 1701509 | 1 | Decal - Manual | |
| 24 | 1702300 | AR | Decal - Tie Down | |
| 25 | 1701500 | 4 | Decal - Lift | |
| 26 | 1701529 | 4 | Decal - Arrow | |
| 27 | | Ref | Nameplate - 120V-60Hz Options: | |
| 27 | 3251243 | 1 | Brazilian/CSA/Latin American Specs | |
| 27 | Not Required | 0 | Chinese/Japanese/Korean Specs | |
| 28 | 0860520 | 1 | Box, Manual Storage | |
| 29 | 1060279 | 1 | Cable, Lanyard (SN 0300096000 through 0300181170) | |
| 30 | 0641408 | 1 | Bolt 1/4in-20NC x 1in (SN 0300096000 through 0300181170) | |
| 31 | 4751400 | AR | Flatwasher 1/4in Regular | |
| 32 | 3311405 | AR | Locknut 1/4in-20NC | |
| 33 | 3820001 | AR | Rivet | |
| 34 | | Ref | Decal - Footswitch Options: | |
| 34 | 1703985 | 1 | Brazilian Spec | |
| 34 | 1703982 | 1 | Chinese Spec | |
| 34 | 1703984 | 1 | CSA Spec | |
| 34 | 1703980 | 1 | Japanese Spec | |
| 34 | 1703981 | 1 | Korean Spec | |
| 34 | 1703983 | 1 | Latin American Spec | |
| 35 | | Ref | Decal - Maximum Tire Load Options: | |
| 35 | | Ref | Decal - Maximum Tire Load (SN 0300096000 through 0300140364) | |
| 35 | Not Required | 0 | Brazilian/Latin American Specs | |
| 35 | | Ref | Chinese/ CSA/ Japanese/ Korean Spec Options: | |
| 35 | 1706126 | 4 | Decal - Maximum Tire Load 400S with 230kg/500lb Capacity | |
| 35 | 1704829 | 4 | Decal - Maximum Tire Load 400S with 340kg/750LB Capacity | |
| 35 | 1704828 | 4 | Decal - Maximum Tire Load 460SJ | |
| 35 | | Ref | Decal - Maximum Tire Load (SN 0300140365 through 0300203770) | |
| 35 | Not Required | 0 | Brazilian/Latin American Specs | |
| 35 | | Ref | Chinese/ CSA/ Japanese/Korean Spec Options: | |
| 35 | 1706126 | 2 | Decal - Maximum Tire Load 400S with 230kg/500lb | |

SECTION 8 - DECALS

| ITEM | PART NUMBER | QTY | DESCRIPTION | REV |
|------|--------------|-----|--|-----|
| 35 | 1704829 | 2 | Capacity Decal - Maximum Tire Load 400S with 340kg/750LB Capacity | |
| 35 | 1704828 | 2 | Decal - Maximum Tire Load 460SJ | |
| 36 | | Ref | Decal - Fuel | |
| 36 | 1701542 | 1 | GM Engine Machines | |
| 36 | 1701505 | 1 | Caterpillar, Deutz and Perkins Engine Machines | |
| 37 | | Ref | Decal - LPG Gas | |
| 37 | Not Required | 0 | Non-Dual Fuel Machines | |
| 37 | 1701543 | 1 | Dual Fuel Machines | |
| 38 | | Ref | Decal - LP Gas Liquid Withdrawal System | |
| 38 | Not Required | 0 | Non-Dual Fuel Machines | |
| 38 | 1700818 | 1 | Dual Fuel Machines (English Language) | |
| 38 | 1704271 | 1 | Dual Fuel Machines (CSA Spec) | |
| 38 | 1702720 | 1 | Dual Fuel Machines (Spanish Language) | |
| 38 | 1001119661 | 1 | DUAL FUEL MACHINES (ENGLISH/LATIN AMERICAN LANGUAGE) | |
| 39 | | Ref | Decal - CSA Options: | |
| 39 | 3252221 | 1 | CSA Specs | |
| 39 | Not Required | 0 | Brazilian/ Chinese/ Japanese/ Korean/ Latin American Specs | |
| 40 | 1001108923 | 1 | Decal - EPA/Carb Spec (Diesel Machines) | |
| 45 | 1701499 | AR | Decal - No Lift | |
| 46 | | Ref | Decal - Lift Diagram Options: | |
| 46 | | Ref | Decal - Lift Diagram Options: (SN 0300096000 through 0300161284) | |
| 46 | 3252685 | 1 | Brazilian Spec | |
| 46 | 3252684 | 1 | Chinese Spec | |
| 46 | 3252683 | 1 | CSA Spec | |
| 46 | 3252680 | 1 | Japanese Spec | |
| 46 | 3252681 | 1 | Korean Spec | |
| 46 | 3252682 | 1 | Latin American Spec | |
| 46 | 1001145140 | 1 | Decal - Lift Diagram- All Specs (SN 0300161285 through 0300203770) | |
| 47 | 1704412 | 1 | Decal - Hydraulic Oil Chart | |
| 49 | 1701691 | 4 | Decal - No Step | |
| 50 | 1704726 | 4 | Decal - Lock Latch | |
| 52 | 1704885 | AR | Decal - JLG Options: | |
| 52 | | Ref | Decal (SN 0300096000 through 0300173675) | |
| 52 | | Ref | Decal (SN 0300173676 through 0300203770) | |
| 53 | 0641406 | 4 | Bolt 1/4in-20NC x 3/4in | |
| 54 | | Ref | Decal - Drive/Steer Instruction Options: (SN 0300140365 through 0300203770) | |
| 54 | 1705905 | 1 | Brazilian Spec | |
| 54 | 1705430 | 1 | Chinese Spec | |
| 54 | 1705429 | 1 | CSA Spec | |
| 54 | 1705426 | 1 | Japanese Spec | |
| 54 | 1705427 | 1 | Korean Spec | |
| 54 | 1705910 | 1 | Latin American Spec | |
| | 1001160080 | Ref | ADDITIONAL DECAL COMPONENTS | |
| 253 | 1001125387 | 1 | Decal - Emission Compliance | |

SECTION 8 - DECALS

FIGURE 8-3. DECAL INSTALLATION (AUSTRALIAN AND CE SPECS)



SECTION 8 - DECALS

FIGURE 8-3. DECAL INSTALLATION (AUSTRALIAN AND CE SPECS)

| ITEM | PART NUMBER | QTY | DESCRIPTION | REV |
|------|--------------|-----|--|-----|
| | | Ref | STANDARD DECAL INSTALLATIONS | |
| | 0270398 | Ref | JLG Decals | B |
| | | Ref | CE Specs: | |
| | 0275066 | Ref | Standard Decal Installations 400S with 230kg/500lb Capacity | D |
| | 0275068 | Ref | Standard Decal Installations 400S with 340kg/750lbB Capacity | D |
| | 0275067 | Ref | Standard Decal Installations 460SJ | D |
| | | Ref | Australian Specs: | |
| | 0275066 | Ref | Standard Decal Installations 400S with 230kg/500lb Capacity (SN 0300096000 through 0300140364) | D |
| | 1001114404 | Ref | Standard Decal Installations 400S with 230kg/500lb Capacity (SN 0300140365 through 0300203770) | C |
| | 0275068 | Ref | Standard Decal Installations 400S with 340kg/750lbB Capacity (SN 0300096000 through 0300140365) | D |
| | 0275067 | Ref | Standard Decal Installations (460SJ SN 0300096000 through 0300140364) | D |
| | 1001114405 | Ref | Standard Decal Installations (460SJ SN 0300140365 through 0300203770) | D |
| 1 | 1705921 | 1 | Decal - Tipping/Electrocution (Platform) Options: | |
| 2 | 1705822 | 1 | Decal - Electrocution/Safety Manual | |
| 3 | 1705961 | 3 | Decal - Electrocution | |
| 4 | 1701518 | 3 | Decal - Warning Crushing | |
| 7 | | Ref | Decal - Model Designation Options: | |
| 7 | 1704472 | 2 | Decal - Model Designation Model 400S | |
| 7 | 1704473 | 2 | Decal - Model Designation Model 460SJ | |
| 8 | 1702861 | 2 | Decal - JLG Lift (8in) | |
| 9 | 1702774 | 1 | Decal - JLG Lift (3.5in) | |
| 10 | 1702773 | 1 | Decal - JLG (5in) | |
| 12 | 1704277 | 3 | Decal - Attach Lanyard Here | |
| 13 | | Ref | Decal - Capacity Options: | |
| 13 | 1705978 | 1 | Decal - Capacity 400S with 230kg/500lb Capacity | |
| 13 | 1706382 | 1 | Decal - Capacity 400S with 340kg/750LB Capacity | |
| 13 | 1705978 | 1 | Decal - Capacity 460SJ | |
| 14 | | Ref | Decal - Capacity Options: | |
| 14 | 1705978 | 1 | Decal - Capacity 400S with 230kg/500lb Capacity | |
| 14 | 1706382 | 1 | Decal - Capacity 400S with 340kg/750LB Capacity | |
| 14 | 1705978 | 1 | Decal - Capacity 460SJ | |
| 15 | 1705084 | 1 | Decal - Sound Power Level | |
| 16 | 1701502 | 1 | Decal - High Oil Level (SN 0300096000 through 0300128256) | |
| 17 | 1701503 | 1 | Decal - Low Oil Level (SN 0300096000 through 0300128256) | |
| 18 | 1701504 | 2 | Decal - Hydraulic Oil | |
| 20 | See Note | 1 | Decal - Bar Code (Note: Not Available for Purchase) | |
| 21 | | Ref | Decal - Patent Options: | |
| 21 | 1700584 | 1 | Decal - Patent (SN 0300096000 through 0300161239) | |
| 21 | Not Required | 0 | Decal - Patent (SN 0300161240 through 0300203770) | |
| 22 | See Note | 1 | Nameplate - Serial Number (Note: Not Available for Purchase) | |
| 23 | 1701509 | 1 | Decal - Manual | |
| 24 | 1702300 | AR | Decal - Tie Down | |
| 25 | 1701500 | 4 | Decal - Lift | |
| 26 | 1701529 | 4 | Decal - Arrow | |
| 27 | 3251242 | 1 | Nameplate - 240V-50Hz | |

SECTION 8 - DECALS

| ITEM | PART NUMBER | QTY | DESCRIPTION | REV |
|------|-------------|----------------|--|-----|
| 28 | 0860520 | 1 | Box, Manual Storage | |
| 29 | 1060279 | 1 | Cable, Lanyard (SN 0300096000 through 0300181170) | |
| 30 | 0641408 | 1 | Bolt 1/4in-20NC x 1in (SN 0300096000 through 0300181170) | |
| 31 | 4751400 | AR | Flatwasher 1/4in Regular | |
| 32 | 3311405 | AR | Locknut 1/4in-20NC | |
| 33 | 3820001 | 4 | Rivet | |
| 34 | 1705828 | 1 | Decal - Footswitch | |
| 35 | | Ref | Decal - Maximum Tire Load Options: | |
| 35 | | Ref | Decal - Maximum Tire Load (SN 0300096000 through 0300140364) | |
| 35 | 1706126 | 4 | Decal - Maximum Tire Load 400S with 230kg/500lb Capacity | |
| 35 | 1704829 | 4 | Decal - Maximum Tire Load 400S with 340kg/750LB Capacity | |
| 35 | 1704828 | 4 | Decal - Maximum Tire Load 460SJ | |
| 35 | | Ref | Decal - Maximum Tire Load (SN 0300140365 through 0300203770) | |
| 35 | 1706126 | 2 | Decal - Maximum Tire Load 400S with 230kg/500lb Capacity | |
| 35 | 1704829 | 2 | Decal - Maximum Tire Load 400S with 340kg/750LB Capacity | |
| 35 | 1704828 | 2 | Decal - Maximum Tire Load 460SJ | |
| 36 | 1701505 | 1 | Decal - Fuel | |
| 41 | 4420051 | 209 in/5.3m | Decal - Warning Stripes | |
| 45 | 1701499 | AR | Decal - No Lift | |
| 46 | | Ref | Decal - Lift Diagram Options: | |
| 46 | 1705276 | 1 | Decal - Lift Diagram (SN 0300096000 through 0300096581) | |
| 46 | 1707031 | 1 | Decal - Lift Diagram (SN 0300096582 through 0300161284) | |
| 46 | 1001145140 | 1 | Decal - Lift Diagram (SN 0300161285 through 0300203770) | |
| 47 | 1704412 | 1 | Decal - Hydraulic Oil Chart | |
| 49 | 1701691 | 4 | Decal - No Step | |
| 50 | 1704726 | 4 | Decal - Lock Latch | |
| 52 | 1704885 | AR | Decal - JLG Options: | |
| 52 | | Ref | Decal (SN 0300096000 through 0300173675) | |
| 52 | | Ref | Decal (SN 0300173676 through 0300203770) | |
| 53 | 0641406 | 4 | Bolt 1/4in-20NC x 3/4in | |
| 55 | 1001112551 | 1 | Decal - Emergency Controls (Australian Spec Only) (SN 0300140365 through 0300203770) | |
| | 1001160080 | Ref | ADDITIONAL DECAL COMPONENTS | |
| 253 | 1001125387 | 1 | Decal - Emission Compliance | |
| 254 | 1001143852 | 1 | Decal - Emission Compliance (Diesel) (SN 0300181170 through 0300203770) | |

SECTION 9 - RECOMMENDED SERVICE PARTS STOCK

SECTION 9 - RECOMMENDED SERVICE PARTS STOCK

Go to Discount-Equipment.com to order your parts

SECTION 9 - RECOMMENDED SERVICE PARTS STOCK

FIGURE 9-1. MODEL 400S/460SJ STANDARD PARTS

| ITEM | PART NUMBER | QTY | DESCRIPTION | REV |
|------|-------------|-----|---|-----|
| | | Ref | Note: The following list will service one machine (built to current production per date on the front cover) with emergency repair parts which can be installed in the field. Parts from the list should be replaced when inventory is depleted to keep service parts stock supplied. For further information, go to Discount-equipment.com | |
| | | Ref | STANDARD PARTS | |
| | 2120210 | 4 | Element, Filter | |
| | 7012944 | 1 | Coil | |
| | 7012943 | 1 | Coil | |
| | 7018991 | 1 | Coil | |
| | 7012772 | 1 | Coil | |
| | 3740067 | 1 | Relay | |
| | 70001960 | 4 | Filter | |
| | 7024444 | 1 | Filler/Breather Cap | |
| | 3740049 | 1 | Relay | |
| | 4360328 | 1 | Switch, Toggle | |
| | 2860030 | 1 | Key, Replacement | |
| | 4360475 | 1 | Switch, Mushroom | |
| | 4360476 | 1 | Contact, Switch Block | |
| | 4360387 | 1 | Switch, Push Button | |
| | 4360517 | 1 | Switch, Proximity | |
| | 2940074 | 1 | Latch | |
| | 1001166539 | 1 | Controller (Lift and Swing) | |
| | 1001166538 | 1 | Controller (Drive and Steer) | |
| | 4360331 | 1 | Switch, Toggle | |
| | 4360330 | 1 | Switch, Toggle | |
| | 4360407 | 1 | Controller, Speed | |
| | 3990010 | 2 | Diode | |
| | 2400065 | 2 | Fuse | |

SECTION 9 - RECOMMENDED SERVICE PARTS STOCK

FIGURE 9-2. MODEL 400S/460SJ VARIABLE PARTS

| ITEM | PART NUMBER | QTY | DESCRIPTION | REV |
|------|-------------|-------|---|-----|
| | | Ref | Note: The following list will service one machine (built to current production per date on the front cover) with emergency repair parts which can be installed in the field. Parts from the list should be replaced when inventory is depleted to keep service parts stock supplied. For further information, go to Discount-equipment.com | |
| | | Ref | VARIABLE PARTS | |
| | 70001403 | 1 Doz | Filter, Oil (Caterpillar Engine Machines) | |
| | 70003791 | 4 | Filter, Fuel (Caterpillar Engine Machines) | |
| | 70002377 | 4 | Filter, Fuel/Water Separator (Caterpillar Engine Machines) | |
| | 7012664 | 4 | Element, Air Cleaner (Caterpillar, Deutz D2011, and Perkins Engine Machines) | |
| | 7016331 | 1 Doz | Filter, Oil (Deutz D2011 and Deutz TD2.9L4 Engine Machines) | |
| | 7020023 | 4 | Filter, Fuel (Deutz D2011 Engine Machines) | |
| | 7027795 | 1 | Module, Deutz EMR2 (Deutz D2011 Engine Machines) | |
| | 70025153 | 1 Doz | Filter, Fuel (Deutz TD2.9L4 Engine Machines) | |
| | 70025161 | 1 Doz | Filter, Fuel (Deutz TD2.9L4 Engine Machines) | |
| | 1001117308 | 1 | Relay (Deutz TD2.9L4 Engine Machines) | |
| | 1001138228 | 1 | Relay (Deutz TD2.9L4 Engine Machines) | |
| | 70025210 | 1 | Module, Control (Deutz D2011 Engine Machines) | |
| | 91403102 | 1 Doz | Element, Air Cleaner (Deutz TD2.9L4 Engine Machines) | |
| | 7027965 | 1 Doz | Filter, Oil (GM Engine Machines) | |
| | 7027972 | 4 | Filter, Fuel (GM Engine Machines) | |
| | 4360336 | 1 | Switch, Toggle (GM Machines) | |
| | 70002895 | 1 | Module, GM Engine (GM Engine Machines) | |
| | 70001403 | 1 Doz | Filter, Oil (Perkins Engine) | |
| | 70002450 | 4 | Filter, Fuel (Perkins Engine Machines) | |
| | 70002377 | 4 | Filter, Fuel/Water Separator (Perkins Engine Machines) | |
| | 70002451 | 1 | Module, Perkins Engine (Perkins Engine Machines) | |
| | 1001103667 | 1 | Module, Controller (Ground Control) | |
| | 4360469 | 1 | Switch, Key (ANSI, Australian and ANSI Export Specs) | |
| | 4360470 | 1 | Switch, Key (CE Specs) | |
| | 4360522 | 1 | Switch, Push Button (Headlights/Taillights Option) | |
| | 4360548 | 1 | Switch, Limit | |
| | 4360578 | 1 | Switch, Limit (CE Spec) | |
| | 4360057 | 1 | Switch, Limit (Soft-Touch Option) | |
| | 1001106355 | 1 | Module, Controller (Platform Control) | |
| | 4360232 | 1 | Breaker, Circuit (Platform Worklights Options) | |
| | 4360336 | 1 | Switch, Toggle (Machines with Generator Option) | |
| | 4360549 | 1 | Switch, Limit (All Specs Except CE Specs) | |
| | 4360232 | 1 | Breaker, Circuit (Platform Floodlights Options) | |
| | 2400070 | 2 | Fuse (Platform Worklights Options) | |

SECTION 10 - SPECIAL OPTIONS

Go to Discount-Equipment.com to order your parts

SECTION 10 - SPECIAL OPTIONS

FIGURE 10-1. SPECIAL OPTIONS LIST

| ITEM | PART NUMBER | QTY | DESCRIPTION | REV |
|------|-------------|-----|--|-----|
| | | Ref | Note: This list is to accommodate machines ordered with special equipment. Options may not be applicable to all models. For more specific parts information contact Discount-equipment. | |
| | | Ref | MISCELLANEOUS SPECIAL OPTIONS | |
| | 1340061 | Ref | Air Cleaner with Dust Evacuator Valve | |
| | | Ref | Air Line at Platform Installations | |
| | 0271239 | Ref | Air Line at Platform Installations 400S without Arctic Package | |
| | 1001093936 | Ref | Air Line at Platform Installations 400S with Arctic Package | |
| | 0271445 | Ref | Air Line at Platform Installations 460SJ without Arctic Package | |
| | 1001093938 | Ref | Air Line at Platform Installations 460SJ with Arctic Package | |
| | 1001204997 | Ref | Arctic Package Add-on Kit 400S (Deutz TD2.9L4 without SkyPower Generator) | |
| | 1001204996 | Ref | Arctic Package Add-on Kit 400S (Deutz TD2.9L4 with SkyPower Generator) | |
| | 1001205009 | Ref | Arctic Package Add-on Kit 460SJ (Deutz TD2.9L4 without SkyPower Generator) | |
| | 1001205008 | Ref | Arctic Package Add-on Kit 460SJ (Deutz TD2.9L4 with SkyPower Generator) | |
| | 1001166227 | Ref | Axle Kingpin Kit (SN 0300161285 through 0300203770) | |
| | | Ref | Bellows Installations | |
| | | Ref | 400S with Oscillating Axle | |
| | 0259194 | Ref | 400S with Oscillating Axle (SN 0300096000 through 0300115395) | |
| | 1001094001 | Ref | 400S with Oscillating Axle (SN 0300115396 through 0300161284) | |
| | 1001147513 | Ref | 400S with Oscillating Axle (SN 0300161285 through 0300203770) | |
| | | Ref | 400S with Fixed Axle | |
| | 0259193 | Ref | 400S with Fixed Axle (SN 0300096000 through 0300161284) | |
| | 1001147513 | Ref | 400S with Fixed Axle (SN 0300161285 through 0300203770) | |
| | | Ref | 460SJ with Oscillating Axle | |
| | 0259196 | Ref | 460SJ with Oscillating Axle (SN 0300096000 through 0300115395) | |
| | 1001093897 | Ref | 460SJ with Oscillating Axle (SN 0300115396 through 0300161284) | |
| | 1001147514 | Ref | 460SJ with Oscillating Axle (SN 0300161285 through 0300203770) | |
| | | Ref | 460SJ with Fixed Axle | |
| | 0259195 | Ref | 460SJ with Fixed Axle (SN 0300096000 through 0300161284) | |
| | 1001147514 | Ref | 460SJ with Fixed Axle (SN 0300161285 through 0300203770) | |
| | | Ref | Boom Cables Installation (Machines with 4000W Generators) | |
| | 1001153335 | Ref | Boom Cables Installation (400S with 4000W Generators) | |
| | 1001220154 | Ref | Boom Cables Add-on Kit (400S with 4000W Generators) | |
| | 1001153336 | Ref | Boom Cables Installation (460SJ with 4000W Generators) | |
| | 1001106689 | Ref | Boom Wear Pad Kit | |
| | | Ref | Boom Hose Service Kits | |
| | 1001187481 | Ref | Boom Hose Service Kit 400S | |

SECTION 10 - SPECIAL OPTIONS

| ITEM | PART NUMBER | QTY | DESCRIPTION | REV |
|------|-------------|-----|---|-----|
| | 1001187482 | Ref | Boom Hose Service Kit 460SJ | |
| | 1001106689 | Ref | Boom Wear Pad Kit | |
| | 0259197 | Ref | Boom Wiper Installation | |
| | | Ref | ClearSky (Telematics) Installations | |
| | | Ref | Without UGM | |
| | 1001106616 | Ref | ANSI Spec | |
| | 1001106617 | Ref | ANSI Export/CE/Japanese Specs | |
| | 1001139128 | Ref | Australian Spec | |
| | 1001106618 | Ref | CSA Spec | |
| | | Ref | With UGM | |
| | 1001112975 | Ref | ANSI Spec | |
| | 1001132726 | Ref | Australian Specs | |
| | 1001127088 | Ref | ANSI Export, Brazil and New Zealand Specs | |
| | 1001112977 | Ref | CSA Spec | |
| | | Ref | ClearSky (Telematics) Kits | |
| | | Ref | Without UGM | |
| | 1001117253 | 1 | ANSI Spec | |
| | 1001121609 | 1 | ANSI Export/CE/Japanese Specs | |
| | 1001139128 | 1 | Australian Spec | |
| | 1001117260 | 1 | CSA Spec | |
| | | Ref | With UGM | |
| | 1001119943 | 1 | ANSI Spec | |
| | See Note | 1 | ANSI Export/CE/Japanese Specs (Note: Not Available for Purchase) | |
| | 1001139147 | 1 | Australian Spec | |
| | 1001119949 | 1 | CSA Spec | |
| | | Ref | Note: For Breakdown of Kits Refer to ClearSky Telematics Manual p/n 3128499. | |
| | | Ref | Cold Weather Start Kits | |
| | 0273064 | Ref | Caterpillar/Perkins Engine Machines | |
| | 0271912 | Ref | Deutz D2011 Engine Machines | |
| | 1001151901 | Ref | Deutz TD2.9L4 Engine Machines | |
| | 0275056 | Ref | GM Engine Machines | |
| | | Ref | Container Shipment Preparation Instructions | |
| | 0272031 | Ref | 2WD | |
| | 1001148145 | Ref | 4WD with 12 x 16.5 Tires and Wheels | |
| | 1001148146 | Ref | 4WD with 14 x 17.5 Tires and Wheels | |
| | 0272031 | Ref | 4WD with 33/16LI x 16.1 Foam Filled Sand Tires | |
| | | Ref | Decal Installations | |
| | 1001196610 | Ref | Decal - Ahearn Rentals | |
| | 1702788 | Ref | Decal - Biodegradable Hydraulic Fluid (All except German Spec) | |
| | 1704174 | Ref | Decal - Biodegradable Synthetic Hydraulic Fluid (All except German Spec) | |
| | 1703479 | Ref | Decal - Biodegradable Hydraulic Fluid (German Spec Only) | |
| | 1704175 | Ref | Decal - Biodegradable Synthetic Hydraulic Fluid (German Spec Only) | |
| | 1001196717 | Ref | Decal - Blueline Rentals | |
| | 1001154505 | Ref | Decal - Boels | |
| | | Ref | Decal - Clear Sky Options: | |
| | 1001116245 | Ref | ANSI Spec Only (SN 0300069000 through 0300144689) | |
| | 1001116246 | Ref | CSA Spec Only (SN 0300069000 through 0300144689) | |
| | 1001127093 | Ref | ANSI Spec, ANSI Export Spec and CSA Spec Only (SN | |

SECTION 10 - SPECIAL OPTIONS

| ITEM | PART NUMBER | QTY | DESCRIPTION | REV |
|------|-------------|-----|---|-----|
| | | | 0300144690 through 0300203770) | |
| | 0274529 | Ref | Decal - Head and Engquist Equipment L.L.C (H and E) | |
| | 0273250 | Ref | Decal - Hertz (SN 0300096000 through 0300147213) | |
| | 1001128940 | Ref | Decal - Hertz (SN 0300147214 through 0300203770) | |
| | 1001143073 | Ref | Decal - Hewitt the Rental Store (English) | |
| | 1001143508 | Ref | Decal - Hewitt the Rental Store (French) | |
| | 1703175 | Ref | Decal - Lanyard Attach (GM K-1 Spec) | |
| | 1001140622 | Ref | Decal - Leavitt | |
| | 0273370 | Ref | Decal - Nations Rent | |
| | 0274247 | Ref | Decal - National Equipment Services (NES) | |
| | 1702868 | Ref | Decal - No Hands (English Language) (Used with Mesh to Top Rail Platform) | |
| | 1704000 | Ref | Decal - No Hands (English and French Dual Language) (Used with Mesh to Top Rail Platform) | |
| | 1702962 | Ref | Decal - Prop 65 Warning (Diesel Machines) (California Spec) | |
| | 1702961 | Ref | Decal - Prop 65 Warning (Gasoline Machines) (California Spec) | |
| | 1001095409 | Ref | Decal - RSC | |
| | 0270575 | Ref | Decal - Sunbelt (Prior to June 1, 2015) | |
| | 1001197847 | Ref | Decal - Sunbelt (June 1, 2015 to Present) | |
| | 1001151096 | Ref | Decal - Titan Rentals | |
| | 0271892 | Ref | Decal - United Rentals | |
| | 1001141473 | Ref | Decal - Volvo Rents | |
| | 0257733 | Ref | Decal - Warning Stripes | |
| | | Ref | Decal Kits | |
| | 2910478 | Ref | Decal Kit - Machine | |
| | 1001108717 | Ref | Decal Kit - Platform | |
| | 2910865 | Ref | Decal Kit - Platform Console Box | |
| | 1001130749 | Ref | Electric to Mechanical Fan Kit (Perkins Engines) | |
| | | Ref | Electrical Connector Kits | |
| | 1001148902 | Ref | Amp/Tyco Electrical Connector Kit | |
| | 1001148903 | Ref | Deutsch DT Electrical Connector Kit | |
| | 1001148904 | Ref | Deutsch HD Electrical Connector Kit | |
| | 1001148905 | Ref | Packard Electrical Connector Kit | |
| | 1001148906 | Ref | Various Electrical Connectors Kit | |
| | | Ref | Engine Block Heater Installation | |
| | 0275055 | Ref | GM Engines | |
| | | Ref | Engine Replacement Kits | |
| | 1001145837 | Ref | Engine Kit - Replace Perkins Tier II with Deutz D2011L03 Tier II | |
| | 1001139890 | Ref | Engine Kit - Replace Perkins Tier II with Perkins Tier IVi | |
| | 1001145192 | Ref | Fan Cover (Deutz TD2.9L4 Engine) | |
| | | Ref | Filter Kits: | |
| | | Ref | Combined Filter Kit (Hydraulic/Air and Fuel/Engine Oil) | |
| | 1001114034 | NLA | Caterpillar Engine (Use p/n 1001111000) | |
| | 1001110999 | Ref | Deutz D2011 Engine (SN 0300096000 through 0300161284) | |
| | 1001156539 | Ref | Deutz D2011 Engine (SN 0300161285 through 0300181723, SN 0300182240 through 0300203770) | |
| | 1001181146 | Ref | Deutz TD2.9L4 Engine | |
| | 1001114059 | NLA | GM Engine (Use p/n 1001114131) | |
| | 1001114063 | NLA | Perkins Engine (Without UGM) (Use p/n 1001111001) | |
| | 1001114122 | Ref | Perkins Engine (With UGM) | |
| | | Ref | Hydraulic/Air Filter | |
| | 1001109698 | Ref | Caterpillar and Perkins Engines | |

SECTION 10 - SPECIAL OPTIONS

| ITEM | PART NUMBER | QTY | DESCRIPTION | REV |
|------|-------------|-----|--|-----|
| | 1001109698 | Ref | Deutz D2011 Engines (SN 0300096000 through 0300161284) | |
| | 1001182238 | Ref | Deutz D2011 Engines (SN 0300161285 to Present) | |
| | 1001204451 | Ref | Deutz DT2.9L4 Engines | |
| | | Ref | Engine - Fuel/Engine Oil Filter | |
| | 1001110139 | Ref | Caterpillar Engine | |
| | 1001110138 | Ref | Deutz D2011 Engine | |
| | 1001204461 | Ref | Deutz DT2.9L4 Engine | |
| | 1001110143 | Ref | Perkins Engine | |
| | | Ref | Fluids: | |
| | 2300004 | Ref | Coolant, Standard | |
| | 2300041 | Ref | Coolant, Arctic | |
| | 3020040 | Ref | Conditioner, Diesel Fuel | |
| | 3020016 | Ref | Engine Oil | |
| | 3020044 | Ref | Engine Oil, Arctic (0W-40) | |
| | 1001115930 | Ref | Engine Oil, (10W-30) | |
| | | Ref | Hydraulic Fluids Options: | |
| | 2300039 | Ref | Exxon Univis HVI 26 (Use with Arctic Package) | |
| | 2300014 | Ref | Mobil 424 | |
| | 2300027 | Ref | Mobil EAL 224H Bio | |
| | 2300029 | Ref | Mobil EAL EnviroSyn H46 Bio | |
| | 2300016 | Ref | Mobil DTE 10 EXCEL 32 | |
| | 2300021 | Ref | Union Carbide Ucon Hydrolube HP-5046D (Fire Resistant) | |
| | | Ref | Footswitch Shield Installation | |
| | 3380652 | Ref | Footswitch Shield Installation (SN 0300096000 through 0300167707) | |
| | 1001117294 | Ref | Footswitch Shield Installation (SN 0300167708 through 0300203770) | |
| | 1001213609 | Ref | Generator Add-on Kit (4000W/60Hz) (Deutz D2011 Engines) | |
| | 1001213608 | Ref | Generator Add-on Kit (4000W/60Hz) (Deutz TD2.9L4 Engines) | |
| | | Ref | Hose Kits | |
| | 1001187481 | Ref | Hose Kit - Boom (400S) | |
| | 1001187482 | Ref | Hose Kit - Boom (460SJ) | |
| | 1001204921 | Ref | Hostile Environment Kit, 400S | |
| | 1001204922 | Ref | Hostile Environment Kit, 400SJ | |
| | 1001094475 | Ref | Hourmeter, Generator | |
| | | Ref | Hydraulic Oil Cooler Installations | |
| | 1001109766 | Ref | Caterpillar/Perkins Engines | |
| | 0271607 | Ref | Deutz D2011/GM Engines | |
| | 1001147367 | Ref | Deutz TD2.9L4 Engines | |
| | 1001148971 | Ref | Lanyard (Bolt-on) Kit Installation | |
| | 1001183407 | Ref | Low Temperature Cutout Installation | |
| | | Ref | Platform Cover Installations | |
| | 0258703 | Ref | Clear Plastic Construction (SN 0300096000 through 0300200772) | |
| | 1670870 | 1 | Cover | |
| | 0271675 | Ref | Steel Construction (SN 0300096000 through 0300200772) | |
| | 4846506 | 1 | Cover Weldment | |
| | 1670894 | 1 | Cover, Rubber | |
| | 1001195304 | Ref | Cover (SN 0300200773 through 0300203770) | |
| | | Ref | Platform Entry Kit | |
| | 1001142504 | Ref | Kit, Replace Swing Gate with Drop Bar | |
| | 1001142505 | Ref | Kit, Replace Drop Bar with Swing Gate | |

SECTION 10 - SPECIAL OPTIONS

| ITEM | PART NUMBER | QTY | DESCRIPTION | REV |
|------|-------------|-----|--|-----|
| | | Ref | Platform Ladder Carrier Installation Options (Australian Spec Only): | |
| | 1001116419 | Ref | 30in Platform | |
| | 1001116420 | Ref | 36in Platform | |
| | | Ref | Platform Mesh to Top Rail Add-on Kits | |
| | 1001214552 | Ref | 30in x 4ft (76cm x 1.22m) with Gate | |
| | 1001214559 | Ref | 30in x 5ft (76cm x 1.52m) with Gate | |
| | 1001214561 | Ref | 36in x 6ft (91.5cm x 1.83m) with Gate | |
| | 1001214562 | Ref | 36in x 8ft (91.5cm x 2.44m) with Gate | |
| | | Ref | Platform Mesh to Top Rail Installations | |
| | 0273147 | Ref | 30in x 4ft (76cm x 1.22m) | |
| | 0273146 | Ref | 30in x 5ft (76cm x 1.52m) | |
| | 0273149 | Ref | 36in x 6ft (91.5cm x 1.83m) | |
| | 0273145 | Ref | 36in x 8ft (91.5cm x 2.44m) | |
| | | Ref | Platform Mesh to Mid Rail Add-on Kits | |
| | 1001214478 | Ref | 30in x 4ft (76cm x 1.22m) with Gate | |
| | 1001214515 | Ref | 30in x 5ft (76cm x 1.52m) with Gate | |
| | 1001214540 | Ref | 36in x 6ft (91.5cm x 1.83m) with Gate | |
| | 1001214548 | Ref | 36in x 8ft (91.5cm x 2.44m) with Gate | |
| | | Ref | Platform Mesh to Mid Rail Installation | |
| | 1001140318 | Ref | 30in x 4ft (76cm x 1.22m) | |
| | 1001140315 | Ref | 30in x 5ft (76cm x 1.52m) | |
| | 1001138772 | Ref | 36in x 6ft (91.5cm x 1.83m) | |
| | 1001138773 | Ref | 36in x 8ft (91.5cm x 2.44m) | |
| | 1001149730 | Ref | Platform Mid Rail Repair Kit | |
| | | Ref | Platform Rail Extension Installations | |
| | 0272733 | Ref | 36in x 6ft Platforms | |
| | 0272725 | Ref | 36in x 8ft Platforms | |
| | 0257728 | Ref | Platform Tubing Rack Installations | |
| | 0258918 | Ref | Platform Utility Rack Assembly (Michigan OSHA Spec) | |
| | | Ref | Receptacle (240V) Installation Options: (ANSI, CSA and Japanese Spec): | |
| | 1001159121 | Ref | Receptacle-240V (7500W SkyPower Generator) | |
| | 1001171131 | Ref | Receptacle-240V (4000W Generator) | |
| | | Ref | SkyGuard Component Options: | |
| | 1001188649 | Ref | SkyGuard Installation (Blue Beacon) (SN 0300200773 through 0300203770) | |
| | 1001149560 | Ref | SkyGuard Complete Add-on Kit (Non - UGM Machines) (Blue Beacon) | |
| | 1001143669 | Ref | SkyGuard Complete Add-on Kit (UGM Machines) (Blue Beacon) | |
| | 1001210025 | Ref | SkyGuard Complete Add-on Kit (Red Beacon) | |
| | 1001137672 | Ref | SkyGuard Platform Sensor Kit | |
| | 1001143256 | Ref | SkyGuard Blue Beacon Kit | |
| | 1001210037 | Ref | SkyGuard Red Beacon Kit | |
| | 1001176372 | Ref | SkyGuard Plug Removal (Service Kit) | |
| | | Ref | SkyPower Add-on Kit - 7500W Generator Options: | |
| | See Note | Ref | SkyPower Add-on Kit (Caterpillar and Perkins) (Note: Not Available for Purchase) | |
| | 1001116162 | Ref | SkyPower Add-on Kit (Deutz D2011) (60Hz) | |
| | See Note | Ref | SkyPower Add-on Kit (Deutz D2011) (50Hz) (Note: Not Available for Purchase) | |
| | 1001118105 | Ref | SkyPower Add-on Kit (GM) | |

SECTION 10 - SPECIAL OPTIONS

| ITEM | PART NUMBER | QTY | DESCRIPTION | REV |
|------|-------------|-----|--|-----|
| | | Ref | Strobe Light Installations (Amber) | |
| | 1001152965 | Ref | Platform Mounted | |
| | 1001154231 | Ref | Platform/Ground Mounted | |
| | 1001200269 | Ref | Telematics Installation (Customer Supplied) | |
| | 1001195610 | Ref | Telematics - United Rentals | |
| | 1001228357 | Ref | Telematics Retrofit Harness Kit (Machines with UGM) | |
| | | Ref | Tire Sealant Installations (ANSI Spec Only) | |
| | 0272307 | Ref | 12 x 16.5 | |
| | 0272301 | Ref | 14 x 17.5 | |
| | | Ref | Tools for Service | |
| | 2901443 | 1 | Analyzer Kit | |
| | 8896941 | 1 | Wire Stripper | |
| | 7002821 | 1 | Wire Crimper (To install wire ends to wires) | |
| | 7002823 | 1 | Pin/Socket Extractor - Universal (To Remove Pins/Sockets from Connectors) | |
| | 4460467 | 1 | Extractor - 16-18 Gauge (For Removal of Pin/Sockets from Deutsch Connectors) | |
| | 4460510 | 1 | Extractor - 12-14 Gauge (For Removal of Pin/Sockets from Deutsch Connectors) | |
| | 7002822 | 1 | Screwdriver, Potentiometer (To Adjust Drive Controllers) | |
| | 7016654 | 1 | Screwdriver, Magnetic | |
| | 7004275 | 1 | Seal Installation Tool - 1in | |
| | 7004276 | 1 | Seal Installation Tool - 1 1/2in | |
| | 7002826 | 1 | Seal Installation Tool - 2in | |
| | 7016655 | 1 | Wire Rope Sheave Gauge | |
| | 4922012 | 1 | Horsepower Card Service Harness | |
| | 1001137005 | 1 | Software Cable Kit | |
| | | Ref | Weld Leads at Platform Installations | |
| | 0271240 | Ref | Weld Leads at Platform Installations 400S | |
| | 0271446 | Ref | Weld Leads at Platform Installations 460SJ | |

PART NUMBER INDEX

Go to Discount-Equipment.com to order your parts

PART NUMBER INDEX

| | | | |
|--|----------------------------|--|---------------------------------------|
| 0020006.....55 | 0255917 199, 430, 445 | 0270326 71 | 0272435.....244, 249, 253 |
| 0060048.....271, 275 | 0256847 112, 121, 123 | 0270354 204, 210 | 0272444.....295 |
| 0060059.....267, 275 | 0257728 341, 490 | 0270398 467, 471, 479 | 0272448.....326, 331 |
| 0080163.....112, 123 | 0257733 488 | 0270575 488 | 0272521.....329 |
| 0080181 84, 92, 100, 142, 152, 160 | 0257887 424, 439 | 0270649 414 | 0272588.....329 |
| 0080201 84, 92, 100, 131, 137, 142, 152, 160 | 0258308 200 | 0270650 33 | 0272589.....244 |
| 0080231.....110 | 0258703 489 | 0270651 34 | 0272593.....271 |
| 0080241.....199 | 0258918 490 | 0270652 34 | 0272596.....241, 429 |
| 0100009.....297 | 0259141 203, 207 | 0270653 34 | 0272597.....241, 429 |
| 0100011 13, 14, 15, 19, 20, 25, 26, 29, 33, 49, 51, 55, 59, 63, 71, 84, 86, 92, 94, 100, 101, 103, 108, 109, 110, 119, 120, 121, 125, 126, 130, 131, 136, 137, 142, 145, 146, 152, 154, 156, 160, 161, 163, 175, 179, 183, 185, 189, 191, 195, 200, 203, 207, 213, 218, 221, 225, 229, 233, 237, 241, 247, 251, 263, 264, 267, 268, 271, 272, 273, 279, 283, 288, 295, 317, 326, 329, 331, 333, 345, 349, 353, 359, 361, 369 | 0259144 175 | 0270654 34 | 0272599.....326, 337 |
| 0100019 15, 19, 21, 26, 33, 71, 221, 229, 233, 238, 241, 247, 251, 257 | 0259147 72 | 0270655 34 | 0272607.....337 |
| 0100020 84, 86, 92, 94, 101, 108, 110, 119, 123, 130, 131, 136, 138, 142, 145, 152, 154, 161, 175, 230, 238, 257, 260, 326, 337, 427, 442, 460 | 0259148 15 | 0270659 175 | 0272609.....288 |
| 0100035.....200, 297 | 0259155 183 | 0270814 300, 414 | 0272612....264, 419, 434, 451 |
| 0100038 15, 20, 26, 29, 345, 349, 353, 359, 361, 369 | 0259156 71 | 0271159 ... 264, 272, 419, 435, 451 | 0272613....264, 272, 419, 435, 451 |
| 0100048 130, 136, 187, 191, 195, 199, 200, 233, 247, 279, 283, 297, 418, 420, 434, 435, 450, 452 | 0259158 72 | 0271160 ... 264, 419, 434, 451 | 0272703.....279 |
| 0100062.....123 | 0259159 467 | 0271161 ... 264, 272, 419, 435, 451 | 0272725.....490 |
| 0100063.....369 | 0259160 467 | 0271162 ... 264, 419, 434, 451 | 0272731.....179 |
| 0100071.....319 | 0259175 471 | 0271163 200 | 0272733.....490 |
| 0100079.....233, 247 | 0259176 471 | 0271164 200 | 0272804.....20 |
| 0100081 265, 297, 321 | 0259177 471 | 0271165 200 | 0272805.....59 |
| 0140001.....63 | 0259178 471 | 0271166 200 | 0272828.....59 |
| 0140011.....297 | 0259179 471 | 0271211 55 | 0272897.....263 |
| 0140032.....200 | 0259180 471 | 0271212 55 | 0272900.....13, 49 |
| 0140044.....200, 455 | 0259181 471 | 0271213 55 | 0272901.....25, 49 |
| 0181949.....175 | 0259182 471 | 0271215 55 | 0272902.....13, 49 |
| 0200048.....295 | 0259183 471 | 0271218 55 | 0272903.....25, 49 |
| 0200742.....213, 218 | 0259184 471 | 0271239 486 | 0272904.....13, 49 |
| 0240047.....56 | 0259185 471 | 0271240 491 | 0272906.....20, 49 |
| 0240049.....56 | 0259186 471 | 0271246 300 | 0272923.....34 |
| 0240050.....56 | 0259188 486 | 0271340 300 | 0272924.....33 |
| 0240152.....56 | 0259193 486 | 0271342 199 | 0272925.....33, 49 |
| | 0259194 486 | 0271445 486 | 0272926.....33, 49 |
| | 0259195 486 | 0271446 491 | 0272927.....26 |
| | 0259196 486 | 0271607 489 | 0272948.....321 |
| | 0259197 487 | 0271657 189 | 0272949.....321 |
| | 0259962 299 | 0271658 189 | 0272950.....321 |
| | 0259963 299 | 0271660 189 | 0272951.....321 |
| | 0259964 299 | 0271661 189 | 0272952.....321 |
| | 0259965 299 | 0271675 489 | 0272970 289, 418, 434 |
| | 0259968 299 | 0271892 488 | 0272999.....263 |
| | 0259981 467 | 0271912 487 | 0273003.....241, 429 |
| | 0259989 471 | 0271993 34 | 0273004.....241, 429 |
| | 0259990 471 | 0271994 34 | 0273064.....487 |
| | 0259991 471 | 0271995 34 | 0273065.....263 |
| | 0259992 471 | 0271996 34 | 0273145.....490 |
| | 0259993 471 | 0271997 34 | 0273146.....490 |
| | 0259994 471 | 0271998 34 | 0273147.....490 |
| | 0270022 425, 440, 458 | 0272018 199, 300 | 0273149.....490 |
| | 0270024 425, 440, 458 | 0272031 487 | 0273250.....488 |
| | 0270029 55 | 0272070 268, 272 | 0273353.....326 |
| | 0270030 55 | 0272254 331 | 0273370.....488 |
| | 0270074 34 | 0272301 491 | 0273473.....19, 49 |
| | 0270075 34 | 0272307 491 | 0273493.....289 |
| | 0270076 34 | 0272310 33 | 0273494.....289 |
| | 0270077 34 | 0272311 34 | 0273512.....257 |
| | 0270078 34 | 0272336 34 | 0273710.....257 |
| | 0270079 34 | 0272337 34 | 0274016.....203, 207 |
| | 0270091 33 | 0272352 34 | 0274079.....217 |
| | 0270092 34 | 0272353 34 | 0274084.....213 |
| | 0270093 34 | 0272384 283 | 0274085.....217 |
| | 0270094 34 | 0272418 322 | 0274088.....213 |
| | 0270180 56 | 0272427 295 | 0274089.....217 |
| | 0270186 56 | | 0274247.....488 |
| | 0270187 56 | | |
| | 0270192 55 | | |
| | 0270193 55, 56 | | |
| | 0270213 263 | | |

PART NUMBER INDEX

| | | | | | | | |
|---------------------------|----------------|---------------------------|-----------------|---------------------------|------------------|----------------------------|---------------|
| 0274334..... | 108 | 0480129..... | 230, 241 | 0641514..... | 225, 341 | 0642010... 14, 19, 25, 86, | |
| 0274415..... | 189 | 0480142 | 225, 237, 251 | 0641516.... | 119, 229, 233, | 94, 102, 108, 119, 130, | |
| 0274416..... | 189 | 0561185..... | 267, 271 | 237, 241, 247, 251, 265 | | 136, 145, 154, 162 | |
| 0274417..... | 189 | 0561237..... | 272 | 0641518..... | 290 | 0642012... 13, 14, 19, 20, | |
| 0274418..... | 189 | 0561300 ... | 13, 14, 19, 20, | 0641530..... | 49 | 25, 29, 263, 321 | |
| 0274529..... | 488 | 25, 26 | | 0641538..... | 49 | 0642024..... | 279 |
| 0274570..... | 290 | 0630462..... | 295 | 0641542..... | 51 | 0642026..... | 321 |
| 0274574..... | 199, 300 | 0630464..... | 297 | 0641560..... | 51 | 0642034..... | 283 |
| 0274584..... | 290 | 0630491..... | 199 | 0641604..... | 264, 369 | 0642212..... | 321 |
| 0274600..... | 63 | 0630518 ... | 187, 191, 195, | 0641605..... | 263, 265, 267 | 0642684... 268, 273, 279, | |
| 0274601..... | 63 | 326, 329, 331, 333, 337 | | 0641606.... | 15, 20, 26, 29, | 283 | |
| 0274605..... | 86 | 0630534..... | 353, 357 | 51, 175, 263, 267, 271, | | 0651406..... | 63 |
| 0274661..... | 341 | 0630535 ... | 349, 359, 361, | 326, 329, 331, 333 | | 0681608.... | 29, 268, 273, |
| 0275032..... | 130 | 369 | | 0641607.... | 14, 19, 25, 29, | 279, 283 | |
| 0275039..... | 225 | 0630541 86, 94, 102, 108, | | 49, 121 | | 0681632..... | 263 |
| 0275055..... | 488 | 119, 130, 136, 145, | | 0641608 84, 92, 103, 112, | | 0681810..... | 33 |
| 0275056..... | 487 | 154, 162 | | 119, 121, 131, 137, | | 0681814..... | 293 |
| 0275057 ... | 251, 429, 444, | 0630548 | 187, 191, 195 | 146, 156, 163, 179, | | 0681820..... | 29 |
| 462 | | 0630566..... | 264 | 203, 207, 263, 267, | | 0681822. 15, 20, 55, 121, | |
| 0275059..... | 189 | 0630568..... | 299 | 271, 272 | | 221, 233, 247, 293 | |
| 0275060..... | 189 | 0630569 84, 92, 100, 103, | | 0641609 86, 94, 100, 110, | | 0681824..... | 20 |
| 0275066..... | 479 | 142, 152, 160, 163 | | 131, 137, 142, 152, | | 0681828..... | 15, 27 |
| 0275067..... | 479 | 0641403..... | 241 | 160, 264 | | 0681832..... | 71 |
| 0275068..... | 479 | 0641404 | 37, 200, 218, | 0641610.... | 63, 84, 86, 92, | 0681856..... | 55 |
| 0275112..... | 25 | 229, 233, 237, 241, | | 100, 103, 110, 120, | | 0681872..... | 55 |
| 0275113..... | 25 | 247, 251, 297 | | 121, 125, 126, 131, | | 0682014..... | 33 |
| 0275216 | 428, 443, 460 | 0641405 | 95, 101, 102, | 137, 142, 144, 152, | | 0682018..... | 71 |
| 0275217 | 428, 443, 461 | 161, 162, 225, 279, 283 | | 160, 163, 175, 201, | | 0682026..... | 71 |
| 0275218 | 428, 443, 461 | 0641406 84, 92, 100, 110, | | 203, 207, 213, 218, | | 0682034..... | 72 |
| 0275219 | 428, 443, 461 | 121, 131, 137, 142, | | 221, 243, 259, 263, | | 0682040..... | 59 |
| 0275452 | 428, 443, 461 | 152, 160, 189, 193, | | 267, 271, 272, 288 | | 0682048..... | 71 |
| 0275453 | 428, 443, 461 | 197, 200, 233, 247, | | 0641611.... | 100, 110, 121, | 0682248..... | 14, 19, 26 |
| 0275454 | 428, 443, 461 | 259, 267, 271, 288, | | 131, 137, 142, 152, 160 | | 0700808. 84, 92, 147, 157 | |
| 0340041 84, 92, 100, 110, | | 469, 476, 480 | | 0641612.. | 29, 86, 94, 131, | 0700810... 112, 124, 131, | |
| 131, 137, 142, 152, 160 | | 0641407 ... | 121, 192, 195, | 137, 144, 154, 203, 207 | | 137 | |
| 0340046 84, 92, 100, 142, | | 241, 279, 283 | | 0641614.... | 100, 160, 241, | 0700816..... | 110 |
| 152, 160 | | 0641408 .55, 84, 92, 100, | | 252 | | 0700820 | 225, 237, 251 |
| 0360406..... | 59 | 142, 145, 152, 155, | | 0641615..... | 175 | 0701016 | 225, 237, 251 |
| 0361810 86, 94, 102, 108, | | 160, 241, 288, 468, | | 0641616.... | 13, 20, 86, 94, | 0701217..... | 213, 241 |
| 119, 130, 136, 145, | | 475, 480 | | 102, 108, 119, 130, | | 0711014..... | 110 |
| 154, 162 | | 0641409..... | 110 | 136, 145, 154, 162, | | 0711214..... | 121 |
| 0362519..... | 175 | 0641410 ... | 84, 87, 92, 94, | 230, 233, 247, 259, | | 0711414..... | 110, 230 |
| 0362528..... | 200 | 102, 108, 119, 130, | | 267, 271 | | 0720805.... | 189, 193, 197 |
| 0362610..... | 200 | 136, 142, 145, 152, | | 0641618 49, 51, 242, 247, | | 0721003..... | 300 |
| 0362909..... | 200 | 154, 162 | | 272 | | 0721004 | 84, 142, 187, |
| 0362932..... | 13, 20 | 0641412 | 119, 130, 136 | 0641620..... | 25 | 191, 195, 243 | |
| 0362936..... | 49 | 0641414 14, 25, 289, 295, | | 0641626..... | 13, 20 | 0721005..... | 175 |
| 0362954..... | 13, 20, 25 | 297, 317, 319 | | 0641707..... | 121 | 0721006 | 84, 125, 142, |
| 0362965..... | 25 | 0641416 ... | 203, 207, 272, | 0641710..... | 225 | 218, 221 | |
| 0363012..... | 51 | 279, 283 | | 0641772.... | 213, 218, 221 | 0721008..... | 213, 299 |
| 0363019..... | 59 | 0641418 | 95, 102, 162, | 0641806..... | 119 | 0731005..... | 179, 295 |
| 0370024..... | 365 | 288 | | 0641808.... | 55, 229, 233, | 0731007..... | 179 |
| 0370026..... | 347 | 0641420 | 63, 146, 155 | 237, 241, 247, 251 | | 0741605..... | 268, 271 |
| 0400075 86, 94, 102, 108, | | 0641422..... | 130, 136 | 0641810.... | 183, 247, 257 | 0741606..... | 121 |
| 119, 130, 136, 145, | | 0641424..... | 14, 19, 25 | 0641812 84, 92, 103, 109, | | 0741607 | 230, 233, 247 |
| 154, 162 | | 0641504..... | 59 | 120, 131, 137, 146, | | 0741610 84, 92, 100, 110, | |
| 0440162..... | 15, 20 | 0641505..... | 241, 251 | 156, 163, 185, 221, | | 131, 137, 142, 152, 160 | |
| 0440240..... | 71 | 0641506 84, 92, 100, 142, | | 268, 273 | | 0750808..... | 204, 208 |
| 0440271..... | 26, 29 | 152, 160, 259 | | 0641814.... | 15, 20, 26, 29, | 0760410..... | 199 |
| 0440274..... | 27 | 0641507 84, 92, 100, 110, | | 175 | | 0760612..... | 143, 153 |
| 0440291..... | 27, 29 | 131, 137, 142, 152, 160 | | 0641820 84, 92, 100, 110, | | 0760808..... | 119 |
| 0480100..... | 341 | 0641508 21, 49, 213, 218, | | 131, 137, 142, 152, | | 0760810.... | 121, 143, 153 |
| 0480120..... | 213, 218 | 221, 241 | | 160, 230 | | 0760815.... | 92, 100, 152, |
| 0480121..... | 213 | 0641510 | 63, 110, 112, | 0641822..... | 279, 283 | 160 | |
| 0480122..... | 218 | 120, 123, 225 | | 0641826..... | 183, 185 | 0761210..... | 120, 123 |
| 0480126..... | 241 | 0641511 ... | 110, 130, 136 | 0641828..... | 185 | 0771012..... | 110, 121 |
| 0480128..... | 230, 241 | 0641512..... | 110 | 0641832..... | 238 | | |

PART NUMBER INDEX

| | | | |
|--|--|---|--|
| 0771414.....121, 221, 233, 247 | 0961845.....288 | 1001093360.....399, 411 | 1001094608..87, 95, 102, 108, 119, 130, 137, 145, 155, 162 |
| 0771415.....230, 241 | 0961893.....353, 357 | 1001093380.....25, 26 | 1001094684.....391, 410 |
| 0791512.....123 | 0961894.....349, 361 | 1001093381.....13, 14 | 1001095198.....71 |
| 0801213.....267 | 0961896.....369 | 1001093434.....63 | 1001095203.....145 |
| 0801214.....271 | 0961897.....359 | 1001093435.....63 | 1001095204.....142 |
| 0801215.....267 | 0961947.....272, 275 | 1001093691.....411 | 1001095205.....143, 144, 146 |
| 0801216.....271 | 0961948.....55 | 1001093747.....33, 51 | 1001095206.....145 |
| 0801359.....263, 267 | 0961950...13, 14, 19, 20, 25, 26, 29, 267, 271, 359 | 1001093749.....33, 51 | 1001095207.....142 |
| 0801360.....263, 271 | 0961951 15, 21, 267, 271, 275, 349, 351, 361, 363 | 1001093844.....13 | 1001095409.....488 |
| 0811608.....238 | 0962140...15, 21, 27, 29, 345 | 1001093845.....13 | 1001095879.....146 |
| 0840055.....279, 283, 284 | 0962172 84, 92, 100, 110, 121, 131, 137, 142, 152, 160 | 1001093846.....13, 20 | 1001095880.....146 |
| 0860038...230, 233, 237, 243, 247, 251, 425, 440, 458 | 0962270.....293 | 1001093851...13, 20, 25, 29 | 1001096070.....230 |
| 0860520.....468, 475, 480 | 0962292.....20 | 1001093856.....51 | 1001096160.....391 |
| 0861537.....297, 299 | 0962293.....55 | 1001093861.....51 | 1001096161.....391 |
| 0861538.....241, 247, 251 | 0962335.....272 | 1001093876.....59 | 1001096167.....391, 393 |
| 0861541.....243, 252 | 0962336...353, 355, 357 | 1001093879.....19, 20 | 1001096168.....391, 393 |
| 0861542...241, 243, 251, 252, 429, 444, 462 | 0962348.....20 | 1001093889.....51 | 1001096191.....375, 377, 379 |
| 0861567...241, 243, 429, 445, 462 | 0962449.....218 | 1001093890.....51 | 1001096192.....375, 377 |
| 0861571.....288, 297 | 0962450.....279 | 1001093894.....108 | 1001096193.....375, 377, 379 |
| 0861572.....241 | 0962474.....345 | 1001093895.....109 | 1001096556.....383, 385 |
| 0861642.....257 | 0962520...230, 233, 237, 242, 247, 251 | 1001093896.....110 | 1001096557.....375, 377 |
| 0861706.....187 | 0962521.....251 | 1001093897.....486 | 1001097150.....427, 443, 460 |
| 0861707.....187 | 1001091102.....199 | 1001093898.....84 | 1001097331.....241, 429 |
| 0861708.....187 | 1001091179.....111 | 1001093899.....86 | 1001097332.....241, 429 |
| 0861709.....187 | 1001091559.....179 | 1001093910.....200 | 1001097551.....144 |
| 0861731...425, 441, 458 | 1001091566.....179 | 1001093912.....200 | 1001097552.....144 |
| 0861736.....187 | 1001091583.....132 | 1001093913.....200 | 1001097553.....144, 154 |
| 0861737.....187 | 1001091587.....131, 137 | 1001093914.....201, 424, 439, 455 | 1001097554..88, 96, 144, 154 |
| 0861738.....187 | 1001091627.....131 | 1001093915.....201, 424, 439, 456 | 1001097555.....144, 154 |
| 0861739.....187 | 1001091628.....131 | 1001093916.....264, 419, 434, 451 | 1001097588..86, 94, 101, 144, 154, 161 |
| 0861773.....187 | 1001091629.....130 | 1001093917.....419, 435, 451 | 1001097893.....144, 154 |
| 0861774.....187 | 1001091687.....383, 391, 399, 410, 411 | 1001093918.....419, 435, 451 | 1001098012.....326, 337, 339 |
| 0861781...425, 440, 458 | 1001091729.....375, 410 | 1001093919.....264, 272, 419, 435, 451 | 1001098130.....29 |
| 0861782...425, 441, 458 | 1001091730.....377, 410 | 1001093920.....419, 435, 451 | 1001098149.....337 |
| 0861880.....427, 443, 460 | 1001091794.....133, 138 | 1001093921.....419, 435, 451 | 1001098525..85, 93, 101, 143, 153, 161 |
| 0902556.....183 | 1001091892.....111, 132 | 1001093922.....264, 419, 435, 451 | 1001098764.....458 |
| 0902668.....203, 208 | 1001091926.....375, 410 | 1001093923.....419 | 1001098839.....188, 420, 421 |
| 0902669.....203, 207 | 1001091927.....377, 410 | 1001093924.....264, 272, 419, 435, 451 | 1001098923.....422 |
| 0902673.....204, 209 | 1001091969.....425, 440, 458 | 1001093925.....419 | 1001099161.....391, 393 |
| 0902733.....59 | 1001091970.....425, 440, 458 | 1001093928.....20 | 1001099162.....391, 393 |
| 0902734.....59 | 1001091971.....425, 440, 458 | 1001093929.....19 | 1001099366.....321 |
| 0902740.....110 | 1001091972.....425, 440, 458 | 1001093930.....387, 410 | 1001099367.....321 |
| 0902751.....297 | 1001091973.....425, 440, 458 | 1001093932.....387 | 1001099370.....161, 163 |
| 0902888...229, 233, 237, 241, 247, 251 | 1001091974.....425, 440, 458 | 1001093933.....387, 391, 393 | 1001099376.....321 |
| 0902894.....279, 283 | 1001091975.....425, 440, 458 | 1001093934.....387 | 1001099421.....321 |
| 0902919.....279, 283 | 1001091986.....391, 410 | 1001093935.....387, 391, 393 | 1001099422.....321 |
| 0902920.....279, 283 | 1001092120.....383, 410 | 1001093936.....486 | 1001099436.....321 |
| 0903063.....110 | 1001092140.....410 | 1001093938.....486 | 1001099437.....321 |
| 0903484...427, 442, 460 | 1001092723.....110, 112 | 1001093941.....411 | 1001099439.....321 |
| 0903566...230, 427, 442, 460 | 1001093275.....425, 440, 458 | 1001093972.....25 | 1001099830.....263 |
| 0920119.....71 | 1001093359.....399, 410 | 1001093973.....13 | 1001099869.....218 |
| 0940049 87, 94, 102, 108, 119, 130, 136, 145, 154, 162, 203, 207 | | 1001094001.....486 | 1001099926.....144, 154, 425 |
| 0940071.....203, 207 | | 1001094003.....59 | 1001099927.....144, 154, 423 |
| 0940102.....321 | | 1001094475.....489 | |
| 0940103.....295 | | | |
| 0940177.....295 | | | |
| 0941611.....86, 94 | | | |

PART NUMBER INDEX

| | | | |
|---|---------------------------------------|--------------------------------------|--|
| 1001100027 414, 428, 443, 444 | 1001101836..... 204, 209, 210 | 1001107440.....298, 418, 434, 450 | 1001109545 187, 191, 196 |
| 1001100233 218 | 100110195093, 101, 153, 161 | 1001107527.....298 | 1001109698 488, 489 |
| 1001100234 218 | 1001102131..... 144, 146, 154, 156 | 1001107626.....192 | 1001109766 489 |
| 1001100305 429 | 1001102270..... 154, 156 | 1001107627.....192 | 1001109863 425, 440, 458 |
| 1001100321 213, 217 | 1001102270..... 154, 156 | 1001107628.....192 | 1001109864 427, 442, 460 |
| 1001100326 425, 440, 458 | 1001102354.....56 | 1001107629.....192 | 1001110138 489 |
| 1001100327 425, 440, 458 | 1001102585..... 101, 161 | 1001107677.....298 | 1001110139 489 |
| 1001100328 425, 440, 458 | 1001102595..... 187, 191, 196 | 1001107849.....300 | 1001110143 489 |
| 1001100329 425, 440, 458 | 1001102596..... 187, 191, 196 | 1001107850.....300 | 1001110425 119 |
| 1001100331 425, 440, 458 | 1001102647.....321 | 1001107851.....300 | 1001110434 298 |
| 1001100333 425, 440, 458 | 100110270693, 101, 153, 161 | 1001108256.....295 | 1001110872 243, 252, 429, 444, 462 |
| 1001100337 425, 440, 458 | 1001102798..... 192, 436, 437 | 1001108382.....19 | 1001110873 229, 234, 237, 243, 248, 252, 426, 429, 441, 444, 459, 462 |
| 1001100341 428, 443, 460 | 1001102859..... 103, 163, 438 | 1001108461.....411 | 1001110999 488 |
| 1001100342 428, 443, 461 | 1001102896.....191 | 1001108462..... 403, 411 | 1001111285 213 |
| 1001100343 428, 443, 461 | 1001102897.....191 | 1001108463..... 403, 411 | 1001111341 123 |
| 1001100344 428, 443, 461 | 1001102898.....191 | 1001108464.....393, 410 | 1001112101 241, 444 |
| 1001100345 428, 443, 461 | 1001102899.....191 | 1001108465.....393, 410 | 1001112408 241, 444 |
| 1001100346 428, 443, 461 | 1001102901..... 415, 437, 438 | 1001108466.....385, 410 | 1001112551 480 |
| 1001100347 428, 443, 461 | 1001102991.....142 | 1001108467.....411 | 1001112586 244, 445, 463 |
| 1001100424 ... 13, 14, 19, 20, 25, 26 | 1001102992.....146 | 1001108476.....393 | 1001112587 244, 445, 463 |
| 1001100469 160 | 1001102993.....145 | 1001108477..... 385, 393 | 1001112588 414, 443, 461 |
| 1001100577 93, 101, 152, 161 | 1001103478.....34 | 1001108478..... 385, 393 | 1001112589 444, 461 |
| 1001100732 217 | 1001103479.....34 | 1001108480.....393 | 1001112607 120 |
| 1001100749 217 | 1001103667..... 191, 196, 484 | 1001108481.....393 | 1001112612 436, 453 |
| 100110081893, 101, 153, 161 | 1001103769.....163 | 1001108482.....379 | 1001112743 414, 443, 444, 461 |
| 1001100825 . 86, 94, 101, 144, 154, 161 | 1001103770.....161 | 1001108492.....467, 472 | 1001112975 487 |
| 1001100837 93, 101, 153, 161 | 1001104308.....112 | 1001108497.....488 | 1001112977 487 |
| 1001100857 95, 102, 146, 155, 162 | 1001104689..... 87, 92, 95 | 1001108877.....289, 297 | 1001113307 34 |
| 1001101062 71, 80, 81 | 1001105872.....132 | 1001108878.....288 | 1001113308 34 |
| 1001101191 426, 427, 442, 459, 460 | 1001106339..... 436, 453 | 1001108879.....415 | 1001113366 34 |
| 1001101196 427, 442, 460 | 1001106340..... 436, 453 | 1001108881.....288 | 1001113483 279, 283 |
| 1001101201 93, 101, 153, 161 | 1001106355..... 297, 484 | 1001108923.....469, 476 | 1001113961 311, 313 |
| 1001101228 86, 144 | 1001106426..... 101, 103 | 1001108978.....191 | 1001114034 488 |
| 1001101232 84, 144 | 1001106460.....163 | 1001108979.....191 | 1001114059 488 |
| 1001101233 84, 144 | 1001106461.....161 | 1001108980.....191 | 1001114063 488 |
| 1001101408 93, 101, 153, 161 | 1001106467.....100 | 1001108981.....191 | 1001114122 488 |
| 1001101421 321 | 1001106468.....103 | 1001108982.....191 | 1001114404 479 |
| 1001101422 321 | 1001106469.....101 | 1001108983.....191 | 1001114405 479 |
| 1001101681 93, 101, 153, 161 | 1001106470.....103 | 1001108995.....299 | 1001114595 138 |
| 1001101733 101, 161 | 1001106471.....101 | 1001108996.....299 | 1001114605 137 |
| 1001101835 209 | 1001106616.....487 | 1001108997.....299 | 1001114607 136 |
| | 1001106617.....487 | 1001109039.....192 | 1001115390 241, 444, 462 |
| | 1001106618.....487 | 1001109040.....193 | 1001115403 217 |
| | 1001106689..... 486, 487 | 1001109041.....192 | 1001115412 217 |
| | 1001106736..... 192, 196 | 1001109042.....192 | 1001115721 241, 444, 462 |
| | 1001106761..... 16, 22, 27 | 1001109043.....192 | 1001115930 137, 489 |
| | 1001106762..... 16, 22, 27 | 1001109044..... 192, 193 | 1001116162 490 |
| | 1001106763..... 16, 22, 27 | 1001109089..... 192, 436, 437 | 1001116245 487 |
| | 1001106764..... 16, 22, 27 | 1001109114..... 192, 436, 437 | 1001116246 487 |
| | 1001106837.....185 | 1001109121..... 415, 437, 438 | 1001116419 490 |
| | 1001106910.....13 | 1001109200..... 415, 437, 438 | 1001116420 490 |
| | 1001106911.....25 | 1001109402..... 204, 210 | 1001116710 456 |
| | 1001106966..... 379, 410 | 1001109403.....204, 210 | 1001116727 457 |
| | 1001106974.....185 | 1001109475.....427, 442, 460 | |
| | 1001106999..... 192, 196, 436, 452 | 1001109477.....427, 442, 460 | |
| | 1001107107..... 191, 196 | 1001109482.....427, 442, 460 | |
| | 1001107116. 93, 100, 153 | 1001109503.....196 | |
| | | 1001109542.....185 | |

PART NUMBER INDEX

| | | | | | | | |
|-----------------|------------------|-----------------|------------------|-----------------|------------------|-----------------|--------------------|
| 1001116867..... | 30 | 1001125336..... | 474 | 1001138113..... | 457 | 1001141473..... | 488 |
| 1001116952..... | 457 | 1001125337..... | 474 | 1001138135..... | 112 | 1001141546..... | 122 |
| 1001116983..... | 456 | 1001125338..... | 474 | 1001138228..... | 122, 484 | 1001141693..... | 110 |
| 1001117037..... | 208 | 1001125387..... | 469, 476, 480 | 1001138248..... | 123 | 1001141694..... | 110 |
| 1001117041..... | 208 | 1001125957..... | 51 | 1001138430..... | 287 | 1001141708..... | 111 |
| 1001117078..... | 249 | 1001125958..... | 51 | 1001138431..... | 287 | 1001141748..... | 112 |
| 1001117139..... | 209, 210 | 1001125978..... | 154 | 1001138491..... | 119, 456 | 1001141870..... | 125 |
| 1001117140..... | 210 | 1001126351..... | 456, 457 | 1001138494..... | 288 | 1001141967..... | 425, 441, 458 |
| 1001117172..... | 289 | 1001126352..... | 456 | 1001138514..... | 288 | 1001141968..... | 426, 441, 459 |
| 1001117174..... | 289, 434, 450 | 1001126353..... | 456 | 1001138565..... | 229 | 1001141969..... | 426, 441, 459 |
| 1001117253..... | 487 | 1001126356..... | 456, 457 | 1001138566..... | 230, 233, 237 | 1001141989..... | 415 |
| 1001117260..... | 487 | 1001126357..... | 457 | 1001138717..... | 122 | 1001142454..... | 51 |
| 1001117294..... | 489 | 1001126362..... | 457 | 1001138772..... | 490 | 1001142455..... | 51 |
| 1001117308..... | 122, 484 | 1001126363..... | 457 | 1001138773..... | 490 | 1001142456..... | 51 |
| 1001117320..... | 289 | 1001126364..... | 457 | 1001138780..... | 30 | 1001142501..... | 120, 122, 125 |
| 1001118105..... | 490 | 1001126365..... | 457 | 1001138795..... | 357 | 1001142504..... | 489 |
| 1001118416..... | 297, 313 | 1001126384..... | 456, 457 | 1001138827..... | 122 | 1001142505..... | 489 |
| 1001118417..... | 297, 305 | 1001126391..... | 457 | 1001139048..... | 30 | 1001142643..... | 234, 248 |
| 1001119661..... | 476 | 1001127088..... | 487 | 1001139049..... | 29 | 1001142646..... | 234, 248 |
| 1001119943..... | 487 | 1001127093..... | 487 | 1001139128..... | 487 | 1001142826..... | 111 |
| 1001119949..... | 487 | 1001128125..... | 94, 154 | 1001139141..... | 29, 30 | 1001142903..... | 197 |
| 1001119968..... | 249, 463 | 1001128527..... | 333 | 1001139147..... | 487 | 1001142904..... | 197 |
| 1001120328..... | 317 | 1001128556..... | 333 | 1001139240..... | 122 | 1001142915..... | 196 |
| 1001121115..... | 101, 161 | 1001128940..... | 488 | 1001139357..... | 230 | 1001142916..... | 197 |
| 1001121340..... | 244, 245, 253 | 1001129858..... | 229, 237 | 1001139409..... | 121 | 1001142917..... | 196 |
| 1001121592..... | 295 | 1001130294..... | 152 | 1001139476..... | 30 | 1001142918..... | 197 |
| 1001121593..... | 295 | 1001130295..... | 152 | 1001139586..... | 30 | 1001142920..... | 197 |
| 1001121609..... | 487 | 1001130296..... | 152 | 1001139616..... | 29 | 1001142924..... | 195 |
| 1001121800..... | 467 | 1001130446..... | 92 | 1001139617..... | 29 | 1001142925..... | 195 |
| 1001121801..... | 467, 473 | 1001130447..... | 92 | 1001139645..... | 29, 30 | 1001142926..... | 195 |
| 1001121802..... | 473 | 1001130543..... | 156 | 1001139697..... | 15 | 1001142927..... | 195 |
| 1001121803..... | 473 | 1001130544..... | 156 | 1001139699..... | 13, 14 | 1001142929..... | 195 |
| 1001121804..... | 473 | 1001130545..... | 156 | 1001139700..... | 13 | 1001142930..... | 195 |
| 1001121807..... | 473 | 1001130546..... | 94 | 1001139704..... | 13, 14 | 1001142932..... | 195 |
| 1001121808..... | 473 | 1001130547..... | 94 | 1001139705..... | 19, 20 | 1001142938..... | 457 |
| 1001121809..... | 473 | 1001130548..... | 154 | 1001139742..... | 20 | 1001142939..... | 196, 453 |
| 1001121812..... | 473 | 1001130549..... | 154 | 1001139743..... | 19 | 1001142940..... | 457 |
| 1001121813..... | 467 | 1001130550..... | 154 | 1001139819..... | 112 | 1001142941..... | 457 |
| 1001121814..... | 468, 474 | 1001130749..... | 488 | 1001139877..... | 21 | 1001142963..... | 51 |
| 1001121815..... | 474 | 1001131269..... | 468, 475 | 1001139890..... | 488 | 1001142964..... | 51 |
| 1001121816..... | 474 | 1001131992..... | 415 | 1001139892..... | 30 | 1001143073..... | 488 |
| 1001121817..... | 474 | 1001132726..... | 487 | 1001139901..... | 20 | 1001143234..... | 71 |
| 1001121820..... | 474 | 1001133714..... | 457 | 1001139935..... | 29 | 1001143256..... | 490 |
| 1001121821..... | 474 | 1001133715..... | 457 | 1001139943..... | 30 | 1001143393..... | 175 |
| 1001121822..... | 474 | 1001133956..... | 456 | 1001140312..... | 123 | 1001143434..... | 15, 21, 30, 367 |
| 1001121825..... | 474 | 1001133957..... | 457 | 1001140315..... | 490 | 1001143508..... | 488 |
| 1001121918..... | 473 | 1001134488..... | 122 | 1001140318..... | 490 | 1001143571..... | 16, 22, 30 |
| 1001121920..... | 473 | 1001135650..... | 457 | 1001140334..... | 111 | 1001143604..... | 179 |
| 1001121921..... | 474 | 1001135679..... | 221, 234, 248 | 1001140346..... | 233 | 1001143605..... | 179 |
| 1001121923..... | 474 | 1001136079..... | 122 | 1001140429..... | 288 | 1001143669..... | 490 |
| 1001122200..... | 473 | 1001136172..... | 122 | 1001140535..... | 122 | 1001143797..... | 122 |
| 1001122201..... | 474 | 1001136834..... | 122 | 1001140564..... | 122 | 1001143852..... | 480 |
| 1001125322..... | 467 | 1001136834..... | 122 | 1001140570..... | 15, 21 | 1001143872..... | 110 |
| 1001125323..... | 473 | 1001136988..... | 248 | 1001140586..... | 267, 351 | 1001143873..... | 109 |
| 1001125324..... | 473 | 1001137005..... | 491 | 1001140587..... | 263, 363 | 1001143874..... | 110 |
| 1001125325..... | 473 | 1001137672..... | 490 | 1001140609..... | 122, 124 | 1001143875..... | 109 |
| 1001125327..... | 473 | 1001137673..... | 317 | 1001140622..... | 488 | 1001143907..... | 123, 458 |
| 1001125328..... | 473 | 1001137828..... | 111, 112 | 1001141045..... | 16, 22, 30 | 1001144018..... | 288 |
| 1001125329..... | 473 | 1001137829..... | 110 | 1001141058..... | 16, 22, 30 | 1001144019..... | 288 |
| 1001125330..... | 473 | 1001137830..... | 109 | 1001141065..... | 16, 22, 30 | 1001144021..... | 288 |
| 1001125331..... | 468 | 1001137831..... | 108 | 1001141139..... | 138 | 1001144022..... | 287 |
| 1001125332..... | 474 | 1001137832..... | 110 | 1001141181..... | 238 | 1001144023..... | 287 |
| 1001125333..... | 474 | 1001137833..... | 109 | 1001141300..... | 300 | | |
| 1001125334..... | 474 | 1001137834..... | 108 | 1001141302..... | 300 | | |
| 1001125335..... | 474 | 1001138110..... | 457 | 1001141304..... | 122, 458 | | |
| | | 1001138111..... | 457 | 1001141445..... | 225 | | |

PART NUMBER INDEX

| | | | |
|-----------------------------------|---------------------------------------|--|-----------------------------------|
| 1001144024 287 | 1001148145..... 487 | 1001155375..... 123 | 1001176469 196 |
| 1001144026 287 | 1001148146..... 487 | 1001155554..... 122 | 1001178708 207 |
| 1001144027 287 | 1001148607..... 179 | 1001155555..... 123 | 1001179154 238 |
| 1001144089 122 | 1001148641..... 123 | 1001155823..... 119 | 1001179747 221 |
| 1001144112 122 | 1001148902..... 488 | 1001156539..... 488 | 1001179836 221 |
| 1001144113 122 | 1001148903..... 488 | 1001156819..... 137 | 1001179837 221 |
| 1001144115 122 | 1001148904..... 488 | 1001156822..... 136 | 1001180001 221 |
| 1001144116 122 | 1001148905..... 488 | 1001156823..... 136 | 1001180050 414 |
| 1001144476 111, 112 | 1001148906..... 488 | 1001156824..... 136 | 1001180561 196 |
| 1001144534 122 | 1001148971..... 489 | 1001157520..... 244, 249, 253 | 1001180568 196 |
| 1001144535 122 | 1001149036..... 267, 271 | 1001157521..... 243, 249, 252 | 1001181050 267, 277 |
| 1001144536 122 | 1001149038..... 267, 271 | 1001157525..... 241, 243, 252 | 1001181051 272, 277 |
| 1001144537 122 | 1001149039..... 268, 271 | 1001157525..... 241, 243, 252 | 1001181146 488 |
| 1001144568 123 | 1001149540..... 207 | 1001157528..... 249 | 1001181243 222 |
| 1001144569 122 | 1001149560..... 490 | 1001157592..... 241, 243, 248, 251, 462 | 1001181895 123 |
| 1001144597 293 | 1001149730..... 490 | 1001157768..... 430, 445, 463 | 1001181899 123 |
| 1001144629 287 | 1001149924..... 321 | 1001157769..... 463 | 1001182138 319 |
| 1001144664 122 | 1001149953..... 35 | 1001157770..... 249, 463 | 1001182238 489 |
| 1001144687 122 | 1001150927..... 415, 453 | 1001158007..... 244, 249, 253 | 1001183407 489 |
| 1001145006 123 | 1001150998..... 111 | 1001158008..... 238, 244, 249, 253 | 1001185281 299 |
| 1001145007 123 | 1001151096..... 488 | 1001158363..... 238 | 1001186333 293 |
| 1001145016 123 | 1001151210..... 196, 453 | 1001159121..... 490 | 1001186375 288 |
| 1001145140 469, 476, 480 | 1001151211..... 196, 453 | 1001159256..... 299 | 1001186377 288 |
| 1001145192 488 | 1001151212..... 196, 453 | 1001159648..... 414 | 1001186379 288 |
| 1001145405 326, 337 | 1001151230..... 415, 453 | 1001160080..... 469, 476, 480 | 1001186382 287 |
| 1001145837 488 | 1001151231..... 453 | 1001160271..... 414 | 1001186383 287 |
| 1001145875 288 | 1001151344..... 199 | 1001160560..... 179 | 1001186384 287 |
| 1001145877 288, 289, 297 | 1001151393..... 196 | 1001160571..... 179 | 1001186386 287 |
| 1001146268 123, 456 | 1001151901..... 487 | 1001161709..... 298 | 1001186387 287 |
| 1001146494 121 | 1001152327..... 200 | 1001162335..... 120, 125 | 1001186517 317 |
| 1001146495 120 | 1001152429..... 463 | 1001163287..... 322 | 1001187481 486, 489 |
| 1001146496 119 | 1001152456..... 238 | 1001163287..... 322 | 1001187482 487, 489 |
| 1001146497 121 | 1001152457..... 229, 234, 237, 238 | 1001163296..... 322 | 1001187508 317 |
| 1001146498 120 | 1001152489..... 122 | 1001163297..... 322 | 1001187752 298, 450 |
| 1001146499 119 | 1001152525..... 238, 249, 463 | 1001163298..... 322 | 1001187856 196, 436, 452 |
| 1001146670 221, 234, 248 | 1001152530..... 238 | 1001163579..... 120, 123 | 1001188020 197 |
| 1001146714 126 | 1001152532..... 230, 234, 238 | 1001163599..... 221, 233, 247 | 1001188021 197 |
| 1001146715 125 | 1001152566..... 209, 210 | 1001165035..... 119 | 1001188022 197 |
| 1001146870 123 | 1001152836..... 209 | 1001166227..... 486 | 1001188023 197 |
| 1001146884 208 | 1001152837..... 209 | 1001166538..... 297, 315, 482 | 1001188033 195 |
| 1001146885 207 | 1001152838..... 209 | 1001166539..... 297, 307, 482 | 1001188034 195 |
| 1001146886 207 | 1001152839..... 210 | 1001167170..... 123 | 1001188035 195 |
| 1001146956 207 | 1001152840..... 210 | 1001167172..... 123 | 1001188043 196 |
| 1001146992 207 | 1001152965..... 491 | 1001167302..... 123 | 1001188052 195 |
| 1001147007 197 | 1001153025..... 414 | 1001169384..... 272 | 1001188649 490 |
| 1001147008 197 | 1001153260..... 238 | 1001170435..... 123 | 1001188889 317 |
| 1001147011 195 | 1001153267..... 229 | 1001170571..... 123 | 1001189116 297, 299 |
| 1001147012 196, 453 | 1001153268..... 229 | 1001171129..... 233 | 1001189882 300 |
| 1001147013 196, 436 | 1001153269..... 237 | 1001171131..... 490 | 1001190082 289, 297 |
| 1001147015 453 | 1001153335..... 486 | 1001172760..... 297 | 1001190083 288 |
| 1001147018 247, 462 | 1001153336..... 486 | 1001173590..... 453 | 1001190083 288 |
| 1001147045 208 | 1001154231..... 491 | 1001174093..... 137 | 1001191708 319 |
| 1001147073 123 | 1001154405..... 119, 121, 125 | 1001174486..... 136 | 1001195304 489 |
| 1001147118 179, 180 | 1001154505..... 487 | 1001176372..... 490 | 1001195610 491 |
| 1001147264 457 | 1001154852..... 126 | | 1001196610 487 |
| 1001147367 489 | 1001155024..... 120, 125 | | 1001196717 487 |
| 1001147424 123 | 1001155045..... 298 | | 1001197847 488 |
| 1001147437 123 | 1001155126..... 407, 411 | | 1001199437 414 |
| 1001147438 123 | 1001155127..... 407, 411 | | 1001200269 491 |
| 1001147454 121 | 1001155129..... 408 | | 1001204451 489 |
| 1001147513 486 | 1001155135..... 408 | | 1001204461 489 |
| 1001147514 486 | 1001155339..... 122 | | 1001204921 489 |
| 1001147701 120, 454 | 1001155367..... 123 | | 1001204922 489 |
| 1001148138 222 | | | 1001204996 486 |
| | | | 1001204997 486 |
| | | | 1001205008 486 |
| | | | 1001205009 486 |

PART NUMBER INDEX

| | | | |
|--|---|--|---|
| 1001210025.....490 | 132001284, 92, 100, 132, 137, 142, 152, 160 | 1683076 345 | 170294286, 94, 103, 109, 120, 145, 154, 163 |
| 1001210037.....490 | 132001684, 92, 100, 110, 132, 137, 142, 152, 160 | 1683261 353 | 170294387, 95, 102, 109, 120, 146, 155, 163 |
| 1001213608.....489 | 1320022 ... 84, 86, 92, 94, 100, 102, 108, 109, | 1683572 345 | 170294487, 95, 102, 109, 120, 146, 155, 163 |
| 1001213609.....489 | 110, 130, 132, 137, 142, 145, 152, 154, 160, 162 | 1683609 272, 353 | 1702961.....488 |
| 1001214478.....490 | 1320058 92, 100, 152, 160 | 1683658 365 | 1702962.....488 |
| 1001214515.....490 | 1320126 175 | 1683687 353 | 1702968.....59 |
| 1001214540.....490 | 1320127 175 | 1683776 263, 359 | 1703067.....34 |
| 1001214548.....490 | 1320136 279, 283 | 1683778 267, 349 | 170316284, 92, 100, 110, 121, 132, 138, 142, 152, 160 |
| 1001214552.....490 | 1320176 111, 114 | 1683844 359 | 1703175.....488 |
| 1001214559.....490 | 1320177 326, 337 | 1683846 359 | 1703450.....59 |
| 1001214561.....490 | 1320218 175 | 1683861 349 | 1703464.....427, 442, 460 |
| 1001214562.....490 | 1320220 175 | 1683950 361 | 1703479.....487 |
| 1001216630.....280 | 132022386, 94, 100, 102, 108, 110, 130, 145, 154, 160, 162 | 1683952 349 | 1703683.....341 |
| 1001220154.....486 | 1320224 279, 283 | 1684012 349 | 1703797.....467 |
| 1001225901.....263 | 1320302 ... 326, 329, 331, 333 | 1684013 271, 349 | 1703798.....467 |
| 1001228012.....272, 355 | 1320318 95, 100, 102, 146, 155, 160, 162, 230, 233, 237, 243, 247, 252 | 1684138 345 | 1703804.....467 |
| 1001228357.....491 | 1320323 130, 136 | 1684139 .. 14, 19, 26, 345 | 1703805.....467 |
| 1001248012.....272, 357 | 1321716 123 | 1684193 369 | 1703923.....471 |
| 1060279.....468, 475, 480 | 134006084, 92, 100, 110, 132, 137, 142, 152, 160 | 1684194 267, 271, 369 | 1703924.....471 |
| 1060341....295, 430, 445, 463 | 1340061 486 | 1684283 361 | 1703925.....471 |
| 1060343....244, 248, 252, 430, 445, 463 | 14922737 423 | 1684284 263, 361 | 1703926.....471 |
| 1060379.....341 | 158001184, 92, 100, 132, 138, 142, 152, 160 | 1684290 347 | 1703927.....471 |
| 1060494....243, 248, 252, 430, 445, 462 | 1580012 290 | 1684312 369 | 1703928.....471 |
| 1060625.....120 | 1580013 290 | 1684412 .. 15, 21, 27, 365 | 1703929.....471 |
| 106062687, 95, 102, 109, 120, 146, 155, 162 | 1600244 431, 446, 464 | 1684465 ... 14, 19, 26, 29, 347 | 1703930.....471 |
| 1060633....431, 446, 464 | 1600317 297, 303 | 1700584 468, 475, 479 | 1703931.....471 |
| 1060708....243, 252, 430, 445, 463 | 1600318 297, 311 | 1700818 469, 476 | 1703932.....471 |
| 1060896....419, 435, 451, 452 | 1600375 297 | 1701499 469, 476, 480 | 1703933.....471 |
| 1060902....431, 446, 464 | 1600387 279, 283 | 1701500 468, 475, 479 | 1703934.....471 |
| 1060903.....295 | 1600411 187 | 1701502 468, 475, 479 | 1703935.....471 |
| 106090484, 92, 112, 142, 152, 423, 440, 455 | 1660219 183 | 1701503 468, 475, 479 | 1703936.....471 |
| 1060908....427, 428, 443, 460 | 1660234 112, 123 | 1701504 468, 475, 479 | 1703937.....471 |
| 1060918....289, 418, 434, 450 | 166025584, 92, 100, 142, 152, 160 | 170150587, 94, 102, 108, 119, 145, 154, 162, 468, 476, 480 | 1703938.....471 |
| 1060919.....293 | 1670769 272 | 1701509 ... 322, 468, 475, 479 | 1703939.....471 |
| 1060977....431, 446, 464 | 1670824 200 | 1701518 479 | 1703940.....471 |
| 1060983....290, 419, 430, 431, 435, 445, 446, 451, 464 | 1670829 ... 187, 191, 195, 297 | 1701529 468, 475, 479 | 1703947.....472 |
| 1060984....419, 435, 451 | 1670836 268, 271 | 1701542 ... 130, 136, 468, 476 | 1703948.....471 |
| 1060985....419, 435, 451 | 1670870 489 | 1701543 ... 130, 136, 469, 476 | 1703949.....471 |
| 1060986....419, 435, 451 | 1670894 489 | 1701645 467, 472 | 1703951.....471 |
| 10702077...244, 249, 253 | 1670956 201 | 1701691 469, 476, 480 | 1703952.....471 |
| 10702082...244, 249, 253 | 1671037 298 | 1702153 468 | 1703980.....475 |
| 1100118.....14, 19, 26 | 1671092 ... 244, 248, 253, 430, 445, 463 | 1702300 468, 475, 479 | 1703981.....475 |
| 1100123.....14, 19, 26 | 1671093 326, 331 | 1702565 298 | 1703982.....475 |
| 1120484.....180 | 1671170 203, 207 | 1702566 298 | 1703983.....475 |
| 1120532.....179 | 1671311 251 | 1702567 298 | 1703984.....475 |
| 1120552.....35 | 1683053 353 | 1702676 298 | 1703985.....475 |
| 1120555.....321 | 1683054 369 | 1702688 468, 473 | 1703996.....472 |
| 1180336.....263 | 1683055 349, 361 | 1702720 476 | 1704000.....472, 488 |
| 1180379.....264 | 1683063 359 | 1702738 34 | 1704001.....472 |
| 1260017.....72 | | 1702740 34 | 1704002.....472 |
| 1271538.....279, 283 | | 1702773 ... 293, 467, 472, 479 | 1704003.....472 |
| 1282937.....414 | | 1702774 467, 472, 479 | 1704004.....472 |
| 1283002.....414 | | 1702788 487 | 1704005.....472 |
| 1283084....381, 387, 395, 410, 411 | | 1702861 467, 472, 479 | 1704006.....475 |
| 1300019.....35 | | 1702868 ... 326, 331, 333, 337, 467, 488 | 1704007.....475 |
| | | 1702938 295, 300 | 1704008.....475 |
| | | 170294187, 95, 102, 109, 120, 146, 155, 162 | 1704096.....467 |
| | | | 1704098.....472 |
| | | | 1704099.....472 |
| | | | 1704100.....472 |
| | | | 1704101.....472 |

PART NUMBER INDEX

| | | | | | | | |
|---------------------------------------|---------------------------------|--------------|---------------------------------|---|----------|--|----------|
| 1704102..... | 472 | 1705387 ... | 230, 234, 238, 244, 249, 253 | 1810108..... | 187 | 2220290..... | 176 |
| 1704103..... | 472 | 1705389..... | 230 | 1810109..... | 187 | 222031387, 94, 102, 108, 119, 130, 145, 155, 162 | |
| 1704104..... | 467 | 1705426..... | 476 | 1810110..... | 187 | 2220362... 381, 383, 385, 387, 391, 393 | |
| 1704106..... | 473 | 1705427..... | 476 | 1810111..... | 187 | 2220366..... | 387 |
| 1704107..... | 473 | 1705429..... | 476 | 1810112..... | 187 | 2220371... 126, 375, 377, 379, 381, 383, 385, 387, 391, 393, 395, 399, 403, 407 | |
| 1704108..... | 473 | 1705430..... | 476 | 1810113..... | 187 | 2220372... 395, 399, 403, 407 | |
| 1704109..... | 473 | 1705460 ... | 244, 249, 253 | 1810114..... | 187 | 2220373... 381, 383, 385, 387, 391, 393, 395, 399, 403, 407 | |
| 1704110..... | 473 | 1705461..... | 244 | 1810115..... | 187 | 2220375... 168, 373, 381, 383, 385, 387, 391, 393, 395, 399, 403, 407 | |
| 1704111..... | 473 | 1705466 ... | 326, 329, 331, 333, 337 | 1810116..... | 187 | 2220376..... | 168, 395 |
| 1704112..... | 473 | 1705489..... | 244 | 1810117..... | 187 | 2220377... 395, 399, 403, 407 | |
| 1704174..... | 487 | 1705490..... | 326, 337 | 1870132..... | 415 | 2220379... 395, 399, 403, 407 | |
| 1704175..... | 487 | 1705822..... | 479 | 1870191..... | 415 | 2220380... 395, 399, 403, 407 | |
| 1704260..... | 298 | 1705828..... | 480 | 1870215..... | 415 | 222038589, 96, 103, 114, 133, 139, 146, 156, 163, 373, 375, 377, 391, 395 | |
| 1704271..... | 476 | 1705836..... | 257 | 2000195..... | 84 | 2220415... 373, 375, 377, 379, 381, 387, 391, 393, 395, 399, 403, 407 | |
| 1704277 ... | 467, 472, 479 | 1705837..... | 257 | 2000286..... | 109 | 2220435... 381, 383, 385, 387, 393, 395, 399, 403, 407 | |
| 1704412 ... | 469, 476, 480 | 1705886..... | 257 | 2000313..... | 84 | 2220451... 111, 391, 393, 395, 399, 403, 407 | |
| 1704465..... | 187 | 1705905..... | 476 | 2000338..... | 110, 112 | 222045987, 94, 102, 145, 155, 162 | |
| 1704466..... | 187 | 1705910..... | 476 | 2000347..... | 110 | 2220465... 381, 383, 385, 387, 391, 393 | |
| 1704472 ... | 467, 472, 479 | 1705921..... | 479 | 2000354..... | 132 | 2220466... 381, 383, 385, 388, 391, 393, 395, 399, 403, 407 | |
| 1704473 ... | 467, 472, 479 | 1705961..... | 479 | 2000358..... | 131 | 2220472... 388, 391, 393, 395, 399, 403, 407 | |
| 1704484..... | 299 | 1705978..... | 479 | 2000359..... | 131 | 2220473... 385, 393, 395, 399, 403, 407 | |
| 1704485..... | 300 | 1706059..... | 109, 120 | 2030010... 326, 329, 331, 333, 337 | | 222047989, 96, 103, 114, 125, 133, 139, 146, 156, 163, 395 | |
| 1704486..... | 300 | 1706060..... | 109, 120 | 2060025... 111, 132, 138 | | 2220481... 381, 383, 385 | |
| 1704487..... | 299 | 1706061..... | 109, 120 | 2060032..... | 84, 142 | 2220490... 373, 375, 377, 379 | |
| 1704488..... | 467 | 1706062..... | 109, 120 | 2080040..... | 287, 289 | 2220497..... | 395, 399 |
| 1704489..... | 468 | 1706063..... | 109, 120 | 2080044..... | 272 | 2220498..... | 168, 395 |
| 1704514..... | 300 | 1706064..... | 109, 120 | 2120209..... | 63 | 2220500... 395, 399, 403, 407 | |
| 1704578..... | 59 | 1706098..... | 109, 120 | 2120210..... | 63, 482 | 2220501... 373, 381, 383, 385, 387, 391, 393 | |
| 1704586..... | 55 | 1706126 ... | 468, 475, 480 | 2160002..... | 72 | 2220502... 395, 399, 403, 407 | |
| 1704726 ... | 469, 476, 480 | 1706382..... | 479 | 2180125..... | 175 | 2220504... 375, 377, 379, 381, 383, 385, 387, 391, 393 | |
| 1704828 ... | 468, 475, 476, 480 | 1706385..... | 293 | 2180344..... | 72 | 2220505... 381, 383, 387, 391 | |
| 1704829 ... | 468, 475, 476, 480 | 1706510..... | 341 | 2180348... 108, 130, 136 | | 222050787, 94, 102, 145, 155, 162 | |
| 1704885 ... | 469, 476, 480 | 1706708..... | 467, 472 | 2180387..... | 175 | 2220508... 381, 383, 385, 387, 391, 393, 395, 399, 403, 407 | |
| 1704972..... | 109, 120 | 1706709..... | 467, 472 | 2180388..... | 175 | 2220510... 381, 383, 385, 387, 391, 393, 395, 399, 403, 407 | |
| 1704997..... | 298 | 1706712 ... | 187, 191, 195 | 2180389..... | 175 | 2220511... 381, 383, 385, 387, 391, 393, 395, 399, 403, 407 | |
| 1705014..... | 293 | 1706941..... | 467, 472 | 2180418..... | 175 | 2220512... 381, 383, 385, 387, 391, 393, 395, 399, 403, 407 | |
| 1705065..... | 473 | 1706945..... | 187 | 2180422... 396, 400, 404, 408 | | 2220513... 381, 383, 385, 387, 391, 393, 395, 399, 403, 407 | |
| 1705066..... | 473 | 1706946..... | 187 | 2180482..... | 84, 142 | 2220514... 381, 383, 385, 387, 391, 393 | |
| 1705067..... | 473 | 1707013..... | 468, 474 | 2180504..... | 176 | 2220515... 381, 383, 385, 388, 391, 393, 395, 399, 403, 407 | |
| 1705068..... | 473 | 1707014..... | 467 | 218053686, 94, 102, 145, 155, 162 | | 2220516... 381, 383, 385, 388, 391, 393, 395, 399, 403, 407 | |
| 1705069..... | 473 | 1707031..... | 480 | 2180724... 396, 400, 404, 408 | | 2220517... 381, 383, 385, 387, 391, 393, 395, 399, 403, 407 | |
| 1705070..... | 473 | 1707042..... | 474 | 2180832... 119, 326, 337 | | 2220518... 381, 383, 385, 387, 391, 393, 395, 399, 403, 407 | |
| 1705071..... | 474 | 1707043..... | 474 | 2180877..... | 133, 138 | 2220519... 381, 383, 385, 387, 391, 393, 395, 399, 403, 407 | |
| 1705072..... | 474 | 1707044..... | 474 | 2200221..... | 111 | 2220520... 381, 383, 385, 387, 391, 393, 395, 399, 403, 407 | |
| 1705073..... | 474 | 1707045..... | 473 | 2200222... 75, 87, 94, 102, 108, 119, 130, 136, 145, 155, 162 | | 2220521... 381, 383, 385, 387, 391, 393, 395, 399, 403, 407 | |
| 1705074..... | 474 | 1707046..... | 473 | 2220001..... | 72 | 2220522... 381, 383, 385, 387, 391, 393, 395, 399, 403, 407 | |
| 1705075..... | 474 | 1707047..... | 474 | 2220005..... | 175 | 2220523... 381, 383, 385, 387, 391, 393, 395, 399, 403, 407 | |
| 1705076..... | 474 | 1707048..... | 474 | 2220082..... | 175 | 2220524... 381, 383, 387, 391 | |
| 1705084..... | 479 | 1707053..... | 474 | 2220124..... | 72 | 222052587, 94, 102, 145, 155, 162 | |
| 1705132..... | 189, 298 | 1707054..... | 474 | 2220222... 75, 87, 94, 102, 108, 119, 130, 136, 145, 155, 162 | | 2220526... 381, 383, 385, 387, 391, 393, 395, 399, 403, 407 | |
| 1705170..... | 300 | 1707055..... | 472 | 2220237... 381, 383, 385, 387, 391, 393, 395, 399, 403, 407 | | 2220527... 381, 383, 385, 387, 391, 393, 395, 399, 403, 407 | |
| 1705276..... | 480 | 1707058..... | 473 | 2220240..... | 381 | 2220528... 381, 383, 385, 387, 391, 393, 395, 399, 403, 407 | |
| 1705305... 326, 329, 331, 333, 337 | | 1707059..... | 472 | 2220242... 381, 383, 387, 391 | | 2220529... 381, 383, 385, 387, 391, 393, 395, 399, 403, 407 | |
| 1705325..... | 218 | 1707060..... | 472 | 222025087, 94, 102, 145, 155, 162 | | 2220530... 381, 383, 385, 387, 391, 393, 395, 399, 403, 407 | |
| 1705351..... | 469 | 1707125..... | 474 | 2220252..... | 257 | 2220531... 381, 383, 385, 387, 391, 393, 395, 399, 403, 407 | |
| 1705355 ... | 326, 329, 331 | 1707126..... | 474 | 2220261..... | 175 | 2220532... 381, 383, 385, 387, 391, 393, 395, 399, 403, 407 | |
| 1705358..... | 322 | 1707127..... | 474 | 2220273... 72, 87, 94, 102, 108, 145, 155, 162 | | 2220533... 381, 383, 385, 387, 391, 393, 395, 399, 403, 407 | |
| 1705364..... | 35 | 1707128..... | 474 | | | | |
| 1705374 ... | 230, 234, 238, 244, 249, 253 | 1707129..... | 468 | | | | |
| 1705375 ... | 244, 249, 253, 326, 331, 333 | 1707130..... | 474 | | | | |
| 1705376..... | 243, 252 | 1707131..... | 473 | | | | |
| | | 1707132..... | 474 | | | | |
| | | 1707133..... | 473 | | | | |
| | | 1707134..... | 472 | | | | |
| | | 1780307..... | 187 | | | | |

PART NUMBER INDEX

| | | | |
|---|---|---|---|
| 2220567 84, 92, 103, 109, 126, 131, 137, 142, 152, 163, 395, 399 | 2300004 87, 95, 102, 121, 136, 146, 155, 162, 489 | 2720144 175 | 2753339..... 373 |
| 2220568..... 381, 383, 391 | 2300014 489 | 2720149 176 | 2753342..... 373 |
| 2220578..... 168, 387, 396 | 2300016 33, 489 | 2720160 326, 337 | 2753343.... 381, 383, 385, 388, 391, 393 |
| 2220582..... 375, 377, 381, 383, 385, 387, 391, 393, 395, 399, 403, 407 | 2300021 489 | 2720271 . 86, 87, 94, 101, 102, 133, 138, 144, 145, 154, 155, 161, 162 | 2753344..... 381, 383, 385 |
| 2220596..... 381, 385, 387, 391, 393, 395, 399, 403, 407 | 2300027 489 | 2720340 121 | 2753345..... 387, 391, 393 |
| 2220600..... 381, 383, 385, 387, 395 | 2300029 489 | 2720392 175 | 2753346..... 381, 387 |
| 2220602..... 388 | 2300039 489 | 2720398 111 | 2753347..... 381, 383, 385 |
| 2220603.... 373, 375, 377, 396, 399, 403, 407 | 2300041 ... 86, 87, 94, 95, 102, 121, 146, 155, 162, 489 | 2720434 111 | 2753348.... 396, 399, 403, 407 |
| 2220605..... 375, 377 | 2360650 16, 22, 27 | 2720449 111 | 2753349.... 396, 400, 404 |
| 2220618..... 391 | 2360651 16, 22, 27 | 2720474 130 | 2753350.... 396, 400, 403, 407 |
| 2220622.... 400, 404, 408 | 2360652 16, 22, 27 | 2720507 84, 144 | 2753351.... 396, 400, 403, 407 |
| 2220635..... 373, 377 | 2360653 16, 22, 27 | 2720508 85, 142 | 2753352.... 395, 399, 403, 407 |
| 2220648..... 175 | 2360756 16, 22, 27 | 2720514 132, 138 | 2753353.... 395, 399, 403, 407 |
| 2220654..... 399, 403, 407 | 2360794 16, 22, 27 | 2720564 132, 138 | 2753354.... 395, 400, 403, 407 |
| 2220677..... 404, 408 | 2360795 16, 22, 27 | 2720565 130, 136 | 2753355.... 396, 400, 404 |
| 2220711 373 | 2360796 16, 22, 27 | 2720566 130, 136 | 2753356.... 396, 400, 404, 408 |
| 2220738.... 399, 403, 407 | 2400060 ... 244, 253, 430, 445, 463 | 2720567 130, 136 | 2753357.... 396, 400, 403, 407 |
| 2220750..... 257 | 2400064 ... 244, 249, 253, 430, 445, 463 | 2720615 101, 161 | 2753358.... 396, 400, 404, 408 |
| 2220775.... 375, 377, 395, 399, 403, 407 | 2400065 ... 422, 438, 453, 482 | 2750532 ... 85, 87, 92, 94, 102, 108, 111, 132, 138, 142, 145, 152, 155, 162 | 2753359.... 396, 400, 404, 408 |
| 2220794 87, 94, 102, 108, 145, 155, 162 | 2400066 ... 422, 430, 438, 446, 453, 464 | 2750888 375, 377 | 2753360.... 396, 400, 404, 408 |
| 2220810 89, 96, 103, 114, 125, 133, 139, 146, 156, 163, 395 | 2400070 ... 430, 446, 464, 484 | 2751013 373, 377 | 2753368.... 396, 400, 404, 408 |
| 2220852..... 399, 403, 407 | 2410014 293 | 2751015 377 | 2753369.... 396, 399, 403, 407 |
| 2220883 45, 46, 349, 353, 355, 357, 359 | 2420172 188, 191, 195 | 2751095 72 | 2753372.... 396, 400, 404, 408 |
| 2220885.... 345, 349, 353, 355, 357, 361, 369 | 2420191 179 | 2752430 ... 396, 400, 404, 408 | 2753373.... 396, 399, 403, 407 |
| 2220886. 45, 46, 359, 369 | 2420197 298 | 2752433 391, 400, 403 | 2753377.... 396, 400, 404, 408 |
| 2220888..... 45 | 2420202 279, 283 | 2752437 383, 385, 407 | 2753386.... 396, 400, 404, 408 |
| 2220890..... 347 | 2420203 ... 213, 218, 222, 225 | 2752442 381 | 2753387.... 396, 399, 403, 407 |
| 2220899.... 395, 399, 403, 407 | 2420203 ... 213, 218, 222, 225 | 2752443 387, 396, 399 | 2753392.... 396, 400, 404, 408 |
| 2220919..... 375, 377 | 2460048 242, 251 | 2752445 375, 377 | 2753397.... 396, 400, 404, 408 |
| 2220947 168, 395 | 2460049 217 | 2752466 ... 381, 383, 385, 387, 391, 393 | 2753416.... 385, 387, 391, 393 |
| 2220948.... 399, 403, 407 | 2460051 225 | 2752469 373 | 2753417..... 387 |
| 2220949.... 399, 403, 407 | 2460055 213, 217 | 2752471 ... 373, 377, 396, 399, 403, 407 | 2753502..... 396 |
| 2220999..... 407 | 2460056 213, 217 | 2752487 375, 377, 379 | 2753511.... 396, 400, 404, 408 |
| 2221018..... 175 | 2460057 217 | 2752492 ... 383, 385, 391, 393 | 2753512.... 396, 400, 404, 408 |
| 2221019..... 175 | 2540035 203, 207 | 2752495 381, 387 | 2753513.... 396, 400, 404, 408 |
| 2221024..... 175 | 2540038 279, 284 | 2752496 381, 388 | 2753514.... 396, 400, 404, 408 |
| 2221034..... 373 | 2560136 298 | 2752502 387 | 2753515.... 396, 400, 404, 408 |
| 2221040..... 373 | 2560173 290 | 2752506 ... 381, 383, 388, 391 | 2753516.... 396, 400, 404, 408 |
| 2221041..... 168, 395 | 2570008 365 | 2752514 391 | 2753517.... 396, 400, 404, 408 |
| 2221042.... 395, 399, 403, 407 | 2580024 87, 95, 103, 109, 120, 146, 155, 163 | 2752519 ... 396, 400, 404, 408 | 2754229.... 381, 383, 385, 387, 391, 393 |
| 2221043..... 373 | 2580050 87, 95, 103, 109, 120, 146, 155, 163 | 2752594 ... 383, 387, 391, 393 | 2760105.... 188, 191, 195 |
| 2221044.... 395, 399, 403, 407 | 2580054 86, 94, 103, 145, 154, 163 | 2752632 373 | 2760109..... 298 |
| 2221045 84, 92, 103, 109, 126, 131, 137, 142, 152, 163, 395, 399 | 2580062 112 | 2752763 ... 396, 400, 403, 407 | 2780221..... 55, 56 |
| 2221063..... 396 | 2600209 203, 207 | 2752908 ... 381, 383, 385, 387, 391, 393 | 2780230..... 15, 21 |
| 2221086.... 395, 399, 403, 407 | 2600258 203, 207 | 2752942 396 | 2780247..... 71, 75 |
| 2221176.... 108, 130, 136 | 2600281 287 | 2752944 387 | 2780267..... 33, 37 |
| 2221216..... 396 | 2680463 203, 207 | 2752977 ... 381, 383, 387, 391 | 2780268..... 33, 37 |
| | 2680464 203, 207 | 2753035 373, 387 | |
| | 2680465 203, 208 | 2753118 373 | |
| | 2680471 203, 208 | 2753162 388 | |
| | 2680516 203, 208 | 2753196 393 | |
| | 2720015 121 | | |
| | 2720058 ... 84, 87, 92, 94, 100, 102, 109, 131, 132, 138, 142, 145, 152, 155, 160, 162 | | |

PART NUMBER INDEX

| | | | | | | | |
|---|---|---|---|---|---|--|-------------------------------|
| 2792385..... | 381, 410 | 2940074..... | 287, 482 | 3300396..... | 229, 234, 238, 243, 248, 252 | 3340399... 85, 87, 93, 95, 100, 102, 108, 111, 121, 130, 132, 136, 138, 143, 145, 153, 155, 160, 162 | |
| 2792386..... | 387, 410 | 2940117..... | 203, 208 | 3300408..... | 188, 191, 195 | 3340453..... | 264 |
| 2792387..... | 411 | 3020008..... | 33 | 3300430..... | 317, 319 | 3340608..... | 369 |
| 2792398..... | 373, 410 | 3020016 ... | 103, 146, 156, 163, 489 | 3300441..... | 203, 208 | 3340853..... | 263 |
| 2792432..... | 411 | 3020021..... | 112, 124 | 3310401..... | 121 | 3340861..... | 265 |
| 2792455..... | 373, 410 | 3020029..... | 27, 29 | 3310601..... | 244, 252 | 3340867..... | 267, 271 |
| 2792598..... | 411 | 3020037..... | 120 | 3310805.... | 175, 189, 193, 197 | 3340868..... | 267, 271 |
| 2792704..... | 395, 410 | 3020040..... | 489 | 3311001.... | 125, 238, 244, 248, 253, 299, 300 | 3340869..... | 267, 271 |
| 2792705..... | 395, 411 | 3020043..... | 365 | 3311005..... | 85, 143, 176, 199, 200, 214, 218, 221, 225, 230, 234, 238, 242, 248, 326, 329, 331, 333, 337 | 3340870.... | 267, 268, 271 |
| 2820018..... | 423, 425 | 3020044 86, 94, 103, 112, 146, 156, 163, 489 | | 3311401..... | 188, 295 | 3340897..... | 265 |
| 2820031 ... | 214, 218, 221, 225, 230, 233, 237, 243, 247, 248, 251 | 3160266..... | 33, 41 | 3311405.... | 63, 85, 87, 93, 95, 100, 102, 108, 111, 119, 121, 130, 132, 136, 138, 143, 145, 153, 155, 160, 162, 189, 193, 197, 203, 208, 225, 242, 248, 252, 259, 279, 283, 289, 468, 475, 480 | 3340898..... | 49 |
| 2820035..... | 200, 290 | 3160280..... | 71, 77 | 3311501 87, 95, 102, 108, 119, 130, 136, 144, 145, 155, 162, 203, 208, 295 | | 3340911..... | 51 |
| 2820099..... | 204, 210 | 3160298..... | 33, 41 | 3311505.... | 49, 51, 63, 85, 93, 100, 111, 120, 123, 130, 132, 136, 138, 143, 153, 160, 203, 208, 225, 242, 247, 252, 264, 341 | 3340942..... | 265 |
| 2820128..... | 204 | 3160348..... | 33, 45 | 3311508.... | 229, 233, 237, 247 | 3380434..... | 289 |
| 2820129 ... | 204, 208, 209 | 3160351..... | 33, 45 | 3311601.... | 175, 179, 201, 203, 208, 252, 263, 264, 299 | 3380569..... | 204, 207 |
| 2820181..... | 204, 209 | 3200378 85, 93, 100, 143, 153, 160 | | 3311605.... | 49, 85, 87, 93, 94, 100, 102, 108, 111, 119, 121, 125, 130, 132, 136, 138, 143, 145, 153, 155, 160, 162, 176, 203, 208, 214, 218, 221, 242, 259, 263, 272, 289, 293, 326, 329, 331, 333 | 3380652..... | 489 |
| 2820182..... | 204, 209 | 3200406 ... | 111, 132, 138 | 3311608..... | 264 | 3380741..... | 130, 136 |
| 2860012..... | 218 | 3220110..... | 111 | 3311705.... | 214, 218, 221 | 3420352..... | 59 |
| 2860030 ... | 188, 192, 195, 482 | 3220112..... | 111 | 3311801 33, 59, 183, 221, 230, 233, 247 | | 3420372..... | 59 |
| 2900733..... | 77 | 3220113 85, 93, 100, 143, 153, 160 | | 3311805 85, 93, 100, 111, 119, 121, 125, 130, 132, 138, 143, 153, 160, 176, 185, 230, 238, 243, 268, 273, 279, 283 | | 3421453..... | 326, 337 |
| 2900756..... | 51, 52 | 3220154 85, 143, 160 | | 3312005.. | 59, 87, 94, 102, 108, 119, 130, 136, 145, 155, 162, 279, 283, 321 | 3421565..... | 72 |
| 2900770..... | 345 | 3250585..... | 290 | 3312008.... | 15, 21, 27, 30 | 3422457..... | 267, 271 |
| 2900792 ... | 349, 351, 353, 355, 357, 359 | 3250872..... | 59 | 3312205..... | 321 | 3422561..... | 263, 271 |
| 2900804..... | 56 | 3251102 ... | 214, 218, 221, 225, 229, 233, 237, 300 | 3322201... 15, 21, 27, 185 | | 3422564..... | 263 |
| 2901301..... | 349, 361 | 3251242..... | 479 | 3323003..... | 15, 21 | 3422566..... | 263 |
| 2901303..... | 353 | 3251243 ... | 218, 225, 230, 234, 238, 468, 475 | | | 3422582..... | 267 |
| 2901443 ... | 431, 446, 464, 491 | 3251813..... | 468, 474 | | | 3422592 ... | 13, 14, 19, 20, 25, 26, 29 |
| 2901548..... | 345 | 3252221..... | 476 | | | 3422661..... | 341 |
| 2901841..... | 359 | 3252347..... | 468 | | | 3422692..... | 15, 21 |
| 2901861..... | 369 | 3252507 ... | 218, 427, 442, 460 | | | 3422786..... | 55 |
| 2901880 85, 92, 109, 142, 152, 423, 438, 454 | | 3252672..... | 469 | | | 3422848..... | 21 |
| 2902085..... | 218 | 3252680..... | 476 | | | 3422851..... | 263 |
| 2902212..... | 321 | 3252681..... | 476 | | | 3422859..... | 267, 271 |
| 2902217 ... | 326, 329, 331 | 3252682..... | 476 | | | 3422860..... | 272 |
| 2902266..... | 347 | 3252683..... | 476 | | | 3422861..... | 272 |
| 2902393..... | 414 | 3252684..... | 476 | | | 3422865..... | 267 |
| 2902400..... | 27 | 3252685..... | 476 | | | 3422867..... | 272 |
| 2902409..... | 365 | 3252764 ... | 243, 247, 252 | | | 3422936..... | 14, 19, 26 |
| 2902443 ... | 422, 437, 454, 457 | 3271501..... | 123 | | | 3423081..... | 27, 29 |
| 2902511 ... | 131, 137, 423, 438, 455 | 3271801 ... | 121, 221, 233, 247 | | | 3450608..... | 16, 22 |
| 2902549 ... | 427, 428, 442, 443, 460, 461 | 3271805..... | 55, 293 | | | 3450808..... | 15, 21 |
| 2910478..... | 488 | 3272201..... | 14, 19, 26 | | | 3460334..... | 322 |
| 2910865..... | 488 | 3272205..... | 21 | | | 3460375..... | 204, 208 |
| 2920028..... | 299, 300 | 3272605..... | 279, 283 | | | 3470003..... | 299 |
| 2920029..... | 299, 300 | 3290405 ... | 130, 136, 199 | | | 3480188..... | 349, 361 |
| 2920110..... | 199 | 3290501 87, 95, 146, 155 | | | | 3480210..... | 353 |
| 2920113..... | 199 | 3290505 ... | 130, 136, 218 | | | 3480253..... | 359 |
| 2920129 ... | 280, 284, 298, 422, 438, 453 | 3290601 87, 95, 146, 155 | | | | 3480274..... | 369 |
| 2920130..... | 199 | 3290605 ... | 144, 154, 326, 337 | | | 3480288..... | 347 |
| 2920140 ... | 289, 430, 445, 464 | 3290606..... | 288 | | | 3510822..... | 287 |
| 2920157 ... | 199, 290, 430, 446, 464 | 3290801..... | 144, 154 | | | 3510830..... | 287 |
| 2920161..... | 199, 463 | 3300106..... | 33 | | | 3510831..... | 287 |
| 2920214..... | 199 | 3300151 ... | 288, 326, 329, 331, 333 | | | 3510833..... | 287 |
| 2920215..... | 199 | 3300220..... | 85, 93, 143 | | | 3510884..... | 293 |
| 2940073 | 188, 191, 196 | 3300243..... | 268, 273 | | | 3520028 ... | 213, 214, 218, 222, 225 |
| | | 3300255..... | 55 | | | 3520034..... | 272 |
| | | 3300353..... | 298 | | | 3520054..... | 298 |
| | | | | | | 3520071..... | 322 |
| | | | | | | 3520072 | 287, 288, 293 |
| | | | | | | 3520182..... | 319 |

PART NUMBER INDEX

| | | | |
|--|---|---|---|
| 3520189.....244, 430, 445, 463 | 3580324..... 225 | 3900267..... 238 | 4060919..... 264 |
| 3520190.....283 | 3580348.... 225, 237, 252 | 3900283 264, 279, 283 | 4060995.....267, 271 |
| 3520192.....244 | 3600279 85, 111, 132, 171 | 3900295 21 | 4061010.....204 |
| 3520198.....287, 288 | 3600368 89, 96, 103, 114, 125, 133, 139, 146, 156, 163 | 3900296 21 | 4061012.....176 |
| 3536089.....289 | 3600385 167, 168 | 3900300 238 | 4061043.... 243, 252, 429, 444, 462 |
| 3539275.... 188, 191, 195 | 3600399 257, 259 | 3900327 21 | 4061054.....279, 283 |
| 3539662.....59 | 3600404 85, 93, 103, 109, 120, 131, 137, 146, 156, 163, 168 | 3910408 121 | 4070450..... 59 |
| 3570808..... 111, 132, 138 | 3600405 ... 85, 89, 93, 96, 103, 109, 114, 131, 133, 137, 139, 146, 156, 163 | 3910606 ... 229, 233, 237, 243, 247, 252 | 4070497.... 85, 87, 93, 95, 101, 102, 108, 111, 119, 121, 130, 132, 136, 138, 143, 145, 153, 155, 161, 162, 267, 271 |
| 3571019..... 85, 132, 138, 143 | 3600423 85, 93, 103, 111, 126, 132, 137, 143, 153, 163, 171 | 3910610 244, 252 | 4070498.... 85, 87, 93, 95, 101, 102, 108, 111, 119, 121, 130, 132, 136, 138, 143, 145, 153, 155, 161, 162, 267, 271 |
| 3571692..... 85, 111, 132, 138, 143 | 3620033 111 | 3910804 188, 191, 195 | 4070501..... 267, 271 |
| 3571795.....369 | 3620040 132, 138 | 3910808 175 | 4070502..... 267, 271 |
| 3571818.....55 | 3620046 85, 143 | 3911040 199 | 4070503..... 267, 271 |
| 3571833.....55 | 3641533 245, 254 | 3930816 200 | 4070504..... 267, 271 |
| 3572032.....55, 56 | 3641569 295 | 3931016 ... 229, 233, 237, 247 | 4070560..... 59 |
| 3572041.....71 | 3720021 257 | 3931028 201 | 4070561..... 59 |
| 3572165.....264 | 3730125 422, 437 | 3931424 317 | 4070929..... 267, 271 |
| 3572200.....264 | 3740049 ... 188, 191, 195, 414, 430, 445, 463, 482 | 3931432 121 | 4070972..... 25 |
| 3572345..... 264, 265 | 3740067 85, 93, 101, 111, 121, 132, 138, 143, 153, 161, 482 | 3931448 369 | 4070973..... 13, 20, 25 |
| 3572502 85, 93, 100, 132, 138, 143, 153, 160 | 3740080 85, 92, 143, 154, 214, 218, 221, 225, 242, 252 | 3931512 121 | 4070987..... 188, 191 |
| 3572503 85, 93, 100, 132, 138, 143, 153, 160 | 3760133 267, 271 | 3931516 345, 353, 369 | 4071002..... 13, 20, 25 |
| 3572504 87, 95, 102, 130, 136, 145, 155, 162 | 3760170 59, 72 | 3931616 109, 120 | 4071007..... 268, 271 |
| 3572506.....59 | 3760367 345 | 3931620 349, 361 | 4071009..... 71 |
| 3572827..... 188 | 3760368 353 | 3931628 221, 233, 247 | 4071101..... 29 |
| 3573400 326, 329, 331, 333 | 3760369 349, 361 | 3931824 359 | 4071119..... 25 |
| 3573642.... 326, 329, 331, 333 | 3760371 359 | 3932224 71 | 4071121.... 13, 20, 25, 29 |
| 3573667 85, 93, 100, 111, 132, 138, 143, 153, 160 | 3780182 27, 29 | 3960389 ... 85, 87, 93, 95, 102, 130, 131, 136, 137, 143, 145, 153, 155, 162, 203, 208 | 4100025 86, 94, 101, 144, 154, 161 |
| 3573785.....283 | 3790012 ... 130, 136, 189, 192, 196, 200, 298, 300 | 3960407 111 | 4100099..... 359 |
| 3574091.....295 | 3790045 33 | 3960422 ... 229, 233, 237, 243, 247, 252, 427, 429, 442, 444, 460, 462 | 4100100..... 353 |
| 3574163.....242 | 3790152 85, 93, 103, 109, 120, 131, 137, 146, 156, 163 | 3960438 ... 101, 161, 189, 193, 197 | 4120035.... 418, 420, 434, 436, 450, 452 |
| 3574210.....49, 51 | 3820001 59, 468, 475, 480 | 3960461 199 | 4130405..... 27, 29 |
| 3574235.....21 | 3820020 287 | 3960469 87, 94, 102, 130, 136, 145, 155, 162 | 4130406..... 27, 30 |
| 3574253 85, 93, 100, 143, 153, 160 | 3841143 21, 263, 267, 271, 272 | 3960525 179 | 4160143..... 208 |
| 3574254.....49 | 3841203 55 | 3960526 33 | 4160182..... 203, 208 |
| 3574259 85, 93, 100, 143, 153, 160 | 3841258 ... 13, 14, 19, 20, 25, 26, 29, 263 | 3980007 87, 95, 103, 109, 120, 146, 155, 163 | 4240018.... 218, 225, 229, 237, 243, 248, 252 |
| 3574264..... 85, 143 | 3841340 49, 265 | 3990001 422 | 4240032..... 199 |
| 3574282..... 144, 153 | 3841367 15, 21, 27 | 3990010 ... 420, 436, 452, 482 | 4240033.... 279, 283, 317 |
| 3574523.....242, 252 | 3841442 15 | 4010608 326, 337 | 4240099.... 123, 290, 295, 326, 329, 331 |
| 3575359.....295 | 3841517 15, 21, 27 | 4010618 288 | 4240135..... 179 |
| 3576799..... 326, 337 | 3841520 15, 19, 26, 29 | 4031608 218 | 4240149..... 321 |
| 3576939.....56 | 3841619 21 | 4031711 92, 101, 152, 161 | 4280295..... 179 |
| 3577121 326, 329, 331, 333 | 3900054 293 | 4031914 121 | 4300048..... 59 |
| 3580134.... 214, 218, 222 | 3900109 15, 21, 27 | 4032014 221, 233, 247 | 4300111..... 252 |
| 3580158.....217 | 3900232 203, 208 | 4032015 230, 241 | 4300157..... 230, 243 |
| 3580276..... 214, 218 | 3900255. 30, 87, 94, 102, 108, 119, 130, 136, 145, 155, 162 | 4060092 426, 441, 459 | 4340749..... 257 |
| 3580312.... 225, 237, 252 | | 4060700 ... 243, 252, 426, 429, 441, 444, 459 | 4360031..... 289 |
| 3580314..... 237, 252 | | 4060802 ... 214, 218, 221, 225, 229, 233, 237, 242, 247, 252, 290, 300 | 4360057..... 295, 484 |
| 3580315..... 214 | | 4060803 180 | 4360070.... 229, 234, 238, 244, 249, 253 |
| 3580316..... 242 | | 4060804 123 | 4360232.... 300, 431, 446, 464, 484 |
| 3580317.... 230, 233, 242, 247 | | 4060805 203, 208, 265 | 4360328.... 188, 192, 195, 298, 300, 482 |
| 3580318.... 229, 233, 242, 247 | | 4060808 265 | |
| 3580319..... 229, 242 | | 4060906 188, 191, 195 | |
| 3580320.... 221, 230, 233, 242, 247 | | 4060907 199 | |

PART NUMBER INDEX

| | | | |
|---|--|---|---|
| 4360330 299, 482 | 4460227 ... 418, 420, 421, 425, 431, 434, 436, 440, 446, 450, 451, 452, 456, 464 | 4460466.....279, 283, 284, 420, 435, 437, 438, 452, 453, 454, 457 | 4460874 ... 188, 418, 420, 434, 436, 450, 452 |
| 4360331 298, 482 | 4460233 426, 441, 459 | 4460467....431, 446, 464, 491 | 4460875 ... 188, 418, 420, 434, 436, 450, 452 |
| 4360336 ... 131, 136, 199, 214, 218, 221, 225, 229, 233, 237, 242, 248, 252, 290, 300, 484 | 4460234 ... 188, 192, 196, 199, 295, 298 | 4460470.... 188, 192, 196, 298, 418, 420, 434, 435, 450, 452 | 4460876 420, 436, 452 |
| 4360387 ... 295, 298, 300, 482 | 4460265 308, 315 | 4460471.... 188, 192, 196, 298, 418, 420, 434, 435, 450, 452 | 4460878 421, 436, 452 |
| 4360407 298, 482 | 4460267 ... 420, 423, 430, 436, 438, 445, 454 | 4460473....419, 420, 435, 452 | 4460879 418, 434, 450 |
| 4360469 ... 188, 192, 195, 484 | 4460268 ... 200, 418, 420, 421, 424, 434, 436, 437, 439, 450, 453 | 4460488.....298 | 4460880... 420, 421, 436, 437, 453 |
| 4360470 ... 188, 192, 195, 484 | 4460315 427, 442, 460 | 4460496..... 192, 196 | 4460884 451, 457 |
| 4360475 ... 188, 192, 195, 298, 482 | 4460320 ... 420, 425, 430, 431, 436, 440, 445, 446, 456, 464 | 4460497..... 192, 196 | 4460887 ... 418, 421, 434, 436, 450, 452 |
| 4360476 ... 188, 192, 195, 298, 482 | 4460321 ... 428, 431, 444, 446, 461, 464 | 4460499.....69, 423, 438, 454 | 4460889 421 |
| 4360517 ... 185, 425, 440, 456, 482 | 4460326 423, 438, 454 | 4460508....418, 421, 434, 436, 450, 452 | 4460890 421 |
| 4360522 199, 300, 484 | 4460346 ... 229, 233, 237, 243, 248, 252, 425, 429, 441, 444, 458, 462 | 4460509.....419, 435, 452 | 4460891 ... 422, 456, 457, 463 |
| 4360542 ... 213, 217, 222, 225 | 4460374 ... 244, 253, 422, 429, 430, 445, 463 | 4460510....431, 446, 464, 491 | 4460892 422, 438, 453 |
| 4360548 ... 201, 424, 439, 456, 484 | 4460375 ... 244, 253, 422, 429, 430, 444, 445, 461, 463 | 4460526.... 188, 192, 196, 420, 435, 452 | 4460894 ... 422, 438, 453, 457 |
| 4360549 ... 424, 440, 456, 484 | 4460411 245, 253 | 4460536....200, 420, 425, 436, 451, 452, 455 | 4460897 ... 423, 453, 456, 458 |
| 4360578 ... 201, 424, 440, 456, 484 | 4460412 245, 253 | 4460539....421, 422, 423, 437, 451, 453, 454 | 4460899 437, 454 |
| 4400275 175 | 4460413 245, 253 | 4460598.....290, 300 | 4460905 ... 188, 298, 418, 420, 421, 434, 436, 450, 452, 453 |
| 4400420 175 | 4460414 245, 253 | 4460607.....245, 254 | 4460906 ... 225, 428, 444, 461 |
| 4400429 179 | 4460415 245, 254 | 4460608....422, 437, 454 | 4460930 457 |
| 4400450 179, 180 | 4460418 ... 418, 420, 434, 436, 450, 452 | 4460633.....257, 427 | 4460931 454 |
| 4420014 321 | 4460419 ... 418, 420, 434, 436, 450, 452 | 4460634....418, 420, 436, 452 | 4460932 456 |
| 4420037 ... 290, 326, 329, 331, 333 | 4460424 ... 200, 421, 422, 424, 431, 437, 439, 446, 453, 464 | 4460635....418, 420, 434, 436, 450, 452 | 4460933 279, 283 |
| 4420038 179 | 4460425 ... 229, 234, 238, 244, 249, 253, 295, 430, 431, 445, 446, 463, 464 | 4460693.....422, 437, 454 | 4460941 456 |
| 4420051 59, 480 | 4460426 ... 229, 234, 238, 244, 249, 253, 430, 445, 463, 464 | 4460705....429, 444, 462 | 4460942 456, 457 |
| 4420060 201, 218 | 4460428 ... 188, 192, 196, 257, 298, 418, 420, 434, 435, 450, 452 | 4460708....298, 418, 422, 434, 438, 450, 453 | 4460943 ... 420, 436, 451, 452, 453, 454 |
| 4420062 341 | 4460434 ... 418, 420, 434, 436, 450, 452 | 4460742....244, 253, 421, 429, 430, 437, 444, 445, 454, 461, 463 | 4460944 ... 421, 437, 451, 454, 457 |
| 4420066 322 | 4460445 420, 436, 453 | 4460743....244, 253, 429, 430, 444, 445, 461, 463 | 4460956 ... 245, 254, 427, 443, 460 |
| 4420068 295 | 4460457 421, 437, 454 | 4460761....279, 283, 418, 421, 434, 436, 450, 452 | 4460957 ... 245, 254, 427, 443, 460 |
| 4460007 299 | 4460458 ... 244, 253, 421, 429, 430, 437, 438, 444, 445, 454, 457, 461, 463 | 4460834 422, 437 | 4460958 ... 243, 252, 429, 444, 462 |
| 4460023 214 | 4460464 ... 200, 289, 418, 421, 423, 425, 434, 436, 437, 450, 452, 453, 454, 455, 456 | 4460836....279, 283, 420, 436 | 4460961 429, 444, 462 |
| 4460027 ... 213, 217, 222, 225 | 4460465 ... 244, 249, 253, 279, 283, 419, 420, 422, 429, 430, 435, 436, 444, 445, 452, 453, 457, 458, 462, 463 | 4460873....418, 420, 434, 436, 450, 452 | 4460962 326, 331 |
| 4460049 295 | | 44608771.....420, 436 | 4460963 ... 244, 249, 253, 430, 445, 463 |
| 4460051 ... 243, 252, 429, 444, 462 | | 4460882.....422, 437 | 4460967 ... 244, 249, 253, 430, 445, 463 |
| 4460071 ... 230, 233, 237, 243, 248, 252, 289, 418, 426, 429, 434, 442, 444, 450, 459, 462 | | 4460885....419, 420, 435, 452 | 4460968 ... 201, 218, 424, 426, 427, 439, 440, 442, 456, 459, 460 |
| 4460121 92, 154 | | 4460886....418, 421, 434, 436, 450, 452 | 4460971 326, 337 |
| 4460125 425, 441, 458 | | 4460871....303, 305, 311, 313, 418, 420, 421, 422, 424, 425, 431, 434, 436, 437, 438, 440, 446, 450, 452, 453, 454, 456, 464 | 4460979 421, 438, 454 |
| 4460190 ... 213, 217, 222, 225 | | 4460873....418, 420, 434, 436, 450, 452 | 4460993 422 |
| 4460205 426, 441, 459 | | | 4460994 422 |
| 4460224 424, 440, 456 | | | 4461001 245, 254 |
| 4460225 ... 418, 429, 434, 444, 450, 462 | | | 4461005 421, 437, 454 |
| 4460226 ... 279, 283, 289, 308, 315, 418, 422, 424, 429, 431, 434, 437, 438, 439, 440, 444, 446, 450, 453, 456, 461, 462, 463, 464 | | | 4461006 421, 437, 454 |

PART NUMBER INDEX

| | | | |
|---------------------------------------|---|--|---|
| 4461070....421, 437, 454, 457 | 4640113 35, 56 | 4740362 ... 199, 203, 208, 289 | 4761400.... 188, 192, 196, 267, 271 |
| 4461071....422, 437, 454, 457 | 4640261 59 | 4740397 ... 218, 226, 242, 300 | 4761500..... 243, 252 |
| 4461072....422, 437, 454, 457 | 4640509 ... 349, 351, 353, 355, 357, 359 | 4740439 272 | 4761600.... 179, 252, 259 |
| 4461073....422, 438, 454, 457 | 4640744 89, 96, 103, 114, 125, 133, 139, 146, 156, 163, 395 | 4740491 21 | 4791400.... 101, 112, 122, 133, 144, 154, 161, 229, 233, 243, 248 |
| 4461074....422, 438, 454, 457 | 4640751 112, 121, 153 | 4740500 204, 209 | 4791500..... 63 |
| 4461095....421, 437, 454, 457 | 4640858 345, 347 | 4740537 26 | 4791600.... 108, 112, 119, 131, 133, 137, 138 |
| 4461109.... 422, 437, 454 | 4640871 14, 19, 26 | 4740539 26 | 4811600..... 218 |
| 4461110..... 423 | 4640921 63, 69 | 4740540 26 | 4811700.... 288, 326, 337 |
| 4461111....422, 437, 454 | 4640932 349, 351 | 4740546 199 | 4811900.... 122, 226, 237, 252 |
| 4461112..... 423 | 4640952 132, 138 | 4750400 121 | 4812100..... 120, 122 |
| 4461113....422, 423, 437, 454 | 4641033 369 | 4750600 244, 253 | 4812200.... 112, 122, 221, 230, 233, 248 |
| 4461121.... 422, 437, 454 | 4641108 63 | 4750800 ... 175, 189, 193, 197 | 4821397..... 295 |
| 4461122.... 422, 437, 454 | 4641122 35 | 4751000 86, 143, 176, 179, 188, 192, 196, 199, 214, 218, 226, 229, 233, 237, 242, 248, 326, 329, 331, 333, 337 | 4831900.... 112, 124, 133, 138, 144, 154 |
| 4461123....422, 437, 454 | 4641144 359 | 4751400 ... 63, 86, 87, 93, 95, 101, 102, 108, 112, 119, 131, 133, 137, 138, 143, 145, 153, 155, 161, 162, 188, 189, 192, 193, 196, 197, 201, 203, 208, 267, 271, 279, 283, 289, 295, 298, 319, 326, 329, 331, 333, 468, 475, 480 | 4844815..... 272 |
| 4461124....422, 437, 454 | 4641162 345 | 4751500 ... 49, 52, 63, 86, 87, 93, 95, 101, 108, 112, 123, 131, 133, 138, 143, 145, 153, 155, 161, 162, 203, 208, 214, 218, 221, 226, 233, 238, 248, 264, 295, 341 | 4844816..... 272 |
| 4461157....421, 438, 454 | 4641207 49 | 4751600 ... 13, 20, 25, 29, 49, 51, 52, 63, 86, 87, 93, 94, 101, 102, 103, 108, 112, 119, 121, 126, 131, 133, 137, 138, 143, 144, 145, 153, 155, 161, 162, 163, 175, 176, 179, 203, 208, 214, 218, 252, 259, 267, 271, 289, 326, 329, 331, 333, 369 | 4844817..... 272 |
| 4461161....422, 437, 454 | 4641208 49 | 4751700 122, 214 | 4844958..... 72 |
| 4461196....426, 441, 459 | 4641272 86, 93, 104, 143, 153 | 4751800 ... 15, 21, 27, 59, 86, 93, 101, 103, 112, 133, 138, 143, 153, 161, 163, 176, 183, 257, 290, 293, 295 | 4845395..... 112 |
| 4461197....426, 441, 459 | 4641282 ... 381, 388, 396, 399, 403, 407 | 4752000 ... 14, 19, 26, 59, 87, 94, 102, 108, 119, 131, 137, 145, 155, 162 | 4845582..... 341 |
| 4461198....425, 426, 441, 458, 459 | 4641317 63 | 4752200 87, 94, 102, 108, 119, 131, 137, 145, 155, 162 | 4846070..... 27 |
| 4461199....426, 441, 459 | 4641390 347 | 4760600 244, 253 | 4846092..... 203, 208 |
| 4461200....426, 441, 459 | 4641499 63, 65 | 4761000 300 | 4846095..... 203, 208 |
| 4461201....426, 441, 459 | 4641509 51 | | 4846096.... 87, 108, 130, 145 |
| 4461202....426, 441, 459 | 4641510 52 | | 4846100..... 204, 208 |
| 4461203....426, 441, 459 | 4711000 ... 125, 221, 238, 244, 249, 253 | | 4846110..... 204, 208 |
| 4461204....426, 441, 459 | 4711400 ... 14, 19, 26, 55, 92, 95, 101, 102, 108, 112, 119, 121, 131, 132, 136, 138, 146, 152, 155, 161, 162, 200, 226, 229, 233, 237, 242, 248, 252, 279, 283, 288, 289, 317, 319 | | 4846111..... 204, 208 |
| 4461205....426, 442, 459 | 4711500 . 59, 86, 93, 101, 119, 121, 131, 136, 143, 153, 161, 229, 242, 248, 252, 299 | | 4846112..... 55 |
| 4461206....426, 442, 459 | 4711600 86, 93, 101, 119, 121, 125, 133, 138, 143, 153, 161, 201, 221, 230, 233, 242, 248, 263, 264, 267, 279, 283 | | 4846113..... 55 |
| 4461207....426, 441, 459 | 4711700 221, 226 | | 4846186..... 264 |
| 4461222....422, 437, 454 | 4711800 ... 119, 185, 229, 237, 242, 252, 293 | | 4846216..... 264 |
| 4461244....426, 441, 459 | 4712000 321 | | 4846310..... 176 |
| 4461245....426, 441, 459 | 4712200 321 | | 4846393..... 55 |
| 4461246....426, 441, 459 | 4712400 21 | | 4846394..... 55 |
| 4461249....426, 442, 459 | 4713000 15, 21 | | 4846426..... 20 |
| 4461250....426, 442, 459 | 4740076 199 | | 4846452..... 287 |
| 4461265..... 121 | 4740086 ... 15, 21, 27, 30 | | 4846506..... 489 |
| 4461266..... 120 | 4740120 204, 208 | | 4846550..... 25, 26 |
| 4520212..... 34, 35 | 4740155 21 | | 4846551..... 13, 14 |
| 4520216..... 34 | 4740158 ... 13, 14, 19, 20, 25, 26, 29 | | 4846561..... 290 |
| 4520224..... 56 | 4740229 29 | | 4846567..... 112, 230 |
| 4520234..... 56 | 4740274 86, 93, 101, 112, 133, 138, 143, 153, 161, 199 | | 4846573.... 268, 273, 279, 283 |
| 4520240..... 34 | | | 4846627.... 326, 329, 331, 333 |
| 4520259..... 34 | | | 4846651..... 283 |
| 4520266..... 34 | | | 4846673..... 295 |
| 4530028.... 326, 329, 331, 335 | | | 4846801..... 19 |
| 4566425..... 369 | | | 4846802..... 21 |
| 4566468..... 349, 361 | | | 4846809.... 112, 133, 138 |
| 4567139....395, 399, 403, 407 | | | 4846821 86, 94, 101, 143, 153, 161 |
| 4567462..... 14, 19, 26 | | | 4846852 86, 94, 101, 143, 153, 161 |
| 4567495..... 112 | | | 4860198..... 35 |
| 4568735.... 226, 237, 252 | | | 4860213..... 35 |
| 4568743 86, 93, 101, 143, 153, 161 | | | 4860214..... 35 |
| 4569176 86, 92, 101, 143, 152, 161 | | | 4860215..... 56 |
| 4569342..... 132, 138 | | | 4860218..... 56 |
| 4569345..... 132, 138 | | | |

PART NUMBER INDEX

| | | | |
|--|---|--|---|
| 4891500 93, 101, 152, 161 | 4933218 431, 446, 464 | 70001385.....242, 251 | 70001966 . 229, 234, 237, 242, 248, 251 |
| 489160086, 94, 101, 103, 109, 120, 131, 137, 144, 146, 154, 156, 161, 163, 175, 226, 238, 252, 268, 273, 279, 283 | 4933219414 | 70001386.....146, 156 | 70001973.. 242, 248, 251 |
| 4891800 ... 15, 20, 26, 29, 30, 33, 55, 71, 122, 221, 233, 248, 268, 273, 279, 283 | 4933237415 | 70001387.....147, 156 | 70001974.. 242, 248, 251 |
| 4892000 . 33, 71, 72, 279, 283 | 4933240415 | 70001388... 146, 156, 163 | 70001976 65 |
| 4892200 14, 20, 26 | 4933264244, 430 | 70001389... 147, 156, 164 | 70001990 88, 96 |
| 4892600 ... 268, 273, 279, 283 | 4933300414, 428 | 70001390... 147, 156, 164 | 70001994 264 |
| 4920385 133, 138 | 4933304414 | 70001391... 147, 156, 164 | 70001995 264 |
| 4921927 63, 423, 438, 454 | 4933307414 | 70001392... 147, 156, 164 | 7000206 37 |
| 4922012491 | 4933313 ... 414, 431, 446, 464 | 70001393... 147, 156, 164 | 70002065 80 |
| 4922538 ... 188, 192, 420, 436 | 4933325 ... 414, 421, 422 | 70001394... 147, 156, 164 | 70002066 80 |
| 4922547 419, 435, 451 | 4933348 415, 421, 422 | 70001395... 147, 156, 164 | 70002067 80 |
| 4922548 419, 435, 451 | 4933349 ... 253, 430, 445, 463 | 70001396..... 147, 156 | 70002068 80 |
| 4922636 422, 438, 453 | 4933350 ... 414, 428, 444, 461 | 70001397..... 147, 156 | 70002070 80 |
| 4922637 422, 438, 453 | 4933353 ... 414, 421, 422 | 70001398..... 147, 156 | 70002071 80 |
| 4922641 ... 244, 249, 253, 428, 430, 444, 445, 461, 463 | 4933378 415, 421, 422 | 70001399... 147, 156, 164 | 70002072 80 |
| 4922643 430, 445, 463 | 4933379 ... 414, 421, 422 | 70001400..... 147, 156 | 70002073 80 |
| 4922665 298, 414, 418 | 4933380 ... 414, 421, 422 | 70001401... 147, 156, 164 | 70002074 81 |
| 4922666 ... 299, 418, 434, 450 | 5240600 144, 154 | 70001402..... 147, 156 | 70002075 80, 81 |
| 4922705 279, 283 | 5240800 144, 154 | 70001403..... 88, 95, 104, 147, 156, 164, 484 | 70002088 242, 251 |
| 4922714 ... 201, 424, 439, 455, 456 | 6000394 204, 210 | 70001404... 147, 156, 164 | 7000209 75 |
| 4922737 86, 94, 143, 153 | 70000122217 | 70001405... 147, 156, 164 | 70002098 147, 157 |
| 4922757 244, 430 | 70000123 .. 213, 217, 225 | 70001406... 147, 156, 163 | 70002099.. 147, 157, 164 |
| 4922764 431, 446, 464 | 70000124 213, 217 | 70001407... 147, 156, 163 | 70002100.. 147, 157, 164 |
| 4922769 ... 201, 424, 439, 456 | 70000125 213, 217 | 70001408..... 147, 156 | 70002101.. 147, 157, 164 |
| 4922802 419, 435, 451 | 70000126 213, 217 | 70001409..... 147, 156 | 70002102.. 147, 157, 164 |
| 4922803 419, 435, 451 | 70000127213 | 70001410..... 147, 157 | 70002103.. 147, 157, 164 |
| 4922869 279, 283 | 70000164 138 | 70001411... 147, 157, 164 | 70002104 147, 157 |
| 4922925 ... 243, 248, 252, 429, 444, 462 | 70000264 114 | 70001412... 147, 157, 164 | 70002105 147, 156 |
| 4922965 ... 290, 430, 431, 445, 446, 464 | 70000342 275, 277 | 70001413... 147, 157, 164 | 70002106 147, 156 |
| 4922970 429, 444 | 70000345 .. 114, 124, 423 | 70001414... 147, 157, 164 | 70002107 144 |
| 4923260 188, 420, 421 | 70000544 88, 96 | 70001415..... 147, 157 | 70002108.. 147, 157, 164 |
| 4923261 188, 420 | 70000619 ... 242, 247, 251 | 70001416... 147, 157, 164 | 70002109 147, 157 |
| 4923356 188, 420, 421 | 70000781 51, 52 | 70001417 ... 147, 157, 164 | 7000213 81 |
| 4923419 188, 420, 421 | 70000782 80 | 70001418... 147, 157, 164 | 7000217 75, 80 |
| 4923420 ... 253, 430, 445, 463 | 70000797 45 | 70001419... 147, 157, 164 | 70002200 113 |
| 4923445 429, 461 | 70000800 114 | 70001423 113 | 70002224 351, 363 |
| 4923451 ... 112, 423, 440, 456 | 70000863 242, 251 | 70001424 339 | 70002234 147, 157 |
| 4923456 188, 420 | 70000912 113 | 70001425 339 | 70002255 242, 251 |
| 4923462 419, 435, 452 | 70000913 113 | 70001427 339 | 70002257 168 |
| 4923580 188, 420, 421 | 70000914 113 | 70001428 339 | 7000228 75, 80 |
| 4923583 188, 189, 420 | 70000915 113 | 70001429 339 | 7000229 37, 75, 80 |
| 4923591 423 | 70000916 113 | 70001430 339 | 70002290 242, 251 |
| 4933025 414 | 70000917 113 | 70001431 339 | 70002297.. 242, 248, 251 |
| 4933026 414 | 70000918 113 | 70001432 339 | 7000230 37, 75, 80 |
| 4933217 414 | 70000919 113 | 70001435 113 | 7000232 37 |
| | 70000969 171 | 70001663 259 | 70002377 ... 95, 102, 146, 155, 162, 484 |
| | 70000970 171 | 70001695 88, 96 | 70002378 ... 95, 102, 146, 155, 162 |
| | 70000971 171 | 70001696... 242, 248, 251 | 70002390 51 |
| | 70000972 171 | 70001697 275, 277 | 70002433 147, 157 |
| | 70000973 171 | 70001792 147, 157 | 70002436 163 |
| | 70000975 171 | 70001793 147, 157 | 70002437 164 |
| | 70000976 171 | 70001794 147, 157 | 70002438 164 |
| | 70000977 172 | 70001796 147, 157 | 70002439 164 |
| | 70000978 171 | 70001844 111 | 70002438 164 |
| | 70001002 112 | 70001850 113 | 70002440 164 |
| | 70001017 85, 93, 100, 143, 153, 160 | 70001863 180 | 70002441 164 |
| | 70001100 .. 242, 248, 251 | 70001866 114 | 70002442 164 |
| | 70001103 180 | 70001868 114 | 70002443 164 |
| | 70001180 88, 96 | 70001871 113 | 70002444 164 |
| | 70001248 185 | 70001872.. 114, 423, 439, 455 | 70002445 164 |
| | 70001256 65 | 70001941 199 | 70002446 164 |
| | 70001257 88, 96 | 70001953... 242, 248, 251 | 70002447 164 |
| | 70001384 .. 242, 248, 251 | 70001959 180 | 70002448 164 |
| | | 70001960 180, 482 | 70002449 164 |
| | | | 70002450 164, 484 |

PART NUMBER INDEX

| | | | | | | | |
|---------------|----------------------------|---------------|------------------------------|----------------|--------------------|---------------|-------------------|
| 70002451..... | 164, 484 | 70003136..... | 114 | 70004171 .. | 229, 237, 242, 251 | 70006568..... | 355 |
| 70002452..... | 164 | 70003454..... | 185 | 70004274 | 124 | 70006569..... | 355 |
| 70002453..... | 164 | 70003463..... | 113 | 70004275 | 124 | 70006570..... | 355 |
| 70002454..... | 164 | 70003464..... | 113 | 70004277 | 125 | 70006571..... | 355 |
| 70002455..... | 164 | 70003472..... | 113 | 70004279 | 124 | 70006572..... | 355 |
| 70002456..... | 164 | 70003473..... | 113 | 70004281 | 124 | 7000663..... | 114 |
| 70002457..... | 164 | 70003475..... | 114 | 70004283 | 125 | 70006649..... | 357 |
| 70002458..... | 164 | 70003478..... | 114 | 70004284 | 125 | 70006650..... | 357 |
| 70002459..... | 163 | 70003479..... | 113 | 70004286 | 125 | 70006734..... | 357 |
| 7000246..... | 37, 75, 80 | 70003480..... | 113 | 70004414 | 180 | 70006735..... | 357 |
| 70002460..... | 242, 251 | 70003481..... | 113 | 70004676 .. | 229, 234, 237 | 70006736..... | 357 |
| 70002461..... | 147, 157 | 70003483..... | 289 | 70004677 | 229 | 7000731..... | 38 |
| 70002462..... | 148, 157 | 70003541..... | 104 | 70004678 .. | 229, 234, 237 | 7000754..... | 172 |
| 70002463..... | 148, 157 | 70003631 .. | 242, 248, 251 | 70004679 .. | 229, 234, 237 | 7000974..... | 171 |
| 7000248..... | 37, 80 | 70003708 .. | 229, 233, 237, 242, 248, 251 | 70004680 .. | 229, 234, 237 | 7001481..... | 168 |
| 7000253..... | 37, 75, 80 | 70003709 .. | 229, 233, 237, 242, 248, 251 | 70004681 | 229 | 7001485..... | 167 |
| 7000255..... | 75, 80 | 70003758..... | 104 | 70004682 .. | 229, 234, 237 | 7001909..... | 80 |
| 7000256..... | 75 | 70003759..... | 104 | 70004683 | 229 | 7001911..... | 80 |
| 7000257..... | 37, 75, 80 | 70003760..... | 104 | 70004684 | 229, 237 | 7001912..... | 80 |
| 7000258..... | 37, 75 | 70003761..... | 104 | 70004685 .. | 229, 234, 237 | 7001931..... | 80 |
| 7000261..... | 37 | 70003763..... | 104 | 70004687 | 234 | 7001985..... | 80 |
| 7000262..... | 37 | 70003764..... | 104 | 70004688 .. | 229, 234, 237 | 7001988..... | 75 |
| 7000263..... | 37, 80 | 70003765..... | 104 | 70004689 .. | 229, 234, 237 | 7001998..... | 37 |
| 7000264..... | 124 | 70003766..... | 104 | 70004738 | 315 | 70020808..... | 438 |
| 7000269..... | 75 | 70003767..... | 104 | 70004739 | 315 | 7002107..... | 77 |
| 7000270..... | 75 | 70003768..... | 104 | 70004740 | 315 | 7002110..... | 77 |
| 70002704..... | 148, 157 | 70003769..... | 104 | 70004741 | 315 | 7002111..... | 77 |
| 70002705..... | 85, 93, 100, 143, 153, 160 | 70003770..... | 104 | 70004742 | 315 | 7002112..... | 77 |
| 70002706..... | 85, 93, 100, 143, 153, 160 | 70003771..... | 104 | 70004743 | 315 | 7002117..... | 77 |
| 70002718..... | 113, 124 | 70003772..... | 104 | 70004744 | 315 | 7002125..... | 77 |
| 70002724..... | 313 | 70003773..... | 110 | 70004745 | 315 | 70023056..... | 93, 101, 153, 161 |
| 70002725..... | 313 | 70003774..... | 298 | 70004746 | 315 | 70023915..... | 355 |
| 70002726..... | 313 | 70003775..... | 298 | 70004747 | 315 | 70024473..... | 125 |
| 70002727..... | 313 | 70003776..... | 104, 484 | 70004748 | 315 | 70024486..... | 124 |
| 70002728..... | 313 | 70003838..... | 351, 363 | 70004749 | 315 | 70024488..... | 124 |
| 70002729..... | 313 | 70003839..... | 351, 363 | 70004750 | 315 | 70024503..... | 125 |
| 70002730..... | 305 | 70003848..... | 351, 363 | 70004751 | 315 | 70024504..... | 125 |
| 70002731..... | 305 | 70003856..... | 351, 363 | 70004752 | 307 | 70024513..... | 124 |
| 70002732..... | 305 | 70003932..... | 114 | 70004753 | 307 | 70024905..... | 124 |
| 70002733..... | 305 | 70003933..... | 367 | 70004754 | 307 | 70024906..... | 124 |
| 70002734..... | 305 | 70003934..... | 367 | 70004755 | 307 | 70024907..... | 124 |
| 70002735..... | 305 | 70003937..... | 122 | 70004756 | 307 | 70024910..... | 125 |
| 70002768..... | 180 | 70003952..... | 120, 121 | 70004757 | 307 | 70024912..... | 124 |
| 7000281..... | 75, 80 | 70004056..... | 114 | 70004758 | 307 | 70024919..... | 125 |
| 70002818..... | 245, 253 | 70004057..... | 114 | 70004759 | 307 | 70024920..... | 125 |
| 70002819..... | 245, 253 | 70004058..... | 114 | 70004760..... | 307 | 70024921..... | 125 |
| 70002820..... | 245, 253 | 70004059..... | 113 | 70004761..... | 307 | 70024924..... | 124 |
| 70002821..... | 245, 253 | 70004060..... | 113 | 70004762..... | 307 | 70024925..... | 124 |
| 70002822..... | 245, 254 | 70004062..... | 114 | 70004763..... | 307 | 70025076..... | 124 |
| 70002823..... | 245, 254 | 70004091 .. | 93, 101, 153, 161 | 70004764..... | 307 | 7002508..... | 124 |
| 70002824..... | 245, 254 | 70004092 .. | 229, 234, 237 | 70004765..... | 307 | 70025082..... | 124 |
| 70002825..... | 245, 254 | 70004093..... | 248 | 70004766..... | 307 | 70025084..... | 125 |
| 70002826..... | 245, 254 | 70004094..... | 248 | 70004767..... | 307 | 70025088..... | 124 |
| 70002895..... | 138, 484 | 70004095..... | 248 | 70004768..... | 307 | 70025091..... | 124 |
| 70002902..... | 289 | 70004096..... | 248 | 70004769..... | 307 | 70025120..... | 125 |
| 70002903..... | 289 | 70004098 .. | 229, 234, 237, 248 | 70004770..... | 307 | 70025135..... | 124 |
| 70002904..... | 289 | 70004099..... | 234, 248 | 70004771..... | 307 | 70025136..... | 124 |
| 70002905..... | 289 | 70004102..... | 113 | 70004772..... | 307 | 70025140..... | 124 |
| 70002906..... | 305 | 70004103..... | 114 | 70004773..... | 307 | 70025142..... | 125 |
| 70002948..... | 257 | 70004128..... | 351 | 70004774..... | 308 | 70025143..... | 125 |
| 70002962..... | 52 | 70004129..... | 363 | 70004775..... | 308 | 70025144..... | 124 |
| 70003033..... | 148, 157 | 70004136..... | 351, 363 | 70005230..... | 315 | 70025146..... | 124 |
| 70003034..... | 157 | 70004137..... | 351 | 70005483..... | 38 | | |
| 70003098..... | 367 | 70004138..... | 351 | 70005771..... | 157 | | |
| 70003099..... | 367 | 70004139..... | 363 | 70005772..... | 157 | | |
| | | 70004140..... | 363 | 7000625..... | 289 | | |
| | | | | 70006268..... | 264 | | |
| | | | | 70006277..... | 264 | | |

PART NUMBER INDEX

| | | | | | | | |
|----------------|-----------------------|---|-----------------------|---|----------------------------|---------------|-----------------------|
| 70025149 | 125 | 7007498 | 424, 439, 455 | 7016524 | 264 | 7019110 | 311 |
| 70025151 | 125 | 7007601 | 37 | 7016628 | 199 | 7019111 | 303, 311 |
| 70025152 | 124 | 7007633 | 75, 80 | 7016654 | 491 | 7019112 | 311 |
| 70025153 | 124, 484 | 7007640 | 37 | 7016655 | 491 | 7019114 | 311 |
| 70025154 | 124 | 7007933 | 71 | 7016680 | 179 | 7019115 | 311 |
| 70025160 | 124 | 7007990 | 71 | 7016701 | 172 | 7019122 | 303 |
| 70025161 | 124, 484 | 7009992 | 77 | 7016744 | 171 | 7019123 | 303 |
| 70025164 | 124 | 7009996 | 77 | 7016745 | 171 | 7019141 | 303 |
| 70025176 | 124 | 7009998 | 77 | 7016746 | 171 | 7019142 | 303 |
| 70025177 | 125 | 7010429 | 37 | 7016768 | 171 | 7019143 | 303 |
| 70025179 | 124, 125 | 7010474 | 80 | 7016769 | 171 | 7019144 | 303 |
| 70025180 | 124 | 7010488 | 75 | 7016808 | 131, 137, 423, 439, 455 | 7019145 | 303 |
| 70025200 | 125 | 7010494 | 75 | 701682085, 93, 109, 131, 137, 142, 152, 423, 439, 455 | | 7019147 | 303 |
| 70025202 | 124 | 7010542 | 49, 65 | 701683485, 92, 109, 142, 152, 423, 439, 455 | | 7019149 | 303 |
| 70025206 | 124 | 7010543 | 49, 63, 65 | 701683585, 92, 109, 142, 152, 423, 438, 455 | | 7019150 | 303 |
| 70025207 | 124 | 7011016 | 171 | 701684385, 92, 109, 142, 152, 423, 438, 455 | | 7019151 | 311 |
| 70025210 | 125, 484 | 7011044 | 171 | 7017023 | 80 | 7019154 | 311 |
| 70025231 | 124 | 7011067 | 171 | 7017028 | 81 | 7019155 | 311 |
| 70025235 | 125 | 7011112 | 349, 351 | 7017059 | 37 | 7019160 | 311 |
| 70025239 | 124 | 7012513 ... | 213, 217, 221, 225 | 7017064 | 75, 80 | 7019161 | 311 |
| 70025416 | 124 | 7012514 ... | 213, 217, 221, 225 | 7017065 | 75 | 7019162 | 311, 313 |
| 70025477 | 125 | 7012518 | 63, 65 | 7017066 | 75 | 7019164 | 311, 313 |
| 7002821 ... | 431, 446, 464, 491 | 7012519 | 56 | 7017067 | 37 | 7019165 | 311, 313 |
| 7002822 | 491 | 7012520 | 56 | 7017070 | 37, 80 | 7019166 | 311 |
| 7002823 ... | 431, 446, 464, 491 | 7012521 | 56 | 7017072 | 80 | 7019167 | 311, 313 |
| 7002826 | 491 | 7012522 | 56 | 7017080 | 37, 80 | 7019168 | 311 |
| 7002828 ... | 431, 446, 464 | 7012523 | 56 | 7017081 | 80 | 7019171 | 303 |
| 7002840 | 14, 19, 26 | 7012524 | 65 | 7017082 | 80 | 7019174 | 303 |
| 7003928 | 303, 305 | 7012540 | 65 | 7017085 | 80 | 7019177 | 303 |
| 7003933 | 311 | 7012558 ... | 213, 217, 221, 225 | 7017090 | 37 | 7019194 | 311, 313 |
| 7003935 | 311 | 701266484, 92, 100, 110, 132, 137, 142, 152, 160, 484 | | 7017091 | 37 | 7019197 | 303 |
| 7003941 | 311, 313 | 7012693 | 14, 19, 26 | 7017092 | 37 | 7019680 ... | 213, 217, 221, 225 |
| 7003946 | 311 | 7012770 | 69 | 7017093 | 37 | 7020020 | 63 |
| 7003953 | 303 | 7012772 | 66, 69, 482 | 7017094 | 37 | 7020023 | 113, 484 |
| 7003969 | 311 | 7012773 | 65, 66, 69 | 7017095 | 37 | 7020026 | 112 |
| 7003972 | 311, 313 | 7012775 | 66 | 7017097 | 37 | 7020033 | 15, 21 |
| 7003973 | 311, 313 | 7012776 | 69 | 7017142 | 275, 277 | 7020034 | 15, 21 |
| 7003976 | 303 | 7012777 | 69 | 7017150 | 277 | 7020035 | 15, 21 |
| 7003977 | 303 | 7012914 | 65 | 7017158 | 275, 277 | 7020036 | 15, 21 |
| 7003980 | 311, 313 | 7012918 | 65 | 7017159 | 275, 277 | 7020037 | 15, 21 |
| 7003982 | 313 | 7012941 | 63 | 7017162 | 275, 277 | 7020038 | 15, 21 |
| 7003983 | 311, 313 | 7012943 | 63, 482 | 7017163 | 275, 277 | 7020039 | 15, 21 |
| 7003986 | 311 | 7012944 | 63, 65, 482 | 7017164 | 275, 277 | 7020040 | 15, 22 |
| 7003989 | 311, 313 | 7012953 | 69 | 7017172 | 275, 277 | 7020041 | 15, 22 |
| 7003992 | 303, 311 | 7012965 | 69 | 7017192 | 275, 277 | 7020042 | 15, 22 |
| 7003993 | 303, 311 | 7012967 | 65, 359 | 7017406 | 52 | 7020043 | 180 |
| 7003994 | 311 | 7012975 | 65 | 7017410 | 65 | 7020054 | 16, 22 |
| 7004035 | 81 | 7012995 | 63 | 7017411 | 65 | 7020055 | 16, 22 |
| 7004043 | 81 | 7012998 | 65, 69 | 7017421 | 69 | 7020108 ... | 213, 217, 221, 225 |
| 7004044 | 81 | 7013187 | 183 | 7017422 | 65, 69 | 7020109 ... | 213, 217, 221, 225 |
| 7004275 | 491 | 7013711 | 171 | 7017427 | 65 | 7020110 ... | 213, 217, 221, 225 |
| 7004276 | 491 | 7013757 | 171 | 7017428 | 65 | 7020111 ... | 213, 217, 221, 225 |
| 7006137 | 264 | 7013766 | 171 | 7017496 | 347 | 7020169 | 114 |
| 7006140 | 263 | 7013771 | 171 | 7018612 | 71 | 7020175 ... | 188, 192, 195, 298 |
| 7006151 | 263 | 7014900 | 77 | 7018900 | 66 | 7020176 ... | 188, 192, 195, 298 |
| 7006152 | 264 | 7016314 | 180 | 7018912 | 66, 69 | 7020190 ... | 213, 217, 221, 225 |
| 7007289 | 168 | 7016319 | 199 | 7018942 | 66, 69 | 7020192 | 213, 218 |
| 7007412 | 168 | 7016331 ... | 113, 124, 484 | 7018945 | 69 | 7020193 ... | 213, 429, 444, 462 |
| 7007419 | 167 | 7016360 | 56 | 7018991 | 65, 66, 482 | | |
| 7007437 | 42, 46 | 7016372 | 199 | 7019103 | 311 | | |
| 7007438 | 41, 45 | 7016380 | 199 | | | | |
| 7007439 | 41, 45 | 7016399 | 289 | | | | |
| 7007446 | 41, 45 | 7016505 | 264 | | | | |
| 7007470 | 167 | | | | | | |
| 7007497 | 423, 439, 455 | | | | | | |

PART NUMBER INDEX

| | | | |
|-------------------------|---------------------------|----------------------------|----------------------------|
| 7020352.....77 | 7022312..... 41, 45 | 7024380..... 81 | 7024962 89, 96, 103, 114, |
| 7020353.....77 | 7022314..... 41, 45 | 7024381..... 81 | 125, 133, 139, 146, |
| 7020357.....77 | 7022318..... 41 | 7024390..... 81 | 156, 163 |
| 7020359.....77 | 7022321..... 41 | 7024396..... 81 | 7026113.....363 |
| 7020362.....77 | 7022326..... 42, 46 | 7024404..... 185 | 7026188.....242, 251 |
| 7020404.....124 | 7022328..... 42, 46 | 7024439..... 180 | 7026197.....185 |
| 7020408.....113 | 7022340..... 167 | 7024440..... 180 | 7026199.....213, 217, 221, |
| 7020411.....113 | 7022341..... 167 | 7024441..... 180 | 225 |
| 7020430.....113 | 7022342..... 167 | 7024442..... 180 | 7026408.....438 |
| 7020447.....113 | 7022346..... 168 | 7024443..... 180 | 7026503.....185 |
| 7020455.....111 | 7022347..... 168 | 7024444..... 180, 482 | 7026504.....185 |
| 7020460.....114 | 7022367..... 41 | 7024445..... 180 | 7026505.....185 |
| 7020464.....114 | 7022368..... 41, 45 | 7024446..... 180 | 7026506.....185 |
| 7020465.....112, 124 | 7022370..... 41 | 7024452..... 199 | 7026507.....185 |
| 7020468.....113 | 7022371..... 42, 46 | 7024453..... 81 | 7026509.....185 |
| 7020471.....113 | 7022372..... 41, 46 | 7024454..... 81 | 7026597.....242, 248, 251 |
| 7020479.....114 | 7022377..... 167 | 7024455..... 81 | 7026608.....114 |
| 7020492.....125 | 7022378..... 167 | 7024456..... 81 | 7026632.....259 |
| 7020495.....113 | 7022380..... 167 | 7024458..... 81 | 7026633.....259 |
| 7021237.....167 | 7022381..... 167 | 7024462..... 335 | 7026634.....259 |
| 7021238.....167 | 7022382..... 167 | 7024463..... 335 | 7026635.....259 |
| 7021239.....167 | 7022385..... 168 | 7024467..... 335 | 7026636.....259 |
| 7021240.....167 | 7022386..... 168 | 7024469..... 335 | 7026637.....259 |
| 7021242.....167 | 7022387..... 168 | 7024470..... 335 | 7026638.....259 |
| 7021243.....167 | 7022397..... 49, 51, 52 | 7024471..... 335, 339 | 7026639.....259 |
| 7021248.....167 | 7022399..... 49, 51, 52 | 7024472..... 335 | 7026640.....259 |
| 7021249.....41, 45, 167 | 7022808..... 303, 305 | 7024473..... 335 | 7026641.....260 |
| 7021250.....167 | 7022812..... 311 | 7024474..... 335 | 7026642.....260 |
| 7021251.....167 | 7022814..... 303 | 7024475..... 335 | 7026643.....260 |
| 7021255.....167 | 7022815..... 303, 305 | 7024478..... 335 | 7026644.....260 |
| 7021257.....167 | 7022816..... 303 | 7024485..... 242, 248, 251 | 7026645.....260 |
| 7021258.....167 | 7022817..... 303 | 7024488..... 241, 247, 251 | 7026646.....260 |
| 7021259.....167 | 7022818..... 303 | 7024489..... 242, 247, 251 | 7026647.....260 |
| 7021260.....167 | 7022819... 303, 305, 424, | 7024508..... 369 | 7026648.....260 |
| 7021263.....167 | 440, 456 | 7024530..... 339 | 7026649.....260 |
| 7021265.....167 | 7022822..... 311 | 7024531..... 339 | 7026650.....260 |
| 7021268.....167 | 7022823..... 311 | 7024532..... 339 | 7026651.....259 |
| 7021269.....167 | 7022824... 311, 424, 440, | 7024533..... 339 | 7026652.....259 |
| 7021270.....168 | 456 | 7024534..... 339 | 7026653.....259 |
| 7021271.....168 | 7022825... 424, 440, 456 | 7024535..... 339 | 7026654.....259 |
| 7021272.....168 | 7023205..... 180 | 7024536..... 339 | 7026655.....259 |
| 7021273.....168 | 7023306..... 180 | 7024537..... 339 | 7026656.....259 |
| 7021274.....168 | 7023821..... 66 | 7024565..... 114 | 7026658.....260 |
| 7021275.....41, 45, 168 | 7023822..... 66 | 7024579..... 114, 124 | 7026659.....259 |
| 7021276.....41, 45, 168 | 7023823..... 66 | 7024704..... 80 | 7026660.....259 |
| 7021277.....41, 45, 168 | 7023824..... 66 | 7024705..... 38 | 7026661.....259 |
| 7021278.....168 | 7023907..... 41, 45 | 7024712..... 37 | 7026835.....89, 96 |
| 7021279.....168 | 7023908..... 41, 45 | 7024713..... 37 | 7026836.....88, 96 |
| 7021280.....167, 168 | 7023910..... 41, 45 | 7024714..... 37 | 7026840.....88, 96 |
| 7021281.....168 | 7023917..... 49, 51, 52 | 7024715..... 37 | 7026843 89, 96, 144, 154 |
| 7021290.....168 | 7023934..... 49, 52 | 7024716..... 38 | 7026846.....87, 95, 103 |
| 7021294.....168 | 7023935..... 49 | 7024717..... 38 | 7026847 87, 95, 103, 144, |
| 7021296.....168 | 7023936..... 49 | 7024718..... 38 | 154 |
| 7021297.....168 | 7024100..... 75, 81 | 7024763..... 80 | 7026848.....87, 95, 103 |
| 7021298.....168 | 7024182..... 38 | 7024784..... 80 | 7026849.....88, 95, 103 |
| 7021299.....168 | 7024189..... 38 | 7024800..... 167 | 7026850.....88, 95, 103 |
| 7021374.....65 | 7024190..... 38 | 7024804..... 168 | 7026851.....88, 96, 103 |
| 7021375.....65 | 7024191..... 38 | 7024844..... 51 | 7026852.....88, 95, 103 |
| 7021625.....49, 51, 52 | 7024192..... 38 | 7024852..... 41 | 7026853.....88, 95, 103 |
| 7021639.....51, 52 | 7024193..... 38 | 7024853..... 41, 45 | 7026854.....88, 96, 104 |
| 7021647.....65 | 7024194..... 38 | 7024854..... 42, 46 | 7026856.....88, 95, 104 |
| 7021648.....65 | 7024195..... 38 | 7024855..... 167 | 7026857.....88, 95, 104 |
| 7021655.....49, 52 | 7024196..... 38 | 7024856..... 167 | 7026858.....88, 95, 104 |
| 7022302.....41, 45 | 7024197..... 38 | 7024857..... 167 | 7026859.....88, 96, 104 |
| 7022305.....41, 45 | 7024319... 188, 191, 196 | 7024858..... 167 | 7026860.....88, 95, 104 |
| 7022310.....41, 45 | 7024320... 188, 191, 196 | 7024868..... 41, 45 | 7026861.....88, 96, 104 |
| 7022311.....41, 45 | 7024379..... 81 | 7024881..... 51, 52 | 7026862.....88, 96, 104 |

PART NUMBER INDEX

| | | | | | | | |
|---------------|------------------|----------------|---------------|---------------------------|----------------|----------------|----------------|
| 7026863 | 88, 95, 104 | 7027021 | 103, 163, 438 | 7027783..... | 257 | 8180311 | 85, 132, 138, |
| 7026864 | 88, 95, 104 | 7027022 | 103, 163, 438 | 7027784..... | 257 | 143 | |
| 7026865 | 88, 95, 104 | 7027023 | 103, 163, 439 | 7027790..... | 114 | 8229242 | 457 |
| 7026866 | 88, 95, 104 | 7027024 | 103, 163, 439 | 7027791..... | 114 | 8310129 | 321 |
| 7026867 | 88, 95, 104 | 7027059 | 455 | 7027792..... | 114 | 8310230 | 321 |
| 7026868 | 88, 95, 104 | 7027059] | 121 | 7027793..... | 113, 423, 439, | 8405006 ... | 101, 119, 122, |
| 7026869 | 88, 96, 104 | 7027060 | 120, 455 | 455 | | 125, 161 | |
| 7026870 | 88, 96, 104 | 7027061 | 120, 455 | 7027795..... | 113, 484 | 8405007 | 122 |
| 7026871 | 88, 96 | 7027062 | 120, 455 | 7027796..... | 113, 423, 439, | 8405009 | 122 |
| 7026872 | 88, 96, 104 | 7027236 | 113 | 455 | | 8405104 | 122 |
| 7026873 | 88, 96, 104 | 7027239 | 114 | 7027799..... | 242, 248, 251 | 8405201 | 123 |
| 7026874 | 88, 96, 104 | 7027245 | 114 | 7027858..... | 203, 208 | 8405202 | 122 |
| 7026875 | 88, 96, 104 | 7027276 | 114 | 7027887 | 214, 218, 225 | 8405204 | 122 |
| 7026878 | 88, 96, 104 | 7027412 | 93, 101, 153, | 7027965..... | 132, 138, 484 | 8406101 | 119 |
| 7026879 | 88, 96 | 161 | | 7027972 | 132, 138, 484 | 8406102 | 122 |
| 7026880 | 88, 96 | 7027419 | 41, 45 | 7027991..... | 423 | 8406110 | 122 |
| 7026881 | 88, 96, 144, 154 | 7027769 | 114 | 7027994..... | 132 | 8406112 | 119 |
| 7026882 | 88, 96 | 7027773 | 335 | 7027996..... | 132 | 8406302 | 119 |
| 7026883 | 88, 96 | 7027774 | 335 | 77143013..... | 191, 196 | 8410011 | 122 |
| 7026884 | 89, 96 | 7027775 | 335 | 77363228..... | 438 | 8410013 | 119, 122 |
| 7026885 | 88, 96, 144, 154 | 7027776 | 335 | 77363229..... | 438 | 85941018..... | 101, 161 |
| 7026886 | 88, 96, 144, 154 | 7027777 | 335 | 77363233... 429, 444, 462 | | 8896941 | 491 |
| 7027012 ... | 131, 137, 423, | 7027778 | 335 | 80424002..... | 80 | 8902175 | 375, 377 |
| 438, 455 | | 7027779 | 335 | 80484084..... | 457 | 91403102 | 484 |
| 7027013 ... | 131, 137, 423, | 7027780 | 335 | 80604018..... | 438 | 91503103 | 438 |
| 438, 455 | | 7027781 | 257 | 80934561..... | 185 | 91504088 | 438 |
| 7027020 | 423 | 7027782 | 257 | 80983191..... | 457 | 91504107 | 438 |

PARTS FINDER

**Search Website
by Part Number**



**Search Manual
Library For Parts
Manual & Lookup Part
Numbers – Purchase
or Request Quote**

**Can't Find Part or
Manual? Request Help
by Manufacturer,
Model & Description**

Discount-Equipment.com is your online resource for quality parts & equipment.

Florida: **561-964-4949** Outside Florida TOLL FREE: **877-690-3101**

Need parts?

Click on this link: <http://www.discount-equipment.com/category/5443-parts/> and choose one of the options to help get the right parts and equipment you are looking for. Please have the machine model and serial number available in order to help us get you the correct parts. If you don't find the part on the website or on one of the online manuals, please fill out the request form and one of our experienced staff members will get back to you with a quote for the right part that your machine needs.

We sell worldwide for the brands: Genie, Terex, JLG, MultiQuip, Mikasa, Essick, Whiteman, Mayco, Toro Stone, Diamond Products, Generac Magnum, Airman, Haulotte, Barreto, Power Blanket, Nifty Lift, Atlas Copco, Chicago Pneumatic, Allmand, Miller Curber, Skyjack, Lull, Skytrak, Tsurumi, Husquvarna Target, Stow, Wacker, Sakai, Mi-T-M, Sullair, Basic, Dynapac, MBW, Weber, Bartell, Bennar Newman, Haulotte, Ditch Runner, Menegotti, Morrison, Contec, Buddy, Crown, Edco, Wyco, Bomag, Laymor, EZ Trench, Bil-Jax, F.S. Curtis, Gehl Pavers, Heli, Honda, ICS/PowerGrit, IHI, Partner, Imer, Clipper, MMD, Koshin, Rice, CH&E, General Equipment, Amida, Coleman, NAC, Gradall, Square Shooter, Kent, Stanley, Tamco, Toku, Hatz, Kohler, Robin, Wisconsin, Northrock, Oztec, Toker TK, Rol-Air, APT, Wylie, Ingersoll Rand / Doosan, Innovatech, Con X, Ammann, Mecalac, Makinex, Smith Surface Prep, Small Line, Wanco, Yanmar