



Illustrated Parts Manual

**Model
340AJ**

Prior to SN 0300200802

3121260

August 8, 2018 - Rev R

ANSI

CE



An Oshkosh Corporation Company

PARTS FINDER

**Search Website
by Part Number**



**Search Manual
Library For Parts
Manual & Lookup Part
Numbers – Purchase
or Request Quote**

**Can't Find Part or
Manual? Request Help
by Manufacturer,
Model & Description**

Discount-Equipment.com is your online resource for quality parts & equipment.

Florida: **561-964-4949** Outside Florida TOLL FREE: **877-690-3101**

Need parts?

Click on this link: <http://www.discount-equipment.com/category/5443-parts/> and choose one of the options to help get the right parts and equipment you are looking for. Please have the machine model and serial number available in order to help us get you the correct parts. If you don't find the part on the website or on one of the online manuals, please fill out the request form and one of our experienced staff members will get back to you with a quote for the right part that your machine needs.

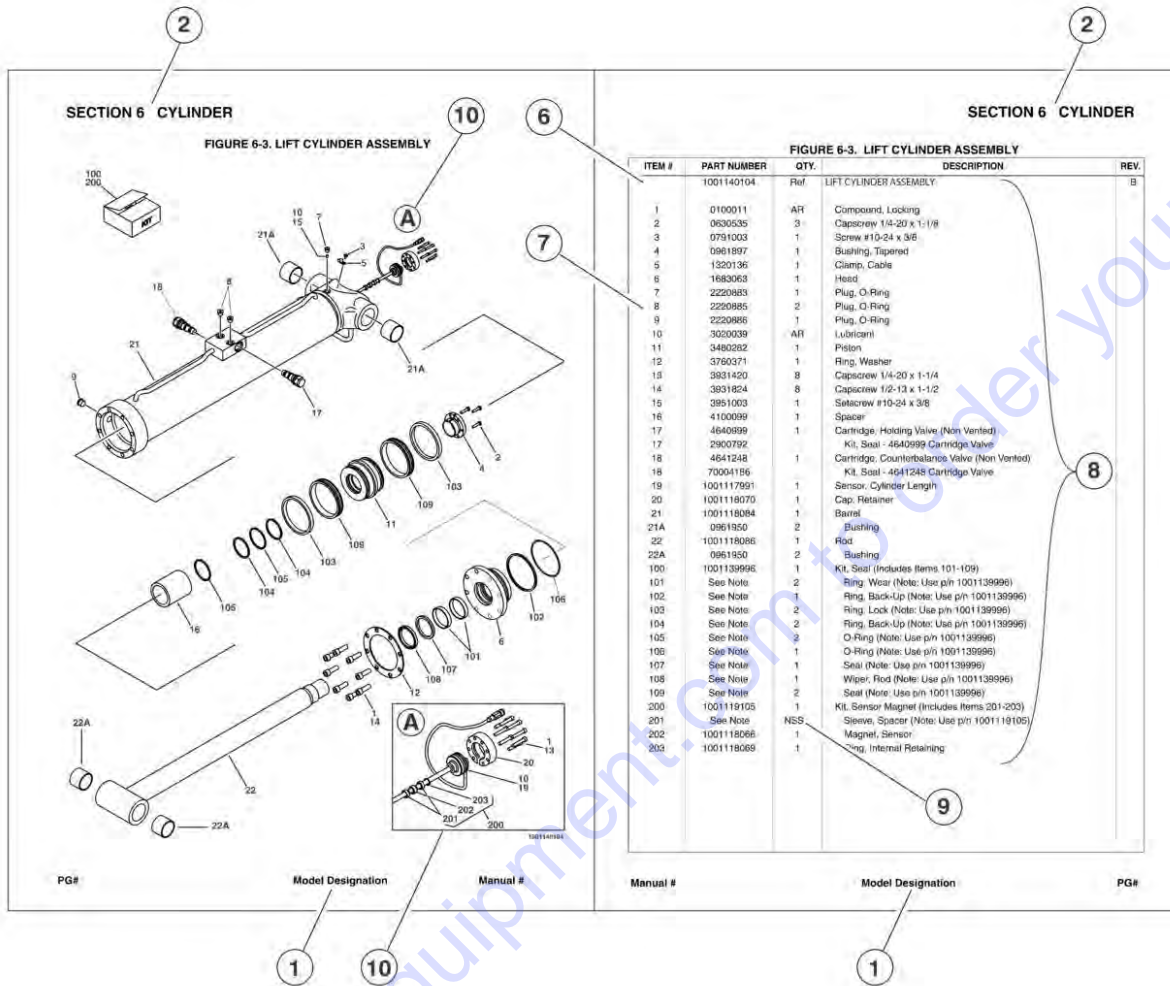
We sell worldwide for the brands: Genie, Terex, JLG, MultiQuip, Mikasa, Essick, Whiteman, Mayco, Toro Stone, Diamond Products, Generac Magnum, Airman, Haulotte, Barreto, Power Blanket, Nifty Lift, Atlas Copco, Chicago Pneumatic, Allmand, Miller Curber, Skyjack, Lull, Skytrak, Tsurumi, Husquvarna Target, Stow, Wacker, Sakai, Mi-T-M, Sullair, Basic, Dynapac, MBW, Weber, Bartell, Bennar Newman, Haulotte, Ditch Runner, Menegotti, Morrison, Contec, Buddy, Crown, Edco, Wyco, Bomag, Laymor, EZ Trench, Bil-Jax, F.S. Curtis, Gehl Pavers, Heli, Honda, ICS/PowerGrit, IHI, Partner, Imer, Clipper, MMD, Koshin, Rice, CH&E, General Equipment, Amida, Coleman, NAC, Gradall, Square Shooter, Kent, Stanley, Tamco, Toku, Hatz, Kohler, Robin, Wisconsin, Northrock, Oztec, Toker TK, Rol-Air, APT, Wylie, Ingersoll Rand / Doosan, Innovatech, Con X, Ammann, Mecalac, Makinex, Smith Surface Prep, Small Line, Wanco, Yanmar

REVISION LOG

NOTES: JLG Model 340AJ Boom Lifts are manufactured by JLG Industries in the following countries: USA, Belgium and China. Refer to the Serial Number Tag to identify the country of manufacture. Machines manufactured in the USA will have a serial number prefix of 03 (i.e. 03XXXXXXXX), machines manufactured in Belgium will have a prefix of 13 (i.e. 13XXXXXXXX) and machines manufactured in the China will have a serial number prefix of B3 (i.e. B3XXXXXXXX).

January 31, 2011 - A - Original Issue of Manual (Edited B/M 1001117947 Revision 9)
May 20, 2011 - B - Revised Manual (Edited to B/M 1001117947 Revision 13)
August 15, 2011 - C - Revised Manual (Edited to B/M 1001117947 Revision 13)
December 5, 2011 - D - Revised Manual (Edited to B/M 1001117947 Revision C)
March 21, 2012 - E - Revised Manual (Edited to B/M 1001117947 Revision C)
July 12, 2012 - F - Revised Manual (Edited to B/M 1001117947 Revision D)
October 11, 2012 - G - Revised Manual (Edited to B/M 1001117947 Revision D)
February 18, 2013 - H - Revised Manual (Edited to B/M 1001117947 Revision D)
May 6, 2013 - I - Revised Manual (Edited to B/M 1001117947 Revision D)
August 7, 2013 - J - Revised Manual (Edited to B/M 1001117947 Revision P)
November 5, 2013 - K - Revised Manual (Edited to B/M 1001117947 Revision P)
December 17, 2014 - L - Revised Manual (Edited to B/M 1001117947 Revision P)
December 1, 2015 - M - Revised Manual (Edited to B/M 1001117947 Revision U)
March 1, 2016 - N - Revised Manual (Revision 1)
August 5, 2016 - O - Revised Manual (Revision 1)
March 31, 2017 - P - Revised Manual (Revision 1)
June 18, 2018 - Q - Revised Manual
August 8, 2018 - R - Revised Manual

GENERAL INFORMATION



1) MACHINE IDENTIFICATION

Machines are identified by model and in some cases a combination of models, serial number (SN) or regional standard (i.e. ANSI, CE, CSA). Components may also be identified by SN or manufacturer. Common components that may be identified by these characteristics are engines and hydraulic components.

2) PARTS MANUAL ORGANIZATION

Product information in this manual is organized under section titles. Frame, Cylinder, Hydraulic and Electrical are a few examples. Each section is organized by figure and page number. The information within the Figure is then organized by item number, part number, description and corresponding illustration(s).

3) TABLE OF CONTENTS

A table of contents is found toward the beginning of the manual. Figure number, description and page number are provided for quick reference to the page containing the related information.

4) RECOMMENDED SPARE PARTS

The Recommended Spare Parts, located near the end of the manual, reference most frequently used maintenance parts.

5) PART NUMBER INDEX

A numerical index listing all part numbers and the corresponding page number(s) appears at the back of the manual.

GENERAL INFORMATION

6) NON-SERVICED PARTS

In some instances, it is necessary to display non-serviced parts, assemblies or installations. In the case of assemblies and installations there will be a Ref in the Qty column. In case of parts that are not available for service within assemblies or components, there will be a NSS (Not Sold Separately) or NLA (No Longer Available) listed in the Qty. column of the manual.

7) PARTS LIST ITEM NUMBERS

Numbers shown in the item# column correspond to numbers used in the associated illustration (s). Item numbers which are missing from the sequence in the parts list are not used on that page

8) INDENTED PARTS DESCRIPTION

An indented part description is included in the item under which it is indented.

9) ABBREVIATION AND SYMBOLS

AC.....	Alternating Current	LCD.....	Liquid Crystal Display
ADE.....	Advanced Design Electronics	LED.....	Light Emitting Diodes
ANSI.....	American National Standards Institute	LH.....	Left Hand
AR.....	As Required	LSS.....	Load Sensing System
ASSY.....	Assembly	M(m).....	Metric/Meter
AUX.....	Auxiliary	MM (mm).....	Milimeter
AWG.....	American Wire Gauge	mA.....	Miliamps
B/M.....	Bill of Material	NLA.....	No Longer Available
CE.....	European Conformity	NPT.....	National Pipe Threads
CCW.....	Counter Clockwise	NSS.....	Not Sold Separately
cm.....	Centimeter	OD.....	Outside Diameter
CW.....	Clockwise	ORB.....	O-Ring Boss
CSA.....	Canadian Standards Association	ORFS.....	O-Ring Face Seal
CYL.....	Cylinder	OZ (oz).....	Ounces
DIA.....	Diameter	PG.....	Page
DC.....	Direct Current	P/N.....	Part Number
EMS.....	Emergency Stop	qt.....	Quarts
ENG.....	Engine	QTY.....	Quantity
FT (ft).....	Feet	REF.....	Reference
GA (Ga).....	Gauge	REV.....	Revision Level
HYD.....	Hydraulic	RH.....	Right Hand
Hz.....	Hertz	SAE.....	Society of Automotive Engineers
ID.....	Inside Diameter	SN.....	Serial Number
in.....	inches	SPEC(S).....	Specifications
ISO.....	International Organization for Standards	T/T.....	Turntable
JIC.....	Joint Industry Council	UGM.....	Universal Ground Module
KG.....	Kilogram	V.....	Volts
L.....	Liter	W.....	Watts
LB.....	Pounds	#.....	Number

10) ILLUSTRATION REFERENCE LETTERS

When necessary, illustrations may contain reference letters that are intended to track information (i.e. hoses, harnesses) from one point to another or to track visual enlargement of components to show details that may be located in another area on the illustration.

Note: Due to continuous product improvements, JLG Industries, Inc. reserves the right to make specification changes without prior notification.

TABLE OF CONTENTS

SECTION 1 - FRAME.....	9
FIGURE 1-1. AXLE AND STEERING INSTALLATION.....	10
FIGURE 1-2. TIRE AND WHEEL DRIVE INSTALLATION.....	12
FIGURE 1-3. DRIVE MOTOR ASSEMBLY.....	16
FIGURE 1-4. DRIVE HUB/BRAKE ASSEMBLY.....	18
FIGURE 1-5. DRIVE VALVES AND FRAME SHIELDS INSTALLATIONS.....	22
SECTION 2 - TURNTABLE.....	25
FIGURE 2-1. CONTROL VALVE AND CHARGE FILTER INSTALLATION.....	26
FIGURE 2-2. MAIN CONTROL VALVE ASSEMBLY.....	28
FIGURE 2-3. TURNTABLE AND SWING DRIVE INSTALLATIONS.....	30
FIGURE 2-4. SWING MOTOR ASSEMBLY.....	32
FIGURE 2-5. TURNTABLE BEARING ASSEMBLY.....	34
FIGURE 2-6. GM ENGINE INSTALLATION.....	36
FIGURE 2-7. KUBOTA ENGINE INSTALLATION.....	42
FIGURE 2-8. AXIAL PUMP ASSEMBLY.....	50
FIGURE 2-9. GEAR PUMP ASSEMBLY.....	54
FIGURE 2-10. TANK INSTALLATIONS.....	56
FIGURE 2-11. ELECTRICAL COMPONENTS INSTALLATION (TURNTABLE MOUNTED).....	60
FIGURE 2-12. GROUND CONTROL ASSEMBLY.....	66
FIGURE 2-13. HOODS INSTALLATION.....	68
FIGURE 2-14. GENERATOR INSTALLATION - GM ENGINE MACHINES (OPTIONAL).....	74
FIGURE 2-15. GENERATOR INSTALLATION - KUBOTA ENGINE MACHINES (OPTIONAL).....	78
FIGURE 2-16. 220V/50HZ 4000W GENERATOR INSTALLATION - KUBOTA ENGINE MACHINES (OPTIONAL).....	82
FIGURE 2-17. 110V/60HZ 4000W GENERATOR INSTALLATION - KUBOTA ENGINE MACHINES (OPTIONAL).....	84
SECTION 3 - BOOM.....	87
FIGURE 3-1. BOOM AND CYLINDERS INSTALLATION.....	88
FIGURE 3-2. TOWER BOOM ASSEMBLY.....	90
FIGURE 3-3. MAIN BOOM ASSEMBLY.....	94
FIGURE 3-4. JIB ASSEMBLY AND PLATFORM SUPPORT INSTALLATION.....	96
FIGURE 3-5. PLATFORM ROTATOR ASSEMBLY.....	98
FIGURE 3-6. PLATFORM SUPPORT INSTALLATION - WITH LSS.....	100
FIGURE 3-7. BOOM VALVES INSTALLATION.....	102
FIGURE 3-8. BOOM VALVE ASSEMBLIES.....	104
FIGURE 3-9. BOOM CABLES AND CLAMPS INSTALLATION - 4000W, 50HZ.....	106
FIGURE 3-10. BOOM CABLES AND CLAMPS INSTALLATION - 4000W, 60HZ.....	110
SECTION 4 - PLATFORM.....	113
FIGURE 4-1. PLATFORM ASSEMBLY.....	114
FIGURE 4-2. PLATFORM CONSOLE ASSEMBLY.....	118
FIGURE 4-3. CONTROLLER ASSEMBLY (LIFT AND SWING) (Prior to SN 0300188632).....	122
FIGURE 4-4. CONTROLLER ASSEMBLY (LIFT AND SWING) (SN 0300188632 through 0300200802).....	124
FIGURE 4-5. CONTROLLER ASSEMBLY (DRIVE AND STEER) (Prior to SN 0300188632).....	128
FIGURE 4-6. CONTROLLER ASSEMBLY (DRIVE AND STEER) (SN 0300188632 through 0300200802).....	130
FIGURE 4-7. RAIL EXTENSION (30IN X 60IN).....	132
SECTION 5 - CYLINDER.....	135
FIGURE 5-1. AXLE LOCKOUT CYLINDER ASSEMBLY.....	136
FIGURE 5-2. LEVEL (PLATFORM SLAVE) CYLINDER ASSEMBLY (ORIGINAL EQUIPMENT).....	138
FIGURE 5-3. LEVEL (PLATFORM SLAVE) CYLINDER ASSEMBLY (SERVICE REPLACEMENT).....	140
FIGURE 5-4. LIFT (JIB) CYLINDER ASSEMBLY.....	142
FIGURE 5-5. LIFT (MAIN BOOM) CYLINDER ASSEMBLY.....	144
FIGURE 5-6. LIFT (TOWER BOOM) CYLINDER ASSEMBLY.....	146
FIGURE 5-7. MASTER CYLINDER ASSEMBLY.....	148
FIGURE 5-8. STEER CYLINDER ASSEMBLY.....	150
FIGURE 5-9. TELESCOPE CYLINDER ASSEMBLY.....	152
SECTION 6 - HYDRAULIC.....	155
FIGURE 6-1. HYDRAULIC INSTALLATION.....	156

TABLE OF CONTENTS

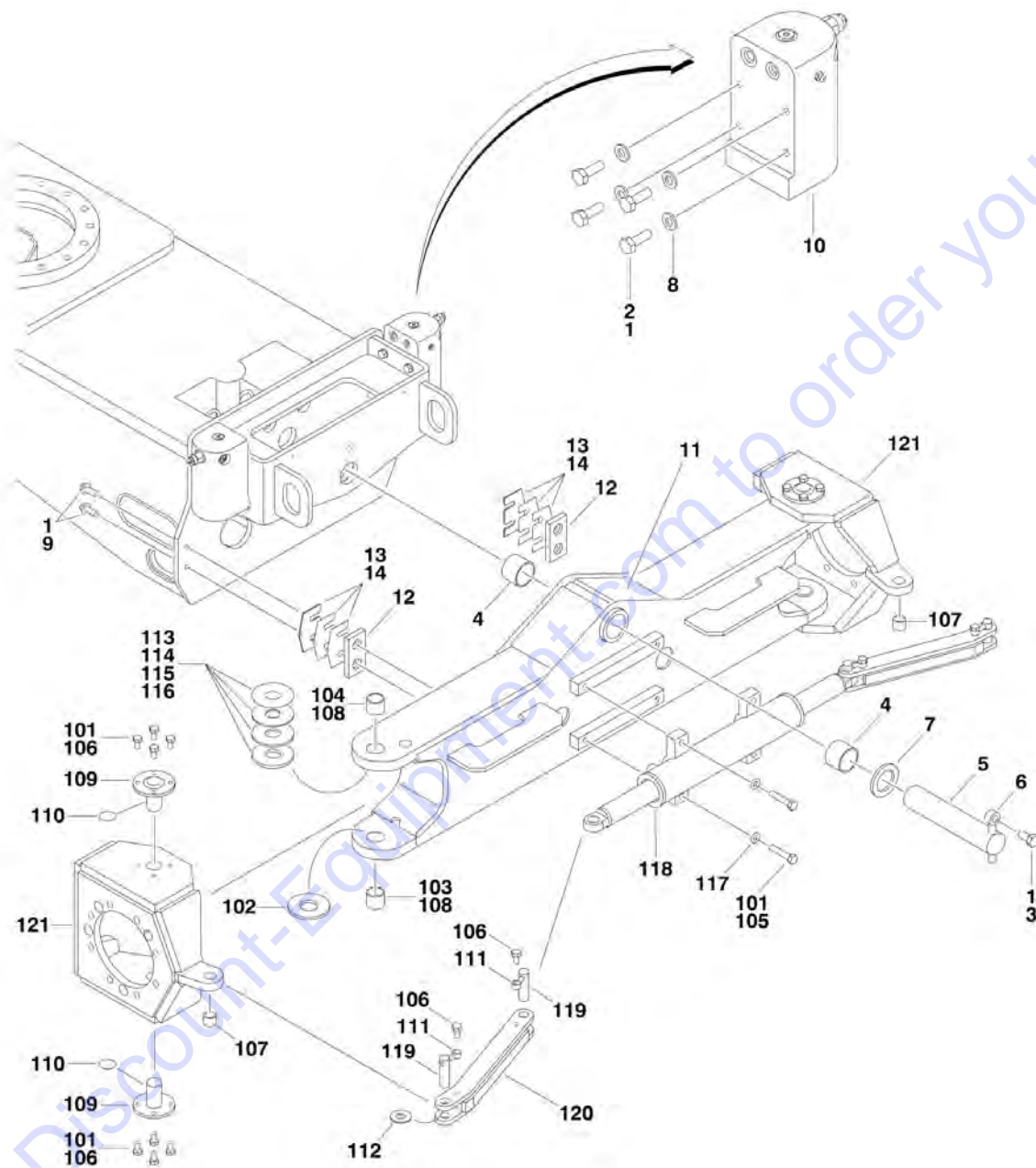
FIGURE 6-2. HYDRAULIC DIAGRAM LIST.....	162
SECTION 7 - ELECTRICAL.....	163
FIGURE 7-1. ELECTRICAL DIAGRAM LIST	164
FIGURE 7-2. HARNESS COMPONENTS INSTALLATION	166
SECTION 8 - DECALS	179
FIGURE 8-1. DECAL INSTALLATION - ANSI SPEC	180
FIGURE 8-2. DECAL INSTALLATION - ANSI EXPORT SPEC	184
FIGURE 8-3. DECAL INSTALLATION - AUSTRALIAN AND CE SPECS	190
SECTION 9 - RECOMMENDED SERVICE PARTS STOCK.....	193
FIGURE 9-1. MODEL 340AJ STANDARD PARTS	194
FIGURE 9-2. MODEL 340AJ VARIABLE PARTS	196
SECTION 10 - SPECIAL OPTIONS	197
FIGURE 10-1. SPECIAL OPTIONS	198
PART NUMBER INDEX.....	201

SECTION 1 - FRAME

Go to Discount-Equipment.com to order your parts

SECTION 1 - FRAME

FIGURE 1-1. AXLE AND STEERING INSTALLATION



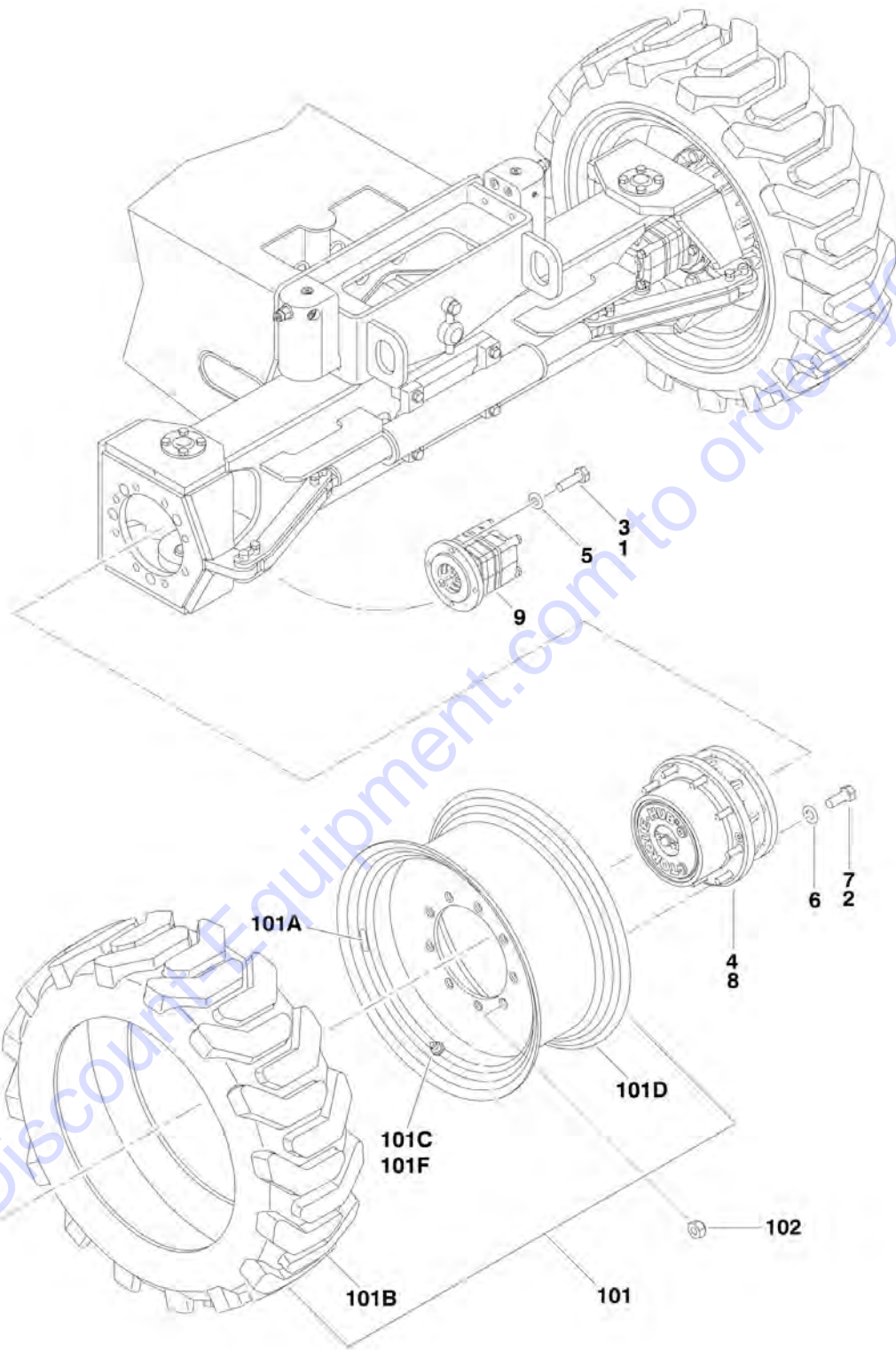
SECTION 1 - FRAME

FIGURE 1-1. AXLE AND STEERING INSTALLATION

ITEM	PART NUMBER	QTY	DESCRIPTION	REV
	1001115772	Ref	OSCILLATING AXLE INSTALLATION	B
1	0100011	AR	Compound, Locking	
2	0761014	8	Bolt M10 x 30mm	
3	0761614	1	Bolt M16 x 30mm	
4	0961950	2	Bushing	
5	3422592	1	Pin, Axle Pivot	
6	3841258	1	Keeper, Pin	
7	4740158	1	Thrustwasher	
8	5241000	8	Flatwasher 10mm Hardened	
9	5251012	4	Bolt, Flanged M10 x 25mm	
10	1001116361	2	Lockout Cylinder Assembly (See CYLINDER SECTION for Breakdown)	
11	1001117869	1	Axle Weldment	
12	1001118511	2	Pad, Wear	
13	1001118518	2	Shim 11Ga	
14	1001118519	4	Shim 16Ga	
	1001115771	Ref	STEERING INSTALLATION	A
101	0100011	AR	Compound, Locking	
102	0440271	2	Thrustwasher .250	
103	0440274	2	Bearing	
104	0440291	2	Bearing	
105	0701220	4	Bolt M12 x 60mm	
106	0761610	20	Bolt M16 x 20mm	
107	0962140	2	Bushing	
108	3020029	AR	Grease, Bearing (Not Shown)	
109	3423081	4	Kingpin	
110	3780182	2	O-Ring	
111	3841520	1	Keeper, Pin	
112	4740086	2	Thrustwasher .0625	
113	4740537	2	Thrustwasher .625	
114	4740538	2	Thrustwasher .125	
115	4740539	2	Thrustwasher .188	
116	4740540	2	Thrustwasher .250	
117	4812100	4	Flatwasher 12mm	
118	1001116788	1	Steer Cylinder Assembly (See CYLINDER SECTION for Breakdown)	
119	1001116867	4	Pin, Pivot	
120	1001116871	2	Link, Tie-Rod	
121	1001117142	2	Spindle	

SECTION 1 - FRAME

FIGURE 1-2. TIRE AND WHEEL DRIVE INSTALLATION



SECTION 1 - FRAME

FIGURE 1-2. TIRE AND WHEEL DRIVE INSTALLATION

ITEM	PART NUMBER	QTY	DESCRIPTION	REV
	1001115770	Ref	WHEEL DRIVE INSTALLATION	A
1	0100011	AR	Compound, Locking	
2	0100019	AR	Compound, Locking	
3	0761015	16	Bolt M10 x 35mm	
4	3020008	0.8 gal	Lube HD80W-90	
5	5241000	16	Flatwasher 10mm Hardened	
6	5241600	32	Flatwasher 16mm Hardened	
7	1001110922	32	Bolt M16 x 40mm Grade 10.9	
8	1001116793	4	Drive Hub/Brake Assembly (See Drive Hub/Brake Assembly For Breakdown)	
9	1001117030	4	Drive Motor Assembly (See Drive Motor Assembly for Breakdown)	
101		Ref	TIRE AND WHEEL INSTALLATIONS	
		Ref	Note: Due to Critical Stability Weights, only replace tire and wheel assemblies with like components.	
101	1001118641	Ref	7 x 18 Solid (Available on All Specs)	B
101	1001118644	Ref	7 x 18 Solid Non-Marking (Available on All Specs)	B
101	1001118640	Ref	9 x 20 Pneumatic (Available on ANSI, ANSI Export, CSA and Japanese Specs)	A
101	1001120027	Ref	9 x 20 Pneumatic with Tire Sealant (Available on ANSI Specs)	A
101	1001120019	Ref	9 x 20 Pneumatic with Tire Sealant (Available on ANSI Specs)	A
101	1001118643	Ref	9 x 20 Pneumatic Non-Marking (Available on ANSI, ANSI Export, CSA and Japanese Specs)	A
101	1001120036	Ref	9 x 20 Pneumatic Non-Marking with Tire Sealant (Available on ANSI Specs)	A
101	1001120035	Ref	9 x 20 Pneumatic Non-Marking with Tire Sealant (Available on ANSI Specs)	
101	1001115773	Ref	9 x 20 Foam-Filled (Available on All Specs)	A
101	1001118642	Ref	9 x 20 Foam-Filled Non-Marking (Available on ANSI, ANSI Export, CSA and Japanese Specs)	A
101	1001118649	2	7 x 18 Solid Right Side	B
101	1001121678	2	7 x 18 Solid Left Side	A
101	1001118654	2	7 x 18 Solid Non-Marking Right Side	A
101	1001121672	2	7 x 18 Solid Non-Marking Left Side	A
101	1001118647	2	9 x 20 Pneumatic Right Side	A
101	1001118648	2	9 x 20 Pneumatic Left Side	A
101	1001118652	2	9 x 20 Pneumatic Non-Marking Right Side	A
101	1001118653	2	9 x 20 Pneumatic Non-Marking Left Side	A
101	1001117132	2	9 x 20 Foam-Filled Right Side	A
101	1001117131	2	9 x 20 Foam-Filled Left Side	D
101	1001118650	2	9 x 20 Foam-Filled Non-Marking Right Side	D
101	1001118651	2	9 x 20 Foam-Filled Non-Marking Left Side	D
		Ref	Note: Assemblies may require ballast/foam filling to manufacture's specifications prior to installing on a machine. Refer to Operation and Safety or Service and Maintenance Manuals. Purchase individual tire and/or rim only if able to foam fill tire and wheel assembly, otherwise, purchase complete assembly.	
101A	1706846	1	Decal - 75PSI (Pneumatic Only)	
101B		Ref	Tire Options:	
101B	See Note	1	7 x 18 Solid and Solid Non-Marking (Note: Purchase Complete Assembly)	
101B	4520605	1	IN265/50D20	

SECTION 1 - FRAME

ITEM	PART NUMBER	QTY	DESCRIPTION	REV
101B	1001118660	1	IN265/50D20 Non-Marking	
101C	4640113	1	Valve Stem, Air (Pneumatic Only)	
101D		Ref	Rim, Wheel Options:	
101D	See Note	1	7 x 18 Solid and Solid Non-Marking (Note: Purchase Complete Assembly)	
101D	1001117129	1	20 x 9 (Use with IN265/50D20 Tires)	
101F	1120552	1	Cap, Valve Stem (Green) (Tires with Sealant Only)	
102	3300106	36	Lugnut (9 per Wheel)	

Go to Discount-Equipment.com to order your parts

SECTION 1 - FRAME

FIGURE 1-3. DRIVE MOTOR ASSEMBLY

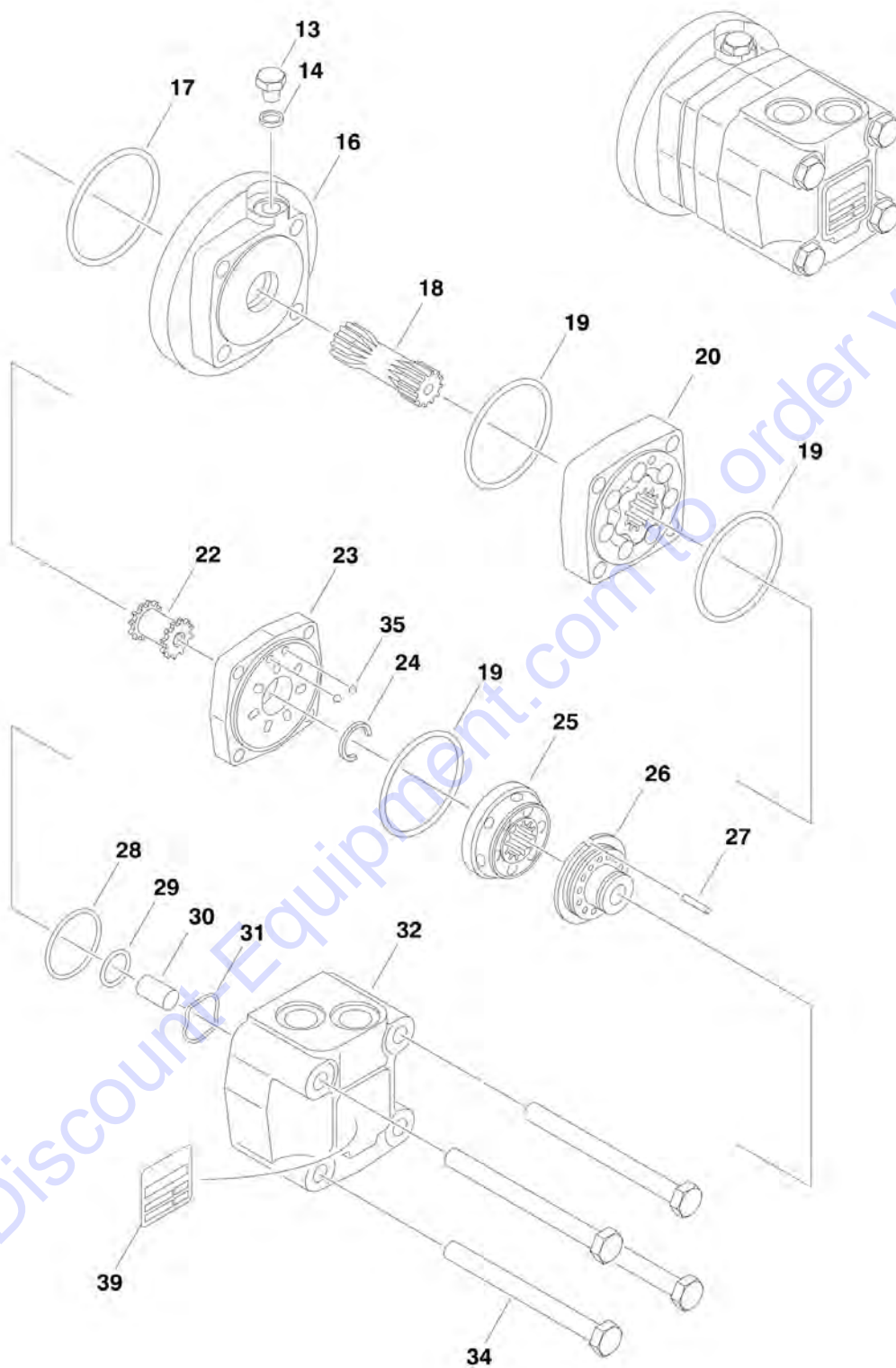
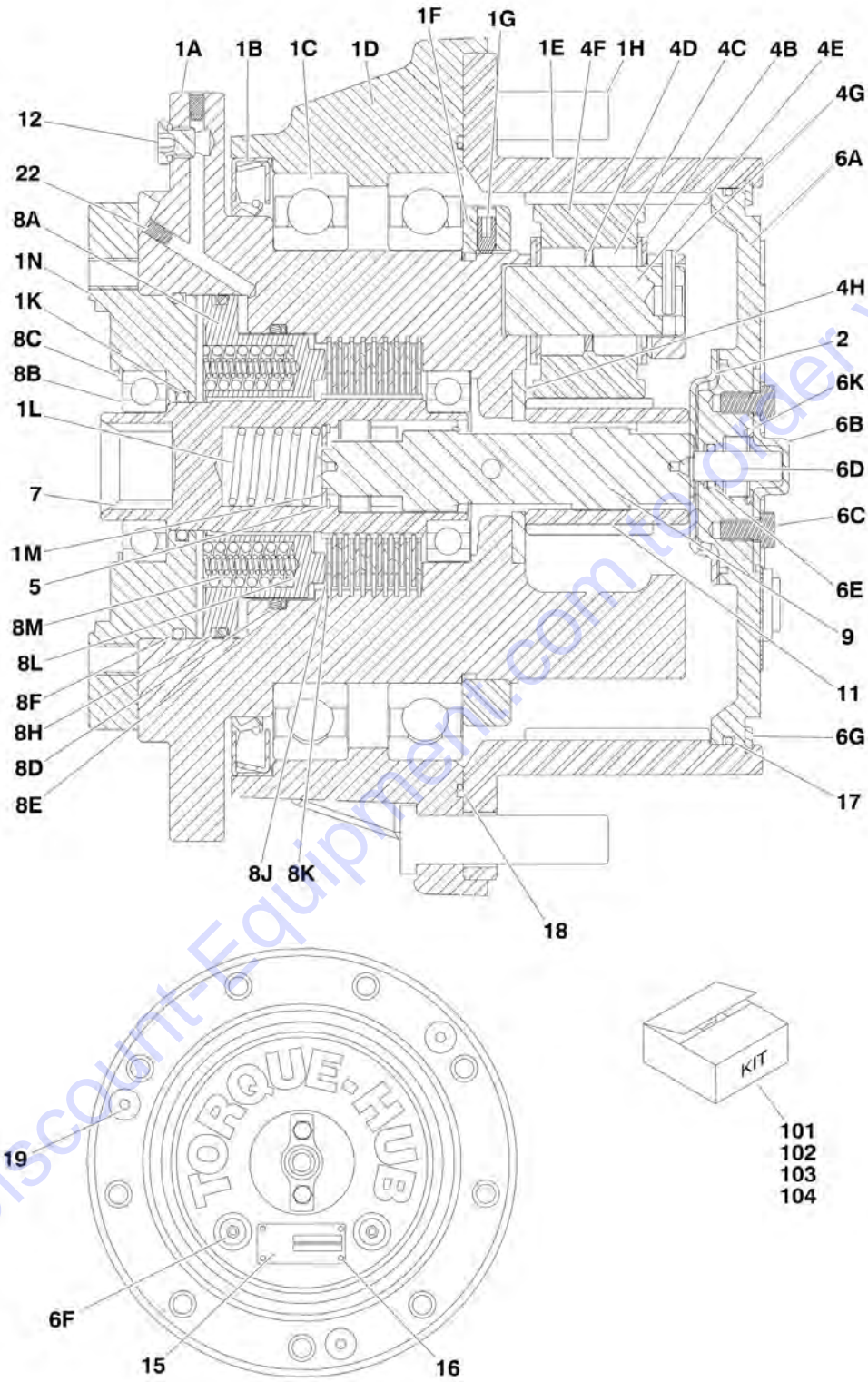


FIGURE 1-3. DRIVE MOTOR ASSEMBLY

ITEM	PART NUMBER	QTY	DESCRIPTION	REV
	1001117030	Ref	DRIVE MOTOR ASSEMBLY	B
13	70003005	1	Plug	
14	8007941	1	Washer	
16	See Note	NSS	Flange (Note: Not Available - Purchase p/n 1001117030)	
17	70003006	1	O-Ring	
18	70003007	1	Shaft	
19	70003008	3	O-Ring	
20	70003009	1	Gear Set	
22	70003010	1	Shaft, Coupling	
23	70003011	1	Plate, Port	
24	70003012	1	Ring, Stop	
25	7027955	1	Disc, Valve	
26	7027956	1	Plate, Pressure	
27	7027957	1	Pin, Spring	
28	70003013	1	O-Ring	
29	70003014	1	O-Ring	
30	7027958	1	Spacer	
31	7027959	1	Washer, Crinkle	
32	See Note	NSS	Cover, End (Note: Not Available - Purchase p/n 1001117030)	
34	70003016	4	Screw	
35	80334555	2	Ball	
39	See Note	NSS	Nameplate (Note: Not available for purchase)	

SECTION 1 - FRAME

FIGURE 1-4. DRIVE HUB/BRAKE ASSEMBLY



SECTION 1 - FRAME

FIGURE 1-4. DRIVE HUB/BRAKE ASSEMBLY

ITEM	PART NUMBER	QTY	DESCRIPTION	REV
	1001116793	Ref	DRIVE HUB/BRAKE ASSEMBLY	C
1	See Note	NLA	Spindle/Housing Assembly (Note: Not Available - Purchase Individual Components)	
1A	70002987	1	Spindle	
1B	70001119	1	Seal, Lip (Part of Item 104)	
1C	70002991	2	Bearing, Ball	
1D	See Note	NSS	Housing (Note: Use p/n 1001116793)	
1E	70002989	1	Ring Gear	
1F	70003000	1	Nut, Bearing (Part of Item 104)	
1G	70002996	2	Setscrew 1/4in-28NF x 1/2in (Part of Item 104)	
1H	7007640	9	Bolt, Mounting	
1K	See Note	NSS	Seal (Note: Use Item 102 or 103)	
1L	70002992	1	Spring	
1M	70002999	1	Thrustwasher	
1N	70002988	1	Adapter	
2	7024741	1	Spacer, Thrust	
4	70002983	1	Planet Gear Assembly (Includes Items 4B-4G)	
4B	See Note	NSS	Spacer, Washer (Note: Use p/n 70002983)	
4C	See Note	NSS	Bearing (Note: Use p/n 70002983)	
4D	See Note	NSS	Spacer (Note: Use p/n 70002983)	
4E	See Note	NSS	Shaft, Planet (Note: Use p/n 70002983)	
4F	See Note	NSS	Gear, Planet (Note: Use p/n 70002983)	
4G	7001913	3	Rollpin	
4H	7024742	1	Spacer, Thrust	
5	70002995	1	Ring, Retaining	
6	70001368	1	Cover Assembly (Includes Items 6A-F & 6K)	
6A	See Note	NSS	Cover (Note: Use p/n 70001368)	
6B	See Note	NSS	Cap (Note: Use p/n 70001368)	
6C	See Note	NSS	Bolt (Note: Use p/n 70001368)	
6D	See Note	NSS	Pin (Note: Use p/n 70001368)	
6E	See Note	NSS	Washer Seal (Note: Use p/n 70001368)	
6F	See Note	NSS	Plug (Note: Not Available for Purchase)	
6G	7024738	1	Ring, Retaining	
6K	See Note	NSS	Retainer (Note: Use p/n 70001368)	
7	70002985	1	Coupling	
8	See Note	NLA	Brake Assembly (Includes Items 8A-8M) (Note: Not Available - Purchase Individual Components)	
8A	70002993	1	Piston, Brake	
8B	70002990	2	Bearing, Ball	
8C	70002994	1	Ring, Retaining	
8D	See Note	NSS	O-Ring (Note: Use Item 103)	
8E	See Note	NSS	Ring, Back-up (Note: Use Item 103)	
8F	See Note	NSS	O-Ring (Note: Use Item 102 or 103)	
8H	See Note	NSS	Ring, Back-up (Note: Use Item 103)	
8J	See Note	NSS	Disc, Brake Reaction (Note: Use p/n 101)	
8K	See Note	NSS	Disc, Brake Friction (Note: Use p/n 101)	
8L	See Note	NSS	Spring (Note: Use p/n 102)	
8M	See Note	12	Spring (Note: Use p/n 102)	
9	70002984	1	Shaft, Input	
11	70002986	1	Gear, Sun	

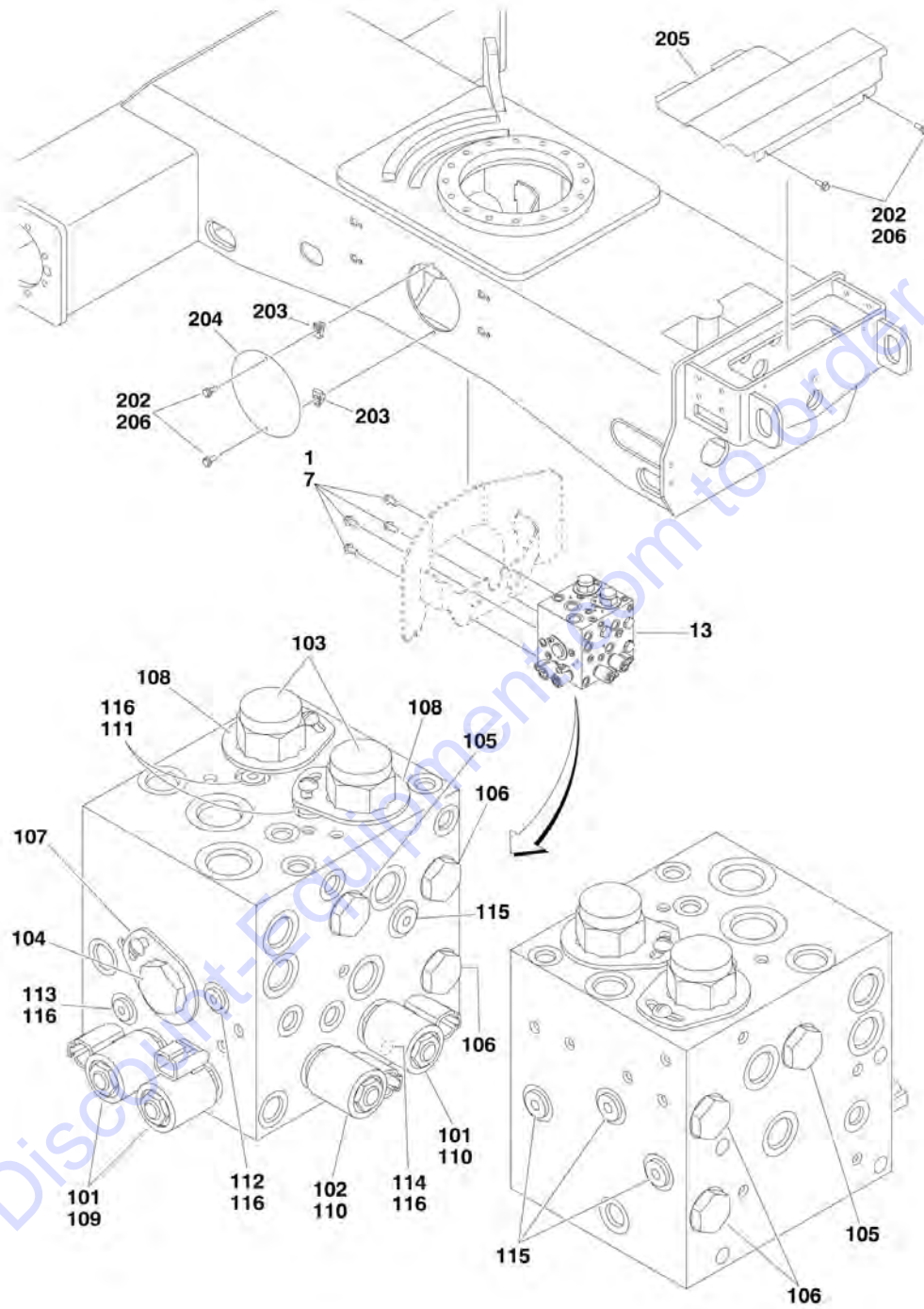
SECTION 1 - FRAME

ITEM	PART NUMBER	QTY	DESCRIPTION	REV
12	70002998	1	Plug, Pipe	
15	See Note	NSS	Nameplate (Note: Not Available for Purchase)	
16	7000281	2	Drivescrew	
17	7024134	1	O-Ring (Part of Item 104)	
18	70002997	1	O-Ring (Part of Item 104)	
19	7017022	3	Capscrew 3/8in-16NC (Part of Item 104)	
21	See Note	NSS	Capscrew 3/8in-16NC x 7/8in Grade 8 (Note: Use Item 102 or 103)	
22	7024108	2	Plug, Pressure	
101	70002980	1	Brake Disc Kit (Includes Items 8J & 8K)	
102	70002982	1	Brake Spring Kit (Includes Items 1K, 8F, 8L, 8M & 21)	
103	70002981	1	Brake Seal Kit (Includes Item 1K, 8D, 8E, 8F, 8H & 21)	
104	7024744	1	Hub Seal Kit (Includes Item 1B, 1F, 1G & 17-19)	

Go to Discount-Equipment.com to order your parts

SECTION 1 - FRAME

FIGURE 1-5. DRIVE VALVES AND FRAME SHIELDS INSTALLATIONS



SECTION 1 - FRAME

FIGURE 1-5. DRIVE VALVES AND FRAME SHIELDS INSTALLATIONS

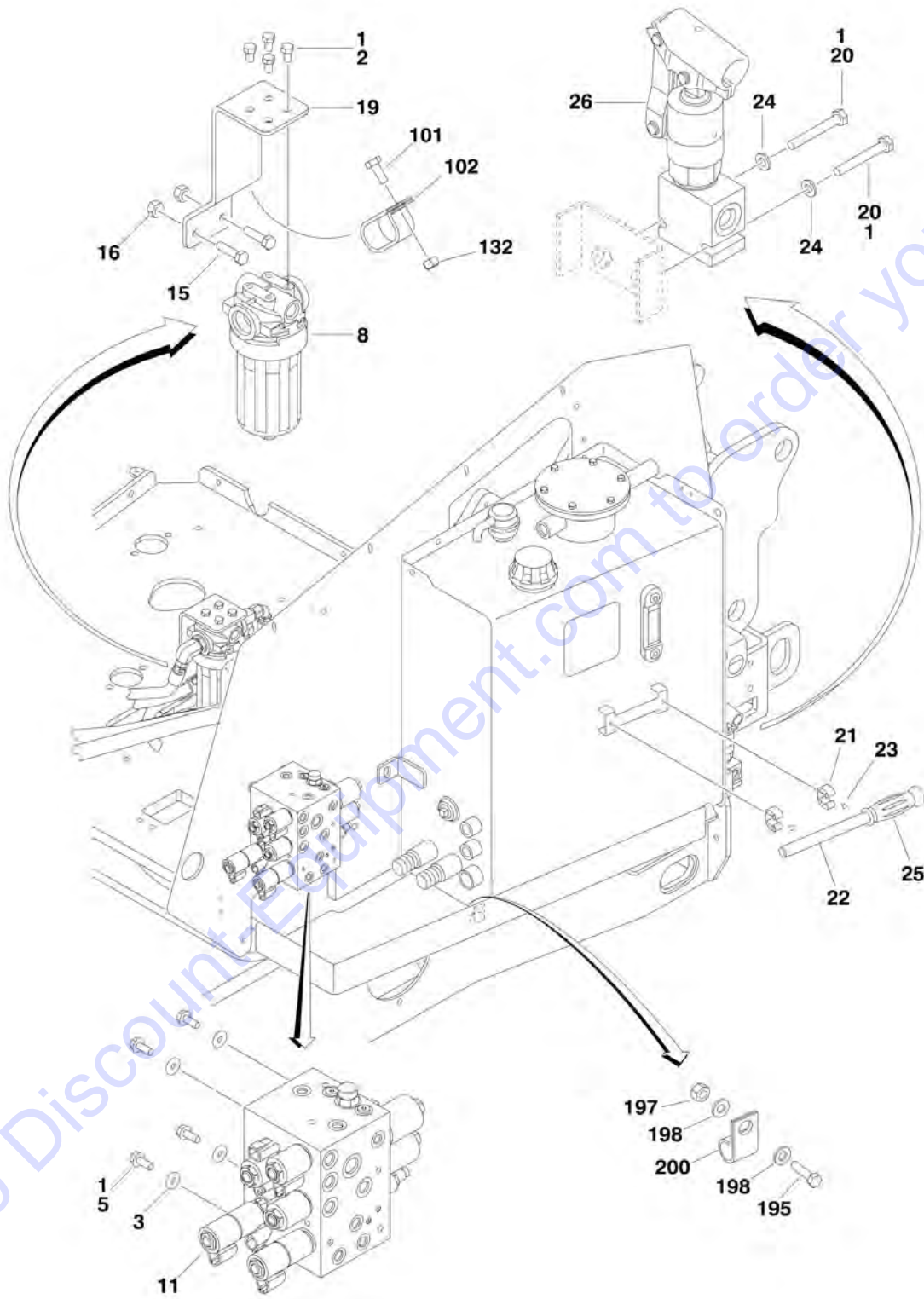
ITEM	PART NUMBER	QTY	DESCRIPTION	REV
	1001115780	Ref	DRIVE VALVES INSTALLATION	E
1	0100011	AR	Compound, Locking	
7	5251010	4	Bolt M10 x 20mm	
13	1001118029	1	Flow Divider Valve Assembly (See Items 101-116 for Breakdown)	
	1001118029	Ref	FLOW DIVIDER VALVE ASSEMBLY	D
101	7012941	3	Valve, Solenoid Cartridge (without Coil) (Traction, Brake and Secondary Oscillating)	
101	7010543	3	Seal Kit - 7012941 Cartridge	
102	70002955	1	Valve, Solenoid Cartridge (without Coil) (Primary Oscillating)	
102	7012953	1	Seal Kit - 70002955 Cartridge	
103	70002956	2	Valve, Solenoid Cartridge	
103	70002957	2	Seal Kit - 70002956 Cartridge	
104	70002958	1	Valve, Flow Divider Cartridge	
104	70002959	1	Seal Kit - 70002958 Cartridge	
105	70002960	1	Valve, Flow Divider Cartridge	
105	70002978	1	Seal Kit - 70002960 Cartridge	
106	70002961	4	Valve, Check Cartridge	
106	7017496	4	Seal Kit - 70002961 Check Cartridge	
107	70002962	1	Lock Kit	
108	70000781	2	Lock Kit	
109	70002386	2	COIL	
110	70002963	2	Coil	
111	See Note	2	Orifice .031 (Note: Not Available for Purchase)	
112	See Note	1	Orifice .025 (Note: Not Available for Purchase)	
113	See Note	1	Orifice .040 (Note: Not Available for Purchase)	
114	70002063	1	Orifice .062	
115	7024844	4	Plug	
116	7017406	5	Plug	
	1001115781	Ref	FRAME SHIELDS INSTALLATION	C
202	5250810	6	Bolt, Flange M8 x 20mm	
203	1001118274	4	Nut, Clip M8	
204	1001118915	2	Cover, Frame (Side)	
205	1001118916	1	Cover, Frame (Top)	
206	0100011	AR	Compound, Locking	

SECTION 2 - TURNTABLE

Go to Discount-Equipment.com to order your parts

SECTION 2 - TURNTABLE

FIGURE 2-1. CONTROL VALVE AND CHARGE FILTER INSTALLATION



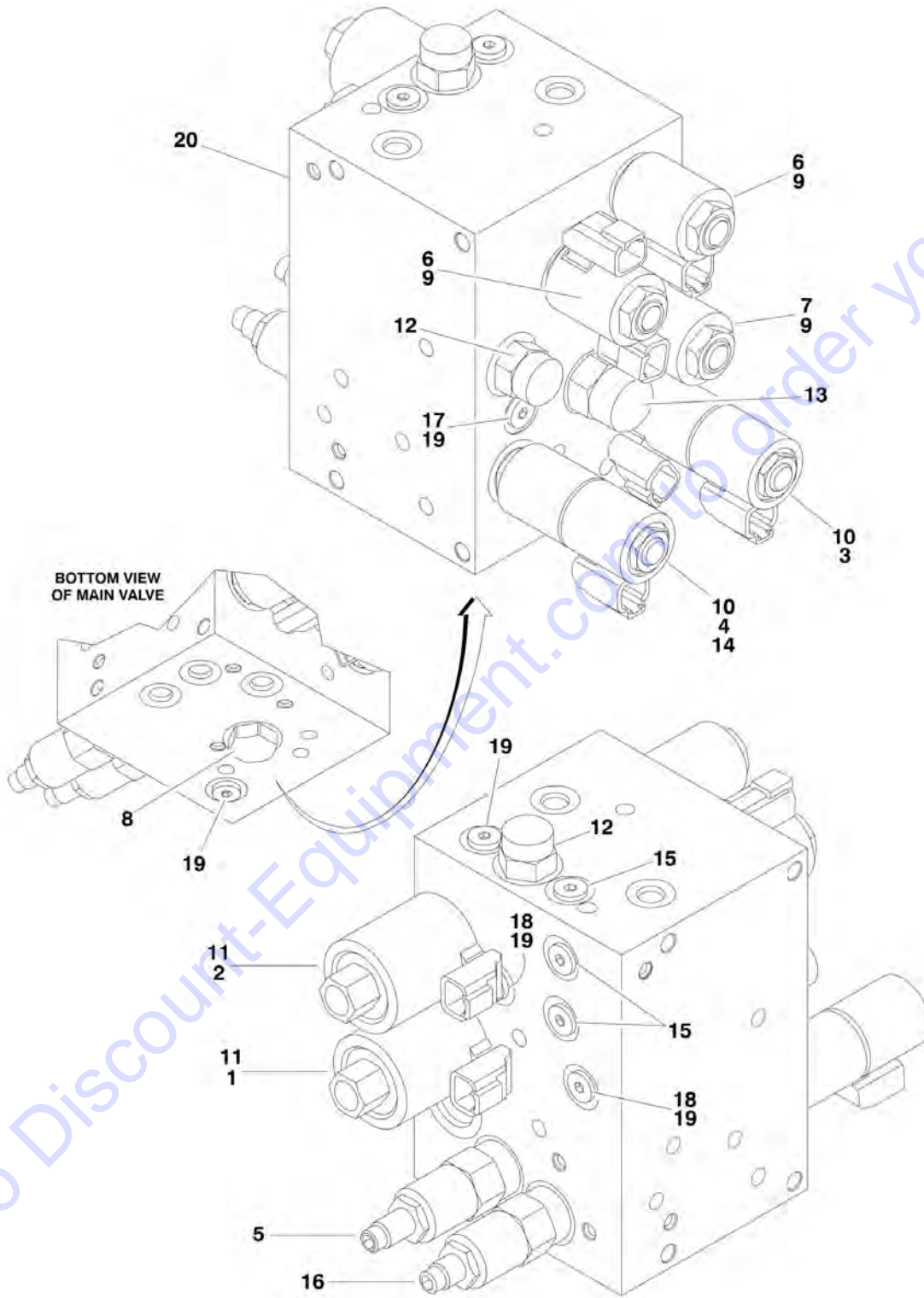
SECTION 2 - TURNTABLE

FIGURE 2-1. CONTROL VALVE AND CHARGE FILTER INSTALLATION

ITEM	PART NUMBER	QTY	DESCRIPTION	REV
	1001115780	Ref	VALVES INSTALLATION	E
1	0100011	AR	Compound, Locking	
2	0641605	4	Bolt 3/8in-16NC x 5/8in	
3	4811902	4	Flatwasher 8mm	
5	5250810	10	Bolt, Flange M8 x 20mm	
8	1001102987	1	Charge Pump Filter Assembly	C
8	70010383	1	Element, Filter (Includes O-Ring)	
8	See Note	1	Indicator (Note: Not Available for Purchase)	
11	1001116487	1	Main Control Valve Assembly (See MAIN CONTROL VALVE ASSEMBLY for Breakdown)	
15	0761014	2	Bolt M10 x 30mm	
16	3291005	2	Locknut M10	
19	1001118751	1	Bracket, Filter	
20	0700617	2	Bolt M8 x 16mm	
21	1380136	1	Clip	
22	2560122	1	Handle	
23	3820122	2	Rivet	
24	4811700	2	Flatwasher M6	
25	1001114761	1	Grip, Handle	
26	1001127115	1	Manual Pump Assembly	A
26	7017496	1	Seal Kit - 1001127115 Pump	
		Ref	HYDRAULIC INSTALLATION	
	1001115785	Ref	Machines without Arctic Package	F
	1001120430	Ref	Machines with Arctic Package	D
101	0761012	1	Bolt M10 x 25mm	
102	1321716	1	Clamp	
132	3291005	1	Locknut M10	
195	0700510	1	Bolt M5 x 20mm	
197	3290605	1	Locknut M6	
198	4811700	1	Flatwasher M6	
200	85941016	1	Clamp	

SECTION 2 - TURNTABLE

FIGURE 2-2. MAIN CONTROL VALVE ASSEMBLY



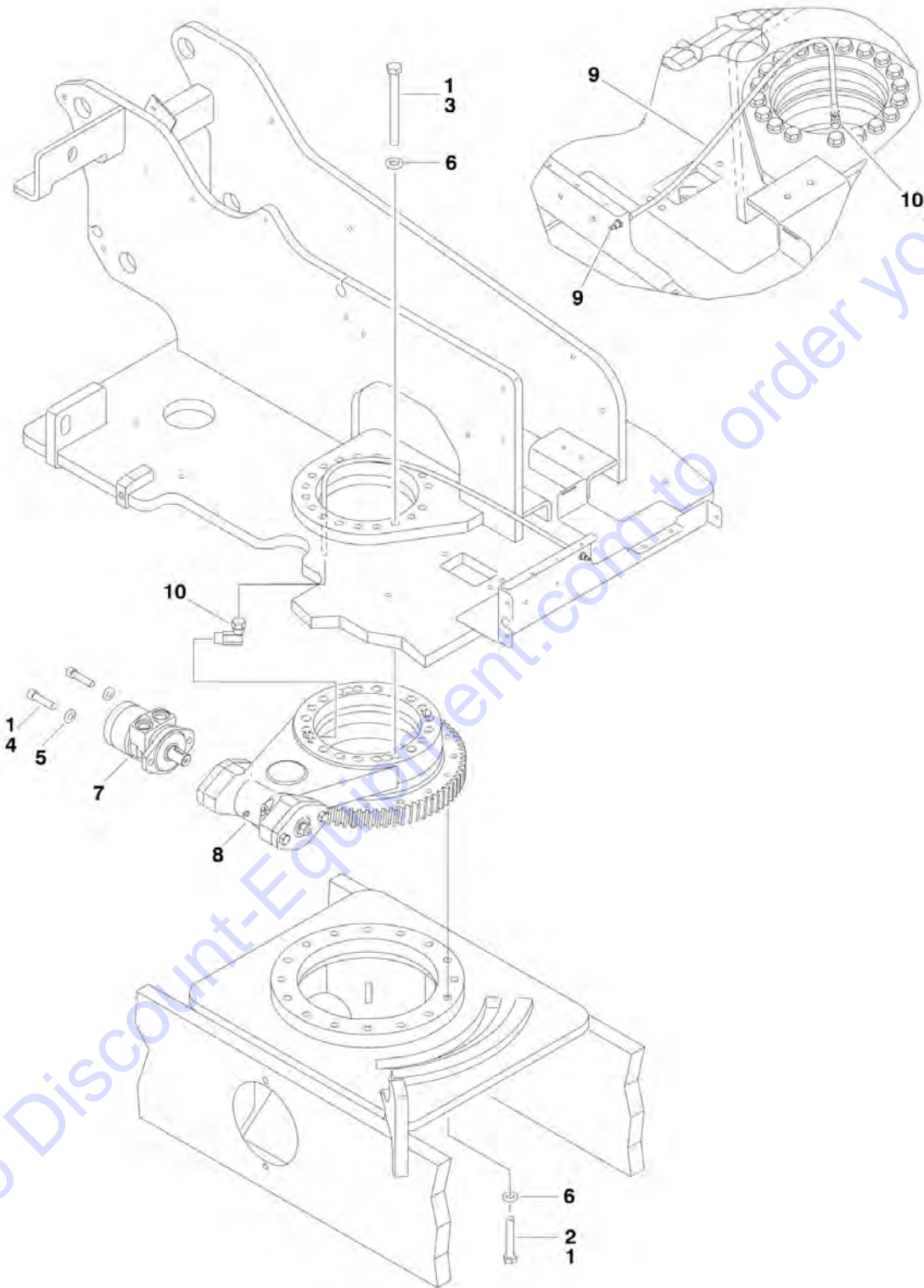
SECTION 2 - TURNTABLE

FIGURE 2-2. MAIN CONTROL VALVE ASSEMBLY

ITEM	PART NUMBER	QTY	DESCRIPTION	REV
	1001116487	Ref	MAIN VALVE ASSEMBLY	H
1	70002964	1	Cartridge, Solenoid Valve with Relief (without Coil)	
1	7017496	1	Seal Kit - 7002964 Cartridge	
2	70002965	1	Cartridge, Solenoid Valve with Relief (without Coil)	
2	7017496	1	Seal Kit - 70002965 Cartridge	
3	70002966	1	Cartridge, Solenoid Valve (without Coil) (Swing)	
3	70002967	1	Seal Kit - 70002966 Cartridge	
4	70002966	1	Cartridge, Solenoid Valve (without Coil) (Steer)	
4	70002967	1	Seal Kit - 70002966 Cartridge	
5	70002968	1	Cartridge, Relief Valve	
5	7012998	1	Seal Kit - 70002968 Cartridge	
6	70002969	2	Cartridge, Solenoid Valve (without Coil) (Upper and Lower Lift)	
6	7010543	2	Seal Kit - Cartridge	
7	70002970	1	Cartridge, Solenoid Valve (without Coil) (Flow Control)	
7	7010543	1	Seal Kit - 70002970 Cartridge	
8	10837580	1	Cartridge, Shuttle Valve	
8	7010543	1	Seal Kit - 108377580 Cartridge	
9	70002971	3	Coil	
10		Ref	Coil Options:	
10	7024885	4	Coil (Prior to SN 0300158122)	
10	70002386	4	Coil (SN 0300158122 through 0300200802)	
11		Ref	Coil Options:	
11	7024883	2	Coil (Prior to SN 0300158122)	
11	70003788	2	Coil (SN 0300158122 through 0300200802)	
12	70002972	2	Cartridge, Pressure Compensator Valve	
12	7010543	2	Seal Kit - 70002972 Cartridge	
13	70002973	1	Cartridge, Pressure Compensator Valve	
13	7010543	1	Seal Kit - 70002973 Cartridge	
14	70002974	1	Disc, Check Valve	
15	70003757	3	Cartridge, Check Valve (was p/n 70002975)	
15	70002976	3	Seal Kit - 70002975 & 70003757 Cartridges	
16	70002977	1	Cartridge, Crossover Relief	
16	7021653	1	Seal Kit - 70002977 Cartridge	
17	See Note	1	Orifice .060 (Note: Not Available for Purchase)	
18	See Note	2	Orifice .100 (Note: Not Available for Purchase)	
19	7017406	5	Plug	
20	See Note	1	Block (Note: Not Available for Purchase)	

SECTION 2 - TURNTABLE

FIGURE 2-3. TURNTABLE AND SWING DRIVE INSTALLATIONS



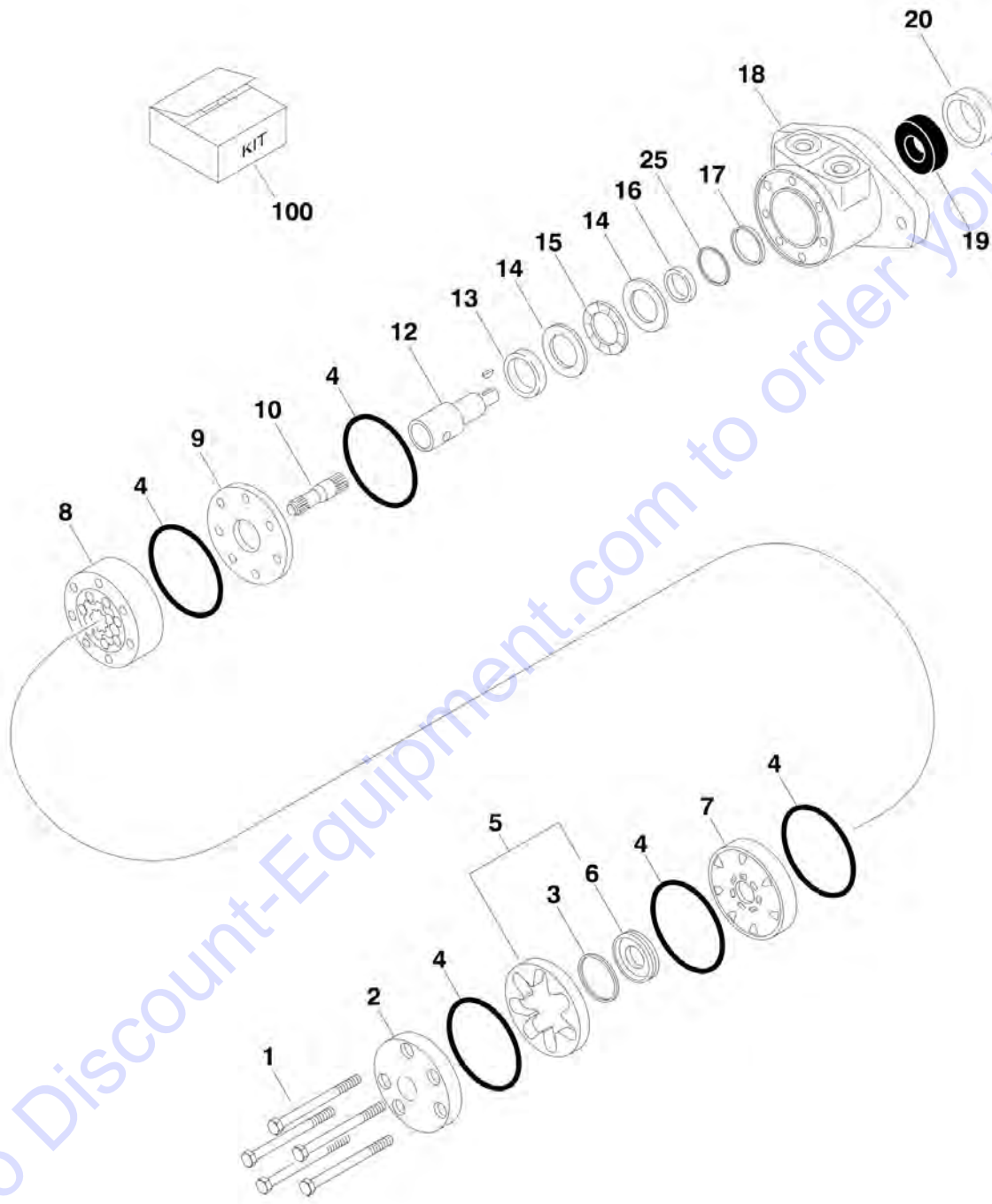
SECTION 2 - TURNTABLE

FIGURE 2-3. TURNTABLE AND SWING DRIVE INSTALLATIONS

ITEM	PART NUMBER	QTY	DESCRIPTION	REV
		Ref	TURNTABLE BEARING AND SWING DRIVE INSTALLATIONS	
	1001115774	Ref	Turntable Bearing and Swing Drive (DOHI)	C
	1001153364	Ref	Turntable Bearing and Swing Drive (JING WEI)	C
1	0100019	AR	Compound, Locking	
2	0711426	16	Bolt M14 x 90mm (Grade 10.9)	
3	0711432	19	Bolt M14 x 150mm (Grade 10.9)	
4	3931832	2	Capscrew 1/2in-13NC x 2in	
5	4740171	2	Flatwasher 1/2in Hardened	
6	5241400	2	Flatwasher 14mm Hardened	
7	1001107781	1	Swing Motor Assembly (See SWING MOTOR ASSEMBLY for Breakdown)	
8		Ref	Swing Bearing and Rotation Box Assembly Options (See TURNTABLE BEARING ASSEMBLY for Breakdown):	
8	1001117145	1	DOHI	
8	1001153015	1	JING WEI	
9	1001118961	1	Hose, Remote Grease Line (Includes Grease Fitting)	
10		Ref	Fitting, Swivel Adapter Options:	
10	2220063	1	Fitting, Swivel Adapter (Prior to SN 0300176416)	
10	2220124	1	Fitting, Swivel Adapter (SN 0300176416 through 0300200802)	

SECTION 2 - TURNTABLE

FIGURE 2-4. SWING MOTOR ASSEMBLY



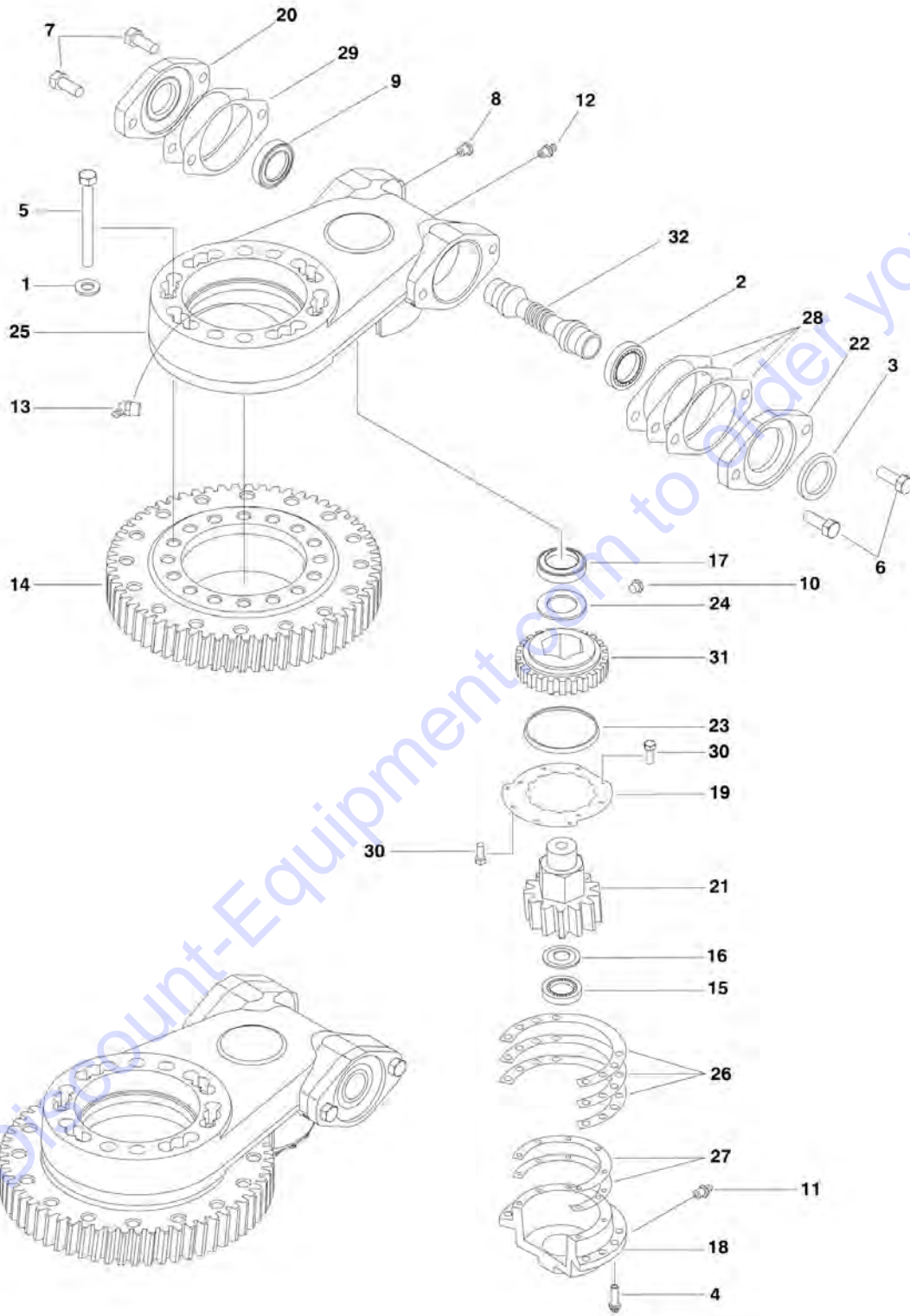
SECTION 2 - TURNTABLE

FIGURE 2-4. SWING MOTOR ASSEMBLY

ITEM	PART NUMBER	QTY	DESCRIPTION	REV
	1001107781	Ref	SWING MOTOR ASSEMBLY (PARKER)	A
1	70002311	5	Bolt	
2	7004035	1	Cover, End	
3	See Note	NSS	Seal, Commutator (Note: Use Item 100)	
4	See Note	NSS	Seal, Ring (Note: Use Item 100)	
5	7024453	1	Commutator and Ring Assembly	
6	See Note	NSS	Ring (Note: Use Item 5)	
7	7024379	1	Manifold	
8	70002312	1	Rotor Set	
9	7024380	1	Plate, Wear	
10	70002313	1	Link, Drive	
12	70000088	1	Shaft, Coupling	
12	70000089	1	Key, Woodruff	
13	7024381	1	Bushing, Bronze	
14	7004043	2	Washer, Thrust	
15	7004044	1	Bearing, Thrust	
16	See Note	NSS	Seal, Inner (Note: Use Item 100)	
17	See Note	NSS	Washer, Back-up (Note: Use Item 100)	
18	See Note	NSS	Housing (Note: Not Available - Purchase Complete Assembly)	
19	7024390	1	Bearing	
20	See Note	NSS	Seal (Note: Use Item 100)	
25	See Note	NSS	Washer, Back-up (Note: Use Item 100)	
100	7024389	1	Seal Kit (Includes Items 3, 4, 16,17, 20 & 25)	

SECTION 2 - TURNTABLE

FIGURE 2-5. TURNTABLE BEARING ASSEMBLY



Go to Discount-Equipment.com to order your parts

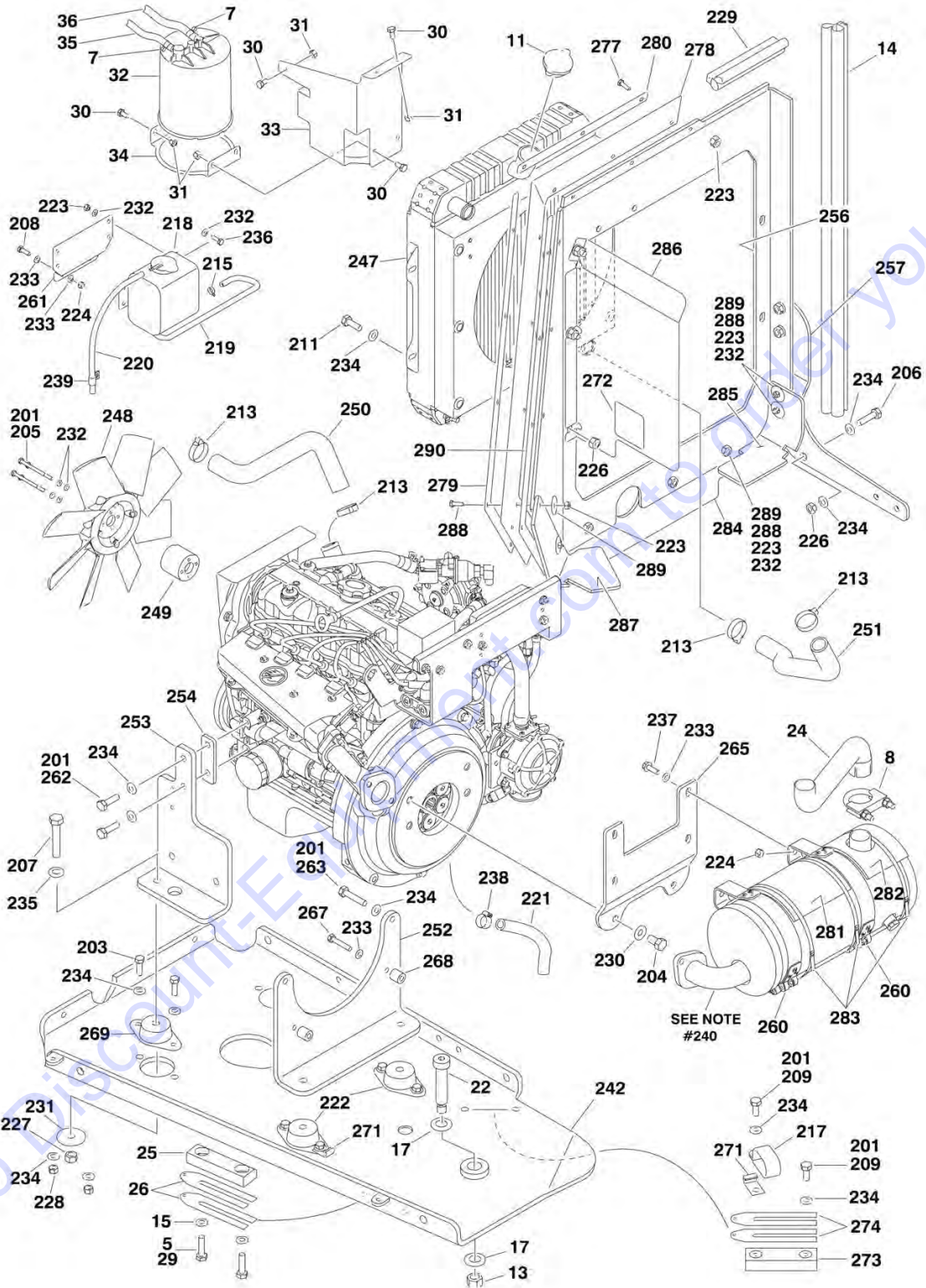
SECTION 2 - TURNTABLE

FIGURE 2-5. TURNTABLE BEARING ASSEMBLY

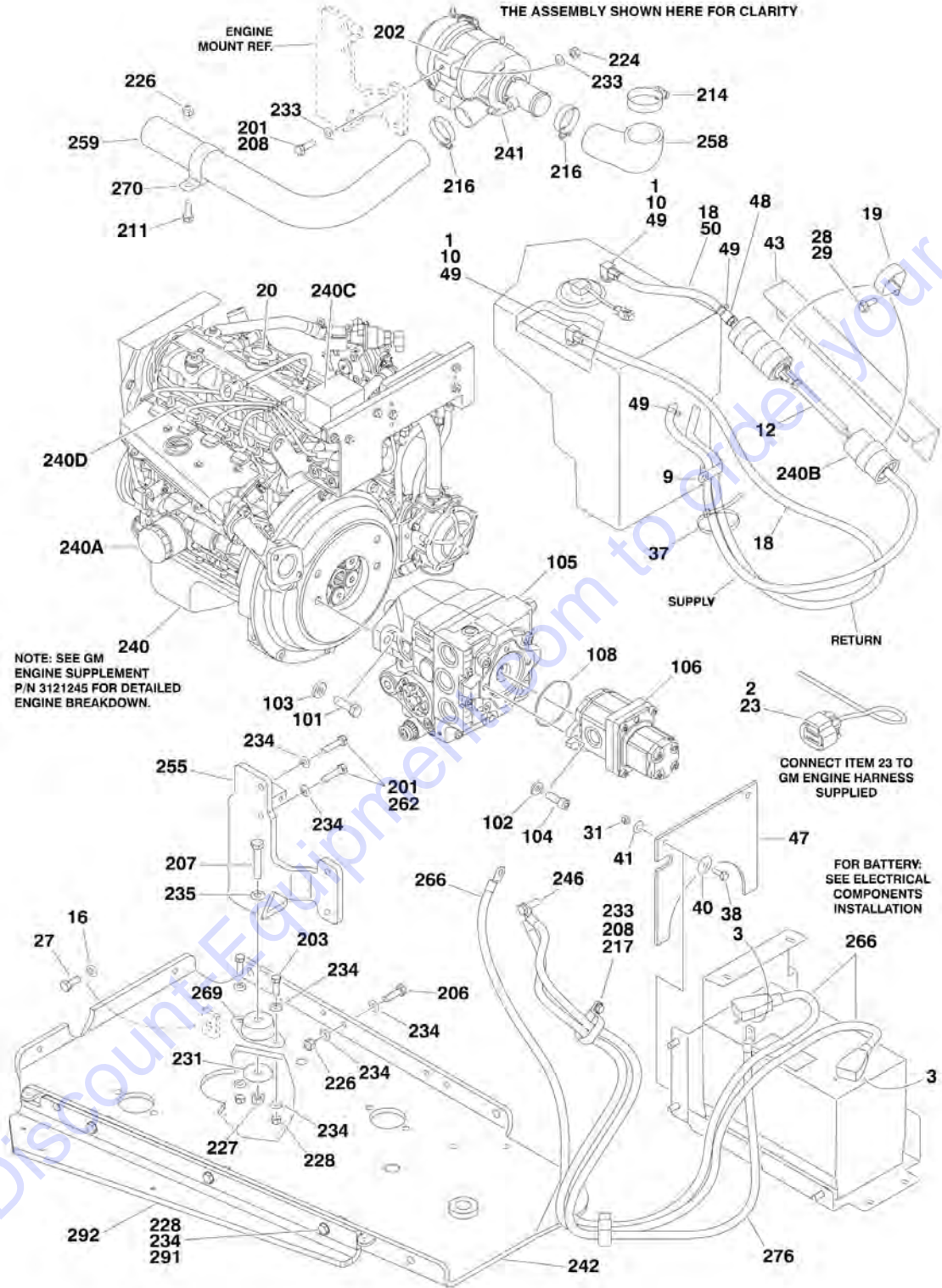
ITEM	PART NUMBER	QTY	DESCRIPTION	REV
		Ref	TURNTABLE BEARING ASSEMBLIES	
	1001117145	Ref	Turntable Bearing (DOHI) (Use p/n 1001160531) (Prior to SN 0300182233)	F
	1001153015	Ref	Turntable Bearing (JING WEI)	B
1	7026041	2	Flatwasher 5/16in Hardened	
2	70002643	2	Cup, Bearing	
2	70002644	2	Cone, Bearing	
3	70002645	1	Seal	
4	70002646	8	Bolt 5/16in-18NC x 7/8in	
5	70003138	2	Bolt 5/16in-18NC x 2-1/2in	
6	70002647	2	Bolt 1/2in-13NC x 1in	
7	70002648	2	Bolt 1/2in-13NC x 1-1/4in	
8	70002649	1	Vent, Pressure	
9	70002650	1	Seal	
10	70003139	1	Plug 1/4in	
11	70002651	1	Fitting, Grease 1/4in	
12	70002652	1	Fitting, Grease 1/8in Straight	
13	7027359	1	Fitting, Grease 1/8in Elbow	
14	70003140	NLA	Ring Gear Kit (Kit Includes Ring Gear and Mounting Hardware) (Use p/n 1001160531)	
15	70002656	1	Cup, Bearing	
15	70002657	1	Cone, Bearing	
16	70002658	1	Ring, Grease	
17	7026048	1	Cup, Bearing	
17	7026049	1	Cone, Bearing	
18	70002659	1	Cap, Gear	
19	70003141	1	Plate, Cover	
20	70002661	1	Cap, Worm	
21	70003142	1	Pinion, Output	
22	70002663	1	Adapter, Motor	
23	70002664	1	Seal, Face	
24	7026052	1	Spacer, Washer	
25		Ref	Housing (Note: Not Available - Purchase Complete Assembly)	
26	70002665	1	Shim .0075 Natural	
26	70002666	1	Shim .005 Blue	
26	70002667	1	Shim .003 Green	
27	70002668	1	Shim .005 Blue	
27	70002669	1	Shim .020 Yellow	
28	7027352	1	Gasket .010 Brown	
28	7027351	1	Gasket .0075 Clear	
28	7027350	1	Gasket .005 Blue	
29	7027353	1	Gasket .020 Yellow	
30	70000681	10	Bolt, Flange #6-32NC x 3/8in	
31	70002670	1	Gear, Worm	
32	70002671	1	Shaft, Worm	

SECTION 2 - TURNTABLE

FIGURE 2-6. GM ENGINE INSTALLATION



SECTION 2 - TURNTABLE



SECTION 2 - TURNTABLE

FIGURE 2-6. GM ENGINE INSTALLATION

ITEM	PART NUMBER	QTY	DESCRIPTION	REV
		Ref	Note: ANSI, ANSI Export, CSA and Japanese Specs Only. Arctic Machines NOT Available in Japanese Spec.	
		Ref	GM ENGINE INSTALLATION	
	1001117975	Ref	Machines without Arctic Package (Prior to SN 0300195779)	M
	1001148255	Ref	Machines without Arctic Package (SN 0300195779 through 0300200802)	D
	1001120248	Ref	Machines with Arctic Package (Prior to SN 0300195779)	L
	1001148256	Ref	Machines with Arctic Package (SN 0300195779 through 0300200802)	D
1	0100020	AR	Sealant, Pipe	
2	0100048	AR	Grease, Dielectric	
3	0100051	AR	Grease, Battery Terminal	
5	0761016	2	Bolt M10 x 40mm	
7	1320022	4	Clamp, Fuel Line	
8	1320026	1	Clamp, Muffler	
9	1320318	1	Clamp, Double-P	
10	2180348	2	Fitting, Barbed	
11		Ref	Coolant	
11	2300004	2.4 gal /9L	Machines without Arctic Package	
11	2300041	2.4 gal /9L	Machines with Arctic Package	
12		Ref	Hose (6in/15cm Length)	
12	2720566	NLA	Hose (Use p/n 1001091587) (Prior to SN 0300193958)	
12	1001156823	1	Hose (SN 0300193958 through 0300200802)	
13	3291605	1	Locknut M16	
14	3960464	33 in /84cm	Seal	
15	4812000	2	Flatwasher 10mm	
16	4812100	1	Flatwasher 12mm	
17	4812500	2	Flatwasher 20mm	
18		Ref	Hose, Fuel Line	
18	1001091587	NLA	Hose, Fuel Line (Use p/n 1001156819) (Prior to SN 0300193958)	
18	1001156819	7.5 ft /2.18m	Hose, Fuel Line (SN 0300193958 through 0300200802)	
19	1001097588	3	Clip, Tube	
20		Ref	Oil, Engine	
20	1001115930	3.2 qts/3L	Machines without Arctic Package (10W-30)	
20	1001115931	3.2 qts/3L	Machines with Arctic Package (5W-30)	
22	1001118646	1	Bolt, Shoulder M20 x 80mm	
23	1001119778	1	Harness, Fuel Pump (See ELECTRICAL SECTION for Breakdown)	
24	1001119902	1	Pipe, Exhaust	
25	1001120087	1	Pad, Wear	
26	1001120090	2	Shim 1.5mm	
27	0761214	1	Bolt M12 x 30mm	
28	5251012	3	Bolt, Flange M10 x 25mm	
29	0100011	AR	Compound, Locking	
30	0760606	7	Bolt M6 x 12mm	
31	3290605	7	Locknut M6	
32	1001128801	1	Canister, Carbon	
33	1001128931	1	Bracket, Mounting	

SECTION 2 - TURNTABLE

ITEM	PART NUMBER	QTY	DESCRIPTION	REV
34	1001128936	1	Ring	
35	1001129255	7 in/17cm	Hose	
36	1001129256	9.5 ft /2.85m	Hose	
37	4240033	AR	Tie-Strap	
38	0760612	17	Bolt M6 x 25mm	
40	4740362	10	Flatwasher, Special	
41	4811700	10	Flatwasher 6mm	
43	1001137367	1	Shield, Fuel Line	
47	1001137402	1	Shield, Rubber	
48	1001174093	1	Coupling, Quick Connect (Prior to SN 0300196742)	
49	1001174486	AR	Clamp, Hose	
50	1001177156	1	Hose (SN 0300196742 through 0300200802)	
		Ref	GM ENGINE AND PUMP SUB-ASSEMBLY	
	1001117974	Ref	GM Engine and Pump Sub-Assembly (Prior to SN 0300195779)	D
	1001148254	Ref	GM Engine and Pump Sub-Assembly (SN 0300195779 through 0300200802)	B
101	0641813	2	Bolt 1/2in-13NC x 1-5/8in	
102	4891600	2	Flatwasher 3/8in Hardened	
103	4891800	2	Flatwasher 1/2in Hardened	
104	83191040	2	Capscrew, Socket Head M10 x 30mm	
105	1001117028	1	Pump Assembly (See AXIAL PUMP ASSEMBLY for Breakdown)	
106	1001117029	1	Gear Pump Assembly (See GEAR PUMP ASSEMBLY for Breakdown)	
108	3790152	1	O-Ring	
		Ref	GM ENGINE ASSEMBLY	
	1001117973	Ref	GM Engine Assembly (Prior to SN 0300195779)	O
	1001148253	Ref	GM Engine Assembly (SN 0300195779 through 0300200802)	A
201	0100011	AR	Compound, Locking	
202	0340045	2	Band, Mounting	
203	0641609	8	Bolt 3/8in-16NC x 1-1/8in	
204	0641807	2	Bolt 1/2in-13NC x 7/8in	
205	0700621	4	Bolt M6 x 65mm	
206	0701015	7	Bolt M10 x 35mm	
207	0701221	4	Bolt M12 x 65mm	
208	0760812	6	Bolt M8 x 25mm	
209	0760814	AR	Bolt M8 x 30mm	
211	0761014	8	Bolt M10 x 30mm	
213	1320012	4	Clamp	
214	1320016	1	Clamp	
215	1320022	3	Clamp	
216	1321682	2	Clamp	
217	1321716	2	Clamp, Double-P	
218	1580011	1	Container, Coolant Overflow	
219	2720058	18 in /46cm	Hose	
220	2720271	19 in /47cm	Hose	
221	2720615	6.5 in /17cm	Hose	
222	3200378	2	Mount, Motor	
223	3290605	17	Locknut M6	
224	3290805	8	Locknut M8	

SECTION 2 - TURNTABLE

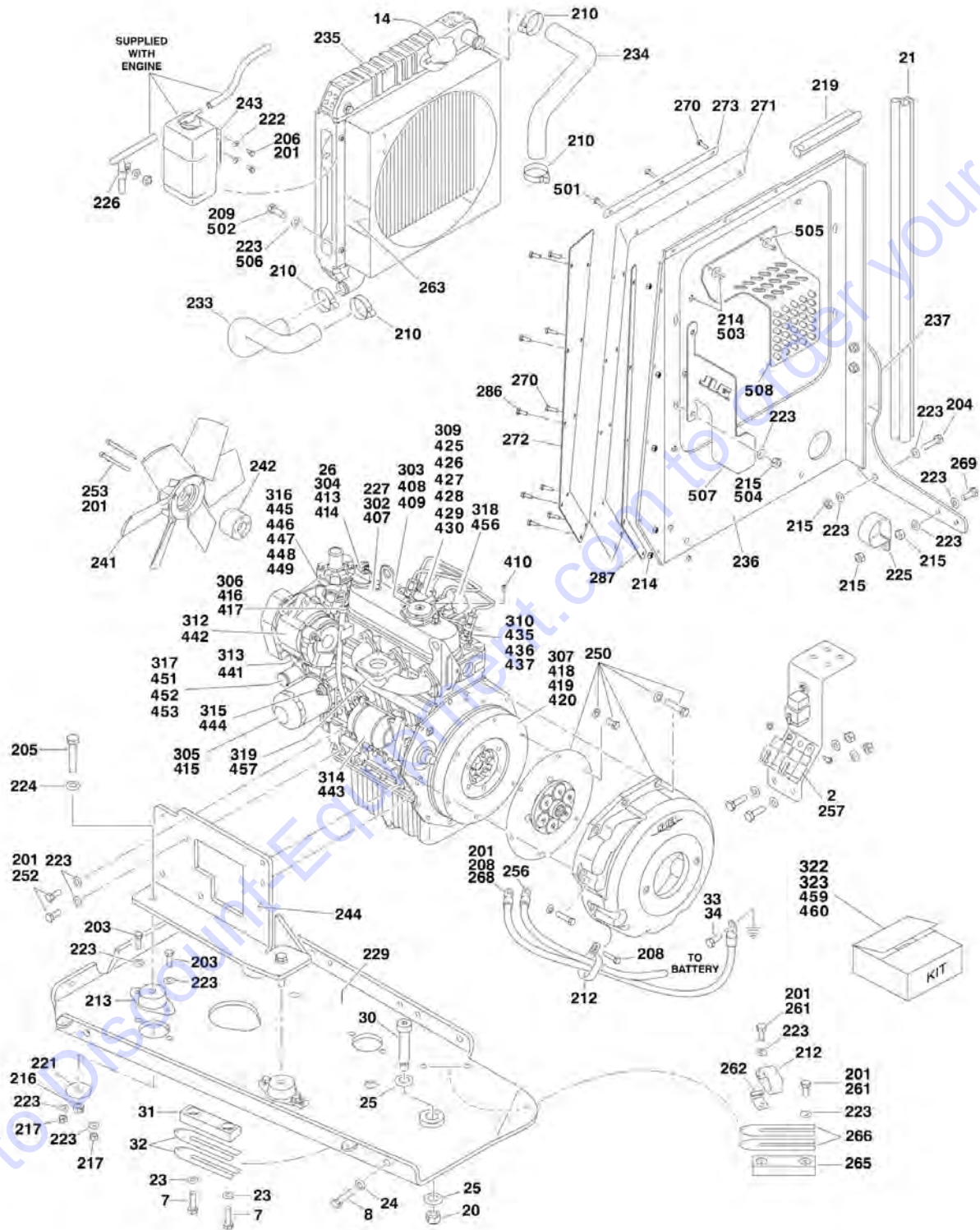
ITEM	PART NUMBER	QTY	DESCRIPTION	REV
226	3291005	13	Locknut M10	
227	3291205	4	Locknut M12	
228	3311605	8	Locknut 3/8in-16NC	
229	3960464	6.5 in /17cm	Seal	
230	4711800	2	Flatwasher 1/2in Narrow	
231	4740274	4	Flatwasher, Snubbing	
232	4811700	13	Flatwasher M6	
233	4811900	18	Flatwasher M8	
234	4812000	48	Flatwasher M10	
235	4812100	4	Flatwasher M12	
236	5250608	4	Bolt, Flange M6 x 16mm	
237	5250812	4	Bolt, Flange M8 x 25mm	
238	8405006	1	Clamp	
239	85941016	1	Clamp	
240	1001117892	1	Engine, GM.97L (See GM Engine Supplement P/N 3121245 for Breakdown of Additional Components)	
240A	70002979	1	Filter, Oil	
240B	7027972	1	Filter, Fuel	
240C	70003178	1	Module, Control	
240D	70003179	4	Plug, Spark	
241	1001118280	1	Air Filter Assembly	A
241	7015004	1	Element, Air Filter	
241	1340069	1	Valve, Vacuum	
241	7015005	1	Cover	
242	1001118453	1	Tray, Engine	
246	1001118746	1	Bolt M10 x 25mm	
247	1001119494	1	Radiator	
247	70002899	1	Cap, Radiator	
248	1001119495	1	Fan	
249	1001119496	1	Spacer, Fan	
250	1001119635	1	Hose, Upper Radiator	
251	1001119636	1	Hose, Lower Radiator	
252	1001119640	1	Plate, Rear Engine	
253	1001119641	1	Plate, LH Front Engine	
254	1001119643	1	Spacer, Mounting	
255	1001119644	1	Plate, RH Front Engine	
256	1001119649	1	Mount, Radiator	
257	1001119698	1	Gusset, Radiator	
258	1001119699	1	Elbow, Air Intake	
259	1001119700	1	Hose, Air Intake	
260	1001119727	2	Clamp, Muffler	
261	1001119730	1	Bracket, Coolant Overflow Tank	
262	1001119929	4	Bolt M10 x 35mm	
263	1001119930	2	Bolt M10 x 50mm	
265	1001119701	1	Bracket, Muffler Mounting	
266	1001118594	1	Battery Cable Kit	B
266	4461231	1	Battery Terminal and Red Cover Only (No Cable)	
266	4461232	1	Battery Terminal and Black Cover Only (No Cable)	
267	0760817	2	Bolt M8 x 45mm	
268	1001120454	2	Housing, Spacer	
269	3200425	2	Mount, Engine	

SECTION 2 - TURNTABLE

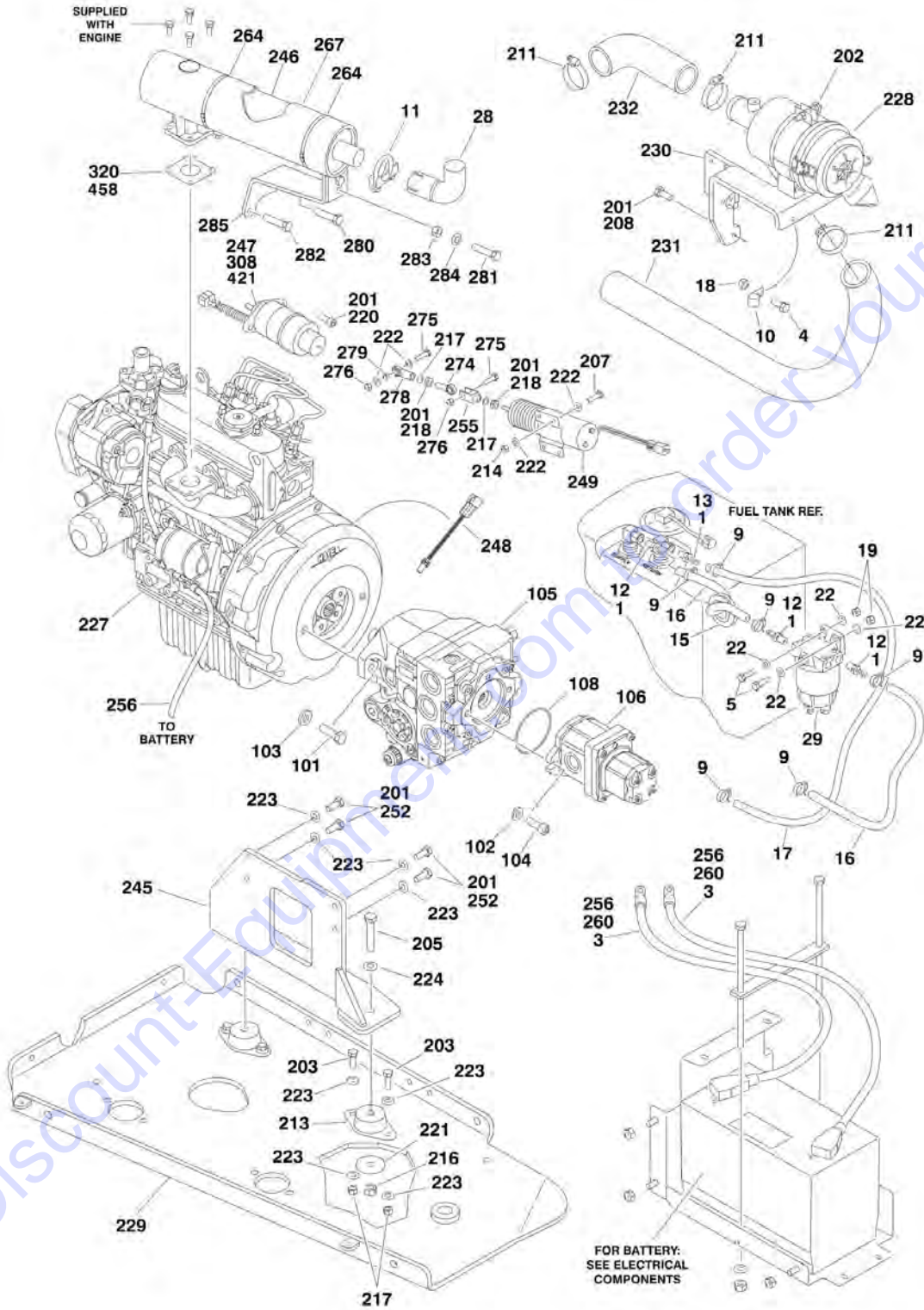
ITEM	PART NUMBER	QTY	DESCRIPTION	REV
270	80673025	1	P-Clamp	
271	1320223	2	J-Clip	
272	1703162	2	Decal - Fan Blade	
273	1001120087	1	Pad, Wear	
274	1001120090	3	Shim	
276	1001120450	1	Cable, Ground	
277	0760610	6	Bolt M6 x 20mm	
278		Ref	Seal, Radiator Hood Options:	
	1001123016	1	Seal, Radiator Hood (Prior to SN 0300195779)	
	1001147365	1	Seal, Radiator Hood (SN 0300195779 through 0300200802)	
279		Ref	Plate, Seal Support Options:	
	1001123017	1	Plate, Seal Support (Prior to SN 0300195779)	
	1001147642	1	Plate, Seal Support (SN 0300195779 through 0300200802)	
280	1001123018	1	Plate, Seal Support	
281	1001137326	1	Insulate, Muffler	
282	1001137327	1	Insulate, Muffler	
283	1001137336	3	Strap	
284	1001137398	1	Shield, Rubber	
285	1001137399	1	Shield, Rubber	
286	1001137371	1	Deflector	
287	1001137400	1	Shield, Rubber	
288	0760612	7	Bolt M6 x 25mm	
289	4740362	7	Flatwasher, Special	
290	1001147643	1	Plate, Seal Support (SN 0300195779 through 0300200802)	
291	0761016	3	Bolt M10 x 40mm (SN 0300195779 through 0300200802)	
292	1001148975	1	Plate, Engine Tray (SN 0300195779 through 0300200802)	

SECTION 2 - TURNTABLE

FIGURE 2-7. KUBOTA ENGINE INSTALLATION



SECTION 2 - TURNTABLE



SECTION 2 - TURNTABLE

FIGURE 2-7. KUBOTA ENGINE INSTALLATION

ITEM	PART NUMBER	QTY	DESCRIPTION	REV
		Ref	Note: Arctic Machines NOT Available on Australian, CE and Japanese Spec.	
		Ref	KUBOTA ENGINE INSTALLATION	
	1001115767	Ref	Machines without Arctic Package (Prior to SN 0300179181)	H
	1001157971	Ref	Machines without Arctic Package (SN 0300179181 through 0300195778)	B
	1001161433	Ref	Machines without Arctic Package (SN 0300195779 through 0300200802)	A
	1001117978	Ref	Machines with Arctic Package (Prior to SN 0300179181)	H
	1001157974	Ref	Machines with Arctic Package (SN 0300179181 through 0300195778)	B
	1001161434	Ref	Machines with Arctic Package (SN 0300195779 through 0300200802)	A
1	0100020	AR	Sealant, Pipe	
2	0100048	AR	Grease, Dielectric	
3	0100051	AR	Grease, Battery Terminal	
4	0760608	4	Bolt M6 x 16mm	
5	0760814	2	Bolt M8 x 30mm	
7	0761016	2	Bolt M8 x 40mm	
8	0761214	1	Bolt M12 x 30mm	
9	1320022	6	Clamp, Fuel Line	
10	1320043	1	Clamp, Cable	
11	1320274	1	Clamp, Muffler	
12	2180348	3	Fitting, Barbed	
13	2180666	1	Fitting, Barbed	
14		Ref	Coolant	
14	2300004	1.6 gal /5.9L	Machines without Arctic Package	
14	2300041	1.6 gal /5.9L	Machines with Arctic Package	
15	2540045	1	Grommet	
16	2720058	63 in/1.6m	Hose	
17	2720271	68 in/1.7m	Hose	
18	3290605	4	Locknut M6	
19	3290805	2	Locknut M8	
20	3291605	1	Locknut M16	
21	3960464	33 in /84cm	Seal	
22	4811900	4	Flatwasher 8mm	
23	4812000	2	Flatwasher 10mm	
24	4812100	1	Flatwasher 12mm	
25	4812500	2	Flatwasher 20mm	
26		Ref	Oil, Engine	
26	1001115930	5.4 qt /5.1L	Machines without Arctic Package (10W-30)	
26	1001115931	5.4 qt /5.1L	Machines with Arctic Package (5W-30)	
28	1001118548	1	Tube, Exhaust	
29	1001118619	1	Fuel Filter/Water Separator Assembly	
29	70002900	1	Filter, Fuel	
29	70002901	1	Bowl Kit - Water Separator (Includes Bowl, Drain and Plug)	
30	1001118646	1	Bolt, Shoulder M20 x 80mm	

SECTION 2 - TURNTABLE

ITEM	PART NUMBER	QTY	DESCRIPTION	REV
31	1001120087	1	Pad, Wear	
32	1001120090	AR	Shim 1.5mm	
33	0100011	AR	Compound, Locking	
34	5251012	1	Bolt, Flanged M10 x 25mm	
35	2080040	10	Blind Fastener	
36	1001137451	1	Panel, Engine Hood	
37	1001137452	1	Panel, Engine Hood Mount	
		Ref	KUBOTA ENGINE AND PUMP SUB-ASSEMBLY	
	1001117977	Ref	Kubota Engine and Pump Sub-Assembly (Prior to SN 0300179181)	F
	1001157969	Ref	Kubota Engine and Pump Sub-Assembly (SN 0300179181 through 0300195778)	B
	1001161432	Ref	Kubota Engine and Pump Sub-Assembly (SN 0300195779 through 0300200802)	A
101	0641813	2	Bolt 1/2in-13NC x 1-5/8in	
102	4891600	2	Flatwasher 3/8in Hardened	
103	4891800	2	Flatwasher 1/2in Hardened	
104	83191040	2	Capscrew, Socket Head M10 x 30mm	
105	1001117028	1	Pump Assembly (See AXIAL PUMP ASSEMBLY for Breakdown)	
106	1001117029	1	Gear Pump Assembly (See GEAR PUMP ASSEMBLY for Breakdown)	
108	3790152	1	O-Ring	
		Ref	KUBOTA ENGINE ASSEMBLY	
	1001117976	Ref	Kubota Engine Assembly (Use p/n 1001157968) (Prior to SN 0300179181)	R
	1001157968	Ref	Kubota Engine Assembly (SN 0300179181 through 0300195778)	C
	1001161431	Ref	Kubota Engine Assembly (SN 0300195779 through 0300200802)	A
201	0100011	AR	Compound, Locking	
202	0340045	1	Band, Mounting	
203	0641609	8	Bolt 3/8in-16NC x 1-1/8in	
204	0701015	6	Bolt M10 x 35mm	
205	0701221	4	Bolt M12 x 65mm	
206	0760607	2	Bolt M6 x 14mm	
207	0760612	4	Bolt M6 x 25mm	
208	0760815	3	Bolt M8 x 35mm	
209	0761014	6	Bolt M10 x 30mm	
210	1320012	4	Clamp	
211	1321682	3	Clamp	
212	1321716	2	Clamp, Double-P	
213	1001120307	4	Mount, Motor	
214	3290605	17	Locknut M6	
215	3291005	12	Locknut M10	
216	3291205	4	Locknut M12	
217	3311605	8	Locknut 3/8in-16NC	
218	3321402	2	Nut, Jam 1/4in-12NF	
219	3960464	6.5 in /17cm	Seal	
220	4031707	2	Capscrew M6 x 16mm	
221	4740274	4	Flatwasher, Snubbing	
222	4811700	10	Flatwasher M6	
223	4812000	48	Flatwasher M10	

SECTION 2 - TURNTABLE

ITEM	PART NUMBER	QTY	DESCRIPTION	REV
224	4812100	4	Flatwasher M12	
225	80673025	1	P-Clamp	
226	85941016	1	Clamp	
227	1001117848	1	Engine Components (See Items 301-323 for Breakdown) (Prior to SN 0300194013)	
227	1001157966	1	Engine Components (See Items 401-459 for Breakdown) (SN 0300194013 through 0300200802)	
228	1001118280	1	Air Filter Assembly	A
228	7015004	1	Element, Air Filter	
228	1340069	1	Valve, Vacuum	
228	7015005	1	Cover	
229	1001118453	1	Tray, Engine	
230	1001128214	1	Bracket, Air Filter	
231	1001118527	1	Hose, Air Intake	
232	1001118528	1	Hose, Air Intake	
233	1001118529	1	Hose, Lower Radiator	
234	1001118530	1	Hose, Upper Radiator	
235	1001118531	1	Radiator	
235	70002899	1	Cap, Radiator	
236	1001118532	1	Mount, Radiator	
237	1001119698	1	Gusset, Radiator	
241	1001118538	1	Fan	
242	1001118539	1	Spacer, Fan	
243	1001118540	1	Bracket, Coolant Overflow Tank	
244	1001118542	1	Plate, LH Front Engine	
245	1001118543	1	Plate, RH Front Engine	
246		Ref	Muffler Options:	
246	1001118547	NLA	Standard (Use p/n 1001151187)	
246	1001120007	NLA	Catalytic (Use p/n 1001151188)	
247	1001118579	1	Actuator, Kubota Governor	
247	7023134	1	Gasket, Mounting	
248	1001118580	1	Sensor, Speed	
249	1001118582	1	Actuator, Kubota Throttle	
250	1001118675	1	Flywheel Housing/Coupling Kit	
250	See Note	1	Coupling Assembly (Note: Not Available for Purchase)	
250	See Note	1	Housing (Note: Not Available for Purchase)	
250	See Note	1	Bolt Kit (Note: Not Available for Purchase)	
252	1001118746	8	Bolt M10 x 25mm	
253	1001118878	4	Bolt M6 x 55mm	
255	1001118881	1	Clevis, Actuator	
256	1001118594	1	Battery Cable Kit	
256	4461231	1	Battery Terminal and Red Cover Only (No Cable)	
256	4461232	1	Battery Terminal and Black Cover Only (No Cable)	
257	1001118638	1	Harness, Engine (See ELECTRICAL SECTION for Breakdown)	
260	0100048	AR	Grease, Dielectric	
261	0761014	3	Bolt M10 x 30	
262	1320223	2	J-Clip	
263	1703162	2	Decal - Fan Blade	
264	1001100825	2	Strap	
265	1001120087	1	Pad, Wear	
266	1001120090	3	Shim	
267	1001121531	1	Insulation, Muffler	

SECTION 2 - TURNTABLE

ITEM	PART NUMBER	QTY	DESCRIPTION	REV
268	1001120450	1	Cable, Ground	
269	0761018	1	Bolt M10 x 50mm	
270	0760610	8	Bolt M6 x 20mm	
271	1001123016	1	Seal, Radiator Hood (Prior to SN 0300195779)	
271	1001147365	1	Seal, Radiator Hood (SN 0300195779 through 0300200802)	
272	1001123017	1	Plate, Seal Support (Prior to SN 0300195779)	
272	1001147642	1	Plate, Seal Support (SN 0300195779 through 0300200802)	
273	1001123018	1	Plate, Seal Support	
274	0440334	1	End, Rod with Bearing	
275	0641408	2	Bolt 1/4in-20NC x 1in	
276	3311405	2	Locknut 1/4in-20NC	
277	4761400	2	Lockwasher 1/4in	
278	1001118925	1	End, Rod with Bearing	
279	1001128888	1	Spacer	
280	0701017	1	Bolt M10x 45mm (SN 0300169182 through 0300200802)	
281	0760812	2	Bolt M8 x 25mm (SN 0300169182 through 0300200802)	
282	0760817	1	Bolt M8 x 45mm (SN 0300169182 through 0300200802)	
283	3290807	2	Locknut M8 x 1.25 (SN 0300169182 through 0300200802)	
284	4811900	2	Flatwasher 8mm (SN 0300169182 through 0300200802)	
285	1001149379	1	Bracket (SN 0300169182 through 0300200802)	
286	0760608	5	Bolt M6 x 1.25mm (SN 0300195779 through 0300200802)	
287	1001147643	1	Plate, Seal Support (SN 0300195779 through 0300200802)	
		Ref	ENGINE COMPONENTS	
	1001117848	Ref	Engine Components (Prior to SN 0300194013)	D
301	7017900	1	Valve, Drain (Not Shown - Located on Opposite of Engine)	
302	7023132	1	Gasket, Valve Cover	
303	70003060	1	Breather, Comp Valve	
303	70003061	1	Cover, Breather	
304	70002318	1	Plug, Oil Fill	
304	70002193	1	O-Ring, Oil Fill Plug	
305	7017923	1	Filter, Oil	
306	7023160	1	Dipstick	
306	70003062	1	Tube, Dipstick	
307	70001934	1	Flywheel	
307	70001140	1	Ring Gear	
308	7025479	NLA	Solenoid, Stop (Use p/n 1001118579)	
309	7023164	1	Pump, Fuel Injection	
309	70002319	1	Shim .175mm	
309	70002320	1	Shim .200mm	
309	70002321	1	Shim .250mm	
309	70002322	1	Shim .300mm	
309	70002323	1	Shim .350mm	
310	See Note	3	Nozzle, Fuel Injector (Note: Not Available for Purchase)	
310	70002324	3	Plug, Glow (Includes Flanged Nut)	
311	7023139	1	Pump, Fuel (Not Shown - Located on Opposite of Engine)	
311	7017995	1	Gasket, Fuel Pump	
312	7023169	1	Alternator	
313	7023141	1	V-Belt	
314	7023144	1	Starter	
315	7017901	1	Switch, Oil	
316	7023170	1	Thermostat	

SECTION 2 - TURNTABLE

ITEM	PART NUMBER	QTY	DESCRIPTION	REV
316	7023145	1	Gasket, Thermostat Housing to Hose Neck	
316	70002326	1	Gasket, Thermostat Hosing to Engine Block	
316	70003064	1	Sensor, Water Temperature	
316	70003063	1	Seal, Water Temperature Sensor	
317	70002327	1	Pump, Water	
317	70002328	1	Gasket, Water Pump	
318	See Note	1	Manifold, Air Intake (Note: Not Available for Purchase)	
318	7023130	1	Gasket, Air Intake Manifold	
319	70004939	1	Manifold, Exhaust (Note: Not Available for Purchase)	
319	7023148	1	Gasket, Exhaust Manifold to Engine Block	
320	7023124	1	Gasket, Exhaust Manifold to Muffler	
320	70004415	4	Bolt	
321	7023152	1	Timer, Glow Plug (Not Shown)	
322	70003066	1	Upper Gasket Kit (Includes Qty 1 Each of Cylinder Head, Valve Cover, Intake Manifold to Block, Exhaust Manifold to Block, Exhaust Manifold Gasket to Muffler, Thermostat Housing to Block, Thermostat Housing to Neck Gaskets and Fuel System Seals and O-Rings and Qty 6 Valve Stem Seals.)	
	1001157966	Ref	Engine Components (SN 0300194013 through 0300200802)	A
401	7017954	22	Bolt, Oil Pan (Not Shown)	
402	7023154	1	Plug, Drain (Not Shown)	
403	70002315	1	Gasket, Oil Pan (Not Shown)	
404	7017911	14	Bolt, Cylinder Head (Not Shown)	
405	7023156	1	Gasket, Gear Case (Not Shown)	
406	7023157	1	Seal, Oil (Not Shown)	
407	7023132	1	Gasket, Valve Cover	
408	70003060	1	Breather, Comp Valve	
409	70003061	1	Cover, Breather	
410	7017934	4	Screw, Pan Head	
411	70002316	1	Pipe, Water Return (Not Shown)	
412	70002317	1	Tube, Breather (Not Shown)	
413	70002318	1	Plug, Oil Fill	
414	70004311	1	O-Ring, Oil Fill Plug	
415	70004395	1	Filter, Oil	
416	7023160	1	Dipstick	
417	70003062	1	Tube, Dipstick	
418	70001934	1	Flywheel Assembly	
419	70001140	1	Gear, Ring	
420	70001935	6	Bolt, Flywheel	
421	7025479	NLA	Solenoid, Stop (Use p/n 1001118579)	
422	7017945	1	Joint, Eye (Not Shown)	
423	7023162	1	Tube, Fuel Assembly (Not Shown)	
424	7023163	1	Tube, Fuel (Not Shown)	
425	7023164	1	Pump, Fuel Injection	
426	70002319	1	Shim .175mm	
427	70002320	1	Shim .200mm	
428	70002321	1	Shim .250mm	
429	70002322	1	Shim .300mm	
430	70002323	1	Shim .350mm	
431	7023136	1	Spring, Governor (Not Shown)	
432	7023165	1	Gasket, Governor (Not Shown)	
433	70004396	1	Plate, Assembly, Control (Not Shown)	

SECTION 2 - TURNTABLE

ITEM	PART NUMBER	QTY	DESCRIPTION	REV
434	70004397	6	Gasket, Speed Control Plate (Not Shown)	
435	7023167	6	Gasket, Glow Plug	
436	7023168	3	Seal, Heat	
437	70004398	3	Plug, Glow	
438	70004399	1	Kit, Nozzle Holder (Not Shown)	
439	7023139	1	Fuel Pump Assembly (Not Shown)	
440	70004400	1	Gasket, Fuel Pump (Not Shown)	
441	7023141	1	V-Belt	
442	7017955	1	Alternator	
443	7023144	1	Starter	
444	7017901	1	Switch, Oil	
445	70003064	1	Sensor, Water Temperature	
446	70003063	1	Seal, Water Temperature Sensor	
447	7023145	1	Gasket, Water Flange	
448	7023170	1	Thermostat	
449	7022326	1	Gasket, Thermostat Hosing to Engine Block	
450	70002327	1	Pump, Water (Not Shown)	
451	70002328	1	Gasket, Water Pump	
452	7017963	1	Pipe, Water (Lower)	
453	70002330	1	Pipe, Water (Upper)	
454	4400498	1	Reserve Tank (Not Shown)	
455	70004401	1	Decal, Caution (Not Shown)	
456	7023149	1	Gasket, Air Intake Manifold	
457	7023148	1	Gasket, Exhaust Manifold to Engine Block	
458	7023124	1	Gasket, Exhaust Manifold to Muffler (Not Shown)	
459	70003066	1	Upper Gasket Kit (Includes Qty 1 Each of Cylinder Head, Valve Cover, Intake Manifold to Block, Exhaust Manifold to Block, Exhaust Manifold Gasket to Muffler, Thermostat Housing to Block, Thermostat Housing to Neck Gaskets and Fuel System Seals and O-Rings and Qty 6 Valve Stem Seals.)	
460	70003067		Lower Gasket Kit (Includes Qty 1 Each of Gear Case, Brg. Case, Gasket, Fuel Pump Gasket, Water Pump Gasket, Oil Pan Gasket, Oil Seal, O-Rings and Qty 6 Valve Stem Seals.)	
	1001186578	Ref	KUBOTA BELT AND FAN SHIELD INSTALLATION	A
501	0760612	2	Bolt M6 x 25	
502	0701015	2	Bolt M10 x 35	
503	3290605	2	Locknut M6 x 1	
504	3291005	2	Locknut M10 x 1	
505	4811700	2	Flatwasher M6	
506	4812000	4	Flatwasher M10	
507	1001184782	1	Cover, Side	
508	1001184783	1	Cover, Top	

PARTS FINDER

**Search Website
by Part Number**



**Search Manual
Library For Parts
Manual & Lookup Part
Numbers – Purchase
or Request Quote**

**Can't Find Part or
Manual? Request Help
by Manufacturer,
Model & Description**

Discount-Equipment.com is your online resource for quality parts & equipment.

Florida: **561-964-4949** Outside Florida TOLL FREE: **877-690-3101**

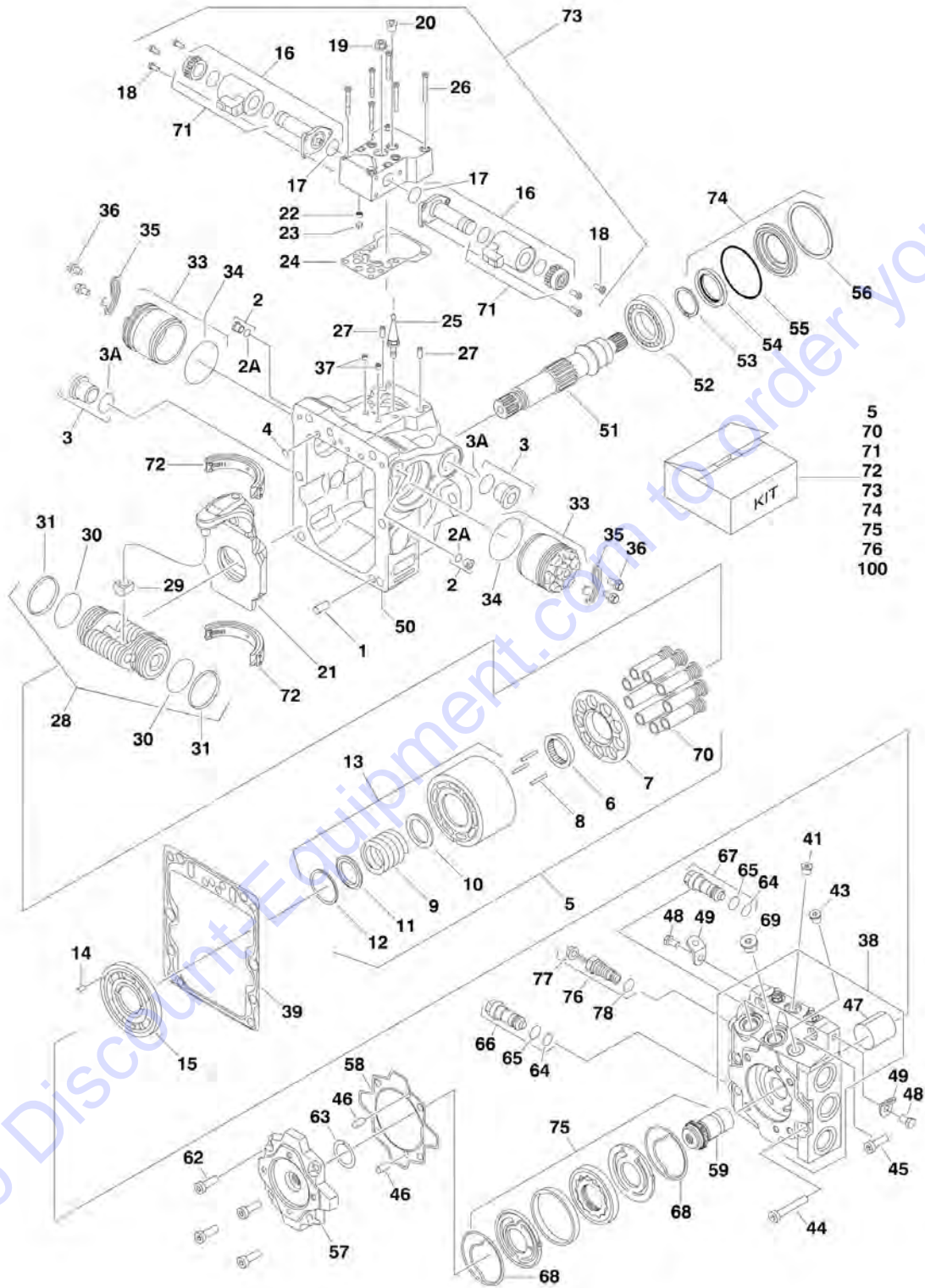
Need parts?

Click on this link: <http://www.discount-equipment.com/category/5443-parts/> and choose one of the options to help get the right parts and equipment you are looking for. Please have the machine model and serial number available in order to help us get you the correct parts. If you don't find the part on the website or on one of the online manuals, please fill out the request form and one of our experienced staff members will get back to you with a quote for the right part that your machine needs.

We sell worldwide for the brands: Genie, Terex, JLG, MultiQuip, Mikasa, Essick, Whiteman, Mayco, Toro Stone, Diamond Products, Generac Magnum, Airman, Haulotte, Barreto, Power Blanket, Nifty Lift, Atlas Copco, Chicago Pneumatic, Allmand, Miller Curber, Skyjack, Lull, Skytrak, Tsurumi, Husquvarna Target, Stow, Wacker, Sakai, Mi-T-M, Sullair, Basic, Dynapac, MBW, Weber, Bartell, Bennar Newman, Haulotte, Ditch Runner, Menegotti, Morrison, Contec, Buddy, Crown, Edco, Wyco, Bomag, Laymor, EZ Trench, Bil-Jax, F.S. Curtis, Gehl Pavers, Heli, Honda, ICS/PowerGrit, IHI, Partner, Imer, Clipper, MMD, Koshin, Rice, CH&E, General Equipment, Amida, Coleman, NAC, Gradall, Square Shooter, Kent, Stanley, Tamco, Toku, Hatz, Kohler, Robin, Wisconsin, Northrock, Oztec, Toker TK, Rol-Air, APT, Wylie, Ingersoll Rand / Doosan, Innovatech, Con X, Ammann, Mecalac, Makinex, Smith Surface Prep, Small Line, Wanco, Yanmar

SECTION 2 - TURNTABLE

FIGURE 2-8. AXIAL PUMP ASSEMBLY



SECTION 2 - TURNTABLE

FIGURE 2-8. AXIAL PUMP ASSEMBLY

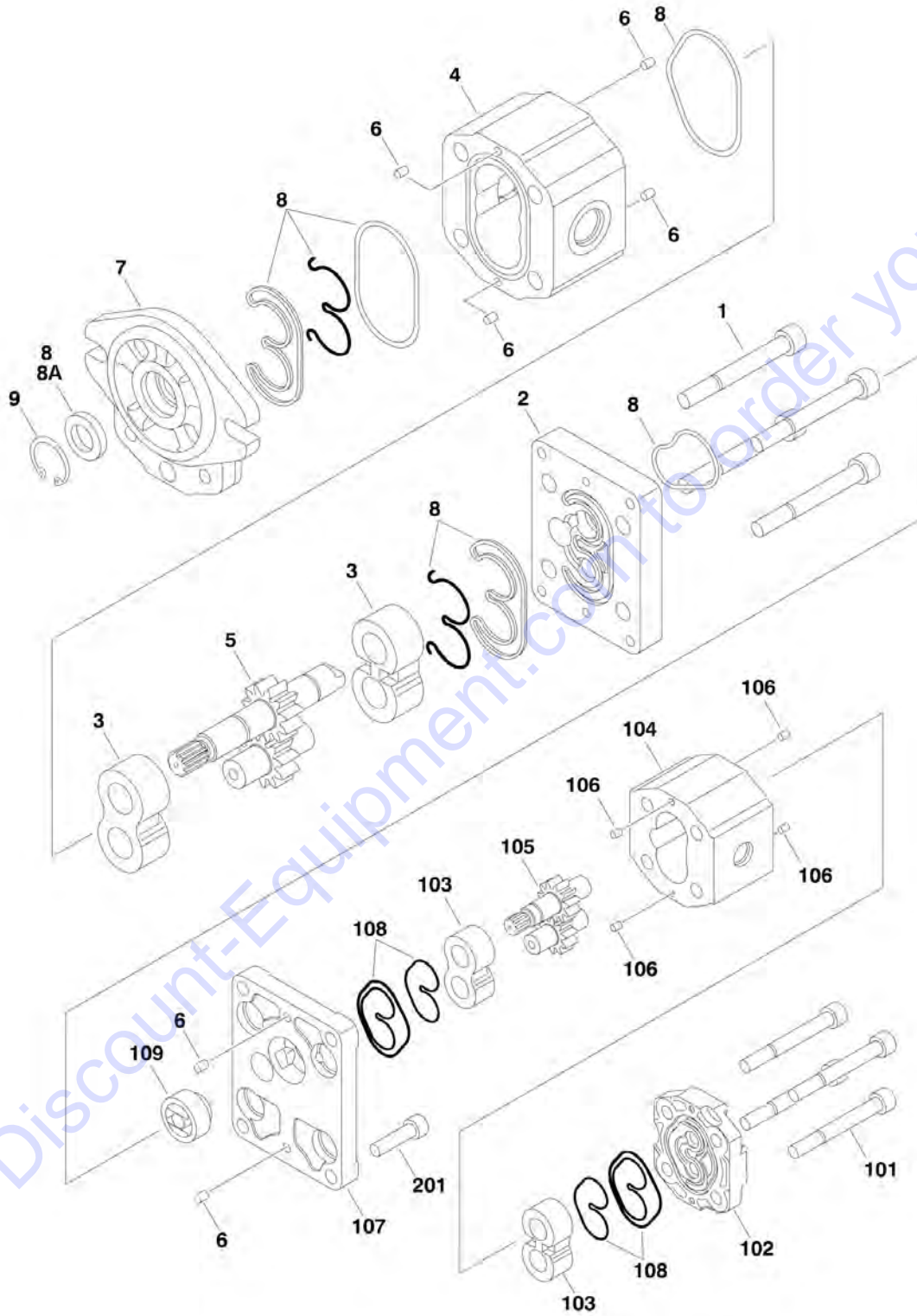
ITEM	PART NUMBER	QTY	DESCRIPTION	REV
	1001117028	Ref	AXIAL PUMP ASSEMBLY	F
1	70002132	2	Pin	
2	70002133	2	Plug	
2A	See Note	NSS	O-Ring (Note: Use p/n 70002133)	
3	7007439	2	Plug	
3A	See Note	NSS	O-Ring (Note: Use p/n 7007439)	
4	70002134	2	Screen	
5	70002135	1	Cylinder Block and Piston Kit (Includes Items 6-9 & 70)	
6	70002137	1	Guide	
7	70002138	1	Retainer	
8	7021275	3	Pin	
9	See Note	NSS	Cylinder Block Assembly (Includes Items 10-13) (Note: Use p/n 70002135)	
10	70002140	1	Washer	
11	70002141	1	Washer	
12	70002142	1	Ring, Retaining	
13	70002139	1	Spring	
14	7007446	1	Pin	
15	70002601	1	Plate, Valve	
16	70002147	2	Solenoid Valve Assembly (Includes Items 17, 18 & 71)	
17	70002148	2	O-Ring (Part of Item 16)	
18	70002150	6	Screw (Part of Item 73)	
19	7022301	1	Nut, Seal (Part of Item 73)	
20	70002151	1	Plug (Part of Item 73)	
21	70002152	1	Swashplate	
22	70002134	1	Screen (Part of Item 73)	
23	70002153	1	Ring, Locking (Part of Item 73)	
24	70002154	1	Gasket (Part of Item 73)	
25	70002155	1	Link	
26	70002156	6	Screw	
27	70002157	2	Pin	
28	70002158	1	Servo Piston Assembly (Includes Items 29-31)	
29	70002159	1	Block, Slider (Part of Item 28)	
30	70002160	2	O-Ring (Part of Item 28)	
31	70002161	2	Ring, Piston (Part of Item 28)	
33	70002603	2	Servo Cylinder Assembly (Includes Item 34)	
34	70002163	2	O-Ring (Part of Item 33)	
35	70002164	2	Plate, Locking	
36	70002165	4	Screw	
37	70002166	2	Orifice	
38	70002863	1	Cap, End (Includes Items 47)	
39	70002168	1	Gasket	
40	70001958	1	Plug	
41	70001958	1	Plug	
42	70001958	1	Plug	
43	70001958	2	Plug	
44	70002169	4	Screw	
45	70002170	2	Screw	
46	70002132	2	Pin	
47	70002172	1	Bearing, Journal (Part of Item 38)	

SECTION 2 - TURNTABLE

ITEM	PART NUMBER	QTY	DESCRIPTION	REV
48	70002165	2	Screw	
49	7022340	2	Bracket, Lifting	
50	See Note	NSS	Housing (Note: Not Available - Purchase Complete Assembly)	
51	70002175	1	Shaft	
52	70002176	1	Bearing	
53	7007439	1	Ring, Retaining	
54	70002177	1	Seal, Lip (Part of Item 74)	
55	70002178	1	O-Ring (Part of Item 74)	
56	70002179	1	Ring, Retaining (Part of Item 74)	
57	70002180	1	Adapter, Pump	
58	70002181	1	Seal	
59	70002864	1	Coupling	
62	70002185	4	Screw	
63	70002186	1	Plate, Thrust	
64	70002187	2	O-Ring (Part of Item 66 & 67)	
65	70002865	2	O-Ring (Part of Item 66 & 67)	
66	70002866	1	Valve, Relief	
67	70002866	1	Valve, Relief	
68	70002867	2	Ring, Seal (Part of Item 68)	
69	7023964	2	Plug	
70	70002136	1	Piston Kit (Includes Qty 9 Pistons) (Part of Item 5)	
71	70002149	2	Coil Kit (Part of Item 16 & 73)	
72	70002145	1	Bearing Kit	
73	70002146	1	EDC Kit (Includes Items 16-20, 22-24, 26 & 71)	
74	70002174	1	Shaft Seal Kit (Includes Items 54, 55 & 56) (Note: This is a universal kit and will contain extra pieces that are not used on this pump assembly.)	
75	70002868	1	Charge Pump Kit (Includes Item 68)	
76	70002191	1	Charge Relief Valve Kit (Includes Items 77 & 78)	
77	70222301	1	Nut, Seal (Part of Item 76)	
78	7007415	1	O-Ring (Part of Item 76)	
100	70002192	1	Seal Kit (Includes Items 24, 30, 31, 34, 39, 54, 55, 58, 64, 65, 68, 77 & 78)	

SECTION 2 - TURNTABLE

FIGURE 2-9. GEAR PUMP ASSEMBLY



SECTION 2 - TURNTABLE

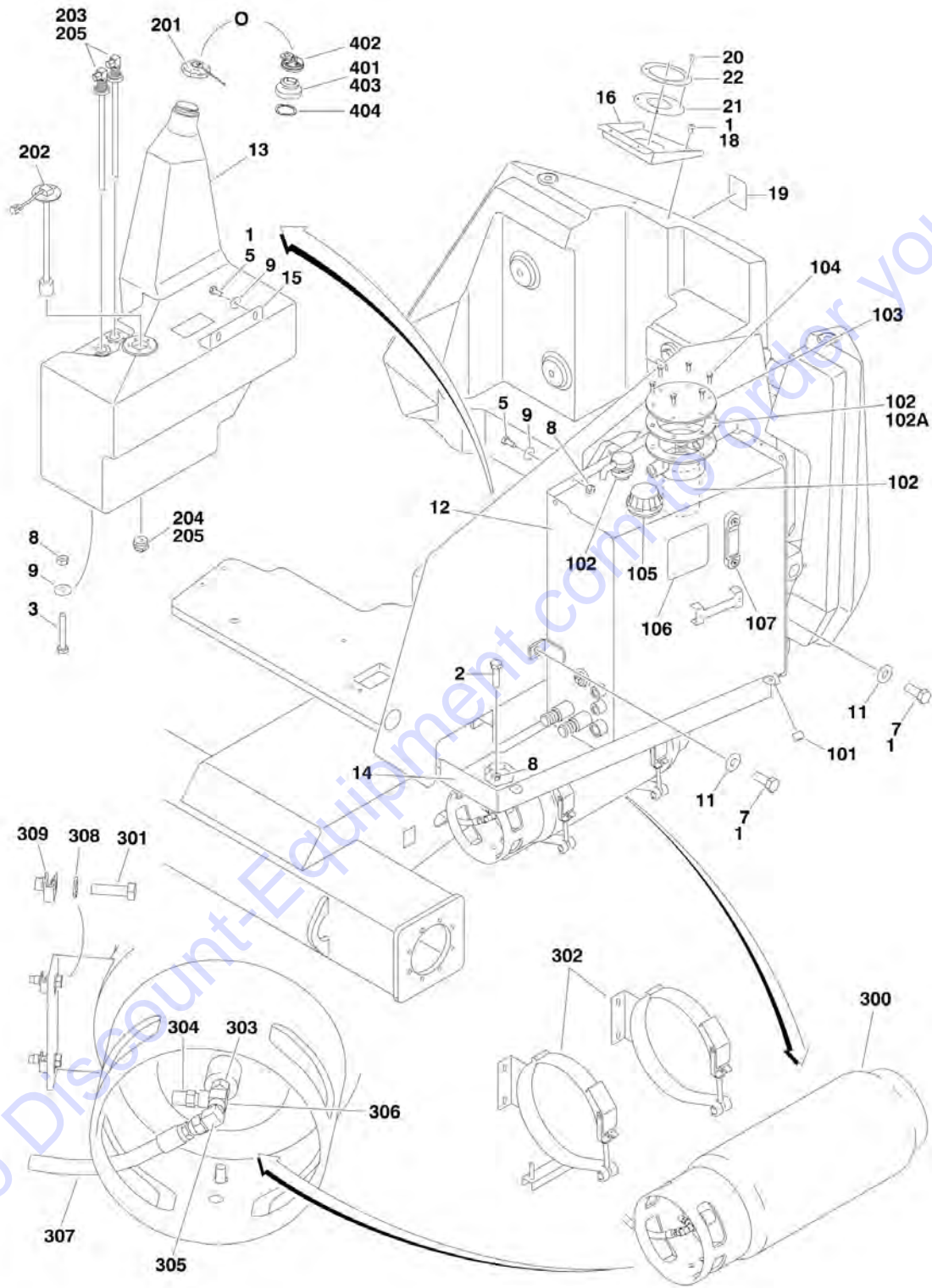
FIGURE 2-9. GEAR PUMP ASSEMBLY

ITEM	PART NUMBER	QTY	DESCRIPTION	REV
	1001117029	Ref	GEAR PUMP ASSEMBLY	A
		Ref	Note: For Items without P/Ns, replace complete pump.	
		Ref	Front Section Components	
1	See Note	4	Bolt	
2	See Note	1	Plate, End	
3	See Note	2	Bearing	
4	See Note	1	Housing	
5	See Note	1	Drive Shaft Set	
6	See Note	6	Pin, Dowel	
7	See Note	1	Plate, Front	
8	70002860	1	Seal Kit	
8A	70002577	NLA	Seal, Lip (Use p/n 70002860)	
9	70002862	1	Ring, Retaining	
		Ref	Rear Section Components	
101	See Note	4	Bolt	
102	See Note	1	Plate, End	
103	See Note	2	Bearing	
104	See Note	1	Housing	
105	See Note	1	Drive Shaft Set	
106	See Note	4	Pin, Dowel	
107	See Note	1	Plate, Front	
108	70002861	1	Seal Kit	
109	See Note	1	Coupling	
201	See Note	4	Bolt	

Go to Discount-Equipment.com to order your parts

SECTION 2 - TURNTABLE

FIGURE 2-10. TANK INSTALLATIONS



SECTION 2 - TURNTABLE

FIGURE 2-10. TANK INSTALLATIONS

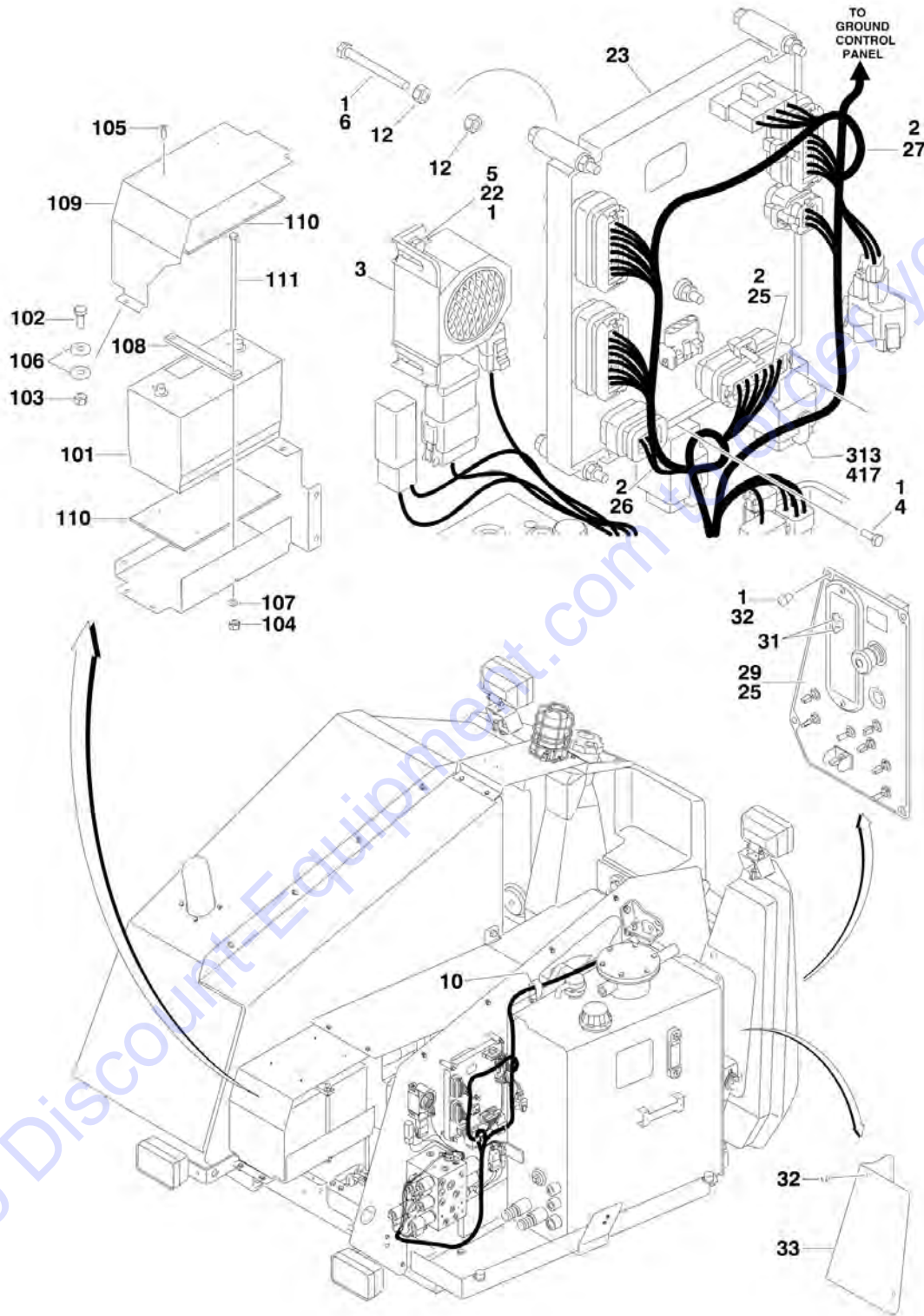
ITEM	PART NUMBER	QTY	DESCRIPTION	REV
		Ref	TANK INSTALLATIONS	
	1001115769	Ref	Diesel Machines	D
	1001119102	Ref	Gas Machines	D
1	0100011	AR	Compound, Locking	
2	0701016	2	Bolt M10 x 40mm	
3	0701022	1	Bolt M10 x 70mm	
5	0761012	4	Bolt M10 x 25mm	
7	0761214	2	Bolt M12 x 30mm	
8	3291005	5	Locknut M10	
9	4812002	5	Flatwasher M10	
11	4812102	2	Flatwasher M12	
12	1001116339	1	Hydraulic Tank Assembly (See Items 101-107 for Breakdown)	
13		Ref	Tank, Fuel Options (See Items 201-206 for Breakdown):	
13	1001117897	1	Diesel Machines	
13	1001117895	1	Gas Machines	
14	1001118502	1	Shield, Bottom Tank	
15	1001118509	1	Support, Tank	
16	1001118510	1	Shield, Tank Neck	
18	1001119527	2	Screw, Button Head M10 x 16mm	
19		Ref	Decal - Fuel Options:	
19	1701505	1	Diesel	
19	1701542	1	Gas	
20	3820032	4	Rivet	
21	1001128781	1	Seal, Neck	
22	1001128782	1	Ring, Neck	
	1001116339	Ref	HYDRAULIC TANK ASSEMBLY	F
101	70002112	1	Plug, Magnetic	
102	70002812	1	Hydraulic Breather/Filter Kit	
102A	70002839	1	Gasket	
103	See Note	NSS	Cover (Note: Not Available for Purchase)	
104	See Note	6	Bolt (Note: Not Available for Purchase)	
105	70002838	1	Cap, Fill	
106	70002840	1	Decal - Filter Replacement	
107	7024441	1	Gauge, Sight	
		Ref	FUEL TANK ASSEMBLY	
	1001117897	Ref	Diesel Machines	E
	1001117895	Ref	Gas Machines (Not Shown)	G
201		Ref	Cap, Fill Options:	
201	1001128798	1	Diesel Machines (Non Locking) (Note: See 401-404 for Lockable Cap)	
201	1001128799	1	Gas Machines	
202	1001118262	1	Sender	
202	See Note	NSS	Seal, Sender (Note: Use p/n 1001118262)	
202	0721004	5	Screw #10-24NC x 1/2in	
203	See Note	2	Tube, Steel with Elbow Fitting (Note: Not available for purchase)	
204	See Note	NSS	Plug (Note: Not available for purchase)	
205	0100020	AR	Sealant	
206	1001129043	1	Valve, Vent (Gas Machines Only) (Not Shown - Located on Fill Spout)	
	1001118975	Ref	LP TANK INSTALLATION (GAS MACHINES ONLY)	

SECTION 2 - TURNTABLE

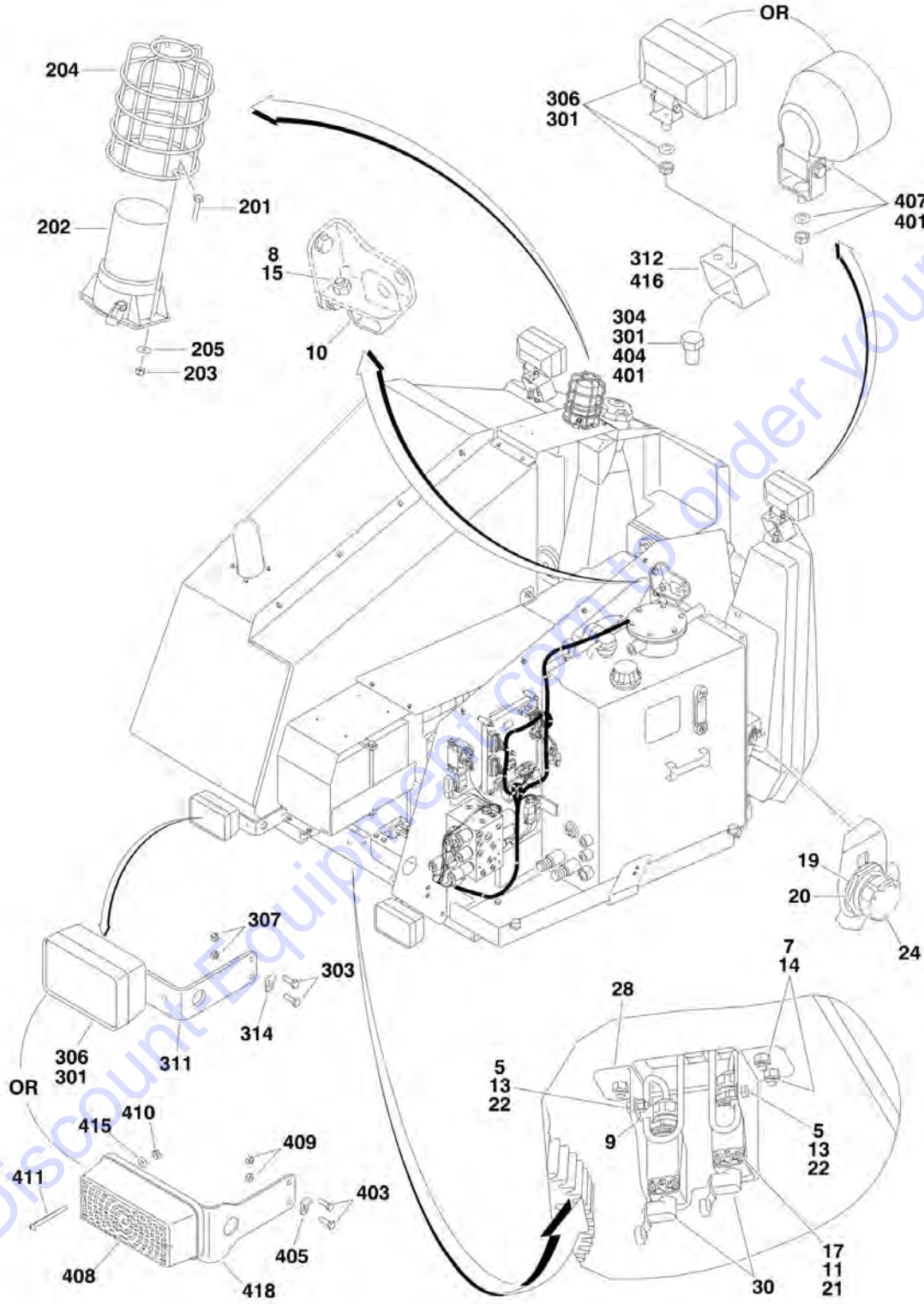
ITEM	PART NUMBER	QTY	DESCRIPTION	REV
300	4400275	1	Tank, LP	
301	0760814	4	Bolt M8 x 30mm	
302	1320220	1	LP Tank Clamp Kit	
303	2180387	1	Fitting, LP	
304	2180389	1	Fitting, Relief Valve	
305	2180504	1	Fitting, Elbow	
306	2220290	1	Fitting, Adapter	
307	2720175	1	Hose	
308	4811900	4	Flatwasher M8	
309	1001118274	4	Nut, Retainer	
310	1701543	1	Decal - LP	
	1001138829	Ref	KIT, LOCKABLE FUEL CAP (DIESEL MACHINES ONLY) (OPTIONAL)	A
401	0100093	AR	Loctite	
402	1001125283	1	Cap, Fill	
403	1001138752	1	Adapter	
404	1001139843	1	Gasket	

SECTION 2 - TURNTABLE

FIGURE 2-11. ELECTRICAL COMPONENTS INSTALLATION (TURNTABLE MOUNTED)



SECTION 2 - TURNTABLE



Go to Discount Equipment to order your parts

SECTION 2 - TURNTABLE

FIGURE 2-11. ELECTRICAL COMPONENTS INSTALLATION (TURNTABLE MOUNTED)

ITEM	PART NUMBER	QTY	DESCRIPTION	REV
	1001119165	Ref	ELECTRICAL INSTALLATION	G
1	0100011	AR	Compound, Locking	
2	0100048	AR	Sealant, Silicone	
3	0140043	1	Alarm	
4	0760505	1	Bolt M5 x 10mm	
5	0760608	4	Bolt M6 x 16mm	
6	0760621	5	Bolt M6 x 65mm	
7	0760816	3	Bolt M8 x 40mm	
8	0761012	1	Bolt M10 x 25mm	
9	1321293	2	Clamp	
10	1321716	3	P-Clamp	
11	3290405	4	Locknut M4	
12	3290601	10	Nut M6	
13	3290605	2	Locknut M6	
14	3290805	3	Locknut M8	
15	3291005	1	Locknut M10	
17	4031512	4	Capscrew M4 x 40mm	
18	4240033	2	Tie-Strap (Not Shown)	
19	4460496	1	Lockwasher, Terminal	
20	4460497	1	Nut, Terminal	
21	4811400	4	Flatwasher M4	
22	4811700	14	Flatwasher M6	
23	1001120431	1	Module, Ground Control	
24	1001106736	1	Cap, Dust	
25	1001118218	1	Harness, Ground Interface (See ELECTRICAL SECTION for Breakdown)	
26	1001118293	1	Harness, Valve (See ELECTRICAL SECTION for Breakdown)	
27	1001118333	1	Harness, Mid Engine (See ELECTRICAL SECTION for Breakdown)	
28		Ref	Bracket, Switch Options:	
28	1001119146	1	Bracket, Switch (Prior to SN 0300158007)	
28	1001141710	1	Bracket, Switch (SN 0300158007 through 0300200802)	
29	1001119173	1	Ground Control Assembly (See GROUND CONTROL ASSEMBLY for Breakdown)	
30	1001119176	2	Limit Switch and Harness Assembly	
30	1001119170	2	Switch, Limit (1 per Assembly)	
31	2920129	8	Bulb, Light	
32	1001119527	7	Screw, Button Head M10 x 16mm	
33	1001125291	1	Shield, Ground Control	
	2890230	1	Kit, Drive Orientation Mounting Plate (Includes Items 5, 7, 11, 13, 14, 17, 21, 22 & 28)	
	1001119277	Ref	BATTERY INSTALLATION	C
101	0400075	1	Battery	
102	0760608	2	Bolt M6 x 16mm	
103	3290605	2	Locknut M6	
104	3291005	2	Locknut M10	
105	3820032	4	Rivet	
106	4811702	4	Flatwasher M6	
107	4812000	2	Flatwasher M10	
108	0361810	1	Bar, Hold-down	

SECTION 2 - TURNTABLE

ITEM	PART NUMBER	QTY	DESCRIPTION	REV
109	1001117240	1	Cover	
110	1001119278	2	Insulate	
111	1001119280	2	Bolt M10 x 260mm	
112	1320223	2	J-Clip	
	1001119268	Ref	BEACON LIGHT INSTALLATION (AMBER) (OPTIONAL)	D
		Ref	Note: If machines is equipped with (BLUE) Strobe Light, see SPECIAL OPTIONS SECTION SkyGuard Kit.	
201	0760410	2	Bolt M4 x 20mm	
202	2920161	1	Strobe Light Assembly	
202	7016319	1	Bulb, Replacement	
202	7016372	1	Lens	
203	3290405	2	Locknut M4	
204	4060865	1	Guard	
205	1001091102	2	Flatwasher M4	
206	4240032	2	Tie-Strap (Not Shown)	
	1001120232	Ref	TURNTABLE FLOODLIGHT INSTALLATION (OPTIONAL)	
301	0100011	AR	Compound, Locking	
302	0760505	1	Bolt M5 x 10mm	
303	0760610	4	Bolt M6 x 20mm	
304	0762014	2	Bolt M20 x 30mm	
305	1705170	1	Decal - Light (Not Shown - Located on Platform Console Box)	
306	2920157	2	Floodlight	
306	7024452	2	Bulb, Replacement (1 Per Assembly)	
307	3290605	4	Locknut M6	
308	4240032	2	Tie-Strap (Not Shown)	
309	4240033	4	Tie-Strap (Not Shown)	
310	4360522	1	Switch, Push Button (Not Shown - Located on Platform Console Box)	
311	1001120287	2	Mount, Light	
312	1001120288	2	Mount, Light	
313	1001120299	1	Harness, Turntable Floodlight (See ELECTRICAL SECTION for Breakdown)	
313	3740080	1	Relay	
314	1320136	2	Clamp, Cable	
	1001149144	Ref	HEAD AND TAIL LIGHTS INSTALLATION (OPTIONAL)	A
401	0100011	AR	Compound, Locking	
402	0760505	1	Bolt M5 x 10mm	
403	0760610	4	Bolt M6 x 20mm	
404	0762014	2	Bolt M20 x 30mm	
405	1320136	2	Clamp, Cable	
406	1705170	1	Decal - Light (Not Shown - Located on Platform Console Box)	
407	2920110	2	Light, Head	
407	7016628	2	Bulb, Replacement (1 Per Assembly)	
408	2920113	2	Light, Tail	
409	3290605	4	Locknut M6	
410	3311005	4	Locknut 10-24NC	
411	3911036	4	Screw 10-24NC x 2-1/4in	
412	4240032	2	Tie-Strap (Not Shown)	
413	4240033	4	Tie-Strap (Not Shown)	
414	4360522	1	Switch, Push Button (Not Shown - Located on Platform Console Box)	
415	4751000	4	Flatwasher #10 (Wide)	

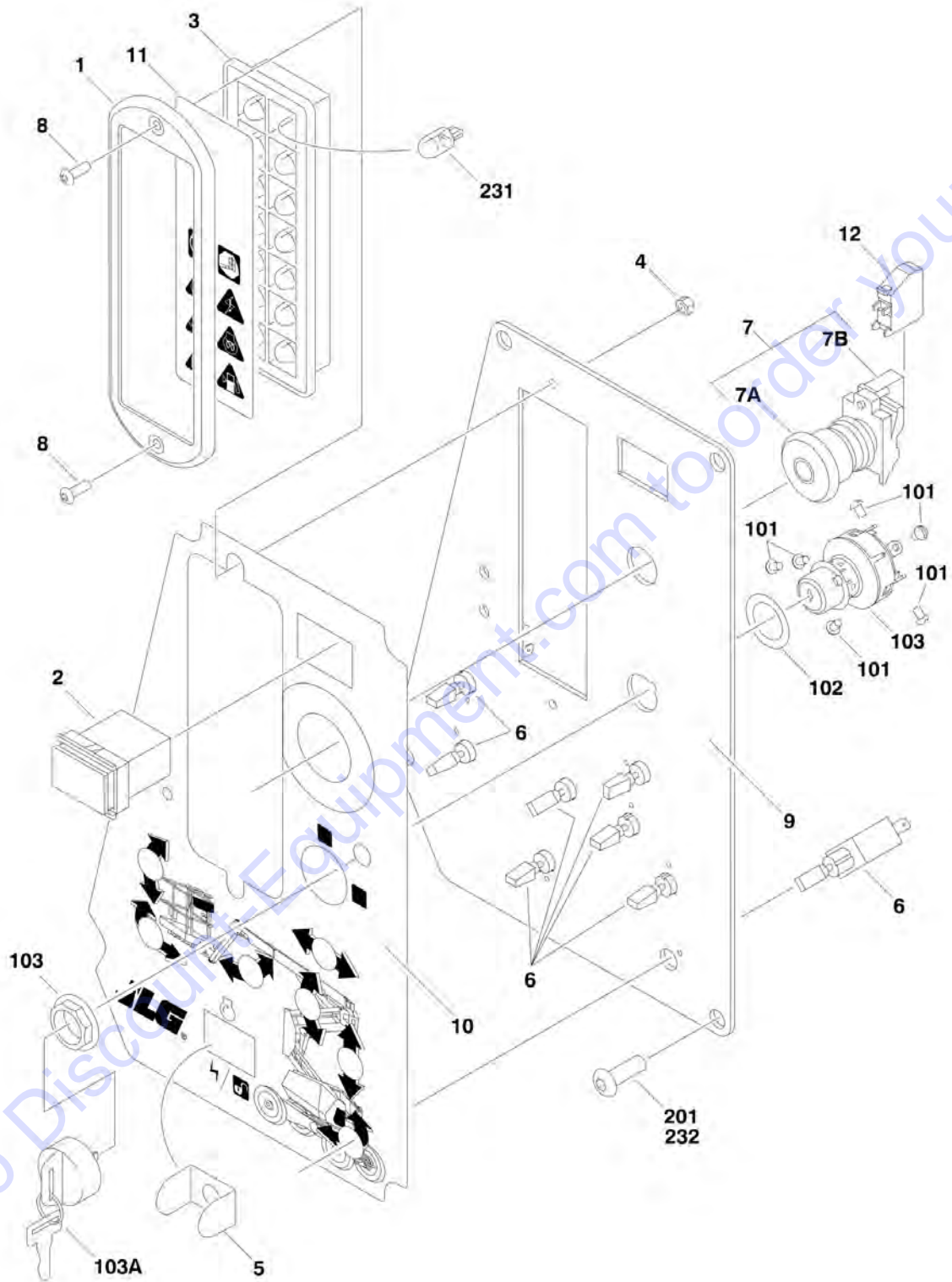
SECTION 2 - TURNTABLE

ITEM	PART NUMBER	QTY	DESCRIPTION	REV
416	1001120288	2	Mount, Light	
417	1001120299	1	Harness, Turntable Floodlight (See ELECTRICAL SECTION for Breakdown)	
417	3740080	1	Relay	
418	1001149147	2	Mount, Light	

Go to Discount-Equipment.com to order your parts

SECTION 2 - TURNTABLE

FIGURE 2-12. GROUND CONTROL ASSEMBLY



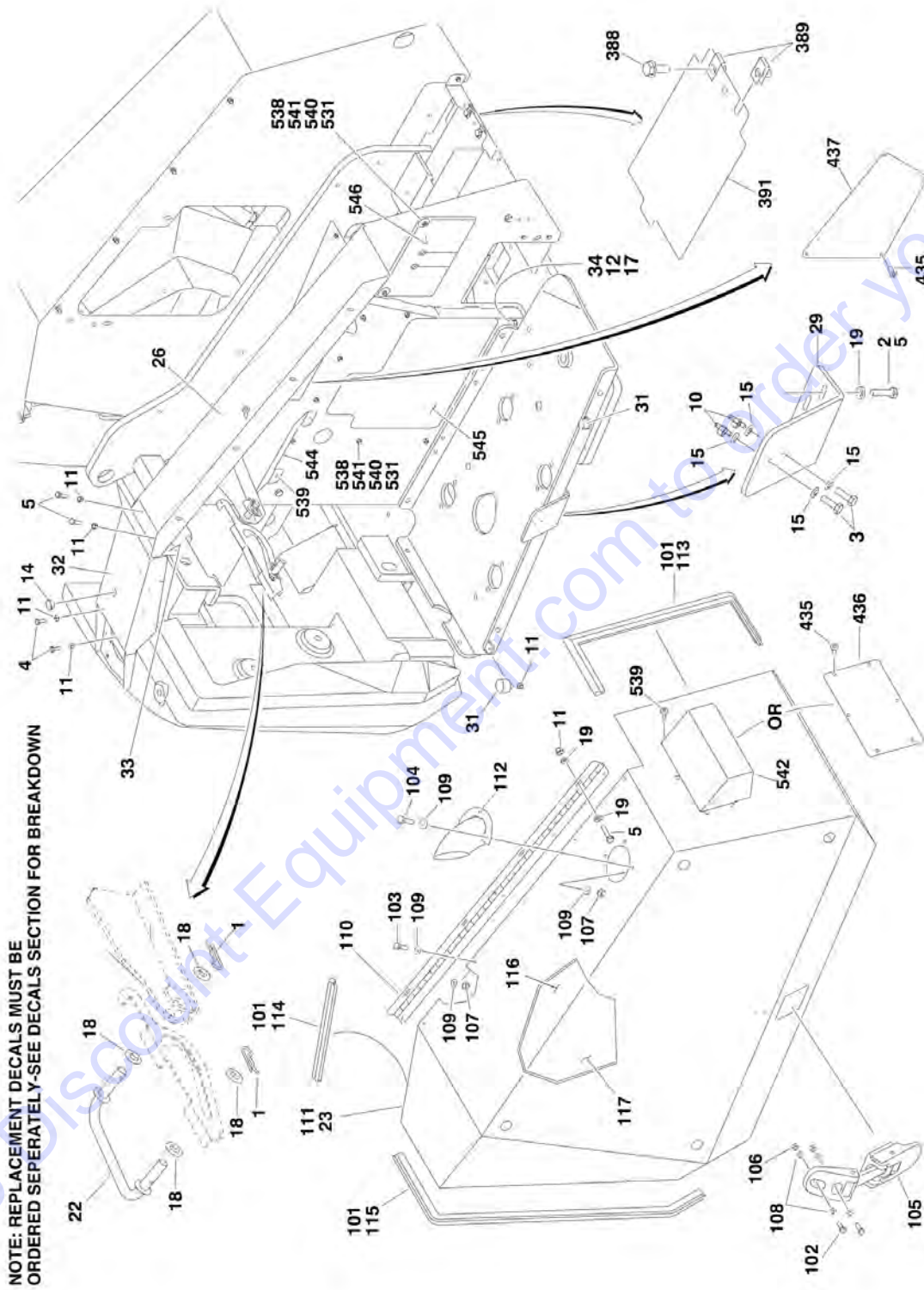
SECTION 2 - TURNTABLE

FIGURE 2-12. GROUND CONTROL ASSEMBLY

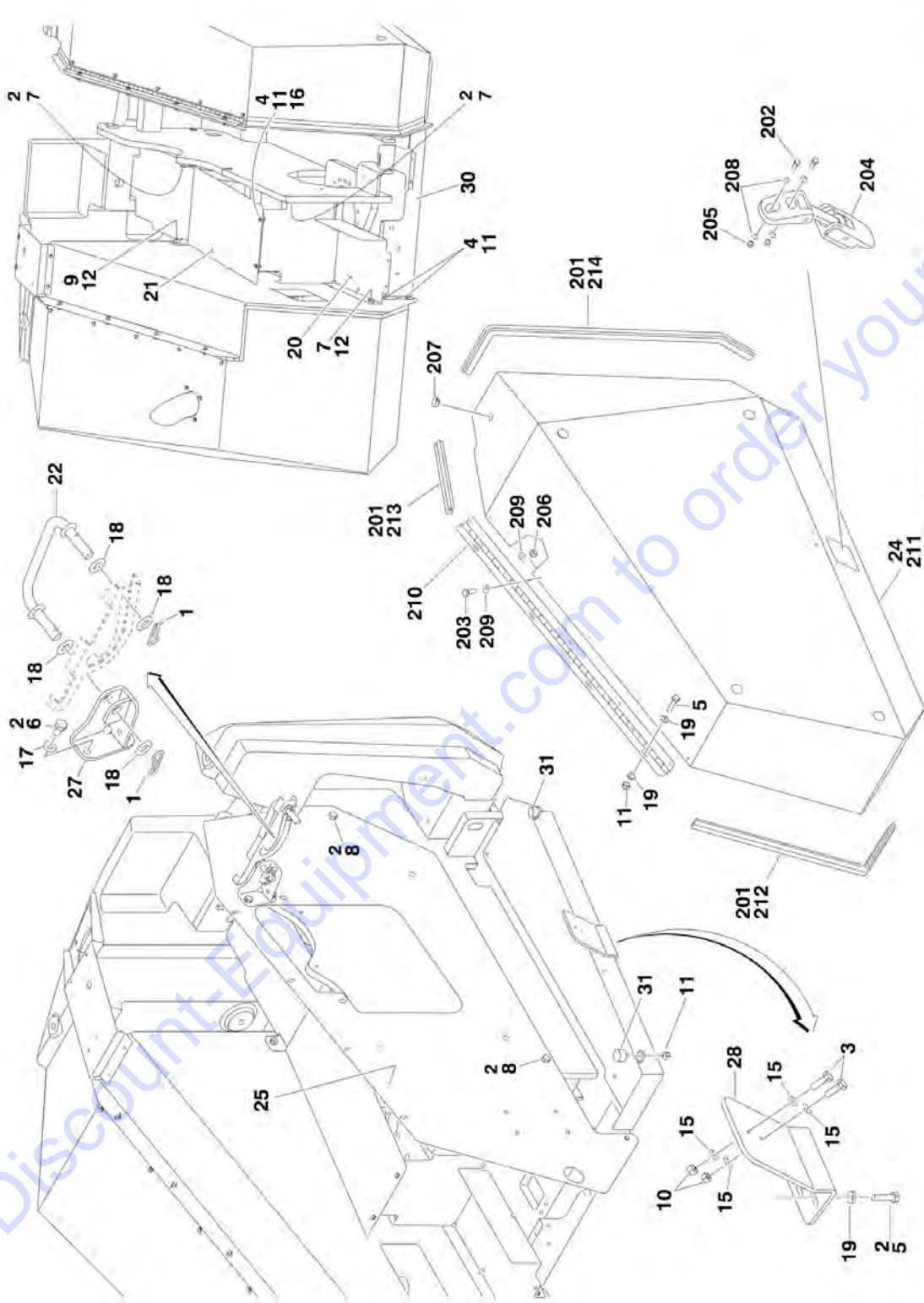
ITEM	PART NUMBER	QTY	DESCRIPTION	REV
	1001119173	Ref	GROUND CONTROL ASSEMBLY	C
1	1670829	1	Bezel	
2	2420172	1	Gauge, Hourmeter	
3	2760105	1	Housing, Display Light	
4	3290505	2	Locknut M5	
5	4060906	1	Shield, Toggle Switch	
6	4360328	8	Switch, Toggle	
7	4360475	1	Switch, Emergency Stop	
7A	7020175	1	Cap, Mushroom Head	
7B	7020176	1	Block, Contact	
8	1001099125	2	Screw, Button Head M5 x 16mm	
9	1001119172	1	Panel	
10	1001119230	1	Decal - Ground Control	
11	1001119232	1	Decal - Display Panel	
12	4360476	1	Switch, Contact Block	
		Ref	GROUND CONTROL ASSEMBLY	
	1001119399	Ref	All Specs except CE Spec	C
	1001119400	Ref	CE Spec Only	C
101	3910804	6	Screw #8-32NC x 1/4in	
102		Ref	Shim Options:	
102	4070987	1	Shim (Prior to SN 0300175736)	
102	1001151393	1	Shim (SN 0300175736 through 0300200802)	
103		Ref	Switch, Key Options:	
103	4360469	1	All Specs Except CE Spec	
103	4360470	1	CE Spec Only	
103A	2860030	1	Key	
	1001119165	Ref	ADDITIONAL COMPONENTS	
201	0100011	AR	Compound, Locking	
231	2920129	8	Bulb, Light	
232	1001119527	4	Screw, Button Head M10 x 16mm	

SECTION 2 - TURNTABLE

FIGURE 2-13. HOODS INSTALLATION



SECTION 2 - TURNTABLE



NOTE: REPLACEMENT DECALS MUST BE ORDERED SEPERATELY - SEE DECALS SECTION FOR BREAKDOWN

Go to DiscountEquipment.com to order your parts

SECTION 2 - TURNTABLE

FIGURE 2-13. HOODS INSTALLATION

ITEM	PART NUMBER	QTY	DESCRIPTION	REV
	1001115768	Ref	HOODS INSTALLATION (Prior to SN 0300195779)	E
	1001147590	Ref	HOODS INSTALLATION (SN 0300195779 through 0300200802)	C
1	80325	4	Hairpin	
2	0100011	AR	Compound, Locking	
3	0760508	4	Bolt M5 x 16mm	
4	0760608	AR	Bolt M6 x 16mm	
5	0760612	16	Bolt M6 x 25mm	
6	0761009	2	Bolt M10 x 18mm	
7	0761011	6	Bolt M5 x 16mm	
8	0761210	2	Bolt M12 x 20mm	
9	0761012	1	Bolt M10 x 25mm	
10	3290505	4	Locknut M5	
11	3290605	AR	Locknut M6	
12	3291005	6	Locknut M10	
14	3520030	1	Plug	
15	4811600	8	Flatwasher M5	
16	4811700	AR	Flatwasher M6	
17	4812000	6	Flatwasher M10	
18	4812300	8	Flatwasher M16	
19	5240600	22	Flatwasher M6 Hardened	
20	1001117239	1	Box, Battery	
21	1001117243	1	Cover, Turntable Center	
22	1001117282	2	Rod, Loop	
23	1001118360	1	Engine Side Hood Assembly (See Items 101-117 for Breakdown) (Prior to SN 0300195779)	
23	1001147441	1	Engine Side Hood Assembly (See Items 101-117 for Breakdown) (SN 0300195779 through 0300200802)	
24	1001118361	1	Tank Side Hood Assembly (See Items 201-214 for Breakdown)	
25	1001118459	1	Plate, Tank Side	
26	1001119072	1	Plate, Engine Side	
27	1001119080	1	Bracket, Hood Prop	
28	1001119083	1	Mount, Latch	
29	1001119084	1	Mount, Latch (Prior to SN 0300195779)	
29	1001146824	1	Mount, Latch (SN 0300195779 through 0300200802)	
30	1001119085	1	Tray, Hose	
31	1001119092	4	Bumper	
32	1001119103	1	Panel, Engine Side Top	
33	1001119104	1	Panel	
34	0701018	2	Bolt M10 x 50mm	
50	1001220187	1	Side Support Kit (Not Shown - Includes Items 25 & 26)	
	1001118360	Ref	ENGINE SIDE HOOD ASSEMBLY (Prior to SN 0300195779)	D
	1001147441	Ref	ENGINE SIDE HOOD ASSEMBLY (SN 0300195779 through 0300200802)	A
101	0100081	AR	Adhesive	
102	0760508	2	Bolt M5 x 16mm	
103	0760608	5	Bolt M6 x 16mm	
104	0760610	3	Bolt M6 x 20mm	
105	2940109	1	Latch	
106	8290505	2	Locknut M5	
107	8290605	8	Locknut M6	

SECTION 2 - TURNTABLE

ITEM	PART NUMBER	QTY	DESCRIPTION	REV
108	4811600	4	Flatwasher M5	
109	4811700	16	Flatwasher M6	
110	1001117281	1	Hinge	
111	1001117283	1	Hood, Replacement (Prior to SN 0300195779)	
111	1001146867	1	Hood, Replacement (SN 0300195779 through 0300200802)	
112	1001119077	1	Pipe, Exhaust	
113	1001119086	1	Seal	
114	1001119087	1	Seal	
115	1001119088	1	Seal	
116	1001120748	1	Insulate, Heat Shield (Prior to SN 0300195779)	
116	1001147440	1	Insulate, Heat Shield (SN 0300195779 through 0300200802)	
117	1001120749	1	Insulate, Heat Shield	
	1001118361	Ref	TANK SIDE HOOD ASSEMBLY	B
201	0100081	AR	Adhesive	
202	0760508	2	Bolt M5 x 16mm	
203	0760608	5	Bolt M6 x 16mm	
204	2940109	1	Latch	
205	8290505	2	Locknut M5	
206	8290605	5	Locknut M6	
207	3520030	1	Plug, Hole	
208	4811600	4	Flatwasher M5	
209	4811700	10	Flatwasher M6	
210	1001117281	1	Hinge	
211	See Note	1	Hood, Replacement (Note: Use p/n 1001117285)	
212	1001119089	1	Seal	
213	1001119090	1	Seal	
214	1001119091	1	Seal	
	1001115785	Ref	HYDRAULIC COVER INSTALLATION	E
388	5250810	2	Bolt , Flange M8 x 20mm	
389	8310686	2	Nut, Retainer M8	
391	1001121221	1	Cover, Tray	
		Ref	KUBOTA ENGINE HOOD COMPONENTS (SN 0300153681 through 0300200802)	
	1001115767	Ref	Machines without Arctic Package	F
	1001117978	Ref	Machines with Arctic Package	F
435	2080040	10	Fastener, Huck	
436	1001137451	1	Panel	
437	1001137452	1	Mount, Panel	
		Ref	GM ENGINE HOOD COMPONENTS	
	1001117975	Ref	Machines without Arctic Package (Prior to SN 0300195779)	M
	1001148255	Ref	Machines without Arctic Package (SN 0300195779 through 0300200802)	C
	1001120248	Ref	Machines with Arctic Package (Prior to SN 0300195779)	L
	1001148256	Ref	Machines with Arctic Package (SN 0300195779 through 0300200802)	C
531	3290605	AR	Locknut M6	
538	0760612	AR	Bolt M6 x 25mm	
539	2080040	7	Fastener, Huck	
540	4740362	10	Flatwasher, Special	
541	4811700	10	Flatwasher M6	
542	1001137337	1	Vent	
544	1001137369	1	Plate	

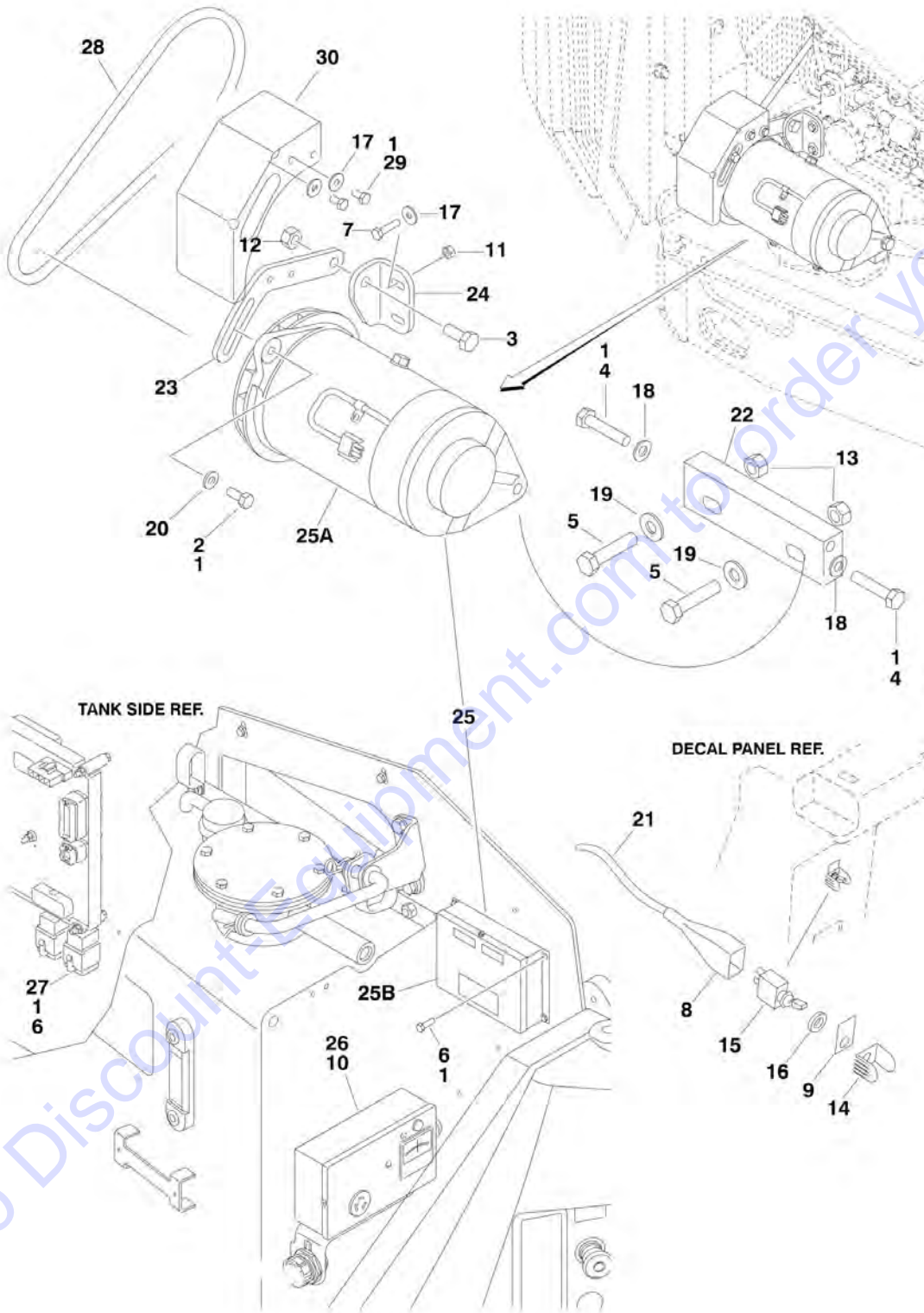
SECTION 2 - TURNTABLE

ITEM	PART NUMBER	QTY	DESCRIPTION	REV
545	1001137397	1	Shield, Rubber	
546	1001137401	1	Shield, Rubber	

Go to Discount-Equipment.com to order your parts

SECTION 2 - TURNTABLE

FIGURE 2-14. GENERATOR INSTALLATION - GM ENGINE MACHINES (OPTIONAL)



SECTION 2 - TURNTABLE

FIGURE 2-14. GENERATOR INSTALLATION - GM ENGINE MACHINES (OPTIONAL)

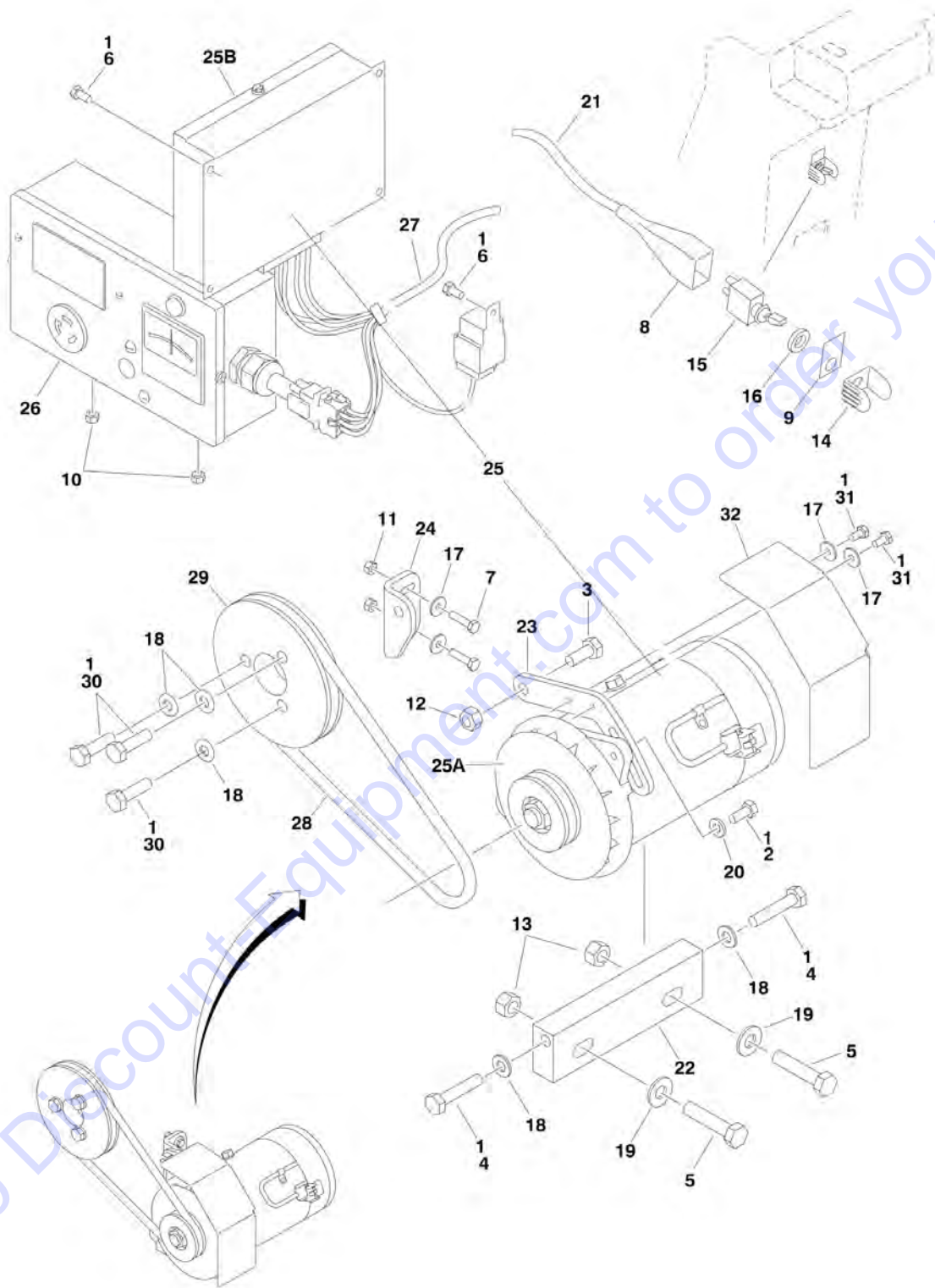
ITEM	PART NUMBER	QTY	DESCRIPTION	REV
		Ref	GENERATOR INSTALLATION	
	1001121719	Ref	120V/60Hz Generator (ANSI, ANSI Export, CSA and Japanese Specs)	D
	1001121721	Ref	220V/60HZ Generator (ANSI Export and CSA Specs)	D
	1001121720	Ref	220V/50HZ Generator (ANSI Export Spec Only)	D
1	0100011	AR	Compound, Locking	
2	0641506	1	Bolt 5/16in-18NC x 3/4in	
3	0701012	1	Bolt M10 x 25mm	
4	0701018	2	Bolt M10 x 50mm	
5	0701219	2	Bolt M12 x 25mm	
6	0760505	5	Bolt M5 x 10mm	
7	0760612	2	Bolt M6 x 25mm	
8	2820031	AR	Heatshrink	
9	3251102	1	Nameplate - Generator	
10	3290505	2	Locknut M5	
11	3290605	2	Locknut M6	
12	3291005	1	Locknut M10	
13	3291205	2	Locknut M12	
14	4060802	1	Guard, Switch	
15	4360336	1	Switch, Toggle	
16	4740397	1	Washer	
17	4811702	4	Flatwasher M6	
18	4812000	2	Flatwasher M10	
19	4812102	2	Flatwasher M12	
20	4891500	1	Flatwasher 5/16in Hardened	
21	4922641	1	Harness, On/Off Switch (See ELECTRICAL SECTION for Breakdown)	
22	1001119551	1	Mount, Generator	
23	1001119553	1	Arm, Adjustment	
24	1001119554	1	Support, Arm	
25		Ref	Generator and Voltage Regulator Assembly Options:	
25	1001119586	1	120V/60Hz	C
25	1001119588	1	220V/60Hz	C
25	1001119589	1	220V/50Hz	C
25A		Ref	Generator Only Options:	
25A		Ref	Note: Replacement Generators come standard with p/n 3580134 pulley. This pulley may not be correct for all applications. Refer to pulley options below.	
25A	2460049	1	120V	
25A	1001100321	1	220V	
25A		Ref	Armature with Slip Rings Options:	
25A	70000122	1	120V Armature with Slip Rings	
25A	70000123	1	220V Armature with Slip Rings	
25A	7020109	4	Holder, Brush	
25A	7020108	4	Brush	
25A	7012513	4	Cap, Brush Holder	
25A	7012514	1	Fan	
25A	7020190	2	Bearing	
25A	7020110	1	End Bell, Front	
25A	7020111	1	End Bell, Rear	

SECTION 2 - TURNTABLE

ITEM	PART NUMBER	QTY	DESCRIPTION	REV
25A	70003069	1	Cord, Power	
25A		Ref	Pulley Options:	
25A	70003068	1	60Hz	
25A	70003070	1	50Hz	
25A	7027887	1	Key, Woodruff	
25B		Ref	Regulator, Voltage Options:	
25B	7026525	1	120V	
25B	70002238	1	220V	
26		Ref	Control Box Assembly Options:	
26	1001119633	1	120V	B
26	1001119634	1	220V	B
26		Ref	Circuit Breaker Options:	
26	70002240	1	120V	
26	70000126	1	220V	
26		Ref	Voltmeter Options:	
26	2420203	1	120V	
26	7020192	1	220V	
26		Ref	Receptacle Options:	
26	7020152	1	Receptacle, Double (120V Box)	
26	70003137	1	Receptacle, Single Twist Lock (120V Box)	
26	70000124	1	Receptacle, Double (220V Box)	
26	70000125	1	Receptacle, Single Twist Lock (220V Box)	
26	2920162	1	Lamp	
26	70002237	1	Diode	
26	3520028	1	Plug, Hole	
27	1001119773	1	Harness, Generator (See ELECTRICAL SECTION for Breakdown)	
28		Ref	V-Belt Options:	
28	1001119881	1	60Hz	
28	1001119882	1	50Hz	
29	0760606	2	Bolt M6 x 12mm	
30	1001125118	1	Shield, Pulley	

SECTION 2 - TURNTABLE

FIGURE 2-15. GENERATOR INSTALLATION - KUBOTA ENGINE MACHINES (OPTIONAL)



SECTION 2 - TURNTABLE

FIGURE 2-15. GENERATOR INSTALLATION - KUBOTA ENGINE MACHINES (OPTIONAL)

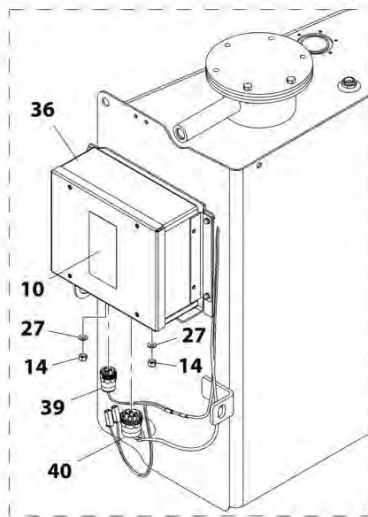
ITEM	PART NUMBER	QTY	DESCRIPTION	REV
		Ref	GENERATOR INSTALLATION	
	1001119582	Ref	120V/60Hz Generator (ANSI, ANSI Export, CSA and Japanese Specs)	E
	1001119583	Ref	120V/50Hz Generator (CE Specs)	E
	1001119584	Ref	220V/60HZ Generator (ANSI Export and CSA Specs)	E
	1001119585	Ref	220V/50HZ Generator (ANSI Export, Australian and CE Specs)	E
1	0100011	AR	Compound, Locking	
2	0641506	1	Bolt 5/16in-18NC x 3/4in	
3	0701012	1	Bolt M10 x 25mm	
4	0701018	2	Bolt M10 x 50mm	
5	0701219	2	Bolt M12 x 25mm	
6	0760505	5	Bolt M5 x 10mm	
7	0760612	2	Bolt M6 x 25mm	
8	2820031	AR	Heatshrink	
9	3251102	1	Nameplate - Generator	
10	3290505	2	Locknut M5	
11	3290605	2	Locknut M6	
12	3291005	1	Locknut M10	
13	3291205	2	Locknut M12	
14	4060802	1	Guard, Switch	
15	4360336	1	Switch, Toggle	
16	4740397	1	Washer	
17	4811702	4	Flatwasher M6	
18	4812000	5	Flatwasher M10	
19	4812102	2	Flatwasher M12	
20	4891500	1	Flatwasher 5/16in Hardened	
21	4922641	1	Harness, On/Off Switch (See ELECTRICAL SECTION for Breakdown)	
22	1001119551	1	Mount, Generator	
23	1001119553	1	Arm, Adjustment	
24	1001119554	1	Support, Arm	
25		Ref	Generator Assembly Options:	
25	1001119586	1	120V/60Hz	C
25	1001119587	1	120V/50Hz	C
25	1001119588	1	220V/60Hz	C
25	1001119589	1	220V/50Hz	C
25A		Ref	Generator Only Options:	
		Ref	Note: Replacement Generators come standard with p/n 3580134 pulley. This pulley may not be correct for all applications. Refer to pulley options below.	
25A	2460049	1	120V	
25A	1001100321	1	220V	
25A		Ref	Armature with Slip Rings Options:	
25A	70000122	1	120V Armature with Slip Rings	
25A	70000123	1	220V Armature with Slip Rings	
25A	7020109	4	Holder, Brush	
25A	7020108	4	Brush	
25A	7012513	4	Cap, Brush Holder	
25A	7012514	1	Fan	
25A	7020190	2	Bearing	

SECTION 2 - TURNTABLE

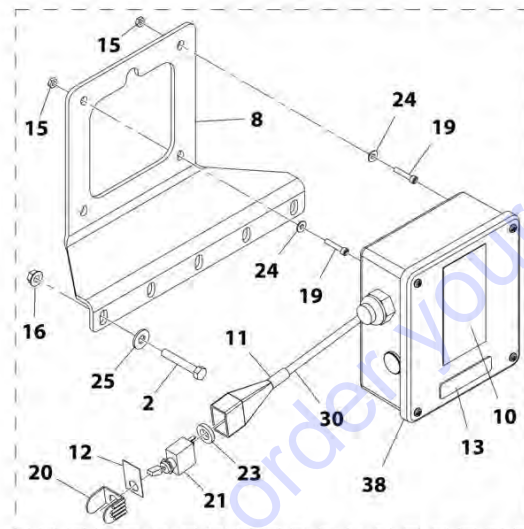
ITEM	PART NUMBER	QTY	DESCRIPTION	REV
25A	7020110	1	End Bell, Front	
25A	7020111	1	End Bell, Rear	
25A	70003069	1	Cord, Power	
25A		Ref	Pulley Options:	
25A	70003068	1	60Hz	
25A	70003070	1	50Hz	
25A	7027887	1	Key, Woodruff	
25B		Ref	Regulator, Voltage Options:	
25B	7026525	1	120V	
25B	70002238	1	220V	
26		Ref	Control Box Assembly Options:	B
26		Ref	Circuit Breaker Options:	
26	70002240	1	120V	
26	70000126	1	220V	
26		Ref	Voltmeter Options:	
26	2420203	1	120V	
26	7020192	1	220V	
26		Ref	Receptacle Options:	
26	7020152	1	Receptacle, Double (120V Box)	
26	70003137	1	Receptacle, Single Twist Lock (120V Box)	
26	70000124	1	Receptacle, Double (220V Box)	
26	70000125	1	Receptacle, Single Twist Lock (220V Box)	
26	2920162	1	Lamp	
26	70002237	1	Diode	
26	3520028	1	Plug, Hole	
27	1001119773	1	Harness, Generator (See ELECTRICAL SECTION for Breakdown)	
28		Ref	V-Belt Options:	
28	1001119882	1	60Hz	
28	1001119881	1	50Hz	
29	1001118720	1	Pulley	
30	1001119929	3	Bolt M10 x 35mm	
31	0760606	2	Bolt M6 x 12mm	
32	1001125118	1	Shield, Pulley	

SECTION 2 - TURNTABLE

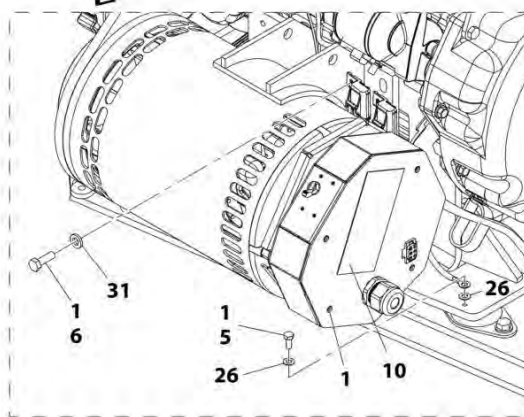
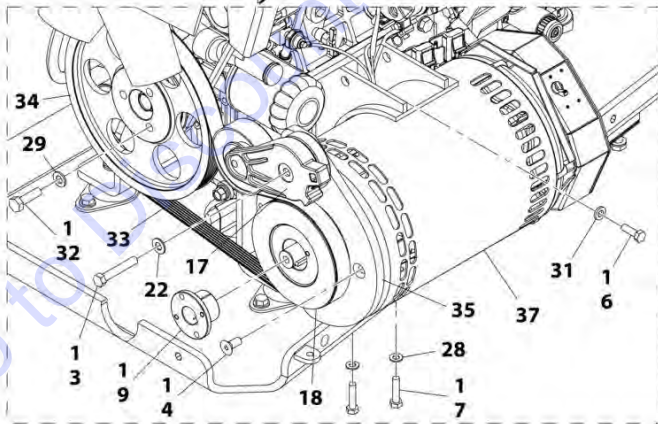
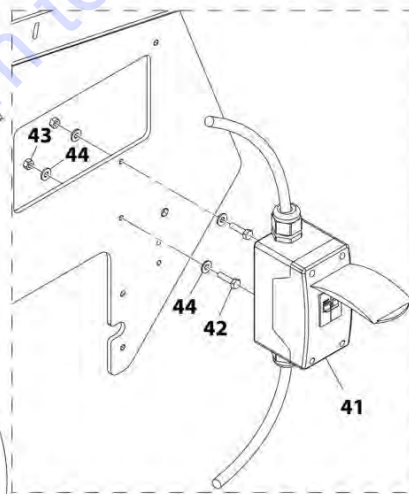
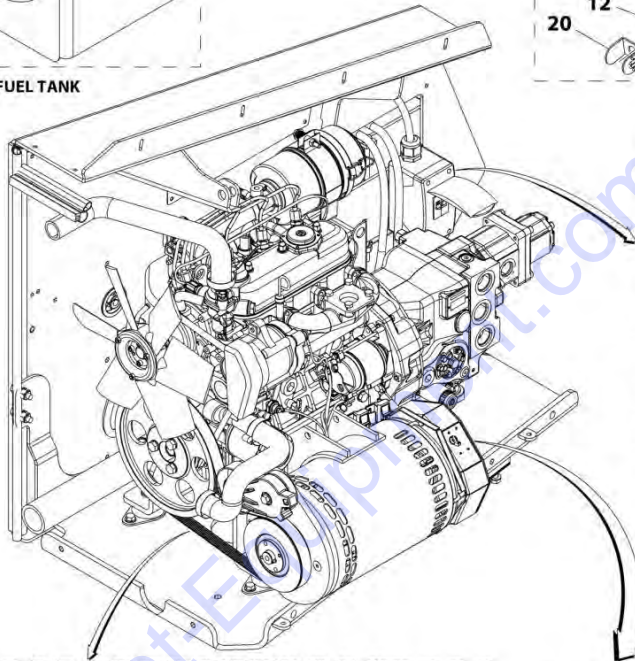
FIGURE 2-16. 220V/50HZ 4000W GENERATOR INSTALLATION - KUBOTA ENGINE MACHINES (OPTIONAL)



LOCATED AT FUEL TANK



LOCATED AT PLATFORM



ART_1001148660

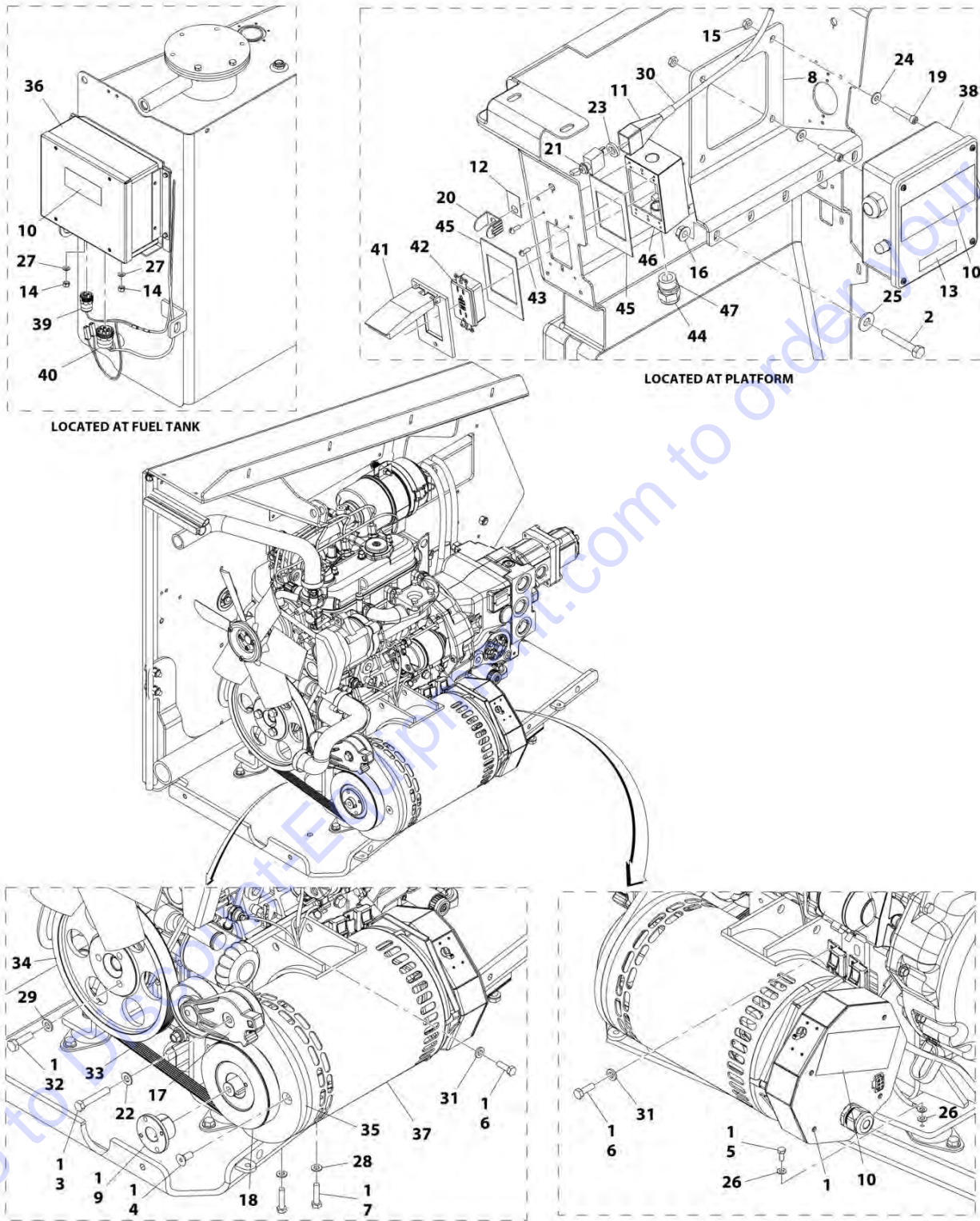
SECTION 2 - TURNTABLE

FIGURE 2-16. 220V/50HZ 4000W GENERATOR INSTALLATION - KUBOTA ENGINE MACHINES (OPTIONAL)

ITEM	PART NUMBER	QTY	DESCRIPTION	REV
		Ref	4000W GENERATOR INSTALLATION	
	1001148660	Ref	220V/50Hz Generator (ANSI Export, Australian, CE and Japanese Specs)	A
1	0100011	AR	Compound, Locking	
2	0641516	3	Bolt 5/16in-18NC x 2in	
3	0641618	1	Bolt 3/8in-16NC x 2-1/4in	
4	0741607	3	Bolt 3/8in-16NC x 0.88in	
5	0760607	1	Bolt M6 x 14mm	
6	0760812	2	Bolt M8 x 25mm	
7	0760815	2	Bolt M8 x 35mm	
8	0902888	1	Bracket, Generator Junction Box	
9	0962520	1	Bushing, Split Taper	
10	1705489	3	Decal, Hazardous Voltage	
11	2820031	AR	Heat Shrink	
12	3251102	1	Nameplate, Generator	
13	3251242	1	Decal - 240V/50Hz	
14	3290505	2	Locknut M5	
15	3311005	4	Locknut #10-24NC	
16	3311508	3	Nut #5/16-18NC	
17	3580317	1	Pulley, Belt Tensioner	
18	3580319	1	Pulley, Generator - 50Hz	
19	3931016	4	Bolt #10-24NC x 1	
20	4060802	1	Guard, Switch	
21	4360336	1	Switch, Toggle	
22	4711600	1	Washer 3/8	
23	4740397	1	Washer	
24	4751000	4	Flatwasher #10 Wide	
25	4751500	3	Flatwasher #5/16 Wide	
26	4791400	2	Washer 1/4	
27	4811600	2	Washer 5mm	
28	4811900	2	Washer 8mm	
29	4812000	3	Washer 10mm	
30	4922641	1	Harness, On/Off Switch (See ELECTRICAL SECTION for Breakdown)	
31	5240800	2	Washer 8mm Hardened	
32	1001119929	3	Bolt M10 x 35mm	
33	1001147141	1	Belt, 4000W - 50Hz	
34	1001147233	1	Pulley	
35	1001136148	1	Mount, Generator Tensioner	
36	1001147431	1	4000W Control Box Installation	
37	1001150619	1	Generator. 4000W - 50Hz	
38	1001152458	1	Box, Junction Assembly	
39	1001157915	1	Harness, 4000W Generator	
40	1001157916	1	Harness, Generator (See ELECTRICAL SECTION for Breakdown)	
41	1001096070	1	Kit, Box and Bracket	
42	0641408	2	Bolt 1/4in-20NC x 1in	
43	3311405	2	Locknut 1/4in-20NC	
44	4711400	4	Flatwasher 1/4in (Narrow)	

SECTION 2 - TURNTABLE

FIGURE 2-17. 110V/60HZ 4000W GENERATOR INSTALLATION - KUBOTA ENGINE MACHINES (OPTIONAL)



ART_1001148663

SECTION 2 - TURNTABLE

FIGURE 2-17. 110V/60HZ 4000W GENERATOR INSTALLATION - KUBOTA ENGINE MACHINES (OPTIONAL)

ITEM	PART NUMBER	QTY	DESCRIPTION	REV
		Ref	4000W GENERATOR INSTALLATION	
	1001148663	1	110V/60Hz Generator (ANSI, ANSI Export, CSA and Japanese Specs)	A
1	0100011	AR	Compound, Locking	
2	0641516	3	Bolt 5/16in-18NC x 2in	
3	0641618	1	Bolt 3/8in-16NC x 2-1/4in	
4	0741607	3	Bolt 3/8in-16NC x 0.88in	
5	0760607	1	Bolt M6 x 14mm	
6	0760812	2	Bolt M8 x 25mm	
7	0760815	2	Bolt M8 x 35mm	
8	0902888	1	Bracket, Generator Junction Box	
9	0962520	1	Bushing, Split Taper	
10	1705387	3	Decal, Hazardous Voltage	
11	2820031	AR	Heat Shrink	
12	3251102	1	Nameplate, Generator	
13	3251243	1	Decal - 120V/60Hz	
14	3290505	2	Locknut M5	
15	3311005	4	Locknut #10-24NC	
16	3311508	3	Nut #5/16-18NC	
17	3580317	1	Pulley, Belt Tensioner	
18	3580318	1	Pulley, Generator - 60Hz	
19	3931016	4	Bolt #10-24NC x 1	
20	4060802	1	Guard, Switch	
21	4360336	1	Switch, Toggle	
22	4711600	1	Washer 3/8	
23	4740397	1	Washer	
24	4751000	4	Flatwasher #10 Wide	
25	4751500	3	Flatwasher #5/16 Wide	
26	4791400	2	Washer 1/4	
27	4811600	2	Washer 5mm	
28	4811900	2	Washer 8mm	
29	4812000	3	Washer 10mm	
30	4922641	1	Harness, On/Off Switch (See ELECTRICAL SECTION for Breakdown)	
31	5240800	2	Washer 8mm Hardened	
32	1001119929	3	Bolt M10 x 35mm	
33	1001153814	1	Belt, 4000W - 60Hz	
34	1001147233	1	Pulley	
35	1001136148	1	Mount, Generator Tensioner	
36	1001147431	1	4000W Control Box Installation	
37	1001147436	1	Generator 4000W - 60Hz	
38	1001152457	1	Box, Junction Assembly	
39	1001157915	1	Harness, 4000W Generator	
40	1001157916	1	Harness, Generator (See ELECTRICAL SECTION for Breakdown)	
41	1001110873	1	Cover	
42	4460346	1	Receptacle	
43	3910606	4	Bolt 6-32NC x 3/8in	
44	4460071	1	Connector	

SECTION 2 - TURNTABLE

ITEM	PART NUMBER	QTY	DESCRIPTION	REV
45	3960422	1	Gasket	
46	0860038	1	Box, Switch-Weatherhead	
47	0100020	AR	Sealant, Pipe	

Go to Discount-Equipment.com to order your parts

SECTION 3 - BOOM

Go to Discount-Equipment.com to order your parts

SECTION 3 - BOOM

FIGURE 3-1. BOOM AND CYLINDERS INSTALLATION

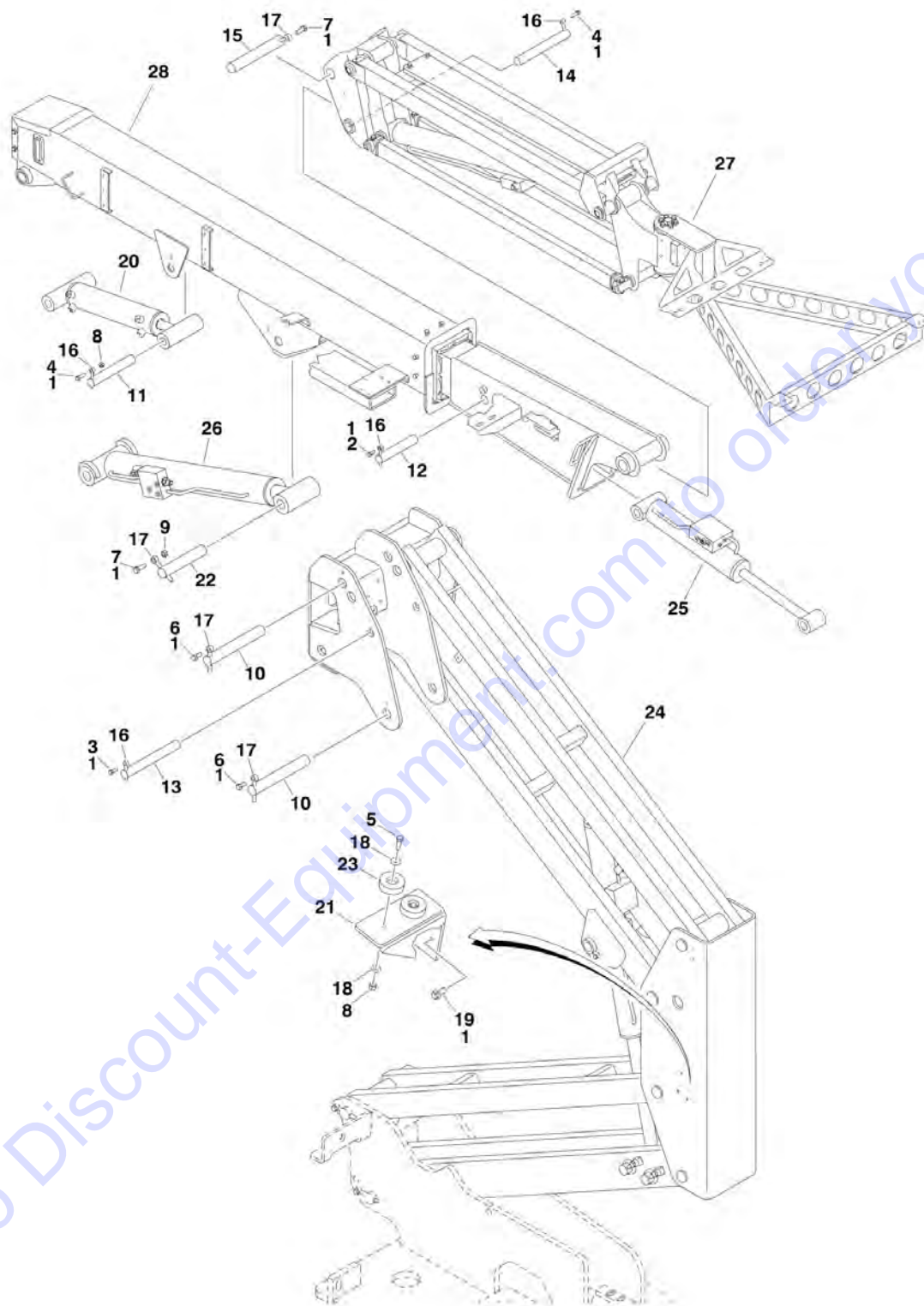


FIGURE 3-1. BOOM AND CYLINDERS INSTALLATION

ITEM	PART NUMBER	QTY	DESCRIPTION	REV
		Ref	BOOM AND CYLINDERS INSTALLATIONS	
	1001115766	Ref	Machines without Arctic Package	C
	1001119371	Ref	Machines with Arctic Package	C
1	0100011	AR	Compound, Locking	
2	0761011	1	Bolt M10 x 22mm	
3	0761012	1	Bolt M10 x 25mm	
4	0761014	2	Bolt M10 x 30mm	
5	0761015	2	Bolt M10 x 35mm	
6	0761212	2	Bolt M12 x 25mm	
7	0761215	2	Bolt M12 x 35mm	
8	3291005	3	Locknut M10	
9	3291205	1	Locknut M12	
10	3422576	2	Pin	
11	3422582	1	Pin	
12	3422709	1	Pin	
13	3422790	1	Pin	
14	3422792	1	Pin	
15	3422814	1	Pin	
16	3841143	4	Keeper, Pin	
17	3841203	4	Keeper, Pin	
18	4812000	4	Flatwasher M10	
19	5251010	3	Bolt, Flanged M10 x 20mm	
20	1001120976	1	Master Cylinder Assembly (See CYLINDER SECTION for Breakdown)	
21	1001125235	1	Rest, Boom	
22	1001109528	1	Pin	
23	1001112607	2	Pad, Boom Rest	
24	1001115672	1	Tower Boom Assembly (See TOWER BOOM ASSEMBLY for Breakdown)	
25	1001117375	NLA	Level Cylinder Assembly - Platform (Slave) (Use p/n 1001225990) (Original Equipment) (See CYLINDER SECTION for Breakdown)	
25	1001225990	1	Level Cylinder Assembly - Platform (Slave) (Service Replacement) (See CYLINDER SECTION for Breakdown)	
26	1001117640	1	Lift Cylinder Assembly - Main Boom (See CYLINDER SECTION for Breakdown)	
27		Ref	Jib Assembly (See JIB ASSEMBLY AND PLATFORM SUPPORT INSTALLATION for Breakdown)	
27	1001117884	1	Machines without Arctic Package	
27	1001119370	1	Machines with Arctic Package	
28	1001117885	1	Main Boom Assembly Options (See MAIN BOOM ASSEMBLY for Breakdown)	

SECTION 3 - BOOM

FIGURE 3-2. TOWER BOOM ASSEMBLY

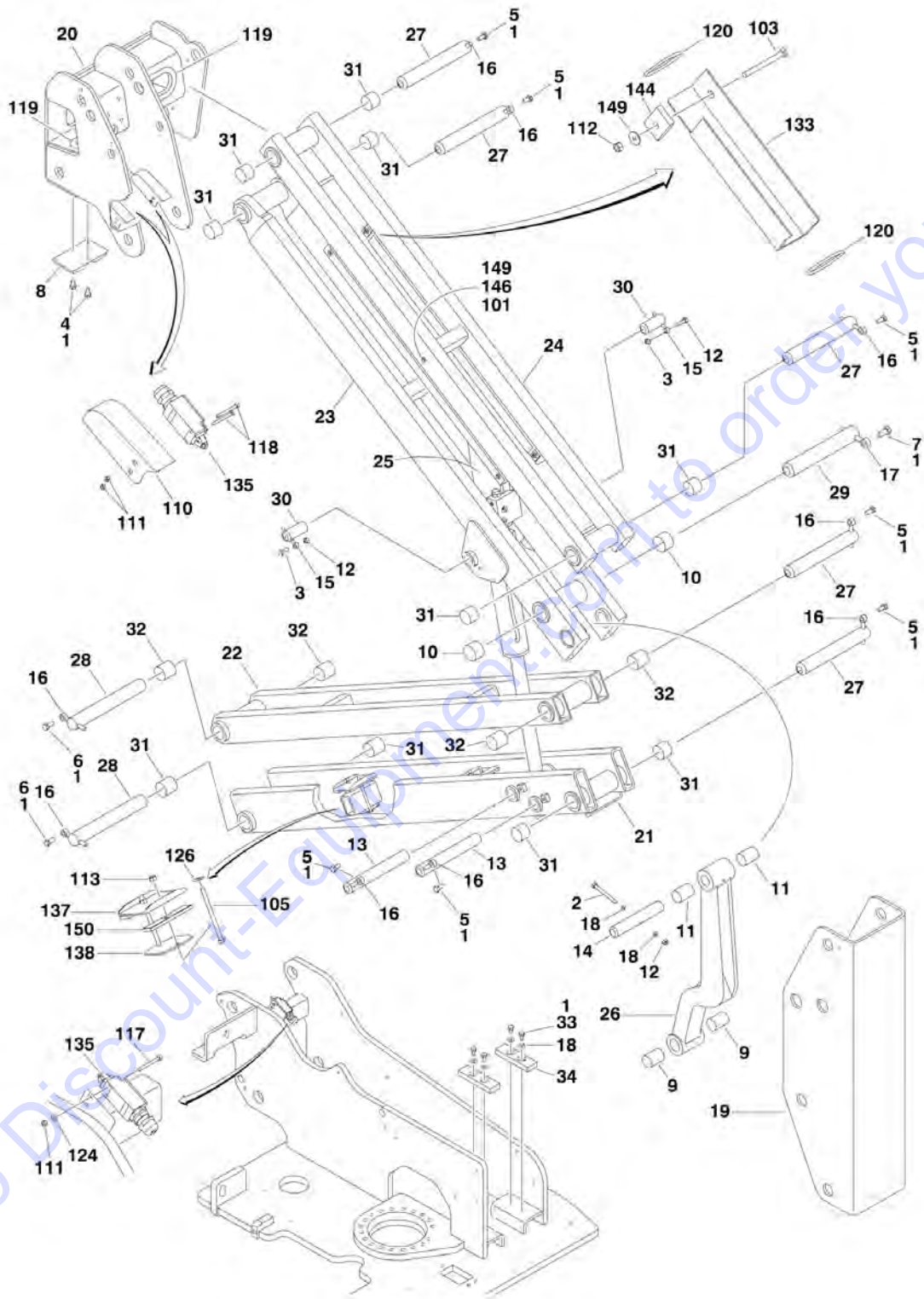


FIGURE 3-2. TOWER BOOM ASSEMBLY

ITEM	PART NUMBER	QTY	DESCRIPTION	REV
	1001115672	Ref	TOWER BOOM ASSEMBLY	C
1	0100011	AR	Compound, Locking	
2	0701027	1	Bolt M10 x 100mm	
3	0761015	2	Bolt M10 x 35mm	
4	0761210	2	Bolt M12 x 20mm	
5	0761212	7	Bolt M12 x 25mm	
6	0761214	2	Bolt M12 x 30mm	
7	0761615	2	Bolt M16 x 35mm	
8	0940048	1	Bumper	
9	0961948	2	Bearing	
10	0962224	2	Bearing	
11	0962259	2	Bearing	
12	3291005	3	Locknut M10	
13	3422787	2	Pin	
14	3422788	1	Pin	
15	3841143	2	Keeper, Pin	
16	3841203	9	Keeper, Pin	
17	3841258	1	Keeper, Pin	
18	4812000	6	Flatwasher M10	
19	1001115649	1	Upright (Bottom)	
20	1001115650	1	Upright (Top)	
21	1001115657	1	Link, Lower Boom (Bottom)	
22	1001115661	1	Link, Lower Boom (Top)	
23	1001115663	1	Link, Mid Boom (Bottom)	
24	1001115669	1	Link, Mid Boom (Top)	
25	1001122527	1	Lift Cylinder Assembly - Tower Boom (See CYLINDER SECTION for Breakdown)	
26	1001115870	1	Link, Timing	
27	1001116546	5	Pin	
28	1001116547	2	Pin	
29	1001116548	1	Pin	
30	1001116549	2	Pin	
31	1001118665	10	Bearing	
32	1001118666	4	Bearing	
33	0761010	4	Bolt M10 x 20mm	
34	3340758	2	Pad, Wear	
		Ref	LIMIT SWITCHES, CABLES AND CLAMPS INSTALLATION	
	1001115784	Ref	Machines without Arctic Package	F
	1001119937	Ref	Machines with Arctic Package	F
101	0100011	AR	Compound, Locking	
103	0760621	4	Bolt M6 x 65mm	
105	0700829	4	Bolt M8 x 120mm	
110	1670899	2	Cover, Switch	
111	3290405	6	Locknut M4	
112	3290605	5	Locknut M6	
113	3290805	6	Locknut M8	
117	4031510	2	Capscrew M4 x 30mm	
118	4031512	4	Capscrew M4 x 40mm	
119	4060808	1.8 ft /55cm	Flex-Trim	

SECTION 3 - BOOM

ITEM	PART NUMBER	QTY	DESCRIPTION	REV
120	4240018	AR	Tie-Strap	
124	4811400	2	Flatwasher M4	
126	4811900	8	Flatwasher M8	
133	1001116433	2	Guard, Hose	
135	1001118292	1	Harness, Tower Boom (See ELECTRICAL SECTION for Breakdown)	
135	4360548	3	Switch, Limit	
137	1001118592	2	Plate, Hose Clamp	
138	1001118593	2	Plate, Hose Clamp	
144	1001119197	4	Clamp, Hose	
146	0760605	2	Bolt M6 x 10mm	
149	4811702	10	Flatwasher M6	
150	3340901	4	Pad, Rubber	
151	1001140524	1	Harness, Upper Boom (See ELECTRICAL SECTION for Breakdown) (SN 0300161809 through 0300200802)	

SECTION 3 - BOOM

FIGURE 3-3. MAIN BOOM ASSEMBLY

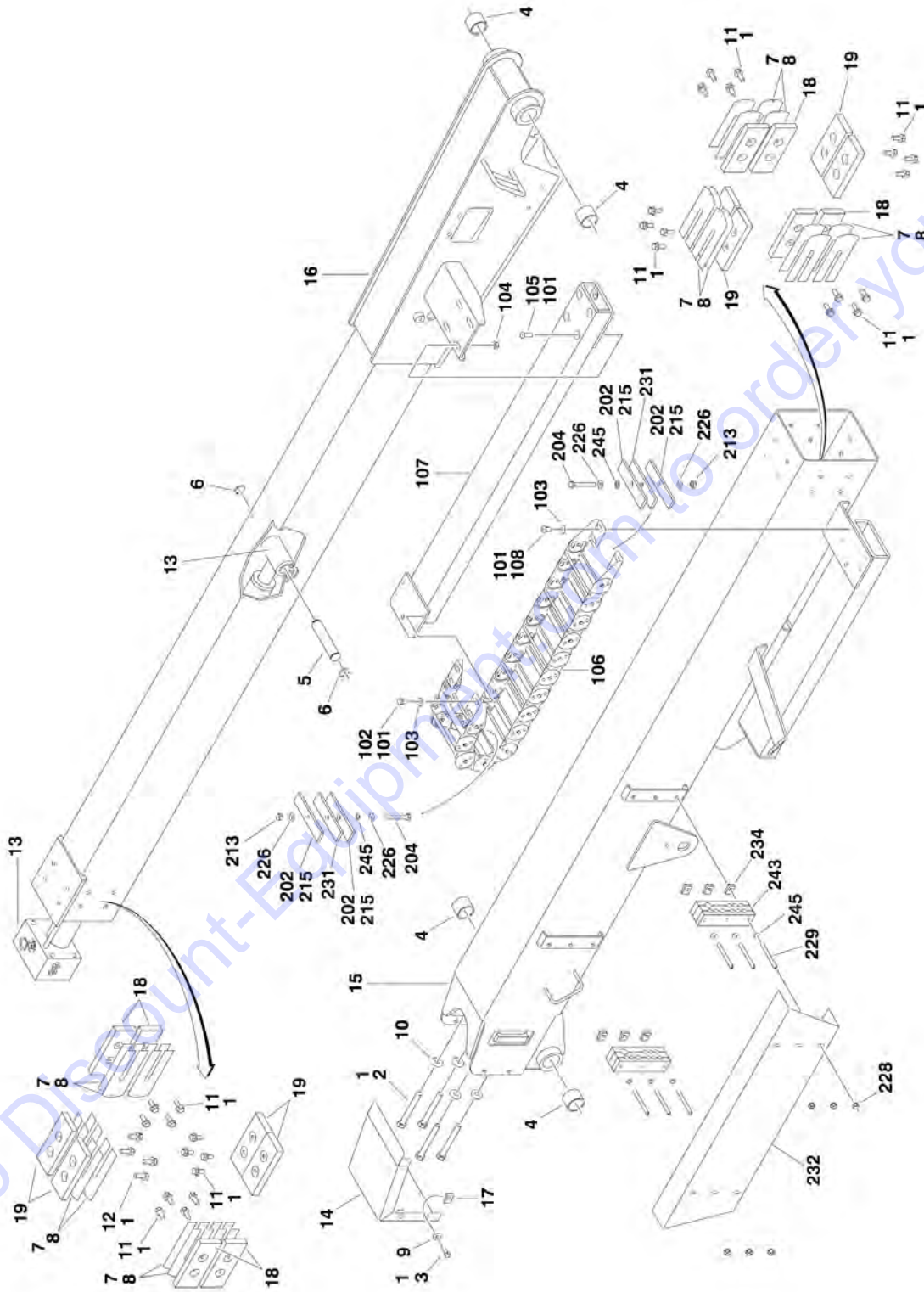


FIGURE 3-3. MAIN BOOM ASSEMBLY

ITEM	PART NUMBER	QTY	DESCRIPTION	REV
	1001117885	Ref	MAIN BOOM ASSEMBLY	C
1	0100011	AR	Compound, Locking	
2	0711227	4	Bolt M12 x 100mm (Grade 10.9)	
3	0760812	4	Bolt M8 x 25mm	
4	0961948	4	Bushing	
5	3422745	1	Pin	
6	3760115	2	Ring, Retaining	
7	4070897	16	Shim 18Ga	
8	4070898	12	Shim 11Ga	
9	4811902	4	Flatwasher M8	
10	5241200	4	Flatwasher M12 Hardened	
11	5251010	28	Bolt, Flanged M10 x 20mm	
12	5251012	4	Bolt, Flanged M10 x 25mm	
13	1001120974	1	Telescope Cylinder Assembly (See CYLINDER SECTION for Breakdown)	
14	1001108290	1	Cover, Boom End	
15	1001116876	1	Boom, Base	
16	1001116877	1	Boom, Fly	
17	1001118274	4	Nut, Retainer M8	
18	1001118287	8	Pad, Wear	
19	1001118288	8	Pad, Wear	
	1001119504	Ref	POWER TRACK ASSEMBLY	B
101	0100011	AR	Compound, Locking	
102	0761007	4	Bolt M10 x 14mm	
103	4812000	8	Flatwasher M10	
104	5221000	4	Nut, Flange M10 (Class 10)	
105	8310668	4	Screw, Button Head M10 x 25mm (Grade 10.9)	
106	1001099834	1	Carrier, Power Track	
106	70001996	1	Repair Kit (Includes One 4 Link Section of Carrier)	
106	70001998	1	Bracket Kit (Includes 4 Mounting Feet and Hardware to Attach to Carrier)	
107	1001119513	1	Tube, Support	
108	1001119527	4	Screw, Button Head M10 x 16mm	
		Ref	LIMIT SWITCHES, CABLES AND CLAMPS INSTALLATION	
	1001115784	Ref	Machines without Arctic Package	F
	1001119937	Ref	Machines with Arctic Package	F
202	0100081	AR	Adhesive	
204	0700820	2	Bolt M8 x 60mm	
213	3290805	6	Locknut M8	
215	3340939	4	Pad, Rubber	
226	4811900	8	Flatwasher M8	
228	5260800	6	Nut, Flange M8 (Class 10)	
229	5281920	6	Capscrew, Cup Point M8 x 80mm	
231	1001106757	2	Plate, Clamp	
232	1001107152	1	Plate, Shield	
234	1001118274	6	Nut, Retainer	
243		Ref	Plate, Hose Clamp Options:	
243	1001119194	2	Machines without Arctic Package	
243	1001119195	2	Machines with Arctic Package	
245	1001119228	8	Pushnut M8	

SECTION 3 - BOOM

FIGURE 3-4. JIB ASSEMBLY AND PLATFORM SUPPORT INSTALLATION

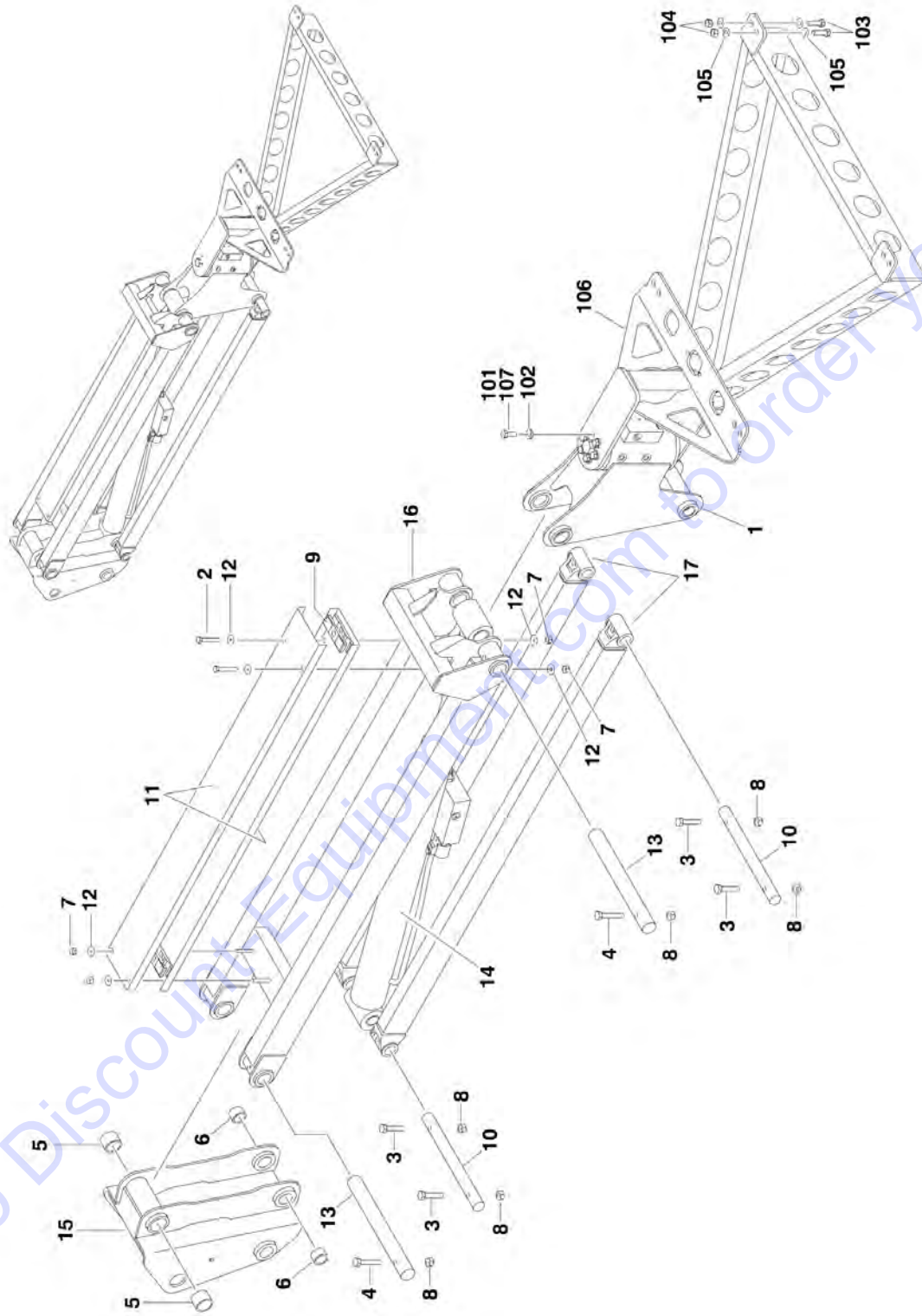
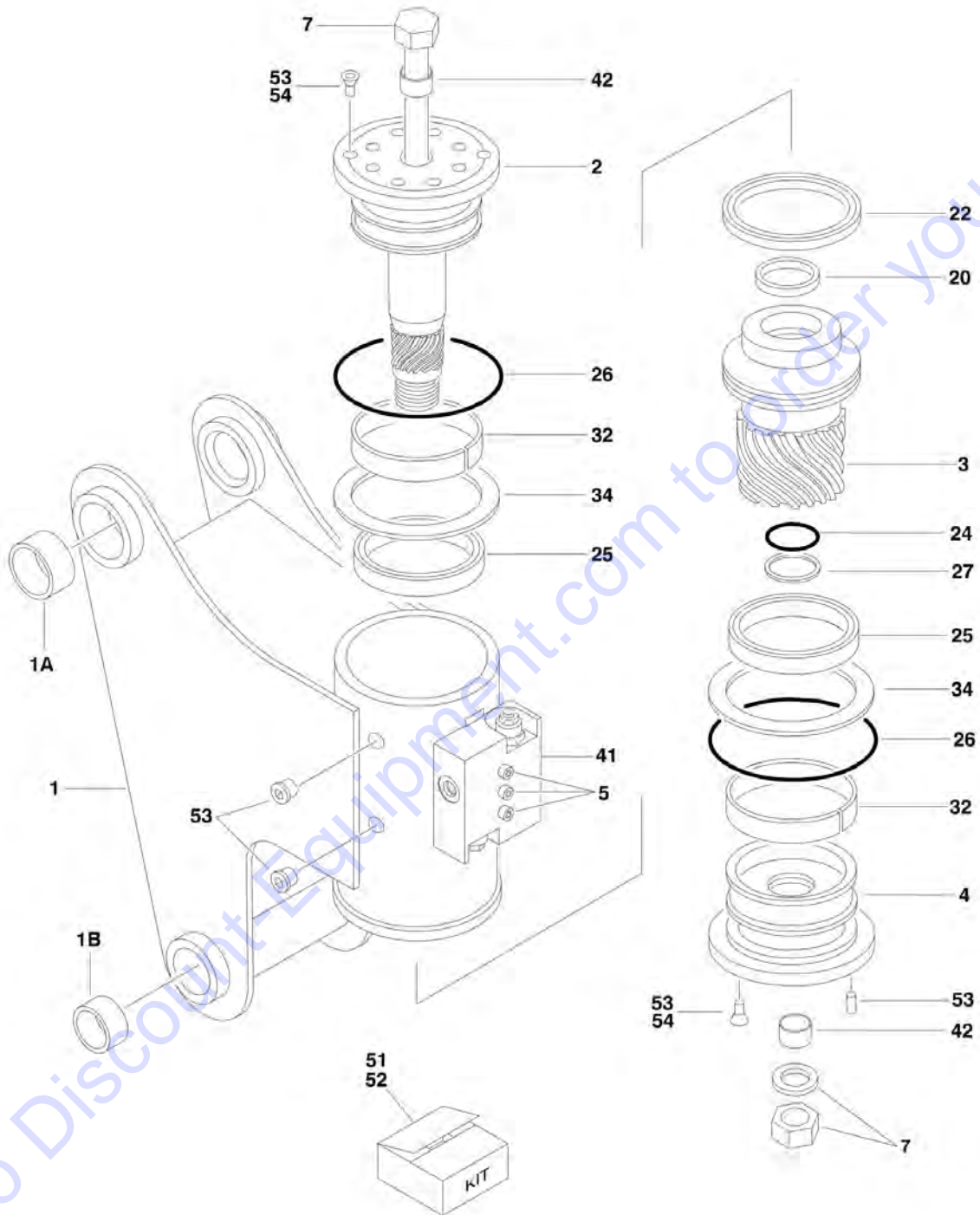


FIGURE 3-4. JIB ASSEMBLY AND PLATFORM SUPPORT INSTALLATION

ITEM	PART NUMBER	QTY	DESCRIPTION	REV
		Ref	JIB ASSEMBLY	
	1001117884	Ref	Machines without Arctic Package	B
	1001119370	Ref	Machines with Arctic Package	B
1		Ref	Platform Rotator Assembly Options (See PLATFORM ROTATOR ASSEMBLY for Breakdown)	
1	0060044	1	Machines without Arctic Package	
1	1001119369	1	Machines with Arctic Package	
2	0700818	2	Bolt M8 x 50mm	
3	0701018	4	Bolt M10 x 50mm	
4	0701020	2	Bolt M10 x 60mm	
5	0961951	2	Bushing	
6	0962292	2	Bushing	
7	3290805	4	Locknut M8	
8	3291005	6	Locknut M10	
9	3340860	4	Pad, Rubber	
10	3422791	2	Pin	
11	3572551	2	Channel, Hose Carrier	
12	4811902	6	Flatwasher M8	
13	1001116550	2	Pin	
14	1001123004	1	Lift Cylinder Assembly - Jib (See CYLINDER SECTION for Breakdown)	
15	1001118394	1	Pivot, Jib	
16	1001118482	1	Link, Jib (Top)	
17	1001118516	2	Link, Jib (Bottom)	
		Ref	PLATFORM SUPPORT INSTALLATION	A
	1001115834	Ref	Machines without Load Sensing	
	See Note	Ref	Machines with LSS (Note: See Separate Breakdown in this Section)	
101	0100011	AR	Compound, Locking	
102	0681608	6	Bolt 3/8in-16NC x 1in (Grade 8)	
103	0761015	8	Bolt M10 x 35mm	
104	3291005	1	Locknut M10	
105	4812000	1	Flatwasher M10	
106		Ref	Support, Platform Options:	
106	4846608	1	Machines without Load Sensing	
106	See Note Above	1	Machines with Load Sensing	
107	4891600	8	Flatwasher 3/8in Hardened	

SECTION 3 - BOOM

FIGURE 3-5. PLATFORM ROTATOR ASSEMBLY



PARTS FINDER

**Search Website
by Part Number**



**Search Manual
Library For Parts
Manual & Lookup Part
Numbers – Purchase
or Request Quote**

**Can't Find Part or
Manual? Request Help
by Manufacturer,
Model & Description**

Discount-Equipment.com is your online resource for quality parts & equipment.

Florida: **561-964-4949** Outside Florida TOLL FREE: **877-690-3101**

Need parts?

Click on this link: <http://www.discount-equipment.com/category/5443-parts/> and choose one of the options to help get the right parts and equipment you are looking for. Please have the machine model and serial number available in order to help us get you the correct parts. If you don't find the part on the website or on one of the online manuals, please fill out the request form and one of our experienced staff members will get back to you with a quote for the right part that your machine needs.

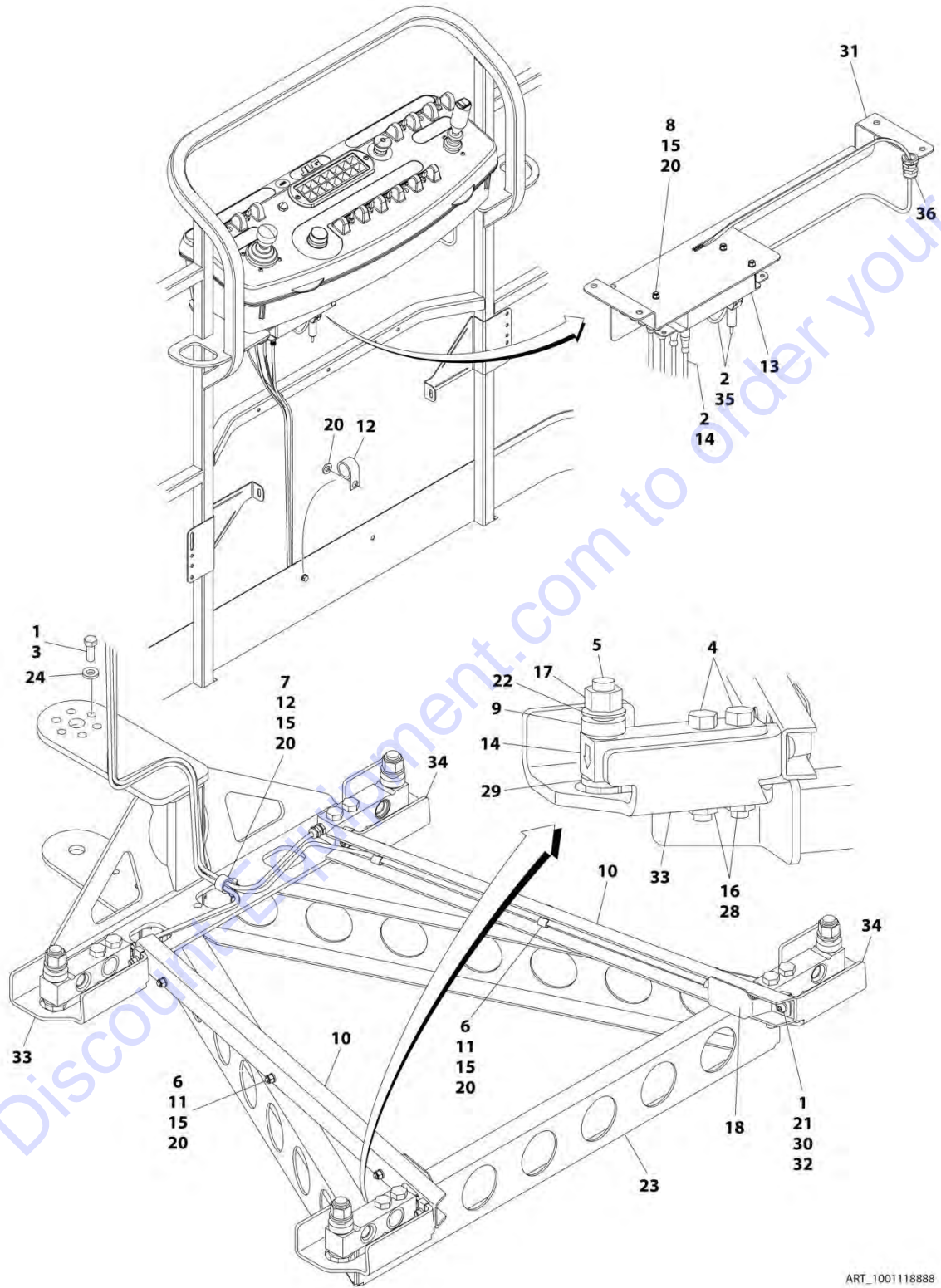
We sell worldwide for the brands: Genie, Terex, JLG, MultiQuip, Mikasa, Essick, Whiteman, Mayco, Toro Stone, Diamond Products, Generac Magnum, Airman, Haulotte, Barreto, Power Blanket, Nifty Lift, Atlas Copco, Chicago Pneumatic, Allmand, Miller Curber, Skyjack, Lull, Skytrak, Tsurumi, Husquvarna Target, Stow, Wacker, Sakai, Mi-T-M, Sullair, Basic, Dynapac, MBW, Weber, Bartell, Bennar Newman, Haulotte, Ditch Runner, Menegotti, Morrison, Contec, Buddy, Crown, Edco, Wyco, Bomag, Laymor, EZ Trench, Bil-Jax, F.S. Curtis, Gehl Pavers, Heli, Honda, ICS/PowerGrit, IHI, Partner, Imer, Clipper, MMD, Koshin, Rice, CH&E, General Equipment, Amida, Coleman, NAC, Gradall, Square Shooter, Kent, Stanley, Tamco, Toku, Hatz, Kohler, Robin, Wisconsin, Northrock, Oztec, Toker TK, Rol-Air, APT, Wylie, Ingersoll Rand / Doosan, Innovatech, Con X, Ammann, Mecalac, Makinex, Smith Surface Prep, Small Line, Wanco, Yanmar

FIGURE 3-5. PLATFORM ROTATOR ASSEMBLY

ITEM	PART NUMBER	QTY	DESCRIPTION	REV
		Ref	PLATFORM ROTATOR ASSEMBLY	
	0060044	Ref	Machines without Arctic Package	D
	1001119369	Ref	Machines with Arctic Package	
1	See Note	NSS	Case/Bracket Weldment (Note: Not Available - Purchase Complete Rotator)	
1A	0962257	2	Bushing, Garmax	
1B	0961947	2	Bushing, Garmax	
2		Ref	Shaft Options:	
2	7017120	1	Helac Control #25928	
2	7017196	1	Helac Control #26962	
2	7017196	1	Helac Control #33226	
3		Ref	Sleeve, Piston Options:	
3	7017121	1	Helac Control #25928	
3	7027900	1	Helac Control #26962	
3	7027900	1	Helac Control #33226	
4		Ref	Cap, End	
4	See Note	NSS	Helac Control #25928 (Note: Not Available - Purchase Complete Rotator)	
4	7027901	1	Helac Control #26962	
4	7027901	1	Helac Control #33226	
5	See Note	NSS	Capscrew 1/4 x 1/1/2 (Grade 8) (Note: Not Available - Purchase Locally)	
7	7017126	1	Tie Rod Assembly	
20	See Note	NSS	Seal, Rod (Note: Use Item 52)	
22	See Note	NSS	Seal, Piston (Note: Use Item 52)	
24	See Note	NSS	Seal, Cap (Note: Use Item 52)	
25	See Note	NSS	Packing, Bearing (Note: Use Item 52)	
26	See Note	NSS	Seal (Note: Use Item 52)	
27	See Note	NSS	Ring, Cap Back-Up (Note: Use Item 52)	
32	See Note	NSS	Bearing, Shaft (Note: Use Item 51)	
34	See Note	NSS	Washer, Thrust (Note: Use Item 51)	
41	7017172	1	Counterbalance Valve Assembly	
41	7017192	2	Cartridge, Valve (No Seal Kit Available)	
42	70004323	1	Bushing, Shaft	
51	7017122	1	Bearing Kit (Includes Items 32 & 34):	
52		Ref	Seal Kit Options (Includes Items 20, 22, 24, 25, 26 & 27):	
52	7017127	1	Standard	
52	70000341	1	Cold Climate	
53	7017123	1	Hardware Kit	
54	70001697	4	Screw, Countersunk 1/4in-20NC x 3/8in (Grade 8)	

SECTION 3 - BOOM

FIGURE 3-6. PLATFORM SUPPORT INSTALLATION - WITH LSS



ART_100118888

SECTION 3 - BOOM

FIGURE 3-6. PLATFORM SUPPORT INSTALLATION - WITH LSS

ITEM	PART NUMBER	QTY	DESCRIPTION	REV
	1001118888	Ref	PLATFORM SUPPORT INSTALLATION - WITH LSS	C
1	0100011	AR	Compound, Locking	
2	0100048	AR	Grease, Terminal	
3	0681608	6	Bolt 3/8 x 1	
4	0701222	8	Bolt M12 x 70	
5	0701624	4	Bolt M16 x 80	
6	0760608	6	Bolt M6 x 16	
7	0760610	1	Bolt M6 x 20	
8	0760618	3	Bolt M6 x 50	
9	0962450	4	Spacer	
10	1271538	2	Channel	
11	1320136	6	Clamp	
12	1320224	2	Clamp	
13	1600387	1	Module, Controller - LSS (Note: Re-calibration Required when Replaced)	
14	2420202	4	Cell, Load	
15	3290605	10	Nut M6	
16	3291205	8	Nut M12	
17	3291605	4	Nut M16	
18	4061054	2	Shield	
19	4240033	AR	Tie-Strap (Not Shown)	
20	4811700	15	Washer M6	
21	4811900	4	Washer M8	
22	4812300	4	Washer M16	
23	4846608	1	Support, Platform	
24	4891600	6	Washer 3/8	
28	5241200	8	Washer M12	
29	5241600	4	Washer M16	
30	8310643	4	Screw M8 x 25 Grade 10.9	
31	1001113483	1	Bracket	
32	1001118274	4	Nut, Tinnerman M8	
33	1001118909	2	Guard	
34	1001118910	2	Guard	
35	1001120371	1	LSS Harness	
35	4460933	1	Connector - 12 Position (Grey) (J1)	
35	4460465	2	Socket, Female	
35	4460466	10	Plug, Terminal	
35	0840055	1	Boot	
35	4460836	1	Connector - 12 Position (Black) (J2)	
35	4460944	3	Socket, Female	
35	4460466	9	Plug, Terminal	
35	0840055	1	Boot	
35	4460465	2	Socket, Female	
35	4460944	3	Socket, Female	
36	4460428	1	Connector, Strain Relief	

SECTION 3 - BOOM

FIGURE 3-7. BOOM VALVES INSTALLATION

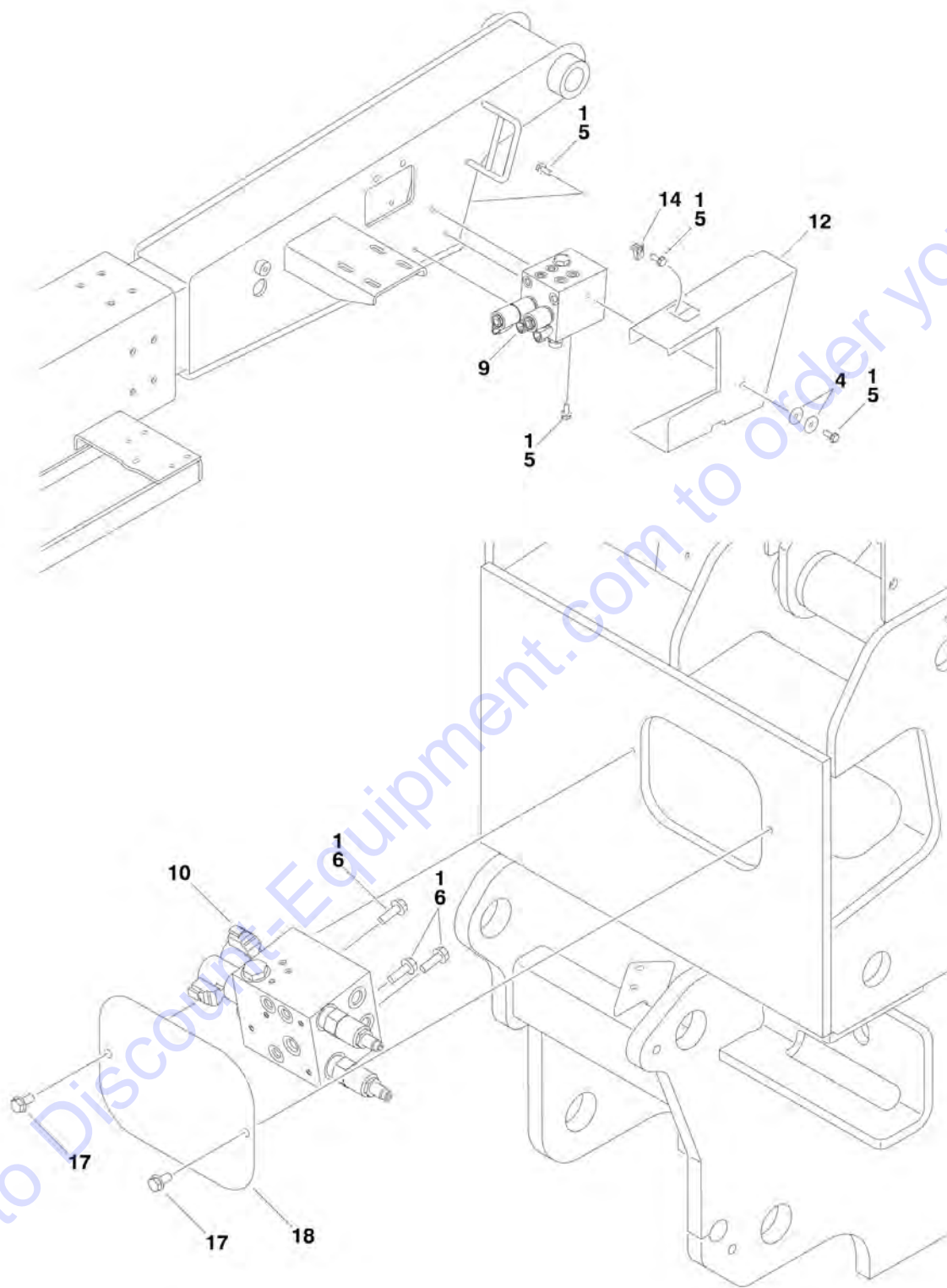
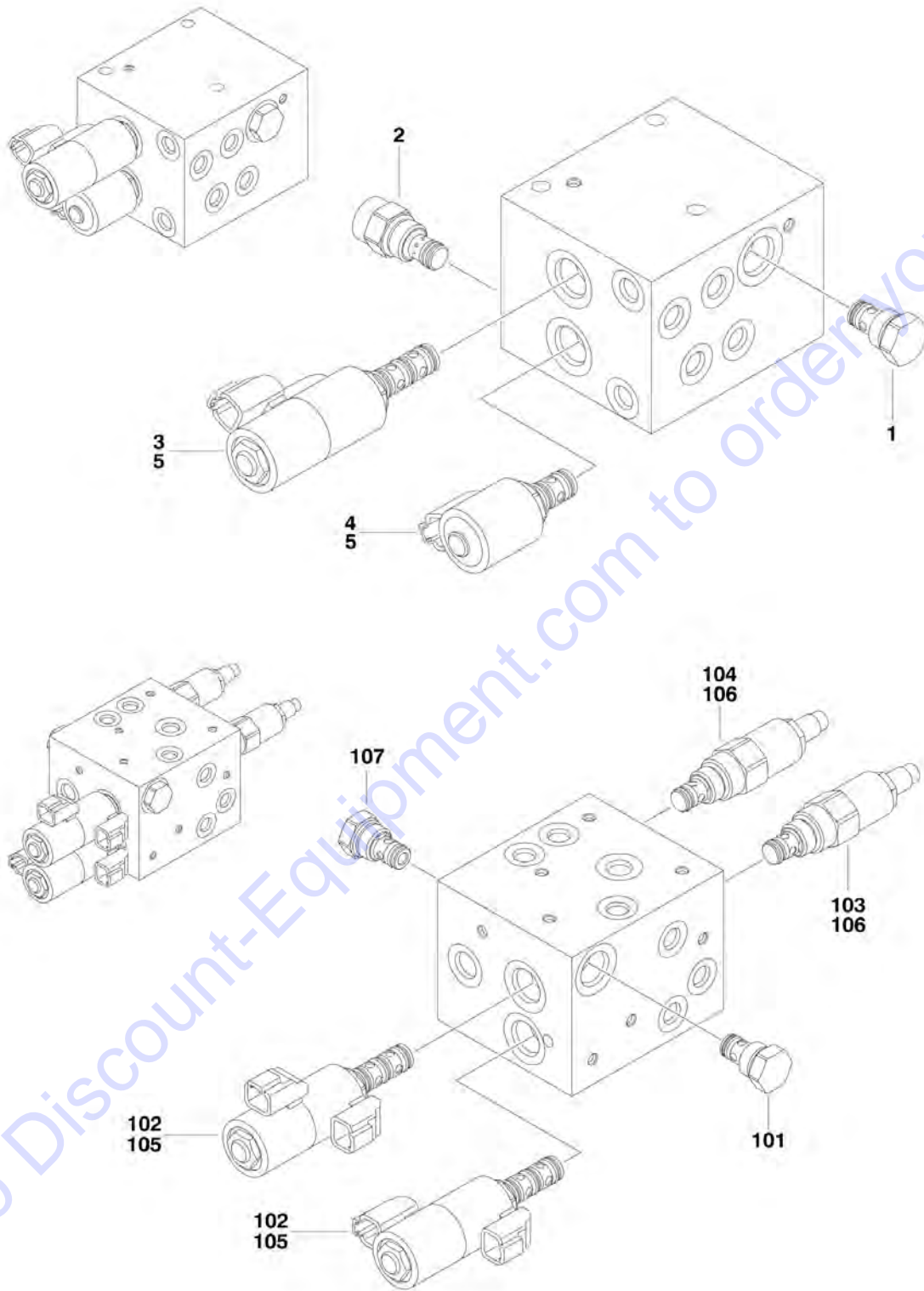


FIGURE 3-7. BOOM VALVES INSTALLATION

ITEM	PART NUMBER	QTY	DESCRIPTION	REV
	1001115780	Ref	BOOM VALVES INSTALLATION	G
1	0100011	AR	Compound, Locking	
4	4812002	2	Flatwasher M10	
5	5250810	10	Bolt, Flanged M8 x 20mm	
6	5250812	3	Bolt, Flanged M8 x 25mm	
9	1001116228	1	Valve Assembly - Fly Boom (See BOOM VALVE ASSEMBLIES for Breakdown)	
10		Ref	Valve Assembly - Boom Upright (See BOOM VALVE ASSEMBLIES for Breakdown)	
10	1001116229		Valve Assembly - Boom Upright (Use p/n 1001136244) (Prior to SN 0300158122)	
10	1001136244	1	Valve Assembly - Boom Upright (SN 0300158122 through 0300200802)	
12	1001116835	1	Shield	
14	1001118274	1	Nut, Retainer	
17	5250808	2	Bolt, Flanged M8 x 16mm	
18	1001118595	1	Plate, Cover	

SECTION 3 - BOOM

FIGURE 3-8. BOOM VALVE ASSEMBLIES



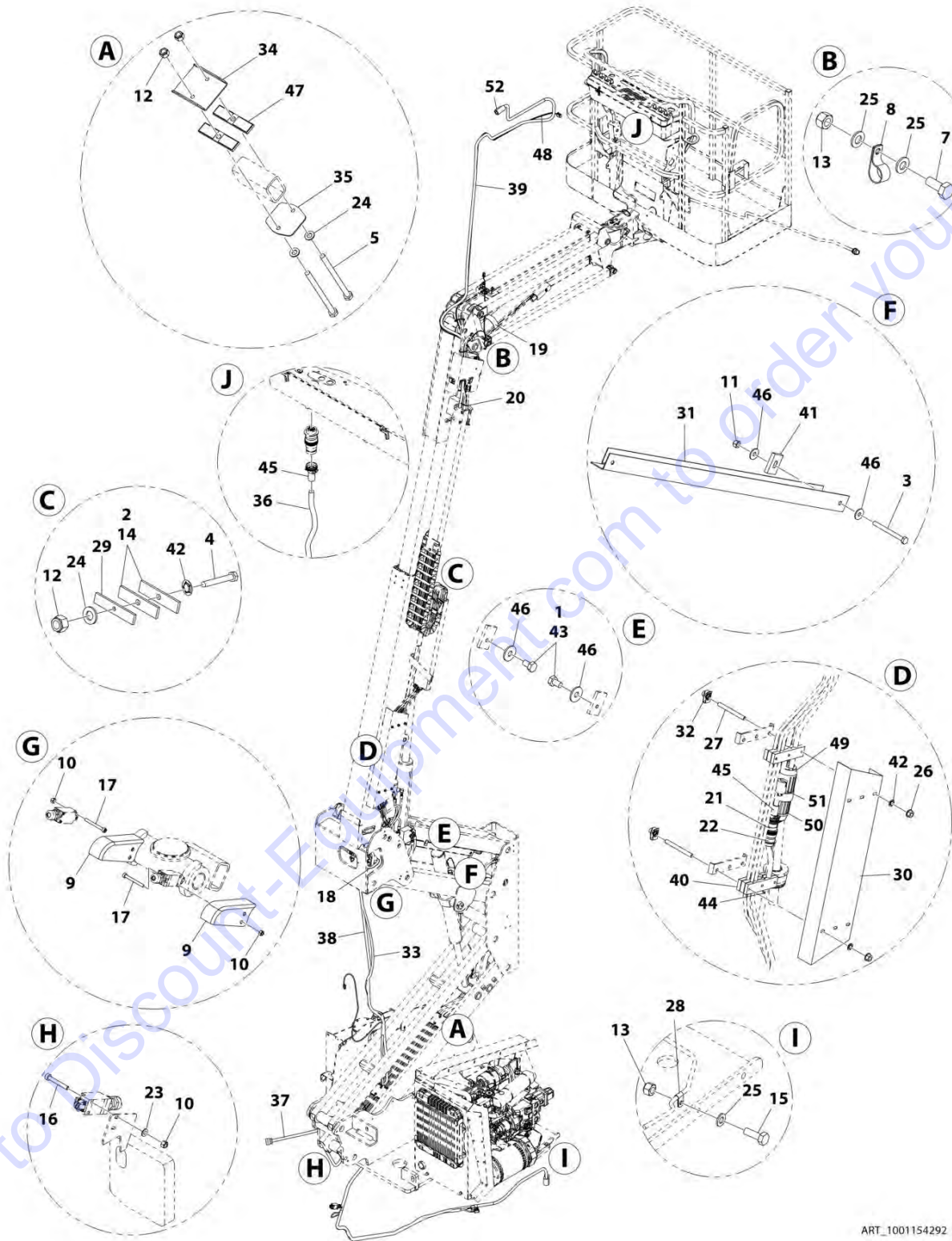
Go to Discount-Equipment.com to order your parts

FIGURE 3-8. BOOM VALVE ASSEMBLIES

ITEM	PART NUMBER	QTY	DESCRIPTION	REV
	1001116228	Ref	FLY BOOM VALVE ASSEMBLY	D
1	7012955	1	Cartridge, Check Valve	
1	7012967	1	Seal Kit - 7012955 Cartridge	
2	7023970	1	Cartridge, Flow Regulator	
2	7012953	1	Seal Kit - 7023970 Cartridge	
3	7017452	1	Cartridge, Solenoid Valve (without Coil) (Rotate)	
3	7017402	1	Seal Kit - 7017452 Cartridge	
4	7012941	1	Cartridge, Solenoid Valve (without Coil) (Jib)	
4	7010543	1	Seal Kit - 7012941 Cartridge	
5		Ref	Coil Options:	
5	7024885	3	Coil (Prior to SN 0300158122)	
5	70002386	3	Coil (SN 0300158122 through 0300200802)	
		Ref	BOOM UPRIGHT VALVE ASSEMBLIES	
	1001116229	Ref	Boom Upright Valve Assemblies (Original Equipment) (Prior to SN 0300158122)	E
	1001136244	Ref	Boom Upright Valve Assemblies (Service Replacement) (SN 0300158122 through 0300200802)	A
		Ref	Note: Original Equipment Valve may have been replaced with Service Replacement Valve. Identify p/n stamped on valve before ordering parts.	
101	7012955	2	Cartridge, Check Valve	
101	7012967	2	Seal Kit - 7012955 Cartridge	
102	7017452	2	Cartridge, Solenoid Valve (without Coil) (Telescope / Platform Level)	
102	7017402	2	Seal Kit - 7017452 Cartridge	
103	7017427	1	Cartridge, Relief	
103	7012998	1	Seal Kit - 7017427 Cartridge	
104	70002954	1	Cartridge, Relief	
104	7012998	1	Seal Kit - 70002954 Cartridge	
105		Ref	Coil Options:	
105	70001977	4	Used on Valve p/n 1001116229	
105	70002386	4	Used on Valve p/n 1001136244	
106	See Note	2	Orifice (Note: Not Available for Purchase)	
107	7017498	1	Piston, Pilot	

SECTION 3 - BOOM

FIGURE 3-9. BOOM CABLES AND CLAMPS INSTALLATION - 4000W, 50HZ



ART_1001154292

SECTION 3 - BOOM

FIGURE 3-9. BOOM CABLES AND CLAMPS INSTALLATION - 4000W, 50HZ

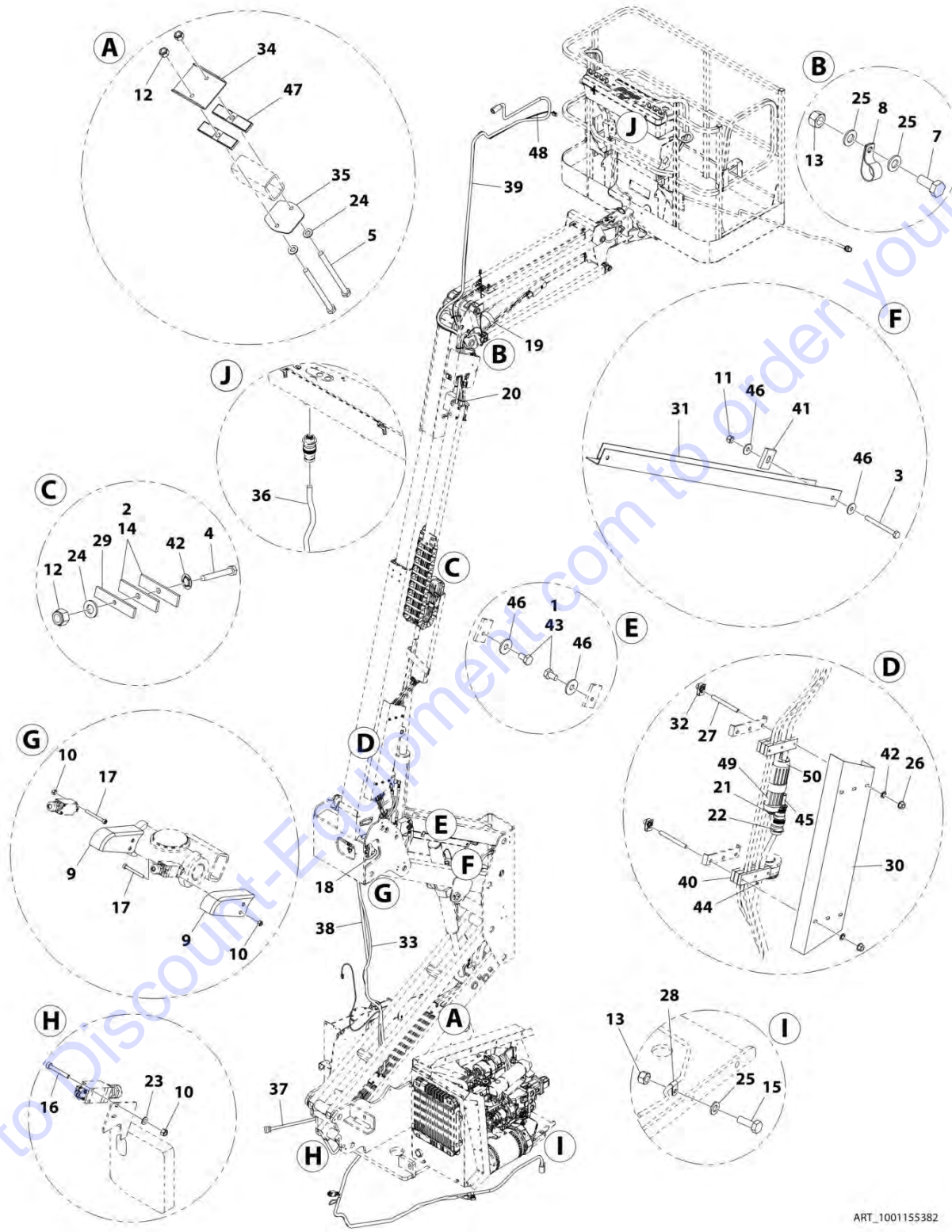
ITEM	PART NUMBER	QTY	DESCRIPTION	REV
		Ref	BOOM CABLES AND CLAMPS INSTALLATION - 4000W, 50Hz	
	1001154292	Ref	Machines without Arctic Package	A
	1001154291	Ref	Machines with Arctic Package	A
1	0100011	AR	Compound, Locking	
2	0100081	AR	Adhesive	
3	0760621	4	Bolt M6 x 65mm	
4	0700820	2	Bolt M8 x 60mm	
5	0700829	4	Bolt M8 x 120mm	
7	0761012	1	Bolt M10 x 25mm	
8	1320130	1	Clamp	
9	1670899	2	Cover, Switch	
10	3290405	6	Locknut M4	
11	3290605	4	Locknut M6	
12	3290805	6	Locknut M8	
13	3291005	2	Locknut M10	
14	3340939	4	Pad, Rubber	
15	0761014	1	Bolt M10 x 30mm	
16	4031510	2	Capscrew M4 x 30mm	
17	4031512	4	Capscrew M4 x 40mm	
18	4060808	1.8 ft /55cm	Flex-Trim	
19	4240156	1	Strap, Cinch	
20	4240018	AR	Tie-Strap	
21	4460865	1	Connector - 19 Position	
22	4460866	1	Connector - 19 Position	
23	4811400	2	Flatwasher M4	
24	4811900	8	Flatwasher M8	
25	4812000	4	Flatwasher M10	
26	5260800	6	Nut, Flange M8 (Class 10)	
27	5281920	6	Capscrew, Cup Point M8 x 80mm	
28	1320263	1	Clamp	
29	1001106757	2	Plate, Clamp	
30	1001107152	1	Plate, Shield	
31	1001116433	2	Guard, Hose	
32	1001118274	6	Nut, M8	
33	1001118292	1	Harness, Tower Boom (See ELECTRICAL SECTION for Breakdown)	
34	1001118592	2	Plate, Hose Clamp	
35	1001118593	2	Plate, Hose Clamp	
36		Ref	Harness Assembly - Main Boom Options:	
36	1001119018	1	Machines without Arctic Package	
36	1001119953	1	Machines with Arctic Package	
37		Ref	Harness Assembly - Tower Boom Options:	
37	1001119019	1	Machines without Arctic Package	
37	1001119954	1	Machines with Arctic Package	
38		Ref	Cable, AC Tower Boom Options:	
38	1001119139	1	Without Arctic Package	
38	1001119956	1	With Arctic Package	
39		Ref	Cable, AC Main Boom Options:	
39	1001119140	1	Without Arctic Package	

SECTION 3 - BOOM

ITEM	PART NUMBER	QTY	DESCRIPTION	REV
39	1001119955	1	With Arctic Package	
40		Ref	Plate, Hose Clamp Options:	
40	1001119194	2	Machines without Arctic Package	
40	1001119195	2	Machines with Arctic Package	
41	1001119197	4	Clamp, Hose	
42	1001119228	8	Pushnut M8	
43	0760605	2	Bolt M6 x 10mm	
44	2820031	AR	Heat Shrink	
45	4460473	2	Clamp, Cable	
46	4811702	10	Flatwasher M6	
47	3340901	4	Pad, Rubber	
48	1001140524	1	Harness, Upper Boom (See ELECTRICAL SECTION for Breakdown)	
49		Ref	Cover, Connector	
49	1671092	1	Without Arctic Package	
49	1001156351	1	With Arctic Package	
50		Ref	Cover, Plug	
50	1671093	1	Without Arctic Package	
50	1001156352	1	With Arctic Package	
51	4460709	1	Plug, Male - 250V (Without Arctic Package)	
52	4460710	1	Receptacle, Female - 250V (Without Arctic Package)	

SECTION 3 - BOOM

FIGURE 3-10. BOOM CABLES AND CLAMPS INSTALLATION - 4000W, 60HZ



ART_1001155382

SECTION 3 - BOOM

FIGURE 3-10. BOOM CABLES AND CLAMPS INSTALLATION - 4000W, 60HZ

ITEM	PART NUMBER	QTY	DESCRIPTION	REV
		Ref	BOOM CABLES AND CLAMPS INSTALLATION - 4000W, 60Hz	
	1001155381	Ref	Machines without Arctic Package	A
	1001155382	Ref	Machines with Arctic Package	A
1	0100011	AR	Compound, Locking	
2	0100081	AR	Adhesive	
3	0760621	4	Bolt M6 x 65mm	
4	0700820	2	Bolt M8 x 60mm	
5	0700829	4	Bolt M8 x 120mm	
7	0761012	1	Bolt M10 x 25mm	
8	1320130	1	Clamp	
9	1670899	2	Cover, Switch	
10	3290405	6	Locknut M4	
11	3290605	4	Locknut M6	
12	3290805	6	Locknut M8	
13	3291005	2	Locknut M10	
14	3340939	4	Pad, Rubber	
15	0761014	1	Bolt M10 x 30mm	
16	4031510	2	Capscrew M4 x 30mm	
17	4031512	4	Capscrew M4 x 40mm	
18	4060808	1.8 ft /55cm	Flex-Trim	
19	4240156	1	Strap, Cinch	
20	4240018	AR	Tie-Strap	
21	4460865	1	Connector - 19 Position	
22	4460866	1	Connector - 19 Position	
23	4811400	2	Flatwasher M4	
24	4811900	8	Flatwasher M8	
25	4812000	4	Flatwasher M10	
26	5260800	6	Nut, Flange M8 (Class 10)	
27	5281920	6	Capscrew, Cup Point M8 x 80mm	
28	8406110	1	Clamp	
29	1001106757	2	Plate, Clamp	
30	1001107152	1	Plate, Shield	
31	1001116433	2	Guard, Hose	
32	1001118274	6	Nut, M8	
33	1001118292	1	Harness, Tower Boom (See ELECTRICAL SECTION for Breakdown)	
34	1001118592	2	Plate, Hose Clamp	
35	1001118593	2	Plate, Hose Clamp	
36		Ref	Harness Assembly - Main Boom Options:	
36	1001119018	1	Machines without Arctic Package	
36	1001119953	1	Machines with Arctic Package	
37		Ref	Harness Assembly - Tower Boom Options:	
37	1001119019	1	Machines without Arctic Package	
37	1001119954	1	Machines with Arctic Package	
38	1001157310	1	Cable, AC Tower Boom	
39	1001157311	1	Cable, AC Main Boom	
40		Ref	Plate, Hose Clamp Options:	
40	1001119194	2	Machines without Arctic Package	
40	1001119195	2	Machines with Arctic Package	

SECTION 3 - BOOM

ITEM	PART NUMBER	QTY	DESCRIPTION	REV
41	1001119197	4	Clamp, Hose	
42	1001119228	8	Pushnut M8	
43	0760605	2	Bolt M6 x 10mm	
44	2820031	AR	Heat Shrink	
45	4460473	2	Clamp, Cable	
46	4811702	10	Flatwasher M6	
47	3340901	4	Pad, Rubber	
48	1001140524	1	Harness, Upper Boom (See ELECTRICAL SECTION for Breakdown)	
49	1671092	1	Cover, Connector	
50	1671093	1	Cover, Plug	

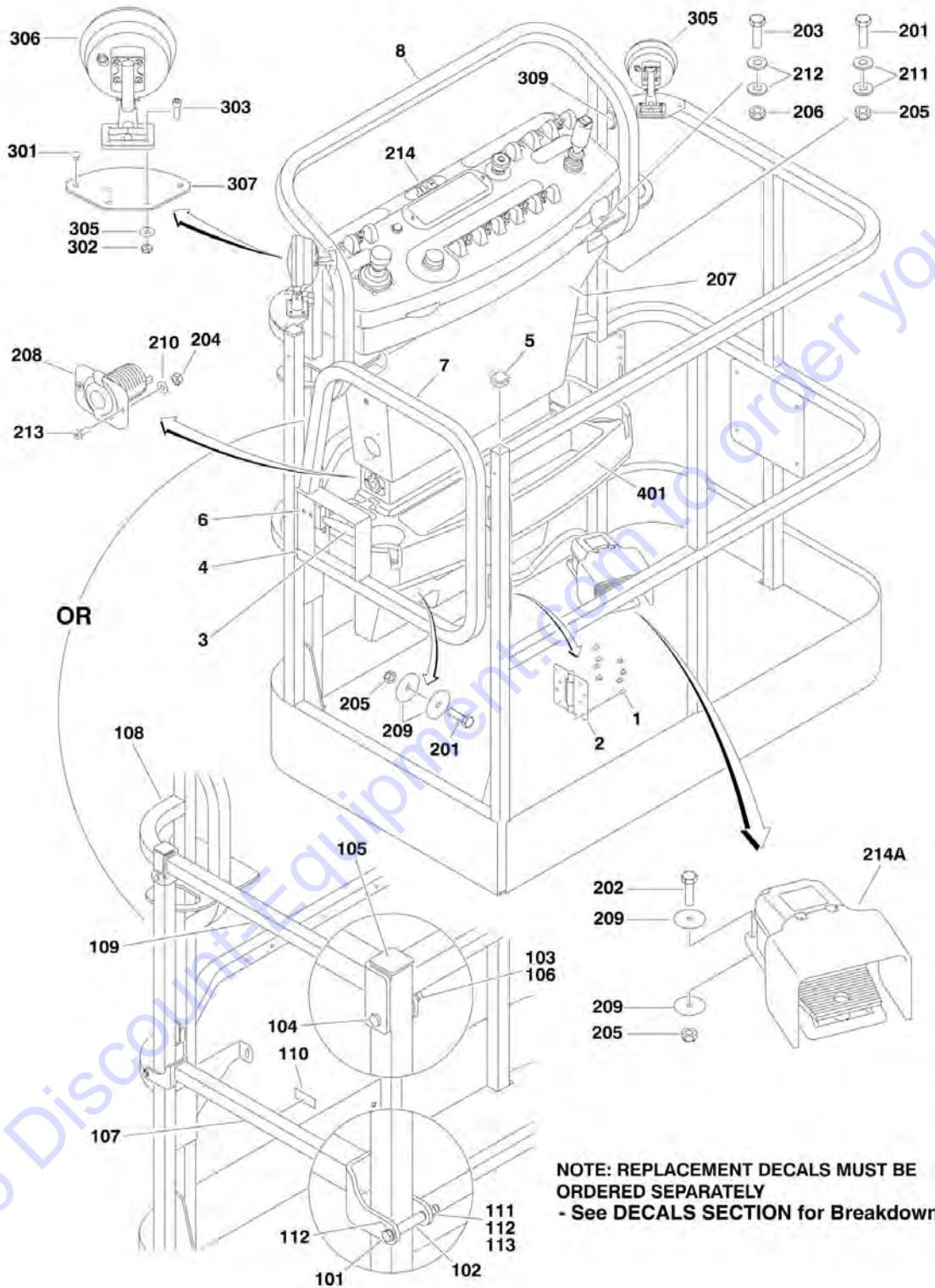
Go to Discount-Equipment.com to order your parts

SECTION 4 - PLATFORM

Go to Discount-Equipment.com to order your parts

SECTION 4 - PLATFORM

FIGURE 4-1. PLATFORM ASSEMBLY



SECTION 4 - PLATFORM

FIGURE 4-1. PLATFORM ASSEMBLY

ITEM	PART NUMBER	QTY	DESCRIPTION	REV
		Ref	PLATFORM ASSEMBLY WITH GATE	
		Ref	4ft x 2.5ft (1.2m x .76m) Options:	
	1001117149	Ref	Platform Assembly with Gate (Use p/n 1001145411) (Prior to SN 0300163761)	B-E
	1001144027	Ref	Platform Assembly with Gate (SN 0300163761 through 0300200802)	C
		Ref	5ft x 2.5ft (1.5m x .76m) Options:	
	1001115778	Ref	Platform Assembly with Gate (Use p/n 1001145409) (Prior to SN 0300163761)	B-F
	1001144026	Ref	Platform Assembly with Gate (SN 0300163761 through 0300200802)	C
		Ref	Note: Replacement Decals Must Be Ordered Separately - See DECAL SECTION for Breakdown	
1	2080040	16	Fastener, Huck	
2	2600281	2	Hinge, Self-Closing	
3	2940074	1	Latch	
4	3520072	3	Cap-Plug	
4	1001152037	1	Cap-Plug (Used with p/n's 1001145409 & 1001145411)	
5	3520198	2	Cap-Plug	
5	1001145781	2	Cap-Plug (Used with p/n's 1001145409 & 1001145411)	
6	3820020	4	Rivet, Pop	
7		Ref	Gate Weldment Options:	
7	1001114341	1	Gate Weldment (Prior to SN 0300163761)	
7	1001144629	1	Gate Weldment (SN 0300163761 through 0300200802)	
8	See Note	1	Platform Weldment (Note: Purchase Platform Assembly)	
		Ref	PLATFORM ASSEMBLY WITH DROP-BAR	
		Ref	4ft x 2.5ft (1.2m x .76m) Options:	
	1001139371	Ref	Platform Assembly with Drop-Bar (Use p/n 1001145410) (Prior to SN 0300163761)	B-B
	1001144018	Ref	Platform Assembly with Drop-Bar (SN 0300163761 through 0300200802)	C
		Ref	5ft x 2.5ft (1.5m x .76m) Options:	
	1001139372	Ref	Platform Assembly with Drop-Bar (Use p/n 1001145408) (Prior to SN 0300163761)	B-B
	1001144019	Ref	Platform Assembly with Drop-Bar (SN 0300163761 through 0300200802)	C
		Ref	Note: Replacement Decals Must Be Ordered Separately - See DECALS SECTION for Breakdown	
101		Ref	Bolt Options:	
101	0700620	2	Bolt M6 x 60mm (Prior to SN 0300163761)	
101	0641418	2	Bolt 1/4in-20NC x 2-1/4in (SN 0300163761 through 0300200802)	
102	0961845	2	Bushing	
103	3290606	2	Nut M6	
104	4010618	2	Screw M6 x 50mm	
105	3520198	2	Cap-Plug	
105	1001145781	2	Cap-Plug (Used with p/n's 1001145409 & 1001145411)	
106	4811700	2	Flatwasher M6	
107	1001138494	1	Bar, Drop	
108	See Note	1	Platform Weldment (Note: Purchase Platform Assembly)	
109	1001138514	1	Rail (Top)	
110	1001140429	1	Decal - Drop-Bar	

SECTION 4 - PLATFORM

ITEM	PART NUMBER	QTY	DESCRIPTION	REV
111		Ref	Nut Options:	
111	3290606	2	Nut M6 (Prior to SN 0300163761)	
111	3300151	2	Nut, Acorn 1/4in-20NC (SN 0300163761 through 0300200802)	
112		Ref	Flatwasher Options:	
112	4811700	4	Flatwasher M6 (Prior to SN 0300163761)	
112	4711400	4	Flatwasher 1/4in (Narrow) (SN 0300163761 through 0300200802)	
113	0100011	AR	Compound, Locking (SN 0300163761 through 0300200802)	
114	3520072	2	Cap-Plug (Not Shown) (SN 0300185910 through 0300200802)	
		Ref	PLATFORM CONSOLE AND FOOTSWITCH INSTALLATION	
	1001115775	Ref	Diesel Machines (Prior to SN 0300169773)	B
	1001145804	Ref	Diesel Machines (SN 0300169773 through 0300200802)	C
	1001118420	Ref	Gas Machines (Prior to SN 0300169773)	C
	1001145805	Ref	Gas Machines (SN 0300169773 through 0300200802)	C
201	0760608	4	Bolt M6 x 16mm	
202	0760614	3	Bolt M6 x 30mm	
203	0761015	4	Bolt M10 x 35mm	
204	3290405	2	Locknut M4	
205	3290605	7	Locknut M6	
206	3291005	4	Locknut M10	
207	3380434	1	Panel, Pedestal	
208	4461012	1	Receptacle, 12V	
209	4740362	7	Washer, Fender 1/4in	
210	4811400	2	Flatwasher M4	
211	4811702	4	Flatwasher M6	
212	4812002	8	Flatwasher M10	
213	1001097244	2	Capscrew #4 x 12mm	
214	1001118414	1	Console Box Assembly (See PLATFORM CONSOLE ASSEMBLY for Breakdown) (Prior to SN 0300169773)	
214	1001146109	1	Console Box Assembly (See PLATFORM CONSOLE ASSEMBLY for Breakdown) (SN 0300169773 through 0300188631)	
	1001166667	1	Console Box Assembly (See PLATFORM CONSOLE ASSEMBLY for Breakdown) (SN 0300188632 through 0300200802)	
214A		Ref	Footswitch Assembly Options (See ELECTRICAL SECTION for Breakdown):	
214A	0272970	1	Footswitch Assembly (Prior to SN 0300169773)	B
214A	1001117174	1	Footswitch Assembly (SN 0300169773 through 0300200802)	B
214A		Ref	Footswitch Less Cable Options:	
214A	1001117320	1	Footswitch Less Cable (Prior to SN 0300169773)	
214A	70003483	1	Block, Contact (Footswitch p/n 1001117320)	
214A	1001117172	1	Footswitch Less Cable (SN 0300169773 through 0300200802)	
214A	70002902	1	Block, Contact (Footswitch p/n 1001117172)	
214A	70002903	1	Gasket (Footswitch p/n 1001117172)	
214A	70002905	1	Cover (Footswitch p/n 1001117172)	
214A	70002904	1	Bolt Replacement Kit (Footswitch p/n 1001117172)	
214A	3252347	1	Nameplate (Note: See DECALS SECTION for Other Languages)	
	1001120466	Ref	WORKLIGHTS INSTALLATION (OPTIONAL)	A
301	2080040	4	Fastener, Huck	

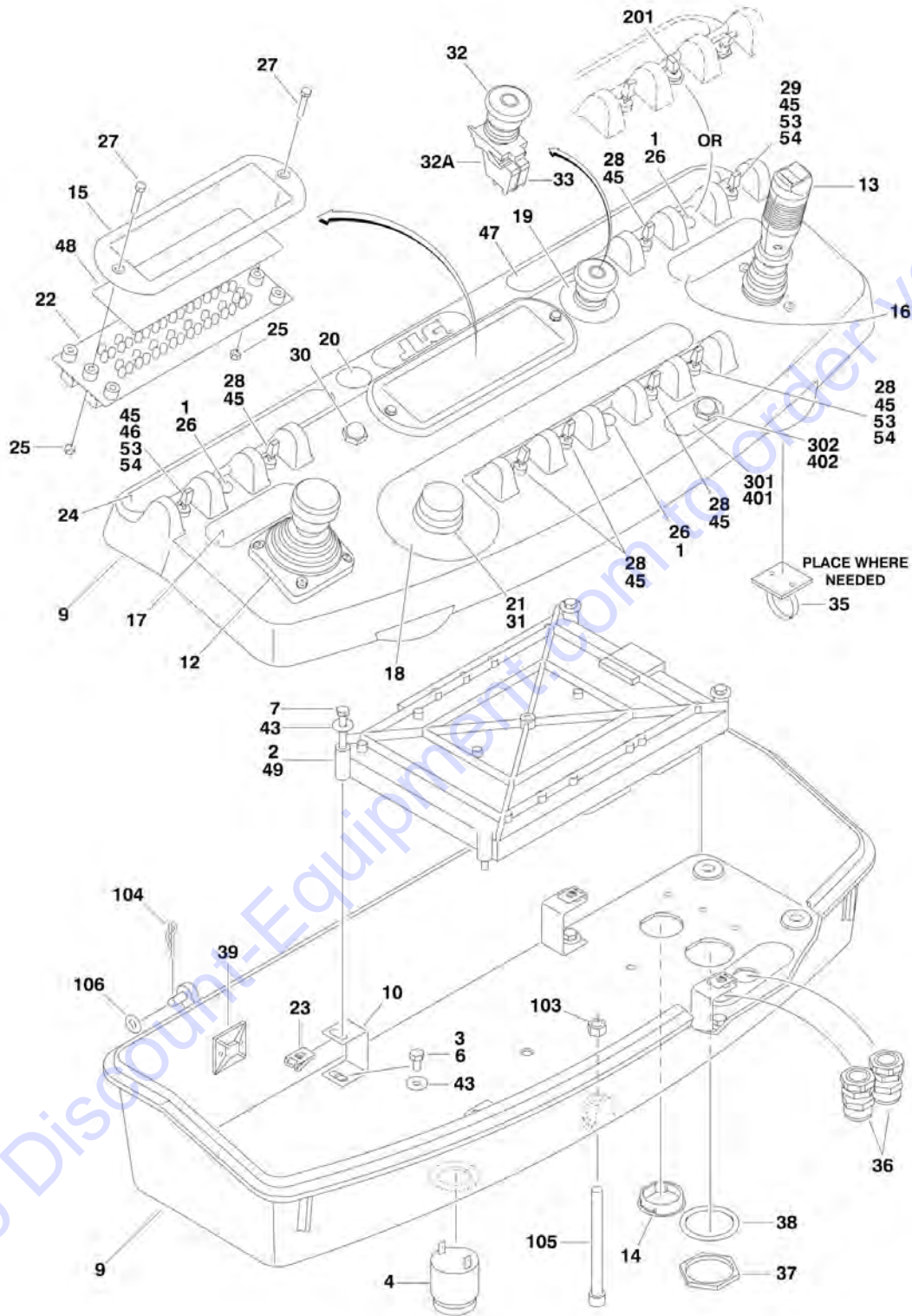
SECTION 4 - PLATFORM

ITEM	PART NUMBER	QTY	DESCRIPTION	REV
302	3311005	8	Locknut #10-24NC	
303	3931010	8	Capscrew #10-24NC x 5/8in	
304	4460428	1	Connector, Strain Relief (Not Shown)	
305	4751000	8	Flatwasher #10 Wide	
306	1001120474	2	Worklight Assembly	
307	1001120476	2	Plate, Mounting	
308	1001120484	1	Harness, Worklight (Not Shown - See ELCTRICAL SECTION for Breakdown)	
309	4240099	AR	Tie-Strap	
		Ref	TRAY INSTALLATIONS (OPTIONAL)	
401	1580012	1	Tray, Storage (Center)	

Go to Discount-Equipment.com to order your parts

SECTION 4 - PLATFORM

FIGURE 4-2. PLATFORM CONSOLE ASSEMBLY



SECTION 4 - PLATFORM

FIGURE 4-2. PLATFORM CONSOLE ASSEMBLY

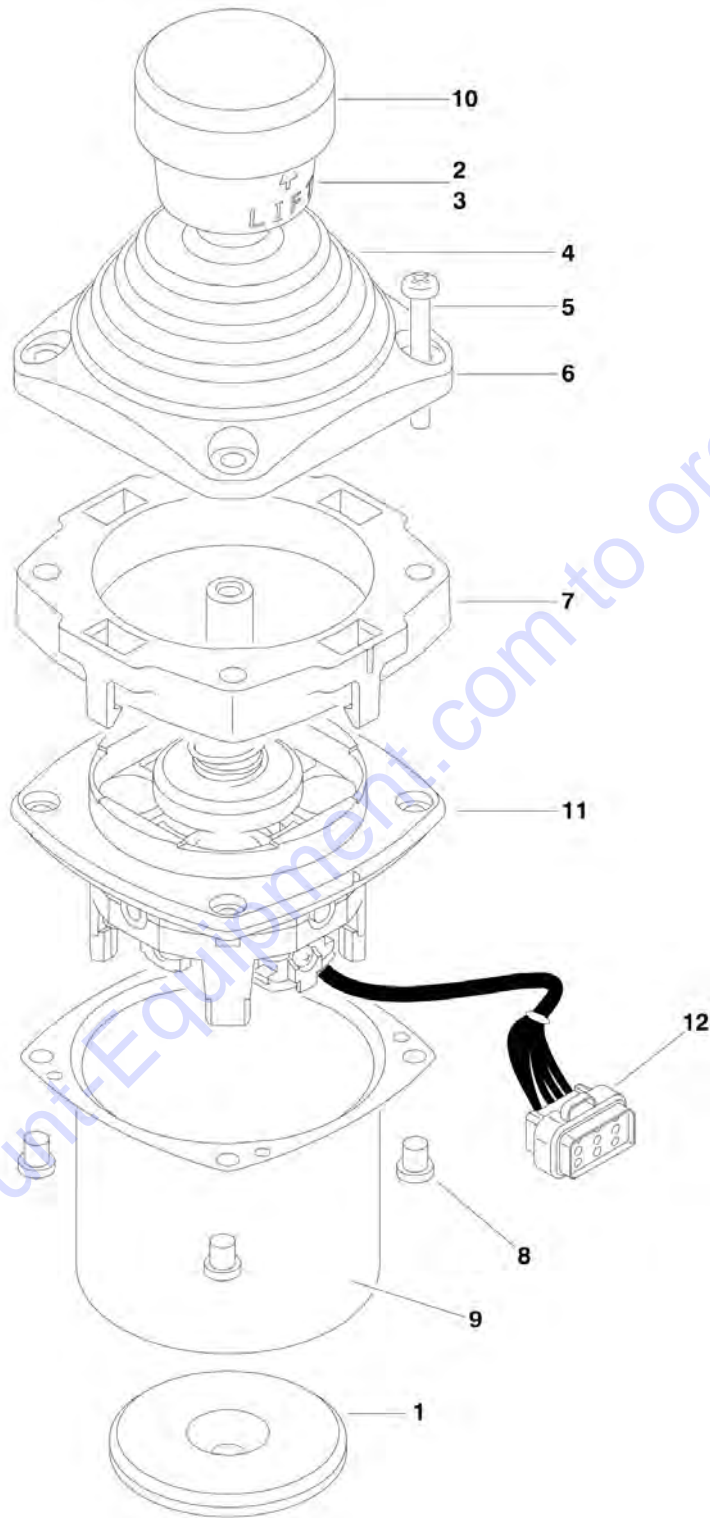
ITEM	PART NUMBER	QTY	DESCRIPTION	REV
	1001118414	Ref	PLATFORM CONSOLE ASSEMBLY (Prior to SN 0300169773)	F
	1001146109	Ref	PLATFORM CONSOLE ASSEMBLY (SN 0300169773 through 0300188631)	D
	1001166667	Ref	PLATFORM CONSOLE ASSEMBLY (SN 0300188632 through 0300200802)	A
1	0100009	AR	Sealant	
2	0100048	AR	Grease, Dielectric	
3	0100081	AR	Adhesive	
4	0140011	1	Alarm	
6	0641404	4	Bolt 1/4in-20NC x 1/2in	
7	0700617	4	Bolt M6 x 45mm	
9	0861441	1	Box, Console (See Items 101-106 for Breakdown)	
10		Ref	Bracket, Support Options:	
10	0902751	1	Bracket, Support (Prior to SN 0300188632)	
10	1001172760	4	Bracket, Support (SN 0300188632 through 0300200802)	
12	1001118417	NLA	Controller Assembly (Lift and Swing) (See CONTROLLER ASSEMBLY (LIFT AND SWING) for Breakdown) (Use p/n 1001129555)	
12	1001166539	NLA	Controller Assembly (Lift and Swing) (See CONTROLLER ASSEMBLY (LIFT AND SWING) for Breakdown) (Use p/n 1001129555)	
13	1001118416	NLA	Controller Assembly (Drive and Steer) (Use p/n 1001212415) (See CONTROLLER ASSEMBLY (DRIVE AND STEER) for Breakdown)	
13	1001166538	NLA	Controller Assembly (Drive and Steer) (Use p/n 1001212415) (See CONTROLLER ASSEMBLY (DRIVE AND STEER) for Breakdown)	
14	1001110434	1	Plug, Hole	
15	1671176	1	Bezel	
16	1702565	1	Decal (Drive and Steer)	
17	1702566	1	Decal (Lift and Swing)	
18	1702567	1	Decal (Function Speed)	
19	1704260	1	Decal (EMS)	
20	1705132	1	Decal (ADE) (Prior to SN 0300188632)	
21	2560136	1	Handle, Knob	
22	2920154	1	Panel, LED Light	
23	8305919	4	Nut, Retainer M6	
24	1702676	1	Decal (Horn)	
25	3311005	2	Locknut #10-24NC	
26	3520028	3	Plug, Hole	
27	3911018	2	Bolt #10-24NC x 1-1/8in	
28		Ref	Switch, Toggle Options:	
28	4360328	6	Switch, Toggle (Prior to SN 0300188632)	
28	1001155045	6	Switch, Toggle (SN 0300188632 through 0300200802)	
29		Ref	Switch, Toggle Options:	
29	4360330	1	Switch, Toggle (Prior to SN 0300188632)	
29	1001159256	1	Switch, Toggle (SN 0300188632 through 0300200802)	
30	4360387	1	Switch, Pushbutton	
31	4360407	1	Controller, Speed	
31	See Note	1	Gasket "Top Hat" (Included W/Switch) (Note: Not Available - Purchase Complete Controller.)	
31	70003784	1	Seal	
32	4360475	1	Switch, Emergency Stop	
32	7020175	1	Cap, Red	

SECTION 4 - PLATFORM

ITEM	PART NUMBER	QTY	DESCRIPTION	REV
32A	7020176	1	Contact Block	
33	4360476	1	Block, Contact	
35	4460234	3	Base, Mounting	
36	4460428	2	Connector, Strain Relief	
37	4460470	1	Nut, Terminal	
38	4460471	1	Lockwasher, Terminal	
39	4460488	1	Base, Mounting	
40	4460933	1	Plug, Male 12 Position (Not Shown)	
41	4460905	5	Seal, Plug (Not Shown) (Prior to SN 0300177680)	
43	4751400	8	Flatwasher 1/4in Wide	
44		Ref	Harness, Upper Boom Options (Not Shown - See ELECTRICAL SECTION for Breakdown):	
44	1001118408	NLA	Harness, Upper Boom (Note: Use qty 1 each of p/n's 1001140525 & p/n 1001140524 for Replacement.) (Prior to SN 0300161809)	
44	1001140525	1	Harness, Upper Boom (SN 0300161809 through 0300200802)	
45	3790012	8	O-Ring	
46		Ref	Switch, Toggle Options:	
46	4360331	1	Switch, Toggle (Prior to SN 0300188632)	
46	1001161709	1	Switch, Toggle (SN 0300188632 through 0300200802)	
47	1001107677	NLA	Decal (Stop) (Use p/n 1001131168)	
48	1001107952	1	Decal (Display)	
49	1001118412	1	Controller, Module (Re-calibration Required when Replaced)	
50	1001118415	1	Harness, Console Box (Not Shown - See ELECTRICAL SECTION for Breakdown)	
51	4460466	7	Seal, Plug (Not Shown)	
52	4460708	1	Receptacle, Female 15 Position (Not Shown)	
53	4740397	8	Washer, Spacer (SN 0300188632 through 0300200802)	
54	1001155044	8	Nut, Special 15/32 - 32 UNS-2B (SN 0300188632 through 0300200802)	
	0861441	Ref	CONSOLE BOX ASSEMBLY	F
103	3311601	1	Nut 3/8in-16NC	
104	3470003	2	Pin, Cotter	
105	0630568	1	Screw 3/8in-16NC x 4-1/2in	
106	4711500	2	Flatwasher 5/16in	
	1001118420	Ref	DUAL FUEL SWITCH INSTALLATION (GAS MACHINES ONLY)	
201	4360336	1	Switch, Toggle	
	1001120232	Ref	TURNTABLE FLOODLIGHTS SWITCH INSTALLATION	
301	1705170	1	Decal - Lights	
302	4360522	1	Switch, Push Button	
	1001149144	Ref	HEAD AND TAIL LIGHTS INSTALLATION	
401	1705170	1	Decal - Lights	
402	4360522	1	Switch, Push Button	

SECTION 4 - PLATFORM

FIGURE 4-3. CONTROLLER ASSEMBLY (LIFT AND SWING) (Prior to SN 0300188632)



SECTION 4 - PLATFORM

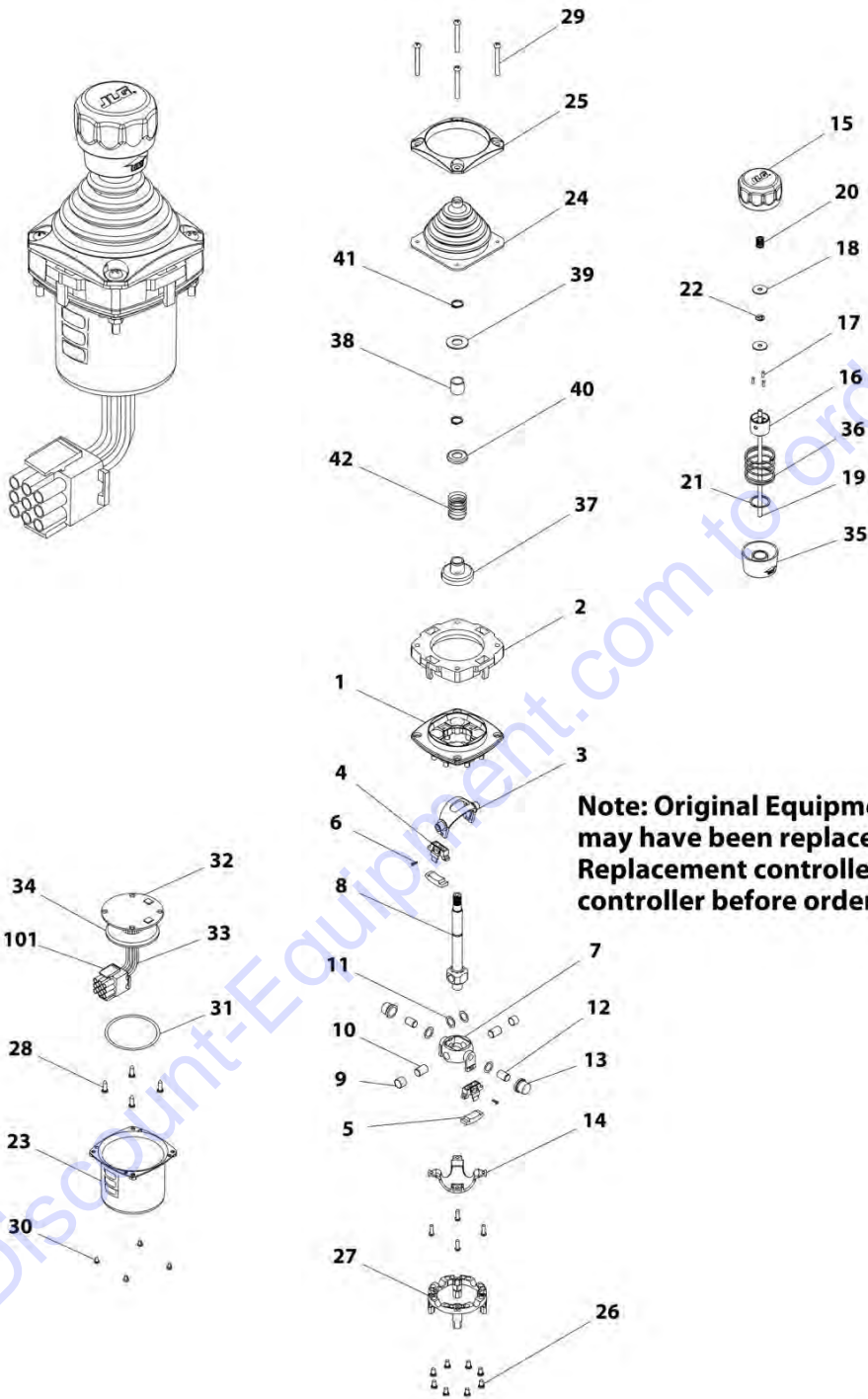
FIGURE 4-3. CONTROLLER ASSEMBLY (LIFT AND SWING) (Prior to SN 0300188632)

ITEM	PART NUMBER	QTY	DESCRIPTION	REV
		Ref	Note: Original Equipment controller may have been replaced with Service Replacement controller. Visually identify controller before ordering parts.	
	1001118417	Ref	CONTROLLER ASSEMBLY (Prior to SN 0300188632)	A
		Ref	Note: Use p/n 1001129555 Kit as replacement.	
1	70002730	1	Gasket	
2	7003928	1	Spring	
3	7022808	1	Cap, Lift	
4	70002731	1	Boot	
5	70002732	4	Screw	
6	7022815	1	Bezel	
7	70002733	1	Adapter	
8	70002734	4	Screw	
9	70002735	1	Can, Enclosure	
10	70002906	1	CAP	
11	See Note	NSS	Mechanical Assembly (Note: Use p/n 1001129555)	
12	7022819	1	Plug, Male 8 Position (Natural) (Not Shown)	
12	4460871	6	Socket, Female	

Go to Discount-Equipment.com to order your parts

SECTION 4 - PLATFORM

FIGURE 4-4. CONTROLLER ASSEMBLY (LIFT AND SWING) (SN 0300188632 through 0300200802)



ART_1001166539

SECTION 4 - PLATFORM

FIGURE 4-4. CONTROLLER ASSEMBLY (LIFT AND SWING) (SN 0300188632 through 0300200802)

ITEM	PART NUMBER	QTY	DESCRIPTION	REV
		Ref	Note: Original Equipment controller may have been replaced with Service Replacement controller. Visually identify controller before ordering parts.	
	1001166539	Ref	CONTROLLER ASSEMBLY - LIFT AND SWING (SN 0300188632 through 0300200802)	A
		Ref	Note: Use p/n 1001129555 as replacement.	
1	See Note	1	Main Cast Body (Note: Not Available - Purchase Complete Assembly)	
2	70004752	1	Adapter	
3	See Note	1	Pivot Arm, Plastic (Note: Not Available - Purchase Complete Assembly)	
4	See Note	2	Holder, Magnet (Note: Not Available - Purchase Complete Assembly)	
5	See Note	2	Arc, Magnet (Note: Not Available - Purchase Complete Assembly)	
6	See Note	2	Screw (Note: Not Available for Purchase)	
7	See Note	1	Pivot Arm, Cast (Note: Not Available - Purchase Complete Assembly)	
8	See Note	1	Shaft, Main (Note: Not Available - Purchase Complete Assembly)	
9	See Note	2	Bearing (Note: Not Available - Purchase Complete Assembly)	
10	See Note	2	Pin (Note: Not Available - Purchase Complete Assembly)	
11	See Note	4	Shim (Note: Not Available - Purchase Complete Assembly)	
12	See Note	2	Pin (Note: Not Available - Purchase Complete Assembly)	
13	See Note	2	Bearing (Note: Not Available - Purchase Complete Assembly)	
14	See Note	1	Dome, Centering (Note: Not Available - Purchase Complete Assembly)	
15	70004753	1	Cap	
16	70004754	1	Insert, Cap	
17	70004755	3	Pin	
18	70004756	2	Washer	
19	70004757	1	Pin, Centering	
20	70004758	1	Spring	
21	70004759	1	Ring, Retaining	
22	70004760	1	E-Ring	
23	70004761	1	Can, Enclosure	
24	70004762	1	Boot	
25	70004763	1	Bezel	
26	See Note	8	Screw (Note: Not Available for Purchase)	
27	See Note	1	Base Mounting (Note: Not Available - Purchase Complete Assembly)	
28	See Note	4	Screw (Note: Not Available for Purchase)	
29	70004764	4	Screw	
30	70004765	4	Screw	
31	70004766	1	O-Ring	
32	See Note	1	Plate (Note: Not Available - Purchase Complete Assembly)	
33	See Note	1	Harness (Note: Not Available - Purchase Complete Assembly)	
34	70004767	1	Grommet, Rubber	
35	70004768	1	Housing	
36	70004769	1	Spring	
37	70004770	1	Stopper	
38	70004771	1	Spacer	
39	70004772	1	Washer	
40	70004773	1	Disc	

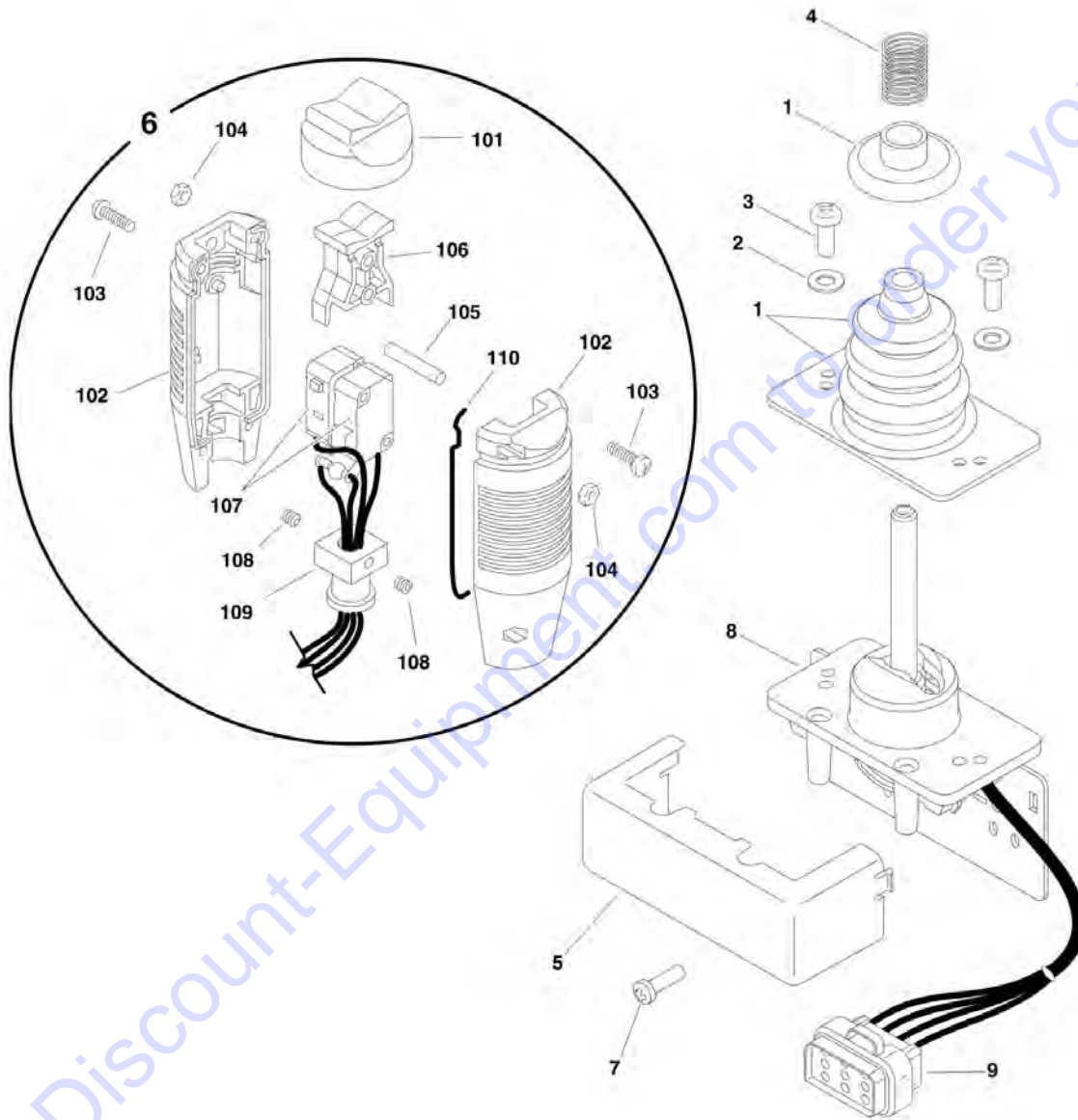
SECTION 4 - PLATFORM

ITEM	PART NUMBER	QTY	DESCRIPTION	REV
41	70004774	2	Ring, Retaining	
42	70004775	1	Spring	
101	4460265	1	Connector - 9 Position	
101	4460226	6	Socket, Female	

Go to Discount-Equipment.com to order your parts

SECTION 4 - PLATFORM

FIGURE 4-5. CONTROLLER ASSEMBLY (DRIVE AND STEER) (Prior to SN 0300188632)



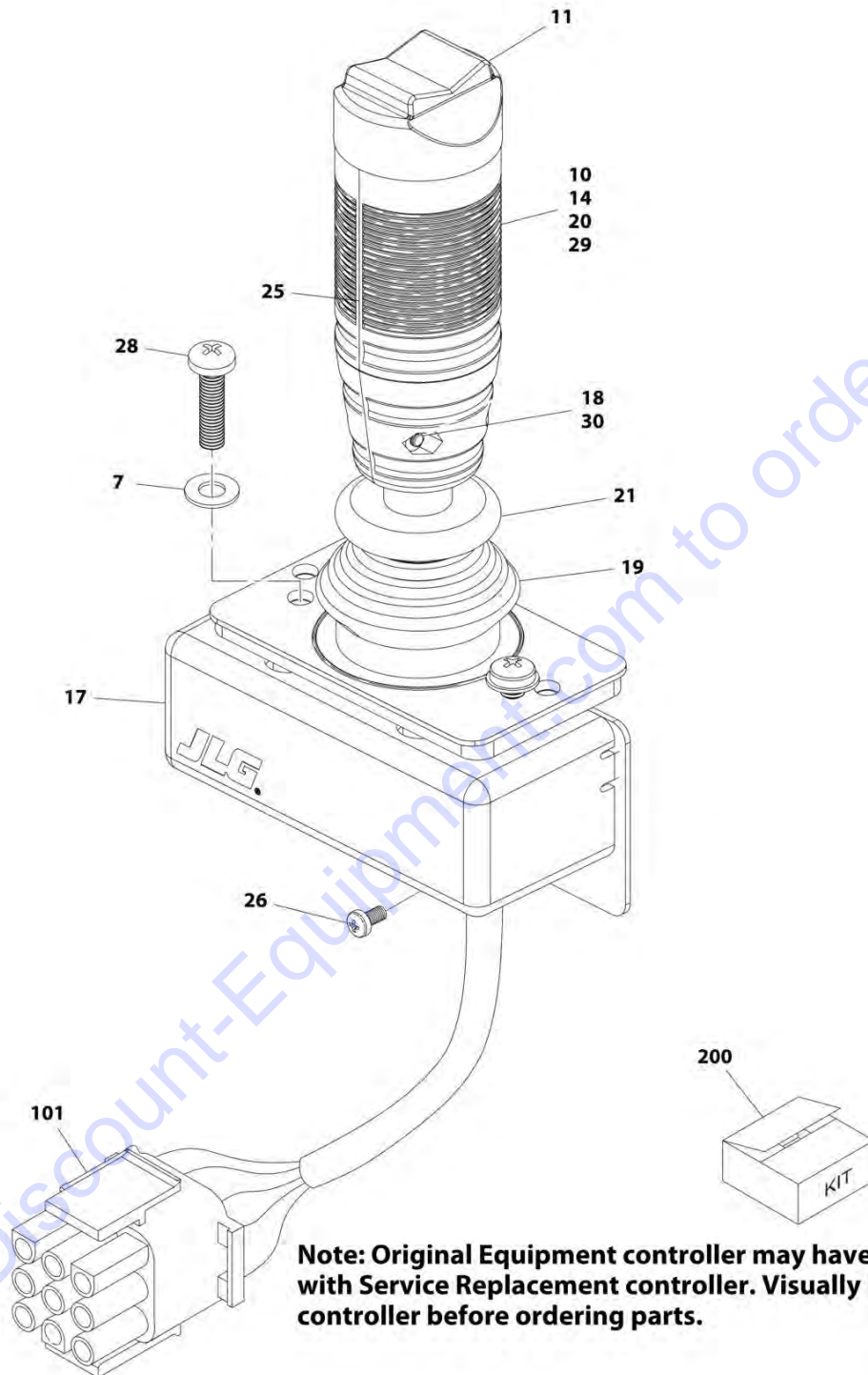
SECTION 4 - PLATFORM

FIGURE 4-5. CONTROLLER ASSEMBLY (DRIVE AND STEER) (Prior to SN 0300188632)

ITEM	PART NUMBER	QTY	DESCRIPTION	REV
		Ref	Note: Original Equipment controller may have been replaced with Service Replacement controller. Visually identify controller before ordering parts.	
	1001118416	Ref	CONTROLLER ASSEMBLY (Prior to SN 0300188632)	A
		Ref	Note: Use p/n 1001212415 as replacement.	
1	70002724	1	Boot and Control Lock Assembly	
2	7003941	2	Washer	
3	70002725	2	Screw	
4	7019162	1	Spring	
5	70002726	1	Enclosure	
6	70002727	1	Handle Assembly (See Items 101-110 for Breakdown)	
7	70002728	1	Screw	
8	See Note	1	Mechanical Assembly (Note: Not Available - Purchase Complete Assembly)	
9	1001113961	1	Plug, Male - 8 Position (Black)	
9	4460871	7	Socket, Female	
	70002727	Ref	HANDLE ASSEMBLY	
101	7003972	1	Boot, Switch	
102	7003973	2	Half, Handle	
103	7003980	4	Screw	
104	7019167	4	Nut	
105	7019164	1	Axle	
106	7019165	1	Rocker	
107	70002729	1	Wiring Assembly	
107	7003982	2	Switch, Micro	
108	7003983	2	Setscrew	
109	7019194	1	Coupling	
110	7003989	2	Gasket	

SECTION 4 - PLATFORM

FIGURE 4-6. CONTROLLER ASSEMBLY (DRIVE AND STEER) (SN 0300188632 through 0300200802)



ART_1001166538

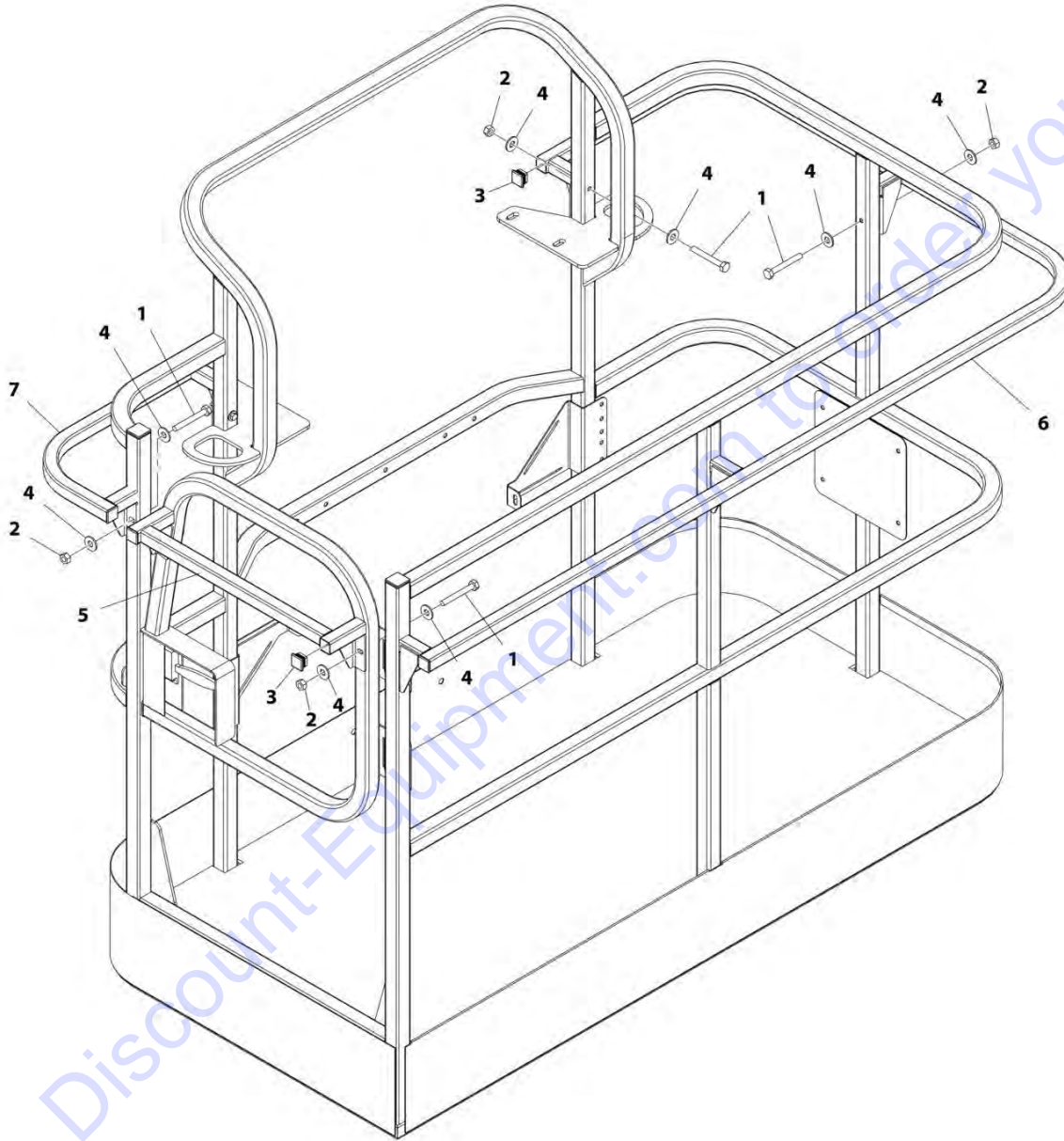
SECTION 4 - PLATFORM

FIGURE 4-6. CONTROLLER ASSEMBLY (DRIVE AND STEER) (SN 0300188632 through 0300200802)

ITEM	PART NUMBER	QTY	DESCRIPTION	REV
		Ref	Note: Original Equipment controller may have been replaced with Service Replacement controller. Visually identify controller before ordering parts.	
	1001166538	1	CONTROLLER ASSEMBLY - DRIVE AND STEER (SN 0300188632 through 0300200802)	A
		Ref	Note: Use p/n 1001212415 Kit as Replacement)	
7	70004738	2	Washer	
10	70004739	1	Roller	
11	70004740	1	Boot, Switch	
14	70004741	2	Half, Handle	
17	70004742	1	Enclosure	
18	70004743	4	Nut	
19	70004744	NLA	Boot, Controller	
20	70004745	NLA	Tube, Locking	
21	70004746	NLA	Disc, Locking	
25	70004747	2	Seal, Rope	
26	70004748	1	Screw, M3 x 6mm	
28	70004749	2	Screw, M5 x 20mm	
29	70004750	1	Pin, Dowel	
30	70004751	4	Screw, M3 x 16mm	
101	4460265	1	Connector - 9 Position	
101	4460226	7	Socket, Female	
200	70005230	1	Boot Kit (Includes Items 19-21)	

SECTION 4 - PLATFORM

FIGURE 4-7. RAIL EXTENSION (30IN X 60IN)



ART_100110355E

SECTION 4 - PLATFORM

FIGURE 4-7. RAIL EXTENSION (30IN X 60IN)

ITEM	PART NUMBER	QTY	DESCRIPTION	REV
	1001103558	Ref	RAIL EXTENSION (30IN X 60IN)	A
1	0641416	8	Bolt 1/4-20 x 2	
2	3311405	8	Nut 1/4-20 x 2	
3	3520182	6	Plug	
4	4751400	16	Washer 1/4	
5	4846759	1	Weldment, Rail Extension Gate	
6	1001103559	1	Weldment, Rail Extension Rear	
7	1001103560	1	Weldment, Rail Extension	

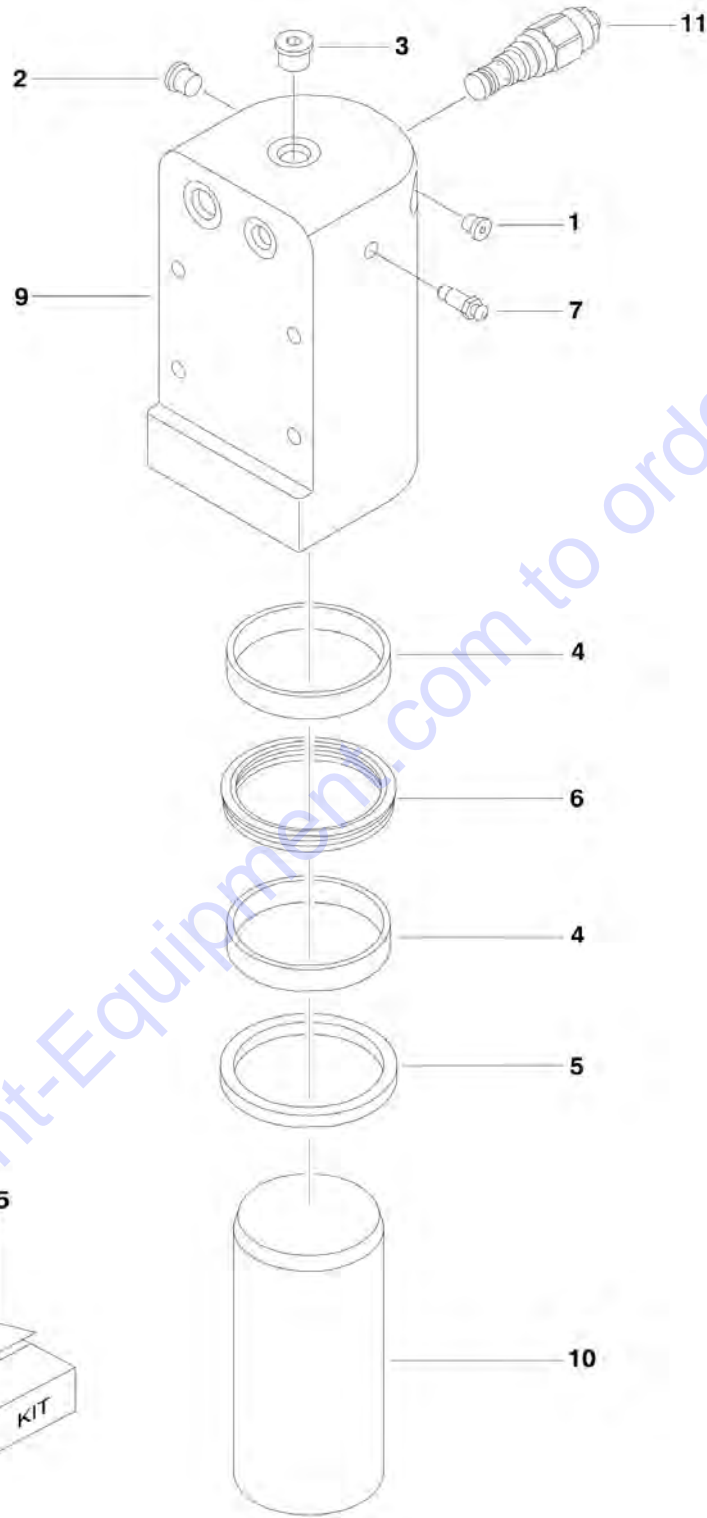
Go to Discount-Equipment.com to order your parts

SECTION 5 - CYLINDER

Go to Discount-Equipment.com to order your parts

SECTION 5 - CYLINDER

FIGURE 5-1. AXLE LOCKOUT CYLINDER ASSEMBLY



SECTION 5 - CYLINDER

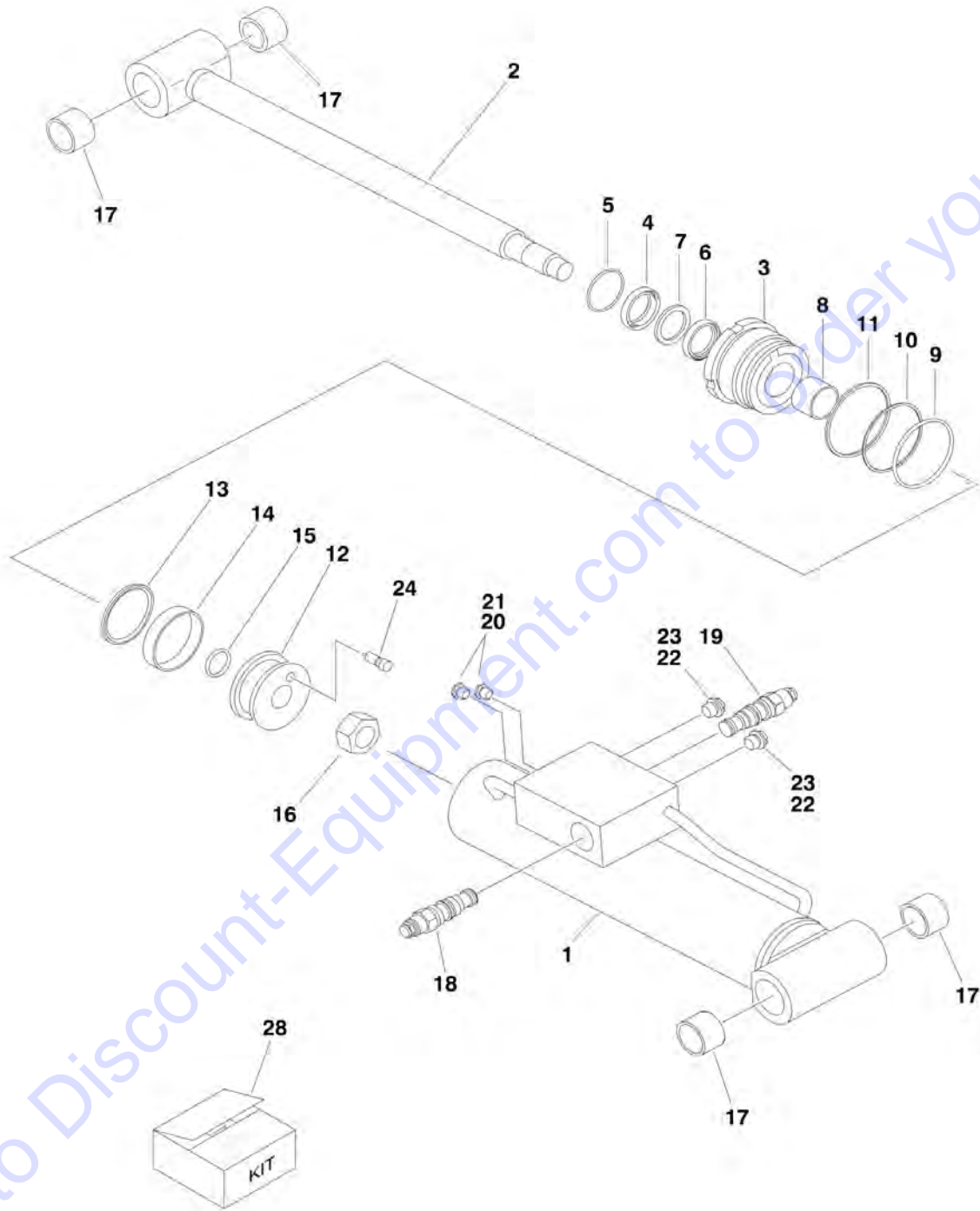
FIGURE 5-1. AXLE LOCKOUT CYLINDER ASSEMBLY

ITEM	PART NUMBER	QTY	DESCRIPTION	REV
	1001116361	Ref	AXLE LOCKOUT CYLINDER ASSEMBLY	D
1	2220881	1	Plug, O-Ring	
2	2220883	1	Plug, O-Ring	
3	2220885	1	Plug, O-Ring	
4	See Note	2	Ring, Wear (Note: Use Item 25)	
5	See Note	1	Wiper (Note: Use Item 25)	
6	See Note	1	Seal, Rod (Note: Use Item 25)	
7	4640858	1	Bleeder	
9	1001117365	1	Barrel	
10	1001117366	1	Rod	
11	1001117372	1	Cartridge, Valve	
11	70002842	1	Seal Kit - 1001117372 Valve	
25	1001116378	1	Seal Kit (Includes Items 4-6)	

Go to Discount-Equipment.com to order your parts

SECTION 5 - CYLINDER

FIGURE 5-2. LEVEL (PLATFORM SLAVE) CYLINDER ASSEMBLY (ORIGINAL EQUIPMENT)



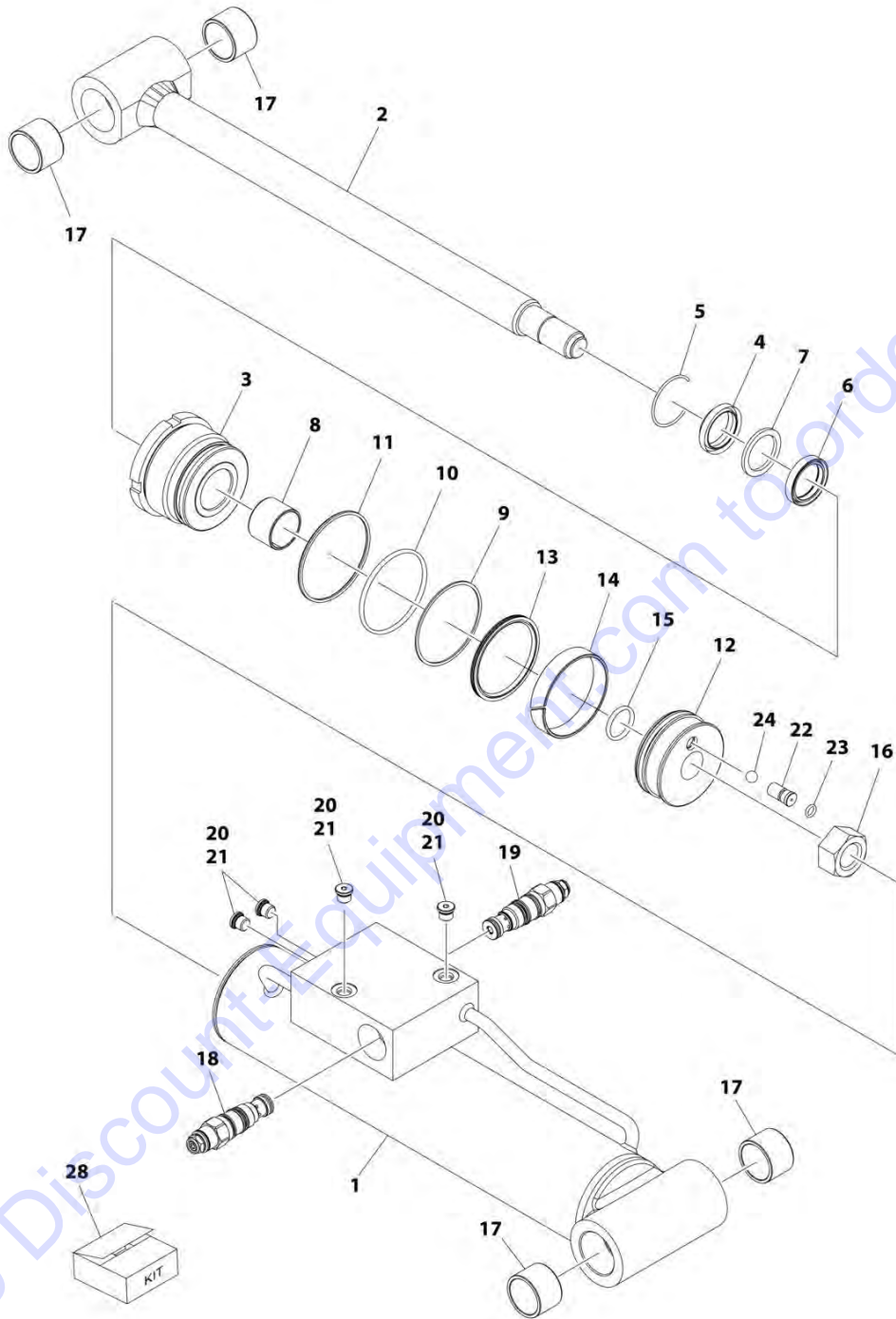
SECTION 5 - CYLINDER

FIGURE 5-2. LEVEL (PLATFORM SLAVE) CYLINDER ASSEMBLY (ORIGINAL EQUIPMENT)

ITEM	PART NUMBER	QTY	DESCRIPTION	REV
	1001117375	Ref	LEVEL CYLINDER ASSEMBLY	D
		Ref	Note: Original Cylinder may have been replaced with Service Replacement. Identify PN Stamped on Cylinder Before Ordering Parts.	
1	70003131	1	Barrel	
2	70003132	1	Rod	
3	70003085	1	Head	
4	See Note	1	Wiper (Note: Use Item 28)	
5	70002366	1	Ring, Retaining	
6	See Note	1	Seal, Rod (Note: Use Item 28)	
7	See Note	1	Ring, Back-up (Note: Use Item 28)	
8	70002352	1	Bearing	
9	See Note	1	O-Ring (Note: Use Item 28)	
10	See Note	1	Ring, Back-up (Note: Use Item 28)	
11	See Note	1	O-Ring (Note: Use Item 28)	
12	70003133	1	Piston	
13	See Note	1	Seal, Piston (Note: Use Item 28)	
14	See Note	1	Ring, Wear (Note: Use Item 28)	
15	See Note	1	O-Ring (Note: Use Item 28)	
16	70002335	1	Nut	
17	0961951	4	Bushing, Garmax	
18	70002413	1	Cartridge, Valve	
18	2900770	1	Seal Kit - 70002413 Valve	
19	70002388	1	Cartridge, Valve	
19	2900770	1	Seal Kit - 70002388 Valve	
20	70023370	2	Plug	
21	See Note	2	O-Ring (Note: Not Available - Purchase Locally)	
24	70002357	1	Valve, Phase	
28	70003134	1	Seal Kit (Includes Items 4, 6, 7, 9, 10, 11, 13, 14 & 15)	
100		Ref	REPAIR TOOLS (NOT SHOWN)	
100	70003089	1	Press, Wiper	
100	70003090	1	Press, Bushing (Use with Rod Bearing)	
100	70003091	1	Tool, Bushing Removal (Use with Rod Bearing)	
100	70003092	1	Tool, Head Seal Protection	
100	70003081	1	Tool, Piston Seal Protection	
100	70003093	1	Press, Bushing (Use with Pin Mounting Bushings)	
100	70003094	1	Tool, Bushing Removal (Use with Pin Mounting Bushings)	

SECTION 5 - CYLINDER

FIGURE 5-3. LEVEL (PLATFORM SLAVE) CYLINDER ASSEMBLY (SERVICE REPLACEMENT)



ART_1001225990

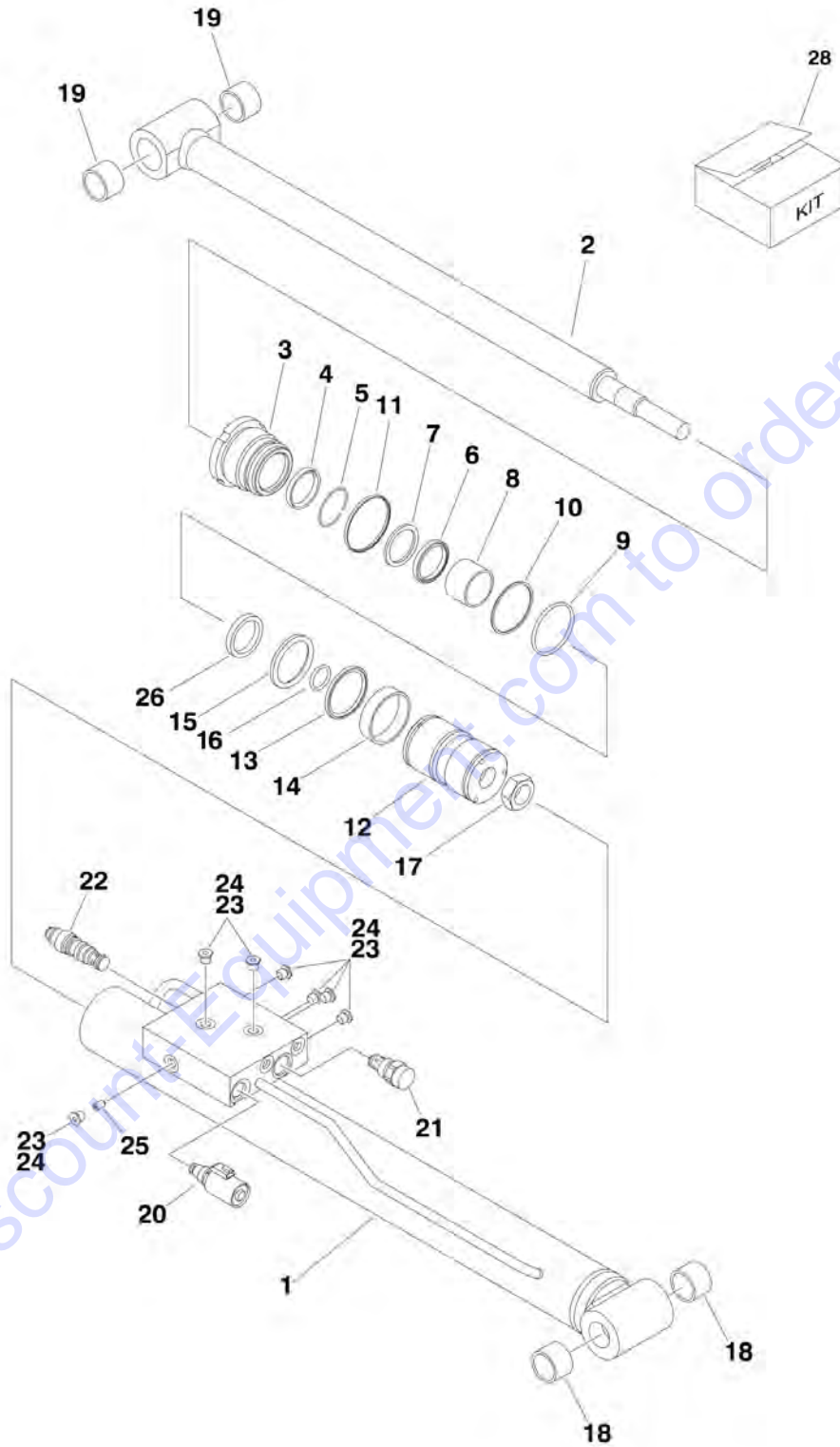
SECTION 5 - CYLINDER

FIGURE 5-3. LEVEL (PLATFORM SLAVE) CYLINDER ASSEMBLY (SERVICE REPLACEMENT)

ITEM	PART NUMBER	QTY	DESCRIPTION	REV
	1001225990	Ref	LEVEL (PLATFORM SLAVE) CYLINDER ASSEMBLY (SERVICE REPLACEMENT)	A
		Ref	Note: Original Cylinder may have been replaced with Service Replacement. Identify PN Stamped on Cylinder Before Ordering Parts.	
1	70003131	1	Barrel	
2	70003132	1	Rod	
3	70003085	1	Head	
4	See Note	NSS	Wiper (Note: Use Item 28)	
5	70002366	1	Ring, Retaining	
6	See Note	NSS	Seal, Rod (Note: Use Item 28)	
7	See Note	NSS	Ring, Back-up (Note: Use Item 28)	
8	70005695	1	Bearing	
9	See Note	NSS	O-Ring (Note: Use Item 28)	
10	See Note	NSS	Ring, Back-up (Note: Use Item 28)	
11	See Note	NSS	O-Ring (Note: Use Item 28)	
12	70003133	1	Piston	
13	See Note	NSS	Seal, Piston (Note: Use Item 28)	
14	See Note	NSS	Ring, Wear (Note: Use Item 28)	
15	See Note	NSS	Ring, Wear (Note: Use Item 28)	
16	70002335	1	Nut	
17	0961951	4	Bushing, Garmax	
18	70002413	1	Cartridge, Valve	
18	2900770	1	Seal Kit - 70002413 Valve	
19	1001168210	1	Cartridge, Valve	
19	2900770	1	Seal Kit - 1001168210 Valve	
20	2220883	4	Plug	
21	See Note	NSS	O-Ring (Note: Not Available - Purchase Locally)	
22	70005973	1	Valve Seat	
23	70005974	1	O-Ring	
24	70006353	1	Steel Ball	
28	70003134	1	Seal Kit (Includes Items 4, 6, 7, 9, 10, 11, 13, 14 & 15)	
100		Ref	REPAIR TOOLS (NOT SHOWN)	
100	70003089	1	Press, Wiper	
100	70003090	1	Press, Bushing (Use with Rod Bearing)	
100	70003091	1	Tool, Bushing Removal (Use with Rod Bearing)	
100	70003092	1	Tool, Head Seal Protection	
100	70003081	1	Tool, Piston Seal Protection	
100	70003093	1	Press, Bushing (Use with Pin Mounting Bushings)	
100	70003094	1	Tool, Bushing Removal (Use with Pin Mounting Bushings)	

SECTION 5 - CYLINDER

FIGURE 5-4. LIFT (JIB) CYLINDER ASSEMBLY



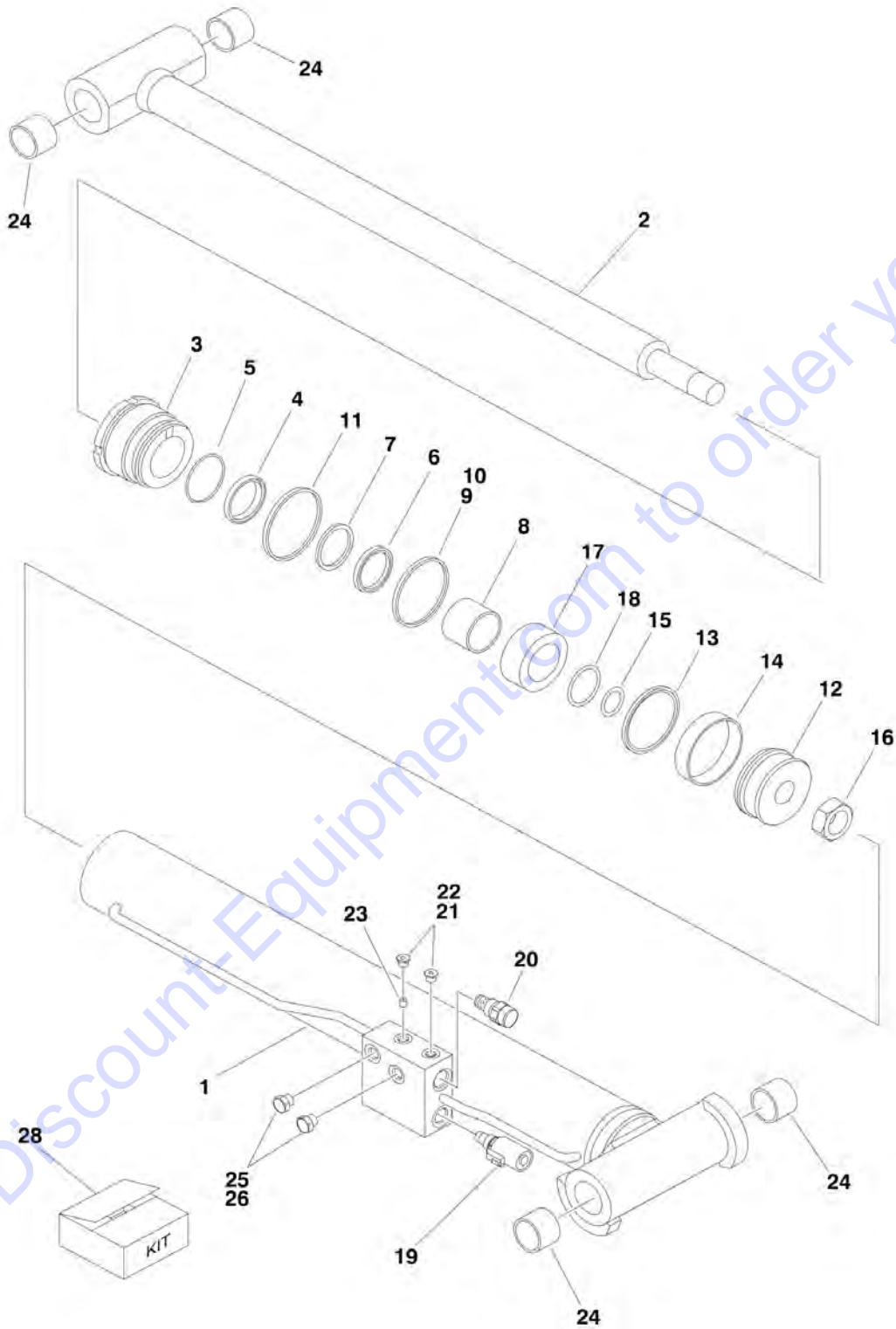
SECTION 5 - CYLINDER

FIGURE 5-4. LIFT (JIB) CYLINDER ASSEMBLY

ITEM	PART NUMBER	QTY	DESCRIPTION	REV
	1001123004	Ref	JIB LIFT CYLINDER ASSEMBLY	D
1	70003122	1	Barrel	
2	70002375	1	Rod	
3	70003123	1	Head	
4	See Note	1	Wiper (Note: Use Item 28)	
5	70002373	1	Ring, Retaining	
6	See Note	1	Seal, Rod (Note: Use Item 28)	
7	See Note	1	Ring, Back-up (Note: Use Item 28)	
8	70002372	1	Bearing	
9	See Note	1	O-Ring (Note: Use Item 28)	
10	See Note	1	Ring, Back-up (Note: Use Item 28)	
11	See Note	1	O-Ring (Note: Use Item 28)	
12	70003124	1	Piston	
13	See Note	1	Seal, Piston (Note: Use Item 28)	
14	See Note	1	Ring, Wear (Note: Use Item 28)	
15	See Note	1	O-Ring (Note: Use Item 28)	
16	See Note	2	Ring, Piston (Note: Use Item 28)	
17	70002335	1	Nut	
18	70003118	2	Bushing	
19	0961951	2	Bushing, Garmax	
20	7024884	1	Cartridge, Solenoid Valve	
20	7012967	1	Seal Kit - 7024884 Valve	
20	70002386	1	COIL	
21	70003076	1	Cartridge, Check Valve	
21	7017496	1	Seal Kit - 70003076 Valve	
22	7011380	1	Cartridge, Counterbalance Valve	
22	2900770	1	Seal Kit - 7011380 Valve	
23	70023370	7	Plug	
24	See Note	7	O-Ring (Note: Not Available - Purchase Locally)	
25	70002334	1	Orifice	
26	70003453	1	Spacer	
28	70003125	1	Seal Kit (Includes Items 4, 6, 7, 9, 10, 11, 13, 14, 15 & 16)	
100		Ref	REPAIR TOOLS (NOT SHOWN)	
100	70003126	1	Press, Wiper	
100	70003127	1	Press, Bushing (Use with Rod Bearing)	
100	70003128	1	Tool, Bushing Removal (Use with Rod Bearing)	
100	70003129	1	Tool, Head Seal Protection	
100	70003130	1	Tool, Piston Seal Protection	
100	70003093	1	Press, Bushing (Use with Pin Mounting Bushings)	
100	70003094	1	Tool, Bushing Removal (Use with Pin Mounting Bushings)	

SECTION 5 - CYLINDER

FIGURE 5-5. LIFT (MAIN BOOM) CYLINDER ASSEMBLY



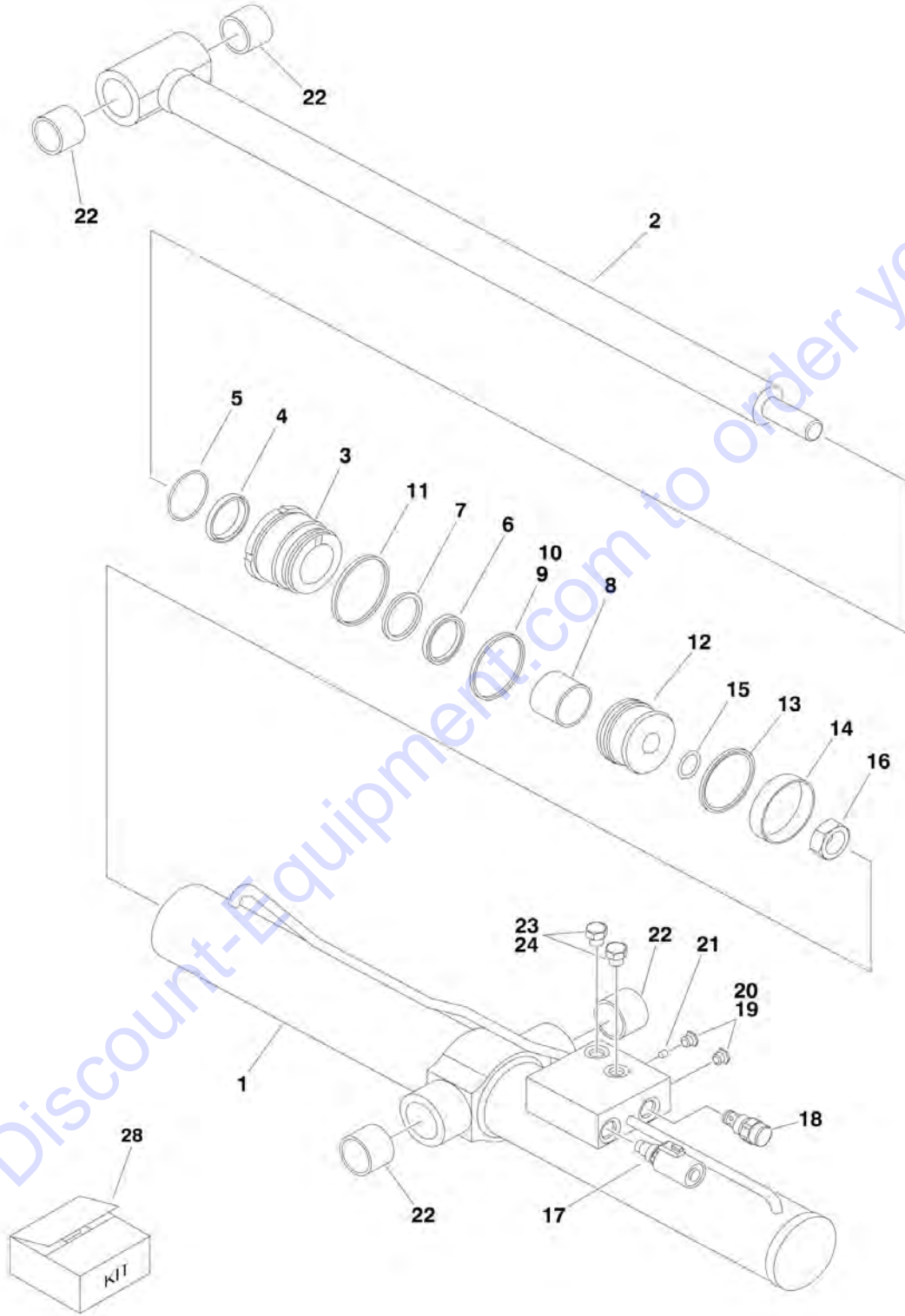
SECTION 5 - CYLINDER

FIGURE 5-5. LIFT (MAIN BOOM) CYLINDER ASSEMBLY

ITEM	PART NUMBER	QTY	DESCRIPTION	REV
	1001117640	Ref	MAIN BOOM LIFT CYLINDER ASSEMBLY	H
1	70003103	1	Barrel	
2	70003104	1	Rod	
3	70003105	1	Head	
4	See Note	1	Wiper (Note: Use Item 28)	
5	70002412	1	Ring, Retaining	
6	See Note	1	Seal, Rod (Note: Use Item 28)	
7	See Note	1	Ring, Back-up (Note: Use Item 28)	
8	70022565	1	Bearing	
9	See Note	1	O-Ring (Note: Use Item 28)	
10	See Note	1	Ring, Back-up (Note: Use Item 28)	
11	See Note	1	O-Ring (Note: Use Item 28)	
12	70003106	1	Piston	
13	See Note	1	Seal, Piston (Note: Use Item 28)	
14	See Note	1	Ring, Wear (Note: Use Item 28)	
15	See Note	1	O-Ring (Note: Use Item 28)	
16	70002335	1	Nut	
17	70002344	1	Spacer	
18	See Note	1	O-Ring (Note: Use Item 28)	
19	7024884	1	Cartridge, Solenoid Valve	
19	7012967	1	Seal Kit - 7024884 Valve	
19	70002386	1	COIL	
20	70003076	1	Cartridge, Check Valve	
20	7017496	1	Seal Kit - 70003076 Valve	
21	70023370	7	Plug	
22	See Note	7	O-Ring (Note: Not Available - Purchase Locally)	
23	70002334	1	Orifice	
24	0961948	2	Bushing, Garmax	
28	70003108	1	Seal Kit (Includes Items 4, 6, 7, 9, 10, 11, 13, 14, 15 & 18)	
100		Ref	REPAIR TOOLS (NOT SHOWN)	
100	70003109	1	Press, Wiper	
100	70003110	1	Press, Bushing (Use with Rod Bearing)	
100	70003111	1	Tool, Bushing Removal (Use with Rod Bearing)	
100	70003112	1	Tool, Head Seal Protection	
100	70003113	1	Tool, Piston Seal Protection	
100	70003082	1	Press, Bushing (Use with Pin Mounting Bushings)	
100	70003083	1	Tool, Bushing Removal (Use with Pin Mounting Bushings)	

SECTION 5 - CYLINDER

FIGURE 5-6. LIFT (TOWER BOOM) CYLINDER ASSEMBLY



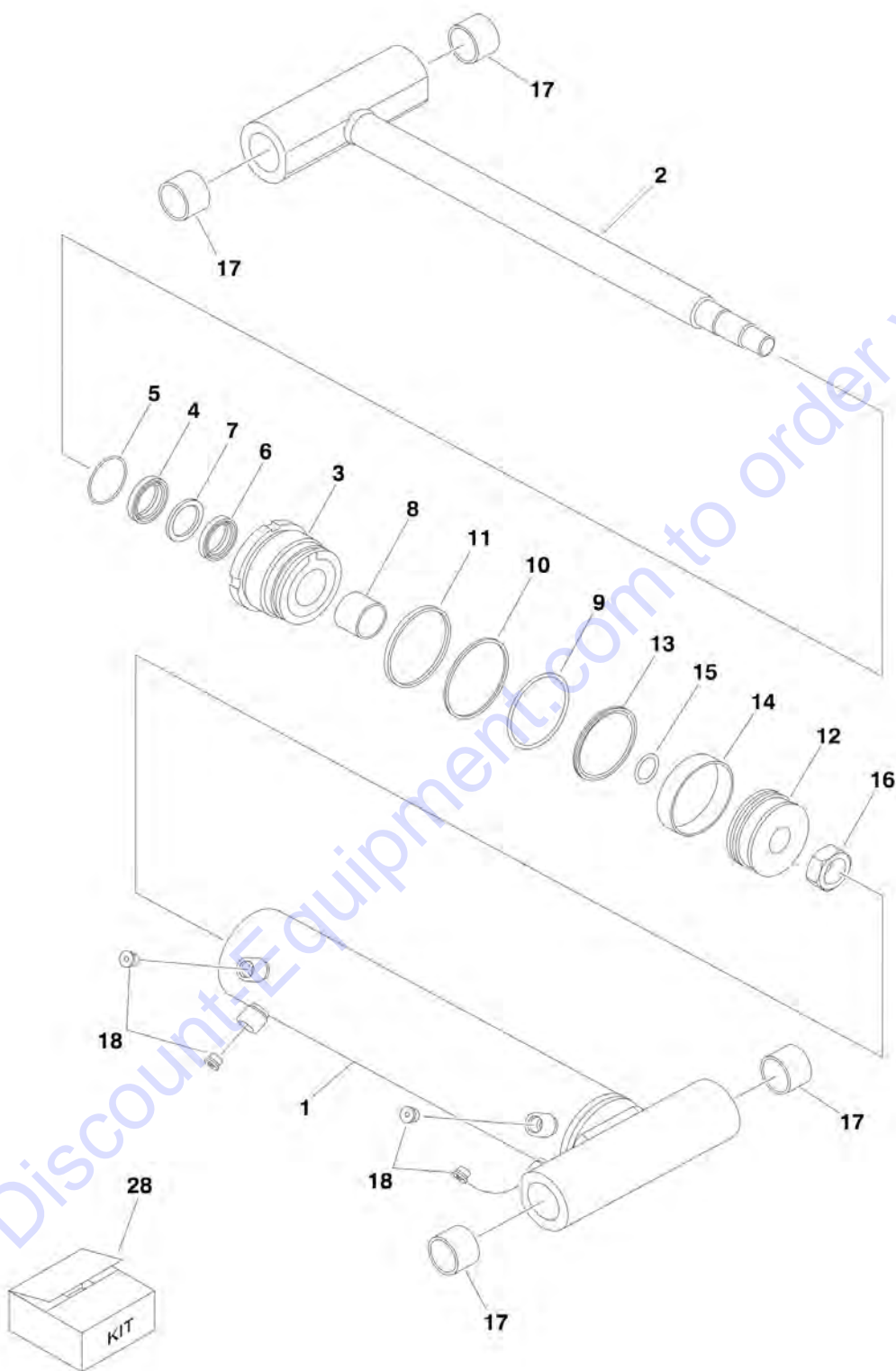
SECTION 5 - CYLINDER

FIGURE 5-6. LIFT (TOWER BOOM) CYLINDER ASSEMBLY

ITEM	PART NUMBER	QTY	DESCRIPTION	REV
	1001122527	Ref	TOWER BOOM LIFT CYLINDER ASSEMBLY	D
1	70003071	1	Barrel	
2	70003072	1	Rod	
3	70003073	1	Head	
4	See Note	1	Wiper (Note: Use Item 28)	
5	70002410	1	Ring, Retaining	
6	See Note	1	Seal, Rod (Note: Use Item 28)	
7	See Note	1	Ring, Back-up (Note: Use Item 28)	
8	70002337	1	Bearing	
9	See Note	1	O-Ring (Note: Use Item 28)	
10	See Note	1	Ring, Back-up (Note: Use Item 28)	
11	See Note	1	O-Ring (Note: Use Item 28)	
12	70003074	1	Piston	
13	See Note	1	Seal, Piston (Note: Use Item 28)	
14	See Note	1	Ring, Wear (Note: Use Item 28)	
15	See Note	1	O-Ring (Note: Use Item 28)	
16	70002335	1	Nut	
17	7024884	1	Cartridge, Solenoid Valve	
17	7012967	1	Seal Kit - 7024884 Valve	
17	70002386	1	COIL	
18	70003076	1	Cartridge, Check Valve	
18	7017496	1	Seal Kit - 70003076 Valve	
19	70023370	2	Plug	
20	See Note	2	O-Ring (Note: Not Available - Purchase Locally)	
21	70002334	1	Orifice	
22	0961948	4	Bushing, Garmax	
28	70003075	1	Seal Kit (Includes Items 4, 6, 7, 9, 10, 11, 13, 14 & 15)	
100		Ref	REPAIR TOOLS (NOT SHOWN)	
100	70003077	1	Press, Wiper	
100	70003078	1	Press, Bushing (Use with Rod Bearing)	
100	70003079	1	Tool, Bushing Removal (Use with Rod Bearing)	
100	70003080	1	Tool, Head Seal Protection	
100	70003081	1	Tool, Piston Seal Protection	
100	70003082	1	Press, Bushing (Use with Pin Mounting Bushings)	
100	70003083	1	Tool, Bushing Removal (Use with Pin Mounting Bushings)	

SECTION 5 - CYLINDER

FIGURE 5-7. MASTER CYLINDER ASSEMBLY



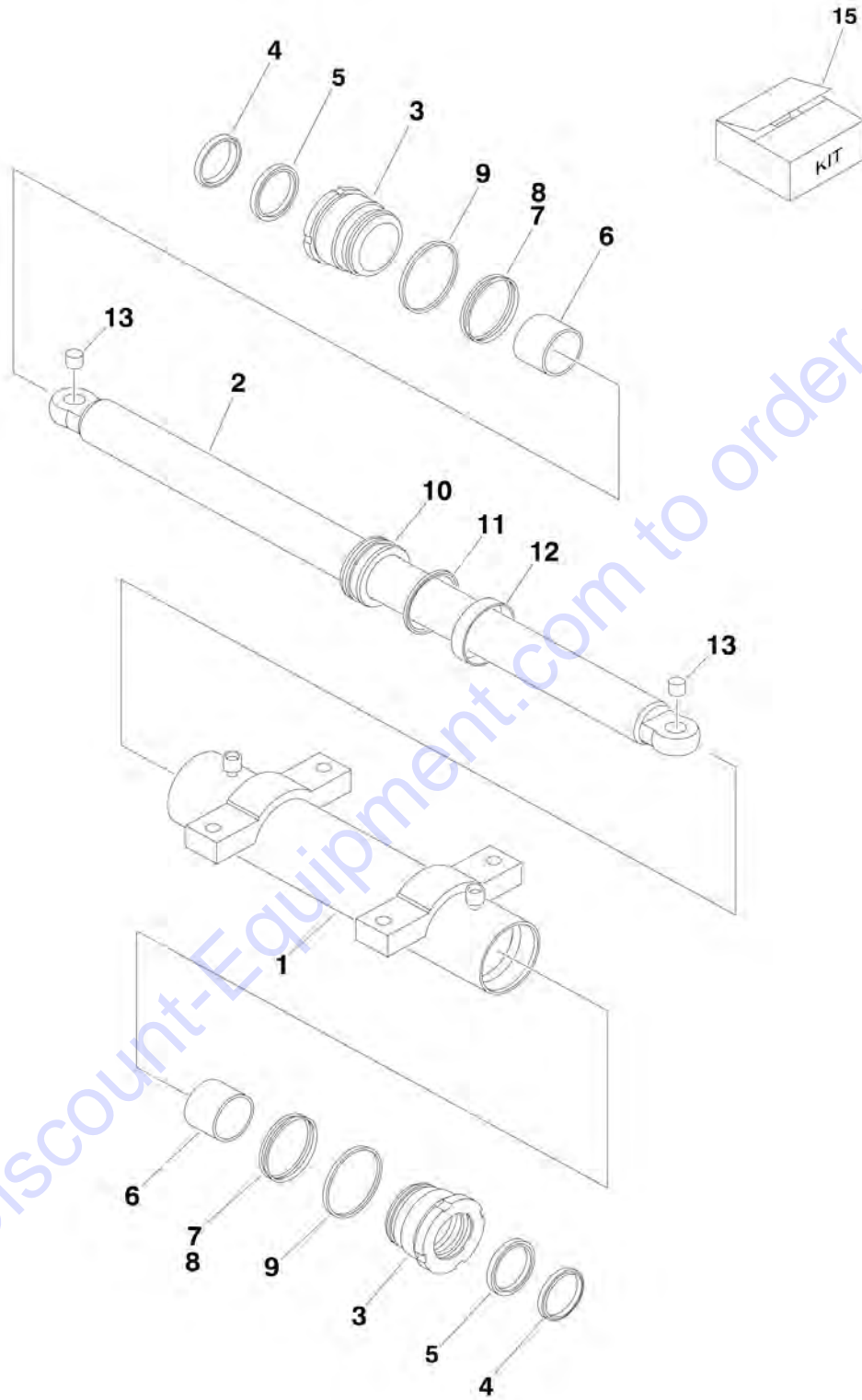
SECTION 5 - CYLINDER

FIGURE 5-7. MASTER CYLINDER ASSEMBLY

ITEM	PART NUMBER	QTY	DESCRIPTION	REV
	1001120976	Ref	MASTER CYLINDER ASSEMBLY	B
1	70003084	1	Barrel	
2	70002354	1	Rod	
3	70003085	1	Head	
4	See Note	1	Wiper (Note: Use Item 28)	
5	70002366	1	Ring, Retaining	
6	See Note	1	Seal, Rod (Note: Use Item 28)	
7	See Note	1	Ring, Back-up (Note: Use Item 28)	
8	70002352	1	Bearing	
9	See Note	1	O-Ring (Note: Use Item 28)	
10	See Note	1	Ring, Back-up (Note: Use Item 28)	
11	See Note	1	O-Ring (Note: Use Item 28)	
12	70003086	1	Piston	
13	See Note	1	Seal, Piston (Note: Use Item 28)	
14	See Note	1	Ring, Wear (Note: Use Item 28)	
15	See Note	1	O-Ring (Note: Use Item 28)	
16	70002335	1	Nut	
17	0961951	4	Bushing, Garmax	
18	70023371	4	Plug	
28	70003088	1	Seal Kit (Includes Items 4, 6, 7, 9, 10, 11, 13, 14 & 15)	
100		Ref	REPAIR TOOLS (NOT SHOWN)	
100	70003089	1	Press, Wiper	
100	70003090	1	Press, Bushing (Use with Rod Bearing)	
100	70003091	1	Tool, Bushing Removal (Use with Rod Bearing)	
100	70003092	1	Tool, Head Seal Protection	
100	70003081	1	Tool, Piston Seal Protection	
100	70003093	1	Press, Bushing (Use with Pin Mounting Bushings)	
100	70003094	1	Tool, Bushing Removal (Use with Pin Mounting Bushings)	

SECTION 5 - CYLINDER

FIGURE 5-8. STEER CYLINDER ASSEMBLY



Go to Discount-Equipment.com to order your parts

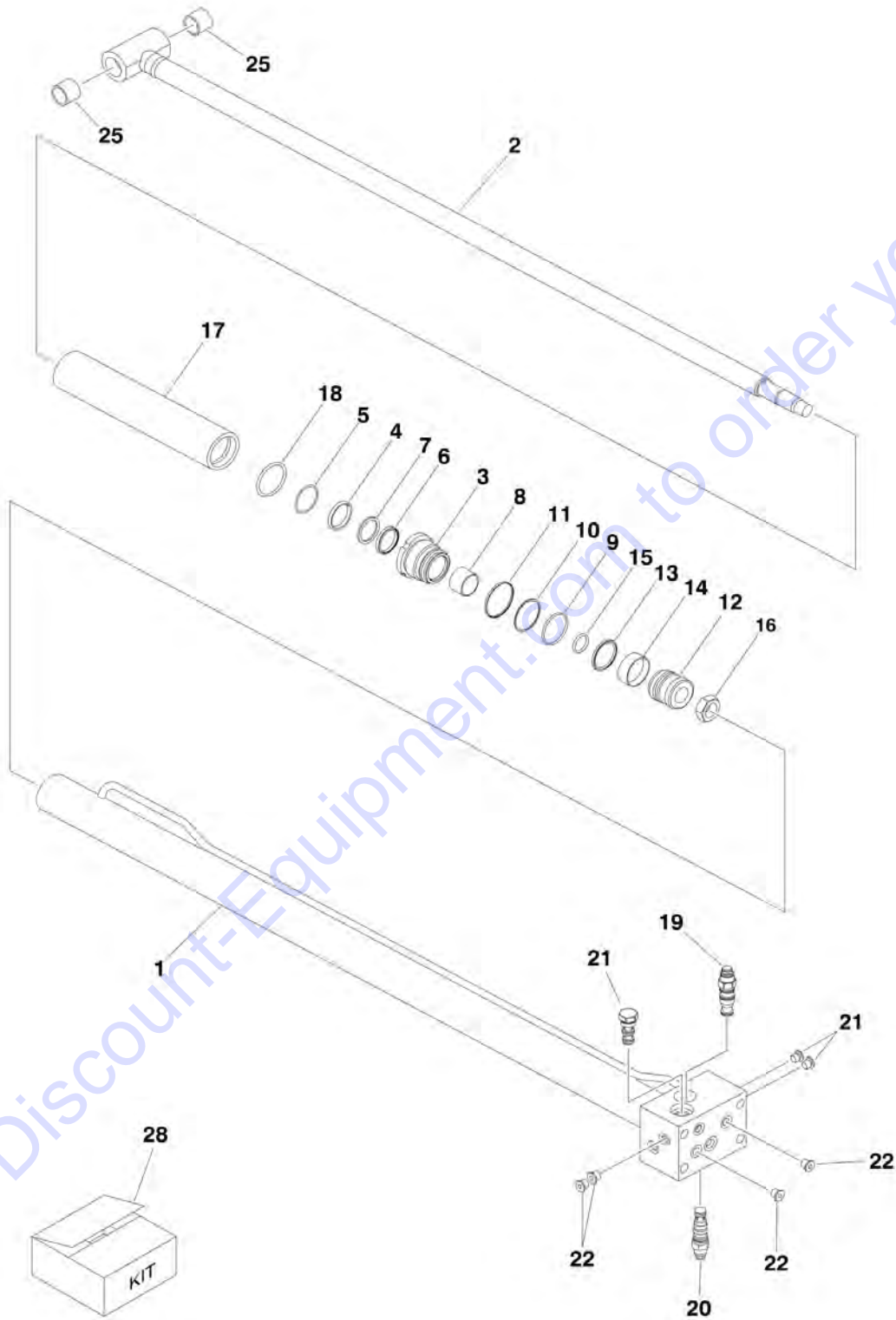
SECTION 5 - CYLINDER

FIGURE 5-8. STEER CYLINDER ASSEMBLY

ITEM	PART NUMBER	QTY	DESCRIPTION	REV
	1001116788	Ref	STEER CYLINDER ASSEMBLY	C
1	70003095	1	Barrel	
2	70003096	1	Rod	
3	70003098	2	Head	
4	See Note	2	Wiper (Note: Use Item 15)	
5	See Note	2	Seal, Rod (Note: Use Item 15)	
6	70002337	2	Bearing	
7	See Note	2	O-Ring (Note: Use Item 15)	
8	See Note	2	Ring, Back-up (Note: Use Item 15)	
9	See Note	2	O-Ring (Note: Use Item 15)	
10	70003097	1	Piston	
11	See Note	1	Seal, Piston (Note: Use Item 15)	
12	See Note	1	Ring, Wear (Note: Use Item 15)	
13	70002380	4	Bushing, Garmax	
15	70003099	1	Seal Kit (Includes Items 4, 5, 7, 8, 9, 11 & 12)	
100		Ref	REPAIR TOOLS (NOT SHOWN)	
100	70003077	1	Press, Wiper	
100	70003078	1	Press, Bushing (Use with Rod Bearing)	
100	70003079	1	Tool, Bushing Removal (Use with Rod Bearing)	
100	70003080	1	Tool, Head Seal Protection	
100	70003100	1	Tool, Piston Seal Protection	
100	70003101	1	Press, Bushing (Use with Pin Mounting Bushings)	
100	70003102	1	Tool, Bushing Removal (Use with Pin Mounting Bushings)	

SECTION 5 - CYLINDER

FIGURE 5-9. TELESCOPE CYLINDER ASSEMBLY



SECTION 5 - CYLINDER

FIGURE 5-9. TELESCOPE CYLINDER ASSEMBLY

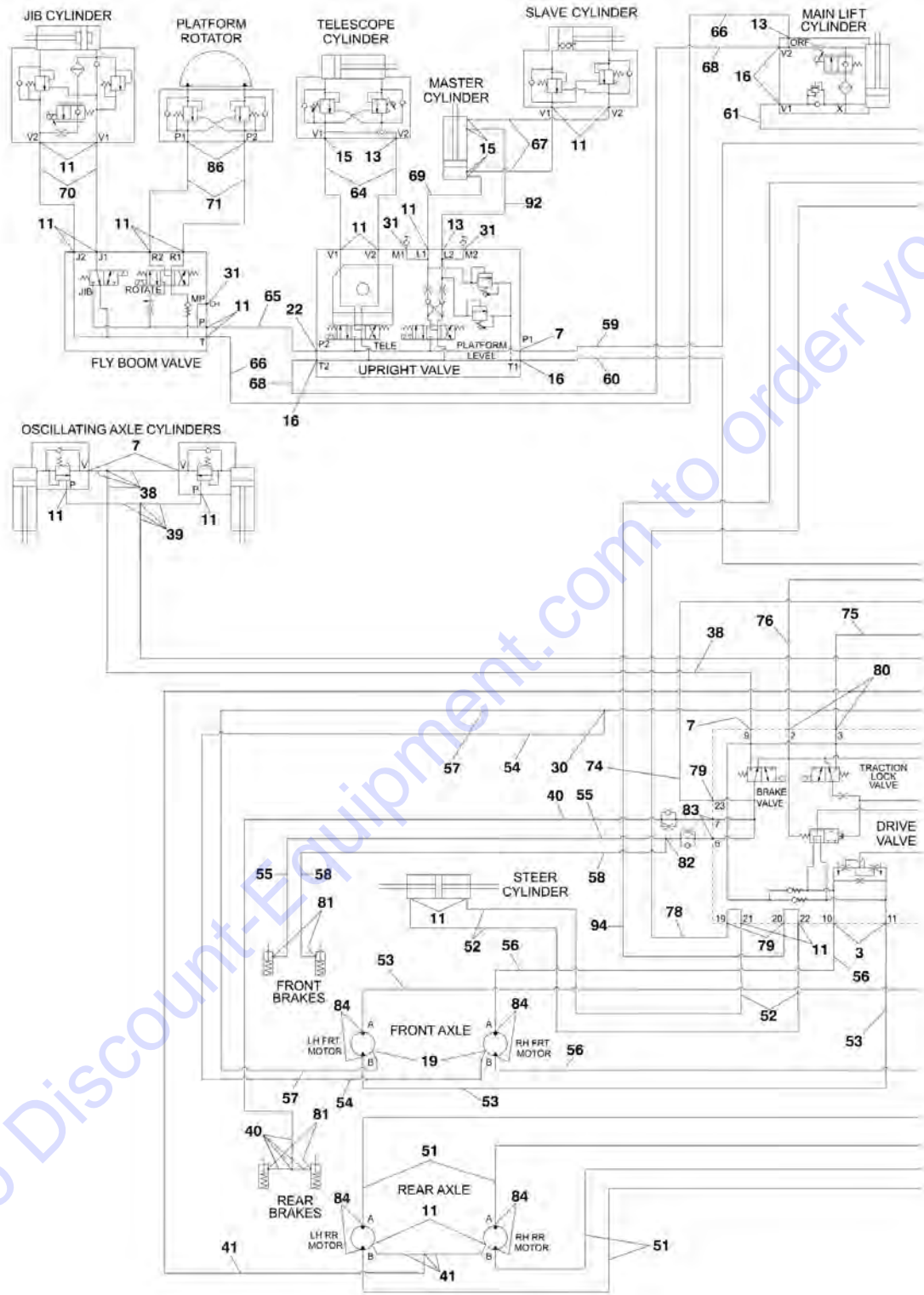
ITEM	PART NUMBER	QTY	DESCRIPTION	REV
	1001120974	Ref	TELESCOPE CYLINDER ASSEMBLY	C
1	70003114	1	Barrel	
2	70003115	1	Rod	
3	70003116	1	Head	
4	See Note	1	Wiper (Note: Use Item 28)	
5	70002366	1	Ring, Retaining	
6	See Note	1	Seal, Rod (Note: Use Item 28)	
7	See Note	1	Ring, Back-up (Note: Use Item 28)	
8	70002352	1	Bearing	
9	See Note	1	O-Ring (Note: Use Item 28)	
10	See Note	1	Ring, Back-up (Note: Use Item 28)	
11	See Note	1	O-Ring (Note: Use Item 28)	
12	70003117	1	Piston	
13	See Note	1	Seal, Piston (Note: Use Item 28)	
14	See Note	1	Ring, Wear (Note: Use Item 28)	
15	See Note	1	O-Ring (Note: Use Item 28)	
16	70002335	1	Nut	
17	70002364	1	Spacer	
18	See Note	1	O-Ring (Note: Use Item 28)	
19	4640771	1	Cartridge, Counterbalance Valve	
19	2900770	1	Seal Kit - 4640771 Valve	
20	70002389	1	Cartridge, Counterbalance Valve	
20	2900770	1	Seal Kit - 70002389 Valve	
21	10837580	1	Cartridge, Load Shuttle Valve	
21	7010543	1	Seal Kit - 10837580 Valve	
22	70023370	6	Plug	
25	70003118	2	Bushing	
28	70003119	1	Seal Kit (Includes Items 4, 6, 7, 9, 10, 11, 13, 14, 15 & 18)	
100		Ref	REPAIR TOOLS (NOT SHOWN)	
100	70003089	1	Press, Wiper	
100	70003090	1	Press, Bushing (Use with Rod Bearing)	
100	70003091	1	Tool, Bushing Removal (Use with Rod Bearing)	
100	70003092	1	Tool, Head Seal Protection	
100	70003120	1	Press, Bushing (Use with Pin Mounting Bushings)	
100	70003121	1	Tool, Bushing Removal (Use with Pin Mounting Bushings)	

SECTION 6 - HYDRAULIC

Go to Discount-Equipment.com to order your parts

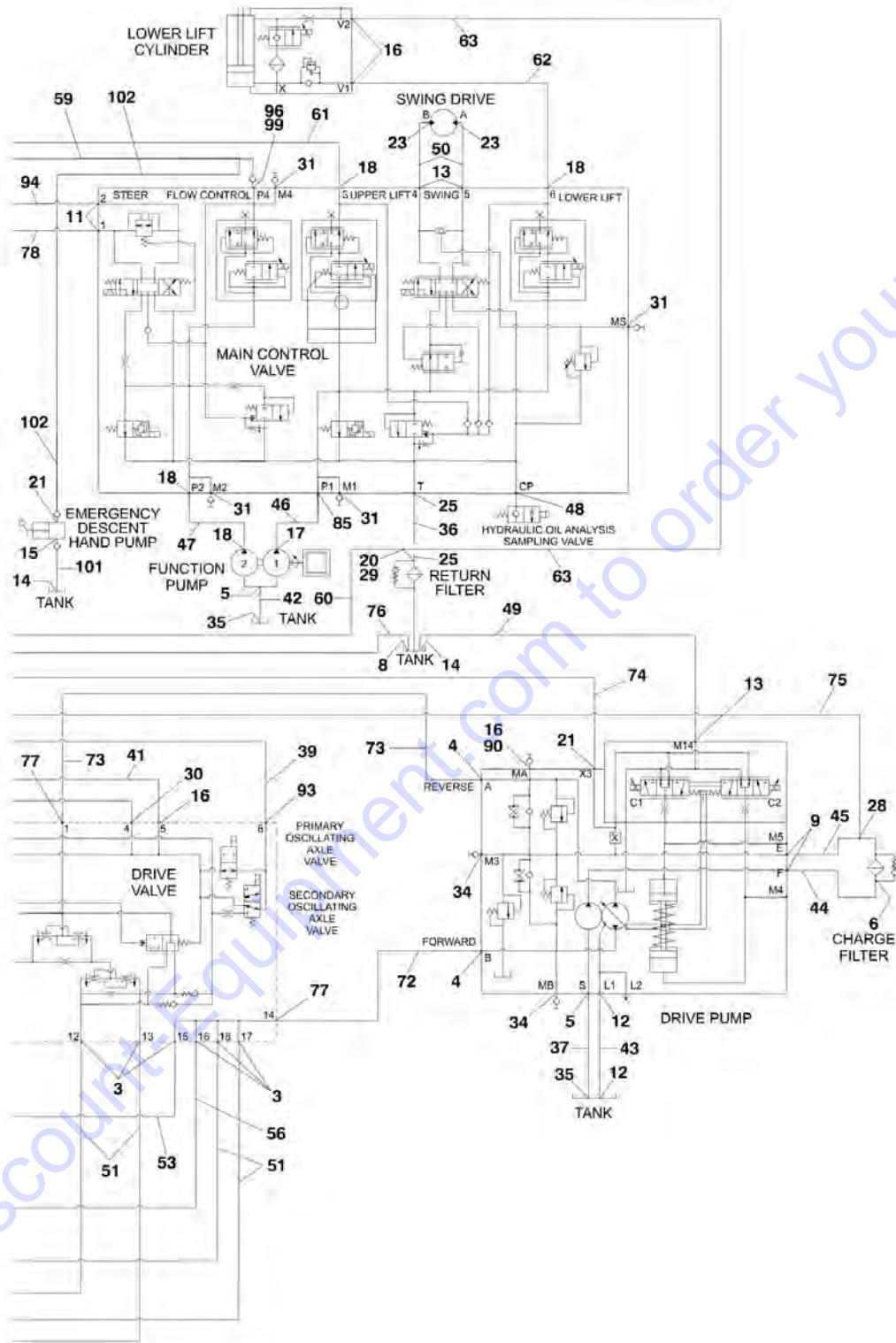
SECTION 6 - HYDRAULIC

FIGURE 6-1. HYDRAULIC INSTALLATION



Go to Discount-Equipment.com to order your parts

SECTION 6 - HYDRAULIC



SECTION 6 - HYDRAULIC

FIGURE 6-1. HYDRAULIC INSTALLATION

ITEM	PART NUMBER	QTY	DESCRIPTION	REV
		Ref	HYDRAULIC INSTALLATION	
	1001115785	Ref	Machines without Arctic Package	F
	1001120430	Ref	Machines with Arctic Package	D
3	2110808	8	Fitting, Straight	
4	2131216	2	Fitting, Elbow	
5	2220365	2	Fitting, Elbow	
6	2220366	1	Fitting, Elbow	
7	2220371	4	Fitting, Straight	
8	2220373	1	Fitting, Straight	
9	2220374	2	Fitting, Straight	
11	2220415	23	Fitting, Straight	
12	2220451	2	Fitting, Straight	
13	2220466	6	Fitting, Elbow	
14	2220468	2	Fitting, Straight	
15	2220472	6	Fitting, Elbow	
16	2220473	8	Fitting, Elbow	
17	2220499	1	Fitting, Elbow	
18	2220501	4	Fitting, Elbow	
19	2220502	2	Fitting, Elbow	
20	2220507	1	Fitting	
21	2220582	2	Fitting, Straight	
22	2220819	1	Fitting, Elbow	
23	2220828	2	Fitting, Elbow	
25	2220947	2	Fitting, Straight	
28	2221041	1	Fitting, Tee	
29	2221053	1	Fitting, Tee	
30	2221060	1	Fitting, Tee	
31	2221086	7	Fitting, Test	
33	4240018	7	Tie-Strap (Not Shown)	
34	77133089	2	Mini Check	
35	80633030	2	Clamp, Hose	
36	1001116905	1	Tube, Steel	
37	1001119035	1	Hose	
38	1001119068	1	Hose	
39	1001119069	1	Hose	
40	1001119070	1	Hose	
41	1001119071	1	Hose	
42	1001119143	1	Hose	
43	1001119237	1	Hose	
44	1001119324	1	Hose	
45	1001119365	1	Hose	
46	1001119404	1	Hose	
47	1001119449	1	Hose	
48	1001119455	1	Valve, Oil Sampling	
49	1001119489	1	Hose	
50	1001119525	2	Hose	
51	1001119546	4	Hose	
52	1001119547	2	Hose	
53		Ref	Hose Options:	
53	1001119548	2	Machines without Arctic Package	

SECTION 6 - HYDRAULIC

ITEM	PART NUMBER	QTY	DESCRIPTION	REV
53	1001120424	2	Machines with Arctic Package	
54		Ref	Hose Options:	
54	1001119550	1	Machines without Arctic Package	
54	1001120425	1	Machines with Arctic Package	
55		Ref	Hose Options:	
55	1001119552	1	Machines without Arctic Package	
55	1001120426	1	Machines with Arctic Package	
56		Ref	Hose Options:	
56	1001119568	2	Machines without Arctic Package	
56	1001120427	2	Machines with Arctic Package	
57		Ref	Hose Options:	
57	1001119569	1	Machines without Arctic Package	
57	1001120428	1	Machines with Arctic Package	
58		Ref	Hose Options:	
58	1001119570	1	Machines without Arctic Package	
58	1001120429	1	Machines with Arctic Package	
59	1001119572	1	Hose	
60	1001119577	1	Hose	
61	1001119593	1	Hose	
62	1001119594	1	Hose	
63	1001119595	1	Hose	
64	1001119596	2	Hose	
65	1001119597	1	Hose	
66	1001119598	1	Hose	
67	1001119600	2	Hose	
68	1001119602	1	Hose	
69	1001119603	1	Hose	
70	1001119604	2	Hose	
71	1001119605	2	Hose	
72	1001119606	1	Hose	
73	1001119607	1	Hose	
74	1001119608	1	Hose	
75	1001119610	1	Hose	
76	1001119611	1	Hose	
77	1001119612	2	Fitting, Straight	
78	1001119613	1	Hose	
79	1001119626	3	Fitting, Straight	
80	1001119627	2	Fitting, Straight	
81	1001119630	4	Fitting, Straight	
82	2220605	1	Fitting	
83	4641284	2	Valve, Orifice Check	
84	2110810	8	Fitting, Straight	
85	2220500	1	Fitting, Elbow	
86	2220940	1	Fitting, Elbow	
87	4100066	1	Sleeve, Hose (Not Shown)	
90	91143172	1	Coupling	
92	1001121966	1	Hose	
93	1001125108	1	Fitting, Straight	
94	1001125249	1	Hose	
96	2220635	1	Fitting, Straight	
99	80233041	1	Fitting, Check	

SECTION 6 - HYDRAULIC

ITEM	PART NUMBER	QTY	DESCRIPTION	REV
101	1001127703	1	Hose	
102	1001127705	1	Hose	

Go to Discount-Equipment.com to order your parts

SECTION 6 - HYDRAULIC

FIGURE 6-2. HYDRAULIC DIAGRAM LIST

ITEM	PART NUMBER	QTY	DESCRIPTION	REV
		Ref	Note: Diagrams not shown are available from	
		Ref	Discount-equipment.com	
	1001115785	Ref	Hydraulic Diagram Installation	
	1001120430	Ref	Without Arctic Package	
	1001120020	Ref	With Arctic Package	
		Ref	Standard Hydraulic Schematic	

Go to Discount-Equipment.com to order your parts

SECTION 7 - ELECTRICAL

Go to Discount-Equipment.com to order your parts

SECTION 7 - ELECTRICAL

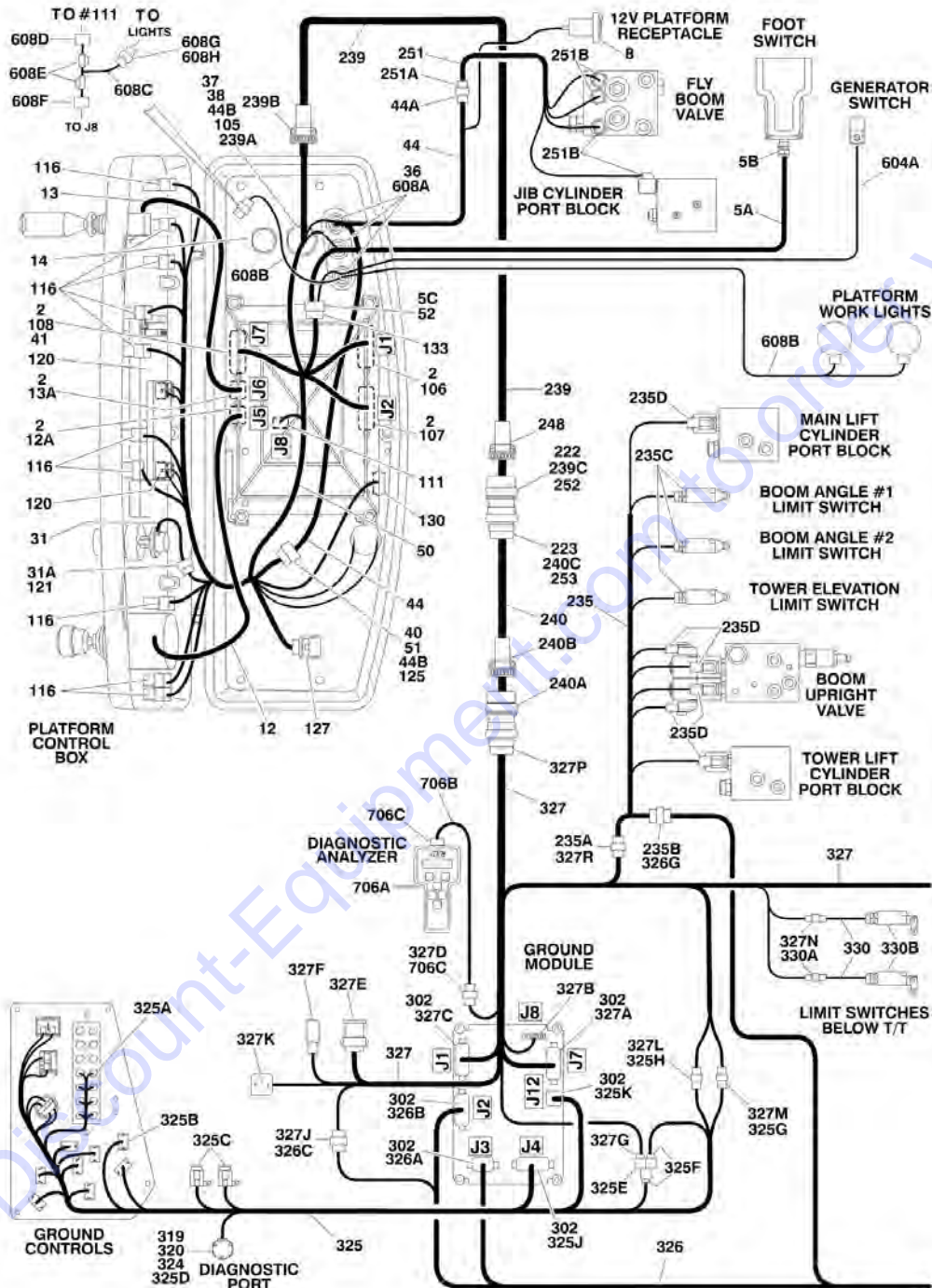
FIGURE 7-1. ELECTRICAL DIAGRAM LIST

ITEM	PART NUMBER	QTY	DESCRIPTION	REV
	1001119638	Ref	Note: Diagrams not shown are available from Discount- equipment.com	
		Ref	STANDARD ELECTRICAL SCHEMATICS	

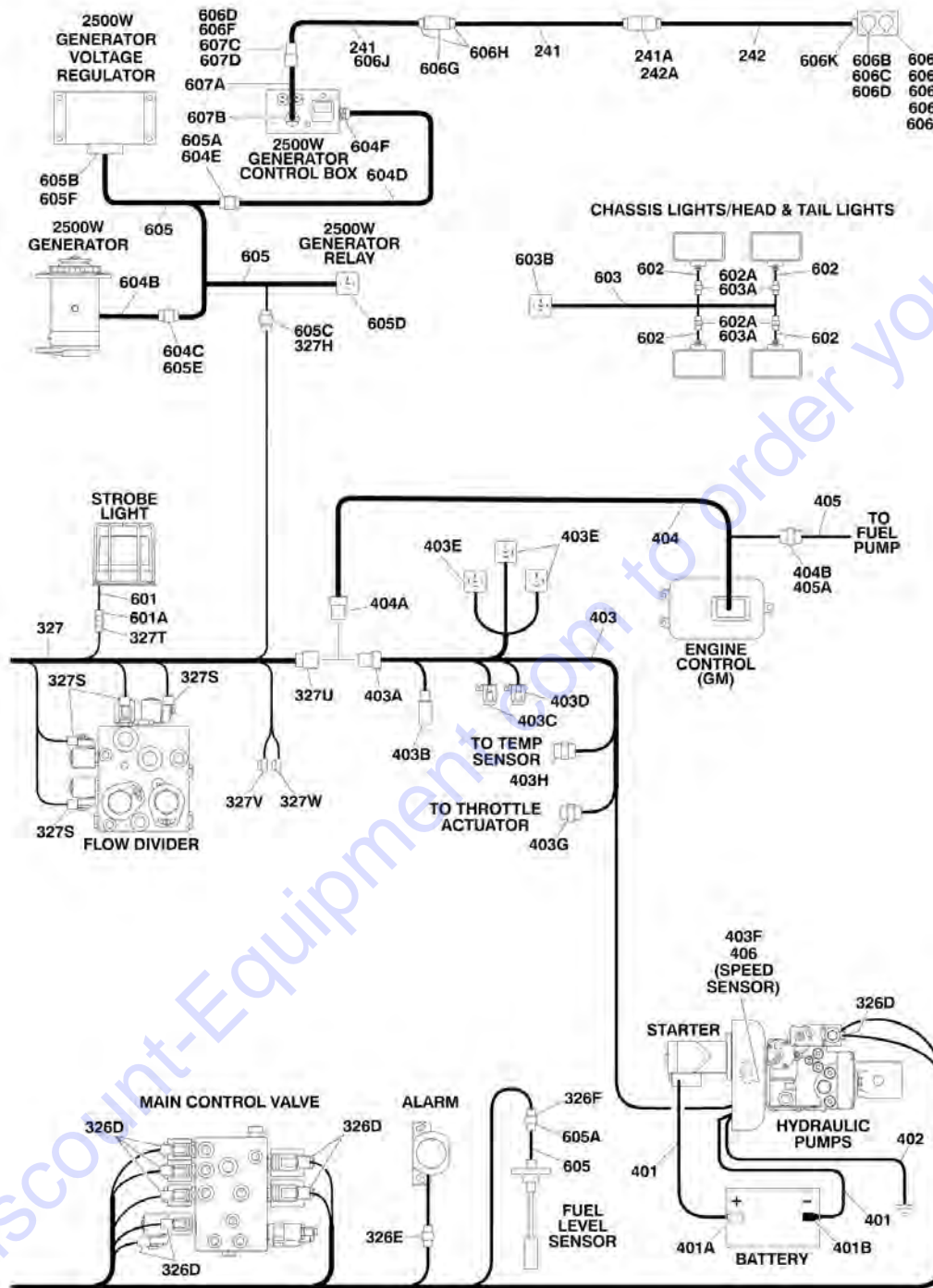
Go to Discount-Equipment.com to order your parts

SECTION 7 - ELECTRICAL

FIGURE 7-2. HARNESS COMPONENTS INSTALLATION



SECTION 7 - ELECTRICAL



SECTION 7 - ELECTRICAL

FIGURE 7-2. HARNESS COMPONENTS INSTALLATION

ITEM	PART NUMBER	QTY	DESCRIPTION	REV
	1001115775	Ref	PLATFORM CONSOLE BOX INSTALLATION (DIESEL) (Prior to SN 0300169773)	B
	1001145804	Ref	PLATFORM CONSOLE BOX INSTALLATION (DIESEL) (SN 0300169773 through 0300200802)	C
	1001118420	Ref	PLATFORM CONSOLE BOX INSTALLATION (GAS) (Prior to SN 0300169773)	C
	1001145805	Ref	PLATFORM CONSOLE BOX INSTALLATION (GAS) (SN 0300169773 through 0300200802)	C
	1001118414	Ref	PLATFORM CONSOLE BOX ASSEMBLY (Prior to SN 0300169773)	F
	1001146109	Ref	PLATFORM CONSOLE BOX ASSEMBLY (SN 0300169773 through 0300188631)	D
	1001166667	Ref	PLATFORM CONSOLE BOX ASSEMBLY (SN 0300188632 through 0300200802)	A
2	0100048	AR	Grease, Dielectric	
5		Ref	Footswitch Components Options:	
5	0272970	Ref	Footswitch Components (Prior to SN 0300169773)	B
5	1001117174	Ref	Footswitch Components (SN 0300169773 through 0300200802)	B
5A	1060918	7 ft/2.1m	Cable, Electrical - 18/3	
5B	4460071	1	Connector, Strain Relief	
5C	4460226	2	Socket, Female	
5C	4460464	1	Pin, Male Deutsch	
8	4461012	1	Receptacle, 12V	
12	See Note	1	Controller Harness Assembly (Lift and Swing) (Note: Not Available - Purchase Complete Controller)	
12A	7022819	1	Plug, Male - 8 Position (Natural)	
12A	4460871	6	Socket, Female	
13	7022824	1	Controller Harness Assembly (Drive and Steer)	
13A	7022825	1	Plug, Male - 8 Position (Black)	
13A	4460871	7	Socket, Female	
14	1001110434	1	D-Plug	
31	See Note	1	Controller Harness Assembly (Speed Control) (Note: Not Available - Purchase Complete Controller)	
31A	4460224	1	Receptacle, Female - 6 Position	
31A	4460226	6	Socket, Female	
36	4460428	2	Connector, Strain Relief	
37	4460470	1	Nut, Terminal	
38	4460471	1	Lockwasher, Terminal	
40	4460933	1	Receptacle - 12 Position	
41	4460905	5	Seal, Plug	
44		Ref	Harness, Upper Boom Valve Options:	
44	See Note	1	Harness, Upper Boom Valve (Note: p/n 1001118408 no longer available - Purchase p/n 1001140525 & p/n 1001140524 for Replacement.) (Prior to SN 0300161809)	D
44	1001140525	1	Harness, Upper Boom Valve (SN 0300161809 through 0300200802)	A
44A	4460899	1	Receptacle, Male - 6 Position (Gray) (SN 0300161809 through 0300200802)	
44A	4460464	5	Pin, Male Deutsch 16 Ga	
44A	4460466	1	Plug, Sealing	
44B	4460465	7	Socket, Female	
50	1001118415	1	Harness, Platform Box (See Items 101-133 for Breakdown)	

SECTION 7 - ELECTRICAL

ITEM	PART NUMBER	QTY	DESCRIPTION	REV
51	4460466	7	Plug, Sealing	
52	4460708	1	Receptacle - 15 Position	
	1001118415	Ref	PLATFORM BOX HARNESS ASSEMBLY	A
105	4460866	1	Connector - 19 Position	
105	4460464	5	Pin, Male Deutsch 16 Ga	
105	4460508	2	Pin, Male Deutsch 12 Ga	
105	4460943	3	Pin, Male Deutsch 16 Ga Gold	
105	4460466	9	Plug, Sealing	
106	4460874	1	Connector - 35 Position (Natural)	
106	4460871	22	Socket, Female	
107	4460875	1	Connector - 35 Position (Gray)	
107	4460871	22	Socket, Female	
108	4460873	1	Connector - 35 Position (Black)	
108	4460871	19	Socket, Female	
111	4460879	1	Connector, Male 2 Position	
111	4460887	2	Terminal (12 Gauge)	
116	4460418	9	Connector, Female - 6 Position	
116	4460419	25	Socket, Female	
120	4460225	4	Plug, Male - 6 Position	
120	4460226	15	Socket, Female	
121	4460225	1	Plug, Male - 6 Position	
121	4460227	5	Pin, Male	
125	4460970	1	Plug, Male - 12 Position	
125	4460464	9	Pin, Male Deutsch 16 Ga	
125	4460943	3	Pin, Male Deutsch 16 Ga Gold	
127	4460933	1	Plug, Male - 12 Position	
127	4460944	9	Socket, Female 16 Ga	
127	4460466	3	Plug, Sealing	
127	1001119020	1	Buss Bar - 12 Position	
130	4460761	1	Plug, Male - 4 Position	
130	4460227	4	Pin, Male	
133	4460434	2	Plug, Male - 15 Position	
133	4460227	25	Pin, Male	
		Ref	BOOM CABLES INSTALLATION	
	1001115784	Ref	Machines without Arctic Package	F
	1001119937	Ref	Machines with Arctic Package	E
222	4460865	1	Connector - 19 Position	
222	2820031	AR	Heat Shrink	
223	4460866	1	Connector - 19 Position	
223	2820031	AR	Heat Shrink	
235	1001118292	1	Harness, Boom Limit Switches and Upright Valve	D
235A	4460894	1	Plug, Male - 6 Position (Gray)	
235A	4460465	6	Socket, Female	
235B	4460970	1	Receptacle, Female - 12 Position (Gray)	
235B	4460464	9	Pin, Female	
235B	4460466	3	Plug, Sealing	
235C	4360548	3	Switch, Limit	
235C	4360548	3	Connector, Strain Relief	
235C	0962449	3	Seal	
235D	4460891	6	Plug, Male - 2 Position (Gray)	
235D	4460465	12	Socket, Female	

SECTION 7 - ELECTRICAL

ITEM	PART NUMBER	QTY	DESCRIPTION	REV
239		Ref	Harness Assembly - Main Boom (12/4 - 18/9) Options:	
239	1001119018	1	Machines without Arctic Package	B
239	1001119953	1	Machines with Arctic Package	B
239		Ref	Cable, Electrical - 12/4 & 18/9 Options:	
239	1060896	23 ft/7m	Without Arctic Package	
239	4923462	23 ft/7m	With Arctic Package	
239	2820118	AR	Heat Shrink	
239A	4460865	2	Connector - 19 Position	
239A	4460465	11	Socket, Female 18 Gauge	
239A	4460509	4	Socket, Female 12 Gauge	
239A	4460466	4	Seal, Plug	
239B	4460473	1	Clamp, Cable	
239C	4460465	11	Socket, Female 18 Gauge	
239C	4460509	4	Socket, Female 12 Gauge	
240		Ref	Harness Assembly - Tower Boom (12/4 - 18/9) Options:	
240	1001119019	1	Machines without Arctic Package	A
240	1001119954	1	Machines with Arctic Package	A
240		Ref	Cable, Electrical - 12/4 & 18/9 Options:	
240	1060896	24.3 ft /7.4m	Without Arctic Package	
240	4923462	24.3 ft /7.4m	With Arctic Package	
240	2820118	AR	Heat Shrink	
240A	4460865	1	Connector - 19 Position	
240A	4460465	11	Socket, Female 18 Gauge	
240A	4460509	4	Socket, Female 12 Gauge	
240A	4460466	4	Seal, Plug	
240B	4460473	1	Clamp, Cable	
240C	4460464	11	Pin, Male 18 Gauge	
240C	4460508	4	Pin, Male 12 Gauge	
241		Ref	Cable, AC Tower Boom Options:	
241	1001119139	1	Without Arctic Package (14/3)	B
241	1001119956	1	With Arctic Package (12/3 Polar)	A
241A	1001120205	1	Receptacle, Female Twist Lock	
242		Ref	Cable, AC Main Boom Options:	
242	1001119140	1	Without Arctic Package (14/3)	C
242	1001119955	1	With Arctic Package (12/3 Polar)	B
242A	1001120204	1	Receptacle, Female Twist Lock	
248	4460473	2	Clamp, Cable	
251	1001140524	1	Harness, Upper Boom (SN 0300161809 through 0300200802)	A
251A	4460894	1	Plug, Male - 6 Position (Gray)	
251A	4460465	5	Socket, Female	
251A	4460466	1	Plug, Sealing	
251B	4460891	4	Plug, Male - 2 Position	
251B	4460465	8	Socket, Female	
252	1671092	1	Cover, Connector	
253	1671093	1	Cover, Plug	
	1001119165	Ref	ELECTRICAL INSTALLATION	F
302	0100048	AR	Grease, Dielectric	
319	4460496	1	Locknut, Terminal	
320	4460497	1	Nut, Terminal	
324	1001106736	1	Cap, Dust	

SECTION 7 - ELECTRICAL

ITEM	PART NUMBER	QTY	DESCRIPTION	REV
325	1001118218	1	Harness, Ground Used Interface	D
325A	4120035	8	Base, Light	
325A	4460634	8	Terminal (16 Gauge)	
325A	4460635	16	Terminal (12 Gauge)	
325B	4460418	8	Connector, Female - 6 Position	
325B	4460419	31	Socket, Female	
325C	1001117078	2	Connector, Fuseholder (Includes 5Amp Fuse and Cap)	
325C	260305	2	Fuse 5Amp	
325C	1001096133	1	Fuseholder	
325C	1001096134	1	Cover, Fuse	
325C	4460419	4	Socket, Female	
325D	1001112612	1	Connector - 9 Position	
325D	4460943	3	Pin, Male (Gold)	
325D	4460464	3	Pin, Male Deutsch 16 Ga	
325D	4460466	3	Seal, Plug	
325E	4460945	1	Connector, Female 3 Way - 3 Position	
325F	1001116812	2	Plug, Male - 3 Position (Triangular) (Use p/n 4460539)	
325F	4460944	6	Socket, Female (Gold)	
325G	1001116810	1	Plug, Male - 4 Position	
325G	4460509	4	Socket, Female 12 Gauge	
325G	4460466	1	Seal, Plug	
325H	4460884	1	Plug, Male - 4 Position	
325H	4460465	4	Socket, Female 12 Gauge	
325H	4460466	1	Seal, Plug	
325J	4460876	1	Connector - 35 Position (Blue)	
325J	4460871	27	Socket, Female	
325J	4460905	8	Seal, Plug	
325K	1001113961	1	Connector - 8 Position (Black)	
325K	4460871	5	Socket, Female	
325K	4460905	3	Seal, Plug	
326	1001118293	1	Harness, Valve	D
326A	4460872	1	Connector, Male - 14 Position (Black)	
326A	4460871	7	Socket, Female	
326A	4460905	6	Seal, Plug	
326B	4460875	1	Connector - 35 Position (Gray)	
326B	4460871	24	Socket, Female	
326B	4460905	10	Seal, Plug	
326C	4460931	1	Receptacle, Female - 8 Position (Gray)	
326C	4460464	4	Pin, Male Deutsch 16 Ga	
326C	4460466	4	Seal, Plug	
326D	4460891	11	Plug, Male - 2 Position	
326D	4460465	22	Socket, Female	
326E	4460539	1	Plug, Male - 3 Position (Triangular)	
326E	4460465	3	Socket, Female 18 Gauge	
326F	4460891	1	Plug, Male - 2 Position	
326F	4460465	2	Socket, Female	
326G	4460933	1	Plug, Male - 12 Position (Gray)	
326G	4460465	9	Socket, Female 18 Gauge	
326G	4460466	3	Seal, Plug	
327	1001118333	1	Harness, Mid-Engine	F
327A	4460873	1	Connector - 35 Position (Black)	

SECTION 7 - ELECTRICAL

ITEM	PART NUMBER	QTY	DESCRIPTION	REV
327A	4460871	19	Socket, Female	
327A	4460905	16	Seal, Plug	
327B	4460878	1	Housing, Terminal - 4 Position	
327B	4460887	4	Terminal (12 Gauge)	
327C	4460874	1	Connector - 35 Position (Natural)	
327C	4460871	20	Socket, Female	
327C	4460905	15	Plug, Seal	
327D	4460761	1	Connector, Female - 4 Position	
327D	4460227	4	Pin, Male	
327E	4460837	1	Connector, Bussbar - 12 Position	
327E	1001121172	1	Bracket, Terminal Mounting	
327E	4460933	1	Plug, Male - 12 Position (Gray)	
327E	4460465	3	Socket, Female 18 Gauge	
327E	4460466	7	Seal, Plug	
327F	4460892	1	Connector, Bussbar - 6 Position	
327F	1001121172	1	Bracket, Terminal Mounting	
327F	4460465	2	Socket, Female 18 Gauge	
327F	4460466	3	Seal, Plug	
327G	1001116812	1	Plug, Male - 3 Position (Triangular) (Use p/n 4460539)	
327G	4460944	3	Socket, Female (Gold)	
327H	4461157	1	Receptacle, Female - 2 Position	
327H	4460979	1	Pin, Male	
327H	1001116727	1	Seal, Plug	
327J	4460930	1	Plug, Male - 8 Position (Gray)	
327J	4460465	2	Socket, Female 18 Gauge	
327J	4460466	6	Seal, Plug	
327K	1001117025	1	Relay and Connector Assembly	
327K	3740080	1	Relay	
327K	1001117057	1	Plug, Male - 5 Position	
327K	1001116732	2	Terminal	
327K	1001116734	2	Terminal	
327L	4460932	1	Receptacle, Female - 4 Position	
327L	4460464	3	Pin, Male Deutsch 16 Ga	
327L	4460466	1	Seal, Plug	
327M	1001116811	1	Receptacle, Female - 4 Position	
327M	4460508	3	Pin, Male Deutsch 12 Ga	
327M	4460466	1	Seal, Plug	
327N	4460884	2	Plug, Male - 4 Position	
327N	4460465	7	Socket, Female Deutsch 16 Ga	
327N	4460466	1	Seal, Plug	
327P	4460866	1	Connector - 19 Position	
327P	4460943	3	Pin, Male 18 Gauge (Gold)	
327P	4460508	3	Pin, Male Deutsch 12 Ga	
327P	4460464	6	Pin, Male 12 Gauge	
327P	4460466	6	Seal, Plug	
327R	4460899	1	Receptacle, Male - 6 Position (Gray)	
327R	4460464	6	Pin, Male	
327S	4460891	4	Plug, Male - 2 Position	
327S	4460465	8	Socket, Female	
327T	4460897	4	Receptacle Female - 2 Position	
327T	4460464	8	Pin, Male	

SECTION 7 - ELECTRICAL

ITEM	PART NUMBER	QTY	DESCRIPTION	REV
327U	4461110	1	Receptacle Female - 16 Position	
327U	1001136231	1	Lock, Connector	
327U	1001136232	1	Lock, Connector	
327U	4461112	14	Terminal, Female	
327U	4461113	14	Seal	
327U	4461222	2	Plug	
327V	1001113149	1	Fuse, 15Amp	
327V	2400066	1	Fuseholder	
327W	2400065	1	Fuse, 30Amp	
327W	2400066	1	Fuseholder	
330	1001119176	2	Harness, Limit Switch (Includes Limit Switch)	E
330A	1001129407	2	Receptacle, Female - 4 Position	
330A	4460464	8	Pin, Male Deutsch 16 Ga	
330B	1001119170	1	Switch, Limit	
		Ref	ENGINE HARNESSES AND COMPONENTS	
401	1001118594	1	Battery Cable Kit (Includes Qty 1 Each of Red and Black Cables with Terminal Boots)	B
401A	4461231	1	Battery Terminal End Only with Red Boot	
401B	4461232	1	Battery Terminal End Only with Black Boot	
402	1001120450	1	Cable, Ground	
403	1001118638	1	Kubota Engine Harness	G
403A	4461109	1	Plug, Male - 16 Position	
403A	4461111	13	Terminal, Male	
403A	4461113	13	Seal	
403A	4461222	3	Plug	
403A	1001136232		Lock, Connector	
403B	4461070	1	Receptacle with Resistor	
403B	4461095	1	Plug, Male - 3 Position	
403B	4460944	2	Terminal , Gold	
403B	4460466	1	Seal, Plug	
403C	1001117070	1	Connector, Fuseholder (Includes Fuse and Cap)	
403C	See Note	NSS	Fuse 30Amp (Note: Use p/n 1001117070)	
403C	1001096133	1	Fuseholder	
403C	1001096134	1	Cover, Fuse	
403C	1001116752	2	Terminal, Female	
403D	1001118938	1	Connector, Fuseholder (Includes Fuse and Cap)	
403D	See Note	NSS	Fuse 40Amp (Note: Use p/n 1001118938)	
403D	1001096133	1	Fuseholder	
403D	1001096134	1	Cover, Fuse	
403D	1001116752	2	Terminal, Female	
403E	1001117025	3	Relay and Connector Assembly	
403E	3740080	3	Relay	
403E	1001117057	3	Plug, Male - 5 Position	
403E	1001116732	6	Terminal	
403E	1001116734	6	Terminal	
403F	1001117055	1	Plug, Male - 3 Position	
403F	4460746	3	Socket, Female	
403G	4460891	1	Plug, Male - 2 Position (Gray)	
403G	4460465	2	Socket, Female	
403H	1001118657	1	Plug, Male - 2 Position (Green)	
403H	1001118658	2	Socket, Female	
404	See Note	1	GM Engine Harness (Note: Not Available for Purchase) (Note: No	D

SECTION 7 - ELECTRICAL

ITEM	PART NUMBER	QTY	DESCRIPTION	REV
			other components available except items 404A & 404B)	
404A	4461109	1	Plug, Male - 16 Position	
404A	4461111	13	Terminal, Male	
404A	4461113	13	Seal	
404A	4461222	3	Plug	
404B	See Note	1	Plug, Male - 8 Position (Note: Not Available for Purchase)	
404B	4461111	2	Terminal, Male	
404B	4461222	6	Plug	
405	1001119778	1	GM Fuel Pump Harness	A
405A	1001119799	1	Receptacle, Female - 8 Position	
405A	4461112	2	Terminal, Female	
405A	4461222	6	Plug	
406	1001118580	1	Speed Sensor Harness (Includes Sensor)	A
406	See Note	NSS	Receptacle, Female - 3 Position (Note: Use p/n 1001118580)	
406	See Note	NSS	Pin, Male (Note: Use p/n 1001118580)	
		Ref	OPTIONAL HARNESS COMPONENTS	
601	0255917	1	Strobe Light Harness (Includes Strobe Light)	
601A	4460320	1	Connector, Female - 2 Position	
601A	4460267	2	Pin, Male	
602		Ref	Light Harness Options (Includes Light):	
602	2920157	1	Chassis Light Harness	
602	2920110	1	Head Light Harness	
602	2920113	1	Tail Light Harness	
602A	4460897	4	Receptacle, Female - 2 Position	
602A	4460464	8	Pin, Male	
603	1001120299	1	Chassis Light Harness/Head and Tail Light Harness	
603A	4460891	4	Plug, Male - 2 Position	
603A	4460465	8	Socket, Female	
603B	1001117025	1	Relay and Connector Assembly	
603B	3740080	1	Relay	
603B	1001117057	1	Plug, Male - 5 Position	
603B	1001116732	2	Terminal	
603B	1001116734	2	Terminal	
604		Ref	2500W Generator Electrical Components	
604		Ref	GM Engine Machines	
604	1001121719	Ref	120V/60Hz Generator (ANSI, ANSI Export, CSA and Japanese Specs)	A
604	1001121721	Ref	220V/60HZ Generator (ANSI Export and CSA Specs)	B
604	1001121720	Ref	220V/50HZ Generator (ANSI Export Spec Only)	B
604		Ref	Kubota Engine Machines	
604	1001119582	Ref	120V/60Hz Generator (ANSI, ANSI Export, CSA and Japanese Specs)	E
604	1001119583	Ref	120V/50Hz Generator (CE Specs)	D
604	1001119584	Ref	220V/60HZ Generator (ANSI Export and CSA Specs)	D
604	1001119585	Ref	220V/50HZ Generator (ANSI Export, Australian and CE Specs)	D
604A	4922641	1	Generator On/Off Switch Harness	1-A
604A	4460226	2	Socket, Female	
604B	70003069	1	Powermite Generator Harness	
604C	4460326	1	Plug, Male - 3 Position	
604C	4460705	3	Pin, Male	
604D	See Note	1	Powermite Control Box Harness (Note: Not Available for Purchase)	

SECTION 7 - ELECTRICAL

ITEM	PART NUMBER	QTY	DESCRIPTION	REV
604E	4460224	1	Plug, Male - 6 Position	
604E	4460750	2	Pin, Male	
604E	4460268	4	Socket, Female	
604F	4460633	1	Connector, Strain Relief	
605	1001119773	1	Generator Harness - 2500W	C
605	1001157916	1	Generator Harness - 4000W	B
605A	4460225	1	Plug, Male - 6 Position	
605A	4460705	1	Pin, Male (2500W)	
605A	4460267	3	Pin, Male (2500W)	
605A	4460268	2	Socket, Female	
605B	4460972	1	Plug, Male - 5 Position (2500W)	
605B	4460973	1	Terminal 12Ga (2500W)	
605B	4460974	4	Terminal 16Ga (2500W)	
605C	4460742	1	Plug, Male - 2 Position (2500W)	
605C	4460743	1	Socket, Female (2500W)	
605C	1001116727	1	Seal, Plug (2500W)	
605D	1001117025	1	Relay and Connector Assembly (2500W)	
605D	3740080	1	Relay (2500W)	
605D	1001117057	1	Plug, Male - 5 Position (2500W)	
605D	1001116732	2	Terminal (2500W)	
605D	1001116734	2	Terminal (2500W)	
605E	4460445	1	Receptacle, Female - 3 Position (2500W)	
605E	4460268	3	Socket, Female (2500W)	
605F	77363233	1	Connector (4000W)	
605F	4460466	4	Plug (4000W)	
605F	4460265	2	Terminal (4000W)	
606		Ref	AC to Platform Receptacle Components	
606	1001119869	Ref	110V GFI Receptacle (ANSI, ANSI Export, CSA and Japanese Specs)	A
606	1001119871	Ref	220V GFI Receptacle (CSA Specs)	A
606	1001119870	Ref	110V/220V (Plug and Receptacle Supplied Locally) (ANSI Export and Australian)	A
606		Ref	110V/220V (CE Spec Only)	
606	1001130588	Ref	110V/220V (Plug and Receptacle Supplied Locally)	A
606	1001119875	Ref	110V with IEC Yellow Receptacle and Plug and Circuit Breaker	A
606	1001119872	Ref	220V with CEE 7 Post Ground Receptacle and Plug and Circuit Breaker (2x4 Box)	A
606	1001119873	Ref	220V with CEE 7 Side Ground Receptacle and Plug and Circuit Breaker (2x4 Box)	A
606	1001115788	Ref	220V with CEE 7 Post Ground Receptacle and Plug and Circuit Breaker (70mm x 70mm Box)	A
606	1001119877	Ref	220V with CEE 7 Side Ground Receptacle and Plug and Circuit Breaker (70mm x 70mm Box)	A
606	1001119874	Ref	220V with AFSINT 107 Keyed Ground Receptacle and Plug and Circuit Breaker (2x4 Box)	A
606	1001119876	Ref	220V with IEC Blue Receptacle and Plug and Circuit Breaker	A
606A		Ref	Box Options:	
606A	0860038	1	1001119869/1001119871 Installations	
606A	See Note	1	1001119870/1001130588 Installation (Note: Not Available - Purchase Locally)	
606A	0861731	1	1001119872/ 1001119873/ 1001119874 Installations	
606A	0861781	1	1001119875/1001119876 Installations	
606A	See Note	1	1001115788/1001119877 Installations (Note: Was p/n	

SECTION 7 - ELECTRICAL

ITEM	PART NUMBER	QTY	DESCRIPTION	REV
606A	1001141967	1	0861782 which is no longer available. Use p/n 1001100344 CEE 7 Side Ground Service Kit or p/n 1001100343 CEE 7 Post Ground Service Kit. Kit include Box p/n 1001141967 & items 606B- 606D.)	
606B		Ref	1001100344, 1001100344, 1001141970 & 1001141971 Kits	
606B	4460346	1	Receptacle Options:	
606B	4460125	1	1001119869 Installations	
606B	See Note	1	1001119871 Installations	
606B	4461244	1	100111970/1001130588 Installation (Note: Not Available - Purchase Locally)	
606B	4461244	1	1001119872 Installations	
606B	4461245	1	1001119873 Installations	
606B	4461246	1	1001119874 Installations	
606B	4461198	1	1001119875 Installations	
606B	4461201	1	1001119876 Installations	
606B	4461204	1	1001115788 Installations	
606B	4461207	1	1001119877 Installations	
606B	1001141968	1	1001100343 & 1001141971 Kits	
606B	1001141969	1	1001100344 & 1001141970 Kits	
606C		Ref	Cover Options:	
606C	1001110873	1	1001119869 Installations	
606C	4060092	1	1001119871 Installations	
606C	See Note	1	100111970/1001130588 Installation (Note: Not Available - Purchase Locally)	
606C	4461244	1	1001119872 Installations	
606C	4461245	1	1001119873 Installations	
606C	4461246	1	1001119874 Installations	
606C	4461198	1	1001119875 Installations	
606C	4461201	1	1001119876 Installations	
606C	4461204	1	1001115788 Installations	
606C	4461207	1	1001119877 Installations	
606C	1001141968	1	1001100343 & 1001141971 Kits	
606C	1001141969	1	1001100344 & 1001141970 Kits	
606D		Ref	Plug Options:	
606D	4460205	1	1001119869 Installations	
606D	4460233	1	1001119871 Installations	
606D	See Note	1	100111970/1001130588 Installation (Note: Not Available - Purchase Locally)	
606D	4461202	1	1001119872/1001115788 Installations, 1001100343 & 1001141971 Kits	
606D	4461205	1	1001119873/1001119877 Installations, 1001100343 & 1001141971 Kits	
606D	4461249	1	1001119874 Installations	
606D	4461196	1	1001119875 Installations	
606D	4461199	1	1001119876 Installations	
606E	0903484	1	Bracket (All Installations except 1001119869/ 1001119870/ 1001119871/1001130588 Installations)	
606F		Ref	Decal Options:	
606F	3251243	AR	120V/60HZ	
606F	1705325	AR	120V/50Hz	
606F	3252507	AR	220V	
606G	2902549	1	Circuit Breaker Box Kit Options (All Installations except 1001119869/1001119870/1001119871 Installations)	D
		Ref	Note: Circuit Breaker Box comes standard with 16 Amp	

SECTION 7 - ELECTRICAL

ITEM	PART NUMBER	QTY	DESCRIPTION	REV
			Breaker. If machine is equipped with 2500W Generator Option, replace 16 Amp Breaker with 10 Amp Breaker per installations listed under Item 607. Purchase 10 Amp Circuit Breaker separately.	
606G		Ref	Breaker, Circuit Options:	
606G	1001109475	1	16 Amp (Machines without Generator)	
606G	1001109477	1	10 Amp (Machines with Generator)	
606G	1001109482	1	Breaker, Circuit - 30mAmp	
606G	0861880	1	Box, Breaker	
606G	4460956	1	Barrier, Terminal Block End	
606G	4460957	1	Block, Terminal	
606H	1001097150	2	Connector, Strain Relief	
606J	1060908	6 ft/1.8m	Cable, Electrical 12/3	
606K		Ref	Connector, Strain Relief Options:	
606K	4460968	1	All Installations except 1001119869/ 1001119870/ 1001119871	
606K	See Note	1	1001119870 Installation (Note: Not Available - Purchase Locally)	
606K	4460071	1	1001119869/1001119871 Installations	
606L	3960422	1	Gasket, Cover (1001119869/ 1001119871/ 1001130588 Installations Only)	
606M		Ref	Kit, Plug and Socket Options:	
606M	See Note		1001119869/1001119871 Installation (Note: Not Available - Purchase Individual Components)	
606M	See Note		1001119870 Installation (Note: Not Available - Purchase Locally)	
606M	0275216		110V with IEC Yellow (Includes Items 701A, 701B, 701C & 701L) (1001119875 Installation)	A
606M	0275452		220V with CEE 7 Post Ground (2 x 4 Box) (Includes Items 606A, 606B & 606C) (1001119872 Installation)	A
606M	0275453		220V with CEE 7 Side Ground (2 x 4 Box) (Includes Items 606A, 606B & 606C) (1001119873 Installation)	A
606M	0275218	NLA	220V with CEE 7 Post Ground (70mm x 70mm Box) (Includes Items 606A, 606B & 606C) (1001115788 Installation) (Use p/n 1001100343)	B-B
606M	0275219	NLA	220V with CEE 7 Side Ground (70mm x 70mm Box) (Includes Items 606A, 606B & 606C) (1001119877 Installation) (Use p/n 1001100344)	B-B
606M	0275454		220V with AFSINT 107 Keyed Ground (Includes Items 606A, 606B & 606C) (1001119874 Installation)	A
606M	0275217		220V with IEC Blue (Includes Items 606A, 606B & 606C) (1001119876 Installation)	A
607		Ref	2500W Generator to Rear of Boom Harness	
		Ref	Note: Harness used to connect AC at platform harness to generator outlet.	
607	1001119923	Ref	110V/60Hz (All Specs except CE Spec)	A
607	1001119927	Ref	110V/50Hz (CE Spec Only)	A
607	1001119926	Ref	220V/60Hz (CSA Specs)	A
607	1001119924	Ref	220V/60Hz (Receptacles Supplied Locally) (ANSI Export Spec)	A
607	1001119928	Ref	220V/50Hz (CE Spec Machines with Breaker Box)	B
607	1001119925	Ref	220V/50Hz (Receptacles Supplied Locally) (ANSI Export and Australian Specs)	A
607A		Ref	Generator Outlet to AC to Platform Plug Harness Options:	
607A	1001119919	Ref	1001119923/1001119927 Installations	A
607A	1001119920	Ref	1001119926/1001119928 Installations	A

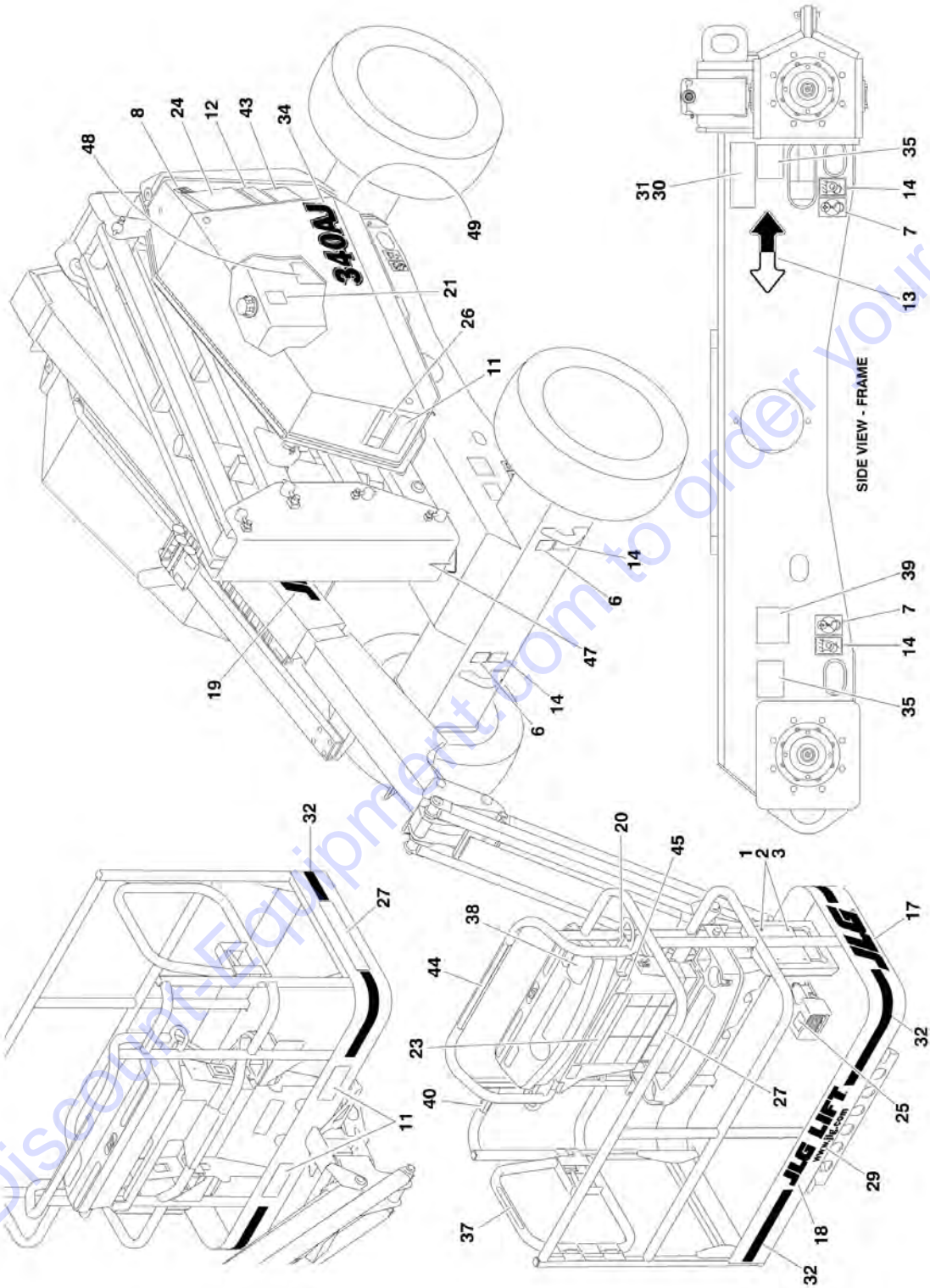
SECTION 7 - ELECTRICAL

ITEM	PART NUMBER	QTY	DESCRIPTION	REV
607A	1001119921	Ref	1001119924 Installation	A
607A	1001119922	Ref	1001119925 Installation	A
607A	4923505	6.6 ft/2m	Cable, Electrical - 14/3	
607B		Ref	Plug, Male Options:	
607B	4460205	1	110V	
607B	4460709	1	220V	
607C		Ref	Receptacle, Female Options:	
607C	4460134	1	1001119923/1001119927 Installations	
607C	4460710	1	1001119926/1001119928 Installations	
607C	See Note	1	1001119924/1001119925 Installation (Note: Not Available - Purchase Locally)	
607D		Ref	Plug, Male Options:	
607D	See Note	1	1001119923/ 1001119924/ 1001119925 Installations (Note: Use Item 606D)	
607D	4460205	1	1001119927 Installations	
607D	4460709	1	1001119926/1001119928 Installations	
607D	4460709	1	1001119924 Installation	
608	1001120466	Ref	Platform Worklights Components	B
608A	4460428	1	Connector, Strain Relief	
608B	1001120474	2	Platform Worklight to Console Box Harness (Includes Worklight)	
608C	1001120484	1	Platform Worklights Harness	A
608D	4460879	1	Plug, Male 2 Position	
608D	4460887	2	Terminal (12 Gauge)	
608E	See Note	2	Fuse 3Amp (Note: Not Available - Purchase Locally)	
608E	2400060	2	Fuseholder	
608F	1001120471	1	Receptacle, Female 2 Position	
608F	1001120477	2	Terminal (12 Gauge)	
608G	4460884	1	Plug, Male - 4 Position	
608G	4460465	4	Socket, Female Deutsch 16 Ga	
608H	4460932	1	Receptacle, Female - 4 Position	
608H	4460464	4	Pin, Male Deutsch 16 Ga	
		Ref	TOOLS (NOT SHOWN)	
701	7002821	1	Crimper (For Wire to Pin/Socket Connections)	
702	7002823	1	Extractor (For Removal of Pin/Socket from Connectors)	
703	4460467	1	Extractor, Pin (Blue 16-18 Gauge) (For Removal of Pin/Socket from Connectors)	
704	4460510	1	Extractor, Pin (Yellow 12-14 Gauge) (For Removal of Pin/Socket from Connectors)	
705	7002828	1	Stripper, Wire	
706	2901443	1	Analyzer Kit	
706A	1600244	1	Analyzer	
706B	1060633	1	Cable, Analyzer	1-A
706C	4460321	2	Plug, Male	
706C	4460226	8	Socket, Female	
707	1001137005	1	Software Cable Kit	

SECTION 8 - DECALS

Go to Discount-Equipment.com to order your parts

SECTION 8 - DECALS



SECTION 8 - DECALS

FIGURE 8-1. DECAL INSTALLATION - ANSI SPEC

ITEM	PART NUMBER	QTY	DESCRIPTION	REV
		Ref	STANDARD DECAL INSTALLATION	
	1001119732	Ref	ANSI Decals	F
	1001110613	Ref	JLG Logo Decals	2
1	0760610	4	Bolt M6 x 20mm	
2	4811700	8	Flatwasher M6	
3	3290605	4	Locknut M6	
4	0860520	1	Box, Manual Storage	
5		Ref	Decal - Patent Options:	
5	1700584	1	Decal - Patent (Prior to SN 0300151381)	
5	1001131269	1	Decal - Patent (SN 0300151381 through 0300200802)	
6	1701500	4	Decal - Tie Down /Lift	
7	1701499	4	Decal - No Tie Down /Lift	
8	1701504	1	Decal - Hydraulic Oil	
9	1701509	1	Decal - Manual	
10	1702391	1	Decal - Hand Crushing	
11	1703804	4	Decal - Warning/Crushing	
12	1703953	2	Decal - Warning/Crushing	
13	1701642	2	Decal - Arrow	
14	1702300	8	Decal - Tie Down /Lift	
15	See Note	1	Decal - Bar Code (Note: Not Available for Purchase)	
16	1704972	1	Decal - Warning Explosion/Fire (Diesel Machines Only)	
17	1702773	1	Decal - JLG (5in)Decal - Warning Explosion/Fire (Diesel Machines Only)	
18	1702774	1	Decal - JLG Lift (3in)	
19	1702860	1	Decal - JLG Lift (5in)	
20	1704277	2	Decal - Attach Lanyard Here	
21	1704412	1	Decal - Hydraulic Fluid	
23	1703797	1	Decal - Danger/Warning	
24	1703798	1	Decal - Danger/Warning	
25	3252347	1	Decal - Footswitch	
26	1703805	4	Decal - Danger/Electrocution	
27	1001121801	1	Decal - Warning Max Capacity	
28	1001121814	1	Decal - Warning Max Capacity	
29	1704885	2	Decal - Website	
30	See Note	1	Nameplate - Serial Number (Note: Not Available for Purchase)	
31	2080057	2	Fastener	
32	4420051	13.5 ft /4.1m	Tape, Safety (Optional)	
33	1001119576	1	Decal - Lift Diagram	
34	1001119578	2	Decal - 340AJ Model Designation	
35	1001119580	4	Decal - Tire Load	
36	3251813	1	Decal - USA	
37	1702868	2	Decal - No Hands	
38	1705351	1	Decal - Drive/Steer	
39	1700818	1	Decal - LPG Gas (Dual Fuel Machines Only)	
40		Ref	Decal - Warning Prop Options:	
40	1702962	1	Diesel Machines	
40	1702961	1	Gas Machines	
41	1001108923	1	Decal - Low Sulfur Fuel (Diesel Machines Only)	
43	1001120009	1	Decal - Legend (Ground Controls)	

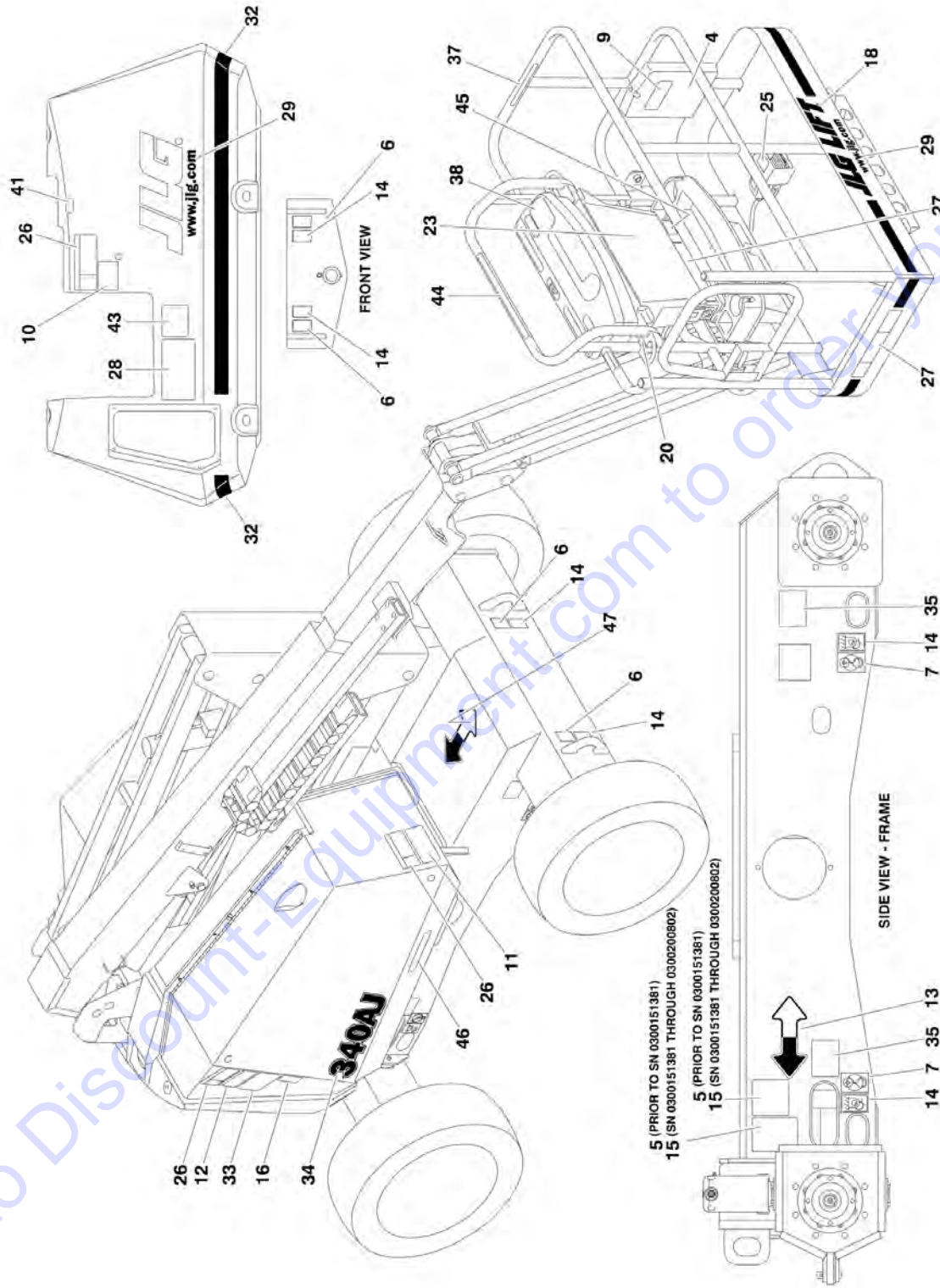
SECTION 8 - DECALS

ITEM	PART NUMBER	QTY	DESCRIPTION	REV
44	1001120010	1	Decal - Legend (Platform)	
45	1001120002	1	Decal - No Pipe Racks	
46	1001119981	1	Decal - Manual Turntable Rotate	
47	1701529	2	Decal - Arrow (12in)	
48	1001127549	1	Decal - Manual Descent	
49	1001127588	1	Decal - Manual Descent Located Inside	

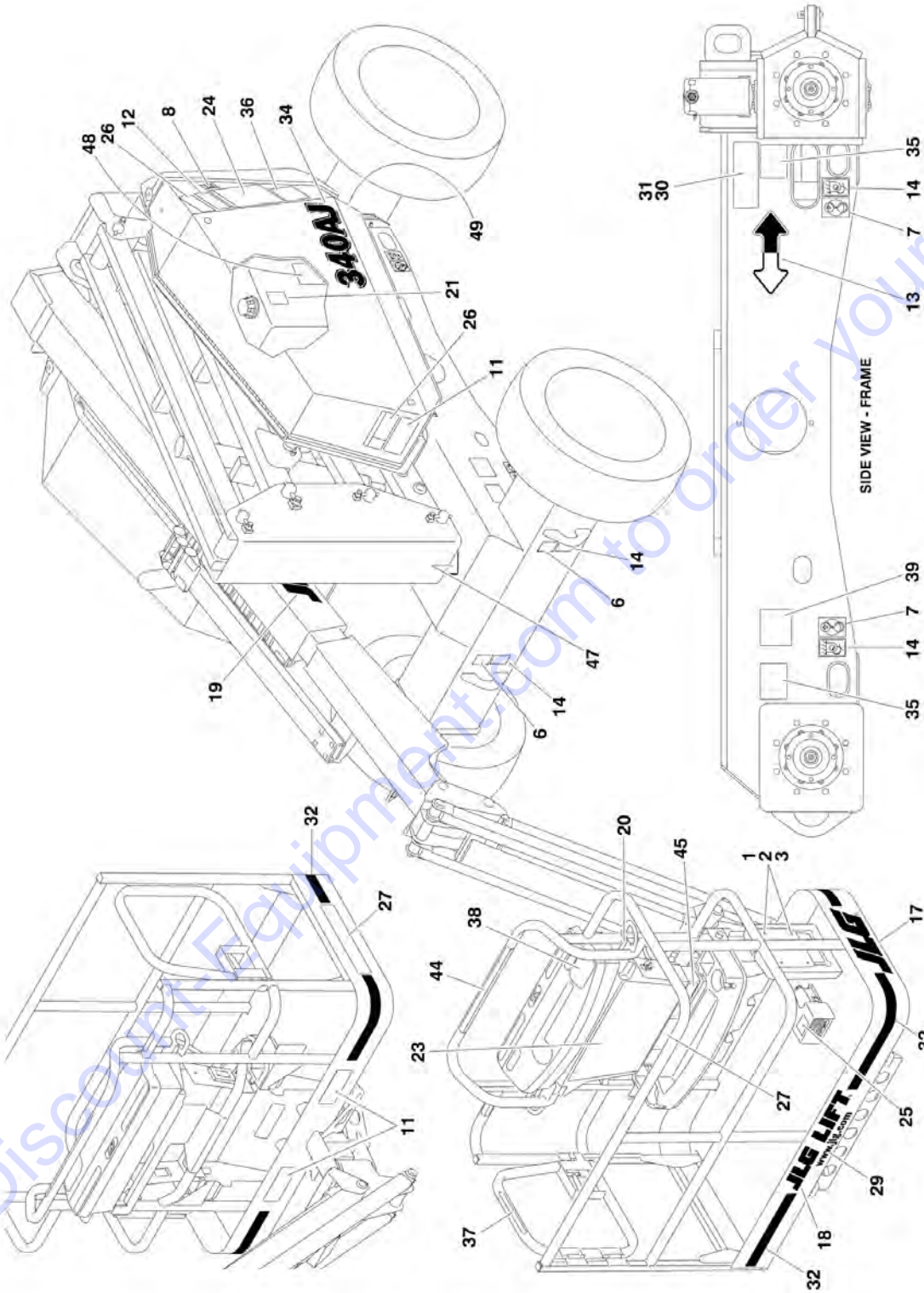
Go to Discount-Equipment.com to order your parts

SECTION 8 - DECALS

FIGURE 8-2. DECAL INSTALLATION - ANSI EXPORT SPEC



SECTION 8 - DECALS



SECTION 8 - DECALS

FIGURE 8-2. DECAL INSTALLATION - ANSI EXPORT SPEC

ITEM	PART NUMBER	QTY	DESCRIPTION	REV
		Ref	STANDARD DECAL INSTALLATION	
	1001119738	Ref	Brazilian Decals (Dual Language Portuguese/Spanish)	F
	1001119737	Ref	Chinese Decals (Dual Language Chinese/English)	F
	1001119736	Ref	CSA Decals (Dual Language French/English)	F
	1001119734	Ref	Japanese Decals	F
	1001119735	Ref	Korean Decals	F
	1001119739	Ref	Latin American Decals (Dual Language English/Spanish)	F
	1001110613	Ref	JLG Logo Decals	2
1	0760610	4	Bolt M6 x 20mm	
2	4811700	8	Flatwasher M6	
3	3290605	4	Locknut M6	
4	0860520	1	Box, Manual Storage	
5		Ref	Decal - Patent Options:	
5	1700584	1	All Specs (Prior to SN 0300151381)	
5	Not Required	0	All Specs except CSA Spec (SN 0300151381 through 0300200802)	
5	1001131269	1	CSA Specs (SN 0300151381 through 0300200802)	
6	1701500	4	Decal - Tie Down /Lift	
7	1701499	4	Decal - No Tie Down /Lift	
8	1701504	1	Decal - Hydraulic Oil	
9	1701509	1	Decal - Manual	
10		Ref	Decal - Hand Crushing Options:	
10	1001113170	1	Brazilian Decals (Dual Language Portuguese/Spanish)	
10	1001113168	1	Chinese Decals (Dual Language Chinese/English)	
10	1001113169	1	CSA Decals (Dual Language French/English)	
10	1001113166	1	Japanese Decals	
10	1001113509	1	Korean Decals	
10	1001113171	1	Latin American Decals (Dual Language English/Spanish)	
11		Ref	Decal - Warning/Crushing Options:	
11	1703952	4	Brazilian Decals (Dual Language Portuguese/Spanish)	
11	1703949	4	Chinese Decals (Dual Language Chinese/English)	
11	1703948	4	CSA Decals (Dual Language French/English)	
11	1703950	4	Japanese Decals	
11	1703951	4	Korean Decals	
11	1703947	4	Latin American Decals (Dual Language English/Spanish)	
12		Ref	Decal - Warning/Crushing Options:	
12	1705903	2	Brazilian Decals (Dual Language Portuguese/Spanish)	
12	1703943	2	Chinese Decals (Dual Language Chinese/English)	
12	1703942	2	CSA Decals (Dual Language French/English)	
12	1703944	2	Japanese Decals	
12	1703945	2	Korean Decals	
12	1703941	2	Latin American Decals (Dual Language English/Spanish)	
13	1701642	2	Decal - Arrow	
14	1702300	8	Decal - Tie Down /Lift	
15	See Note	1	Decal - Bar Code (Note: Not Available for Purchase)	
16		Ref	Decal - Warning Explosion/Fire Options(Diesel Machines Only):	
16	1706059	1	Brazilian Decals (Dual Language Portuguese/Spanish)	
16	1706060	1	Chinese Decals (Dual Language Chinese/English)	
16	1706064	1	CSA Decals (Dual Language French/English)	
16	1706062	1	Japanese Decals	

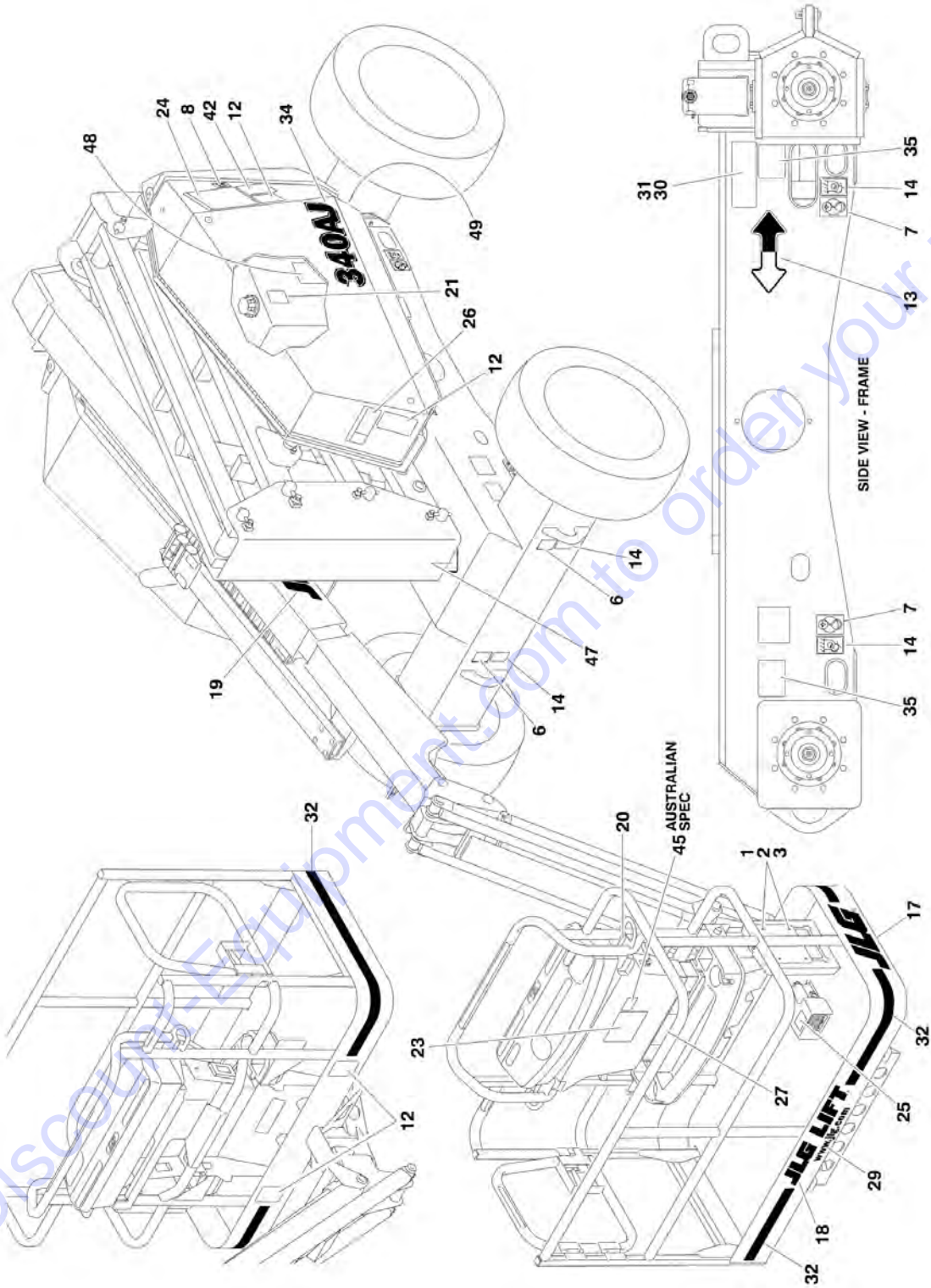
SECTION 8 - DECALS

ITEM	PART NUMBER	QTY	DESCRIPTION	REV
16	1706061	1	Korean Decals	
16	1706063	1	Latin American Decals (Dual Language English/Spanish)	
17	1702773	1	Decal - JLG (5in)Decal - Warning Explosion/Fire (Diesel Machines Only)	
18	1702774	1	Decal - JLG Lift (3in)	
19	1702860	1	Decal - JLG Lift (5in)	
20	1704277	2	Decal - Attach Lanyard Here	
21	1704412	1	Decal - Hydraulic Fluid	
23		Ref	Decal - Danger/Warning Options:	
23	1703928	1	Brazilian Decals (Dual Language Portuguese/Spanish)	
23	1703925	1	Chinese Decals (Dual Language Chinese/English)	
23	1703924	1	CSA Decals (Dual Language French/English)	
23	1703926	1	Japanese Decals	
23	1703927	1	Korean Decals	
23	1703923	1	Latin American Decals (Dual Language English/Spanish)	
24		Ref	Decal - Danger/Warning Options:	
24	1705349	1	Brazilian Decals (Dual Language Portuguese/Spanish)	
24	1705348	1	Chinese Decals (Dual Language Chinese/English)	
24	1705347	1	CSA Decals (Dual Language French/English)	
24	1705344	1	Japanese Decals	
24	1705345	1	Korean Decals	
24	1705917	1	Latin American Decals (Dual Language English/Spanish)	
25		Ref	Decal - Footswitch Options:	
25	1703985	1	Brazilian Decals (Dual Language Portuguese/Spanish)	
25	1703982	1	Chinese Decals (Dual Language Chinese/English)	
25	1703984	1	CSA Decals (Dual Language French/English)	
25	1703980	1	Japanese Decals	
25	1703981	1	Korean Decals	
25	1703983	1	Latin American Decals (Dual Language English/Spanish)	
26		Ref	Decal - Danger/Electrocution Options:	
26	1703940	5	Brazilian Decals (Dual Language Portuguese/Spanish)	
26	1703937	5	Chinese Decals (Dual Language Chinese/English)	
26	1703936	5	CSA Decals (Dual Language French/English)	
26	1703938	5	Japanese Decals	
26	1703939	5	Korean Decals	
26	1703935	5	Latin American Decals (Dual Language English/Spanish)	
27		Ref	Decal - Warning Max Capacity Options:	
27	1001121920	1	Brazilian Decals (Dual Language Portuguese/Spanish)	
27	1001121810	1	Chinese Decals (Dual Language Chinese/English)	
27	1001121803	1	CSA Decals (Dual Language French/English)	
27	1001121808	1	Japanese Decals	
27	1001121918	1	Korean Decals	
27	1001121805	1	Latin American Decals (Dual Language English/Spanish)	
28		Ref	Decal - Warning Max Capacity Options:	
28	1001121923	1	Brazilian Decals (Dual Language Portuguese/Spanish)	
28	1001121823	1	Chinese Decals (Dual Language Chinese/English)	
28	1001121816	1	CSA Decals (Dual Language French/English)	
28	1001121821	1	Japanese Decals	
28	1001121921	1	Korean Decals	
28	1001121818	1	Latin American Decals (Dual Language English/Spanish)	
29	1704885	2	Decal - Website	
30	See Note	1	Nameplate - Serial Number (Note: Not Available for Purchase)	

SECTION 8 - DECALS

ITEM	PART NUMBER	QTY	DESCRIPTION	REV
31	2080057	2	Fastener	
32	4420051	13.5 ft /4.1m	Tape, Safety (Optional)	
33	1001119576	1	Decal - Lift Diagram	
34	1001119578	2	Decal - 340AJ Model Designation	
35	1001119580	4	Decal - Tire Load	
36	3251813	1	Decal - USA (All Specs except Japanese Spec)	
37		Ref	Decal - No Hands Options:	
37	1704002	2	Brazilian Decals (Dual Language Portuguese/Spanish)	
37	1705968	2	Chinese Decals (Dual Language Chinese/English)	
37	1704000	2	CSA Decals (Dual Language French/English)	
37	Not Required	0	Japanese Decals	
37	1705969	2	Korean Decals	
37	1704001	2	Latin American Decals (Dual Language English/Spanish)	
38		Ref	Decal - Drive/Steer Options:	
38	1001113680	1	Brazilian Decals (Dual Language Portuguese/Spanish)	
38	1705430	1	Chinese Decals (Dual Language Chinese/English)	
38	1705429	1	CSA Decals (Dual Language French/English)	
38	1705426	1	Japanese Decals	
38	1705427	1	Korean Decals	
38	1705910	1	Latin American Decals (Dual Language English/Spanish)	
39		Ref	Decal - LPG Gas Options (Dual Fuel Machines Only):	
39	1001119661	1	Brazilian Decals (Dual Language Portuguese/Spanish)	
39	1700818	1	Chinese Decals (Dual Language Chinese/English)	
39	1704271	1	CSA Decals (Dual Language French/English)	
39	Not Required	0	Japanese Decals	
39	1700818	1	Korean Decals	
39	1001119661	1	Latin American Decals (Dual Language English/Spanish)	
40	Not Required	0	Not Required	
41		Ref	Decal Options (CSA Spec Only):	
41	1001108923	1	Decal - Low Sulfur Fuel (Diesel Machines Only)	
41	1001132540	1	Decal - Not for Sale/Use in California (Gas Machines Only) (Use p/n 1001132539)	
43	1001120009	1	Decal - Legend (Ground Controls)	
44	1001120010	1	Decal - Legend (Platform)	
45		Ref	Decal - No Pipe Racks Options:	
45	1001120282	1	Brazilian Decals (Dual Language Portuguese/Spanish)	
45	1001120281	1	Chinese Decals (Dual Language Chinese/English)	
45	1001120004	1	CSA Decals (Dual Language French/English)	
45	1001120279	1	Japanese Decals	
45	1001120280	1	Korean Decals	
45	1001120283	1	Latin American Decals (Dual Language English/Spanish)	
46	1001119981	1	Decal - Manual Turntable Rotate	
47	1701529	2	Decal - Arrow (12in)	
48	1001127549	1	Decal - Manual Descent	
49	1001127588	1	Decal - Manual Descent Located Inside	

SECTION 8 - DECALS



SECTION 8 - DECALS

FIGURE 8-3. DECAL INSTALLATION - AUSTRALIAN AND CE SPECS

ITEM	PART NUMBER	QTY	DESCRIPTION	REV
		Ref	DECAL INSTALLATIONS	
	1001119733	Ref	Australian Spec	E
	1001115783	Ref	CE Spec	F
	0272530	Ref	JLG Logo Decals	2
1	0760610	4	Bolt M6 x 20mm	
2	4811700	8	Flatwasher M6	
3	3290605	4	Locknut M6	
4	0860520	1	Box, Manual Storage	
5	1700584	1	Decal - Patent (Prior to SN 0300151381)	
6	1701500	4	Decal - Tie Down /Lift	
7	1701499	4	Decal - No Tie Down /Lift	
8	1701504	1	Decal - Hydraulic Oil	
9	1701509	1	Decal - Manual	
10	1701517	1	Decal - Hand Crushing	
12	1701518	6	Decal - Warning/Crushing	
13	1701642	2	Decal - Arrow	
14	1702300	8	Decal - Tie Down /Lift	
15	See Note	1	Decal - Bar Code (Note: Not Available for Purchase)	
16	1706098	1	Decal - Warning Explosion/Fire (Diesel Machines Only)	
17	1702773	1	Decal - JLG (5in)	
18	1702774	1	Decal - JLG Lift (3in)	
19	1702860	1	Decal - JLG Lift (5in)	
20	1704277	2	Decal - Attach Lanyard Here	
21	1704412	1	Decal - Hydraulic Fluid	
22	1001130492	1	Decal - Sound Power (CE Spec Only)	
23	1705921	1	Decal - Danger/Warning	
24	1705822	1	Decal - Danger/Warning	
25	1705828	1	Decal - Footswitch	
26	1705961	4	Decal - Danger/Electrocution	
27	1705978	1	Decal - Warning Max Capacity	
29	1704885	2	Decal - Website	
30	See Note	1	Nameplate - Serial Number (Note: Not Available for Purchase)	
31	2080057	2	Fastener	
32	4420051	13.5 ft /4.1m	Tape, Safety (Standard on CE/Optional on Australian Specs)	
33	1001119576	1	Decal - Lift Diagram	
34	1001119578	2	Decal - 340AJ Model Designation	
35	1001119580	4	Decal - Tire Load	
42	1001112551	1	Decal - Emergency Controls (Australian Spec Only)	
45	1001120003	1	Decal - No Pipe Racks (Australian Spec Only)	
46	1001119981	1	Decal - Manual Turntable Rotate	
47	1701529	2	Decal - Arrow (12in)	
43	1001120009	1	Decal - Legend (Ground Controls)	
44	1001120010	1	Decal - Legend (Platform)	
45	1001120002	1	Decal - No Pipe Racks	
46	1001119981	1	Decal - Manual Turntable Rotate	
47	1701529	2	Decal - Arrow (12in)	
48	1001127549	1	Decal - Manual Descent	
49	1001127588	1	Decal - Manual Descent Located Inside	

SECTION 9 - RECOMMENDED SERVICE PARTS STOCK

SECTION 9 - RECOMMENDED SERVICE PARTS STOCK

Go to Discount-Equipment.com to order your parts

SECTION 9 - RECOMMENDED SERVICE PARTS STOCK

FIGURE 9-1. MODEL 340AJ STANDARD PARTS

ITEM	PART NUMBER	QTY	DESCRIPTION	REV
		Ref	Note: The following list will service one machine (built to current production per date on the front cover) with emergency repair parts which can be installed in the field. Parts from the list should be replaced when inventory is depleted to keep service parts stock supplied. For further information, go to Discount-equipment.com	
		Ref	STANDARD PARTS	
	70002386	1	Coil	
	70002963	1	Coil	
	70010383	1	Element, Filter	
	70002971	1	Coil	
	70002386	1	Coil	
	70003788	1	Coil	
	7015004	1	Element, Air Cleaner	
	70002149	1	Coil	
	70002812	1	Breather, Hydraulic Tank	
	4360328	1	Switch, Toggle	
	4360475	1	Switch, Mushroom	
	4360476	1	Contact, Switch Block	
	2860030	1	Key, Replacement	
	1001188446	1	Kit, Boom Wear Pad	
	70001996	1	Carrier 4 Link Repair Section	
	70001977	1	Coil	
	1001129555	1	Controller (Lift and Swing)	
	1001212415	1	Controller (Drive and Steer)	
	4360330	1	Switch, Toggle	
	4360387	1	Switch, Push Button	
	4360407	1	Control, Speed	
	4360331	1	Switch, Toggle	
	260305	2	Fuse 5A	
	1001113149	2	Fuse 15A	
	2400065	2	Fuse 30A	
	1001117070	2	Fuse 30A	
	1001118938	2	Fuse 40A	
	3740080	1	Relay	

SECTION 9 - RECOMMENDED SERVICE PARTS STOCK

FIGURE 9-2. MODEL 340AJ VARIABLE PARTS

ITEM	PART NUMBER	QTY	DESCRIPTION	REV
		Ref	Note: The following list will service one machine (built to current production per date on the front cover) with emergency repair parts which can be installed in the field. Parts from the list should be replaced when inventory is depleted to keep service parts stock supplied. For further information, go to Discount-equipment.com	
		Ref	VARIABLE PARTS	
	70002979	1	Filter, Oil Element (GM Engine Machines)	
	70002972	1	Filter, Fuel (GM Engine Machines)	
	70003178	1	Module, Control (GM Engine Machines)	
	7017923	1	Filter, Oil Element (Kubota Engine Machines)	
	70002900	1	Filter, Fuel Water (Kubota Engine Machines)	
	1001120431	1	Module, Ground Control	
	1001119170	1	Switch, Limit	
	4360522	1	Switch, Push Button (Machines with Turntable Floodlight/Head and Tail Light Options)	
	4360469	1	Switch, Key (All Specs except CE Spec)	
	4360470	1	Switch, Key (CE Specs)	
	4360336	1	Switch, Toggle (Machines with Generator Option)	
	4360548	1	Switch, Limit	
	2940074	1	Latch (Machines with Platform Gate)	
	4360336	1	Switch, Toggle (Machines with Platform Floodlights Option)	
	1001118412	1	Module, Platform Control	
	1600387	1	Module, Control (LSS System)	
	4360336	1	Switch, Toggle (Dual Fuel) (GM Engine Machines)	
	1001109475	1	Breaker, Circuit 16Amp (CE Machines without Generator and with AC Platform Receptacle)	
	1001109477	1	Breaker, Circuit 10Amp (CE Machines with Generator and with AC Platform Receptacle)	
	1001109482	1	Breaker, Circuit 30mAmp (CE Machines with AC Platform Receptacle)	

SECTION 10 - SPECIAL OPTIONS

Go to Discount-Equipment.com to order your parts

SECTION 10 - SPECIAL OPTIONS

FIGURE 10-1. SPECIAL OPTIONS

ITEM	PART NUMBER	QTY	DESCRIPTION	REV
	Note	Ref	Note: This list is to accommodate machines ordered with special equipment. Options may not be applicable to all models. For more specific parts information go to Discount-equipment.com	
		Ref	MISCELLANEOUS SPECIAL OPTIONS	
		Ref	Air Line at Platform Installations	
	1001119028	Ref	Machines without Arctic Package	
	1001119378	Ref	Machines with Arctic Package	
	1001119803	Ref	Bellows Installations	
	1001185080	Ref	Belt and Fan Shield Kit	
	1001119962	Ref	Boom Wiper Installation	
		Ref	ClearSky Telematic Installation	
		Ref	Note: Refer to Manual Supplement p/n 3128499 for available replacement parts.	
	1001119398	Ref	ANSI Spec	
	1001132732	Ref	Australian Spec	
	1001127091	Ref	Brazil and New Zealand Specs	
	1001119406	Ref	CSA Spec	
		Ref	ClearSky Add-on Kit Options:	
	1001144010	Ref	ClearSky Add-on Kit - Gold (With UGM) (USA and Canada Specs Only)	
	1001118234	Ref	ClearSky Add-on Kit - Bronze (Without Non-ADE/UGM) (USA Specs Only)	
	1001118235	Ref	ClearSky Add-on Kit - Bronze (Without Non-ADE/UGM) (Canada Specs Only)	
	1001119397	Ref	Cribbing Switch Installation	
		Ref	Cold Weather Start Kits (Not Available on Australian and CE Spec Machines)	
	1001119989	Ref	Diesel Engine Machines	
	1001119987	Ref	Gas Engine Machines	
		Ref	DECAL INSTALLATIONS	
	1001120243	Ref	Decal - Boels (Dutch, Belgium)	
	1001154500	Ref	Decal - Boels (Dutch, Netherlands)	
	1001120246	Ref	Decal - Boels (French)	
	1001120245	Ref	Decal - Boels (German, Austria)	
	1001120244	Ref	Decal - Boels (German, Deutschland)	
	1001120247	Ref	Decal - Boels (TJECH)	
	1001119459	Ref	Decal - ClearSky	
	1001120224	Ref	Decal - Head and Enquist Equipment	
	1001120221	Ref	Decal - Hertz	
	1001140650	Ref	Decal - Leavitt	
	1001120222	Ref	Decal - National Equipment Services (NES)	
	1001241332	Ref	Decal - Platform Decal Kit	
	1001241338	Ref	Decal - Platform Console Decal Kit	
	1702962	Ref	Decal - Prop 65 Warning (Diesel Machines)	
	1702961	Ref	Decal - Prop 65 Warning (Gasoline Machines)	
	1001120223	Ref	Decal - RSC Equipment Rental	
	1001120220	Ref	Decal - Sunbelt	
	1001120219	Ref	Decal - United Rentals	
	0272165	Ref	Decal - Warning Stripes	

SECTION 10 - SPECIAL OPTIONS

ITEM	PART NUMBER	QTY	DESCRIPTION	REV
	2902203	Ref	Decal Kit - Required on Tires with Sealant (Includes qty 5 Decals and qty 4 Green Valve Stem Caps)	
		Ref	Electrical Connector Kits	
	1001148902	Ref	Amp Connector Kit	
	1001148903	Ref	Deutsch DT Connector Kit	
	1001148904	Ref	Deutsch HD Connector Kit	
	1001148905	Ref	Packard Connector Kit	
	1001148906	Ref	Various Connector Kit	
	1001119988	Ref	Engine Block Heater Installation (Gas Engine Machines)	
		Ref	Filter Kits:	
		Ref	Combined Filter Kit (Hydraulic/Air and Fuel/Engine Oil)	
	1001133070	1	Kubota Engines (Prior to SN 0300194013)	
	1001204448	1	Kubota Engines (SN 0300194013 through 0300200801)	
	1001151649	1	GM Engines	
		Ref	Hydraulic/Air Filter	
	1001133067	1	Kubota Engines	
	1001151649	1	GM Engines	
		Ref	Fuel/Oil Filter	
	1001133069	1	Kubota Engines (Prior to SN 0300194013)	
	1001204461	1	Kubota Engines (SN 0300194013 through 0300200801)	
		Ref	Fluids	
	2300040	Ref	Conditioner, Diesel Fuel	
		Ref	Coolant, Antifreeze (GM Engines)	
	2300004	Ref	Machines without Arctic Package	
	2300041	Ref	Machines with Arctic Package	
		Ref	Engine Oil	
	1001115930	Ref	Motor Oil 10W-30 (Machines without Arctic Package)	
	1001115931	Ref	Motor Oil 5W-30 Synthetic (Machines with Arctic Package)	
		Ref	Hydraulic Fluids:	
	2300014	Ref	Mobil 424	
	2300029	Ref	Mobil EAL ISO 46 Bio	
	2300016	Ref	Mobil DTE 10 EXCEL 32	
	2300019	Ref	Quaker State Quintolubric 888-46 Fire Resistant	
	2300039	Ref	Exxon Univis Hvl 26 (Machines with Arctic Package)	
		Ref	Foot Switch Shield	
	3380652	Ref	Foot Switch Shield (Prior to SN 0300167703)	
	1001117294	Ref	Foot Switch Shield (SN 0300167703 through 0300200802)	
	1001138005	Ref	GM Engine Air Flow Improvement Kit	
	1001120103	Ref	Ground Control Cover Installation	
		Ref	Hose Kits:	
	1001239566	Ref	Hose Kit - Platform Valve	
	1001239565	Ref	Hose Kit - Power Track (Upper)	
	1001241392	Ref	Hostile Environment Add-on Kit	
	1001120197	Ref	Hourmeter for Generator Installation	
	1001157918	Ref	Hourmeter for Generator Installation (Kubota Engines Only)	
	1001152544	Ref	Muffler Support Bracket Installation (Kubota Engines Only)	
	0274661	Ref	Pipe Rack (Australian Spec)	
	1001116419	Ref	Platform Cable Tray Carrier Installation (Australian Specs)	
	1001148971	Ref	Platform Lanyard Kit (Bolt-On)	
	0258703	Ref	Platform Console Cover Installation	
		Ref	Platform Mesh to Top Rail Installations (Side Entry Platforms) (ANSI and ANSI Export Specs)	

SECTION 10 - SPECIAL OPTIONS

ITEM	PART NUMBER	QTY	DESCRIPTION	REV
	0273147	Ref	30in X 4ft (76cm x 1.22m)	
	0273146	Ref	30in X 5ft (76cm x 1.52m)	
		Ref	Platform Mesh to Mid Rail Installations (Side Entry Platforms) (ANSI, ANSI Export and Australian Specs)	
	1001140318	Ref	30in X 4ft (76cm x 1.22m)	
	1001138773	Ref	30in X 5ft (76cm x 1.52m) (Prior to SN 0300197064)	
	1001140315	Ref	30in X 5ft (76cm x 1.52m) (SN 0300197064 through 0300200802)	
	1001130176	Ref	Security Lock (Programmable) (ANSI and CE Specs)	
	1001207138	Ref	SkyGuard Complete Add-On Kit (Blue Strobe Light)	
	1001187356	NLA	SkyGuard Complete Add-On Kit (Blue Strobe Light) (Use p/n 1001207138)	
	1001210035	Ref	SkyGuard Complete Add-On Kit (Red Strobe Light)	
	1001149565	Ref	SkyGuard Sensor Kit (Machines without SkyGuard Ready Platform)	
	1001219694	Ref	SkyGuard Sensor Kit (Machines with SkyGuard Ready Platform)	
	1001207140	Ref	SkyGuard Strobe Light Kit (Blue)	
	1001149752	NLA	SkyGuard Strobe Light Kit (Blue) (Use p/n 1001207140)	
	1001210034	Ref	SkyGuard Strobe Light Kit (Red)	
	1001187508	Ref	SkyGuard Installation without Strobe Light	
	1001191346	Ref	SkyGuard Installation with Blue Strobe Light	
	1001176372	Ref	SkyGuard Plug Removal Kit	
		Ref	Tools for Service	
		Ref	Note: For cylinder repair tools, see individual cylinder assemblies.	
	2901443	Ref	Analyzer Kit	
	8896941	Ref	Wire Stripper	
	7002821	Ref	Wire Crimper (To install wire ends to wires)	
	7002823	Ref	Pin/Socket Extractor - Universal (To Remove Pins/Sockets from Connectors)	
	4460467	Ref	Extractor - 16-18 Gauge (For Removal of Pin/Sockets from Deutsch Connectors)	
	4460510	Ref	Extractor - 12-14 Gauge (For Removal of Pin/Sockets from Deutsch Connectors)	
	7002822	Ref	Screwdriver, Potentiometer (To Adjust Drive Controllers)	
	7016654	Ref	Screwdriver, Magnetic	
	7004275	Ref	Seal Installation Tool - 1in	
	7004276	Ref	Seal Installation Tool - 1 1/2in	
	7002826	Ref	Seal Installation Tool - 2in	
	7016655	Ref	Wire Rope Sheave Gauge	
	1001137005	Ref	Software Cable Kit	
	1001160531	Ref	Turntable Bearing Kit	
	1001188446	Ref	Wear Pad Kit	

PART NUMBER INDEX

Go to Discount-Equipment.com to order your parts

PART NUMBER INDEX

0060044.....97, 99	0701027..... 91	0961950..... 11	1001115767.....44, 71
0100009..... 119	0701219..... 75, 79	0961951..... 97, 139, 141, 143, 149	1001115768.....70
0100011..... 11, 13, 23, 27, 38, 39, 45, 57, 62, 63, 67, 70, 75, 79, 83, 85, 89, 91, 95, 97, 101, 103, 107, 111, 116	0701220..... 11	0962140..... 11	1001115769.....57
0100019.....13, 31	0701221..... 39, 45	0962224..... 91	1001115770..... 13
0100020.....38, 44, 57, 86	0701222..... 101	0962257..... 99	1001115771.....11
0100048.....38, 44, 46, 62, 101, 119, 168, 170	0701624..... 101	0962259..... 91	1001115772.....11
0100051.....38, 44	0711227..... 95	0962292..... 97	1001115773.....13
0100081.....70, 71, 95, 107, 111, 119	0711426..... 31	0962449..... 169	1001115774.....31
0100093.....58	0711432..... 31	0962450..... 101	1001115775.....116, 168
0140011..... 119	0721004..... 57	0962520..... 83, 85	1001115778.....115
0140043.....62	0741607..... 83, 85	1001091102..... 63	1001115780...23, 27, 103
0255917..... 174	0760410..... 63	1001091587..... 38	1001115781.....23
0258703.....199	0760505..... 62, 63, 75, 79	1001096070..... 83	1001115783.....192
0272165.....198	0760508..... 70, 71	1001096133..... 171, 173	1001115784...91, 95, 169
0272530.....192	0760605..... 92, 108, 112	1001096134..... 171, 173	1001115785...27, 71, 158, 162
0272970..... 116, 168	0760606..... 38, 76, 80	1001097150..... 177	1001115788.....175
0273146.....200	0760607..... 45, 83, 85	1001097244..... 116	1001115834.....97
0273147.....200	0760608... 44, 47, 62, 70, 71, 101, 116	1001097588..... 38	1001115870.....91
0274661.....199	0760610... 41, 47, 63, 70, 101, 182, 186, 192	1001099125..... 67	1001115930...38, 44, 199
0275216.....177	0760612... 39, 41, 45, 49, 70, 71, 75, 79	1001099834..... 95	1001115931...38, 44, 199
0275217.....177	0760614..... 116	1001100321..... 75, 79	1001116228.....103, 105
0275218.....177	0760618..... 101	1001100825..... 46	1001116229.....103, 105
0275219.....177	0760621...62, 91, 107, 111	1001102987..... 27	1001116339.....57
0275452.....177	0760812... 39, 47, 83, 85, 95	1001103558..... 133	1001116361..... 11, 137
0275453.....177	0760814..... 39, 44, 58	1001103559..... 133	1001116378.....137
0275454.....177	0760815..... 45, 83, 85	1001103560..... 133	1001116419.....199
0340045.....39, 45	0760816..... 62	1001106736..... 62, 170	1001116433...92, 107, 111
0361810.....62	0760817..... 40, 47	1001106757...95, 107, 111	1001116487.....27, 29
0400075.....62	0761007..... 95	1001107152...95, 107, 111	1001116546.....91
0440271.....11	0761009..... 70	1001107677..... 120	1001116547.....91
0440274.....11	0761010..... 91	1001107781..... 31, 33	1001116548.....91
0440291.....11	0761011..... 70, 89	1001107952..... 120	1001116549.....91
0440334.....47	0761012... 27, 57, 62, 70, 89, 107, 111	1001108290..... 95	1001116550.....97
0630568.....120	0761014... 11, 27, 39, 45, 46, 89, 107, 111	1001108923..... 182, 188	1001116727.....172, 175
0641404.....119	0761015... 13, 89, 91, 97, 116	1001109475..... 177, 196	1001116732.....172, 173, 174, 175
0641408.....47, 83	0761016..... 38, 41, 44	1001109482..... 177, 196	1001116734.....172, 173, 174, 175
0641416.....133	0761018..... 47	1001109528..... 89	1001116752.....173
0641418.....115	0761210..... 70, 91	100110434..... 119, 168	1001116788..... 11, 151
0641506.....75, 79	0761212..... 89, 91	1001110613..... 182, 186	1001116793..... 13, 19
0641516.....83, 85	0761214... 38, 44, 57, 91	1001110873..... 85, 176	1001116810.....171
0641605.....27	0761215..... 89	1001110922..... 13	1001116811.....172
0641609.....39, 45	0761610..... 11	1001112551..... 192	1001116812.....171, 172
0641618.....83, 85	0761614..... 11	1001112607..... 89	1001116812.....171, 172
0641807.....39	0761615..... 91	1001112612..... 171	1001116835.....103
0641813.....39, 45	0762014..... 63	1001113149..... 173, 194	1001116867..... 11
0681608.....97, 101	0840055..... 101	1001113166..... 186	1001116871.....11
0700510.....27	0860038..... 86, 175	1001113168..... 186	1001116876.....95
0700617.....27, 119	0860520... 182, 186, 192	1001113169..... 186	1001116877.....95
0700620.....115	0861441..... 119, 120	1001113170..... 186	1001116905.....158
0700621.....39	0861731..... 175	1001113171..... 186	1001117025.....172, 173, 174, 175
0700818.....97	0861781..... 175	1001113483..... 101	1001117028.....39, 45, 51
0700820.....95, 107, 111	0861880.....177	1001113509..... 186	1001117029.....39, 45, 55
0700829.....91, 107, 111	0902751..... 119	1001113680..... 188	1001117030..... 13, 17
0701012.....75, 79	0902888..... 83, 85	1001113961..... 129, 171	1001117055.....173
0701015.....39, 45, 49	0903484..... 176	1001114341..... 115	1001117057.....172, 173, 174, 175
0701016.....57	0940048..... 91	1001114761..... 27	1001117070.....173, 194
0701017.....47	0961845..... 115	1001115649..... 91	1001117078.....171
0701018.....70, 75, 79, 97	0961947..... 99	1001115650..... 91	1001117129..... 14
0701020.....97	0961948...91, 95, 145, 147	1001115657..... 91	1001117131..... 13
0701022.....57		1001115661..... 91	1001117132.....13
		1001115663..... 91	1001117142.....11
		1001115669..... 91	1001117145.....31, 35
		1001115672..... 89, 91	
		1001115766..... 89	

PART NUMBER INDEX

1001117149..... 115	1001118528..... 46	1001119077..... 71	1001119568..... 159
1001117172..... 116	1001118529..... 46	1001119080..... 70	1001119569..... 159
1001117174..... 116, 168	1001118530..... 46	1001119083..... 70	1001119570..... 159
1001117239..... 70	1001118531..... 46	1001119084..... 70	1001119572..... 159
1001117240..... 63	1001118532..... 46	1001119085..... 70	1001119576..... 182, 188, 192
1001117243..... 70	1001118538..... 46	1001119086..... 71	1001119577..... 159
1001117281..... 71	1001118539..... 46	1001119087..... 71	1001119578..... 182, 188, 192
1001117282..... 70	1001118540..... 46	1001119088..... 71	1001119580..... 182, 188, 192
1001117283..... 71	1001118542..... 46	1001119089..... 71	1001119582..... 79, 174
1001117294..... 199	1001118543..... 46	1001119090..... 71	1001119583..... 79, 174
1001117320..... 116	1001118547..... 46	1001119091..... 71	1001119584..... 79, 174
1001117365..... 137	1001118548..... 44	1001119092..... 70	1001119585..... 79, 174
1001117366..... 137	1001118579..... 46	1001119102..... 57	1001119586..... 75, 79
1001117372..... 137	1001118580..... 46, 174	1001119103..... 70	1001119587..... 79
1001117375..... 89, 139	1001118582..... 46	1001119104..... 70	1001119588..... 75, 79
1001117640..... 89, 145	1001118592. 92, 107, 111	1001119139..... 107, 170	1001119589..... 75, 79
1001117848..... 46, 47	1001118593. 92, 107, 111	1001119140..... 107, 170	1001119593..... 159
1001117869..... 11	1001118594... 40, 46, 173	1001119143..... 158	1001119594..... 159
1001117884..... 89, 97	1001118595..... 103	1001119146..... 62	1001119595..... 159
1001117885..... 89, 95	1001118619..... 44	1001119165... 62, 67, 170	1001119596..... 159
1001117892..... 40	1001118638..... 46, 173	1001119170. 62, 173, 196	1001119597..... 159
1001117895..... 57	1001118640..... 13	1001119172..... 67	1001119598..... 159
1001117897..... 57	1001118641..... 13	1001119173..... 62, 67	1001119600..... 159
1001117973..... 39	1001118642..... 13	1001119176..... 62, 173	1001119602..... 159
1001117974..... 39	1001118643..... 13	1001119194. 95, 108, 111	1001119603..... 159
1001117975..... 38, 71	1001118644..... 13	1001119195. 95, 108, 111	1001119604..... 159
1001117976..... 45	1001118646..... 38, 44	1001119197. 92, 108, 112	1001119605..... 159
1001117977..... 45	1001118647..... 13	1001119228. 95, 108, 112	1001119606..... 159
1001117978..... 44, 71	1001118648..... 13	1001119230..... 67	1001119607..... 159
1001118029..... 23	1001118649..... 13	1001119232..... 67	1001119608..... 159
1001118218..... 62, 171	1001118650..... 13	1001119237..... 158	1001119610..... 159
1001118234..... 198	1001118651..... 13	1001119268..... 63	1001119611..... 159
1001118235..... 198	1001118652..... 13	1001119277..... 62	1001119612..... 159
1001118262..... 57	1001118653..... 13	1001119278..... 63	1001119613..... 159
1001118274... 23, 58, 95, 101, 103, 107, 111	1001118654..... 13	1001119280..... 63	1001119614..... 159
1001118280..... 40, 46	1001118657..... 173	1001119324..... 158	1001119615..... 159
1001118287..... 95	1001118658..... 173	1001119365..... 158	1001119616..... 159
1001118288..... 95	1001118660..... 14	1001119369..... 97, 99	1001119617..... 159
1001118292. 92, 107, 111, 169	1001118665..... 91	1001119370..... 89, 97	1001119626..... 159
1001118293..... 62, 171	1001118666..... 91	1001119371..... 89	1001119627..... 159
1001118333..... 62, 171	1001118675..... 46	1001119378..... 198	1001119630..... 159
1001118360..... 70	1001118720..... 80	1001119397..... 198	1001119633..... 76
1001118361..... 70, 71	1001118746..... 40, 46	1001119398..... 198	1001119634..... 76
1001118394..... 97	1001118751..... 27	1001119399..... 67	1001119635..... 40
1001118408..... 120	1001118878..... 46	1001119400..... 67	1001119636..... 40
1001118412..... 120, 196	1001118881..... 46	1001119404..... 158	1001119638..... 164
1001118414..... 116, 119, 168	1001118888..... 101	1001119406..... 198	1001119640..... 40
1001118415..... 120, 168, 169	1001118909..... 101	1001119449..... 158	1001119641..... 40
1001118416..... 119, 129	1001118910..... 101	1001119455..... 158	1001119643..... 40
1001118417..... 119, 123	1001118915..... 23	1001119459..... 198	1001119644..... 40
1001118420..... 116, 120, 168	1001118916..... 23	1001119489..... 158	1001119649..... 40
1001118453..... 40, 46	1001118925..... 47	1001119494..... 40	1001119661..... 188
1001118459..... 70	1001118938..... 173, 194	1001119495..... 40	1001119698..... 40, 46
1001118482..... 97	1001118961..... 31	1001119496..... 40	1001119699..... 40
1001118502..... 57	1001118975..... 57	1001119504..... 95	1001119700..... 40
1001118509..... 57	1001119018..... 107, 111, 170	1001119513..... 95	1001119701..... 40
1001118510..... 57	1001119019..... 107, 111, 170	1001119525..... 158	1001119727..... 40
1001118511..... 11	1001119020..... 169	1001119527..... 57, 62, 67, 95	1001119730..... 40
1001118516..... 97	1001119028..... 198	1001119546..... 158	1001119732..... 182
1001118518..... 11	1001119035..... 158	1001119547..... 158	1001119733..... 192
1001118519..... 11	1001119068..... 158	1001119548..... 158	1001119734..... 186
1001118527..... 46	1001119069..... 158	1001119550..... 159	1001119735..... 186
	1001119070..... 158	1001119551..... 75, 79	1001119736..... 186
	1001119071..... 158	1001119552..... 159	1001119737..... 186
	1001119072..... 70	1001119553..... 75, 79	1001119738..... 186
		1001119554..... 75, 79	1001119739..... 186
			1001119773.. 76, 80, 175
			1001119778..... 38, 174

PART NUMBER INDEX

1001119799.....174	1001120232.....63, 120	1001125235.....89	1001140524 92, 108, 112, 170
1001119803.....198	1001120243.....198	1001125249.....159	1001140525.....120, 168
1001119869.....175	1001120244.....198	1001125283.....58	1001140650.....198
1001119870.....175	1001120245.....198	1001125291.....62	1001141710.....62
1001119871.....175	1001120246.....198	1001127091.....198	1001141967.....176
1001119872.....175	1001120247.....198	1001127115.....27	1001141968.....176
1001119873.....175	1001120248.....38, 71	1001127549.....183, 188, 192	1001141969.....176
1001119874.....175	1001120279.....188	1001127588.....183, 188, 192	1001144010.....198
1001119875.....175	1001120280.....188	1001127703.....160	1001144018.....115
1001119876.....175	1001120281.....188	1001127705.....160	1001144019.....115
1001119877.....175	1001120282.....188	1001128214.....46	1001144026.....115
1001119881.....76, 80	1001120283.....188	1001128781.....57	1001144027.....115
1001119882.....76, 80	1001120287.....63	1001128782.....57	1001144629.....115
1001119902.....38	1001120288.....63, 64	1001128798.....57	1001145781.....115
1001119919.....177	1001120299..63, 64, 174	1001128799.....57	1001145804.....116, 168
1001119920.....177	1001120307.....45	1001128801.....38	1001145805.....116, 168
1001119921.....178	1001120371.....101	1001128888.....47	1001146109.....116, 119, 168
1001119922.....178	1001120424.....159	1001128931.....38	1001146824.....70
1001119923.....177	1001120425.....159	1001128936.....39	1001146867.....71
1001119924.....177	1001120426.....159	1001129043.....57	1001147141.....83
1001119925.....177	1001120427.....159	1001129255.....39	1001147233.....83, 85
1001119926.....177	1001120428.....159	1001129256.....39	1001147365.....41, 47
1001119927.....177	1001120429.....159	1001129407.....173	1001147431.....83, 85
1001119928.....177	1001120430 27, 158, 162	1001129555.....194	1001147436.....85
1001119929.....40, 80, 83, 85	1001120431.....62, 196	1001130176.....200	1001147440.....71
1001119930.....40	1001120450..41, 47, 173	1001130492.....192	1001147441.....70
1001119937.....91, 95, 169	1001120454.....40	1001130588.....175	1001147590.....70
1001119953.....107, 111, 170	1001120466.....116, 178	1001131269.....182, 186	1001147642.....41, 47
1001119954.....107, 111, 170	1001120471.....178	1001132540.....188	1001147643.....41, 47
1001119955.....108, 170	1001120474.....117, 178	1001132732.....198	1001148253.....39
1001119956.....107, 170	1001120476.....117	1001133067.....199	1001148254.....39
1001119962.....198	1001120477.....178	1001133069.....199	1001148255.....38, 71
1001119981.....183, 188, 192	1001120484.....117, 178	1001133070.....199	1001148256.....38, 71
1001119987.....198	1001120748.....71	1001136148.....83, 85	1001148660.....83
1001119988.....199	1001120749.....71	1001136231.....173	1001148663.....85
1001119989.....198	1001120974.....95, 153	1001136232.....173	1001148902.....199
1001120002.....183, 192	1001120976.....89, 149	1001136244.....103, 105	1001148903.....199
1001120003.....192	1001121172.....172	1001137005.....178, 200	1001148904.....199
1001120004.....188	1001121221.....71	1001137326.....41	1001148905.....199
1001120007.....46	1001121531.....46	1001137327.....41	1001148906.....199
1001120009.....182, 188, 192	1001121672.....13	1001137336.....41	1001148971.....199
1001120010.....183, 188, 192	1001121678.....13	1001137337.....71	1001148975.....41
1001120019.....13	1001121719.....75, 174	1001137367.....39	1001149144.....63, 120
1001120020.....162	1001121720.....75, 174	1001137369.....71	1001149147.....64
1001120027.....13	1001121721.....75, 174	1001137371.....41	1001149379.....47
1001120035.....13	1001121801.....182	1001137397.....72	1001149565.....200
1001120036.....13	1001121803.....187	1001137398.....41	1001149752.....200
1001120087.....38, 41, 45, 46	1001121805.....187	1001137399.....41	1001150619.....83
1001120090.....38, 41, 45, 46	1001121808.....187	1001137400.....41	1001151393.....67
1001120103.....199	1001121810.....187	1001137401.....72	1001151649.....199
1001120197.....199	1001121814.....182	1001137402.....39	1001152037.....115
1001120204.....170	1001121816.....187	1001137451.....45, 71	1001152457.....85
1001120205.....170	1001121818.....187	1001137452.....45, 71	1001152458.....83
1001120219.....198	1001121821.....187	1001138005.....199	1001152544.....199
1001120220.....198	1001121823.....187	1001138494.....115	1001153015.....31, 35
1001120221.....198	1001121918.....187	1001138514.....115	1001153364.....31
1001120222.....198	1001121920.....187	1001138752.....58	1001153814.....85
1001120223.....198	1001121921.....187	1001138773.....200	1001154291.....107
1001120224.....198	1001121923.....187	1001138829.....58	1001154292.....107
	1001121966.....159	1001139371.....115	1001154500.....198
	1001122527.....91, 147	1001139372.....115	1001155044.....120
	1001123004.....97, 143	1001139843.....58	1001155045.....119
	1001123016.....41, 47	1001140315.....200	1001155381.....111
	1001123017.....41, 47	1001140318.....200	1001155382.....111
	1001123018.....41, 47	1001140429.....115	1001156351.....108
	1001125108.....159		
	1001125118.....76, 80		

PART NUMBER INDEX

1001156352	108	1320220	58	1703947	186	2220290	58
1001156819	38	1320223	41, 46, 63	1703948	186	2220365	158
1001156823	38	1320224	101	1703949	186	2220366	158
1001157310	111	1320263	107	1703950	186	2220371	158
1001157311	111	1320274	44	1703951	186	2220373	158
1001157915	83, 85	1320318	38	1703952	186	2220374	158
1001157916	83, 85, 175	1321293	62	1703953	182	2220415	158
1001157918	199	1321682	39, 45	1703980	187	2220451	158
1001157966	46, 48	1321716	27, 39, 45, 62	1703981	187	2220466	158
1001157968	45	1340069	40, 46	1703982	187	2220468	158
1001157969	45	1380136	27	1703983	187	2220472	158
1001157971	44	1580011	39	1703984	187	2220473	158
1001157974	44	1580012	117	1703985	187	2220499	158
1001159256	119	1600244	178	1704000	188	2220500	159
1001160531	200	1600387	101, 196	1704001	188	2220501	158
1001161431	45	1670829	67	1704002	188	2220502	158
1001161432	45	1670899	91, 107, 111	1704260	119	2220507	158
1001161433	44	1671092	108, 112, 170	1704271	188	2220582	158
1001161434	44	1671093	108, 112, 170	1704277	182, 187, 192	2220605	159
1001161709	120	1671176	119	1704412	182, 187, 192	2220635	159
1001166538	119, 131	1700584	182, 186, 192	1704885	182, 187, 192	2220819	158
1001166539	119, 125	1700818	182, 188	1704972	182	2220828	158
1001166667	116, 119, 168	1701499	182, 186, 192	1705132	119	2220881	137
1001168210	141	1701500	182, 186, 192	1705170	63, 120	2220883	137, 141
1001172760	119	1701504	182, 186, 192	1705325	176	2220885	137
1001174093	39	1701505	57	1705344	187	2220940	159
1001174486	39	1701509	182, 186, 192	1705345	187	2220947	158
1001176372	200	1701517	192	1705347	187	2221041	158
1001177156	39	1701518	192	1705348	187	2221053	158
1001184782	49	1701529	183, 188, 192	1705349	187	2221060	158
1001184783	49	1701542	57	1705351	182	2221086	158
1001185080	198	1701543	58	1705387	85	2300004	38, 44, 199
1001186578	49	1701642	182, 186, 192	1705426	188	2300014	199
1001187356	200	1702300	182, 186, 192	1705427	188	2300016	199
1001187508	200	1702391	182	1705429	188	2300019	199
1001188446	194, 200	1702565	119	1705430	188	2300029	199
1001191346	200	1702566	119	1705489	83	2300039	199
1001204448	199	1702567	119	1705822	192	2300040	199
1001204461	199	1702676	119	1705828	192	2300041	38, 44, 199
1001207138	200	1702773	182, 187, 192	1705903	186	2400060	178
1001207140	200	1702774	182, 187, 192	1705910	188	2400065	173, 194
1001210034	200	1702860	182, 187, 192	1705917	187	2400066	173
1001210035	200	1702868	182	1705921	192	2420172	67
1001212415	194	1702961	182, 198	1705961	192	2420202	101
1001219694	200	1702962	182, 198	1705968	188	2420203	76, 80
1001220187	70	1703162	41, 46	1705969	188	2460049	75, 79
1001225990	89, 141	1703797	182	1705978	192	2540045	44
1001239565	199	1703798	182	1706059	186	2560122	27
1001239566	199	1703804	182	1706060	186	2560136	119
1001241332	198	1703805	182	1706061	187	2600281	115
1001241338	198	1703923	187	1706062	186	260305	171, 194
1001241392	199	1703924	187	1706063	187	2720058	39, 44
1060633	178	1703925	187	1706064	186	2720175	58
1060896	170	1703926	187	1706098	192	2720271	39, 44
1060908	177	1703927	187	1706846	13	2720566	38
1060918	168	1703928	187	2080040	45, 71, 115, 116	2720615	39
10837580	29, 153	1703928	187	2080057	182, 188, 192	2760105	67
1120552	14	1703935	187	2110808	158	2820031	75, 79, 83, 85, 108, 112, 169
1271538	101	1703936	187	2110810	159	2820118	170
1320012	39, 45	1703937	187	2131216	158	2860030	67, 194
1320016	39	1703938	187	2180348	38, 44	2890230	62
1320022	38, 39, 44	1703939	187	2180387	58	2900770	139, 141, 143, 153
1320026	38	1703940	187	2180389	58	2901443	178, 200
1320043	44	1703941	186	2180504	58	2902203	199
1320130	107, 111	1703942	186	2180666	44	2902549	176
1320136	63, 101	1703943	186	2220063	31		
		1703944	186	2220124	31		
		1703945	186				

PART NUMBER INDEX

2920110.....	63, 174	3520030.....	70, 71	4460071.....	85, 168, 177	4460876.....	171
2920113.....	63, 174	3520072.....	115, 116	4460125.....	176	4460878.....	172
2920129.....	62, 67	3520182.....	133	4460134.....	178	4460879.....	169, 178
2920154.....	119	3520198.....	115	4460205.....	176, 178	4460884.....	171, 172, 178
2920157.....	63, 174	3572551.....	97	4460224.....	168, 175	4460887.....	169, 172, 178
2920161.....	63	3580317.....	83, 85	4460225.....	169, 175	4460891.....	169, 170, 171,
2920162.....	76, 80	3580318.....	85	4460226 ...	126, 131, 168,	172, 173, 174	
2940074.....	115, 196	3580319.....	83	169, 174, 178		4460892.....	172
2940109.....	70, 71	374008063,	64, 172, 173,	4460227.....	169, 172	4460894.....	169, 170
3020008.....	13	174, 175, 194		4460233.....	176	4460897.....	172, 174
3020029.....	11	3760115.....	95	4460234.....	120	4460899.....	168, 172
3200378.....	39	3780182.....	11	4460265 ...	126, 131, 175	4460905.....	120, 168, 171,
3200425.....	40	3790012.....	120	4460267.....	174, 175	172	
3251102.....	75, 79, 83, 85	3790152.....	39, 45	4460268.....	175	4460930.....	172
3251242.....	83	3820020.....	115	4460320.....	174	4460931.....	171
3251243.....	85, 176	3820032.....	57, 62	4460321.....	178	4460932.....	172, 178
3251813.....	182, 188	3820122.....	27	4460326.....	174	4460933.....	101, 120, 168,
3252347.....	116, 182	3841143.....	89, 91	4460346.....	85, 176	169, 171, 172	
3252507.....	176	3841203.....	89, 91	4460418.....	169, 171	4460943.....	169, 171, 172
3290405.....	62, 63, 91, 107,	3841258.....	11, 91	4460419.....	169, 171	4460944.....	101, 169, 171,
111, 116		3841520.....	11	4460428 ...	101, 117, 120,	172, 173	
3290505.....	67, 70, 75, 79,	3910606.....	85	168, 178		4460945.....	171
83, 85		3910804.....	67	4460434.....	169	4460956.....	177
3290601.....	62	3911018.....	119	4460445.....	175	4460957.....	177
3290605.....	27, 38, 39, 44,	3911036.....	63	4460464 ...	168, 169, 170,	4460968.....	177
45, 49, 62, 63, 70, 71,		3931010.....	117	171, 172, 173, 174, 178		4460970.....	169
75, 79, 91, 101, 107,		3931016.....	83, 85	4460465 ...	101, 168, 169,	4460972.....	175
111, 116, 182, 186, 192		3931832.....	31	170, 171, 172, 173,		4460973.....	175
3290606.....	115, 116	3960422.....	86, 177	174, 178		4460974.....	175
3290805.....	39, 44, 62, 91,	3960464 ...	38, 40, 44, 45	4460466 ...	101, 120, 168,	4460979.....	172
95, 97, 107, 111		4010618.....	115	169, 170, 171, 172,		4461012.....	116, 168
3290807.....	47	4031510.....	91, 107, 111	173, 175		4461070.....	173
3291005.....	27, 40, 45, 49,	4031512.....	62, 91, 107, 111	4460467.....	178, 200	4461095.....	173
57, 62, 70, 75, 79, 89,		4031707.....	45	4460470.....	120, 168	4461109.....	173, 174
91, 97, 107, 111, 116		4060092.....	176	4460471.....	120, 168	4461110.....	173
3291205.....	40, 45, 75, 79,	4060802 ...	75, 79, 83, 85	4460473 ...	108, 112, 170	4461111.....	173, 174
89, 101		4060808.....	91, 107, 111	4460488.....	120	4461112.....	173, 174
3291605.....	38, 44, 101	4060865.....	63	4460496.....	62, 170	4461113.....	173, 174
3300106.....	14	4060906.....	67	4460497.....	62, 170	4461157.....	172
3300151.....	116	4061054.....	101	4460508 ...	169, 170, 172	4461196.....	176
3311005.....	63, 83, 85, 117,	4070897.....	95	4460509.....	170, 171	4461198.....	176
119		4070898.....	95	4460510.....	178, 200	4461199.....	176
3311405.....	47, 83, 133	4070987.....	67	4460539.....	171	4461201.....	176
3311508.....	83, 85	4100066.....	159	4460633.....	175	4461202.....	176
3311601.....	120	4120035.....	171	4460634.....	171	4461204.....	176
3311605.....	40, 45	4240018.....	92, 107, 111,	4460635.....	171	4461205.....	176
3321402.....	45	158		4460705.....	174, 175	4461207.....	176
3340758.....	91	4240032.....	63	4460708.....	120, 169	4461222.....	173, 174
3340860.....	97	4240033 ...	39, 62, 63, 101	4460709.....	108, 178	4461231.....	40, 46, 173
3340901.....	92, 108, 112	4240099.....	117	4460710.....	108, 178	4461232.....	40, 46, 173
3340939.....	95, 107, 111	4240156.....	107, 111	4460742.....	175	4461244.....	176
3380434.....	116	4360328.....	67, 119, 194	4460743.....	175	4461245.....	176
3380652.....	199	4360330.....	119, 194	4460746.....	173	4461246.....	176
3422576.....	89	4360331.....	120, 194	4460750.....	175	4461249.....	176
3422582.....	89	4360336 ...	75, 79, 83, 85,	4460761.....	169, 172	4520605.....	13
3422592.....	11	120, 196		4460836.....	101	4640113.....	14
3422709.....	89	4360387.....	119, 194	4460837.....	172	4640771.....	153
3422745.....	95	4360407.....	119, 194	4460865 ...	107, 111, 169,	4640858.....	137
3422787.....	91	4360469.....	67, 196	170		4641284.....	159
3422788.....	91	4360470.....	67, 196	4460866 ...	107, 111, 169,	4711400.....	83, 116
3422790.....	89	4360475.....	67, 119, 194	172		4711500.....	120
3422791.....	97	4360476.....	67, 120, 194	4460871 ...	123, 129, 168,	4711600.....	83, 85
3422792.....	89	4360522.....	63, 120, 196	169, 171, 172		4711800.....	40
3422814.....	89	4360548.....	92, 169, 196	4460872.....	171	4740086.....	11
3423081.....	11	4400275.....	58	4460873.....	169, 171	4740158.....	11
3470003.....	120	4400498.....	49	4460874.....	169, 172	4740171.....	31
3520028.....	76, 80, 119	4420051 ...	182, 188, 192	4460875.....	169, 171	4740274.....	40, 45

PART NUMBER INDEX

4740362 .. 39, 41, 71, 116	70000781 23	70002312..... 33	70002726 129
4740397 ... 75, 79, 83, 85, 120	70001119 19	70002313..... 33	70002727 129
4740537 11	70001140 47, 48	70002315..... 48	70002728 129
4740538 11	70001368 19	70002316..... 48	70002729 129
4740539 11	70001697 99	70002317..... 48	70002730 123
4740540 11	70001934 47, 48	70002318..... 47, 48	70002731 123
4751000 .. 63, 83, 85, 117	70001935 48	70002319..... 47, 48	70002732 123
4751400 120, 133	70001958 51	70002320..... 47, 48	70002733 123
4751500 83, 85	70001977 105, 194	70002321..... 47, 48	70002734 123
4761400 47	70001996 95, 194	70002322..... 47, 48	70002735 123
4791400 83, 85	70001998 95	70002323..... 47, 48	7000281 20
481140062, 92, 107, 111, 116	70002063 23	70002324..... 47	70002812 57, 194
4811600 70, 71, 83, 85	70002112 57	70002326..... 48	70002838 57
4811700 ... 27, 39, 40, 45, 49, 62, 70, 71, 101, 115, 116, 182, 186, 192	70002132 51	70002327..... 48, 49	70002839 57
4811702 ... 62, 75, 79, 92, 108, 112, 116	70002133 51	70002328..... 48, 49	70002840 57
4811900 ... 40, 44, 47, 58, 83, 85, 92, 95, 101, 107, 111	70002134 51	70002330..... 49	70002842 137
4811902 27, 95, 97	70002135 51	70002334... 143, 145, 147	70002860 55
4812000 ... 38, 40, 44, 45, 49, 62, 70, 75, 79, 83, 85, 89, 91, 95, 97, 107, 111	70002136 52	70002335.. 139, 141, 143, 145, 147, 149, 153	70002861 55
4812002 57, 103, 116	70002137 51	70002337..... 147, 151	70002862 55
4812100 ... 11, 38, 40, 44, 46	70002138 51	70002344..... 145	70002863 51
4812102 57, 75, 79	70002139 51	70002352... 139, 149, 153	70002864 52
4812300 70, 101	70002140 51	70002354..... 149	70002865 52
4812500 38, 44	70002141 51	70002357..... 139	70002866 52
4846608 97, 101	70002142 51	70002364..... 153	70002867 52
4846759 133	70002145 52	70002366.. 139, 141, 149, 153	70002868 52
4891500 75, 79	70002146 52	70002372 143	70002899 40, 46
4891600 .. 39, 45, 97, 101	70002147 51	70002373..... 143	70002900 44, 196
4891800 39, 45	70002148 51	70002375..... 143	70002901 44
4922641 ... 75, 79, 83, 85, 174	70002149 52, 194	70002380..... 151	70002902 116
4923462 170	70002150 51	70002386..... 23, 29, 105, 143, 145, 147, 194	70002903 116
4923505 178	70002151 51	70002388..... 139	70002904 116
5221000 95	70002152 51	70002389..... 153	70002905 116
5240600 70	70002153 51	70002410..... 147	70002906 123
5240800 83, 85	70002154 51	70002412..... 145	70002954 105
5241000 11, 13	70002155 51	70002413..... 139, 141	70002955 23
5241200 95, 101	70002156 51	70002577..... 55	70002956 23
5241400 31	70002157 51	70002601..... 51	70002957 23
5241600 13, 101	70002158 51	70002603..... 51	70002958 23
5250608 40	70002159 51	70002643..... 35	70002959 23
5250808 103	70002160 51	70002644..... 35	70002960 23
5250810 .. 23, 27, 71, 103	70002161 51	70002645..... 35	70002961 23
5250812 40, 103	70002163 51	70002646..... 35	70002962 23
5251010 23, 89, 95	70002164 51	70002647..... 35	70002963 23, 194
5251012 11, 38, 45, 95	70002165 51, 52	70002648..... 35	70002964 29
5260800 95, 107, 111	70002166 51	70002649..... 35	70002965 29
5281920 95, 107, 111	70002168 51	70002650..... 35	70002966 29
70000088 33	70002169 51	70002651..... 35	70002967 29
70000089 33	70002170 51	70002652..... 35	70002968 29
70000122 75, 79	70002172 51	70002656 35	70002969 29
70000123 75, 79	70002174 52	70002657..... 35	70002970 29
70000124 76, 80	70002175 52	70002658..... 35	70002971 29, 194
70000125 76, 80	70002176 52	70002659..... 35	70002972 29, 196
70000126 76, 80	70002177 52	70002661..... 35	70002973 29
70000341 99	70002178 52	70002663..... 35	70002974 29
70000681 35	70002179 52	70002664..... 35	70002976 29
	70002180 52	70002665..... 35	70002977 29
	70002181 52	70002666..... 35	70002978 23
	70002185 52	70002667..... 35	70002979 40, 196
	70002186 52	70002668..... 35	70002980 20
	70002187 52	70002669..... 35	70002981 20
	70002188 52	70002670..... 35	70002982 20
	70002191 52	70002671..... 35	70002983 19
	70002192 52	70002724..... 129	70002984 19
	70002193 47	70002725..... 129	70002985 19
	70002237 76, 80		70002986 19
	70002238 76, 80		70002987 19
	70002240 76, 80		70002988 19
	70002311 33		

PART NUMBER INDEX

70002989.....19	70003099.....151	70004747.....131	7012941.....23, 105
70002990.....19	70003100.....151	70004748.....131	7012953.....23, 105
70002991.....19	70003101.....151	70004749.....131	7012955.....105
70002992.....19	70003102.....151	70004750.....131	7012967....105, 143, 145, 147
70002993.....19	70003103.....145	70004751.....131	7012998.....29, 105
70002994.....19	70003104.....145	70004752.....125	7015004.....40, 46, 194
70002995.....19	70003105.....145	70004753.....125	7015005.....40, 46
70002996.....19	70003106.....145	70004754.....125	7016319.....63
70002997.....20	70003108.....145	70004755.....125	7016372.....63
70002998.....20	70003109.....145	70004756.....125	7016628.....63
70002999.....19	70003110.....145	70004757.....125	7016654.....200
70003000.....19	70003111.....145	70004758.....125	7016655.....200
70003005.....17	70003112.....145	70004759.....125	7017022.....20
70003006.....17	70003113.....145	70004760.....125	7017120.....99
70003007.....17	70003114.....153	70004761.....125	7017121.....99
70003008.....17	70003115.....153	70004762.....125	7017122.....99
70003009.....17	70003116.....153	70004763.....125	7017123.....99
70003010.....17	70003117.....153	70004764.....125	7017126.....99
70003011.....17	70003118.....143, 153	70004765.....125	7017127.....99
70003012.....17	70003119.....153	70004766.....125	7017172.....99
70003013.....17	70003120.....153	70004767.....125	7017192.....99
70003014.....17	70003121.....153	70004768.....125	7017196.....99
70003016.....17	70003122.....143	70004769.....125	7017402.....105
70003060.....47, 48	70003123.....143	70004770.....125	7017406.....23, 29
70003061.....47, 48	70003124.....143	70004771.....125	7017427.....105
70003062.....47, 48	70003125.....143	70004772.....125	7017452.....105
70003063.....48, 49	70003126.....143	70004773.....125	7017496..23, 27, 29, 143, 145, 147
70003064.....48, 49	70003127.....143	70004774.....126	7017498.....105
70003066.....48, 49	70003128.....143	70004775.....126	7017900.....47
70003067.....49	70003129.....143	70004939.....48	7017901.....47, 49
70003068.....76, 80	70003130.....143	70005230.....131	7017911.....48
70003069.....76, 80, 174	70003131.....139, 141	70005695.....141	7017923.....47, 196
70003070.....76, 80	70003132.....139, 141	70005973.....141	7017934.....48
70003071.....147	70003133.....139, 141	70005974.....141	7017945.....48
70003072.....147	70003134.....139, 141	70006353.....141	7017954.....48
70003073.....147	70003137.....76, 80	70010383.....27, 194	7017955.....49
70003074.....147	70003138.....35	7001913.....19	7017963.....49
70003075.....147	70003139.....35	70022565.....145	7017995.....47
70003076...143, 145, 147	70003140.....35	70023370 .139, 143, 145, 147, 153	7019162.....129
70003077.....147, 151	70003141.....35	70023371.....149	7019164.....129
70003078.....147, 151	70003142.....35	7002821.....178, 200	7019165.....129
70003079.....147, 151	70003178.....40, 196	7002822.....200	7019167.....129
70003080.....147, 151	70003179.....40	7002823.....178, 200	7019194.....129
70003081..139, 141, 147, 149	70003453.....143	7002826.....200	7020108.....75, 79
70003082.....145, 147	70003483.....116	7002828.....178	7020109.....75, 79
70003083.....145, 147	70003757.....29	7003928.....123	7020110.....75, 80
70003084.....149	70003784.....119	7003941.....129	7020111.....75, 80
70003085...139, 141, 149	70003788.....29, 194	7003972.....129	7020152.....76, 80
70003086.....149	70004311.....48	7003973.....129	7020175.....67, 119
70003088.....149	70004323.....99	7003980.....129	7020176.....67, 120
70003089..139, 141, 149, 153	70004395.....48	7003982.....129	7020190.....75, 79
70003090..139, 141, 149, 153	70004396.....48	7003983.....129	7020192.....76, 80
70003091..139, 141, 149, 153	70004397.....49	7003989.....129	7021275.....51
70003092..139, 141, 149, 153	70004398.....49	7004035.....33	7021653.....29
70003093..139, 141, 143, 149	70004399.....49	7004043.....33	70222301.....52
70003094..139, 141, 143, 149	70004400.....49	7004044.....33	7022301.....51
70003095.....151	70004401.....49	7004275.....200	7022326.....49
70003096.....151	70004415.....48	7004276.....200	7022340.....52
70003097.....151	70004738.....131	7007415.....52	7022808.....123
70003098.....151	70004739.....131	7007439.....51, 52	7022815.....123
	70004740.....131	7007446.....51	7022819.....123, 168
	70004741.....131	7007640.....19	7022824.....168
	70004742.....131	7010543 23, 29, 105, 153	7022825.....168
	70004743.....131	7011380.....143	7023124.....48, 49
	70004744.....131	7012513.....75, 79	7023130.....48
	70004745.....131	7012514.....75, 79	
	70004746.....131		

PART NUMBER INDEX

7023132	47, 48	7023170	47, 49	7025479	47, 48	77363233	175
7023134	46	7023964	52	7026041	35	8007941	17
7023136	48	7023970	105	7026048	35	80233041	159
7023139	47, 49	7024108	20	7026049	35	80325	70
7023141	47, 49	7024134	20	7026052	35	80334555	17
7023144	47, 49	7024379	33	7026525	76, 80	80633030	158
7023145	48, 49	7024380	33	7027350	35	80673025	41, 46
7023148	48, 49	7024381	33	7027351	35	8290505	70, 71
7023149	49	7024389	33	7027352	35	8290605	70, 71
7023152	48	7024390	33	7027353	35	8305919	119
7023154	48	7024441	57	7027359	35	8310643	101
7023156	48	7024452	63	7027887	76, 80	8310668	95
7023157	48	7024453	33	7027900	99	8310686	71
7023160	47, 48	7024738	19	7027901	99	83191040	39, 45
7023162	48	7024741	19	7027955	17	8405006	40
7023163	48	7024742	19	7027956	17	8406110	111
7023164	47, 48	7024744	20	7027957	17	85941016	27, 40, 46
7023165	48	7024844	23	7027958	17	8896941	200
7023167	49	7024883	29	7027959	17	91143172	159
7023168	49	7024884	143, 145, 147	7027972	40		
7023169	47	7024885	29, 105	77133089	158		

PARTS FINDER

**Search Website
by Part Number**



**Search Manual
Library For Parts
Manual & Lookup Part
Numbers – Purchase
or Request Quote**

**Can't Find Part or
Manual? Request Help
by Manufacturer,
Model & Description**

Discount-Equipment.com is your online resource for quality parts & equipment.

Florida: **561-964-4949** Outside Florida TOLL FREE: **877-690-3101**

Need parts?

Click on this link: <http://www.discount-equipment.com/category/5443-parts/> and choose one of the options to help get the right parts and equipment you are looking for. Please have the machine model and serial number available in order to help us get you the correct parts. If you don't find the part on the website or on one of the online manuals, please fill out the request form and one of our experienced staff members will get back to you with a quote for the right part that your machine needs.

We sell worldwide for the brands: Genie, Terex, JLG, MultiQuip, Mikasa, Essick, Whiteman, Mayco, Toro Stone, Diamond Products, Generac Magnum, Airman, Haulotte, Barreto, Power Blanket, Nifty Lift, Atlas Copco, Chicago Pneumatic, Allmand, Miller Curber, Skyjack, Lull, Skytrak, Tsurumi, Husquvarna Target, Stow, Wacker, Sakai, Mi-T-M, Sullair, Basic, Dynapac, MBW, Weber, Bartell, Bennar Newman, Haulotte, Ditch Runner, Menegotti, Morrison, Contec, Buddy, Crown, Edco, Wyco, Bomag, Laymor, EZ Trench, Bil-Jax, F.S. Curtis, Gehl Pavers, Heli, Honda, ICS/PowerGrit, IHI, Partner, Imer, Clipper, MMD, Koshin, Rice, CH&E, General Equipment, Amida, Coleman, NAC, Gradall, Square Shooter, Kent, Stanley, Tamco, Toku, Hatz, Kohler, Robin, Wisconsin, Northrock, Oztec, Toker TK, Rol-Air, APT, Wylie, Ingersoll Rand / Doosan, Innovatech, Con X, Ammann, Mecalac, Makinex, Smith Surface Prep, Small Line, Wanco, Yanmar