



---

# Illustrated Parts Manual

**Model  
60HA**

P/N  
3120806

March 1, 2017



---

An Oshkosh Corporation Company

Go to Discount-Equipment.com to order your parts

# PARTS FINDER

**Search Website  
by Part Number**



**Search Manual  
Library For Parts  
Manual & Lookup Part  
Numbers – Purchase  
or Request Quote**

**Can't Find Part or  
Manual? Request Help  
by Manufacturer,  
Model & Description**

Discount-Equipment.com is your online resource for quality parts & equipment.

Florida: **561-964-4949** Outside Florida TOLL FREE: **877-690-3101**

## Need parts?

Click on this link: <http://www.discount-equipment.com/category/5443-parts/> and choose one of the options to help get the right parts and equipment you are looking for. Please have the machine model and serial number available in order to help us get you the correct parts. If you don't find the part on the website or on one of the online manuals, please fill out the request form and one of our experienced staff members will get back to you with a quote for the right part that your machine needs.

We sell worldwide for the brands: Genie, Terex, JLG, MultiQuip, Mikasa, Essick, Whiteman, Mayco, Toro Stone, Diamond Products, Generac Magnum, Airman, Haulotte, Barreto, Power Blanket, Nifty Lift, Atlas Copco, Chicago Pneumatic, Allmand, Miller Curber, Skyjack, Lull, Skytrak, Tsurumi, Husquvarna Target, Stow, Wacker, Sakai, Mi-T-M, Sullair, Basic, Dynapac, MBW, Weber, Bartell, Bennar Newman, Haulotte, Ditch Runner, Menegotti, Morrison, Contec, Buddy, Crown, Edco, Wyco, Bomag, Laymor, EZ Trench, Bil-Jax, F.S. Curtis, Gehl Pavers, Heli, Honda, ICS/PowerGrit, IHI, Partner, Imer, Clipper, MMD, Koshin, Rice, CH&E, General Equipment, Amida, Coleman, NAC, Gradall, Square Shooter, Kent, Stanley, Tamco, Toku, Hatz, Kohler, Robin, Wisconsin, Northrock, Oztec, Toker TK, Rol-Air, APT, Wylie, Ingersoll Rand / Doosan, Innovatech, Con X, Ammann, Mecalac, Makinex, Smith Surface Prep, Small Line, Wanco, Yanmar



## REVISION LOG

May 1991 - Original Issue Of Manual

September 1994 - Revised Manual (Format Change)

April 1995 - Revised Manual

November 5, 2003 - Revised Manual (Edited to 0010400 Revision 21)

November 15, 2006 - Revised Manual (Edited to 0010400 Revision 21)

September 8, 2010 - Revised Manual

October 5, 2012 - Revised Manual

March 1, 2017 - Revised Manual

Go to [Discount-Equipment.com](http://Discount-Equipment.com) to order your parts



# TABLE OF CONTENTS

SECTION 1 - FRAME.....	7
FIGURE 1-1. FRAME, STEERING AND AXLE INSTALLATIONS - 2WD AND 4WD (WITH 2 WHEEL STEER).....	8
FIGURE 1-2. FRAME, STEERING AND AXLE INSTALLATIONS - 2WD AND 4WD (WITH 4 WHEEL STEER).....	12
FIGURE 1-3. TIRE AND WHEEL DRIVE INSTALLATIONS.....	18
FIGURE 1-4. DRIVE MOTOR ASSEMBLY - VICKERS (2WD/2WS).....	22
FIGURE 1-5. DRIVE MOTOR ASSEMBLY - CESSNA (4WD/2WS).....	24
FIGURE 1-6. DRIVE MOTOR ASSEMBLY - REXROTH (2WD/4WS AND 4WD/4WS).....	28
FIGURE 1-7. DRIVE BRAKE ASSEMBLY - AUSCO.....	30
FIGURE 1-8. DRIVE BRAKE ASSEMBLY - MICO (PRIOR TO JULY 1991).....	32
FIGURE 1-9. DRIVE BRAKE ASSEMBLY - MICO (JULY 1991 TO PRESENT).....	34
FIGURE 1-10. DRIVE HUB ASSEMBLY (2WD).....	38
FIGURE 1-11. DRIVE HUB ASSEMBLY (4WD REAR WITH 2WS AND 4WD FRONT AND REAR WITH 4WS).....	40
FIGURE 1-12. DRIVE HUB/BRAKE ASSEMBLY.....	42
FIGURE 1-13. VALVES INSTALLATION (FRAME MOUNTED).....	46
FIGURE 1-14. CONTROL VALVE ASSEMBLY - 2 SECTION BANG-BANG.....	50
FIGURE 1-15. TOW INSTALLATION.....	52
SECTION 2 - TURNTABLE.....	55
FIGURE 2-1. CONTROL VALVES INSTALLATION.....	56
FIGURE 2-2. CONTROL VALVE ASSEMBLY (VICKERS) (PRIOR TO OCTOBER 1994).....	60
FIGURE 2-3. CONTROL VALVE ASSEMBLY - (VICKERS) (OCTOBER 1994 TO PRESENT).....	64
FIGURE 2-4. CONTROL VALVE ASSEMBLY - 3 SECTION BANG-BANG.....	68
FIGURE 2-5. CONTROL VALVE ASSEMBLY - 3 SECTION BANG-BANG (2WS) (JUNE 1995 TO PRESENT).....	72
FIGURE 2-6. ACCESSORY VALVE ASSEMBLY.....	74
FIGURE 2-7. CONTROL VALVE ASSEMBLY - 3 AND 4 SECTION BANG-BANG.....	76
FIGURE 2-8. TURNTABLE, SWING DRIVE AND BEARING INSTALLATIONS.....	78
FIGURE 2-9. SWING MOTOR ASSEMBLY (PRIOR TO AUGUST 1991).....	80
FIGURE 2-10. SWING MOTOR ASSEMBLY (AUGUST 1991 TO PRESENT).....	82
FIGURE 2-11. BRAKE ASSEMBLY (PRIOR TO AUGUST 1991).....	84
FIGURE 2-12. BRAKE ASSEMBLY - AUSCO 37845 (AUGUST 1991 TO PRESENT).....	86
FIGURE 2-13. SWING HUB ASSEMBLY.....	88
FIGURE 2-14. DEUTZ ENGINE INSTALLATION.....	90
FIGURE 2-15. 110 VOLT GENERATOR INSTALLATION - DEUTZ.....	96
FIGURE 2-16. FORD LSG423 ENGINE INSTALLATIONS - WITHOUT NOISE REDUCTION (PRIOR TO FEBRUARY 1993).....	100
FIGURE 2-17. FORD LSG423 ENGINE INSTALLATION - WITH NOISE REDUCTION (FEBRUARY 1993 TO FEBRUARY 1995).....	106
FIGURE 2-18. PRECISION GOVERNOR INSTALLATION - FORD LSG423 ENGINE MACHINES BUILT PRIOR TO FEBRUARY 1995.....	112
FIGURE 2-19. 110 VOLT GENERATOR INSTALLATION - FORD LSG423 ENGINES MACHINES BUILT PRIOR TO FEBRUARY 1995.....	114
FIGURE 2-20. FORD LRG423 ENGINE INSTALLATION (FEBRUARY 1995 TO PRESENT).....	118
FIGURE 2-21. GENERATOR INSTALLATION - FORD LRG423 (MACHINES BUILT FEBRUARY 1995 TO PRESENT).....	124
FIGURE 2-22. DUAL FUEL INSTALLATION (OPTIONAL ON FORD MACHINES).....	128
FIGURE 2-23. MAIN PUMP ASSEMBLY - GEAR.....	130
FIGURE 2-24. TANKS INSTALLATION.....	132
FIGURE 2-25. ROTARY COUPLING AND COLLECTOR ASSEMBLY AND INSTALLATION.....	136
FIGURE 2-26. GROUND CONTROL BOX ASSEMBLY.....	138
FIGURE 2-27. LIGHTS AND ALARMS INSTALLATION.....	142
FIGURE 2-28. HOODS INSTALLATIONS - STANDARD.....	144
FIGURE 2-29. HOODS INSTALLATIONS - NOISE REDUCTION PACKAGE.....	146
SECTION 3 - BOOM.....	149
FIGURE 3-1. BOOMS AND LIMIT SWITCHES INSTALLATIONS.....	150
FIGURE 3-2. MAIN BOOM ASSEMBLY.....	154
FIGURE 3-3. TOWER BOOM ASSEMBLY.....	158
FIGURE 3-4. BOOM WIPERS INSTALLATION.....	162
SECTION 4 - PLATFORM.....	165
FIGURE 4-1. STANDARD PLATFORM AND FOOTSWITCH INSTALLATION.....	166
FIGURE 4-2. LOW MOUNT PLATFORMS AND FOOTSWITCH INSTALLATIONS.....	170
FIGURE 4-3. ROTATOR MOTOR ASSEMBLY.....	174
FIGURE 4-4. CONSOLE BOX ASSEMBLY (PRIOR TO JANUARY 1993).....	176

# TABLE OF CONTENTS

FIGURE 4-5. CONSOLE BOX ASSEMBLY (JANUARY 1993 TO PRESENT) .....	180
FIGURE 4-6. OPTIONAL COMMON PLATFORM MOUNTED COMPONENTS .....	184
SECTION 5 - CYLINDER .....	187
FIGURE 5-1. AXLE LOCKOUT CYLINDER ASSEMBLIES - 2WD (PRIOR TO SEPTEMBER 1992) (USE WITH OPTIONAL OSCILLATING AXLE) .....	188
FIGURE 5-2. AXLE LOCKOUT CYLINDER ASSEMBLIES - 2WD (SEPTEMBER 1992 TO PRESENT) (USE WITH OPTIONAL OSCILLATING AXLE) .....	190
FIGURE 5-3. AXLE LOCKOUT CYLINDER ASSEMBLY - 4WD/2WS (PRIOR TO SEPTEMBER 1992) (USE WITH OPTIONAL OSCILLATING AXLE) .....	192
FIGURE 5-4. AXLE LOCKOUT CYLINDER ASSEMBLY - 4WD/2WS (SEPTEMBER 1992 TO PRESENT) (USE WITH OPTIONAL OSCILLATING AXLE) .....	194
FIGURE 5-5. AXLE LOCKOUT CYLINDER ASSEMBLY - 4WD/4WS (PRIOR TO SEPTEMBER 1992) (USE WITH OPTIONAL OSCILLATING AXLE) .....	196
FIGURE 5-6. AXLE LOCKOUT CYLINDER ASSEMBLIES - 4WD/4WS (SEPTEMBER 1992 TO PRESENT) (USE WITH OPTIONAL OSCILLATING AXLE) .....	198
FIGURE 5-7. LEVEL (UPRIGHT) CYLINDER ASSEMBLY (PRIOR TO APRIL 1992) .....	200
FIGURE 5-8. LEVEL (UPRIGHT) CYLINDER ASSEMBLY (APRIL 1992 TO PRESENT) .....	202
FIGURE 5-9. MAIN LIFT CYLINDER ASSEMBLY (PRIOR TO APRIL 1992) .....	204
FIGURE 5-10. MAIN LIFT CYLINDER ASSEMBLY (APRIL 1992 TO PRESENT) .....	206
FIGURE 5-11. TOWER LIFT CYLINDER ASSEMBLIES (PRIOR TO APRIL 1992) .....	208
FIGURE 5-12. TOWER LIFT CYLINDER ASSEMBLIES (APRIL 1992 TO PRESENT) .....	210
FIGURE 5-13. MASTER CYLINDER ASSEMBLY .....	212
FIGURE 5-14. SLAVE (PLATFORM LEVEL) CYLINDER ASSEMBLIES (PRIOR TO APRIL 1992) .....	214
FIGURE 5-15. SLAVE (PLATFORM LEVEL) CYLINDER ASSEMBLY (APRIL 1992 TO PRESENT) .....	216
FIGURE 5-16. STEER CYLINDER ASSEMBLIES .....	218
FIGURE 5-17. TELESCOPE CYLINDER ASSEMBLY - MAIN BOOM .....	220
FIGURE 5-18. TELESCOPE CYLINDER ASSEMBLY - TOWER BOOM .....	222
FIGURE 5-19. CYLINDER BELLOWS INSTALLATION (OPTIONAL) .....	224
SECTION 6 - HYDRAULIC .....	227
FIGURE 6-1. HYDRAULIC DIAGRAM LIST .....	228
FIGURE 6-2. AXLE LOCKOUT HYDRAULIC DIAGRAM .....	230
FIGURE 6-3. HYDRAULIC DIAGRAM - DRIVE (2WD/2WS) .....	232
FIGURE 6-4. HYDRAULIC DIAGRAM - DRIVE (4WD/2WS) .....	234
FIGURE 6-5. HYDRAULIC DIAGRAM - LIFT (MAIN BOOM) .....	238
FIGURE 6-6. HYDRAULIC DIAGRAM - LIFT (TOWER BOOM) .....	240
FIGURE 6-7. HYDRAULIC DIAGRAM - PUMPS .....	242
FIGURE 6-8. HYDRAULIC DIAGRAM - ROTATOR .....	246
FIGURE 6-9. HYDRAULIC DIAGRAM - SEQUENCE .....	248
FIGURE 6-10. HYDRAULIC DIAGRAM - STEER .....	250
FIGURE 6-11. HYDRAULIC DIAGRAM - SWING .....	252
FIGURE 6-12. HYDRAULIC DIAGRAM - TELESCOPE (MAIN BOOM) .....	254
FIGURE 6-13. HYDRAULIC DIAGRAM - TELESCOPE (TOWER BOOM) .....	256
SECTION 7 - ELECTRICAL .....	259
FIGURE 7-1. ELECTRICAL DIAGRAM LIST .....	260
FIGURE 7-2. ELECTRICAL SCHEMATIC .....	264
SECTION 8 - DECALS .....	267
FIGURE 8-1. DECALS INSTALLATION (PRIOR TO FEBRUARY 1992) .....	268
FIGURE 8-2. DECALS INSTALLATION (FEBRUARY 1992 TO PRESENT) .....	272
SECTION 9 - RECOMMENDED SERVICE PARTS STOCK .....	275
FIGURE 9-1. MODEL 60HA EURO STANDARD PARTS .....	276
FIGURE 9-2. MODEL 60HA EURO VARIABLE PARTS .....	280
SECTION 10 - SPECIAL OPTIONS .....	281
FIGURE 10-1. SPECIAL OPTIONS .....	282
PART NUMBER INDEX .....	285

SECTION 1 - FRAME

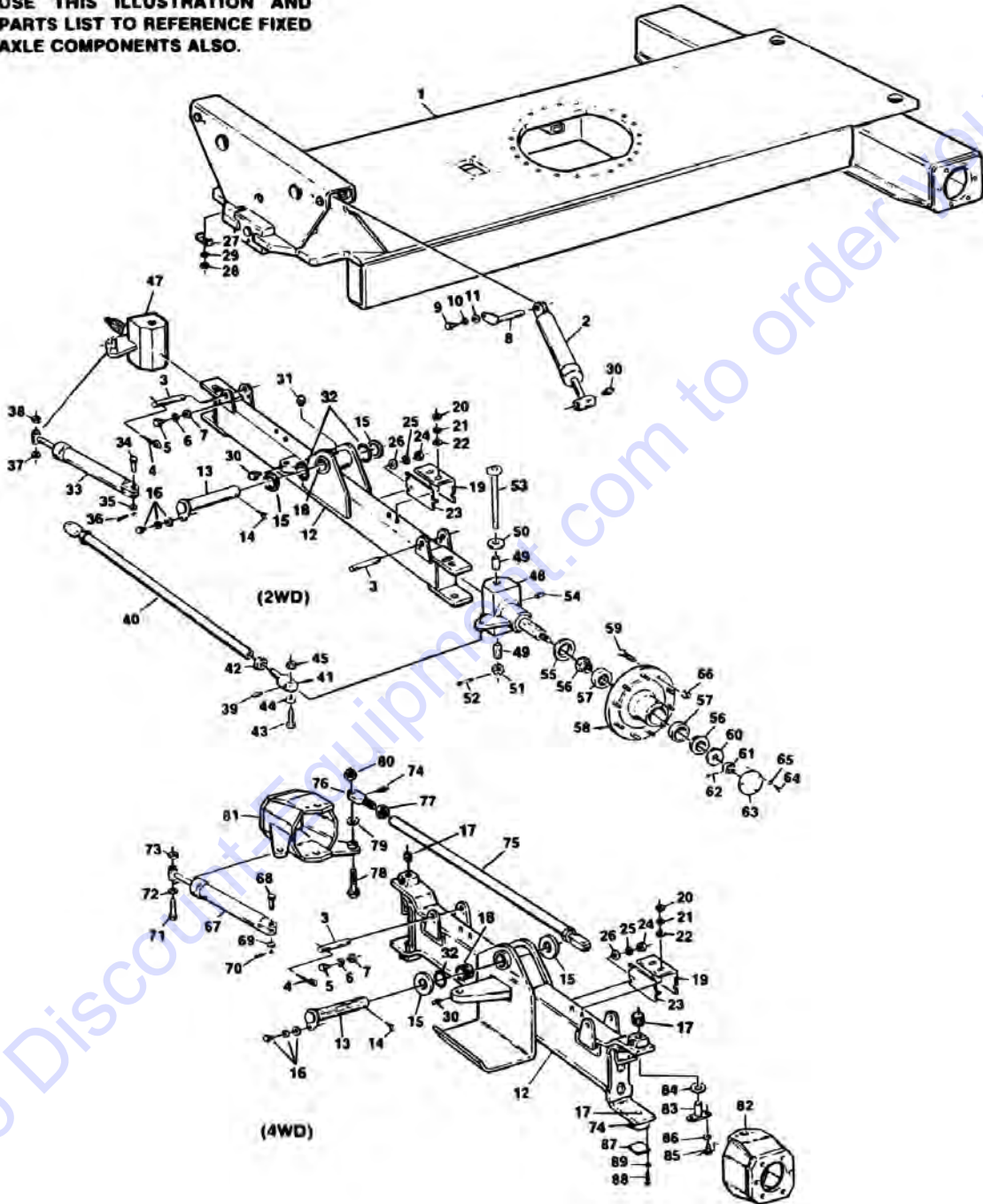
Go to Discount-Equipment.com to order your parts



# SECTION 1 - FRAME

FIGURE 1-1. FRAME, STEERING AND AXLE INSTALLATIONS - 2WD AND 4WD (WITH 2 WHEEL STEER)

NOTE: OSCILLATING AXLE SHOWN.  
USE THIS ILLUSTRATION AND  
PARTS LIST TO REFERENCE FIXED  
AXLE COMPONENTS ALSO.



## SECTION 1 - FRAME

**FIGURE 1-1. FRAME, STEERING AND AXLE INSTALLATIONS - 2WD AND 4WD (WITH 2 WHEEL STEER)**

ITEM	PART NUMBER	QTY	DESCRIPTION	REV
		Ref	<b>FRAME, STEERING AND AXLE INSTALLATIONS - 2WD AND 4WD (WITH 2 WHEEL STEER)</b>	
1	2360304	1	Frame (2WD Fixed Axle)	
1	2360311	1	Frame (2WD Oscillating Axle)	
1	2360312	1	Frame (4WD Fixed Axle)	
1	2360303	1	Frame (4WD Oscillating Axle)	
	0251314	Ref	<b>OSCILLATING AXLE INSTALLATION - 2WD (OPTIONAL) (PRIOR TO SEPTEMBER 1992)</b>	B
	0253120	Ref	<b>OSCILLATING AXLE INSTALLATION - 2WD (OPTIONAL) (SEPTEMBER 1992 TO PRESENT)</b>	A
	0251517	Ref	<b>OSCILLATING AXLE INSTALLATION - STANDARD 4WD (OPTIONAL) (PRIOR TO SEPTEMBER 1992)</b>	D
	0253121	Ref	<b>OSCILLATING AXLE INSTALLATION - STANDARD 4WD (OPTIONAL) (SEPTEMBER 1992 TO PRESENT)</b>	A
2		Ref	Lockout Cylinder Assembly Options (See CYLINDER SECTION for Breakdown):	
2	1682376	2	2WD (Prior to September 1992)	
2	1682724	2	2WD (TUV) (September 1992 to Present)	
2	1682452	2	4WD (Prior to September 1992)	
2	1682727	2	4WD (TUV) (September 1992 to Present)	
3	3421224	2	Pin (Bottom)	
4	3450808	4	Pin, Cotter 1/4in x 2in	
5	0641406	2	Bolt 1/4in-20NC x 3/4in	
6	4761400	2	Lockwasher 1/4in	
7	4751400	2	Flatwasher 1/4in	
8	4843269	2	Pin (Top)	
9	0641508	2	Bolt 5/16in-18NC x 1in	
10	4761500	2	Lockwasher 5/16in	
11	4751500	2	Flatwasher 5/16in	
12	4842691	1	Axle Weldment (2WD)	
12	4842153	1	Axle Weldment (4WD)	
13	4843271	1	Pin	
14	3450814	1	Pin, Cotter 1/4in x 3 1/2in	
15	4740158	2	Washer, Thrust	
16	0641608	1	Bolt 3/8in-16NC x 1in	
16	4740185	1	Flatwasher, Hardened	
17	0961029	4	Bushing (Spindle Pivot Point) (4WD) (Prior to February 1994)	
17	0961773	4	Bushing (Spindle Pivot Point) (4WD) February 1994 to Present)	
18	0961003	2	Bushing (Axle Pivot Point) (Prior to February 1994)	
18	0961771	2	Bushing (Axle Pivot Point) (February 1994 to Present)	
19	4220098	2	Stop, Axle	
20	3311801	4	Nut 1/2in-13NC	
21	4761800	4	Lockwasher 1/2in	
22	4751800	4	Flatwasher 1/2in	
22	4300048	4	Stud (Welded on Part)	
23	4070528	AR	Shim, Stop	
23	4070800	AR	Shim, Stop (.125)	
24	3311601	4	Nut 3/8in-16NC	
25	4761800	4	Lockwasher 12in	
26	4751800	4	Flatwasher	

## SECTION 1 - FRAME

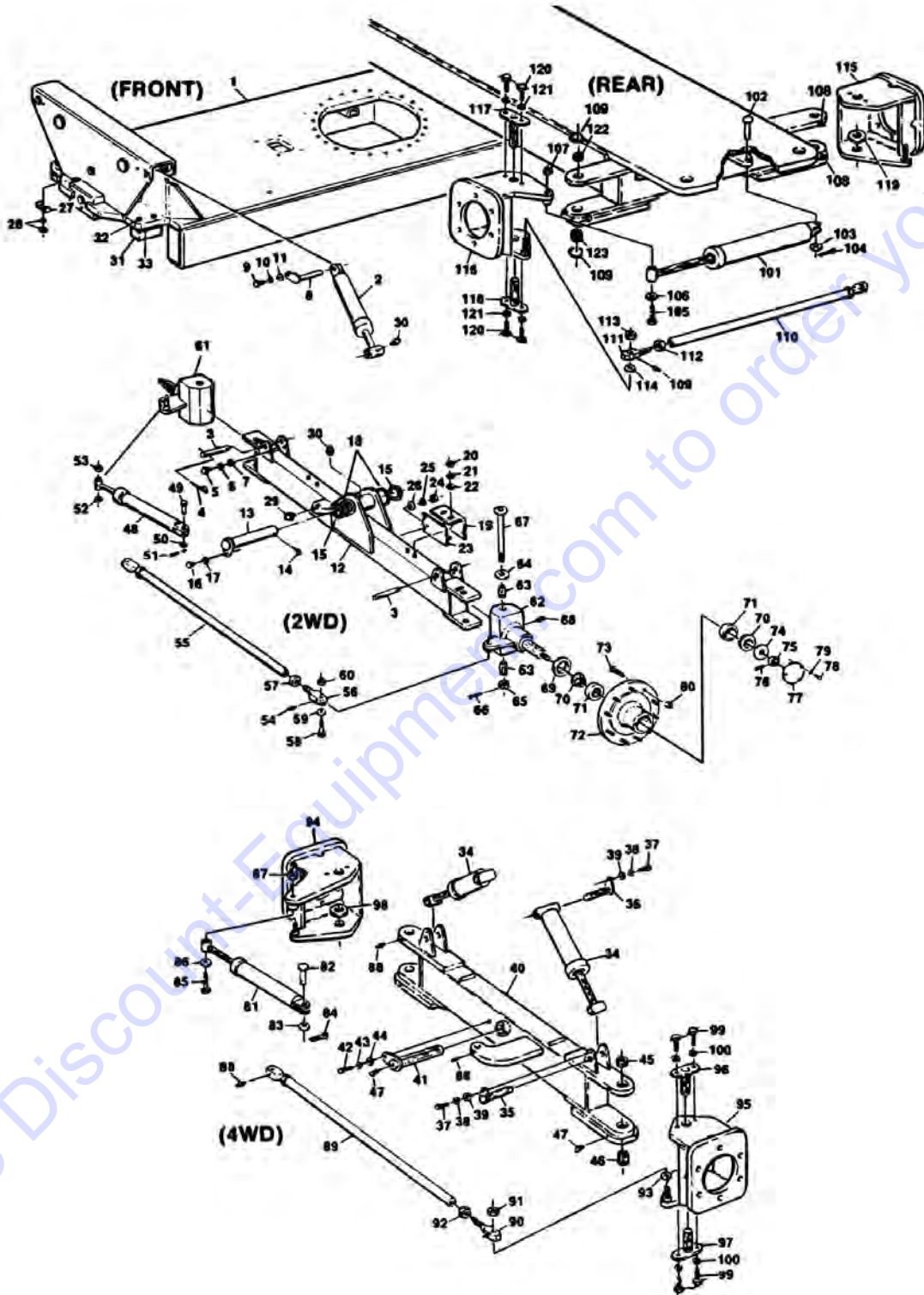
ITEM	PART NUMBER	QTY	DESCRIPTION	REV
26	4300034	4	Stud (Welded on Part)	
27	1320125	1	Clamp	
28	3311601	1	Nut 3/8in-16NC	
29	4761600	1	Lockwasher 3/8in	
29	4300030	1	Stud (Welded on Part)	
30	2160002	3	Fitting, Grease	
31	2160003	1	Fitting, Grease - 45	
32	3780184	2	O-Ring	
	0236449	Ref	<b>STEERING AND SPINDLES INSTALLATION</b>	O
33	1681562	1	Steer Cylinder Assembly (See CYLINDER SECTION for Breakdown)	
34	3431622	1	Pin, Clevis	
35	4712600	1	Flatwasher	
36	3450606	1	Pin, Cotter	
37	0440091	1	Washer, Thrust	
38	3300175	1	Locknut, Special	
39	2160003	2	Fitting, Grease - 45	
40	3840863	1	Rod, Tie	
41	0560714	1	Block, Tie Rod (Left Side)	
41	0560605	1	Block, Tie Rod (Right Side)	
42	3300229	1	Nut, Jam (Left Side)	
42	3323002	1	Nut, Jam (Right Side)	
43	0630425	2	Bolt, Special	
44	0440091	2	Washer, Thrust	
45	3312601	2	Nut 1in-8NC	
45	0100011	AR	Loctite	
47	4130160	1	Spindle (R.H.)	
48	4130161	1	Spindle (L.H.)	
49	0960523	4	Bushing, Bronze (Prior to February 1994)	
49	0961778	4	Bushing, Bronze (February 1994 to Present)	
50	0440183	2	Bearing, Thrust	
51	3300208	2	Nut, Slotted	
51	3313403	2	Nut, Slotted 1 1/2in-6NC	
52	3451012	2	Pin, Cotter 5/16in x 3in	
53		Ref	Kingpin Options:	
53	3421243		Kingpin (Prior to February 1994)	
53	3422261		Kingpin (February 1994 to Present)	
53	3780183	4	O-Ring (February 1994 to Present Only)	
54	2160002	2	Fitting, Grease	
54	4640812	2	Valve, Relief	
55	3960098	2	Seal, Hub	
56	0440019	4	Cone, Bearing	
57	0440018	4	Cup, Bearing	
58	2780091	2	Hub	
59	0630137	20	Stud, Wheel	
60	4740016	2	Washer, Hardened	
61	3323403	2	Nut, Slotted 1 1/2in-12NF	
61	3313403	2	Nut, Slotted 1 1/2in - 6NC	
62	3450810	2	Pin, Cotter 1/4in x 2 1/2in	
62	3451012	2	Pin, Cotter 5/16in x 3in	
63	1120032	2	Cap, Hub	
64	0721003	6	Bolt #10-24NC x 3/8in	

## SECTION 1 - FRAME

ITEM	PART NUMBER	QTY	DESCRIPTION	REV
65	4761000	6	Lockwasher #10	
66	3300012	20	Nut, Wheel	
	0250255	Ref	<b>STEERING AND SPINDLES INSTALLATION (STANDARD 4WD BUILT PRIOR TO FEBRUARY 1994)</b>	E
67	1681555	1	Steer Cylinder Assembly (See CYLINDER SECTION for Breakdown)	
68	3431622	1	Pin, Clevis	
69	4712600	1	Flatwasher	
70	3450606	1	Pin, Cotter	
71	0630369	1	Bolt, Special	
72	0440091	1	Washer, Thrust	
73	3312602	1	Nut, Jam 1in-8NC	
73	0100011	AR	Loctite #242	
74	2160003	6	Fitting, Grease	
74	4640812	4	Valve, Relief	
75	3841029	1	Rod, Tie	
76	0560714	1	Block, Tie Rod (Left Side)	
76	0560605	1	Block, Tie Rod (Right Side - Not Shown)	
77	3300229	1	Nut, Jam (Left Side)	
77	3300023	1	Nut, Jam (Right Side - Not Shown)	
78	0642628	2	Bolt 1in-8NC x 3 1/2in	
79	0440091	2	Washer, Thrust	
80	3312601	2	Nut 1in-8NC	
80	0100011	AR	Loctite	
81	4130223	1	Spindle (R.H.)	
82	4130224	1	Spindle (L.H.)	
83	3422221	4	Kingpin (Machines Built February 1994 to Present)	
83	3421190	4	Kingpin (Machines Built Prior to February 1994)	
83	3421833	4	Kingpin (CSA Machines Built Prior to February 1994)	
83		Ref	O-Ring (February 1994 to Present Only)	
84	0440161	4	Bearing, Thrust	
85	0630083	8	Bolt, Special	
86	4761600	8	Lockwasher 3/8in	
86	4920096	AR	Wire, Safety	
87	3530244	4	Plate, Cover (Prior to September 1992)	
87	3536410	4	Plate, Cover (September 1992 to February 1994)	
88	0641404	8	Bolt 1/4in-20NC x 1/2in (Prior to September 1992)	
88	2080026	8	Tack (September 1992 to February 1994)	
89	4761400	2	Lockwasher 1/4in (Prior to September 1992)	

# SECTION 1 - FRAME

FIGURE 1-2. FRAME, STEERING AND AXLE INSTALLATIONS - 2WD AND 4WD (WITH 4 WHEEL STEER)



## SECTION 1 - FRAME

**FIGURE 1-2. FRAME, STEERING AND AXLE INSTALLATIONS - 2WD AND 4WD (WITH 4 WHEEL STEER)**

ITEM	PART NUMBER	QTY	DESCRIPTION	REV
		Ref	<b>FRAME, STEERING AND AXLE INSTALLATIONS - 2WD AND 4WD (WITH 4 WHEEL STEER)</b>	
1	2360332	1	Frame (2WD)	
1	2360333	1	Frame (4WD)	
	0251773	Ref	<b>FIXED FRONT AXLE INSTALLATION -2WD</b>	B
	0251314	Ref	<b>OSCILLATING FRONT AXLE INSTALLATION - 2WD (PRIOR TO SEPTEMBER 1992)</b>	B
	0253120	Ref	<b>OSCILLATING FRONT AXLE INSTALLATION - 2WD (SEPTEMBER 1992 TO PRESENT)</b>	A
2		Ref	Lockout Cylinder Assembly Options (2WD with Oscillating Front Axle) (See CYLINDER SECTION for Breakdown)	
2	1682376	2	Cylinder (Prior to September 1992)	
2	1682724	2	Cylinder (TUV) (September 1992 to Present)	
3	3421224	2	Pin (Bottom)	
4	3450808	4	Pin, Cotter 1/4in x 2in	
5	0641406	2	Bolt 1/4in-20NC x 3/4in	
6	4761400	2	Lockwasher 1/4in	
7	4751400	2	Flatwasher 1/4in	
8	4843269	2	Pin (Top)	
9	0641508	2	Bolt 5/16in-18NC x 1in	
10	4761500	2	Lockwasher 5/16in	
11	4751500	2	Flatwasher 5/16in	
12	4642691	1	Axle Weldment (2WD)	
12	0961003	2	Bushing, Bronze (Axle Pivot Point) (Prior to February 1994)	
12	0961771	2	Bushing, Bronze (Axle Pivot Point) (February 1994 to Present)	
13	4843271	1	Pin	
14	3450814	1	Pin, Cotter 1/4in x 3 1/2in	
15	4740158	2	Washer, Thrust	
16	0641608	1	Bolt 3/8in-16NC x 1in	
17	4751600	1	Flatwasher Hardened	
18	3780184	2	O-Ring	
19	4220098	2	Stop, Axle (2WD)	
20	3311801	4	Nut 1/2in-13NC	
21	4761800	4	Lockwasher 1/2in	
22	4751800	4	Flatwasher 1/2in	
22	4300045	4	Stud (Welded on Part)	
23	4070528	AR	Shim, Stop (2WD)	
23	4070800	AR	Shim, Stop (2WD) (.125)	
24	3311601	4	Nut 3/8in-16NC	
25	4761800	4	Lockwasher 1/2in	
26	4751800	4	Flatwasher 1/2in	
27	1320125	1	Clamp (2WD)	
28	3311601	1	Nut 3/8in-16NC	
28	4761600	1	Lockwasher 3/8in	
28	4300030	1	Stud (Welded on Parts)	
29	2160002	3	Fitting, Grease	
30	2160003	1	Fitting, Grease - 45	
31	0560951	2	Block, Axle (2WD with Fixed Front Axle)	
32	0641616	4	Bolt 3/8in-16NC x 2in	
32	4751600	4	Flatwasher 3/8in	

## SECTION 1 - FRAME

ITEM	PART NUMBER	QTY	DESCRIPTION	REV
33	4070224	AR	Shim - .12	
33	4070225	AR	Shim - .06	
33	0100019	AR	Loctite #271	
	0254294	Ref	<b>FIXED FRONT AXLE INSTALLATION - 4WD</b>	A
	0251703	Ref	<b>OSCILLATING FRONT AXLE INSTALLATION - 4WD (PRIOR TO SEPTEMBER 1992)</b>	C
	0253123	Ref	<b>OSCILLATING FRONT AXLE INSTALLATION - 4WD (SEPTEMBER 1992 TO PRESENT)</b>	D
34		Ref	Lockout Cylinder Assembly Options (4WD with Oscillating Axle) (See CYLINDER SECTION for Breakdown):	
34	1682406	2	Cylinder (Prior to September 1992)	
34	1682757	2	Cylinder (TUV) (September 1992 to Present)	
35	3421861	2	Pin (Bottom)	
36	4843286	2	Pin (Top)	
37	0641407	4	Bolt 1/4in-20NC x 7/8in	
38	4761400	4	Lockwasher 1/4in	
39	4751400	4	Flatwasher 1/4in	
40	4843826	1	Axle Weldment (4WD)	
41	3422064	1	Pin (Prior to February 1994)	
41	3422360	1	Pin (February 1994 to Present)	
41	3780187	2	O-Ring (September 1992 to Present Only) (Not Shown)	
42	0641610	1	Bolt 3/8in-16NC x 1 1/4in	
43	4761600	1	Lockwasher 3/8in	
44	4740185	1	Flatwasher, Hardened	
45	0961529	2	Bushing, Bronze (Top) (Prior to May 1992)	
45	0961686	2	Bushing, Bronze (Top) (May 1992 to February 1994)	
45	0961776	2	Bushing, Bronze (Top) (February 1994 to Present)	
46	0961509	2	Bushing, Bronze (Bottom) (Prior to May 1992)	
46	0961687	2	Bushing, Bronze (Bottom) (May 1992 to February 1994)	
46	0961777	2	Bushing, Bronze (Bottom) (February 1994 to Present)	
47	2160003	3	Fitting, Grease - 45	
47	2160002	4	Fitting, Grease - Straight	
47	3780184	8	O-Ring (Not Shown)	
47	4640812	5	Valve, Relief Fitting (Not Shown)	
	0236449	Ref	<b>FRONT STEERING AND SPINDLES INSTALLATION (STANDARD) (2WD)</b>	O
48	1681562	1	Steer Cylinder Assembly (2WD Front) (See CYLINDER SECTION for Breakdown)	
49	3431622	1	Pin, Clevis	
50	4712600	1	Flatwasher	
51	3450606	1	Pin, Cotter	
52	0440091	1	Washer, Thrust	
53	3300175	1	Locknut, Special	
54	2160003	2	Fitting, Grease - 45	
55	3840863	1	Rod, Tie (2Wd Front)	
56	0560714	1	Block, Tie Rod (Left Side)	
56	0560605	1	Block, Tie Rod (Right Side)	
57	3300229	1	Nut, Jam (Left Side)	
57	3323002	1	Nut, Jam (Right Side)	
58	0630425	2	Bolt, Special	
59	0440091	2	Washer, Thrust	
60	3312601	2	Nut 1in-8NC	

## SECTION 1 - FRAME

ITEM	PART NUMBER	QTY	DESCRIPTION	REV
60	0100011	AR	Loctite	
61	4130160	1	Spindle (Right Side) (2Wd Front)	
62	4130161	1	Spindle (Left Side) (2WD Front)	
63	0960523	4	Bushing, Bronze (Prior to February 1994)	
63	0961778	4	Bushing, Bronze (February 1994 to Present)	
64	0440183	2	Bearing, Thrust	
65	3300208	2	Nut, Slotted	
65	3313403	2	Nut, Slotted 1 1/2in-6NC	
66	3451012	2	Pin, Cotter 5/16in x 3in	
67		Ref	Kingpin Options:	
67	3421243	2	Kingpin (Prior to February 1994)	
67	3422261	2	Kingpin (February 1994 to Present)	
67	3780183	4	O-Ring (February 1994 to Present Only)	
68	2160002	2	Fitting, Grease	
68	4640812	2	Valve, Relief	
69	3960098	2	Seal, Hub	
70	0440019	4	Cone, Bearing	
71	0440018	4	Cup, Bearing	
72	2780091	2	Hub	
73	0630137	20	Stud, Wheel	
74	4740016	2	Washer, Hardened	
75	3323403	2	Nut, Slotted 1 1/2in-12NF	
75	3313403	2	Nut, Slotted 1 1/2in-6NC	
76	3450810	2	Pin, Cotter 1/4in x 2 1/2in	
76	3451012	2	Pin, Cotter 5/16in x 3in	
77	1120032	2	Cap, Hub	
78	0721003	6	Bolt #10-24NC x 3/8in	
79	4761000	6	Lockwasher #10	
80	3300012	20	Nut, Wheel	
	0251594	Ref	<b>FRONT STEERING AND SPINDLES INSTALLATION - 4WD (PRIOR TO FEBRUARY 1994)</b>	E
	0251913	Ref	<b>FRONT STEERING AND SPINDLES INSTALLATION - 4WD (DOMESTIC BUILT FEBRUARY 1994 TO PRESENT)</b>	D
81	1681555	1	Steer Cylinder Assembly (4WD Front) (See CYLINDER SECTION for Breakdown)	
82	3431622	1	Pin, Clevis	
83	4712600	1	Flatwasher	
84	3450606	1	Pin, Cotter	
85	0630439	1	Bolt, Special	
86	0440091	1	Washer, Thrust	
87	3312602	1	Nut, Jam 1in-8NC	
87	0100011	AR	Loctite #242	
88	2160002	1	Fitting, Grease	
88	2160003	4	Fitting, Grease - 45	
88	4640182	4	Valve, Relief	
89	3840868	1	Rod, Tie (4WD Front)	
90	0560714	1	Block, Tie Rod (Left Side)	
90	0560605	1	Block, Tie Rod (Right Side - Not Shown)	
91	3300229	1	Nut, Jam (Left Side)	
91	3323402	1	Nut, Jam (Right Side - Not Shown)	
92	3312601	2	Nut 1in-8NC	
93	0440091	2	Washer, Thrust	



## SECTION 1 - FRAME

ITEM	PART NUMBER	QTY	DESCRIPTION	REV
93	0100011	AR	Loctite	
94	4130255	1	Spindle (Right Side) (4WD Front)	
95	4130256	1	Spindle (Left Side) (4WD Front)	
96	3421856	4	Kingpin (Top) (Prior to February 1994)	
96	3421927	4	Kingpin (Top) (February 1994 to Present)	
96	3780184	4	O-Ring	
97	3421858	4	Kingpin (Bottom) (Prior to February 1994)	
97	3421929	4	Kingpin (Bottom) (February 1994 to Present)	
97	3780184	4	O-Ring	
98	0440082	2	Bearing, Thrust (When Equipped)	
99	0630083	8	Bolt, Special	
100	4761600	8	Lockwasher 3/8in	
100	4920096	AR	Wire, Safety	
	0251541	Ref	<b>REAR STEERING AND SPINDLES INSTALLATION - 2WD</b>	C
	0251593	Ref	<b>REAR STEERING AND SPINDLES INSTALLATION - 4WD (PRIOR TO FEBRUARY 1994)</b>	E
	0251914	Ref	<b>REAR STEERING AND SPINDLES INSTALLATION - 4WD (FEBRUARY 1994 TO PRESENT)</b>	C
101	1682203	1	Steer Cylinder Assembly (2WD Rear) (See CYLINDER SECTION for Breakdown)	
101	1681555	1	Steer Cylinder Assembly (4WD Rear) (See CYLINDER SECTION for Breakdown)	
102	3431622	1	Pin, Clevis	
103	4712600	1	Flatwasher 1in Narrow	
104	3450606	1	Pin, Cotter 3/16in x 1 1/2in	
105	0630439	1	Bolt, Special	
106	0440091	1	Bearing, Thrust	
107	3312602	1	Nut, Jam 1in-8NC	
107	0100011	AR	Loctite #242	
108	2160003	6	Fitting, Grease - 45	
108	4640812	4	Valve, Relief	
109	3780184	8	O-Ring	
110	3840868	1	Tie-Rod (Rear)	
111	0560714	1	Block, Tie-Rod (Left Side)	
111	0560605	1	Block, Tie-Rod (Right Side)	
112	3300229	1	Nut, Jam (Left Side)	
112	3323002	1	Nut, Jam (Right Side)	
113	3300175	2	Locknut, Special	
114	0440091	2	Bearing, Thrust	
115	4130254	1	Spindle (Left Side) (2WD Rear)	
115	4130256	1	Spindle (Left Side) (4WD Rear)	
116	4130253	1	Spindle (Right Side) (2WD Rear)	
116	4130255	1	Spindle (Right Side) (4WD Rear)	
117	3421856	2	Kingpin (Top) (Prior to February 1994)	
117	3421927	2	Kingpin (Top) (Built February 1994 to Present)	
118	3421858	2	Kingpin (Bottom) (Prior to February 1994)	
118	3421929	2	Kingpin (Bottom) (February 1994 to Present)	
119	4740082	2	Washer, Thrust (When Equipped)	
120	0630083	4	Bolt, Special	
121	4761600	4	Lockwasher 3/8in	
121	4920096	AR	Wire, Safety	
122	0961529	2	Bushing, Bronze (Top) (Prior to May 1992)	

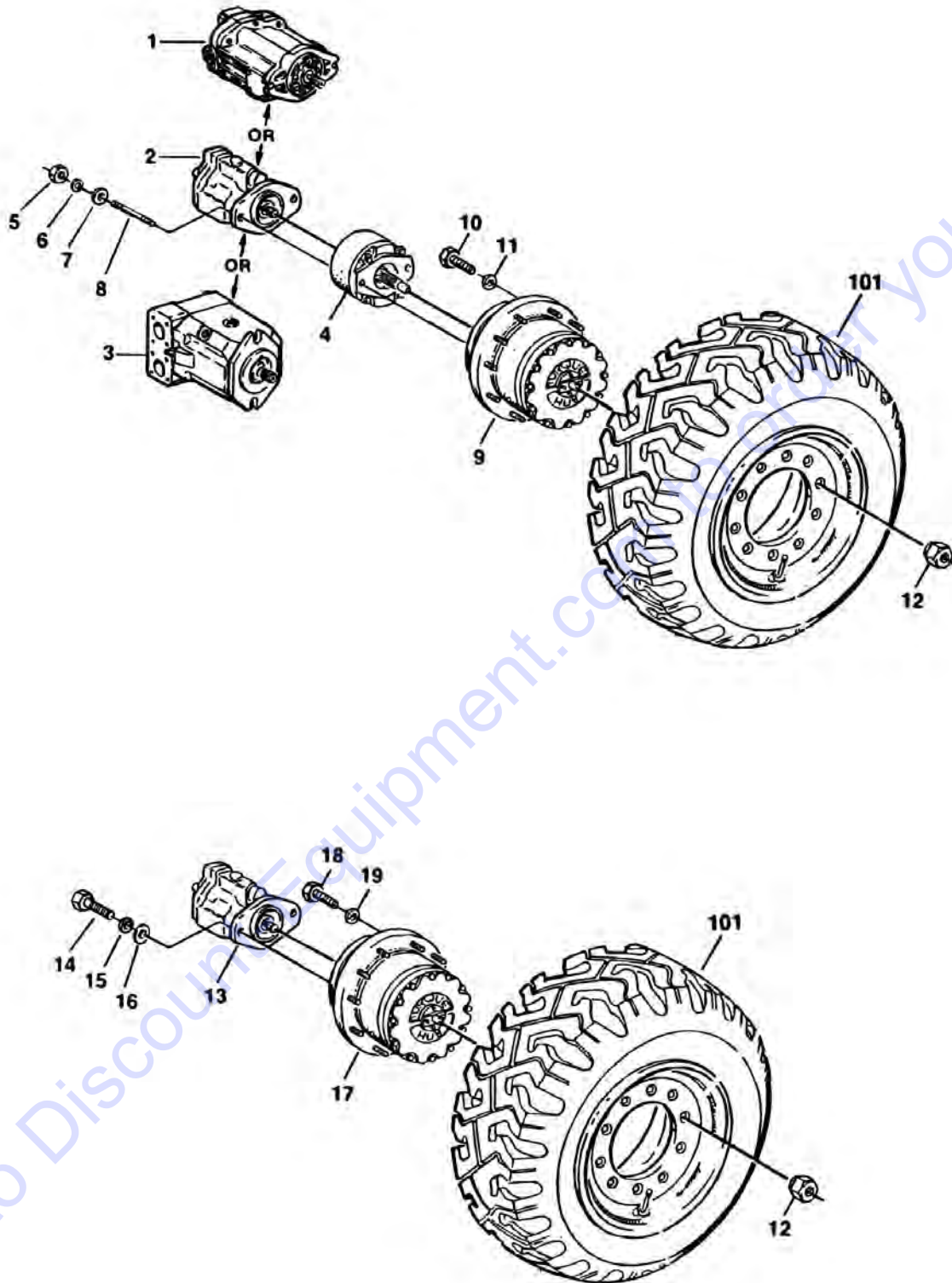
**SECTION 1 - FRAME**

<b>ITEM</b>	<b>PART NUMBER</b>	<b>QTY</b>	<b>DESCRIPTION</b>	<b>REV</b>
122	0961686	2	Bushing, Bronze (Top) (May 1992 to February 1994)	
122	0961776	2	Bushing, Bronze (Top) (February 1994 to Present)	
123	0961509	2	Bushing, Bronze (Bottom) (Prior to May 1992)	
123	0961687	2	Bushing, Bronze (Bottom) (May 1992 to February 1994)	
123	0961777	2	Bushing, Bronze (Bottom) (February 1994 to Present)	

Go to Discount-Equipment.com to order your parts

# SECTION 1 - FRAME

FIGURE 1-3. TIRE AND WHEEL DRIVE INSTALLATIONS



# SECTION 1 - FRAME

## FIGURE 1-3. TIRE AND WHEEL DRIVE INSTALLATIONS

ITEM	PART NUMBER	QTY	DESCRIPTION	REV
		Ref	<b>TIRE AND WHEEL DRIVE INSTALLATIONS</b>	
	0250313	Ref	<b>WHEEL DRIVE INSTALLATION (2WD/2WS)</b>	5
	0251540	Ref	<b>WHEEL DRIVE INSTALLATION (2WD/4WS)</b>	5
	0250272	Ref	<b>WHEEL DRIVE INSTALLATION (4WD/2WS)</b>	5
	0251592	Ref	<b>WHEEL DRIVE INSTALLATION (4WD/4WS)</b>	7
1	3160140	2	Drive Motor Assembly - Vickers (2WD/2WS) (See DRIVE MOTOR ASSEMBLY - VICKERS (2WD/2WS) for Breakdown)	
2	3160080	2	Drive Motor Assembly - Cessna (4WD/2WS Rear) (See DRIVE MOTOR ASSEMBLY - CESSNA (4WD/2WS) for Breakdown)	
3	3160176	2/4	Drive Motor Assembly - Rexroth (All 4WS) (See DRIVE MOTOR ASSEMBLY - REXROTH (2WD/4WS AND 4WD/4WS) for Breakdown)	
		Ref	<b>Note: All 4WS - Use p/n 3160204 Motor Plus p/n 2900869 Conversion Kit as Replacement.</b>	
4	0920072	2	Drive Brake Assembly - Ausco (See DRIVE BRAKE ASSEMBLY - AUSCO for Breakdown)	
4	0920081	2	Drive Brake Assembly - Mico (Prior to July 1991) (See DRIVE BRAKE ASSEMBLY - MICO (PRIOR TO JULY 1991) for Breakdown)	
4	0920084	2	Drive Brake Assembly - Mico (July 1991 to Present) (See DRIVE BRAKE ASSEMBLY - MICO (JULY 1991 TO PRESENT) for Breakdown)	
5	3311801	4	Nut 1/2in-13NC	
6	4761800	4	Lockwasher 1/2in	
7	4740252	4	Washer, Hardened (When Equipped)	
8	4320008	4	Stud (Use With Ausco Brake)	
8	4300092	4	Stud (Use With Mico Brake)	
8	0100011	AR	Loctite #242	
9	2780114	2	Drive Hub Assembly (0250313/0251540 Installations - 2WD) (See DRIVE HUB ASSEMBLY (2WD) for Breakdown)	
9	2780170	2	Drive Hub Assembly (0250272 Installations - 4WD Rear) (See DRIVE HUB ASSEMBLY (4WD REAR WITH 2WS AND 4WD FRONT AND REAR WITH 4WS) for Breakdown)	
9	2780170	4	Drive Hub Assembly (0251592 Installations -4WD/4WS Front and Rear) (See DRIVE HUB ASSEMBLY (4WD REAR WITH 2WS AND 4WD FRONT AND REAR WITH 4WS) for Breakdown)	
10	0642014	16	Bolt 5/8in-11NC x 1 3/4in	
10	3932028	16	Bolt, Socket Head 5/8in-11NC x 1 3/4in	
11	4762000	16	Lockwasher 5/8in	
11	0100011	AR	Loctite #242	
12	3300012	20	Lug Nut (2WD - 10 Per Wheel)	
12	3300012	36	Lug Nut (4WD - 9 Per Wheel)	
13	3160080	2	Drive Motor Assembly - Cessna (4WD/2WS) (See DRIVE MOTOR ASSEMBLY - CESSNA (4WD/2WS) for Breakdown)	
14	0641810	4	Bolt 1/2in-13NC x 1 1/4in	
15	4761800	4	Lockwasher 1/2in	
16	4751800	4	Flatwasher 1/2in	
17	2780151	2	Drive Hub/Brake Assembly (4WD/2WS - Front Only - Built Prior to February 1992) (See VALVES INSTALLATION (FRAME MOUNTED) for Breakdown)	
17	2780192	2	Drive Hub/Brake Assembly (4WD/2WS - Front Only - Built February 1992 to Present) (See VALVES INSTALLATION (FRAME MOUNTED) for Breakdown)	
18	0642014	6	Bolt 5/8in-11NC x 1 3/4in	

## SECTION 1 - FRAME

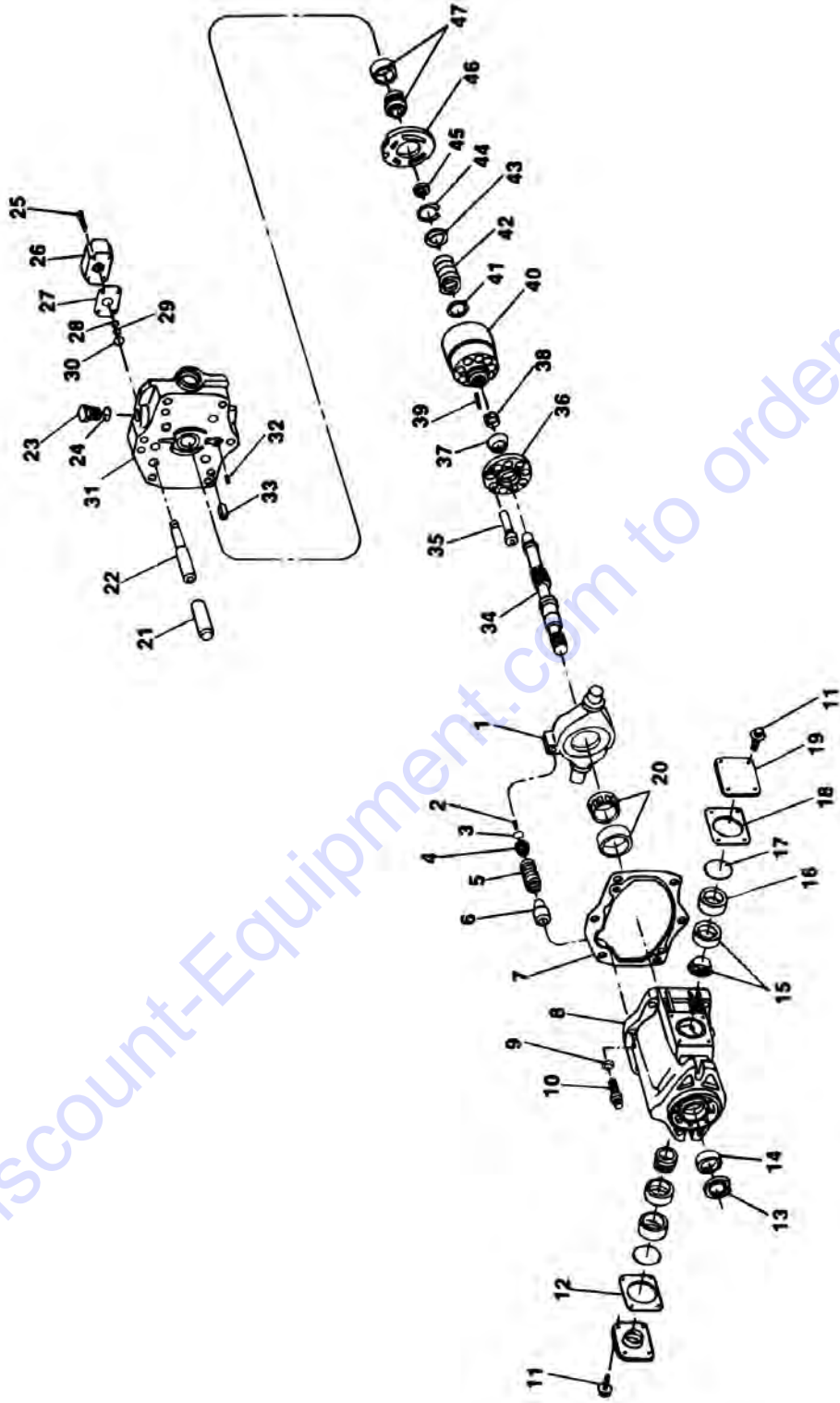
ITEM	PART NUMBER	QTY	DESCRIPTION	REV
19	4762000	6	Lockwasher 5/8in	
	0250548	Ref	<b>TIRE AND WHEEL INSTALLATIONS (FOAM-FILLED 14 X 17.5) (2WD/2WS)</b>	A
	0250172	Ref	<b>TIRE AND WHEEL INSTALLATIONS (FOAM-FILLED 14 X 17.5) (4WD/2WS)</b>	A
	0251865	Ref	<b>TIRE AND WHEEL INSTALLATIONS (FOAM-FILLED 14 X 17.5) (4WD/4WS)</b>	A
	0254769	Ref	<b>TIRE AND WHEEL INSTALLATIONS (FOAM-FILLED 15 X 19.5) (2WD/2WS)</b>	-
	0253832	Ref	<b>TIRE AND WHEEL INSTALLATIONS (FOAM-FILLED 15 X 19.5) (4WD/2WS)</b>	A
	0251700	Ref	<b>TIRE AND WHEEL INSTALLATIONS (FOAM-FILLED 15 x 19.5) (4WD/4WS)</b>	-
		Ref	<b>2WD Options:</b>	
101	0250170	1	Tire and Wheel Assembly - 2WD Left Side Front (Foam-Filled 14 x 17.5)	A
101	0250171	1	Tire and Wheel Assembly - 2WD Right Side Front (Foam-Filled 14 x 17.5)	A
101	0236626	1	Tire and Wheel Assembly - 2WD/2WS Left Side Rear (Foam-Filled 14 x 17.5)	A
101	0236625	1	Tire and Wheel Assembly - 2WD/2WS Right Side Rear (Foam-Filled 14 x 17.5)	-
101	0253833	1	Tire and Wheel Assembly - 2WD/4WS Right Side Front (Foam-Filled 15 x 19.5)	2
101	0253834	1	Tire and Wheel Assembly - 2WD/2WS Left Side Front (Foam-Filled 15 x 19.5)	2
101	0254770	1	Tire and Wheel Assembly - 2WD/2WS Right Side Rear (Foam-Filled 15 x 19.5)	3
101	0254771	1	Tire and Wheel Assembly - 2WD/2WS Left Side Rear (Foam-Filled 15 x 19.5)	3
		Ref	<b>4WD Options:</b>	
	0250171	2	Tire and Wheel Assembly - 4WD/2WS Left Side Front and Rear (Foam-Filled 14 x 17.5)	A
	0250170	2	Tire and Wheel Assembly - 4WD/2WS Right Side Front and Rear (Foam-Filled 14 x 17.5)	A
	0251866	2	Tire and Wheel Assembly - 4WD/4WS Left Side Front and Rear (Foam-Filled 14 x 17.5)	A
	0255803	2	Tire and Wheel Assembly - 4WD/4WS Right Side Front and Rear (Foam-Filled 14 x 17.5)	-
	0253833	2	Tire and Wheel Assembly - 4WD/2WS Right Side (Foam-Filled 15 x 19.5)	2
	0253834	2	Tire and Wheel Assembly - 4WD/2WS Left Side (Foam-Filled 15 x 19.5)	2
	0251701	2	Tire and Wheel Assembly - 4WD/4WS Right Side (Foam-Filled 15 x 19.5)	2
	0251702	2	Tire and Wheel Assembly - 4WD/4WS Left Side (Foam-Filled 15 x 19.5)	2
		Ref	<b>Note: Assemblies may require ballast/foam filling to manufacturer's specifications prior to installing on machine. Refer to Operation and Safety or Service and Maintenance Manuals. Purchase individual tire and/or rim only if able to foam fill tire and wheel assembly, otherwise purchase complete assembly.</b>	
		Ref	Tire Options (Prior to May 1995):	
	4520024		Tire - 14 x 17.5 Goodyear Hi-Miller	
	4520025		Tire - 14 x 17.5 Goodyear X-Tra Grip	
	4520009		Tire - 15 x 19.5 General Jumbo Cargo	

## SECTION 1 - FRAME

ITEM	PART NUMBER	QTY	DESCRIPTION	REV
	4520007		Tire - 15 x 19.5 General Jumbo All Grip	
	4520125		Tire - 15 x 19.5 Goodyear Sure Grip Loader	
		Ref	Tire Options (May 1995 to Present):	
	4520171		Tire - 14 x 17.5 Galaxy	
	4520142		Tire - 15 x 19.5 Denman E M Loader	
	4520200		Tire - 15 x 19.5 Galaxy Super Sidewall	
		Ref	Rim Options:	
	4860115		Rim, Wheel (14 x 17.5 Tires) (2WD Front With 2WS/4WD Front and Rear With 2WS)	
	4860119		Rim, Wheel (14 x 17.5 Tires) (2WD Rear for 0250102 & 0250217 Installations Only)	
	0236539		Rim, Wheel (14 x 17.5 Tires) (2WD Rear With 2WS for all except 0250102 & 0250217 Installations)	
	4860129		Rim, Wheel (14 x 17.5 Tires) (4WD Front and Rear With 4WS)	
	4860130		Rim, Wheel (15 x 19.5 Tires) (2WD Front With 4WS and 4WD Front and Rear With 4WS)	
	4860108		Rim, Wheel (15 x 19.5 Tires) (2WD Rear With 4WS) (Production)	
	4860148		Rim, Wheel (15 x 19.5 Tires) (2WD Rear With 4WS) (Post Production Alternative)	
	4860123		Rim, Wheel (15 x 19.5) (4WD Front and Rear With 2WS)	

# SECTION 1 - FRAME

FIGURE 1-4. DRIVE MOTOR ASSEMBLY - VICKERS (2WD/2WS)



## SECTION 1 - FRAME

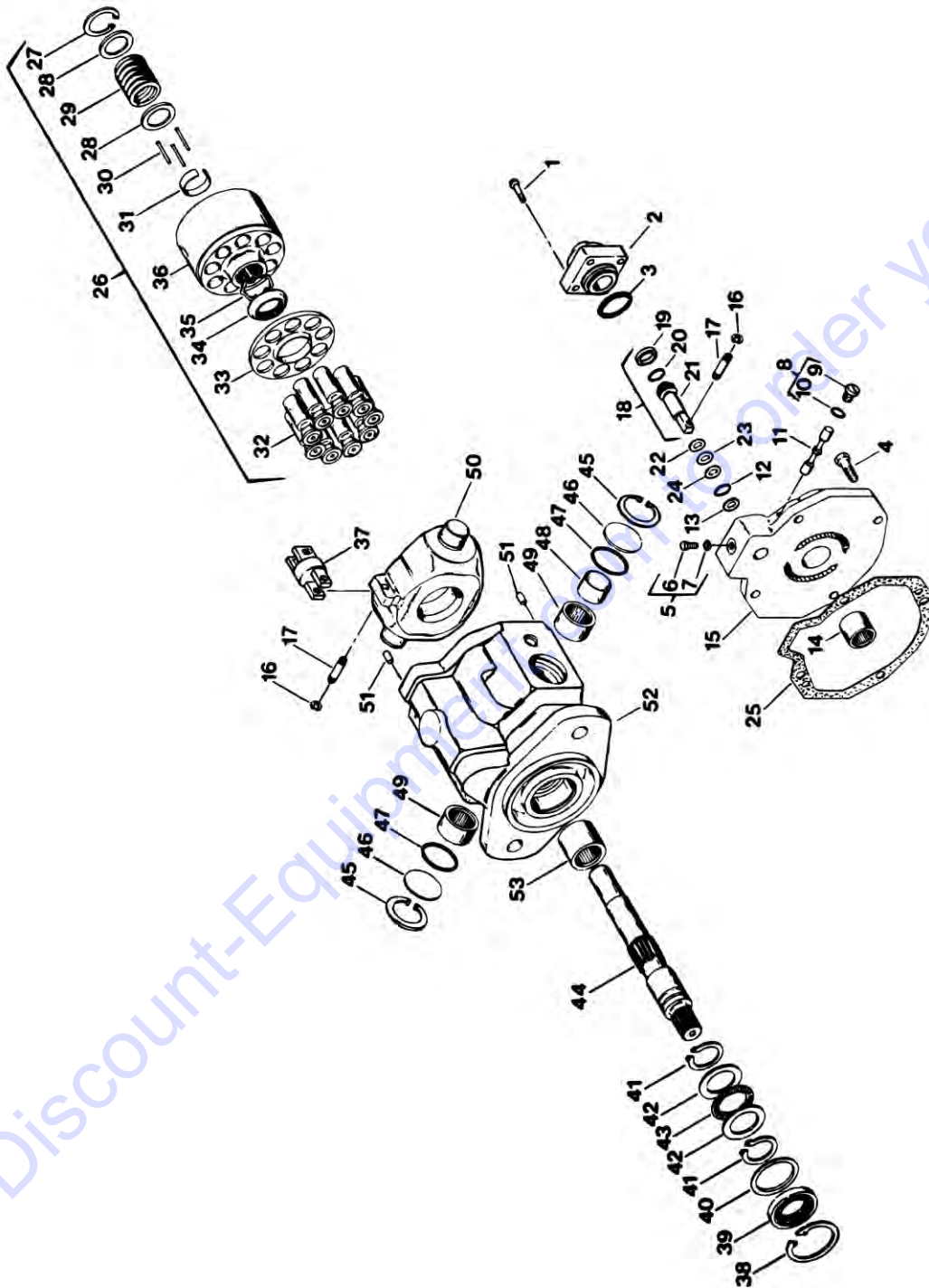
**FIGURE 1-4. DRIVE MOTOR ASSEMBLY - VICKERS (2WD/2WS)**

ITEM	PART NUMBER	QTY	DESCRIPTION	REV
	3160140	Ref	<b>DRIVE MOTOR ASSEMBLY - VICKERS (2WD/2WS)</b>	A
1	7006766	1	Yoke	
2	7006767	1	Roll Pin	
3	7006768	1	Spherical Seat	
4	7006772	1	Spring Seat	
5	7006774	1	Yoke Spring	
6	7006776	1	Yoke Stop	
7	Kit	1	Gasket	
8	7006786	1	Housing	
9	7006787	6	Washer	
10	7006788	6	Screw	
11	7006789	4	Screw	
12		Ref	Shim (Included in Kit 7006794)	
13	7006721	1	Retaining Ring	
14	7006796	1	Shaft Steel	
15	7006791	2	Bearing	
16	7006792	2	Pintle Bearing	
17	Kit	2	O-Ring	
18	7006794	1	Shim Kit	
19	7006795	2	Cover	
20	7996719	1	Bearing	
21	7006797	1	Piston	
22	7006798	1	Piston Rod	
23	7006703	1	Plug	
24	Kit	1	O-Ring	
25	7009300	4	Screw	
26	7009301	1	Control Block	
27	Kit	1	Gasket	
28	Kit	1	O-Ring	
29	Kit	1	Back-Up Ring	
30	7009305	1	Retaining Ring	
31	7009306	1	Valve Block	
32	7006706	1	Pin	
33	7009307	2	Pin	
34	7009308	1	Shaft	
35	7006717	9	Piston and Shoes	
36	7006716	1	Shoe Plate	
37	7006715	1	Spherical Washer	
38	7006714	1	Pin, Retainer	
39	7006713	3	Pin	
40	7006712	1	Cylinder, Block	
41	7006711	1	Spring Washer	
42	7006710	1	Spring	
43	7006709	1	Spring Washer	
44	7009309	1	Retaining Ring	
45	7006707	1	Bearing Spacer Kit	
46	7009310	1	Wafer Plate	
47	7006704	1	Bearing S/A	
	2900659	1	Seal Kit (Includes 7, 14, 17, 24, 27, 28 & 29)	



# SECTION 1 - FRAME

FIGURE 1-5. DRIVE MOTOR ASSEMBLY - CESSNA (4WD/2WS)



## SECTION 1 - FRAME

**FIGURE 1-5. DRIVE MOTOR ASSEMBLY - CESSNA (4WD/2WS)**

ITEM	PART NUMBER	QTY	DESCRIPTION	REV
	3160080	Ref	<b>DRIVE MOTOR ASSEMBLY - CESSNA (4WD/2WS)</b>	A
	7004939	1	Control Piston Housing Assembly	
1	7004938	4	Screw, Cap, Socket Head	
2		Ref	Housing, Control Piston (Not Sold Separately - Part of Item 26)	
3	Kit	1	O-Ring	
3	7004941	1	Backplate Assembly	
4	7004933	4	Screw, Cap, Hex Head	
5	7004942	1	Plug Assembly	
6	7004943	1	Plug	
7	Kit	1	O-Ring	
8	7004944	2	Plug Assembly (Shuttle Spool)	
9	7004945	1	Plug	
10	Kit	1	O-Ring	
11	7004946	1	Spool, Shuttle	
12	Kit	1	O-Ring	
13	7004918	1	Washer, Backup	
14	7004917	1	Bearing, Needle	
15	7004947	1	Backplate	
16	7004937	4	Ring, Retaining	
17	7004929	2	Pin, Connector	
18	7004948	1	Control Piston Assembly	
19	Kit	1	Ring, Slippery	
20	Kit	1	O-Ring	
21		Ref	Piston, Control (Not Sold Separately)	
22	4100028	AR	Spacer, Piston - .105	
23	4100027	AR	Spacer, Piston - .092	
24	4100029	AR	Spacer, Piston - .110	
25	Kit	1	Gasket, Housing	
26	7004916	1	Rotating Kit Assembly	
27	7004936	1	Ring, Retaining	
28	7004950	2	Washer, Machined	
29	7004951	1	Spring, Compression	
30	7004952	3	Pin, Loading	
31	7004953	1	Keeper, Pin	
32	7004954	9	Piston, Assembly	
33	7004955	1	Spider	
34	7004956	1	Pivot	
35	7004957	1	Washer, Wave	
36	7004958	1	Block, Piston	
37	7004928	1	Connector, Camplate	
38	Kit	1	Ring, Retaining	
39	Kit	1	Seal, Shaft	
40	7004906	1	Washer	
41	Kit	2	Ring, Retaining	
42	7004907	2	Race, Thrust	
43	7004908	1	Bearing, Thrust	
44	7004912	1	Shaft, Drive	
45	Kit	2	Ring, Retaining	
46	7004913	2	Cover, Trunnion	
47	Kit	2	O-Ring	

## SECTION 1 - FRAME

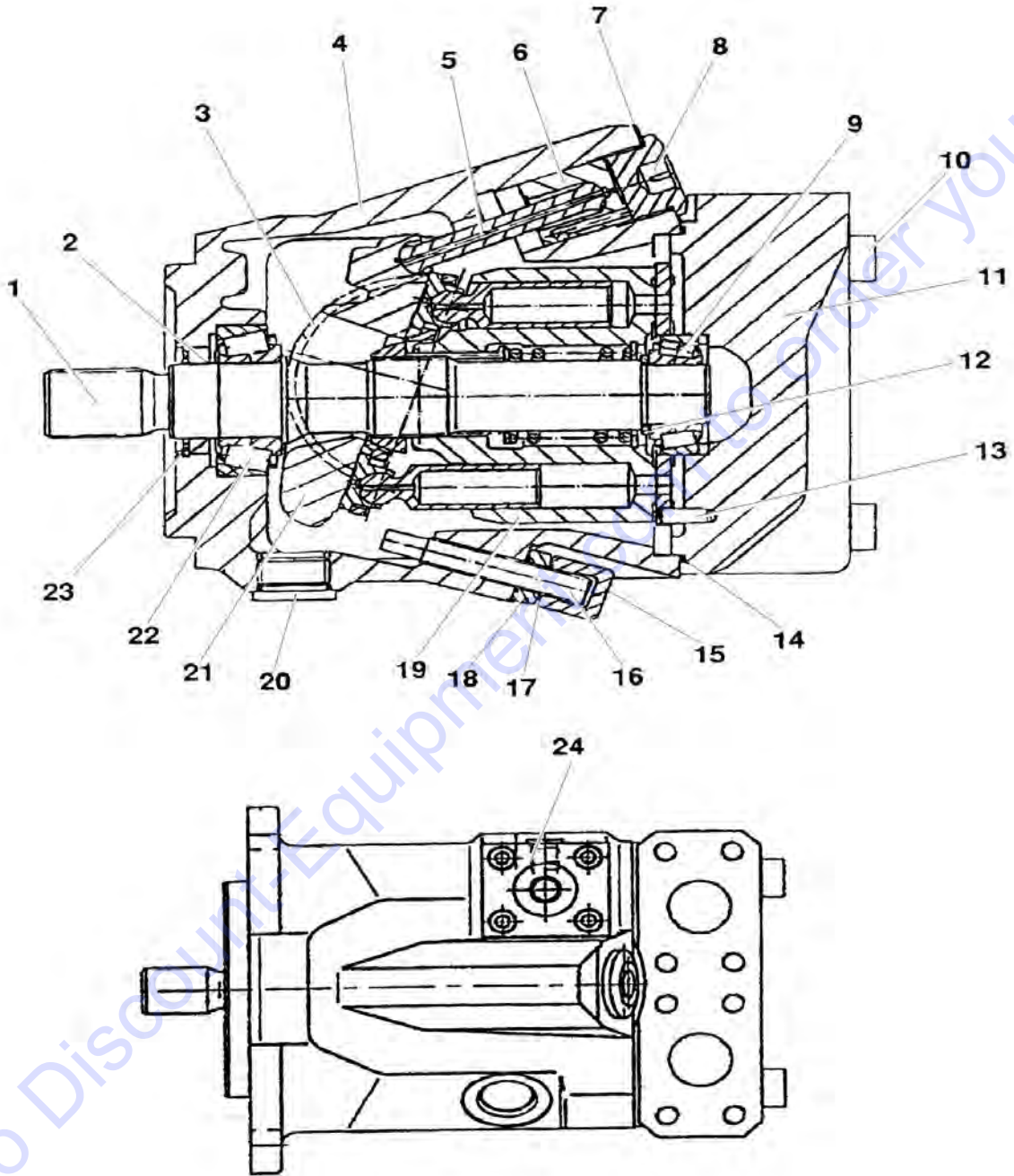
ITEM	PART NUMBER	QTY	DESCRIPTION	REV
48	7004911	1	Race, Inner	
49	7004914	2	Bearing	
50	7004927	1	Camplate	
50	7004959	1	Housing Assembly	
51	7004960	2	Pin, Roll (1/4in Dia X 1/2in Long)	
52	7004961	1	Housing	
53	7004910	1	Bearing	
	2900449	1	Seal Repair Kit (Includes Items 3, 7, 10, 12, 19, 20, 25, 38, 39, 41, 45 & 47)	

Go to Discount-Equipment.com to order your parts



# SECTION 1 - FRAME

FIGURE 1-6. DRIVE MOTOR ASSEMBLY - REXROTH (2WD/4WS AND 4WD/4WS)



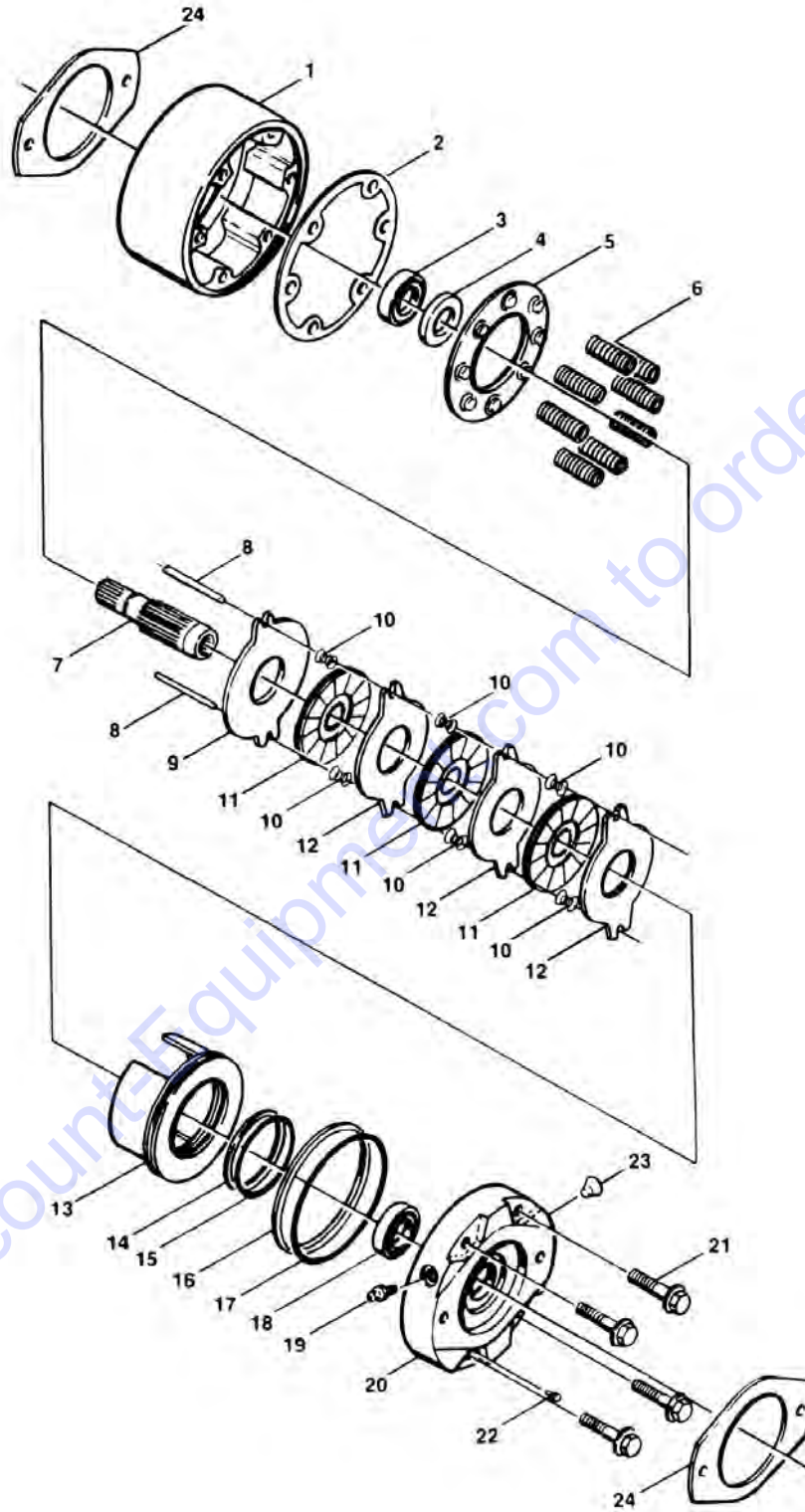
## SECTION 1 - FRAME

**FIGURE 1-6. DRIVE MOTOR ASSEMBLY - REXROTH (2WD/4WS AND 4WD/4WS)**

ITEM	PART NUMBER	QTY	DESCRIPTION	REV
	3160176	Ref	<b>DRIVE MOTOR ASSEMBLY - REXROTH (2WD/4WS AND 4WD/4WS)</b>	-
1	7012701	1	Shaft - 13 Teeth	
2	Kit	1	Seal, Shaft	
3	2012702	2	Bearing, Cradle	
4	Not Available	1	Housing	
5	7012703	1	Rod, Piston	
6	7012704	1	Piston, Stroking	
7	Kit	1	O-Ring	
8	7012705	1	Nut, Adaptor	
9	7012706	1	Bearing, Roller	
10	7012707	4	Bolt, Metric Socket Head M12 x 65	
11	7012708	1	Block, Port	
12	7012709	1	Shim	
13	7012710	1	Pin, Dowel M6 x 18	
14	Kit	1	O-Ring	
15	7012711	1	Nut, Cap M10 x 1	
16	7012712	1	Screw, Adjusting	
17	Kit	2	O-Ring	
18	7012713	1	Nut, Jam M10 x 1	
19	Kit	1	Rotary Group Assembly	
20	Not Available	1	Plug	
21	Kit	1	Plate, Swash	
22	7012714	1	Bearing, Roller	
23	7012715	1	V-Ring	
24	7012700	1	Control Plate Assembly	
	2900788	1	Seal Kit (Includes Items 2, 7, 14, 17 & O-Rings under Item 24)	
	7012716	1	Rotary Group Kit (Includes Items 19 & 21)	

# SECTION 1 - FRAME

## FIGURE 1-7. DRIVE BRAKE ASSEMBLY - AUSCO



## SECTION 1 - FRAME

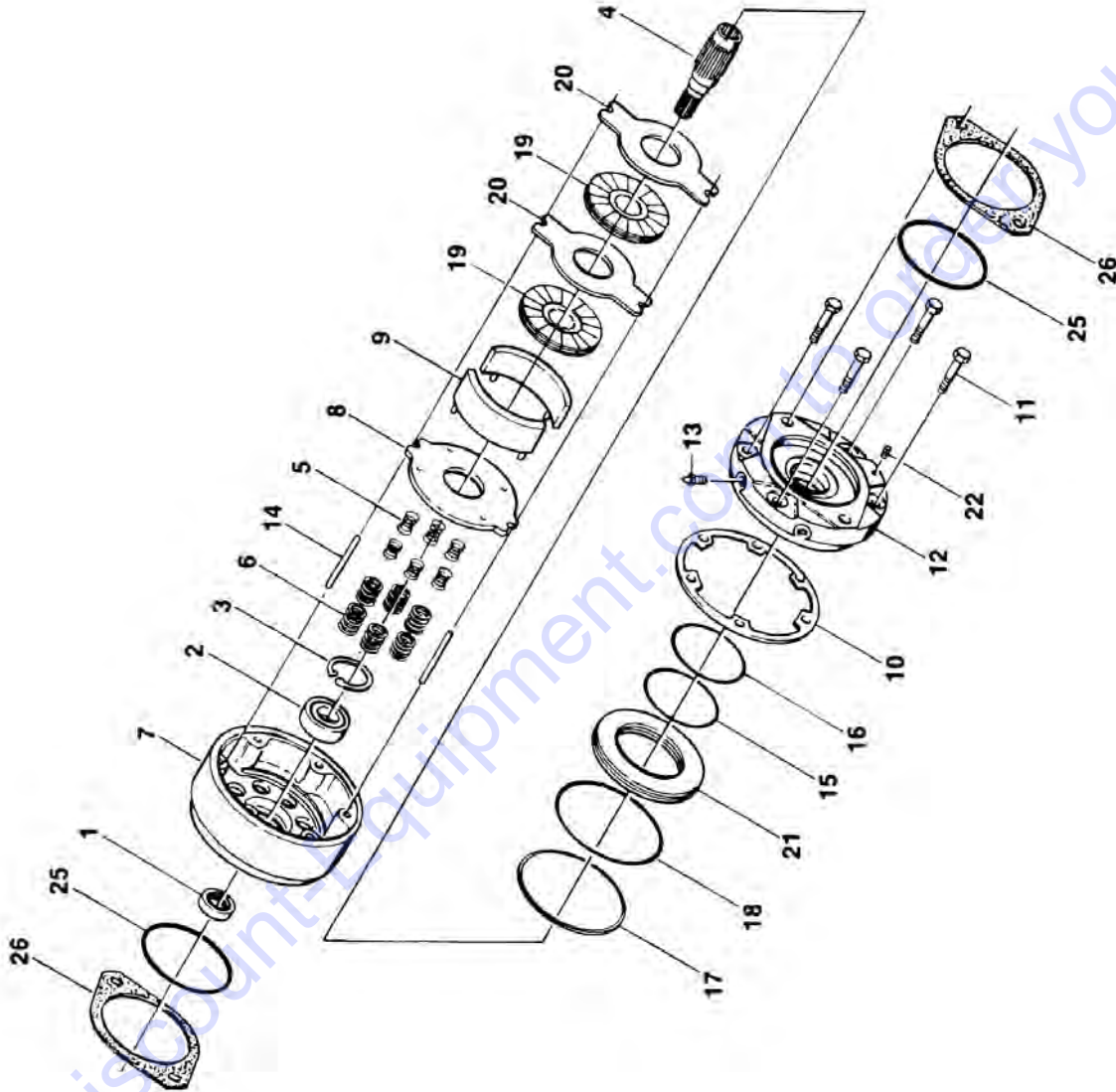
**FIGURE 1-7. DRIVE BRAKE ASSEMBLY - AUSCO**

ITEM	PART NUMBER	QTY	DESCRIPTION	REV
	0920072	Ref	<b>DRIVE BRAKE ASSEMBLY - AUSCO</b>	D
1	7003047	1	Housing	
2	Kit	1	Gasket	
3	7003049	1	Bearing	
4	Kit	1	Seal, Oil	
5	7003051	1	Retainer, Spring	
6	7003052	8	Spring, Compression	
7	7003070	1	Shaft, Splined	
8	7000717	2	Pin, Torque	
9	7003054	1	Disc, Primary	
10	7003006	6	Spring, Separator	
11	7003055	3	Disc, Rotating	
12	7003056	3	Disc, Stationary	
13	7003057	1	Piston	
14	Kit	1	Ring, Backup	
15	Kit	1	O-Ring	
16	Kit	1	Ring, Backup	
17	Kit	1	O-Ring	
18	7000760	1	Bearing	
19	7000796	1	Screw, Bleeder	
20	7003071	1	Plate, Power	
21	7003007	4	Screw	
22	7003059	1	Valve, Pressure	
23	7000728	1	Plug	
24	Kit	2	Gasket	
24	2900662	1	Seal Kit (Includes Items 2, 4, 14, 15, 16, 17 & 24)	



# SECTION 1 - FRAME

FIGURE 1-8. DRIVE BRAKE ASSEMBLY - MICO (PRIOR TO JULY 1991)



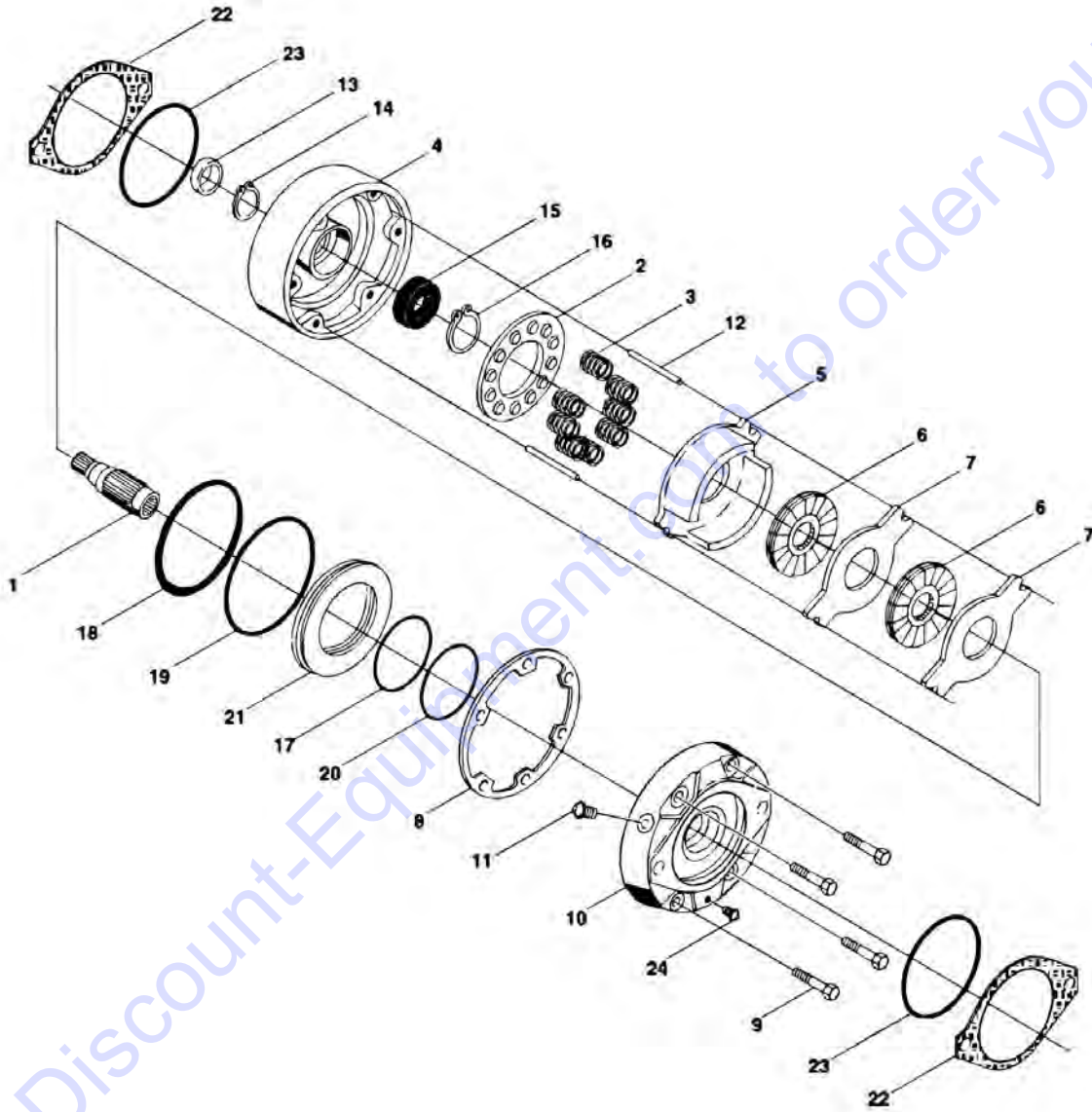
## SECTION 1 - FRAME

**FIGURE 1-8. DRIVE BRAKE ASSEMBLY - MICO (PRIOR TO JULY 1991)**

ITEM	PART NUMBER	QTY	DESCRIPTION	REV
	0920081	Ref	<b>DRIVE BRAKE ASSEMBLY - MICO (PRIOR TO JULY 1991)</b>	-
1	Kit	1	Seal, Oil	
2	Kit	1	Bearing	
3	7007977	1	Ring, Retaining	
4	7007978	1	Shaft	
5	7007979	6	Spring (Small)	
6	7007980	6	Spring (Large)	
7	7007981	1	Housing	
8	Kit	1	Plate, Return	
9	7007983	2	Separator	
10	Kit	1	Seal, Case	
11	7007985	4	Bolt, Washer Head	
12	7007986	1	Cover	
13	7007914	1	Screw, Bleeder	
14	7007987	2	Pin, Dowel	
15	Kit	1	Ring, Back-up (Inner)	
16	Kit	1	O-Ring (Inner)	
17	Kit	1	Ring, Back-up (Outer)	
18	Kit	1	O-Ring (Outer)	
19	Kit	2	Rotor	
20	Kit	2	Stator	
21	7007989	1	Piston	
22	7007924	1	Plug, Pipe	
25	Kit	2	O-Ring	
26	Kit	2	Gasket	
	2900767	1	Lining Kit (Includes Items 8, 10, 19, 20, 25 & 26)	
	2900766	1	Seal Kit (Includes Items 1, 10, 15, 16, 17, 18, 25 & 26)	
	2900768	1	Bearing Kit (Includes Items 1, 2, 10, 25 & 26)	

# SECTION 1 - FRAME

FIGURE 1-9. DRIVE BRAKE ASSEMBLY - MICO (JULY 1991 TO PRESENT)



## SECTION 1 - FRAME

**FIGURE 1-9. DRIVE BRAKE ASSEMBLY - MICO (JULY 1991 TO PRESENT)**

ITEM	PART NUMBER	QTY	DESCRIPTION	REV
		Ref	<b>DRIVE BRAKE ASSEMBLY OPTIONS:</b>	
	0920084	Ref	<b>Production</b>	A
	0920110	Ref	<b>Post Production Alternative</b>	C
1	7011712	1	Shaft	
2		Ref	Guide, Spring Options:	
2	7011717	1	0920084 Brake	
2	7018606	1	0920110 Brake	
3		Ref	Spring Options:	
3	7007979	6	0920084 Brake (Inner)	
3	7007980	6	0920084 Brake (Outer)	
3	7007970	6	0920110 Brake (Red)	
3	7018602	3	0920110 Brake (Blue)	
4		Ref	Housing Options:	
4	7011713	1	0920084 Brake	
4	7018605	1	0920110 Brake	
5		Ref	Return Plate and Separator Assembly Options:	
5	Kit	1	Return, Plate - 0920084 Brake	
5	7011715	2	Separator Assy - 0920084 Brake	
5	7011714	4	Pin	
5	7007983	2	Separator	
5	Kit	1	Return Plate and Separator - 0920110 Brake	
6	Kit	2	Rotor	
7	Kit	2	Stator	
8	Kit	1	Seal, Case	
9		Ref	Bolt, Washer Head Options:	
9	7007985	4	0920084 Brake	
9	7018607	4	0920110 Brake	
10	7007986	1	Cover	
11		Ref	Hardware Options:	
11	7000796	1	Screw, Bleeder	
11	7018609	1	Plug, Pipe	
12	7007987	2	Pin, Dowel	
13	Kit	1	Seal, Oil	
14	7011716	1	Ring, Retaining	
15	Kit	1	Bearing	
16	7007977	1	Ring, Retaining	
17	Kit	1	Ring, Back-up	
18	Kit	1	Ring, Back-up	
19	Kit	1	O-Ring	
20	Kit	1	O-Ring	
21		Ref	Piston Options:	
21	7007923	1	0920084 Brake	
21	7018603	1	0920110 Brake	
22	7007933	2	Gasket	
23	Kit	2	O-Ring	
24	7007924	1	Plug, Pipe	
	2900766	1	Seal Kit (Includes Items 8, 13, 17, 18, 19, 20, 22 & 23)	
	2900768	1	Seal Kit (Includes Items 8, 13, 15, 22 & 23)	
		Ref	Lining Kit Options: (Includes Items 5, 6, 7, 8, 22 & 23)	
	2900767	1	0920084 Brake	

## SECTION 1 - FRAME

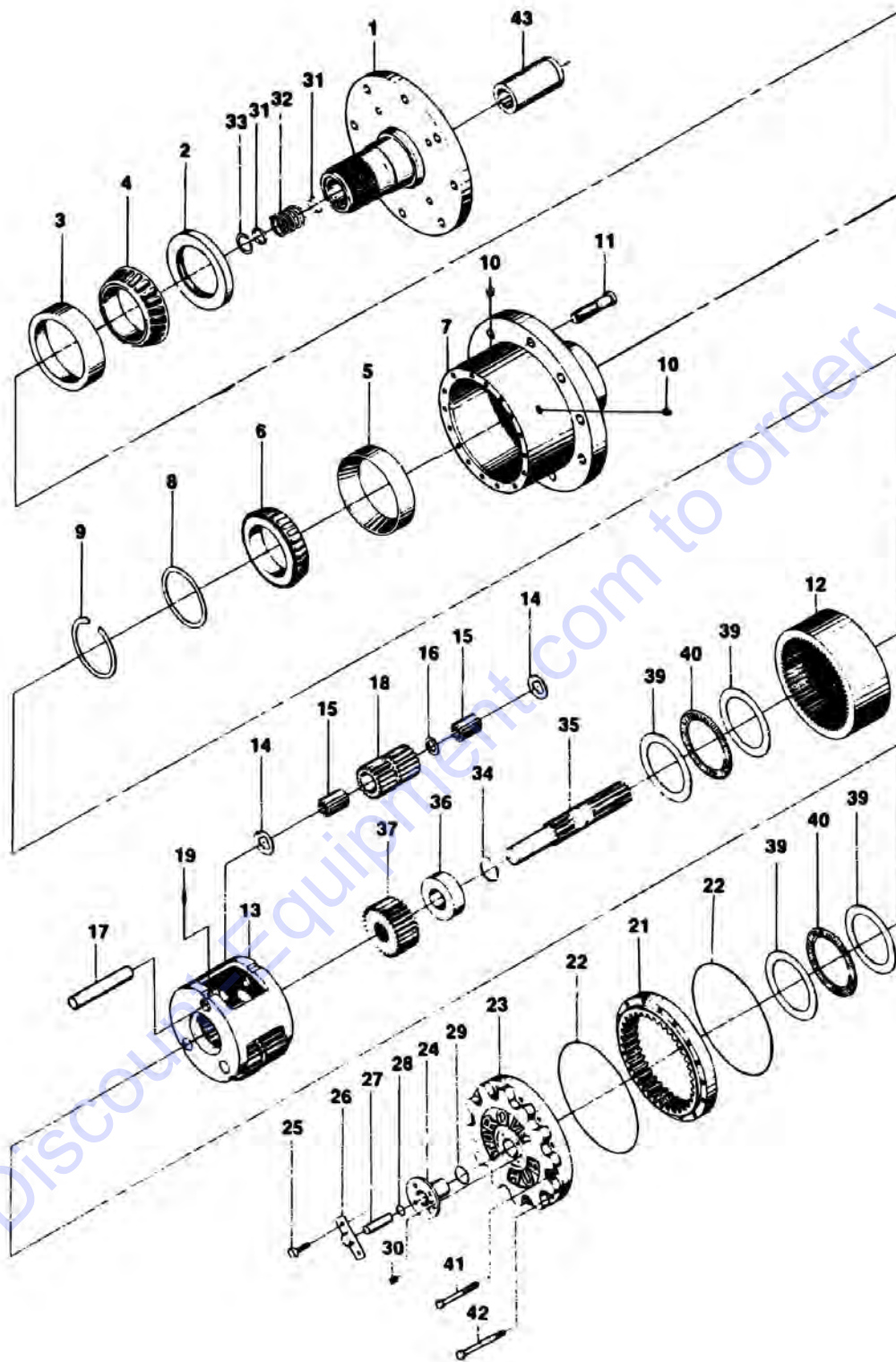
ITEM	PART NUMBER	QTY	DESCRIPTION	REV
	7018608	1	0920110 Brake	

Go to Discount-Equipment.com to order your parts



# SECTION 1 - FRAME

## FIGURE 1-10. DRIVE HUB ASSEMBLY (2WD)



## SECTION 1 - FRAME

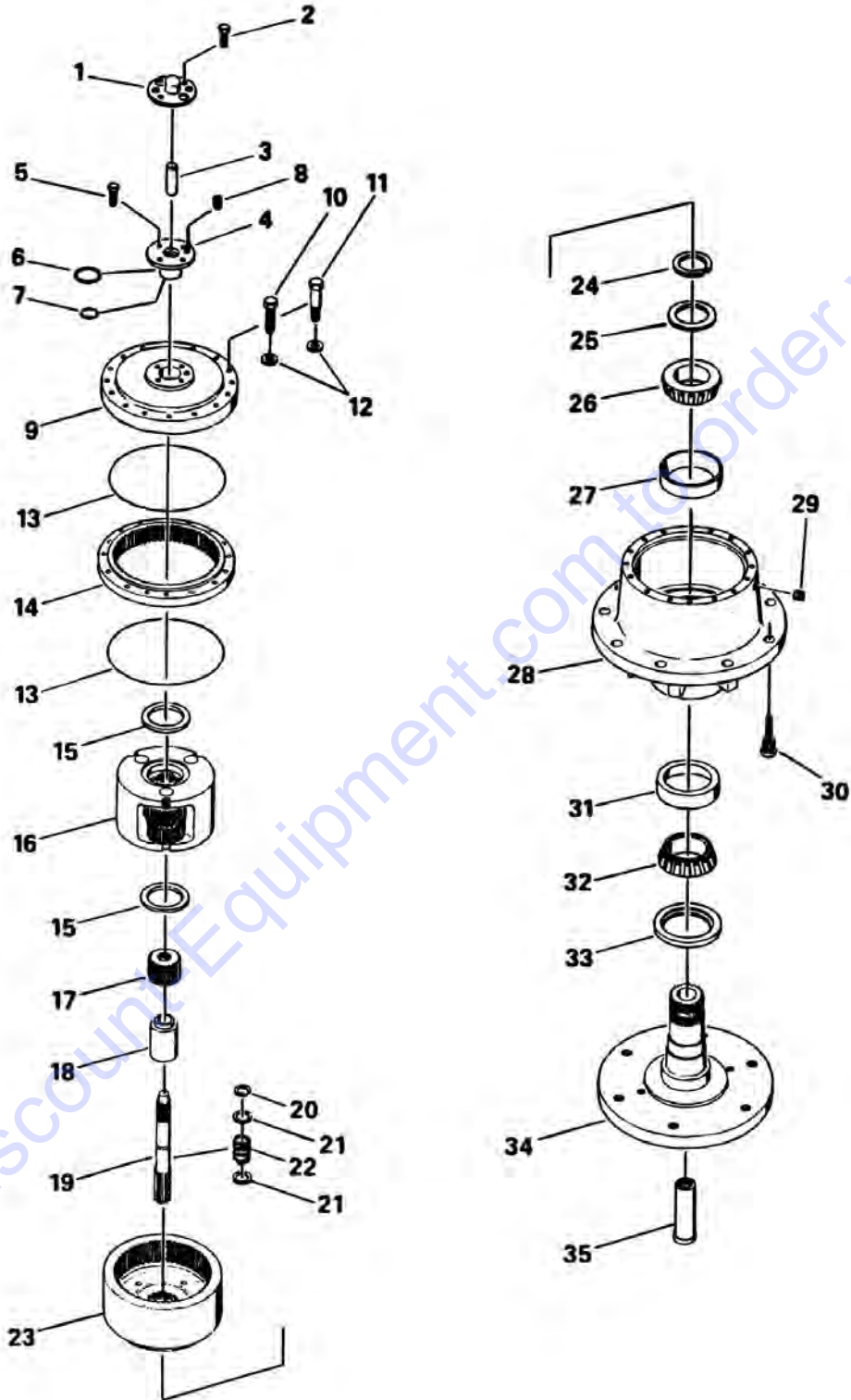
**FIGURE 1-10. DRIVE HUB ASSEMBLY (2WD)**

ITEM	PART NUMBER	QTY	DESCRIPTION	REV
	2780114	Ref	<b>DRIVE HUB ASSEMBLY (2WD)</b>	A
		Ref	Hub and Spindle Assembly	
1	7001937	1	Spindle, Cast	
2	Kit	1	Seal	
3	7000272	1	Cup, Bearing	
4	7000273	1	Cone, Bearing	
5	7000274	1	Cup, Bearing	
6	7000275	1	Cone, Bearing	
7	7000276	1	Hub	
8	Kit	1	Spacer	
9	Kit	1	Ring, Retaining	
10	7001928	2	Plug	
11	7000265	10	Bolt, Wheel	
12	7001917	1	Gear, Internal	
	7001918	1	Carrier Assembly	
13	7001900	1	Carrier	
14	7007645	6	Washer, Thrust	
15	7001902	84	Roller, Needle	
16	7001903	3	Spacer	
17	7001904	3	Shaft, Pinion	
18	7001927	3	Gear, Cluster	
19	7001906	3	Pin, Roll	
21	7000279	1	Gear, Ring	
22	Kit	2	O-Ring	
22	7000280	1	Cover Assembly	
23	7000218	1	Cover	
24	7000219	1	Cap, Cover	
25	7000220	4	Bolt	
26	Kit	1	Cap, Disconnect	
27	Kit	1	Rod, Disconnect	
28	Kit	1	O-Ring	
29	Kit	1	O-Ring	
30	7000243	1	Plug, Pipe	
31	7000282	2	Washer	
32	7000283	1	Spring	
33	7000284	1	Ring, Retaining	
34	7000285	1	Ring, Retaining	
35	7000222	1	Shaft, Input	
36	7000286	1	Spacer, Thrust	
37	7000221	1	Gear, Input	
39	7000287	4	Washer, Thrust	
40	7000288	2	Bearing, Thrust	
41	7000289	8	Bolt	
42	7000225	4	Bolt, Shoulder	
43	7000290	1	Coupling	
	2900202	1	Seal Kit (Includes Items 2, 8, 9 & 22)	
	2900138	1	Cover Repair Kit (Includes Items 2, 8, 9, 22, 26, 27, 28, 29 and New Style Cover)	



# SECTION 1 - FRAME

FIGURE 1-11. DRIVE HUB ASSEMBLY (4WD REAR WITH 2WS AND 4WD FRONT AND REAR WITH 4WS)



## SECTION 1 - FRAME

**FIGURE 1-11. DRIVE HUB ASSEMBLY (4WD REAR WITH 2WS AND 4WD FRONT AND REAR WITH 4WS)**

ITEM	PART NUMBER	QTY	DESCRIPTION	REV
	2780170	Ref	<b>DRIVE HUB ASSEMBLY (4WD REAR WITH 2WS AND 4WD FRONT AND REAR WITH 4WS)</b>	-
	70001111	1	Cover Assembly (was p/n 7001989)	
1	70001111	1	Cap, Disconnect (was p/n 7000211)	
2	7000220	2	Bolt, Hex Head	
3	70001111	1	Rod, Disconnect (was p/n 7000212)	
4	70001111	1	Cap, Cover (was p/n 7000227)	
5	7000220	2	Bolt, Hex Head	
6	7000215	1	O-Ring	
7	7000213	1	O-Ring	
8	7000243	1	Plug, Pipe	
9	70001111	1	Cover (was p/n 7000226)	
10	7000217	12	Bolt, Hex Head	
11	7000214	4	Bolt, Hex Head - Shoulder	
12	4751500	16	Flatwasher	
13	7000230	2	O-Ring	
14	7001988	1	Gear, Ring	
15	7000253	2	Washer, Thrust	
16	7001984	1	Planet Carrier Assembly	
16	7001931	1	Carrier	
16	7001985	6	Washer, Thrust	
16	7001909	96	Bearing, Needle Roller	
16	7000263	3	Spacer	
16	7001911	3	Shaft, Planet	
16	7001987	3	Gear, Cluster	
16	7001913	3	Rollpin	
17	7001990	1	Gear, Input	
18	7000252	1	Spacer, Sun Gear	
	7000250	1	Input Shaft Assembly	
19	7000260	1	Shaft, Input	
20	7000261	1	Ring, Retaining	
21	7000263	2	Spacer	
22	7000262	1	Spring	
23	7000246	1	Gear, Stationary Internal	
		Ref	Hub Assembly	
24	7000229	1	Ring, Retaining	
25	7000232	1	Spacer	
26	7000257	1	Bearing, Tapered Roller	
27	7000258	1	Cone, Bearing	
28	7007601	1	Hub	
29	7000242	1	Plug, Pipe	
30	7007697	9	Stud, Wheel	
31	Kit	1	Cone, Bearing	
32	Kit	1	Bearing, Tapered Roller	
33	7001998	1	Seal	
34	7001997	1	Spindle	
35	7000206	1	Coupling, Input	
	7010429	1	Bearing Kit (Includes Items 31 & 32)	

# SECTION 1 - FRAME

## FIGURE 1-12. DRIVE HUB/BRAKE ASSEMBLY

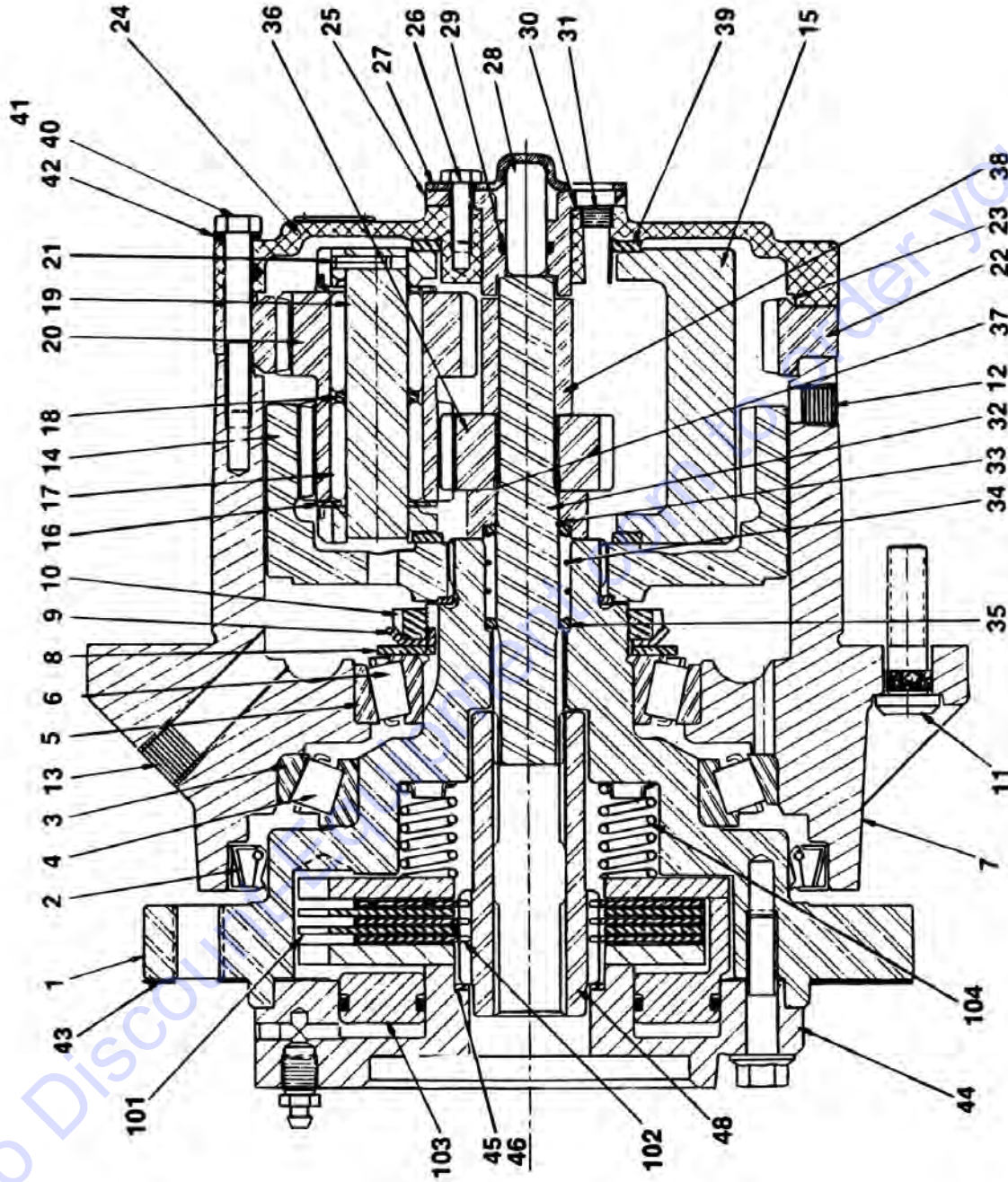


FIGURE 1-12. DRIVE HUB/BRAKE ASSEMBLY

ITEM	PART NUMBER	QTY	DESCRIPTION	REV
	2780151	Ref	<b>DRIVE HUB/BRAKE ASSEMBLY (4WD/2WS FRONT ONLY BUILT PRIOR TO FEBRUARY 1992)</b>	A
	2780192	Ref	<b>DRIVE HUB/BRAKE ASSEMBLY (4WD/2WS FRONT ONLY BUILT FEBRUARY 1992 TO PRESENT)</b>	-
1	Not Available	Ref NLA	Hub/Spindle Assembly Spindle (No Longer Available Due to Changes in Spindle Machining to Accommodate New Brake - Must Purchase Spindle/Brake Assembly)	
2	Kit	1	Seal	
3	7007683	1	Cup, Bearing	
4	7007684	1	Cone, Bearing	
5	7007685	1	Cup, Bearing	
6	7007686	1	Cone, Bearing	
7	7007687	1	Hub	
8	7007688	1	Washer, Tongued	
9	7007689	1	Lockwasher	
10	7007690	1	Locknut	
11	7000241	9	Stud	
12	7000242	2	Plug, Pipe	
13	7007617	2	Plug, Magnetic	
14	7007691	1	Gear, Internal	
	7001984	1	Carrier Assembly	
15	7001931	1	Carrier	
16	7001985	6	Washer, Thrust	
17	7001909	96	Roller, Needle	
18	7000263	3	Spacer	
19	7001911	3	Shaft, Planet	
20	7001987	3	Gear, Cluster	
21	7001913	3	Pin, Roll (2780151 Hub)	
21	7010474	3	Pin, Roll (2780192 Hub)	
22	7001988	1	Gear, Ring	
23	Kit	2	O-Ring	
	70001111	1	Cover Assembly (was p/n 7001989)	
24	70001111	1	Cover (was p/n 7000226)	
25	70001111	1	Cap, Cover (was p/n 7000227)	
26	7000220	4	Bolt	
27	70001111	1	Cap, Disconnect (was p/n 7000211)	
28	70001111	1	Rod, Disconnect (was p/n 7000212)	
29	Kit	1	O-Ring	
30	Kit	1	O-Ring	
31	7000243	1	Plug, Pipe	
	7000250	1	Input Shaft Assembly	
32	7000260	1	Shaft, Input	
33	7000261	1	Ring, Retaining	
34	7000262	1	Spring	
35	7000263	2	Spacer	
36	7001990	1	Gear, Input	
37	7000252	1	Spacer, Thrust (2780151 Hub)	
37	7007653	1	Spacer, Thrust (2780192 Hub)	
39	7000253	2	Washer, Thrust	

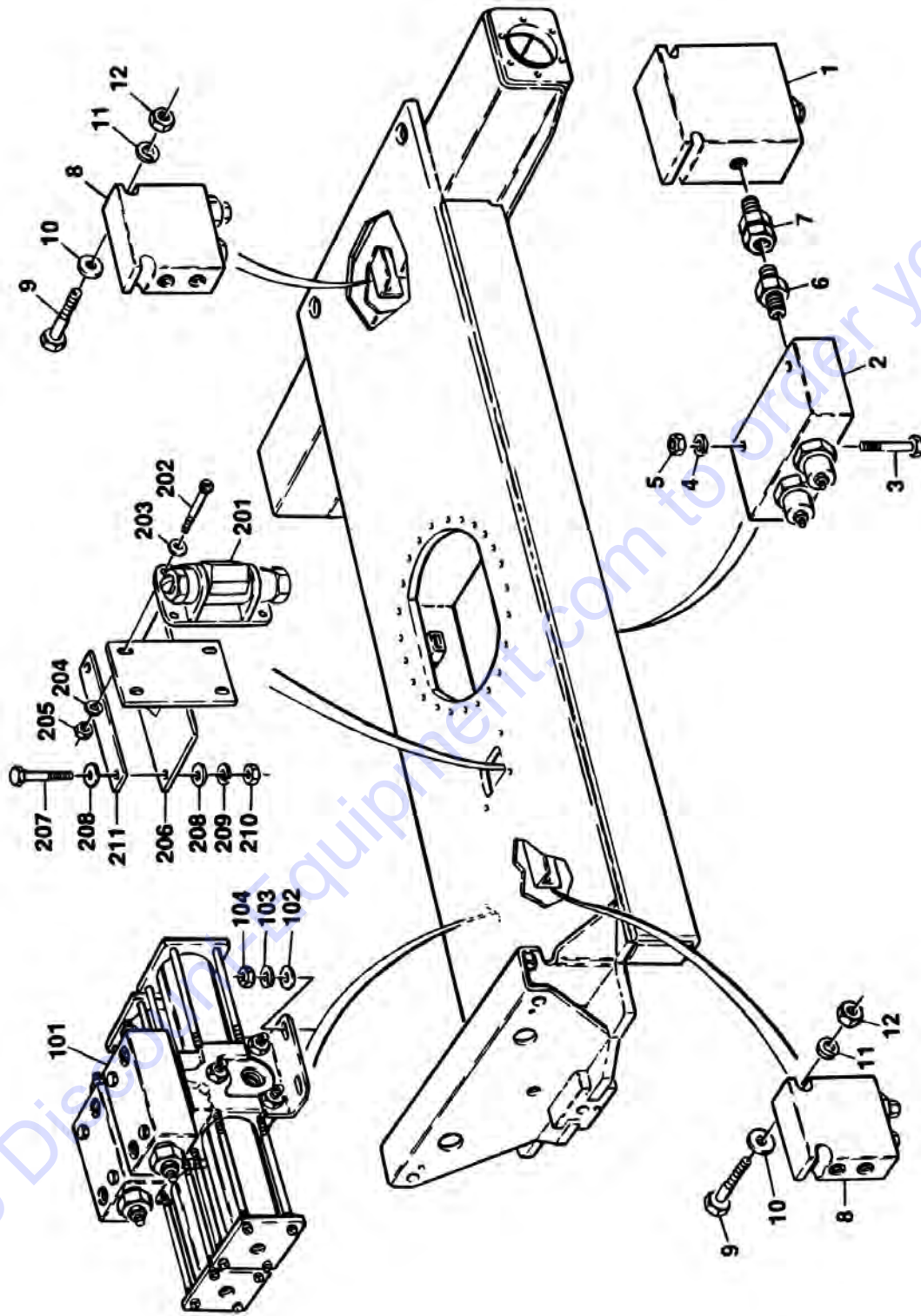
## SECTION 1 - FRAME

ITEM	PART NUMBER	QTY	DESCRIPTION	REV
40	7000217	12	Bolt	
41	7000214	4	Bolt, Shoulder	
42	7007603	16	Flatwasher	
43	7007692	1	Gasket	
44	7010453	1	Brake Assembly (2780151 Hub Model W1BJ4Y349)	
44	7010452	1	Brake Assembly (2780151 Hub Model W1BJ4U349)	
44	7010473	1	Brake Assembly (2780192 Hub)	
45	7001922	1	Washer, Thrust	
46	7010459	1	Ring, Retaining	
48	7010455	1	Coupling (2780151 Hub)	
48	7010470	1	Coupling (2780192 Hub)	
	2900754	1	Seal Kit - Hub (Includes Items 2, 23, 29, 30, 43)	
	7010453	Ref	<b>BRAKE ASSEMBLY (2780151 HUB MODEL W1BJ4Y349)</b>	
	7010452	Ref	<b>BRAKE ASSEMBLY (2780151 HUB MODEL W1BJ4U349)</b>	
101	7003087	2	Disc, Stationary	
102	7003089	3	Disc, Rotating	
103	7003088	1	Piston	
104	Not Serviced	10	Spring	
	2900755	1	Seal Kit - Brake (Includes Piston Rings and Gaskets)	
	7010473	Ref	<b>BRAKE ASSEMBLY (2780192 HUB)</b>	
101	Kit	7	Disc, Stationary	
102	Kit	6	Disc, Rotating	
103	Kit	1	Piston	
104	Kit	8	Spring	
	7010475	1	Brake Lining Repair Kit (Includes Items 101, 102 & 5 O-Rings)	
	7010476	1	Brake O-Ring Kit (Includes all 5 O-Rings)	
	7010477	1	Brake Spring Kit (Includes Item 104 and Cover O-Ring)	
	7010478	1	Piston Repair Kit (Includes Item 103 and All 5 O-Rings)	



# SECTION 1 - FRAME

FIGURE 1-13. VALVES INSTALLATION (FRAME MOUNTED)



## SECTION 1 - FRAME

### FIGURE 1-13. VALVES INSTALLATION (FRAME MOUNTED)

ITEM	PART NUMBER	QTY	DESCRIPTION	REV
		Ref	<b>VALVES INSTALLATION (FRAME MOUNTED)</b>	
	0239523	Ref	<b>COUNTERBALANCE AND FLOW DIVIDER INSTALLATION - 2WD</b>	-
	0251000	Ref	<b>COUNTERBALANCE AND FLOW DIVIDER INSTALLATION - 4WD</b>	C
1	4640260	1	Valve, Flow Divider	
1		Ref	Cartridge (Vickers/Modular Controls Version)	
1	7009739	1	Seal Kit (Vickers/Modular Controls Version)	
1	7007321	1	Cartridge (Fluid Controls Version)	
1	7007323	1	Seal Kit (Fluid Controls Version)	
2	4640451	1	Valve, Counterbalance (2WD)	
2	7010630	2	Cartridge	
2	7011317	2	Seal Kit	
2	4640682	1	Valve, Counterbalance (4WD)	
2	7011316	2	Cartridge	
2	7011317	2	Seal Kit	
3	0641626	2	Bolt 3/8in-16NC x 3 1/4in	
4	4761600	2	Lockwasher 3/8in	
5	3311601	2	Nut 3/8in-16NC	
6	2220061	1	Fitting, Adapter (2WD)	
6	2220844	1	Fitting, Adapter (4WD)	
7	2220377	1	Fitting	
8	4640671	2	Valve, Flow Divider (4WD Only)	
8	7010510	1	Cartridge (Vickers/Modular Controls Version)	
8	7009739	1	Seal Kit (Vickers/Modular Controls Version)	
8	70003445	1	Cartridge (Fluid Controls Version) (was p/n 7007322)	
8	See Note	1	Seal Kit (Fluid Controls Version) (was p/n 7007373) (Note: No Longer Available)	
9	0641522	2	Bolt 5/16in-18NC x 2 3/4in	
10	4751500	2	Flatwasher 5/16in	
11	4761500	2	Lockwasher 5/16in	
12	3311501	2	Nut 5/16in-18NC	
	0251546	Ref	<b>CONTROL VALVE INSTALLATION (4WS WITHOUT ROTATE)</b>	D
	0251547	Ref	<b>CONTROL VALVE INSTALLATION (4WS WITH ROTATE)</b>	D
101	4640684	1	Control Valve Assembly - Bang-Bang 2 Section (See CONTROL VALVE ASSEMBLY - 2 SECTION BANG-BANG for Breakdown)	
102	3311501	4	Nut 5/16in-18NC	
103	4761500	4	Lockwasher 5/16in	
104	4751500	4	Flatwasher 5/16in	
104	4300038	4	Stud (Welded on Part)	
	0251310	Ref	<b>OSCILLATION LOCKOUT VALVE INSTALLATION (MACHINES WITH OSCILLATING AXLE BUILT OCTOBER 1992 TO PRESENT)</b>	D
201	4640668	1	Valve, Lockout	
201	7012516	1	Repair Kit	
202	3931016	4	Bolt, Socket Head #10-24NC x 1in	
203	4751000	4	Flatwasher #10	
204	4761000	4	Lockwasher #10-24NC	
205	3311001	4	Nut #10-24NC	
206	4843742	1	Plate, Mounting	
207	0641620	2	Bolt 3/8in-16NC x 2 1/2in	



## SECTION 1 - FRAME

ITEM	PART NUMBER	QTY	DESCRIPTION	REV
208	4751600	2	Flatwasher 3/8in	
209	4761600	2	Lockwasher 3/8in	
210	3311601	2	Nut 3/8in-16NC	
211	3534778	1	Spacer	

Go to Discount-Equipment.com to order your parts



# PARTS FINDER

**Search Website  
by Part Number**



**Search Manual  
Library For Parts  
Manual & Lookup Part  
Numbers – Purchase  
or Request Quote**

**Can't Find Part or  
Manual? Request Help  
by Manufacturer,  
Model & Description**

Discount-Equipment.com is your online resource for quality parts & equipment.

Florida: **561-964-4949** Outside Florida TOLL FREE: **877-690-3101**

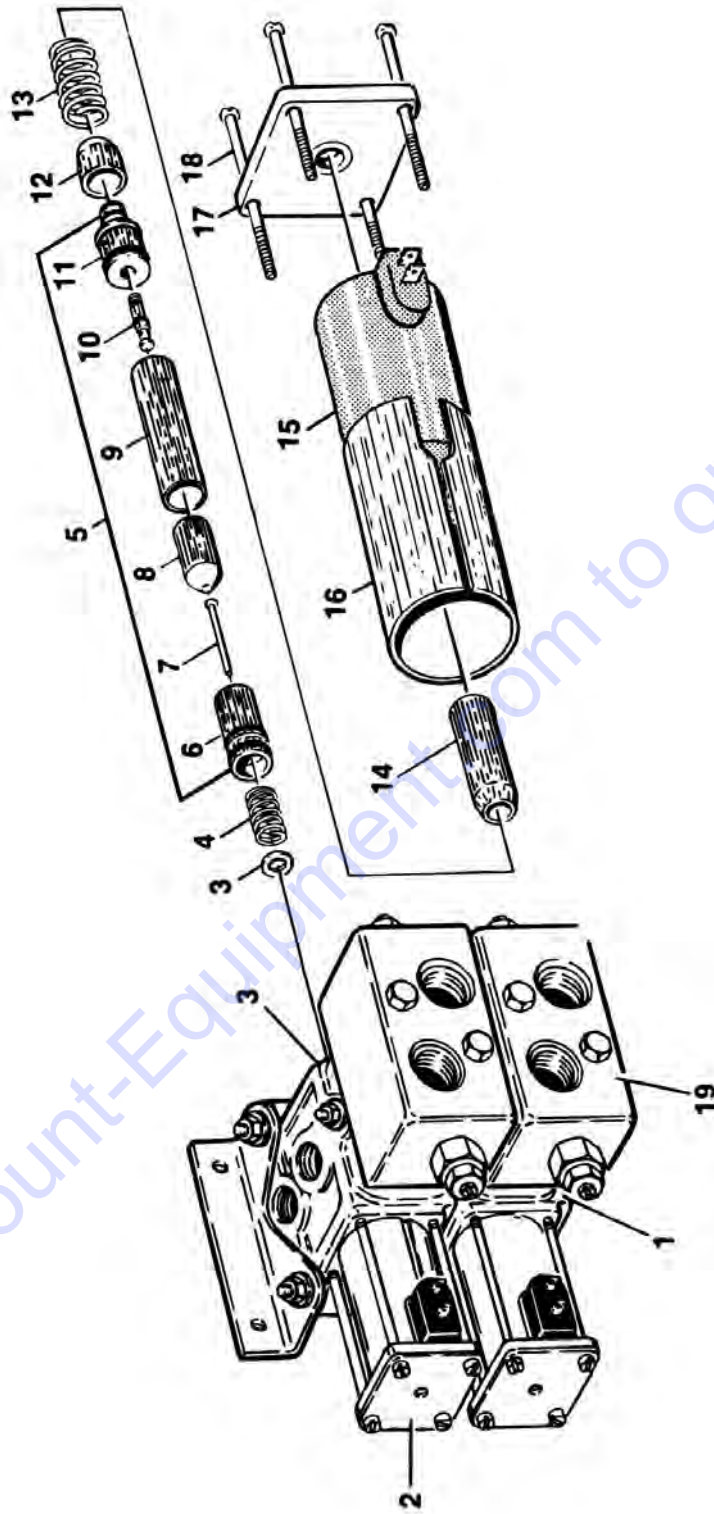
**Need parts?**

Click on this link: <http://www.discount-equipment.com/category/5443-parts/> and choose one of the options to help get the right parts and equipment you are looking for. Please have the machine model and serial number available in order to help us get you the correct parts. If you don't find the part on the website or on one of the online manuals, please fill out the request form and one of our experienced staff members will get back to you with a quote for the right part that your machine needs.

We sell worldwide for the brands: Genie, Terex, JLG, MultiQuip, Mikasa, Essick, Whiteman, Mayco, Toro Stone, Diamond Products, Generac Magnum, Airman, Haulotte, Barreto, Power Blanket, Nifty Lift, Atlas Copco, Chicago Pneumatic, Allmand, Miller Curber, Skyjack, Lull, Skytrak, Tsurumi, Husquvarna Target, Stow, Wacker, Sakai, Mi-T-M, Sullair, Basic, Dynapac, MBW, Weber, Bartell, Bennar Newman, Haulotte, Ditch Runner, Menegotti, Morrison, Contec, Buddy, Crown, Edco, Wyco, Bomag, Laymor, EZ Trench, Bil-Jax, F.S. Curtis, Gehl Pavers, Heli, Honda, ICS/PowerGrit, IHI, Partner, Imer, Clipper, MMD, Koshin, Rice, CH&E, General Equipment, Amida, Coleman, NAC, Gradall, Square Shooter, Kent, Stanley, Tamco, Toku, Hatz, Kohler, Robin, Wisconsin, Northrock, Oztec, Toker TK, Rol-Air, APT, Wylie, Ingersoll Rand / Doosan, Innovatech, Con X, Ammann, Mecalac, Makinex, Smith Surface Prep, Small Line, Wanco, Yanmar

# SECTION 1 - FRAME

FIGURE 1-14. CONTROL VALVE ASSEMBLY - 2 SECTION BANG-BANG



## SECTION 1 - FRAME

**FIGURE 1-14. CONTROL VALVE ASSEMBLY - 2 SECTION BANG-BANG**

ITEM	PART NUMBER	QTY	DESCRIPTION	REV
	4640684	Ref	<b>CONTROL VALVE ASSEMBLY - 2 SECTION BANG-BANG</b>	-
1	7002315	2	Steer Section - Complete (Front and Rear)	
2	7004859	2	Solenoid Assembly	
3	7002274	1	Washer	
4	7002348	1	Spring	
5	7002305	1	Guide Tube Assembly	
6	7002345	1	Cone, Female	
6	Kit	1	O-Ring	
6	Kit	1	O-Ring	
7	7002346	1	Pin, Push	
8	7002344	1	Plunger	
9	7000470	1	Tube, Guide	
10	7002341	1	Pin, Actuator	
10	Kit	1	Ring, Quad	
11	7002340	1	Guide, External Push Pin	
11	Kit	1	O-Ring	
12	7002333	1	Sleeve, Inner Flux	
13	7002334	1	Spring	
14	7002336	1	Sleeve, Outer Flux	
15	7000418	1	Coil	
16	7002335	1	Case, Solenoid	
17	7002338	1	Plate, End	
17	7002327	1	Nameplate	
18	7002339	4	Screw	
19	7000468	1	Crossover Relief Valve Assembly (Due to various suppliers, internal components are no longer field serviceable)	
	7000414	2	Seal Kit - Working Section	

# SECTION 1 - FRAME

## FIGURE 1-15. TOW INSTALLATION

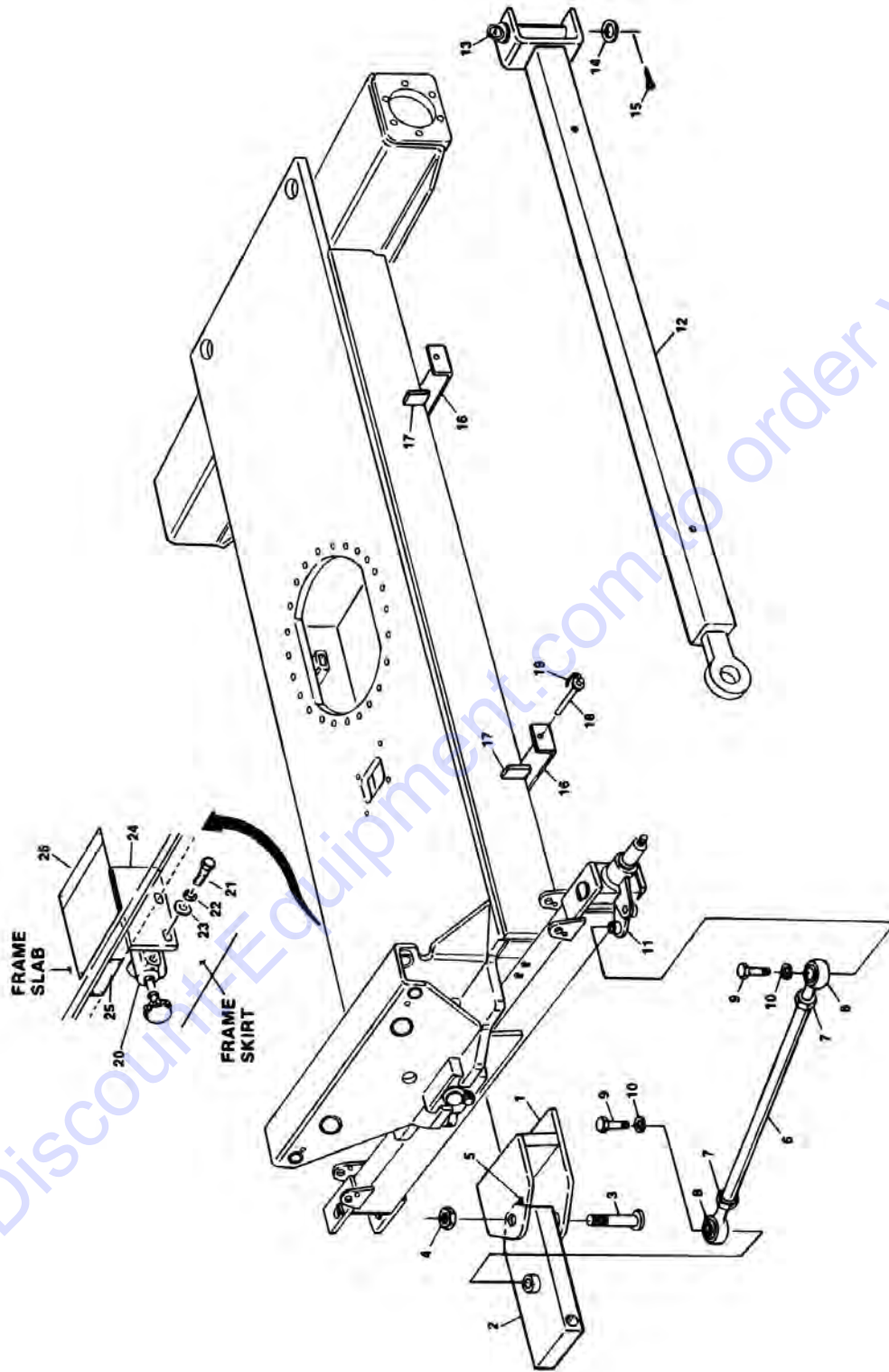


FIGURE 1-15. TOW INSTALLATION

ITEM	PART NUMBER	QTY	DESCRIPTION	REV
	0239990	Ref	<b>TOW INSTALLATION (2WD/2WS)</b>	D
	0250673	Ref	<b>TOW INSTALLATION (4WD/2WS)</b>	D
	0254389	Ref	<b>TOW INSTALLATION (2WD/4WS)</b>	A
1	4843481	1	Mount Weldment - Hitch (Welded on Part) (2WD)	
1	4843566	1	Mount Weldment - Hitch (Welded on Part) (4WD)	
1	2551279	2	Gusset (4WD Only)	
1	0361852	2	Bar, Support (4WD Only)	
2	2620032	1	Hitch, Tow	
3	3421151	1	Pin	
4	3323002	1	Nut, Jam 1 1/4in-12NF	
4	2880410	1	Keystock 1/4in Sq X 1 1/4in (Welded on Part)	
5	2160001	1	Fitting, Grease	
6	3840643	1	Tie-Rod (2WD)	
6	3841048	1	Tie-Rod (4WD)	
7	3323002	2	Nut, Jam 1 1/4in-12NF	
8	1660114	2	End, Toe-Rod	
9	0642628	1	Bolt 1in-8NC x 3 1/2in	
10	4762600	1	Lockwasher 1in	
11	3040293	1	Lug, Spindle (Welded on Part) (2WD)	
11	3040382	1	Lug, Spindle (Welded on Part) (4WD)	
12	0253413	1	Tow Bar Assembly	
13	3420477	1	Pin, Towing	
14	4740036	1	Flatwasher, Special	
15	3420372	1	Hairpin	
16	3533498	2	Bracket, Storage	
17	3507049	2	Bar	
18	3420292	2	Pin, Quick Release	
19	1260017	2	Chain	
20	4640261	1	Valve, Select	
21	0641507	2	Bolt 5/16in-18NC x 3/4in	
22	4761500	2	Lockwasher 5/16in	
23	4751500	2	Flatwasher 5/16in	
24	0900479	1	Bracket, Mounting - Valve	
25	3250872	1	Nameplate - Tow Select	
25	3820001	4	Rivet	
26	3250840	1	Nameplate - Tow Instructions (Prior to May 1994)	
26	1702305	1	Nameplate - Tow Instructions (May 1994 to Present)	
26	3820001	4	Rivet	



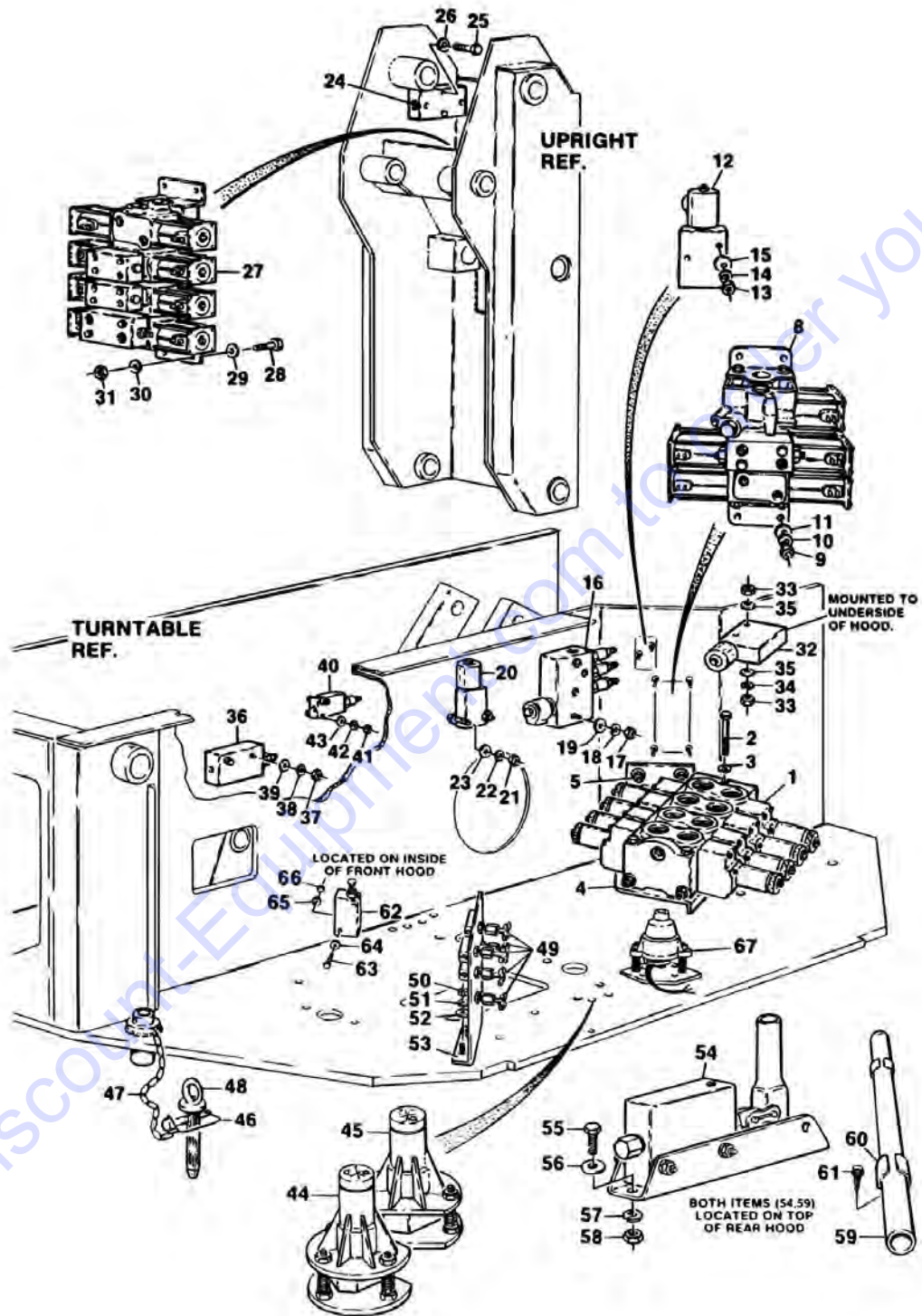


SECTION 2 - TURNTABLE

Go to Discount-Equipment.com to order your parts

# SECTION 2 - TURNTABLE

## FIGURE 2-1. CONTROL VALVES INSTALLATION



## SECTION 2 - TURNTABLE

**FIGURE 2-1. CONTROL VALVES INSTALLATION**

ITEM	PART NUMBER	QTY	DESCRIPTION	REV
	0251410	Ref	<b>CONTROL VALVES INSTALLATION (WITHOUT ROTATE AND WITHOUT 4WS)</b>	D
	0251546	Ref	<b>CONTROL VALVES INSTALLATION (WITHOUT ROTATE AND WITH 4WS)</b>	D
	0251411	Ref	<b>CONTROL VALVES INSTALLATION (WITH ROTATE AND WITHOUT 4WS)</b>	D
	0251547	Ref	<b>CONTROL VALVES INSTALLATION (WITH ROTATE AND WITH 4WS)</b>	D
1	4640554	1	Valve, Assembly - 4 Section (Vickers) (Prior to October 1994) (See CONTROL VALVE ASSEMBLY (VICKERS) for Breakdown)	
1	4640914	1	Valve, Assembly - 4 Section (Vickers) (October 1994 to Present) (See CONTROL VALVE ASSEMBLY - (VICKERS) for Breakdown)	
2	0641708	3	Bolt 7/16in-14NC x 1in	
3	4761700	3	Lockwasher 7/16in	
4	0901616	1	Bracket	
5	3311601	2	Nut 3/8in-16NC	
5	4761600	2	Lockwasher 3/8in	
5	4751600	2	Flatwasher 3/8in	
5	4300034	2	Stud (Welded on Part)	
8	4640578	1	3 Section Valve Assembly - Bang-Bang (2WS) (Prior to June 1995) (See CONTROL VALVE ASSEMBLY - 3 SECTION BANG-BANG for Breakdown)	
8	4640942	1	3 Section Valve Assembly - Bang-Bang (2WS) (June 1995 to Present) (See CONTROL VALVE ASSEMBLY - 3 SECTION BANG-BANG (2WS) for Breakdown)	
8	4640249	1	2 Section Valve Assembly - Bang-Bang (4WS) (Prior to September 1995) (See CONTROL VALVE ASSEMBLY - 3 SECTION BANG-BANG for Breakdown)	
8	4640945	1	2 Section Valve Assembly - Bang-Bang (4WS) (September 1995 to Present) (See CONTROL VALVE ASSEMBLY - 3 SECTION BANG-BANG (2WS) for Breakdown)	
9	3311501	4	Nut 5/16in-18NC	
10	4761500	4	Lockwasher 5/16in	
11	4751500	4	Flatwasher 5/16in	
11	4300038	4	Stud (Welded on Part)	
12	4640123	1	Valve, Solenoid - Selector	
12	7006075	1	Seal Kit (FPS Version)	
12	7012518	1	Seal Kit (Hydraforce Version)	
12	7000558	1	Coil (FPS Version)	
12	7004368	1	Coil (Hydraforce Version)	
13	3311401	2	Nut 1/4in-20NC	
14	4761400	2	Lockwasher 1/4in	
15	4751400	2	Flatwasher 1/4in	
16		Ref	Accessory Valve Options: (See ACCESSORY VALVE ASSEMBLY for Breakdown)	
16	4640580	1	Valve (Prior to September 1991)	
16	4640716	1	Valve (September 1991 to Present)	
17	3311501	4	Nut 5/16in-18NC	
18	4761500	2	Lockwasher 5/16in	
19	4751500	2	Flatwasher 5/16in	
19	0641528	2	Bolt 5/16in-18NC x 3 1/2in	
20	4640543	1	Valve, Solenoid (Upright Level Blocking Valve)	

## SECTION 2 - TURNTABLE

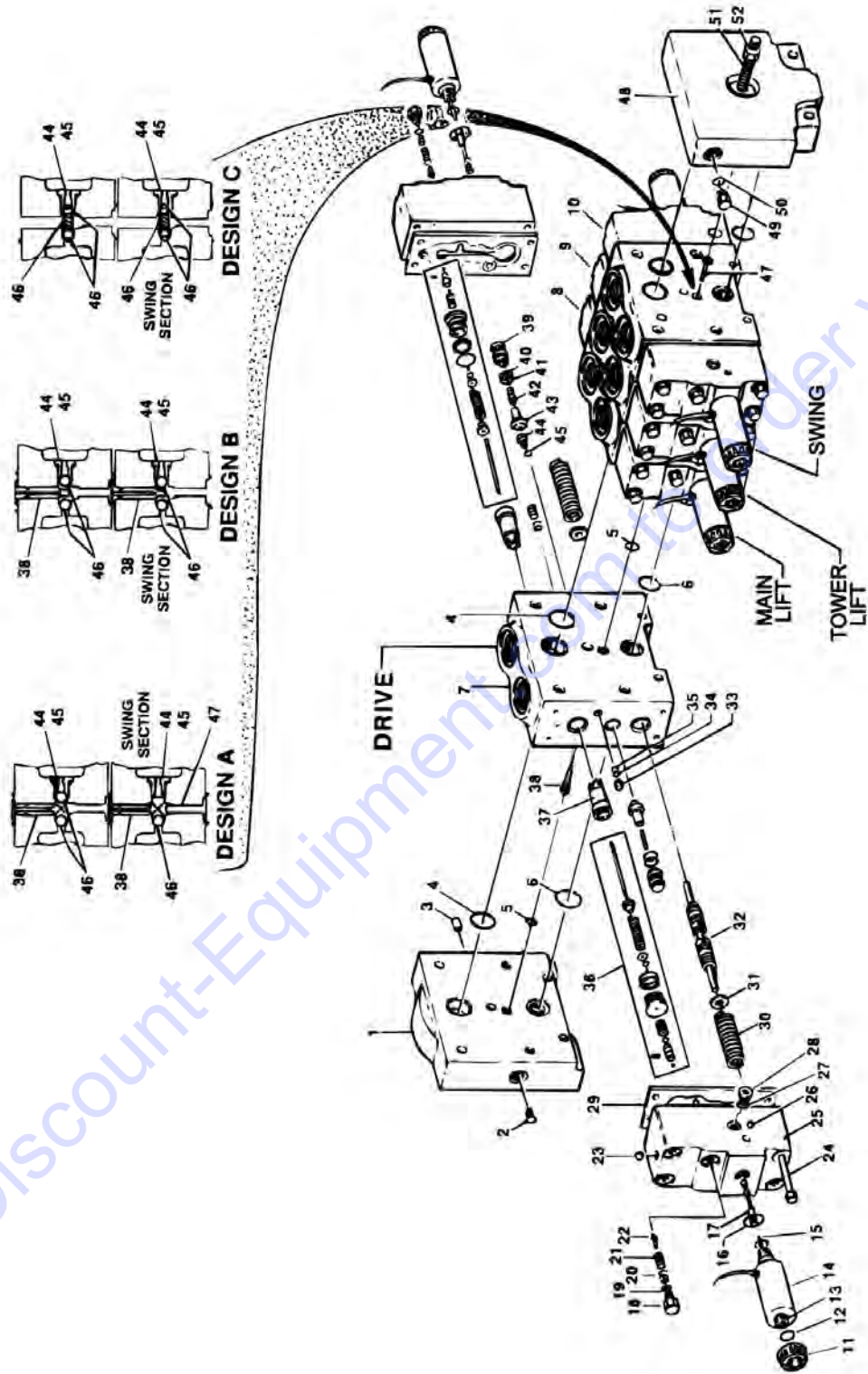
ITEM	PART NUMBER	QTY	DESCRIPTION	REV
20	7009745	1	Coil, Solenoid (Vickers/Modular Controls Version)	
20	7004368	1	Coil, Solenoid (Hydraforce Version)	
21	3311401	4	Nut 1/4in-20NC	
22	4761400	2	Lockwasher 1/4in	
23	4751400	4	Flatwasher 1/4in	
23	4300042	2	Stud (Welded on Part)	
24	4640150	1	Valve, Check	
25	0641514	2	Bolt 5/16in-18NC x 1 3/4in	
26	4761500	2	Lockwasher 5/16in	
27	4640681	1	3 Section Valve Assembly - Bang-Bang (Without Rotator) (See CONTROL VALVE ASSEMBLY - 3 & 4 SECTION BANG-BANG for Breakdown)	
27	4640680	1	4 Section Valve Assembly - Bang-Bang (With Rotator) (See CONTROL VALVE ASSEMBLY - 3 & 4 SECTION BANG-BANG for Breakdown)	
28	0641610	4	Bolt 3/8in-16NC x 1 1/4in	
29	4751600	4	Flatwasher 3/8in	
30	4761600	4	Lockwasher 3/8in	
31	3311601	4	Nut 3/8in-16NC	
32	4640360	1	Valve, Solenoid Dump (Pump Volume)	
32	7003647	1	Coil (Vickers/Modular Controls Version)	
32	7004368	1	Coil (Hydraforce Version)	
32	7003634	1	Cartridge with Coil (Vickers/Modular Controls Version)	
32	7004289	1	Cartridge Without Coil (Vickers/Modular Controls Version)	
32	7010635	1	Cartridge without Coil (Hydraforce Version)	
32	7003635	1	Cartridge, Check Valve (Modular Controls Version)	
32	7010637	1	Seal Kit (Hydraforce Version)	
33	3311501	4	Nut 5/16in-18NC	
34	4761500	2	Lockwasher 5/16in	
35	4751500	4	Flatwasher 5/16in	
35	4300033	2	Stud (Welded on Part)	
36	4640603	1	Valve, Pilot Operated Relief	
36	2900770	1	Seal Kit	
37	3311401	2	Nut 1/4in-20NC	
38	4761400	2	Lockwasher 1/4in	
39	4751400	2	Flatwasher 1/4in	
39	4300042	2	Stud (Welded on Part)	
40	4640626	1	Valve, Counterbalance	
40	4640634	1	Cartridge Valve (Requires Pressure Adjusted to 5000 PSI, 4000 PSI is Standard)	
40	2900770	1	Seal Kit	
41	3311401	2	Nut 1/4in-20NC	
42	4761400	2	Lockwasher 1/4in	
43	4751400	2	Flatwasher 1/4in	
43	4300042	2	Stud (Welded on Part)	
	0251233	Ref	<b>3 TILT INDICATOR INSTALLATION</b>	A
44	4360171	1	Sensor, Level - 5	
44	2820022	6 in	Tubing, Vinyl	
44	4300106	2	Stud, Grooved	
45	4360280	1	Sensor, Level - 3	
	0239585	Ref	<b>TURNTABLE LOCK INSTALLATION</b>	B
46	3421565	1	Pin, Snapper	

## SECTION 2 - TURNTABLE

ITEM	PART NUMBER	QTY	DESCRIPTION	REV
47	3421565	2	Pin, Quick Release	
47	1260017	9 in	Chain	
48	3421627	1	Pin, Lock	
	0251240	Ref	<b>MANUAL DESCENT INSTALLATION - OPTIONAL (PRIOR TO SEPTEMBER 1992)</b>	B
	0253167	Ref	<b>MANUAL DESCENT INSTALLATION - OPTIONAL (SEPTEMBER 1992 TO PRESENT)</b>	B
49	4640005	AR	Valve, Needle	
49	2900062	4	Valve, Kit	
50	0901732	1	Bracket	
51	3311601	2	Nut 3/8in-16NC	
52	4761600	2	Lockwasher 3/8in	
53	4751600	2	Flatwasher 3/8in	
53	4300034	2	Stud (Welded on Part)	
	1701428	1	Nametag - 1	
	1701494	1	Nametag - 2	
	1701426	1	Nametag - 3	
	1701463	1	Nametag - 4	
	1701462	1	Nametag - 5	
	1701778	1	Nametag - 6	
	0251415	Ref	<b>HAND PUMP INSTALLATION (USE WITH OPTIONAL MANUAL DESCENT)</b>	C
54	3600179	1	Pump, Manual with Handle (Includes Item 59)	
54	7016673	1	Pump, Manual - w/o Handle	
54	2900779	1	Seal Kit	
55	0641609	2	Bolt 3/8in-16NC x 1 1/8in	
56	4751600	2	Flatwasher 3/8in	
57	4761600	2	Lockwasher 3/8in	
58	3311601	2	Nut 3/8in-16NC	
59	7010652	1	Handle, Pump	
60	1380136	2	Clip, Gripper	
61	3941003	2	Screw, Self-Tapping #10	
62	4640603	1	Valve, Relief	
62	2900770	1	Seal Kit	
63	0641414	1	Bolt 1/4in-20NC x 1 3/4in	
64	4751400	1	Flatwasher 1/4in	
65	4761400	1	Lockwasher 1/4in	
66	3311401	1	Nut 1/4in-20NC	
	0255504	Ref	<b>TILT INDICATOR INSTALLATION - 4WD BUILT AFTER JANUARY 1995 ONLY</b>	A
67	4360386	1	Sensor, Level - 8.5	
67	2820022	6 in/15cm	Tubing, Vinyl	
67	4300106	2	Stud, Grooved	

# SECTION 2 - TURNTABLE

FIGURE 2-2. CONTROL VALVE ASSEMBLY (VICKERS) (PRIOR TO OCTOBER 1994)



## SECTION 2 - TURNTABLE

**FIGURE 2-2. CONTROL VALVE ASSEMBLY (VICKERS) (PRIOR TO OCTOBER 1994)**

ITEM	PART NUMBER	QTY	DESCRIPTION	REV
	4640554	Ref	<b>CONTROL VALVE ASSEMBLY (VICKERS) (PRIOR TO OCTOBER 1994)</b>	A
1	7006724	1	Inlet Body	
2	7006725	1	Setscrew	
3	7006733	1	Plug	
4	Kit	1	O-Ring	
5	Kit	5	O-Ring	
6	Kit	1	O-Ring	
7	7006760	1	Working Section - Complete (Drive) (Includes Items 11-47)	
8	7009327	1	Working Section - Complete (Main Lift) (Includes Items 11-47)	
9	7009327	1	Working Section - Complete (Tower Lift) (Includes Items 11-47)	
10	7006763	1	Working Section - Complete (Swing) (Includes Items 11-47)	
11	7012325 & 7020361	8	Nut, Retaining (2 Per Section) (was p/n 7009317)	
12	Kit	8	O-Ring (2 Per Section)	
13	7009316	8	Core Tube (Includes O-Ring) (2 Per Section)	
14	7009315	8	Coil and Frame (2 Per Section)	
15	7009319	8	Pin (2 Per Section)	
16	Kit	8	O-Ring (2 Per Section)	
17	7006744	8	Spool (2 Per Section)	
18	7006726	8	Plug, Torque (2 Per Section)	
19	7006727	8	O-Ring (2 Per Section)	
20	7006728	8	Shim Kit (2 Per Section)	
21	7006729	8	Spring (2 Per Section)	
22	7006730	8	Poppet (2 Per Section)	
23	7006731	8	Ball (2 Per Section)	
24	7006745	32	Screw (8 Per Section)	
25		Ref	Cap, End (Not Sold Separately) (2 Per Section)	
26	7006746	8	Ball (2 Per Section)	
27	Kit	8	O-Ring (2 Per Section)	
28	7009323	8	Plug (2 Per Section)	
29	7006748	8	Gasket (2 Per Section)	
30	7009324	8	Spring (2 Per Section)	
31	7009325	8	Retainer (2 Per Section)	
32		Ref	Spool (Not Sold Separately) (1 Per Section)	
33	7006757	8	Seal (2 Per Section)	
34	Kit	8	Ring, Back-Up (2 Per Section)	
35	Kit	8	O-Ring (2 Per Section)	
36	7009320	8	Servo Stem Assembly (2 Per Section)	
37	7006737	8	Poppet (2 Per Section)	
38	7009321	4	Retainer (13/16in-2.11cm Length) (Design A) (1 Per Section)	
38	7009363	4	Retainer (1 3/16in-3cm Length) (Design B) (1 Per Section)	
38	Not Required	0	Retainer (Design C)	
38	Kit	4	O-Ring (1 Per Section)	
39	7006752	8	Retainer (2 Per Section)	
40	Kit	8	Ring, Back-Up (2 Per Section)	
41	Kit	8	O-Ring (2 Per Section)	
42	7006773	8	Spring (2 Per Section)	
43	7006756	6	Poppet (Drive and Swing Sections) (2 Per Section)	
43	7009328	2	Poppet (Lift Sections) (2 Per Section)	

## SECTION 2 - TURNTABLE

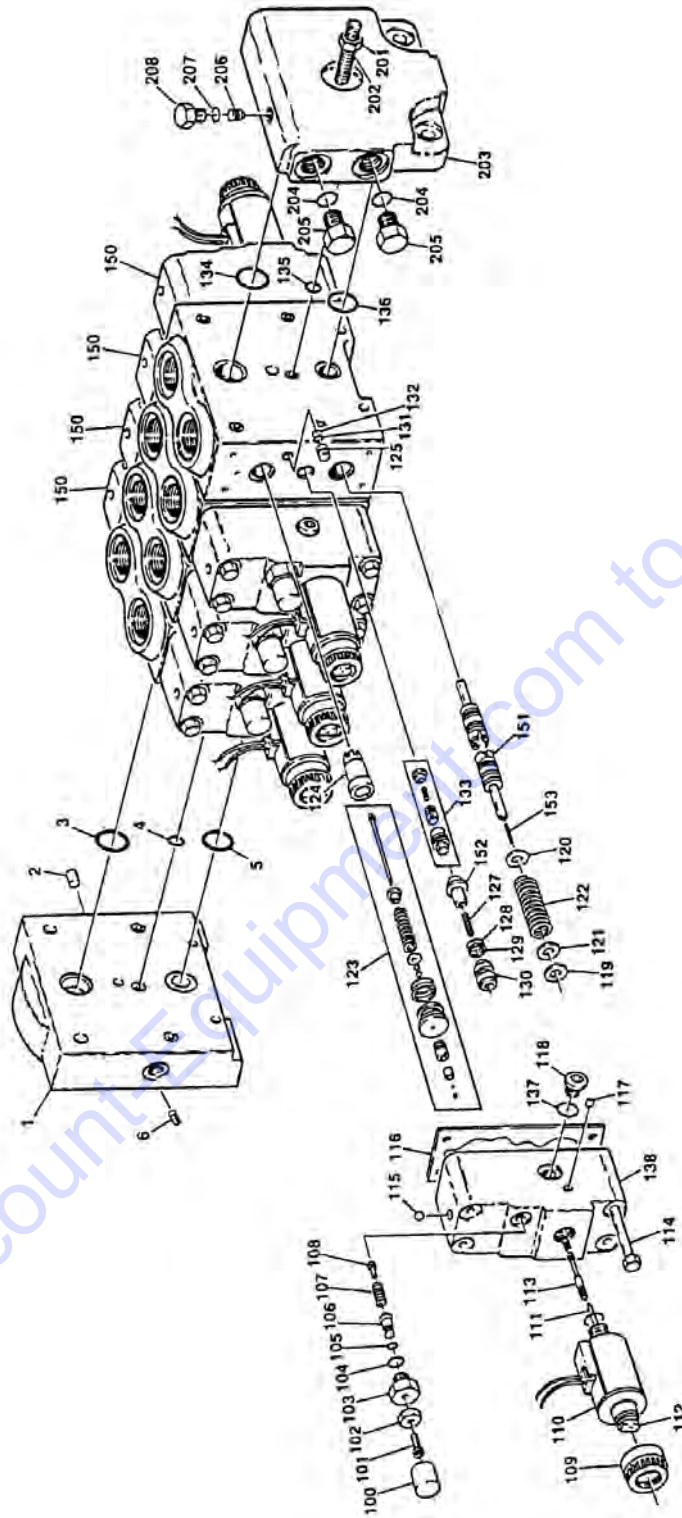
ITEM	PART NUMBER	QTY	DESCRIPTION	REV
44	7006771	8	Plug, Torque (2 Per Section)	
45	Kit	8	O-Ring (2 Per Section)	
46	7006761	6	Ball (Design A - All Sections Except Swing) (2 Per Section)	
46	7006761	4	Ball (Design A - Swing Section) (4 Per Section)	
46	7006761	8	Ball (Design B - All Sections) (8 Per Section)	
46	7009369	8	Poppet (Design C - All Sections) (8 Per Section)	
46	7009368	4	Spring (Design C - All Sections) (4 Per Section)	
47	7006777	1	Pin, Solid (Design A - Swing Section Only)	
47	Not Required	0	Pin, Solid (Design B and Design C)	
48	7006780	1	Cover, End	
49	7006778	1	Plug, Torque	
50	Kit	1	O-Ring	
51	7009329	3	Rod, Tie	
52	7006782	6	Nut	
	7009330	4	Seal Kit (Includes Items 4, 5, 6, 12, 16, 27, 34, 35, 38, 40, 41, 45, 50 and Servo Stem O-Rings)	
	7009395	5	Seal Kit - Valve Face (Includes Items 4, 5 & 6)	





## SECTION 2 - TURNTABLE

FIGURE 2-3. CONTROL VALVE ASSEMBLY - (VICKERS) (OCTOBER 1994 TO PRESENT)



## SECTION 2 - TURNTABLE

**FIGURE 2-3. CONTROL VALVE ASSEMBLY - (VICKERS) (OCTOBER 1994 TO PRESENT)**

ITEM	PART NUMBER	QTY	DESCRIPTION	REV
	4640914	Ref	<b>VICKERS VALVE ASSEMBLY - 4 SECTION</b>	
		Ref	<b>INLET SECTION</b>	
1	7006724	1	Inlet Body	
2	7006733	1	Plug	
3	Kit	1	O-Ring	
4	Kit	1	O-Ring	
5	Kit	1	O-Ring	
6	7006725	1	Setscrew	
		Ref	<b>WORKING SECTIONS (STANDARD PARTS)</b>	
100	Kit	AR	Cap (2 Per Section)	
101	7012319	AR	Screw (2 Per Section)	
102	Kit	AR	Nut (2 Per Section)	
103	Kit	AR	Plug (2 Per Section)	
104	Kit	AR	Packing (2 Per Section)	
105	7012322	AR	Packing (2 Per Section)	
106	Kit	AR	Piston (2 Per Section)	
107	Kit	AR	Spring (2 Per Section)	
108	7006730	AR	Poppet (2 Per Section)	
109	7012325	AR	Nut, Retaining (2 Per Section)	
110	7012339	AR	Coil (2 Per Section)	
111	7009319	AR	Pin (2 Per Section)	
112	7012326	AR	Core Tube Sub Assembly (2 Per Section)	
113	7012327	AR	Spool	
114	7006745	AR	Screw (8 Per Section)	
115	7006731	AR	Ball	
116	7006748	AR	Gasket	
117	7006746	AR	Ball	
118	7009323	AR	Plug (2 Per Section)	
119	7012330	AR	Shim (AR Per Section)	
120	7012329	AR	Retainer (2 Per Section)	
121	7012328	AR	Shim (AR Per Section)	
122	7009324	AR	Spring (2 Per Section)	
123	7009320	AR	Stem Servo Sub Assembly (2 Per Section)	
124	7006737	AR	Poppet (2 Per Section)	
125	7006757	AR	Seat (2 Per Section)	
127	7006773	AR	Spring (2 Per Section)	
128	Kit	AR	O-Ring (2 Per Section)	
129	Kit	AR	Back-up (2 Per Section)	
130	7009398	AR	Retainer (2 Per Section)	
131	Kit	AR	Back-up Ring (2 Per Section)	
132	Kit	AR	O-Ring (2 Per Section)	
133	7012333	AR	Load Sense (2 Per Section)	
134	Kit	AR	O-Ring (2 Per Section)	
135	Kit	AR	O-Ring (2 Per Section)	
136	Kit	AR	O-Ring (5 Per Section)	
137	Kit	AR	O-Ring (2 Per Section)	
138	Not Serviced	AR	Cap, End (2 Per Section)	
	7009330	AR	Seal Kit (1 Per Section)	
	7012383	AR	Piston/Spring Kit (Includes Items 1 ea of Items 100, 102, 103, 106 & 107) (2 Per Section)	

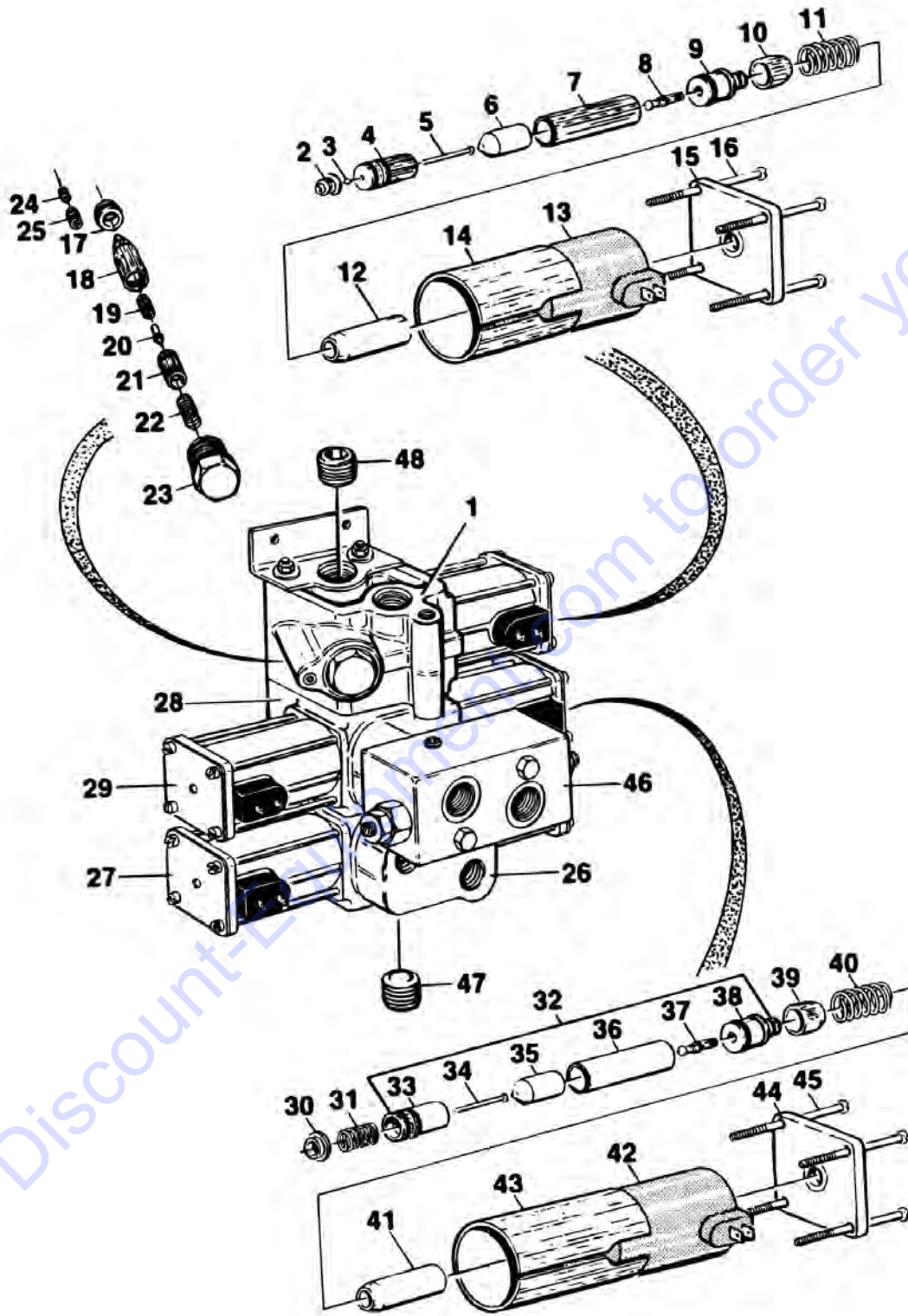
## SECTION 2 - TURNTABLE

ITEM	PART NUMBER	QTY	DESCRIPTION	REV
150		Ref	<b>#1 WORKING SECTION OPTIONS:</b>	
150	7012332	Ref	<b>Drive (All Models)</b>	
151	7012331	1	Spool	
152	7009399	2	Poppet	
153	Not Required	0	Not Required	
150		Ref	<b>#2 WORKING SECTION OPTIONS:</b>	
150	7012334	Ref	<b>Lift (All Models)</b>	
151	7012331	1	Spool	
152	7009397	2	Poppet	
153	Not Required	0	Not Required	
150		Ref	<b>#3 WORKING SECTION OPTIONS:</b>	
150	7012335	Ref	<b>Swing ("H" and "HX" Models Without Prop Tele)</b>	
151	7012340	1	Spool	
152	7009399	2	Poppet	
153	7012300	2	Piston	
150	7012334	Ref	<b>Telescope ("H" and "HX" Models With Prop Tele)</b>	
150	7012334	Ref	<b>Lift ("HA" Models)</b>	
151	7012331	1	Spool	
152	7009397	2	Poppet	
153	7012300	2	Piston	
		Ref	<b>OUTLET SECTION</b>	
201	7006782	6	Nut	
202	7009361	3	Rod, Tie	
203	7012337	1	Cover End	
204	Kit	2	O-Ring	
205	7006778	2	Plug	
206	7012338	1	Setscrew Orifice Sub-Assembly	
207	Kit	1	O-Ring	
208	7012336	1	Plug	



## SECTION 2 - TURNTABLE

FIGURE 2-4. CONTROL VALVE ASSEMBLY - 3 SECTION BANG-BANG



## SECTION 2 - TURNTABLE

**FIGURE 2-4. CONTROL VALVE ASSEMBLY - 3 SECTION BANG-BANG**

ITEM	PART NUMBER	QTY	DESCRIPTION	REV
	4640578	Ref	<b>CONTROL VALVE ASSEMBLY - 3 SECTION BANG-BANG (2WS) (PRIOR TO JUNE 1995)</b>	
	4640249	Ref	<b>CONTROL VALVE ASSEMBLY - 2 SECTION BANG-BANG (4WS) (PRIOR TO SEPTEMBER 1995) (NOT SHOWN)</b>	B
1	7002304	1	Dump Section - Complete	
1		Ref	Solenoid Assembly	
2	7004823	1	Seat	
2	Kit	1	O-Ring	
3	7002229	1	Ball	
3		Ref	Guide Tube Assembly	
4	7004822	1	Cone, Female	
4	Kit	1	O-Ring	
5	7002346	1	Pin, Push	
6	7004839	1	Plunger	
7	7004838	1	Tube, Guide	
8	7004841	1	Pin, Push	
8	Kit	1	O-Ring	
9	7002340	1	Guide, External Push Pin	
9	Kit	1	O-Ring	
10	7004834	1	Sleeve, Inner Flux	
11	7002334	1	Spring	
12	7004835	1	Sleeve, Outer Flux	
13	7000417	1	Coil	
14	7004836	1	Case, Solenoid	
15	7002338	1	Plate, End	
16	7004837	4	Screw	
17	7002322	1	Seat	
17	Kit	1	O-Ring	
17		Ref	Main Relief (Poppet) Valve	
18	7002321	1	Case, Poppet	
19	7002328	1	Spring	
20	7002294	1	Poppet	
21	7002320	1	Seat, Adjustable	
21	Kit	1	O-Ring	
22	7002329	1	Spring	
23	7002323	1	Plug	
23	Kit	1	O-Ring	
24	7002326	1	Orifice	
25	7002324	1	Plug	
26	7004894	1	Working Section - Complete (Tower Tele)	
27	7004859	2	Solenoid Assembly (Refer to Items 30-45 for Serviced Parts)	
28	7002315	1	Working Section - Complete (Steer) (3 Section Valve Only)	
29	7004859	2	Solenoid Assembly	
30	7003825	4	Washer, Hat (2 Per Section)	
31	7002348	4	Spring (2 Per Section)	
32	7002305	4	Guide Tube Assembly (2 Per Section)	
33	7002345	4	Cone, Female (2 Per Section)	
33	Kit	4	O-Ring	
33	Kit	4	O-Ring	
34	7002346	4	Pin, Push (2 Per Section)	

## SECTION 2 - TURNTABLE

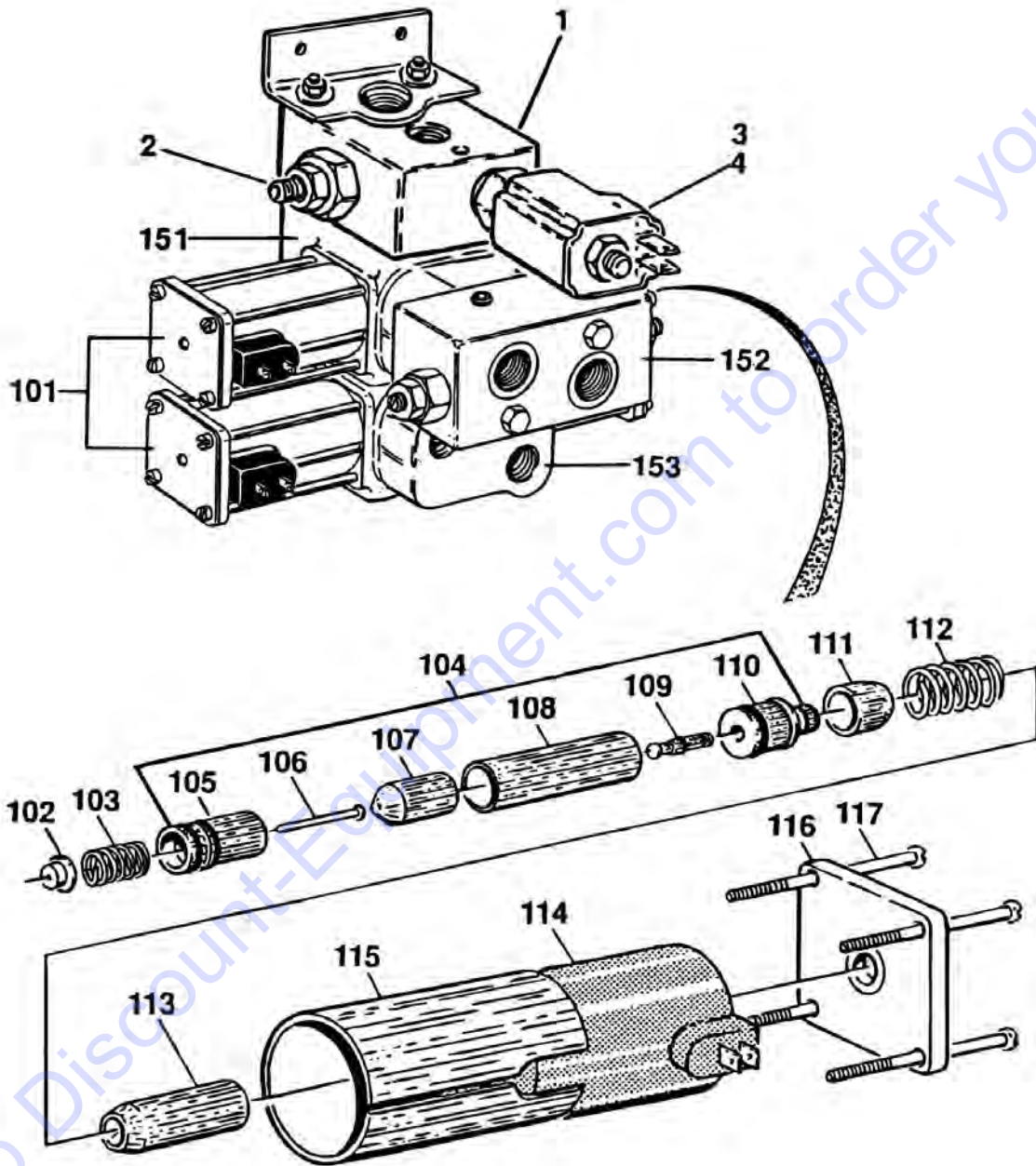
ITEM	PART NUMBER	QTY	DESCRIPTION	REV
35	7002344	4	Plunger (2 Per Section)	
36	7000470	4	Tube, Guide (2 Per Section)	
37	7002341	4	Pin, Actuator (2 Per Section)	
37	Kit	4	Ring, Quad (2 Per Section)	
38	7002340	4	Guide, External Push Pin (2 Per Section)	
38	Kit	4	O-Ring (2 Per Section)	
39	7002333	4	Sleeve, Inner Flux (2 Per Section)	
40	7002334	4	Spring (2 Per Section)	
41	7002336	4	Sleeve, Outer Flux (2 Per Section)	
42	7000418	4	Coil (2 Per Section)	
43	7002335	4	Case, Solenoid (2 Per Section)	
44	7002338	4	Plate, End (2 Per Section)	
45	7002339	4	Screw (4 Per Section)	
46	7000468	1	Relief Valve Block Assembly (No Longer Field Serviceable)	
47	2220237	1	Plug	
48	2220238	1	Plug	
	7000414	2	Seal Kit - Working Section	
	7000413	1	Seal Kit - Dump Section	





## SECTION 2 - TURNTABLE

FIGURE 2-5. CONTROL VALVE ASSEMBLY - 3 SECTION BANG-BANG (2WS) (JUNE 1995 TO PRESENT)



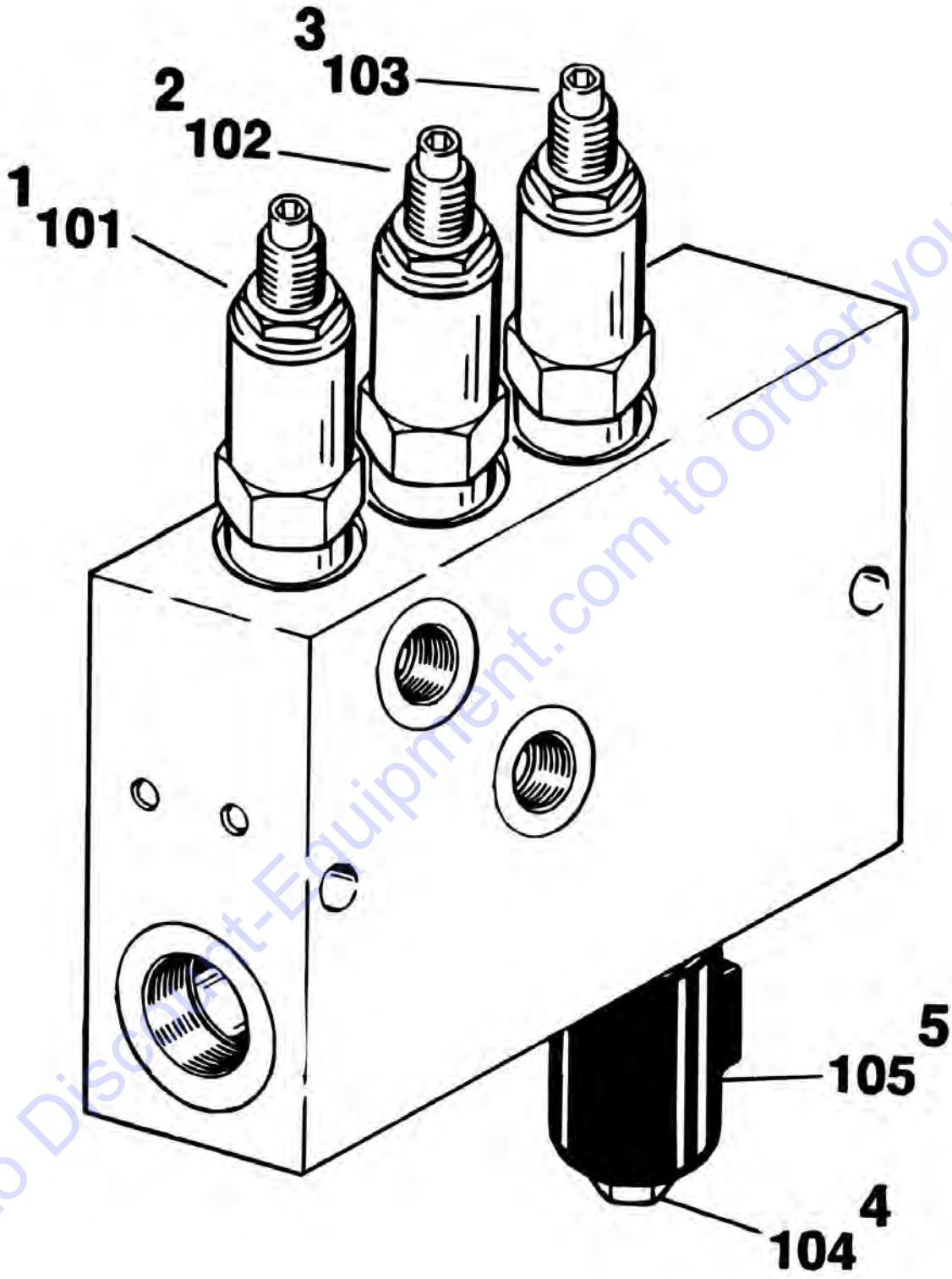
## SECTION 2 - TURNTABLE

**FIGURE 2-5. CONTROL VALVE ASSEMBLY - 3 SECTION BANG-BANG (2WS) (JUNE 1995 TO PRESENT)**

ITEM	PART NUMBER	QTY	DESCRIPTION	REV
	4640942	Ref	<b>CONTROL VALVE ASSEMBLY - 3 SECTION BANG-BANG (2WS) (JUNE 1995 TO PRESENT)</b>	-
	4640945	Ref	<b>CONTROL VALVE ASSEMBLY - 2 SECTION BANG-BANG (4WS) (SEPTEMBER 1995 TO PRESENT) (NOT SHOWN)</b>	-
		Ref	<b>DUMP SECTION ASSEMBLY</b>	
1	7002447	1	Dump Section - Complete	
2	7002448	1	Cartridge	
2	7002449	1	Seal Kit - 7002448 Cartridge	
3	7002450	1	Coil	
4	7002451	1	Cartridge without Coil	
4	7011118	1	Seal Kit - 7002451 Cartridge	
	7000448	2	O-Ring (Between Sections)	
		Ref	<b>WORKING SECTIONS (STANDARD PARTS)</b>	
101	7004859	2	Solenoid Assembly	
102	7003825	1	Washer	
103	7002348	1	Spring	
104	7002305	1	Guide Tube Assembly	
105	7002345	1	Cone, Female	
105	Kit	1	O-Ring	
105	Kit	1	O-Ring	
106	7002346	1	Pin, Push	
107	7002344	1	Plunger	
108	7000470	1	Tube, Guide	
109	7002341	1	Pin, Actuator	
109	Kit	1	Ring, Quad	
110	7002340	1	Guide, External Push Pln	
110	Kit	1	O-Ring	
111	7002333	1	Sleeve, Inner Flux	
112	7002334	1	Spring	
113	7002336	1	Sleeve, Outer Flux	
114	7000418	1	Coil	
115	7002335	1	Case, Solenoid	
116	7002338	1	Plate, End	
116	7002327	1	Nameplate	
117	7002339	4	Screw	
	7000414	2	Seal Kit - Working Section (1 Per Section)	
	7004600	1	Stacking Kit	
		Ref	<b>WORKING SECTIONS - COMPLETE (INCLUDES ITEMS 101-117)</b>	
151	7002315	1	Steer Section	
152	7000468	1	Crossover Relief Valve Assembly (Due to various suppliers, internal components are no longer field serviceable)	
153	7004894	1	Tower Tele Section	

SECTION 2 - TURNTABLE

FIGURE 2-6. ACCESSORY VALVE ASSEMBLY



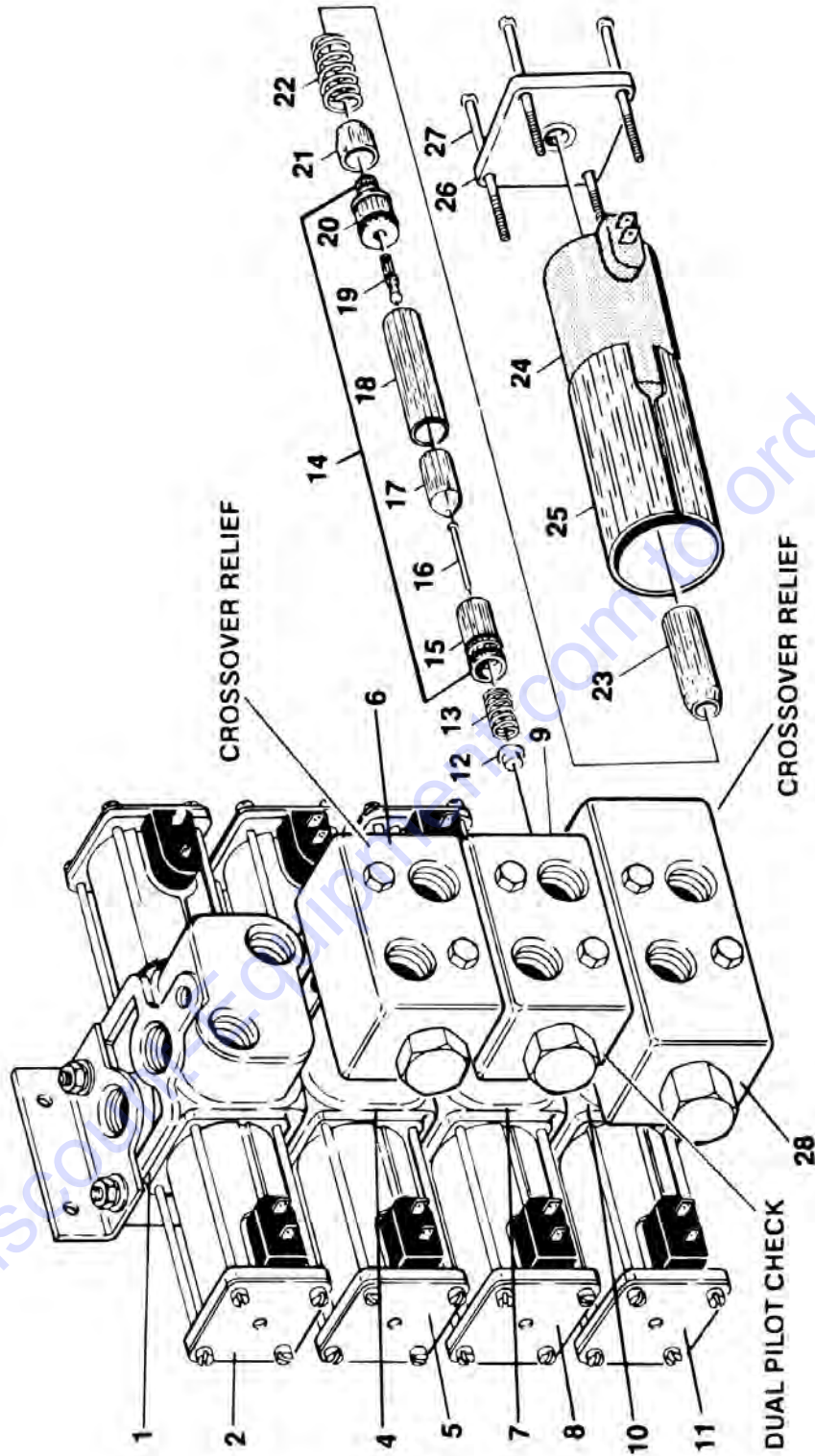
## SECTION 2 - TURNTABLE

### FIGURE 2-6. ACCESSORY VALVE ASSEMBLY

ITEM	PART NUMBER	QTY	DESCRIPTION	REV
	4640580	Ref	<b>ACCESSORY VALVE ASSEMBLY (MACHINES BUILT PRIOR TO SEPTEMBER 1991)</b>	-
		Ref	<b>Note: Not sold as a complete assembly.</b>	
1	7004365	1	Cartridge - Sequence	
2	7004366	1	Cartridge - Pressure Reducing	
3	7004367	1	Cartridge - Main Relief	
4	7004369	1	Cartridge Less Coil - Dump	
5	7004368	1	Coil	
	2900707	2	Seal Kit (Sequence and Pressure Reducing)	
	2900708	1	Seal Kit (Main Relief)	
	2900709	1	Seal Kit (Dump)	
	4640716	Ref	<b>ACCESSORY VALVE ASSEMBLY (MACHINES BUILT SEPTEMBER 1991 TO PRESENT)</b>	-
		Ref	<b>Note: Refer to P/N stamped on cartridge hex nut for Identification.</b>	
101	7012506	1	Cartridge - Sequence (Hydraforce PS10-34A)	
101	7010552	1	Cartridge - Sequence (Vickers/Modular Controls PSV7-10V)	
102	7012505	1	Cartridge - Pressure Reducing (Hydraforce PR10-32A)	
102	7010553	1	Cartridge - Pressure Reducing (Vickers/Modular Controls PRV1-10V)	
103	7012507	1	Cartridge - Main Relief (Hydraforce RV50-26A)	
103	7010554	1	Cartridge - Main Relief (Vickers/Modular Controls RV5-10V)	
104	7004369	1	Cartridge - Dump (Hydraforce SV16-21)	
104	7010556	1	Cartridge - Dump (Vickers/Modular Controls SV3-16V)	
105	7004368	1	Coil (Hydraforce 6352012)	
105	7009745	1	Coil (Vickers/Modular Controls 565966)	
	7012509	1	Seal Kit (Sequence) (Hydraforce Version)	
	7010557	1	Seal Kit (Sequence) (Vickers/Modular Controls Version)	
	7012510	1	Seal Kit (Pressure Reducing) (Hydraforce Version)	
	7010558	1	Seal Kit (Pressure Reducing) (Vickers/Modular Controls Version)	
	7012511	1	Seal Kit (Main Relief) (Hydraforce Version)	
	7010559	1	Seal Kit (Main Relief) (Vickers/Modular Controls Version)	
	2900709	1	Seal Kit (Dump) (Hydraforce Version)	
	7010560	1	Seal Kit (Dump) (Vickers/Modular Controls Version)	

## SECTION 2 - TURNTABLE

FIGURE 2-7. CONTROL VALVE ASSEMBLY - 3 AND 4 SECTION BANG-BANG



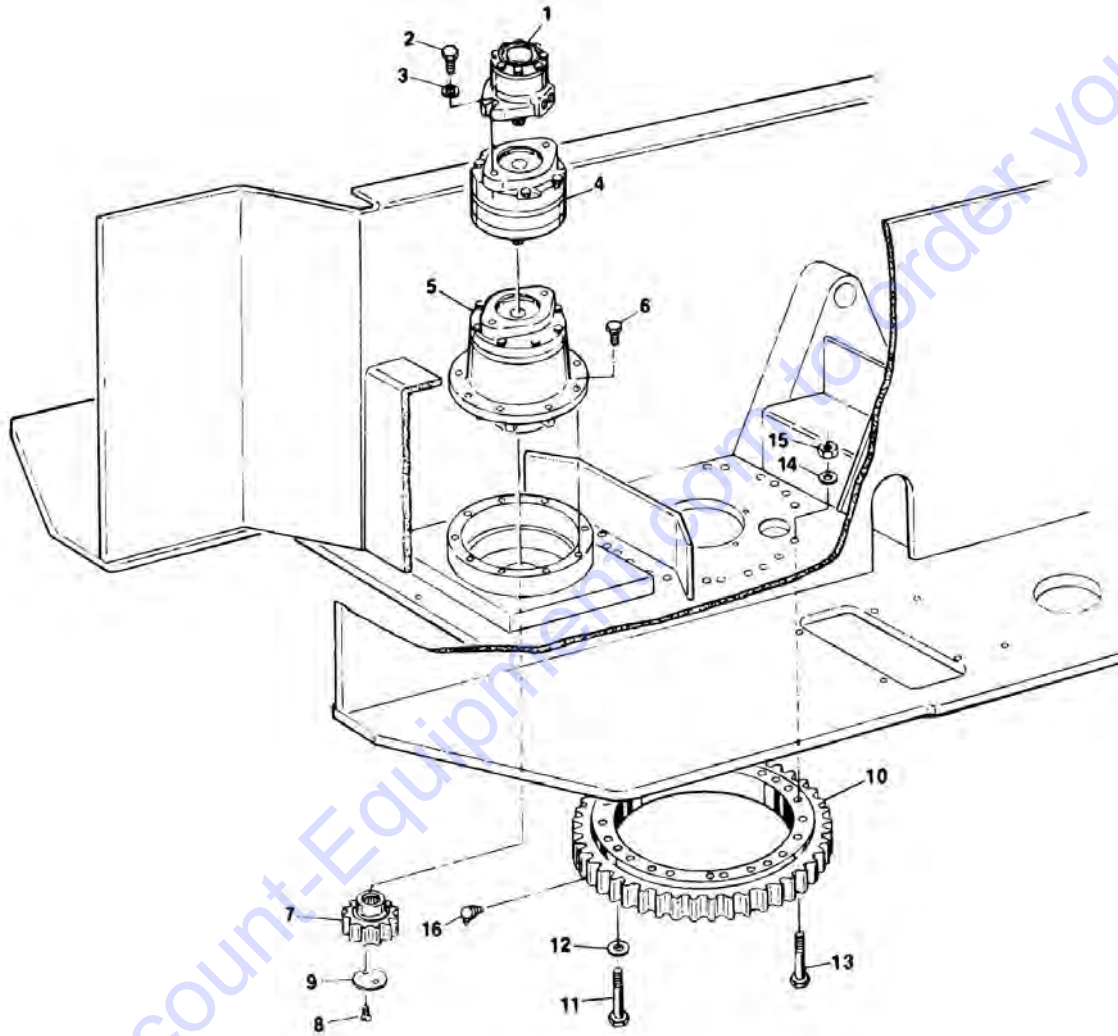
## SECTION 2 - TURNTABLE

**FIGURE 2-7. CONTROL VALVE ASSEMBLY - 3 AND 4 SECTION BANG-BANG**

ITEM	PART NUMBER	QTY	DESCRIPTION	REV
	4640680	Ref	<b>CONTROL VALVE ASSEMBLY - 4 SECTION BANG-BANG</b>	B
	4640681	Ref	<b>CONTROL VALVE ASSEMBLY - 3 SECTION BANG-BANG</b>	A
1	7002317	1	Working Section - Complete (Rotate) (4 Section Only)	
1	7002347	AR	Ring, Quad (Located Between Sections 1 ea.)	
1	7000448	AR	Ring, Quad (Located Between Sections 1 ea.)	
2	7004859	2	Solenoid Assembly (Refer to Items 12-27 for Serviced Parts)	
4	7002316	1	Working Section - Complete (Platform Level)	
4	7002347	AR	Ring, Quad (Located Between Sections 1 ea.)	
4	7000448	AR	Ring, Quad (Located Between Sections 1 ea.)	
5	7004859	1	Solenoid Assembly (Refer to Items 12-27 Serviced Parts)	
6	7002262	1	Dual Pilot Check Valve Assembly (Due to various suppliers, internal components are no longer field serviceable)	
6	7002325		O-Ring (Located Between Dual Pilot Check Valve Assembly and Working Section 2 ea.)	
7	7002316	1	Working Section - Complete (Upright Level)	
7	7002347	AR	Ring, Quad (Located Between Sections 1 ea.)	
7	7000448	AR	Ring, Quad (Located Between Sections 1 ea.)	
8	7004859	2	Solenoid Assembly (Refer to Items 12-27 for Serviced Parts)	
9	7002262	1	Dual Pilot Check Valve Assembly (Due to various suppliers, internal components are no longer field serviceable)	
9	7002325		O-Ring (Located Between Dual Pilot Check Valve Assembly and Working Section 2 ea.)	
10	7002315	1	Working Section - Complete (Main Tele)	
10	7002347	AR	Ring, Quad (Located Between Sections 1 ea.)	
10	7000448	AR	Ring, Quad (Located Between Sections 1 ea.)	
11	7004859	2	Solenoid Assembly (Refer to Items 12-27 for Serviced Parts)	
12	7003825	1	Washer	
13	7002348	1	Spring	
14	7002305	1	Guide Tube Assembly	
15	7002345	1	Cone, Female	
15	Kit	1	O-Ring	
15	Kit	1	O-Ring	
16	7002346	1	Pin, Push	
17	7002344	1	Plunger	
18	7000470	1	Tube, Guide	
19	7002341	1	Pin, Actuator	
19	Kit	1	Ring, Quad	
20	7002340	1	Guide, External Push Pin	
20	Kit	1	O-Ring	
21	7002333	1	Sleeve, Inner Flux	
22	7002334	1	Spring	
23	7002336	1	Sleeve, Outer Flux	
24	7000418	1	Coil	
25	7002335	1	Case, Solenoid	
26	7002338	1	Plate, End	
27	7002339	4	Screw	
28	7000468	1	Crossover Relief Valve Assembly (Due to various suppliers, internal components are no longer field serviceable)	
28	7002325		O-Ring (Located Between Crossover Relief Valve Assembly and Working Section 2 ea.)	
	7000414	4	Seal Kit - Working Section	

## SECTION 2 - TURNTABLE

FIGURE 2-8. TURNTABLE, SWING DRIVE AND BEARING INSTALLATIONS





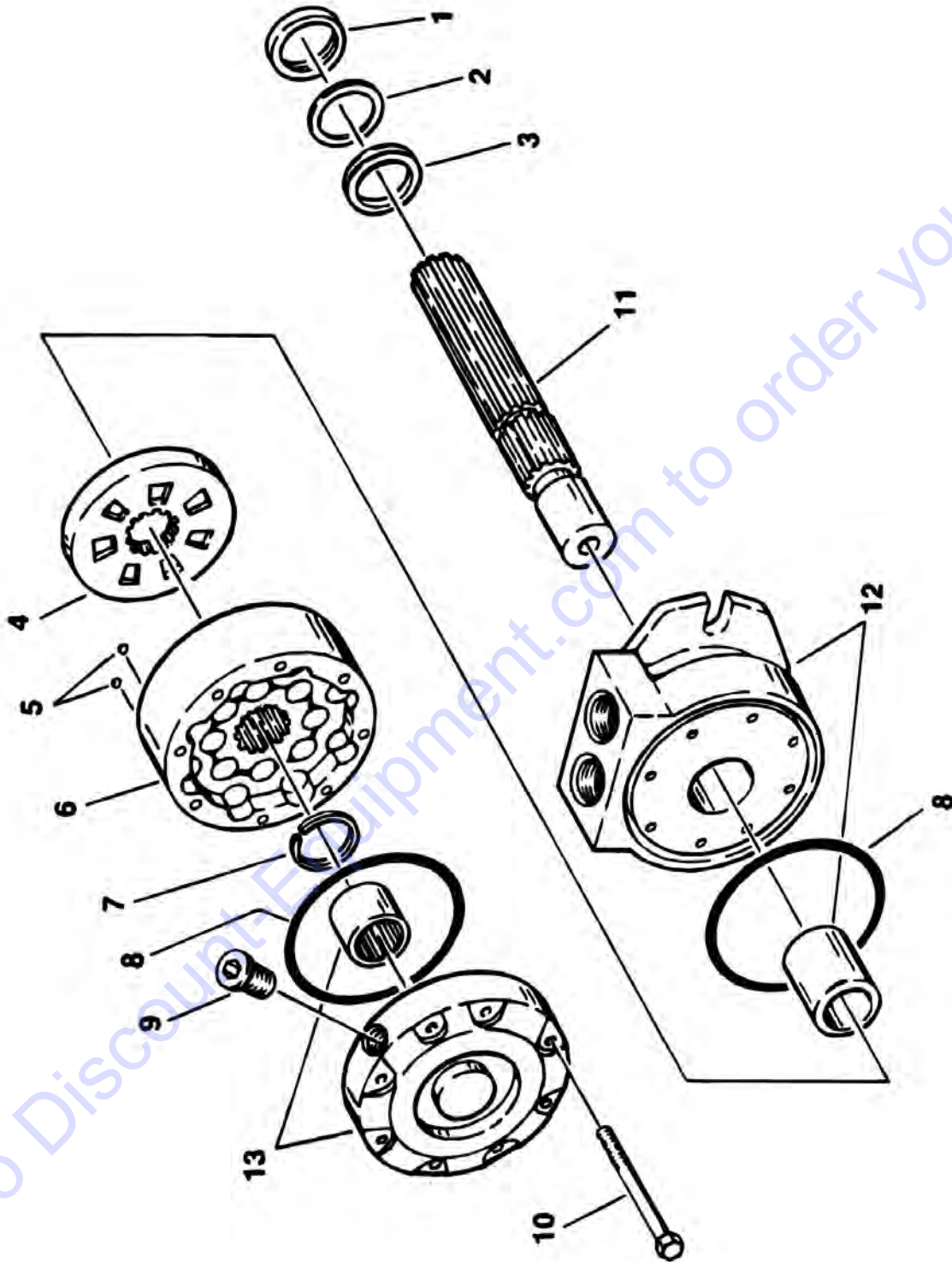
## SECTION 2 - TURNTABLE

**FIGURE 2-8. TURNTABLE, SWING DRIVE AND BEARING INSTALLATIONS**

ITEM	PART NUMBER	QTY	DESCRIPTION	REV
	0250315	Ref	<b>SWING DRIVE INSTALLATION</b>	D
1	3160156	1	Swing Motor Assembly (Prior to August 1991) (See SWING MOTOR ASSEMBLY for Breakdown)	
1	3160181	1	Swing Motor Assembly (August 1991 to Present) (See SWING MOTOR ASSEMBLY for Breakdown)	
		Ref	<b>Note: When replacing complete motor recommend using p/n 3160181 motor.</b>	
2	0681836	2	Bolt 1/2in-13NC x 4 1/2in (Grade 8)	
3	4740171	2	Washer, Hardened	
3	0100009	AR	Sealant	
4	0920068	1	Swing Brake Assembly (Prior to August 1991) (See BRAKE ASSEMBLY for Breakdown)	
4	0920086	1	Swing Brake Assembly (August 1991 to Present) (See BRAKE ASSEMBLY - AUSCO 37845 for Breakdown)	
5	2780055	1	Swing Hub Assembly (See SWING HUB ASSEMBLY for Breakdown)	
6	0641912	9	Bolt 9/16in-12NC x 1 1/2in	
6	0100019	AR	Loctite #271	
7	2440022	1	Gear, Pinion (0239488 Installation)	
7	2440059	1	Gear, Pinion (0250315 Installation)	
8	0741606	2	Screw, Flat Head 3/8in-16NC x 3/4in	
9	3501916	1	Plate, Retaining (0239488 Installation)	
9	4740367	1	Plate, Retaining (0250315 Installation)	
9	0100019	AR	Loctite	
	0239725	Ref	<b>TURNTABLE BEARING INSTALLATION</b>	E
10	2915092	1	Bearing Kit (was p/n 0440055) (Kit Includes Bearing and Mounting Hardware)	
11	0681820	24	Bolt 1/2in-13NC x 2 1/2in (Grade 8)	
12	4740003	24	Washer, Hardened	
13	0682032	20	Bolt 5/8in-11NC x 4in (Grade 8)	
13	0682028	3	Bolt 5/8in-11NC x 3 1/2in (Grade 8)	
14	4740004	16	Washer, Hardened	
14	4740048	7	Washer, Special	
15	3300183	23	Nut 5/8in-11NC (Grade 8)	
15	0100019	AR	Loctite #271	
15	0100004	AR	Devcon	
16	2160001	1	Fitting, Grease	
		Ref	<b>TURNTABLE WELDMENTS</b>	
	4620047	1	Turntable (Prior to February 1993)	
	4620091	1	Turntable (February 1993 to Present with Noise Reduction Package)	

## SECTION 2 - TURNTABLE

FIGURE 2-9. SWING MOTOR ASSEMBLY (PRIOR TO AUGUST 1991)



**SECTION 2 - TURNTABLE**

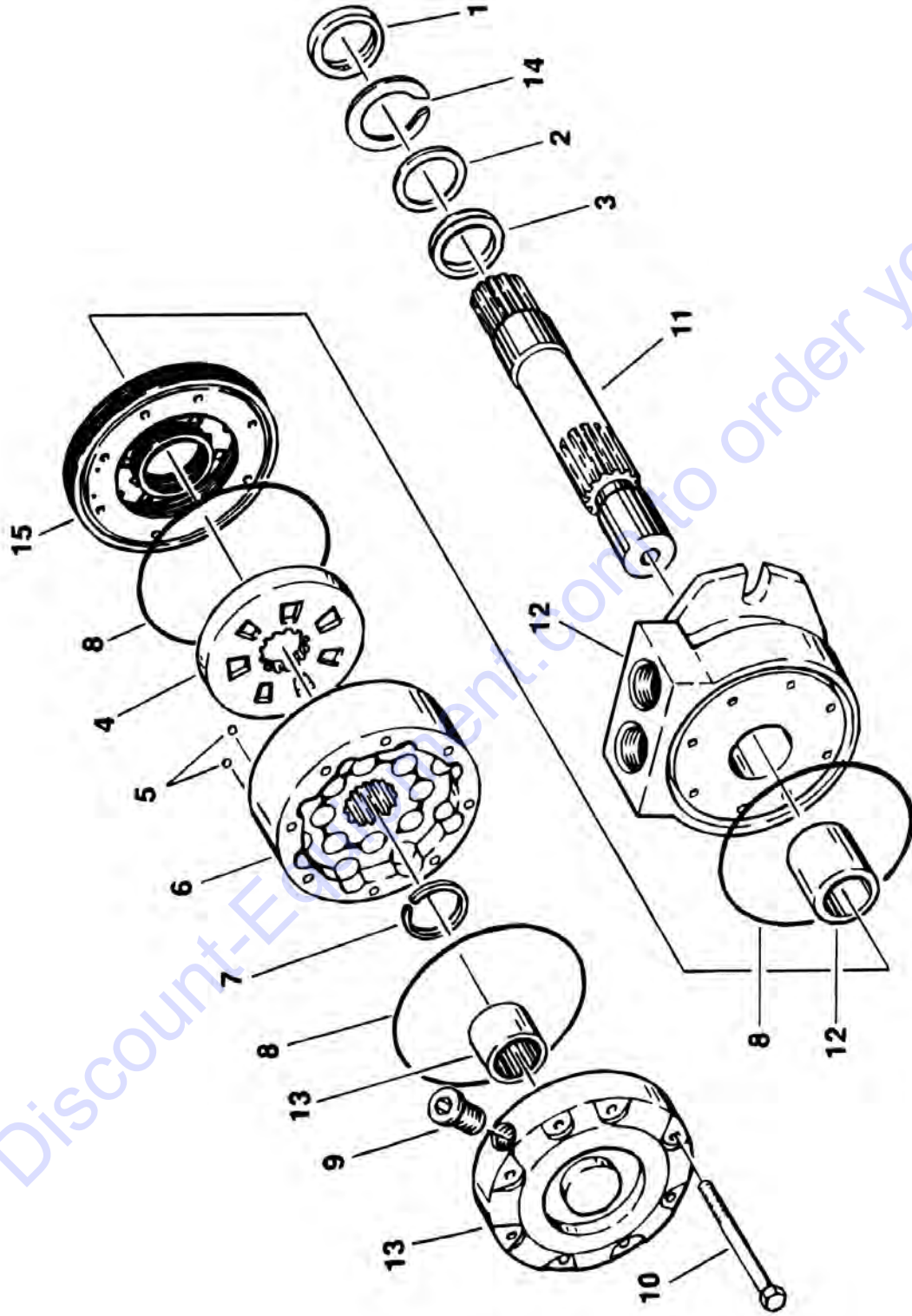
**FIGURE 2-9. SWING MOTOR ASSEMBLY (PRIOR TO AUGUST 1991)**

ITEM	PART NUMBER	QTY	DESCRIPTION	REV
	3160156	Ref	<b>SWING MOTOR ASSEMBLY (PRIOR TO AUGUST 1991)</b>	-
1	Kit	1	Seal, Dust	
2	Kit	1	Ring, Back-up	
3	Kit	1	Seal, Quad Ring	
4	7004166	1	Valve, Rotary	
5	7004167	2	Ball, Check Valve	
6	7004193	1	IGR Assembly	
7	7004191	1	Ring, Snap (Standard)	
8	Kit	2	Seal, Ring	
9	7004171	1	Plug, Vent (Includes O-Ring)	
10	7004173	8	Bolt	
11	7004194	1	Shaft, Spline	
12	7004195	1	Body/Bearing Assembly	
13	7004192	1	Cover/Bearing Assembly	
	7004177	1	Seal Kit (Includes Items 1, 2, 3, 8 and Vent Plug O-Ring)	

Go to Discount-Equipment.com to order your parts

## SECTION 2 - TURNTABLE

FIGURE 2-10. SWING MOTOR ASSEMBLY (AUGUST 1991 TO PRESENT)



## SECTION 2 - TURNTABLE

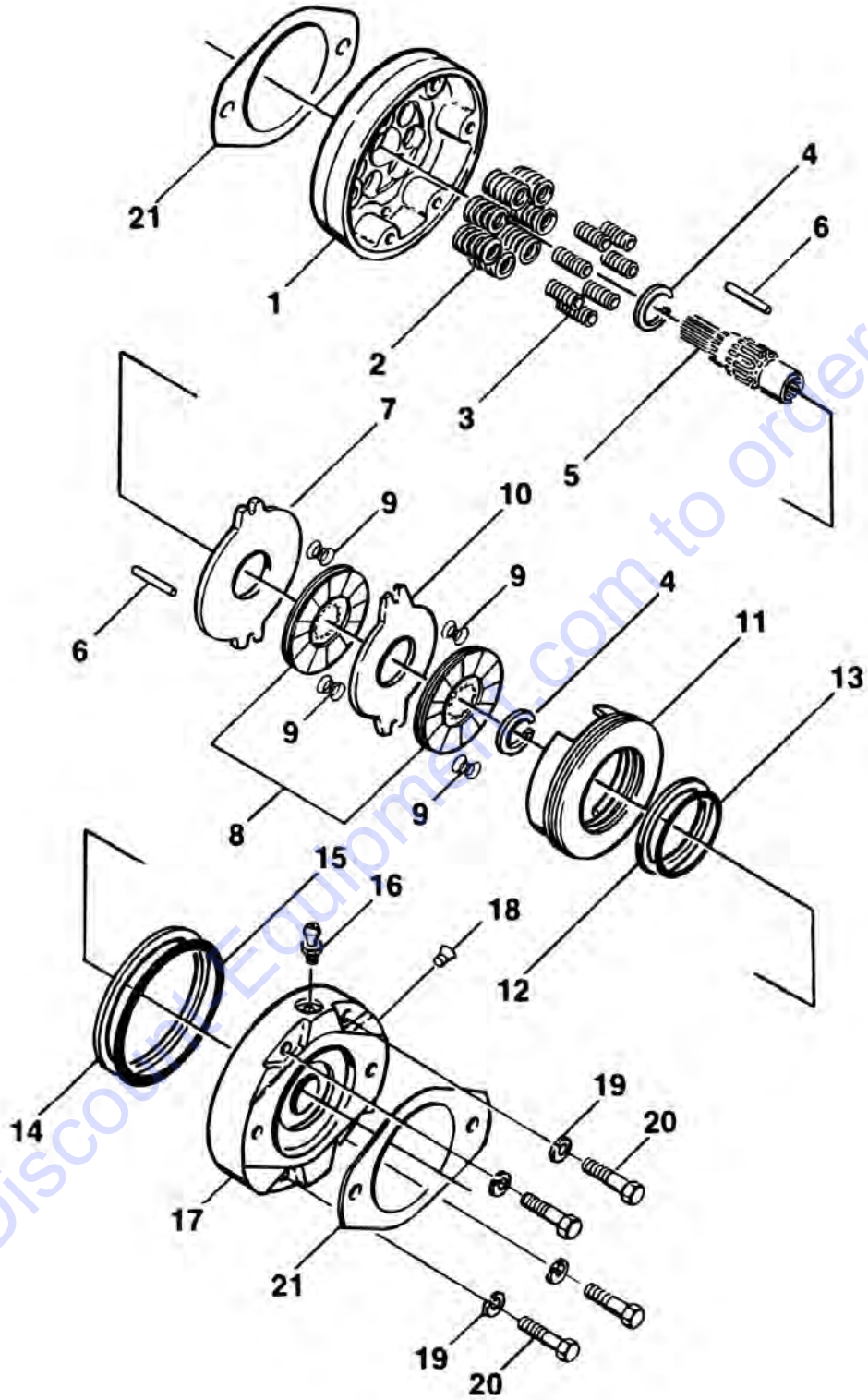
**FIGURE 2-10. SWING MOTOR ASSEMBLY (AUGUST 1991 TO PRESENT)**

ITEM	PART NUMBER	QTY	DESCRIPTION	REV
	3160181	Ref	<b>SWING MOTOR ASSEMBLY (AUGUST 1991 TO PRESENT)</b>	A
1	Kit	1	Seal, Dust	
2	7010775	1	Ring, Back-Up	
3	Kit	1	Seal, Quad Ring	
4	7004196	1	Valve, Rotary	
5	7004167	2	Ball, Check Valve	
6	7004193	1	IGR Assembly	
7	Kit	1	Ring, Snap	
8	Kit	3	Seal, Ring	
9	7004171	1	Plug, Vent (Includes O-Ring)	
10	7010777	8	Bolt	
11	7010779	1	Shaft, Spline	
12	7010778	1	Body/Bearing Assembly	
13	7004192	1	Cover/Bearing Assembly	
14	Kit	1	Ring, Snap	
15	7010776	1	Plate, Commutator	
	2900798	1	Seal Kit (Includes Items 1, 2, 3, 7 & 8)	

Go to Discount-Equipment.com to order your parts

## SECTION 2 - TURNTABLE

FIGURE 2-11. BRAKE ASSEMBLY (PRIOR TO AUGUST 1991)



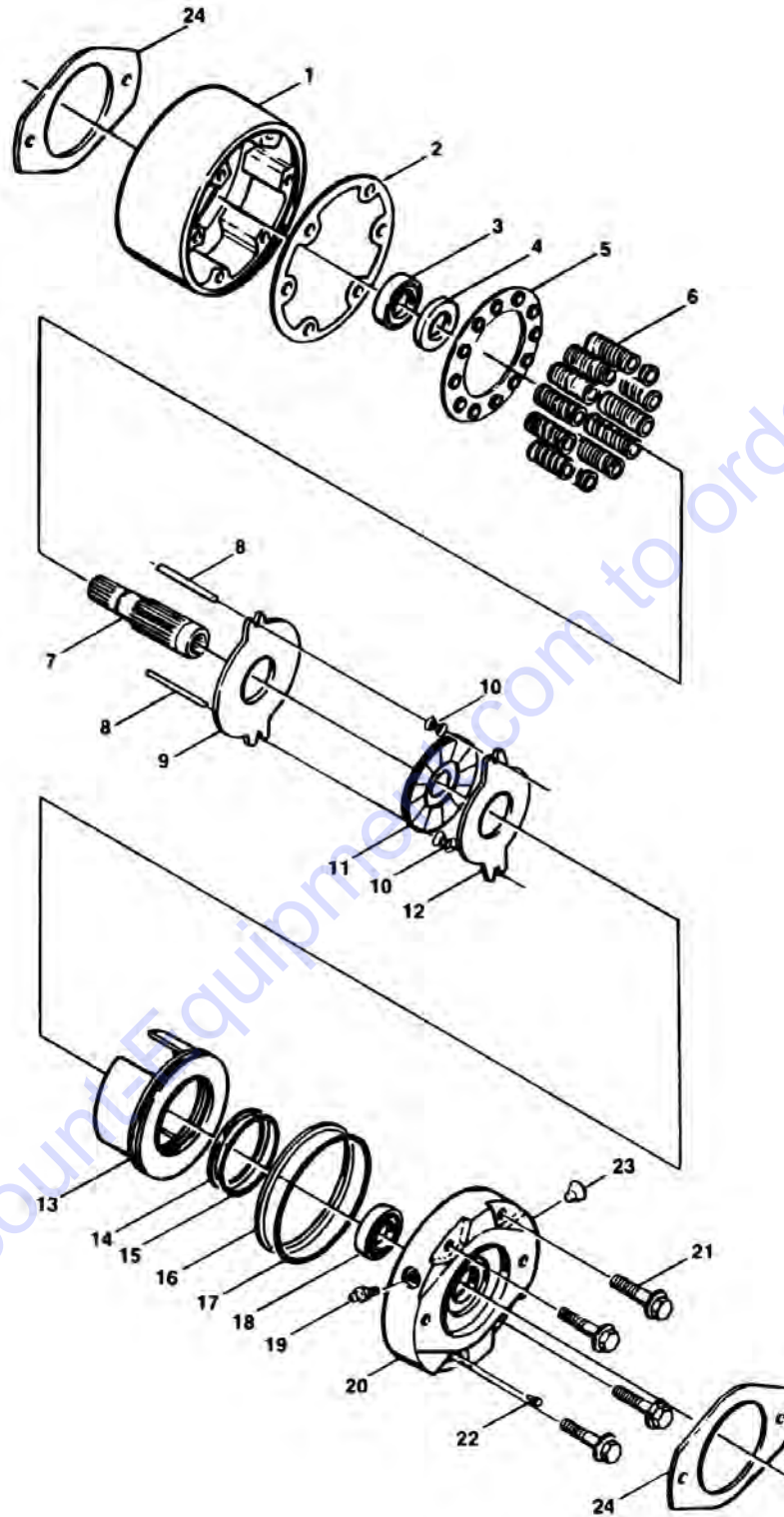
**SECTION 2 - TURNTABLE**

**FIGURE 2-11. BRAKE ASSEMBLY (PRIOR TO AUGUST 1991)**

ITEM	PART NUMBER	QTY	DESCRIPTION	REV
	0920068	Ref	<b>BRAKE ASSEMBLY (PRIOR TO AUGUST 1991)</b>	-
1	7003067	1	Housing	
2	7000782	7	Spring, Compression	
3	7000798	7	Spring, Compression	
4	7003060	2	Ring, Retaining	
5	7003061	1	Shaft, Splined	
6	7003062	2	Pin, Torque	
7	7000718	1	Disc, Primary	
8	7000732	2	Disc, Rotating	
9	7003006	4	Spring, Compression	
10	7003063	1	Disc, Stationary	
11	7003064	1	Piston	
12	Kit	1	Ring, Back-up	
13	Kit	1	O-Ring	
14	Kit	1	Ring, Back-up	
15	Kit	1	O-Ring	
16	7000796	1	Bleeder	
17	7003065	1	Plate, Power	
18	7000728	1	Plug	
19	7000729	4	Lockwasher	
20	7003066	4	Bolt	
21	Kit	2	Gasket	
	2900649	1	Seal Kit (Includes Items 12, 13, 14, 15 & 21)	

## SECTION 2 - TURNTABLE

FIGURE 2-12. BRAKE ASSEMBLY - AUSCO 37845 (AUGUST 1991 TO PRESENT)





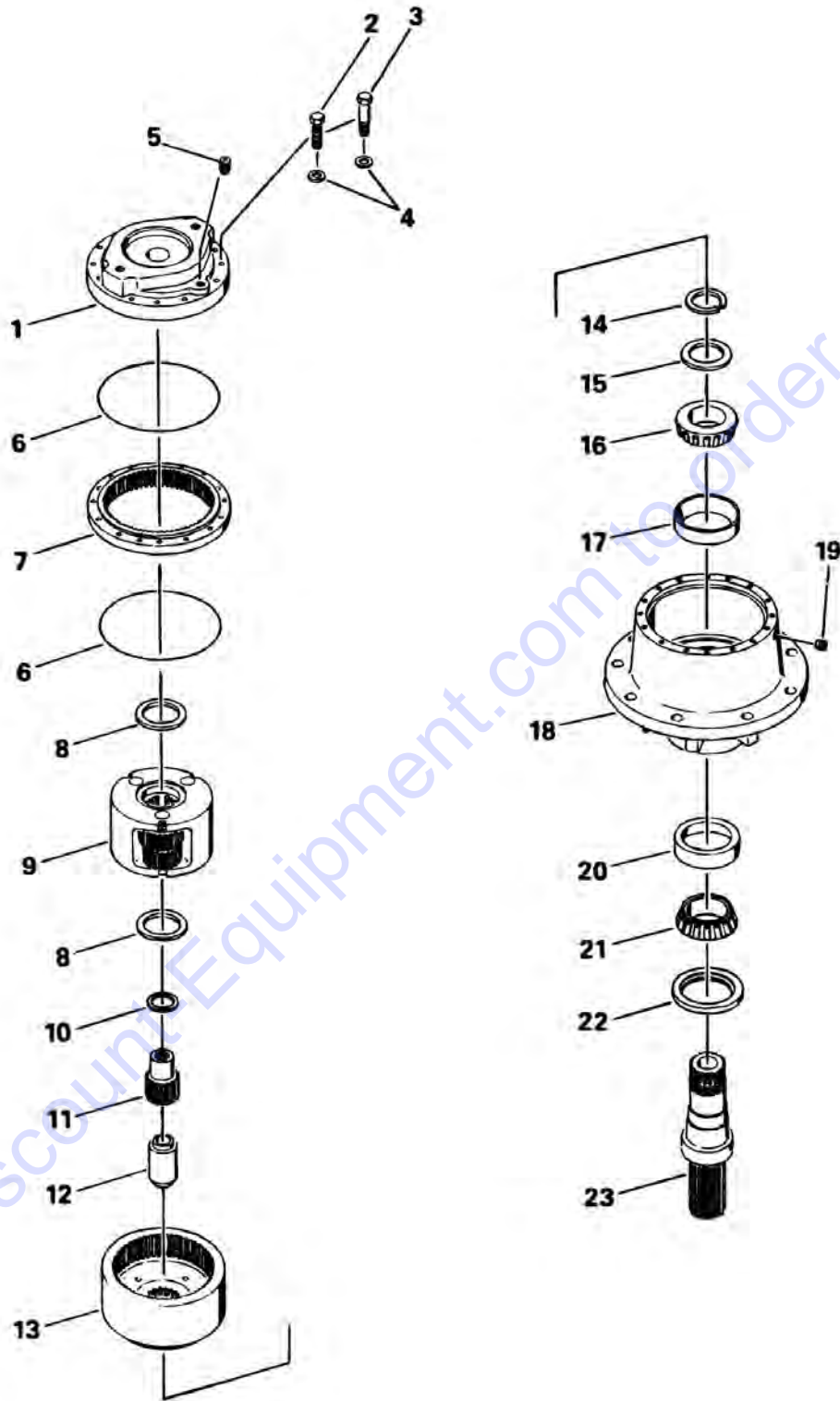
## SECTION 2 - TURNTABLE

**FIGURE 2-12. BRAKE ASSEMBLY - AUSCO 37845 (AUGUST 1991 TO PRESENT)**

ITEM	PART NUMBER	QTY	DESCRIPTION	REV
	0920086	Ref	<b>BRAKE ASSEMBLY - AUSCO 37845 (AUGUST 1991 TO PRESENT)</b>	A
1	7003092	1	Housing	
2	Kit	1	Gasket	
3	7003049	1	Ball Bearing	
4	7003050	1	Oil Seal	
5	7003051	1	Spring Retainer	
6	7003052	12	Compression Spring	
7	7003093	1	Shaft	
8	7003094	2	Torque Pin	
9	7003054	1	Primary Disc	
10	7003006	2	Compression Spring	
11	7003055	1	Rotating Disc	
12	7003056	1	Stationary Disc	
13	7003095	1	Piston	
14	Kit	1	Backup Ring	
15	Kit	1	O-Ring	
16	Kit	1	Backup Ring	
17	Kit	1	O-Ring	
18	7000760	1	Ball Bearing	
19	7000796	1	Bleeder Screw	
20	7003096	1	Power Plate	
21	7003007	4	Hex Screw	
22	7003059	1	Pressure Relief Valve	
23	N.S.S.	1	Plug, Shipping	
24	Kit	2	Gasket	
	2900662	1	O-Ring Kit (Includes Items 2, 14-17 & 24)	
	7003069	1	Gasket Kit (Includes Item 24)	

# SECTION 2 - TURNTABLE

## FIGURE 2-13. SWING HUB ASSEMBLY



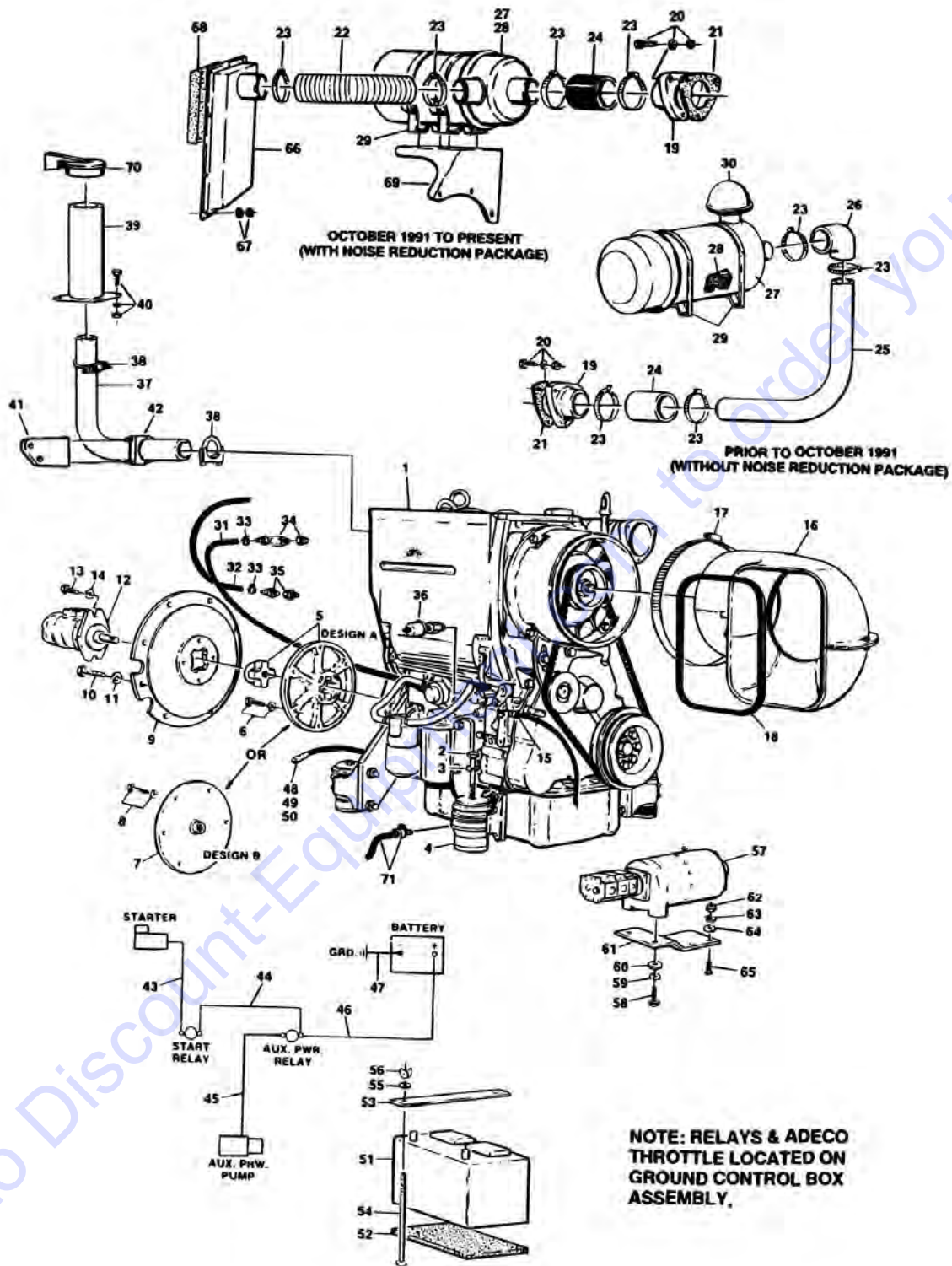
**SECTION 2 - TURNTABLE**

**FIGURE 2-13. SWING HUB ASSEMBLY**

ITEM	PART NUMBER	QTY	DESCRIPTION	REV
	2780055	Ref	<b>SWING HUB ASSEMBLY</b>	-
1	7000209	1	Cover	
2	7000217	8	Bolt, Hex Head	
3	7000214	4	Bolt, Hex Head, Shoulder	
4	4751500	12	Flatwasher	
5	7000242	1	Plug, Pipe	
6	Kit	2	O-Ring	
7	7000208	1	Gear, Ring	
8	7000253	2	Washer, Thrust	
9	7000207	1	Planet Carrier Assembly (No Service Breakdown Parts Purchase Entire Assembly)	
10	7000270	1	Washer, Thrust	
11	7000268	1	Gear, Sun-Input	
12	7000269	1	Spacer, Sun Gear	
13	7000246	1	Gear, Internal	
	7000271	1	Hub Assembly	
14	Kit	1	Ring, Retaining	
15	Kit	1	Spacer	
16	7000258	1	Bearing, Tapered Roller	
17	7000257	1	Cup, Bearing	
18	7000210	1	Hub	
19	7000242	1	Plug, Pipe	
20	7000255	1	Cup, Bearing	
21	7000256	1	Bearing, Tapered Roller	
22	Kit	1	Seal	
23	7000233	1	Shaft, Output	
	2900034	1	Kit, Repair (Includes Items 6, 14, 15 & 22)	

# SECTION 2 - TURNTABLE

## FIGURE 2-14. DEUTZ ENGINE INSTALLATION



## SECTION 2 - TURNTABLE

**FIGURE 2-14. DEUTZ ENGINE INSTALLATION**

ITEM	PART NUMBER	QTY	DESCRIPTION	REV
	0250037	Ref	<b>DEUTZ ENGINE INSTALLATION - F3L-1011 (WITHOUT NOISE REDUCTION PACKAGE/PRIOR TO OCTOBER 1991)</b>	F
	0252297	Ref	<b>DEUTZ ENGINE INSTALLATION - F3L-1011 (WITH NOISE REDUCTION/OCTOBER 1991 TO PRESENT)</b>	E
1		Ref	Engine Deutz - F3L-1011 Diesel Options:	
1	2000107	1	Engine Deutz - F3L-1011 Diesel (Prior to August 1995)	
1	2000138	1	Engine Deutz - F3L-1011 Diesel (August 1995 to Present)	
2	0641844	4	Bolt 1/2in-13NC x 45 1/2in	
3	4761800	4	Lockwasher 1/2in	
4	0080174	4	Adapter	
	0250125	1	Coupling Installation - Lovejoy (Design A)	-
	0250597	1	Coupling Installation - Hayes (Design B)	-
5	1660169	1	Coupling, Lovejoy (Design A)	
5	1660172	1	Hub, Coupling (Lovejoy)	
5	1660173	1	Disc, Coupling (Lovejoy)	
6	0700812	6	Bolt, Metric 8mm x 25mm	
6	4831900	6	Lockwasher, Metric 8mm	
7	1660184	1	Coupling, Hayes (Design B)	
8	0700810	6	Bolt, Metric 8mm x 20mm	
8	4831900	6	Lockwasher, Metric 8mm	
9	0080163	1	Plate, Adapter	
10	0701014	8	Bolt, Metric 10mm x 30mm	
11	4832000	8	Lockwasher, Metric 10mm	
12	3600139	1	Pump Assembly (See ROTARY COUPLING AND COLLECTOR ASSEMBLY AND INSTALLATION for Breakdown)	
13	0641810	2	Bolt 1/2in-13NC x 1 1/4in	
14	4761800	2	Lockwasher 1/2in	
15	0080172	1	Adapter, Throttle (Prior to September 1995)	
15	4460302	1	Adapter, Throttle (September 1995 to Present)	
15	3951003	1	Setscrew #10-24NC x 3/8in (Prior to September 1995)	
15	0902244	1	Bracket, Throttle (September 1995 to Present)	
15	3450202	1	Pin, Cotter 1/16in x 1/2in	
15	4711400	1	Flatwasher 1/4in (September 1995 to Present)	
15	0700605	2	Bolt 6mm x 10mm (September 1995 to Present)	
16	1840004	1	Scoop, Intake (Prior to March 1995)	
16	1840010	1	Scoop, Intake (March 1995 to Present)	
17	1320059	1	Clamp (Prior to March 1995 Only)	
18	3960389	1	Seal	
19	0080177	1	Adapter, Air Intake	
20	0641510	3	Bolt 5/16in-18NC x 1 1/4in	
20	4761500	3	Lockwasher 5/16in	
20	3311501	3	Nut 5/16in-18NC	
21	3960407	1	Gasket, Adapter	
22	2720334	1	Hose, Air Intake (0252297 Installation Only)	
23	1320031	4	Clamp, Hose	
24	2720178	1	Hose, Rubber (0250037 Installation)	
24	2720351	1	Hose, Rubber (0252297 Installation)	
25	4564493	1	Tube, Air Intake (0250037 Installation Only)	
26	0080039	1	Elbow (0250037 Installation Only)	
27	1340020	1	Air Cleaner Assembly	

## SECTION 2 - TURNTABLE

ITEM	PART NUMBER	QTY	DESCRIPTION	REV
28	7004214	1	Element	
29	0340002	2	Band, Mounting	
29	0641406	4	Bolt 1/4in-20NC x 3/4in	
29	4751400	4	Flatwasher 1/4in	
29	3311405	4	Locknut 1/4in-20NC	
30	1120161	1	Cap, Inlet (0250037 Installation Only)	
31	2720058	10 ft	Hose, Fuel Line (Supply)	
32	2720271	10 ft	Hose, Fuel Line (Return)	
33	1320022	4	Clamp, Hose	
34	2200805	1	Fitting, 90 Barbed (Fuel Supply)	
34	2220273	1	Fitting, Reducer (Fuel Supply)	
35	2180536	1	Fitting, Barbed (Fuel Return)	
35	2220273	1	Fitting, Reducer (Fuel Return)	
35	4420001	AR	Tape, Sealant	
36	2420110	1	Sender, Oil Pressure (See end of this parts list for options)	
36	2180730	1	Fitting, Straight Connector	
36	2200261	1	Fitting, Straight	
36	2180104	1	Fitting, Nipple	
37	4564413	1	Tailpipe (Standard - 0250037 Installation)	
37	4565278	1	Tailpipe (Standard - 0252297 Installation)	
37	4565988	1	Tube, Exhaust (Standard - 0252297 Installation)	
37	4100025	2 ft/.6m	Sleeve, Fiberglass (Standard - 0252297 Installation)	
37	4565162	1	Tube, Exhaust (With Spark Arrestor)	
37	4565163	1	Tailpipe (With Spark Arrestor)	
37	7000694	1	Muffler (Standard - Not Shown)	
37	3220036	1	Arrestor, Spark (Optional - Not Shown)	
38	1320019	2	Clamp, Muffler	
39	4843372	1	Snorkel, Exhaust	
40	0641406	4	Bolt 1/4in-20NC x 3/4in	
40	4761400	4	Lockwasher 1/4in	
40	3311405	4	Locknut 1/4in-20NC	
41	0901705	1	Bracket, Muffler (Standard)	
41	0901759	1	Bracket, Muffler (With Spark Arrestor Only)	
42	1320176	1	Clamp, Muffler	
43	1060099	1	Cable, Battery (Starter to Start Relay)	
44	1060092	1	Cable, Battery (Start Relay to Aux Relay)	
45	1060129	1	Cable, Battery (Aux Relay to Aux Pump)	
46	1060074	1	Cable, Battery (Positive - Battery to Aux Relay)	
47	1060172	1	Cable, Battery (Negative - Battery to Ground)	
48	1060045	1	Cable, Battery (Engine to Ground)	
49	3311601	1	Nut 3/8in-16NC	
50	4761600	1	Lockwasher 3/8in	
50	4300034	1	Stud (Welded on Part)	
51	0400075	1	Battery	
52	3980007	1	Seat, Masonite	
53	0361810	1	Holddown, Battery	
54	0236768	2	Rod, Tie-Down (10in)	
54	3841026	2	Rod, Tie-Down (11in)	
55	4711600	2	Flatwasher 3/8in Narrow	
56	3300029	2	Wingnut	
57	3600141	1	Auxiliary Pump Assembly - John S. Barnes (Prior to October 1990)	

**SECTION 2 - TURNTABLE**

ITEM	PART NUMBER	QTY	DESCRIPTION	REV
57	7004290	1	Motor	
57	7004291	1	Pump	
57	7004249	1	Coupling	
57	3600071	1	Auxiliary Pump Assembly - John S. Barnes, Motor (Alt Haldex Barnes, Inc) (October 1990 to Present)	
57	7004248	1	Motor	
57	7004436	1	Motor with Mounting Bracket	
57	7004247	1	Pump	
57	7004249	1	Coupling	
57	7012576	1	Bracket	
58	0641608	2	Bolt 3/8in-16NC x 1in	
59	4761600	2	Lockwasher 3/8in	
60	4711600	2	Flatwasher 3/8in Narrow	
61	0901307	1	Bracket, Auxiliary Pump	
62	3311601	2	Nut 3/8in-16NC	
63	4761600	2	Lockwasher 3/8in	
64	4711601	2	Flatwasher 3/8in Narrow	
65	4300034	2	Stud (Welded on Parts)	
66	4844312	1	Box, Intake (0252297 Installation Only)	
67	3311405	10	Lockout 1/4in-20NC (0252297 Installation Only)	
67	4751400	AR	Flatwasher 1/4in (0252297 Installation Only)	
68	2820060	1	Foam, Acoustical (0252297 Installation Only)	
69	0901800	1	Bracket, Air Cleaner (0252297 Installation Only)	
70	1120405	1	Rain Cap (0252297 Installation Only)	
71	4640751	1	Valve, Oil Drain (0252297 Installation Only)	
71	2750532	6 in/15cm	Hose, Drain (0252297 Installation Only)	
71	1320022	1	Clamp (0252297 Installation Only)	
	0250233	Ref	<b>COLD WEATHER PACKAGE INSTALLATION (OPTIONAL - NOT SHOWN)</b>	B
	1281186	Ref	<b>COLD WEATHER PACKAGE INSTALLATION (OPTIONAL - NOT SHOWN)</b>	F
	2901111	1	Kit, Cold Weather Start	
	0700808	1	Bolt, Metric M8 x 16 Grade 8.8	
	4761500	1	Lockwasher 5/16in	
	3311401	4	Nut 1/4in-20NC	
	4761400	4	Lockwasher 1/4in	
	4300031	4	Stud (Welded on Part)	
	2580001	1	Heater, Battery	
	0251682	Ref	<b>ENGINE SHUTDOWN INSTALLATION (NOT SHOWN)</b>	-
		Ref	<b>Note: The following items located at Item 36.</b>	
	4360065	1	Switch, Pressure	
	2220318	1	Fitting, 90	
	2180643	1	Fitting, Nipple	
	2180360	1	Fitting, Tee	
	3740049	1	Relay (Located in Ground Control Box - Not Shown)	
	0250229	Ref	<b>ENGINE PRESSURE SWITCH INSTALLATION (USE WITH 110V GENERATOR OPTION - NOT SHOWN)</b>	L
		Ref	<b>Note: The following items located at Item 36.</b>	
	4360037	1	Switch, Pressure	
	2200261	1	Fitting, Connector (Prior to SN 23615)	
	2180360	1	Fitting, Tee (Prior to SN 23615)	
		Ref	Fitting Options:	

## SECTION 2 - TURNTABLE

ITEM	PART NUMBER	QTY	DESCRIPTION	REV
	2180537	1	Fitting, Brass Nipple ( <b>Prior to SN 23615</b> )	
	2180730	1	Fitting, Adapter ( <b>SN 23615 to Present</b> )	
	2180749	1	Fitting, 45	
		Ref	<b>ENGINE COMPONENTS</b>	
	2000107	Ref	<b>Deutz F3L1011 Engine</b>	
	7020457	1	Alternator	
	7020023	1	Filter, Fuel (was p/n 7012598)	
	7014502	1	Filter, Oil (Case of 12)	
		Ref	Gasket Options:	
	7020471	3	Exhaust Manifold	
	7020424	3	Injector Tip	
	70003622	3	Injector	
	7020455	1	Muffler	
	7012698	1	Pump, Fuel	
	7020477	1	Ring, Gear (Flywheel)	
	7016308	1	Ring, Plastic Air Intake	
	7027250	1	Spring, Tension (Actuator)	
	7012626	1	Starter	
	7027210	1	Switch, Oil Temp Sender	
	7019607	1	Switch, Solenoid (was p/n 7016341)	
	7019607	2	Shutdown Device (was p/n 7016359)	
	7014684	1	Tune-up Kit (Includes fuel line and oil plug washers, oil and fuel filters, valve cover and injector tip gaskets)	
	7016309	1	Washer, Copper Sealing	
	2000138	Ref	<b>Deutz F3L1011F Engine</b>	
	7020417	1	Alternator	
	70000851	1	Bracket, Alternator Mounting	
	7020024	1	Breather Cap (Crankcase)	
	7020435	1	Dipstick	
	7000699	1	Exhaust Seal (Doughnut)	
	7016331	1	Filter, Oil	
	7020412	1	Fitting, Tee	
	8320270	1	Fuel, Filter (Thumbscrew Mounted)	
	7020023	1	Fuel, Filter (Spin-On)	
		Ref	Gasket Options:	
	7020471	3	Exhaust Manifold	
	7020411	1	Lift Pump	
	7020424	3	Injector Tip	
	7020430	1	Valve Cover	
	7020220	1	Harness	
	7020419	1	Hose, Fuel Return	
	7020426	1	Injector	
	7020455	1	Muffler	
	7020425	1	Nozzle, Injector	
	7019607	1	Throttle Shutdown	
	7012599	1	Pump, Fuel Injector	
	7020463	1	Pump, Fuel Supply	
	7024579	1	Ring, Gear (Flywheel) (110 Teeth)	
	7020208	1	Ring, Gear (Flywheel) (129 Teeth)	
	7020477	1	Ring, Gear (Flywheel) (133 Teeth)	
	7020406	1	Ring, Sealing	
	7016359	2	Shutdown Device	



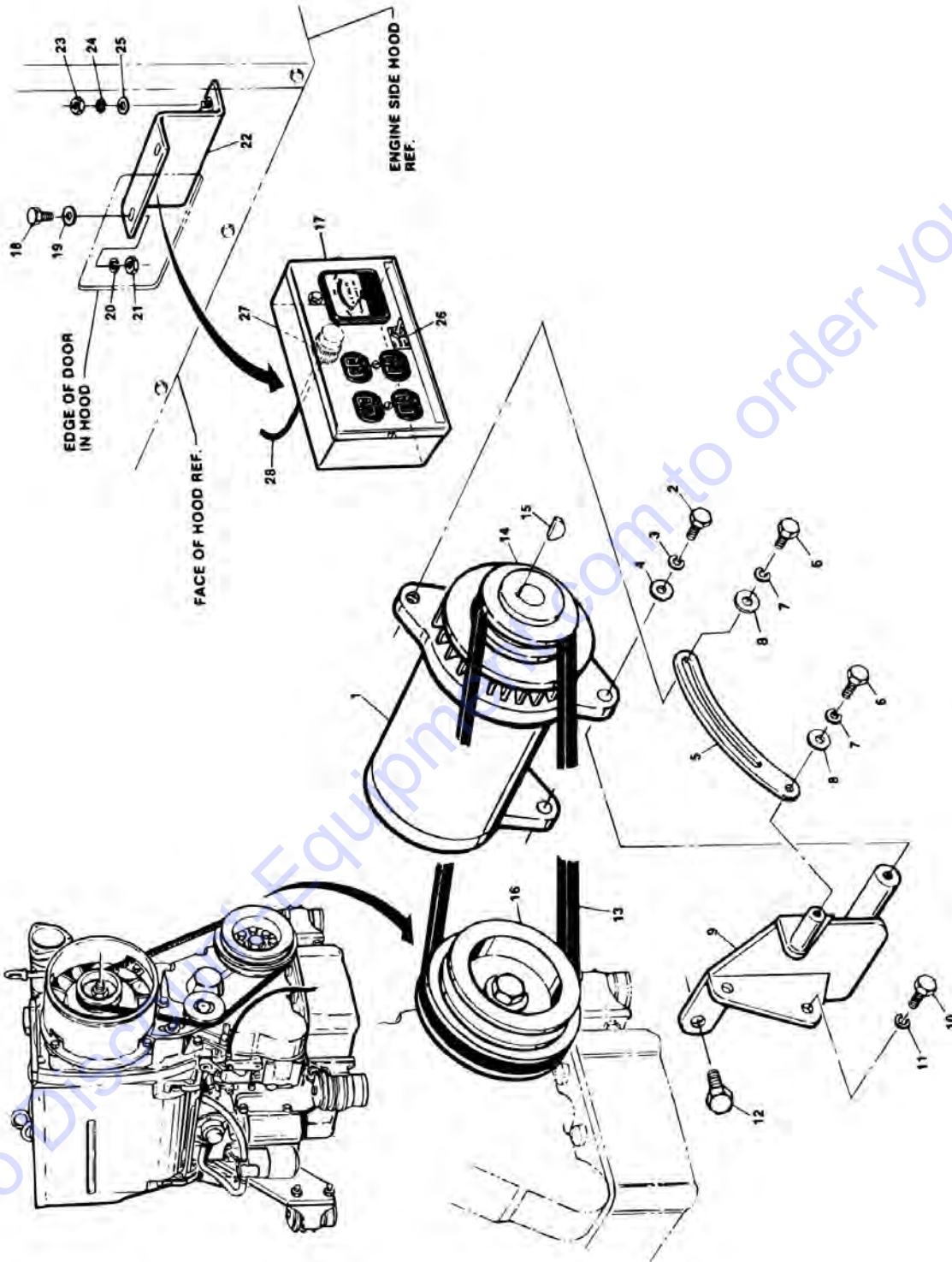
**SECTION 2 - TURNTABLE**

ITEM	PART NUMBER	QTY	DESCRIPTION	REV
	7027250	1	Spring, Tension (Actuator)	
	7016332	1	Starter (11 Teeth)	
	7020479	1	Starter (9 Teeth)	
	7020168	1	Switch, Oil Pressure Sender	
	7020414	1	V-Belt	
	0251537	Ref	<b>ENGINE DISTRESS INSTALLATION (OPTIONAL - NOT SHOWN)</b>	D
		Ref	<b>Note: The following Items located at Item 36.</b>	
	2180360	1	Fitting, Tee	
	2180749	1	Fitting, 45	
	4360065	1	Switch, Pressure	

Go to Discount-Equipment.com to order your parts

## SECTION 2 - TURNTABLE

FIGURE 2-15. 110 VOLT GENERATOR INSTALLATION - DEUTZ



## SECTION 2 - TURNTABLE

### FIGURE 2-15. 110 VOLT GENERATOR INSTALLATION - DEUTZ

ITEM	PART NUMBER	QTY	DESCRIPTION	REV
	0250229	Ref	<b>110 VOLT GENERATOR INSTALLATION (DEUTZ)</b>	L
1	2460011	1	Generator Assembly with Control Box	
1	7012558	1	Generator Assembly	
1	7020109	4	Holder, Brush	
1	7020108	4	Brush	
1	7012513	4	Cap, Brush Holder	
1	7012514	1	Fan	
1	7020190	2	Bearing	
1	7020110	1	End Bell, Front	
1	7020111	1	End Bell, Rear	
1	7020193	1	Cord, Power	
1	7003657	1	Control Box Assembly	
		Ref	<b>Note: Replacement 110V Control Box comes with 2 std receptacles p/n 4460190. Optional Twist Lock receptacles p/n 4460027 must be ordered separately.</b>	
1	2420203	1	Meter (was p/n 7010699)	
1	4360542	1	Breaker, Circuit (was p/n 7020194)	
1	4460190	1	Receptacle, Double (110V Box)	
1	4460027	1	Receptacle, Double Twist Lock (110V Box)	
1	2920162	1	Lamp	
1	7020191	1	Switch, Toggle	
1	3520028	1	Plug, Hole	
2	0681610	2	Bolt 3/8in-16NC x 1 1/4in (Grade 8)	
3	4761600	2	Lockwasher 3/8in	
4	4751600	2	Flatwasher 3/8in	
5	0361815	1	Arm, Adjustable	
6	0681510	2	Bolt 5/16in-18NC x 1 1/4in (Grade 8)	
7	4761500	2	Lockwasher 5/16in	
8	4751500	2	Flatwasher 5/16in	
9	4843410	1	Bracket, Mounting - Generator	
10	0701012	2	Bolt, Metric 10mm x 25m	
11	4812000	2	Flatwasher, Metric 10mm	
11	0100011	AR	Loctite	
12	0701414	1	Bolt, Metric 14mm x 30mm	
13	0480059	1	V-Belt	
14	3580134	1	Pulley (Included with Item #2)	
15	2860012	1	Key	
16	3580158	1	Pulley	
17	See Item 1	1	Box, Control	
18	0641406	2	Bolt 1/4in-20NC x 3/4in	
19	4751400	2	Flatwasher 1/4in	
20	4761400	2	Lockwasher 1/4in	
21	3311401	2	Nut 1/4in-20NC	
22	0901633	1	Bracket, Mounting - Box	
23	3311401	2	Nut 1/4in-20NC	
24	4761400	2	Lockwasher 1/4in	
25	4751400	2	Flatwasher 1/4in	
25	4300068	2	Stud (Welded on Part)	
26	3251476	1	Decal - Generator	
27	4460023	1	Terminal	

## SECTION 2 - TURNTABLE

ITEM	PART NUMBER	QTY	DESCRIPTION	REV
28	1060012	AR	Cable - 12/4	

Go to Discount-Equipment.com to order your parts

# PARTS FINDER

**Search Website  
by Part Number**



**Search Manual  
Library For Parts  
Manual & Lookup Part  
Numbers – Purchase  
or Request Quote**

**Can't Find Part or  
Manual? Request Help  
by Manufacturer,  
Model & Description**

Discount-Equipment.com is your online resource for quality parts & equipment.

Florida: **561-964-4949** Outside Florida TOLL FREE: **877-690-3101**

## Need parts?

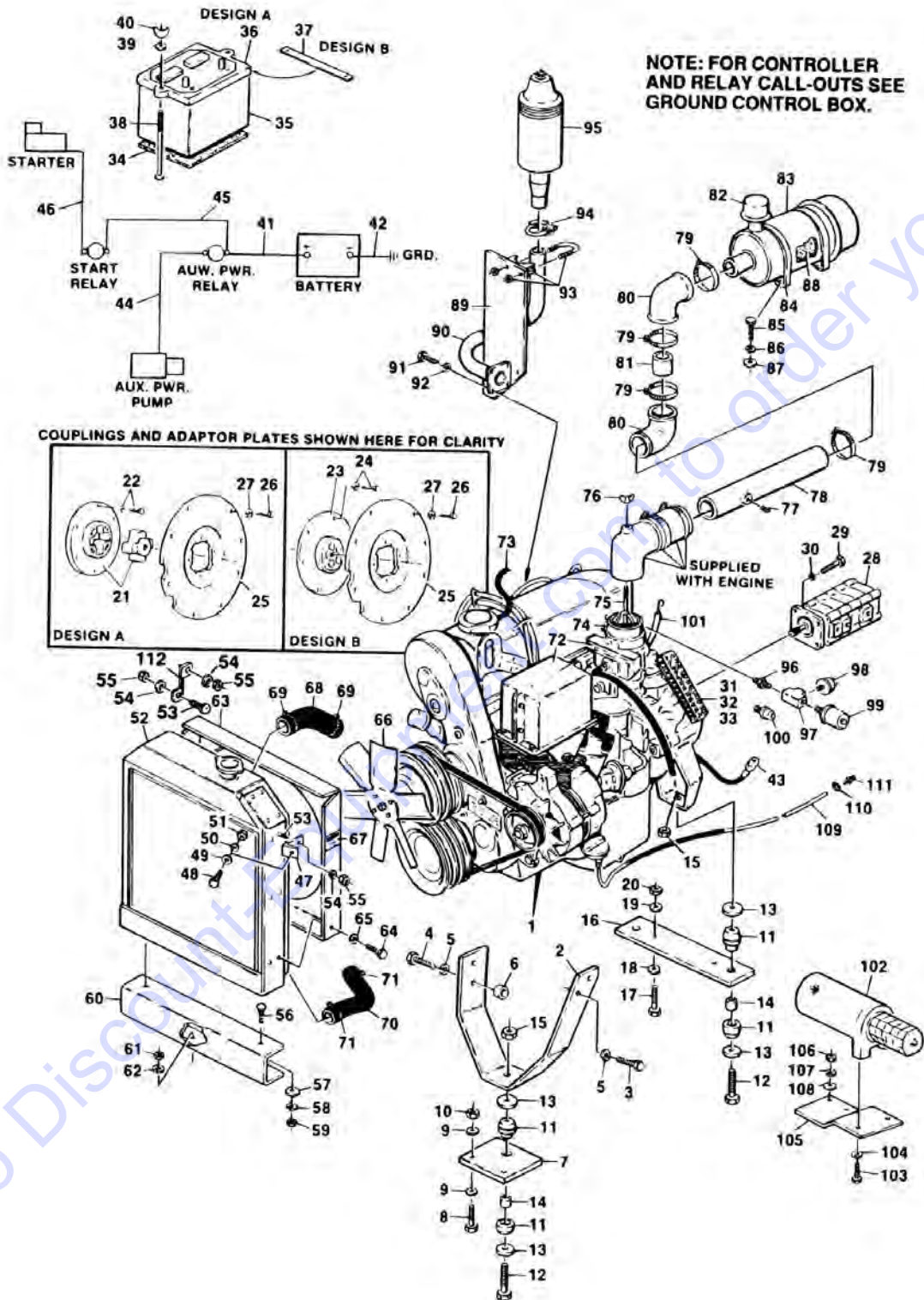
Click on this link: <http://www.discount-equipment.com/category/5443-parts/> and choose one of the options to help get the right parts and equipment you are looking for. Please have the machine model and serial number available in order to help us get you the correct parts. If you don't find the part on the website or on one of the online manuals, please fill out the request form and one of our experienced staff members will get back to you with a quote for the right part that your machine needs.

We sell worldwide for the brands: Genie, Terex, JLG, MultiQuip, Mikasa, Essick, Whiteman, Mayco, Toro Stone, Diamond Products, Generac Magnum, Airman, Haulotte, Barreto, Power Blanket, Nifty Lift, Atlas Copco, Chicago Pneumatic, Allmand, Miller Curber, Skyjack, Lull, Skytrak, Tsurumi, Husquvarna Target, Stow, Wacker, Sakai, Mi-T-M, Sullair, Basic, Dynapac, MBW, Weber, Bartell, Bennar Newman, Haulotte, Ditch Runner, Menegotti, Morrison, Contec, Buddy, Crown, Edco, Wyco, Bomag, Laymor, EZ Trench, Bil-Jax, F.S. Curtis, Gehl Pavers, Heli, Honda, ICS/PowerGrit, IHI, Partner, Imer, Clipper, MMD, Koshin, Rice, CH&E, General Equipment, Amida, Coleman, NAC, Gradall, Square Shooter, Kent, Stanley, Tamco, Toku, Hatz, Kohler, Robin, Wisconsin, Northrock, Oztec, Toker TK, Rol-Air, APT, Wylie, Ingersoll Rand / Doosan, Innovatech, Con X, Ammann, Mecalac, Makinex, Smith Surface Prep, Small Line, Wanco, Yanmar



# SECTION 2 - TURNTABLE

FIGURE 2-16. FORD LSG423 ENGINE INSTALLATIONS - WITHOUT NOISE REDUCTION (PRIOR TO FEBRUARY 1993)



## SECTION 2 - TURNTABLE

**FIGURE 2-16. FORD LSG423 ENGINE INSTALLATIONS - WITHOUT NOISE REDUCTION (PRIOR TO FEBRUARY 1993)**

ITEM	PART NUMBER	QTY	DESCRIPTION	REV
	0250278	Ref	<b>FORD ENGINE INSTALLATION - LSG-423 (STANDARD)</b>	F
	0250311	Ref	<b>FORD ENGINE INSTALLATION - LSG-423 (DUAL FUEL)</b>	H
1	2000088	1	Engine (Ford LSG-423)	
2	3200198	1	Engine Mount, Front	
3	0711014	3	Bolt, Metric M10 x 30 (Grade 8)	
4	0711020	1	Bolt, Metric M10 x 60 (Grade 8)	
5	4761600	4	Lockwasher 3/8in	
6	4562637	1	Spacer	
7	3200227	1	Support, Engine (Front)	
8	0641622	2	Bolt 3/8in-16NC x 2 3/4in	
9	4761600	2	Lockwasher 3/8in	
9	4751600	2	Flatwasher 3/8in	
10	3311601	2	Nut 3/8in-16NC	
11	3200260	3	Mount, Engine	
12	0642032	3	Bolt 5/8in-11NC x 4 1/4in	
13	4740242	5	Washer, Special	
14	4563674	3	Spacer, Tube	
15	3312005	3	Locknut 5/8in-11NC	
16	3200226	1	Support, Engine (Rear)	
17	0642022	2	Bolt 5/8in-11NC x 2 3/4in	
18	4752000	2	Flatwasher 5/8in	
19	4762000	2	Lockwasher 5/8in	
20	3312001	2	Nut 5/8in-11NC	
	0239962	1	Coupling Installation - Love Joy (Design A)	-
	0250599	1	Coupling Installation - Hayes (Design B)	-
21	1660170	1	Coupling Assembly - Love Joy (Design A)	
21	1660175	1	Disc Coupling	
21	1660174	1	Hub, Coupling	
22	0641610	6	Bolt 3/8in-16NC x 1 1/4in	
22	4761600	6	Lockwasher 3/8in	
23	1660183	1	Coupling Assembly - Hayes (Design B)	
24	0641607	6	Bolt 3/8in-16NC x 7/8in	
24	4761600	6	Lockwasher 3/8in	
25	0080163	1	Adapter, Pump	
26	0641610	8	Bolt 3/8in-16NC x 1 1/4	
27	4761600	8	Lockwasher 3/8in	
28	3600139	1	Pump Assembly - Gear (See MAIN PUMP ASSEMBLY - GEAR for Breakdown)	
29	0641812	4	Bolt 1/2in-13NC x 1 1/2in	
30	4761800	4	Lockwasher 1/2in	
31	0901401	1	Bracket, Terminal Strip	
31	1670414	1	Cover, Strip	
32	1700901	1	Decal - Terminal Strip Label	
33	1320070	2	Clamp, Wiring	
33	3910812	1	Screw, Round Head #8-32NC x 3/4in	
33	4770800	1	Starwasher #8	
33	3310801	1	Nut #8-32NC	
34	3980003	1	Masonite	
35	0400025	1	Battery - 13in Length	



## SECTION 2 - TURNTABLE

ITEM	PART NUMBER	QTY	DESCRIPTION	REV
35	0400003	1	Battery - 10in Length	
36	0400002	1	Holddown (Design A)	
36	2910479	2	Clips Holddown (Design A)	
37	0361810	1	Holddown (Design B)	
38	0236768	2	Rod, Tie Down - 11in Rod	
38	3841026	2	Rod, Tie Down - 10in Rod	
39	4751600	2	Flatwasher 3/8in	
40	3300029	2	Wingnut 3/8in-16NC	
41	1060093	1	Cable, Battery (Positive to Aux Relay) (19in Length)	
41	1060129	1	Cable, Battery (Positive to Aux Relay) (40in Length)	
41	1060119	1	Cable, Battery (Positive to Aux Relay) (48in Length)	
42	1060093	1	Cable, Battery (Negative to Ground) (13in Length)	
42	1060172	1	Cable, Battery (Negative to Ground) (18in Length)	
43	1060045	1	Cable, Battery (Engine to Ground)	
44	1060129	1	Cable, Battery (Aux Relay to Aux Power)	
45	1060092	1	Cable, Battery (Aux Relay to Start Relay)	
46	1060099	1	Cable, Battery (Starter to Start Relay)	
47	0181488	1	Angle, Radiator Support (Front)	
48	0641408	1	Bolt 1/4in-20NC x 1in	
49	4751400	1	Flatwasher 1/4in	
50	4761400	1	Lockwasher 1/4in	
51	3311401	1	Nut 1/4in-20NC	
52	3620026	1	Radiator (Specify when ordering: Modine or Long)	
53	0630360	2	Bolt, Carriage 5/16in-18NC x 1 1/4in	
54	4761500	3	Lockwasher 5/16in	
55	3311501	3	Nut 5/16in-18NC	
56	0630375	2	Bolt, Carriage 7/16in-14NC x 1in	
57	4751700	2	Flatwasher 7/16in	
58	4761700	2	Lockwasher 7/16in	
59	3311701	2	Nut 7/16in-18NC	
60	4340509	1	Support, Radiator	
61	3311601	2	Nut 3/8in-16NC	
62	4761600	2	Lockwasher 3/8in	
62	4300034	2	Stud (Welded on Part)	
63	2680356	1	Shroud, Fan (Use with Long Radiator)	
63	2680386	1	Shroud, Fan (Use with Modine Radiator)	
64	3940804	6	Screw, Self-Tapping #8-32NC x 1/2in	
65	4760800	6	Lockwasher #8	
66	2060014	1	Fan	
67	3250914	1	Decal - Caution Fan	
68	2720254	1	Hose, Radiator (Top)	
69	1320012	2	Clamp	
70	2720232	1	Hose, Radiator (Bottom)	
71	1320012	2	Clamp	
72	0238044	1	Choke and Throttle Installation - Precision Governor (See PRECISION GOVERNOR INSTALLATION - FORD LSG423 ENGINE MACHINES BUILT for Breakdown)	
73	2720160	AR	Hose	
74	0080092	1	Adapter, Choke	
75	4300056	1	Stud, Carburetor	
76	3311405	1	Locknut 1/4in-20NC	
77	2200053	1	Plug (Standard Machines)	

## SECTION 2 - TURNTABLE

ITEM	PART NUMBER	QTY	DESCRIPTION	REV
78	4843260	1	Tube, Intake	
79	1320058	4	Clamp	
80	0080039	2	Elbow, Rubber	
81	4561815	1	Tube, Connector	
82	1120161	1	Cap, Air Cleaner	
83	1340020	1	Air Cleaner Assembly (Includes Item 88 Element)	
84	0340002	2	Band	
85	3311401	4	Nut 1/4in-20NC	
86	4761400	4	Lockwasher 1/4in	
87	0641408	4	Bolt 1/4in-20NC x 1in	
88	7004214	1	Element, Air Cleaner (Part of Item 88)	
88	2420047	1	Service Indicator (Optional - Not Shown)	
88	0100020	1	Sealant	
89	0901569	1	Plate, Support	
90	4564167	1	Tube, Weldment	
91	0701010	4	Bolt, Metric M10 x 20mm	
92	4740116	4	Lockwasher 10mm	
93	1320019	1	Clamp	
94	1320019	1	Clamp	
95	3220043	1	Muffler	
96	2220273	1	Fitting, Reducer	
97	2180360	1	Fitting, Tee	
98	4360037	1	Switch, Oil Pressure (Standard)	
98	4360182	1	Switch, Oil Pressure (With Engine Distress Light)	
99	2420033	1	Sender, Oil Pressure (Prior to June 1992)	
99	2420131	1	Sender, Oil Pressure (June 1992 to Present)	
100	2420024	1	Sender, Temperature (Prior to June 1992)	
100	2420140	1	Sender, Temperature (June 1992 to Present)	
101	4564281	1	Tube, Dipstick	
101	2420109	1	Dipstick	
102	3600071	1	Auxiliary Pump Assembly - John S. Barnes, Motor (Alt Haldex Barnes, Inc)	
102	7004248	1	Motor	
102	7004436	1	Motor with Mounting Bracket	
102	7004247	1	Pump	
102	7004249	1	Coupling	
102	7012576	1	Bracket	
103	0641612	2	Bolt 3/8in-16NC x 1 1/2in	
104	4761600	2	Lockwasher 3/8in	
105	0901307	1	Bracket, Mounting - Auxiliary Power	
106	3311601	2	Nut 3/8in-16NC	
107	4761600	2	Lockwasher 3/8in	
108	4711600	2	Flatwasher 3/8in	
108	4300034	2	Stud (Welded on Parts)	
109	2720015	10 ft	Hose, Fuel Line	
110	1320022	2	Clamp	
111	2220317	1	Fitting, Barbed	
111	4420001	AR	Tape, Sealant	
112	0901708	1	Bracket, Radiator Support (Rear)	
	4920959	1	Harness (Not Shown)	
	0250232	Ref	<b>COLD WEATHER PACKAGE INSTALLATION (NOT SHOWN)</b>	B
	2580022	1	Heater, Engine Block	

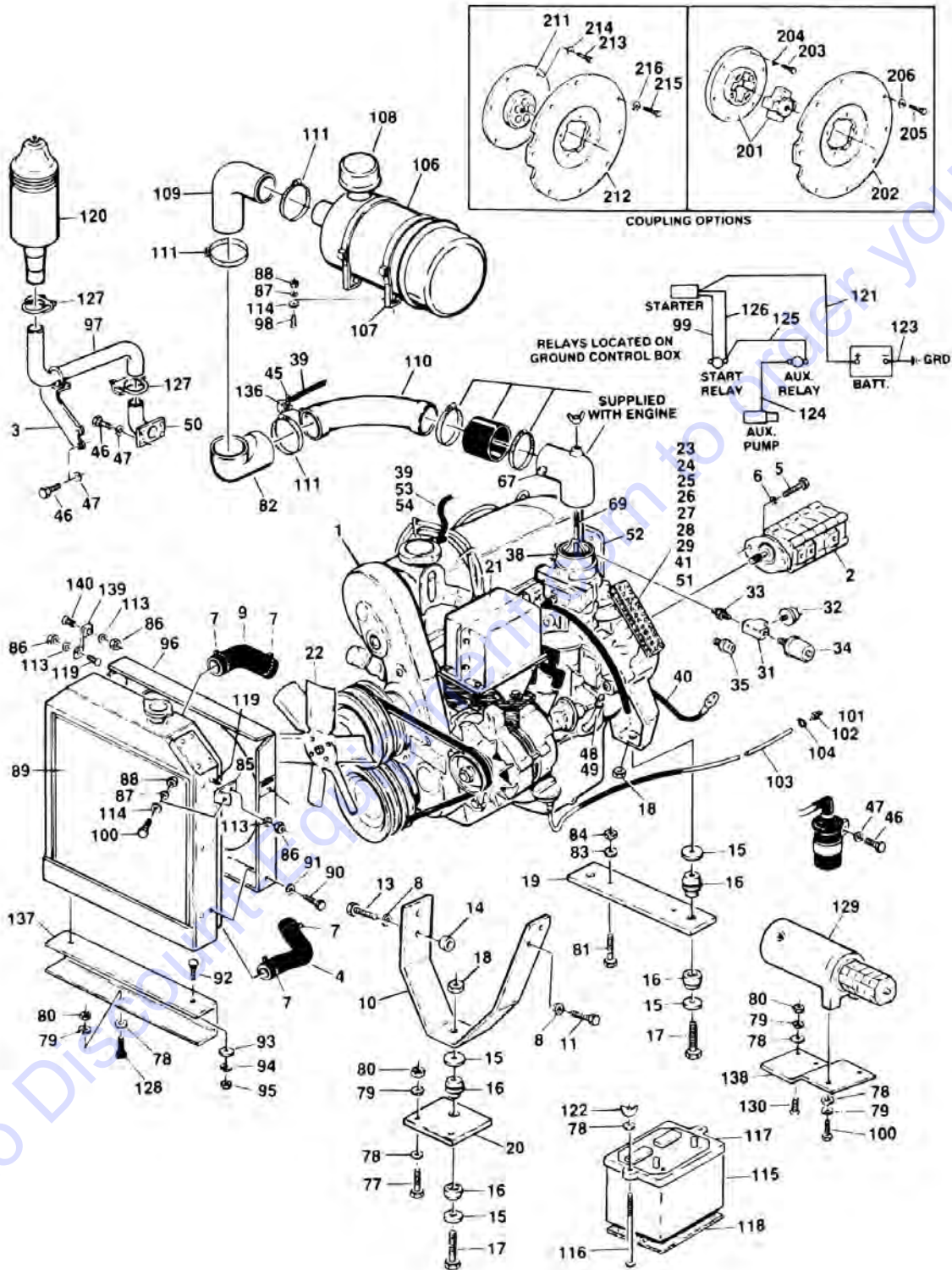
## SECTION 2 - TURNTABLE

ITEM	PART NUMBER	QTY	DESCRIPTION	REV
	2580001	1	Heater, Battery	
	2000088	Ref	<b>ENGINE COMPONENTS</b>	
	7023667	1	Fitting, Tee (Water By-Pass)	
	7000867	1	Harness, Engine	
	7014677	1	Major Components Kit (Include 1 each of standard carburetor, water pump, fuel pump, starter and alternator) (See PRECISION GOVERNOR INSTALLATION - FORD LSG423 ENGINE MACHINES BUILT for carburetor replacement parts)	
	7010633	1	Pump, Fuel	
	7012679	1	Starter (was p/n 7000868)	
	7000874	1	Alternator	
	7014678	1	Gasket and Ignition Kit (Includes upper and lower gasket sets, thermostat, ring gear, belt, coil, ignition module, voltage regulator, starter solenoid and hoses)	
	7000871	1	Coil	
	7000869	1	Module, Ignition	
	7000870	1	Regulation, Voltage	
	7022180	1	Ring Gear (132 Teeth)	
	7014679		Tune-up Kit (Includes 4 spark plugs, and 1 each of oil filter, fuel filter, cap, rotor and wire set)	
	7019932	4	Plugs, Spark (was p/n 7012595)	
	7021869	1	Filter, Oil (was p/n 7014501)	
	7000646	1	Gasket, Carburetor	
	7024321	1	Gasket, Carburetor (Top)	
	7022153	1	Water Pump Assembly	
	7019931	2	Wire Set - Spark Plug	
	0252626	Ref	<b>ENGINE DISTRESS INSTALLATION</b>	B
	2180360	1	Fitting, Tee	
	4360182	1	Switch, Oil Pressure (Located at Item 98)	
	4360157	1	Switch, Water Temperature (Located on far side of engine block)	



# SECTION 2 - TURNTABLE

FIGURE 2-17. FORD LSG423 ENGINE INSTALLATION - WITH NOISE REDUCTION (FEBRUARY 1993 TO FEBRUARY 1995)



## SECTION 2 - TURNTABLE

**FIGURE 2-17. FORD LSG423 ENGINE INSTALLATION - WITH NOISE REDUCTION (FEBRUARY 1993 TO FEBRUARY 1995)**

ITEM	PART NUMBER	QTY	DESCRIPTION	REV
	0253710	Ref	<b>ENGINE ASSEMBLY - STANDARD GAS</b>	B
	0253712	Ref	<b>ENGINE ASSEMBLY - DUAL FUEL</b>	B
1	2000088	1	Engine	
2	3600139	1	Pump Assembly (See MAIN PUMP ASSEMBLY - GEAR for Breakdown)	
3	0901912	1	Bracket, Exhaust	
4	2720232	1	Hose, Radiator (Bottom)	
5	0641812	2	Bolt 1/2in-13NC x 1 1/2in	
6	4761800	2	Lockwasher 1/2in	
7	1320012	4	Clamp, Hose	
8	4832000	4	Lockwasher, Metric 10mm	
9	2720254	1	Hose, Radiator (Top)	
10	3200198	1	Support, Engine (Front)	
11	0701014	2	Bolt, Metric 10mm x 30mm	
13	0701020	1	Bolt, Metric 10mm x 60mm	
14	4562637	1	Spacer	
15	4740242	5	Flatwasher	
16	3200183	3	Mount, Motor	
17	0642032	3	Bolt 5/8in-20NC x 4in	
18	3312005	3	Locknut 5/8in-20NC	
19	3200226	1	Plate, Engine Mounting (Rear)	
20	3200227	1	Plate, Engine Mounting (Front)	
21	0238044	1	Throttle and Choke Installation (See PRECISION GOVERNOR INSTALLATION - FORD LSG423 ENGINE MACHINES BUILT for Breakdown)	
22	2060014	1	Fan	
23	0901401	1	Bracket, Terminal Strip	
24	1700901	1	Decal - Terminal Label	
25	1670414	1	Cover, Terminal Strip	
26	1320060	2	Clamp, Wire	
27	3910812	2	Screw #8-32NC x 3/4in	
28	4770800	2	Starwasher #8	
29	3310801	2	Nut #8-32NC	
30	0100020	AR	Sealant, Thread (Not Shown)	
31	2180360	1	Fitting, Tee	
32	4360037	1	Switch, Oil Pressure	
33	2220273	1	Fitting, Reducer	
34	2420131	1	Sender, Oil Pressure	
35	2420149	1	Sender, Water Temperature	
38	0080092	1	Adapter, Choke	
39	2720160	1 ft/.3m	Hose	
40	1060045	1	Cable, Battery (Engine to Ground)	
41	4751800	2	Flatwasher 1/2in	
46	0701010	7	Bolt, Metric 10mm x 20mm	
47	4740116	7	Lockwasher, Metric 10mm	
48	4564281	1	Tube, Oil Dipstick	
49	2420109	1	Dipstick	
50	4844337	1	Adapter, Exhaust	
51	4921160	1	Harness	

## SECTION 2 - TURNTABLE

ITEM	PART NUMBER	QTY	DESCRIPTION	REV
52	0901896	1	Bracket	
53	2720015	1 in/2.5cm	Hose	
54	1320022	1	Clamp, Hose	
67	1120432	1	Cap, Vacuum	
69	4300056	1	Stud, Carburetor	
	0253711	Ref	<b>ENGINE INSTALLATION - STANDARD GAS INSTALLATION</b>	A
	0253713	Ref	<b>ENGINE INSTALLATION - DUAL FUEL</b>	B
	0254218	Ref	<b>EXHAUST INSTALLATION</b>	-
77	0641622	2	Bolt 3/8in-16NC x 2 3/4in	
78	4751600	10	Flatwasher 3/8in	
79	4761600	8	Lockwasher 3/8in	
80	3311601	6	Nut 3/8in-16NC	
81	0642022	2	Bolt 5/8in-11NC x 2 3/4in	
82	0080201	1	Elbow	
83	4762000	2	Lockwasher 5/8in	
84	3312001	2	Nut 5/8in-11NC	
85	0181691	1	Angle	
86	3271501	3	Nut 5/16in-18NC (Grade 8)	
87	4761400	5	Lockwasher 1/4in	
88	3311401	5	Nut 5/16in-18NC	
89	3620026	1	Radiator	
90	3940804	6	Screw, Self-Tapping #8-32NC x 1/2in	
91	4750800	6	Flatwasher #8	
92	0630375	2	Bolt, Carriage 7/16in-14NC x 1in	
93	4751700	2	Flatwasher 7/16in	
94	4761700	2	Lockwasher 7/16in	
95	3311701	2	Nut 7/16in-14NC	
96	2680386	1	Shroud, Fan	
97	4566007	1	Tube, Exhaust	
98	4300031	4	Stud (Welded on Part)	
99	4920959	1	Harness (Starter to Start Relay)	
100	0641408	3	Bolt 1/4in-20NC x 1in	
101	2220317	1	Fitting, Barbed	
102	4420001	AR	Tape, Sealant	
103	2720015	10 ft/3m	Fuel Line	
104	1320022	2	Clamp	
105	2200051	1	Plug, Pipe (Not Shown - Located on Tank)	
106	1340020	1	Air Cleaner Assembly	
106	7004214	1	Element, Air Cleaner	
107	0340002	2	Band, Mounting	
108	1120161	1	Bonnet	
109	0080039	1	Elbow	
110	4844291	1	Tube	
111	1320058	4	Clamp	
113	4761500	3	Lockwasher 5/16in	
114	4751400	5	Flatwasher 1/4in	
115	0400003	1	Battery	
116	0236768	2	Rod, Tie-Down	
117	0400002	1	Hold-Down, Battery	
118	3980003	1	Masonite	
119	0630360	2	Bolt, Carriage 5/16in-18NC x 1 1/4in	

## SECTION 2 - TURNTABLE

ITEM	PART NUMBER	QTY	DESCRIPTION	REV
120	3220043	1	Muffler (was p/n 3220052)	
121	1060119	1	Cable, Battery (+ Battery to Starter)	
122	3300029	2	Wingnut 3/8in-16NC	
123	1060172	1	Cable, Battery (- Battery to Ground)	
124	1060129	1	Cable, Battery (Aux Pump to Aux Relay)	
125	1060092	1	Cable, Battery (Aux Relay to Start Relay)	
126	1060099	1	Cable, Battery (Start Relay to Starter)	
127	1320019	3	Clamp	
128	0641614	4	Bolt 3/8in-16NC x 1 3/4in	
129	3600071	1	Auxiliary Pump Assembly - John S. Barnes, Motor (Alt Haldex Barnes, Inc)	
129	7004248	1	Motor	
129	7004436	1	Motor with Mounting Bracket	
129	7004247	1	Pump	
129	7004249	1	Coupling	
129	7012576	1	Bracket	
130	4300034	2	Stud (Welded on Part)	
136	2220314	1	Fitting, Barbed - 90	
137	4340509	1	Support, Radiator	
138	0901307	1	Bracket, Auxiliary Pump	
139	0901708	1	Bracket	
140	4300038	1	Stud (Welded on Part)	
	0239962	Ref	<b>PUMP COUPLING INSTALLATION - LOVEJOY OPTION</b>	-
201	1660170	1	Coupling	
201	1660175	1	Disc, Coupling	
201	1660174	1	Hub, Coupling	
202	0080163	1	Adapter, Pump	
203	0641610	6	Bolt 3/8in-16NC x 1 1/4in	
204	4761600	6	Lockwasher 3/8in	
205	0641610	8	Bolt 3/8in-16NC x 1 1/4in	
206	4761600	8	Lockwasher 3/8in	
	0250599	Ref	<b>PUMP COUPLING INSTALLATION - HAYES OPTION</b>	-
211	1660183	1	Coupling	
		Ref	<b>Note: Coupling Internal spines must be lubed with Lithium based grease prior to installation.</b>	
212	0080163	1	Adapter, Pump	
213	0641607	6	Bolt 3/8in-16NC x 7/8	
214	4761600	6	Lockwasher 3/8in	
215	0641610	8	Bolt 3/8in-16NC x 1 1/4in	
216	4761600	8	Lockwasher 3/8in	
216	3020021	AR	Grease, Coupling	
	0250232	Ref	<b>COLD WEATHER PACKAGE INSTALLATION (NOT SHOWN)</b>	B
	2580022	1	Heater, Engine Block	
	2580001	1	Heater, Battery	
	2000088	Ref	<b>ENGINE COMPONENTS</b>	
	7023667	1	Fitting, Tee (Water By-Pass)	
	7000867	1	Harness, Engine	
	7014677	1	Major Components Kit (Include 1 each of standard carburetor, water pump, fuel pump, starter and alternator) (See PRECISION GOVERNOR INSTALLATION - FORD LSG423 ENGINE MACHINES BUILT for carburetor replacement parts)	
	7010633	1	Pump, Fuel	



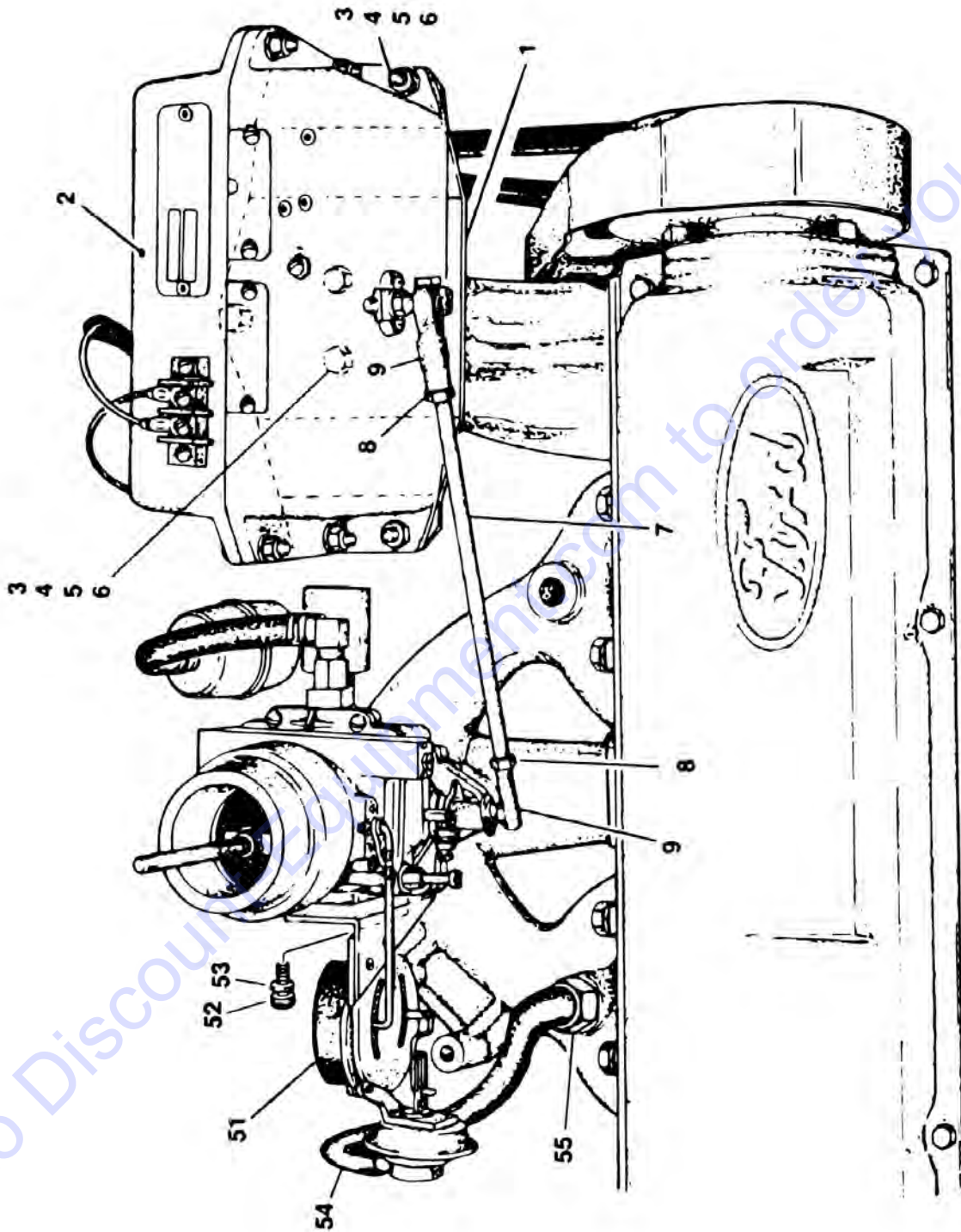
## SECTION 2 - TURNTABLE

ITEM	PART NUMBER	QTY	DESCRIPTION	REV
	7012679	1	Starter (was p/n 7000868)	
	7000874	1	Alternator	
	7014678	1	Gasket and Ignition Kit (Includes upper and lower gasket sets, thermostat, ring gear, belt, coil, ignition module, voltage regulator, starter solenoid and hoses)	
	7000871	1	Coil	
	7000869	1	Module, Ignition	
	7000870	1	Regulation, Voltage	
	7022180	1	Ring Gear (132 Teeth)	
	7014679		Tune-up Kit (Includes 4 spark plugs, and 1 each of oil filter, fuel filter, cap, rotor and wire set)	
	7019932	4	Plugs, Spark (was p/n 7012595)	
	7021869	1	Filter, Oil (was p/n 7014501)	
	7000646	1	Gasket, Carburetor	
	7024321	1	Gasket, Carburetor (Top)	
	7022153	1	Water Pump Assembly	
	7019931	2	Wire Set - Spark Plug	
	0252626	Ref	<b>ENGINE DISTRESS INSTALLATION</b>	B
	2180360	1	Fitting, Tee	
	4360182	1	Switch, Oil Pressure (Located at Item 32)	
	4360157	1	Switch, Water Temperature (Located on far side of engine block)	



## SECTION 2 - TURNTABLE

FIGURE 2-18. PRECISION GOVERNOR INSTALLATION - FORD LSG423 ENGINE MACHINES BUILT PRIOR TO FEBRUARY 1995



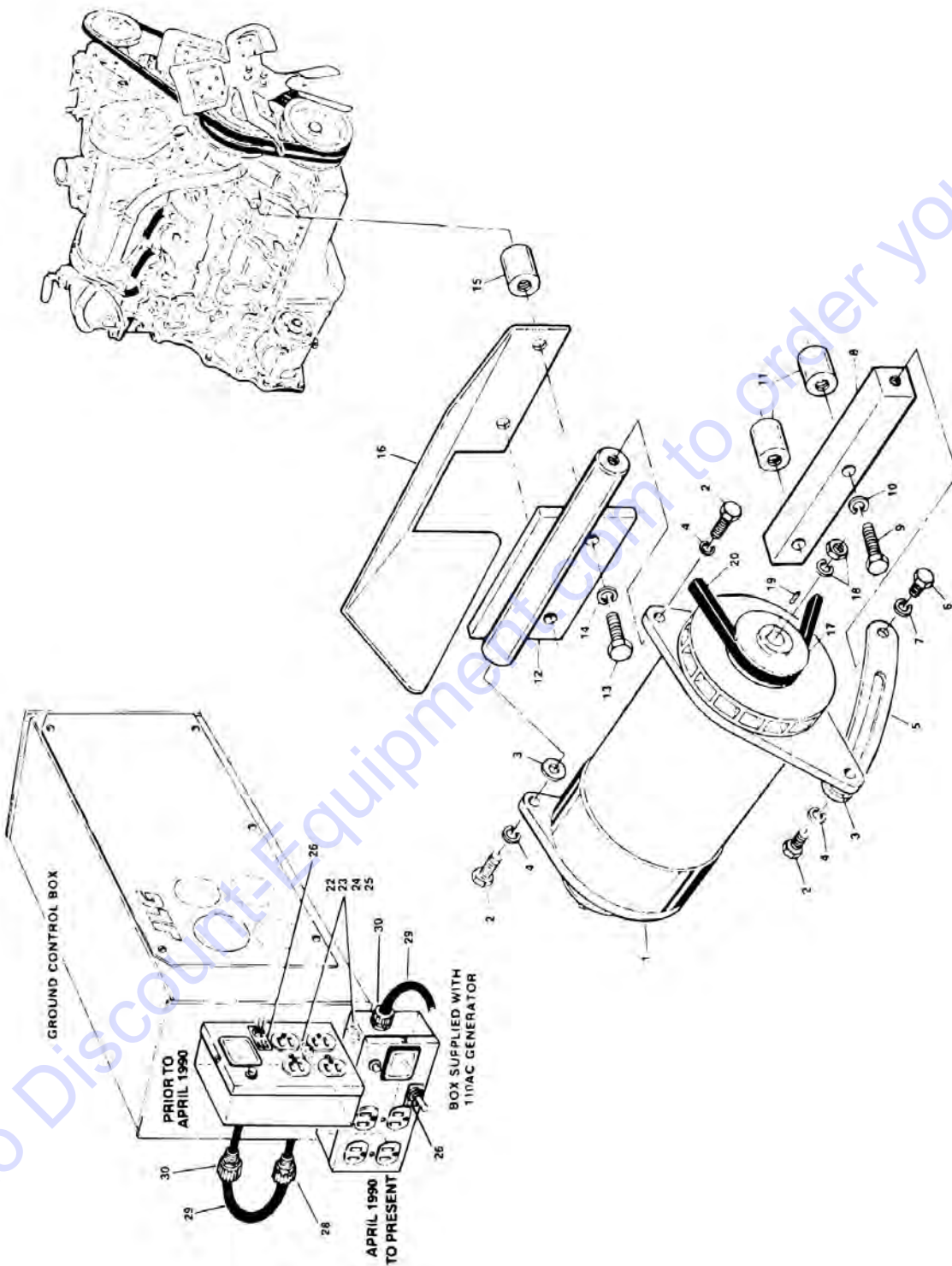
## SECTION 2 - TURNTABLE

**FIGURE 2-18. PRECISION GOVERNOR INSTALLATION - FORD LSG423 ENGINE MACHINES BUILT PRIOR TO FEBRUARY 1995**

ITEM	PART NUMBER	QTY	DESCRIPTION	REV
	0238044	Ref	<b>PRECISION GOVERNOR INSTALLATION (STANDARD PARTS)</b>	A
1	0901373	1	Bracket, Governor	
2	2500004	1	Governor	
3	0641408	7	Bolt 1/4in-20NC x 1in	
4	3311401	7	Nut 1/4in-20NC	
5	4751400	7	Flatwasher 1/4in	
6	4761400	7	Lockwasher 1/4in	
7	3840898	1	Rod	
8	3321401	2	Nut 1/4in-28NF	
9	1660157	2	Coupling, Ball - Joint	
	0238044	Ref	<b>PRECISION GOVERNOR INSTALLATION (VARIABLE PARTS REQUIRED ON 1987-1989 MODELS WITHOUT BUILT-IN CHOKE. 1990 MODELS HAVE CARBURETOR WITH BUILT-IN CHOKE)</b>	A
51	0237568	1	Choke and Vacuum Pull-Off Assembly (Includes Sensor)	
52	3910812	2	Screw, Round Head #8-32NC x 3/4in	
53	4760800	2	Lockwasher #8	
54	2720016	1 ft	Hose	
55	2180666	1	Fitting	
		Ref	<b>CARBURETOR REPLACEMENT PARTS</b>	
	7000643	1	Carburetor with built-in choke	
	7000878	1	Rebuilt Kit - Carburetor (Standard Gas)	
	1140009	1	Carburetor (LPG)	
	7000877	1	Fuel Shut-Off with Wire	
	7000884	1	Fuel Shut-Off with Terminal Post	
	7012578	1	Vacuum Line Assembly	
	7012577	1	Fitting, Vacuum Line	
	7000894	1	Automatic Choke	

## SECTION 2 - TURNTABLE

FIGURE 2-19. 110 VOLT GENERATOR INSTALLATION - FORD LSG423 ENGINES MACHINES BUILT PRIOR TO FEBRUARY 1995



## SECTION 2 - TURNTABLE

**FIGURE 2-19. 110 VOLT GENERATOR INSTALLATION - FORD LSG423 ENGINES MACHINES BUILT PRIOR TO FEBRUARY 1995**

ITEM	PART NUMBER	QTY	DESCRIPTION	REV
	0251004	Ref	<b>110 VOLT GENERATOR INSTALLATION (APRIL 1990 TO FEBRUARY 1995)</b>	C
1	2460011	1	Generator Assembly with Control Box	
1	7012558	1	Generator Assembly	
1	7020109	4	Holder, Brush	
1	7020108	4	Brush	
1	7012513	4	Cap, Brush Holder	
1	7012514	1	Fan	
1	7020190	2	Bearing	
1	7020110	1	End Bell, Front	
1	7020111	1	End Bell, Rear	
1	7020193	1	Cord, Power	
1	7003657	1	Control Box Assembly	
		Ref	<b>Note: Replacement 110V Control Box comes with 2 std receptacles p/n 4460190. Optional Twist Lock receptacles p/n 4460027 must be ordered separately.</b>	
1	2420203	1	Meter (WAS P/N 7010699)	
1	4360542	1	Breaker, Circuit (was p/n 7020194)	
1	4460190	1	Receptacle, Double (110V Box)	
1	4460027	1	Receptacle, Double Twist Lock (110V Box)	
1	2920162	1	Lamp	
1	7020191	1	Switch, Toggle	
1	3520028	1	Plug, Hole	
2	0681610	2	Bolt 3/8in-16NC x 1 1/4in (Grade 8)	
3	4751600	2	Flatwasher 3/8in	
4	4761600	2	Lockwasher 3/8in	
5	4340565	1	Adjusting Bracket	
6	0641508	2	Bolt 5/16in-18NC x 1in	
7	4761500	2	Lockwasher 5/16in	
7	4751500	1	Flatwasher 5/16in	
8	0361704	1	Bar, Mounting	
9	0701021	2	Bolt, Metric 10mm - 1.5mm x 65mm	
10	4740116	2	Lockwasher, Metric - 10mm	
11	4564329	1	Spacer, Tube (Front)	
11	4564328	1	Spacer, Tube (Rear)	
12	4843156	1	Bracket, Mounting	
13	0701022	2	Bolt, Metric 10mm - 1.50mm x 70mm	
14	4740116	2	Lockwasher, Metric - 10mm	
15	4564123	2	Spacer, Tube	
16	4060696	1	Shield, Heat	
17	3580134	1	Pulley (Included with Item #2)	
18		Ref	Nut (Supplied with Generator)	
18		Ref	Lockwasher (Supplied with Generator)	
19	2860012	1	Key Woodruff	
20	0480048	1	Belt	
21	See Item 1	1	Box, Control	
22	0641406	2	Bolt 1/4in-20NC x 3/4in	
23	4751400	2	Flatwasher 1/4in	
24	4761400	2	Lockwasher 1/4in	

## SECTION 2 - TURNTABLE

ITEM	PART NUMBER	QTY	DESCRIPTION	REV
25	3311401	2	Nut 1/4in-20NC	
26	3251476	1	Nameplate - Generator	
27	4460023	1	Connector (Not Shown)	
28	4460071	1	Connector	
28	0960238	1	Bushing	
28	3300048	1	Locknut, Conduit	
29	1060012	1	Cable, Electrical	
30	4460052	1	Connector	
30	0960239	1	Bushing	
30	3300047	1	Locknut, Conduit	

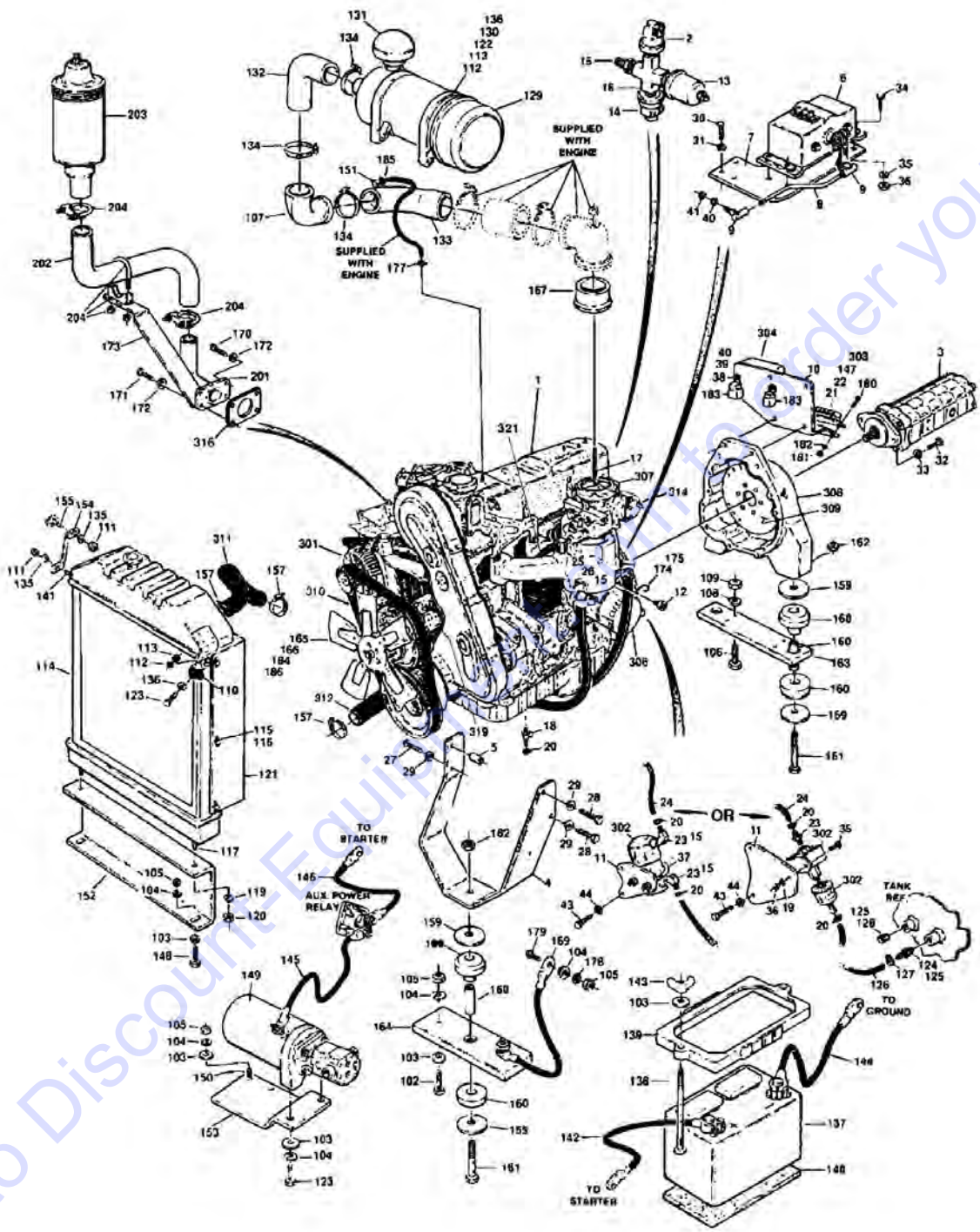
Go to Discount-Equipment.com to order your parts





# SECTION 2 - TURNTABLE

## FIGURE 2-20. FORD LRG423 ENGINE INSTALLATION (FEBRUARY 1995 TO PRESENT)



## SECTION 2 - TURNTABLE

**FIGURE 2-20. FORD LRG423 ENGINE INSTALLATION (FEBRUARY 1995 TO PRESENT)**

ITEM	PART NUMBER	QTY	DESCRIPTION	REV
	0255675	Ref	<b>FORD ENGINE ASSEMBLY - STANDARD GAS</b>	C
	0255676	Ref	<b>FORD ENGINE ASSEMBLY - DUAL FUEL</b>	C
1	2000126	1	Engine	
2	4360405	1	Switch, Oil Pressure (July 1995 to Present)	
3	3600139	1	Pump Assembly - Main (See ROTARY COUPLING AND COLLECTOR ASSEMBLY AND INSTALLATION for Breakdown)	
4	3200377	1	Mount, Engine (Front)	
5	4566605	1	Tube, Spacer	
6	2500005	1	Precision Governor Actuator	
7	0902088	1	Bracket, Governor Mounting	
8	3841255	1	Rod, Throttle	
9	1660157	2	Coupling, Ball joint	
10	0902089	1	Bracket, Terminal Strip Mounting	
11	0902087	1	Bracket, Fuel Pump Mounting	
12	2420024	1	Sender, Water Temperature	
13	2420131	1	Sender, Oil Pressure	
14	4360037	1	Switch, Oil Pressure	
15	2220273	1	Fitting, Reducer	
16		Ref	Fitting Options:	
16	2180360	1	Fitting (Prior to July 1995)	
16	2180994	1	Fitting (July 1995 to Present)	
17	4300057	1	Stud, Carburetor	
18		Ref	Valve, Oil Drain Options:	
18	4640750	1	Valve, Oil Drain ( <b>Prior to SN 34331</b> )	
18	4640989	1	Valve, Oil Drain ( <b>SN 34331 to Present</b> )	
19	4791400	2	Lockwasher 1/4in (July 1995 to Present)	
20	1320022	2	Clamp, Hose	
21	1700901	1	Decal, Terminal Strip	
22	1670414	1	Cover, Terminal	
23		Ref	Fitting Options:	
23	2220805	2	Fitting, 90 (Prior to July 1995)	
23	2220315	1	Fitting, Straight Pipe (July 1995 to Present)	
24	2720058	18 in/48cm	Fuel Line	
25	2180536	1	Fitting, Straight Pipe	
26	2720271	30 in/78cm	Hose, Vacuum	
27	0701022	2	Bolt 10mm x 70mm	
28	0701014	2	Bolt 10mm x 30mm	
29	4832000	4	Lockwasher 10mm	
30	0700810	3	Bolt 8mm x 20mm	
31	4831900	3	Lockwasher 8mm	
32	0641812	2	Bolt 1/2in-13NC x 1 1/2in	
33	4761800	2	Lockwasher 1/2in	
34	0641408	4	Bolt 1/4in-20NC x 1in	
35		Ref	Hardware Options:	
35	4761400	4	Lockwasher 1/4in (Prior to July 1995)	
35	0641404	2	Bolt 1/4in-20NC x 1/2 (July 1995 to Present)	
36		Ref	Nut Options:	
36	3311401	4	Nut 1/4in-20NC (Prior to July 1995)	

## SECTION 2 - TURNTABLE

ITEM	PART NUMBER	QTY	DESCRIPTION	REV
36	3311405	6	Locknut 1/4in-20NC (July 1995 to Present)	
37		Ref	Hardware Options:	
37	1320019	1	Clamp (Prior to July 1995)	
37	2220437	1	Fitting (July 1995 to Present)	
38	0721014	2	Bolt #10-24NC x 1 3/4in	
39	3311001	2	Nut #10-24NC	
40	4761000	2	Lockwasher #10	
41	3321401	1	Nut 1/4in-28NF	
42	0100020	AR	Sealant, Pipe (Not Shown)	
43	0701015	1	Bolt, Metric 10mm x 35mm	
44	4791600	2	Starwasher 3/8in	
	0255138	Ref	<b>FORD ENGINE INSTALLATION - STANDARD GAS</b>	C
	0255146	Ref	<b>FORD ENGINE INSTALLATION - DUAL FUEL</b>	E
102	0641622	2	Bolt 3/8in-16NC x 2 3/4in	
103	4751600	10	Flatwasher 3/8in	
104	4761600	9	Lockwasher 3/8in	
105	3311601	7	Nut 3/8in-16NC	
106	0642022	2	Bolt 5/8in-11NC x 2 3/4in	
107	0080201	1	Fitting, 90	
108	4762000	2	Lockwasher 5/8in	
109	3312001	2	Nut 5/8in-11NC	
110	0181691	1	Angle, Support	
111	3311501	3	Nut 5/16in-18NC	
112	4761400	5	Lockwasher 1/4in	
113	3311401	5	Nut 1/4in-20NC	
114	3620026	1	Radiator	
115	3940804	6	Screw, Self-Tapping #8-32NC x 1/2in	
116	4750800	6	Flatwasher #8	
117	0630375	2	Bolt, Carriage 7/16in-14NC x 1in	
119	4761700	2	Lockwasher 7/16in	
120	3311701	2	Nut 7/16in-14NC	
121	2680386	1	Shroud, Fan	
122	4300031	4	Stud (Welded on Part)	
123	0641408	3	Bolt 1/4in-20NC x 1in	
124	2220315	1	Fitting, Barbed	
125	4420001	AR	Tape, Sealant	
126		Ref	Line, Fuel Options:	
126	2720015	10 ft/3m	Line, Fuel (Prior to August 1995)	
126	2720058	7 ft/2.1m	Line, Fuel (August 1995 to Present)	
127	1320022	2	Clamp, Hose	
128	2200051	1	Plug, Pipe	
129	1340020	1	Air Cleaner Assembly	
129	7004214	1	Element, Air Cleaner	
130	0340002	2	Band, Mounting	
131	1120161	1	Cap, Air	
132	0080039	1	Elbow	
133	4844903	1	Tube, Air Intake	
134	1320058	4	Clamp	
135	4761500	3	Lockwasher 5/16in	
136	4751400	5	Flatwasher 1/4in	
137	0400003	1	Battery	

## SECTION 2 - TURNTABLE

ITEM	PART NUMBER	QTY	DESCRIPTION	REV
138	0236768	2	Rod, Tie-Down	
139	0400002	1	Hold-Down, Battery	
140	3980003	1	Seat, Battery	
141	0630360	2	Bolt, Carriage 5/16in-18NC x 1 1/4in	
142	1060119	1	Cable, Battery (Battery To Starter)	
143	3300029	2	Wingnut 3/8in-16NC	
144	1060172	1	Cable, Battery (Battery to Ground)	
145	1060129	1	Cable, Battery (Aux Relay to Aux Pump)	
146	1060099	1	Cable, Battery (Aux Relay to Starter)	
147		Ref	Harness, Wiring Options:	
147	4921717	1	Harness, Wiring (Prior to June 1995)	
147	4921764	1	Harness, Wiring (June 1995 to Present)	
148	0641614	2	Bolt 3/8in-16NC x 1 3/4in	
149	3600071	1	Auxiliary Pump Assembly - John S. Barnes, Motor (Alt Haldex Barnes, Inc)	
149	7004248	1	Motor	
149	7004436	1	Motor with Mounting Bracket	
149	7004247	1	Pump	
149	7004249	1	Coupling	
149	7012576	1	Bracket	
150	4300034	2	Stud (Welded on Part)	
151	2220314	1	Fitting, 90 Barbed	
152	4340509	1	Bracket, Support	
153	0901307	1	Bracket, Auxiliary Pump	
154	0901708	1	Bracket	
155	4300038	1	Stud (Welded on Part)	
157	1320012	4	Clamp, Hose	
159	4740242	5	Flatwasher, Special	
160	3200183	3	Mount, Engine	
161	0642032	3	Bolt 5/8in-11NC x 4in	
162	3312005	3	Locknut 5/8in-11NC	
163	3200226	1	Plate, Mounting (Rear)	
164	3200227	1	Plate, Mounting (Front)	
165	2060014	1	Fan	
166	0080211	1	Spacer, Fan	
167	0080092	1	Adapter, Choke	
168	2720160	AR	Hose 1/2in (Not Shown) (Prior to August 1995)	
169	1060045	1	Cable, Battery (Engine to Ground)	
170	0701010	2	Bolt, Metric 10mm x 20mm	
171	0701012	2	Bolt, Metric 10mm x 25mm	
172	4832000	4	Lockwasher, Metric 10mm	
173	0902096	1	Bracket, Exhaust	
174	4564281	1	Tube, Dipstick	
175	2420171	1	Dipstick	
176	2720015	AR	Hose 1/4in (Not Shown) (Prior to August 1995)	
177	1320022	AR	Clamp	
178	4791600	2	Starwasher 3/8in	
179	0641610	1	Bolt 3/8in-16NC x 1 1/4in	
180		Ref	Screw, Machine Options:	
180	3911012	2	#10-24NC x 3/4in (Prior to August 1995)	
180	3910812	2	#8-32NC x 3/4in (August 1995 to Present)	
181		Ref	Nut Options:	

## SECTION 2 - TURNTABLE

ITEM	PART NUMBER	QTY	DESCRIPTION	REV
181	3311001	2	#10-24NC (Prior to August 1995)	
181	3310801	2	#8-32NC (August 1995 to Present)	
182		Ref	Lockwasher Options:	
182	4761000	2	#10 (Prior to August 1995)	
182	4760800	2	#8 (August 1995 to Present)	
183	3740080	2	Relay, Bosch	
184	0630400	4	Bolt, Metric 8mm x 90mm	
185	1320032	1	Clamp	
186	4831900	4	Lockwasher, Metric 8mm	
	0255147	Ref	<b>EXHAUST INSTALLATION</b>	A
201	4844337	1	Tube, Exhaust	
202	4566625	1	Tube, Exhaust	
203	3220043	1	Muffler (was p/n 3220052)	
204	1320019	3	Clamp, Exhaust	
	2000126	Ref	<b>ENGINE COMPONENTS:</b>	
301	7012680	1	Alternator	
302	7016600	1	Fuel Pump - Electric	
302	7016601	1	Filter, Fuel (Used with Facet Pump)	
303	7012682	1	Harness, Engine	
304	7012681	1	Module, Ignition	
305	7012679	1	Starter (Far Side - Not Shown)	
305	7025145	1	Solenoid, Start	
306	7021869	1	Filter, Oil (was p/n 7014501)	
307	7012690	1	Carburetor	
307	7019933	1	Carburetor Repair Kit	
307	7012683	1	Spring	
307	7023471	1	Float Assembly	
307	7024321	1	Gasket, Carburetor (Top)	
308	1660218	1	Flywheel Housing and Coupling Assembly	
309	1660249	1	Coupling (was p/n 7012656)	
309	7020120	1	Housing, Flywheel	
309	7019976	1	Flywheel (Not Shown)	
309	7022180	1	Ring Gear (132 Teeth) (Not Shown)	
310	7019921	1	Belt	
310	7019929	1	Pulley, Idler (Tensioner Assembly)	
311	7019926	1	Hose, Radiator (Top) (was p/n 7016375)	
312	7019927	1	Hose, Radiator (Bottom) (was p/n 7016376)	
313	7000884	1	Solenoid, Fuel	
314	7016605	1	Choke, Automatic	
315	7022143	1	Gasket (Not Shown - Exhaust Manifold to Head)	
316	70002307	1	Gasket (Exhaust Manifold to Exhaust Pipe)	
317	4360157	1	Switch, Water Temperature (Not Shown)	
318	7000646	1	Gasket, Carburetor (Not Shown)	
319	7022153	1	Water Pump (was p/n 7016638)	
320	7019924	1	Manifold, Exhaust (Not Shown)	
321	7025126	1	Manifold, Intake (Was p/n 7019923)	
322	7019925	1	PCV Valve (Not Shown)	
323	7019930	1	Coil, Ignition (Not Shown)	
323	7019931	1	Wire Set - Spark Plug (Not Shown)	
323	7019932	4	Plug, Spark (Not Shown)	
324	7022178	1	Sensor, Crank (Not Shown)	

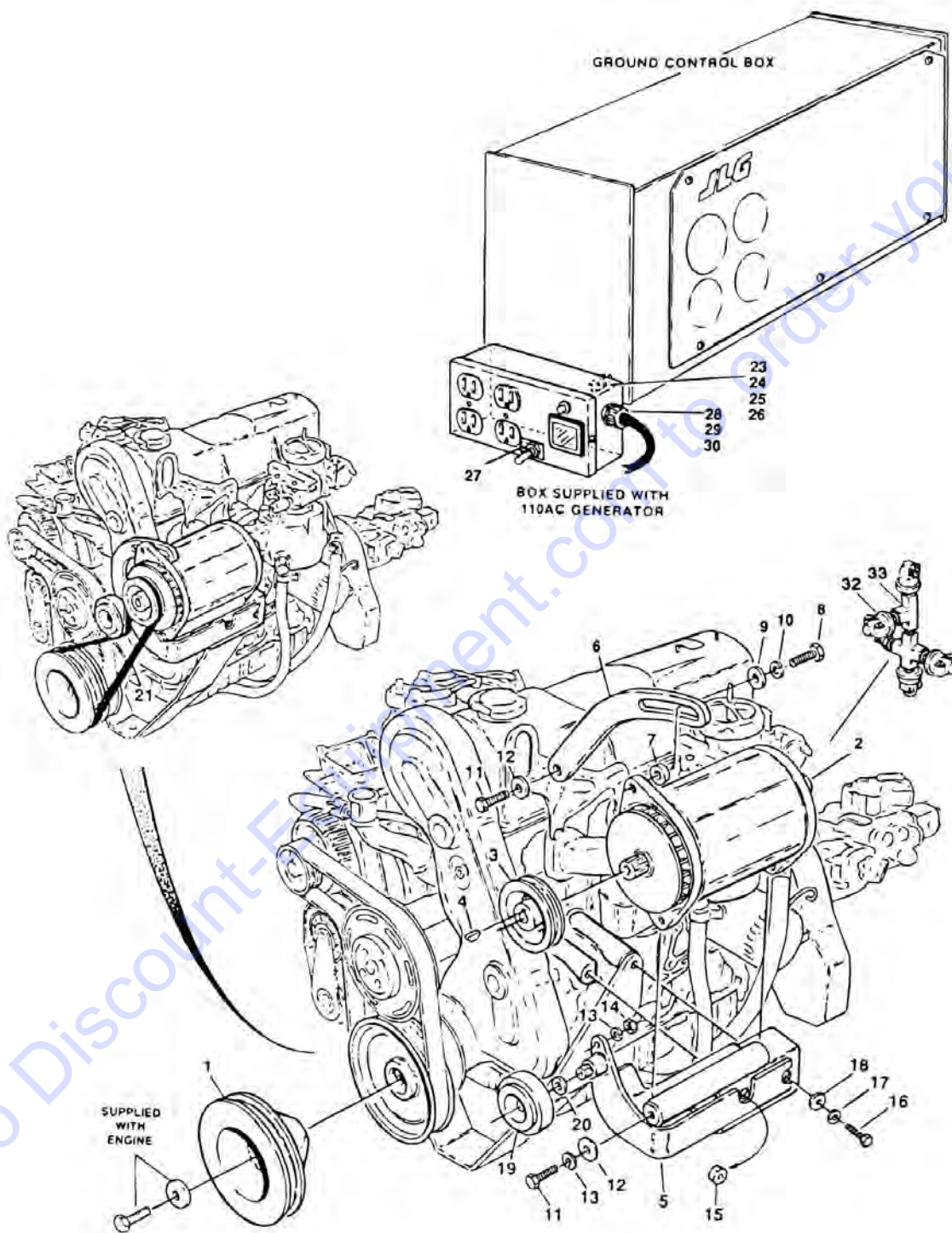
**SECTION 2 - TURNTABLE**

ITEM	PART NUMBER	QTY	DESCRIPTION	REV
	0256338	Ref	<b>COLD WEATHER PACKAGE INSTALLATION (OPTIONAL - NOT SHOWN)</b>	-
	1281186	Ref	<b>COLD WEATHER PACKAGE INSTALLATION (OPTIONAL - NOT SHOWN)</b>	F
	2580048	1	Kit, Cold Weather Start	
	3311401	4	Nut 1/4in-20NC	
	4761400	4	Lockwasher 1/4in	
	4300031	4	Stud (Welded on Part)	
	2580001	1	Heater, Battery	

Go to Discount-Equipment.com to order your parts

## SECTION 2 - TURNTABLE

FIGURE 2-21. GENERATOR INSTALLATION - FORD LRG423 (MACHINES BUILT FEBRUARY 1995 TO PRESENT)



## SECTION 2 - TURNTABLE

**FIGURE 2-21. GENERATOR INSTALLATION - FORD LRG423 (MACHINES BUILT FEBRUARY 1995 TO PRESENT)**

ITEM	PART NUMBER	QTY	DESCRIPTION	REV
	0255226	Ref	<b>GENERATOR INSTALLATION</b>	D
1	3580250	1	Pulley, Crankshaft	
2	2460011	1	Generator Assembly with Control Box	
2	7012558	1	Generator Assembly	
2	7020109	4	Holder, Brush	
2	7020108	4	Brush	
2	7012513	4	Cap, Brush Holder	
2	7012514	1	Fan	
2	7020190	2	Bearing	
2	7020110	1	End Bell, Front	
2	7020111	1	End Bell, Rear	
2	7020193	1	Cord, Power	
2	7003657	1	Control Box Assembly	
		Ref	<b>Note: Replacement 110V Control Box comes with 2 std receptacles p/n 4460190. Optional Twist Lock receptacles p/n 4460027 must be ordered separately.</b>	
2	2420203	1	Meter (was p/n 7010699)	
2	4360542	1	Breaker, Circuit (was p/n 7020194)	
2	4460190	1	Receptacle, Double (110V Box)	
2	4460027	1	Receptacle, Double Twist Lock (110V Box)	
2	2920162	1	Lamp	
2	7020191	1	Switch, Toggle	
2	3520028	1	Plug, Hole	
3	3580134	1	Pulley (Included with Item #2)	
4	2860012	1	Key, Woodruff	
5	0902104	1	Bracket, Generator Mounting	
6	0200530	1	Arm, Adjusting	
7	4564417	1	Tube, Spacer	
8	0641508	1	Bolt 5/16in-18NC x 1in	
9	4751500	1	Flatwasher 5/16in	
10	4761500	1	Lockwasher 5/16in	
11	0641612	3	Bolt 3/8in-16NC x 1 1/2in	
12	4751600	3	Flatwasher 3/8in	
13	4761600	3	Lockwasher 3/8in	
14	3311601	1	Nut 3/8in-16NC	
15	4566650	1	Tube, Spacer	
16	0701015	2	Bolt 10mm - 1.5 x 35mm	
17	4812000	2	Flatwasher 10mm	
18	4832000	2	Lockwasher	
19	3580239	1	Pulley, Idler	
20	4740275	1	Washer	
21	0480090	1	Belt, Generator	
22	0100011	AR	Loctite (Not Shown)	
23	0641406	2	Bolt 1/4in-20NC x 3/4in	
24	3311401	2	Nut 1/4in-20NC	
25	4751400	6	Flatwasher 1/4in	
26	4761400	2	Lockwasher 1/4in	
27	3251476	1	Nameplate, Generator	
28	4460052	1	Connector, Strain Relief	



## SECTION 2 - TURNTABLE

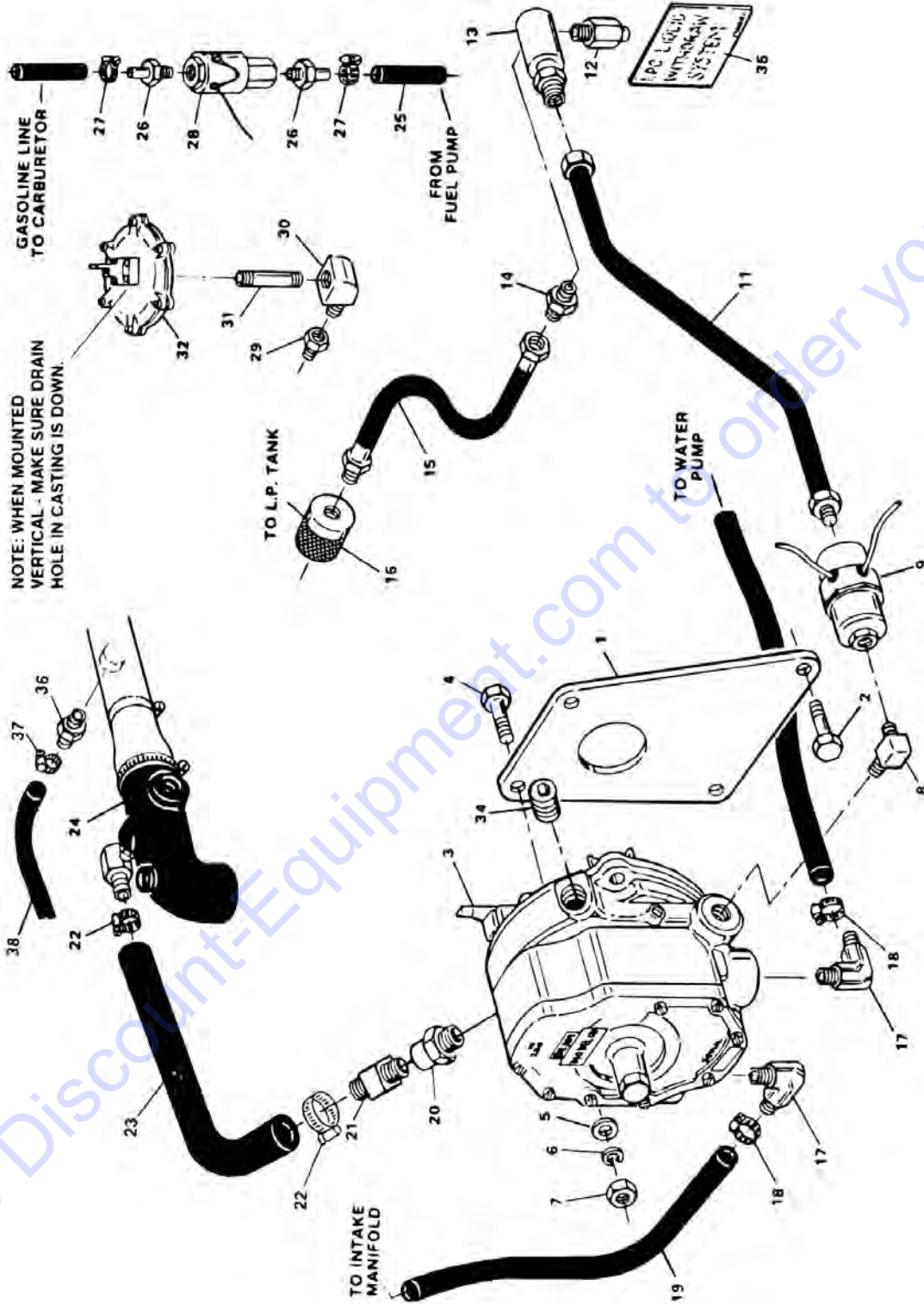
ITEM	PART NUMBER	QTY	DESCRIPTION	REV
29	0960239	1	Bushing	
30	3300047	1	Nut, Conduit	
32	2180360	1	Fitting, Tee (June 1995 to Present)	
33	4360037	1	Switch, Oil Pressure (June 1995 to Present)	

Go to [Discount-Equipment.com](http://Discount-Equipment.com) to order your parts



## SECTION 2 - TURNTABLE

FIGURE 2-22. DUAL FUEL INSTALLATION (OPTIONAL ON FORD MACHINES)



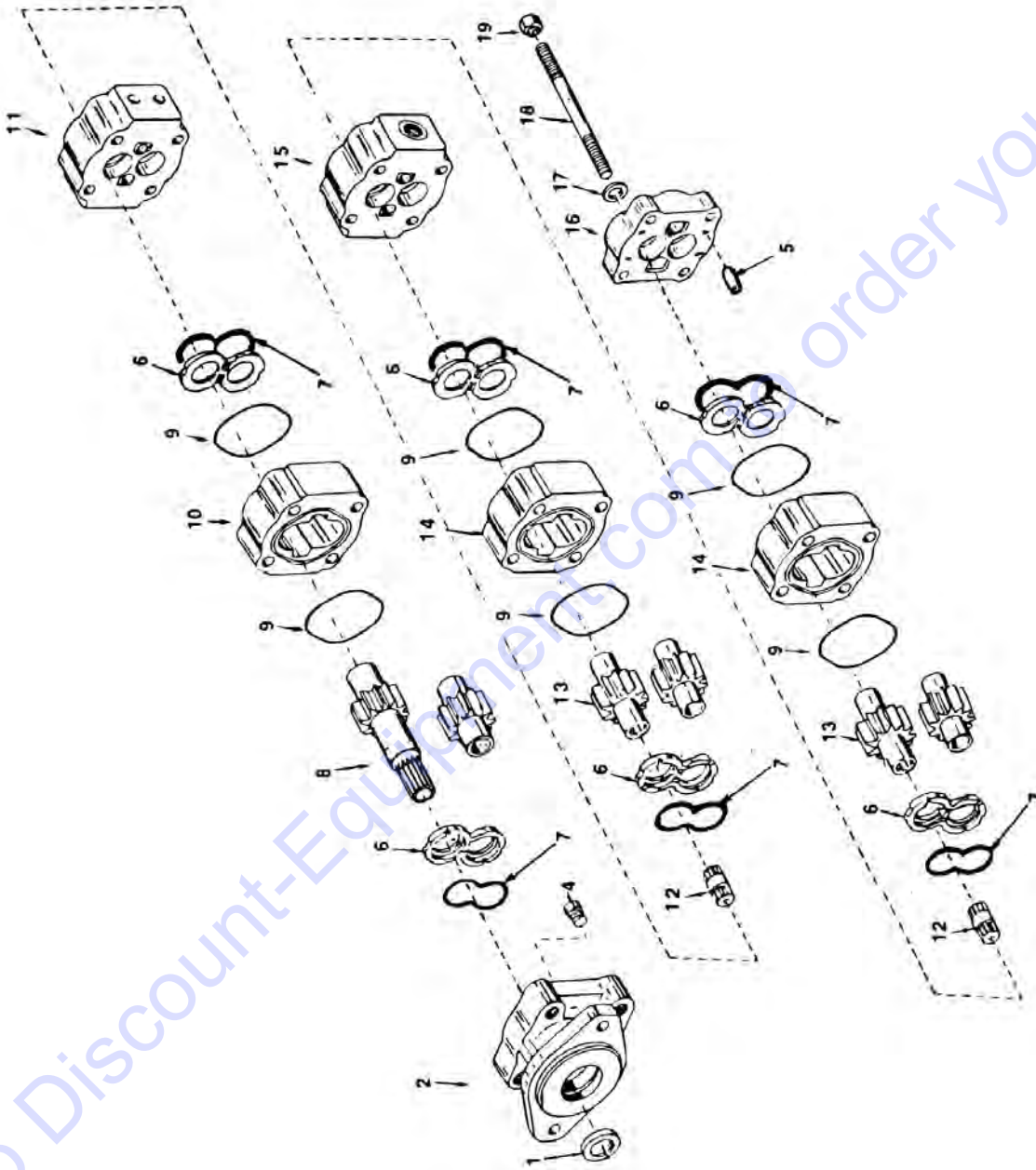
## SECTION 2 - TURNTABLE

**FIGURE 2-22. DUAL FUEL INSTALLATION (OPTIONAL ON FORD MACHINES)**

ITEM	PART NUMBER	QTY	DESCRIPTION	REV
		Ref	<b>DUAL FUEL INSTALLATION</b>	
1	3530210	1	Plate, Regulator Mounting (Prior to February 1995)	
1	0902089	1	Plate, Regulator Mounting (February 1995 to Present - Not Shown)	
2	0641711	2	Bolt 7/16 -14NC x 1 3/8in	
3	4700005	1	Regulator	
3	7017515	1	Repair Kit	
4	0641416	2	Bolt 1/4in-20NC x 2in	
5	4751400	2	Flatwasher 1/4in	
6	4761400	2	Lockwasher 1/4in	
7	3311401	2	Nut 1/4in-20NC	
8	2220082	1	Fitting, 90	
9	2120077	1	L.P. Filter Lock	
11	2720249	1	Hose	
12	2180389	1	Valve, Relief	
13	2180388	1	Filter	
14	2180418	1	Fitting, Straight	
15	2720144	1	Hose	
16	2180387	1	Fitting, L.P. Tank	
17	2220313	2	Fitting, 90 (Prior to February 1995)	
17	2220675	2	Fitting, 90 (February 1995 to Present)	
18	1320022	2	Clamp, Hose	
19	2750532	24 in	Hose	
20	2220251	1	Fitting, Reducer	
21	2180535	1	Fitting, Straight	
22	1320030	2	Clamp, Hose	
23	2720112	AR	Hose	
24	0080124	1	Adapter, Carburetor	
25	2720058	9 in	Hose	
26	2220315	2	Fitting, Barbed	
26	2220648	1	Fitting, 90 (Located at Fuel Pump - Feb 1995 to Present)	
26	2220437	1	Fitting, Reducer (Located at Fuel Pump - Feb 1995 to Present)	
27	1320022	2	Clamp, Hose	
28	4640391	1	Valve, Fuel Lock	
28	1320060	1	Clamp, Mounting (Not Shown)	
29	2220430	1	Fitting, Reducer (Prior to February 1995)	
29	2220273	1	Fitting, Reducer (February 1995 to Present)	
30	2200652	1	Fitting, 90 (Prior to February 1995)	
30	2180360	1	Fitting, Tee (February 1995 to Present)	
31	3460132	1	Fitting, Nipple (Prior to February 1995)	
31	2180104	1	Fitting, Nipple (February 1995 to Present)	
32	4360188	1	Switch, Vacuum	
34	2200204	1	Plug, 3/4in	
35	1700818	1	Decal - LPG Liquid Withdraw System	
36	2220633	1	Fitting, Straight Barbed (Prior to February 1995)	
36	2220314	1	Fitting, 90 Barbed (February 1995 to Present)	
37	1320032	1	Clamp	
38	2720160	1	Hose	

# SECTION 2 - TURNTABLE

## FIGURE 2-23. MAIN PUMP ASSEMBLY - GEAR



Go to Discount-Equipment.com to order your parts

**SECTION 2 - TURNTABLE**

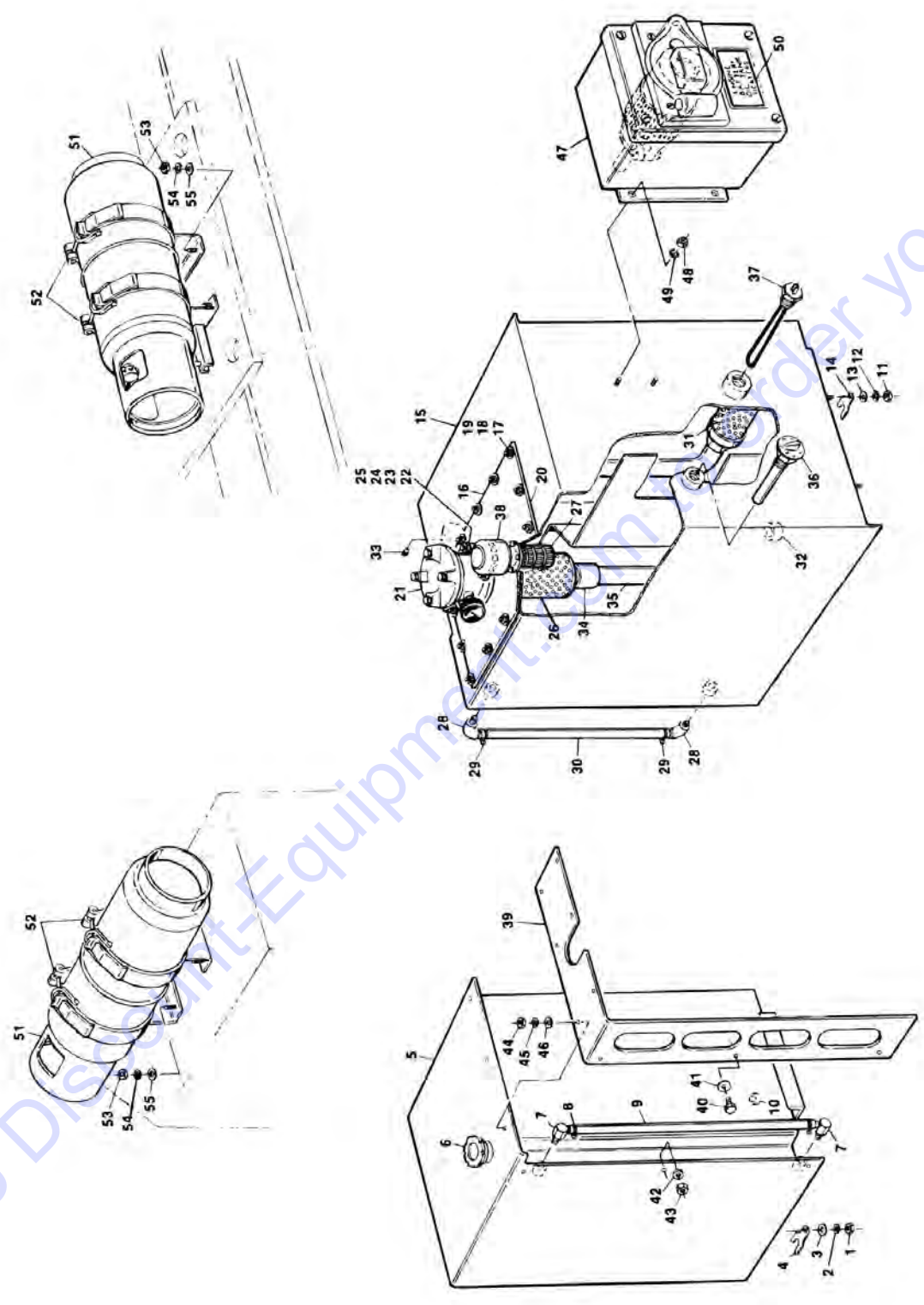
**FIGURE 2-23. MAIN PUMP ASSEMBLY - GEAR**

ITEM	PART NUMBER	QTY	DESCRIPTION	REV
	3600139	Ref	<b>MAIN PUMP ASSEMBLY - GEAR</b>	B
1	Kit	1	Seal, Lip	
2	7009513	1	Cover, End with Bushings	
4	7003103	1	Plug	
5	7009500	12	Dowel	
6	7009503	6	Plate, Thrust	
7	Kit	6	Seal, Channel	
8	7009509	1 st	Shaft and Gear	
9	Kit	6	Seal, Gasket	
10	7009510	1	Housing, Gear	
11	7009508	1	Carrier, Bearing with Bushings	
12	7005599	2	Shaft, Connecting	
13	7005598	2	Gear Set	
14	7009504	1	Housing, Gear	
15	7009505	1	Carrier, Bearing with Bushings	
16	7009511	1	Cover, Rear with Bushings	
17	7005597	4	Washer	
18	7005562	4	Stud	
19	7005595	4	Nut	
	2900673	1	Kit, Seal (Includes Items 1, 7 & 9)	

Go to Discount-Equipment.com to order your parts

# SECTION 2 - TURNTABLE

## FIGURE 2-24. TANKS INSTALLATION



## SECTION 2 - TURNTABLE

### FIGURE 2-24. TANKS INSTALLATION

ITEM	PART NUMBER	QTY	DESCRIPTION	REV
	0250243	Ref	FUEL AND HYDRAULIC TANKS INSTALLATION (STANDARD - PRIOR TO OCTOBER 1992)	-
	0253109	Ref	FUEL AND HYDRAULIC TANKS INSTALLATION (STANDARD - OCTOBER 1992 TO PRESENT)	-
	0250319	Ref	FUEL AND HYDRAULIC TANKS INSTALLATION (WITH HEATERS - PRIOR TO OCTOBER 1992)	-
	0253110	Ref	FUEL AND HYDRAULIC TANKS INSTALLATION (WITH HEATERS - OCTOBER 1992 TO PRESENT)	-
	0251374	Ref	HYDRAULIC TANK INSTALLATION (LPG ONLY MACHINES)	2
	0255604	Ref	FUEL AND HYDRAULIC TANKS INSTALLATION (WITH LOW FUEL INDICATOR)	A
1	3311505	4	Locknut 5/16in-18NC	
2	4761500	4	Lockwasher 5/16in	
3	4751500	4	Flatwasher 5/16in	
3	4300073	4	Stud (Welded on Part)	
3	0641514	AR	Bolt 5/16in-18NC x 1 3/4in	
4	4070410	AR	Shim (1/16in)	
4	4070411	AR	Shim (1/8in)	
4	4070412	AR	Shim (3/16in)	
	4400294	1	Fuel Tank Assembly (0250243 & 0250319 Installations)	-
	4400344	1	Fuel Tank Assembly (0253109 & 0253110 Installations)	-
	4400381	1	Fuel Tank Assembly (0255604 Installation)	-
5	4400295	1	Fuel Tank Weldment (0250243 & 0250319 Installations)	
5	4400345	1	Fuel Tank Weldment (0253109 & 0253110 Installations)	
5	4400382	1	Fuel Tank Weldment (0255604 Installation)	
6	1120314	1	Cap	
7	2180467	2	Fitting, 90	
7	0100020	AR	Sealant	
8	1320022	2	Clamp	
9	4562516	26 in	Tube, Sight	
10	2200052	1	Plug, Pipe - 1/4in	
10	2200223	AR	Plug, Pipe - 1/2in (0255604 Installation Only - Not Shown)	
11	3311505	4	Locknut 5/16in-18NC	
12	4761500	4	Lockwasher 5/16in	
13	4751500	4	Flatwasher 5/16in	
13	4300073	4	Stud (Welded on Part)	
13	0641514	AR	Bolt 5/16in-18NC x 1 3/4in	
14	4070410	AR	Shim (1/16in)	
14	4070411	AR	Shim (1/8in)	
14	4070412	AR	Shim (3/16in)	
	4400266	1	Hydraulic Tank Assembly (Standard)	C
	4400291	1	Hydraulic Tank Assembly (With Heater)	B
15	4400265	1	Hydraulic Tank Weldment (Standard)	
15	4400290	1	Hydraulic Tank Weldment (With Heater)	
16	1670468	1	Lid	
17	3311401	14	Nut 1/4in-20NC	
18	4761400	14	Lockwasher 1/4in	
19	4751400	14	Flatwasher 1/4in	
20	3960371	1	Gasket	
21	2120103	1	Filter, Return (Includes Item 26)	
21	7004244	1	Indicator, Pressure	



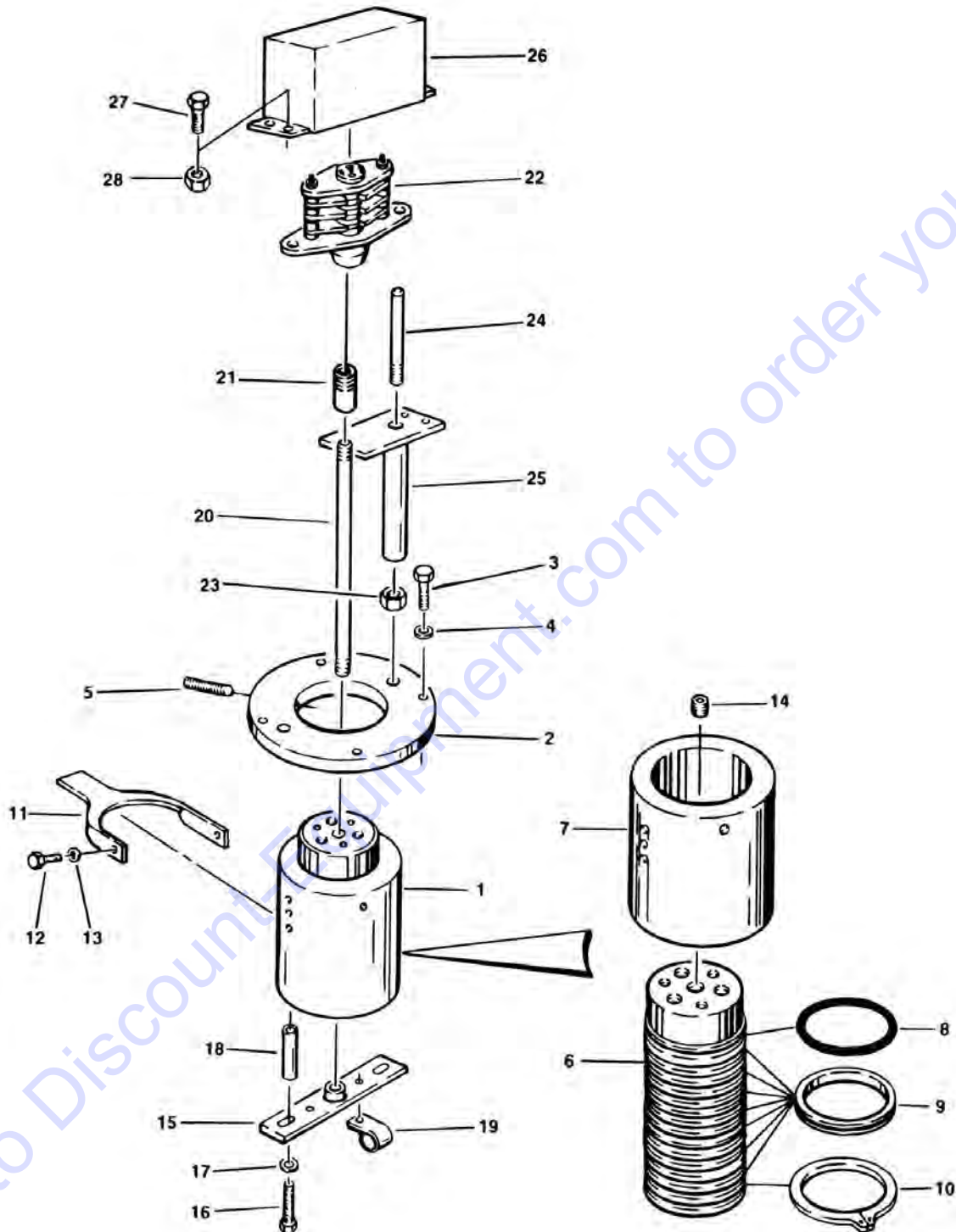
## SECTION 2 - TURNTABLE

ITEM	PART NUMBER	QTY	DESCRIPTION	REV
21	7012559	1	Gasket (Between the Filter and Tank)	
21	7016333	1	O-Ring (Under Cap)	
22	0641612	4	Bolt 3/8in-16NC x 1 1/2in	
23	4761600	4	Lockwasher 3/8in	
24	4740322	4	Washer, Sealing	
25	3311601	4	Nut 3/8in-16NC	
26	2120107	1	Element (Part of Item 21)	
27	1340045	1	Filler, Strainer	
27	4740338	6	Washer, Sealing	
28	2180467	2	Fitting, 90	
28	0100020	AR	Sealant	
29	1320022	2	Clamp	
30	4562516	26 in	Tube, Sight	
31	2120104	1	Filter, Suction	
31	0100020	AR	Sealant	
32	3520022	1	Plug - 3/4in	
32	0100020	AR	Sealant	
33	2180527	1	Plug - 1/16in	
33	0100020	AR	Sealant	
34	2200268	1	Fitting, Coupling	
34	0100020	AR	Sealant	
35	2180711	1	Pipe, Return	
36	1600043	1	Controller, Thermostat (With Heater Only)	
37	2580018	1	Heater, Immersion (With Heater Only)	
38	1340046	1	Breather	
39	4060695	1	Filler/Shield (Standard)	
39	4060767	1	Filler/Shield (LPG Only)	
40	0721005	6	Screw, Machine #10-24NC x 5/8in	
41	4751000	12	Flatwasher #10	
42	4761000	6	Lockwasher #10	
43	3311001	6	Nut #10-24NC	
44	3311405	6	Locknut 1/4in-20NC	
45	4761400	6	Lockwasher 1/4in	
46	4751400	6	Flatwasher 1/4in	
	0250232	Ref	<b>COLD WEATHER PACKAGE INSTALLATION - FORD</b>	B
	0250233	Ref	<b>COLD WEATHER PACKAGE INSTALLATION - DEUTZ</b>	B
47	0231756	1	Junction Box Assembly	C
47	1670199	1	Cover	
47	4460049	3	Connector, Strain Relief	
48	3311401	4	Nut 1/4in-20NC	
49	4761400	4	Lockwasher 1/4in	
50	3251837	1	Decal - Battery and Oil Tank Heaters	
50	3251243	1	Decal - 120V/60HZ	
	0239594	Ref	<b>LP TANK AND BRACKETS INSTALLATION - STANDARD</b>	B
51	4400275	2	Tank, LP	
52	1320023	2 st	Bracket	
53	3311605	8	Locknut 3/8in-16NC	
54	4761600	8	Lockwasher 3/8in (When Equipped)	
55	4751600	8	Flatwasher 3/8in	
55	4300034	8	Stud (Welded on Part)	
55	4070774	AR	Shim (Not Shown)	



## SECTION 2 - TURNTABLE

FIGURE 2-25. ROTARY COUPLING AND COLLECTOR ASSEMBLY AND INSTALLATION



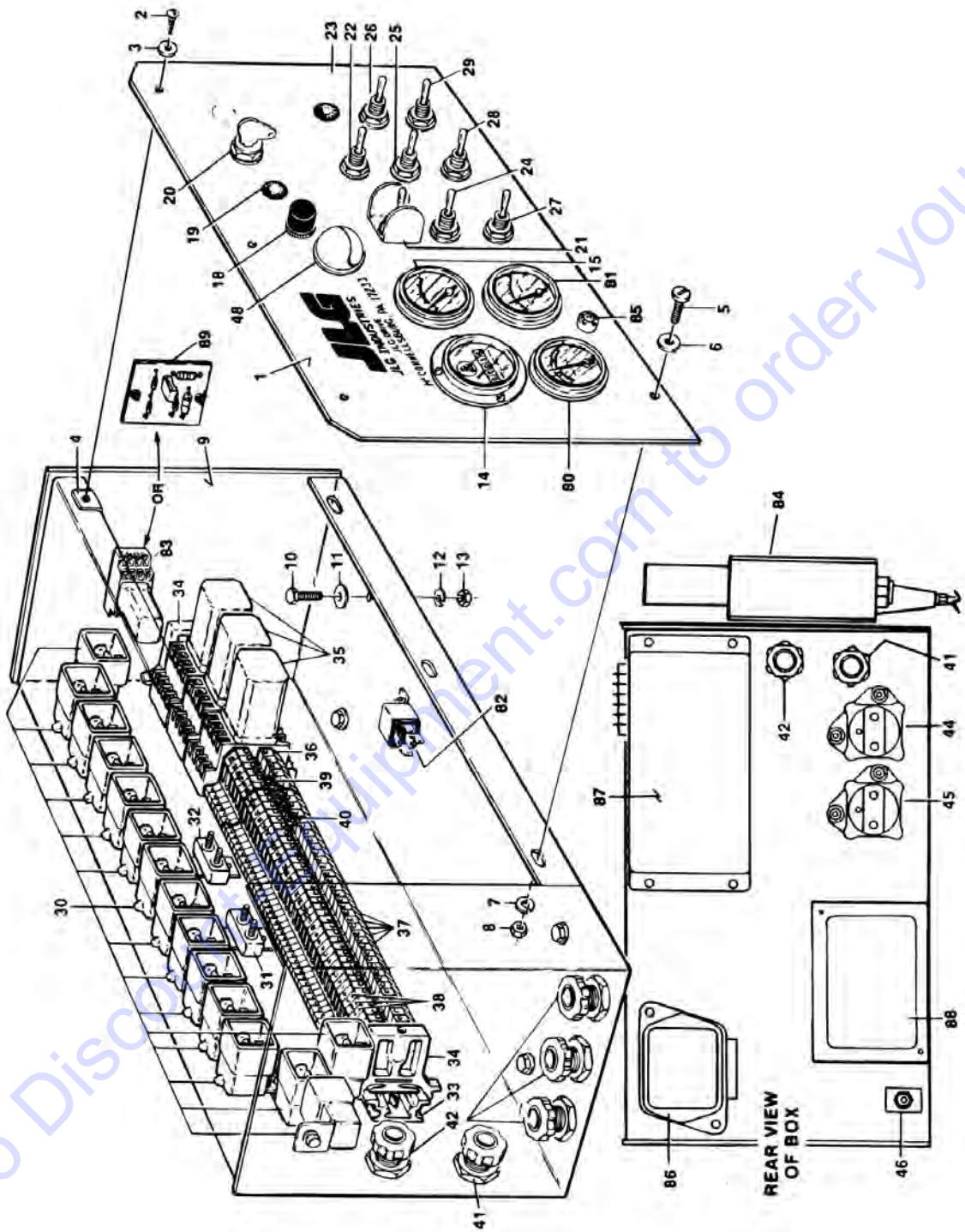
## SECTION 2 - TURNTABLE

**FIGURE 2-25. ROTARY COUPLING AND COLLECTOR ASSEMBLY AND INSTALLATION**

ITEM	PART NUMBER	QTY	DESCRIPTION	REV
	0238032	Ref	<b>ROTARY OIL COUPLING INSTALLATION (2WS)</b>	B
	0250611	Ref	<b>ROTARY OIL COUPLING INSTALLATION (4WS)</b>	C
1	1660160	1	Oil Coupling Assembly (2WS) (Includes Items 6-10)	B
1	1660185	1	Oil Coupling Assembly (4WS) (Includes Items 6-10)	B
2	1440154	1	Collar	
3	0641512	4	Bolt 5/16in-18NC x 1 1/2in	
4	4761500	4	Lockwasher 5/16in	
5	3951820	2	Setscrew, Socket 1/2in-13NC x 2 1/2in	
5	0100011	AR	Loctite #242	
6	0620058	1	Body, Swivel (2WS)	
6	0620106	1	Body, Swivel (4WS)	
7	2760091	1	Housing, Swivel	
8	Kit	1	O-Ring	
9	Kit	7	Seal	
9	2901146	1	Seal Kit (Includes Items 8 & 9)	
10	3760004	1	Ring, Retaining	
11	3530403	1	Fork, Retaining	
12	0641807	2	Bolt 1/2in-13NC x 7/8in	
13	4761800	2	Lockwasher 1/2in	
13	0100019	AR	Loctite #271	
14	2200222	1	Plug, Pipe - 1/4in (2WS Only)	
	0251561	Ref	<b>COLLECTOR RING ASSEMBLY (4WS ONLY)</b>	B
15	4843822	1	Bracket Weldment	
16	0641418	2	Bolt 1/4in-20NC x 2 1/4in	
17	4761400	2	Lockwasher 1/4in	
17	4751400	2	Flatwasher 1/4in	
18	0960224	2	Bushing	
19	1320040	1	Clamp	
19	3911012	1	Screw, Machine #10-24NC x 3/4in	
19	4751000	1	Flatwasher #10	
19	4761000	1	Lockwasher #10	
19	3311001	1	Nut #10-24NC	
20	2180763	1	Pipe	
21	0961531	1	Bushing, Collector Ring	
22	3760053	1	Collector Ring Assembly	
23	3311801	2	Nut 1/2in-13NC	
24	3420290	2	Pin, Drive	
25	0231047	2	Guide, Drive	
26	1670594	1	Cover	
27	0721004	4	Screw, Round Head #10-24NC x 1/2in	
28	3311001	4	Nut #10-24NC	

# SECTION 2 - TURNTABLE

## FIGURE 2-26. GROUND CONTROL BOX ASSEMBLY



## SECTION 2 - TURNTABLE

### FIGURE 2-26. GROUND CONTROL BOX ASSEMBLY

ITEM	PART NUMBER	QTY	DESCRIPTION	REV
		Ref	<b>GROUND CONTROL BOX ASSEMBLY</b>	
1	3252044	1	Lid (Prior to May 1994)	
1	3252383	1	Lid (May 1994 to Present)	
1	4420037	14 cm	Strip, Rubber (Not Shown)	
2	0750806	2	Screw, Self-Tapping #8 x 3/4in	
3	4740120	2	Washer, Fiber	
4	3300177	2	Nut, Tinnerman	
5	3911412	3	Screw, Round Head 1/4in-20NC x 3/4in	
6	4751400	3	Flatwasher 1/4in	
7	4761400	3	Lockwasher 1/4in	
8	3311401	3	Nut 1/4in-20NC	
8	4420037	38 in	Strip, Rubber (Not Shown)	
9	0860576	1	Box	
10	0641405	4	Bolt 1/4in-20NC x 5/8in	
11	4751400	4	Flatwasher 1/4in	
12	4761400	4	Lockwasher 1/4in	
13	3311401	4	Nut 1/4in-20NC	
14	2420009	1	Hourmeter	
15	2420129	1	Voltmeter	
18	4360274	1	Switch, Push Button (Start)	
18	3790015	1	O-Ring	
19	3520028	1	Plug, Hole	
20	4360284	1	Switch, Key (Select)	
20	7010698	1 st	Key, Replacement	
20	4360267	1	Block, Contact - SPST - N.O.	
20	4360281	3	Block, Contact - N.O.	
21	4360199	1	Switch, Toggle (Ignition)	
21	4360141	1	Guard, Switch	
21	3790012	1	O-Ring	
22	4360202	1	Switch, Toggle (Platform Rotate)	
22	3790012	1	O-Ring	
23	3520026	1	Plug, Hole	
24	4360202	1	Switch, Toggle (Tower Lift)	
24	3790012	1	O-Ring	
25	4360202	1	Switch, Toggle (Main Lift)	
25	3790012	1	O-Ring	
26	4360202	1	Switch, Toggle (Swing)	
26	3790012	1	O-Ring	
27	4360202	1	Switch, Toggle (Tower Tele)	
27	3790012	1	O-Ring	
28	4360202	1	Switch, Toggle (Main Tele)	
28	3790012	1	O-Ring	
29	4360200	1	Switch, Toggle (Auxiliary Power)	
29	3790012	1	O-Ring	
30	3740049	15	Relay	
30	3311001	1	Nut #10-24NC	
30	4761000	1	Lockwasher #10	
30	4751000	1	Flatwasher #10	
31	4360216	1	Switch, Circuit Breaker - 30 Amp	
32	4360232	1	Switch, Circuit Breaker - 15 Amp	

## SECTION 2 - TURNTABLE

ITEM	PART NUMBER	QTY	DESCRIPTION	REV
33	3640711	42.4cm	Rail	
33	3910606	2	Screw #6-32NC x 3/8in	
33	4750600	2	Flatwasher #6	
33	4760600	2	Lockwasher #6	
33	3310601	2	Nut #6-32NC	
34	4460299	2	Stop, Terminal	
35	3740058	3	Relay	
35	4120013	3	Base, Relay	
35	3740063	3	Spring	
36	4460300	2	Barrier, Terminal	
37	4460298	45	Block, Terminal	
38	4460301	1	Marker, Terminal	
39	4460308	1	Bar, Buss (2 Position)	
39	4460305	2	Screw	
39	4460306	2	Washer	
39	4460307	2	Sleeve	
40	4460311	1	Bar, Buss (5 Position)	
40	4460305	5	Screw	
40	4460306	5	Washer	
40	4460307	5	Sleeve	
41	4460071	1	Connector, Strain Relief	
41	0960238	1	Bushing	
41	3300048	1	Nut, Conduit	
42	4460244	4	Connector, Strain Relief	
42	0960238	4	Bushing	
42	3300048	4	Nut, Conduit	
44	3740067	1	Relay (Continuous Duty)	
45	3740059	1	Relay (Start)	
45	3311001	3	Nut #10-24NC	
45	4761000	3	Lockwasher #10	
45	4751000	3	Flatwasher #10	
46	4360202	1	Switch, Toggle (Platform Level Override)	
46	4060229	1	Shield	
46	3790012	1	O-Ring	
46	3251903	1	Decal - Platform Level Override	
48	2420024	1	Light, Panel (Optional)	
	0860687	Ref	<b>GROUND CONTROL BOX ASSEMBLY - DEUTZ VARIABLE PARTS</b>	H
80	2420111		Gage, Oil Pressure	
81	2420125	1	Gage, Oil Temperature	
81	3990001	1	Diode - 3.5 Amp	
82	3740077	1	Relay, Bosch	
82	3311001	2	Nut #10-24NC	
82	4761000	2	Lockwasher #10	
82	4751000	2	Flatwasher #10	
83	3740058	1	Relay	
83	4120013	1	Base, Relay	
83	3740063	1	Spring, Relay	
83	3910614	2	Screw, Round Head #6-32NC x 7/8in	
83	4770600	2	Starwasher #6	
83	3310601	2	Nut #6-32NC	
84	0060023	1	Actuator, Adeco Throttle	

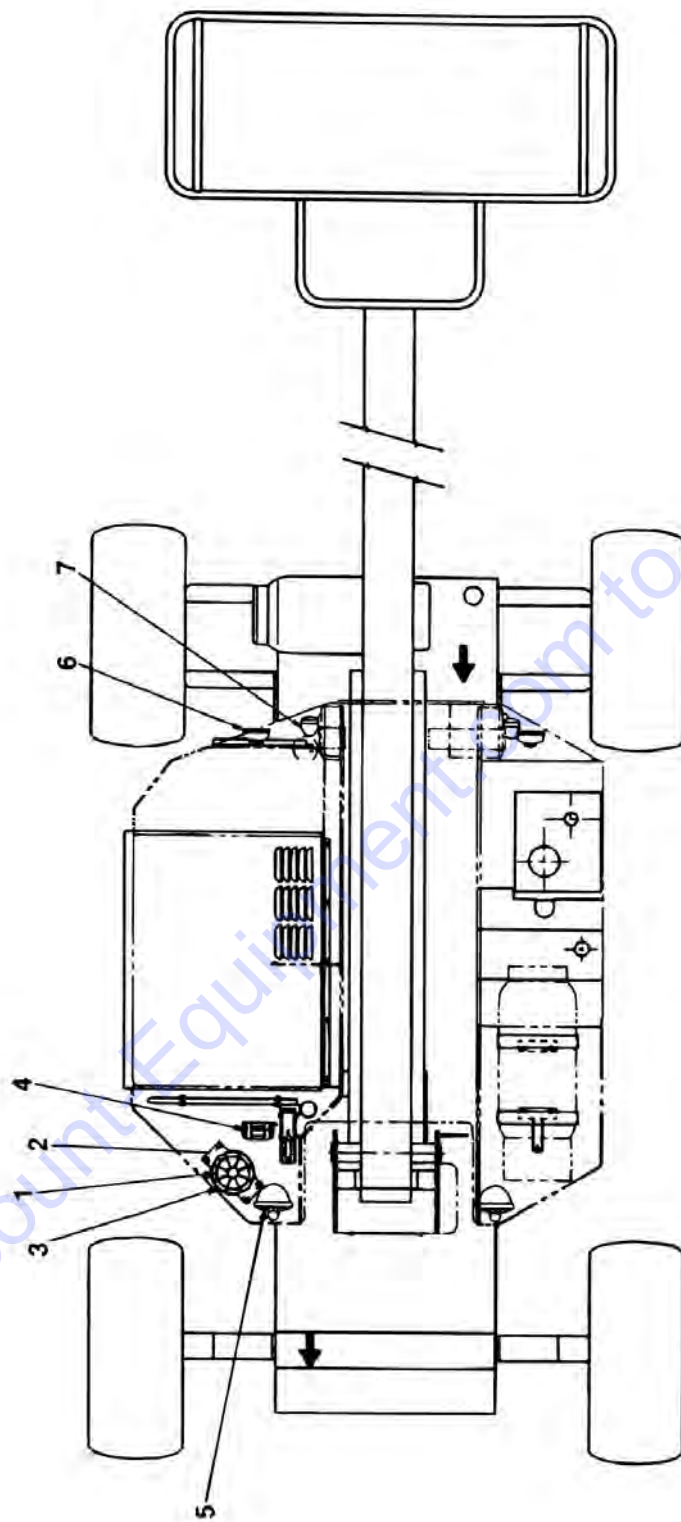
**SECTION 2 - TURNTABLE**

ITEM	PART NUMBER	QTY	DESCRIPTION	REV
	7008804	1	Bellows, Rubber	
	7008829	1	Board, Circuit	
	7008821	1	Motor, Drive	
	7008828	1	Cable, Throttle	
85	4360212	1	Breaker, Circuit	
	0860749	Ref	<b>GROUND CONTROL BOX ASSEMBLY - FORD (BUILT PRIOR TO FEBRUARY 1995) (VARIABLE PARTS)</b>	E
80	2420128	1	Gage, Oil Pressure	
81	2420127	1	Gage, Oil Temperature	
86		Ref	Regulator, Voltage (Supplied with Engine)	
86	3311001	2	Nut #10-24NC	
86	4761000	2	Lockwasher #10	
86	4751000	2	Flatwasher #10	
87	1600098	1	Controller, Precision Governor	
87	3311001	4	Nut #10-24NC	
87	4761000	4	Lockwasher #10	
87	4751000	4	Flatwasher #10	
88	3740061	1	Relay, Start Lockout	
88	3311001	2	Nut, #10-24NC	
88	4761000	2	Lockwasher #10	
88	4751000	2	Flatwasher #10	
89	4360228	1	Card, Mid Engine Circuit	
89	4564088	2	Stand-Off	
89	3910606	2	Screw #6-32NC x 3/4in	
89	4760600	2	Lockwasher #6	
89	3310601	2	Nut #6-32NC	
	0860952	Ref	<b>GROUND CONTROL BOX ASSEMBLY - FORD BUILT FEBRUARY 1995 TO PRESENT</b>	A
80	2420128	1	Gage, Oil Pressure	
81	2420127	1	Gage, Oil Temperature	
83	3740058	2	Relay	
83	4120013	2	Base, Relay	
83	3740063	2	Spring, Relay	
83	3910614	3	Screw, Machine #6-32NC x 7/8in	
83	4770600	2	Starwasher #6	
83	3310601	2	Nut #6-32NC	
87	1600211	1	Controller, Precision Governor	
87	3311001	4	Nut #10-24NC	
87	4761000	4	Lockwasher #10	
87	4751000	4	Flatwasher #10	



## SECTION 2 - TURNTABLE

FIGURE 2-27. LIGHTS AND ALARMS INSTALLATION



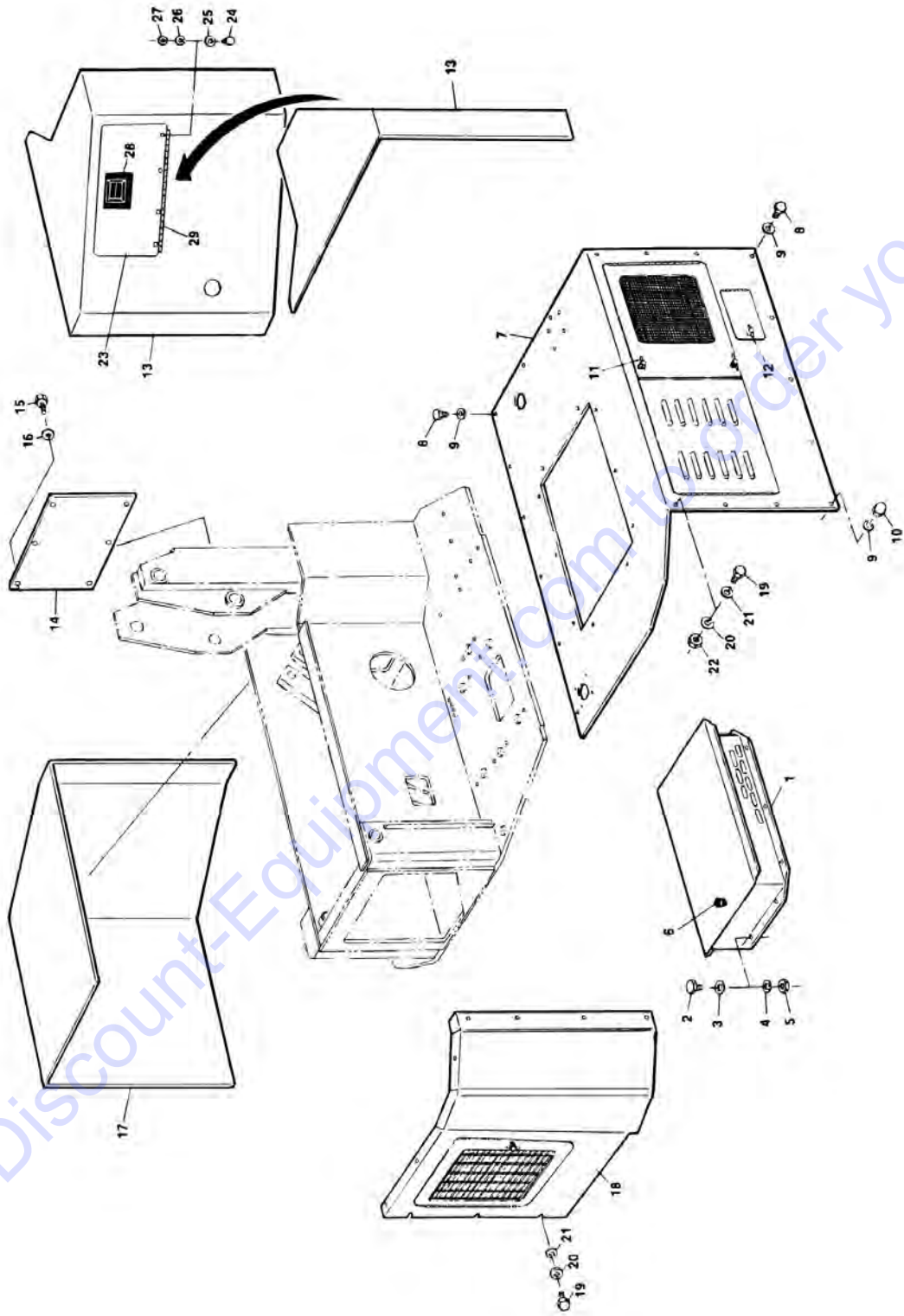
## SECTION 2 - TURNTABLE

**FIGURE 2-27. LIGHTS AND ALARMS INSTALLATION**

ITEM	PART NUMBER	QTY	DESCRIPTION	REV
	0250013	Ref	<b>STROBE LIGHT INSTALLATION - AMBER (OPTIONAL)</b>	B
	0250014	Ref	<b>STROBE LIGHT INSTALLATION - RED (OPTIONAL)</b>	B
1	2920018	1	Light, Beacon - Amber (Optional - Prior to January 1993)	
1	2920105	1	Light, Beacon - Amber (Optional - January 1993 to Present)	
1	2920009	1	Light, Beacon - Red (Optional - Prior to January 1993)	
1	2920109	1	Light, Beacon - Red (Optional - January 1993 to Present)	
1	3941404	2	Screw, Self-Tapping 1/4in x 1/2in	
1	2540016	2	Grommet	
2	3536597	1	Plate, Mounting (Optional Only - January 1993 to Present)	
2	3941404	4	Screw, Self-Tapping 1/4in x 1/2in	
3	4060829	1	Guard, Light (Optional Only - January 1993 to Present)	
3	0641405	2	Bolt 1/4in-20NC x 5/8in	
3	3311405	2	Locknut 1/4in-20NC	
	0250015	Ref	<b>TRAVEL ALARM INSTALLATION (OPTIONAL)</b>	C
4	0140024	1	Alarm (Optional - Prior to January 1993)	
4	0140032	1	Alarm (Optional - January 1993 to Present)	
4	2540016	1	Grommet	
4	3941404	4	Screw, Self-Tap 1/4in x 1/2in	
4	4751400	4	Flatwasher 1/4in	
	0250016	Ref	<b>HEADLIGHT AND TAILLIGHT INSTALLATION</b>	2
	0253910	Ref	<b>HEADLIGHT AND TAILLIGHT INSTALLATION (HALOGEN)</b>	2
5		Ref	Headlight Options:	
5	2920001	2	Production	
5	2920152	2	Post Production Alternative	
5	2920079	2	Bulb (Halogen)	
5	3941406	4	Screw, Self-tap 1/4in x 3/4in	
5	4751400	4	Flatwasher 1/4in	
6	2920019	2	Taillight	
6	0181386	2	Angle, Mounting	
	0250476	Ref	<b>BACK-UP LIGHTS INSTALLATION</b>	2
7		Ref	Light, Back-Up Options:	
7	2920001	2	Production	
7	2920152	2	Post Production Alternative	
7	0641608	4	Bolt 3/8in-16NC x 1in	
7	4761600	4	Lockwasher 3/8in	
7	3311601	4	Nut 3/8in-16NC	

# SECTION 2 - TURNTABLE

## FIGURE 2-28. HOODS INSTALLATIONS - STANDARD



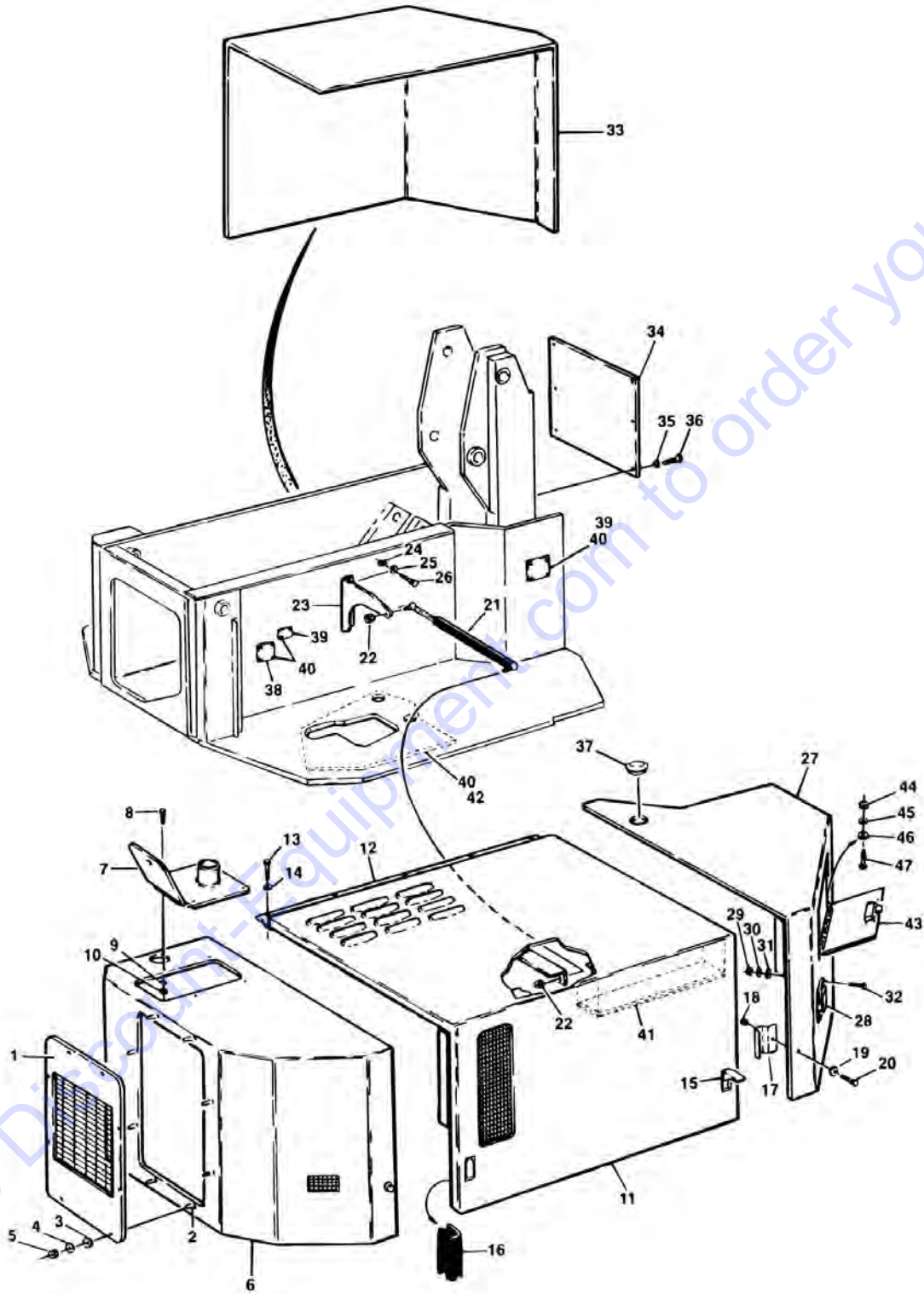
## SECTION 2 - TURNTABLE

**FIGURE 2-28. HOODS INSTALLATIONS - STANDARD**

ITEM	PART NUMBER	QTY	DESCRIPTION	REV
	0250240	Ref	<b>HOODS INSTALLATION - FORD</b>	D
	0250188	Ref	<b>HOODS INSTALLATION - DEUTZ</b>	C
		Ref	<b>Note: Replacement decals must be ordered separately - See DECALS SECTION</b>	
1	4843371	1	Ventilator	
1	1260017	15 in	Chain	
2	0641408	10	Bolt 1/4in-20NC x 1in	
3	4751400	10	Flatwasher 1/4in	
4	4761400	10	Lockwasher 1/4in	
5	3311401	10	Nut 1/4in-20NC	
6	2940051	1	Latch	
7	4843424	1	Top, Hood (Ford)	
7	4843448	1	Top, Hood (Deutz)	
8	3941406	12	Screw, Self-Tapping 1/4in x 3/4in	
9	4761400	16	Lockwasher 1/4in	
10	3300151	5	Nut, Acorn 1/4in-20NC	
10	4300031	5	Stud (Welded on Part)	
11	2940048	2	Latch	
11	3820019	2	Rivet	
12	2940050	1	Latch	
12	3820012	2	Rivet	
13	4843423	1	Cover, Ground Control	
14	3532202	1	Plate, Cover	
15	3941406	6	Screw, Self-Tapping 1/4in x 3/4in	
16	4751400	6	Flatwasher 1/4in	
17	4843256	1	Cover - Counterweight (Turntable Side Length 38 15/16in)	
17	4843426	1	Cover - Counterweight (Turntable Side Length - 31 13/16in)	
18	4843425	1	Cover - Front (Ford)	
18	4843643	1	Cover - Front (Deutz)	
19	0641408	6	Bolt 1/4in-20NC x 1in	
20	4761400	6	Lockwasher 1/4in	
21	4751400	6	Flatwasher 1/4in	
22	3311401	3	Nut 1/4in-20NC	
22	2940048	1	Latch (Front Cover Only)	
22	3820019	2	Rivet	
	0252317	Ref	<b>GROUND CONTROL DOOR INSTALLATION - FORD</b>	B
	0250669	Ref	<b>GROUND CONTROL DOOR INSTALLATION - DEUTZ</b>	C
23	1780245	1	Door - Ground Control	
24	0641405	4	Bolt 1/4in-20NC x 5/8in	
25	4751400	4	Flatwasher 1/4in	
26	4761400	4	Lockwasher 1/4in	
27	3311401	4	Nut 1/4in-20NC	
28	2940057	1	Latch, Sliding	
29	2600157	1	Hinge	

# SECTION 2 - TURNTABLE

## FIGURE 2-29. HOODS INSTALLATIONS - NOISE REDUCTION PACKAGE



## SECTION 2 - TURNTABLE

**FIGURE 2-29. HOODS INSTALLATIONS - NOISE REDUCTION PACKAGE**

ITEM	PART NUMBER	QTY	DESCRIPTION	REV
	0252294	Ref	<b>HOODS INSTALLATION - DEUTZ (PRIOR TO FEBRUARY 1993)</b>	
	0253692	Ref	<b>HOODS INSTALLATION - DEUTZ (FEBRUARY 1993 TO PRESENT)</b>	2
	0253707	Ref	<b>HOODS INSTALLATION - FORD</b>	A
		Ref	<b>Note: Replacement decals must be ordered separately - See DECALS SECTION</b>	
1	4844295	1	Shield Weldment (Ford)	
1	4844345	1	Door Weldment (Deutz) (Not Shown)	
1	3960417	5 ft	Seal (Deutz)	
1	4844357	1	Panel, Filler (Deutz - October 1993 to Present) (Not Shown)	
2	4300031	8	Weld Stud - 1/4in-20NC x 5/8in (Ford) (Prior to June 1994)	
2	3941406	8	Self Tapping - 1/4in-20NC (Ford) (June 1994 to Present)	
2	0641408	4	Bolt 1/4in-20NC x 1in (Deutz)	
3	4751400	AR	Flatwasher 1/4in	
4	4761400	AR	Lockwasher 1/4in	
5	3300151	AR	Acorn Nut 1/4in-20NC (Prior to June 1994)	
5	4070798	AR	Shim (Deutz)	
6	4844294	1	Hood Support Weldment	
7	4844293	1	Cover (Ford)	
7	1670662	1	Cover (Deutz - October 1993 to Present) (Not Shown)	
8	0641408	4	Hex Head Capscrew 1/4in-20NC x 1in	
9	4751400	4	Flatwasher 1/4in	
10	3311405	4	Locknut 1/4in-20NC	
11	4844296	1	Door Weldment (Ford)	
11	4844015	1	Door Weldment (Deutz)	
12	2600180	1	Hinge (Welded to Door)	
13	3941406	5	Screw, Self-Tapping 1/4in x 3/4in	
14	4751400	5	Lockwasher 1/4in	
15	2940042	2	Latch (Ford)	
15	2940042	3	Latch (Deutz) (Production)	
15	2940113	3	Latch (Deutz) (Post Production Alternative)	
15	2940070	1	Pawl, Latch (Deutz - Front Door Item 1 only)	
16	3960418	15 ft	Seal Door	
17	4060832	2	Shield	
18	3311405	2	Locknut 1/4in-20	
19	4751400	2	Flatwasher 1/4in	
20	0641406	2	Bolt 1/4in-20NC x 3/4in	
21	4160106	1	Gas Spring	
22	3311505	2	Locknut 5/16in-18	
23	0901920	1	Bracket, Gas Spring	
24	3311605	3	Locknut 3/8in-16NC	
25	4751600	3	Flatwasher 3/8in	
26	0641610	3	Bolt 3/8in-16NC x 1 1/4in	
27	4843423	1	Ground Control Cover (Welded on)	
28	1670612	1	Cover, 110V Access	
29	3310801	4	Hex Nut #8-32	
30	4760800	4	Lockwasher #8	
31	4750800	4	Flatwasher #8	
32	3910812	4	Machine Screw #8-32NC x 3/4in	
33	4844226	1	Counterweight Cover (Welded on)	

# PARTS FINDER

**Search Website  
by Part Number**



**Search Manual  
Library For Parts  
Manual & Lookup Part  
Numbers – Purchase  
or Request Quote**

**Can't Find Part or  
Manual? Request Help  
by Manufacturer,  
Model & Description**

Discount-Equipment.com is your online resource for quality parts & equipment.

Florida: **561-964-4949** Outside Florida TOLL FREE: **877-690-3101**

## Need parts?

Click on this link: <http://www.discount-equipment.com/category/5443-parts/> and choose one of the options to help get the right parts and equipment you are looking for. Please have the machine model and serial number available in order to help us get you the correct parts. If you don't find the part on the website or on one of the online manuals, please fill out the request form and one of our experienced staff members will get back to you with a quote for the right part that your machine needs.

We sell worldwide for the brands: Genie, Terex, JLG, MultiQuip, Mikasa, Essick, Whiteman, Mayco, Toro Stone, Diamond Products, Generac Magnum, Airman, Haulotte, Barreto, Power Blanket, Nifty Lift, Atlas Copco, Chicago Pneumatic, Allmand, Miller Curber, Skyjack, Lull, Skytrak, Tsurumi, Husquvarna Target, Stow, Wacker, Sakai, Mi-T-M, Sullair, Basic, Dynapac, MBW, Weber, Bartell, Bennar Newman, Haulotte, Ditch Runner, Menegotti, Morrison, Contec, Buddy, Crown, Edco, Wyco, Bomag, Laymor, EZ Trench, Bil-Jax, F.S. Curtis, Gehl Pavers, Heli, Honda, ICS/PowerGrit, IHI, Partner, Imer, Clipper, MMD, Koshin, Rice, CH&E, General Equipment, Amida, Coleman, NAC, Gradall, Square Shooter, Kent, Stanley, Tamco, Toku, Hatz, Kohler, Robin, Wisconsin, Northrock, Oztec, Toker TK, Rol-Air, APT, Wylie, Ingersoll Rand / Doosan, Innovatech, Con X, Ammann, Mecalac, Makinex, Smith Surface Prep, Small Line, Wanco, Yanmar

## SECTION 2 - TURNTABLE

ITEM	PART NUMBER	QTY	DESCRIPTION	REV
34	3532202	1	Cover Plate	
35	4751400	6	Flatwasher 1/4in	
36	3941406	6	Self-Tapping Screw 1/4in-20NC x 3/4in	
37	3520064	1	Plug, Hole	
38	1670616	1	Cover (Deutz)	
39	1670321	2	Cover (Deutz)	
40	4300031	17	Stud (Welded on Part)	
40	4751400	17	Flatwasher 1/4in	
40	4761400	17	Lockwasher 1/4in	
40	3311401	17	Nut 1/4in-20NC	
41	1670613	1	Cover, Inlet Box (Deutz)	
41	2820044	1	Foam, Acoustical - Bottom (Deutz)	
41	2820045	1	Foam, Acoustical - Side (Deutz)	
41	3820012	10	Rivet	
42	1670615	1	Cover - Base (Deutz)	
	0252312	Ref	<b>GROUND CONTROL DOOR INSTALLATION - FORD MACHINES BUILT PRIOR TO FEBRUARY 1995</b>	B
	0255131	Ref	<b>GROUND CONTROL DOOR INSTALLATION - FORD MACHINES BUILT FEBRUARY 1995 TO PRESENT</b>	-
	0250669	Ref	<b>GROUND CONTROL DOOR INSTALLATION - DEUTZ</b>	C
43	1780245	1	Door	
43	2940057	1	Latch, Sliding	
43	2600157	1	Hinge	
44	3311401	4	Nut 1/4in-20NC	
45	4761400	4	Lockwasher 1/4in	
46	4751400	4	Flatwasher 1/4in	
47	0641405	4	Bolt 1/4in-20NC x 5/8in	

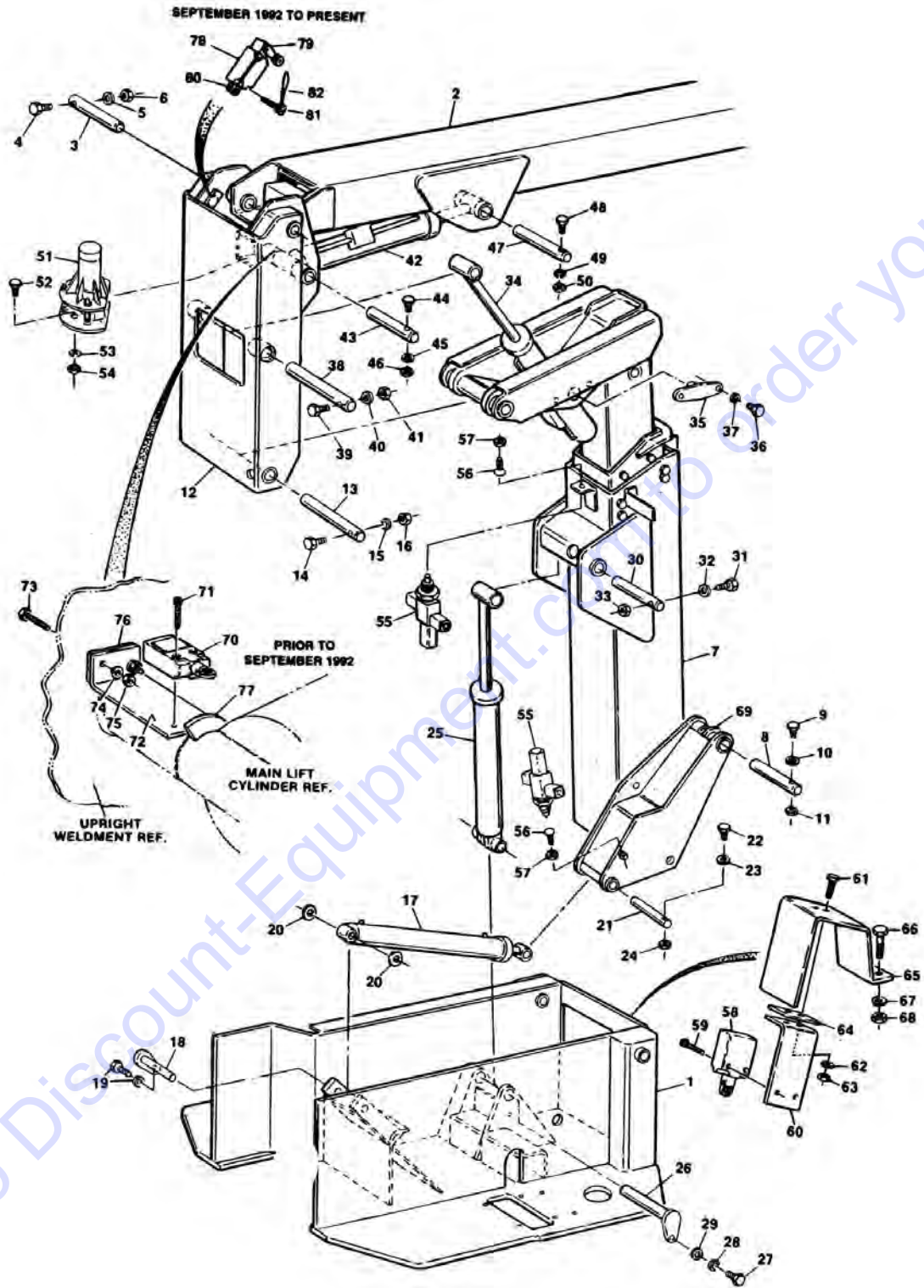


**SECTION 3 - BOOM**

Go to Discount-Equipment.com to order your parts

# SECTION 3 - BOOM

## FIGURE 3-1. BOOMS AND LIMIT SWITCHES INSTALLATIONS



## SECTION 3 - BOOM

**FIGURE 3-1. BOOMS AND LIMIT SWITCHES INSTALLATIONS**

ITEM	PART NUMBER	QTY	DESCRIPTION	REV
	0251412	Ref	<b>BOOM INSTALLATION (STANDARD - PRIOR TO APRIL 1992)</b>	D
	0253119	Ref	<b>BOOM INSTALLATION (STANDARD - APRIL 1992 TO PRESENT)</b>	A
2	0800743	1	Main Boom Assembly (See MAIN BOOM ASSEMBLY for Breakdown)	
3	3421603	1	Pin	
4	0641832	1	Bolt 1/2in-13NC x 4in	
5	4751800	1	Flatwasher 1/2in (When Equipped)	
6	3311805	1	Locknut 1/2in-13NC	
7	0800585	1	Tower Boom Assembly (See TOWER BOOM ASSEMBLY for Breakdown)	
8	3421614	1	Pin	
9	0641832	1	Bolt 1/2in-13NC x 4in	
10	4751800	1	Flatwasher 1/2in (When Equipped)	
11	3311805	1	Locknut 1/2in-13NC	
12	4843132	1	Upright Weldment	
13	3421617	1	Pin	
14	0641840	1	Bolt 1/2in-13NC x 5in	
15	4751800	1	Flatwasher 1/2in (When Equipped)	
16	3311805	1	Locknut 1/2in-13NC	
17	1682013	1	Master Level Cylinder Assembly (See CYLINDER SECTION for Breakdown)	
18	3421616	1	Pin (Turntable Attach)	
19	0681810	1	Bolt 1/2in-13NC x 1 1/4in (Grade 8)	
19	4761800	1	Lockwasher 1/2in	
20	4740307	1	Washer, Thrust	
21	3421598	1	Pin (Tower Boom Attach)	
22	0641528	1	Bolt 5/16in-18NC x 3 1/2in	
23	4751500	1	Flatwasher 5/16in (When Equipped)	
24	3311505	1	Locknut 5/16in-18NC	
25	1682053	1	Tower Lift Cylinder Assembly (Standard) (See CYLINDER SECTION for Breakdown) (Prior to April 1992)	
25	1682739	1	Tower Lift Cylinder Assembly - TUV (Standard) (See CYLINDER SECTION for Breakdown) (April 1992 to Present)	
26	3421615	1	Pin (Turntable Attach)	
27	0641814	1	Bolt 1/2in-13NC x 1 3/4in	
28	4761800	1	Lockwasher 1/2in	
29	4751800	1	Flatwasher 1/2in (When Equipped)	
30	3421599	1	Pin (Tower Boom Attach) (Prior to February 1991)	
30	3422075	1	Pin (Tower Boom Attach) (February 1991 to Present)	
31	0641528	1	Bolt 5/16in-18NC x 3 1/2in	
32	4751500	1	Flatwasher 5/16in (When Equipped)	
33	3311505	1	Locknut 5/16in-18NC	
34	1682019	1	Upright Level Cylinder Assembly (See CYLINDER SECTION for Breakdown) (Prior to April 1992)	
34	1682745	1	Upright Level Cylinder Assembly - TUV (See CYLINDER SECTION for Breakdown) (April 1992 to Present)	
35	3421605	2	Pin (Tower Boom Attach)	
35	2160002	1	Fitting, Grease	
35	4640812	1	Valve, Relief	
36	0681810	4	Bolt 1/2in-13NC x 1 1/4in	

## SECTION 3 - BOOM

ITEM	PART NUMBER	QTY	DESCRIPTION	REV
37	4761800	4	Lockwasher 1/2in	
38	3421618	1	Pin (Upright Attach)	
39	0641840	1	Bolt 1/2in-13NC x 5in	
40	4751800	1	Flatwasher 1/2in (When Equipped)	
41	3311805	1	Locknut 1/2in-13NC	
42	1682072	1	Main Lift Cylinder Assembly (See CYLINDER SECTION for Breakdown) (Prior to April 1992)	
42	1682764	1	Main Lift Cylinder Assembly - TUV (See CYLINDER SECTION for Breakdown) (April 1992 to Present)	
43	3421619	1	Pin (Upright Attach)	
44	0641832	1	Bolt 1/2in-13NC x 4in	
45	4751800	1	Flatwasher 1/2in (When Equipped)	
46	3311805	1	Locknut 1/2in-13NC	
47	3421602	1	Pin (Main Boom Attach)	
48	0641528	1	Bolt 5/16in-18NC x 3 1/2in	
49	4751500	1	Flatwasher 5/16in (When Equipped)	
50	3311505	1	Locknut 5/16in-18NC	
	0239603	Ref	<b>LEVEL SENSOR INSTALLATION</b>	-
51	1600110	1	Sensor, Level	
52	0641406	2	Bolt 1/4in-20NC x 3/4in	
53	4761400	2	Lockwasher 1/4in	
54	3311401	2	Nut 1/4in-20NC	
	0250413	Ref	<b>BOOM VALVES AND SWITCHES INSTALLATIONS</b>	G
55	4640310	2	Valve, Plunger	
55	7012649	2	Seal Kit - 4640310 Valve (1 Per Valve)	
56	0630415	2	Screw, Plow (3/8in Threads)	
56	0630427	2	Screw, Plow (1/2in Threads)	
57	3311605	2	Locknut 3/8in - 16NC	
57	3311802	2	Nut, Jam 1/2in-13NC	
57	0100011	AR	Loctite #242	
58	4360266	1	Switch, Limit	
59	3930812	2	Bolt, Socket Head #8-32NC x 3/4in	
59	0100019	AR	Adhesive	
60	0901644	1	Bracket, Switch Mounting	
61	0641407	2	Bolt 1/4in-20NC x 7/8in	
62	4761400	2	Lockwasher 1/4in	
63	3311401	2	Nut 1/4in-20NC	
64	4070738	AR	Shim	
65	0901643	1	Cover, Switch Bracket	
66	0641610	2	Bolt 3/8in-16NC x 1 1/4in	
67	4761600	2	Lockwasher 3/8in	
68	3311601	2	Nut 3/8in-16NC	
69	1100043	1	Cam (Prior to September 1995)	
70	4360266	1	Switch, Limit (Prior to September 1992)	
71	3930812	2	Bolt #8-32NC x 3/4in (Prior to September 1992)	
71	0100019	AR	Adhesive	
72	0901645	1	Bracket, Switch Mounting (Prior to September 1992)	
73	0641409	2	Bolt 1/4in-20NC x 1 1/8in (Prior to September 1992)	
74	4761400	2	Lockwasher 1/4in (Prior to September 1992)	
75	3311401	2	Nut 1/4in-20NC (Prior to September 1992)	
76	4070439	AR	Shim (Prior to September 1992)	
77	1100044	1	Cam (Prior to September 1992)	

**SECTION 3 - BOOM**

<b>ITEM</b>	<b>PART NUMBER</b>	<b>QTY</b>	<b>DESCRIPTION</b>	<b>REV</b>
78	4360277	1	Switch, Limit (September 1992 to Present)	
79	4360236	1	Head, Actuator (September 1992 to Present)	
79	4360278	1	Arm and Roller (September 1992 to Present)	
80	4460052	1	Connector, Strain Relief (September 1992 to Present)	
81	3900168	2	Screw, Special (September 1992 to Present)	
82	4920140	AR	Wire, Safety (September 1992 to Present)	

Go to Discount-Equipment.com to order your parts

# SECTION 3 - BOOM

## FIGURE 3-2. MAIN BOOM ASSEMBLY

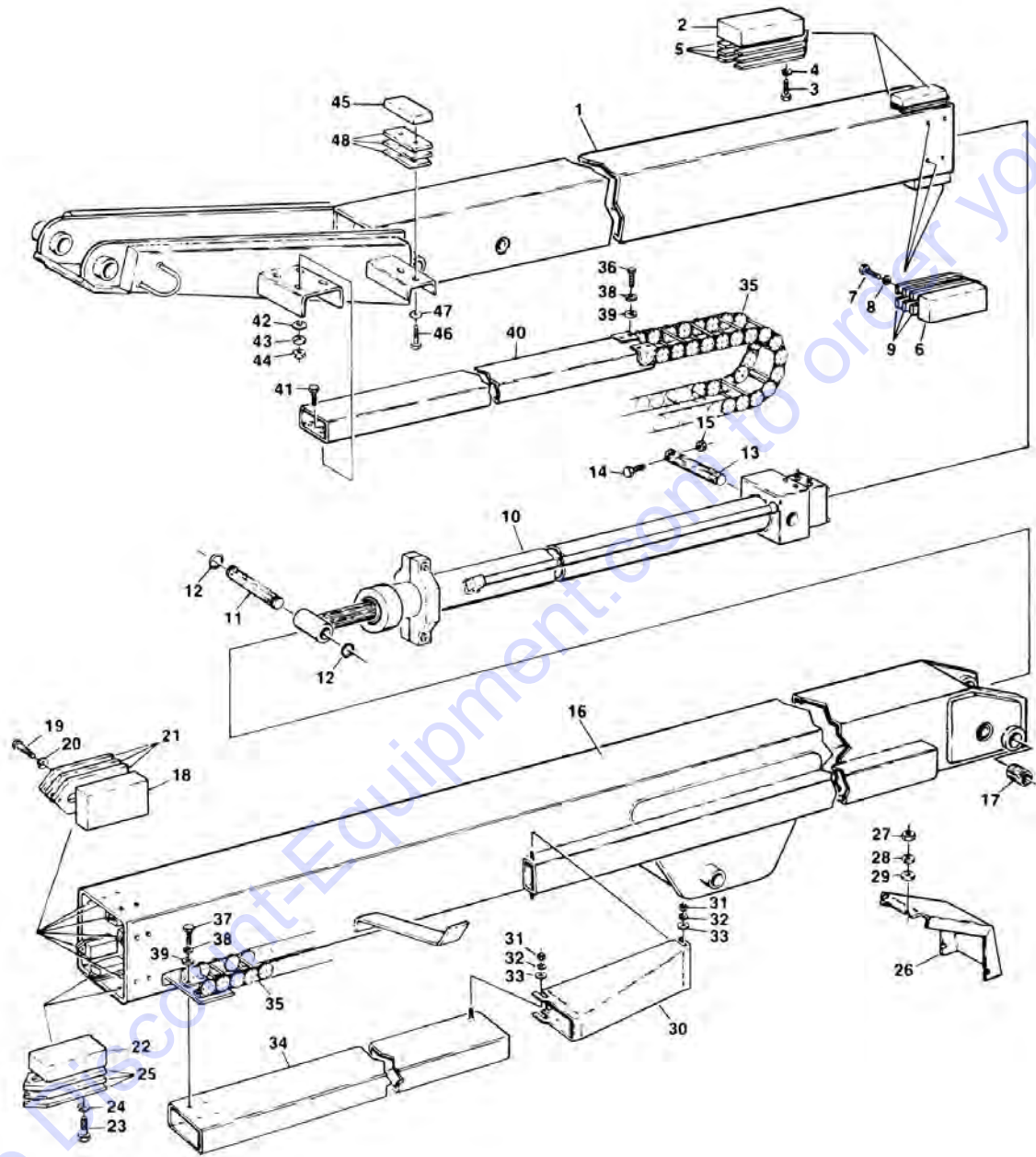


FIGURE 3-2. MAIN BOOM ASSEMBLY

ITEM	PART NUMBER	QTY	DESCRIPTION	REV
	0800743	Ref	<b>MAIN BOOM ASSEMBLY</b>	E
1	0800717	1	Boom Fly Weldment	
2	3340473	2	Pad, Wear (Fly Rear Top)	
3	0641608	3	Bolt 3/8in-16NC x 1in	
4	4761600	3	Lockwasher 3/8in	
4	0100019	AR	Loctite	
5	4070678	AR	Shim 1/32in	
5	4070677	AR	Shim 1/16in	
5	4070676	AR	Shim 1/8in	
6	3340552	6	Pad, Wear (Fly Rear Side and Bottom)	
7	0641607	3	Bolt 3/8in-16NC x 7/8in	
8	4761600	3	Lockwasher 3/8in	
8	0100019	AR	Loctite	
9	4070670	AR	Shim 1/32in	
9	4070671	AR	Shim 5/64in	
9	4070672	AR	Shim 1/8in	
10	1682415	1	Telescope Cylinder Assembly (See CYLINDER SECTION for Breakdown)	
11	3421601	1	Pin (Fly Attach)	
12	3760133	2	Ring, Retaining	
13	3421604	1	Pin (Base Attach) (Prior to March 1992)	
13	3422043	1	Pin (Base Attach) (March 1992 to Present)	
13	3760133	2	Ring, Retaining (March 1992 to Present Only)	
14	0681520	1	Bolt 5/16in-18NC x 2 1/2in (Grade 8) (Prior to March 1992 Only)	
15	3271501	1	Nut 5/16in-18NC (Prior to March 1992 Only)	
16	0800581	1	Boom Base Weldment	K
17	0961593	2	Bushing, Bronze (Boom Pivot) (Prior to February 1994)	
17	0961768	2	Bushing, Bronze (Boom Pivot) (February 1994 to Present)	
	2160002	2	Fitting, Grease	
	4640812	2	Valve, Relief (February 1994 to Present)	
	3780184	4	O-Ring (February 1994 to Present)	
18	3340552	6	Pad, Wear (Base Front Top and Sides)	
19	0641607	2	Bolt 3/8in-16NC x 7/8in (Sides)	
19	0641608	2	Bolt 3/8in-16NC x 1in (Top)	
20	4761600	2	Lockwasher 3/8in	
20	0100019	AR	Loctite	
21	4070670	AR	Shim 1/32in	
21	4070671	AR	Shim 5/64in	
21	4070672	AR	Shim 1/8in	
22	3340473	2	Pad, Wear (Base Front Bottom)	
23	0641609	3	Bolt 3/8in-16NC x 1 1/8in	
24	4761600	3	Lockwasher 3/8in	
24	0100019	AR	Loctite	
25	4070678	AR	Shim 1/32in	
25	4070677	AR	Shim 1/16in	
25	4070676	AR	Shim 1/8in	
26	4843468	1	Cover, Boom	
27	3311405	4	Locknut 1/4in-20NC	
28	4761400	4	Lockwasher 1/4in	
29	4751400	4	Flatwasher 1/4in	

## SECTION 3 - BOOM

ITEM	PART NUMBER	QTY	DESCRIPTION	REV
29	4300031	4	Stud (Welded on Part - Not Shown)	
30	1670450	1	Cover, Hose	
31	3311405	4	Locknut 1/4in-20NC	
32	4761400	4	Lockwasher 1/4in	
33	4751400	4	Flatwasher 1/4in	
33	4300031	4	Stud (Welded on Part - Not Shown)	
34	4843147	1	Cover, Hose	
35	1180190	1	Carrier, Hose and Cable	
		Ref	<b>Note: Original Equipment Power Track may have been replaced with a Service Replacement. Visually identify the power track before ordering parts.</b>	
35	7006139	AR	Powertrack - 1 Ft Section	
35	7006151	2 Pair	Mounting Feet	
35	7006152	AR	Pin Kit (Includes 1 pin, 1 Retaining Ring and 4 Washers)	
35	7006162	AR	Spacer	
35	7006163	AR	Shim, Nylon	
35	7006156	AR	Rod	
35	7006158	AR	Screw	
36	0641405	4	Bolt 1/4in-20NC x 5/8in	
37	0641405	4	Bolt 1/4in-20NC x 5/8in	
38	4761400	8	Lockwasher 1/4in	
39	4751400	8	Flatwasher 1/4in	
40	4843146	1	Cover	
41	0641608	4	Bolt 3/8in-16NC x 1in	
42	4751600	8	Flatwasher 3/8in	
43	4761600	4	Lockwasher 3/8in	
44	3311605	4	Locknut 3/8in-16NC	
44	1060229	82 ft/25m	Cable, Control - 16/30	
44	1060012	82 ft/25m	Cable, Control - 12/4	
44	1060461	82 ft/25m	Cable, Control - 12/3 (Prior to September 1993)	
44	1700598	2	Decal - Ground (Prior to September 1993)	
44	1700599	2	Decal - Neutral (Prior to September 1993)	
45	0560923	1	Block, Cover Support	
46	0641608	2	Bolt 3/8in-16NC x 1in	
47	4761600	2	Lockwasher 3/8in	
48	4070559	AR	Shim	
	0251396	Ref	<b>BOOM NOSE PROTECTOR INSTALLATION - OPTIONAL (NOT SHOWN)</b>	-
	3534745	1	Plate, Skid (Welded to end of Item 1)	





# SECTION 3 - BOOM

## FIGURE 3-3. TOWER BOOM ASSEMBLY

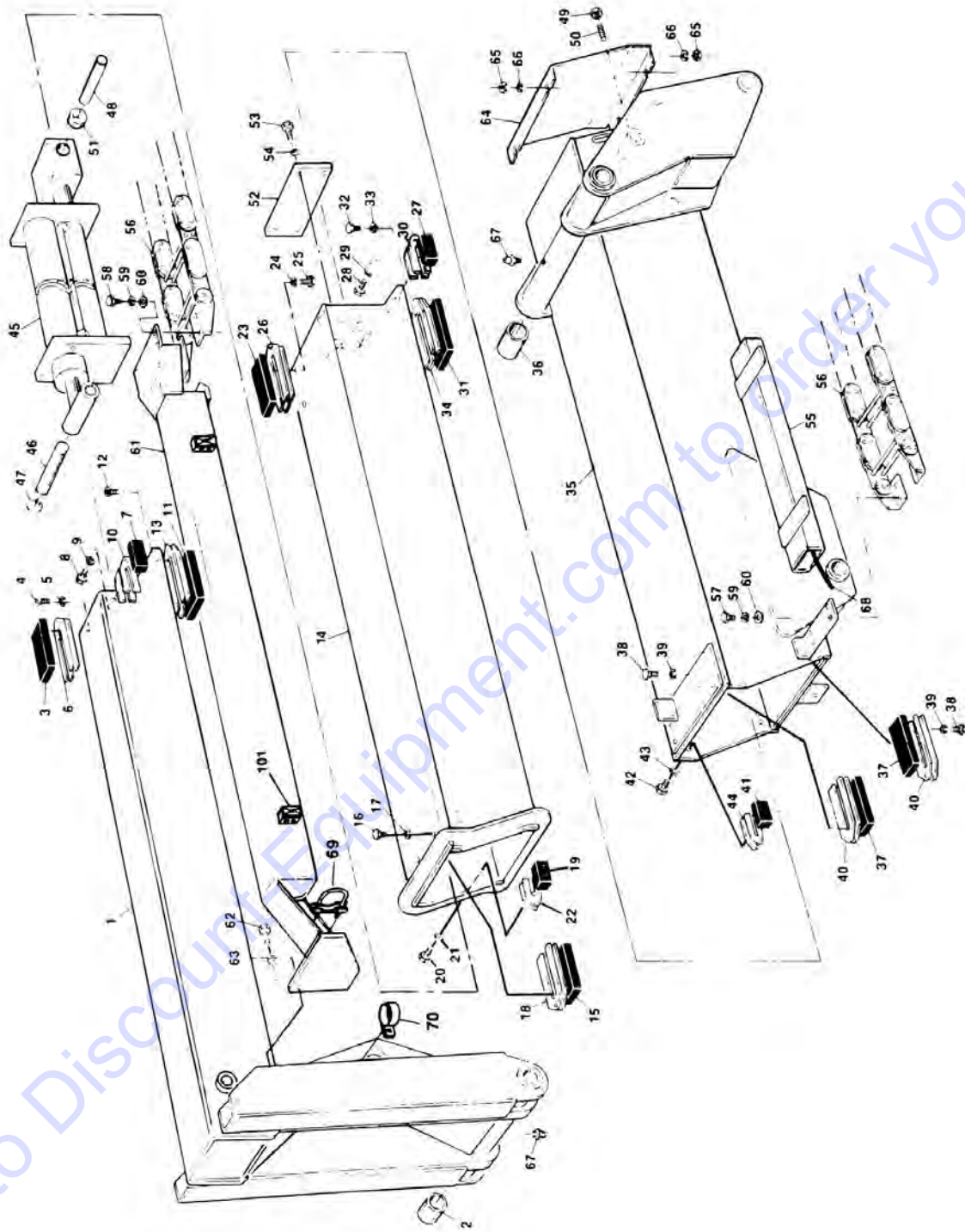


FIGURE 3-3. TOWER BOOM ASSEMBLY

ITEM	PART NUMBER	QTY	DESCRIPTION	REV
	0800585	Ref	<b>TOWER BOOM ASSEMBLY (SEE SPECIAL OPTIONS SECTION FOR BOEING MACHINES)</b>	H
1	0800588	1	Boom Fly Weldment	
2	0960929	2	Bushing, Bronze (Prior to February 1994)	
2	0961770	2	Bushing, Bronze (February 1994 to Present)	
3	3340580	2	Pad, Wear (Fly Rear Top)	
4	0641609	3	Bolt 3/8in-16NC x 1 1/8in	
5	4761600	3	Lockwasher 3/8in	
5	0100019	AR	Loctite	
6	4070555	AR	Shim 1/8in (Prior to December 1992)	
6	4070838	AR	Shim 1/8in (December 1992 to Present)	
6	4070556	AR	Shim 1/16in (Prior to December 1992)	
6	4070837	AR	Shim 1/16in (December 1992 to Present)	
7	3340550	4	Pad, Wear (Fly Rear Side)	
8	0641610	2	Bolt 3/8in-16NC x 1 1/4in	
9	4761600	2	Lockwasher 3/8in	
9	0100019	AR	Loctite	
10	4070670	AR	Shim 1/32in	
10	4070671	AR	Shim 5/64in (Prior to February 1994)	
10	4070854	AR	Shim 5/64in (February 1994 to Present)	
10	4070672	AR	Shim 1/8in (Prior to February 1994)	
10	4070855	AR	Shim 1/8in (February 1994 to Present)	
11	3340580	2	Pad, Wear (Fly Rear Bottom)	
12	3900166	3	Screw, Countersink Socket 3/8in-16NC x 1in	
12	0100019	AR	Loctite	
13	4070555	AR	Shim 1/8in (Prior to December 1992)	
13	4070838	AR	Shim 1/8in (December 1992 to Present)	
13	4070556	AR	Shim 1/16in (Prior to December 1992)	
13	4070837	AR	Shim 1/16in (December 1992 to Present)	
14	0800587	1	Boom Mid Weldment	
15	3340580	4	Pad, Wear (Mid Front Top and Bottom)	
16	0641609	12	Bolt 3/8in-16NC x 1 1/8in	
17	4761600	12	Lockwasher 3/8in	
17	0100019	AR	Loctite	
18	4070555	AR	Shim 1/8in (Prior to December 1992)	
18	4070838	AR	Shim 1/8in (December 1992 to Present)	
18	4070556	AR	Shim 1/16in (Prior to December 1992)	
18	4070837	AR	Shim 1/16in (December 1992 to Present)	
19	3340550	4	Pad, Wear (Mid Front Side)	
20	0641609	8	Bolt 3/8in-16NC x 1in	
21	4761600	8	Lockwasher 3/8in	
21	0100019	AR	Loctite	
22	4070670	AR	Shim 1/32in	
22	4070671	AR	Shim 5/64in (Prior to February 1994)	
22	4070854	AR	Shim 5/64in (February 1994 to Present)	
22	4070672	AR	Shim 1/8in (Prior to February 1994)	
22	4070855	AR	Shim 1/8in (February 1994 to Present)	
23	3340500	2	Pad, Wear (Mid Rear Top)	
24	0641608	2	Bolt 3/8in-16NC x 1in	
25	4761600	2	Lockwasher 3/8in	

## SECTION 3 - BOOM

ITEM	PART NUMBER	QTY	DESCRIPTION	REV
25	0100019	AR	Loctite	
26	4070786	AR	Shim 1/16in	
26	4070787	AR	Shim 1/8in	
27	3340550	4	Pad, Wear (Mid Rear Sides)	
28	0641609	2	Bolt 3/8in-16NC x 1 1/8in	
29	4761600	2	Lockwasher 3/8in	
29	0100019	AR	Loctite	
30	4070670	AR	Shim 1/32in	
30	4070671	AR	Shim 5/64in (Prior to February 1994)	
30	4070854	AR	Shim 5/64in (February 1994 to Present)	
30	4070672	AR	Shim 1/8in (Prior to February 1994)	
30	4070855	AR	Shim 1/8in (February 1994 to Present)	
31	3340580	2	Pad, Wear (Mid Rear Bottom)	
32	0641608	3	Bolt 3/8in-16NC x 1in	
33	4761600	3	Lockwasher 3/8in	
33	0100019	AR	Loctite	
34	4070555	AR	Shim 1/8in (Prior to December 1992)	
34	4070838	AR	Shim 1/8in (December 1992 to Present)	
34	4070556	AR	Shim 1/16in (Prior to December 1992)	
34	4070837	AR	Shim 1/16in (December 1992 to Present)	
35	0800586	1	Boom Base Weldment	
36	0960929	2	Bushing, Bronze (Prior to February 1994)	
36	0961770	2	Bushing, Bronze (February 1994 to Present)	
37	3340580	4	Pad, Wear (Base Front Top and Bottom)	
38	0641610	12	Bolt 3/8in-16NC x 1 1/4in	
39	4761600	12	Lockwasher 3/8in	
39	0100019	AR	Loctite	
40	4070555	AR	Shim 1/8in (Prior to December 1992)	
40	4070838	AR	Shim 1/8in (December 1992 to Present)	
40	4070556	AR	Shim 1/16in (Prior to December 1992)	
40	4070837	AR	Shim 1/16in (December 1992 to Present)	
41	3340550	4	Pad, Wear (Base Front Side)	
42	0641607	8	Bolt 3/8in-16NC x 7/8in	
43	4761600	8	Lockwasher 3/8in	
43	0100019	AR	Loctite	
44	4070670	AR	Shim 1/32in	
44	4070671	AR	Shim 5/64in (Prior to February 1992)	
44	4070854	AR	Shim 5/64in (February 1994 to Present)	
44	4070672	AR	Shim 1/8in (Prior to February 1994)	
44	4070855	AR	Shim 1/8in (February 1994 to Present)	
45	1681997	1	Telescope Cylinder Assembly (See CYLINDER SECTION for Breakdown)	
46	3421597	1	Pin (Fly Attach)	
47	3760257	2	Ring, Retaining	
48	3421596	1	Pin (Base Attach)	
49	3311801	2	Nut 1/2in-13NC	
50	3951810	2	Setscrew 1/2in-13NC x 1 1/4in	
51	0961355	2	Spacer	
52	3532976	1	Plate, Mounting - Telescope Cylinder	
53	0641811	4	Bolt 1/2in-13NC x 1 3/8in	
54	4761800	4	Lockwasher 1/2in	
55	4843160	1	Cover, Hose	

## SECTION 3 - BOOM

ITEM	PART NUMBER	QTY	DESCRIPTION	REV
56	1180192	1	Carrier	
		Ref	<b>Note: Original Equipment Power Track may have been replaced with a Service Replacement. Visually identify the power track before ordering parts.</b>	
56	7006139	AR	Powertrack - 1 Ft Section	
56	7006151	2 pr	Feet, Mounting	
56	7006152	AR	Pin Kit (1990 to Present)	
57	0641406	4	Bolt 1/4in-20NC x 3/4in	
58	0641408	4	Bolt 1/4in-20NC x 1in	
59	4761400	8	Lockwasher 1/4in	
60	4751400	12	Flatwasher 1/4in	
61	1180191	1	Carrier	
62	3311801	3	Nut 1/2in-13NC	
63	4761800	3	Flatwasher 1/2in	
63	4300045	3	Stud (Welded on Part - Not Shown)	
64	1670487	1	Cover, Boom	
65	3311401	4	Nut 1/4in-20NC	
66	4761400	4	Lockwasher 1/4in	
67	2160002	2	Fitting, Grease	
67	4640812	2	Valve, Relief (February 1994 to Present)	
67	3780185	4	O-Ring (February 1994 to Present)	
68	1060267	42	Cable, Control - 16/16 (Prior to December 1992)	
		ft/12.8m		
68	4921567	1	Harness (December 1992 to Present)	
69	1320103	1	Clamp	
69	4740368	2	Lockwasher, Special	
69	3311601	2	Nut 3/8in-16NC	
70	1320131	1	Clamp (Mount with Existing Hardware)	
	0251421	Ref	<b>HOSE CLAMPS INSTALLATION</b>	
101	1320050	4	Clamp	-

# SECTION 3 - BOOM

## FIGURE 3-4. BOOM WIPERS INSTALLATION

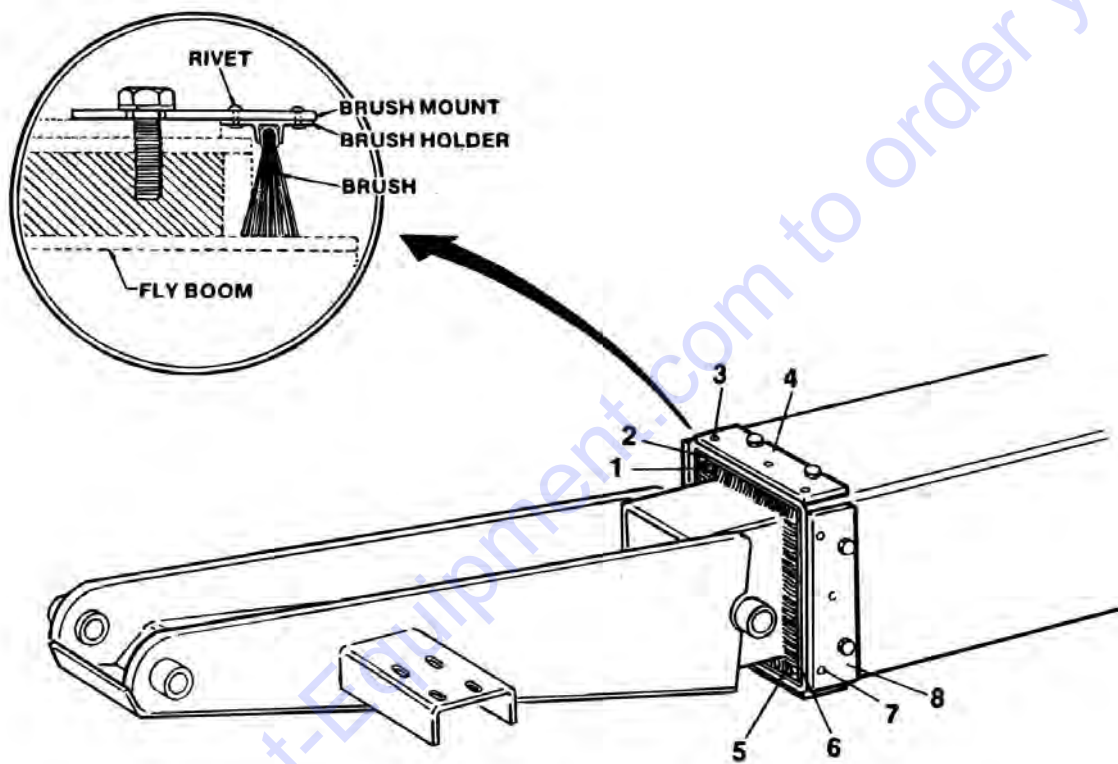


FIGURE 3-4. BOOM WIPERS INSTALLATION

ITEM	PART NUMBER	QTY	DESCRIPTION	REV
	0250196	Ref	<b>BOOM WIPERS INSTALLATION</b>	B
1	0540081	1	Brush, Wiper (Top)	
1	0540083	1	Brush, Wiper (Bottom) (Not Shown)	
2	2660075	1	Holder, Brush (Top)	
2	2660080	1	Holder, Brush (Bottom) (Not Shown)	
3	3820001	3	Rivet	
4	3200308	2	Mount (Top and Bottom) (Use Existing Hardware to Attach)	
5	0540082	2	Brush, Wiper (Side)	
6	2660076	2	Holder, Brush (Side)	
7	3820001	6	Rivet	
8	3200309	2	Mount (Side) (Use Existing Hardware to Attach)	

Go to Discount-Equipment.com to order your parts



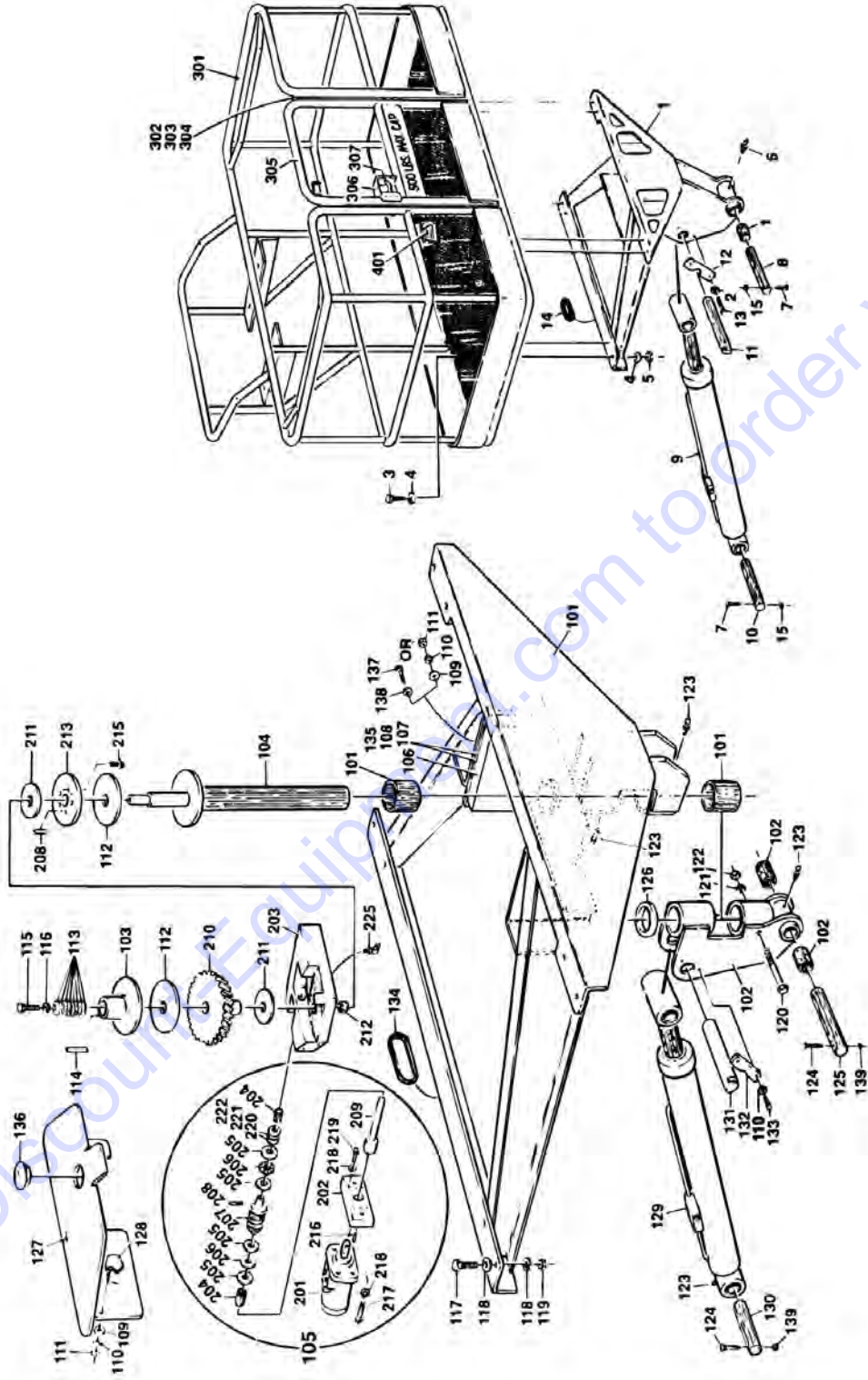


**SECTION 4 - PLATFORM**

Go to Discount-Equipment.com to order your parts

# SECTION 4 - PLATFORM

## FIGURE 4-1. STANDARD PLATFORM AND FOOTSWITCH INSTALLATION



## SECTION 4 - PLATFORM

**FIGURE 4-1. STANDARD PLATFORM AND FOOTSWITCH INSTALLATION**

ITEM	PART NUMBER	QTY	DESCRIPTION	REV
	0239701	Ref	<b>FIXED SUPPORT INSTALLATION (PRIOR TO APRIL 1992)</b>	B
	0253114	Ref	<b>FIXED SUPPORT INSTALLATION - TUV (APRIL 1992 TO PRESENT)</b>	A
1	4843280	1	Support Weldment	
1	0960565	2	Bushing, Bronze	
2	4761500	2	Lockwasher 5/16in	
3	0681610	8	Bolt 3/8in-16NC x 1 1/4in (Grade 8)	
4	4751600	16	Flatwasher 3/8in	
5	3300143	8	Locknut 3/8in-16NC	
6	2160002	1	Fitting, Grease	
7	0641520	1	Bolt 5/16in-18NC x 2 1/2in	
7	0641524	1	Bolt 5/16in-18NC x 3in	
8	3421613	1	Pin, Nose	
9	1682057	1	Slave Cylinder Assembly (machines Built Prior to April 1992) (See CYLINDER SECTION for Breakdown)	
9	1682742	1	Slave Cylinder Assembly - TUV (Machines Built April 1992 to Present) (See CYLINDER SECTION for Breakdown)	
10	3421600	1	Pin, Attach (Lower)	
11	3421612	1	Pin, Attach (Upper)	
12	3532054	1	Plate, Retainer	
13	0641506	2	Bolt 5/16in-18NC x 3/4in	
14	4060804	10	Shield, Hose (3/16in Flex-Guard)	
15	3311501	2	Nut 5/16in-18NC	
	0239514	Ref	<b>ROTATING SUPPORT INSTALLATION (STANDARD - PRIOR TO APRIL 1992)</b>	F
	0253112	Ref	<b>ROTATING SUPPORT INSTALLATION (STANDARD - APRIL 1992 TO PRESENT)</b>	A
101	4843636	1	Support Weldment	
101	0961259	2	Bushing, Bronze	
102	0239512	1	Pivot Attach Weldment	
102	0960565	2	Bushing, Bronze	
103	1120299	1	Cap	
104	4842915	1	Shaft Weldment	
105	0235238	1	Rotator Assembly (See Items 201-225 for Breakdown)	
106	0361675	1	Block, Stop	
107	4070705	AR	Shim 1/8in	
108	4070706	AR	Shim 1/16in	
109	4751500	2	Flatwasher 5/16in	
110	4761500	4	Lockwasher 5/16in	
111	3311501	2	Nut 5/16in-18NC	
112	3340454	2	Pad, Brake	
113	4160026	8	Washer, Bellville	
114	2880404	1	Key, Square	
115	0652014	1	Bolt 5/8in-18NF x 1 3/4in	
116	4752000	1	Flatwasher 5/8in	
117	0681610	8	Bolt 3/8in-16NC x 1 1/4in	
118	4751600	16	Flatwasher 3/8in	
119	3300143	8	Locknut 3/8in-16NC	
120	0641840	1	Bolt 1/2in-13NC x 5in	
121	4751800	1	Flatwasher 1/2in	

## SECTION 4 - PLATFORM

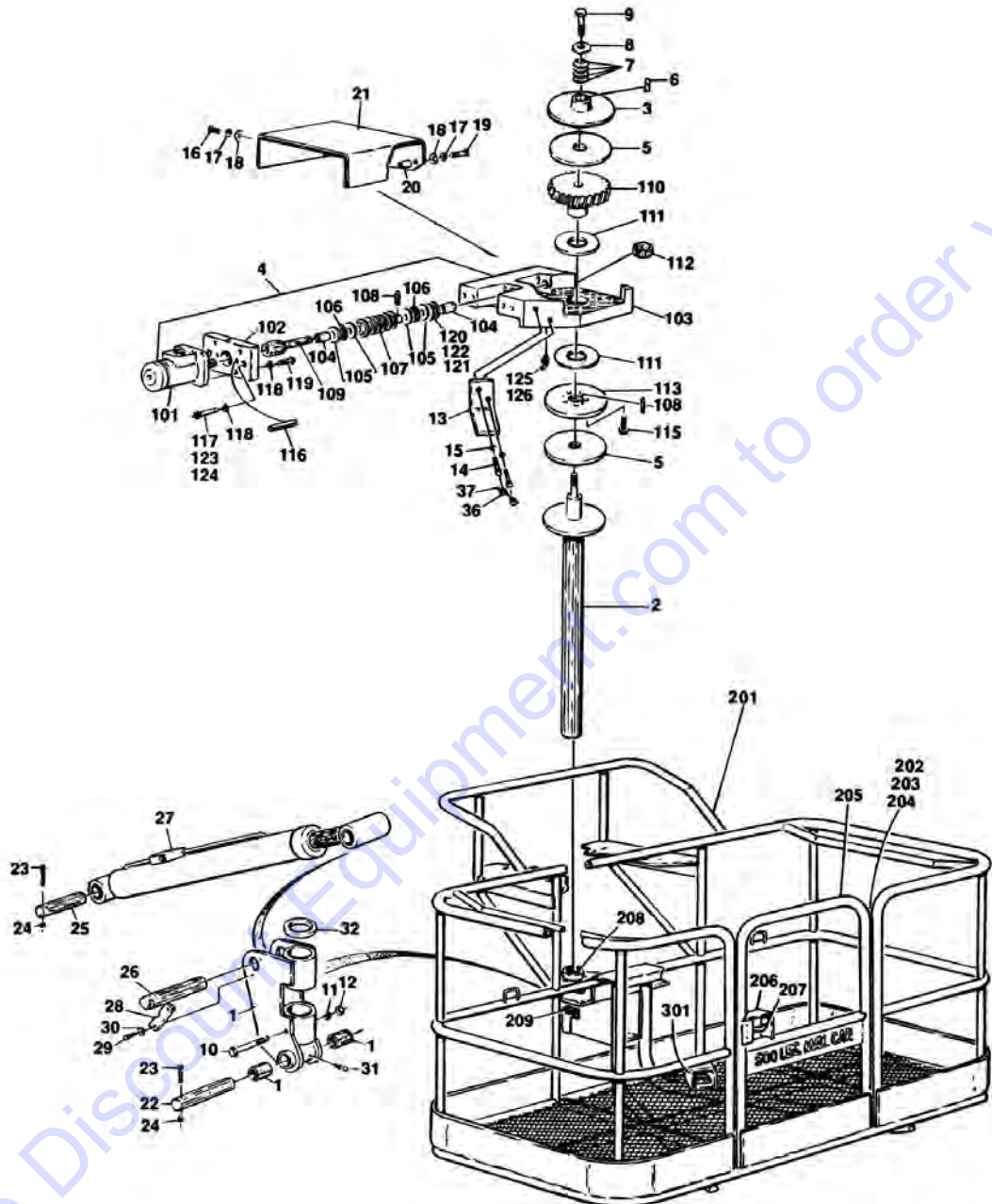
ITEM	PART NUMBER	QTY	DESCRIPTION	REV
122	3311805	1	Locknut 1/2in-13NC	
123	2160002	3	Fitting, Grease	
124	0641522	2	Bolt 5/16in-18NC x 2 3/4in	
125	3421613	1	Pin, Attach	
126	4740158	1	Washer, Thrust	
127	1670451	1	Cover, Rotator	
128	4300038	2	Stud (Welded on Part)	
129	1682057	1	Slave Cylinder Assembly (machines Built Prior to April 1992) (See CYLINDER SECTION for Breakdown)	
129	1682742	1	Slave Cylinder Assembly - TUV (Machines Built April 1992 to Present) (See CYLINDER SECTION for Breakdown)	
130	3421600	1	Pin, Attach (Lower)	
131	3421612	1	Pin, Attach (Upper)	
132	3532054	1	Plate, Retainer	
133	0641506	2	Bolt 5/16in-18NC x 3/4in	
134	4060804	10	Shield, Hose (3/16in Flexguard)	
		in/28cm		
135	4070707	AR	Shim 1/32in	
136	3520035	1	Plug	
137	0641816	2	Bolt 1/2in-13NC x 2in	
138	4761800	2	Lockwasher 1/2in	
139	3311505	2	Locknut 5/16in-18NC	
	0235238	Ref	<b>ROTATOR ASSEMBLY</b>	E
		Ref	<b>Note: For Machines Built Prior to September 1991 refer to Service Information Bulletin #91-5 for required upgrade.</b>	
201	3160083	1	Rotator Motor Assembly (See ROTATOR MOTOR ASSEMBLY for Breakdown)	
202	0080099	1	Adapter, Motor	
203	2760064	1	Housing, Gear	
204	0440134	2	Bearing, Sleeve	
205	4740199	4	Washer, Thrust	
206	0440120	2	Bearing, Thrust	
207	2440043	1	Gear, Worm	
208	3440816	4	Rollpin 1/4in x 1in	
209	0080098	1	Adapter, Motor to Worm Gear	
210	2440044	1	Gear, Worm	
211	4740256	2	Washer, Thrust	
212	0440135	1	Bearing, Sleeve	
213	1760068	1	Disc, Brake	
215	3931010	5	Bolt, Socket Head #10-24NC x 5/8in	
216	3441228	2	Rollpin 3/8in x 1 3/4in	
217	3931620	2	Bolt, Socket Head 3/8in-16NC x 1 1/4in	
218	4761600	6	Lockwasher 3/8in	
219	3931612	4	Bolt, Socket Head 3/8in-16NC x 3/4in	
220	4070585	AR	Shim .010	
221	4070586	AR	Shim .005	
222	4070587	AR	Shim .002	
223	0100019	AR	Loctite #271 (Not Shown)	
224	0100021	AR	Primer (Not Shown)	
225	2160001	1	Fitting, Grease - 90	
226	3020025	AR	Grease (Not Shown)	
		Ref	<b>PLATFORM WELDMENTS</b>	

## SECTION 4 - PLATFORM

ITEM	PART NUMBER	QTY	DESCRIPTION	REV
		Ref	<b>Note: Replacement decals must be ordered separately - See DECALS SECTION.</b>	
301		Ref	Standard Platform Options:	
301	3510308	1	30in x 48in Platforms:	
301	3510309	1	30in x 60in Platforms:	
301	3510310	1	30in x 72in Platforms:	
301	3510311	1	30in x 96in Platforms:	
301		Ref	Standard Platform Components	
302	2600143	2	Pin, Hinge	
303	3311805	2	Locknut 1/2in-13NC	
304	2160006	2	Fitting, Grease	
305	1780254	1	Door Weldment	
306	2940006	1	Latch, Door	
307	2560010	1	Handle	
	0237963	Ref	<b>FOOTSWITCH INSTALLATION</b>	7
401	0641408	3	Bolt 1/4in-20NC x 1in	
401	3311405	3	Locknut 1/4in-20NC	
401	4740362	3	Washer, Fender	
401	4360031	1	Footswitch	
401	7000625	2	Block, Contact	
401	4460071	1	Connector, Strain Relief	

# SECTION 4 - PLATFORM

## FIGURE 4-2. LOW MOUNT PLATFORMS AND FOOTSWITCH INSTALLATIONS



## SECTION 4 - PLATFORM

**FIGURE 4-2. LOW MOUNT PLATFORMS AND FOOTSWITCH INSTALLATIONS**

ITEM	PART NUMBER	QTY	DESCRIPTION	REV
	0250593	Ref	<b>ROTATING SUPPORT INSTALLATION (PRIOR TO AUGUST 1990)</b>	H
	1281433	Ref	<b>ROTATING SUPPORT INSTALLATION (AUG. 1990 TO FEBRUARY 1991)</b>	C
	0251711	Ref	<b>ROTATING SUPPORT INSTALLATION (FEBRUARY 1991 TO APRIL 1992)</b>	A
	0253115	Ref	<b>ROTATING SUPPORT INSTALLATION (APRIL 1992 TO PRESENT)</b>	-
1	0238540	1	Pivot Attach Weldment (Prior to August 1990)	
1	0239512	1	Pivot Attach Weldment (August 1990 to Present)	
1	0961257	2	Bushing, Bronze (0238540 Pivot)	
1	0960565	2	Bushing, Bronze (0239512 Pivot)	
2	4040222	1	Shaft Weldment	
3	1120299	1	Cap	
4	0235238	1	Rotator Assembly (See Items 101-126 for Breakdown)	
5	3340454	2	Pad, Brake	
6	2880404	1	Key	
7	4160026	8	Washer, Belleville	
8	4752000	1	Flatwasher 5/8in	
9	0652014	1	Bolt 5/8in-18NF x 1 3/4in	
10	0641836	1	Bolt 1/2in-13NC x 4 1/2in	
11	4751800	1	Flatwasher 1/2in	
12	3311805	1	Locknut 1/2in-13NC	
13	0901756	1	Bracket	
14	0641811	2	Bolt 1/2in-13NC x 1 3/8in	
15	4761800	2	Lockwasher 1/2in	
16	0641404	1	Bolt 1/4in-20NC x 1/2in	
17	4761400	2	Lockwasher 1/4in	
18	4751400	2	Flatwasher 1/4in	
19	0641408	1	Bolt 1/4in-20NC x 1in	
20	4562083	1	Tube, Spacer	
21	1670519	1	Cover (Prior to January 1992)	
21	1670630	1	Cover (January 1992 to Present)	
22	3421829	1	Pin, Nose	
23	0641522	2	Bolt 5/16in-18NC x 2 3/4in	
24	3311505	2	Locknut 5/16in-18NC	
25	3421600	1	Pin, Attach (Lower)	
26	3421612	1	Pin, Attach (Upper)	
27	1682057	1	Slave Cylinder Assembly (Machines Built August Prior to April 1992) (See CYLINDER SECTION for Breakdown)	
27	1682793	1	Slave Cylinder Assembly - TUV (Machines Built April 1992 to Present)	
28	3532054	1	Plate, Retainer	
29	0641506	2	Bolt 5/16in-18NC x 3/4in	
30	4761500	2	Lockwasher 5/16in	
31	2160002	3	Fitting, Grease	
32	4740158	1	Washer, Thrust	
33 to 35	Not Required	0	Not Required	
36	1380137	1	Clip Retainer	
37	4920986	1 ft/.3m	Wire, Mechanics	
	0251254	Ref	<b>FIXED SUPPORT INSTALLATION (PRIOR TO APRIL 1992) (NOT</b>	B

## SECTION 4 - PLATFORM

ITEM	PART NUMBER	QTY	DESCRIPTION	REV
	0253116	Ref	<b>SHOWN)</b> <b>FIXED SUPPORT INSTALLATION (APRIL 1992 TO PRESENT)</b> <b>(NOT SHOWN)</b>	-
1	0239512	1	Pivot Attach Weldment	
1	0960565	2	Bushing, Bronze	
2	4564579	1	Shaft	
3 to 9	Not Required	0	Not Required	
10	0641836	1	Bolt 1/2in-13NC x 4 1/2in	
11	4751800	1	Flatwasher 1/2in	
12	3311805	1	Locknut 1/2in-13NC	
13 to 21	Not Required	0	Not Required	
22	3421613	1	Pin, Nose	
23	0641522	2	Bolt 5/16in-18NC x 2 3/4in	
24	3311505	2	Locknut 5/16in-18NC	
25	3421600	1	Pin, Attach (Lower)	
26	3421612	1	Pin, Attach (Upper)	
27	1682057	1	Slave Cylinder Assembly (machines Built Prior to April 1992) (See CYLINDER SECTION for Breakdown)	
27	1682742	1	Slave Cylinder Assembly - TUV (Machines Built April 1992 to Present)	
28	3532054	1	Plate, Retainer	
29	0641506	2	Bolt 5/16in-18NC x 3/4in	
30	4761500	2	Lockwasher 5/16in	
31	2160002	3	Fitting, Grease	
32	4740158	1	Washer, Thrust	
33	4220137	2	Bar, Stop	
34	1320160	1	Clamp (Not Shown)	
35	3520035	1	Plug	
	0235238	Ref	<b>ROTATOR ASSEMBLY:</b>	E
		Ref	<b>Note: For Machines Built Prior to September 1991 refer to Service Information Bulletin #91-5 for required upgrade.</b>	
101	3160083	1	Rotator Motor Assembly (See ROTATOR MOTOR ASSEMBLY for Breakdown)	
102	0080099	1	Adapter, Motor	
103	2760064	1	Housing, Gear	
104	0440134	2	Bearing, Sleeve	
105	4740199	4	Washer, Thrust	
106	0440120	2	Bearing, Thrust	
107	2440043	1	Gear, Worm	
108	3440816	4	Rollpin 1/4in x 1in	
109	0080098	1	Adapter, Motor to Worm Gear	
110	2440044	1	Gear, Worm	
111	4740256	2	Washer, Thrust	
112	0440135	1	Bearing, Sleeve	
113	1760068	1	Disc, Brake	
115	3931010	5	Bolt, Socket Head #10-24NC x 5/8in	
116	3441228	2	Rollpin 3/8in x 1 3/4in	
117	3931620	2	Bolt, Socket Head 3/8in-16NC x 1 1/4in	
118	4761600	6	Lockwasher 3/8in	
119	3931612	4	Bolt, Socket Head 3/8in-16NC x 3/4in	
120	4070585	AR	Shim .010	
121	4070586	AR	Shim .005	

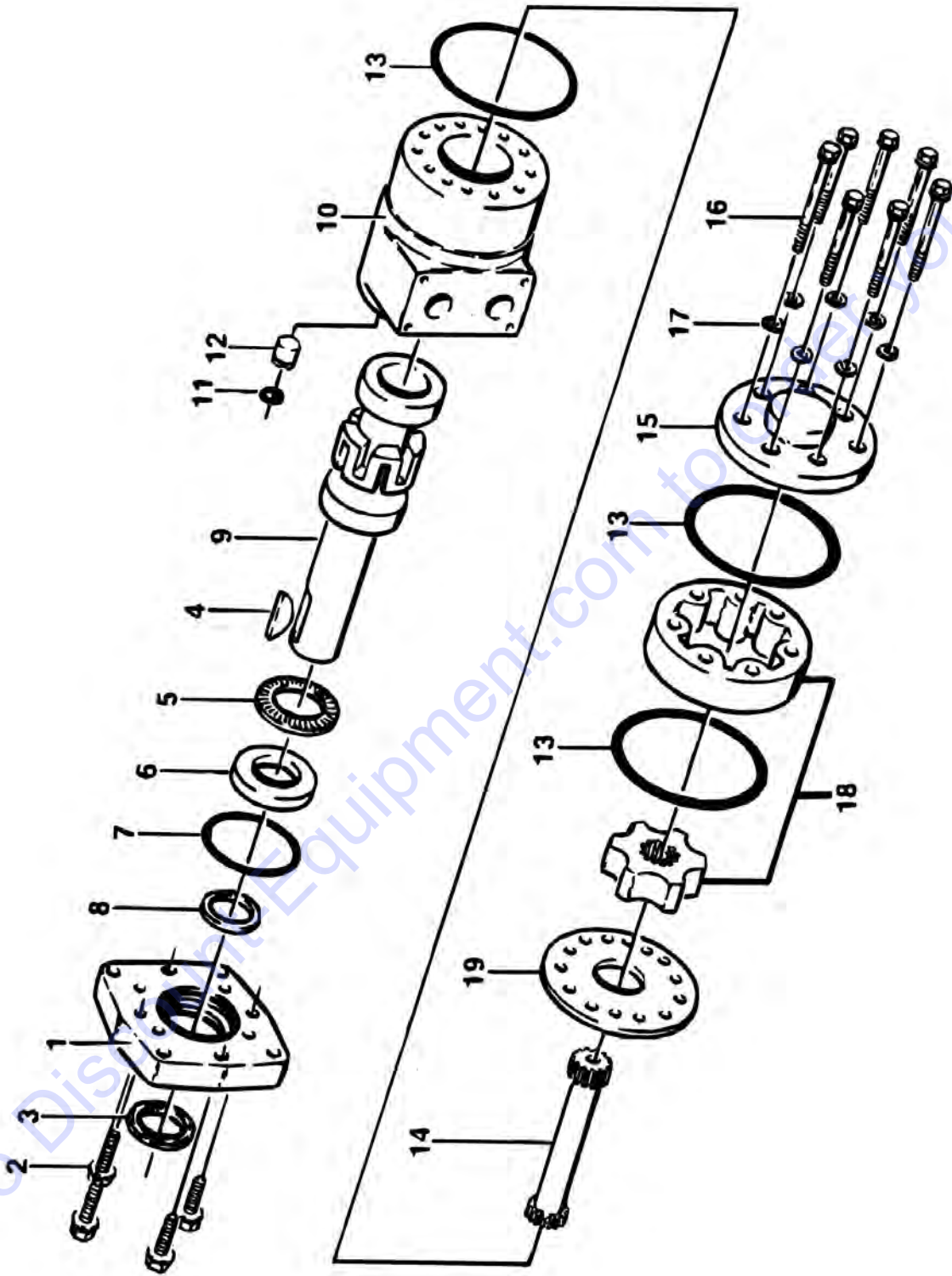


## SECTION 4 - PLATFORM

ITEM	PART NUMBER	QTY	DESCRIPTION	REV
122	4070587	AR	Shim .002	
123	0100019	AR	Loctite #271	
124	0100021	AR	Primer	
125	2160001	1	Fitting, Grease - 90	
126	3020025	AR	Grease	
		Ref	<b>PLATFORM WELDMENTS</b>	
		Ref	<b>Note: Replacement decals must be ordered separately - See DECALS SECTION.</b>	
201		Ref	Low Mount Platform Options:	
201	3510376	1	30in x 48in Platforms:	
201	3510377	1	30in x 60in Platforms:	
201	3510378	1	30in x 72in Platforms:	
201	3510379	1	30in x 96in Platforms:	
201		Ref	Standard Platform Components	
202	2600143	2	Pin, Hinge	
203	3311805	2	Locknut 1/2in-13NC	
204	2160006	2	Fitting, Grease	
205	1780254	1	Door Weldment	
206	2940006	1	Latch, Door	
207	2560010	1	Handle	
208	0961450	1	Bushing, Bronze (Top)	
209	0961259	1	Bushing, Bronze (Bottom)	
	0237963	Ref	<b>FOOTSWITCH INSTALLATION</b>	7
301	0641408	3	Bolt 1/4in-20NC x 1in	
301	3311405	3	Locknut 1/4in-20NC	
301	4740362	3	Washer, Fender	
301	4360031	1	Footswitch	
301	7000625	2	Block, Contact	
301	4460071	1	Connector, Strain Relief	

# SECTION 4 - PLATFORM

## FIGURE 4-3. ROTATOR MOTOR ASSEMBLY



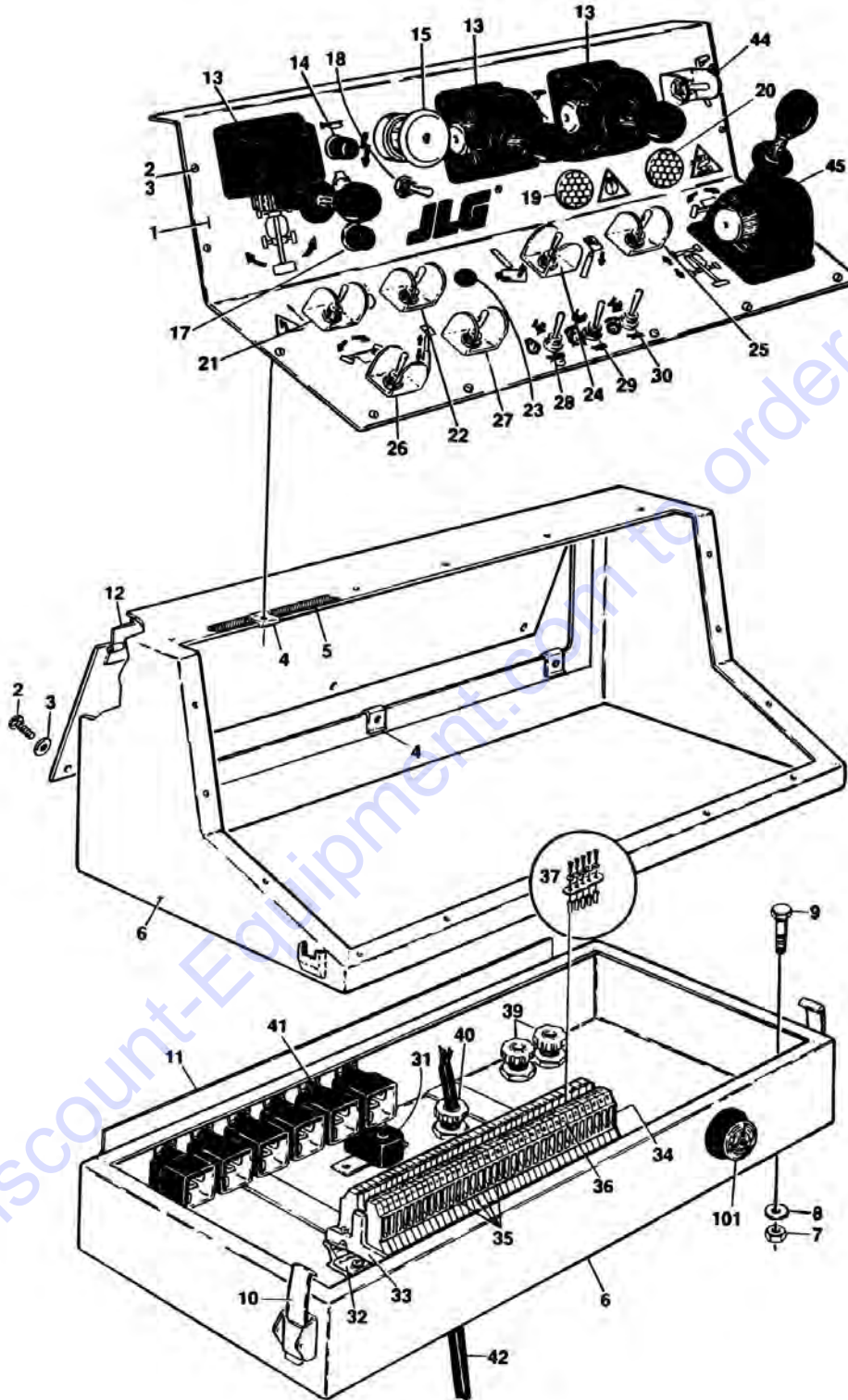
## SECTION 4 - PLATFORM

### FIGURE 4-3. ROTATOR MOTOR ASSEMBLY

ITEM	PART NUMBER	QTY	DESCRIPTION	REV
	3160083	Ref	<b>ROTATOR MOTOR ASSEMBLY</b>	B
1	7002105	1	Flange, Mounting	
2	7002123	4	Screw, Cap	
3	Kit	1	Seal, Dust	
4	7002104	1	Key, Woodruff	
5	7002111	1	Bearing, Thrust Needle	
6	7002117	1	Thrust, Bearing Race	
7	Kit	1	Seal, O-Ring	
8	Kit	1	Seal, Pressure	
9	7002116	1	Shaft, Output	
10	7002103	1	Housing	
11	Kit	1	Seal	
12	7009992	1	Plug, Housing	
13	Kit	3	Seal, O-Ring	
14	7002112	1	Drive	
15	7002107	1	Cap, End	
16	7002100	7	Screw, Cap	
17	7000166	7	Lockwasher	
18	7002125	1	Gerotor Sub-Assembly	
19	7002110	1	Plate, Spacer	
	2900455	1	Seal Kit (Includes Items 3,7,8,11 & 13) (P/N 101-1009-007)	
	2900733	1	Seal Kit (Includes Items 3,7,8,11 & 13) (P/N's 101-1009-008 & 101-1009-009)	
		Ref	<b>Note: Identify by P/N stamped on nameplate located on Item 10.</b>	

# SECTION 4 - PLATFORM

FIGURE 4-4. CONSOLE BOX ASSEMBLY (PRIOR TO JANUARY 1993)



## SECTION 4 - PLATFORM

**FIGURE 4-4. CONSOLE BOX ASSEMBLY (PRIOR TO JANUARY 1993)**

ITEM	PART NUMBER	QTY	DESCRIPTION	REV
	1281397	Ref	<b>CONSOLE BOX ASSEMBLY (PRIOR TO JANUARY 1993)</b>	E
	0860686	Ref	<b>CONSOLE BOX ASSEMBLY - PQ CONTROLLERS AND VICKERS (2WS)</b>	G
	0860706	Ref	<b>CONSOLE BOX ASSEMBLY - PQ CONTROLLERS AND VICKERS (4WS)</b>	D
1	3252043	1	Lid (International Symbols) (Prior to January 1993)	
2	0751006	18	Screw, Pan Head #10-24NC x 3/4in	
3	4740120	18	Washer, Nylon	
4	3300177	18	Nut, Tinnerman	
5	4420038	1 m	Tape, Insulation	
5	0100001	AR	Adhesive	
6	0860538	1	Box, Control (Includes Items 10-12)	
7	3311505	4	Nut 5/16in-18NC	
8	4751500	4	Flatwasher 5/16in	
9	0641508	4	Bolt 5/16in-18NC x 1in	
10	2940052	2	Latch	
11	2600132	1	Hinge	
12	2600105	1	Hinge (Access Door)	
13	1600094	3	Controller, PQ	
13	7011903	3	Electrical Assembly	
13	2560038	2	Knob (Lift)	
13	2560040	AR	Knob (Swing)	
14	4360274	1	Switch, Push Button (Horn)	
14	3790015	1	O-Ring	
15	4360132	1	Switch, Push-Pull (Emergency Stop)	
15	4360131	1	Lens, Red Switch (Emergency Stop)	
15	4360108	1	Block, Contact - 2 P.N.C.	
17	4360274	1	Switch, Push Button (Start)	
17	3790015	1	O-Ring	
18	4360200	1	Switch, Toggle (Glow Plug - Optional)	
18	3790012	1	O-Ring (Glow Plug - Option)	
18	3251872	1	Nameplate (Glow Plug Option)	
19	2920015	1	Lamp (Engine Distress)	
19	2920029	1	Bulb	
20	2920015	1	Lamp (Chassis Out of Level)	
21	4360200	1	Switch, Toggle (Auxiliary Power)	
21	3790012	1	O-Ring	
21	4060229	1	Shield	
22	4360199	1	Switch, Toggle (Lights) (Optional)	
22	3790012	1	O-Ring	
23	3520028	1	Plug, Hole	
24	4360202	1	Switch, Toggle (Rotate) (Optional)	
24	4060229	1	Shield	
24	3790012	1	O-Ring	
25	4360202	1	Switch, Toggle (Level)	
25	4060229	1	Shield	
25	3790012	1	O-Ring	
26	4360202	1	Switch, Toggle (Steer)	
26	4060229	1	Shield	
26	3790012	1	O-Ring	

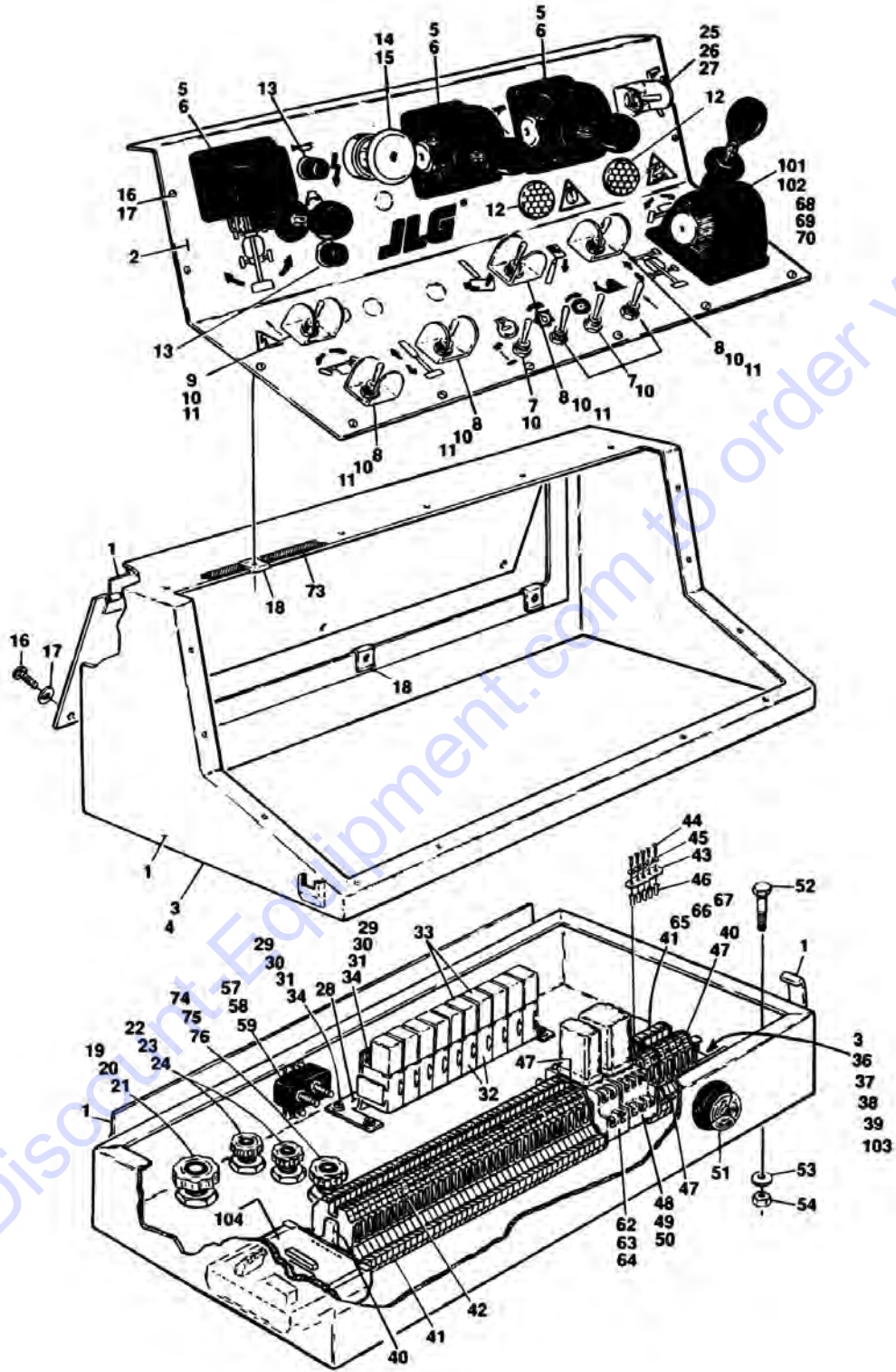
## SECTION 4 - PLATFORM

ITEM	PART NUMBER	QTY	DESCRIPTION	REV
27	4360202	1	Switch, Toggle (Main Tele)	
27	4060229	1	Shield	
27	3790012	1	O-Ring	
28	4360199	1	Switch, Toggle (Engine Speed)	
28	3790012	1	O-Ring	
29	4360199	1	Switch, Toggle (Pump Volume)	
29	3790012	1	O-Ring	
30	4360199	1	Switch, Toggle (Wheel Speed)	
30	3790012	1	O-Ring	
31	4360209	1	Breaker, Circuit - 20 Amp	
32	3640500	1	Rail, Mounting	
32	3910608	2	Screw, Round Head 36-32NC x 1/2in	
32	4750600	2	Flatwasher #6	
32	4760600	2	Lockwasher #6	
32	3310601	2	Nut #6-32NC	
33	4460299	2	Stop, Terminal Strip	
34	4460300	1	Barrier, Terminal End	
35	4460298	42	Block, Terminal	
36	4460301	1	Strip, Marking	
37	4460311	1	Bar, Buss	
37	4460305	3	Screw, Terminal Block	
37	4460306	3	Washer, Terminal Block	
37	4460307	3	Sleeve, Terminal Block	
39	4460244	2	Connector	
39	0960238	2	Bushing, Insulating	
39	3300048	2	Nut, Conduit	
40	4460071	1	Connector	
40	0960238	1	Bushing, Insulating	
40	3300048	1	Nut, Conduit	
41	3740049	AR	Relay	
41	3311001	AR	Nut #10-24NC	
41	4761000	AR	Lockwasher #10	
42	1060309	2.4 m	Cable, Control - 12/4 (To Footswitch)	
44	4360202	1	Switch, Toggle (Tower Tele)	
44	4060229	1	Shield	
44	3790012	1	O-Ring	
45	1600094	1	Controller, PQ (2WD)	
45	7011903	1	Electrical Assembly	
45	2560041	1	Knob, Controller (2WD)	
45	1600134	1	Controller, PQ (4WD)	
	0253077	Ref	<b>TILT ALARM INSTALLATION</b>	-
101	0140026	1	Alarm	



# SECTION 4 - PLATFORM

FIGURE 4-5. CONSOLE BOX ASSEMBLY (JANUARY 1993 TO PRESENT)





## SECTION 4 - PLATFORM

**FIGURE 4-5. CONSOLE BOX ASSEMBLY (JANUARY 1993 TO PRESENT)**

ITEM	PART NUMBER	QTY	DESCRIPTION	REV
		Ref	<b>CONSOLE BOX ASSEMBLY (STANDARD PARTS)</b>	
1	0860739	1	Box Weldment	
1	2940052	2	Latch	
1	2600105	1	Hinge (Top)	
1	2600132	1	Hinge (Bottom)	
1	3531023	1	Rear Inner Reinforcement	
2		Ref	Lid Nameplate Options:	
2	3252224	1	Nameplate, Lid (January 1993 to May 1994)	
2	3252382	1	Nameplate, Lid (May 1994 to November 1994)	
2	3538392	1	Plate, Cover (November 1994 to Present)	
2	1702402	1	Decal, Lid (November 1994 to Present)	
3	4420008	6 ft/2.5m	Tape, Insulation	
4	0100001	AR	Adhesive	
5	1600141	3	Controller, PQ	
5	7011907	3	Electrical Assembly	
5	7003751	3	Potentiometer	
6	2560112	3	Knob	
7	4360199	4	Switch, Toggle	
8	4360202	4	Switch, Toggle	
9	4360200	1	Switch, Toggle	
10	3790012	9	O-Ring	
11	4060229	5	Shield	
12	2720015	2	Lamp	
13	4360274	2	Switch, Push Button	
14	4360289	1	Switch, Emergency Stop	
14	7012611	1	Mushroom Head	
14	7012612	1	Boot	
15	4360282	1	Block, Contact - N.C.	
16	0751006	21	Screw #10-24NC x 3/4in	
17	4740120	21	Washer, Nylon	
18	3300177	21	Nut, Tinnerman	
19	4460386	1	Connector, Strain Relief	
20	3300147	1	Nut, Conduit	
21	0960905	1	Bushing	
22	4460052	2	Connector, Strain Relief	
23	3300047	2	Nut, Conduit	
24	0960239	2	Bushing	
25	4360202	1	Switch, Toggle	
26	3790012	1	O-Ring	
27	4060229	1	Shield	
28	0901796	1	Bracket	
29	4751000	8	Flatwasher #10	
30	4761000	8	Lockwasher k#10	
31	3311001	8	Nut #10-24NC	
32	3740085	AR	Socket, Micro Switch	
33	3740086	AR	Relay, Micro Switch	
34	3911012	8	Screw #10-24NC x 3/4in	
36	3910608	2	Screw #6-32NC x 1/2in	
37	4750600	2	Flatwasher #6	
38	4760600	2	Lockwasher #6	

## SECTION 4 - PLATFORM

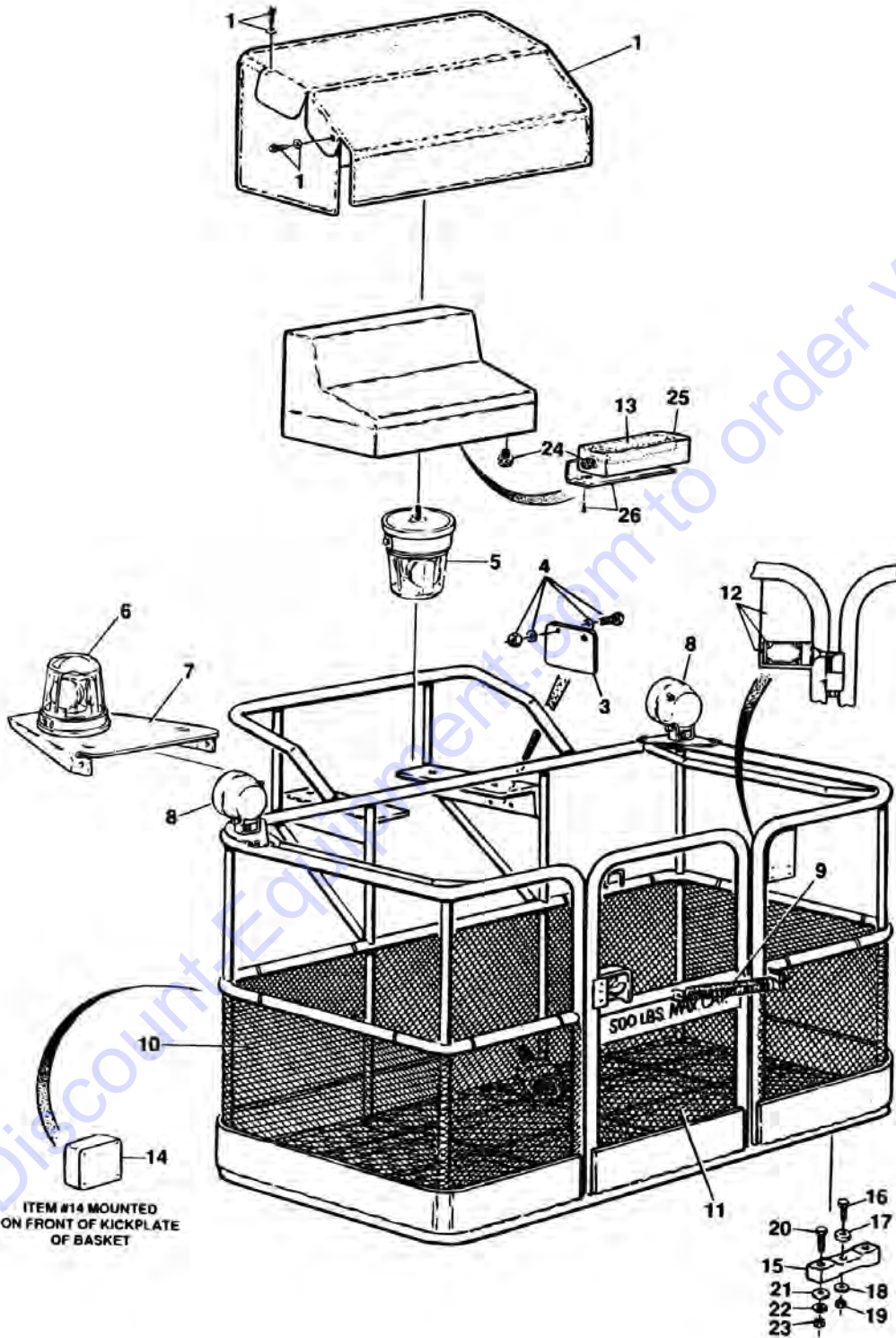
ITEM	PART NUMBER	QTY	DESCRIPTION	REV
39	3310601	2	Nut #6-32NC	
40	4460299	2	Stop, Terminal	
41	4460298	54	Block, Terminal	
42	4460301	1	Strip, Marking	
43	4460311	2	Bar, Buss	
44	4460305	10	Screw, Terminal	
45	4460306	10	Washer, Terminal	
46	4460307	10	Sleeve, Terminal	
47	4460300	3	Barrier, Terminal	
48	4120013	1	Socket, Relay	
49	3740058	1	Relay	
50	3740063	1	Spring, Relay	
51	0140019	1	Alarm	
52	0641508	4	Bolt 5/16in-18NC x 1in	
53	4751500	8	Flatwasher 5/16in	
54	3311505	4	Locknut 5/16in-18NC	
56	3560034	8	Plug, Hole (Not Shown)	
57	4761000	1	Lockwasher #10	
58	3311001	1	Nut #10-24NC	
59	4360232	1	Breaker, Circuit - 15 Amp	
62	4120012	1	Socket, Relay	
63	3740057	1	Relay	
64	3740066	1	Spring, Relay	
65	4460404	10	Strip, Terminal - #8	
66	4460405	32	Strip, Terminal - #9	
67	4460423	2	Strip, Terminal - #7	
68	0720803	16	Screw, Machine #8-32NC x 3/8in	
69	4750800	16	Flatwasher #8	
70	4760800	16	Lockwasher #8	
73	4420037	14 ft/4m	Tape, Insulation	
74	4460071	1	Connector, Strain Relief	
75	3300048	1	Locknut, Conduit	
76	0960238	1	Bushing	
	0860825	Ref	<b>CONSOLE BOX ASSEMBLY - 2WS (2WD- JANUARY 1993 TO PRESENT/4WD - JANUARY 1993 TO JANUARY 1995) (VARIABLE PARTS)</b>	B
101	1600141	1	Controller, PQ	
101	7011907	1	Electrical Assembly	
102	2560112	1	Knob	
103	3640752	1	Track	
104	Not Required	0	Not Required	
	0860826	Ref	<b>CONSOLE BOX ASSEMBLY - 4WS (VARIABLE PARTS)</b>	A
101	1600140	1	Controller, PQ	
102	Not Required	0	Not Required	
	0860974	Ref	<b>CONSOLE BOX ASSEMBLY - 2WS (4WD - JANUARY 1995 TO PRESENT) (VARIABLE PARTS)</b>	B
101	1600141	1	Controller, PQ	
101	7011907	1	Electrical Assembly	
102	2560112	1	Knob	
103	3641032	1	Track	
104	0610111	1	Board, PC	
104	7016307	1	Fuse - 7 Amp	

## SECTION 4 - PLATFORM

ITEM	PART NUMBER	QTY	DESCRIPTION	REV
	0860826	Ref	<b>CONSOLE BOX ASSEMBLY - 4WS (2WD - JANUARY 1993 TO PRESENT/4WD - JANUARY 1993 TO JANUARY 1995) (VARIABLE PARTS)</b>	B
101	1600140	1	Controller, PQ	
101	7011903	1	Electrical Assembly	
101	7003789	1	Switch, Rocker	
102	Not Required	0	Not Required	
103	3640752	1	Track	
104	Not Required	0	Not Required	
	0860976	Ref	<b>CONSOLE BOX ASSEMBLY - 4WS (4WD - JANUARY 1995 TO PRESENT) (VARIABLE PARTS)</b>	B
101	1600140	1	Controller, PQ	
101	7011903	1	Electrical Assembly	
101	7003789	1	Switch, Rocker	
102	Not Required	0	Not Required	
103	3641032	1	Track	
104	0610111	1	Board, PC	
104	7016307	1	Fuse - 7 Amp	
		Ref	<b>OPTIONAL COMPONENTS (NOT SHOWN)</b>	
	4360200	1	Switch, Toggle - SPST (Glow Plug - Diesel Option)	
	4360199	1	Switch, Toggle - SPST (Work Lights - Option)	

# SECTION 4 - PLATFORM

## FIGURE 4-6. OPTIONAL COMMON PLATFORM MOUNTED COMPONENTS



## SECTION 4 - PLATFORM

**FIGURE 4-6. OPTIONAL COMMON PLATFORM MOUNTED COMPONENTS**

ITEM	PART NUMBER	QTY	DESCRIPTION	REV
	0252054	Ref	<b>CONSOLE BOX COVER INSTALLATION (BLACK)</b>	2
	0251203	Ref	<b>CONSOLE BOX COVER INSTALLATION (YELLOW)</b>	2
	0252848	Ref	<b>CONSOLE BOX COVER INSTALLATION (CLEAR PLEXI-GLASS)</b>	-
1	1670607	1	Cover (Black)	
1	1670526	1	Cover (Yellow)	
1	3941406	4	Screw, Self-Tapping 1/4-20	
1	4751400	4	Flatwasher 1/4in	
	0253558	Ref	<b>RECEPTACLE PLATE INSTALLATION (AUSTRALIAN SPEC)</b>	-
3	3536566	1	Plate, Mounting	
4	0641406	2	Bolt 1/4in-20NC x 3/4in	
4	4751400	4	Flatwasher 1/4in	
4	3311405	2	Locknut 1/4in-20NC	
		Ref	<b>BEACON LIGHT OPTIONS</b>	
5	0252210	AR	Beacon Mounted Under Console	3
5	0252211	AR	Beacon Mounted Under Console	3
5	2920009	AR	Beacon (Red)	
5	2920018	AR	Beacon (Amber)	
6	0238864	AR	Beacon Mounted in Front of Console	-
6	0238865	AR	Beacon Mounted in Front of Console	-
6	2920009	AR	Beacon (Red)	
6	2920018	AR	Beacon (Amber)	
7	0901449		Bracket, Mounting	
	2900068	Ref	<b>WORKLIGHT OPTIONS (PRIOR TO NOVEMBER 1992)</b>	F
	0253987	Ref	<b>WORKLIGHT OPTIONS (NOVEMBER 1992 TO PRESENT)</b>	4
8	2920013	2	Floodlight (Electric/Gas/Diesel Machines)	
8	2920111	2	Halogen Light (Electric/Gas/Diesel Machines) (Uses P/N 3536089 Mounting Plate)	
	0250143	Ref	<b>SELF-CLOSING GATE INSTALLATION</b>	A
9	4160028	1	Spring	
9	0900232	1	Bracket (Door Mounted)	
9	0901056	1	Bracket (Platform Mounted)	
9	4220007	1	Stop, Door	
	0253846	Ref	<b>MESH TO MIDRAIL INSTALLATION (LOW MOUNT PLATFORM)</b>	-
	0254130	Ref	<b>MESH TO MIDRAIL INSTALLATION (STANDARD PLATFORM)</b>	-
10	0480083	2	Mesh (Sides) (Low-Mount Platform)	
10	0480086	2	Mesh (Sides) (Standard Platform)	
11	0480084	1	Mesh (Door)	
	0251180	Ref	<b>PLATFORM INTERLOCK SWITCH INSTALLATION (FRENCH SPEC)</b>	-
12	4360263	1	Switch, Limit	
12	0721016	2	Screw, Machine #10-24NC x 2in	
12	4751000	2	Flatwasher #10	
12	4761000	2	Lockwasher #10	
12	3311001	2	Nut #10-24NC	
12	3534494	1	Plate, Mounting	
12	1100054	1	Cam, Activator	
	0251921	Ref	<b>SAFE LOAD INDICATOR SYSTEM INSTALLATION (STANDARD CONTROLS) (FRENCH SPEC)</b>	A
	1692405	1	Safe Load Indicator System	
13		Ref	Amplifier	

## SECTION 4 - PLATFORM

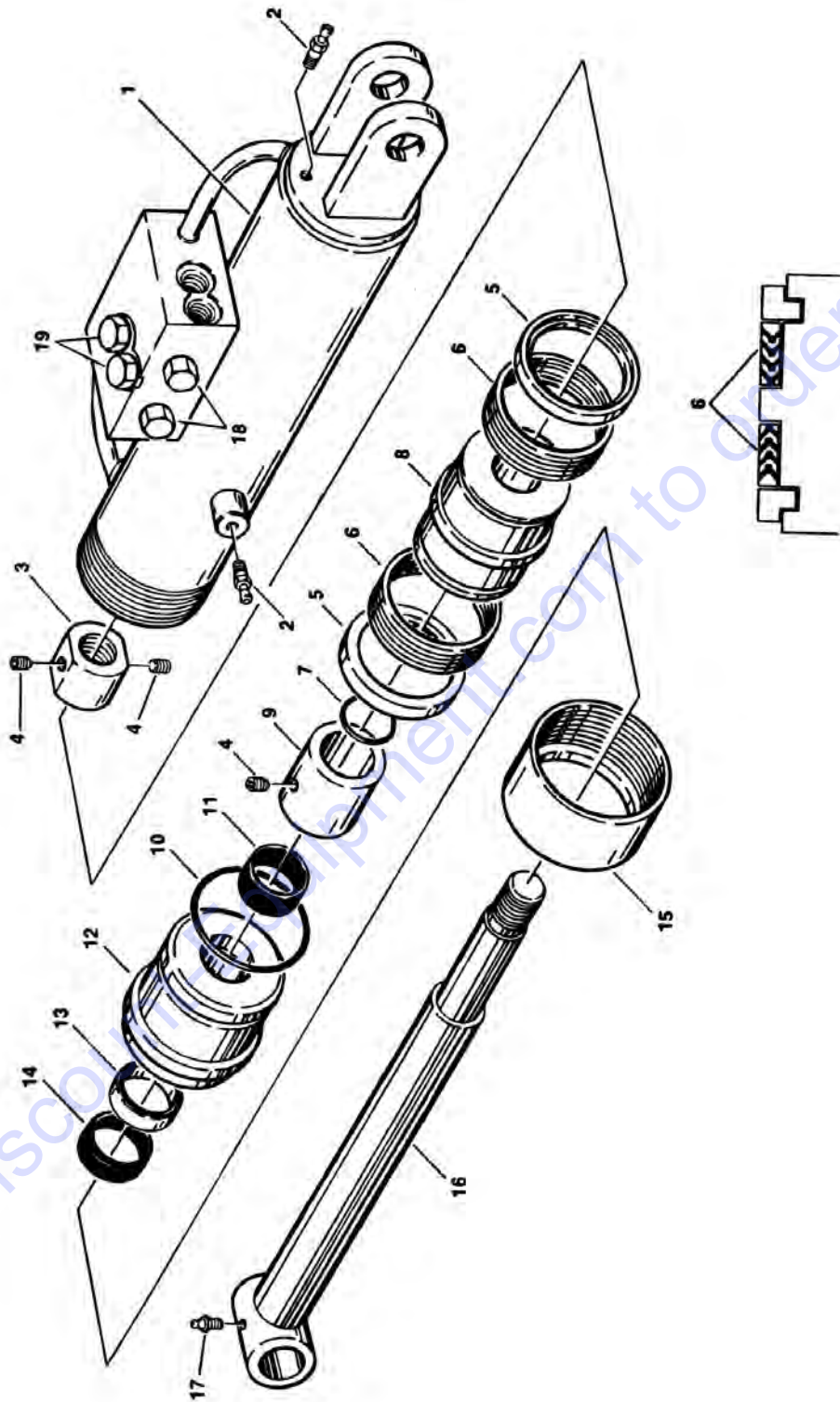
ITEM	PART NUMBER	QTY	DESCRIPTION	REV
14		Ref	Box, Junction	
15		Ref	Cell, Load (Front of Basket)	
15	1692959	2	Spacer (Rear of Basket)	
16	0641820	1	Bolt 1/2in-13NC x 2 1/2in	
17	1692980	1	Spacer	
18	4751800	1	Flatwasher 1k/2in	
19	3311805	1	Locknut 1/2in-13NC	
20	0641616	2	Bolt 3/8in-16NC x 2in	
21	4751600	2	Flatwasher 3/8in	
22	4761600	2	Lockwasher 3/8in	
23	3311601	2	Nut 3/8in-16NC	
24	4460071	1	Connector, Strain Relief	
24	0960238	1	Bushing	
24	3300048	1	Nut, Conduit	
25	0860619	1	Box	
25	3911012	4	Screw, Round Head #10-24NC	
25	4751000	8	Flatwasher #10	
25	4761000	4	Lockwasher 310	
25	3311001	4	Nut #10-24NC	
26	3533904	1	Lid	
26	0750806	4	Screw, Self-Tapping, #8 x 3/4in	
26	4740120	4	Washer, Nylon	
26	3300177	4	Nut, Tinnerman	
26	4420008	75.8 cm	Tape, Insulating	

**SECTION 5 - CYLINDER**

*Go to Discount-Equipment.com to order your parts*

## SECTION 5 - CYLINDER

FIGURE 5-1. AXLE LOCKOUT CYLINDER ASSEMBLIES - 2WD (PRIOR TO SEPTEMBER 1992) (USE WITH OPTIONAL OSCILLATING AXLE)





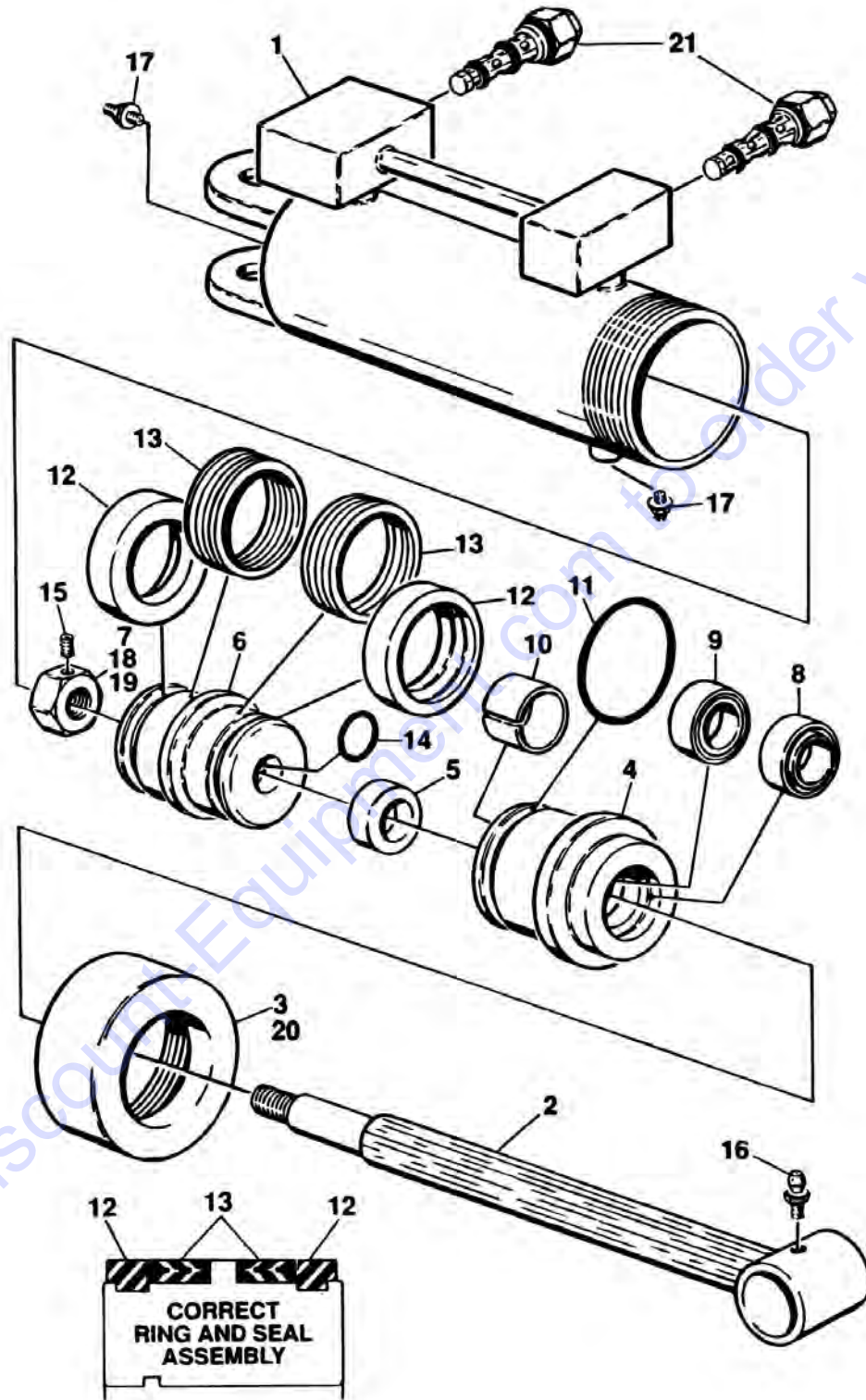
## SECTION 5 - CYLINDER

**FIGURE 5-1. AXLE LOCKOUT CYLINDER ASSEMBLIES - 2WD (PRIOR TO SEPTEMBER 1992) (USE WITH OPTIONAL OSCILLATING AXLE)**

ITEM	PART NUMBER	QTY	DESCRIPTION	REV
	1682376	Ref	<b>AXLE LOCKOUT CYLINDER ASSEMBLY - 2WD (PRIOR TO SEPTEMBER 1992) (USE WITH OPTIONAL OSCILLATING AXLE)</b>	A
1	1682377	1	Barrel	
2	4640273	3	Bleeder	
3	3300187	1	Nut, Special (Prior to August 1992)	
3	3300273	1	Nut, Hex (August 1992 to September 1992)	
3	0100011	AR	Loctite #242	
3	0100038	AR	Primer, Locking	
4	3951403	3	Setscrew 1/4in-20NC x 3/8in	
4	3900170	1	Setscrew 3/8in-16NC x 3/8in	
5	Kit	2	Ring, Guidelock	
6	Kit	2	Seal	
7	Kit	1	O-Ring	
8	3480116	1	Piston	
9	4562859	1	Spacer	
10	Kit	1	O-Ring	
11	Kit	1	Ring	
12	1681322	1	Head	
13	Kit	1	Seal, Rod	
14	Kit	1	Seal, Wiper	
15	1120108	1	Retainer, Head	
15	0100035	AR	Loctite #222	
16	1681462	1	Rod	
17	2160002	1	Fitting, Grease	
18	4640438	2	Cartridge, Check Valve	
18	2900770	2	Seal Kit - 4640438 Valve (1 Per Valve)	
19	2220237	2	Plug	
	2900379	1	Kit, Seal (Includes Items 5, 6, 7, 10, 11, 13 & 14)	

## SECTION 5 - CYLINDER

FIGURE 5-2. AXLE LOCKOUT CYLINDER ASSEMBLIES - 2WD (SEPTEMBER 1992 TO PRESENT)  
(USE WITH OPTIONAL OSCILLATING AXLE)



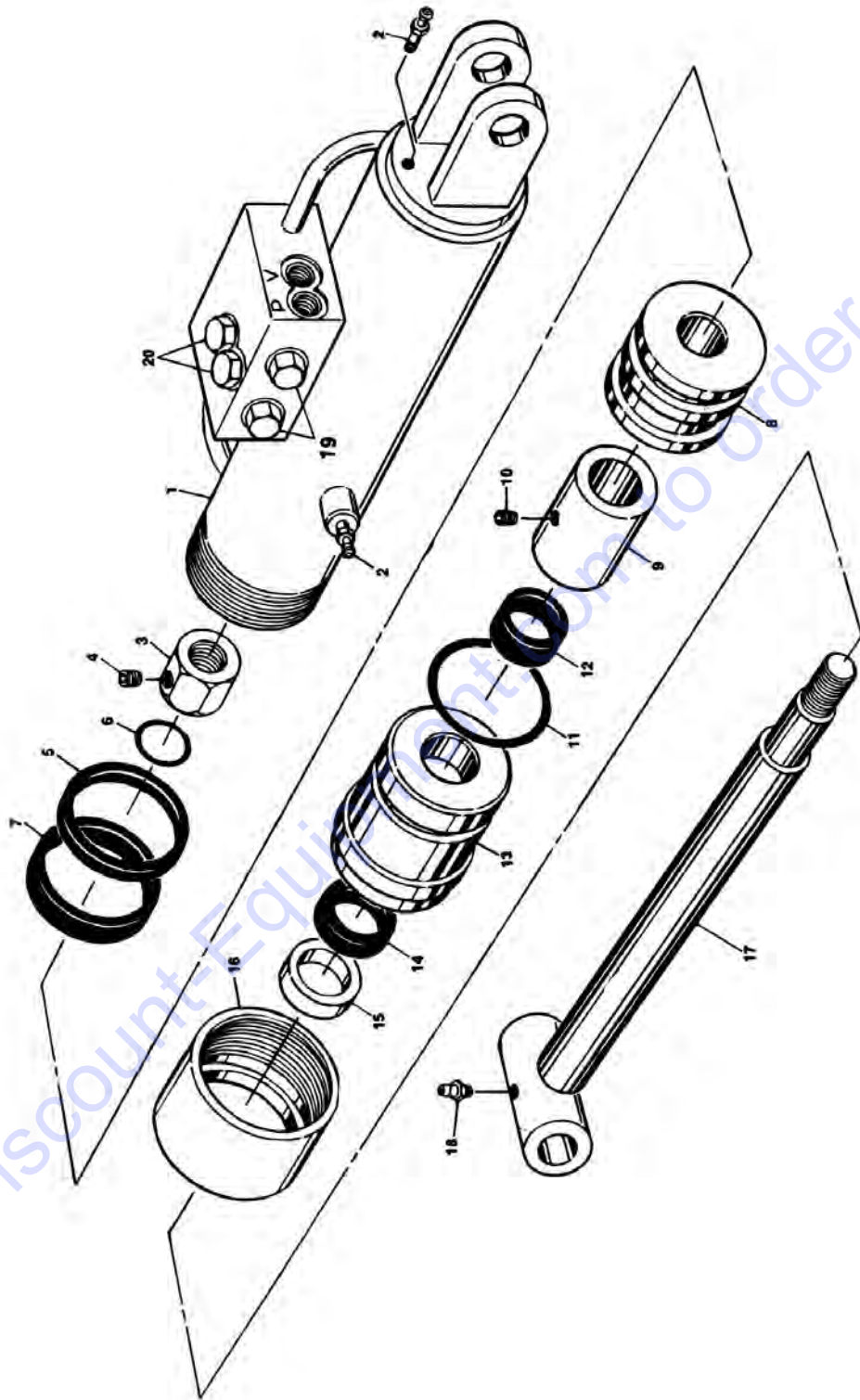
## SECTION 5 - CYLINDER

**FIGURE 5-2. AXLE LOCKOUT CYLINDER ASSEMBLIES - 2WD (SEPTEMBER 1992 TO PRESENT)  
(USE WITH OPTIONAL OSCILLATING AXLE)**

ITEM	PART NUMBER	QTY	DESCRIPTION	REV
	1682724	Ref	<b>AXLE LOCKOUT CYLINDER ASSEMBLY (STANDARD PARTS)</b>	C
1	1682725	1	Barrel Assembly	
2	1681462	1	Rod	
3	1120108	1	Retainer	
4	1681322	1	Head	
5	4562859	1	Spacer	
6	3480116	1	Piston	
7	3300273	1	Nut, Hex	
8	Kit	1	Seal, Wiper	
9	Kit	1	Seal, Rod	
10	Kit	1	Ring, Wear	
11	Kit	1	O-Ring	
12	Kit	2	Ring, Lock	
13	Kit	2	Seal, Piston	
14	Kit	1	O-Ring	
15	3900170	1	Setscrew 3/8in-16NC x 3/8in	
16	2160003	1	Fitting, Grease - 45	
16	2160002	1	Fitting, Grease - 45	
17	3900175	3	Setscrew 1/4in-28NF x 3/4in	
17	3960416	3	Seal, Thread	
17	3321401	3	Nut 1/4in-28NF	
18	0100011	AR	Loctite #242	
19	0100038	AR	Primer, Locking	
20	0100035	AR	Loctite #222	
21	4640509	2	Valve, Cartridge (Counterbalance)	
21	2900792	2	Seal Kit - 4640509 Valve (1 Per Cartridge)	
	2900379	1	Seal Kit - Lockout Cylinder (Includes Items 8-14)	

## SECTION 5 - CYLINDER

FIGURE 5-3. AXLE LOCKOUT CYLINDER ASSEMBLY - 4WD/2WS (PRIOR TO SEPTEMBER 1992)  
(USE WITH OPTIONAL OSCILLATING AXLE)



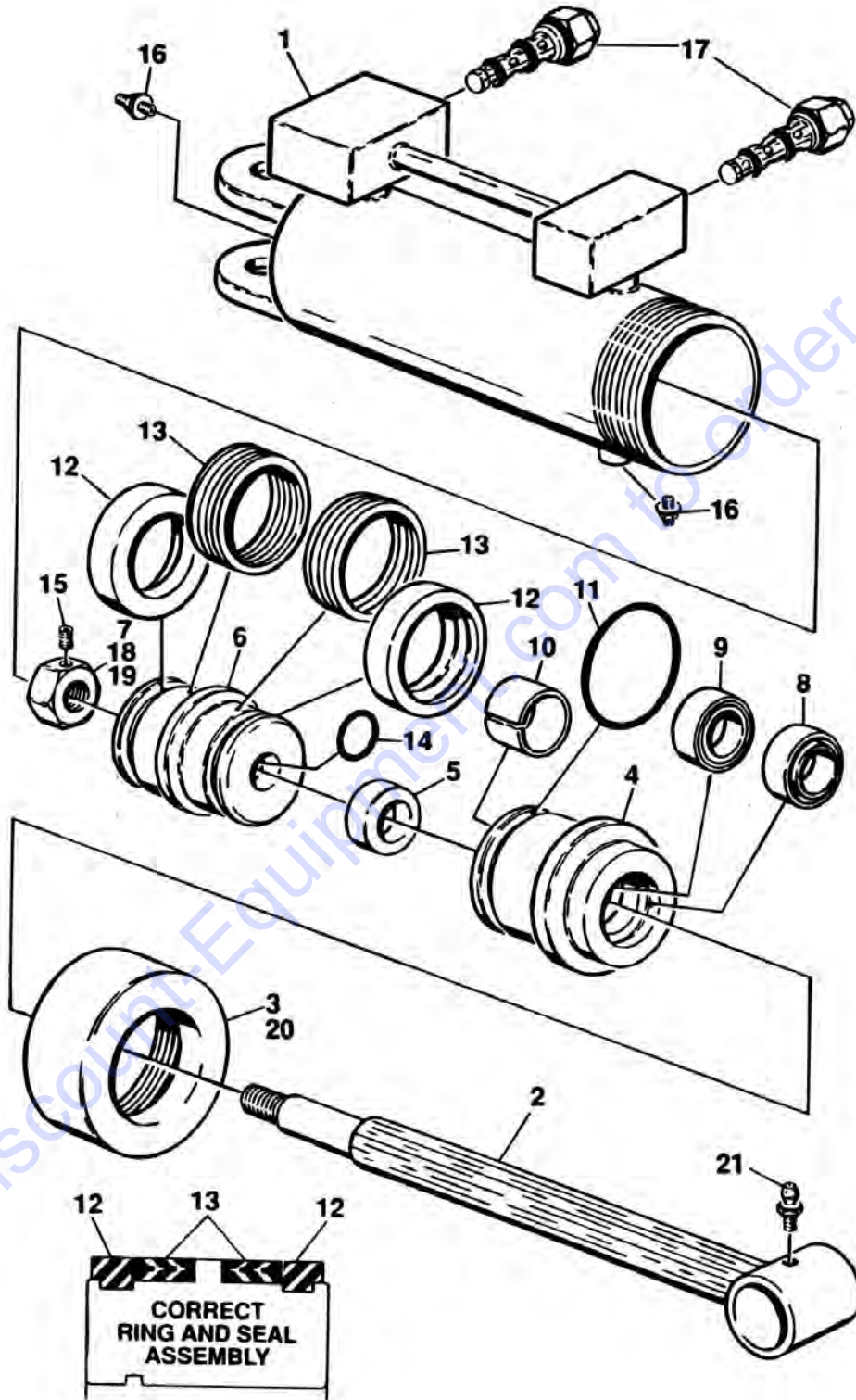
## SECTION 5 - CYLINDER

**FIGURE 5-3. AXLE LOCKOUT CYLINDER ASSEMBLY - 4WD/2WS (PRIOR TO SEPTEMBER 1992)  
(USE WITH OPTIONAL OSCILLATING AXLE)**

ITEM	PART NUMBER	QTY	DESCRIPTION	REV
	1682452	Ref	<b>AXLE LOCKOUT CYLINDER ASSEMBLY - 4WD/2WS (PRIOR TO SEPTEMBER 1992) (USE WITH OPTIONAL OSCILLATING AXLE)</b>	A
1	1682453	1	Barrel	
2	4640273	3	Bleeder (Prior to April 1992)	
2	3900175	3	Setscrew 1/4in-28NF x 3/4in	
2	3960416	3	Seal, Thread (April 1992 to Present)	
2	3321401	3	Nut 1/4in-28NF (April 1992 to Present)	
3	3300273	1	Nut, Hex	
3	0100011	AR	Loctite #242	
4	3900170	3	Setscrew 3/8in-16NC x 3/8in	
5	Kit	1	Seal	
6	Kit	1	O-Ring	
7	Kit	1	Ring, Wear	
8	3480134	1	Piston	
9	4562859	1	Spacer	
10	3900141	1	Setscrew 1/4in-20NC x 3/8in	
10	0100011	AR	Loctite #242	
11	Kit	1	O-Ring	
12	Kit	1	Ring, Wear	
13	1681322	1	Head	
14	Kit	1	Seal, Rod	
15	Kit	1	Seal, Wiper	
16	1120108	1	Retainer, Head	
16	0100035	AR	Loctite #222	
17	1681460	1	Rod	
18	2160002	1	Fitting, Grease	
19	4640438	2	Cartridge, Check Valve	
20	2220885	2	Plug	
	2901148	1	Kit, Seal (Includes Items 5, 6, 7, 10, 11, 13 & 14)	

## SECTION 5 - CYLINDER

FIGURE 5-4. AXLE LOCKOUT CYLINDER ASSEMBLY - 4WD/2WS (SEPTEMBER 1992 TO PRESENT)  
(USE WITH OPTIONAL OSCILLATING AXLE)



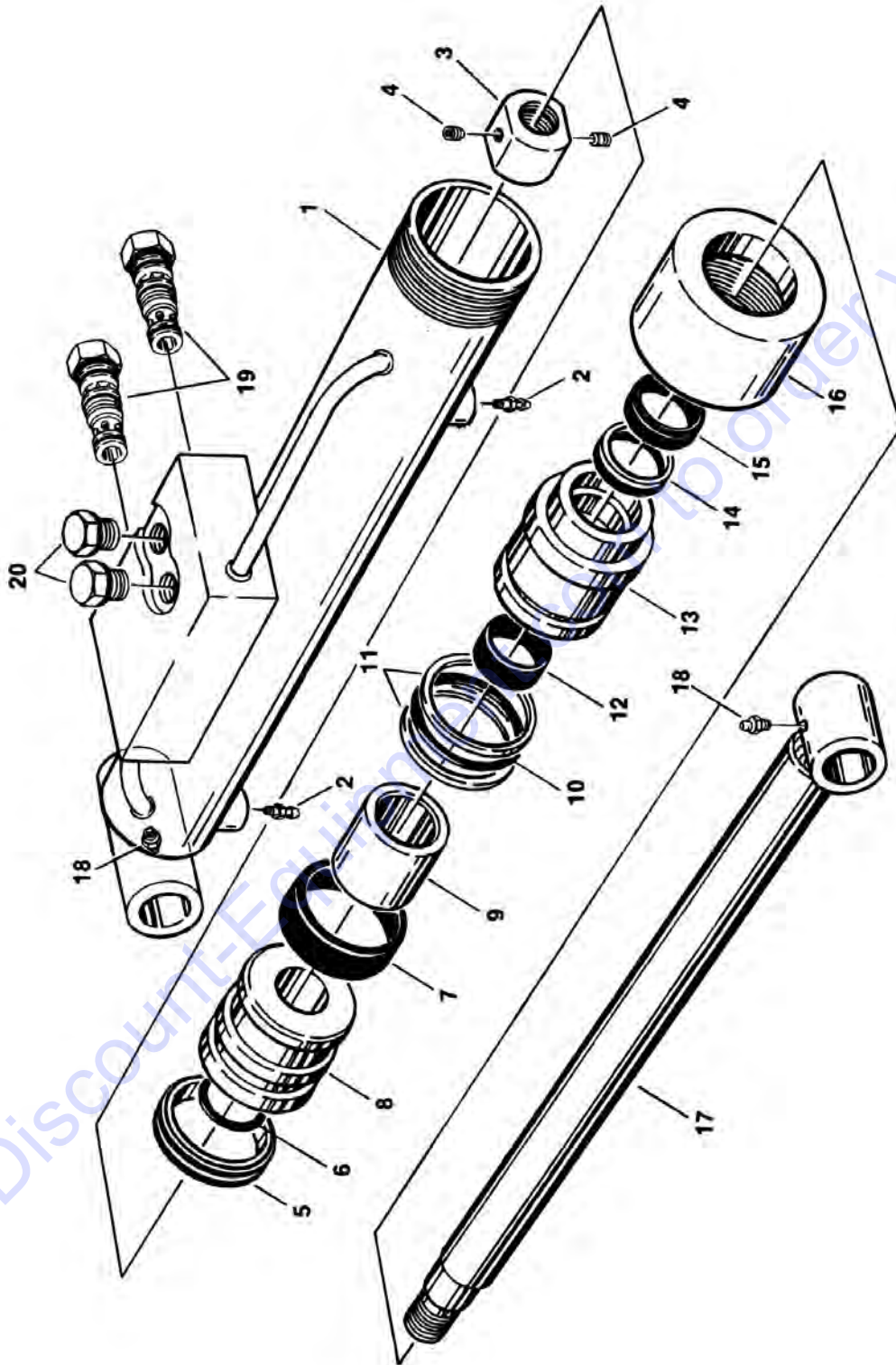
## SECTION 5 - CYLINDER

**FIGURE 5-4. AXLE LOCKOUT CYLINDER ASSEMBLY - 4WD/2WS (SEPTEMBER 1992 TO PRESENT)  
(USE WITH OPTIONAL OSCILLATING AXLE)**

ITEM	PART NUMBER	QTY	DESCRIPTION	REV
	1682727	Ref	<b>AXLE LOCKOUT CYLINDER ASSEMBLY - 4WD/2WS (SEPTEMBER 1992 TO PRESENT) (USE WITH OPTIONAL OSCILLATING AXLE)</b>	B
1	1682728	1	Barrel Weldment	
2	1682730	1	Rod Weldment	
3	1120108	1	Retainer	
4	1681332	1	Head	
5	4565816	1	Spacer	
6	3480116	1	Piston	
7	3300273	1	Nut, Hex	
8	Kit	1	Seal, Wiper	
9	Kit	1	Seal, Rod	
10	Kit	1	Ring, Wear	
11	Kit	1	O-Ring	
12	Kit	2	Ring, Lock	
13	Kit	2	Seal, Piston	
14	Kit	1	O-Ring	
15	3900170	1	Setscrew 3/8in-16NC x 3/8in	
16	3900175	3	Setscrew 1/4in-28NF x 3/4in	
16	3321401	3	Nut 1/4in-28NF	
16	3960416	3	Seal, Thread	
17	4640509	2	Valve, Cartridge (Counterbalance)	
17	2900792	2	Seal Kit - 4640509 Valve (1 Per Cartridge)	
18	0100011	AR	Loctite	
19	0100038	AR	Primer, Locking	
20	0100035	AR	Locking Compound	
21	2160002	1	Fitting, Grease	
	2900379	1	Seal Kit - Lockout Cylinders (Includes Items 8-14)	

## SECTION 5 - CYLINDER

FIGURE 5-5. AXLE LOCKOUT CYLINDER ASSEMBLY - 4WD/4WS (PRIOR TO SEPTEMBER 1992)  
(USE WITH OPTIONAL OSCILLATING AXLE)





# PARTS FINDER

**Search Website  
by Part Number**



**Search Manual  
Library For Parts  
Manual & Lookup Part  
Numbers – Purchase  
or Request Quote**

**Can't Find Part or  
Manual? Request Help  
by Manufacturer,  
Model & Description**

Discount-Equipment.com is your online resource for quality parts & equipment.

Florida: **561-964-4949** Outside Florida TOLL FREE: **877-690-3101**

**Need parts?**

Click on this link: <http://www.discount-equipment.com/category/5443-parts/> and choose one of the options to help get the right parts and equipment you are looking for. Please have the machine model and serial number available in order to help us get you the correct parts. If you don't find the part on the website or on one of the online manuals, please fill out the request form and one of our experienced staff members will get back to you with a quote for the right part that your machine needs.

We sell worldwide for the brands: Genie, Terex, JLG, MultiQuip, Mikasa, Essick, Whiteman, Mayco, Toro Stone, Diamond Products, Generac Magnum, Airman, Haulotte, Barreto, Power Blanket, Nifty Lift, Atlas Copco, Chicago Pneumatic, Allmand, Miller Curber, Skyjack, Lull, Skytrak, Tsurumi, Husquvarna Target, Stow, Wacker, Sakai, Mi-T-M, Sullair, Basic, Dynapac, MBW, Weber, Bartell, Bennar Newman, Haulotte, Ditch Runner, Menegotti, Morrison, Contec, Buddy, Crown, Edco, Wyco, Bomag, Laymor, EZ Trench, Bil-Jax, F.S. Curtis, Gehl Pavers, Heli, Honda, ICS/PowerGrit, IHI, Partner, Imer, Clipper, MMD, Koshin, Rice, CH&E, General Equipment, Amida, Coleman, NAC, Gradall, Square Shooter, Kent, Stanley, Tamco, Toku, Hatz, Kohler, Robin, Wisconsin, Northrock, Oztec, Toker TK, Rol-Air, APT, Wylie, Ingersoll Rand / Doosan, Innovatech, Con X, Ammann, Mecalac, Makinex, Smith Surface Prep, Small Line, Wanco, Yanmar

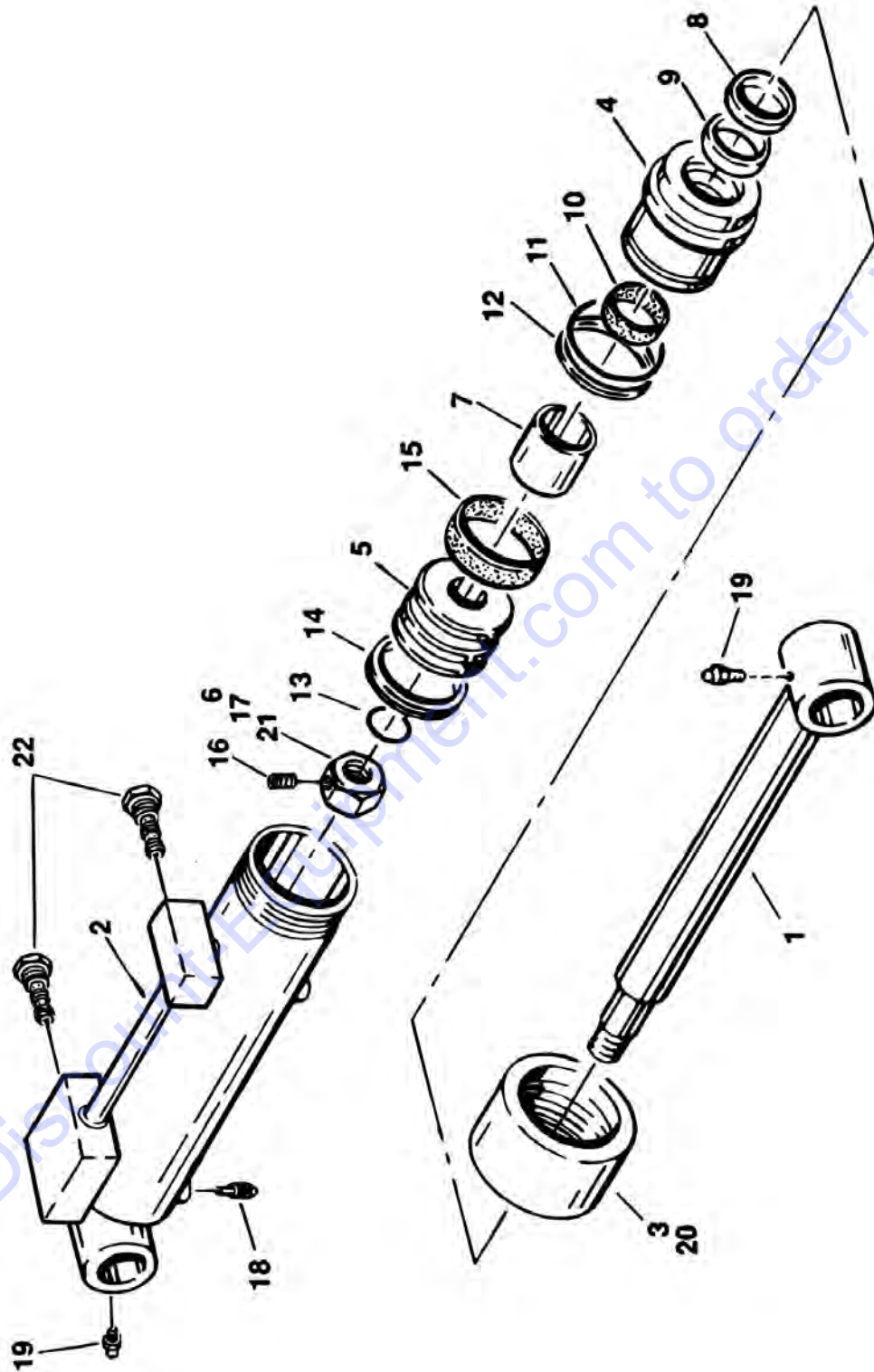
## SECTION 5 - CYLINDER

**FIGURE 5-5. AXLE LOCKOUT CYLINDER ASSEMBLY - 4WD/4WS (PRIOR TO SEPTEMBER 1992)  
(USE WITH OPTIONAL OSCILLATING AXLE)**

ITEM	PART NUMBER	QTY	DESCRIPTION	REV
	1682406	Ref	<b>AXLE LOCKOUT CYLINDER ASSEMBLY - 4WD/4WS (PRIOR TO SEPTEMBER 1992) (USE WITH OPTIONAL OSCILLATING AXLE)</b>	C
1	1682407	1	Barrel	
2	4640273	2	Bleeder (Prior to April 1992)	
2	3900175	2	Setscrew 1/4in-28NF x 3/4in (April 1992 to Present)	
2	3960416	2	Seal, Thread (April 1992 to Present)	
2	3321401	2	Nut 1/4in-28NF (April 1992 to Present)	
3	3300187	1	Nut, Special (Prior to August 1992)	
3	3300273	1	Nut, Hex (August 1992 to September 1992)	
4	3900141	2	Setscrew 1/4in-20NC x 3/8in (Prior to August 1992)	
4	3900170	1	Setscrew 3/8in-16NC x 3/8in (August 1992 to September 1992)	
4	0100011	AR	Loctite #242	
4	0100038	AR	Primer, Locking	
5	Kit	1	Seal	
6	Kit	1	O-Ring	
7	Kit	1	Ring, Wear	
8	3480120	1	Piston	
9	4563647	1	Spacer	
10	Kit	1	O-Ring	
11	Kit	1	Ring, Backup	
12	Kit	1	Ring, Wear	
13	1680892	1	Head	
14	Kit	1	Seal, Rod	
15	Kit	1	Seal, Wiper	
16	1120179	1	Retainer, Head	
16	0100035	AR	Loctite #242	
17	1681787	1	Rod	
18	2160002	1	Fitting, Grease	
19	4640438	2	Cartridge, Check Valve	
19	2900770	2	Seal Kit (1 Per Valve)	
20	2220885	2	Plug	
	2900381	1	Kit, Seal (Includes Items 5, 6, 7, 10, 11, 13 & 14)	

## SECTION 5 - CYLINDER

FIGURE 5-6. AXLE LOCKOUT CYLINDER ASSEMBLIES - 4WD/4WS (SEPTEMBER 1992 TO PRESENT) (USE WITH OPTIONAL OSCILLATING AXLE)



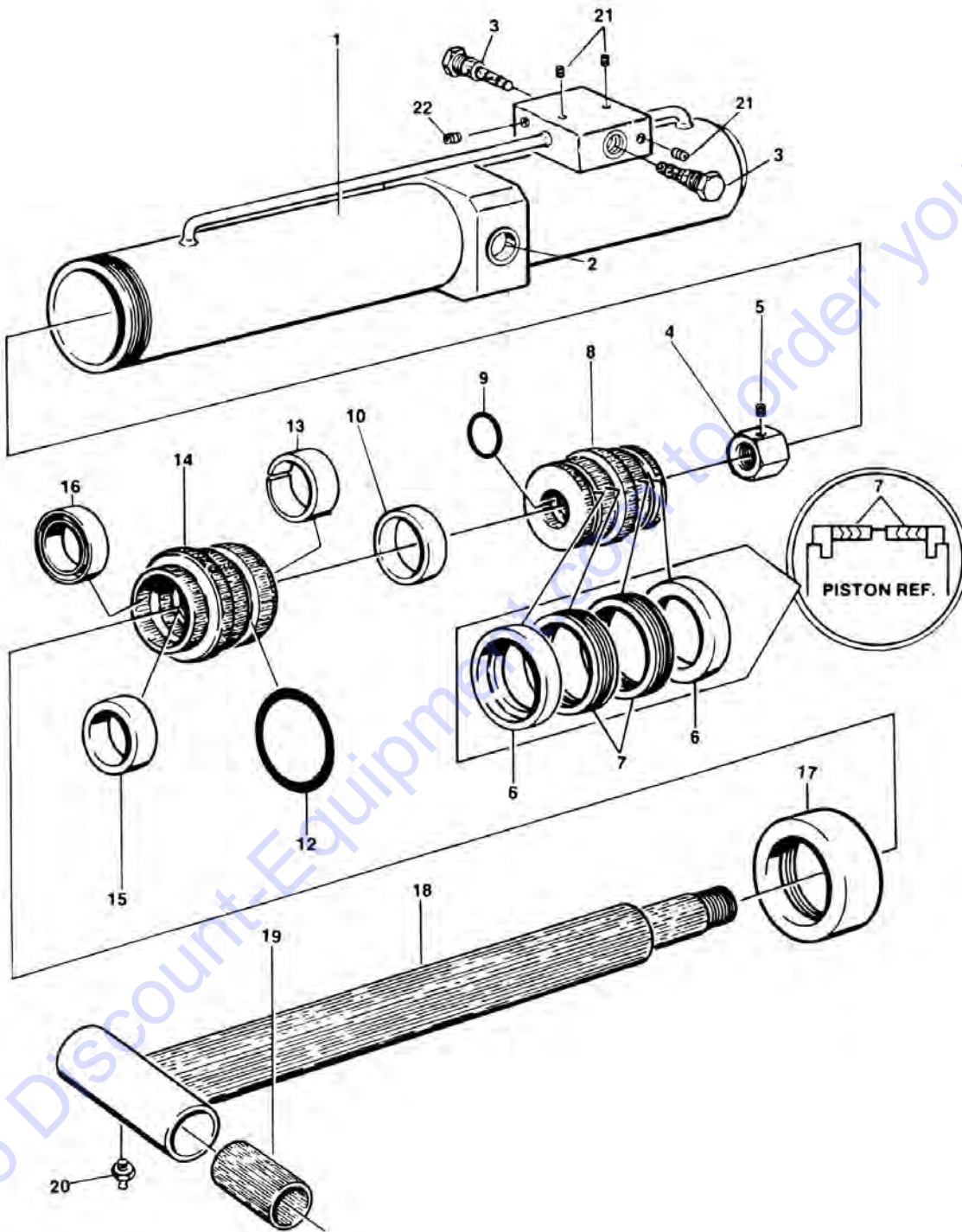
## SECTION 5 - CYLINDER

**FIGURE 5-6. AXLE LOCKOUT CYLINDER ASSEMBLIES - 4WD/4WS (SEPTEMBER 1992 TO PRESENT) (USE WITH OPTIONAL OSCILLATING AXLE)**

ITEM	PART NUMBER	QTY	DESCRIPTION	REV
	1682757		<b>AXLE LOCKOUT CYLINDER ASSEMBLIES - 4WD/4WS (SEPTEMBER 1992 TO PRESENT)</b>	A
1	1681787	1	Rod	
2	1682758	1	Barrel	
3	1120179	1	Retainer	
4	1680892	1	Head	
5	3480120	1	Piston	
6	3300187	1	Nut (Prior to April 1992)	
6	3300273	1	Nut, Hex (April 1992 to Present)	
7	4563647	1	Tube, Spacer	
8	Kit	1	Seal, Wiper	
9	Kit	1	Seal, Rod	
10	Kit	1	Ring, Wear	
11	Kit	1	O-Ring	
12	Kit	2	Ring, Back-up	
13	Kit	1	O-Ring	
14	Kit	1	Seal, Piston	
15	Kit	1	Ring, Wear	
16	3900141	2	Setscrew 1/4in-20NC x 3/8in (Prior to April 1992)	
16	3900170	1	Setscrew 3/8in-16NC x 3/8in (April 1992 to Present)	
17	0100011	AR	Loctite #242	
18	3900175	2	Setscrew 1/4in-28NF x 3/4in	
18	3960416	2	Seal, Thread	
18	3321401	2	Nut 1/4in-28NF	
		Ref	<b>Note: Replace existing bleeders with these components when ordering parts.</b>	
19	2160002	2	Fitting, Grease	
20	0100035	AR	Compound, Locking	
21	0100038	AR	Primer, Locking	
22	4640509	2	Valve, Holding	
22	2900792	2	Seal Kit - 4640509 Valve	
	2900381	1	Seal Kit (Includes Items 8-15)	

# SECTION 5 - CYLINDER

FIGURE 5-7. LEVEL (UPRIGHT) CYLINDER ASSEMBLY (PRIOR TO APRIL 1992)



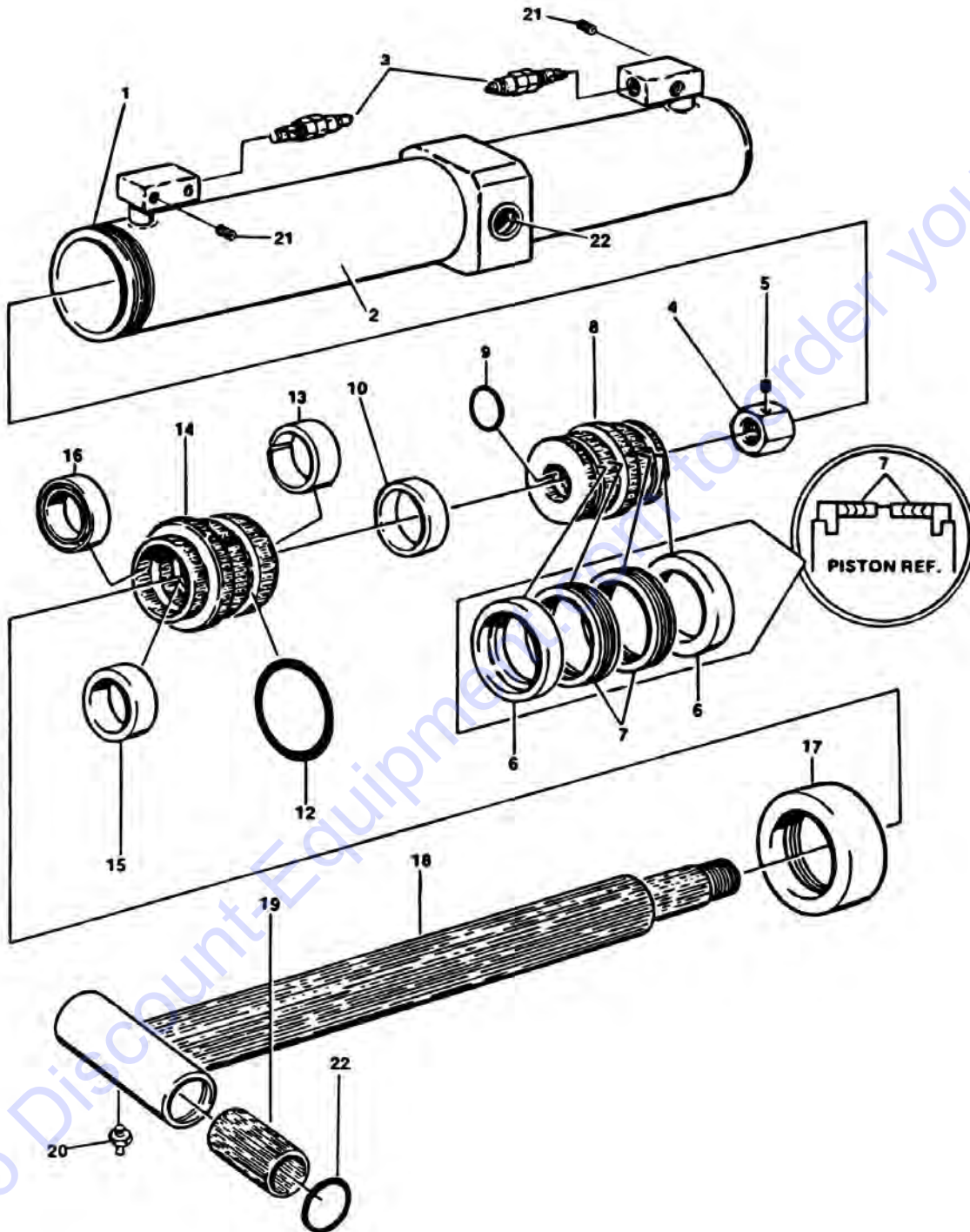
## SECTION 5 - CYLINDER

**FIGURE 5-7. LEVEL (UPRIGHT) CYLINDER ASSEMBLY (PRIOR TO APRIL 1992)**

ITEM	PART NUMBER	QTY	DESCRIPTION	REV
	1682019	Ref	<b>LEVEL (UPRIGHT) CYLINDER ASSEMBLY (PRIOR TO APRIL 1992)</b>	E
1	1682042	1	Barrel Assembly	
2	0961338	2	Bushing, Bronze (Prior to February 1994)	
2	0961762	2	Bushing, Bronze (February 1994 to Present)	
3	4640509	2	Valve	
3	2900792	2	Seal Kit - 4640509 Valve	
4	3300281	1	Nut, Special	
5	3900170	1	Setscrew 3/8in-16NC x 3/8in	
5	0100011	AR	Loctite #242	
5	0100038	AR	Primer, Locking	
6	Kit	2	Lock-Ring	
7	Kit	2	Seal, Piston	
8	3480105	1	Piston	
9	Kit	1	O-Ring	
10	4564158	1	Spacer, Tube	
12	Kit	1	O-Ring	
13	Kit	1	Ring, Wear	
14	1682027	1	Head	
15	Kit	1	Seal, Rod	
16	Kit	1	Wiper, Rod	
17	1120160	1	Cap	
17	0100035	AR	Loctite #222	
18	1682028	1	Rod Assembly	
19	0961329	2	Bushing, Bronze (Prior to February 1994)	
19	0961763	2	Bushing, Bronze (February 1994 to Present)	
20	2160002	1	Fitting, Grease	
21	2200201	4	Plug 1/8in	
22	2200213	2	Plug 3/8in	
22	0100020	AR	Sealant, Pipe	
	2900375	1	Seal Kit (Includes Items 6, 7, 9, 12, 13, 15 & 16)	

# SECTION 5 - CYLINDER

FIGURE 5-8. LEVEL (UPRIGHT) CYLINDER ASSEMBLY (APRIL 1992 TO PRESENT)



## SECTION 5 - CYLINDER

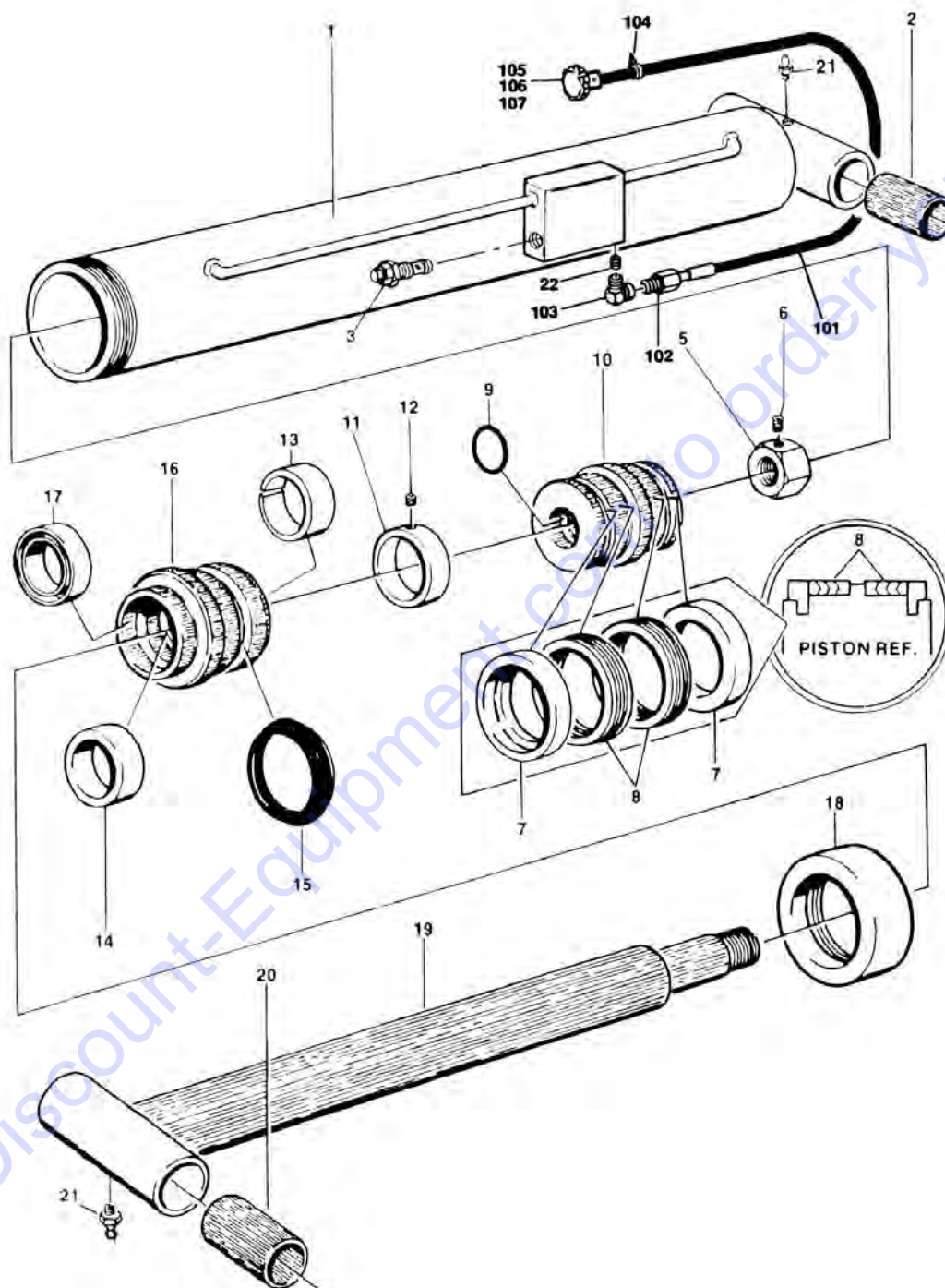
**FIGURE 5-8. LEVEL (UPRIGHT) CYLINDER ASSEMBLY (APRIL 1992 TO PRESENT)**

ITEM	PART NUMBER	QTY	DESCRIPTION	REV
	1682745	Ref	<b>LEVEL (UPRIGHT) CYLINDER ASSEMBLY (APRIL 1992 TO PRESENT)</b>	B
1	1682746	1	Barrel Assembly	
2	0961338	2	Bushing, Bronze (Prior to February 1994)	
2	0961762	2	Bushing, Bronze (February 1994 to Present)	
3	4640634	2	Valve, Counterbalance	
3	2900770	2	Seal Kit - 4640634 Valve	
4	3300281	1	Nut	
5	3900170	1	Setscrew 3/8in-16NC x 3/8in	
5	0100011	AR	Loctite #242	
5	0100038	AR	Primer, Locking	
6	Kit	2	Lock Ring	
7	Kit	2	Seal, Piston	
8	3480105	1	Piston	
9	Kit	1	O-Ring	
10	4564158	1	Spacer, Tube	
12	Kit	1	O-Ring	
13	Kit	1	Ring, Wear	
14	1682027	1	Head	
15	Kit	1	Seal, Rod	
16	Kit	1	Wiper, Rod	
17	1120160	1	Cap	
17	0100035	AR	Loctite #222	
18	1682028	1	Rod Assembly	
19	0961329	2	Bushing, Bronze (Prior to February 1992)	
19	0961763	2	Bushing, Bronze (February 1994 to Present)	
20	2160002	1	Fitting, Grease	
20	4640812	1	Valve, Relief Fitting (February 1994 to Present Only)	
21	2220885	2	Plug, O-Ring	
22	3780185	4	O-Ring (February 1994 to Present Only)	
	2900375	1	Seal Kit (Includes Items 6, 7, 9, 12, 13, 15 & 16)	



# SECTION 5 - CYLINDER

FIGURE 5-9. MAIN LIFT CYLINDER ASSEMBLY (PRIOR TO APRIL 1992)



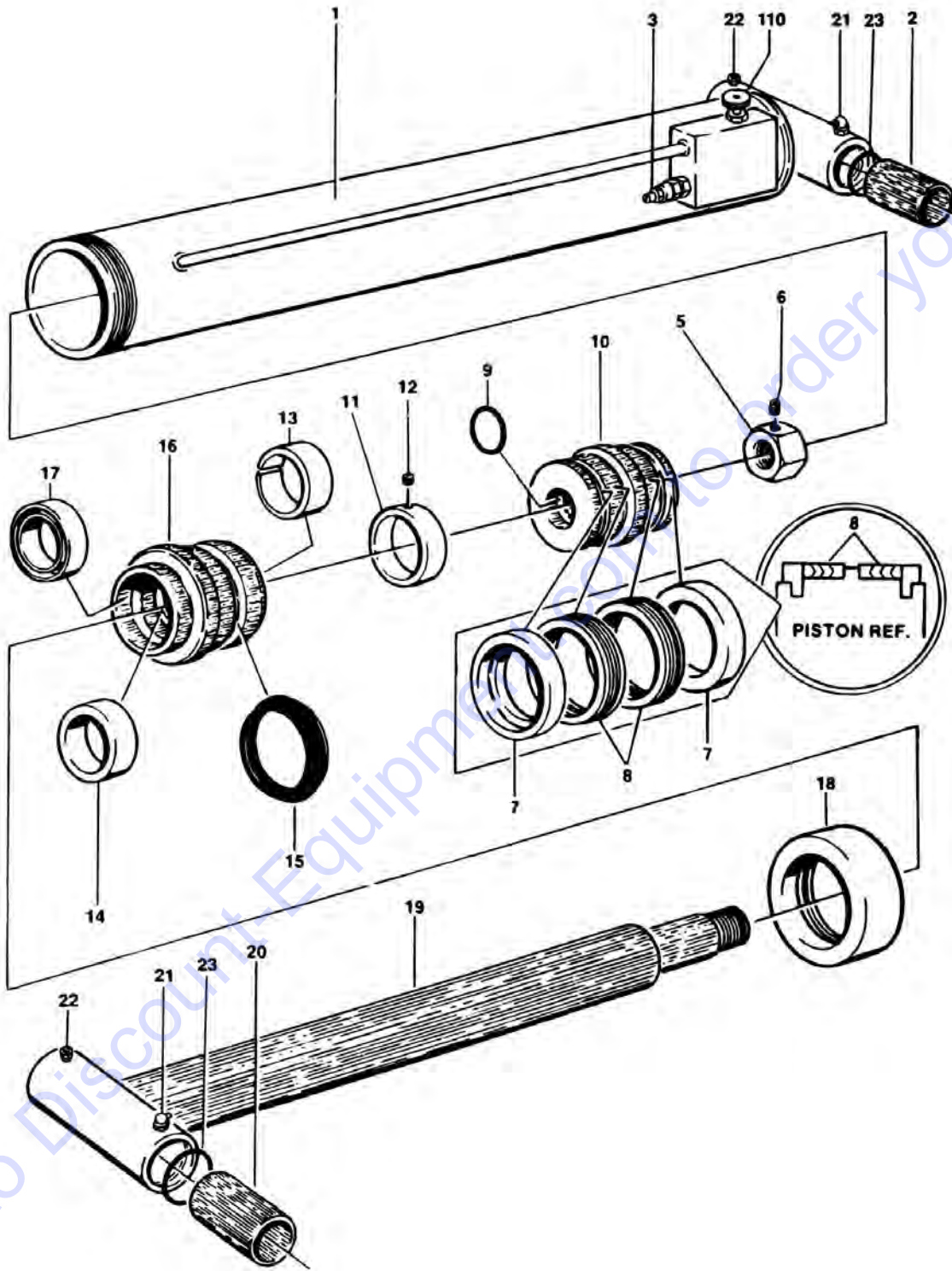
## SECTION 5 - CYLINDER

**FIGURE 5-9. MAIN LIFT CYLINDER ASSEMBLY (PRIOR TO APRIL 1992)**

ITEM	PART NUMBER	QTY	DESCRIPTION	REV
	1682072	Ref	<b>MAIN LIFT CYLINDER ASSEMBLY (PRIOR TO APRIL 1992)</b>	F
1	1682073	1	Barrel Assembly	
2	0961361	2	Bushing, Bronze	
3	4640452	1	Valve, Holding	
3	2900770	1	Seal Kit - 4640452 Valve	
5	3300287	1	Nut Hex	
6	3900170	1	Setscrew 3/8in-16NC x 3/8in	
6	0100011	AR	Loctite #242	
6	0100038	AR	Primer, Locking	
7	Kit	2	Ring, Guidelock	
8	Kit	2	Seal	
9	Kit	1	O-Ring	
10	3480136	1	Piston	
11	4564473	1	Spacer	
13	Kit	1	Ring, Wear	
14	Kit	1	Seal	
15	Kit	1	O-Ring	
16	1682076	1	Head	
17	Kit	1	Ring, Wiper	
18	1120358	1	Cap	
18	0100035	AR	Loctite #222	
19	1682074	1	Rod Assembly	
20	0961361	2	Bushing, Bronze	
21	2160001	2	Fitting, Grease - 90	
22	2180448	1	Orifice (.062)	
22	0100034	AR	Sealant	
	2901144	1	Seal Kit (Includes items 7, 8, 9, 13, 14, 15 & 17)	
	0251387	Ref	<b>MANUAL DESCENT INSTALLATION (OPTIONAL)</b>	E
101	1060373	1	Cable, Flex	
102	4640677	1	Valve	
103	2220820	1	Fitting, 90	
104	4240033	8	Strap, Hose	
105	0080189	1	Adapter <b>(Prior to SN 047563)</b>	
105	0080226	1	Adapter <b>(SN 047563 to Present)</b>	
106	2560109	1	Knob	
107	3951403	1	Setscrew 1/4-20NC x 3/8in <b>(Prior to SN 047563)</b>	
107	3900230	1	Setscrew #10-32NC x 3/8in <b>(SN 047563 to Present)</b>	

# SECTION 5 - CYLINDER

FIGURE 5-10. MAIN LIFT CYLINDER ASSEMBLY (APRIL 1992 TO PRESENT)



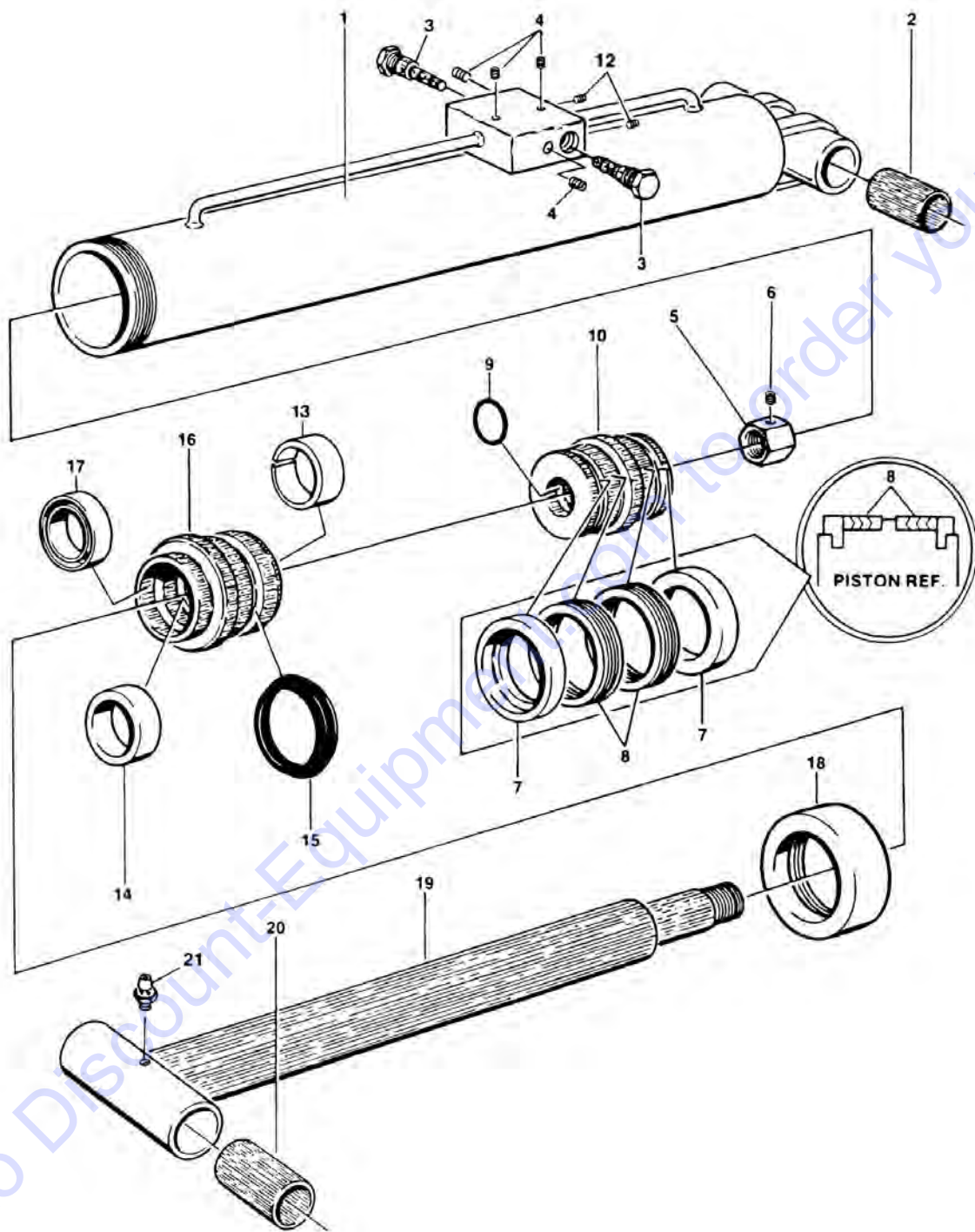
## SECTION 5 - CYLINDER

**FIGURE 5-10. MAIN LIFT CYLINDER ASSEMBLY (APRIL 1992 TO PRESENT)**

ITEM	PART NUMBER	QTY	DESCRIPTION	REV
	1682764	Ref	<b>MAIN LIFT CYLINDER ASSEMBLY (APRIL 1992 TO PRESENT)</b>	A
1	1682765	1	Barrel Assembly	
2	0961361	2	Bushing, Bronze (Prior to February 1994)	
2	0961760	2	Bushing, Bronze (February 1994 to Present)	
3	4640634	1	Valve, Holding	
3	2900770	1	Seal Kit - 4640634 Valve	
5	3300295	1	Nut, Special	
6	3900172	1	Setscrew 1/4in-20NC x 3/8in	
6	0100011	AR	Loctite #242	
6	0100038	AR	Primer, Locking	
7	Kit	2	Ring, Guidelock	
8	Kit	2	Seal	
9	Kit	1	O-Ring	
10	3480103	1	Piston	
11	4565846	1	Spacer	
13	Kit	1	Ring, Wear	
14	Kit	1	Seal	
15	Kit	1	O-Ring	
16	1682076	1	Head	
17	Kit	1	Ring, Wiper	
18	1120358	1	Cap	
18	0100035	AR	Loctite #222	
19	1682767	1	Rod Assembly	
20	0961361	2	Bushing, Bronze (Prior to February 1994)	
20	0961760	2	Bushing, Bronze (February 1994 to Present)	
21	2160001	2	Fitting, Grease 90	
22	4640812	2	Valve, Relief Valve (February 1994 to Present)	
23	3780184	4	O-Ring	
	2901227	1	Seal Kit (Includes Items 7, 8, 9, 13, 14, 15 & 17)	
	0253167	Ref	<b>MANUAL DESCENT INSTALLATION</b>	-
110	4640747	1	Valve, Lowering	
110	7010545	1	Seal Kit - 4640747 Valve	

# SECTION 5 - CYLINDER

FIGURE 5-11. TOWER LIFT CYLINDER ASSEMBLIES (PRIOR TO APRIL 1992)



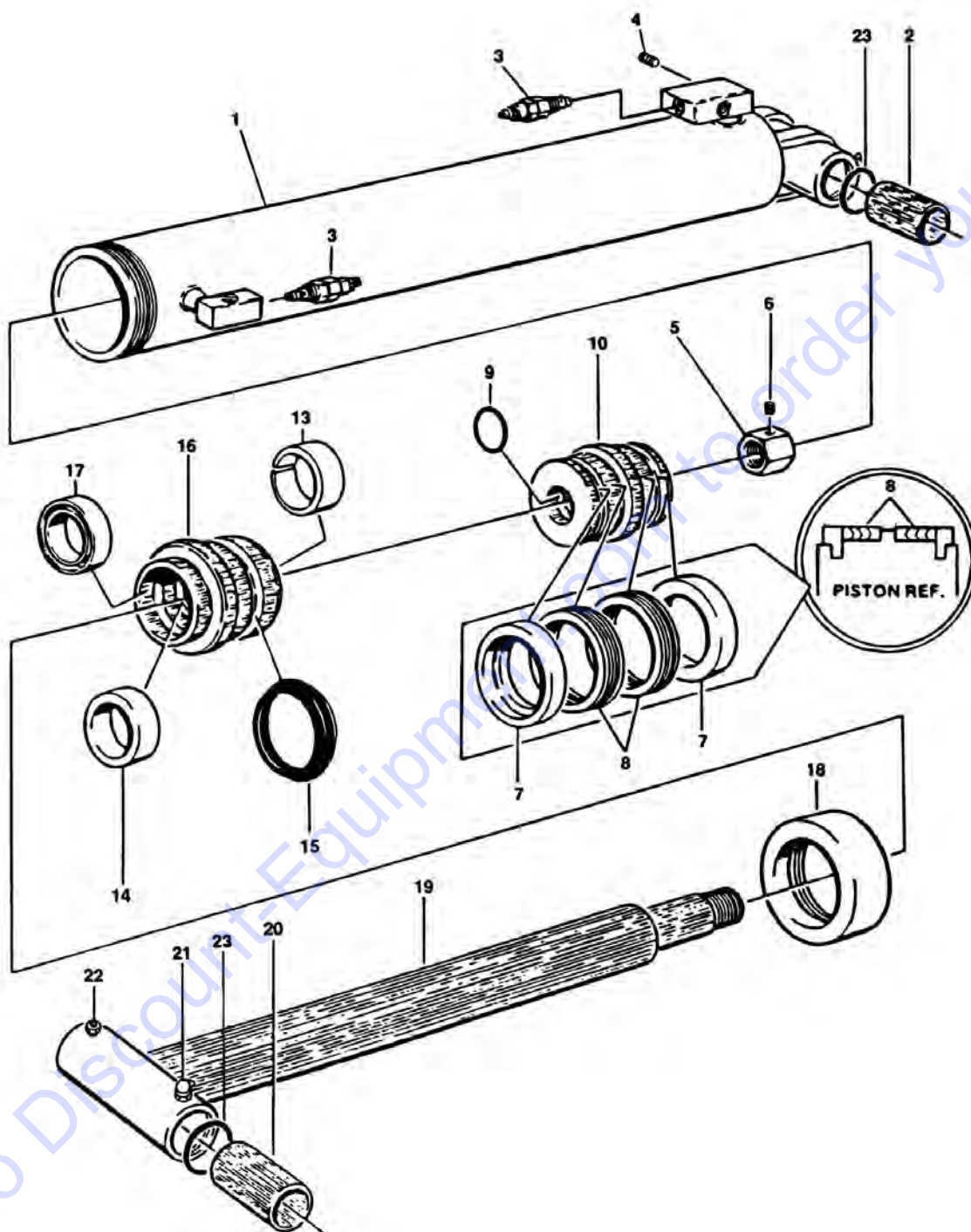
## SECTION 5 - CYLINDER

**FIGURE 5-11. TOWER LIFT CYLINDER ASSEMBLIES (PRIOR TO APRIL 1992)**

ITEM	PART NUMBER	QTY	DESCRIPTION	REV
	1682053	Ref	<b>TOWER LIFT CYLINDER ASSEMBLY</b>	I
1	1682054	1	Barrel Assembly	
2	0961361	2	Bushing, Bronze	
3	4640509	2	Valve, Cartridge	
3	2900792	2	Seal Kit - 4640509 Valve	
4	2200201	4	Plug 1/8in	
4	0100020	AR	Sealant	
5	3300287	1	Nut, Hex	
6	3300170	1	Setscrew 3/8in-16NC x 3/8in	
6	0100011	AR	Loctite #242	
6	0100038	AR	Primer, Locking	
7	Kit	2	Ring, Guidelock	
8	Kit	2	Seal	
9	Kit	1	O-Ring	
10	3480136	1	Piston	
12	2200213	2	Plug 3/8in	
12	0100020	AR	Sealant	
13	Kit	1	Ring, Wear	
14	Kit	1	Seal	
15	Kit	1	O-Ring	
16	1682083	1	Head	
17	Kit	1	Ring, Wear	
18	1120160	1	Cap	
18	0100035	AR	Loctite #222	
19	1682078	1	Rod Assembly	
20	0961361	2	Bushing, Bronze (Prior to February 1994)	
20	0961760	2	Bushing, Bronze (February 1994 to Present)	
21	2160002	1	Fitting, Grease (Prior to September 1991)	
21	2160001	1	Fitting, Grease - 90 (September 1991 to April 1992)	
	2900375	1	Seal Kit (Includes Items 7, 8, 9, 13, 14, 15 & 17)	

# SECTION 5 - CYLINDER

FIGURE 5-12. TOWER LIFT CYLINDER ASSEMBLIES (APRIL 1992 TO PRESENT)



## SECTION 5 - CYLINDER

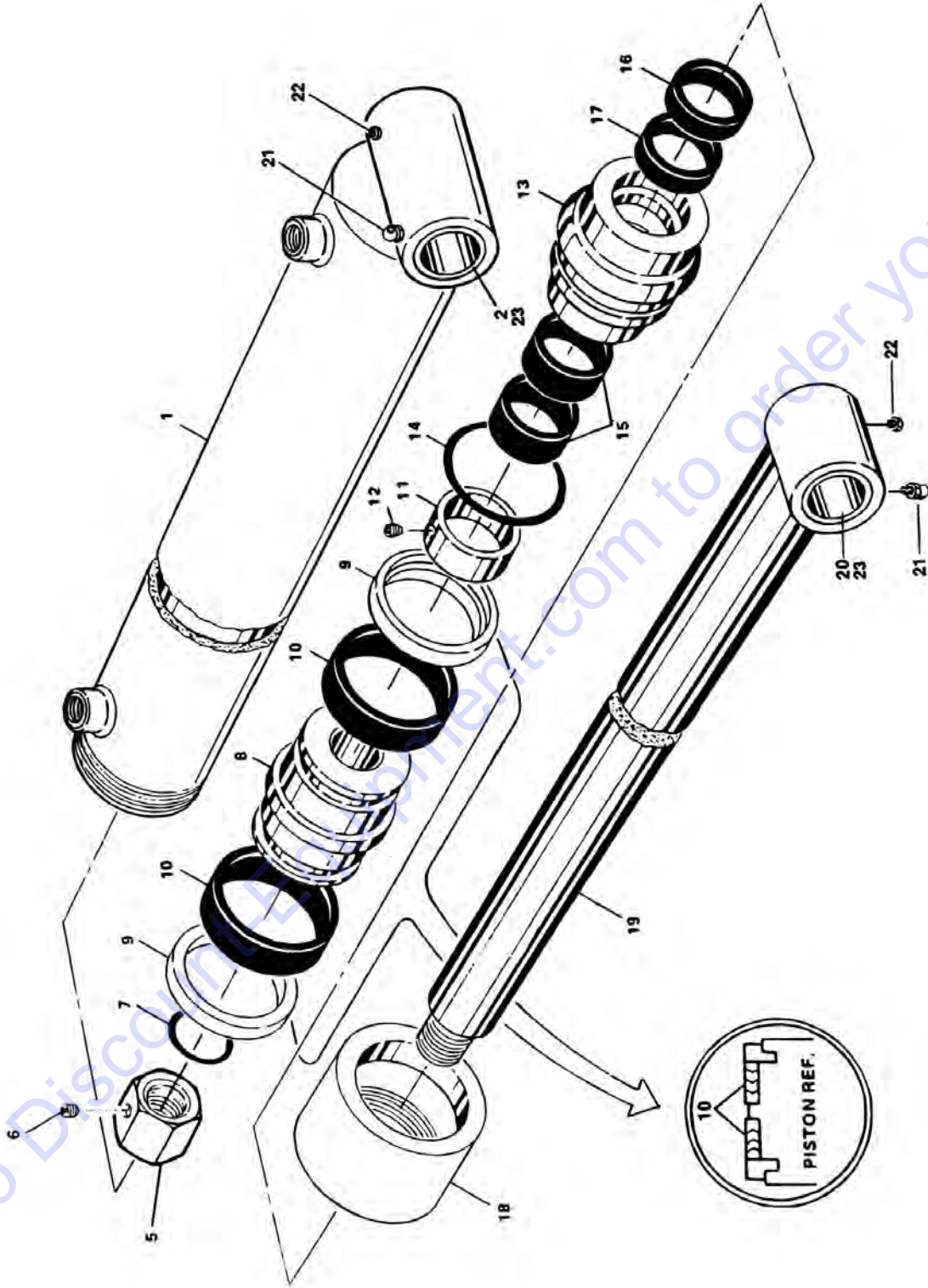
**FIGURE 5-12. TOWER LIFT CYLINDER ASSEMBLIES (APRIL 1992 TO PRESENT)**

ITEM	PART NUMBER	QTY	DESCRIPTION	REV
	1682739	Ref	<b>TOWER LIFT CYLINDER ASSEMBLY (STANDARD)</b>	B
1	1682740	1	Barrel Assembly	
2	0961361	2	Bushing, Bronze (Prior to February 1994)	
2	0961760	2	Bushing, Bronze (February 1994 to Present)	
3	4640634	2	Valve, Counterbalance	
3	2900770	2	Seal Kit - 4640634 Valve	
4	2220885	2	Plug, O-Ring	
5	3300287	1	Nut, Special	
6	3300170	1	Setscrew 3/8in-16NC x 3/8	
6	0100011	AR	Loctite #242	
6	0100038	AR	Primer, Locking	
7	Kit	2	Ring, Guidelock	
8	Kit	2	Seal	
9	Kit	1	O-Ring	
10	3480136	1	Piston	
13	Kit	1	Ring, Wear	
14	Kit	1	Seal	
15	Kit	1	O-Ring	
16	1682083	1	Head	
17	Kit	1	Ring, Wiper	
18	1120160	1	Cap	
18	0100035	AR	Loctite #222	
19	1682078	1	Rod Assembly	
20	0961361	2	Bushing, Bronze (Prior to February 1994)	
20	0961760	2	Bushing, Bronze (February 1994 to Present)	
21	2160001	1	Fitting, Grease - 90	
22	4640812	2	Valve, Relief Fitting	
23	3780184	4	O-Ring	
	2900375	1	Seal Kit (Includes Items 7, 8, 9, 13, 14, 15 & 17)	



# SECTION 5 - CYLINDER

## FIGURE 5-13. MASTER CYLINDER ASSEMBLY



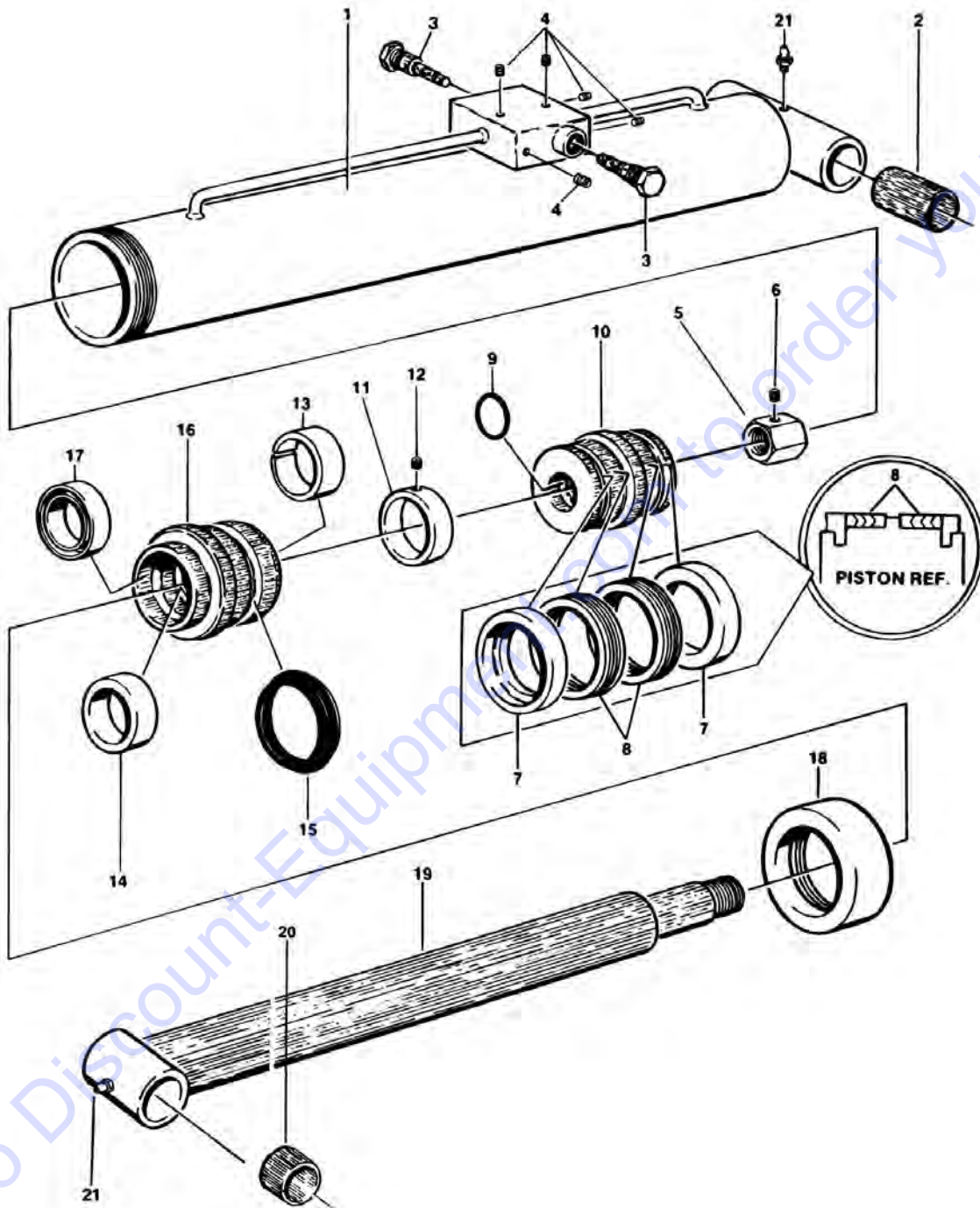
## SECTION 5 - CYLINDER

**FIGURE 5-13. MASTER CYLINDER ASSEMBLY**

ITEM	PART NUMBER	QTY	DESCRIPTION	REV
	1682013	Ref	<b>MASTER CYLINDER ASSEMBLY</b>	F
1	1682016	1	Barrel Assembly	
2	0960846	2	Bushing (Prior to June 1989)	
2	0961328	2	Bushing, Bronze (June 1989 to October 1990)	
2	0961356	2	Bushing, Bronze (October 1990 to February 1994)	
2	0961758	2	Bushing, Bronze (February 1994 to Present)	
5	3300190	1	Nut, Special (Prior to February 1991)	
5	3300281	1	Nut, Hex (February 1991 to Present)	
6	3900139	2	Setscrew 1/4in-20NC x 1/2in (Prior to February 1991)	
6	3900170	1	Setscrew 3/8in-16NC x 3/8in (February 1991 to Present)	
6	0100011	AR	Loctite #242	
6	0100038	AR	Primer, Locking	
7	Kit	1	O-Ring	
8	3480102	1	Piston	
9	Kit	2	Guidelock Ring	
10	Kit	2	Seal, Piston	
11	4564132	1	Spacer	
12	3900141	1	Setscrew 1/4in-20NC x 3/8in	
12	0100011	AR	Loctite	
13	1681294	1	Head	
14	Kit	1	O-Ring	
15	Kit	2	Ring, Wear	
16	Kit	1	Wiper, Rod	
17	Kit	1	Seal, Rod	
18	1120286	1	Cap	
18	0100035	AR	Loctite #222	
19	1682014	1	Rod Assembly	
20	0961328	1	Bushing (Prior to February 1994)	
20	0961759	1	Bushing (February 1994 to Present)	
21	2160001	2	Fitting, Grease	
22	4640812	2	Valve, Relief Fitting	
23	3780183	4	O-Ring	
	2900340	1	Seal Kit (Includes Items 7, 9, 10, 14, 15, 16 & 17)	

# SECTION 5 - CYLINDER

FIGURE 5-14. SLAVE (PLATFORM LEVEL) CYLINDER ASSEMBLIES (PRIOR TO APRIL 1992)



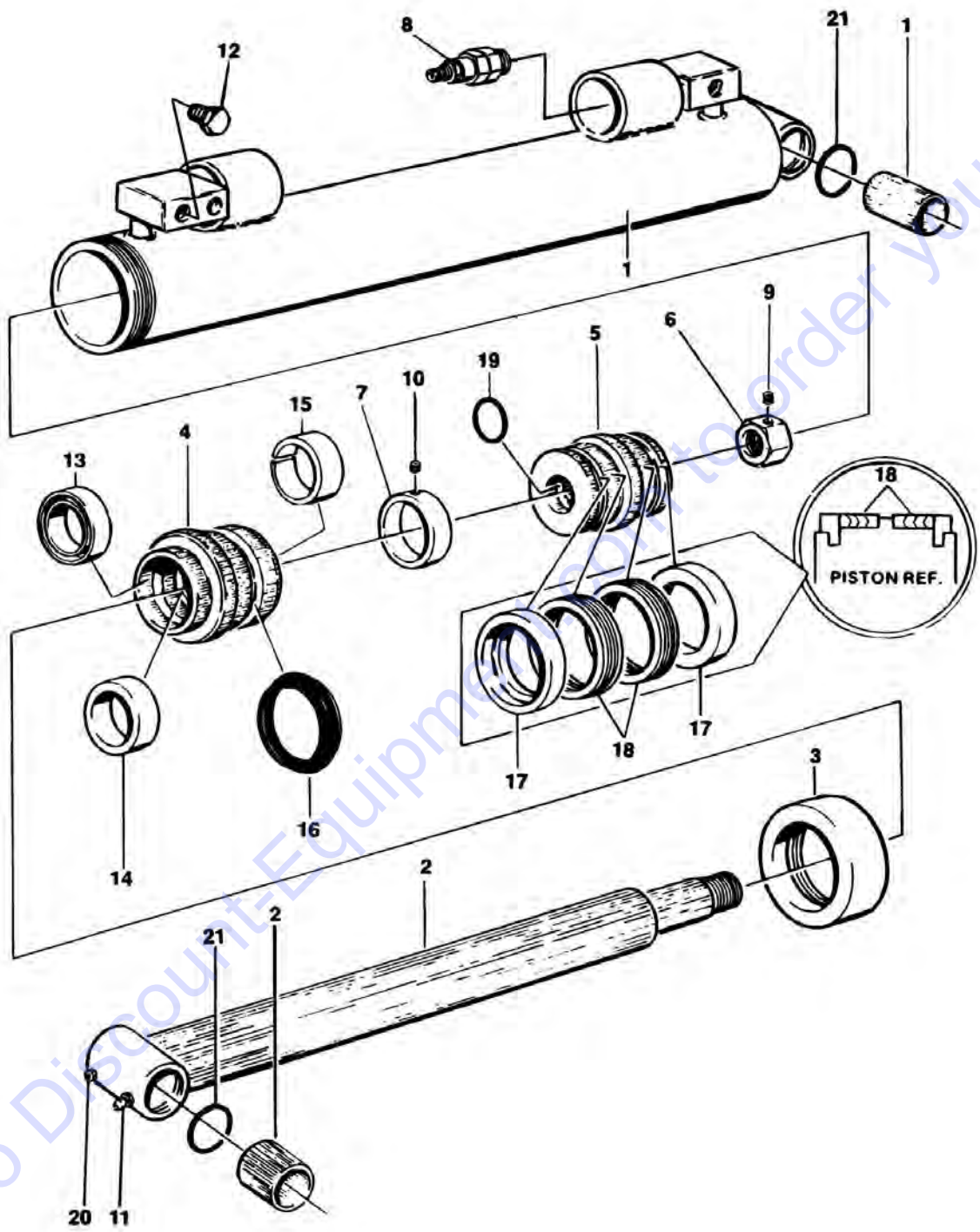
## SECTION 5 - CYLINDER

**FIGURE 5-14. SLAVE (PLATFORM LEVEL) CYLINDER ASSEMBLIES (PRIOR TO APRIL 1992)**

ITEM	PART NUMBER	QTY	DESCRIPTION	REV
	1682057	Ref	<b>SLAVE CYLINDER ASSEMBLY (MACHINES BUILT PRIOR TO APRIL 1992)</b>	B
1	1682058	1	Barrel Assembly (1682057 Cylinder)	
2	0960613	2	Bushing, Bronze	
3	4640509	2	Valve	
3	2900792	2	Seal Kit - 4640509 Valve	
4	2200202	2	Plug 1/4in (Location May Vary)	
4	2200201	4	Plug 1/8in (Location may vary)	
4	0100020	AR	Sealant	
5	3300271	1	Nut, Hex	
6	3300170	1	Setscrew 3/8in-16NC x 3/8in	
6	0100011	AR	Loctite k#242	
6	0100038	AR	Primer, Locking	
7	Kit	2	Ring, Guidelock	
8	Kit	2	Seal	
9	Kit	1	O-Ring	
10	3480130	1	Piston	
11	4563771	1	Spacer	
12	3951403	1	Setscrew 1/4in-20NC x 3/8in	
12	0100011	AR	Loctite	
13	Kit	1	Ring, Wear	
14	Kit	1	Seal	
15	Kit	1	T-Seal	
16	1681847	1	Head	
17	Kit	1	Ring, Wiper	
18	1120336	1	Cap	
18	0100035	AR	Loctite #222	
19	1682060	1	Rod Assembly	
20	0961254	2	Bushing, Bronze (Prior to February 1994)	
20	0961765	2	Bushing, Bronze (February 1994 to Present)	
21	2160002	2	Fitting, Grease	
	2901103	1	Seal Kit (Includes Items 7, 8, 9, 13, 14, 15 & 17)	

# SECTION 5 - CYLINDER

FIGURE 5-15. SLAVE (PLATFORM LEVEL) CYLINDER ASSEMBLY (APRIL 1992 TO PRESENT)



## SECTION 5 - CYLINDER

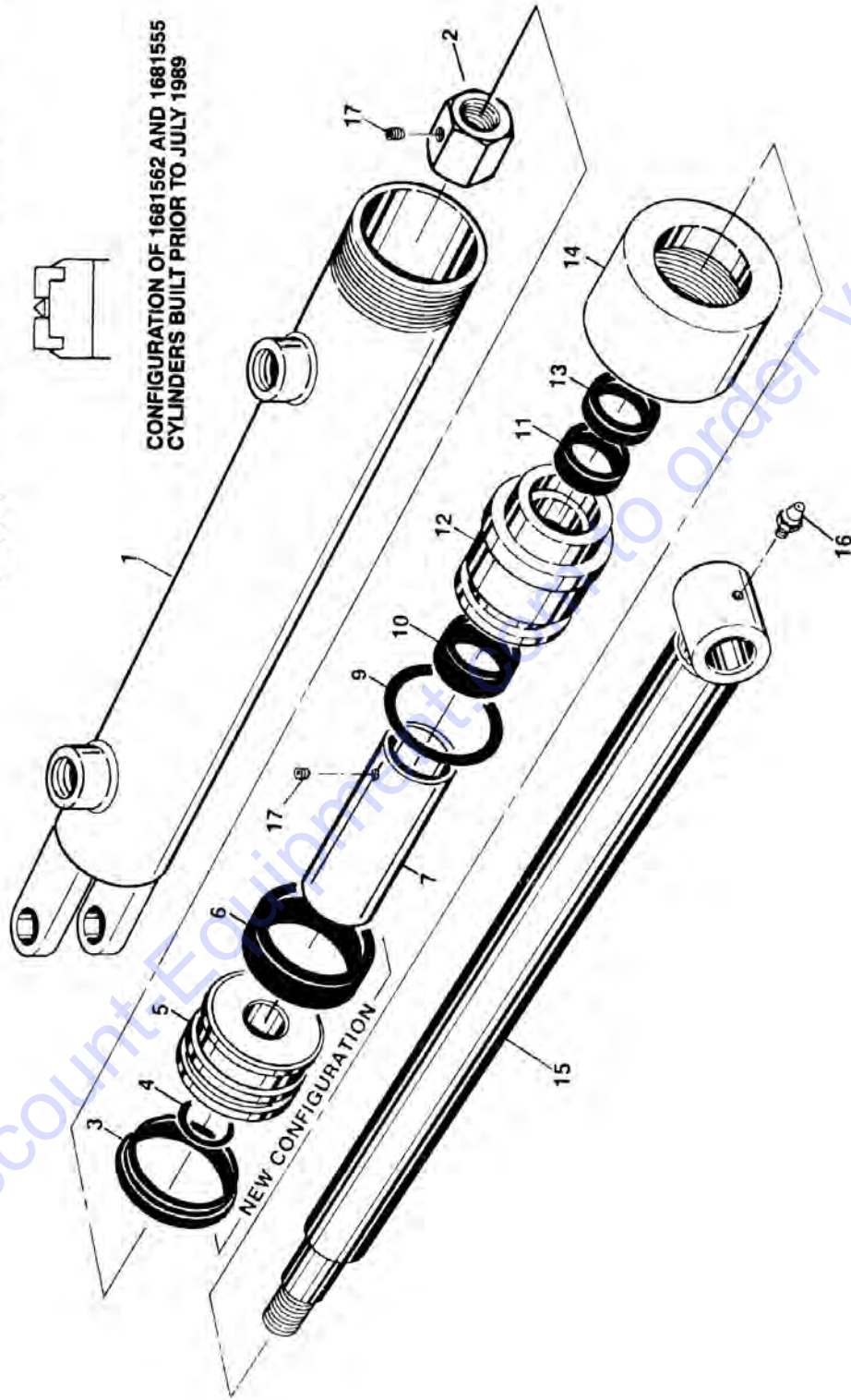
**FIGURE 5-15. SLAVE (PLATFORM LEVEL) CYLINDER ASSEMBLY (APRIL 1992 TO PRESENT)**

ITEM	PART NUMBER	QTY	DESCRIPTION	REV
	1682742	Ref	<b>SLAVE CYLINDER ASSEMBLY (APRIL 1992 TO PRESENT)</b>	B
1	1682793	1	Barrel Weldment	
1	0960613	2	Bushing, Bronze (Prior to February 1994)	
1	0961764	2	Bushing, Bronze (February 1994 to Present)	
2	1682060	1	Rod Weldment	
2	0961254	2	Bushing, Bronze (Prior to February 1994)	
2	0961765	2	Bushing, Bronze (February 1994 to Present)	
3	1120336	1	Cap	
3	0100035	AR	Loctite #222	
4	1681847	1	Head	
5	3480130	1	Piston	
6	3300271	1	Nut, Hex	
6	0100011	AR	Loctite #242	
6	0100038	AR	Primer, Loctite	
7	4563771	1	Spacer	
8	4640634	1	Cartridge, Vented Valve	
8	2900770	1	Seal Kit - 4640634 Valve	
9	3900170	1	Setscrew 3/8in-16NC x 3/8in	
10	3951403	1	Setscrew 1/4in-20NC x 3/8in	
10	0100011	AR	Loctite #242	
11	2160002	2	Fitting, Grease	
12	2220885	2	Plug, O-Ring	
13	Kit	1	Wiper, Rod	
14	Kit	1	Seal, Rod	
15	Kit	1	Ring, Wear	
16	Kit	1	T-Seal	
17	Kit	2	Ring, Lock	
18	Kit	2	Seal	
19	Kit	1	O-Ring	
20	4640812	2	Valve, Relief Fitting (February 1994 to Present Only)	
21	3780183	4	O-Ring (February 1994 to Present Only)	
	2901103	1	Seal Kit - Cylinder (Includes Item 13-19)	

# SECTION 5 - CYLINDER

## FIGURE 5-16. STEER CYLINDER ASSEMBLIES

NOTE: THIS PISTON/SEAL CONFIGURATION NO LONGER AVAILABLE. IF EQUIPPED, NEW PISTON AND SEAL KIT MUST BE ORDERED FOR REPAIR.



## SECTION 5 - CYLINDER

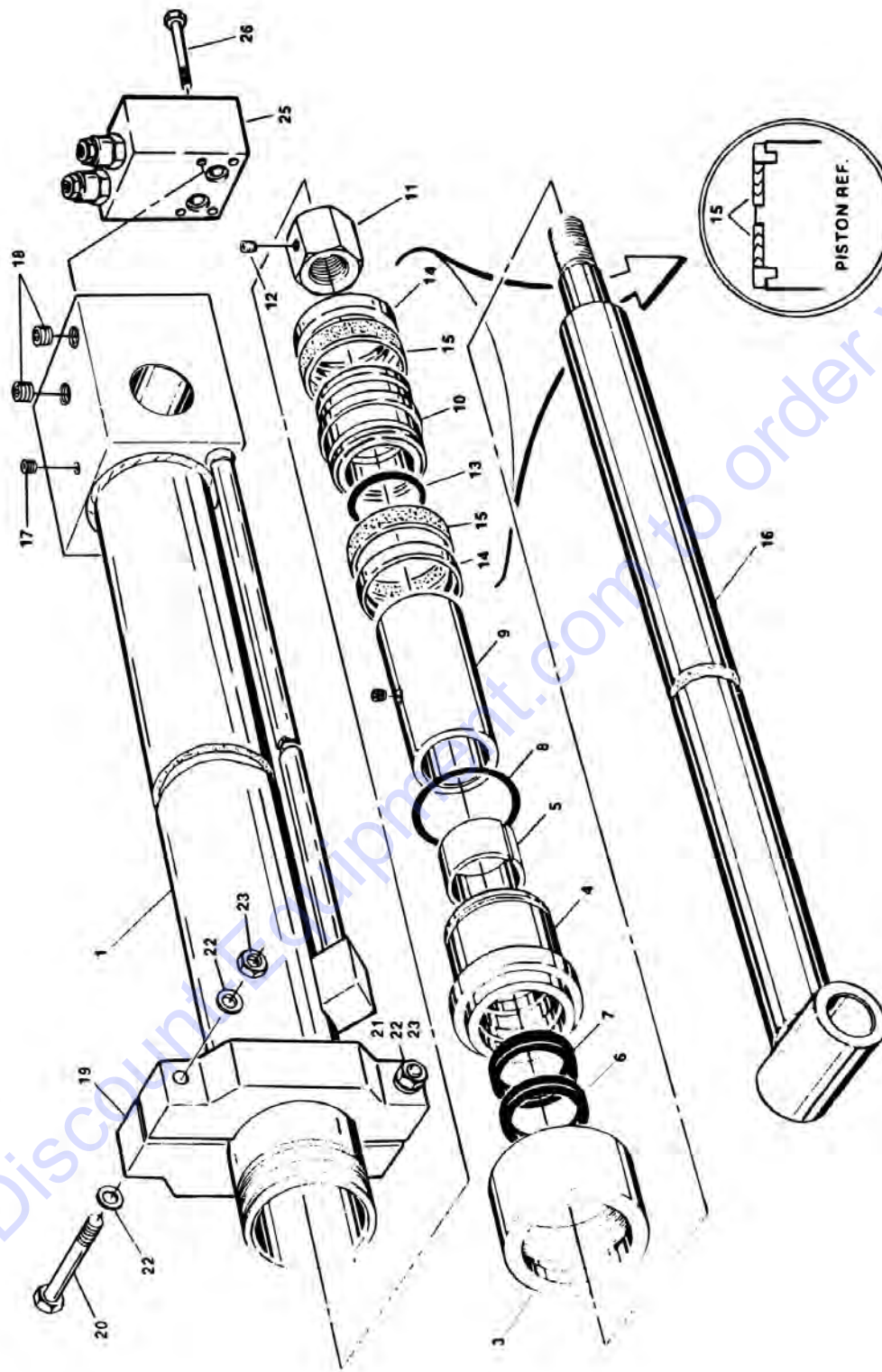
**FIGURE 5-16. STEER CYLINDER ASSEMBLIES**

ITEM	PART NUMBER	QTY	DESCRIPTION	REV
	1681562	Ref	<b>STEER CYLINDER ASSEMBLY (2WD FRONT AXLE)</b>	H
	1682203	Ref	<b>STEER CYLINDER ASSEMBLY (2WD REAR AXLE)</b>	C
	1681555	Ref	<b>STEER CYLINDER ASSEMBLY (4WD FRONT AND REAR AXLE)</b>	D
1	1681433	1	Barrel (1681562 Cylinder)	
1	1681413	1	Barrel (1682203/1681555 Cylinders)	
2	3300273	1	Nut, Hex (1681562/1681555 February 1991 to Present and 1682203 - August 1992 to Present)	
2	3300187	1	Nut, Special (1681562/1681555 - Prior to February 1991 and 1682203 - Prior to August 1992)	
2	0100011	AR	Loctite #242	
2	0100038	AR	Primer, Locking	
3	Kit	1	Seal	
4	Kit	1	O-Ring	
5	3480134	1	Piston	
6	Kit	1	Ring, Wear	
7	4562687	1	Spacer (1681562 Cylinder)	
7	4564637	1	Spacer (1682203 Cylinder)	
7	4562851	1	Spacer (1681555 Cylinder)	
9	Kit	1	O-Ring	
10	Kit	1	Ring, Wear	
11	Kit	1	Seal, Rod	
12	1681322	1	Head, Cylinder (1681562 Cylinder)	
12	1681344	1	Head, Cylinder (1682203/1681555 Cylinder)	
13	Kit	1	Wiper, Rod	
14	1120108	1	Cap	
15	1681435	1	Rod (1681562 Cylinder)	
15	1682202	1	Rod (1682203 Cylinder)	
15	1681411	1	Rod (1681555 Cylinder)	
16	2160002	1	Fitting, Grease - Straight	
16	2160001	1	Fitting, Grease - 90	
16	2160006	1	Fitting, Grease (4WD/4WS Only)	
17	3900141	3	Setscrew 1/4in-20NC x 3/8in (1681562/1681555 - Prior to February 1991 and 1682203 - Prior to August 1992)	
17	3900170	1	Setscrew 3/8in-16NC x 3/8in (1681562/168155 - February 1991 to Present and 1682203 - August 1992 to Present)	
17	0100011	AR	Loctite #242	
	2901148	1	Kit, Seal (Includes Items 3, 4, 6, 9, 10, 11 & 13) (1681562 Cylinder)	
	2901123	1	Kit, Seal (Includes Items 3, 4, 6, 9, 10, 11 & 13) (1682203/1681555 Cylinders)	



# SECTION 5 - CYLINDER

FIGURE 5-17. TELESCOPE CYLINDER ASSEMBLY - MAIN BOOM



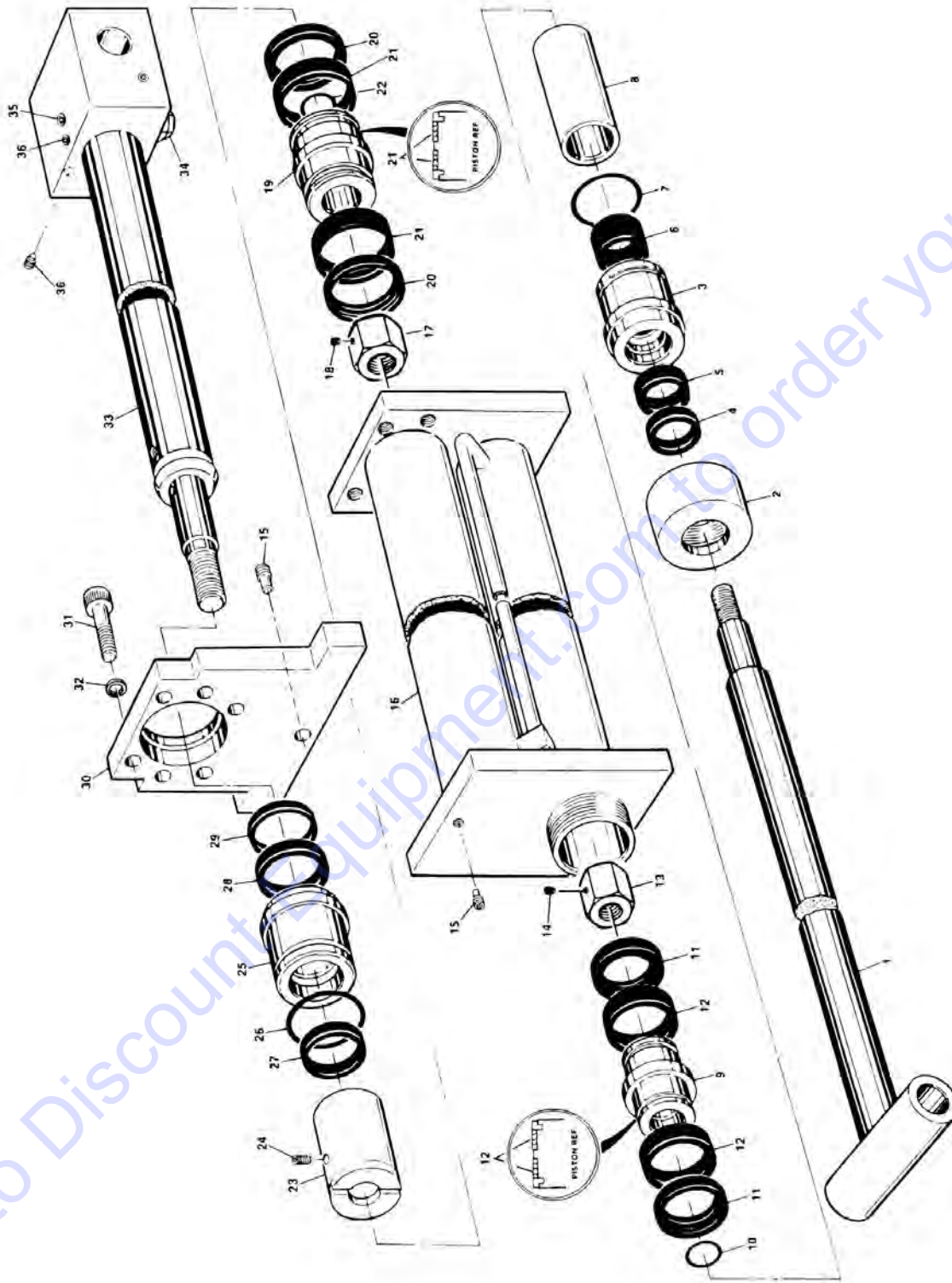
## SECTION 5 - CYLINDER

**FIGURE 5-17. TELESCOPE CYLINDER ASSEMBLY - MAIN BOOM**

ITEM	PART NUMBER	QTY	DESCRIPTION	REV
	1682415	Ref	<b>TELESCOPE CYLINDER ASSEMBLY - MAIN BOOM</b>	B
1	1682416	1	Barrel Assembly	
3	1120108	1	End Cap	
3	0100035	AR	Loctite #222	
4	1681283	1	Head	
5	Kit	1	Ring, Wear	
6	Kit	1	Seal, Wiper	
7	Kit	1	Seal, Rod	
8	Kit	1	O-Ring	
9	4564275	1	Spacer, Tube	
9	3951603	2	Setscrew 3/8in-26NC x 3/8in	
9	0100011	AR	Loctite #242	
10	3480092	1	Piston	
11	3300282	1	Nut, Hex (February 1991 to Present)	
11	0100011	AR	Loctite #242	
11	0100038	AR	Primer, Locking	
12	3900170	1	Setscrew 3/8in-16NC x 3/8in	
13	Kit	1	O-Ring	
14	Kit	2	Ring, Guidelock	
15	Kit	2	Seal, Piston	
16	1682039	1	Rod Assembly	
17	2200201	1	Plug 1/8in	
18	2200222	2	Plug 1/4in	
18	0100020	AR	Sealant, Pipe	
19	0560810	1	Block, Support	
20	0641628	1	Bolt 3/8in-16NC x 3 1/2in	
21	0641632	1	Bolt 3/8in-16NC x 4in	
22	4751600	4	Flatwasher 3/8in	
23	3311601	2	Nut 3/8in-16NC	
25	4640675	1	Valve, Dual Counterbalance (Not Field Repairable - Replace Complete Valve)	
26	0641520	4	Bolt 5/16in-18NC x 2 1/2in	
26	0100011	AR	Loctite #242	
	2900396		Seal Kit (Includes Items 5, 6, 7, 8, 13, 14 & 15)	

# SECTION 5 - CYLINDER

FIGURE 5-18. TELESCOPE CYLINDER ASSEMBLY - TOWER BOOM



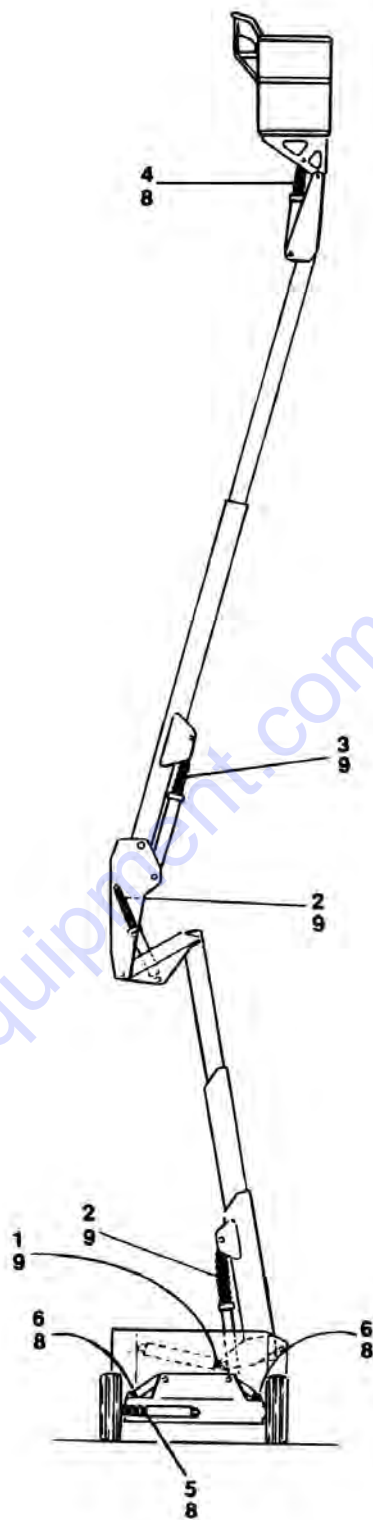
## SECTION 5 - CYLINDER

**FIGURE 5-18. TELESCOPE CYLINDER ASSEMBLY - TOWER BOOM**

ITEM	PART NUMBER	QTY	DESCRIPTION	REV
	1681997	Ref	<b>TELESCOPE CYLINDER ASSEMBLY - TOWER BOOM</b>	H
1	1682001	1	Rod - 2in (Top)	
2	1120108	1	Cap, End	
2	0100035	AR	Loctite #222	
3	1681283	1	Head - 3in Cylinder Bore (Top)	
4	Kit	1	Seal, Wiper	
5	Kit	1	Seal, Rod	
6	Kit	1	Ring, Wear	
7	Kit	1	O-Ring	
8	4564117	1	Spacer, Tube - 3in Cylinder Bore (Top)	
9	3480126	1	Piston - 3in Cylinder Bore (Top)	
10	Kit	1	O-Ring	
11	Kit	2	Ring, Lock	
12	Kit	2	Seal, Piston	
13	3300277	1	Nut, Hex	
14	3900170	1	Setscrew 3/8in-16NC x 3/8in	
14	0100011	AR	Loctite #242	
14	0100038	AR	Primer, Locking	
15	2200201	2	Plug, Pipe -1/8in	
15	0100020	AR	Sealant	
16	1682051	1	Barrel	
17	3300287	1	Nut, Hex (Uses 3/8in Setscrew) (Prior to August 1991 - Use 3300302 as replacement)	
17	3300302	1	Nut, Hex (Uses 3/8in Setscrew) (August 1991 to Present)	
18	3900170	1	Setscrew 3/8in-16NC x 3/8in	
18	0100011	AR	Loctite #242	
18	0100038	AR	Primer, Locking	
19	3480113	1	Piston - 3 1/2in Cylinder Bore (Bottom)	
20	Kit	2	Ring, Lock	
21	Kit	2	Seal, Piston	
22	Kit	1	O-Ring	
23	4563636	1	Spacer	
24	3951405	2	Setscrew 1/4in-20NC x 5/8in	
25	1681423	1	Head - 3 1/2in Cylinder Bore (Bottom)	
26	Kit	1	O-Ring	
27	Kit	1	Ring, Wear	
28	Kit	1	Z-Seal	
29	Kit	1	Seal, Wiper	
30	1120351	1	Cap, End	
31	3932032	6	Bolt, Socket Head 5/8in-11NC x 2in	
32	4762000	6	Lockwasher 5/8in	
33	1682005	1	Rod - 2 1/2in (Bottom)	
34	4640509	1	Valve	
34	2900792	1	Seal Kit - 4640509 Valve	
35	2200201	1	Plug, Pipe - 1/8in	
35	0100020	1	Sealant	
36	2180527	AR	Plug, Pipe - 1/16in	
36	0100020	3	Sealant	
	2901143	1	Seal Kit (Includes Items 4, 5, 6, 7, 10, 11, 12, 20, 21, 22, 26, 27, 28 & 29)	

## SECTION 5 - CYLINDER

FIGURE 5-19. CYLINDER BELLOWS INSTALLATION (OPTIONAL)



## SECTION 5 - CYLINDER

**FIGURE 5-19. CYLINDER BELLOWS INSTALLATION (OPTIONAL)**

ITEM	PART NUMBER	QTY	DESCRIPTION	REV
	1281146	Ref	<b>BELLOWS INSTALLATION</b>	C
1	0460092	1	Bellows (With Zipper) (Master Cylinder)	
2	0460090	2	Bellows (With Zipper) (Tower Lift and Upright Level Cylinders)	
3	0460091	1	Bellows (With Zipper) (Main Lift Cylinder)	
4	0460085	1	Bellows (With Zipper) (Slave Cylinder)	
5	0460073	1	Bellows (With Zipper) (2WD - Front Steer Cylinder)	
5	0460075	1	Bellows (With Zipper) (4WD - Front Steer Cylinder)	
6	0460077	2	Bellows (With Zipper) (Optional on 2WD/2WS,2WD/4WS and 4WD/2WS with Oscillating Axle)	
6	0460083	2	Bellows (With Zipper) (Optional on 4WD/4WS with Oscillating Axle)	
7	0460075	1	Bellows (With Zipper) (Optional on 4WS - Rear Steer Cylinder)	
8	1320122	AR	Clamp, Worm Gear (5 1/8in-6in Dia)	
9	1320059	4	Clamp, Worm Gear (2 1/2in-12 1/2in Dia)	



SECTION 6 - HYDRAULIC

Go to Discount-Equipment.com to order your parts



# SECTION 6 - HYDRAULIC

## FIGURE 6-1. HYDRAULIC DIAGRAM LIST

ITEM	PART NUMBER	QTY	DESCRIPTION	REV
		Ref	<b>HYDRAULIC DIAGRAM LIST</b>	
		Ref	<b>Note: Diagrams not shown is available from Discount-equipment.com</b>	
		Ref	<b>Axle Lockout Hydraulic Diagrams:</b>	
	2791760	Ref	All Machines Built Prior to April 1992 except 4WD/4WS	
	2791947	Ref	All Machines Built April 1992 to Present except 4WD/4WS	A
	2791851	Ref	4WD/4WS Machines Built Prior to April 1992	A
	2791852	Ref	4WD/4WS Machines Built April 1992 to Present	
		Ref	<b>Brake With Pressure Reducing Valve Hydraulic Diagrams:</b>	
	2791549	Ref	2WD Machines with Ausco Brake	B
	2791692	Ref	4WD Machines with Ausco Brake	B
	4640632	Ref	Valve, Pressure Reducing	
	4640523	Ref	Cartridge	
	2900698	Ref	Seal Kit	
		Ref	<b>Drive Hydraulic Diagrams:</b>	
	2791496	Ref	2WD/2WS	E
	2791796	Ref	2WD/4WS	6
	2791593	Ref	4WD/2WS	I
	2791795	Ref	4WD/4WS	F
		Ref	<b>Lift and Level (Tower Boom) Hydraulic Diagrams:</b>	
	2791595	Ref	Lift and Level (Tower Boom) Hydraulic Diagrams (Prior to April 1992)	D
	2791949	Ref	Lift and Level (Tower Boom) Hydraulic Diagrams (April 1992 to Present)	B-3
		Ref	<b>Lift and Slave (Main Boom) Hydraulic Diagrams:</b>	
	2791498	Ref	Lift and Slave (Main Boom) Hydraulic Diagrams (Prior to April 1992)	C
	2791950	Ref	Lift and Slave (Main Boom) Hydraulic Diagrams (April 1992 to Present)	B
		Ref	<b>Manual Descent Hydraulic Diagrams (French, Italian and Australian Specs):</b>	
	2791780	Ref	Manual Descent Hydraulic Diagrams (Prior to April 1992)	B
	2791954	Ref	Manual Descent Hydraulic Diagrams (April 1992 to Present)	A
	0253433	Ref	<b>Oil Cooler Hydraulic Diagram</b>	-
	2792149	Ref	<b>Power Tool Hydraulic Diagram - 1/2in Lines</b>	A
	2791648	Ref	<b>Power Tool Hydraulic Diagram - 3/8in Lines</b>	A
		Ref	<b>Pump Hydraulic Diagrams:</b>	
	2791608	Ref	Deutz Machines	E
	2791494	Ref	Ford Machines	E
	2791503	Ref	<b>Rotate Hydraulic Diagram</b>	B
	2791696	Ref	<b>Sequence Line Hydraulic Diagram (Ford Machines)</b>	A
	1281353	Ref	<b>Sequence Line Hydraulic Diagram (Ford Machines)</b>	B
		Ref	<b>Steer Hydraulic Diagrams:</b>	
	2791505	Ref	2WS Machines with Fixed Axle	A
	1281049	Ref	2WS Machines with Oscillating Axle	C
	2791579	Ref	2WS Machines with Oscillating Axle	B
	1281049	Ref	4WS Machines with Fixed Axle	C
	2791798	Ref	4WS Machines with Fixed Axle	A
	1281519	Ref	4WS Machines with Fixed Axle	A
	2791797	Ref	4WS Machines with Oscillating Axle	B

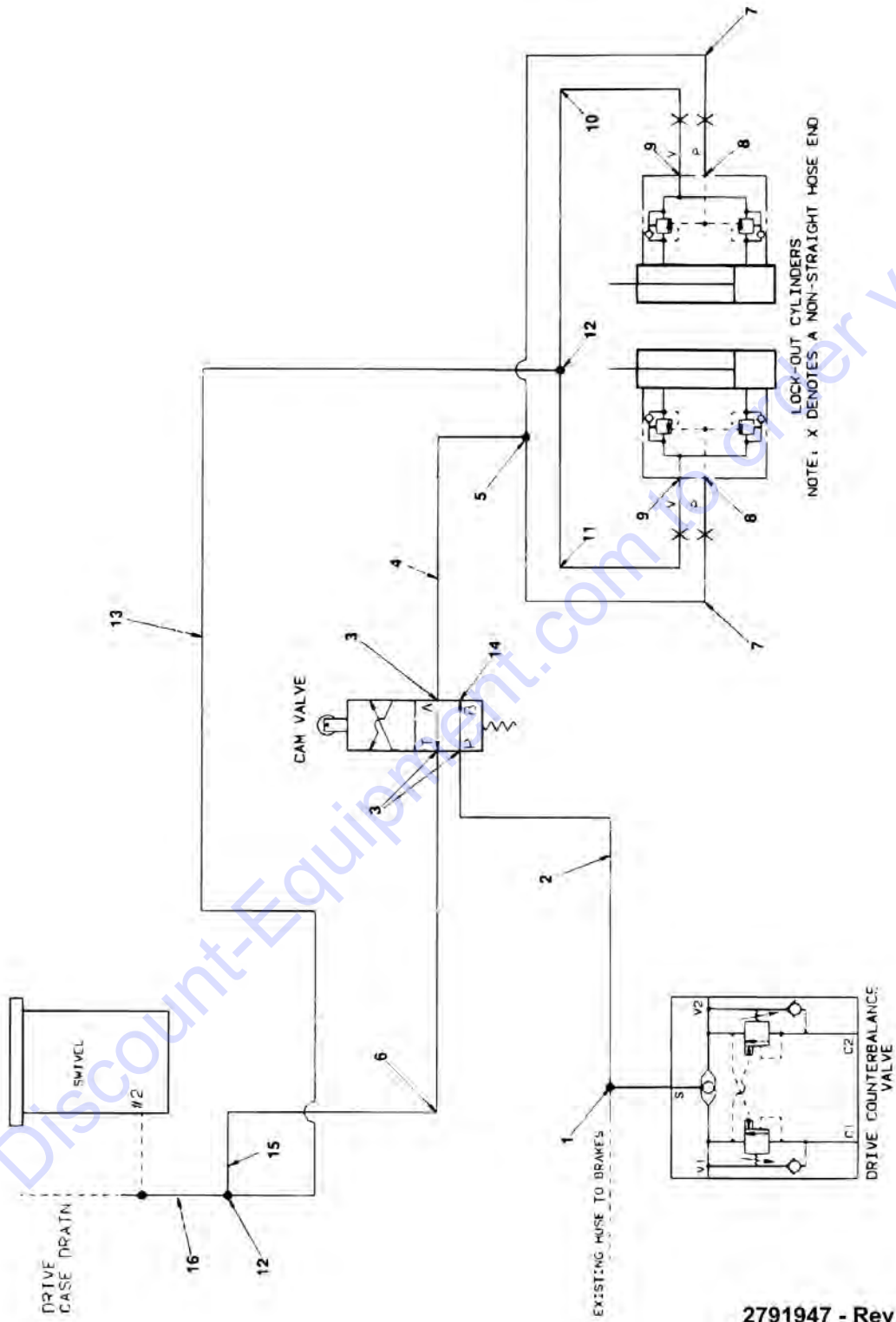
## SECTION 6 - HYDRAULIC

ITEM	PART NUMBER	QTY	DESCRIPTION	REV
	1281519	Ref	4WS Machines with Oscillating Axle	A
	2791501	Ref	<b>Swing Hydraulic Diagram</b>	A
	2791500	Ref	<b>Telescope (Main Boom) Hydraulic Diagram</b>	6-E
	2791499	Ref	<b>Telescope (Tower Boom) Hydraulic Diagram</b>	C
	2791542	Ref	<b>Tow Hydraulic Diagram</b>	-

Go to Discount-Equipment.com to order your parts

# SECTION 6 - HYDRAULIC

## FIGURE 6-2. AXLE LOCKOUT HYDRAULIC DIAGRAM



2791947 - Rev A

## SECTION 6 - HYDRAULIC

**FIGURE 6-2. AXLE LOCKOUT HYDRAULIC DIAGRAM**

ITEM	PART NUMBER	QTY	DESCRIPTION	REV
	2791947	Ref	<b>AXLE LOCKOUT HYDRAULIC DIAGRAM</b>	A
1	2220711	1	Fitting, Tee	
2	2750756	1	Hose	
3	2220466	3	Fitting, Straight	
4	2751026	1	Hose	
5	2220504	1	Fitting, Tee	
6	2750900	1	Hose	
7	2751010	2	Hose	
8	2220472	2	Fitting, 90	
9	2220473	2	Fitting, 90	
10	2751003	1	Hose	
11	2750921	1	Hose	
12	2220490	2	Fitting, Tee	
13	2750786	1	Hose	
14	2220235	1	Plug	
15	2220609	1	Fitting, Reducer	
16	2751122	1	Hose	

Go to Discount-Equipment.com to order your parts



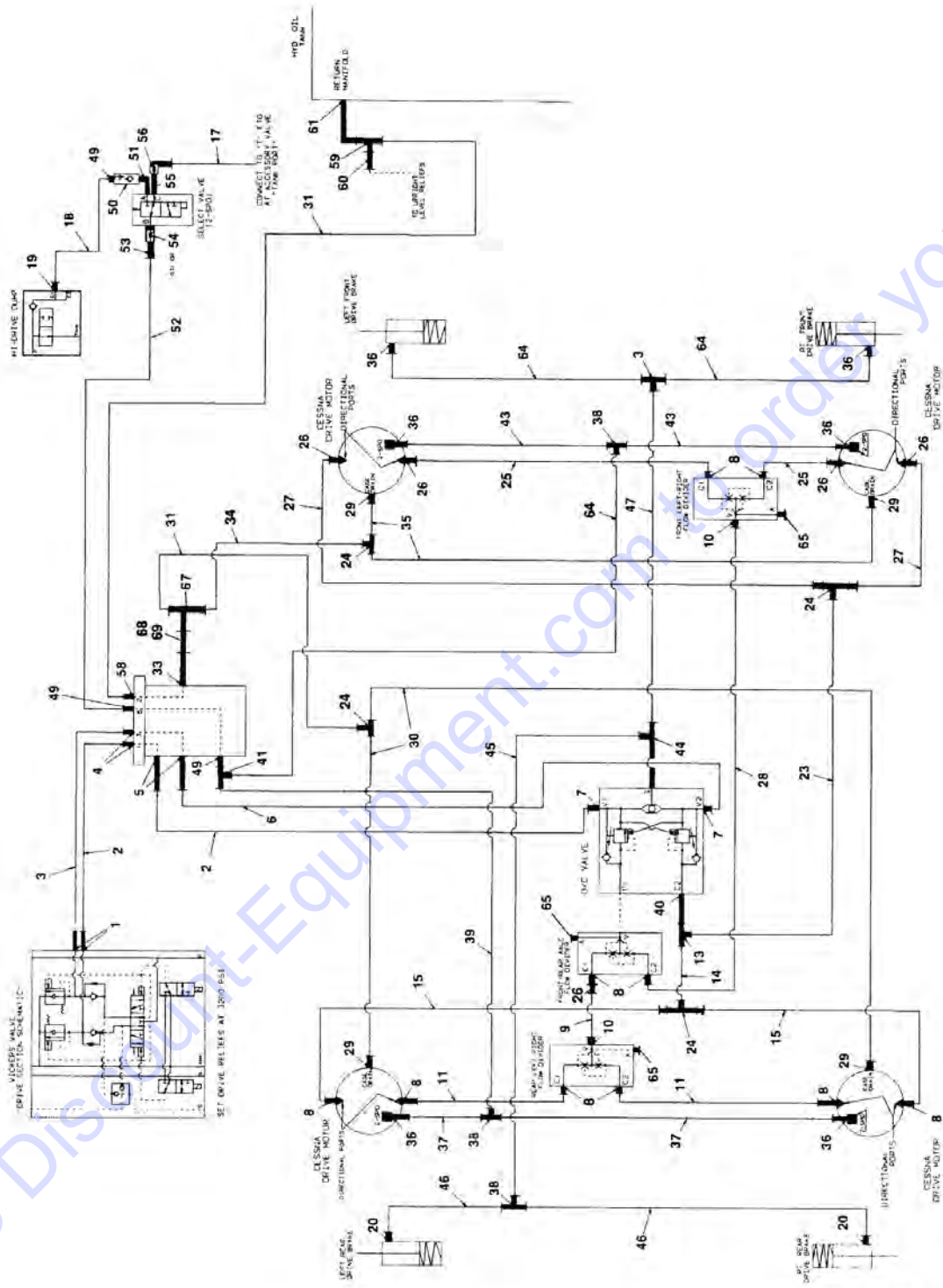
## SECTION 6 - HYDRAULIC

**FIGURE 6-3. HYDRAULIC DIAGRAM - DRIVE (2WD/2WS)**

ITEM	PART NUMBER	QTY	DESCRIPTION	REV
	2791496	Ref	<b>HYDRAULIC DIAGRAM - DRIVE (2WD/2WS)</b>	E
1	2220451	2	Fitting, Straight	
3	2220356	2	Fitting, 45	
4	2220347	2	Fitting, Straight	
5	2750692	2	Hose	
6	2220465	2	Fitting 90	
7	2220800	5	Fitting, Straight	
9	2220466	2	Fitting, 90	
10	2751397	1	Hose	
11	2220504	2	Fitting, Tee	
12	2751014	2	Hose	
14	2220375	2	Fitting	
17	2220415	2	Fitting, Straight	
18	2751010	2	Hose	
19	2751428	1	Hose	
20	2220414	3	Fitting, Straight	
22	2220585	1	Fitting, 90	
23	2751483	1	Hose	
26	2220673	1	Fitting, 90	
27	4640197	1	Valve, Check	
29	2750774	2	Hose	
30	2220362	3	Fitting, Tee	
33	2750902	1	Hose	
39	2751415	1	Hose	
40	2220822	1	Fitting	
45	2220355	1	Fitting, 45	
46	2220417	1	Fitting, Straight	
47	2220909	1	Fitting, Straight	
50	2751341	1	Hose	
54	0100020	AR	Sealant, Thread (Not Shown)	
55	2220374	2	Fitting, Straight	
56	2751357	1	Hose	
57	2751491	1	Hose	
58	2751391	1	Hose	
59	2220582	1	Fitting, Straight	
60	2750776	1	Hose	
61	2220659	1	Fitting, 90	
62	2750929	4	Hose	
63	2220345	1	Fitting, Straight	
64	2750970	1	Hose	
65	2220517	1	Cap	

# SECTION 6 - HYDRAULIC

## FIGURE 6-4. HYDRAULIC DIAGRAM - DRIVE (4WD/2WS)



2791593 - Rev I

## SECTION 6 - HYDRAULIC

**FIGURE 6-4. HYDRAULIC DIAGRAM - DRIVE (4WD/2WS)**

ITEM	PART NUMBER	QTY	DESCRIPTION	REV
	2791593	Ref	<b>HYDRAULIC DIAGRAM - DRIVE (4WD/2WS)</b>	I
1	2220451	2	Fitting	
2	2750692	2	Hose	
3	2751357	1	Hose	
4	2220356	2	Fitting, 45	
5	2220347	2	Fitting	
6	2751341	1	Hose	
7	2220465	2	Fitting	
8	2220375	9	Fitting	
9	2750969	1	Hose	
10	2220800	2	Fitting, Straight	
11	2750972	2	Hose	
13	2220602	1	Fitting, Tee	
14	2751502	1	Hose	
15	2751517	2	Hose	
17	2750902	1	Hose	
18	2751391	1	Hose	
19	2220582	1	Fitting, Straight	
20	2220466	2	Fitting, 90	
23	2750792	1	Hose	
24	2220362	4	Fitting, Tee	
25	2750771	2	Hose	
26	2220366	6	Fitting, 90	
27	2750777	2	Hose	
28	2751484	1	Hose	
29	2220596	4	Fitting, 90	
30	2750774	2	Hose	
31	2751483	2	Hose	
33	2220345	1	Fitting, Straight	
34	2750762	1	Hose	
35	2751472	2	Hose	
36	2220415	6	Fitting	
37	2751010	2	Hose	
38	2220504	4	Fitting, Tee	
39	2751428	1	Hose	
40	2220833	1	Fitting, Reducer	
41	2220605	1	Fitting, Tee	
43	2751011	2	Hose	
44	2220711	1	Fitting, Tee	
45	2751397	1	Hose	
46	2751014	2	Hose	
47	2750904	1	Hose	
49	2220414	3	Fitting	
50	4640197	1	Valve, Check	
51	2220673	1	Fitting, 90	
52	2751415	1	Hose	
53	2220585	1	Fitting, 90	
54	2220822	1	Fitting	
55	2220417	1	Fitting, Reducer	
56	2220909	1	Fitting, Straight	



## SECTION 6 - HYDRAULIC

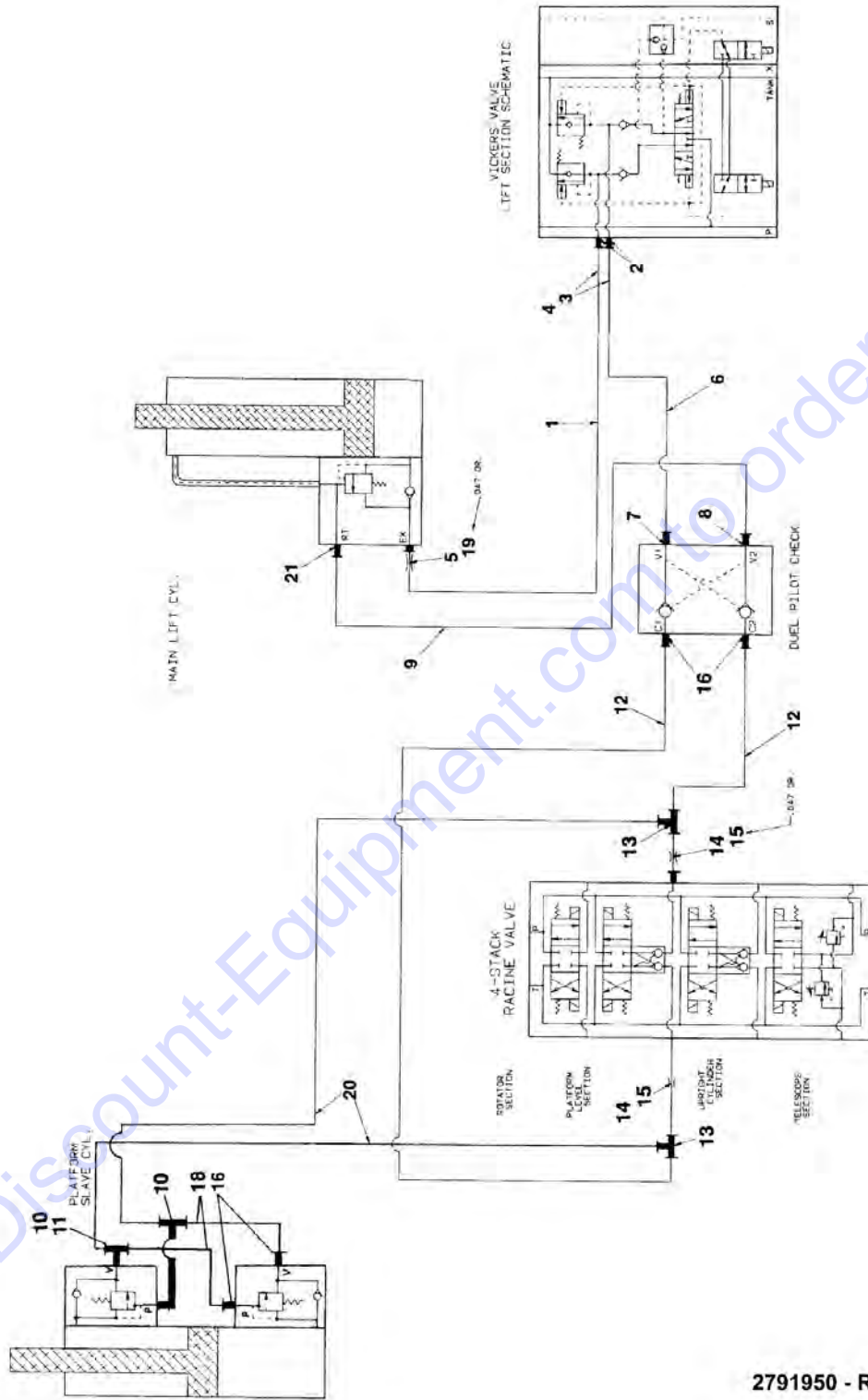
ITEM	PART NUMBER	QTY	DESCRIPTION	REV
58	2220355	1	Fitting, 45	
59	2220679	1	Fitting, Tee	
60	2220618	1	Fitting, Reducer	
61	2220070	1	Fitting, 90	
64	2751398	3	Hose	
65	2220235	3	Fitting, Plug	
67	2220469	1	Fitting, 4 Way	
68	2750970	1	Hose	
69	2220517	1	Cap	
	0100020	AR	Sealant, Thread	

Go to Discount-Equipment.com to order your parts



# SECTION 6 - HYDRAULIC

## FIGURE 6-5. HYDRAULIC DIAGRAM - LIFT (MAIN BOOM)



2791950 - Rev B

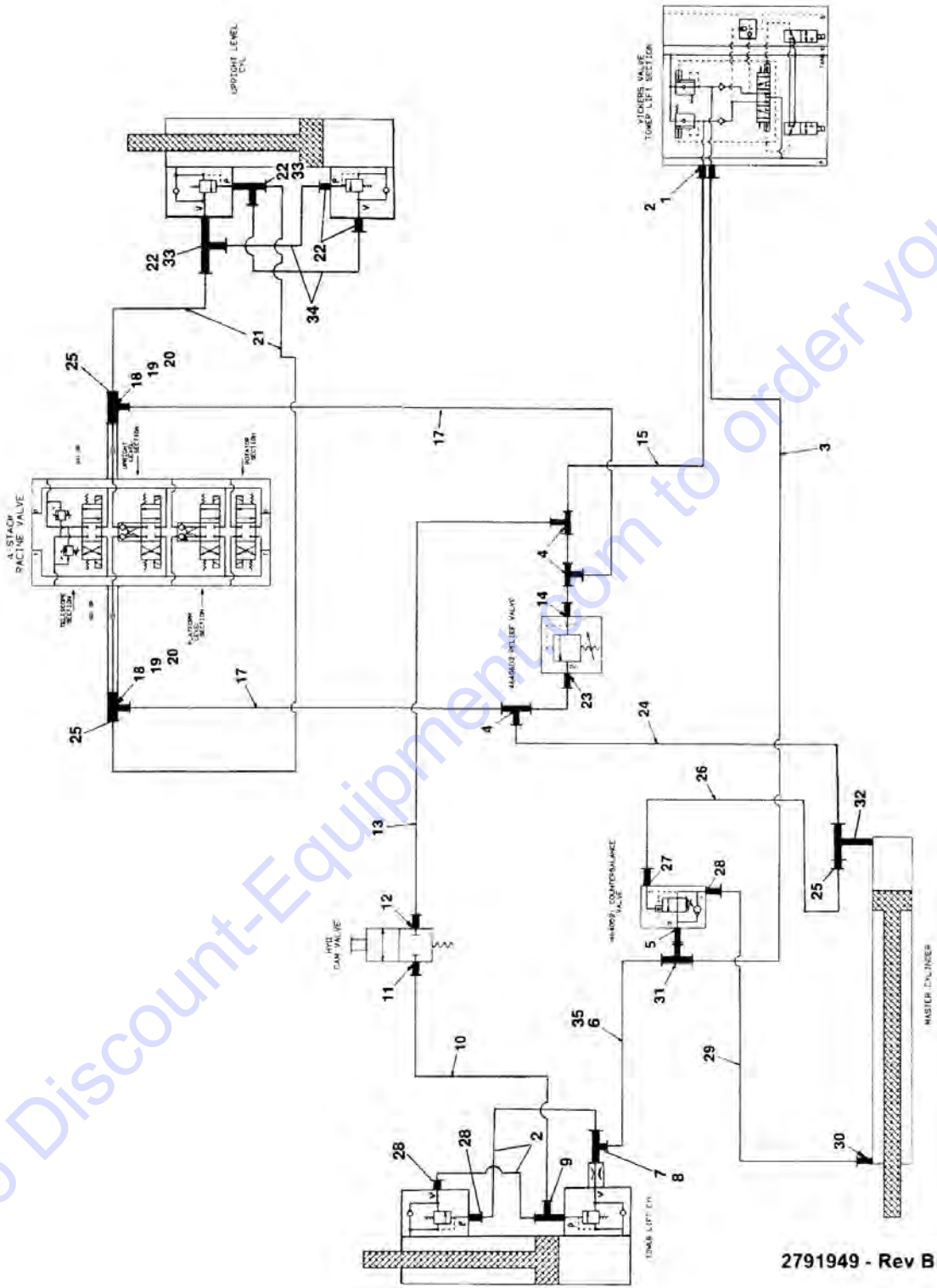
## SECTION 6 - HYDRAULIC

**FIGURE 6-5. HYDRAULIC DIAGRAM - LIFT (MAIN BOOM)**

ITEM	PART NUMBER	QTY	DESCRIPTION	REV
	2791950	Ref	<b>HYDRAULIC DIAGRAM - LIFT (MAIN BOOM)</b>	B
1	2751452	1	Hose	
2	2220221	2	Fitting, Reducer	
3	2220501	2	Fitting, 45	
4	2220609	2	Fitting, Reducer	
5	2180699	1	Fitting, Modified	
6	2751450	1	Hose	
7	2220582	1	Fitting	
8	2220472	1	Fitting, 90	
9	2751412	1	Hose	
10	2220899	2	Fitting, Tee	
11	2220657	1	Fitting, 45	
12	2750997	2	Hose	
13	2180379	2	Fitting, Tee	
14	2180615	2	Orifice (.047)	
15	2220591	2	Fitting, Reducer	
16	2220473	4	Fitting, 90	
18	2750778	2	Hose	
19		Ref	Orifice (.062) Options:	
19	2180448	1	Orifice (Prior to May 1995)	
19	2180380	1	Orifice (May 1995 to Present)	
20	2752468	2	Hose	
21	2220582	1	Fitting, Straight	
	0100020	AR	Sealant, Thread	

# SECTION 6 - HYDRAULIC

## FIGURE 6-6. HYDRAULIC DIAGRAM - LIFT (TOWER BOOM)



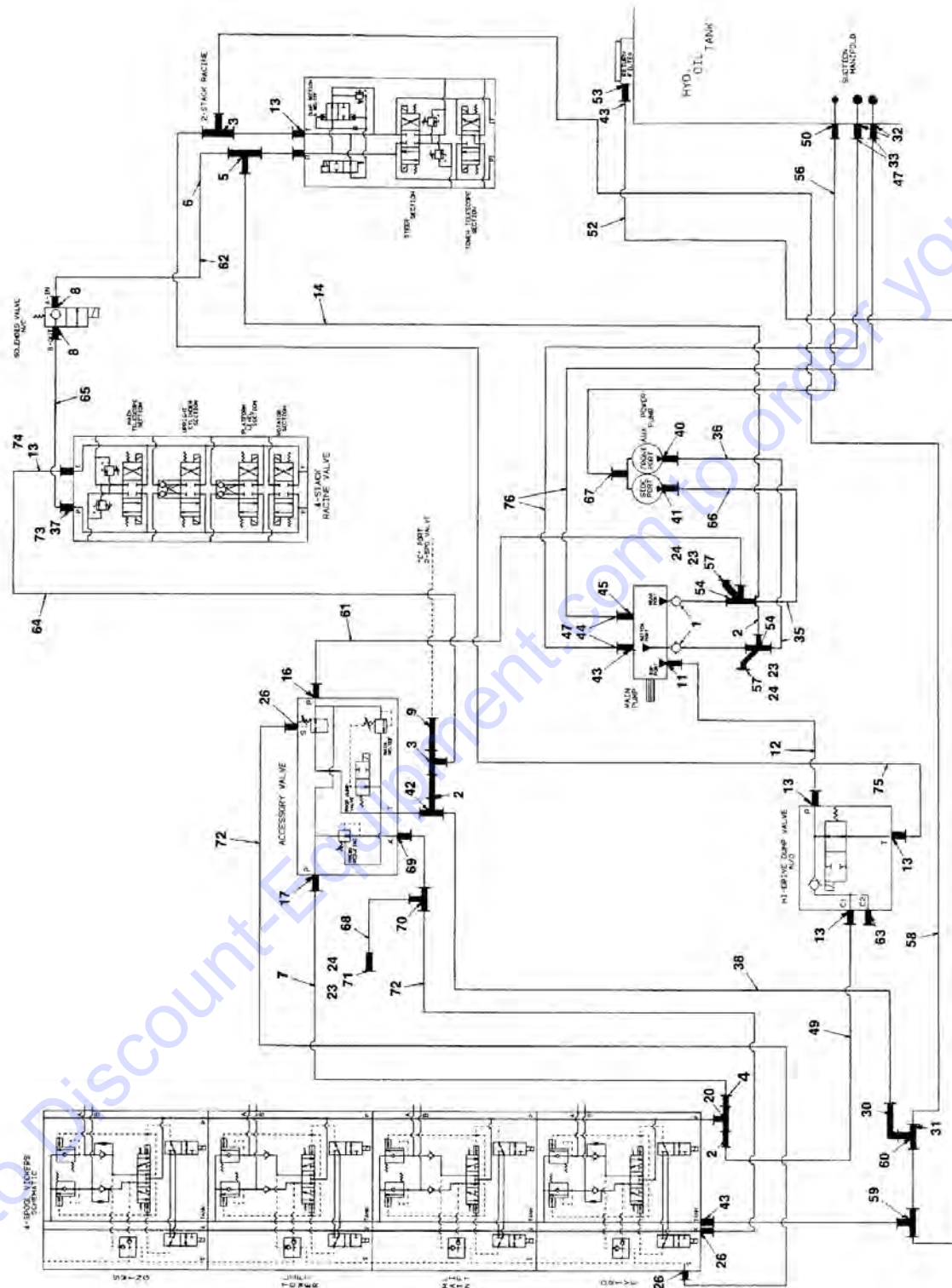
## SECTION 6 - HYDRAULIC

**FIGURE 6-6. HYDRAULIC DIAGRAM - LIFT (TOWER BOOM)**

ITEM	PART NUMBER	QTY	DESCRIPTION	REV
	2791949	Ref	<b>HYDRAULIC DIAGRAM - LIFT (TOWER BOOM)</b>	B
1	2220577	2	Fitting, Straight	
2	2750921	2	Hose	
3	2751111	1	Hose	
4	2220635	2	Fitting, Tee	
5	2220371	1	Fitting	
6	2750999	1	Hose	
7	2180379	1	Fitting, Modified	
8		Ref	Orifice (.062) Options:	
8	2180448	1	Orifice (Prior to May 1995)	
8	2180380	1	Orifice (May 1995 to Present)	
9	2220606	2	Fitting	
10	2750911	1	Hose	
11	2220344	1	Fitting	
12	2220703	1	Fitting, 90	
13	2751142	1	Hose	
14	2220372	1	Fitting	
15	2751006	1	Hose	
17	2751166	2	Hose	
18	2180379	2	Fitting, Modified Tee	
19	2180621	2	Orifice (.031)	
20	2220591	2	Fitting, Reducer	
21	2751906	2	Hose	
22	2220472	4	Fitting	
23	2220628	1	Fitting, 90	
24	2750997	1	Hose	
25	2220609	7	Fitting, Reducer	
26	2750760	1	Hose	
27	2220582	1	Fitting	
28	2220473	3	Fitting, 90	
29	2750786	1	Hose	
30	2220773	1	Fitting, 90	
31	2220579	1	Fitting, Tee	
32	2220702	1	Fitting, Tee	
33	2220605	2	Fitting, Tee	
34	2751412	2	Hose	
35	4100026	5 ft/1.5m	Sleeve, Nylon	

# SECTION 6 - HYDRAULIC

## FIGURE 6-7. HYDRAULIC DIAGRAM - PUMPS



## SECTION 6 - HYDRAULIC

### FIGURE 6-7. HYDRAULIC DIAGRAM - PUMPS

ITEM	PART NUMBER	QTY	DESCRIPTION	REV
	2791494	Ref	HYDRAULIC DIAGRAM - PUMO (FORD)	E
	2791608	Ref	HYDRAULIC DIAGRAM - PUMP (DEUTZ)	E
1	4640575	2	Valve, Check	
2	2220622	3	Fitting, Reducer	
3	2220385	2	Fitting, Tee	
4	2220409	1	Fitting, 45 (Ford and Deutz)	
5	2220602	1	Fitting, Tee	
6	2220619	1	Fitting, Reducer	
7	2751331	1	Hose	
8	2220372	2	Fitting	
9	2220618	1	Fitting, Reducer	
11	2220375	1	Fitting, Straight	
12	2750757	1	Hose (Ford)	
12	2750792	1	Hose (Deutz)	
13	2220373	5	Fitting (Ford)	
13	2220373	4	Fitting (Deutz)	
13	2220500	1	Fitting, 45 (Deutz)	
14	2750763	1	Hose (Ford)	
14	2751489	1	Hose (Deutz)	
16	2220578	1	Fitting, 90	
17	2220451	1	Fitting	
20	2220695	1	Fitting, Tee	
23	2220428	3	Fitting, Quick Disconnect	
24	2220429	3	Cap, Dust	
26	2220582	3	Fitting	
30	2220710	1	Fitting, Reducer	
31	2220624	1	Fitting, Reducer	
32	2220349	2	Fitting	
33	2210014	2	Fitting, 90 Barbed	
35	2220621	2	Fitting, Reducer	
36	2751004	1	Hose (Ford)	
36	2750908	1	Hose (Deutz)	
37	2220371	1	Fitting	
38	2751373	1	Hose	
40	2220603	1	Fitting (Ford)	
40	2220473	1	Fitting, 90 (Deutz)	
41	2220603	1	Fitting	
42	2220738	1	Fitting, Tee	
43	2220377	3	Fitting	
44	2210003	2	Fitting, Barbed (Ford)	
44	2210028	2	Fitting, Barbed (Deutz)	
45	2220379	1	Fitting	
47	1320033	8	Clamp	
49	2750777	1	Hose	
50	2220346	1	Fitting	
52	2751931	1	Hose	
53	2220329	1	Fitting, Reducer	
54	2180683	2	Fitting, Modified Tee	
56	2751469	1	Hose	
57	2220820	2	Fitting, 90	



## SECTION 6 - HYDRAULIC

ITEM	PART NUMBER	QTY	DESCRIPTION	REV
58	2750757	1	Hose	
59	2220384	1	Fitting, Tee	
60	2220642	1	Fitting, Tee	
61	2751331	1	Hose (Ford)	
61	2751322	1	Hose (Deutz)	
62	2751113	1	Hose	
63	2220237	1	Fitting	
64	2751509	1	Hose	
65	2751839	1	Hose	
66	2751002	1	Hose (Ford)	
66	2750908	1	Hose (Deutz)	
67	2220671	1	Fitting, 90 (Ford)	
67	2220596	1	Fitting, 90 (Deutz)	
68	2751010	1	Hose	
69	2220727	1	Fitting	
70	2220584	1	Fitting, Tee	
71	2220414	1	Fitting	
72	2751391	2	Hose	
73	2220507	2	Fitting, 90	
74	2220386	1	Fitting, 90	
75	2750928	1	Hose	
76	2720332	2	Hose, Suction (Ford)	
76	2720343	2	Hose, Suction (Deutz)	
	0100020	AR	Sealant, Thread	



# PARTS FINDER

**Search Website  
by Part Number**



**Search Manual  
Library For Parts  
Manual & Lookup Part  
Numbers – Purchase  
or Request Quote**

**Can't Find Part or  
Manual? Request Help  
by Manufacturer,  
Model & Description**

Discount-Equipment.com is your online resource for quality parts & equipment.

Florida: **561-964-4949** Outside Florida TOLL FREE: **877-690-3101**

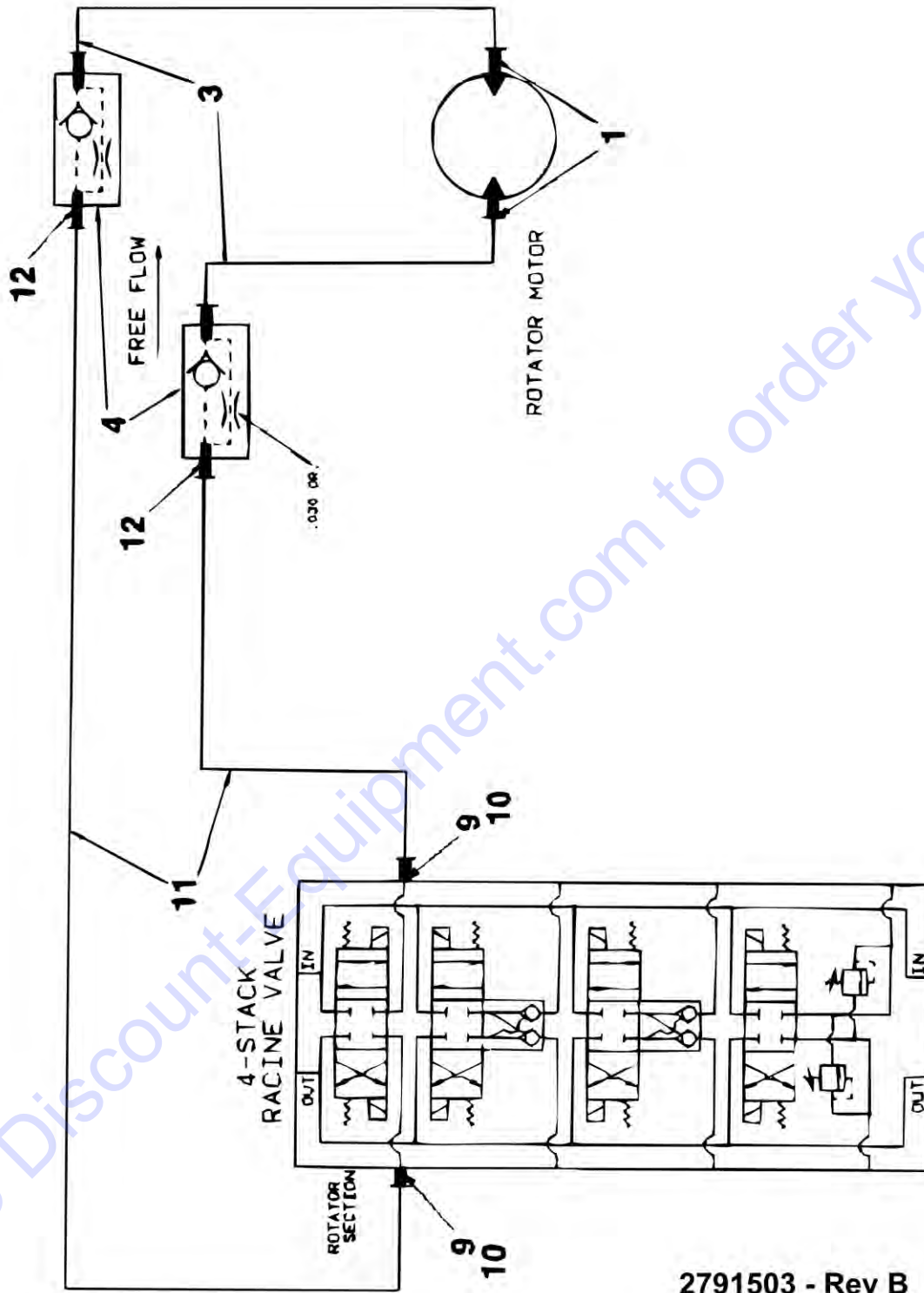
## Need parts?

Click on this link: <http://www.discount-equipment.com/category/5443-parts/> and choose one of the options to help get the right parts and equipment you are looking for. Please have the machine model and serial number available in order to help us get you the correct parts. If you don't find the part on the website or on one of the online manuals, please fill out the request form and one of our experienced staff members will get back to you with a quote for the right part that your machine needs.

We sell worldwide for the brands: Genie, Terex, JLG, MultiQuip, Mikasa, Essick, Whiteman, Mayco, Toro Stone, Diamond Products, Generac Magnum, Airman, Haulotte, Barreto, Power Blanket, Nifty Lift, Atlas Copco, Chicago Pneumatic, Allmand, Miller Curber, Skyjack, Lull, Skytrak, Tsurumi, Husquvarna Target, Stow, Wacker, Sakai, Mi-T-M, Sullair, Basic, Dynapac, MBW, Weber, Bartell, Bennar Newman, Haulotte, Ditch Runner, Menegotti, Morrison, Contec, Buddy, Crown, Edco, Wyco, Bomag, Laymor, EZ Trench, Bil-Jax, F.S. Curtis, Gehl Pavers, Heli, Honda, ICS/PowerGrit, IHI, Partner, Imer, Clipper, MMD, Koshin, Rice, CH&E, General Equipment, Amida, Coleman, NAC, Gradall, Square Shooter, Kent, Stanley, Tamco, Toku, Hatz, Kohler, Robin, Wisconsin, Northrock, Oztec, Toker TK, Rol-Air, APT, Wylie, Ingersoll Rand / Doosan, Innovatech, Con X, Ammann, Mecalac, Makinex, Smith Surface Prep, Small Line, Wanco, Yanmar

# SECTION 6 - HYDRAULIC

## FIGURE 6-8. HYDRAULIC DIAGRAM - ROTATOR



## SECTION 6 - HYDRAULIC

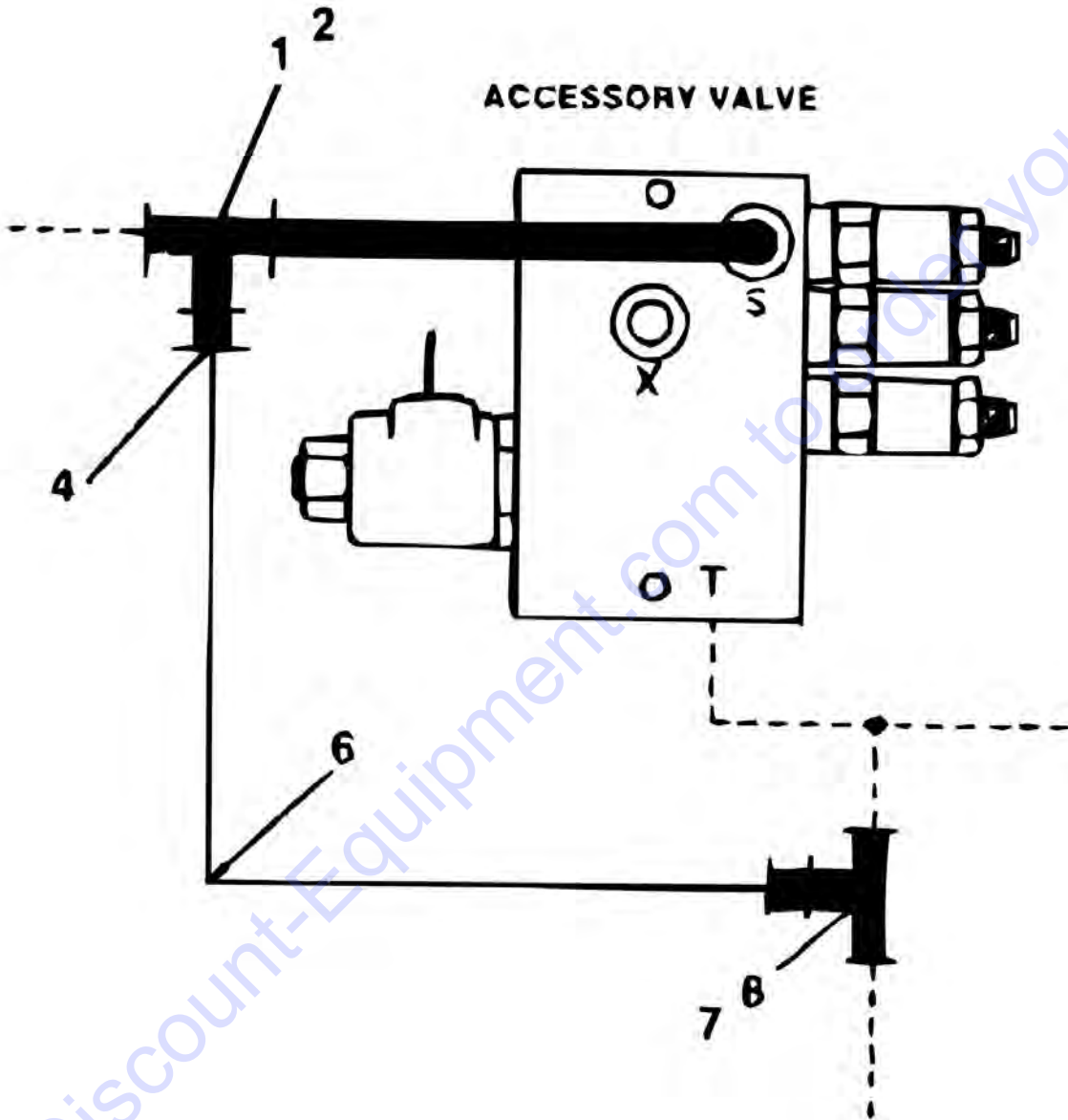
**FIGURE 6-8. HYDRAULIC DIAGRAM - ROTATOR**

ITEM	PART NUMBER	QTY	DESCRIPTION	REV
	2791503	Ref	<b>HYDRAULIC DIAGRAM - ROTATOR</b>	B
1	2220218	2	Fitting, Adapter	
3	2220895	2	Fitting, Straight	
4	4640778	2	Valve, Restrictor	
9	2220214	2	Fitting, Reducer	
10	2220502	2	Fitting, 45	
11	2751920	2	Hose	
12	2220466	2	Fitting, 90	
	0100020	AR	Sealant, Thread	

Go to Discount-Equipment.com to order your parts

SECTION 6 - HYDRAULIC

FIGURE 6-9. HYDRAULIC DIAGRAM - SEQUENCE



2791696 - Rev A

## SECTION 6 - HYDRAULIC

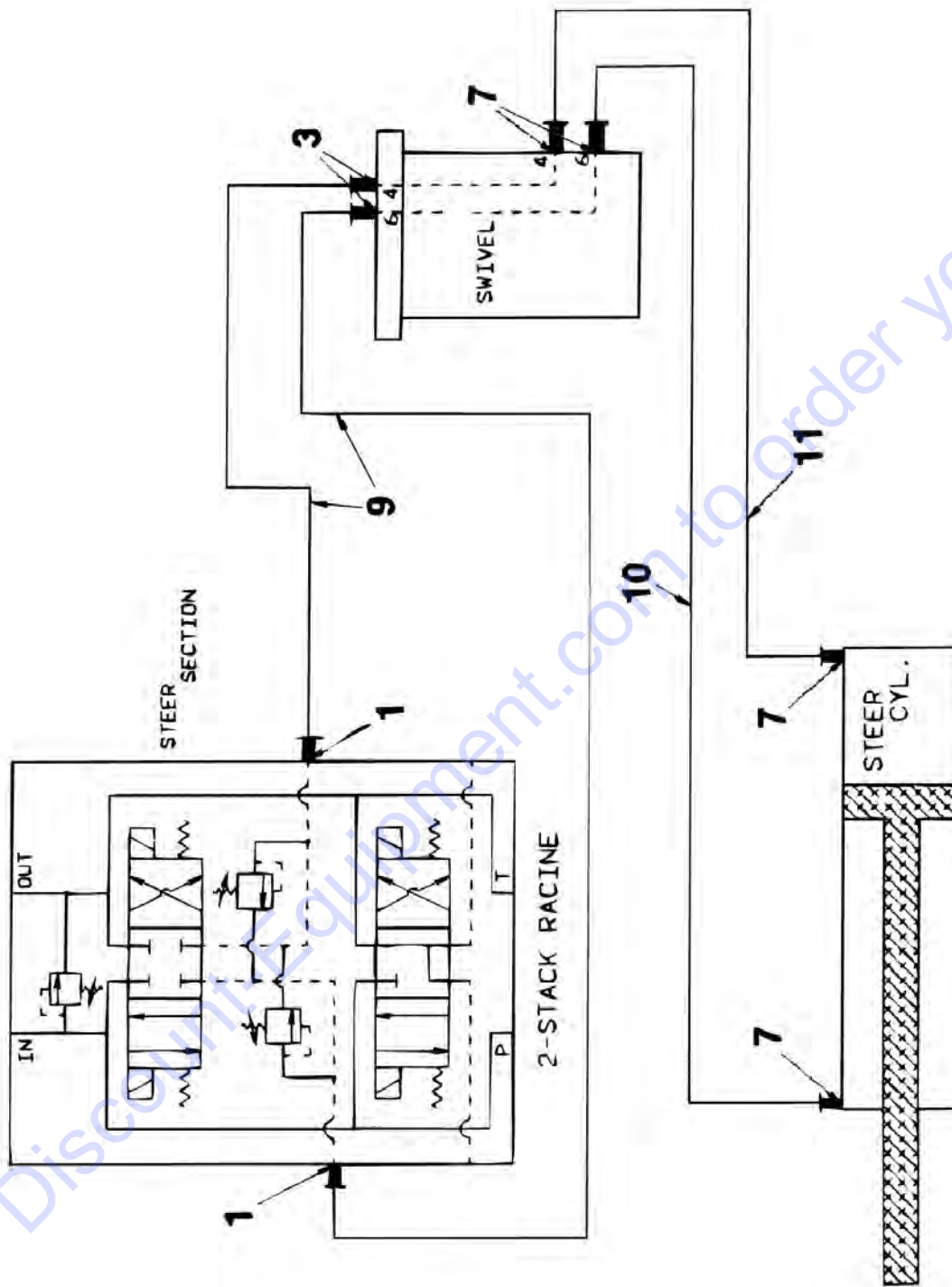
**FIGURE 6-9. HYDRAULIC DIAGRAM - SEQUENCE**

ITEM	PART NUMBER	QTY	DESCRIPTION	REV
	2791696	Ref	<b>HYDRAULIC DIAGRAM - SEQUENCE</b>	A
1	2220582	1	Fitting, Adapter	
2	2220605	1	Fitting, Tee	
4	2220909	1	Fitting, Restrictor (.015)	
6	2751018	1	Hose	
7	2220618	1	Fitting, Reducer	
8	2220385	1	Fitting, Tee	

Go to Discount-Equipment.com to order your parts

# SECTION 6 - HYDRAULIC

## FIGURE 6-10. HYDRAULIC DIAGRAM - STEER



1281049 - Rev C



## SECTION 6 - HYDRAULIC

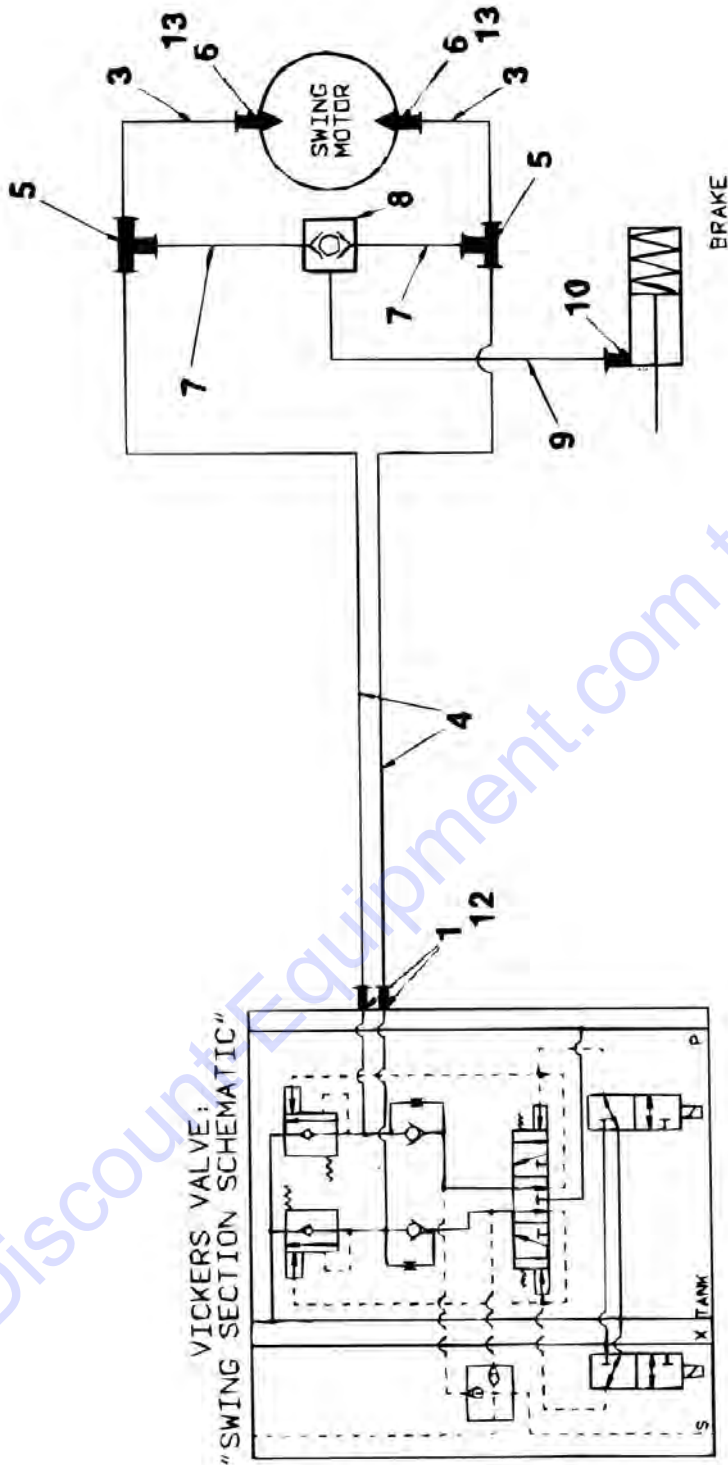
**FIGURE 6-10. HYDRAULIC DIAGRAM - STEER**

ITEM	PART NUMBER	QTY	DESCRIPTION	REV
	2791505	Ref	<b>HYDRAULIC DIAGRAM - STEER (FIXED AXLE) (2WS)</b>	A
	2791579	Ref	<b>HYDRAULIC DIAGRAM - STEER (OSCILLATING AXLE) (2WS)</b>	B
1	2220468	2	Fitting	
3	2220496	2	Fitting, 45	
7	2220416	4	Fitting, 90	
9	2750903	2	Hose	
10	2750904	1	Hose (Fixed Axle)	
10	2751406	1	Hose (Oscillating Axle)	
11	2751899	1	Hose (Fixed Axle)	
11	2751406	1	Hose (Oscillating Axle)	
	0100020	AR	Sealant, Thread	

Go to Discount-Equipment.com to order your parts

# SECTION 6 - HYDRAULIC

FIGURE 6-11. HYDRAULIC DIAGRAM - SWING



2791501 - Rev A

## SECTION 6 - HYDRAULIC

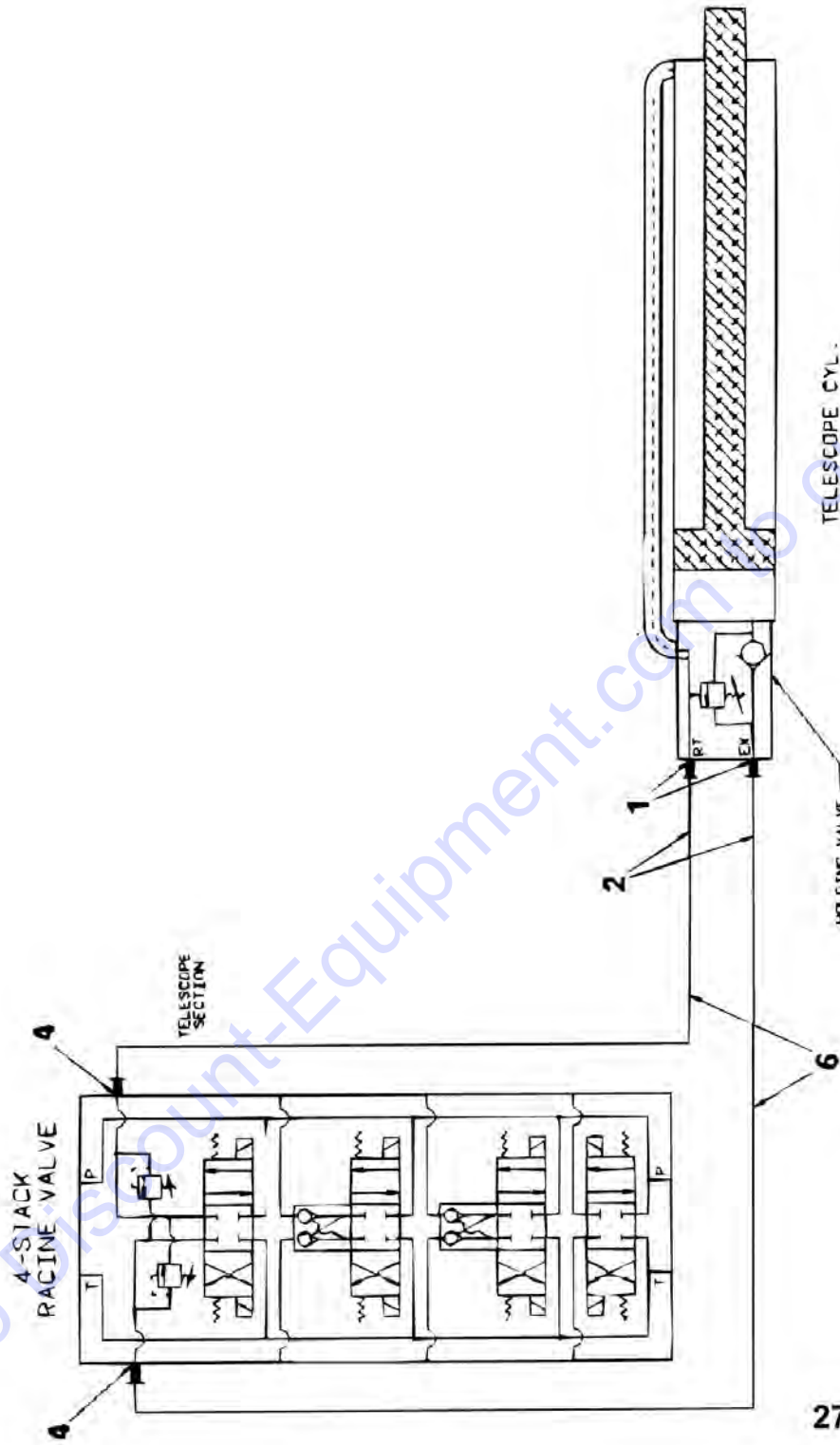
**FIGURE 6-11. HYDRAULIC DIAGRAM - SWING**

ITEM	PART NUMBER	QTY	DESCRIPTION	REV
	2791501	Ref	<b>HYDRAULIC DIAGRAM - SWING</b>	A
1	2220221	2	Fitting, Reducer	
3	2220609	2	Fitting, Reducer	
4	2751012	2	Hose	
5	2220605	2	Fitting, Tee	
6	2180377	2	Fitting, Modified	
7	2750901	2	Hose	
8	4640574	1	Valve, Shuttle	
9	2750900	1	Hose	
10	2220466	1	Fitting, 90	
12	2220472	2	Fitting, 90	
13	2180732	2	Fitting, Orifice (.093)	
	0100020	AR	Sealant, Thread	

Go to Discount-Equipment.com to order your parts

# SECTION 6 - HYDRAULIC

## FIGURE 6-12. HYDRAULIC DIAGRAM - TELESCOPE (MAIN BOOM)



2791499 - Rev C

## SECTION 6 - HYDRAULIC

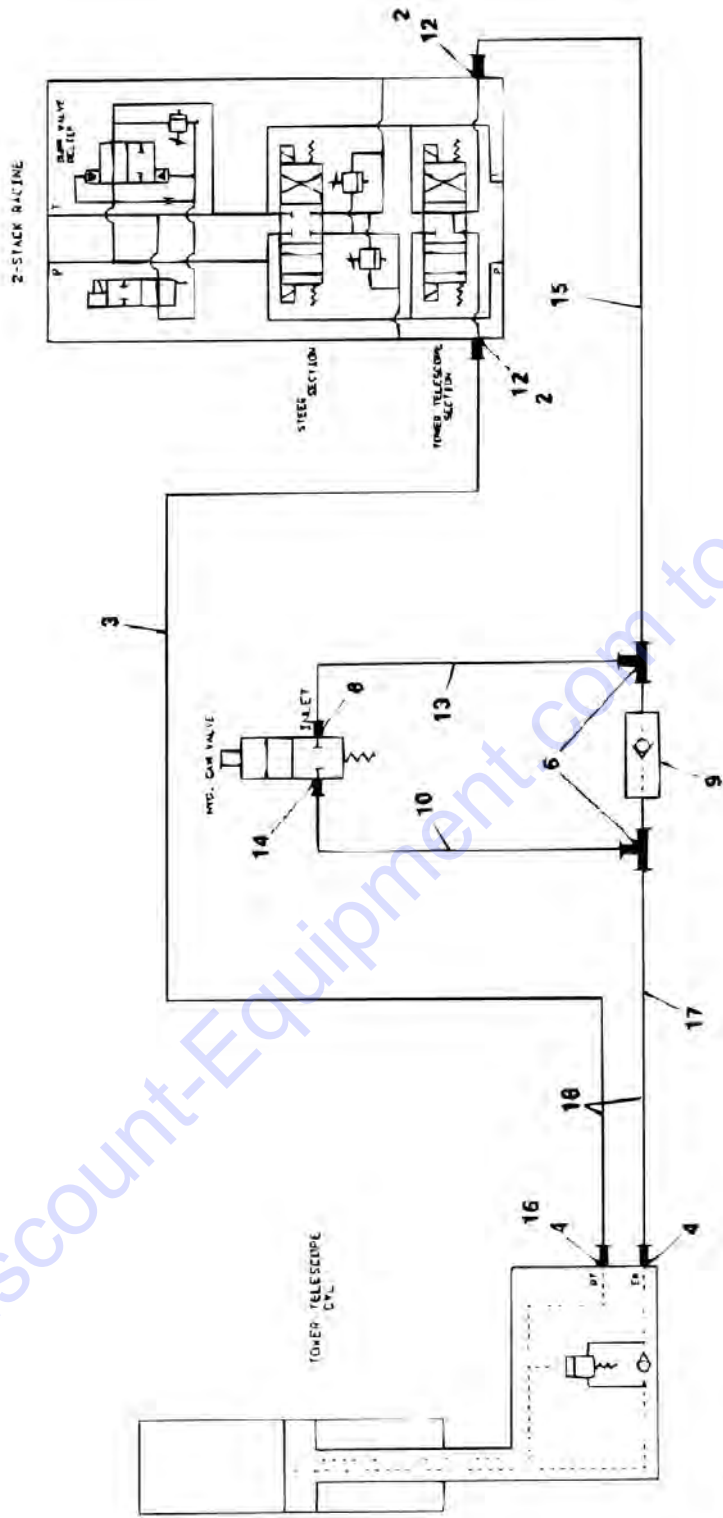
FIGURE 6-12. HYDRAULIC DIAGRAM - TELESCOPE (MAIN BOOM)

ITEM	PART NUMBER	QTY	DESCRIPTION	REV
	2791499	Ref	HYDRAULIC DIAGRAM - TELESCOPE (MAIN BOOM)	C
1	2220773	2	Fitting, 90	
2	2220507	2	Fitting, 90	
4	2220372	2	Fitting	
6	2750910	2	Hose	
	0100020	AR	Sealant, Thread	

Go to Discount-Equipment.com to order your parts

# SECTION 6 - HYDRAULIC

## FIGURE 6-13. HYDRAULIC DIAGRAM - TELESCOPE (TOWER BOOM)



2791500 - Rev E

## SECTION 6 - HYDRAULIC

**FIGURE 6-13. HYDRAULIC DIAGRAM - TELESCOPE (TOWER BOOM)**

ITEM	PART NUMBER	QTY	DESCRIPTION	REV
	2791500	Ref	<b>HYDRAULIC DIAGRAM - TELESCOPE (TOWER BOOM)</b>	E
2	2220501	2	Fitting, 45	
3	2751114	1	Hose	
4	2220343	2	Fitting	
6	2220606	2	Fitting, Tee	
8	2220703	1	Fitting, 90	
9	4640774	1	Valve, Check	
10	2750998	1	Hose	
12	2220591	2	Fitting, Reducer	
13	2750992	1	Hose	
14	2220344	1	Fitting	
15	2750785	1	Hose	
17	2751110	1	Hose	
18	4100026	2	Sleeve, Hose	
	0100020	AR	Sealant, Thread	

Go to Discount-Equipment.com to order your parts





SECTION 7 - ELECTRICAL

Go to Discount-Equipment.com to order your parts

# SECTION 7 - ELECTRICAL

## FIGURE 7-1. ELECTRICAL DIAGRAM LIST

ITEM	PART NUMBER	QTY	DESCRIPTION	REV
		Ref	<b>ELECTRICAL DIAGRAM LIST</b>	
		Ref	<b>Note: Diagrams not shown are available from Discount-equipment.com</b>	
		Ref	<b>Alarm Electrical Diagrams Options</b>	
		Ref	<b>Machines Built Prior to January 1993:</b>	
	4932024	Ref	<b>Back-up Alarm with Lights Electrical Diagram</b>	-
	0610091	1	Card, Circuit	
	3740049	1	Relay	
	4931947	Ref	<b>Travel/Back-up/Swing Descent Electrical Diagram</b>	G
	1281985	Ref	<b>Travel/Back-up/Swing Descent Electrical Diagram</b>	G
	0610091	1	Card, Circuit	
	3740049	1	Relay	
	4931946	Ref	<b>Motion Electrical Diagram</b>	-
	3990010	2	Diode - 6 Amp	
	3740049	1	Relay, Bosch - SPDT	
	0140016	1	Alarm, Horn	
	4932063	Ref	<b>Tilt Electrical Diagram (3)</b>	A
	4931954	Ref	<b>Tilt Electrical Diagram (5)</b>	3-C
	4931950	Ref	<b>Tilt Electrical Diagram (5 With Cut-Out)</b>	-
	0140016	1	Alarm, Horn	
	3740049	1	Relay, Bosch - SPDT	
	4360089	1	Flasher - 12V (Without Cut-Out)	
	4360229	1	Switch, Toggle - SPDT M/C Override (With Cut-Out)	
		Ref	<b>Machines Built January 1993 to Present:</b>	
	4932637	Ref	<b>Travel Electrical Diagram</b>	2
	1282091	Ref	<b>Travel Electrical Diagram</b>	D
	0610104	1	Card, Circuit	
	4932639	Ref	<b>Motion Electrical Diagram</b>	2
	1282091	Ref	<b>Motion Electrical Diagram</b>	D
	3740049	1	Relay	
	3990010	2	Diode - 6 Amp	
	1060341	11 ft/3.4m	Cable, Electrical - 16/2	
	0253077	Ref	<b>Tilt Electrical Diagram</b>	A
	0140026	1	Alarm	
	1540002	1	Capacitor	
	4932490	Ref	<b>Australian Electrical Modification</b>	B
	1281186	Ref	<b>Cold Weather Electrical Diagram (Deutz)</b>	F
	4932362	Ref	<b>Collector Ring Electrical Diagram (4WS)</b>	A
	1281526	Ref	<b>Collector Ring Electrical Diagram (4WS)</b>	C
	1060042	14 ft	Cable, Electrical - 16/5	
	4460260	1	Connector, Strain Relief (At Ground Control Box)	
	0960239	1	Bushing	
	3300047	1	Nut, Conduit	
	4932314	Ref	<b>Drive Cut-Out (Above Horizontal) Electrical Diagram (Italian Spec)</b>	B
	4932315	Ref	<b>Drive Cut-Out (8 Meter) Electrical Diagram (Austrian, German and Dutch Spec)</b>	B
	3740057	1	Relay - 2PDT	
	4120012	1	Socket Relay	

## SECTION 7 - ELECTRICAL

ITEM	PART NUMBER	QTY	DESCRIPTION	REV
	4931444	Ref	<b>Dual Fuel Electrical Diagram (Ford) (Prior to June 1995)</b>	E
	1281738	Ref	<b>Dual Fuel Electrical Diagram (Ford) (Prior to June 1995)</b>	H
	4921305	1	Harness (M.T.B. to Gas and LP Solenoid Valves)	
	4360201	1	Switch, Toggle - DPDT	
	4932813	Ref	<b>Dual Fuel Electrical Diagram (Ford) (June 1995 to Present)</b>	-
	4921763	1	Harness (M.T.B. to Gas and LP Solenoid Valves)	
	4360201	1	Switch, Toggle - DPDT	
	0251537	Ref	<b>Engine Distress Electrical Diagram - Deutz Machines</b>	D
	1281525	Ref	<b>Engine Distress Electrical Diagram - Deutz Machines</b>	E
	4921361	1	Harness	
	4360065	1	Switch, Pressure	
	2920026	1	Lamp, Indicator (At Platform Console)	
	0252625	Ref	<b>Engine Distress Electrical Diagram - Ford Machines</b>	5-E
	2920026	1	Light (At Platform Console)	
	4360182	1	Switch, Oil Pressure	
	4360157	1	Switch, Water Temperature	
	3740049	1	Relay	
	2920029	1	Bulb	
	0251682	Ref	<b>Engine Shutdown Electrical Diagram (Deutz)</b>	-
	3990010	1	Diode - 6 Amp	
	3740049	1	Relay, Bosch - SPDT	
	4360065	1	Switch, Pressure - N.C.	
	4932492	Ref	<b>French Electrical Modification</b>	C
	1693405	1	Relay, Time Delay	
	1692927	1	Socket, Relay	
	4931945	Ref	<b>Generator Electrical Diagram (110V) (Deutz)</b>	A
	4931692	Ref	<b>Generator Electrical Diagram (110V) (Ford) (Prior to February 1995)</b>	D
	4932806	Ref	<b>Generator Electrical Diagram (110V) (Ford) (February 1995 to Present)</b>	3-B
	4460027	1	Outlet, Electrical - Female Twist Lock	
	3990001	1	Diode - 3.5 Amp (Deutz)	
	3990010	3	Diode - 6.5 Amp (Ford)	
	3740049	2	Relay, Bosch - SPDT	
	4360294	1	Breaker, Circuit - 30 Amp Marine Type	
	4931998	Ref	<b>Heaters Electrical Diagram</b>	2-A
	1060016	20 ft	Cable, Electrical - 16/3 (Heaters to Junction Box)	
	1060012	3 ft	Cable, Electrical - 12/4 (Thermostat to Junction Box)	
		Ref	<b>Lights Electrical Diagram Options</b>	
	4932024	Ref	<b>Back-up Lights Electrical Diagram</b>	-
	0610091	1	Card, Circuit	
	3740049	1	Relay	
	4931942	Ref	<b>Beacon Light On Hood Electrical Diagram</b>	B
	0238864	Ref	<b>Beacon Light On Platform Electrical Diagram (In Front of Console)</b>	-
	0238865	Ref	<b>Beacon Light On Platform Electrical Diagram (In Front of Console)</b>	-
	1281671	Ref	<b>Beacon Light On Platform Electrical Diagram(Under Console)</b>	D
	2920018	1	Light, Beacon - Amber	
	2920009	1	Light, Beacon - Red	
	4931941	Ref	<b>Headlights and Taillights Electrical Diagram</b>	E

## SECTION 7 - ELECTRICAL

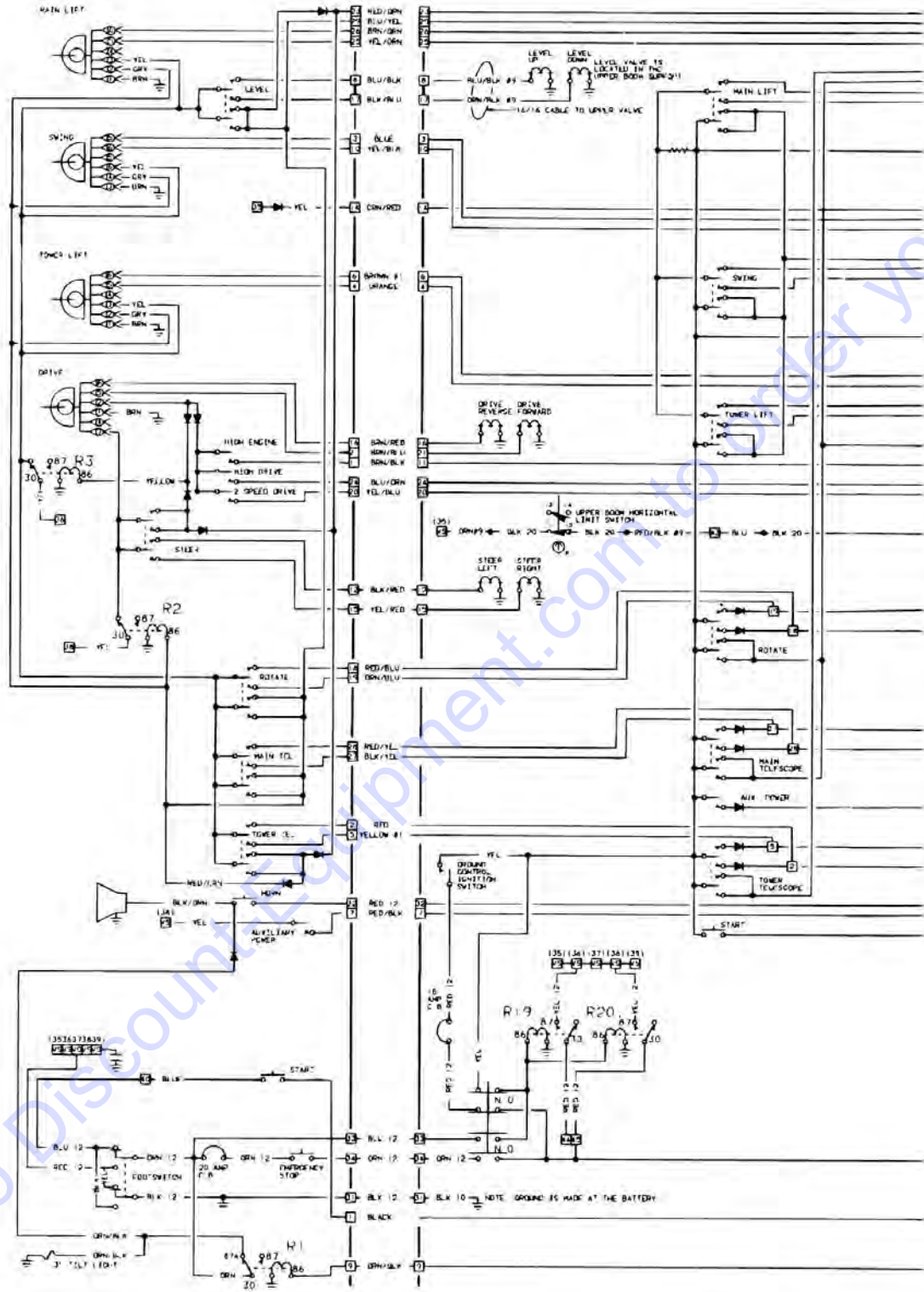
ITEM	PART NUMBER	QTY	DESCRIPTION	REV
	3740049	1	Relay, Bosch - SPDT (At Ground Control Box)	
	4360199	1	Switch, Toggle - SPST (At Platform Console Box)	
	3251019	1	Nametag - Light On	
	1060016	AR	Cable, Electrical - 16/3	
	2920019	2	Taillight/Clearance Light	
	3740002	1	Relay, Power	
	0251619	Ref	<b>Panel Lights Electrical Diagram</b>	A
	1281525	Ref	<b>Panel Lights Electrical Diagram</b>	E
	2920024	3	Light, Panel	
	4931943	Ref	<b>Worklights Electrical Diagram (Prior to January 1993)</b>	-
	4360232	1	Breaker, Circuit - 15 Amp	
	2920013	2	Worklight	
	0253987	Ref	<b>Worklights Electrical Diagram - Without Platform Padding (January 1993 to Present)</b>	4-C
	0254748	Ref	<b>Worklights Electrical Diagram - With Platform Padding (January 1993 to Present)</b>	2/-
	2920111	2	Worklight, Halogen	
	0253433	Ref	<b>Oil Cooler Electrical Diagram</b>	-
	4921529	1	Harness	
		Ref	<b>Platform Electrical Diagrams Options</b>	
		Ref	<b>PQ Controllers - Prior to January 1993</b>	
	4932313	Ref	<b>Platform Electrical Diagram - 2WS</b>	D
	1281523	Ref	<b>Platform Electrical Diagram - 2WS</b>	F
	4932369	Ref	<b>Platform Electrical Diagram - 4WS</b>	B
	1281523	Ref	<b>Platform Electrical Diagram - 4WS</b>	F
	3990010	9	Diode - 6 Amp (2WS)	
	3990010	11	Diode - 6 Amp (4WS)	
	1540002	1	Capacitor - 1000MF/25VDC	
	1060309	8 ft/1.4m	Cable, Electrical - 12/4 (To Footswitch)	
		Ref	<b>PQ Controllers - January 1993 to Present</b>	
	4932582	Ref	<b>Platform Electrical Diagram - 2WS With Creep (2WD - Jan 1993 to Present/4WD - Jan 1993 to Jan 1995)</b>	2
	1281968	Ref	<b>Platform Electrical Diagram - 2WS With Creep (2WD - Jan 1993 to Present/4WD - Jan 1993 to Jan 1995)</b>	A
	4932787	Ref	<b>Platform Electrical Diagram - 2WS With Creep (4WD - January 1995 to Present)</b>	-
	1282388	Ref	<b>Platform Electrical Diagram - 2WS With Creep (4WD - January 1995 to Present)</b>	-
	4932583	Ref	<b>Platform Electrical Diagram - 4WS With Creep (4WD - January 1995 to Present)</b>	1
	1281968	Ref	<b>Platform Electrical Diagram - 4WS With Creep (4WD - January 1995 to Present)</b>	A
	1060515	8 ft/2.4m	Cable, Electrical - 12/4 (To Footswitch) (was p/n 1060309)	
	3990010	AR	Diode - 6 Amp	
	4932089	Ref	<b>Platform Gate Interlock Electrical Diagram (French Spec)</b>	G
	3740049	1	Relay	
	4460049	2	Connector, Strain Relief	
	1060300	15 ft/4.6m	Cable, Electrical - 16/3	
	4932340	Ref	<b>Platform Safe-Load System Electrical Diagram (French Spec)</b>	C
	3740049	2	Relay	
	3990010	1	Diode - 6 Amp	
	1693405	1	Timer	
	4932052	Ref	<b>Power Tool Electrical Diagram</b>	-

## SECTION 7 - ELECTRICAL

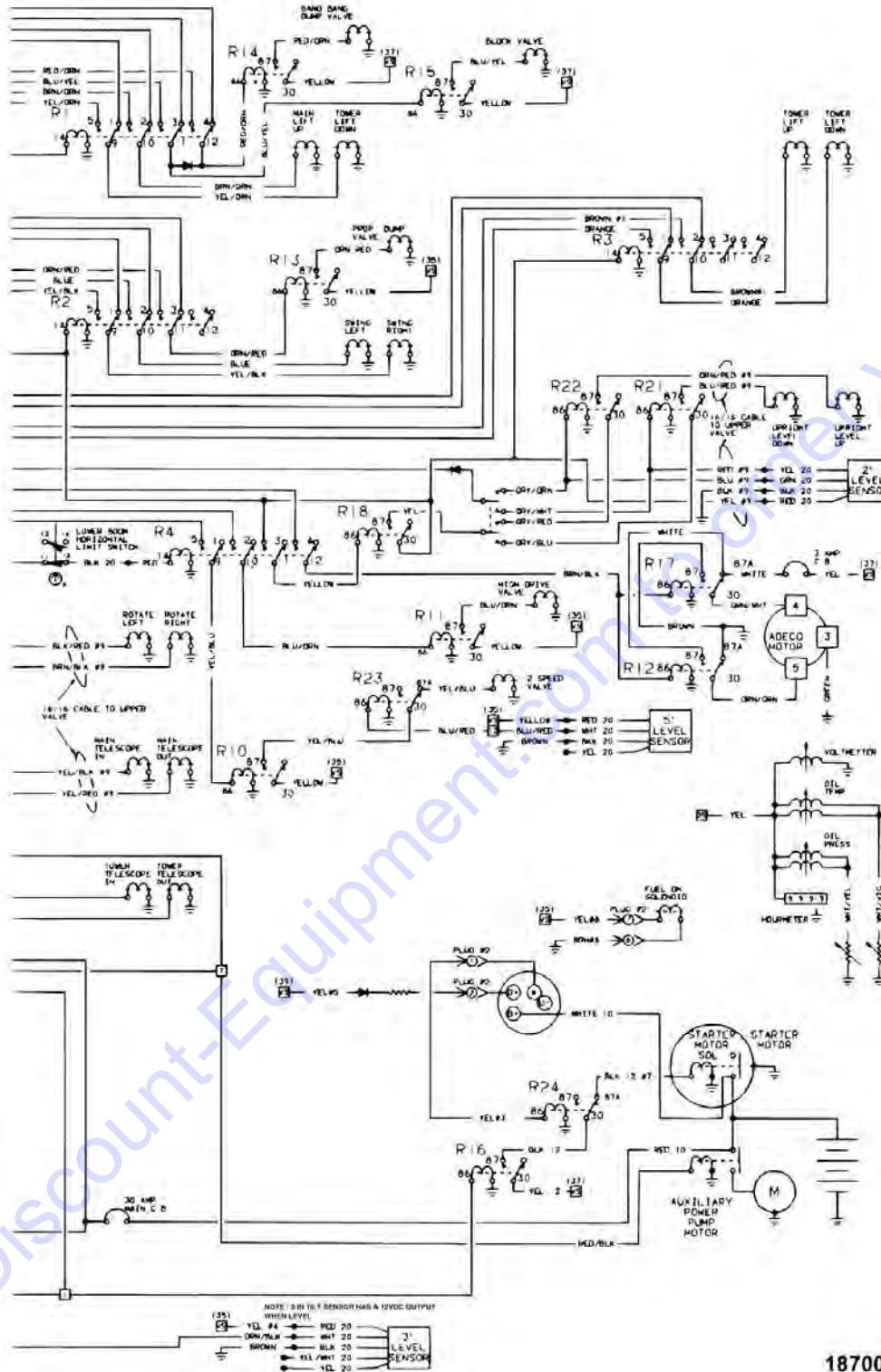
ITEM	PART NUMBER	QTY	DESCRIPTION	REV
	4932034	Ref	<b>Standard Electrical Diagram (Deutz)</b>	J
		Ref	Harness - Engine	
	4921208	1	Harness - Engine <b>(Prior to SN 34339)</b>	
	4921767	1	Harness - Engine <b>(SN 34339 to Present)</b>	
	4921161	1	Harness - Valves	
	1060300	20 ft/6m	Cable, Electrical - 16/3 (To Llimit Switch)	
	1060300	23 ft/7m	Cable, Electrical - 16/3 (To Llimit Switch)	
	3990010	8	Diode - 6 Amp	
	3730095	1	Resistor - 7.5 Ohms/8 Watt	
	4460308	1	Bar, Buss (Term 44 & 45)	
	4932438	Ref	<b>Standard Electrical Diagram (Ford) (Prior to February 1995)</b>	C
	4932762	Ref	<b>Standard Electrical Diagram (Ford) (February 1995 to Present)</b>	A
	3990010	9	Diode - 6 Amp	
	4921161	1	Harness - Valves	
	1060300	38 ft/116m	Cable, Electrical - 16/3 (To Llimit Switch)	
	4921162	1	Harness - Engine (Prior to February 1995)	
	4921721	1	Harness - Engine (February 1995 to Present)	
	3730095	1	Resistor - 7.5 Ohms/8 Watt (Prior to February 1995)	
	3730004	1	Resistor - 7.5 Ohms/8 Watt (February 1995 to Present)	
	1870004	Ref	<b>Standard Electrical Schematic</b>	-
	4932362	Ref	<b>Steer Electrical Diagram (4WS)</b>	A
	1281526	Ref	<b>Steer Electrical Diagram (4WS)</b>	C
	1060042	15 ft/4.5m	Cable, Electrical - 16/5	
	4460260	1	Connector, Strain Relief (At Ground Control Box)	
	0960239	1	Bushing	
	3300047	1	Nut, Conduit	
	4932793	Ref	<b>Tilt Indicator Electrical Diagram - 4WD Machines Built January 1995 to Present.</b>	-
	4932793	1	Harness	
	4932052	Ref	<b>Tool Circuit Electrical Diagram</b>	-
	4360199	1	Switch, Toggle - SPST	

# SECTION 7 - ELECTRICAL

## FIGURE 7-2. ELECTRICAL SCHEMATIC



# SECTION 7 - ELECTRICAL



1870004 - Rev -



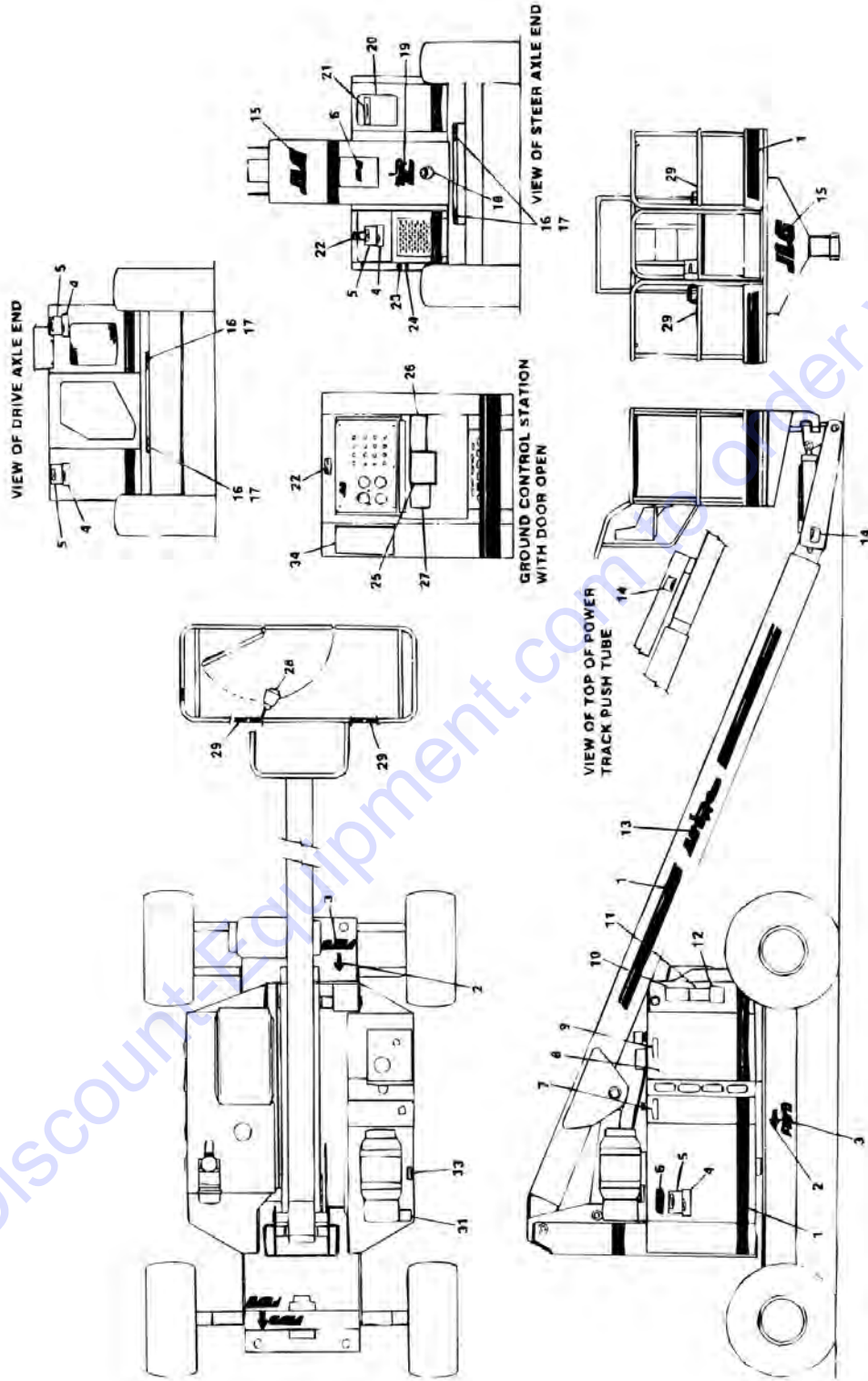


SECTION 8 - DECALS

Go to Discount-Equipment.com to order your parts

# SECTION 8 - DECALS

## FIGURE 8-1. DECALS INSTALLATION (PRIOR TO FEBRUARY 1992)



## SECTION 8 - DECALS

**FIGURE 8-1. DECALS INSTALLATION (PRIOR TO FEBRUARY 1992)**

ITEM	PART NUMBER	QTY	DESCRIPTION	REV
	0239627	Ref	<b>DECAL INSTALLATION (PRIOR TO FEBRUARY 1992)</b>	D
1	1700431	57 ft	Decal - Stripe	
2	1700978	4	Decal - Arrow	
3	1700977	4	Decal - FWD	
4	1700580	5	Decal - Electrocutation	
5	1700585	5	Decal - Crushing	
6	1701205	3	Decal - 60HA	
7	1700430	1	Decal - Fuel - Gasoline	
7	1700428	1	Decal - Fuel - Diesel	
8	1700756	1	Decal - Full/Add	
9	1700419	1	Decal - Hydraulic Oil	
10	Not Available	1	Nameplate - Serial Number	
10	3820001	4	Rivet	
11	1700584	1	Decal - Patent	
12	1700593	1	Decal - Inspection	
13	1700979	2	Decal - Top Gun (Boom Location)	
14	1700640	3	Decal - Crushing	
15	1700981	2	Decal - JLG	
16	1700975	4	Decal - Lift Here	
17	1700976	4	Decal - Tie Down	
18	3251813	1	Nameplate - Made In USA	
19	1700980	1	Decal - Top gun (Upright Location)	
20	0860520	1	Box, Manual Storage	
20	3311405	4	Locknut 1/4in-20NC	
20	4751400	4	Flatwasher 1/4in	
20	1060279	1	Cable, Lanyard	
20	0641408	1	Bolt 1/4in-20NC x 1in	
20	4751400	2	Flatwasher 1/4in	
20	3311405	1	Locknut 1/4in-20NC	
21	1700157	1	Decal - Manual	
22	1700037	1	Decal - Ground Controls	
23	0961127	1	Bushing, Snap	
23	0100010	AR	Loctite	
24	3251243	1	Nameplate - 120V	
25	1700643	1	Decal - Important	
26	1700582	1	Decal - Ground Control Operation	
27	3251028	1	Decal - Dual Fuel	
28	3252347	1	Nameplate - Footswitch (was p/n 3251766)	
28	3820001	4	Rivet	
29	1700477	2	Decal - Attach Belt	
30	1700476	1	Decal - No Hands	
31	1700818	1	Decal - LP Gas Liquid Withdraw System	
33	1700429	1	Decal - LP Gas	
	2900750	1	Decal Kit (Includes Latest Decals - See DECALS INSTALLATION for Breakdown)	
	0251833	Ref	<b>DECALS INSTALLATION - MANUAL DESCENT</b>	-
34	1701461	1	Decal - Manual Descent Instructions	
		Ref	<b>Note: See Control Valves Installation or Hydraulic Diagram - Manual Descent for Number Nametag Call- Outs.</b>	
	0251243	Ref	<b>STRIPES INSTALLATION - CORNER WARNING (NOT SHOWN)</b>	A

## SECTION 8 - DECALS

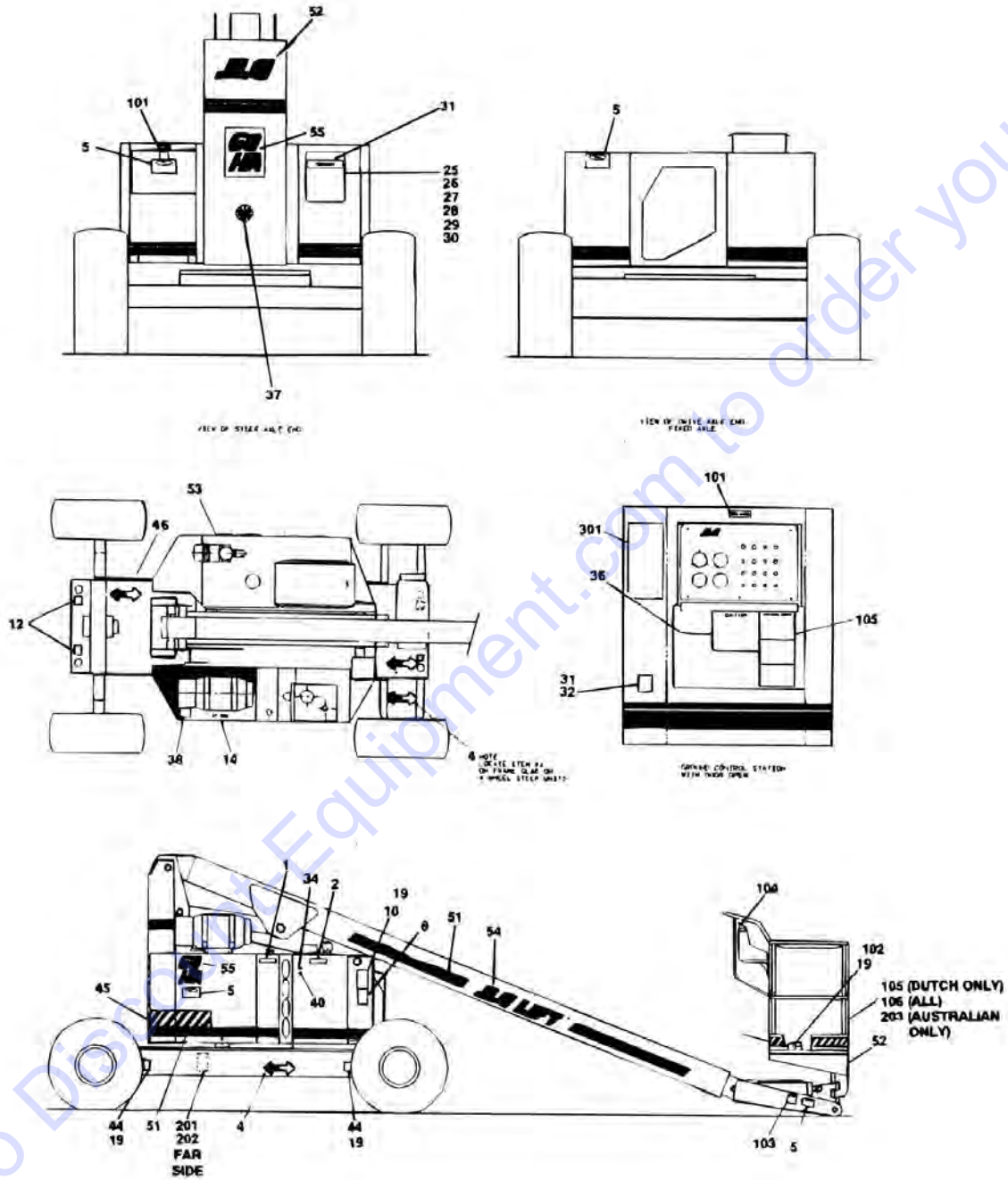
ITEM	PART NUMBER	QTY	DESCRIPTION	REV
	4420051	9.3 m	Tape, Safety - Black/Yellow	

Go to Discount-Equipment.com to order your parts



# SECTION 8 - DECALS

FIGURE 8-2. DECALS INSTALLATION (FEBRUARY 1992 TO PRESENT)



## SECTION 8 - DECALS

**FIGURE 8-2. DECALS INSTALLATION (FEBRUARY 1992 TO PRESENT)**

ITEM	PART NUMBER	QTY	DESCRIPTION	REV
	1281796	Ref	<b>DECALS INSTALLATION (STANDARD PARTS)</b>	K
1		Ref	Decal - Fuel Options:	
1	1701505		Diesel	
1	1701542		Gasoline	
2	1701504	1	Decal - Hydraulic Fluid	
4	1701529	4	Decal - Arrow	
5	1701518	8	Decal - Crushing	
8	1700584	1	Decal - Patent	
10	Not Available	1	Nameplate - Serial Number	
12	1701500	8	Decal - Tie Down/Lift	
14	1701543	1	Decal - LP Gas	
19	3820001	AR	Rivet	
25	0860520	1	Box, Manual Storage	
26	4751400	6	Flatwasher 1/4in	
27	3311405	5	Locknut 1/4in-20NC	
28	1060279	1	Cable, Lanyard	
29	0641408	1	Bolt 1/4in-20NC x 1in	
30	17001509	1	Decal - Manual	
31	0961127	1	Bushing, Snap	
32	0100010	AR	Loctite	
34	1701502	1	Decal - Full/Add	
36	3251028	1	Decal - Dual Fuel (February 1992 to May 1994)	
36	3252356	1	Decal - Dual Fuel (May 1994 to Present)	
37	3251813	1	Decal - USA	
38	1700818	1	Decal - LP Gas Liquid Withdrawn System	
40	1701503	1	Decal - Hydraulic Oil Level (Low)	
44	1701555	4	Decal - Tire Pressure (Prior to September 1995)	
45	4420052	AR	Tape, Safety	
46	Not Available	1	Decal - Bar Code	
	0252799	Ref	<b>DECALS INSTALLATION - BROWN (VARIABLE PARTS)</b>	C
51	1701703	40 ft/12.3m	Decal - Stripe (was p/n 1700431)	
52	1700981	2	Decal - JLG	
53	1701205	1	Decal - Model 60HA (Small)	
54	1701443	2	Decal - JLG Lift	
55	1701444	2	Decal - Model 60HA (Large)	
	0252800	Ref	<b>DECALS INSTALLATION - BLACK (VARIABLE PARTS)</b>	C
51	1701334	40 ft/12.2m	Decal - Stripe	
52	1701321	2	Decal - JLG	
53	1701724	1	Decal - Model 60HA (Small)	
54	1701551	2	Decal - JLG Lift	
55	1701595	2	Decal - Model 60HA (Large)	
	0252801	Ref	<b>DECALS INSTALLATION - EURO ENGLISH AND AUSTRALIA</b>	B
101	1700037	1	Decal - Ground Control	
102	3252347	1	Nameplate - Footswitch (Machines Built Prior to July 1992) (was p/n 3251766)	
103	1701460	2	Decal - Caution (Prior to May 1994)	
103	1702280	2	Decal - Caution (May 1994 to Present)	
104	1690696	1	Decal - Caution	

## SECTION 8 - DECALS

ITEM	PART NUMBER	QTY	DESCRIPTION	REV
105	1691483	1	Decal - Caution	
106	1690697	1	Decal - Capacity	
	0252802	Ref	<b>DECALS INSTALLATION - FRENCH</b>	-
101	1701515	1	Decal - Commandes Sol	
102	1693292	1	Nameplate - Attention	
103	1701572	2	Decal - Attention	
104	1693286	1	Decal - Attention	
105	1693289	1	Decal - Attention	
106	1701577	1	Decal - Capacity	
	0252803	Ref	<b>DECALS INSTALLATION - GERMAN AND AUSTRIAN</b>	-
101	1693285	1	Decal - Bodenkontrolle	
102	1693294	1	Nameplate - Achtung	
103	1701573	2	Decal - Vorsicht	
104	1693288	1	Decal - Achtung	
105	1693291	1	Decal - Achtung	
106	1690697	1	Decal - Capacity	
	0252805	Ref	<b>DECALS INSTALLATION - DUTCH</b>	-
101	1701616	1	Decal - Noodbeniening	
102	Not Required	0	Not Required	
103	1701574	2	Decal - Waarschuwing	
104	Not Required	0	Not Required	
105	1701596	2	Decal - Belangryk	
	0252804	Ref	<b>DECALS INSTALLATION - ITALIAN</b>	-
101	1701599	1	Decal - Comando A Terra	
102	101600	1	Nameplate - Attenzione	
103	1701571	2	Decal - Attenzione	
104	1701601	1	Decal - Attenzione	
105	1701602	1	Decal - Attenzione	
106	1690697	1	Decal - Capacity	
	0253258	Ref	<b>DECALS INSTALLATION - SPANISH</b>	A
101	1701789	1	Decal - Clontrol De Tierra	
102	1701791	1	Nameplate - Precaucion	
103	1701796	2	Decal - Precaucion	
104	1701794	2	Decal - Precaucion	
105	1701798	1	Decal - Precaucion	
106	1690697	1	Decal - Capacity	
	0253554	Ref	<b>DECALS INSTALLATION - AUSTRALIAN ONLY</b>	C
201		Ref	Nameplate - Important	
201	3252197	1	Production	
201	1702958	1	Post Production Alternative	
202	3820001	4	Rivet	
203	1701818	2	Decal - Access Forbidden	
	0251833	Ref	<b>MANUAL DESCENT DECALS INSTALLATION (PRIOR TO APRIL 1992)</b>	A
	0253163	Ref	<b>MANUAL DESCENT DECALS INSTALLATION (APRIL 1992 TO PRESENT)</b>	-
301	1701461	1	Decal - Instructions (Prior to April 1992)	
301	1701779	1	Decal - Instructions (April 1992 to Present)	



**SECTION 9 - RECOMMENDED SERVICE PARTS STOCK**

**SECTION 9 - RECOMMENDED SERVICE PARTS STOCK**

Go to [Discount-Equipment.com](http://Discount-Equipment.com) to order your parts

## SECTION 9 - RECOMMENDED SERVICE PARTS STOCK

FIGURE 9-1. MODEL 60HA EURO STANDARD PARTS

ITEM	PART NUMBER	QTY	DESCRIPTION	REV
	Note	Ref	<b>Note: The following lists will service fleets of machines (built to current production per date on the front cover with emergency repair parts which can be installed in the field. Parts from the list should be replaced when inventory is depleted to keep service parts stock supplied. For further information, go to Discount-equipment.com</b>	
		Ref	<b>STANDARD PARTS</b>	
	7000418	1	Coil, (for fleets of 1 to 4)	
	7000418	1	Coil, (for fleets of 5 to 9)	
	7000418	1	Coil, (for fleets of 10 or more)	
	4360171	1	Sensor, Level - 5, (for fleets of 1 to 4)	
	4360171	1	Sensor, Level - 5, (for fleets of 5 to 9)	
	4360171	1	Sensor, Level - 5, (for fleets of 10 or more)	
	4360280	1	Sensor, Level - 3, (for fleets of 1 to 4)	
	4360280	1	Sensor, Level - 3, (for fleets of 5 to 9)	
	4360280	1	Sensor, Level - 3, (for fleets of 10 or more)	
	7012339	1	Coil, (for fleets of 1 to 4)	
	7012339	1	Coil, (for fleets of 5 to 9)	
	7012339	1	Coil, (for fleets of 10 or more)	
	7002450	1	Coil, (for fleets of 1 to 4)	
	7002450	1	Coil, (for fleets of 5 to 9)	
	7002450	1	Coil, (for fleets of 10 or more)	
	7004214	12	Element, Air Cleaner, (for fleets of 1 to 4)	
	7004214	12	Element, Air Cleaner, (for fleets of 5 to 9)	
	7004214	12	Element, Air Cleaner, (for fleets of 10 or more)	
	2120107	4	Element, Hydraulic Oil, (for fleets of 1 to 4)	
	2120107	8	Element, Hydraulic Oil, (for fleets of 5 to 9)	
	2120107	12	Element, Hydraulic Oil, (for fleets of 10 or more)	
	1340046	1	Breather, Hydraulic Oil, (for fleets of 1 to 4)	
	1340046	2	Breather, Hydraulic Oil, (for fleets of 5 to 9)	
	1340046	3	Breather, Hydraulic Oil, (for fleets of 10 or more)	
	4360284	1	Switch, Key, (for fleets of 1 to 4)	
	4360284	1	Switch, Key, (for fleets of 5 to 9)	
	4360284	1	Switch, Key, (for fleets of 10 or more)	
	7010698	1	Switch, Key, (for fleets of 1 to 4)	
	7010698	1	Switch, Key, (for fleets of 5 to 9)	
	7010698	1	Switch, Key, (for fleets of 10 or more)	
	4360267	1	Block, Contact, (for fleets of 1 to 4)	
	4360267	1	Block, Contact, (for fleets of 5 to 9)	
	4360267	1	Block, Contact, (for fleets of 10 or more)	
	4360281	1	Block, Contact, (for fleets of 1 to 4)	
	4360281	1	Block, Contact, (for fleets of 5 to 9)	
	4360281	1	Block, Contact, (for fleets of 10 or more)	
	4360199	1	Switch, Toggle, (for fleets of 1 to 4)	
	4360199	1	Switch, Toggle, (for fleets of 5 to 9)	
	4360199	1	Switch, Toggle, (for fleets of 10 or more)	
	4360202	1	Switch, Toggle, (for fleets of 1 to 4)	
	4360202	1	Switch, Toggle, (for fleets of 5 to 9)	
	4360202	1	Switch, Toggle, (for fleets of 10 or more)	

## SECTION 9 - RECOMMENDED SERVICE PARTS STOCK

ITEM	PART NUMBER	QTY	DESCRIPTION	REV
	4360200	1	Switch, Toggle, (for fleets of 1 to 4)	
	4360200	1	Switch, Toggle, (for fleets of 5 to 9)	
	4360200	1	Switch, Toggle, (for fleets of 10 or more)	
	4360274	1	Switch, Push Button, (for fleets of 1 to 4)	
	4360274	1	Switch, Push Button, (for fleets of 5 to 9)	
	4360274	1	Switch, Push Button, (for fleets of 10 or more)	
	3740049	1	Relay, (for fleets of 1 to 4)	
	3740049	1	Relay, (for fleets of 5 to 9)	
	3740049	1	Relay, (for fleets of 10 or more)	
	4360216	1	Breaker, Circuit, (for fleets of 1 to 4)	
	4360216	1	Breaker, Circuit, (for fleets of 5 to 9)	
	4360216	1	Breaker, Circuit, (for fleets of 10 or more)	
	4360232	1	Breaker, Circuit, (for fleets of 1 to 4)	
	4360232	1	Breaker, Circuit, (for fleets of 5 to 9)	
	4360232	1	Breaker, Circuit, (for fleets of 10 or more)	
	3740058	1	Relay, (for fleets of 1 to 4)	
	3740058	1	Relay, (for fleets of 5 to 9)	
	3740058	1	Relay, (for fleets of 10 or more)	
	3740059	1	Relay, (for fleets of 1 to 4)	
	3740059	1	Relay, (for fleets of 5 to 9)	
	3740059	1	Relay, (for fleets of 10 or more)	
	3740067	1	Relay, (for fleets of 1 to 4)	
	3740067	1	Relay, (for fleets of 5 to 9)	
	3740067	1	Relay, (for fleets of 10 or more)	
	1600110	1	Sensor, Level, (for fleets of 1 to 4)	
	1600110	1	Sensor, Level, (for fleets of 5 to 9)	
	1600110	1	Sensor, Level, (for fleets of 10 or more)	
	7006139	2	Powertrack - 1 Foot Section, (for fleets of 1 to 4)	
	7006139	2	Powertrack - 1 Foot Section, (for fleets of 5 to 9)	
	7006139	2	Powertrack - 1 Foot Section, (for fleets of 10 or more)	
	7006152	24	Pin Kit - Powertrack, (for fleets of 1 to 4)	
	7006152	24	Pin Kit - Powertrack, (for fleets of 5 to 9)	
	7006152	24	Pin Kit - Powertrack, (for fleets of 10 or more)	
	2940006	1	Latch, Platform Door, (for fleets of 1 to 4)	
	2940006	1	Latch, Platform Door, (for fleets of 5 to 9)	
	2940006	1	Latch, Platform Door, (for fleets of 10 or more)	
	4360031	1	Footswitch, (for fleets of 1 to 4)	
	4360031	1	Footswitch, (for fleets of 5 to 9)	
	4360031	1	Footswitch, (for fleets of 10 or more)	
	1600141	1	Controller, PQ, (for fleets of 1 to 4)	
	1600141	1	Controller, PQ, (for fleets of 5 to 9)	
	1600141	1	Controller, PQ, (for fleets of 10 or more)	
	7011907	1	Electrical Assembly - 1600141 Controller, (for fleets of 1 to 4)	
	7011907	1	Electrical Assembly - 1600141 Controller, (for fleets of 5 to 9)	
	7011907	1	Electrical Assembly - 1600141 Controller, (for fleets of 10 or more)	
	7003751	1	Potentiometer - 1600141 Controller, (for fleets of 1 to 4)	
	7003751	1	Potentiometer - 1600141 Controller, (for fleets of 5 to 9)	
	7003751	1	Potentiometer - 1600141 Controller, (for fleets of 10 or more)	
	4360289	1	Switch, Emergency Stop, (for fleets of 1 to 4)	
	4360289	1	Switch, Emergency Stop, (for fleets of 5 to 9)	
	4360289	1	Switch, Emergency Stop, (for fleets of 10 or more)	

## SECTION 9 - RECOMMENDED SERVICE PARTS STOCK

ITEM	PART NUMBER	QTY	DESCRIPTION	REV
	4360282	1	Block, Contact, (for fleets of 1 to 4)	
	4360282	1	Block, Contact, (for fleets of 5 to 9)	
	4360282	1	Block, Contact, (for fleets of 10 or more)	
	3740086	1	Relay, Micro Switch, (for fleets of 1 to 4)	
	3740086	1	Relay, Micro Switch, (for fleets of 5 to 9)	
	3740086	1	Relay, Micro Switch, (for fleets of 10 or more)	
	3990010	2	Diode - 6 Amp, (for fleets of 1 to 4)	
	3990010	2	Diode - 6 Amp, (for fleets of 5 to 9)	
	3990010	2	Diode - 6 Amp, (for fleets of 10 or more)	

Go to Discount-Equipment.com to order your parts



## SECTION 9 - RECOMMENDED SERVICE PARTS STOCK

FIGURE 9-2. MODEL 60HA EURO VARIABLE PARTS

ITEM	PART NUMBER	QTY	DESCRIPTION	REV
	Note	Ref	<b>Note: The following lists will service fleets of machines (built to current production per date on the front cover with emergency repair parts which can be installed in the field. Parts from the list should be replaced when inventory is depleted to keep service parts stock supplied. For further information, go to Discount-equipment.com</b>	
		Ref	<b>VARIABLE PARTS</b>	
	4360386	1	Switch, Level Sensor (4WD), (for fleets of 1 to 4)	
	4360386	1	Switch, Level Sensor (4WD), (for fleets of 5 to 9)	
	4360386	1	Switch, Level Sensor (4WD), (for fleets of 10 or more)	
	1660184	1	Coupling, Engine (Deutz Machines), (for fleets of 1 to 4)	
	1660184	1	Coupling, Engine (Deutz Machines), (for fleets of 5 to 9)	
	1660184	1	Coupling, Engine (Deutz Machines), (for fleets of 10 or more)	
	7014502	1 case	Engine Oil Filters (Deutz Machines), (for fleets of 1 to 4)	
	7014502	1 case	Engine Oil Filters (Deutz Machines), (for fleets of 5 to 9)	
	7014502	1 case	Engine Oil Filters (Deutz Machines), (for fleets of 10 or more)	
	7012598	1	Engine Fuel Filters (Deutz Machines), (for fleets of 1 to 4)	
	7012598	1	Engine Fuel Filters (Deutz Machines), (for fleets of 5 to 9)	
	7012598	1	Engine Fuel Filters (Deutz Machines), (for fleets of 10 or more)	
	7012656	1	Coupling, Engine (Ford Machines), (for fleets of 1 to 4)	
	7012656	1	Coupling, Engine (Ford Machines), (for fleets of 5 to 9)	
	7012656	1	Coupling, Engine (Ford Machines), (for fleets of 10 or more)	
	7021869	1 case	Engine Oil Filters (Ford Machines), (for fleets of 1 to 4)	
	7021869	1 case	Engine Oil Filters (Ford Machines), (for fleets of 5 to 9)	
	7021869	1 case	Engine Oil Filters (Ford Machines), (for fleets of 10 or more)	
	3740080	1	Relay (Ford Machines), (for fleets of 1 to 4)	
	3740080	1	Relay (Ford Machines), (for fleets of 5 to 9)	
	3740080	1	Relay (Ford Machines), (for fleets of 10 or more)	
	1600211	1	Controller, Engine (Ford Machines), (for fleets of 1 to 4)	
	1600211	1	Controller, Engine (Ford Machines), (for fleets of 5 to 9)	
	1600211	1	Controller, Engine (Ford Machines), (for fleets of 10 or more)	
	7008829	1	Adeco PC Board (Deutz Machines), (for fleets of 1 to 4)	
	7008829	1	Adeco PC Board (Deutz Machines), (for fleets of 5 to 9)	
	7008829	1	Adeco PC Board (Deutz Machines), (for fleets of 10 or more)	
	7008828	1	Adeco Cable (Deutz Machines), (for fleets of 1 to 4)	
	7008828	1	Adeco Cable (Deutz Machines), (for fleets of 5 to 9)	
	7008828	1	Adeco Cable (Deutz Machines), (for fleets of 10 or more)	
	4360212	1	Breaker, Circuit (Deutz Machines), (for fleets of 1 to 4)	
	4360212	1	Breaker, Circuit (Deutz Machines), (for fleets of 5 to 9)	
	4360212	1	Breaker, Circuit (Deutz Machines), (for fleets of 10 or more)	
	3740077	1	Relay, Bosch (Deutz Machines), (for fleets of 1 to 4)	
	3740077	1	Relay, Bosch (Deutz Machines), (for fleets of 5 to 9)	
	3740077	1	Relay, Bosch (Deutz Machines), (for fleets of 10 or more)	
	4360277	1	Switch, Limit, (for fleets of 1 to 4)	
	4360277	1	Switch, Limit, (for fleets of 5 to 9)	
	4360277	1	Switch, Limit, (for fleets of 10 or more)	
	7016307	2	Fuse (4WD Machines), (for fleets of 1 to 4)	
	7016307	2	Fuse (4WD Machines), (for fleets of 5 to 9)	
	7016307	2	Fuse (4WD Machines), (for fleets of 10 or more)	

**SECTION 10 - SPECIAL OPTIONS**

Go to Discount-Equipment.com to order your parts

## SECTION 10 - SPECIAL OPTIONS

FIGURE 10-1. SPECIAL OPTIONS

ITEM	PART NUMBER	QTY	DESCRIPTION	REV
	Note	Ref	<b>Note: This list is to accommodate machines ordered with special equipment. Options may not be applicable to all models. For more specific parts information go to Discount-equipment.com</b>	
		Ref	<b>MISCELLANEOUS SPECIAL OPTIONS</b>	
	0250400	Ref	<b>AIRLINE INSTALLATION - 1/2IN</b>	C
	0270723	Ref	<b>AMBER BEACON ON PLATFORM INSTALLATION</b>	1
	0256789	Ref	<b>CAMERA MOUNT ASSEMBLY</b>	
		Ref	<b>ELECTRICAL CONNECTOR KITS</b>	
	1001148902	Ref	<b>Amp Connector Kit</b>	
	1001148903	Ref	<b>Deutsch DT Connector Kit</b>	
	1001148904	Ref	<b>Deutsch HD Connector Kit</b>	
	1001148905	Ref	<b>Packard Connector Kit</b>	
	1001148906	Ref	<b>Various Connector Kit</b>	
	0251682	Ref	<b>ENGINE SHUTDOWN INSTALLATION - DEUTZ MACHINES</b>	-
	0254213	Ref	<b>EXHAUST PURIFIER INSTALLATION - FORD MACHINES BUILT PRIOR TO FEBRUARY 1995 (ONLY NON-STANDARD ITEMS LISTED BELOW)</b>	-
	4844592	1	Exhaust Weldment (Mounted To Engine)	
	4566267	1	Tube, Exhaust (Before Purifier)	
	3220053	1	Purifier, Exhaust	
	0253433	Ref	<b>OIL COOLER INSTALLATION</b>	-
	3620003	1	Oil Cooler Assembly	
	2060012	1	Fan	
	0251693	Ref	<b>OXY-ACETYLENE LINE INSTALLATION</b>	-
	0251619	Ref	<b>PANEL LIGHTS INSTALLATION</b>	A
	1281525	Ref	<b>PANEL LIGHTS INSTALLATION</b>	D
	2920024	3	Light, Panel	
	0254873	Ref	<b>POWER TOOL CIRCUIT - 1/2IN LINE</b>	-
	1281218	Ref	<b>POWER TOOL CIRCUIT - 1/2IN LINE</b>	D
	0250827	Ref	<b>POWER TOOL CIRCUIT - 3/8IN LINE</b>	-
	1281218	Ref	<b>POWER TOOL CIRCUIT - 3/8IN LINE</b>	D
	0250838	Ref	<b>POWER TOOL VALVES INSTALLATION</b>	B
	4640047	2	Valve, Relief	
	7004146	2	Relief Cartridge (1 Per Assembly)	
	4640123	1	Valve, Solenoid	
	4640151	1	Valve, Flow Divider	
	0254443	Ref	<b>RECEPTACLE INSTALLATION (AT PLATFORM)</b>	A
	1282163	Ref	<b>RECEPTACLE INSTALLATION (AT PLATFORM)</b>	C
	0251675	Ref	<b>SPARK ARRESTOR INSTALLATION - DEUTZ ENGINES</b>	A
	3220036	1	Arrestor, Spark	
		Ref	<b>TECHNICAL PUBLICATION SUPPLEMENTS</b>	
	3120044	1	Engine Manual - Deutz FL1011	
	3120089	1	Engine Manual - Ford LSG-423	
	3120048	1	Engine Manual - Ford LRG-423	
	3120046	1	Engine Manual - Kubota V1902	
	3120344	1	OEM Controller Supplement	
	3120351	1	PQ Controller Supplement	
	3120322	1	Spec Data Handbook	



## SECTION 10 - SPECIAL OPTIONS

ITEM	PART NUMBER	QTY	DESCRIPTION	REV
		Ref	<b>Tools for Service</b>	
	7002828	1	Wire Stripper	
	7002821	1	Wire Crimper (To install wire ends to wires)	
	7002823	1	Pin/Socket Extractor - Universal (To Remove Pins/Sockets from Connectors)	
	7002822	1	Screwdriver, Potentiometer (To Adjust Drive Controllers)	
	7016654	1	Screwdriver, Magnetic	
	7004275	1	Seal Installation Tool - 1in	
	7004276	1	Seal Installation Tool - 1 1/2in	
	7002826	1	Seal Installation Tool - 2in	
		Ref	<b>TUBE RACK INSTALLATIONS</b>	
	0256436	Ref	<b>PRODUCTION</b>	2
	0257728	Ref	<b>POST PRODUCTION ALTERNATIVE</b>	2
	0250401	Ref	<b>WELD LEADS INSTALLATION</b>	C
	1281218	Ref	<b>WELD LEADS INSTALLATION</b>	D

Go to Discount-Equipment.com to order your parts



PART NUMBER INDEX

Go to [Discount-Equipment.com](http://Discount-Equipment.com) to order your parts

# PART NUMBER INDEX

0060023.....140	0238032.....137	0251410.....57	0253692.....147
0080039.....91, 103, 108, 120	0238044.... 102, 107, 113	0251411.....57	0253707.....147
0080092.....102, 107, 121	0238540.....171	0251412.....151	0253710.....107
0080098.....168, 172	0238864.....185, 261	0251415.....59	0253711.....108
0080099.....168, 172	0238865.....185, 261	0251421.....161	0253712.....107
0080124.....129	0239512.... 167, 171, 172	0251517.....9	0253713.....108
0080163.....91, 101, 109	0239514.....167	0251537.....95, 261	0253832.....20
0080172.....91	0239523.....47	0251540.....19	0253833.....20
0080174.....91	0239585.....58	0251541.....16	0253834.....20
0080177.....91	0239594.....134	0251546.....47, 57	0253846.....185
0080189.....205	0239603.....152	0251547.....47, 57	0253910.....143
0080201.....108, 120	0239627.....269	0251561.....137	0253987.....185, 262
0080211.....121	0239701.....167	0251592.....19	0254130.....185
0080226.....205	0239725.....79	0251593.....16	0254213.....282
0100001.....177, 181	0239962.....101, 109	0251594.....15	0254218.....108
0100004.....79	0239990.....53	0251619.....262, 282	0254294.....14
0100009.....79	0250013.....143	0251675.....282	0254389.....53
0100010.....269, 273	0250014.....143	0251682.... 93, 261, 282	0254443.....282
0100011.... 10, 11, 15, 16, 19, 97, 125, 137, 152, 189, 191, 193, 195, 197, 199, 201, 203, 205, 207, 209, 211, 213, 215, 217, 219, 221, 223	0250015.....143	0251693.....282	0254748.....262
0100019 14, 79, 137, 152, 155, 159, 160, 168, 173	0250016.....143	0251700.....20	0254769.....20
0100020.... 103, 107, 120, 133, 134, 201, 209, 215, 221, 223, 233, 236, 239, 244, 247, 251, 253, 255, 257	0250037.....91	0251701.....20	0254770.....20
0100021.....168, 173	0250125.....91	0251702.....20	0254771.....20
0100034.....205	0250143.....185	0251703.....14	0254873.....282
0100035.... 189, 191, 193, 195, 197, 199, 201, 203, 205, 207, 209, 211, 213, 215, 217, 221, 223	0250170.....20	0251711.....171	0255131.....148
0100038.... 189, 191, 195, 197, 199, 201, 203, 205, 207, 209, 211, 213, 215, 217, 219, 221, 223	0250171.....20	0251773.....13	0255138.....120
0140016.....260	0250172.....20	0251833.....269, 274	0255146.....120
0140019.....182	0250188.....145	0251865.....20	0255147.....122
0140024.....143	0250196.....163	0251866.....20	0255226.....125
0140026.....178, 260	0250229.....93, 97	0251913.....15	0255504.....59
0140032.....143	0250232.... 103, 109, 134	0251914.....16	0255604.....133
0181386.....143	0250233.....93, 134	0251921.....185	0255675.....119
0181488.....102	0250240.....145	0252054.....185	0255676.....119
0181691.....108, 120	0250243.....133	0252210.....185	0255803.....20
0200530.....125	0250255.....11	0252211.....185	0256338.....123
0231047.....137	0250272.....19	0252294.....147	0256436.....283
0231756.....134	0250278.....101	0252297.....91	0256789.....282
0235238.... 167, 168, 171, 172	0250311.....101	0252312.....148	0257728.....283
0236449.....10, 14	0250313.....19	0252317.....145	0270723.....282
0236539.....21	0250315.....79	0252625.....261	0340002.... 92, 103, 108, 120
0236625.....20	0250319.....133	0252626.....104, 110	0361675.....167
0236626.....20	0250319.....133	0252799.....273	0361704.....115
0236768.... 92, 102, 108, 121	0250400.....282	0252800.....273	0361810.....92, 102
0237568.....113	0250401.....283	0252801.....273	0361815.....97
0237963.....169, 173	0250413.....152	0252802.....274	0361852.....53
	0250476.....143	0252803.....274	0400002.... 102, 108, 121
	0250548.....20	0252804.....274	0400003.... 102, 108, 120
	0250593.....171	0252805.....274	0400025.....101
	0250597.....91	0252848.....185	0400075.....92
	0250599.....101, 109	0253077.....178, 260	0440018.....10, 15
	0250611.....137	0253109.....133	0440019.....10, 15
	0250669.....145, 148	0253110.....133	0440082.....16
	0250673.....53	0253112.....167	0440091.... 10, 11, 14, 15, 16
	0250827.....282	0253114.....167	0440120.....168, 172
	0250838.....282	0253115.....171	0440134.....168, 172
	0251000.....47	0253116.....172	0440135.....168, 172
	0251004.....115	0253119.....151	0440161.....11
	0251180.....185	0253120.....9, 13	0440183.....10, 15
	0251203.....185	0253121.....9	0460073.....225
	0251233.....58	0253123.....14	0460075.....225
	0251240.....59	0253163.....274	0460077.....225
	0251243.....269	0253167.....59, 207	0460083.....225
	0251254.....171	0253258.....274	0460085.....225
	0251310.....47	0253413.....53	0460090.....225
	0251314.....9, 13	0253433.... 228, 262, 282	0460091.....225
	0251374.....133	0253554.....274	
	0251387.....205	0253558.....185	
	0251396.....156		

## PART NUMBER INDEX

0460092.....	225	0641610 14, 58, 101, 109, 121, 147, 152, 159, 160	0860520.....	269, 273	0961328.....	213
0480048.....	115	0641612 ....	0860538.....	177	0961329.....	201, 203
0480059.....	97	103, 125, 134	0860576.....	139	0961338.....	201, 203
0480083.....	185	0641614.....	0860619.....	186	0961355.....	160
0480084.....	185	109, 121	0860686.....	177	0961356.....	213
0480086.....	185	0641616.....	0860687.....	140	0961361 ...	205, 207, 209, 211
0480090.....	125	13, 186	0860706.....	177	0961450.....	173
0540081.....	163	0641620.....	0860739.....	181	0961509.....	14, 17
0540082.....	163	47	0860749.....	141	0961529.....	14, 16
0540083.....	163	0641622 ....	0860825.....	182	0961531.....	137
0560605 ...	10, 11, 14, 15, 16	101, 108, 120	0860826.....	182, 183	0961593.....	155
0560714 ...	10, 11, 14, 15, 16	0641626.....	0860952.....	141	0961686.....	14, 17
0560810.....	221	47	0860974.....	182	0961687.....	14, 17
0560923.....	156	0641628.....	0860976.....	183	0961758.....	213
0560951.....	13	221	0900232.....	185	0961759.....	213
0610091.....	260, 261	0641632.....	0900479.....	53	0961760 ....	207, 209, 211
0610104.....	260	221	0901056.....	185	0961762.....	201, 203
0610111.....	182, 183	0641708.....	0901307.....	93, 103, 109, 121	0961763.....	201, 203
0620058.....	137	57	0901373.....	113	0961764.....	217
0620106.....	137	0641711.....	0901401.....	101, 107	0961765.....	215, 217
0630083.....	11, 16	129	0901449.....	185	0961768.....	155
0630137.....	10, 15	0641807.....	0901569.....	103	0961770.....	159, 160
0630360 ....	102, 108, 121	137	0901616.....	57	0961771.....	9, 13
0630369.....	11	19, 91	0901633.....	97	0961773.....	9
0630375 ....	102, 108, 120	0641810.....	0901643.....	152	0961776.....	14, 17
0630400.....	122	160, 171	0901644.....	152	0961777.....	14, 17
0630415.....	152	0641812 ....	0901645.....	152	0961778.....	10, 15
0630425.....	10, 14	101, 107, 119	0901705.....	92	1001148902.....	282
0630427.....	152	0641814.....	0901708.....	103, 109, 121	1001148903.....	282
0630439.....	15, 16	151	0901732.....	59	1001148904.....	282
0641404.....	11, 119, 171	0641816.....	0901756.....	171	1001148905.....	282
0641405 ...	139, 143, 145, 148, 156	168	0901759.....	92	1001148906.....	282
0641406 ....	9, 13, 92, 97, 115, 125, 147, 152, 161, 185	0641820.....	0901796.....	181	101600.....	274
0641407.....	14, 152	186	0901800.....	93	1060012 ....	98, 116, 156, 261
0641408 ...	102, 103, 108, 113, 119, 120, 145, 147, 161, 169, 171, 173, 269, 273	0641832.....	0901896.....	108	1060016.....	261, 262
0641409.....	152	151, 152	0901912.....	107	1060042.....	260, 263
0641414.....	59	0641836.....	0901920.....	147	1060045 ....	92, 102, 107, 121
0641416.....	129	171, 172	0902087.....	119	1060074.....	92
0641418.....	137	0641840 ....	0902088.....	119	1060092.....	92, 102, 109
0641506 ...	167, 168, 171, 172	151, 152, 167	0902089.....	119, 129	1060093.....	102
0641507.....	53	0641844.....	0902096.....	121	1060099.....	92, 102, 109, 121
0641508 .	9, 13, 115, 125, 177, 182	91	0902104.....	125	1060119 ....	102, 109, 121
0641510.....	91	0641912.....	0902244.....	91	1060129.....	92, 102, 109, 121
0641512.....	137	79	0920068.....	79, 85	1060172 ....	92, 102, 109, 121
0641514.....	58, 133	0642014.....	0920072.....	19, 31	1060229.....	156
0641520.....	167, 221	19	0920081.....	19, 33	1060267.....	161
0641522 ....	47, 168, 171, 172	0642022 ....	0920084.....	19, 35	1060279.....	269, 273
0641524.....	167	101, 108, 120	0920086.....	79, 87	1060300.....	262, 263
0641528 ....	57, 151, 152	0642032 ....	0920110.....	35	1060309.....	178, 262
0641607 ...	101, 109, 155, 160	101, 107, 121	0960224.....	137	1060341.....	260
0641608 ...	9, 13, 93, 143, 155, 156, 159, 160	0700808.....	0960238....	116, 140, 178, 182, 186	1060373.....	205
0641609.....	59, 155, 159, 160	91, 119	0960239....	116, 126, 181, 260, 263	1060461.....	156
		0700810.....	0960523.....	10, 15	1060515.....	262
		0700812.....	0960565....	167, 171, 172	1100043.....	152
		0701010....	0960613.....	215, 217	1100044.....	152
		103, 107, 121	0960846.....	213	1100054.....	185
		0701012.....	0960905.....	181	1120032.....	10, 15
		97, 121	0960929.....	159, 160	1120108 ...	189, 191, 193, 195, 219, 221, 223
		0701014.....	0961003.....	9, 13	1120160 ...	201, 203, 209, 211
		91, 107, 119	0961029.....	9		
		0701015.....	0961127.....	269, 273		
		120, 125	0961254.....	215, 217		
		0701020.....	0961257.....	171		
		107	0961259.....	167, 173		
		0701021.....				
		115				
		0701022.....				
		115, 119				
		0701414.....				
		97				
		0711014.....				
		101				
		0711020.....				
		101				
		0720803.....				
		182				
		0721003.....				
		10, 15				
		0721004.....				
		137				
		0721005.....				
		134				
		0721014.....				
		120				
		0721016.....				
		185				
		0741606.....				
		79				
		0750806.....				
		139, 186				
		0751006.....				
		177, 181				
		0800581.....				
		155				
		0800585.....				
		151, 159				
		0800586.....				
		160				
		0800587.....				
		159				
		0800588.....				
		159				
		0800717.....				
		155				
		0800743.....				
		151, 155				

## PART NUMBER INDEX

1120161.....92, 103, 108, 120	1600094..... 177, 178	1682051..... 223	1700584..... 269, 273
1120179..... 197, 199	1600098..... 141	1682053..... 151, 209	1700585..... 269
1120286..... 213	1600110..... 152, 277	1682054..... 209	1700593..... 269
1120299..... 167, 171	1600134..... 178	1682057... 167, 168, 171, 172, 215	1700598..... 156
1120314..... 133	1600140..... 182, 183	1682058..... 215	1700599..... 156
1120336..... 215, 217	1600141... 181, 182, 277	1682060..... 215, 217	1700640..... 269
1120351..... 223	1600211..... 141, 280	1682072..... 152, 205	1700643..... 269
1120358..... 205, 207	1660114..... 53	1682073..... 205	1700756..... 269
1120405..... 93	1660157..... 113, 119	1682074..... 205	1700818... 129, 269, 273
1120432..... 108	1660160..... 137	1682076..... 205, 207	1700901.... 101, 107, 119
1140009..... 113	1660169..... 91	1682078..... 209, 211	1700975..... 269
1180190..... 156	1660170..... 101, 109	1682083..... 209, 211	1700976..... 269
1180191..... 161	1660172..... 91	1682202..... 219	1700977..... 269
1180192..... 161	1660173..... 91	1682203..... 16, 219	1700978..... 269
1260017..... 53, 59, 145	1660174..... 101, 109	1682376..... 9, 13, 189	1700979..... 269
1281049..... 228	1660175..... 101, 109	1682377..... 189	1700980..... 269
1281146..... 225	1660183..... 101, 109	1682406..... 14, 197	1700981..... 269, 273
1281186..... 93, 123, 260	1660184..... 91, 280	1682407..... 197	1701205..... 269, 273
1281218..... 282, 283	1660185..... 137	1682415..... 155, 221	1701321..... 273
1281353..... 228	1660218..... 122	1682416..... 221	1701334..... 273
1281397..... 177	1660249..... 122	1682452..... 9, 193	1701426..... 59
1281433..... 171	1670199..... 134	1682453..... 193	1701428..... 59
1281519..... 228, 229	1670321..... 148	1682724..... 9, 13, 191	1701443..... 273
1281523..... 262	1670414... 101, 107, 119	1682725..... 191	1701444..... 273
1281525..... 261, 262, 282	1670450..... 156	1682727..... 9, 195	1701460..... 273
1281526..... 260, 263	1670451..... 168	1682728..... 195	1701461..... 269, 274
1281671..... 261	1670468..... 133	1682730..... 195	1701462..... 59
1281738..... 261	1670487..... 161	1682739..... 151, 211	1701463..... 59
1281796..... 273	1670519..... 171	1682740..... 211	1701494..... 59
1281968..... 262	1670526..... 185	1682742... 167, 168, 172, 217	1701500..... 273
1281985..... 260	1670594..... 137	1682745..... 151, 203	1701502..... 273
1282091..... 260	1670607..... 185	1682746..... 203	1701503..... 273
1282163..... 282	1670612..... 147	1682757..... 14, 199	1701504..... 273
1282388..... 262	1670613..... 148	1682758..... 199	1701505..... 273
1320012..... 102, 107, 121	1670615..... 148	1682764..... 152, 207	1701515..... 274
1320019..... 92, 103, 109, 120, 122	1670616..... 148	1682765..... 207	1701518..... 273
1320022 92, 93, 103, 108, 119, 120, 121, 129, 133, 134	1670662..... 147	1682767..... 207	1701529..... 273
1320023..... 134	1680892..... 197, 199	1682793..... 171, 217	1701542..... 273
1320030..... 129	1681283..... 221, 223	1690696..... 273	1701543..... 273
1320031..... 91	1681294..... 213	1690697..... 274	1701551..... 273
1320032..... 122, 129	1681322... 189, 191, 193, 219	1691483..... 274	1701555..... 273
1320033..... 243	1681332..... 195	1692405..... 185	1701571..... 274
1320040..... 137	1681344..... 219	1692927..... 261	1701572..... 274
1320050..... 161	1681411..... 219	1692959..... 186	1701573..... 274
1320058..... 103, 108, 120	1681413..... 219	1692980..... 186	1701574..... 274
1320059..... 91, 225	1681423..... 223	1693285..... 274	1701577..... 274
1320060..... 107, 129	1681433..... 219	1693286..... 274	1701595..... 273
1320070..... 101	1681435..... 219	1693288..... 274	1701596..... 274
1320103..... 161	1681460..... 193	1693289..... 274	1701599..... 274
1320122..... 225	1681462..... 189, 191	1693291..... 274	1701601..... 274
1320125..... 10, 13	1681555... 11, 15, 16, 219	1693292..... 274	1701602..... 274
1320131..... 161	1681562..... 10, 14, 219	1693294..... 274	1701616..... 274
1320160..... 172	1681787..... 197, 199	1693405..... 261, 262	1701703..... 273
1320176..... 92	1681847..... 215, 217	1700037..... 269, 273	1701724..... 273
1340020..... 91, 103, 108, 120	1681997..... 160, 223	17001509..... 273	1701778..... 59
1340045..... 134	1682001..... 223	1700157..... 269	1701779..... 274
1340046..... 134, 276	1682005..... 223	1700419..... 269	1701789..... 274
1380136..... 59	1682013..... 151, 213	1700428..... 269	1701791..... 274
1380137..... 171	1682014..... 213	1700429..... 269	1701794..... 274
1440154..... 137	1682016..... 213	1700430..... 269	1701796..... 274
1540002..... 260, 262	1682019..... 151, 201	1700431..... 269	1701798..... 274
1600043..... 134	1682027..... 201, 203	1700476..... 269	1701818..... 274
	1682028..... 201, 203	1700477..... 269	1702280..... 273
	1682039..... 221	1700580..... 269	1702305..... 53
	1682042..... 201	1700582..... 269	1702402..... 181
			1702958..... 274
			1760068..... 168, 172

## PART NUMBER INDEX

1780245 .....	145, 148	2200223 .....	133	2220500 .....	243	2420109 .....	103, 107
1780254 .....	169, 173	2200261 .....	92, 93	2220501 .....	239, 257	2420110 .....	92
1840004 .....	91	2200268 .....	134	2220502 .....	247	2420111 .....	140
1840010 .....	91	2200652 .....	129	2220504 .....	231, 233, 235	2420125 .....	140
1870004 .....	263	2200805 .....	92	2220507 .....	244, 255	2420127 .....	141
2000088 ...	101, 104, 107, 109	2210003 .....	243	2220517 .....	233, 236	2420128 .....	141
2000107 .....	91, 94	2210014 .....	243	2220577 .....	241	2420129 .....	139
2000126 .....	119, 122	2210028 .....	243	2220578 .....	243	2420131 ...	103, 107, 119
2000138 .....	91, 94	2220061 .....	47	2220579 .....	241	2420140 .....	103
2012702 .....	29	2220070 .....	236	2220582 ...	233, 235, 239, 241, 243, 249	2420149 .....	107
2060012 .....	282	2220082 .....	129	2220584 .....	244	2420171 .....	121
2060014 ...	102, 107, 121	2220214 .....	247	2220585 .....	233, 235	2420203 ...	97, 115, 125
2080026 .....	11	2220218 .....	247	2220591 ...	239, 241, 257	2440022 .....	79
2120077 .....	129	2220221 .....	239, 253	2220596 .....	235, 244	2440043 .....	168, 172
2120103 .....	133	2220235 .....	231, 236	2220596 .....	235, 244	2440044 .....	168, 172
2120104 .....	134	2220237 ...	70, 189, 244	2220602 .....	235, 243	2440059 .....	79
2120107 .....	134, 276	2220238 .....	70	2220603 .....	243	2460011 ...	97, 115, 125
2160001 53, 79, 168, 173, 205, 207, 209, 211, 213, 219		2220251 .....	129	2220605 ...	235, 241, 249, 253	2500004 .....	113
2160002 ...	10, 13, 14, 15, 151, 155, 161, 167, 168, 171, 172, 189, 191, 193, 195, 197, 199, 201, 203, 209, 215, 217, 219	2220273 ...	92, 103, 107, 119, 129	2220606 .....	241, 257	2500005 .....	119
2160003 ...	10, 11, 13, 14, 15, 16, 191	2220313 .....	129	2220609 ...	231, 239, 241, 253	2540016 .....	143
2160006 ...	169, 173, 219	2220314 ...	109, 121, 129	2220618 ...	236, 243, 249	2551279 .....	53
2180104 .....	92, 129	2220315 ...	119, 120, 129	2220619 .....	243	2560010 .....	169, 173
2180360 93, 95, 103, 104, 107, 110, 119, 126, 129		2220317 .....	103, 108	2220621 .....	243	2560038 .....	177
2180377 .....	253	2220318 .....	93	2220622 .....	243	2560040 .....	177
2180379 .....	239, 241	2220329 .....	243	2220624 .....	243	2560041 .....	178
2180380 .....	239, 241	2220343 .....	257	2220628 .....	241	2560109 .....	205
2180387 .....	129	2220344 .....	241, 257	2220633 .....	129	2560112 .....	181, 182
2180388 .....	129	2220345 .....	233, 235	2220635 .....	129	2580001 ...	93, 104, 109, 123
2180389 .....	129	2220346 .....	243	2220635 .....	241	2580018 .....	134
2180418 .....	129	2220347 .....	233, 235	2220642 .....	244	2580022 .....	103, 109
2180448 ...	205, 239, 241	2220349 .....	243	2220648 .....	129	2580048 .....	123
2180467 .....	133, 134	2220355 .....	233, 236	2220657 .....	239	2600105 .....	177, 181
2180527 .....	134, 223	2220356 .....	233, 235	2220659 .....	233	2600132 .....	177, 181
2180535 .....	129	2220362 .....	233, 235	2220671 .....	244	2600143 .....	169, 173
2180536 .....	92, 119	2220366 .....	235	2220673 .....	233, 235	2600157 .....	145, 148
2180537 .....	94	2220371 .....	241, 243	2220675 .....	129	2600180 .....	147
2180615 .....	239	2220372 ...	241, 243, 255	2220679 .....	236	2620032 .....	53
2180621 .....	241	2220373 .....	243	2220695 .....	243	2660075 .....	163
2180643 .....	93	2220374 .....	233	2220702 .....	241	2660076 .....	163
2180666 .....	113	2220375 ...	233, 235, 243	2220703 .....	241, 257	2660080 .....	163
2180683 .....	243	2220377 .....	47, 243	2220710 .....	243	2680356 .....	102
2180699 .....	239	2220379 .....	243	2220711 .....	231, 235	2680386 ...	102, 108, 120
2180711 .....	134	2220384 .....	244	2220727 .....	244	2720015 ...	103, 108, 120, 121, 181
2180730 .....	92, 94	2220385 .....	243, 249	2220738 .....	243	2720016 .....	113
2180732 .....	253	2220386 .....	244	2220773 .....	241, 255	2720058 ...	92, 119, 120, 129
2180749 .....	94, 95	2220409 .....	243	2220800 .....	233, 235	2720112 .....	129
2180763 .....	137	2220414 ...	233, 235, 244	2220805 .....	119	2720144 .....	129
2180994 .....	119	2220415 .....	233, 235	2220820 .....	205, 243	2720160 ...	102, 107, 121, 129
2200051 .....	108, 120	2220416 .....	251	2220822 .....	233, 235	2720178 .....	91
2200052 .....	133	2220417 .....	233, 235	2220833 .....	235	2720232 .....	102, 107
2200053 .....	102	2220428 .....	243	2220844 .....	47	2720249 .....	129
2200201 ...	201, 209, 215, 221, 223	2220429 .....	243	2220885 ...	193, 197, 203, 211, 217	2720254 .....	102, 107
2200202 .....	215	2220430 .....	129	2220895 .....	247	2720271 .....	92, 119
2200204 .....	129	2220437 .....	120, 129	2220899 .....	239	2720332 .....	244
2200213 .....	201, 209	2220451 ...	233, 235, 243	2220909 ...	233, 235, 249	2720334 .....	91
2200222 .....	137, 221	2220465 .....	233, 235	2360303 .....	9	2720343 .....	244
		2220466 ...	231, 233, 235, 247, 253	2360304 .....	9	2720351 .....	91
		2220468 .....	251	2360311 .....	9	2750532 .....	93, 129
		2220469 .....	236	2360312 .....	9	2750692 .....	233, 235
		2220472 ...	231, 239, 241, 253	2360332 .....	13	2750756 .....	231
		2220473 ...	231, 239, 241, 243	2360333 .....	13	2750757 .....	243, 244
		2220490 .....	231	2420009 .....	139	2750760 .....	241
		2220496 .....	251	2420024 ...	103, 119, 140	2750762 .....	235
				2420033 .....	103		
				2420047 .....	103		

## PART NUMBER INDEX

2750763.....	243	2751517.....	235	2900662.....	31, 87	3160140.....	19, 23
2750771.....	235	2751839.....	244	2900673.....	131	3160156.....	79, 81
2750774.....	233, 235	2751899.....	251	2900698.....	228	3160176.....	19, 29
2750776.....	233	2751906.....	241	2900707.....	75	3160181.....	79, 83
2750777.....	235, 243	2751920.....	247	2900708.....	75	3200183.....	107, 121
2750778.....	239	2751931.....	243	2900709.....	75	3200198.....	101, 107
2750785.....	257	2752468.....	239	2900733.....	175	3200226.....	101, 107, 121
2750786.....	231, 241	2760064.....	168, 172	2900750.....	269	3200227.....	101, 107, 121
2750792.....	235, 243	2760091.....	137	2900754.....	44	3200260.....	101
2750900.....	231, 253	2780055.....	79, 89	2900755.....	44	3200308.....	163
2750901.....	253	2780091.....	10, 15	2900766.....	33, 35	3200309.....	163
2750902.....	233, 235	2780114.....	19, 39	2900767.....	33, 35	3200377.....	119
2750903.....	251	2780151.....	19, 43	2900768.....	33, 35	3220036.....	92, 282
2750904.....	235, 251	2780170.....	19, 41	2900770.....	58, 59, 189, 197, 203, 205, 207, 211, 217	3220043.....	103, 109, 122
2750908.....	243, 244	2780192.....	19, 43	2900779.....	59	3220053.....	282
2750910.....	255	2791494.....	228, 243	2900788.....	29	3250840.....	53
2750911.....	241	2791496.....	228, 233	2900792.....	191, 195, 199, 201, 209, 215, 223	3250872.....	53
2750921.....	231, 241	2791498.....	228	2900798.....	83	3250914.....	102
2750928.....	244	2791499.....	229, 255	2901103.....	215, 217	3251019.....	262
2750929.....	233	2791500.....	229, 257	2901111.....	93	3251028.....	269, 273
2750969.....	235	2791501.....	229, 253	2901123.....	219	3251243.....	134, 269
2750970.....	233, 236	2791503.....	228, 247	2901143.....	223	3251476.....	97, 116, 125
2750972.....	235	2791505.....	228, 251	2901144.....	205	3251813.....	269, 273
2750992.....	257	2791542.....	229	2901146.....	137	3251837.....	134
2750997.....	239, 241	2791549.....	228	2901148.....	193, 219	3251872.....	177
2750998.....	257	2791579.....	228, 251	2901227.....	207	3251903.....	140
2750999.....	241	2791593.....	228, 235	2910479.....	102	3252043.....	177
2751002.....	244	2791595.....	228	2915092.....	79	3252044.....	139
2751003.....	231	2791608.....	228, 243	2920001.....	143	3252197.....	274
2751004.....	243	2791648.....	228	2920009.....	143, 185, 261	3252224.....	181
2751006.....	241	2791692.....	228	2920013.....	185, 262	3252347.....	269, 273
2751010.....	231, 233, 235, 244	2791696.....	228, 249	2920015.....	177	3252356.....	273
2751011.....	235	2791760.....	228	2920018.....	143, 185, 261	3252382.....	181
2751012.....	253	2791780.....	228	2920019.....	143, 262	3252383.....	139
2751014.....	233, 235	2791795.....	228	2920024.....	262, 282	3271501.....	108, 155
2751018.....	249	2791796.....	228	2920026.....	261	3300012.....	11, 15, 19
2751026.....	231	2791797.....	228	2920029.....	177, 261	3300023.....	11
275110.....	257	2791798.....	228	2920079.....	143	3300029.....	92, 102, 109, 121
2751110.....	241	2791851.....	228	2920105.....	143	3300047.....	116, 126, 181, 260, 263
2751111.....	241	2791852.....	228	2920109.....	143	3300048.....	116, 140, 178, 182, 186
2751113.....	244	2791947.....	228, 231	2920111.....	185, 262	3300143.....	167
2751114.....	257	2791949.....	228, 241	2920152.....	143	3300147.....	181
2751122.....	231	2791950.....	228, 239	2920162.....	97, 115, 125	3300151.....	145, 147
2751142.....	241	2791954.....	228	2940006.....	169, 173, 277	3300170.....	209, 211, 215
2751166.....	241	2792149.....	228	2940042.....	147	3300175.....	10, 14, 16
2751322.....	244	2820022.....	58, 59	2940048.....	145	3300177.....	139, 177, 181, 186
2751331.....	243, 244	2820044.....	148	2940050.....	145	3300183.....	79
2751341.....	233, 235	2820045.....	148	2940051.....	145	3300187.....	189, 197, 199, 219
2751357.....	233, 235	2820060.....	93	2940052.....	177, 181	3300190.....	213
2751373.....	243	2860012.....	97, 115, 125	2940057.....	145, 148	3300208.....	10, 15
2751391.....	233, 235, 244	2880404.....	167, 171	2940070.....	147	3300229.....	10, 11, 14, 15, 16
2751397.....	233, 235	2880410.....	53	2940113.....	147	3300271.....	215, 217
2751398.....	236	2900034.....	89	3020021.....	109	3300273.....	189, 191, 193, 195, 197, 199, 219
2751406.....	251	2900062.....	59	3020025.....	168, 173	3300277.....	223
2751412.....	239, 241	2900068.....	185	3040293.....	53	3300281.....	201, 203, 213
2751415.....	233, 235	2900138.....	39	3040382.....	53	3300282.....	221
2751428.....	233, 235	2900202.....	39	3120044.....	282	3300287.....	205, 209, 211, 223
2751450.....	239	2900340.....	213	3120046.....	282	3300295.....	207
2751452.....	239	2900375.....	201, 203, 209, 211	3120048.....	282	3300302.....	223
2751469.....	243	2900379.....	189, 191, 195	3120089.....	282		
2751472.....	235	2900381.....	197, 199	3120322.....	282		
2751483.....	233, 235	2900396.....	221	3120344.....	282		
2751484.....	235	2900449.....	26	3120351.....	282		
2751489.....	243	2900455.....	175	3160080.....	19, 25		
2751491.....	233	2900649.....	85	3160083.....	168, 172, 175		
2751502.....	235	2900659.....	23				
2751509.....	244						



## PART NUMBER INDEX

3310601 ... 140, 141, 178, 182	3421602 ..... 152	3530244 ..... 11	3840863 ..... 10, 14
3310801 ... 101, 107, 122, 147	3421603 ..... 151	3530403 ..... 137	3840868 ..... 15, 16
3311001 ..... 47, 120, 122, 134, 137, 139, 140, 141, 178, 181, 182, 185, 186	3421604 ..... 155	3531023 ..... 181	3840898 ..... 113
3311401 ... 57, 58, 59, 93, 97, 102, 103, 108, 113, 116, 119, 120, 123, 125, 129, 133, 134, 139, 145, 148, 152, 161	3421605 ..... 151	3532054 ... 167, 168, 171, 172	3841026 ..... 92, 102
331140592, 93, 102, 120, 134, 143, 147, 155, 156, 169, 173, 185, 269, 273	3421612 ... 167, 168, 171, 172	3532202 ..... 145, 148	3841029 ..... 11
3311501 ... 47, 57, 58, 91, 102, 120, 167	3421613 ... 167, 168, 172	3532976 ..... 160	3841048 ..... 53
3311505 ... 133, 147, 151, 152, 168, 171, 172, 177, 182	3421614 ..... 151	3533498 ..... 53	3841255 ..... 119
33116019, 10, 13, 47, 48, 57, 58, 59, 92, 93, 101, 102, 103, 108, 120, 125, 134, 143, 152, 161, 186, 221	3421615 ..... 151	3533904 ..... 186	3900139 ..... 213
3311605 ... 134, 147, 152, 156	3421616 ..... 151	3534494 ..... 185	3900141 ... 193, 197, 199, 213, 219
3311701 ... 102, 108, 120	3421617 ..... 151	3534745 ..... 156	3900166 ..... 159
3311801 ... 9, 13, 19, 137, 160, 161	3421618 ..... 152	3534778 ..... 48	3900168 ..... 153
3311802 ..... 152	3421619 ..... 152	3536410 ..... 11	3900170 ... 189, 191, 193, 195, 197, 199, 201, 203, 205, 213, 217, 219, 221, 223
3311805 ... 151, 152, 168, 169, 171, 172, 173, 186	3421627 ..... 59	3536566 ..... 185	3900172 ..... 207
3312001 ... 101, 108, 120	3421829 ..... 171	3536597 ..... 143	3900175 ... 191, 193, 195, 197, 199
3312005 ... 101, 107, 121	3421833 ..... 11	3560034 ..... 182	3900230 ..... 205
3312601 ... 10, 11, 14, 15	3421856 ..... 16	3580134 ..... 97, 115, 125	3910606 ..... 140, 141
3312602 ..... 11, 15, 16	3421858 ..... 16	3580158 ..... 97	3910608 ..... 178, 181
3313403 ..... 10, 15	3421861 ..... 14	3580239 ..... 125	3910614 ..... 140, 141
3321401 ... 113, 120, 191, 193, 195, 197, 199	3421927 ..... 16	3580250 ..... 125	3910812 ... 101, 107, 113, 121, 147
3323002 ... 10, 14, 16, 53	3421929 ..... 16	3600071 ... 93, 103, 109, 121	3911012 ... 121, 137, 181, 186
3323402 ..... 15	3422043 ..... 155	3600139 ... 91, 101, 107, 119, 131	3911412 ..... 139
3323403 ..... 10, 15	3422064 ..... 14	3600141 ..... 92	3930812 ..... 152
3340454 ..... 167, 171	3422075 ..... 151	3600179 ..... 59	3931010 ..... 168, 172
3340473 ..... 155	3422221 ..... 11	3620003 ..... 282	3931016 ..... 47
3340500 ..... 159	3422261 ..... 10, 15	3620026 ... 102, 108, 120	3931612 ..... 168, 172
3340550 ..... 159, 160	3422360 ..... 14	3640500 ..... 178	3931620 ..... 168, 172
3340552 ..... 155	3431622 ... 10, 11, 14, 15, 16	3640711 ..... 140	3932028 ..... 19
3340580 ..... 159, 160	3440816 ..... 168, 172	3640752 ..... 182, 183	3932032 ..... 223
3420290 ..... 137	3441228 ..... 168, 172	3641032 ..... 182, 183	3940804 ... 102, 108, 120
3420292 ..... 53	3450202 ..... 91	3730004 ..... 263	3941003 ..... 59
3420372 ..... 53	3450606 ... 10, 11, 14, 15, 16	3730095 ..... 263	3941404 ..... 143
3420477 ..... 53	3450808 ..... 9, 13	3740002 ..... 262	3941406 ... 143, 145, 147, 148, 185
3421151 ..... 53	3450810 ..... 10, 15	3740004 ... 93, 139, 178, 260, 261, 262, 277	3951003 ..... 91
3421190 ..... 11	3450814 ..... 9, 13	3740049 ..... 182, 260	3951403 ... 189, 205, 215, 217
3421224 ..... 9, 13	3451012 ..... 10, 15	3740057 ..... 182, 260	3951405 ..... 223
3421243 ..... 10, 15	3460132 ..... 129	3740058 ... 140, 141, 182, 277	3951603 ..... 221
3421565 ..... 58, 59	3480092 ..... 221	3740059 ..... 140, 277	3951810 ..... 160
3421596 ..... 160	3480102 ..... 213	3740061 ..... 141	3951820 ..... 137
3421597 ..... 160	3480103 ..... 207	3740063 ... 140, 141, 182	3960098 ..... 10, 15
3421598 ..... 151	3480105 ..... 201, 203	3740066 ..... 182	3960371 ..... 133
3421599 ..... 151	3480113 ..... 223	3740067 ..... 140, 277	3960389 ..... 91
3421600 ... 167, 168, 171, 172	3480116 ... 189, 191, 195	3740077 ..... 140, 280	3960407 ..... 91
3421601 ..... 155	3480120 ..... 197, 199	3740080 ..... 122, 280	3960416 ... 191, 193, 195, 197, 199
	3480126 ..... 223	3740085 ..... 181	3960417 ..... 147
	3480130 ..... 215, 217	3740086 ..... 181, 278	3960418 ..... 147
	3480134 ..... 193, 219	3740088 ..... 181	3980003 ... 101, 108, 121
	3501916 ..... 79	3760004 ..... 137	3980007 ..... 92
	3507049 ..... 53	3760053 ..... 137	3990001 ..... 140, 261
	3510308 ..... 169	3760133 ..... 155	3990010 ... 260, 261, 262, 263, 278
	3510309 ..... 169	3760257 ..... 160	4040222 ..... 171
	3510310 ..... 169	3780183 ... 10, 15, 213, 217	4060229 ... 140, 177, 178, 181
	3510311 ..... 169	3780184 ... 10, 13, 14, 16, 155, 207, 211	4060695 ..... 134
	3510376 ..... 173	3780185 ..... 161, 203	4060696 ..... 115
	3510377 ..... 173	3780187 ..... 14	4060767 ..... 134
	3510378 ..... 173	3790012 ... 139, 140, 177, 178, 181	4060804 ..... 167, 168
	3510379 ..... 173	3790015 ..... 139, 177	
	3520022 ..... 134	3820001 ... 53, 163, 269, 273, 274	
	3520026 ..... 139	3820012 ..... 145, 148	
	3520028 ... 97, 115, 125, 139, 177	3820019 ..... 145	
	3520035 ..... 168, 172	3840643 ..... 53	
	3520064 ..... 148		
	3530210 ..... 129		

# PART NUMBER INDEX

4060829.....	143	4300048.....	9	4420001.....	92, 103, 108, 120	4565162.....	92
4060832.....	147	4300056.....	102, 108	4420008.....	181, 186	4565163.....	92
4070224.....	14	4300057.....	119	4420037.....	139, 182	4565278.....	92
4070225.....	14	4300068.....	97	4420038.....	177	4565816.....	195
4070410.....	133	4300073.....	133	4420051.....	270	4565846.....	207
4070411.....	133	4300092.....	19	4420052.....	273	4565988.....	92
4070412.....	133	4300106.....	58, 59	4460023.....	97, 116	4566007.....	108
4070439.....	152	4320008.....	19	4460027.....	97, 115, 125, 261	4566267.....	282
4070528.....	9, 13	4340509.....	102, 109, 121	4460049.....	134, 262	4566605.....	119
4070555.....	159, 160	4340565.....	115	4460052.....	116, 125, 153, 181	4566625.....	122
4070556.....	159, 160	4360031.....	169, 173, 277	4460071.....	116, 140, 169, 173, 178, 182, 186	4566650.....	125
4070559.....	156	4360037.....	93, 103, 107, 119, 126	4460190.....	97, 115, 125	4620047.....	79
4070585.....	168, 172	4360065.....	93, 95, 261	4460244.....	140, 178	4620091.....	79
4070586.....	168, 172	4360089.....	260	4460260.....	260, 263	4640005.....	59
4070587.....	168, 173	4360108.....	177	4460298.....	140, 178, 182	4640047.....	282
4070670.....	155, 159, 160	4360131.....	177	4460299.....	140, 178, 182	4640123.....	57, 282
4070671.....	155, 159, 160	4360132.....	177	4460300.....	140, 178, 182	4640150.....	58
4070672.....	155, 159, 160	4360141.....	139	4460301.....	140, 178, 182	4640151.....	282
4070676.....	155	4360157.....	104, 110, 122, 261	4460302.....	91	4640182.....	15
4070677.....	155	4360171.....	58, 276	4460305.....	140, 178, 182	4640197.....	233, 235
4070678.....	155	4360182.....	103, 104, 110, 261	4460306.....	140, 178, 182	4640249.....	57, 69
4070705.....	167	4360188.....	129	4460307.....	140, 178, 182	4640260.....	47
4070706.....	167	4360199.....	139, 177, 178, 181, 183, 262, 263, 276	4460308.....	140, 263	4640261.....	53
4070707.....	168	4360200.....	139, 177, 181, 183, 277	4460311.....	140, 178, 182	4640273.....	189, 193, 197
4070738.....	152	4360201.....	261	4460386.....	181	4640310.....	152
4070774.....	134	4360202.....	139, 140, 177, 178, 181, 276	4460404.....	182	4640360.....	58
4070786.....	160	4360209.....	178	4460405.....	182	4640391.....	129
4070787.....	160	4360212.....	141, 280	4460423.....	182	4640438.....	189, 193, 197
4070798.....	147	4360216.....	139, 277	4520007.....	21	4640451.....	47
4070800.....	9, 13	4360228.....	141	4520009.....	20	4640452.....	205
4070837.....	159, 160	4360229.....	260	4520024.....	20	4640509.....	191, 195, 199, 201, 209, 215, 223
4070838.....	159, 160	4360232.....	139, 182, 262, 277	4520025.....	20	4640523.....	228
4070854.....	159, 160	4360236.....	153	4520125.....	21	4640543.....	57
4070855.....	159, 160	4360263.....	185	4520142.....	21	4640554.....	57, 61
4100025.....	92	4360266.....	152	4520171.....	21	4640574.....	253
4100026.....	241, 257	4360267.....	139, 276	4520200.....	21	4640575.....	243
4100027.....	25	4360274.....	139, 177, 181, 277	4561815.....	103	4640578.....	57, 69
4100028.....	25	4360277.....	153, 280	4562083.....	171	4640580.....	57, 75
4100029.....	25	4360278.....	153	4562516.....	133, 134	4640603.....	58, 59
4120012.....	182, 260	4360280.....	58, 276	4562637.....	101, 107	4640626.....	58
4120013.....	140, 141, 182	4360281.....	139, 276	4562687.....	219	4640632.....	228
4130160.....	10, 15	4360282.....	181, 278	4562851.....	219	4640634.....	58, 203, 207, 211, 217
4130161.....	10, 15	4360284.....	139, 276	4562859.....	189, 191, 193	4640668.....	47
4130223.....	11	4360289.....	181, 277	4563636.....	223	4640671.....	47
4130224.....	11	4360294.....	261	4563647.....	197, 199	4640675.....	221
4130253.....	16	4360386.....	59, 280	4563674.....	101	4640677.....	205
4130254.....	16	4360405.....	119	4563771.....	215, 217	4640680.....	58, 77
4130255.....	16	4360542.....	97, 115, 125	4564088.....	141	4640681.....	58, 77
4130256.....	16	4400265.....	133	4564117.....	223	4640682.....	47
4160026.....	167, 171	4400266.....	133	4564123.....	115	4640684.....	47, 51
4160028.....	185	4400275.....	134	4564132.....	213	4640716.....	57, 75
4160106.....	147	4400290.....	133	4564158.....	201, 203	4640747.....	207
4220007.....	185	4400291.....	133	4564167.....	103	4640750.....	119
4220098.....	9, 13	4400294.....	133	4564275.....	221	4640751.....	93
4220137.....	172	4400295.....	133	4564281.....	103, 107, 121	4640774.....	257
4240033.....	205	4400344.....	133	4564328.....	115	4640778.....	247
4300030.....	10, 13	4400345.....	133	4564329.....	115	4640812.....	10, 11, 14, 15, 16, 151, 155, 161, 203, 207, 211, 213, 217
4300031.....	93, 108, 120, 123, 145, 147, 148, 156	4400381.....	133	4564413.....	92	4640914.....	57, 65
4300033.....	58	4400382.....	133	4564417.....	125	4640942.....	57, 73
4300034.....	10, 57, 59, 92, 93, 102, 103, 109, 121, 134			4564473.....	205	4640945.....	57, 73
430003847, 57, 109, 121, 168				4564493.....	91	4640989.....	119
4300042.....	58			4564579.....	172	4642691.....	13
4300045.....	13, 161			4564637.....	219	4700005.....	129

## PART NUMBER INDEX

4711400 .....	91	129, 133, 134, 137,	4844296 .....	147	7000166 .....	175
4711600 .....	92, 93, 103	139, 145, 147, 148,	4844312 .....	93	7000206 .....	41
4711601 .....	93	152, 155, 156, 161, 171	4844337 .....	107, 122	7000207 .....	89
4712600 ...	10, 11, 14, 15,	4761500 9, 13, 47, 53, 57,	4844345 .....	147	7000208 .....	89
16		58, 91, 93, 97, 102,	4844357 .....	147	7000209 .....	89
4740003 .....	79	108, 115, 120, 125,	4844592 .....	282	7000210 .....	89
4740004 .....	79	133, 137, 167, 171, 172	4844903 .....	120	7000213 .....	41
4740016 .....	10, 15	4761600 ...	4860108 .....	21	7000214 .....	41, 44, 89
4740036 .....	53	16, 47, 48, 57, 58, 59,	4860115 .....	21	7000215 .....	41
4740048 .....	79	92, 93, 97, 101, 102,	4860119 .....	21	7000217 .....	41, 44, 89
4740082 .....	16	103, 108, 109, 115,	4860123 .....	21	7000218 .....	39
4740116 ....	103, 107, 115	120, 125, 134, 143,	4860129 .....	21	7000219 .....	39
4740120 ...	139, 177, 181,	152, 155, 156, 159,	4860130 .....	21	7000220 .....	39, 41, 43
186		160, 168, 172, 186	4860148 .....	21	7000221 .....	39
4740158 .	9, 13, 168, 171,	4761700 ....	4920096 .....	11, 16	7000222 .....	39
172		120	4920140 .....	153	7000225 .....	39
4740171 .....	79	4761800 ....	4920959 .....	103, 108	7000229 .....	41
4740185 .....	9, 14	101, 107, 119, 137,	4920986 .....	171	7000230 .....	41
4740199 .....	168, 172	151, 152, 160, 161,	4921160 .....	107	70002307 .....	122
4740242 ....	101, 107, 121	168, 171	4921161 .....	263	7000232 .....	41
4740252 .....	19	4762000 19, 20, 101, 108,	4921162 .....	263	7000233 .....	89
4740256 .....	168, 172	120, 223	4921208 .....	263	7000241 .....	43
4740275 .....	125	4762600 .....	4921305 .....	261	7000242 .....	41, 43, 89
4740307 .....	151	4770600 .....	4921361 .....	261	7000243 .....	39, 41, 43
4740322 .....	134	4770800 .....	4921529 .....	262	7000246 .....	41, 89
4740338 .....	134	4791400 .....	4921567 .....	161	7000250 .....	41, 43
4740362 .....	169, 173	4791600 .....	4921717 .....	121	7000252 .....	41, 43
4740367 .....	79	4812000 .....	4921721 .....	263	7000253 .....	41, 43, 89
4740368 .....	161	4831900 .....	4921763 .....	261	7000255 .....	89
4750600 ....	140, 178, 181	4832000 ....	4921764 .....	121	7000256 .....	89
4750800 ...	108, 120, 147,	121, 125	4921767 .....	263	7000257 .....	41, 89
182		4842153 .....	4931444 .....	261	7000258 .....	41, 89
4751000 ....	47, 134, 137,	4842691 .....	4931692 .....	261	7000260 .....	41, 43
139, 140, 141, 181,		4842915 .....	4931941 .....	261	7000261 .....	41, 43
185, 186		4843132 .....	4931942 .....	261	7000262 .....	41, 43
4751400 9, 13, 14, 57, 58,		4843146 .....	4931943 .....	262	7000263 .....	41, 43
59, 92, 93, 97, 102,		4843147 .....	4931945 .....	261	7000265 .....	39
108, 113, 115, 120,		4843156 .....	4931946 .....	260	7000268 .....	89
125, 129, 133, 134,		4843160 .....	4931947 .....	260	7000269 .....	89
137, 139, 143, 145,		4843256 .....	4931950 .....	260	7000270 .....	89
147, 148, 155, 156,		4843260 .....	4931954 .....	260	7000271 .....	89
161, 171, 185, 269, 273		4843269 .....	4931998 .....	261	7000272 .....	39
4751500 9, 13, 41, 47, 53,		4843271 .....	4932024 .....	260, 261	7000273 .....	39
57, 58, 89, 97, 115,		4843280 .....	4932034 .....	263	7000274 .....	39
125, 133, 151, 152,		4843286 .....	4932052 .....	262, 263	7000275 .....	39
167, 177, 182		4843371 .....	4932063 .....	260	7000276 .....	39
4751600 ...	13, 48, 57, 58,	4843372 .....	4932089 .....	262	7000279 .....	39
59, 97, 101, 102, 108,		4843410 .....	4932313 .....	262	7000280 .....	39
115, 120, 125, 134,		4843423 .....	4932314 .....	260	7000282 .....	39
147, 156, 167, 186, 221		4843424 .....	4932315 .....	260	7000283 .....	39
4751700 .....	102, 108	4843425 .....	4932340 .....	262	7000284 .....	39
4751800 ...	9, 13, 19, 107,	4843426 .....	4932362 .....	260, 263	7000285 .....	39
151, 152, 167, 171,		4843448 .....	4932369 .....	262	7000286 .....	39
172, 186		4843468 .....	4932438 .....	263	7000287 .....	39
4752000 ....	101, 167, 171	4843481 .....	4932490 .....	260	7000288 .....	39
4760600 ...	140, 141, 178,	4843566 .....	4932492 .....	261	7000289 .....	39
181		4843636 .....	4932582 .....	262	7000290 .....	39
4760800 ...	102, 113, 122,	4843643 .....	4932583 .....	262	70003445 .....	47
147, 182		4843742 .....	4932637 .....	260	70003622 .....	94
4761000 .	11, 15, 47, 120,	4843822 .....	4932639 .....	260	7000413 .....	70
122, 134, 137, 139,		4843826 .....	4932762 .....	263	7000414 ....	51, 70, 73, 77
140, 141, 178, 181,		4844015 .....	4932787 .....	262	7000417 .....	69
182, 185, 186		4844226 .....	4932793 .....	263	7000418 ...	51, 70, 73, 77,
4761400 9, 11, 13, 14, 57,		4844291 .....	4932806 .....	261	276	
58, 59, 92, 93, 97, 102,		4844293 .....	4932813 .....	261	7000448 .....	73, 77
103, 108, 113, 115,		4844294 .....	70000851 .....	94	7000468 ....	51, 70, 73, 77
119, 120, 123, 125,		4844295 .....	70001111 .....	41, 43	7000470 ....	51, 70, 73, 77

# PART NUMBER INDEX

7000558.....	57	7002320.....	69	7003103.....	131	7004933.....	25
7000625.....	169, 173	7002321.....	69	7003634.....	58	7004936.....	25
7000643.....	113	7002322.....	69	7003635.....	58	7004937.....	25
7000646.....	104, 110, 122	7002323.....	69	7003647.....	58	7004938.....	25
7000694.....	92	7002324.....	69	7003657.....	97, 115, 125	7004939.....	25
7000699.....	94	7002325.....	77	7003751.....	181, 277	7004941.....	25
7000717.....	31	7002326.....	69	7003789.....	183	7004942.....	25
7000718.....	85	7002327.....	51, 73	7003825.....	69, 73, 77	7004943.....	25
7000728.....	31, 85	7002328.....	69	7004146.....	282	7004944.....	25
7000729.....	85	7002329.....	69	7004166.....	81	7004945.....	25
7000732.....	85	7002333.....	51, 70, 73, 77	7004167.....	81, 83	7004946.....	25
7000760.....	31, 87	7002334.....	51, 69, 70, 73, 77	7004171.....	81, 83	7004947.....	25
7000782.....	85			7004173.....	81	7004948.....	25
7000796.....	31, 35, 85, 87	7002335.....	51, 70, 73, 77	7004177.....	81	7004950.....	25
7000798.....	85	7002336.....	51, 70, 73, 77	7004191.....	81	7004951.....	25
7000867.....	104, 109	7002338.....	51, 69, 70, 73, 77	7004192.....	81, 83	7004952.....	25
7000869.....	104, 110			7004193.....	81, 83	7004953.....	25
7000870.....	104, 110	7002339.....	51, 70, 73, 77	7004194.....	81	7004954.....	25
7000871.....	104, 110	7002340.....	51, 69, 70, 73, 77	7004195.....	81	7004955.....	25
7000874.....	104, 110			7004196.....	83	7004956.....	25
7000877.....	113	7002341.....	51, 70, 73, 77	7004214.....	92, 103, 108, 120, 276	7004957.....	25
7000878.....	113	7002344.....	51, 70, 73, 77	7004244.....	133	7004958.....	25
7000884.....	113, 122	7002345.....	51, 69, 73, 77	7004247.....	93, 103, 109, 121	7004959.....	26
7000894.....	113	7002346.....	51, 69, 73, 77	7004248.....	93, 103, 109, 121	7004960.....	26
7001900.....	39	7002347.....	77	7004249.....	93, 103, 109, 121	7004961.....	26
7001902.....	39	7002348.....	51, 69, 73, 77	7004275.....	283	7005562.....	131
7001903.....	39	7002447.....	73	7004276.....	283	7005595.....	131
7001904.....	39	7002448.....	73	7004289.....	58	7005597.....	131
7001906.....	39	7002449.....	73	7004290.....	93	7005598.....	131
7001909.....	41, 43	7002450.....	73, 276	7004291.....	93	7005599.....	131
7001911.....	41, 43	7002451.....	73	7004365.....	75	7006075.....	57
7001913.....	41, 43	7002821.....	283	7004366.....	75	7006139.....	156, 161, 277
7001917.....	39	7002822.....	283	7004367.....	75	7006151.....	156, 161
7001918.....	39	7002823.....	283	7004368.....	57, 58, 75	7006152.....	156, 161, 277
7001922.....	44	7002826.....	283	7004369.....	75	7006156.....	156
7001927.....	39	7002828.....	283	7004436.....	93, 103, 109, 121	7006158.....	156
7001928.....	39	7003006.....	31, 85, 87			7006162.....	156
7001931.....	41, 43	7003007.....	31, 87	7004600.....	73	7006163.....	156
7001937.....	39	7003047.....	31	7004822.....	69	7006703.....	23
7001984.....	41, 43	7003049.....	31, 87	7004823.....	69	7006704.....	23
7001985.....	41, 43	7003050.....	87	7004834.....	69	7006706.....	23
7001987.....	41, 43	7003051.....	31, 87	7004835.....	69	7006707.....	23
7001988.....	41, 43	7003052.....	31, 87	7004836.....	69	7006709.....	23
7001990.....	41, 43	7003054.....	31, 87	7004837.....	69	7006710.....	23
7001997.....	41	7003055.....	31, 87	7004838.....	69	7006711.....	23
7001998.....	41	7003056.....	31, 87	7004839.....	69	7006712.....	23
7002100.....	175	7003057.....	31	7004841.....	69	7006713.....	23
7002103.....	175	7003059.....	31, 87	7004859.....	51, 69, 73, 77	7006714.....	23
7002104.....	175	7003060.....	85	7004894.....	69, 73	7006715.....	23
7002105.....	175	7003061.....	85	7004906.....	25	7006716.....	23
7002107.....	175	7003062.....	85	7004907.....	25	7006717.....	23
7002110.....	175	7003063.....	85	7004908.....	25	7006721.....	23
7002111.....	175	7003064.....	85	7004910.....	26	7006724.....	61, 65
7002112.....	175	7003065.....	85	7004911.....	26	7006725.....	61, 65
7002116.....	175	7003066.....	85	7004912.....	25	7006726.....	61
7002117.....	175	7003067.....	85	7004913.....	25	7006727.....	61
7002123.....	175	7003069.....	87	7004914.....	26	7006728.....	61
7002125.....	175	7003070.....	31	7004916.....	25	7006729.....	61
7002229.....	69	7003071.....	31	7004917.....	25	7006730.....	61, 65
7002262.....	77	7003087.....	44	7004918.....	25	7006731.....	61, 65
7002274.....	51	7003088.....	44	7004927.....	26	7006733.....	61, 65
7002294.....	69	7003089.....	44	7004928.....	25	7006737.....	61, 65
7002304.....	69	7003092.....	87	7004929.....	25	7006744.....	61
7002305.....	51, 69, 73, 77	7003093.....	87			7006745.....	61, 65
7002315.....	51, 69, 73, 77	7003094.....	87			7006746.....	61, 65
7002316.....	77	7003095.....	87			7006748.....	61, 65
7002317.....	77	7003096.....	87			7006752.....	61

## PART NUMBER INDEX

7006756	61	7009305	23	7010776	83	7012703	29
7006757	61, 65	7009306	23	7010777	83	7012704	29
7006760	61	7009307	23	7010778	83	7012705	29
7006761	62	7009308	23	7010779	83	7012706	29
7006763	61	7009309	23	7011118	73	7012707	29
7006766	23	7009310	23	7011316	47	7012708	29
7006767	23	7009315	61	7011317	47	7012709	29
7006768	23	7009316	61	7011712	35	7012710	29
7006771	62	7009319	61, 65	7011713	35	7012711	29
7006772	23	7009320	61, 65	7011714	35	7012712	29
7006773	61, 65	7009321	61	7011715	35	7012713	29
7006774	23	7009323	61, 65	7011716	35	7012714	29
7006776	23	7009324	61, 65	7011717	35	7012715	29
7006777	62	7009325	61	7011903	177, 178, 183	7012716	29
7006778	62, 66	7009327	61	7011907	181, 182, 277	7014502	94, 280
7006780	62	7009328	61	7012300	66	7014677	104, 109
7006782	62, 66	7009329	62	7012319	65	7014678	104, 110
7006786	23	7009330	62, 65	7012322	65	7014679	104, 110
7006787	23	7009361	66	7012325	65	7014684	94
7006788	23	7009363	61	7012326	65	7016307	182, 183, 280
7006789	23	7009368	62	7012327	65	7016308	94
7006791	23	7009369	62	7012328	65	7016309	94
7006792	23	7009395	62	7012329	65	7016331	94
7006794	23	7009397	66	7012330	65	7016332	95
7006795	23	7009398	65	7012331	66	7016333	134
7006796	23	7009399	66	7012332	66	7016359	94
7006797	23	7009500	131	7012333	65	7016600	122
7006798	23	7009503	131	7012334	66	7016601	122
7007321	47	7009504	131	7012335	66	7016605	122
7007323	47	7009505	131	7012336	66	7016654	283
7007601	41	7009508	131	7012337	66	7016673	59
7007603	44	7009509	131	7012338	66	7017515	129
7007617	43	7009510	131	7012339	65, 276	7018602	35
7007645	39	7009511	131	7012340	66	7018603	35
7007653	43	7009513	131	7012383	65	7018605	35
7007683	43	7009739	47	7012505	75	7018606	35
7007684	43	7009745	58, 75	7012506	75	7018607	35
7007685	43	7009992	175	7012507	75	7018608	36
7007686	43	7010429	41	7012509	75	7018609	35
7007687	43	7010452	44	7012510	75	7019607	94
7007688	43	7010453	44	7012511	75	7019921	122
7007689	43	7010455	44	7012513	97, 115, 125	7019924	122
7007690	43	7010459	44	7012514	97, 115, 125	7019925	122
7007691	43	7010470	44	7012516	47	7019926	122
7007692	44	7010473	44	7012518	57	7019927	122
7007697	41	7010474	43	7012558	97, 115, 125	7019929	122
7007914	33	7010475	44	7012559	134	7019930	122
7007923	35	7010476	44	7012576	93, 103, 109, 121	7019931	104, 110, 122
7007924	33, 35	7010477	44	7012577	113	7019932	104, 110, 122
7007933	35	7010478	44	7012578	113	7019933	122
7007970	35	7010510	47	7012579	122	7019976	122
7007977	33, 35	7010545	207	7012598	280	7020023	94
7007978	33	7010552	75	7012599	94	7020024	94
7007979	33, 35	7010553	75	7012611	181	7020108	97, 115, 125
7007980	33, 35	7010554	75	7012612	181	7020109	97, 115, 125
7007981	33	7010556	75	7012626	94	7020110	97, 115, 125
7007983	33, 35	7010557	75	7012649	152	7020111	97, 115, 125
7007985	33, 35	7010558	75	7012656	280	7020120	122
7007986	33, 35	7010559	75	7012679	104, 110, 122	7020168	95
7007987	33, 35	7010560	75	7012680	122	7020190	97, 115, 125
7007989	33	7010630	47	7012681	122	7020191	97, 115, 125
7008804	141	7010633	104, 109	7012682	122	7020193	97, 115, 125
7008821	141	7010635	58	7012683	122	7020208	94
7008828	141, 280	7010637	58	7012690	122	7020220	94
7008829	141, 280	7010652	59	7012698	94	7020406	94
7009300	23	7010698	139, 276	7012700	29	7020411	94
7009301	23	7010775	83	7012701	29	7020412	94

## PART NUMBER INDEX

7020414.....	95	7020455.....	94	7022143.....	122	7025126.....	122
7020417.....	94	7020457.....	94	7022153 ....	104, 110, 122	7025145.....	122
7020419.....	94	7020463.....	94	7022178.....	122	7027210.....	94
7020424.....	94	7020471.....	94	7022180 ....	104, 110, 122	7027250.....	94, 95
7020425.....	94	7020477.....	94	7023471.....	122	7996719.....	23
7020426.....	94	7020479.....	95	7023667.....	104, 109	8320270.....	94
7020430.....	94	7021869 ...	104, 110, 122,	7024321 ....	104, 110, 122		
7020435.....	94	280		7024579.....	94		

Go to [Discount-Equipment.com](http://Discount-Equipment.com) to order your parts

# PARTS FINDER

**Search Website  
by Part Number**



**Search Manual  
Library For Parts  
Manual & Lookup Part  
Numbers – Purchase  
or Request Quote**

**Can't Find Part or  
Manual? Request Help  
by Manufacturer,  
Model & Description**

Discount-Equipment.com is your online resource for quality parts & equipment.

Florida: **561-964-4949** Outside Florida TOLL FREE: **877-690-3101**

## Need parts?

Click on this link: <http://www.discount-equipment.com/category/5443-parts/> and choose one of the options to help get the right parts and equipment you are looking for. Please have the machine model and serial number available in order to help us get you the correct parts. If you don't find the part on the website or on one of the online manuals, please fill out the request form and one of our experienced staff members will get back to you with a quote for the right part that your machine needs.

We sell worldwide for the brands: Genie, Terex, JLG, MultiQuip, Mikasa, Essick, Whiteman, Mayco, Toro Stone, Diamond Products, Generac Magnum, Airman, Haulotte, Barreto, Power Blanket, Nifty Lift, Atlas Copco, Chicago Pneumatic, Allmand, Miller Curber, Skyjack, Lull, Skytrak, Tsurumi, Husquvarna Target, Stow, Wacker, Sakai, Mi-T-M, Sullair, Basic, Dynapac, MBW, Weber, Bartell, Bennar Newman, Haulotte, Ditch Runner, Menegotti, Morrison, Contec, Buddy, Crown, Edco, Wyco, Bomag, Laymor, EZ Trench, Bil-Jax, F.S. Curtis, Gehl Pavers, Heli, Honda, ICS/PowerGrit, IHI, Partner, Imer, Clipper, MMD, Koshin, Rice, CH&E, General Equipment, Amida, Coleman, NAC, Gradall, Square Shooter, Kent, Stanley, Tamco, Toku, Hatz, Kohler, Robin, Wisconsin, Northrock, Oztec, Toker TK, Rol-Air, APT, Wylie, Ingersoll Rand / Doosan, Innovatech, Con X, Ammann, Mecalac, Makinex, Smith Surface Prep, Small Line, Wanco, Yanmar