



THE

# BARRETO

## MODELS 920LS-922LS SERIES HYDRAULIC LOG SPLITTER EXPLODED VIEWS WITH PART NUMBERS

CONGRATULATIONS!

You are now the proud owner of a BARRETO log splitter. The following pages have detailed views of your log splitter, along with corresponding part numbers.

THANK YOU for your patronage and confidence in BARRETO equipment.

### Machine Identification Record

Barreto Customer number \_\_\_\_\_

Machine model number \_\_\_\_\_

Machine serial number \_\_\_\_\_

Engine manufacturer \_\_\_\_\_

Engine model number \_\_\_\_\_

Engine serial number \_\_\_\_\_

# PARTS FINDER

**Search Website  
by Part Number**

**Discount  
Equipment**



**Search Manual  
Library For Parts  
Manual & Lookup Part  
Numbers – Purchase  
or Request Quote**

A screenshot of the 'Search Manuals' form. It has a title 'Search Manuals' and a subtitle 'Please enter the information below to search for a manual or parts manual.' The form includes several input fields: 'Find' (with a dropdown menu), 'Serial Number' (with a dropdown menu), 'Make' (with a dropdown menu), 'Part Number' (text input), 'Part Description' (text input), and 'Category' (text input). There is a 'Search' button at the bottom.

**Can't Find Part or  
Manual? Request Help  
by Manufacturer,  
Model & Description**

A screenshot of the 'Parts Order Form'. It has a title 'Parts Order Form' and a subtitle 'Please fill in the information below to request help finding a part or manual.' The form includes several input fields: 'Manufacturer' (text input), 'Model' (text input), 'Description' (text input), 'Part Number' (text input), 'Part Description' (text input), 'Quantity' (text input), 'Unit of Measure' (text input), 'Part Category' (text input), 'Part Location' (text input), 'Part Condition' (text input), 'Part Material' (text input), 'Part Color' (text input), 'Part Finish' (text input), 'Part Weight' (text input), 'Part Length' (text input), 'Part Width' (text input), 'Part Height' (text input), 'Part Diameter' (text input), 'Part Thickness' (text input), 'Part Radius' (text input), 'Part Angle' (text input), 'Part Tolerance' (text input), 'Part Specification' (text input), and 'Part Drawing' (text input). There is a 'Submit' button at the bottom.

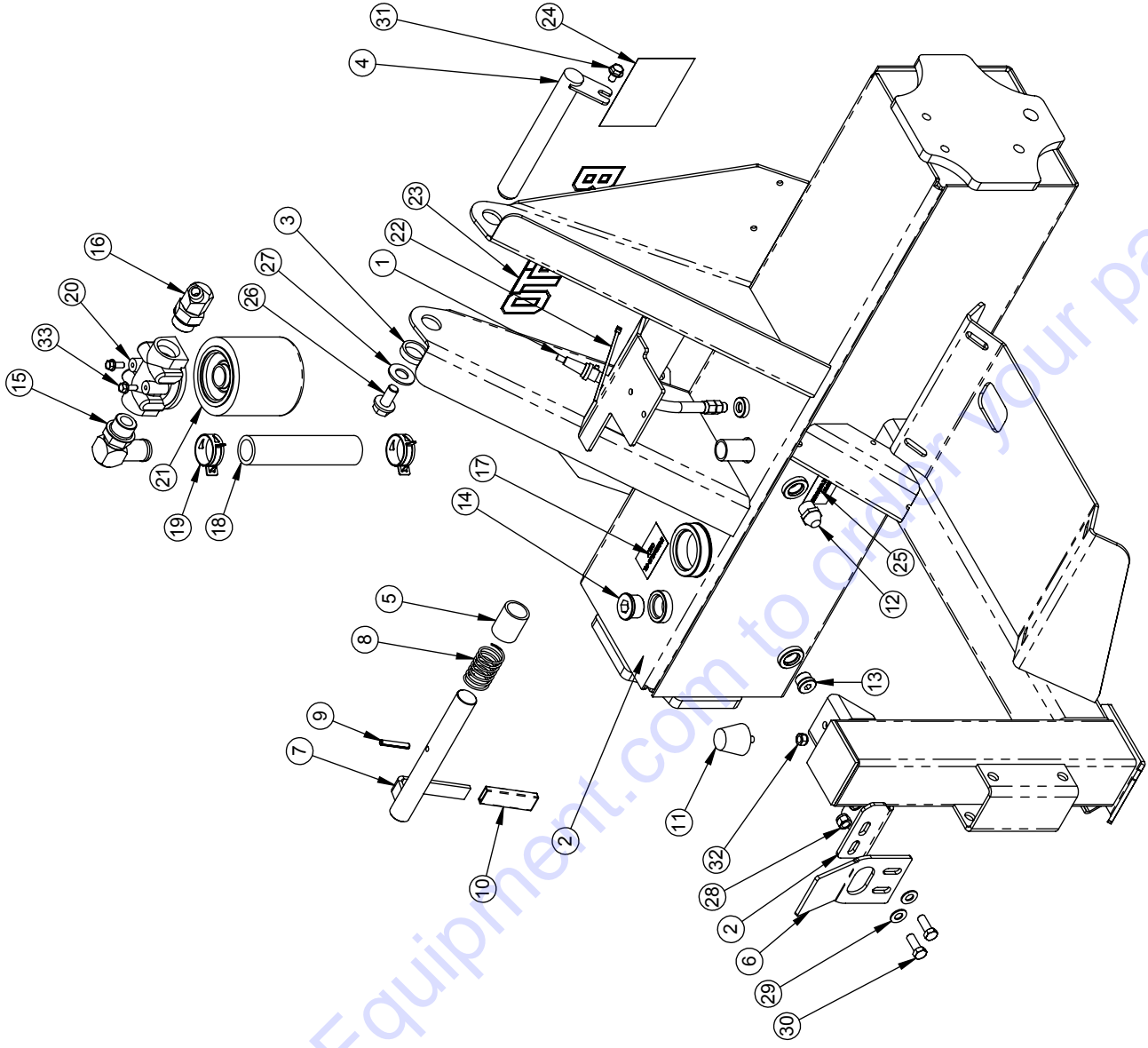
Discount-Equipment.com is your online resource for quality parts & equipment.

Florida: **561-964-4949** Outside Florida TOLL FREE: **877-690-3101**

**Need parts?**

Click on this link: <http://www.discount-equipment.com/category/5443-parts/> and choose one of the options to help get the right parts and equipment you are looking for. Please have the machine model and serial number available in order to help us get you the correct parts. If you don't find the part on the website or on one of the online manuals, please fill out the request form and one of our experienced staff members will get back to you with a quote for the right part that your machine needs.

We sell worldwide for the brands: Genie, Terex, JLG, MultiQuip, Mikasa, Essick, Whiteman, Mayco, Toro Stone, Diamond Products, Generac Magnum, Airman, Haulotte, Barreto, Power Blanket, Nifty Lift, Atlas Copco, Chicago Pneumatic, Allmand, Miller Curber, Skyjack, Lull, Skytrak, Tsurumi, Husquvarna Target, Stow, Wacker, Sakai, Mi-T-M, Sullair, Basic, Dynapac, MBW, Weber, Bartell, Bennar Newman, Haulotte, Ditch Runner, Menegotti, Morrison, Contec, Buddy, Crown, Edco, Wyco, Bomag, Laymor, EZ Trench, Bil-Jax, F.S. Curtis, Gehl Pavers, Heli, Honda, ICS/PowerGrit, IHI, Partner, Imer, Clipper, MMD, Koshin, Rice, CH&E, General Equipment, Amida, Coleman, NAC, Gradall, Square Shooter, Kent, Stanley, Tamco, Toku, Hatz, Kohler, Robin, Wisconsin, Northrock, Oztec, Toker TK, Rol-Air, APT, Wylie, Ingersoll Rand / Doosan, Innovatech, Con X, Ammann, Mecalac, Makinex, Smith Surface Prep, Small Line, Wanco, Yanmar



REF	QTY.	PART NO.	DESCRIPTION
1	1	00345 R1	BREATHER HOSE ASSEMBLY
2	1	11482 R1	FRAME, SIDE WHEELS
3	1	11343	SPACER, PIVOT PIN
4	1	11344	PIVOT PIN
5	1	10580	SPACER, LATCH PIN
6	1	11204	STRIKER PLATE
7	1	10579	LATCH PIN
8	1	10592	SPRING
9	1	05334	ROLL PIN (SLOTTED SPRING), 1/4 X 1-1/2 ZINC
10	1	03018	GRIP, 1/8 X 3/4 X 2-3/4
11	1	11258	RUBBER BUMPER
12	1	03503	SIGHT GAUGE
13	1	10361	FITTING, 6409-8 PLUG
14	1	10526	FITTING, 6409-12 PLUG
15	1	04530	FITTING, 4601-16-12
16	1	04229	FITTING, 6802-8-12
17	1	03040-06	DECAL, "HYDRAULIC OIL ONLY"
18	1	11193	HOSE, RETURN TO TANK
19	2	05225	CLAMP, 1" ID HOSE, CTB-35 ST
20	1	04403	FILTER HEAD, #12 O-RING
21	1	03951	FILTER, HYDRAULIC OIL, WITH BY-PASS
22	1	03035	TIE WRAP, 1/8 X 6
23	1	03040-02	DECAL, "BARRETO", 3-1/2 X 11-1/4
24	1	03040-14	DECAL, "45 MPH"
25	1	03040-57	DECAL, "HYDRAULIC OIL LEVEL"
26	1	05593	HH FLANGE SCREW, 1/2-13 NC X 1 G5 ZINC
27	1	05272	WASHER, 5/8 SAE ZINC HARDENED
28	2	05073	NUT, NYLOCK, 3/8-16 NC ZINC
29	2	05103	WASHER, 3/8 A325 HARDENED ZINC
30	2	05059	HH CAP SCREW, 3/8-16 NC X 1 G5 ZINC
31	1	05169	WHIZ-LOCK 5/16 - 18 X 1/2
32	1	05273	NUT, NYLOCK, 5/16-18 NC ZINC
33	2	05069	WHIZ LOCK, 1/4-20 NC X 5/8 ZINC

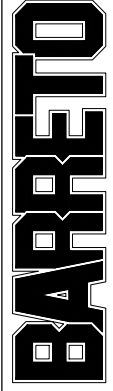
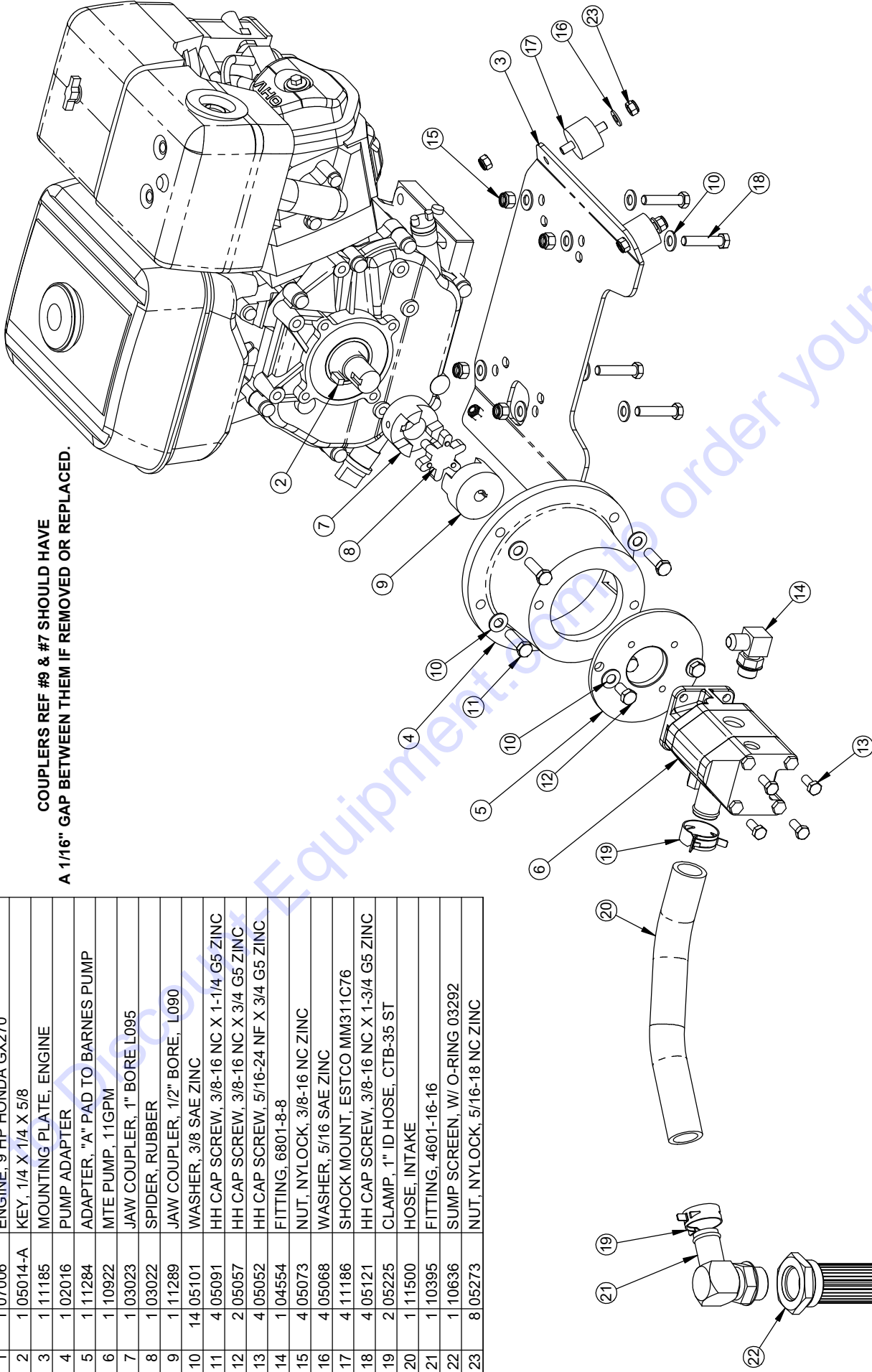
TITLE: FRAME

**BARRETO**

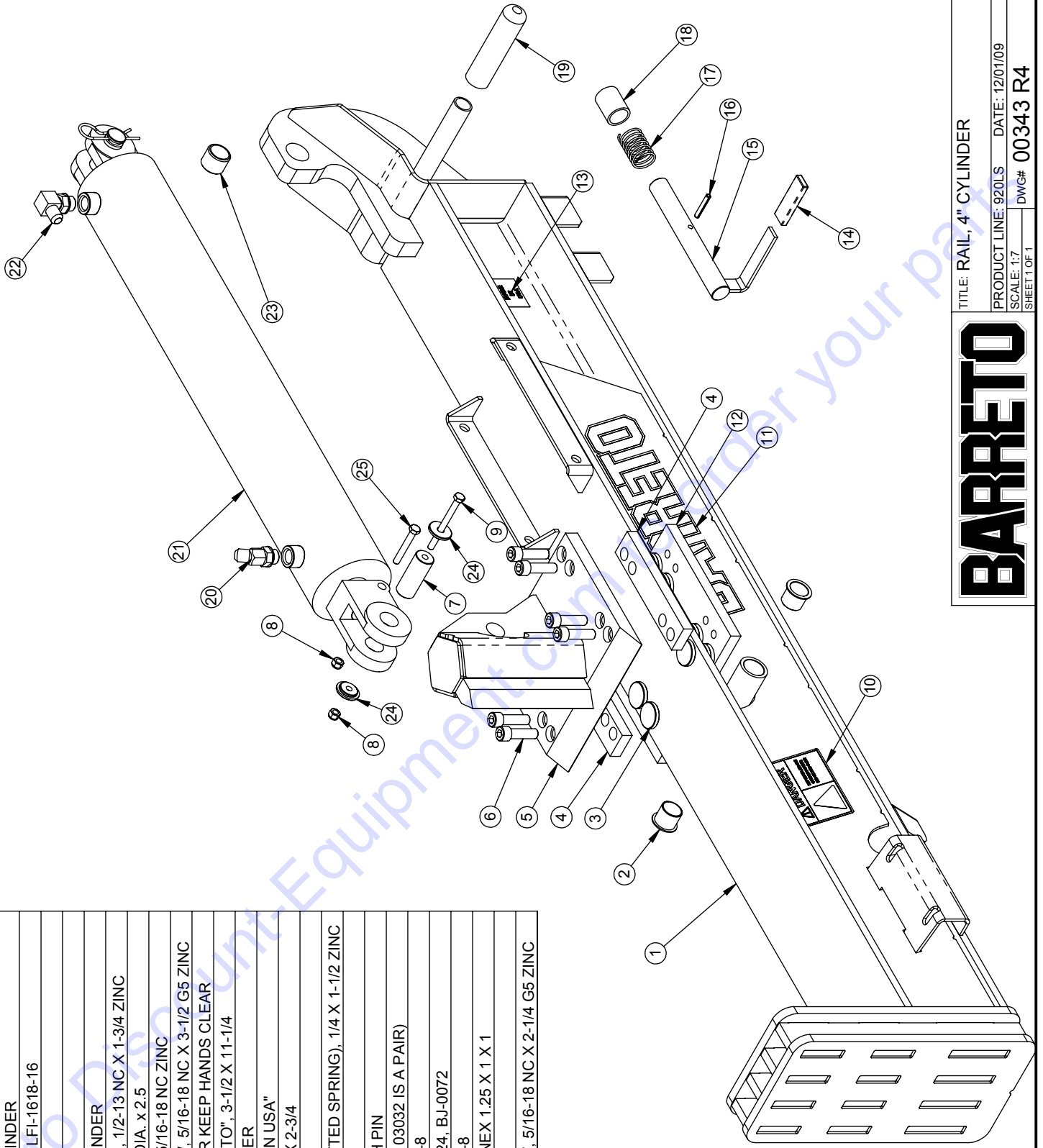
PRODUCT LINE: 920LS & 922LS DATE: 8/7/09  
 SCALE: 1:8 DWG# 00341 R5  
 SHEET 1 OF 1

**COUPLERS REF #9 & #7 SHOULD HAVE A 1/16" GAP BETWEEN THEM IF REMOVED OR REPLACED.**

ITEM NO.	QTY.	PART NO.	DESCRIPTION
1	1	07006	ENGINE, 9 HP HONDA GX270
2	1	05014-A	KEY, 1/4 X 1/4 X 5/8
3	1	11185	MOUNTING PLATE, ENGINE
4	1	02016	PUMP ADAPTER
5	1	11284	ADAPTER, "A" PAD TO BARNES PUMP
6	1	10922	MTE PUMP, 11GPM
7	1	03023	JAW COUPLER, 1" BORE L095
8	1	03022	SPIDER, RUBBER
9	1	11289	JAW COUPLER, 1/2" BORE, L090
10	14	05101	WASHER, 3/8 SAE ZINC
11	4	05091	HH CAP SCREW, 3/8-16 NC X 1-1/4 G5 ZINC
12	2	05057	HH CAP SCREW, 3/8-16 NC X 3/4 G5 ZINC
13	4	05052	HH CAP SCREW, 5/16-24 NF X 3/4 G5 ZINC
14	1	04554	FITTING, 6801-8-8
15	4	05073	NUT, NYLOCK, 3/8-16 NC ZINC
16	4	05068	WASHER, 5/16 SAE ZINC
17	4	11186	SHOCK MOUNT, ESTCO MM311C76
18	4	05121	HH CAP SCREW, 3/8-16 NC X 1-3/4 G5 ZINC
19	2	05225	CLAMP, 1" ID HOSE, CTB-35 ST
20	1	11500	HOSE, INTAKE
21	1	10395	FITTING, 4601-16-16
22	1	10636	SUMP SCREEN, W/ O-RING 03292
23	8	05273	NUT, NYLOCK, 5/16-18 NC ZINC



REF	QTY.	PART NO.	DESCRIPTION
1	1	11483	RAIL, 4-1/2" CYLINDER
2	2	03269	BUSHING, IGUS LFI-1618-16
3	16	11299	WEAR PAD
4	2	11301	WEDGE GUIDE
5	1	11585	WEDGE, 4" CYLINDER
6	8	05587	SH CAP SCREW, 1/2-13 NC X 1-3/4 ZINC
7	1	11332-2.5	CLEVIS PIN, 1" DIA. x 2.5
8	2	05273	NUT, NYLOCK, 5/16-18 NC ZINC
9	1	05246	HH CAP SCREW, 5/16-18 NC X 3-1/2 G5 ZINC
10	2	04420-04	DECAL, DANGER KEEP HANDS CLEAR
11	2	03040-02	DECAL, "BARRETO", 3-1/2 X 11-1/4
12	2	11302	WEDGE RETAINER
13	2	03040-01	DECAL, "MADE IN USA"
14	1	03018	GRIP, 1/8 X 3/4 X 2-3/4
15	1	10579	LATCH PIN
16	1	05334	ROLL PIN (SLOTTED SPRING), 1/4 X 1-1/2 ZINC
17	1	10592	SPRING
18	1	10580	SPACER, LATCH PIN
19	1	03032-01	GRIP, 1 X 5 (P/N 03032 IS A PAIR)
20	1	04210	FITTING, 6802-8-8
21	1	10943	CYLINDER, 4 X 24, BJ-0072
22	1	04554	FITTING, 6801-8-8
23	1	10079	BUSHING, CONNEX 1.25 X 1 X 1
24	2	11332-WA	PIN CAP
25	1	05175	HH CAP SCREW, 5/16-18 NC X 2-1/4 G5 ZINC



TITLE: RAIL, 4" CYLINDER

PRODUCT LINE: 920LS DATE: 12/01/09

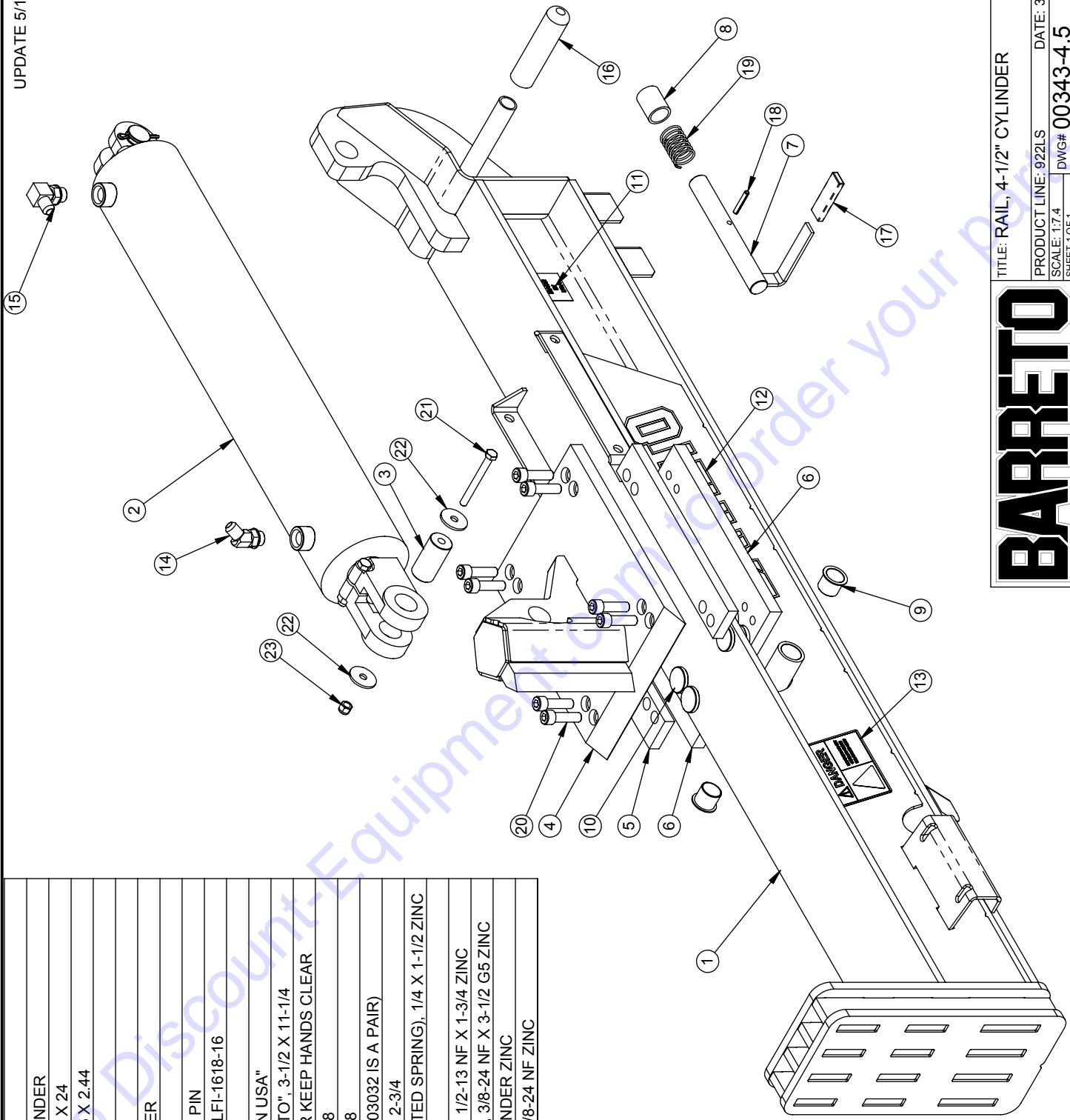
SCALE: 1:7

DWG# 00343 R4

**BARRETO**

SHEET 1 OF 1

REF QTY.	PART NO.	DESCRIPTION
1	11483	RAIL, 4-1/2" CYLINDER
2	11493	CYLINDER, 4-1/2 X 24
3	11461-2.4	CLEVIS PIN, 1.25 X 2.44
4	11484	WEDGE
5	11486	WEDGE GUIDE
6	11487	WEDGE RETAINER
7	10579	LATCH PIN
8	10580	SPACER, LATCH PIN
9	03269	BUSHING, IGUS LFI-1618-16
10	11299	WEAR PAD
11	03040-01	DECAL, "MADE IN USA"
12	03040-02	DECAL, "BARRETO", 3-1/2 X 11-1/4
13	04420-04	DECAL, DANGER KEEP HANDS CLEAR
14	04210	FITTING, 6802-8-8
15	04554	FITTING, 6801-8-8
16	03032-01	GRIP, 1 X 5 (P/N 03032 IS A PAIR)
17	03018	GRIP, 1/8 X 3/4 X 2-3/4
18	05334	ROLL PIN (SLOTTED SPRING), 1/4 X 1-1/2 ZINC
19	10592	SPRING
20	11589	SH CAP SCREW, 1/2-13 NF X 1-3/4 ZINC
21	10740	HH CAP SCREW, 3/8-24 NF X 3-1/2 G5 ZINC
22	05540	WASHER, 3/8 FENDER ZINC
23	05072	NUT, NYLOCK, 3/8-24 NF ZINC



# BARRETO

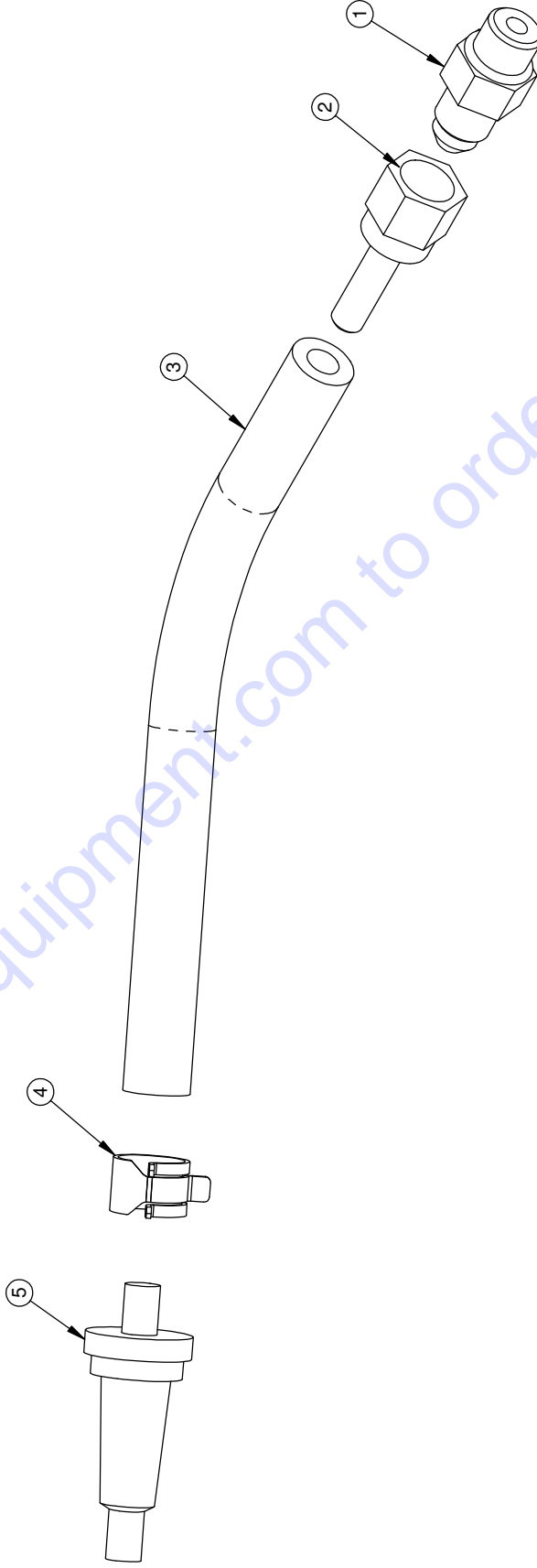
TITLE: RAIL, 4-1/2" CYLINDER

PRODUCT LINE: 922LS DATE: 3/30/09

SCALE: 17.4 DWG# 00343-4.5

SHEET 1 OF 1

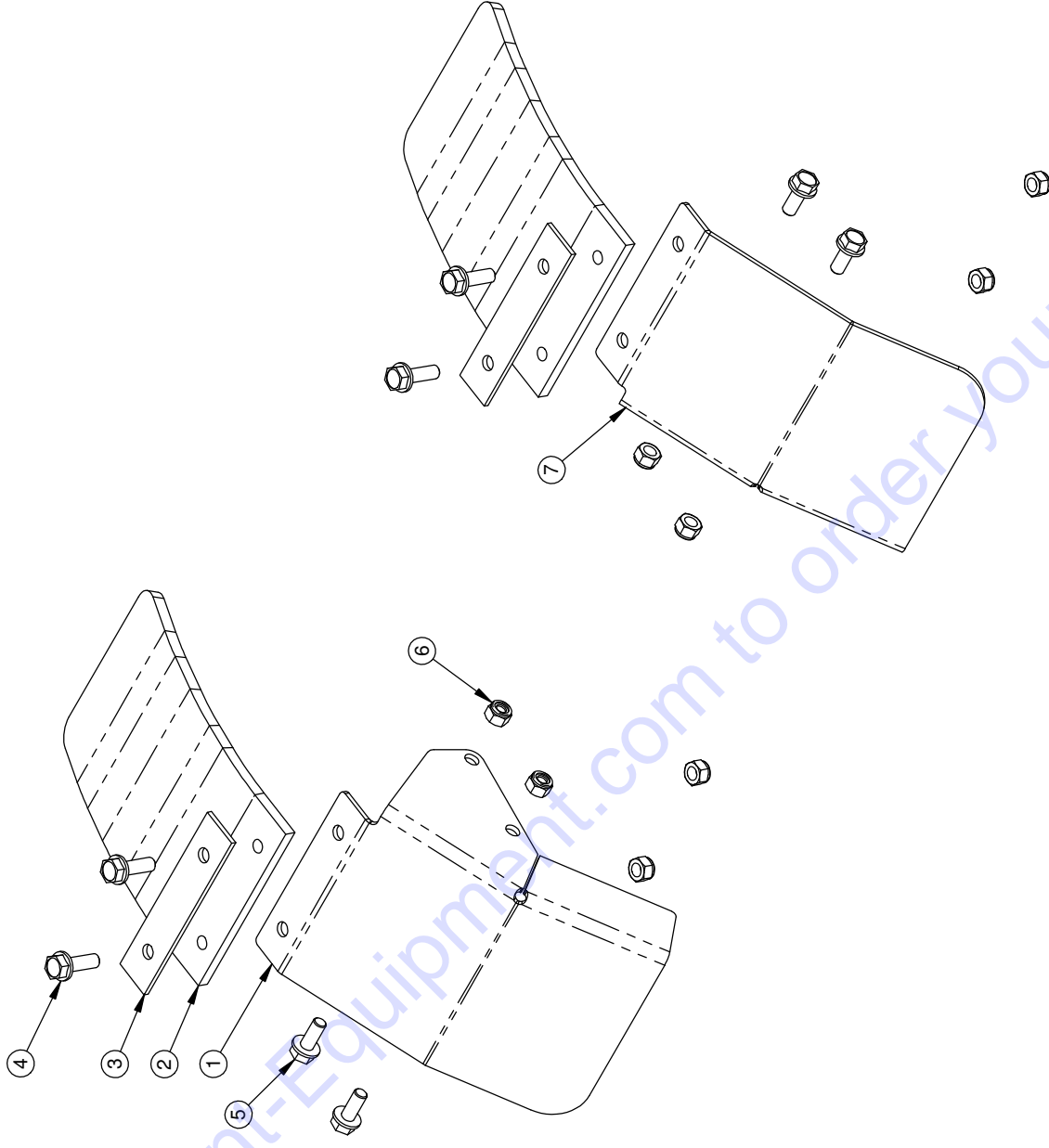
REF.	QTY.	PART NO.	DESCRIPTION
1	1	04560	FITTING, 6400-4-4
2	1	04214	FITTING, JS-4-4, HOSE BARB 1/4 X 1/4 SWIVEL
3	1	11596	HOSE, 1/4 INCH GASOLINE, 4L5, 6" LONG
4	1	03062-06	CLAMP, 1/4" FUEL LINE
5	1	04516	BREATHER, FILTER SNAPPER 1435



**BARRETO**

TITLE: BREATHER HOSE ASSEMBLY  
 PRODUCT LINE: 620, 920, & 922LS DATE: 7/28/08  
 SCALE: 1:1.3 DWG#: 00345 R1  
 SHEET 1 OF 1

REF. QTY.	PART NO.	DESCRIPTION
1	11256R	RH FENDER
2	11199	RUBBER FENDER FLAP
3	11200	FLAP KEEPER
4	05144	WHIZ-LOCK, 5/16-18 NC X 1 ZINC
5	05140	WHIZ LOCK, 5/16-18 NC X 3/4 ZINC
6	05273	NUT, NYLOCK, 5/16-18 NC ZINC
7	11256L	LH FENDER



# BARRETO

TITLE: FENDERS (OPTIONAL)

PRODUCT LINE: 620LSH DATE: 10/3/07

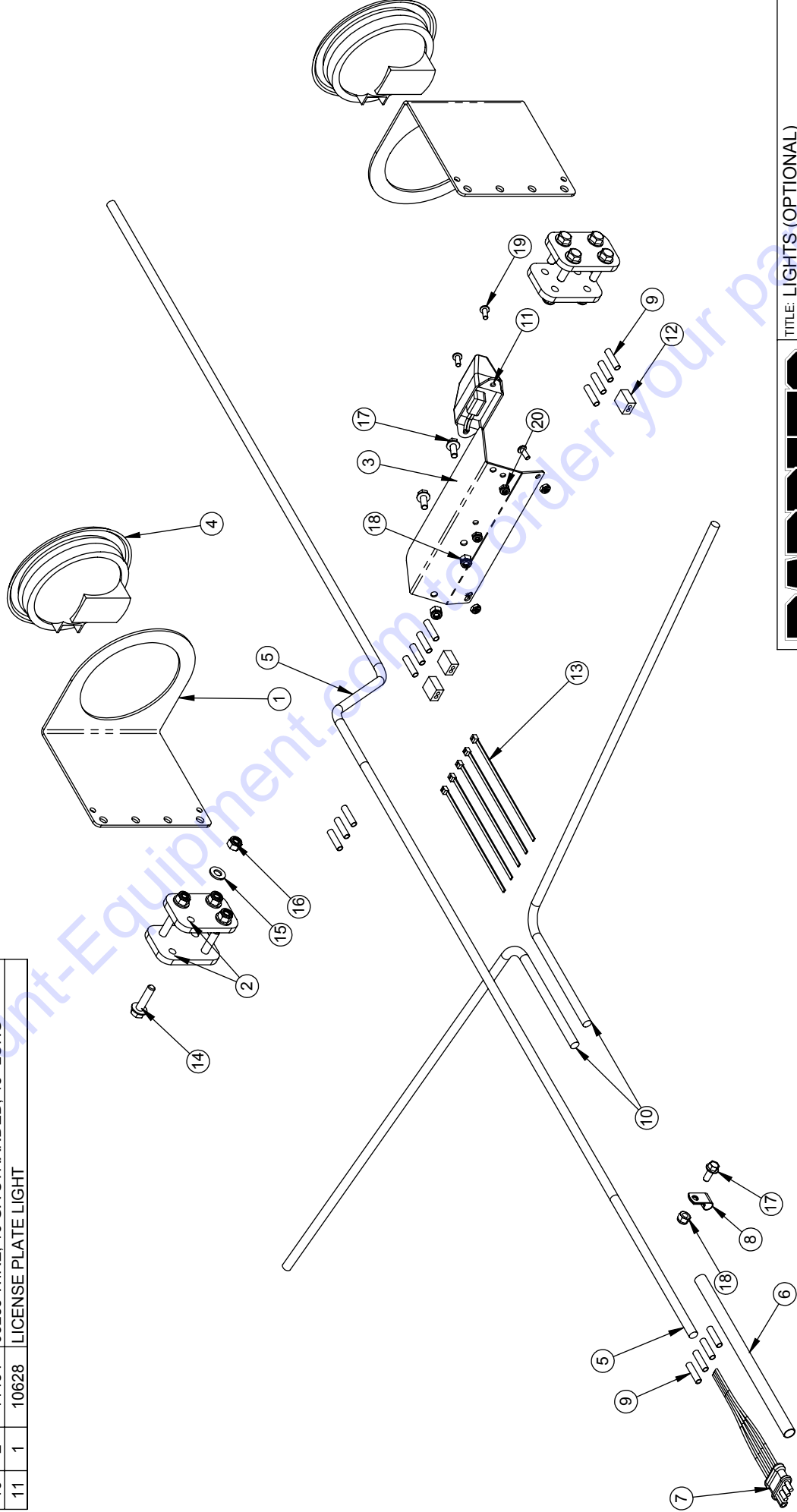
SCALE: 1:4

DWG# 00347

SHEET 1 OF 1



REF QTY.	PART NO.	DESCRIPTION	REF QTY.	PART NO.	DESCRIPTION
1	2	11198 MOUNTING BRACKET, TAIL LIGHT	12	3	03806 QUICK-SPLICE
2	4	11981 RUBBER MOUNT, TAIL LIGHT	13	5	03035 TIE WRAP, 1/8 X 6
3	1	11202 R1 BRACKET, LICENSE PLATE	14	8	05138 HHFS 5/16-18 X 1-1/4, G5, ZN
4	2	11206 TAIL LAMP, OPTIONAL	15	8	05068 WASHER, 5/16 SAE ZINC
5	1	11048 03253 WIRE 16 GA STRANDED, 8' LONG	16	8	05273 NUT, NYLOCK, 5/16-18 NC ZINC
6	1	11606 HEAT SHRINK TUBE, 1/2 X 9	17	3	05069 WHIZ-LOCK 1/4 - 20 X 5/8
7	1	03264 PLUG, FLAT 4 MALE	18	3	05096 NUT, NYLOCK, 1/4-20 NC ZINC
8	1	11238 CABLE CLAMP, RICHCO SPN-5	19	4	05233 SCREW #10-24 X 1/2 PPH
9	15	05343 BUTT SPLICE	20	4	05345 NUT, NYLOCK, 10-24 NC ZINC
10	2	11454 03253 WIRE, 16 GA STRANDED, 48" LONG			
11	1	10628 LICENSE PLATE LIGHT			



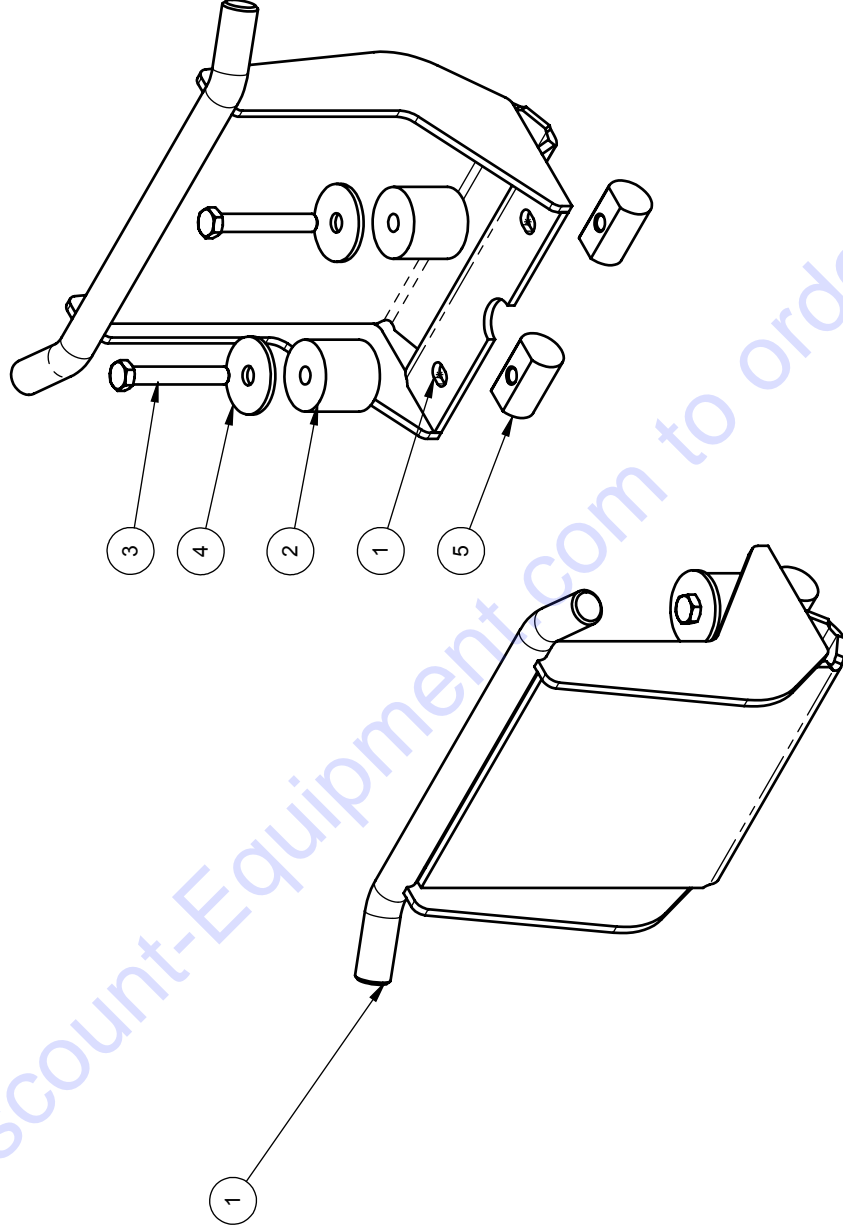
TITLE: LIGHTS (OPTIONAL)

PRODUCT LINE: 620, 920 & 922LS DATE: 6/3/08  
 SCALE: 1:6  
 SHEET 1 OF 1 DWG# 00371



UPDATE 9/26/16

REF	QTY.	PART NO.	DESCRIPTION
1	2	11655	LOG HOLDER
2	4	02615-A	NEOPRENE PAD
3	4	05249	HH CAP SCREW, 3/8-16 NC X 2-1/2 G5 ZINC
4	4	01622	WASHER, 13/32 X 1-5/8 X 11 GA
5	4	12091	T-NUT



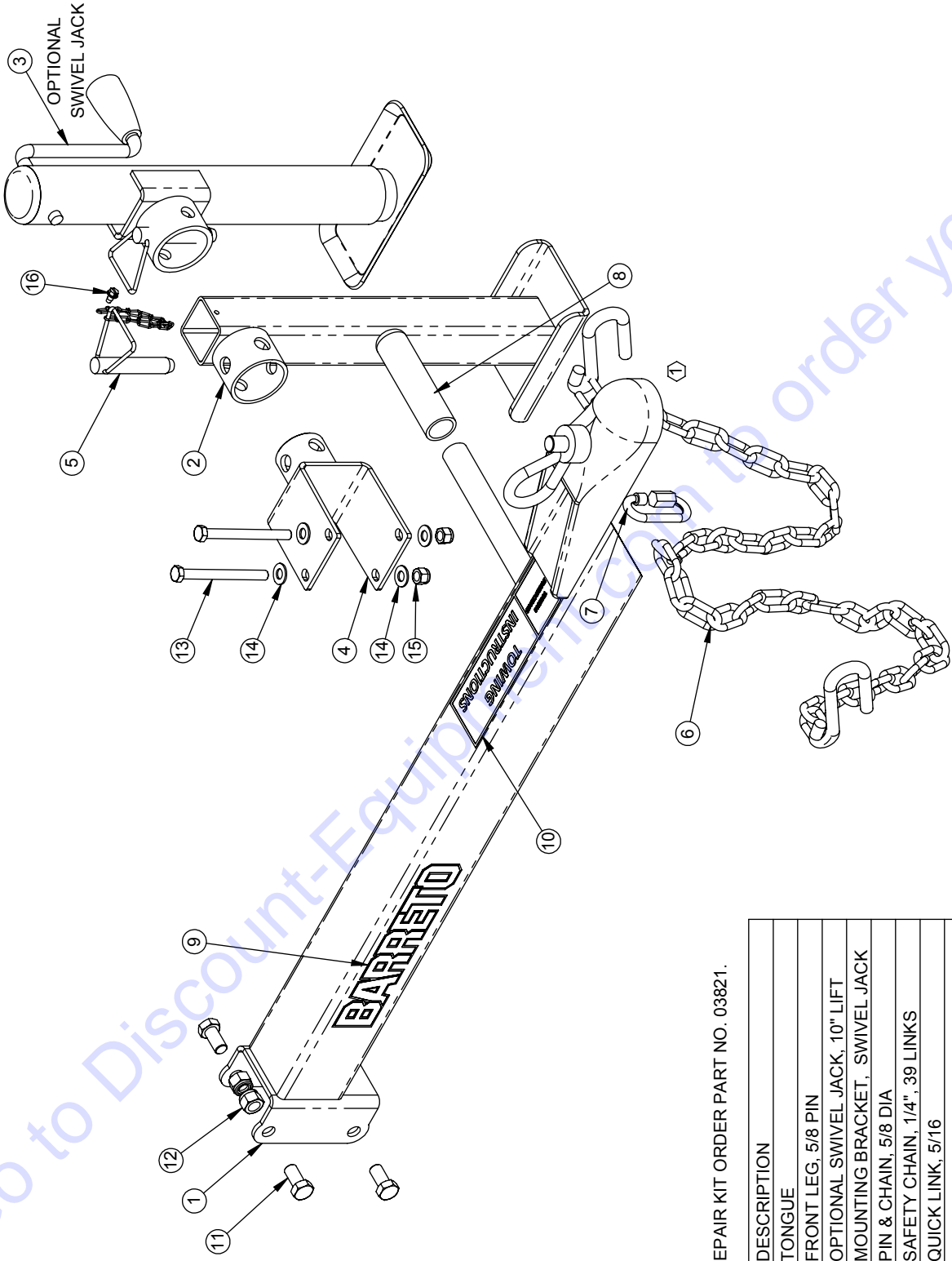
TITLE: LOG HOLDERS

PRODUCT LINE: 620, 920, & 922LS DATE: 9/3/08

SCALE: 1:4 DWG# 00375 R1

# BARRETO

UPDATE 4/12/17



① FOR COUPLER REPAIR KIT ORDER PART NO. 03821.

REF QTY.	PART NO.	DESCRIPTION
1	11960	TONGUE
2	11234	FRONT LEG, 5/8 PIN
3	08216	OPTIONAL SWIVEL JACK, 10" LIFT
4	10903-58	MOUNTING BRACKET, SWIVEL JACK
5	08233	PIN & CHAIN, 5/8 DIA
6	08301-1	SAFETY CHAIN, 1/4", 39 LINKS
7	03711	QUICK LINK, 5/16
8	03032-01	GRIP, 1 X 5 (P/N 03032 IS A PAIR)
9	03040-11	DECAL, "BARRETO", 2-3/16 X 7-3/8
10	04420-05	DECAL, TOWING INSTRUCTIONS
11	4 05067	HH CAP SCREW, 1/2-13 NC X 1 G5 ZINC
12	4 05098	NUT, NYLOCK, 1/2-13 NC ZINC
13	2 10757	HH CAP SCREW, 3/8-16 NC X 4 G5 ZINC
14	4 05101	WASHER, 3/8 SAE ZINC
15	2 05073	NUT, NYLOCK, 3/8-16 NC ZINC
16	1 05425	HHFS, SELF TAP #12-24 X 3/8" ZN

TITLE: TONGUE

PRODUCT LINE: 920LS & 922LS

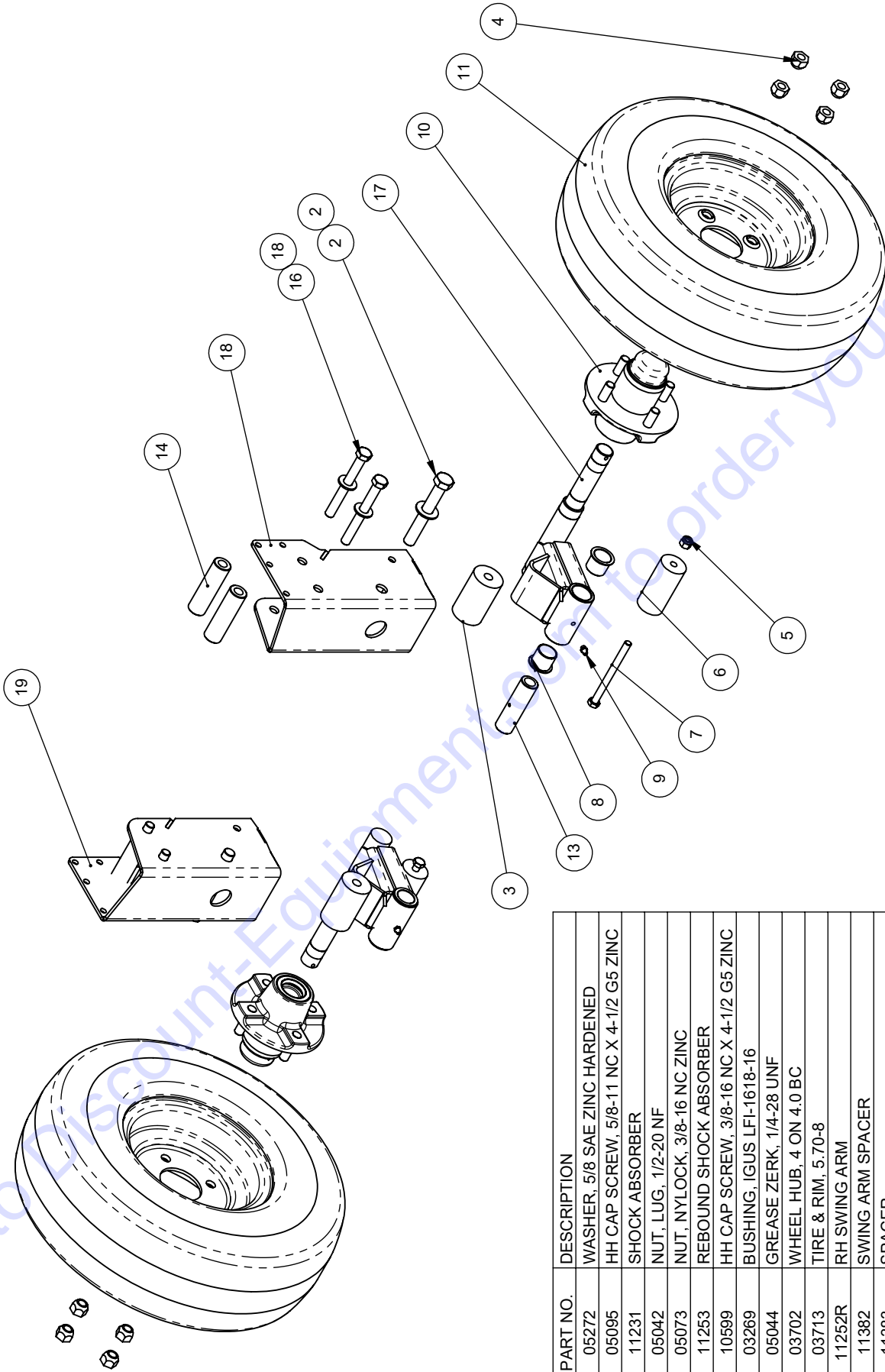
DATE: 8/24/09

SCALE: 1:6

DWG# 00378 R3

SHEET 1 OF 1

**BARRETO**



REF QTY.	PART NO.	DESCRIPTION
1	2	WASHER, 5/8 SAE ZINC HARDENED
2	2	HH CAP SCREW, 5/8-11 NC X 4-1/2 G5 ZINC
3	2	SHOCK ABSORBER
4	8	NUT, LUG, 1/2-20 NF
5	2	NUT, NYLOCK, 3/8-16 NC ZINC
6	2	REBOUND SHOCK ABSORBER
7	2	HH CAP SCREW, 3/8-16 NC X 4-1/2 G5 ZINC
8	4	BUSHING, IGUS LFI-1618-16
9	2	GREASE ZERK, 1/4-28 UNF
10	2	WHEEL HUB, 4 ON 4.0 BC
11	2	TIRE & RIM, 5.70-8
12	1	RH SWING ARM
13	2	SWING ARM SPACER
14	4	SPACER
15	4	WASHER, 1/2 SAE ZINC HARDENED
16	4	HH CAP SCREW, 1/2-13 NC X 4-1/2 G5 ZINC
17	1	LH SWING ARM
18	1	SIDE BRACKET, LEFT
19	1	SIDE BRACKET, RIGHT

TITLE: SWING ARMS ASSEMBLY

PRODUCT LINE: 620LSH DATE: 5-2018

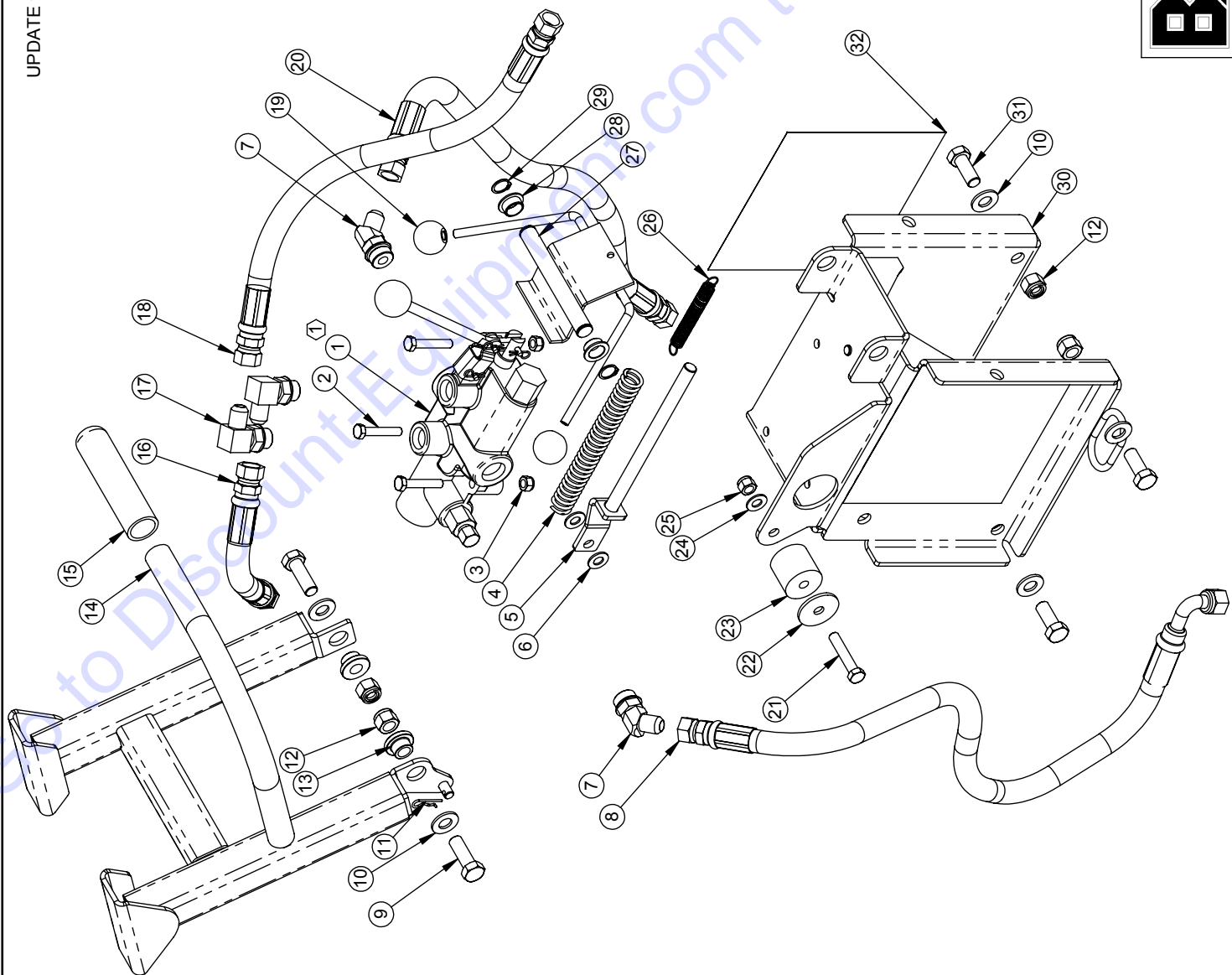
SCALE: 1:8 DWG# 00381 R2 SHEET 1 OF 1



Go to Discount-Equipment.com to order your parts

UPDATE 9/23/16

REF	QTY.	PART NO.	DESCRIPTION
1	1	10948	VALVE, PRINCE LS-3060-7, #10 & #8 PORTS
2	3	05054	HH CAP SCREW, 5/16-18 NC X 1-3/4 G5 ZINC
3	3	05273	NUT, NYLOCK, 5/16-18 NC ZINC
4	1	11548	SPRING, CENTURY 12153
5	1	11551	SPRING GUIDE
6	2	05103	WASHER, 3/8 A325 HARDENED ZINC
7	2	04557	FITTING, 6802-8-10
8	1	11432	HOSE, PUMP TO CONTROL VALVE
9	2	05300-01	HH CAP SCREW, 1/2-13 NC X 1-1/2 G5 ZINC
10	6	05102	WASHER, 1/2 SAE ZINC HARDENED
11	1	03065	HAIR SPRING COTTER #4
12	6	05098	NUT, NYLOCK, 1/2-13 NC ZINC
13	2	11543	PIVOT PIN, WEDGE CLEANER
14	1	11535	WEDGE CLEANER
15	1	03032-01	GRIP, 1 X 5 (PIN 03032 IS A PAIR)
16	1	11434	HOSE, CONTROL VALVE/CYL RETRACT
17	2	04554	FITTING, 6801-8-8
18	1	11433	HOSE, CONTROL VALVE/CYL EXTEND
19	2	03026	KNOB, 5/16-NC
20	1	11435	HOSE, CONTROL VALVE TO FILTER
21	1	05262	HH CAP SCREW, 3/8-16 NC X 2 G5 ZINC
22	1	01622	WASHER, 13/32 X 1-5/8 X 11 GA
23	1	02615-A	NEOPRENE PAD
24	1	05101	WASHER, 3/8 SAE ZINC
25	1	05073	NUT, NYLOCK, 3/8-16 NC ZINC
26	1	03224	SPRING, LEE LE-045E-8 MW
27	1	11257	LOCKOUT LEVERS
28	2	03060	BUSHING, IGUS MFI-1012-06
29	2	10971	SNAP RING, SH-62 ST ZD
30	1	11534	VALVE MOUNT
31	4	05323	HH CAP SCREW, 1/2-13 NC X 1-1/4 G5 ZINC
32	2	04420-01	DECAL, "SAFETY INSTRUCTIONS"



SEE DRAWING 10948 FOR VALVE CONTROL REPLACEMENT PARTS

**BARRRETO**

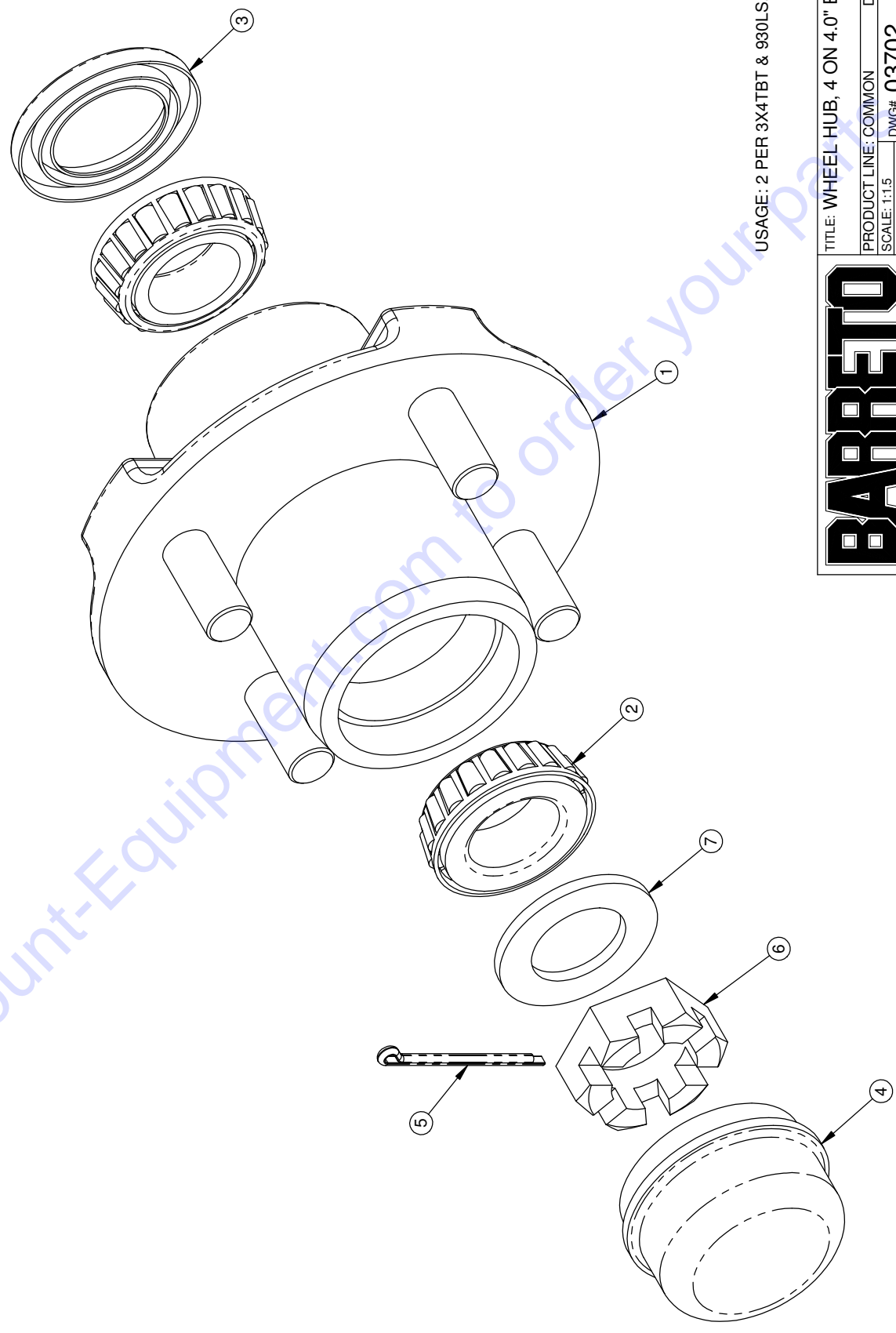
TITLE: CONTROL VALVE & MOUNT

PRODUCT LINE: 922LSH DATE: 7/25/08

SCALE: 1:6 DWG# 00460

SHEET 1 OF 1

REF. QTY.	PART NO.	DESCRIPTION
1	03702-01	HUB - ORDER COMPLETE WHEEL HUB 03702
2	03702-02	BEARING L44643
3	03702-03	SEAL, 34823
4	03804-04	GREASE CAP
5	03804-05	COTTER PIN 1/8 X 1-3/4
6	03804-06	NUT, 1-12 UNF CASTLE
7	03804-07	WASHER, 1 X 1-3/4 X 1/8 ZINC



USAGE: 2 PER 3X4TBT & 930LS.

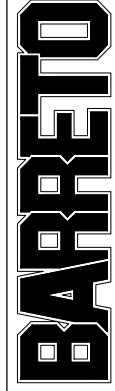
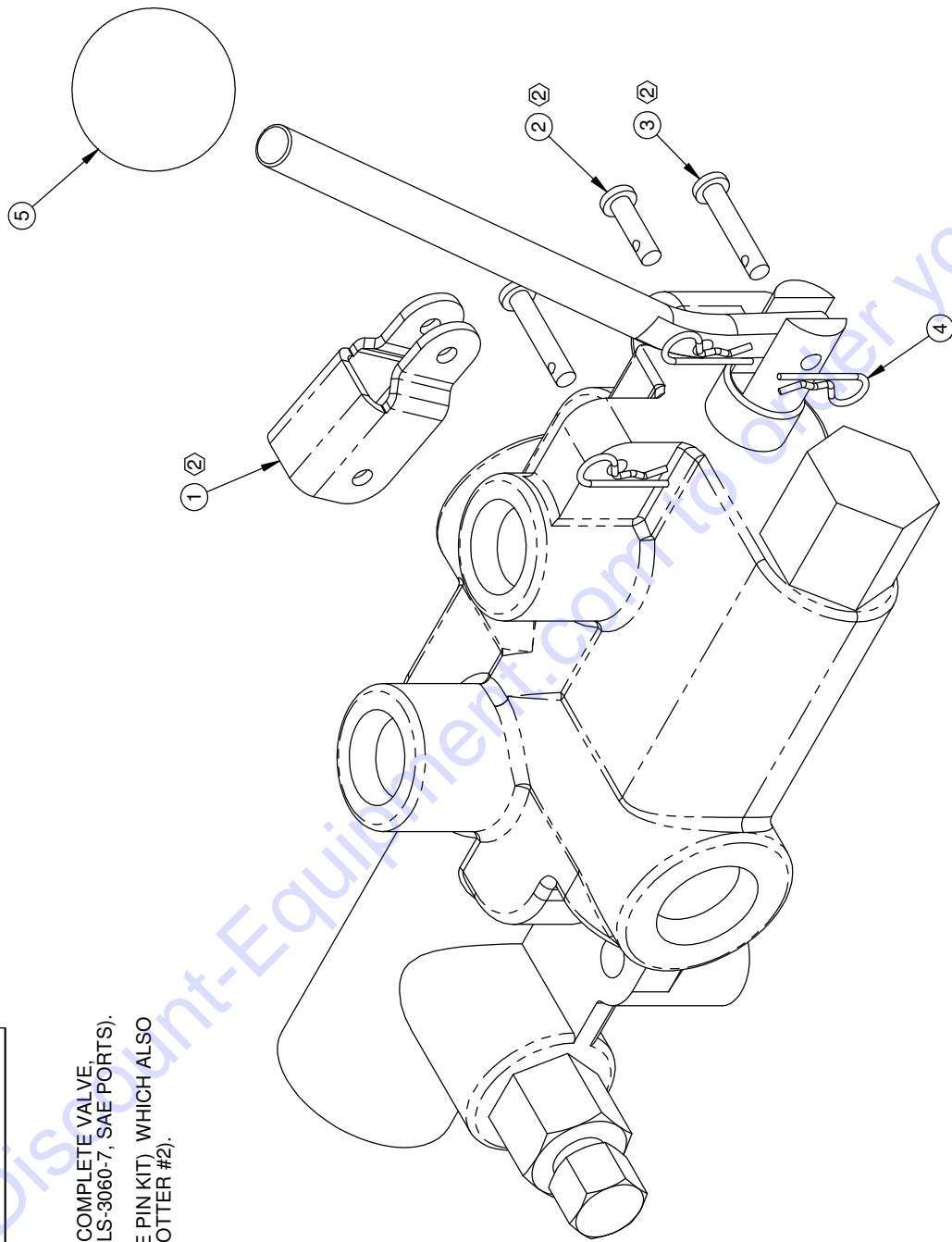
**BARRETO**

TITLE: WHEEL HUB, 4 ON 4.0" BC  
 PRODUCT LINE: COMMON DATE: 2/11/09  
 SCALE: 1:1.5 DWG#: 03702  
 SHEET 1 OF 1

REF. QTY.	PART NO.	DESCRIPTION
1	03509-04	BRACKET (ORDER 03509)
2	03509-01	CLEVIS PIN, 3/16 X 7/16 (ORDER 03509)
3	03509-02	CLEVIS PIN, 3/16 X 3/4 (ORDER 03509)
4	05310	HAIR SPRING COTTER #2
5	03507	KNOB, 3/8-NC

NOTES:

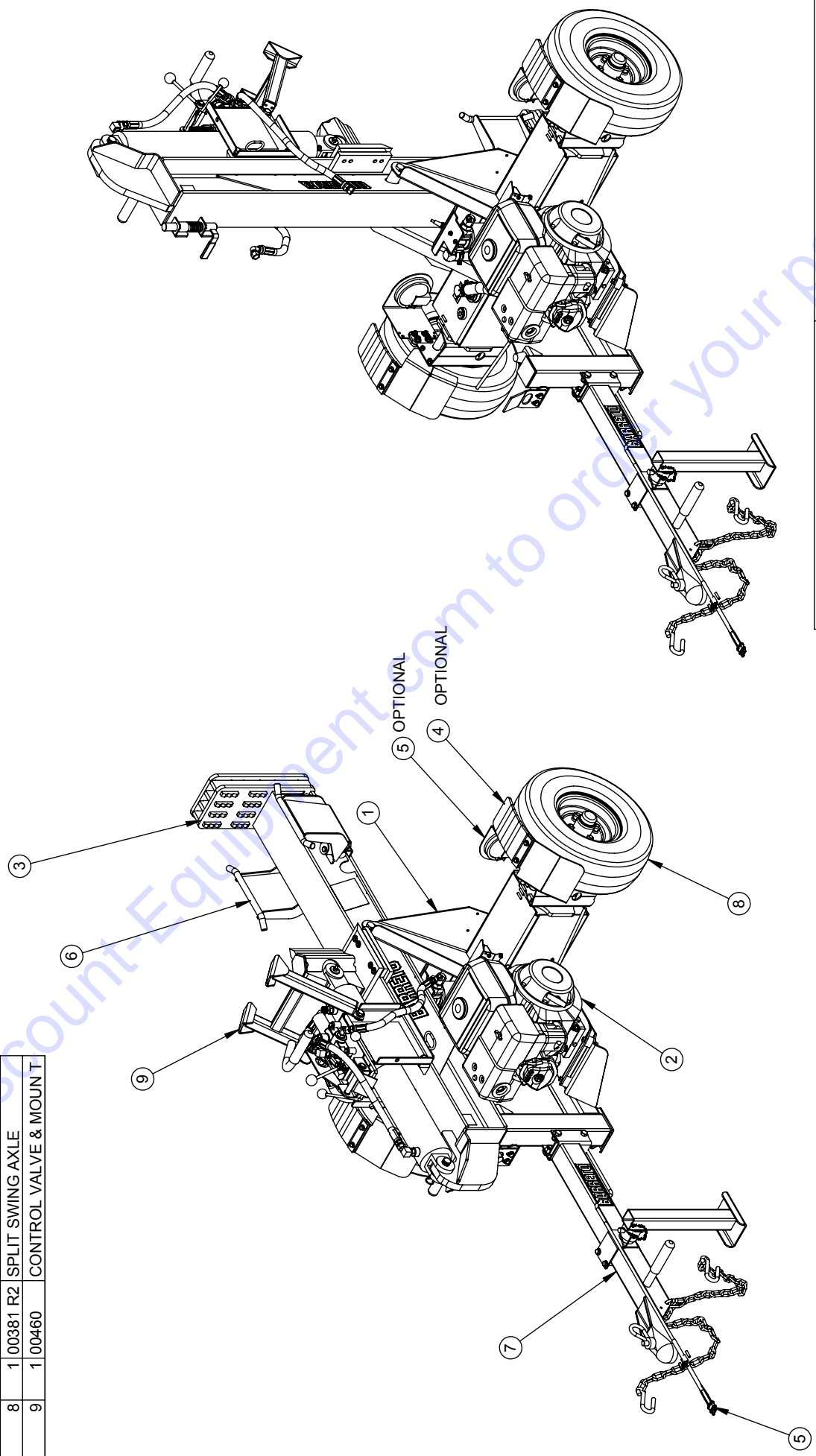
1. ALL ITEMS SHOWN COME WITH THE COMPLETE VALVE. PART NUMBER 10948 (VALVE, PRINCE LS-3060-7, SAE PORTS).
- ② ORDER PART NUMBER 03509 (VALVE PIN KIT) WHICH ALSO INCLUDES 3 OF 05310 (HAIR SPRING COTTER #2).
3. Valve handle only is pn 10948-01
4. Seal kit is pn 10948-SK



RELEASE DATE	9/27/16
REVISED DATE	NEW
REVISION #	0

① 20 TON SPLITTER USES 00343 R4  
 22 TON SPLITTER USES 00343 4.5

ITEM NO.	QTY.	PART NO.	DESCRIPTION
1	1	00341 R5	FRAME, SWING ARMS
2	1	00342-9	ENGINE & PUMP, 9 HP
3	1	00343 R4	RAIL, 4" CYLINDER (1)
4	1	00347	FENDERS (OPTIONAL)
5	1	00371	LIGHTS (OPTIONAL)
6	1	00375 R1	LOG HOLDERS
7	1	00378 R3	TONGUE
8	1	00381 R2	SPLIT SWING AXLE
9	1	00460	CONTROL VALVE & MOUNT T



TITLE: LOG SPLITTER

PRODUCT LINE: 920 & 922LS

SCALE: 1:18

DWG# E920LS

SHEET 1 OF 1

# BARRETO



# PARTS FINDER

**Search Website  
by Part Number**



**Search Manual  
Library For Parts  
Manual & Lookup Part  
Numbers – Purchase  
or Request Quote**

**Search Manuals**

Find:

Serial Number:

Make:

Submit

**Can't Find Part or  
Manual? Request Help  
by Manufacturer,  
Model & Description**

**Parts Order Form**

Manufacturer:

Model:

Description:

Submit

Discount-Equipment.com is your online resource for quality parts & equipment.

Florida: **561-964-4949** Outside Florida TOLL FREE: **877-690-3101**

**Need parts?**

Click on this link: <http://www.discount-equipment.com/category/5443-parts/> and choose one of the options to help get the right parts and equipment you are looking for. Please have the machine model and serial number available in order to help us get you the correct parts. If you don't find the part on the website or on one of the online manuals, please fill out the request form and one of our experienced staff members will get back to you with a quote for the right part that your machine needs.

We sell worldwide for the brands: Genie, Terex, JLG, MultiQuip, Mikasa, Essick, Whiteman, Mayco, Toro Stone, Diamond Products, Generac Magnum, Airman, Haulotte, Barreto, Power Blanket, Nifty Lift, Atlas Copco, Chicago Pneumatic, Allmand, Miller Curber, Skyjack, Lull, Skytrak, Tsurumi, Husquvarna Target, Stow, Wacker, Sakai, Mi-T-M, Sullair, Basic, Dynapac, MBW, Weber, Bartell, Bennar Newman, Haulotte, Ditch Runner, Menegotti, Morrison, Contec, Buddy, Crown, Edco, Wyco, Bomag, Laymor, EZ Trench, Bil-Jax, F.S. Curtis, Gehl Pavers, Heli, Honda, ICS/PowerGrit, IHI, Partner, Imer, Clipper, MMD, Koshin, Rice, CH&E, General Equipment, Amida, Coleman, NAC, Gradall, Square Shooter, Kent, Stanley, Tamco, Toku, Hatz, Kohler, Robin, Wisconsin, Northrock, Oztec, Toker TK, Rol-Air, APT, Wylie, Ingersoll Rand / Doosan, Innovatech, Con X, Ammann, Mecalac, Makinex, Smith Surface Prep, Small Line, Wanco, Yanmar