

THE
BARRETO

MODELS E1320H/1620B

HYDRAULIC REAR TINE TILLER OWNER'S/OPERATOR'S MANUAL

CONGRATULATIONS!

You are now the proud owner of the BARRETO Model 1320 or 1620 tiller. Please take a moment of your time to look over the following information. Familiarize yourself with the tiller, its characteristics, and method of operation. Pay particular attention to the safety and operating instructions.

Machine Identification Record

Barreto Customer number _____

Machine model number _____

Machine serial number _____

Engine manufacturer _____

Engine model number _____

Engine serial number _____



www.discount-equipment.com

PARTS FINDER

**Search Website
by Part Number**



**Search Manual
Library For Parts
Manual & Lookup Part
Numbers – Purchase
or Request Quote**

Search Manuals

Enter your information to help us find the right parts manual for your machine.

* Brand:

* Model:

* Serial:

* Part Number:

SEARCH

**Can't Find Part or
Manual? Request Help
by Manufacturer,
Model & Description**

Parts Order Form

Please fill in the following information to help us find the right part for your machine.

Manufacturer:	<input type="text"/>
Model:	<input type="text"/>
Description:	<input type="text"/>
Part Number:	<input type="text"/>
Quantity:	<input type="text"/>
Notes:	<input type="text"/>

Submit

Discount-Equipment.com is your online resource for quality parts & equipment.

Florida: **561-964-4949** Outside Florida TOLL FREE: **877-690-3101**

Need parts?

Click on this link: <http://www.discount-equipment.com/category/5443-parts/> and choose one of the options to help get the right parts and equipment you are looking for. Please have the machine model and serial number available in order to help us get you the correct parts. If you don't find the part on the website or on one of the online manuals, please fill out the request form and one of our experienced staff members will get back to you with a quote for the right part that your machine needs.

We sell worldwide for the brands: Genie, Terex, JLG, MultiQuip, Mikasa, Essick, Whiteman, Mayco, Toro Stone, Diamond Products, Generac Magnum, Airman, Haulotte, Barreto, Power Blanket, Nifty Lift, Atlas Copco, Chicago Pneumatic, Allmand, Miller Curber, Skyjack, Lull, Skytrak, Tsurumi, Husquvarna Target, Stow, Wacker, Sakai, Mi-T-M, Sullair, Basic, Dynapac, MBW, Weber, Bartell, Bennar Newman, Haulotte, Ditch Runner, Menegotti, Morrison, Contec, Buddy, Crown, Edco, Wyco, Bomag, Laymor, EZ Trench, Bil-Jax, F.S. Curtis, Gehl Pavers, Heli, Honda, ICS/PowerGrit, IHI, Partner, Imer, Clipper, MMD, Koshin, Rice, CH&E, General Equipment, Amida, Coleman, NAC, Gradall, Square Shooter, Kent, Stanley, Tamco, Toku, Hatz, Kohler, Robin, Wisconsin, Northrock, Oztec, Toker TK, Rol-Air, APT, Wylie, Ingersoll Rand / Doosan, Innovatech, Con X, Ammann, Mecalac, Makinex, Smith Surface Prep, Small Line, Wanco, Yanmar

TABLE OF CONTENTS

TILLER ASSEMBLY INSTRUCTIONS	2
BREAK IN PROCEDURE	3
SERVICE INFORMATION	3
BARRETO WARRANTY	4
HOUR METER	4
HONDA GX270 SCHEMATIC	5
BRIGGS 16 HP SCHEMATIC	6
HYDRAULIC SCHEMATIC	7
SPECIFICATIONS	8
TROUBLESHOOTING	9
OPERATING INSTRUCTIONS	12
SAFETY INSTRUCTIONS	13
SAFETY INSTRUCTIONS OVERVIEW	14
LOCATION OF UNDERGROUND UTILITIES	16
WORKSITE ASSESSMENT	17
CONTACT WITH UNDERGROUND UTILITIES	18
INDEX	19

ASSEMBLY INSTRUCTIONS

1. Remove the tiller from the shipping crate. Please inspect immediately for any damage and notify the shipping company and Barreto Manufacturing, Inc. right away if any is found.
2. Screw the handle bar adjustment crank into the lower handle bar adjuster pin.
3. Fasten the handle bar to the tiller using the 1/2" x 3" bolt supplied.
4. Adjust the clutch cable by removing all slack in the lever.
5. Check the reservoir according to instructions in the service information on the following page.
6. Fill the engine with fuel and oil according to the engine manual.
7. Free wheel hubs: Pull one freewheeling pin slightly, using the split ring. Rotate the pin until the 1/8" diameter roll pin aligns with the slot in the mounting plate. Allow the pin to slide through the slot. Repeat for the other wheel. Roll the tiller until each pin drops into a hole in the hub. The hubs are now locked.
8. Uncoil the wire for the remote engine on/off switch. Route the wire along the clutch cable to the engine and secure with the cable ties provided. Splice this wire to the kill switch wire on the engine with the electrical splice provided.
9. When documentation refers to "right side" or "left side", it is relative to the operator's position with both hands on the handlebars.

BREAK IN PROCEDURE

**KEEP ALL PERSONNEL CLEAR OF MACHINE
DURING BREAK IN TO PREVENT INJURY!!**

Before using the tiller, lower the depth bar to raise the tines off the ground. Tape the clutch handle in the closed position and let the machine run for 30 minutes at half throttle with tines in motion.

SERVICE INFORMATION

1. Check reservoir level using sight glass on the left side of the tank. If required, add to reservoir tractor transmission / hydraulic fluid. For machine use in ambient temperatures between +32°F (0°C) and +90°F (32°C) hydraulic fluid ISO 68 is recommended. If the machine is operated at temperatures below +32°F (0°C) then hydraulic fluid ISO 46 is recommended. Recheck oil level after the tiller has been run and oil has been circulated through the wheel and tine motors. Routinely check the level thereafter. **DO NOT OVERFILL THE TANK.**
2. Change the hydraulic oil filter after the first 50 hours of use. Change it after every 200 hours thereafter.
3. Add 1 quart of hydraulic oil to the reservoir with each hydraulic oil filter change.
4. Check the tine bolts after each use and tighten as needed. Check all hydraulic fittings for leaks and tighten if necessary.
5. Tines should be changed as often as needed for the machine to do a satisfactory and efficient tilling job. Use Loctite 271 (red) on tine bolt threads to prevent loosening.
6. The grease zerk on the outboard end of the tine shaft flange bearing should be greased after every 4 to 8 hours of use.
7. Grease zerks on the axle ends (to lube wheel hubs) should be greased once a week or so, depending upon freewheel use.

IMPORTANT: The engine is normally serviced prior to shipping. However, shipping regulations may prohibit this. Check levels and add oil and fuel as required before starting. Service according to the engine manual before starting.

IMPORTANT: If the couplers between the engine and the pump are moved or removed for any reason, it is **CRITICAL** that they have a 1/16” gap between them when reinstalled. Failure to have this gap will result in rapid wear and failure of your pump!

NOTE: It is very important to move the fuel shutoff lever to the closed position after stopping the engine. Failure to do so could cause fuel to leak down into the cylinder and crankcase. Damage resulting from this will void your engine warranty and not be covered.

WARNING: Running the tiller without hydraulic oil will cause serious damage to the hydraulic pump. CHECK THE RESERVOIR LEVEL BEFORE STARTING THE MACHINE.

BARRETO MANUFACTURING, INC. EQUIPMENT WARRANTY

Barreto Manufacturing, Inc. warrants all BARRETO equipment to be free of defects in material and workmanship for a period of one (1) year, dating from delivery to the original user.

This Warranty is in lieu of all other warranties, whether written or implied, and is limited to:

1. Replacement of parts returned to the dealer and/or factory and determined defective upon inspection. (Replacement for parts to dealers shall be at dealer cost plus shipping charges.)
2. Time for pick-up and/or delivery, transportation or service calls by dealers is excluded. Manufacturer reserves the right to determine reasonable time required for repair.

Warranty does not apply to damage caused by abuse or neglect. Time and materials required for normal maintenance and service are also excluded from warranty coverage.

Engines, engine accessories, batteries and tires are warranted by the original manufacturers and are not covered by the Barreto Equipment Warranty. Wear parts such as tiller tines, sprockets, bearings, trencher chain parts including teeth, stump grinder cutting teeth & holders, etc. are also excluded unless it can be determined that a defect has contributed to premature wear.

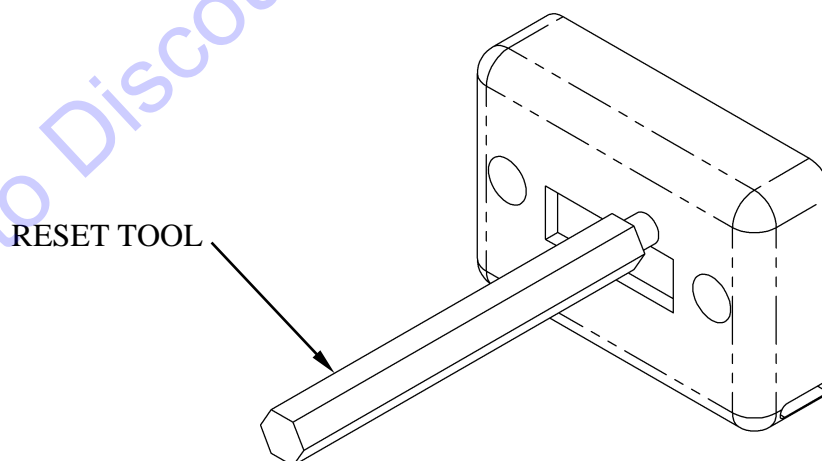
HOUR METER

The **DGI® TACH/HOUR** hour meter tracks the hours of machine operation in order for routine maintenance to be performed on a timely basis.

Your **DGI®** hour meter is pre-set at the **DGI®** factory to go into **Flash Alert** mode at 25-hour intervals. Although the engine manufacturer does not require changing engine oil this often, **due to heavy-duty use and extreme conditions inherent to tiller use, Barreto Manufacturing strongly recommends frequent oil changes.**

Refer to this manual for equipment service requirements and to the **Engine Manual** for engine service requirements.

While **Flash Alert** is active, hold the tip of the RESET TOOL (Key Kancel Wand) against the meter as shown. Within several seconds, the display will stop flashing indicating the Service Interval has been reset. If the wand gets lost, a small mechanic's pick-up magnet will work.



ELECTRICAL SCHEMATIC - HONDA GX390

TECHNICAL & CONSUMER INFORMATION

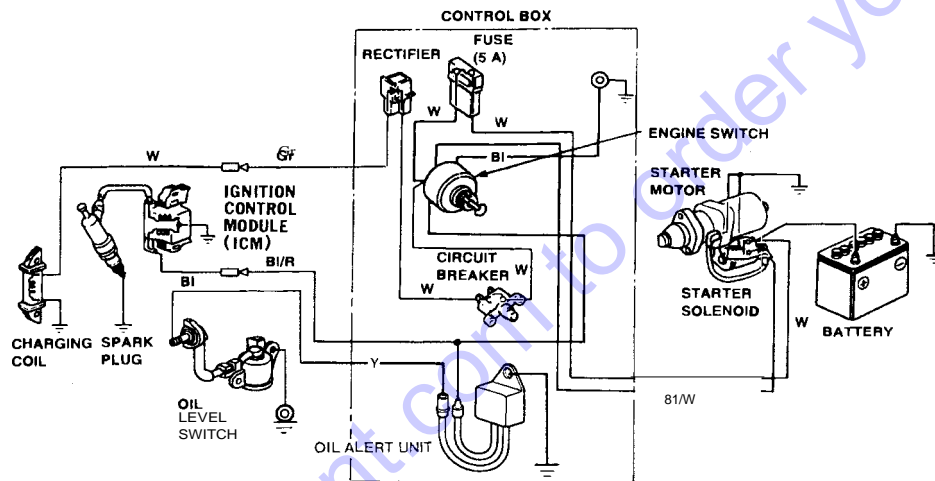
Wiring Diagrams

Oil Alert® and Electric Starter Types

ENGINE SWITCH

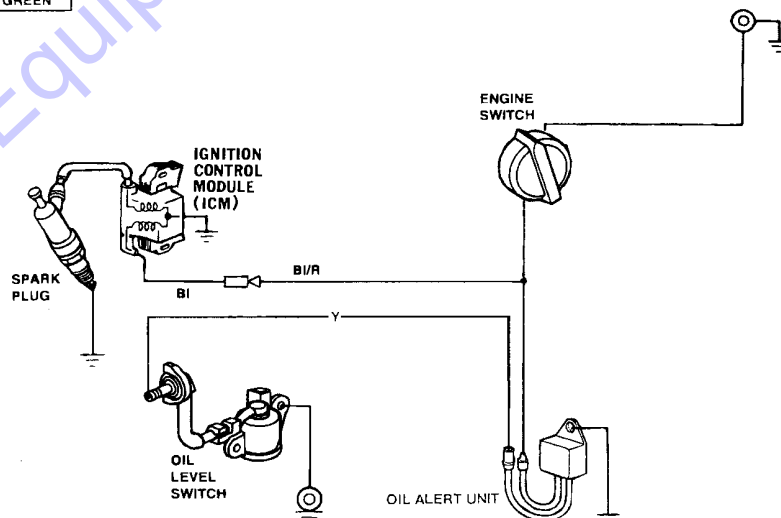
	IG	E	ST	BAT
OFF	O-O			
ON				
START			O-O	

Bl	BLACK	Gr	GRAY
Y	YELLOW	R	RED
W	WHITE	G	GREEN

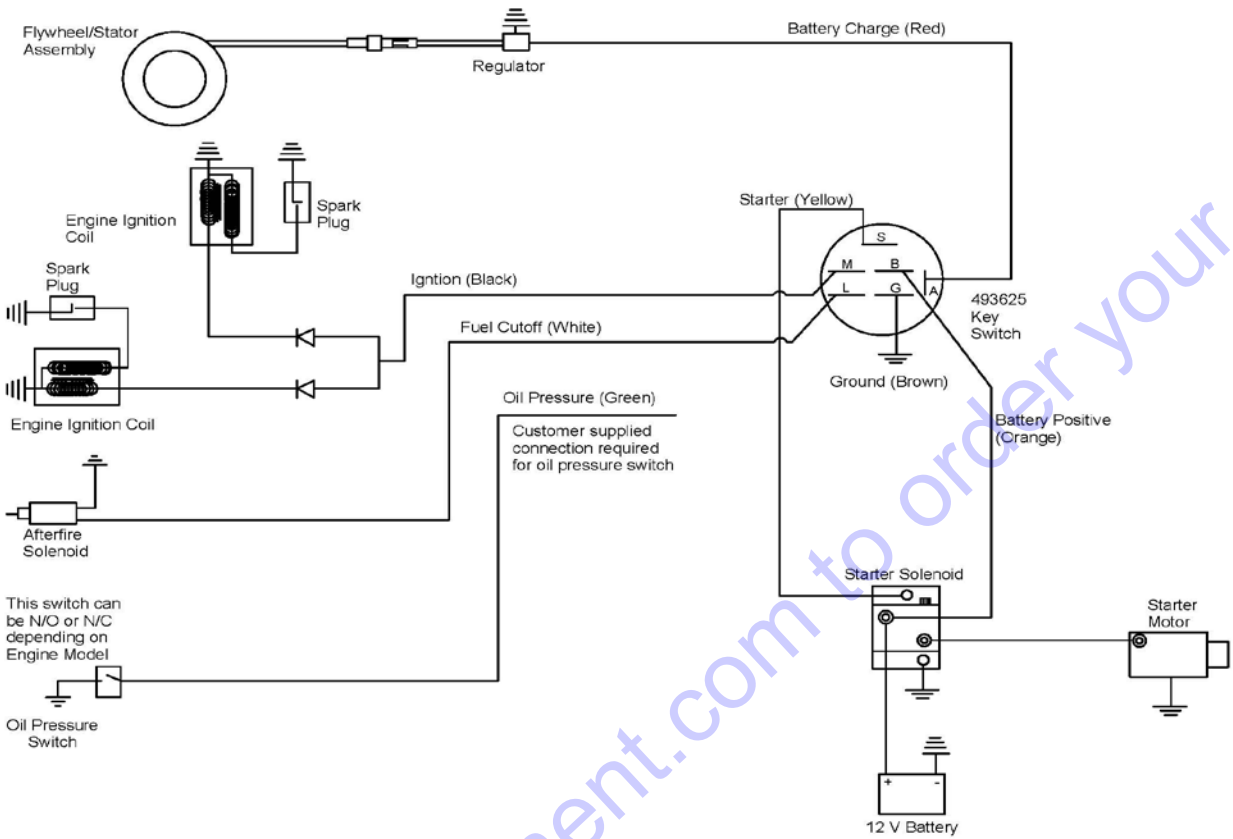


Engine Types with Oil Alert® and Without Electric Starter

Bl	BLACK
Y	YELLOW
G	GREEN

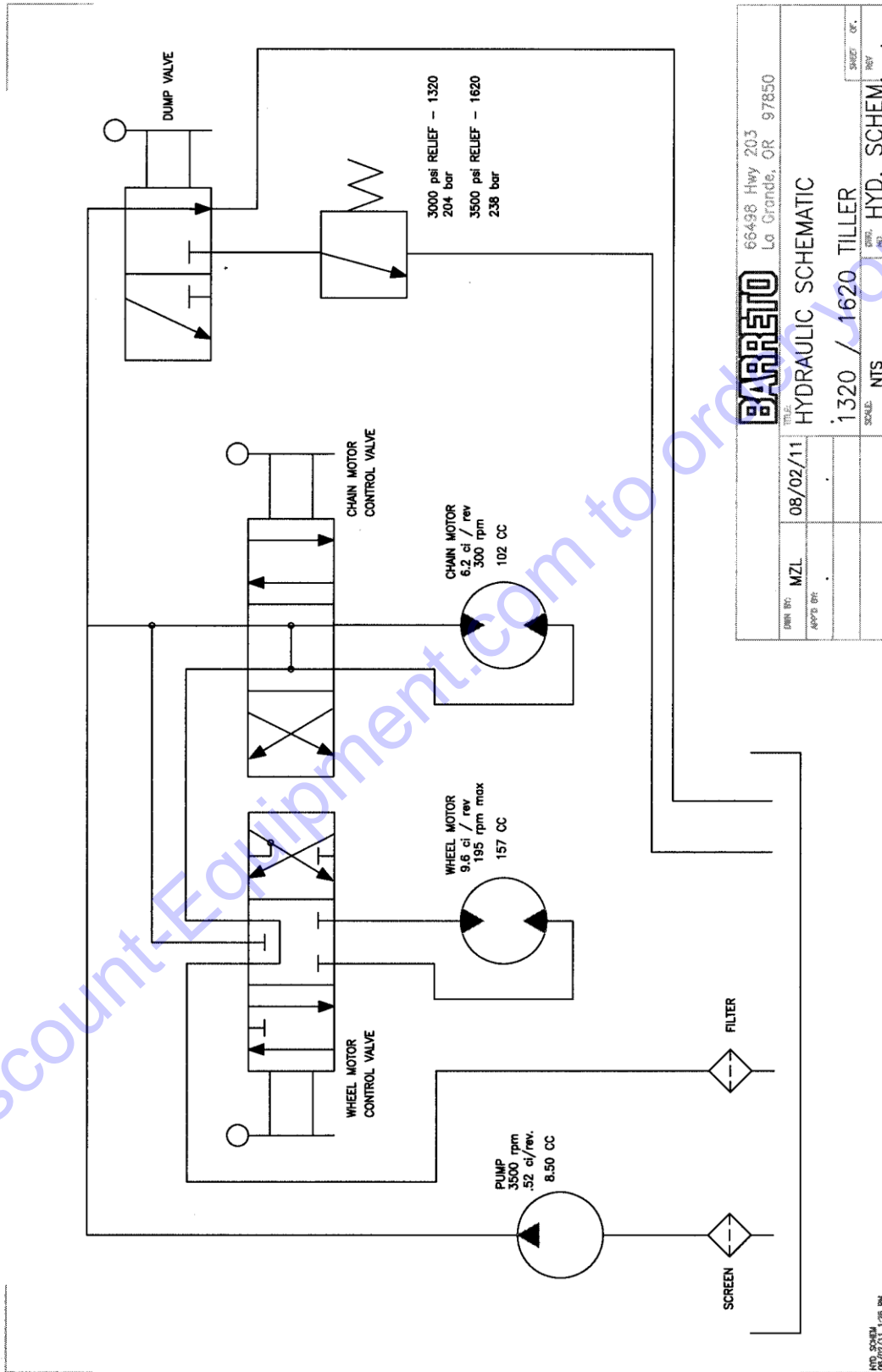


ELECTRICAL SCHEMATIC – BRIGGS VANGUARD 16 HP V-TWIN



Go to Discount-Equipment.com to order your parts

HYDRAULIC SCHEMATIC



BARRETO		66498 Hwy 203 La Grande, OR 97850	
DATE: 08/02/11	TITLE: HYDRAULIC SCHEMATIC		
DRN BY: MZL	APP'D BY:	1320 / 1620 TILLER	SHEET OF: 1
		SCALE: NTS	REV:

HYD. SCHEM
08/02/11 1:58 PM

SPECIFICATIONS

MODEL NUMBER

1320/1620

DIMENSIONS

Weight

560 lbs. (254.01 kg)

Height

44" (1.12 m)

Length

77" (1.96 m)

Width

27" (685.8 mm)

ENGINE

Engines

Honda GX390

Briggs 16 hp V-Twin

Fuel

Gasoline

Power: hp (kW) at 3600 RPM

H-11.7 hp (8.73 kW)

Power: hp (kW) at 3600 RPM

B-16 hp (11.93 kW)

Fuel Capacity

H-1.72 U.S. gallons (6.5 liters)

B-1.75 U.S. gallons (6.6 liters)

Engine Oil Capacity

H-1.16 quarts (1.1 liters)

B-1.38 quarts (1.36 liters)

Hour Meter

Standard

Electric Start

May or may not have

HYDRAULIC SYSTEM

Reservoir Capacity

14 U.S. gallons (52.99 liters)

OPERATIONS

Ground Drive, Forward

0-80 rpm

Tine Speed

260 rpm

1320H/1620B TILLER TROUBLESHOOTING GUIDE

CAUTION: ALWAYS USE EXTREME CARE WHEN TROUBLE SHOOTING OR MAKING ADJUSTMENTS ON THE TILLER. STAY CLEAR OF TINES WHEN ENGINE IS RUNNING. ALWAYS SHUT THE ENGINE OFF BEFORE DISASSEMBLING ANY COMPONENT.

A. ENTIRE HYDRAULIC SYSTEM DOES NOT OPERATE AND THE ENGINE IS NOT UNDER LOAD

- | | |
|---|--|
| 1. Broken or improperly adjusted clutch (actuator) cable. | If broken, replace. Remove slack then adjust for 7/16" to 1/2" movement at actuator lever pin. |
| 2. Low hydraulic oil in tank. | Fill to center of the sight glass. |
| 3. Hydraulic pump-to-engine coupler has slipped. | Check for wear and replace both coupler halves and rubber spider as needed. |
| 4. Hydraulic pump worn or tine motor relief valve not functioning properly. | Follow the series of tests described below |

Remove the tank end (at the T-fitting) of the hose that goes from the pump to the tank. Start the engine and with the tines and wheels in neutral, pump off about four gallons of hydraulic oil into a clean bucket. (The .52 CID pump, @ 1000 PSI & 3000 RPM, should pump at the rate of 6.5 GPM.) Replace the hose and remove the tank lid. Block the tines with a short 4 X 4 and stand to the side.

With tines selected to ON (forward) rotation, squeeze the clutch lever and check to see where the oil enters the tank. If the pump is good, the oil will enter through the relief valve or the return line from the filter. If the oil returns only through the filter return, the tine-drive motor is bad.

If the oil returns through the relief valve but does not kill the engine, check the out-put pressure of the pump. To do this, "T" a 4000 pound gauge into the line at the tank. **DO NOT BLOCK THE LINE OR DEAD-HEAD THE GAUGE INTO THE LINE.** With the tines in forward and blocked, activate the system as before. The relief valve for the 1320H is set at 3000 pounds, and 3500 pounds for the 1620B. If the gauge reaches the specified pressure, the relief valve is OK. If not, the relief valve is bad and needs to be replaced.

If the pressure reaches 3000 pounds but there is only a small amount of oil returning, the pump is worn and should be replaced.

TROUBLESHOOTING GUIDE (CONTINUED)

B. TINES FAIL TO ROTATE BUT WHEELS DRIVE.

- | | |
|--|---|
| 1. Clutch cable stretched so needs adjustment. | Remove cable slack then adjust for 7/16" to 1/2" movement at actuator lever pin. |
| 2. Tine motor worn. | Rebuild or replace motor. New motors are available from Barreto Manufacturing, Inc. |

C. WHEELS FAIL TO TURN BUT TINES ROTATE

- | | |
|--|---------------------|
| 1. Wheel axle keys have been sheared or removed. | Replace keys. |
| 2. Free-wheeling hubs unlocked. | Lock hubs in place. |

D. ENGINE LUGS DOWN OR DIES AND WHEELS AND TINES DO NOT TURN.

- | | |
|---|--|
| 1. Rocks or other obstruction blocking tines. | Shut OFF engine and remove obstruction. |
| 2. Tine shaft bound with wire, vines, or grass. | Shut OFF engine and remove debris, especially at the ends. |
| 3. Tilling depth too great for soil conditions. | Shut OFF engine and lower depth bar to raise the tines, decreasing tilling depth. |
| 4. Outboard tine shaft bearings binding. | Lubricate or replace bearings as needed. |
| 5. Engine improperly tuned or maintained. | See engine manual and correct as needed. |
| 6. Low oil alert causes engine to shut down. | This may occur if tilling on hills, (not advised). Level the tiller and check engine oil level. Fill if required. Oil alert should reset. See engine manual. |
| 7. Engine losing power due to wear. | See engine manual. |

TROUBLESHOOTING GUIDE (CONTINUED)

E. OIL LEAKS IN HYDRAULIC SYSTEM.

- | | |
|---------------------------------|---|
| 1. Fittings are loose. | Tighten as required. |
| 2. Worn or broken hoses. | Replace as necessary. |
| 3. Oil around tine motor shaft. | Inspect tine motor for leaking shaft seal.
Rebuild or replace motor. New motors are available from Barreto Manufacturing, Inc. |

F. EXCESSIVE FOAMING OF HYDRAULIC OIL FROM VENT HOSE.

- | | |
|------------------------------|--|
| 1. Improper oil used. | Verify that hydraulic oil used has anti-foaming additives. * |
| 2. Pump sucking air. | Inspect and tighten fittings on intake side of pump. |
| 3. Hydraulic pump is faulty. | Test using procedure in section A4 above. |

* Recommended oil is Chevron 1000 or equivalent hydraulic oil with anti-foaming and anti-wear additives. Hydraulic oil should have an ISO/AW rating of 68.

OPERATING INSTRUCTIONS

1. READ SAFETY INSTRUCTIONS BEFORE OPERATING!
2. Be sure engine oil and hydraulic oil are at proper levels before starting the tiller.
3. STUDY AND UNDERSTAND CONTROLS BEFORE BEGINNING OPERATION!
4. NEVER RUN THE MACHINE IN REVERSE WHILE TINES ARE ROTATING!
5. Always move the tine control lever to "OFF" before reversing wheels.
6. The TINE DRIVE lever should be set at "OFF" when moving the tiller from place to place while not tilling.
7. CLUTCH (ACTUATOR) LEVER: (At left handle grip) Activates the wheel drive and tine rotation controls when squeezed. When released, all motion stops.
8. WHEEL DRIVE LEVER: The wheel speed is variable both in forward and reverse. Moving the WHEEL DRIVE lever to the right causes the tiller to go forward; moving to the left to back up. The farther the control lever is moved away from center, the faster the tiller will travel. When the lever is centered, the wheels are locked in a neutral or park position.
9. TINE DRIVE LEVER: The tines operate at a constant speed. The TINE DRIVE lever must be moved all the way over to either the forward "ON" position or "REV" position when tilling. If an object becomes lodged in the tines, put the WHEEL DRIVE lever in neutral and change direction of the tines to dislodge it.
10. OPERATE TILLER ON LEVEL GROUND ONLY!
11. TILLING OPERATION: In most soil and sod conditions, the depth bar can be set with the pin in the third hole from the top.

When starting to till, move the TINE DRIVE lever to the ON (forward) or REV position. Tines will dig in either the forward or reverse rotating direction. Squeeze the CLUTCH LEVER completely to engage the tines.

Move the WHEEL DRIVE lever to the right until the desired wheel speed is reached.

Under most conditions, at least two passes must be made. For deeper tillage, move the depth bar up one hole at a time.

SAFETY INSTRUCTIONS

1. READ SAFETY AND OPERATING INSTRUCTIONS BEFORE OPERATING!
2. DO NOT LEAVE TILLER UNATTENDED WITH ENGINE RUNNING.
3. Always park on level surface, never on an incline.
4. USE EXTREME CAUTION IF TRANSPORTING TILLER DOWN ANY INCLINE, ESPECIALLY IF USING RAMPS OFF A PICK-UP TRUCK.
5. The SAFETY CLUTCH (ACTUATOR) lever on the left handlebar is for operator protection. **DO NOT TAPE DOWN OR OTHERWISE BY-PASS THIS SAFETY FEATURE!**
6. Objects may become airborne while operating tiller. Wear safety goggles, hard hat, protective footwear and hearing protection while operating or observing!
7. Rotating tines can cause serious injury. **KEEP HANDS AND FEET CLEAR!**
8. **KEEP TINE COVER CLOSED** and **MACHINE LEVEL** while tines are operating.
9. Buried cables or gas lines can cause serious injury or death. Contact local agencies for location.
10. Fuel exhaust and fuel fumes can cause illness or death. Operate outdoors and avoid breathing exhaust and fumes.
11. Fuel-fumes can catch fire or explode. Do not smoke or operate near flames or sparks.
12. Hydraulic oil is under extreme pressure and can get under skin and burn or poison. Check for leaks with cardboard.
13. Muffler and engine get hot enough to cause serious burns. Do not touch until cool.

SAFETY INSTRUCTIONS OVERVIEW

READ SAFETY AND OPERATING INSTRUCTIONS BEFORE OPERATING!

USE COMMON SENSE AND PLENTY OF IT!

The CLUTCH LEVER on the left handlebar is for the operator's protection. All motion stops when the lever is released. **DO NOT TAPE THE CLUTCH LEVER UP or otherwise by-pass this safety feature!**

Call before you dig. If you do not call, you may cause an accident; suffer injuries or death; cause interruption of services; damage the environment; and/or incur project delays. Expect to be held liable for any damages caused, if you fail to call.



DANGER: Buried electric cables or gas lines can cause serious injury or death if struck with tines. Always determine location of utilities before tilling.



WARNING: Fiber optic cables convey laser light that can injure your eyesight.

STAY CLEAR of moving parts on the tiller.

Wear safety goggles and a hard hat while operating or observing!



WARNING: The tines may throw stones and debris.

Wear adequate hearing protection while operating or observing.



WARNING: Exposure to loud noise is cumulative and may permanently damage your hearing.

Wear safety boots and gloves. Wear close-fitting clothing. Contain long hair. Do not wear jewelry. Wear reflective clothing if working near traffic.

Only operate outdoors and avoid breathing engine exhaust and fumes.



WARNING: Engine exhaust contains carbon monoxide gas that is toxic. Breathing it can cause unconsciousness and death.

Adequate lighting is required, daylight or artificial, for safe operation of the tiller.

Allow adequate side and overhead clearances between tiller and buildings, fences, and trees.



WARNING: Contact with the tines while in operation will cause serious injury or even death.

Keep away from tires to avoid getting crushed.



WARNING: Getting run over by the tiller will cause injury.

Always leave tiller parked on a level surface.



WARNING: Do not park on incline. Move the tiller to a level surface. Do not leave tiller unattended with the engine running.



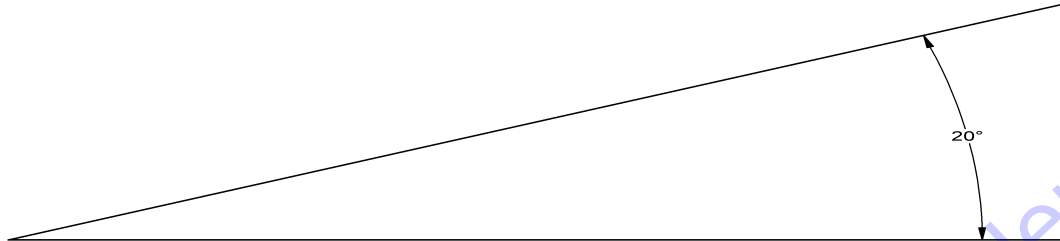
SAFETY INSTRUCTIONS OVERVIEW (continued)

Avoid inclines if at all possible.



WARNING: Navigating on any incline increases the danger of the tiller losing traction or rolling over, especially if the surface is wet. If you lose control get out of the way immediately to avoid personal injury. Navigation on inclines should be especially slow and turns very gradual.

A 20° maximum incline is allowed. Honda engines have an Oil Alert system that will automatically stop the engine if tipped more than 20°.



Do not operate tiller near any source of flammable dust or vapors.



WARNING: Sparks from the engine exhaust can cause an explosion or fire in a flammable or explosive atmosphere. Fuel fumes can catch fire or explode.

Do not operate tiller near flames or sparks.



WARNING: Fuel fumes can catch fire or explode.

Shut off engine and allow it to cool before refueling.



WARNING: Fuel fumes can catch fire or explode. Do not smoke when refueling. Do not refuel near a source of flames or sparks.

Do not touch the engine, muffler, or any of the hydraulic components until cool.



WARNING: Muffler and engine get hot enough to cause serious burns. For the safety of yourself and others, allow enough time for the engine, muffler, and the hydraulic fluid to cool completely before performing any cleaning or maintenance.

Avoid contact with hydraulic fluid.



WARNING: When machine is operating, hydraulic fluid is under extreme pressure and can get under skin and burn or poison.

Keep others away. If the job site is near a road or pedestrian path, warn and divert both motorized traffic and pedestrians. As appropriate, use traffic flag personnel, signs, cones, and lighting devices to insure safety.

Never allow anybody to ride on the tiller.

Never lift the tiller over any person at any time.



WARNING: If tiller should fall it would crush anybody under it.

We recommend having a fire extinguisher suitable for petrol fires in the operating area.

Attachments can change the center of mass and machine operations. Use only Barreto attachments.

DETERMINE LOCATION OF UNDERGROUND UTILITIES

OSHA CFR 29 1926.651 requires that the estimated location of underground utilities be determined before beginning excavation or an underground drilling operation. When the actual excavation or bore approaches an estimated utility location, the exact location of the underground installation must be determined by a safe, acceptable and dependable method. If any utility cannot be precisely located, the appropriate utility company must shut it off.

Call before you dig. If you do not call, you may cause an accident; suffer injuries or death; cause interruption of services; damage the environment; and/or incur project delays. Expect to be held liable for any damages caused, if you fail to call.



DANGER: Buried electric cables or gas lines can cause serious injury or death if struck with tiller tines. Always determine location of utilities before tilling.



WARNING: Fiber optic cables convey laser light that can injure your eyesight.

CALL 1-888-258-0808 TO LOCATE UTILITIES BEFORE TILLING (US. OR CANADA). This free service will provide a “One-Call” number for the geographic area that you select. Before you start any digging project, be sure to call the local One-Call system in your area and any utility company that does not subscribe to the One-Call system. The One-Call representative will notify participating utility companies of your proposed digging activities. Utilities will then mark their underground facilities by using the following international marking codes:

Red	Electric
Yellow	Gas, oil, or petroleum
Orange	Communication, telephone, television
Blue	Potable water
Green/brown	Sewer
White	Proposed excavation
Pink	Surveying

For areas not represented by One-Call Systems International, contact the appropriate utility companies to locate and mark the underground installations. Do not rely on visual evidence of underground utilities such as manhole covers or electrical drop boxes...**CALL!**

WORK SITE ASSESSMENT

Examine the work area for any conditions or obstructions that may inhibit tilling or create a safety hazard for the operator or others. Use the information in this manual combined with good judgment to identify any hazards to avoid.

In addition to calling to DETERMINE LOCATION OF UNDERGROUND UTILITIES (see previous section for details), the operator and/or job foreman should visually inspect the work site. Look for electrical drop boxes, notices of underground placements, manhole covers, recent trenching or tilling activity, any evidence of possible underground placements, banks, drop-offs, rocks, wire, uneven terrain, any existing holes and toxic ground conditions.



Only operate tiller outdoors and avoid breathing engine exhaust and fumes.

WARNING: Engine exhaust contains carbon monoxide gas that is toxic. Breathing it can cause unconsciousness and death.



Do not operate tiller near any source of flammable dust or vapors.

WARNING: Sparks from the engine exhaust can cause an explosion or fire in a flammable or explosive atmosphere. Fuel fumes can catch fire or explode.

Allow adequate side and overhead clearances between tiller and any objects such as buildings, fences, and trees.

Adequate lighting is required, daylight or artificial, for safe operation of the tiller.

Keep others away. If the job site is near a road or pedestrian path, warn and divert both motorized traffic and pedestrians. As appropriate, erect barriers, use traffic flag personnel, signs, cones, and lighting devices to insure safety.



WARNING: Someone could step into the tilled area by accident. Walking near the edge of the tilled area could cause loss of balance and possibly cause someone to fall into the rotating tines. Contact with the rotating tines while in operation will cause serious injury or even death.

MACHINE FUNCTION CHECK: If the operator releases the CLUTCH LEVER, the wheel drive and rotating tines should stop. This is intended for your safety and must be maintained in good functional condition. Contact your dealer or the factory if anything on the tiller does not function properly.

CONTACT WITH UNDERGROUND UTILITIES

After LOCATING UNDERGROUND UTILITIES and performing the WORK SITE ASSESSMENT, accidental tine contact with a buried utility might still occur. If it does, stop tilling and call 911 for help.

If you cut a wire or cable, assume that you do not know what kind it is. It may be electrical or any one of several communication lines: telephone, television, or fiber optic. In any case, do not touch it or even look at the ends of it. Stop tilling and call 911 for help. Do not till any more until the appropriate utility company has assessed the situation, taken appropriate action, and informed you that it is safe to proceed.

If you strike a pipe, it could be gas, oil, petroleum, water or sewer. In any case, stop tilling, shut off the engine, and evacuate the area immediately. **Call 911 for help.**

Electrical wires or cables: If you think that you may have severed electrical wires, stop tilling and call 911 for help. Keep yourself and other people away from the area.



DANGER: An electric shock could kill you. Assume that any severed wire or cable is HOT with voltage and do not touch it!

Gas lines: If you think that you may have struck a gas line, shut off the engine and evacuate the area immediately. Call 911 for help.



DANGER: A gas explosion could kill you. Sparks will likely occur from the tines scraping the metal pipe. If gas leaks out an explosion could easily occur.

Fiber optic cables: If you think that you may have severed a fiber optic cable, do not touch or even look at the ends of it.



WARNING: Fiber optic cables convey laser light that can injure your eyesight. Call 911 for help.

INDEX

BREAK IN PROCEDURE, 2
CALL BEFORE YOU DIG, 14, 16
CLUTCH LEVER, 12, 13, 14, 17
CONTROLS, 12
DANGER, 14, 16, 18
ELECTRICAL SCHEMATIC - HONDA, 5
ELECTRICAL SCHEMATIC – BRIGGS
VANGUARD, 6
ELECTRICAL SCHEMATIC – SUBARU, 6
ENGINE, 2, 3, 4, 9, 10, 12, 13, 14, 15, 17, 18
FREE WHEEL HUBS, 2
GREASE ZERK, 3
HEARING PROTECTION, 13, 14
HOUR METER, 4
HYDRAULIC FLUID, 3, 9, 11, 12, 13, 15
HYDRAULIC SCHEMATIC, 7
OPERATING INSTRUCTIONS, 2, 12, 13, 14
PROTECTION, 13, 14
REFUELING, 15
SAFETY GOGGLES, 13, 14
SAFETY INSTRUCTIONS, 2, 12, 13, 14, 15
SAFETY SHOES, 14
SERVICE INFORMATION, 2, 3
SPECIFICATIONS, 8
TINE DRIVE, 12
TINES, 3, 9, 10, 12, 13, 14, 16, 17, 18
TROUBLESHOOTING GUIDE, 9, 10, 11
UNDERGROUND UTILITIES, 16, 17, 18
WARNING, 3, 14, 15, 16, 17, 18
WARRANTY, 2, 4
WHEEL DRIVE, 12
WORK SITE, 17, 18



www.discount-equipment.com

PARTS FINDER

**Search Website
by Part Number**



**Search Manual
Library For Parts
Manual & Lookup Part
Numbers – Purchase
or Request Quote**

Search Manuals

Enter your information to help us find the right parts manual for your machine.

* Brand:

* Model:

* Serial:

* Part Number:

SEARCH

**Can't Find Part or
Manual? Request Help
by Manufacturer,
Model & Description**

Parts Order Form

Please fill in the following information to help us find the right part for your machine.

Manufacturer:	<input type="text"/>
Model:	<input type="text"/>
Description:	<input type="text"/>
Part Number:	<input type="text"/>
Quantity:	<input type="text"/>
Notes:	<input type="text"/>

Submit

Discount-Equipment.com is your online resource for quality parts & equipment.

Florida: **561-964-4949** Outside Florida TOLL FREE: **877-690-3101**

Need parts?

Click on this link: <http://www.discount-equipment.com/category/5443-parts/> and choose one of the options to help get the right parts and equipment you are looking for. Please have the machine model and serial number available in order to help us get you the correct parts. If you don't find the part on the website or on one of the online manuals, please fill out the request form and one of our experienced staff members will get back to you with a quote for the right part that your machine needs.

We sell worldwide for the brands: Genie, Terex, JLG, MultiQuip, Mikasa, Essick, Whiteman, Mayco, Toro Stone, Diamond Products, Generac Magnum, Airman, Haulotte, Barreto, Power Blanket, Nifty Lift, Atlas Copco, Chicago Pneumatic, Allmand, Miller Curber, Skyjack, Lull, Skytrak, Tsurumi, Husquvarna Target, Stow, Wacker, Sakai, Mi-T-M, Sullair, Basic, Dynapac, MBW, Weber, Bartell, Bennar Newman, Haulotte, Ditch Runner, Menegotti, Morrison, Contec, Buddy, Crown, Edco, Wyco, Bomag, Laymor, EZ Trench, Bil-Jax, F.S. Curtis, Gehl Pavers, Heli, Honda, ICS/PowerGrit, IHI, Partner, Imer, Clipper, MMD, Koshin, Rice, CH&E, General Equipment, Amida, Coleman, NAC, Gradall, Square Shooter, Kent, Stanley, Tamco, Toku, Hatz, Kohler, Robin, Wisconsin, Northrock, Oztec, Toker TK, Rol-Air, APT, Wylie, Ingersoll Rand / Doosan, Innovatech, Con X, Ammann, Mecalac, Makinex, Smith Surface Prep, Small Line, Wanco, Yanmar