

THE
BARRETO
MODEL E916/918
HYDRAULIC REAR TINE TILLER
EXPLODED VIEWS WITH PART NUMBERS

CONGRATULATIONS!

You are now the proud owner of a BARRETO tiller. The following pages have detailed views of your tiller, along with corresponding part numbers.

Thank you for your patronage and confidence in BARRETO equipment.

Machine Identification Record

BARRETO Customer number _____

Machine model number _____

Machine serial number _____

Engine manufacturer _____

Engine model number _____

Engine serial number _____



www.discount-equipment.com

PARTS FINDER

**Search Website
by Part Number**



**Search Manual
Library For Parts
Manual & Lookup Part
Numbers – Purchase
or Request Quote**

Search Manuals

Enter your information to help us find the right parts manual for your machine.

* Brand:

* Model:

* Serial:

* Part Number:

SEARCH

**Can't Find Part or
Manual? Request Help
by Manufacturer,
Model & Description**

Parts Order Form

Please fill in the following information to help us find the right part for your machine.

Manufacturer:	<input type="text"/>
Model:	<input type="text"/>
Description:	<input type="text"/>
Part Number:	<input type="text"/>
Quantity:	<input type="text"/>
Notes:	<input type="text"/>
Submit:	<input type="button" value="Submit"/>

Discount-Equipment.com is your online resource for quality parts & equipment.

Florida: **561-964-4949** Outside Florida TOLL FREE: **877-690-3101**

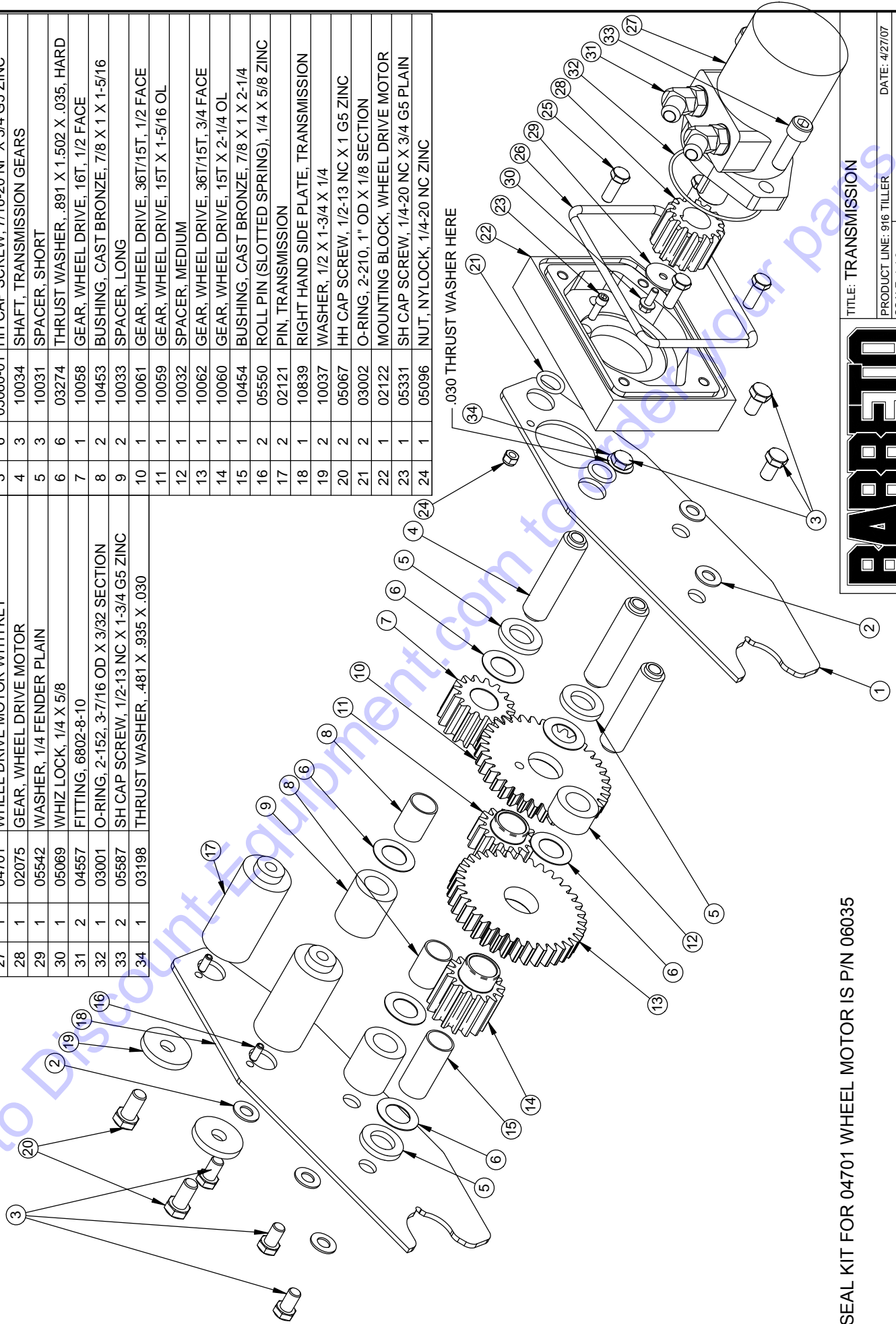
Need parts?

Click on this link: <http://www.discount-equipment.com/category/5443-parts/> and choose one of the options to help get the right parts and equipment you are looking for. Please have the machine model and serial number available in order to help us get you the correct parts. If you don't find the part on the website or on one of the online manuals, please fill out the request form and one of our experienced staff members will get back to you with a quote for the right part that your machine needs.

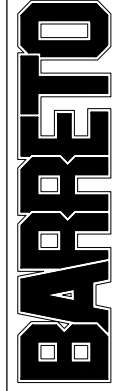
We sell worldwide for the brands: Genie, Terex, JLG, MultiQuip, Mikasa, Essick, Whiteman, Mayco, Toro Stone, Diamond Products, Generac Magnum, Airman, Haulotte, Barreto, Power Blanket, Nifty Lift, Atlas Copco, Chicago Pneumatic, Allmand, Miller Curber, Skyjack, Lull, Skytrak, Tsurumi, Husquvarna Target, Stow, Wacker, Sakai, Mi-T-M, Sullair, Basic, Dynapac, MBW, Weber, Bartell, Bennar Newman, Haulotte, Ditch Runner, Menegotti, Morrison, Contec, Buddy, Crown, Edco, Wyco, Bomag, Laymor, EZ Trench, Bil-Jax, F.S. Curtis, Gehl Pavers, Heli, Honda, ICS/PowerGrit, IHI, Partner, Imer, Clipper, MMD, Koshin, Rice, CH&E, General Equipment, Amida, Coleman, NAC, Gradall, Square Shooter, Kent, Stanley, Tamco, Toku, Hatz, Kohler, Robin, Wisconsin, Northrock, Oztec, Toker TK, Rol-Air, APT, Wylie, Ingersoll Rand / Doosan, Innovatech, Con X, Ammann, Mecalac, Makinex, Smith Surface Prep, Small Line, Wanco, Yanmar

REF. QTY.	PART NO.	DESCRIPTION	REF. QTY.	PART NO.	DESCRIPTION
1	10840	LEFT HAND SIDE PLATE, TRANSMISSION	1	10840	LEFT HAND SIDE PLATE, TRANSMISSION
2	05149	WASHER, 7/16 SAE ZINC	5	05149	WASHER, 7/16 SAE ZINC
3	05060-01	HH CAP SCREW, 7/16-20 NF X 3/4 G5 ZINC	6	05060-01	HH CAP SCREW, 7/16-20 NF X 3/4 G5 ZINC
4	10034	SHAFT, TRANSMISSION GEARS	4	10034	SHAFT, TRANSMISSION GEARS
5	10031	SPACER, SHORT	5	10031	SPACER, SHORT
6	03274	THRUST WASHER, .891 X 1.502 X .035, HARD	6	03274	THRUST WASHER, .891 X 1.502 X .035, HARD
7	10058	GEAR, WHEEL DRIVE, 16T, 1/2 FACE	7	10058	GEAR, WHEEL DRIVE, 16T, 1/2 FACE
8	10453	BUSHING, CAST BRONZE, 7/8 X 1 X 1-5/16	8	10453	BUSHING, CAST BRONZE, 7/8 X 1 X 1-5/16
9	10033	SPACER, LONG	9	10033	SPACER, LONG
10	10061	GEAR, WHEEL DRIVE, 36T/15T, 1/2 FACE	10	10061	GEAR, WHEEL DRIVE, 36T/15T, 1/2 FACE
11	10059	GEAR, WHEEL DRIVE, 15T X 1-5/16 OL	11	10059	GEAR, WHEEL DRIVE, 15T X 1-5/16 OL
12	10032	SPACER, MEDIUM	12	10032	SPACER, MEDIUM
13	10062	GEAR, WHEEL DRIVE, 36T/15T, 3/4 FACE	13	10062	GEAR, WHEEL DRIVE, 36T/15T, 3/4 FACE
14	10060	GEAR, WHEEL DRIVE, 15T X 2-1/4 OL	14	10060	GEAR, WHEEL DRIVE, 15T X 2-1/4 OL
15	10454	BUSHING, CAST BRONZE, 7/8 X 1 X 2-1/4	15	10454	BUSHING, CAST BRONZE, 7/8 X 1 X 2-1/4
16	05550	ROLL PIN (SLOTTED SPRING), 1/4 X 5/8 ZINC	16	05550	ROLL PIN (SLOTTED SPRING), 1/4 X 5/8 ZINC
17	02121	PIN, TRANSMISSION	17	02121	PIN, TRANSMISSION
18	10839	RIGHT HAND SIDE PLATE, TRANSMISSION	18	10839	RIGHT HAND SIDE PLATE, TRANSMISSION
19	10037	WASHER, 1/2 X 1-3/4 X 1/4	19	10037	WASHER, 1/2 X 1-3/4 X 1/4
20	05067	HH CAP SCREW, 1/2-13 NC X 1 G5 ZINC	20	05067	HH CAP SCREW, 1/2-13 NC X 1 G5 ZINC
21	03002	O-RING, 2-210, 1" OD X 1/8 SECTION	21	03002	O-RING, 2-210, 1" OD X 1/8 SECTION
22	02122	MOUNTING BLOCK, WHEEL DRIVE MOTOR	22	02122	MOUNTING BLOCK, WHEEL DRIVE MOTOR
23	05331	SH CAP SCREW, 1/4-20 NC X 3/4 G5 PLAIN	23	05331	SH CAP SCREW, 1/4-20 NC X 3/4 G5 PLAIN
24	05096	NUT, NYLOCK, 1/4-20 NC ZINC	24	05096	NUT, NYLOCK, 1/4-20 NC ZINC

REF. QTY.	PART NO.	DESCRIPTION
25	05059	HH CAP SCREW, 3/8-16 NC X 1 G5 ZINC
26	03915	O-RING, 2-438N70, 6-3/4 OD X 1/4 SECTION
27	04701	WHEEL DRIVE MOTOR WITH KEY
28	02075	GEAR, WHEEL DRIVE MOTOR
29	05542	WASHER, 1/4 FENDER PLAIN
30	05069	WHIZ LOCK, 1/4 X 5/8
31	04557	FITTING, 6802-8-10
32	03001	O-RING, 2-152, 3-7/16 OD X 3/32 SECTION
33	05587	SH CAP SCREW, 1/2-13 NC X 1-3/4 G5 ZINC
34	03198	THRUST WASHER, .481 X .935 X .030



SEAL KIT FOR 04701 WHEEL MOTOR IS P/N 06035



TITLE: TRANSMISSION

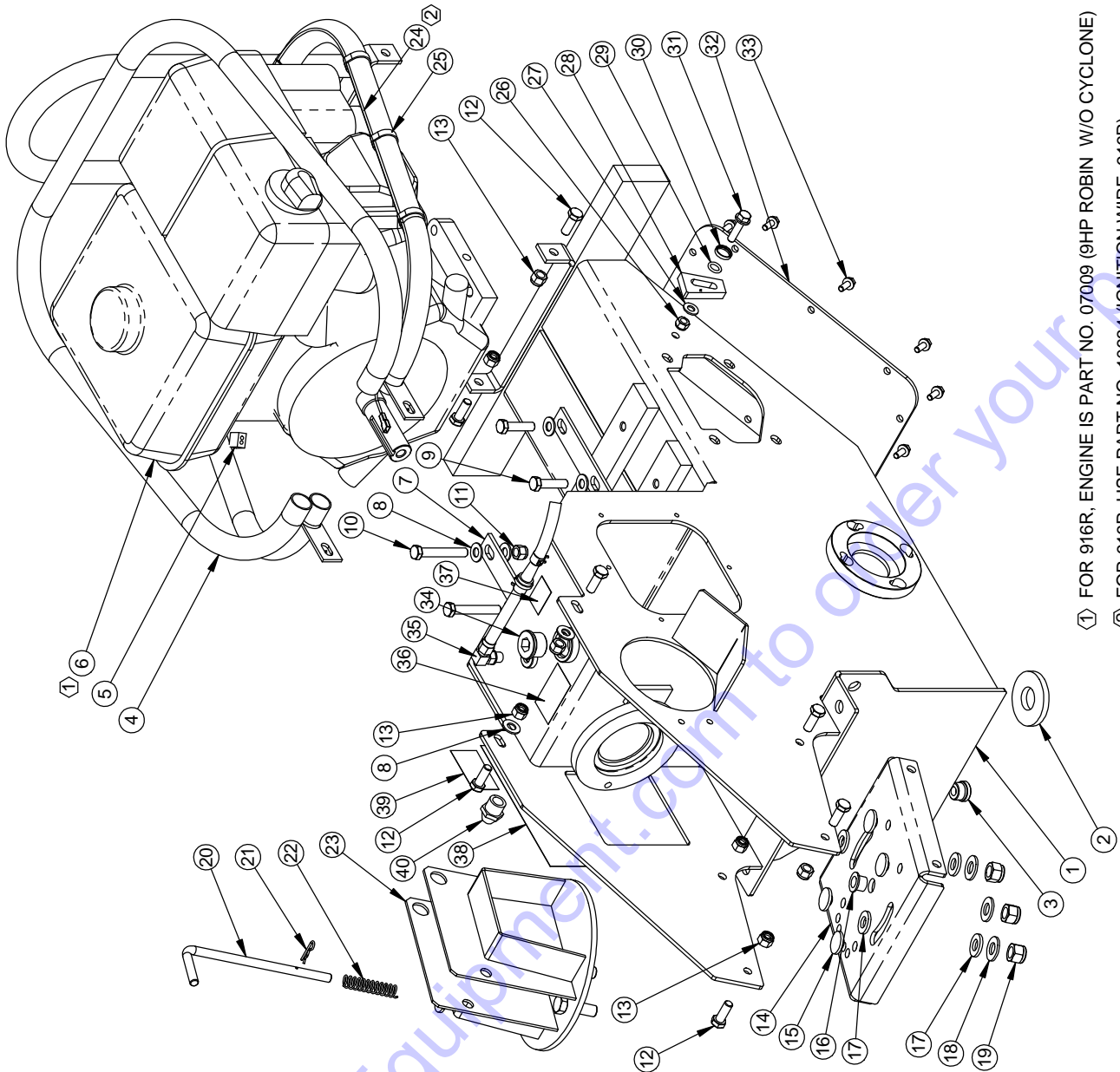
PRODUCT LINE: 916 TILLER DATE: 4/27/07

SCALE: 1:4.3

DWG# 00237 R1

SHEET 1 OF 1

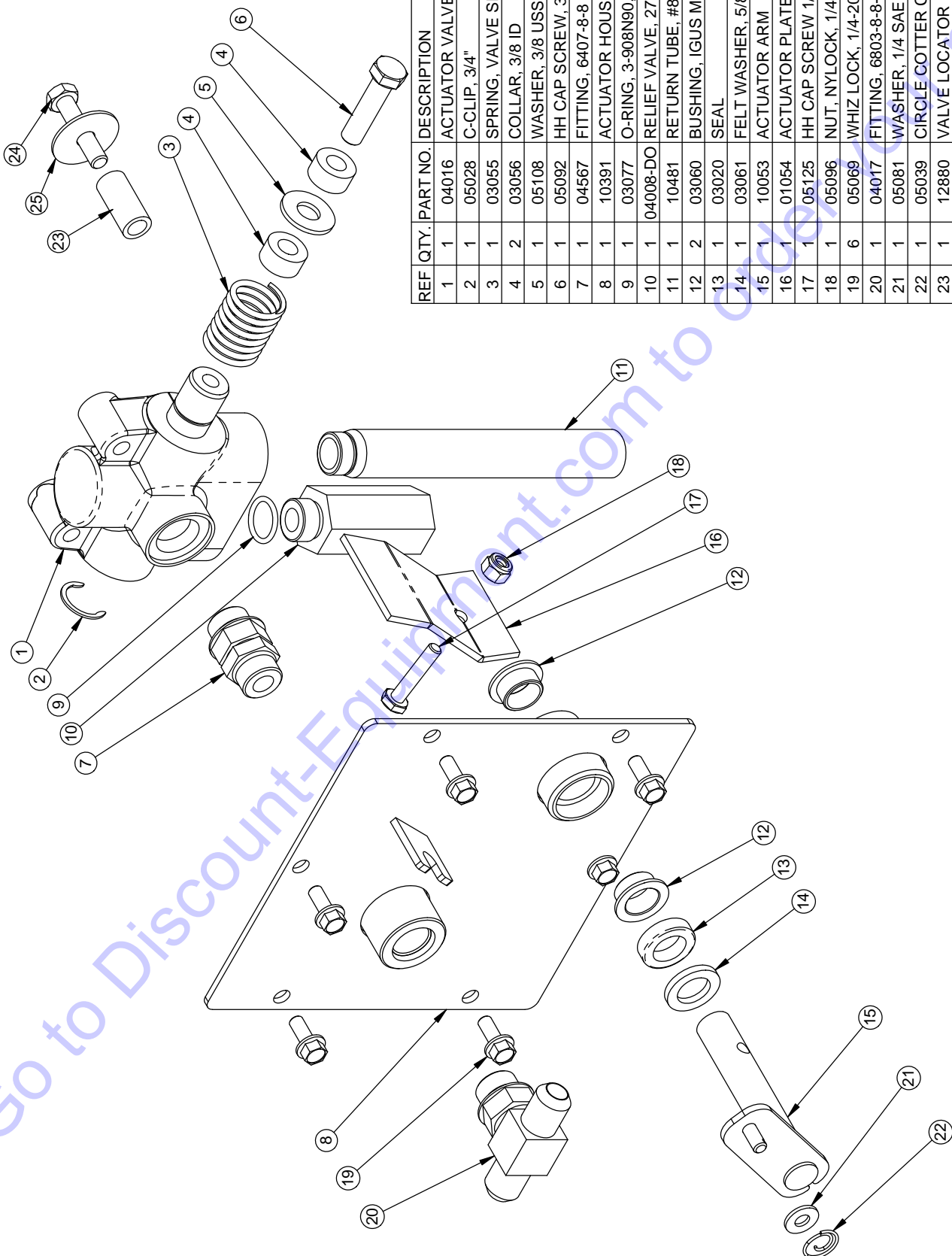
REF. QTY.	PART NO.	DESCRIPTION
1	10701	916 & 918 BODY, BOLT ON TORQUE TUBE
2	03520	MAGNET
3	10361	FITTING, 6409-8 PLUG
4	10188	ENGINE GUARD, 916
5	03806	QUICK-SPLICE
6	07006	ENGINE, 9 HP HONDA GX270
7	11188	SPACER, 9 HP ENGINES
8	05101	WASHER, 3/8 SAE ZINC
9	05092	HH CAP SCREW, 3/8-16 NC X 1-1/2 G5 ZINC
10	05284	HH CAP SCREW, 3/8-16 NC X 2-1/2 G8 ZINC
11	05073	NUT, NYLOCK, 3/8-16 NC
12	05056	HH CAP SCREW, 3/8-24 NF X 1 G5 ZINC
13	05072	NUT, NYLOCK, 3/8-24 NF
14	10035	MOUNTING PLATE, HANDLE BAR
15	10064	BUSHING, NYLATRON, 1" OD SOLID
16	03501	BUSHING, IGUS MFI-0810-08
17	10469	THRUST WASHER, .500 X 1.000 X .125 NYLATRON
18	05102	WASHER, 1/2 SAE ZINC HARDENED
19	05098	NUT, NYLOCK, 1/2-13 NC
20	10068	PIN, HANDLE BAR
21	03065	HAIR SPRING COTTER #4
22	03080	SPRING
23	10036	HANDLE BAR BRACKET
24	10558	IGNITION WIRE, 916
25	03035	TIE WRAP, 1/8 X 6
26	05273	NUT, NYLOCK, 5/16-18 NC
27	05068	WASHER, 5/16 SAE ZINC
28	10555	WEDGE
29	03907	O-RING, 2-111, 5/8 OD X 3/32 SECTION
30	02526	HOUSING, 2-111 O-RING & FLANGE SCREW
31	05138	HH FLANGE SCREW, 5/16-18 NC X 1-1/4 G8 ZINC
32	10056	ACCESS PLATE
33	05069	WHIZ LOCK, 1/4-20 UNC X 5/8
34	10526	FITTING, 6409-12 PLUG
35	10189 R2	BREATHER HOSE ASSEMBLY
36	03040-06	DECAL, "HYDRAULIC OIL ONLY"
37	03040-16	DECAL, "CE"
38	03040-11	DECAL, "BARRETO", 2-3/16 X 7-3/8
39	03040-57	DECAL, "HYDRAULIC OIL LEVEL"
40	03503	SIGHT GAUGE



- ① FOR 916R, ENGINE IS PART NO. 07009 (9HP ROBIN W/O CYCLONE)
- ② FOR 916R, USE PART NO. 10634 (IGNITION WIRE, 916R)

BARRETO

TITLE: BODY,
BOLT ON TORQUE TUBE
PRODUCT LINE: 916/18 DATE: 12/4/06
SCALE: 1:7.2 DWG#: 00238 R4
SHEET 1 OF 1



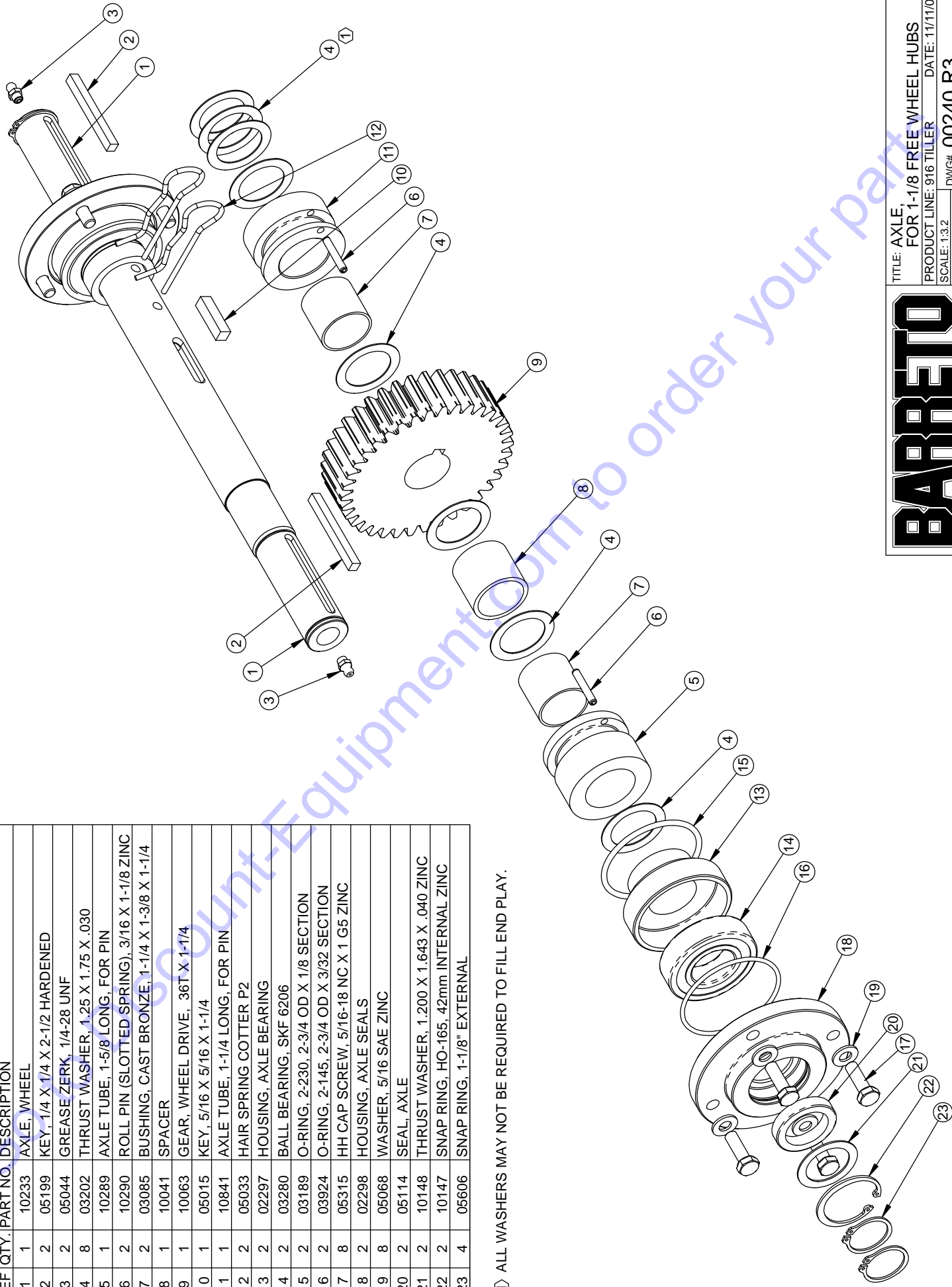
REF	QTY	PART NO	DESCRIPTION
1	1	04016	ACTUATOR VALVE, O-RING PORTS
2	1	05028	C-CLIP, 3/4"
3	1	03055	SPRING, VALVE SPOOL RETURN
4	2	03056	COLLAR, 3/8 ID
5	1	05108	WASHER, 3/8 USS, ZINC
6	1	05092	HH CAP SCREW, 3/8-16 NC X 1-1/2 G5 ZINC
7	1	04567	FITTING, 6407-8-8
8	1	10391	ACTUATOR HOUSING PLATE
9	1	03077	O-RING, 3-908N90, -8 FITTINGS
10	1	04008-DO	RELIEF VALVE, 2750 POUND, O-RING
11	1	10481	RETURN TUBE, #8 O-RING
12	2	03060	BUSHING, IGUS MFI-1012-06
13	1	03020	SEAL
14	1	03061	FELT WASHER, 5/8 X 1 X 1/8
15	1	10053	ACTUATOR ARM
16	1	01054	ACTUATOR PLATE
17	1	05125	HH CAP SCREW 1/4-20 NC X 1-1/4 G5 ZINC
18	1	05096	NUT, NYLOCK, 1/4-20 NC ZINC
19	6	05069	WHIZ LOCK, 1/4-20 NC X 5/8 ZINC
20	1	04017	FITTING, 6803-8-8-8
21	1	05081	WASHER, 1/4 SAE ZINC
22	1	05039	CIRCLE GOTTER CC-3
23	1	12880	VALVE LOCATOR
24	1	05294	HH CAP SCREW, 5/16-18 NC X 1-1/2 G5 ZINC
25	1	05541	WASHER, 5/16 FENDER ZINC

BARRRETO

TITLE: ACTUATOR VALVE
 PRODUCT LINE: 916 TILLER DATE: 10/13/14
 SCALE: 1:2.5 DWG#: 00239 R3
 SHEET 1 OF 1

REF QTY.	PART NO.	DESCRIPTION
1	10233	AXLE, WHEEL
2	05199	KEY, 1/4 X 1/4 X 2-1/2 HARDENED
3	05044	GREASE ZERK, 1/4-28 UNF
4	03202	THRUST WASHER, 1.25 X 1.75 X .030
5	10289	AXLE TUBE, 1-5/8 LONG, FOR PIN
6	10290	ROLL PIN (SLOTTED SPRING), 3/16 X 1-1/8 ZINC
7	03085	BUSHING, CAST BRONZE, 1-1/4 X 1-3/8 X 1-1/4
8	10041	SPACER
9	10063	GEAR, WHEEL DRIVE, .36T X 1-1/4
10	05015	KEY, 5/16 X 5/16 X 1-1/4
11	10841	AXLE TUBE, 1-1/4 LONG, FOR PIN
12	05033	HAIR SPRING COTTER P2
13	02297	HOUSING, AXLE BEARING
14	03280	BALL BEARING, SKF 6206
15	03189	O-RING, 2-230, 2-3/4 OD X 1/8 SECTION
16	03924	O-RING, 2-145, 2-3/4 OD X 3/32 SECTION
17	05315	HH CAP SCREW, 5/16-18 NC X 1 G5 ZINC
18	02298	HOUSING, AXLE SEALS
19	05068	WASHER, 5/16 SAE ZINC
20	05114	SEAL, AXLE
21	10148	THRUST WASHER, 1.200 X 1.643 X .040 ZINC
22	10147	SNAP RING, HO-165, 42mm INTERNAL ZINC
23	05606	SNAP RING, 1-1/8" EXTERNAL

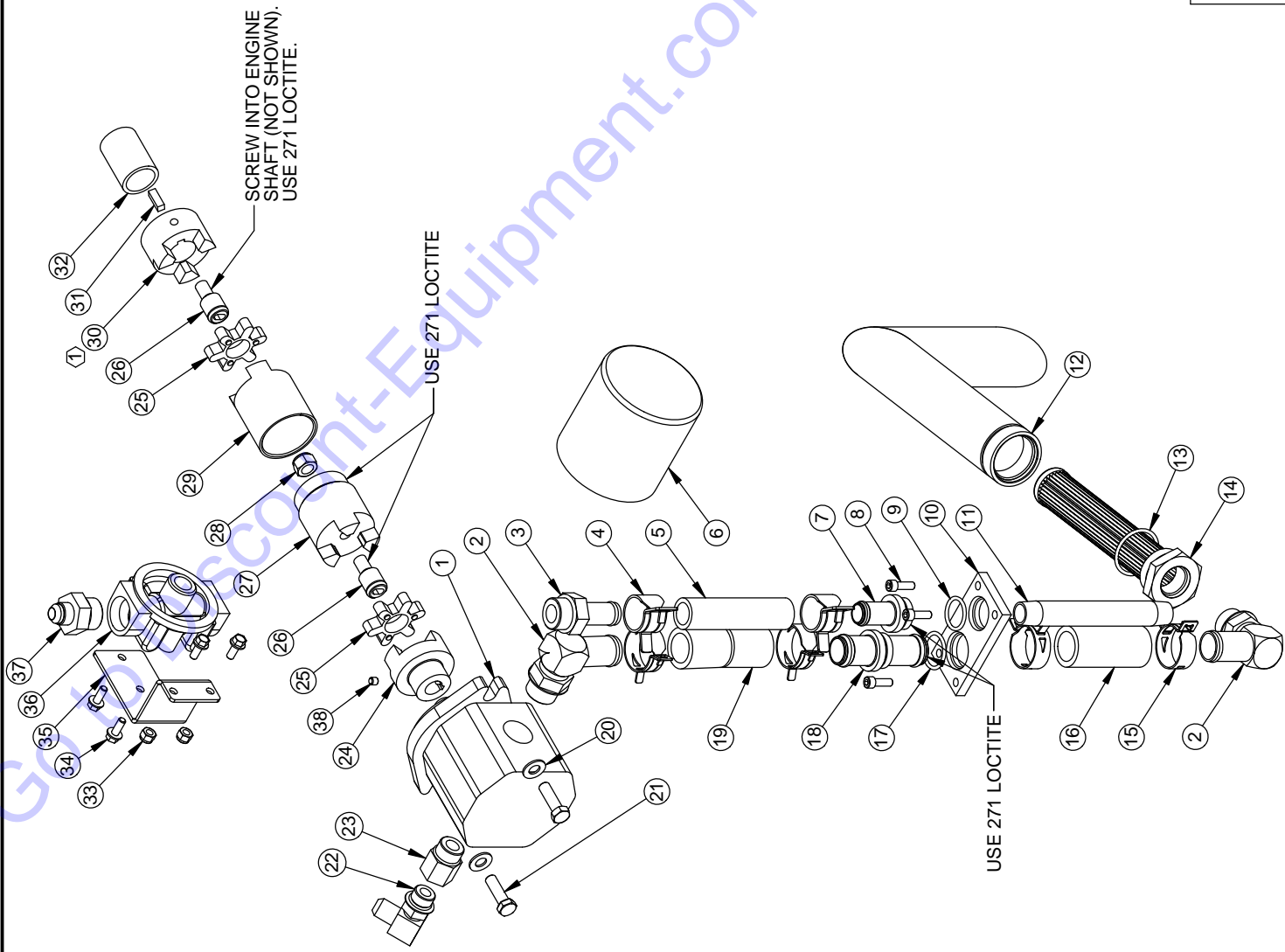
① ALL WASHERS MAY NOT BE REQUIRED TO FILL END PLAY.



BARRETO

TITLE: AXLE,
FOR 1-1/8 FREE WHEEL HUBS
PRODUCT LINE: 916 TILLER DATE: 11/11/08
SCALE: 1:3.2 DWG#: 00240 R3
SHEET 1 OF 1

REF	QTY.	PART NO.	DESCRIPTION
1	1	04004-A	PUMP, HYDRAULIC
2	2	04530	FITTING, 4601-16-12
3	1	04219	FITTING, 4604-12-12
4	2	05008	CLAMP, 1" HOSE, CTB-29
5	1	10796	HOSE, RETURN TO TANK
6	1	03951	FILTER, HYDRAULIC OIL, WITH BY-PASS
7	1	10853	FITTING, 3/4 HOSE BIB, 1/2 NPT
8	4	05611	SH CAP SCREW, 1/4-20 NC X 3/4 ZINC
9	1	03075	O-RING, 3-912N90, -12 FITTINGS
10	1	10851	MOUNTING PLATE, HOSE BIB FITTINGS
11	1	01020	PIPE NIPPLE, 1/2 X 6, SCH 40
12	1	10860	SUCTION TUBE, #20 O-RING
13	1	03293	O-RING, 3-920N90, -20 FITTINGS
14	1	10247	SUMP SCREEN #20 EXT #12 INT O-RING
15	4	05225	CLAMP, 1-1/2" HOSE, CTB-36 ST
16	1	10184	HOSE, SUMP SCREEN
17	1	10855	O-RING, 3-914N90, -14 FITTINGS
18	1	10852	FITTING, 1" HOSE BIBS
19	1	10854	HOSE, PUMP INTAKE
20	2	05101	WASHER, 3/8 SAE ZINC
21	2	05091	HH CAP SCREW, 3/8-16 NC X 1-1/4 G5 ZINC
22	1	04554	FITTING, 6801-8-8
23	1	04209	FITTING, 6410-10-8
24	1	10747	JAW COUPLER, PUMP, 5/8 BORE
25	2	03022	SPIDER, RUBBER
26	2	10738	PILOT
27	1	10737	COUPLER SHAFT, PUMP SIDE
28	1	05077	NUT, NYLOCK, 7/16-20 NF ZINC
29	1	10739	COUPLER SHAFT, ENGINE SIDE
30	1	03023	JAW COUPLER, 1" BORE L095
31	1	05014	KEY, 1/4 X 1/4 X 3/4
32	1	10180	SPACER, ENGINE SHAFT
33	2	05096	NUT, NYLOCK, 1/4-20 NC ZINC
34	4	05069	WHIZ LOCK, 1/4-20 NC X 5/8 ZINC
35	1	10798	BRACKET, FILTERHEAD
36	1	04403	FILTER HEAD, #12 O-RING
37	1	10808	FITTING, 6400-8-12
38	1	05143	SET SCREW .25 NF X .25 CUP



Coupler shaft pump to engine kit includes refs 24-31, 38 and is p/n 10737-K.

NOTES:

- ① COMES WITH SET SCREW, REPLACEMENT SET SCREW IS 5/16 X 5/16, PART NO. 05127.

BARRETO

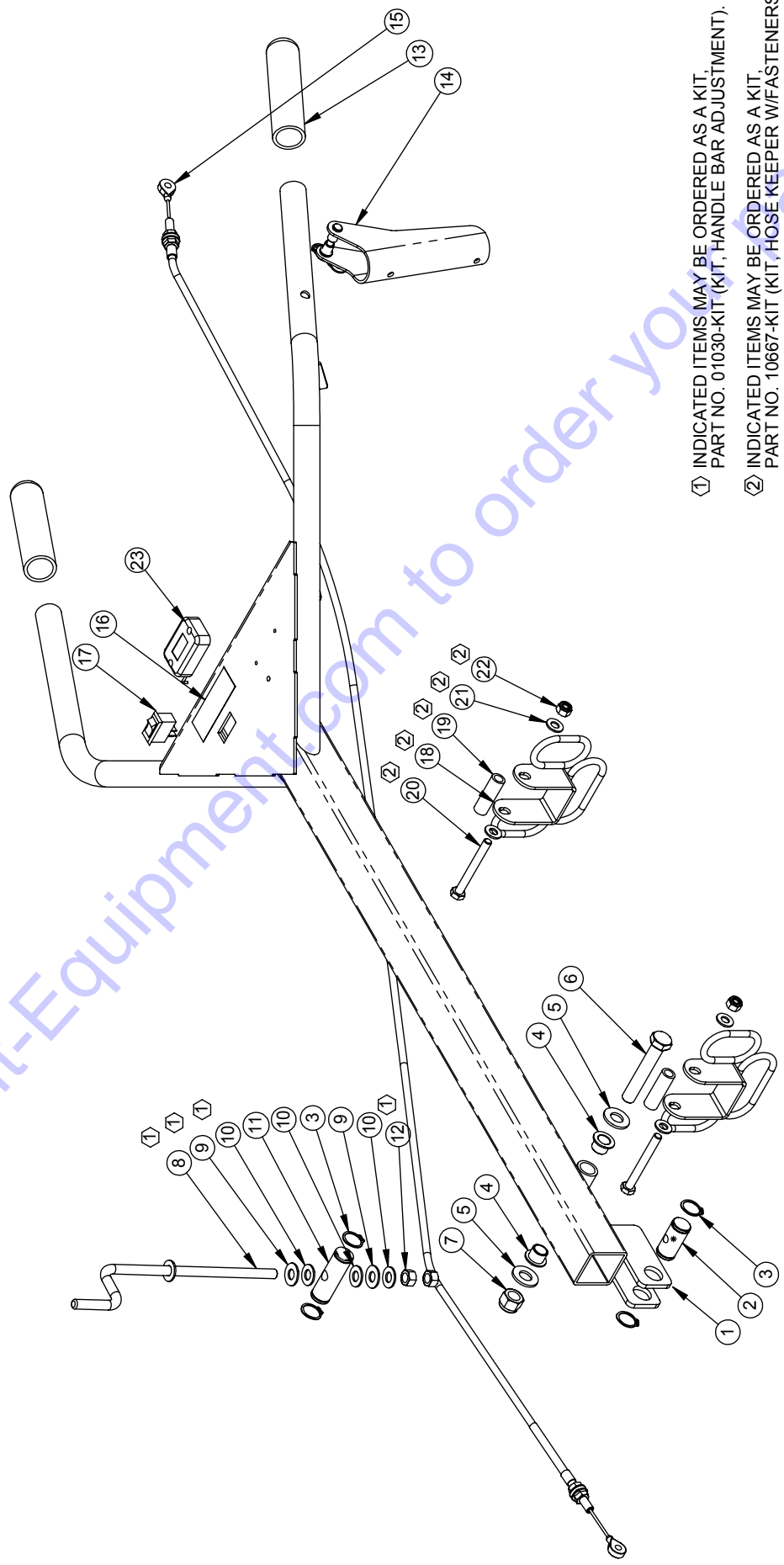
TITLE: PUMP

PRODUCT LINE: 916 DATE: 2/15/06

SCALE: 1:5.6 DWG#: 00241 R3

SHEET 1 OF 1

REF QTY.	PART NO.	DESCRIPTION	REF QTY.	PART NO.	DESCRIPTION
1	01017	HANDLE BARS	13	03032-01	GRIP, 1 X 5 (P/N 03032 IS A PAIR)
2	02027-L	HANDLE BAR ADJUSTER PIN, LOWER	14	03029	LEVER ASSEMBLY (COMPLETE)
3	05216	SNAP RING, 3/4 EXTERNAL	15	10057	CABLE, ACTUATOR
4	03501	BUSHING, IGUS MFI-0810-08	16	03341-07	DECAL, "IGNITION OFF/ON"
5	05102	WASHER, 1/2 SAE ZINC HARDENED	17	06420	ROCKER SWITCH, IGNITION OFF/ON
6	05093	HH CAP SCREW, 1/2-13 NC X 3 G5 ZINC	18	10667	HOSE KEEPER
7	05098	NUT, NYLOCK, 1/2-13 NC ZINC	19	10668	SPACER, HOSE KEEPER
8	01030	CRANK, HANDLE BAR ADJUSTMENT	20	05065	HH CAP SCREW, 5/16-18 NC X 2-3/4 G5 ZINC
9	05058	WASHER, 3/8 NYLON	21	05068	WASHER, 5/16 SAE ZINC
10	05103	WASHER, 3/8 A325 HARDENED ZINC	22	05273	NUT, NYLOCK, 5/16-18 NC ZINC
11	02027-U	PIN, HANDLE BAR ADJUSTMENT, UPPER	23	03009 R1	HOUR METER, WITH FLASH ALERT
12	05269	NUT, 3/8-16 NC GRB ZINC			



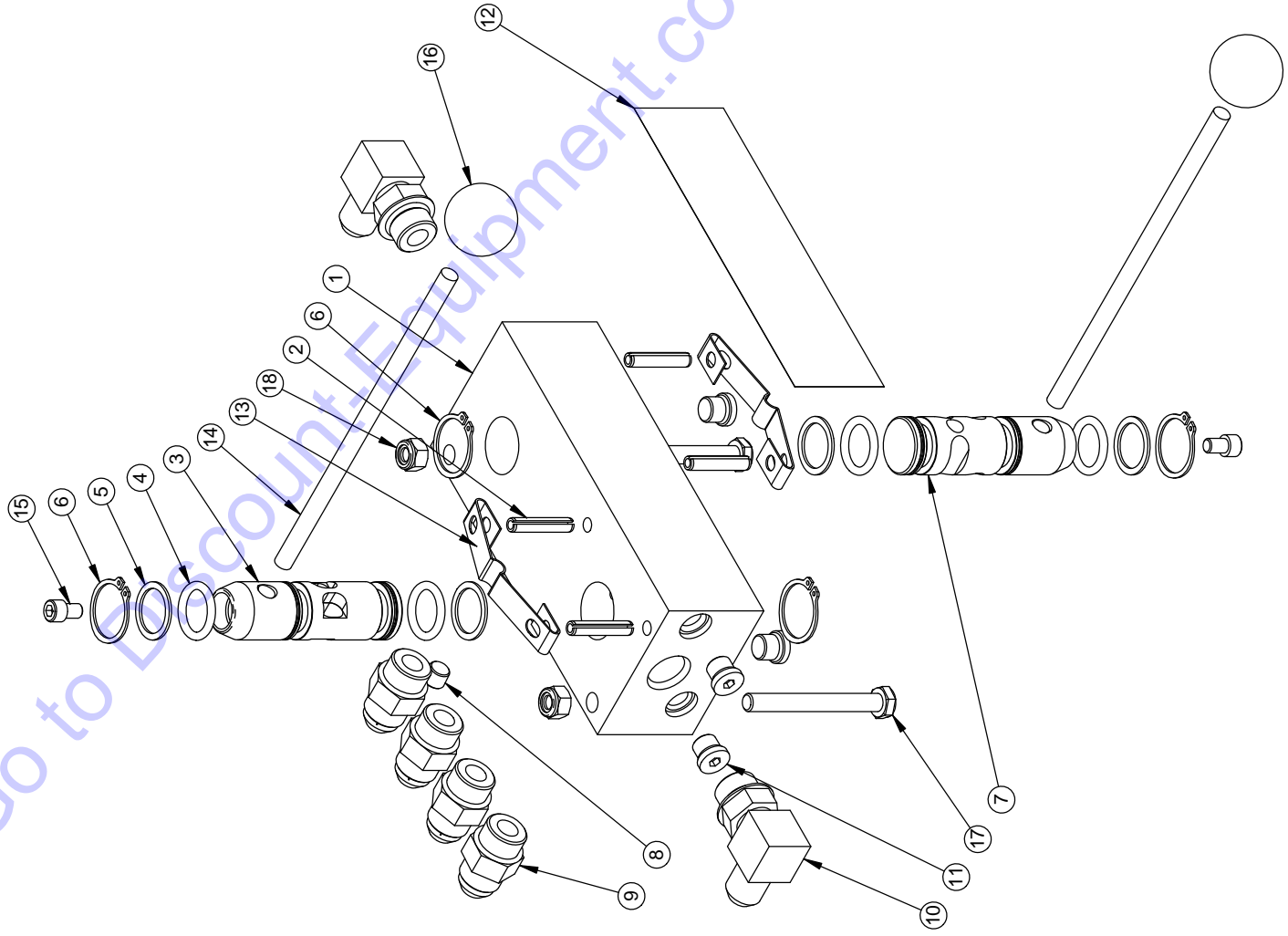
① INDICATED ITEMS MAY BE ORDERED AS A KIT, PART NO. 01030-KIT (KIT, HANDLE BAR ADJUSTMENT).
 ② INDICATED ITEMS MAY BE ORDERED AS A KIT, PART NO. 10667-KIT (KIT, HOSE KEEPER W/FASTENERS).

BARRETO

TITLE: HANDLE BARS & CRANK

PRODUCT LINE: 916 1/16/07
 SCALE: 1:6.2 DWG# 00250 R1
 SHEET 1 OF 1

REF	QTY.	PART NO.	DESCRIPTION
1	1	04010	CONTROL VALVE BODY (ORDER 04010-K)
2	4	05200	ROLL PIN (SLOTTED SPRING), 1/4 X 1-1/4 ZINC
3	1	04015-D	VALVE SPOOL, TINES (ORDER 04010-K)
4	4	03002	O-RING, 2-210, 1" OD X 1/8 SECTION
5	4	03025	BACK-UP RING, 1" TEFLON
6	4	05010	SNAP RING, 1" EXTERNAL
7	1	04015-C	VALVE SPOOL, WHEEL DRIVE (ORDER 04010-K)
8	1	05023	PIPE PLUG, 1/8"
9	4	04520	FITTING, 6400-8-8
10	2	04554	FITTING, 6801-8-8
11	4	03300	FITTING, 6409-4-PLUG
12	1	03040	DECAL, CONTROL VALVE
13	2	03027	DETENT SPRING
14	2	02017	HANDLE, 5/16 X 7
15	2	05573	SH CAP SCREW, 1/4-20 NC X 3/8 ZINC
16	2	03026	KNOB, 5/16-NC
17	2	05065	HH CAP SCREW, 5/16-18 NC X 2-3/4 G5 ZINC
18	2	05273	NUT, NYLOCK, 5/16-18 NC ZINC



TITLE: CONTROL VALVE

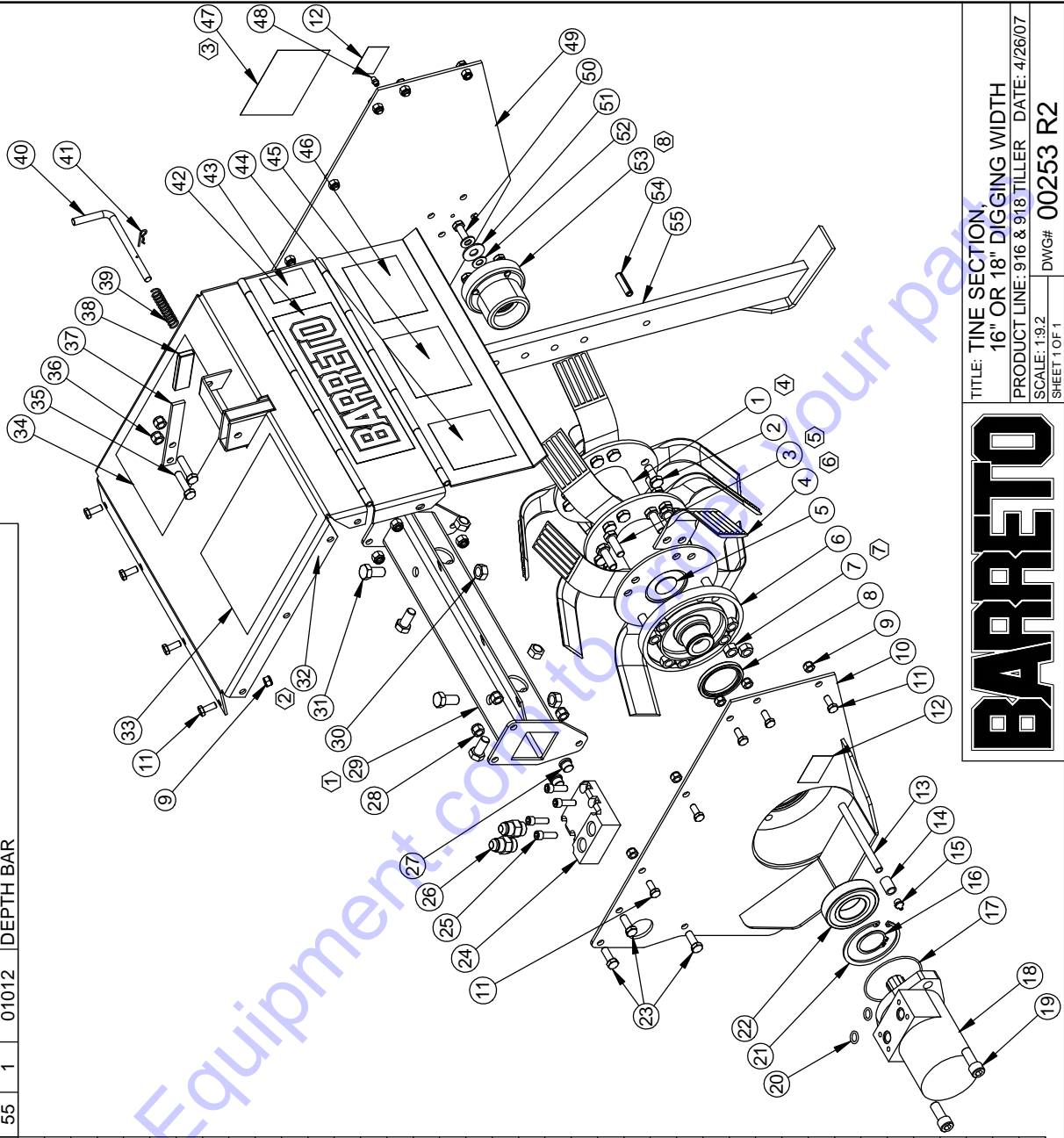
PRODUCT LINE: 916 DATE: 4/26/07

SCALE: 1:3 DWG#: 00251 R1



Go to www.barrreto.com to order your parts

REF. QTY.	PART NO.	DESCRIPTION	REF. QTY.	PART NO.	DESCRIPTION
1	11279	TINE SHAFT	48	05044	GREASE ZERK, 1/4-28 UNF
2	05061	HH CAP SCREW, 7/16-20 NF X 1 G8 ZINC	49	10146	SIDE PLATE, RH TINE SECTION
3	05063	HH CAP SCREW, 7/16-20 NF X 1-1/4 G8 ZINC	50	05059	HH CAP SCREW, 3/8-16 NC X 1 G5 ZINC
4	03196	TINE, REVERSIBLE	51	05083	WASHER, 7/16 USS ZINC
5	03928	SOFT PLUG, 1-1/4 DIA	52	05103	WASHER, 3/8 A325 HARDENED ZINC
6	11278	TINE MOTOR HUB, SPLINED	53	10144	OUTBOARD BEARING ASSEMBLY
7	05074	NUT, 7/16-20 NF G8 ZINC	54	05006	ROLL PIN (SLOTTED SPRING), 3/8 X 1-1/2 ZINC
8	03930	SEAL, CR 19763	55	01012	DEPTH BAR
9	05071	NUT, NYLOCK, 5/16-24 NF ZINC			
10	01067	TINE MOTOR MOUNT & LH SIDE PLATE			
11	14	05052			
12	2	03040-04			
13	1	05282			
14	1	05204			
15	1	05256			
16	1	05607			
17	1	03001			
18	1	04605-F			
19	2	05585			
20	2	03926			
21	1	05603			
22	1	03943			
23	6	05056			
24	1	02065			
25	4	05572			
26	2	04520			
27	2	03302			
28	6	05072			
29	1	10702			
30	4	05046			
31	4	05067			
32	1	10067			
33	1	03341-22			
34	1	03341-23			
35	2	05092			
36	2	05073			
37	1	01099			
38	1	03018			
39	1	03080			
40	1	01018			
41	1	03065			
42	1	03040-02			
43	1	03040-01			
44	1	03040-08			
45	1	03040-03			
46	1	03040-07			
47	1	04340			



- ① FOR 918, USE PART NO. 10706 (TORQUE TUBE, 19")
- ② FOR 918, USE PART NO. 01066 (TINE COVER, 918)
- ③ FOR 918, USE PART NO. 03040-51 (DECAL, "918")
- ④ FOR 918, USE PART NO. 11281 (TINE SHAFT, 918)
- ⑤ PART NO. 05063-24 IS A SET OF 24 PIECES.
- ⑥ PART NO. 03196-12 IS A SET OF 12 PIECES.
- ⑦ PART NO. 05074-24 IS A SET OF 24 PIECES.
- ⑧ REFERENCE DWG. 10144 FOR INDIVIDUAL PARTS.

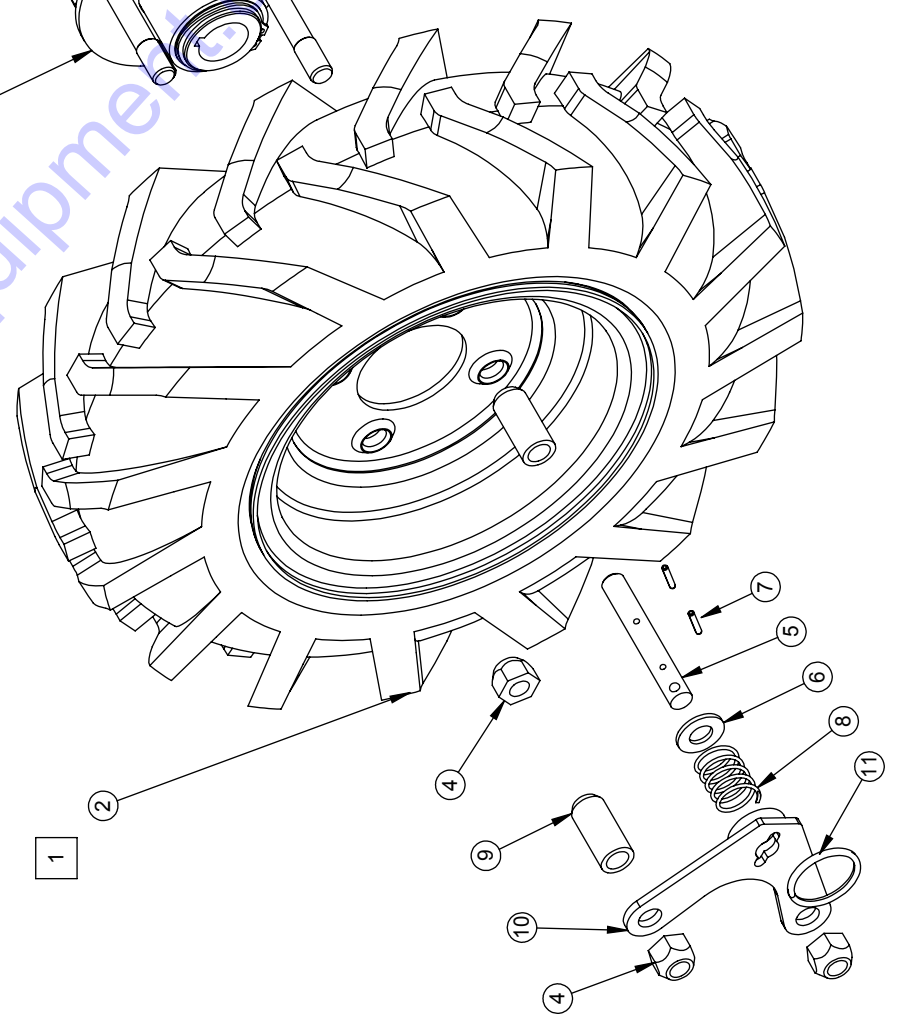
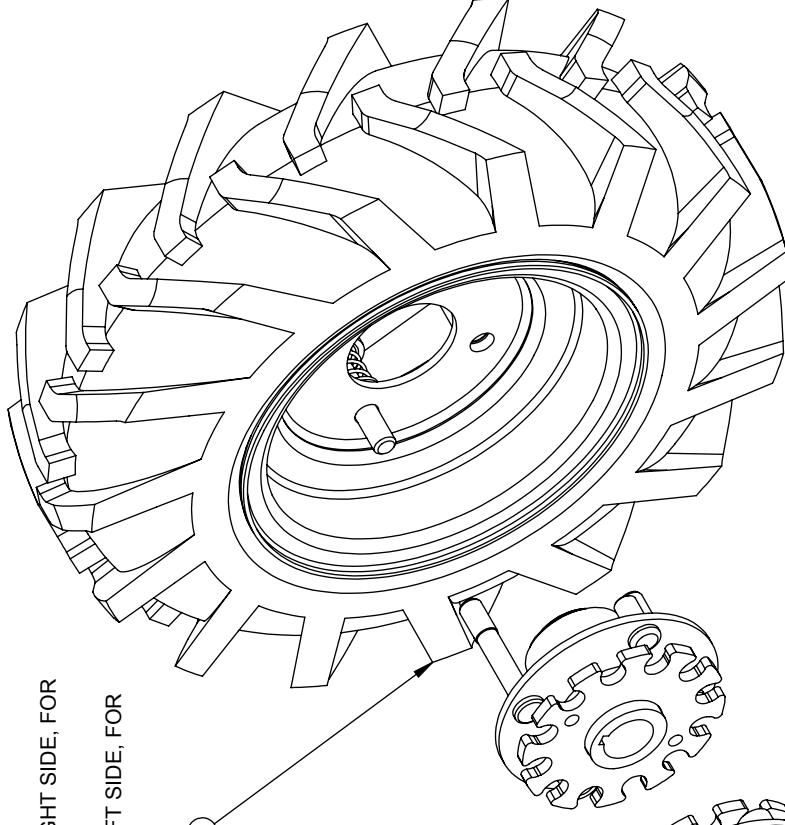
BARRETO

TITLE: TINE SECTION
 16" OR 18" DIGGING WIDTH
 PRODUCT LINE: 916 & 918 TILLER DATE: 4/26/07
 SCALE: 1:9.2
 SHEET 1 OF 1
 DWG# 00253 R2

REF QTY.	PART NO.	DESCRIPTION
1	02269-HUB	WHEEL HUB ASSY, 1-1/8" BORE
2	03190-FW	TIRE & RIM, 16" X 4", LEFT HAND
3	03191-FW	TIRE & RIM, 16" X 4", RIGHT HAND
4	05042	NUT, LUG, 1/2-20 NF
5	02068	PIN, FREE WHEELING
6	05102	WASHER, 1/2 SAE ZINC HARDENED
7	05548	ROLL PIN (SLOTTED SPRING), 1/8 X 3/4 ZINC
8	03352	SPRING, CENTURY 3385
9	02083	SPACER, WHEEL
10	01077	MOUNTING PLATE, PIN, FREE WHEELING
11	03550	SPLIT RING-27

1 FOR TRENCHER, 03190-FW IS ON RIGHT SIDE, FOR TRENCHING IN REVERSE

2 FOR TRENCHER, 03191-FW IS ON LEFT SIDE, FOR TRENCHING IN REVERSE



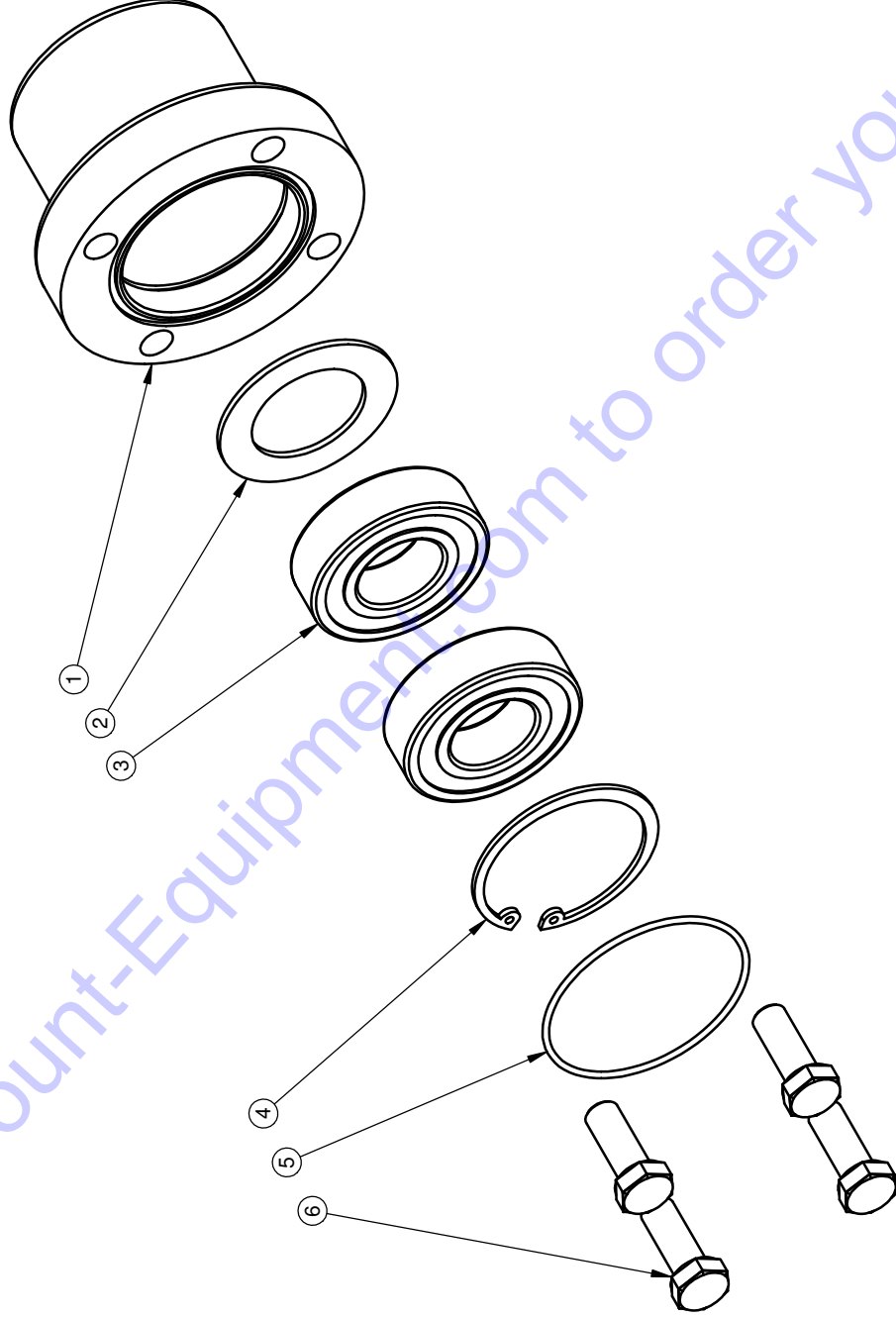
NOTES:

1. RIM ALONE IS PART NO. 03712.
TIRE ALONE IS PART NO. 03193.
2. USAGE: 1 OF 00256 R1 PER 912, 916 & 918.

BARRETO

TITLE: FREE WHEELING HUBS AND WHEELS
 PRODUCT LINE: COMMON
 SCALE: 1:4
 SHEET 1 OF 1
 DATE: 7/16/07
 DWG# 00256 R1

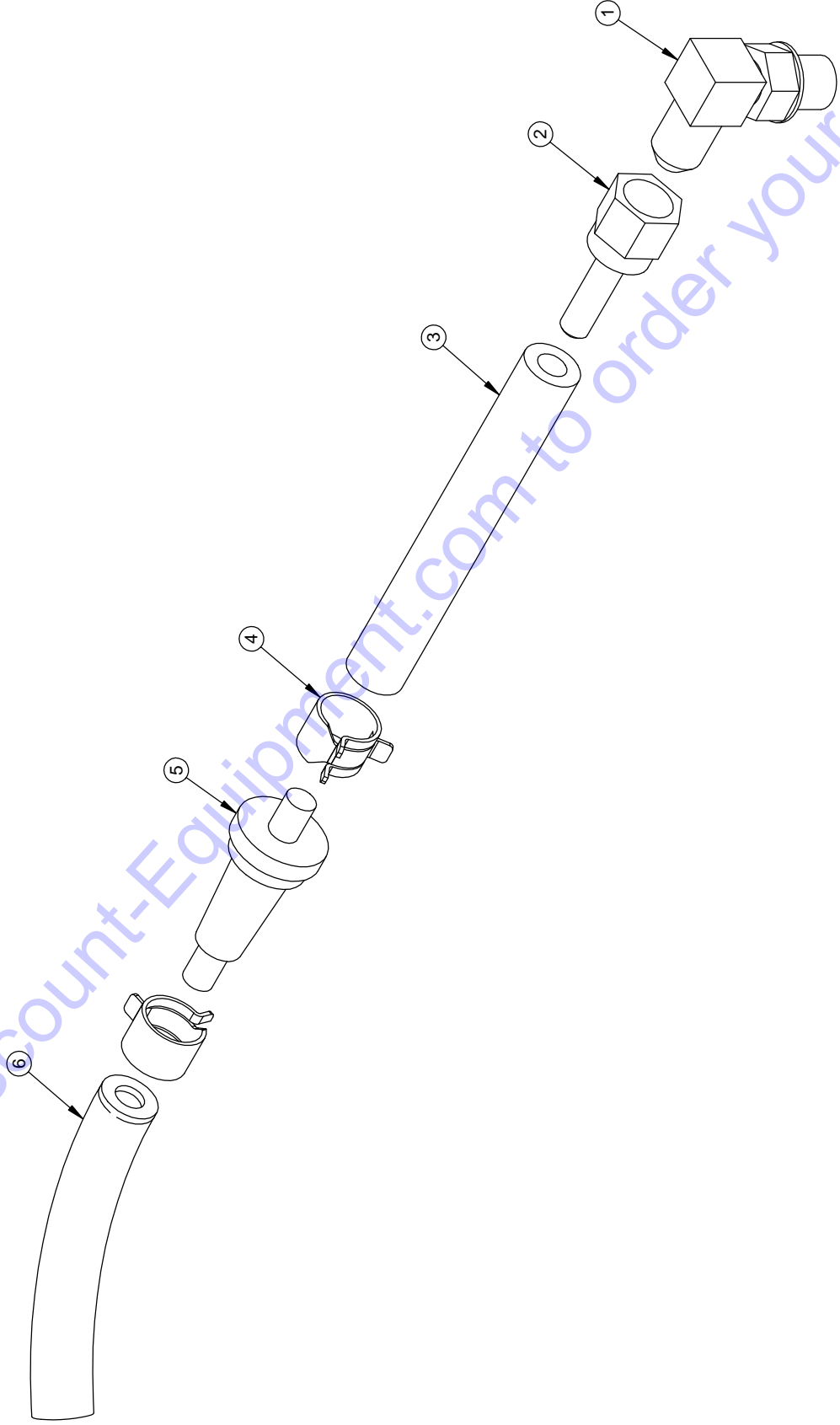
REF	QTY.	PART NO.	DESCRIPTION
1	1	10142	OUTBOARD BEARING HOUSING, 4 BOLT
2	1	01026	SHIELD, OUTBOARD BEARING
3	2	03043	BALL BEARING, 6205
4	1	05024	SNAP RING, HO-200, 2" INTERNAL
5	1	03904	O-RING, 2-035, 2-3/8 OD X 1/16 SECTION
6	4	05059	HH CAP SCREW, 3/8-16 NC X 1 G5 ZINC



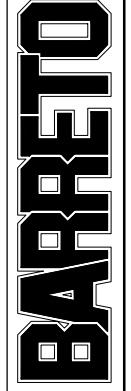
BARRETO

TITLE: OUTBOARD BEARING ASSEMBLY,
4 BOLT
PRODUCT LINE: COMMON DATE: 3/2/04
SCALE: 1:2 DWG#: 10144
SHEET 1 OF 1

REF. QTY.	PART NO.	DESCRIPTION
1	04555	FITTING, 6801-4-4
2	04214	FITTING, JS-4-4, HOSE BARB 1/4 X 1/4 SWIVEL
3	11348	HOSE, 1/4 INCH GASOLINE, 4L5, 3-1/2" LONG
4	03062-06	CLAMP, 1/4" FUEL LINE
5	04516	BREATHER, FILTER SNAPPER 1435
6	11347	HOSE, 1/4 INCH GASOLINE, 4L5, 3-1/4" LONG



TITLE: BREATHER HOSE ASSEMBLY
 PRODUCT LINE: 916 DATE: 4/26/07
 SCALE: 1:1.3 DWG#: 10189 R2
 SHEET 1 OF 1



HOSES, 916 TILLER

QTY.	PART NO.	DESCRIPTION
1	10204	HOSE, PUMP TO ACTUATOR TEE FITTING
1	10205	HOSE, CONTROL VALVE TO ACTUATOR TEE FITTING
1	10206	HOSE, CONTROL VALVE TO OIL FILTER MOUNT
1	10207	HOSE, CONTROL VALVE TO WHEEL DRIVE MOTOR FRONT PORT
1	10208	HOSE, CONTROL VALVE TO WHEEL DRIVE MOTOR REAR PORT
1	10209	HOSE, CONTROL VALVE TO TINE MOTOR FRONT PORT
1	10210	HOSE, CONTROL VALVE TO TINE MOTOR REAR PORT

Go to Discount-Equipment.com to order your parts

PARTS FINDER

**Search Website
by Part Number**



**Search Manual
Library For Parts
Manual & Lookup Part
Numbers – Purchase
or Request Quote**

Search Manuals

Enter your information to help us find the right parts manual for your machine.

* Brand:

* Model:

* Serial:

* Part Number:

SEARCH

**Can't Find Part or
Manual? Request Help
by Manufacturer,
Model & Description**

Parts Order Form

Please fill in the following information to help us find the right part for your machine.

Manufacturer:	<input type="text"/>
Model:	<input type="text"/>
Description:	<input type="text"/>
Part Number:	<input type="text"/>
Quantity:	<input type="text"/>
Notes:	<input type="text"/>

Submit

Discount-Equipment.com is your online resource for quality parts & equipment.

Florida: **561-964-4949** Outside Florida TOLL FREE: **877-690-3101**

Need parts?

Click on this link: <http://www.discount-equipment.com/category/5443-parts/> and choose one of the options to help get the right parts and equipment you are looking for. Please have the machine model and serial number available in order to help us get you the correct parts. If you don't find the part on the website or on one of the online manuals, please fill out the request form and one of our experienced staff members will get back to you with a quote for the right part that your machine needs.

We sell worldwide for the brands: Genie, Terex, JLG, MultiQuip, Mikasa, Essick, Whiteman, Mayco, Toro Stone, Diamond Products, Generac Magnum, Airman, Haulotte, Barreto, Power Blanket, Nifty Lift, Atlas Copco, Chicago Pneumatic, Allmand, Miller Curber, Skyjack, Lull, Skytrak, Tsurumi, Husquvarna Target, Stow, Wacker, Sakai, Mi-T-M, Sullair, Basic, Dynapac, MBW, Weber, Bartell, Bennar Newman, Haulotte, Ditch Runner, Menegotti, Morrison, Contec, Buddy, Crown, Edco, Wyco, Bomag, Laymor, EZ Trench, Bil-Jax, F.S. Curtis, Gehl Pavers, Heli, Honda, ICS/PowerGrit, IHI, Partner, Imer, Clipper, MMD, Koshin, Rice, CH&E, General Equipment, Amida, Coleman, NAC, Gradall, Square Shooter, Kent, Stanley, Tamco, Toku, Hatz, Kohler, Robin, Wisconsin, Northrock, Oztec, Toker TK, Rol-Air, APT, Wylie, Ingersoll Rand / Doosan, Innovatech, Con X, Ammann, Mecalac, Makinex, Smith Surface Prep, Small Line, Wanco, Yanmar