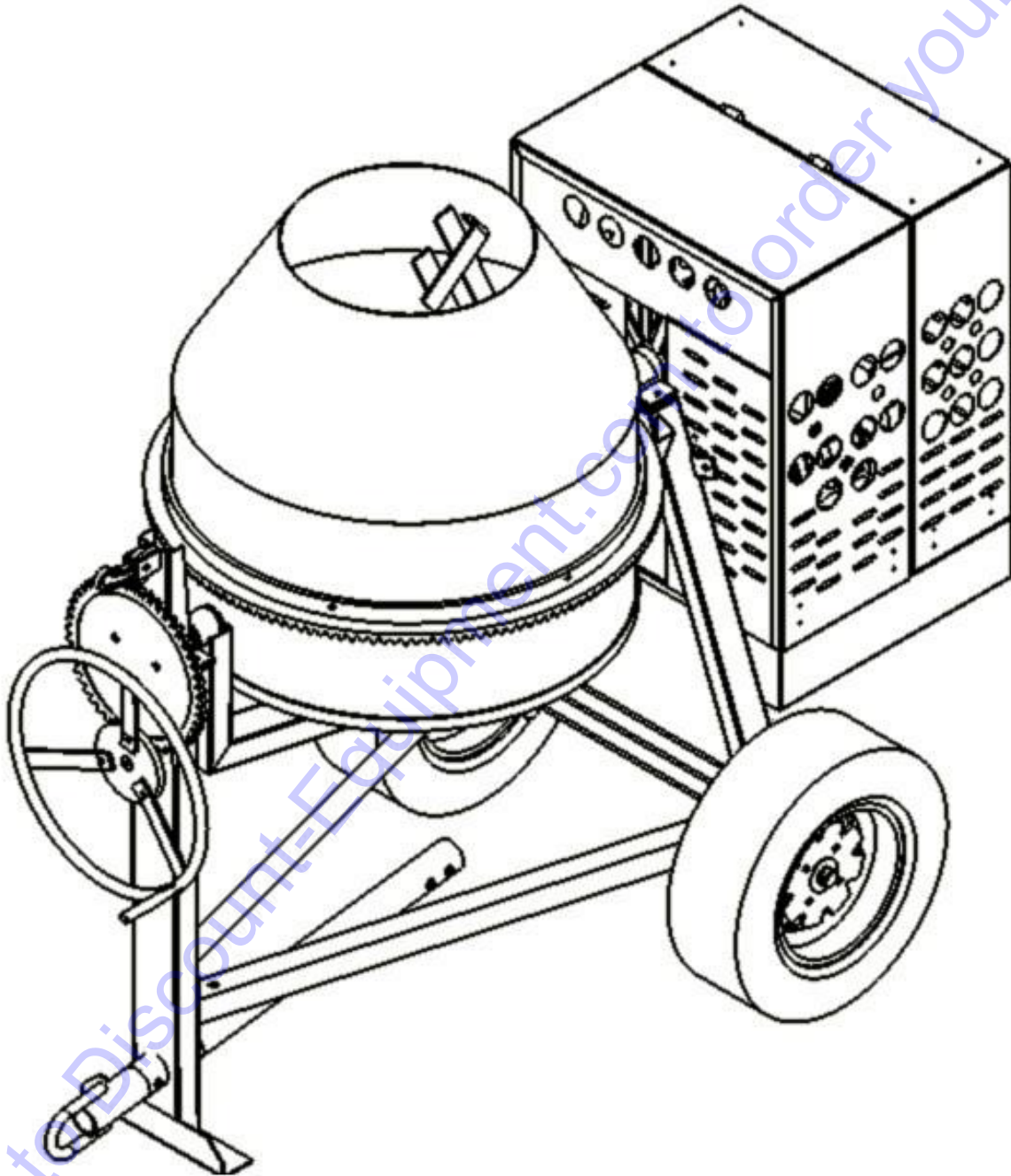


CM6P – CM9P (V-FRAME) PARTS BREAKDOWN



PARTS FINDER

**Search Website
by Part Number**



**Search Manual
Library For Parts
Manual & Lookup Part
Numbers – Purchase
or Request Quote**

Search Manuals

Enter your information to help us find the right parts manual for your equipment.

* Brand:

* Model:

* Serial:

* Part Number:

SEARCH

**Can't Find Part or
Manual? Request Help
by Manufacturer,
Model & Description**

Parts Order Form

Please fill in the following information to help us find the right parts for your equipment.

Manufacturer:	<input type="text"/>
Model:	<input type="text"/>
Description:	<input type="text"/>
Part Number:	<input type="text"/>
Quantity:	<input type="text"/>
Unit of Measure:	<input type="text"/>
Notes:	<input type="text"/>

Discount-Equipment.com is your online resource for quality parts & equipment.

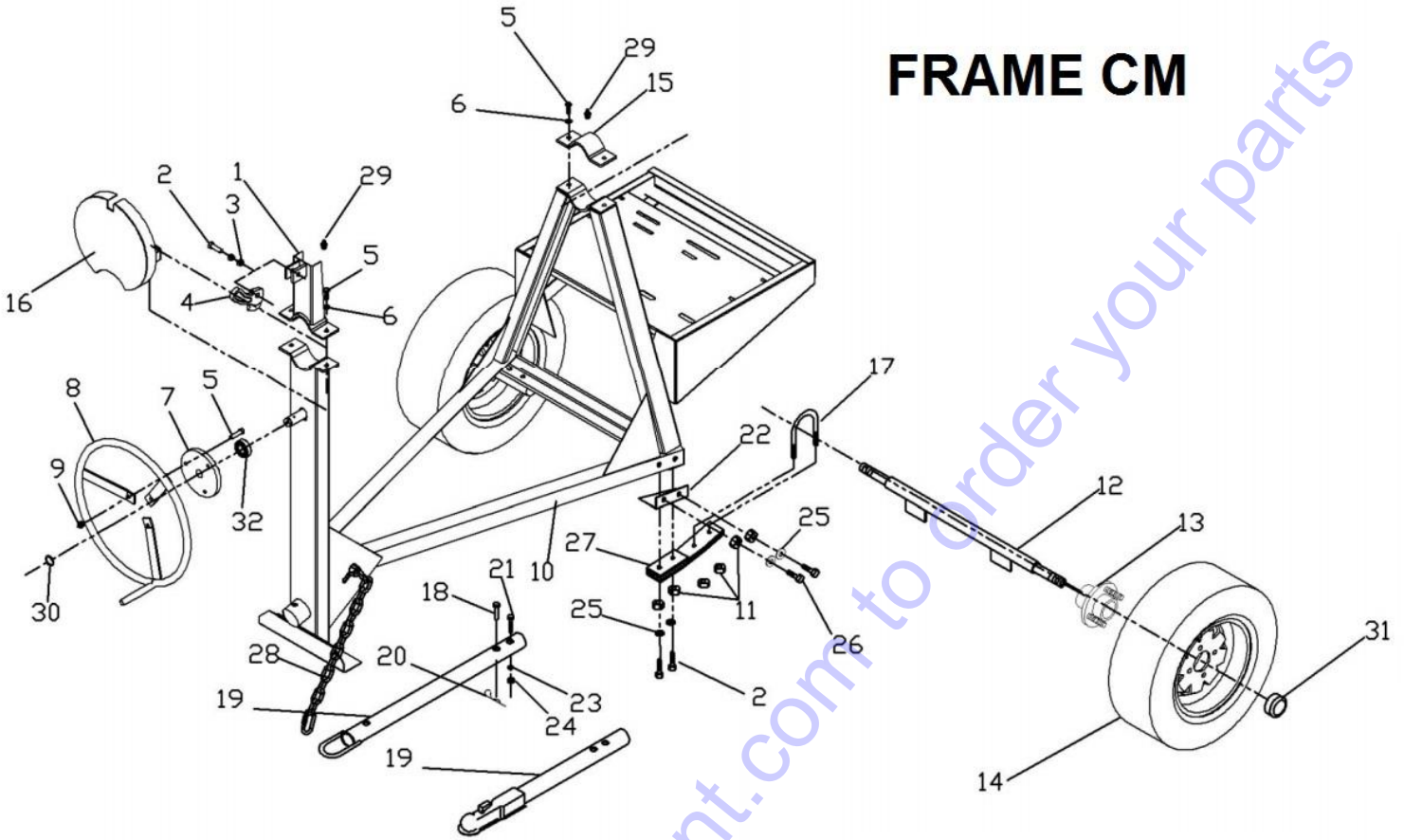
Florida: **561-964-4949** Outside Florida TOLL FREE: **877-690-3101**

Need parts?

Click on this link: <http://www.discount-equipment.com/category/5443-parts/> and choose one of the options to help get the right parts and equipment you are looking for. Please have the machine model and serial number available in order to help us get you the correct parts. If you don't find the part on the website or on one of the online manuals, please fill out the request form and one of our experienced staff members will get back to you with a quote for the right part that your machine needs.

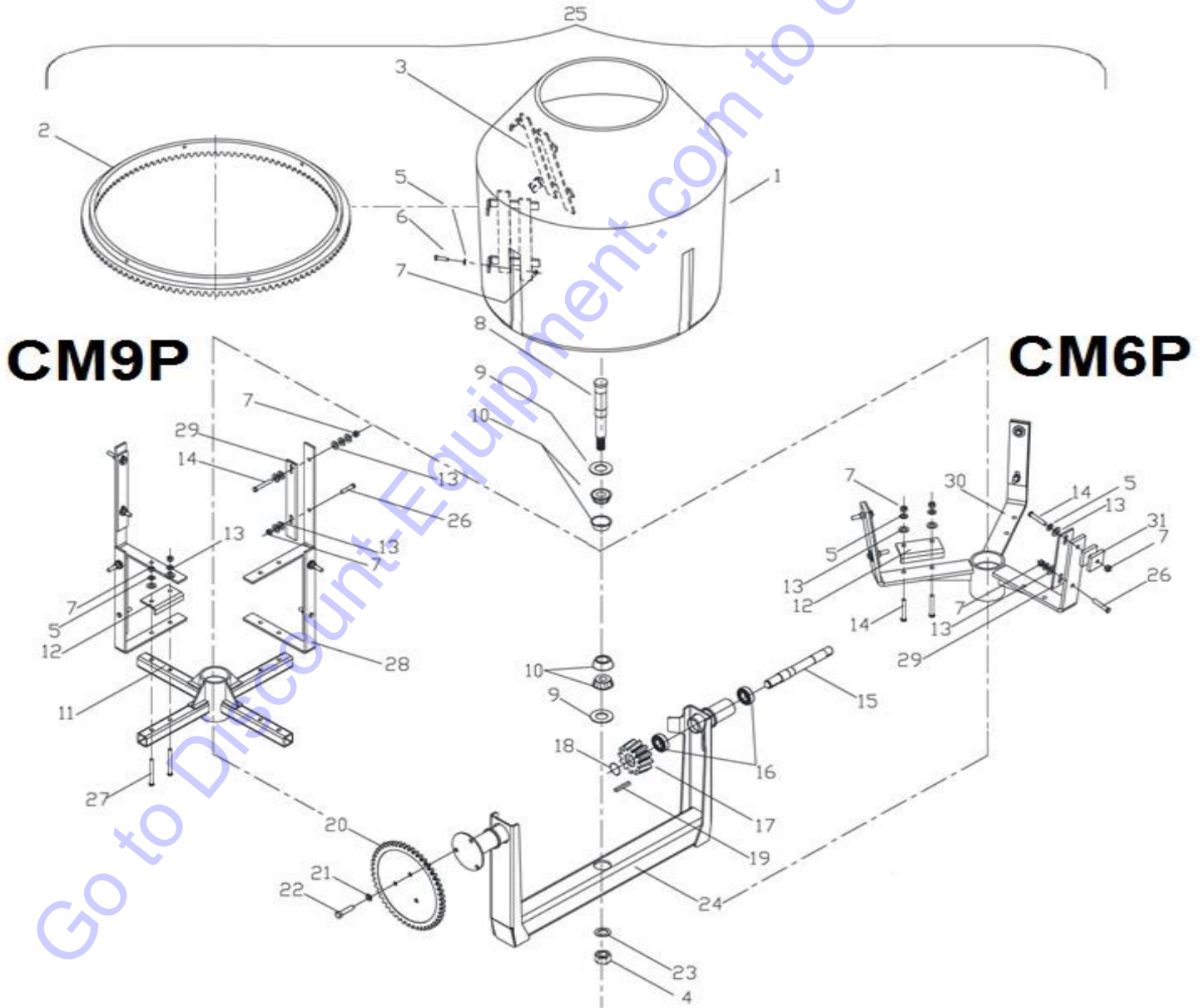
We sell worldwide for the brands: Genie, Terex, JLG, MultiQuip, Mikasa, Essick, Whiteman, Mayco, Toro Stone, Diamond Products, Generac Magnum, Airman, Haulotte, Barreto, Power Blanket, Nifty Lift, Atlas Copco, Chicago Pneumatic, Allmand, Miller Curber, Skyjack, Lull, Skytrak, Tsurumi, Husquvarna Target, Stow, Wacker, Sakai, Mi-T-M, Sullair, Basic, Dynapac, MBW, Weber, Bartell, Bennar Newman, Haulotte, Ditch Runner, Menegotti, Morrison, Contec, Buddy, Crown, Edco, Wyco, Bomag, Laymor, EZ Trench, Bil-Jax, F.S. Curtis, Gehl Pavers, Heli, Honda, ICS/PowerGrit, IHI, Partner, Imer, Clipper, MMD, Koshin, Rice, CH&E, General Equipment, Amida, Coleman, NAC, Gradall, Square Shooter, Kent, Stanley, Tamco, Toku, Hatz, Kohler, Robin, Wisconsin, Northrock, Oztec, Toker TK, Rol-Air, APT, Wylie, Ingersoll Rand / Doosan, Innovatech, Con X, Ammann, Mecalac, Makinex, Smith Surface Prep, Small Line, Wanco, Yanmar

FRAME CM



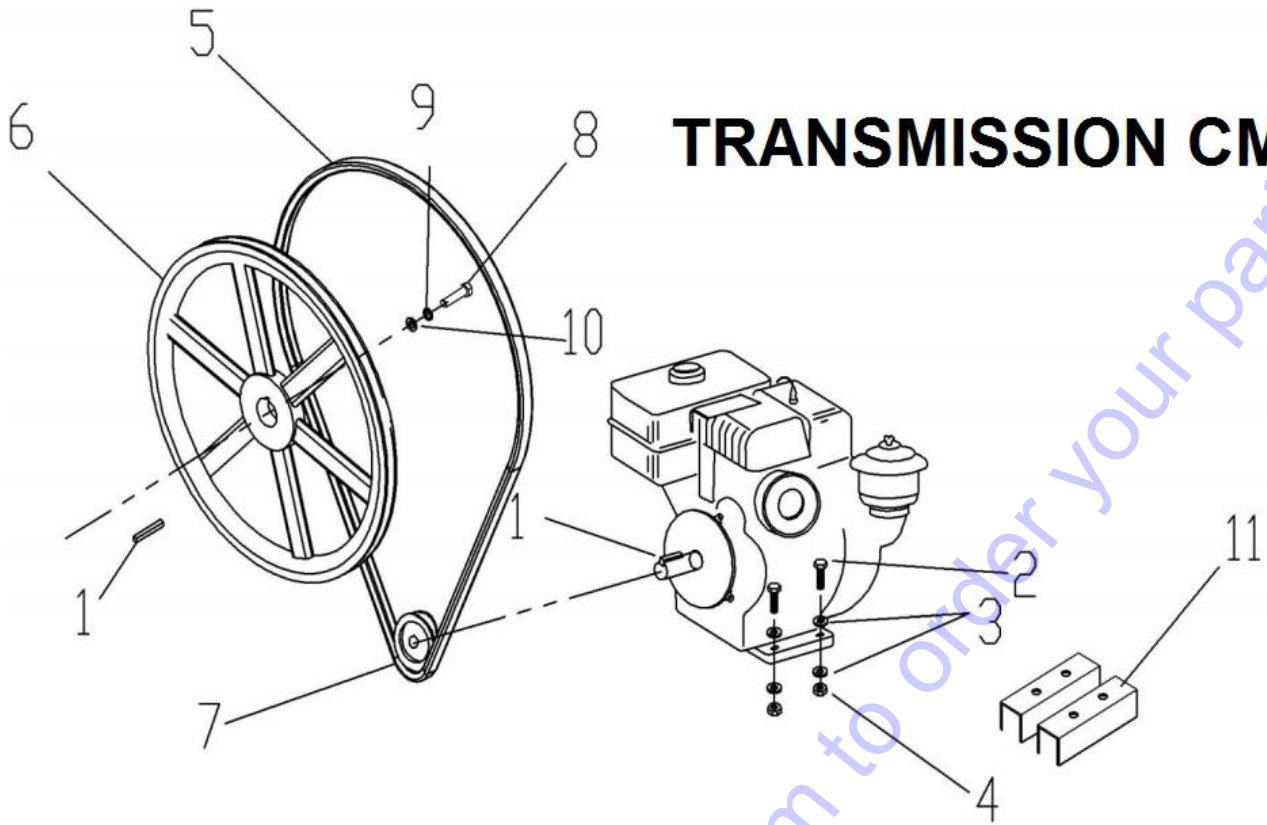
FRAME ASSEY BREAK DOWN				CM6P	CM9P
ITEM	M.I.D. #	PART #	DESCRIPTION		
1	0100SC01FR	C103	STEERING WHEEL BRAKE	1	1
2	TOCD012212	C146	HEX BOLT HD 1/2 X 2-1/2" GR5	5	5
3	TCCN012GAL	C178	NUT 1/2" NC	2	2
4	0100FG01FR	C104	PIN LOCK BREAK	1	1
5	TOCD038112	C141	HEX HEAD CAP SCREW 3/8" X 1-1/2"	7	7
6	RNRX038GAL	C144	SPRING WASHER 3/8"	4	4
7	0100FG01VO	C108	CONTROL HANDLE BLOCK 1" CM6P - CM9P	1	1
8	0100SC01VO	C110	STEERING WHEEL WITH GRIP FOR CM6P - CM9P/ CM7- CM9	1	1
9	TCCS038GAL	C142	HEX HEAD LOCK NUT 3/8"	3	3
10	0170CO01CH	C100	A TYPE FRAME CM7 - CM6P - CM9P	1	1
11	TCCS012GAL	C173	LOCK NUT 1/2"	12	12
12	0130SC02RD	C134	STANDARD AXLE	1	1
13	0200KI01RD	T129	OLD STYLE HIGH SPEED WEELS AXLE HUBS ASSEY WITH DUST CAP (4 BOLTS)	2	2
13	0200KI03RD	T129-1	NEW STYLE HIGH SPEED WEELS AXLE HUBS ASSEY WITH DUST CAP (4 BOLTS)	2	2
14	0000LL02RD	T137-12	WHEEL AND TIRE ASSEY 4.8X12" CM6P	2	
14	0000LL02RD	T137	WHEEL AND TIRE ASSEY 165-80-R13" CM9P		2
15	0100SO01PD	C105	DRUM YOKE PILLOW BLOCK	1	1
16	0170CO01GF	C157	CONTROL HANDLE SAFETY GEAR GUARD	1	1
17	0170CO03CH	C167	AXLE BRACKETS U-CLAMP CM7	2	2
18	0000CR01LZ	T121	TOWING HITCH SAFETY PIN LOCK	1	1

19	0000CO04LZ	T119-V	2" BALL HITCH (VERTICAL HOLE)	1	1
19	0000CO03LZ	T118-V	PINTLE HITCH (VERTICAL HOLE)	1	1
20	SR00036EXT	T110	HAIR LOCK PIN	1	1
21	TOFD034312	T122	TOWING HITCH SAFETY HEX HEAD SCREW 3/4" x 3-1/2"	1	1
22	0100PL01RD	C133	AXLE BRACKETS SUPPORT	2	2
23	RNRX034GAL	T123	TOWING HITCH SAFETY LOCK WASHER 3/4"	1	1
24	TCCN034GAL	T124	TOWING HITCH SAFETY HEX HEAD 3/4"	1	1
25	RNRX012GAL	C145	SPRING WASHER 1/2"	3	3
26	TOCD038112	C141	HEX HEAD CAP SCREW 3/8" X 1-1/2"	4	4
27	0000RF01HC	C165	AXLE SOFT TENDERS (SPRINGS) CM9 - CM12	OPT	2
28	CA03316GAL	T501	5/16" SAFETY CHAIN	1	1
29	0000GRH200	C155	FITTING GREASE 1/8"	2	2
30	SM00078EXT	C151	RETAINING OMEGA RING 1" 15/16"	1	1
31	0000RF06RD	T136	HIGH SPEED WHEELS HUB DUST CAP	2	2
32	0000BA6205	C154	TRANSMISSION PINNION BEARING 6205	1	1



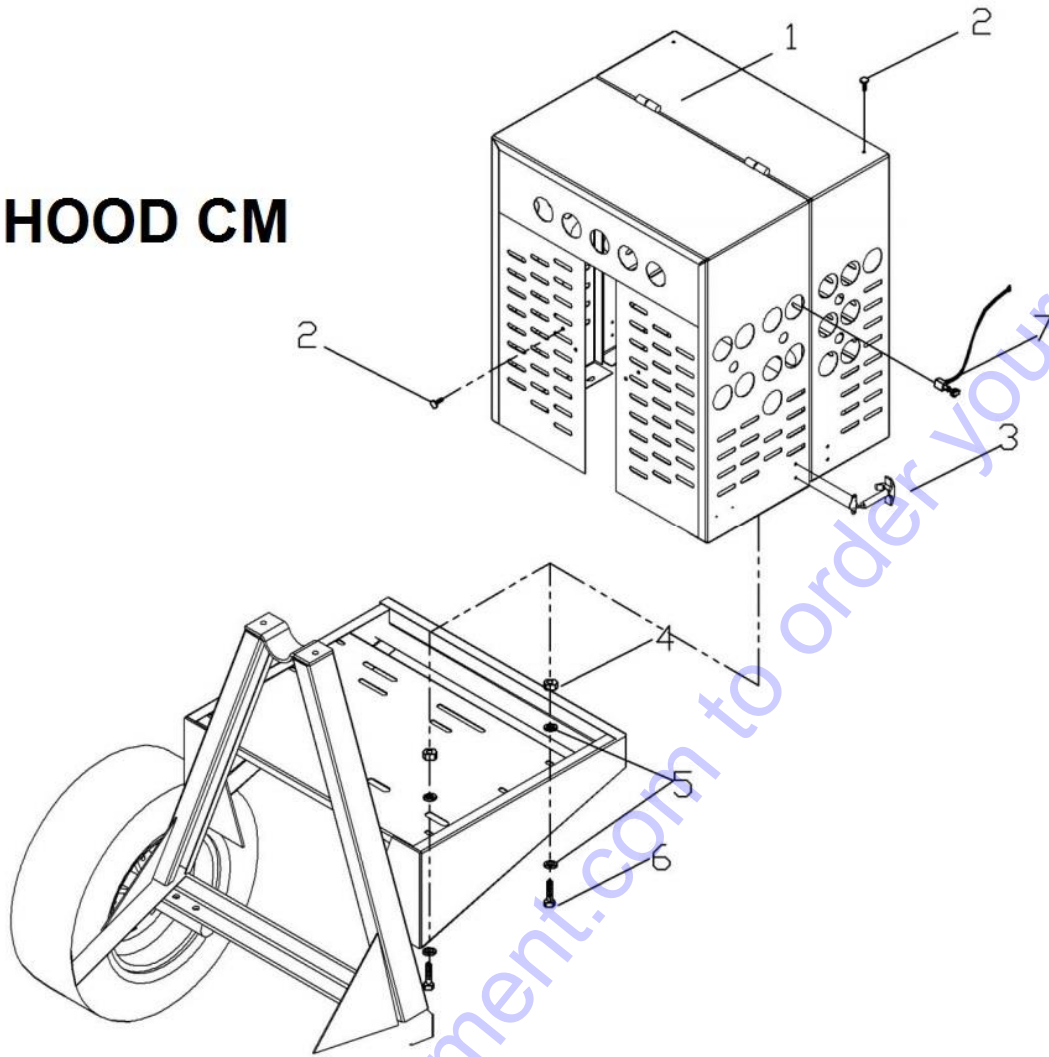
DRUM ASSEY BREAK DOWN CMP					
ITEM	M.I.D. #	PART #	DESCRIPTION	CM6P	CM9P
1	0903CO01TQ	C503	DRUM CM6P PADDLES INCLUDED	1	
1	0906CO01TQ	C504	DRUM CM9P PADDLES INCLUDED		1
2	0210FG01TQ	C506	DRUM RING GEAR CM6P	1	
2	0100FG02TQ	C122	DRUM RING GEAR 115TH (CM7, CM9, CM9P, CM12)		1
3	0100SC01AS	C505	CM6P, CM9P PADDLE	3	6
4	TCFN038ESP	C512	HEX NUT, 1" UNF	1	1
5	RNPX038GAL	C139	PLAIN WASHER 3/8"	24	20
6	TOCD038112	C141	HEX HEAD CAP SCREW 3/8" X 1-1/2"	6	12
7	TCCS038GAL	C142	HEX HEAD LOCK NUT 3/8"	18	28
8	0903CR01YU	C516	SHAFT, BOWL C6P	1	
8	0906CR01YU	C517	SHAFT, BOWL C9P		1
9	0100RF01TQ	C532	DRUM BOTTOM DRIVE SHAFT OIL SEAL TC 38 80 8 (NEW STYLE)	1	1
10	0000BA104949	C171	BALL BEARING 104949 CM12 (NEW STYLE)	2	2
10*	0000BA2788	C150	CONE/CUP DRIVE BEARING 2788 (OLD STYLE)	2	2
11	0111CO01TQ	C508	BASE DRUM SUPPORT CM9P (YOKE)		1
12	0100PL03AD	C525	CLAMP DRUM SUPPORT	3	4
13	RNPX012GAL	C147	PLAIN WASHER 1/2"	12	36
14	TOCD038212	C526	BOLT, HEXHD, 3/8" X 2-1/2"	9	4
15	0100CR02YU	C124	TRANSMISSION PINNION SHAFT	1	1
16	0000BA6205	C154	TRANSMISSION PINNION BEARING 6205	2	2
17	0100FG02YU	C123	TRANSMISSION PINION 12 TH (NEW CM)	1	1
17	0900FG02YU		PINION 14 TOOTH (FOR DOUBLE BELT CM)	1	1
18	SM00156EXT	C151	RETAINING RING 15/16"	1	1
19	0000CU01TR	C152	KEY, 1/4" X 1-1/2"	1	1
20	0100FG01YU	C107	CONTROL HANDLE GEAR (STEERING WHEEL GEAR)	1	1
21	RNRX012GAL	C145	SPRING WASHER 1/2"	3	3
22	TOCD012034	C149	STEERING WHEEL CONTROL HANDLE BLOCK HEX BOLT HD 1/2" X 3/4"	3	3
23	RNRX100GAL	C511	WASHER SPRING, 1"	1	1
24	0110CO01YU	C519	YOKE CM6P	1	
24	0111CO01YU	C520	YOKE CM9P		1
25	0110CO01EF	C521	DRUM C6P ASSEY (DRUM, PADDLES, YOKE, RING)	1	
25	0111CO01EF	C522	DRUM CM9P ASSEY (DRUM, PADDLE YOKE, RING)		1
26	TOCD038134	C527	BOLT, HEXHD, 3/8" X 1-3/4"	3	4
27	TOCD038312	C528	BOLT, HEXHD, 3/8" X 3-1/2"		8
28	0100SO02AD	C529	BRACKET SUPPORT ARM CM9P		4
29	0110SO01AD	C531	BRACKET SUPPORT INNER CM6P	3	
30	0110CO01TQ	C507	DRUM SUPPORT REINFORCED CM6P	1	
31	0110PL01TQ	C510	DRUM SUPPORT REINFORCED	6	6

TRANSMISSION CM



TRANSM ASSEY								
ITEM	M.I.D. #	PART #	DESCRIPTION	CM6P	CM9P	CM7	CM9	CM12
*	202002M	202002M	HONDA ENGINE GX160	1		1	1	
*	202008M	202008M	HONDA ENGINE GX240	1	1	1	1	
*	202012M	202012M	HONDA ENGINE GX390					1
*	202246M	202246M	MOTOR YANMAR 6.4HP	1	1	1	1	1
*	202247M	202247M	MOTOR YANMAR 9.9HP		1		1	1
1	0170CC01MO	C152	KEY, 1/4" X 1-1/2" FOR 5HP ENGINE	1		1		
1	0200CU03TR	C514	KEY, 3/16" X 1-1/2" FOR 8-13HP ENGINE		1		1	1
2	TOCD038200	C158	BOLT HEXHD, 3/8" X 2" FOR HONDA ENGINES	4	4	4	4	4
2	TOCD038100	C138	BOLT HEXHD, 3/8" X 1" FOR ELECTRIC MOTORS	4	4	4	4	4
3	RNPX038GAL	C139	PLAIN WASHER 3/8"	8	8	8	8	8
4	TCCS038GAL	C142	HEX HEAD LOCK NUT 3/8"	4	4	4	4	4
5	0000BNB64	C129	PULLEY DRIVE BELT B64 FOR GAS ENGINE	1	1	1	1	1
5	0000BNB68	C194	PULLEY DRIVE BELT B68 FOR ELECTRIC MOTOR	1	1	1	1	1
6	POFG190516TK	C125	1 GROOVE TRANSMISSION PULLEY 19"	1	1	1	1	1
7	POFG212034	C126	ENGINE PULLEY 2 1/2" CAL 3/4 (5 HP ENGINE)	1		1		
7	POFG212100	C127	ENGINE PULLEY 2-1/2" CAL 1" (8 HP -13 HP ENGINE)	1	1	1	1	1
7	POFG212058	C185	ENGINE PULLEY 2-1/2" CAL 5/8" KEY 3/16" (.5 HP - 1.5 HP MOTOR)	1		1		
7	POFG212078	C186	ENGINE PULLEY 2-1/2" CAL 7/8" KEY 3/16"(2 HP MOTOR)	1	1	1	1	1
7	POFG212118	C187	ENGINE PULLEY 2-1/2" CAL 1 1/8" KEY 1/4" (3 HP - 5HP MOTOR)		1		1	1
8	TOCD038100	C138	TRANSMISSION PULLEY HEX BOLT HD 3/8" X 1"	1	1	1	1	1
9	RNPX038GAL	C139	PLAIN WASHER 3/8"	1	1	1	1	1
10	0170LA01TR	C140	TRANSMISSION PULLEY WASHER 3/8"			1	1	1
11	0201PL01MO	T165	5.5 HP GAS ENGINE BRACKET SUPPORT	1		1		

HOOD CM



HOOD ASSEY BREAK								
ITEM	M.I.D. #	PART #	DESCRIPTION	CM6P	CM9P	CM7	CM9	CM12
1	0110CO01GA	C131	SQUARE SHROUD ASSEY COMPLETE	1	1	1	1	1
1	0100CO01GS	C132	SQUARE SHROUD ASSEY COMPLETE (FROM #SERE 23004-343799)	1	1	1	1	1
2	0000RF01GA	T158	SHROUD RUBBER SCREW 1/4"	2	2	2	2	2
3	0000RF02GA	T160	SHROUD SPRING LOADED HOOK ASSEMBLY	2	2	2	2	2
4	TCCS038GAL	C142	HEX HEAD LOCK NUT 3/8"	4	4	4	4	4
5	RNPX038GAL	C139	PLAIN WASHER 3/8"	8	8	8	8	8
6	TOCD038112	C141	HEX HEAD CAP SCREW 3/8" X 1-1/2"	4	4	4	4	4
7	0200KI01GA	T193	SHROUD ASSEMBLY PUSH STOP WITH ENGINE HARNESS	1	1	1	1	1
7	816769AS NO	T195-1	ENGINE KILL SWITCH (NO HARNESS) - 816769AS RED	1	1	1	1	1
7	0000RF04GA	T195	ENGINE KILL SWITCH (NO HARNESS) BLACK	1	1	1	1	1

