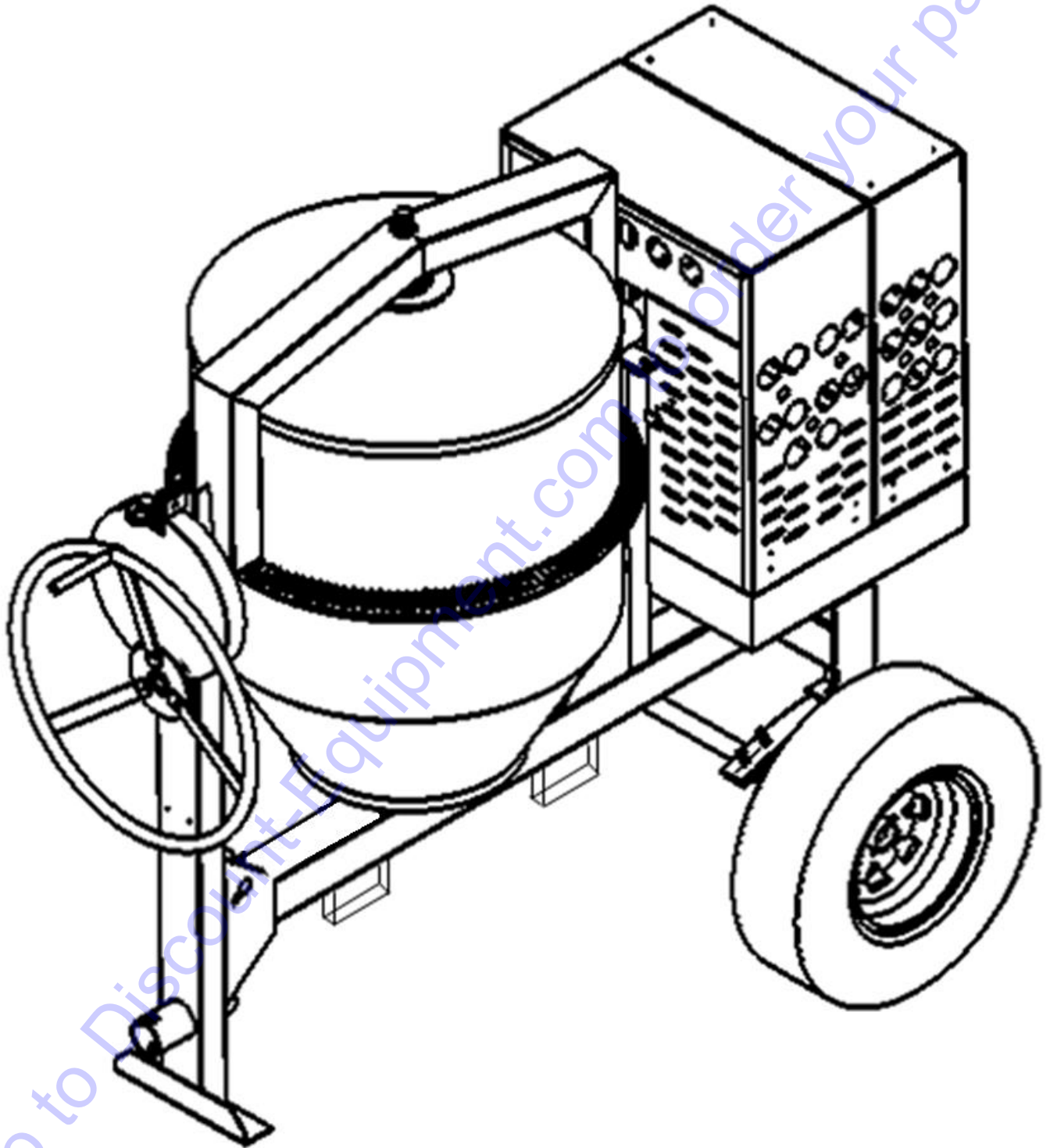


CM9P (T-FRAME) PARTS BREAKDOWN



PARTS FINDER

**Search Website
by Part Number**



**Search Manual
Library For Parts
Manual & Lookup Part
Numbers – Purchase
or Request Quote**

Search Manuals

Enter your information to help us find the right parts manual for your machine.

* Brand:

* Model:

* Serial:

* Part Number:

SEARCH

**Can't Find Part or
Manual? Request Help
by Manufacturer,
Model & Description**

Parts Order Form

Please fill in the following information to help us find the right part for your machine.

Manufacturer:	<input type="text"/>
Model:	<input type="text"/>
Description:	<input type="text"/>
Part Number:	<input type="text"/>
Quantity:	<input type="text"/>
Notes:	<input type="text"/>

Submit

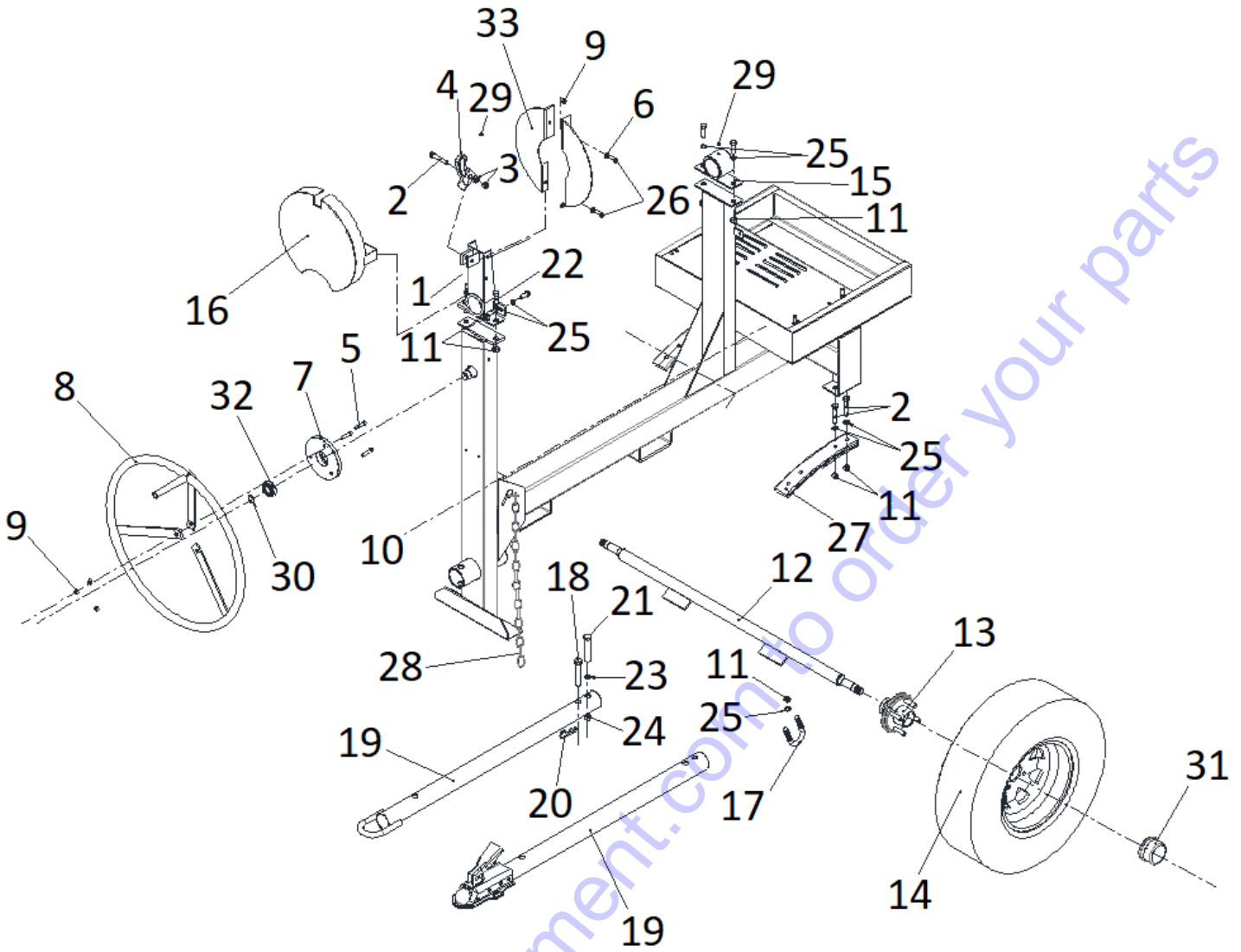
Discount-Equipment.com is your online resource for quality parts & equipment.

Florida: **561-964-4949** Outside Florida TOLL FREE: **877-690-3101**

Need parts?

Click on this link: <http://www.discount-equipment.com/category/5443-parts/> and choose one of the options to help get the right parts and equipment you are looking for. Please have the machine model and serial number available in order to help us get you the correct parts. If you don't find the part on the website or on one of the online manuals, please fill out the request form and one of our experienced staff members will get back to you with a quote for the right part that your machine needs.

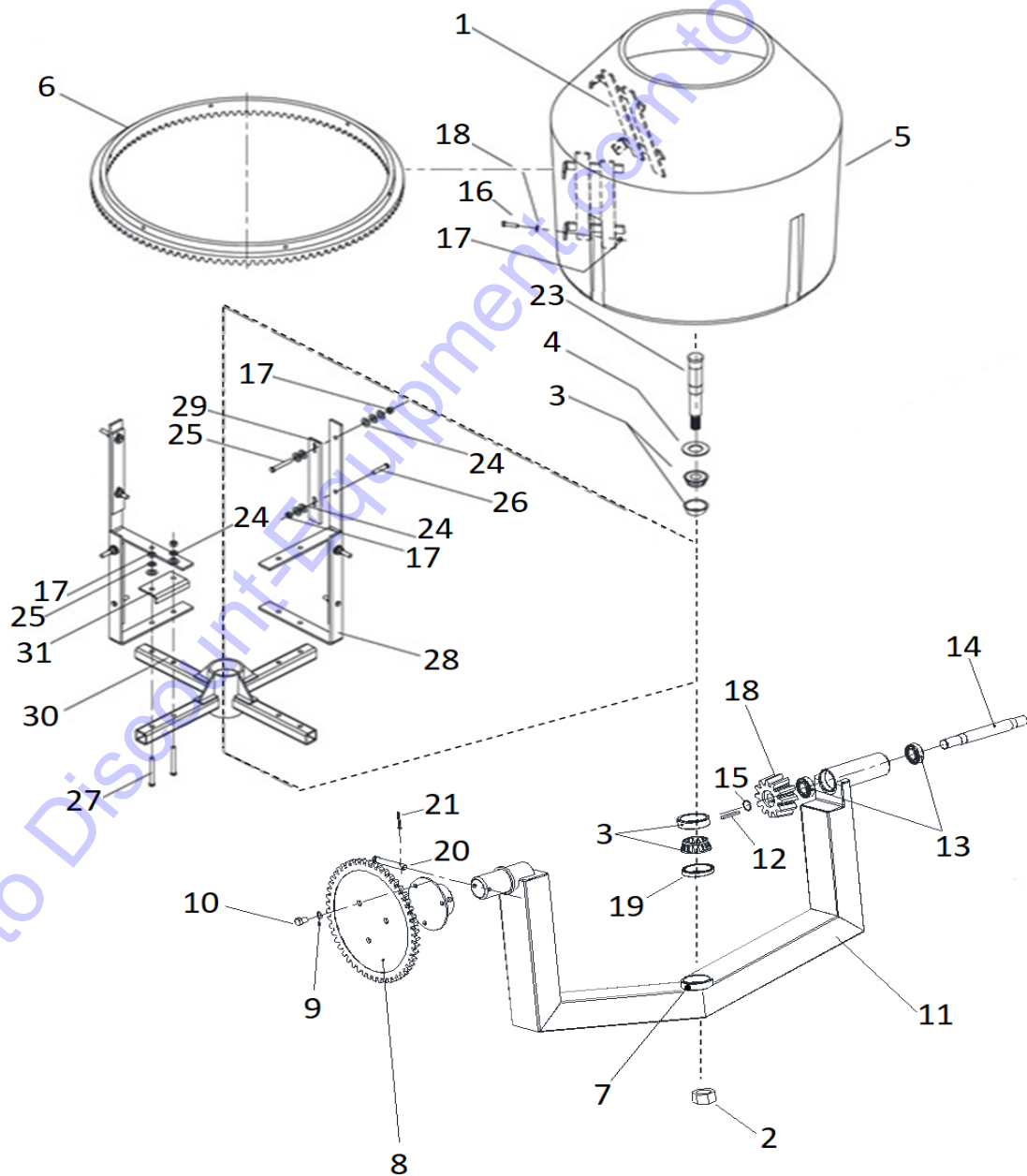
We sell worldwide for the brands: Genie, Terex, JLG, MultiQuip, Mikasa, Essick, Whiteman, Mayco, Toro Stone, Diamond Products, Generac Magnum, Airman, Haulotte, Barreto, Power Blanket, Nifty Lift, Atlas Copco, Chicago Pneumatic, Allmand, Miller Curber, Skyjack, Lull, Skytrak, Tsurumi, Husquvarna Target, Stow, Wacker, Sakai, Mi-T-M, Sullair, Basic, Dynapac, MBW, Weber, Bartell, Bennar Newman, Haulotte, Ditch Runner, Menegotti, Morrison, Contec, Buddy, Crown, Edco, Wyco, Bomag, Laymor, EZ Trench, Bil-Jax, F.S. Curtis, Gehl Pavers, Heli, Honda, ICS/PowerGrit, IHI, Partner, Imer, Clipper, MMD, Koshin, Rice, CH&E, General Equipment, Amida, Coleman, NAC, Gradall, Square Shooter, Kent, Stanley, Tamco, Toku, Hatz, Kohler, Robin, Wisconsin, Northrock, Oztec, Toker TK, Rol-Air, APT, Wylie, Ingersoll Rand / Doosan, Innovatech, Con X, Ammann, Mecalac, Makinex, Smith Surface Prep, Small Line, Wanco, Yanmar



FRAME ASSEY BREAK DOWN

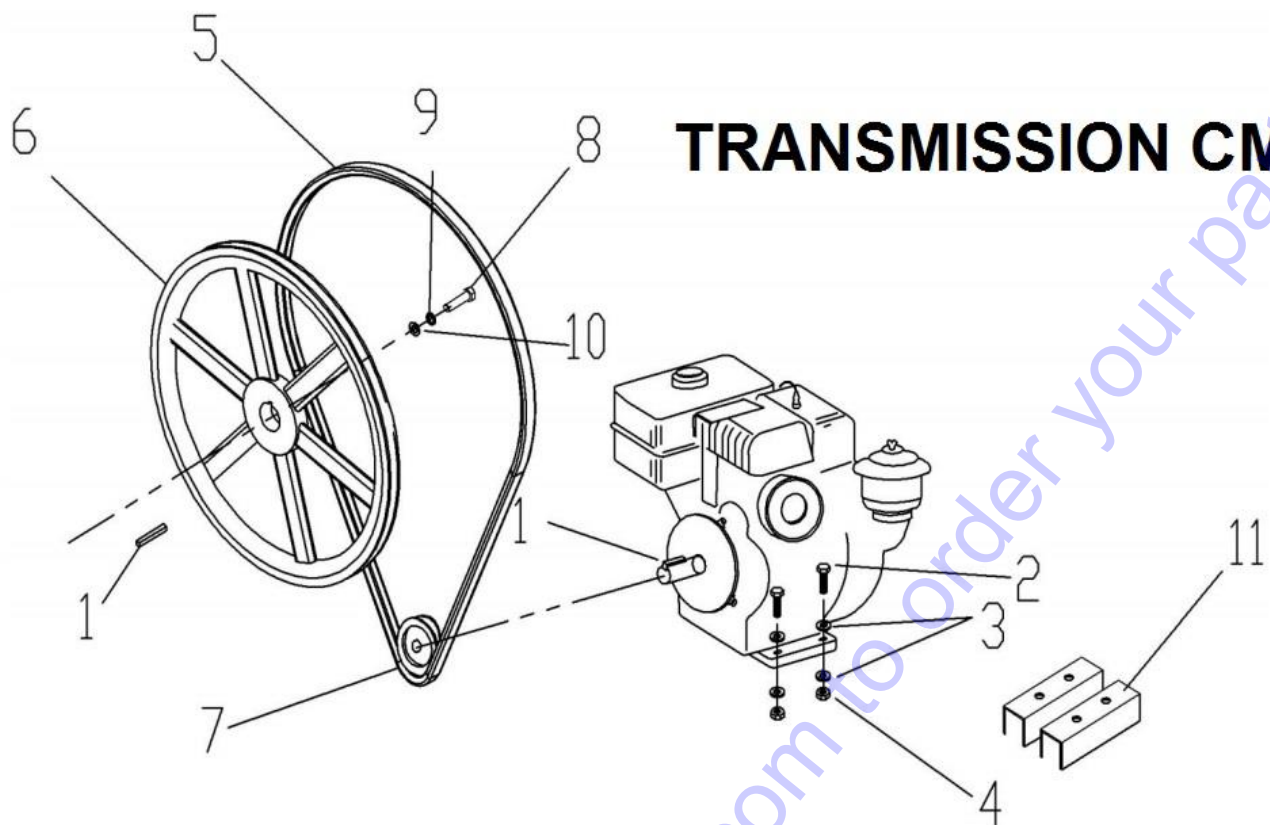
ITEM	M.I.D. #	PART #	DESCRIPTION	CM9P
1	0100SC01FR	C103	STEERING WHEEL BRAKE CM - C103	1
2	TOCD012212	C146	HEX BOLT HD 1/2" X 2-1/2" - T104 - C146 - 226690	5
3	TCCN012GAL	T190	HEX LOCK NUT 1/2" - T190 - C178	2
4	0100FG01FR	C104	STEERING WHEEL LOCK PIN BREAK CM - C104	1
5	TOCD038112	T176	HEX BOLT 3/8" X 1-1/2" - T176 - C141 - 226230	7
6	RNRX038GAL	T113	LOCK WASHER 3/8" T113 - C144 -176230	4
7	0101FG012H	C109-1	CONTROL HANDLE BLOCK 5-15/16" E.D. X 1-1/4" W/6205 BRG FOR ALL CM C109-1 (NEW STYLE)	1
8	0103SC01VO	C111	STEERING WHEEL HANDLE W/ ROTABLE HANDLE ALL CM - C111	
9	TCCS038GAL	C142	HEX LOCK NUT 3/8" - 227830 - T114 - C142	3
10	0113CO01CH	C100-T	T-TYPE FRAME ALL CM MODELS 2019 - C110-1	1
11	TCCS012GAL	T106	HEX LOCK NUT 1/2" - T106 - 227854 - C304	12
12	0130SC02RD	C134	AXLE, ASSY INCLUDES HUBS - 702058 - C134 - C195	1
13	0200KI03RD	T129-1	WHEEL HUB W/ 1" BRG L44643 & DUST CAP - 702071 - T129 - C135 (NEW STYLE)	2
14	0000CO02RD	T137-12	WHEEL & TIRE ASSY 4.8 X 12" - T137-12 - C137- 431063	
14	0000CO01RD	T137	WHEEL & TIRE ASSY 165-80 R13" - T137 - 431081 - C136	2
15	0113CO01PT	C105-1	DRUM YOKE PILLOW BLOCK - C105-1 (FOR T-FRAME)	1
16	0170CO01GF	C157	CONTROL HANDLE SAFETY GEAR GUARD CM - C157	1

17	0170CO03CH	C167	CM/HM AXLE U-CLAMP C166 - 0900CR02RD - 702059	2
18	0000CR01LZ	T121	TOWING HITCH, LOCK PIN - T121 - C169 - 496088 - 702078	1
19	0000CO04LZ	T119-V	2" BALL HITCH VERTICAL HOLE - 702070 - T119	1
19	0000CO03LZ	T118-V	PINTLE HITCH VERTICAL HOLE - 702069 - T118 - C193	1
20	0111SR01LZ	T110	3/6" COTTER PIN CP-85H - SR00036EXT - T110 - 134955	1
21	TOFD034312	T122	TOWING HITCH, HEX HEAD SCREW 3/4" X 3-1/2" - T122 - C148 - 226272 - 701001	1
22	TOCD012112	T595	HEX BOLT HD GR5 1/2" X 1-1/2" - 226650 - C303 - T595	2
23	RNRX034GAL	T123	TOWING HITCH, SPRING WASHER 3/4" - 174510 - T123	1
24	TCFN034GAL	T124	TOWING HITCH, HEX NUT, 3/4 NF - 701028 - T124 - C179	1
25	RNRX012GAL	T112	SPING WASHER 1/2" - C145 - 176250 - T568 - T112	3
26	TOCD038100	C138	HEX BOLT 3/8 X 1 - C138 - 226210 - T116	4
27	0000RF03CH	C165	SET AXLE LEIFS SPRINGS FOR CM - C165	2
28	CAD3516GAL	T501	5/16 SAFETY CHAIN W/ OVAL SNAPS T501 - 609686 - 701012 - CA03316GAL	1
29	0000GRH200	C155	FTG, GREASE ST 1/8 NPT - 110680 - C15	2
30	SM00156EXT	C151	RETAINING OMEGA RING - 1-15/16" - 701029 - C151	1
31	0000RF10RD	T136-1	DUST CAP FOR WHEEL HUBS 1.98" (NEW STYLE) - 702087 - T136-1 - 464804	2
32	0000BA6205	C154	BALL BEARING, 6205 - C154 - 701016 (JEL205-100W3)	1
33	0113LA01YU	C157-T	CONTROL HANDLE GEAR GUARD REAR CM (BOTH ENDS) T-FFRAME	1



DRUM ASSEY BREAK DOWN CMP				
ITEM	M.I.D. #	PART #	DESCRIPTION	CM9P
1	0100SC01AS	C505	PADDLE C3/C6P/C9P/CM9P - 702107 - C505 - 412010	6
2	TCCN138MAQ	C117	HEX NUT, 1-3/8" - C117 - 701013	2
3	0000BA2788	C150	BALL BEARING, TRB CO&SL 4T-LM67048L (W/ CUP BA2788/20) - C150 -701014 (NEW STYLE) SINCE 2010	2
4	0100LA03TQ	C114	DRUM BOTTOM DRIVE SHAFT PLATE C9P - 702046 - C114	1
5	0906CO01TQ	C504	DRUM C9P/CM9P INCLUDES PADDLES - 702085 - C504 - C191	1
5	0111CO01EF	C522	C9P/CM9P DRUM KIT ASSEY (DRUM, PADDLES, YOKE, RING) - C522 - 609936 - 610502	1
6	0100FG02TQ	C122	RING GEAR (115 TH 32-7/8" DIA) ALL CM - C122 -702040	1
7	0000GRH200	C155	FTG, GREASE ST 1/8 NPT - 110680 - C155	1
*8	0100FG01YU	C107	STEERING WHEEL GEAR FOR CM - C107	1
8	0100FN01YU	C107-1	STEERING WHEEL GEAR (DUCTILE CASTING) FOR CM - C107-1	1
9	RNRX012GAL	T112	SPING WASHER 1/2" - C145 - 176250 - T568 - T112	3
10	TOCD012034	C149	HEX BOLT GR5 1/2 X 3/4 - C149	3
11	0111CO01YU	C520	YOKE CM9P - C520	1
12	0170CC01MO	T483	KEY 1/4 X 1-1/4 - 701027 - C152 - T483 - 0000CU01TR	1
13	0000BA6205	C154	BALL BEARING, 6205 - C154 - 701016 (JEL205-100W3)	2
14	0100CR02YU	C124	TRANS. SHAFT CM SHAFT 1 1/16 X 9 3/4" - C124 - 411894	1
15	SM00156EXT	C151	RETAINING OMEGA RING - 1-15/16" - 701029 - C151	2
16	TOCD038112	C141	HEX BOLT 3/8" X 1-1/2" - T176 - C141 - 226230	9
17	TCCS038GAL	C142	HEX LOCK NUT 3/8" - 227830 - T114 - C142	19
18	RNPX038GAL	T112	PLAIN WASHER 3/8" - T112 - C139 - 174986 - 701032 - C140	20
19	0100RF01TQ	C532	CM DRUM BOTTOM SHAFT SEAL TC38X80X8 - C532 (NEW STYLE)	1
20	TOCD012400	N/A	HEX HEAD CAP SCREW 1/2 X 4"	1
21	SC018112NOR	N/A	COTTER PIN 1/8 X 1-1/2"	1
22	0113CO01YU	N/A	CM-T YOKE HANDLE BLOCK/FLANGE	1
23	0113CR01YU	N/A	DRUM SHAFT CM-T	1
24	RNPX012GAL	C147	PLAIN WASHER 1/2" - T105 - C172 - 174470	36
25	TOCD038212	C526	HEX BOLT HD, 3/8" X 2-1/2 - T590 - 226270	4
26	TOCD038134	C527	HEX BOLT HD, 3/8 X 1-3/4 - 226240	4
27	TOCD038312	C528	HEX BOLT HD, 3/8" X 3-1/2" - T353 - 226275	8
28	0100SO02AD	C529	BRACKET SUPPORT ARM CM9P - C529 - 702122 - 0100SO02AD	4
29	0110SO01AD	C531	BRACKET SUPPORT INNER CM6P/C6P - C531 - 702123 - 0110SO01AD	4
30	0111CO01TQ	C508	DRUM SUPPORT REINFORCED C9P/CM9P - C508 - 702120 - 0100CO01AD	1
31	0100PL03AD	C525	CLAMP DRUM SUPPORT CM6P/CM9P - C525 - 702121	4

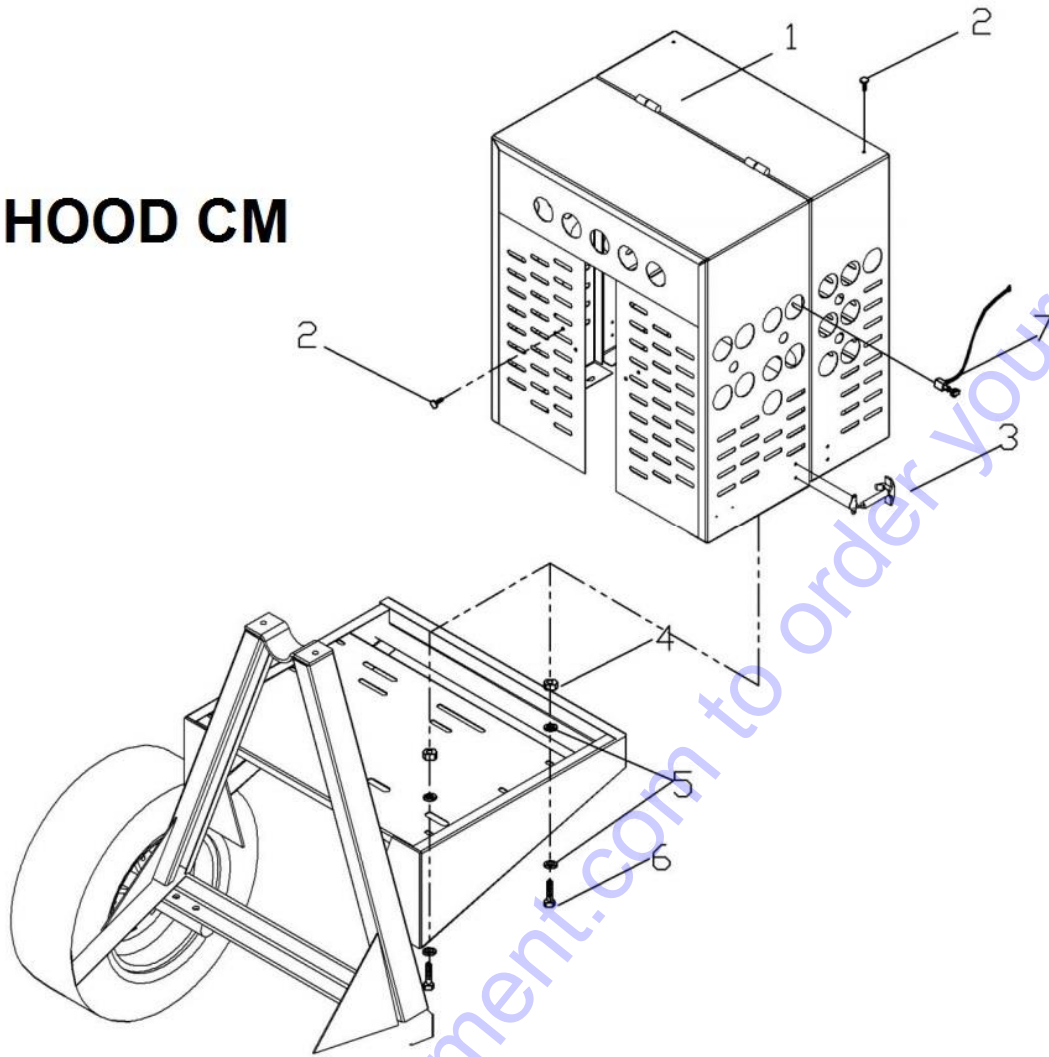
TRANSMISSION CM



TRANSM ASSEY				
ITEM	M.I.D. #	PART #	DESCRIPTION	CM9P
*	202008M	202008M	HONDA ENGINE GX240	1
1	0200CU03TR	C514	KEY, 3/16" X 1-1/2" FOR 8-13HP ENGINE	1
2	TOCD038200	C158	BOLT HEXHD, 3/8" X 2" FOR HONDA ENGINES	4
2	TOCD038100	C138	BOLT HEXHD, 3/8" X 1" FOR ELECTRIC MOTORS	4
3	RNPX038GAL	C139	PLAIN WASHER 3/8"	8
4	TCCS038GAL	C142	HEX HEAD LOCK NUT 3/8"	4
5	0000BNB64	C129	PULLEY DRIVE BELT B64 FOR GAS ENGINE	1
5	0000BNB68	C194	PULLEY DRIVE BELT B68 FOR ELECTRIC MOTOR	1
6	POFG190516TK	C125	1 GROOVE TRANSMISSION PULLEY 19"	1
7	POFG212100	C127	ENGINE PULLEY 2-1/2" CAL 1" (8 HP -13 HP ENGINE)	1
7	POFG212078	C186	ENGINE PULLEY 2-1/2" CAL 7/8" KEY 3/16"(2 HP MOTOR)	1
7	POFG212118	C187	ENGINE PULLEY 2-1/2" CAL 1 1/8" KEY 1/4" (3 HP - 5HP MOTOR)	1
8	TOCD038100	C138	TRANSMISSION PULLEY HEX BOLT HD 3/8" X 1"	1
9	RNPX038GAL	C139	PLAIN WASHER 3/8"	1

Go to Discount Equipment.com to order your parts

HOOD CM



HOOD ASSEY BREAK				
ITEM	M.I.D. #	PART #	DESCRIPTION	CM9P
1	0110CO01GA	C131	SQUARE SHROUD ASSEY COMPLETE	1
1	0100CO01GS	C132	SQUARE SHROUD ASSEY COMPLETE (FROM #SERE 23004-343799)	1
2	0000RF01GA	T158	SHROUD RUBBER SCREW 1/4"	2
3	0000RF02GA	T160	SHROUD SPRING LOADED HOOK ASSEMBLY	2
4	TCCS038GAL	C142	HEX HEAD LOCK NUT 3/8"	4
5	RNPX038GAL	C139	PLAIN WASHER 3/8"	8
6	TOCD038112	C141	HEX HEAD CAP SCREW 3/8" X 1-1/2"	4
7	0200KI01GA	T193	SHROUD ASSEMBLY PUSH STOP WITH ENGINE HARNESS	1
7	816769AS NO	T195-1	ENGINE KILL SWITCH (NO HARNESS) - 816769AS RED	1
7	0000RF04GA	T195	ENGINE KILL SWITCH (NO HARNESS) BLACK	1