



## OWNER'S MANUAL FOR THE E3X4TBT TRAILER

CONGRATULATIONS!

You are now the proud owner of a BARRETO trailer. The following pages have important safety information as well as a detailed view of your trailer, along with corresponding part numbers. If you have any questions or need any replacement parts in the future, please contact us at your convenience. Our toll-free phone number, fax and email are listed below and parts may be ordered through any of these methods.

THANK YOU for your patronage and confidence in BARRETO equipment.

The Barreto Tilt Bed Trailer, Model Number E3X4TBT, is designed specifically and solely for transporting Barreto tillers. It has a special bracket for locking the tiller in place while in transit. There are no provisions for any other type of tie-down apparatus, which makes it ill-suited and unsafe for hauling anything except Barreto specifically designed equipment.

Using the Barreto Model E3X4TBT trailer for any purpose other than transporting Barreto tillers could pose a safety hazard and would null and void any manufacturer's warranty and/or liability.

Barreto Manufacturing, Inc. accepts no liability for damage to the trailer or transported goods other than Barreto specifically designed equipment. Barreto Manufacturing, Inc. also accepts no liability for injury or damage of any kind related to unauthorized use of the Barreto Tilt Bed Trailer.

Be sure to read and observe the safety instructions for proper use of the Barreto Tilt Bed Trailer. If there are any questions regarding proper use, please contact Barreto Manufacturing, Inc. or an authorized Barreto Dealer.



[www.discount-equipment.com](http://www.discount-equipment.com)

# PARTS FINDER

**Search Website  
by Part Number**



**Search Manual  
Library For Parts  
Manual & Lookup Part  
Numbers – Purchase  
or Request Quote**

**Search Manuals**

Enter your information to help us find the right parts manual for your machine.

\* Brand:

\* Model:

\* Serial:

\* Part Number:

SEARCH

**Can't Find Part or  
Manual? Request Help  
by Manufacturer,  
Model & Description**

**Parts Order Form**

Please fill in the following information to help us find the right part for your machine.

Manufacturer:	<input type="text"/>
Model:	<input type="text"/>
Description:	<input type="text"/>
Part Number:	<input type="text"/>
Quantity:	<input type="text"/>
Notes:	<input type="text"/>

Submit

Discount-Equipment.com is your online resource for quality parts & equipment.

Florida: **561-964-4949** Outside Florida TOLL FREE: **877-690-3101**

**Need parts?**

Click on this link: <http://www.discount-equipment.com/category/5443-parts/> and choose one of the options to help get the right parts and equipment you are looking for. Please have the machine model and serial number available in order to help us get you the correct parts. If you don't find the part on the website or on one of the online manuals, please fill out the request form and one of our experienced staff members will get back to you with a quote for the right part that your machine needs.

We sell worldwide for the brands: Genie, Terex, JLG, MultiQuip, Mikasa, Essick, Whiteman, Mayco, Toro Stone, Diamond Products, Generac Magnum, Airman, Haulotte, Barreto, Power Blanket, Nifty Lift, Atlas Copco, Chicago Pneumatic, Allmand, Miller Curber, Skyjack, Lull, Skytrak, Tsurumi, Husquvarna Target, Stow, Wacker, Sakai, Mi-T-M, Sullair, Basic, Dynapac, MBW, Weber, Bartell, Bennar Newman, Haulotte, Ditch Runner, Menegotti, Morrison, Contec, Buddy, Crown, Edco, Wyco, Bomag, Laymor, EZ Trench, Bil-Jax, F.S. Curtis, Gehl Pavers, Heli, Honda, ICS/PowerGrit, IHI, Partner, Imer, Clipper, MMD, Koshin, Rice, CH&E, General Equipment, Amida, Coleman, NAC, Gradall, Square Shooter, Kent, Stanley, Tamco, Toku, Hatz, Kohler, Robin, Wisconsin, Northrock, Oztec, Toker TK, Rol-Air, APT, Wylie, Ingersoll Rand / Doosan, Innovatech, Con X, Ammann, Mecalac, Makinex, Smith Surface Prep, Small Line, Wanco, Yanmar

## SAFETY INSTRUCTIONS/CHECKLIST

Be sure to obey all traffic laws and rules of the road while towing the Barreto Tilt Bed Trailer. Never exceed 45 miles per hour while towing the trailer. The towing vehicle should be in legal operating condition. If local law requires trailer lights, be sure they are in good repair and are in proper working condition.

Refer to the following checklist before towing:

- Towing vehicle should have a 2" ball. Be sure it is in good repair and securely fastened to the vehicle.
- Securely fasten the hitch to the ball by tightening the hitch nut.
- Cross the chains under the trailer tongue to prevent the tongue dropping to the ground if the trailer comes loose.
- Attach the safety chain to the towing vehicle in such a way that it cannot come off accidentally.
- Check the hitch-to-ball connection after driving a few blocks and re-tighten if necessary.
- Allow only enough slack in the chains to permit proper turning of the vehicles. Do not let chains drag on the ground or be drawn up too tight. Slack strength should hold the tongue and coupler off the ground with the trailer loose.
- The bolts that hold the lock-on chain to the trailer should be in good repair. These bolts prevent the tiller from shifting from side to side.
- The clevis pins should be placed behind the tiller bumper with clips in place to prevent bouncing out.
- Do not use the Barreto Tilt Bed Trailer for any purpose other than transporting a Barreto Tiller!

Always exercise extreme caution and allow extra clearance while towing a trailer.

### DRIVE SAFELY!



#### California Proposition

#### ⚠ 65 Warning ⚠

**WARNING:** This product contains chemicals known to the State of California to cause cancer, and birth defects or other reproductive harm.

**ADVERTENCIA:** Este producto contiene productos químicos reconocidos por el estado de California que provocan cancer, defectos de nacimiento u otros daños reproductivos.

For more information: [www.P65Warnings.ca.gov](http://www.P65Warnings.ca.gov)

# BARRETO MANUFACTURING, INC. EQUIPMENT WARRANTY

Barreto Manufacturing, Inc. warrants all BARRETO equipment to be free of defects in material and workmanship for a period of one (1) year, dating from the delivery to the original user.

This warranty is in lieu of all other warranties, whether written or implied, and is limited to:

1. Replacement of parts returned to the dealer and/or factory and determined defective upon inspection. (Replacement for parts to dealers shall be at dealer cost plus shipping charges.)
2. Time for pick-up and/or delivery, transportation of service calls by dealers is excluded. Manufacturer reserves the right to determine reasonable time required for repair.

Warranty does not apply to damage caused by abuse or neglect. Time and materials required for normal maintenance and service are also excluded from warranty coverage.

**Engines, engine accessories, batteries and tires are warranted by the original manufacturers and are not covered by the Barreto Equipment Warranty.** Wear parts such as tiller tines, sprockets, bearings, trencher chain parts including teeth, stump grinder cutting teeth & holders, etc. are also excluded unless it can be determined that a defect has contributed to premature wear.

## SPECIFICATIONS

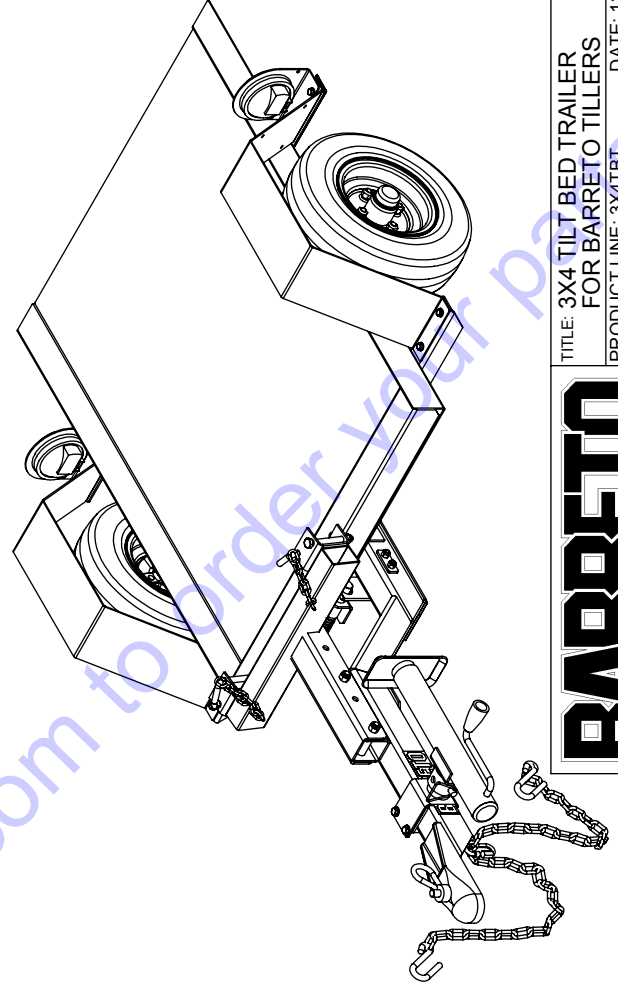
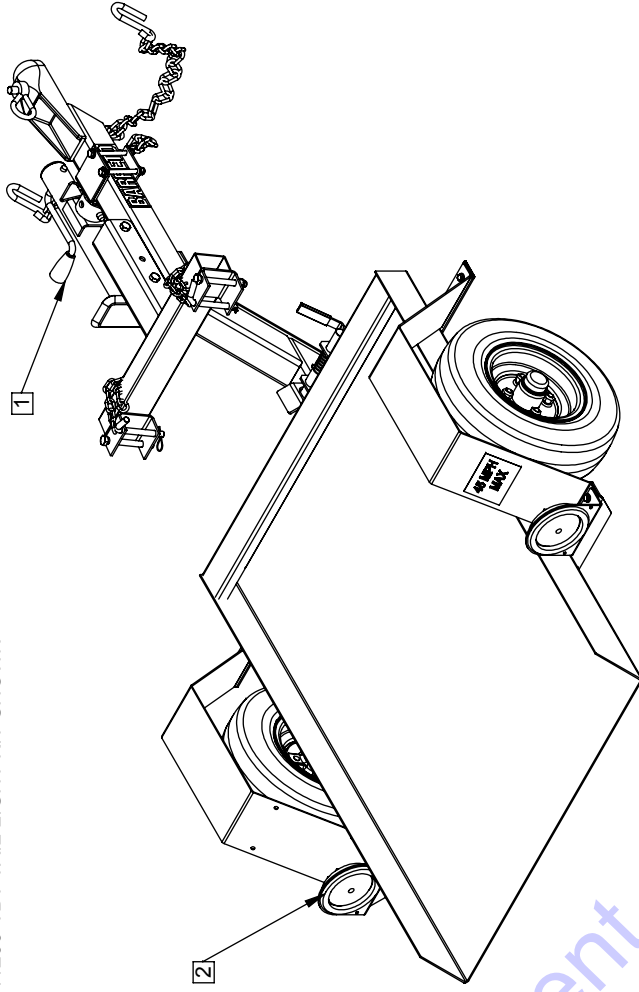
<u>DIMENSIONS</u>	<u>U.S.</u>	<u>Metric</u>
Empty Weight	260 lbs.	117.93 kg
Gross Weight	900 lbs.	408.23 kg
Length	7'5"	2.26 m
Width	4'3/4"	1.24 m
Bed Size	3' x 4'	.91 x 1.22 m

ITEM NO.	QTY.	PART NO.	DESCRIPTION
1	1	100339	SWIVEL JACK KIT, 9/16 PIN
2	1	11206-TBT	TAIL LIGHT KIT
3	1	10903-SP	JACK SPACER
4	1	00295	TILLER BUMPER PURCHASE
5	1	08001	TRAILER BED
6	1	08002	TONGUE
7	1	08007R	RIGHT HAND FENDER
8	1	08007L	LEFT HAND FENDER
9	1	10754	REINFORCEMENT STRIP
10	1	10756	STRIKER PLATE
11	1	10580	SPACER, LATCH PIN
12	1	10579	LATCH PIN
13	1	03018	GRIP, 1/8 X 3/4 X 2-3/4
14	1	03040-14	DECAL, "45 MPH"
15	2	03702	WHEEL HUB, 4 ON 4.0 BC
16	2	03703	TIRE & RIM, 4.8 X 8
17	1	08301-1	SAFETY CHAIN, 5/16", 39 LINKS
18	1	03711	QUICK LINK, 5/16
19	1	10592	SPRING
20	1	05334	ROLL PIN (SLOTTED SPRING), 1/4 X 1-1/2 ZINC
21	2	03040-11	DECAL, "BARRETO", 2-3/16 X 7-3/8
22	8	05042	NUT, LUG, 1/2-20 NF
23	1	05095	HH CAP SCREW, 5/8-11 NC X 4-1/2 G5 ZINC
24	1	05099	NUT, NYLOCK, 5/8-11 NC ZINC
25	2	05253	HH CAP SCREW, 1/2-13 NC X 3-3/4 G5 ZINC
26	2	05098	NUT, NYLOCK, 1/2-13 NC ZINC
27	2	10757	HH CAP SCREW, 3/8-16 NC X 4 G5 ZINC
28	2	05101	WASHER, 3/8 SAE ZINC
29	2	05073	NUT, NYLOCK, 3/8-16 NC ZINC
30	8	05144	WHIZ-LOCK 5/16 - 18 X 1
31	8	05273	NUT, NYLOCK, 5/16-18 NC ZINC

NOTES:

- 1 03702 WHEEL HUB INCLUDES 05042 (4X) LUG NUTS
- 2 FOR COUPLER PARTS KIT ORDER PART NUMBER 03281

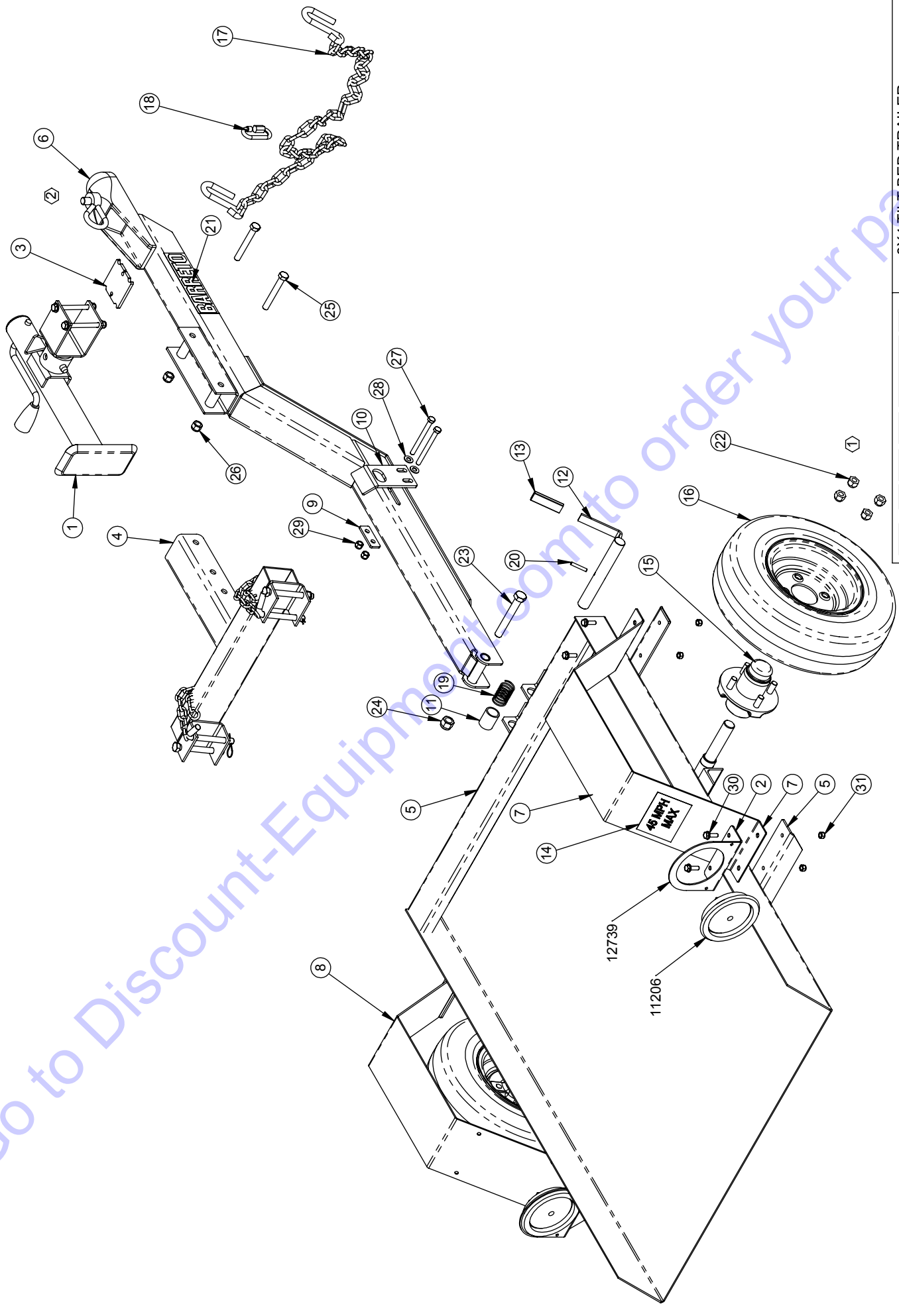
- 1 OPTIONAL: 00339 SWIVEL JACK SHOWN
- 2 10903-SP ONLY INCULDED WITH SWIVEL JACK
- 2 OPTIONAL: 11206-TBT TAIL LIGHT KIT SHOWN



# BARRETO

TITLE: 3X4 TILT BED TRAILER  
FOR BARRETO TILLERS  
PRODUCT LINE: 3X4TBT  
SCALE: 1:16  
DATE: 12/17/07  
DWG# 00292  
SHEET 1 OF 4

Go to Discount-Equipment.com to order your parts



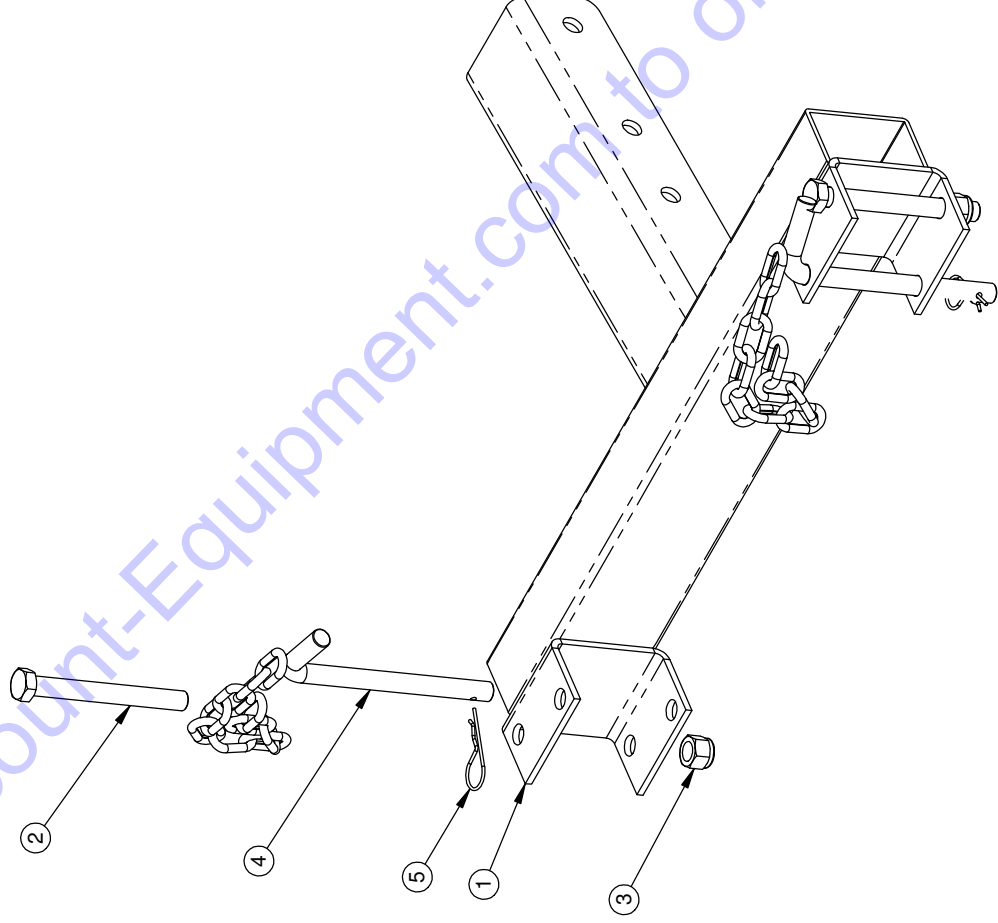
# BARRETO

TITLE: 3X4 TILT BED TRAILER  
FOR BARRETO TILLERS

PRODUCT LINE: 3X4TBT DATE: 12/17/07

SCALE: 1:11 DWG# 00292  
SHEET 2 OF 4

REF. QTY.	PART NO.	DESCRIPTION
1	08006	TILLER BUMPER PURCHASE
2	05094	HH CAP SCREW, 1/2-13 NC X 4-1/2 G5 ZINC
3	05098	NUT, NYLOCK, 1/2-13 NC
4	08015	BUMPER LOCK PIN
5	05032	HAIR SPRING COTTER #6



NOTES:

1. USAGE: TO SECURE ANY BARRETO TILLER TO A 3X4 TILT BED TRAILER.

**BARRETO**

TITLE: TILLER BUMPER PURCHASE

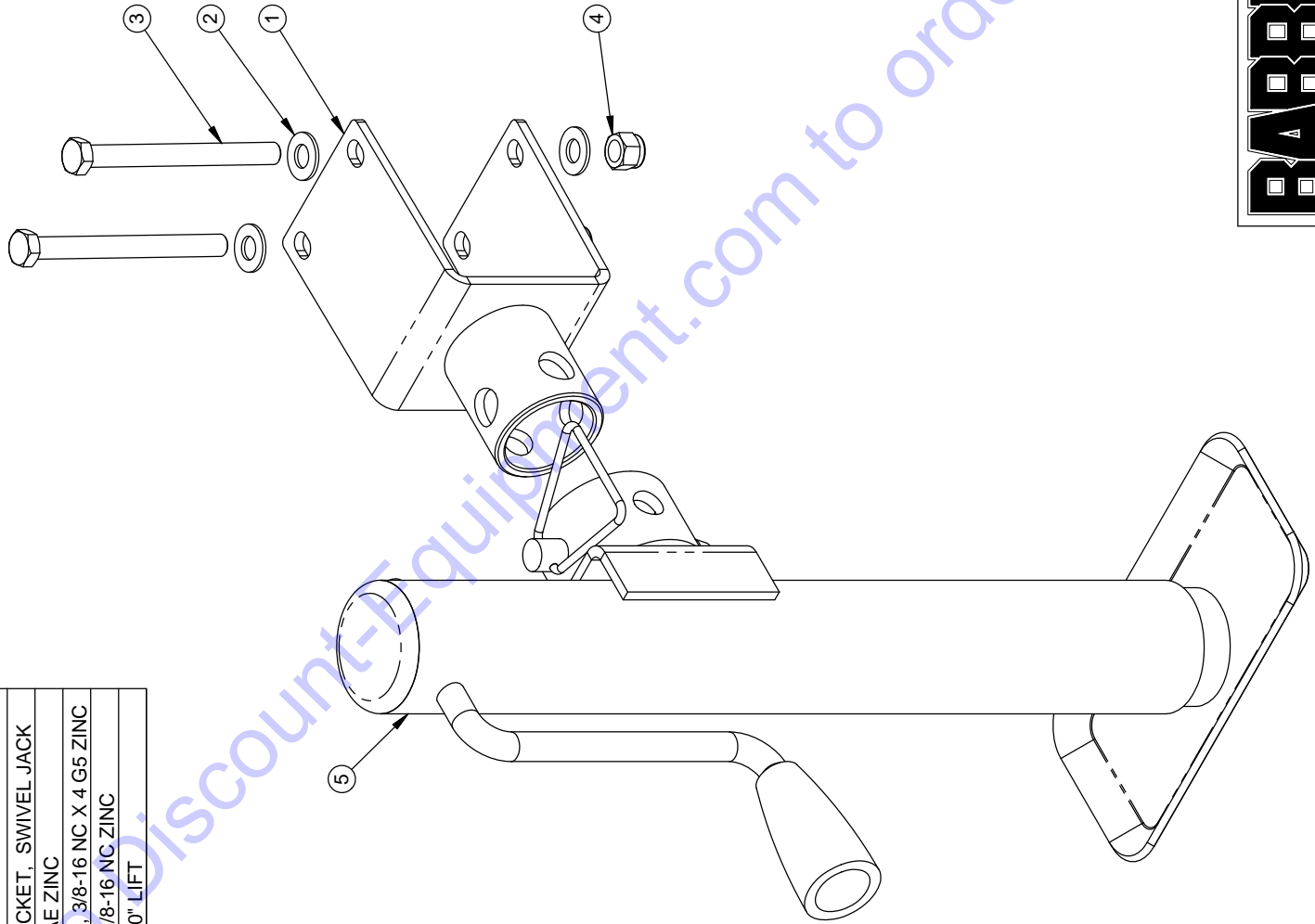
PRODUCT LINE: 3X4TBT DATE: 2/18/05

SCALE: 1:4.8

DWG# 00295

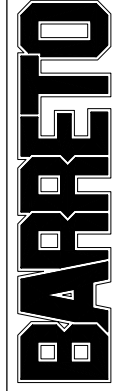
SHEET 1 OF 1

REF QTY.	PART NO.	DESCRIPTION
1	10903-58	MOUNTING BRACKET, SWIVEL JACK
2	05101	WASHER, 3/8 SAE ZINC
3	10757	HH CAP SCREW, 3/8-16 NC X 4 G5 ZINC
4	05073	NUT, NYLOCK, 3/8-16 NC ZINC
5	08216	SWIVEL JACK, 10" LIFT



NOTES:

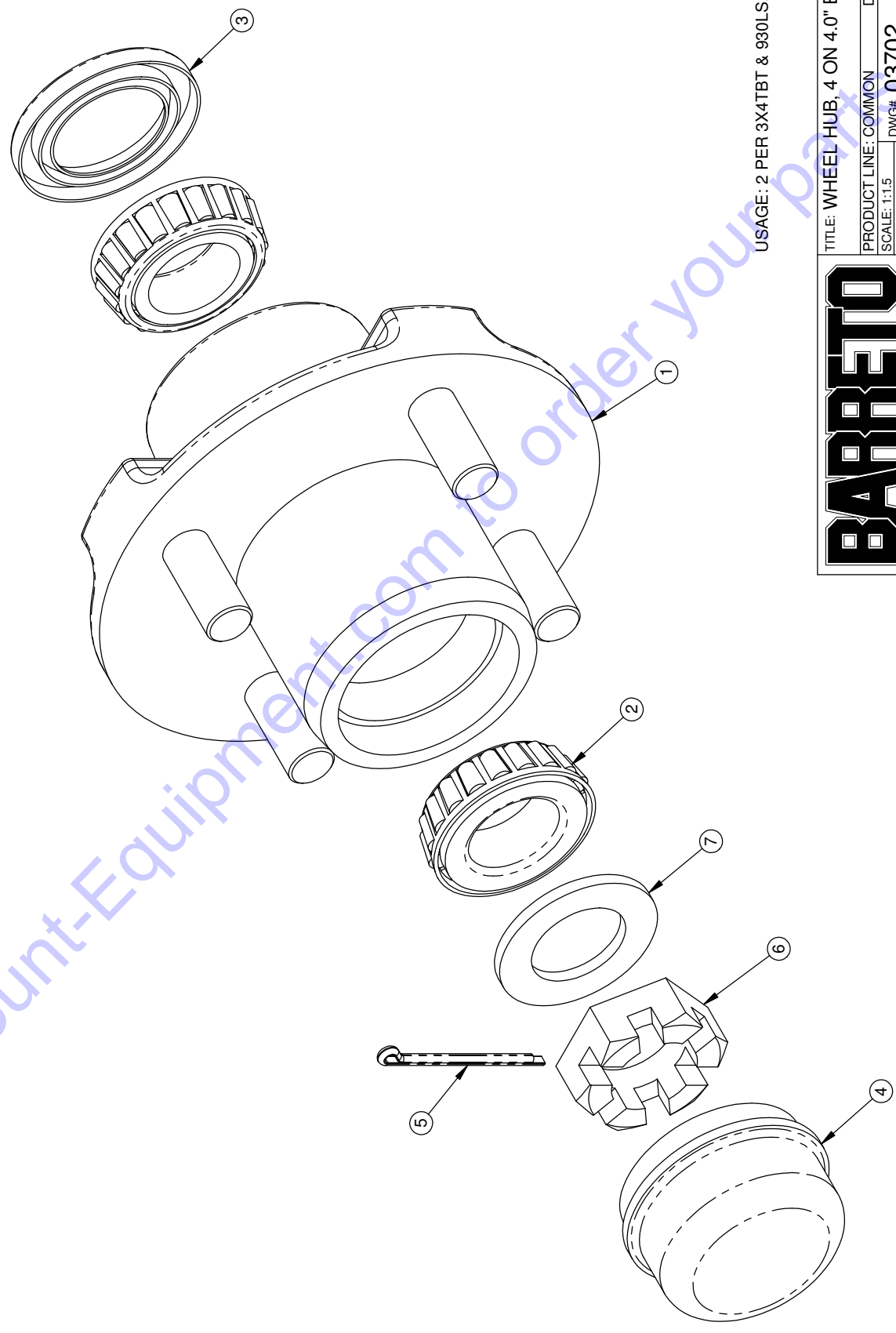
- USAGES:  
 A. STANDARD ON 4X6TBT (TILT BED TRAILER)  
 B. OPTIONAL ON 920LS & 922LS (LOG SPLITTERS)  
 C. CAN BE USED ON ANY 3X3 TRAILER TONGUE



TITLE: SWIVEL JACK & MOUNTING BRACKET, 5/8 PIN  
 PRODUCT LINE: 4X6TBT  
 SCALE: 1:3  
 DATE: 8/25/09  
 DWG#: 00339  
 SHEET 1 OF 1



REF. QTY.	PART NO.	DESCRIPTION
1	03702-01	HUB - ORDER COMPLETE WHEEL HUB 03702
2	03702-02	BEARING L44643
3	03702-03	SEAL, 34823
4	03804-04	GREASE CAP
5	03804-05	COTTER PIN 1/8 X 1-3/4
6	03804-06	NUT, 1-12 UNF CASTLE
7	03804-07	WASHER, 1 X 1-3/4 X 1/8 ZINC



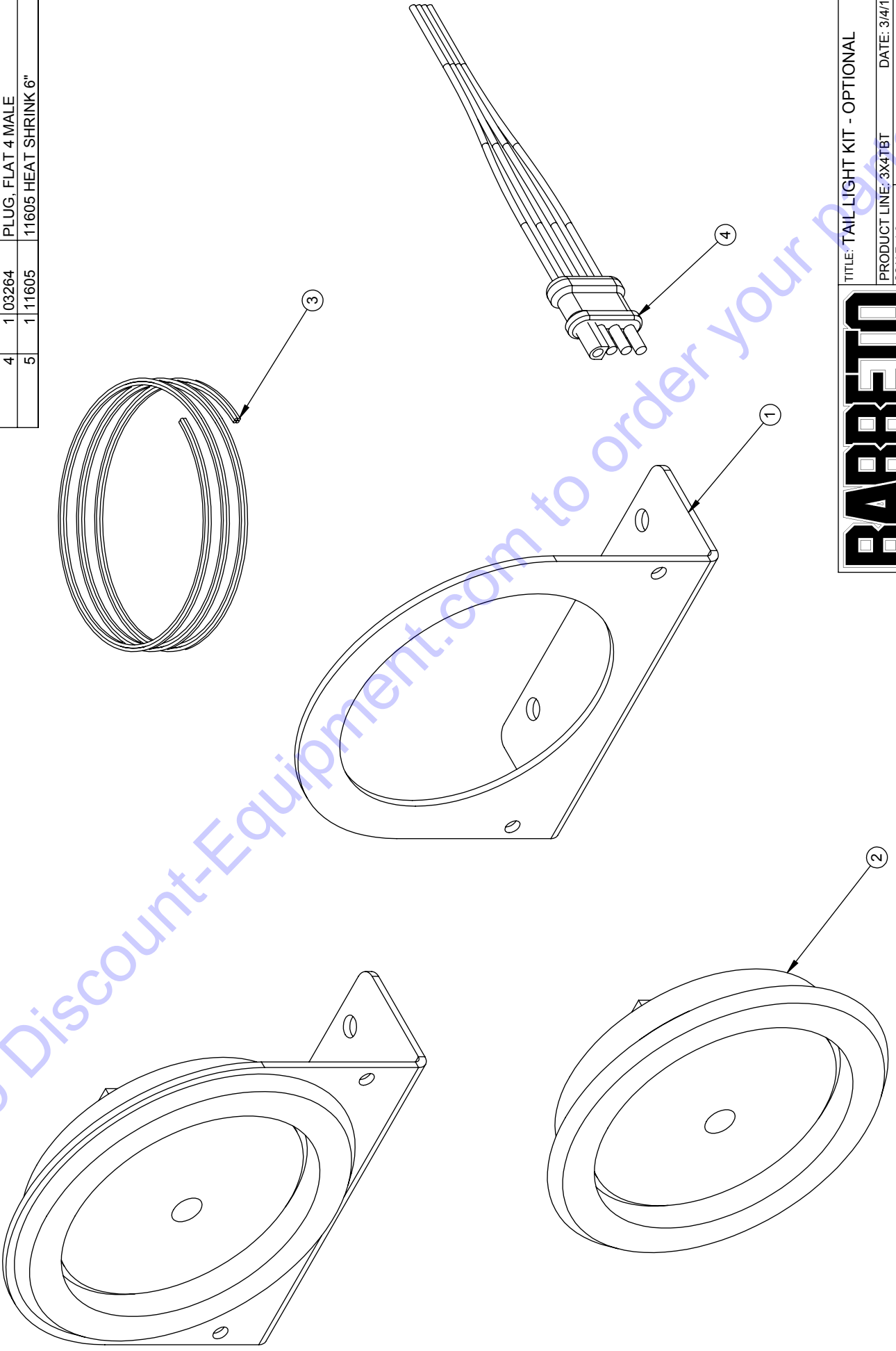
USAGE: 2 PER 3X4TBT & 930LS.

**BARRETO**

TITLE: WHEEL HUB, 4 ON 4.0" BC  
 PRODUCT LINE: COMMON DATE: 2/11/09  
 SCALE: 1:1.5 DWG#: 03702  
 SHEET 1 OF 1

UPDATE 9/21/16

ITEM NO.	QTY.	PART NO.	DESCRIPTION
1	2	12739	TAIL LIGHT BRACKET, OPTIONAL
2	2	11206	TAIL LAMP, OPTIONAL
3	14	03808	WIRE, 16 GA, 4 STRAND, PER FOOT
4	1	03264	PLUG, FLAT 4 MALE
5	1	11605	11605 HEAT SHRINK 6"



# BARRETO

TITLE: TAIL LIGHT KIT - OPTIONAL  
PRODUCT LINE: 3X4/TBT DATE: 3/4/16  
SCALE: 1:2 DWG#: 11206-TBT  
SHEET 1 OF 1

# PARTS FINDER

**Search Website  
by Part Number**



**Search Manual  
Library For Parts  
Manual & Lookup Part  
Numbers – Purchase  
or Request Quote**

**Search Manuals**

Enter your information to help us find the right parts manual for your machine.

\* Brand:

\* Model:

\* Serial:

\* Part Number:

SEARCH

**Can't Find Part or  
Manual? Request Help  
by Manufacturer,  
Model & Description**

**Parts Order Form**

Please fill in the following information to help us find the right part for your machine.

Manufacturer:	<input type="text"/>
Model:	<input type="text"/>
Description:	<input type="text"/>
Part Number:	<input type="text"/>
Quantity:	<input type="text"/>
Notes:	<input type="text"/>

REQUEST HELP

Discount-Equipment.com is your online resource for quality parts & equipment.

Florida: **561-964-4949** Outside Florida TOLL FREE: **877-690-3101**

**Need parts?**

Click on this link: <http://www.discount-equipment.com/category/5443-parts/> and choose one of the options to help get the right parts and equipment you are looking for. Please have the machine model and serial number available in order to help us get you the correct parts. If you don't find the part on the website or on one of the online manuals, please fill out the request form and one of our experienced staff members will get back to you with a quote for the right part that your machine needs.

We sell worldwide for the brands: Genie, Terex, JLG, MultiQuip, Mikasa, Essick, Whiteman, Mayco, Toro Stone, Diamond Products, Generac Magnum, Airman, Haulotte, Barreto, Power Blanket, Nifty Lift, Atlas Copco, Chicago Pneumatic, Allmand, Miller Curber, Skyjack, Lull, Skytrak, Tsurumi, Husquvarna Target, Stow, Wacker, Sakai, Mi-T-M, Sullair, Basic, Dynapac, MBW, Weber, Bartell, Bennar Newman, Haulotte, Ditch Runner, Menegotti, Morrison, Contec, Buddy, Crown, Edco, Wyco, Bomag, Laymor, EZ Trench, Bil-Jax, F.S. Curtis, Gehl Pavers, Heli, Honda, ICS/PowerGrit, IHI, Partner, Imer, Clipper, MMD, Koshin, Rice, CH&E, General Equipment, Amida, Coleman, NAC, Gradall, Square Shooter, Kent, Stanley, Tamco, Toku, Hatz, Kohler, Robin, Wisconsin, Northrock, Oztec, Toker TK, Rol-Air, APT, Wylie, Ingersoll Rand / Doosan, Innovatech, Con X, Ammann, Mecalac, Makinex, Smith Surface Prep, Small Line, Wanco, Yanmar