

# MSM



# PARTS FINDER

**Search Website  
by Part Number**



**Search Manual  
Library For Parts  
Manual & Lookup Part  
Numbers – Purchase  
or Request Quote**

**Search Manuals**

Enter your information to help us find the right parts manual for your machine.

\* Brand:

\* Model:

\* Serial:

\* Part Number:

SEARCH

**Can't Find Part or  
Manual? Request Help  
by Manufacturer,  
Model & Description**

**Parts Order Form**

Please fill in the following information to help us find the right part for your machine.

Manufacturer:	<input type="text"/>
Model:	<input type="text"/>
Serial:	<input type="text"/>
Description:	<input type="text"/>
Part Number:	<input type="text"/>
Quantity:	<input type="text"/>
Notes:	<input type="text"/>
Submit	<input type="button" value="Submit"/>

Discount-Equipment.com is your online resource for quality parts & equipment.

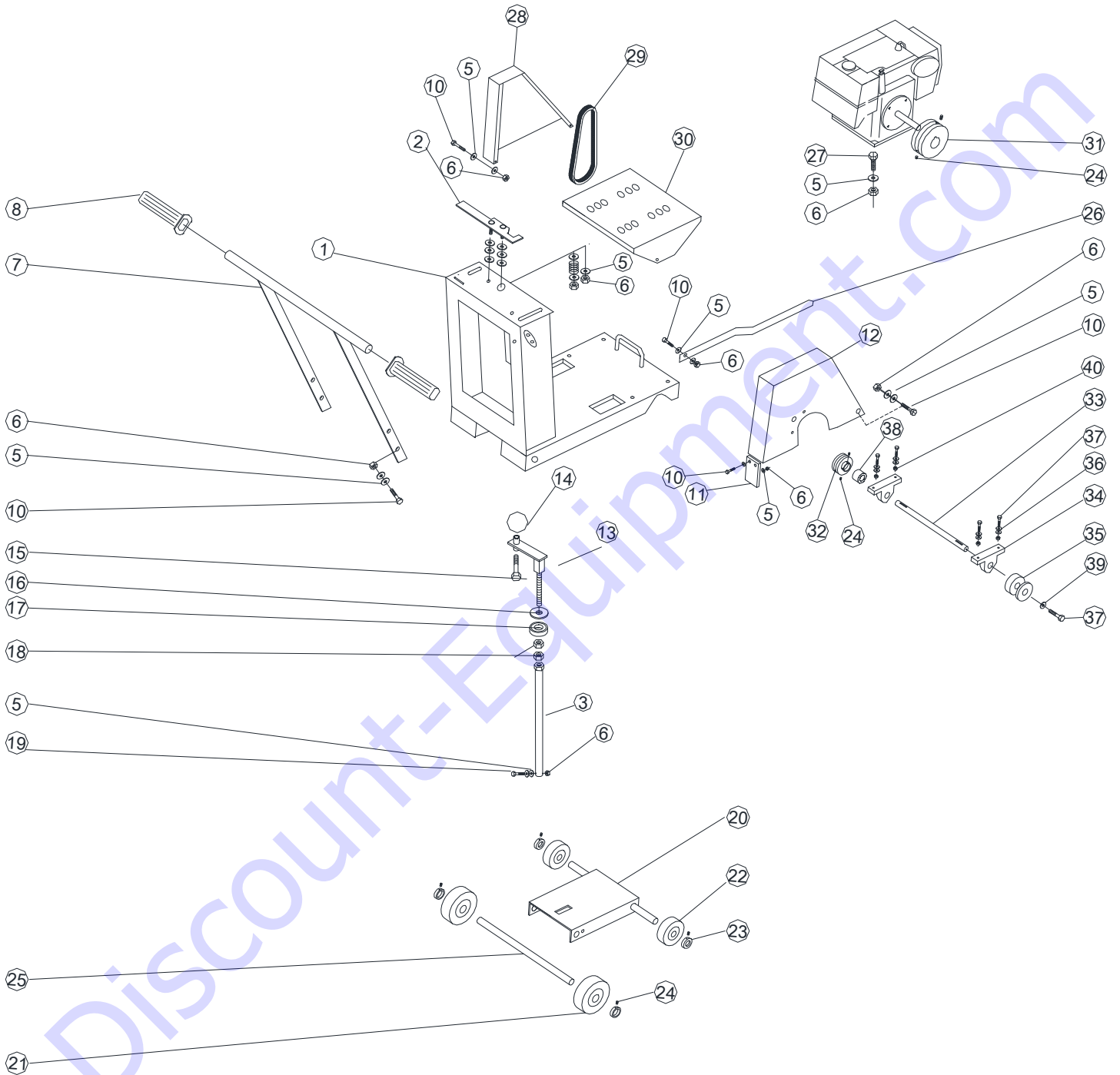
Florida: **561-964-4949** Outside Florida TOLL FREE: **877-690-3101**

**Need parts?**

Click on this link: <http://www.discount-equipment.com/category/5443-parts/> and choose one of the options to help get the right parts and equipment you are looking for. Please have the machine model and serial number available in order to help us get you the correct parts. If you don't find the part on the website or on one of the online manuals, please fill out the request form and one of our experienced staff members will get back to you with a quote for the right part that your machine needs.

We sell worldwide for the brands: Genie, Terex, JLG, MultiQuip, Mikasa, Essick, Whiteman, Mayco, Toro Stone, Diamond Products, Generac Magnum, Airman, Haulotte, Barreto, Power Blanket, Nifty Lift, Atlas Copco, Chicago Pneumatic, Allmand, Miller Curber, Skyjack, Lull, Skytrak, Tsurumi, Husquvarna Target, Stow, Wacker, Sakai, Mi-T-M, Sullair, Basic, Dynapac, MBW, Weber, Bartell, Bennar Newman, Haulotte, Ditch Runner, Menegotti, Morrison, Contec, Buddy, Crown, Edco, Wyco, Bomag, Laymor, EZ Trench, Bil-Jax, F.S. Curtis, Gehl Pavers, Heli, Honda, ICS/PowerGrit, IHI, Partner, Imer, Clipper, MMD, Koshin, Rice, CH&E, General Equipment, Amida, Coleman, NAC, Gradall, Square Shooter, Kent, Stanley, Tamco, Toku, Hatz, Kohler, Robin, Wisconsin, Northrock, Oztec, Toker TK, Rol-Air, APT, Wylie, Ingersoll Rand / Doosan, Innovatech, Con X, Ammann, Mecalac, Makinex, Smith Surface Prep, Small Line, Wanco, Yanmar

# PARTS BREAK-DOWN MSM



SAW CONCRETE			
No.	# PART	DESCRIPTION	QTY
1	0406CO01CH	FRAME	1
2	0406CO01FR	HANDLE BRACKETS	1
3	0406CO02TE	DEPTH SCREW TUBE	1
5	RNPX038GAL	PLAIN WASHER 3/8"	46
6	TCCS038GAL	LOCK NUT 3/8"	18
7	0406CO01MA	HANDLE	1
8	0000RF01MA	HANDLE GRIP	2
10	TOCD038114	BOLT 3/8" X 1 1/4"	10
11	0405MI01GD	FENDER	1
12	0406CO01GD	BLADE GUARD	1
13	0406CO01TE	RAISE SCREW	1
14	238202	BALL KNOB	1
15	TOCD012212	BOLT 1/2" X 2 1/2"	1
16	RNPX034GAL	PLAIN WASHER 3/4"	1
17	0000BA607	NICE BEARING 607	1
18	TCCN034MAQ	NUT 3/4"	2
19	TOCD038212	BOLT 3/8" X 2 1/2"	1
20	0406CO01RD	AXLE BASE	1
21	0000RD06RD	WHEEL 6"	2
22	0000RD04RD	WHEEL 4"	2
23	0406CR04RD	WHEEL BUSHING	4
24	OPFR056056	ALLEN SCREW 5/16"	8
25	0406CR01RD	REAR AXLE	1
26	0406SO01GC	CUTTING GUIDE	1
27	TOCD038200	BOLT 3/8" X 2"	4
28	0406CO01GB	BELT GUARD	1
29	0000BN3VX315	BELT 3VX315	3
30	0406CO01BM	POWER BASE	1
31	POFG3121003R	ENGINE PULLEY	1
32	POFG3121143R	CUTTING PULLEY	1
33	0406CR01CO	BLADE SHAFT	1
34	00CHPI2114	PILLOW BLOCK BEARING	2
35	0406CO01CO	LOOSE COLLAR	2
36	RNPX012GAL	PLAIN WASHER 1/2"	8
37	TOCD012200	BOLT 1/2 X 2 "	1
38	0406CR05CO	COLLAR SPACE	1
39	RNRX012GAL	WASHER SPRING 1/2"	1
40	TCCS012GAL	LOCK NUT 1/2"	4