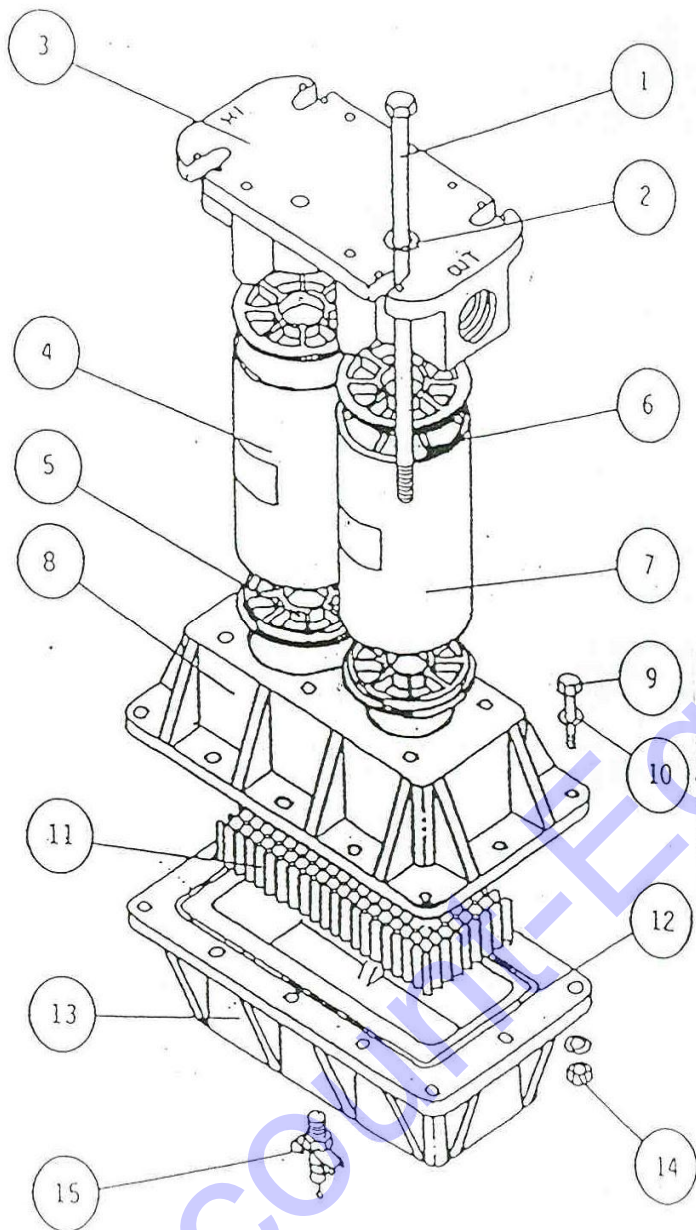


®
Extractor / Dryer
MODEL 180



NO.	PART NO.	DESCRIPTION
1.	18037	BOLT (6)
2.	14021	WASHER (6)
3.	18001 F23	MANIFOLD 2ø NPT
4.	481**	FIRST STAGE CARTRIDGE
5.	18010**	CAP GASKET (4)
6.	18045 F92	STAR SPACER
7.	482**	SECOND STAGE CARTRIDGE
8.	18003A F23	CHAMBER
9.	14036	BOLT (18)
10.	12021	WASHER (36)
11.	18028**	BASE CORE
12.	18027 **	GASKET
13.	18002 F23	BASE
14.	14035	LOCKING NUT (18)
15.	10535	WEEP DRAIN

FILTRATION	5 MICRON
AIRFLOW	500 SCFM
MAXIMUM PRESSURE	150 PSIG
MAXIMUM TEMPERATURE	180 DEG.F
HEIGHT	25.75ø
WIDTH	17.75ø
DEPTH	9.50ø
MANIFOLD BOLT TORQUE	25 - 30 FOOT POUNDS
BASE BOLTS & NUTS	10 FOOT POUNDS
**SERVICE ITEMS	500SKA

MADE IN U.S.A.

WARNING: Injury can occur if the filter is used at pressures higher than the maximum pressure and with any compressed gases other than normal compressed air for power tool use only.

**Discount
Equipment**

LA-MAN® CORPORATION
WE MAKE COMPRESSED AIR WORK®

Discount Equipment

Discount-Equipment.com is your online resource for commercial and industrial quality parts and equipment sales.

Locations:

Florida (West Palm Beach): [561-964-4949](tel:561-964-4949)

Outside Florida TOLL FREE: [877-690-3101](tel:877-690-3101)

Need parts? Check out our website at www.discount-equipment.com

Can't find what you need?

Click on this link: <http://www.discount-equipment.com/category/5443-parts/> and fill out the request form.

Please have the machine model and serial number available in order to help us get you the correct parts. One of our experienced staff members will get back to you with a quote for the right part that your machine needs.

We sell worldwide for the brands: Genie, Terex, JLG, MultiQuip, Mayco, Toro/Stone, Diamond Products, Magnum, Airman, Mustang, Power Blanket, Nifty Lift, Atlas Copco, Chicago Pneumatic, Allmand Brothers, Essick, Miller Spreader, Skyjack, Lull, Skytrak, Tsurumi, Husquvarna/Target, Whiteman-Concrete/Mortar, Stow-Concrete/Mortar, Baldor, Wacker, Sakai, Snorkel, Upright, Mi-T-M, Sullair, Neal, Basic, Dynapac, MBW, Weber, Bartell, Bennar Newman, Haulotte, Ditch Runner, Blaw-Knox, Himoina, Best, Buddy, Crown, Edco, Wyco, Bomag, Laymor, Terremite, Barreto, EZ Trench, Takeuchi, Basic, Bil-Jax, Curtis, Gehl, Heli, Honda, ICS/PowerGrit, Puckett, Waldon, ASV, IHI, Partner, Imer, Clipper, MMD, Koshin, Rice, Gorman Rupp, CH&E, Cat Pumps, Comet, General Pump, Giant, AMida, Coleman, NAC, Gradall, Square Shooter, Kent, Stanley, Tamco, Toku, Hatz, Kohler, Robin, Wisconsin, Northrock, Oztec, Toker TK, Rol-Air, Small Line, Wanco, Yanmar

New Equipment - Used Equipment - Rental Equipment - Parts and Accessories

Discount Equipment

www.discount-equipment.com

561-964-4949

Sales: info@Discount-Equipment.com

Parts: wbparts@Discount-Equipment.com