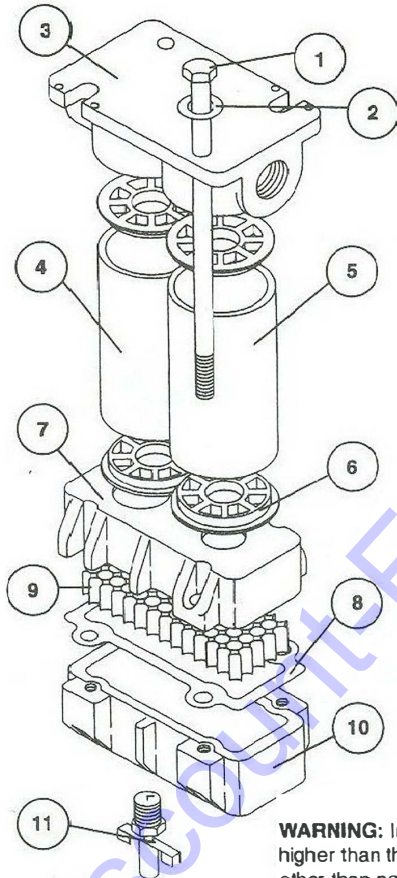


Extractor/Dryer[®]

80 SCFM SERIES



NO.	PART NO.	DESCRIPTION
1.	11037	BOLT (4)
2.	11021	WASHER (4)
3.	11001B F23	MANIFOLD 1/2" NPT
	11101B F23	MANIFOLD 3/4" NPT
** 4.	411 (Alum)	FIRST STAGE CARTRIDGE
** 5.	412 (Alum)	SECOND STAGE CARTRIDGE
6.	11010	CAP GASKET
7.	11003A F23	CHAMBER
** 8.	11028	GASKET
** 9.	11027	BASE CORE
10.	11002A F23	BASE
11.	10535	WEEP DRAIN

SPECIFICATIONS

FILTRATION	5 MICRON
AIR FLOW	80 SCFM
MAXIMUM PRESSURE	250 PSIG
DEW POINT	10 TO 35 F @ ATMOSPHERIC PRESSURE
PORT SIZE	1/2" 3/4"
	MODEL 110 MODEL 111
HEIGHT	11.62"
WIDTH	5.85"
DEPTH	3.20"
BOLT TORQUE	100 INCH POUNDS
**Service Kit	080SKA

PATENT NO. RE. 32, 989

WARNING: Injury can occur if the Extractor Dryer is used at pressures higher than the maximum pressure, and with any compressed gases other than normal compressed air for power tool use only.

LA-MAN[®]

**Discount
Equipment**

www.discount-equipment.com

Discount Equipment

Discount-Equipment.com is your online resource for commercial and industrial quality parts and equipment sales.

Locations:

Florida (West Palm Beach): [561-964-4949](tel:561-964-4949)

Outside Florida TOLL FREE: [877-690-3101](tel:877-690-3101)

Need parts? Check out our website at www.discount-equipment.com

Can't find what you need?

Click on this link: <http://www.discount-equipment.com/category/5443-parts/> and fill out the request form.

Please have the machine model and serial number available in order to help us get you the correct parts. One of our experienced staff members will get back to you with a quote for the right part that your machine needs.

We sell worldwide for the brands: Genie, Terex, JLG, MultiQuip, Mayco, Toro/Stone, Diamond Products, Magnum, Airman, Mustang, Power Blanket, Nifty Lift, Atlas Copco, Chicago Pneumatic, Allmand Brothers, Essick, Miller Spreader, Skyjack, Lull, Skytrak, Tsurumi, Husquvarna/Target, Whiteman-Concrete/Mortar, Stow-Concrete/Mortar, Baldor, Wacker, Sakai, Snorkel, Upright, Mi-T-M, Sullair, Neal, Basic, Dynapac, MBW, Weber, Bartell, Bennar Newman, Haulotte, Ditch Runner, Blaw-Knox, Himoina, Best, Buddy, Crown, Edco, Wyco, Bomag, Laymor, Terremite, Barreto, EZ Trench, Takeuchi, Basic, Bil-Jax, Curtis, Gehl, Heli, Honda, ICS/PowerGrit, Puckett, Waldon, ASV, IHI, Partner, Imer, Clipper, MMD, Koshin, Rice, Gorman Rupp, CH&E, Cat Pumps, Comet, General Pump, Giant, AMida, Coleman, NAC, Gradall, Square Shooter, Kent, Stanley, Tamco, Toku, Hatz, Kohler, Robin, Wisconsin, Northrock, Oztec, Toker TK, Rol-Air, Small Line, Wanco, Yanmar

New Equipment - Used Equipment - Rental Equipment - Parts and Accessories

Discount Equipment

www.discount-equipment.com

561-964-4949

Sales: info@Discount-Equipment.com

Parts: wbparts@Discount-Equipment.com