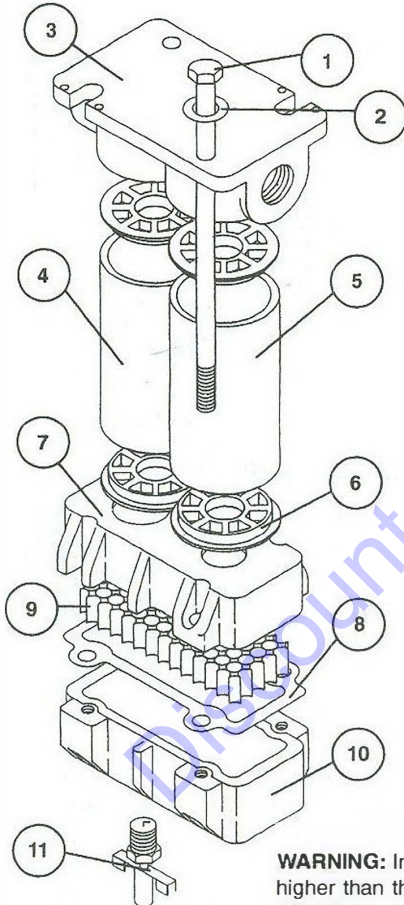


Extractor/Dryer[®]

50 SCFM SERIES



NO.	PART NO.	DESCRIPTION
1.	10537	BOLT (4)
2.	10521	WASHER (4)
3.	10501A F23	MANIFOLD 1/4" NPT
	10601A F23	MANIFOLD 3/8" NPT
	10701A F23	MANIFOLD 1/2" NPT
** 4.	401	FIRST STAGE CARTRIDGE
** 5.	402	SECOND STAGE CARTRIDGE
** 6.	10510	CAP GASKET
7.	10503A F23	CHAMBER
** 8.	10528	GASKET
** 9.	10508	BASE CORE
10.	10502A F23	BASE
11.	10535	WEEP DRAIN

SPECIFICATIONS

FILTRATION	5 MICRON
AIR FLOW	50 SCFM
MAXIMUM PRESSURE	250 PSIG
DEW POINT	10 TO 35° F @ ATMOSPHERIC PRESSURE
PORT SIZE	MODEL 105 1/4" NPT MODEL 106 3/8" NPT MODEL 107 1/2" NPT
HEIGHT	9.00"
WIDTH	4.00"
DEPTH	2.50"
BOLT TORQUE	50 INCH POUNDS
MAXIMUM TEMPERATURE	180° F
**SERVICE KIT	0505KA
PATENT NO.	RE. 32, 989 – 5,261,946

WARNING: Injury can occur if the Extractor Dryer is used at pressures higher than the maximum pressure, and with any compressed gases other than normal compressed air for power tool use only.

LA-MAN[®]

**Discount
Equipment**

www.discount-equipment.com

Discount Equipment

Discount-Equipment.com is your online resource for commercial and industrial quality parts and equipment sales.

Locations:

Florida (West Palm Beach): [561-964-4949](tel:561-964-4949)

Outside Florida TOLL FREE: [877-690-3101](tel:877-690-3101)

Need parts? Check out our website at www.discount-equipment.com

Can't find what you need?

Click on this link: <http://www.discount-equipment.com/category/5443-parts/> and fill out the request form.

Please have the machine model and serial number available in order to help us get you the correct parts. One of our experienced staff members will get back to you with a quote for the right part that your machine needs.

We sell worldwide for the brands: Genie, Terex, JLG, MultiQuip, Mayco, Toro/Stone, Diamond Products, Magnum, Airman, Mustang, Power Blanket, Nifty Lift, Atlas Copco, Chicago Pneumatic, Allmand Brothers, Essick, Miller Spreader, Skyjack, Lull, Skytrak, Tsurumi, Husquvarna/Target, Whiteman-Concrete/Mortar, Stow-Concrete/Mortar, Baldor, Wacker, Sakai, Snorkel, Upright, Mi-T-M, Sullair, Neal, Basic, Dynapac, MBW, Weber, Bartell, Bennar Newman, Haulotte, Ditch Runner, Blaw-Knox, Himoina, Best, Buddy, Crown, Edco, Wyco, Bomag, Laymor, Terremite, Barreto, EZ Trench, Takeuchi, Basic, Bil-Jax, Curtis, Gehl, Heli, Honda, ICS/PowerGrit, Puckett, Waldon, ASV, IHI, Partner, Imer, Clipper, MMD, Koshin, Rice, Gorman Rupp, CH&E, Cat Pumps, Comet, General Pump, Giant, AMida, Coleman, NAC, Gradall, Square Shooter, Kent, Stanley, Tamco, Toku, Hatz, Kohler, Robin, Wisconsin, Northrock, Oztec, Toker TK, Rol-Air, Small Line, Wanco, Yanmar

New Equipment - Used Equipment - Rental Equipment - Parts and Accessories

Discount Equipment

www.discount-equipment.com

561-964-4949

Sales: info@Discount-Equipment.com

Parts: wbparts@Discount-Equipment.com