



**BC446**  
**WALK-BEHIND TROWEL**

**PARTS BOOK**



[www.Discount-Equipment.com](http://www.Discount-Equipment.com)

Doc. # PB-  
B19006 Orig.  
Rel. - 08/2016  
Curr Rev. - 03

# PARTS FINDER

**Search Website  
by Part Number**



**Search Manual  
Library For Parts  
Manual & Lookup Part  
Numbers – Purchase  
or Request Quote**

**Search Manuals**

Enter your information to search for a manual or a part number. You can also search for a part number.

\* Brand:

\* Model:

\* Serial:

\* Part Number:

\* Class:

SEARCH

**Can't Find Part or  
Manual? Request Help  
by Manufacturer,  
Model & Description**

**Parts Order Form**

Please fill in the following information to request help finding a part or manual.

Manufacturer:

Model:

Serial:

Part Number:

Class:

SEARCH

Discount-Equipment.com is your online resource for quality parts & equipment.

Florida: **561-964-4949** Outside Florida TOLL FREE: **877-690-3101**

**Need parts?**

Click on this link: <http://www.discount-equipment.com/category/5443-parts/> and choose one of the options to help get the right parts and equipment you are looking for. Please have the machine model and serial number available in order to help us get you the correct parts. If you don't find the part on the website or on one of the online manuals, please fill out the request form and one of our experienced staff members will get back to you with a quote for the right part that your machine needs.

We sell worldwide for the brands: Genie, Terex, JLG, MultiQuip, Mikasa, Essick, Whiteman, Mayco, Toro Stone, Diamond Products, Generac Magnum, Airman, Haulotte, Barreto, Power Blanket, Nifty Lift, Atlas Copco, Chicago Pneumatic, Allmand, Miller Curber, Skyjack, Lull, Skytrak, Tsurumi, Husquvarna Target, Stow, Wacker, Sakai, Mi-T-M, Sullair, Basic, Dynapac, MBW, Weber, Bartell, Bennar Newman, Haulotte, Ditch Runner, Menegotti, Morrison, Contec, Buddy, Crown, Edco, Wyco, Bomag, Laymor, EZ Trench, Bil-Jax, F.S. Curtis, Gehl Pavers, Heli, Honda, ICS/PowerGrit, IHI, Partner, Imer, Clipper, MMD, Koshin, Rice, CH&E, General Equipment, Amida, Coleman, NAC, Gradall, Square Shooter, Kent, Stanley, Tamco, Toku, Hatz, Kohler, Robin, Wisconsin, Northrock, Oztec, Toker TK, Rol-Air, APT, Wylie, Ingersoll Rand / Doosan, Innovatech, Con X, Ammann, Mecalac, Makinex, Smith Surface Prep, Small Line, Wanco, Yanmar

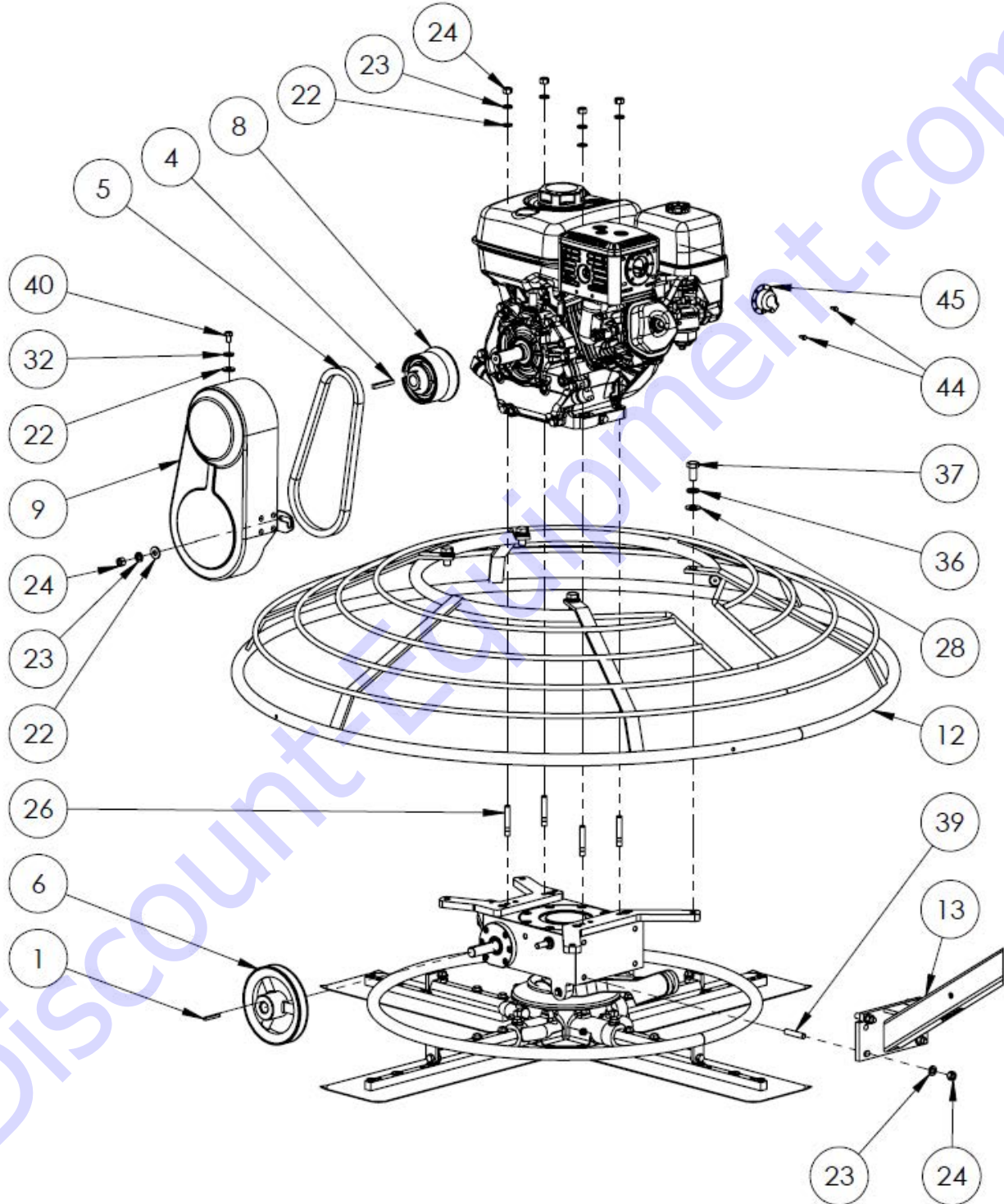
REV.	DATE	DESCRIPTION	APPROVED BY:
1	02/27/17	Update part numbers	A.L.
2	05/08/17	Added folding handle and Easy Pitch parts list and diagram, rearranged the order of parts list, added 20288 – pulley assembly to handle parts lists. Clutch assembly added. Address update, changed handle asm p/n	AN
3	11/08/17	Updated item12s P/N in parts list 1 from 21772 to 21832	AN

## TABLE OF CONTENTS

<b>PARTS LIST 1 – WALK-BEHIND TROWELS</b>	<b>1</b>
GENERAL ASSEMBLY DIAGRAM: BC446	1
GENERAL ASSEMBLY: BC446 - PARTS LIST 1	2
<b>PARTS LIST 2 – WALK-BEHIND TROWELS</b>	<b>3</b>
BASE UNIT ASSEMBLY DIAGRAM: BC446	3
BASE UNIT ASSEMBLY: BC446 - PARTS LIST 2	4
<b>PARTS LIST 3 – WALK-BEHIND TROWELS</b>	<b>5</b>
GEARBOX ASSEMBLY DIAGRAM: 21835	5
GEARBOX ASSEMBLY: 21835 - PARTS LIST 3	6
<b>PARTS LIST 4– WALK-BEHIND TROWELS</b>	<b>7</b>
BC446 CLUTCH ASSEMBLY DIAGRAM: 21823	7
BC446 CLUTCH ASSEMBLY: 21823 (1" SHAFT) – PARTS LIST 4	Error! Bookmark not defined.
<b>PARTS LIST 5 – WALK-BEHIND TROWELS</b>	<b>8</b>
SPIDER PLATE ASSEMBLY DIAGRAM: 21834	8
SPIDER PLATE ASSEMBLY: 21834 – PARTS LIST 5	8
<b>PARTS LIST 6 – WALK-BEHIND TROWELS</b>	<b>9</b>
PRESSURE PLATE ASSEMBLY DIAGRAM:	9
PRESSURE PLATE ASSEMBLY: PARTS LIST 6	9
<b>PARTS LIST 7: WALK-BEHIND TROWELS</b>	<b>11</b>
HANDLE ASSEMBLY DIAGRAM: 20231 FINE PITCH	11
HANDLE ASSEMBLY: 20231 – PARTS LIST 7	12
<b>PARTS LIST 8: WALK-BEHIND TROWELS</b>	<b>13</b>
HANDLE ASSEMBLY DIAGRAM: 20231E	13
HANDLE ASSEMBLY: 20231E - PARTS LIST 8	14
<b>PARTS LIST 9 – WALK-BEHIND TROWELS</b>	<b>15</b>
BLADE KIT ASSEMBLY DIAGRAM	15
BC446 BLADES – PARTS LIST 9	15
<b>PARTS LIST 10: WALK-BEHIND TROWELS</b>	<b>16</b>
EASY PITCH ASSEMBLY DIAGRAM: 20259	16
EASY PITCH: 20259 - PARTS LIST 10	16
<b>PARTS LIST 11 – WALK-BEHIND TROWELS</b>	<b>17</b>
HAND KNOB ASSEMBLY DIAGRAM: 21714	17
HAND KNOB ASSEMBLY: 21714 – PARTS LIST 11	17

## PARTS LIST 1 – WALK-BEHIND TROWELS

### GENERAL ASSEMBLY DIAGRAM: BC446



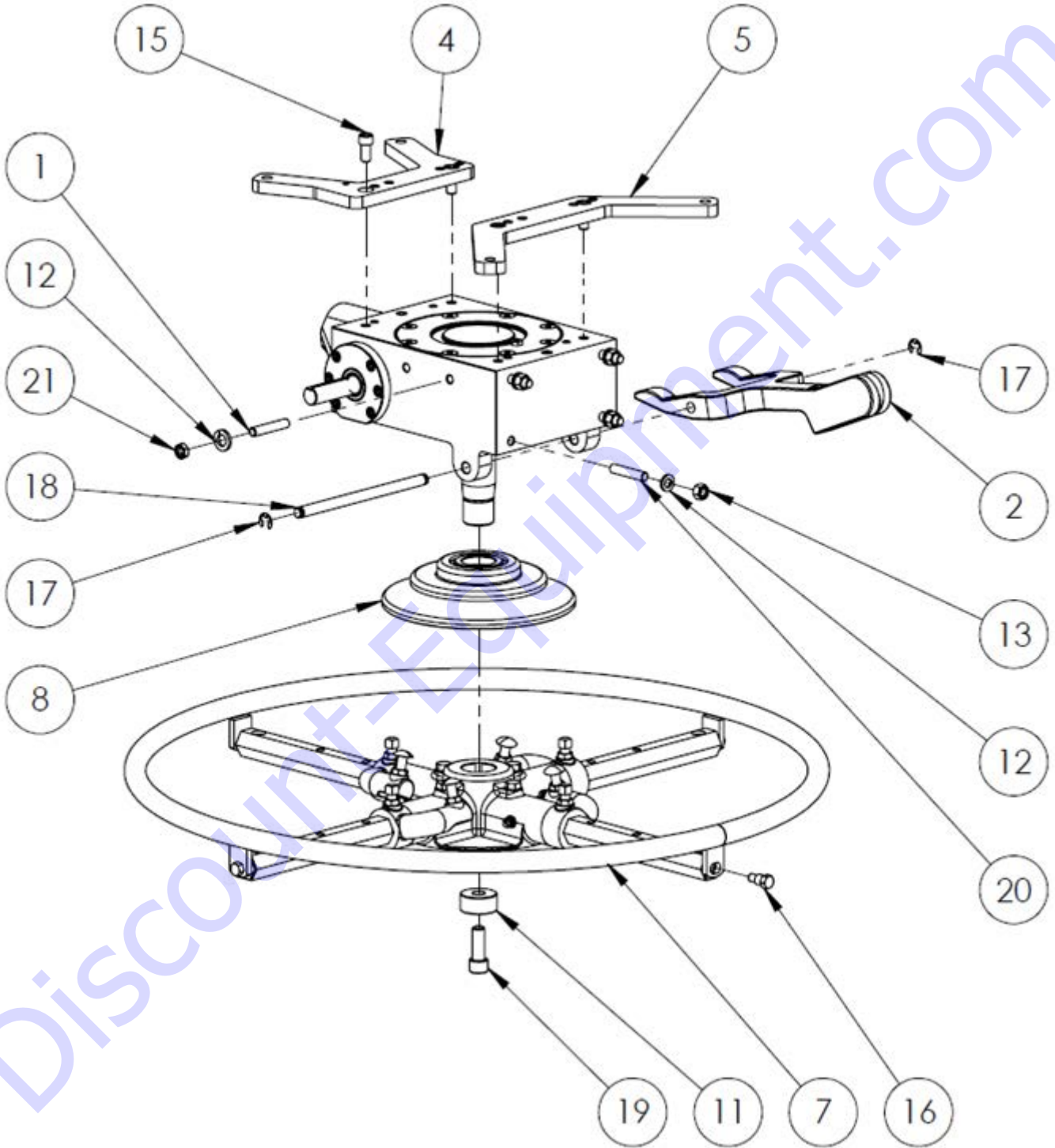
**GENERAL ASSEMBLY: BC446 - PARTS LIST 1**

Item #	Part #	Description	QTY	Remarks
1	10208	KEY, 3/16" SQ. X 1 1/2" LG	1	7/20/2014
4	10608	KEY, 1/4" SQ. X 1-5/32" LG	1	7/20/2014
5	11217 11178	BELT, B30 (GX270) BELT, B29 (GX340, GX390)	1	7/20/2014
6	14285	SHEAVE, MB58 X 3/4	1	7/20/2014
8	21823	CLUTCH, 1" BORE	1	7/20/2014
9	21067-1	BELT GUARD, LG	1	7/20/2014
12	21772 20448	GUARD RING, BLUE GUARD RING, CHROME	1	7/20/2014
13	20231C 20231E	HANDLE ASSEMBLY HANDLE ASSEMBLY, EUROPEAN	1	7/20/2014
22	41516	WASHER, FLAT, M10	5	7/20/2014
23	11621	WASHER, LOCK, SPLIT, M10	5	7/20/2014
24	11622	HEX NUT, M10	9	7/20/2014
26	14227	STUD, M10-1.5 X 40MM	4	7/20/2014
28	14267	WASHER, FLAT, M12	4	7/20/2014
32	11621	WASHER, LOCK, SPLIT, M10	1	7/20/2014
36	10735	WASHER, LOCK, M12	4	7/20/2014
37	11900	HHCS, M12-1.75 X 25MM LG	4	7/20/2014
39	21743	STUD, M10-1.5 X 40MM	4	7/20/2014
40	31008	HHCS, M10-1.5 X 20MM LG	1	7/20/2014
44	11112	SCREW, MUFFLER CAP	1	7/20/2014
45	11115	MUFFLER CAP	2	7/20/2014
46	20171	HOIST HOOK (OPTION) (NOT SHOWN)	1	7/20/2014
47	30041	FHSCS, 5/16"-24 X 3/4" (WITH HOIST HOOK)	4	7/20/2014



**PARTS LIST 2 – WALK-BEHIND TROWELS**

**BASE UNIT ASSEMBLY DIAGRAM: BC446**



**BASE UNIT ASSEMBLY: BC446 - PARTS LIST 2**

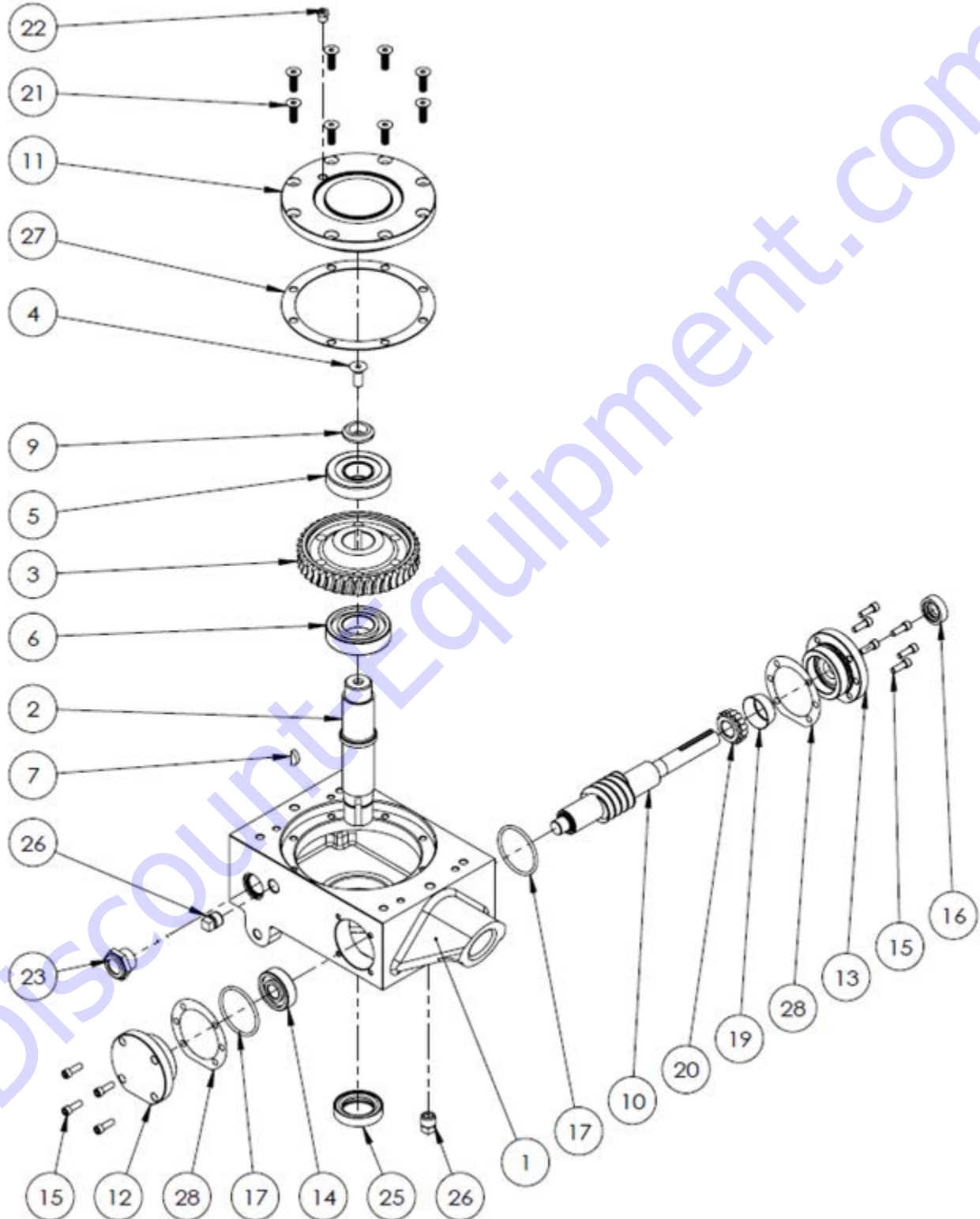
Item #	Part #	Description	QTY	Remarks
1	21743	STUD, M10-1.5 X 40MM LG	1	7/20/2014
2	21836	YOKE ARM	1	7/20/2014
4	15346-1	MOUNTING RAIL, FRONT	1	7/20/2014
5	15347-1	MOUNTING RAIL, REAR	1	7/20/2014
7	21772	STABILIZER RING, BLUE	1	7/20/2014
8	-	PRESSURE PLATE ASSY (SEE PARTS LIST 5)	1	7/20/2014
11	10804	RETAINER	1	7/20/2014
12	11621	WASHER, LOCK, M10	5	7/20/2014
13	11622	HEX NUT, M10-1.5	4	7/20/2014
15	10072	SHCS, M10-1.5 X 20MM LG	4	7/20/2014
16	51010	SHCS, M8-1.25 x 12MM LG	4	7/20/2014
17	10913	RETAINING RING	2	7/20/2014
18	10914	YOKE PIN	1	7/20/2014
19	11903	SHCS, M12-1.75 X 30MM LG	1	7/20/2014
20	21743	STUD, M10-1.5 X 40MM LG	4	7/20/2014
21	11622	HEX NUT, M10-1.5	1	7/20/2014

Discount-Equipment.com



## PARTS LIST 3 – WALK-BEHIND TROWELS

### GEARBOX ASSEMBLY DIAGRAM: 21835

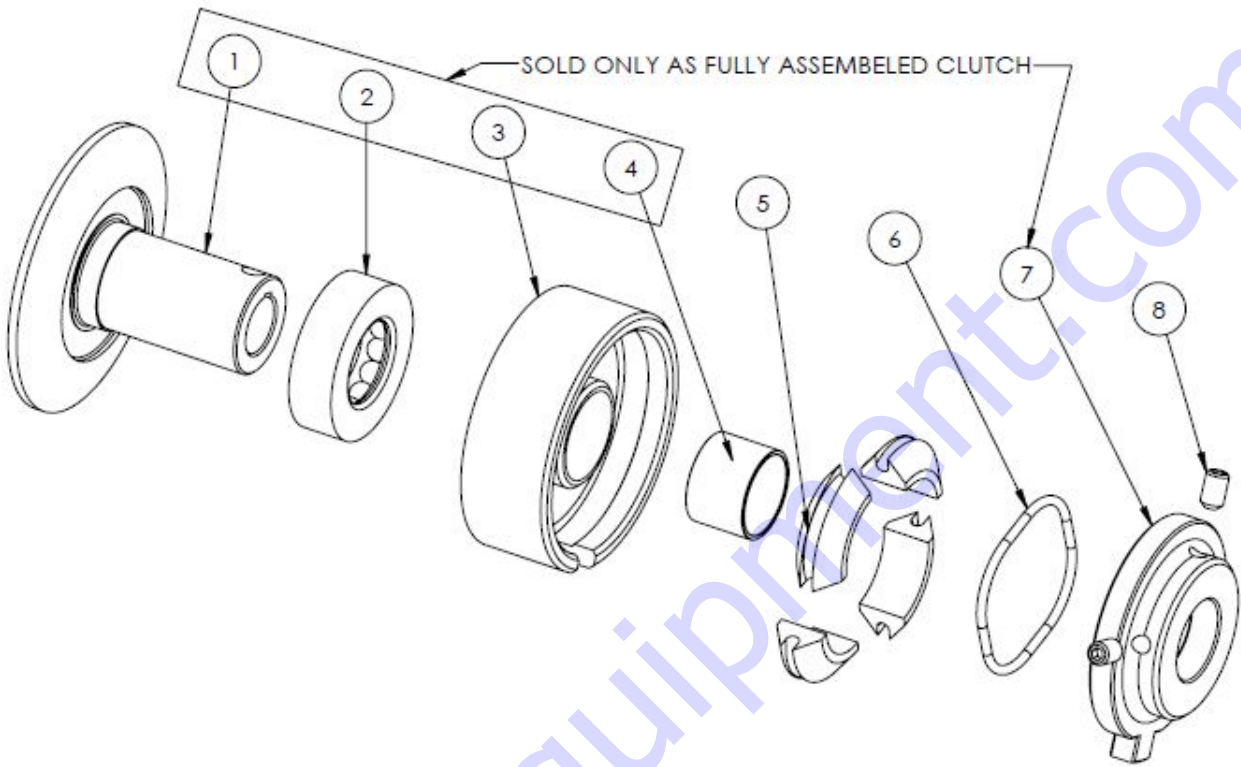


**GEARBOX ASSEMBLY: 21835 - PARTS LIST 3**

Item #	Part #	Description	QTY	Remarks
1	21839	GEARBOX HOUSING	1	7/20/2014
2	21738	MAIN SHAFT	1	7/20/2014
3	21737	MAIN GEAR	1	7/20/2014
4	21846	FLAT HEAD SCREW, MAINSHAFT	1	7/20/2014
5	21755	BEARING, TAPER	1	7/20/2014
6	21760	BEARING	1	7/20/2014
7	21759	WOODRUFF KEY	1	7/20/2014
9	21734	PRESSURE WASHER	1	7/20/2014
10	21740	COUNTERSHAFT	1	7/20/2014
11	21733	GEARBOX COVER	1	7/20/2014
12	21741	LARGE END CAP	1	7/20/2014
13	21739	LARGE FLANGE	1	7/20/2014
14	21753	BEARING	1	7/20/2014
15	31135	SHCS, M6-1.0 X 16MM LG	10	7/20/2014
16	21749	OIL SEAL	1	7/20/2014
17	21756	O RING	2	7/20/2014
19	21754	BEARING CUP	1	7/20/2014
20		BEARING CONE	1	7/20/2014
21	31106	SHCS, M8-1.25 X 20MM LG	8	7/20/2014
22	21736	RELIEF VALVE	1	7/20/2014
23	10930	SIGHT GLASS	1	7/20/2014
25	21757	OIL SEAL	1	7/20/2014
26	21747	DRAIN PLUG	2	7/20/2014
27	21842-1	GASKET, COVER, 0.1MM	A/R	7/20/2014
	21842-2	GASKET, COVER, 0.2MM		
28	21843-1	GASKET, FLANGE, 0.1MM	A/R	7/20/2014
	21843-2	GASKET, FLANGE, 0.2MM		

**PARTS LIST 4– WALK-BEHIND TROWELS**

**BC446 CLUTCH ASSEMBLY DIAGRAM: 21823**

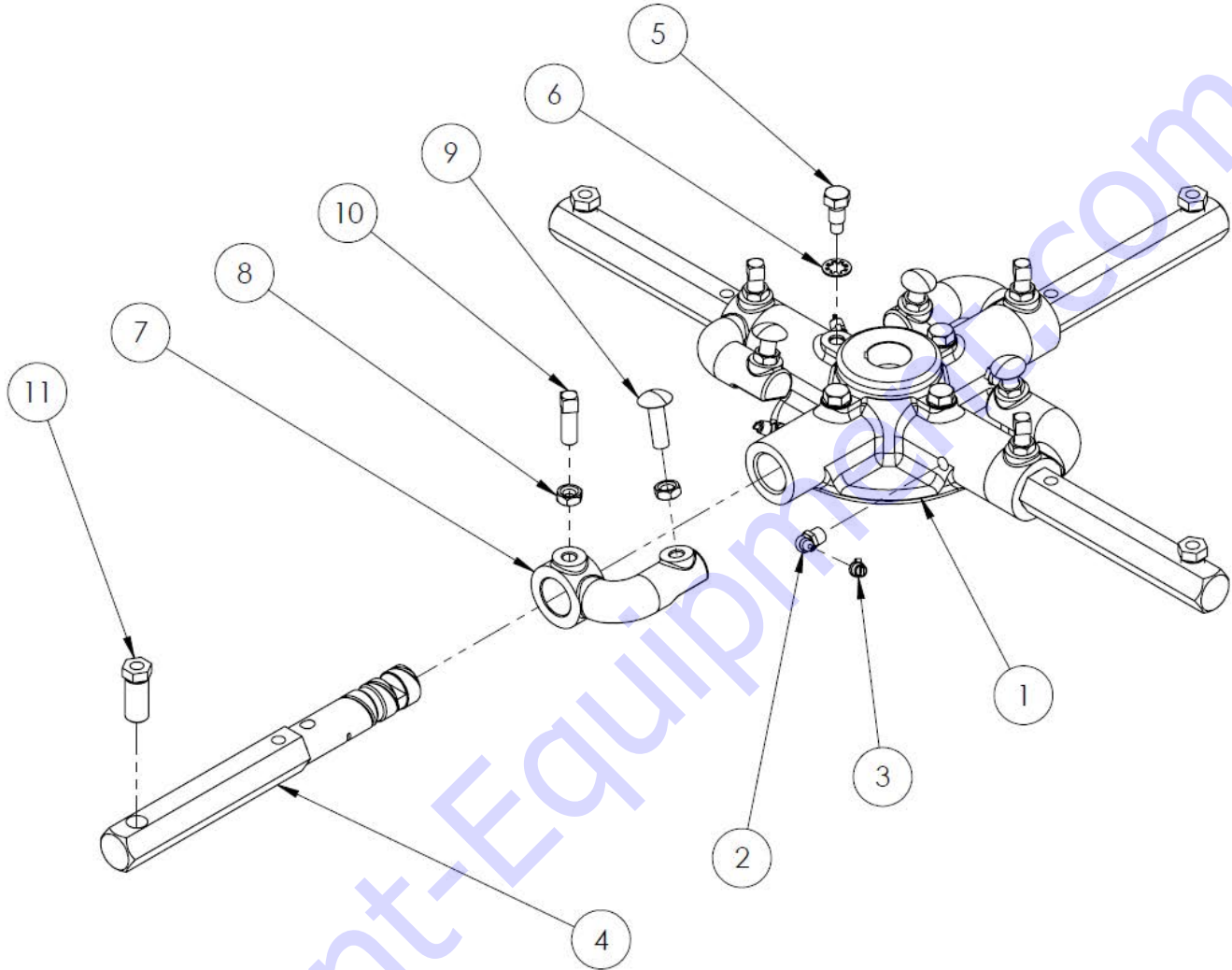


**BC446 CLUTCH ASSEMBLY: 21823 (1" SHAFT) – PARTS LIST 4**

Item #	Part #	Description	QTY	Remarks
1	21825	SPINDLE (PART OF ASSEMBLY 21823)	1	8/21/2007
2	21826	BEARING (PART OF ASSEMBLY 21823)	1	8/21/2007
3	21827	DRUM W/BUSHING (PART OF ASSEMBLY 21823)	1	8/21/2007
4		BUSHING (PART OF ASSEMBLY 21823)	1	8/21/2007
5	21828	WEIGHT (SHOE)	4	8/21/2007
6	21829	SPRING	1	8/21/2007
7	21830	FACE PLATE (PART OF ASSEMBLY 21823)	1	8/21/2007
8	21831	SET SCREW	2	8/21/2007

**PARTS LIST 5 – WALK-BEHIND TROWELS**

**SPIDER PLATE ASSEMBLY DIAGRAM: 21834**



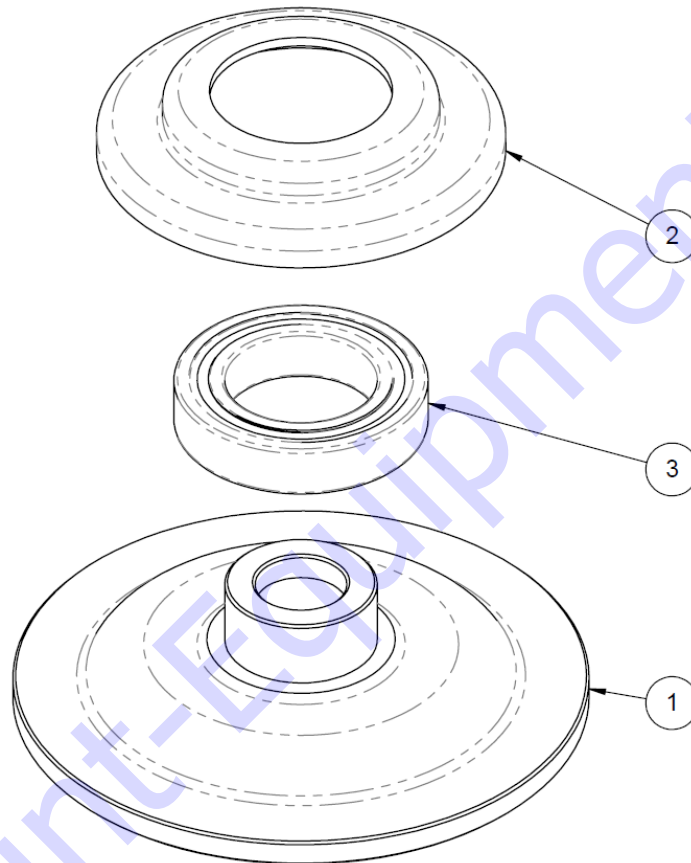
**SPIDER PLATE ASSEMBLY: 21834 – PARTS LIST 5**

Item #	Part #	Description	QTY	Remarks
1	21762	SPIDER PLATE	1	7/20/2014
2	21769	GREASE FITTING	4	7/20/2014
3	10822	CAP PLUG	4	7/20/2014
4	21833	TROWEL ARM	4	7/20/2014
5	21766	HHCS, M10-1.25 X 20MM LG, DOG POINT	4	7/20/2014
6	10805	LOCKWASHER, INT.	4	7/20/2014
7	21763	LIFT LEVER	4	7/20/2014
8	21764	HEX JAM NUT, M10-1.5	8	7/20/2014
9	21767	CARRIAGE BOLT, M10-1.5 X 35MM LG	4	7/20/2014
10	21765	SHSS, CONE POINT, M10-1.5 X 30MM LG.	4	7/20/2014

11	21811	ADJUSTING SCREW	4	7/20/2014
----	-------	-----------------	---	-----------

**PARTS LIST 6 – WALK-BEHIND TROWELS**

**PRESSURE PLATE ASSEMBLY DIAGRAM:**



**PRESSURE PLATE ASSEMBLY: PARTS LIST 6**

Item #	Part #	Description	QTY	Remarks
1	21771	PRESSURE PLATE	1	7/20/2014
2	21776	THRUST BEARING	1	7/20/2014
3	21770	PRESSURE PLATE CAP	1	7/20/2014

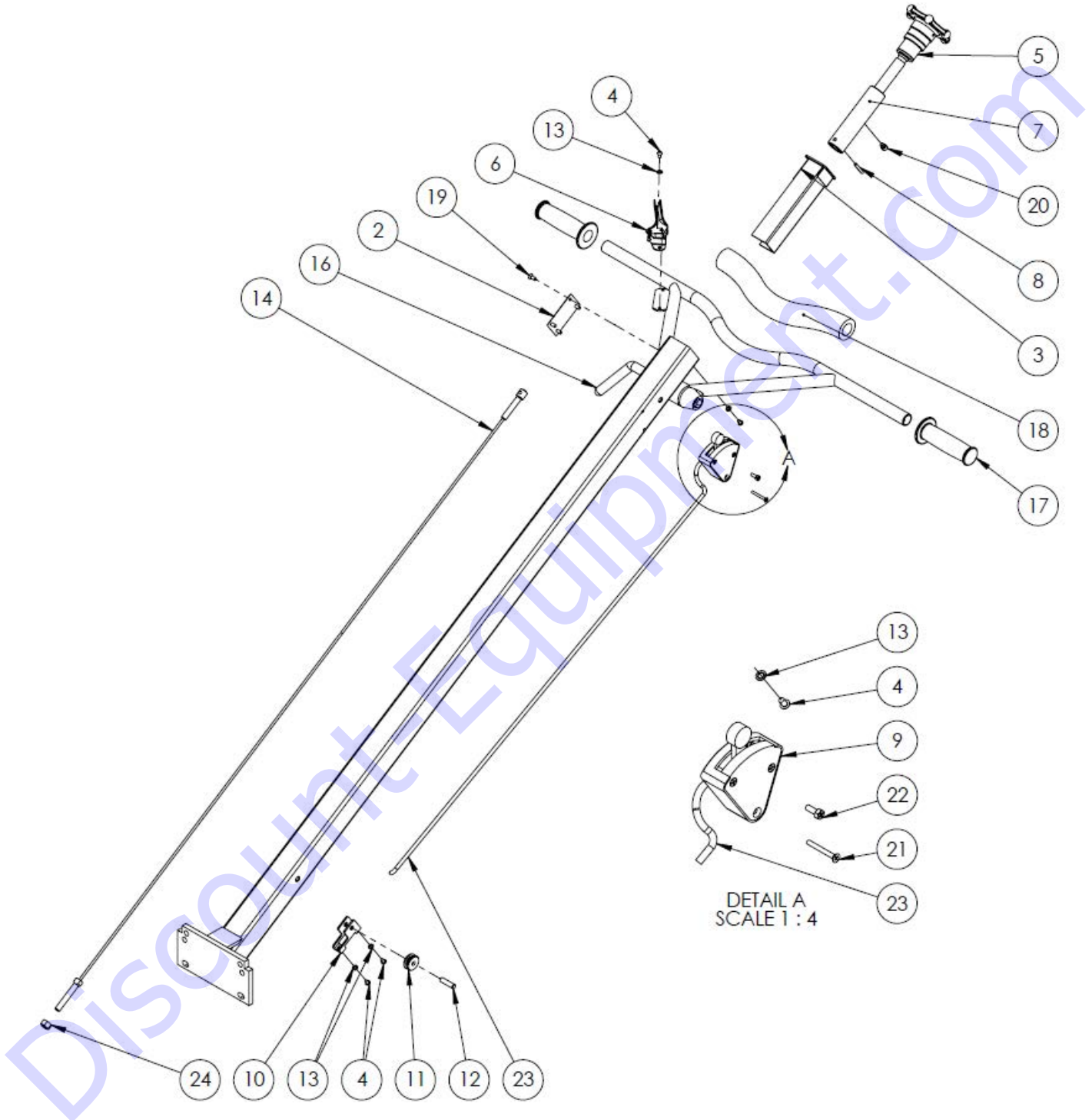
**This Page Intentionally Left Blank**

Discount-Equipment.com



## PARTS LIST 7: WALK-BEHIND TROWELS

### HANDLE ASSEMBLY DIAGRAM: 20231C FINE PITCH

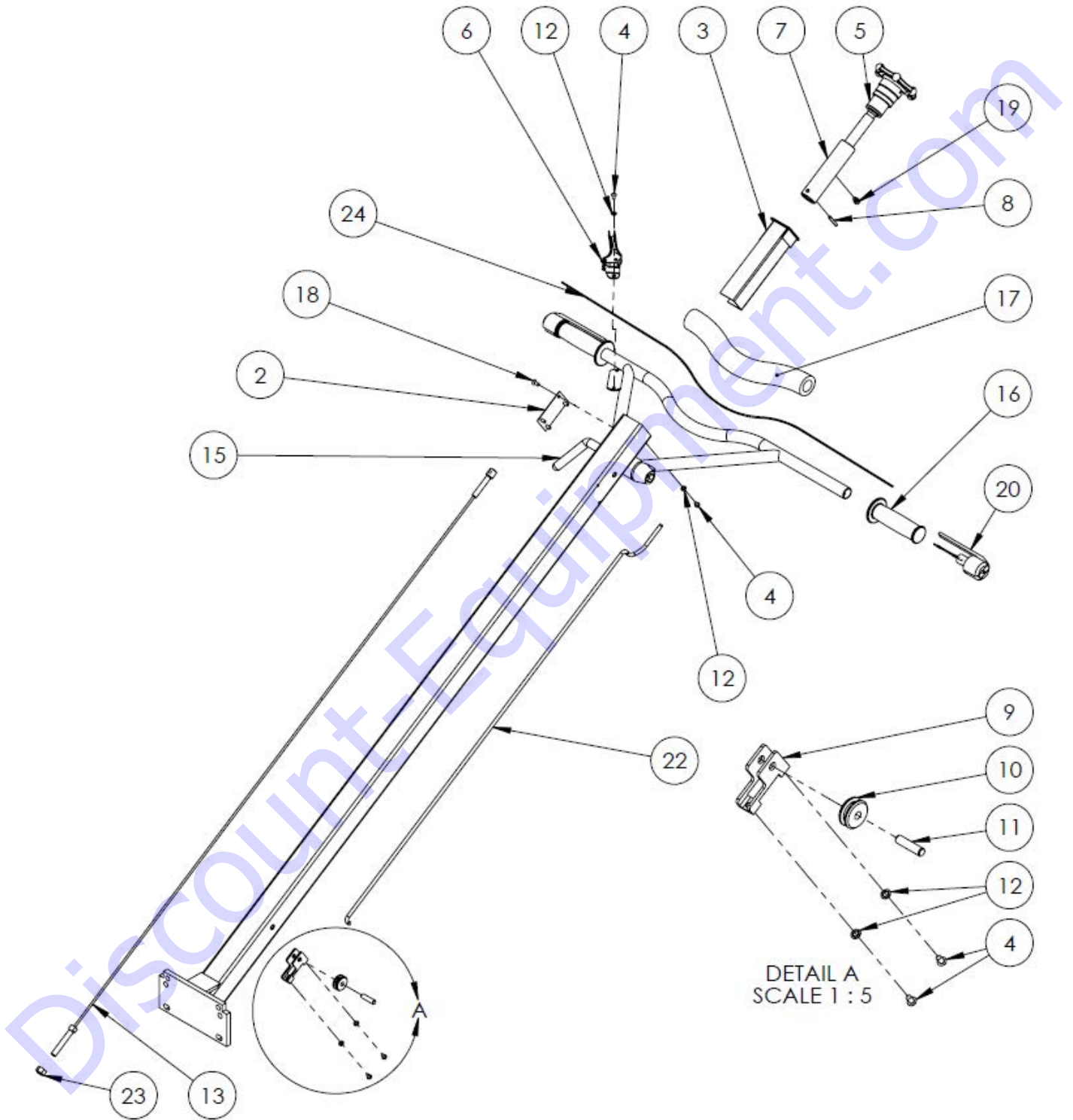


**HANDLE ASSEMBLY: 20231C – PARTS LIST 7**

Item #	Part #	Description	QTY	Remarks
2	20113	SIDE COVER	1	10/01/2014
3	20112	PITCH INSERT	1	10/01/2014
4	21726	PHMS, M6-1.0 X 12MM LG	3	10/01/2014
5	21714	HAND KNOB ASSEMBLY	1	10/01/2014
6	10895	THROTTLE LEVER ASSEMBLY, W/ CABLE	1	10/01/2014
7	21722	THREADED SLIDE BUSHING	1	10/01/2014
8	21724	PIN, M5 X 35MM LG	1	10/01/2014
9	21847	SAFETY SWITCH	1	10/01/2014
13	10703	LOCK WASHER, INTERNAL TOOTH	3	10/01/2014
14	20332	PITCH CONTROL CABLE, 1385MM, M10-1.5	1	10/01/2014
16	20159	HANDLE LOCKING MECHANISM	1	10/01/2014
17	21717	HANDLE GRIP	2	10/01/2014
18	21721	CROSSBAR PAD	1	10/01/2014
19	21218	FHSCS, M5-0.8 X 8MM LG	4	10/01/2014
20	21725	SHCS, M6-1.0 X 6MM LG	1	10/01/2014
21	11856	FHMS M4 X 0.7 X 35MM LG	1	10/01/2014
22	10711	HHCS M5-0.8 X 12MM LG	1	10/01/2014
23	20703	75" WIRE ASSEMBLY	1	10/01/2014
24	11802	LOCKNUT, M10-1.5	1	10/01/2014
	<b>20288</b>	<b>PULLEY ASSEMBLY *INCLUDES PARTS BELOW*</b>	1	5/16/2017
4	21726	PHMS, M6-1.0 X 12MM LG	2	10/01/2014
10	20116	PULLEY SUPPORT	1	10/01/2014
11	21705	PULLEY	1	10/01/2014
12	21706	AXLE, PULLEY	1	10/01/2014
13	10703	LOCK WASHER, INTERNAL TOOTH	2	10/01/2014

## PARTS LIST 8: WALK-BEHIND TROWELS

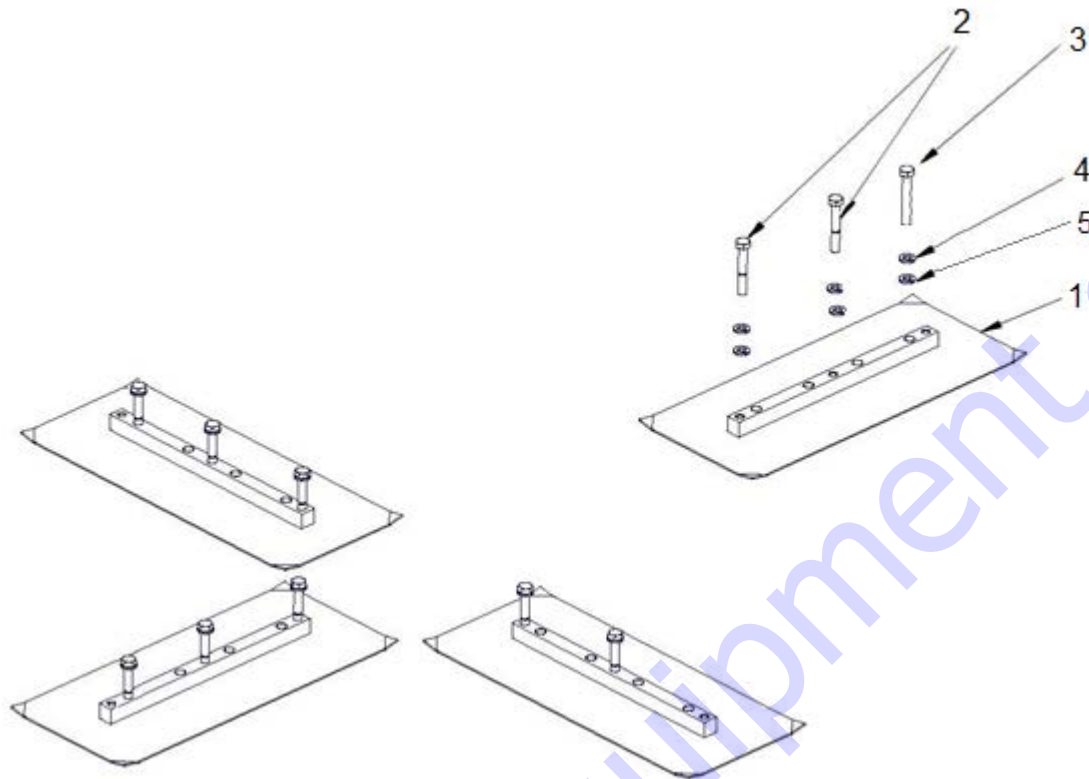
### HANDLE ASSEMBLY DIAGRAM: 20231E



**HANDLE ASSEMBLY: 20231E - PARTS LIST 8**

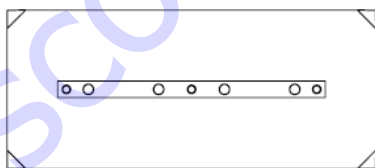
Item #	Part #	Description	QTY	Remarks
2	20113	SIDE COVER	1	10/01/2014
3	20112	PITCH INSERT	1	10/01/2014
4	21726	PHMS, M6-1.0 X 8MM LG	3	10/01/2014
5	21714	HAND KNOB ASSEMBLY	1	10/01/2014
6	10895	THROTTLE LEVER ASSEMBLY, W/ CABLE	1	10/01/2014
7	21722	THREADED SLIDE BUSHING	1	10/01/2014
8	21724	PIN, M5 X 35MM LG	1	10/01/2014
12	10521	LOCK WASHER, M6	3	10/01/2014
13	20332	PITCH CONTROL CABLE, 1385MM, M10-1.5	1	10/01/2014
15	20159	HANDLE LOCKING MECHANISM	1	10/01/2014
16	21717	HANDLE GRIP	2	10/01/2014
17	21721	CROSSBAR PAD	1	10/01/2014
18	21218	FHSCS, M5-0.8 X 8MM LG	4	10/01/2014
19	21725	SHCS, M6-1.0 X 6MM LG	1	10/01/2014
20	11852	SAFETY LEVER	2	10/01/2014
22	20509-2	EURO WIRE ASSEMBLY	1	10/01/2014
23	11802	LOCKNUT, M10-1.5	1	10/01/2014
24	20515-1	27" WIRE ASSEMBLY	1	10/01/2014
	<b>20288</b>	<b>PULLEY ASSEMBLY *INCLUDES PARTS BELOW*</b>	1	5/16/2017
4	21726	PHMS, M6-1.0 X 8MM LG	2	10/01/2014
9	20116	PULLEY SUPPORT	1	10/01/2014
10	21705	PULLEY	1	10/01/2014
11	21706	AXLE, PULLEY	1	10/01/2014
12	10521	LOCK WASHER, M6	2	10/01/2014

**PARTS LIST 9 – WALK-BEHIND TROWELS**  
**BLADE KIT ASSEMBLY DIAGRAM**

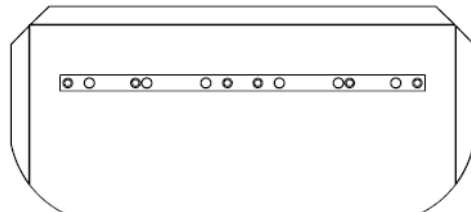


**BC446 BLADES – PARTS LIST 9**

Item #	Part #	Description	QTY	Remarks
1	-	TROWEL BLADE	4	10/01/2014
2	10784	HEX HD. CAP SCREW, M8-1.25 X 45MM	8	10/01/2014
3	11745	HEX HD. CAP SCREW, M8-1.25 X 55MM	4	10/01/2014
4	11614	LOCK WASHER, M8	12	10/01/2014
5	11538	2.5MM SPACER	12	10/01/2014



**STANDARD FINISHING BLADE**

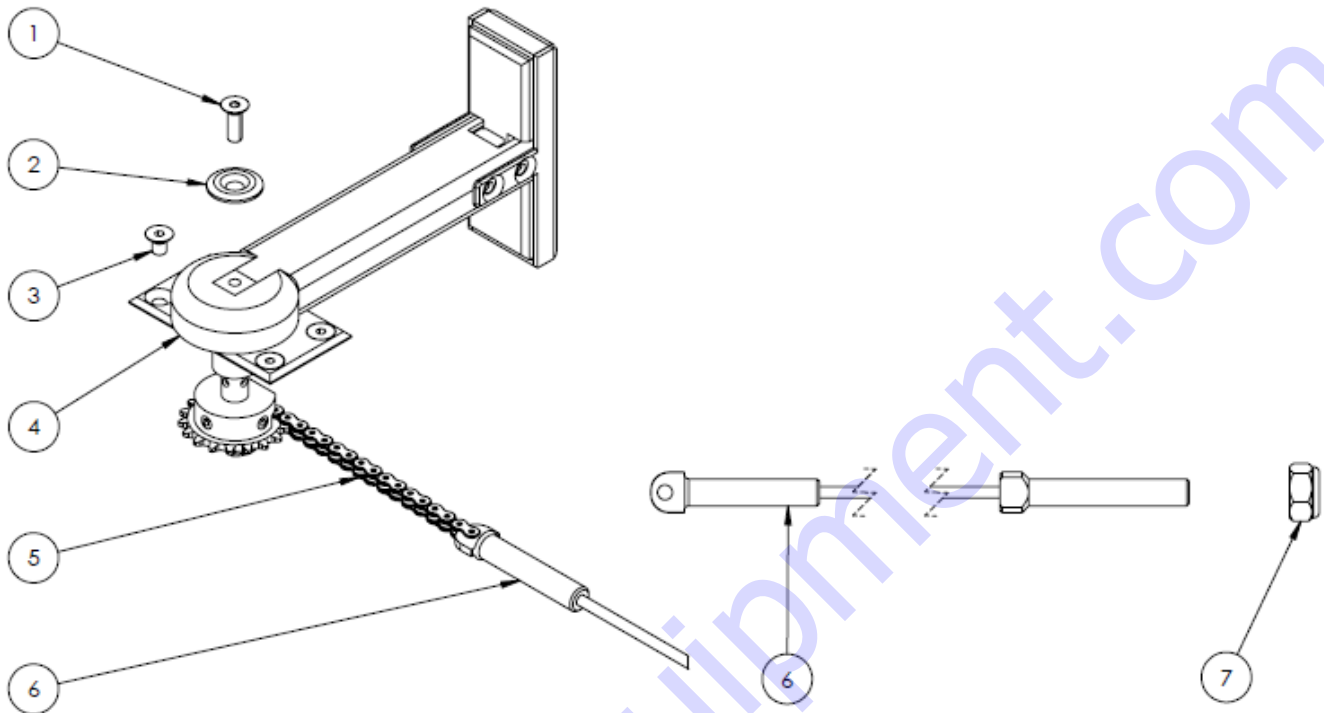


**STANDARD COMBINATION BLADE**

Part #	Dimensions	Part #	Dimensions
20662	6" x 18" (15.2CM x 45.7CM)	20663	8" x 18" (20.3CM x 45.7CM)

**PARTS LIST 10: WALK-BEHIND TROWELS**

**EASY PITCH ASSEMBLY DIAGRAM: 20259**



**EASY PITCH: 20259 - PARTS LIST 10**

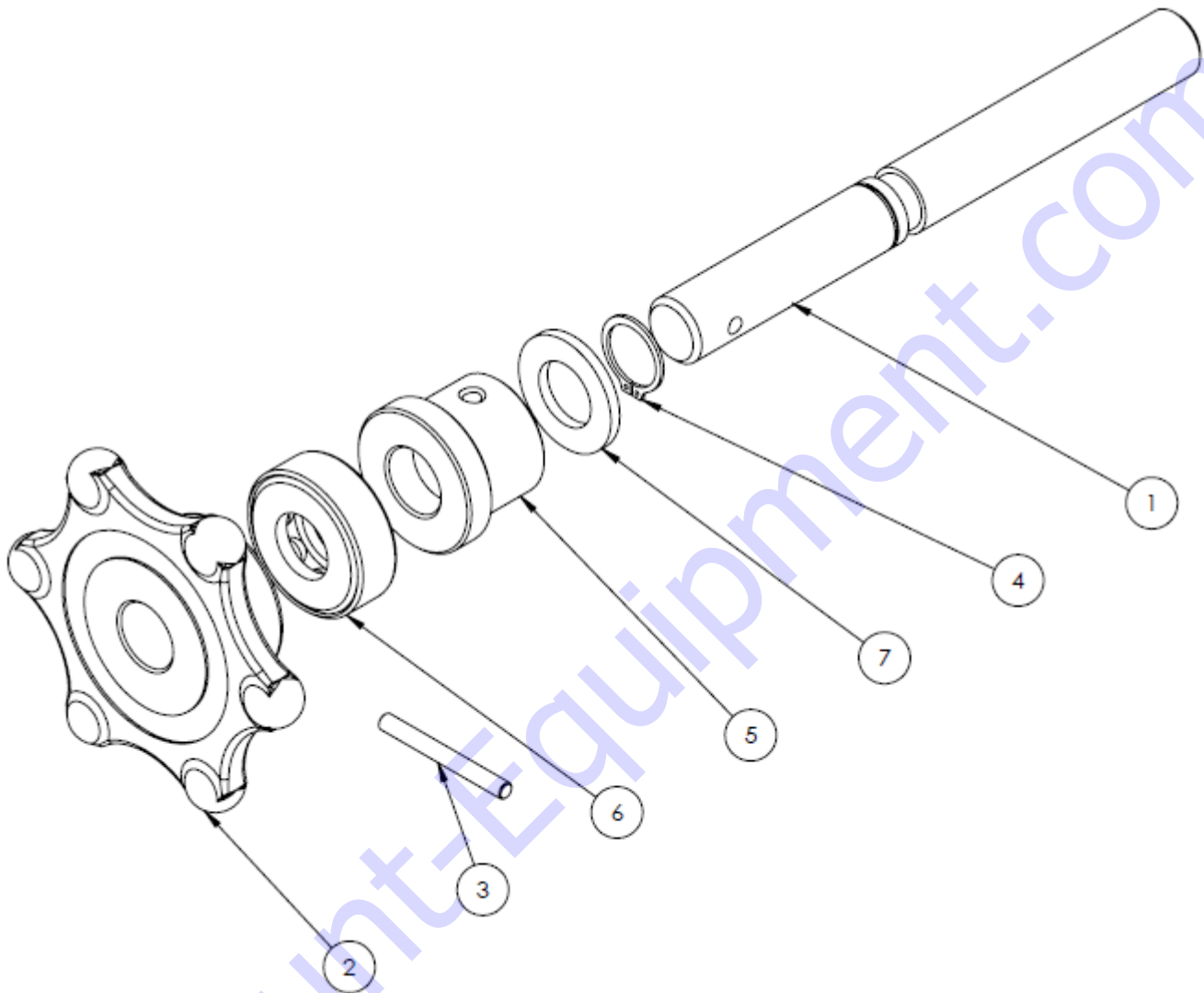
Item #	Part #	Description	QTY	Remarks
1	20226	FHCS, M5-0.8 X 15MM	2	08/04/2007
2	20208	WASHER, M5, 3.5MM THICK	2	
3	20227	FHCS, M5-0.8 X 10 MM	4	08/04/2007
4	20270	HANDLE ASSEMBLY	1	08/04/2007
5	20209	CHAIN ASSEMBLY, #25	1	
6	20334	PITCH CONTROL CABLE	1	
7	11802	LOCK NUT, M10-1.5	1	

**\*SOLD AS ASSEMBLY ONLY\***



**PARTS LIST 11 – WALK-BEHIND TROWELS**

**HAND KNOB ASSEMBLY DIAGRAM: 21714**



**HAND KNOB ASSEMBLY: 21714 – PARTS LIST 11**

Item #	Part #	Description	QTY	Remarks
1	21713	SCREW SHAFT	1	1/21/2015
2	21707	KNOB	1	1/21/2015
3	21708	PIN, M5 X 50MM LG	1	1/21/2015
4	21712	RETAINER	1	1/21/2015
5	21710	BUSHING	1	1/21/2015
6	21709	THRUST BEARING	1	1/21/2015
7	21711	WASHER	1	1/21/2015

