



BC436
WALK-BEHIND TROWEL

PARTS BOOK



www.Discount-Equipment.com

Doc. # PB-
B19005 Orig.
Rel. - 08/2016
Curr Rev. - 06

PARTS FINDER

**Search Website
by Part Number**



**Search Manual
Library For Parts
Manual & Lookup Part
Numbers – Purchase
or Request Quote**

Search Manuals

Enter your information to help us find the right parts manual for your machine.

* Brand:

* Model:

* Serial:

* Part Number:

SEARCH

**Can't Find Part or
Manual? Request Help
by Manufacturer,
Model & Description**

Parts Order Form

Please fill in the following information to help us find the right part for your machine.

Manufacturer:	<input type="text"/>
Model:	<input type="text"/>
Serial:	<input type="text"/>
Description:	<input type="text"/>
Part Number:	<input type="text"/>
Quantity:	<input type="text"/>
Notes:	<input type="text"/>

SEARCH

Discount-Equipment.com is your online resource for quality parts & equipment.

Florida: **561-964-4949** Outside Florida TOLL FREE: **877-690-3101**

Need parts?

Click on this link: <http://www.discount-equipment.com/category/5443-parts/> and choose one of the options to help get the right parts and equipment you are looking for. Please have the machine model and serial number available in order to help us get you the correct parts. If you don't find the part on the website or on one of the online manuals, please fill out the request form and one of our experienced staff members will get back to you with a quote for the right part that your machine needs.

We sell worldwide for the brands: Genie, Terex, JLG, MultiQuip, Mikasa, Essick, Whiteman, Mayco, Toro Stone, Diamond Products, Generac Magnum, Airman, Haulotte, Barreto, Power Blanket, Nifty Lift, Atlas Copco, Chicago Pneumatic, Allmand, Miller Curber, Skyjack, Lull, Skytrak, Tsurumi, Husquvarna Target, Stow, Wacker, Sakai, Mi-T-M, Sullair, Basic, Dynapac, MBW, Weber, Bartell, Bennar Newman, Haulotte, Ditch Runner, Menegotti, Morrison, Contec, Buddy, Crown, Edco, Wyco, Bomag, Laymor, EZ Trench, Bil-Jax, F.S. Curtis, Gehl Pavers, Heli, Honda, ICS/PowerGrit, IHI, Partner, Imer, Clipper, MMD, Koshin, Rice, CH&E, General Equipment, Amida, Coleman, NAC, Gradall, Square Shooter, Kent, Stanley, Tamco, Toku, Hatz, Kohler, Robin, Wisconsin, Northrock, Oztec, Toker TK, Rol-Air, APT, Wylie, Ingersoll Rand / Doosan, Innovatech, Con X, Ammann, Mecalac, Makinex, Smith Surface Prep, Small Line, Wanco, Yanmar

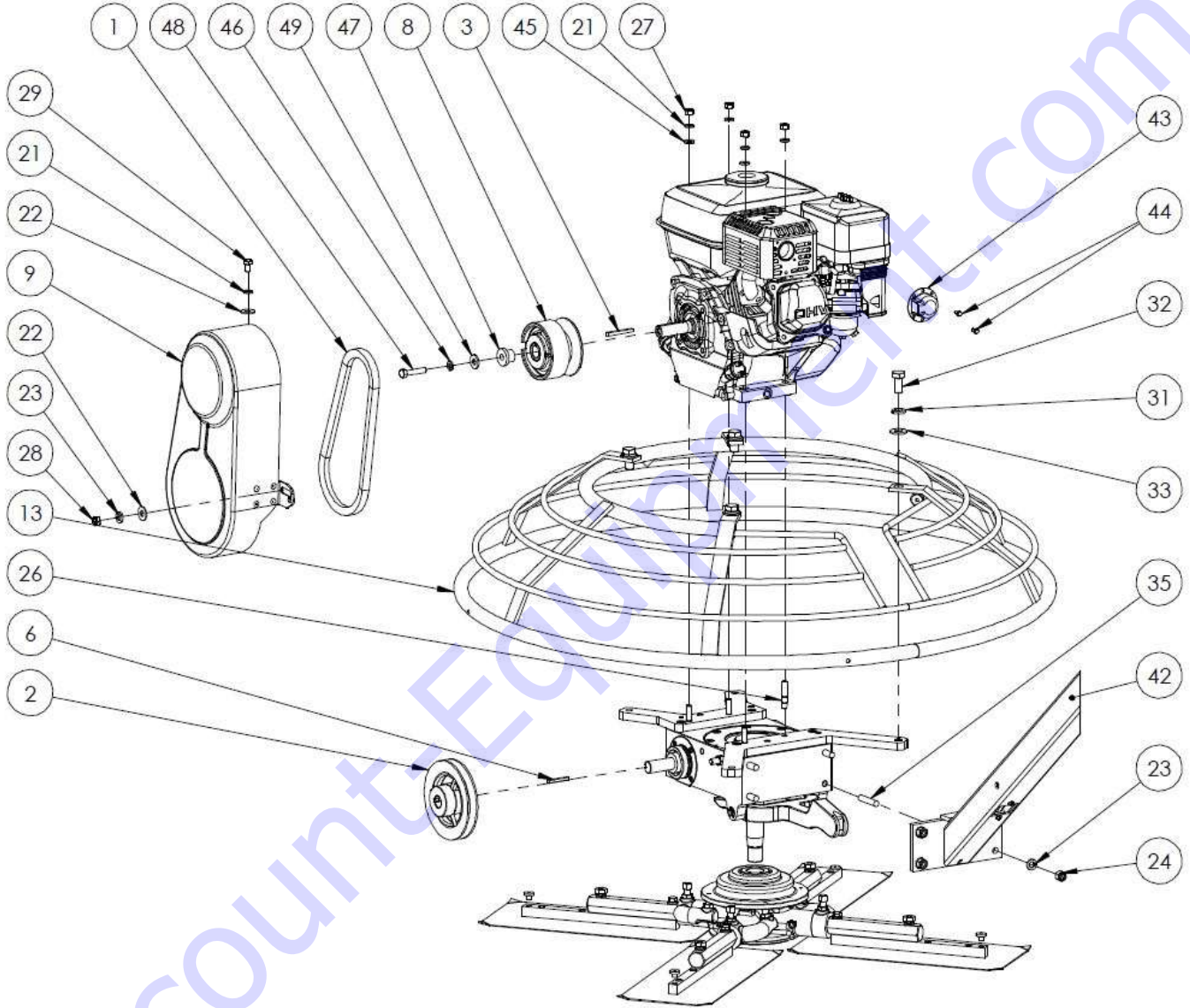
REV.	DATE	DESCRIPTION	APPROVED BY:
1	12/30/16	Gearbox, spider plate and handles pitch control cables part numbers update	AL
2	04/17/17	Part Number for trowel arm updated	AN
3	05/08/17	Added folding handle and Easy Pitch parts list and diagram, rearranged the order of parts list, added 20288 – Handle pulley assembly to handle parts lists. Updated General Assembly, Address Update, changed handle asm p/n	AN
4	10/17	Parts list 9 changed to reflect correct P/N's	AN
5	02/18	Added decal part numbers, updated handle parts/dwg	AN
6	08/18	Parts list 3, item 10. P/N: 21784 was 10279	AN

TABLE OF CONTENTS

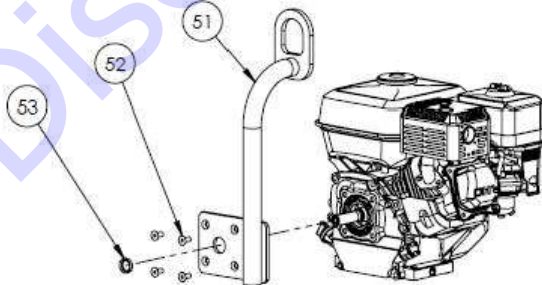
PARTS LIST 1 – WALK-BEHIND TROWELS	2
GENERAL ASSEMBLY DIAGRAM: BC436	2
GENERAL ASSEMBLY: BC436 - PARTS LIST 1	3
PARTS LIST 2 – WALK-BEHIND TROWELS	4
BASE UNIT ASSEMBLY DIAGRAM: BC436	4
BASE UNIT ASSEMBLY: BC436 - PARTS LIST 2	5
PARTS LIST 3 – WALK-BEHIND TROWELS	6
GEARBOX ASSEMBLY DIAGRAM: 21815	6
GEARBOX ASSEMBLY: 21815 - PARTS LIST 3	7
PARTS LIST 4 – WALK-BEHIND TROWELS	8
SPIDER PLATE ASSEMBLY DIAGRAM: 21814	9
SPIDER PLATE ASSEMBLY: 21814 – PARTS LIST 4	9
PARTS LIST 5 – WALK-BEHIND TROWELS	10
PRESSURE PLATE ASSEMBLY DIAGRAM: 20627	11
PRESSURE PLATE ASSEMBLY: 20627 – PARTS LIST 5	11
PARTS LIST 6 – WALK-BEHIND TROWELS	12
HANDLE ASSEMBLY DIAGRAM: 20230 FINE PITCH	13
HANDLE ASSEMBLY: 20230 FINE PITCH - PARTS LIST 6	14
PARTS LIST 7 – WALK-BEHIND TROWELS	15
HANDLE ASSEMBLY DIAGRAM: 20230E EUROPEAN SPEC.	15
HANDLE ASSEMBLY: 20230E EUROPEAN SPEC. - PARTS LIST 7	16
PARTS LIST 8 – WALK-BEHIND TROWELS	17
FOLDING HANDLE ASSEMBLY DIAGRAM: 20234	17
FOLDING HANDLE ASSEMBLY: 20234 – PARTS LIST 8	18
PARTS LIST 9 – WALK-BEHIND TROWELS	19
BLADE KIT ASSEMBLY DIAGRAM	19
BC436 BLADE KIT – PARTS LIST 9	19
PARTS LIST 10: WALK-BEHIND TROWELS	20
EASY PITCH ASSEMBLY DIAGRAM: 20258	20
EASY PITCH: 20258 - PARTS LIST 10	20
PARTS LIST 11 – WALK-BEHIND TROWELS	21
HAND KNOB ASSEMBLY DIAGRAM: 21714	21
HAND KNOB ASSEMBLY: 21714 – PARTS LIST 11	21

PARTS LIST 1 – WALK-BEHIND TROWELS

GENERAL ASSEMBLY DIAGRAM: BC436



Hoist Hook (Optional)

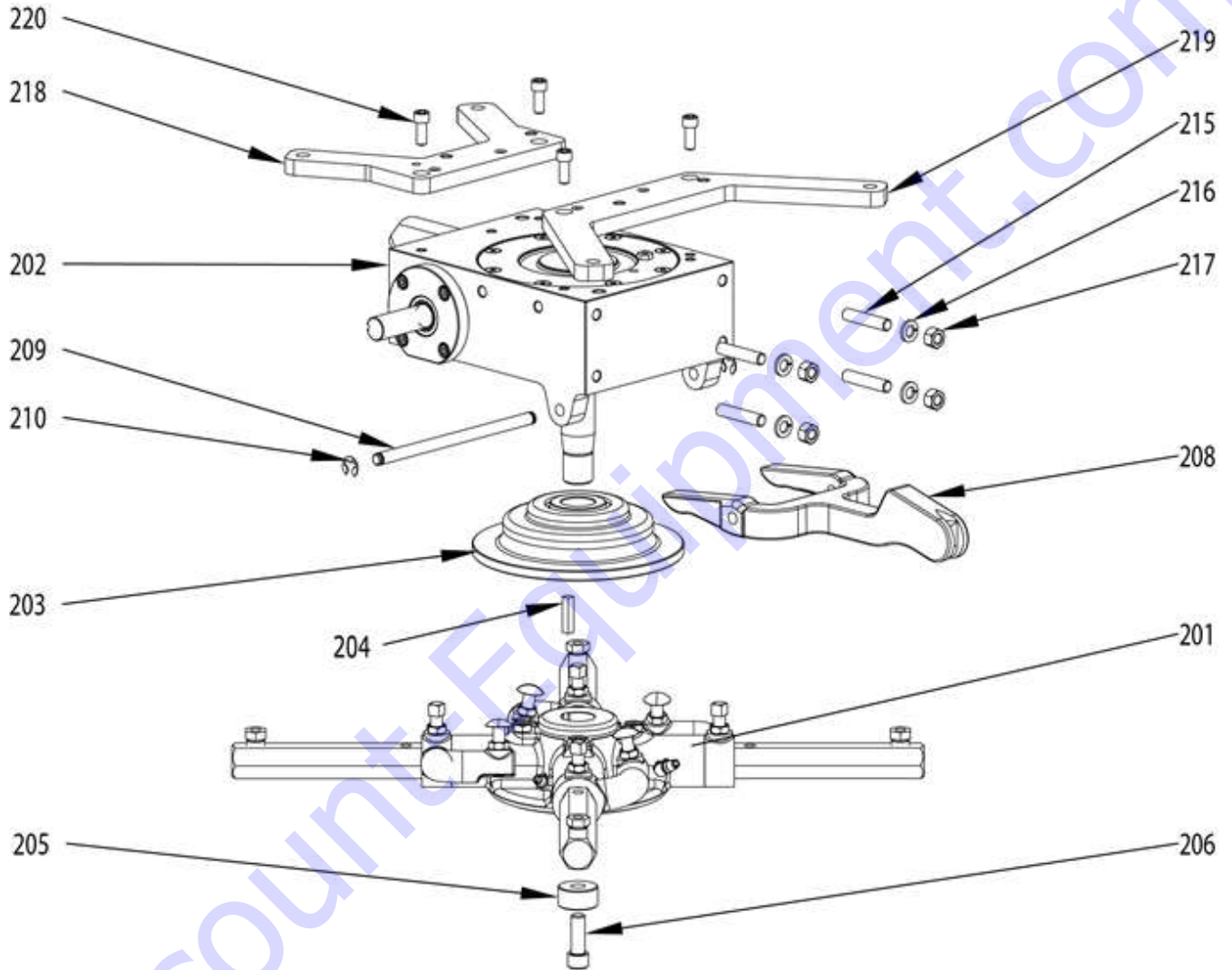


GENERAL ASSEMBLY: BC436 - PARTS LIST 1

Item #	Part #	Description	QTY	Remarks
1	10752 (GX160) 11047 (GX270)	BELT B26 BELT B28	1	7/20/2014
2	14285 (GX270)	SHEAVE, MB58 X 3/4	1	7/20/2014
3	10206 (GX160) 11003 (GX270)	KEY 3/16 SQ X 1-7/8" LG KEY 1/4 SQ X 2" LG	1	7/20/2014
6	10208	KEY 3/16 SQ X 1/2" LG	1	7/20/2014
8	21822 (GX160) 21029-2 (GX270)	CLUTCH, 3/4" BORE CLUTCH, 1" BORE	1	7/20/2014
9	21067-1	BELT GUARD	1	7/20/2014
13	21813 20447	GUARD RING, BLUE GUARD RING, CHROME	1	7/20/2014
21	11614	WASHER, LOCK, M8	1	7/20/2014
22	11667	WASHER, FLAT, M8	2	7/20/2014
23	31215	WASHER, LOCK M10	1	7/20/2014
24	10317	LOCKNUT 3/8"-16UNC	4	7/20/2014
26	11670 (GX160) 14227 (GX270)	STUD, M8-1.25 X 35MM STUD, M10-1.5 X 40MM	4	7/20/2014
27	11615 (GX160) 11622 (GX270)	HEX NUT, M8-1.25 HEX NUT, M10-1.5	4	7/20/2014
28	11622	HEX NUT, M10-1.5	1	7/20/2014
29	10999	HHCS, M8-1.25 X 20MM LG	1	7/20/2014
31	10735	WASHER, LOCK, M12	4	7/20/2014
32	11900	HHCS, M12-1.75 X 25MM LG	4	7/20/2014
33	14267	WASHER, FLAT, M12	4	7/20/2014
35	11339	STUD, SELF-LOCKING, 3/8-16 X 1-3/4" LG	4	7/20/2014
42	20230C 20230E 20229C	HANDLE ASSEMBLY, FINE PITCH HANDLE ASSEMBLY, EUROPEAN SPEC. HANDLE ASSEMBLY, FOLDING HANDLE	1	7/20/2014
43	11112	MUFFLER CAP	1	7/20/2014
44	11115	SCREW, MUFFLER CAP	2	7/20/2014
46	10402 (GX160) N/A (GX270)	LOCKWASHER, 5/16", MEDIUM SPLIT -	1 -	7/20/2014
47	20289 (GX160) N/A (GX270)	CLUTCH SLEEVE -	1 -	7/20/2014
48	981045 (GX160) 993480 (GX160) N/A (GX270)	HHCS, 5/16-24NFx1-1/2" LG HHCS, 5/16-24UNF X 1-3/4" LG (HOIST HOOK)	1	7/20/2014
49	10919 (GX160) N/A (GX270)	WASHER, FLAT, 5/16" DIA -	4	7/20/2014
51	20189 (GX160) 20171 (GX270)	HOIST HOOK (OPTIONAL)	1	7/20/2014
52	30041	FHSCS, 5/16"-24 X 3/4" (WITH HOIST HOOK)	4	7/20/2014
53	11254 (GX160) N/A (GX270)	CLUTCH SPACER (WITH HOIST HOOK)	1	7/20/2014
	01109-BC436-1	DECAL KIT, BC436	1	
	01109-FAM-B	ROUND BARTELL DECAL	1	

PARTS LIST 2 – WALK-BEHIND TROWELS

BASE UNIT ASSEMBLY DIAGRAM: BC436



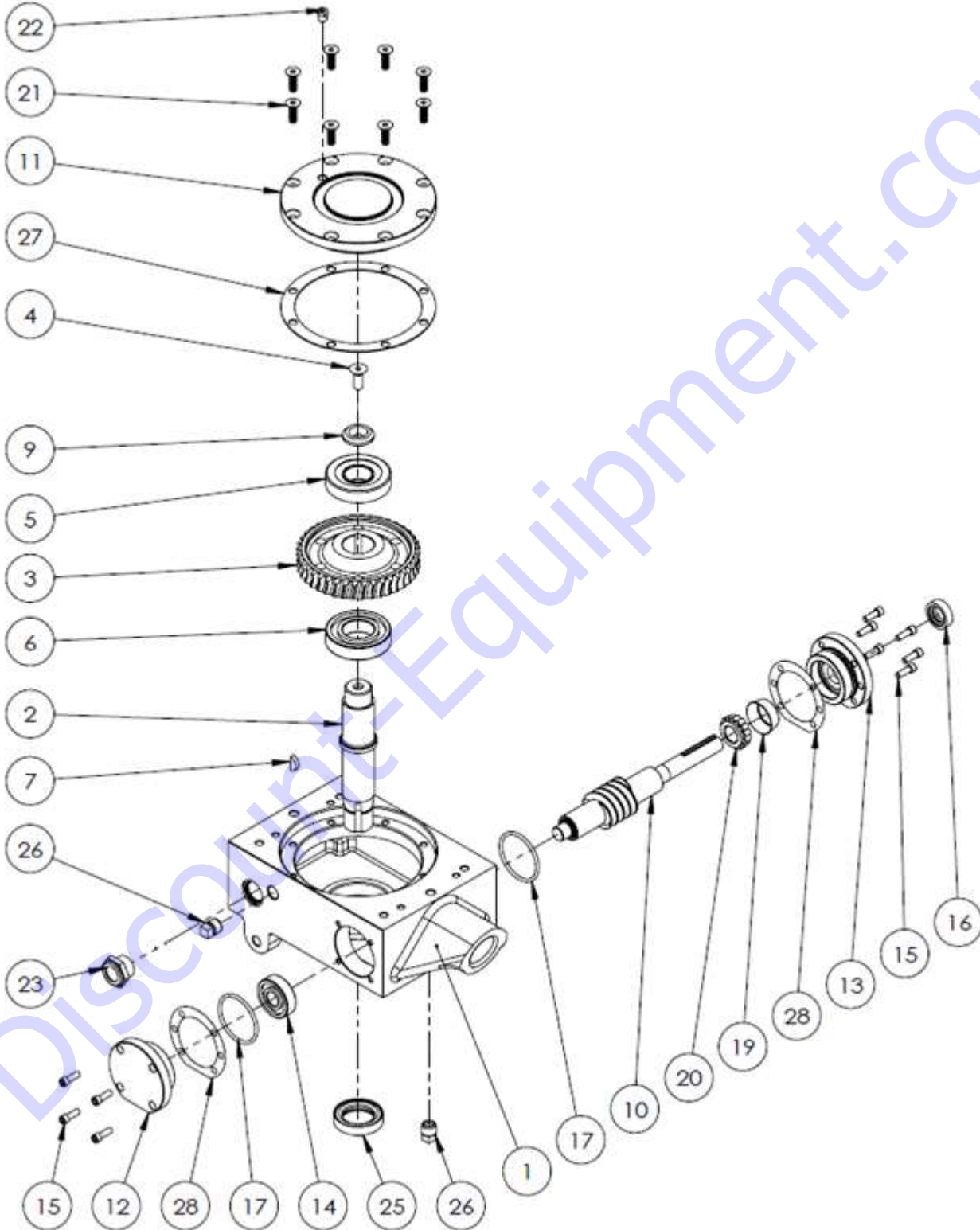
BASE UNIT ASSEMBLY: BC436 - PARTS LIST 2

Item #	Part #	Description	QTY	Remarks
201	21814	SPIDER PLATE ASSEMBLY (SEE PARTS LIST 4)	1	7/20/2014
202	21815	GEARBOX ASSEMBLY (SEE PARTS LIST 3)	1	7/20/2014
203	20627	PRESSURE PLATE ASSEMBLY (SEE PARTS LIST 5)	1	7/20/2014
204	11690	KEY, 6MM SQ x 30MM LG	1	7/20/2014
205	10814	SPIDER PLATE RETAINER	1	7/20/2014
206	21799	SHCS, M10 - 1.5 X 30MM LG	1	7/20/2014
208	21817	YOKE ARM	1	7/20/2014
209	21818	YOKE PIN	1	7/20/2014
210	21819	RETAINING RING	2	7/20/2014
215	14227	STUD, M10 - 1.5 x 40MM LG	4	7/20/2014
216	11621	WASHER, LOCK, M10	4	7/20/2014
217	11622	HEX NUT, M10-1.5	4	7/20/2014
218	15344-1	MOUNTING RAIL, FRONT	1	7/20/2014
219	15345-1	MOUNTING RAIL, REAR	1	7/20/2014
220	31106	SHCS, M8 - 1.25 x 20	4	7/20/2014

Discount-Equipment.com

PARTS LIST 3 – WALK-BEHIND TROWELS

GEARBOX ASSEMBLY DIAGRAM: 21815

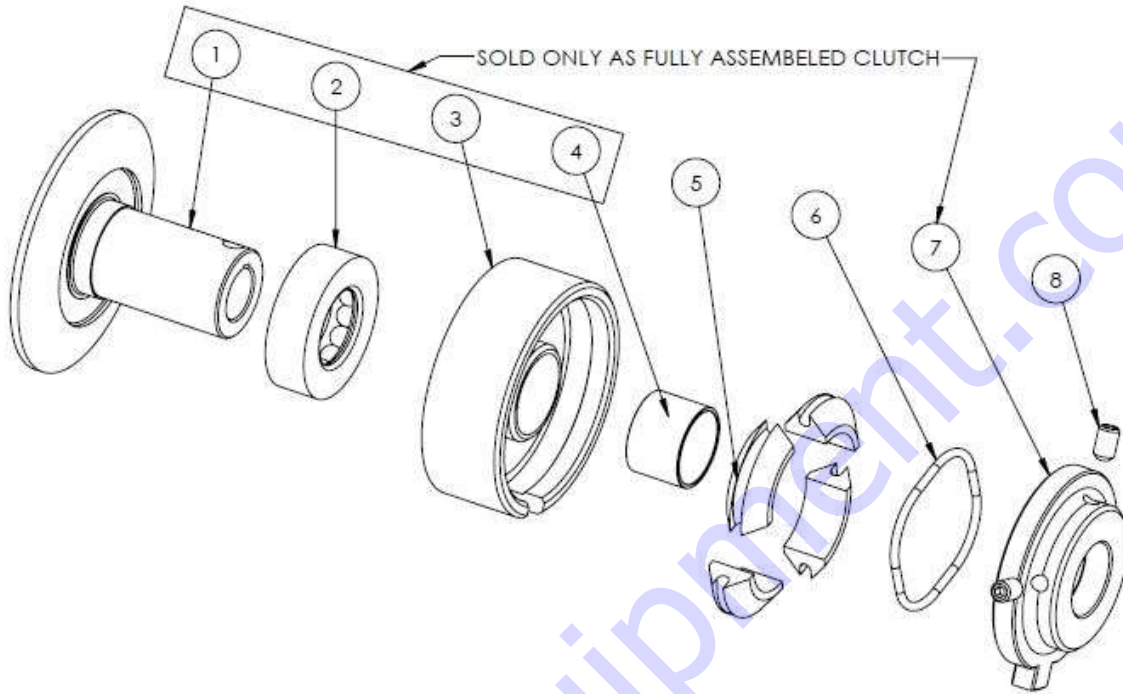


GEARBOX ASSEMBLY: 21815 - PARTS LIST 3

Item #	Part #	Description	QTY	Remarks
1	21821	GEARBOX HOUSING	1	07/20/2014
2	21782	MAIN SHAFT	1	07/20/2014
3	21781	MAIN GEAR	1	07/20/2014
4	10772	FHSCS, M10-1.5 x 25MM (LH)	1	07/20/2014
5	21787	BEARING	1	07/20/2014
6	21786	BEARING	1	07/20/2014
7	10769	WOODRUFF KEY	1	07/20/2014
9	21734	PRESSURE WASHER	1	07/20/2014
10	21784	COUNTERSHAFT	1	07/20/2014
11	21780	GEARBOX COVER	1	07/20/2014
12	21785	END CAP	1	07/20/2014
13	21783	FLANGE	1	07/20/2014
14	21794	BEARING	1	07/20/2014
15	31135	SHCS, M6-1.0 x 16MM	8	07/20/2014
16	21749	OIL SEAL	1	07/20/2014
17	21791	SM O-RING	2	07/20/2014
19	21792	BEARING CUP	1	07/20/2014
20		BEARING CONE		
21	21742	SHCS, M6-1.0 X 15MM	8	07/20/2014
22	21736	RELIEF VALVE	1	07/20/2014
23	21750	SIGHT PLUG	1	07/20/2014
25	21788	OIL SEAL	1	07/20/2014
26	21747	PLUG	2	07/20/2014
27	21840-1	GASKET, COVER, 0.1MM	A/R	07/20/2014
	21840-2	GASKET, COVER, 0.2MM		
28	21841-1	GASKET, FLANGE, 0.1MM	A/R	07/20/2014
	21841-2	GASKET, FLANGE, 0.2MM		

PARTS LIST 4- WALK-BEHIND TROWELS

BC436 CLUTCH ASSEMBLY DIAGRAM: 21822, 21029-2



BC436 CLUTCH ASSEMBLY: 21822 (3/4" SHAFT) – PARTS LIST 4

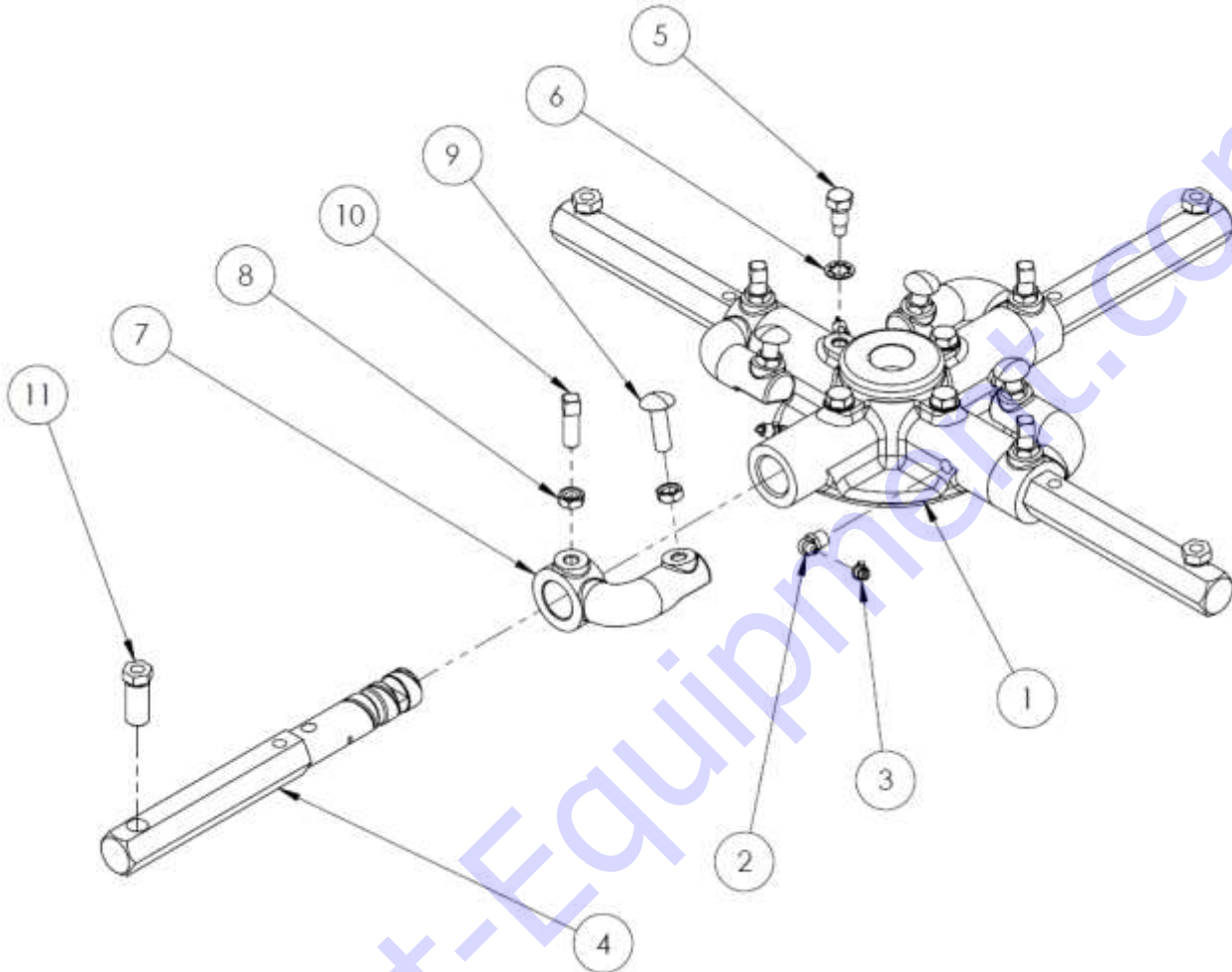
Item #	Part #	Description	QTY	Remarks
1	21824	SPINDLE	1	PART OF ASSEMBLY 21822
2	21826	BEARING	1	PART OF ASSEMBLY 21822
3	21827	DRUM W/BUSHING	1	PART OF ASSEMBLY 21822
4		BUSHING	1	PART OF ASSEMBLY 21822
5	21828	WEIGHT (SHOE)	4	
6	21829	SPRING	1	
7	21830	FACE PLATE	1	PART OF ASSEMBLY 21822
8	21831	SET SCREW	2	

BC436 CLUTCH ASSEMBLY: 21029-2 (1" SHAFT) – PARTS LIST 4

Item #	Part #	Description	QTY	Remarks
1	11045	SPINDLE	1	PART OF ASSEMBLY 21029-2
2	11044	BEARING	1	PART OF ASSEMBLY 21029-2
3	21046	DRUM W/BUSHING	1	PART OF ASSEMBLY 21029-2
4	11012	BUSHING	1	PART OF ASSEMBLY 21029-2
5	11014	WEIGHT (SHOE)	4	
6	10759	SPRING	1	
7	11015	FACE PLATE	1	PART OF ASSEMBLY 21029-2
8	50117	SET SCREW 5/16-18 UNC	2	

PARTS LIST 5 – WALK-BEHIND TROWELS

SPIDER PLATE ASSEMBLY DIAGRAM: 21814



SPIDER PLATE ASSEMBLY: 21814 – PARTS LIST 5

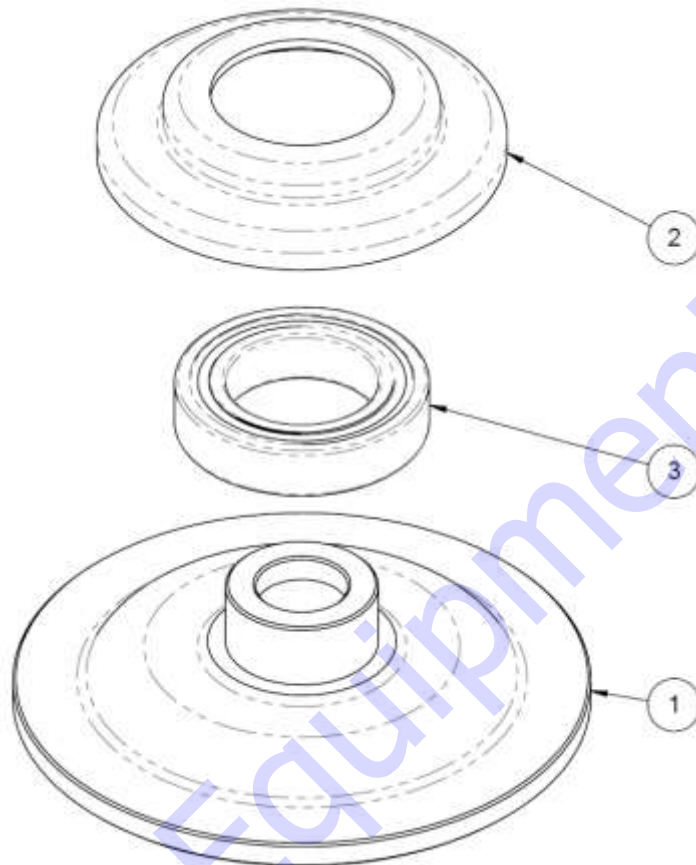
Item #	Part #	Description	QTY	Remarks
1	21797	SPIDER PLATE	1	07/20/2014
2	21769	GREASE FITTING	4	07/20/2014
3	10822	CAP GREASE, NIPPLE, 1/8 ALEMITE	4	07/20/2014
4	21812	TROWEL ARM	4	07/20/2014
5	21766	HHCS, DOG POINT, M8-1.25 x 20MM	4	07/20/2014
6	10805	LOCKWASHER	4	07/20/2014
7	21798	LIFT LEVER	4	07/20/2014
8	21764	HEX JAM NUT, M10-1.5	8	07/20/2014
9	21767	CARRIAGE BOLT, M10-1.5 x 35MM	4	07/20/2014
10	21765	SQ. HEAD SET SCREW, M10-1.5 x 30MM	4	07/20/2014
11	21811	ADJUSTING SCREW, 30MM	4	07/20/2014
12	11901	O-RING, 3MM x 24MM ID	4	07/20/2014

This Page Intentionally Left Blank

Discount-Equipment.com

PARTS LIST 6 – WALK-BEHIND TROWELS

PRESSURE PLATE ASSEMBLY DIAGRAM: 20627

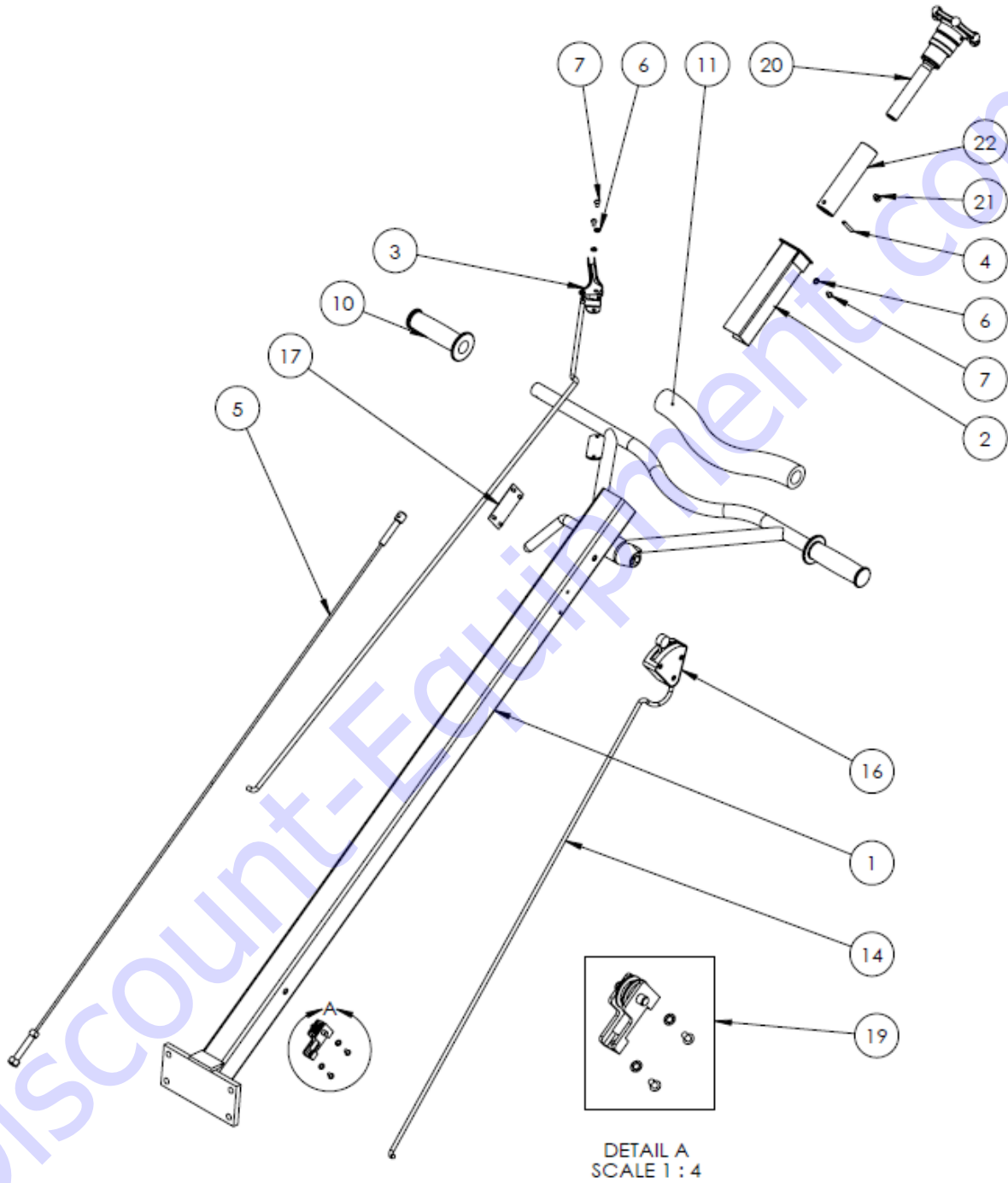


PRESSURE PLATE ASSEMBLY: 20627 – PARTS LIST 6

Item #	Part #	Description	QTY	Remarks
1	10660	PRESSURE PLATE	1	7/20/2014
2	10664	THRUST BEARING P/P	1	7/20/2014
3	10668	PRESSURE PLATE CAP	1	7/20/2014

PARTS LIST 7 – WALK-BEHIND TROWELS

HANDLE ASSEMBLY DIAGRAM: 20230C FINE PITCH





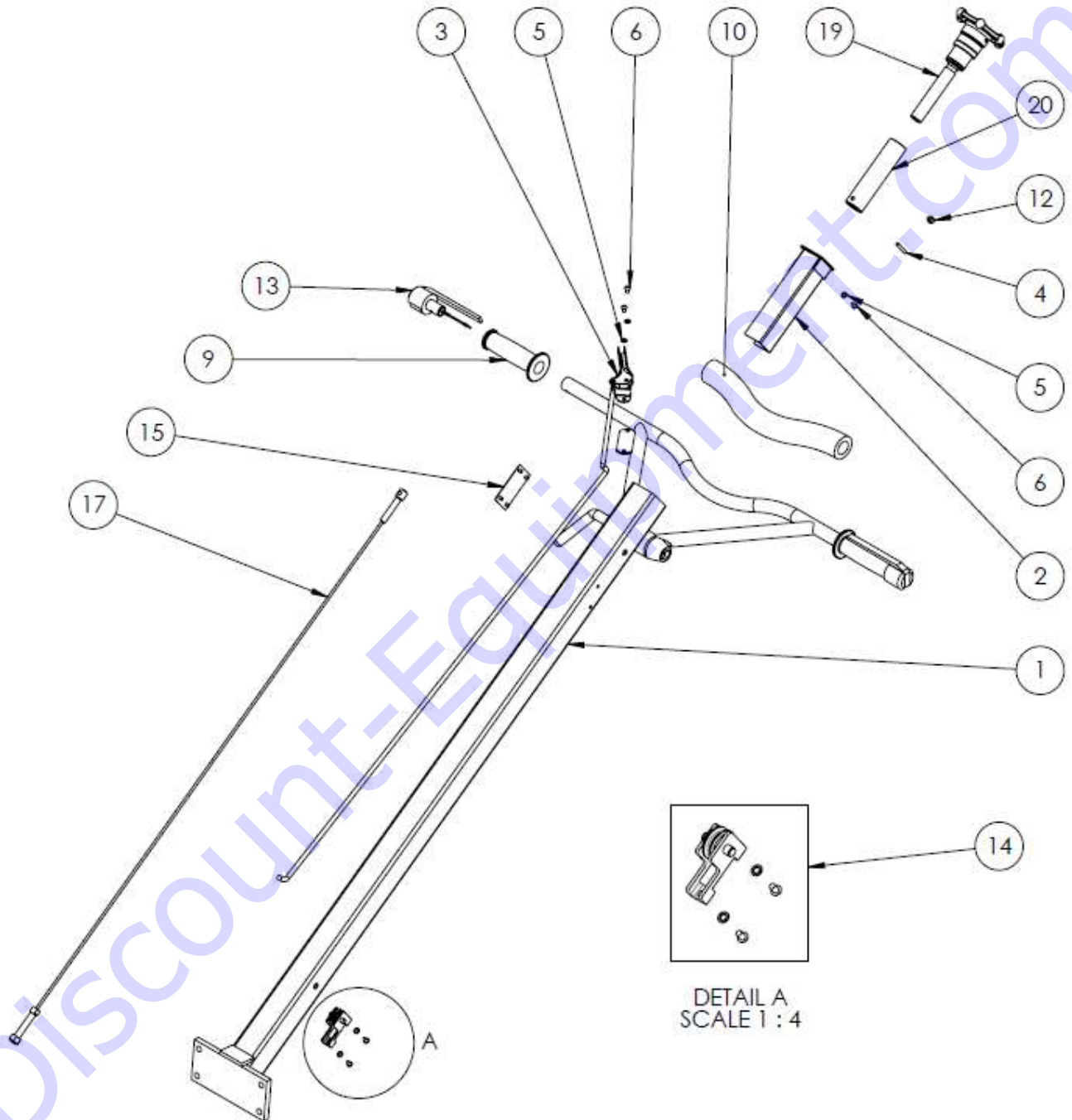
HANDLE ASSEMBLY: 20230C FINE PITCH - PARTS LIST 7

Item #	Part #	Description	QTY	Remarks
1	20230C	MEDIUM STRAIGHT HANDLE, FULLY ASSEMBLED	1	10/01/2014
2	20112	PITCH INSERT	1	10/01/2014
3	10895	THROTTLE LEVER ASSEMBLY	1	10/01/2014
4	21724	PIN 3/16"DIA X 1-1/4"LG	1	10/01/2014
5	20331	PITCH CONTROL CABLE, 42-1/32", 3/8-16 THREAD	1	10/01/2014
6	10703	LOCK WASHER, INTERNAL TOOTH, #10	3	10/01/2014
7	21728	RHMS, M5-0.8 X 8MM LG	3	10/01/2014
10	21717	HANDLE GRIP	2	10/01/2014
11	21721	CROSSBAR PAD	1	10/01/2014
14	20702	66" WIRE ASSEMBLY	1	10/01/2014
16	21729	SAFETY SWITCH	1	10/01/2014
17	20111	COVER PLATE	1	10/01/2014
19	20288	PULLEY ASSEMBLY *INCLUDES PARTS BELOW*	1	10/01/2014
20	21720	ASSY, HAND KNOB	1	10/01/2014
21	21725	M6-1.0 X 6MM LG	1	10/01/2014
22	21722	THREADED SLIDE BUSHING	1	10/01/2014
	10525-SQCOM	BARTELL DECAL KIT	1	

Discount-Equipment.com

PARTS LIST 8 – WALK-BEHIND TROWELS

HANDLE ASSEMBLY DIAGRAM: 20230E EUROPEAN SPEC.





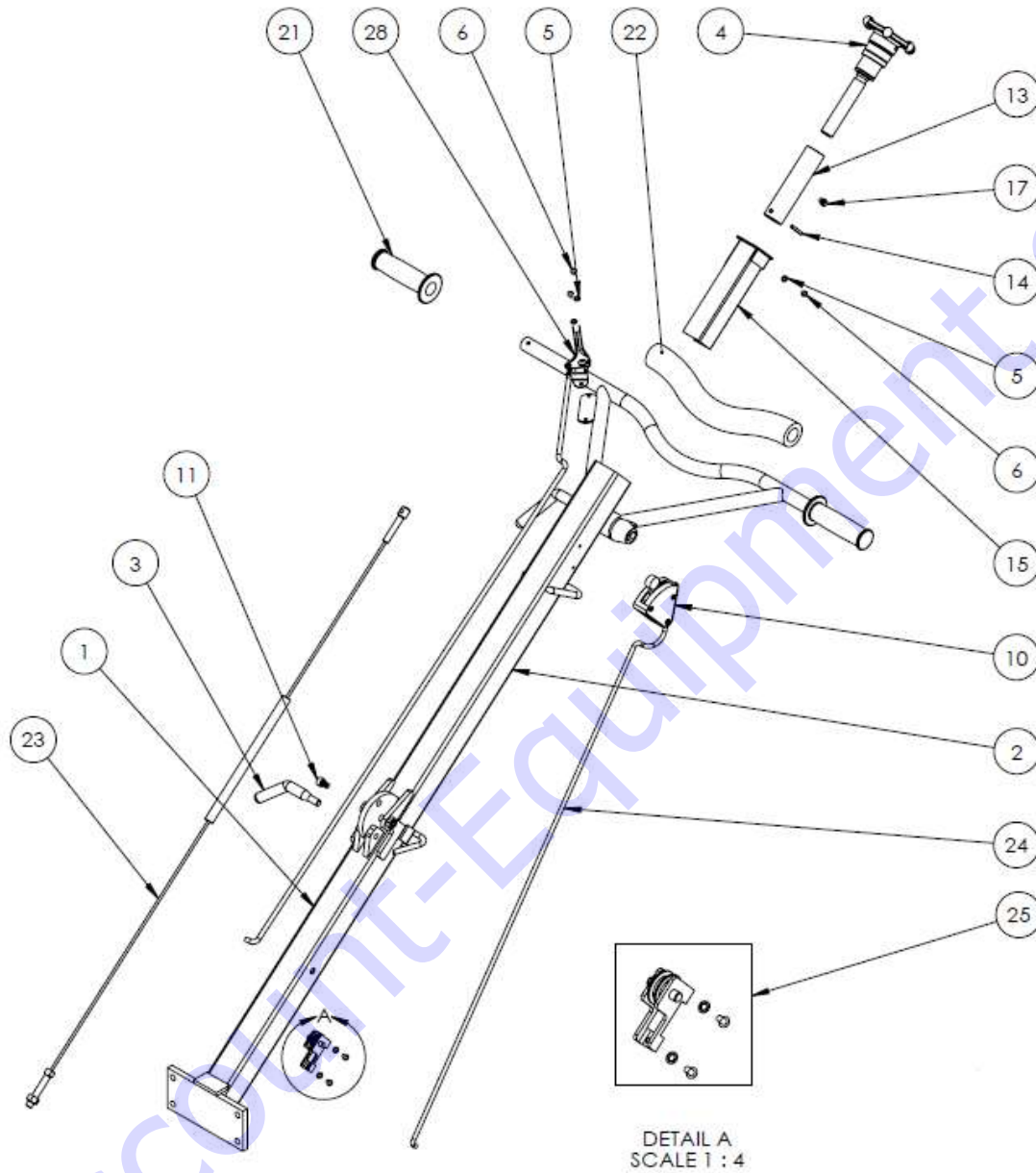
HANDLE ASSEMBLY: 20230E EUROPEAN SPEC. - PARTS LIST 8

Item #	Part #	Description	QTY	Remarks
1	20230E	MEDIUM STRAIGHT HANDLE, FULLY ASSEMBLED	1	10/01/2014
2	20112	PITCH INSERT	1	10/01/2014
3	10508	THROTTLE LEVER ASSEMBLY	1	10/01/2014
4	21724	PIN 3/16"DIA X 1-1/4"LG	1	10/01/2014
5	10703	LOCK WASHER, INTERNAL TOOTH, #10	3	10/01/2014
6	21728	RHMS, M5-0.8 X 8MM LG	3	10/01/2014
9	21717	HANDLE GRIP	2	10/01/2014
10	21721	CROSSBAR PAD	1	10/01/2014
12	21725	M6-1.0 X 6MM LG	1	10/01/2014
13	11852	SAFETY SWITCH, PIGTAIL WIRES	2	10/01/2014
14	20288	PULLEY ASSEMBLY	1	10/01/2014
15	20113	PITCH FACEPLATE	1	10/01/2014
17	20335	PITCH CONTROL CABLE, 42-13/32", M10-1.5	1	10/01/2014
19	21714	HAND KNOB ASSEMBLY	1	10/01/2014
20	21722	THREADED SLIDE BUSHING	1	10/01/2014
		EURO WIRE ASSEMBLY	1	10/01/2014
	10525-SQCOM	BARTELL DECAL KIT	1	

Discount-Equipment.com

PARTS LIST 9 – WALK-BEHIND TROWELS

FOLDING HANDLE ASSEMBLY DIAGRAM: 20229C





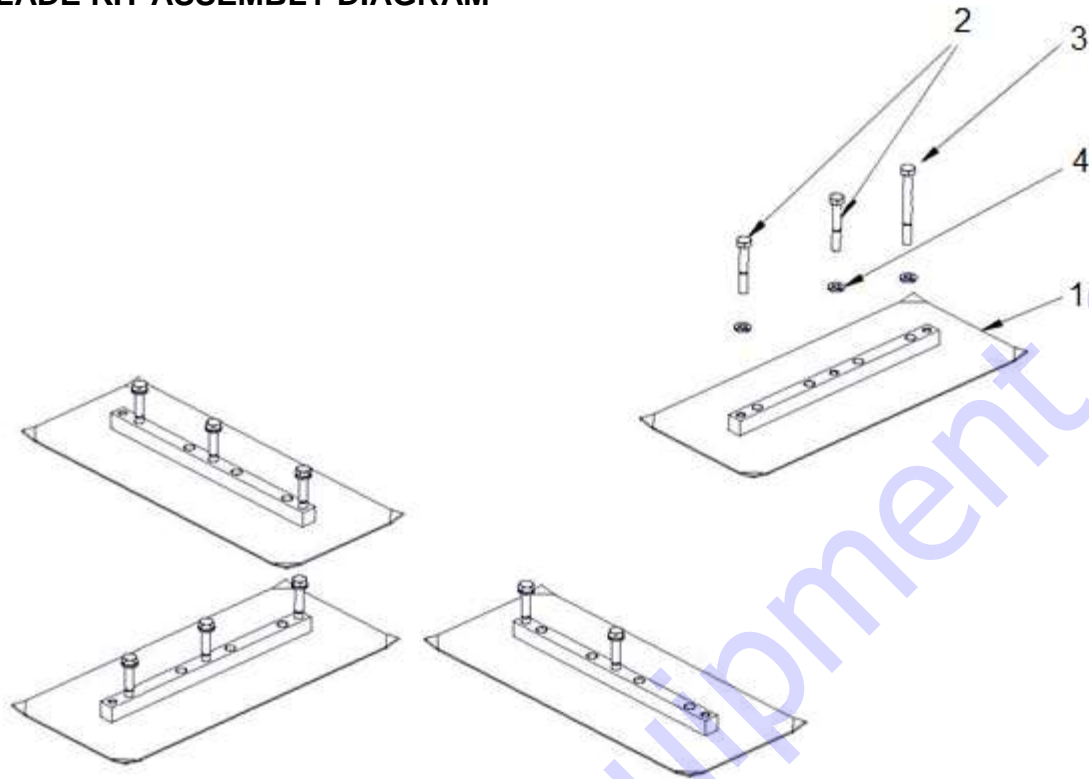
FOLDING HANDLE ASSEMBLY: 20229C – PARTS LIST 9

Item #	Part #	Description	QTY	Remarks
2	20229	FOLDING HANDLE, FULLY ASSEMBLED	1	1/21/2015
3	20195	THREADED PIN	1	1/21/2015
4	21714	HAND KNOB ASSEMBLY	1	1/21/2015
5	10703	LOCK WASHER, INTERNAL TOOTH, #10	5	1/21/2015
6	21728	RHMS, M5-0.8x8MM LG	5	1/21/2015
10	21847	SAFETY SWITCH	1	1/21/2015
11	51010	SHCS, M8-1.25X12MM LG	2	1/21/2015
13	21722	THREADED SLIDE BUSHING	1	1/21/2015
14	21724	PIN 3/16" DIA x1-1/4" LG	1	1/21/2015
15	20112	PITCH INSERT	1	1/21/2015
17	21725	M6-1.0 x 6MM LG	1	1/21/2015
21	21717	HANDLE GRIP	2	1/21/2015
22	21721	CROSSBAR PAD	1	1/21/2015
23	20273	PITCH CONTROL CABLE	1	1/21/2015
24	20703	66" WIRE ASSY	1	1/21/2015
25	20287	PULLEY ASSEMBLY	1	1/21/2015
28	10508	THROTTLE LEVER ASSEMBLY	1	1/21/2015
	10525-SQCOM	BARTELL DECAL KIT	1	

Discount-Equipment.com

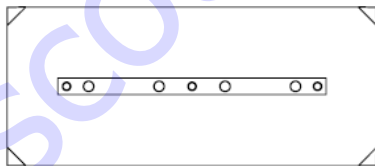
PARTS LIST 10 – WALK-BEHIND TROWELS

BLADE KIT ASSEMBLY DIAGRAM

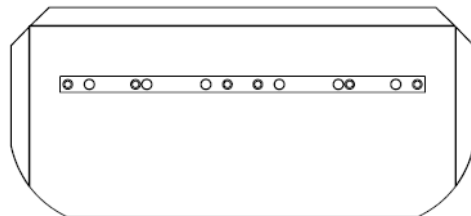


BC436 BLADE KIT – PARTS LIST 10

Item #	Part #	Description	QTY	Remarks
1	-	TROWEL BLADE	4	08/04/2007
2	10452	HHCS, M8-1.25 X 40MM	8	08/04/2007
3	10453	HHCS, M8-1.25 X 50MM	4	08/04/2007
4	11614	LOCK WASHER, M8	12	08/04/2007



STANDARD FINISHING BLADE

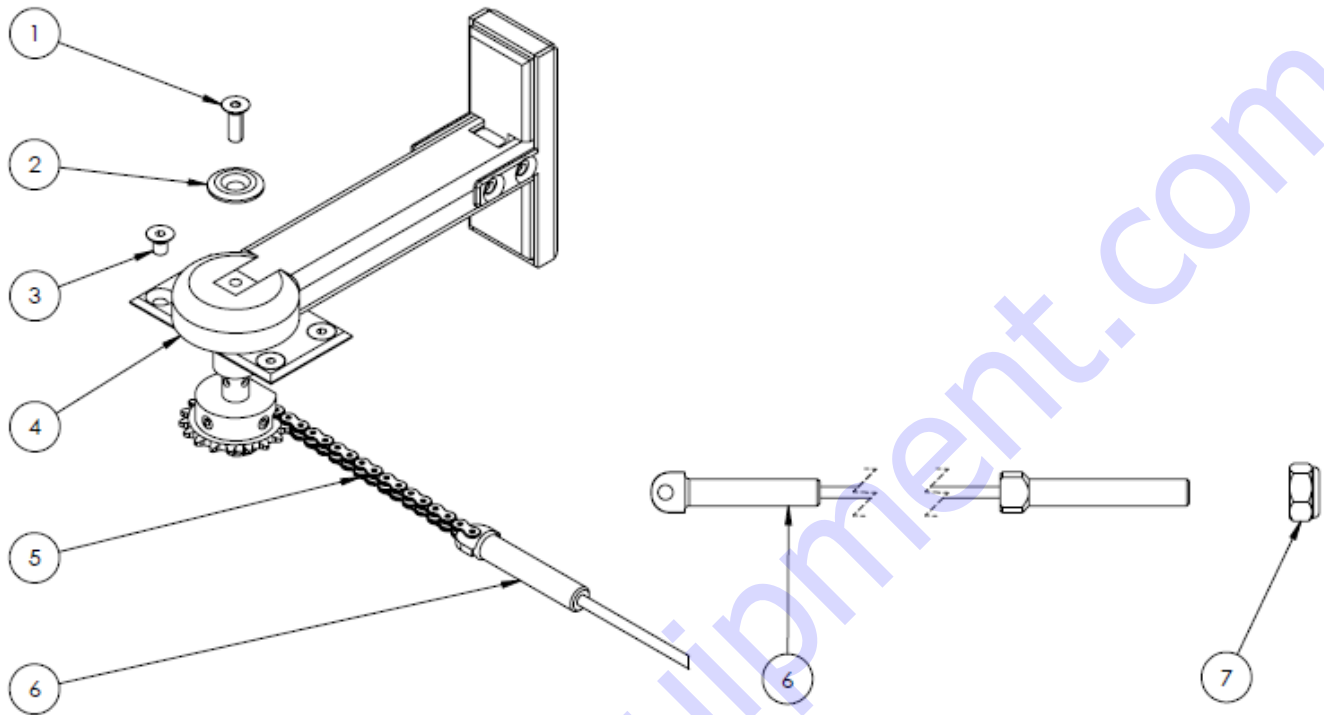


STANDARD COMBINATION BLADE

Part #	Dimensions	Part #	Dimensions
20414	6" x 14" (15.2CM x 35.6CM)	20479	8" x 14" (20.3CM x 35.6CM)

PARTS LIST 11: WALK-BEHIND TROWELS

EASY PITCH ASSEMBLY DIAGRAM: 20258



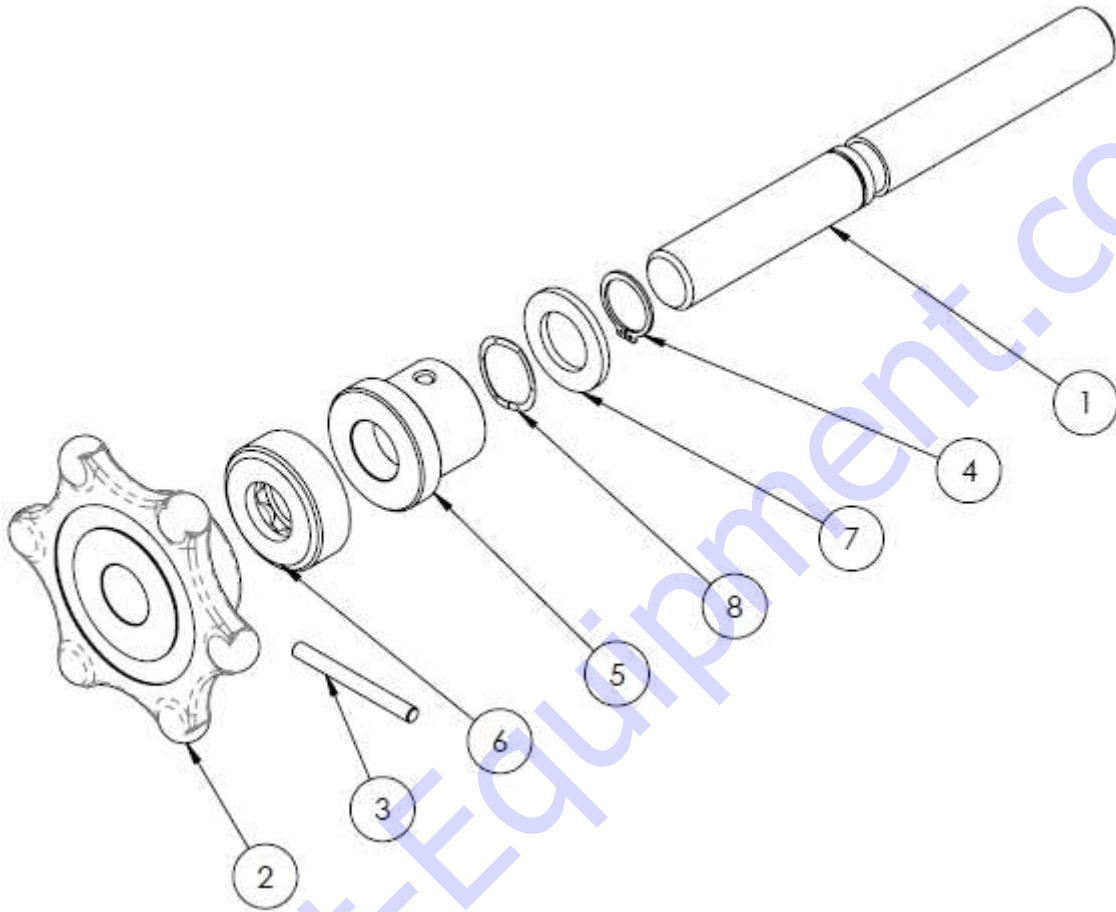
EASY PITCH: 20258 - PARTS LIST 11

Item #	Part #	Description	QTY	Remarks
1	20226	FHCS, M5-0.8 X 15MM	2	08/04/2007
2	20208	WASHER, M5, 3.5MM THICK	2	
3	20227	FHCS, M5-0.8 X 10 MM	4	08/04/2007
4	20270	HANDLE ASSEMBLY	1	08/04/2007
5	20209	CHAIN ASSEMBLY, #25	1	
6	20333	PITCH CONTROL CABLE	1	
7	11802	LOCK NUT, M10-1.5	1	

SOLD AS ASSEMBLY ONLY

PARTS LIST 12 – WALK-BEHIND TROWELS

HAND KNOB ASSEMBLY DIAGRAM: 21714



HAND KNOB ASSEMBLY: 21714 – PARTS LIST 12

Item #	Part #	Description	QTY	Remarks
1	21713	SCREW SHAFT	1	1/21/2015
2	21707	KNOB	1	1/21/2015
3	21708	PIN, SPRING	1	1/21/2015
4	21712	RETAINER	1	1/21/2015
5	21710	BUSHING, HANDLE	1	1/21/2015
6	21709	BEARING, THRUST	1	1/21/2015
7	21711	WASHER	1	1/21/2015
8	21849	WASHER, WAVE	1	1/21/2015

PARTS FINDER

**Search Website
by Part Number**



**Search Manual
Library For Parts
Manual & Lookup Part
Numbers – Purchase
or Request Quote**

Search Manuals

Enter your information to help us find the right parts manual for your machine.

* Brand:

* Model:

* Serial:

* Part Number:

SEARCH

**Can't Find Part or
Manual? Request Help
by Manufacturer,
Model & Description**

Parts Order Form

Please fill in the following information to help us find the right part for your machine.

Manufacturer:	<input type="text"/>
Model:	<input type="text"/>
Serial:	<input type="text"/>
Description:	<input type="text"/>
Part Number:	<input type="text"/>
Quantity:	<input type="text"/>
Notes:	<input type="text"/>

REQUEST QUOTE

Discount-Equipment.com is your online resource for quality parts & equipment.

Florida: **561-964-4949** Outside Florida TOLL FREE: **877-690-3101**

Need parts?

Click on this link: <http://www.discount-equipment.com/category/5443-parts/> and choose one of the options to help get the right parts and equipment you are looking for. Please have the machine model and serial number available in order to help us get you the correct parts. If you don't find the part on the website or on one of the online manuals, please fill out the request form and one of our experienced staff members will get back to you with a quote for the right part that your machine needs.

We sell worldwide for the brands: Genie, Terex, JLG, MultiQuip, Mikasa, Essick, Whiteman, Mayco, Toro Stone, Diamond Products, Generac Magnum, Airman, Haulotte, Barreto, Power Blanket, Nifty Lift, Atlas Copco, Chicago Pneumatic, Allmand, Miller Curber, Skyjack, Lull, Skytrak, Tsurumi, Husquvarna Target, Stow, Wacker, Sakai, Mi-T-M, Sullair, Basic, Dynapac, MBW, Weber, Bartell, Bennar Newman, Haulotte, Ditch Runner, Menegotti, Morrison, Contec, Buddy, Crown, Edco, Wyco, Bomag, Laymor, EZ Trench, Bil-Jax, F.S. Curtis, Gehl Pavers, Heli, Honda, ICS/PowerGrit, IHI, Partner, Imer, Clipper, MMD, Koshin, Rice, CH&E, General Equipment, Amida, Coleman, NAC, Gradall, Square Shooter, Kent, Stanley, Tamco, Toku, Hatz, Kohler, Robin, Wisconsin, Northrock, Oztec, Toker TK, Rol-Air, APT, Wylie, Ingersoll Rand / Doosan, Innovatech, Con X, Ammann, Mecalac, Makinex, Smith Surface Prep, Small Line, Wanco, Yanmar