

BARTELL

CONCRETE EQUIPMENT

B436, B436E, B436SD WALK-BEHIND TROWEL

PARTS BOOK



www.Discount-Equipment.com

Doc. # PB-
B19003
Orig. Rel. -
06/2016 Curr
Rev. - 03

PARTS FINDER

**Search Website
by Part Number**



**Search Manual
Library For Parts
Manual & Lookup Part
Numbers – Purchase
or Request Quote**

**Can't Find Part or
Manual? Request Help
by Manufacturer,
Model & Description**

Discount-Equipment.com is your online resource for quality parts & equipment.

Florida: **561-964-4949** Outside Florida TOLL FREE: **877-690-3101**

Need parts?

Click on this link: <http://www.discount-equipment.com/category/5443-parts/> and choose one of the options to help get the right parts and equipment you are looking for. Please have the machine model and serial number available in order to help us get you the correct parts. If you don't find the part on the website or on one of the online manuals, please fill out the request form and one of our experienced staff members will get back to you with a quote for the right part that your machine needs.

We sell worldwide for the brands: Genie, Terex, JLG, MultiQuip, Mikasa, Essick, Whiteman, Mayco, Toro Stone, Diamond Products, Generac Magnum, Airman, Haulotte, Barreto, Power Blanket, Nifty Lift, Atlas Copco, Chicago Pneumatic, Allmand, Miller Curber, Skyjack, Lull, Skytrak, Tsurumi, Husquvarna Target, Stow, Wacker, Sakai, Mi-T-M, Sullair, Basic, Dynapac, MBW, Weber, Bartell, Bennar Newman, Haulotte, Ditch Runner, Menegotti, Morrison, Contec, Buddy, Crown, Edco, Wyco, Bomag, Laymor, EZ Trench, Bil-Jax, F.S. Curtis, Gehl Pavers, Heli, Honda, ICS/PowerGrit, IHI, Partner, Imer, Clipper, MMD, Koshin, Rice, CH&E, General Equipment, Amida, Coleman, NAC, Gradall, Square Shooter, Kent, Stanley, Tamco, Toku, Hatz, Kohler, Robin, Wisconsin, Northrock, Oztec, Toker TK, Rol-Air, APT, Wylie, Ingersoll Rand / Doosan, Innovatech, Con X, Ammann, Mecalac, Makinex, Smith Surface Prep, Small Line, Wanco, Yanmar



BARTELL
FAMILY OF COMPANIES

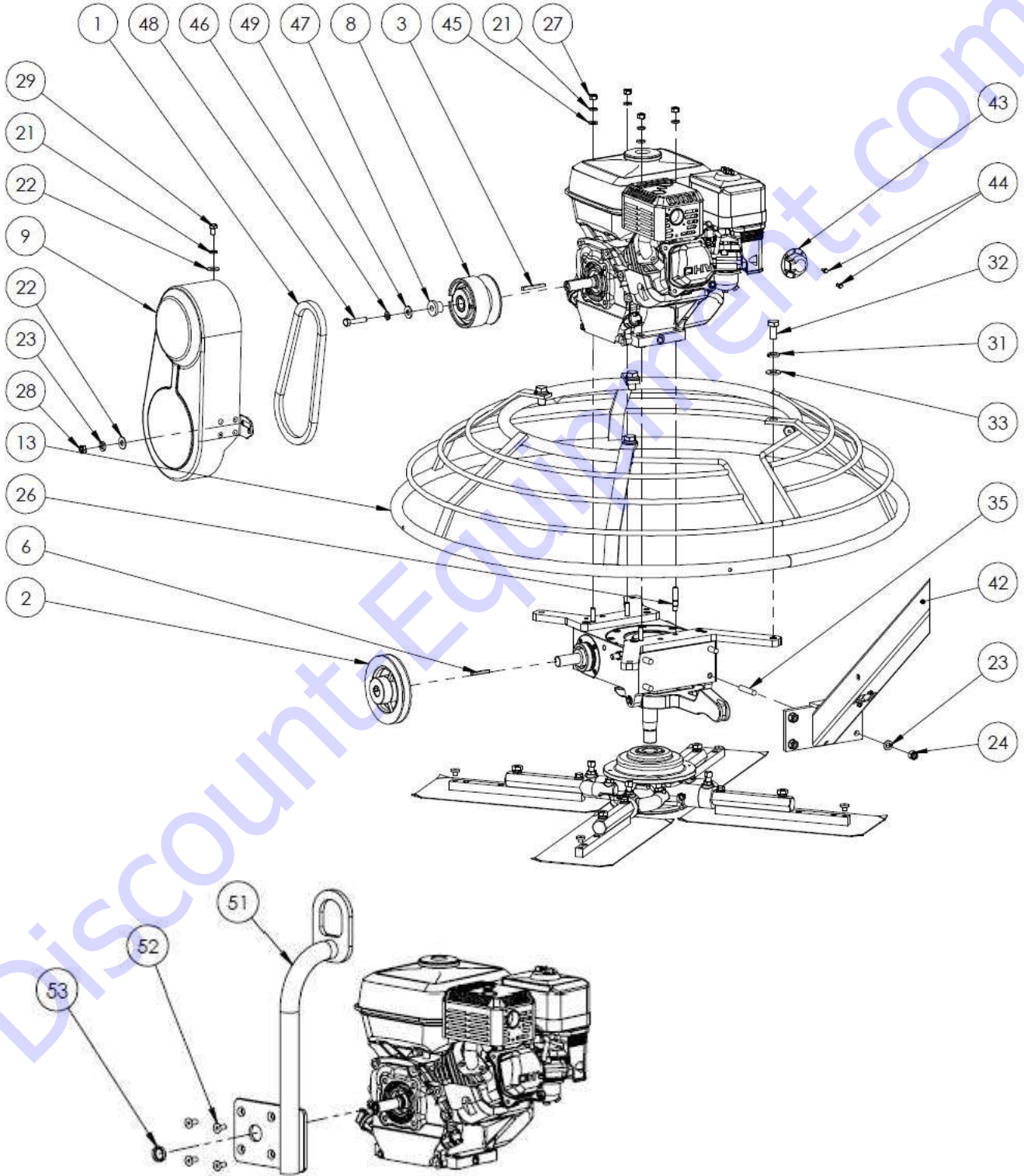
| REV. | DATE | DESCRIPTION | APPROVED BY: |
|------|-------|--|--------------|
| 02 | 09/17 | Added Easy Pitch parts list and diagram, rearranged the order of parts list, added 20288 – pulley assembly to handle parts lists. General Assembly Updated, Address change, changed handle asm p/n | AN |
| 03 | 10/17 | Parts list 9 changed to reflect correct P/N's | AN |
| 04 | 02/18 | Added decal kit P/N's, updated handle parts/breakout, changed P/N 20618 to 10618 on parts list 3 | AN |
| | | | |
| | | | |
| | | | |
| | | | |
| | | | |

TABLE OF CONTENTS

| | |
|--|-----------|
| PARTS LIST 1 – WALK-BEHIND TROWELS | 3 |
| GENERAL ASSEMBLY DIAGRAM: B436, B436SD | 3 |
| GENERAL ASSEMBLY: B436, B436SD - PARTS LIST 1 | 4 |
| PARTS LIST 2 – WALK-BEHIND TROWELS | 6 |
| BASE UNIT ASSEMBLY DIAGRAM: B436, B436E, B436SD | 6 |
| BASE UNIT ASSEMBLY: B436, B436E, B436SD - PARTS LIST 2 | 7 |
| PARTS LIST 3 – WALK-BEHIND TROWELS | 8 |
| GEARBOX ASSEMBLY DIAGRAM: 20921, 20943 | 8 |
| GEARBOX ASSEMBLY: 20921, 20943 - PARTS LIST 3 | 9 |
| PARTS LIST 4 – WALK-BEHIND TROWELS | 11 |
| CLUTCH ASSEMBLY DIAGRAM: 21027, 21029 | 11 |
| CLUTCH ASSEMBLY: 21027 (3/4" SHAFT), 21029 (1" SHAFT) – PARTS LIST 4 | 11 |
| PARTS LIST 5 – WALK-BEHIND TROWELS | 12 |
| SPIDER PLATE ASSEMBLY DIAGRAM: 20810 | 12 |
| SPIDER PLATE ASSEMBLY: 20810 – PARTS LIST 5 | 12 |
| PARTS LIST 6 – WALK-BEHIND TROWELS | 13 |
| PRESSURE PLATE ASSEMBLY DIAGRAM: 20627 | 13 |
| PRESSURE PLATE ASSEMBLY: 20627 – PARTS LIST 6 | 13 |
| PARTS LIST 7 – WALK-BEHIND TROWELS | 14 |
| HANDLE ASSEMBLY DIAGRAM: 20230 FINE PITCH | 14 |
| HANDLE ASSEMBLY: 20230 FINE PITCH - PARTS LIST 7 | 15 |
| PARTS LIST 8 – WALK-BEHIND TROWELS | 16 |
| HANDLE ASSEMBLY DIAGRAM: 20230E EUROPEAN SPEC. | 16 |
| HANDLE ASSEMBLY: 20230E EUROPEAN SPEC. - PARTS LIST 8 | 17 |
| PARTS LIST 9 – WALK-BEHIND TROWELS | 18 |
| FOLDING HANDLE ASSEMBLY DIAGRAM: 20234 | 18 |
| FOLDING HANDLE ASSEMBLY: 20234 – PARTS LIST 9 | 19 |
| PARTS LIST 10 – WALK-BEHIND TROWELS | 20 |
| BLADE KIT ASSEMBLY DIAGRAM | 20 |
| BC436 BLADE KIT – PARTS LIST 10 | 20 |
| PARTS LIST 11: WALK-BEHIND TROWELS | 21 |
| EASY PITCH ASSEMBLY DIAGRAM: 20259 | 21 |
| EASY PITCH: 20259 - PARTS LIST 11 | 21 |
| PARTS LIST 12 – WALK-BEHIND TROWELS | 22 |
| HAND KNOB ASSEMBLY DIAGRAM: 21714, 21720 | 22 |
| HAND KNOB ASSEMBLY: 21714, 21720 – PARTS LIST 12 | 22 |

PARTS LIST 1 – WALK-BEHIND TROWELS

GENERAL ASSEMBLY DIAGRAM: B436, B436SD



GENERAL ASSEMBLY: B436, B436SD - PARTS LIST 1

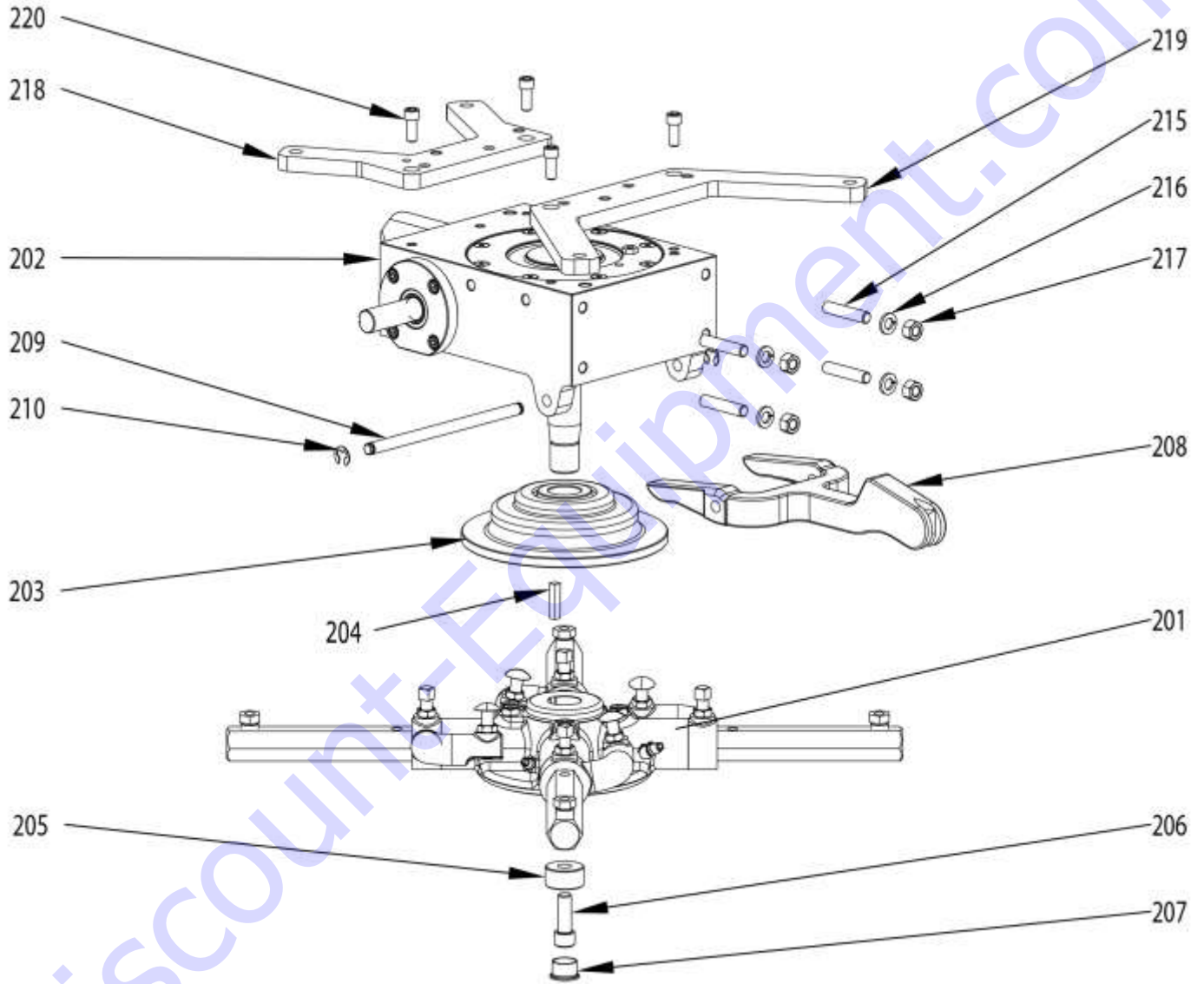
| Item # | Part # | Description | QTY | Remarks |
|--------|---|--|-----|-------------------------|
| 1 | 10740 (GX160) 11047 (GX270) | BELT, B25 BELT, B28 | 1 | 10/09/2012 8/16/2007 |
| 2 | 10739 (GX160) 14285 (GX270) | SHEAVE | 1 | 10/09/2012 |
| 3 | 10206 (GX160) 11003(GX270) | SQUARE KEY, 3/16" x 1 7/8" LG SQUARE KEY, 1/4" x 2" LG | 1 | 8/16/2007 |
| 6 | 10208 | SQUARE KEY, 3/16" x 1 1/2" LG | 1 | 8/16/2007 |
| 8 | 21027-2 (GX160) 21029-2 (GX270) | CLUTCH, 3/4" BORE CLUTCH, 1" BORE | 1 | 06/08/2004 |
| 9 | 21067-1 | BELT GUARD | 1 | 10/09/2012 |
| 13 | 20447 | GUARD RING | 1 | 06/08/2004 |
| 21 | 10402 (GX160) 10902 (GX270) | WASHER, LOCK, 5/16" WASHER, LOCK, 3/8" | 4 | 06/08/2004 |
| 26 | 14653 (GX160) 14650 (GX270) | STUD, ENGINE MOUNT - | 4 | 1/16/2013 4/15/2011 |
| 27 | 10915 (GX160) 10901 (GX270) | HEX NUT, 5/16"-18UNC, GRADE 5 HEX NUT, 3/8"-16UNC, GRADE 5 | 4 | 06/08/2004 |
| 31 | 10009 | WASHER, LOCK, 1/2" | 4 | 4/15/2011 |
| 32 | 13781 | HHCS, 1/2-13UNC x 1" LG | 4 | 4/15/2011 |
| 33 | 50026 | WASHER, FLAT, 1/2" | 4 | 4/15/2011 |
| 42 | 20230C 20230E 20229C | HANDLE ASSEMBLY, FINE PITCH HANDLE ASSEMBLY, EU SPEC. HANDLE ASSEMBLY, FOLDING | 1 | 07/20/2014 |
| 43 | 11112 | MUFFLER DEFLECTOR | 1 | 8/21/2007 |
| 44 | 11115 | BOLT, HEX HEAD, #8 3/8", | 2 | 4/15/2011 |
| 45 | 10919 (GX160) 10905 (GX270) | WASHER, FLAT, 5/16" WASHER, FLAT, 3/8" | 4 | 4/15/2011 4/15/2011 |
| 46 | 10402 (GX160) N/A (GX270) | LOCKWASHER, 5/16", MEDIUM SPLIT - | 1 | 07/01/2017 |
| 47 | 20289 (GX160) N/A (GX270) | CLUTCH SLEEVE - | 1 | 07/01/2017 |
| 48 | 981045 (GX160) 993480 (GX160) N/A (GX270) | HHCS, 5/16-24NFx1-1/2" LG HHCS, 5/16-24UNF X 1-3/4" LG (HOIST HOOK) - | 1 | 07/01/2017 |
| 49 | 10919 (GX160) N/A (GX270) | WASHER, FLAT, 5/16" DIA - | | 07/01/2017 |
| 51 | 20189 (GX160) 20171 (GX270) | HOIST HOOK (OPTIONAL) - | 1 | 06/08/2004 |
| 52 | 30041 | FHSCS, 5/16"-24 x 3/4" (W/ HOIST HOOK) | 4 | 06/08/2004 |
| 53 | 11254 (GX160) | CLUTCH SPACER (W/ HOIST HOOK) | 1 | 06/08/2004 |
| | 01109-B436-1 | DECAL KIT, B436 | 1 | |
| | 01109-FAM-B | ROUND BARTELL DECAL | 1 | |

This Page Intentionally Left Blank

Discount-Equipment.com

PARTS LIST 2 – WALK-BEHIND TROWELS

BASE UNIT ASSEMBLY DIAGRAM: B436, B436E, B436SD



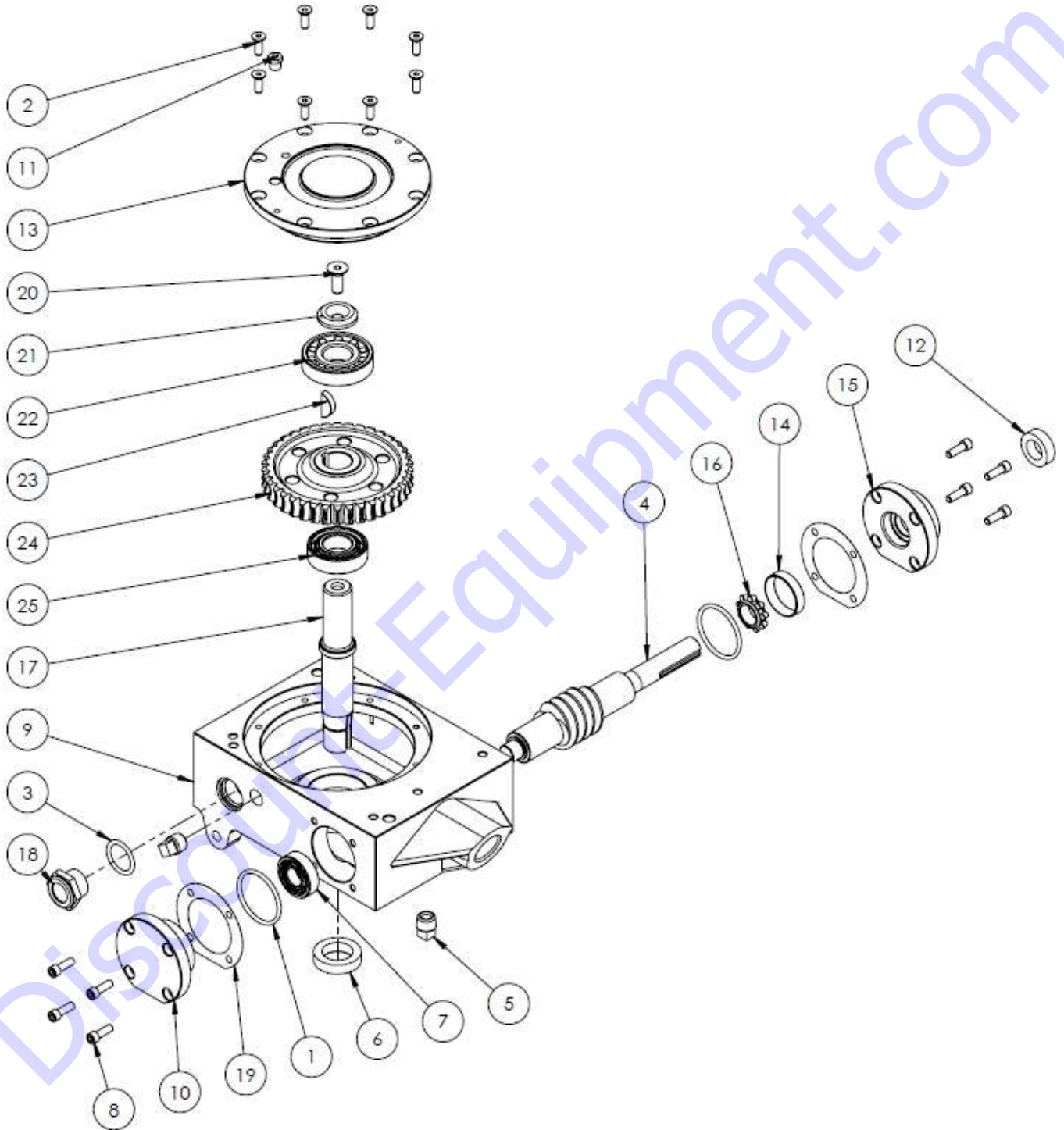
BASE UNIT ASSEMBLY: B436, B436E, B436SD - PARTS LIST 2

| Item # | Part # | Description | QTY | Remarks |
|--------|----------------|---|-----|----------------------|
| 201 | 20810 | SPIDER PLATE ASSEMBLY (SEE PARTS LIST 5) | 1 | 5/1/2004 |
| 202 | 20921 20943 | GEARBOX ASSEMBLY, B436, B436E GEARBOX ASSEMBLY, B436SD (SEE PARTS LIST 3) | 1 | 4/7/1998 4/7/1998 |
| 203 | 20627 | PRESSURE PLATE ASSEMBLY (SEE PARTS LIST 6) | 1 | 1/1/1997 |
| 204 | 10608 | KEY, 1/4" SQ x 1-5/32" LG | 1 | 1/1/1997 |
| 205 | 10814 | SPIDER PLATE RETAINER | 1 | 1/1/1997 |
| 206 | 10812 | SHCS, 7/16"-14UNC x 1 1/4" LG | 1 | 1/1/1997 |
| 207 | 10823 | CAP PLUG EC-12 | 1 | 1/1/1997 |
| 208 | 10312 | YOKE ARM | 1 | 3/1/2004 |
| 209 | 10923 | YOKE PIN | 1 | 1/1/1997 |
| 210 | 10922 | RETAINING RING, E TYPE, 3/8" DIA | 2 | 1/1/1997 |
| 215 | 11339 | STUD, 3/8"-16 x 1-1/2" LG | 4 | 1/1/1997 |
| 216 | 10902 | WASHER, LOCK, 3/8" DIA, MEDIUM | 4 | 1/1/1997 |
| 217 | 10901 | HEX NUT, 3/8"-16UNC | 4 | 1/1/1997 |
| 218 | 15344 | MOUNTING RAIL, FRONT | 1 | 5/15/2011 |
| 219 | 15345 | MOUNTING RAIL, REAR | 1 | 5/15/2011 |
| 220 | 10357 | SHCS, 5/16-18x3/4" LG | 4 | 5/15/2011 |

Discount-Equipment.com

PARTS LIST 3 – WALK-BEHIND TROWELS

GEARBOX ASSEMBLY DIAGRAM: 20921, 20943

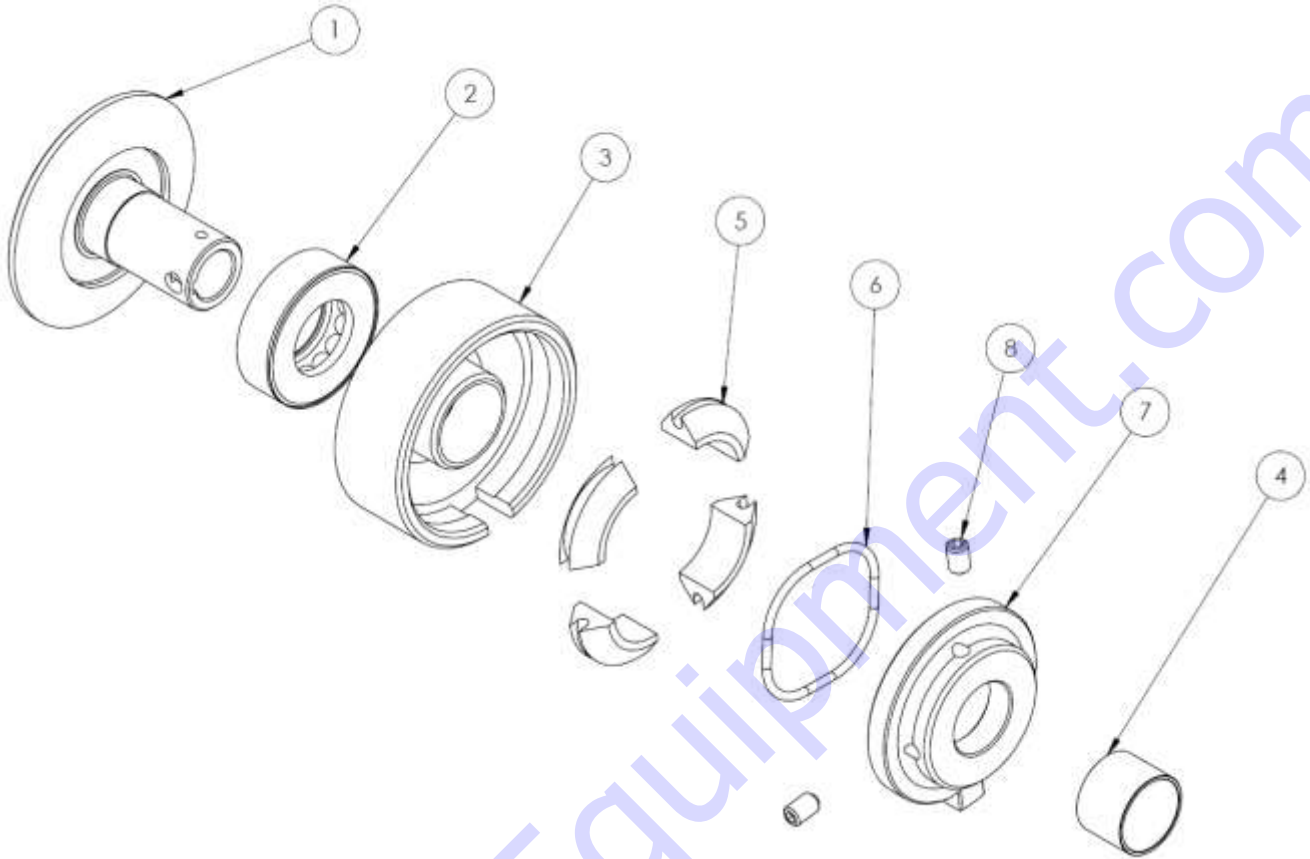


GEARBOX ASSEMBLY: 20921, 20943 - PARTS LIST 3

| Item # | Part # | Description | QTY | Remarks |
|--------|--------|---|-----|------------|
| 1 | 10227 | SM O-RING | 2 | 09/27/2007 |
| 2 | 10916 | FHCS, 1/4"-20NC X 3/4" LG, PLAIN | 8 | 09/27/2007 |
| 3 | 10931 | O RING, No. 213 | 1 | 09/27/2007 |
| 4 | 10279 | SMALL WORMSHAFT, RH | 1 | 09/27/2007 |
| 5 | 10911 | PLUG 3/8 NPT | 2 | 09/27/2007 |
| 6 | 10677 | OIL SEAL, 1-1/16" ID x 1.628" OD x 5/16 THICK | 1 | 09/27/2007 |
| 7 | 10224 | BEARING, RADIAL BALL, 6203U | 1 | 09/27/2007 |
| 8 | 10213 | SHCS, 1/4"-20NC X 3/4" LG, GRADE 5, ZP | 8 | 09/27/2007 |
| 9 | 10921 | SMALL GEARBOX, HOUSING | 1 | 09/27/2007 |
| 10 | 10226 | SMALL END CAP | 1 | 09/27/2007 |
| 11 | 10909 | RELIEF VALVE | 1 | 09/27/2007 |
| 12 | 10678 | OIL SEAL, .75" ID x 1.254" OD x 3/8 THICK | 1 | 09/27/2007 |
| 13 | 10917 | GEARBOX COVER, SMALL | 1 | 09/27/2007 |
| 14 | 10220 | BEARING CONE | 1 | 09/27/2007 |
| 15 | 10217 | GEARBOX FLANGE, SMALL | 1 | 09/27/2007 |
| 16 | 10219 | BEARING CUP | 1 | 09/27/2007 |
| 17 | 10618 | MAIN SHAFT | 1 | 09/27/2007 |
| 18 | 10930 | SIGHT PLUG | 1 | 09/27/2007 |
| 19 | 10216 | SM GASKET .010 THICK | 2 | 09/27/2007 |
| 20 | 10601 | FHSCS, LH, 3/8"-16UNC x 1" LG, GR. 5 | 1 | 09/27/2007 |
| 21 | 10613 | PRESSURE WASHER | 1 | 09/27/2007 |
| 22 | 10614 | BEARING 4T-30305 | 1 | 09/27/2007 |
| 23 | 10615 | WOODRUFF KEY 8630 STEEL | 1 | 09/27/2007 |
| 24 | 10616 | SMALL BRONZE GEAR | 1 | 09/27/2007 |
| 25 | 10617 | BEARING #6205UT | 1 | 09/27/2007 |
| 26 | 10637 | LOCKWASHER, 3/8", COUNTERSUNK | 1 | 09/27/2007 |

PARTS LIST 4 – WALK-BEHIND TROWELS

CLUTCH ASSEMBLY DIAGRAM: 21027-2, 21029-2

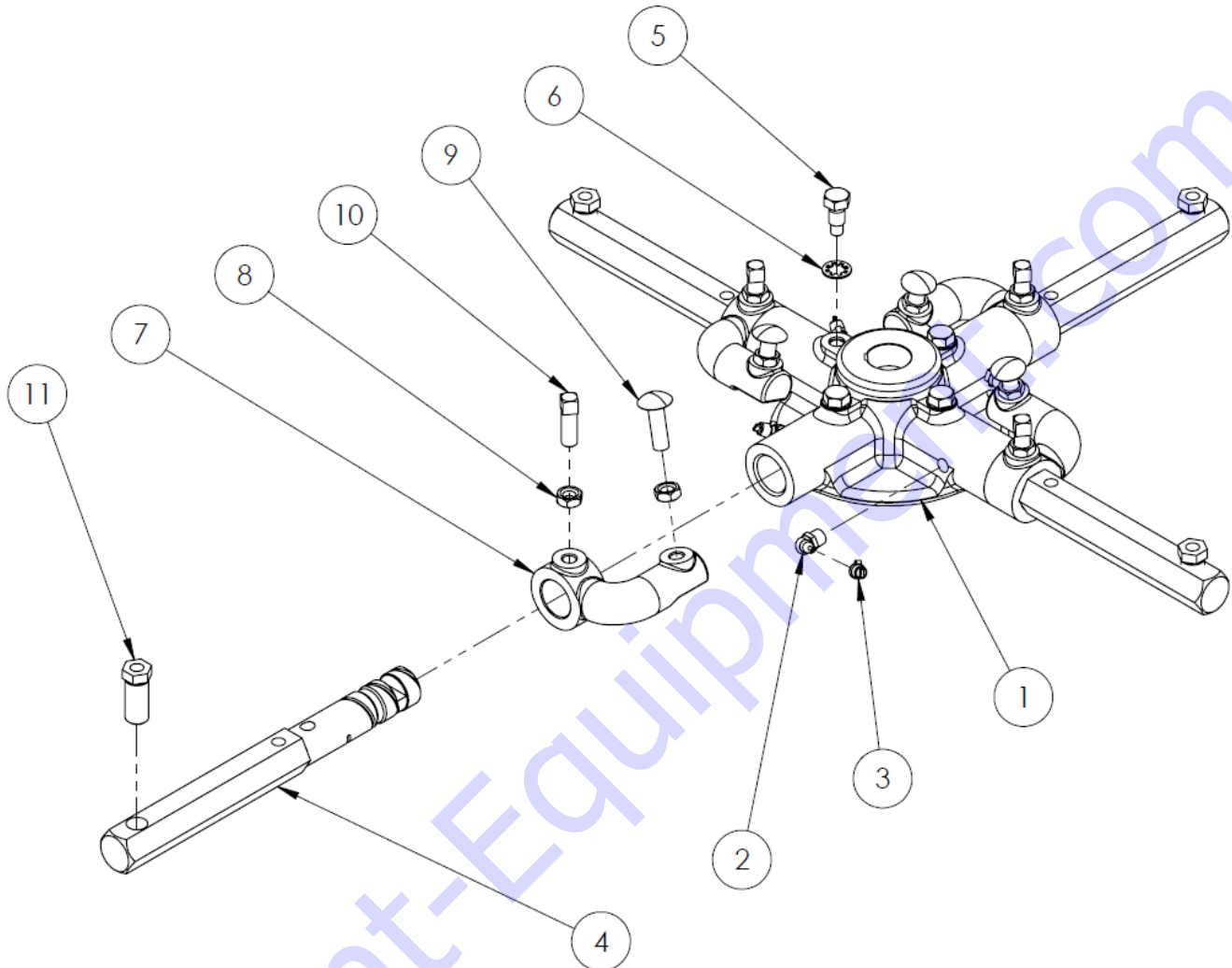


CLUTCH ASSEMBLY: 21027-2 (3/4" SHAFT), 21029-2 (1" SHAFT) – PARTS LIST 4

| Item # | Part # | Description | QTY | Remarks |
|--------|--------------------------------------|-------------------------|-----|-----------|
| 1 | 11484(3/4" SHAFT) 11045(1" SHAFT) | SPINDLE | 1 | 8/21/2007 |
| 2 | 11044 | BEARING | 1 | 8/21/2007 |
| 3 | 21046 | DRUM W/BUSHING | 1 | 8/21/2007 |
| 4 | 11012 | BUSHING | 1 | 8/21/2007 |
| 5 | 11014 | WEIGHT (SHOE) | 4 | 8/21/2007 |
| 6 | 10759 | SPRING | 1 | 8/21/2007 |
| 7 | 11015 | FACE PLATE | 1 | 8/21/2007 |
| 8 | 50117 | SET SCREW 5/16 – 18 UNC | 2 | 8/21/2007 |

PARTS LIST 5 – WALK-BEHIND TROWELS

SPIDER PLATE ASSEMBLY DIAGRAM: 20810

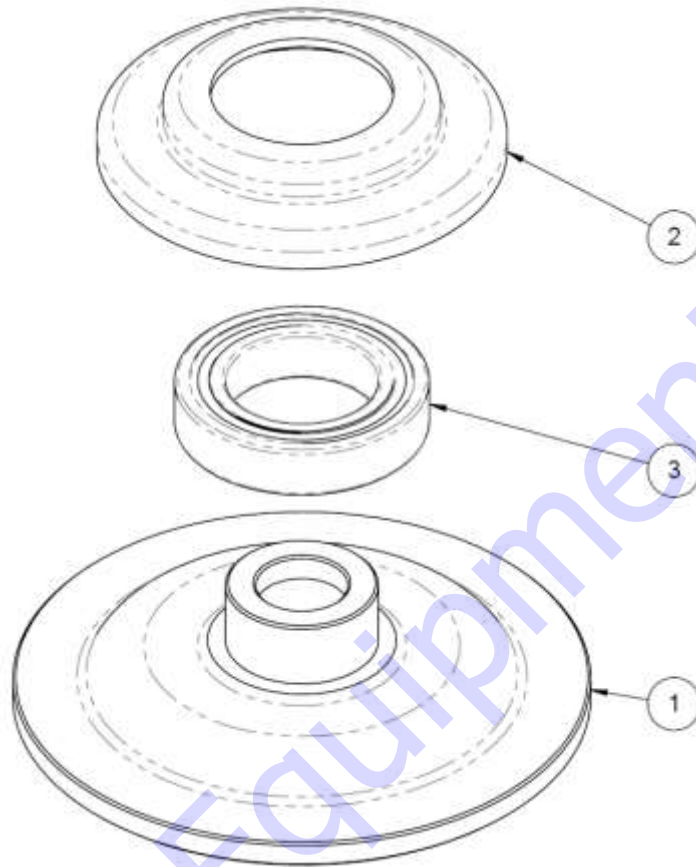


SPIDER PLATE ASSEMBLY: 20810 – PARTS LIST 5

| Item # | Part # | Description | QTY | Remarks |
|--------|--------|---|-----|-----------|
| 1 | 10810 | SPIDER PLATE (SMALL) | 1 | 1/1/1997 |
| 2 | 10801 | GREASE FITTING, 65 DEG, 1/8 NPT | 4 | 1/1/1997 |
| 3 | 10822 | CAP GREASE, NIPPLE, 1/8 ALEMITE | 4 | 1/1/1997 |
| 4 | 10411 | TROWEL ARM (SMALL) | 4 | 9/5/2000 |
| 5 | 10806 | 3/8-UNC DOG POINT BOLT | 4 | 1/1/1997 |
| 6 | 10805 | LOCKWASHER, INT. STAR 3/8 STEEL | 4 | 1/1/1997 |
| 7 | 10817 | LIFT LEVER (SMALL) | 4 | 9/12/2000 |
| 8 | 10808 | HEX JAM NUT 3/8-16 UNC | 8 | 1/1/1997 |
| 9 | 10807 | CARRIAGE BOLT, 3/8-16x1 1/4"LG | 4 | 1/1/1997 |
| 10 | 10809 | SQ. HEAD SET SCREW, 3/8-16 x 1" LG. STEEL | 4 | 1/1/1997 |
| 11 | 10404 | ADJUSTING SCREW 1-1/4"LG | 4 | 1/1/1997 |

PARTS LIST 6 – WALK-BEHIND TROWELS

PRESSURE PLATE ASSEMBLY DIAGRAM: 20627

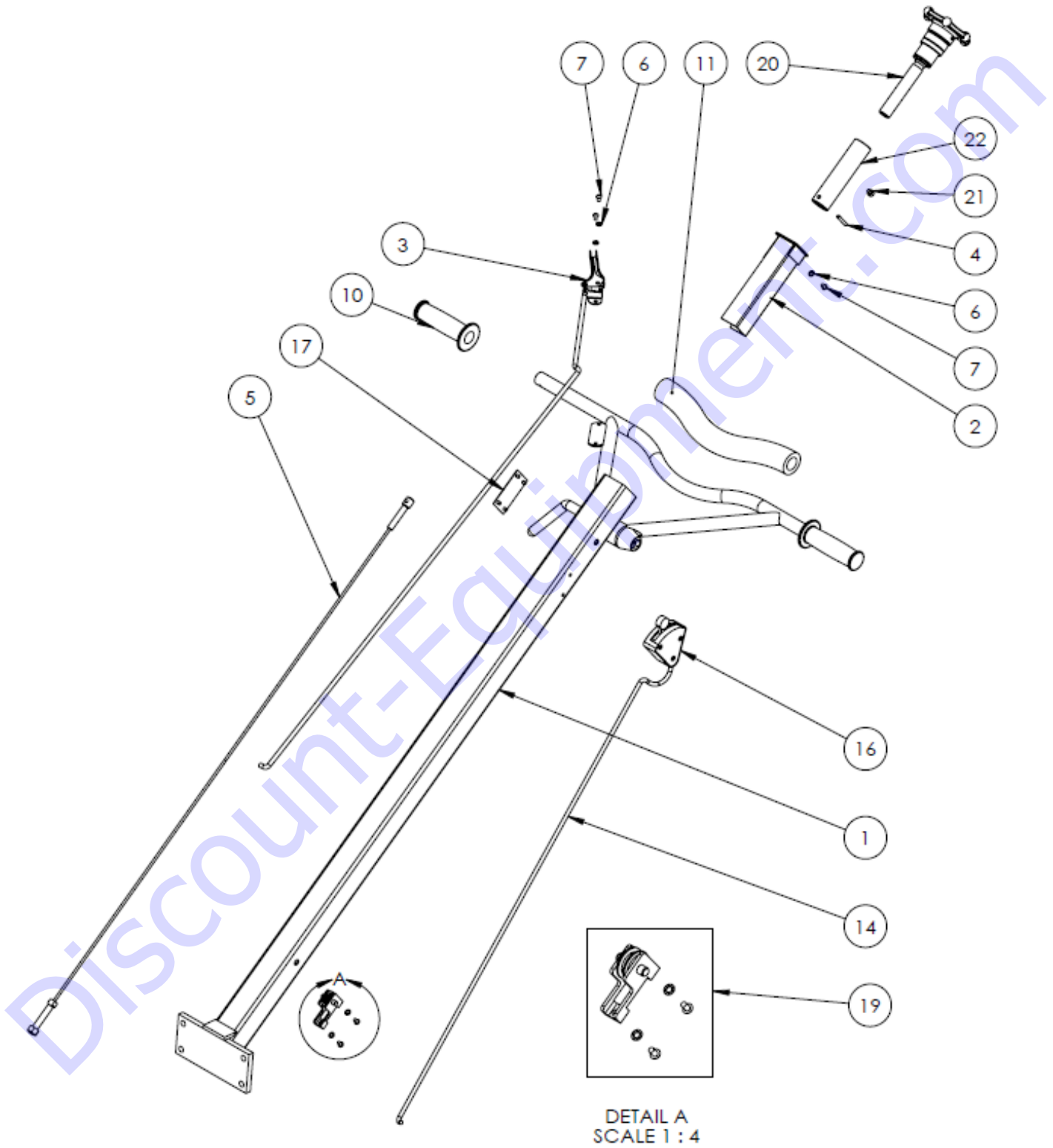


PRESSURE PLATE ASSEMBLY: 20627 – PARTS LIST 6

| Item # | Part # | Description | QTY | Remarks |
|--------|--------|--------------------|-----|-----------|
| 1 | 10660 | PRESSURE PLATE | 1 | 1/1/1997 |
| 2 | 10664 | THRUST BEARING P/P | 1 | 1/1/1997 |
| 3 | 10668 | PRESSURE PLATE CAP | 1 | 12/6/2002 |

PARTS LIST 7 – WALK-BEHIND TROWELS

HANDLE ASSEMBLY DIAGRAM: 20230C FINE PITCH



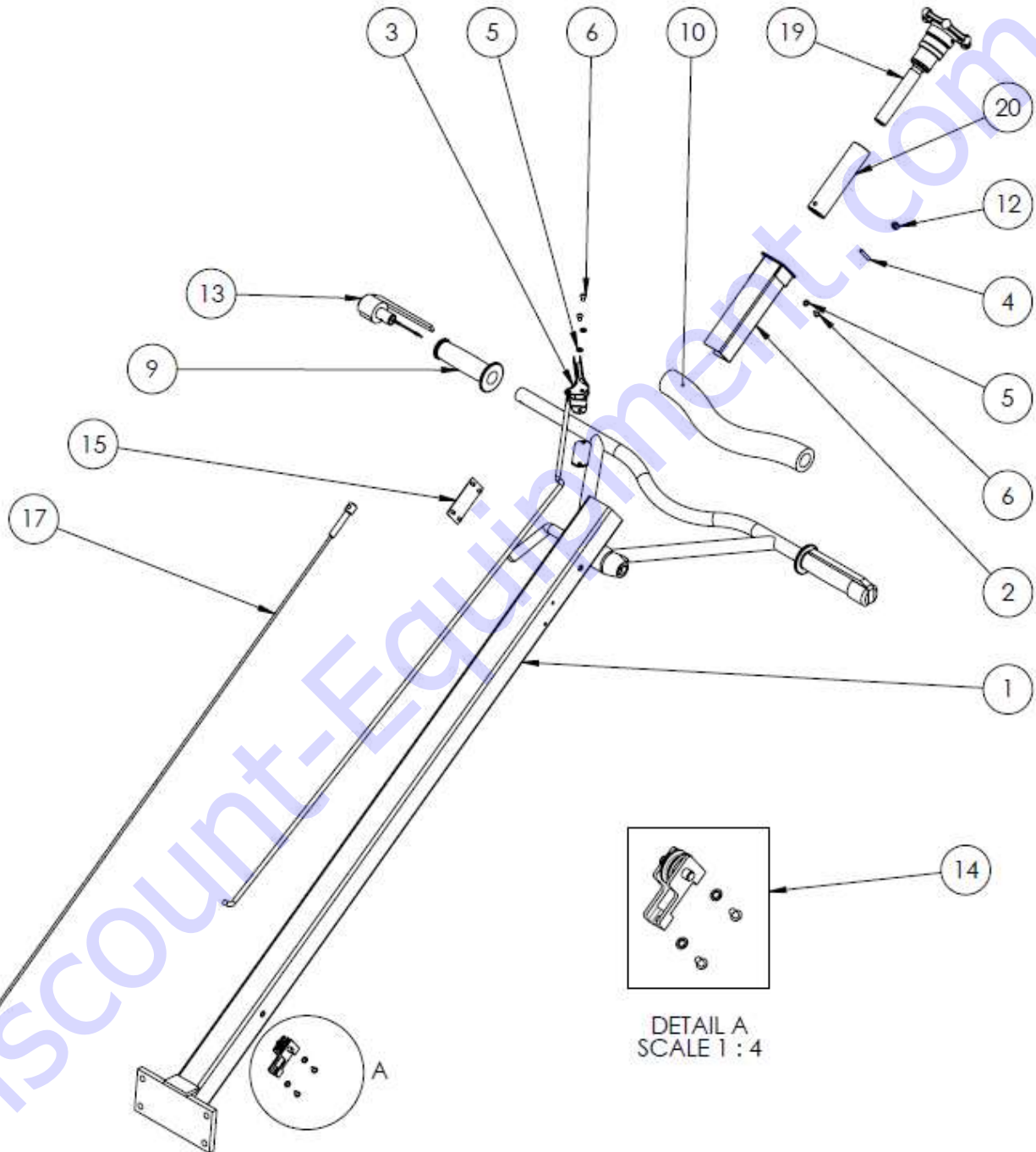
HANDLE ASSEMBLY: 20230C FINE PITCH - PARTS LIST 7

| Item # | Part # | Description | QTY | Remarks |
|--------|-------------|--|-----|------------|
| 1 | 20230C | MEDIUM STRAIGHT HANDLE, FULLY ASSEMBLED | 1 | 10/01/2014 |
| 2 | 20112 | PITCH INSERT | 1 | 10/01/2014 |
| 3 | 10895 | THROTTLE LEVER ASSEMBLY | 1 | 10/01/2014 |
| 4 | 21724 | PIN 3/16"DIA X 1-1/4"LG | 1 | 10/01/2014 |
| 5 | 20331 | PITCH CONTROL CABLE, 42-1/32", 3/8-16 THREAD | 1 | 10/01/2014 |
| 6 | 10703 | LOCK WASHER, INTERNAL TOOTH, #10 | 3 | 10/01/2014 |
| 7 | 21728 | RHMS, M5-0.8 X 8MM LG | 3 | 10/01/2014 |
| 10 | 21717 | HANDLE GRIP | 2 | 10/01/2014 |
| 11 | 21721 | CROSSBAR PAD | 1 | 10/01/2014 |
| 14 | 20702 | 66" WIRE ASSEMBLY | 1 | 10/01/2014 |
| 16 | 21729 | SAFETY SWITCH | 1 | 10/01/2014 |
| 17 | 20111 | COVER PLATE | 1 | 10/01/2014 |
| 19 | 20288 | PULLEY ASSEMBLY | 1 | 10/01/2014 |
| 20 | 21714 | ASSY, HAND KNOB | 1 | 10/01/2014 |
| 21 | 21725 | M6-1.0 X 6MM LG | 1 | 10/01/2014 |
| 22 | 21722 | THREADED SLIDE BUSHING | 1 | 10/01/2014 |
| | 10525-SQPRO | BARTELL DECAL KIT | 1 | |

Discount-Equipment.com

PARTS LIST 8 – WALK-BEHIND TROWELS

HANDLE ASSEMBLY DIAGRAM: 20230E EUROPEAN SPEC.





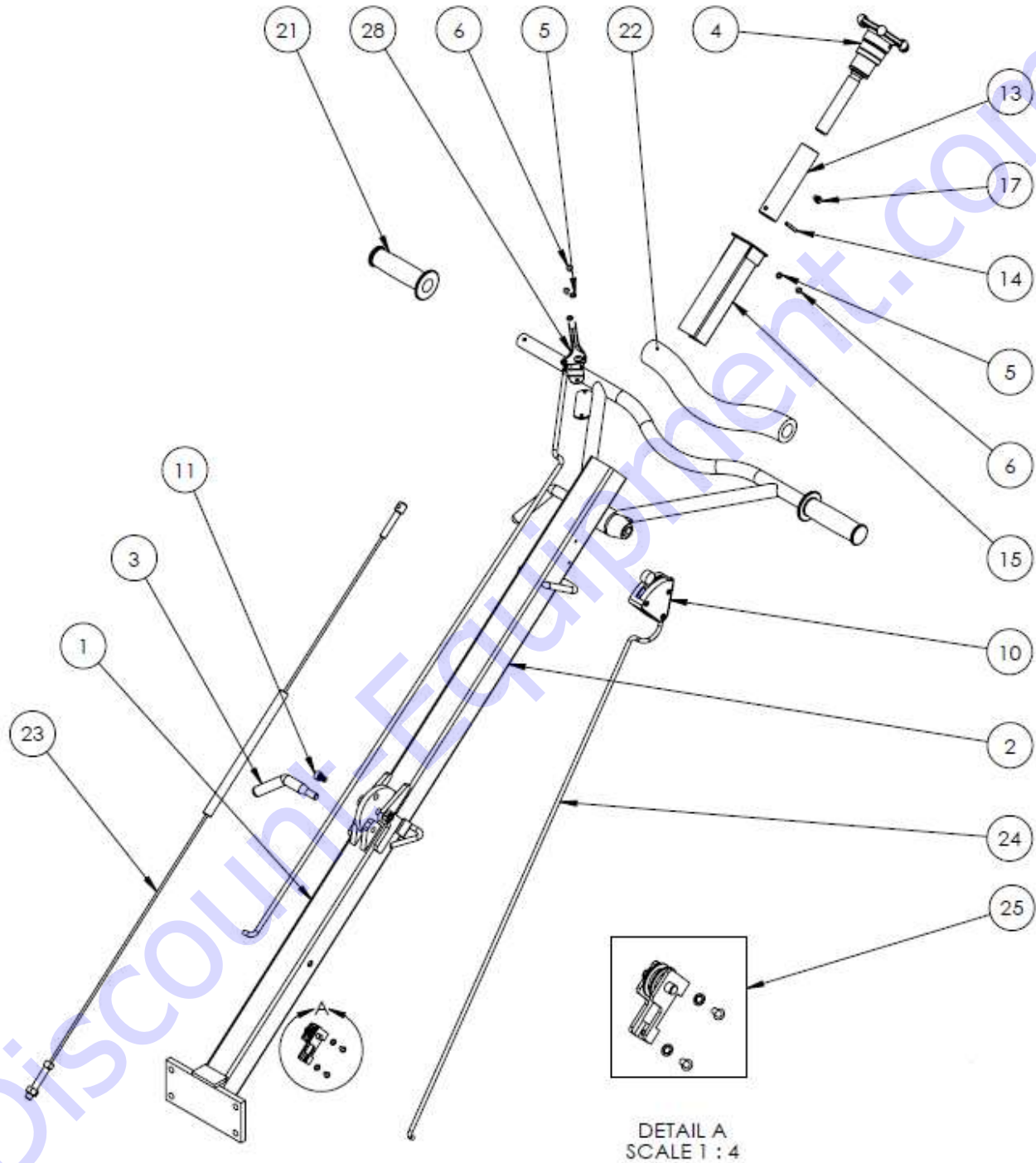
HANDLE ASSEMBLY: 20230E EUROPEAN SPEC. - PARTS LIST 8

| Item # | Part # | Description | QTY | Remarks |
|--------|-------------|---|-----|------------|
| 1 | 20230E | MEDIUM STRAIGHT HANDLE B436 | 1 | 10/01/2014 |
| 2 | 20112 | PITCH INSERT | 1 | 10/01/2014 |
| 3 | 10508 | THROTTLE LEVER ASSEMBLY | 1 | 10/01/2014 |
| 4 | 21724 | PIN 3/16"DIA X 1-1/4"LG | 1 | 10/01/2014 |
| 5 | 10703 | LOCK WASHER, INTERNAL TOOTH, #10 | 3 | 10/01/2014 |
| 6 | 21728 | RHMS, M5-0.8 X 8MM LG | 3 | 10/01/2014 |
| 9 | 21717 | HANDLE GRIP | 2 | 10/01/2014 |
| 10 | 21721 | CROSSBAR PAD | 1 | 10/01/2014 |
| 12 | 21725 | M6-1.0 X 6MM LG | 1 | 10/01/2014 |
| 13 | 11852 | SAFETY SWITCH, PIGTAIL WIRES | 2 | 10/01/2014 |
| 14 | 20288 | PULLEY ASSEMBLY | 1 | 10/01/2014 |
| 15 | 20113 | PITCH FACEPLATE | 1 | 10/01/2014 |
| 17 | 20335 | PITCH CONTROL CABLE, 42-13/32", M10-1.5 | 1 | 10/01/2014 |
| 19 | 21714 | HAND KNOB ASSEMBLY | 1 | 10/01/2014 |
| 20 | 21722 | THREADED SLIDE BUSHING | 1 | 10/01/2014 |
| | | EURO WIRE ASSEMBLY | 1 | 10/01/2014 |
| | 10525-SQPRO | BARTELL DECAL KIT | 1 | |

Discount-Equipment.com

PARTS LIST 9 – WALK-BEHIND TROWELS

FOLDING HANDLE ASSEMBLY DIAGRAM: 20229C



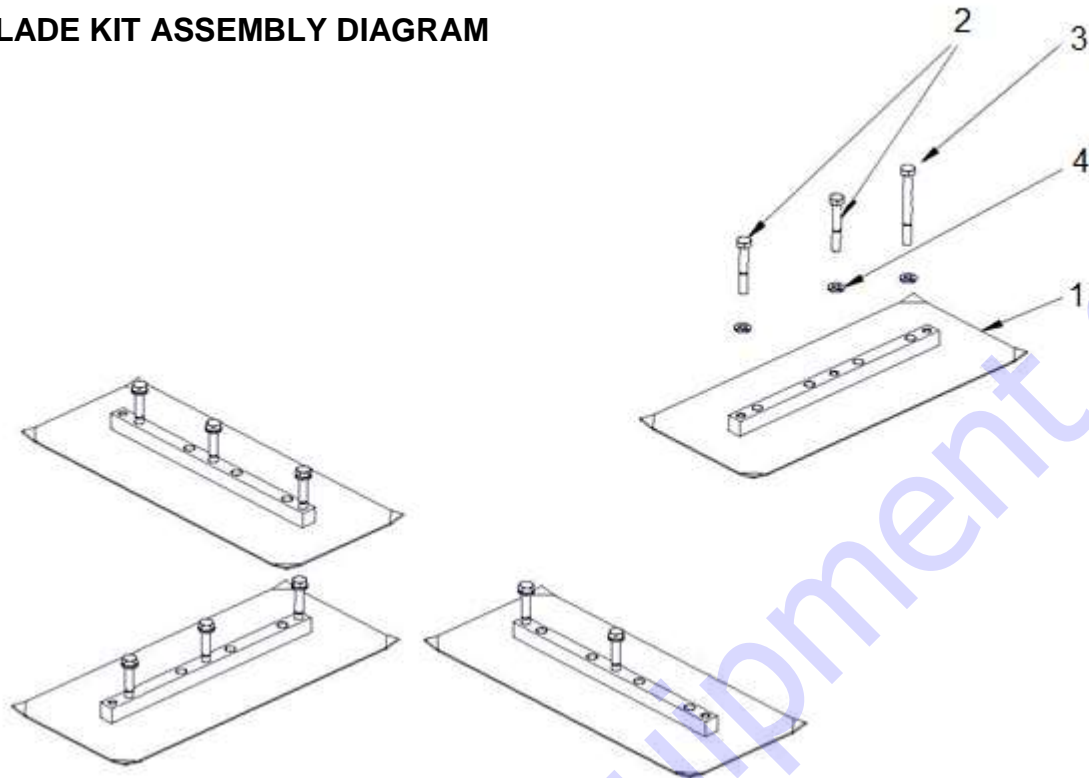
FOLDING HANDLE ASSEMBLY: 20229C – PARTS LIST 9

| Item # | Part # | Description | QTY | Remarks |
|--------|-------------|----------------------------------|-----|-----------|
| 2 | 20229 | FOLDING HANDLE, EURO | 1 | 1/21/2015 |
| 3 | 20195 | THREADED PIN | 1 | 1/21/2015 |
| 4 | 21714 | HAND KNOB ASSEMBLY | 1 | 1/21/2015 |
| 5 | 10703 | LOCK WASHER, INTERNAL TOOTH, #10 | 5 | 1/21/2015 |
| 6 | 21728 | RHMS, M5-0.8x8MM LG | 5 | 1/21/2015 |
| 10 | 21847 | SAFETY SWITCH | 1 | 1/21/2015 |
| 11 | 51010 | SHCS, M8-1.25X12MM LG | 2 | 1/21/2015 |
| 13 | 21722 | THREADED SLIDE BUSHING | 1 | 1/21/2015 |
| 14 | 21724 | PIN 3/16" DIA x1-1/4" LG | 1 | 1/21/2015 |
| 15 | 20112 | PITCH INSERT | 1 | 1/21/2015 |
| 17 | 21725 | M6-1.0 x 6MM LG | 1 | 1/21/2015 |
| 21 | 21717 | HANDLE GRIP | 2 | 1/21/2015 |
| 22 | 21721 | CROSSBAR PAD | 1 | 1/21/2015 |
| 23 | 20273 | PITCH CONTROL CABLE | 1 | 1/21/2015 |
| 24 | 20703 | 66" WIRE ASSY | 1 | 1/21/2015 |
| 25 | 20287 | PULLEY ASSEMBLY | 1 | 1/21/2015 |
| 28 | 10508 | THROTTLE LEVER ASSEMBLY | 1 | 1/21/2015 |
| | 10525-SQPRO | BARTELL DECAL KIT | 1 | |

Discount-Equipment.com

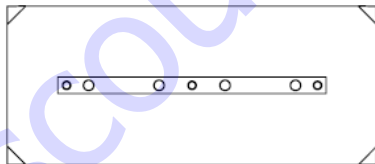
PARTS LIST 10 – WALK-BEHIND TROWELS

BLADE KIT ASSEMBLY DIAGRAM

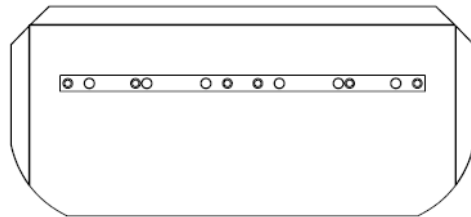


BC436 BLADE KIT – PARTS LIST 10

| Item # | Part # | Description | QTY | Remarks |
|--------|--------|----------------------|-----|------------|
| 1 | - | TROWEL BLADE | 4 | 08/04/2007 |
| 2 | 10452 | HHCS, M8-1.25 X 40MM | 8 | 08/04/2007 |
| 3 | 10453 | HHCS, M8-1.25 X 50MM | 4 | 08/04/2007 |
| 4 | 11614 | LOCK WASHER, M8 | 12 | 08/04/2007 |



STANDARD FINISHING BLADE

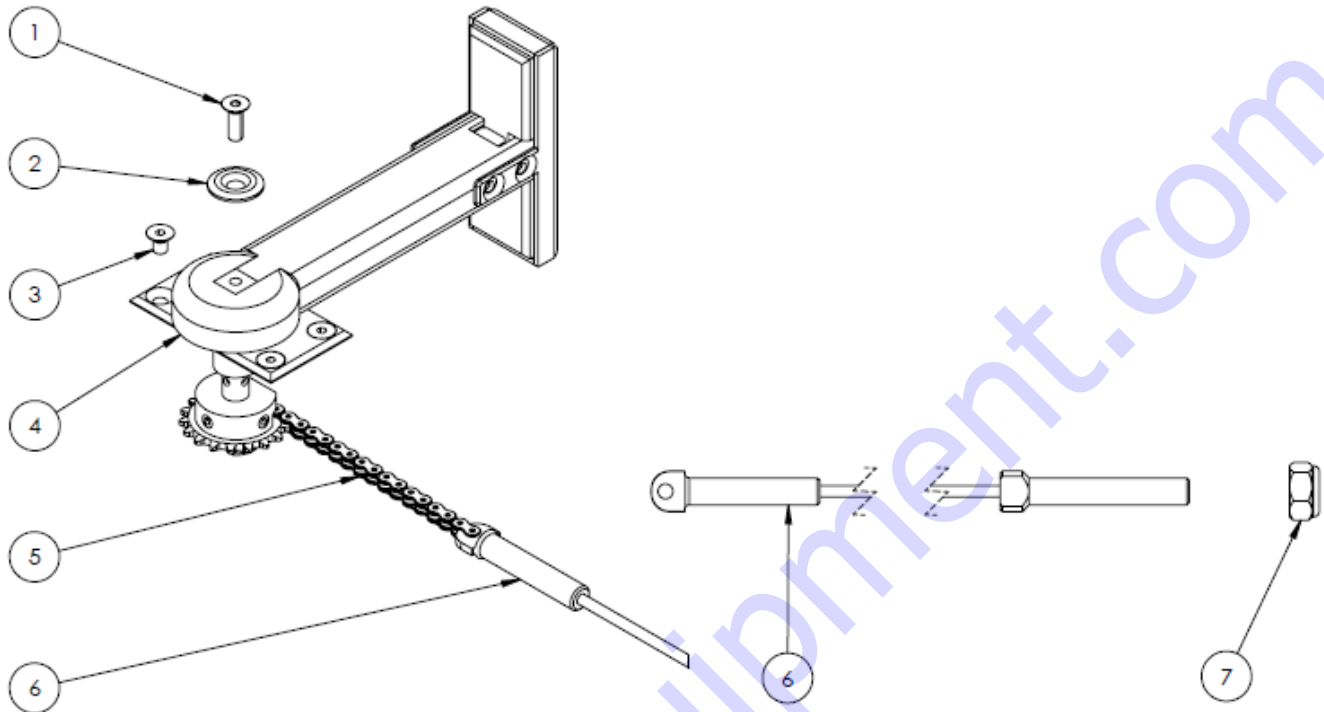


STANDARD COMBINATION BLADE

| Part # | Dimensions | Part # | Dimensions |
|--------|----------------------------|--------|----------------------------|
| 20414 | 6" x 14" (15.2CM x 35.6CM) | 20479 | 8" x 14" (20.3CM x 35.6CM) |

PARTS LIST 11: WALK-BEHIND TROWELS

EASY PITCH ASSEMBLY DIAGRAM: 20258



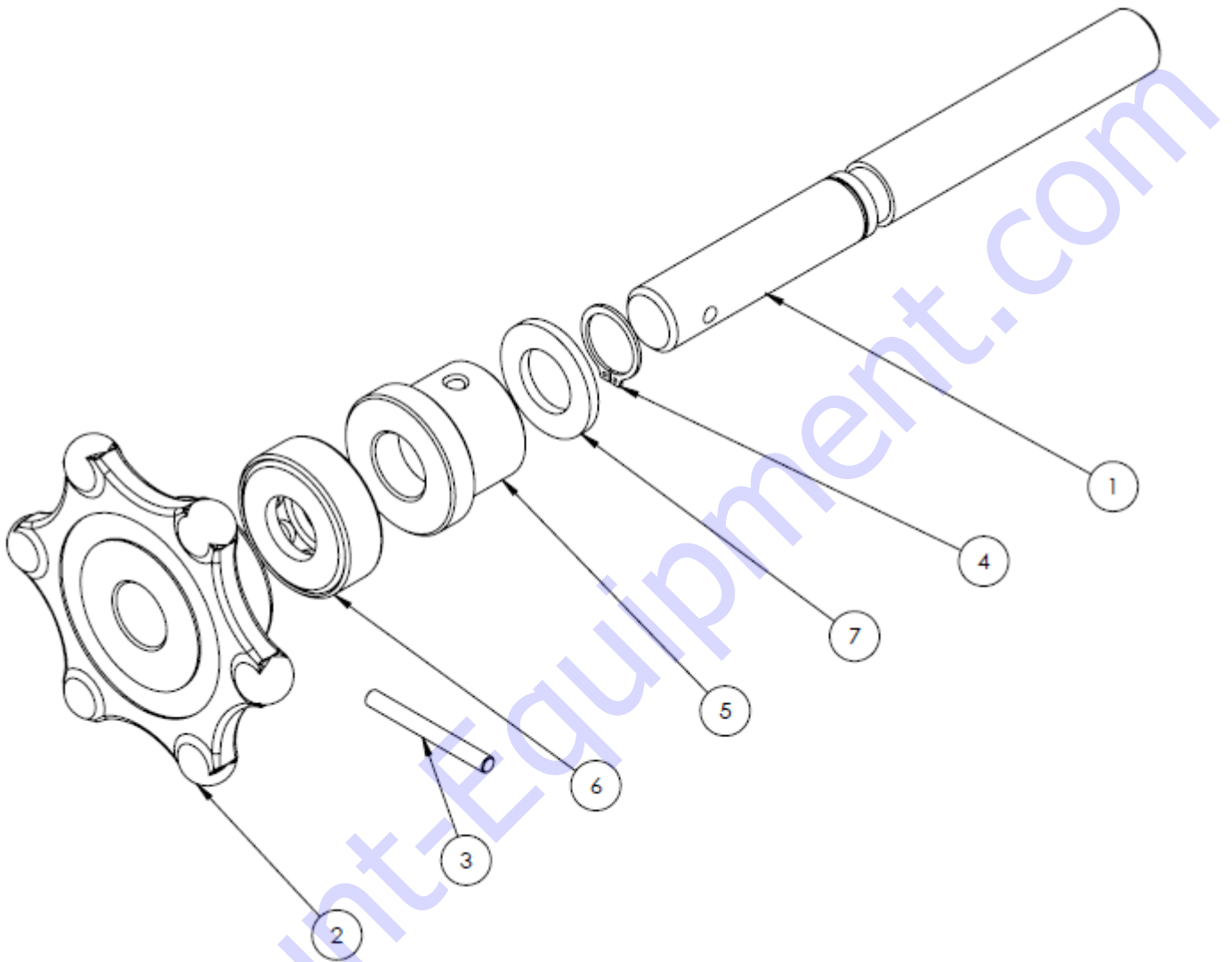
EASY PITCH: 20258 - PARTS LIST 11

| Item # | Part # | Description | QTY | Remarks |
|--------|--------------|-------------------------|-----|---------|
| 1 | 20226 | FHCS, M5-0.8 X 15MM | 2 | |
| 2 | 20208 | WASHER, M5, 3.5MM THICK | 2 | |
| 3 | 21218 | FHCS, M5-0.8 X 12 MM | 4 | |
| 4 | 20270 | HANDLE ASSEMBLY | 1 | |
| 5 | 20209 | CHAIN ASSEMBLY, #25 | 1 | |
| 6 | 20333 | PITCH CONTROL CABLE | 1 | |
| 7 | 11802 | LOCK NUT, M10-1.5 | 1 | |
| | 10525-EPITCH | EASY PITCH DECAL KIT | 1 | |

SOLD AS ASSEMBLY ONLY

PARTS LIST 12 – WALK-BEHIND TROWELS

HAND KNOB ASSEMBLY DIAGRAM: 21714, 21720



HAND KNOB ASSEMBLY: 21714, 21720 – PARTS LIST 12

| Item # | Part # | Description | QTY | Remarks |
|--------|--------|----------------------|-----|-----------|
| 1 | 10303 | SCREW SHAFT | 1 | 1/21/2015 |
| 2 | 10301 | KNOB | 1 | 1/21/2015 |
| 3 | 10302 | PIN 3/16 x 1-3/4" LG | 1 | 1/21/2015 |
| 4 | 10307 | RETAINER | 1 | 1/21/2015 |
| 5 | 10313 | BUSHING, HANDLE | 1 | 1/21/2015 |
| 6 | 10304 | BEARING 607V NICE | 1 | 1/21/2015 |
| 7 | 10306 | WASHER 3/4"DIA | 1 | 1/21/2015 |

PARTS FINDER

**Search Website
by Part Number**



**Search Manual
Library For Parts
Manual & Lookup Part
Numbers – Purchase
or Request Quote**

Search Manuals

Enter your information to help us find the right parts manual for your machine.

* Brand:

* Model:

* Serial:

* Part Number:

SEARCH

**Can't Find Part or
Manual? Request Help
by Manufacturer,
Model & Description**

Parts Order Form

Please fill in the following information to help us find the right part for your machine.

| | |
|---------------|----------------------|
| Manufacturer: | <input type="text"/> |
| Model: | <input type="text"/> |
| Serial: | <input type="text"/> |
| Description: | <input type="text"/> |
| Part Number: | <input type="text"/> |
| Quantity: | <input type="text"/> |
| Notes: | <input type="text"/> |

SEARCH

Discount-Equipment.com is your online resource for quality parts & equipment.

Florida: **561-964-4949** Outside Florida TOLL FREE: **877-690-3101**

Need parts?

Click on this link: <http://www.discount-equipment.com/category/5443-parts/> and choose one of the options to help get the right parts and equipment you are looking for. Please have the machine model and serial number available in order to help us get you the correct parts. If you don't find the part on the website or on one of the online manuals, please fill out the request form and one of our experienced staff members will get back to you with a quote for the right part that your machine needs.

We sell worldwide for the brands: Genie, Terex, JLG, MultiQuip, Mikasa, Essick, Whiteman, Mayco, Toro Stone, Diamond Products, Generac Magnum, Airman, Haulotte, Barreto, Power Blanket, Nifty Lift, Atlas Copco, Chicago Pneumatic, Allmand, Miller Curber, Skyjack, Lull, Skytrak, Tsurumi, Husquvarna Target, Stow, Wacker, Sakai, Mi-T-M, Sullair, Basic, Dynapac, MBW, Weber, Bartell, Bennar Newman, Haulotte, Ditch Runner, Menegotti, Morrison, Contec, Buddy, Crown, Edco, Wyco, Bomag, Laymor, EZ Trench, Bil-Jax, F.S. Curtis, Gehl Pavers, Heli, Honda, ICS/PowerGrit, IHI, Partner, Imer, Clipper, MMD, Koshin, Rice, CH&E, General Equipment, Amida, Coleman, NAC, Gradall, Square Shooter, Kent, Stanley, Tamco, Toku, Hatz, Kohler, Robin, Wisconsin, Northrock, Oztec, Toker TK, Rol-Air, APT, Wylie, Ingersoll Rand / Doosan, Innovatech, Con X, Ammann, Mecalac, Makinex, Smith Surface Prep, Small Line, Wanco, Yanmar