

morrison

CONCRETE EQUIPMENT

POWER SPRAYER

MODEL S151/S201

ASSEMBLY DRAWINGS AND PARTS CATALOGUE

Use this guide along with the parts lists attached to locate and identify components of your sprayer. When ordering replacement parts, be sure to provide the serial number from the sprayer.



**Discount
Equipment**

www.Discount-Equipment.com

Doc. # PB – M09205
Orig. Rel. – 07/2008
Curr. Rev. – 08
Rev. Date – 06/2014

PARTS FINDER

**Search Website
by Part Number**



**Search Manual
Library For Parts
Manual & Lookup Part
Numbers – Purchase
or Request Quote**

Search Manuals

Enter your information to help us find the right parts manual for your machine.

* Brand:

* Model:

* Serial:

* Part Number:

SEARCH

**Can't Find Part or
Manual? Request Help
by Manufacturer,
Model & Description**

Parts Order Form

Please fill in the following information to help us find the right part for your machine.

Manufacturer:

Model:

Description:

Quantity:

Part Number:

Part Name:

Part Description:

Part Location:

Part Drawing:

Part Photo:

Part Price:

Part Weight:

Part Dimensions:

Part Material:

Part Finish:

Part Color:

Part Notes:

Part Status:

Part Location:

Part Drawing:

Part Photo:

Part Price:

Part Weight:

Part Dimensions:

Part Material:

Part Finish:

Part Color:

Part Notes:

Part Status:

SEARCH

Discount-Equipment.com is your online resource for quality parts & equipment.

Florida: **561-964-4949** Outside Florida TOLL FREE: **877-690-3101**

Need parts?

Click on this link: <http://www.discount-equipment.com/category/5443-parts/> and choose one of the options to help get the right parts and equipment you are looking for. Please have the machine model and serial number available in order to help us get you the correct parts. If you don't find the part on the website or on one of the online manuals, please fill out the request form and one of our experienced staff members will get back to you with a quote for the right part that your machine needs.

We sell worldwide for the brands: Genie, Terex, JLG, MultiQuip, Mikasa, Essick, Whiteman, Mayco, Toro Stone, Diamond Products, Generac Magnum, Airman, Haulotte, Barreto, Power Blanket, Nifty Lift, Atlas Copco, Chicago Pneumatic, Allmand, Miller Curber, Skyjack, Lull, Skytrak, Tsurumi, Husquvarna Target, Stow, Wacker, Sakai, Mi-T-M, Sullair, Basic, Dynapac, MBW, Weber, Bartell, Bennar Newman, Haulotte, Ditch Runner, Menegotti, Morrison, Contec, Buddy, Crown, Edco, Wyco, Bomag, Laymor, EZ Trench, Bil-Jax, F.S. Curtis, Gehl Pavers, Heli, Honda, ICS/PowerGrit, IHI, Partner, Imer, Clipper, MMD, Koshin, Rice, CH&E, General Equipment, Amida, Coleman, NAC, Gradall, Square Shooter, Kent, Stanley, Tamco, Toku, Hatz, Kohler, Robin, Wisconsin, Northrock, Oztec, Toker TK, Rol-Air, APT, Wylie, Ingersoll Rand / Doosan, Innovatech, Con X, Ammann, Mecalac, Makinex, Smith Surface Prep, Small Line, Wanco, Yanmar

Source-Equipment.com

Revision	Rev. Date	Details	Approved
0	05-08-2008	Initial document release	G.M.T.
1	07-15-2008	Update cover page. Update hand cart. Page 5- p/n 742466 was 142466.	A.L.
2	12-14-2008	Add optional lengths hose part numbers 560071 to 560073, to page 8.	
3	08-17-2009	Relocation	D.M.
4	12-21-2010	Layout	R.L.
5	05-04-2011	Update S201 and add S151 Sprayer.	A.L.
6	08-27-2012	Repair kits added.	A.L.
7	10-25-2012	Minor Parts Update	A.L.
8	06-05-2014	Address Update	A.L.

TABLE OF CONTENTS:

S151 POWER SPRAYER ASSEMBLY----- 4

S151 POWER SPRAYER PUMP ASSEMBLY ----- 6

S201 POWER SPRAYER ASSEMBLY----- 8

S201 POWER SPRAYER PUMP ASSEMBLY----- 10

SPRAY WAND W/ HOSE ASSEMBLY ----- 12

SUCTION TUBE W/ HOSE ASSEMBLY ----- 13

RETURN TUBE W/ HOSE ASSEMBLY ----- 14

HAND CART ASSEMBLY ----- 15

TOW CART ASSEMBLY ----- 16

CE DECLARATION OF CONFORMITY----- 18

NOTES ----- 20

Discount-Equipment.com

POWER SPRAYER PUMP ASSEMBLY S151

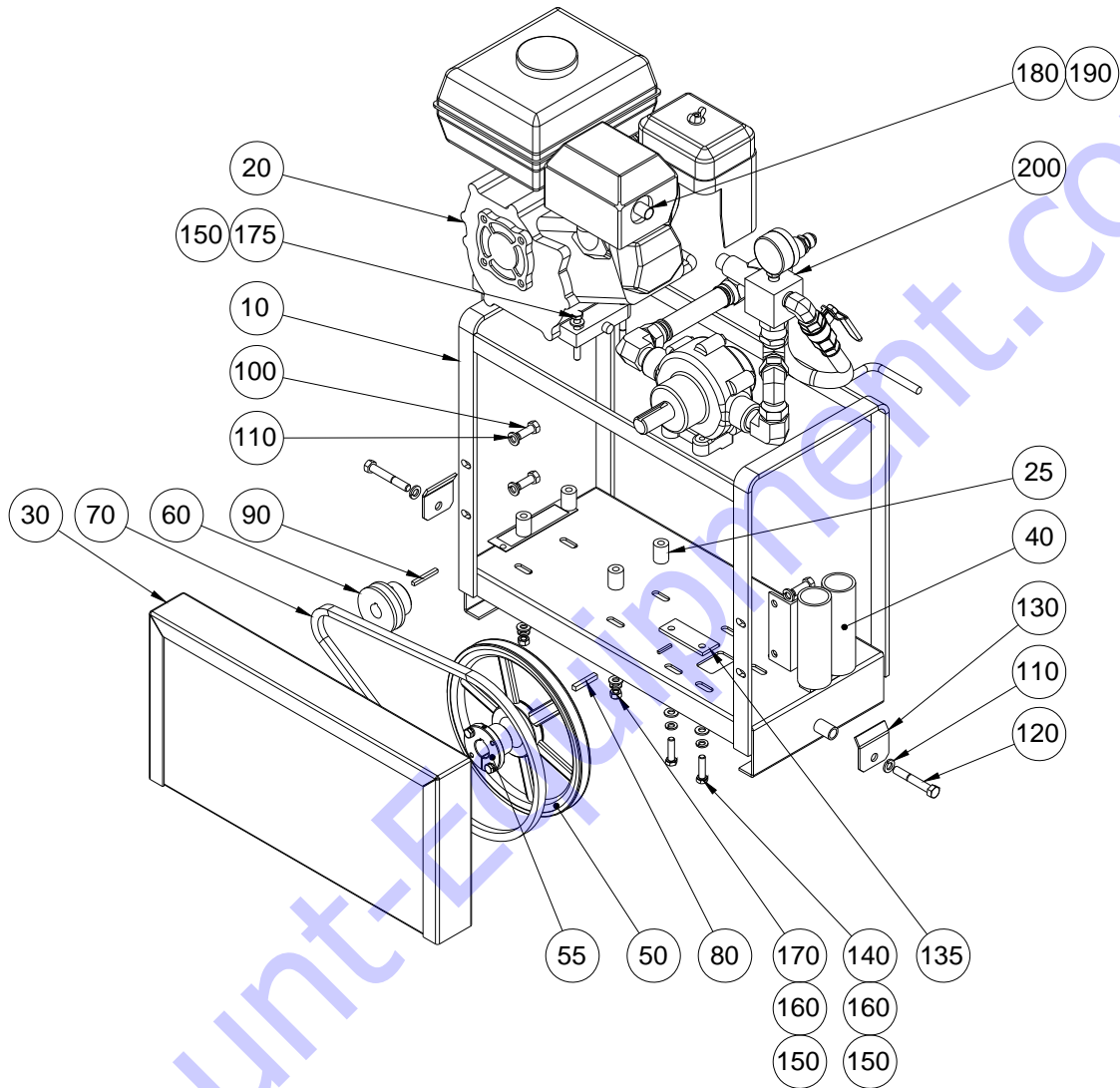


FIGURE 3: POWER SPRAYER ASSEMBLY

POWER SPRAYER PUMP ASSEMBLY
S151

ITEM NO.	PART NO.	DESCRIPTION	QTY	EFFECT. DATE	NOTES
10	570012	FRAME, POWER SPRAYER	1	07-16-2009	
20	21340	ENGINE, HONDA GX120	1	07-16-2009	
25	580093	SPACER, 1"	4	07-16-2009	
30	570027	BELT GUARD, SPRAYER	1	12-07-2010	
40	570017	SUPPORT TUBES	1	07-16-2009	
50	580092	PULLEY W/ KEYWAY, LARGE	1	07-16-2009	
55	580096	BUSHING, PULLEY	1	07-16-2009	
60	50098	PULLEY W/ KEYWAY, SMALL	1	07-16-2009	
70	740474	V-BELT	1	07-16-2009	
80	12461	KEY, PUMP	1	07-16-2009	
90	470625	KEY, ENGINE	1	07-16-2009	
100	10507	HHCS, 3/16"-16 X 1" LG.	4	07-16-2009	
110	10902	WASHER, LOCK, 3/16"	4	07-16-2009	
120	10506	HHCS, 3/16"-16 X 2-1/2" LG.	2	07-16-2009	
130	580075	TAB, HOLD DOWN	2	07-16-2009	
135	580094	SHIM	1	07-16-2009	
140	10407	HHCS, 5/16"-18 X 1-1/4" LG.	2	07-16-2009	
150	11586	WASHER, FLAT, 5/16"	8	07-16-2009	
160	10402	WASHER, LOCK, 5/16"	6	07-16-2009	
170	10915	NUT, HEX, 5/16"-18	4	07-16-2009	
175	10140	HHCS, 5/16"-18 X 2-1/2" LG.	4	07-16-2009	
180	11112	MUFFLER CAP	1	07-16-2009	
190	11115	SCREW, MUFFLER CAP	2	07-16-2009	
200	N/A	PUMP SUBASSEMBLY, SEE PG. 10	1	07-16-2009	SEE PG. 10

POWER SPRAYER PUMP ASSEMBLY
S151 SUBASSEMBLY

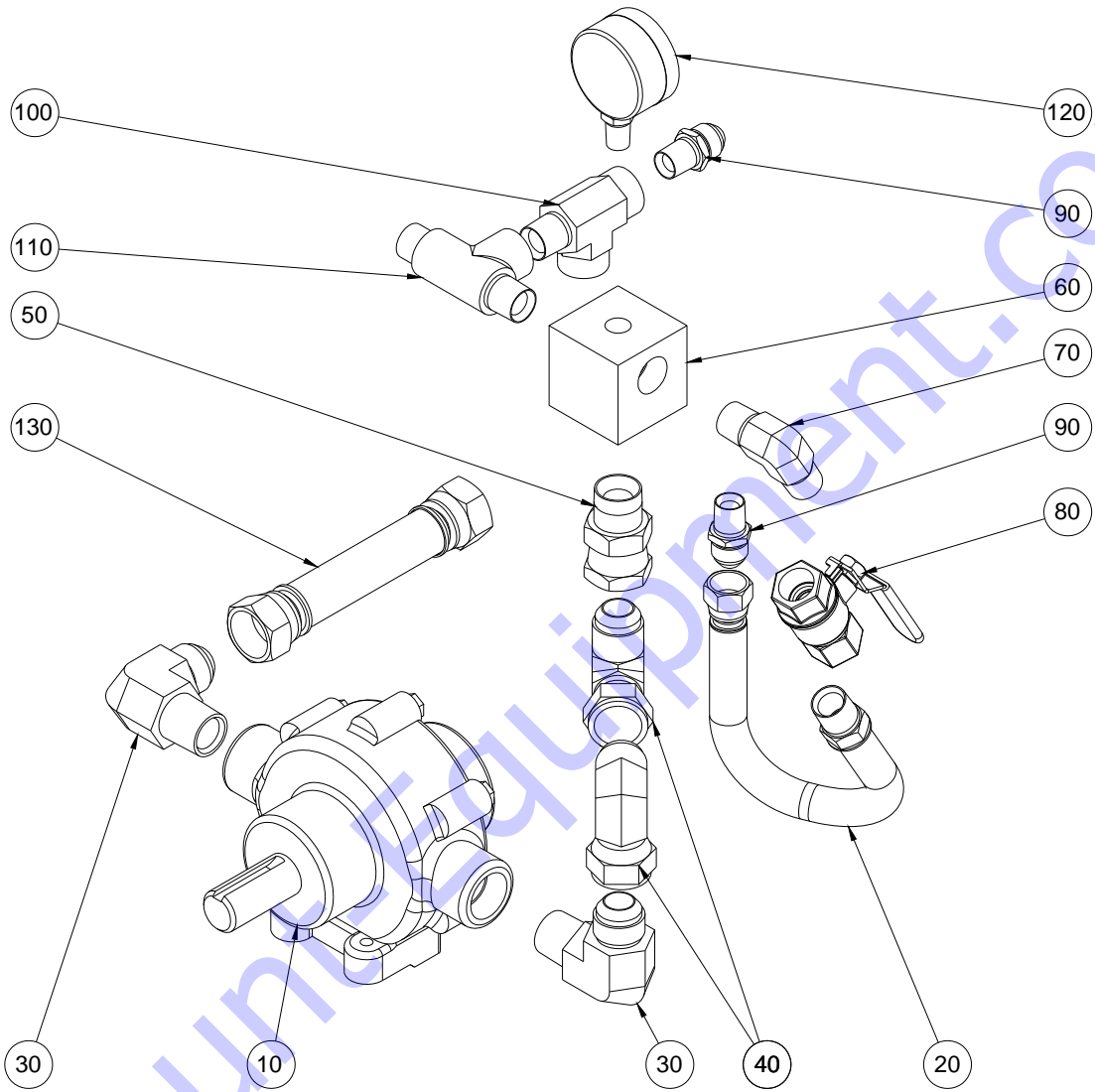


FIGURE 4: PUMP SECTION SUBASSEMBLY

POWER SPRAYER PUMP ASSEMBLY
S151 SUBASSEMBLY

ITEM NO.	PART NO.	DESCRIPTION	QTY	EFFECT. DATE	NOTES
10	760102	PUMP, HYPRO 7560	1	07-16-2009	
20	560035	HOSE, BYPASS	1	07-16-2009	
30	897317	FITTING, ELBOW, 3/4" MT TO 3/4" MP	2	07-16-2009	
40	897318	SWIVEL, ELBOW, 3/4" FT TO 3/4" MP	2	07-16-2009	
50	897530	FITTING, SWIVEL, 3/4"MP TO 3/4"FT	1	07-16-2009	
60	580080	MANIFOLD, VALVE BLOCK	1	07-16-2009	
70	897745	ELBOW, 1/2" MP TO 1/2" MP	1	07-16-2009	
80	897765	BALL VALVE, 1/2" MP BRASS	1	07-16-2009	
90	897220	FITTING, 1/2" MT TO 1/2" MP	2	07-16-2009	
100	897445	RUN TEE, 1/2" MP TO 1/2" FP	1	07-16-2009	
110	897760	RELIEF VALVE, ADJUSTABLE	1	07-16-2009	
120	897820	GAUGE, 1/4" NPT, 200PSI	1	07-16-2009	
130	560036	HOSE, EXTENSION ADAPTER	1	07-16-2009	
---	760103	REPAIR KIT	1	07-16-2009	

Discount-Equipment.com

POWER SPRAYER ASSEMBLY S201

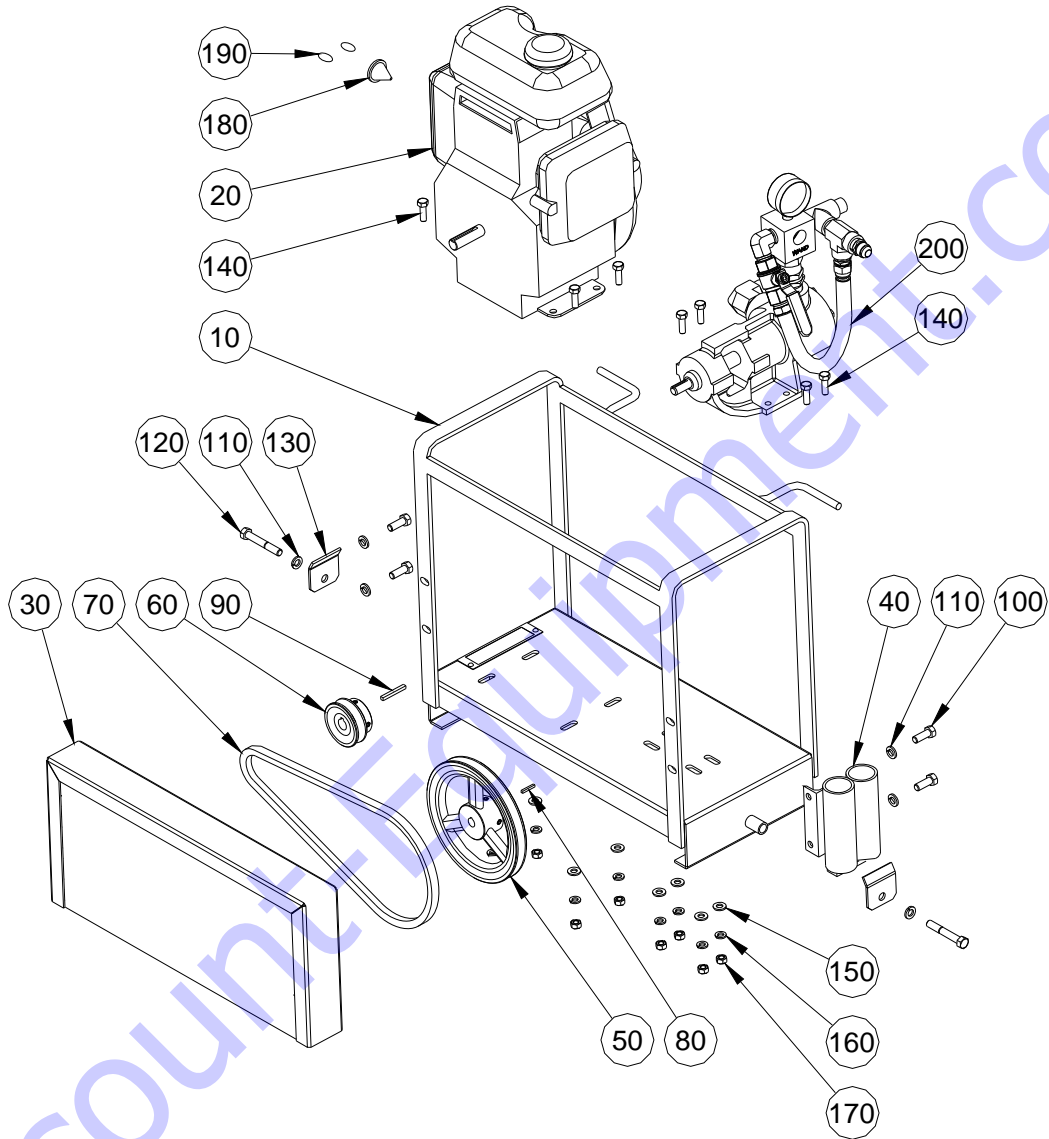


FIGURE 1: POWER SPRAYER ASSEMBLY

POWER SPRAYER ASSEMBLY
S201

ITEM NO.	PART NO.	DESCRIPTION	QTY	EFFECT. DATE	NOTES
10	570012	FRAME, POWER SPRAYER	1	05-05-2008	
20	21340	ENGINE, HONDA GX120	1	09-03-2009	
30	570027	BELT GUARD, SPRAYER	1	12-07-2010	
40	570017	SUPPORT TUBES	1	12-07-2010	
50	580090	PULLEY W/ KEYWAY, LARGE	1	05-05-2008	
60	50098	PULLEY W/ KEYWAY, SMALL	1	09-03-2009	
70	740472	V-BELT	1	05-05-2008	
80	580085	KEY, PUMP	1	05-05-2008	
90	470625	KEY, ENGINE	1	05-05-2008	
100	10507	HHCS, 3/16"-16 X 1" LG.	4	05-05-2008	
110	10902	WASHER, LOCK, 3/16"	6	05-05-2008	
120	10506	HHCS, 3/16"-16 X 2-1/2" LG.	2	05-05-2008	
130	580075	TAB, HOLD DOWN	2	05-05-2008	
140	981035	HHCS, 5/16"-24 X 1" LG.	8	05-05-2008	
150	11586	WASHER, FLAT, 5/16"	8	05-05-2008	
160	10402	WASHER, LOCK, 5/16"	8	05-05-2008	
170	981055	NUT, HEX, 5/16"-24	8	05-05-2008	
180	11112	MUFFLER CAP	1	09-03-2009	
190	11115	SCREW, MUFFLER CAP	2	09-03-2009	
200	N/A	PUMP SUBASSEMBLY, SEE PG. 6	1	05-05-2008	SEE PG. 6

**POWER SPRAYER PUMP ASSEMBLY
S201 SUBASSEMBLY**

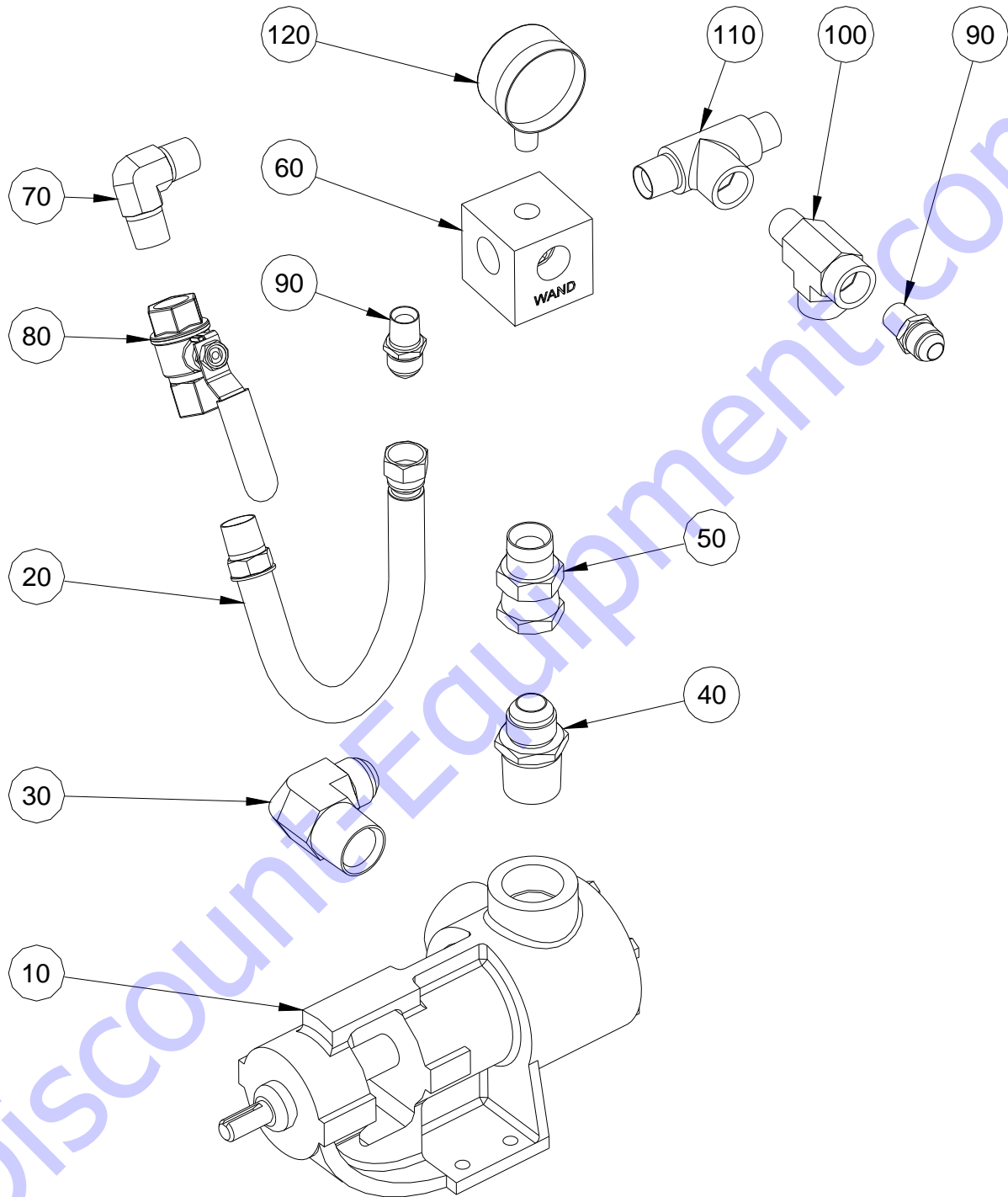


FIGURE 2: PUMP SECTION SUBASSEMBLY

POWER SPRAYER PUMP ASSEMBLY
S201 SUBASSEMBLY

ITEM NO.	PART NO.	DESCRIPTION	QTY	EFFECT. DATE	NOTES
10	760100	PUMP ASSEMBLY, VIKING	1	05-05-2008	
20	560035	HOSE, BYPASS	1	05-05-2008	
30	897311	ELBOW, 3/4" MT TO 1" MP	1	05-05-2008	
40	897310	FITTING, 3/4" MT TO 1" MP	1	05-05-2008	
50	897530	FITTING, SWIVEL, 3/4"MP TO 3/4"FT	1	05-05-2008	
60	580080	MANIFOLD, VALVE BLOCK	1	05-05-2008	
70	897745	ELBOW, 1/2" MP TO 1/2" MP	1	05-05-2008	
80	897765	BALL VALVE, 1/2" MP BRASS	1	05-05-2008	
90	897220	FITTING, 1/2" MT TO 1/2" MP	2	05-05-2008	
100	897445	RUN TEE, 1/2" MP TO 1/2" FP	1	05-05-2008	
110	897760	RELIEF VALVE, ADJUSTABLE	1	05-05-2008	
120	897820	GAUGE, 1/4" NPT, 200PSI	1	05-05-2008	
---	108760	REPAIR KIT	1	05-05-2008	

Discount-Equipment.com

SPRAY WAND W/ HOSE ASSEMBLY
S151 / S201 SUBASSEMBLY

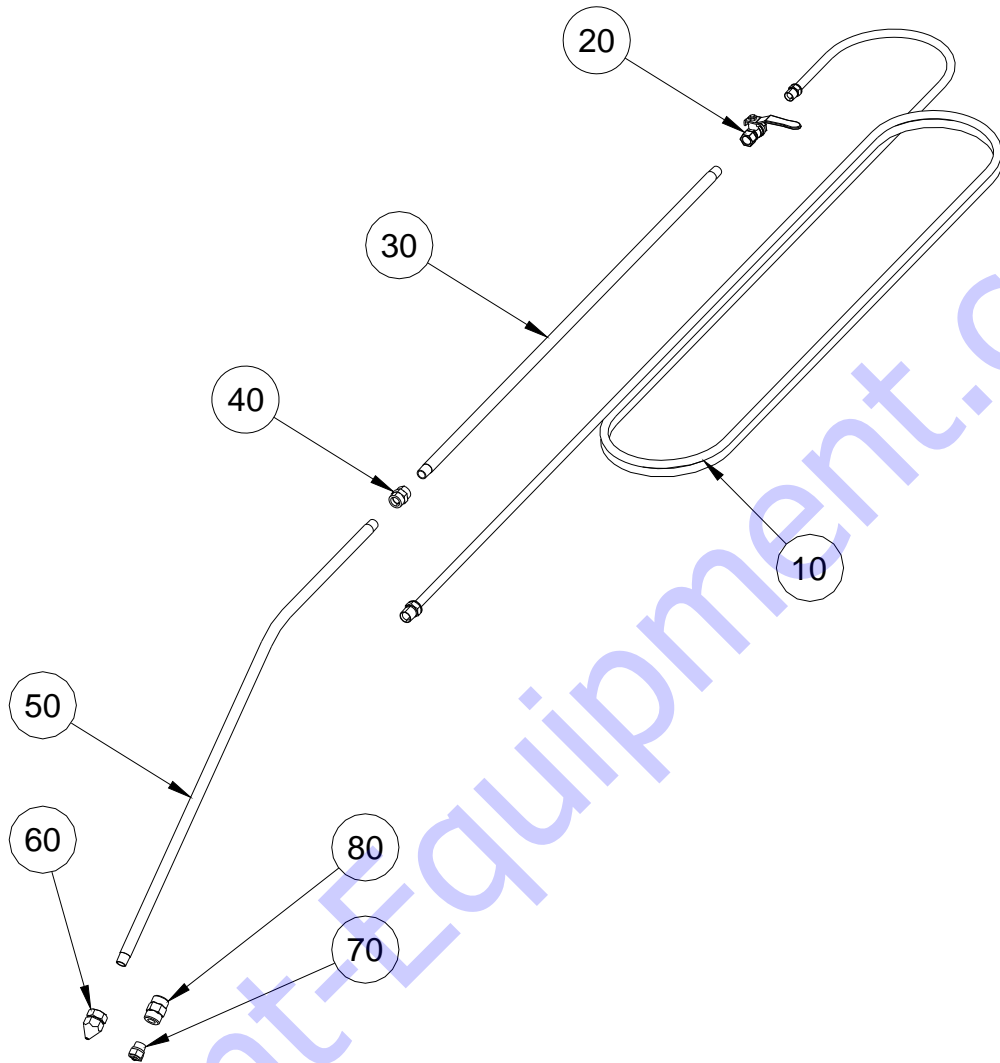


FIGURE 5: SPRAY WAND W/ HOSE ASSEMBLY

ITEM NO.	PART NO.	DESCRIPTION	QTY	EFFECT. DATE	NOTES
10	560070	HOSE, SPRAY WAND, 25 FT LG.	1	05-05-2008	
20	897645	BALL VALVE, 3/8" NPT, BRASS	1	05-05-2008	
30	580105	SPRAY WAND, STRAIGHT SECT.	1	05-05-2008	
40	891710	COUPLING, 3/8" FP	1	05-05-2008	
50	580110	SPRAY WAND, BENT SECTION	1	05-05-2008	
60	897565	SPRAY NOZZLE, CONE, ADJUST.	1	05-05-2008	
70	14493	NOZZLE, FLAT SPRAY	1	05-05-2008	OPTIONAL
80	14494	ADAPTER, FLAT SPRAY NOZZLE	1	05-05-2008	OPTIONAL
90	560071	HOSE, SPRAY WAND, 50 FT LG.	1	12-14-2008	OPTIONAL
100	560072	HOSE, SPRAY WAND, 75 FT LG.	1	12-14-2008	OPTIONAL
110	560073	HOSE, SPRAY WAND, 100 FT LG.	1	12-14-2008	OPTIONAL

SUCTION TUBE W/ HOSE ASSEMBLY
S151 / S201 SUBASSEMBLY

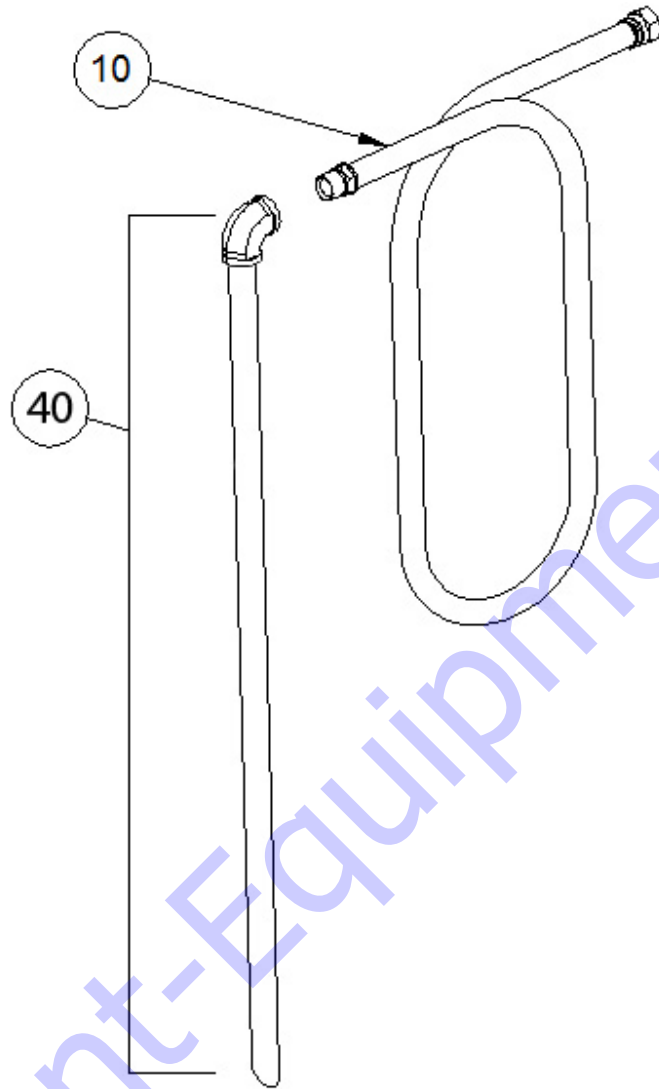


FIGURE 4: SUCTION TUBE W/ HOSE ASSEMBLY

ITEM NO.	PART NO.	DESCRIPTION	QTY	EFFECT. DATE	NOTES
10	560025	HOSE, SUCTION	1	05-05-2008	
40	897961	SUCTION TUBE	1	10-26-2012	

RETURN TUBE W/ HOSE ASSEMBLY
S151 / S201 SUBASSEMBLY

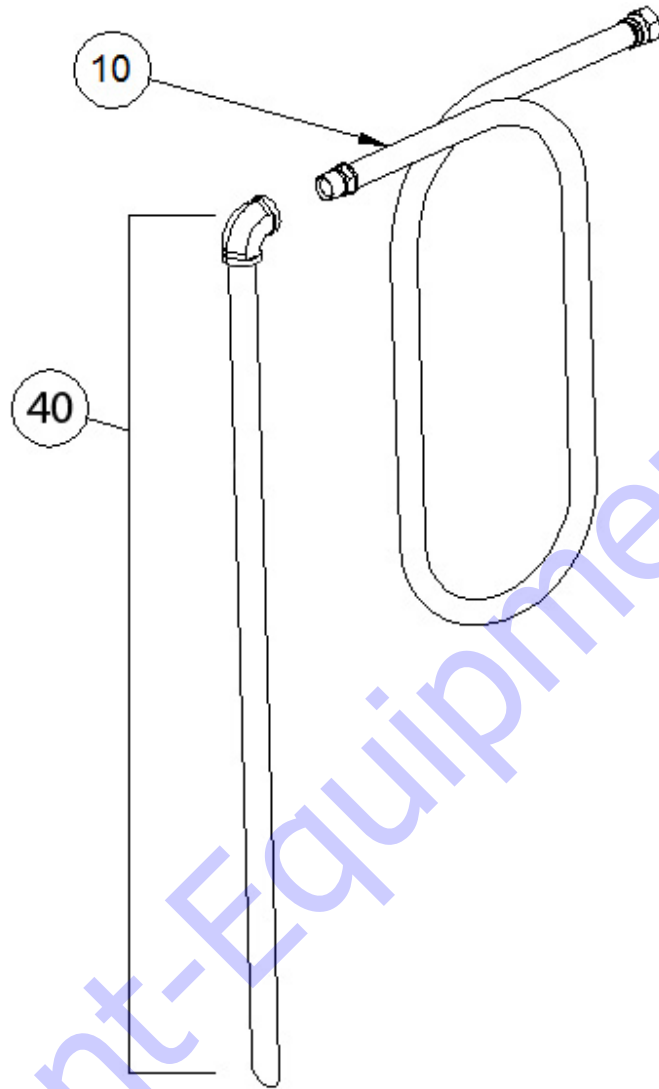


FIGURE 5: RETURN TUBE W/ HOSE ASSEMBLY

ITEM NO.	PART NO.	DESCRIPTION	QTY	EFFECT. DATE	NOTES
10	560030	HOSE, RETURN	1	05-05-2008	
40	897962	RETURN TUBE	1	10-26-2012	

HAND CART ASSEMBLY
560060

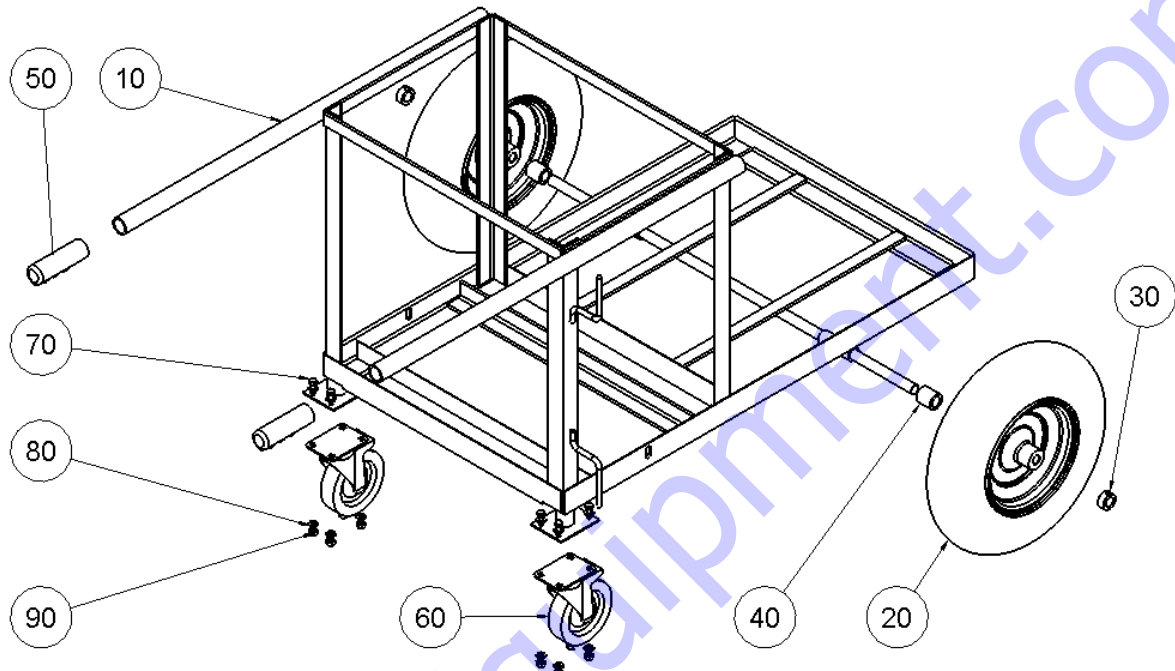


FIGURE 6: HAND CART ASSEMBLY

ITEM NO.	PART NO.	DESCRIPTION	QTY	EFFECT. DATE	NOTES
10	570030	HAND CART FRAME	1	05-05-2008	
20	13198	WHEEL, 16" PNEUMATIC	2	05-05-2008	
30	796065	LOCK COLLAR, WHEEL	2	05-05-2008	
40	188115	SPACER, WHEEL	2	05-05-2008	
50	796030	GRIP, HANDLE	2	05-05-2008	
60	570031	CASTER	2	07-15-2008	
70	981030	HHCS, 5/16-24 X 1" LG	8	07-15-2008	
80	11586	WASHER, FLAT, 5/16"	16	07-15-2008	
90	980360	LOCKNUT, 5/16-24, NYLON INSERT	8	07-15-2008	

TOW CART ASSEMBLY
560065

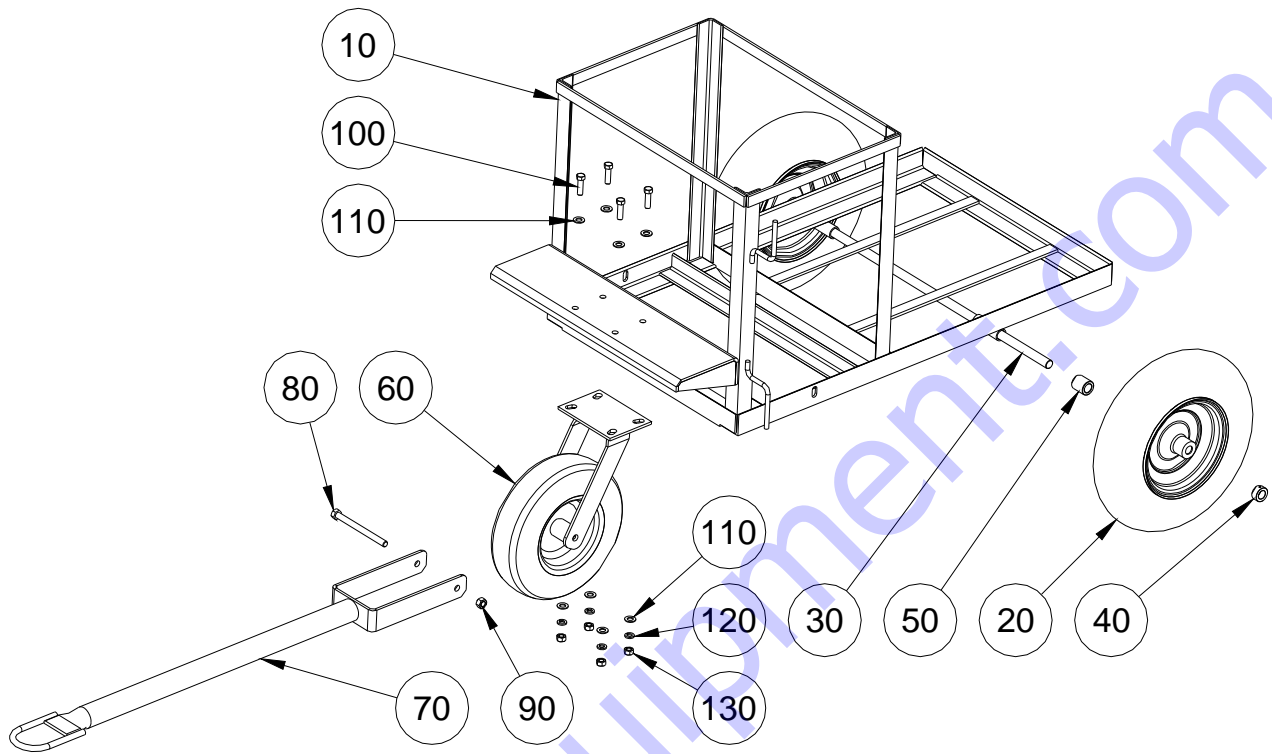


FIGURE 7: TOW CART ASSEMBLY

ITEM NO.	PART NO.	DESCRIPTION	QTY	EFFECT. DATE	NOTES
10	570035	FRAME, TOW CART	1	05-05-2008	
20	13198	WHEEL, 16" PNEUMATIC	2	05-05-2008	
30	580268	AXLE, HAND CART	1	05-05-2008	
40	796065	LOCK COLLAR, WHEEL	2	05-05-2008	
50	188115	SPACER, WHEEL	2	05-05-2008	
60	842035	FRONT WHEEL W/ CASTOR	1	05-05-2008	
70	570040	TOW BAR	1	05-05-2008	
80	13637	AXLE BOLT	1	05-05-2008	
90	13577	AXLE NUT	1	05-05-2008	
100	981050	HHCS, 7/16"-20 X 1-1/2" LG.	4	05-05-2008	
110	12930	WASHER, FLAT, 7/16"	8	05-05-2008	
120	990870	WASHER, LOCK, 7/16"	4	05-05-2008	
130	981060	NUT, HEX, 7/16"-20	4	05-05-2008	

Discount-Equipment.com

This page intentionally left blank

PARTS FINDER

**Search Website
by Part Number**



**Search Manual
Library For Parts
Manual & Lookup Part
Numbers – Purchase
or Request Quote**

Search Manuals

Enter your information to search for parts manuals and lookup part numbers.

* Brand:

* Model:

* Serial:

* Part Number:

SEARCH

**Can't Find Part or
Manual? Request Help
by Manufacturer,
Model & Description**

Parts Order Form

Please fill in the following information:

Manufacturer:

Model:

Description:

Quantity:

Part Number:

Part Name:

Part Description:

Part Drawing:

Part Location:

Part Status:

Part Condition:

Part Material:

Part Color:

Part Weight:

Part Dimensions:

Part Price:

Part Lead Time:

Part Availability:

Part Notes:

Submit

Discount-Equipment.com is your online resource for quality parts & equipment.

Florida: **561-964-4949** Outside Florida TOLL FREE: **877-690-3101**

Need parts?

Click on this link: <http://www.discount-equipment.com/category/5443-parts/> and choose one of the options to help get the right parts and equipment you are looking for. Please have the machine model and serial number available in order to help us get you the correct parts. If you don't find the part on the website or on one of the online manuals, please fill out the request form and one of our experienced staff members will get back to you with a quote for the right part that your machine needs.

We sell worldwide for the brands: Genie, Terex, JLG, MultiQuip, Mikasa, Essick, Whiteman, Mayco, Toro Stone, Diamond Products, Generac Magnum, Airman, Haulotte, Barreto, Power Blanket, Nifty Lift, Atlas Copco, Chicago Pneumatic, Allmand, Miller Curber, Skyjack, Lull, Skytrak, Tsurumi, Husquvarna Target, Stow, Wacker, Sakai, Mi-T-M, Sullair, Basic, Dynapac, MBW, Weber, Bartell, Bennar Newman, Haulotte, Ditch Runner, Menegotti, Morrison, Contec, Buddy, Crown, Edco, Wyco, Bomag, Laymor, EZ Trench, Bil-Jax, F.S. Curtis, Gehl Pavers, Heli, Honda, ICS/PowerGrit, IHI, Partner, Imer, Clipper, MMD, Koshin, Rice, CH&E, General Equipment, Amida, Coleman, NAC, Gradall, Square Shooter, Kent, Stanley, Tamco, Toku, Hatz, Kohler, Robin, Wisconsin, Northrock, Oztec, Toker TK, Rol-Air, APT, Wylie, Ingersoll Rand / Doosan, Innovatech, Con X, Ammann, Mecalac, Makinex, Smith Surface Prep, Small Line, Wanco, Yanmar