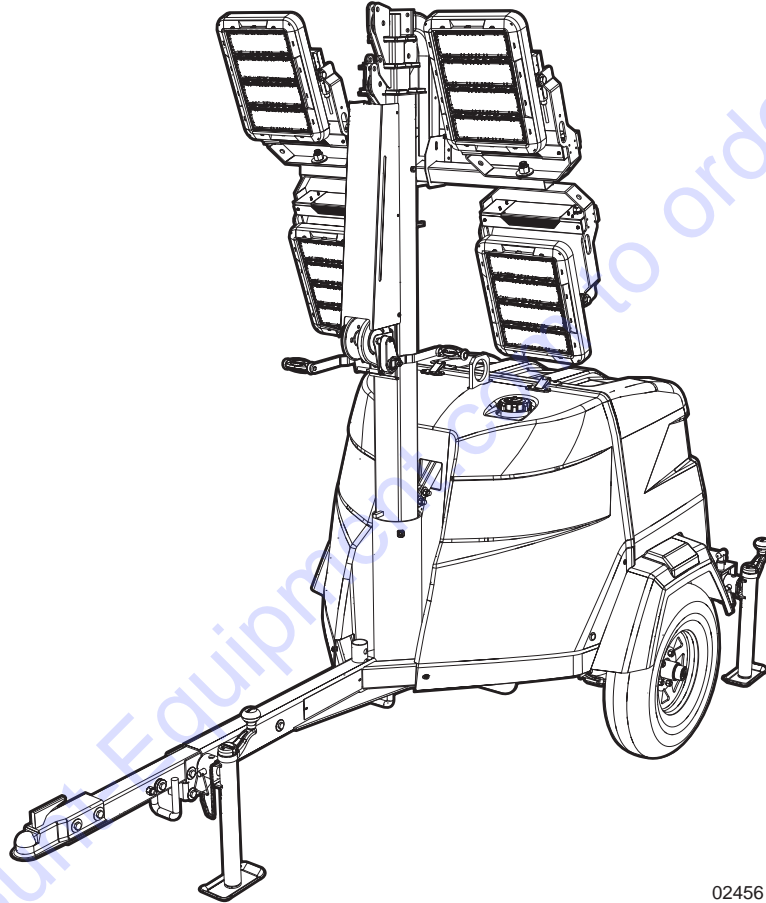


# **MLT6SMD**

## *Light Tower Parts Manual*

*S/N 3002908801 and above*



02456

MODEL NUMBER: \_\_\_\_\_

SERIAL NUMBER: \_\_\_\_\_

DATE PURCHASED: \_\_\_\_\_

**SAVE THIS MANUAL FOR FUTURE REFERENCE**

# PARTS FINDER

**Search Website  
by Part Number**



**Search Manual  
Library For Parts  
Manual & Lookup Part  
Numbers – Purchase  
or Request Quote**

**Can't Find Part or  
Manual? Request Help  
by Manufacturer,  
Model & Description**

Discount-Equipment.com is your online resource for quality parts & equipment.

Florida: **561-964-4949** Outside Florida TOLL FREE: **877-690-3101**

## Need parts?

Click on this link: <http://www.discount-equipment.com/category/5443-parts/> and choose one of the options to help get the right parts and equipment you are looking for. Please have the machine model and serial number available in order to help us get you the correct parts. If you don't find the part on the website or on one of the online manuals, please fill out the request form and one of our experienced staff members will get back to you with a quote for the right part that your machine needs.

We sell worldwide for the brands: Genie, Terex, JLG, MultiQuip, Mikasa, Essick, Whiteman, Mayco, Toro Stone, Diamond Products, Generac Magnum, Airman, Haulotte, Barreto, Power Blanket, Nifty Lift, Atlas Copco, Chicago Pneumatic, Allmand, Miller Curber, Skyjack, Lull, Skytrak, Tsurumi, Husquvarna Target, Stow, Wacker, Sakai, Mi-T-M, Sullair, Basic, Dynapac, MBW, Weber, Bartell, Bennar Newman, Haulotte, Ditch Runner, Menegotti, Morrison, Contec, Buddy, Crown, Edco, Wyco, Bomag, Laymor, EZ Trench, Bil-Jax, F.S. Curtis, Gehl Pavers, Heli, Honda, ICS/PowerGrit, IHI, Partner, Imer, Clipper, MMD, Koshin, Rice, CH&E, General Equipment, Amida, Coleman, NAC, Gradall, Square Shooter, Kent, Stanley, Tamco, Toku, Hatz, Kohler, Robin, Wisconsin, Northrock, Oztec, Toker TK, Rol-Air, APT, Wylie, Ingersoll Rand / Doosan, Innovatech, Con X, Ammann, Mecalac, Makinex, Smith Surface Prep, Small Line, Wanco, Yanmar

 **WARNING**

**CANCER AND REPRODUCTIVE HARM**

[www.P65Warnings.ca.gov](http://www.P65Warnings.ca.gov).

(000393a)

 **WARNING**

Breathing diesel engine exhaust exposes you to chemicals known to the State of California to cause cancer and birth defects or other reproductive harm.

- Always start and operate the engine in a well-ventilated area.
- If in an enclosed area, vent the exhaust to the outside.
- Do not modify or tamper with the exhaust system.
- Do not idle the engine except as necessary.

For more information go to

[www.P65Warnings.ca.gov/diesel](http://www.P65Warnings.ca.gov/diesel).

(000394)

# Introduction

This parts manual was prepared based on the information available at the time of publication and is subject to change without notice. Generac Mobile Products reserves the right to change parts at any time. To check whether a revised parts manual is available, contact Generac Mobile Products.

DO NOT MODIFY or use this equipment for any application other than which it was designed for. To keep your equipment fully operational, it is suggested you maintain a stock of commonly used maintenance or service parts. A recommended spare parts list can be found in the back of this manual. To order service parts, please go to [www.generacmobileproducts.com](http://www.generacmobileproducts.com) or call Generac Mobile Products.



## ⚠ WARNING

Consult Manual. Read and understand manual completely before using product. Failure to completely understand manual and product could result in death or serious injury. (000100a)

---

## ⚠ WARNING

Environmental Hazard. Always recycle batteries at an official recycling center in accordance with all local laws and regulations. Failure to do so could result in environmental damage, death or serious injury. (000228)

---

Engine Make: \_\_\_\_\_

Engine Serial Number: \_\_\_\_\_

Engine Model Number: \_\_\_\_\_



This Page Intentionally Left Blank

Go to [Discount-Equipment.com](http://Discount-Equipment.com) to order your parts

## Table of Contents

Introduction .....	iii
Parts Manual Instructions .....	1
Unit Decals - Front, Rear and Top.....	2
Unit Decals - Left and Right Sides.....	4
Unit Decals - Inside Unit.....	6
Mast, Junction Box and Lights to Unit .....	8
Light Assembly .....	10
Mast Junction Box Assembly - Hard Wired Lights.....	12
Diffused Lighting (If Equipped) .....	14
Mast Assembly .....	16
Mast Assembly - Bottom Post - Manual Winch .....	18
Mast Assembly - Bottom Post - Electric Winch .....	20
Enclosure Assembly (1 of 2).....	22
Enclosure Assembly (2 of 2).....	24
Control Box Assembly (1 of 2).....	26
Control Box Assembly (2 of 2).....	28
Cooling System Assembly .....	30
Engine Assembly (1 of 2) .....	32
Engine Assembly (2 of 2) .....	34
Generator Assembly .....	36
Engine and Generator to Unit.....	38
Components to Trailer Assembly (1 of 2).....	40
Components to Trailer Assembly (2 of 2).....	42
Trailer Assembly.....	44
Recommended Spare Parts - Engine and Service Kits.....	46
Recommended Spare Parts - Electrical .....	48
Recommended Spare Parts - Misc.....	50

Go to Discount-Equipment.com to order your parts

This Page Intentionally Left Blank

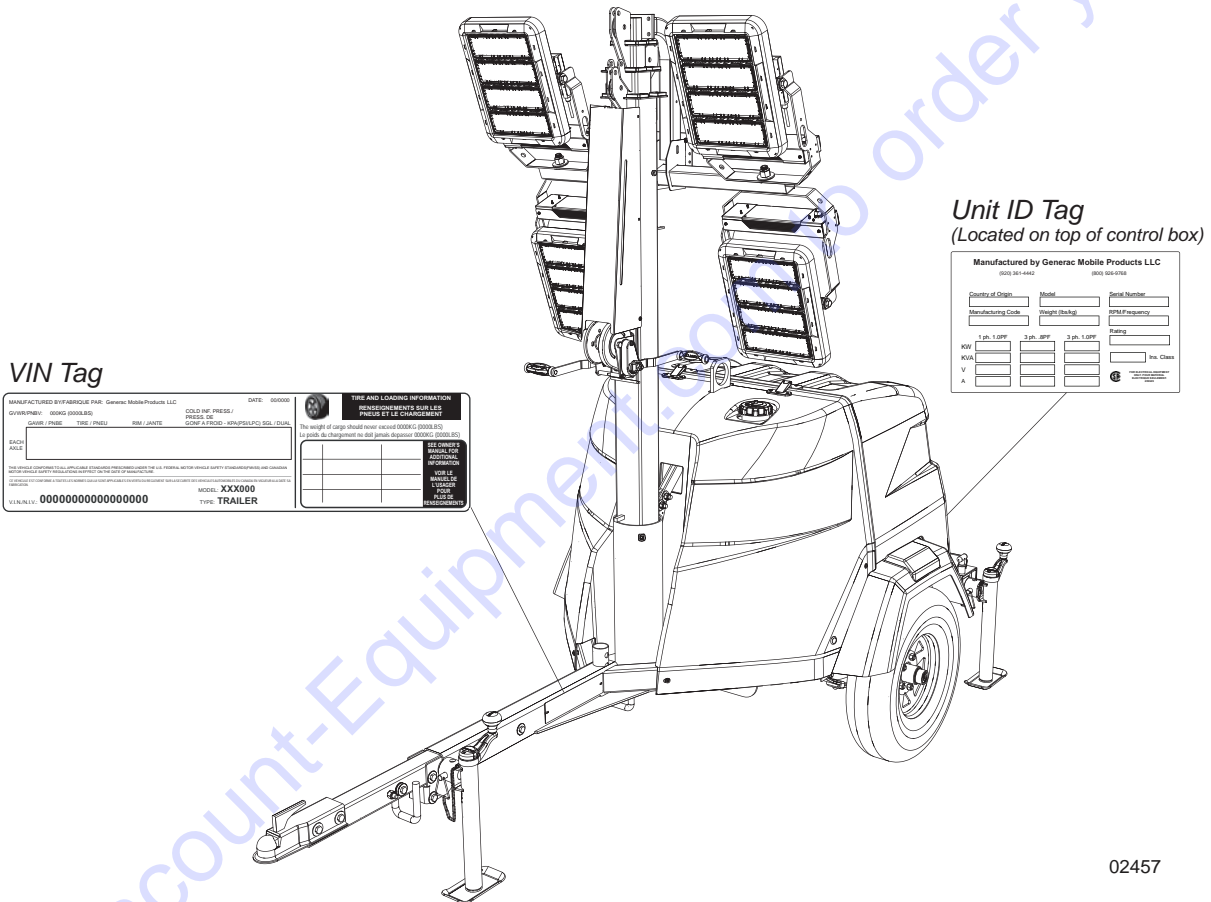
Go to [Discount-Equipment.com](http://Discount-Equipment.com) to order your parts

# Parts Manual Instructions

Product illustrations are only representations. Products supplied may vary from the illustrations in this parts manual. Parts not shown in the illustration are indicated by a double dash (--) in the item column.

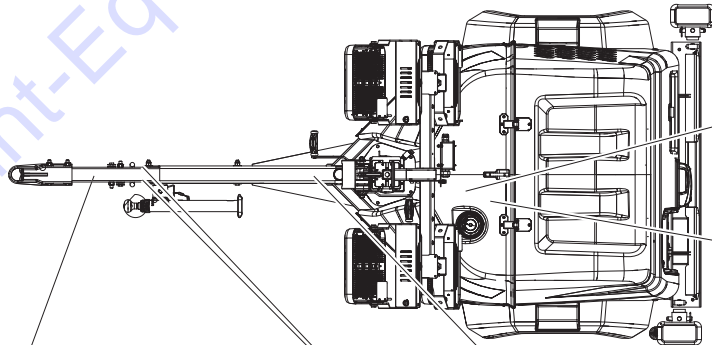
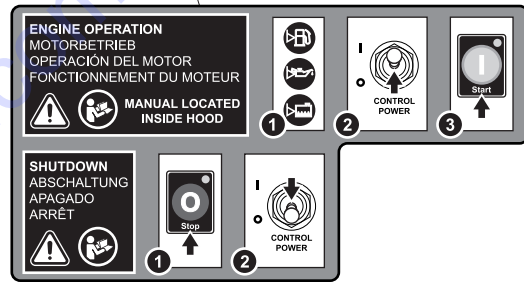
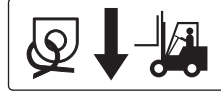
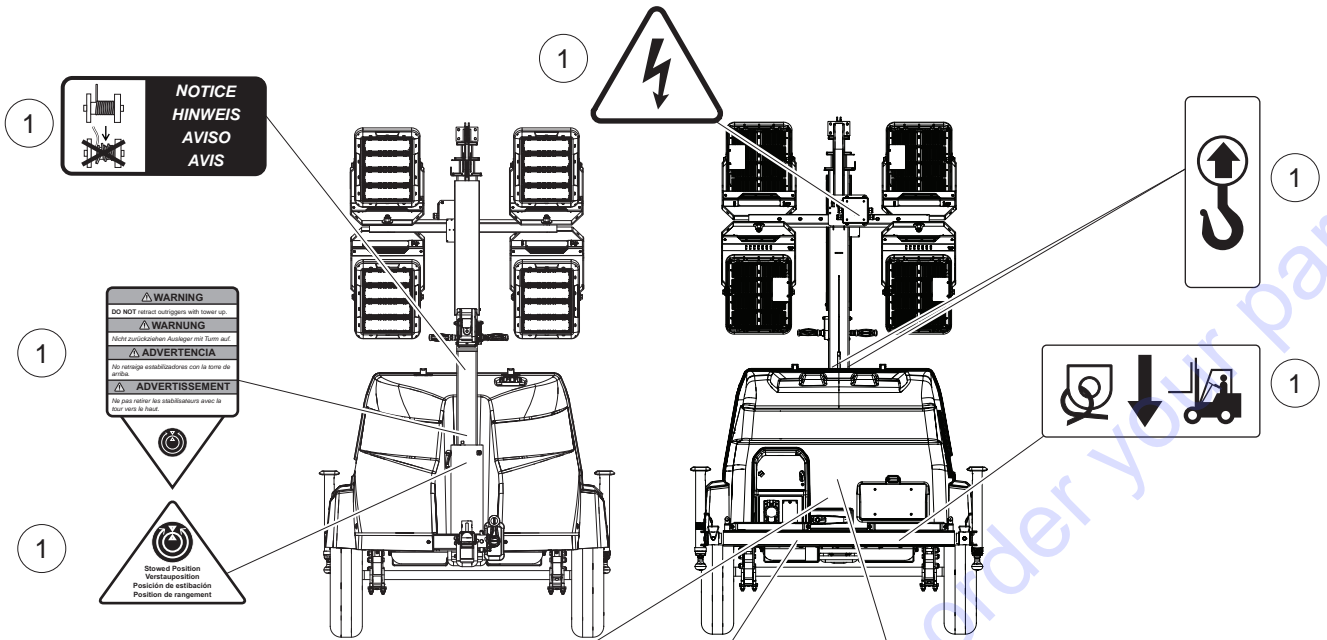
Please be prepared to provide the following information when ordering replacement parts: model number, serial number (on unit serial tag), part number, purchase order number (if applicable), shipping address, shipping method.

Refer to the illustration below to locate the unit ID tag and Vehicle Identification Number (VIN) tag on the unit. Important information, such as the unit serial number, model number, VIN and tire loading information are found on these tags. Record the information from these tags so it is available if the tags are lost or damaged. When ordering parts or requesting assistance, you may be asked to provide this information.



02457

# UNIT DECALS - FRONT, REAR AND TOP



TOWING INSTRUCTIONS	ABSCHLEPPANWEISUNGEN	INSTRUCCIONES PARA REMOLQUE	INSTRUCTIONS DE REMORQUAGE
<ol style="list-style-type: none"> <li>Read operator's manual.</li> <li>Use hitch rated for trailer's "gross vehicle weight rating".</li> <li>Securely attach trailer to tow vehicle.</li> <li>Attach safety chains using a cross pattern.</li> <li>Attach breakdown chain to vehicle.</li> <li>Check trailer lights.</li> </ol>	<ol style="list-style-type: none"> <li>Beaufschlagung lesen.</li> <li>Anhängerverbindungen verwenden, die der "Gesamtarbeitsgewichtsklasse" des Fahrzeuges entsprechen.</li> <li>Anhänger sicher anheben.</li> <li>Sicherheitsketten befestigen.</li> <li>Überkreuzverbindung mit Verankerung.</li> <li>Anschlüsse am Fahrzeug anbringen.</li> <li>Anhängerleuchten prüfen.</li> </ol>	<ol style="list-style-type: none"> <li>Lee el manual del operador.</li> <li>Use un enganche especifico para la "capacidad de peso bruto del vehiculo" del remolque.</li> <li>Enganche firmemente el remolque al vehiculo de remolque.</li> <li>Enganche las cadenas de seguridad en forma cruzada.</li> <li>Enganche al vehiculo la cadena de emergencia para eventos.</li> <li>Revise las luces del remolque.</li> </ol>	<ol style="list-style-type: none"> <li>Lire le manuel de l'utilisateur.</li> <li>Utiliser un attelage approprié au poids nominal brut de la remorque.</li> <li>Assurer solidement la remorque au véhicule tracteur.</li> <li>Attacher les chaînes de sécurité en les croisant.</li> <li>Priser de chaîne de remorquage au véhicule.</li> <li>Vérifier les feux de la remorque.</li> </ol>



02458

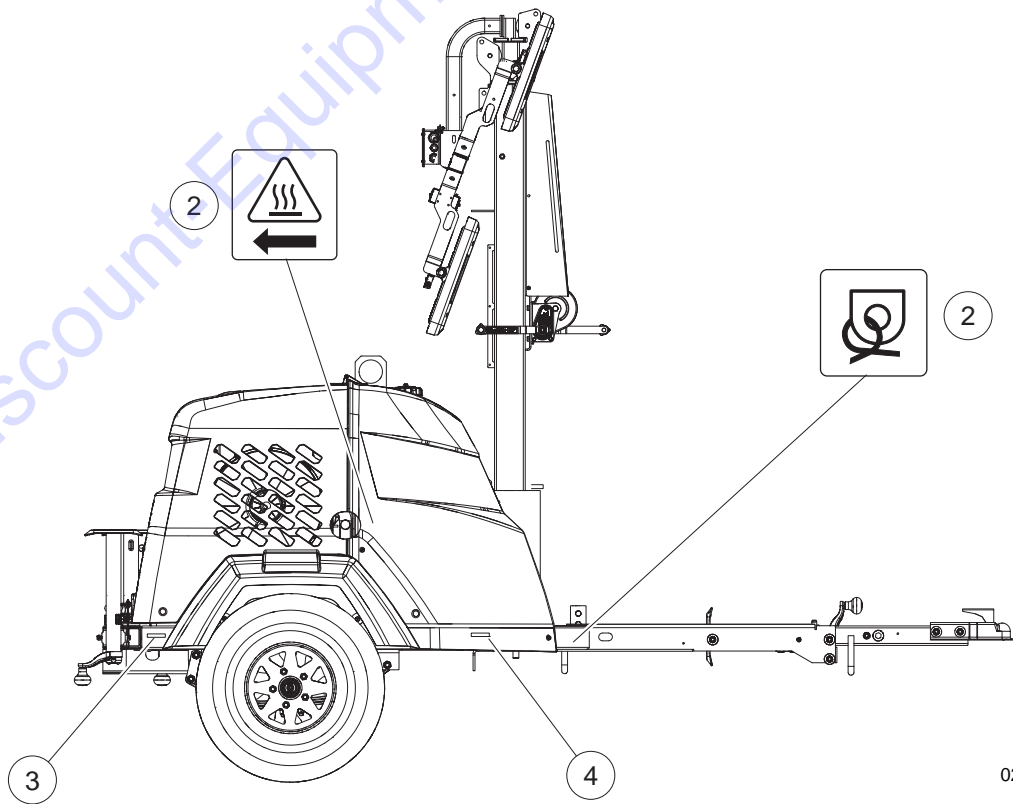
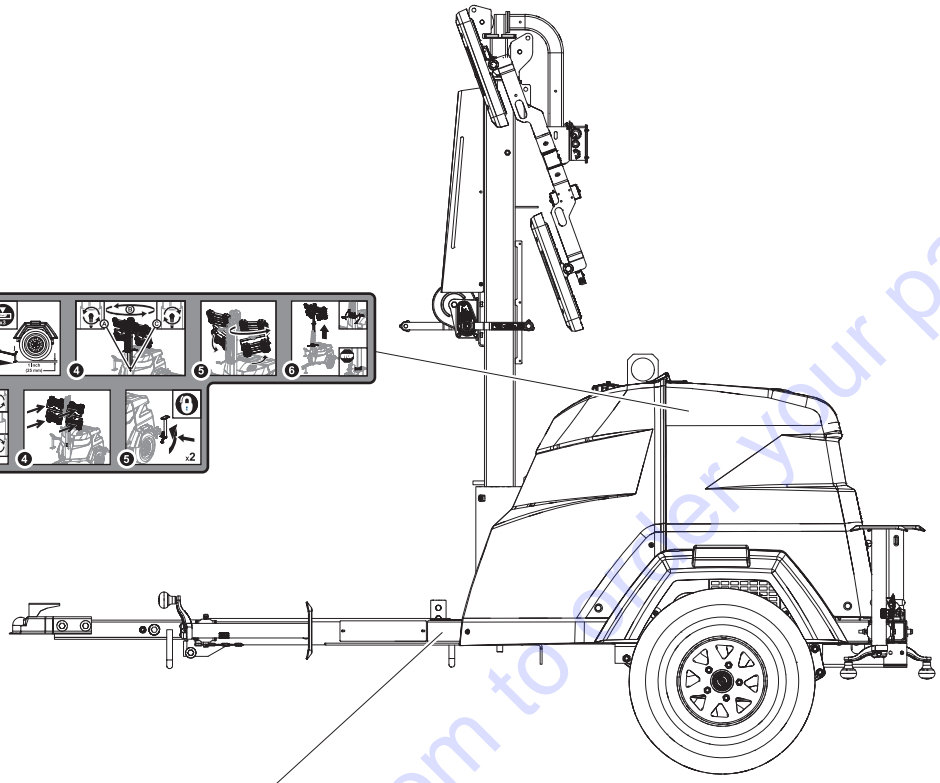
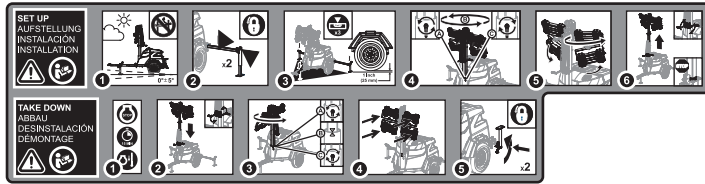
## UNIT DECALS - FRONT, REAR AND TOP

Item	Part No.	Qty	Description	Notes
1	55016	1	Decal, safety MLT6SMD	
2	76916	1	Decal, operation MLT6SMD (manual)	

Go to [Discount-Equipment.com](http://Discount-Equipment.com) to order your parts

# UNIT DECALS - LEFT AND RIGHT SIDES

1



02459



## UNIT DECALS - LEFT AND RIGHT SIDES

Item	Part No.	Qty	Description	Notes
1	76916	1	Decal, operation MLT6SMD (manual)	
2	55016	1	Decal, safety MLT6SMD	
3	72149	1	Reflector, red (4.25 in x .75 in)	set of two
4	72150	1	Reflector, yellow (4.25 in x .75 in)	set of two

Go to Discount-Equipment.com to order your parts

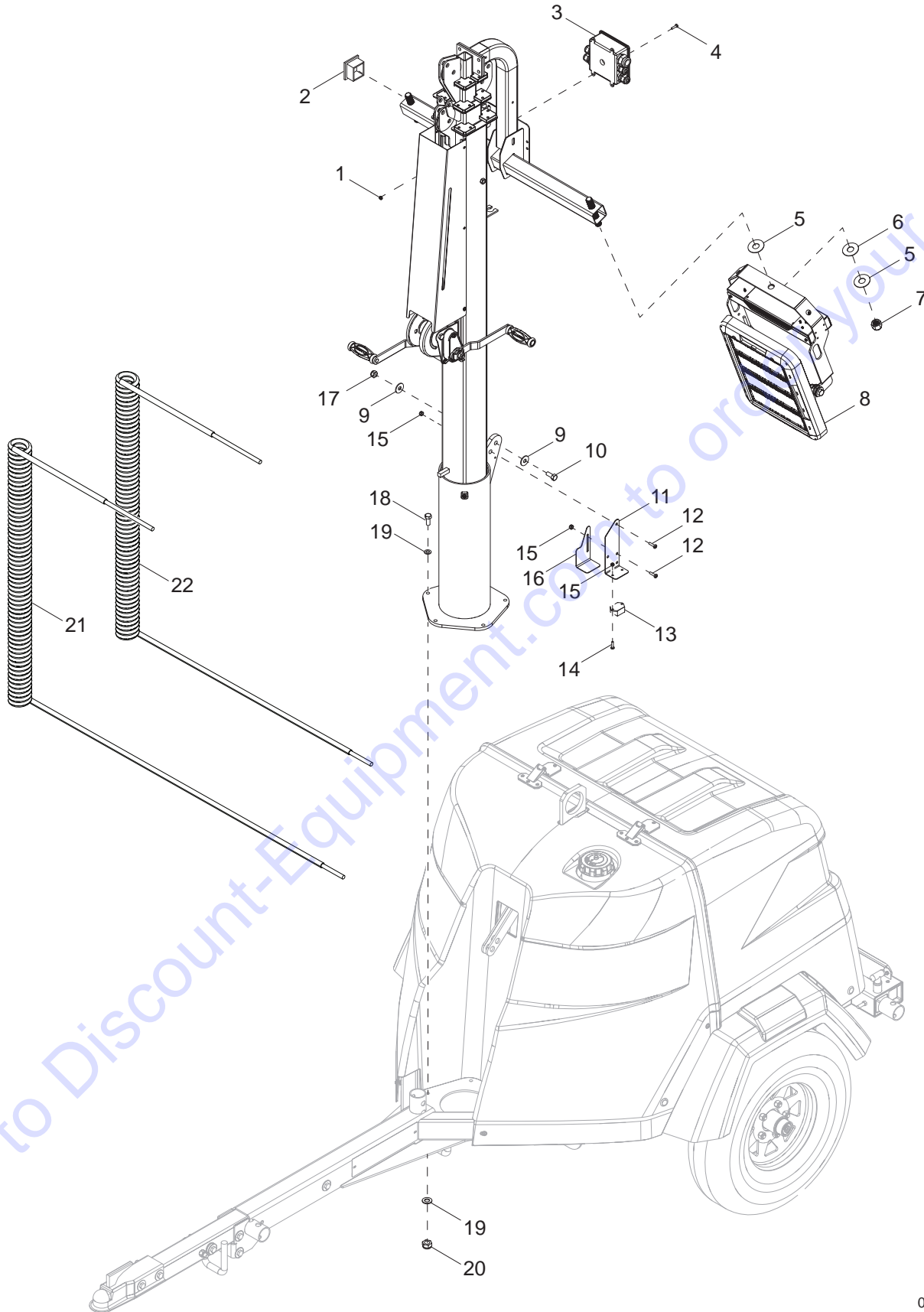


## UNIT DECALS - INSIDE UNIT

Item	Part No.	Qty	Description	Notes
1	55016	1	Decal, safety MLT6SMD	
2	12142	1	Decal, ground	
3	69941	1	Decal, control panel MLT6SMD	
4	72132	1	Reflector, rear 2.0 x 2.0 - red	set of two

Go to [Discount-Equipment.com](http://Discount-Equipment.com) to order your parts

# MAST, JUNCTION BOX AND LIGHTS TO UNIT

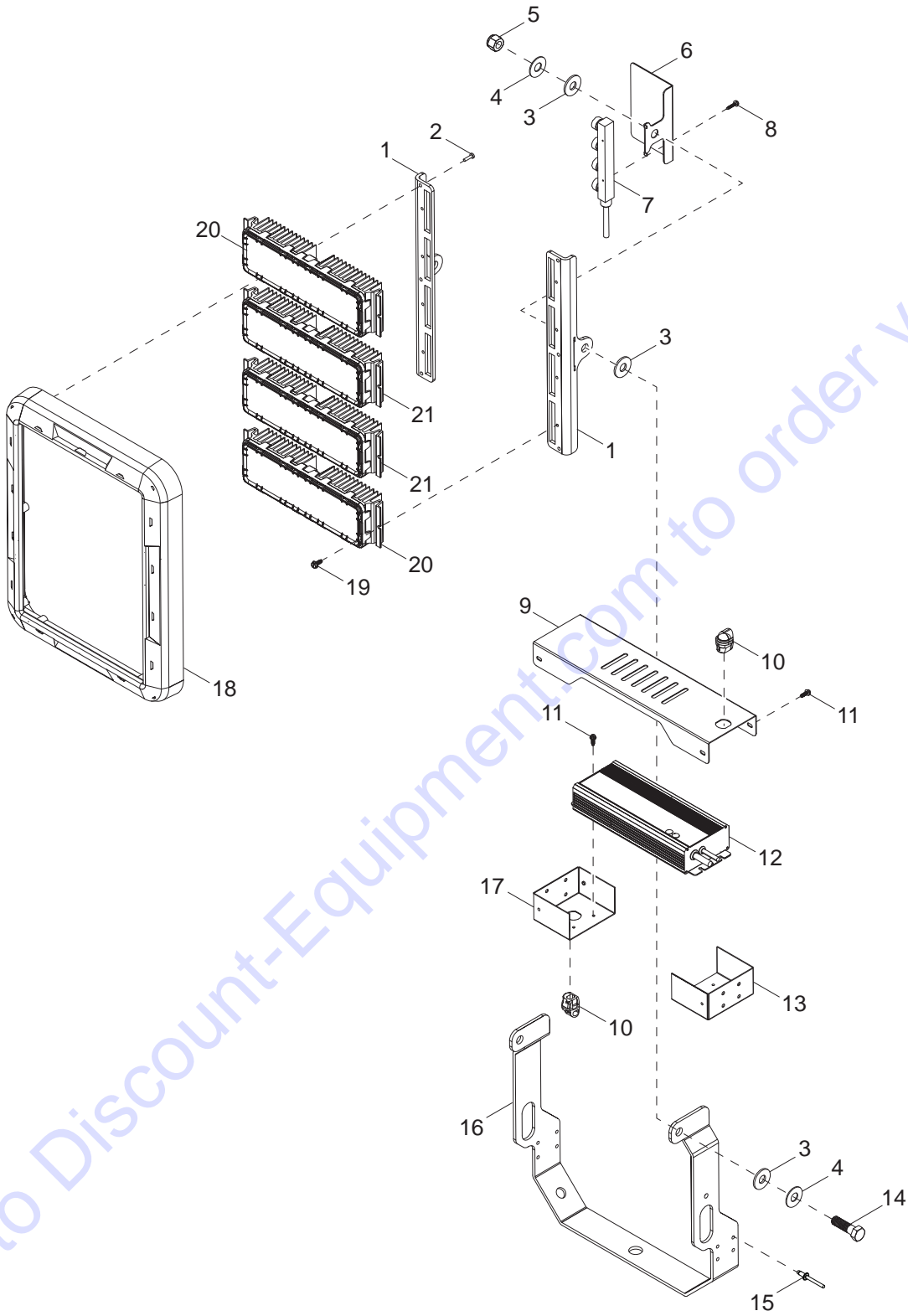


02718

## MAST, JUNCTION BOX AND LIGHTS TO UNIT

Item	Part No.	Qty	Description	Notes
1	60415	4	Nut, 10-32 nylock, SS	
2	10000023259	2	Plug, 2.0 square x .14 ga wall tube, plastic	
3	10000023328	1	Assembly, mast box	
4	60062	4	Screw, 10-32 x .750 pan Phillips, G2	
5	63357	8	Washer, .750 flat 2.0/.062 - plastic	
6	60247	4	Washer, .750 flat 2.020/.130	
7	60308	4	Nut, .750-10 nylock - SS	
8	10000019145	4	Assembly, LED light - 4 module, horizontal	
9	60309	4	Washer, .500 flat 1.060/.090	
10	60484	2	Screw, .500-13 x 2.0 standard hex, G5	
11	70208B	1	Bracket, night watchman	
12	60488	4	Screw, 8-32 x .750 pan Phillips, G2	
13	68763	1	Assembly, night watchman	
14	62054	2	Screw, 8-32 x .500 pan Phillips 18-8, SS	
15	60270	8	Nut, 8-32 nylock	
16	56610B	1	Cover, dusk to dawn sensor	
17	62221	2	Nut, .500-13 nylock, G5	
18	60139	5	Screw, .375-16 x 1.50 hex, G5	
19	60386	10	Washer, .375 flat .993/.064	
20	60358	5	Nut, .375-16 nylock, G5	
21	10000035623	1	Coil cord w/155 inch tail	mast junction box to control box
22	39650	1	Coil cord w/120 inch tail	mast to junction box

# LIGHT ASSEMBLY



Go to Discount-Equipment.com to order your parts

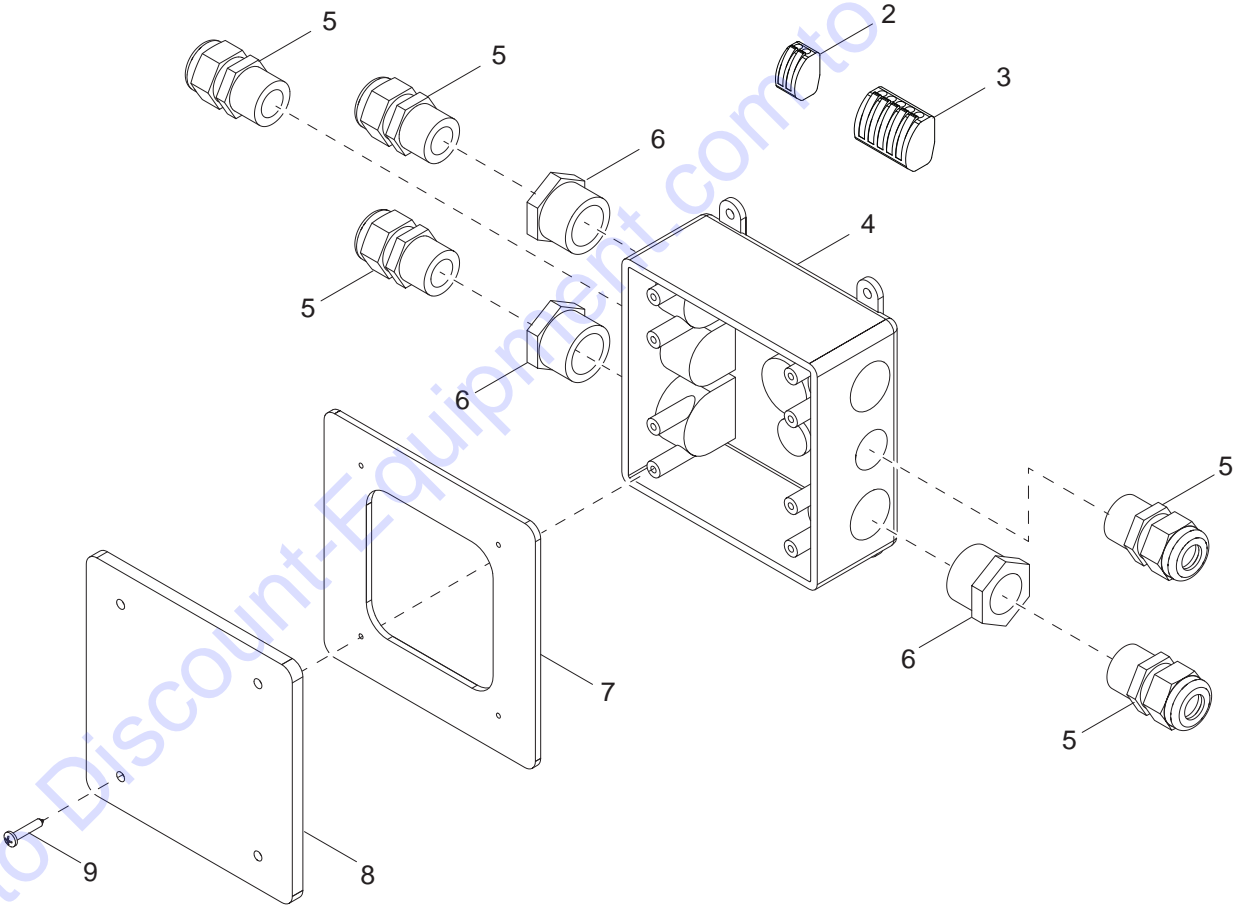
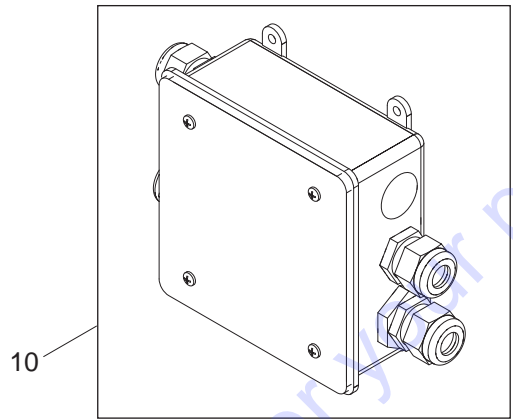
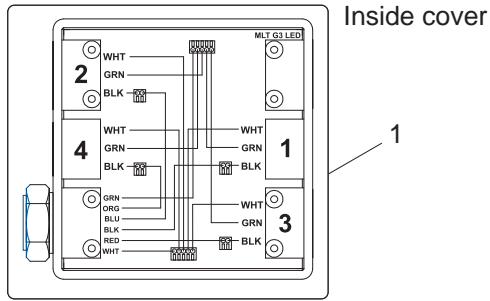
02462

## LIGHT ASSEMBLY

Item	Part No.	Qty	Description	Notes
1	10000019192	2	Frame support, LED module - horizontal	
2	10000019163	6	Screw, 8-16 x .625 PLST pan Phillips - black	
3	72134	6	Washer, .500 nylon 1.25/.100	
4	60700	4	Washer, .500 flat 1.250/.060 - SS	
5	62221	2	Nut, .500-13 nylock, G5	
6	10000019164	1	Bracket, connection block	
7	73219	2	Screw, #6-20 x .75 sheet metal - SS	
8	72120	1	Connector block, LED module	
9	10000019153	1	Enclosure, LED driver	
10	10000019152	2	Bushing, strain relief - right angle	
11	10000023706	4	Screw, 8-32 x .500 hex flanged - black	
12	69809	1	Driver, LED 30V 10.7A 320W	
13	10000023684	1	End cap 1, LED driver	
14	60830	2	Screw, .500-10 x 1.750 standard hex - SS	
15	60268	8	Rivet, .188 diameter x .126 to .250 grip	
16	10000023721	1	Trunnion, LED module - horizontal	
17	10000023663	1	End cap 2, LED driver	
18	10000019135	1	End cap, LED module	
19	10000019182	8	Screw, 10-24 x .500 hex flanged	
20	10000019170	2	Module, 60° LED 24-27VDC 60W	
21	10000019160	2	Module, 40° 28 LED 24-27VDC	



# MAST JUNCTION BOX ASSEMBLY - HARD WIRED LIGHTS



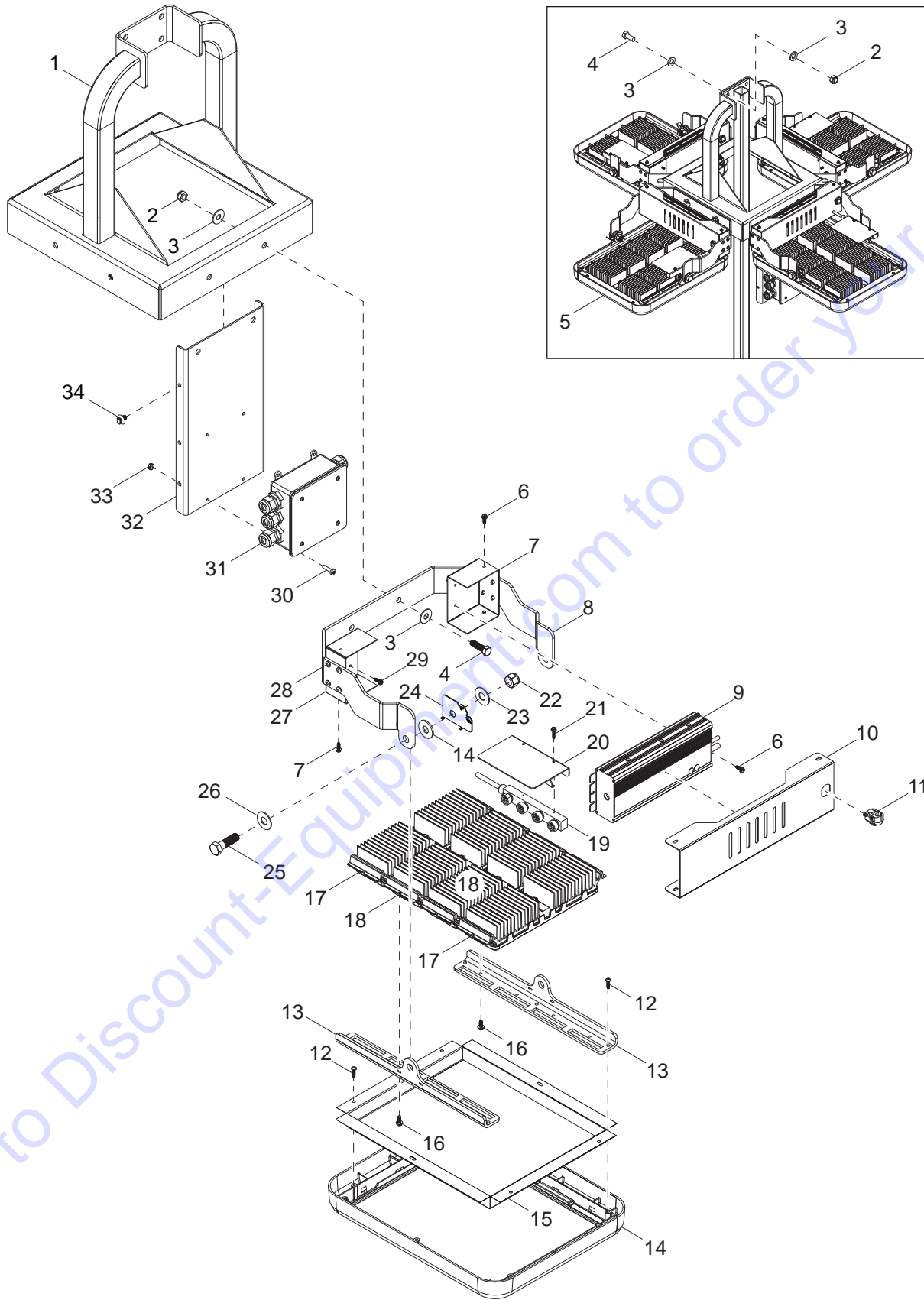
02607

## MAST JUNCTION BOX ASSEMBLY - HARD WIRED LIGHTS

Item	Part No.	Qty	Description	Notes
1	10000023482	1	Decal, mast junction box	
2	66100	4	Connector, 2 position	
3	66102	2	Connector, 5 position	
4	12094	1	Box, junction	
5	60755	3	Fitting, straight .750MNPT x .500FNPT, nylon	
6	15864	5	Strain relief, .500NPT water tight	
7	13749SRV	1	Gasket, junction box - HFI 281000	
8	12109	1	Cover, box, 2-gang plastic	
9	60424	4	Screw, 6-32 x .750 pan Phillips, G2	
10	10000023328	1	Assembly, mast junction box	

Go to Discount-Equipment.com to order your parts

# DIFFUSED LIGHTING (IF EQUIPPED)

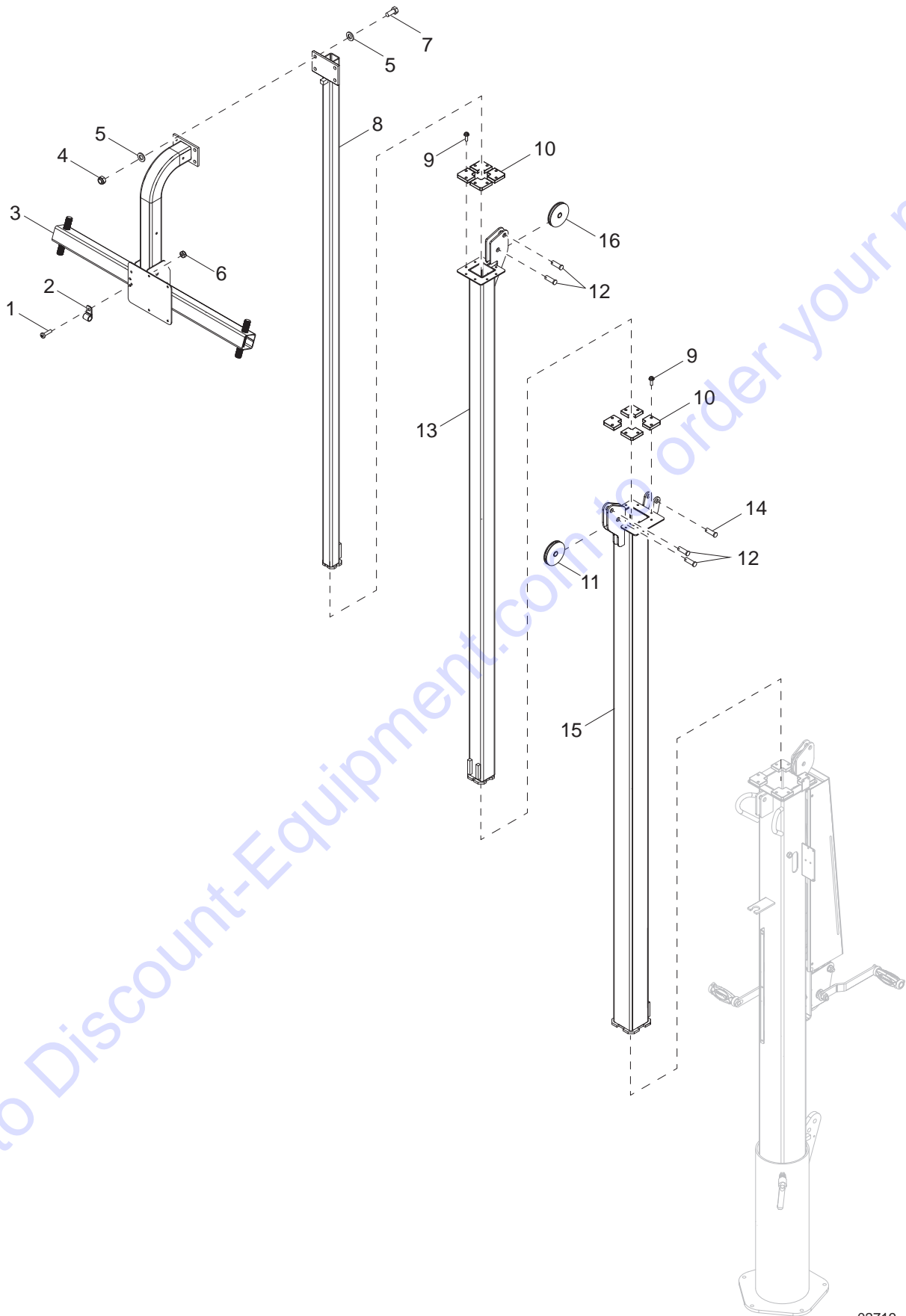


02703

## DIFFUSED LIGHTING (IF EQUIPPED)

Item	Part No.	Qty	Description	Notes
1	10000035385	1	Weldment, mount 4 - diffused	
2	60358	12	Nut, .375-16 nylock, G5	
3	60386	24	Washer, .375 flat .993/-.64	
4	60352	12	Screw, .375-16 x 1.250 hex, G5	
5	10000035376	4	Assembly, 4 LED lights - diffused	
6	10000023706	8	Screw, 8-32 x .500 flanged hex	
7	10000023684	1	End cap 1, driver - LED	
8	10000035410	1	Bracket, trunnion - 4 mod diffused	
9	10000019146	1	Driver, LED 30V, 10.7A, 321W	
10	10000019153	1	Assembly, driver enclosure - LED	
11	10000019152	2	Bushing, strain relief - right angle	
12	10000019163	8	Screw, 8-16 x 8/8 pan Phillips - black	
13	10000019192	2	Support, horizontal frame, 4 module - LED	
14	10000019135	1	Assembly, end cap, horizontal - LED	
15	10000020598	1	Lens, diffuser 90°	
16	10000019182	8	Screw, 10-24 x .500 flanged hex - black	
17	10000019170	2	Module, 60° LED 24-27VDC 60W	
18	10000019160	2	Module, 40° 28 LED 24-27VDC	
19	72120	1	Connector block, 4 module - LED	
20	10000019164	1	Bracket, conn block	
21	73219	2	Screw, #6-20 x .750 sheet metal - SS	
22	62221	2	Nut, .500-13 nylock, G5	
23	60700	4	Washer, .500 flat 1.250/.060 - SS	
24	10000044708	1	Bracket, stop 45° - 4 mod diffused	
25	60817	2	Screw, .500-13 x 1.50 standard hex	
26	72134	2	Washer, .500 nylon 1.25/.100	
27	10000023663	1	End cap 2, driver - LED	
28	60268	8	Rivet, .188 diameter x .126 t0 .250 grip - SS	
29	10000019172	1	Screw, 8-32 x 3/8 flanged hex - green	
30	60062	4	Screw, 10-32 x .750 pan Phillips, G2	
31	10000034286	1	Assembly, mast box - hard wire	
32	10000035367	1	Bracket, J box mount	
33	60061	4	Nut, 10-32 nylock	
34	66685	4	Mount, cable tie .25-.28 diameter, .031-.276 grip	
--	10000019079	4	Pigtail, 22-14GA, 3M, 314IDC	
--	10000023665	1	Cord, 18/3C, ST00W/SE00W 6.00 w/terminals	
--	34552	4	Clamp, tubing 1.00HD, .406 hole, .75WD	

# MAST ASSEMBLY

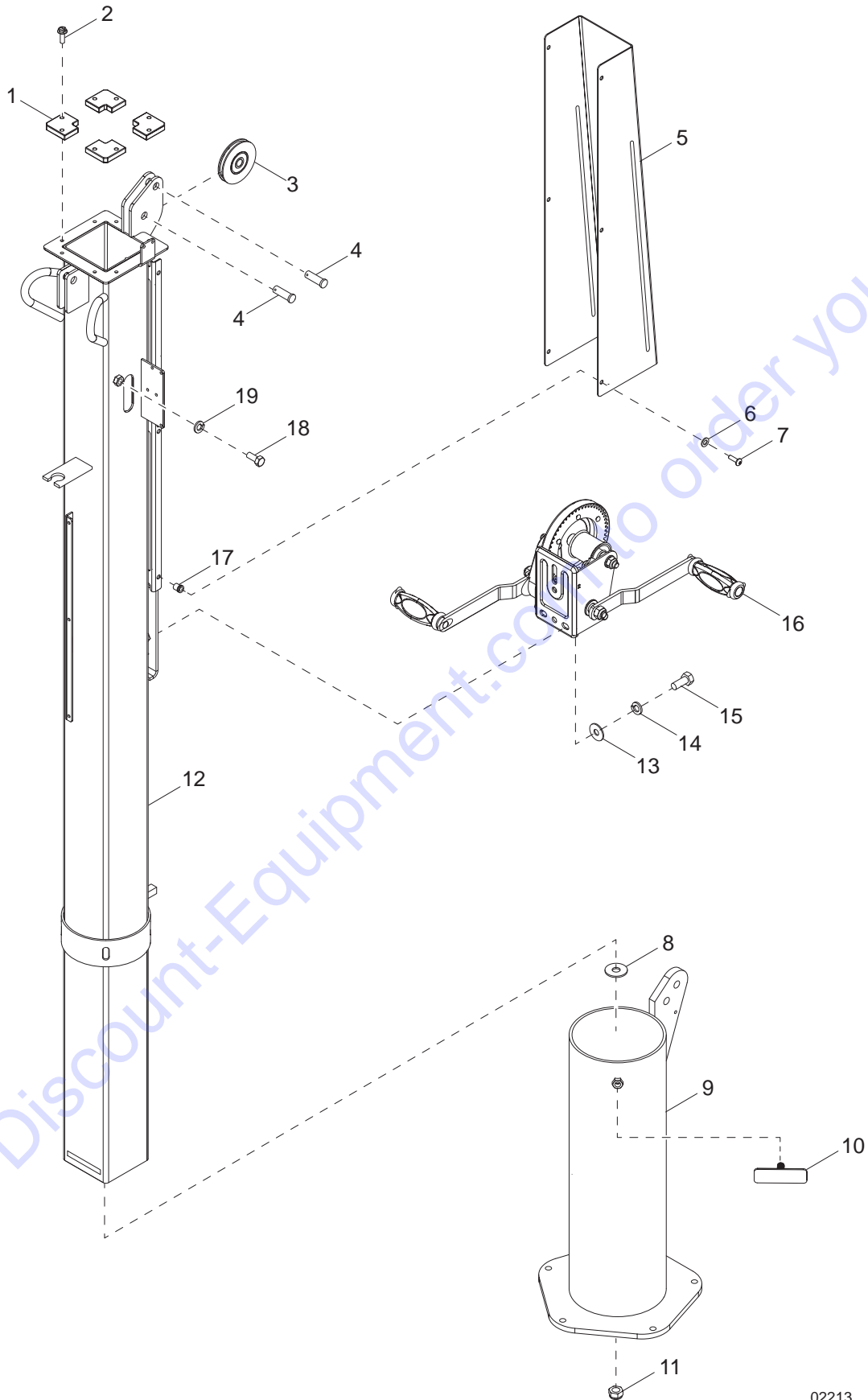


02719

**MAST ASSEMBLY**

<b>Item</b>	<b>Part No.</b>	<b>Qty</b>	<b>Description</b>	<b>Notes</b>
1	60107	1	Screw, .250-20 x .750 serrated flange hex, G5	
2	16143	1	Clamp, tubing .500	
3	43201B	1	Weldment, mast, crossbar	
4	60358	4	Nut, .375-16 nylock, G5	
5	60386	8	Washer, .375 flat .993/.064	
6	60787	1	Nut, .250-20 nylock - SS	
7	60352	4	Screw, .375-16 x 1.250 hex, G5	
8	31264B	1	Weldment, mast - 1.50	
9	63358	16	Screw, .250-20 x .625 hex wash hd	
10	31225	8	Guide	
11	33736	1	Assembly, pulley - vertical mast	
12	63325	4	Pin, clevis .500 diameter x 1.063 UL	
13	31261B	1	Weldment, mast - 2.25	
14	35655	1	Pin, clevis .500 diameter x 1.750 ZP	
15	37465B	1	Weldment, mast - 3.0	
16	14262	1	Sheave, 3.00	
--	31247	1	Cable, .188 x 144 w/ball swedge	winch cable
--	31248	2	Cable, .188 x 79.750 w/ball swedge	middle cable
--	31277	1	Cable, .188 x 78.0 w/ball swedge	top cable

# MAST ASSEMBLY - BOTTOM POST - MANUAL WINCH



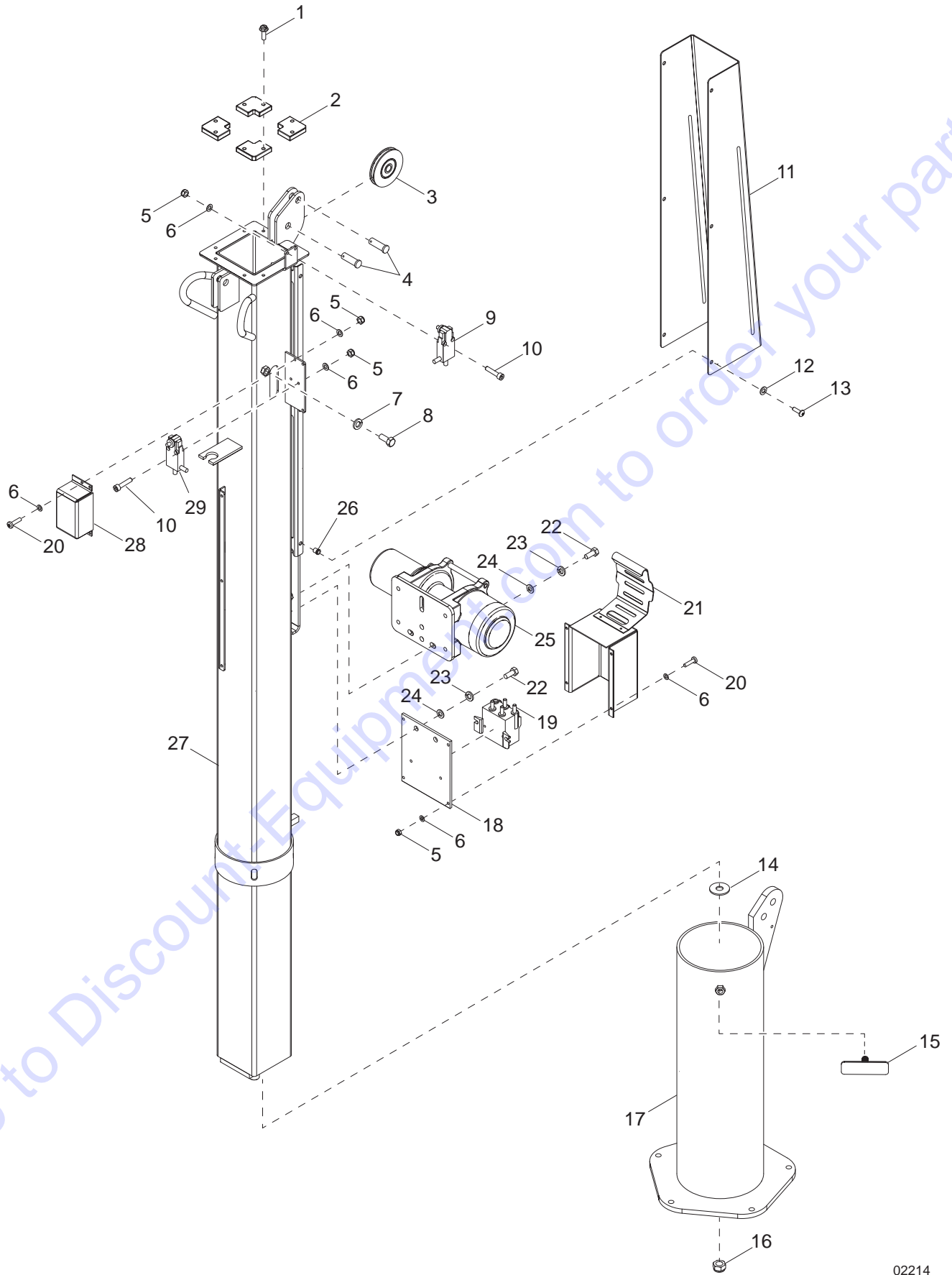
02213



## MAST ASSEMBLY - BOTTOM POST - MANUAL WINCH

Item	Part No.	Qty	Description	Notes
1	31225	4	Guide	
2	63358	8	Screw, .250-20 x .625 hex washer head	
3	33736	1	Assembly, pulley vertical mast	
4	63325	2	Pin, clevis .500 diameter x 1.063 UL	
5	72116B	1	Guard, cable	
6	60067	6	Washer, #10 flat .435/.060 - SS	
7	60398	6	Screw, 10-32 x .500 pan Phillips - SS	
8	60247	1	Washer, .750 flat 2.020/.130	
9	31218B	1	Weldment, mast rotation tube	
10	10000018317	1	Weldment, T-handle	SN 3002908801 and after
--	36978	1	Handle, adjustable .375-16 x 1.00	prior to SN 3002908801
11	60584	1	Nut, .750-10 nylock, G5	
12	73158B	1	Weldment, mast 4.0 in	
13	60386	3	Washer, .375 flat .993/.064	
14	60206	3	Washer, .375 split lock - hardened	
15	60205	3	Screw, .375-16 x 1.0 hex, G5	
16	72127	1	Winch, manual - 1500 lb, dual handle	
17	32922	6	Insert, threaded 10-32 splined, .020-.130 grip	
18	62269	2	Screw, .375-16 x .75 hex, SS - red	
19	60703	2	Washer, .375 split lock, SS	

# MAST ASSEMBLY - BOTTOM POST - ELECTRIC WINCH

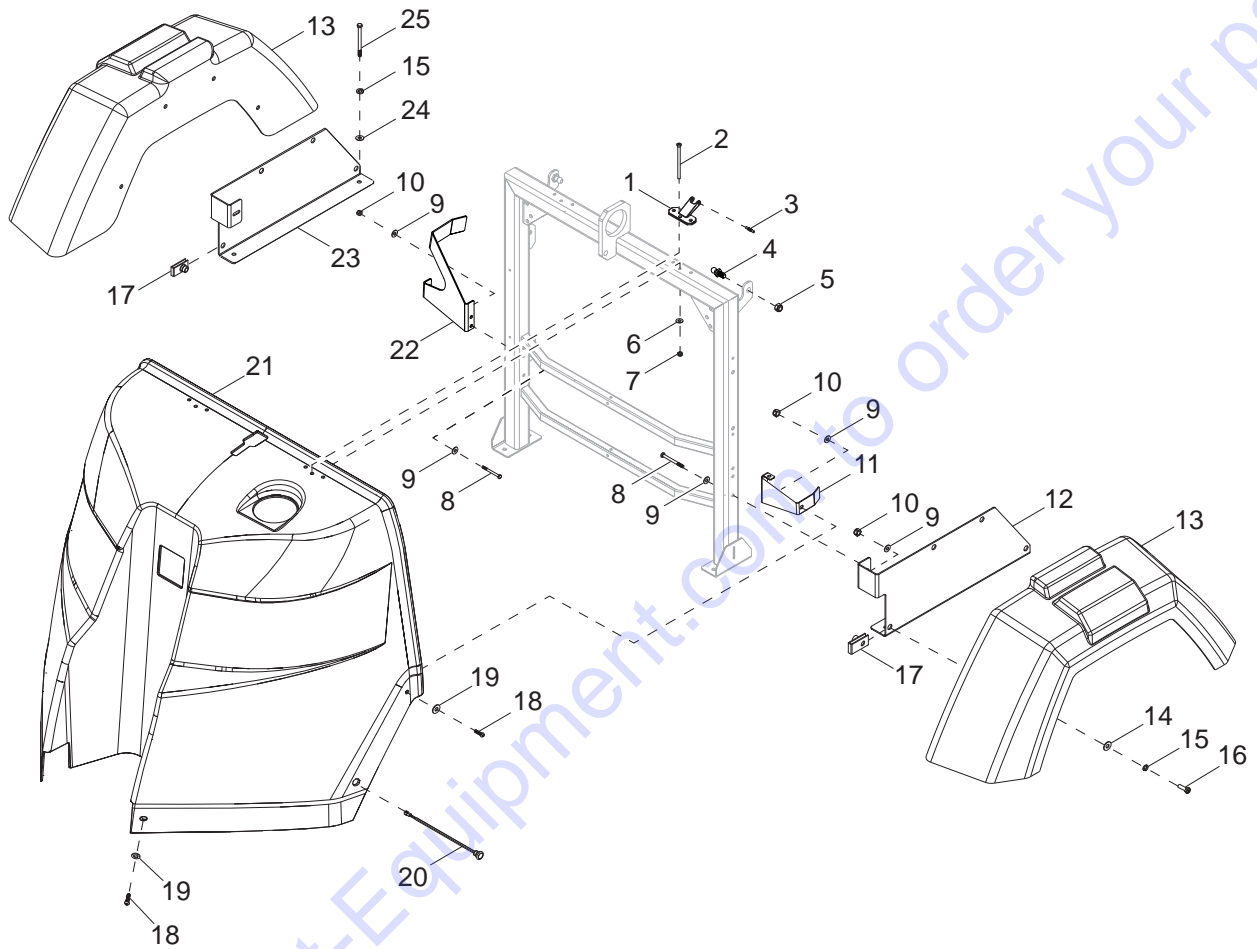


02214

## MAST ASSEMBLY - BOTTOM POST - ELECTRIC WINCH

Item	Part No.	Qty	Description	Notes
1	63358	8	Screw, .250-20 x .625 hex washer head	
2	31225	4	Guide	
3	33736	1	Assembly, pulley vertical mast	
4	63325	2	Pin, clevis .500 diameter x 1.063 UL	
5	60207	11	Nut, 8-32 nylock, G6	
6	60269	18	Washer, #8 flat .433/.036	
7	60703	2	Washer, .375 split lock, SS	
8	62269	2	Screw, .375-16 x .75 hex, SS - red	
9	31740	1	Assembly, down switch	
10	67190	4	Screw, 8-32 x 1.125 socket head, SS	
11	72116B	1	Guard, cable - manual winch	
12	60067	6	Washer, #10 flat .435/.060 - SS	
13	60398	6	Screw, 10-32 x .500 pan Phillips - SS (diff. on manual)	
14	60247	1	Washer, .750 flat 2.020/.130	
15	10000018317	1	Weldment, T-handle	
16	60584	1	Nut, .750-10 nylock, G5	
17	31218B	1	Weldment, mast rotation tube	
18	37207B	1	Plate, contactor	
19	11293	1	Contactactor	hardware included
20	60244	7	Screw, 8-32 x .750 pan Phillips, G2	
21	37468B	1	Weldment, winch cover	
22	60205	5	Screw, .375-16 x 1.0 standard hex, G5	
23	60206	5	Washer, .375 split lock	
24	60386	5	Washer, .375 flat .993/.064	
25	12874	1	Winch, electric - 770 lb hoist	
26	32922	6	Insert, threaded 10-32 splined, .020-.130 grip	
27	73158B	1	Weldment, mast 4.0 in	
28	37205B	1	Cover, up limit switch	
29	31739	1	Assembly, up stop switch	
--	12922	2	Boot, battery cable - red	
--	31742	1	Wire group, electric winch box	
--	31743	1	Harness, winch power cables	
--	72143	1	Harness, winch, stud-contactactor	
--	10000028192	1	Harness, electric mast control	

# ENCLOSURE ASSEMBLY (1 OF 2)



02435

**ENCLOSURE ASSEMBLY (1 OF 2)**

<b>Item</b>	<b>Part No.</b>	<b>Qty</b>	<b>Description</b>	<b>Notes</b>
1	10000022542	2	Hinge, offset housing leaf - front	
2	35282	6	Screw, 10-24 x 3.0 flat head Phillips, SS	
3	10000022543	2	Pin, offset housing hinge - knurled	
4	35293	2	Ball stud, 10mm, .312-18	
5	60303	2	Nut, .312-18 nylock, G2	
6	60237	12	Washer, #10 flat .495/.036	
7	60457	12	Nut, M6-1.0 weld, class 5	
8	61234	6	Screw, .250-20 x 2.750 standard hex, G5	
9	60243	12	Washer, .250 flat .735/.060	
10	60144	8	Nut, .250-20 nylock, G5	
11	10000017357	1	Guide bracket, enclosure meeting -LH	
12	35141B	1	Bracket, mounting fender - left	
13	10000017827	2	Fender, plastic, 13 in. wheel	
14	60386	8	Washer, .375 flat .993/.064	
15	60271	8	Washer, .312 split lock	
16	60028	8	Screw, .312-18 x 1.0 standard hex, G5	
17	62086	8	Nut, .312-18 U-clip - short type	
18	68070	4	Screw, .250-20 x 1.00 button hex, SS	
19	60696	6	Washer, .250 flat .625/.050, SS	
20	36961	2	Assembly, amber side marker light	
21	10000012597	1	Enclosure, front cover	
22	10000017378	1	Guide bracket, enclosure meeting -RH	
23	35216B	2	Bracket, mounting fender - right	
24	60119	6	Washer, .312 flat .875/.070	
25	60404	4	Screw, .312-18 x 1.250 standard hex, G5	

# PARTS FINDER

**Search Website  
by Part Number**



**Search Manual  
Library For Parts  
Manual & Lookup Part  
Numbers – Purchase  
or Request Quote**

**Can't Find Part or  
Manual? Request Help  
by Manufacturer,  
Model & Description**

Discount-Equipment.com is your online resource for quality parts & equipment.

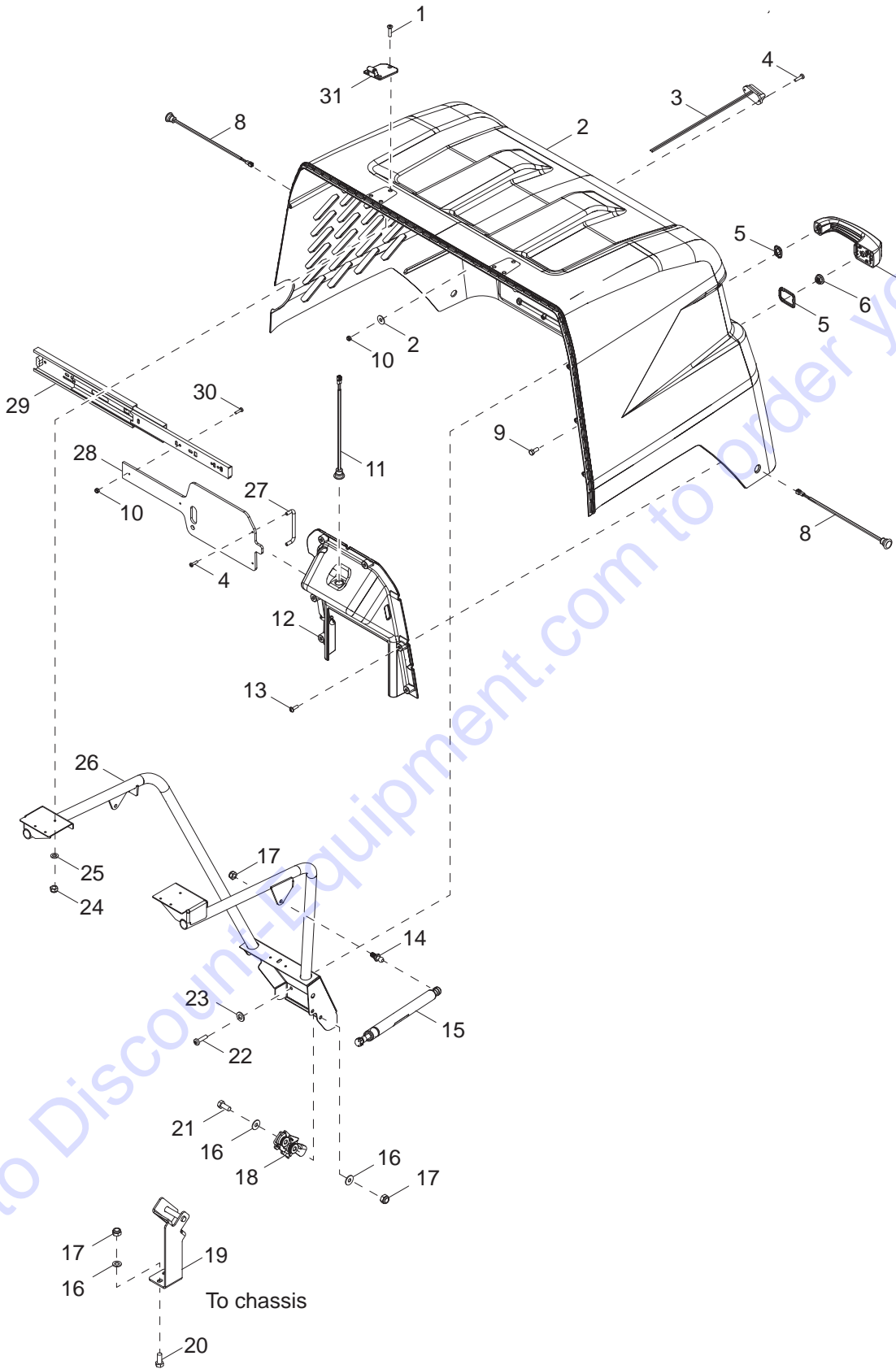
Florida: **561-964-4949** Outside Florida TOLL FREE: **877-690-3101**

**Need parts?**

Click on this link: <http://www.discount-equipment.com/category/5443-parts/> and choose one of the options to help get the right parts and equipment you are looking for. Please have the machine model and serial number available in order to help us get you the correct parts. If you don't find the part on the website or on one of the online manuals, please fill out the request form and one of our experienced staff members will get back to you with a quote for the right part that your machine needs.

We sell worldwide for the brands: Genie, Terex, JLG, MultiQuip, Mikasa, Essick, Whiteman, Mayco, Toro Stone, Diamond Products, Generac Magnum, Airman, Haulotte, Barreto, Power Blanket, Nifty Lift, Atlas Copco, Chicago Pneumatic, Allmand, Miller Curber, Skyjack, Lull, Skytrak, Tsurumi, Husquvarna Target, Stow, Wacker, Sakai, Mi-T-M, Sullair, Basic, Dynapac, MBW, Weber, Bartell, Bennar Newman, Haulotte, Ditch Runner, Menegotti, Morrison, Contec, Buddy, Crown, Edco, Wyco, Bomag, Laymor, EZ Trench, Bil-Jax, F.S. Curtis, Gehl Pavers, Heli, Honda, ICS/PowerGrit, IHI, Partner, Imer, Clipper, MMD, Koshin, Rice, CH&E, General Equipment, Amida, Coleman, NAC, Gradall, Square Shooter, Kent, Stanley, Tamco, Toku, Hatz, Kohler, Robin, Wisconsin, Northrock, Oztec, Toker TK, Rol-Air, APT, Wylie, Ingersoll Rand / Doosan, Innovatech, Con X, Ammann, Mecalac, Makinex, Smith Surface Prep, Small Line, Wanco, Yanmar

# ENCLOSURE ASSEMBLY (2 OF 2)



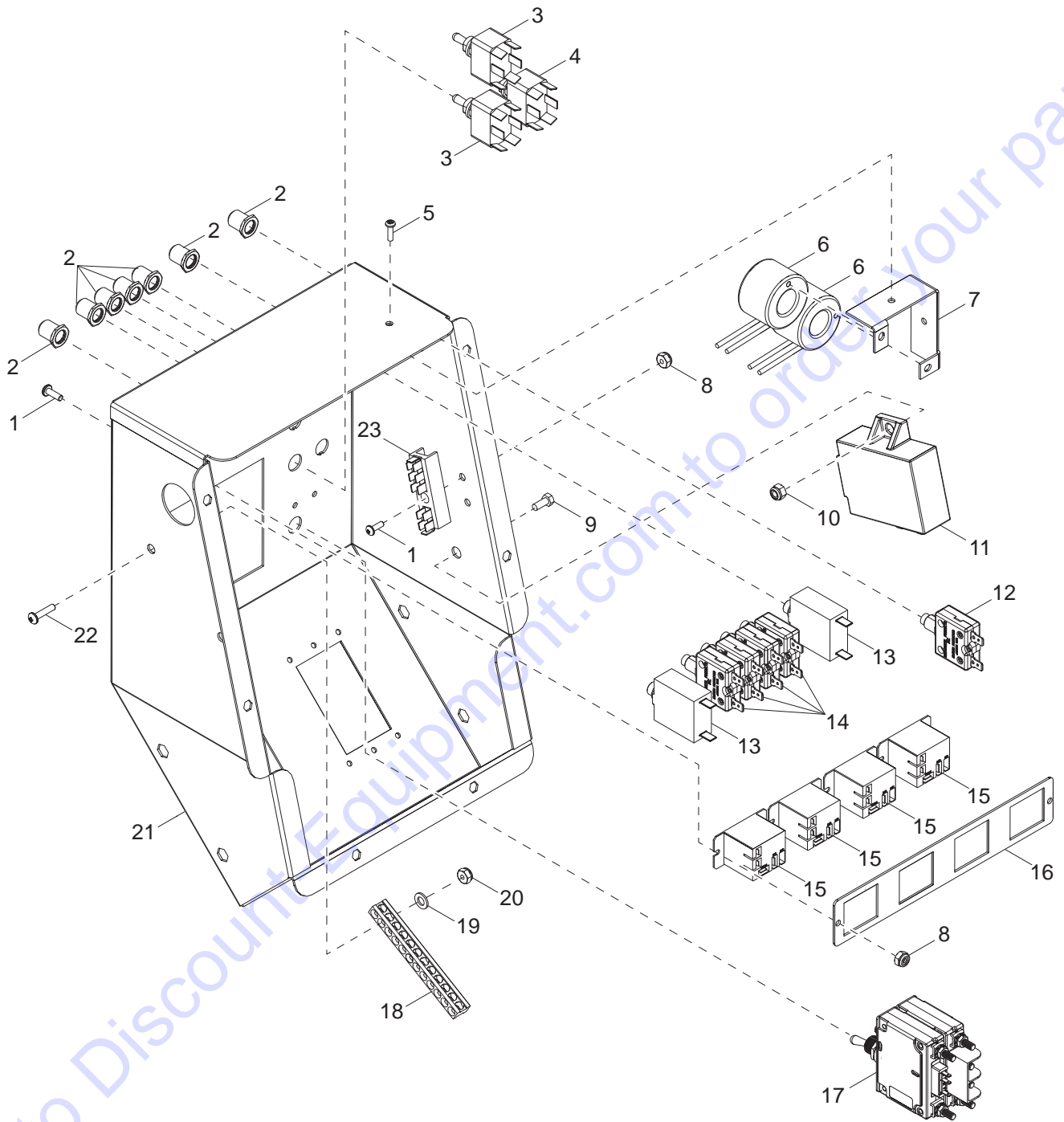
02436



## ENCLOSURE ASSEMBLY (2 OF 2)

Item	Part No.	Qty	Description	Notes
1	35290	6	Screw, 10-24 x 1.00 flat Phillips, SS	
2	10000012638	1	Housing, rear textured - orange	
3	36963	1	Assembly, license plate light	
4	60694	4	Screw, 8-32 x .750 pan Phillips, SS	
5	70216	1	Gasket, kit handle, push button	
6	60036	1	Nut, M6-1.00 serrated flange, G8.8	
7	35138	1	Handle, push-button padlock	
8	36962	2	Assembly, red side marker	
9	60335	1	Screw, M6-1.00 x 25 standard hex, SS	
10	60270	4	Nut, 8-32 nylock, class 6	
11	36964	1	Assembly, controls light	
12	10000012596	1	Bezel, control panel textured - black	
13	10000017348	6	Screw, D60-2.14 x 20TRWH	
14	35293	2	Ball stud, 10mm, .313-18	
15	35137	2	Gas shock, 120 lb	
16	60119	6	Washer, .312 flat .875/.070	
17	60303	6	Nut, .312-18 nylock, G2	
18	35139	1	Latch, rotary	
19	37178B	1	Mount, door latch striker	
20	61066	2	Screw, .312-18 x 1.00 carriage square - SS	
21	62001	2	Screw, .312-18 x 1.250 standard hex, G5	
22	60146	3	Screw,	
23	60243	3	Washer, .250 flat .735/.060	
24	60457	6	Nut, 10-24 nylock, G2 ZC	
25	60237	2	Washer, #10 flat .495/.036 ZC	
26	37012B	1	Weldment, enclosure structure	
27	37123	1	Handle, control box cover	
28	10000017623	1	Cover, sliding control panel	
29	36914	1	Slide, control box cover	
30	62054	2	Screw, 8-32 x .500 pan Phillips - SS	
31	10000022523	2	Hinge, leaf offset housing - rear	
--	10000028590	1	Assembly, rear enclosure	Items 1-31
--	60335	1	Screw, M6-1.00 x 25 standard hex, SS	
--	60375	1	Clamp, tubing - .312 lt duty	

# CONTROL BOX ASSEMBLY (1 OF 2)

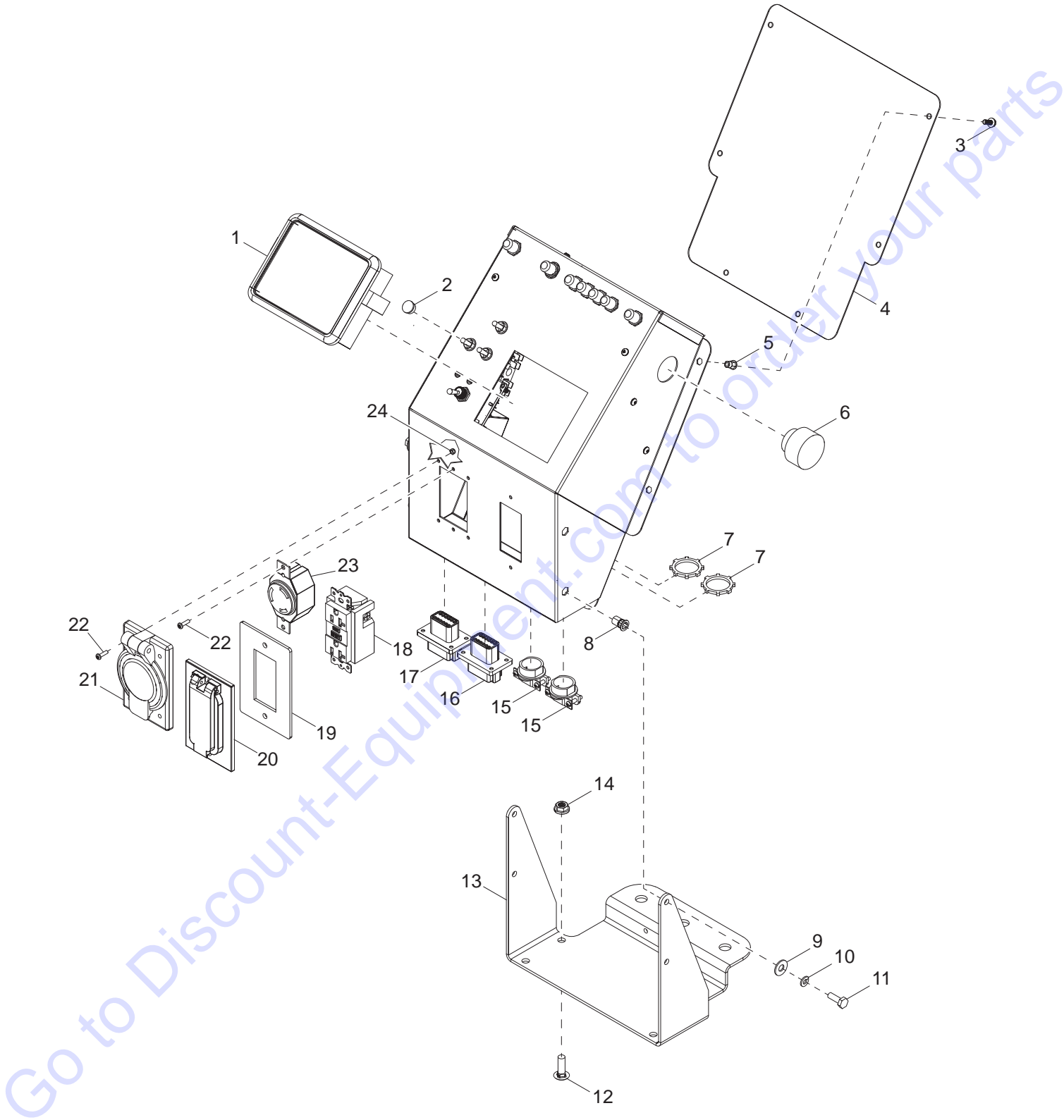


02633

## CONTROL BOX ASSEMBLY (1 OF 2)

Item	Part No.	Qty	Description	Notes
1	62054	3	Screw, 8-32 x .500 pan Phillips,- SS	
2	36938	7	Boot, push button breaker	
3	68508	2	Switch, toggle SPST on-off 12A, 125V	
4	65707	1	Switch, toggle SPDT spring - weatherproof	electric mast only
5	62210	2	Screw, 6-32 x .50 pan Phillips - SS	
6	66255	2	Transformer, current	
7	38449B	1	Bracket, CT mount	
8	60270	5	Nut, 8-32 nylock, G6	
9	60281	1	Screw, .250-20 x .750 hex, G5	
10	60144	1	Nut, .250-20 nylock, G5	
11	73221	1	Controller, idle	
12	36937	1	Breaker, 10A DC	
13	65849	2	Breaker, 20A, 120V, 1 pole - push button	
14	75030	4	Breaker, 5A, 240V, 1 pole - push button	
15	29759	4	Relay, 12V coil 120-240 VAC rated	
16	38447B	1	Bracket, relay	
17	36975	2	Breaker, 30A main	with hardware
18	14204	1	Kit, ground bar	
19	60252	2	Washer, #10 split lock	
20	60318	2	Nut, 8-32 Hex, G5	
21	69931B	1	Box, control - PZ	
22	60406	2	Screw, 8-32 x 1.00 pan Phillips, G2	
23	69680	1	Terminal block, 5 & 7 position	

# CONTROL BOX ASSEMBLY (2 OF 2)

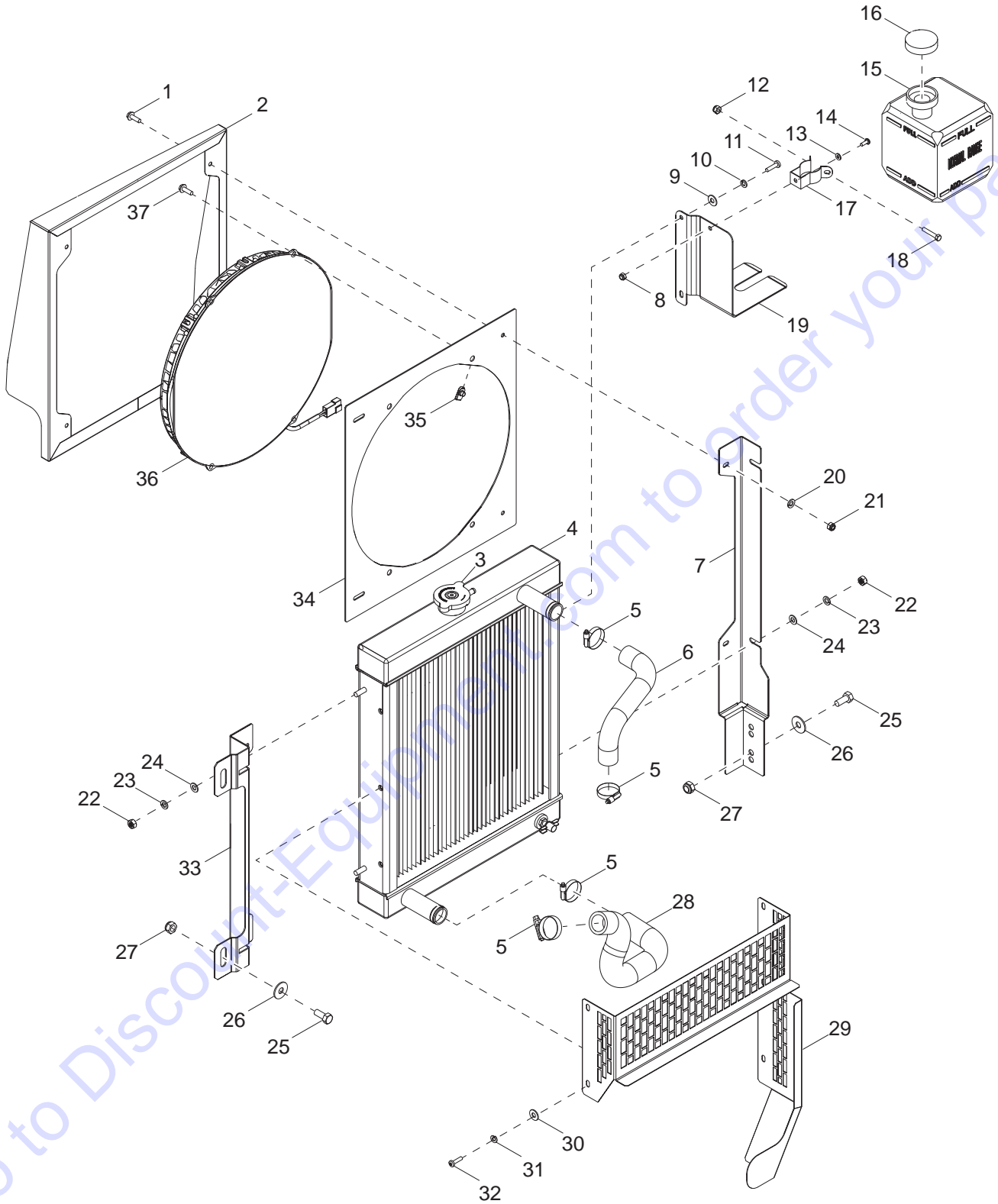


02589

## CONTROL BOX ASSEMBLY (2 OF 2)

Item	Part No.	Qty	Description	Notes
1	1000007835	1	Controller, Deep Sea - programmed rev C	
2	65798	1	Plug, hole .466 x .06 - black	manual mast only
3	62254	6	Screw, 10-32 x .500 serrated flange hex - SS	
4	69962B	1	Cover, control panel box	
5	62234	6	Insert, 10-32 hex, .020-.130 grip, threaded	
6	73217	1	Horn, alarm 6-28VDC	
7	16300	2	Nut, .750 Romex strain relief	
8	63231	4	Insert, .250-20 hex, .027-.165 grip, threaded	
9	60243	4	Washer, .250 flat .735/.060	
10	60286	4	Washer, .250 split lock	
11	60281	4	Screw, .250-20 x .750 hex, G5	
12	61066	4	Screw, .312-18 x 1.0 carriage - SS	
13	38409B	1	Bracket, control box mounting	
14	60095	4	Nut, .312-18 serrated flange - case hardened	
15	14219	2	Strain relief, .75 Romex w/nut	
16	66695	1	Connector, Duetsch 12 position - flange DT	
17	69657	1	Connector, Duetsch 12 position - flange C key	
18	14130	1	Receptacle, 120V/20A GFI	
19	10000027575	1	Gasket, receptacle cover - 20A GFCI	
20	37017	1	Cover, receptacle 20A GFCI single - weatherproof	
21	36939	1	Cover, receptacle 20/30A - weatherproof	
22	62210	6	Screw, 8-32 x .500 pan Phillips - SS	
23	14137	1	Receptacle, 250V/ 30A twist	
24	60728	6	Nut, 6-32 nylock, G5	
--	75020	1	Harness, control box	

# COOLING SYSTEM ASSEMBLY

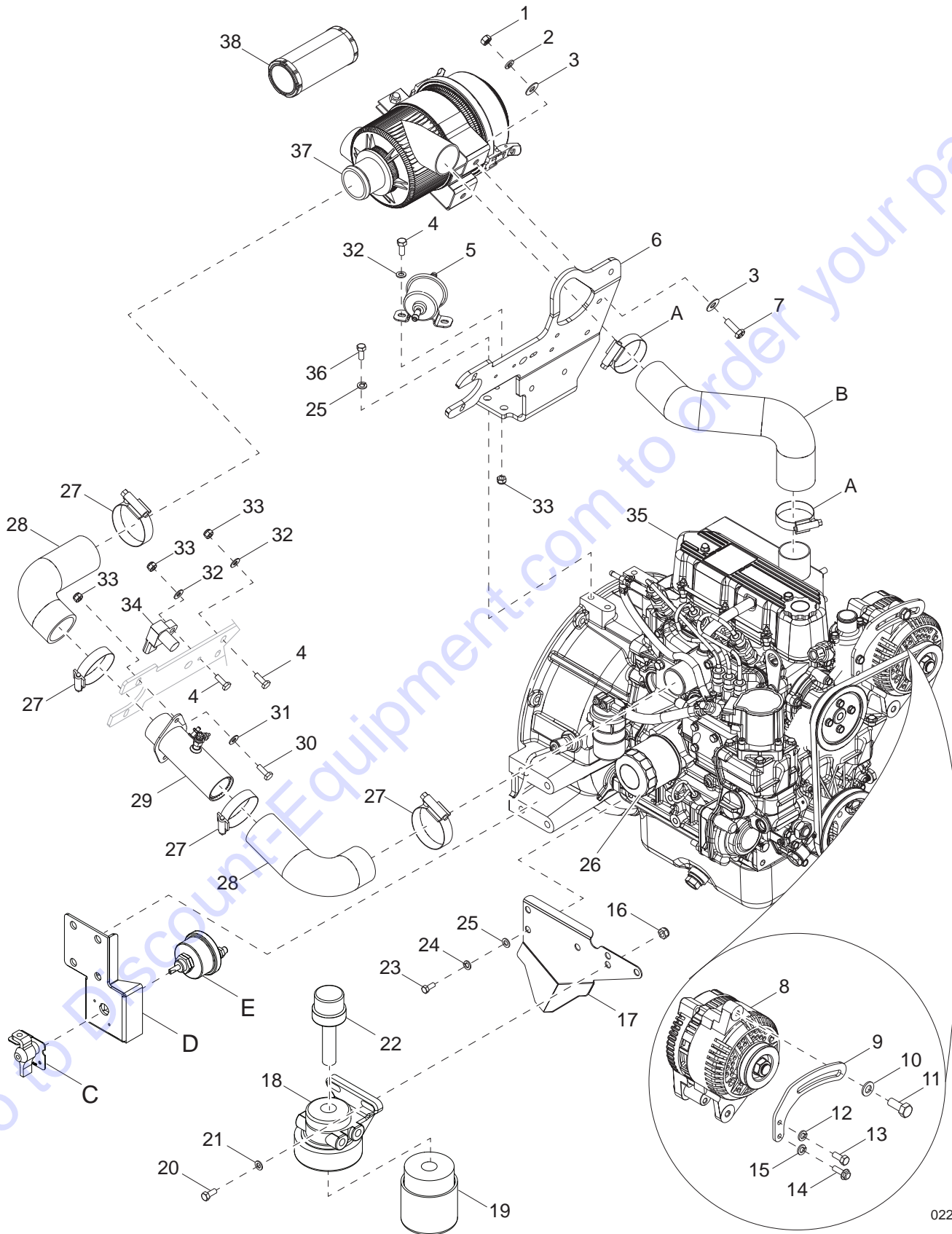


02463

## COOLING SYSTEM ASSEMBLY

Item	Part No.	Qty	Description	Notes
1	60528	4	Screw, .250-20 x .625 serrated flange hex, G5	
2	10000020036	1	Air deflector, radiator mount	
3	19219	1	Cap, radiator pressure small - 14.7 psi	
4	10000020162	1	Radiator	
5	15422	4	Clamp, hose - SAE 020 (.75-1.75)	
6	32383SRV	1	Hose, radiator - upper	
7	10000022973	1	Bracket, radiator mount, left	
8	60061	1	Nut, 10-32 nylock	
9	60243	2	Washer, .250 flat .735/.060	
10	60286	2	Washer, .250 split lock	
11	60146	2	Screw, M6-1.00 x 20 pan Phillips, G4.8	
12	60144	1	Nut, .250-20 nylock, G5	
13	60067	1	Washer, #10 flat .435/.060 - SS	
14	60398	1	Screw, #10-32 x .500 pan Phillips - SS	
15	20287	1	Jug, overflow 2 qt. (.5 gal)	
16	19714	1	Cap, overflow jug	
17	19726	1	Clamp, overflow bottle	
18	60414	1	Screw, .250-20 x 1.50 standard hex, G5	
19	10000024062	1	Bracket, overflow jug	
20	60119	4	Washer, .312 flat .875/.070	
21	60144	4	Nut, .250-20 nylock, G5	
22	60032	2	Nut, M8-1.25 hex, G8.8	
23	60029	4	Washer, M8 split lock	
24	60166	4	Washer, M8 flat	
25	60052	4	Screw, .375-16 x .750 standard hex, G5	
26	60386	4	Washer, .375 flat .993/.064	
27	60358	4	Nut, .375-16 nylock, G5	
28	16688SRV	1	Hose, radiator - lower	
29	10000023577	1	Guard, radiator mount	
30	60243	5	Washer, .250 flat .735/.060 - SS	
31	60286	5	Washer, .250 split lock	
32	60146	5	Screw, M6-1.00 x 20 pan Phillips, G4.8	
33	10000022984	1	Bracket, radiator mount, right	
34	76185B	1	Bracket, electric fan mounting	
35	61143	4	Nut, .250-20 u-clip - short type	
36	76187	1	Fan, 14.0 diameter electric, 12V	
37	60523	4	Screw, .250-20 x .875 serrated flange hex	

# ENGINE ASSEMBLY (1 OF 2)



02219



## ENGINE ASSEMBLY (1 OF 2)

Item	Part No.	Qty	Description	Notes
1	60285	2	Nut, .312-18 hex, G2	
2	60271	2	Washer, .312 split lock	
3	60119	4	Washer, .312 flat .875/.07	
4	60393	3	Screw, .250-20 x 1.00 standard hex, G5	
5	13278SRV	1	Pump, fuel	
6	72094B	1	Bracket, air cleaner	
7	60028	2	Screw, .312-18 x 1.00 standard hex, G5	
8	72129	1	Alternator, 12V, 60A	
9	73193B	1	Bracket, alternator	
10	60031	1	Washer, M8 flat	
11	60074	1	Screw, M8-1.25 x 65 standard hex, G8.8	
12	60029	2	Washer, M8 split lock	
13	63168	1	Screw, M8-1.25 x 30 standard hex	
14	60115	1	Screw, M6-1.00 x 12 serrated flange hex, G8.8	
15	60704	1	Washer, .250 split lock - SS	
16	60358	2	Nut, .375-16 nylock, G5	
17	72060B	1	Plate, oil deflector	
18	17641	1	Filter, fuel - head	
19	17647	1	Filter, fuel - element	
20	60352	2	Screw, .375-16 x 1.250 standard hex, G5	
21	60119	2	Washer, .312 flat .875/.070	
22	13876	1	Heater, fuel filter	
23	60422	4	Screw, M10-1.125 x 25 standard hex, G8.8	
24	60026	7	Washer, M10 split lock	
25	60386	3	Washer, .375 flat .993/.064	
26	70124	1	Filter, oil	
27	60316	4	Clamp, hose - SAE 032 (1.56-2.50)	
28	70100	1	Hose, intake heater	
29	72142	1	Assembly, intake heater	
30	60281	2	Screw, .250-20 x .750 hex, G5	
31	60696	2	Washer, .250 flat .625/.050, SS	
32	60243	3	Washer, .250 flat .735/.060	
33	60144	5	Nut, .250-10 nylock, G5	
34	72175	1	Sensor, atmospheric pressure	
35	72155	1	Engine, Mitsubishi, L3E - T4	
36	60422	4	Screw, M10-1.25 x 25 standard hex, G8.8	
37	34066	1	Filter, air w/bracket	
38	16444	1	Element, air filter	

*Cold Weather Package (If equipped):*

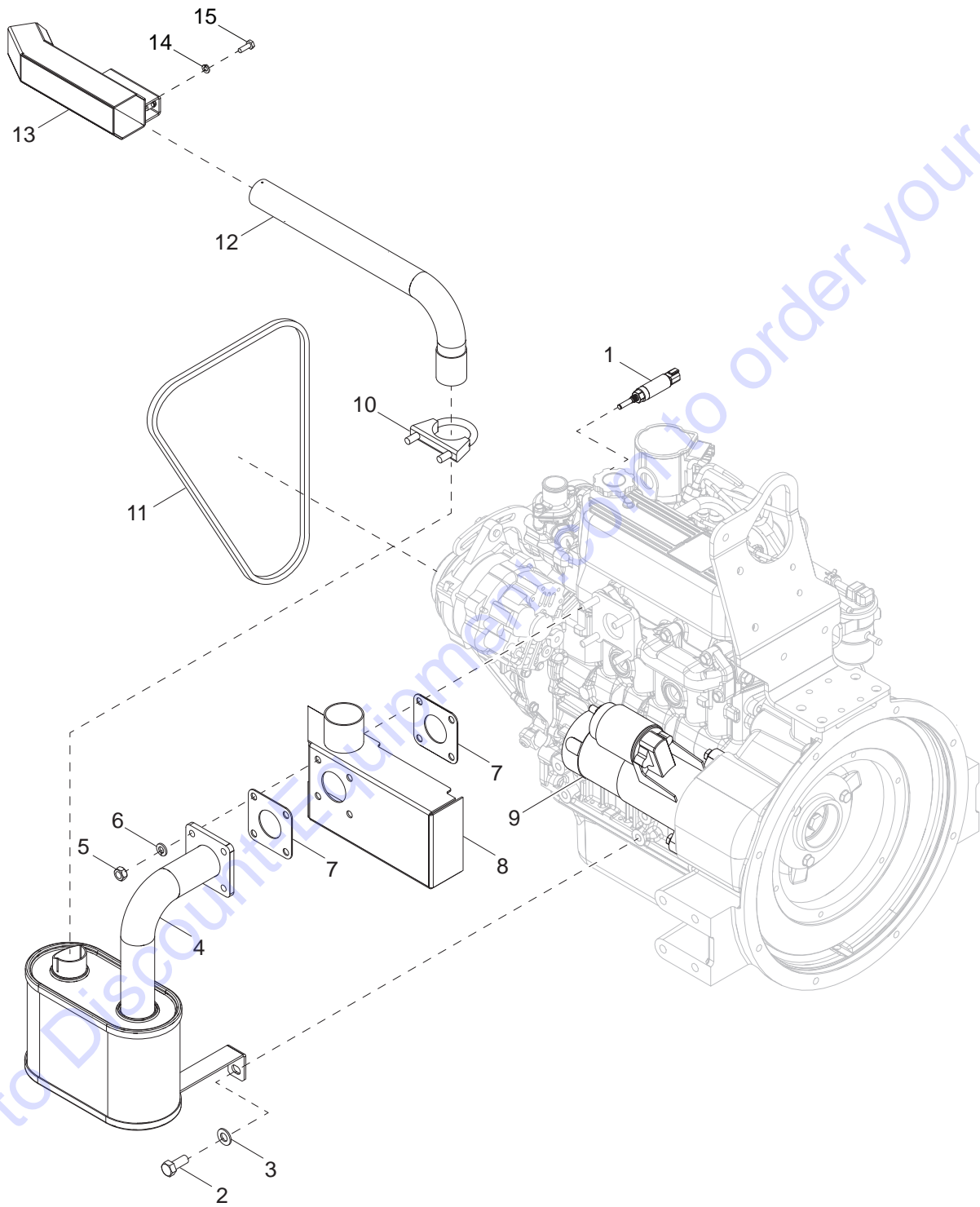
A	60316	2	Clamp, hose - SAE 032 (1.56-2.50)
B	72131	1	Hose, air intake

*Battery Disconnect (If equipped):*

C	65499	1	Switch lockout lever kit
D	10000008538	1	Bracket, battery disconnect
E	65498	1	Switch, disconnect

**Note:** Engine parts used in all Generac Mobile Products, LLC equipment carry the Original Equipment Manufacturer (OEM) warranty unless otherwise stated. OEM warranty parts must be purchased through an OEM dealer. Please contact Generac Mobile Products, LLC with questions

# ENGINE ASSEMBLY (2 OF 2)



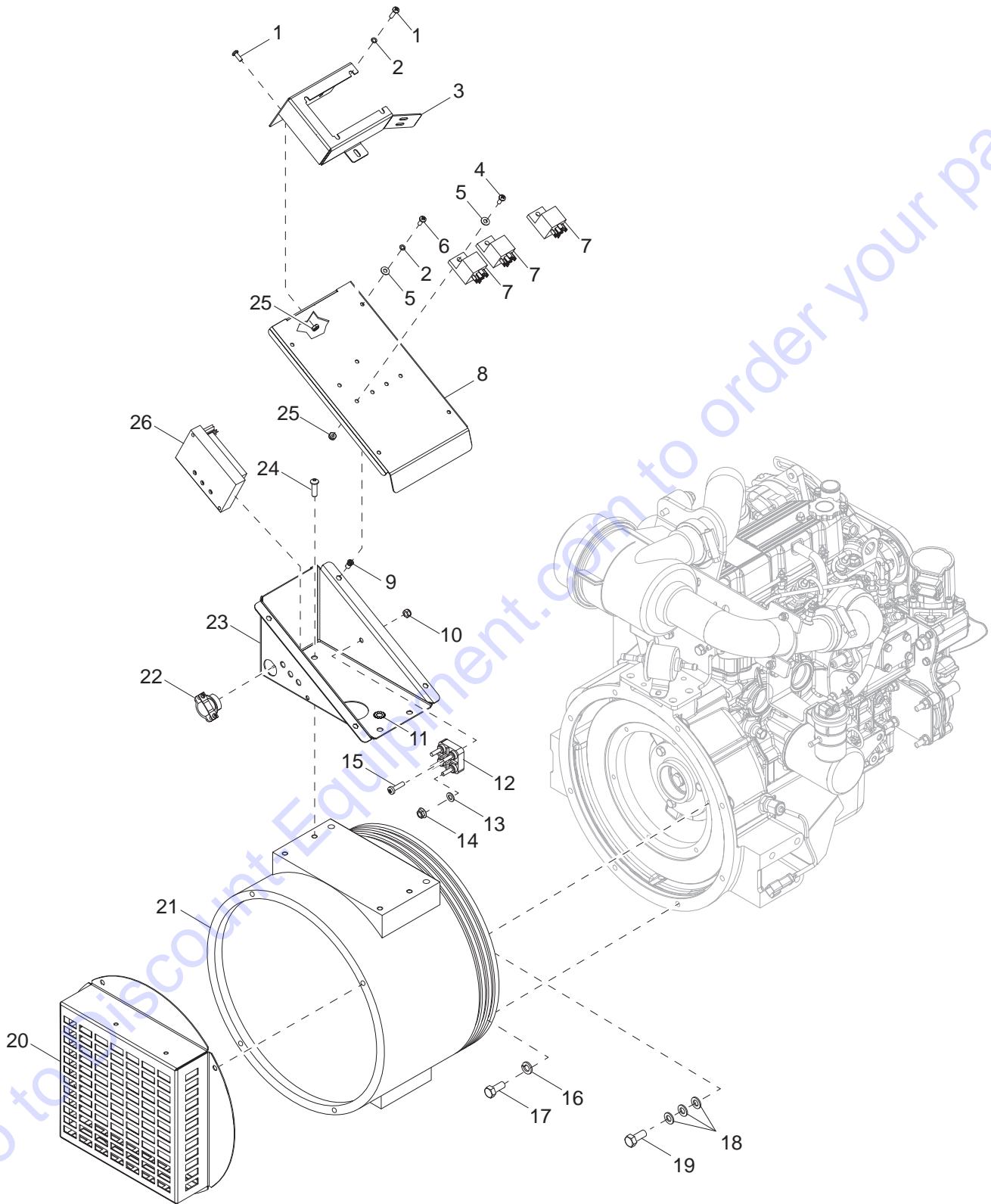
02220

## ENGINE ASSEMBLY (2 OF 2)

Item	Part No.	Qty	Description	Notes
1	10000008988	1	Switch, NC fan and intake heater	
2	60422	2	Screw, M10-1.25 x 25 standard hex, G8.8	
3	60027	2	Washer, M10 flat	
4	76191	1	Muffler, side exhaust	
5	60032	4	Nut, M8-1.25 hex, G8.8	
6	60271	4	Washer, .312 split lock	
7	11042SRV	2	Gasket, muffler	
8	73169BH	1	Weldment, exhaust heat shield	
9	70232	1	Starter	
10	25455	1	Clamp, muffler 1.50	
11	72177	1	Belt, cold weather - 36.50 in	
12	69951BH	1	Tube, exhaust	
13	76924B	1	Shield, exhaust	
14	60286	2	Washer, .250 split lock	
15	60281	2	Screw, .250-20 x .750 standard hex	
--	75011	1	Harness, engine MLT6SMD	
--	75009	1	Harness, accessory MLT6SMD	
--	10000009076	1	Harness, temperature control - fan and intake heater	

**Note:** Engine parts used in all Generac Mobile Products, LLC equipment carry the Original Equipment Manufacturer (OEM) warranty unless otherwise stated. OEM warranty parts must be purchased through an OEM dealer. Please contact Generac Mobile Products, LLC with questions

# GENERATOR ASSEMBLY



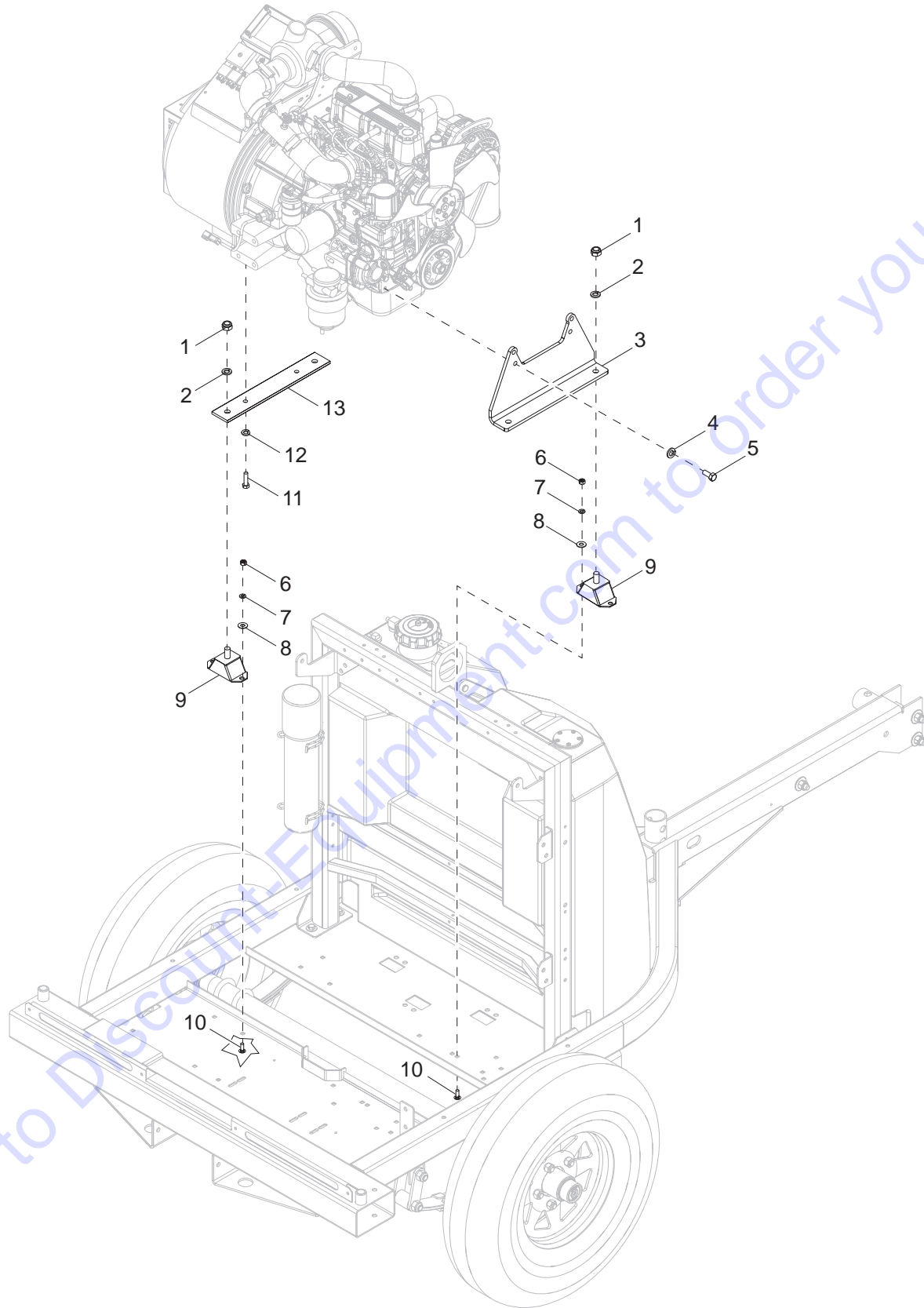
02221

## GENERATOR ASSEMBLY

Item	Part No.	Qty	Description	Notes
1	60398	7	Screw, 10-32 x .500 pan Phillips, G2	
2	60252	8	Washer, #10 split lock	
3	69956B	1	Box, Bussman cover	
4	60277	5	Screw, 10-32 x .500 pan Phillips, G2	
5	60237	7	Washer, #10 flat .495/.036	
6	60062	4	Screw, 01-32 x .750 pan Phillips, G2	
7	66455	3	Relay, 12V, 70A N.C./80A N.O. w/diode	
8	76914B	1	Cover, generator box	
9	62234	4	Insert, #10-32 hex .020-.130 grip - threaded	
10	60457	1	Nut, 10-24 nylock, G2	
11	60053	1	Washer, .375 external star	
12	65519	1	Block, terminal - 4 pole stud type	
13	60067	1	Washer, #10 flat .435/.060 - SS	
14	60036	4	Nut, M6-1.00 serrated flange, G8.8	
15	60540	1	Screw, 10-24 x .750 pan Phillips - SS	
16	60026	8	Washer, M10 split lock	
17	60494	8	Screw, M10-1.25 x 30 standard hex, G8.8	
18	60166	18	Washer, M8 flat	
19	60165	6	Screw, M8-1.25 x 16 standard hex, G10	
20	69905B	1	Cover, generator	
21	13740	1	Generator, Marathon, 8KW	
22	14219	1	Strain Relief, .750 Romex w/nut	
23	72057B	1	Box, generator base	
24	72162	4	Screw, M8-1.25 x 20 button hex, G10.9	
25	60061	7	Nut, 10-32 nylock	
26	10000009795	1	Regulator, voltage	hardware included

**Note:** Generator parts used in all Generac Mobile Products, LLC equipment carry the Original Equipment Manufacturer (OEM) warranty unless otherwise stated. OEM warranty parts must be purchased through an OEM dealer. Please contact Generac Mobile Products, LLC with questions.

# ENGINE AND GENERATOR TO UNIT



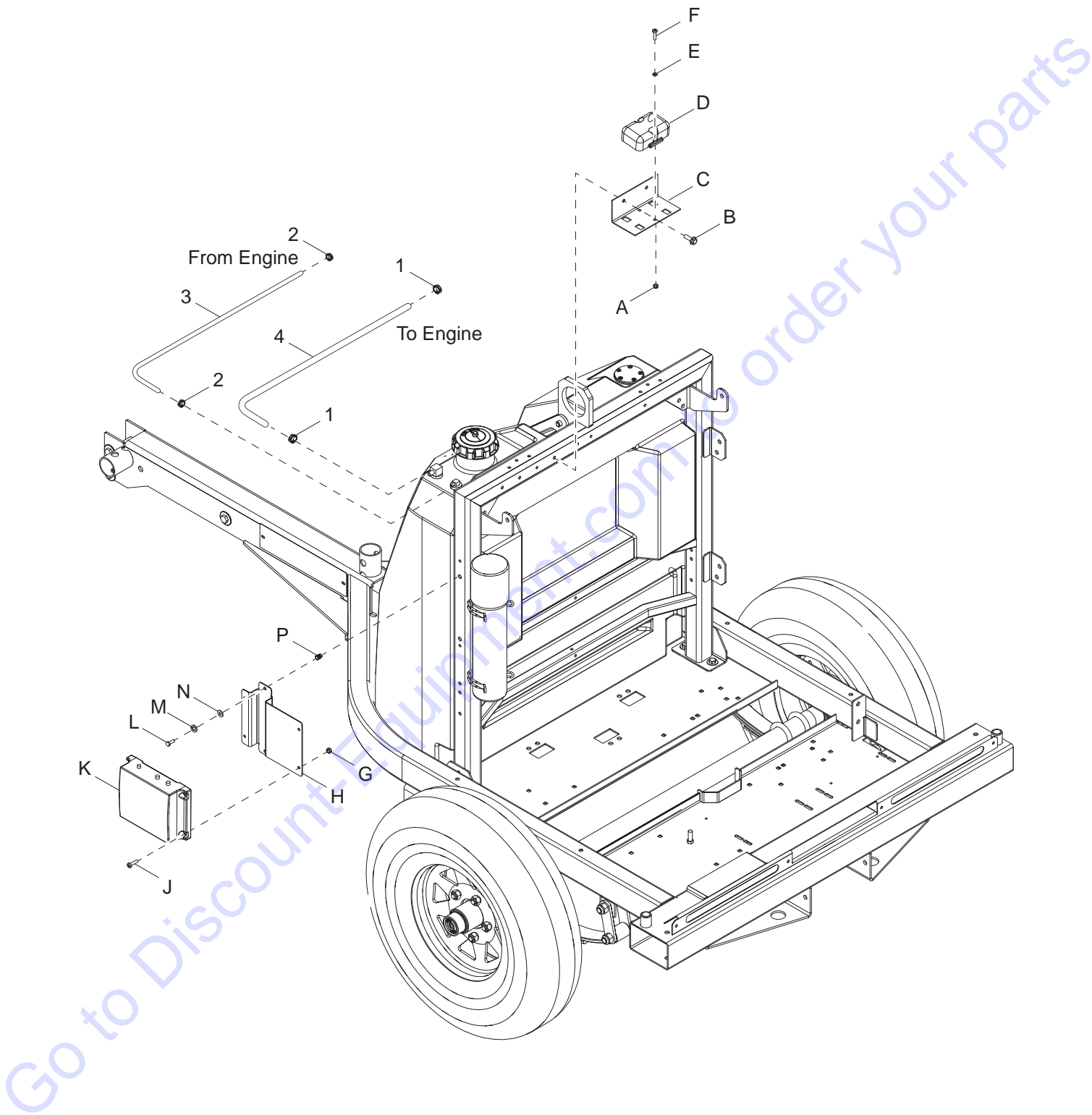
02632

## ENGINE AND GENERATOR TO UNIT

Item	Part No.	Qty	Description	Notes
1	62221	4	Nut, .500-13 nylock, G5	
2	60309	4	Washer, .500 flat 1.060/.090	
3	37030B	1	Bracket, front engine mount	
4	60026	4	Washer, M10 split lock	
5	60422	4	M10-1.25 x 25 standard hex, G8.8	
6	60285	8	Nut, .312-18 hex, G2	
7	60271	8	Washer, .312 split lock	
8	60119	8	Washer, .312 flat .875/.070	
9	17948	4	Isolator, rubber - 150 lbs.	
10	61066	8	Screw, .312-18 x 1.00 carriage - SS	
11	60352	2	Screw, .375-16 x 1.250 standard hex, G5	
12	60206	2	Washer, .375 split lock	
13	15045B	1	Bracket, generator mounting	

Go to Discount-Equipment.com to order your parts

# COMPONENTS TO TRAILER ASSEMBLY (1 OF 2)



02631



## COMPONENTS TO TRAILER ASSEMBLY (1 OF 2)

Item	Part No.	Qty	Description	Notes
1	60788	2	Clamp, hose .188 - crimp style	
2	60777	2	Clamp, hose .312 - crimp style	
3	14211	4.25 ft	Hose, fuel .188ID, 50 psi - SAE 30R7	
4	50018	3.33 ft	Hose, fuel .312ID, 50 psi - SAE 30R7	

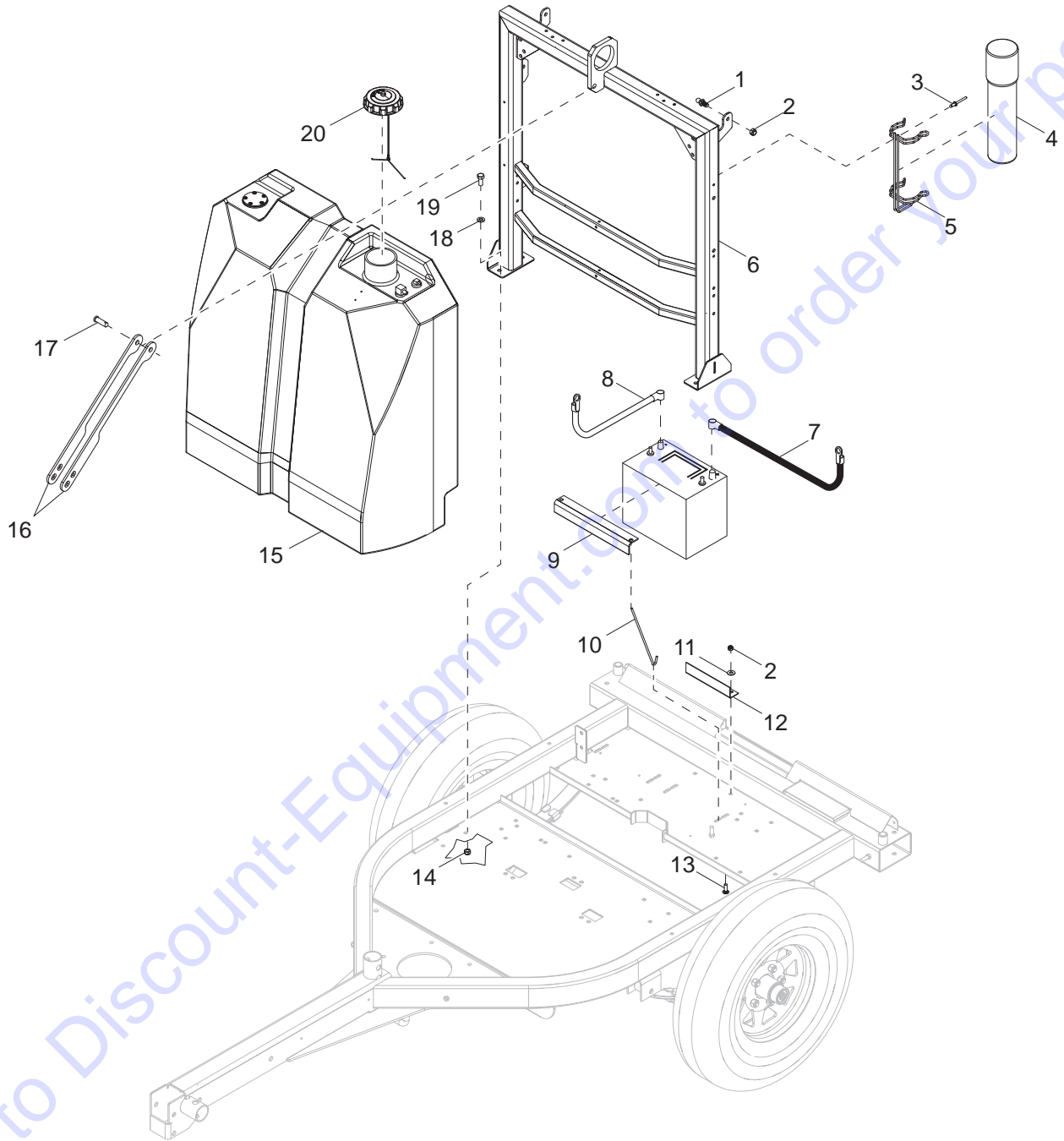
### *Telemetry (If equipped):*

A	60061	2	Nut, 10-32 nylock	
B	68429	2	Screw, .312-18 x .750 flanged hex, G2 self-tapping	
C	52231B	1	Bracket, telemetry	
D	37731	1	Telemetry, ZTR - M6H	
E	60237	2	Washer, #10 flat .495/.036	
F	60062	2	Screw, 10-32 x .750 pan Phillips, G2	
--	68432	1	Harness, telemetry	

### *Battery Charger (If equipped):*

G	60415	4	Nut, 10-32 nylock	
H	73218B	1	Bracket, battery charger	
J	60062	4	Screw, 10-32 x .750 pan Phillips, G2	
K	66212	1	Charger, battery 2-5A/1-10A, 3 stage, 2 output	
L	60281	2	Screw, .250-20 x .750 hex, G5	
M	60286	2	Washer, .250 split lock	
N	60243	2	Washer, .250 flat .735/.060	
P	63132	2	Insert, .250-20 splined .027-.165 grip - threaded	
--	68836	1	Harness, 12V, DC charger	

# COMPONENTS TO TRAILER ASSEMBLY (2 OF 2)



02630

## COMPONENTS TO TRAILER ASSEMBLY (2 OF 2)

Item	Part No.	Qty	Description	Notes
1	35293	2	Ball stud, 10mm, .313-18	
2	60303	4	Nut, .312-18 nylock, G2	
3	60195	2	Rivet, .188 diameter. x .375 to .500 grip	
4	11121	1	Manual holder tube, black 14 in	
5	11222	1	Bracket, manual holder	
6	10000023283	1	Weldment, lift support	
7	10699	1	Cable, battery 4 gauge - black	
8	15074	1	Cable, battery 4 gauge - red	
9	12924B	1	Angle, battery hold-down	
10	14146	2	Bolt, J, .250-20 x 10.0	
11	60119	2	Washer, .312 flat .875/.07	
12	17992B	1	Bracket, battery stop	
13	61066	2	Screw, .312-18 x 1.00 carriage - SS	
14	60358	4	Nut, .375-16 nylock, G5	
15	69919	1	Tank, fuel - 42 gallon w/sending unit	
16	39660B	2	Bar, chassis support	
17	63325	1	Pin, clevis - .500 diameter. x 1.063 UL, ZP	
18	60386	4	Washer, .375 flat .993-.064	
19	60352	4	Screw, .375-16 x 1.250 standard hex, G5	
20	16326	1	Cap, fuel, 3.5 diameter., diesel, vent w/tether	
--	66100	6	Connector, 2 position	



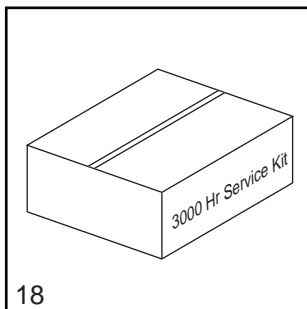
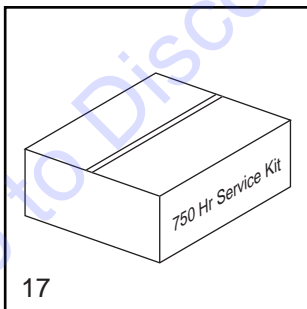
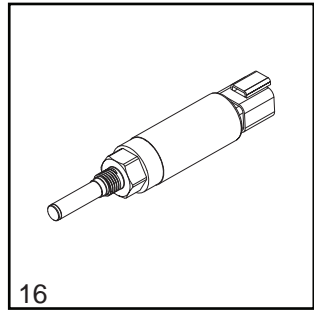
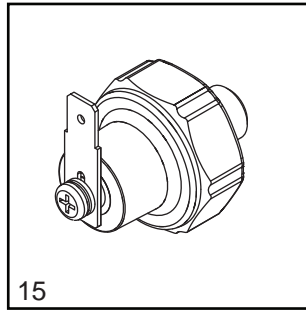
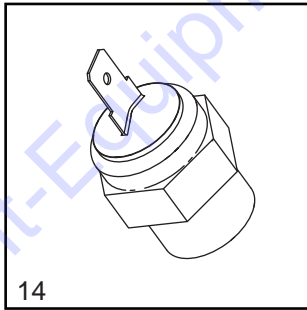
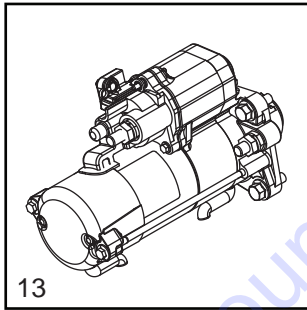
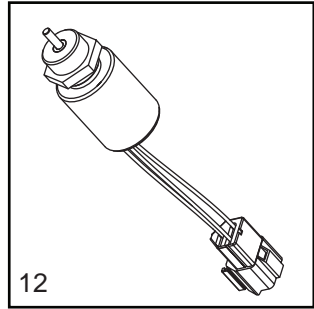
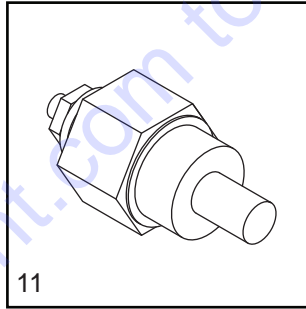
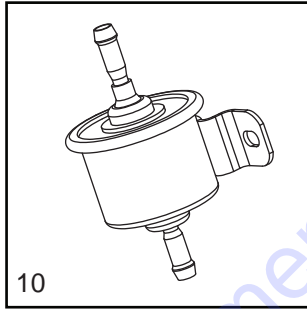
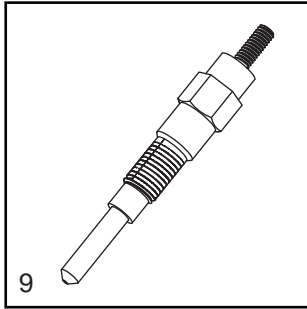
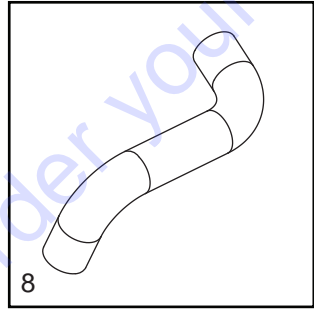
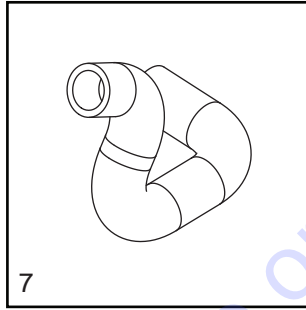
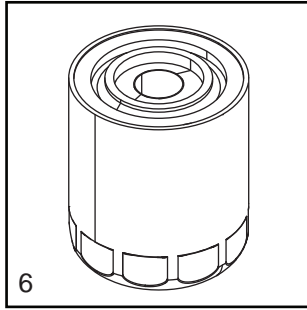
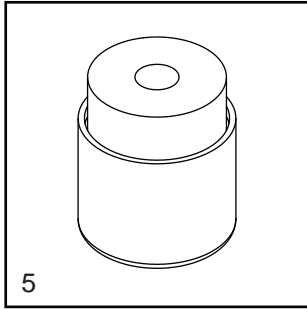
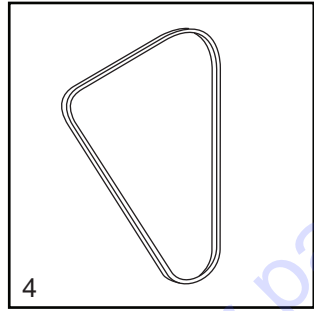
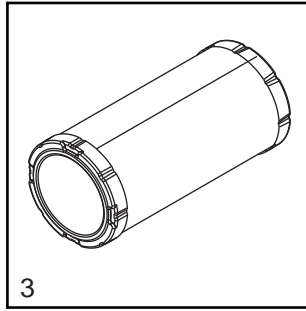
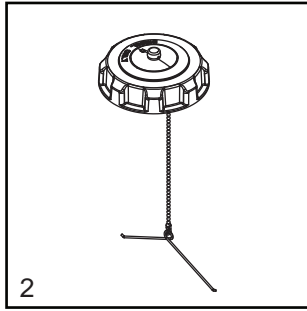
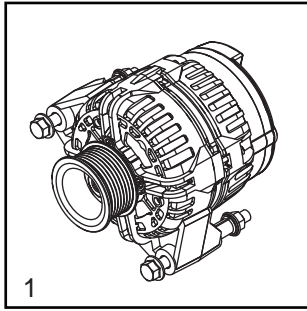
## TRAILER ASSEMBLY

Item	Part No.	Qty	Description	Notes
1	72126	3	Jack, top wind - 1200 lb, tube mounted	
2	70230ZY	2	Weldment, outrigger tube	
3	36869	2	Guide block (molded) - outrigger	
4	60144	4	Nut, .250-20 nylock, G5	
5	72128	2	Pad/stop, wear - outrigger	
6	73196	4	Screw, .250-20 x 2.25 socket head	
7	36890	3	Spring pin, handle	
8	73092	4	Insert, #8-32 .020-.080 grip - close sealed	
9	36960	2	Assembly, tail light	
10	60694	4	Screw, 8-32 x .750 pan Phillips	
11	10000021817	1	Weldment, lt chassis	
12	60404	2	Screw, .312-18 x 4.00 standard hex, G5	
13	60119	4	Washer, .312 flat .875/.070	
14	60303	2	Nut, .312-18, nylock, G2	
15	60503	6	Screw, shackle, .562-18 x 3.00 standard hex, G5	
16	60504	6	Nut, .562-18 lock hex, G5	
17	19637	4	Plate, shackle bracket - 3.125"	
18	15976B	2	Wheel, ST175/8013 - 1360 lb	
19	60096	10	Nut, .500-20 lug, G5	
20	34760	1	Axle, 2200lb 47TC 35SC	
21	23367	2	Chain, safety - 7800 lbs rated	
22	50215	5	Screw, .500-13 x 4.00 standard hex, G5	
23	60416	10	Washer, .500 flat 1.375/.090	
24	62221	5	Nut, .500-13 nylock, G5	
25	17969B	1	Weldment, tilt tongue	
26	60309	4	Washer, .500 flat 1.060/.090	
27	16830	1	Coupler, 2.00 ball/2.50 channel	
28	33943	2	Pin, locking .500 x 3.50	
--	68348	1	Harness, trailer wiring, tandem tow	
--	68324	1	Harness, trailer enclosure front	
--	10000020727	1	Assembly, harness extension loomed	

*Hitch Options (If equipped):*

A	13003B	1	Coupler, 2.00 ball/3.00 channel, Bulldog
B	34792ZC	1	Weldment, combination hitch - 2.50 tongue
C	16835B	1	Weldment, lunette ring 3.00 ID - 2.50 tongue
--	65548	1	Adapter, 4 pin flat to 4 pin flat x 12.00

# RECOMMENDED SPARE PARTS - ENGINE AND SERVICE KITS



## RECOMMENDED SPARE PARTS - ENGINE AND SERVICE KITS

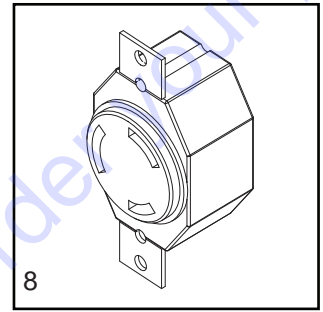
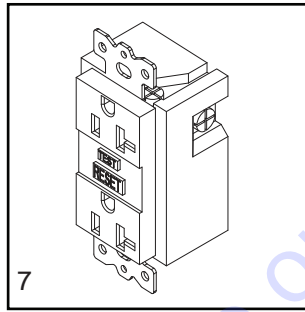
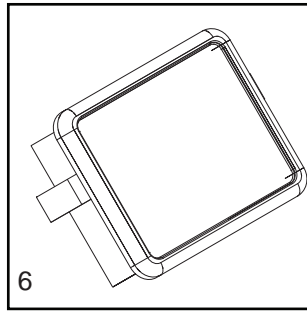
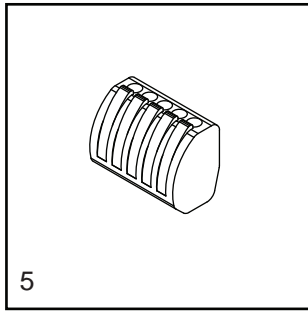
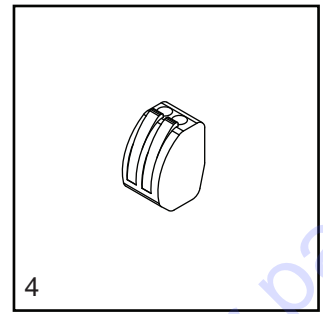
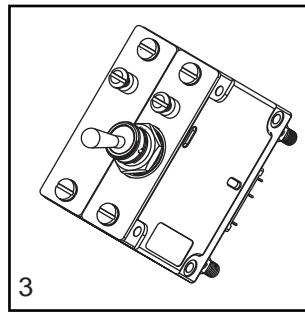
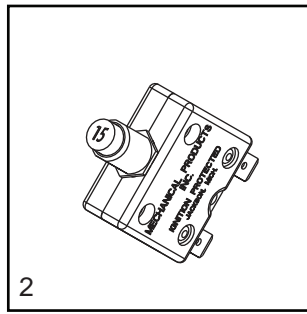
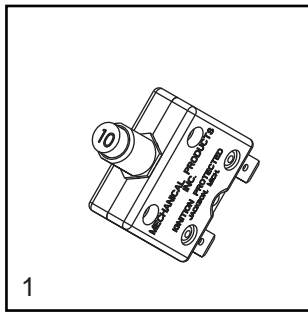
### ENGINE

1. Alternator .....	72129
2. Cap, fuel tank with lanyard .....	16326
3. Filter, air (element).....	16444
4. Belt .....	72177
5. Filter, fuel, Mitsubishi .....	17647
6. Filter, oil, Mitsubishi .....	70124
7. Hose, radiator - lower .....	16688SRV
8. Hose, radiator - upper.....	32383SRV
9. Element, glow plug .....	16693SRV
10. Pump, fuel .....	13278SRV
11. Sender, coolant temp.....	12873
12. Solenoid, fuel shutdown .....	16683
13. Starter .....	70232
14. Switch, coolant temperature .....	16678
15. Switch, oil pressure .....	16677
16. Switch, NC fan and intake heater .....	1000008988

### SERVICE KITS

17. 750 hour kit.....	10000036108
Includes: Primary Air Filter 16444, Fuel Filter Element 17647 and Oil Filter 70124	
18. 3000 hour kit.....	SK335
Includes: Engine Belt 72177 (2), Air Filter16444 (4), Fuel Filter Element 17647(4), and Oil Filter 70124 (4)	

# RECOMMENDED SPARE PARTS - ELECTRICAL



Go to Discount-Equipment.com to order your parts



## RECOMMENDED SPARE PARTS - ELECTRICAL

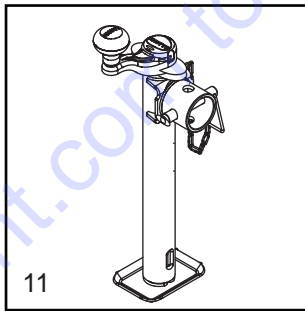
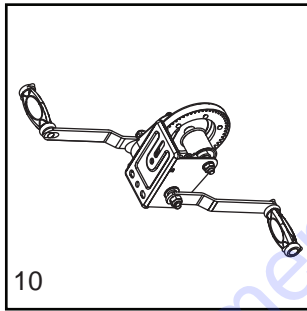
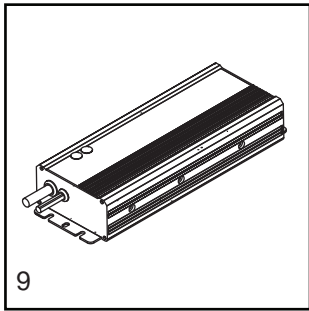
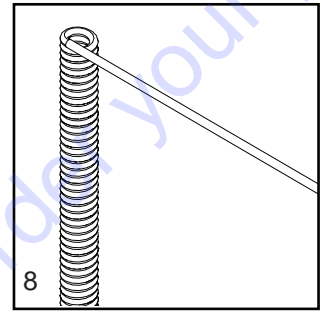
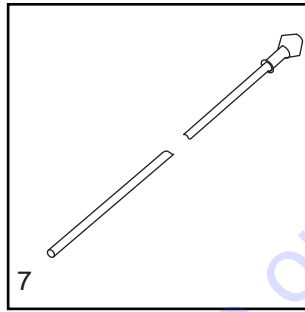
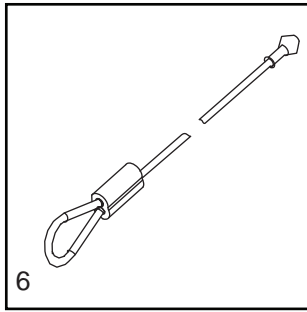
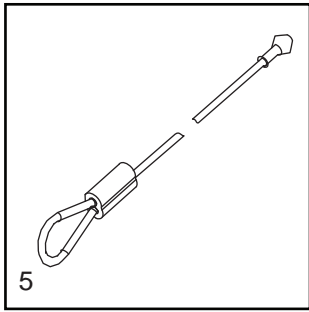
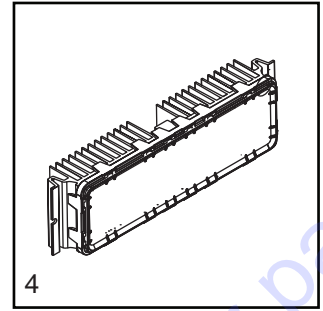
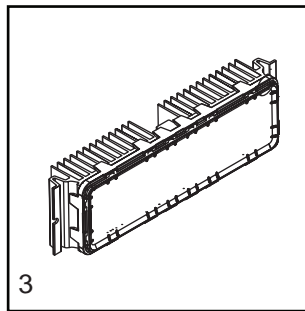
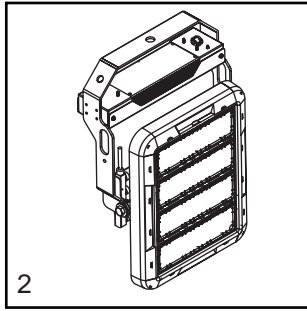
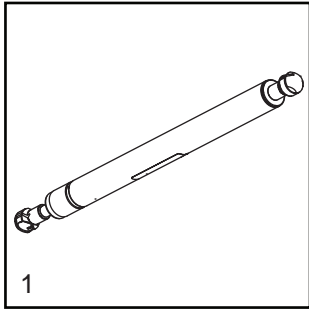
---

### ELECTRICAL

1. Breaker, 10A, 240V, 1 pole, push button .....	36937
2. Breaker, 15A, 120V, 1 pole, push button, 8kW .....	36935
3. Breaker, 30A, 250A, 2 pole, 6kW .....	36975
4. Connector, 2 position (qty - 4) .....	66100
5. Connector, 5 position (qty - 2) .....	66102
6. Controller- LED programmed .....	10000007835
7. Receptacle, 120V/20A GFI .....	14130
8. Receptacle, 240V/30A twist .....	14137

Go to Discount-Equipment.com to order your parts

# RECOMMENDED SPARE PARTS - MISC



Go to Discount-Equipment.com to order your parts

## RECOMMENDED SPARE PARTS - MISC

### ENCLOSURE

1. Gas shock..... 35137

### MAST

2. Assembly, LED light..... 10000019145  
3. Module 60 degree LED..... 10000019170  
4. Module 40 degree LED..... 10000019160  
5. Cable, 79.75 in ..... 31248  
6. Cable, 78 in ..... 31277  
7. Cable, 144 in ..... 31247  
8. Coil cord w/ 155 inch tail (mast junction box to control box)..... 10000035623  
Coil cord w/ 120 inch tail (mast to junction box) ..... 39650  
9. Driver, LED 30V, 10.7A, 320W ..... 69809  
10. Winch, manual, includes dual handle ..... 72127

### JACKS

11. Jack, top wind, 1200 lb ..... 72126

Go to [Discount-Equipment.com](http://Discount-Equipment.com) to order your parts



Go to [Discount-Equipment.com](http://Discount-Equipment.com) to order your parts

Part No. 56343 Rev. F 11/09/2018

©2018 Generac Mobile Products, LLC  
All rights reserved.

Specifications are subject to change without notice.  
No reproduction allowed in any form without prior written consent  
from Generac Mobile Products, LLC.



# PARTS FINDER

**Search Website  
by Part Number**



**Search Manual  
Library For Parts  
Manual & Lookup Part  
Numbers – Purchase  
or Request Quote**

**Search Manuals**

Find:

Serial Number:

Make:

Submit

**Can't Find Part or  
Manual? Request Help  
by Manufacturer,  
Model & Description**

**Parts Order Form**

Manufacturer:

Model:

Description:

Submit

Discount-Equipment.com is your online resource for quality parts & equipment.

Florida: **561-964-4949** Outside Florida TOLL FREE: **877-690-3101**

**Need parts?**

Click on this link: <http://www.discount-equipment.com/category/5443-parts/> and choose one of the options to help get the right parts and equipment you are looking for. Please have the machine model and serial number available in order to help us get you the correct parts. If you don't find the part on the website or on one of the online manuals, please fill out the request form and one of our experienced staff members will get back to you with a quote for the right part that your machine needs.

We sell worldwide for the brands: Genie, Terex, JLG, MultiQuip, Mikasa, Essick, Whiteman, Mayco, Toro Stone, Diamond Products, Generac Magnum, Airman, Haulotte, Barreto, Power Blanket, Nifty Lift, Atlas Copco, Chicago Pneumatic, Allmand, Miller Curber, Skyjack, Lull, Skytrak, Tsurumi, Husquvarna Target, Stow, Wacker, Sakai, Mi-T-M, Sullair, Basic, Dynapac, MBW, Weber, Bartell, Bennar Newman, Haulotte, Ditch Runner, Menegotti, Morrison, Contec, Buddy, Crown, Edco, Wyco, Bomag, Laymor, EZ Trench, Bil-Jax, F.S. Curtis, Gehl Pavers, Heli, Honda, ICS/PowerGrit, IHI, Partner, Imer, Clipper, MMD, Koshin, Rice, CH&E, General Equipment, Amida, Coleman, NAC, Gradall, Square Shooter, Kent, Stanley, Tamco, Toku, Hatz, Kohler, Robin, Wisconsin, Northrock, Oztec, Toker TK, Rol-Air, APT, Wylie, Ingersoll Rand / Doosan, Innovatech, Con X, Ammann, Mecalac, Makinex, Smith Surface Prep, Small Line, Wanco, Yanmar