



CONCRETE MIXER

MC6PH160, MC6PE150, MC75SH160, MC75SE200, MC95PH240,
MC95PE200, MC95SH240, MC95SE200, MC12SH390

PARTS BOOK



PARTS FINDER

**Search Website
by Part Number**



**Search Manual
Library For Parts
Manual & Lookup Part
Numbers – Purchase
or Request Quote**

Search Manuals

Enter your information to search for parts manuals and lookup part numbers.

* Brand:

* Model:

* Serial:

* Part Number:

SEARCH

**Can't Find Part or
Manual? Request Help
by Manufacturer,
Model & Description**

Parts Order Form

Please fill in the following information:

Manufacturer:

Model:

Description:

Quantity:

Part Number:

Part Name:

Part Description:

Part Drawing:

Part Photo:

Part Location:

Part Condition:

Part Status:

Part Notes:

Submit

Discount-Equipment.com is your online resource for quality parts & equipment.

Florida: **561-964-4949** Outside Florida TOLL FREE: **877-690-3101**

Need parts?

Click on this link: <http://www.discount-equipment.com/category/5443-parts/> and choose one of the options to help get the right parts and equipment you are looking for. Please have the machine model and serial number available in order to help us get you the correct parts. If you don't find the part on the website or on one of the online manuals, please fill out the request form and one of our experienced staff members will get back to you with a quote for the right part that your machine needs.

We sell worldwide for the brands: Genie, Terex, JLG, MultiQuip, Mikasa, Essick, Whiteman, Mayco, Toro Stone, Diamond Products, Generac Magnum, Airman, Haulotte, Barreto, Power Blanket, Nifty Lift, Atlas Copco, Chicago Pneumatic, Allmand, Miller Curber, Skyjack, Lull, Skytrak, Tsurumi, Husquvarna Target, Stow, Wacker, Sakai, Mi-T-M, Sullair, Basic, Dynapac, MBW, Weber, Bartell, Bennar Newman, Haulotte, Ditch Runner, Menegotti, Morrison, Contec, Buddy, Crown, Edco, Wyco, Bomag, Laymor, EZ Trench, Bil-Jax, F.S. Curtis, Gehl Pavers, Heli, Honda, ICS/PowerGrit, IHI, Partner, Imer, Clipper, MMD, Koshin, Rice, CH&E, General Equipment, Amida, Coleman, NAC, Gradall, Square Shooter, Kent, Stanley, Tamco, Toku, Hatz, Kohler, Robin, Wisconsin, Northrock, Oztec, Toker TK, Rol-Air, APT, Wylie, Ingersoll Rand / Doosan, Innovatech, Con X, Ammann, Mecalac, Makinex, Smith Surface Prep, Small Line, Wanco, Yanmar

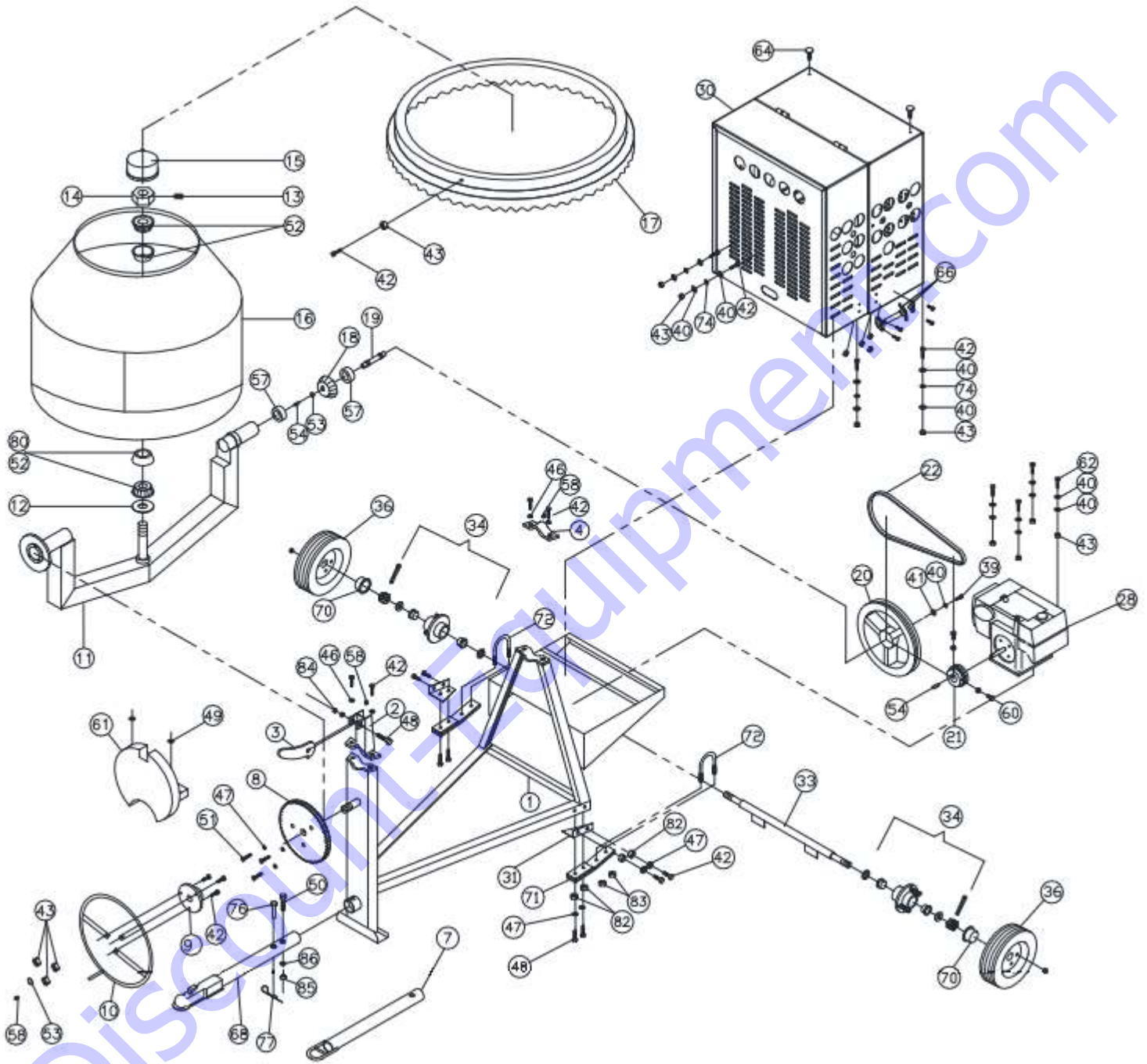


TABLE OF CONTENTS

<u>CONCRETE MIXER ASSEMBLY DIAGRAM</u>	<u>3</u>
<u>CONCRETE MIXER PARTS LIST</u>	<u>4</u>
MIXER ASSEMBLY – PARTS LIST	4
MIXER ASSEMBLY – PARTS LIST CONT.	5
MIXER ASSEMBLY – PARTS LIST CONT.	6

Discount-Equipment.com

CONCRETE MIXER ASSEMBLY DIAGRAM



CONCRETE MIXER PARTS LIST

Mixer Assembly – Parts List

No.	Code	DESCRIPTION OF PARTS	CM7	CM9	CM12
1	C-100	FRAME, CM7 CM9	1	1	-
	C-102	FRAME CM12	-	-	1
2	C-103	BRAKE	1	1	1
3	C-104	LOCKING PIN	1	1	1
4	C-105	PILLOW BLOCK	1	1	1
7		DRAW BAR, PINTLE HITCH	1	1	1
		DRAW BAR, PINTLE HITCH VERTICAL HOLE	1	1	1
8	C-107	GEAR	1	1	1
9	C-108	HANDLE BLOCK 1	1	1	-
	C-109	HANDLE BLOCK 2 FOR CM12	-	-	1
10	C-110	HANDLE TUBE	1	1	-
	C-111	HANDLE TUBE FOR CM12	-	-	1
11	C-112	YOKE RT	1	1	-
	C-113	YOKE FOR CM12	-	-	1
12	C-114	PLATE	1	1	-
	C-115	PLATE FOR CM12	-	-	1
13	C-116	ALLEN SCREW 3/8 X 1/2	1	1	1
14	C-117	NUT, 1-3/8	1	1	1
15	C-118	DUST CAP	1	1	1
16	C-119	DRUM CM7	1	-	-
	C-120	DRUM CM9	-	1	-
	C-121	DRUM CM12	-	-	1
17	C-122	GEA RING 115TH	1	1	1
18	C-123	PINNION 12TH	1	1	1
19	C-124	SHAFT PINNION	1	1	1
20	C-125	PULLEY 19", 1 GROOVE	1	1	1
21		PULLEY ENGINE	1	1	1
22	C-129	BELT, B64	1	1	1
		BELT, B68	1	1	1
28		ENGINE	1	1	1
30	C-131	HOOD, HINGED, ASSY	1	1	1
31	C-133	BRACKETS (SPRINGS)	2	2	2

Mixer Assembly – Parts List Cont.

33	C-134	AXLE	1	1	1
		AXLE	1	1	1
34	C-135	HUB ASM, 4 BOLT	2	2	2
		HUB ASM, 4 BOLT	2	2	2
36	C-136	WHEEL RIM 13	2	2	2
	C-137	WHEEL RIM 12	2	-	-
39	C-138	BOLT, HEXHD 3/8X1 NF G.5	1	1	1
40	C-139	PLAIN WASHER 3/8	21	21	21
41	C-140	WASHER, TRANSMISSION 3/8	1	1	1
42	C-141	BOLT, HEXHD 3/8X1-1/2 NF G.5	23	23	23
43	C-142	LOCK NUT, 3/8	19	19	19
46	C-144	SPRING WASHER 3/8	4	4	4
47	C-145	SPRING WASHER 1/2	7	11	11
48	C-146	BOLT. HEXHD 1/2X2-1/2 G.5	5	5	5
49	C-147	PLAIN WASHER 1/2	2	2	2
50	C-148	BOLT HEXHD 3/4X3-1/2 G.5	1	1	1
51	C-149	BOLT HEXHD 1/2X3/4 G.5	3	3	3
52	C-150	BALL BEARING, 2788	2	2	1
53	C-151	RETAINING RING, 15/16	2	2	1
54	C-152	KEY, 1/4X1-1/2	2	2	2
57	C-154	BALL BEARING, 6205	2	2	2
58	C-155	GREASE FITING, 1/8 NPT	3	3	3
60	C-156	SET SCREW, 3/8X1-1/4 W/NUT 3/8"	2	2	2
61	C-157	GEAR GUARD	1	1	1
62	C-158	BOLT, HEXHD, 3/8X2 G.5	4	4	4
64	C-159	RUBBER SCREW 1/4	4	4	4
66	C-161	HOOK ASSEMBLY	2	2	2
68		2" BALL HITCH (OPTIONAL)	1	1	1
		2" BALL HITCH VERTICAL HOLE	1	1	1
70	C-164	DUST COVER	2	2	2
71	C-165	AXLE SPRING ASSEMBLY	-	2	2
72	C-166	U CLAMP	-	2	2
	C-167	U CLAMP FOR CM7	2	-	-
74	C-168	PLASTIC WASHER 1/2	14	14	14
76	C-169	LOCK PIN	1	1	1
77	C-170	PIN AIR	1	1	1
80	C-171	BALL BEARING 104949 CM12	-	-	-

Mixer Assembly – Parts List Cont.

82	C-173	LOCK NUT, ½	4	8	8
83	C-174	LOCK NUT 1/2 NF	4	4	4
84	C-178	NUT 1/2" NC	2	2	2
85	C-179	NUT 3/4" NF	1	1	1
86	C-180	WASHER SPRING 3/4"	1	1	1
87	C-189	5.5 HP GAS ENGINE BRACKET SUPPORT	1	1	1

Discount-Equipment.com

PARTS FINDER

**Search Website
by Part Number**



**Search Manual
Library For Parts
Manual & Lookup Part
Numbers – Purchase
or Request Quote**

Search Manuals

Enter your information to help us find the right parts manual for your equipment.

* Brand:

* Model:

* Serial:

* Part Number:

SEARCH

**Can't Find Part or
Manual? Request Help
by Manufacturer,
Model & Description**

Parts Order Form

Please fill in the following information to help us find the right part for your equipment.

Manufacturer:

Model:

Description:

Quantity:

Part Number:

Part Name:

Part Drawing:

Part Photo:

Part Location:

Part Condition:

Part Status:

Part Notes:

Submit

Discount-Equipment.com is your online resource for quality parts & equipment.

Florida: **561-964-4949** Outside Florida TOLL FREE: **877-690-3101**

Need parts?

Click on this link: <http://www.discount-equipment.com/category/5443-parts/> and choose one of the options to help get the right parts and equipment you are looking for. Please have the machine model and serial number available in order to help us get you the correct parts. If you don't find the part on the website or on one of the online manuals, please fill out the request form and one of our experienced staff members will get back to you with a quote for the right part that your machine needs.

We sell worldwide for the brands: Genie, Terex, JLG, MultiQuip, Mikasa, Essick, Whiteman, Mayco, Toro Stone, Diamond Products, Generac Magnum, Airman, Haulotte, Barreto, Power Blanket, Nifty Lift, Atlas Copco, Chicago Pneumatic, Allmand, Miller Curber, Skyjack, Lull, Skytrak, Tsurumi, Husquvarna Target, Stow, Wacker, Sakai, Mi-T-M, Sullair, Basic, Dynapac, MBW, Weber, Bartell, Bennar Newman, Haulotte, Ditch Runner, Menegotti, Morrison, Contec, Buddy, Crown, Edco, Wyco, Bomag, Laymor, EZ Trench, Bil-Jax, F.S. Curtis, Gehl Pavers, Heli, Honda, ICS/PowerGrit, IHI, Partner, Imer, Clipper, MMD, Koshin, Rice, CH&E, General Equipment, Amida, Coleman, NAC, Gradall, Square Shooter, Kent, Stanley, Tamco, Toku, Hatz, Kohler, Robin, Wisconsin, Northrock, Oztec, Toker TK, Rol-Air, APT, Wylie, Ingersoll Rand / Doosan, Innovatech, Con X, Ammann, Mecalac, Makinex, Smith Surface Prep, Small Line, Wanco, Yanmar