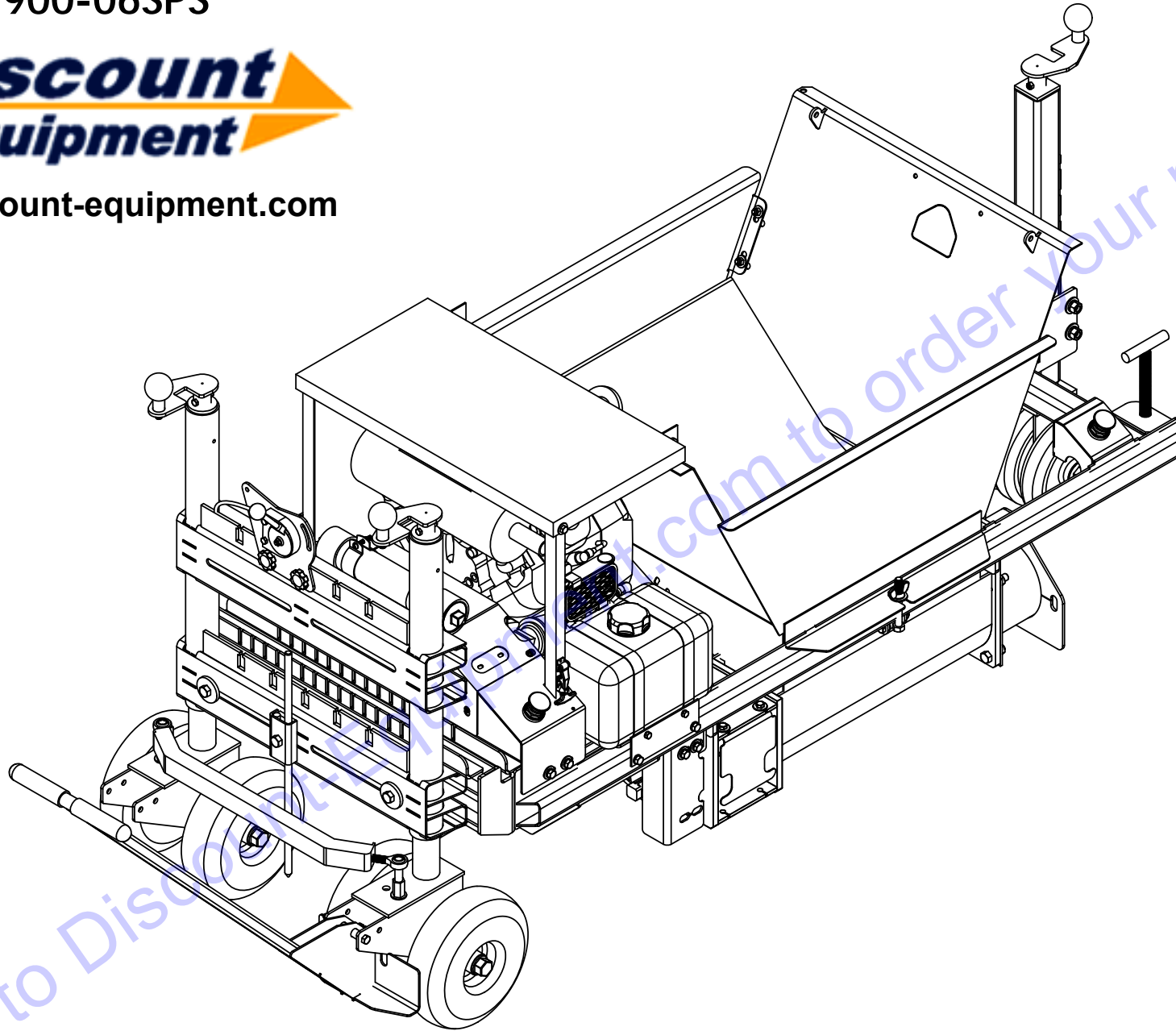


05-20HE-900-06SPS



[www.discount-equipment.com](http://www.discount-equipment.com)



**Miller Curber** Co.LLC

900-01

# PARTS FINDER

**Search Website  
by Part Number**



**Search Manual  
Library For Parts  
Manual & Lookup Part  
Numbers – Purchase  
or Request Quote**

**Can't Find Part or  
Manual? Request Help  
by Manufacturer,  
Model & Description**

Discount-Equipment.com is your online resource for quality parts & equipment.

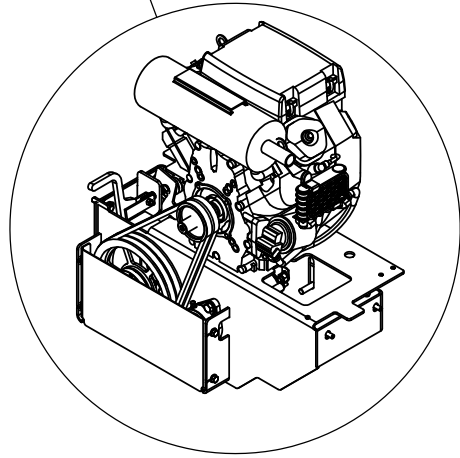
Florida: **561-964-4949** Outside Florida TOLL FREE: **877-690-3101**

**Need parts?**

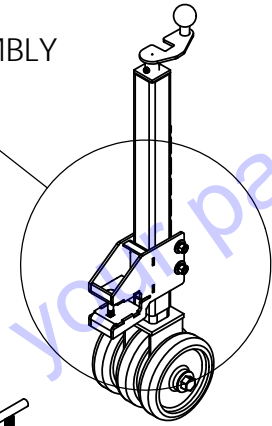
Click on this link: <http://www.discount-equipment.com/category/5443-parts/> and choose one of the options to help get the right parts and equipment you are looking for. Please have the machine model and serial number available in order to help us get you the correct parts. If you don't find the part on the website or on one of the online manuals, please fill out the request form and one of our experienced staff members will get back to you with a quote for the right part that your machine needs.

We sell worldwide for the brands: Genie, Terex, JLG, MultiQuip, Mikasa, Essick, Whiteman, Mayco, Toro Stone, Diamond Products, Generac Magnum, Airman, Haulotte, Barreto, Power Blanket, Nifty Lift, Atlas Copco, Chicago Pneumatic, Allmand, Miller Curber, Skyjack, Lull, Skytrak, Tsurumi, Husquvarna Target, Stow, Wacker, Sakai, Mi-T-M, Sullair, Basic, Dynapac, MBW, Weber, Bartell, Bennar Newman, Haulotte, Ditch Runner, Menegotti, Morrison, Contec, Buddy, Crown, Edco, Wyco, Bomag, Laymor, EZ Trench, Bil-Jax, F.S. Curtis, Gehl Pavers, Heli, Honda, ICS/PowerGrit, IHI, Partner, Imer, Clipper, MMD, Koshin, Rice, CH&E, General Equipment, Amida, Coleman, NAC, Gradall, Square Shooter, Kent, Stanley, Tamco, Toku, Hatz, Kohler, Robin, Wisconsin, Northrock, Oztec, Toker TK, Rol-Air, APT, Wylie, Ingersoll Rand / Doosan, Innovatech, Con X, Ammann, Mecalac, Makinex, Smith Surface Prep, Small Line, Wanco, Yanmar

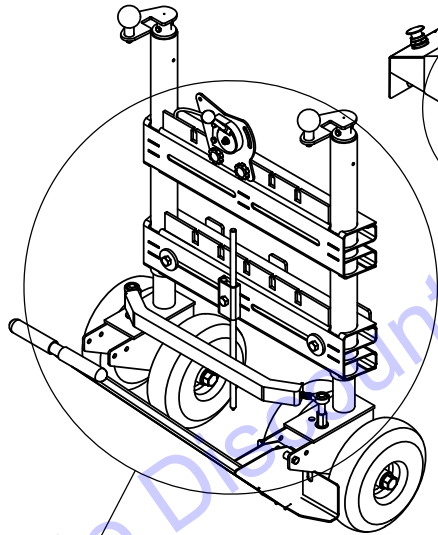
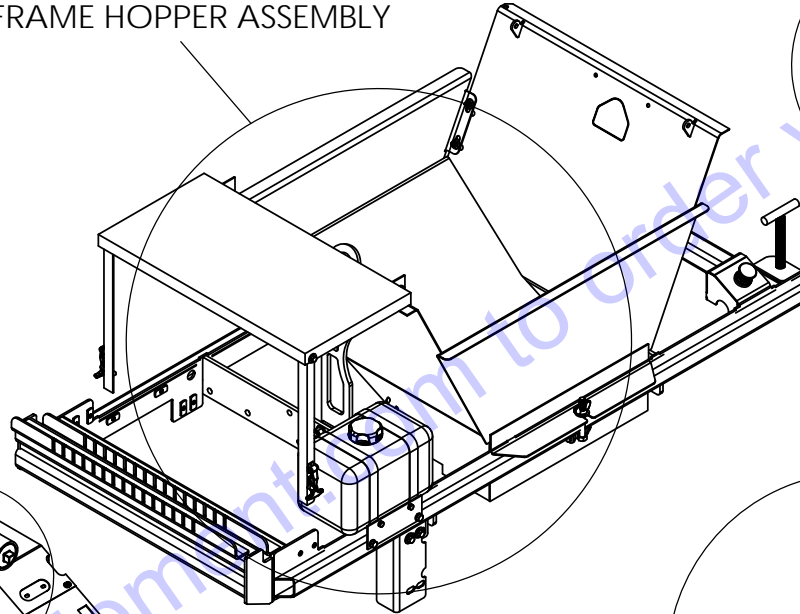
ENGINE-GEARBOX ASSEMBLY



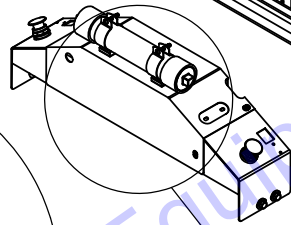
REAR WHEEL ASSEMBLY



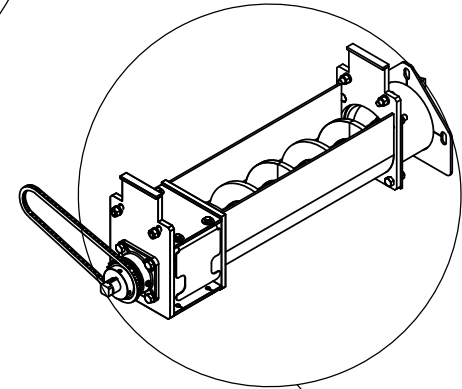
FRAME HOPPER ASSEMBLY



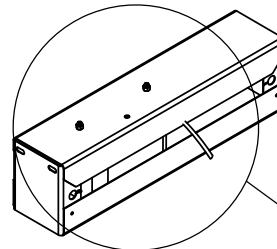
FRONT WHEEL ASSEMBLY



BELT GUARD ASSEMBLY

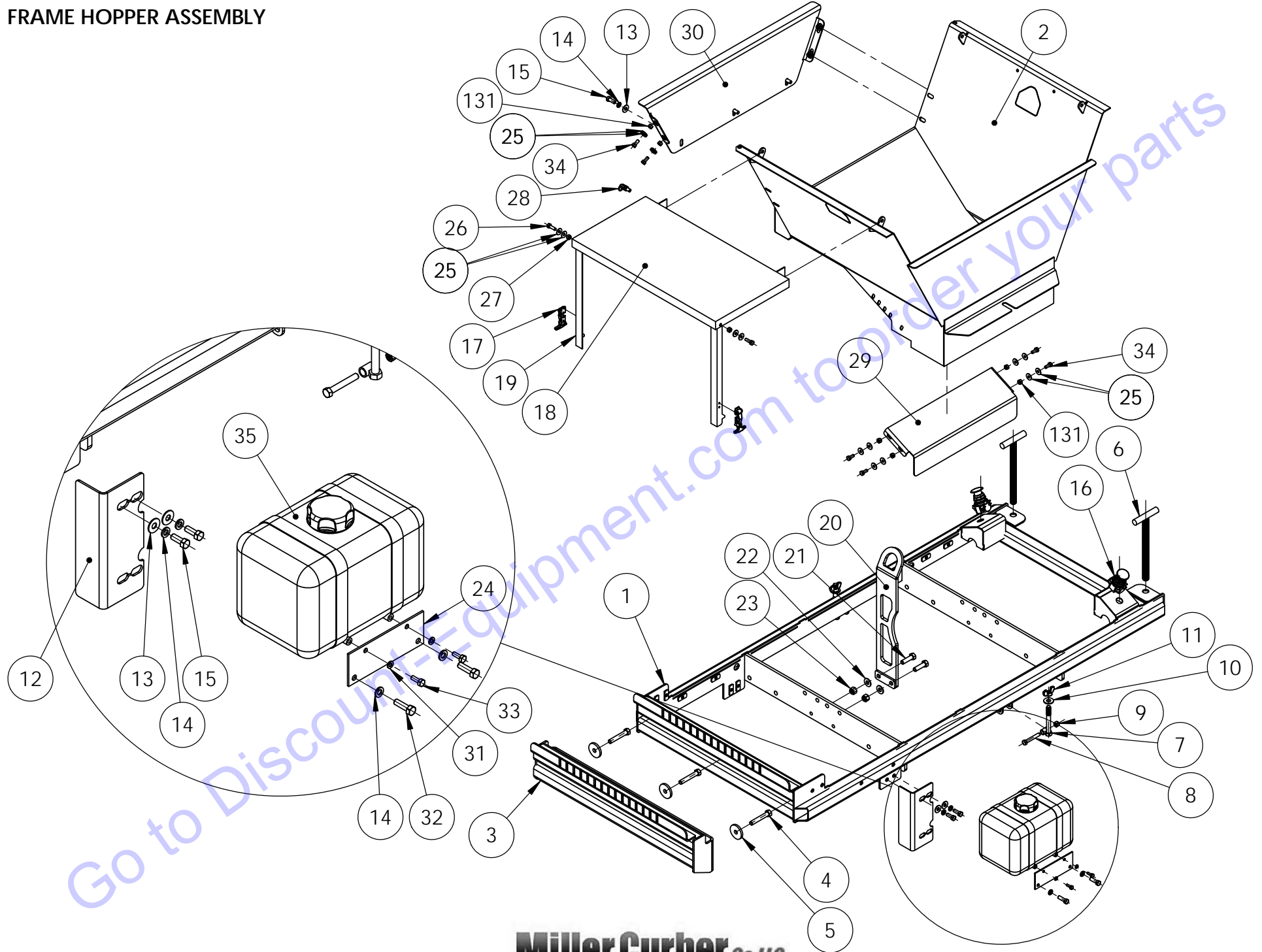


AUGER ASSEMBLY



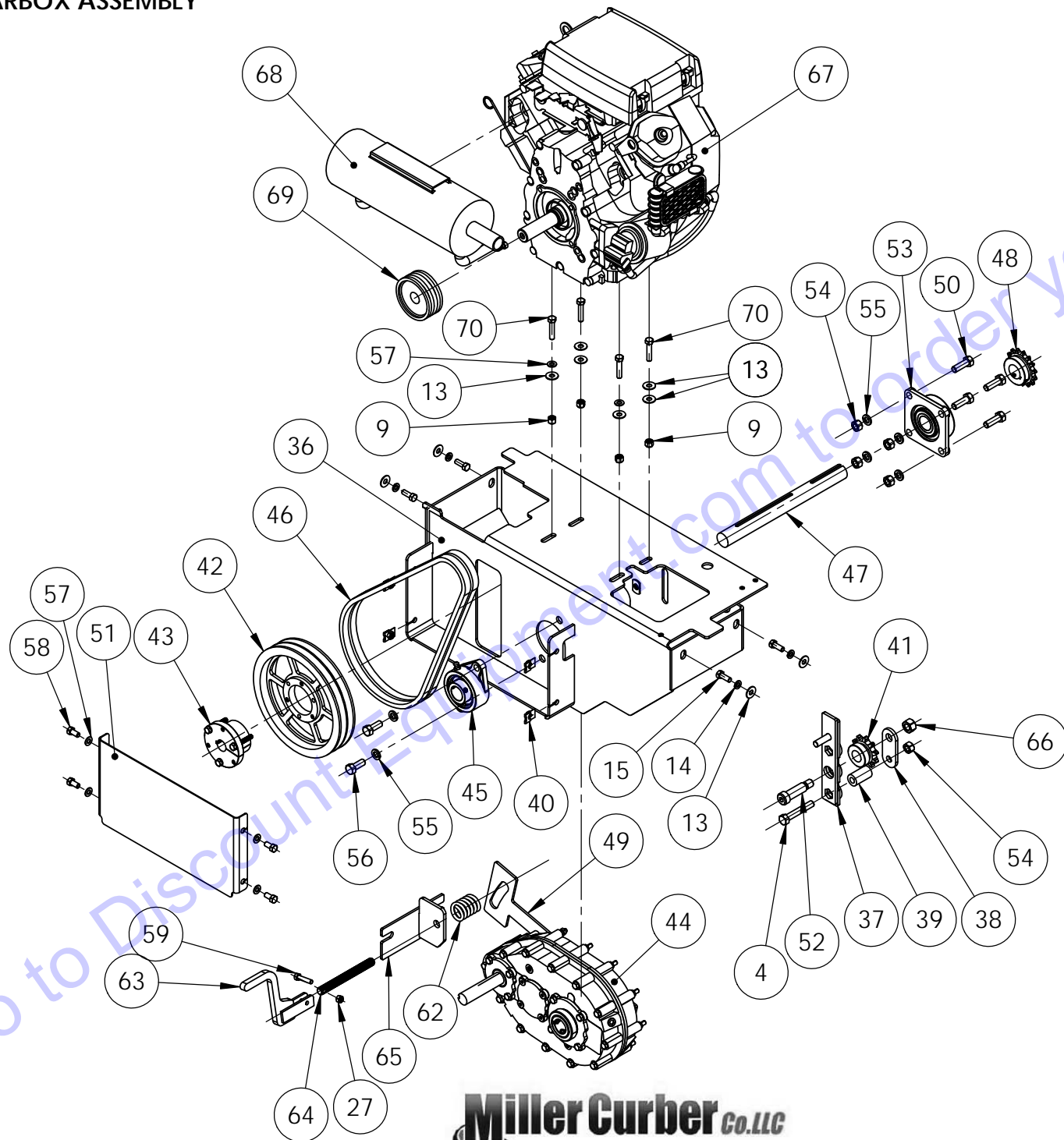
BATTERY BOX ASSEMBLY

# FRAME HOPPER ASSEMBLY



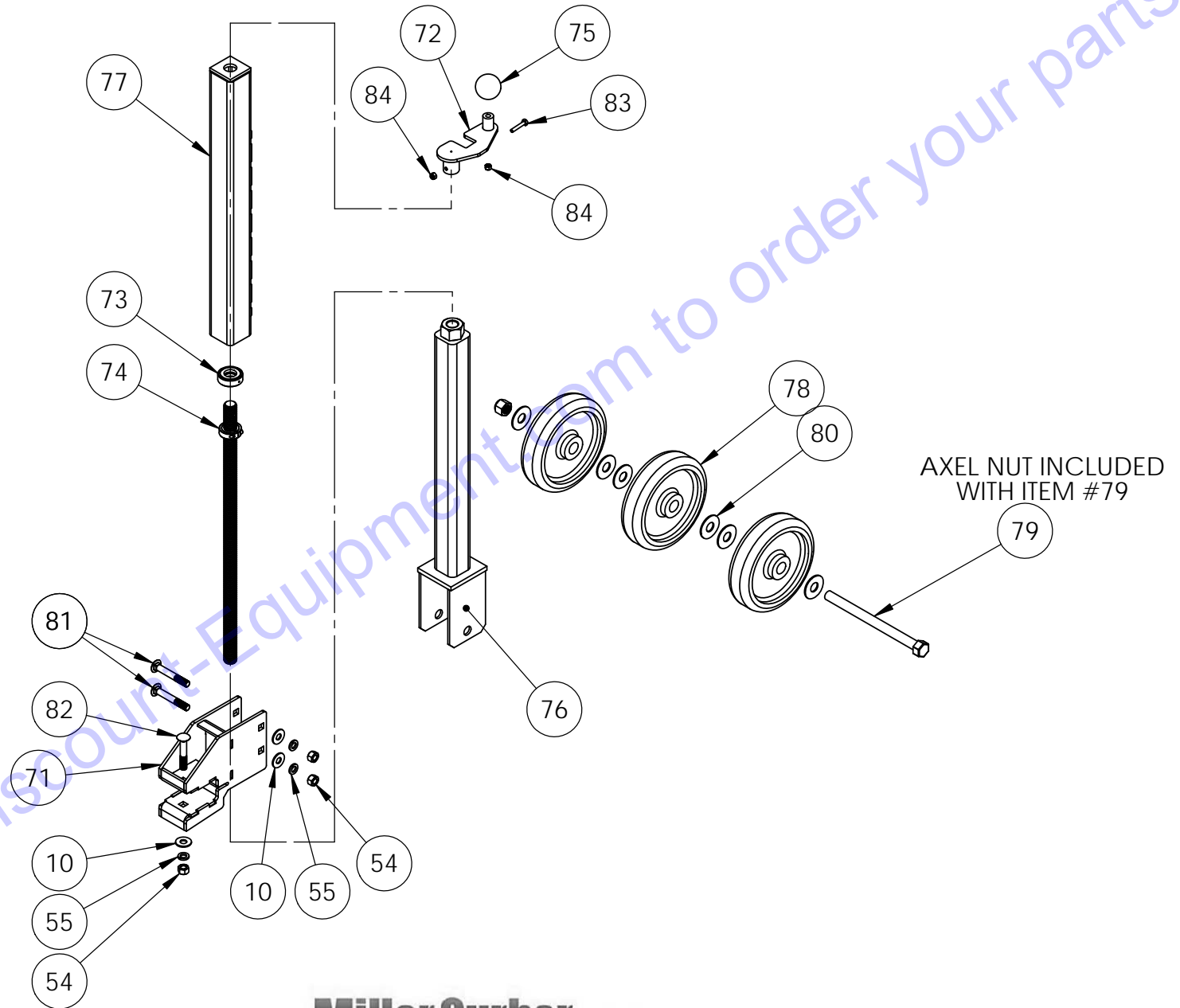
Go to [DiscountEquipment.com](http://DiscountEquipment.com) to order your parts

# ENGINE-GEARBOX ASSEMBLY



Go to DiscountEquipment.com to order your parts

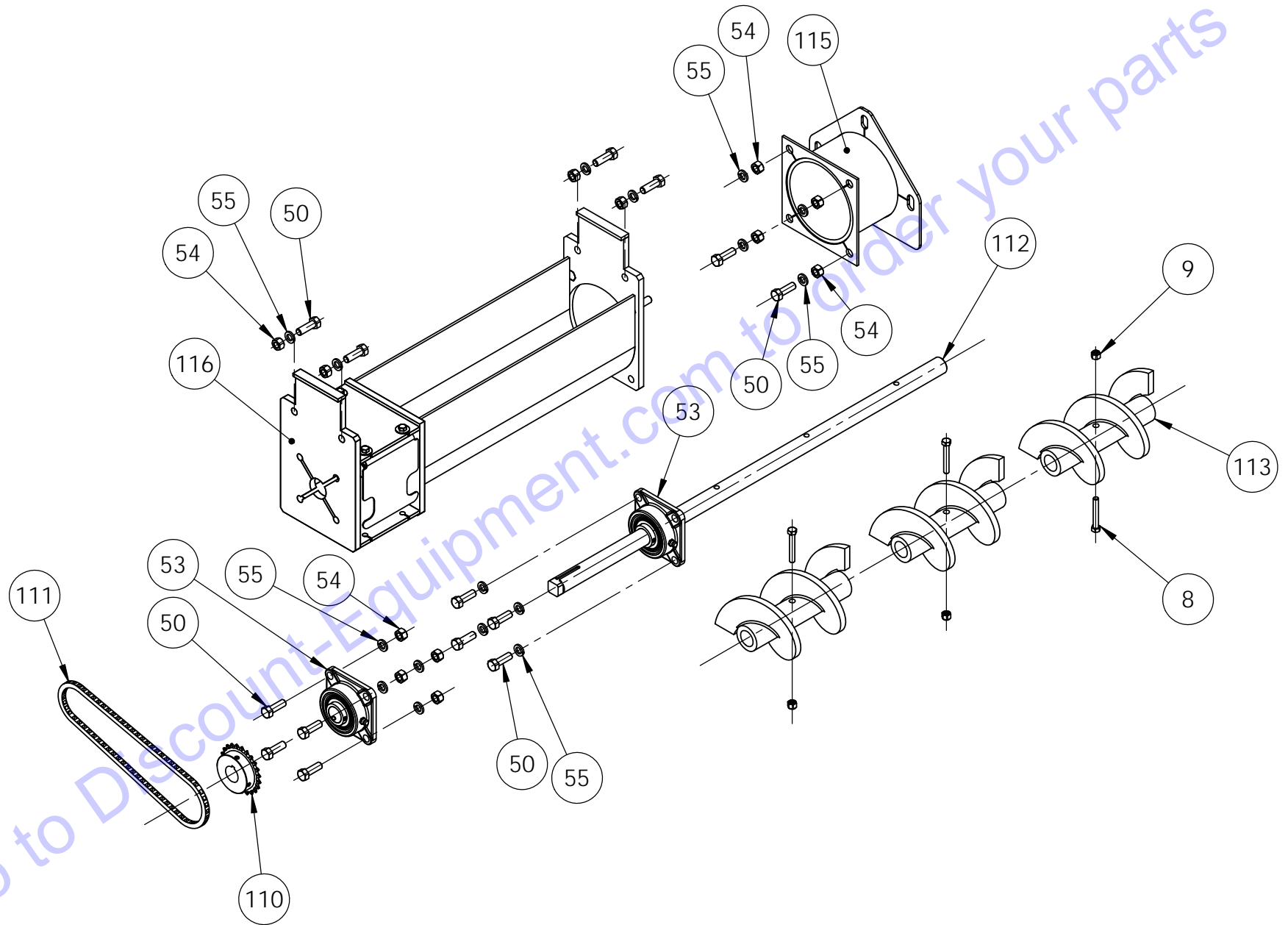
# REAR WHEEL ASSEMBLY



Go to Discount-Equipment.com to order your parts



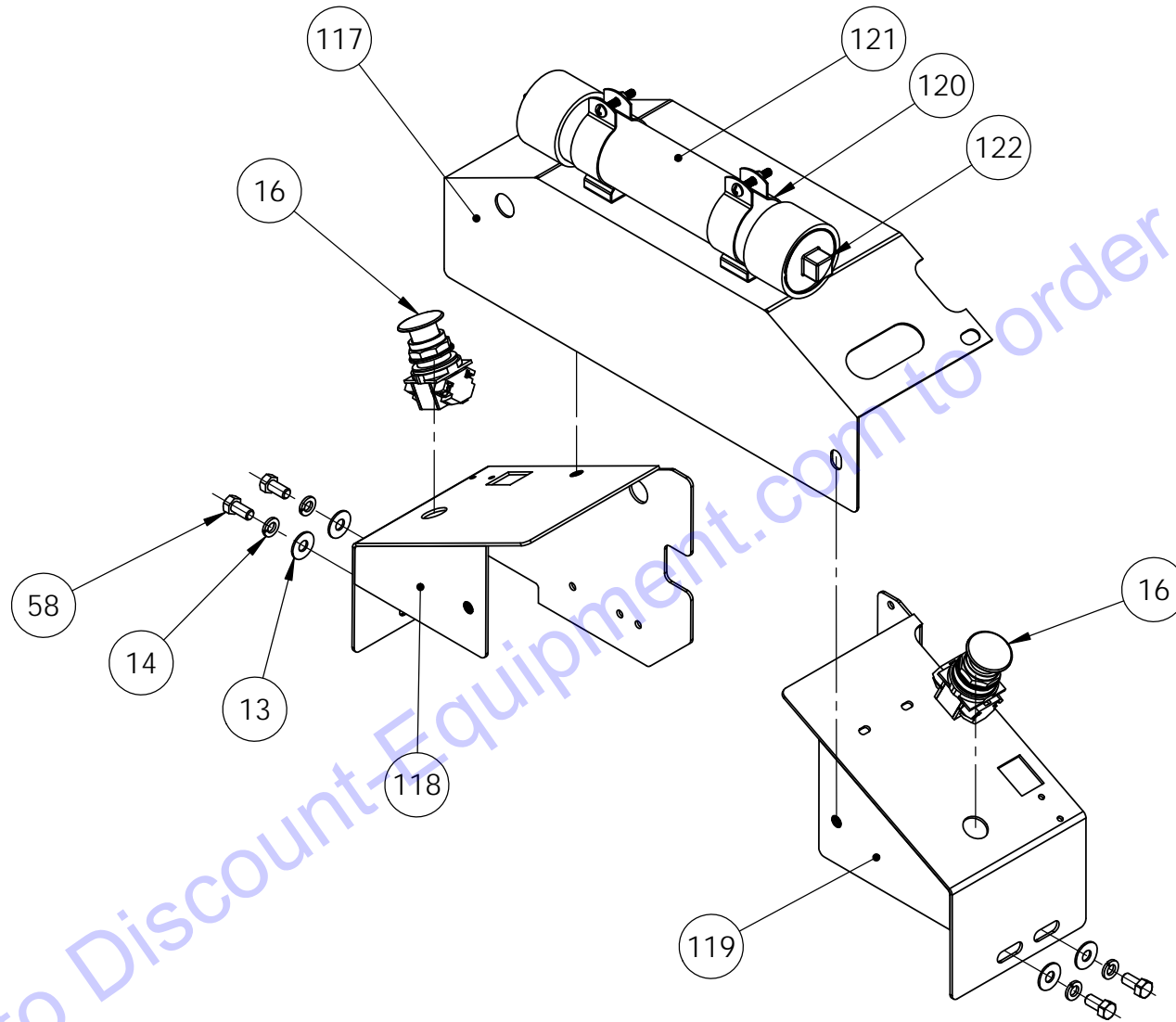
# AUGER ASSEMBLY



Go to Discount-Equipment.com to order your parts

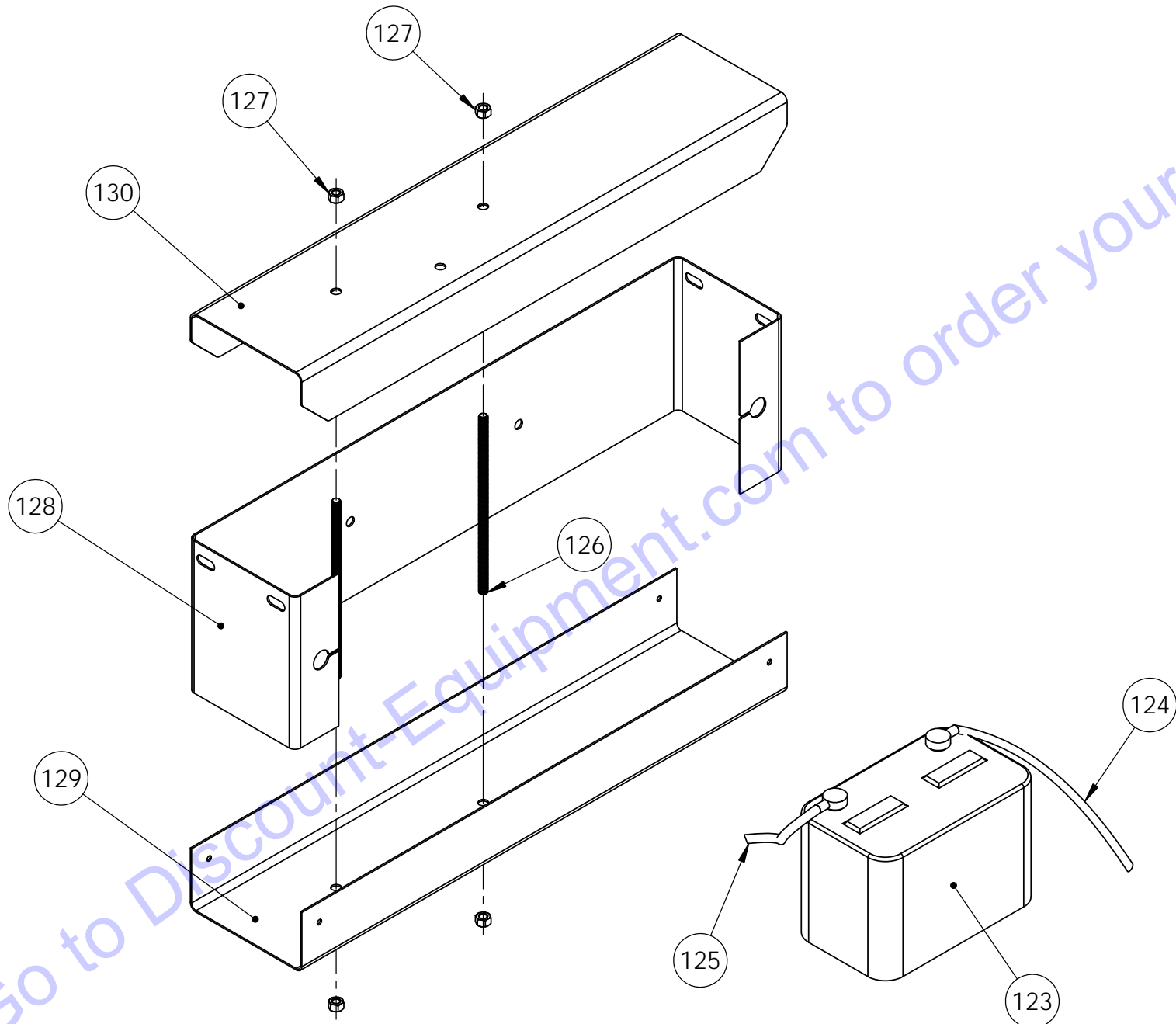


# BELT GUARD ASSEMBLY



Go to [Discount-Equipment.com](http://Discount-Equipment.com) to order your parts

# BATTERY BOX ASSEMBLY



ITEM NO.	PART NUMBER	DESCRIPTION
1	45027-01	MC 900 FRAME
2	45013-13	MC 900 HOPPER
3	45140-25	FRAME EXT. MC850/900
4		HHCS, 1/2-13 UNC x 3" LG.
5	45140-31	FRONT END CLAMP WASHER
6	45003-11	CURBFORM HOLD DOWN SCREW
7	45012-13	HOPPER CLAMP
8		HHCS, 3/8-16 UNC x 2-1/2" LG.
9		LOCK NUT, 3/8-16 UNC
10		FLAT WASHER, 1/2"
11		WING NUT, 1/2-13 UNC
12	45050-18	CHAIN GAURD
13		USS FLAT WASHER, 3/8"
14		LOCK WASHER, 3/8"
15		HHCS, 3/8-16 x 1" LG.
16	45043-04	EMERGENCY STOP SWITCH, ELECTRIC START
17	MS0200	RUBBER HOOD LATCH
18	45145-20	ENGINE COVER W/ LABELS
19	45145-10	ENGINE COVER BRACE
20	45035-01	LIFTING LUG
21		HHCS, 1/2-13 UNC x 1-3/4" LG.
22		SAE FLAT WASHER, 1/2"

ITEM NO.	PART NUMBER	DESCRIPTION
23		LOCK NUT, 1/2-13 UNC
24	45157-02	FUEL TANK BRACKET
25		SAE FLAT WASHER, 5/16"
26		HHCS, 5/16-18 UNC x 1" LG.
27		NYLOK LOCK NUT, 5/16-18 UNC
28	45145-17	RETRACTABLE PLUNGER
29	45013-17	MC 900 HOPPER ADJ. PLATE
30	45013-18	MC 900 HOPPER REMOVABLE SIDE PLATE
31		LOCK WASHER, 1/4"
32		HHCS, 3/8-16 UNC x 1-1/4" LG.
33		HHCS, 1/4-20 UNC x 3/4" LG.
34		HHCS, 5/16-18 UNC x 3/4" LG.
35	45157-01	PLASTIC FUEL TANK
36	45002-11	MC-860/900 MOTOR MOUNT
37	45016-17	IDLER BRACKET WELDMENT
38	45016-18	IDLER BRACKET RETAINING PLATE
39	45016-21	IDLER BRACKET TUBE
40	42108-07	3/8" CAGE NUT
41	45016-11	IDLER SPROCKET
42	45050-02	2 GROOVE Q.D. SHEAVE
43	45050-03	Q.D. BUSHING FOR 4050-02
44	45050-05	GEAR REDUCER

NOTE:  
WHEN ORDERING FASTENERS, PLEASE USE  
PAGE REFERENCE (LOWER RIGHT HAND  
CORNER) AND ITEM NUMBER.



ITEM NO.	PART NUMBER	DESCRIPTION
45	BE0100	1-1/4" 2-BOLT FLANGE BEARING
46	45050-23	COG "V" BELT
47	45050-16	OUTPUT SHAFT
48	SK0300	23 TOOTH SPROCKET
49	45024-03	SAFETY TORQUE ARM
50		HHCS, 1/2-13 UNC x 1-1/2" LG.
51	45008-10	SHEAVE GAURD
52		SHOULDER BOLT, 5/8-11 UNC x 3/4 DIA x 2" LG.
53	BE0200	1-1/4" 4-BOLT FLANGE BEARING
54		HEX NUT, 1/2-13 UNC
55		LOCK WASHER, 1/2"
56		HHCS, 1/2-13 UNC x 1-1/4" LG.
57		SAE FLAT WASHER, 3/8"
58		HHCS, 3/8-16 UNC x 3/4" LG.
59		HHCS, 5/16-18 UNC x 1-1/2" LG.
60		HHCS, 1/2-13 UNC x 7-1/2" LG.
61		HHCS, 3/8-16 UNC x 4" LG.
62	45024-02	TORQUE ARM COMPRESSION SPRING
63	45024-09	SAFETY TORQUE ARM HANDLE
64	45024-14	SAFETY TORQUE ARM STUD
65	45024-04	SAFETY TORQUE ARM BRACKET
66		HEX NUT, 5/8-11 UNC

ITEM NO.	PART NUMBER	DESCRIPTION
67	45151-01	20.3 HP HONDA ENGINE
68	45151-07	HONDA MUFFLER FOR MC-850/900
69	CL0200	CLUTCH, 1" BORE, HVY. DUTY
70		HHCS, 3/8-16 UNC x 1-3/4" LG.
71	45033-07	TALL WHEEL BRACKET HVY DTY
72	45036-11	JACK HANDLE ASSEMBLY
73	BE0600	JACK ASSEMBLY THRUST BEARING
74	45032-10	JACK SCREW, TALL WHEEL ASSEMBLY
75	MS0400	JACK HANDLE KNOB
76	45039-07	TALL REAR WHEEL FORK ASSEMBLY
77	45032-03	TALL REAR WHEEL HSG ASSY
78	45094-14	8" x 2-1/2" RUBBER WHEEL W/ ROLLER BEARING
79	45094-16	AXEL, 3/4-10NC x 11" LG W/ LOCKNUTS
80		USS FLAT WASHER, 3/4"
81	47132-24	CARRIAGE BOLT, 1/2-13 UNC x 3- 1/2" LG.
82	47139-37	CARRIAGE BOLT, 1/2-13 UNC x 3" LG.
83		HHCS, 1/4-20 UNC x 1-1/2" LG.
84		LOCK NUT, 1/4-20 UNC
85	45131-03	THROTTLE PLATE CLAMP
86	45131-02	THROTTLE MOUNTING PLATE
87	45132-43	THROTTLE CONTROL
88		HHCS, 1/4-20 UNC x 1-1/4" LG.

NOTE:  
WHEN ORDERING FASTENERS, PLEASE USE  
PAGE REFERENCE (LOWER RIGHT HAND  
CORNER) AND ITEM NUMBER.

ITEM NO.	PART NUMBER	DESCRIPTION
89	45132-44	BULK HEAD FITTING
90	45131-07	20.3 HP HONDA THROTTLE CABLE ASSY.
91	45130-27	HONDA THROTTLE WIRE SWIVEL
92	45026-01	TALL FRONT WHEEL FORK
93	45038-06	TALL FRONT WHEEL FORK
94	45020-13	STEERING HANDLE W/ GRIPS
95	CG0100	GRIP, HANDLEBAR
96	45140-23	CENTER WHEEL SPACER
97	45140-11	PNEUMATIC WHEEL SPACER
98	45140-12	PNEUMATIC TIRE AND RIM ASSY
99	45140-10	AXEL, 3/4-10NC x 12" LG W/ LOCKNUTS
100	45031-17	CURBER MARKING ROD BACKPLATE
101	45031-11	MC-550/650/850 MARKER POINTER
102	45031-21	FRONT END CLAMP RETAINING NUT
103	45031-18	MARKER HOLDER ROD BRACKET
104		HHCS, 1/2-13 UNC x 6-1/2" LG.
105	45059-08	TIE ROD
106	45059-04	MALE TIE ROD END W/ STUD
107	45059-11	COUPLING NUT, 1/2-20 UNF x 1-1/4" LG.
108		HHCS, 1/2-20 UNF x 1" LG.
109	48200-26	THROTTLE MOUNT KNOB
110	SK0200	15 TOOTH SPROCKET

ITEM NO.	PART NUMBER	DESCRIPTION
111	45050-10	ROLLER CHAIN, 37" LONG
112	45023-19	MC 900 SOLID TRIPLE AUGER SHAFT
113	45018-09	6" SOLID AUGER, 9" LONG
114	45010-12	6" AUGUR SHAFT GAURD
115	45014-01	6" COMPACTION TUBE
116	45011-81	6" TRIPLE AUGER HOUSING W/ SHAFT GUARDS
117	45019-29	CENTER BELT GUARD COVER
118	45019-18	RIGHT HAND BELT GUARD WELDMENT
119	45019-19	LEFT HAND BELT GUARD WELDMENT
120	44108-06	MANUAL TUBE MOUNTING CLAMPS
121	44108-01	MANUAL TUBE
122	44108-05	MANUAL TUBE CAP
123	BT0100	BATTERY, 12V DC
124	BF0100	36" BATTERY POSITIVE CABLE
125	BF0200	BATTERY GROUND CABLE
126	45116-23	BATTERY BOX BOLTS
127		HEX NUT, 3/8-16 UNC
128	45116-31	MC 900 BATTERY BOX SIDE
129	45116-32	MC 900 BATTERY BOX BOTTOM
130	45116-33	MC 900 BATTERY BOX TOP
131		LOCK NUT, 5/16-18 UNC

NOTE:  
WHEN ORDERING FASTENERS, PLEASE USE  
PAGE REFERENCE (LOWER RIGHT HAND  
CORNER) AND ITEM NUMBER.



# PARTS FINDER

**Search Website  
by Part Number**



**Search Manual  
Library For Parts  
Manual & Lookup Part  
Numbers – Purchase  
or Request Quote**

**Search Manuals**

Enter your information to search for a manual or to purchase a manual or parts.

\* Brand:

\* Model:

\* Serial:

\* Part Number:

SEARCH

**Can't Find Part or  
Manual? Request Help  
by Manufacturer,  
Model & Description**

**Parts Order Form**

Please fill in the following information to request help finding a part or manual.

Manufacturer:

Model:

Description:

Quantity:

Part Number:

Part Name:

Part Description:

Part Category:

Part Location:

Part Status:

Part Condition:

Part Material:

Part Color:

Part Weight:

Part Dimensions:

Part Price:

Part Availability:

Part Lead Time:

Part Notes:

Submit

Discount-Equipment.com is your online resource for quality parts & equipment.

Florida: **561-964-4949** Outside Florida TOLL FREE: **877-690-3101**

**Need parts?**

Click on this link: <http://www.discount-equipment.com/category/5443-parts/> and choose one of the options to help get the right parts and equipment you are looking for. Please have the machine model and serial number available in order to help us get you the correct parts. If you don't find the part on the website or on one of the online manuals, please fill out the request form and one of our experienced staff members will get back to you with a quote for the right part that your machine needs.

We sell worldwide for the brands: Genie, Terex, JLG, MultiQuip, Mikasa, Essick, Whiteman, Mayco, Toro Stone, Diamond Products, Generac Magnum, Airman, Haulotte, Barreto, Power Blanket, Nifty Lift, Atlas Copco, Chicago Pneumatic, Allmand, Miller Curber, Skyjack, Lull, Skytrak, Tsurumi, Husquvarna Target, Stow, Wacker, Sakai, Mi-T-M, Sullair, Basic, Dynapac, MBW, Weber, Bartell, Bennar Newman, Haulotte, Ditch Runner, Menegotti, Morrison, Contec, Buddy, Crown, Edco, Wyco, Bomag, Laymor, EZ Trench, Bil-Jax, F.S. Curtis, Gehl Pavers, Heli, Honda, ICS/PowerGrit, IHI, Partner, Imer, Clipper, MMD, Koshin, Rice, CH&E, General Equipment, Amida, Coleman, NAC, Gradall, Square Shooter, Kent, Stanley, Tamco, Toku, Hatz, Kohler, Robin, Wisconsin, Northrock, Oztec, Toker TK, Rol-Air, APT, Wylie, Ingersoll Rand / Doosan, Innovatech, Con X, Ammann, Mecalac, Makinex, Smith Surface Prep, Small Line, Wanco, Yanmar