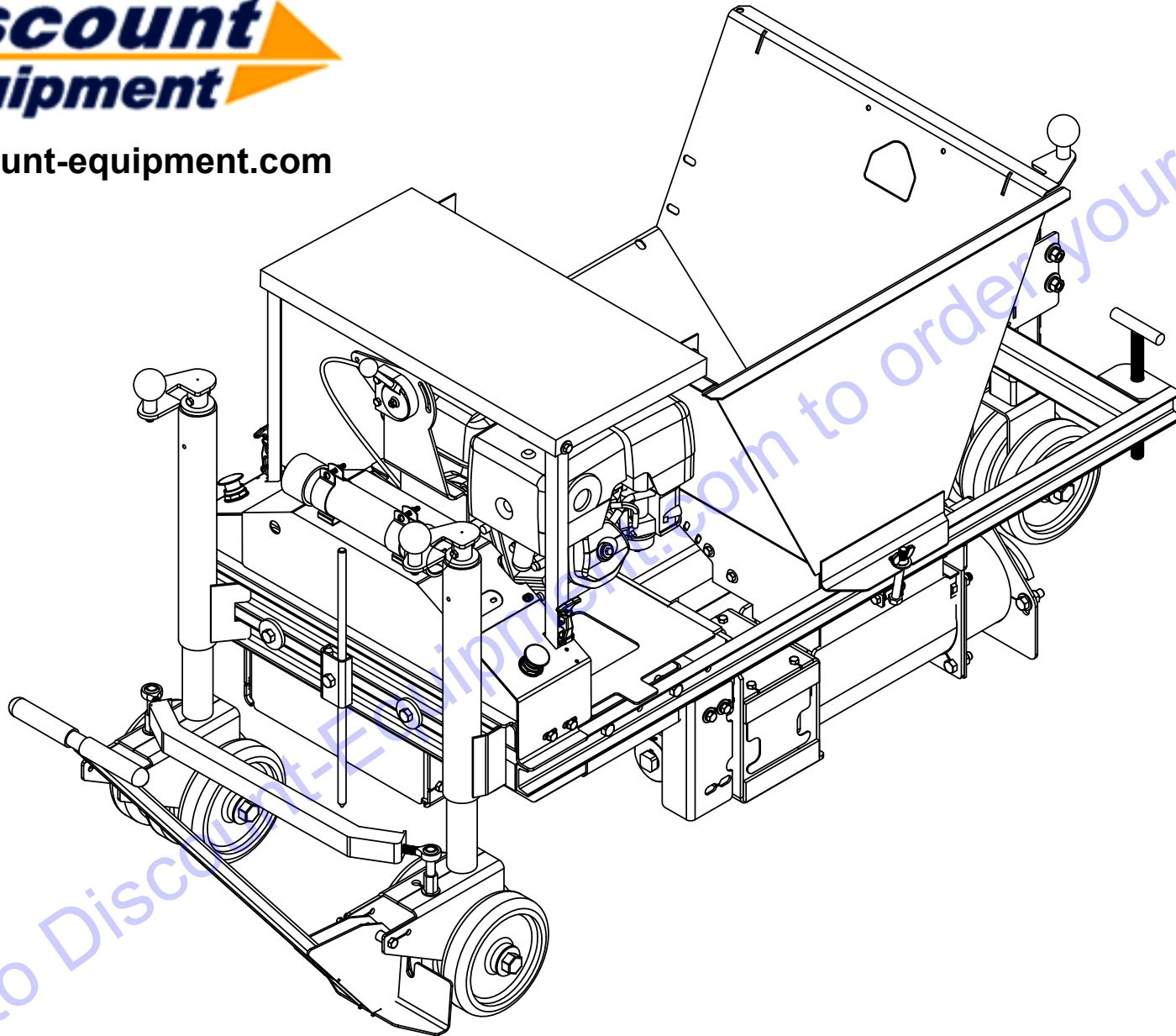


05-13HE-750-06SS



www.discount-equipment.com



Go to DiscountEquipment.com to order your parts

Miller Curber Co.LLC

750-01

PARTS FINDER

**Search Website
by Part Number**



**Search Manual
Library For Parts
Manual & Lookup Part
Numbers – Purchase
or Request Quote**

Search Manuals

Enter your information to help us find the right parts manual for your machine.

* Brand:

* Model:

* Serial:

* Part Number:

SEARCH

**Can't Find Part or
Manual? Request Help
by Manufacturer,
Model & Description**

Parts Order Form

Please fill in the following information to help us find the right part for your machine.

Manufacturer:	<input type="text"/>
Model:	<input type="text"/>
Description:	<input type="text"/>
Part Number:	<input type="text"/>
Quantity:	<input type="text"/>
Notes:	<input type="text"/>

Submit

Discount-Equipment.com is your online resource for quality parts & equipment.

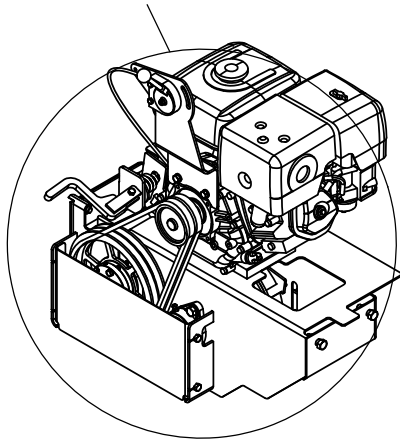
Florida: **561-964-4949** Outside Florida TOLL FREE: **877-690-3101**

Need parts?

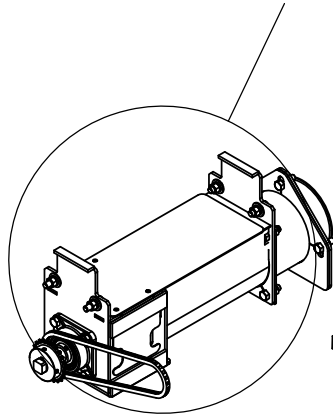
Click on this link: <http://www.discount-equipment.com/category/5443-parts/> and choose one of the options to help get the right parts and equipment you are looking for. Please have the machine model and serial number available in order to help us get you the correct parts. If you don't find the part on the website or on one of the online manuals, please fill out the request form and one of our experienced staff members will get back to you with a quote for the right part that your machine needs.

We sell worldwide for the brands: Genie, Terex, JLG, MultiQuip, Mikasa, Essick, Whiteman, Mayco, Toro Stone, Diamond Products, Generac Magnum, Airman, Haulotte, Barreto, Power Blanket, Nifty Lift, Atlas Copco, Chicago Pneumatic, Allmand, Miller Curber, Skyjack, Lull, Skytrak, Tsurumi, Husquvarna Target, Stow, Wacker, Sakai, Mi-T-M, Sullair, Basic, Dynapac, MBW, Weber, Bartell, Bennar Newman, Haulotte, Ditch Runner, Menegotti, Morrison, Contec, Buddy, Crown, Edco, Wyco, Bomag, Laymor, EZ Trench, Bil-Jax, F.S. Curtis, Gehl Pavers, Heli, Honda, ICS/PowerGrit, IHI, Partner, Imer, Clipper, MMD, Koshin, Rice, CH&E, General Equipment, Amida, Coleman, NAC, Gradall, Square Shooter, Kent, Stanley, Tamco, Toku, Hatz, Kohler, Robin, Wisconsin, Northrock, Oztec, Toker TK, Rol-Air, APT, Wylie, Ingersoll Rand / Doosan, Innovatech, Con X, Ammann, Mecalac, Makinex, Smith Surface Prep, Small Line, Wanco, Yanmar

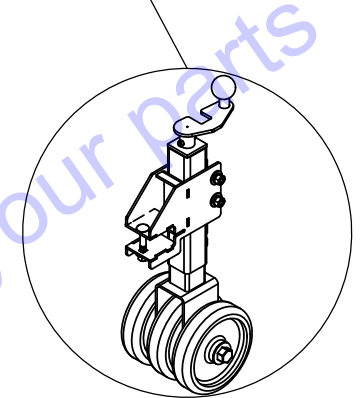
DRIVE GEARBOX ASSEMBLY



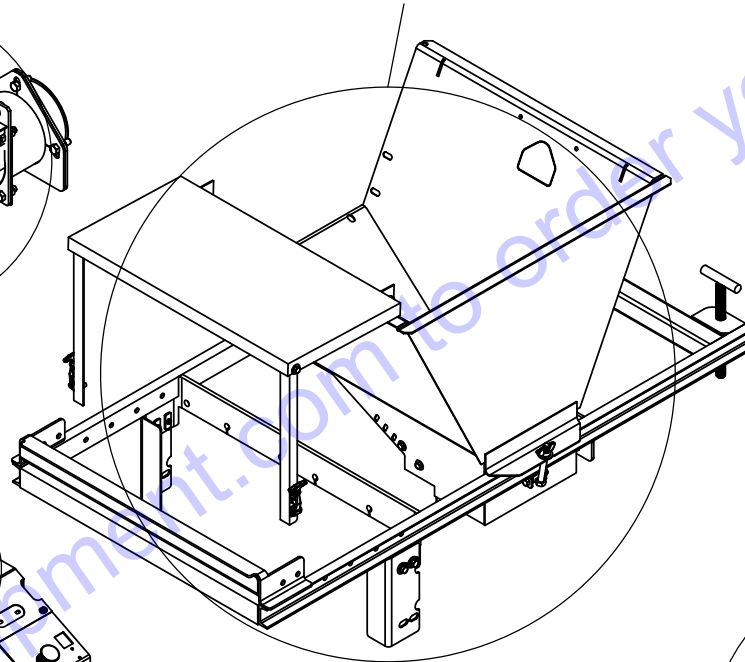
RIGHT AUGER ASSEMBLY



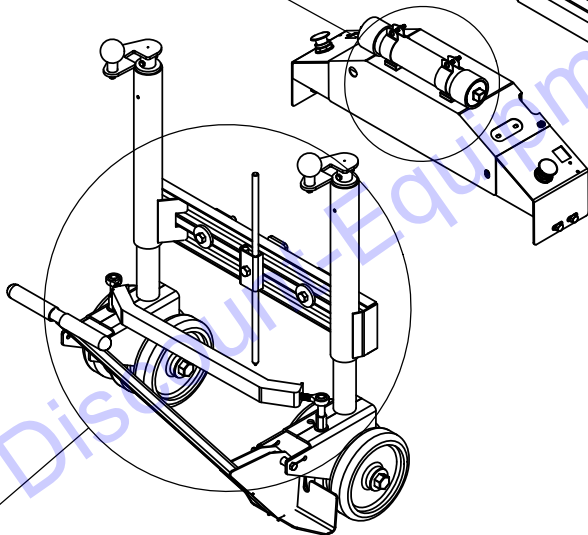
REAR WHEEL ASSEMBLY



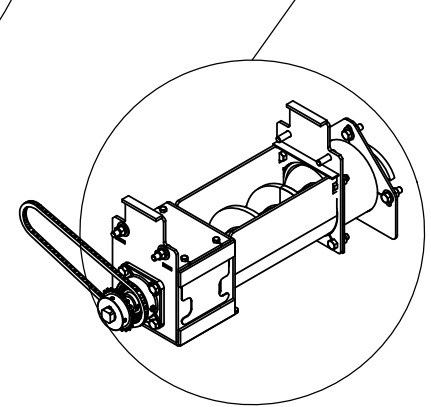
FRAME HOPPER ASSEMBLY



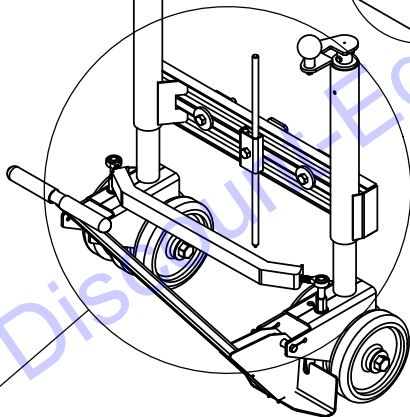
BELT GUARD ASSEMBLY



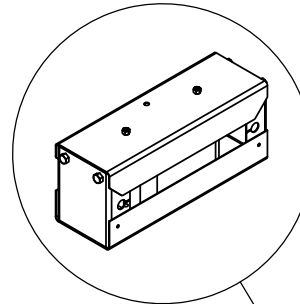
LEFT AUGER ASSEMBLY



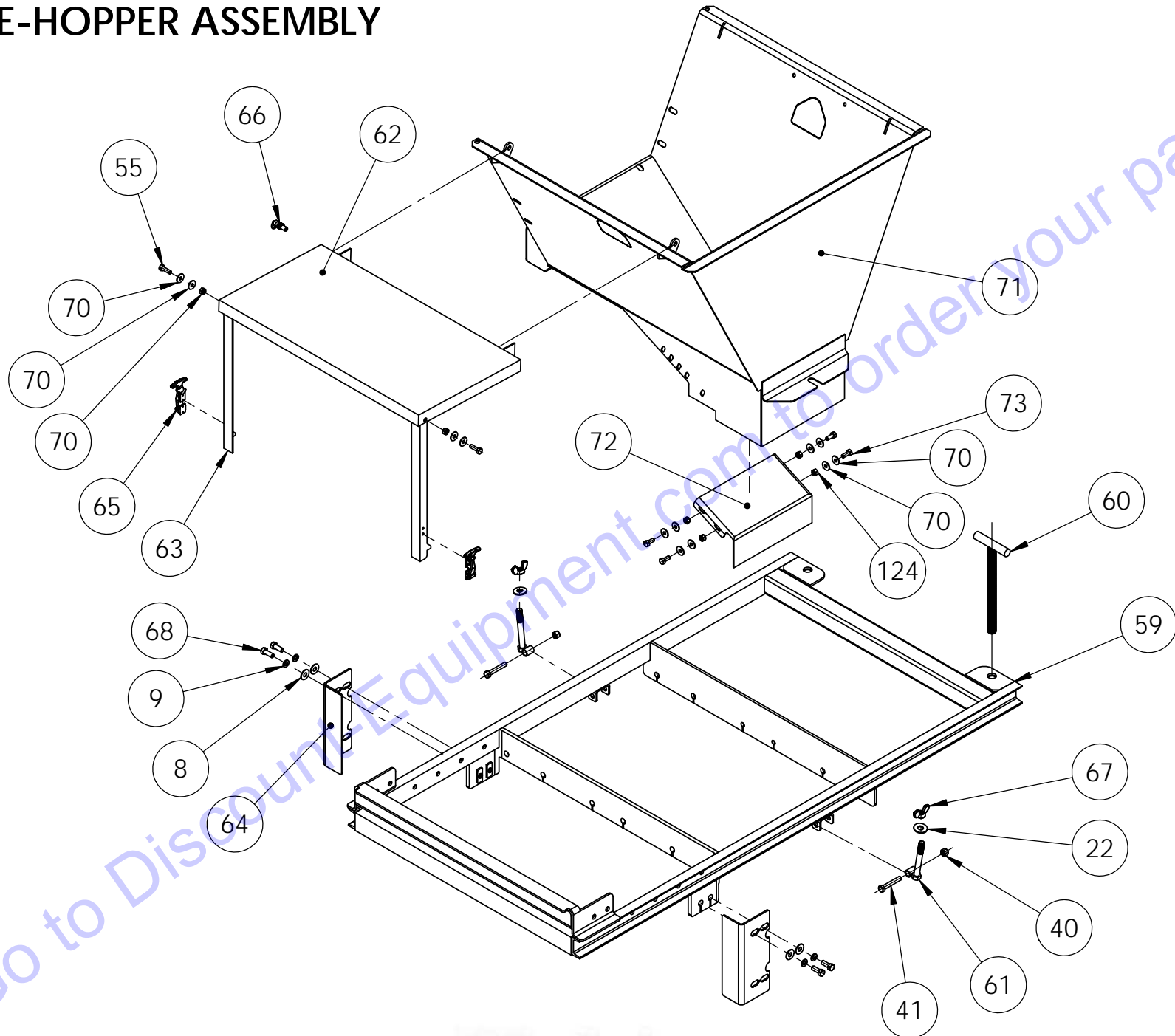
FRONT WHEEL ASSEMBLY



BATTERY BOX ASSEMBLY

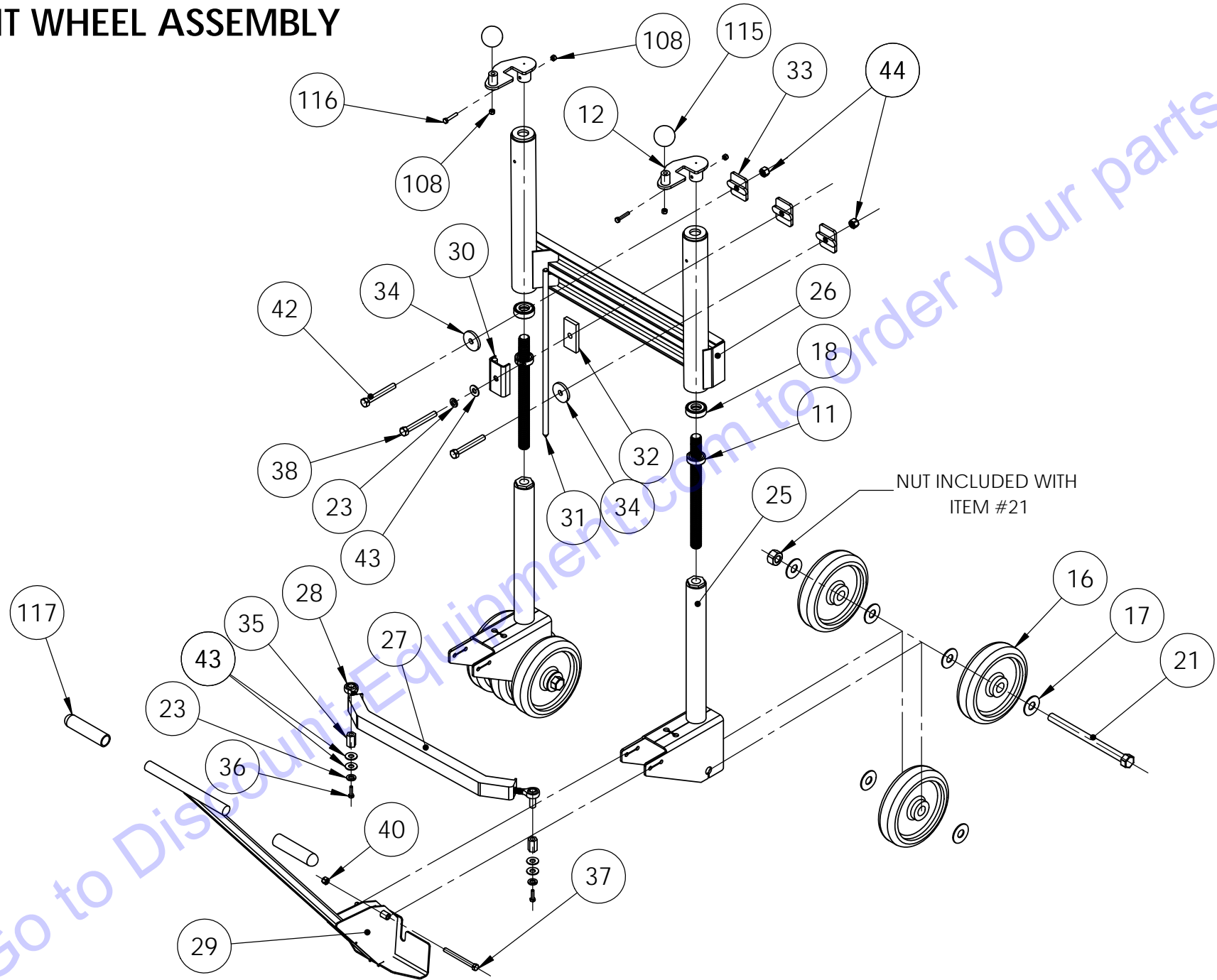


FRAME-HOPPER ASSEMBLY

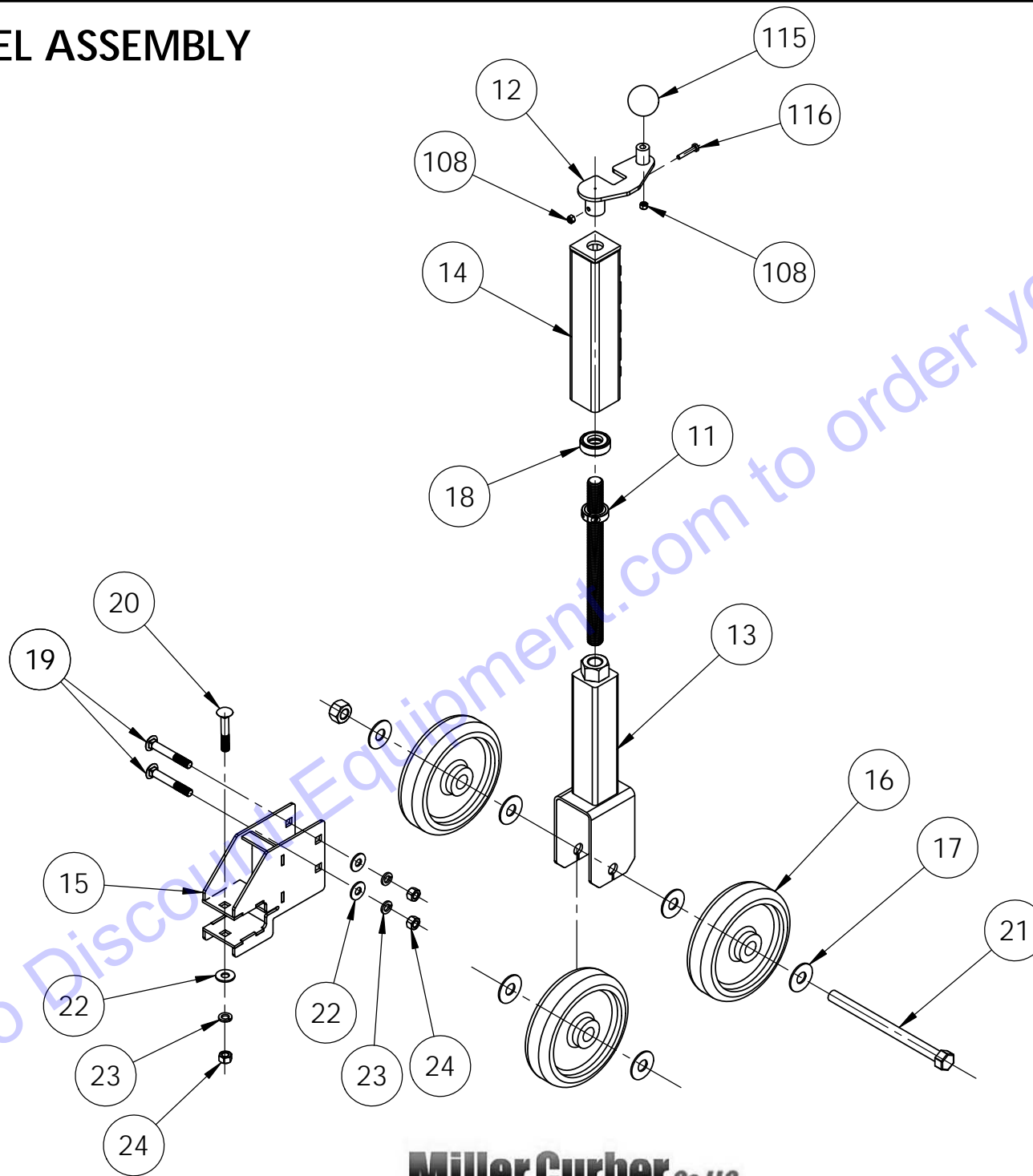


Go to DiscountEquipment.com to order your parts

FRONT WHEEL ASSEMBLY

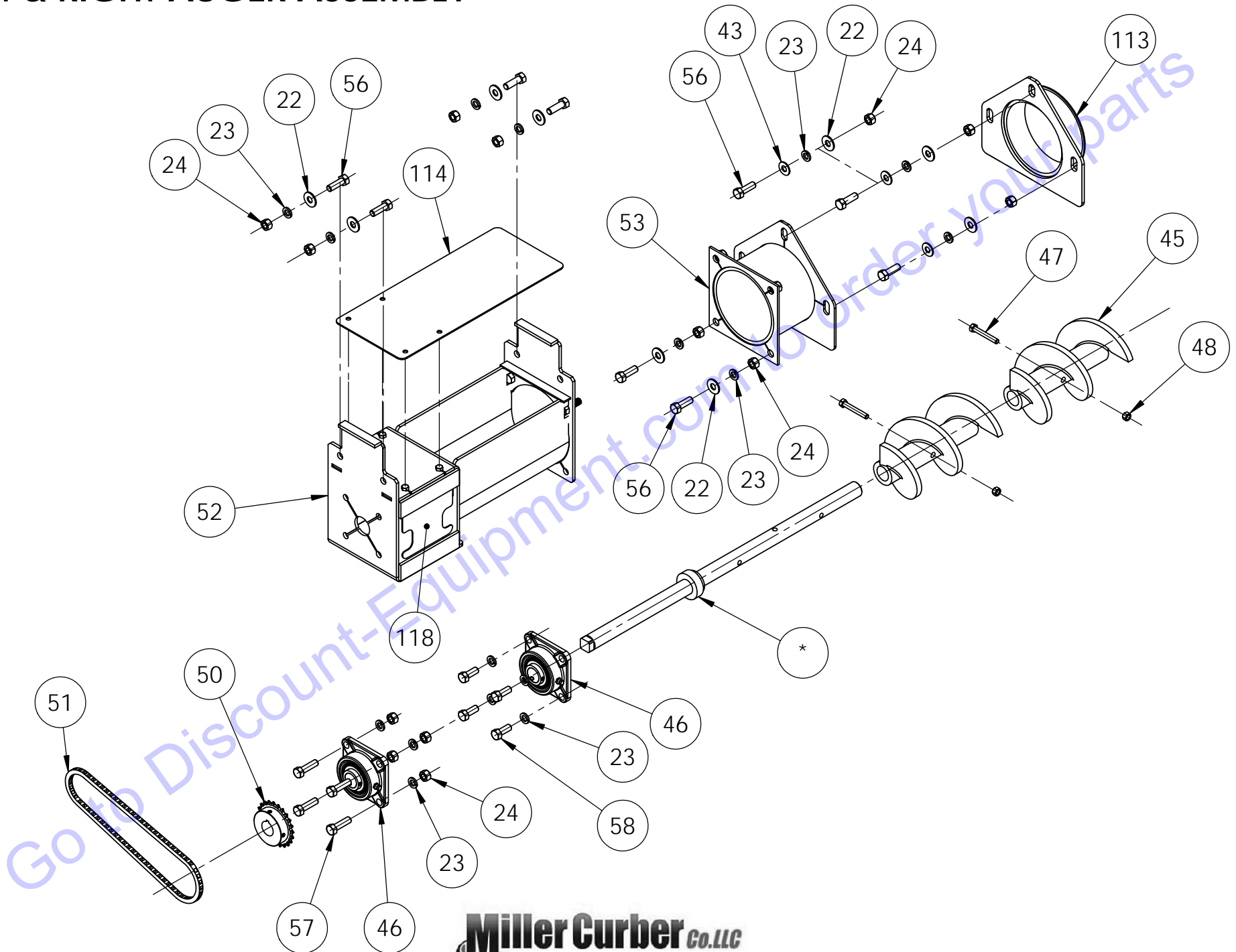


REAR WHEEL ASSEMBLY

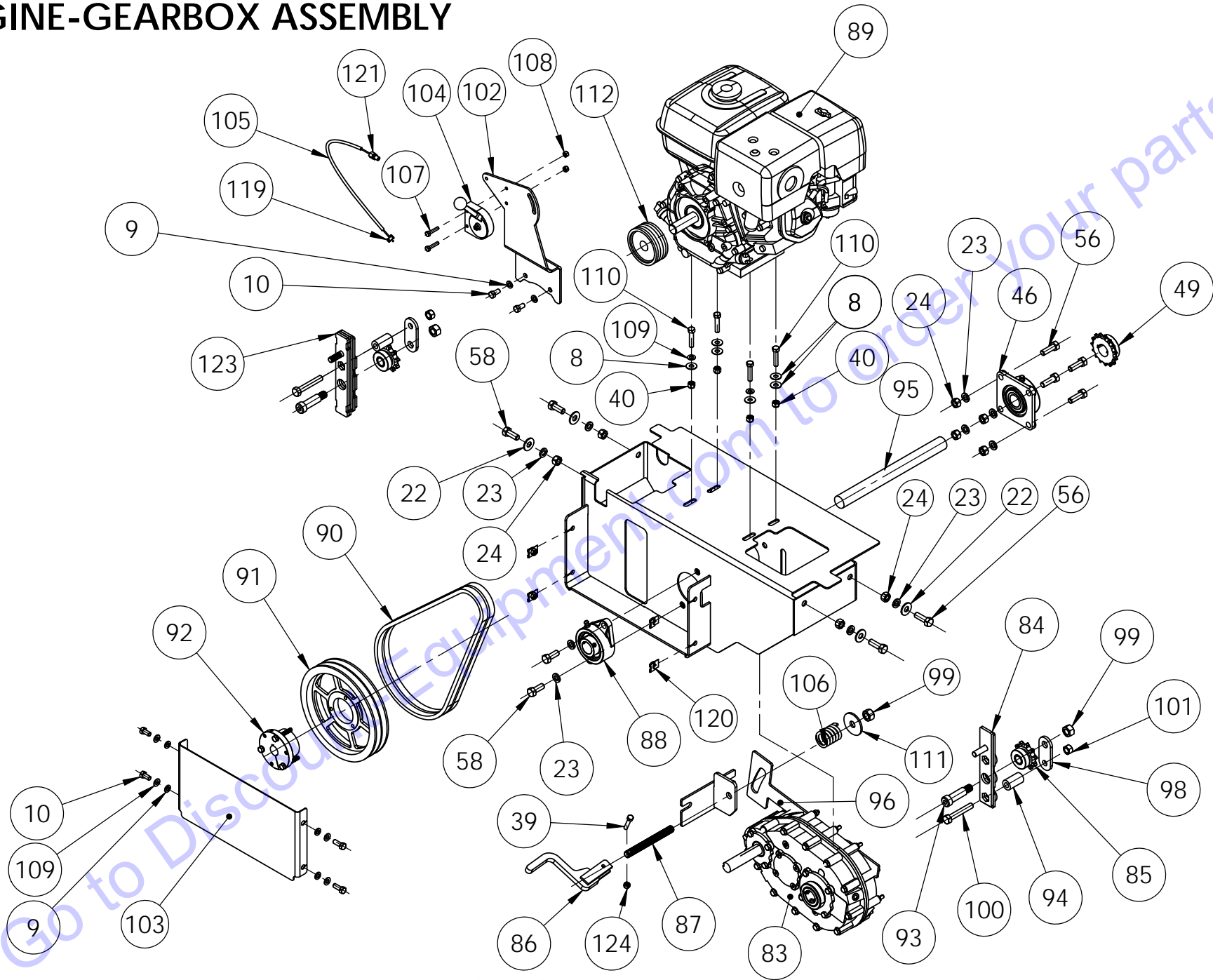


Go to DiscountEquipment.com to order your parts

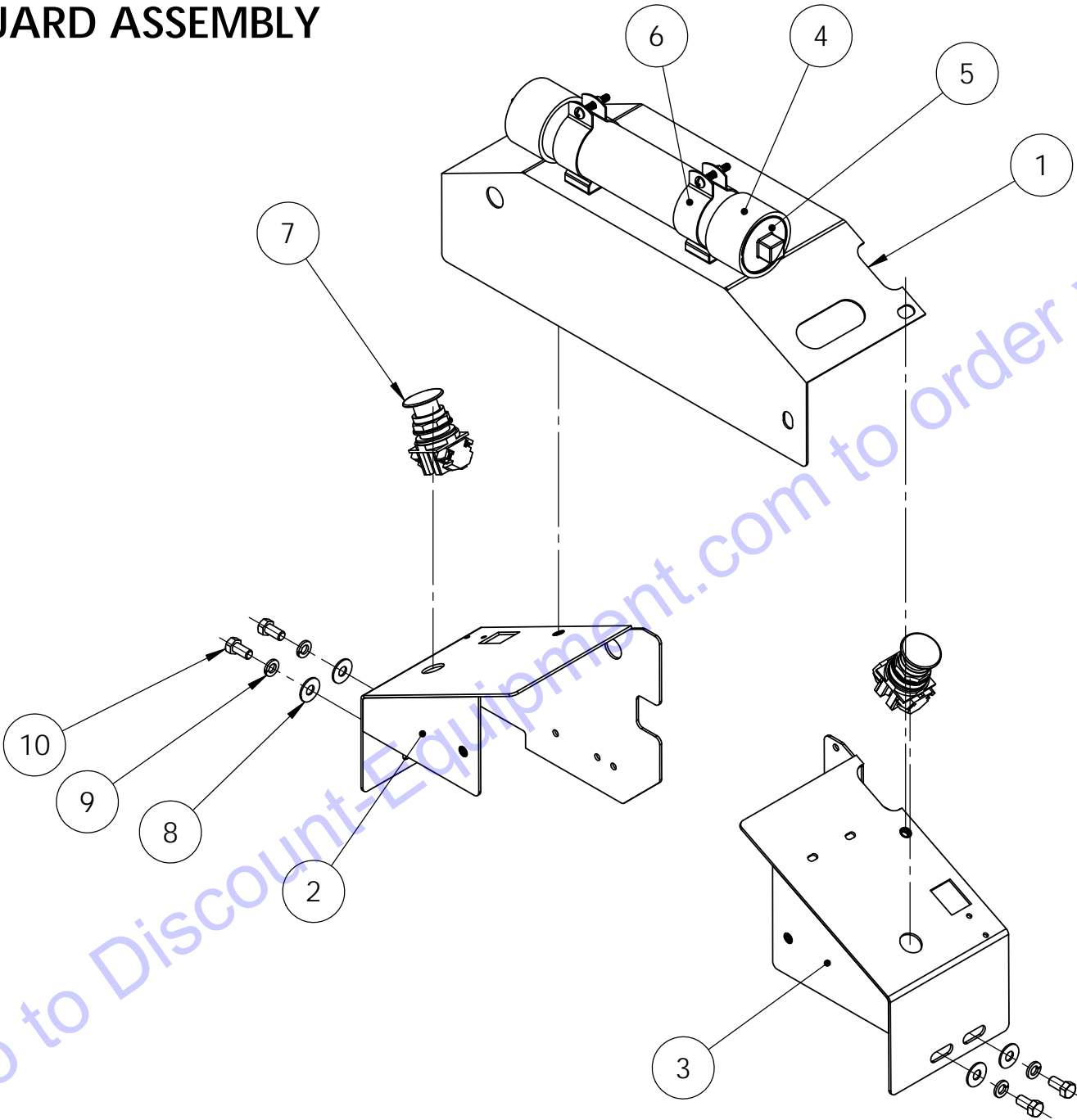
LEFT & RIGHT AUGER ASSEMBLY



ENGINE-GEARBOX ASSEMBLY

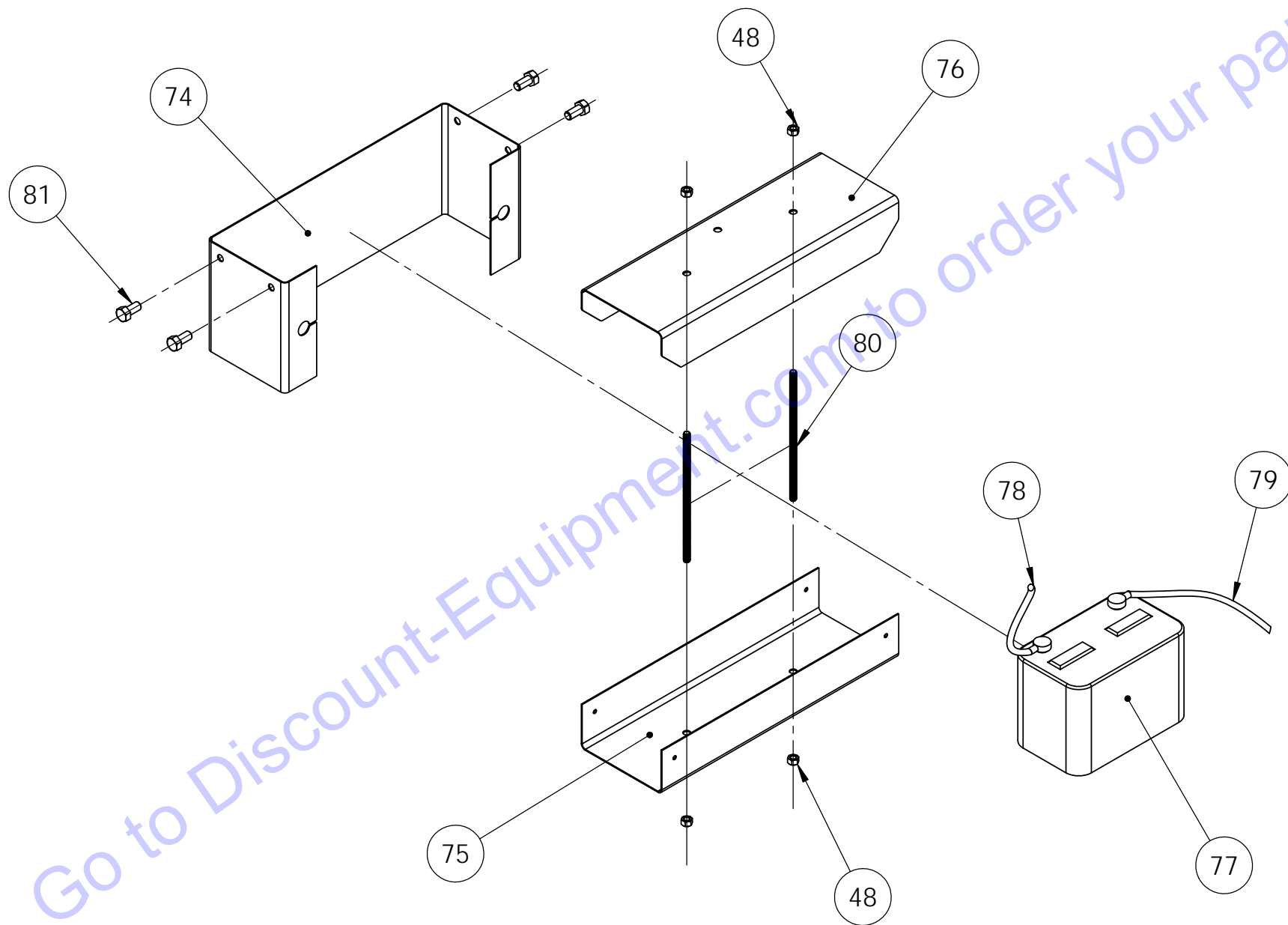


BELT GUARD ASSEMBLY



Go to Discount-Equipment.com to order your parts

BATTERY BOX ASSEMBLY



Go to Discount-Equipment.com to order your parts

ITEM NO.	PART NUMBER	DESCRIPTION
1	45019-29	CENTER BELT GUARD COVER
2	45019-18	RIGHT HAND BELT GUARD WELDMENT
3	45019-19	LEFT HAND BELT GUARD WELDMENT
4	44108-01	MANUAL TUBE
5	44108-05	MANUAL TUBE CAP
6	44108-06	MANUAL TUBE MOUNTING CLAMPS
7	45043-04	EMERGENCY STOP SWITCH, ELECTRIC START
8		USS FLAT WASHER, 3/8"
9		LOCK WASHER, 3/8"
10		HHCS, 3/8-16 UNC x 3/4" LG.
11	45034-15	SHORT ADJUSTING SCREW WELDMENT
12	45036-11	JACK HANDLE ASSEMBLY
13	45039-01	REAR WHEEL FORK, SHORT
14	45034-03	REAR JACK COVER WELDMENT
15	45033-01	REAR JACK CLAMP BRACKET, SQUARE TUBE
16	WT0100	8" x 2" RUBBER WHEEL W/ ROLLER BEARING
17		USS FLAT WASHER, 3/4"
18	BE0600	JACK ASSEMBLY THRUST BEARING
19	47132-24	CARRIAGE BOLT, 1/2-13 UNC x 3-1/2" LG.
20	47139-37	CARRIAGE BOLT, 1/2-13 UNC x 3" LG.
21	45094-04	AXEL, 3/4-10NC x 10" LG W/ LOCKNUTS
22		USS FLAT WASHER, 1/2"

ITEM NO.	PART NUMBER	DESCRIPTION
23		LOCK WASHER, 1/2"
24		HEX NUT, 1/2-13 UNC
25	45038-01	MC-550/650 FRONT WHEEL FORK
26	45005-02	FRONT JACK HOUSING
27	45059-08	TIE ROD
28	45059-04	MALE TIE ROD END W/ STUD
29	45020-13	STEERING HANDLE W/ GRIPS
30	45031-18	MARKER HOLDER ROD BRACKET
31	45031-11	MC-550/650/850 MARKER POINTER
32	45031-17	CURBER MARKING ROD BACKPLATE
33	45031-21	FRONT END CLAMP RETAINING NUT
34	45140-31	FRONT END CLAMP WASHER
35	45059-11	COUPLING NUT, 1/2-20 UNF x 1-1/4" LG.
36		HHCS, 1/2-20 UNF x 1" LG.
37		HHCS, 3/8-16 UNC x 4" LG.
38		HHCS, 1/2-13 UNC x 4" LG.
39		HHCS, 5/16-18 UNC x 1-1/2" LG.
40		LOCK NUT, 3/8-16 UNC
41		HHCS 3/8-16 UNC x 2-1/4" LG.
42		HHCS, 1/2-13 UNC x 3-3/4" LG.
43		SAE FLAT WASHER, 1/2"
44		LOCK NUT, 1/2-13 UNC

NOTE:
WHEN ORDERING FASTENERS, PLEASE USE
PAGE REFERENCE (LOWER RIGHT HAND
CORNER) AND ITEM NUMBER.



ITEM NO.	PART NUMBER	DESCRIPTION
45	45018-09	6" SOLID AUGER, 9" LONG
46	BE0200	1-1/4" 4-BOLT FLANGE BEARING
47		HHCS, 3/8-16 UNC x 2-1/2" LG.
48		HEX NUT, 3/8-16 UNC
49	SK0200	15 TOOTH SPROCKET
50	SK0300	23 TOOTH SPROCKET
51	45050-10	ROLLER CHAIN, 37" LONG
52	45010-14	6" STANDARD AUGER HOUSING W/ SHAFT GUARDS
53	45014-01	6" COMPACTION TUBE
54	45023-01	SOLID AUGER SHAFT
55		HHCS, 5/16-18 UNC x 1" LG.
56		HHCS, 1/2-13 UNC x 1-1/2" LG.
57		HHCS, 1/2-13 UNC x 1-3/4" LG.
58		HHCS, 1/2-13 UNC x 1-1/4" LG.
59	45045-01	CURBER FRAME WELDMENT 550/650
60	45003-11	CURBFORM HOLD DOWN SCREW
61	45012-13	HOPPER CLAMP
62	45145-20	ENGINE COVER W/ LABELS
63	45145-10	ENGINE COVER BRACE
64	45050-18	CHAIN GAURD
65	MS0200	RUBBER HOOD LATCH
66	45145-17	RETRACTABLE PLUNGER

ITEM NO.	PART NUMBER	DESCRIPTION
67		WING NUT, 1/2-13 UNC
68		HHCS, 3/8-16 x 1" LG.
70		SAE FLAT WASHER, 5/16"
70		NYLOK LOCK NUT, 5/16-18 UNC
71	45013-01	REVERSIBLE HOPPER
72	45013-09	HOPPER ADJUSTING PLATE
73		HHCS, 5/16-18 UNC x 3/4" LG.
74	45116-19	WRAP-AROUND BATTERY BOX SIDE
75	45116-20	BATTERY BOX BOTTOM
76	45116-21	BATTERY BOX TOP
77	BT0100	BATTERY, 12V DC
78	BF0200	BATTERY GROUND CABLE
79	BF0100	36" BATTERY POSITIVE CABLE
80	45116-23	BATTERY BOX BOLTS
81		BATTERY BOX HARDWARE
82	45008-01	CURBILDER MOTOR MOUNT
83	45050-05	GEAR REDUCER
84	45016-17	IDLER BRACKET WELDMENT
85	45016-10	IDLER SPROCKET W/ BUSHING
86	45024-09	SAFETY TORQUE ARM HANDLE
87	45024-14	SAFETY TORQUE ARM STUD
88	BE0100	1-1/4" 2-BOLT FLANGE BEARING

NOTE:
WHEN ORDERING FASTENERS, PLEASE USE
PAGE REFERENCE (LOWER RIGHT HAND
CORNER) AND ITEM NUMBER.



ITEM NO.	PART NUMBER	DESCRIPTION
89	EN1700	13 HP HONDA, ELECTRIC START
90	45050-23	COG "V" BELT
91	45050-02	2 GROOVE Q.D. SHEAVE
92	45050-03	Q.D. BUSHING FOR 4050-02
93	45016-22	SHOULDER BOLT, 3/4-10 UNC x 2" LG.
94	45016-21	IDLER BRACKET TUBE
95	45050-16	OUTPUT SHAFT
96	45024-03	SAFETY TORQUE ARM
97	45024-04	SAFETY TORQUE ARM BRACKET
98	45016-18	IDLER BRACKET RETAINING PLATE
99		HEX NUT, 5/8-11 UNC
100		HHCS, 1/2-13 UNC x 3" LG.
101		HEX NUT, 1/2-13 UNC
102	45130-23	13HP HONDA THROTTLE MOUNTING BRACKET
103	45008-10	SHEAVE GAURD
104	45132-43	THROTTLE CONTROL
105	45130-24	13 HP HONDA THROTTLE CABLE ASSEMBLY
106	45024-02	TORQUE ARM COMPRESSION SPRING
107		HHCS, 1/4-20 UNC x 1-1/4" LG.
108		LOCK NUT, 1/4-20 UNC
109		SAE FLAT WASHER, 3/8"
110		HHCS, 3/8-16 UNC x 1-3/4" LG.

ITEM NO.	PART NUMBER	DESCRIPTION
111		FLAT WASHER, 5/8" GRADE 8
112	45048-07	CLUTCH, 1" BORE, STD. DUTY
113	45014-10	FRONT AUGER GUARD
114	45010-68	TOP AUGER GUARD
115	MS0400	JACK HANDLE KNOB
116		HHCS, 1/4-20 UNC x 1-1/2" LG.
117	CG0100	GRIP, HANDLEBAR
118	45010-12	6" AUGUR SHAFT GAURD
119	45130-27	HONDA THROTTLE WIRE SWIVEL
120	45108-07	3/8" CAGE NUT
121	45132-44	BULK HEAD FITTING
122	45016-22	SHOULDER BOLT, 3/4-10 UNC x 2" LG.
123	45016-34	RH IDLER BRACKET WELDMENT
124		LOCK NUT, 5/16-18 UNC

NOTE:
 WHEN ORDERING FASTENERS, PLEASE USE
 PAGE REFERENCE (LOWER RIGHT HAND
 CORNER) AND ITEM NUMBER.

PARTS FINDER

**Search Website
by Part Number**



**Search Manual
Library For Parts
Manual & Lookup Part
Numbers – Purchase
or Request Quote**

Search Manuals

Enter your information to help us find the right parts manual for your machine.

* Brand:

* Model:

* Serial:

* Part Number:

SEARCH

**Can't Find Part or
Manual? Request Help
by Manufacturer,
Model & Description**

Parts Order Form

Please fill in the following information to help us find the right part for your machine.

Manufacturer:	<input type="text"/>
Model:	<input type="text"/>
Description:	<input type="text"/>
Part Number:	<input type="text"/>
Quantity:	<input type="text"/>
Notes:	<input type="text"/>

Submit

Discount-Equipment.com is your online resource for quality parts & equipment.

Florida: **561-964-4949** Outside Florida TOLL FREE: **877-690-3101**

Need parts?

Click on this link: <http://www.discount-equipment.com/category/5443-parts/> and choose one of the options to help get the right parts and equipment you are looking for. Please have the machine model and serial number available in order to help us get you the correct parts. If you don't find the part on the website or on one of the online manuals, please fill out the request form and one of our experienced staff members will get back to you with a quote for the right part that your machine needs.

We sell worldwide for the brands: Genie, Terex, JLG, MultiQuip, Mikasa, Essick, Whiteman, Mayco, Toro Stone, Diamond Products, Generac Magnum, Airman, Haulotte, Barreto, Power Blanket, Nifty Lift, Atlas Copco, Chicago Pneumatic, Allmand, Miller Curber, Skyjack, Lull, Skytrak, Tsurumi, Husquvarna Target, Stow, Wacker, Sakai, Mi-T-M, Sullair, Basic, Dynapac, MBW, Weber, Bartell, Bennar Newman, Haulotte, Ditch Runner, Menegotti, Morrison, Contec, Buddy, Crown, Edco, Wyco, Bomag, Laymor, EZ Trench, Bil-Jax, F.S. Curtis, Gehl Pavers, Heli, Honda, ICS/PowerGrit, IHI, Partner, Imer, Clipper, MMD, Koshin, Rice, CH&E, General Equipment, Amida, Coleman, NAC, Gradall, Square Shooter, Kent, Stanley, Tamco, Toku, Hatz, Kohler, Robin, Wisconsin, Northrock, Oztec, Toker TK, Rol-Air, APT, Wylie, Ingersoll Rand / Doosan, Innovatech, Con X, Ammann, Mecalac, Makinex, Smith Surface Prep, Small Line, Wanco, Yanmar