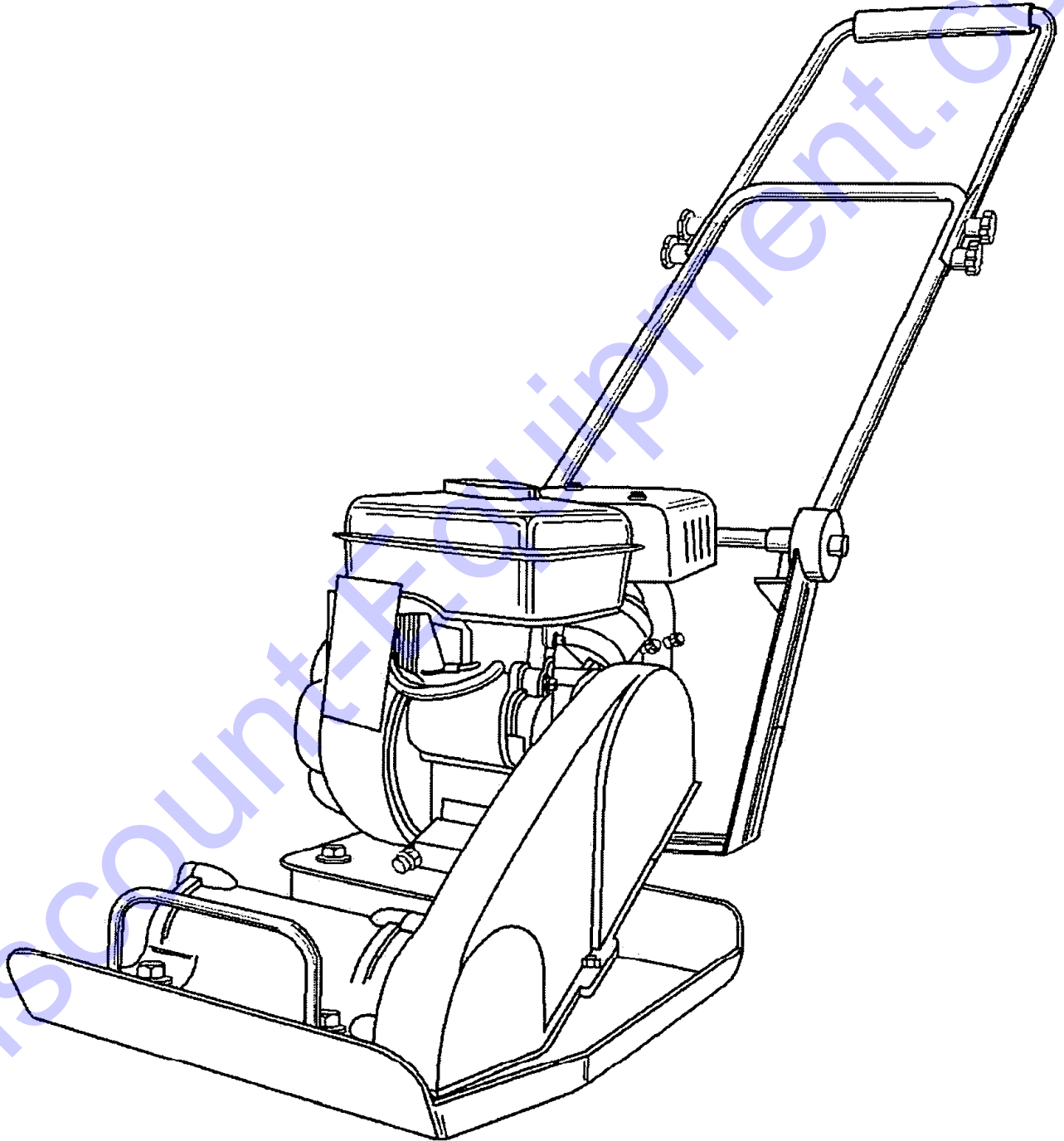


# PLATE COMPACTOR

MVP90



# **Discount Equipment**

Discount-Equipment.com is your online resource for commercial and industrial quality parts and equipment sales.

## **Locations:**

Florida (West Palm Beach): [561-964-4949](tel:561-964-4949)

Outside Florida TOLL FREE: [877-690-3101](tel:877-690-3101)

**Need parts?** Check out our website at [www.discount-equipment.com](http://www.discount-equipment.com)

## **Can't find what you need?**

Click on this link: <http://www.discount-equipment.com/category/5443-parts/> and fill out the request form.

Please have the machine model and serial number available in order to help us get you the correct parts. One of our experienced staff members will get back to you with a quote for the right part that your machine needs.

We sell worldwide for the brands: Genie, Terex, JLG, MultiQuip, Mayco, Toro/Stone, Diamond Products, Magnum, Airman, Mustang, Power Blanket, Nifty Lift, Atlas Copco, Chicago Pneumatic, Allmand Brothers, Essick, Miller Spreader, Skyjack, Lull, Skytrak, Tsurumi, Husquvarna/Target, Whiteman-Concrete/Mortar, Stow-Concrete/Mortar, Baldor, Wacker, Sakai, Snorkel, Upright, Mi-T-M, Sullair, Neal, Basic, Dynapac, MBW, Weber, Bartell, Bennar Newman, Haulotte, Ditch Runner, Blaw-Knox, Himoina, Best, Buddy, Crown, Edco, Wyco, Bomag, Laymor, Terremite, Barreto, EZ Trench, Takeuchi, Basic, Bil-Jax, Curtis, Gehl, Heli, Honda, ICS/PowerGrit, Puckett, Waldon, ASV, IHI, Partner, Imer, Clipper, MMD, Koshin, Rice, Gorman Rupp, CH&E, Cat Pumps, Comet, General Pump, Giant, AMida, Coleman, NAC, Gradall, Square Shooter, Kent, Stanley, Tamco, Toku, Hatz, Kohler, Robin, Wisconsin, Northrock, Oztec, Toker TK, Rol-Air, Small Line, Wanco, Yanmar

**New Equipment - Used Equipment - Rental Equipment - Parts and Accessories**

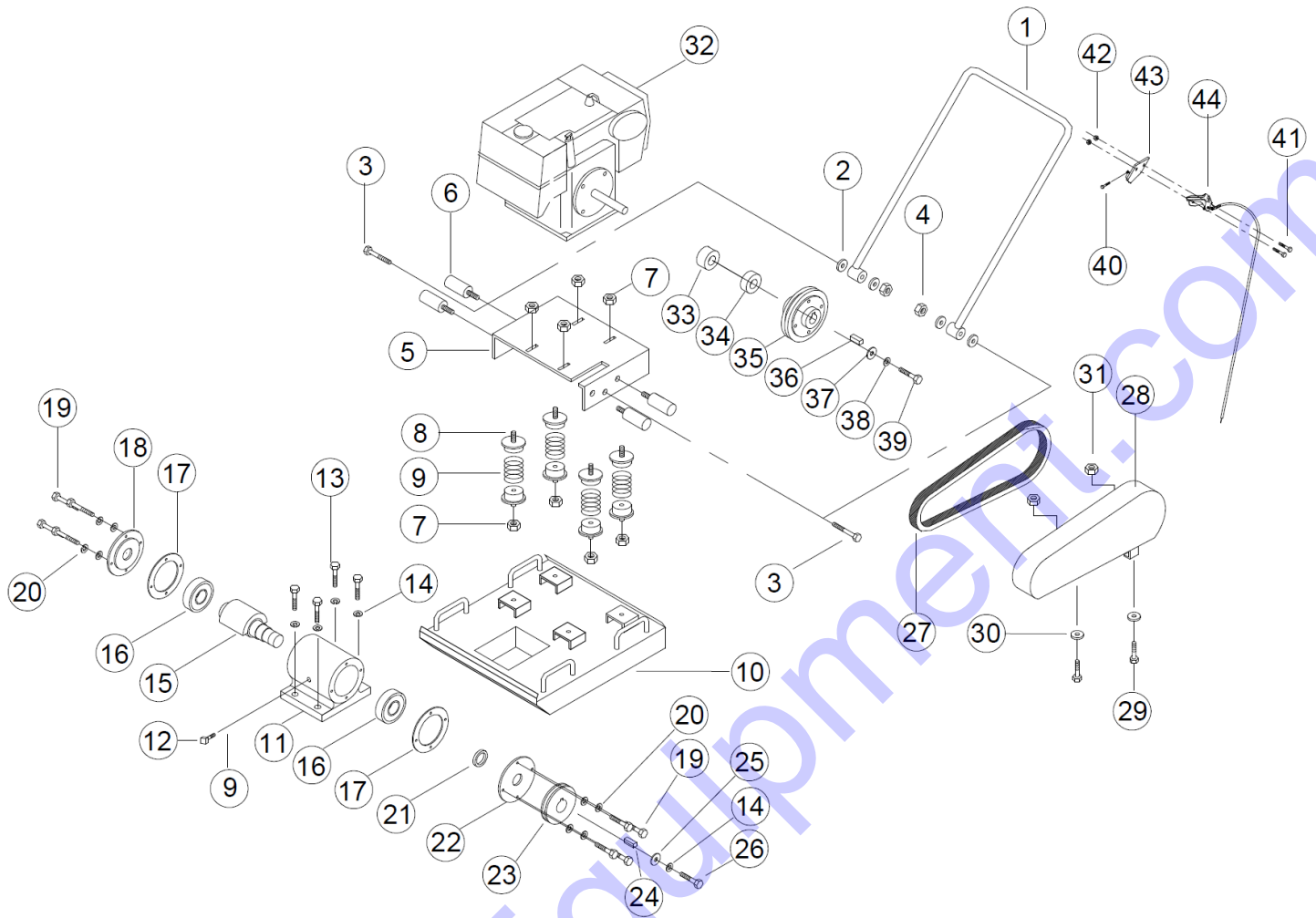
# **Discount Equipment**

[www.discount-equipment.com](http://www.discount-equipment.com)

**561-964-4949**

Parts: [wbparts@Discount-Equipment.com](mailto:wbparts@Discount-Equipment.com)

Sales: [info@Discount-Equipment.com](mailto:info@Discount-Equipment.com)



ITEM	M.I.D. #	DESCRIPTION ENGLISH	MVP90
1	0603CO01MA	HANDLE	1
2	0603CO02MA	NYD WASHER	4
3	TOCD058412	SCREW 5/8" x 4-1/2"	2
4	TCCS058GAL	LOCK NUT 5/8"	2
5	0603PL01BM	MOTOR/ENGINE BASE	1
6	0603CR02MA	PIN LOCK	4
7	TCCS012GAL	LOCK NUT 1/2"	8
8	0603RF01CA	ANTIBIBRATION RUBBERS	8
9	0603RF02CA	MUFFLER SPRINGS	4
10	0603CO01CA	COMPACTOR PLATE	1
11	0603CO01EX	ECCENTRIC BOX	1
12	OPCR038038	ALLEN SET SCREW 3/8" X 3/8"	1
13	TOCD012212	SCREW 1/2" x 2-1/2"	4
14	RNRX012NOR	SPRING WASHER 1/2"	4
15	0603CO02EX	ECCENTRIC SHAFT	1
16	0000BA6309	BEARING 6309	2
17	0603RF01EX	PACKING 5" DIAMETER	2
18	0603CO03EX	ECCENTRIC BOX LEFT COVER	1
19	TOFD056100	SCREW 5/16" x 1"	8

20	RNRX056NOR	SPRING WASHER 5/16"	8
21	0603RF02EX	PACKING SEAL 500-408	1
22	0603CO04EX	ECCENTRIC BOX RIGHT COVER	1
23	POFG314118	PULLEY 3-1/4" CAL 1-1/8"	1
24	0603CC01EX	KEY 1/4" x 1"	1
25	RNPX012NOR	PLAIN WASHER 1/2"	1
26	TOCD012112	SCREW 1/2" x 1-1/2"	1
27	0000BNA34	A34 BELT	1
28	0603CO01GB	BELT GUARD	1
29	TOCD038100	SCREW 3/8" X 1"	2
30	RNPX038NOR	PLAIN WASHER 3/8"	2
31	TCCS038GAL	LOCK NUT 3/8"	2
32	202002M	HONDA ENGINE GX160	1
32	202008M	HONDA ENGINE GX240	1
33	0603TU01EX	SPACER LARGE	1
34	0603TU02EX	SPACER SMALL	1
35	0603RF03EX	CLUTCH	1
36	0603CC02EX	KEY 1/4" x 2"	1
37	RNPX076GAL	PLAIN WASHER 7/16"	1
38	RNRX076GAL	SPRING WASHER 7/16"	1
39	TOFB076112	SCREW 7/16" X 1-1/2"	1
40	TOCA014100	SCREW 1/4" X 1"	1
41	TOCD036034	SCREW 3/16" X 3/4"	2
42	TCCS036GAL	LOCK NUT 3/16"	2
43	0603CO03MA	THOROTTLE HOLDER	1
44	0000KI01MA	THOROTTLE KIT	1
45	0603CO01ST	PLATE COMPACTOR ENGINE CAGE (NO WATER TANK)	1
46	0603CO01TA	WATER TANK FOR MVP-90 CAGE	1
47	0603CO01EF	PLATE COMPACTOR ENGINE CAGE (WITH WATER TANK)	1

