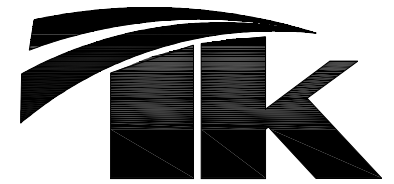
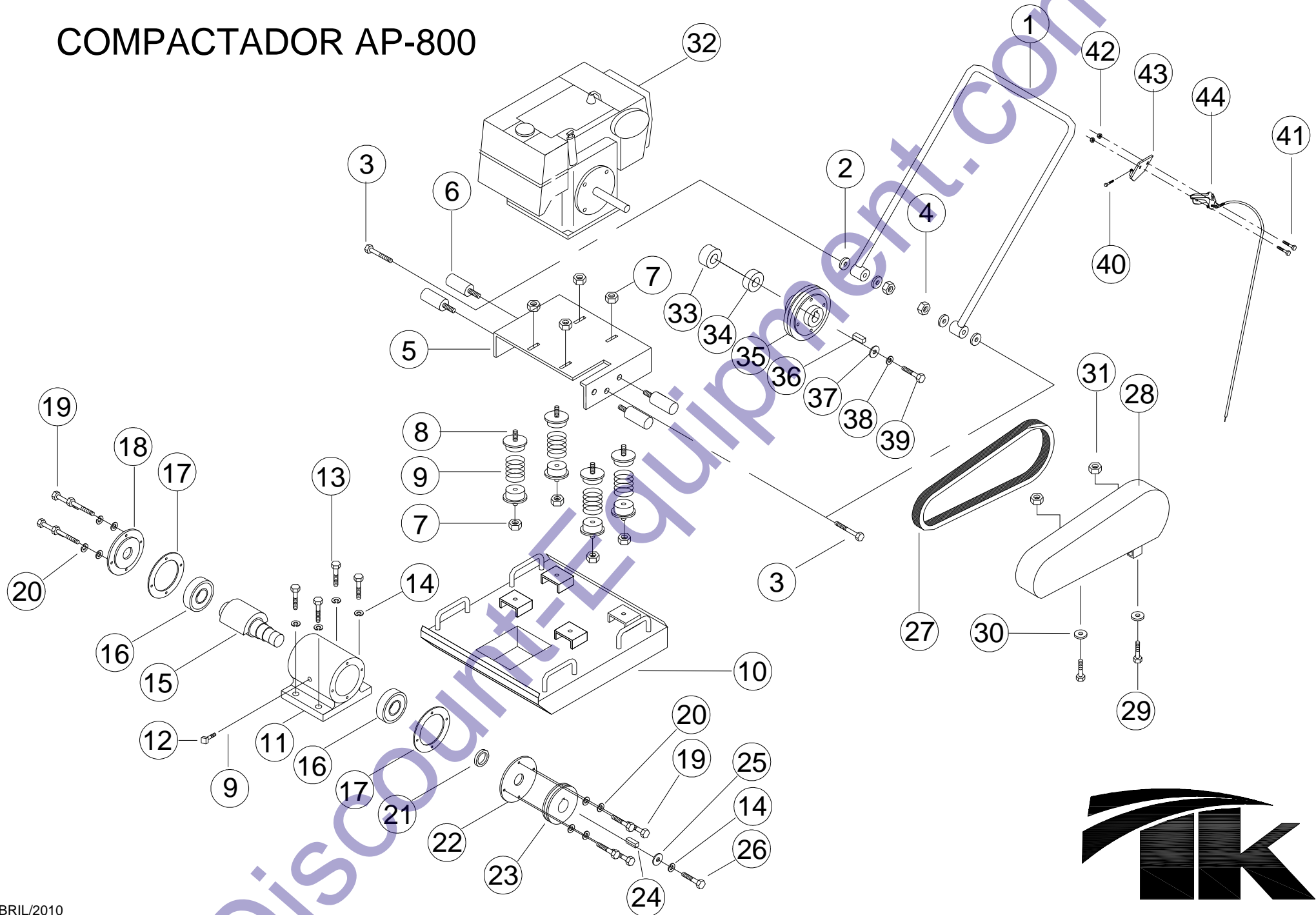


# COMPACTADOR AP-800



## LISTA DE PARTES ~ PART LIST

No.	# Parte Joper	Descripcion	Description	Cant.
1	0603CO01MA	Maneral	Handle	1
2	0603CO02MA	Rondana Nylamid	Nyd Washer	4
3	TOCD058412	Tornillo 5/8 x 4-1/2	Screw, 5/8 x 4-1/2	2
4	TCCS058GAL	Tuerca Seg. 5/8	Lock Nut, 5/8	2
*5	0603PL01BM	Base Motor	Power Base	1
6	0603CR02MA	Perno Tope	Lock Pin	4
7	TCCS012GAL	Tuerca Seg. 1/2	Lock Nut, 1/2	8
8	0603RF01CA	Hules Antivibratorios	Antivibration Rubber	8
9	0603RF02CA	Resortes Amortiguadores	Muffler Spring	4
10	0603CO01CA	Base Compactador	Compactor Plate	1
11	0603CO01EX	Caja Excentrico	Eccentric Box	1
12	OPCR038038	Opresor Allen 3/8 x 3/8	Set Screw 3/8 x 3/8	1
13	TOCD012212	Tornillo 1/2 x 2-1/2	Screw, 1/2 x 2-1/2	4
14	RNRX012NOR	Rondana Presion 1/2	Spring Washer, 1/2	4
15	0603CO02EX	Flecha Excentrica	Eccentric Shaft	1
16	0000BA6309	Balero 6309	Ball Bearing 6309	2
17	0603RF01EX	Empaque de Asbesto	Packing, Dia. 5"	2
18	0603CO03EX	Tapa Cerrada	Eccentric Box Left Cover	1
19	TOFD056100	Tornillo 5/16 x 1	Screw, 5/16 x 1	8
20	RNRX056NOR	Rondana Presion 5/16	Spring Washer, 5/16	8
21	0603RF02EX	Reten 500-408	Packing Seal, 500-408	1
22	0603CO04EX	Tapa Abierta	Eccentric Box Right Cover	1
23	POFG314118	Polea 3-1/4 Cal. 1-1/8	Pulley, 3-1/4 Cal. 1-1/8	1
24	0603CC01EX	Cuña 1/4 x 1	Key 1/4 x 1	1
25	RNPX012NOR	Rondana Plana 1/2	Plain Washer, 1/2	1
26	TOCD012112	Tornillo 1/2 x 1-1/2	Screw, 1/2 x 1-1/2	1
27	0000BNA34	Banda A-34	Belt, A-34	1
28	0603CO01GB	Guarda Banda	Belt Guard	1
29	TOCD038100	Tornillo 3/8 x 1	Screw, 3/8 x 1	2
30	RNPX038NOR	Rondana Plana 3/8	Plain Washer, 3/8	2
31	TCCS038GAL	Tuerca de Seguridad 3/8	Lock Nut, 3/8	2
32	MGBS065INTK	Motor Briggs 6.5 HP	Engine, Briggs 6.5 HP	1
	MGBS080INTK	Motor Briggs 8 HP	Engine, Briggs 8 HP	1
	MGKOH080KM8	Motor Kohler 8 HP	Engine, Kohler 8 HP	1
	MGHO080SRGX240	Motor Honda 8 HP	Engine, Honda 8 HP	1
	MGRBN090EX270	Motor Robin 9 HP	Engine, Robin 9 HP	1
	MGJAG090	Motor Jaguar 9 HP	Engine, Jaguar 9 HP	1
33	0603TU01EX	Buje Separador Grande	Spacer, Large	1
34	0603TU02EX	Buje Separador Chico	Spacer, Short	1
35	0603RF03EX	Clutch	Clutch	1
36	0603CC02EX	Cuña 1/4 x 2	Key 1/4 x 2	1
37	RNPX076GAL	Rondana Plana 7/16	Plain Washer, 7/16	1
38	RNRX076GAL	Rondana Presion 7/16	Spring Washer, 7/16	1
39	TOFB076112	Tornillo 7/16 x 1-1/2	Screw, 7/16 x 1-1/2	1
40	TOCA014100	Tornillo 1/4 x 1 Std.	Screw 1/4 x 1 Std.	1
41	TOCD036034	Tornillo 3/16 x 3/4 Gal. Std.	Screw 3/16 x 3/4 Std. Gal.	2
42	TCCS036GAL	Tuerca Seg. 3/16 Std.	Lock Nut 3/16 Std.	2
43	0603CO03MA	Porta Acelerador	Throttle Holder	1
44	0000KI01MA	Kit Acelerador	Throttle Kit	1

# **Discount Equipment**

Discount-Equipment.com is your online resource for commercial and industrial quality parts and equipment sales.

## **Locations:**

Florida (West Palm Beach): [561-964-4949](tel:561-964-4949)

Outside Florida TOLL FREE: [877-690-3101](tel:877-690-3101)

**Need parts?** Check out our website at [www.discount-equipment.com](http://www.discount-equipment.com)

## **Can't find what you need?**

Click on this link: <http://www.discount-equipment.com/category/5443-parts/> and fill out the request form.

Please have the machine model and serial number available in order to help us get you the correct parts. One of our experienced staff members will get back to you with a quote for the right part that your machine needs.

We sell worldwide for the brands: Genie, Terex, JLG, MultiQuip, Mayco, Toro/Stone, Diamond Products, Magnum, Airman, Mustang, Power Blanket, Nifty Lift, Atlas Copco, Chicago Pneumatic, Allmand Brothers, Essick, Miller Spreader, Skyjack, Lull, Skytrak, Tsurumi, Husquvarna/Target, Whiteman-Concrete/Mortar, Stow-Concrete/Mortar, Baldor, Wacker, Sakai, Snorkel, Upright, Mi-T-M, Sullair, Neal, Basic, Dynapac, MBW, Weber, Bartell, Bennar Newman, Haulotte, Ditch Runner, Blaw-Knox, Himoina, Best, Buddy, Crown, Edco, Wyco, Bomag, Laymor, Terremite, Barreto, EZ Trench, Takeuchi, Basic, Bil-Jax, Curtis, Gehl, Heli, Honda, ICS/PowerGrit, Puckett, Waldon, ASV, IHI, Partner, Imer, Clipper, MMD, Koshin, Rice, Gorman Rupp, CH&E, Cat Pumps, Comet, General Pump, Giant, AMida, Coleman, NAC, Gradall, Square Shooter, Kent, Stanley, Tamco, Toku, Hatz, Kohler, Robin, Wisconsin, Northrock, Oztec, Toker TK, Rol-Air, Small Line, Wanco, Yanmar

**New Equipment - Used Equipment - Rental Equipment - Parts and Accessories**

# **Discount Equipment**

[www.discount-equipment.com](http://www.discount-equipment.com)

**561-964-4949**

Sales: [info@Discount-Equipment.com](mailto:info@Discount-Equipment.com)

Parts: [wbparts@Discount-Equipment.com](mailto:wbparts@Discount-Equipment.com)