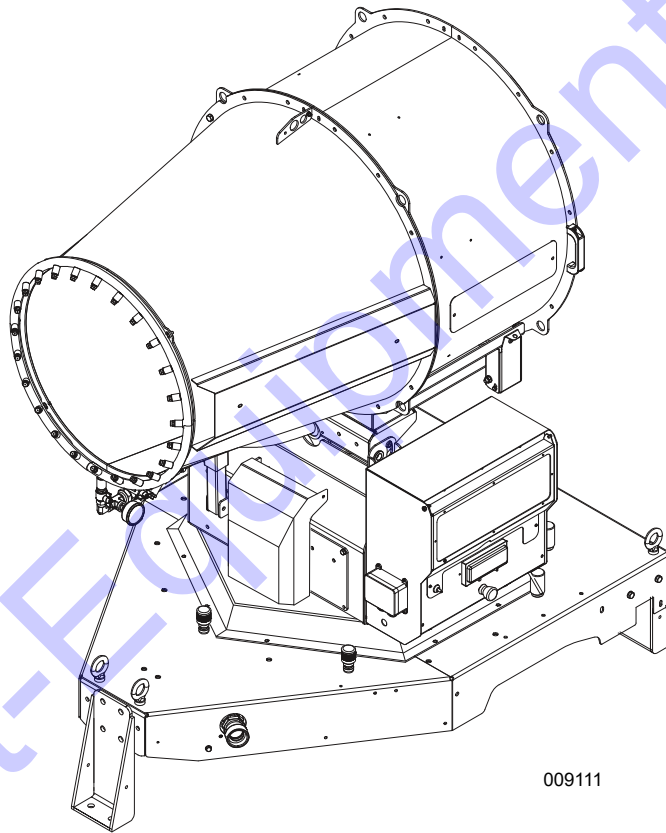


Owner's Manual
For
DF7500 Dust Suppression System



**Discount
Equipment**

www.discount-equipment.com

SAVE THIS MANUAL FOR FUTURE REFERENCE

Discount Equipment

Discount-Equipment.com is your online resource for commercial and industrial quality parts and equipment sales.

Locations:

Florida (West Palm Beach): [561-964-4949](tel:561-964-4949)

Outside Florida TOLL FREE: [877-690-3101](tel:877-690-3101)

Need parts? Check out our website at www.discount-equipment.com

Can't find what you need?

Click on this link: <http://www.discount-equipment.com/category/5443-parts/> and fill out the request form.

Please have the machine model and serial number available in order to help us get you the correct parts. One of our experienced staff members will get back to you with a quote for the right part that your machine needs.

We sell worldwide for the brands: Genie, Terex, JLG, MultiQuip, Mayco, Toro/Stone, Diamond Products, Magnum, Airman, Mustang, Power Blanket, Nifty Lift, Atlas Copco, Chicago Pneumatic, Allmand Brothers, Essick, Miller Spreader, Skyjack, Lull, Skytrak, Tsurumi, Husquvarna/Target, Whiteman-Concrete/Mortar, Stow-Concrete/Mortar, Baldor, Wacker, Sakai, Snorkel, Upright, Mi-T-M, Sullair, Neal, Basic, Dynapac, MBW, Weber, Bartell, Bennar Newman, Haulotte, Ditch Runner, Blaw-Knox, Himoina, Best, Buddy, Crown, Edco, Wyco, Bomag, Laymor, Terremite, Barreto, EZ Trench, Takeuchi, Basic, Bil-Jax, Curtis, Gehl, Heli, Honda, ICS/PowerGrit, Puckett, Waldon, ASV, IHI, Partner, Imer, Clipper, MMD, Koshin, Rice, Gorman Rupp, CH&E, Cat Pumps, Comet, General Pump, Giant, AMida, Coleman, NAC, Gradall, Square Shooter, Kent, Stanley, Tamco, Toku, Hatz, Kohler, Robin, Wisconsin, Northrock, Oztec, Toker TK, Rol-Air, Small Line, Wanco, Yanmar

New Equipment - Used Equipment - Rental Equipment - Parts and Accessories

Discount Equipment

www.discount-equipment.com

561-964-4949

Parts: wbparts@Discount-Equipment.com

Sales: info@Discount-Equipment.com

Use this page to record important information about your Generac Mobile Product

Unit Model Number	
Unit Serial Number	
Date Purchased	

Record the information found on your unit data label on this page. See ***Unit and Serial Number Locations***.

Engine and generator serial numbers are located on separate data plates affixed to the engine and generator respectively.

When contacting a Generac Mobile Products Authorized Service Dealer (ASD) about parts and service, always supply the complete model number and serial number of the unit.

Operation and Maintenance: Proper maintenance and care of the generator ensures a minimum number of problems and keeps operating expenses at a minimum. It is the operator's responsibility to perform all safety checks, to verify that all maintenance for safe operation is performed promptly, and to have the equipment checked periodically by an ASD. Normal maintenance, service and replacement of parts are the responsibility of the owner/operator and, as such, are not considered defects in materials or workmanship within the terms of the warranty. Individual operating habits and usage may contribute to the need for additional maintenance or service.

 **WARNING**

CANCER AND REPRODUCTIVE HARM

www.P65Warnings.ca.gov

(000393a)

Table of Contents

Section 1: Introduction and Safety

Introduction	1
Read This Manual Thoroughly	1
How to Obtain Service	1
Safety Rules	1
Safety Symbols and Meanings	1
General Hazards	2
Electrical Hazards	2
Service Safety	2
Operating Safety	3
Positioning the Unit	3
Starting the Unit	3
Trailer Hazards	4
Towing Safety	4
Hitch and Coupling	4
Running Lights	4
Wheels and Tires	4
Safe Towing Techniques	4
Reporting Trailer Safety Defects	4
Safety and Operating Decals	5

Section 2: General Information

Specifications	7
Unit Dimensions	8
Component Locations	9
Control Panel	10
Control Panel Components and Functions	10
Unit and Serial Number Locations	10
Connecting Water Supply	11
Connecting Power Supply	11
Using Transport Locks	12
Disengaging Transport Locks	12
Engaging Transport Locks	12
Towing the Unit	12
Lifting the Unit	13
Tying the Unit Down	13

Section 3: Operation

Operation and Use Questions	17
Before Starting	17
Starting the Unit	18
Stopping the Unit	18
Tilting Blower	19
Rotating Blower	19
Automatic Oscillation	19

Section 4: Maintenance and Troubleshooting

Daily Walk-Around Inspection	21
General Maintenance	21
Preparing for Service	21
Inspecting the Unit	21
Cleaning the Unit	21
Emptying Water Circuit	22
Cleaning Water Filters	22
Inlet Filter	22
Nozzle Filter	22
Nozzle Cleaning	22
Lubrication	23
Jack Maintenance	23
Trailer Wheel Bearings	23
Wheel Maintenance	23
General Troubleshooting	24

Section 1: Introduction and Safety

Introduction

Thank you for purchasing a Generac Mobile Products LLC product. This unit has been designed to provide high performance, efficient operation, and years of use when maintained properly.

The information in this manual is accurate based on products produced at the time of publication. The manufacturer reserves the right to make technical updates, corrections, and product revisions at any time without notice.

Read This Manual Thoroughly



⚠ WARNING

Consult Manual. Read and understand manual completely before using product. Failure to completely understand manual and product could result in death or serious injury. (000100a)

If any section of this manual is not understood, contact your nearest Generac Mobile Products Authorized Service Dealer (ASD) with any questions or concerns.

The owner is responsible for proper maintenance and safe use of the equipment. Comply with regulations the Occu-pational Safety and Health Administration (OSHA) has established, or with equivalent standards. Also, verify that the unit is applied, used, and maintained in accordance with the manufacturer's instructions and recommendations. Do nothing that might alter safe application/usage and render the unit in noncompliance with the aforementioned codes, standards, laws, and regulations.

Save these instructions for future reference. This manual contains important instructions for the unit that should be followed during setup, operation and maintenance of the unit and battery. ALWAYS supply this manual to any individual that will use this machine.

How to Obtain Service

When the unit requires servicing or repairs, contact an ASD for assistance. Service technicians are factory-trained and are capable of handling all service needs.

When contacting an ASD about parts and service, always supply the complete model and serial number of the unit as given on the data decal located on the unit. Record the model and serial numbers in the spaces provided on the front cover of this manual.

Safety Rules

The manufacturer cannot anticipate every possible circumstance that might involve a hazard. The warnings in this manual, and on tags and decals affixed to the unit are, therefore, not all inclusive. If using a procedure, work method or operating technique that the manufacturer does not specifically recommend, verify it is safe for others. Also make sure the procedure, work method or operating technique utilized does not render the equipment unsafe.

Safety Symbols and Meanings

Throughout this publication, and on tags and decals affixed to the unit, DANGER, WARNING, CAUTION and NOTE blocks are used to alert personnel to special instructions about a particular operation that may be hazardous if performed incorrectly or carelessly. Observe them carefully. Their definitions are as follows:

⚠ DANGER

Indicates a hazardous situation which, if not avoided, will result in death or serious injury.

(000001)

⚠ WARNING

Indicates a hazardous situation which, if not avoided, could result in death or serious injury.

(000002)

⚠ CAUTION

Indicates a hazardous situation which, if not avoided, could result in minor or moderate injury.

(000003)

NOTE: Notes contain additional information important to a procedure and will be found within the regular text of this manual.

These safety alerts cannot eliminate the hazards that they indicate. Common sense and strict compliance with the special instructions while performing the action or service are essential to preventing accidents.

General Hazards



⚠️ WARNING

Hearing Loss. Hearing protection is recommended when using this machine. Failure to wear hearing protection could result in permanent hearing loss. (000107)



⚠️ WARNING

Vision loss. Eye protection is required when operating unit. Failure to wear appropriate eye protection could result in vision loss or serious injury. (000407)



⚠️ WARNING

Moving Parts. Keep clothing, hair, and appendages away from moving parts. Failure to do so could result in death or serious injury. (000111)

⚠️ WARNING

Equipment damage. Do not attempt to start or operate a unit in need of repair or scheduled maintenance. Doing so could result in serious injury, death, or equipment failure or damage. (000291)

⚠️ WARNING

Risk of injury. Do not operate or service this machine if not fully alert. Fatigue can impair the ability to service this equipment and could result in death or serious injury. (000215)

⚠️ WARNING

Equipment damage. Only qualified service personnel may install, operate, and maintain this equipment. Failure to follow proper installation requirements could result in death, serious injury, and equipment or property damage. (000182a)

⚠️ CAUTION

Equipment or property damage. Do not block air intake or restrict proper air flow. Doing so could result in unsafe operation or damage to unit. (000229)

Electrical Hazards



⚠️ DANGER

Electrocution. In the event of electrical accident, immediately shut power OFF. Use non-conductive implements to free victim from live conductor. Apply first aid and get medical help. Failure to do so will result in death or serious injury. (000145)



⚠️ DANGER

Electrocution. Water contact with a power source, if not avoided, will result in death or serious injury. (000104)



⚠️ DANGER

Electrocution. Verify electrical system is properly grounded before applying power. Failure to do so will result in death or serious injury. (000152)



⚠️ DANGER

Electrocution. Do not wear jewelry while working on this equipment. Doing so will result in death or serious injury. (000188)



⚠️ DANGER

Electrocution. DO NOT use the unit if electrical cord is cut or worn through. Doing so will result in death or serious injury. (000263a)

Service Safety

⚠️ WARNING

Before servicing unit, shut unit down, turn water supply OFF, and disconnect unit from power source. Failure to do so could result in death, serious injury, or equipment damage. (000586)

Operating Safety

Positioning the Unit



Crushing hazard. Verify unit is properly secured and on level ground. An unsecured unit can suddenly roll or move, causing death or serious injury.

(000234a)



Personal injury. Only use water from controlled, reliable sources. Uncontrolled water could contain bacteria. Inhaling mist containing bacteria could result in death, or serious injury.

(000584)



Personal injury. Keep people and pets away from work area. Failure to do so could result in death or serious injury.

(000420)



Personal injury. Never direct air jet toward people or animals. Shut unit OFF immediately if people or animals enter the work area. Failure to do so could result in death or serious injury.

(000585)

- The area immediately surrounding the unit should be dry, clean, and free of debris.
- If the unit is equipped with a frame grounding stud, follow any local, state, and National Electrical Code (NEC) guidelines when connecting.

Starting the Unit



Electrocution. DO NOT use the unit if electrical cord is cut or worn through. Doing so will result in death or serious injury.

(000263a)



Equipment damage. Do not attempt to start or operate a unit in need of repair or scheduled maintenance. Doing so could result in serious injury, death, or equipment failure or damage.

(000291)

Lifting Hazards



Personal injury. Failure to properly connect lifting cables, chains, or straps could result in death, serious injury, or property damage.

(000346)



Personal Injury. Do not use lifting eye if there are signs of damage or corrosion. Doing so could result in death, serious injury, or property damage.

(000433)



Personal Injury. Do not use lifting eye other than as directed. Doing so could result in death, serious injury, or property damage.

(000434)



Personal Injury. Verify all fasteners are properly tightened prior to lifting unit. Failure to do so could result in death, serious injury, or property damage.

(000351)

Trailer Hazards

⚠️ WARNING

Personal injury. Trailer must be securely coupled to the hitch with the chains correctly attached. Uncoupled or unchained towing could result in death or serious injury. (000233a)

⚠️ WARNING

Personal injury. Do not operate unit during transport. Doing so could result in death, serious injury, or property damage. (000231a)

⚠️ WARNING

Crushing hazard. Verify unit is properly secured and on level ground. An unsecured unit can suddenly roll or move, causing death or serious injury. (000234a)

⚠️ WARNING

Property or Equipment Damage. Tighten wheel lug nuts after first 50 miles to factory specifications. Failure to do so could result in death, serious injury, property or equipment damage. (000235)

IMPORTANT NOTE: See original trailer operating manual for additional safety information.

Towing Safety

Towing a trailer requires care. Both the trailer and vehicle must be in good condition and securely fastened to each other to reduce the possibility of an accident. Some states require that large trailers be registered and licensed. Contact your local Department of Transportation office to check on license requirements for your particular unit.

Towing Vehicle

DO NOT exceed the towing vehicle's gross vehicle weight rating (GVWR).

Hitch and Coupling

- Verify the hitch and coupling on the towing vehicle are rated equal to, or greater than, the trailer's gross vehicle weight rating (GVWR).
- Verify the trailer hitch and the coupling are compatible. Verify the coupling is securely fastened to the vehicle.
- **DO NOT** tow trailer using defective parts. Inspect the hitch and coupling for wear or damage.

- Connect safety chains in a crossing pattern under the tongue with enough slack to permit turning and to hold tongue up if trailer comes loose.
- Before towing the trailer, verify that the weight of the trailer is equal across all tires. On trailers with adjustable height hitches, adjust the angle of the trailer tongue to keep the trailer as level as possible.

Running Lights

Verify directional and brake lights on the trailer are connected and working properly.

Wheels and Tires

- Inspect trailer tires for wear and proper inflation.
- Verify wheel lug nuts are present and tightened to the specified torque.

Safe Towing Techniques

- Practice turning, stopping, and backing up in an area away from heavy traffic prior to transporting the unit.
- Maximum recommended speed for highway towing is 45 mph (72 km/h). Recommended off-road towing speed is 10 mph (16 km/h) or less, depending on terrain.
- When towing, maintain extra space between vehicles and avoid soft shoulders, curbs, and sudden lane changes.

Reporting Trailer Safety Defects

If you believe your trailer has a defect which could cause a crash or could cause injury or death, you should immediately inform the National Highway Traffic Safety Administration (NHTSA) in addition to notifying Generac Mobile Products LLC.

If NHTSA receives similar complaints, it may open an investigation; and if it finds that a safety defect exists in a group of vehicles, it may order a recall and remedy campaign. However, NHTSA cannot become involved in an individual problem between you, your GMP ASD, or Generac Mobile Products LLC.

To contact NHTSA, you may either call the Auto Safety Hotline toll-free at 1-888-327-4236 (TTY:1-800-424-9153), go to <http://www.safercar.gov>; or write to:

Administrator
NHTSA
1200 New Jersey Avenue S.E.
Washington, DC 20590

You can also obtain other information about motor vehicle safety from <http://www.safercar.gov>.

Safety and Operating Decals

This unit features numerous safety and operating decals. These decals provide important operating instructions and warn of dangers and hazards. The following diagrams illustrate decal locations and descriptions.

Replace any missing or hard-to-read decals and use care when washing or cleaning the unit. Decal part numbers can be found in the parts manual at www.generacmobile-products.com.

Table 1-1. Decal Descriptions

ID	Description
1	Electric Shock Hazard
2	Central Lift Point
3	Electric Shock Hazard
4	Hand Crush

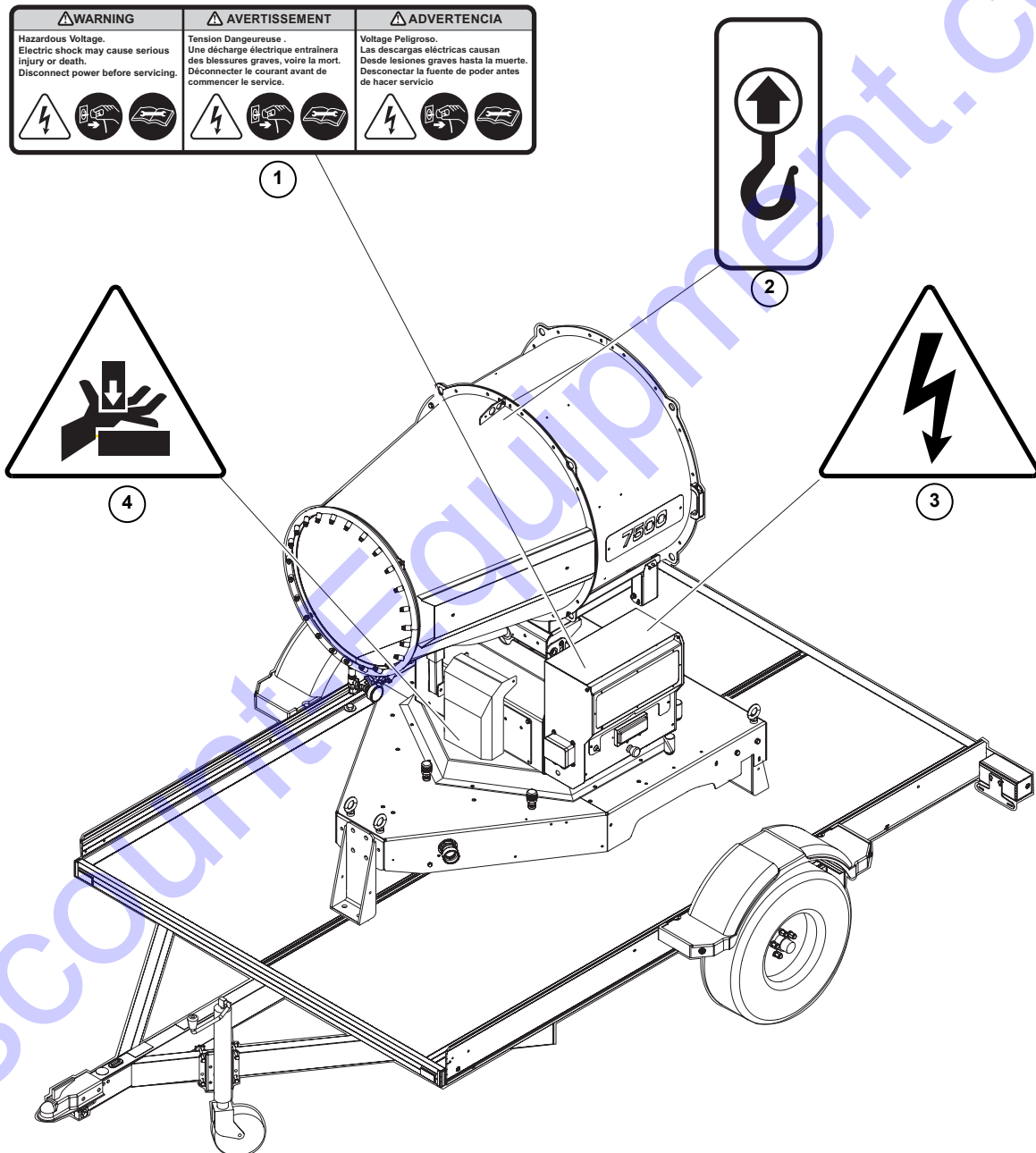


Figure 1-1. Safety Decal Locations

IMPORTANT NOTE: See original trailer operating manual for trailer safety and operating decal information.

Section 2: General Information

Specifications

Description	Units	DF7500
Electric Connection	A	Inlet plug three phase 32
Voltage	V	240
Hertz	Hz	32
Smallest Generator Required	kW	32 three-phase
Fan Power	kW	7.5
Pump Power	kW	2.2
Water Connection	-	1" hose barb
Water Consumption	gal/min (L/min)	13.7 (52)
Inlet Pressure	psi (bar)	1.45 (.1) - 5.8 (.4)
Inlet Water Filter	micron/mesh	180/80
Number of Nozzles		24
Rotation Angle Range	degrees	335
Tilt Angle	degrees	0-40
Noise Level	DB @ 22 ft (7 m)	84
Maximum Horizontal Range (without wind)	ft (m)	98-131 (30-40)
Maximum Vertical Range (without wind)	ft (m)	52 (16)
Maximum Covered Area	acre (m ²)	1.13 (4,600)
Weights		
Skid Mounted	lb (kg)	1,993 (904)
Trailer Mounted	lb (kg)	2,373 (1,076)
Dimensions		
Skid Mounted	L x W x H ft (m)	10.83 (3.30) x 6 (1.83) x 7.15 (2.18)
Trailer Mounted	L x W x H ft (m)	102 (31) x 178 (52) x 104 (32)

Specifications are subject to change without notice. Refer to the product specification sheet for complete list.

Unit Dimensions

A	6 ft (1.83 m)
B	10.83 ft (3.3 m)
C	7.15 (2.18)

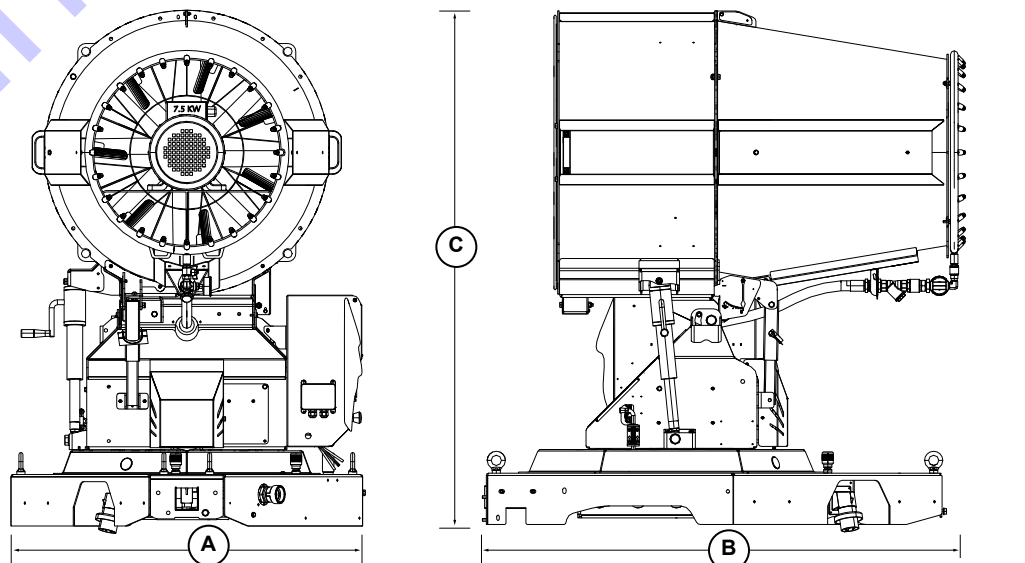


Figure 2-1. Unit Dimensions

Component Location

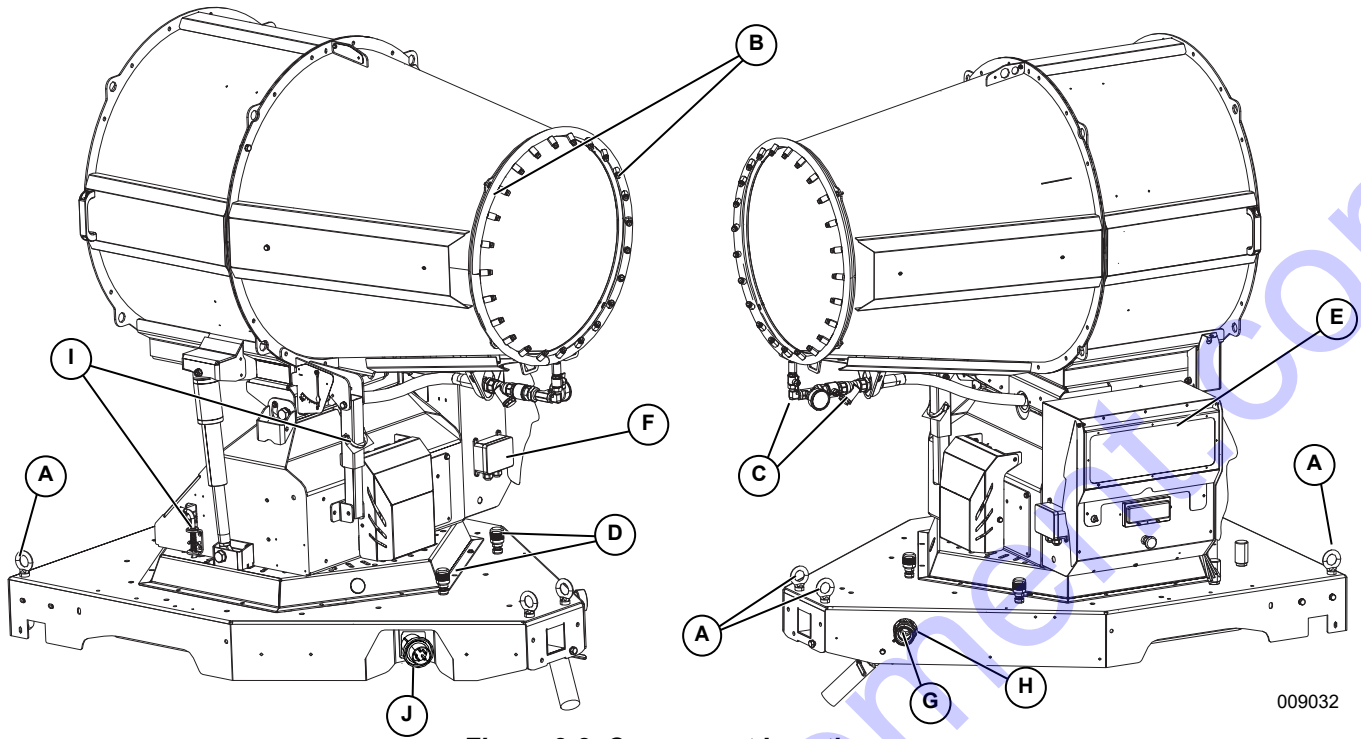
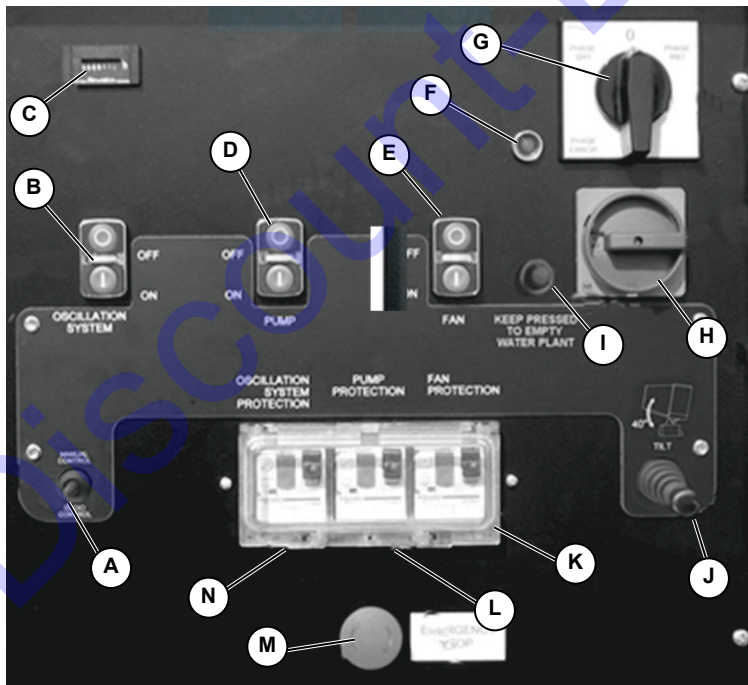


Figure 2-2. Component Locations

- | | |
|-------------------------------------|---------------------------------|
| A Lifting Eye | F Radio Control Receiver |
| B Nozzles | G Water Inlet Filter |
| C Water Flow Control Valves | H Water Inlet Connection |
| D Working Range Limiter Pins | I Transport Safety Locks |
| E Control Panel | J Electrical Socket |

Control Panel



Control Panel Components and Functions

- | |
|--|
| A Manual Control Switch |
| B Oscillation System Switch |
| C Hour Meter |
| D Water Pump Switch |
| E Fan Switch |
| F Phase Controller Error Lamp |
| G Phase Controller Switch |
| H Input Switch |
| I Button Emptying Water Circuit |
| J Blower Tilting Lever |
| K Fan Motor Protection Circuit Breaker |
| L Water pump Protection Circuit Breaker |
| M Emergency Stop Button |
| N Oscillation System Protection Circuit Breaker |

Figure 2-4. Control Panel

Transmitter Unit

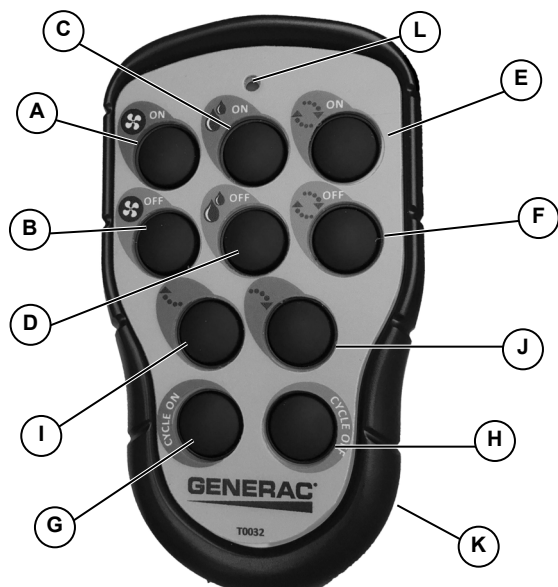


Figure 2-4. Transmitter Unit

Transmitter Unit Components and Functions

- A Fan ON
- B Fan OFF
- C Pump ON
- D Pump OFF
- E Oscillation system ON
- F Oscillation system OFF
- G Fan and pump ON
- H All devices OFF
- I Tilting Up
- J Tilting Down
- K Main ON-OFF switch (on back)
- L Transmission battery status

Unit and Serial Number Locations

See [Figure 2-5](#) to locate the unit ID tag (A) and vehicle identification number (VIN) tag (B). Important information such as the unit model number, serial number, VIN, and tire loading information are listed on these tags. Record the information from these tags in the event the tags are lost or damaged. This information may be needed when ordering parts or requesting assistance

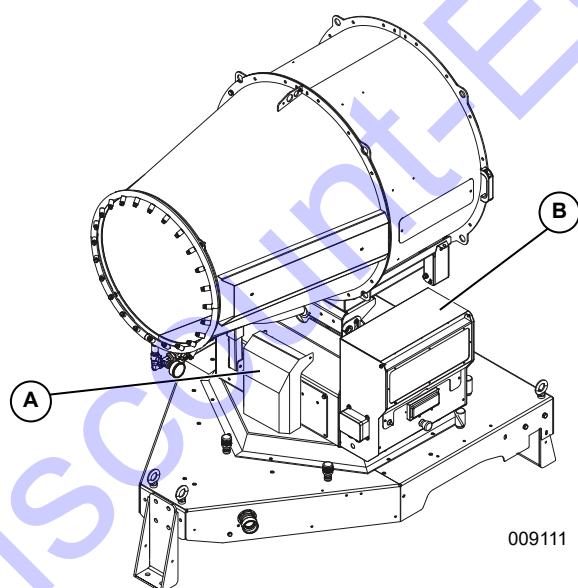


Figure 2-5. Unit and Serial Number Locations

Connecting Water Supply



Personal injury. Only use water from controlled, reliable sources. Uncontrolled water could contain bacteria. Inhaling mist containing bacteria could result in death, or serious injury.

(000584)

NOTE: DO NOT run unit without sufficient water supply. Failure to follow water supply requirements will void warranty.

Water supply must meet the following requirements:

- Water must be greater than 15 gallons per minute (52 liters per minutes) and no less than 14 psi (1 bar).
- Water supply hose length must not exceed 50 ft (15.2 m).
- Water temperature must be less than 100°F (38°C).
- DO NOT siphon standing water for the water source.
- Use only controlled water from reliable sources.
- DO NOT use a one-way valve, vacuum breaker, or check valve in any part of the water supply.

1. Run water 30 seconds prior to connection to eliminate debris.
2. See **Figure 2-6**. Connect a hose to 1" water inlet (A) and hand-tighten.

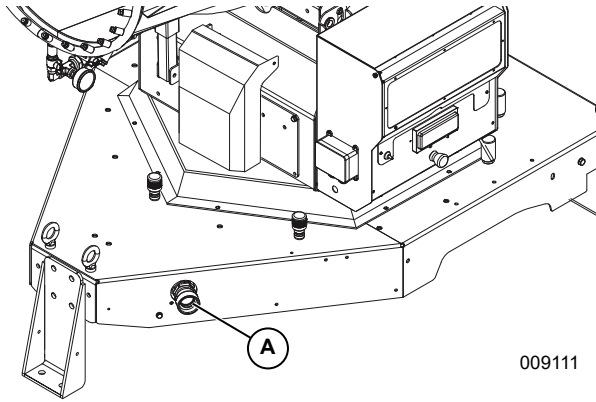


Figure 2-6. Water Connection

IMPORTANT NOTE: See generator operator's manual for proper installation procedure to generator.

1. Install power cable wires (A) to three phase, 240 volt power source.



Figure 2-7. Electrical Connection

Connecting Power Supply



⚠ DANGER

Electrocution. In the event of electrical accident, immediately shut power OFF. Use non-conductive implements to free victim from live conductor. Apply first aid and get medical help. Failure to do so will result in death or serious injury. (000145)



⚠ DANGER

Electrocution. Verify electrical system is properly grounded before applying power. Failure to do so will result in death or serious injury. (000152)



⚠ DANGER

Electrocution. Water contact with a power source, if not avoided, will result in death or serious injury. (000104)



⚠ DANGER

Electrocution. Turn utility and emergency power supplies to OFF before connecting power source and load lines. Failure to do so will result in death or serious injury. (000116)

⚠ WARNING

Electric shock. Only a trained and licensed electrician should perform wiring and connections to unit. Failure to follow proper installation requirements could result in death, serious injury, and equipment or property damage. (000155a)

IMPORTANT NOTE: Installations must be comply with national, state, and local codes.

2. See **Figure 2-10**. Verify input switch (B) is in the OFF position.
3. Verify emergency stop button (C) is in the out armed position. If the emergency stop button is engaged, twist the emergency stop button clockwise to release.

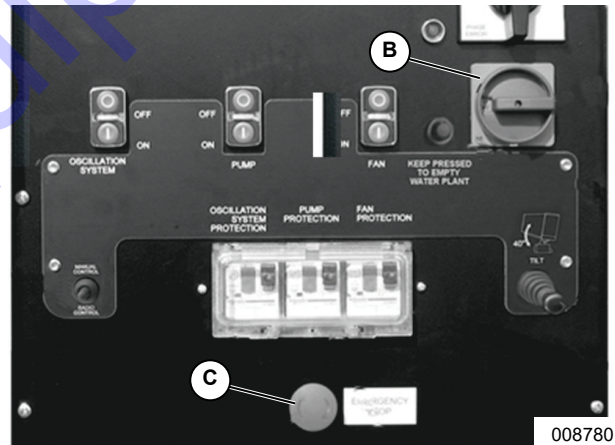


Figure 2-8. Emergency Stop Button

4. See **Figure 3-4**. Connect power cable to socket (D)

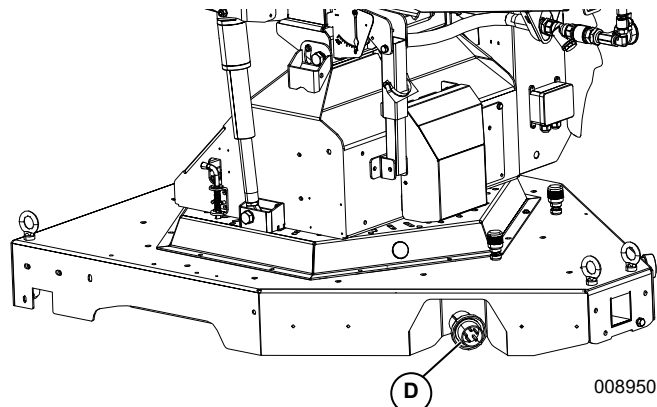


Figure 2-9. Electrical Connection

Using Transport Locks

See **Figure 2-10**. Transport locks (A) (B) must be disengaged prior to operation

IMPORTANT NOTE: Verify transport locks are engaged prior to transporting the unit.

Disengaging Transport Locks

1. Remove transport locking pin (A) from transport lock support.
2. Lift transport locking pin (B) to raised position

Engaging Transport Locks

1. Shut off manual oscillation. See **Control Panel**.
2. Lower blower completely. See **Control Panel**.
3. See **Figure 2-10**. Align holes in actuator supports (A).
4. Insert transport locking pin through holes (A) and secure with cotter pin.
5. Rotate blower to forward position.
6. Insert transport lock (B) into hole in base.

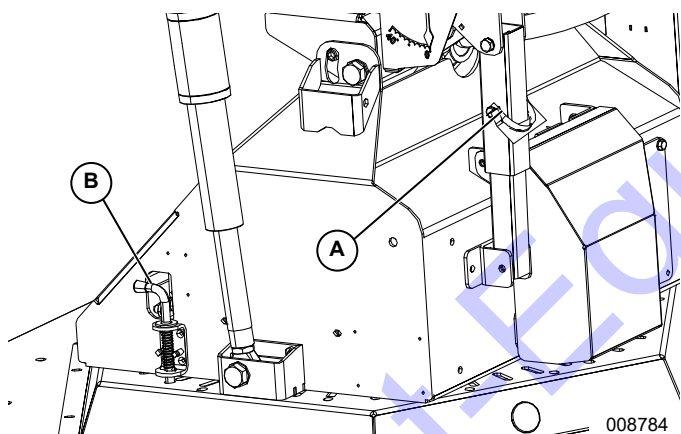


Figure 2-10. Transport Locks

Towing the Unit (if equipped)

See trailer operator's manual for proper towing setup and procedure.

Lifting the Unit



WARNING

Personal injury. Failure to properly connect lifting cables, chains, or straps could result in death, serious injury, or property damage.

(000346)

WARNING

Personal Injury. Do not use lifting eye if there are signs of damage or corrosion. Doing so could result in death, serious injury, or property damage.

(000433)

WARNING

Personal Injury. Do not use lifting eye other than as directed. Doing so could result in death, serious injury, or property damage.

(000434)

WARNING

Personal Injury. Verify all fasteners are properly tightened prior to lifting unit. Failure to do so could result in death, serious injury, or property damage.

(000351)

1. Verify equipment being used to lift the unit is in good condition and has sufficient capacity. For approximate weights, refer to **Specifications**.
2. Engage transport locks. See **Using Transport Locks**.
3. Remain aware of people and objects around the unit while preparing, maneuvering, and lifting the unit.
 - When lifting the unit, attach any slings, chains, or hooks directly to the four lifting points (A). The central lift point is located on top of the enclosure, connected to a lift structure inside the unit.
 - Use fork lift pockets (B) with care. Avoid approaching unit at an angle as this can damage the forklift pockets. Verify obstructions are clear of the forklift tines before lifting.

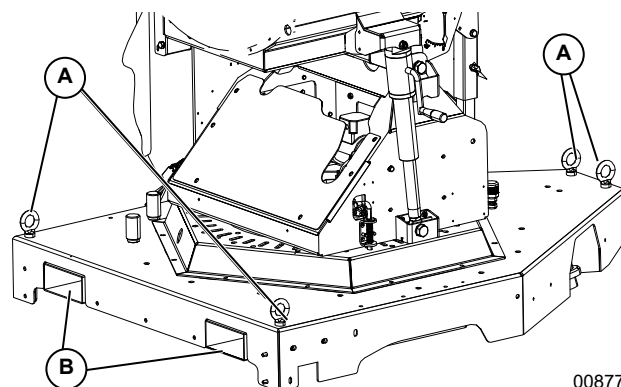


Figure 2-11. Lifting Points

Section 3: Operation



⚠ DANGER

Electrocution. In the event of electrical accident, immediately shut power OFF. Use non-conductive implements to free victim from live conductor. Apply first aid and get medical help. Failure to do so will result in death or serious injury. (000145)



⚠ DANGER

Electrocution. Verify electrical system is properly grounded before applying power. Failure to do so will result in death or serious injury. (000152)



⚠ DANGER

Electrocution. Water contact with a power source, if not avoided, will result in death or serious injury. (000104)



⚠ WARNING

Consult Manual. Read and understand manual completely before using product. Failure to completely understand manual and product could result in death or serious injury. (000100a)

⚠ WARNING

Equipment damage. Do not attempt to start or operate a unit in need of repair or scheduled maintenance. Doing so could result in serious injury, death, or equipment failure or damage. (000291)

⚠ WARNING

Before servicing unit, shut unit down, turn water supply OFF, and disconnect unit from power source. Failure to do so could result in death, serious injury, or equipment damage. (000586)

⚠ WARNING

Personal injury. Keep people and pets away from work area. Failure to do so could result in death or serious injury. (000420)

⚠ WARNING

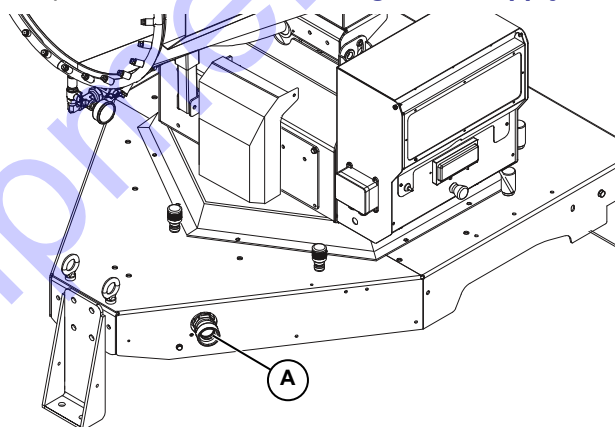
Personal injury. Only use water from controlled, reliable sources. Uncontrolled water could contain bacteria. Inhaling mist containing bacteria could result in death, or serious injury. (000584)

Operation and Use Questions

Contact your nearest Generac Mobile Products Authorized Service Dealer (ASD) with any questions or concerns about unit operation and maintenance.

Before Starting

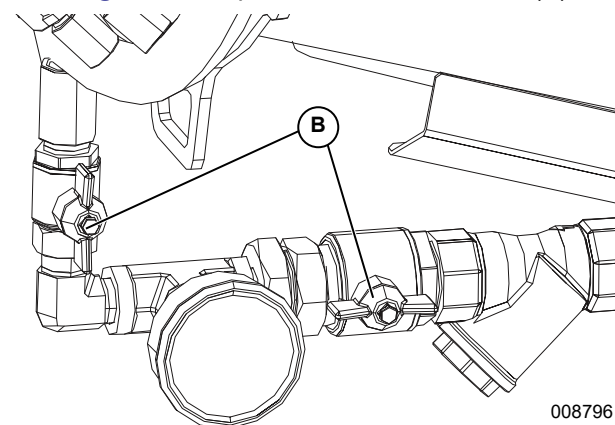
1. Place unit on flat ground in a well ventilated area.
2. Place barriers 6 ft (2 m) around unit to prevent unauthorized personnel from nearing unit.
3. See [Figure 3-1](#). Verify sufficient water supply is properly connected to water inlet (A). For water requirements, see [Connecting Water Supply](#).



009111

Figure 3-1. Water Connection

4. Turn on water supply.
5. See [Figure 3-4](#). Open water control valves (B).



008796

Figure 3-2. Water Control Valves

- See [Figure 3-3](#). Verify power source is properly connected to socket (C). For power requirements and setup, see [Connecting Power Supply](#).

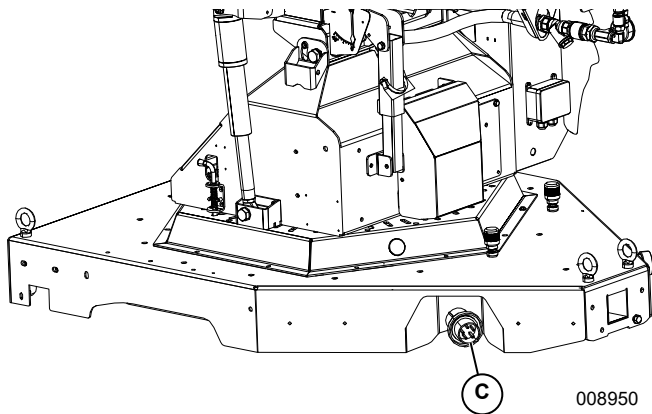


Figure 3-3. Electrical Connection

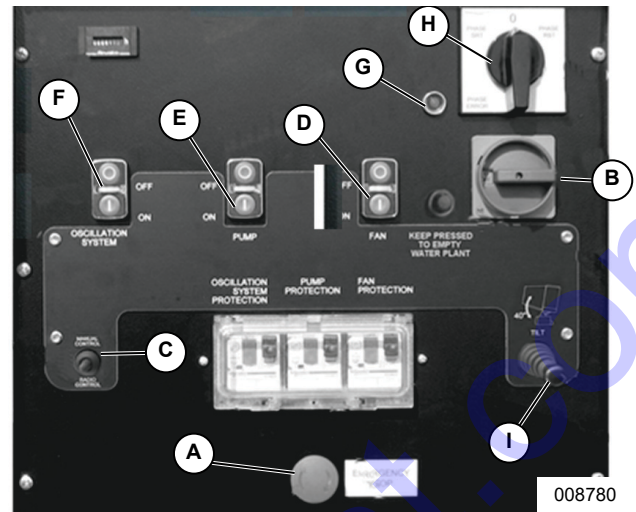


Figure 3-5. Control Panel

IMPORTANT NOTE: For grounding requirements, follow National Electrical Code (NEC), state, and local regulations.

- See [Figure 3-4](#). Verify transport lock (D) and (E) are disengaged. For more information, see [Using Transport Locks](#).

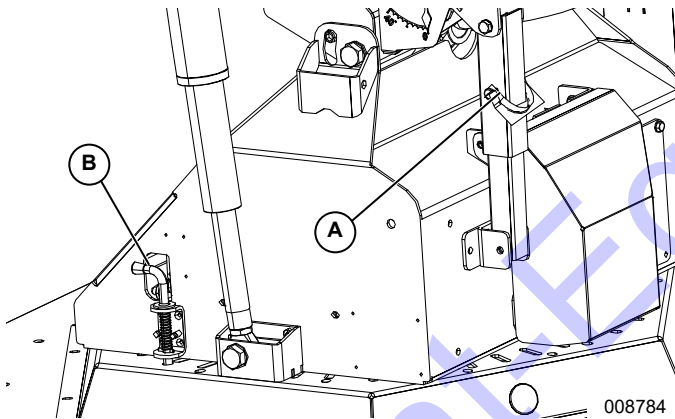


Figure 3-4. Transport Safety Locks

Stopping the Unit

NOTE: See [Figure 3-5](#). Stop the unit at any time by pressing emergency stop (A).

Shut down the unit in the following sequence:

- Shut off oscillation system (F).
- Shut off water pump (E).
- Shut off fan (D).
- Shut off input switch on control panel (B).

Tilting the Blower

NOTE: Transport locks must be disengaged before tilting the blower. See [Using Transport Locks](#).

See [Figure 3-5](#). Use control panel tilting lever (I) or remote control tilt buttons to adjust tilt 0 to 40°.

Starting the Unit

- See [Figure 3-5](#). Verify emergency switch (A) is in the out, armed position. If emergency switch is not armed, twist counterclockwise to reset.
- Turn input switch (B) ON.
- Set manual control switch (C) to MANUAL.
- Press fan (D) ON.
- Press water pump (E) ON.
- If using automatic oscillation system, press oscillation system (F) ON.

NOTE: If using automatic oscillation, system must be set up prior to operation. See [Automatic Oscillation](#).

NOTE: If the fan does not start and phase controller error lamp (G) is lit, turn phase controller switch (H) to PHASE SRT or PHASE SRT then restart fan.

Manual Rotation

NOTE: Transport locks must be disengaged before rotating blower. See [Using Transport Locks](#).

- See [Figure 3-5](#). Verify oscillation is switched OFF (F).
- See [Figure 3-6](#) Use handle (A) to rotate blower.

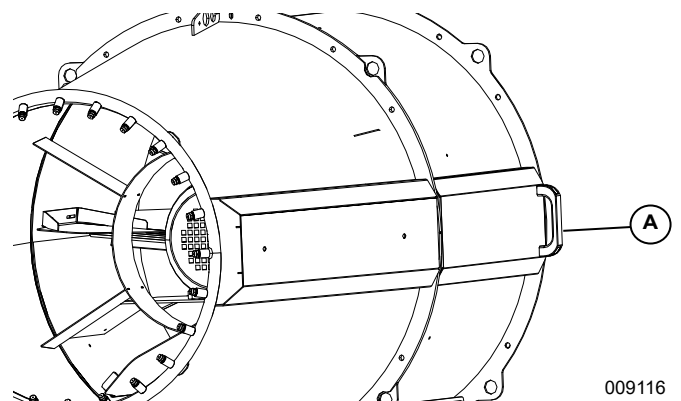


Figure 3-6. Manual rotation

Automatic Oscillation

NOTE: Transport locks must be disengaged before using oscillation system. See *Using Transport Locks*.

See *Figure 3-7*. When the oscillation system is set to ON, blower rotation is controlled by the placement of limiting pins (A). Oscillation range can be adjusted by moving limiting pins to any hole (B) in the deck. When micro switch (C) contacts a limiting pin the blower reverses direction.

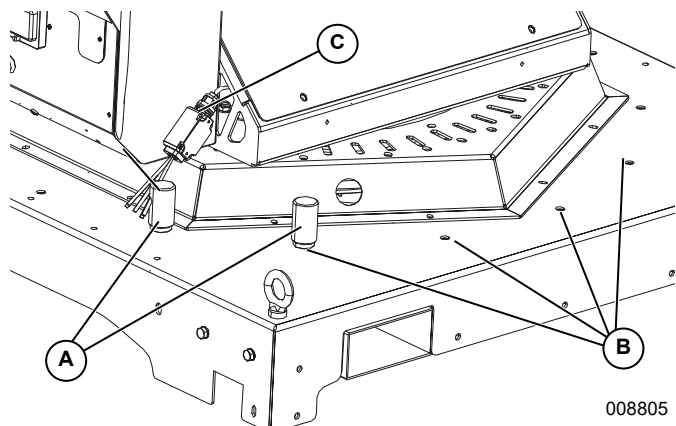


Figure 3-7. Automatic Oscillation

1. Turn OFF oscillation system. See *Control Panel*.
2. Manually rotate blower to the extreme the blower should rotate to the left.
3. Install limiting pin (B) into nearest hole (B) to the left of micro switch (C).
4. Manually rotate blower to the extreme the blower should rotate to the right.
5. Install limiting pin (B) into nearest hole (B) to the right of micro switch (C).
6. Turn ON oscillation system. See *Control Panel*.

NOTE: When shutting down the unit, switch off automatic oscillation first. See *Stopping the Unit* for proper shutdown sequence.

Using the Transmitter

The operator using the radio control system must:

- Understand transmitter and machine functions.
- Visually follow machine movements activated by transmitter.
- Switch off transmitting unit whenever suspending the job.
- Remember the transmitter can activate machine movements even in indoor locations away from the receiving unit.
- Never leave the transmitter unattended.
- Avoid using radio control inside shielded areas.
- Replace batteries when discharged.

NOTE: If radio control fails at any time, switch control switch (A) to MANUAL CONTROL.

1. See *Figure 3-8*. Move control switch (A) to RADIO CONTROL.
2. Verify emergency switch (B) is in the out, armed position. If emergency switch is not armed, twist counterclockwise to reset.

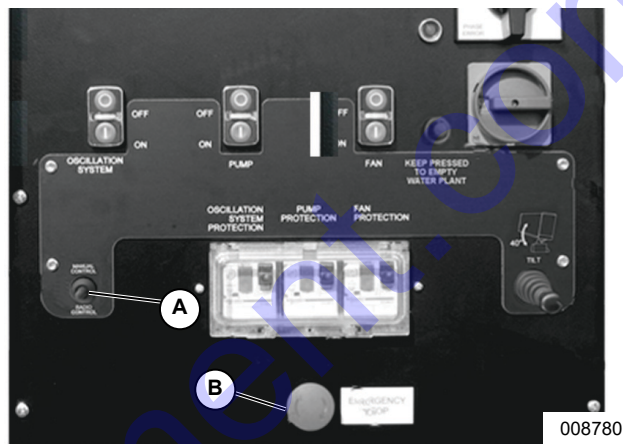


Figure 3-8. Control Panel

3. See *Figure 3-9*. Switch main on-off switch (A) on back of transmitter to ON.

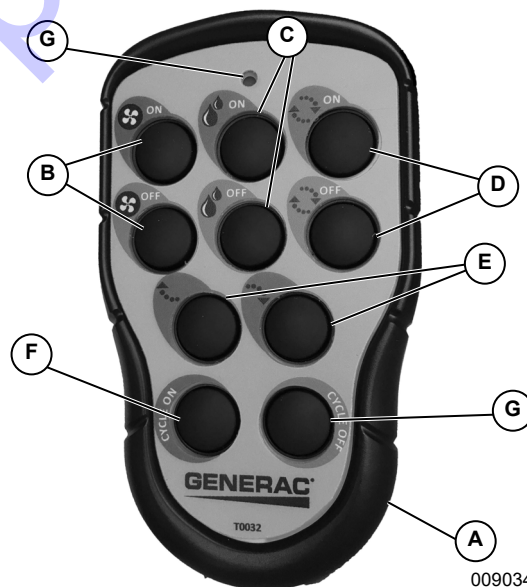


Figure 3-9. Transmitter

4. Select fan on/off (B), pump on/off (C), oscillation on/off (D), tilting up/down (E), or fan and pump on (F).

NOTE: If LED (G) does not flash or flashes weakly when a button is pressed, the battery needs to be replaced.

NOTE: Pushing the stop button on the control panel immediately disables all radio control.

5. Use macro button (G) to automatically switch off oscillation, pump, and fan in the proper shutdown sequence.

Section 4: Maintenance and Troubleshooting

⚠ WARNING

Before servicing unit, shut unit down, turn water supply OFF, and disconnect unit from power source. Failure to do so could result in death, serious injury, or equipment damage.

(000586)

⚠ CAUTION

Equipment Damage. Failure to perform a daily inspection could result in damage to the unit.

(000306)

Daily Walk-Around Inspection

Perform a walk-around inspection of the unit every day before starting the unit. Look for conditions that could hinder performance or safety, such as (but not limited to) damaged or missing parts and hardware, and loose or broken electrical connections.

General Maintenance

Maintenance Activity	Before Each Use	After Each Use	Semi-Annually
Clean Unit		◆	◆
Rinse Nozzles		◆	
Empty Water Circuit		◆	
Clean Water Filter			◆
Lubricate Unit			◆
Clean Nozzles			◆

Poorly maintained equipment can become a safety hazard. In order for the equipment to operate safely and properly over a long period of time, periodic maintenance and occasional repairs are necessary. **DO NOT** perform routine service unless all electrical components are OFF.

Regular maintenance will improve performance and extend engine/equipment life. Generac Mobile Products, LLC recommends all maintenance work be performed by an Generac Mobile Products Authorized Dealer (ASD).

Preparing for Service

Before servicing the unit, always follow the instructions listed below.

1. Verify unit power switch is OFF.
2. Disconnect power.
3. Disconnect water supply.
4. Attach a DO NOT USE sign to the control panel. This will notify everyone that the unit is being serviced and will reduce the chance of someone inadvertently trying to start the unit.

Inspecting the Unit

- If the unit is stored outside, check for water inside the cabinet and control panel cover before each use. If wet, dry the unit thoroughly before starting.
- Inspect condition of electrical cords. **DO NOT** use the unit if insulation is cut or worn through.

Cleaning the Unit

Always clean the unit after each use to remove dust, grease, mud or spilled fuel or oil. After each use, clean the unit if dust, grease, or dirt. Use soft, clean rags to wipe the cabinet exterior and control panel. Low-pressure compressed air (less than 40 PSI [276 kPa]) can also be used to remove dust and debris from control panel.

NOTE: Do not use a high pressure hose or power washer to clean control panel or cabinet. Water could damage the electronic components.

Rinsing nozzles

See [Figure 4-1](#). After each use, rinse nozzles (A) with an antilimestone solution to prevent nozzle fouling.

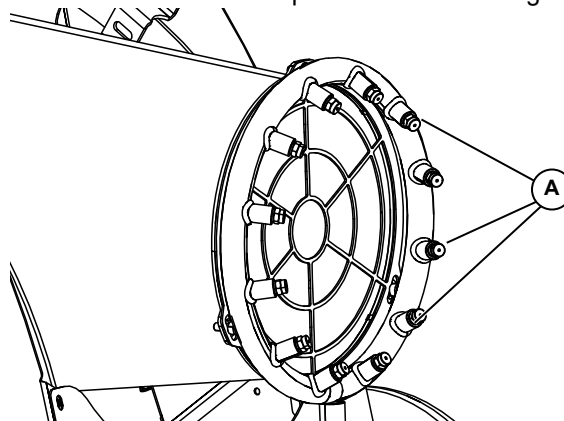


Figure 4-1. Cleaning the Unit

Emptying Water Circuit

After each use, empty the water system must to remove sediment from the inlet filter and to prevent fouling.

1. See **Figure 4-3**. Open nozzle valves (A).

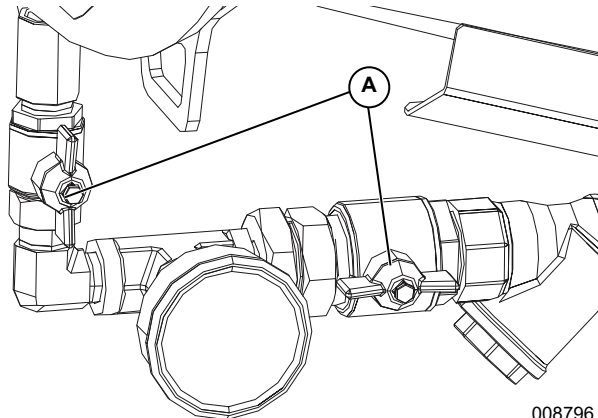


Figure 4-2. Open Valves

008796

2. See **Figure 4-3**. Disconnect hose from inlet (B) and open inlet valve (C).

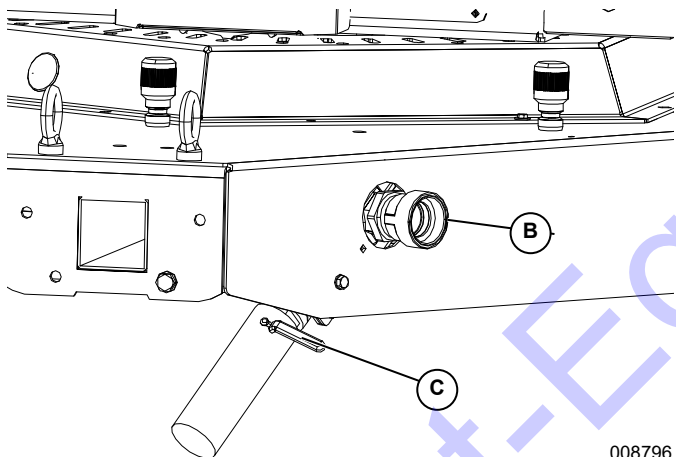


Figure 4-3. Disconnect Hose and Open Valve

008796

3. Allow system to drain.
4. Close inlet valve.
5. Close nozzle valves.

Cleaning Water Filters

The unit is equipped with an inlet filter and nozzle filter. Both must be cleaned semiannually or whenever performing system maintenance.

Cleaning Inlet Filter

1. See **Figure 4-5**. Unscrew and remove water inlet (B).
2. Remove filter cartridge.
3. Tap cartridge on a solid surface and blow with compressed air to remove sediment.
4. Install cartridge and replace inlet filter plug.

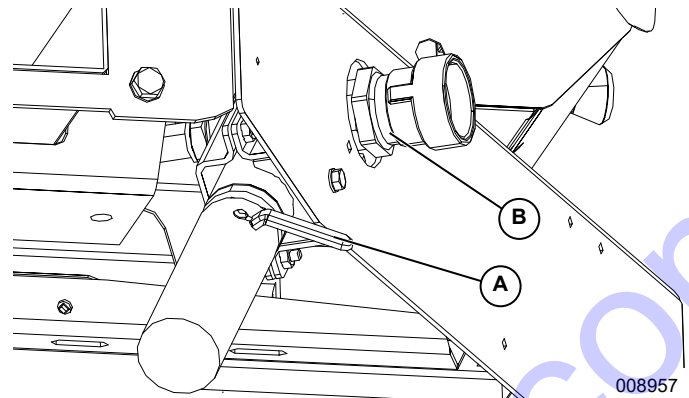


Figure 4-4. Inlet Water Filter

008957

Cleaning Nozzle Filter

1. See **Figure 4-3**. Remove nozzle filter plug (C).
2. Remove filter cartridge.
3. Tap cartridge on a solid surface and blow with compressed air to remove sediment.
4. Install cartridge and replace inlet filter plug.

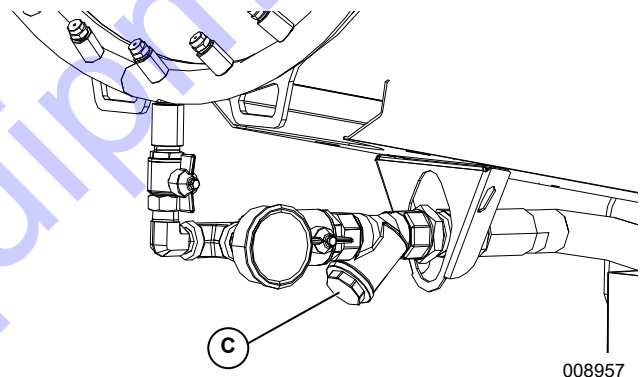


Figure 4-5. Nozzle Water Filters

008957

Nozzle Cleaning

Clean nozzles on a semiannual basis or whenever clogged.

1. See **Figure 4-1**. Remove nozzles (A) from blower.
2. Soak nozzles in antilimestone solution over night.
3. Rinse nozzles.
4. Reinstall nozzles.

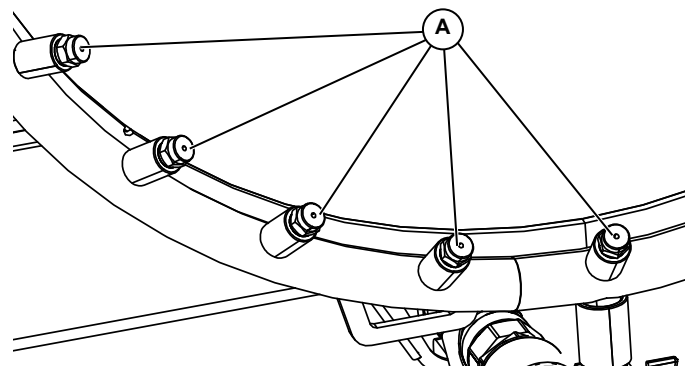


Figure 4-6. Cleaning Nozzles

Lubrication

See **Figure 4-1**. Lubricate transport support (A) and thrust bearing (B) on a semiannual basis.

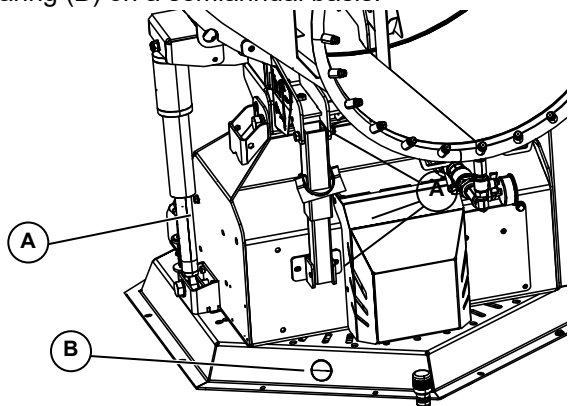


Figure 4-7. Lubrication

Trailer Maintenance (if equipped)

Jack Maintenance See the original equipment's operating manual for maintenance schedule and a complete list of maintenance requirements.

IMPORTANT NOTE: Failure to comply with the procedures and requirements as described in the trailer operators manual will nullify the warranty, decrease performance, and cause equipment damage or premature equipment failure.

General Troubleshooting

This information is intended to be a check or verification for simple causes that can be located and fixed. It does not cover all types of problems. See the engine operator's manual for additional troubleshooting information. Procedures that require in-depth knowledge or skills should be performed by a GMP ASD.

Problem	Possible Cause	Solution
Water Pump Doesn't Work	Pump dry	Open main water tap.
	Air in water system	Open water control valves.
	Insufficient water inlet pressure	Verify sufficient water supply. See for requirements
Fan and Pump do Not Work	Improper start up sequence. The pump must be started prior to opening the water flow and stopped before closing the water flow	
	Plug not correctly connected	Verify the plug properly fits into socket seat and is fastened by the locking ring.
	Emergency stop button is pressed	Verify the stop button is in the out, armed position. If not turn the knob clockwise.
	Main switch set to OFF	Switch main switch to ON
	Pump or fan circuit protection breakers switched to off.	Switch circuit protection breakers to ON
Uneven Nebulization	Disconnected cables in the electrical system	Inspect electrical system for disconnected plug.
	Dirty or obstructed nozzles	Clean nozzles.
Tilt, Rotation or Stabilizer Regulation Difficult	Low water pressure	Verify water pressure is greater than 14.5 psi (1 bar). See for requirements
	Lack of lubrication	Lubricate using proper grease for sliding systems.



www.discount-equipment.com

Part No. 1000037626 Rev. A 11/15/2018
©2018 Generac Mobile Products, LLC
All rights reserved.
Specifications are subject to change without notice.
No reproduction allowed in any form without prior written
consent from Generac Mobile Products, LLC.

GENERAC | MOBILE