



TITAN 88
RIDE-ON TROWEL
PARTS BOOK



www.Discount-Equipment.com



Doc. # PB-B19012
Orig. Rel. - 01/2017
Curr Rev. - 05
Rev. Date - 08/08/18



Discount Equipment

Discount-Equipment.com is your online resource for commercial and industrial quality parts and equipment sales.

Locations:

Florida (West Palm Beach): [561-964-4949](tel:561-964-4949)

Outside Florida TOLL FREE: [877-690-3101](tel:877-690-3101)

Need parts? Check out our website at www.discount-equipment.com

Can't find what you need?

Click on this link: <http://www.discount-equipment.com/category/5443-parts/> and fill out the request form.

Please have the machine model and serial number available in order to help us get you the correct parts. One of our experienced staff members will get back to you with a quote for the right part that your machine needs.

We sell worldwide for the brands: Genie, Terex, JLG, MultiQuip, Mayco, Toro/Stone, Diamond Products, Magnum, Airman, Mustang, Power Blanket, Nifty Lift, Atlas Copco, Chicago Pneumatic, Allmand Brothers, Essick, Miller Spreader, Skyjack, Lull, Skytrak, Tsurumi, Husquvarna/Target, Whiteman-Concrete/Mortar, Stow-Concrete/Mortar, Baldor, Wacker, Sakai, Snorkel, Upright, Mi-T-M, Sullair, Neal, Basic, Dynapac, MBW, Weber, Bartell, Bennar Newman, Haulotte, Ditch Runner, Blaw-Knox, Himoina, Best, Buddy, Crown, Edco, Wyco, Bomag, Laymor, Terremite, Barreto, EZ Trench, Takeuchi, Basic, Bil-Jax, Curtis, Gehl, Heli, Honda, ICS/PowerGrit, Puckett, Waldon, ASV, IHI, Partner, Imer, Clipper, MMD, Koshin, Rice, Gorman Rupp, CH&E, Cat Pumps, Comet, General Pump, Giant, AMida, Coleman, NAC, Gradall, Square Shooter, Kent, Stanley, Tamco, Toku, Hatz, Kohler, Robin, Wisconsin, Northrock, Oztec, Toker TK, Rol-Air, Small Line, Wanco, Yanmar

New Equipment - Used Equipment - Rental Equipment - Parts and Accessories

Discount Equipment

www.discount-equipment.com

561-964-4949

Parts: wbparts@Discount-Equipment.com

Sales: info@Discount-Equipment.com



www.Discount-Equipment.com

REV.	DATE	DESCRIPTION	APPROVED BY:
01	13/01/17	All drawings redone and parts lists updated	B. Murray
02	13/02/17	Changed item 8's part number 12893 from 12894 parts list 8	B. Murray
03	21/02/17	Added a parts tables and retardant system	B. Murray
04	12/06/18	Added retardant system cap item 8a to parts list 16	A. Nakkila
05	08/08/18	Added Transporter parts lists 17, added pick up brackets to parts list 1	A. Nakkila

TABLE OF CONTENTS

<u>PARTS LIST 1 – RIDE-ON TROWELS</u>	<u>5</u>
TITAN, FRAME COMMON: 16807 – PARTS LIST 1	6
TITAN, FRAME COMMON: 16807 – PARTS LIST 1	8
<u>PARTS LIST 2 – RIDE-ON TROWELS</u>	<u>10</u>
TITAN, SEAT FRAME: 16801 – PARTS LIST 2	10
TITAN, SEAT FRAME: 16801 – PARTS LIST 2	12
TITAN, SEAT FRAME: 16801 – PARTS LIST 2	14
TITAN, SEAT FRAME: 16801 – PARTS LIST 2	16
TITAN, SEAT FRAME: 16801 – PARTS LIST 2	18
<u>PARTS LIST 3 – RIDE-ON TROWELS</u>	<u>19</u>
TITAN, 88 PANELS: 16817 – PARTS LIST 3	20
<u>PARTS LIST 4 – RIDE-ON TROWELS</u>	<u>21</u>
TITAN, 88 RINGS: 16816 – PARTS LIST 4	22
<u>PARTS LIST 5 – RIDE-ON TROWELS</u>	<u>23</u>
POWERPLANT ASSEMBLY – PARTS LIST 5	23
<u>PARTS LIST 6 – RIDE-ON TROWELS</u>	<u>25</u>
TITAN, COMMON STEERING: 16805 LEFT HAND SIDE – PARTS LIST 6	26
TITAN, COMMON STEERING: 16805 RIGHT HAND SIDE – PARTS LIST 6	28
<u>PARTS LIST 7 – RIDE-ON TROWELS</u>	<u>29</u>
TITAN, 88 STEERING: 16814 LEFT HAND SIDE – PARTS LIST 7	30
TITAN, 88 STEERING: 16814 RIGHT HAND SIDE – PARTS LIST 7	32
<u>PARTS LIST 8 – RIDE-ON TROWELS</u>	<u>33</u>
PITCH CONTROL ASSEMBLY: 16114 – PARTS LIST 8	34
<u>PARTS LIST 9 – RIDE-ON TROWELS</u>	<u>35</u>
TITAN 88, DRIVETRAIN: 16815 – PARTS LIST 9	36
<u>PARTS LIST 10 – RIDE-ON TROWELS</u>	<u>37</u>
DRIVETRAIN ASSEMBLY: 16800 – PARTS LIST 10	37
<u>PARTS LIST 11 – RIDE-ON TROWELS</u>	<u>39</u>
GEARBOX ASSEMBLY: 16021 AND 16020 – PARTS LIST 11	40
<u>PARTS LIST 12 – RIDE-ON TROWELS</u>	<u>41</u>
SPIDER PLATE ASSEMBLY (GREASE): 16016 AND 16017 – PARTS LIST 12	41
<u>PARTS LIST 13 – RIDE-ON TROWELS</u>	<u>42</u>

PRESSURE PLATE ASSEMBLY: 20626 – PARTS LIST 13	42
<u>PARTS LIST 14 – RIDE-ON TROWELS</u>	43
TROWEL BLADE ASSEMBLY: BRT88 (6x18 FINISH – 4 BLADES) METRIC – PARTS LIST 14	43
TROWEL BLADE ASSEMBLY: BRT88 (8x18 COMBO – 4 BLADES) – PARTS LIST 14	43
<u>PARTS LIST 15 – RIDE-ON TROWELS</u>	44
WEIGHT PACKAGE (OPTION): 16091 – PARTS LIST 15	44
<u>PARTS LIST 16 – RIDE-ON TROWELS</u>	45
RETARDANT SPRAYER (OPTION): 16099 – PARTS LIST 16	46
<u>PARTS LIST 17 – RIDE-ON TROWELS</u>	47
TRANSPORTER: 16083 (OPTION) – PARTS LIST 17	48

Discount-Equipment.com

PARTS LIST 1 - RIDE-ON TROWELS

TITAN, FRAME COMMON: 16807

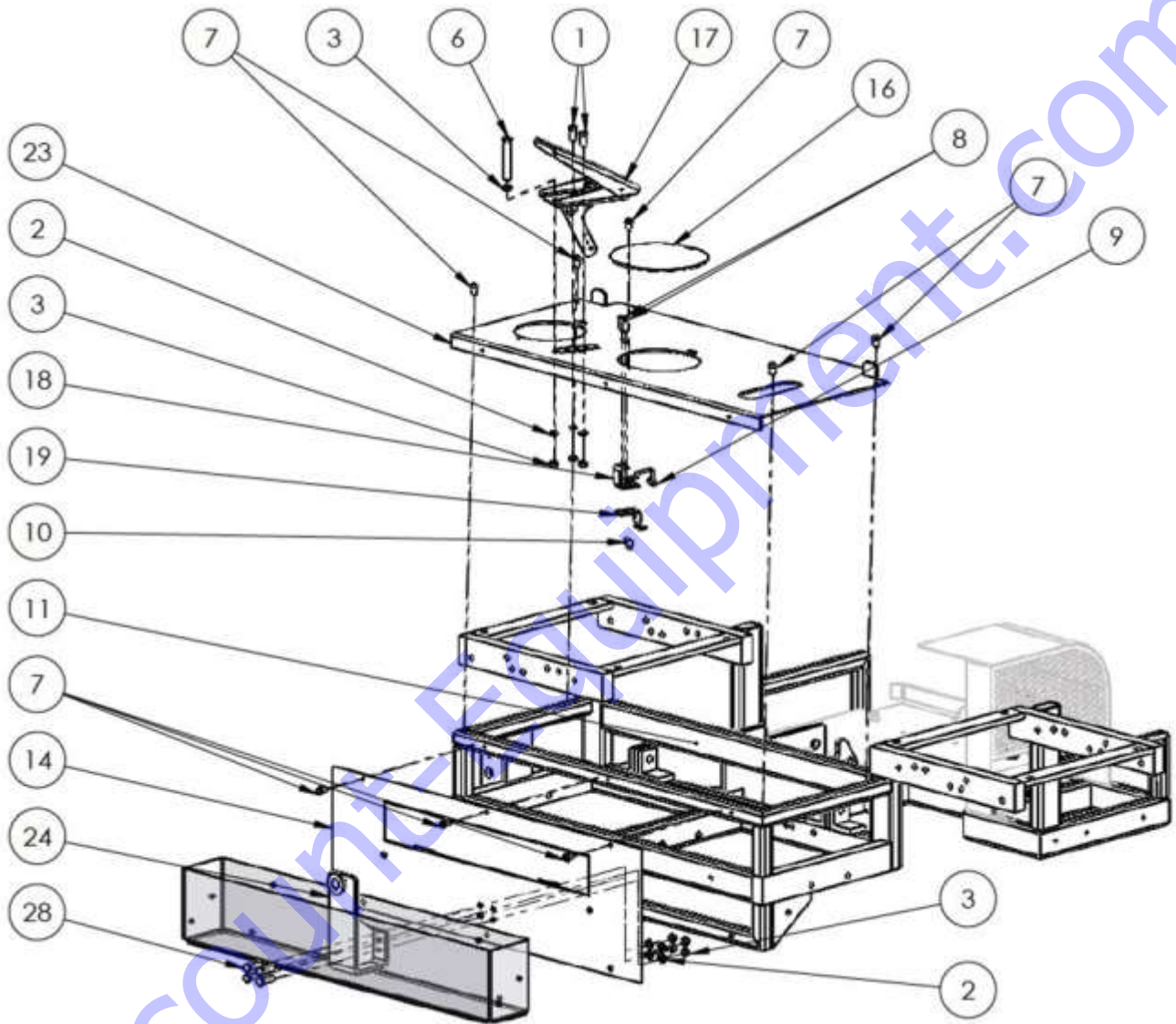


Figure 1: Lower Frame Assembly

TITAN, FRAME COMMON: 16807 – PARTS LIST 1

Item #	Part #	Description	QTY	Remarks
1	10999	HHCS M8 X 20MM	2	
2	11614	LOCK WASHER, M8, ZP	3	
3	11615	NUT, HEX, M8-1.25, ZP	4	
6	11745	HHCS, M8-1.25 X 55MM LG, ZP	1	
7	14596	HWHS 1/4-20 X 1/2"LG THREAD CUTTING	8	
8	51058	HHCS, M6-1.0 X 20MM LG, ZP	2	
9	11865	LOCKNUT, M6-1 NYLOCK	2	
10	10711	HHMS M5-0.8 X 12MM LG, ZP	2	
11	16001	TITAN UNI-CHASSIS	1	
14	16055	TITAN FRONT PANEL	1	
15	16005	CHECKERED FLOOR PLATE (ALUM)	1	
16	16069	TITAN FLOOR COVER PLATE	1	
17	16048	THROTTLE PEDAL	1	
18	16068	THROTTLE HOLD	1	
19	13863	THROTTLE CLIP	1	
24	16090	TITAN TRANSPORTER FRONT PIN	1	S/N 711200 AND HIGHER
28	10407M	HHCS, M8-1.25 X 30MM, ZP	4	S/N 711200 AND HIGHER

Discount-Equipment.com

TITAN, FRAME COMMON: 16807

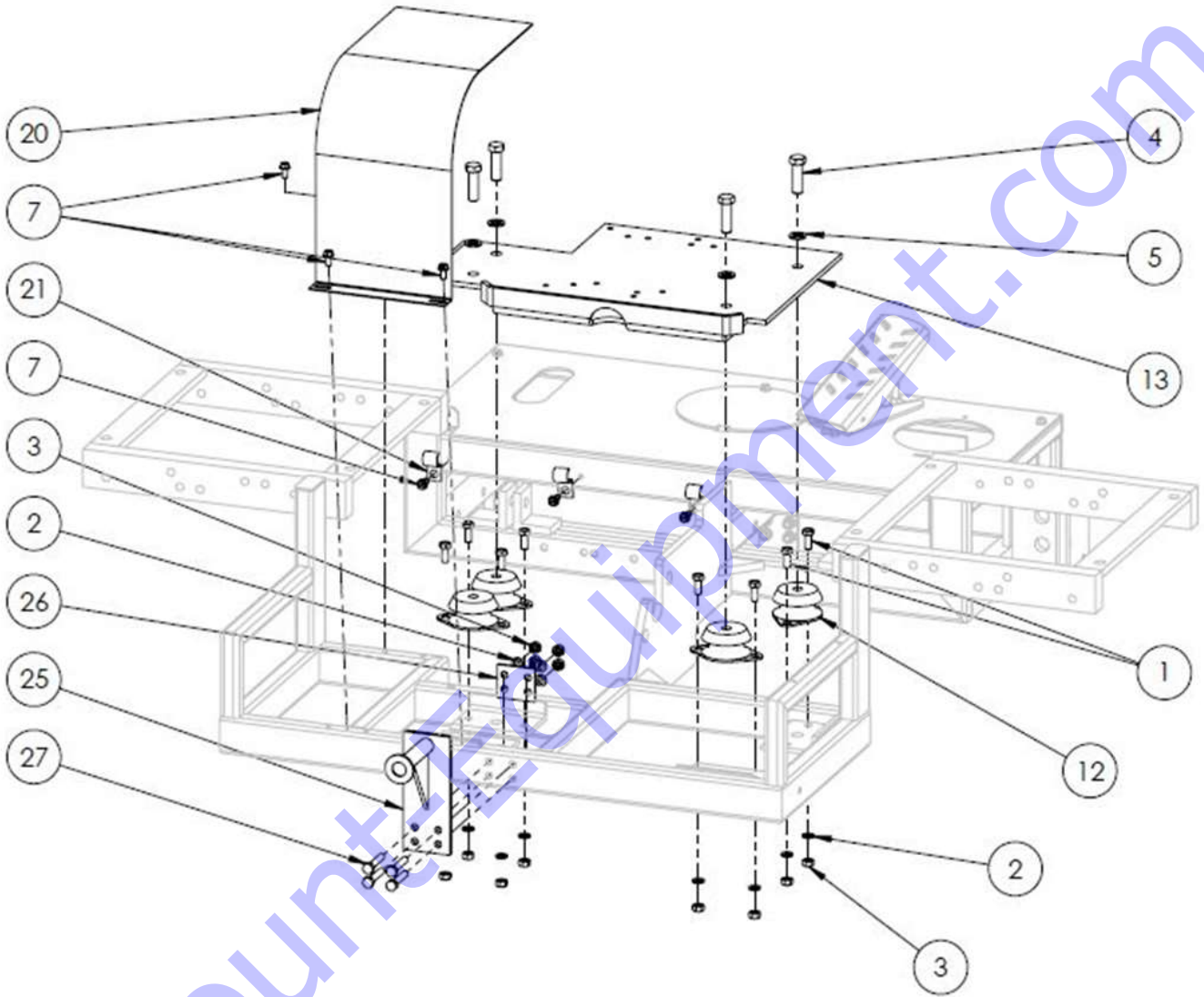


Figure 2: Lower Frame Assembly

TITAN, FRAME COMMON: 16807 – PARTS LIST 1

Item #	Part #	Description	QTY	Remarks
1	10999	HHCS M8 X 20MM	8	
2	11614	LOCK WASHER, M8, ZP	12	
3	11615	NUT, HEX, M8-1.25, ZP	12	
4	10955	HHCS 12MM-1.25 X 40MM	3	
5	10735	LOCK WASHER, SPLIT, M12	3	
7	14596	HWHS 1/4-20 X 1/2"LG THREAD CUTTING	6	
12	14101	ANTI-VIBRATION MOUNT	3	
13	16003	ENGINE MOUNTING PLATE	1	
20	16042	BELT GUARD TITAN	1	
21	13591	WIRING CLAMP 5/8"	3	
25	16089	TITAN TRANSPORTER BACK PIN	1	S/N 711200 AND HIGHER
26	16096	TRANSPORTER BACK PLATE	1	S/N 711200 AND HIGHER
27	10784	HHCS, M8-1.25 X 45MM, ZP	4	S/N 711200 AND HIGHER

Discount-Equipment.com

PARTS LIST 2 – RIDE-ON TROWELS

TITAN, SEAT FRAME: 16801

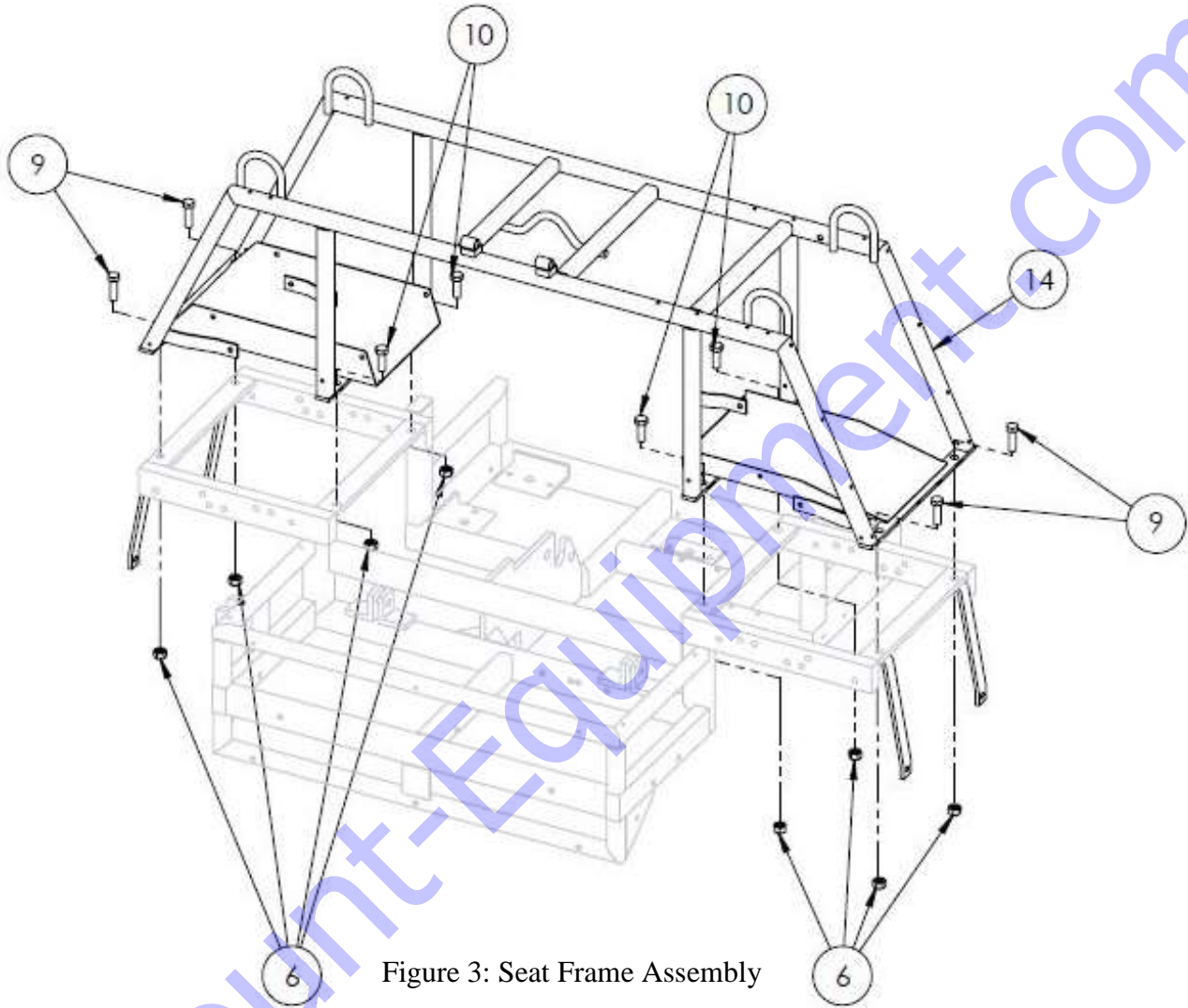


Figure 3: Seat Frame Assembly

TITAN, SEAT FRAME: 16801 – PARTS LIST 2

Item #	Part #	Description	QTY	Remarks
6	10956	M12-1.5 NYLOCK NUT	8	
9	10955	HHCS 12MM-1.25 X 40MM	4	
10	10881	M12-1.75X35, HCS	4	
14	16002	SEAT FRAME UNI-CHASSIS	1	

TITAN, SEAT FRAME: 16801

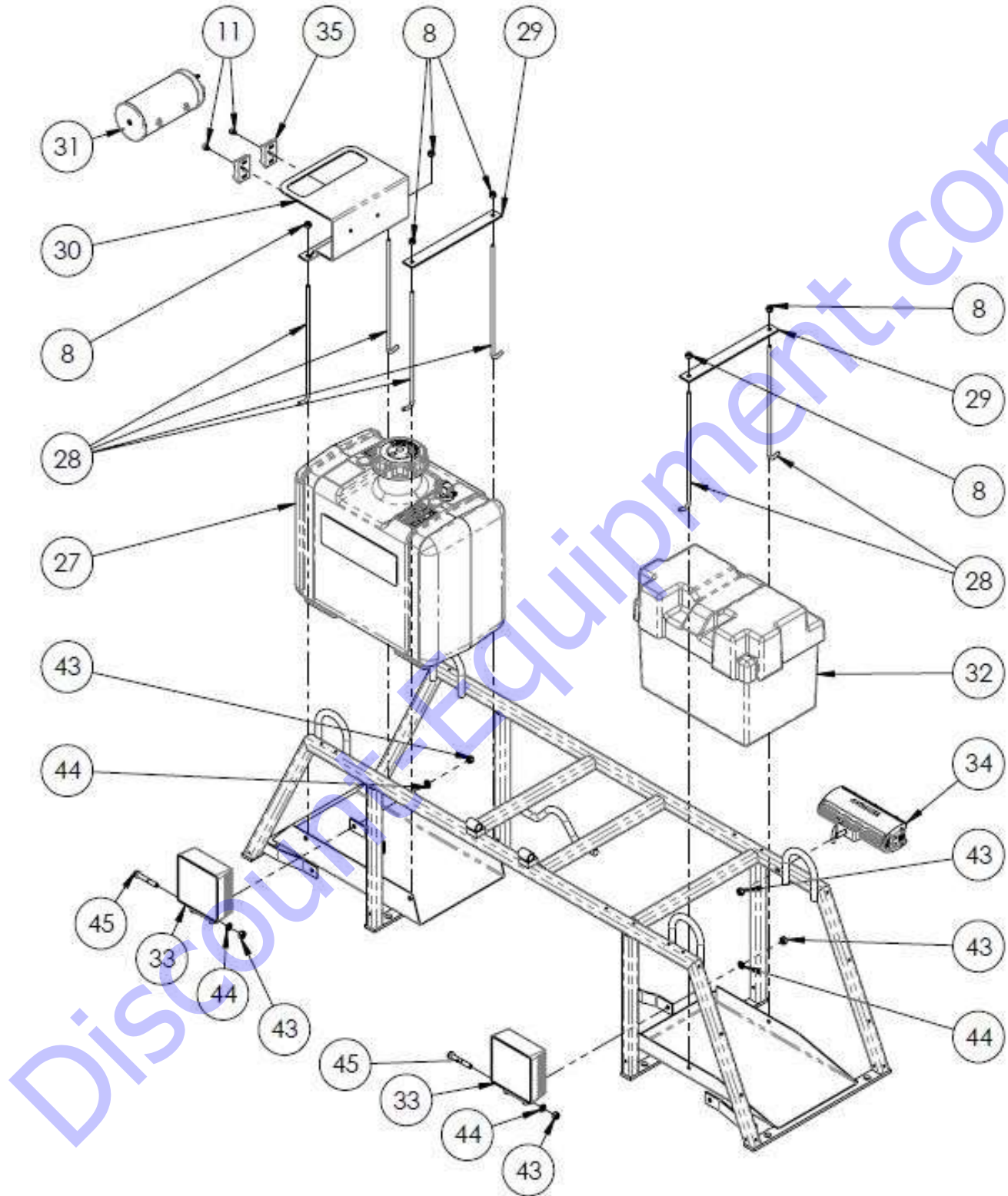


Figure 4: Seat Frame Assembly

TITAN, SEAT FRAME: 16801 – PARTS LIST 2

Item #	Part #	Description	QTY	Remarks
8	30141	LOCKNUT 1/4-20UNC	6	
11	21725	M6-1X6, SHCS, METRIC	2	
27	18150	GAS TANK	1	
28	13839	HOLD DOWN BOLT	6	
29	10192	GAS TANK HOLD-DOWN BAR	2	
30	16018	CARB COVER W/TROWEL HOLDER	1	
31	18126	CARB CANISTER	1	
32	13192	BATTERY BOX-BLACK POLY	1	
33	16045	SQUARE LED LIGHT	2	
34	16046	RECTANGLE LED LIGHT	1	
35	18124	CARB CANISTER BRACKET	2	
43	10915	HEX NUT, 5/16-18UNC	5	
44	10402	LOCKWASHER, 5/16, ZP	5	
45	10403	HHCS 5/16-18 X 2"LG	2	

Discount-Equipment.com

TITAN, SEAT FRAME: 16801

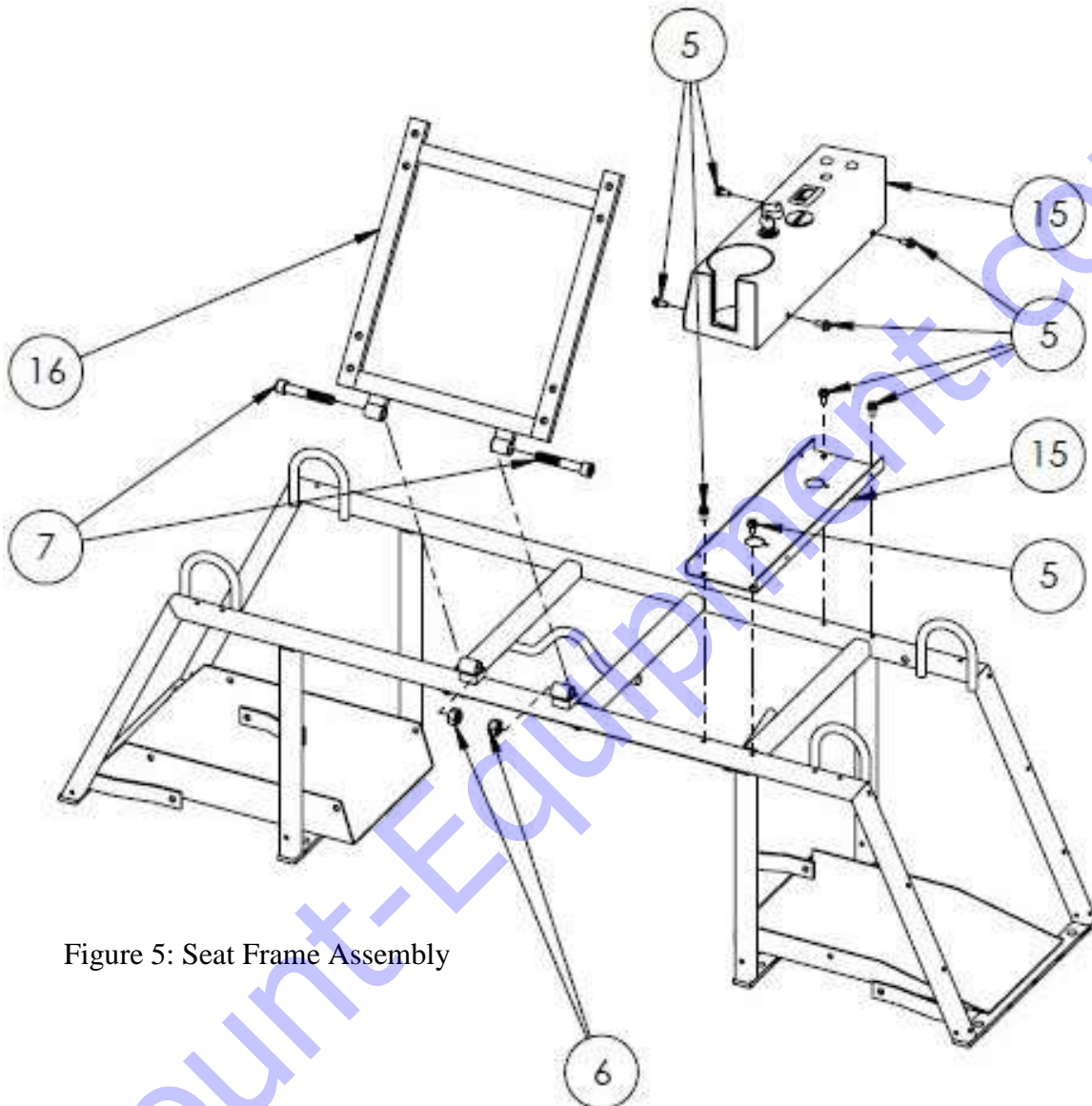


Figure 5: Seat Frame Assembly

TITAN, SEAT FRAME: 16801 – PARTS LIST 2

Item #	Part #	Description	QTY	Remarks
5	14596	HWHS 1/4-20 X 1/2"LG THREAD CUTTING	8	
6	10956	M12-1.5 NYLOCK NUT	2	
7	11863	SHCS, M10-1.75X70MM LG, ZP	2	
15	16043	TITAN CONTROL BOX	1	
16	16004	HINGED PLATE	1	

TITAN, SEAT FRAME: 16801

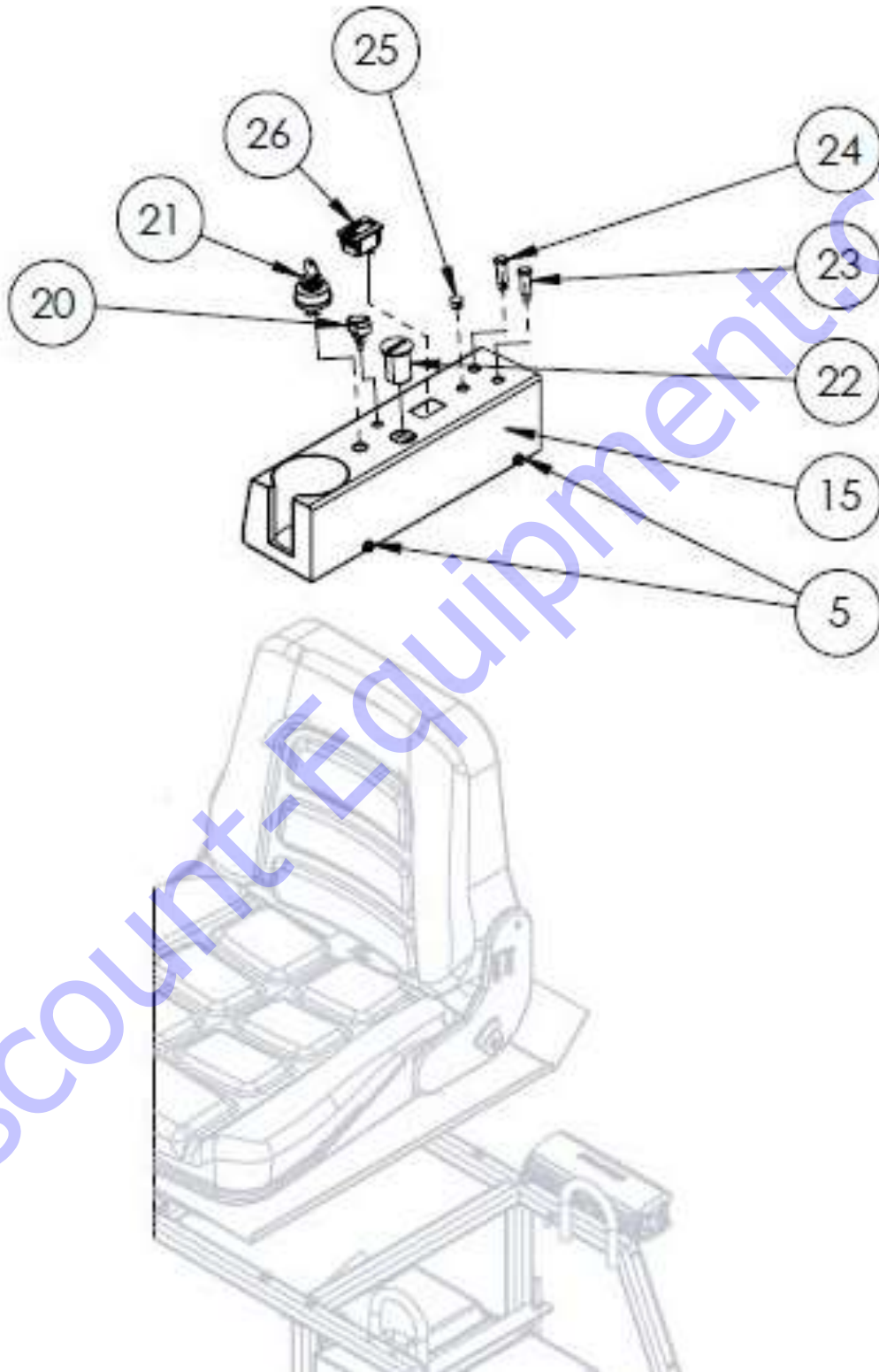


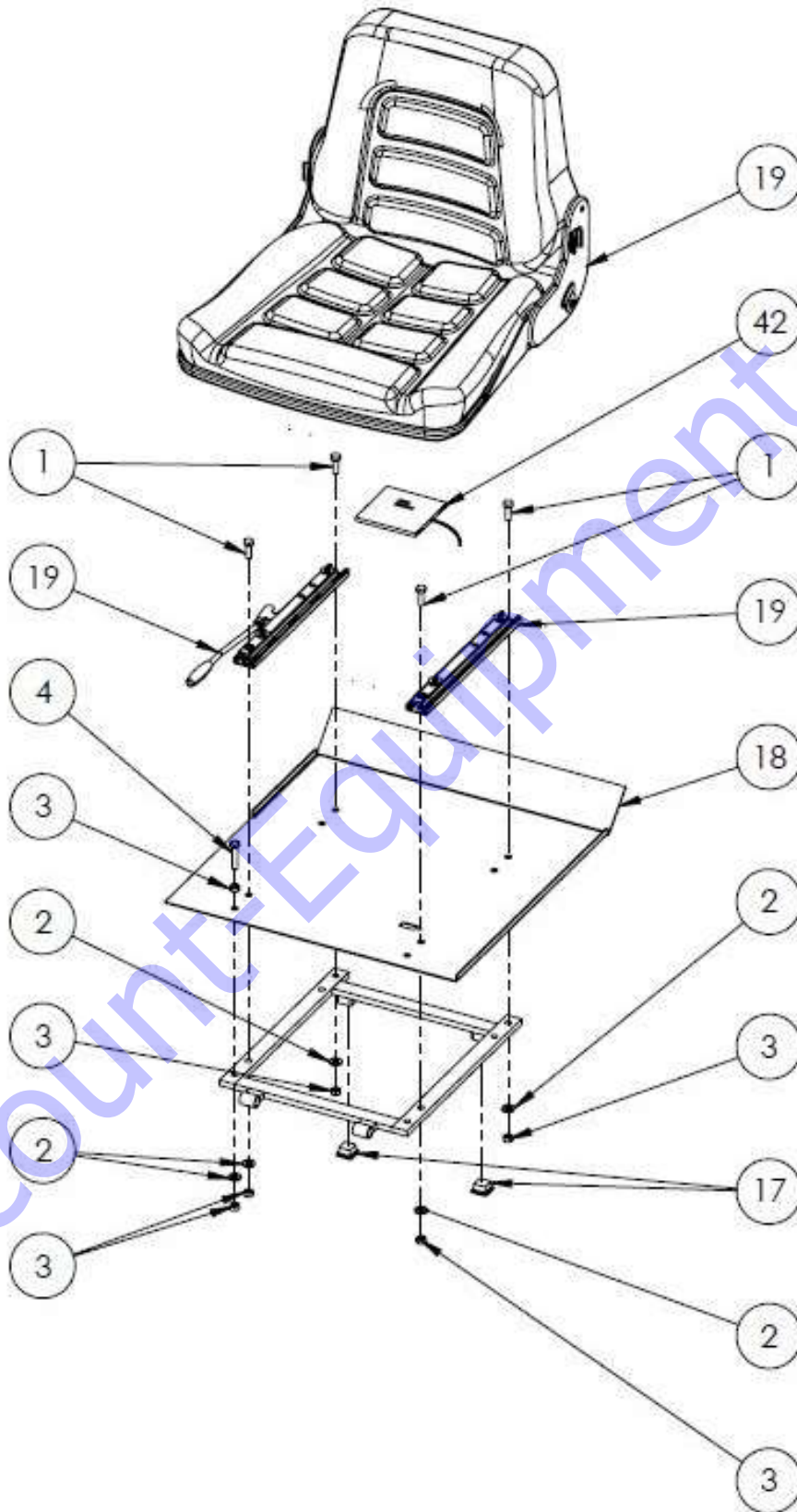
Figure 6: Seat Frame Assembly

TITAN, SEAT FRAME: 16801 – PARTS LIST 2

Item #	Part #	Description	QTY	Remarks
5	14596	HWHS 1/4-20 X 1/2"LG THREAD CUTTING	2	
15	16043	TITAN CONTROL BOX	1	
20	14377	SWITCH, ON/OFF, SPST, BLUE	1	
21	13953	IGNITION SWITCH	1	
22	16061	DUAL USB CHARGER	1	
23	14379	CONTROL LAMP, RED, 12 VDC	1	
24	14378	CONTROL LAMP, AMBER, 12 VDC	1	
25	16146	PLUG, HOLE, 1/2"	1	
26	16140	TACH/HOUR METER	1	

Discount-Equipment.com

TITAN, SEAT FRAME: 16801



TITAN, SEAT FRAME: 16801 – PARTS LIST 2

Item #	Part #	Description	QTY	Remarks
1	11619	HHCS, M8-1.25 X 25MM LG, ZP	4	
2	11614	LOCK WASHER, M8, ZP	5	
3	11615	NUT, HEX, M8-1.25, ZP	6	
4	10452	HHCS M8 X 40MM	1	
17	10573	CAP PLUG	2	
18	16142	TITAN RIDER HEAT SHIELD	1	
19	13641-1	OPERATOR'S SEAT, BLACK	1	
42	16075	SWITCH, OPERATOR'S SEAT (N.O)	1	

Discount-Equipment.com

Figure 7: Seat Frame Assembly

PARTS LIST 3 – RIDE-ON TROWELS

TITAN, 88 PANELS: 16817

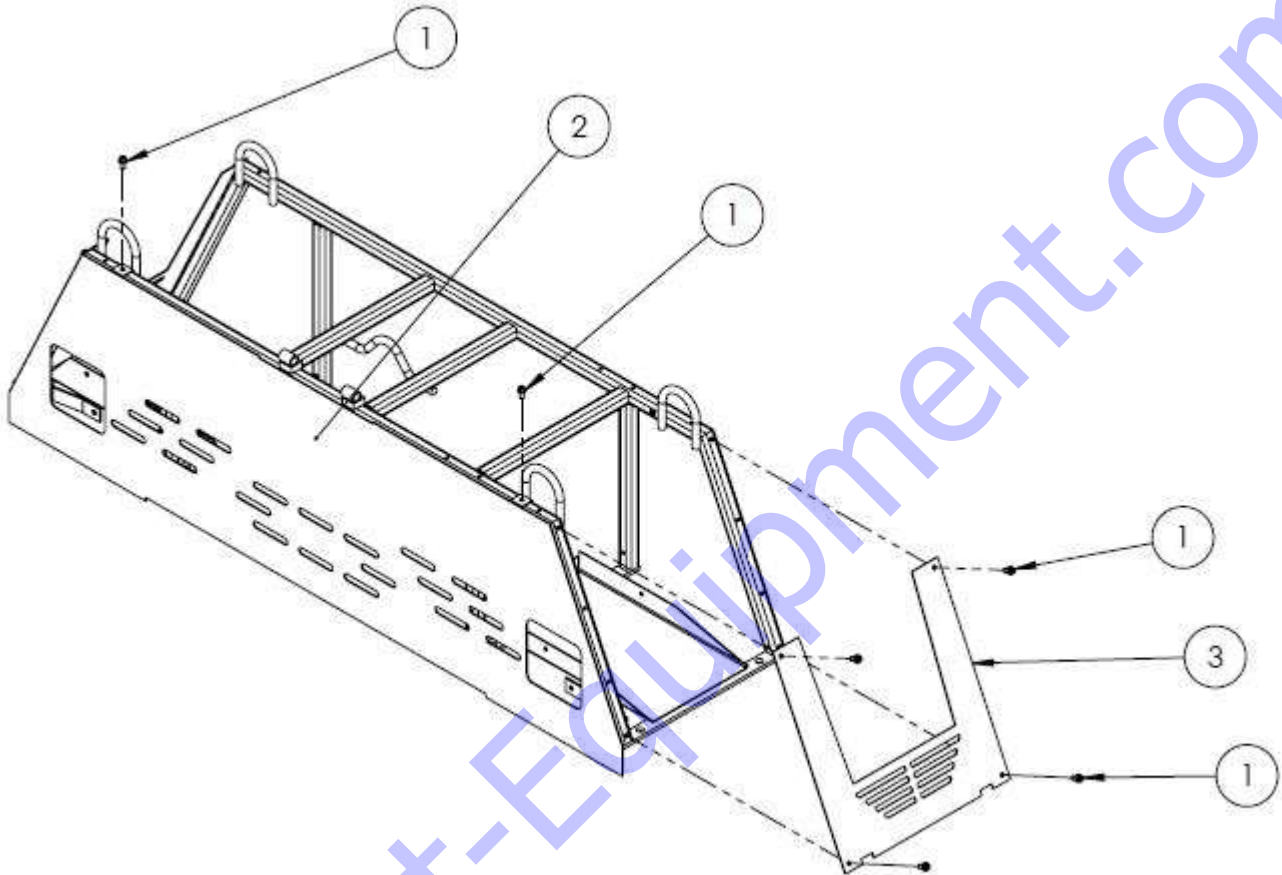


Figure 8: Panel Assembly

TITAN, 88 PANELS: 16817 – PARTS LIST 3

Item #	Part #	Description	QTY	Remarks
1	14596	HWHS 1/4-20 x 1/2"LG THREAD CUTTING	10	
2	16054	FRONT PANEL	1	
3	16053	SIDE PANEL 88	2	

PARTS LIST 4 – RIDE-ON TROWELS

TITAN, 88 RINGS: 16816

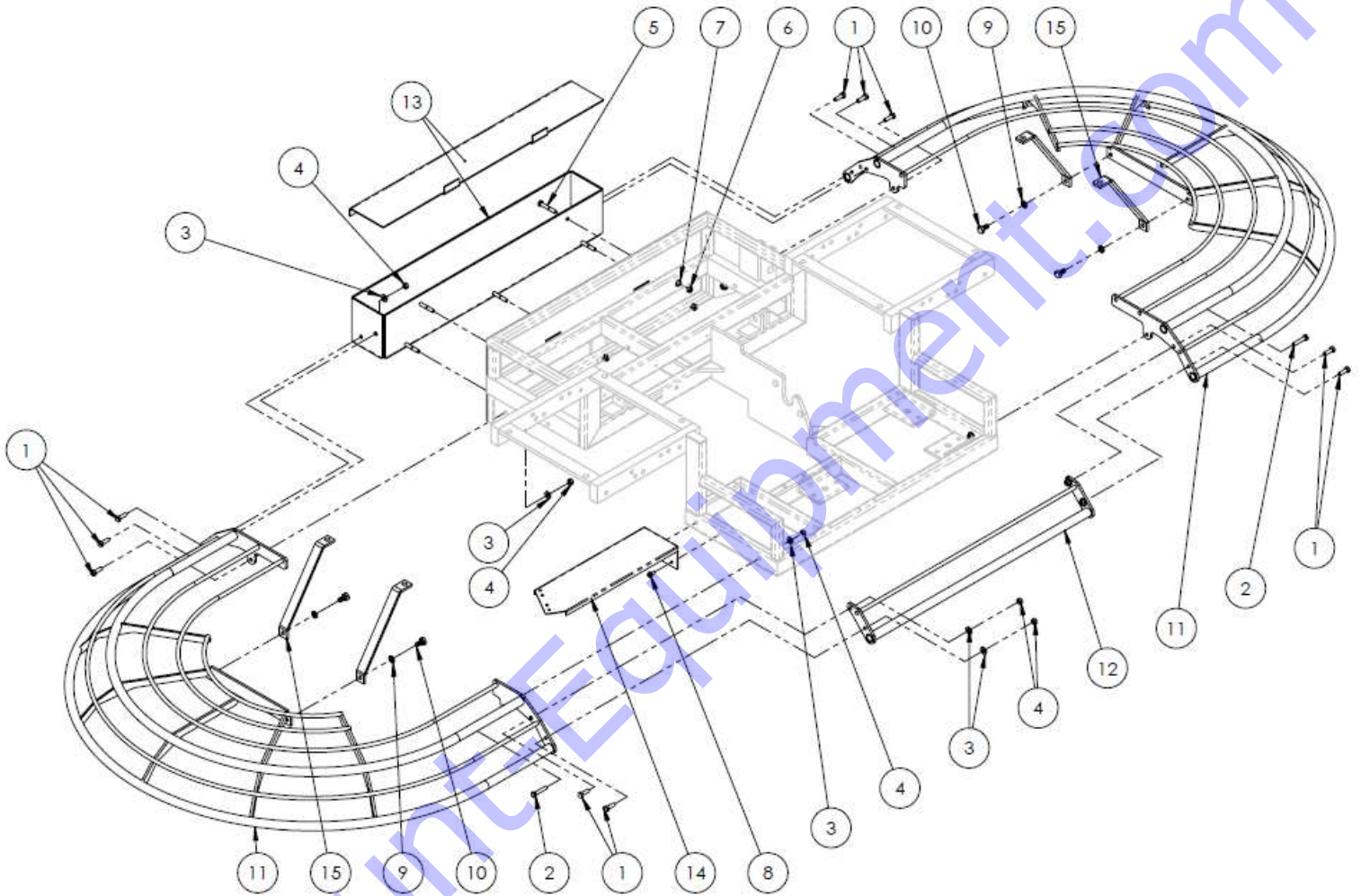


Figure 9: Ring Assembly

TITAN, 88 RINGS: 16816 – PARTS LIST 4

Item #	Part #	Description	QTY.	Remarks
1	11619	HHCS, M8-1.25 X 25MM LG, ZP	10	
2	10452	HHCS M8 x 40MM	2	
3	11614	LOCK WASHER, M8, ZP	12	
4	11615	NUT, HEX, M8-1.25, ZP	12	
5	10453	HHCS M8-1.25 x 50MM	5	
6	11617	LOCK NUT, 5/16"-18UNC, NYLOCK, ZP	5	
7	11667	WASHER, FLAT, 5/16, ZP	5	
8	14596	HWHS 1/4-20 x 1/2"LG THREAD CUTTING	2	
9	11621	LOCKWASHER, M10	4	
10	31008	HHCS, M10-1.5 X 20MM LG, ZP	4	
11	16071	GUARD RING	2	
12	16073	BACK GUARD	1	
13	16019	TOOL BOX WITH COVER	1	
14	16120	TITAN RING COVER PLATE	1	
15	16127	TITAN GUARD RING BRACKET	4	

Discount-Equipment.com

PARTS LIST 5 – RIDE-ON TROWELS

POWERPLANT ASSEMBLY

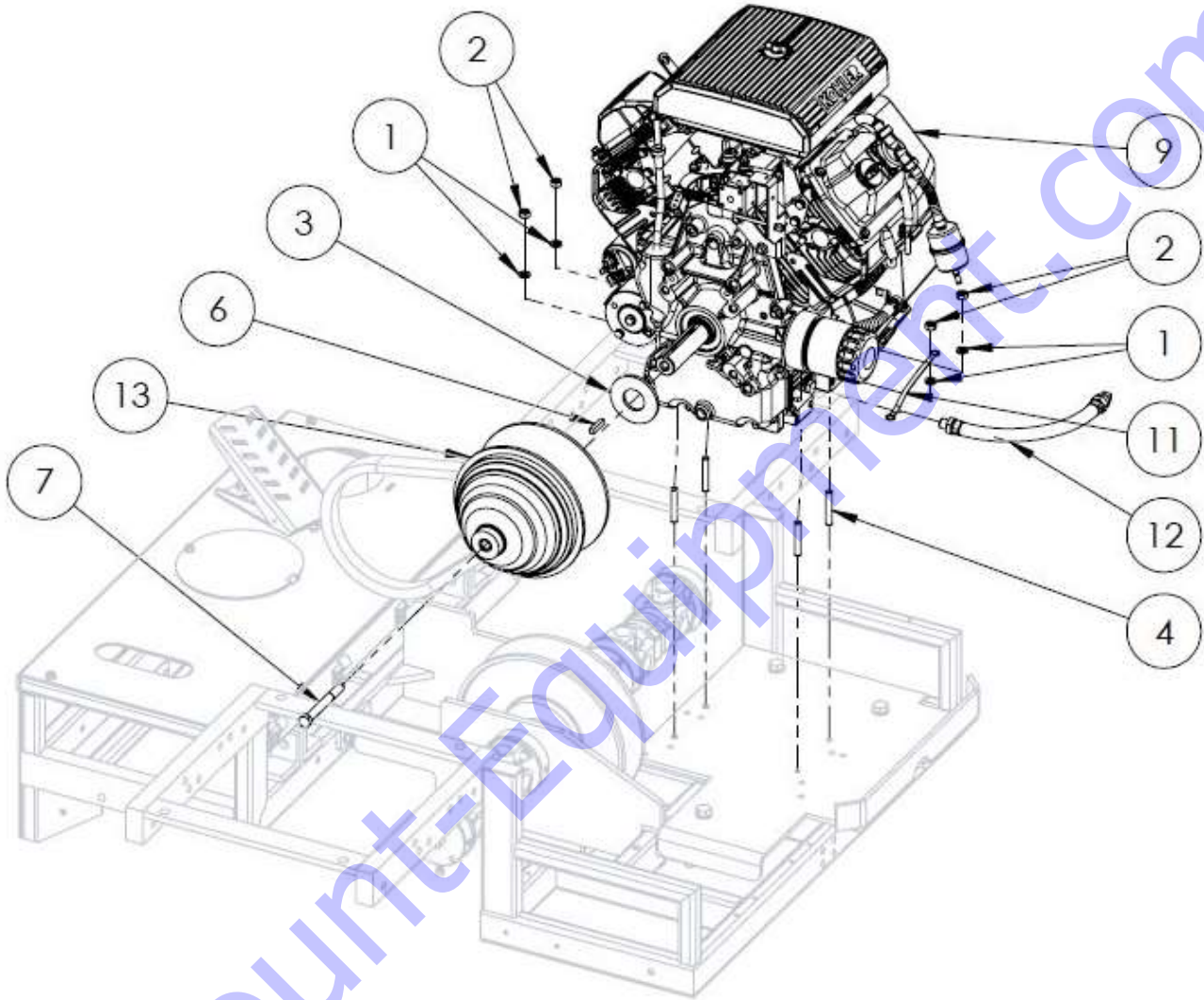


Figure 10: Power Plant Assembly

POWERPLANT ASSEMBLY – PARTS LIST 5

Item #	Part #	Description	QTY	Remarks
1	11614	LOCK WASHER, M8, ZP	4	
2	11615	NUT, HEX, M8-1.25, ZP	4	
3	12708	CLUTCH SPACER, 1-1/8"	1	
4	11867	STUD, M8-1.25 X 50MM	4	
5	---	WIRE HARNESS, TITAN	1	
6	10608	KEY, 1/4" SQUARE X 1-5/32" LG.	1	
7	13487	HHCS 7/16-20 X 3-1/2"LG	1	
8	13491	LOCKWASHER 7/16"DIA	1	
9	---	ENGINE	1	
10	14704	CVT CLUTCH DRIVE	1	
11	13098	GROUND STRAP	1	
12	---	OIL DRAIN	1	
13	14704	CVT DRIVE CLUTCH	1	

Discount-Equipment.com

PARTS LIST 6 – RIDE-ON TROWELS

TITAN, COMMON STEERING: 16805 LEFT HAND SIDE

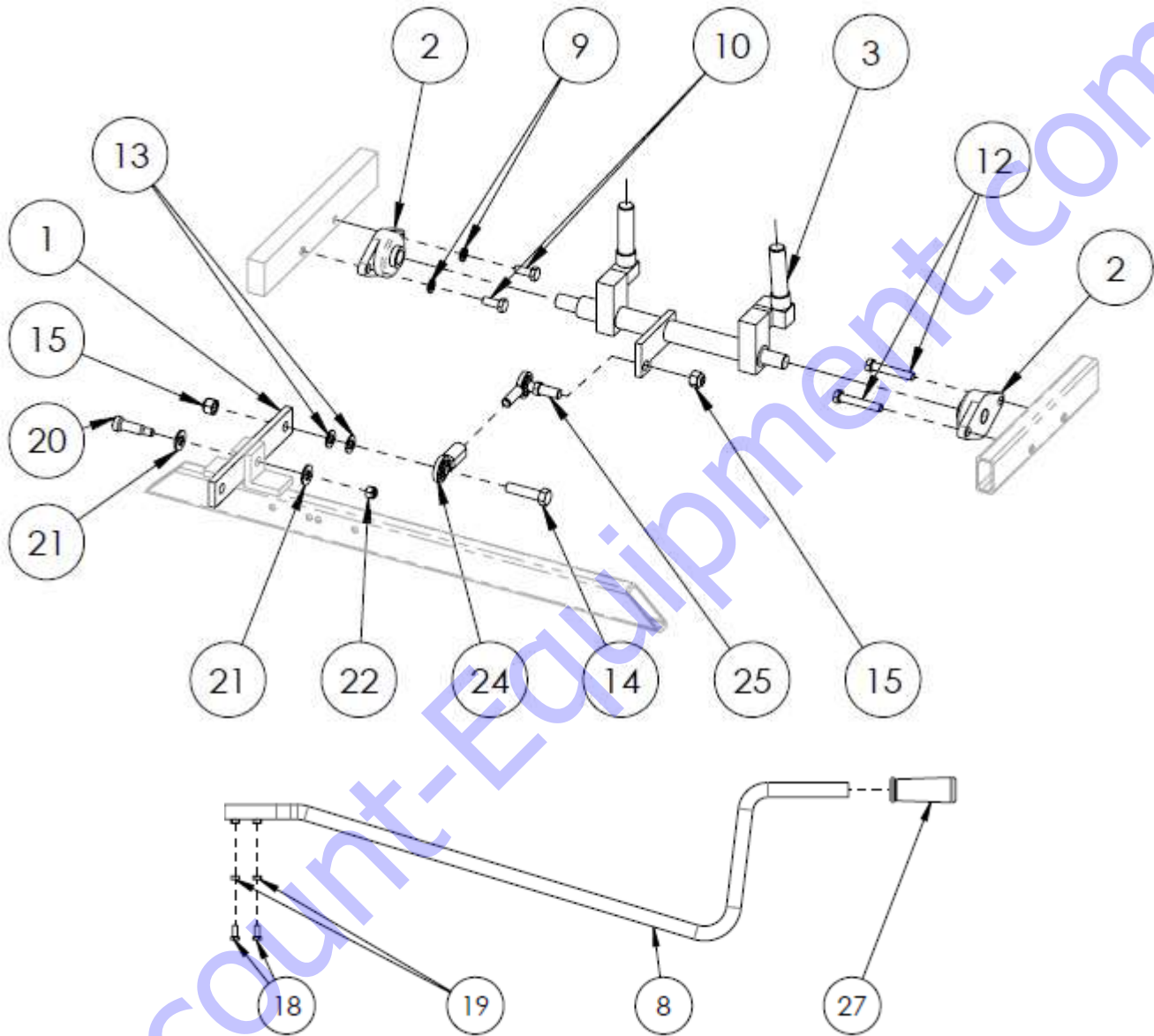


Figure 11: Steering Assembly

TITAN, COMMON STEERING: 16805 LEFT HAND SIDE – PARTS LIST 6

Item #	Part #	Description	QTY	Remarks
1	16006	PIVOT ARM	1	
2	13570	FLANGE BEARING	2	
3	16013	STEERING SHAFT - LH	1	
8	16049	TITAN HANDLE	2	
9	11621	LOCKWASHER, M10	2	
10	13348	HHCS, M10-1.5 X 25MM LG, ZP	2	
12	13350	HHCS, M10-1.5 X 60MM LG, ZP	2	
13	12930	WASHER, FLAT, 7/16" DIAMETER, ZP	2	
14	981260	HEX BOLT, 1/2-13 UNC x 2 LG	1	
15	12517	NYLOCK NUT, 1/2-20UNF	2	
18	10999	HHCS M8 x 20MM	4	
19	11615	NUT, HEX, M8-1.25, ZP	4	
20	12985	SHSB 1/2"SHLDR x 3/8-16 x 1-1/4"LG	1	
21	50026	1/2" FLATWASHER	2	
22	10317	3/8-16UNC LOCKNUT, NYLON	1	
24	12420	ROD END PIVOT ASS'Y - FEMALE	1	
25	13932	ROD END - MALE/MALE	1	
27	13065	HANDLE GRIP 1"	4	

Discount-Equipment.com

TITAN, COMMON STEERING: 16805 RIGHT HAND SIDE

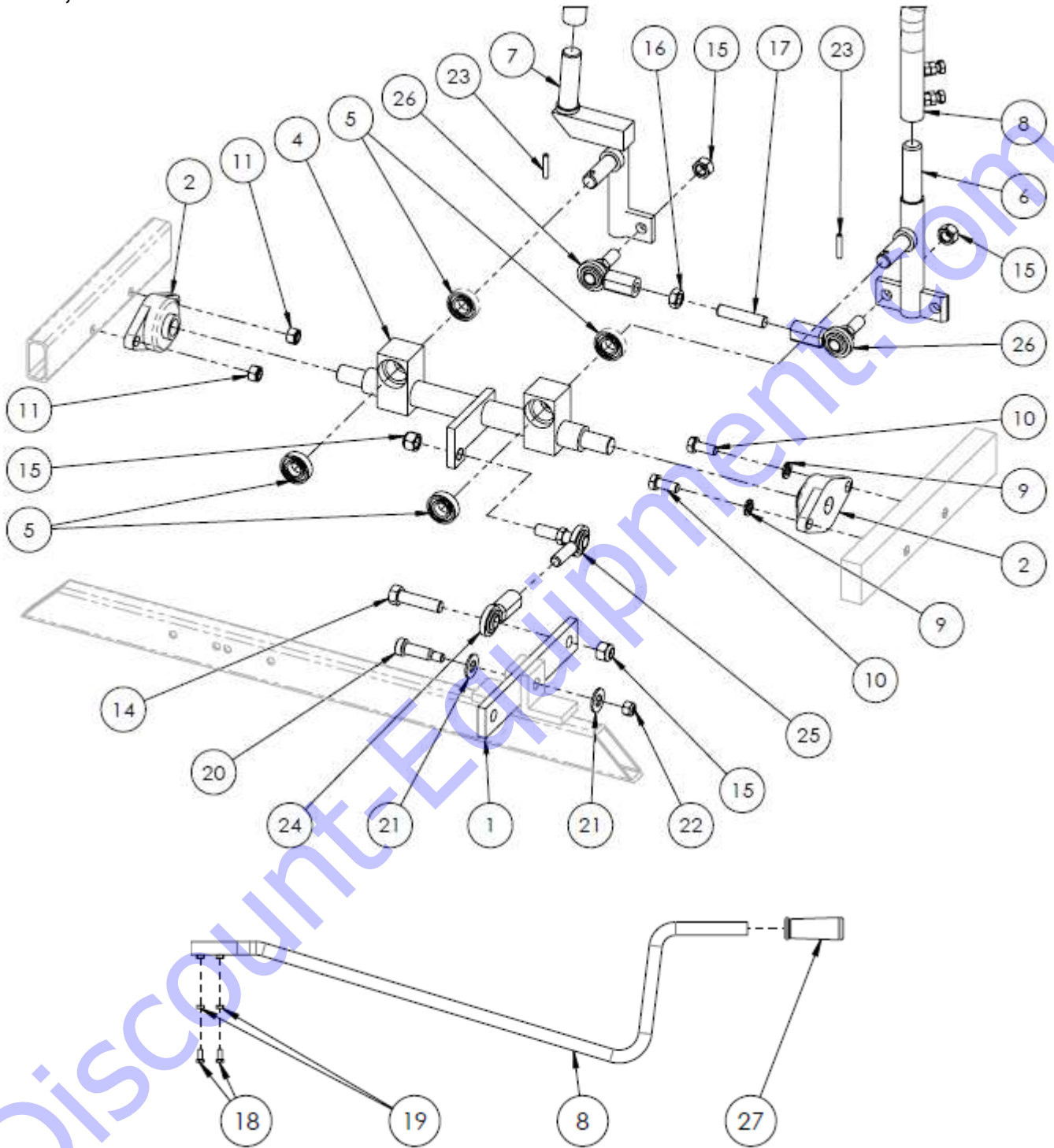


Figure 12: Steering Assembly

TITAN, COMMON STEERING: 16805 RIGHT HAND SIDE – PARTS LIST 6

Item #	Part #	Description	QTY	Remarks
1	16006	PIVOT ARM	1	
2	13570	FLANGE BEARING	2	
4	16014	STEERING SHAFT, RH	1	
5	13883	BEARING	4	
6	16010	OUTSIDE STEERING LINK-RH	1	
7	16011	INSIDE STEERING LINK-RH	1	
8	16049	TITAN HANDLE	2	
9	11621	LOCKWASHER, M10	2	
10	13348	HHCS, M10-1.5 X 25MM LG, ZP	2	
11	11802	LOCK NUT, M10-1.5, NYLOCK, ZP	2	
14	981260	HEX BOLT, 1/2-13 UNC x 2 LG	1	
15	12517	NYLOCK NUT, 1/2-20UNF	2	
16	12592	HEX JAM NUT 1/2-20UNF	1	
17	12969	THREADED ROD 1/2-20 x 2-1/4"LG	1	
18	10999	HHCS M8 x 20MM	8	
19	11615	NUT, HEX, M8-1.25, ZP	8	
20	12985	SHSB 1/2"SHLDR x 3/8-16 x 1-1/4"LG	1	
21	50026	1/2" FLATWASHER	2	
22	10317	3/8-16UNC LOCKNUT, NYLON	1	
23	10696	SPRING PIN, 5MM x 30	2	
24	12420	ROD END PIVOT ASS'Y - FEMALE	1	
25	13932	ROD END - MALE/MALE	1	
26	12412	ROD END PIVOT ASS'Y - FEMALE/MALE	2	
27	13065	HANDLE GRIP 1"	4	

PARTS LIST 7 – RIDE-ON TROWELS

TITAN, 88 STEERING: 16814 LEFT HAND SIDE

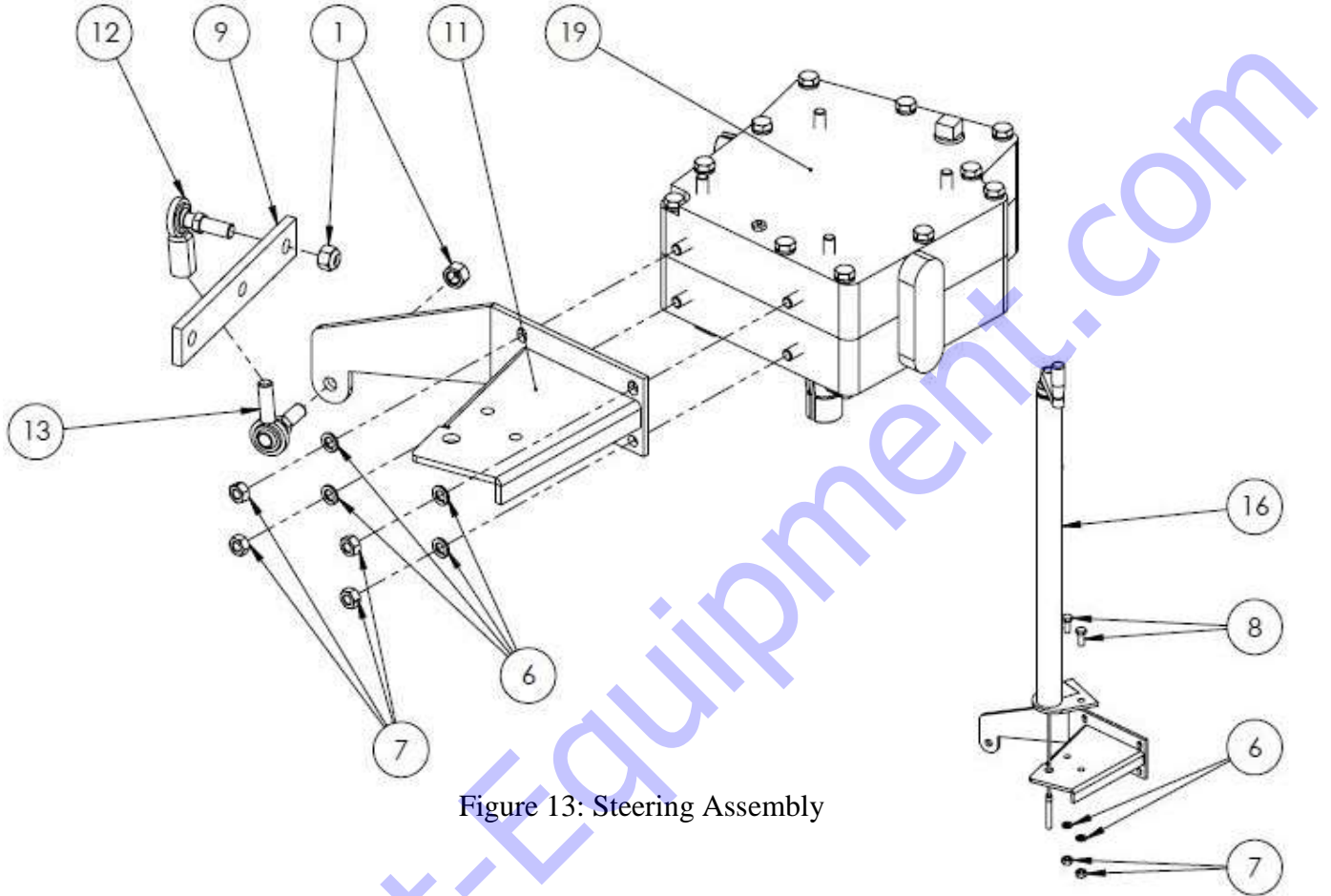


Figure 13: Steering Assembly

TITAN, 88 STEERING: 16814 LEFT HAND SIDE – PARTS LIST 7

Item #	Part #	Description	QTY	Remarks
1	12517	NYLOCK NUT, 1/2-20UNF	8	
6	11621	LOCKWASHER, M10	12	
7	11622	HEX NUT, M10-1.5	12	
8	13348	HHCS, M10-1.5 X 25MM LG, ZP	4	
9	16006	PIVOT ARM	1	
11	16129	CONTROL ARM, LH	1	
12	12412	ROD END PIVOT ASS'Y - FEMALE/MALE	2	
13	13932	ROD END - MALE/MALE	3	
16	16114	TITAN PITCH CONTROL ASSEMBLY	2	
19	16021	LH GEARBOX ASSEMBLY	1	

TITAN, 88 STEERING: 16814 RIGHT HAND SIDE

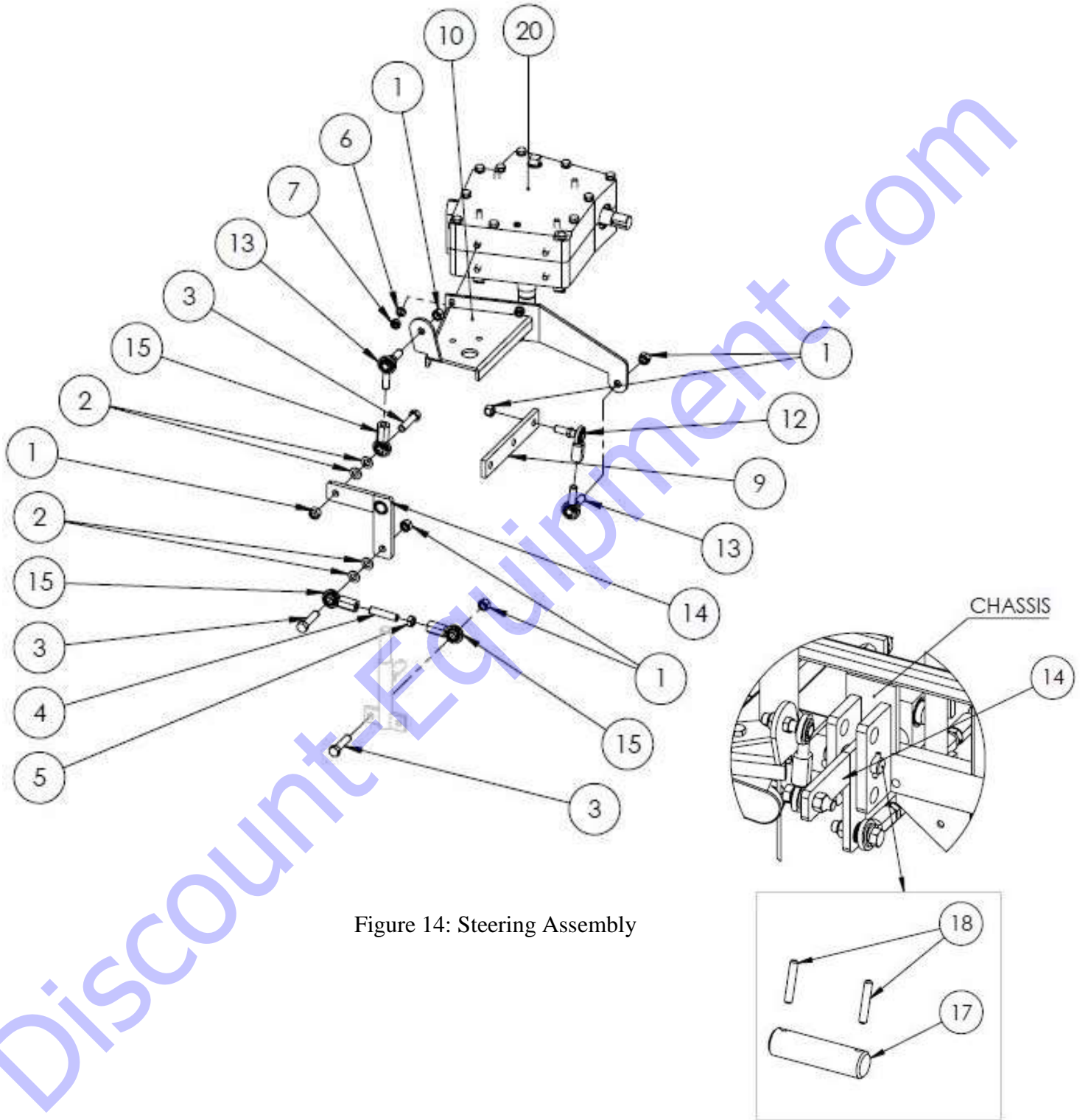


Figure 14: Steering Assembly

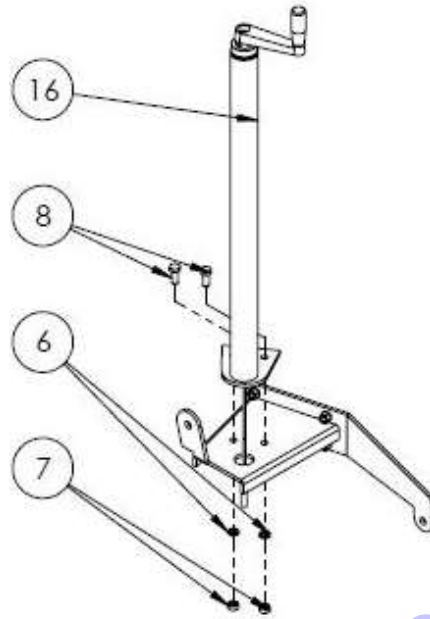


Figure 15: Steering Assembly

TITAN, 88 STEERING: 16814 RIGHT HAND SIDE – PARTS LIST 7

Item #	Part #	Description	QTY	Remarks
1	12517	NYLOCK NUT, 1/2-20UNF	4	
2	12930	WASHER, FLAT, 7/16" DIA, ZP	2	
3	981260	HEX BOLT, 1/2-13 UNC x 2 LG	3	
4	12969	THREADED ROD 1/2-20 x 2-1/4"LG	1	
5	12592	HEX JAM NUT 1/2-20UNF	1	
6	11621	LOCKWASHER, M10	6	
7	11622	HEX NUT, M10-1.5	6	
8	13348	HHCS, M10-1.5 X 25MM LG, ZP	2	
9	16006	PIVOT ARM	1	
10	16130	CONTROL ARM, RH	1	
12	12412	ROD END PIVOT ASS'Y - FEMALE/MALE	1	
13	13932	ROD END - MALE/MALE	2	
14	16121	STEERING PIVOT	1	
15	12420	ROD END PIVOT ASS'Y - FEMALE	3	
16	16114	TITAN PITCH CONTROL ASSEMBLY	2	
17	16123	LEVER PIN	1	
18	10696	SPRING PIN, 5MM x 30 LG	2	
20	16020	RH GEARBOX ASSEMBLY	1	

PARTS LIST 8 – RIDE-ON TROWELS

PITCH CONTROL ASSEMBLY: 16114

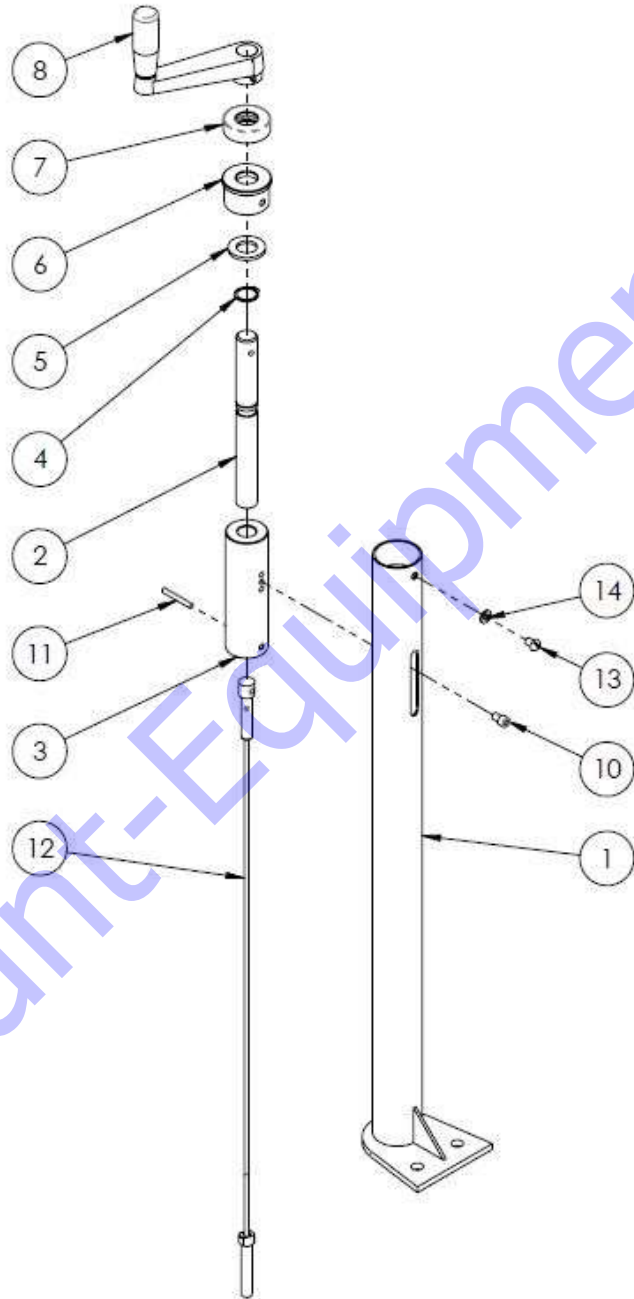


Figure 16: Pitch Control Assembly

PITCH CONTROL ASSEMBLY: 16114 – PARTS LIST 8

Item #	Part #	Description	QTY	Remarks
1	14333	PITCH CONTROL TUBE	1	
2	10303	SCREW SHAFT	1	
3	10308	THREADED SLIDE BUSHING	1	
4	10307	RETAINER	1	
5	10306	WASHER 3/4"DIA	1	
6	10305	SCREW SHAFT	1	
7	10304	BEARING	1	
8	12893	CRANK HANDLE ASS'M	1	
9	10315	PIN 3/16"DIA x 1-1/4"LG	1	
10	10510	SHCS, 1/4"-20UNCx3/8"LG	1	
11	10309	SPRING PIN 3/16"DIA x 1-1/2"LG	1	
12	22539	PITCH CONTROL CABLE	1	
13	10511	RHMS 1/4-20 x 3/8"LG SLOTTED	1	
14	10521	LOCKWASHER, 1/4"	1	

Discount-Equipment.com

PARTS LIST 9 – RIDE-ON TROWELS

TITAN 88, DRIVETRAIN: 16815

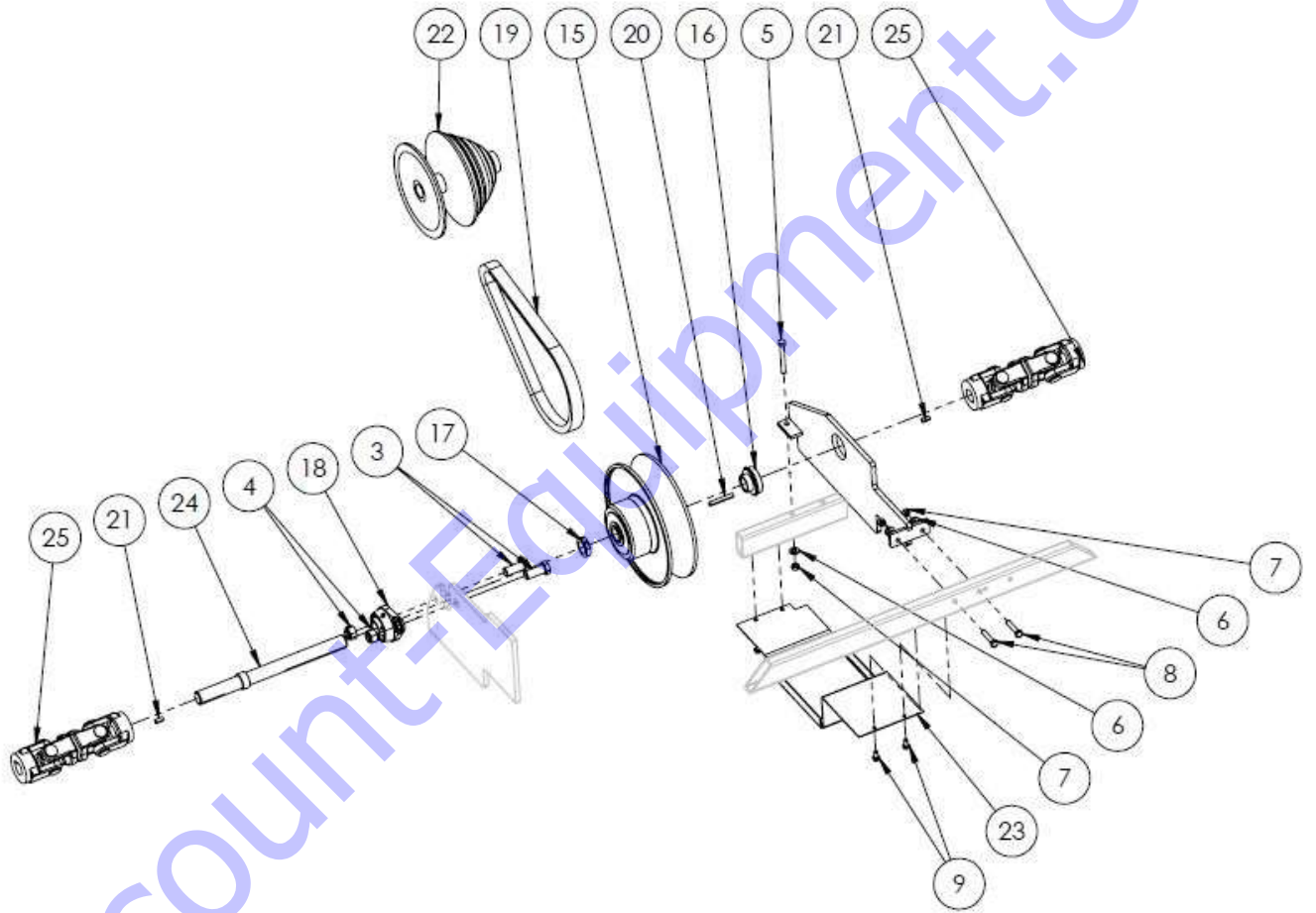


Figure 17: Drivetrain Assembly

TITAN 88, DRIVETRAIN: 16815 – PARTS LIST 9

Item #	Part #	Description	QTY	Remarks
3	16148	HHCS, M16-1.5 X 40MM LG	2	
4	16147	LOCK NUT, M16-1.5, ZP	2	
5	11745	HHCS, M8-1.25 X 55MM LG, ZP	1	
6	11614	LOCK WASHER, M8, ZP	3	
7	11615	NUT, HEX, M8-1.25, ZP	3	
8	10452	HHCS M8 X 40MM	2	
9	14596	HWHS 1/4-20 X 1/2"LG THREAD CUTTING	4	
15	14724	DRIVEN PULLEY	1	
16	16105	BEARING	1	
17	16111	SHAFT COLLAR	1	
18	12453	FLANGE BEARING	1	
19	14879	V-BELT BX36	1	
20	11003	KEY 1/4" SQ X 2"LG	1	
21	16149	KEY 1/4" SQ X 5/8"LG	2	
22	14704	CVT DRIVE CLUTCH	1	
23	16141	CVT SPLASH GUARD SMALL	1	
24	16118	TITAN 88 SHAFT	1	
25	13767	U-JOINT DRIVE COUPLING	2	

Discount-Equipment.com

PARTS LIST 10 – RIDE-ON TROWELS

DRIVETRAIN ASSEMBLY DRAWING: 16800

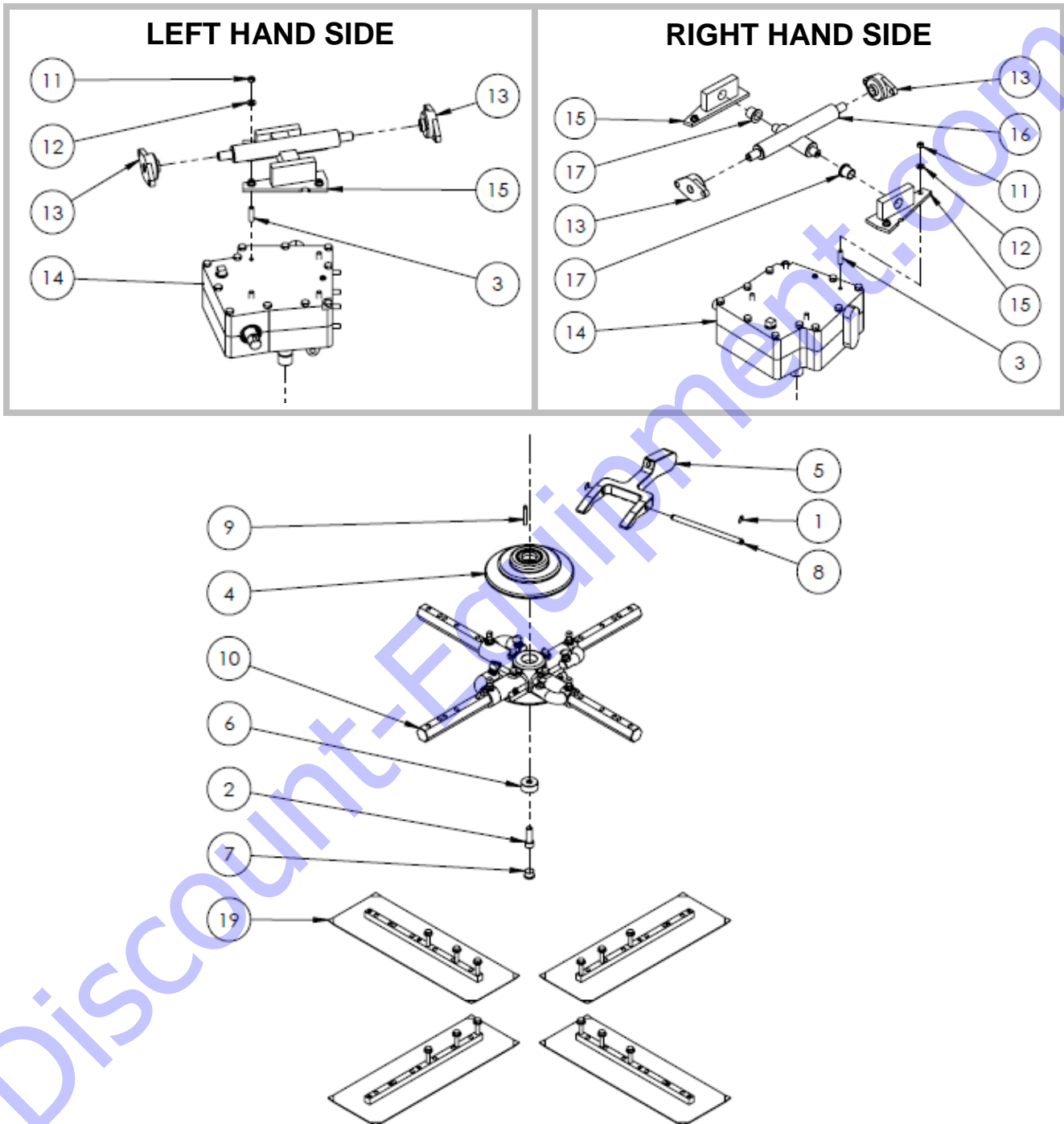


Figure 18: Drivetrain Assembly

DRIVETRAIN ASSEMBLY: 16800 – PARTS LIST 10

Item #	Part #	Description	QTY	Remarks
1	10913	RETAINING RING 7/16"DIA SHAFT	2	
2	10809	SHCS 1/2"-13, 1.5" LG	1	
3	11389	M10x1.5x37MM STUD	8	
4	20626	PRESSURE PLATE ASSEMBLY LG	1	
5	10311	YOKE ARM LARGE	1	
6	10804	SPIDER PLATE RETAINING WASHER (LARGE)	1	
7	10823	CAP PLUG	1	
8	10914	YOKE ARM PIN	1	
9	22800	SPIDER ROUND END KEY	1	
10	16017	LH 4-BLADE SPIDER PLATE ASSEMBLY	1	
	16016	RH 4-BLADE SPIDER PLATE ASSEMBLY	1	
11	11622	NUT, HEX, M10-1.25, ZP	4	
12	11621	LOCK WASHER, M10, ZP	4	
13	13570	FLANGE BEARING	2	
14	16021	LH TITAN GEARBOX ASS'M	1	
	16020	RH TITAN GEARBOX ASS'M	1	
15	16009	LH GEARBOX MOUNTING BRACKET	1	
	16007	RH GEARBOX MOUNTING BRACKET	2	
16	16008	RIGHT MOUNTING BRKT ASSY	1	
17	12593	FLANGED BUSHING	2	
19	20662	BLADE KIT, FINISH	1	
	20663	BLADE KIT, COMBO	1	

DiscountParts.com

PARTS LIST 11 – RIDE-ON TROWELS

GEARBOX ASSEMBLY: 16020 and 16021
16021 Shown

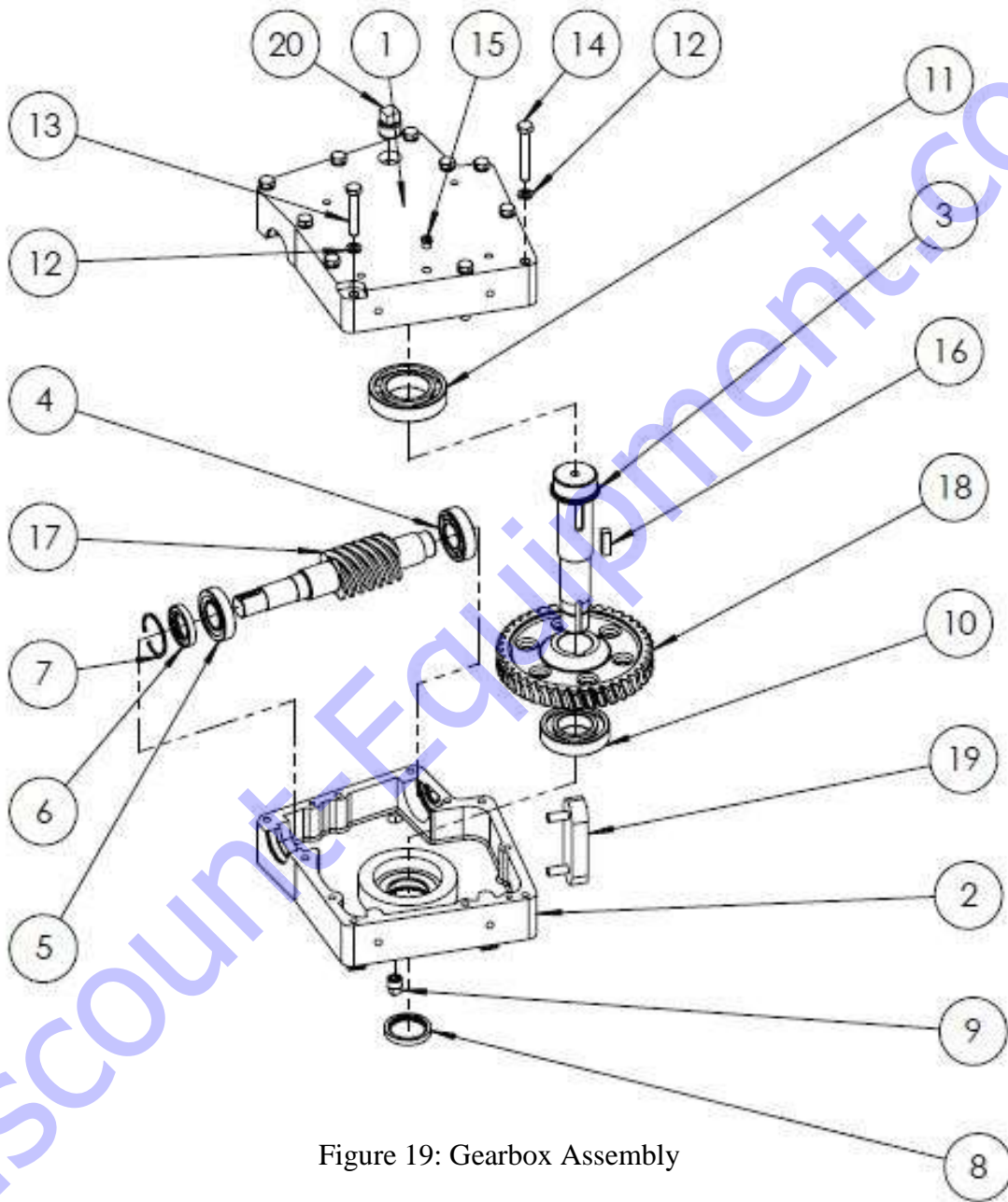


Figure 19: Gearbox Assembly

GEARBOX ASSEMBLY: 16021 and 16020 – PARTS LIST 11

Item #	Left Side 16021	Right Side 16020	Description	QTY	Remarks
1	16022	16024	GEARBOX - TOP	1	
2	16023	16025	GEARBOX - BOTTOM	1	
3	16026		MAIN SHAFT	1	
4	13911		WORMSHAFT BEARING	1	
5	13509		TAPER ROLLER BEARING	1	
6	13912		OIL SEAL	1	
7	13913		INTERNAL RETAINING CLIP	1	
8	13967		MAIN SEAL - GEARBOX	1	
9	10911		PLUG 3/8 NPT	1	
10	13910		MAINSHAFT BEARING - BOTTOM	1	
11	13909		MAINSHAFT BEARING - TOP	1	
12	11621		LOCKWASHER 10MM	11	
13	13350		HHCS, M10-1.5 X 60MM LG, ZP	1	
14	13349		HHCS, M10-1.5 X 70MM LG, ZP	10	
15	10909		RELIEF VALVE	1	
16	13919		3/8" SQ, KEY 1.25" LG	1	
17	16028	16030	WORM SCREW	1	
18	16027	16029	WORM WHEEL	1	
19	16144		LEVEL INDICATOR	1	
20	16143		3/4" NPT Plug	1	

Discount-Engineer.com

PARTS LIST 12 – RIDE-ON TROWELS

SPIDER PLATE ASSEMBLY: 16016 and 16017
16017 Assembly Shown

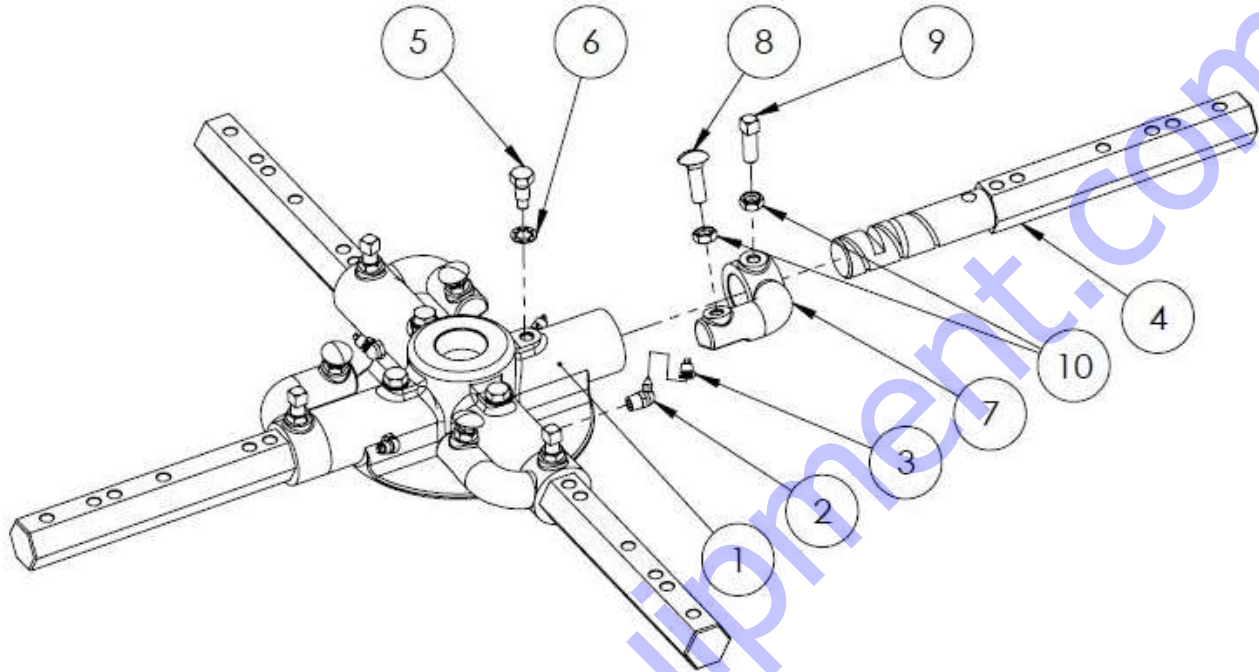


Figure 20: Spider Plate Assembly

SPIDER PLATE ASSEMBLY (GREASE): 16016 and 16017 – PARTS LIST 12

Item #	Left Side, CW 16016	Right Side, CCW 16017	Description	QTY	Remarks
1	14159	14160	4 SPOKE SPIDER PLATE	1	
2		10801	GREASE FITTING, 65 DEG, 1/8 NPT	4	
3		10822	CAP GREASE, NIPPLE, 1/8 ALEMITE	4	
4		16015	TITAN SPIDER ARM	4	
5		10806	3/8-UNC DOG POINT BOLT	4	
6		10805	LOCKWASHER, INT. STAR 3/8 STEEL	4	
7	14162	14163	LIFT LEVER	4	
8		10807	CARRIAGE BOLT, 3/8-16x1 1/4"LG	4	
9		10809	SHSS, 3/8-16 x 1" LG. STEEL	4	
10		10808	HEX JAM NUT 3/8-16 UNC	8	

PARTS LIST 13 – RIDE-ON TROWELS

PRESSURE PLATE ASSEMBLY: 20626

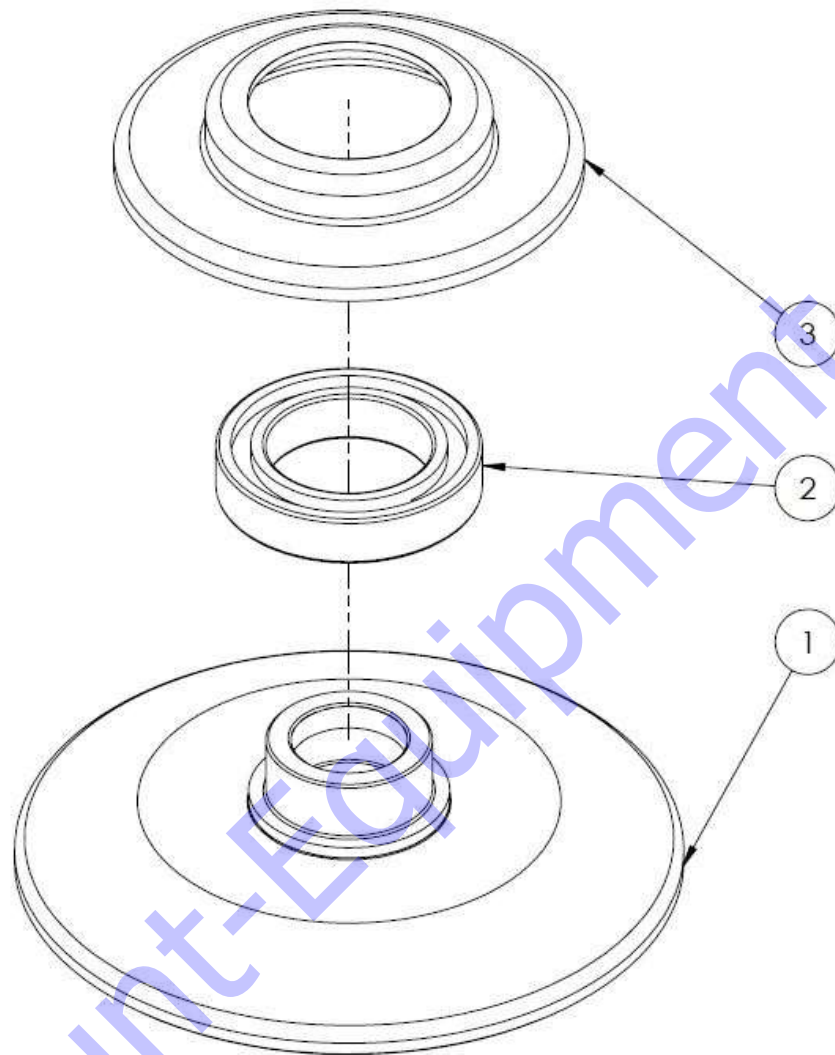


Figure 21: Pressure Plate Assembly

PRESSURE PLATE ASSEMBLY: 20626 – PARTS LIST 13

Item #	Part #	Description	QTY	Remarks
1	10659	LARGE PRESSURE PLATE	1	
2	10663	LARGE THRUST BEARING	1	
3	10667	LARGE PRESSURE PLATE CAP	1	

PARTS LIST 14 – RIDE-ON TROWELS

TROWEL BLADE ASSEMBLY: BRT88

Finish Blades Shown

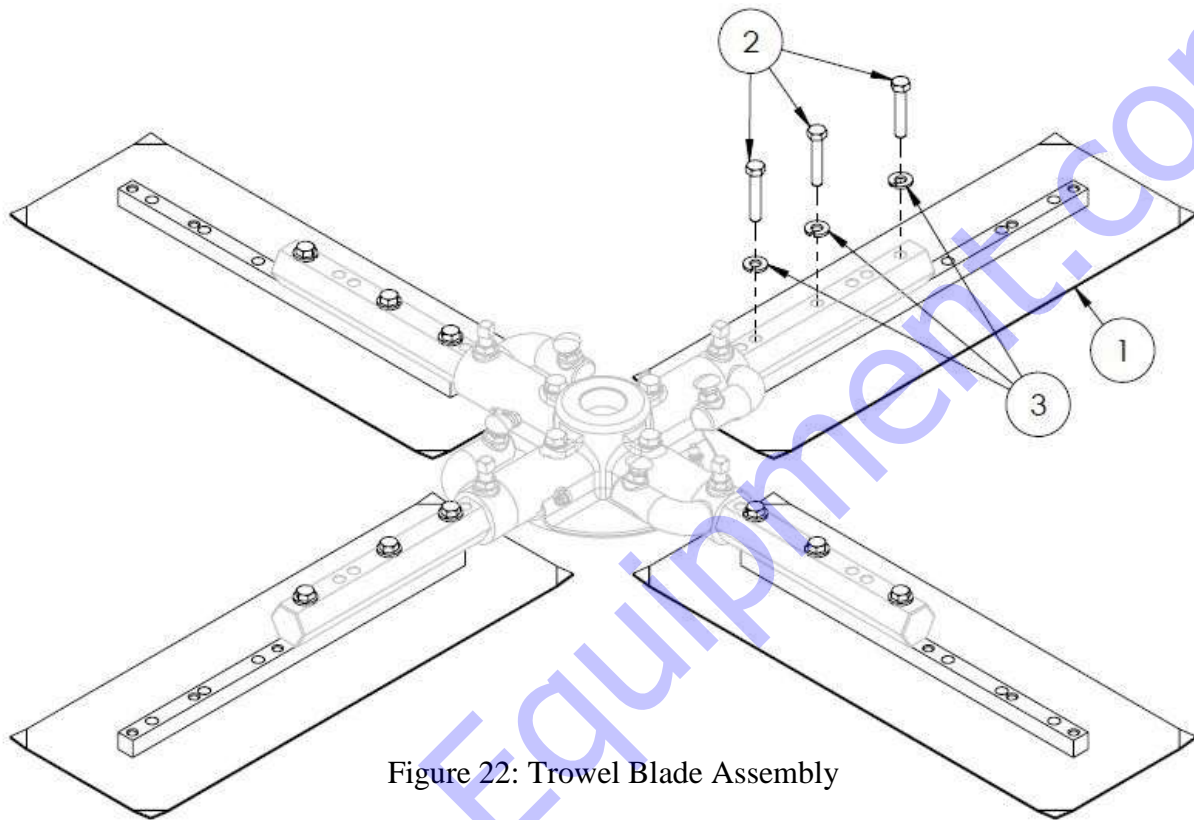


Figure 22: Trowel Blade Assembly

TROWEL BLADE ASSEMBLY: BRT88 (6x18 Finish – 4 Blades) METRIC – PARTS LIST 14

Item #	Part #	Description	QTY	Remarks
1	20662	6X18 METRIC TROWEL BLADE	4	
2	10453	HHCS M8-1.25 X 50MM	8	
3	11614	LOCK WASHER 8MM	8	

TROWEL BLADE ASSEMBLY: BRT88 (8x18 Combo – 4 Blades) – PARTS LIST 14

Item #	Part #	Description	QTY	Remarks
1	20664	6x18 METRIC COMBO BLADE	4	
2	10401	HHCS 5/16-18 x 1-1/2" LG, GRADE 5	8	
3	10402	LOCK WASHER Ø5/16"	8	

PARTS LIST 15 – RIDE-ON TROWELS

WEIGHT PACKAGE (OPTION): 16091

*Can hold up to 12 weights

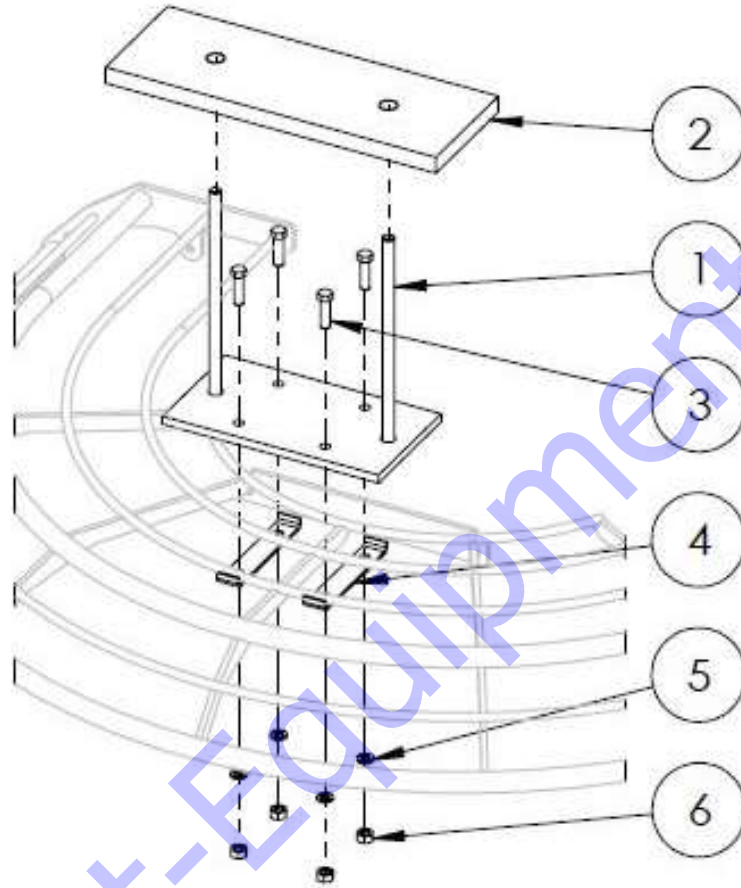


Figure 23: Weight Package Assembly

WEIGHT PACKAGE (OPTION): 16091 – PARTS LIST 15

Item #	Part #	Description	QTY	Remarks
1	16077	WEIGHT HOLDER	1	
2	16078	WEIGHT 18LB EACH	12	
3	10889	HHCS, M10-1.5 X 30MM LG.	4	
4	16138	BRACKET	2	
5	11621	LOCKWASHER 10MM	4	
6	11622	HEX NUT, M10-1.5	4	

PARTS LIST 16 – RIDE-ON TROWELS

RETARDANT SPRAYER (OPTION): 16099

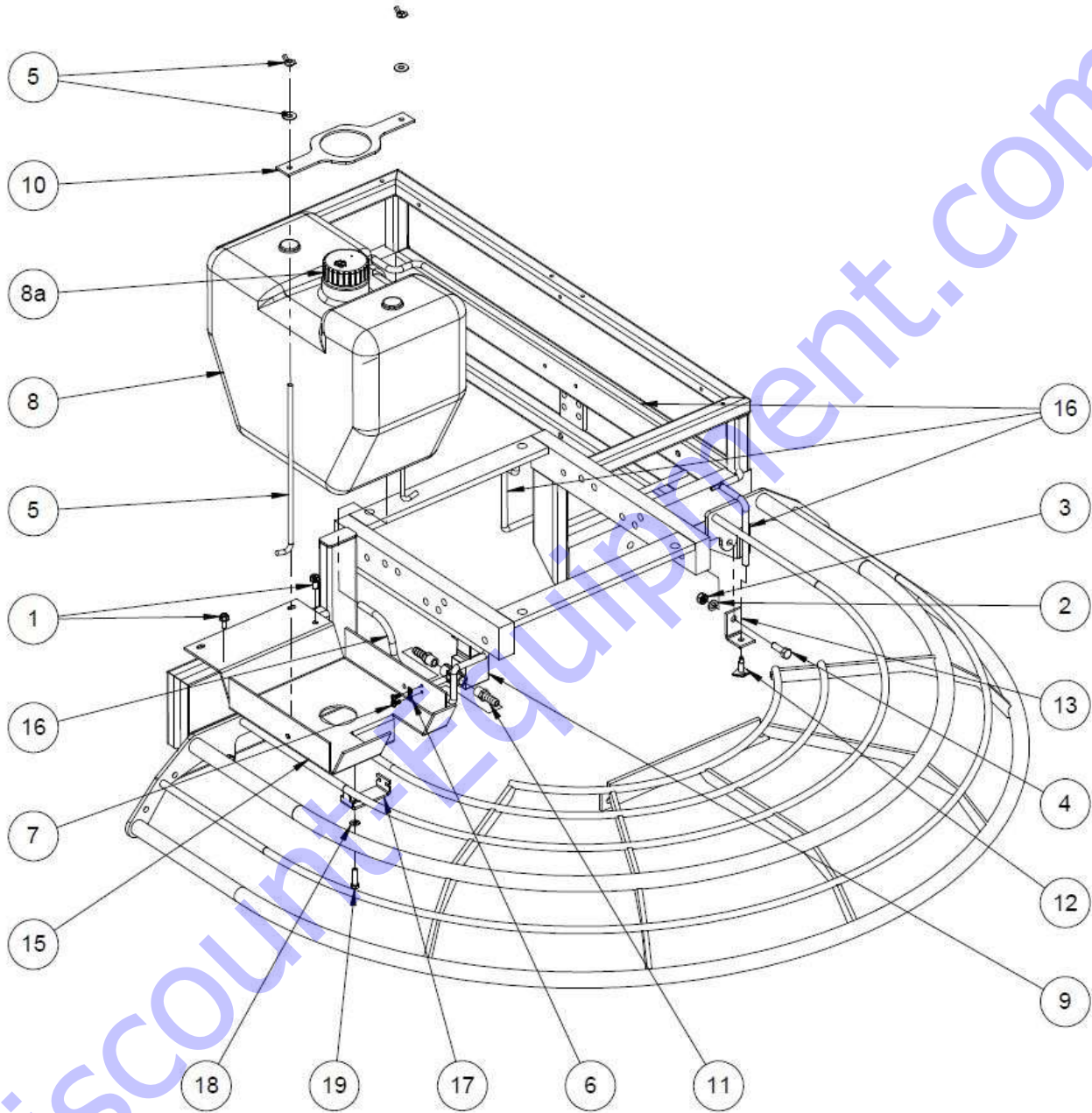


Figure 24: Retardant Sprayer Assembly

RETARDANT SPRAYER (OPTION): 16099 – PARTS LIST 16

Item #	Part #	Description	QTY	Remarks
1	14596	HWHS 1/4-20 x 1/2"LG THREAD CUTTING	2	
2	11614	LOCK WASHER, M8, ZP	1	
3	11615	NUT, HEX, M8-1.25	1	
4	11619	HHCS, M8-1.25 X 25MM LG	1	
5	13839	HOLD DOWN BOLT w/ WING NUT, WASHER	1	
6	10703	LOCK WASHER, INTERNAL TOOTH, #10	2	
7	11035	PHMS M4-0.7 X 8MM LG	2	
8	18133	SPRAY SYS TANK, ASSEMBLY	1	
8a	18140	SPRAY SYS TANK CAP	1	
9	14234	SOLENOID w/VALVE, 12VDC	1	
10	16155	WATER TANK HOLD DOWN BAR	1	
11	14696	BRASS FITTING - HOSE BARB	2	
12	14179	SPRAY NOZZLE	2	
13	16137	SPRAY NOZZLE BRACKET	2	
14	18143	TEE, 3/16"	1	
15	16124	RETARDANT TANK HOLDER	1	
16		RETARDANT HOSES		
17	16124-3	WATER TANK HOLDER BRACKET	1	
18	11620	LOCKWASHER, M6	1	
19	30281	HHCS, M6-1.0x25MM, ZP	1	

DiscountElement.com

PARTS LIST 17 – RIDE-ON TROWELS

TRANSPORTER (OPTION): 16083

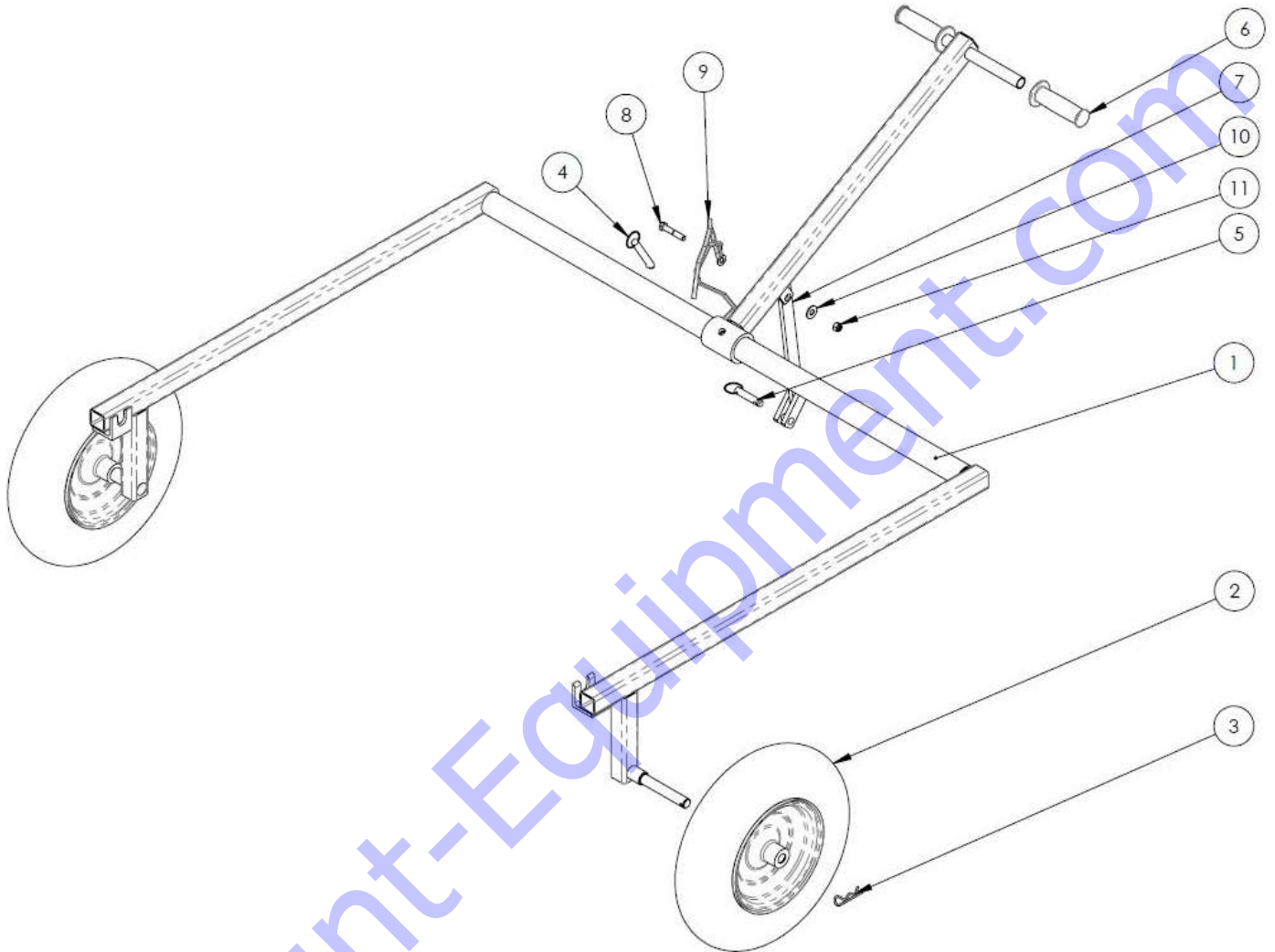


Figure 24: Retardant Sprayer Assembly

TRANSPORTER: 16083 (OPTION) – PARTS LIST 17

Item #	Part #	Description	QTY	Remarks
1	22524	TRANSPORTER FRAME ASSEMBLY	1	
2	13198	WHEEL, PNEUMATIC, TRANSPORTER	2	
3	50265	COTTER PIN 1/8"DIA	2	
4	12487	HITCH PIN LARGE 3-1/2"LG	1	
5	12488	HITCH PIN LARGE 2-1/2"LG	1	
6	10509	HANDLE GRIP	2	
7	16094	TITAN96/88 TRANSPORTER PICKUP BAR	1	
8	12859	HHCS 3/8-16 UNC x 2"LG	1	
9	12860	CHAIN LINK WITH 3/8" WASHER	1	
10	10905	USS FLAT WASHER, 3/8 DIA.	1	
11	10317	3/8-16UNC LOCKNUT, NYLON	1	

Discount-Equipment.com

Discount Equipment

Discount-Equipment.com is your online resource for commercial and industrial quality parts and equipment sales.

Locations:

Florida (West Palm Beach): [561-964-4949](tel:561-964-4949)

Outside Florida TOLL FREE: [877-690-3101](tel:877-690-3101)

Need parts? Check out our website at www.discount-equipment.com

Can't find what you need?

Click on this link: <http://www.discount-equipment.com/category/5443-parts/> and fill out the request form.

Please have the machine model and serial number available in order to help us get you the correct parts. One of our experienced staff members will get back to you with a quote for the right part that your machine needs.

We sell worldwide for the brands: Genie, Terex, JLG, MultiQuip, Mayco, Toro/Stone, Diamond Products, Magnum, Airman, Mustang, Power Blanket, Nifty Lift, Atlas Copco, Chicago Pneumatic, Allmand Brothers, Essick, Miller Spreader, Skyjack, Lull, Skytrak, Tsurumi, Husquvarna/Target, Whiteman-Concrete/Mortar, Stow-Concrete/Mortar, Baldor, Wacker, Sakai, Snorkel, Upright, Mi-T-M, Sullair, Neal, Basic, Dynapac, MBW, Weber, Bartell, Bennar Newman, Haulotte, Ditch Runner, Blaw-Knox, Himoina, Best, Buddy, Crown, Edco, Wyco, Bomag, Laymor, Terremite, Barreto, EZ Trench, Takeuchi, Basic, Bil-Jax, Curtis, Gehl, Heli, Honda, ICS/PowerGrit, Puckett, Waldon, ASV, IHI, Partner, Imer, Clipper, MMD, Koshin, Rice, Gorman Rupp, CH&E, Cat Pumps, Comet, General Pump, Giant, AMida, Coleman, NAC, Gradall, Square Shooter, Kent, Stanley, Tamco, Toku, Hatz, Kohler, Robin, Wisconsin, Northrock, Oztec, Toker TK, Rol-Air, Small Line, Wanco, Yanmar

New Equipment - Used Equipment - Rental Equipment - Parts and Accessories

Discount Equipment

www.discount-equipment.com

561-964-4949

Sales: info@Discount-Equipment.com

Parts: wbparts@Discount-Equipment.com