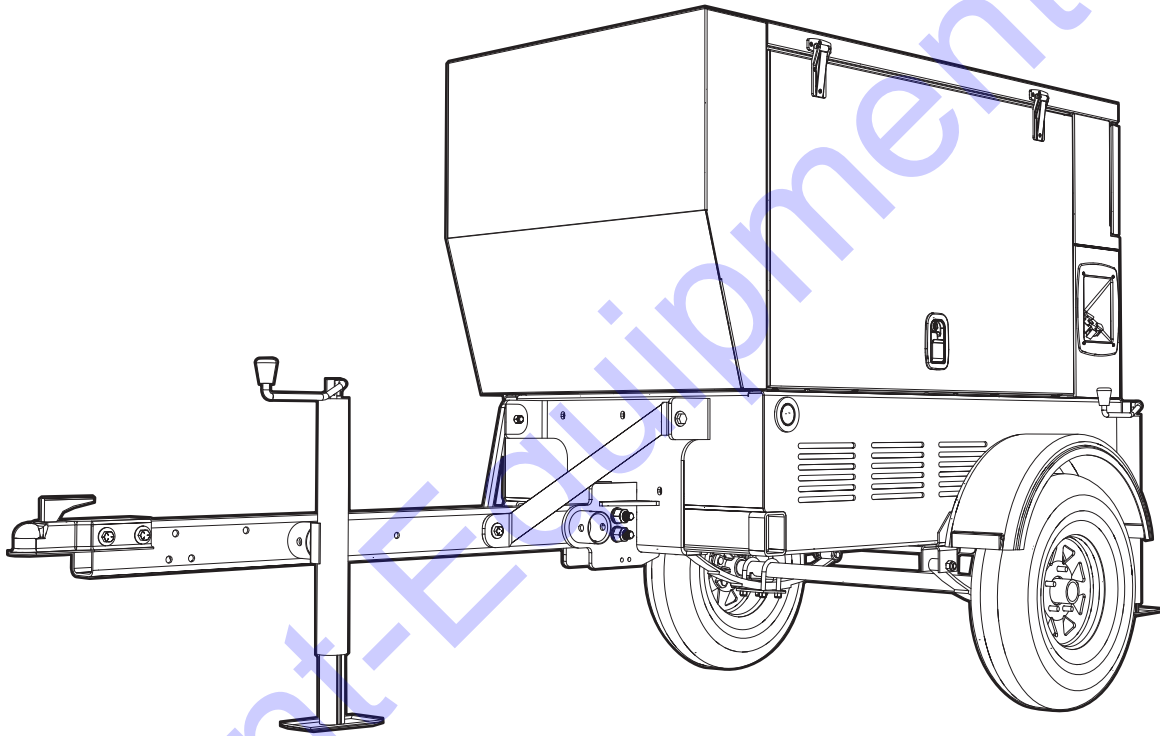


MDG25IF4

Diesel Generator Parts Manual



02527

MODEL NUMBER: _____

SERIAL NUMBER: _____

DATE PURCHASED: _____



www.discount-equipment.com

SAVE THIS MANUAL FOR FUTURE REFERENCE

Discount Equipment

Discount-Equipment.com is your online resource for commercial and industrial quality parts and equipment sales.

Locations:

Florida (West Palm Beach): [561-964-4949](tel:561-964-4949)

Outside Florida TOLL FREE: [877-690-3101](tel:877-690-3101)

Need parts? Check out our website at www.discount-equipment.com

Can't find what you need?

Click on this link: <http://www.discount-equipment.com/category/5443-parts/> and fill out the request form.

Please have the machine model and serial number available in order to help us get you the correct parts. One of our experienced staff members will get back to you with a quote for the right part that your machine needs.

We sell worldwide for the brands: Genie, Terex, JLG, MultiQuip, Mayco, Toro/Stone, Diamond Products, Magnum, Airman, Mustang, Power Blanket, Nifty Lift, Atlas Copco, Chicago Pneumatic, Allmand Brothers, Essick, Miller Spreader, Skyjack, Lull, Skytrak, Tsurumi, Husquvarna/Target, Whiteman-Concrete/Mortar, Stow-Concrete/Mortar, Baldor, Wacker, Sakai, Snorkel, Upright, Mi-T-M, Sullair, Neal, Basic, Dynapac, MBW, Weber, Bartell, Bennar Newman, Haulotte, Ditch Runner, Blaw-Knox, Himoina, Best, Buddy, Crown, Edco, Wyco, Bomag, Laymor, Terremite, Barreto, EZ Trench, Takeuchi, Basic, Bil-Jax, Curtis, Gehl, Heli, Honda, ICS/PowerGrit, Puckett, Waldon, ASV, IHI, Partner, Imer, Clipper, MMD, Koshin, Rice, Gorman Rupp, CH&E, Cat Pumps, Comet, General Pump, Giant, AMida, Coleman, NAC, Gradall, Square Shooter, Kent, Stanley, Tamco, Toku, Hatz, Kohler, Robin, Wisconsin, Northrock, Oztec, Toker TK, Rol-Air, Small Line, Wanco, Yanmar

New Equipment - Used Equipment - Rental Equipment - Parts and Accessories

Discount Equipment

www.discount-equipment.com

561-964-4949

Parts: wbparts@Discount-Equipment.com

Sales: info@Discount-Equipment.com

 **WARNING**

Breathing diesel engine exhaust exposes you to chemicals known to the State of California to cause cancer and birth defects or other reproductive harm.

- Always start and operate the engine in a well-ventilated area.
- If in an enclosed area, vent the exhaust to the outside.
- Do not modify or tamper with the exhaust system.
- Do not idle the engine except as necessary.

For more information go to

www.P65Warnings.ca.gov/diesel. (000394)

Introduction

This parts manual was prepared based on the information available at the time of publication and is subject to change without notice. Generac Mobile Products reserves the right to change parts at any time. To check whether a revised parts manual is available, contact Generac Mobile Products.

DO NOT MODIFY or use this equipment for any application other than which it was designed for. To keep your equipment fully operational, it is suggested you maintain a stock of commonly used maintenance or service parts. A recommended spare parts list can be found in the back of this manual.



⚠ WARNING

Consult Manual. Read and understand manual completely before using product. Failure to completely understand manual and product could result in death or serious injury. (000100a)

⚠ WARNING

Environmental Hazard. Always recycle batteries at an official recycling center in accordance with all local laws and regulations. Failure to do so could result in environmental damage, death or serious injury. (000228)

Engine Make: _____

Engine Serial Number: _____

Engine Model Number: _____

Table of Contents

Introduction	iii
Parts Manual Instructions	1
Unit Decals - Exterior	2
Unit Decals - Exterior	3
Unit Decals - Interior	4
Unit Decals - Electrical Boxes	6
Enclosure Panels	8
Doors, Roof, And Front Enclosure To Unit	10
Left Side Door Assembly	12
Right Side Door Assembly	14
Electrical Boxes To Unit	16
AC Box Assembly (2 of 2)	18
AC Box Assembly (1 of 2)	20
Lug Box Assembly	22
Bottom Rear Box Assembly	24
Receptacle Panel Assembly	26
Control Box Assembly	28
Control Door Assembly	30
Lift Structure To Skid Assembly	32
Cooling System Assembly	34
Engine And Generator To Skid Assembly	36
Engine Assembly	38
Hot Start Assembly (if equipped)	40
Generator Assembly	42
Trailer Assembly	44
Trailer, Tank and Skid Assembly	46
Trailer Brakes - Axle and Lines (if equipped)	48
Trailer Options	50
Trailer Hitch Options	52
Recommended Spare Parts - Engine and Service Kits	54
Recommended Spare Parts - Electrical and Trailer	56

Parts Manual Instructions

Products supplied may vary from the illustrations in this parts manual. Parts not shown in the illustration are indicated by a double dash (--) in the item column.

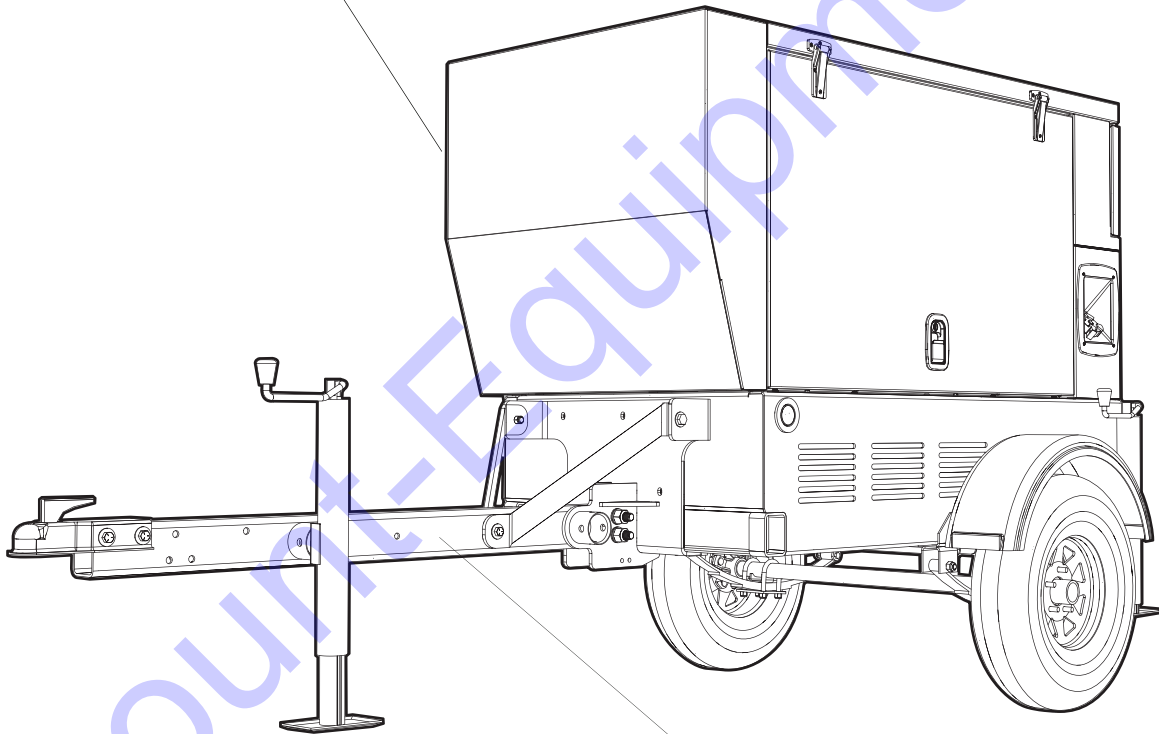
When ordering replacement parts, be prepared to provide the model number, serial number, part number, purchase order number (if required), customer ID, shipping address and desired shipping method.

Illustrated below are the unit identification tag and the VIN tag. These tags contain the model number, serial number, vehicle identification number (VIN) and tire loading information.

UNIT ID Tag

Manufactured by Magnum Power Products, LLC., a subsidiary of Generac Power Systems, Inc. (920) 361-4442 (800) 926-9768			
Country of Origin	Model	Serial Number	
Manufacturing Code	Weight (lbs/kg)	RPM/Frequency	
1 ph. 1.0PF	3 ph. .8PF	Rating	
3 ph. 1.0PF	Ins. Class		
KW	FOR ELECTRICAL EQUIPMENT ONLY FOUR SECTIONS ELECTRICAL EQUIPMENT ONLY		
KVA	Form: SFC02B		
V			
A			

Located by phase switch door



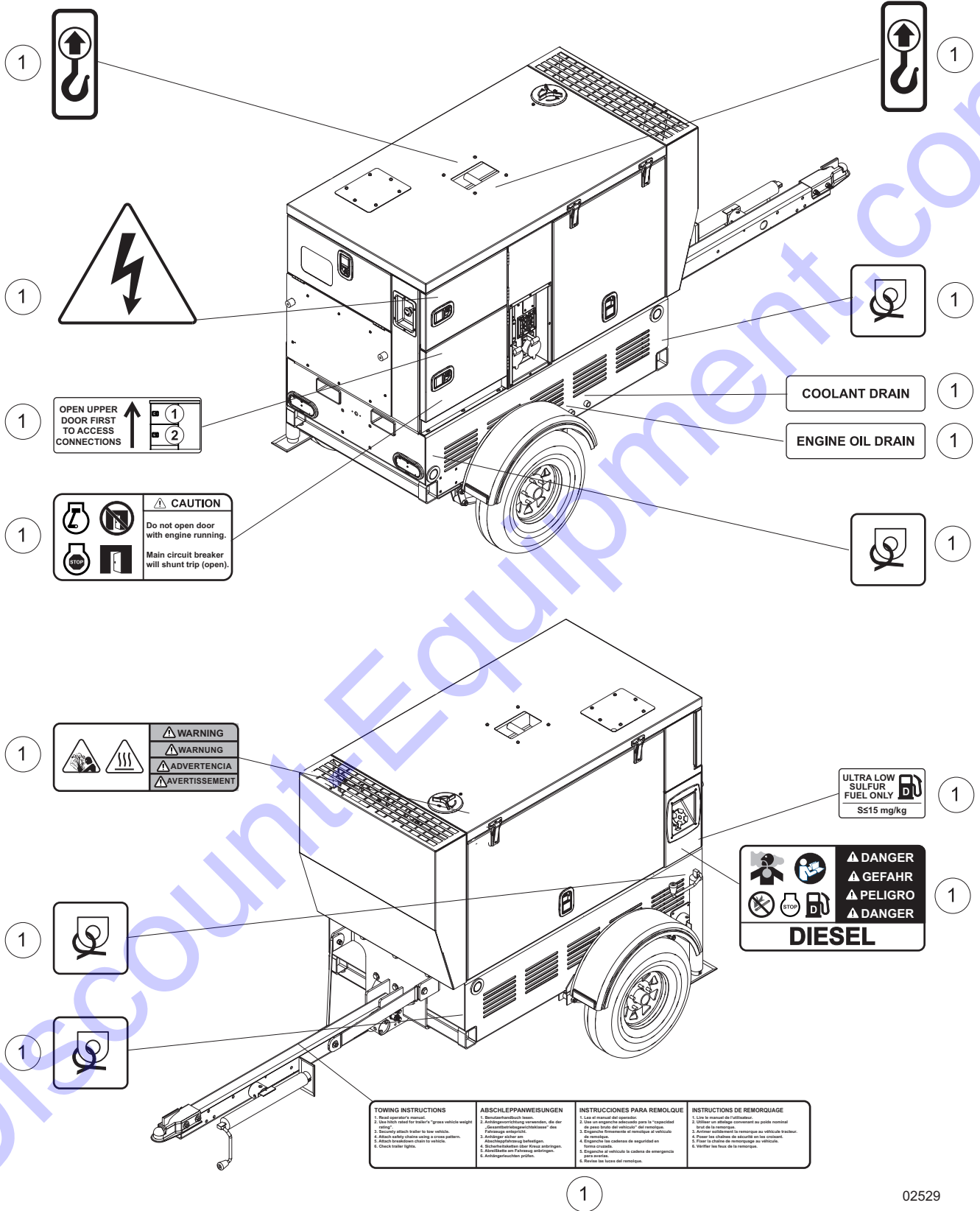
VIN Tag

MANUFACTURED BY/FABRIQUE PAR: Magnum Power Products LLC GVWR/PNBV: 000KG (0000LBS)	DATE: 00/0000 COLD INF. PRESS / PRESS. DE GONF A FROID - KPA(PSt/PC) SGL / DUAL		TIRE AND LOADING INFORMATION RENSEIGNEMENTS SUR LES PNEUS ET LE CHARGEMENT
GAWR / PNBE	TIRE / PNEU	RIM / JANTE	The weight of cargo should never exceed 0000KG (0000LBS) Le poids du chargement ne doit jamais dépasser 0000KG (0000LBS)
EACH AXLE	VIN: 0000000000000000		SEE OWNERS MANUAL FOR ADDITIONAL INFORMATION VOIR LE MANUEL DE L'USAGER POUR PLUS DE RENSEIGNEMENTS
THIS VEHICLE CONFORMS TO ALL APPLICABLE STANDARDS PRESCRIBED UNDER THE U.S. FEDERAL MOTOR VEHICLE SAFETY STANDARDS (FMVSS) AND CANADIAN MOTOR VEHICLE SAFETY REGULATIONS IN EFFECT ON THE DATE OF MANUFACTURE. CE VEHICULE EST CONFORME A TOUTES LES NORMES QUI LUI SONT APPLICABLES EN VERTU DU REGLEMENT SUR LA SECURITE DES VEHICULES AUTOMOBILES DU CANADA EN VIGUEUR A LA DATE SA FABRICATION.		MODEL: XXX000	
		TYPE: TRAILER	

Located on opposite side of trailer

02528

UNIT DECALS - EXTERIOR

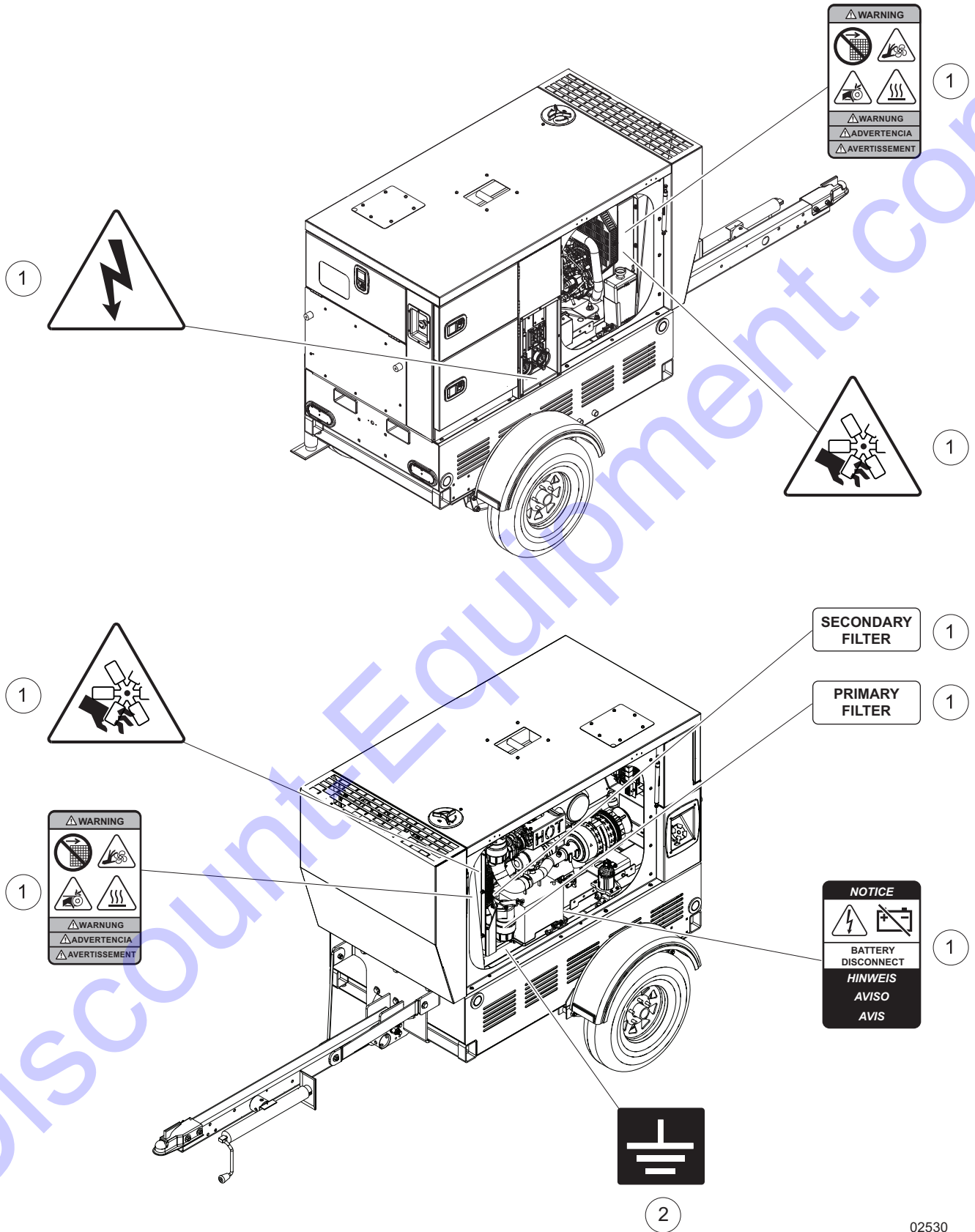


UNIT DECALS - EXTERIOR

Item	Part No.	Qty	Description	Notes
1	37695	1	Decal, safety - small F4	

Discount-Equipment.com

UNIT DECALS - INTERIOR



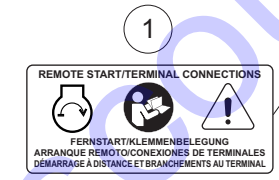
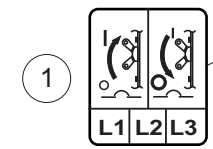
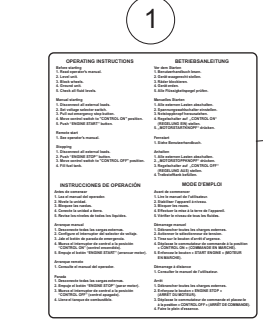
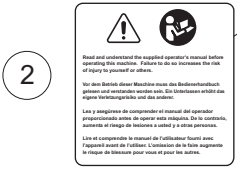
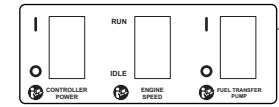
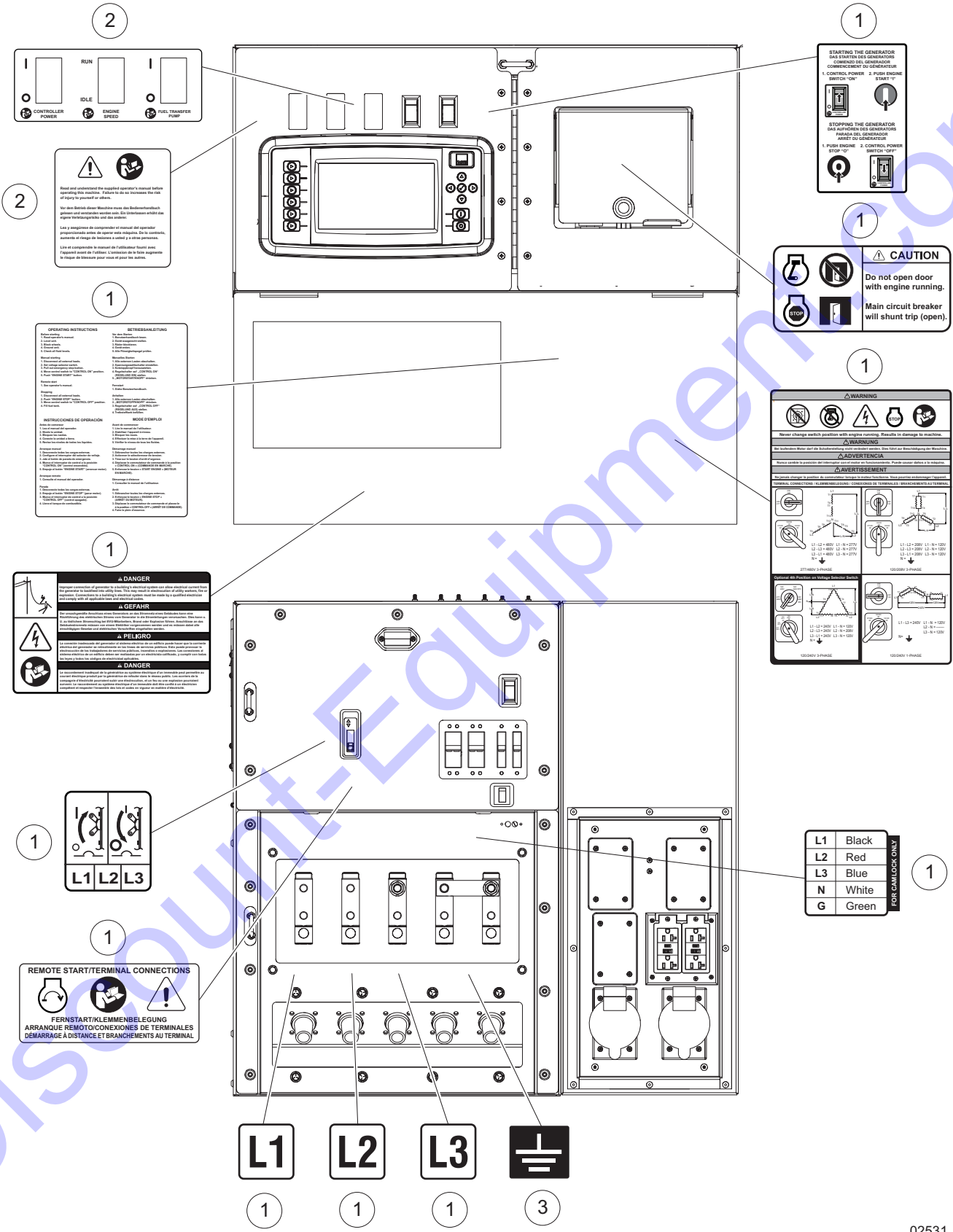
02530

UNIT DECALS - INTERIOR

Item	Part No.	Qty	Description	Notes
1	37695	1	Decal, safety - small F4	
2	12142	1	Decal, ground	

Discount-Equipment.com

UNIT DECALS - ELECTRICAL BOXES



L1	Black
L2	Red
L3	Blue
N	White
G	Green

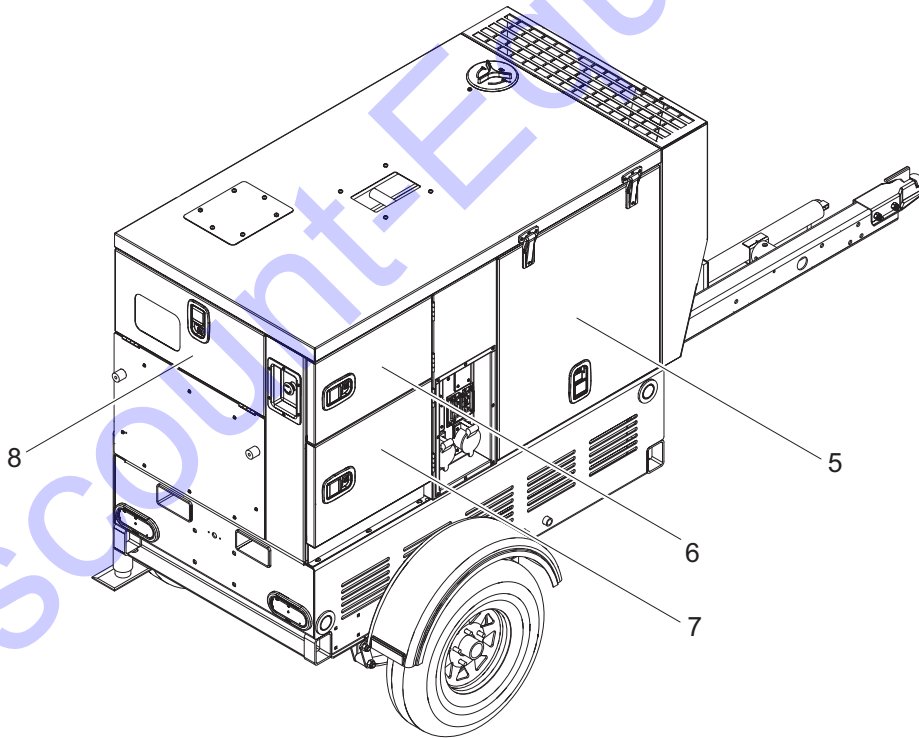
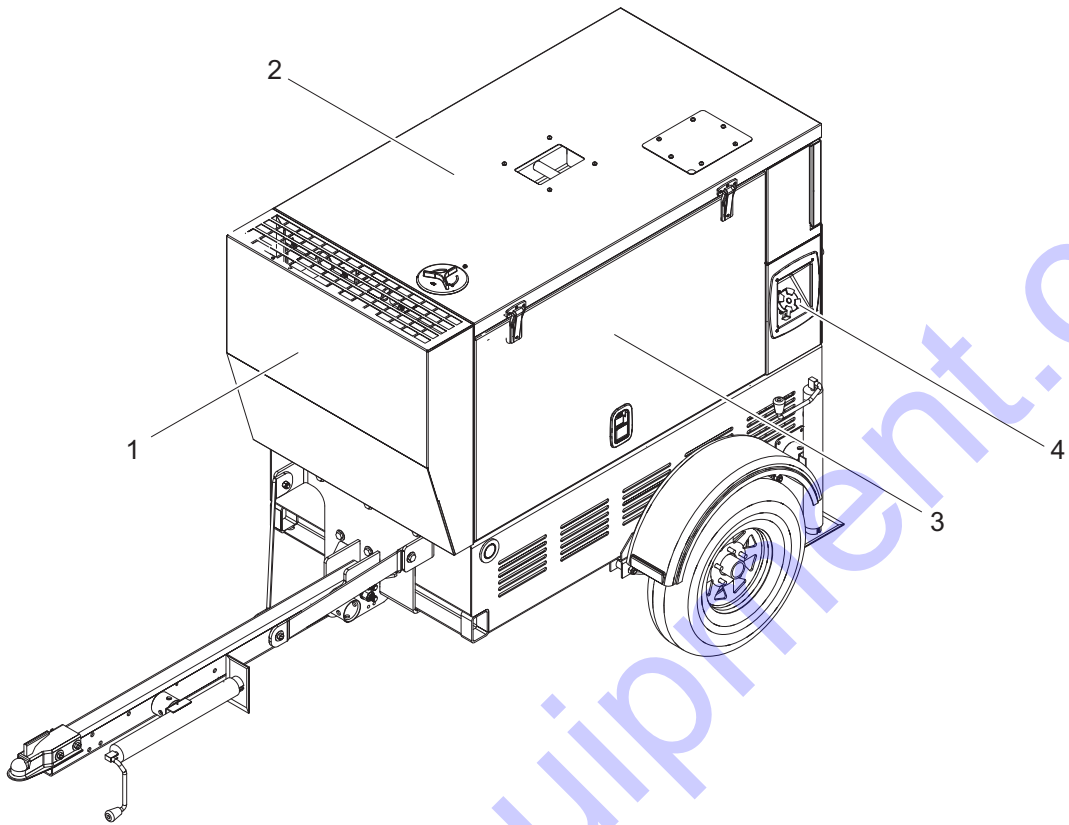
FOR CALLOUT ONLY

UNIT DECALS - ELECTRICAL BOXES

Item	Part No.	Qty	Description	Notes
1	37695	1	Decal, safety - small F4	
2	37661	1	Decal, control - small F4	
3	12142	1	Decal, ground	

Discount-Equipment.com

ENCLOSURE PANELS

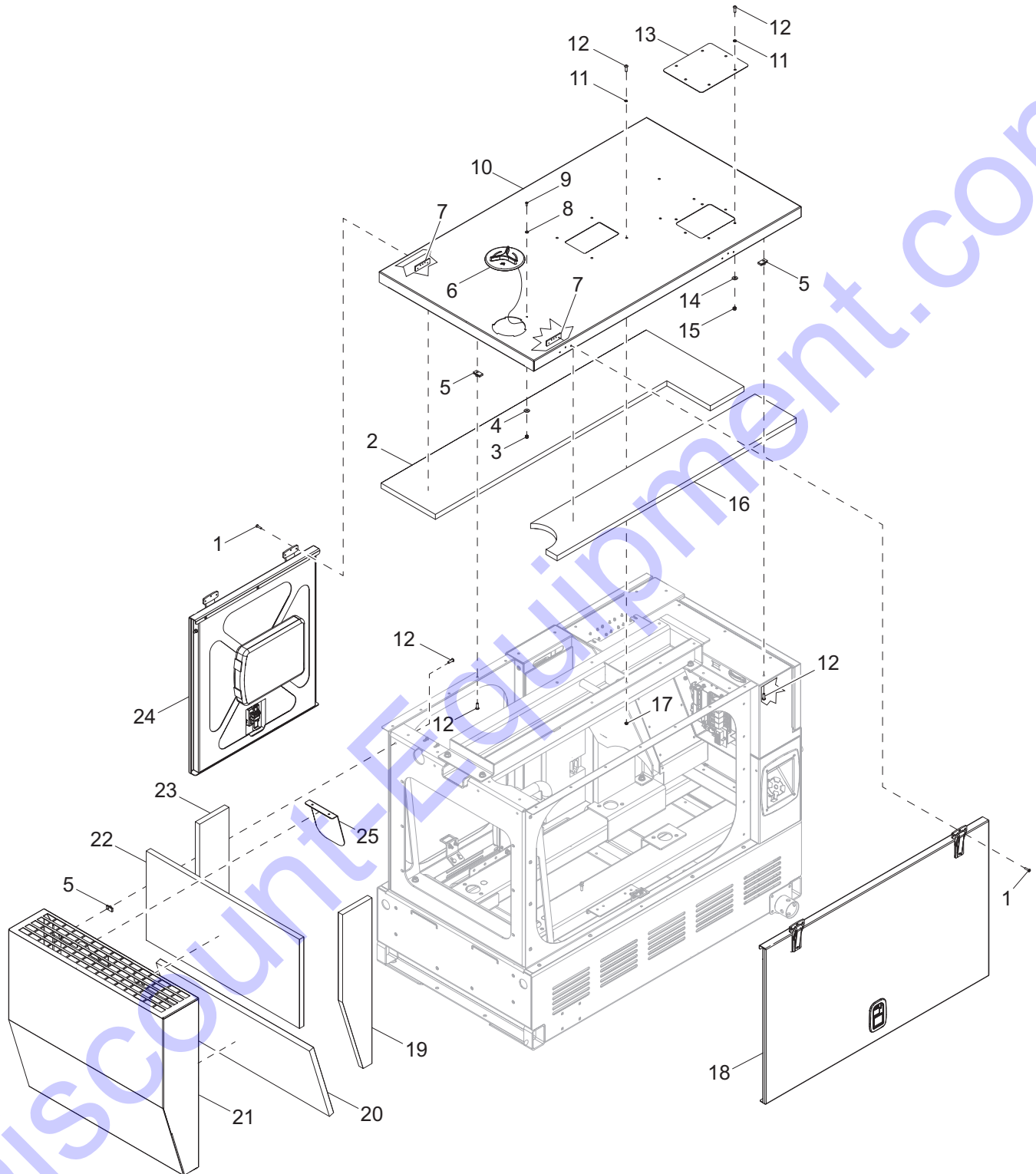


02532

ENCLOSURE PANELS

Item	Part No.	Qty	Description	Notes
1	10000021512	1	Panel, front w/vent	Page 10
2	10000021335	1	Panel, top	Page 10
3	10000032720	1	Assembly, door - left	Page 12
4	10000032695	1	Assembly, fuel fill - bottom	Page 24
5	10000032669	1	Assembly, door - right	Page 14
6	10000032717	1	Assembly, breaker door	Page 20
7	10000032730	1	Assembly, lug door	Page 22
8	10000032594	1	Assembly, control box door	Page 30

DOORS, ROOF, AND FRONT ENCLOSURE TO UNIT

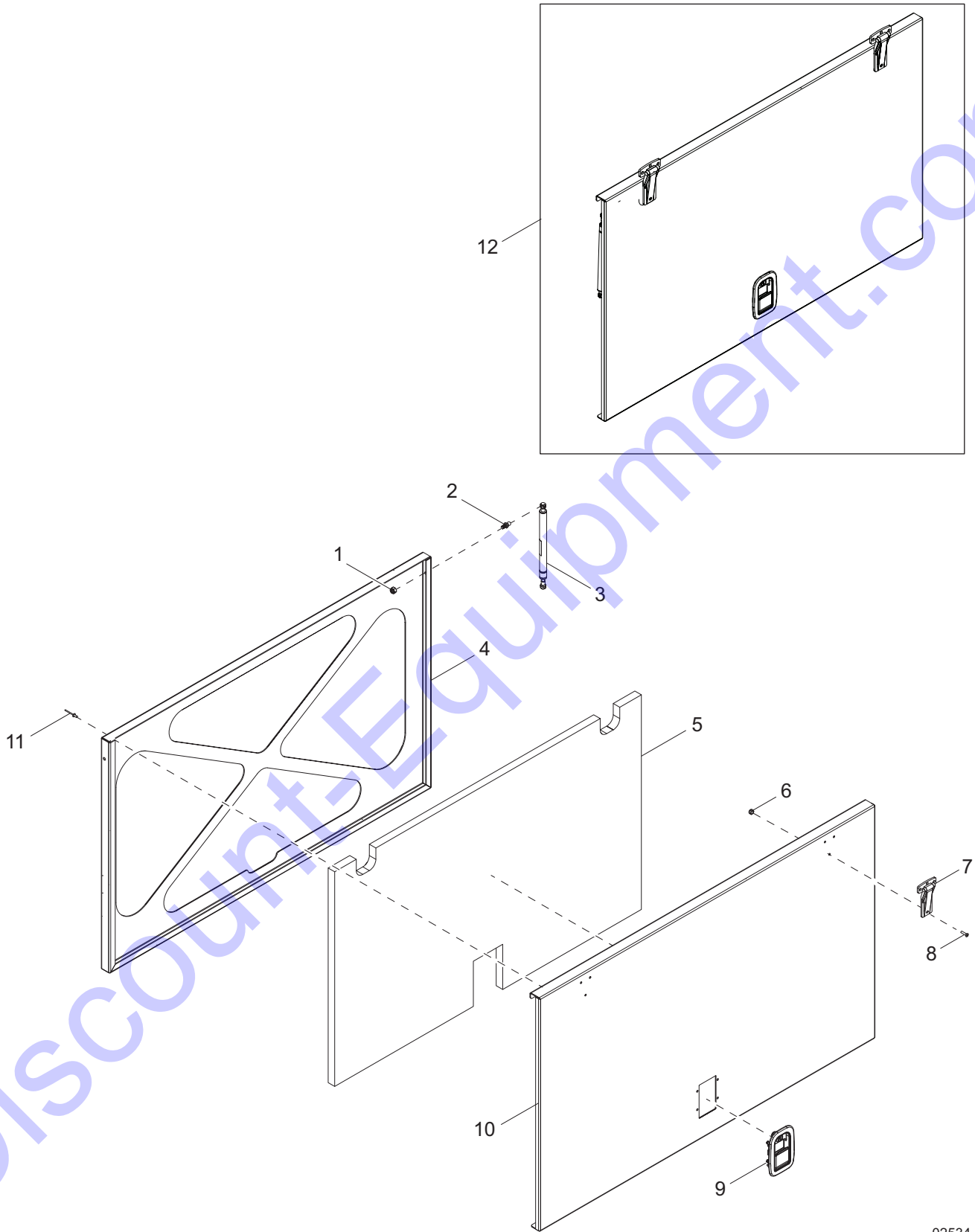


02533

DOORS, ROOF, AND FRONT ENCLOSURE TO UNIT

Item	Part No.	Qty	Description	Notes
1	35290	12	Screw, 10-24 x 1.00 flat head Phillips	
2	10000032707	1	Foam, top - right	
3	60061	1	Nut, 10-32 nylock	
4	60067	1	Washer, #10 flat .435/.060 - SS	
5	62086	44	Nut, .312-18 u-clip - short	
6	0C2634	1	Cover, access	
7	37136	4	Plate, hinge back - threaded	
8	61222	1	Washer, #10 - sealing	
9	60398	1	Screw, 10-32 x .500 pan Phillips - SS	
10	10000021335	1	Panel, top	
11	69968	17	Washer, sealing .26ID x .50OD - neoprene	
12	60654	69	Screw, .312-18 x 1.00 button hex - SS	
13	10000021479	1	Cover, telemetry	
14	60119	6	Washer, .312 flat .875/.070	
15	60515	6	Nut, .312-18 hex - SS	
16	10000032679	1	Foam, top - left	
17	60095	8	Nut, .312-18 serrated flange	
18	10000032720	1	Assembly, door - left	
19	10000032731	1	Foam, front panel - left	
20	10000032596	1	Foam, front panel - bottom	
21	10000021512	1	Panel, front w/top vent	
22	10000032687	1	Foam, front panel - top	
23	10000032726	1	Foam, front panel - right	
24	10000032669	1	Assembly, door - right	
25	10000025145	1	Deflector, exhaust	

LEFT SIDE DOOR ASSEMBLY

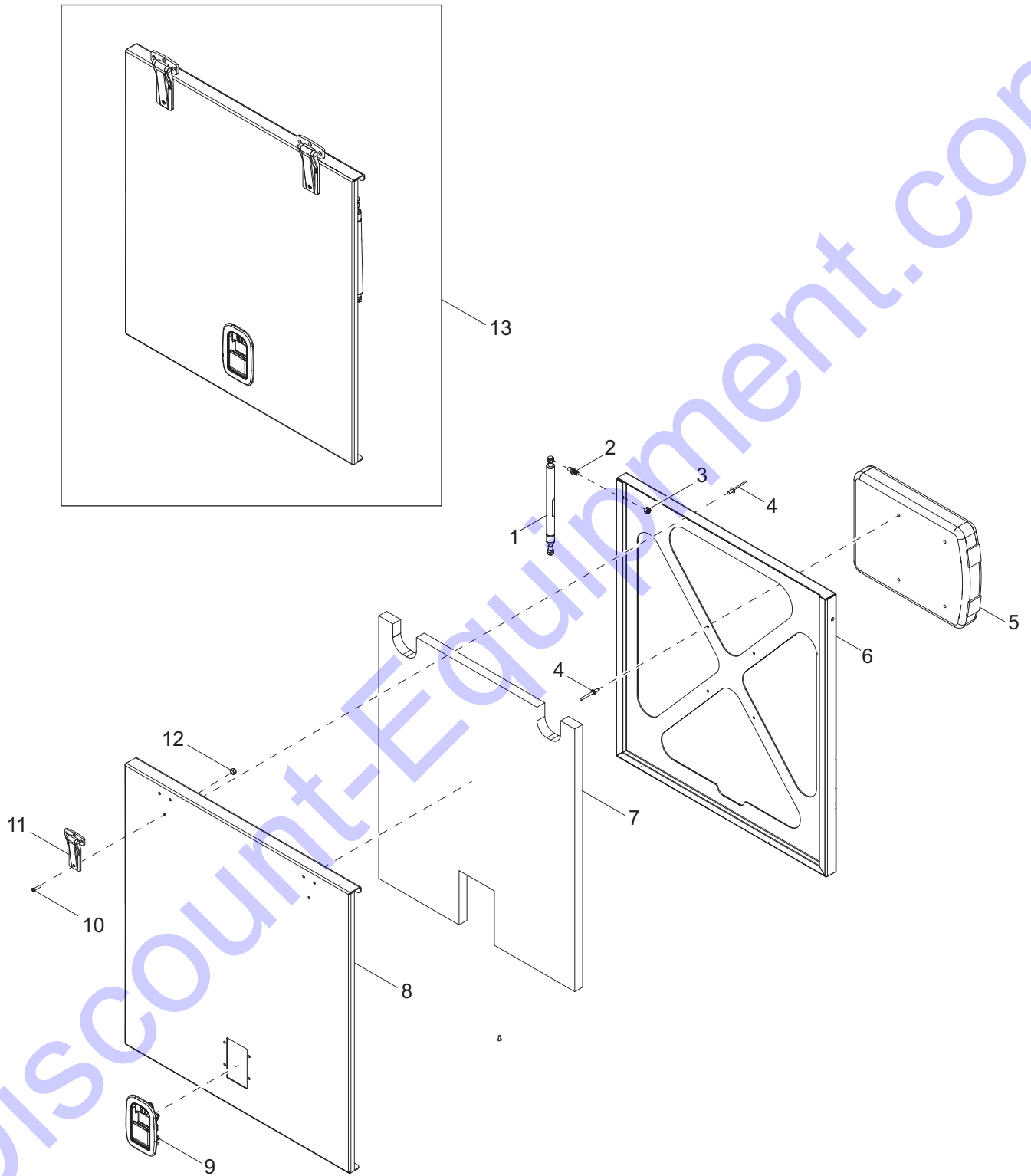


02534

LEFT SIDE DOOR ASSEMBLY

Item	Part No.	Qty	Description	Notes
1	60303	2	Nut, .312-18 nylock, G2	
2	35293	2	Ball stud, 10MM, .312-18	
3	35137	2	Gas shock, 120 lb.	
4	10000021377	1	Panel, inner door - left	
5	10000032727	1	Foam, door - left	
6	60530	6	Nut, 10-24 nylock - SS	
7	35136	2	Hinge, flush mount	
8	35290	6	Screw, 10-24 x 1.00 flat head Phillips	
9	10000019205	1	Paddle latch, lockable	
10	10000021329	1	Panel, door - left	
11	60260	8	Rivet, .188 x .375 t0 .500 grip	
12	10000032720	1	Assembly, door - left	

RIGHT SIDE DOOR ASSEMBLY

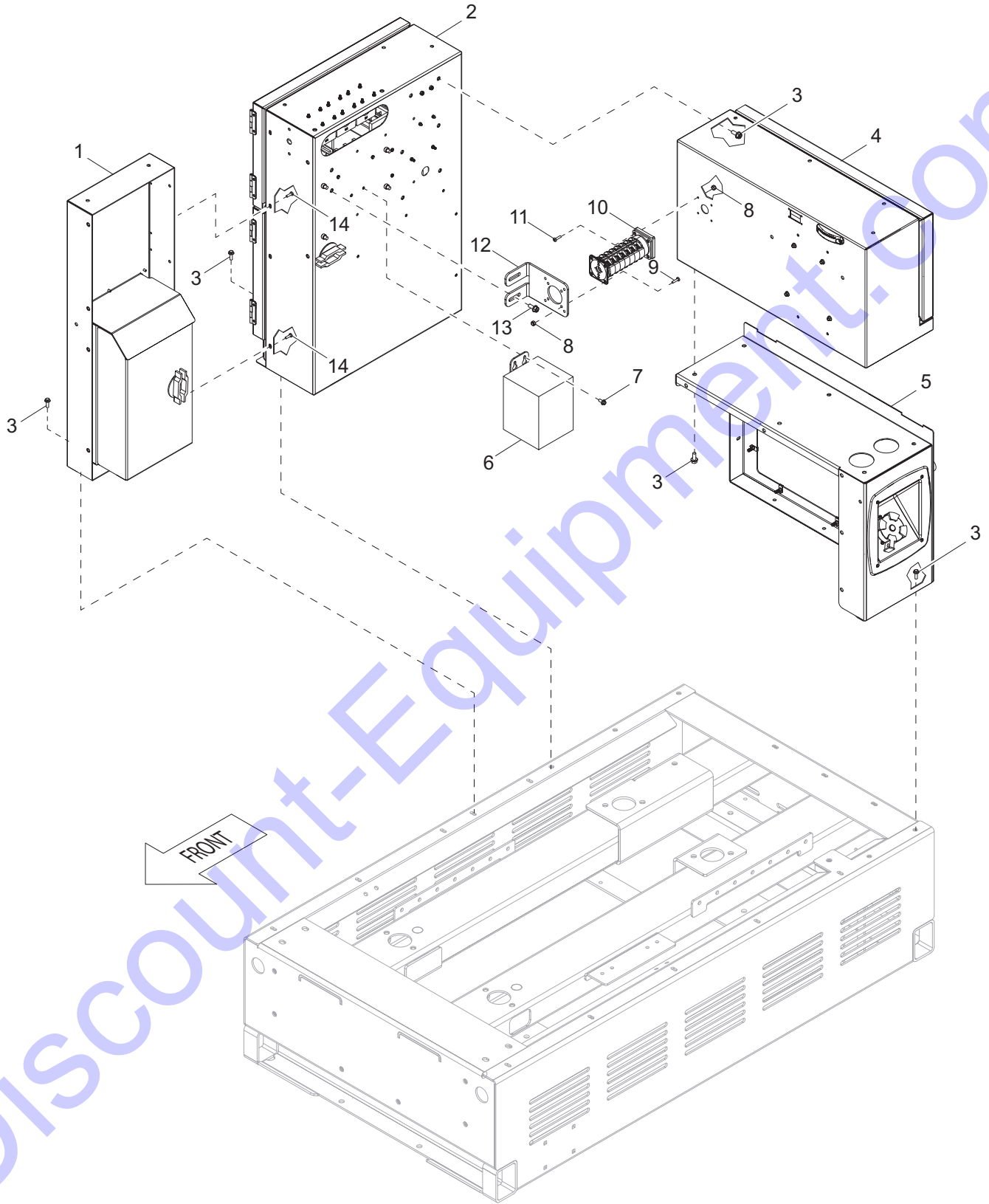


02535

RIGHT SIDE DOOR ASSEMBLY

Item	Part No.	Qty	Description	Notes
1	37533	2	Gas shock, 80 lbs.	
2	35293	2	Ball stud, 10MM .312-18	
3	60303	2	Nut, .312-18 nylock, G2	
4	60260	12	Rivet, .188 x .375 to .500 grip	
5	24540	1	Holder, manual	
6	10000021351	1	Panel, inner door - right	
7	10000032597	1	Foam, door - right	
8	10000021374	1	Panel, door - right	
9	10000019205	1	Paddle latch, lockable	
10	35290	6	Screw, 10-24 x 1.00 flat head Phillips	
11	35136	2	Hinge, flush mount	
12	60530	6	Nut, 10-24 nylock - SS	
13	10000032669	1	Assembly, door - right	

ELECTRICAL BOXES TO UNIT



02536

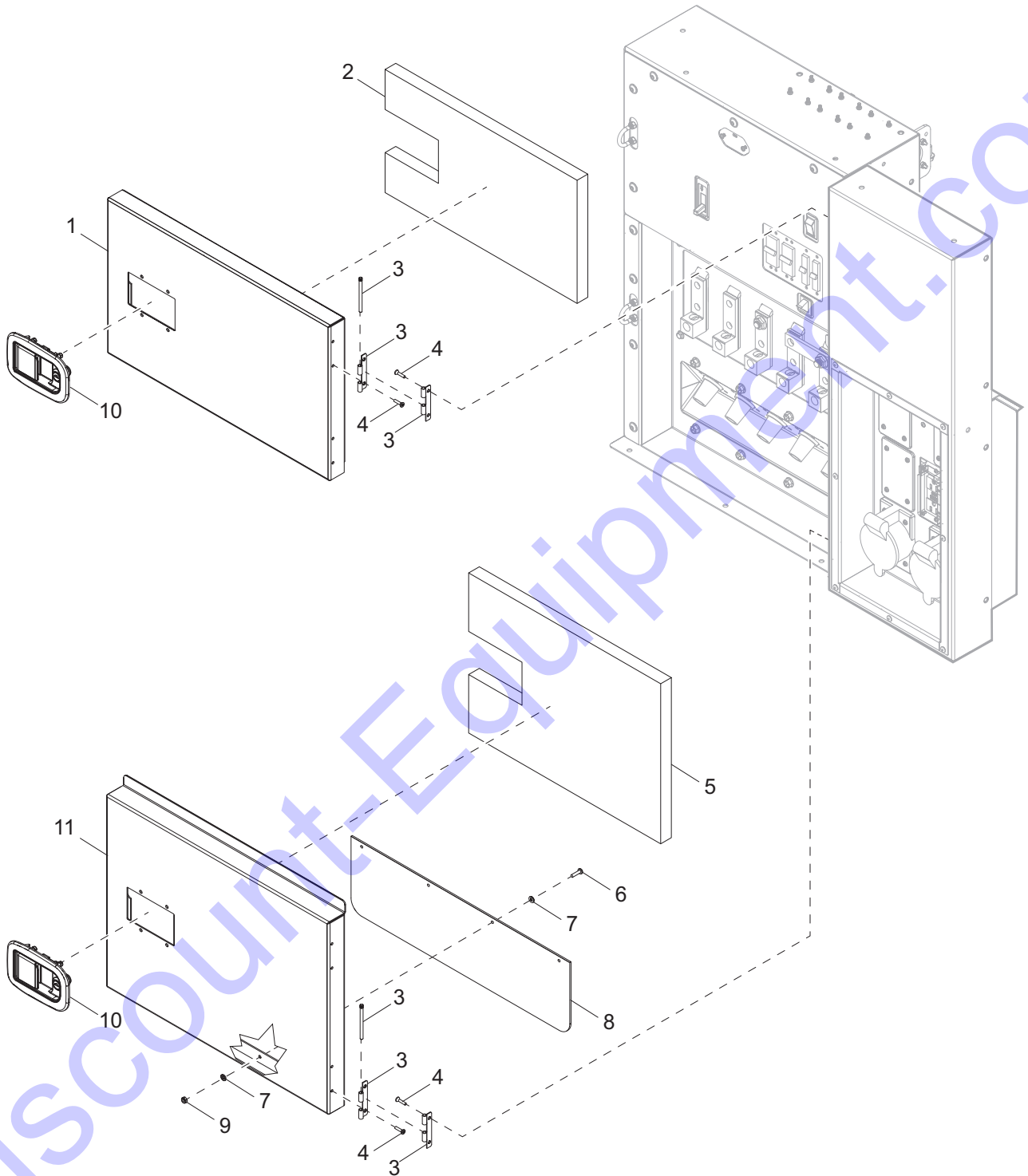
ELECTRICAL BOXES TO UNIT

Item	Part No.	Qty	Description	Notes
1	10000018208	1	Assembly, control box vent	
2	10000018209	1	Assembly, AC box	
3	60616	20	Screw, .312-18 x .750 serrated flange hex, G5	
4	10000018274	1	Assembly, display panel	
5	10000032695	1	Assembly, bottom fuel fill	
6	21487	1	Transformer, 1.13:1 single phase - 500VA	
7	60175	5	Screw, .250-20 x .500 serrated flange hex, G5	
8	60270	8	Nut, 8-32 nylock, G6	
9	60694	4	Screw, 8-32 x .750 pan Phillips - SS	
10	37426	1	Switch, phase 63A - 3 position	
11	62054	4	Screw, 8-32 x .500 pan Phillips	
12	10000021238	1	Bracket, phase switch	
13	60616	4	Screw, .312-18 x .750 serrated flange hex, G5	
14	60529	4	Screw, 10-24 x .625 pan Phillips - SS	

4 Position Phase Switch (if equipped):

--	37194	1	Switch, phase - 80A, 4 position
--	68163	1	Wire group - AC, 4 position

AC BOX ASSEMBLY (2 OF 2)

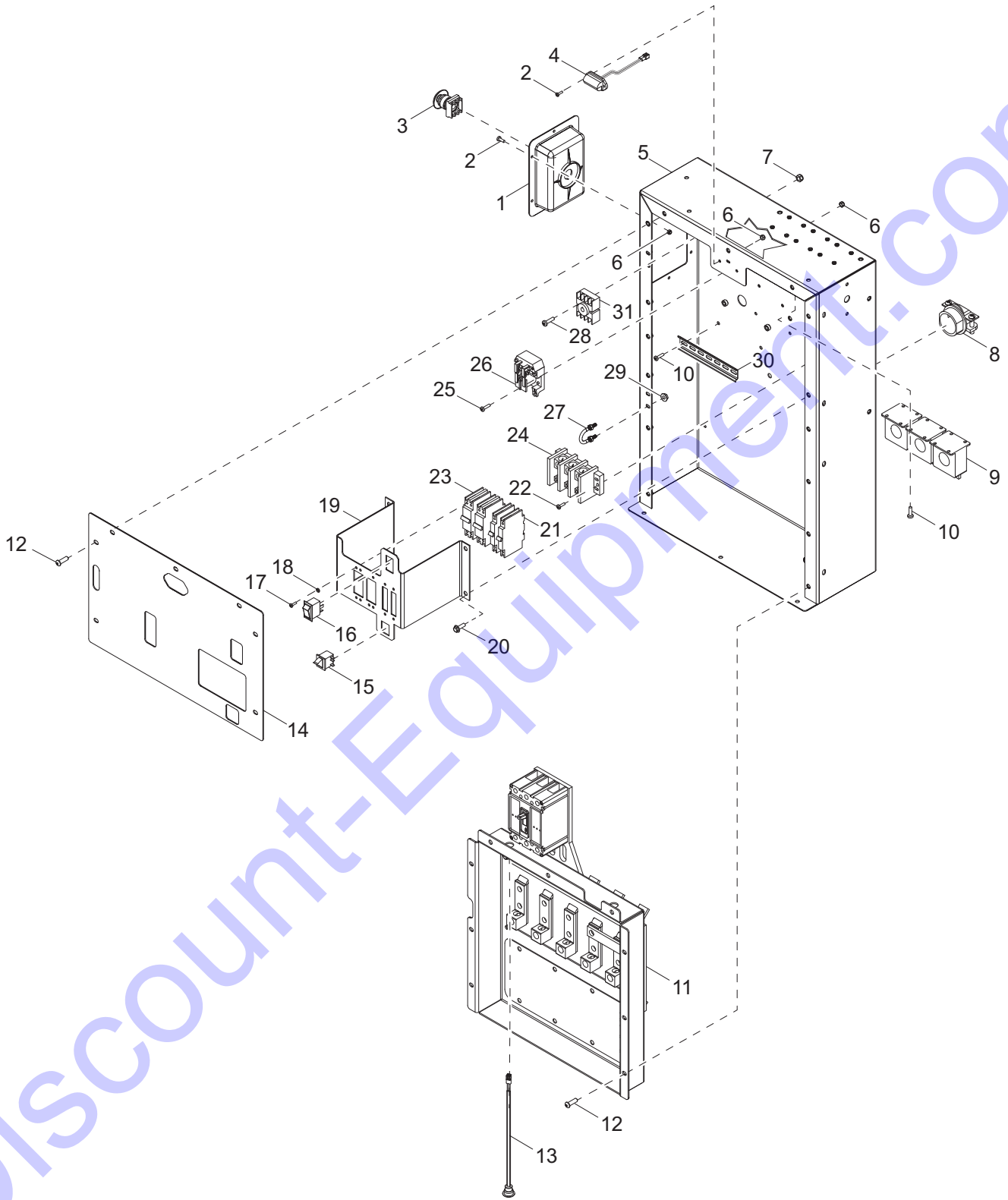


02537

AC BOX ASSEMBLY (2 OF 2)

Item	Part No.	Qty	Description	Notes
1	10000021332	1	Frame, breaker door	
2	10000032733	1	Foam, AC lug door	
3	10000020204	4	Hinge, leaf 2.75	
4	10000030670	8	Screw, PFH M4 x 8.5 - special	
5	10000032708	1	Foam, lug cam door	
6	60540	4	Screw, 10-24 x .750 pan Phillips - SS	
7	60067	8	Washer, #10 flat .435/.060 - SS	
8	35732	1	Flap, lug door - small	
9	60457	4	Nut, 10-24 nylock, G2	
10	10000019205	2	Latch, paddle	
11	10000021324	1	Frame, lug cam door	

AC BOX ASSEMBLY (1 OF 2)

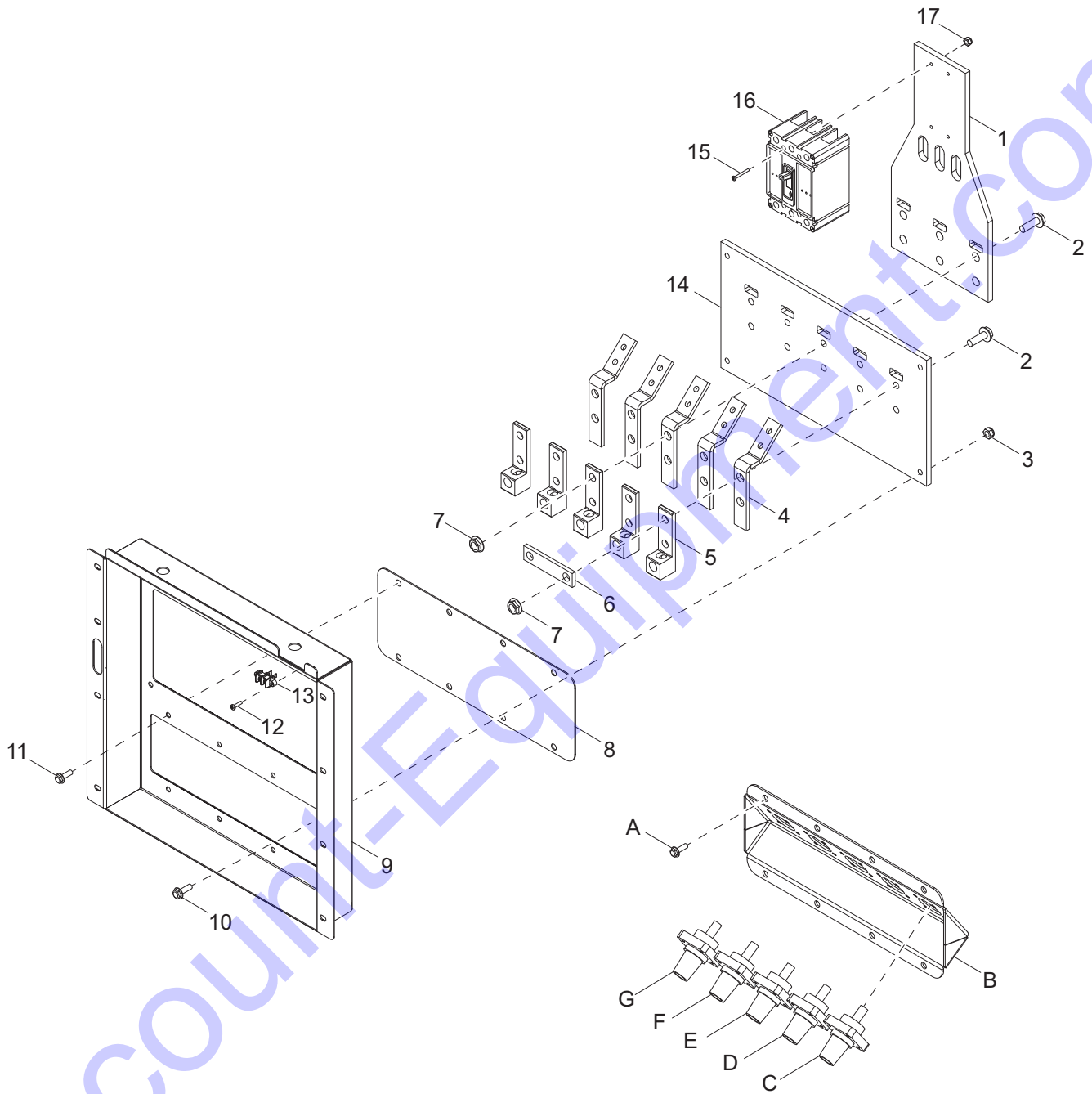


02538

AC BOX ASSEMBLY(1 OF 2)

Item	Part No.	Qty	Description	Notes
1	30645	1	Panel, emergency stop	
2	60091	8	Screw, M4-.070 x 12 pan Phillips, G4.8	
3	65470	1	Switch, E-stop operator	
4	36879	1	Light, license plate	
5	10000030775	1	Box, power - small	
6	60051	10	Nut, M4-.070 nylock, G8.8	
7	60270	2	Nut, 8-32 nylock, G6	
8	65788	1	Strain relief, 2.00 w/nut	
9	65685	3	Transformer, current	
10	60529	18	Screw, 10-24 x .625 pan Phillips - SS	
11	10000033285	1	Assembly, lug panel	
12	33942	15	Screw, .312-18 x .750 button socket cap, G5	
13	39651	2	Light, controls	
14	10000024607	1	Panel, breaker AC box	
15	12632	1	Switch, trigger safety, N.O. & N.C.	
16	66995	1	Switch, rocker - DPST, on-off	
17	60046	12	Screw, 6-32 x .750 pan Phillips, G2	
18	62241	12	Washer, #6 split lock- SS	
19	10000021274	1	Bracket, breaker	
20	60616	4	Screw, .312-18 x .750 serrated flange hex, G5	
21	18091	2	Breaker, 20A, 240V - 1 pole	
22	60062	2	Screw, 10-32 x .750 pan Phillips, G2	
23	18092	2	Breaker, 50A, 240V - 2 pole	
24	65356	1	Terminal, block - 3 pole	
25	60770	2	Screw, M4-.070 x 20 pan Phillips, G4.8	
26	65461	1	Relay, 30A DPDT 120VAC	
27	63172	2	U-bolt, .250-20 x 1.00OD x 1.750	
28	60406	2	Screw, 8-32 x 1.00 pan Phillips, G2	
29	60144	4	Nut, .250-20 nylock, G5	
30	67129	1	Rail, DIN 35MM x 8.00	
31	65644	1	Base, relay - 8 position	

LUG BOX ASSEMBLY



02539

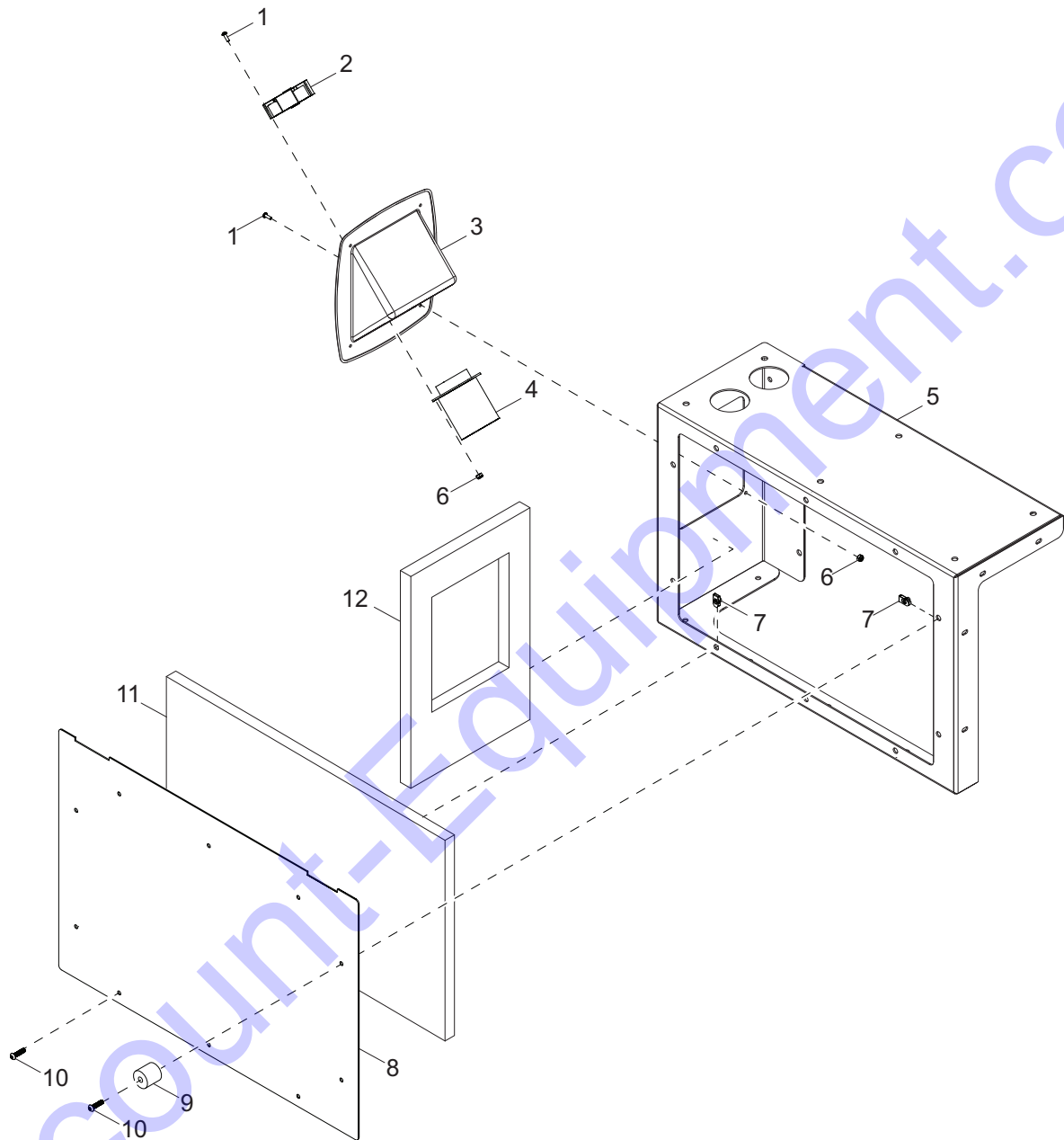
LUG BOX ASSEMBLY

Item	Part No.	Qty	Description	Notes
1	37446	1	Panel, lug/breaker	
2	61103	10	Screw, .500-13 x 1.750 serrated flange hex	
3	60303	4	Nut, .312-18 nylock, G2	
4	35389	5	Bus, lug	
5	65677	5	Lug, terminal single - 2 hole	
6	37218	1	Bus, neutral to ground	
7	60098	10	Nut, .500-13 serrated flange	
8	37336B	1	Plate, cams block off	
9	10000021257	1	Panel, lug/cam	
10	61091	4	Screw, .312-18 x 1.0 serrated flange hex, G5	
11	60616	8	Screw, .312-18 x .750 serrated flange hex, G5	
12	60488	2	Screw, 8-32 x .750 pan Phillips, G2, self tapping	
13	68080	1	Block, terminal - 2 position feed through	
14	35388	1	Panel, lug	
15	60159	4	Screw, M4-.70 x 45 pan Phillips, G4.8	
16	65446	1	Breaker, 225A	
17	60051	4	Nut, M4-.7 nylock, G8.8	

Cam Locks (if equipped):

A	61103	8	Screw, .500-13 x 1.750 serrated flange hex
B	37221B	1	Panel, cam lock
C	66041	1	Connector, cam lock flange female, 400A, green
D	66040	1	Connector, cam lock flange female, 400A, white
E	65553	1	Connector, cam lock flange female, 400A, blue
F	65552	1	Connector, cam lock flange female, 400A, red
G	65551	1	Connector, cam lock flange female, 400A, black
--	68179	1	Wire group - cam locks, single

BOTTOM REAR BOX ASSEMBLY

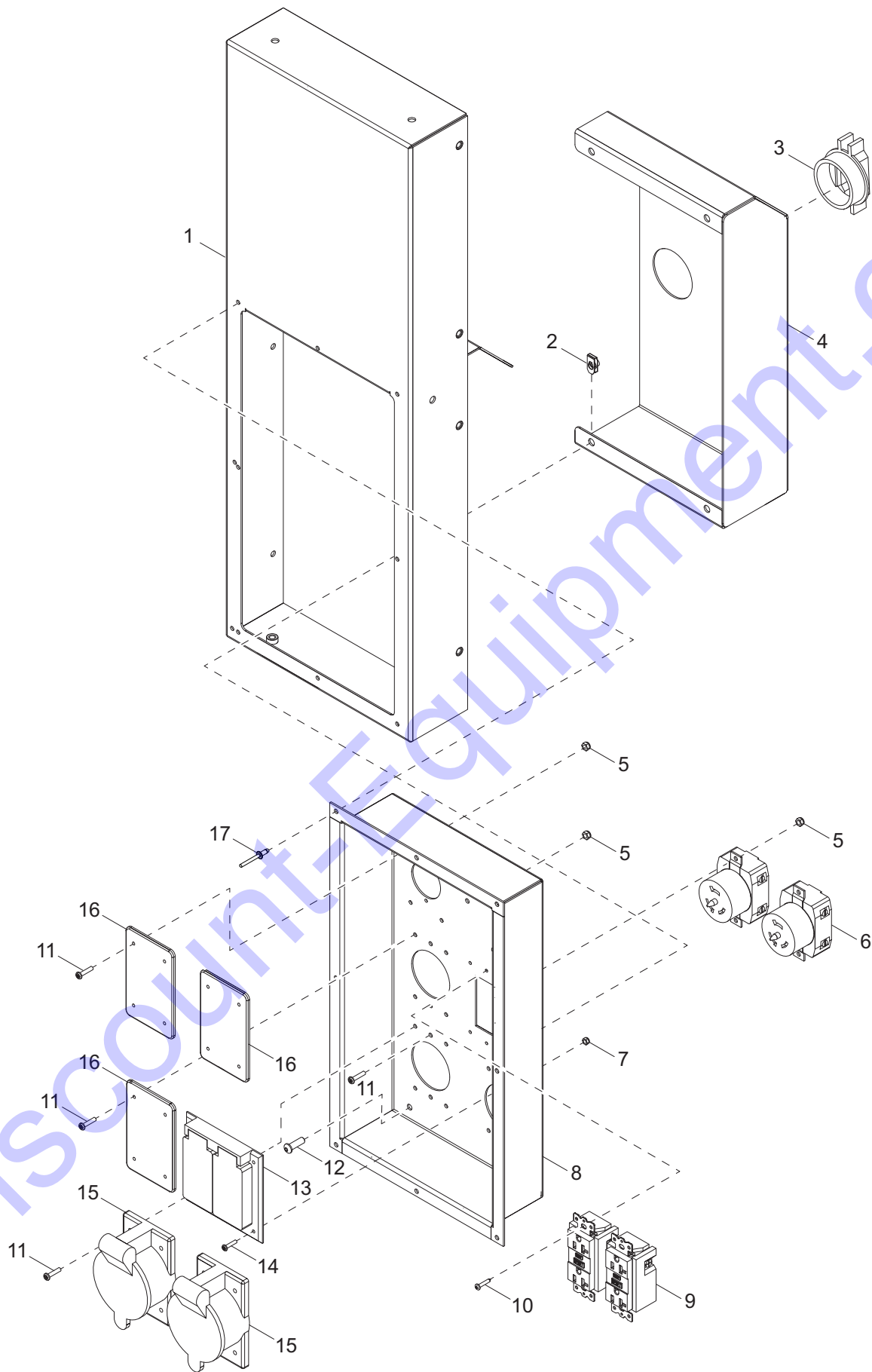


02540

BOTTOM REAR BOX ASSEMBLY SERRATED FLANGE

Item	Part No.	Qty	Description	Notes
1	62054	7	Screw, 8-32 x .500 pan Phillips - SS	
2	18648	1	Cap, fuel fill w/ gasket	
3	18506	1	Port, fuel fill	
4	37626	1	Weldment, filler tube and flange 2.75	
5	1000021145	1	Box, bottom fuel fill	
6	60270	7	Nut, 8-32 nylock, G6	
7	61143	10	Nut, .250-20 U-clip - short type	
8	1000021156	1	Panel, rear	
9	37869	2	Bumper, round - 1.25 x 1.25	
10	68070	10	Screw, .250-20 x 1.00 button hex - SS	
11	1000032740	1	Foam, back panel	
12	1000032709	1	Foam, back panel - right	

RECEPTACLE PANEL ASSEMBLY

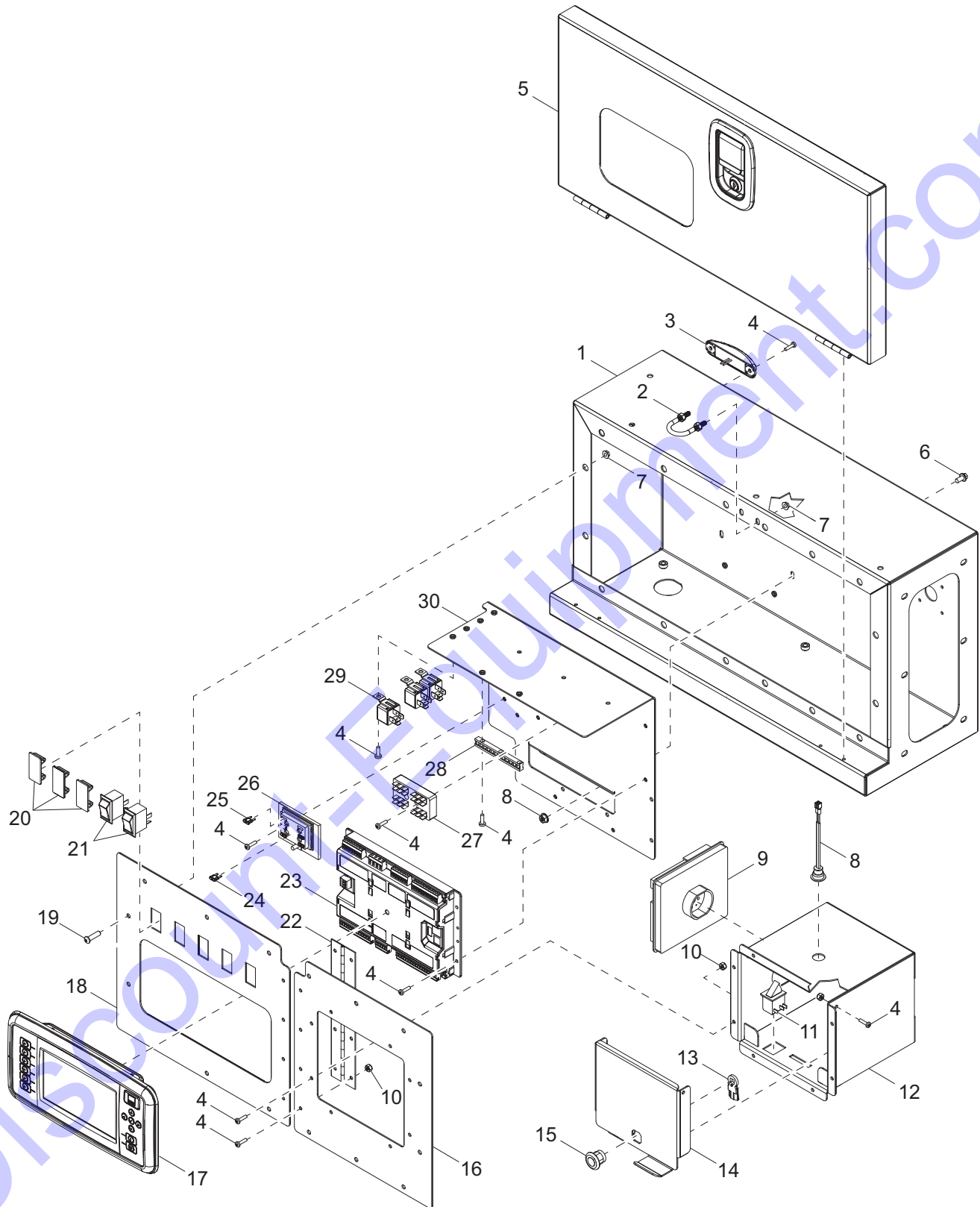


02541

RECEPTACLE PANEL ASSEMBLY

Item	Part No.	Qty	Description	Notes
1	10000030761	1	Frame, rear receptacle	
2	61143	4	Nut, .250-20 U-clip - short type	
3	65788	1	Strain relief, 2.00 w/ nut	
4	10000021025	1	Box, receptacle	
5	60270	24	Nut, 8-32 nylock, G6	
6	18089	2	Receptacle, 240V/50A twist lock	
7	60290	4	Nut, 6-32 nylock - SS	
8	10000021045	1	Panel, receptacle	
9	14130	2	Receptacle, 120V/20A GFI	
10	60424	4	Screw, 6-32 x .750	
11	60694	24	Screw, 8-32 x .750 pan Phillips - SS	
12	62122	4	Screw, .250-20 x .500 button hex - SS	
13	15849	1	Cover, receptacle 20AGFCI, dual, weather-proof	
14	62210	4	Screw, 6-32 x .500 pan Phillips - SS	
15	65467	2	Cover, receptacle 50A, weather-proof - deep	
16	68453	3	Cover, receptacle block-off	
17	60260	8	Rivet, .188 x .375 to .500 grip - SS	

CONTROL BOX ASSEMBLY



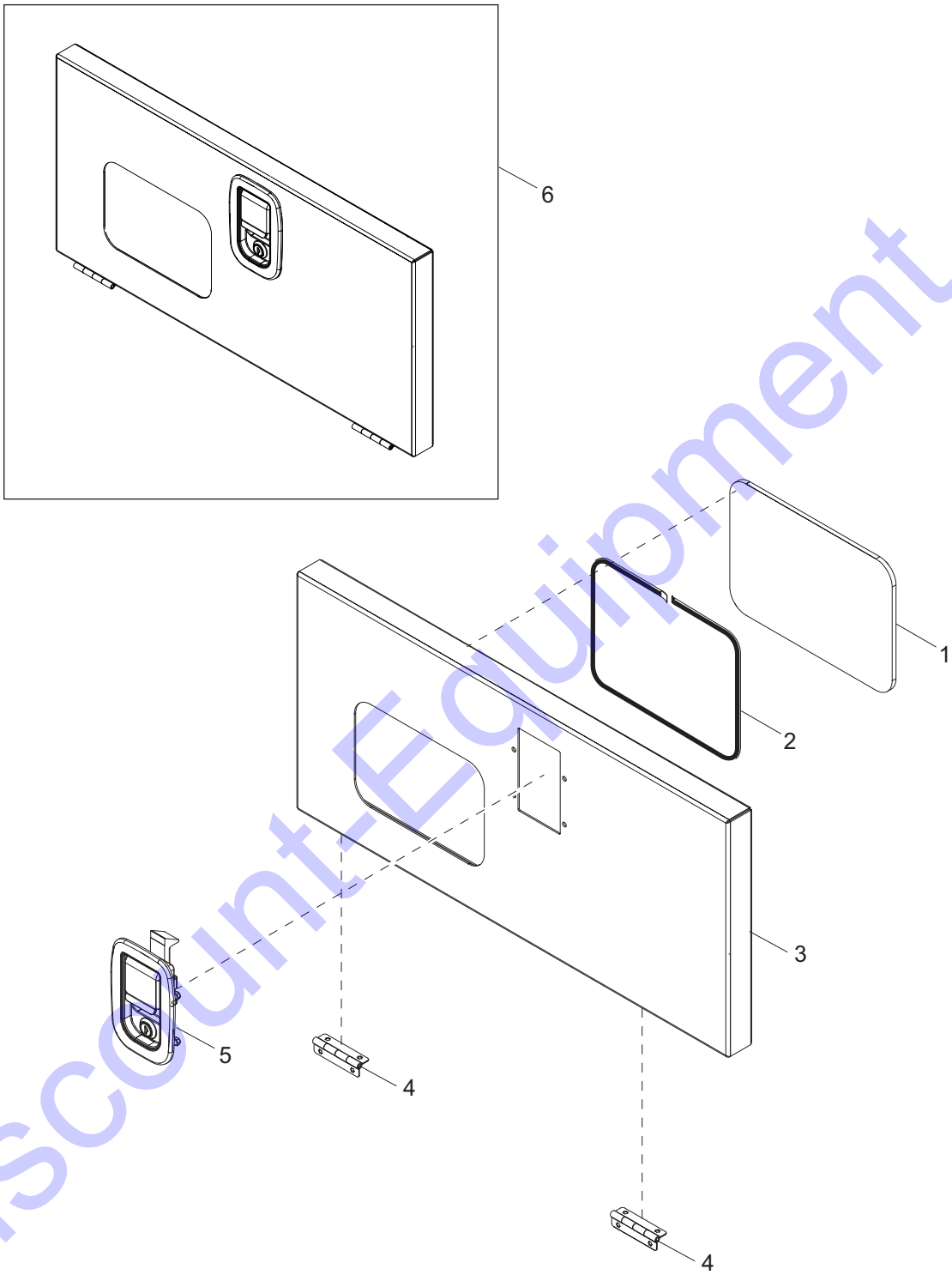
02542

CONTROL BOX ASSEMBLY

Item	Part No.	Qty	Description	Notes
1	10000021148	1	Box, control - small PZ	
2	68288	1	U-bolt, .250-20 x 1.13OD x 2.00L	
3	54772	1	Light, LED surface mount	
4	60529	30	Screw, 10-24 x .625 pan Phillips - SS	
5	10000032594	1	Assembly, control box door	
6	60175	4	Screw, .250-20 x .500 serrated flange hex, G5	
7	60161	20	Nut, .250-20 serrated flange, G5	
8	36964	1	Assembly, controls light	
9	68015	1	Regulator, voltage	
10	60530	16	Nut, 10-24 nylock - SS	
11	12632	1	Switch, trigger safety	
12	10000021315	1	Weldment, phase switch box	
13	12550	1	Lever, cam lock	
14	10000021236	1	Door, phase switch box	
15	12549	1	Cylinder, cam lock	
16	10000021291	1	Panel, phase switch - small	
17	33157	1	Display, 7" DSE	
18	10000021201	1	Panel, control - PZ	
19	68070	16	Screw, .250-20 x 1.00 button hex - SS	
20	34439	3	Plug, switch panel	
21	66995	2	Switch, rocker - DSPT, on-off	
22	32238	1	Hinge, continuous - 10" w/holes	
23	Contact Us*	1	Controller, Deep Sea 7740	
24	68204	2	Fuse, 15 amp - mini	
25	35560	4	Fuse, 20 amp - mini	
26	68203	1	Fuse holder, six bank - mini	
27	66992	1	Terminal block, 4 x 6 push-on	
28	14204	1	Kit, ground bar	
29	68106	3	Relay, 12V, 30/50A, N.O. w/diode	
30	10000021245	1	Bracket, DC controls	

Note: To order replacement controller, contact Generac Mobile Products with unit serial number

CONTROL DOOR ASSEMBLY

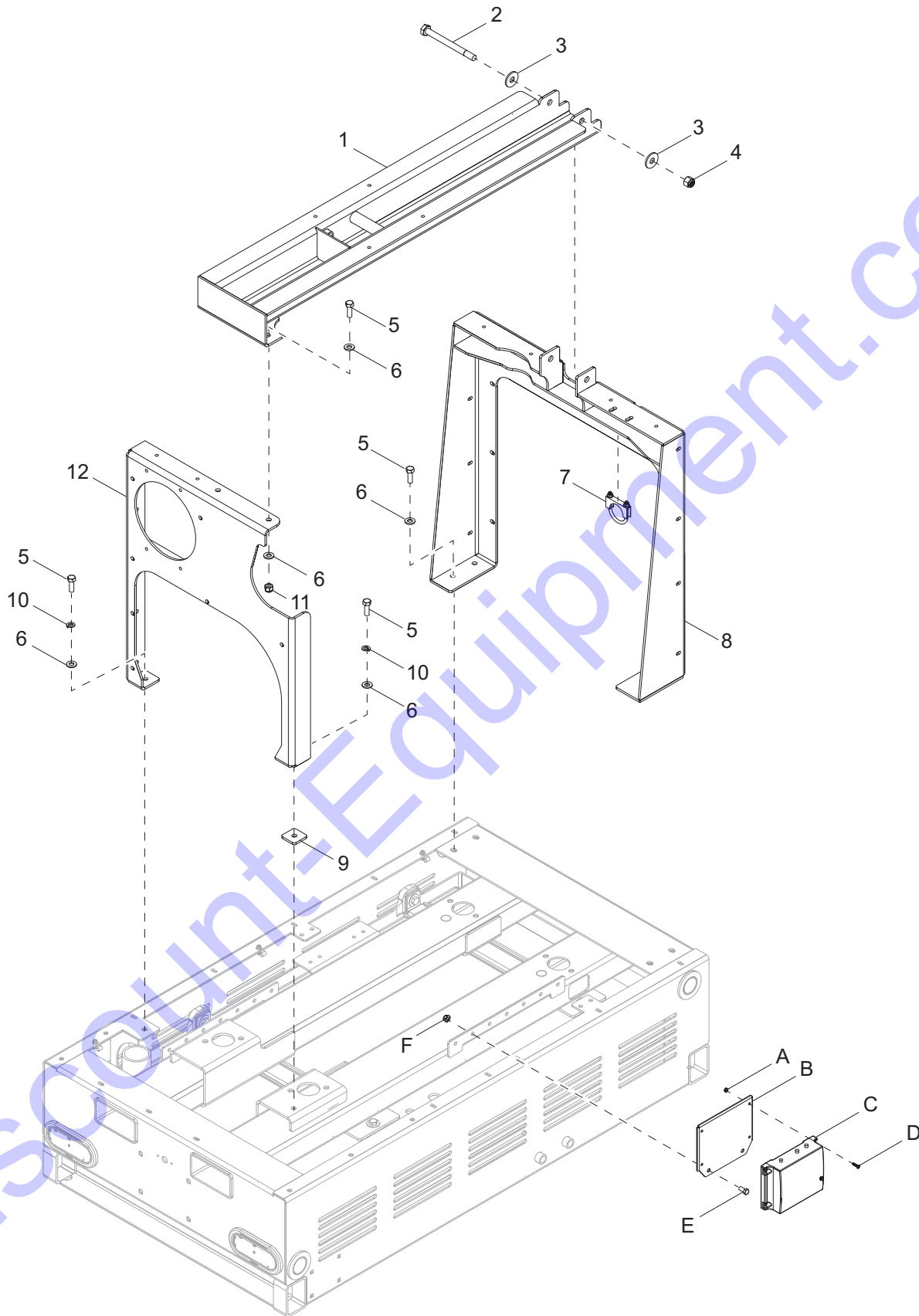


02543

CONTROL DOOR ASSEMBLY

Item	Part No.	Qty	Description	Notes
1	10000018231	1	Window, control door - UV	
2	50192	4 ft	Tape, .500 in., double sided, type VHB	
3	10000021204	1	Door, control box	
4	10000020204	1	Hinge, leaf 2.750	
5	10000019205	1	Latch, paddle - lockable	
6	10000032594	1	Assembly, control door	Items 1-5

LIFT STRUCTURE TO SKID ASSEMBLY



02544

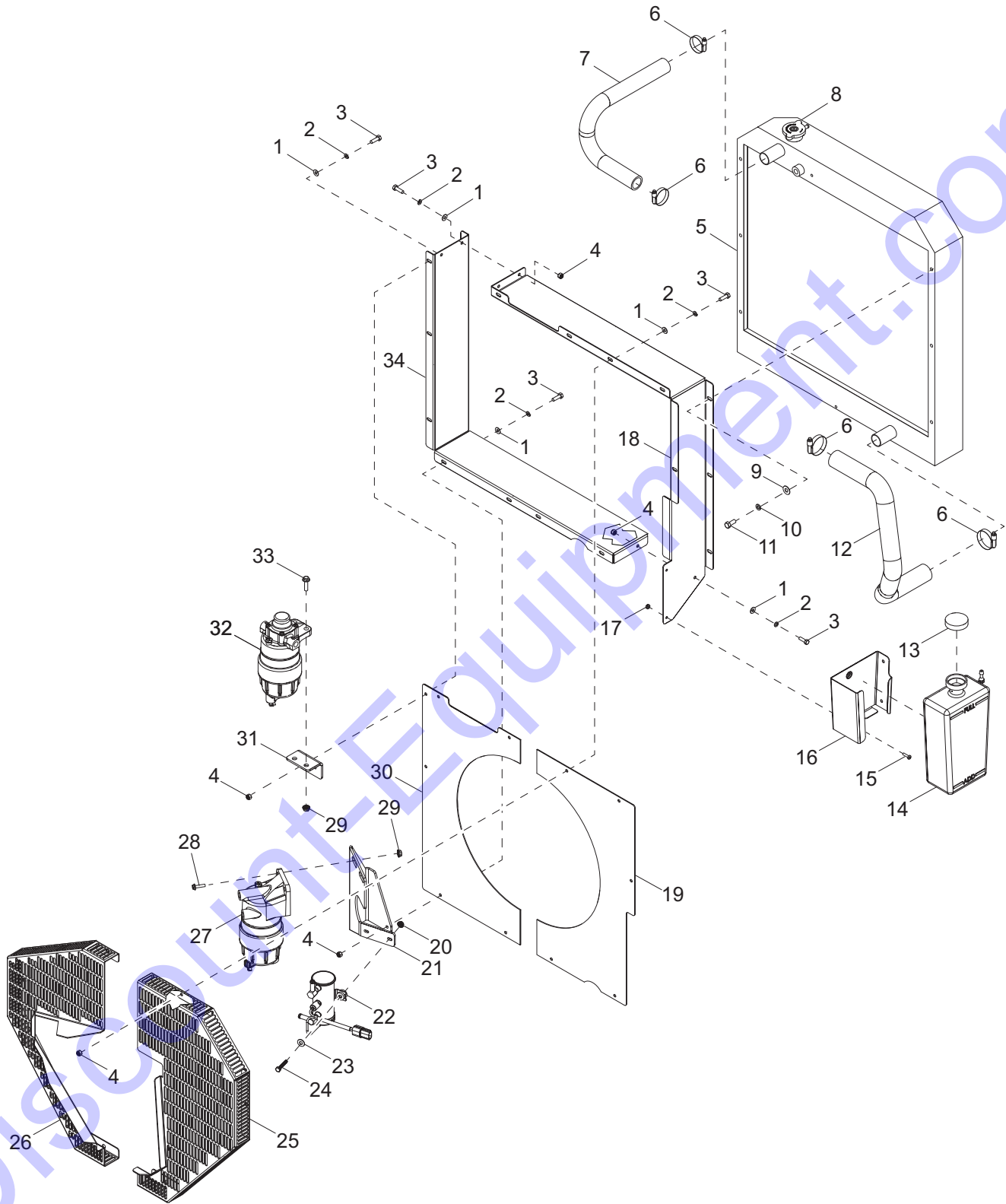
LIFT STRUCTURE TO SKID ASSEMBLYIM WORKING ON IT

Item	Part No.	Qty	Description	Notes
1	10000030838	1	Weldment, lift structure	
2	10000031421	1	Screw, .625-11 x 7.00 - structural grade	
3	60180	2	Washer, .625 flat 1.750/.10-.16 - SS	
4	60240	1	Nut, .625-11 nylock, G5	
5	61101	10	Screw, .500-13 x 1.50 standard hex, G8	
6	60699	16	Washer, .500 flat 1.070/.080 - SS	
7	18823	1	Clamp, muffler 2.00	
8	10000030858	1	Face plate, radiator	
9	10000031383	1	Support plate, lift structure	
10	60276	2	Washer, .500 split lock	
11	60668	2	Nut, .500-13 nylock, G8	
12	10000021564	1	Weldment, lift structure - aft	

Battery Charger (if equipped):

A	60668	4	Nut, .500-13 nylock, G8
B	10000026467	1	Plate, battery charger mount
C	66212	1	Battery charger, 2-5A/1-10A, 3 stage, 2 output
D	60850	4	Screw, 10-24 x .750 pan Phillips, G2
E	60052	2	Screw, .375-16 x .750 standard hex, G5
F	60145	2	Nut, .375-16 serrated flange, G5

COOLING SYSTEM ASSEMBLY

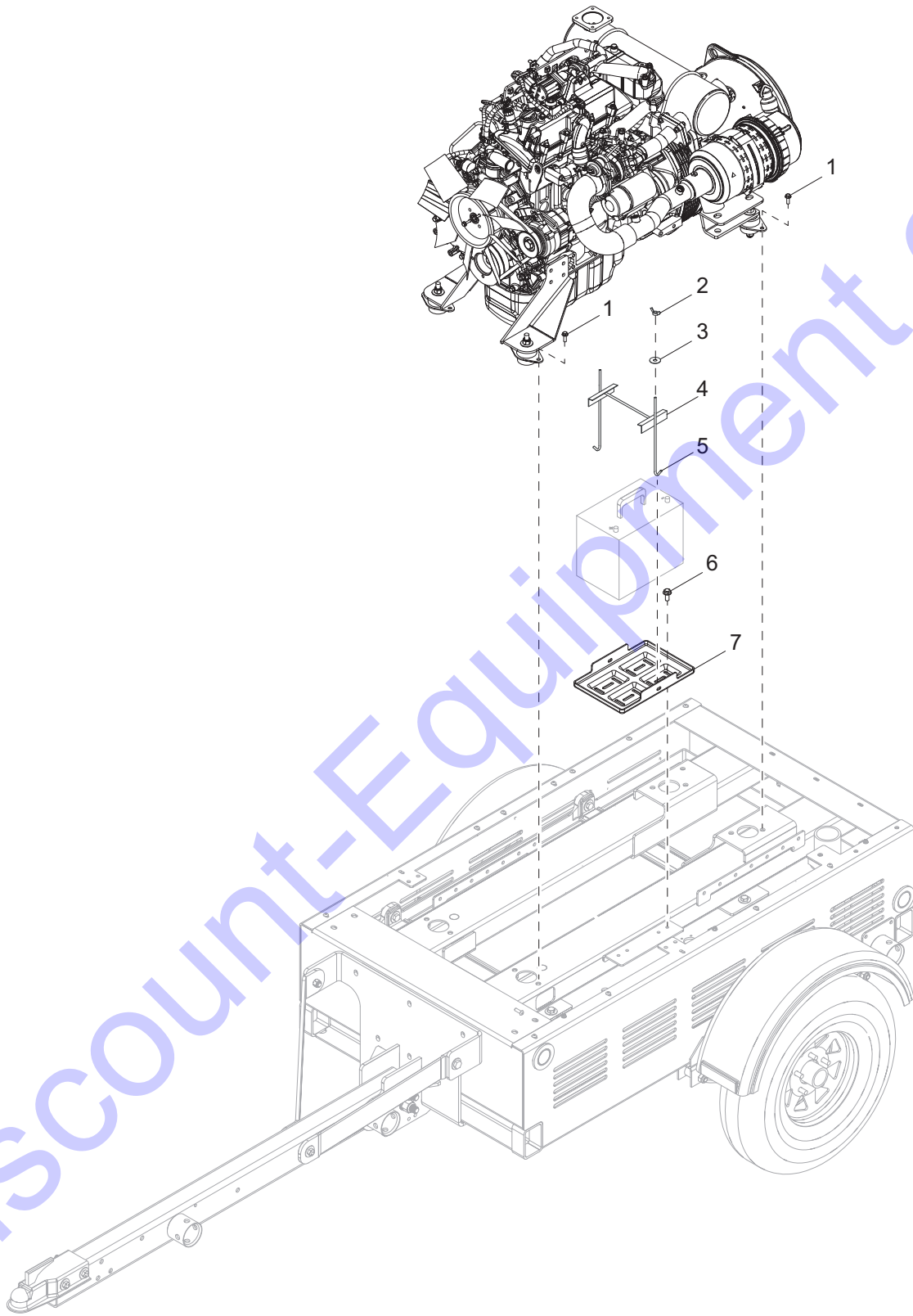


02545

COOLING SYSTEM ASSEMBLY

Item	Part No.	Qty	Description	Notes
1	60696	15	Washer, .250 flat .625/.050 - SS	
2	60286	15	Washer, .250 split lock	
3	60684	15	Screw, .250-20 x .875 standard hex - SS	
4	60787	15	Nut, .250-20 nylock - SS	
5	10000017469	1	Radiator - wide	
6	60316	4	Clamp, hose - SAE 032 (1.56-2.50)	
7	37126	1	Hose, upper radiator	
8	19219	1	Cap, radiator pressure 14.7 PSI - small	
9	60119	6	Washer, .312 flat .875/.070	
10	60271	6	Washer, .312 split lock	
11	60168	6	Screw, .312-18 x .750 standard hex, G5	
12	10000024211	1	Hose, lower radiator	
13	19714		Cap, overflow	
14	24952	1	Jug, overflow 2.5 quart	
15	60529	2	Screw, 10-24 x .625 pan Phillips	
16	26211B	1	Bracket, overflow jug	
17	60457	2	Nut, 10-24 nylock, G2	
18	10000029682	1	Shroud, fan - right	
19	10000029702	1	Shroud plate - right	
20	60161	2	Nut, .250-20 serrated flange, G5	
21	10000024862	1	Bracket, fuel filter - lower	
22	33764	1	Fuel pump	
23	60243	2	Washer, .250 flat .735/.060 - SS	
24	60414	2	Screw, .250-20 x 1.50 standard hex, G5	
25	10000029701	1	Guard, fan - right	
26	10000029647	1	Guard, fan - left	
27	36905	1	Filter, fuel - primary	
28	61091	2	Screw, .312-18 x 1.00 serrated flange hex, G5	
29	60095	4	Nut, .312-18 serrated flange	
30	10000029672	1	Shroud plate - left	
31	10000024824	1	Bracket, fuel filter	
32	36904	1	Filter, fuel - final	
33	60516	2	Screw, .312-18 x 1.250 serrated flange hex	
34	10000029694	1	Shroud, fan - left	

ENGINE AND GENERATOR TO SKID ASSEMBLY

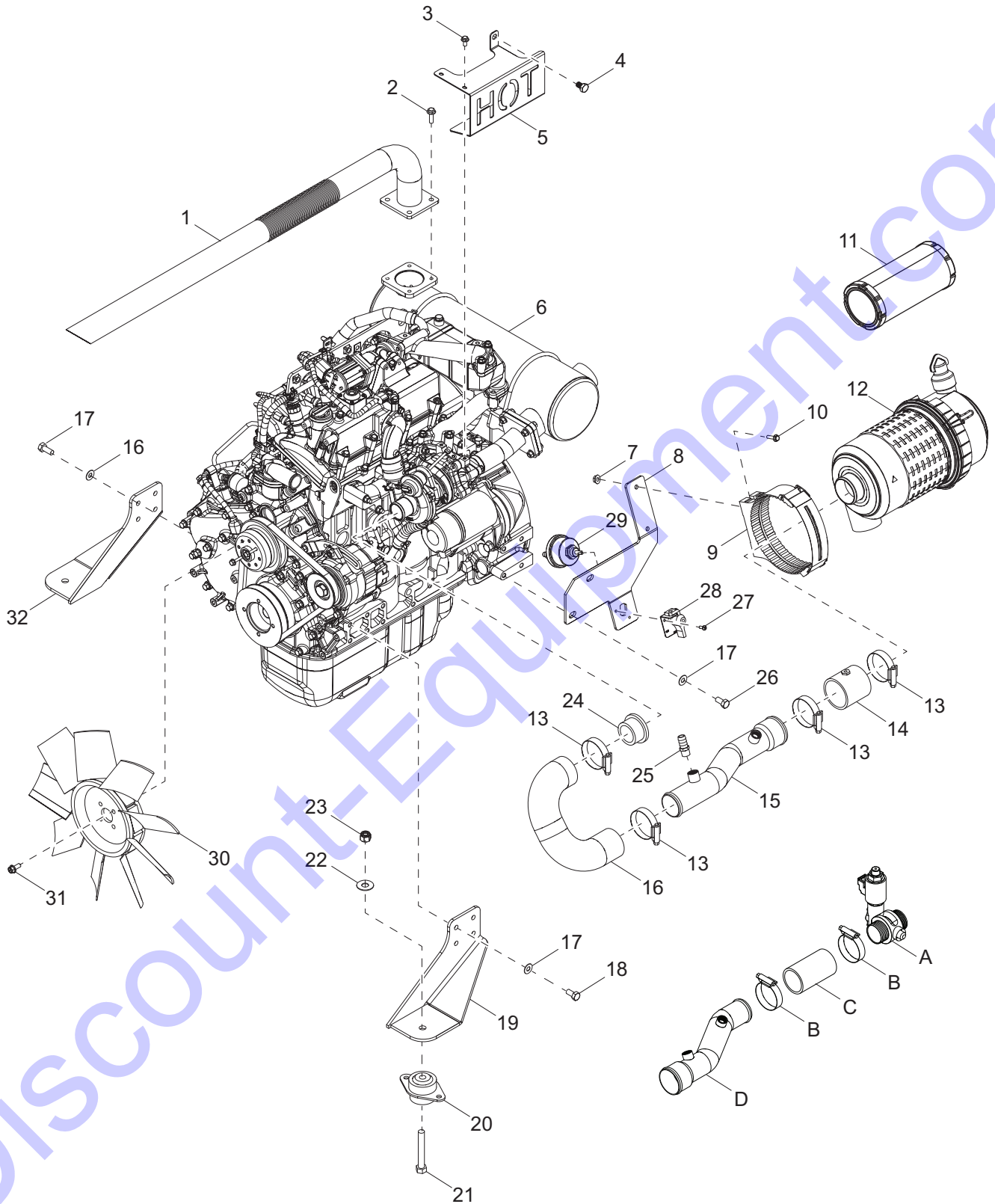


02546

ENGINE AND GENERATOR TO SKID ASSEMBLY

Item	Part No.	Qty	Description	Notes
1	60018	8	Screw, M10-1.50 x 20 serrated flange hex, G9	
2	60090	2	Nut, .250-20 wing, G5	Included w/item 5
3	60089	2	Washer, .265 fender 1.250/.060	Included w/item 5
4	14682	1	Bracket, battery hold-down	
5	60820	2	Bolt, J - .250-20 x 9.0	
6	60616	4	Screw, .312-18 x .70 serrated flange hex, G5	
7	14145	1	Battery tray	

ENGINE ASSEMBLY



02547

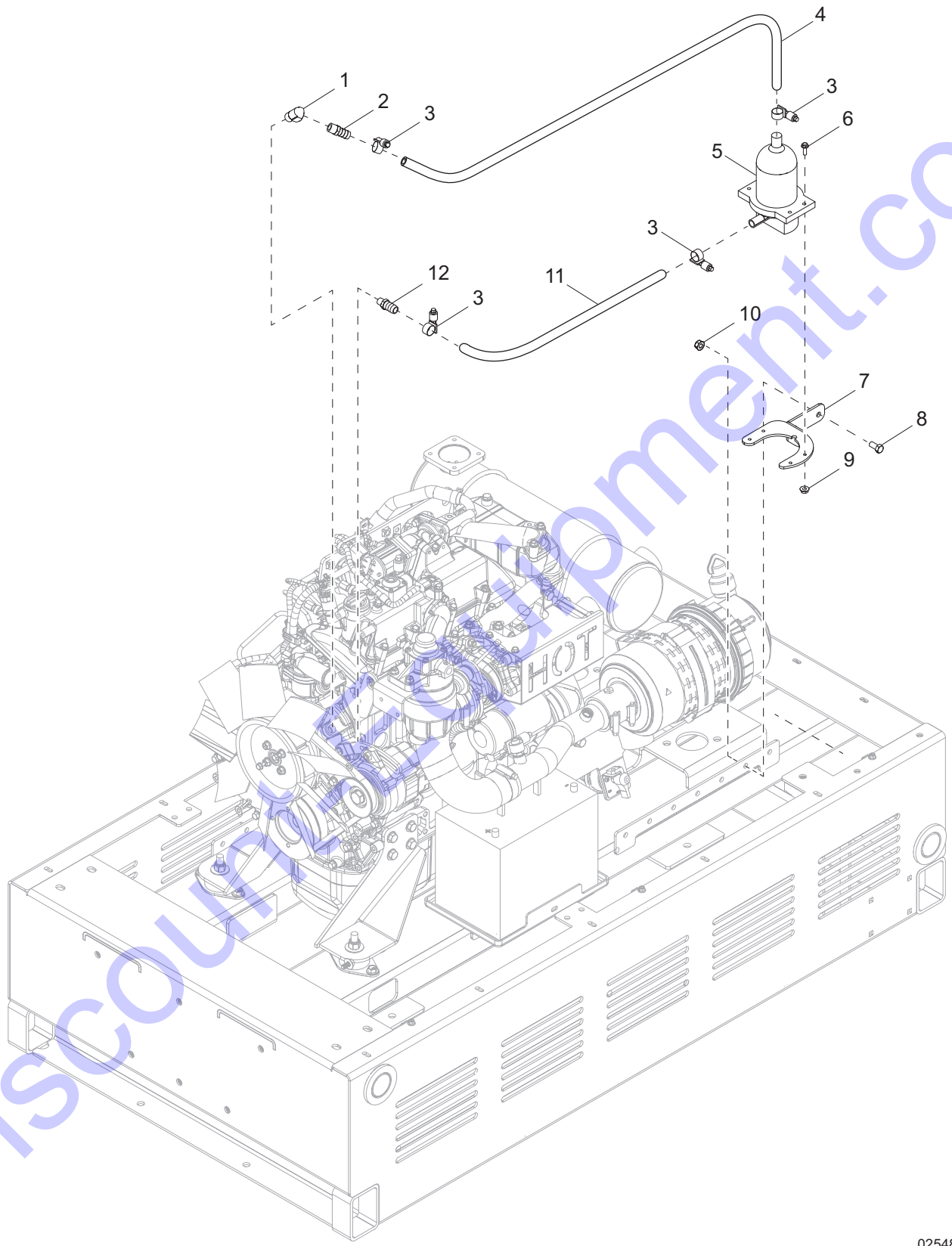
ENGINE ASSEMBLY - LEFT SIDE

Item	Part No.	Qty	Description	Notes
1	10000019827	1	Pipe, exhaust	
2	61204	4	Screw, M8-1.25 x 20 standard hex, G10.9	
3	60115	2	Screw, M6-1.00 x 12 serrated flange hex, G8	
4	60495	1	Screw, M10-1.25 x 16 standard hex, G8.8	
5	10000025332	1	Heat guard	
6	37216	1	Engine, Isuzu 4LE2T T4 40HP	
7	60095	2	Nut, .312-18 serrated flange	
8	10000021537	1	Mount, air filter	
9	37480	1	Bracket, air filter	
10	61091	2	Screw, .312-18 x 1.00 serrated flange hex, G5	
11	35962	1	Element, air filter	
12	35959	1	Filter, air	
13	60316	4	Clamp, hose SAE 032 (1.56-2.50)	
14	37787	1	Hose, straight connection w/port	
15	10000026168	1	Weldment, air intake	
16	37065	1	Hose, air intake	
17	60698	10	Washer, .375 flat .875/.040 - SS	
18	62159	8	Screw, M10-1.25 x 20 standard hex, G8.8	
19	10000021579	1	Support, engine - right	
20	22788	1	Isolator - rubber	
21	62012	2	Screw, .500-13 x 3.50 standard hex, G8	
22	60309	2	Washer, .500 flat 1.060/.090	
23	62221	2	Nut, .500-13 nylock, G5	
24	33782	1	Insert, hose reducer 1.50 -2.00	
25	25931	1	Fitting, straight .375NPT x .625 barb	
26	62159	2	Screw, M10-1.25 x 20 standard hex, G8.8	
27	60277	2	Screw, 10-32 x .500 pan Phillips, G2	
28	65499	1	Kit, switch lockout lever	
29	65498	1	Switch, disconnect	
30	19258	1	Fan, 15.75 inch	
31	60616	4	Screw, .312-18 x .750 serrated flange hex, G5	
32	10000021603	1	Support, engine - left	

Positive Air Shutdown (if equipped):

A	50738	1	Valve, PAS 2.00 diameter - ESD 12V
B	60316	2	Clamp, hose SAE 032 (1.56-2.50)
C	28540	1	Hose, CAC 2.00 x 4.00
D	10000030779	1	Weldment, PAS air intake - filter outlet

HOT START ASSEMBLY (IF EQUIPPED)

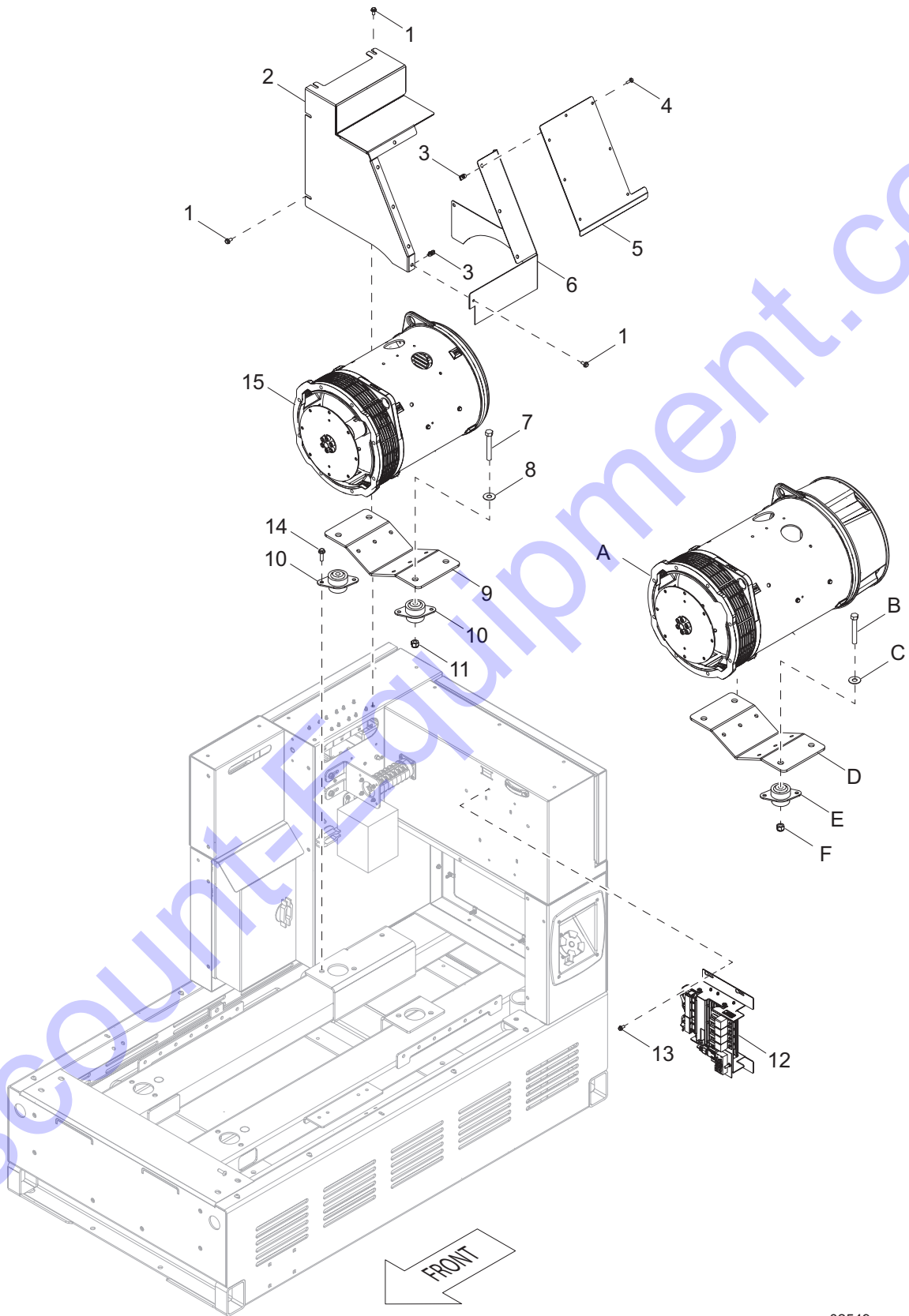


02548

HOT START ASSEMBLY (IF EQUIPPED)

Item	Part No.	Qty	Description	Notes
1	15396	1	Fitting, 90° - .375MNPT x .375FNPT, brass	
2	25931	1	Fitting, strt - .375NPT x .625 barb	
3	60365	4	Clamp, hose - SAE 010 (.56-1.06)	
4	50201	1.5 ft	Hose, .625, 200 psi, class A	
5	25914	1	Heater, coolant	
6	60526	4	Screw, 8-32 x .500 pan Phillips, G2	
7	10000026501	1	Bracket, heater mount	
8	60052	2	Screw, .375-16 x .750 standard hex, G5	
9	60161	4	Nut, .250-20 serrated flange, G5	
10	60145	2	Nut, .375-16 serrated flange, G5	
11	50201	1.33 ft	Hose, .625, 200 psi, class A	
12	25917	1	Fitting, strt - .250NPT x .625 barb	

GENERATOR ASSEMBLY



02549

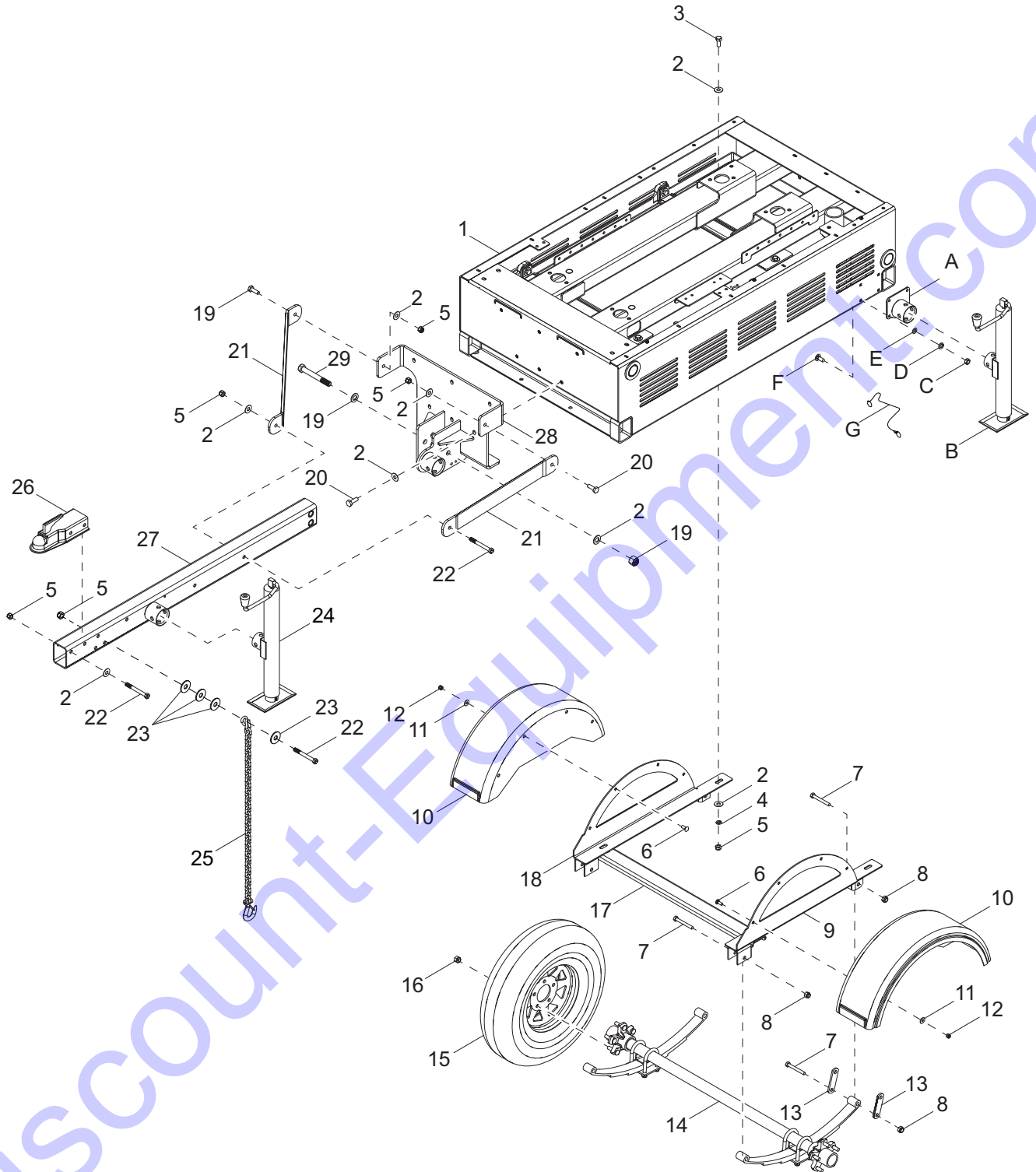
GENERATOR ASSEMBLY

Item	Part No.	Qty	Description	Notes
1	60115	4	Screw, M6-1.00 x 12 serrated flange hex, G8.8	
2	10000021539	1	Panel, generator box	
3	61143	8	Nut, .250-20 u-clip - short type	
4	60528	8	Screw, .250-20 x .625 serrated flange hex, G5	
5	10000024610	1	Cover, generator box	
6	10000024647	1	Panel, generator box - lower	
7	62012	2	Screw, .500-13 x 3.50 standard hex, G8	
8	60309	2	Washer, .500 flat 1.060/.090	
9	10000021640	1	Support, generator	
10	22788	2	Isolator, 350 lbs	
11	62221	2	Nut, .500-13 nylock	
12	10000033307	1	ECM bracket and engine wire harness	
13	60529	4	Screw, 10-24 x .625 pan Phillips - SS	
14	60018	4	Screw, M10-1.50 x 20 serrated flange hex	
15	10000018528	1	Generator, Marathon 282PSL1705	

SuperStart Generator (if equipped):

A	37494	1	Generator, Marathon 283PSL1707 - SAE5/7.5
B	62012	2	Screw, .500-13 x 3.50 standard hex, G8
C	60309	2	Washer, .500 flat 1.060/.090
D	10000021640	1	Support, generator
E	22788	2	Isolator, 350 lbs
F	62221	2	Nut, .500-13 nylock
--	65519	1	Block terminal, 4-pole

TRAILER ASSEMBLY



02550

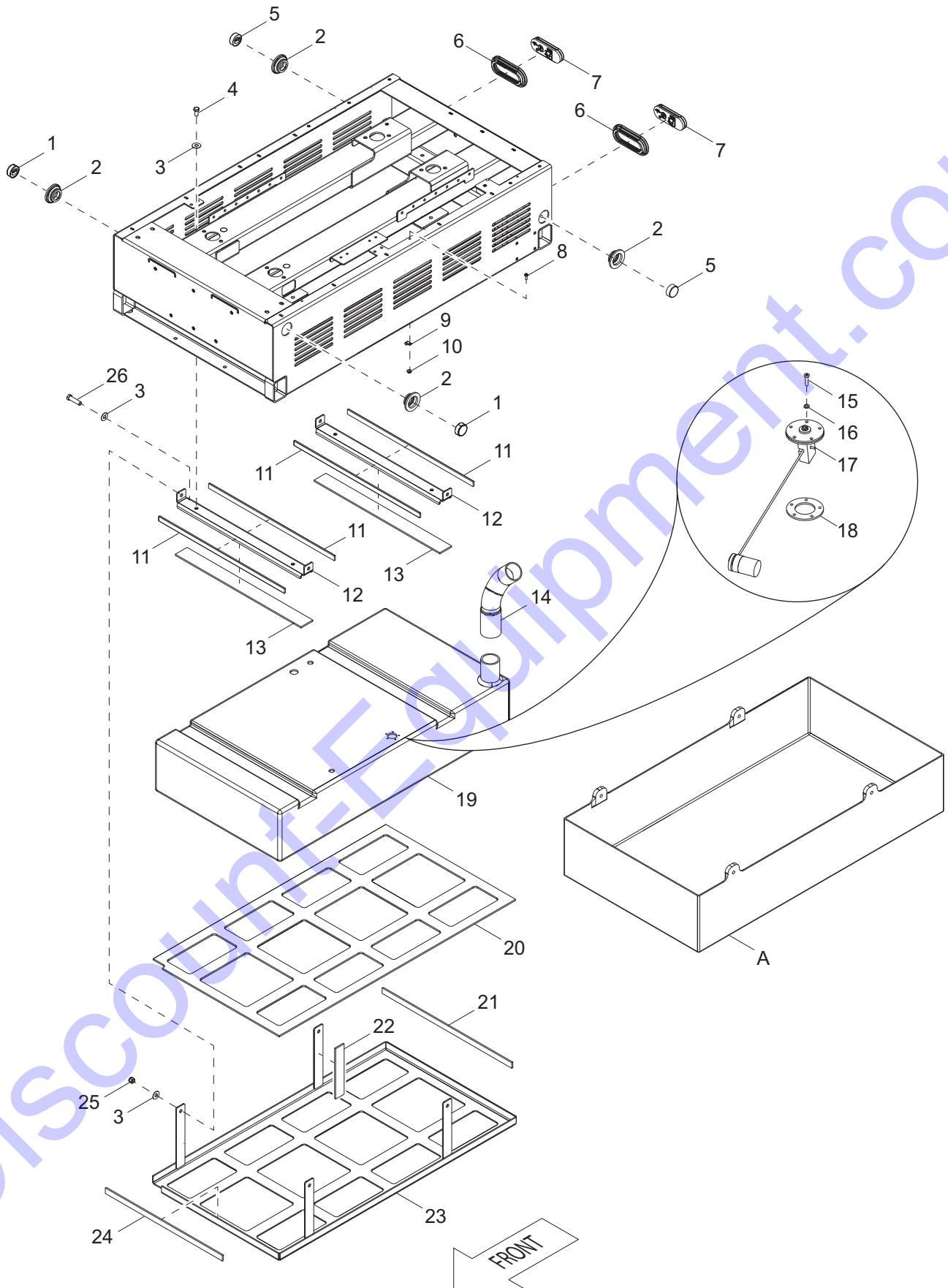
TRAILER ASSEMBLY

Item	Part No.	Qty	Description	Notes
1	10000032967	1	Assembly, skid	
2	60309	19	Washer, .500 flat 1.060/.090	
3	61101	4	Screw, .500-13 x 1.50 standard hex, G8	
4	60702	4	Washer, .500 split lock - SS	
5	62221	9	Nut, .500-13 nylock, G5	
6	60790	8	Screw, .375-16 x 1.00 carriage square - SS	
7	60503	6	Screw, shackle .562-18 x 3.00 standard hex, G5	
8	60504	6	Nut, .562-18 hex, G5	
9	10000029338	1	Weldment, fender mount - left	
10	16560	2	Fender, plastic	
11	60386	8	Washer, .375 flat .993/.064	
12	60792	8	Nut, .375-16 nylock - SS	
13	19637	4	Plate, shackle bracket	
14	10000016434	1	Axle, 3100 lb	
15	15976	2	Wheel, ST175/80D13	
16	60096	10	Nut, lug	
17	10000021633	1	Support, trailer	
18	10000029326	1	Weldment, fender mount - right	
19	60584	2	Nut, .750-10 nylock, G5	
20	60388	8	Screw, .500-13 x 1.50 standard hex, G5	
21	10000020986	2	Support, trailer	
22	60376	3	Screw, .500-13 x 4.50 standard hex, G5	
23	60416	8	Washer, .500 flat 1.375/.090	
24	13051	1	Jack assembly, 2000 lb top wind	
25	23367	2	Chain, safety - 7,800 lbs rated	
26	15103	1	Coupler, 2.00 ball/3.00 channel	
27	10000029306	1	Weldment, trailer tongue	
28	10000029322	1	Weldment, tongue mount plate	
29	60472	2	Screw, .750-10 x 6.00 standard hex, G8	

Rear Stabilizer Jacks (if equipped):

A	10000021596	2	Weldment, stabilizer jack mount
B	23254	2	Jack, top wind 2000 lb
C	60140	8	Nut, .375-16 hex, G5
D	60206	8	Washer, .375 split lock
E	60698	8	Washer, .375 flat .875/.040 - SS
F	60790	8	Screw, .375-16 x 1.00 carriage square - SS
G	12647	2	Cable, tether

TRAILER, TANK AND SKID ASSEMBLY



02551

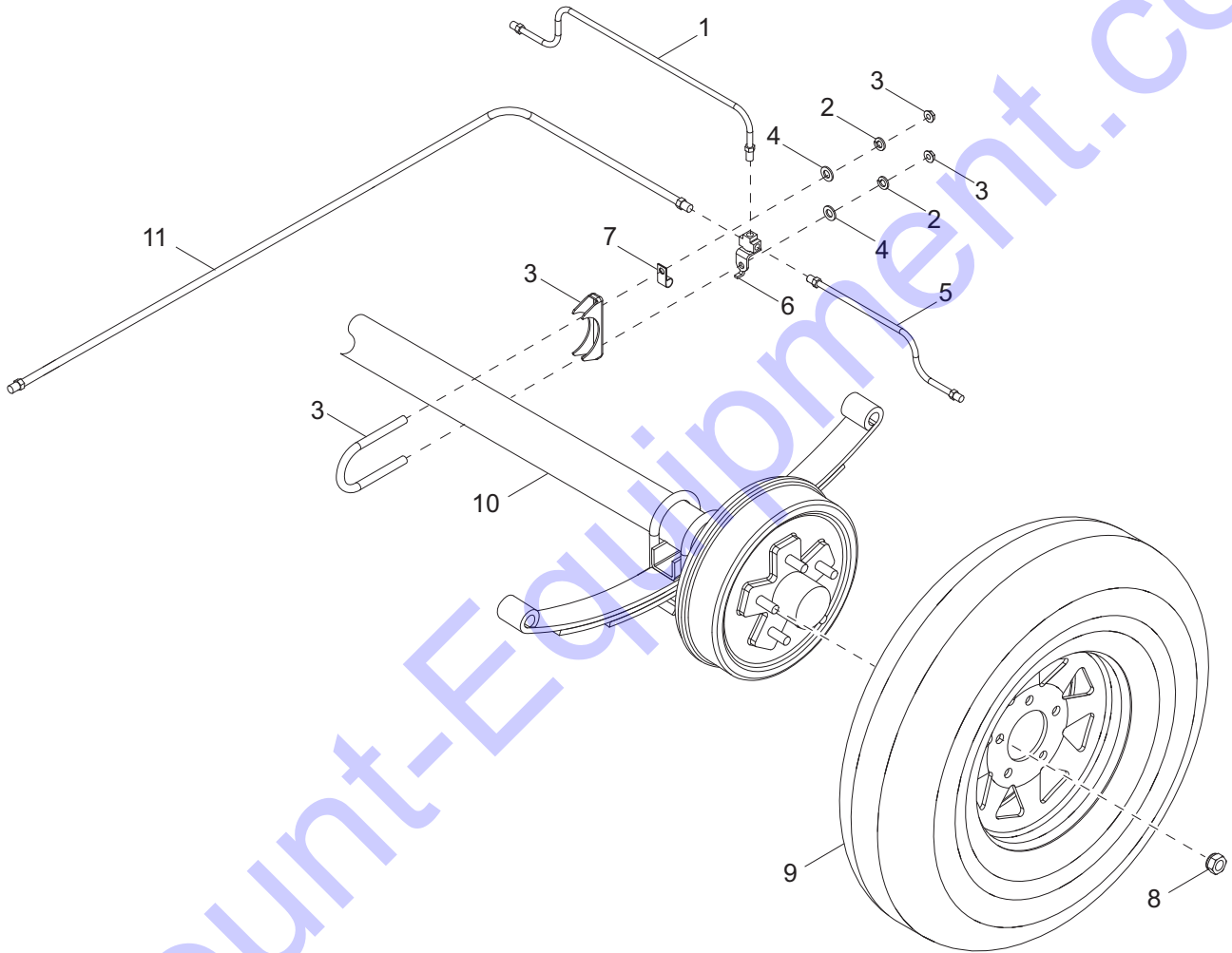
TRAILER, TANK AND SKID ASSEMBLY

Item	Part No.	Qty	Description	Notes
1	66702	2	Light, clearance 2.0 inch - amber	
2	66394	4	Grommet, sealed beam light - rubber	
3	60309	12	Washer, .500 flat .060/.090	
4	60275	4	Screw, .500-23 x 1.00 standard hex, G5	
5	66703	2	Light, clearance 2.0 inch - red LED	
6	10000017136	2	Grommet, oval stop/turn/tail lamp	
7	10000017173	2	Lamp, stop/turn/tail oval - LED	
8	60107	3	Screw, .250-20 x .750 serrated flange hex, G5	
9	15626	3	Clamp, tubing .375 light duty	
10	60161	3	Nut, .250-20 serrated flange, G5	
11	10000032741	4	Foam, fuel tank front rail	
12	10000030931	2	Weldment, fuel tank strap	
13	10000033150	2	Foam, fuel tank bottom rail	
14	10000027144	1	Hose, fuel fill	
15	60062	5	Screw, 10-32 x .750 pan Phillips, G2	
16	60252	5	Washer, #10 split lock	
17	21206	1	Sender, fuel 16-24 inch, right hand	
18	22323	1	Gasket, fuel sender	
19	10000027754	1	Fuel tank, 48 gallon - poly	
20	10000032752	1	Foam, fuel tank support - bottom	
21	10000033160	1	Foam, fuel tank support - aft	
22	10000033161	4	Foam, fuel tank support - side	
23	10000030932	1	Weldment, fuel tank support	
24	10000033170	2	Foam, fuel tank support - fwd	
25	62221	4	Nut, .500-13 nylock, G5	
26	60484	4	Screw, .500-13 x 2.00 standard hex, G5	

Fuel Tank Containment (if equipped):

A	10000027987	1	Pan, containment 75 gallon - poly
---	-------------	---	-----------------------------------

TRAILER BRAKES - AXLE AND LINES (IF EQUIPPED)



00000

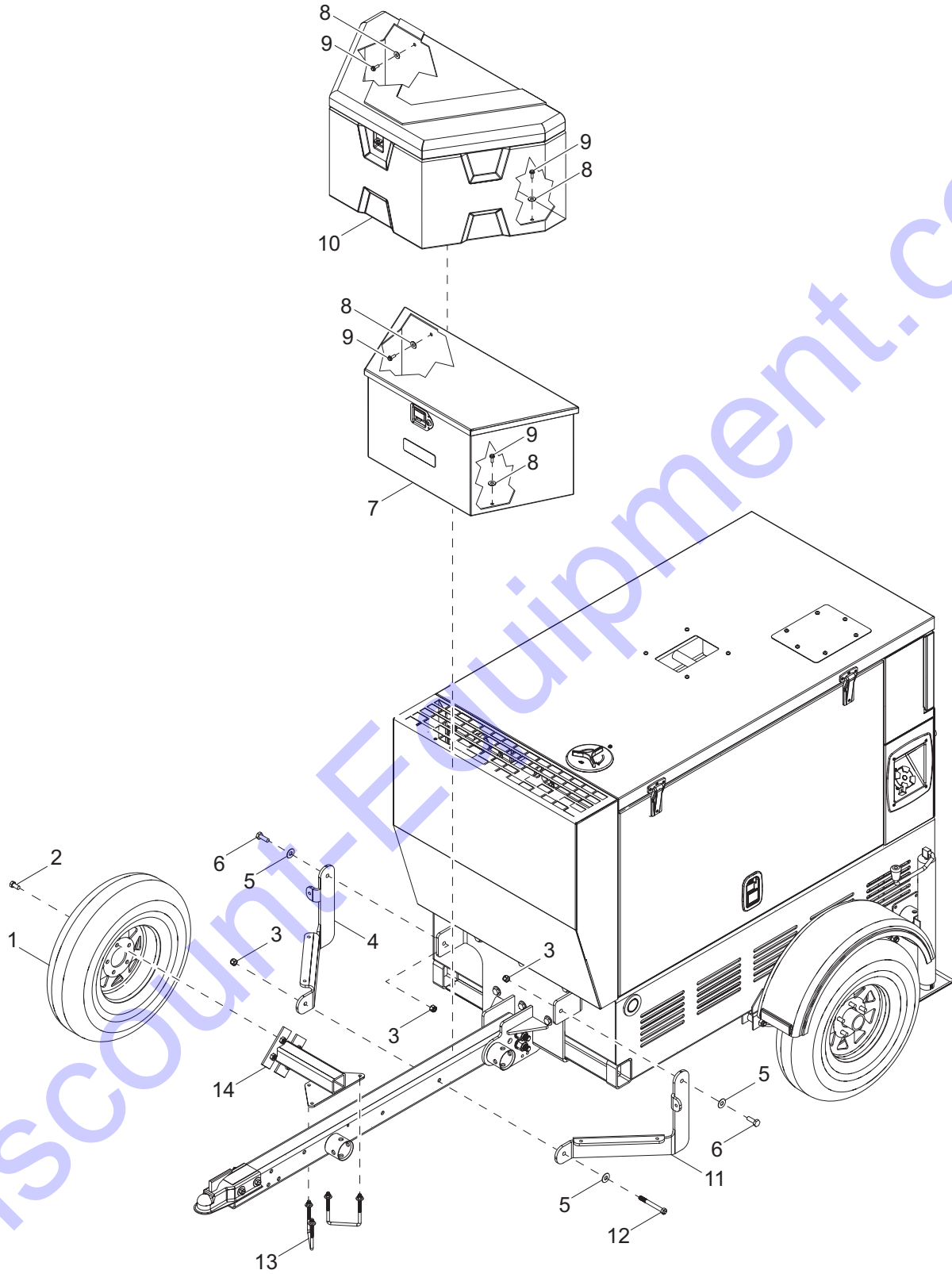
TRAILER BRAKES - AXLE AND LINES (IF EQUIPPED)

Item	Part No.	Qty	Description	Notes
1	10000027720	1	Line, brake - .188 x 11.0	
2	60341	2	Washer, M8 split lock, SS	
3	10000027136	1	U-bolt clamp, 2.375 diameter	
4	60166	2	Washer, M8 flat	
5	10000027702	1	Hose, brake - .188 x 126.0, male/male	
6	19252	1	Fitting, strt - .188 brake line T w/bracket, all female	
7	61010	1	Clamp, tubing - .375 heavy duty, .375 bolt	
8	60096	10	Lug nut	
9	10000027696	1	Wheel, ST185/80D13	
10	10000027059	1	Axle, surge leaf 3500 lb - 33.00	
11	10000027657	1	Line, brake - .188 x 30.0	
--	60231	6	Rivet, .188 diameter x .375 to .500 grip	
--	15626	6	Clamp, tubing - .375 light duty	
--	22340	1	Fitting, bushing - 1.0 OD x .750 ID	

Electric Brakes (if equipped):

--	10000027080	1	Axle, electric leaf 3500 lbs - 33.00
--	19417	1	Breakaway kit
--	19438	1	Harness, wiring electric brakes

TRAILER OPTIONS

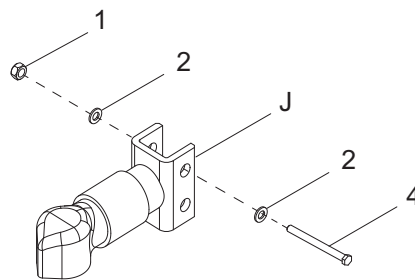
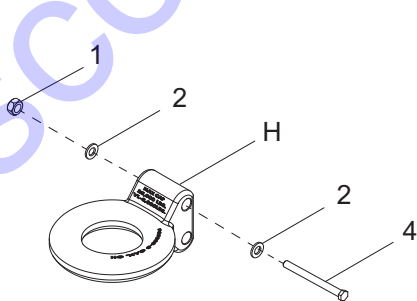
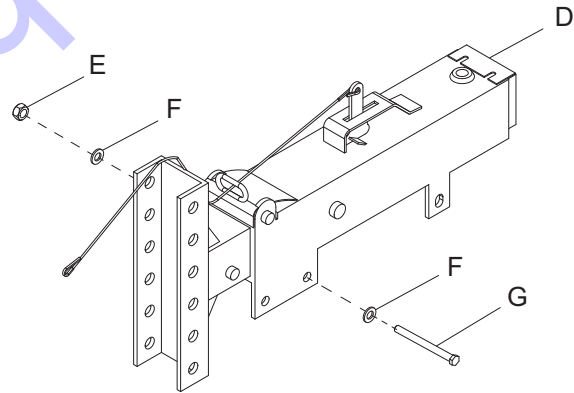
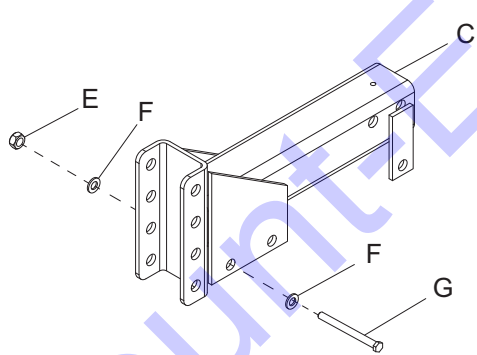
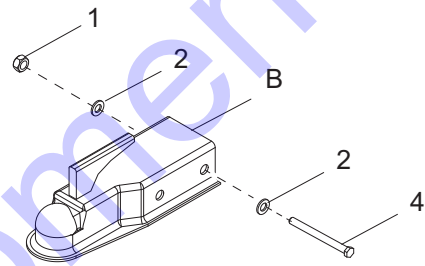
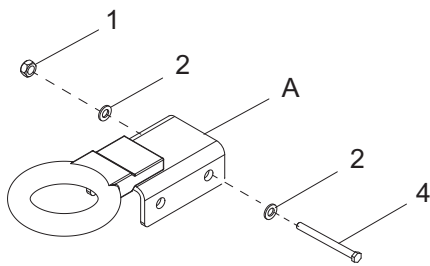
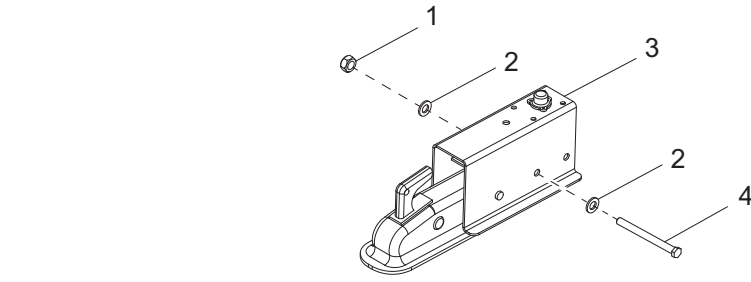


02552

TRAILER OPTIONS

Item	Part No.	Qty	Description	Notes
1	17950	1	Wheel, ST175/80D13	
	10000027696	1	Wheel, ST185/80D13	with brake option
2	61190	2	Screw, .500-13 x 1.00 standard hex - SS	
3	62221	3	Nut, .500-13 nylock, G5	
4	10000026493	1	Support, toolbox - left	
5	60309	3	Washer, .500 flat 1.060/.090	
6	60388	2	Screw, .500-13 x 1.50 standard hex, G5	
7	10000025915	1	Toolbox, aluminum	
8	60416	6	Washer, .500 flat 1.375/.090 - SS	
9	60517	6	Screw, .375-16 x 1.00 serrated flange hex	
10	10000025858	1	Toolbox, poly	
11	10000026560	1	Support, toolbox - right	
12	60376	1	Screw, .500-13 x 4.500 standard hex, G5	
13	10000026323	2	Bolt, U .375-16 x 4.00 x 5.00 square	
14	10000026597	1	Weldment, spare tire holder	

TRAILER HITCH OPTIONS

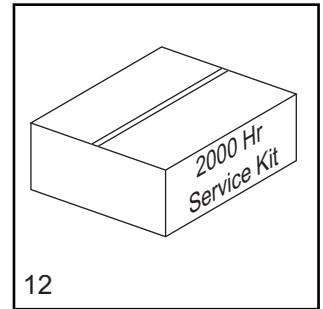
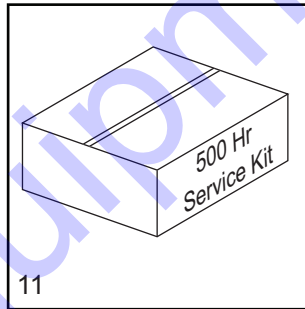
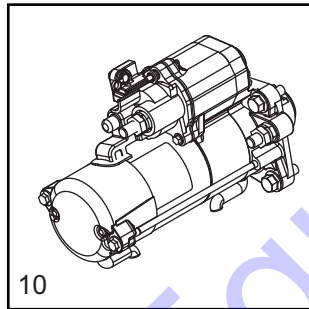
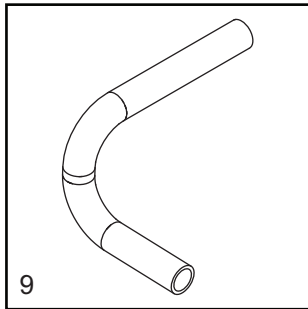
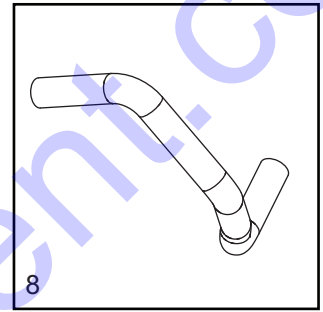
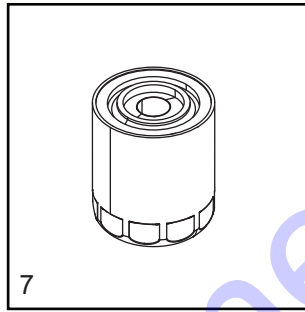
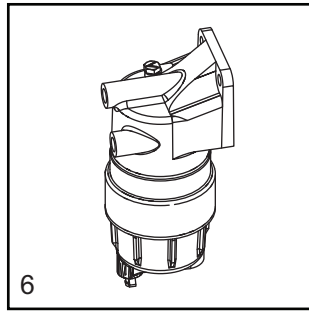
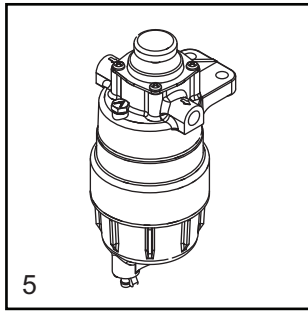
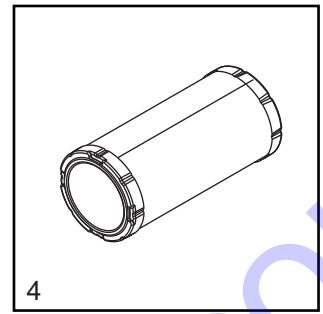
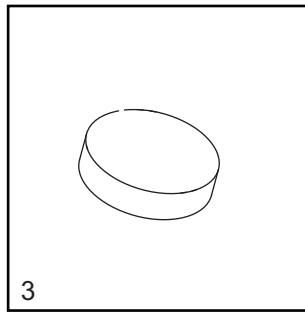
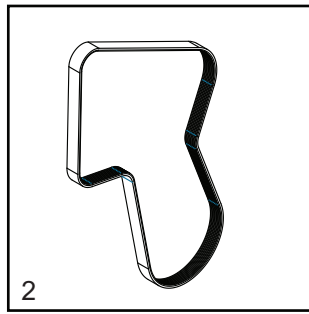
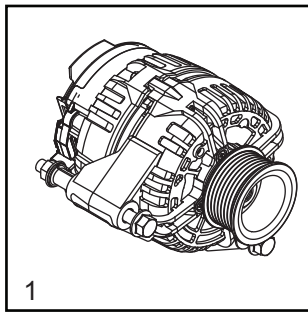


01123

TRAILER HITCH OPTIONS

Item	Part No.	Qty	Description	Notes
1	62221	2	Nut, .500-13 nylock, G5	
2	60309	4	Washer, .500 flat 1.060/.090	
3	24304	1	Actuator, hydraulic surge brake - 2 in. ball, 6000 lb	
4	61099	2	Screw, .500-13 x 5.0 std hex, G8	
--	41762	1	O-ring - 24 mm	
<i>Non-Adjustable Electric Brake Hitches:</i>				
A	11032B	1	Weldment, Lunette ring - 3.0 ID	
B	23162	1	Coupler, 2.0 ball/3.0 channel - 5000 lb	
<i>Adjustable Hitches:</i>				
C	19379B	1	Weldment, hitch - 4 position, electric brake	
D	40529	1	Actuator, hydraulic surge brake - 7500 lb, surge brake	
E	62221	3	Nut, .500-13 nylock, G5	
F	60309	6	Washer, .500 flat 1.060/.090	
G	61099	3	Screw, .500-13 x 5.0 std hex, G8	
H	19335B	1	Coupler, Lunette ring - 3.0 ID	Req. item C or D
J	19518	1	Coupler, 2.0 ball	Req. item C or D
<i>Adapters - Electric Brake:</i>				
--	65593	1	Adapter, trailer - 4 pin and 2 pin to 6 pin	
--	65583	1	Adapter, trailer - round 6 pin to round 7 spade	Req. item 65593
<i>Adapters - Surge Brake:</i>				
--	65463	1	Adapter, trailer - flat 4 pin to round 6 pin	
--	65464	1	Adapter, trailer - flat 4 pin to round 7 pin	
--	65465	1	Adapter, trailer - flat 4 pin to round 7 spade	

RECOMMENDED SPARE PARTS - ENGINE AND SERVICE KITS



RECOMMENDED SPARE PARTS - ENGINE AND SERVICE KITS

ENGINE

1. Alternator	36661
2. Belt, fan	51099
3. Cap, overflow bottle.....	19714
4. Filter, air - element.....	35962
5. Filter, fuel - primary.....	36905
6. Filter, fuel - final	36904
7. Filter, oil	15183
8. Fan, engine.....	19258
8. Hose, radiator - upper.....	37126
9. Hose, radiator - lower	10000024211
10. Starter.....	36662

SERVICE KITS

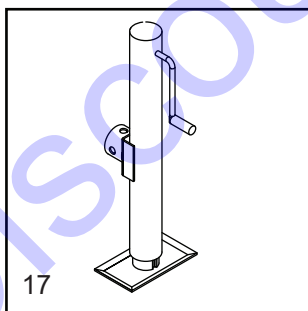
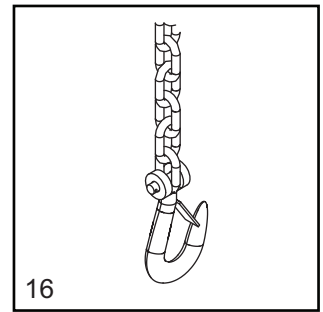
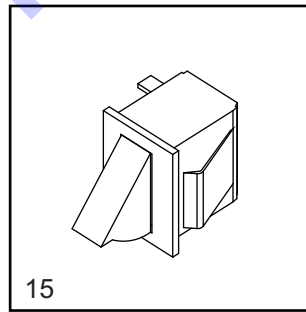
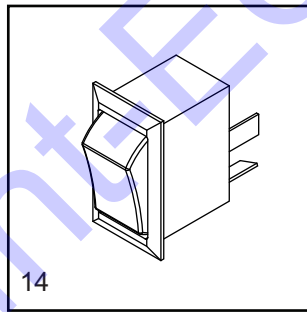
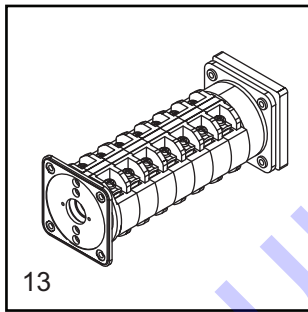
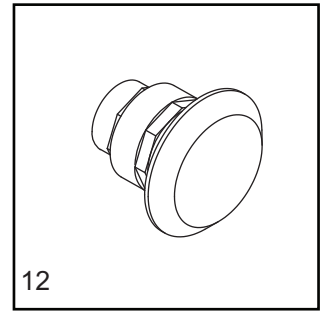
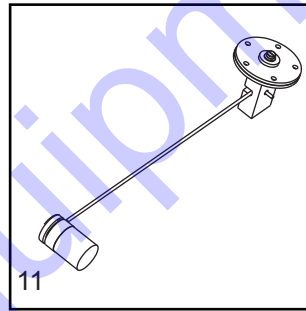
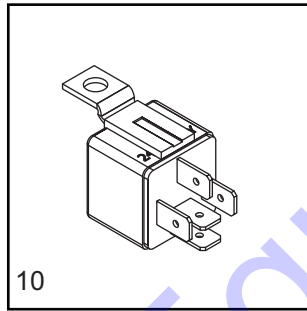
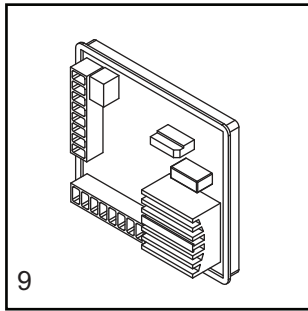
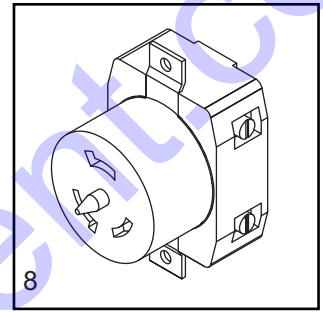
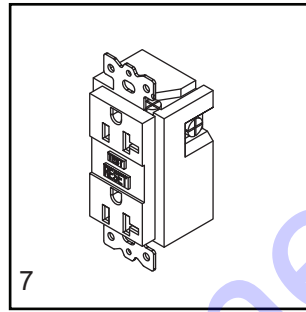
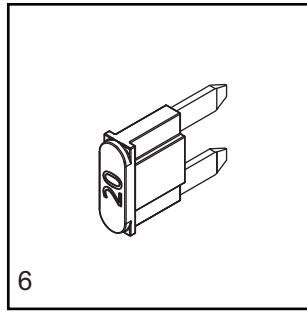
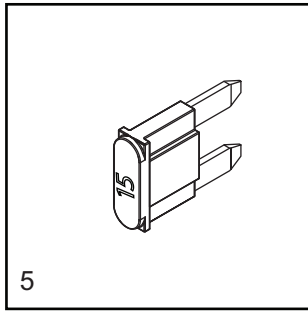
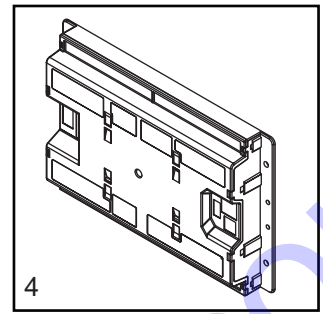
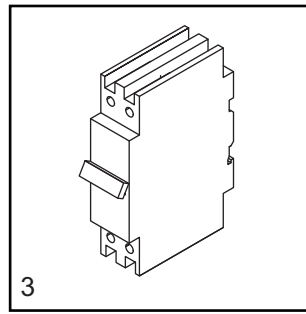
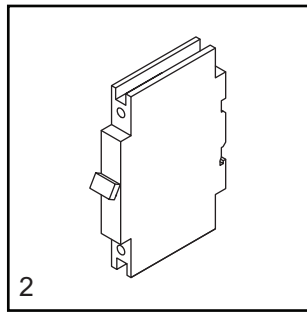
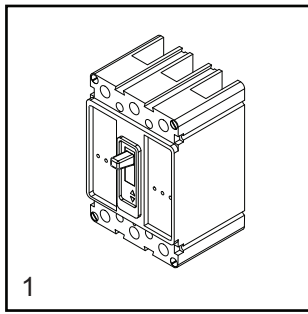
11. 500 hour kit.....	SK324
-----------------------	-------

Includes: Air Filter Element 35962, Primary Fuel Filter 36905, Final Fuel Filter 36904, and Oil Filter 15183

12. 2000 hour kit.....	SK325
------------------------	-------

Includes: Engine Belt 51099 (2), Air Filter Element 35962 (4), Primary Fuel Element 36905 (4), Final Fuel Filter 36904 (4), and Oil Filter 15183 (4)

RECOMMENDED SPARE PARTS - ELECTRICAL AND TRAILER



02554

RECOMMENDED SPARE PARTS - ELECTRICAL AND TRAILER

ELECTRICAL

1. Breaker, main	65446
2. Breaker, 20A.....	18091
3. Breaker 50A.....	18092
4. Controller, programmed.....	Call
5. Fuse, 15A	68204
6. Fuse, 20A	35560
7. Receptacle, 120V/20A GFI.....	14130
8. Receptacle, 240V/50A twist lock	18089
9. Regulator, voltage.....	68015
10. Relay (Optional).....	67028
11. Sender, fuel.....	21206
12. Switch, E-stop assembly	65470
13. Switch, phase - 3 position.....	37426
14. Switch, rocker	66995
15. Switch, trigger safety	12632

TRAILER

17. Chain, safety.....	23367
18. Jack, side wind	13051

Note: To order replacement controller, contact Generac Mobile Products with unit serial number.

Discount Equipment

Discount-Equipment.com is your online resource for commercial and industrial quality parts and equipment sales.

Locations:

Florida (West Palm Beach): [561-964-4949](tel:561-964-4949)

Outside Florida TOLL FREE: [877-690-3101](tel:877-690-3101)

Need parts? Check out our website at www.discount-equipment.com

Can't find what you need?

Click on this link: <http://www.discount-equipment.com/category/5443-parts/> and fill out the request form.

Please have the machine model and serial number available in order to help us get you the correct parts. One of our experienced staff members will get back to you with a quote for the right part that your machine needs.

We sell worldwide for the brands: Genie, Terex, JLG, MultiQuip, Mayco, Toro/Stone, Diamond Products, Magnum, Airman, Mustang, Power Blanket, Nifty Lift, Atlas Copco, Chicago Pneumatic, Allmand Brothers, Essick, Miller Spreader, Skyjack, Lull, Skytrak, Tsurumi, Husquvarna/Target, Whiteman-Concrete/Mortar, Stow-Concrete/Mortar, Baldor, Wacker, Sakai, Snorkel, Upright, Mi-T-M, Sullair, Neal, Basic, Dynapac, MBW, Weber, Bartell, Bennar Newman, Haulotte, Ditch Runner, Blaw-Knox, Himoina, Best, Buddy, Crown, Edco, Wyco, Bomag, Laymor, Terremite, Barreto, EZ Trench, Takeuchi, Basic, Bil-Jax, Curtis, Gehl, Heli, Honda, ICS/PowerGrit, Puckett, Waldon, ASV, IHI, Partner, Imer, Clipper, MMD, Koshin, Rice, Gorman Rupp, CH&E, Cat Pumps, Comet, General Pump, Giant, AMida, Coleman, NAC, Gradall, Square Shooter, Kent, Stanley, Tamco, Toku, Hatz, Kohler, Robin, Wisconsin, Northrock, Oztec, Toker TK, Rol-Air, Small Line, Wanco, Yanmar

New Equipment - Used Equipment - Rental Equipment - Parts and Accessories

Discount Equipment

www.discount-equipment.com

561-964-4949

Parts: wbparts@Discount-Equipment.com

Sales: info@Discount-Equipment.com



www.discount-equipment.com

Part No. 10000024673 Rev. A 03/20/2018

©2018 Generac Mobile Products, LLC
All rights reserved.

Specifications are subject to change without notice.
No reproduction allowed in any form without prior written consent
from Generac Mobile Products, LLC.

GENERAC
**MOBILE
PRODUCTS**