

MDG25IF4 | 2.2L | 25 kVA Prime

MOBILE DIESEL GENERATOR SET

EPA Emissions Certification: Tier IV Final

GENERAC® | **MAGNUM**

Standby Power Rating

25 kW, 31 kVA, 60 Hz

Prime Power Rating

20 kW, 25 kVA, 60 Hz



Image used for illustration purposes only

Codes and Standards

Generac Magnum products are designed to the following standards:



CSA Certified



NATM



TIER 4 FINAL EMISSIONS



ISO 8528-5

Power When and Where You Need It

Generac Magnum mobile diesel generators are designed and engineered to power a variety of projects, in the most extreme environments. Gensets are configured to meet customer needs, including choice of containment, cold weather packages, trailer options, and more.

Generac Magnum mobile diesel generators are manufactured to deliver reliable power, when and where you need it.



www.discount-equipment.com

STANDARD FEATURES**ENGINE SYSTEM**

- Isuzu® 4LE2T– turbocharged, diesel engine
- Four cylinder
- 133 in³ (2.2 L) displacement
- Tier 4 Final (DOC)
- Rubber vibration dampers isolate engine/generator from frame
- Disposable air filter - paper element
- Waste-Gated Turbocharger (WGT)
- Electronic isochronous governing

FUEL SYSTEM

- Poly fuel tank
- 48 gal. (181 L) diesel tank capacity
 - 24 hr run time – full load
- Fuel consumption rate:
 - 100% standby - 2.3 gph (8.6 Lph)
 - 100% prime - 2.0 gph (7.4 Lph)

COOLING SYSTEM

- Capable of operating at 111 °F (44 °C) ambient
- Low coolant shutdown
- Radiator and oil drains plumbed to exterior

SYSTEM OUTPUTS

- 3-position selector switch (lockable)
 - Single phase – 120 / 240V Zig Zag
 - Three phase – 120 / 208V Low Wye
 - Three phase – 277 / 480V High Wye
- 25 kW / 25 kVA – standby, single phase
- 20 kW / 20 kVA – prime, single phase
- 25 kW / 31 kVA – standby, three phase
- 20 kW / 25 kVA – prime, three phase

GENERATOR

- Marathon Electric
 - Brushless
 - 4-pole
 - Class H insulation
- Voltage regulation ± 0.5% with AVR

ENCLOSURE

- Aluminum, sound attenuated enclosure
 - UV and fade resistant, high temperature cured, white polyester powder paint
 - Insulated and baffled
 - 67 dB(A) at 23 ft (7 m) – prime power
- Fully lockable enclosure including doors and fuel fill
- Emergency stop switch located on outside of enclosure
- Central lifting point
- Multi-lingual operating/safety decals
- Document holder with operating manual including AC/DC wiring diagrams

TRAILER

- DOT approved tail, side, brake, and directional lights; recessed rear lights
- Transportation tie downs
- Safety chains with spring loaded safety hooks
- 3 in (76.2 mm) Lunette ring hitch
- One 3,100 lb (1406 kg) axle
- 2,000 lb (907 kg) tongue jack with footplate
- ST175/80D13 tubeless tires

WARRANTY

- 2 year limited warranty or 2000 hours
 - Unlimited hours covered in first year

CERTIFICATIONS

- CSA Certified

SYSTEM CONTROLS**Power Zone® Controller And Display**

- Backlit, 800 x 480 pixel resolution color display
- -40 °F to 185 °F (-40 °C to 85 °C) operating temperature range
- Automatic coarse voltage adjustment
- Integrated fine voltage adjustment
- PLC functionality

Push Buttons For Easy Operation

- Manual or Auto Start
- Engine Start
- Engine Stop/Reset
- Alarm Mute
- Operator Screens
 - Home
 - Engine
 - Generator
 - Voltage Adjust

Scrolling Arrows for Diagnostic Information

- Engine diagnostic display
 - Oil pressure
 - Engine temperature
 - Fuel level
 - Battery
 - After-treatment inlet/outlet temperature

- Generator diagnostic display
 - System kW output display
 - Line output and frequency display
- Alarms
 - Warning
 - Shutdown
 - Electrical Trip
 - Engine
- Alarm list – warnings/shutdowns; 250 even history log – date/time stamp
 - Fuel level: warning – 15%; shutdown – 5%
 - Over-speed protection: shutdown – 110%
 - Oil pressure: warning – 23 psi (158.5 kPa); shutdown – 20 psi (137.8 kPa)
 - Coolant temperature: warning – 219 °F (104 °C); shutdown – 230 °F (110 °C)
 - Battery voltage: over – 15VDC; under – 11VDC
 - Generator over voltage: warning – 110%; electrical trip – 115%
 - Generator under voltage: warning – 87%; shutdown – 86%
 - Generator over frequency: warning – 105%; electrical trip – 110%
 - Generator under frequency: warning – 95%; electrical trip – 90%
- Inputs/outputs
- Auto schedule
- Status
- Configuration of controller, firmware, and connections

ELECTRICAL CONTROLS

- Remote start/stop contacts located in the receptacle box.
- Lockable control box door with diagnostics window
- Lockable lug box with safety switch
 - Trips main breaker when door is opened
 - Disables voltage regulator
- Output ground connection lug inside lug box
- 125A main breaker with shunt trip
- Convenience receptacles with individual breakers (restricted use in High Wye mode)
 - Two 120V 20 amp GFCI duplex outlets – (NEMA 5-20R type)
 - Three 240V 50 amp, 3-pole, 4-wire Twist-lock (Non-NEMA 6369)
- Voltage adjustment integrated into Power Zone controller, ± 10%
- One 12V / 720CCA wet cell battery

MDG25IF4 | 2.2L | 25 kVA Prime

MOBILE DIESEL GENERATOR SET

EPA Emissions Certification: Tier IV Final

GENERAC® | **MAGNUM**

OPTIONS

POWERTRAIN SYSTEM

- Block heater
- Fuel filter heater
- CCV heater
- 60/40 coolant
- Positive air shutdown
- Cam locks
- 10A battery charger

FUEL SYSTEM

- 110% fluid containment

TRAILER

- Full size spare tire
- Tool box / storage bin
- 2-5/16" (5.9 cm) ball
- Surge brakes
- Electric brakes
- Stabilizer jacks

CABINET

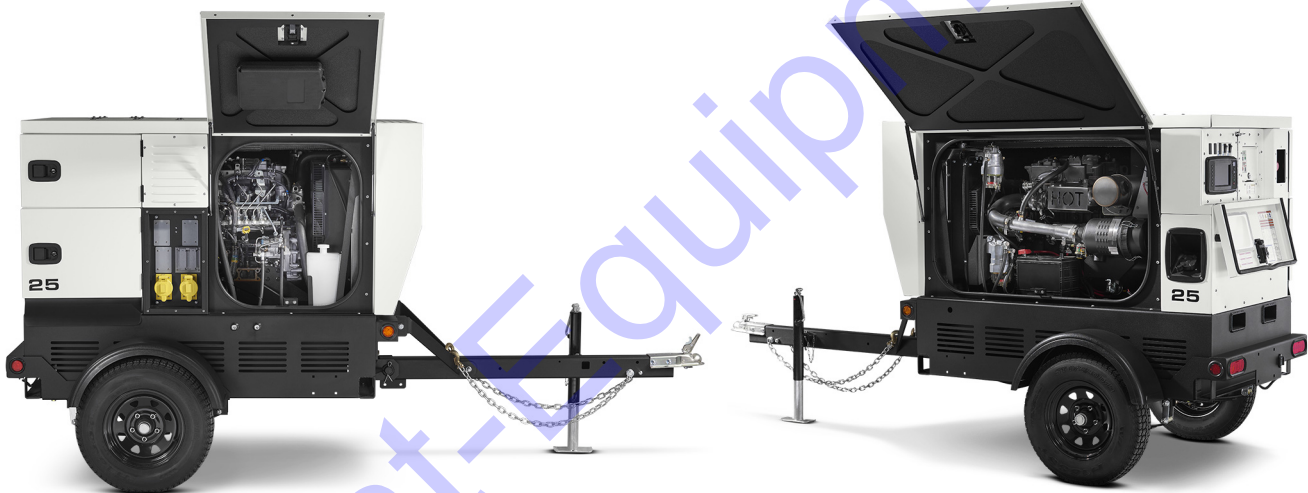
- Auxiliary fuel connection for day tank
- Fire extinguisher

CONTROL SYSTEM

- 4-position selector switch
- PMG/DVR
- Buck transformer

GENERATOR SYSTEM

- SuperStart



RATING DEFINITIONS

Standby - Applicable for varying emergency load for the duration of a utility power outage.

Prime - Applicable for supplying power to a varying load in lieu of utility for an unlimited amount of running time.

*Consult factory for availability



www.discount-equipment.com

MDG25IF4 | 2.2L | 25 kVA Prime

MOBILE DIESEL GENERATOR SET

EPA Emissions Certification: Tier IV Final



APPLICATION AND ENGINEERING DATA

ENGINE SPECIFICATIONS

General

Make	Isuzu 4LE2T
EPA Emissions Compliance	Tier IV Final
After-treatment System	DOC only
Cylinder #	4
Type	In-line
Displacement	133 in ³ (2.2 L)
Bore – in (mm)	3.35 (85)
Stroke – in (mm)	3.78 (96)
Compression Ratio	17.6:1
Intake Air Method	Turbocharged

Engine Governing

Governor	Electronic
Frequency Regulation (Steady State)	2%

Lubrication System

Oil Pump Type	Gear
Oil Filter Type	Spin-on cartridge
Crankcase Capacity – qts (L)	11 (10.4)

Cooling System

Cooling System Type	Pressurized closed
Water Pump Type	Belt driven
Fan Type	Pusher
Fan Speed (rpm)	1800
Fan Diameter – in (mm)	15.75 (400)
Coolant System Capacity – gal (L)	2.75 (10.4)

Fuel System

Fuel Type	Ultra low sulfur diesel
Fuel Specifications	EN 590 / ASTM D974
Fuel Filtering (microns)	2
Fuel Inject Pump Make	HP6
Fuel Pump Type	Engine driven – gear
Injector Type	Electronic
Engine Type	Direct inject
Fuel Supply Line – in (mm)	0.375 (9.5)
Fuel Return Line – in (mm)	0.375 (9.5)

Engine Electrical System

System Voltage	12VDC
Battery Charger Alternator	STD
Battery Size	720 CCA
Battery Voltage	12VDC (1)
Ground Polarity	Negative

ALTERNATOR SPECIFICATIONS

Standard Model	Marathon 282PSL1705
Poles	4
Field Type	Rotating
Insulation Class – Rotor	H
Insulation Class – Stator	H
Total Harmonic Distortion	< 5%
Telephone Interference Factor (TIF)	< 50

Standard Excitation	Brushless
Bearings	Double shielded, pre-lubricated
Coupling	Direct, flexible disc
Prototype Short Circuit Test	Yes
Voltage Regulator Type	AVR
Number of Sensed Phases	1
Regulation Accuracy (Steady State)	± 1%



MDG25IF4 | 2.2L | 25 kVA Prime

MOBILE DIESEL GENERATOR SET

EPA Emissions Certification: Tier IV Final

GENERAC®

MAGNUM

OPERATING DATA

POWER RATINGS

	Standby		Prime	
Single-phase 120/240VAC @ 1.0pf (kW/kVA)	25 kW / 25 kVA	Amps: 104	20 kW / 20 kVA	Amps: 83
Three-phase 120/208VAC @ 0.8pf (kW/kVA)	25 kW / 31 kVA	Amps: 86	20 kW / 25 kVA	Amps: 70
Three-phase 120/240VAC @ 0.8pf (kW/kVA)	25 kW / 31 kVA	Amps: 75	20 kW / 25 kVA	Amps: 60 *
Three-phase 277/480VAC @ 0.8pf (kW/kVA)	25 kW / 31 kVA	Amps: 37	20 kW / 25 kVA	Amps: 30

* Power ratings achieved with the use of an optional 4 position phase switch

STARTING CAPABILITIES (sKVA)

sKVA vs. Voltage Dip

	208 VAC	480 VAC
Standard	24.1%	21.7%
SuperStart	22.6%	17.0%

FUEL CONSUMPTION RATES*

Percent Load	Diesel – gal/hr (l/hr)	
	Standby	Prime
25%	0.6 (2.2)	0.7 (2.6)
50%	1.2 (4.4)	1.1 (4.2)
75%	1.7 (6.5)	1.6 (6.1)
100%	2.3 (8.6)	2.0 (7.4)

Deration – Operational characteristics consider maximum ambient conditions. Derate factors may apply under atypical site conditions.

Please consult a Generac Mobile Products Authorized Service Dealer for additional details. All performance ratings in accordance with ISO3046, BS5514, ISO8528, ISO8665, ISO3046, SAE J1228, SAE J1995, and DIN6271 standards.



www.discount-equipment.com

MDG25IF4 | 2.2L | 25 kVA Prime

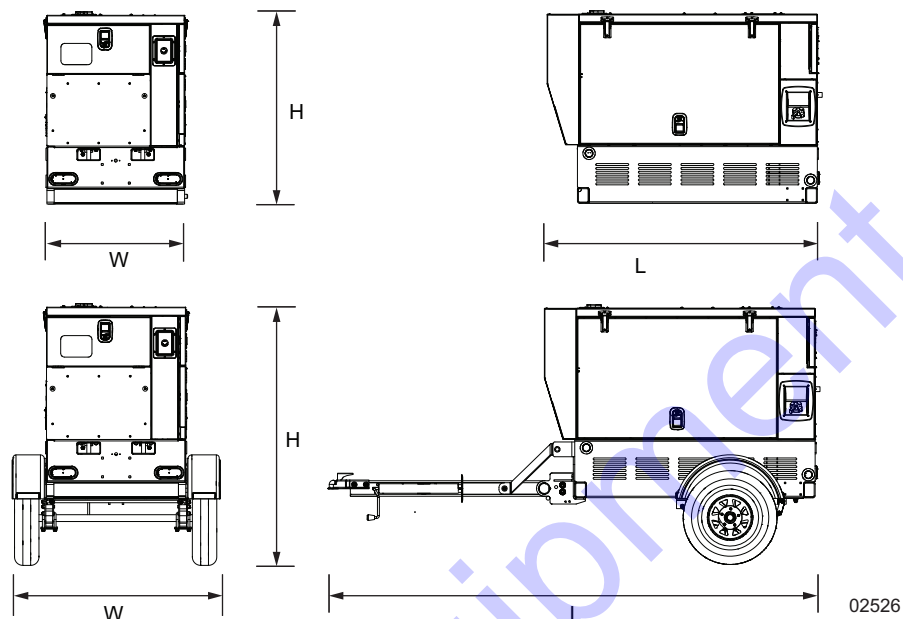
MOBILE DIESEL GENERATOR SET

EPA Emissions Certification: Tier IV Final

GENERAC®

MAGNUM

DIMENSIONS AND WEIGHTS*



	Run Time Hours	Usable Capacity Gal (L)	L x W x H in (m)	Weight lbs (kg)
Skid	24	48 (181)	70 (1.78) x 35 (.89) x 48 (1.22)	Dry: 1,977 (896) Operating: 2,373 (1,076)
Trailer	24	48 (181)	129 (3.28) x 53(1.35) x 65 (1.65)	Dry: 2,246 (1,018) Operating: 2,642 (1,198)

* All measurements are approximate and for estimation purposes only.

**Discount
Equipment**

www.discount-equipment.com

Specification characteristics may change without notice. Dimensions and weights are for preliminary purposes only. Please consult a Generac Mobile Products Authorized Service Dealer for detailed installation drawings.