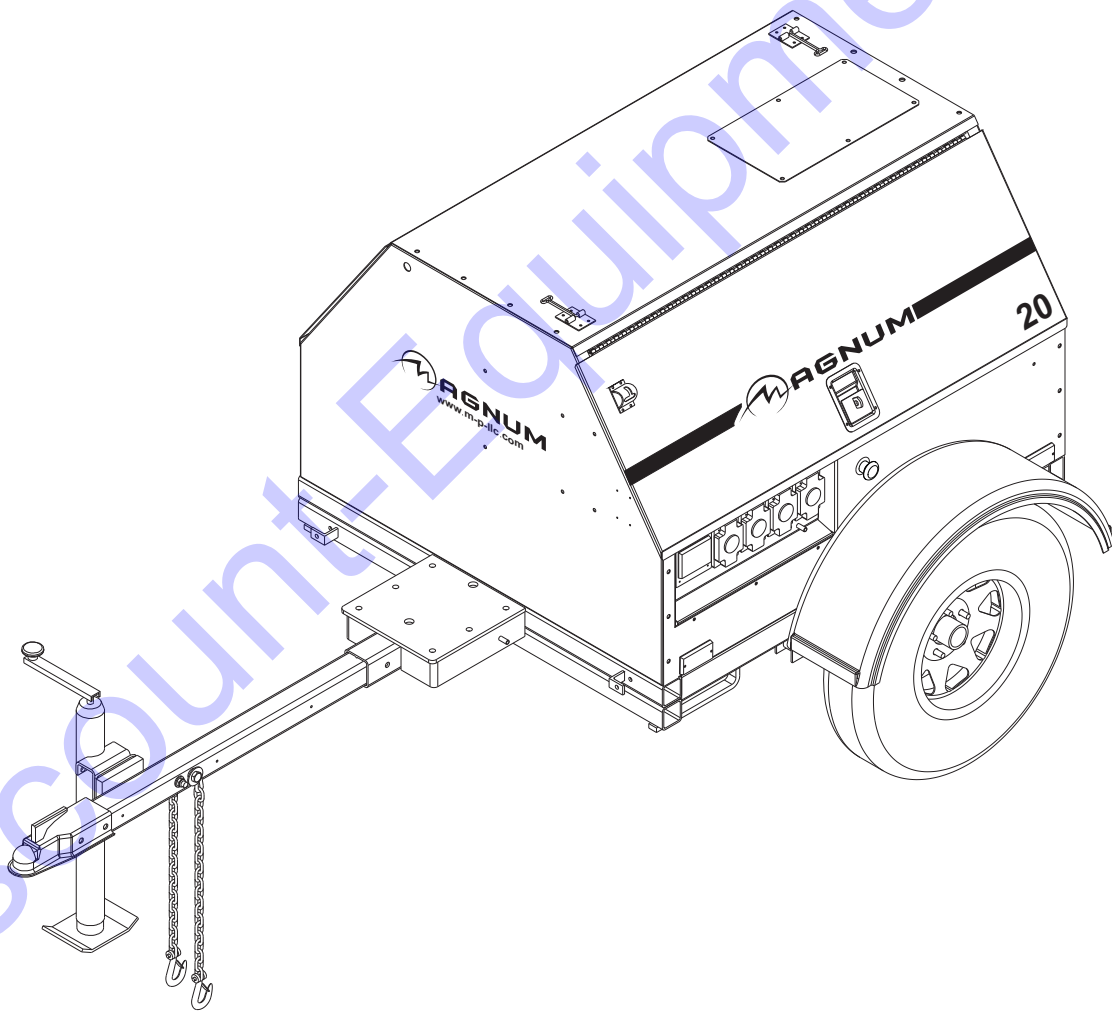




MAGNUM™

POWER PRODUCTS LLC

DIESEL GENERATOR MLG8 • MLG15 • MLG20 PARTS MANUAL



**Discount
Equipment**

www.discount-equipment.com

Discount Equipment

Discount-Equipment.com is your online resource for commercial and industrial quality parts and equipment sales.

Locations:

Florida (West Palm Beach): [561-964-4949](tel:561-964-4949)

Outside Florida TOLL FREE: [877-690-3101](tel:877-690-3101)

Need parts? Check out our website at www.discount-equipment.com

Can't find what you need?

Click on this link: <http://www.discount-equipment.com/category/5443-parts/> and fill out the request form.

Please have the machine model and serial number available in order to help us get you the correct parts. One of our experienced staff members will get back to you with a quote for the right part that your machine needs.

We sell worldwide for the brands: Genie, Terex, JLG, MultiQuip, Mayco, Toro/Stone, Diamond Products, Magnum, Airman, Mustang, Power Blanket, Nifty Lift, Atlas Copco, Chicago Pneumatic, Allmand Brothers, Essick, Miller Spreader, Skyjack, Lull, Skytrak, Tsurumi, Husquvarna/Target, Whiteman-Concrete/Mortar, Stow-Concrete/Mortar, Baldor, Wacker, Sakai, Snorkel, Upright, Mi-T-M, Sullair, Neal, Basic, Dynapac, MBW, Weber, Bartell, Bennar Newman, Haulotte, Ditch Runner, Blaw-Knox, Himoina, Best, Buddy, Crown, Edco, Wyco, Bomag, Laymor, Terremite, Barreto, EZ Trench, Takeuchi, Basic, Bil-Jax, Curtis, Gehl, Heli, Honda, ICS/PowerGrit, Puckett, Waldon, ASV, IHI, Partner, Imer, Clipper, MMD, Koshin, Rice, Gorman Rupp, CH&E, Cat Pumps, Comet, General Pump, Giant, AMida, Coleman, NAC, Gradall, Square Shooter, Kent, Stanley, Tamco, Toku, Hatz, Kohler, Robin, Wisconsin, Northrock, Oztec, Toker TK, Rol-Air, Small Line, Wanco, Yanmar

New Equipment - Used Equipment - Rental Equipment - Parts and Accessories

Discount Equipment

www.discount-equipment.com

561-964-4949

Parts: wbparts@Discount-Equipment.com

Sales: info@Discount-Equipment.com

INTRODUCTION

Before servicing this machine, make sure the engine start switch is turned to “OFF/O”, the circuit breakers are open (“OFF/O”), and the negative (-) terminal on battery is disconnected. Attach a “DO NOT START” sign to the control panel. This will notify everyone that the unit is being serviced and will reduce the chance of someone inadvertently trying to start the unit.

Engine Make: _____

Engine Serial Number: _____

Engine Model Number: _____

Generator Make: _____

Generator Model Number: _____

Generator Serial Number: _____

Unit Model Number: _____

Unit Serial Number: _____

▲ WARNING

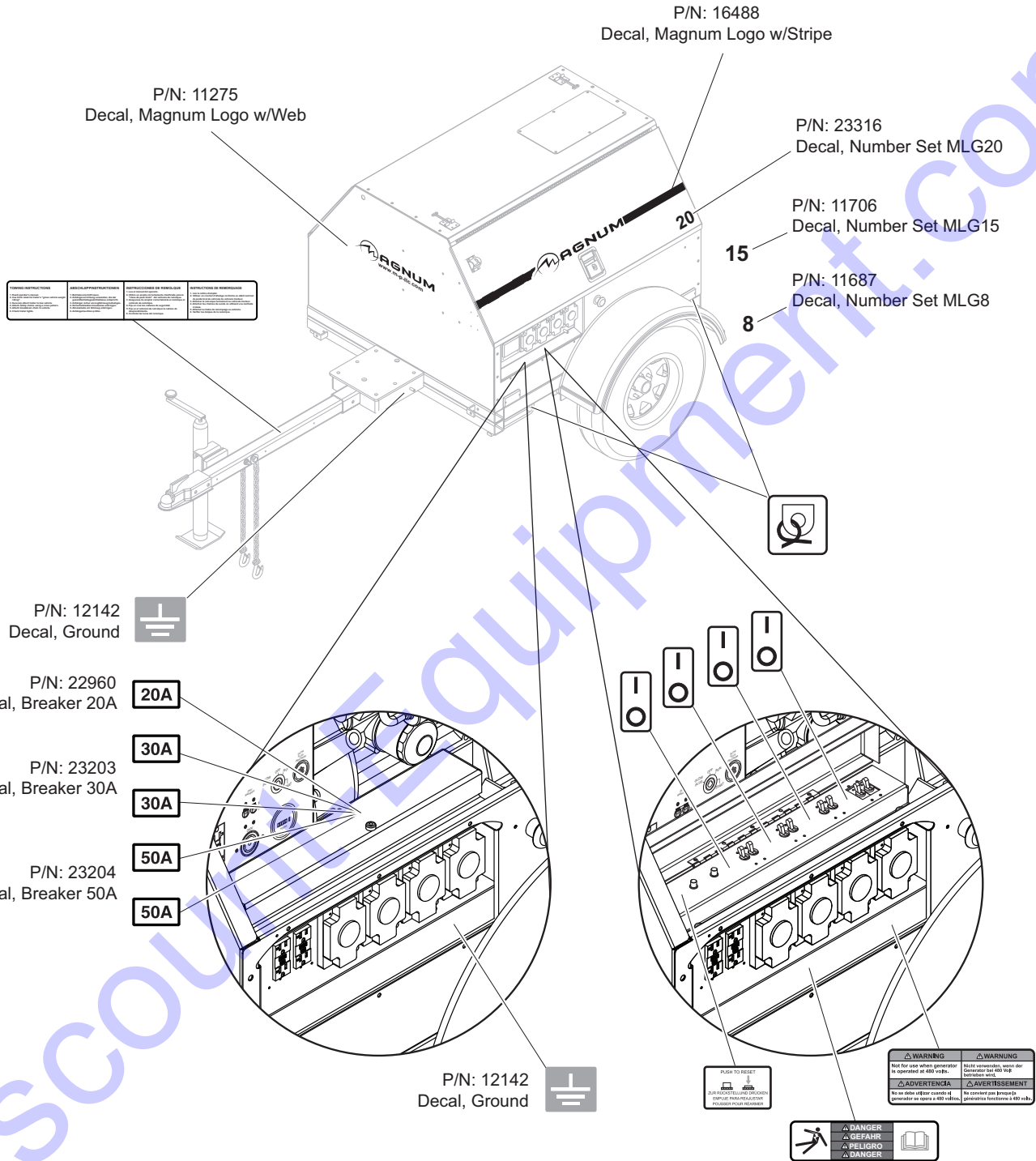
CALIFORNIA PROPOSITION 65 WARNING:

Diesel engine exhaust and some of its constituents are known to the state of California to cause cancer, birth defects and other reproductive harm.

TABLE OF CONTENTS

| | Page |
|--|------|
| INTRODUCTION | 2 |
| UNIT DECALS - LEFT AND FRONT SIDES | 4 |
| UNIT DECALS - REAR SIDE AND INTERIOR | 5 |
| LIFT STRUCTURE (OPTIONAL) | 6 |
| ROOF & DOORS TO UNIT - MLG8 | 8 |
| ROOF AND DOORS TO UNIT - MLG15, MLG20 | 10 |
| FRONT, REAR, AND SIDE PANELS TO UNIT - MLG8 | 12 |
| FRONT AND SIDE PANELS TO UNIT - MLG15, MLG20 | 14 |
| OVERFLOW JUG ASSEMBLY | 16 |
| RECEPTACLE PANEL ASSEMBLY - MLG15, MLG20 | 18 |
| RECEPTACLE PANEL OPTIONS | 20 |
| RECEPTACLE PANEL OPTIONS (CONTINUED) | 21 |
| COOLING SYSTEM ASSEMBLY - MLG8 | 22 |
| COOLING SYSTEM ASSEMBLY - MLG15, MLG20 | 24 |
| ENGINE AND GENERATOR TO SKID - MLG8 | 26 |
| ENGINE & GENERATOR TO SKID - MLG15, MLG20 | 28 |
| AIR FILTER ASSEMBLY - MLG8 | 30 |
| AIR FILTER ASSEMBLY - MLG15 | 32 |
| AIR FILTER ASSEMBLY - MLG20 | 34 |
| GENERATOR ASSEMBLY - MLG8 | 36 |
| GENERATOR ASSEMBLY - MLG15 | 38 |
| GENERATOR ASSEMBLY - MLG20 | 40 |
| ENGINE ASSEMBLY - LEFT SIDE - MLG8 | 42 |
| ENGINE ASSEMBLY - RIGHT SIDE - MLG8 | 44 |
| ENGINE ASSEMBLY - LEFT SIDE - MLG15 | 46 |
| ENGINE ASSEMBLY - RIGHT SIDE - MLG15 | 48 |
| ENGINE ASSEMBLY - LEFT SIDE - MLG20 | 50 |
| ENGINE ASSEMBLY - RIGHT SIDE - MLG20 | 52 |
| CONTROL BOX TO PANEL | 54 |
| CONTROL BOX ASSEMBLY - MLG8 | 56 |
| CONTROL BOX ASSEMBLY - MLG15, MLG20 | 58 |
| FUEL TANK ASSEMBLY - MLG8 | 60 |
| FUEL TANK ASSEMBLY - MLG15, MLG20 | 62 |
| FRAME ASSEMBLY - MLG8 | 64 |
| FRAME ASSEMBLY - MLG15, MLG20 | 66 |
| AXLE ASSEMBLY | 68 |
| TRAILER LIGHTS WIRING DIAGRAM | 70 |
| RECOMMENDED SPARE PARTS LIST | 72 |
| NOTES | 73 |

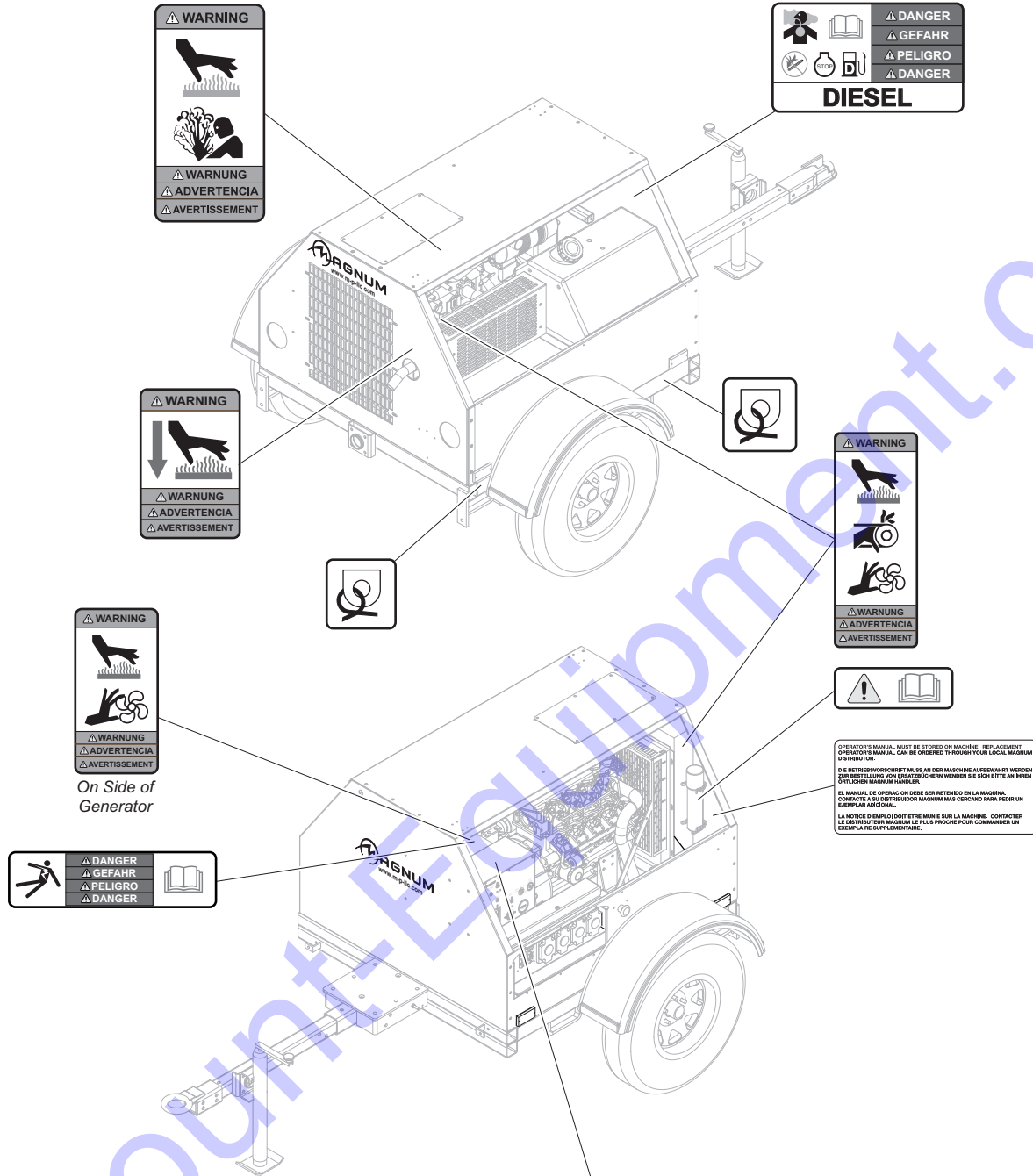
UNIT DECALS - LEFT AND FRONT SIDES



Note: All safety and operating decals are located on decal sheet 10288, unless otherwise noted.

The MLG8 is not equipped with an auxiliary outlet panel.

UNIT DECALS - REAR SIDE AND INTERIOR



On Side of Generator

ENGINE OPERATION / MOTORBETRIEB / FUNCIONAMIENTO DEL MOTOR / FONCTIONNEMENT DU MOTEUR

- BEFORE STARTING THE ENGINE / VOR DEM STARTEN DES MOTORS / ANTES DE ENCENDER EL MOTOR / AVANT DE FAIRE DEMARRER LE MOTEUR:**
 - CHECK FUEL LEVEL. TREIBSTOFFSTAND PRÜFEN. REVISER EL NIVEL DE COMBUSTIBLE. VÉRIFIER LE NIVEAU D'ESSENCE.
 - CHECK ENGINE OIL LEVEL. MOTORÖLSTAND PRÜFEN. REVISER EL NIVEL DE ACEITE DEL MOTOR. VÉRIFIER LE NIVEAU D'HUILE DU MOTEUR.
 - CHECK COOLANT LEVEL. KÜHLMITTELSTAND PRÜFEN. REVISER EL NIVEL DEL REFRIGERANTE. VÉRIFIER LE NIVEAU DE LAUQUE DE REFRIGÈREMENT.
 - MAKE SURE MAIN CIRCUIT BREAKER IS OFF. STREUBRECHER BEI AUSGANGSLEISTUNGSAUSGESCHALTET. FAISSEZ QUE LE DISJONCTEUR DE BRUF PRINCIPAL EST DÉCARTÉ.
- ALL CIRCUIT BREAKERS OFF! / ALLE TRENNSCHALTER SIND AUSGESCHALTET! / TODOS LOS CORTACIRCUITOS ESTÁN APAGADOS! / TOUS LES DISJONCTEURS DU CIRCUIT SONT DESACTIVÉS!**

TURN MAIN BREAKER OFF →

TURN MAIN BREAKER ON →
- START ENGINE / MOTOR STARTEN / ENCENDIA EL MOTOR / FAIRE DEMARRER LE MOTEUR**

ACTIVATE GLOW PLUGS →

CRANK ENGINE TO START →

RELEASE KEY →
- TURN CIRCUIT BREAKERS ON / TRENNSCHALTER EINSCHALTEN / ENCENDIA LOS CORTACIRCUITOS / ACTIVER LES DISJONCTEURS DU CIRCUIT**

TURN MAIN BREAKER ON →

TURN MAIN BREAKER OFF →

SHUT DOWN / AUSSCHALTEN / APAGUE / ÉTEINDRE

- ALL CIRCUIT BREAKERS OFF! / ALLE TRENNSCHALTER SIND AUSGESCHALTET! / TODOS LOS CORTACIRCUITOS ESTÁN APAGADOS! / TOUS LES DISJONCTEURS DU CIRCUIT SONT DESACTIVÉS!**

TURN MAIN BREAKER OFF →

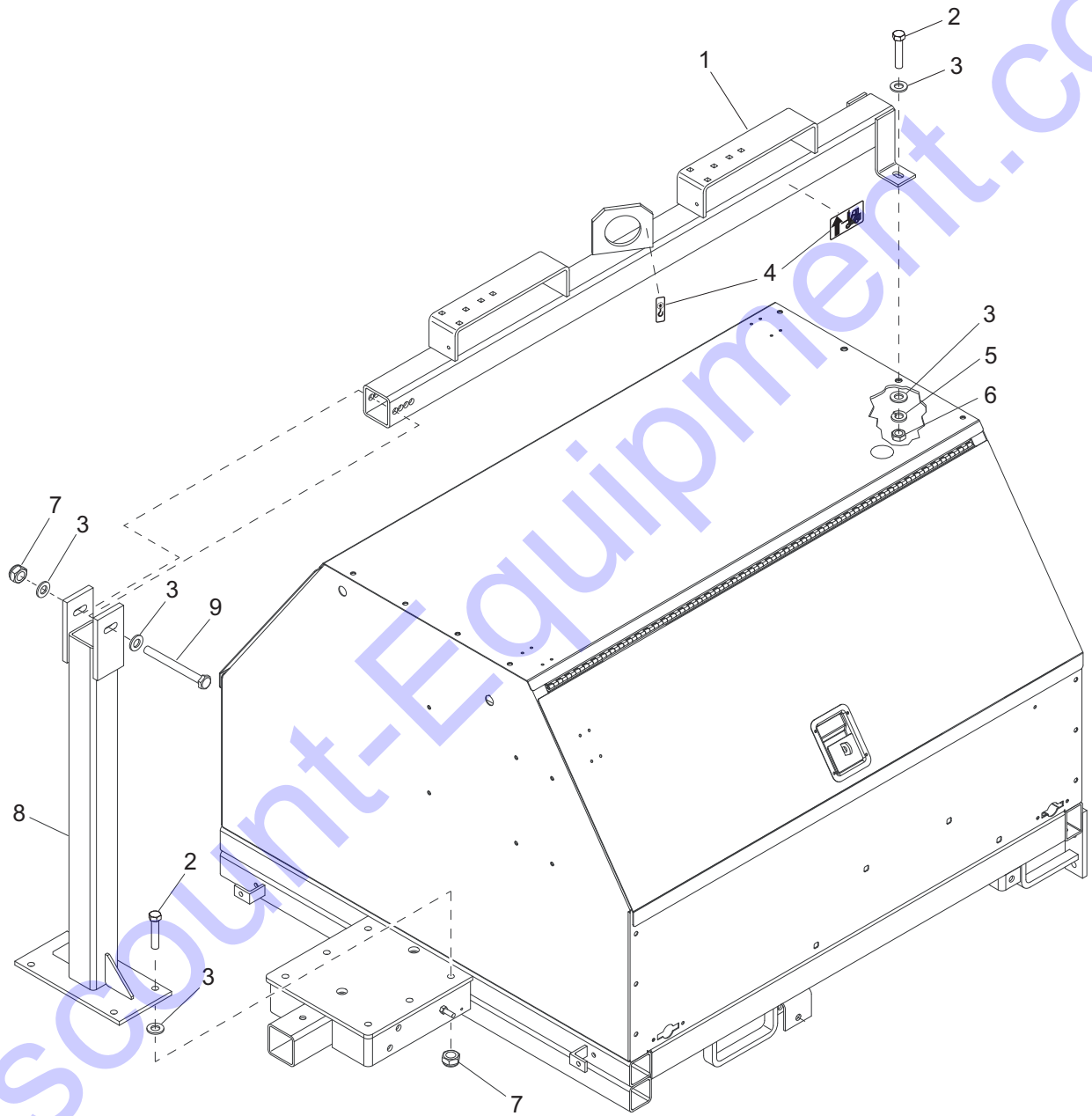
TURN MAIN BREAKER ON →
- STOP ENGINE / MOTOR STOPPEN / DETENGA EL MOTOR / ÉTEINDRE LE MOTEUR**

TURN MAIN BREAKER OFF →

GLÜHWERKE ANFÄHREN / ACTIVER LA BUAJUE DE CALORIFICACION / ACTIVAR LOS BÓVOS DE PRECALORIFICACION
NOTIZIEN TRÄHREN VOLLTUMMEN AKTIVIEREN / INSTRUCCIONES DE ARRANQUE DE MOTOR PARA QUE ARRANQUE / ACTIVAR EL MOTOR POR LA LAVE ARRANQUE
SCHLÜSSEL FREISCHEN / SUAVIZAR LA LAVE / RELACHAR LA LAVE

Note: All safety and operating decals are located on decal sheet 10288, unless otherwise noted.

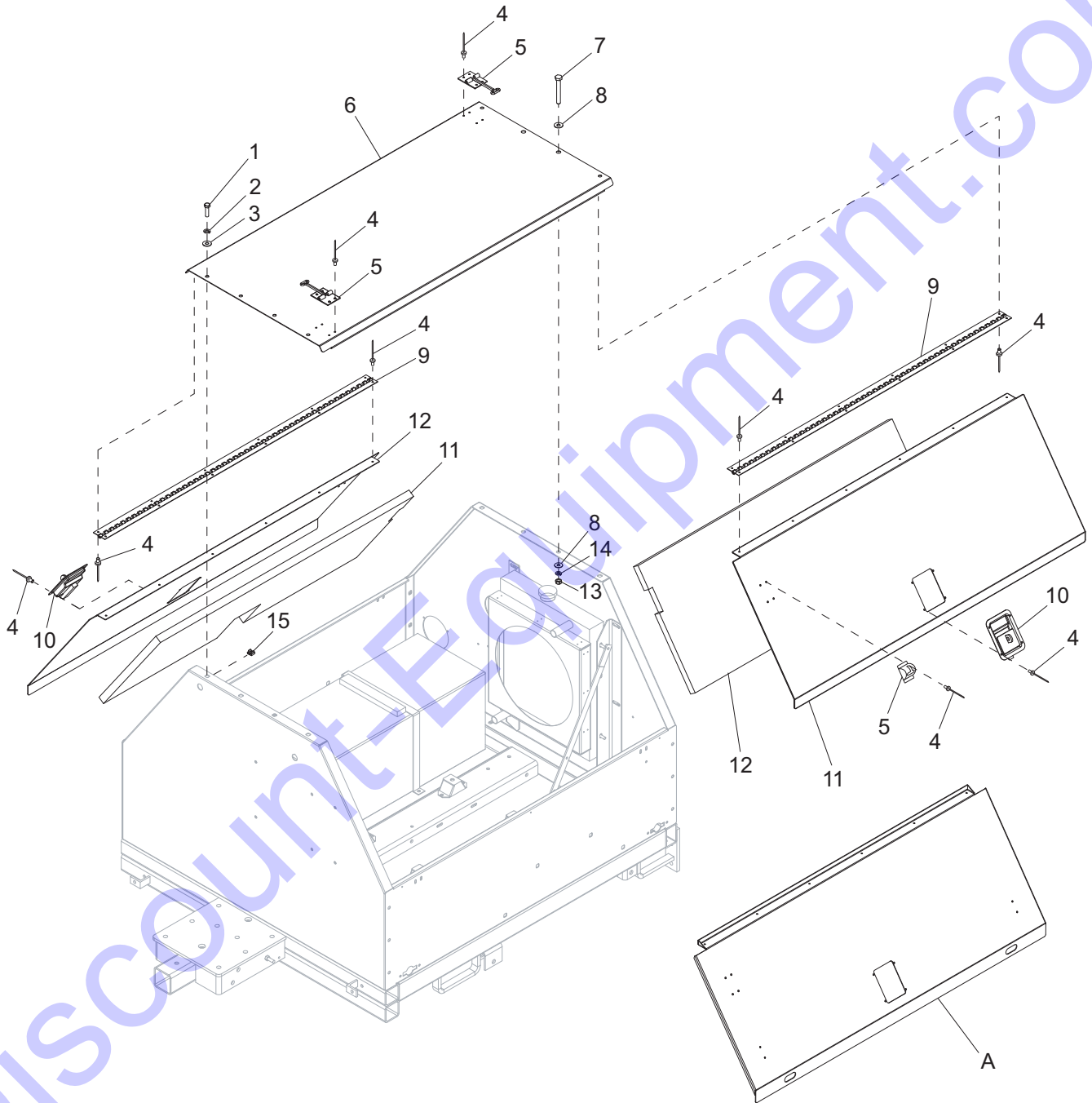
LIFT STRUCTURE (OPTIONAL)



| ITEM | PART | QTY | DESCRIPTION | NOTES |
|------|--------|-----|---------------------------------------|-------|
| 1 | 12567B | 1 | Weldment, lift structure - horizontal | |
| 2 | 60683 | 6 | Screw, .500-13x1.50 std hex, SS | |
| 3 | 60699 | 10 | Washer, .500 flat 1.070/080, SS | |
| 4 | 10687 | 1 | Decal, lift structure | |
| 5 | 60702 | 2 | Washer, .500 split lock, SS | |
| 6 | 60681 | 2 | Nut, .500-13 hex, SS | |
| 7 | 60680 | 5 | Nut, .500-13 nylock, SS | |
| 8 | 12566B | 1 | Weldment, lift structure - vertical | |
| 9 | 60705 | 1 | Screw, .500-13x5.0 std hex, SS | |
| -- | 960171 | 1 | Assembly, lift structure | |

Discount-Equipment.com

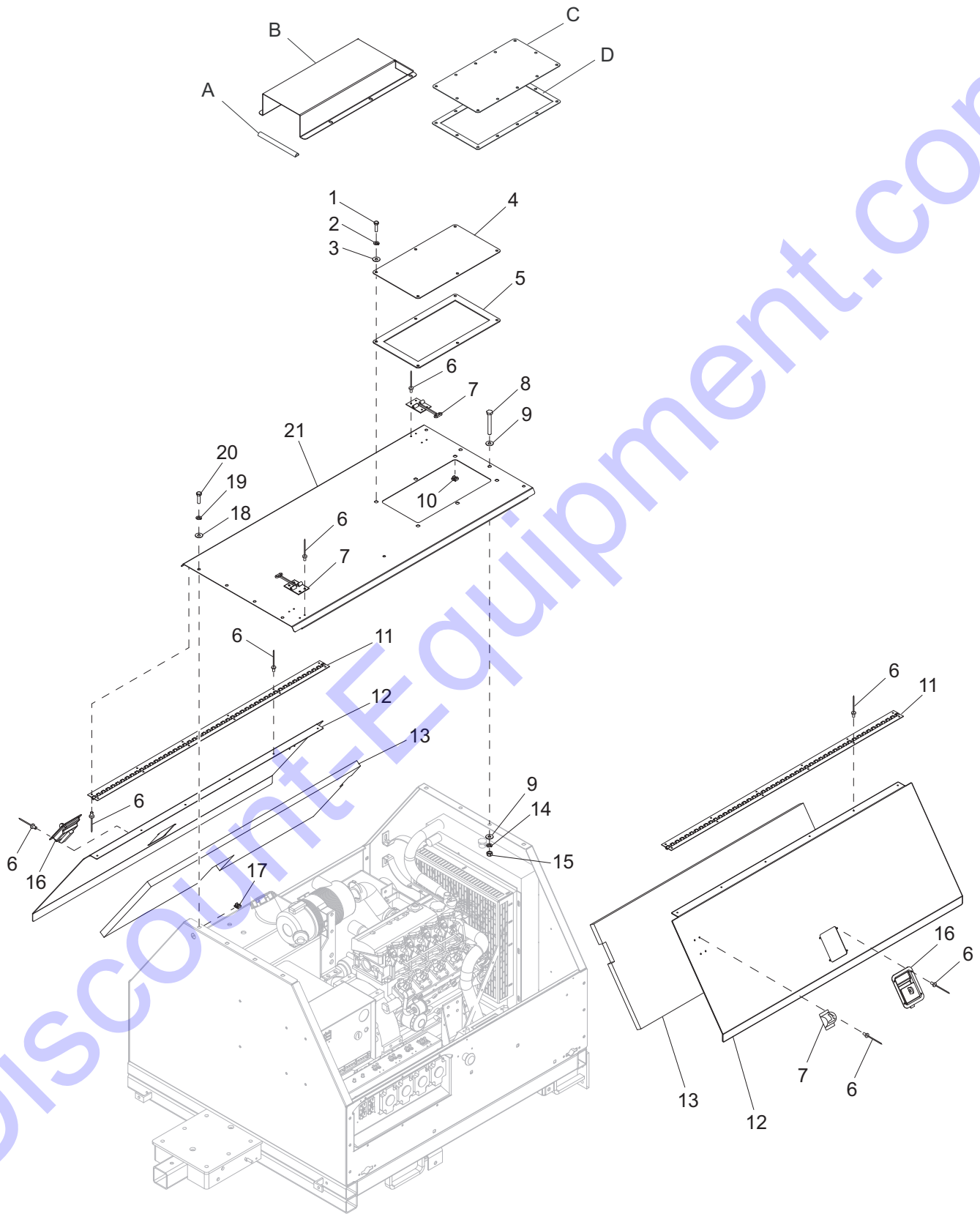
ROOF & DOORS TO UNIT - MLG8



| ITEM | PART | QTY | DESCRIPTION | NOTES |
|------|--------|-----|--|---------------------|
| 1 | 60690 | 6 | Screw, .375-16x1.0 std hex, SS | |
| 2 | 60703 | 6 | Washer, .375 split lock, SS | |
| 3 | 60698 | 6 | Washer, .375 flat .875/.040, SS | |
| 4 | 60268 | 48 | Rivet, .188 dia. x .126 to .250 grip, SS | |
| 5 | 12605 | 2 | Door latch - T-style, SS | |
| 6 | 16538W | 1 | Panel, top | |
| 7 | 60683 | 2 | Screw, .500-13x1.50 std hex, SS | |
| 8 | 60699 | 4 | Washer, .500 flat 1.070/.080, SS | |
| 9 | 16598 | 2 | Hinge, door - .188 pin, 48.5 long | |
| 10 | 15123 | 2 | Latch, paddle - w/7 lb spring | |
| 11 | 16591W | 2 | Panel, door | |
| 12 | 11724 | 2 | Foam, door | |
| 13 | 14229 | 2 | Nut, .500-13 hex, G2 | |
| 14 | 60702 | 2 | Washer, .500 split lock, SS | |
| 15 | 60657 | 6 | Nut, .375-16 cage, G5 | |
| A | 16739W | 2 | Panel, door - U-bolt lock | Option: tamper pack |

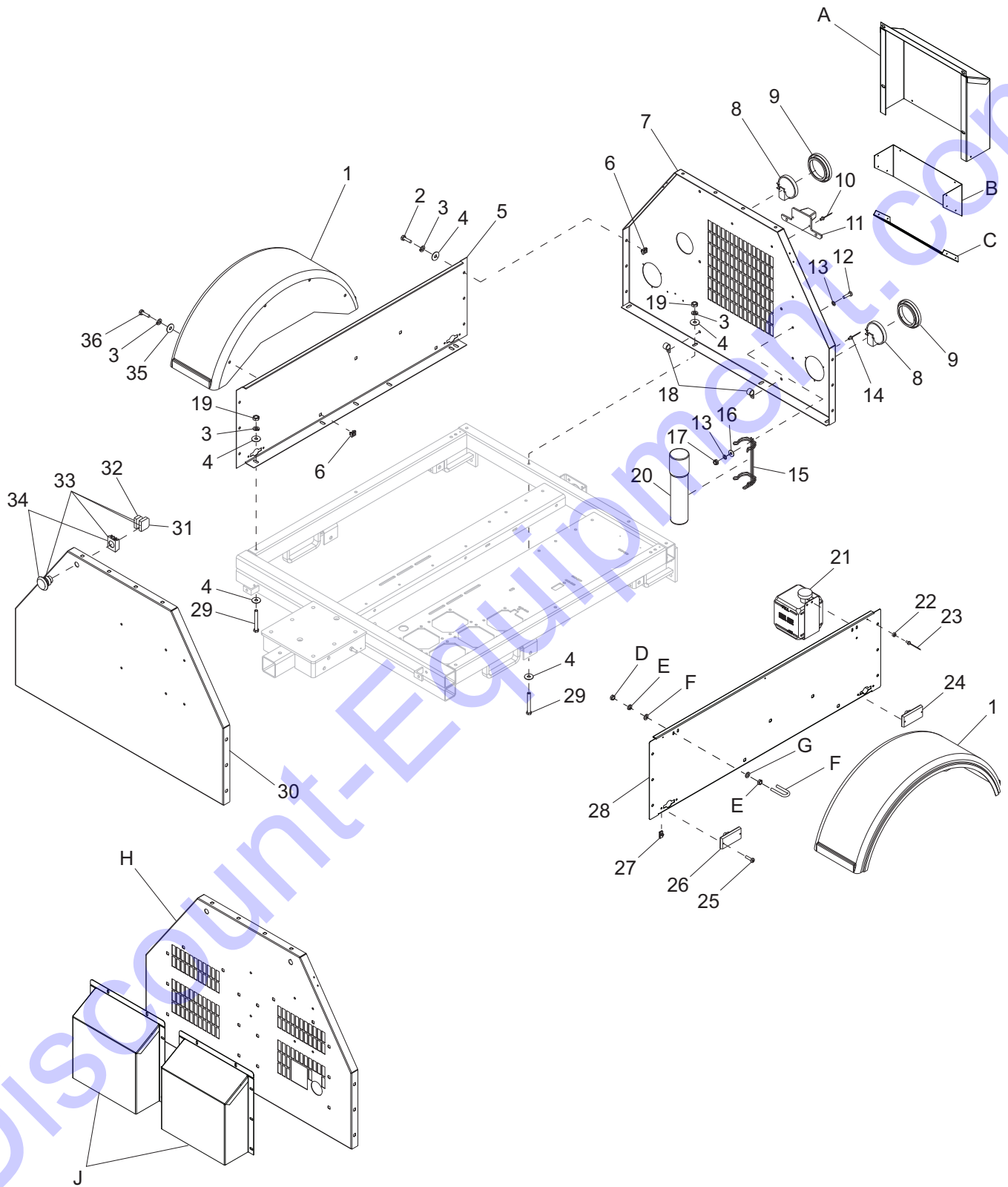
Discount-Equipment.com

ROOF AND DOORS TO UNIT - MLG15, MLG20



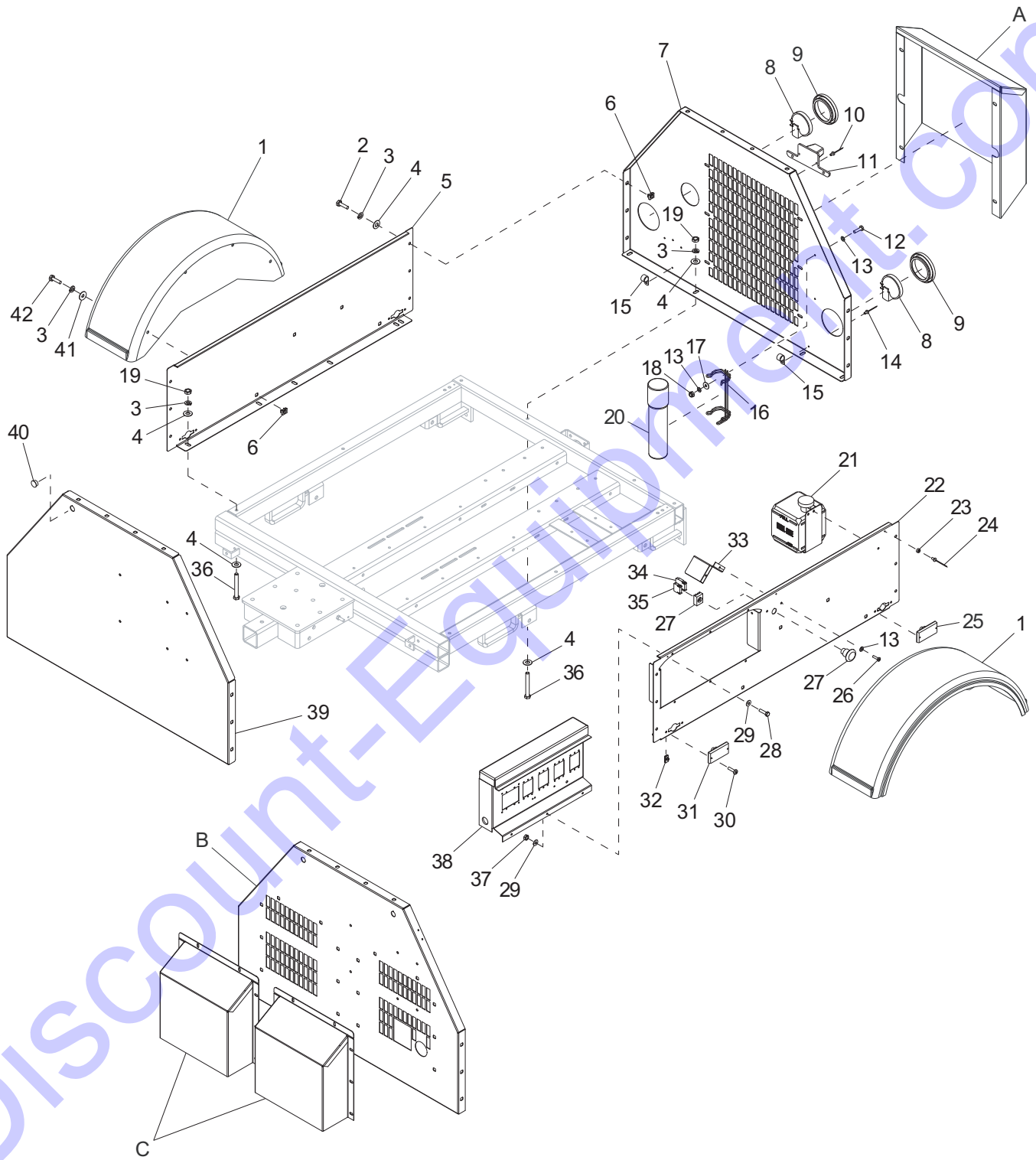
| ITEM | PART | QTY | DESCRIPTION | NOTES |
|------|--------|--------|--|---------------------------------|
| 1 | 60507 | 6 | Screw, .312-18x1.0 std hex, SS | |
| 2 | 60341 | 6 | Washer, M8 split lock, SS | |
| 3 | 60340 | 6 | Washer, .312 flat .875/.040, SS | |
| 4 | 17798W | 1 | Panel, back access - containment | |
| 5 | 12195 | 1 | Gasket, radiator access plate | |
| 6 | 60268 | 48 | Rivet, .188 dia. x .126 to .250 grip, SS | |
| 7 | 12605 | 2 | Door latch - T-style, SS | |
| 8 | 60683 | 2 | Screw, .500-13x1.50 std hex, SS | |
| 9 | 60699 | 4 | Washer, .500 flat 1.070/.080, SS | |
| 10 | 15425 | 6 | Nut, .312-18 cage | |
| 11 | 16598 | 2 | Hinge, door - .188 pin, 48.5 long | |
| 12 | 16591W | 2 | Panel, door | |
| 13 | 11724 | 2 | Foam, door | |
| 14 | 60702 | 2 | Washer, .500 split lock, SS | |
| 15 | 60681 | 2 | Nut, .500-13 hex, SS | |
| 16 | 15123 | 2 | Latch, paddle - w/7 lb spring | |
| 17 | 60657 | 6 | Nut, .375-16 cage, G5 | |
| 18 | 60698 | 6 | Washer, .375 flat .875/.040, SS | |
| 19 | 60703 | 6 | Washer, .375 split lock, SS | |
| 20 | 60690 | 6 | Screw, .375-16x1.0 std hex, SS | |
| 21 | 17801W | 1 | Panel, roof w/access hole - containment | |
| A | 50366 | .66 ft | Seal, door - D-style, .468x.312 black | Option: silent/quiet pack |
| B | 34355W | 1 | Cowl, silent pack | Option: silent/quiet pack |
| C | 17798W | 1 | Panel, back access | Option: containment |
| D | 17929 | 1 | Gasket, radiator access plate | Option: containment |
| -- | 17801W | 1 | Panel, roof w/access hole | Option: containment (not shown) |

FRONT, REAR, AND SIDE PANELS TO UNIT - MLG8



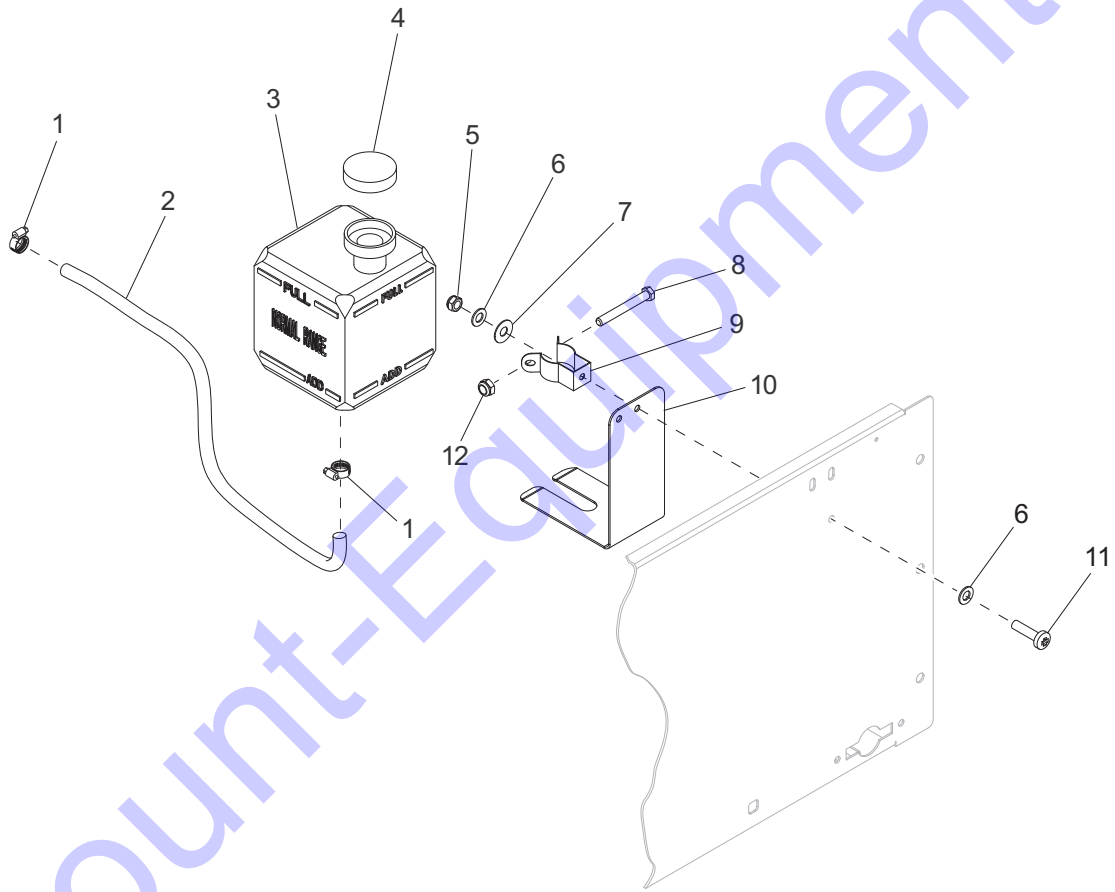
| ITEM | PART | QTY | DESCRIPTION | NOTES |
|------|---------|-----|--|---------------------------------|
| 1 | 16560 | 2 | Fender, plastic | |
| 2 | 60690 | 12 | Screw, .375-16x1.0 std hex, SS | |
| 3 | 60703 | 40 | Washer, .375 split lock, SS | |
| 4 | 60698 | 32 | Washer, .375 flat .875/.040, SS | |
| 5 | 12025W | 1 | Panel, right side | |
| 6 | 60657 | 20 | Nut, .375-16 cage, G5 | |
| 7 | 11684W | 1 | Panel, rear | |
| 8 | 10220 | 2 | Light, rear tail/turn, round, no grommet | |
| 9 | 10221 | 2 | Grommet, rear light, rubber 4.5 in | |
| -- | 10219 | 2 | Assembly, rear tail/turn light | |
| 10 | 60231 | 2 | Rivet, .188 dia. x .375 to .500 grip range | |
| 11 | 10223 | 1 | Assembly, license plate light/holder | |
| 12 | 60446 | 2 | Screw, M5-0.80x20 pan phil, SS | |
| 13 | 60067 | 4 | Washer, #10 flat .435/.060, SS | |
| 14 | 60268 | 2 | Rivet, .188 dia. x .126 to .250 grip, SS | |
| 15 | 11222 | 1 | Bracket, manual holder | |
| 16 | 60089 | 2 | Washer, .265 fender 1.250/.060 | |
| 17 | 60038 | 2 | Nut, M5-.80 nylock, G8.8 class 6 | |
| 18 | 15628 | 2 | Clamp, wire - .38 plastic | |
| 19 | 60140 | 8 | Nut, .375-16 hex, G5 | |
| 20 | 11121 | 1 | Tube, black manual holder, 14 in | |
| 21 | Page 16 | 1 | Assembly, overflow jug | |
| 22 | 15215 | 6 | Bumper, rubber | |
| 23 | 60267 | 6 | Rivet, .125 dia. x .191 to .270 grip, alum | |
| 24 | 66372 | 2 | Lens, red - light, clearance marker | |
| -- | 65406 | 1 | Assembly, light - clearance marker, red | |
| 25 | 60694 | 8 | Screw, 8-32x.750 pan phil, SS | |
| 26 | 66373 | 2 | Lens, amber - light, clearance marker | |
| -- | 65407 | 1 | Assembly, light - clearance marker, amber | |
| 27 | 60730 | 8 | Nut, 8-32 U-clip (spring steel) | |
| 28 | 11677W | 1 | Panel, left side | |
| 29 | 60689 | 16 | Screw, .375-16x4.0 std hex, SS | |
| 30 | 12012W | 1 | Panel, front | |
| 31 | 65584 | 1 | Block, E-stop contactor - NO/NO | |
| 32 | 65580 | 1 | Block, E-stop contactor - NC (low voltage) | |
| 33 | 22550 | 1 | Switch, E-stop - 2NO/1NC | |
| 34 | 65470 | 1 | Switch, E-stop operator | |
| 35 | 60729 | 8 | Washer, .375 fender 1.50/.090 | |
| 36 | 60295 | 8 | Screw, .375-16x.75 std hex, SS | |
| A | 12189W | 1 | Duct, radiator guard | Option: containment/silent pack |
| B | 13868W | 1 | Panel, duct grate bracket | Option: containment/silent pack |
| C | 12837W | 1 | Grate, duct - white | Option: containment/silent pack |
| D | 60286 | 4 | Washer, .250 split lock | Option: tamper pack |
| E | 60243 | 8 | Washer, .250 flat .735/.060 | Option: tamper pack |
| F | 60200 | 2 | Bolt, U .250-20x.750x1.25 | Option: tamper pack |
| G | 60284 | 8 | Nut, .250-20 hex, G5 | Option: tamper pack |
| H | 12754W | 1 | Panel, front | Option: containment/silent pack |
| J | 16469W | 2 | Duct, front | Option: containment/silent pack |

FRONT AND SIDE PANELS TO UNIT - MLG15, MLG20



| ITEM | PART | QTY | DESCRIPTION | NOTES |
|------|---------|-----|--|---------------------|
| 1 | 11381 | 2 | Fender, plastic | |
| 2 | 60690 | 12 | Screw, .375-16x1.0 std hex, SS | |
| 3 | 60703 | 40 | Washer, .375 split lock, SS | |
| 4 | 60698 | 32 | Washer, .375 flat .875/.040, SS | |
| 5 | 11507W | 1 | Panel, right side | |
| 6 | 60657 | 20 | Nut, .375-16 cage, G5 | |
| 7 | 10287W | 1 | Panel, rear | |
| 8 | 10220 | 2 | Light, rear tail/turn, round, no grommet | |
| 9 | 10221 | 2 | Grommet, rear light, rubber 4.5 in | |
| -- | 10219 | 2 | Assembly, rear tail/turn light | |
| -- | 10222 | 1 | Plug, rear light | Not shown |
| 10 | 60231 | 2 | Rivet, .188 dia. x .375 to .500 grip range | |
| 11 | 10223 | 1 | Assembly, license plate light/holder | |
| -- | 10226 | 1 | Plug, license light | Not shown |
| 12 | 60446 | 2 | Screw, M5-0.80x20 pan phil, SS | |
| 13 | 60067 | 6 | Washer, #10 flat .435/.060, SS | |
| 14 | 60268 | 2 | Rivet, .188 dia. x .126 to .250 grip, SS | |
| 15 | 15628 | 2 | Clamp, wire - .38 plastic | |
| 16 | 11222 | 1 | Bracket, manual holder | |
| 17 | 60089 | 2 | Washer, .265 fender 1.250/.060 | |
| 18 | 60038 | 2 | Nut, M5-.80 nylock, G8.8 class 6 | |
| 19 | 60140 | 4 | Nut, .375-16 hex, G5 | |
| 20 | 11121 | 1 | Tube, manual holder, 14 in. black | |
| 21 | Page 16 | 1 | Assembly, overflow jug | |
| 22 | 12257W | 1 | Panel, left side w/E-stop | |
| 23 | 15215 | 6 | Bumper, rubber | |
| 24 | 60130 | 6 | Rivet, .156 dia. x .126 to .250 grip, alum | |
| 25 | 66372 | 2 | Lens, light, clearance marker - red | |
| 26 | 60398 | 2 | Screw, 10-32x.500 pan phil, SS | |
| 27 | 65470 | 1 | Switch, E-stop operator | |
| 28 | 60684 | 6 | Screw, .250-20x.875 std hex, SS | |
| 29 | 60696 | 1 | Washer, .250 flat .625/.050, SS | |
| 30 | 60694 | 8 | Screw, 8-32x.750 pan phil, SS | |
| 31 | 66373 | 2 | Lens, light, clearance marker - amber | |
| -- | 65661 | 4 | Bulb, light, clearance marker | Not shown |
| -- | 65662 | 4 | Plug, light, clearance marker | Not shown |
| 32 | 60730 | 8 | Nut, 8-32 U-clip (spring steel) | |
| 33 | 12604B | 1 | Bracket, E-stop guard | |
| 34 | 65584 | 1 | Block, E-stop contactor - NO/NO | |
| 35 | 65580 | 1 | Block, E-stop contactor - NC (low volt) | |
| -- | 22550 | 1 | Switch, E-stop - 2NO/1NC | Items 26, 33, 34 |
| 36 | 60689 | 16 | Screw, .375-16x4.0 std hex, SS | |
| 37 | 60144 | 4 | Nut, .250-20 nylock, G5 | |
| 38 | Page 18 | 1 | Assembly, receptacle panel | |
| 39 | 12012W | 1 | Panel, front | |
| 40 | 60733 | 1 | Plug, hole (white) - .875 in | |
| 41 | 60729 | 8 | Washer, .375 fender 1.50/.090 | |
| 42 | 60295 | 8 | Screw, .375-16x.75 std hex, SS | |
| A | 13101W | 1 | Duct, radiator guard | Option: silent pack |
| B | 12754W | 1 | Panel, front | Option: containment |
| C | 16469W | 2 | Duct, front | Option: containment |

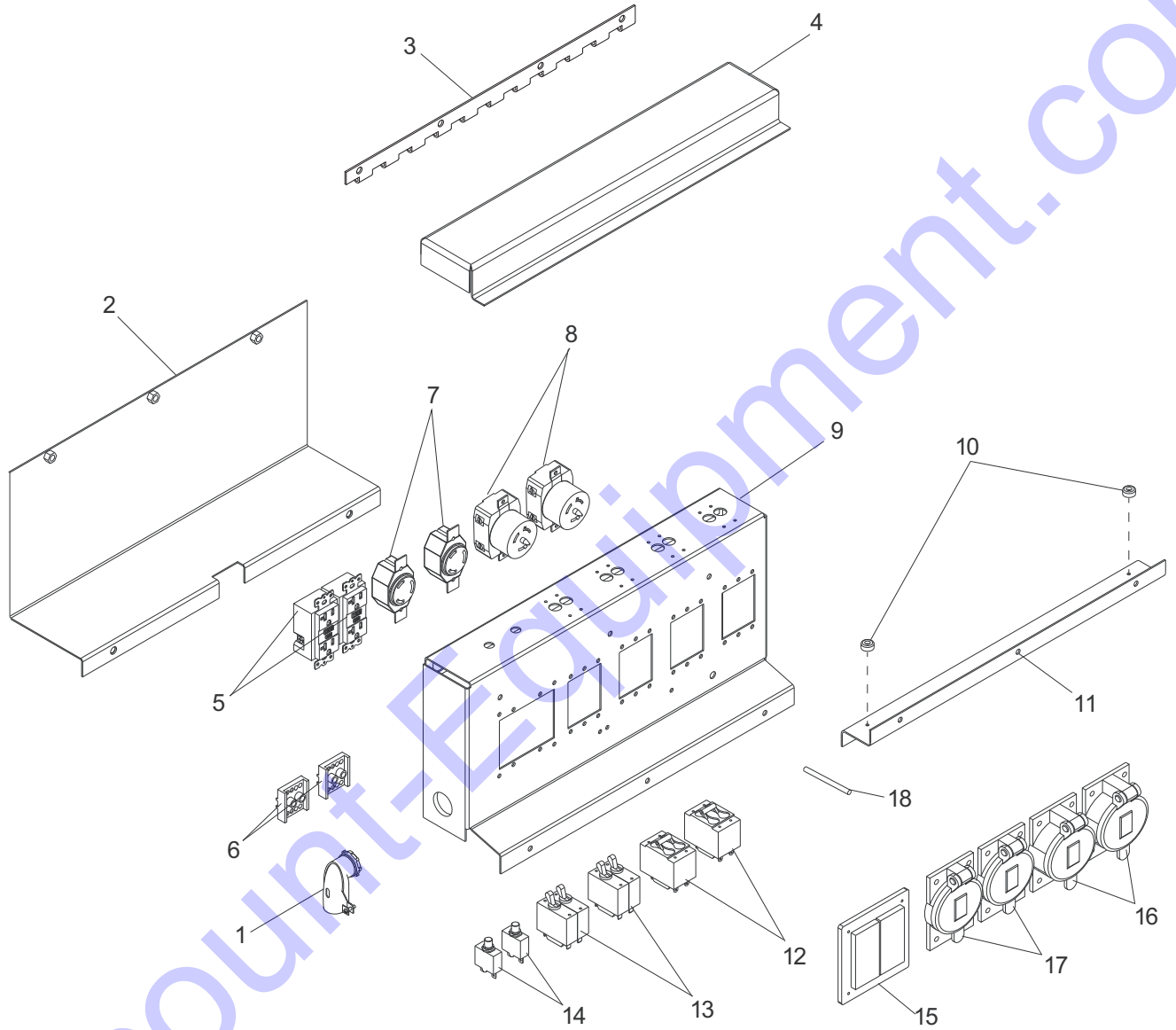
OVERFLOW JUG ASSEMBLY



| ITEM | PART | QTY | DESCRIPTION | NOTES |
|------|--------|---------|--|--------------|
| 1 | 60777 | 2 | Clamp, hose - .312 fuel hose | Crimp style |
| 2 | 50018 | 3.75 ft | Hose, fuel - .312 ID, 50 psi, SAE 30R7 | |
| 3 | 20287 | 1 | Jug, overflow 2 qt (.5 gal) | |
| 4 | 19714 | 1 | Cap, overflow bottle | |
| 5 | 60061 | 1 | Nut, 10-32 nylock | |
| 6 | 60067 | 2 | Washer, #10 flat .435/.060, SS | |
| 7 | 60696 | 1 | Washer, .250 flat .625/.050, SS | |
| 8 | 60414 | 1 | Screw, .250-20x1.50 std hex, G5 | |
| 9 | 19726 | 1 | Clamp, overflow bottle | |
| 10 | 22419B | 1 | Bracket, support overflow jug - .5 gal | |
| 11 | 61180 | 1 | Screw, 10-32x.750 pan phil, SS | |
| 12 | 60144 | 1 | Nut, .250-20 nylock, G5 | |
| -- | 14410 | 1 | Assembly, overflow jug - 2 qt | Items 1 - 12 |

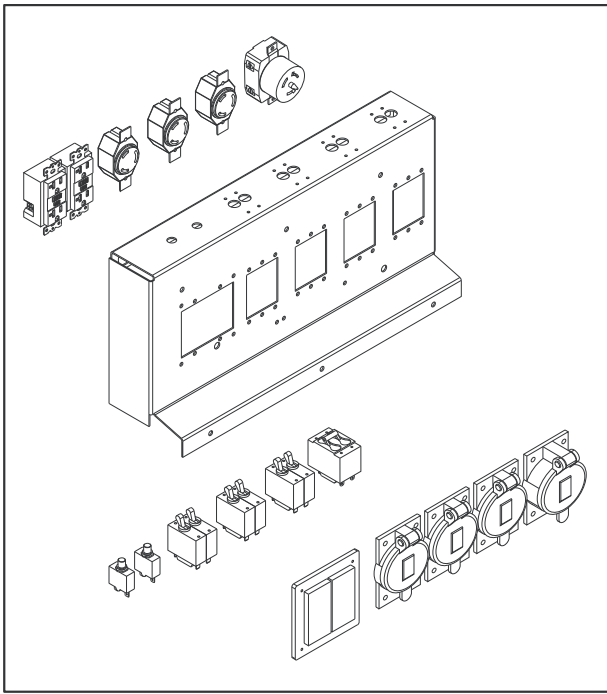
Discount-Equipment.com

RECEPTACLE PANEL ASSEMBLY - MLG15, MLG20

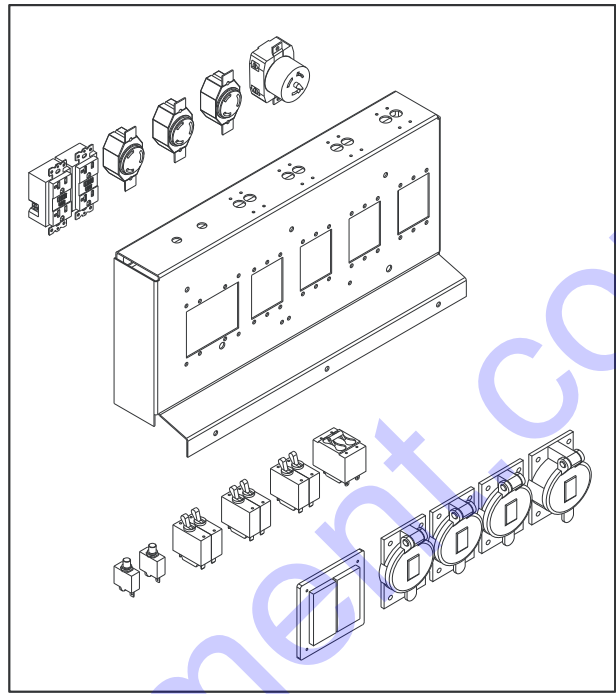


| ITEM | PART | QTY | DESCRIPTION | NOTES |
|------|--------|-----|--|-------------------------------|
| 1 | 65535 | 1 | Clamp, 90° - 3/4 in. 2 screw | |
| 2 | 12248B | 1 | Weldment, outlet cover | |
| 3 | 10081 | 1 | Hinge, continuous - 11.00 in | |
| 4 | 11484B | 1 | Cover, breaker | |
| 5 | 14130 | 2 | Receptacle, 120V/20A GFCI | |
| 6 | 65530 | 2 | Block, terminal - 2-pole lug type | 7 pos./pole |
| 7 | 14137 | 2 | Receptacle, 240V/30A twist-lock | |
| 8 | 18089 | 2 | Receptacle, 120/240V/50A twist-lock | |
| 9 | 12246B | 1 | Weldment, outlet panel | |
| 10 | 15215 | 3 | Bumper, rubber | |
| 11 | 11485B | 1 | Angle, mounting support | |
| 12 | 65492 | 2 | Breaker, 50A/250V, 2-pole aux. contact | |
| 13 | 65851 | 2 | Breaker, 30A/250V, 2-pole, screw term | |
| 14 | 65849 | 2 | Breaker, 20A/120V, 1-pole push button | |
| 15 | 15849 | 1 | Cover, receptacle - 20A GFCI dual | |
| 16 | 65467 | 2 | Cover, receptacle - 50A twist-lock | |
| 17 | 66955 | 2 | Cover, receptacle - 20/30A twist-lock | |
| 18 | 60160 | 1 | Screw, M8-1.25x30 sflg hex, G8.8 | |
| -- | 65602 | 1 | Wiring, 5020 twist-locks/GFCI | Not shown |
| -- | 65603 | 1 | Wiring, 50A terminal block | Not shown |
| -- | 90315 | 1 | Receptacle panel | (2x5-20R, 2xL6-30R, 2xL14-50) |

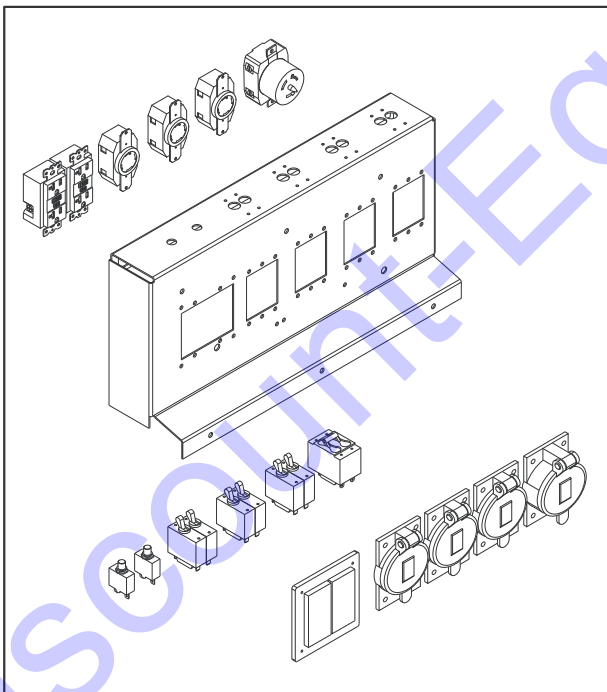
RECEPTACLE PANEL OPTIONS



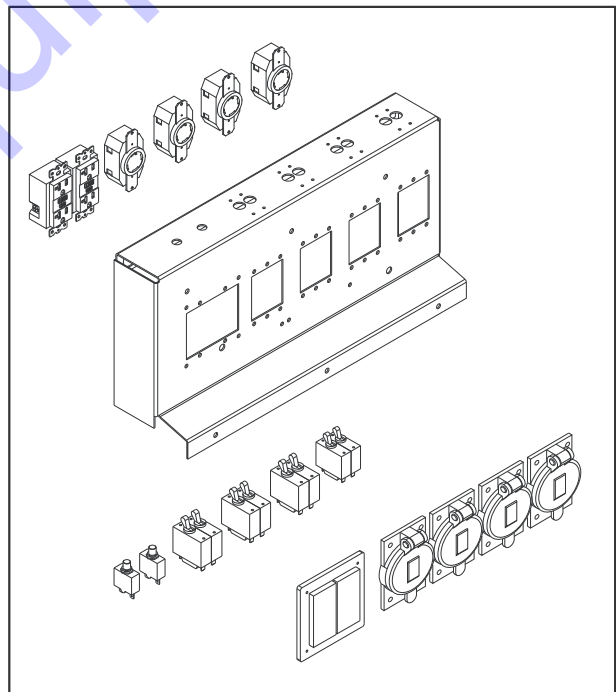
PART NUMBER 90318
Receptacle Panel (2x5-20R, 3xL6-30R, 1x50A)



PART NUMBER 90319
Receptacle Panel (2x5-20R, 3xL6-20R, 1x50A)

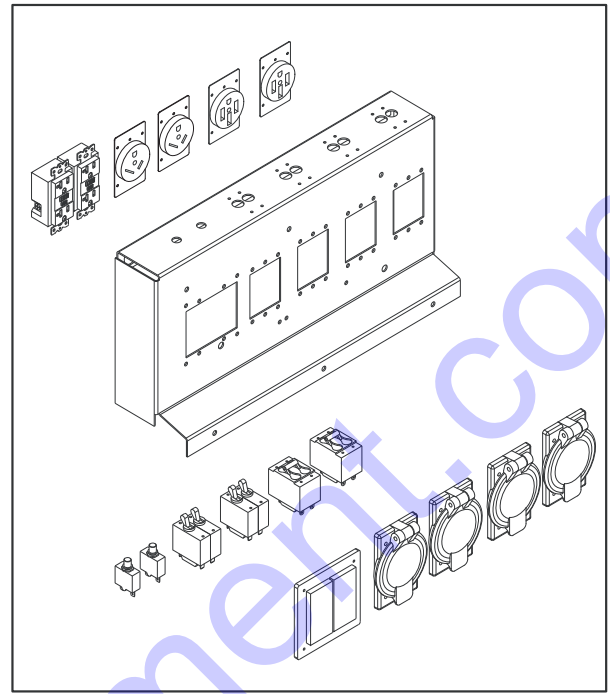
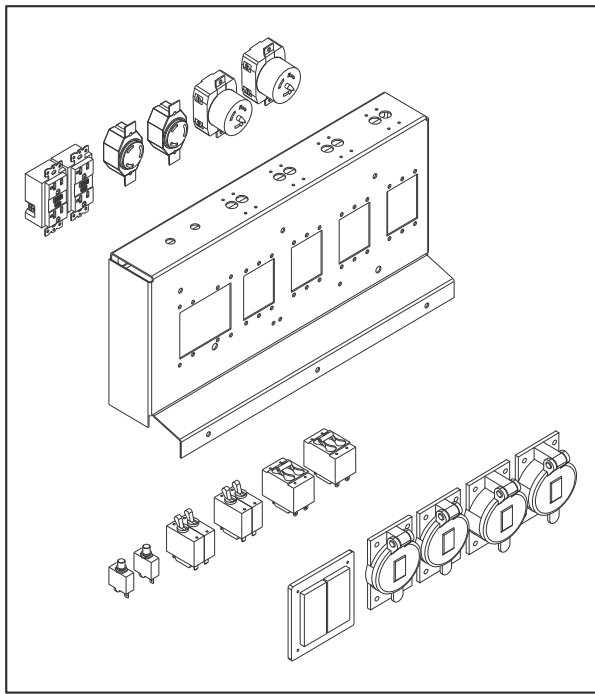


PART NUMBER 90320
Receptacle Panel (2x5-20R, 3xL14-30R, 1x50A)



PART NUMBER 90321
Receptacle Panel (2x5-20R, 4xL14-30R)

RECEPTACLE PANEL OPTIONS (CONTINUED)

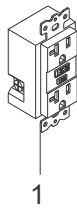


PART NUMBER 90317

Receptacle Panel (2x5-20R, 1xTT-30, 1xL14-30R, 2x14-50)

PART NUMBER 90355

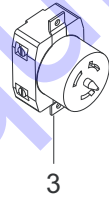
Receptacle Panel (2x5-20R, 2xTT-30R, 2xL14-50)



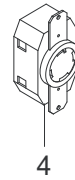
1



2



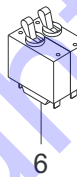
3



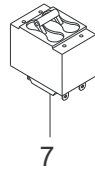
4



5



6



7



8



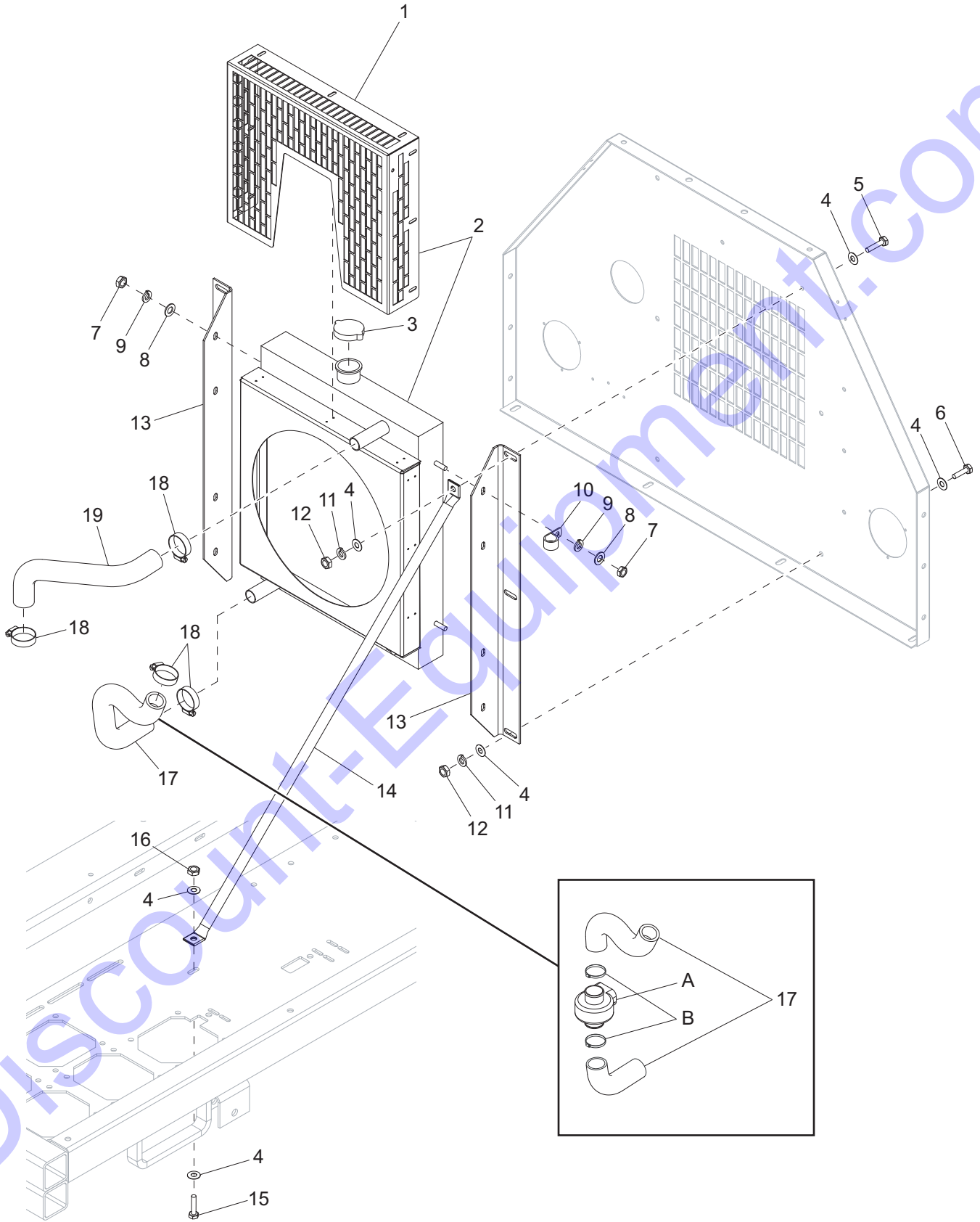
9



10

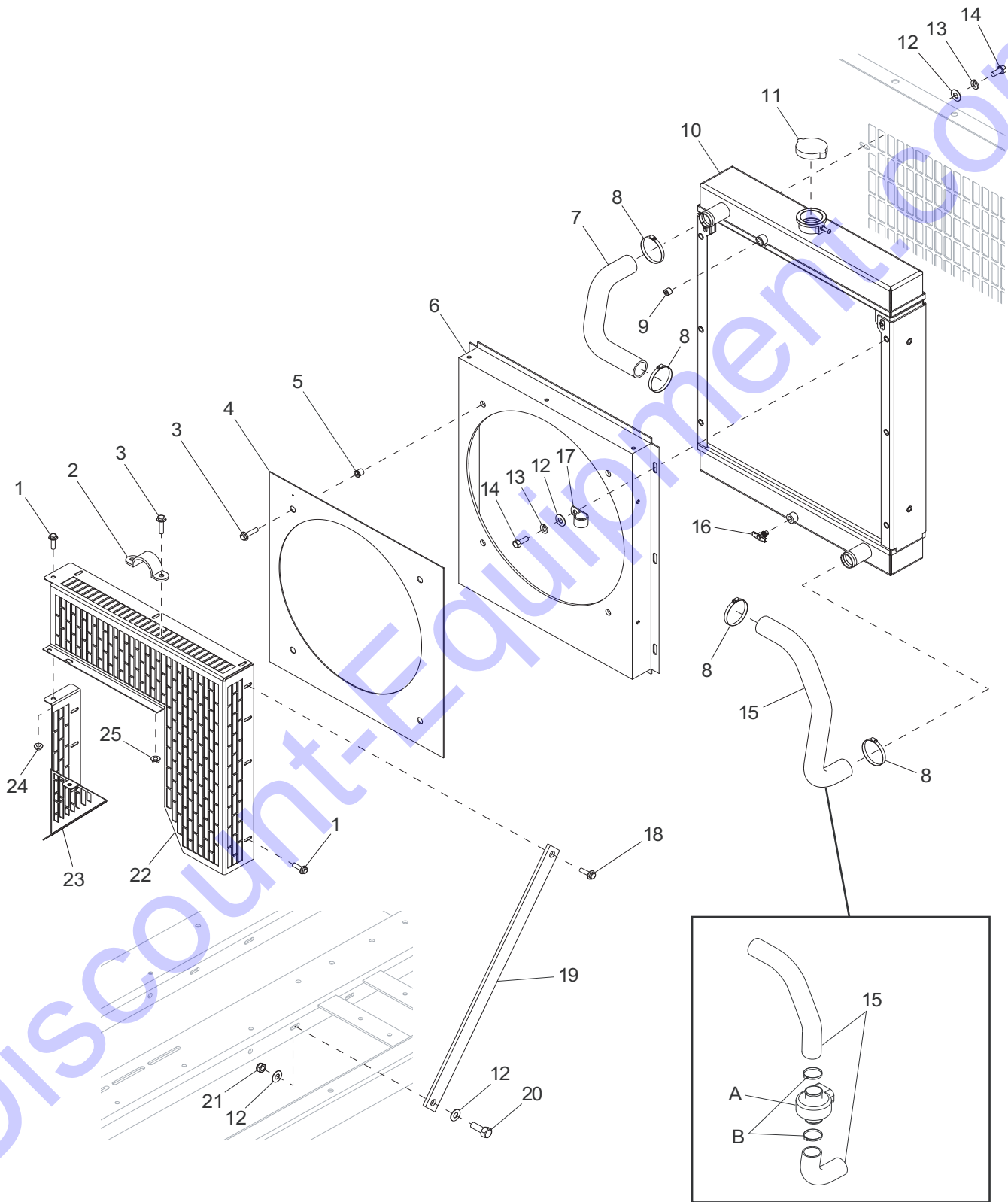
| ITEM | PART | QTY | DESCRIPTION |
|------|-------|-----|--|
| 1 | 14130 | 2 | Receptacle, 120V/20A GFCI |
| 2 | 14137 | - | Receptacle, 240V/30A twist-lock |
| 3 | 18089 | - | Receptacle, 125/250V/50A twist-lock |
| 4 | 65488 | - | Receptacle, 240V/30A twist-lock |
| 5 | 65849 | 2 | Breaker, 20A/120V 1-pole, push button |
| 6 | 65851 | 2 | Breaker, 30A/250V 2-pole screw term, w/aux |
| 7 | 65492 | - | Breaker, 50A/250V 2-pole aux contact |
| 8 | 65489 | 1 | Receptacle, 120V/30A (TT-30R) (RV) |
| 9 | 65520 | 1 | Cover, receptacle - weatherproof, 50A, 3-wire |
| 10 | 65815 | - | Receptacle, 240V/50A (14-50R) (RV) |
| - | 90316 | 1 | Receptacle panel, (3x5-20R, 1xL14-30R, 2xL14-50) Not shown |

COOLING SYSTEM ASSEMBLY - MLG8



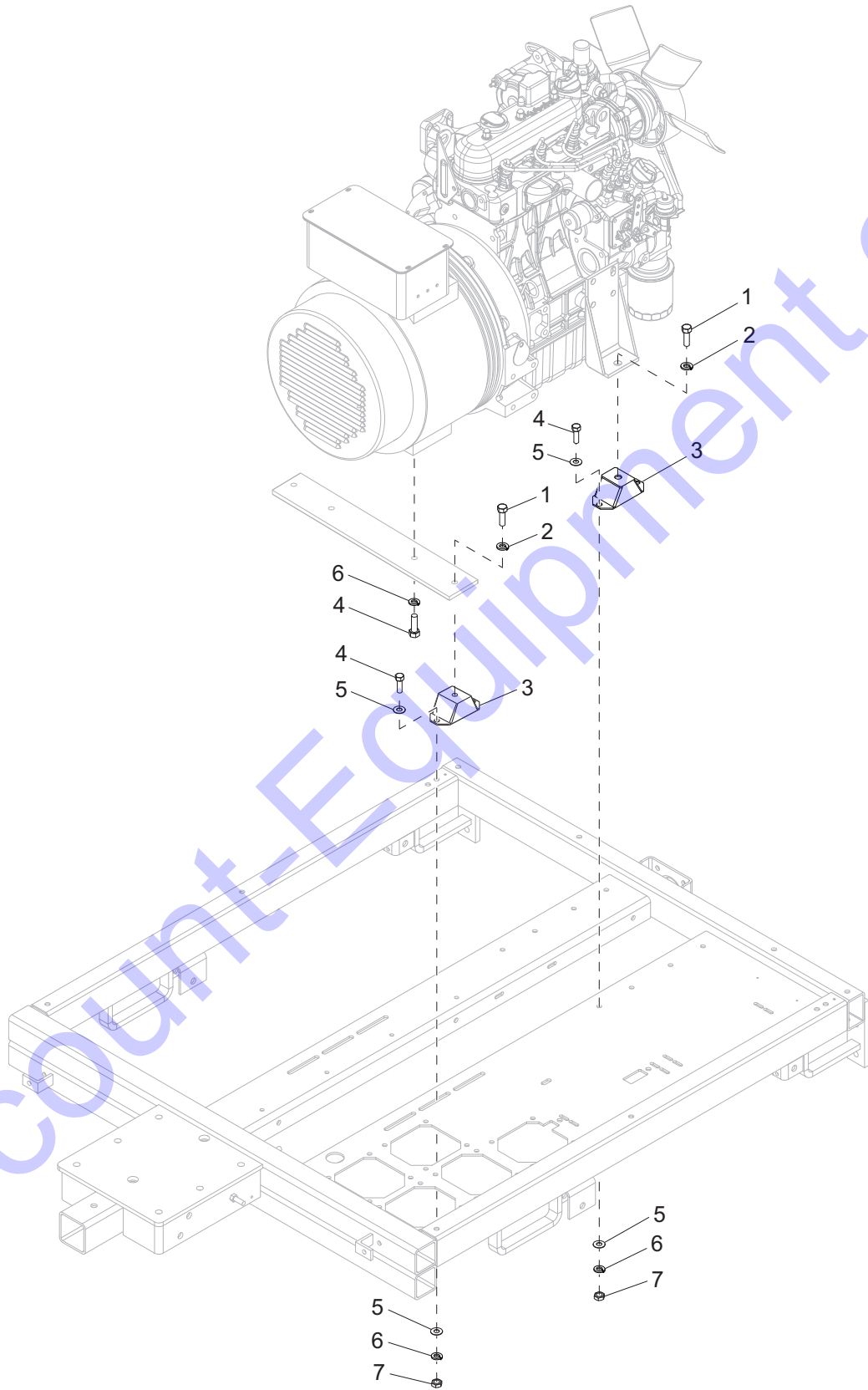
| ITEM | PART | QTY | DESCRIPTION | NOTES |
|------|--------|-----|--|-----------------------|
| 1 | 11413 | 1 | Fan guard | |
| 2 | 13924 | 1 | Radiator w/fan guard | |
| 3 | 19219 | 1 | Cap, pressure radiator - 14 psi | |
| 4 | 60698 | 12 | Washer, .375 flat .875/.040, SS | |
| 5 | 61036 | 1 | Screw, .375-16x1.25 std hex, SS | |
| 6 | 60690 | 5 | Screw, .375-16x1.0 std hex, SS | |
| 7 | 60032 | 4 | Nut, M8-1.25 hex, G8.8 | |
| 8 | 60271 | 4 | Washer, .312 split lock | |
| 9 | 60243 | 4 | Washer, .250 flat .735/.060 | |
| 10 | 15627 | 2 | Clamp, tubing - .625 hvy duty | |
| 11 | 60703 | 6 | Washer, .375 split lock, SS | |
| 12 | 60140 | 6 | Nut, .375-16 hex, G5 | |
| 13 | 11683B | 2 | Bracket, radiator | |
| 14 | 13604B | 1 | Strut, reinforcing | |
| 15 | 60690 | 1 | Screw, .375-16x1.0 std hex, SS | |
| 16 | 60358 | 1 | Nut, .375-16 nylock, G5 | |
| 17 | 12350 | 1 | Hose, radiator - lower | |
| 18 | 15422 | 4 | Clamp, hose - SAE 020 (.75-1.75) | |
| 19 | 16687 | 1 | Hose, radiator - upper | |
| A | 65649 | 1 | Heater, engine - low radiator hose, 1 in | Option: engine heater |
| B | 15422 | 2 | Clamp, hose - SAE 020 (.75-1.75) | |

COOLING SYSTEM ASSEMBLY - MLG15, MLG20



| ITEM | PART | QTY | DESCRIPTION | NOTES |
|------|--------|-----|--|--------------------|
| 1 | 60115 | 8 | Screw, M6-1.0x12 sflg hex, G8.8 | |
| 2 | 60821 | 1 | Strap, plastic - 2.375 OD | MLG20 only |
| 3 | 60009 | 6 | Screw, M8-1.25x25 sflg hex, G8.8 | |
| 4 | 11757B | 1 | Plate, adapter shroud | MLG15 only |
| 5 | 60022 | 4 | Insert, threaded M8-1.0 splined | |
| 6 | 11626B | 1 | Weldment, fan shroud | |
| 7 | 12064 | 1 | Hose, top radiator | MLG20 only |
| | 11891 | 1 | Hose, top radiator | MLG15 only |
| 8 | 15422 | 4 | Clamp, hose - SAE 020 (.75-1.75) | |
| 9 | 60776 | 1 | Fitting, plug - .250NPT hex, flush mount | |
| 10 | 26305 | 1 | Radiator, alum | |
| 11 | 19219 | 1 | Cap, radiator pressure - 14.7 psi | |
| 12 | 60340 | 14 | Washer, .312 flat .875/.040, SS | |
| 13 | 60341 | 12 | Washer, M8 split lock, SS | |
| 14 | 60687 | 12 | Screw, .312-18x.750 std hex, SS | |
| 15 | 32169 | 1 | Hose, lower radiator | MLG20 only |
| | 15185 | 1 | Hose, lower radiator | MLG15 only |
| 16 | 63176 | 1 | Fitting, strt - .250MNPT | |
| 17 | 15627 | 2 | Clamp, tubing - .625 hvy duty | |
| 18 | 60024 | 1 | Screw, M6-1.0x25 sflg hex, class 90 | |
| 19 | 11596B | 1 | Strut, radiator support | MLG20 only |
| 20 | 60028 | 1 | Screw, .312-18x1.0 std hex, G5 | |
| 21 | 60303 | 1 | Nut, .312-18 nylock, G2 | |
| 22 | 11760B | 1 | Panel, fan guard - right | |
| 23 | 11769B | 1 | Weldment, fan guard - left | MLG20 only |
| | 11767B | 1 | Weldment, fan guard - left | MLG15 only |
| 24 | 60036 | 1 | Nut, M6-1.0 sflg lock, G8.8 | |
| 25 | 60020 | 2 | Nut, M8-1.25 sflg lock, G8.8 | |
| A | 65650 | 1 | Heater, engine - lower rad. hose 1.5 in | Option: MLG20 only |
| | 65648 | 1 | Heater, engine - lower rad. hose 1.25 in | Option: MLG15 only |
| B | 15422 | 2 | Clamp, hose - SAE 020 (.75-1.75) | |

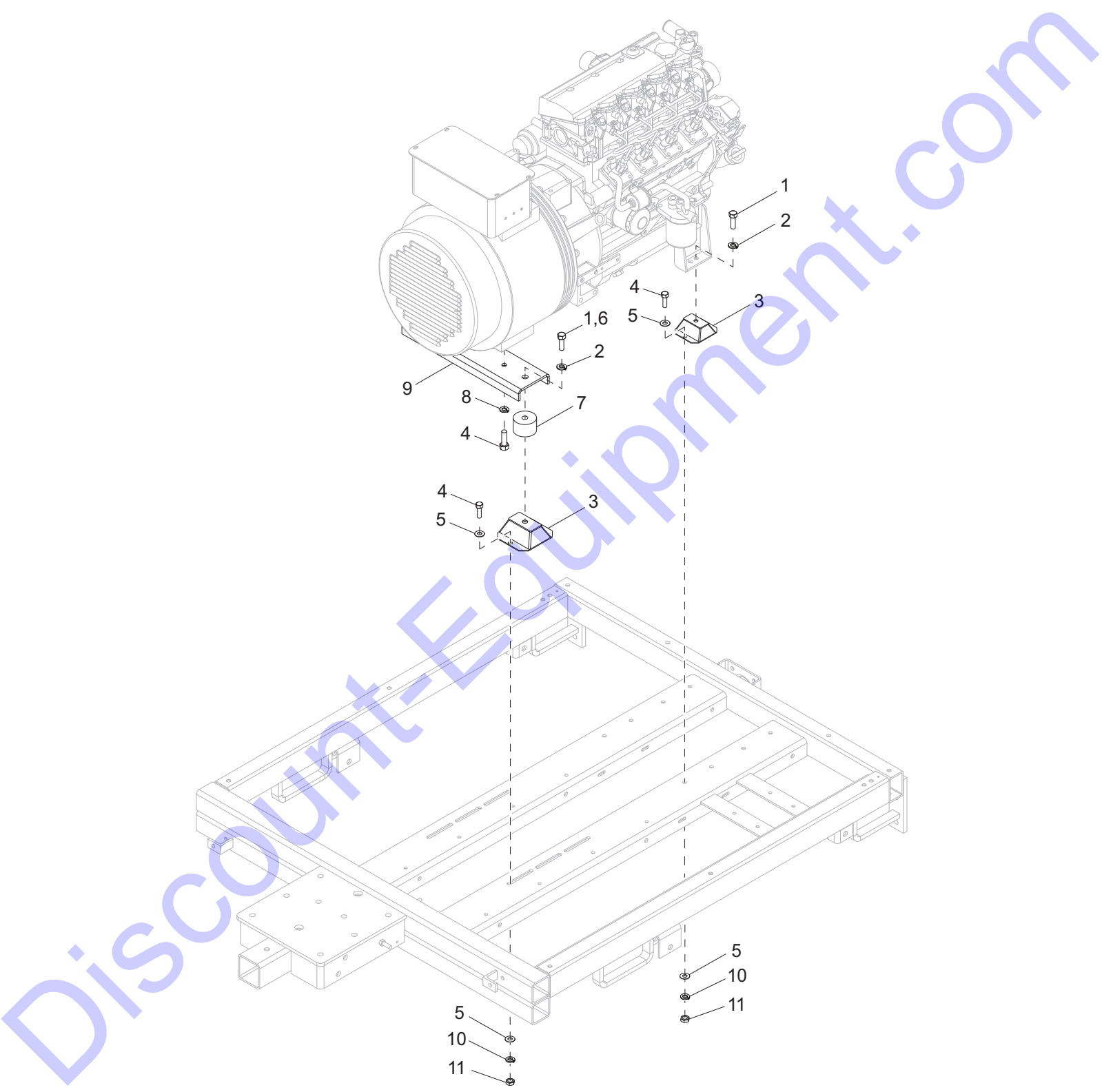
ENGINE AND GENERATOR TO SKID - MLG8



| ITEM | PART | QTY | DESCRIPTION | NOTES |
|------|-------|-----|---------------------------------|-------|
| 1 | 60275 | 4 | Screw, .500-13x1.0 std hex, G5 | |
| 2 | 60702 | 4 | Washer, .500 split lock, SS | |
| 3 | 15241 | 4 | Isolator, rubber - 80-200 lbs | |
| 4 | 60205 | 10 | Screw, .375-16x1.0 std hex, G5 | |
| 5 | 60698 | 16 | Washer, .375 flat .875/.040, SS | |
| 6 | 60206 | 10 | Washer, .375 split lock | |
| 7 | 60140 | 8 | Nut, .375-16 hex, G5 | |

Discount-Equipment.com

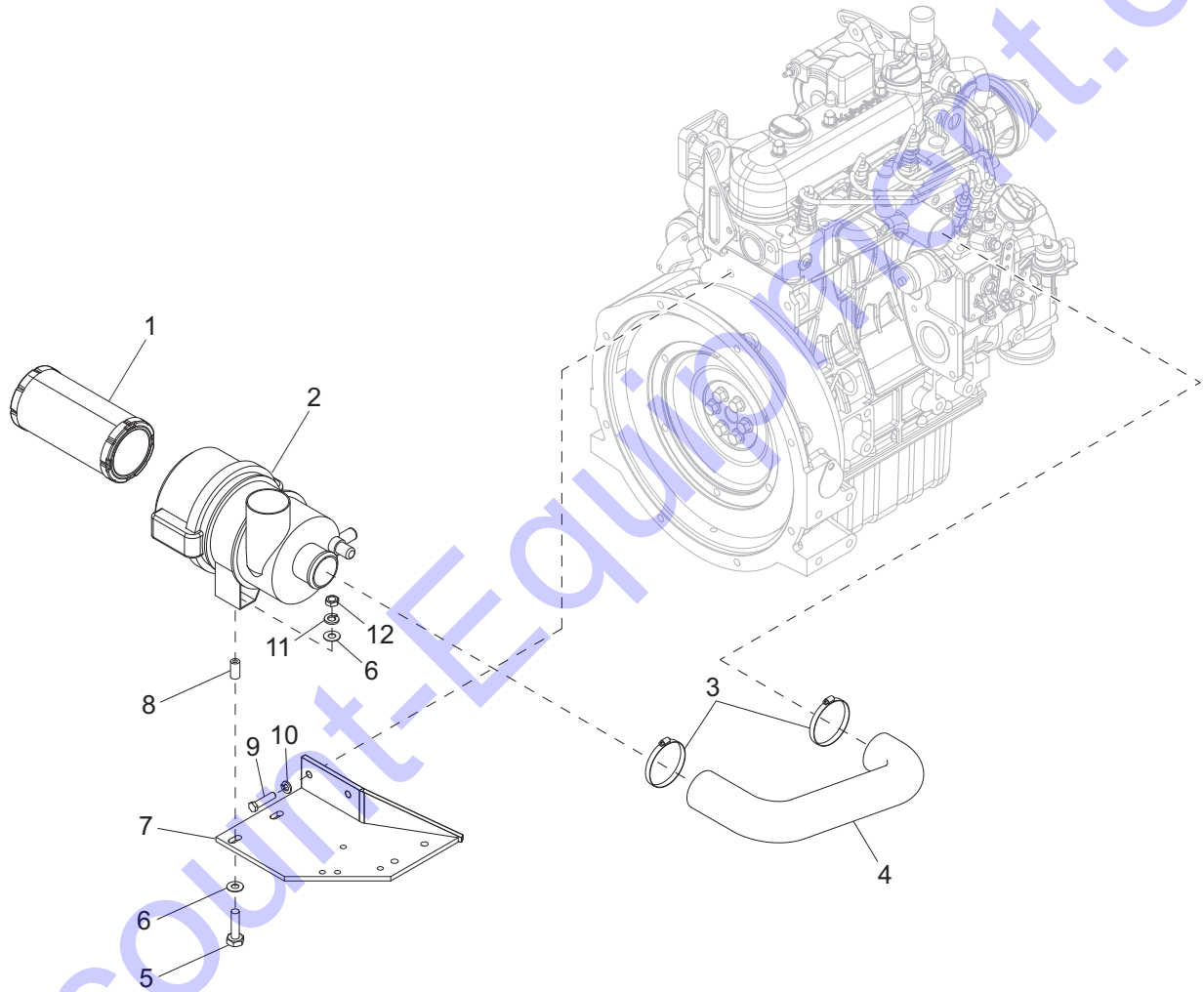
ENGINE & GENERATOR TO SKID - MLG15, MLG20



| ITEM | PART | QTY | DESCRIPTION | NOTES |
|------|--------|-----|---------------------------------------|------------|
| 1 | 60275 | 4 | Screw, .500-13x1.0 std hex, G5 | |
| 2 | 60702 | 4 | Washer, .500 split lock, SS | |
| 3 | 11524 | 4 | Isolator, rubber - 4.38x4.0x1.50 high | |
| 4 | 60205 | 10 | Screw, .375-16x1.0 std hex, G5 | |
| 5 | 60698 | 16 | Washer, .375 flat .875/.040, SS | |
| 6 | 60484 | 2 | Screw, .500-13x2.0 std hex, G5 | MLG20 only |
| 7 | 11515B | 2 | Spacer - 2.0 ODX.531 IDx1.0 long | MLG20 only |
| 8 | 60026 | 2 | Washer, M10 split lock | |
| 9 | 11597B | 1 | Bracket, gen mount | |
| 10 | 60206 | 8 | Washer, .375 split lock | |
| 11 | 60140 | 8 | Nut, .375-16 hex, G5 | |

Discount-Equipment.com

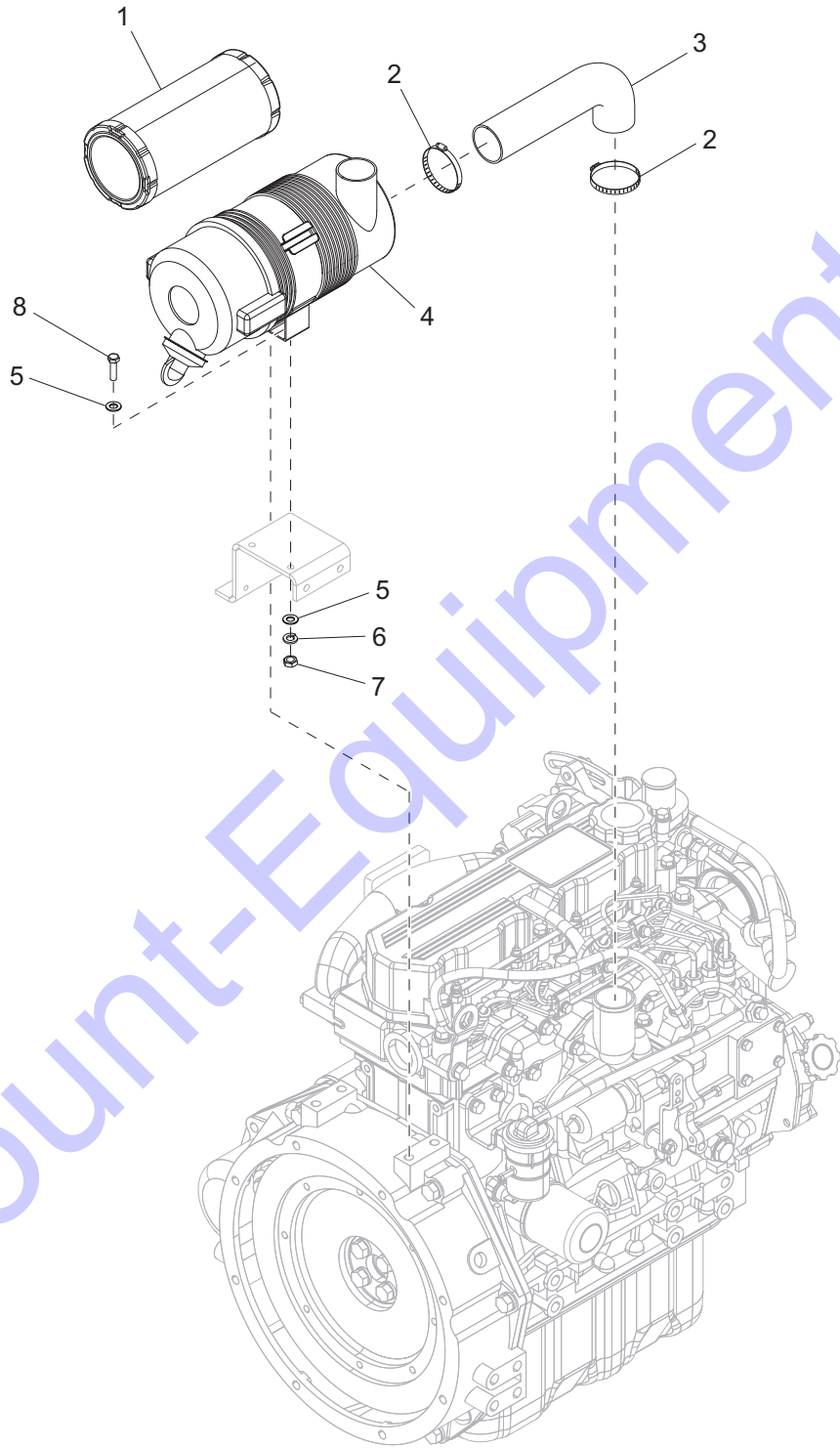
AIR FILTER ASSEMBLY - MLG8



| ITEM | PART | QTY | DESCRIPTION | NOTES |
|------|---------|-----|-----------------------------------|-------|
| 1 | 16444 | 1 | Element, air filter | |
| 2 | 34066 | 1 | Filter, air, w/bracket | |
| 3 | 60316 | 2 | Clamp, hose - SAE 032 (1.56-2.50) | |
| 4 | 16589 | 1 | Hose, air cleaner | |
| 5 | 60403 | 2 | Screw, .312-18x2.0 std hex, G5 | |
| 6 | 60243 | 4 | Washer, .250 flat .735/.060 | |
| 7 | 13483B | 1 | Weldment, filter bracket | |
| 8 | 41235ZY | 2 | Spacer, .75 ODx.375 IDx1.0 long | |
| 9 | 61082 | 2 | Screw, M8-1.25x20 std hex, G8.8 | |
| 10 | 60029 | 2 | Washer, M8 split lock | |
| 11 | 60271 | 2 | Washer, .312 split lock | |
| 12 | 60285 | 2 | Nut, .312-18 hex, G2 | |

Discount-Equipment.com

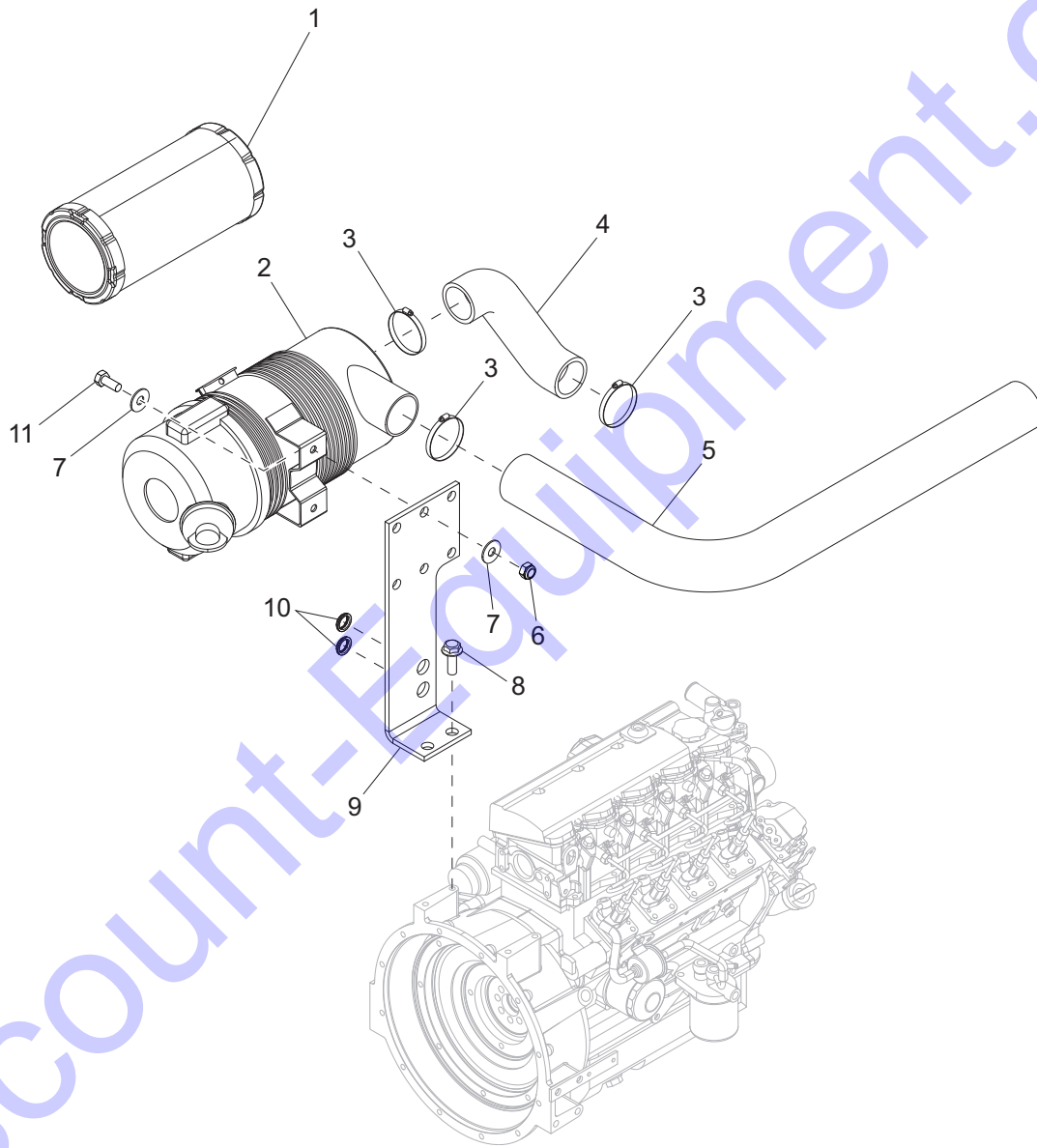
AIR FILTER ASSEMBLY - MLG15



| ITEM | PART | QTY | DESCRIPTION | NOTES |
|------|-------|-----|-----------------------------------|-------|
| 1 | 16444 | 1 | Element, air filter | |
| 2 | 60316 | 2 | Clamp, hose - SAE 032 (1.56-2.50) | |
| 3 | 13695 | 1 | Hose, air cleaner | |
| 4 | 34066 | 1 | Filter, air, w/bracket | |
| 5 | 60243 | 4 | Washer, .250 flat .735/.060 | |
| 6 | 60271 | 2 | Washer, .312 split lock | |
| 7 | 60285 | 2 | Nut, .312-18 hex, G2 | |
| 8 | 61061 | 2 | Screw, .312-18x.875 std hex, G5 | |

Discount-Equipment.com

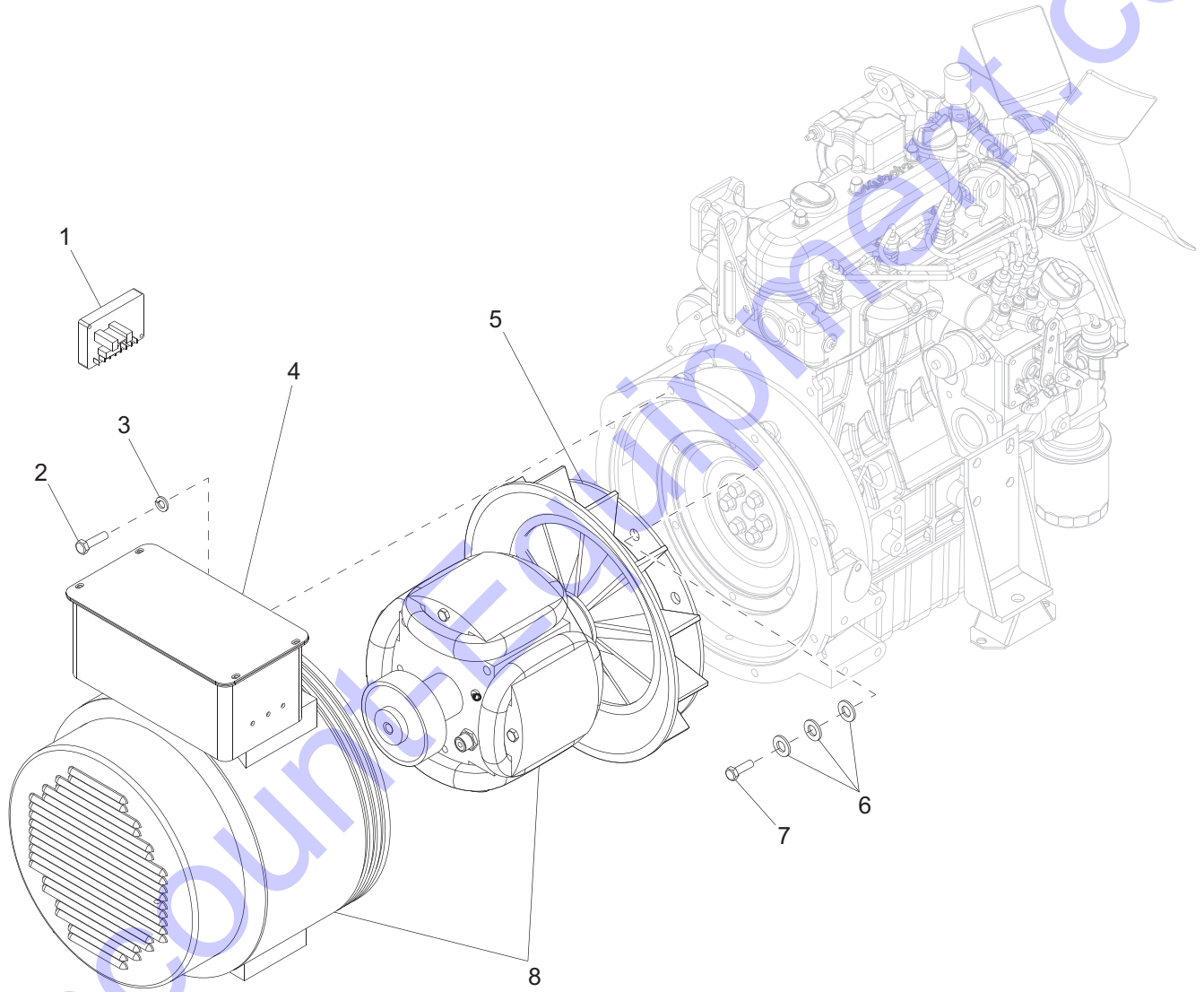
AIR FILTER ASSEMBLY - MLG20



| ITEM | PART | QTY | DESCRIPTION | NOTES |
|------|--------|-----|---------------------------------------|-------|
| 1 | 21937 | 1 | Element, air filter | |
| 2 | 21505 | 1 | Filter, air | |
| 3 | 60316 | 3 | Clamp, hose - SAE 032 (1.56-2.50) | |
| 4 | 22320 | 1 | Hose, air filter | |
| 5 | 22289 | 1 | Hose, radiator - upper | |
| 6 | 60303 | 2 | Nut, .312-18 nylock, G2 | |
| 7 | 60119 | 4 | Washer, .312 flat .875/.070 | |
| 8 | 60018 | 2 | Screw, M10-1.25x20 sflg hex, class 90 | |
| 9 | 12990B | 1 | Bracket, air filter | |
| 10 | 12231 | 2 | Grommet, rubber - .500 IDx.25 thk | |
| 11 | 61061 | 2 | Screw, .312-18x.875 std hex, G5 | |

Discount-Equipment.com

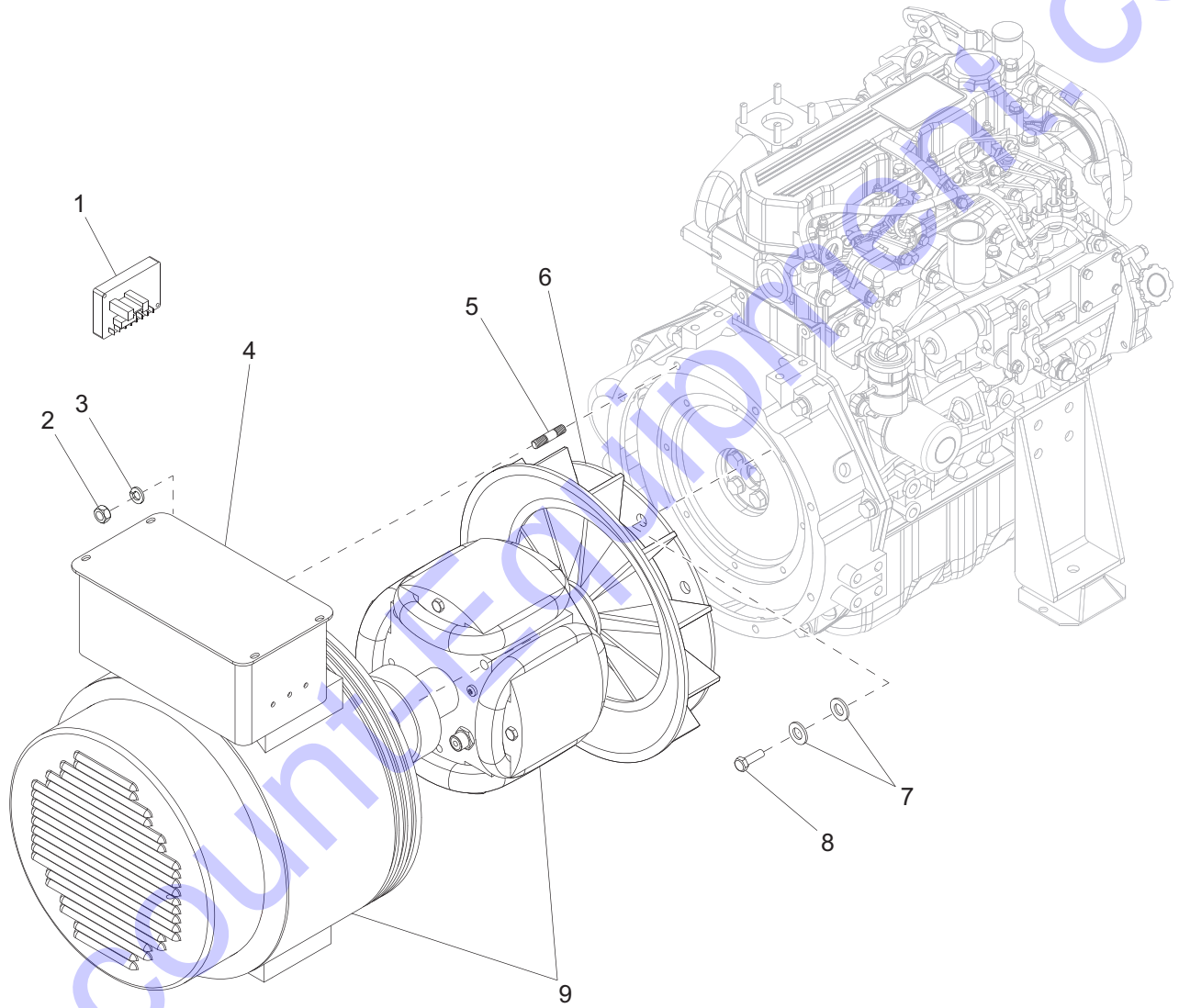
GENERATOR ASSEMBLY - MLG8



| ITEM | PART | QTY | DESCRIPTION | NOTES |
|------|--------|-----|-----------------------------------|-----------|
| 1 | 18556 | 1 | Regulator, voltage - SE 350 | |
| 2 | 60352 | 8 | Screw, .375-16x1.250 std hex, G5 | |
| 3 | 60206 | 8 | Washer, .375 split lock | |
| 4 | 12736 | 1 | Cover, generator box | |
| 5 | 11000 | 1 | Plate, drive | |
| 6 | 60166 | 18 | Washer, M8 flat | |
| 7 | 60168 | 6 | Screw, .312-18x.750 std hex, G5 | |
| 8 | 13740 | 1 | Generator, Marathon 332CSA/B3018 | |
| -- | 16216 | 1 | Assembly, generator harness - 8KW | Not shown |
| -- | 15045B | 1 | Bracket, generator mounting | Not shown |

Note: Engine and generator parts used in all Magnum Power Products LLC equipment carry the Original Equipment Manufacturer (OEM) warranty unless otherwise stated. OEM warranty parts must be purchased through an OEM dealer.

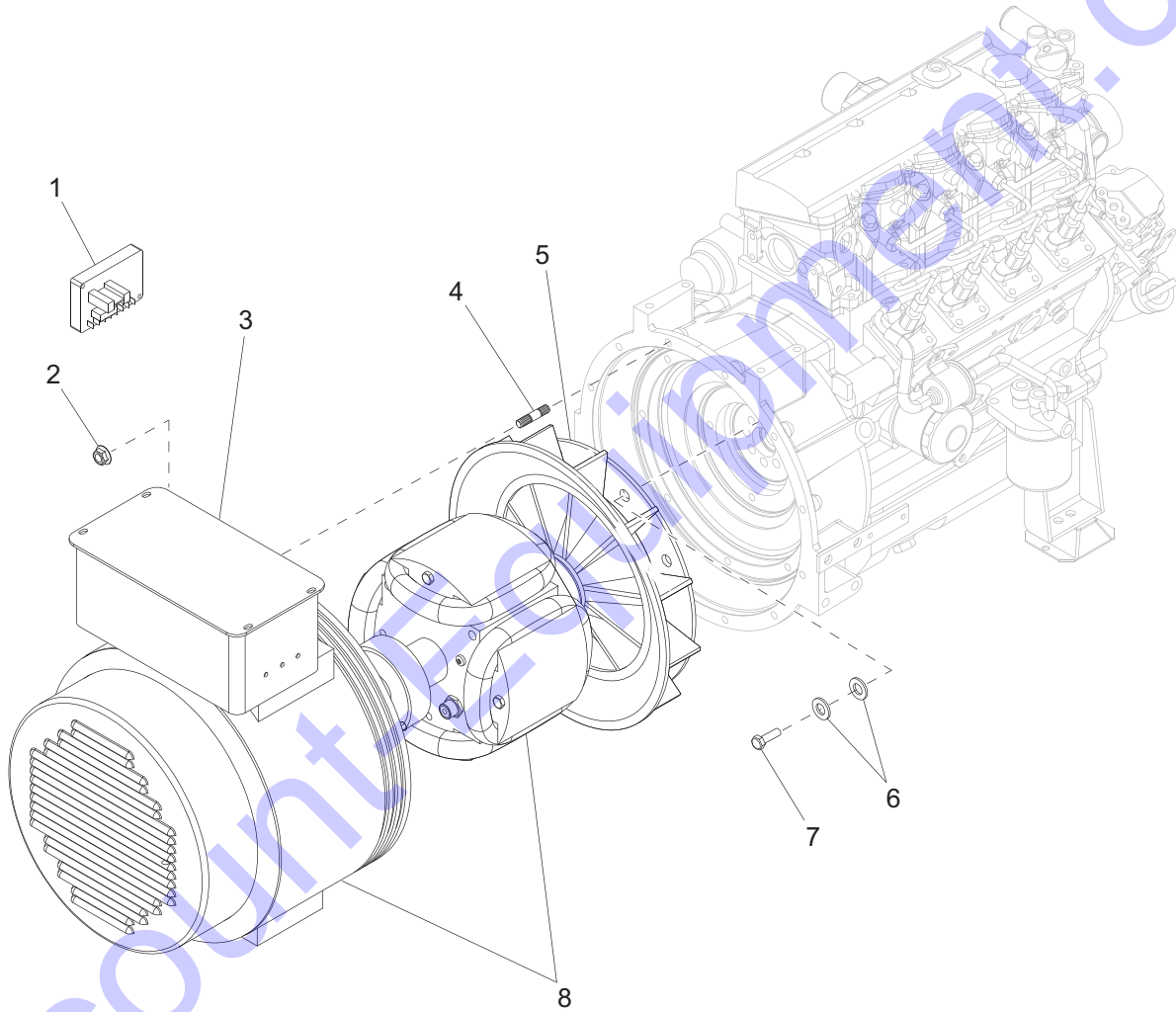
GENERATOR ASSEMBLY - MLG15



| ITEM | PART | QTY | DESCRIPTION | NOTES |
|------|-------|-----|----------------------------------|-------|
| 1 | 18556 | 1 | Regulator, voltage - SE 350 | |
| 2 | 60344 | 8 | Nut, M10-1.25 hex, SS | |
| 3 | 60026 | 8 | Washer, M10 split lock | |
| 4 | 32509 | 1 | Cover, generator box | |
| 5 | 60795 | 8 | Stud, M10-1.25x48, G8.8 | |
| 6 | 11000 | 1 | Plate, drive | |
| 7 | 60166 | 16 | Washer, M8 flat | |
| 8 | 60165 | 8 | Screw, M8-1.25x16 std hex, G10.9 | |
| 9 | 11327 | 1 | Generator, Marathon 333CSA3024 | |

Note: Engine and generator parts used in all Magnum Power Products LLC equipment carry the Original Equipment Manufacturer (OEM) warranty unless otherwise stated. OEM warranty parts must be purchased through an OEM dealer.

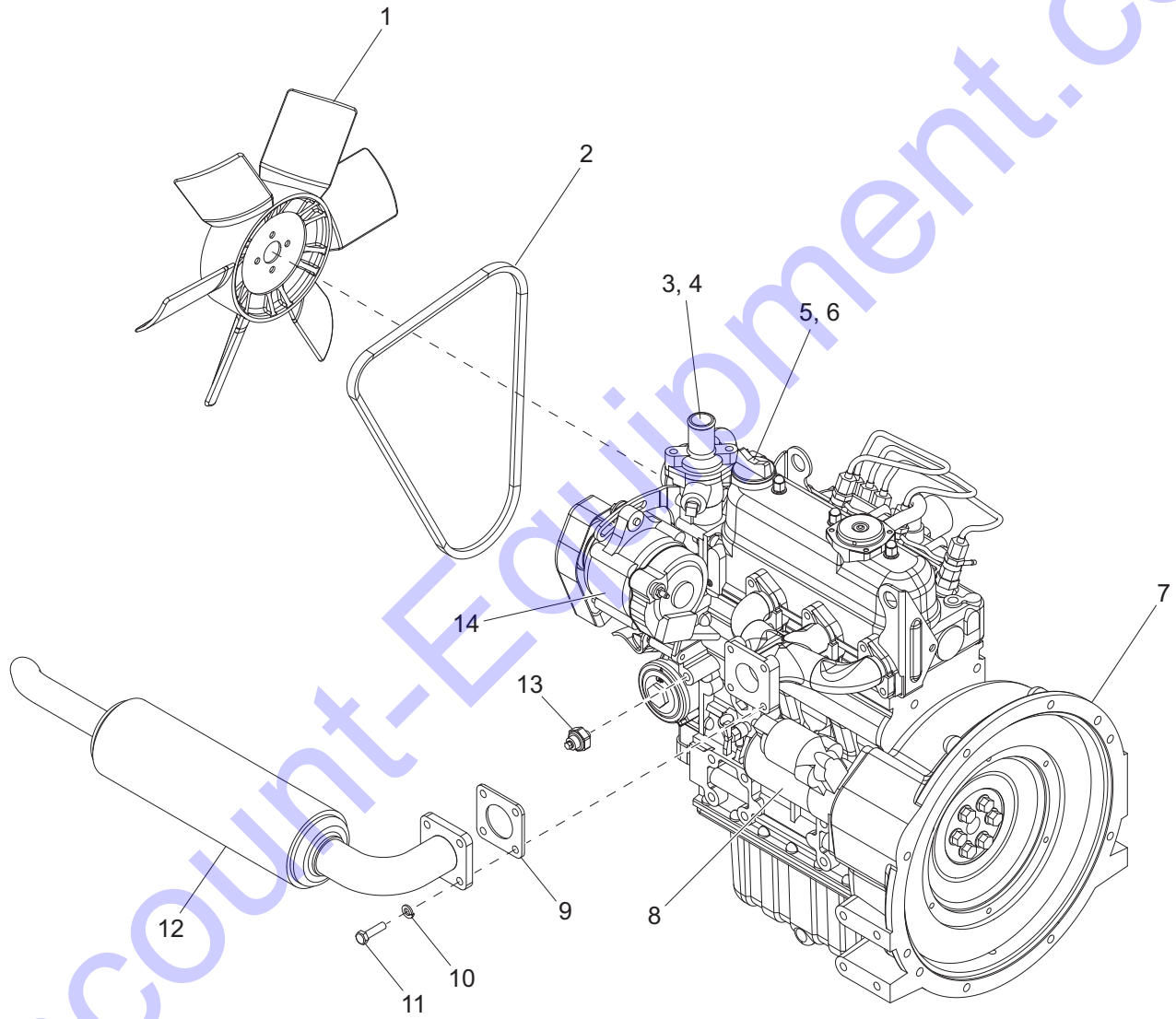
GENERATOR ASSEMBLY - MLG20



| ITEM | PART | QTY | DESCRIPTION | NOTES |
|------|-------|-----|--------------------------------|-------|
| 1 | 18556 | 1 | Regulator, voltage - SE 350 | |
| 2 | 60064 | 6 | Nut, M10-1.50 sflg, G8.8 | |
| 3 | 32509 | 1 | Cover, generator box | |
| 4 | 60819 | 6 | Stud, M10-1.50x48 | |
| 5 | 11000 | 1 | Plate, drive | |
| 6 | 60166 | 16 | Washer, M8 flat | |
| 7 | 60064 | 6 | Nut, M10-1.50 sflg, G8.8 | |
| 8 | 11481 | 1 | Generator, Marathon 334CSA3028 | |

Note: Engine and generator parts used in all Magnum Power Products LLC equipment carry the Original Equipment Manufacturer (OEM) warranty unless otherwise stated. OEM warranty parts must be purchased through an OEM dealer.

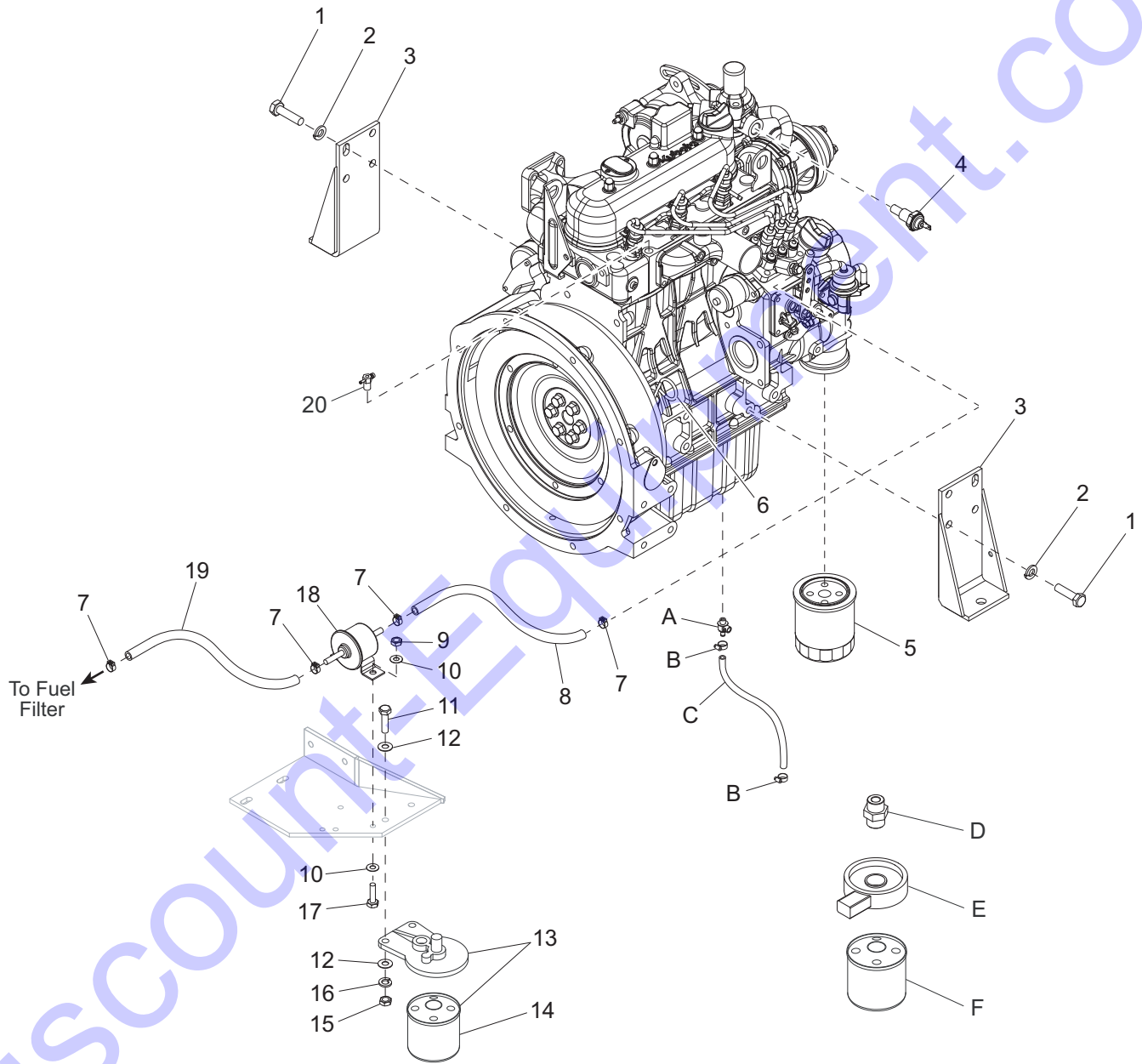
ENGINE ASSEMBLY - LEFT SIDE - MLG8



| ITEM | PART | QTY | DESCRIPTION | NOTES |
|------|-------|-----|---|-------|
| 1 | 15495 | 1 | Fan, pusher, Kubota | |
| 2 | 11628 | 1 | V-belt, Kubota | |
| 3 | 12488 | 1 | Thermostat assembly, Kubota D1105 | |
| 4 | 12489 | 1 | Thermostat gasket, Kubota D1105 | |
| 5 | 12484 | 1 | Cap, oil fill | |
| 6 | 10758 | 1 | O-ring, oil fill cap, Kubota D1105 | |
| 7 | 13281 | 1 | Engine, Kubota D1105 | |
| 8 | 13298 | 1 | Starter, engine - 12V 1.4KW, Kubota D1105 | |
| 9 | 11042 | 1 | Gasket, exhaust manifold | |
| 10 | 60271 | 4 | Washer, .312 split lock | |
| 11 | 63168 | 4 | Screw, M8-1.25x30 std hex, G10.9 | |
| 12 | 13709 | 1 | Muffler, Kubota - 30° flare | |
| 13 | 18106 | 1 | Sensor, oil pressure | |
| 14 | 12486 | 1 | Alternator, Kubota D1105 | |

Note: Engine and generator parts used in all Magnum Power Products LLC equipment carry the Original Equipment Manufacturer (OEM) warranty unless otherwise stated. OEM warranty parts must be purchased through an OEM dealer.

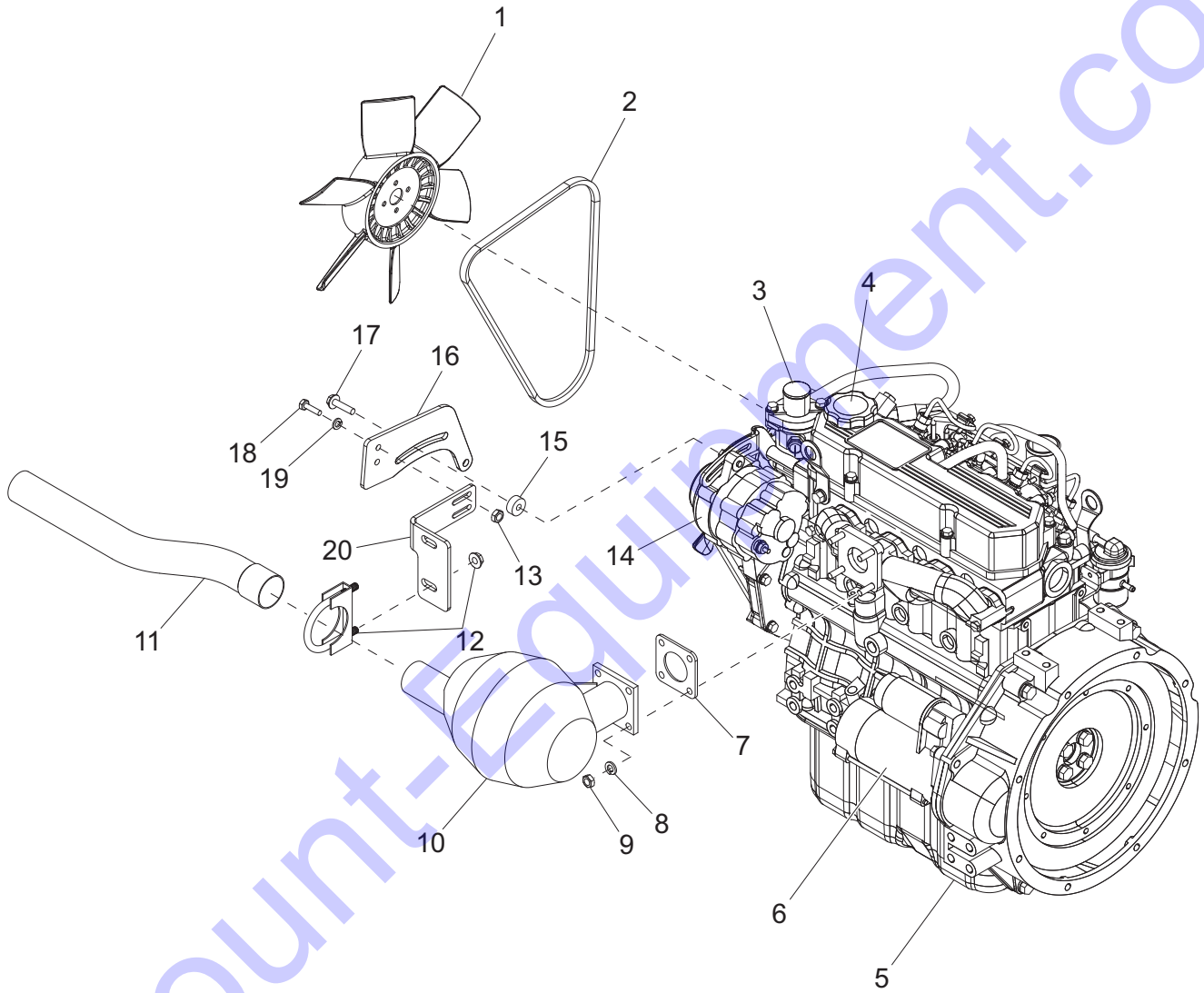
ENGINE ASSEMBLY - RIGHT SIDE - MLG8



| ITEM | PART | QTY | DESCRIPTION | NOTES |
|------|--------|--------|--|--|
| 1 | 60422 | 8 | Screw, M10-1.25x25 std hex, G8.8 | |
| 2 | 60026 | 8 | Washer, M10 split lock | |
| 3 | 12338B | 2 | Weldment, engine mount | |
| 4 | 14099 | 1 | Switch, coolant temperature | |
| 5 | 10775 | 1 | Filter, oil, Kubota D1105 | |
| 6 | 12483 | 1 | Dipstick, engine oil | |
| 7 | 60777 | 4 | Clamp, hose - .312 fuel hose | Crimp style |
| 8 | 50018 | 1 ft | Hose, fuel - .312 ID, 50 psi, SAE 30R7 | |
| 9 | 60144 | 2 | Nut, .250-20 nylock, G5 | |
| 10 | 60696 | 4 | Washer, .250 flat .625/.050, SS | |
| 11 | 62001 | 2 | Screw, .312-18x1.250 std hex, G5 | |
| 12 | 60243 | 4 | Washer, .250 flat .735/.060 | |
| 13 | 13481 | 1 | Assembly, fuel filter, Kubota | |
| 14 | 13515 | 1 | Element, fuel filter | |
| 15 | 60285 | 2 | Nut, .312-18 hex, G2 | |
| 16 | 60271 | 2 | Washer, .312 split lock | |
| 17 | 60393 | 2 | Screw, .250-20x1.0 std hex, G5 | |
| 18 | 13278 | 1 | Fuel pump, electric, Kubota | |
| 19 | 50018 | 1.5 ft | Hose, fuel - .312 ID, 50 psi, SAE 30R7 | |
| 20 | 13526 | 1 | Joint eye, double port, Kubota | |
| -- | 11988? | 1 | Glow plug, engine - Kubota D1105 | Not shown |
| -- | 16874 | 1 | Assembly, engine harness | Not shown |
| A | 60766 | 1 | Valve, drain - 18 mm-1.5 w/nipple | Option: oil drain valve |
| B | 15422 | 2 | Clamp, hose - SAE 020 (.75-1.75) | Option: oil drain valve |
| C | 12227 | 1 | Hose, oil drain .375x20, 30R7 | Option: oil drain valve |
| D | 10407 | 1 | Adapter, heater element | Option: heated fuel filter |
| E | 13682 | 1 | Heater, fuel filter | Option: heated fuel filter |
| F | 13515 | 1 | Element, fuel filter | Option: heated fuel filter |
| -- | 13834 | 1 | Gasket, heated fuel filter | Option: heated fuel filter (not shown) |
| -- | 10662 | 1 | Harness, fuel filter heater - outside | Option: heated fuel filter (not shown) |
| -- | 13684 | 1 | Harness, fuel filter heater - inside | Option: heated fuel filter (not shown) |

Note: Engine and generator parts used in all Magnum Power Products LLC equipment carry the Original Equipment Manufacturer (OEM) warranty unless otherwise stated. OEM warranty parts must be purchased through an OEM dealer.

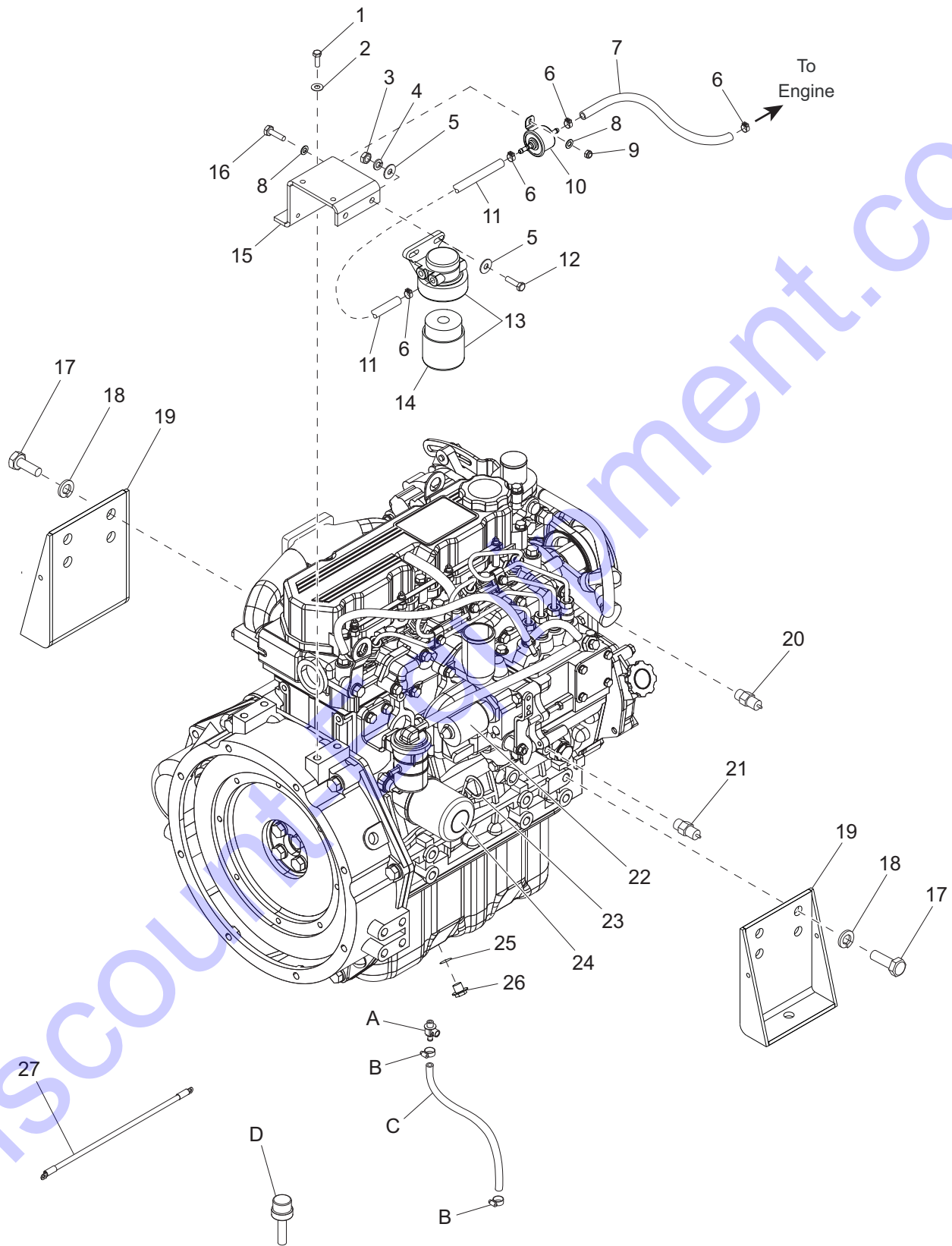
ENGINE ASSEMBLY - LEFT SIDE - MLG15



| ITEM | PART | QTY | DESCRIPTION | NOTES |
|------|--------|-----|---|-------|
| 1 | 12648 | 1 | Fan, pusher, Mitsubishi | |
| 2 | 12746 | 1 | V-belt, alternator, Mitsubishi | |
| 3 | 13984 | 1 | Thermostat (Tier IV engines) | |
| | 12598 | 1 | Thermostat (Tier II & Tier III engines) | |
| 4 | 12582 | 1 | Cap, oil filler, Mitsubishi | |
| 5 | 13048 | 1 | Engine, Mitsubishi S4L2 Int. Tier IV | |
| 6 | 13266 | 1 | Starter assembly, Mitsubishi | |
| 7 | 11042 | 1 | Gasket, exhaust manifold | |
| 8 | 60271 | 4 | Washer, .312 split lock | |
| 9 | 60032 | 4 | Nut, M8-1.25 hex, G8.8 | |
| 10 | 17779 | 1 | Muffler, Mitsubishi S4L (MAC) | |
| 11 | 17809 | 1 | Pipe, exhaust | |
| 12 | 18823 | 1 | Clamp, 2 in. muffler | |
| 13 | 60284 | 2 | Nut, .250-20 hex, G2 | |
| 14 | 12753 | 1 | Assembly, alternator 12V, Mitsubishi | |
| 15 | 12144B | 1 | Spacer, alternator bracket | |
| 16 | 14342B | 1 | Bracket, kegger muffler | |
| 17 | 60238 | 1 | Screw, M8-1.25x40 sflg hex, G8.8 | |
| 18 | 60393 | 4 | Screw, .250-20x1.0 std hex, G5 | |
| 19 | 60286 | 2 | Washer, .250 split lock | |
| 20 | 14343B | 1 | Bracket, kegger muffler | |

Note: Engine and generator parts used in all Magnum Power Products LLC equipment carry the Original Equipment Manufacturer (OEM) warranty unless otherwise stated. OEM warranty parts must be purchased through an OEM dealer.

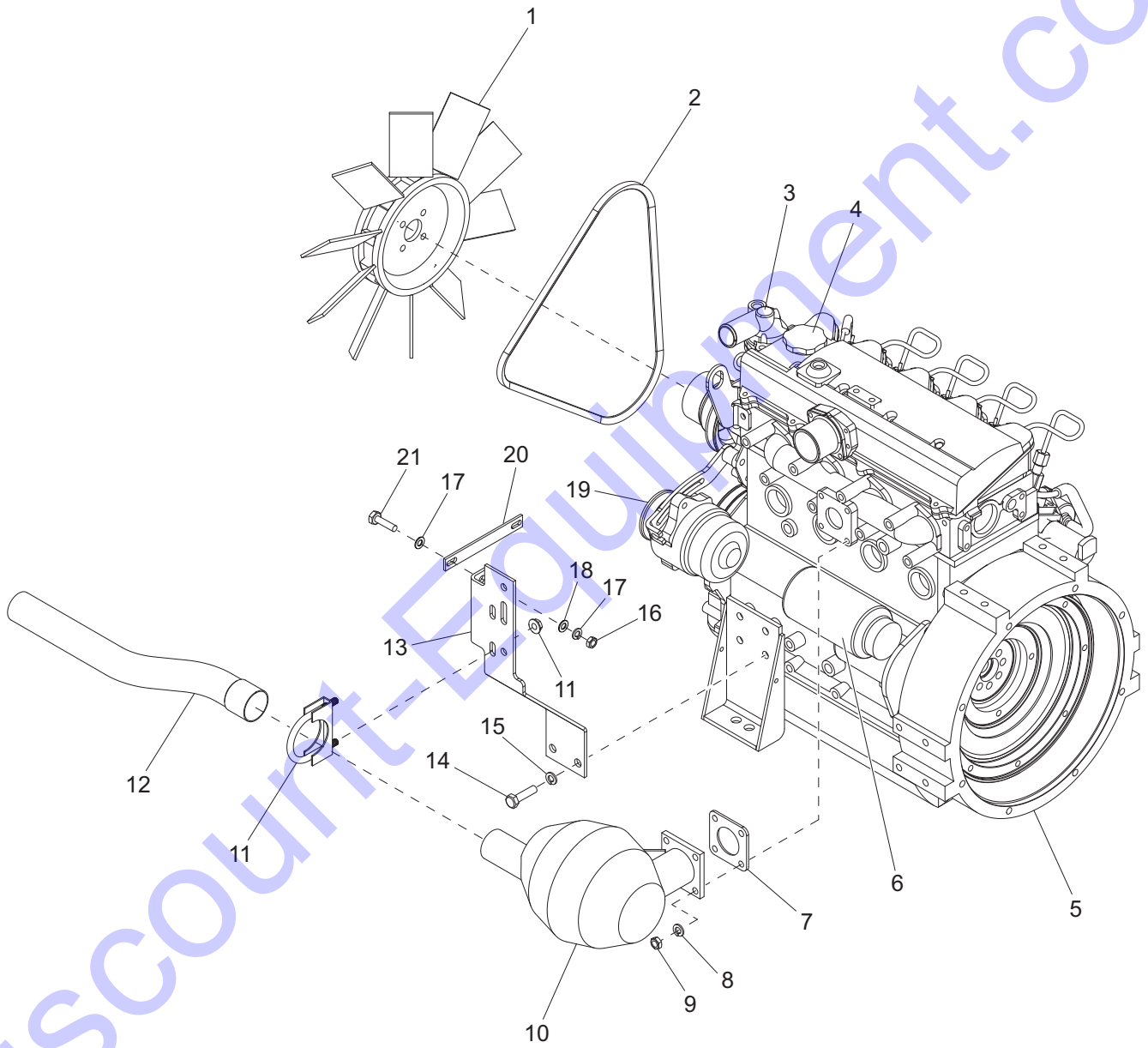
ENGINE ASSEMBLY - RIGHT SIDE - MLG15



| ITEM | PART | QTY | DESCRIPTION | NOTES |
|------|--------|--------|--|--|
| 1 | 60422 | 2 | Screw, M10-1.25x25 std hex, G8.8 | |
| 2 | 60026 | 2 | Washer, M10 split lock | |
| 3 | 60285 | 4 | Nut, .312-18 hex, G2 | |
| 4 | 60701 | 4 | Washer, .312 split lock, SS | |
| 5 | 60340 | 4 | Washer, .312 flat .875/.040, SS | |
| 6 | 60777 | 4 | Clamp, hose - .312 fuel hose | Crimp style |
| 7 | 50018 | 1 ft | Hose, fuel - .312 ID, 50 psi, SAE 30R7 | |
| 8 | 60696 | 4 | Washer, .250 flat .625/.050, SS | |
| 9 | 60144 | 2 | Nut, .250-20 nylock, G5 | |
| 10 | 13278 | 1 | Fuel pump, Kubota electric | |
| 11 | 50018 | 1.5 ft | Hose, fuel - .312 ID, 50 psi, SAE 30R7 | |
| 12 | 62001 | 2 | Screw, .312-18x1.250 std hex, G5 | |
| 13 | 17641 | 1 | Filter, fuel - head & element | |
| 14 | 17647 | 1 | Element, fuel filter, Mitsubishi | |
| 15 | 11745B | 1 | Bracket, fuel/air filter | |
| 16 | 60393 | 4 | Screw, .250-20x1.0 std hex, G5 | |
| 17 | 61087 | 8 | Screw, M12-1.25x25 std hex, G10.9 | |
| 18 | 60702 | 8 | Washer, .500 split lock, SS | |
| 19 | 11732B | 2 | Weldment, engine mount | |
| 20 | 16678 | 1 | Switch, coolant temperature | |
| 21 | 16677 | 1 | Switch, oil pressure | |
| 22 | 12829 | 1 | Solenoid, fuel shut-down, Mitsubishi | |
| 23 | 12586 | 1 | Dipstick, oil, Mitsubishi | |
| 24 | 16691 | 1 | Filter, oil, Mitsubishi | |
| 25 | 13085 | 1 | Gasket, oil drain, Mitsubishi | |
| 26 | 13084 | 1 | Plug, oil drain, Mitsubishi | |
| 27 | 22438 | 1 | Strap, braided ground - 16 in | |
| -- | 16874 | 1 | Assembly, engine harness | Not shown |
| A | 11952 | 1 | Valve, drain - 20mm x 1.5 w/nipple | Option: oil drain |
| B | 15422 | 2 | Clamp, hose - .SAE 020 (.75-1.75) | Option: oil drain |
| C | 12438 | 1 | Hose, oil drain .375x30, 30R7 | Option: oil drain |
| D | 13876 | 1 | Kit, heater - fuel filter | Option: heated fuel filter |
| -- | 13684 | 1 | Harness, fuel filter heater - inside | Option: heated fuel filter (not shown) |

Note: Engine and generator parts used in all Magnum Power Products LLC equipment carry the Original Equipment Manufacturer (OEM) warranty unless otherwise stated. OEM warranty parts must be purchased through an OEM dealer.

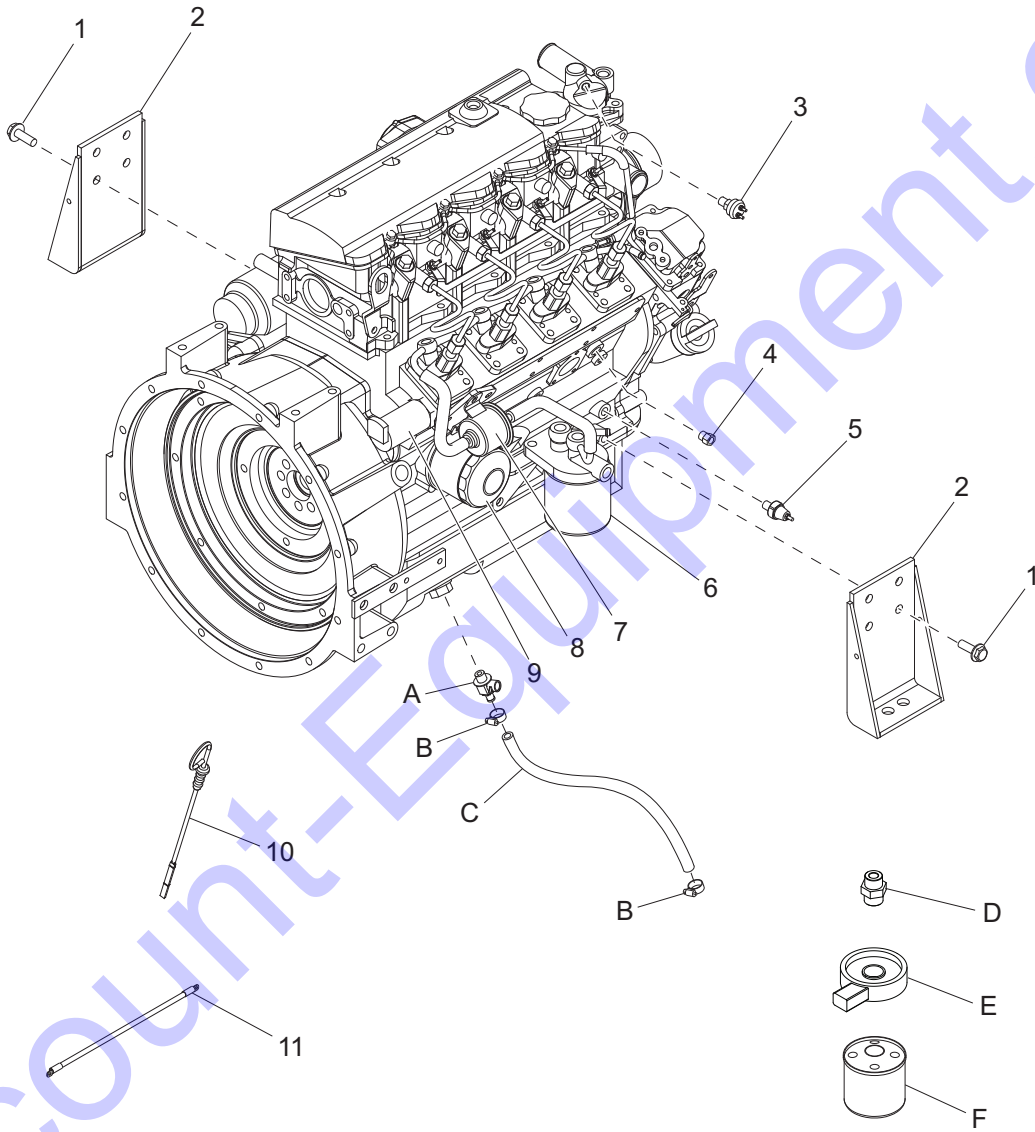
ENGINE ASSEMBLY - LEFT SIDE - MLG20



| ITEM | PART | QTY | DESCRIPTION | NOTES |
|------|--------|-----|-----------------------------------|-----------|
| 1 | 19258 | 1 | Fan, 15.75 in | |
| 2 | 22258 | 1 | Belt, fan | |
| 3 | 12534 | 1 | Thermostat - 4LE-PV05 | |
| 4 | 16184 | 1 | Cap, oil filler, Isuzu | |
| 5 | 10896 | 1 | Engine, Isuzu 4LE1NYGV-03 | |
| 6 | 26033 | 1 | Starter assembly, 4LE1-PV05 Isuzu | |
| 7 | 11042 | 1 | Gasket, exhaust manifold | |
| 8 | 60271 | 4 | Washer, .312 split lock | |
| 9 | 60032 | 4 | Nut, M8-1.25 hex, G8.8 | |
| 10 | 10795 | 1 | Muffler, Isuzu 4LE1 | |
| 11 | 18823 | 1 | Clamp, 2.0 in. muffler | |
| 12 | 17809 | 1 | Pipe, exhaust | |
| 13 | 14340B | 1 | Bracket, muffler mounting | |
| 14 | 60177 | 2 | Screw, M10-1.50x30 std hex, G10.9 | |
| 15 | 60026 | 2 | Washer, M10 split lock | |
| 16 | 60140 | 1 | Nut, .375-16 hex, G5 | |
| 17 | 60206 | 1 | Washer, .375 split lock | |
| 18 | 60698 | 2 | Washer, .375 flat .875/.040, SS | |
| 19 | 26049 | 1 | Alternator, Isuzu | Not shown |
| -- | 10703 | 1 | Assembly, engine harness | Not shown |
| 20 | 14341B | 1 | Bracket, muffler support | |
| 21 | 60690 | 1 | Screw, .375-16x1.0 std hex, SS | |

Note: Engine and generator parts used in all Magnum Power Products LLC equipment carry the Original Equipment Manufacturer (OEM) warranty unless otherwise stated. OEM warranty parts must be purchased through an OEM dealer.

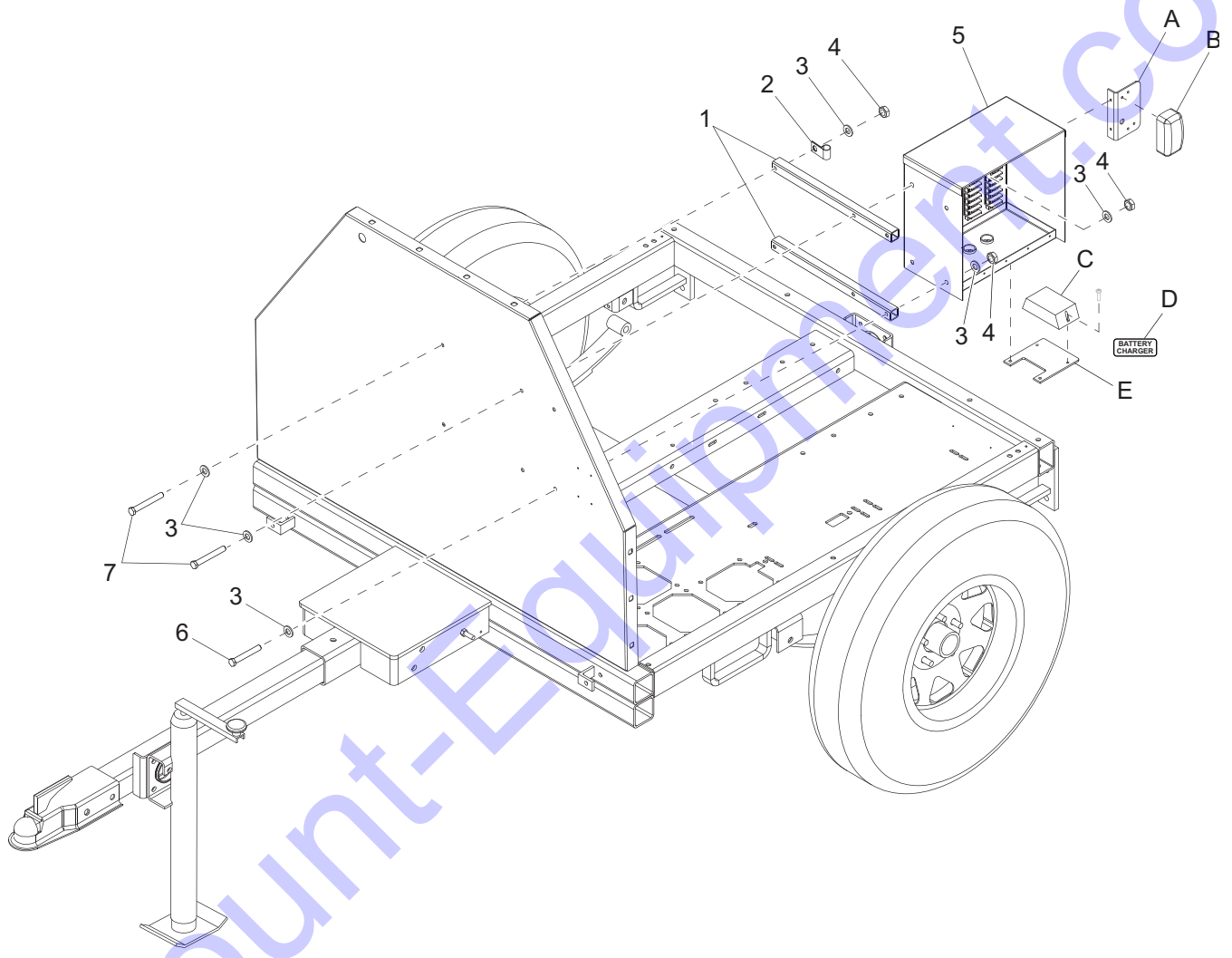
ENGINE ASSEMBLY - RIGHT SIDE - MLG20



| ITEM | PART | QTY | DESCRIPTION | NOTES |
|------|--------|------|--|--|
| 1 | 60018 | 6 | Screw, M10x1.25x20 sflg hex, class 90 | |
| 2 | 11471B | 2 | Weldment, engine mount | |
| 3 | 17718 | 1 | Switch, water temp, Isuzu | |
| 4 | 19232 | 1 | Fitting, .125NPTFx.125-28 BSP male | |
| 5 | 15369 | 1 | Switch, oil pressure | |
| 6 | 15331 | 1 | Element, fuel filter | |
| 7 | 16205 | 1 | Pump, fuel, Isuzu | |
| 8 | 15183 | 1 | Filter, oil, Isuzu | |
| 9 | 15372 | 1 | Solenoid, fuel shutdown | |
| 10 | 23899 | 1 | Dipstick, oil, Isuzu | |
| 11 | 16155 | 1 | Assembly, wire - engine/chassis ground | |
| A | 11952 | 1 | Valve, drain - 20mm-1.5 w/nipple | Option: oil drain |
| B | 15422 | 2 | Clamp, hose - SAE 020 (.75-1.75) | |
| C | 50201 | 4 ft | Hose, coolant - .625 ID | |
| D | 13683 | 1 | Adapter, heater element | Option: heated fuel filter |
| E | 13682 | 1 | Heater, fuel filter | Option: heated fuel filter |
| F | 13515 | 1 | Fuel filter element | Option: heated fuel filter |
| -- | 13684 | 1 | Harness, fuel filter heater - inside | Option: heated fuel filter (not shown) |
| -- | 10662 | 1 | Harness, fuel filter heater - outside | Option: heated fuel filter (not shown) |

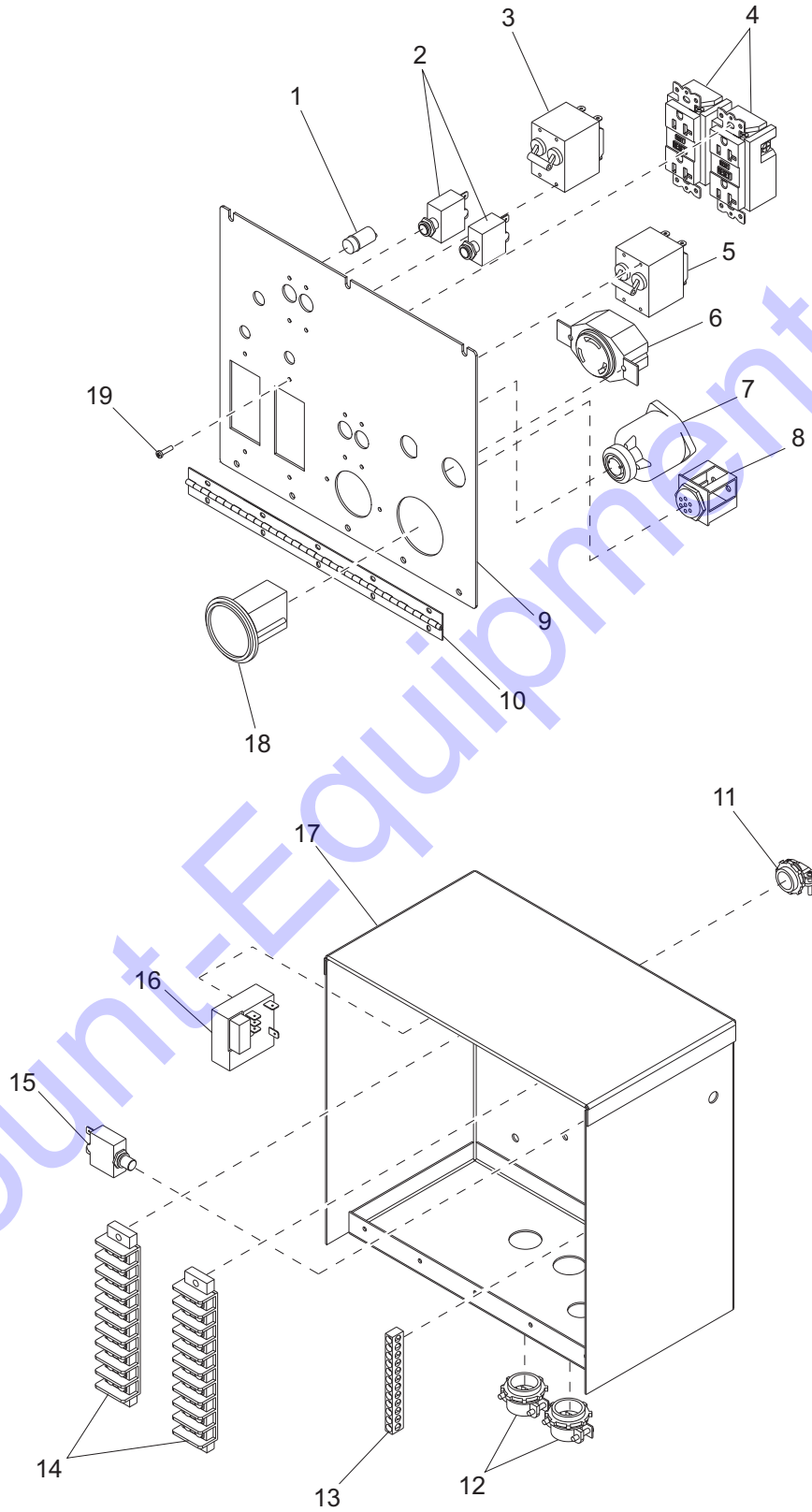
Note: Engine and generator parts used in all Magnum Power Products LLC equipment carry the Original Equipment Manufacturer (OEM) warranty unless otherwise stated. OEM warranty parts must be purchased through an OEM dealer.

CONTROL BOX TO PANEL



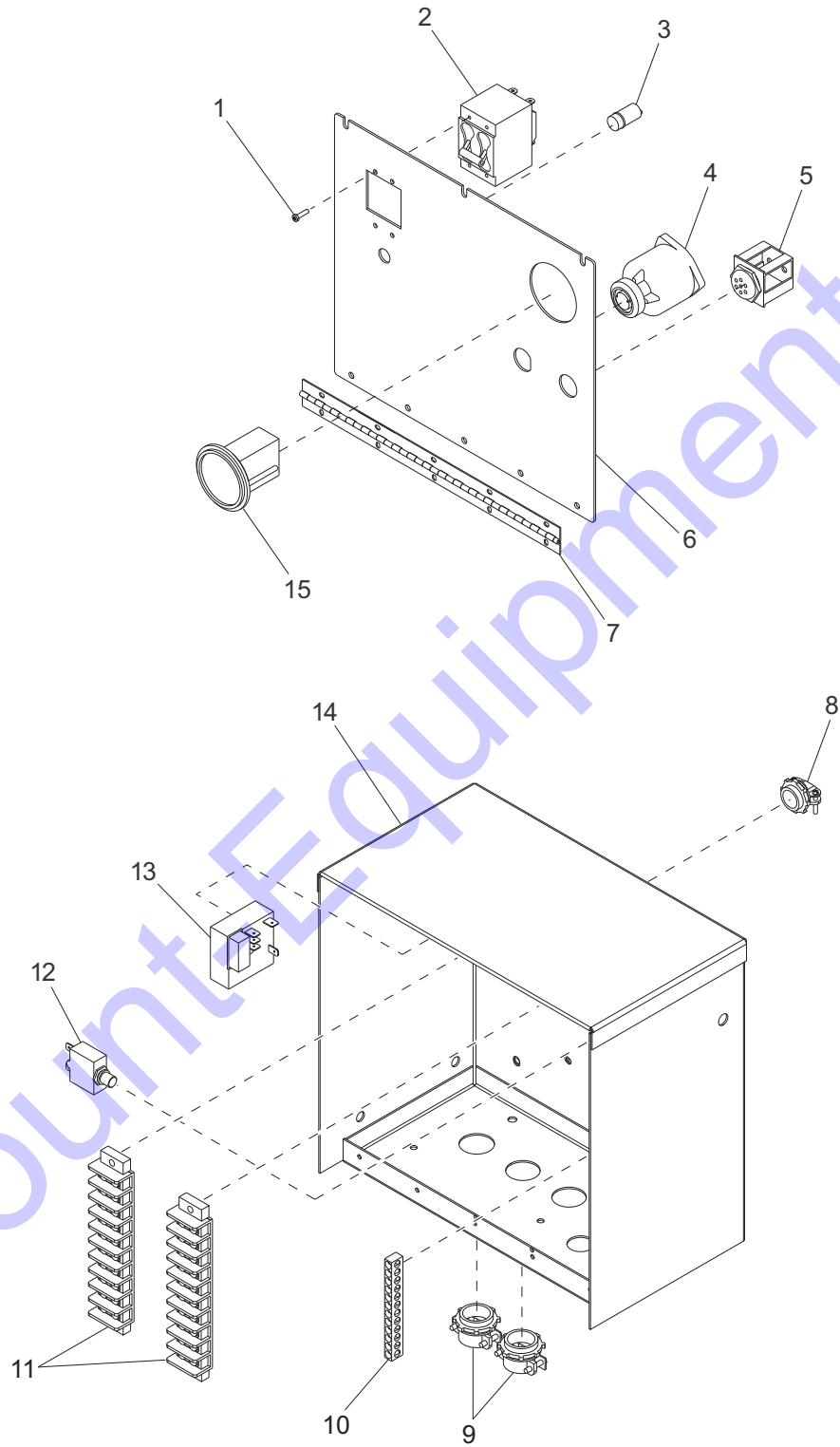
| ITEM | PART | QTY | DESCRIPTION | NOTES |
|------|-------------------------|-----|--|------------------------------------|
| 1 | 11543B | 2 | Spacer, control box | |
| 2 | 60649 | 1 | Clamp, tubing - .750 hvy duty | MLG8 only |
| 3 | 60340 | 12 | Washer, .312 flat .875/.040, SS | |
| 4 | 60303 | 6 | Nut, .312-18 nylock, G2 | |
| 5 | Page 56 | 1 | Assembly, completed control box | MLG8 |
| | Page 58 | 1 | Assembly, completed control box | MLG15 & 20 |
| 6 | 60785 | 1 | Screw, .312-18x2.00 std hex, SS | MLG8 only |
| 7 | 62043 | 6 | Screw, .312-18x2.25 std hex, SS | |
| A | 11949B | 1 | Bracket, control box light mount | Option: interior light |
| B | 11947 | 1 | Light, interior, w/switch | Option: interior light |
| -- | 65145 | 1 | Holder, fuse - 30A | Option: interior light (not shown) |
| -- | 14433 | 1 | Level, eye | Option: interior light (not shown) |
| C | 65326 | 1 | Charger, battery - 2A, 3-stage | Option: battery charger |
| D | 21259 | 1 | Decal, battery charger | Option: battery charger |
| E | 12429B | 1 | Bracket, battery charger - 2A, 3 stage | Option: battery charger |

CONTROL BOX ASSEMBLY - MLG8



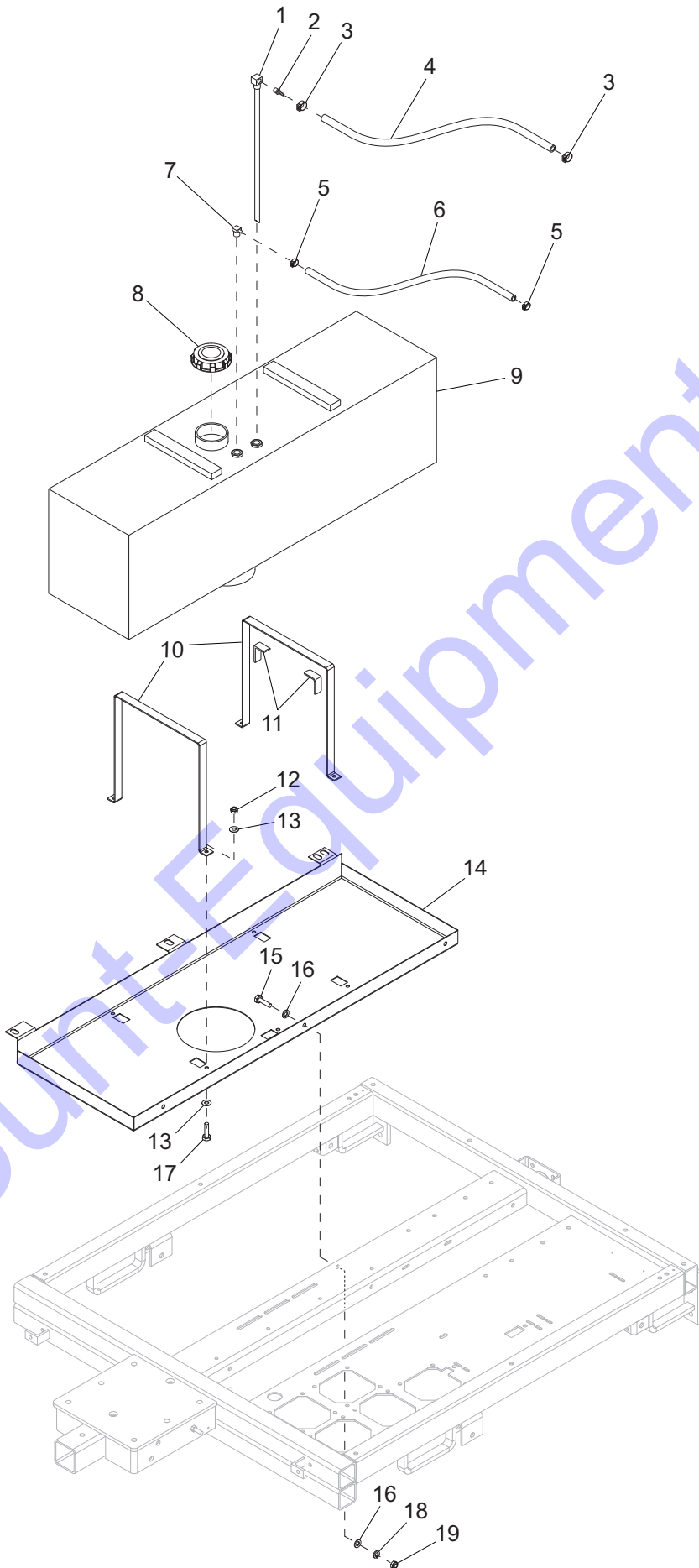
| ITEM | PART | QTY | DESCRIPTION | NOTES |
|------|--------|-----|--|-----------|
| 1 | 65388 | 1 | Light, indicator red - w/wire 12VDC | |
| 2 | 65849 | 2 | Breaker, 20A/120V, 1-pole push button | |
| 3 | 65865 | 1 | Breaker, 40A/250V, 2-pole, screw term | |
| 4 | 14130 | 2 | Receptacle, 120V/20A GFI | |
| 5 | 65851 | 1 | Breaker, 30A/250V, 2-pole, screw term | |
| 6 | 14137 | 1 | Receptacle, 240V/30A twist (L6-30R) | |
| 7 | 15195 | 1 | Switch, key | |
| 8 | 16694 | 1 | Indicator, glow plug | |
| 9 | 12250 | 1 | Panel, control | |
| 10 | 10081 | 1 | Hinge, continuous - 11.00 in | |
| 11 | 14202 | 1 | Strain relief - .375 Romex w/nut | |
| 12 | 14219 | 2 | Strain relief - .75 Romex w/nut | |
| 13 | 14204 | 1 | Kit, ground bar | |
| 14 | 14203 | 2 | Block, terminal - 10 pos | |
| 15 | 65850 | 1 | Breaker, push button - 10A/240V | |
| 16 | 14201 | 1 | Relay, 15 sec fixed delay, 12VDC/10A | |
| 17 | 14257B | 1 | Box, control | |
| 18 | 15085 | 1 | Gauge, hour meter | |
| 19 | 60405 | 4 | Screw, 6-32x.250 pan phil, G2 | |
| -- | 60746 | 1 | Plug, hole - 1.094 dia. recessed style | Not shown |
| -- | 60750 | 3 | Plug, hole - .812 dia. recessed style | Not shown |
| -- | 24051 | 1 | Harness, control box to gen | Not shown |
| -- | 65279 | 1 | Assembly, wiring for control panel | Not shown |
| -- | 65278 | 1 | Assembly, wiring for control box | Not shown |
| -- | 11793 | 1 | Assembly, completed control box | |

CONTROL BOX ASSEMBLY - MLG15, MLG20



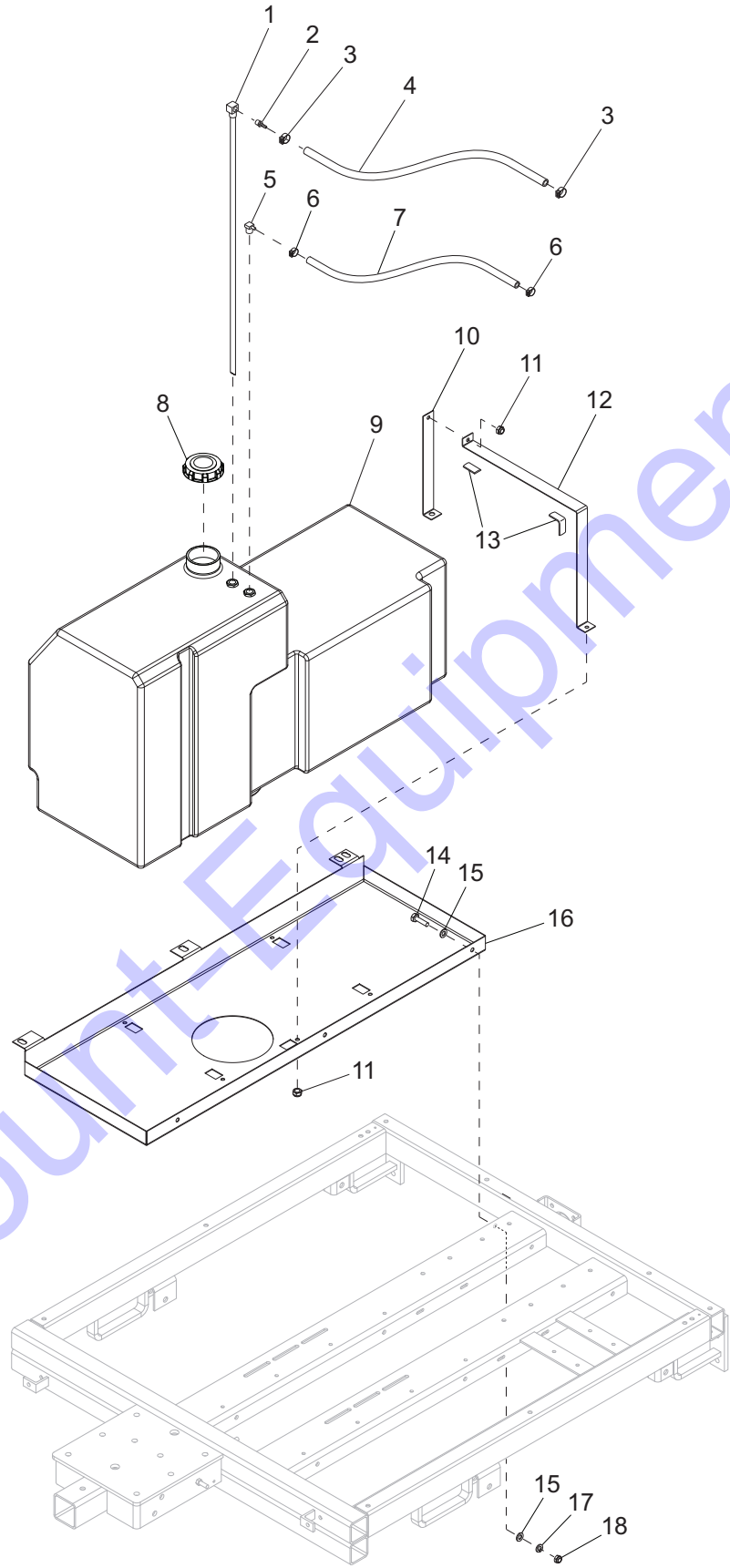
| ITEM | PART | QTY | DESCRIPTION | NOTES |
|------|--------|-----|--|-----------|
| 1 | 60405 | 4 | Screw, 6-32x.250 pan phil, G2 | |
| 2 | 65429 | 1 | Breaker, 100A/250V, 2-pole | MLG 20 |
| | 60736 | 1 | Breaker, 70A/250V, 2-pole | MLG 15 |
| 3 | 65388 | 1 | Light, indicator, red - w/wire 12VDC | |
| 4 | 15195 | 1 | Switch, key | |
| 5 | 24008 | 1 | Glow plug indicator - 4LE, Isuzu | MLG 20 |
| | 13264 | 1 | Glow plug indicator - S4L2, Mitsubishi | MLG 15 |
| 6 | 10278 | 1 | Panel, control - 20KW w/o light | MLG 20 |
| | 11889 | 1 | Panel, control - 15KW w/o light | MLG 15 |
| 7 | 10081 | 1 | Hinge, continuous 11 in | |
| 8 | 14202 | 1 | Strain relief, .375 Romex w/nut | |
| 9 | 14219 | 2 | Strain relief, .75 Romex w/nut | |
| 10 | 14204 | 1 | Kit, ground bar | |
| 11 | 14203 | 2 | Block, terminal - 10 pos | |
| 12 | 65850 | 1 | Breaker, push button - 10A | |
| 13 | 14201 | 1 | Relay, 15 sec. fixed time delay | 10A/12VDC |
| 14 | 14257B | 1 | Box, control | |
| 15 | 15085 | 1 | Gauge, hour meter | |
| -- | 60746 | 1 | Plug, hole - 1.094 dia. recessed style | Not shown |
| -- | 60750 | 3 | Plug, hole - .812 dia. recessed style | Not shown |
| -- | 24051 | 1 | Harness, control box to gen | Not shown |
| -- | 66904 | 1 | Assembly, wiring for control panel | Not shown |
| -- | 11746 | 1 | Assembly, completed control box | MLG15 |
| -- | 10290 | 1 | Assembly, completed control box | MLG20 |

FUEL TANK ASSEMBLY - MLG8



| ITEM | PART | QTY | DESCRIPTION | NOTES |
|------|--------|--------|---|-----------------------------------|
| 1 | 13500 | 1 | Fuel pick-up tube, 14 in | |
| 2 | 15142 | 1 | Fitting, strt - .250NPTx.312 barb | |
| 3 | 60777 | 2 | Clamp, hose - .312 fuel hose | Crimp style |
| 4 | 50018 | 2.5 ft | Hose, fuel - .312 ID, 50 psi, SAE 30R7 | |
| 5 | 60778 | 2 | Clamp, hose - .188 fuel hose | Crimp style |
| 6 | 14211 | 2.5 ft | Hose, fuel - .188 ID, 50 psi, SAE 30R7 | |
| 7 | 16271 | 1 | Fitting, 90° - .250NPTx.188 barb | |
| 8 | 12080 | 1 | Cap, fuel tank, vented - 3.5 in. green | |
| 9 | 12646 | 1 | Tank, fuel - 30 gal. poly | |
| 10 | 13616B | 2 | Strap, fuel tank - 30 gal. tank w/sump | |
| 11 | 50197 | 1 ft | Weatherstripping - .06x1.0 | |
| 12 | 60303 | 4 | Nut, .312-18 nylock, G2 | |
| 13 | 60243 | 8 | Washer, .250 flat .735/.060 | |
| 14 | 12358B | 1 | Pan, fuel tank - flat frame | |
| 15 | 60690 | 6 | Screw, .375-16x1.0 std hex, SS | |
| 16 | 60698 | 12 | Washer, .375 flat .875/.040, SS | |
| 17 | 60256 | 4 | Screw, .312-18x1.50 std hex, G5 | |
| 18 | 60703 | 6 | Washer, .375 split lock, SS | |
| 19 | 60140 | 6 | Nut, .375-16 hex, G5 | |
| -- | 12162 | 1 | Tank, fuel - 56 gal. poly | Option: fuel tank (not shown) |
| -- | 12359B | 1 | Fuel tank strap - large | Option: fuel tank (not shown) |
| -- | 12361B | 1 | Fuel tank strap | Option: fuel tank (not shown) |
| -- | 12259 | 1 | Fuel pick-up tube, 24 in | Option: fuel tank (not shown) |
| -- | 12137 | 1 | Cap, fuel tank - vented 3.5 in. w/lanyard | Option: fuel tank cap (not shown) |

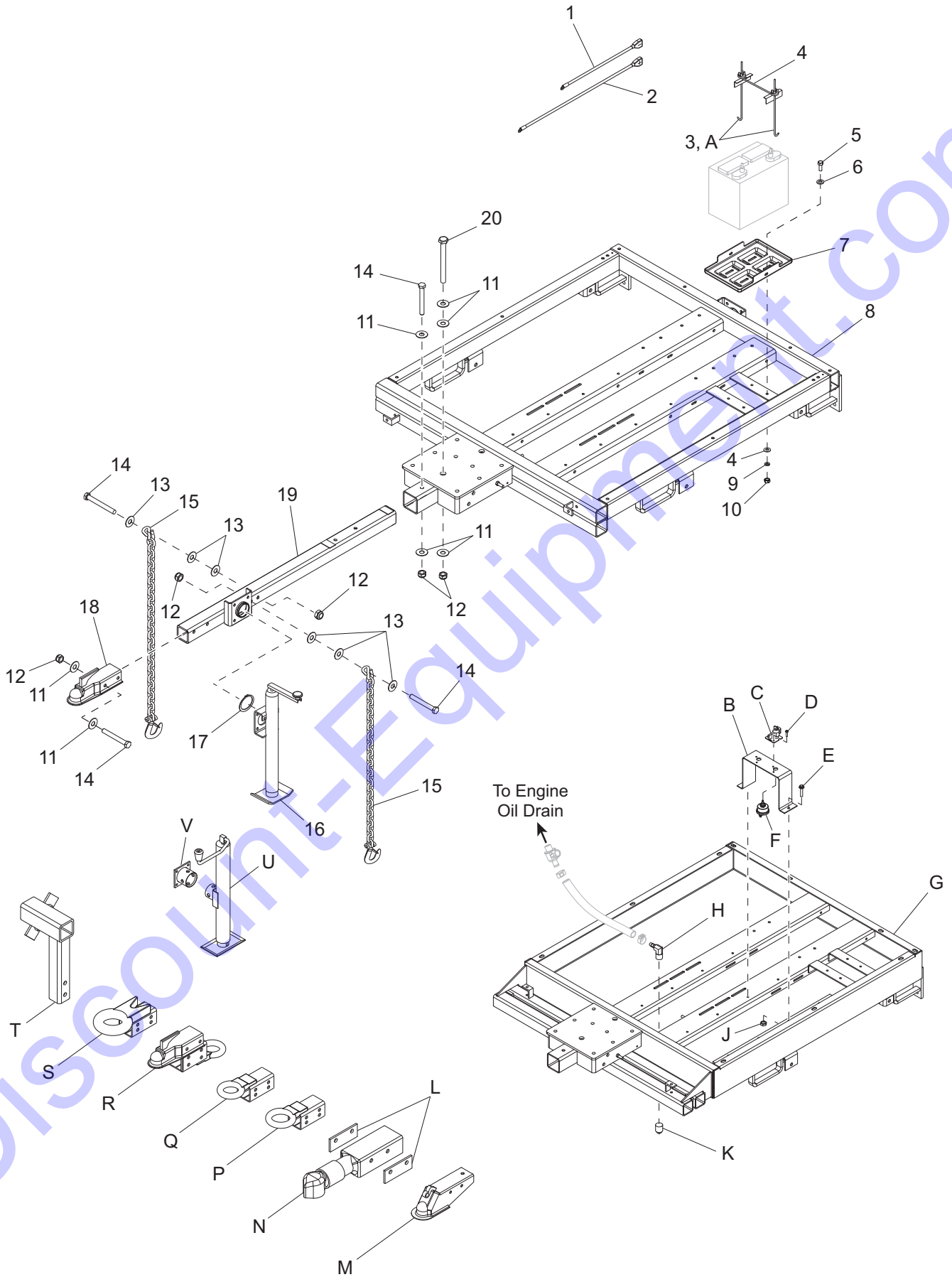
FUEL TANK ASSEMBLY - MLG15, MLG20



| ITEM | PART | QTY | DESCRIPTION | NOTES |
|------|--------|------|---|-----------------------------------|
| 1 | 12259 | 1 | Fuel pick-up tube, 24 in | |
| 2 | 15142 | 1 | Fitting, strt - .250NPTx.312 barb | |
| 3 | 60777 | 2 | Clamp, hose - .312 fuel hose | Crimp style |
| 4 | 50018 | 3 ft | Hose, fuel - .312 ID, 50 psi, SAE 30R7 | |
| 5 | 16271 | 1 | Fitting, 90° - .250NPTx.188 barb | |
| 6 | 60778 | 2 | Clamp, hose - .188 fuel hose | Crimp style |
| 7 | 14211 | 2 ft | Hose, fuel - .188 ID, 50 psi, SAE 30R7 | |
| 8 | 12080 | 1 | Cap, fuel tank, vented - 3.5 in. green | |
| 9 | 12162 | 1 | Tank, fuel - 56 gal. poly | |
| 10 | 12361B | 1 | Fuel tank strap | |
| 11 | 60358 | 2 | Nut, .375-16 nylock, G5 | |
| 12 | 12359B | 1 | Fuel tank strap - large | |
| 13 | 50197 | 1 ft | Weatherstripping - .06x1.0 | |
| 14 | 60690 | 6 | Screw, .375-16x1.0 std hex, SS | |
| 15 | 60698 | 12 | Washer, .375 flat .875/.040, SS | |
| 16 | 12358B | 1 | Pan, fuel tank - flat frame | |
| 17 | 60703 | 6 | Washer, .375 split lock, SS | |
| 18 | 60140 | 6 | Nut, .375-16 hex, G5 | |
| -- | 12137 | 1 | Cap, fuel tank - vented 3.5 in. w/lanyard | Option: fuel tank cap (not shown) |

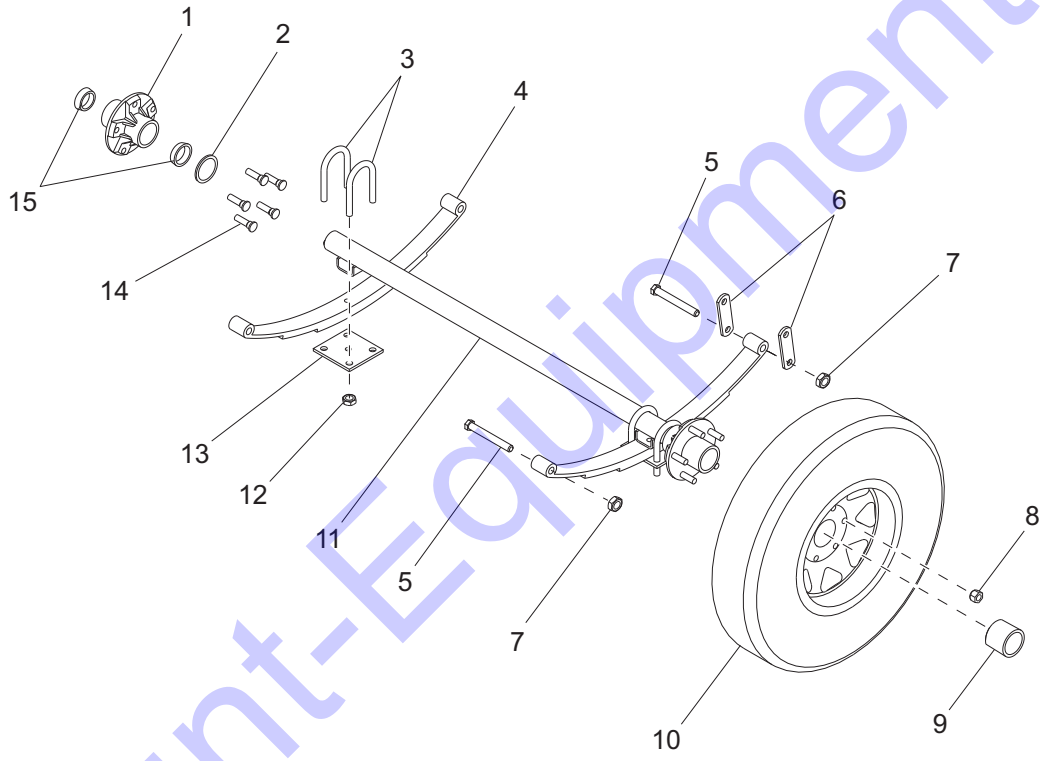
| ITEM | PART | QTY | DESCRIPTION | NOTES |
|------|---------|-----|---------------------------------------|---------------------------------|
| 1 | 15073 | 1 | Cable, battery - 24 in. 4GA, blk | 7/16 in. lug |
| 2 | 15074 | 1 | Cable, battery - 38 in. 4GA, red | 7/16 in. lug |
| -- | 10353 | 1 | Boot, battery - top post 4 GA, red | Not shown |
| 3 | 14146 | 2 | Bolt, J - .250-20x10.0 | |
| 4 | 12924B | 1 | Angle, battery hold down | |
| 5 | 13335B | 1 | Weldment, lt chassis | |
| 6 | 60309 | 9 | Washer, .500 flat 1.060/.090 | |
| 7 | 62221 | 8 | Nut, .500-13 nylock, G5 | |
| 8 | 60416 | 8 | Washer, .500 flat 1.375/.090 | |
| 9 | 50215 | 5 | Screw, .500-13x4.0 std hex, G5 | |
| 10 | 23367 | 2 | Chain, safety - 7800 lbs | |
| 11 | 11682 | 1 | Jack, top wind | |
| 12 | 14326 | 1 | Ring, retaining | |
| 13 | 16830 | 1 | Coupler, 2 in. ball/2.5 in. channel | |
| 14 | 12420B | 1 | Weldment, removable tongue | |
| 15 | 60659 | 1 | Screw, .500-13x5.0 std hex, G5 | |
| A | 60984 | 2 | Bolt, J - .250-20x7.0 | Option |
| B | 13654B | 1 | Bracket, battery disconnect | Option: battery disconnect |
| C | 65499 | 1 | Switch lockout lever kit | Option: battery disconnect |
| D | 60406 | 2 | Screw, 8-32x1.0 pan phil, G2 | Option: battery disconnect |
| E | 60028 | 2 | Screw, .312-18x1.0 std hex, G5 | Option: battery disconnect |
| F | 65498 | 1 | Switch, disconnect | Option: battery disconnect |
| -- | 12441 | 1 | Cable, battery - 31.5 in. 4GA, blk | Option: batt. disc. (not shown) |
| -- | 12442 | 1 | Cable, battery - 58.5 in. 2GA, blk | Option: batt. disc. (not shown) |
| -- | 15074 | 1 | Cable, battery - 38 in. 4GA, red | Option: batt. disc. (not shown) |
| G | 12666B | 1 | Weldment, chassis - 60 gal | Option: containment |
| H | 61157 | 1 | Fitting, 90° .750MNPTx .375 barb, brs | Option: oil drain |
| J | 60515 | 2 | Nut, .312-18 hex, SS | Option: battery disconnect |
| K | 60498 | 1 | Fitting, plug - .750NPT square drive | Option: oil drain |
| L | 12155B | 2 | Spacer, coupler - black | Option: Bulldog hitch |
| M | 12229 | 1 | Coupler, 2.31 ball/3.0 channel | Option: adjustable hitch |
| N | 13003B | 1 | Coupler, 2.0 ball/3.00 channel | Option: Bulldog hitch |
| P | 16999B | 1 | Weldment, lunette ring - 2.50 ID/2.50 | Option: non-adjustable hitch |
| Q | 16835B | 1 | Weldment, lunette ring - 3.0 ID/2.50 | Option: non-adjustable hitch |
| R | 16741ZC | 1 | Weldment, combo hitch - 2.50 tongue | Option: adjustable hitch |
| S | 11672B | 1 | Weldment, hitch - 3.0x1.625 ring | Option: non-adjustable hitch |
| T | 12235B | 1 | Weldment, spare tire holder | Option: spare tire & carrier |
| U | 13254 | 1 | Jack, top wind - tube-mounted | Option |
| V | 11965Z | 1 | Weldment, jack adapter | Option |

FRAME ASSEMBLY - MLG15, MLG20



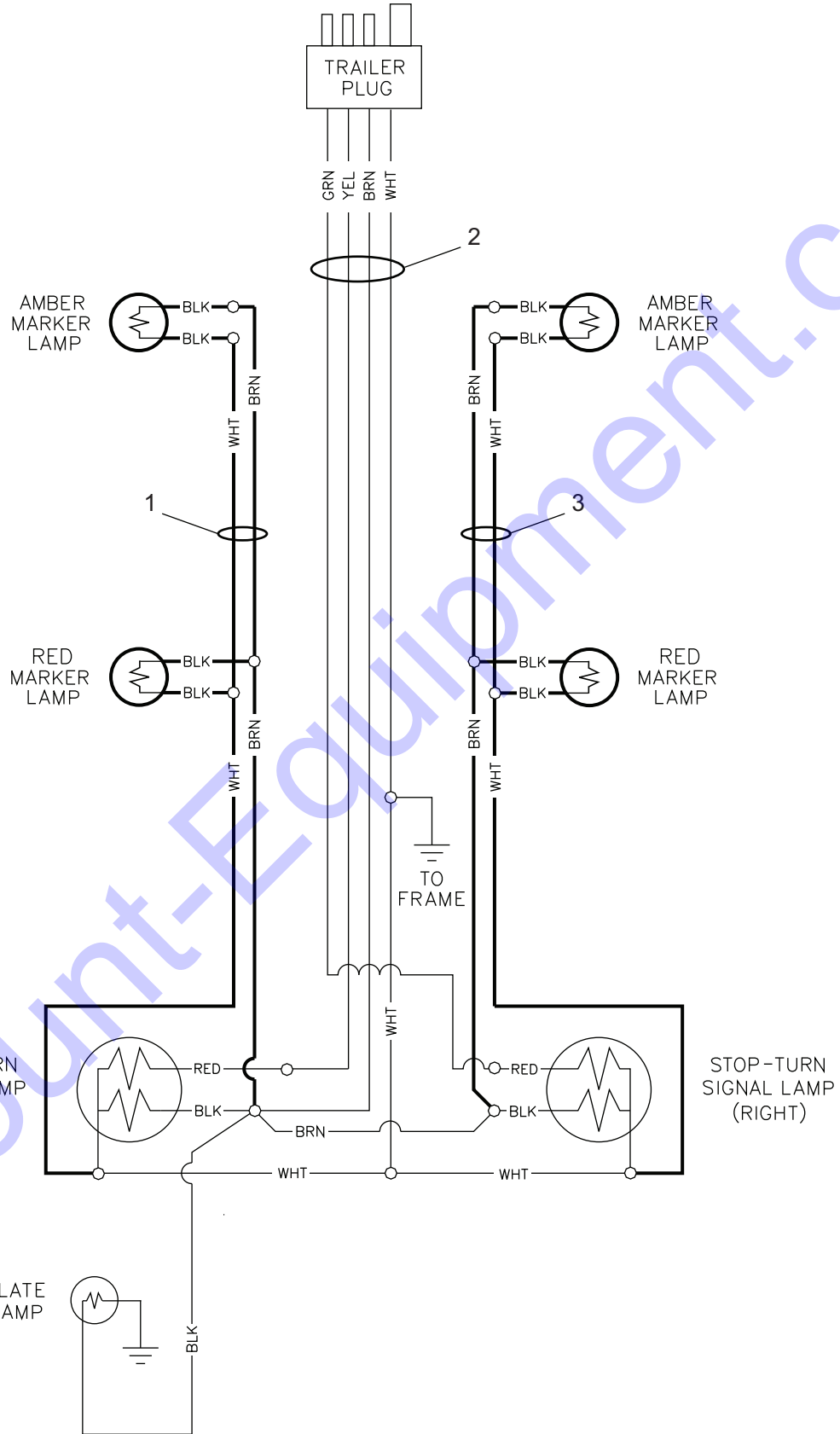
| ITEM | PART | QTY | DESCRIPTION | NOTES |
|------|---------|-----|--------------------------------------|------------------------------|
| 1 | 15073 | 1 | Cable, battery - 24 in. 4GA, blk | 7/16 in. lug |
| 2 | 15074 | 1 | Cable, battery - 38 in. 4GA, red | 7/16 in. lug |
| -- | 10353 | 1 | Boot, battery - top post 4 GA, red | Not shown |
| 3 | 60820 | 1 | Bolt, J - .250-20x9.0 | |
| 4 | 14682 | 1 | Bracket, battery hold down | |
| 5 | 60028 | 4 | Screw, .312-18x1.0 std hex, G5 | |
| 6 | 60243 | 8 | Washer, .250 flat .735/.060 | |
| 7 | 14145 | 1 | Battery tray, plastic | |
| 8 | 11563B | 1 | Weldment, lt chassis | |
| 9 | 60271 | 4 | Washer, .312 split lock | |
| 10 | 60285 | 4 | Nut, .312-18 hex, G2 | |
| 11 | 60309 | 9 | Washer, .500 flat 1.060/.090 | |
| 12 | 62221 | 8 | Nut, .500-13 nylock, G5 | |
| 13 | 60416 | 8 | Washer, .500 flat 1.375/.090 | |
| 14 | 50215 | 5 | Screw, .500-13x4.0 std hex, G5 | |
| 15 | 23367 | 2 | Chain, safety - 7800 lbs | |
| 16 | 11682 | 1 | Jack, top wind | |
| 17 | 14326 | 1 | Ring, retaining | |
| 18 | 16830 | 1 | Coupler, 2 in. ball/2.5 in. channel | |
| 19 | 12420B | 1 | Weldment, removable tongue | |
| 20 | 60659 | 1 | Screw, .500-13x5.0 std hex, G5 | |
| -- | 14129 | 1 | Assembly, trailer light harness | Not shown |
| A | 60984 | 2 | Bolt, J - .250-20x7.0 | Option |
| B | 13654B | 1 | Bracket, battery disconnect | Option: battery disconnect |
| C | 65499 | 1 | Switch lockout lever kit | Option: battery disconnect |
| D | 60406 | 2 | Screw, 8-32x1.0 pan phil, G2 | Option: battery disconnect |
| E | 60028 | 2 | Screw, .312-18x1.0 std hex, G5 | Option: battery disconnect |
| F | 65498 | 1 | Switch, disconnect | Option: battery disconnect |
| -- | 10698 | 1 | Cable, battery - 21.0 in. 4GA, blk | Option: batt. disc. (MLG15) |
| -- | 10699 | 1 | Cable, battery - 24 in. 4GA, blk | Option: batt. disc. (MLG15) |
| -- | 15074 | 1 | Cable, battery - 38 in. 4GA, red | Option: batt. disc. (MLG15) |
| -- | 12441 | 1 | Cable, battery - 31.5 in. 4GA, blk | Option: batt. disc. (MLG20) |
| -- | 12442 | 1 | Cable, battery - 58.5 in. 2GA, blk | Option: batt. disc. (MLG20) |
| -- | 15074 | 1 | Cable, battery - 38 in. 4GA, red | Option: batt. disc. (MLG20) |
| G | 12666B | 1 | Weldment, chassis - 60 gal | Option: containment |
| H | 61157 | 1 | Fitting, 90° .750MNPTx.375 barb, brs | Option: oil drain |
| J | 60515 | 2 | Nut, .312-18 hex, SS | Option: battery disconnect |
| K | 60498 | 1 | Fitting, plug - .750NPT square drive | Option: oil drain |
| L | 12155B | 1 | Spacer, coupler - black | Option: adjustable hitch |
| M | 12229 | 1 | Coupler, 2.31 ball/3.00 | Option: adjustable hitch |
| N | 13003B | 1 | Coupler, 2.00 ball/3.00 | Option: adjustable hitch |
| P | 16999B | 1 | Weldment, lunette ring - 2.50 ID | Option: non-adjustable hitch |
| Q | 16835B | 1 | Weldment, lunette ring - 3.00 ID | Option: non-adjustable hitch |
| R | 16741ZC | 1 | Weldment, combo hitch - 2.50 tongue | Option: adjustable hitch |
| S | 11672B | 1 | Weldment, hitch - 3.0x1.625 ring | Option: non-adjustable hitch |
| T | 12235B | 1 | Weldment, spare tire holder - black | Option: spare tire & carrier |
| U | 23254 | 1 | Jack, top wind - tube-mounted | Option |
| V | 11965Z | 1 | Weldment, jack adapter | Option |

AXLE ASSEMBLY



| ITEM | PART | QTY | DESCRIPTION | NOTES |
|------|-------|-----|--|-----------|
| 1 | 11206 | 2 | Hub, axle (w/wheel studs & bearings) | |
| 2 | 11199 | 2 | Seal, axle bearing | |
| 3 | 11277 | 4 | U-bolt, axle | |
| 4 | 11280 | 2 | Leaf spring, 3500 lb | |
| 5 | 60503 | 6 | Screw, .562-18 hex shackle | |
| 6 | 19637 | 4 | Plate, shackle bracket | |
| 7 | 60504 | 6 | Nut, .562-18 hex shackle lock | |
| 8 | 60096 | 10 | Nut, .500-20 lug, G5 | |
| 9 | 12460 | 2 | Axle wheel bearing cap | |
| 10 | 15540 | 2 | Wheel, 15 in., tire and rim (MLG20 & 15) | |
| | 15976 | 2 | Wheel, 13 in., tire and rim (MLG8 only) | Not shown |
| 11 | 11385 | 1 | Axle, 2200 lb. 58TC 45SC (MLG20 & 15) | |
| | 16593 | 1 | Axle, 2200 lb. 56TC 45SC (MLG8 only) | Not shown |
| 12 | 11279 | 8 | Axle nut (U-bolt), 3500 lb | |
| 13 | 11278 | 2 | Tie-plate, 3500 lb | |
| 14 | 60674 | 10 | Stud, wheel - .500-20 | |
| 15 | 11511 | 4 | Axle roller bearing | |

TRAILER LIGHTS WIRING DIAGRAM



| ITEM | PART | QTY | DESCRIPTION | NOTES |
|------|-------|-----|---|-------------------------------|
| 1 | 10264 | 1 | Harness, left side trailer | |
| 2 | 10499 | 1 | Assembly, trailer light harness | |
| 3 | 10265 | 1 | Harness, right side trailer | |
| -- | 65441 | - | Adapter, pig-tail trailer light 4 pin to 12 pin | Option: (not shown) |
| -- | 65465 | - | Adapter, trailer wiring flat 4 to 7 spade | Option: (not shown) |
| -- | 65464 | - | Adapter, trailer wiring flat 4 to rnd 7 pin | Option: (not shown) |
| -- | 65463 | - | Adapter, trailer wiring flat 4 to rnd 6 pin | Option: (not shown) |
| -- | 65548 | - | Adapter, 4 pin flat to 4 pin flat x 12.00 | Option: (not shown) |
| -- | 23390 | 1 | Assembly, trailer extension harness | Option: MLG8 only (not shown) |

Discount-Equipment.com

RECOMMENDED SPARE PARTS LIST

ENGINE

Fuel cap..... 12080

GENERATOR

Capacitor, 25uf Marathon 6kw 12159

Capacitor, 45uf Marathon 8kw 15695

ELECTRICAL

Breaker, 20A/120V 1-pole, push button..... 65849

Breaker, 30A/250V 2-pole stud, 6kw 65963

Breaker, 30A/250V 2-pole screw, 6kw 65851

Breaker, 40A/250V 2-pole screw, 8kw 65864

Breaker, 40A/250V 2-pole screw, 8kw 65865

Breaker, 50A/250V 2-pole aux contact 65492

Breaker, 70A/250V 2-pole (MLG15) 60736

Breaker, 100A/250V 2-pole (MLG20) 65429

Cover, receptacle - 20/30A 240V twist-lock 65460

Cover, receptacle - 50A 3 wire, weatherproof..... 65520

Cover, receptacle - 50A twist-lock 65467

Cover, receptacle - weatherproof..... 65849

Key, control panel 15309

Receptacle, 20A/120V GFCI 14130

Receptacle, 20A/120V 1-pole, push button 65849

Receptacle, 30A/240V twist-lock 65488

Receptacle, 30A/120V (TT-30R) (RV) 65489

Receptacle, 50A 125/250V twist-lock 18089

Receptacle, 50A/240V (14-50R) (RV) 65815

Regulator, voltage - SE350..... 18556

Relay, 15 sec. fixed delay (10A/12VDC)..... 14201

Relay, ignition solenoid (65A/12V)..... 18081

Switch, trigger safety - NO/NC 12632

TRAILER

Chain, safety..... 23367

Jack, side wind (2000 lb) 11681

Jack, top wind (2000 lb)..... 11682

Jack, top wind tube-mounted (3000 lb) 13051

Jack, side wind tube-mounted (3000 lb)..... 13050

Light assembly, rear tail/turn 10219

Light, clearance marker - red 65406

Light, clearance marker - amber..... 65407

Light, tail/turn signal 10220

Retaining ring, jack 14326

Discount Equipment

Discount-Equipment.com is your online resource for commercial and industrial quality parts and equipment sales.

Locations:

Florida (West Palm Beach): [561-964-4949](tel:561-964-4949)

Outside Florida TOLL FREE: [877-690-3101](tel:877-690-3101)

Need parts? Check out our website at www.discount-equipment.com

Can't find what you need?

Click on this link: <http://www.discount-equipment.com/category/5443-parts/> and fill out the request form.

Please have the machine model and serial number available in order to help us get you the correct parts. One of our experienced staff members will get back to you with a quote for the right part that your machine needs.

We sell worldwide for the brands: Genie, Terex, JLG, MultiQuip, Mayco, Toro/Stone, Diamond Products, Magnum, Airman, Mustang, Power Blanket, Nifty Lift, Atlas Copco, Chicago Pneumatic, Allmand Brothers, Essick, Miller Spreader, Skyjack, Lull, Skytrak, Tsurumi, Husquvarna/Target, Whiteman-Concrete/Mortar, Stow-Concrete/Mortar, Baldor, Wacker, Sakai, Snorkel, Upright, Mi-T-M, Sullair, Neal, Basic, Dynapac, MBW, Weber, Bartell, Bennar Newman, Haulotte, Ditch Runner, Blaw-Knox, Himoina, Best, Buddy, Crown, Edco, Wyco, Bomag, Laymor, Terremite, Barreto, EZ Trench, Takeuchi, Basic, Bil-Jax, Curtis, Gehl, Heli, Honda, ICS/PowerGrit, Puckett, Waldon, ASV, IHI, Partner, Imer, Clipper, MMD, Koshin, Rice, Gorman Rupp, CH&E, Cat Pumps, Comet, General Pump, Giant, AMida, Coleman, NAC, Gradall, Square Shooter, Kent, Stanley, Tamco, Toku, Hatz, Kohler, Robin, Wisconsin, Northrock, Oztec, Toker TK, Rol-Air, Small Line, Wanco, Yanmar

New Equipment - Used Equipment - Rental Equipment - Parts and Accessories

Discount Equipment

www.discount-equipment.com

561-964-4949

Parts: wbparts@Discount-Equipment.com

Sales: info@Discount-Equipment.com



www.discount-equipment.com

REV: ORG
PART NO: 32694
09.17.13