



**PARTS CATALOG
SWEEPMASTER6/8HC**



www.discount-equipment.com

Discount Equipment

Discount-Equipment.com is your online resource for commercial and industrial quality parts and equipment sales.

Locations:

Florida (West Palm Beach): [561-964-4949](tel:561-964-4949)

Outside Florida TOLL FREE: [877-690-3101](tel:877-690-3101)

Need parts? Check out our website at www.discount-equipment.com

Can't find what you need?

Click on this link: <http://www.discount-equipment.com/category/5443-parts/> and fill out the request form.

Please have the machine model and serial number available in order to help us get you the correct parts. One of our experienced staff members will get back to you with a quote for the right part that your machine needs.

We sell worldwide for the brands: Genie, Terex, JLG, MultiQuip, Mayco, Toro/Stone, Diamond Products, Magnum, Airman, Mustang, Power Blanket, Nifty Lift, Atlas Copco, Chicago Pneumatic, Allmand Brothers, Essick, Miller Spreader, Skyjack, Lull, Skytrak, Tsurumi, Husquvarna/Target, Whiteman-Concrete/Mortar, Stow-Concrete/Mortar, Baldor, Wacker, Sakai, Snorkel, Upright, Mi-T-M, Sullair, Neal, Basic, Dynapac, MBW, Weber, Bartell, Bennar Newman, Haulotte, Ditch Runner, Blaw-Knox, Himoina, Best, Buddy, Crown, Edco, Wyco, Bomag, Laymor, Terremite, Barreto, EZ Trench, Takeuchi, Basic, Bil-Jax, Curtis, Gehl, Heli, Honda, ICS/PowerGrit, Puckett, Waldon, ASV, IHI, Partner, Imer, Clipper, MMD, Koshin, Rice, Gorman Rupp, CH&E, Cat Pumps, Comet, General Pump, Giant, AMida, Coleman, NAC, Gradall, Square Shooter, Kent, Stanley, Tamco, Toku, Hatz, Kohler, Robin, Wisconsin, Northrock, Oztec, Toker TK, Rol-Air, Small Line, Wanco, Yanmar

New Equipment - Used Equipment - Rental Equipment - Parts and Accessories

Discount Equipment

www.discount-equipment.com

561-964-4949

Parts: wbparts@Discount-Equipment.com

Sales: info@Discount-Equipment.com

SWEEPMASTER 6/8HC

DESCRIPTION	PAGE	DESCRIPTION	PAGE
A QUICK REFERENCE		DECALS	
PARTS QUICK REFERENCE	2	KIT, DECAL (SWEEPMASTER 300)	66
BRAKE COMPONENTS		ELECTRICAL COMPONENTS	
ACTUATOR, SURGE BRAKE	6	BATTERY ASSEMBLY (CATERPILLAR ENGINE)	68
BRAKE, PARKING (S/N 26843 AND BEFORE)	8	BATTERY ASSEMBLY (KUBOTA ENGINE)	70
BRAKE, PARKING (S/N 26844 AND LATER)	10	EMERGENCY SHUTDOWN, ENGINE	72
DRIVE, GROUND	12	HARNESS, ELECTRICAL WIRING	74
HYDRAULIC DISCONNECT ASSEMBLY (W/BRAKE LINE, BRAKE	14	HARNESS, ELECTRICAL WIRING (CAT ONLY)	76
	16	HUB DISENGAGE WARNING SYSTEM	78
		LIGHT, TAIL	80
BROOM COMPONENTS		ENGINE COMPONENTS	
BROOM (6-FOOT)	18	DRIVE, HYD PUMP (CATERPILLAR)	82
BROOM (8-FOOT)	20	DRIVE, HYD PUMP (S/N 28239 AND BEFORE)	84
BROOM KITS	22	DRIVE, HYD PUMP (S/N 28240 AND LATER)	86
FRAME, BROOM	24	ENGINE (CATERPILLAR)	88
HOOD (6-FOOT BROOM)	26	ENGINE (KUBOTA)	92
HOOD (8-FOOT BROOM)	28	ENGINE ASSEMBLY (CATERPILLAR - 3013)	96
MOTOR, HYDRAULIC BROOM	30	FAN, ENGINE	98
SPRING, DOWN PRESSURE	32		
CHASSIS COMPONENTS		FILTERS, REQUIRED	
ACTUATOR, SURGE BRAKE (2", STANDARD)	34	REQUIRED FILTERS LIST	100
ACTUATOR, SURGE BRAKE (2-5/16", OPTIONAL)	36		
ACTUATOR, SURGE BRAKE (3", OPTIONAL)	38	HYDRAULIC COMPONENTS	
ACTUATOR, SURGE BRAKE (UNIV, OPTIONAL)	40	AUXILLIARY PUMP ASSEMBLY	102
CONTROL, PEDAL/PUMP	42	BROOM LIFT CYLINDER ASSEMBLY	104
DASH	44	BROOM SWING CYLINDER ASSEMBLY	106
FORK, GREASE (S/N 29669 AND LATER)	46	CIRCUIT, BROOM ANGLE	108
FORK, NON-GREASE (S/N 29668 AND BEFORE)	48	CIRCUIT, BROOM ROTARY VALVE (FIXED SPD)	110
FRAME	50	CIRCUIT, BROOM ROTARY VALVE (VAR SPD)	112
IGNITION KEY IDENTIFICATION	54	CIRCUIT, GROUND DRIVE	114
PEDAL, VARIABLE SPEED	56	CIRCUIT, STEERING	116
SEAT	58	DIVIDER, PRIORITY FLOW (1GPM)	118
SEAT ASSEMBLY	60	DIVIDER, PRIORITY FLOW (3GPM)	120
TIRE, WHEEL AND LUG NUT ASSEMBLY	62	FILTER, HIGH PRESS (S/N 28314 & BEFORE)	122
TOW BAR	64	FILTER, HIGH PRESS (S/N 28315 & LATER)	124
		KIT, DRIVE VALVE UPDATE	126
		LOW PRESSURE FILTER ASSEMBLY	128

TABLE OF CONTENTS



SWEEPMASTER 6/8HC

DESCRIPTION	PAGE	DESCRIPTION	PAGE
HYDRAULIC COMPONENTS (cont...)			
PUMP, PISTON	130		
STEERING CYLINDER ASSEMBLY	134		
VALVE (1-SPOOL, 2-POS DETENT, 1-HANDLE)	136		
VALVE (2-SPOOL, FLOAT DETENT, 2-HANDLE)	138		
VALVE, BROOM SPEED CONTROL	140		
VALVE, DRIVE (AFTER 07-02)	142		
VALVE, DRIVE (BEFORE 07-02)	144		
WHEEL DRIVE MOTOR ASSEMBLY	146		
OPTIONAL COMPONENTS			
AC/HEATER (VISTA CAB)	148		
CAB, VISTA	150		
DOOR, VISTA CAB (LEFT HAND)	154		
DOOR, VISTA CAB (RIGHT HAND)	156		
SPRAY NOZZLE ASSEMBLY (L-BODY, BRASS)	158		
SPRAY NOZZLE ASSEMBLY (T-BODY, BRASS)	160		
UNIT, AC/HEATER/PRESSURIZER (CAB)	162		

NON-ILLUSTRATED

Discount-Equipment.com

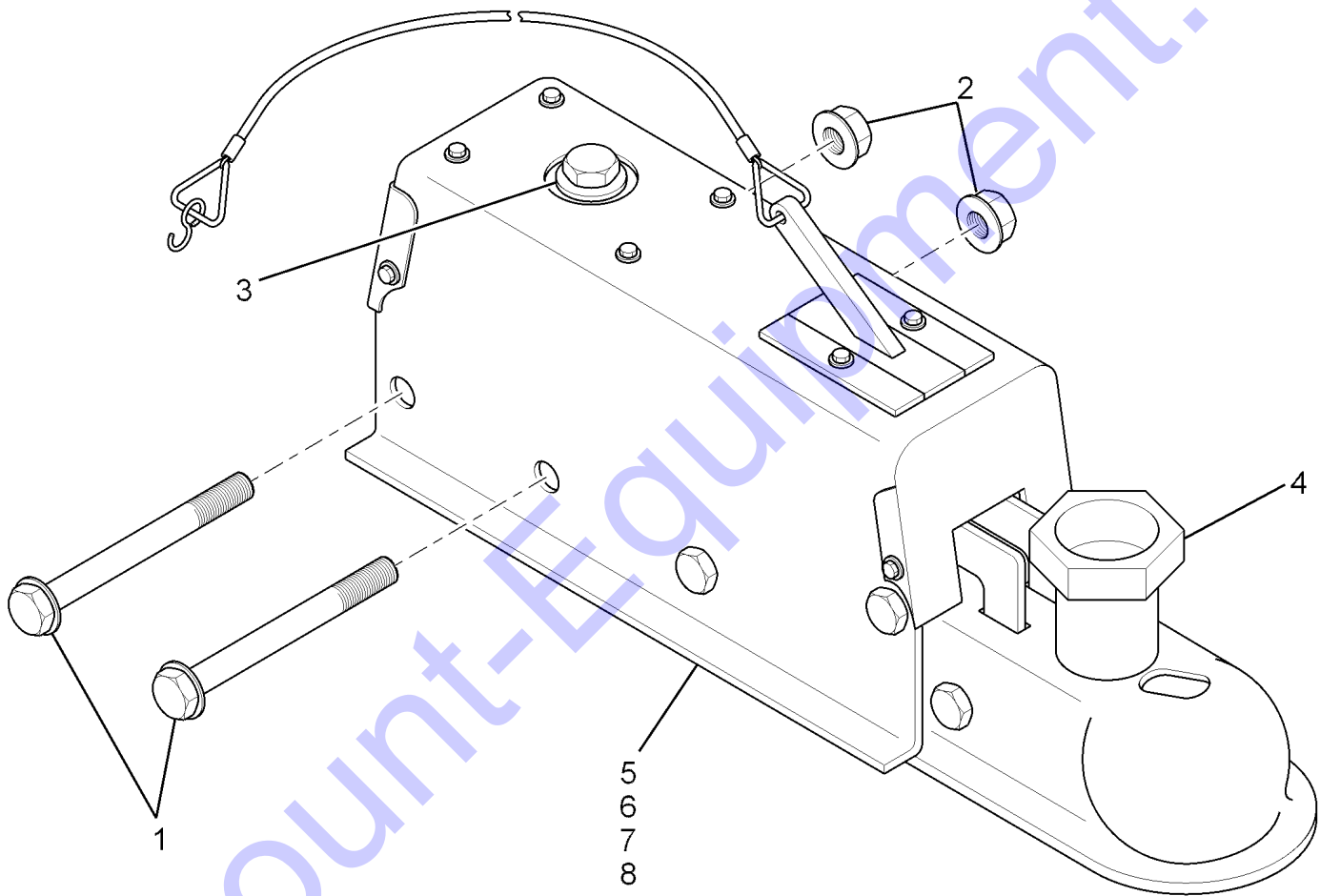
PARTS QUICK REFERENCE

ITEM	PART NUMBER	F/N	DESCRIPTION	QTY	UOM
			FILTERS		
1	387251K		KIT, FILTER (KUBOTA S/N 28314 AND EARLIER) KIT INCLUDES:	1	EA
2	467498		ELEMENT, PRIMARY AIR CLEANER	1	EA
3	467506		ELEMENT, SAFETY AIR CLEANER	1	EA
4	9101798		ELEMENT, FILTER	2	EA
5	9102324		FILTER, HIGH PRESSURE	1	EA
6	9103085		O-RING, FILTER	1	EA
7	9102952		FILTER, FUEL (SPIN-ON)	1	EA
8	9101624		FILTER, FUEL (IN-LINE)	1	EA
9	9103893		FILTER, OIL (ENGINE)	1	EA
10	387252K		KIT, FILTER (KUBOTA S/N 28315 AND LATER) KIT INCLUDES:	1	EA
11	467498		ELEMENT, PRIMARY AIR CLEANER	1	EA
12	467506		ELEMENT, SAFETY AIR CLEANER	1	EA
13	9101798		ELEMENT, FILTER	2	EA
14	475491		FILTER, ELEMENT (HIGH PRESSURE)	1	EA
15	420708		O-RING	1	EA
16	9102952		FILTER, FUEL (SPIN-ON)	1	EA
17	9101624		FILTER, FUEL (IN-LINE)	1	EA
18	9103893		FILTER, OIL (ENGINE)	1	EA
19	387253K		KIT, FILTER (CATERPILLAR) KIT INCLUDES:	1	EA
20	467498		ELEMENT, PRIMARY AIR CLEANER	1	EA
21	467506		ELEMENT, SAFETY AIR CLEANER	1	EA
22	476092		FILTER, ENGINE OIL	1	EA
23	420708		O-RING	1	EA
24	476094		FILTER, FUEL (SPIN-ON)	1	EA
25	9101624		FILTER, FUEL (IN-LINE)	1	EA
			REPLACEMENT BRUSHES		
26	9103150K		BRUSH, COMB WIRE/POLY (6 FOOT)	1	EA
27	477996		BRUSH, COMB WIRE/POLY (6/8 FOOT, BOX OF 2)	1	EA
28	9104403K		BRUSH, ALL POLY (6 FOOT)	1	EA
29	9100458		BRUSH, ALL POLY (6/8 FOOT, BOX OF 2)	1	EA
30	9104404K		BRUSH, ALL WIRE (6 FOOT)	1	EA
31	9101467		BRUSH, ALL WIRE (6/8 FOOT, BOX OF 2)	1	EA
32	9103151K		BRUSH, COMB WIRE/POLY (8 FOOT)	1	EA
33	477996		BRUSH, COMB WIRE/POLY (6/8 FOOT, BOX OF 2)	1	EA
34	9104405K		BRUSH, ALL POLY (8 FOOT)	1	EA
35	9100458		BRUSH, ALL POLY (6/8 FOOT, BOX OF 2)	1	EA
36	9104406K		BRUSH, ALL WIRE (8 FOOT)	1	EA

PARTS QUICK REFERENCE

ITEM	PART NUMBER	F/N	DESCRIPTION	QTY	UOM
37	9101467		BRUSH, ALL WIRE (6/8 FOOT, BOX OF 2)	1	EA
			TUBE STYLE		
38	9104630		TUBE (ALL POLY BRUSH, 6 FOOT)	1	EA
39	9104631		TUBE (COMB WIRE/POLY BRUSH, 6 FOOT)	1	EA
40	9104632		TUBE (ALL POLY BRUSH, 8 FOOT)	1	EA
41	9104633		TUBE (COMB WIRE/POLY BRUSH, 8 FOOT)	1	EA
			SPRINKLER		
42	387254K		KIT, SPRINKLER KIT INCLUDES:	1	EA
43	416826		PUMP, WATER (12V, 1.2 GPM)	1	EA
44	476895		REDUCER, NIPPLE	2	EA
45	9102322		GASKET, FILTER HEAD	2	EA
46	9102329		BOWL, FILTER	2	EA
47	9104062		SCREEN, SUCTION FILTER (GREEN)	1	EA
48	9104063		SCREEN, PRESSURE FILTER	1	EA
49	9104620K		NOZZLE ASSY, T-BODY SPRAY (SEE PAGE 160)	5	EA
50	9104621K		NOZZLE ASSY, L-BODY SPRAY (SEE PAGE 158)	2	EA

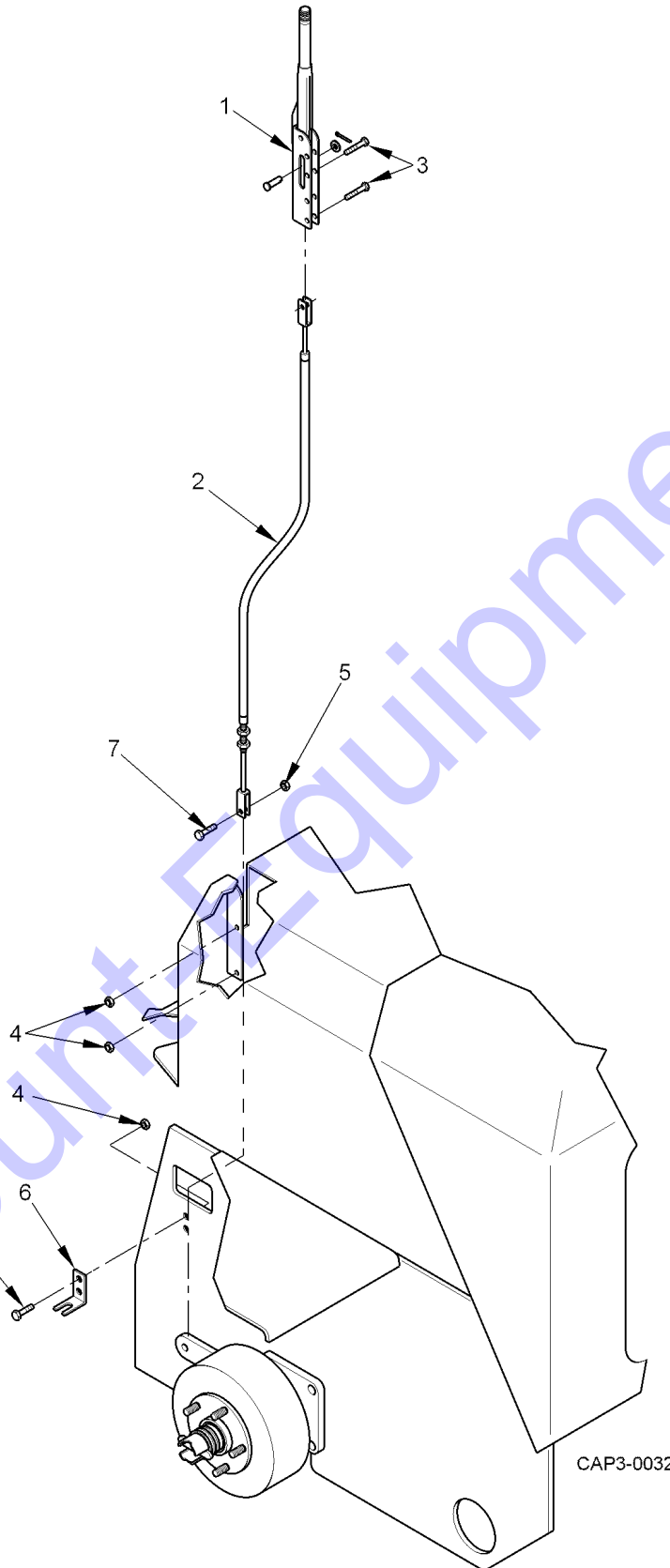
ACTUATOR, SURGE BRAKE



ACTUATOR, SURGE BRAKE

ITEM	PART NUMBER	F/N	DESCRIPTION	QTY	UOM
1	011460		CAPSCREW (1/2"-13NC X 4" PL.)	2	EA
2	403907		NUT, LOCK (1/2"-13NC, NYLON INSERT)	2	EA
3	374009		CAP, MODIFIED (MASTER CYLINDER)	1	EA
4	474338		NUT, ACTUATOR	1	EA
5	447995		ACTUATOR, SURGE BRAKE (2" BALL)	1	EA
6	448084		ACTUATOR, SURGE BRAKE (2-5/16" BALL)	1	EA
7	448076		ACTUATOR, SURGE BRAKE (3" PINTLE EYE)	1	EA
8	448977		ACTUATOR, SURGE BRAKE (UNIVERSAL)	1	EA
REMAINING COMPONENTS					
	9104396		ADAPTER, TONGUE (2", 2-5/16", AND 3")	AR	EA
	910450K		ADAPTER, TONGUE (UNIVERSAL)	AR	EA
	448142	F1	KIT, MASTER CYLINDER REPAIR	1	EA
	464735	F2	KIT, MASTER CYLINDER REPAIR	1	EA
	461400		KIT, COUPLER REPAIR	1	EA
		F3	NUT, LOCK	AR	
		F3	CAPSCREW	AR	
		F3	SPRING, COMPRESSION	AR	
		F3	RING, LOCK	AR	
		F3	LATCH, PALTED BALL	AR	
	377333	F4	HARNESS, HITCH	1	EA
	9102857	F4	COUPLER, 2" BALL	1	EA
	9103126	F4	COUPLER (2-5/16" BALL)	1	EA
	9101885	F4	COUPLER (3" PINTLE EYE)	1	EA
	012153	F4	CAPSCREW (5/8"-11NC X 4-1/2")	2	EA
	406231	F4	NUT, HEX (.62-11NC NYLOK)	2	EA
F1 - USED ON P/N 448084, 448076 AND 448977.					
F2 - USED ON P/N 447995.					
F3 - NO PART NUMBER AVAILABLE.					
F4 - USED ONLY ON SURGE BRAKE ACTUATOR 448977.					

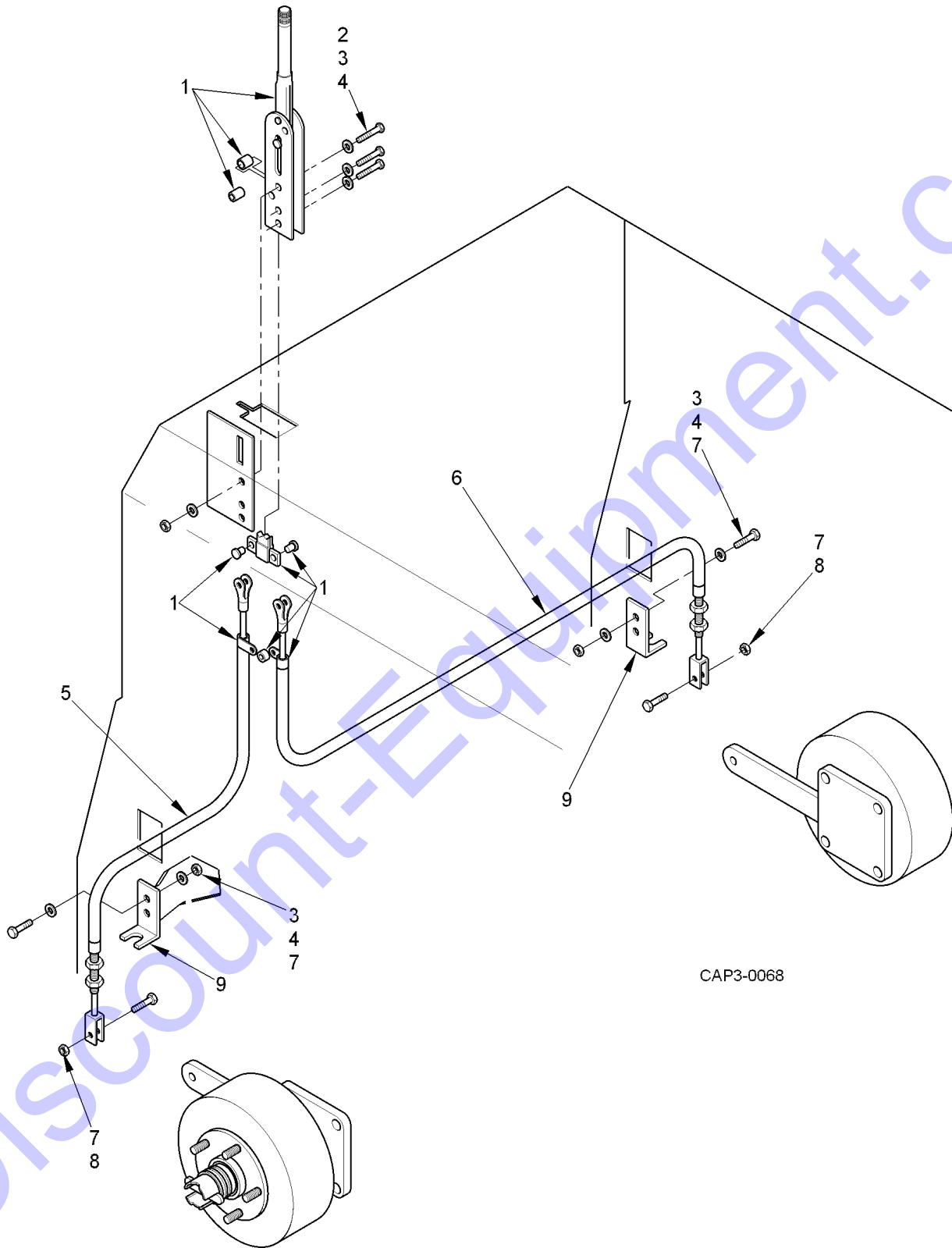
377143: BRAKE, PARKING (S/N 26843 AND BEFORE)



377143: BRAKE, PARKING (S/N 26843 AND BEFORE)

ITEM	PART NUMBER	F/N	DESCRIPTION	QTY	UOM
1	467597		HANDLE ASSEMBLY	1	EA
2	467589		CABLE ASSEMBLY	1	EA
3	441634		CAPSCREW (5/16"-18NC X 1-3/4", FLANGE WHIZLOCK)	2	EA
4	083493		NUT, HEX (5/16"-18NC PL)	4	EA
5	093799		NUT, LOCK (5/16"-18NC, NYLON INSERT)	1	EA
6	377648		BRACKET, BRAKE CABLE	1	EA
7	441600		CAPSCREW (5/16"-18NC X 1", PL)	3	EA

BRAKE, PARKING (S/N 26844 AND LATER)

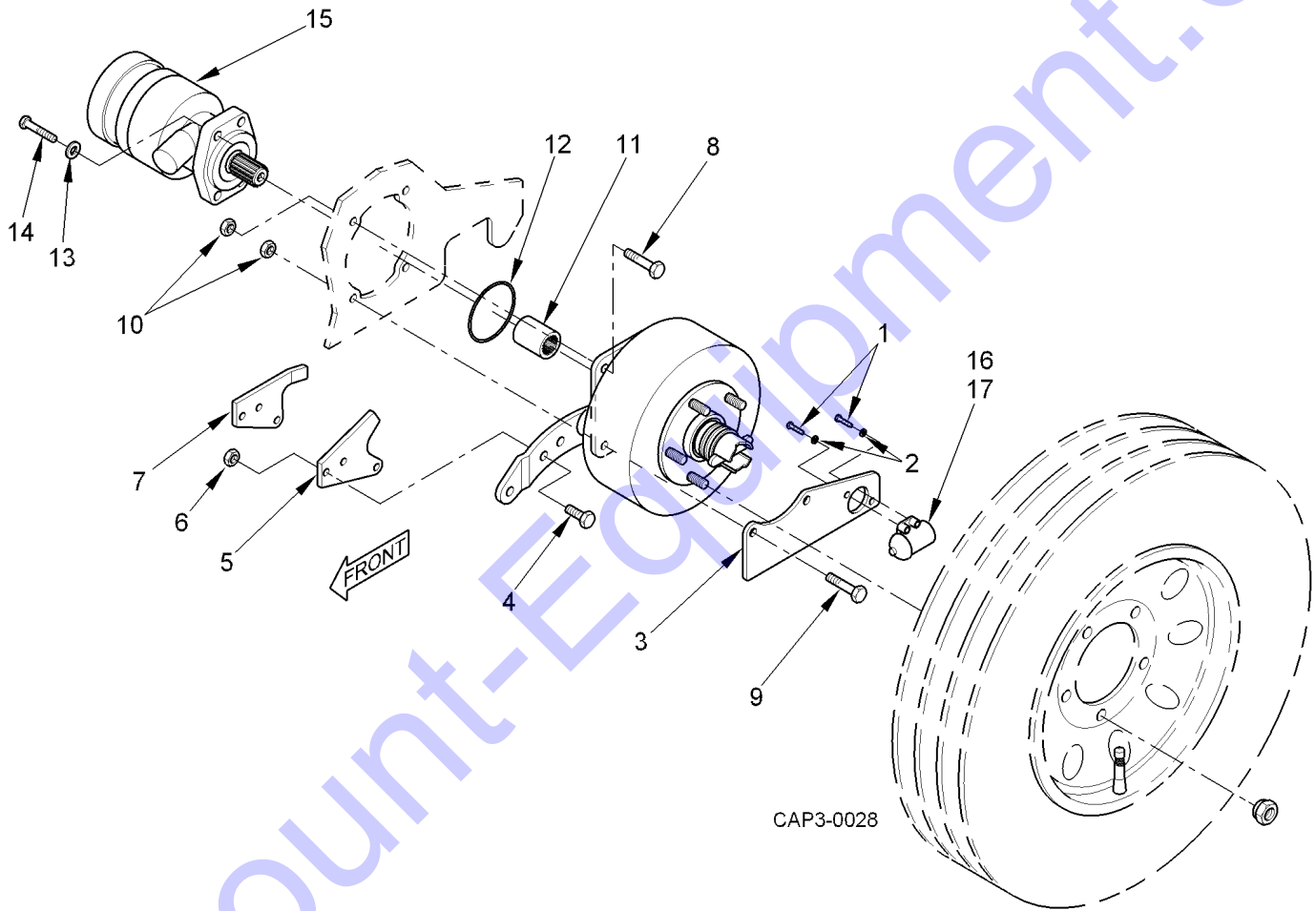


CAP3-0068

BRAKE, PARKING (S/N 26844 AND LATER)

ITEM	PART NUMBER	F/N	DESCRIPTION	QTY	UOM
1	467600		BRAKE LEVER ASSEMBLY	1	EA
2	441634		CAPSCREW (5/16"-18NC X 1-3/4", FLANGE WHIZLOCK)	3	EA
3	010579		WASHER, FLAT (5/16")	14	EA
4	083493		NUT, HEX (5/16"-18NC PL)	7	EA
5	467598		CABLE ASSEMBLY (33.75" LG.)	1	EA
6	467599		CABLE ASSEMBLY (56.13" LG.)	1	EA
7	441600		CAPSCREW (5/16"-18NC X 1", PL)	6	EA
8	093799		NUT, LOCK (5/16"-18NC, NYLON INSERT)	2	EA
9	377648		BRACKET, BRAKE CABLE	2	EA

DRIVE, GROUND

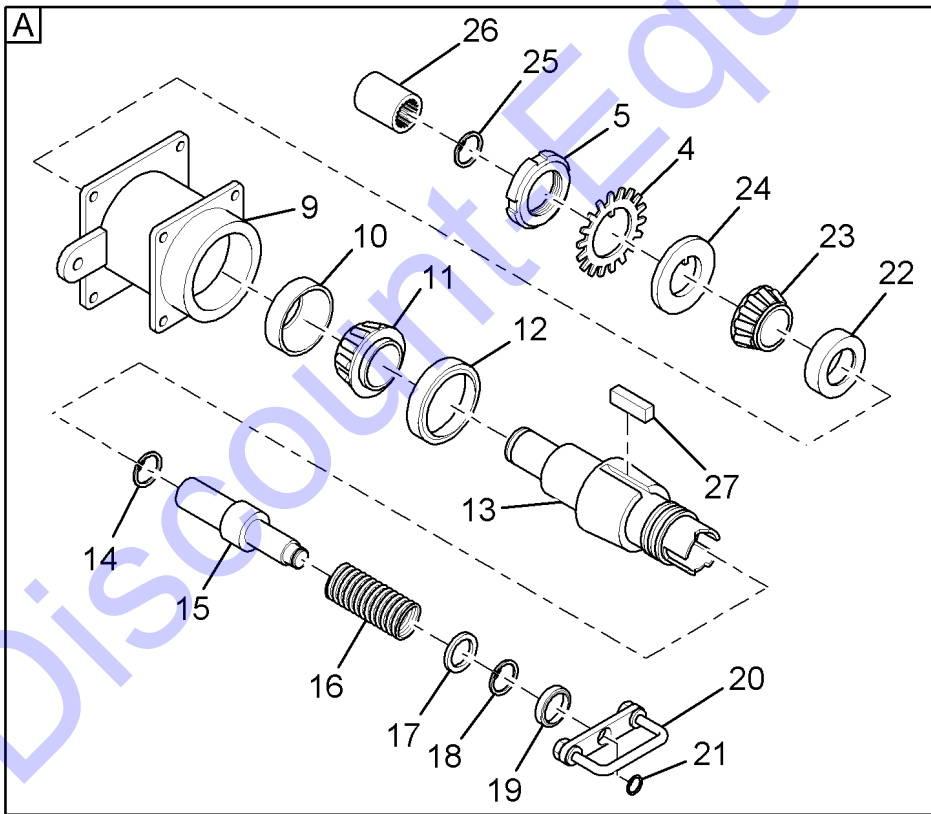
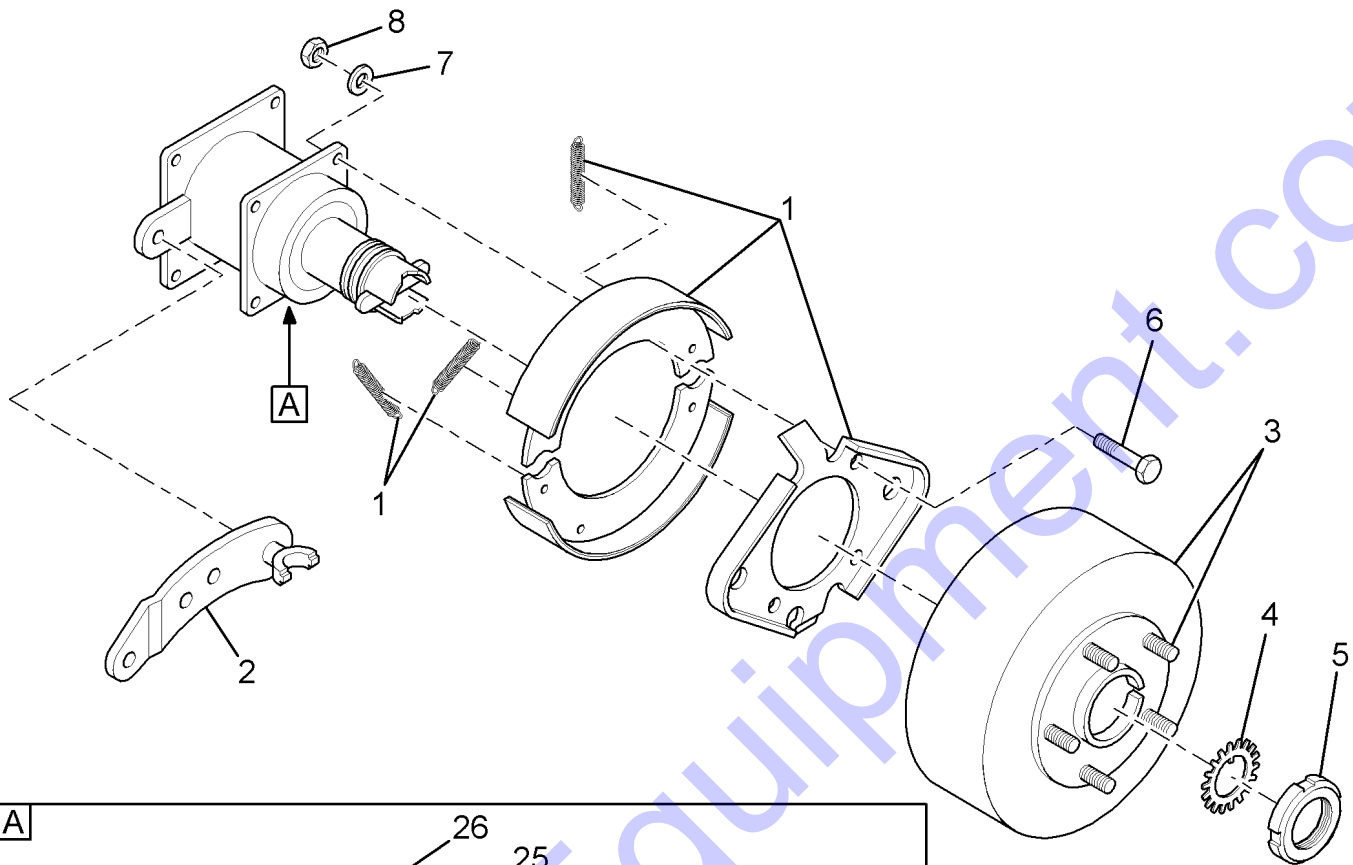


CAP3-0028

DRIVE, GROUND

ITEM	PART NUMBER	F/N	DESCRIPTION	QTY	UOM
1	010322		CAPSCREW (5/16"-18NC X 3/4")	4	EA
2	010561		WASHER, LOCK (5/16")	4	EA
3	9104327		PLATE, WHEEL CYLINDER MOUNT	1	EA
4	010629		CAPSCREW (3/8"-16NC X 1")	4	EA
5	9104331		LEVER, BRAKE (L.H.)	1	EA
6	052223		NUT, LOCK (3/8"-16NC)	4	EA
7	9104328		LEVER, BRAKE (R.H.)	1	EA
8	011395		CAPSCREW (1/2"-13NC X 2-1/4")	2	EA
9	011403		CAPSCREW (1/2"-13NC X 2-1/2", PL)	2	EA
10	403907		NUT, LOCK (1/2"-13NC, NYLON INSERT)	4	EA
11	9104349		DISCONNECT, HYDRAULIC (W/BRAKE) (SEE PAGE 14)	1	EA
12	9101452		O-RING	1	EA
13	011643		WASHER, LOCK (1/2")	4	EA
14	056879		CAPSCREW (1/2"-20NF X 1-1/4")	4	EA
15	9103730		MOTOR, HYDRAULIC DRIVE (SEE PAGE 146)	1	EA
16	409110		CYLINDER, BRAKE (LEFT HAND)	1	EA
17	409128		CYLINDER, BRAKE (RIGHT HAND)	1	EA

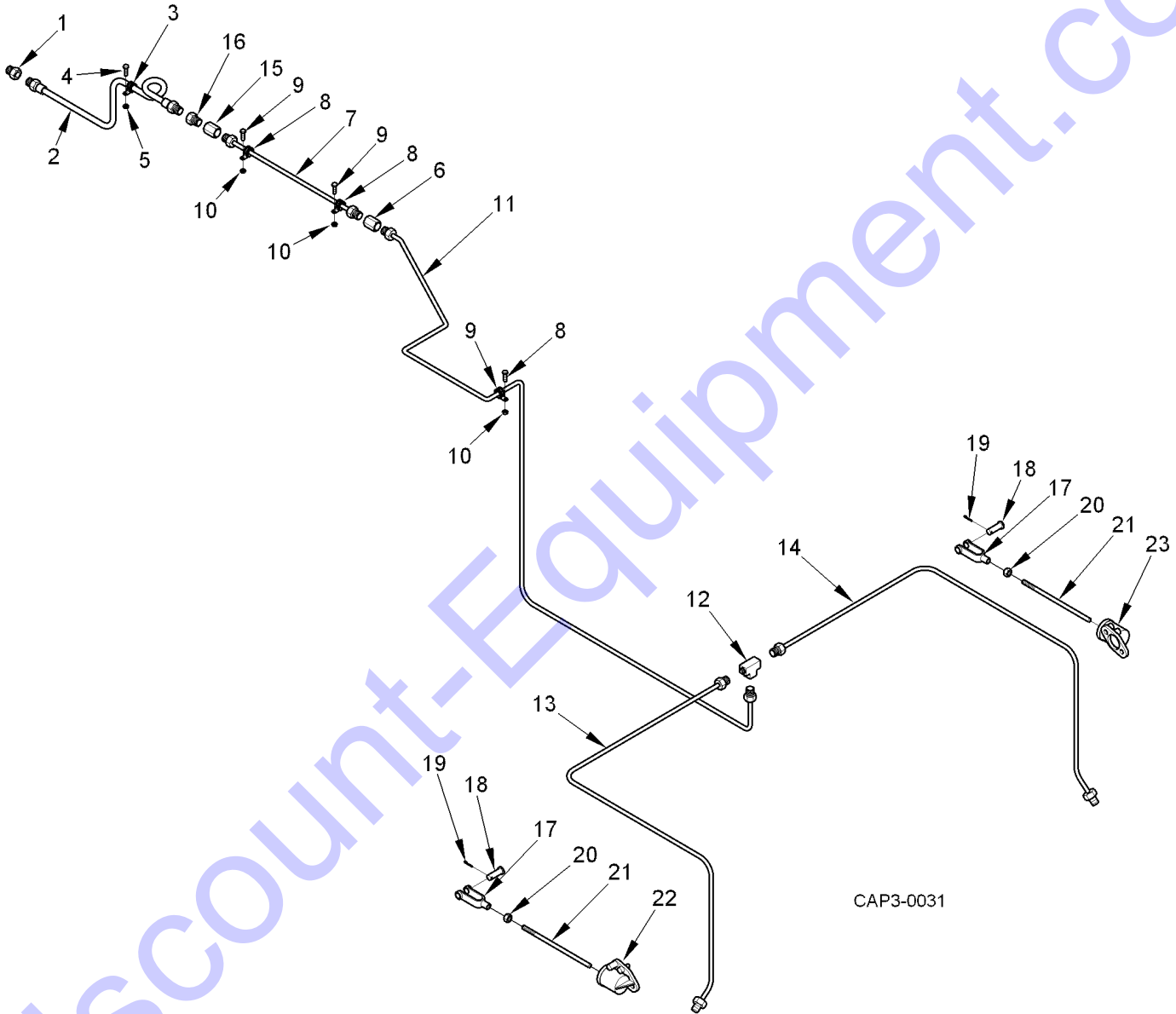
9104349: HYDRAULIC DISCONNECT ASSEMBLY (W/BRAKE)



9104349: HYDRAULIC DISCONNECT ASSEMBLY (W/BRAKE)

ITEM	PART NUMBER	F/N	DESCRIPTION	QTY	UOM
1	9101879		BRAKE PAD ASSEMBLY	1	EA
2	9103170		ARM, DISCONNECT BRAKE	1	EA
3	9103171		DRUM, DISCONNECT BRAKE	1	EA
4	9102092		RING, DISCONNECT LOCK	2	EA
5	9102091		NUT, DISCONNECT LOCK	2	EA
6	056879		BOLT, HEX HEAD (1/2"-20NF X 1-1/4")	4	EA
7	011643		WASHER, LOCK (1/2")	4	EA
8	041582		NUT (1/2"-20NF)	4	EA
9	9103168		HOUSING (W/O BRAKE)	1	EA
10	V61011600		CUP, OUTER BEARING	1	EA
11	V61011700		CONE, OUTER BEARING	1	EA
12	9102975		SEAL, INNER BEARING	2	EA
13	9103159		SPINDLE SHAFT, DISCONNECT	1	EA
14	9103160		RING, SNAP (O.D.)	1	EA
15	9103161		SHAFT, INTERNAL SMALL	1	EA
16	9102945		SPRING, HYDRAULIC DISCONNECT	1	EA
17	9102976		WASHER, HYDRAULIC DISCONNECT	1	EA
18	9103162		RING, SNAP (HYDRAULIC DISCONNECT)	1	EA
19	9102974		OUTER SEAL, DISCONNECT SMALL	1	EA
20	9102094		EAR/HANDLE, DISCONNECT	1	EA
21	034660		SNAP RING, DISCONNECT EAR/HANDLE	1	EA
22	066993		BEARING CUP (INNER), DISCONNECT	1	EA
23	067017		BEARING CONE (INNER), DISCONNECT	1	EA
24	9103165		TONGUE WASHER, DISCONNECT BEARING (INNER)	1	EA
25	9103163		SNAP RING, DISCONNECT SPLINE COUPLER	1	EA
26	9101468		SPLINE COUPLER, DISCONNECT	1	EA
27	9103167		KEY, DISCONNECT WHEEL HUB	1	EA
	366914		WRENCH, HUB	1	EA
	042275		PLUG, COUNTERSUNK (1/8"NPT)	2	EA

374629: LINE, BRAKE

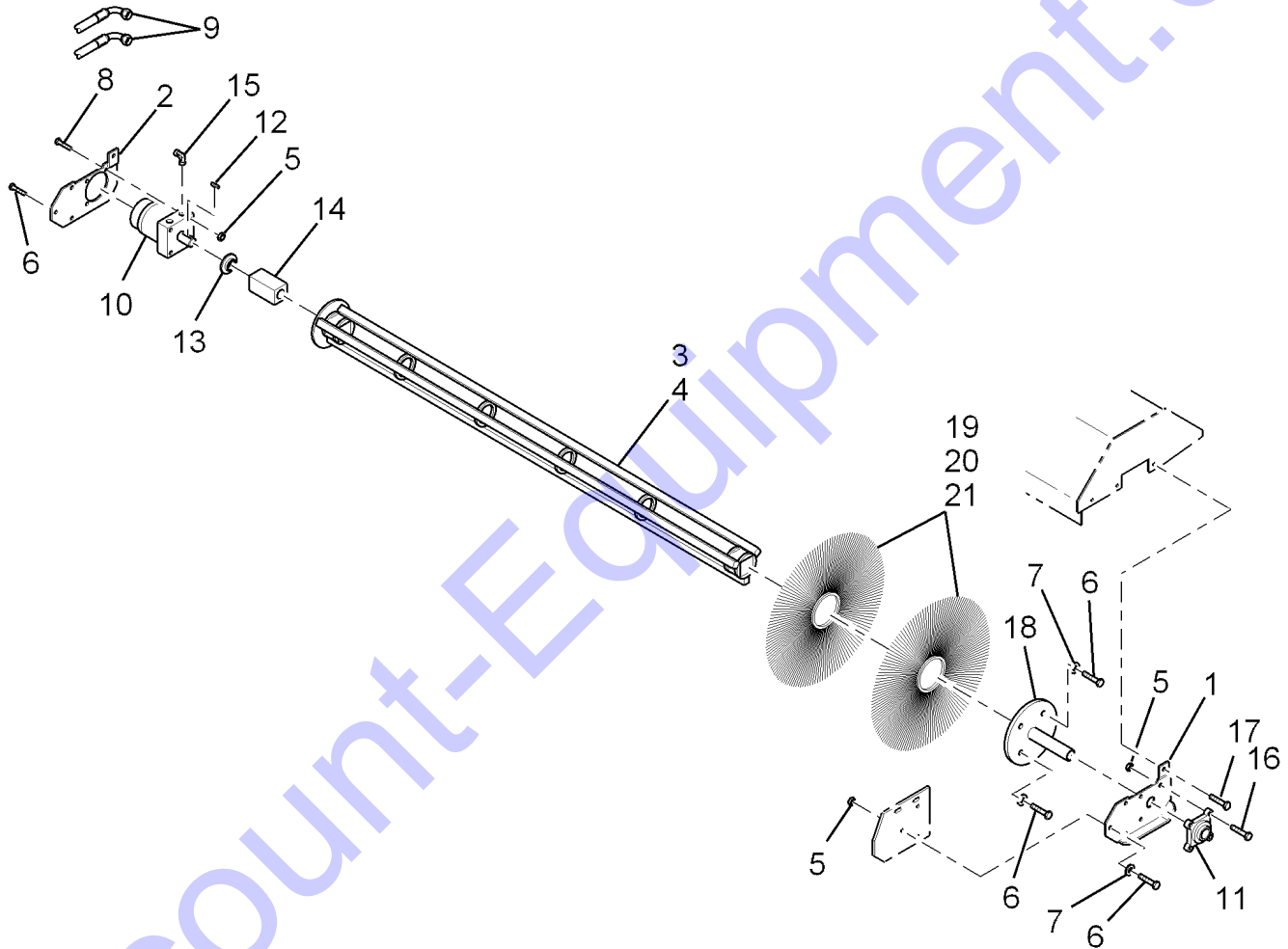


CAP3-0031

374629: LINE, BRAKE

ITEM	PART NUMBER	F/N	DESCRIPTION	QTY	UOM
1	044495		CONNECTOR (3/16"MIF TO 1/4"FIF)	1	EA
2	377382		HOSE (04-04MF04MF X 47.00" 100R1)	1	EA
3	028993		CLAMP, LOOP (1/2" ID)	1	EA
4	441618		CAPSCREW (5/16"-18NC X 1-1/4", FLANGE WHIZLOCK)	1	EA
5	083493		NUT, HEX (5/16"-18NC PL)	1	EA
6	067561		FITTING, UNION (3/16" TUBE X 3/16" TUBE)	1	EA
7	067728		TUBE (3/16" STEEL BRAKE X 51")	1	EA
8	036715		CLAMP (1/4"DIA)	5	EA
9	441501		CAPSCREW (1/4"-20NC, FLANGE WHIZLOCK)	5	EA
10	440636		NUT, HEX (1/4"-20NC, FLANGE, WHIZLOCK)	5	EA
11	377150		TUBE (.18 STEEL BRAKE X 60.00")	1	EA
12	434944		ADAPTER, TEE (3/16" FEMALE)	1	EA
13	377168		TUBE (.18 STEEL BRAKE R.H. X 40.00")	1	EA
14	377176		TUBE (.18 STEEL BRAKE L.H. X 40.00")	1	EA
15	448845		UNION (.25 TUBE INVERTED FLARE)	1	EA
16	077495		CONNECTOR, STRAIGHT (1/4" TO 3/16")	1	EA
17	031930		CLEVIS, ROD END (0.37"-24NF)	2	EA
18	025767		PIN, CLEVIS (5/16" X 1-1/8")	2	EA
19	015123		PIN, COTTER (1/8" X 3/4", STEEL PL)	2	EA
20	031948		NUT, HEX (3/8"-24NF)	2	EA
21	9104334		ROD, PUSH - WHEEL CYLINDER	2	EA
22	409110		CYLINDER, BRAKE (LEFT HAND)	1	EA
23	409128		CYLINDER, BRAKE (RIGHT HAND)	1	EA

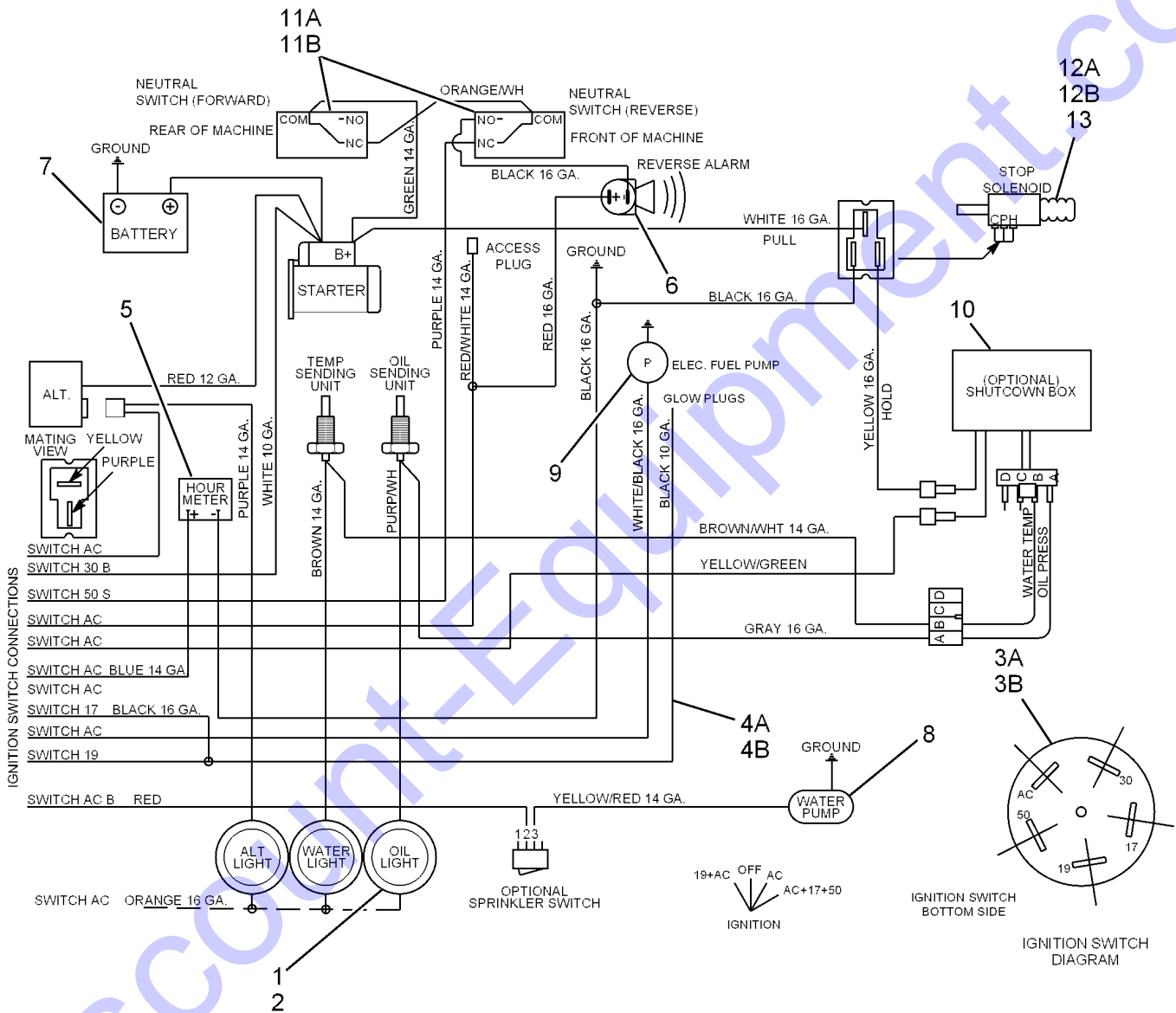
374983: BROOM (6-FOOT)



374983: BROOM (6-FOOT)

ITEM	PART NUMBER	F/N	DESCRIPTION	QTY	UOM
1	376590		WELDMENT, RIGHT BROOM BEARING MOUNT	1	EA
2	376608		WELDMENT, LEFT BROOM MOTOR MOUNT	1	EA
3	9102691		WELDMENT, 6' BROOM CORE	1	EA
4	9102693		WELDMENT, 8' BROOM CORE	1	EA
5	440644		NUT, HEX (1/2"-13NC, FLANGE, WHIZLOCK)	14	EA
6	056879		CAPSCREW (1/2"-20NF X 1-1/4")	10	EA
7	011650		WASHER, FLAT (1/2")	10	EA
8	011403		CAPSCREW (1/2"-13NC X 2-1/2", PL)	4	EA
9	477621		HOSE (08-08JS08J9 X 100.00" 100R2)	2	EA
10	473462		MOTOR, HYDRAULIC BROOM (SEE PAGE 30)	1	EA
11	V66005800		BEARING, BROOM CARRIER	1	EA
12	9101779		KEY, SPECIAL (ROLLER STATOR MOTOR)	1	EA
13	378513		GUARD, SEAL BROOM DRIVE MOTOR	1	EA
14	9102713		BLOCK, BROOM MOTOR DRIVE	1	EA
15	040170		ADAPTER (90 DEG, -10 SAEM X -8 JICM)	2	EA
16	441782		CAPSCREW (1/2"-13NC X 1-1/2", FLANGE, WHIZLOCK)	4	EA
17	083527		CAPSCREW (3/8"-16NC X 1-1/4")	AR	EA
18	376285		WELDMENT, BROOM CORE MOUNT	1	EA
19	9103150K		KIT, BRUSH (1/2 POLY AND 1/2 WIRE)	1	EA
20	910440K		KIT, BRUSH (ALL POLY)	1	EA
21	910440K		KIT, BRUSH (ALL WIRE)	1	EA
			REMAINING COMPONENTS		
	379693		GUARD, BROOM MOTOR	1	EA
	093575		SCREW, SET	1	EA
	381442		MOTOR, BROOM (W/ARMOR, RH MOUNT, OPTIONAL)	1	EA
	381434		MOTOR, BROOM (W/ARMOR, LH MOUNT, OPTIONAL)	1	EA

374975: BROOM (8-FOOT)



374975: BROOM (8-FOOT)

ITEM	PART NUMBER	F/N	DESCRIPTION	QTY	UOM
1	376590		WELDMENT, RIGHT BROOM BEARING MOUNT	1	EA
2	376608		WELDMENT, LEFT BROOM MOTOR MOUNT	1	EA
3	9102691		WELDMENT, 6' BROOM CORE	1	EA
4	9102693		WELDMENT, 8' BROOM CORE	1	EA
5	440644		NUT, HEX (1/2"-13NC, FLANGE, WHIZLOCK)	14	EA
6	056879		CAPSCREW (1/2"-20NF X 1-1/4")	10	EA
7	011650		WASHER, FLAT (1/2")	10	EA
8	011403		CAPSCREW (1/2"-13NC X 2-1/2", PL)	4	EA
9	477621		HOSE (08-08JS08J9 X 100.00" 100R2)	2	EA
10	473462		MOTOR, HYDRAULIC BROOM (SEE PAGE 30)	1	EA
11	V66005800		BEARING, BROOM CARRIER	1	EA
12	9101779		KEY, SPECIAL (ROLLER STATOR MOTOR)	1	EA
13	378513		GUARD, SEAL BROOM DRIVE MOTOR	1	EA
14	9102713		BLOCK, BROOM MOTOR DRIVE	1	EA
15	040170		ADAPTER (90 DEG, -10 SAEM X -8 JICM)	2	EA
16	441782		CAPSCREW (1/2"-13NC X 1-1/2", FLANGE, WHIZLOCK)	4	EA
17A	9103151K		KIT, BRUSH (1/2 POLY AND 1/2 WIRE)	1	EA
17B	910440K		KIT, BRUSH (ALL POLY)	1	EA
17C	910440K		KIT, BRUSH (ALL WIRE)	1	EA
18	083527		CAPSCREW (3/8"-16NC X 1-1/4")	AR	EA
19	376285		WELDMENT, BROOM CORE MOUNT	1	EA
			REMAINING COMPONENTS		
	379693		GUARD, BROOM MOTOR	1	EA
	093575		SCREW, SET	1	EA
	381442		MOTOR, BROOM (W/ARMOR, RH MOUNT, OPTIONAL)	1	EA
	381434		MOTOR, BROOM (W/ARMOR, LH MOUNT, OPTIONAL)	1	EA

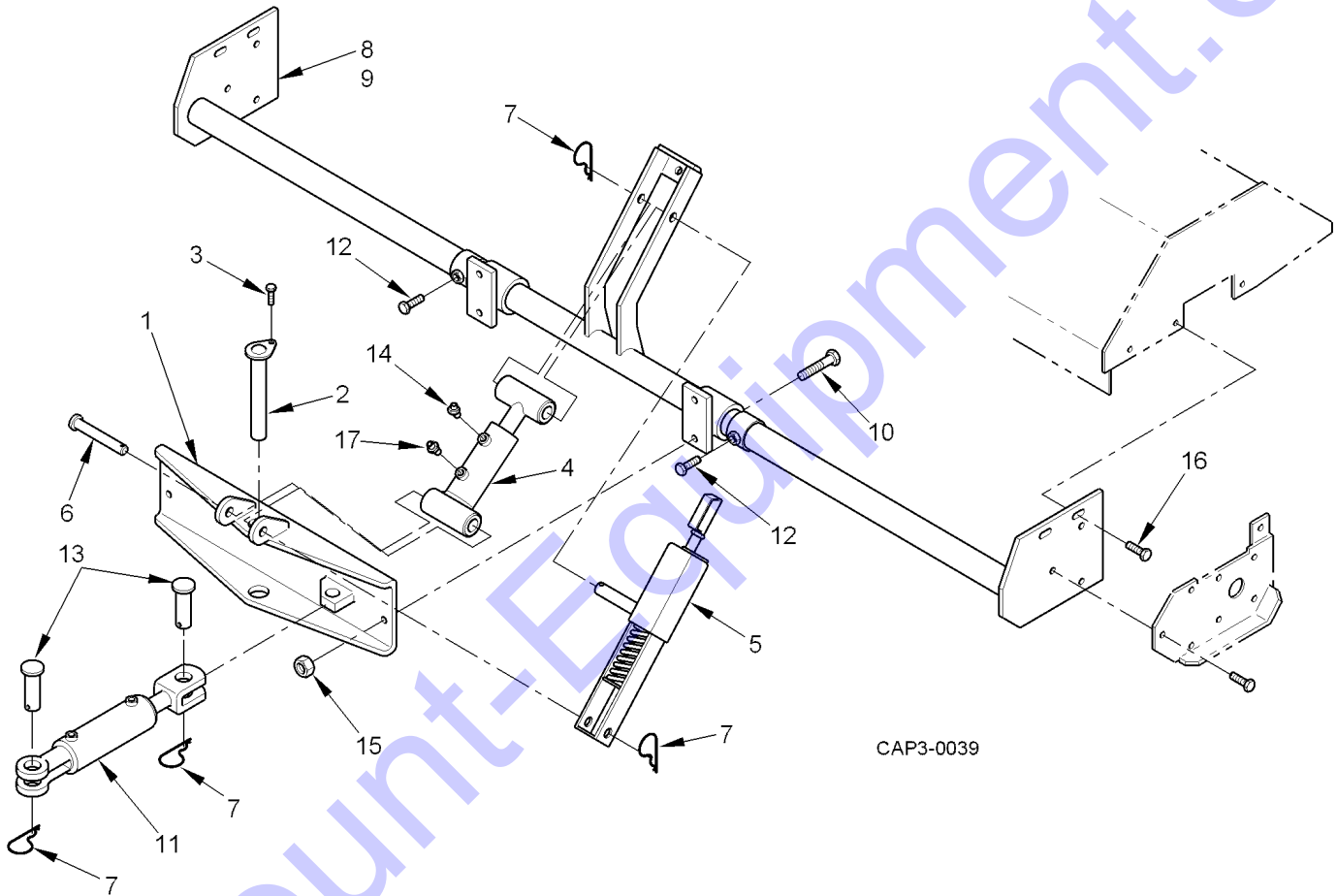
NON-ILLUSTRATED

Discount-Equipment.com

BROOM KITS

ITEM	PART NUMBER	F/N	DESCRIPTION	QTY	UOM
1	9100458		BRUSH, ALL POLY (6/8 FOOT, BOX OF 2)		
2	9100458BX		POLY WAFER (6 3/8" X 24',BOX OF 25)		
3	9101467		BRUSH, ALL WIRE (6/8 FOOT, BOX OF 2)		
4	9101467BX		WIRE WAFER (6 3/8" X 24' SS,BOX OF 25)		
5	477996		BRUSH, COMB WIRE/POLY (6/8 FOOT, BOX OF 2)		
6	477996BX		COMBO WAFER (6 3/8" X 24',BOX OF 25)		
7	9103150K		BRUSH, COMB WIRE/POLY (6 FOOT)		
8	9104641K		KIT, BRUSH (WIRE/POLY.6 3/8" X 24' X 6')		
9	9104403K		BRUSH, ALL POLY (6 FOOT)		
10	9104404K		BRUSH, ALL WIRE (6 FOOT)		
11	9103151K		BRUSH, COMB WIRE/POLY (8 FOOT)		
12	9104642K		KIT, BRUSH (WIRE/POLY WAFER,6 3/8" X 24' X 8')		
13	9104405K		BRUSH, ALL POLY (8 FOOT)		
14	9104406K		BRUSH, ALL WIRE (8 FOOT)		

FRAME, BROOM

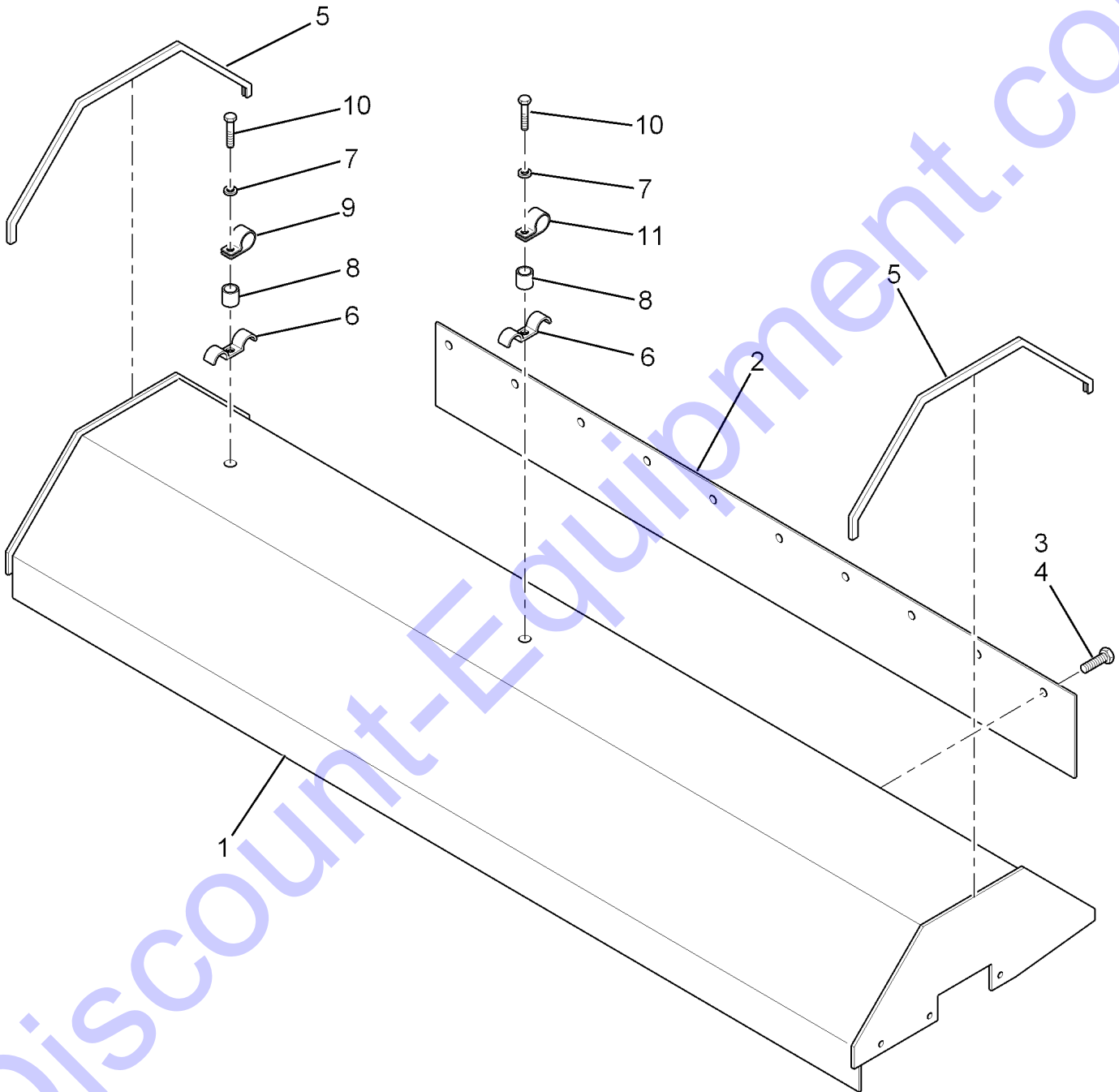


CAP3-0039

FRAME, BROOM

ITEM	PART NUMBER	F/N	DESCRIPTION	QTY	UOM
1	376160		WELDMENT,BROOM MOUNT	1	EA
2	377028		PIN, STR. (1.75" X 8.25")	1	EA
3	441758		CAPSCREW (1/2"-13NC X 3/4", FLANGE, WHIZLOCK)	1	EA
4	376640	F1	CYLINDER, LIFT	1	EA
5	381319		DOWN PRESSURE SPRING ASSEMBLY	1	EA
6	379818		PIN, STR. (1.00" X 8.87")	1	EA
7	015768		PIN, HAIR COTTER (3/16")	4	EA
8	376574	F2	WELDMENT, BROOM MOUNT	1	EA
9	376582	F3	WELDMENT, BROOM MOUNT	1	EA
10	441782		CAPSCREW (1/2"-13NC X 1-1/2", FLANGE, WHIZLOCK)	4	EA
11	467985	F4	CYLINDER, BROOM SWING	1	EA
12	038442		CAPSCREW, HEX HEAD (1/2-13NC X 1.25" GR.5 ZINK)	2	EA
13	9103034		PIN, CLEVIS (1" OD X 2-3/4" LONG)	2	EA
14	092825		ADAPTER, 90 DEGREE (#6MSAE X #6MJIC)	1	EA
15	440644		NUT, HEX (1/2"-13NC, FLANGE, WHIZLOCK)	4	EA
16	083527		CAPSCREW (3/8"-16NC X 1-1/4")	4	EA
17	425348		ADAPTER, 45 DEGREE (#6MOR TO #6MJIC)	1	EA
			F1 - SEE BROOM LIFT CYLINDER		
			F2 - FOR 6' BROOM ONLY.		
			F3 - FOR 8' BROOM ONLY.		
			F4 - SEE BROOM SWING CYLINDER		

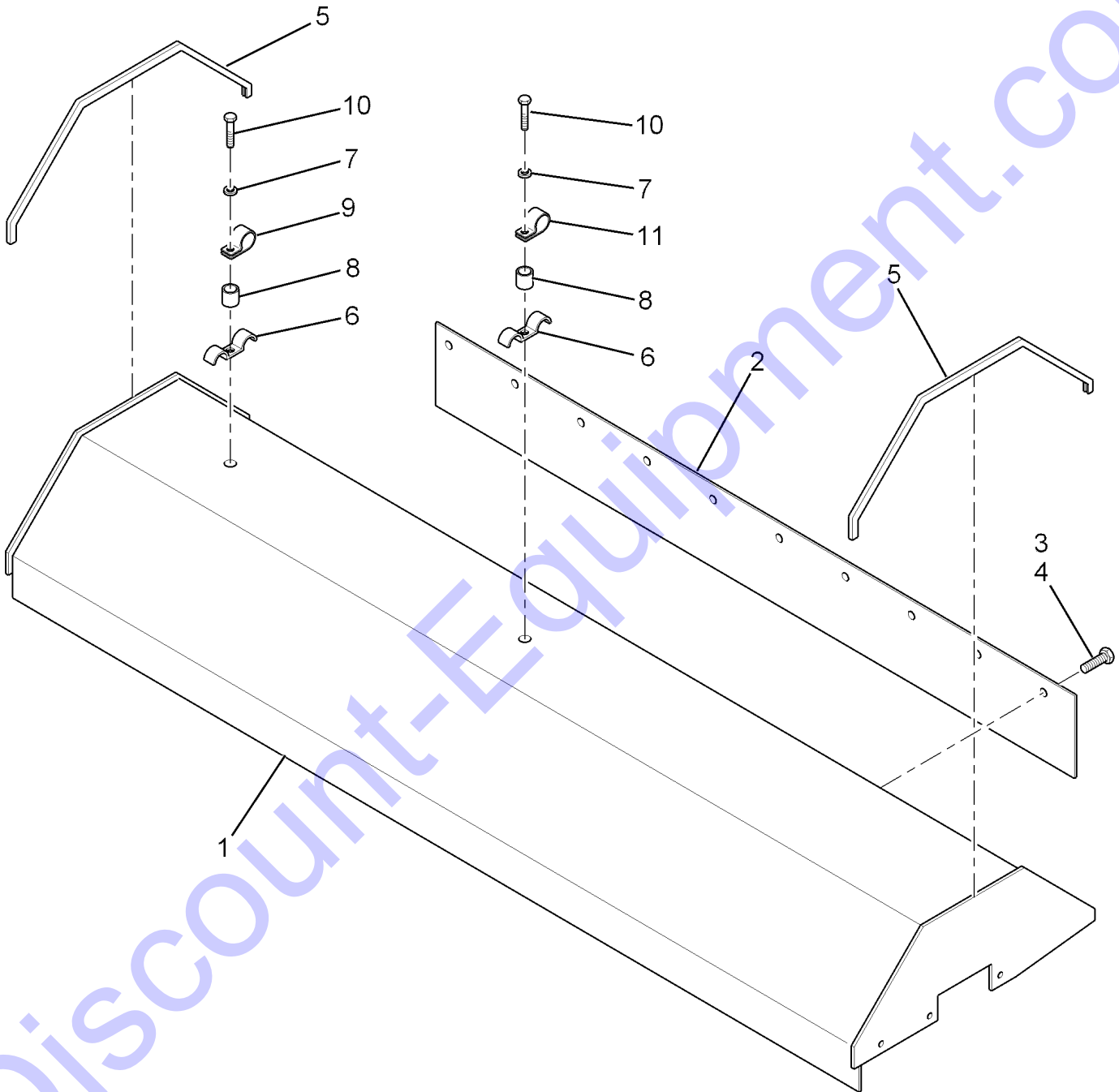
HOOD (6-FOOT BROOM)



HOOD (6-FOOT BROOM)

ITEM	PART NUMBER	F/N	DESCRIPTION	QTY	UOM
1	381988		WELDMENT, HOOD	1	EA
2	377622		DEFLECTOR, DIRT BELT	1	EA
3	441568		CAPSCREW (1/4"-20NC X 1", FLANGE WHIZLOCK)	12	EA
4	440636		NUT, HEX (1/4"-20NC, FLANGE, WHIZLOCK)	12	EA
5	074567		TRIM, FLEX CORE (0.06, 8.2FT)	AR	EA
6	9100716		CLAMP, HOSE	2	EA
7	011023		WASHER, LOCK (3/8")	2	EA
8	147322		TUBE (3/8 SCHED. 40 X 5/8")	2	EA
9	028993		CLAMP, LOOP (1/2" ID)	2	EA
10	010645		CAPSCREW (3/8"-16NC X 1-1/2")	2	EA
11	461384		CLAMP (13/16" ID WITH 13/32 BOLT HOLD VINYL)	1	EA

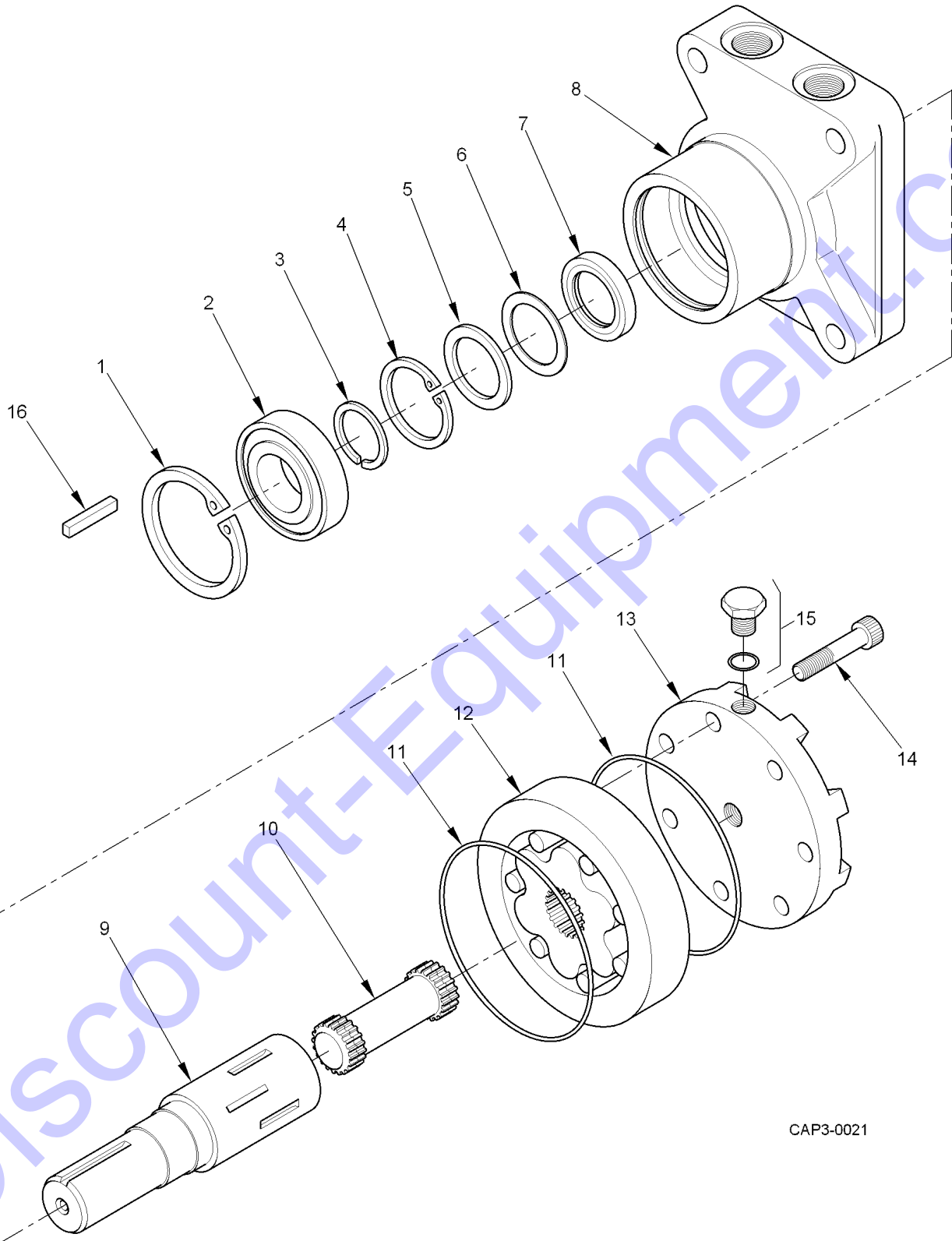
HOOD (8-FOOT BROOM)



HOOD (8-FOOT BROOM)

ITEM	PART NUMBER	F/N	DESCRIPTION	QTY	UOM
1	382002		WELDMENT, HOOD	1	EA
2	377614		DEFLECTOR, DIRT BELT	1	EA
3	441568		CAPSCREW (1/4"-20NC X 1", FLANGE WHIZLOCK)	16	EA
4	440636		NUT, HEX (1/4"-20NC, FLANGE, WHIZLOCK)	16	EA
5	074567		TRIM, FLEX CORE (0.06, 8.2FT)	AR	EA
6	9100716		CLAMP, HOSE	3	EA
7	011023		WASHER, LOCK (3/8")	3	EA
8	147322		TUBE (3/8 SCHED. 40 X 5/8")	3	EA
9	028993		CLAMP, LOOP (1/2" ID)	3	EA
10	010645		CAPSCREW (3/8"-16NC X 1-1/2")	3	EA
11	461384		CLAMP (13/16" ID WITH 13/32 BOLT HOLD VINYL)	1	EA

473462: MOTOR, HYDRAULIC BROOM

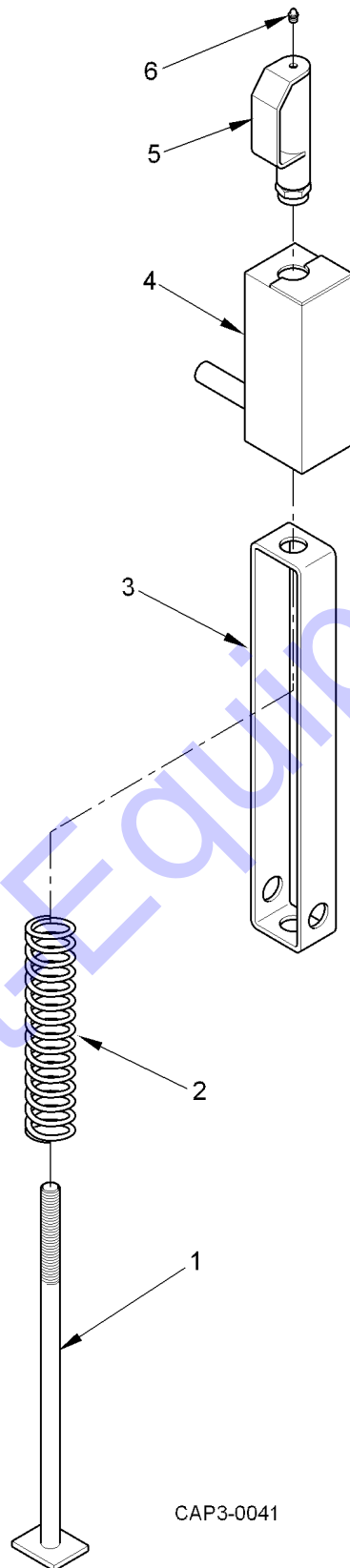


CAP3-0021

473462: MOTOR, HYDRAULIC BROOM

ITEM	PART NUMBER	F/N	DESCRIPTION	QTY	UOM
	9104600		KIT, SEAL	1	EA
1		F1	RING, RETAINING	1	
2		F1	BEARING, BALL	1	
3		F1	RING, RETAINING	1	
4		F1	RING, RETAINING	1	
5		F1	WASHER	1	
6		F1	WASHER, BACKUP	1	
7		F1	SEAL, PRESSURE	1	
8		F2	HOUSING	1	
9	9104596		SHAFT, OUTPUT (W/INTERNAL CHACK VALVE)	1	EA
10	468066		DRIVE	1	EA
11		F1	SEAL	2	
12	468074		GEROTOR	1	EA
13		F2	CAP, END	1	
14			CAPSCREW, HEX HEAD (INTERNAL)	7	
15	421396		PLUG/O-RING (7/16-20 UNF)	1	EA
16	9102797		KEY, STRAIGHT	1	EA
			REMAINING COMPONENTS		
	9104597		POPPET (SHAFT OUTPUT)	1	EA
			NUT, HEX (NOT USED)	1	
			F1 - INCLUDED WITH SEAL KIT		
			F2 - NOT AVAILABLE, ORDER COMPLETE MOTOR		

SPRING, DOWN PRESSURE

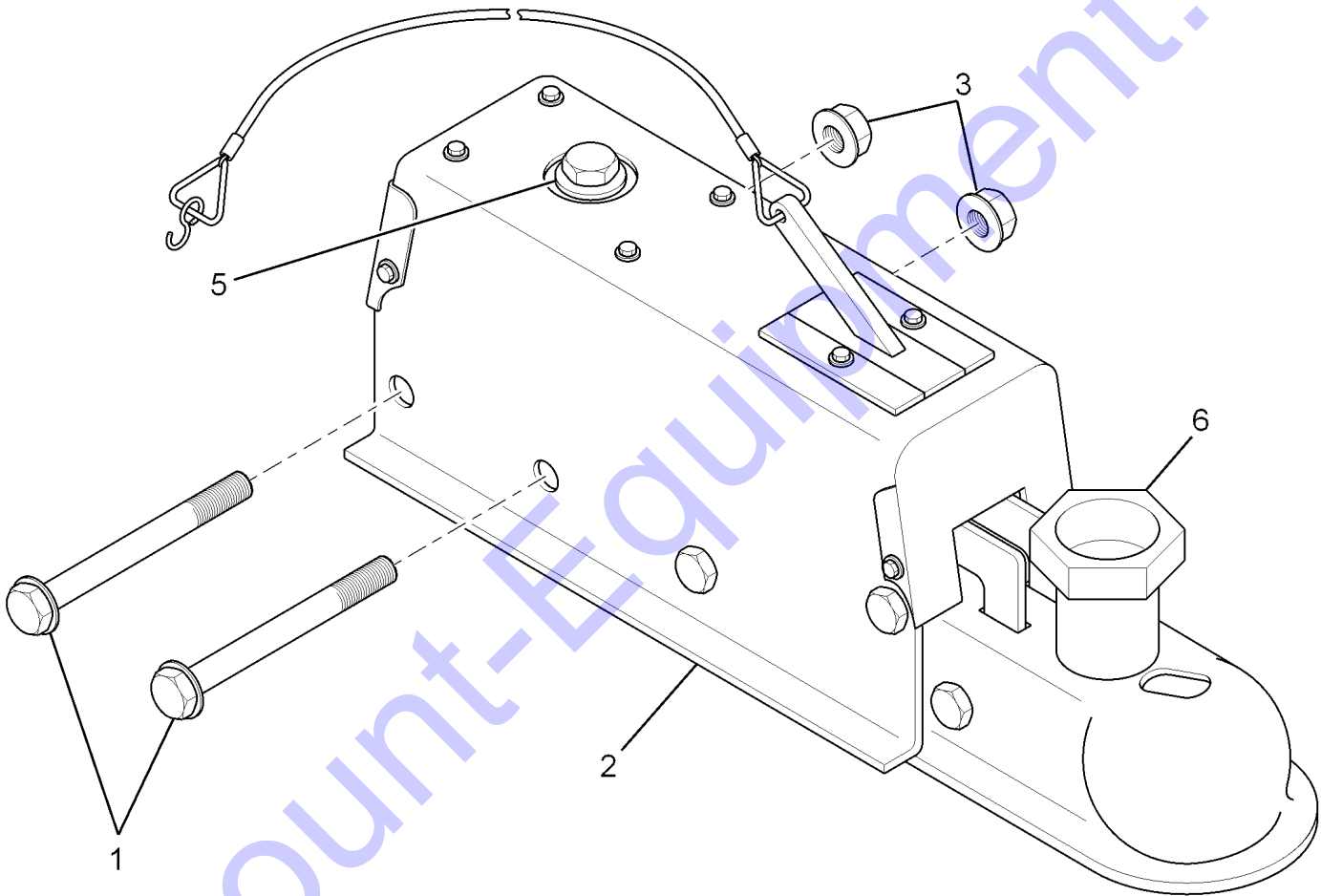


CAP3-0041

SPRING, DOWN PRESSURE

ITEM	PART NUMBER	F/N	DESCRIPTION	QTY	UOM
1	379800		ROD, STR.DOWN PRESSURE SPRING	1	EA
2	473439		SPRING, DOWN PRESSURE	1	EA
3	379842		SPRING, STR.LOWER SLIDE DOWN PRESSURE	1	EA
4	379875		RETAINER, STR.UPPER SLIDE	1	EA
5	381293		HANDLE, STR.SPRING ADJUSTING	1	EA
6	031401		FITTING, GREASE (STRAIGHT, 1/4"-28NF)	1	EA

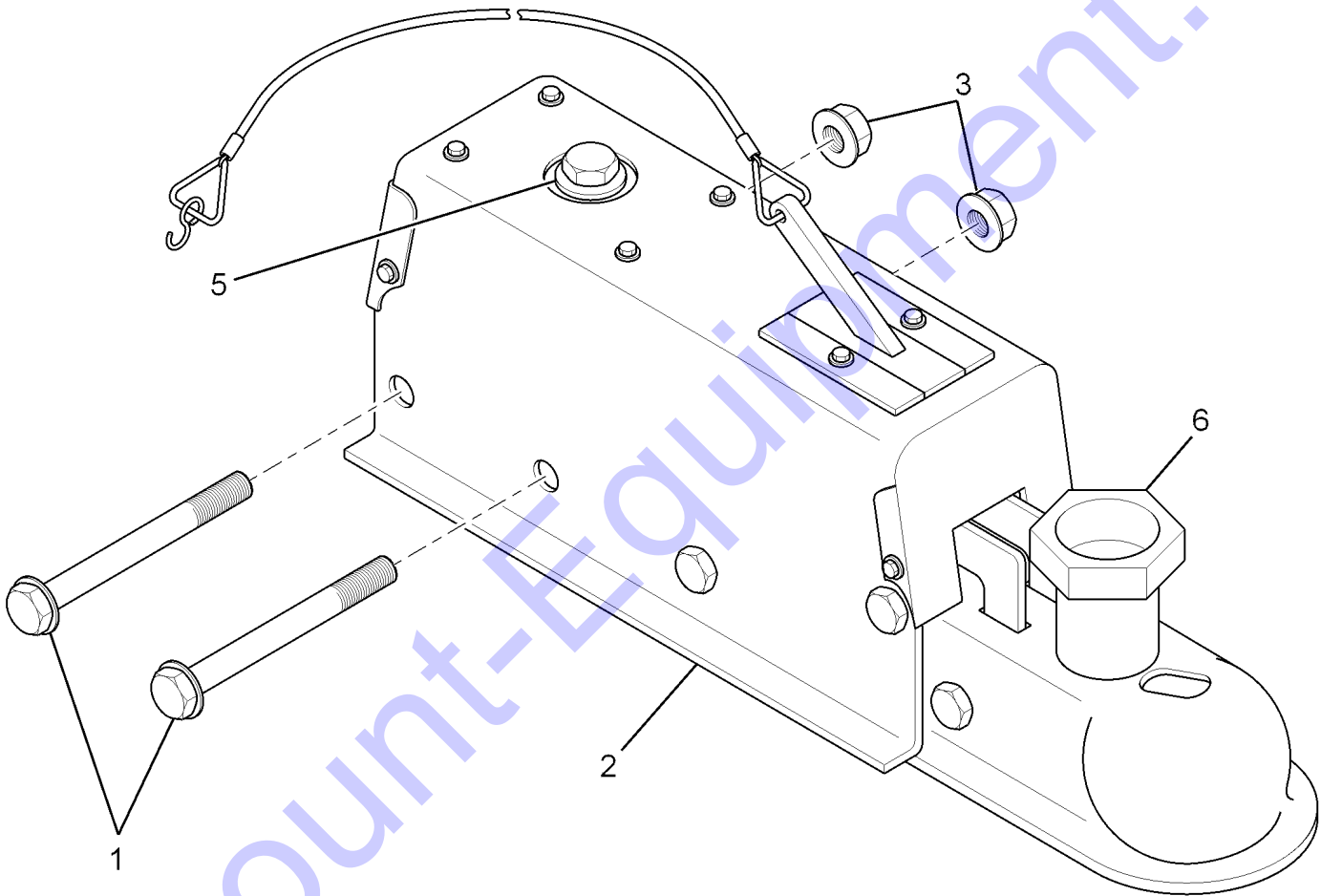
ACTUATOR, SURGE BRAKE (2", STANDARD)



ACTUATOR, SURGE BRAKE (2", STANDARD)

ITEM	PART NUMBER	F/N	DESCRIPTION	QTY	UOM
1	011460		CAPSCREW (1/2"-13NC X 4" PL.)	2	EA
2	447995		ACTUATOR, SURGE BRAKE (2" BALL)	1	EA
3	403907		NUT, LOCK (1/2"-13NC, NYLON INSERT)	2	EA
5	374009		CAP, MODIFIED (MASTER CYLINDER)	1	EA
6	474338		NUT, ACTUATOR	1	EA
			REMAINING COMPONENTS		
	9104396		ADAPTER, TONGUE (2", 2-5/16", AND 3")	1	EA
	464735		KIT, MASTER CYLINDER REPAIR	1	EA
	461400		KIT, COUPLER REPAIR	1	EA

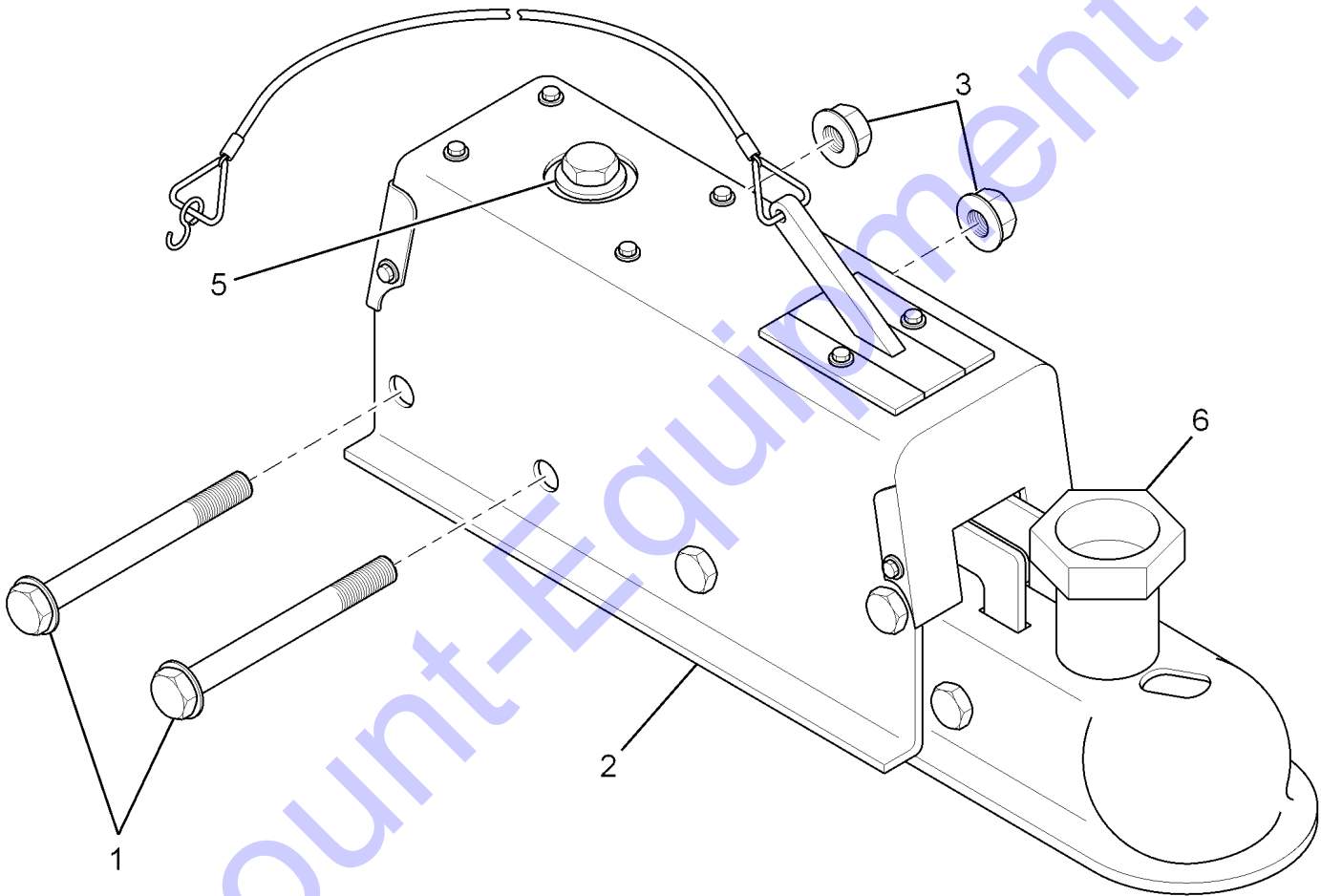
ACTUATOR, SURGE BRAKE (2-5/16", OPTIONAL)



ACTUATOR, SURGE BRAKE (2-5/16", OPTIONAL)

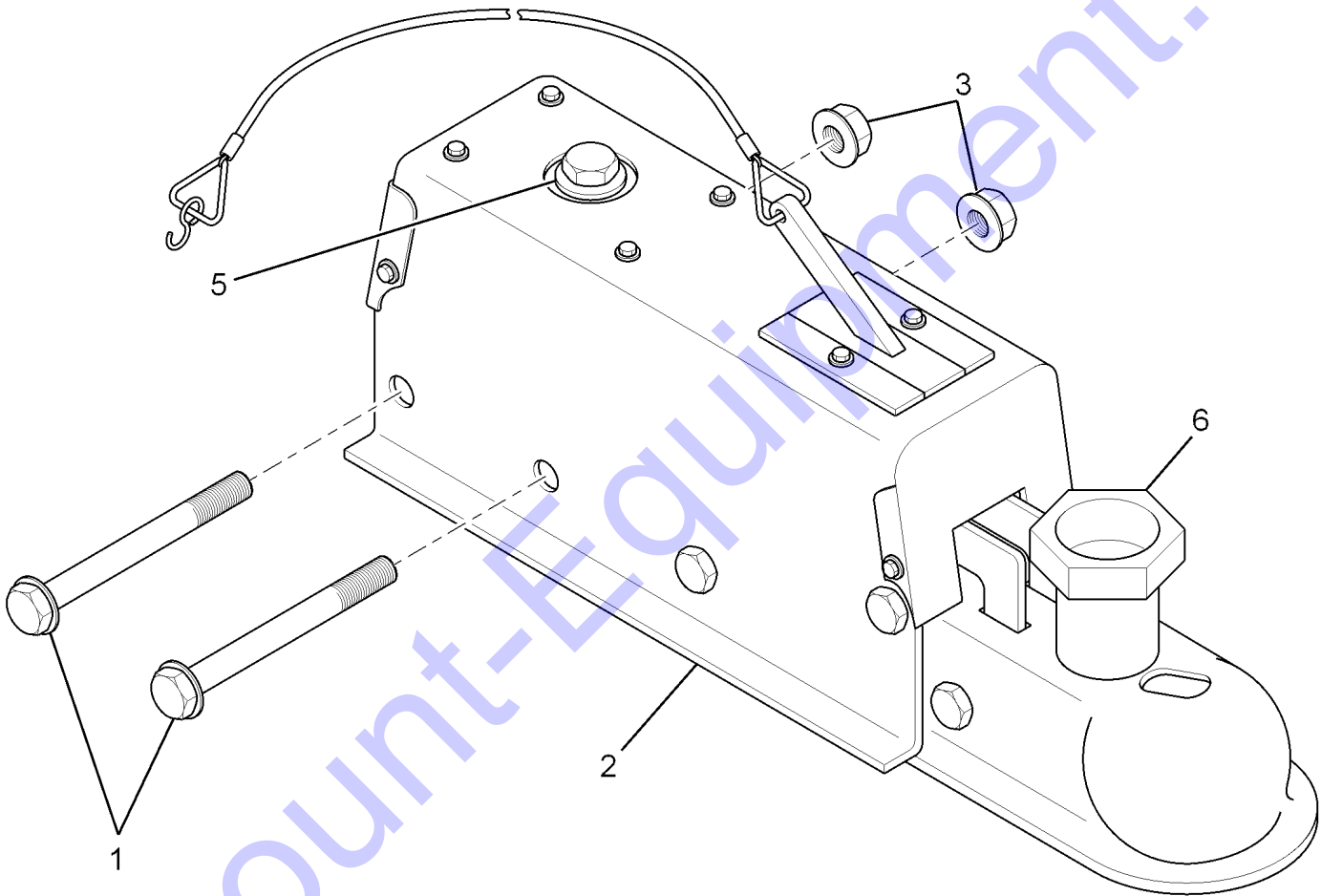
ITEM	PART NUMBER	F/N	DESCRIPTION	QTY	UOM
1	011460		CAPSCREW (1/2"-13NC X 4" PL.)	2	EA
2	448084		ACTUATOR, SURGE BRAKE (2-5/16" BALL)	1	EA
3	403907		NUT, LOCK (1/2"-13NC, NYLON INSERT)	2	EA
5	473678		CAP ASSY (PINTLE EYE 2-5/16" BALL HITCH)	1	EA
6	474338		NUT, ACTUATOR	1	EA
REMAINING COMPONENTS					
	9104396		ADAPTER, TONGUE (2", 2-5/16", AND 3")	1	EA
	448142		KIT, MASTER CYLINDER REPAIR	1	EA
	461400		KIT, COUPLER REPAIR	1	EA

ACTUATOR, SURGE BRAKE (3", OPTIONAL)



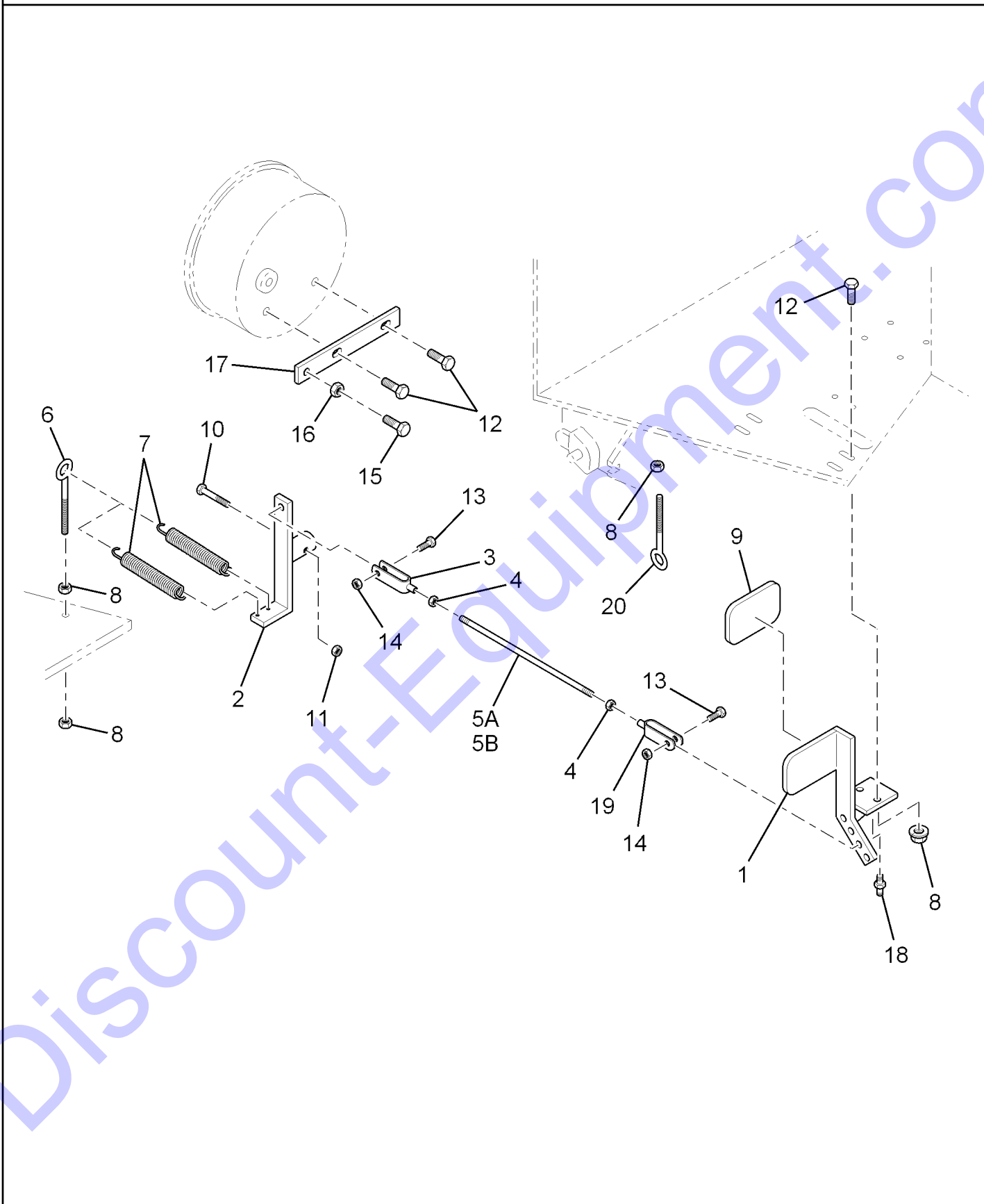
ACTUATOR, SURGE BRAKE (3", OPTIONAL)					
ITEM	PART NUMBER	F/N	DESCRIPTION	QTY	UOM
1	011460		CAPSCREW (1/2"-13NC X 4" PL.)	2	EA
2	448076		ACTUATOR, SURGE BRAKE (3" PINTLE EYE)	1	EA
3	403907		NUT, LOCK (1/2"-13NC, NYLON INSERT)	2	EA
5	473678		CAP ASSY (PINTLE EYE 2-5/16" BALL HITCH)	1	EA
6	474338		NUT, ACTUATOR	1	EA
REMAINING COMPONENTS					
	9104396		ADAPTER, TONGUE (2", 2-5/16", AND 3")	1	EA
	448142		KIT, MASTER CYLINDER REPAIR	1	EA
	461400		KIT, COUPLER REPAIR	1	EA

ACTUATOR, SURGE BRAKE (UNIV, OPTIONAL)



ACTUATOR, SURGE BRAKE (UNIV, OPTIONAL)					
ITEM	PART NUMBER	F/N	DESCRIPTION	QTY	UOM
1	011460		CAPSCREW (1/2"-13NC X 4" PL.)	2	EA
2	448977		ACTUATOR, SURGE BRAKE (UNIVERSAL)	1	EA
3	403907		NUT, LOCK (1/2"-13NC, NYLON INSERT)	2	EA
5	374009		CAP, MODIFIED (MASTER CYLINDER)	1	EA
6	474338		NUT, ACTUATOR	1	EA
REMAINING COMPONENTS					
	407389		COUPLER, STRAIGHT MULTI-FIT (2", NO ACTUATOR)	1	EA
	9103126		COUPLER (2-5/16" BALL)	1	EA
	9101885		COUPLER (3" PINTLE EYE)	1	EA
	012153		CAPSCREW (5/8"-11NC X 4-1/2")	2	EA
	406231		NUT, HEX (.62-11NC NYLOK)	2	EA
	910450K		ADAPTER, TONGUE (UNIVERSAL)	1	EA
	448142		KIT, MASTER CYLINDER REPAIR	1	EA
	461400		KIT, COUPLER REPAIR	1	EA

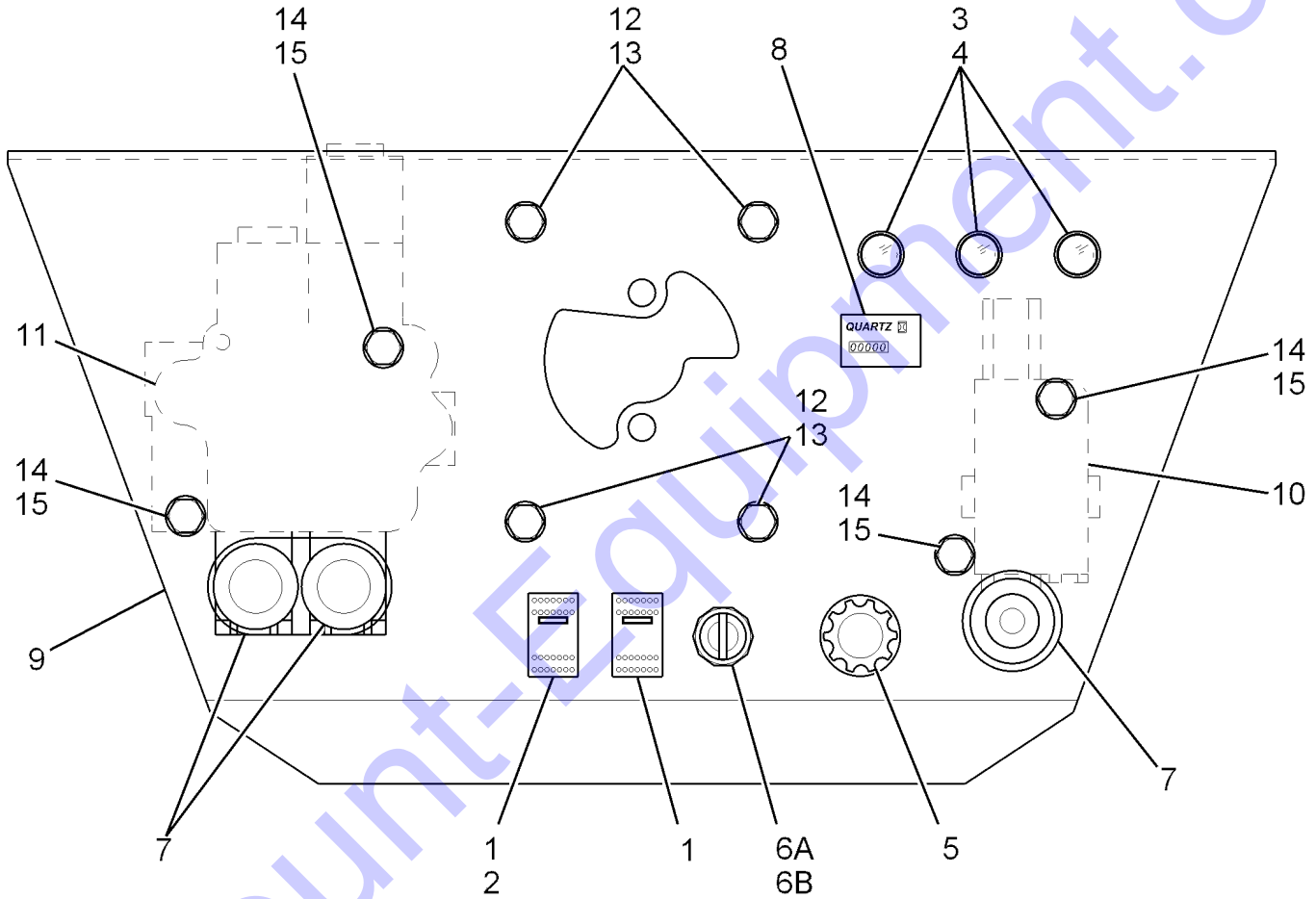
CONTROL, PEDAL/PUMP



CONTROL, PEDAL/PUMP

ITEM	PART NUMBER	F/N	DESCRIPTION	QTY	UOM
1	376426		PEDAL, VARIABLE SPEED (SEE PAGE 56)	1	EA
2	376855		ARM ASSEMBLY, PUMP	1	EA
3	433052		YOKE, ADJUSTABLE	1	EA
4	035303		NUT, HEX (5/16"-24NF)	1	EA
5A	9103712	F1	ROD, VARIABLE SPEED CONTROL	1	EA
5B	385047	F2	ROD, VARIABLE SPEED CONTROL	1	EA
6	9104071	F1	BOLT, EYE (5/16" X 1")	1	EA
7	9103977		SPRING, FOOT PEDAL (VARIABLE SPEED)	1	EA
8	083493		NUT, HEX (5/16"-18NC PL)	1	EA
9	460170		PAD, PEDAL	1	EA
10	9102280		BOLT, PUMP ARM	1	EA
11	440636		NUT, HEX (1/4"-20NC, FLANGE, WHIZLOCK)	1	EA
12	441600		CAPSCREW (5/16"-18NC X 1", PL)	1	EA
13	010355		CAPSCREW (5/16"-18NC X 1-1/4")	1	EA
14	093799		NUT, LOCK (5/16"-18NC, NYLON INSERT)	1	EA
15	011361	F3	CAPSCREW (1/2"-13NC X 1-1/2")	1	EA
16	066944		NUT, JAM (1/2"-13NC)	1	EA
17	356957	F1	BAR, PUMP ARM STOP	1	EA
18	031401		FITTING, GREASE (STRAIGHT, 1/4"-28NF)	1	EA
19	436808		YOKE, ADJUSTMENT	1	EA
20	9104072	F2	EYEBOLT (5/16" X 4")	1	EA
			REMAINING COMPONENTS		
	440644		NUT, HEX (1/2"-13NC, FLANGE, WHIZLOCK)	1	EA
			F1 - FOR USE WITH KUBOTA ENGINES.		
			F2 - FOR USE WITH CATERPILLAR ENGINES.		
			F3 - TURN TO ADJUST CREEP & CENTER.		

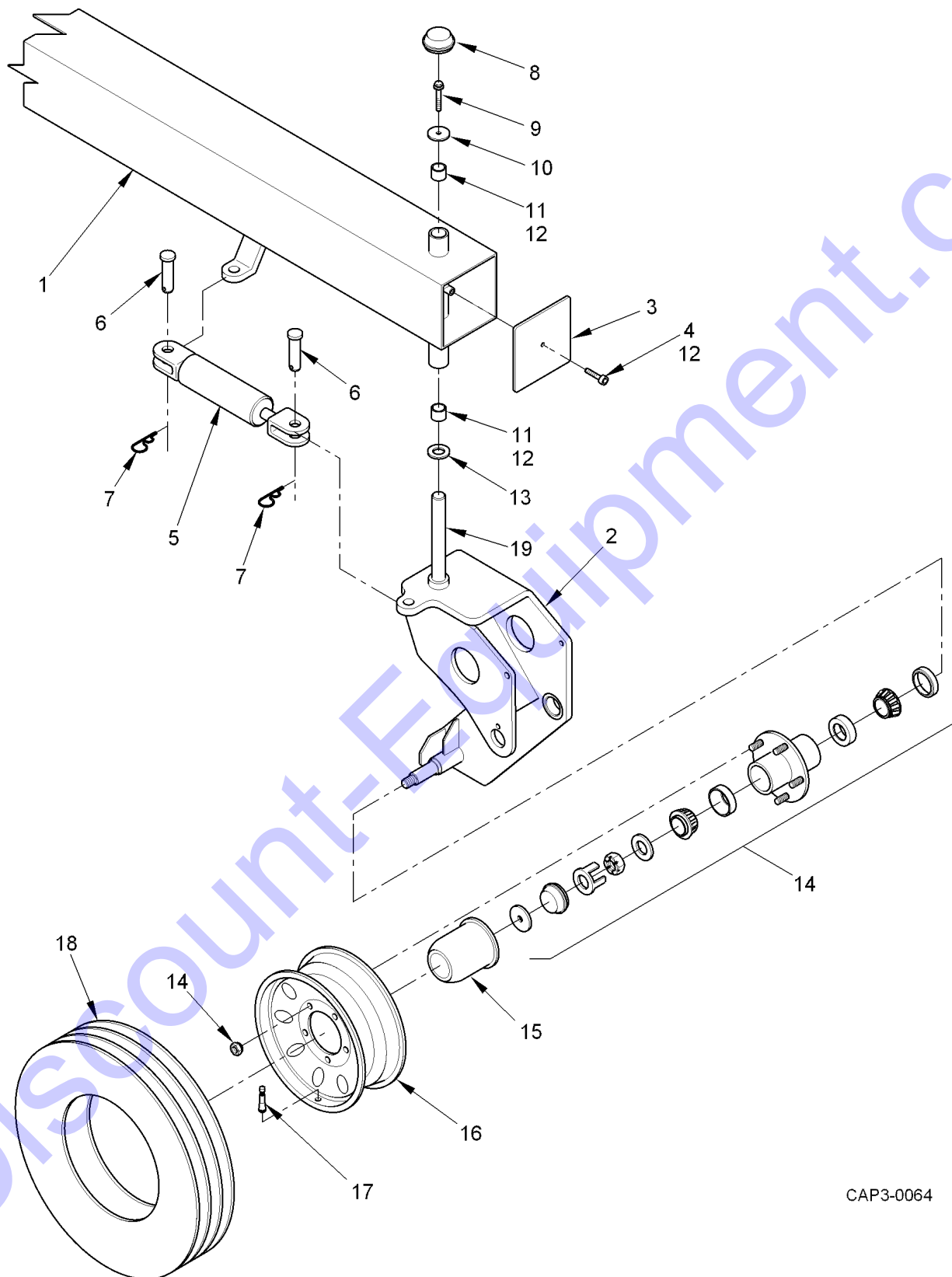
DASH



DASH

ITEM	PART NUMBER	F/N	DESCRIPTION	QTY	UOM
1	460113	F1	SWITCH, 2-POSITION (ON/OFF, W/ LIGHT)	2	EA
2	500983		SWITCH, DUMMY PLUG	1	EA
3	057448		LIGHT, RED INDICATOR	3	EA
4	060624		BULB (12V, 2-WATT)	3	EA
5	9102266		HANDLE, THROTTLE WITH CABLE	1	EA
6A	9101497		SWITCH, IGNITION (W/KEYS, F/KUBOTA ENGINE)	1	EA
6B	468082		SWITCH, IGNITION (W/KEYS, F/KUBOTA ENGINE)	1	EA
7	449645		LEVER ASSEMBLY	3	EA
8	460485		METER, HOUR	1	EA
9	376467		PANEL, DASH	1	EA
10			VALVE (1-SPOOL, 2-POS DETENT, 1-HANDLE)	1	EA
11			VALVE (2-SPOOL, FLOAT DETENT, 2-HANDLE)	1	EA
12	441618		CAPSCREW (5/16"-18NC X 1-1/4", FLANGE WHIZLOCK)	4	EA
13	083493		NUT, HEX (5/16"-18NC PL)	4	EA
14	441592		CAPSCREW (1/4"-20NC, FLANGE WHIZLOCK)	4	EA
15	440636	NUT, HEX (1/4"-20NC, FLANGE, WHIZLOCK)	4	EA	
REMAINING COMPONENTS					
	9101528	F2	KEY, IGNITION (2 KEYS, KUBOTA SM250)	1	EA
	468084	F3	KEY (KUBOTA ENGINE)	1	EA
	468090	F4	KEY (KUBOTA ENGINE)	A/R	EA
	472555		BUTTON, FLEXIBLE VENREER	1	EA
	376418		COVER, DASH	1	EA
	441659		CAPSCREW (3/8"-16NC X 3/4", FLANGE WHIZLOCK)	A/R	EA
	083501		NUT, HEX (3/8"-16NC, FLANGE, WHIZLOCK)	A/R	EA
	460139		SWITCH, 3-POSITION (OFF/ON/ON)	1	EA
			F1 - REPLACED BY OPTIONAL SPRINKLER SWITH P/N 460113		
			F2 - USED WITH 9101497 SWITCH		
			F3 - USED WITH 468083 SWITCH		
			F4 - USED WITH 468082 SWITCH (OBSOLETE)		

FORK, GREASE (S/N 29669 AND LATER)

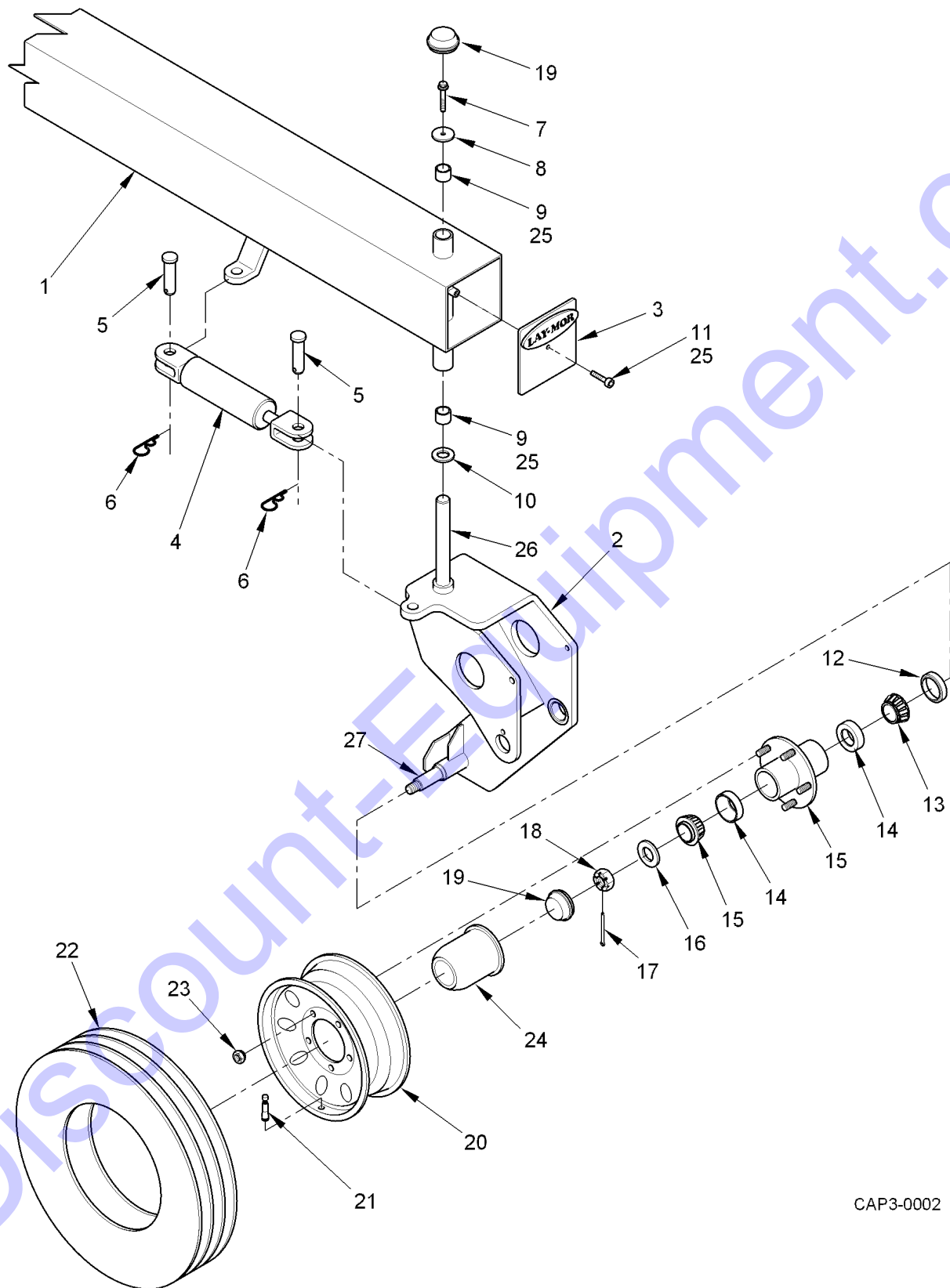


CAP3-0064

FORK, GREASE (S/N 29669 AND LATER)

ITEM	PART NUMBER	F/N	DESCRIPTION	QTY	UOM
1	376376		WELDMENT, FRAME	1	EA
2	376005		WELDMENT, FRONT FORK	1	EA
3	376252		COVER, FRAME TUBE	1	EA
4	472936		CAPSCREW, SOCKET HEAD (5/16"-18UNC X 1")	1	EA
5	467977		CYLINDER, STEERING	1	EA
6	9103034		PIN, CLEVIS (1" OD X 2-3/4" LONG)	2	EA
7	015768		PIN, HAIR COTTER (3/16")	2	EA
8	440487		CAP, DUST	1	EA
9	441766		CAPSCREW (1/2"-13NC X 1", FLANGE, WHIZLOCK)	1	EA
10	459842		WASHER, PIN RETAINER (2" X 1/2" X 1/8")	1	EA
11	V63023100		BUSHING (2"OD X 1-3/4"ID X 2" LONG, BRONZE)	2	EA
12	047506		LOCTITE (RED #271)	A/R	EA
13	376327		WASHER, THRUST (.125 X 2.50 X 1.765")	1	EA
14	421105		KIT, HUB/SPINDLE (GREASE)	1	EA
	375985	F1	SEAL, HUB	1	EA
	375986	F1	BEARING, HUB	2	EA
	375987	F1	RACE, BEARING	2	EA
	375988	F1	HUB (W/STUDS)	1	EA
	375989	F1	STUD (1/2-20 R.H. PRESS IN)	5	EA
	375990	F1	STUD (1/2"-20, R.H. SCREW IN)	5	EA
	047480	F1	NUT, LUG (1/2"-20NF, 60 DEG, 13/16")	5	EA
	375992	F1	WASHER	1	EA
	375993	F1	NUT, SPINDLE	1	EA
	375994	F1	RETAINER	1	EA
	375995	F1	CAP, GREASE	1	EA
	375996	F1	PLUG, GREASE CAP	1	EA
	031401		FITTING, GREASE (STRAIGHT, 1/4"-28NF)		
15	472639		COVER, DUST CAP	1	EA
16	9104564		RIM, WHEEL	1	EA
17	029629		STEM, VALVE	1	EA
18	9104606		TIRE (P20575R14, NOT AVAILABLE FOR RESALE)	1	EA
19	375974		PIN, FRONT FORK (16" X 1 3/4 DIA.)	1	EA
			F1 - INCLUDED WITH 421105 HUB KIT		

FORK, NON-GREASE (S/N 29668 AND BEFORE)

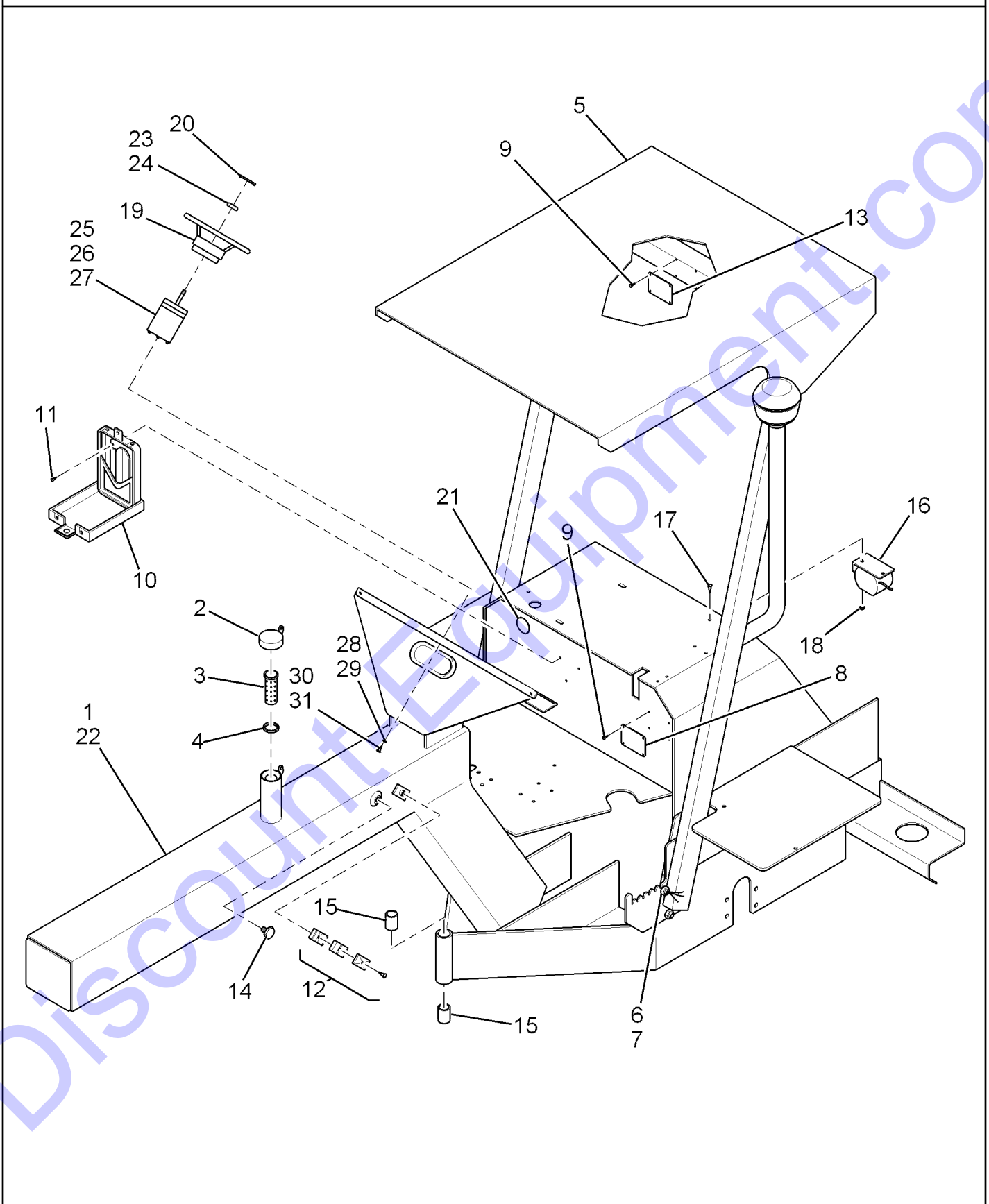


CAP3-0002

FORK, NON-GREASE (S/N 29668 AND BEFORE)

ITEM	PART NUMBER	F/N	DESCRIPTION	QTY	UOM
1	376376		WELDMENT, FRAME	1	EA
2	376005		WELDMENT, FRONT FORK	1	EA
3	376251		EMBLEM, LAY-MOR	1	EA
4	467977		CYLINDER, STEERING	1	EA
5	9103034		PIN, CLEVIS (1" OD X 2-3/4" LONG)	2	EA
6	015768		PIN, HAIR COTTER (3/16")	2	EA
7	441766		CAPSCREW (1/2"-13NC X 1", FLANGE, WHIZLOCK)	1	EA
8	459842		WASHER, PIN RETAINER (2" X 1/2" X 1/8")	1	EA
9	V63023100		BUSHING (2"OD X 1-3/4"ID X 2" LONG, BRONZE)	2	EA
10	376327		WASHER, THRUST (.125 X 2.50 X 1.765")	1	EA
11	472936		CAPSCREW, SOCKET HEAD (5/16"-18UNC X 1")	1	EA
12	9101462	F1	SEAL, FRONT WHEEL	1	EA
13	421099	F1	CONE, BEARING (OUTER)	2	EA
14	421081	F1	CUP, BEARING (OUTER)	2	EA
15	9101054		HUB, FRONT WHEEL (NON GREASE)	1	EA
16	9103642		BUSHING, MACHINERY (FRONT AXLE NUT)	1	EA
17	015164		PIN, COTTER (1/8" X 1-3/4",FRONT AXLE NUT)	1	EA
18	070508		NUT, HEX (1-14NF, FRONT AXLE)	1	EA
19	440487		CAP, DUST	1	EA
20	910465K		RIM, WHEEL	1	EA
21	029629		STEM, VALVE	1	EA
22	9104606		TIRE (P20575R14, NOT AVAILABLE FOR RESALE)	1	EA
23	047480		NUT, LUG (1/2"-20NF, 60 DEG, 13/16")	5	EA
24	472639		COVER, DUST CAP	1	EA
25	047506		LOCTITE (RED #271)	AR	EA
26	376020		PIN, FRONT FORK (12-3/4")	1	EA
27	9101053		AXLE, STUB	1	EA
			F1 - INCLUDED WITH 9101054 HUB, FRONT WHEEL		

374421: FRAME



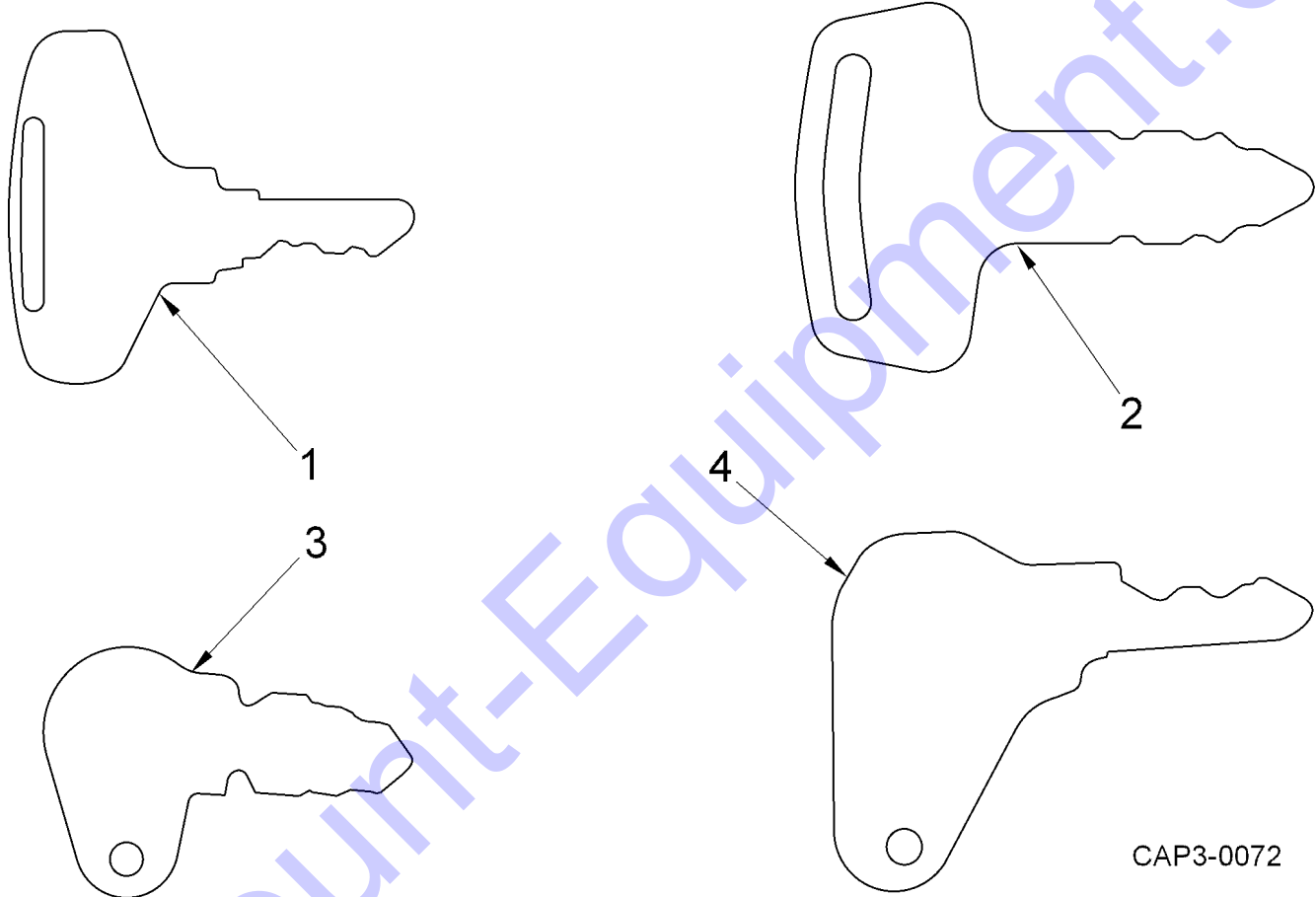
374421: FRAME

ITEM	PART NUMBER	F/N	DESCRIPTION	QTY	UOM
1	376376		WELDMENT, FRAME	1	EA
2	439182		CAP, LOCKING TAB (HYDRAULIC FILLER CAP)	1	EA
3	447979		SCREEN, FILTER	1	EA
4	9104574		WASHER (1.80 X 1.43 I.D. X .06" THK. (HYDRAULIC TA	1	EA
5	376475		WELDMENT, ROPS CANOPY	1	EA
6	021039		CAPSCREW (5/8"-11NC X 1-1/2", PL)	6	EA
7	440651		NUT, HEX (5/8-11NC FLANGE WHIZLOCK GR.G)	6	EA
8	9101135		PLATE, NAME	1	EA
9	052225		SCREW, R.H. DRIVE (TYPE-U # 0.6 X 0.18)	8	EA
10	414672		CASE, BLACK LITERATURE	1	EA
11	425769		RIVET, POP (3/16" DIA X 1/2")	3	EA
12	412569		CLAMP, HOSE (.625)	1	EA
13	472944		PLATE, ROPS CERTIFICATION	1	EA
14	9101942		FITTING, SIGHT GAUGE	1	EA
15	V63023100		BUSHING (2"OD X 1-3/4"ID X 2" LONG, BRONZE)	2	EA
16	473736		ALARM, REVERSE	1	EA
17	441501		CAPSCREW (1/4"-20NC, FLANGE WHIZLOCK)	2	EA
18	440636		NUT, HEX (1/4"-20NC, FLANGE, WHIZLOCK)	2	EA
19	472696		WHEEL, STEERING	1	EA
20	467563		COVER, STEERING WHEEL	1	EA
21	446518		COVER, BLIND (2-1/16" DIA)	1	EA
22	444232		PLUG (3/4-NPT WITH MAGNETIC BASE)	1	EA
23	472878	F1	NUT, STEERING WHEEL (M16 X 1.50)	1	EA
24	034751	F2	NUT, HEX JAM (5/8"-18)	1	EA
25	467449	F1	NLA. ORDER 376470K	1	EA
26	467969	F2	ORBITAL, STEERING	1	EA
	376470K		KIT, FIELD UPDATE VALVE SEAL	1	EA
27	477414	F3	VALVE, ORBITAL STEERING (PROD AFTER 09-2002)	1	EA
	477415		KIT, SEAL (FOR 477414)	1	EA
28	043281	F1	WASHER, LOCK (M8)	4	EA
29	038380	F2	WASHER, LOCK (M10)	2	EA
30	459453	F1	CAPSCREW (M8 X 1.25-16MM)	4	EA
31	058529	F2	BOLT, HEX HEAD (M10 X 1.25 - 20MM)	2	EA
			REMAINING COMPONENTS		
	376012		TUBE FRONT PIVOT	1	EA
	376426		PEDAL, VARIABLE SPEED (SEE PAGE 56)	1	EA
	9103977		SPRING, FOOT PEDAL (VARIABLE SPEED)	1	EA
	433052		YOKE, ADJUSTABLE	1	EA
	436808		YOKE, ADJUSTMENT	1	EA
	9103712		ROD, VARIABLE SPEED CONTROL	1	EA
	835303		NUT, JAM (5/16)	2	EA
		F4	BOLT (16-8, 1 3/4")	2	
		F4	NUT, LOCK (5/16)	2	

374421: FRAME

ITEM	PART NUMBER	F/N	DESCRIPTION	QTY	UOM
	375965		PLATE, REAR FRAME SIDE	1	EA
	331561		COVER, DASH (W/LIGHT HOLE)	1	EA
			F1 - REV. CODE -001 AND BEFORE		
			F2 - REV. CODE-002 AND AFTER		
			F3 - PRODUCTION DATE 9-15-02 AND LATER		
			F4 - PART NUMBER NOT AVAILABLE.		

IGNITION KEY IDENTIFICATION

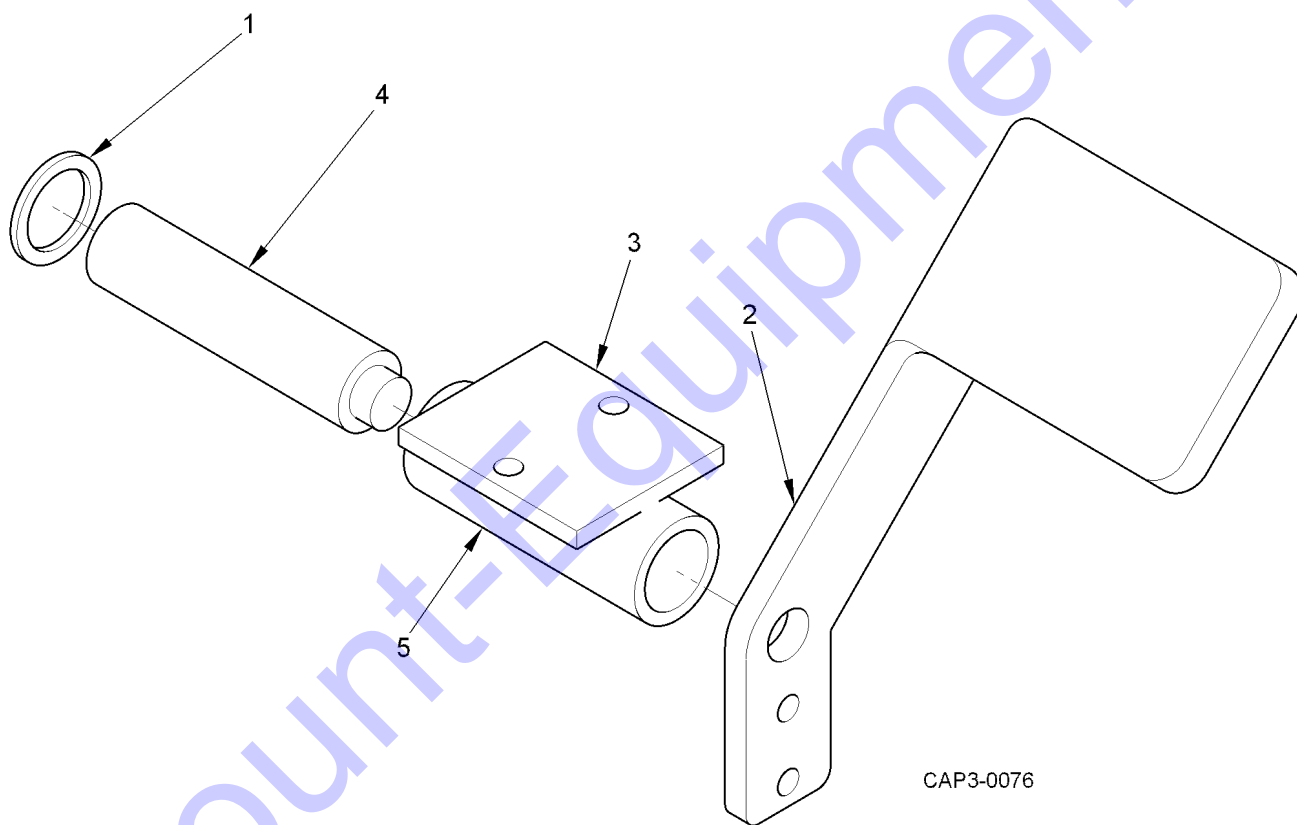


CAP3-0072

IGNITION KEY IDENTIFICATION

ITEM	PART NUMBER	F/N	DESCRIPTION	QTY	UOM
1	9101528	F1	KEY, IGNITION (2 KEYS, KUBOTA SM250)	1	EA
	9101497		SWITCH, IGNITION (W/KEYS, F/KUBOTA ENGINE)	1	EA
2	468090	F2	KEY (KUBOTA ENGINE)	1	EA
	468082		SWITCH, IGNITION (W/KEYS, F/KUBOTA ENGINE)	1	EA
3	468084	F3	KEY (KUBOTA ENGINE)	1	EA
	468083		SWITCH, IGNITION (W/KEYS, F/KUBOTA ENGINE)	1	EA
4	476088	F4	KEY (CATERPILLAR ENGINE)	1	EA
	476087		SWITCH, IGNITION (W/KEYS, F/CATERPILLAR ENGINE)	1	EA
			F1 - FOR 9101528.		
			F2 - FOR 468090.		
			F3 - FOR 468084. SERIAL NUMBER SENSITIVE.		
			F4 - FOR 476088.		

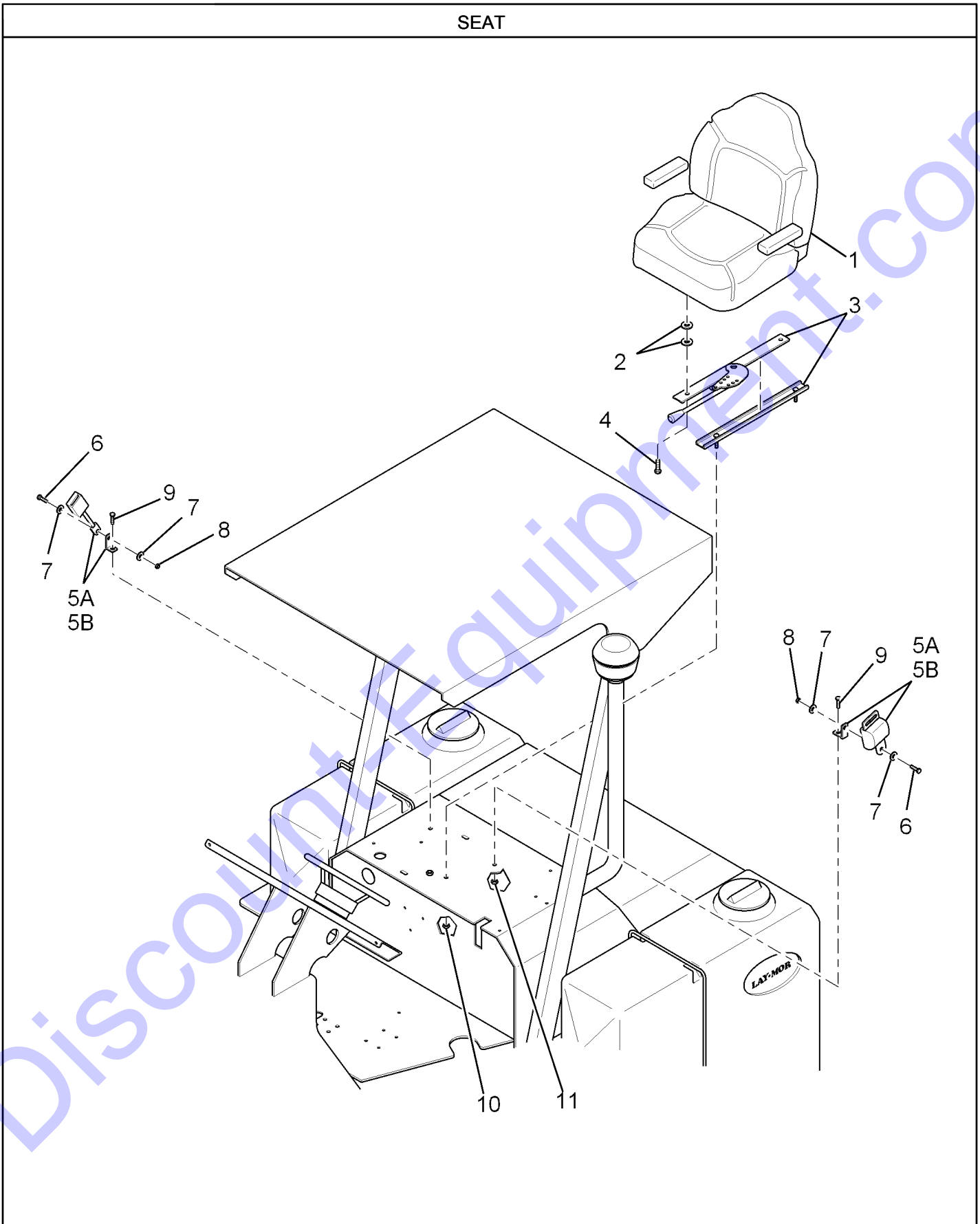
376426: PEDAL, VARIABLE SPEED



376426: PEDAL, VARIABLE SPEED

ITEM	PART NUMBER	F/N	DESCRIPTION	QTY	UOM
1	026146		WASHER, FLAT (5/8" SAE)	1	EA
2	376400		PEDAL, VARIABLE SPEED	1	EA
3	376434		MOUNT ASSEMBLY, VARIABLE SPEED PEDAL	8	EA
4	376491		SHAFT ASSEMBLY, VARIABLE SPEED PEDAL	1	EA
5	010348		CAPSCREW (5/16"-18NC X 1")	4	EA
			REMAINING COMPONENTS		
	9103977		SPRING, FOOT PEDAL (VARIABLE SPEED)	1	EA

SEAT



SEAT

ITEM	PART NUMBER	F/N	DESCRIPTION	QTY	UOM
1	472689		SEAT WITH ARMREST AND SLIDER ASSEMBLY (SEE PAGE 60)	1	EA
2	010579		WASHER, FLAT (5/16")	8	EA
3	035519		ADJUSTERS, SLIDE	1	EA
4	010348		CAPSCREW (5/16"-18NC X 1")	4	EA
5A	458778		SEAT BELT ASSEMBLY, RETRACTABLE (2")	1	EA
5B	443812		BELT, SEAT (3" BLACK)	1	EA
6	010629		CAPSCREW (3/8"-16NC X 1")	2	EA
7	011031		WASHER, FLAT (3/8")	4	EA
8	055233		NUT, LOCK (3/8-16NC TWO-WAY)	2	EA
9	441667		CAPSCREW (3/8"-16NC X 1", FLANGE WHIZLOCK)	2	EA
10	083493		NUT, HEX (5/16"-18NC PL)	4	EA
11	083501		NUT, HEX (3/8"-16NC, FLANGE, WHIZLOCK)	2	EA

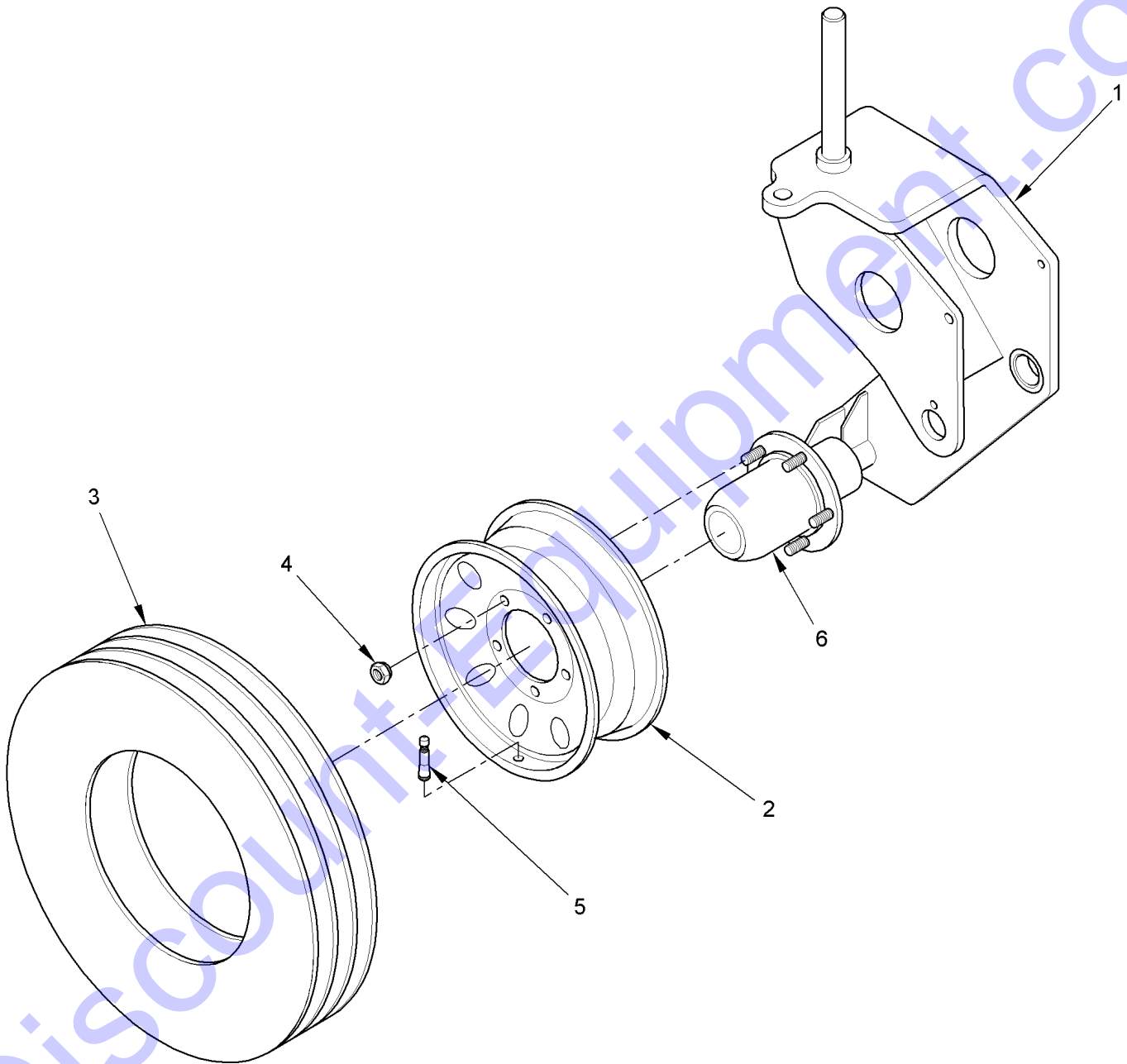
ILLUSTRATION PENDING

Discount-Equipment.com

472689: SEAT ASSEMBLY

ITEM	PART NUMBER	F/N	DESCRIPTION	QTY	UOM
1	472688		SEAT	1	EA
2	035519		ADJUSTERS, SLIDE	1	EA
3	458778		RETRACTABLE SEAT BELT ASSEMBLY (2")	1	EA
4	413856		BOLT	3	EA
5	011323		WASHER, FLAT (3/8")	8	EA
6	441477		LOCKNUT (3/8"-16NC)	4	EA
7	011322		WASHER, FLAT (5/16")	4	EA
8	083493		NUT, HEX (5/16"-18NC PL)	4	EA
9	083527		CAPSCREW (3/8"-16NC X 1-1/4")	AR	EA

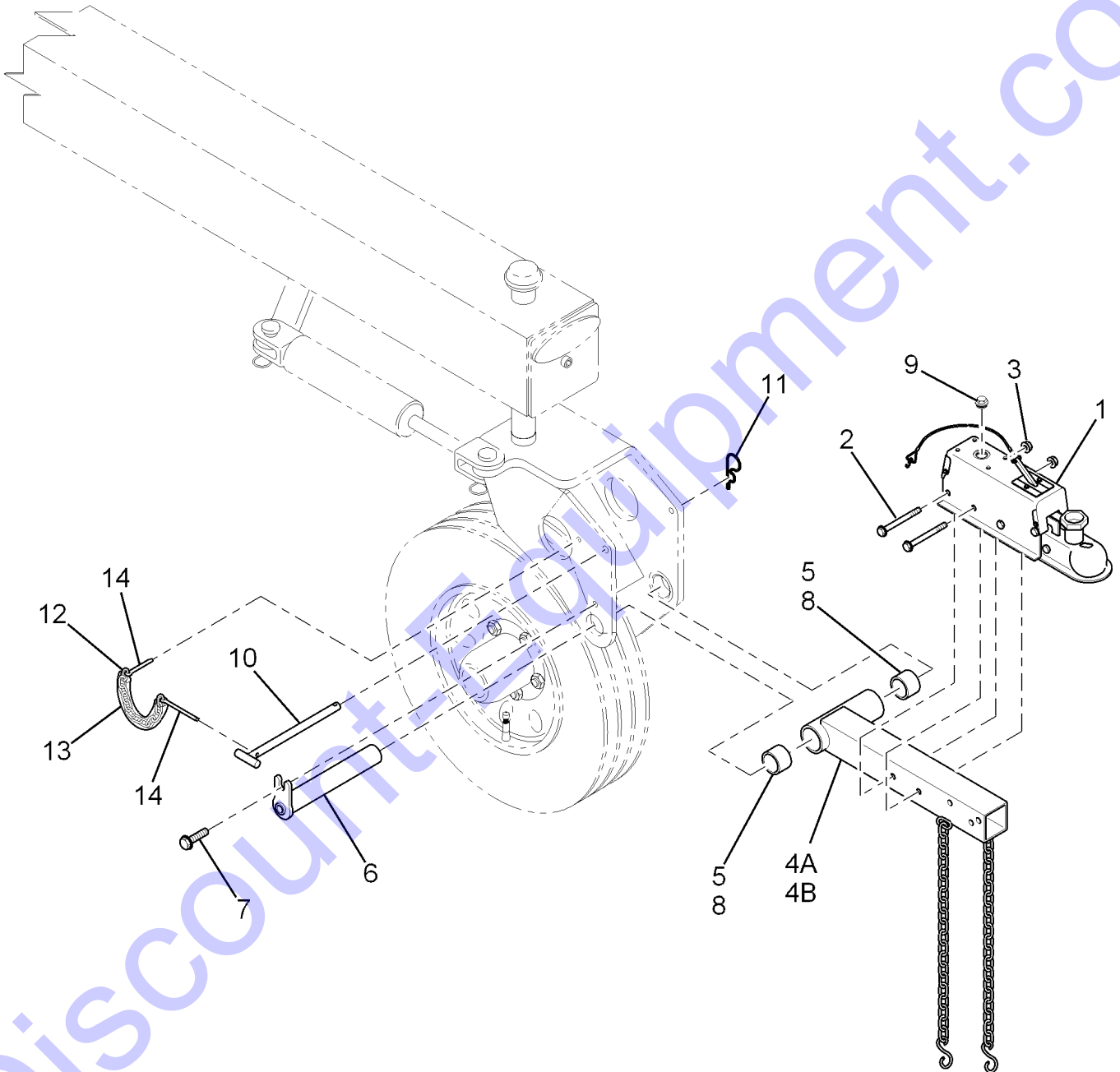
374694: TIRE, WHEEL AND LUG NUT ASSEMBLY



374694: TIRE, WHEEL AND LUG NUT ASSEMBLY

ITEM	PART NUMBER	F/N	DESCRIPTION	QTY	UOM
1	376005		FORK, FRONT	1	EA
2	9104564		RIM, WHEEL	3	EA
3	9104606		TIRE (P20575R14, NOT AVAILABLE FOR RESALE)	3	EA
4	047480		NUT, LUG (1/2"-20NF, 60 DEG, 13/16")	15	EA
5	029629		STEM, VALVE	3	EA
6	472639		COVER, DUST CAP	1	EA

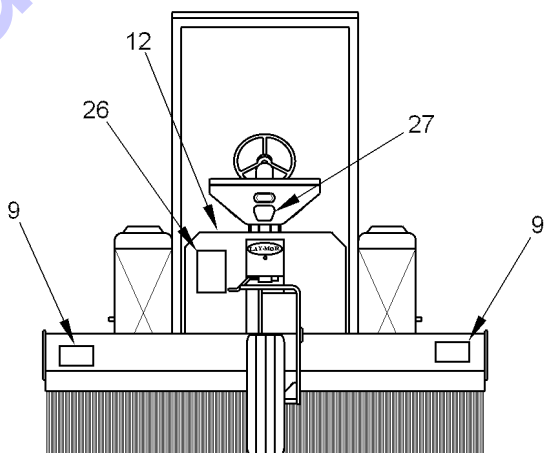
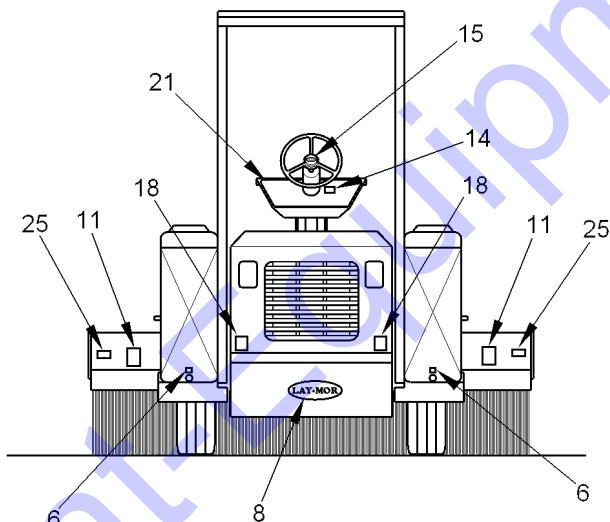
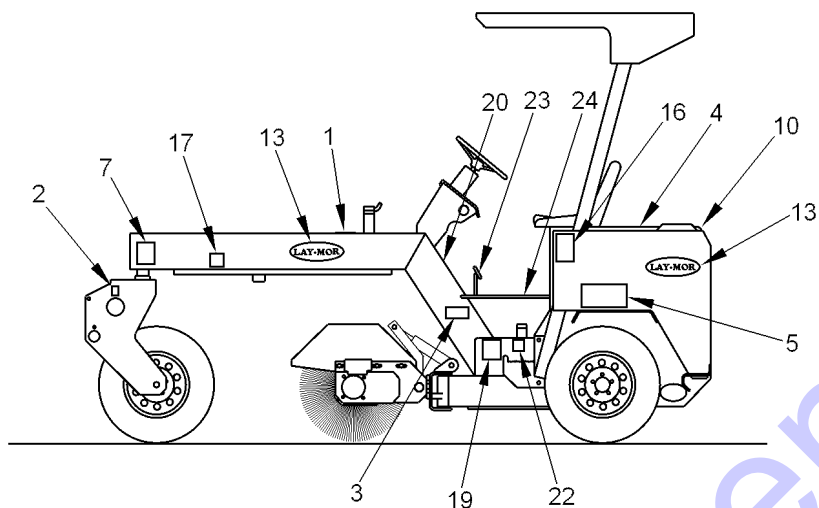
TOW BAR



TOW BAR

ITEM	PART NUMBER	F/N	DESCRIPTION	QTY	UOM
1		F1	ACTUATOR, SURGE BRAKE	1	
2	011460		CAPSCREW (1/2"-13NC X 4" PL.)	2	EA
3	403907		NUT, LOCK (1/2"-13NC, NYLON INSERT)	2	EA
4A	376087		STR., TOW BAR	1	EA
4B	378950	F2	STR., LONG TOW BAR (OPTIONAL)	1	EA
5	V63023100		BUSHING (2"OD X 1-3/4"ID X 2" LONG, BRONZE)	2	EA
6	376509		STR., PIN (1.75" DIA. X 9.25")	1	EA
7	441758		CAPSCREW (1/2"-13NC X 3/4", FLANGE, WHIZLOCK)	1	EA
8	047506		LOCTITE (RED #271)	A/R	EA
9	374009		CAP, MODIFIED (MASTER CYLINDER)	1	EA
10	377135		PIN, TOW BAR STOW	1	EA
11	058917		PIN, COTTER (1/8")	1	EA
12	426627		CHAIN (#4 STRAIGHT LINK)	1	EA
13	467209		LOOM, CLEAR VINYL	1	EA
14	015305		PIN, COTTER (3/16" X 1", STEEL PL)	1	EA
			REMAINING COMPONENTS		
	473678	F3	CAP ASSY (PINTLE EYE 2-5/16" BALL HITCH)	1	EA
	377333		HARNESS, HITCH	1	EA
			F1 - SEE SURGE BRAKE ACTUATOR ASSEMBLY		
			F2 - REQUEST COLOR WHEN ORDERING		
			F3 - USED WITH 378950		

377002: KIT, DECAL (SWEEPMASTER 300)

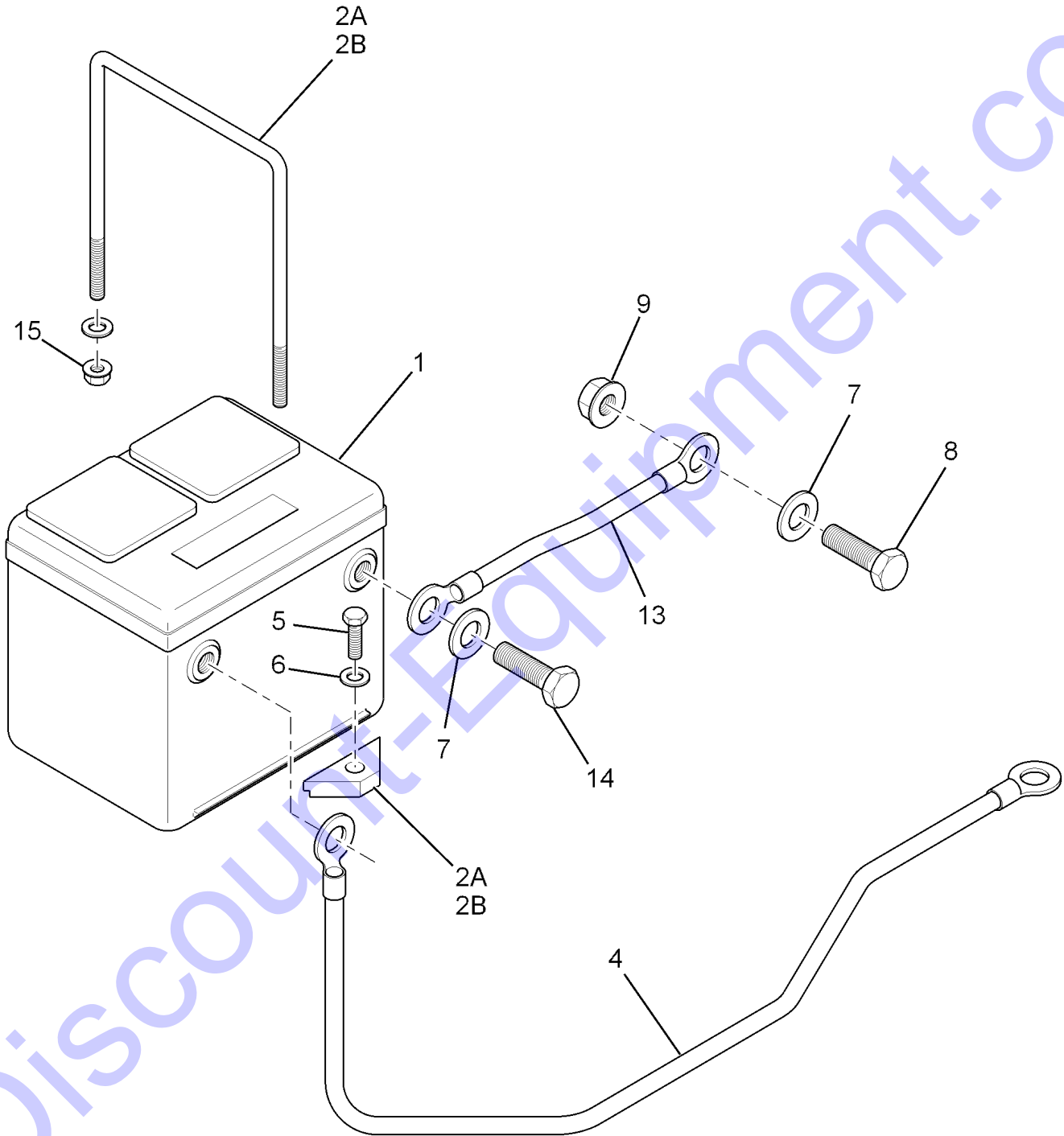


CAP3-0042

377002: KIT, DECAL (SWEEPMASTER 300)

ITEM	PART NUMBER	F/N	DESCRIPTION	QTY	UOM
1	450155		DECAL, HYDRAULIC OIL	1	EA
2	472746		DECAL, TIE DOWN	2	EA
3	472811		DECAL, FILTER SCREEN	1	EA
4	472753		DECAL, WATER TANK	2	EA
5	472837		DECAL, TOWING INSTRUCTIONS	2	EA
6	472761		DECAL, WATER TANK DRAIN	2	EA
7	472829		DECAL, TOWING INSTRUCTIONS (BEFORE AND AFTER)	2	EA
8	9101138		DECAL, LAY-MOR (3.37" X 9.25")	1	EA
9	467266		DECAL, WARNING ("STAND CLEAR OF BROOM")	2	EA
10	472795		DECAL, RADIATOR CAP	1	EA
11	472720		DECAL, DANGER (PINCH POINT)	2	EA
12	472803		DECAL, DIRECTION CONTROL	1	EA
13	9101137		DECAL, LAY-MOR	4	EA
14	448811		DECAL, CALIFORNIA WARNING	1	EA
15	462606		DECAL, STEERING WHEEL	1	EA
16	472738		DECAL, DANGER NO RIDERS	2	EA
17	472779		DECAL, STEERING VALVE	1	EA
18	443614		DECAL, DANGER ("ROTATING FAN")	2	EA
19	445387		DECAL, DANGER "EXPLOSION HAZARD"	1	EA
20	472712		DECAL, OPERATING INSTRUCTIONS	1	EA
21	472704		DECAL ("DISENGAGE REAR HUBS")	1	EA
22	450148		DECAL, DIESEL FUEL	1	EA
23	460170		PAD, PEDAL	1	EA
24	432955		SAFETY WALK (11.00" X 12.50")	1	EA
25	436261		TAPE, REFLECTOR (RED)	2	EA
26	467910		DECAL, LUBRICATION AND MAINTENANCE CHART	1	EA
27	475848		DECAL, REAR HUB DISENGAGE	1	EA
			REMAINING COMPONENTS		
	468181		DECAL, DASH (OPTION)	1	EA

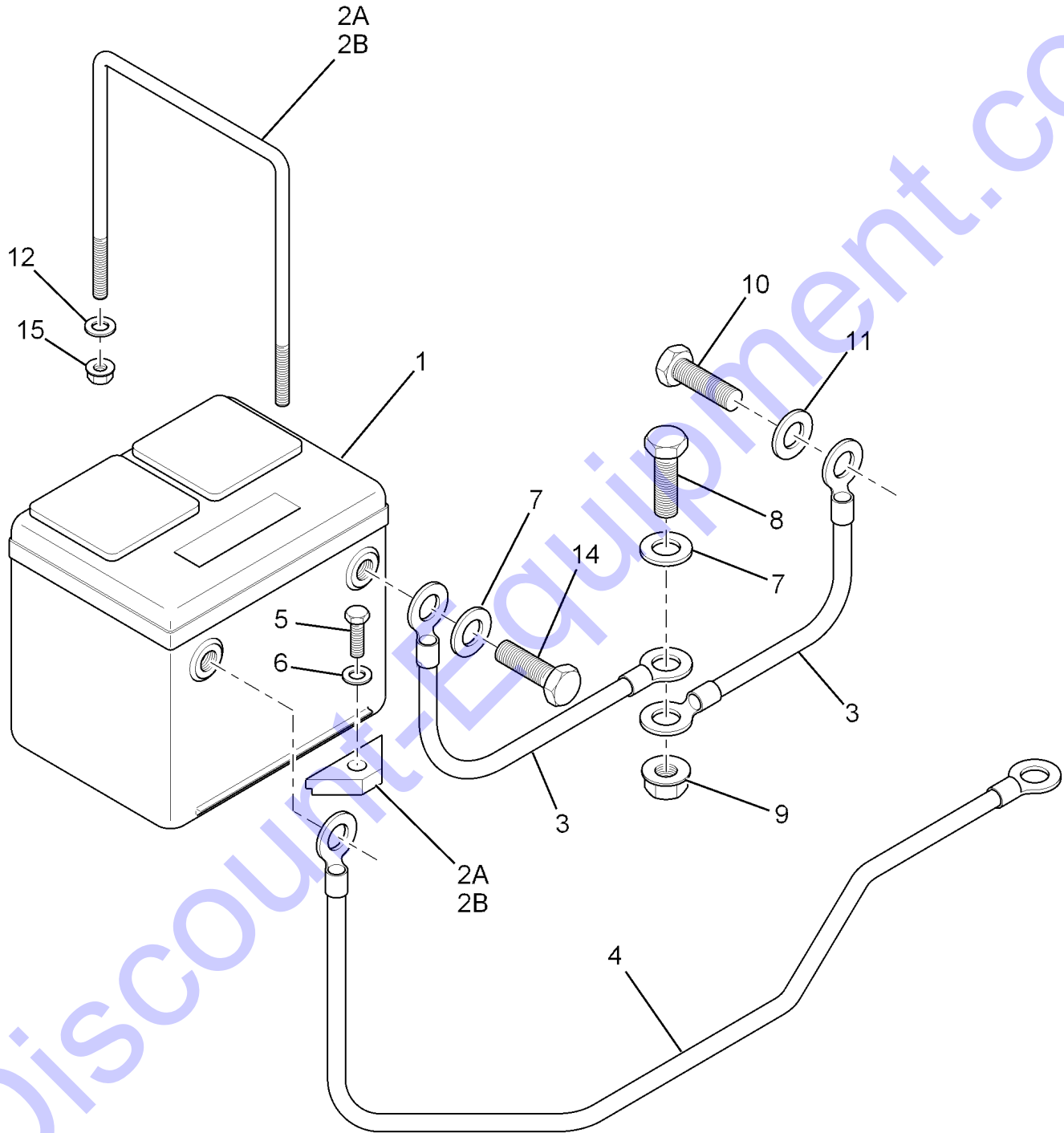
BATTERY ASSEMBLY (CATERPILLAR ENGINE)



BATTERY ASSEMBLY (CATERPILLAR ENGINE)

ITEM	PART NUMBER	F/N	DESCRIPTION	QTY	UOM
1	9101583		BATTERY (12C GROUP-78-60)	1	EA
2A	9102915		U-BOLT, BATTERY HOLD-DOWN (EARLY STYLE)	1	EA
2B	474882		HOLD DOWN, BATTERY (LATER STYLE)	1	EA
4	474924		CABLE, BATTERY (36")	AR	EA
5	010363		CAPSCREW (5/16"-18NC X 1-1/2")	1	EA
6	010579		WASHER, FLAT (5/16")	1	EA
7	011031		WASHER, FLAT (3/8")	3	EA
8	441667		CAPSCREW (3/8"-16NC X 1", FLANGE WHIZLOCK)	1	EA
9	083501		NUT, HEX (3/8"-16NC, FLANGE, WHIZLOCK)	1	EA
13	314294		CABLE, BATTERY (19")	1	EA
14	010629		CAPSCREW (3/8"-16NC X 1")	2	EA
15	093799		NUT, LOCK (5/16"-18NC, NYLON INSERT)	2	EA

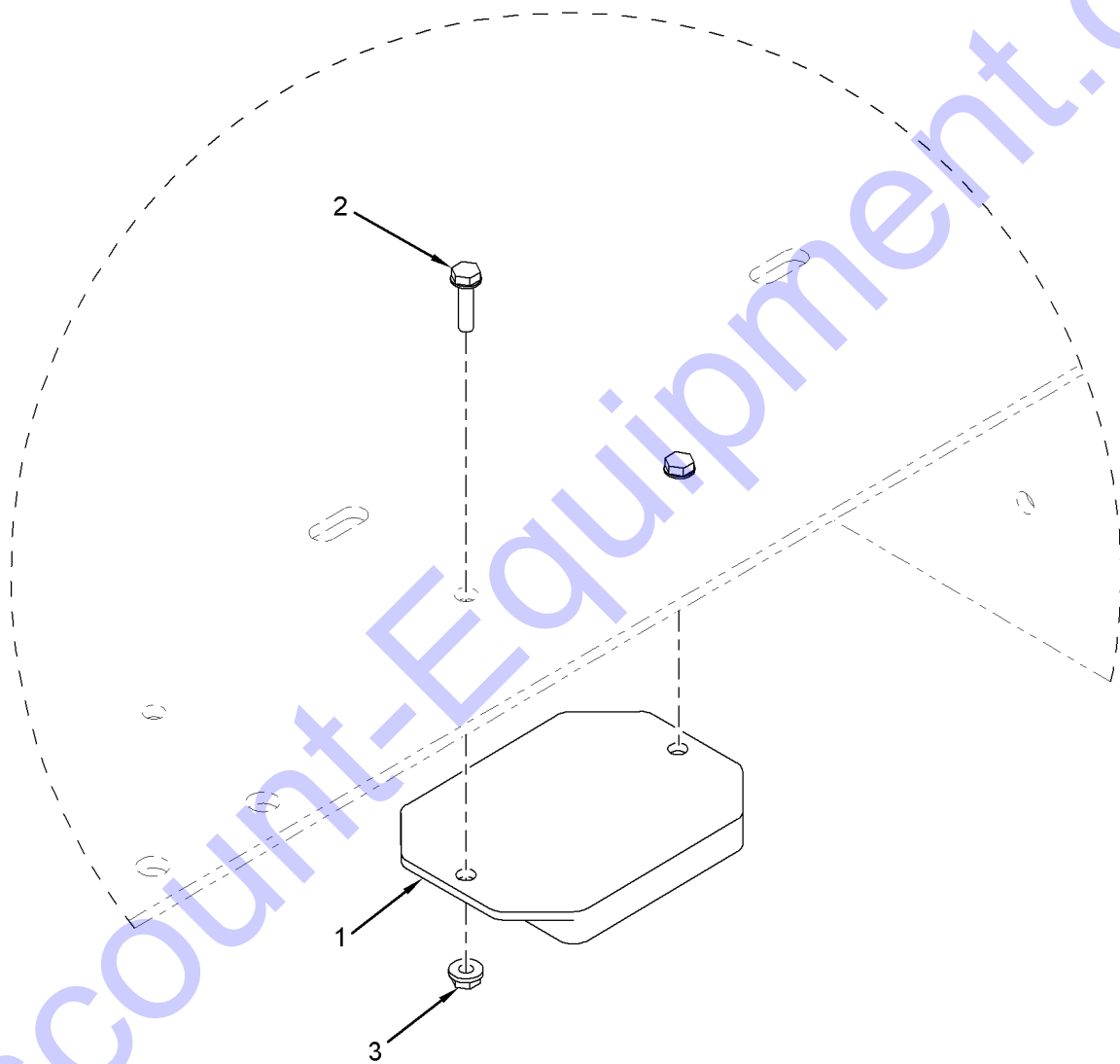
BATTERY ASSEMBLY (KUBOTA ENGINE)



BATTERY ASSEMBLY (KUBOTA ENGINE)

ITEM	PART NUMBER	F/N	DESCRIPTION	QTY	UOM
1	9101583		BATTERY (12C GROUP-78-60)	1	EA
2A	9102915		U-BOLT, BATTERY HOLD-DOWN (EARLY STYLE)	1	EA
2B	474882		HOLD DOWN, BATTERY (LATER STYLE)	1	EA
3	376822		CABLE, BATTERY (NEGATIVE)	2	EA
4	376830		CABLE, BATTERY (POSITIVE)	AR	EA
5	010363		CAPSCREW (5/16"-18NC X 1-1/2")	1	EA
6	010579		WASHER, FLAT (5/16")	1	EA
7	011031		WASHER, FLAT (3/8")	3	EA
8	441667		CAPSCREW (3/8"-16NC X 1", FLANGE WHIZLOCK)	1	EA
9	083501		NUT, HEX (3/8"-16NC, FLANGE, WHIZLOCK)	1	EA
10	459479		CAPSCREW, HEX HEAD (M10 X 1.25-25MM)	1	EA
11	011650		WASHER, FLAT (1/2")	1	EA
12	010579		WASHER, FLAT (5/16")	1	EA
14	010629		CAPSCREW (3/8"-16NC X 1")	2	EA
15	093799		NUT, LOCK (5/16"-18NC, NYLON INSERT)	2	EA

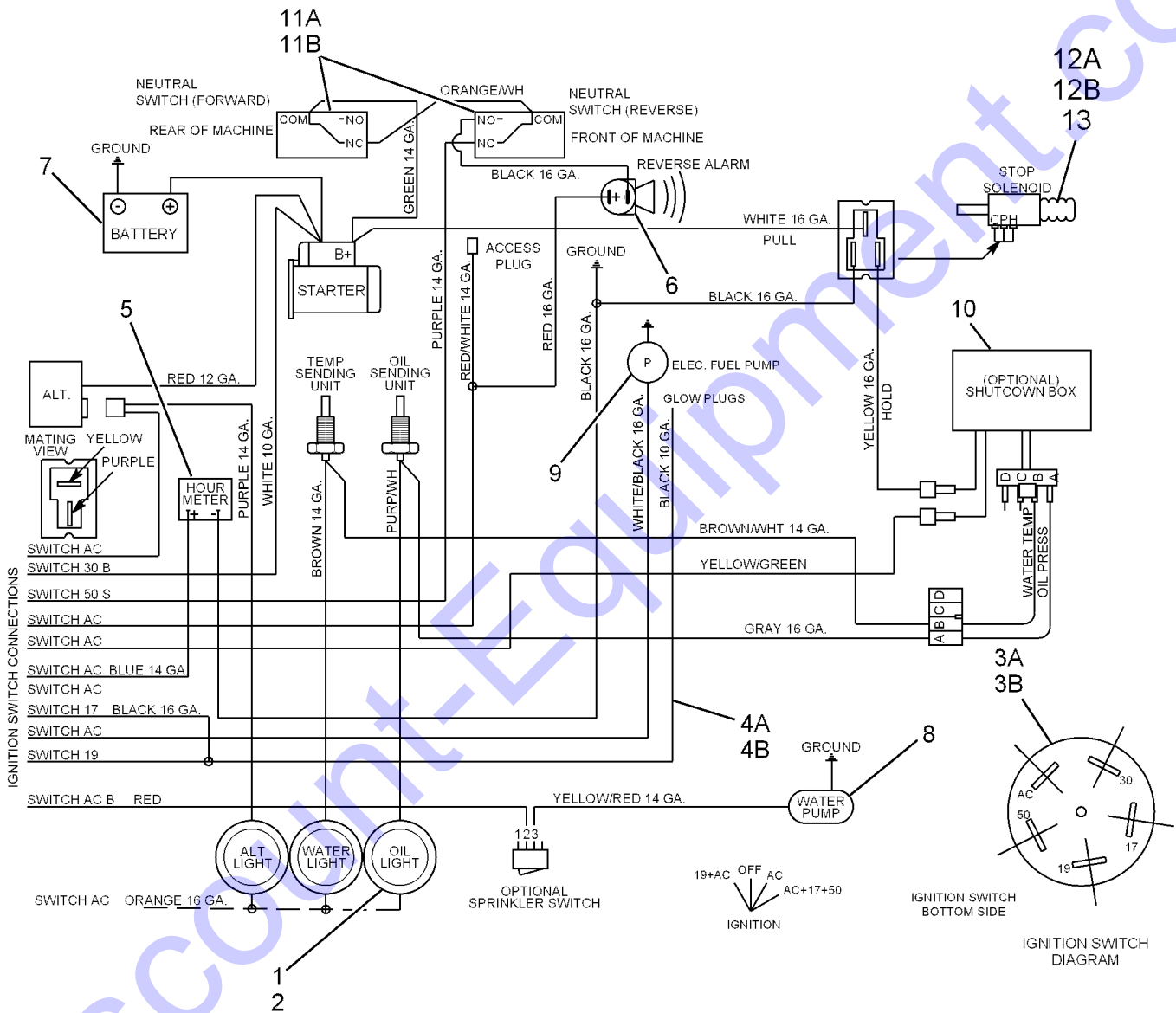
374967: EMERGENCY SHUTDOWN, ENGINE



374967: EMERGENCY SHUTDOWN, ENGINE

ITEM	PART NUMBER	F/N	DESCRIPTION	QTY	UOM
1	465229		MODULE, ENGINE PROTECTION	1	EA
2	441501		CAPSCREW (1/4"-20NC, FLANGE WHIZLOCK)	2	EA
3	440636		LOCKNUT (1/4"-20NC, FLANGE, WHIZLOCK)	2	EA

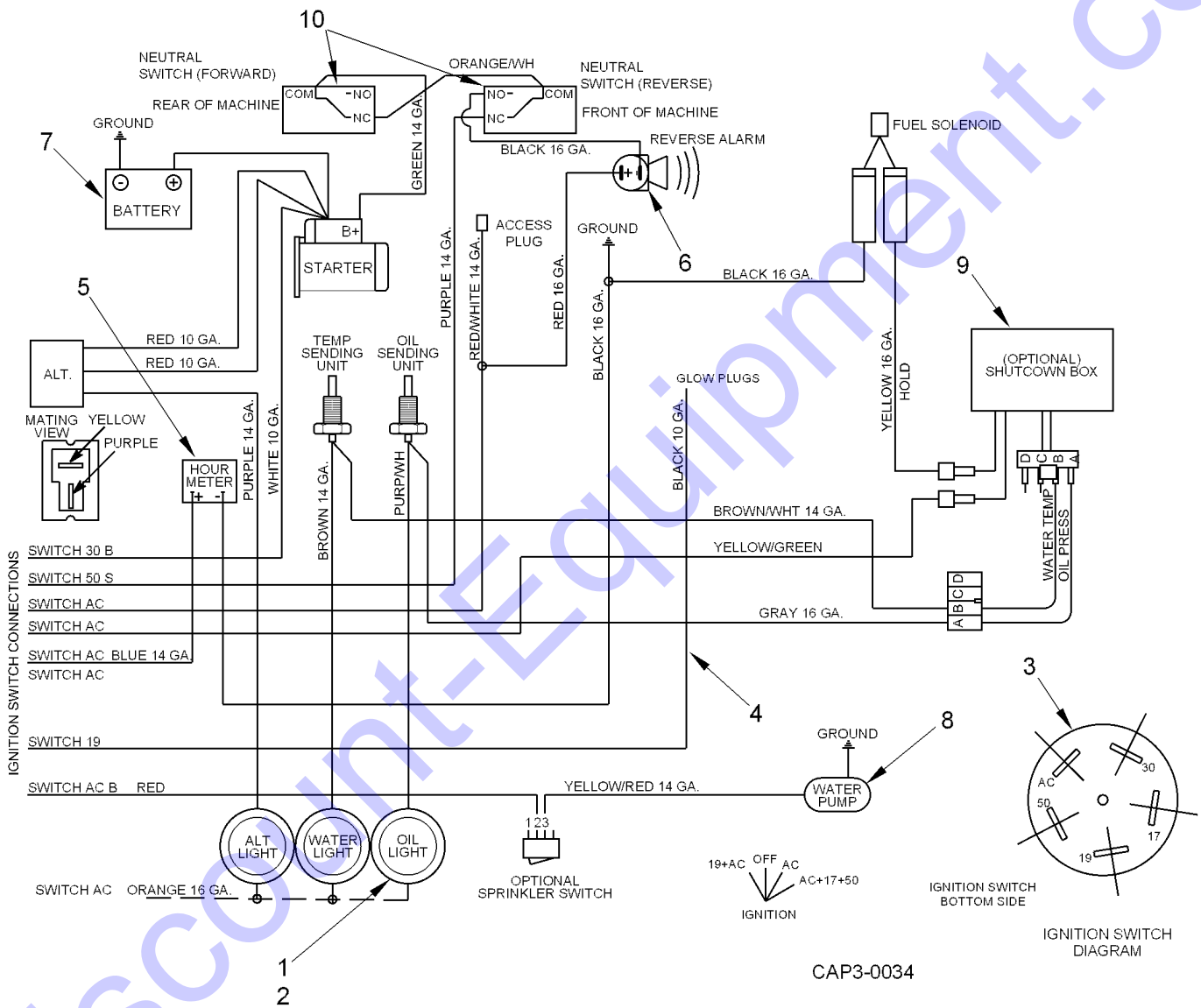
HARNES, ELECTRICAL WIRING



HARNESS, ELECTRICAL WIRING

ITEM	PART NUMBER	F/N	DESCRIPTION	QTY	UOM
1	057448		LIGHT, RED INDICATOR	3	EA
2	060624		BULB (12V, 2-WATT)	3	EA
3A	9101497		SWITCH, IGNITION (W/KEYS, F/KUBOTA ENGINE)	1	EA
3B	9101528		KEY, IGNITION (2 KEYS, KUBOTA SM250)	1	EA
4A	377077	F1	HARNESS, MAIN WIRING	1	EA
4B	386441	F2	MAIN WIRING ASSEMBLY	1	EA
5	460485		METER, HOUR	1	EA
6	473736		ALARM, REVERSE	1	EA
7		F3	BATTERY (12C GROUP 78-60)	1	
8	416826		PUMP, WATER (12V, 1.2 GPM)	1	EA
9	9101888		PUMP, FUEL (ELECTRIC)	1	EA
10	465229		MODULE, ENGINE PROTECTION	1	EA
11A	9104049		SWITCH, MICRO (FORWARD/REVERSE)	2	EA
11B	477182	F4	KIT, VALVE SWITCH	2	EA
12A	447813	F5	SOLENOID, FUEL SHUT-OFF	1	EA
12B	447673		SOLENOID, SHUTOFF (2 WIRE)	1	EA
13	473673		GASKET, FUEL SOLENOID	1	EA
			REMAINING COMPONENTS		
	442095		RELAY (12V, 30AMP)	1	EA
	477406		KIT, SOLENOID TERMINAL CONNECTOR	1	EA
	460113		SWITCH, 2-POSITION (ON/OFF, W/ LIGHT)	1	EA
	V63121300		MODULE, FLASHER (3 PRONG)	1	EA
	381418		KIT, STROBE LIGHT	1	EA
	094623		LAMP, STROBE (BULB)	1	EA
			F1 - REV CODE 005 AND EARLIER		
			F2 - REV CODE 007 AND LATER		
			F3 - SEE BATTERY ASSEMBLY		
			F4 - FOR UNITS MADE AFTER JULY 2002		
			F5 - EARLIER MODELS		

HARNESS, ELECTRICAL WIRING (CAT ONLY)

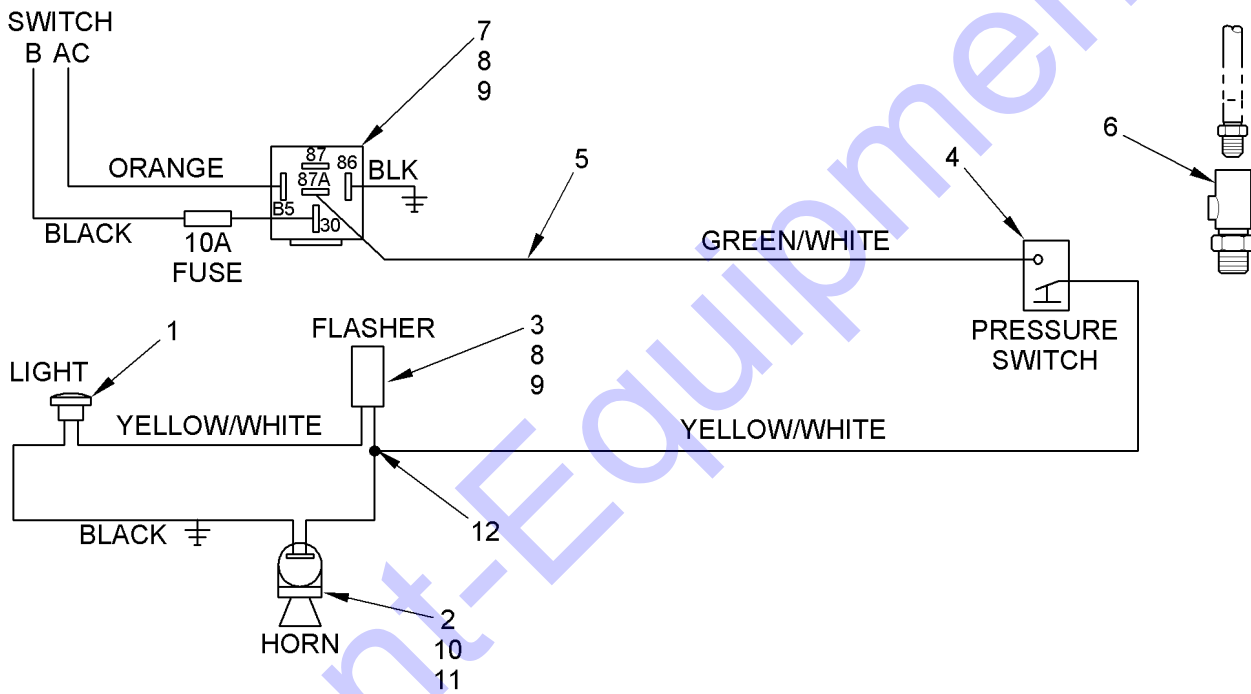


CAP3-0034

HARNESS, ELECTRICAL WIRING (CAT ONLY)

ITEM	PART NUMBER	F/N	DESCRIPTION	QTY	UOM
1	057448		LIGHT, RED INDICATOR	3	EA
2	060624		BULB (12V, 2-WATT)	3	EA
3	476087		SWITCH, IGNITION (W/KEYS, F/CATERPILLAR ENGINE)	1	EA
4	385039		MAIN WIRING ASSEMBLY	1	EA
5	460485		METER, HOUR	1	EA
6	464271		ALARM, REVERSE	1	EA
7		F1	BATTERY (12C GROUP 78-60)	1	
8	416826		PUMP, WATER (12V, 1.2 GPM)	1	EA
9	465229	F2	MODULE, ENGINE PROTECTION	1	EA
10	9104049	F2	SWITCH, MICRO (FORWARD/REVERSE)	2	EA
			REMAINING COMPONENTS		
	476088		KEY (CATERPILLAR ENGINE)	1	EA
			F1 - PART NUMBER NOT AVAILABLE.		
			F2 - OPTIONAL		

331587: HUB DISENGAGE WARNING SYSTEM



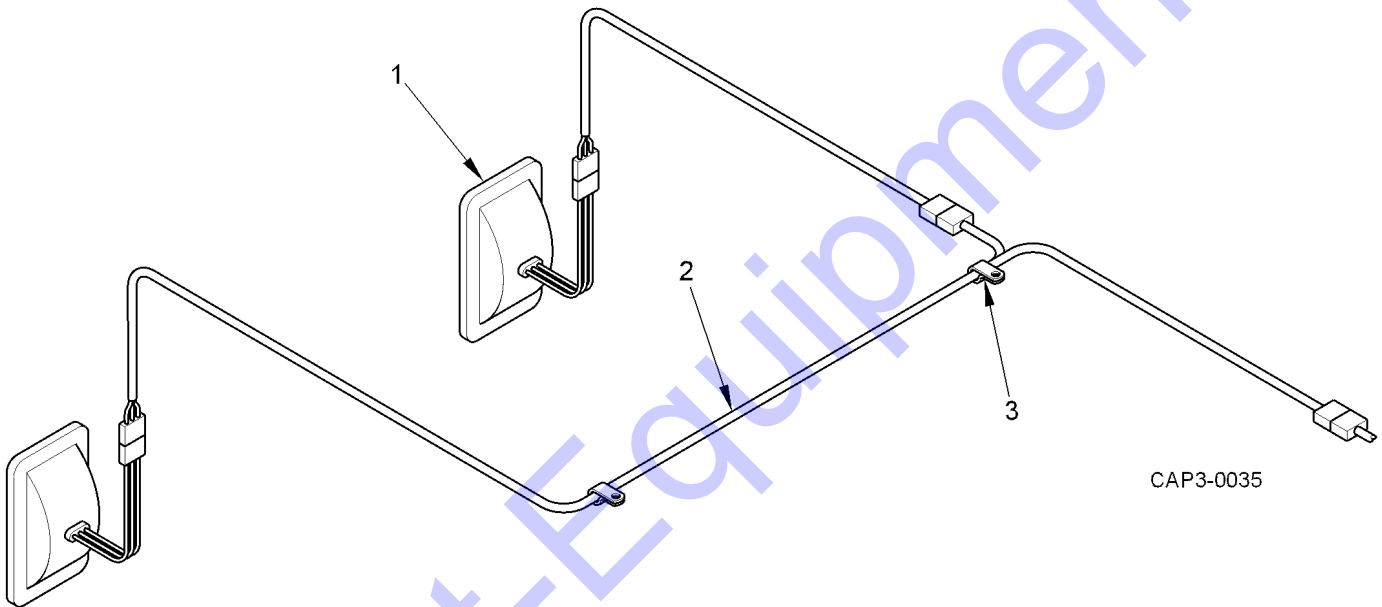
FWD



331587: HUB DISENGAGE WARNING SYSTEM

ITEM	PART NUMBER	F/N	DESCRIPTION	QTY	UOM
1	446229		LIGHT, OVAL TAIL	1	EA
2	476937		HORN (12V, W/BRACKET)	1	EA
3	V63121300		MODULE, FLASHER (3 PRONG)	1	EA
4	475889		SWITCH, PRESSURE	1	EA
5	331579		HARNESS, WIRING (UNLOCK HUBS)	1	EA
6	475871		ADAPTER, TEST PORT	1	EA
7	442095		RELAY (12V, 30AMP)	1	EA
8	465104		SCREW, PHILLIPS HEAD (8-32 X .50)	2	EA
9	465153		NUT, HEX (8-32 STAINLESS)	2	EA
10	441519		CAPSCREW, FLANGE HEAD (5/16"-18NC X 1/2")	1	EA
11	474734		NUT, HEX (5/16"-18NC)	1	EA
12	V01162800		TERMINAL, MALE SLIDE (.25)	1	EA
	041236		TIE, CABLE (7-1/4" X 3/16", 1-3/4" DIA, BLACK)	10	EA
	331561		COVER, DASH (W/LIGHT HOLE)	1	EA
	472704		DECAL ("DISENGAGE REAR HUBS")	1	EA

LIGHT, TAIL

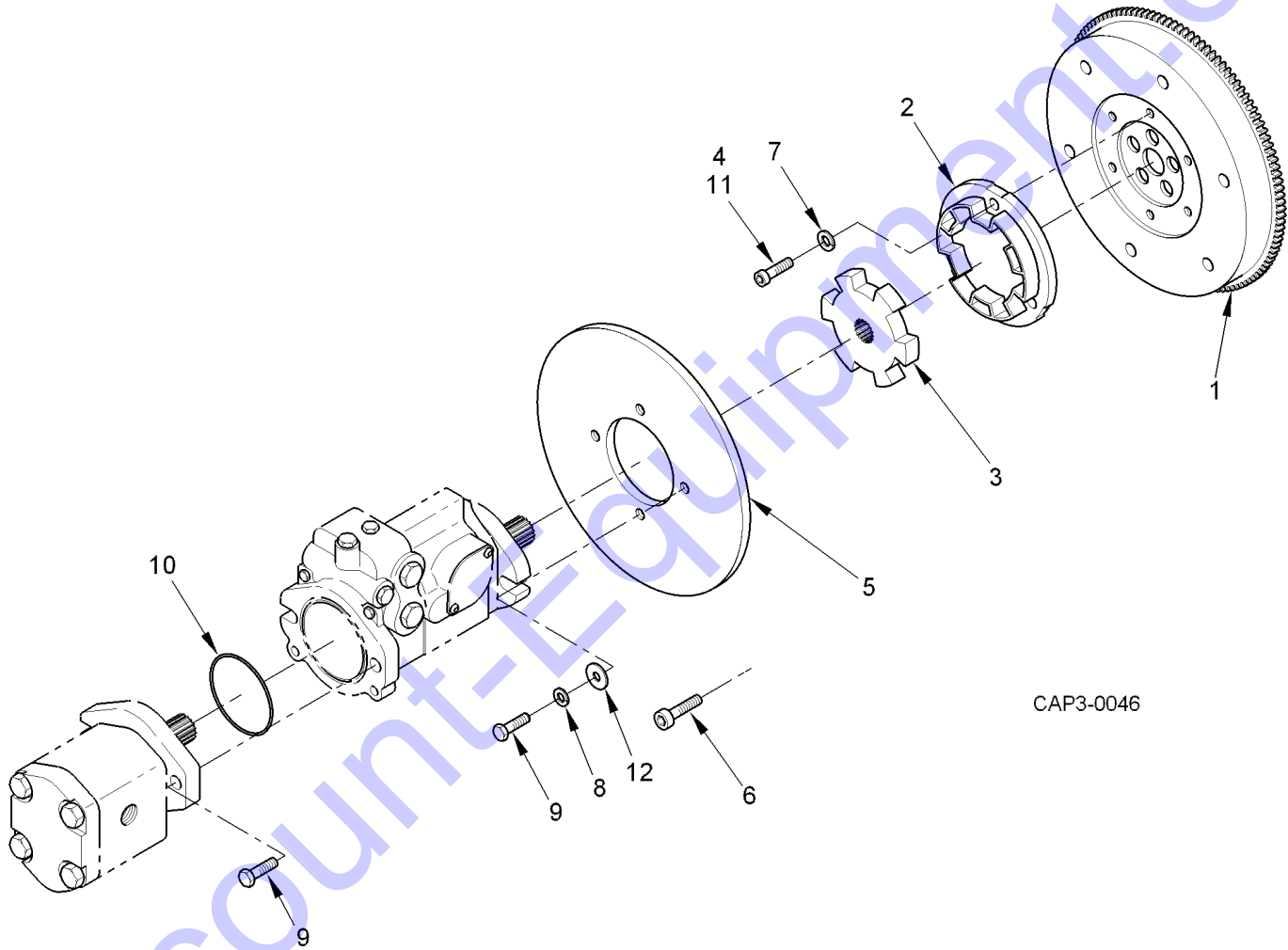


CAP3-0035

LIGHT, TAIL

ITEM	PART NUMBER	F/N	DESCRIPTION	QTY	UOM
1	377069		TAIL LIGHT ASSEMBLY	2	EA
2	377051		HARNESS, WIRING	1	EA
3	028993		CLAMP, LOOP (1/2" ID)	2	EA
			REMAINING COMPONENTS		
	377077		HARNESS, MAIN WIRING	1	EA
	377333		HARNESS, HITCH	1	EA
	377325		HARNESS, TAIL LIGHT FRAME	1	EA

DRIVE, HYD PUMP (CATERPILLAR)

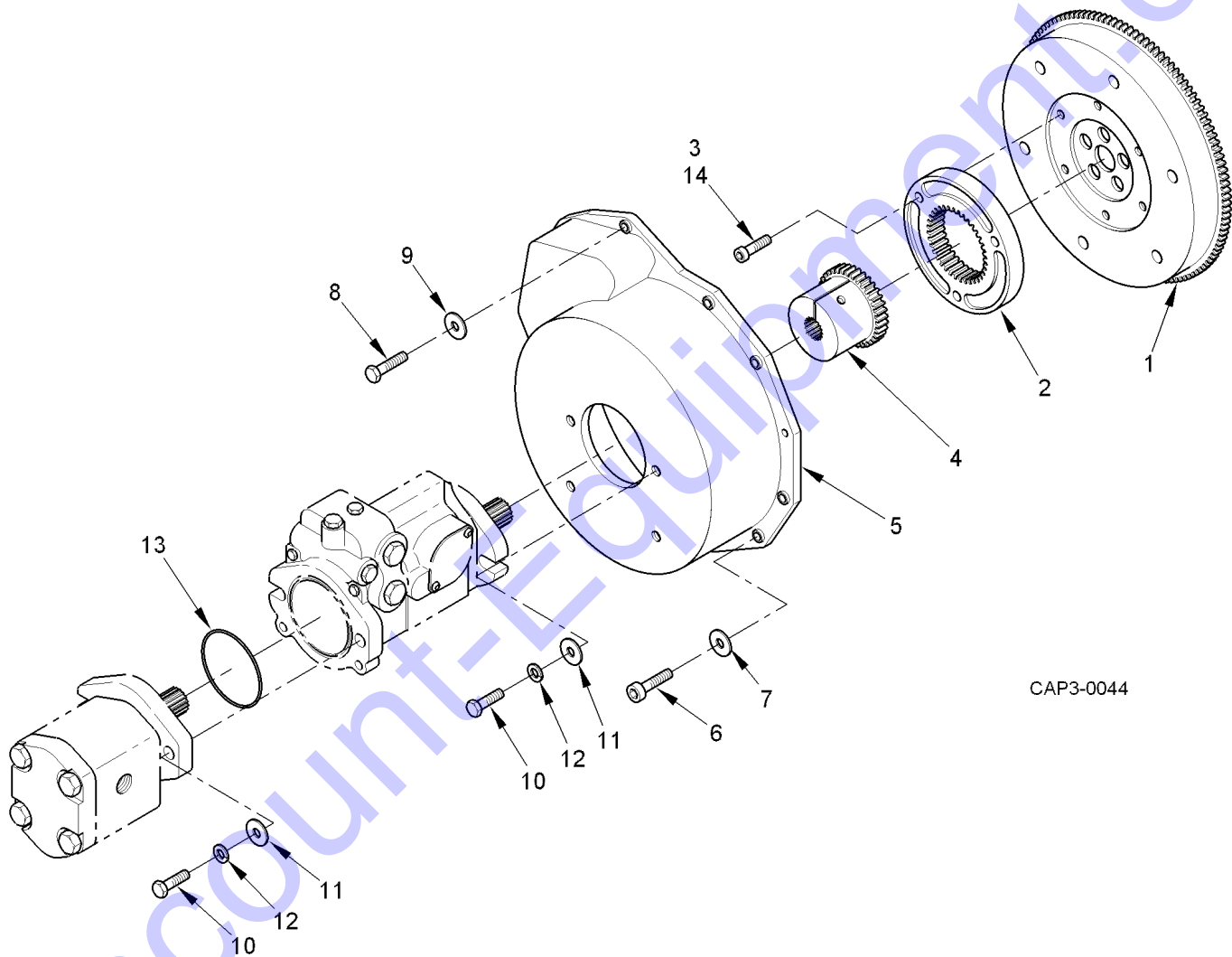


CAP3-0046

DRIVE, HYD PUMP (CATERPILLAR)

ITEM	PART NUMBER	F/N	DESCRIPTION	QTY	UOM
1	476093	F1	FLYWHEEL	1	
			KIT, PUMP DRIVE	1	EA
2		F2	KIT, PUMP DRIVE COUPLER	1	
3		F2	GEAR, PUMP DRIVE	1	
4	010363		CAPSCREW (5/16"-18NC X 1-1/2")	8	EA
5	385096		PLATE, PUMP MOUNT	1	EA
6	441675		CAPSCREW (3/8-16NC X 1.50")	12	EA
7	010561		WASHER, LOCK (5/16")	8	EA
8	011023		WASHER, LOCK (3/8")	4	EA
9	010645		CAPSCREW (3/8"-16NC X 1-1/2")	4	EA
10	9101819		O-RING	4	EA
11	047506		LOCTITE (RED #271)	AR	EA
12	011031		WASHER, FLAT (3/8")	4	EA
			F1 - PURCHASE FROM CATERPILLAR		
			F2 - INCLUDED WITH 476093 PUMP DRIVE KIT		

DRIVE, HYD PUMP (S/N 28239 AND BEFORE)

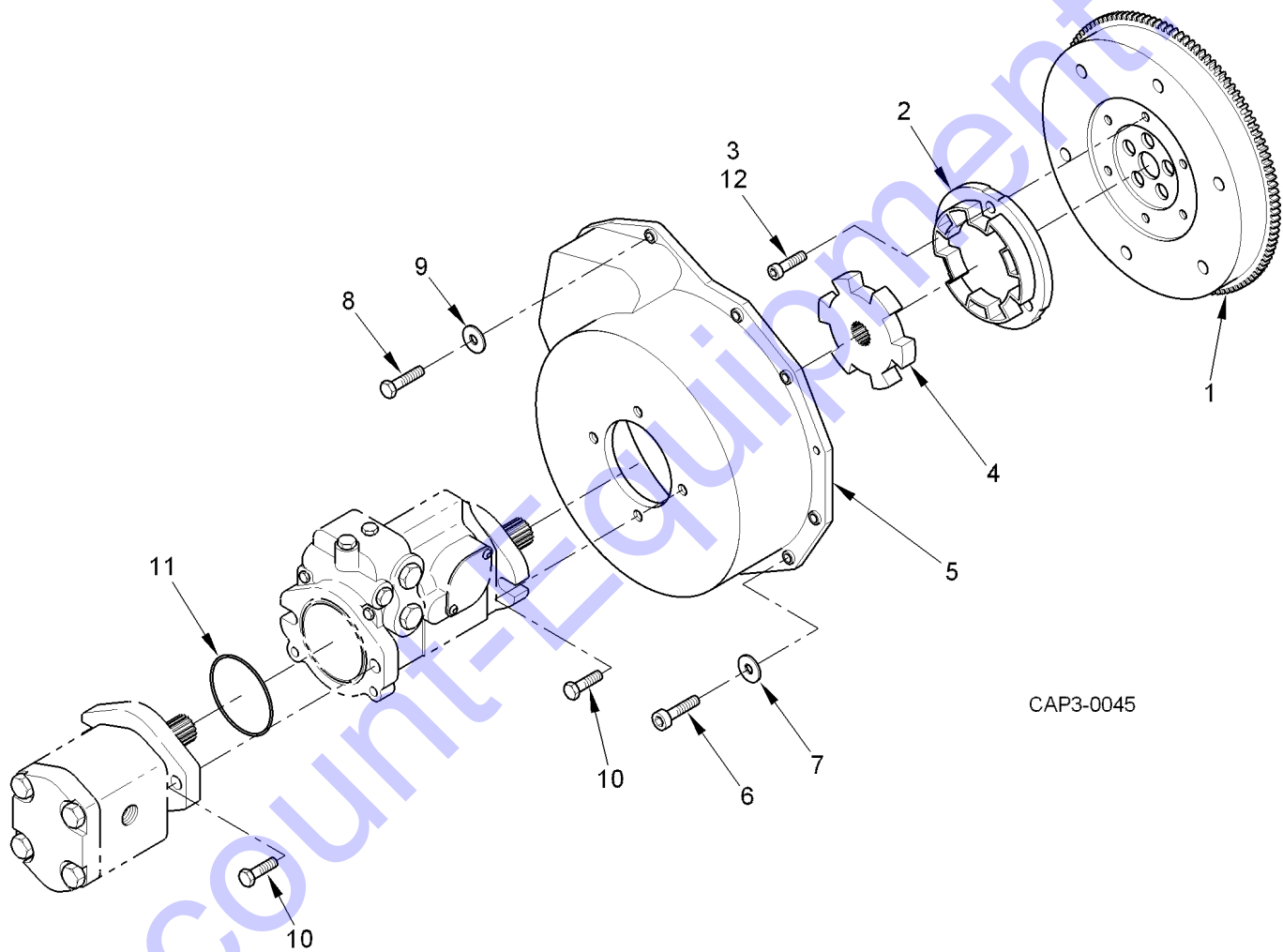


CAP3-0044

DRIVE, HYD PUMP (S/N 28239 AND BEFORE)

ITEM	PART NUMBER	F/N	DESCRIPTION	QTY	UOM
1	374795		FLYWHEEL (W/RING GEAR)	1	EA
	474239		HOUSING, BELL (W/PUMP DRIVE)	1	EA
2	9103935	F1	ADAPTER, FLYWHEEL	1	EA
3	464255	F1	CAPSCREW, SOCKET HEAD (M10 X 1.25 X M30)	4	EA
4	9103936	F1	GEAR, PUMP DRIVE	1	EA
5	9103937	F1	FLYWHEEL HOUSING/PUMP MOUNT	1	EA
6	404673	F1	CAPSCREW, SOCKET HEAD (M8 X 1.25CP-6G X M30)	8	EA
7	075291	F1	WASHER, FLAT (M8)	8	EA
8	459537	F1	BOLT (M10 X 1.50" ZINK GR.5)	2	EA
9	038380	F1	WASHER, LOCK (M10)	2	EA
10	010645		CAPSCREW (3/8"-16NC X 1-1/2")	4	EA
11	011031		WASHER, FLAT (3/8")	4	EA
12	011023		WASHER, LOCK (3/8")	4	EA
13	9101819		O-RING	1	EA
14	047506		LOCTITE (RED #271)		
			F1 - INCLUDED WITH 474239 BELL HOUSING WITH PUMP DRIVE		

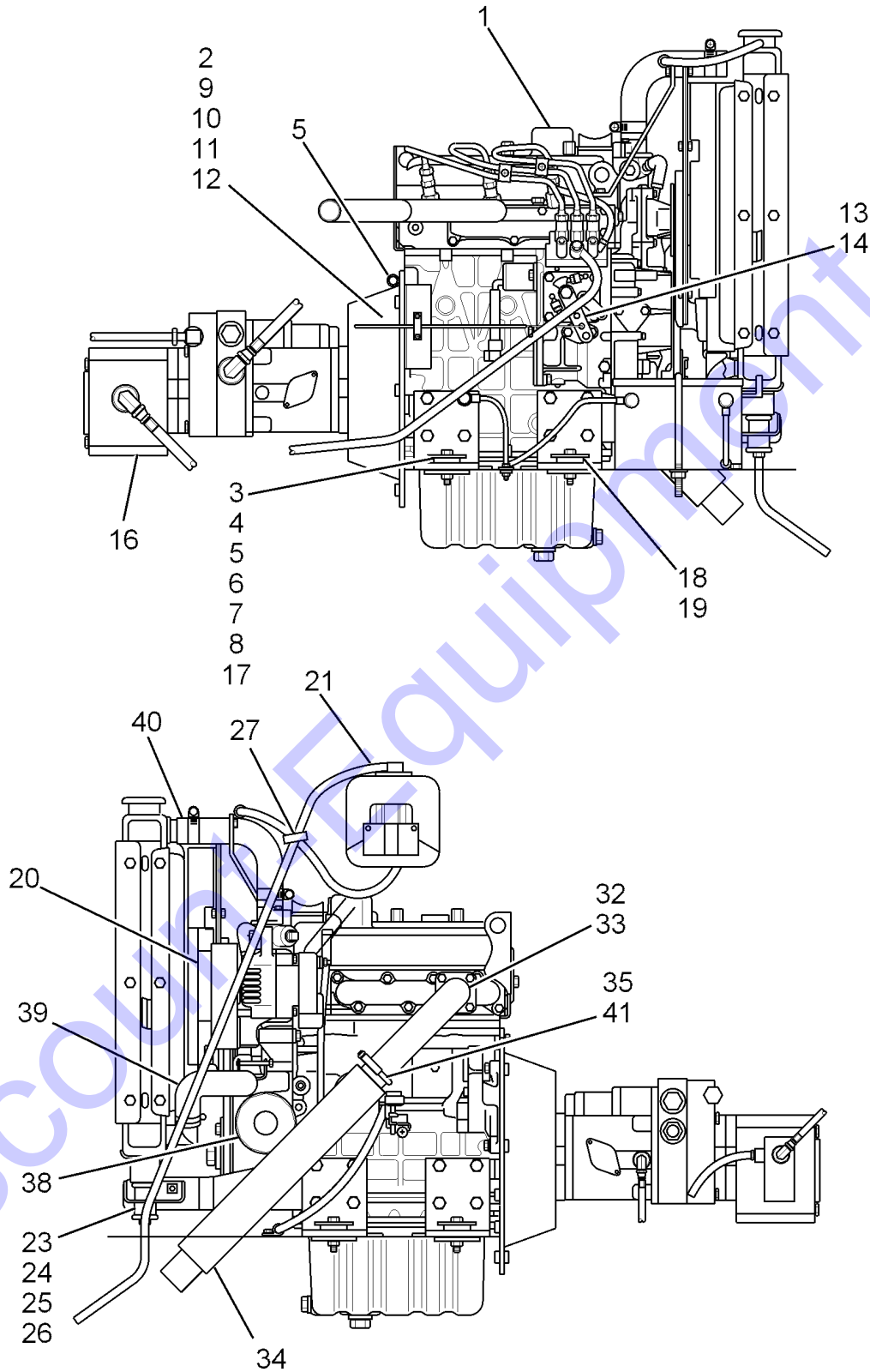
DRIVE, HYD PUMP (S/N 28240 AND LATER)



CAP3-0045

DRIVE, HYD PUMP (S/N 28240 AND LATER)					
ITEM	PART NUMBER	F/N	DESCRIPTION	QTY	UOM
1	374795		FLYWHEEL (W/RING GEAR)	1	EA
	474236		HOUSING, BELL (W/PUMP DRIVE)	1	EA
2	469544	F1	ADAPTER, FLYWHEEL	1	EA
3	464255	F1	CAPSCREW, SOCKET HEAD (M10 X 1.25 X M30)	4	EA
4	469551	F1	GEAR, PUMP DRIVE	1	EA
5		F1	FLYWHEEL HOUSING/PUMP MOUNT	1	
6	404673	F1	CAPSCREW, SOCKET HEAD (M8 X 1.25CP-6G X M30)	8	EA
7	075291	F1	WASHER, FLAT (M8)	8	EA
8	459537	F1	BOLT (M10 X 1.50" ZINK GR.5)	2	EA
9	038380	F1	WASHER, LOCK (M10)	2	EA
10	441675		CAPSCREW (3/8-16NC X 1.50")	4	EA
11	9101819		O-RING	1	EA
12	047506		LOCTITE (RED #271)	AR	EA
			F1 - INCLUDED WITH 474236 BELL HOUSING WITH PUMP DRIVE		

ENGINE (CATERPILLAR)



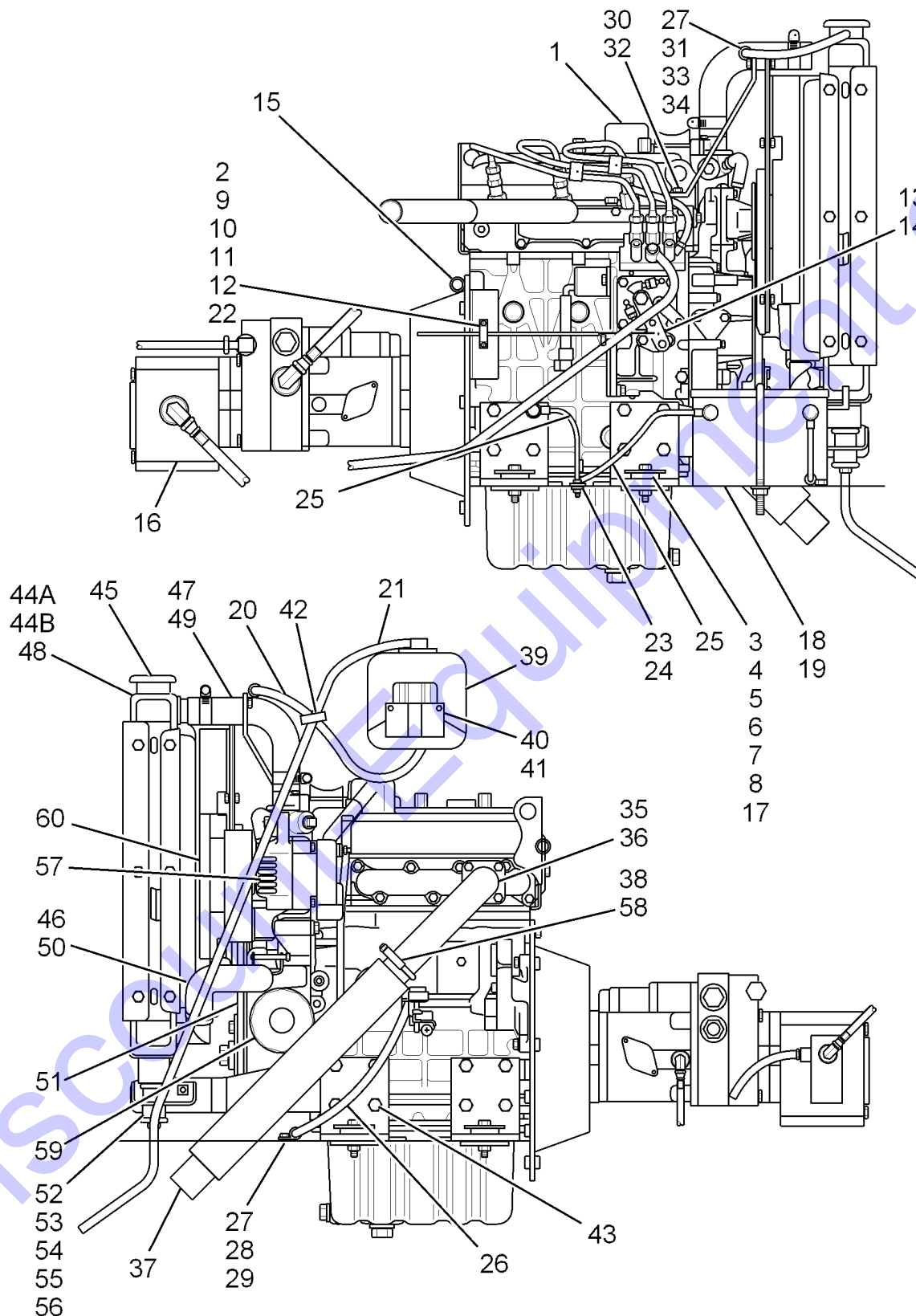
ENGINE (CATERPILLAR)					
ITEM	PART NUMBER	F/N	DESCRIPTION	QTY	UOM
1	476085		ENGINE ASSEMBLY (CATERPILLAR - 3013) (SEE PAGE 96)	1	EA
2	9102266		HANDLE, THROTTLE WITH CABLE	1	EA
3	376798		BRACKET, ENGINE MOUNT	2	EA
4	441667		CAPSCREW (3/8"-16NC X 1", FLANGE WHIZLOCK)	8	EA
5	456460		MOUNT, MOTOR	4	EA
6	011130		CAPSCREW (7/16"-14NC X 2-1/2", GR 5)	4	EA
7	459842		WASHER, PIN RETAINER (2" X 1/2" X 1/8")	4	EA
8	430132		NUT, HEX (7/16"-14NC, WHIZLOC)	4	EA
9	385070		BRACKET, THROTTLE CABLE	1	EA
10	457184		CLAMP, THROTTLE	1	EA
11	441493		CAPSCREW (10-24NC X .50" FLANGE WHIZLOCK)	2	EA
12	035436		NUT, HEX (#10-24NC)	2	EA
13	385104		PIVOT, THROTTLE CABLE	1	EA
14	459826		PIN, HAIR (5/64" DIA.)	1	EA
16		F3	HYDRAULIC PUMP ASSEMBLY	1	
17	047506		LOCTITE (RED #271)	AR	EA
18	385054		MOUNT, ENGINE,FRONT	2	EA
19	385138		BUSHING (.515 X 2.00 X 1.0)	2	EA
20	476192		FAN, PUSHER TYPE	1	EA
21	V19000500		BOLT (10-32 RD SLOT X .75)	1	EA
23	385112		MOUNT, RADIATOR	2	EA
24	011171		CAPSCREW (7/16"-14NC X 3-1/2", GR 5)	2	EA
25	441600		CAPSCREW (5/16"-18NC X 1", PL)	4	EA
26	474734		NUT, HEX (5/16"-18NC)	4	EA
27	047761		TIE, CABLE	1	EA
32	385088		STR., EXHAUST	1	EA
33	410142		CAPSCREW, SOCKET HEAD (M8 X 1.25CP-8G X M30)	4	EA
34	9101774		MUFFLER	1	EA
35	9101616		U-BOLT, MUFFLER CLAMP (2")	1	EA
38	476092		FILTER, ENGINE OIL	1	EA
39	474793		HOSE, RADIATOR (LOWER)	1	EA
40	474794		HOSE, RADIATOR (UPPER)	1	EA
41	384842K		KIT, EXHAUST HANGER	1	EA
REMAINING COMPONENTS					
		F1	BRACKET, RADIATOR	1	
	459453	F1	CAPSCREW (M8 X 1.25-16MM)	1	EA
	456806	F1	ISOLATOR, RADIATOR MOUNT (RUBBER)	3	EA
	010272	F1	NUT, HEX (1/4"-20NC, FLANGE WHIZLOCK GR.G)	6	EA
	057380	F1	BOLT, HEX HEAD (M14 X 35MM)	8	EA
	476086	F2	RADIATOR	1	EA
	028993		CLAMP, LOOP (1/2" ID)	1	EA
	010280		WASHER, LOCK (1/4")	3	EA

ENGINE (CATERPILLAR)

ITEM	PART NUMBER	F/N	DESCRIPTION	QTY	UOM
			<p>NOTE: S/N REQUIRED TO DETERMINE CORRECT ENGINE PARTS.</p> <p>F1 - COMES WITH ENGINE</p> <p>F2 - SUPPLIED WITH 476085,ITEM #1</p> <p>F3 - PART NUMBER NOT AVAILABLE.</p>		

Discount-Equipment.com

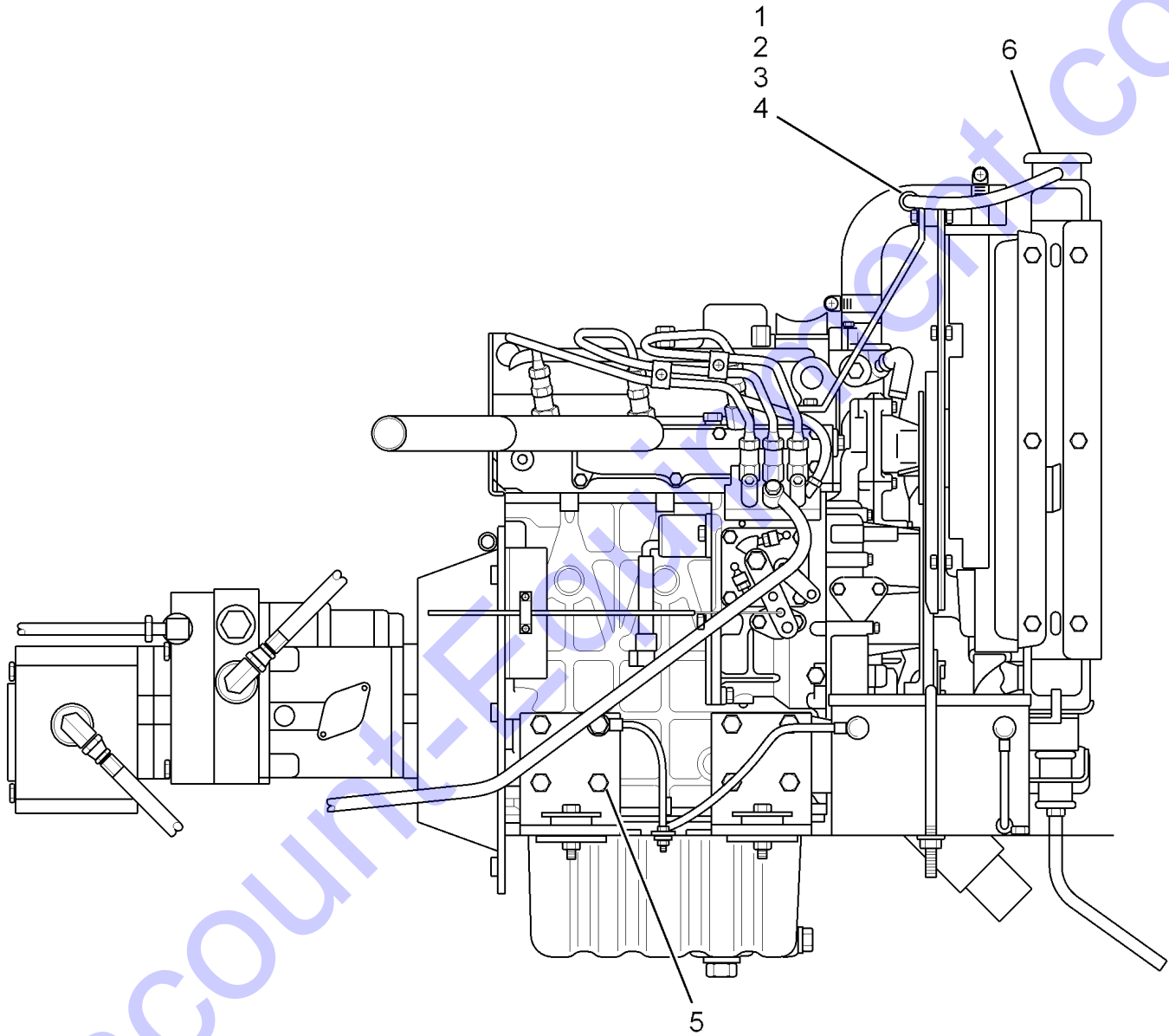
ENGINE (KUBOTA)



ENGINE (KUBOTA)					
ITEM	PART NUMBER	F/N	DESCRIPTION	QTY	UOM
1	374793	F1	ENGINE ASSEMBLY (KUBOTA V-1505)	1	EA
2	9102266		HANDLE, THROTTLE WITH CABLE	1	EA
3	376798		BRACKET, ENGINE MOUNT	4	EA
4	058529		BOLT, HEX HEAD (M10 X 1.25 - 20MM)	8	EA
5	456459		ISOLATOR, RADIATOR/MOTOR (RUBBER)	4	EA
6	011130		CAPSCREW (7/16"-14NC X 2-1/2", GR 5)	4	EA
7	444109		WASHER, SNUBBING	4	EA
8	430132		NUT, HEX (7/16"-14NC, WHIZLOC)	4	EA
9	9104569		BRACKET, THROTTLE CABLE	1	EA
10	457184		CLAMP, THROTTLE	1	EA
11	441493		CAPSCREW (10-24NC X .50" FLANGE WHIZLOCK)	2	EA
12	035436		NUT, HEX (#10-24NC)	2	EA
13	457192		PIVOT, THROTTLE CABLE	1	EA
14	459826		PIN, HAIR (5/64" DIA.)	1	EA
15	028993		CLAMP, LOOP (1/2" ID)	1	EA
16	376996		HYDRAULIC PUMP ASSEMBLY	1	EA
17	047506		LOCTITE (RED #271)	AR	EA
18		F2	BATTERY (12V)	1	
19	9102915		U-BOLT, BATTERY HOLD-DOWN (EARLY STYLE)	1	EA
20	068544		HOSE, FUEL LINE (5/16")	38	IN
21	068544		HOSE, FUEL LINE (5/16")	38	IN
22	457184		CLAMP, THROTTLE	1	EA
23	441667		CAPSCREW (3/8"-16NC X 1", FLANGE WHIZLOCK)	1	EA
24	083501		NUT, HEX (3/8"-16NC, FLANGE, WHIZLOCK)	1	EA
25	376822		CABLE, BATTERY (NEGATIVE)	2	EA
26	376830		CABLE, BATTERY (POSITIVE)	1	EA
27	425272		CLAMP, CABLE (.75 I.D.)	3	EA
28	441600		CAPSCREW (5/16"-18NC X 1", PL)	1	EA
29	083493		NUT, HEX (5/16"-18NC PL)	1	EA
30	459818		BOLT, CYLINDER HEAD SUPPORT	1	EA
31	9104573		BRACKET, RADIATOR	1	EA
32	459453		CAPSCREW (M8 X 1.25-16MM)	1	EA
33	456806		ISOLATOR, RADIATOR MOUNT (RUBBER)	1	EA
34	010272		NUT, HEX (1/4"-20NC, FLANGE WHIZLOCK GR.G)	2	EA
35	376806	STR., EXHAUST	1	EA	
36	404673	CAPSCREW, SOCKET HEAD (M8 X 1.25CP-6G X M30)	4	EA	
37	9101774	MUFFLER	1	EA	
38	9101616	U-BOLT, MUFFLER CLAMP (2")	1	EA	
39	9103079	F3	TANK, COOLANT RESERVOIR	1	EA
40	441568		CAPSCREW (1/4"-20NC X 1", FLANGE WHIZLOCK)	2	EA
41	440636		NUT, HEX (1/4"-20NC, FLANGE, WHIZLOCK)	2	EA
42	462630		TIE, CABLE	1	EA
43	415083		CAPSCREW (M10 X M35)	8	EA
44A	9104609		RADIATOR (F/374793)	1	EA
44B	450160	F4	RADIATOR ONLY (FOR 473167,ITEM #1)	1	EA
45	450161		CAP, RADIATOR (FOR 450160 ABOVE)	1	EA

ENGINE (KUBOTA)					
ITEM	PART NUMBER	F/N	DESCRIPTION	QTY	UOM
46	453599	F5	HOSE, LOWER RADIATOR (FOR 473167,ITEM #1)	1	EA
47	453598	F5	HOSE, UPPER RADIATOR (FOR 473167,ITEM #1)	1	EA
48	9104609	F5	RADIATOR (F/374793)	1	EA
49	437666	F5	HOSE, UPPER RADIATOR (FOR 374793,ITEM #1)	1	EA
50	477849	F5	HOSE, LOWER RADIATOR (FOR 374793,ITEM #1)	1	EA
51	473166	F5	V-BELT, ALTERNATOR V1505	1	EA
52	386702		BOLT, RADIATOR (LONG)	2	EA
53	386701		WASHER, RADIATOR	4	EA
54	386703		CUSHION, RADIATOR	2	EA
55	386704		CUSHION, RADIATOR	2	EA
56	386705		SNAP PIN, RADIATOR	2	EA
57	477520		ALTERNATOR (60 AMP W/AC)	1	EA
58	384842K		KIT, EXHAUST HANGER	1	EA
59	9103893		FILTER, OIL (ENGINE)	1	EA
60	041518		FAN, PUSHER	1	EA
			REMAINING COMPONENTS		
	9101778	F6	GASKET, EXHAUST MANIFOLD MOUNT, RADIATOR	1 1	EA
			F1 - REPLACEMENT ENGINE DOES NOT INCLUDE RADIATOR		
			F2 - SEE BATTERY ASSEMBLY		
			F3 - OVERFLOW BOTTLE COMES W/BRACKET		
			F4 - TIER III ONLY		
			F5 - FV1505 ENGINE		
			F6 - PART NUMBER NOT AVAILABLE.		

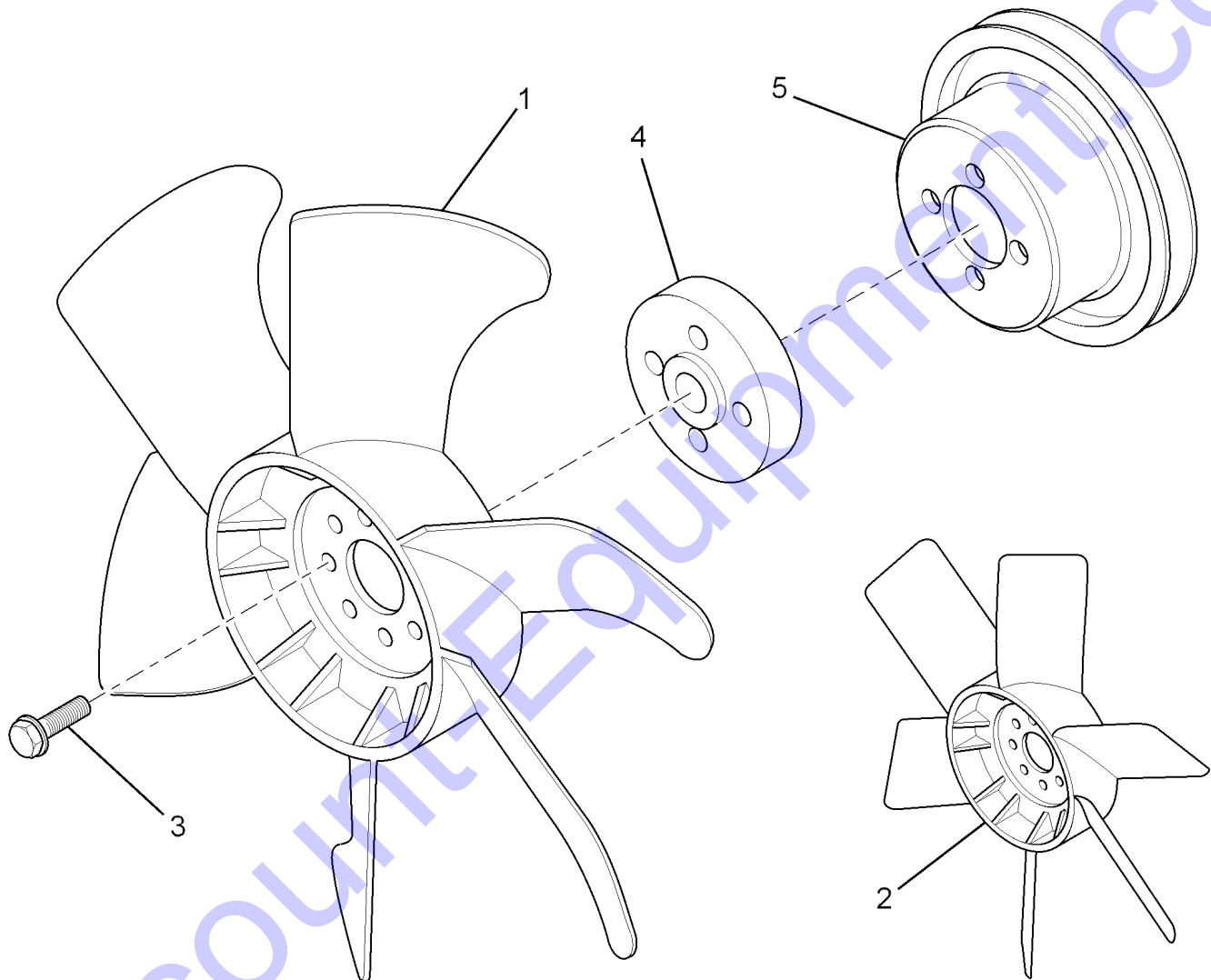
476085: ENGINE ASSEMBLY (CATERPILLAR - 3013)



476085: ENGINE ASSEMBLY (CATERPILLAR - 3013)

ITEM	PART NUMBER	F/N	DESCRIPTION	QTY	UOM
			ASSEMBLY INCLUDES:		
1			BRACKET, RADIATOR	1	
2	459453		CAPSCREW (M8 X 1.25-16MM)	1	EA
3	456806		ISOLATOR, RADIATOR MOUNT (RUBBER)	3	EA
4	010272		NUT, HEX (1/4"-20NC, FLANGE WHIZLOCK GR.G)	6	EA
5	057380		BOLT, HEX HEAD (M14 X 35MM)	8	EA
6	476086		RADIATOR	1	EA
			NOTE: S/N REQUIRED TO DETERMINE CORRECT ENGINE PARTS.		

FAN, ENGINE



FAN, ENGINE

ITEM	PART NUMBER	F/N	DESCRIPTION	QTY	UOM
1	387178	F1	FAN (TIER III ALUMINUM RADIATOR)	1	EA
2	041518		FAN, PUSHER	1	EA
3	477754		BOLT, FLANGE	4	EA
4	477753		COLLAR, FAN	1	EA
5	387182		PULLEY, FAN (TIER III)	1	EA
			F1 - FV1505 ENGINE		

REQUIRED FILTERS LIST

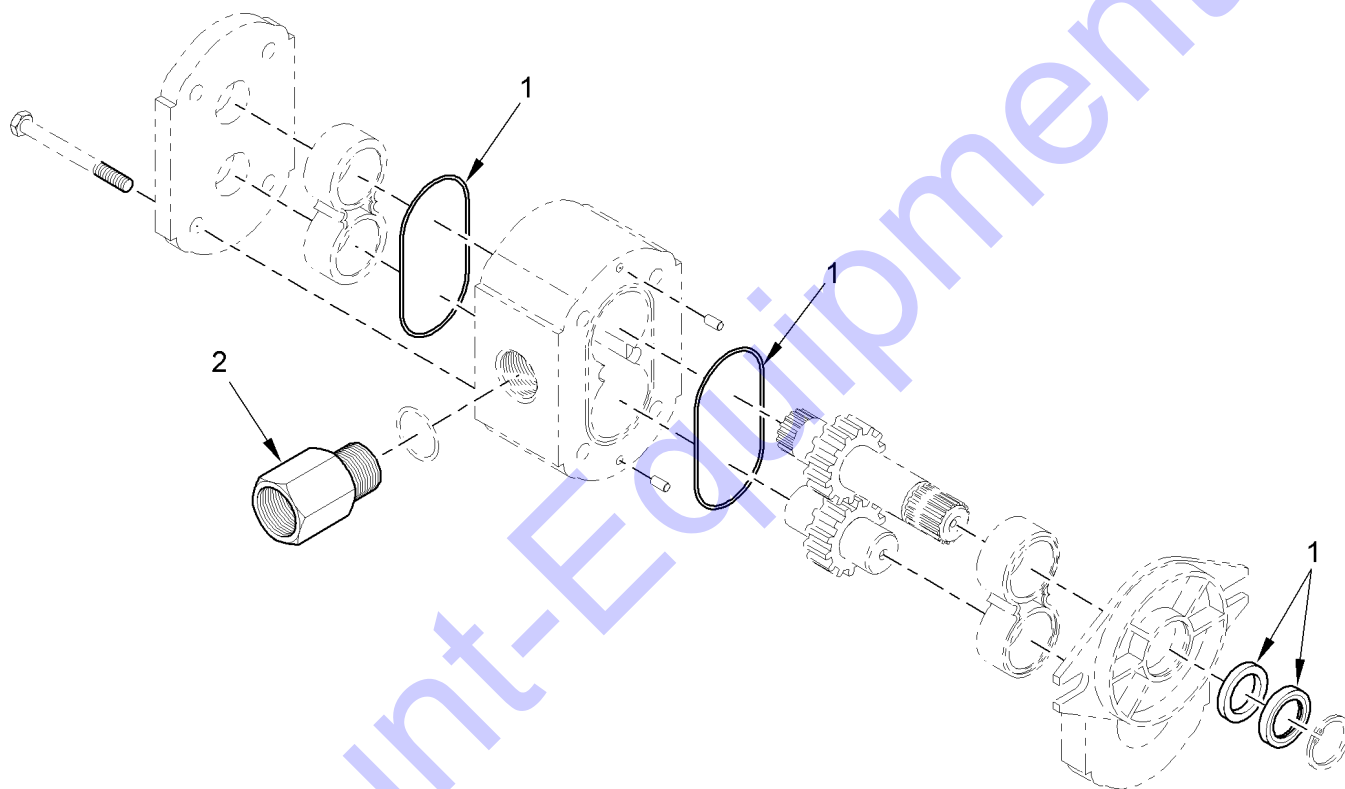
NON-ILLUSTRATED

Discount-Equipment.com

REQUIRED FILTERS LIST

ITEM	PART NUMBER	F/N	DESCRIPTION	QTY	UOM
KUBOTA					
1	467498		ELEMENT, PRIMARY AIR CLEANER	1	EA
2	467506		ELEMENT, SAFETY AIR CLEANER	1	EA
3	9101798		ELEMENT, FILTER	1	EA
4			HYDROSTATIC CHARGE	1	
5	9102324	F1	FILTER, HIGH PRESSURE	1	EA
6	9103085	F1	O-RING, FILTER	1	EA
7	475491	F2	FILTER, ELEMENT (HIGH PRESSURE)	1	EA
8	420708	F2	O-RING	1	EA
9	9103893		FILTER, OIL (ENGINE)	1	EA
10	9101624		FILTER, FUEL (IN-LINE)	1	EA
11	9102952		FILTER, FUEL (SPIN-ON)	1	EA
CATERPILLAR (3013C)					
12	476092		FILTER, ENGINE OIL	1	EA
13	476094		FILTER, FUEL (SPIN-ON)	1	EA
14	9101624		FILTER, FUEL (IN-LINE)	1	EA
15			CARTRIDGE	1	
16	9102324	F1	FILTER, HIGH PRESSURE	1	EA
17	9103085	F1	O-RING, FILTER	1	EA
18	475491	F2	FILTER, ELEMENT (HIGH PRESSURE)	1	EA
19	420708	F2	O-RING	1	EA
20	467498		ELEMENT, PRIMARY AIR CLEANER	1	EA
21	467506		ELEMENT, SAFETY AIR CLEANER	1	EA
F1 - S/N 28314 AND EARLIER.					
F2 - S/N 28315 AND AFTER.					

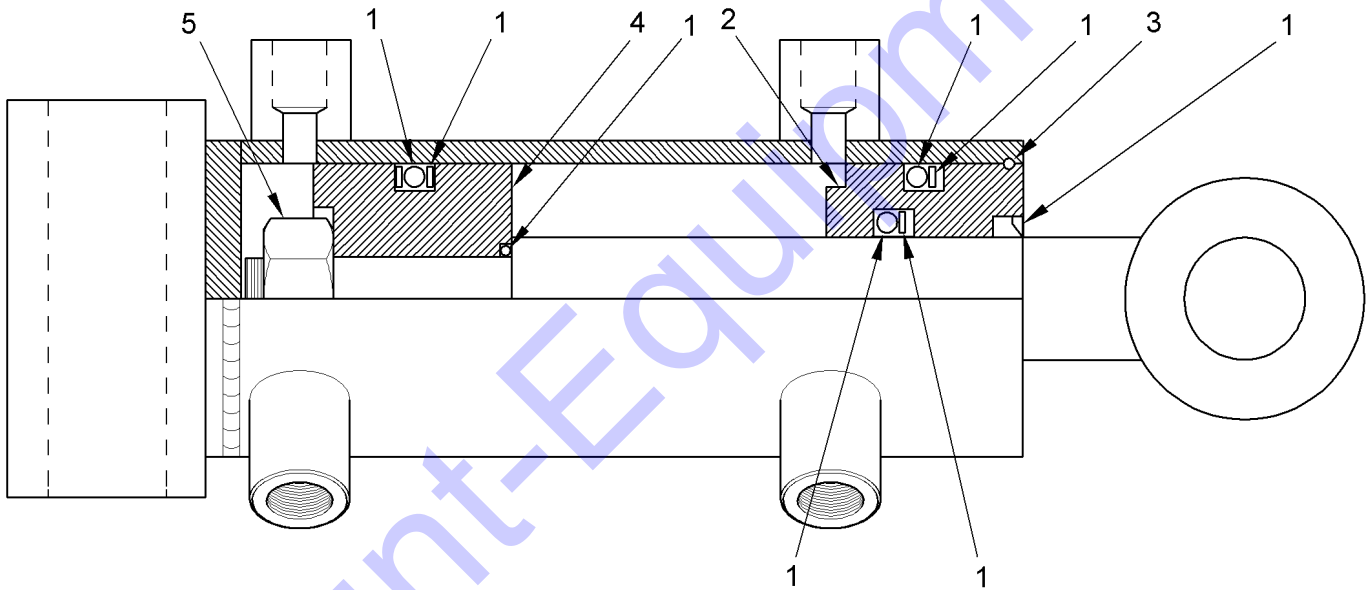
9104033: AUXILLIARY PUMP ASSEMBLY



9104033: AUXILLIARY PUMP ASSEMBLY

ITEM	PART NUMBER	F/N	DESCRIPTION	QTY	UOM
1	459693		KIT, COMPLETE SEAL	AR	EA
2	095216		ADAPTER, STRAIGHT (1/2"MNPT X 7/8"-14MSAE)	1	EA

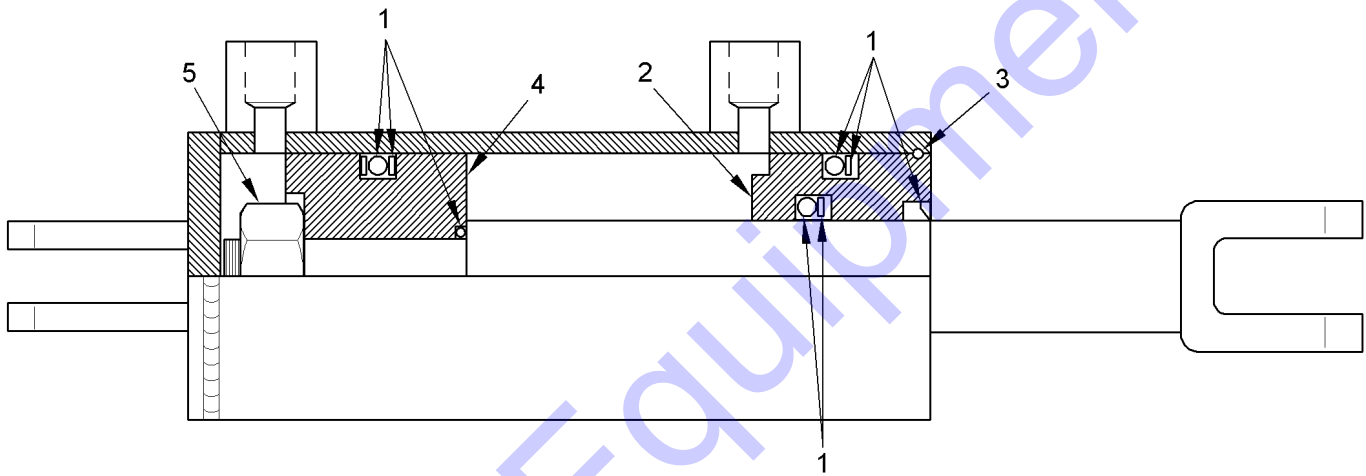
376641: BROOM LIFT CYLINDER ASSEMBLY



376641: BROOM LIFT CYLINDER ASSEMBLY

ITEM	PART NUMBER	F/N	DESCRIPTION	QTY	UOM
1	9104141		KIT, SEAL	1	EA
2	467993		GLAND, HEAD	1	EA
3	468017		RETAINER, ROUND	1	EA
4	468025		PISTON, CYLINDER	1	EA
5	092460		NUT, JAM (3/4"-16NF)	1	EA

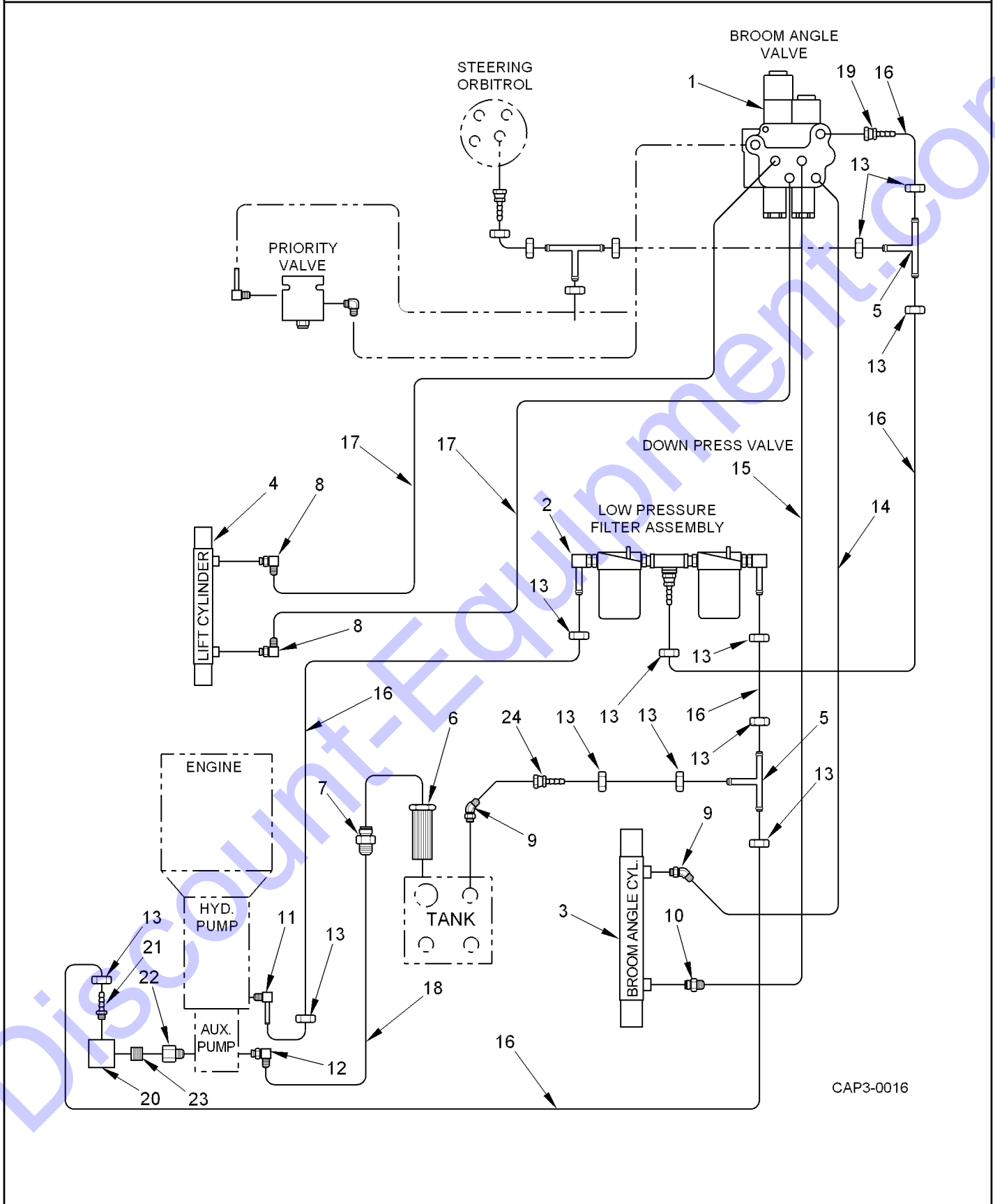
467986: BROOM SWING CYLINDER ASSEMBLY



467986: BROOM SWING CYLINDER ASSEMBLY

ITEM	PART NUMBER	F/N	DESCRIPTION	QTY	UOM
1	9104141		KIT, SEAL		
2	467993		GLAND, HEAD	1	EA
3	468017		RETAINER, ROUND	1	EA
4	468025		PISTON, CYLINDER	1	EA
5	092460		NUT, JAM (3/4"-16NF)	1	EA

CIRCUIT, BROOM ANGLE



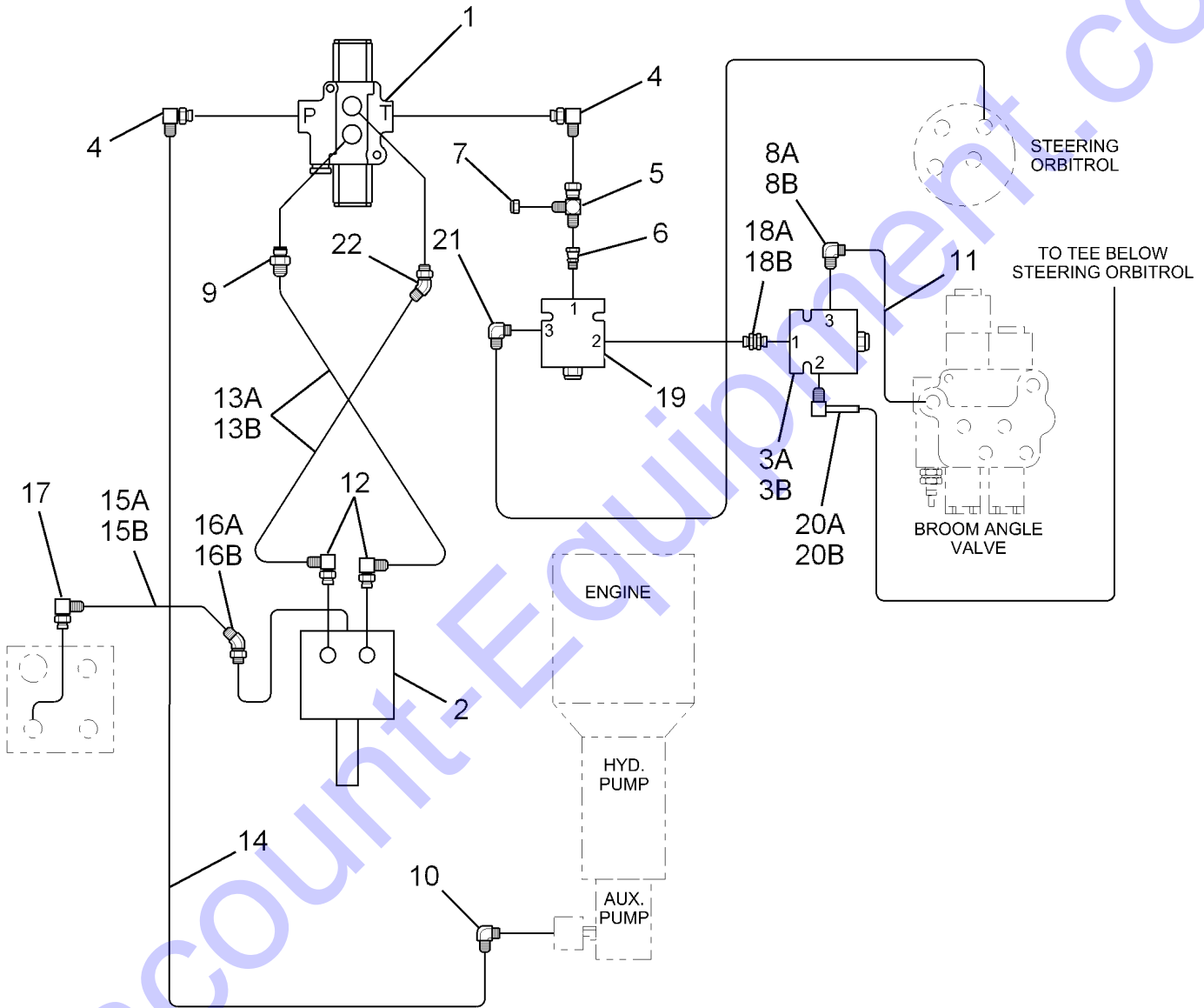
CAP3-0016

CIRCUIT, BROOM ANGLE

ITEM	PART NUMBER	F/N	DESCRIPTION	QTY	UOM
1			VALVE (2-SPOOL, FLOAT DETENT, 2-HANDLE)	1	EA
2	376442		FILTER, LOW PRESSURE (SEE PAGE 128)	1	EA
3	467985	F1	CYLINDER, BROOM SWING	1	EA
4	376641		CYLINDER, BROOM LIFT (SEE PAGE 104)	1	EA
5	075853		TEE, HOSE BARB (1/2" ID)	2	EA
6	9100143		SCREEN, HYDRAULIC TANK FILTER	1	EA
7	V6067800		ADAPTER (16-NPTM -12 MJ)	1	EA
8	092825		ADAPTER, 90 DEGREE (#6MSAE X #6MJIC)	2	EA
9	425348		ADAPTER, 45 DEGREE (#6MOR TO #6MJIC)	2	EA
10	092882		ADAPTER, STRAIGHT (#6MSAE TO #6MJIC)	1	EA
11	447094		ADAPTER, 90 DEGREE (-8 SAEM TO .50 HOSE BARB)	1	EA
12	068338		ADAPTER, 90 DEGREE (#12MSAE TO #12MJIC)	1	EA
13	446960		CLAMP, CRIMPING BAND (-8 HOSE)	12	EA
14	9103745		HOSE (06-06JS06MB X 50.50" 100R1)	1	EA
15	9103766		HOSE (06-06JS06MB X 52.50" 100R1)	1	EA
16	446948		HOSE, LOW PRESSURE WATER (1/2"ID)	A/R	EA
17	9103765		HOSE (06-06JS06MB X 41.00" 100R1)	2	EA
18	369991		HOSE (12-12JS12F9 X 16.00" 100R1)	1	EA
19	447227		ADAPTER (-8 JICM TO .50" HOSE BARB)	1	EA
20	9100970		VALVE, IN-LINE RELIEF	1	EA
21	447367		FITTING (3/8-NPTM X .375" BARB STR., BRASS)	1	EA
22	095216		ADAPTER, STRAIGHT (1/2"MNPT X 7/8"-14MSAE)	1	EA
23	025395		NIPPLE, CLOSE (1/2"-NPT, EXTRA HEAVY)	1	EA
24	473579		ADAPTER (#6 JIC TO 1/2" HOSE BARB)	1	EA

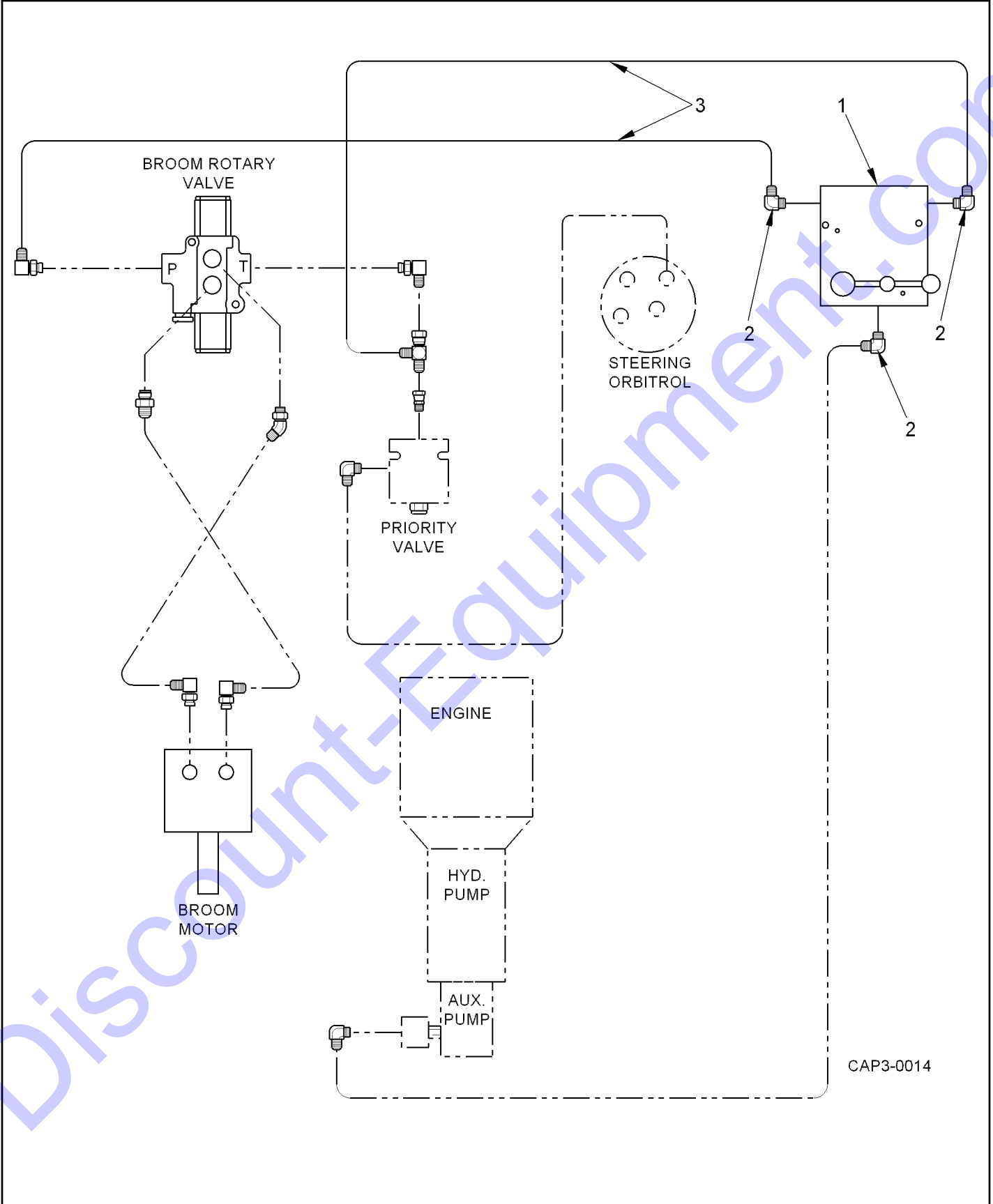
F1 - SEE BROOM SWING CYLINDER ASSY.

CIRCUIT, BROOM ROTARY VALVE (FIXED SPD)



CIRCUIT, BROOM ROTARY VALVE (FIXED SPD)					
ITEM	PART NUMBER	F/N	DESCRIPTION	QTY	UOM
1			VALVE (1-SPOOL, 2-POS DETENT, 1-HANDLE)	1	EA
	462515		KIT, SEAL	1	EA
2	473462		MOTOR, HYDRAULIC BROOM (SEE PAGE 30)	1	EA
3A	382887		VALVE, PRIORITY FLOW (1 GPM)	1	EA
3B	474171	F2	DIVIDER, PRIORITY FLOW (1GPM) (SEE PAGE 118)	1	EA
4	035550		ADAPTER (90 DEG, 3/4"-16 SAEM TO 3/4"-16 JICM)	2	EA
5	093203		ADAPTER (-8 JIC RUN TEE)	1	EA
6	473538		ADAPTER, SAE (6 TO -8 JICF SW.)	6	EA
7	041160		CAP (3/4"-16 JIC)	1	EA
8A	035832		ADAPTER (90 DEG, 3/8"NPT X 3/4"JIC)	2	EA
8B	093302	F1	ADAPTER, 90 DEGREE (#6 SAE X #8 JIC)	2	EA
9	035568		ADAPTER (STR, 3/4"-16 SAEM TO 3/4"-16 JICM)	1	EA
10	035857		ADAPTER (90 DEG, #8NPTM X #8JIC)	1	EA
11	381491		HOSE (08-08JS08J9 X15.50" 100R1)	1	EA
12	040170		ADAPTER (90 DEG, -10 SAEM X -8 JICM)	2	EA
13A	377424	F3	HOSE (08-08JS08J9 X 104.00" 100R1)	2	EA
13B	374991	F4	HOSE (08-08JS08J9 X 94.00" 100R1)	2	EA
14	377440		HOSE (08-08JS08JS X 41.00" 100R1)	1	EA
15A	381376	F4	HOSE (04-04JS04JS X 95.00" 100R1)	1	EA
15B	381368	F3	HOSE (04-04JS04JS X 105.00" 100R1)	1	EA
16A	437470		ADAPTER 45 DEGREE (-4 SAE X -4 JIC)	1	EA
16B	400986	F5	ADAPTER, 90 DEGREE (-4 SAE X -4 JIC)	1	EA
17	093104		ADAPTER, 90 DEGREE (-6 SAE X -4 JIC)	1	EA
18A	473546		ADAPTER, SAE (6 X .37 NPT)	1	EA
18B	093344	F2	ADAPTER, STR. (-6 SAE X -6 SAE)	1	EA
19	473520		DIVIDER, PRIORITY FLOW (3GPM) (SEE PAGE 120)	1	EA
20A	446864		ADAPTER (3/8 NPT X .50" HOSE BARB)	1	EA
20B	474023	F2	ADAPTER, 90 DEGREE (-6 SAE X .50 HOSE BARB)	1	EA
21	093302		ADAPTER, 90 DEGREE (#6 SAE X #8 JIC)	1	EA
22	066423		ADAPTER, 45 DEGREE (-8 MSAE X -.8 MJIC)	1	EA
			F1 - REV. CODE -003 AND BEFORE		
			F2 - REV. CODE -004 AND AFTER		
			F3 - USED ON 8 FT. BROOM ONLY		
			F4 - USED ON 6 FT. BROOM ONLY		
			F5 - USED WITH 473462 MOTOR		

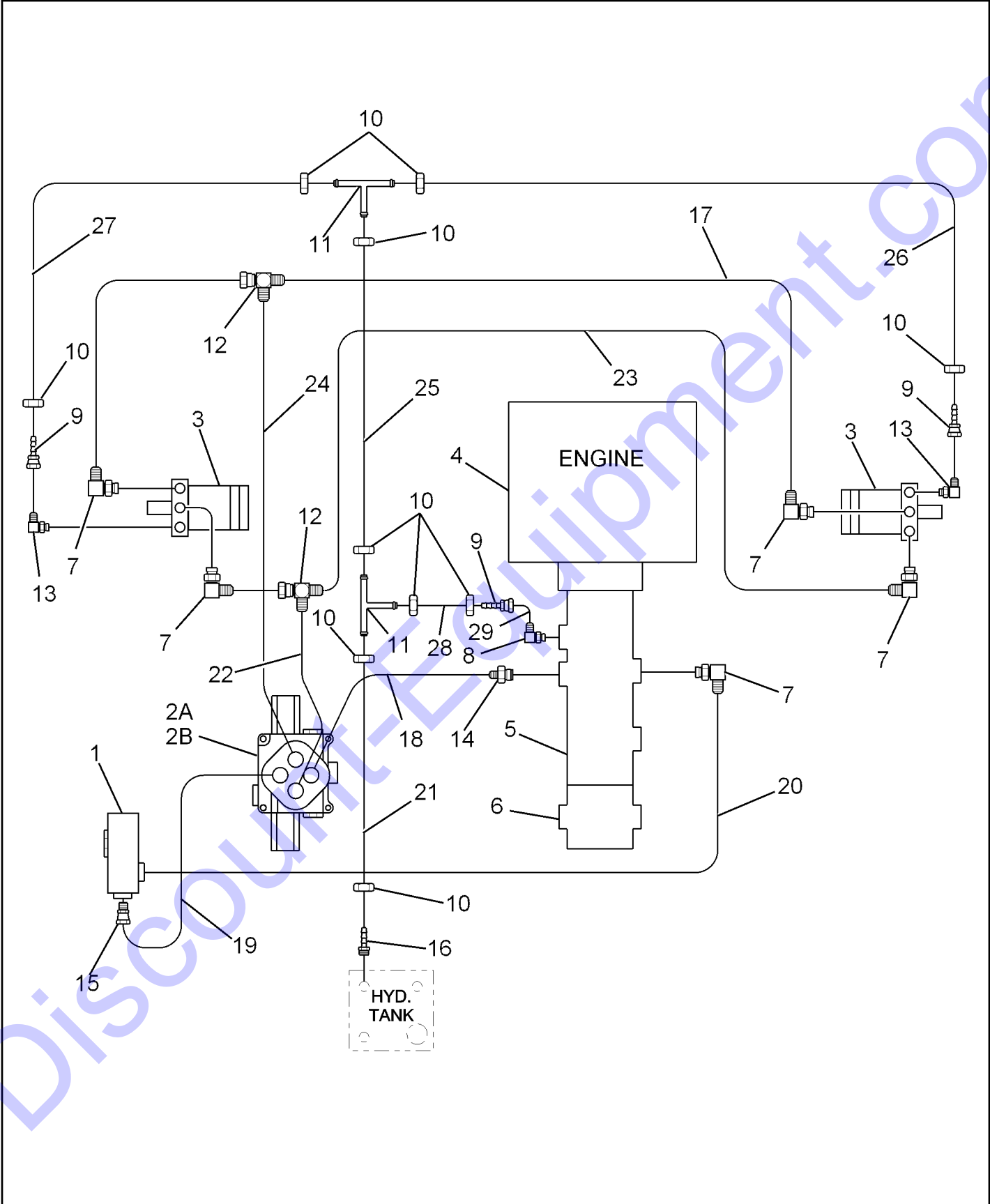
CIRCUIT, BROOM ROTARY VALVE (VAR SPD)



CIRCUIT, BROOM ROTARY VALVE (VAR SPD)

ITEM	PART NUMBER	F/N	DESCRIPTION	QTY	UOM
1	9101984		VALVE, BROOM SPEED CONTROL (SEE PAGE 140)	1	EA
2	035857	F1	ADAPTER (90 DEG, #8NPTM X #8JIC)	3	EA
3	9103899	F1	HOSE (04-06JS06JS X 23.00" 100R1)	3	EA
REMAINING COMPONENTS					
	467571	F1	KIT, VARIABLE SPEED SEAL	1	EA
	376948K		KIT, VARIABLE SPEED (W/477414 ORBITROL)	AR	EA
	477640		ADAPTER	1	EA
	477623		VARIABLE SPEED OPTION HOSE	1	EA
F1 - USED WITH 9101984					

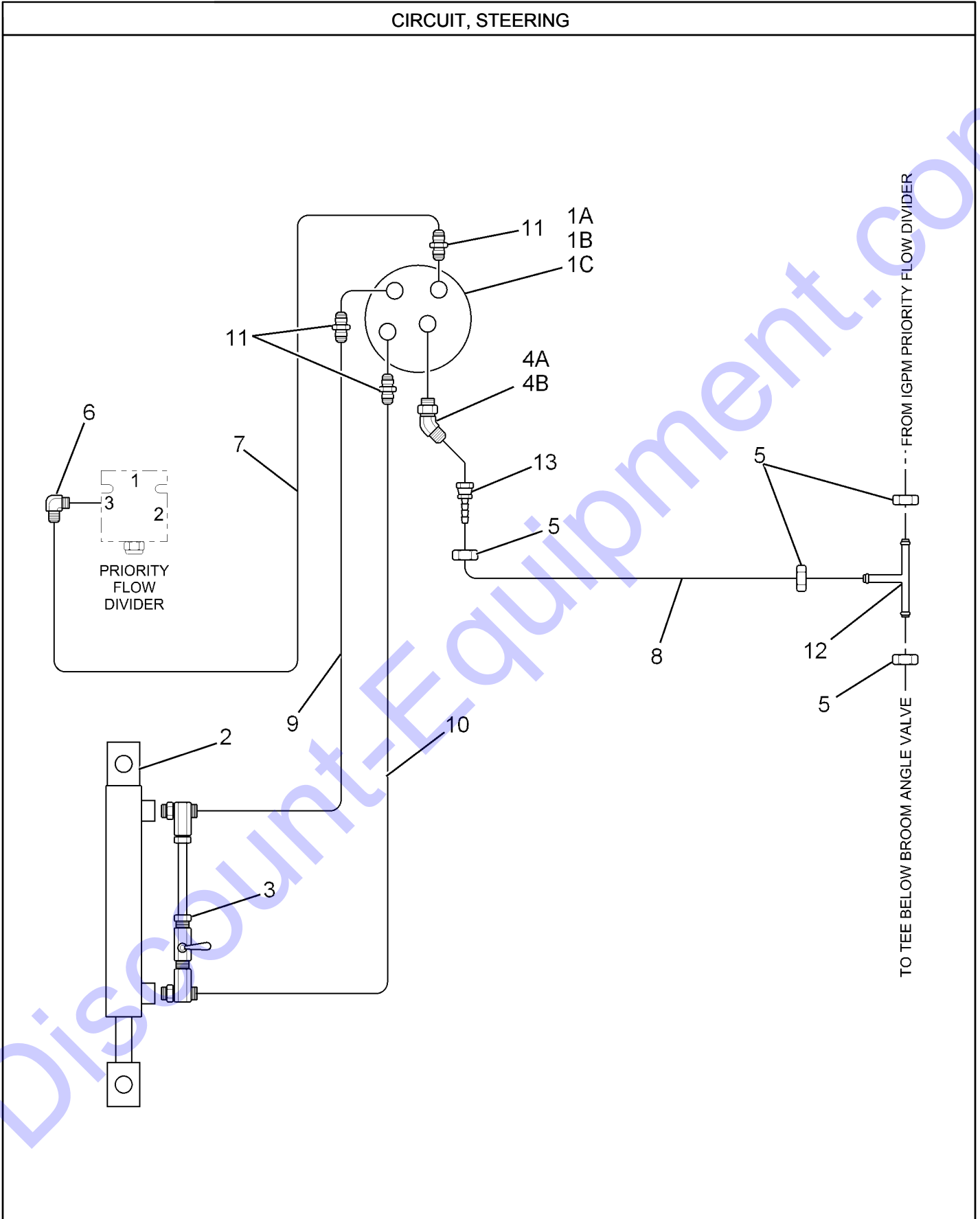
CIRCUIT, GROUND DRIVE



CIRCUIT, GROUND DRIVE

ITEM	PART NUMBER	F/N	DESCRIPTION	QTY	UOM
1		F1	HIGH PRESSURE FILTER ASSEMBLY	1	
2A			VALVE, DRIVE (BEFORE 07-02)	1	EA
2B	476838		VALVE, DRIVE (AFTER 07-02) (SEE PAGE 142)	1	EA
3	9103730		MOTOR, HYDRAULIC DRIVE (SEE PAGE 146)	2	EA
4	374793	F2	ENGINE ASSEMBLY (KUBOTA V-1505)	1	EA
5	9101585	F3	PUMP, PISTON	1	EA
6	9104033		PUMP, AUXILLIARY (SEE PAGE 102)	1	EA
7	068080		ADAPTER (90-12 SAEM X -6 JICM)	5	EA
8	092825		ADAPTER, 90 DEGREE (#6MSAE X #6MJIC)	1	EA
9	447219		ADAPTER (-6 JICF SW. TO .37 HOSE BARB)	3	EA
10	447466		CLAMP, CRIMPING BAND (6 HOSE)	10	EA
11	447128		TEE (3/8" ID HOSE BARB)	2	EA
12	093203		ADAPTER (-8 JIC RUN TEE)	2	EA
13	092825		ADAPTER, 90 DEGREE (#6MSAE X #6MJIC)	2	EA
14	046938		ADAPTER (1-1/16"-12 SAE TO 3/4"-16 JICM)	1	EA
15	447151		ADAPTER (.50-NPTF SW. TO -12 SAEM)	1	EA
16	447169		ADAPTER (-6 SAEM TO .37 HOSE BARB)	1	EA
17	369934		HOSE (08-08JS08JS X 16.00" 100R1)	1	EA
18	9103921		HOSE (08-08JS12JM X 26.00" 100R1)	1	EA
19	369938		HOSE (08-08MP08F9 X 13" 100R1)	1	EA
20	377515		HOSE (08-08JS08MB X 27.50" 100R1)	1	EA
21	447474		HOSE, LOW PRESSURE (3/8" ID)	13	IN
22	369975		HOSE (08-08JS08MB X 31" 100R1)	1	EA
23	377457		HOSE (08-08JS08JS X 18.00" 100R1)	1	EA
24	369975		HOSE (08-08JS08MB X 31" 100R1)	1	EA
25	447474		HOSE, LOW PRESSURE (3/8" ID)	11	IN
26	447474		HOSE, LOW PRESSURE (3/8" ID)	7	IN
27	447474		HOSE, LOW PRESSURE (3/8" ID)	9.5	IN
28	447474		HOSE, LOW PRESSURE (3/8" ID)	11	IN
29	447474		HOSE, LOW PRESSURE (3/8" ID)	AR	IN
	439182		CAP, LOCKING TAB (HYDRAULIC FILLER CAP)	1	EA
			F1 - SEE HIGH PRESSURE FILTER ASSEMBLY		
			F2 - SEE ENGINE ASSEMBLY		
			F3 - SEE PISTON PUMP ASSY		

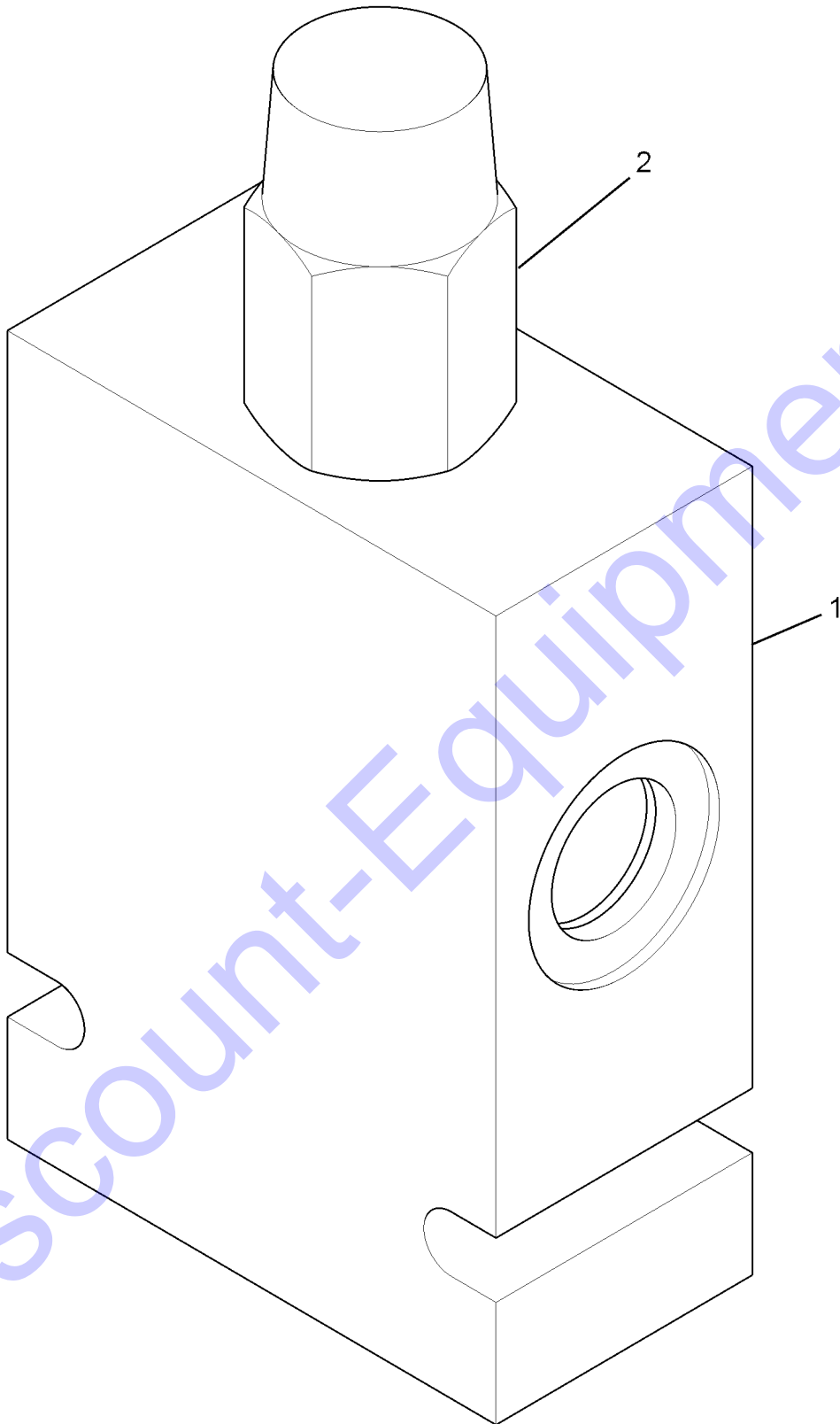
CIRCUIT, STEERING



CIRCUIT, STEERING

ITEM	PART NUMBER	F/N	DESCRIPTION	QTY	UOM
1A	467449	F1	NLA. ORDER 376470K	1	EA
1B	477414	F2	VALVE, ORBITAL STEERING (PROD AFTER 09-2002)	1	EA
1C	376470K	F3	KIT, FIELD UPDATE VALVE SEAL	AR	EA
2	467977		CYLINDER, STEERING	1	EA
3	376681		KIT, BALL VALVE AND FITTING STEERING CYLINDER	1	EA
4A	473579	F1	ADAPTER (#6 JIC TO 1/2" HOSE BARB)	1	EA
4B	473561	F3	ADAPTER (45 -6 SAEM X -8 JIC)	1	EA
5	446930		CLAMP, CRIMPING BAND (-8 HOSE)	1	EA
6	093302		ADAPTER, 90 DEGREE (#6 SAE X #8 JIC)	1	EA
7	381509		HOSE (06-06JS08J9 X 26.50" 100R1)	1	EA
8	446948		HOSE, LOW PRESSURE WATER (1/2"ID)	1	EA
9	377416		HOSE (06-06JS06J9 X 57.00" 100R1)	1	EA
10	377408		HOSE (06-06JS06J9 X 67.00" 100R1)	1	EA
11	092882	F3	ADAPTER, STRAIGHT (#6MSAE TO #6MJIC)	3	EA
12	075853		TEE, HOSE BARB (1/2" ID)	1	EA
13	447201	F3	ADAPTER (-8 JIC SW X .50" HOSE BARB)	1	EA
			REMAINING COMPONENTS		
	467969	F4	ORBITAL, STEERING	1	EA
	477515	F5	KIT, SEAL	1	EA
			F1 - REV. CODE -001 AND BEFORE		
			F2 - PRODUCTION AFTER SEPT. 2002		
			F3 - REV. CODE -002 AND AFTER		
			F4 - USED WITH 467449		
			F5 - USED WITH 4747414		

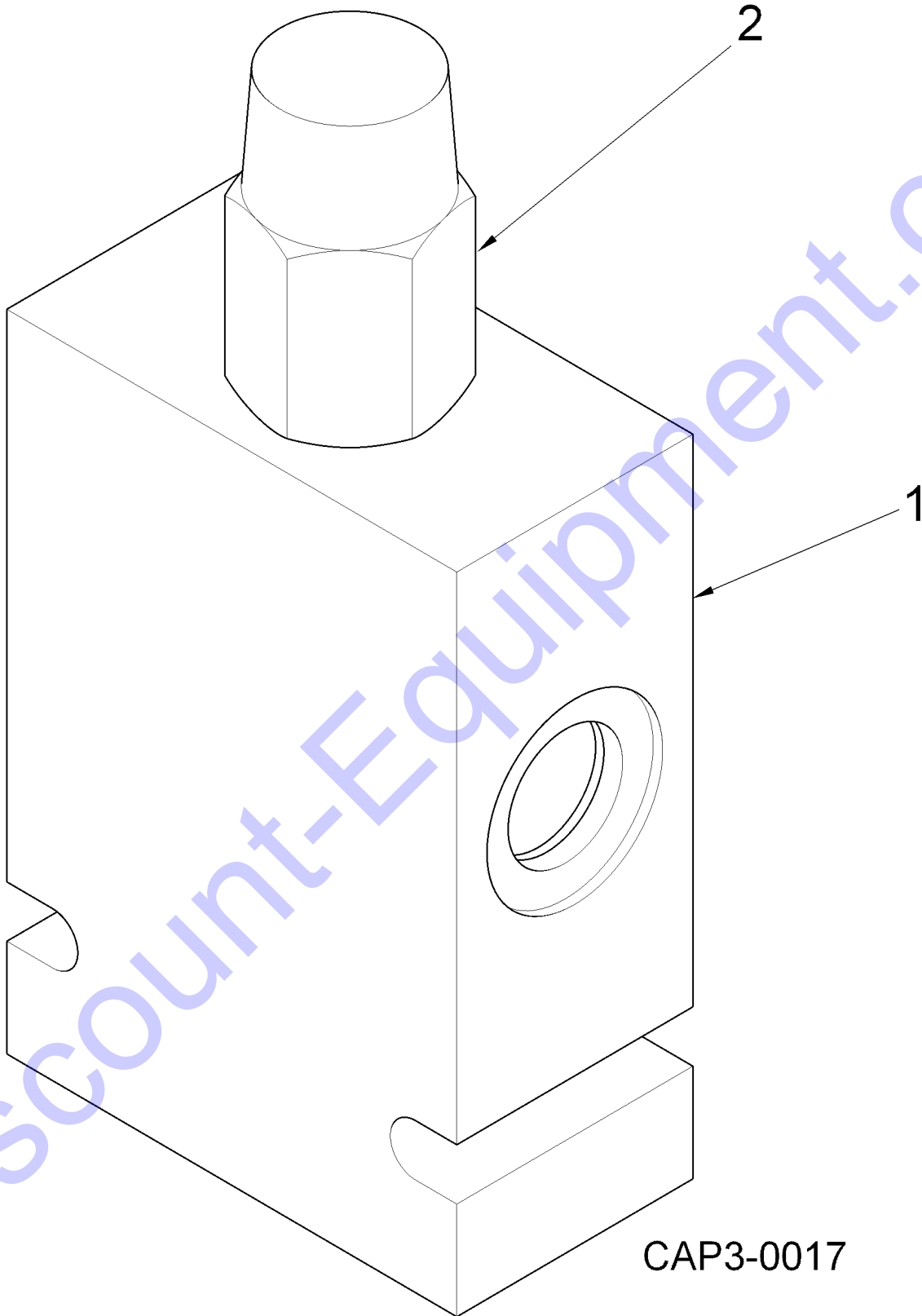
474171: DIVIDER, PRIORITY FLOW (1GPM)



474171: DIVIDER, PRIORITY FLOW (1GPM)

ITEM	PART NUMBER	F/N	DESCRIPTION	QTY	UOM
1		F1	BODY, VALVE	1	
2	467860	F2	CARTRIDGE, VALVE (1GPM)	1	EA
			REMAINING COMPONENTS		
	505446		KIT, SEAL	1	EA
			F1 - NOT AVAILABLE, ORDER COMPLETE VALVE		
			F2 - FOR STEERING		

473520: DIVIDER, PRIORITY FLOW (3GPM)

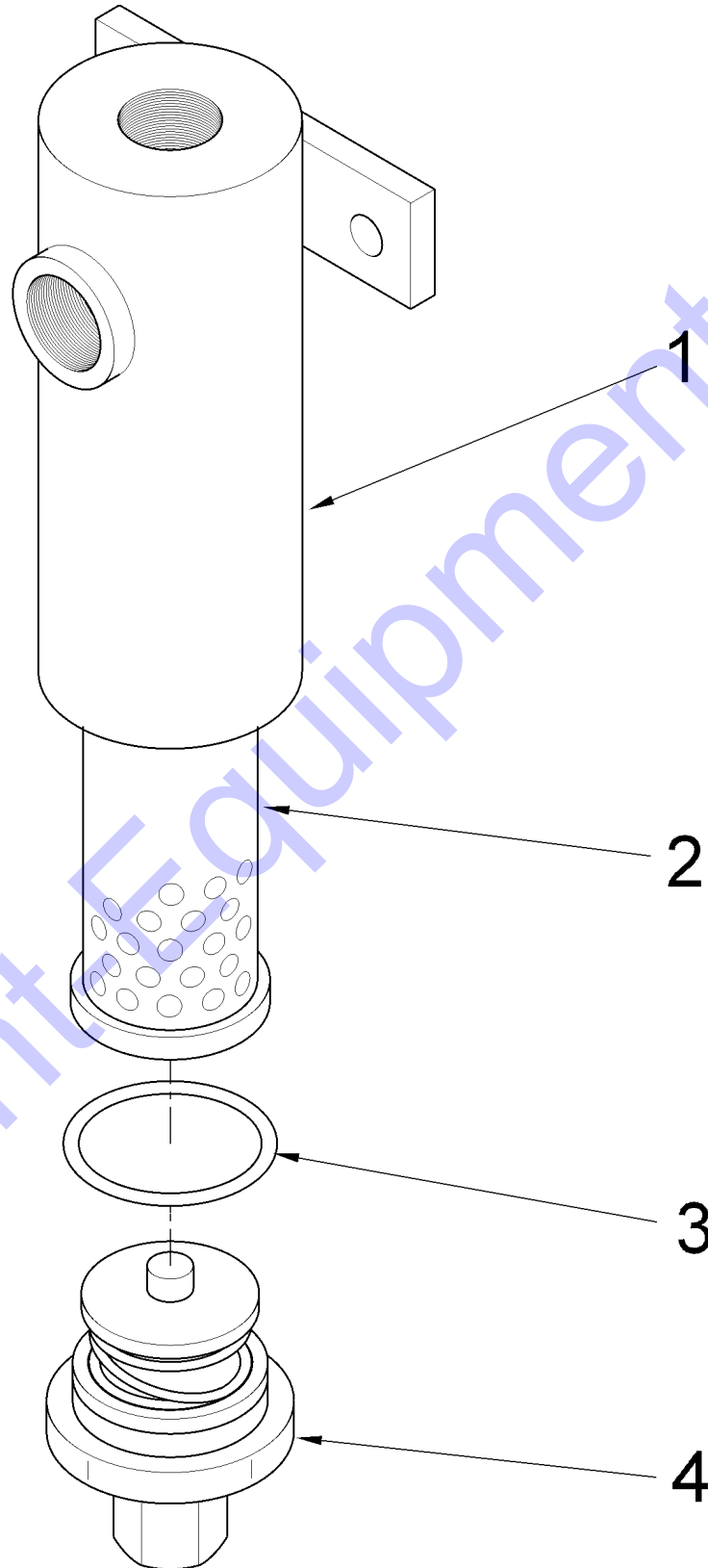


CAP3-0017

473520: DIVIDER, PRIORITY FLOW (3GPM)

ITEM	PART NUMBER	F/N	DESCRIPTION	QTY	UOM
1		F1	BODY, VALVE	1	
2	473587	F2	CARTRIDGE, VALVE (3GPM)	1	EA
			REMAINING COMPONENTS		
	505446		KIT, SEAL	1	EA
			F1 - NOT AVAILABLE, ORDER COMPLETE VALVE		
			F2 - FOR BROOM		

384735: FILTER, HIGH PRESS (S/N 28314 & BEFORE)

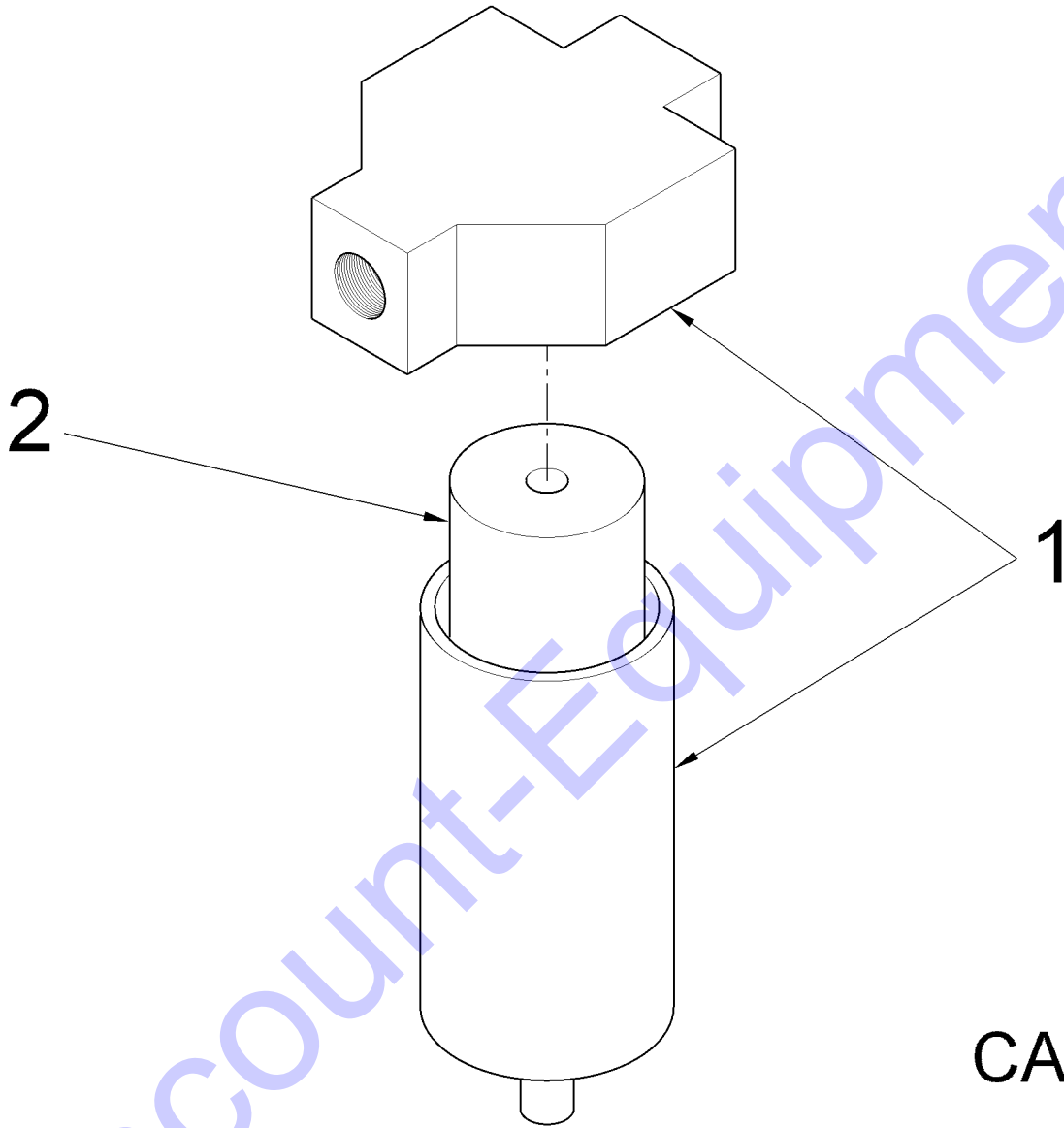


CAP3-0066

384735: FILTER, HIGH PRESS (S/N 28314 & BEFORE)

ITEM	PART NUMBER	F/N	DESCRIPTION	QTY	UOM
1		F1	FILTER, HOUSING	1	
2	9102324		FILTER, HIGH PRESSURE	1	EA
3	9103085		O-RING, FILTER	1	EA
4		F1	FILTER, RELIEF NUT ASSEMBLY	1	
			F1 - PART NUMBER NOT AVAILABLE.		

FILTER, HIGH PRESS (S/N 28315 & LATER)



FILTER, HIGH PRESS (S/N 28315 & LATER)					
ITEM	PART NUMBER	F/N	DESCRIPTION	QTY	UOM
1	475483		FILTER, HOUSING	1	EA
2	475491		FILTER, ELEMENT (HIGH PRESSURE)	1	EA
			REMAINING COMPONENTS		
	420708		O-RING	1	EA

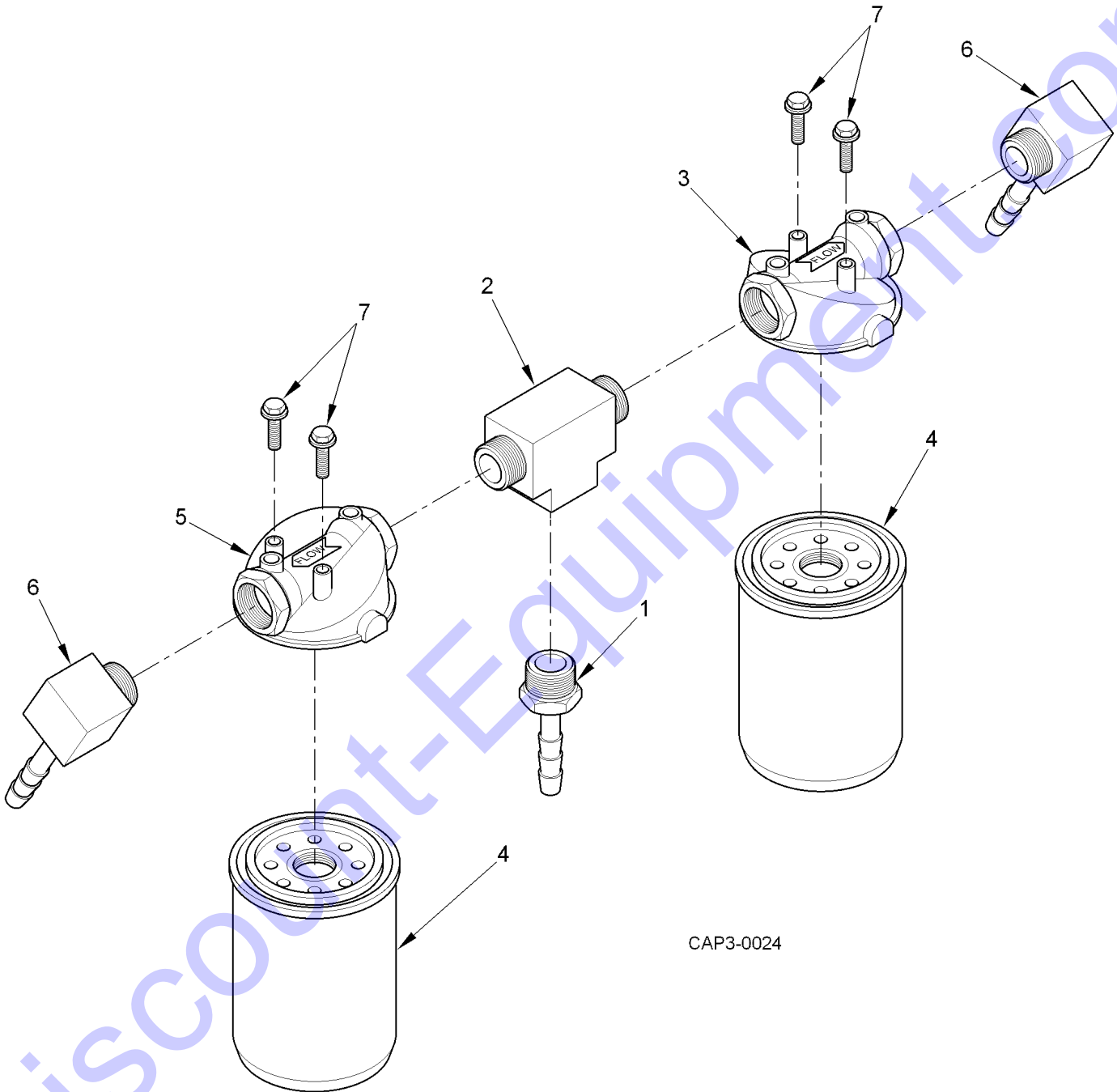
NON-ILLUSTRATED

Discount-Equipment.com

386169K: KIT, DRIVE VALVE UPDATE

ITEM	PART NUMBER	F/N	DESCRIPTION	QTY	UOM
1	010132		BOLT	2	EA
2	386128		HOSE ASSEMBLY	2	EA
3	386136		HOSE ASSEMBLY	2	EA
4	386144		HOSE ASSEMBLY	1	EA
5	386151		UPDATE VALVE HARNESS	1	EA
6	386177		UPDATE VALVE INSTRUCTIONS	1	EA

376442: LOW PRESSURE FILTER ASSEMBLY

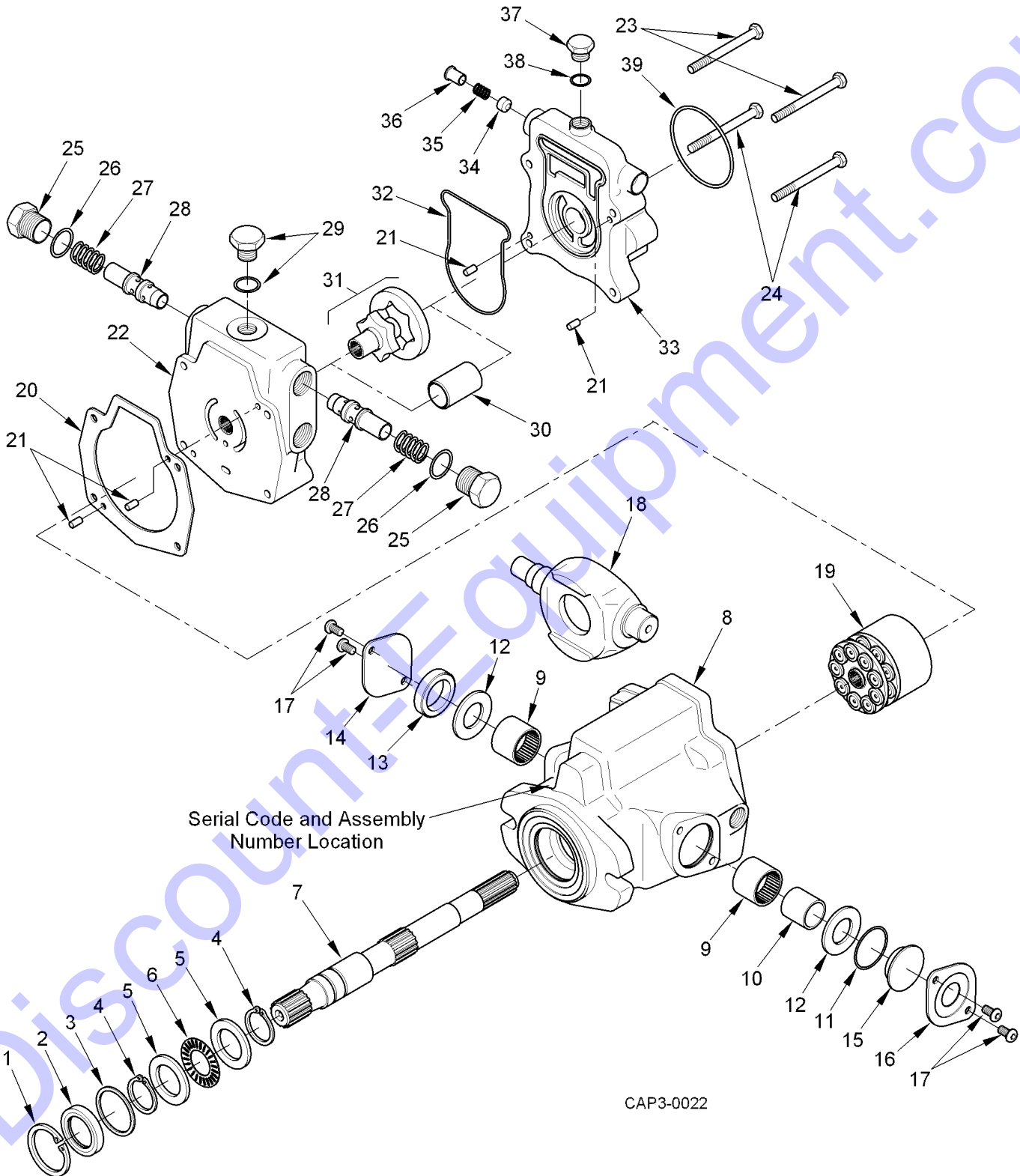


CAP3-0024

376442: LOW PRESSURE FILTER ASSEMBLY

ITEM	PART NUMBER	F/N	DESCRIPTION	QTY	UOM
1	467621		ADAPTER, STR. (-12 NPTM X .50" HOSE BARB)	1	EA
2	467605		ADAPTER, TEE (-12 NPTM -12 NPTM -12 NPTM)	1	EA
3	9101797		HEAD, FILTER (W/25 PSI RELIEF)	1	EA
4	9101798		ELEMENT, FILTER (-10 MICRON)	2	EA
5	9101796		HEAD, BLOCKED BYPASS FILTER	1	EA
6	467613		ADAPTER, 90 DEGREE (-12 NPTM X .50" HOSE BARB)	2	EA
7	441550		CAPSCREW (1/4"-20NC X 3/4", FLANGE WHIZLOCK)	4	EA

473990: PUMP, PISTON



473990: PUMP, PISTON

ITEM	PART NUMBER	F/N	DESCRIPTION	QTY	UOM
1		F1	RING, RETAINING	1	
2	456137		SEAL, SHAFT	1	EA
3		F1	WASHER	1	
4		F1	RING, RETAINING	2	
5		F1	RACE, BEARING	2	
6		F1	BEARING	1	
7	9102394		SHAFT, DRIVE (SPLINED)	1	EA
8		F1	HOUSING ASSEMBLY	1	
9		F1	BEARING	2	
10		F1	RACE, INNER	1	
11		F1	O-RING (#32 X 1-5/16" ID)	1	
12		F1	WASHER	2	
13		F1	SEAL, SHAFT	1	
14		F1	COVER, SEAL	1	
15		F1	COVER, O-RING	1	
16		F1	COVER, TRUNNION	1	
17		F1	SCREW	4	
18	455352		CAMPLATE	1	EA
19		F1	ROTATING KIT ASSEMBLY	1	
20		F1	GASKET, HOUSING	1	
21		F1	PIN, DOWEL	4	
22		F1	BACKPLATE ASSEMBLY	1	
23		F1	CAPSCREW	2	
24		F1	CAPSCREW	2	
25	V63188400		PLUG ASSEMBLY	2	EA
26		F1	O-RING (3/32" X 7/8" ID)	2	
27	V63188200		SPRING	2	EA
28	477714		RELIEF VALVE ASSEMBLY	2	EA
29		F1	PLUG ASSEMBLY (INCLUDES O-RING)	1	
30		F1	COUPLER	1	
31		F1	GEROTOR & COUPLER ASSEMBLY	1	
32		F1	O-RING, MOLDED	1	
33		F1	ADAPTER ASSEMBLY	1	
34		F1	POPPET, FILTER RELIEF	1	
35		F1	SPRING	1	
36		F1	RETAINER, SPRING	1	
37		F1	PLUG ASSEMBLY	1	
38		F1	O-RING (3/32" X 41/64" ID)	1	
39		F1	O-RING (1/16" X 3-1/4" ID)	1	
	473989		KIT, SEAL REPAIR	AR	EA
	9103064	F2	KIT, SEAL REPAIR	AR	EA
	356960K	F3	KIT, HYDRAULIC PUMP REPLACEMENT	AR	EA
	356965K	F4	KIT, HYDRAULIC PUMP REPLACEMENT	AR	EA

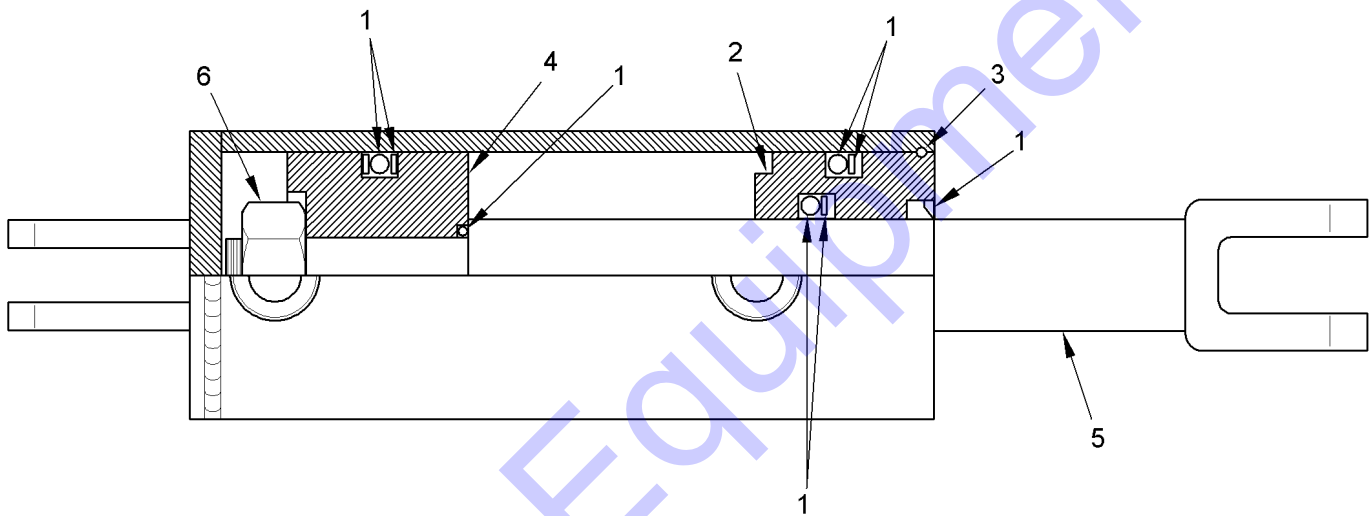
F1 - PART NUMBER NOT AVAILABLE.

473990: PUMP, PISTON

ITEM	PART NUMBER	F/N	DESCRIPTION	QTY	UOM
			F2 - FOR 9101585 (D1402 & EARLY V1505) F3 - FOR 9101585 (KUBOTA) F4 - FOR CATERPILLAR		

Discount-Equipment.com

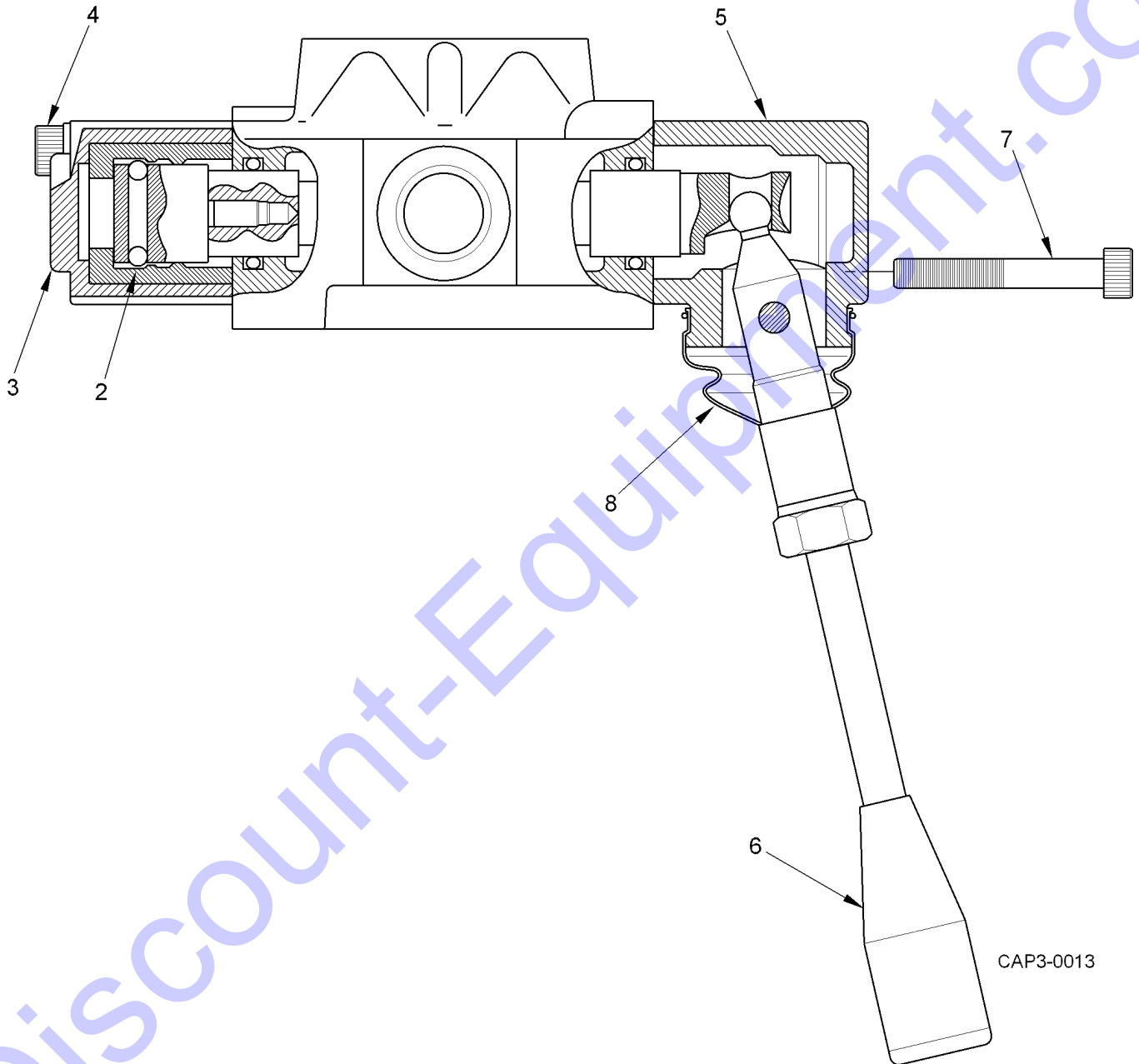
467978: STEERING CYLINDER ASSEMBLY



467978: STEERING CYLINDER ASSEMBLY

ITEM	PART NUMBER	F/N	DESCRIPTION	QTY	UOM
1	9104141		KIT, SEAL	1	EA
2	468009		GLAND, HEAD	1	EA
3	468017		RETAINER, ROUND	1	EA
4	468025		PISTON, CYLINDER	1	EA
5	468041		ROD, PISTON	1	EA
6	092460		NUT, JAM (3/4"-16NF)	1	EA

9104029: VALVE (1-SPOOL, 2-POS DETENT, 1-HANDLE)

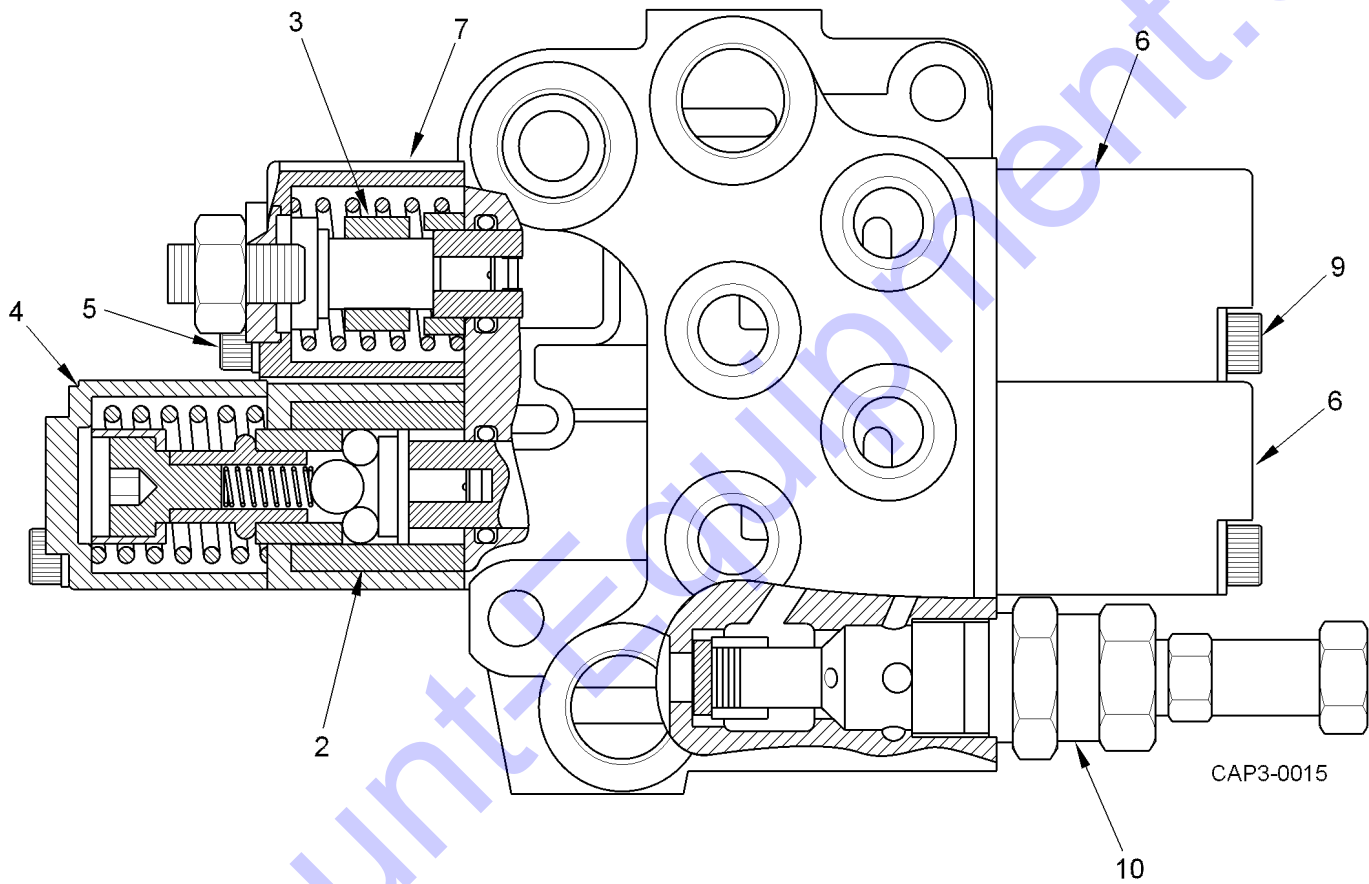


CAP3-0013

9104029: VALVE (1-SPOOL, 2-POS DETENT, 1-HANDLE)

ITEM	PART NUMBER	F/N	DESCRIPTION	QTY	UOM
2	9104528	F1	KIT, DETENT "L"	1	EA
3	477174		END CAP, SPOOL ACTION	1	EA
4	474577		SCREW, HEX SOCKET (6 X 40)	2	EA
5	473293		LEVER END CAP ASSEMBLY	1	EA
6	449645		LEVER ASSEMBLY	1	EA
7	460584		SCREW, HEX SOCKET (6 X 45)	2	EA
8	440263		BELLOW, VALVE HANDLE	1	EA
				REMAINING COMPONENTS	
	462515		KIT, SEAL	1	EA
			F1 - USED FOR REVERSIBLE BROOM		

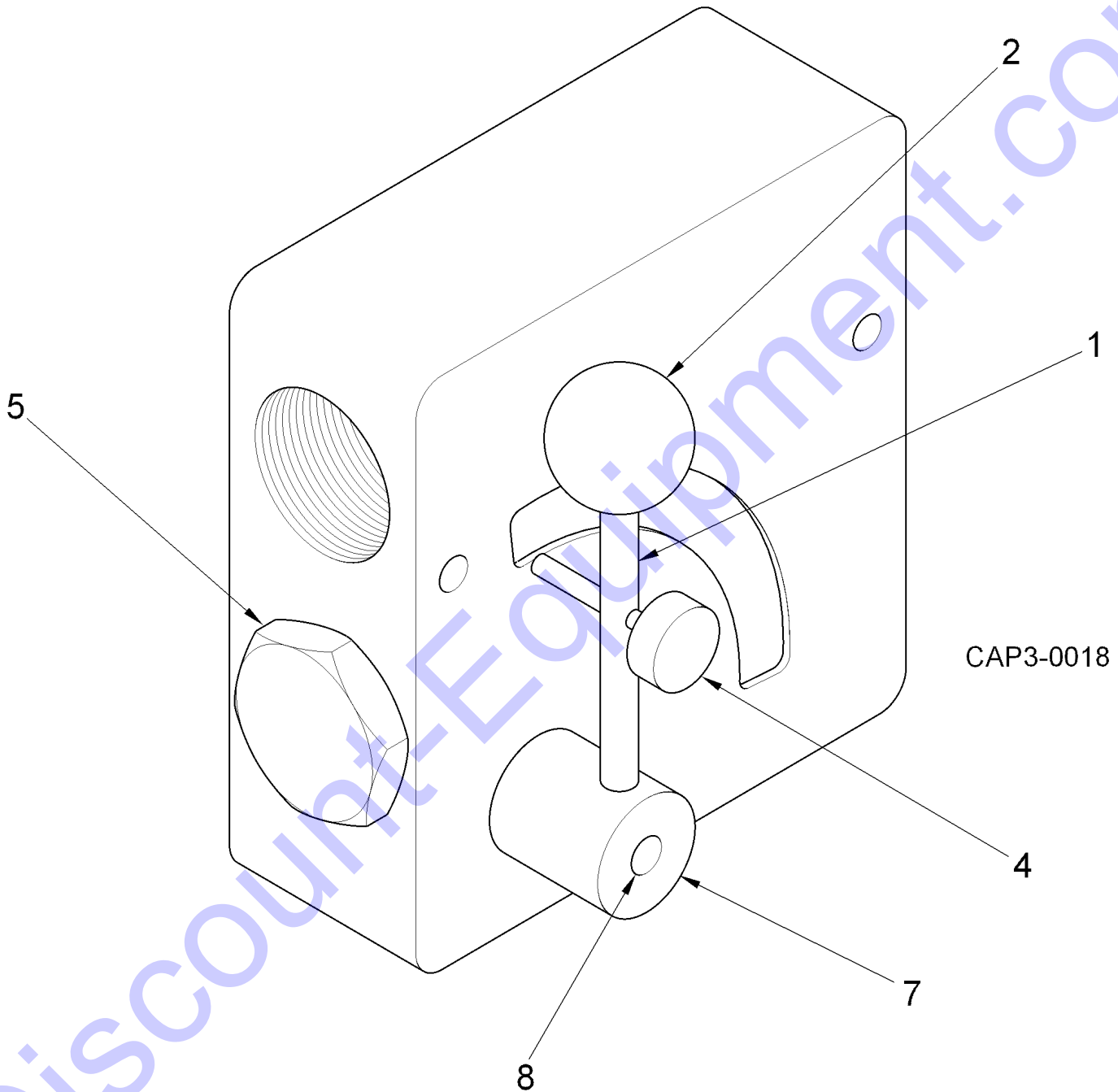
9104030: VALVE (2-SPOOL, FLOAT DETENT, 2-HANDLE)



9104030: VALVE (2-SPOOL, FLOAT DETENT, 2-HANDLE)

ITEM	PART NUMBER	F/N	DESCRIPTION	QTY	UOM
2	476002		KIT, FLOAT DETENT "N"	1	EA
3		F1	KIT, SPRING CENTER "A"	1	
4		F1	END CAP, SPOOL ACTION	1	
5	474577		SCREW, HEX SOCKET (6 X 40)	2	EA
6	475434		LEVER END CAP ASSEMBLY	2	EA
7		F1	KIT, LIMITER LEVER END CAP	1	
9	460584		SCREW, HEX SOCKET (6 X 45)	4	EA
10	477800		RELIEF VALVE ASSEMBLY	1	EA
			REMAINING COMPONENTS		
	910403K		KIT, SEAL	1	EA
	449645		LEVER ASSEMBLY	2	EA
			F1 - PART NUMBER NOT AVAILABLE.		

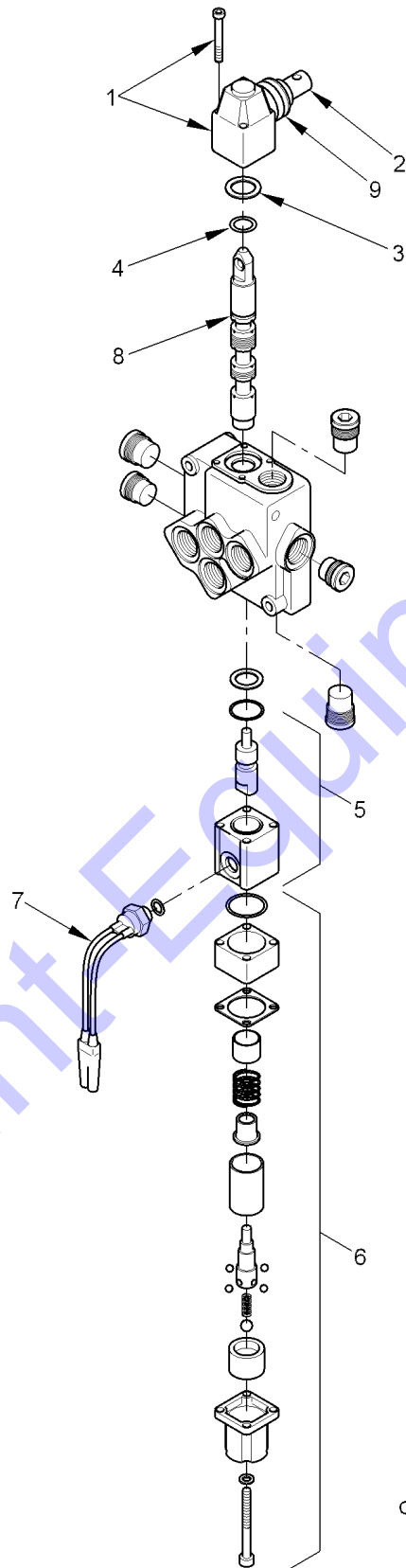
9101984: VALVE, BROOM SPEED CONTROL



9101984: VALVE, BROOM SPEED CONTROL

ITEM	PART NUMBER	F/N	DESCRIPTION	QTY	UOM
1	463703	F1	KIT, HANDLE HARDWARE		
2	9104614	F1	LEVER, CONTROL		
	477525	F1	KNOB		
4		F1	PIN, SPRING ROLL		
5		F1	SCREW, LOCK		
5		F2	RELIEF, VALVE		
7	467571	F2	KIT, VARIABLE SPEED SEAL		
8		F2	SPOOL, ROTARY		
			SCREW, SET		
			F1 - INCLUDED WITH HARDWARE KIT 463703		
			F2 - ORDER COMPLETE VALVE		

476838: VALVE, DRIVE (AFTER 07-02)

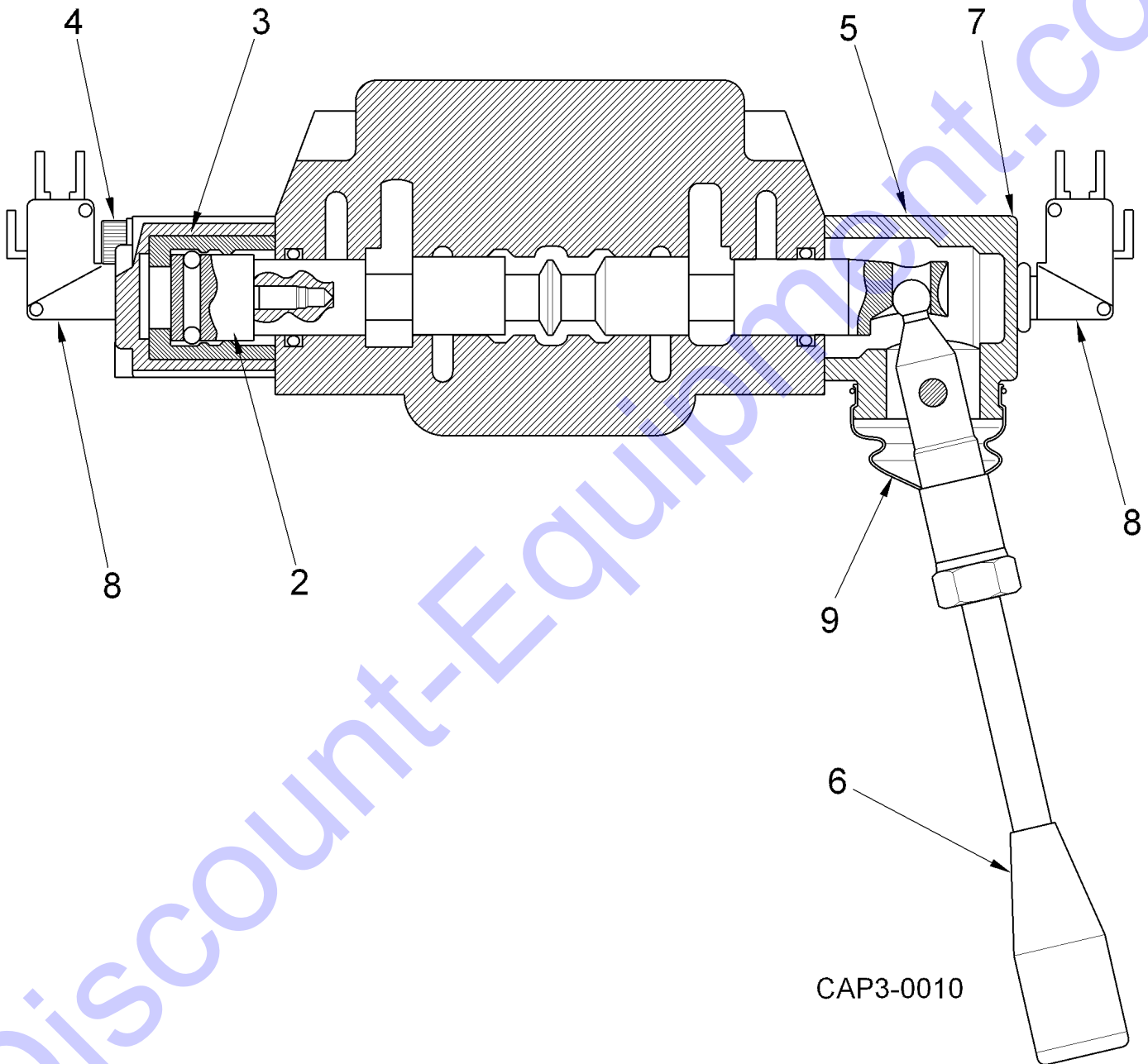


CAP3-0063

476838: VALVE, DRIVE (AFTER 07-02)

ITEM	PART NUMBER	F/N	DESCRIPTION	QTY	UOM
1	476482		KIT, VALVE LEVER	1	EA
2	449645		LEVER ASSEMBLY	1	EA
3	414318		O-RING, RETAINER	1	EA
4	477662	F1	KIT, SEAL	1	EA
5	476841		KIT, VALVE BODY	1	EA
6	476839		KIT, VALVE DETENT	1	EA
7	477182		KIT, VALVE SWITCH	2	EA
8	414326		SPOOL, TYPE I	1	EA
9	440263		BELLOW, VALVE HANDLE	1	EA
			F1 - KIT CONTAINS ALL O-RINGS		

9104028: VALVE, DRIVE (BEFORE 07-02)

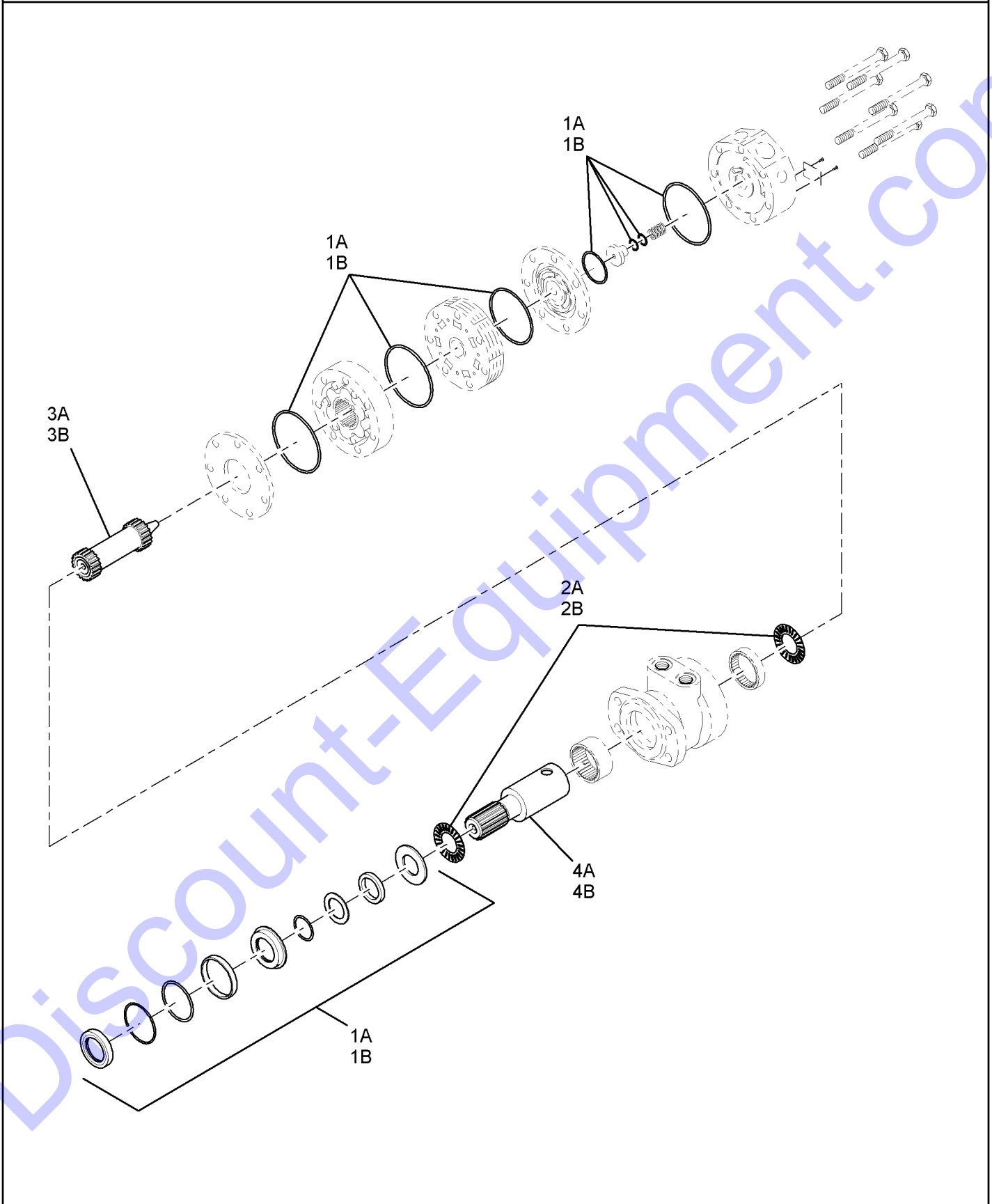


CAP3-0010

9104028: VALVE, DRIVE (BEFORE 07-02)

ITEM	PART NUMBER	F/N	DESCRIPTION	QTY	UOM
	9103996		KIT, SEAL	1	EA
2	474551		KIT, DETENT 3-POSITION	1	EA
3	474569		END CAP, SPOOL ACTION	1	EA
4	474577		SCREW, HEX SOCKET (6 X 40)	2	EA
5	473298		LEVER END CAP ASSEMBLY	1	EA
6	449645		LEVER ASSEMBLY	1	EA
7	460584		SCREW, HEX SOCKET (6 X 45)	2	EA
8	9104049		SWITCH, MICRO (FORWARD/REVERSE)	2	EA
9	440263		BELLOW, VALVE HANDLE	1	EA
			REMAINING COMPONENTS		
			KIT, DRIVE VALVE UPDATE	1	EA

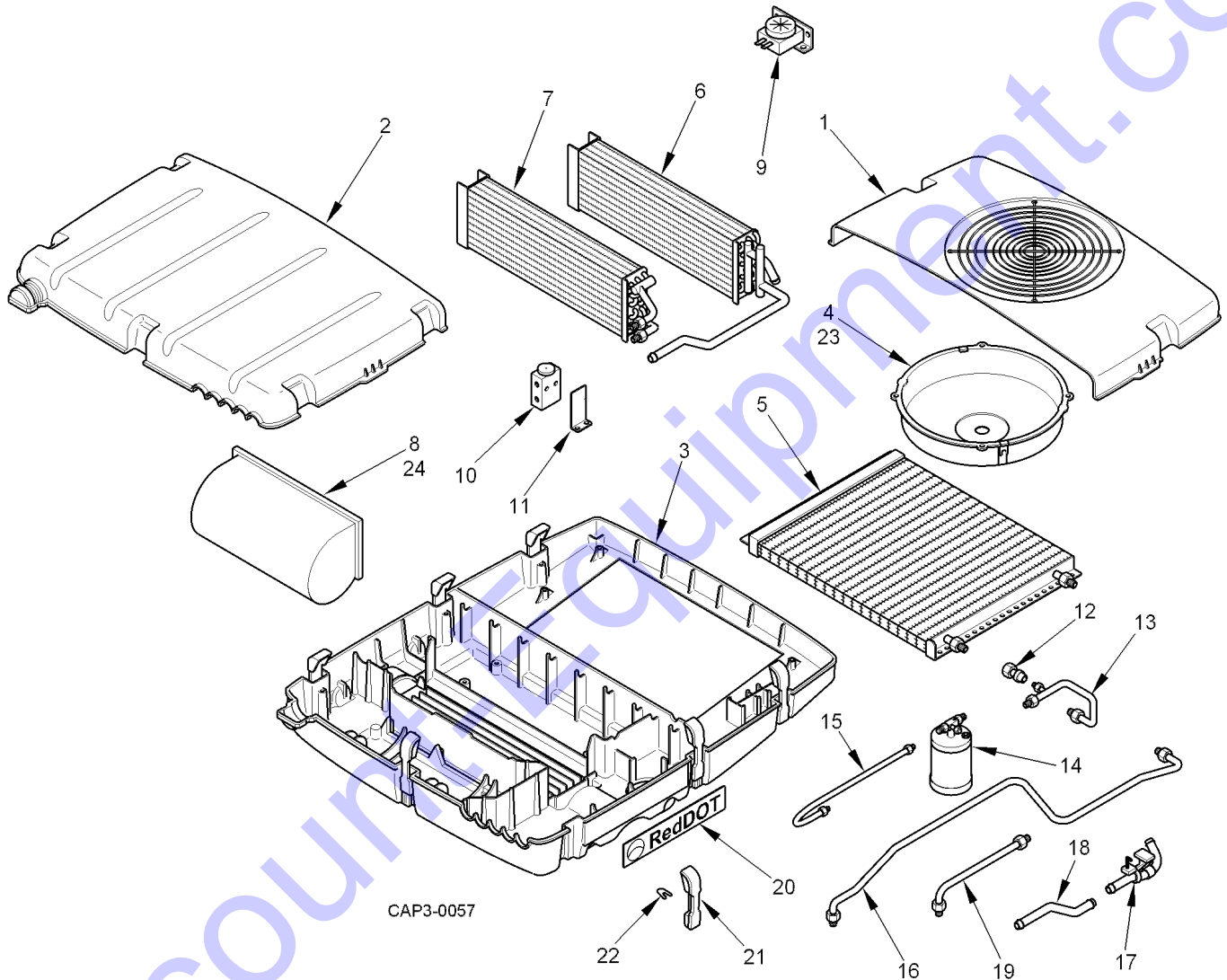
9103730: WHEEL DRIVE MOTOR ASSEMBLY



9103730: WHEEL DRIVE MOTOR ASSEMBLY

ITEM	PART NUMBER	F/N	DESCRIPTION	QTY	UOM
1A	9101638		KIT, SEAL (500-RE)	1	EA
1B	511607		KIT, SEAL (600-DR)	1	EA
2A	9104422		BEARING, THRUST (500-RE)	2	EA
2B	380788		BEARING, THRUST (600-DR)	2	EA
3A	452771		LINK, DRIVE (500-RE)	1	EA
3B	380789		LINK, DRIVE (600-DR)	1	EA
4A	9104530		SHAFT (500-RE)	1	EA
4B	409940		SHAFT (600-DR)	1	EA

374721: AC/HEATER (VISTA CAB)

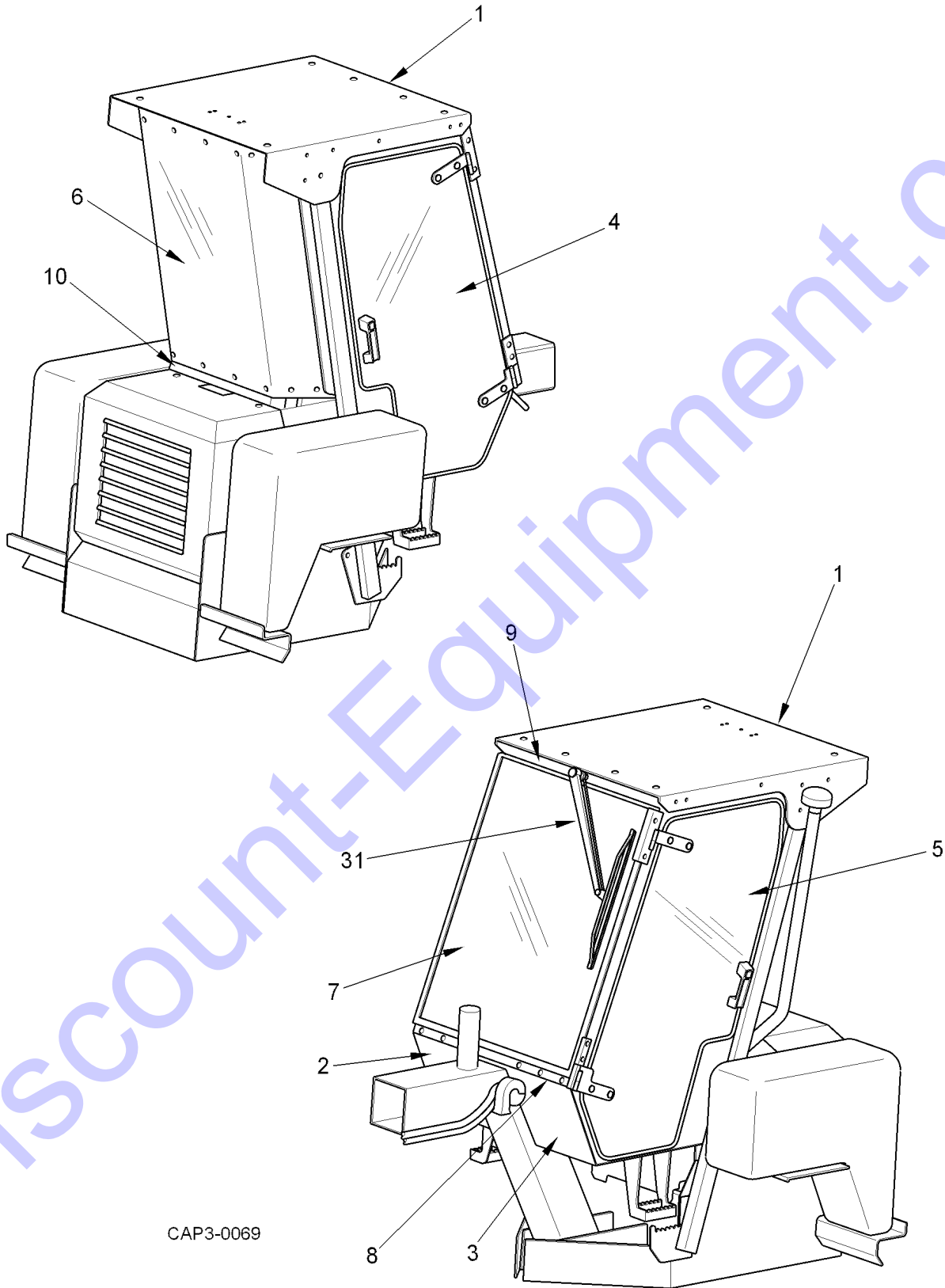


CAP3-0057

374721: AC/HEATER (VISTA CAB)

ITEM	PART NUMBER	F/N	DESCRIPTION	QTY	UOM
1		F1	COVER, CONDENSER	1	
2		F1	COVER, EVAPORATOR	1	
3		F1	HOUSING	1	
4		F1	FAN/MOTOR ASSEMBLY (12V)	1	
5	387174		CONDENSER	1	EA
6	387175		HEATER CORE ASSEMBLY	1	EA
7	387163		EVAPORATOR ASSEMBLY	1	EA
8	387169		MOTOR,BLOWER ASSEMBLY (12V)	1	EA
9	387177		THERMOSTAT, SIDE AND BOTTOM MOUNT	1	EA
10	387158		VALVE, EXPANSION	1	EA
11		F1	BRACKET, EXPANSION VALVE	1	
12	387171		SWITCH, PRESSURE	1	EA
13		F1	TUBE, DRIER-COND (#6 REC.)	1	
14	387181		RECEIVER DRIER, R134A	1	EA
15		F1	TUBE, CONDENSER (#6)	1	
16		F1	CONDENSER INLET TUBE ASSEMBLY	1	
17		F1	WATER VALVE, CABLE OPER.	1	
18		F1	TUBE, HEATER	1	
19		F1	OUTLET TUBE ASSEMBLY	1	
20		F1	PLACARD	1	
21		F1	OVER CENTER LATCH ASSEMBLY	6	
22		F1	RETAINER, LATCH PIVOT	6	
23		F1	FAN/MOTOR ASSEMBLY (24V)	1	
24		F1	BLOWER MOTOR ASSEMBLY (24V)	1	
			REMAINING COMPONENTS		
		F1	SCREW, HEX HEAD (#8 PLASTITE)	AR	
		F1	SCREW, HEX HEAD (#12 PLASTITE)	AR	
		F1	WIRE HARNESS ASSEMBLY	1	
		F1	RELAY (12V)	1	
		F1	RELAY (24V)	1	
		F1	WATER VALVE CONVERTER	1	
		F1	PLENUM, OUTLET	1	
		F1	LOUVER	1	
	387159		SWITCH, ROTARY (3 SPEED)	1	EA
	387173		SWITCH, ROCKER (BLACK)	1	EA
	387179		KNOB, ROTARY CONTROL	AR	EA
		F1	HOUSING, FILTER (PLENUM)	1	
	387170		FILTER, RECIRCULATION	1	EA
		F1	COVER, RECIRCULATION FILTER	1	
		F1	RESISTOR (FOR 12V)	1	
		F1	RESISTOR (FOR 24V)	1	
			F1 - PART NUMBER NOT AVAILABLE.		

CAB, VISTA



CAP3-0069

CAB, VISTA

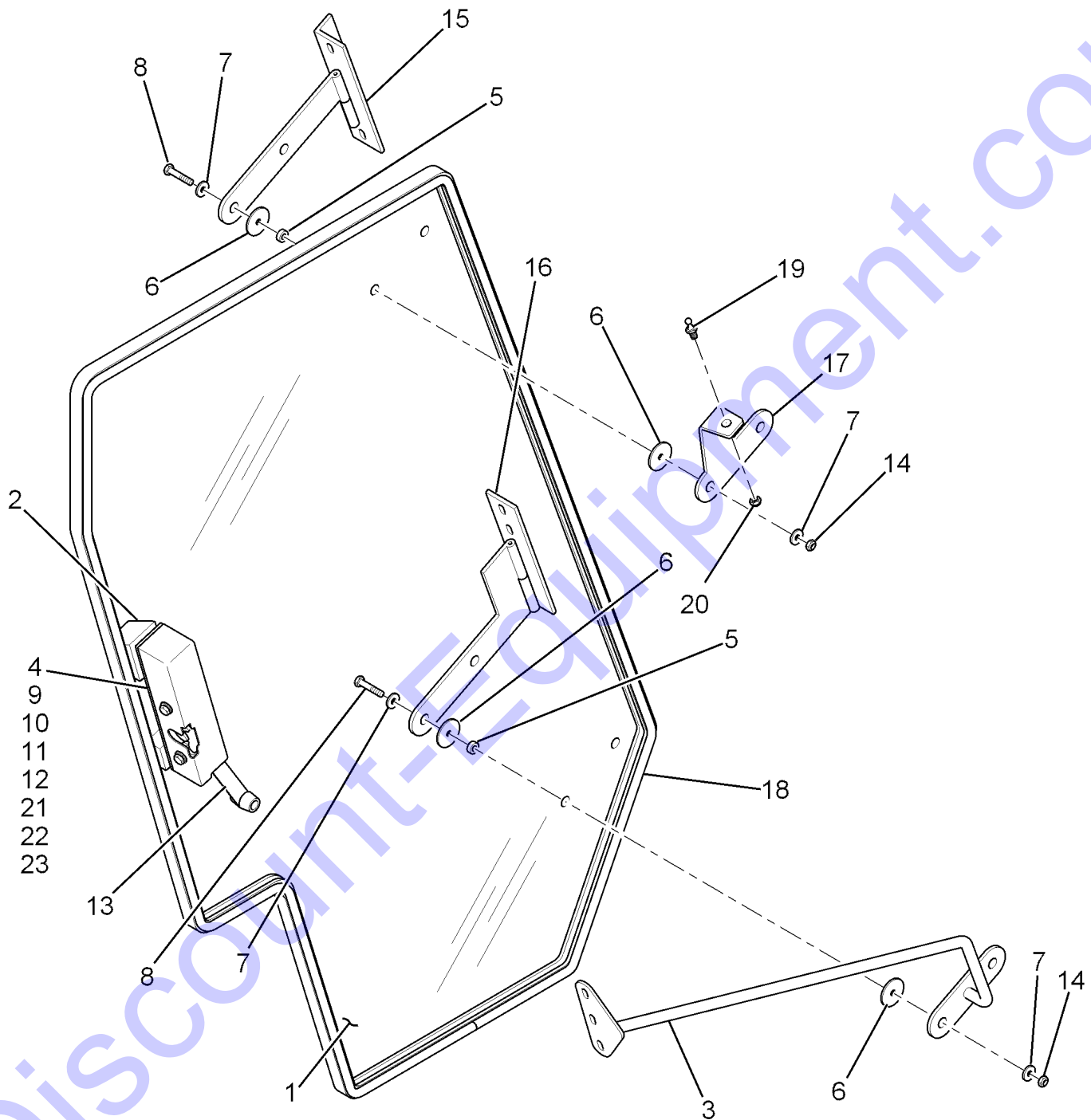
ITEM	PART NUMBER	F/N	DESCRIPTION	QTY	UOM
1	374719		CAB (HEADLINER, FLOOR MAT, WIND WASHER, 2-DOOR)	1	EA
2		F1	PANEL ASSEMBLY (R.H. SIDE)	1	
3		F1	PANEL ASSEMBLY (L.H. SIDE)	1	
4		F1	DOOR ASSEMBLY (R.H.)	1	
5		F1	DOOR ASSEMBLY (L.H.)	1	
6	478252		GLASS, WINDOW (REAR)	1	EA
7	478254		WINDSHIELD ASSEMBLY	1	EA
8		F1	CHANNEL, LOWER (WINDSHIELD)	1	
9		F1	CHANNEL, UPPER (WINDSHIELD)	1	
10			LOWER REAR WINDOW BRACE ASSEMBLY	1	
31	477531		WIPER ARM AND BLADE ASSEMBLY	1	EA
			REMAINING COMPONENTS		
	385772		SOCKET, METAL BALL	4	EA
	385769		STUD, BALL	4	EA
	477820	F2	SHOCK, GAS (60 LBS.)	2	EA
		F1	SWING HINGE ASSEMBLY	2	
	478250		HEADLINER, FRONT	1	EA
	478251		HEADLINER, REAR	1	EA
		F1	FLOOR MAT ASSEMBLY	1	
		F1	HOOD STRAP WITH HOLES	1	
		F1	CC NEOPRENE SPONGE (1 X 1-1/2,6.5")	AR	
		F1	BOLT, HEX HEAD (1/4-20 X 5/8" GD5 Z.P.)	4	
		F1	BOLT, HEX HEAD (1/4-20 X 3/4" GD5 Z.P.)	8	
		F1	BOLT, HEX HEAD (1/4-20 X 1" GD5 Z.P.)	16	
		F1	BOLT, HEX HEAD (1/4-20 X 2-3/4" GD5 Z.P.)	8	
		F1	WASHER, FLAT (1/4")	68	
		F1	NUT, HEX LOCK (1/4-20 GR5 Z.N.)	32	
		F1	BOLT, HEX HEAD (3/8-16 X 1-1/4" GD5 Z.P.)	20	
		F1	BOLT, HEX HEAD (3/8-16 X 1-1/2" GD5 Z.P.)	4	
		F1	WASHER, FLAT (3/8")	48	
		F1	NUT,HEX LOCK (3/8-16 GR5 Z.N.)	24	
		F1	RUBBER SEAL, 4 WINDSHIELD (ADH BACKED) 72"	AR	
	450157		SWITCH, WIPER MOTOR (VISTA 2717)	1	EA
	450159		MOTOR, WIPER	1	EA
		F1	PLATE, HEADLINER (R.H.)	1	
		F1	PLATE, HEADLINER (L.H.)	AR	
		F1	FUSE AND RELAY PACKAGE	1	
		F1	WIRE HARNESS, ENGINE	1	
		F1	WIRE HARNESS, HORN	1	
		F1	WRAP, HOSE	AR	
		F1	CABLE TIE, NYLON (6" LONG)	8	
		F1	SILICONE, RTV CLEAR	1	
			F1 - PART NUMBER NOT AVAILABLE.		

CAB, VISTA

ITEM	PART NUMBER	F/N	DESCRIPTION	QTY	UOM
			F2 - IT IS RECOMMENDED THAT 477820 BE ORDERED TOGETHER WITH 385772 AND 385774.		

Discount-Equipment.com

DOOR, VISTA CAB (LEFT HAND)

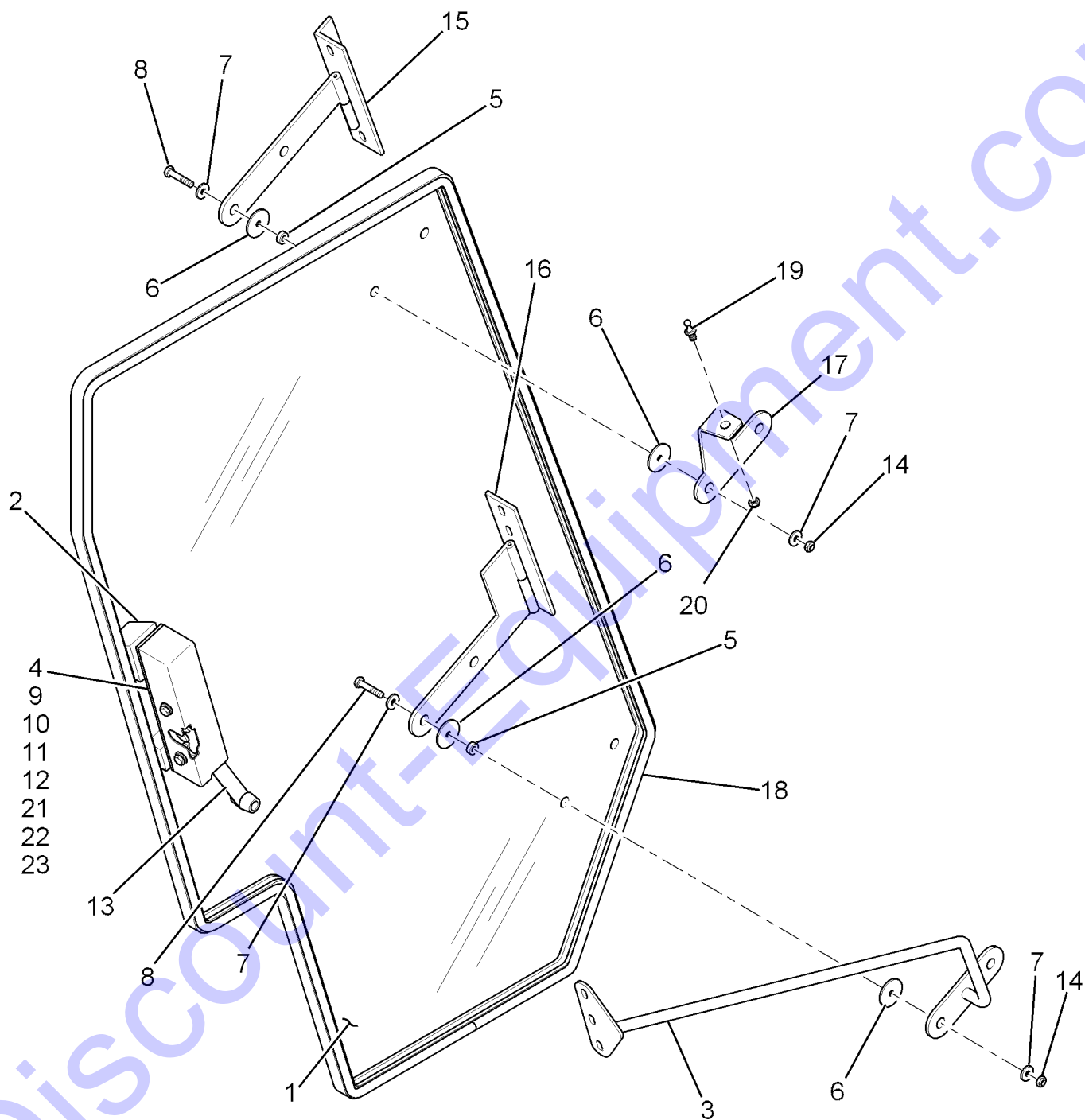


LEFT HAND SHOWN
RIGHT HAND OPPOSITE

DOOR, VISTA CAB (LEFT HAND)

ITEM	PART NUMBER	F/N	DESCRIPTION	QTY	UOM
1	385983		GLASS, DOOR (LH)	1	EA
2	385760		HANDLE, DOOR (OUTSIDE STD)	1	EA
3		F1	WELDMENT, GRAB BAR (LH)	1	
4	385767		COVER, LATCH	1	EA
5	385753		SPACER, DOOR HINGE	4	EA
6	385754		WASHER, DOOR HINGE	8	EA
7		F1	WASHER, FLAT (3/8")	8	
8		F1	BOLT, HEX HEAD (3/8"-16 X 1-3/4", GD5 ZP)	4	
9		F1	WELDMENT, DOOR LATCH (LH)	1	
10		F1	WASHER, FLAT (1/4")	8	
11		F1	BOLT, HEX HEAD (1/4"-20 X 1", GD5 ZP)	5	
12	385761		GASKET, DOOR LATCH	1	EA
13	385766		LATCH	1	EA
14		F1	NUT, LOCK (NYLON INSERT, 3/8"-16 GR5 ZP)	4	
15	910464K		WELDMENT, DOOR HINGE (UPPER, LH)	1	EA
16	477782		WELDMENT, DOOR HINGE (LOWER, LH)	1	EA
17	478227		PLATE, CYLINDER (INSIDE DOOR HINGE, LH)	1	EA
18	385746		SEAL, SIDE BULB (1/4" MATERIAL, 161")	1	EA
19	385769		STUD, BALL	1	EA
20		F1	NUT, LOCK (NYLON INSERT 5/16"-18)	1	
21	385762		SPACER, DOOR HANDLE (NYLON)	3	EA
22	385764		CAPSCREW, HEX HEAD (M6 X 1" X 25MM GR8 ZN)	3	EA
23		F1	BOLT, HEX HEAD (1/4"-20 X 3/4" GD5 ZP)	1	
			F1 - PART NUMBER NOT AVAILABLE.		

DOOR, VISTA CAB (RIGHT HAND)

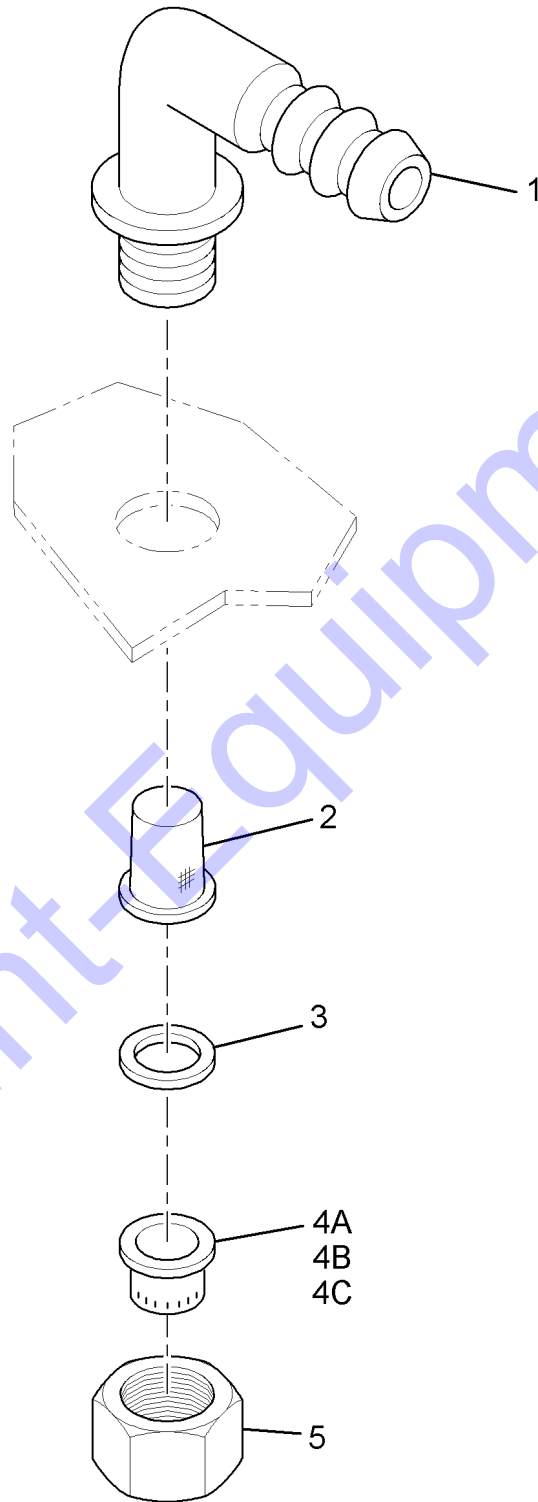


LEFT HAND SHOWN
RIGHT HAND OPPOSITE

DOOR, VISTA CAB (RIGHT HAND)

ITEM	PART NUMBER	F/N	DESCRIPTION	QTY	UOM
1	385984		GLASS, DOOR (RH)	1	EA
2	385760		HANDLE, DOOR (OUTSIDE STD)	1	EA
3		F1	WELDMENT, GRAB BAR (RH)	1	
4	385767		COVER, LATCH	1	EA
5	385753		SPACER, DOOR HINGE	4	EA
6	385754		WASHER, DOOR HINGE	8	EA
7		F1	WASHER, FLAT (3/8")	8	
8		F1	BOLT, HEX HEAD (3/8"-16 X 1-3/4", GD5 ZP)	4	
9		F1	WELDMENT, DOOR LATCH (RH)	1	
10		F1	WASHER, FLAT (1/4")	8	
11		F1	BOLT, HEX HEAD (1/4"-20 X 1", GD5 ZP)	5	
12	385761		GASKET, DOOR LATCH	1	EA
13	385766		LATCH	1	EA
14		F1	NUT, LOCK (NYLON INSERT, 3/8"-16 GR5 ZP)	4	
15	477798		WELDMENT, DOOR HINGE (UPPER, RH)	1	EA
16	477799		WELDMENT, DOOR HINGE (LOWER, RH)	1	EA
17	478226		PLATE, CYLINDER (INSIDE DOOR HINGE, RH)	1	EA
18	385746		SEAL, SIDE BULB (1/4" MATERIAL, 161")	1	EA
19	385769		STUD, BALL	1	EA
20		F1	NUT, LOCK (NYLON INSERT 5/16"-18)	1	
21	385762		SPACER, DOOR HANDLE (NYLON)	3	EA
22	385764		CAPSCREW, HEX HEAD (M6 X 1" X 25MM GR8 ZN)	3	EA
23		F1	BOLT, HEX HEAD (1/4"-20 X 3/4" GD5 ZP)	1	
			F1 - PART NUMBER NOT AVAILABLE.		

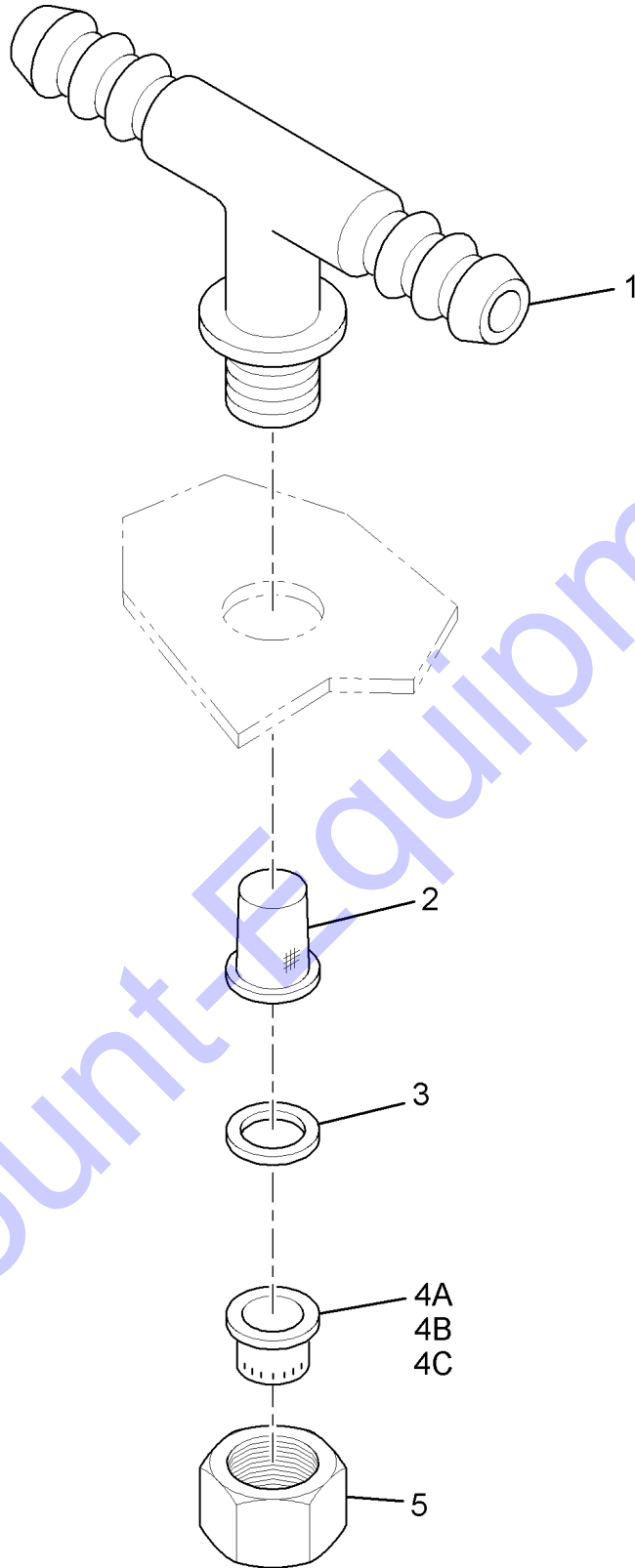
9104621K: SPRAY NOZZLE ASSEMBLY (L-BODY, BRASS)



9104621K: SPRAY NOZZLE ASSEMBLY (L-BODY, BRASS)

ITEM	PART NUMBER	F/N	DESCRIPTION	QTY	UOM
1	9104059		BODY, SPRAY NOZZLE (90 DEGREE, BRASS)	1	EA
2	V70007388		SCREEN, SPRAY NOZZLE	1	EA
3	9104055		SEAL, ORIFICE CORE	1	EA
4A	9101539		ORIFICE (D-2, STANDARD)	1	EA
4B	9101834		ORIFICE (D-5, MORE WATER)	1	EA
4C	9101832		ORIFICE (D-8, MORE WATER)	1	EA
5	V70007488		CAP, NOZZLE (BRASS)	1	EA

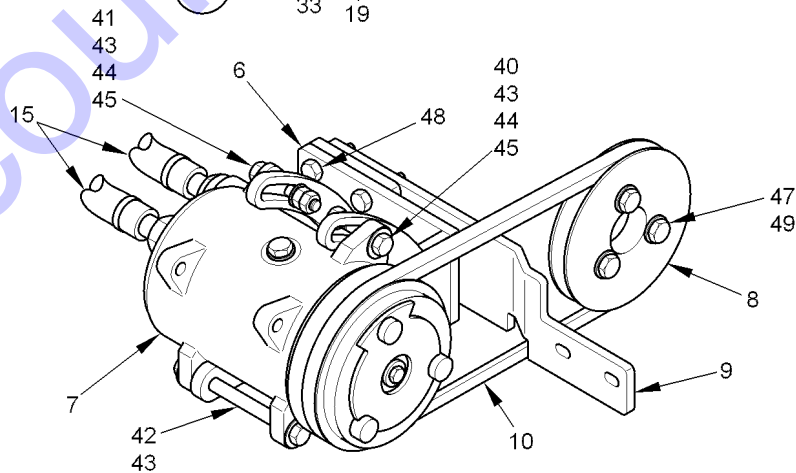
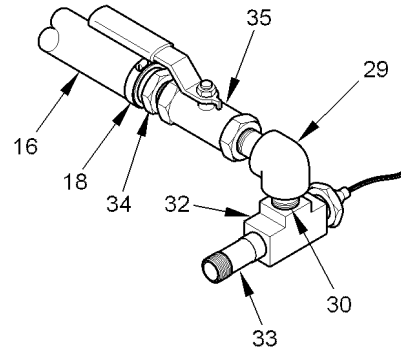
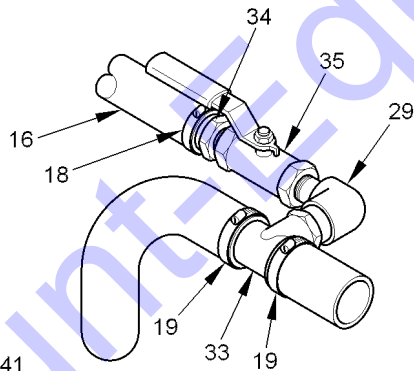
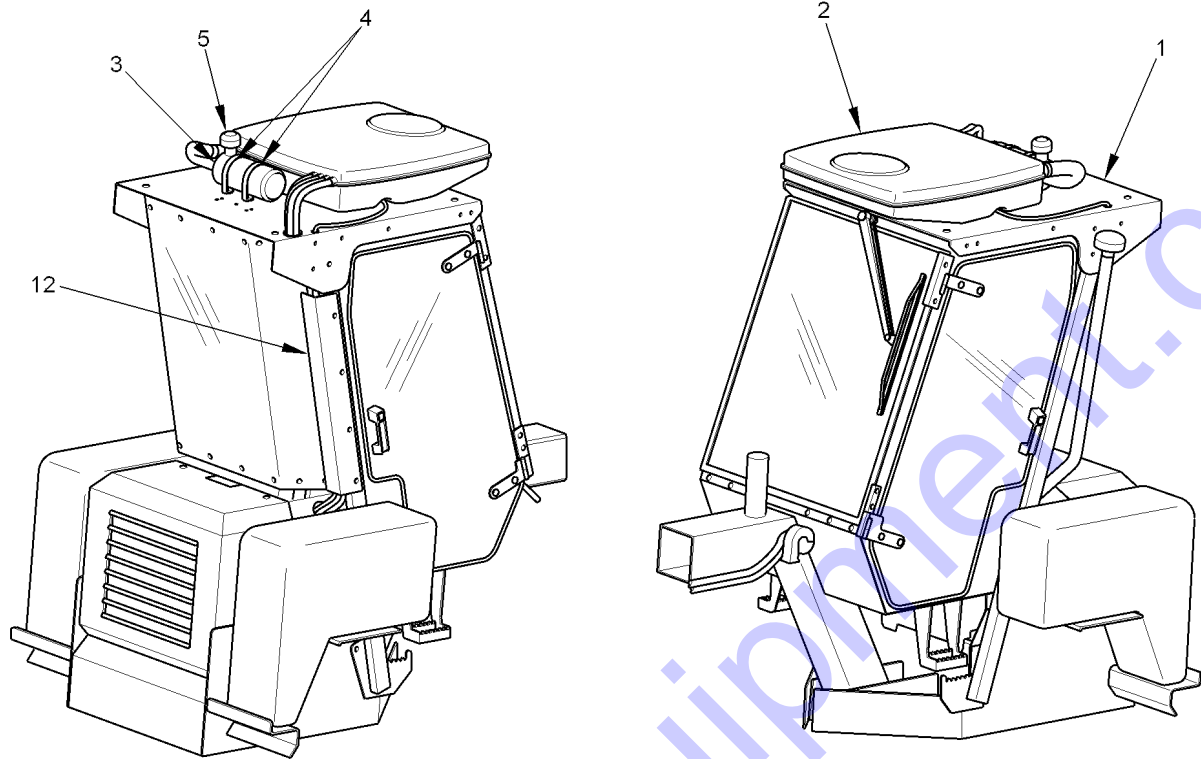
9104620K: SPRAY NOZZLE ASSEMBLY (T-BODY, BRASS)



9104620K: SPRAY NOZZLE ASSEMBLY (T-BODY, BRASS)

ITEM	PART NUMBER	F/N	DESCRIPTION	QTY	UOM
1	9104058		BODY, SPRAY NOZZLE (T-BODY, BRASS)	1	EA
2	V70007388		SCREEN, SPRAY NOZZLE	1	EA
3	9104055		SEAL, ORIFICE CORE	1	EA
4A	9101539		ORIFICE (D-2, STANDARD)	1	EA
4B	9101834		ORIFICE (D-5, MORE WATER)	1	EA
4C	9101832		ORIFICE (D-8, MORE WATER)	1	EA
5	V70007488		CAP, NOZZLE (BRASS)	1	EA

UNIT, AC/HEATER/PRESSURIZER (CAB)



CAP3-0070

UNIT, AC/HEATER/PRESSURIZER (CAB)					
ITEM	PART NUMBER	F/N	DESCRIPTION	QTY	UOM
1	374720		CAB, VISTA (DELUXE, HEATER/AC/PRESSURIZER)	1	EA
2		F1	KIT, AC/HEATER	1	
3		F1	AIR CLEANER ASSEMBLY	1	
4		F1	BRACKET, AIR CLEANER MOUNTING	2	
5		F1	BONNET, AIR CLEANER	1	
6	447907		BRACKET WELDMENT, COMPRESSOR	1	EA
7	477751		COMPRESSOR ASSEMBLY	1	EA
8		F1	PULLEY, COMPRESSOR	1	
9	9107006		BRACKET, RADIATOR	1	EA
10	477752		BELT, COMPRESSOR (1/2" X 37")	1	EA
12		F1	COVER, AC/HEATER HOSE	1	
15	477924		REFRIGERANT HOSE ASSEMBLY (102")	1	EA
16		F1	HOSE (5/8", 206")	1	
18		F1	CLAMP, HOSE (#10)	4	
19		F1	CLAMP, HOSE (#20)	2	
29	477728		ELBOW, 90 DEGREE (MF, 3/8" X 1/2")	2	EA
30		F1	NIPPLE, CLOSE (3/8")	1	
32		F1	UNION, TEE (FFF, 3/8")	1	
33	477729		TEE, BARBED (1/2"NPT X 1" BARB X 1" BARB)	1	EA
34	477730		BARB, HOSE (M - 3/8" PIPE TO 5/8" HOSE)	2	EA
35		F1	VALVE, BALL (FF - 3/8")	2	
40		F1	BOLT, HEX HEAD (3/8"-16 X 1-3/4" GD5 ZP)	2	
41		F1	BOLT, HEX HEAD (3/8"-16 X 2" GD5 ZP)	1	
42		F1	BOLT, HEX HEAD (3/8"-16 X 5-1/2" GD5 ZP)	1	
43		F1	WASHER, FLAT (3/8")	11	
44		F1	WASHER, FLAT (3/8" - MED)	2	
45		F1	NUT, HEX LOCK (3/8"-16 GR5 ZN)	5	
47	439487		BOLT (M10 X 1.25 X 35MM, FOR PULLEY)	3	EA
48		F1	BOLT (M10 X 1-1/2" X 40MM, FOR ENGINE MGT)	4	
49		F1	WASHER, LOCK (M10)	3	
			REMAINING COMPONENTS		
		F1	BRACKET WELDMENT, BATTERY	1	
		F1	GROMMET (FOR 1" HOLE X 1/4" PANEL)	2	
		F1	GROMMET (FOR 3" HOLE X 1/4" PANEL)	2	
		F1	HOSE (2", 10")	1	
		F1	HOSE CLAMP (#28)	2	
		F1	CLAMP, NEOPRENE CUSHION (1/2")	8	
		F1	FITTING, SOCKET PIPE (#40 - 1-1/4" MALE)	1	
		F1	FITTING, SOCKET PIPE (#40 - 1-1/4" FEMALE)	1	
		F1	O-RING (1-5/8" DIA)	1	
		F1	HARNESS, WIRE (AC/HEATER)	1	
		F1	CABLE, GROUND (30" LONG)	1	
		F1	TIE, CABLE (BLACK, NYLON, 6" LONG)	8	
		F1	ELBOW, 90 DEGREE (MF - 3/8")	1	

UNIT, AC/HEATER/PRESSURIZER (CAB)

ITEM	PART NUMBER	F/N	DESCRIPTION	QTY	UOM
		F1	NIPPLE, LONG (3/8" X 2" LONG)	1	
		F1	BOLT, HEX HEAD (1/4"-20 X 3/4" GD5 ZP)	4	
		F1	WASHER, FLAT (1/4")	8	
		F1	NUT, HEX LOCK (1/4"-20, GR5, ZN)	4	
		F1	BOLT, HEX HEAD (3/8"-16 X 1-1/4", GD5)	3	
		F1	NUT, HEX (3/8")	2	
		F1	COLLAR, FAN (KUBOTA)	1	
		F1	BOLT, HEX HEAD (M6 X 1.5" X 25MM)	4	
			F1 - PART NUMBER NOT AVAILABLE.		



ALPHABETICAL INDEX

DESCRIPTION	PART NUMBER	PAGE
ACTUATOR, SURGE BRAKE (2" BALL)	447995	7, 35
ACTUATOR, SURGE BRAKE (2-5/16" BALL)	448084	7, 37
ACTUATOR, SURGE BRAKE (3" PINTLE EYE)	448076	7, 39
ACTUATOR, SURGE BRAKE (UNIVERSAL)	448977	7, 41
ADAPTER	477640	113
ADAPTER (#6 JIC TO 1/2" HOSE BARB)	473579	109, 117
ADAPTER (.50-NPTF SW. TO -12 SAEM)	447151	115
ADAPTER (1-1/16"-12 SAE TO 3/4"-16 JICM)	046938	115
ADAPTER (16-NPTM -12 MJ)	V6067800	109
ADAPTER (3/8 NPT X .50" HOSE BARB)	446864	111
ADAPTER (45 -6 SAEM X -8 JIC)	473561	117
ADAPTER (-6 JICF SW. TO .37 HOSE BARB)	447219	115
ADAPTER (-6 SAEM TO .37 HOSE BARB)	447169	115
ADAPTER (-8 JIC RUN TEE)	093203	111, 115
ADAPTER (-8 JIC SW X .50" HOSE BARB)	447201	117
ADAPTER (-8 JICM TO .50" HOSE BARB)	447227	109
ADAPTER (90 DEG, #8NPTM X #8JIC)	035857	111, 113
ADAPTER (90 DEG, -10 SAEM X -8 JICM)	040170	19, 21, 111
ADAPTER (90 DEG, 3/4"-16 SAEM TO 3/4"-16 JICM)	035550	111
ADAPTER (90 DEG, 3/8"NPT X 3/4"JIC)	035832	111
ADAPTER (90-12 SAEM X -6 JICM)	068080	115
ADAPTER (STR, 3/4"-16 SAEM TO 3/4"-16 JICM)	035568	111
ADAPTER 45 DEGREE (-4 SAE X -4 JIC)	437470	111
ADAPTER, 45 DEGREE (#6MOR TO #6MJIC)	425348	25, 109
ADAPTER, 45 DEGREE (-8 MSAE X -.8 MJIC)	066423	111
ADAPTER, 90 DEGREE (#12MSAE TO #12MJIC)	068338	109
ADAPTER, 90 DEGREE (#6 SAE X #8 JIC)	093302	111, 117
ADAPTER, 90 DEGREE (#6MSAE X #6MJIC)	092825	25, 109, 115
ADAPTER, 90 DEGREE (-12 NPTM X .50" HOSE BARB)	467613	129
ADAPTER, 90 DEGREE (-4 SAE X -4 JIC)	400986	111
ADAPTER, 90 DEGREE (-6 SAE X .50 HOSE BARB)	474023	111
ADAPTER, 90 DEGREE (-6 SAE X -4 JIC)	093104	111
ADAPTER, 90 DEGREE (-8 SAEM TO .50 HOSE BARB)	447094	109
ADAPTER, FLYWHEEL	469544	87
	9103935	85
ADAPTER, SAE (6 TO -8 JICF SW.)	473538	111
ADAPTER, SAE (6 X .37 NPT)	473546	111
ADAPTER, STR. (-12 NPTM X .50" HOSE BARB)	467621	129
ADAPTER, STR. (-6 SAE X -6 SAE)	093344	111
ADAPTER, STRAIGHT (#6MSAE TO #6MJIC)	092882	109, 117
ADAPTER, STRAIGHT (1/2"MNPT X 7/8"-14MSAE)	095216	103, 109
ADAPTER, TEE (-12 NPTM -12 NPTM -12 NPTM)	467605	129
ADAPTER, TEE (3/16" FEMALE)	434944	17
ADAPTER, TEST PORT	475871	79
ADAPTER, TONGUE (2", 2-5/16", AND 3")	9104396	7, 35, 37, 39
ADAPTER, TONGUE (UNIVERSAL)	910450K	7, 41
ADJUSTERS, SLIDE	035519	59, 61
ALARM, REVERSE	464271	77
	473736	51, 75
ALTERNATOR (60 AMP W/AC)	477520	94
ARM ASSEMBLY, PUMP	376855	43
ARM, DISCONNECT BRAKE	9103170	15
AXLE, STUB	9101053	49
BAR, PUMP ARM STOP	356957	43
BARB, HOSE (M - 3/8" PIPE TO 5/8" HOSE)	477730	163
BATTERY (12C GROUP-78-60)	9101583	69, 71
BEARING CONE (INNER), DISCONNECT	067017	15
BEARING CUP (INNER), DISCONNECT	066993	15
BEARING, BROOM CARRIER	V66005800	19, 21
BEARING, HUB	375986	47
BEARING, THRUST (500-RE)	9104422	147

ALPHABETICAL INDEX

DESCRIPTION	PART NUMBER	PAGE
BEARING, THRUST (600-DR)	380788	147
BELLOW, VALVE HANDLE	440263	137, 143, 145
BELT, COMPRESSOR (1/2" X 37")	477752	163
BELT, SEAT (3" BLACK)	443812	59
BLOCK, BROOM MOTOR DRIVE	9102713	19, 21
BODY, SPRAY NOZZLE (90 DEGREE, BRASS)	9104059	159
BODY, SPRAY NOZZLE (T-BODY, BRASS)	9104058	161
BOLT	010132	127
	413856	61
BOLT (10-32 RD SLOT X .75)	V19000500	89
BOLT (M10 X 1.25 X 35MM, FOR PULLEY)	439487	163
BOLT (M10 X 1.50" ZINK GR.5)	459537	85, 87
BOLT, CYLINDER HEAD SUPPORT	459818	93
BOLT, EYE (5/16" X 1")	9104071	43
BOLT, FLANGE	477754	99
BOLT, HEX HEAD (1/2"-20NF X 1-1/4")	056879	15
BOLT, HEX HEAD (M10 X 1.25 - 20MM)	058529	51, 93
BOLT, HEX HEAD (M14 X 35MM)	057380	89, 97
BOLT, PUMP ARM	9102280	43
BOLT, RADIATOR (LONG)	386702	94
BOWL, FILTER	9102329	4
BRACKET WELDMENT, COMPRESSOR	447907	163
BRACKET, BRAKE CABLE	377648	9, 11
BRACKET, ENGINE MOUNT	376798	89, 93
BRACKET, RADIATOR	9104573	93
	9107006	163
BRACKET, THROTTLE CABLE	385070	89
	9104569	93
BRAKE LEVER ASSEMBLY	467600	11
BRAKE PAD ASSEMBLY	9101879	15
BRUSH, ALL POLY (6 FOOT)	9104403K	3, 23
BRUSH, ALL POLY (6/8 FOOT, BOX OF 2)	9100458	3, 23
BRUSH, ALL POLY (8 FOOT)	9104405K	3, 23
BRUSH, ALL WIRE (6 FOOT)	9104404K	3, 23
BRUSH, ALL WIRE (6/8 FOOT, BOX OF 2)	9101467	3, 4, 23
BRUSH, ALL WIRE (8 FOOT)	9104406K	3, 23
BRUSH, COMB WIRE/POLY (6 FOOT)	9103150K	3, 23
BRUSH, COMB WIRE/POLY (6/8 FOOT, BOX OF 2)	477996	3, 23
BRUSH, COMB WIRE/POLY (8 FOOT)	9103151K	3, 23
BULB (12V, 2-WATT)	060624	45, 75, 77
BUSHING (.515 X 2.00 X 1.0)	385138	89
BUSHING (2"OD X 1-3/4"ID X 2" LONG, BRONZE)	V63023100	47, 49, 51, 65
BUSHING, MACHINERY (FRONT AXLE NUT)	9103642	49
BUTTON, FLEXIBLE VENREER	472555	45
CAB (HEADLINER, FLOOR MAT, WIND WASHER, 2-DOOR)	374719	151
CAB, VISTA (DELUXE, HEATER/AC/PRESSURIZER)	374720	163
CABLE ASSEMBLY	467589	9
CABLE ASSEMBLY (33.75" LG.)	467598	11
CABLE ASSEMBLY (56.13" LG.)	467599	11
CABLE, BATTERY (19")	314294	69
CABLE, BATTERY (36")	474924	69
CABLE, BATTERY (NEGATIVE)	376822	71, 93
CABLE, BATTERY (POSITIVE)	376830	71, 93
CAMPLATE	455352	131
CAP (3/4"-16 JIC)	041160	111
CAP ASSY (PINTLE EYE 2-5/16" BALL HITCH)	473678	37, 39, 65
CAP, DUST	440487	47, 49
CAP, GREASE	375995	47
CAP, LOCKING TAB (HYDRAULIC FILLER CAP)	439182	51, 115
CAP, MODIFIED (MASTER CYLINDER)	374009	7, 35, 41, 65
CAP, NOZZLE (BRASS)	V70007488	159, 161

ALPHABETICAL INDEX

DESCRIPTION	PART NUMBER	PAGE
CAP, RADIATOR (FOR 450160 ABOVE)	450161	93
CAPSCREW (1/2"-13NC X 1", FLANGE, WHIZLOCK)	441766	47, 49
CAPSCREW (1/2"-13NC X 1-1/2")	011361	43
CAPSCREW (1/2"-13NC X 1-1/2", FLANGE, WHIZLOCK)	441782	19, 21, 25
CAPSCREW (1/2"-13NC X 2-1/2", PL)	011403	13, 19, 21
CAPSCREW (1/2"-13NC X 2-1/4")	011395	13
CAPSCREW (1/2"-13NC X 3/4", FLANGE, WHIZLOCK)	441758	25, 65
CAPSCREW (1/2"-13NC X 4" PL.)	011460	7, 35, 37, 39, 41, 65
CAPSCREW (1/2"-20NF X 1-1/4")	056879	13, 19, 21
CAPSCREW (1/4"-20NC X 1", FLANGE WHIZLOCK)	441568	27, 29, 93
CAPSCREW (1/4"-20NC X 3/4", FLANGE WHIZLOCK)	441550	129
CAPSCREW (1/4"-20NC, FLANGE WHIZLOCK)	441501	17, 51, 73
	441592	45
CAPSCREW (10-24NC X .50" FLANGE WHIZLOCK)	441493	89, 93
CAPSCREW (3/8"-16NC X 1")	010629	13, 59, 69, 71
CAPSCREW (3/8"-16NC X 1", FLANGE WHIZLOCK)	441667	59, 69, 71, 89, 93
CAPSCREW (3/8"-16NC X 1-1/2")	010645	27, 29, 83, 85
CAPSCREW (3/8"-16NC X 1-1/4")	083527	19, 21, 25, 61
CAPSCREW (3/8"-16NC X 3/4", FLANGE WHIZLOCK)	441659	45
CAPSCREW (3/8"-16NC X 1.50")	441675	83, 87
CAPSCREW (5/16"-18NC X 1")	010348	57, 59
CAPSCREW (5/16"-18NC X 1", PL)	441600	9, 11, 43, 89, 93
CAPSCREW (5/16"-18NC X 1-1/2")	010363	69, 71, 83
CAPSCREW (5/16"-18NC X 1-1/4")	010355	43
CAPSCREW (5/16"-18NC X 1-1/4", FLANGE WHIZLOCK)	441618	17, 45
CAPSCREW (5/16"-18NC X 1-3/4", FLANGE WHIZLOCK)	441634	9, 11
CAPSCREW (5/16"-18NC X 3/4")	010322	13
CAPSCREW (5/8"-11NC X 1-1/2", PL)	021039	51
CAPSCREW (5/8"-11NC X 4-1/2")	012153	7, 41
CAPSCREW (7/16"-14NC X 2-1/2", GR 5)	011130	89, 93
CAPSCREW (7/16"-14NC X 3-1/2", GR 5)	011171	89
CAPSCREW (M10 X M35)	415083	93
CAPSCREW (M8 X 1.25-16MM)	459453	51, 89, 93, 97
CAPSCREW, FLANGE HEAD (5/16"-18NC X 1/2")	441519	79
CAPSCREW, HEX HEAD (1/2-13NC X 1.25" GR.5 ZINK)	038442	25
CAPSCREW, HEX HEAD (M10 X 1.25-25MM)	459479	71
CAPSCREW, HEX HEAD (M6 X 1" X 25MM GR8 ZN)	385764	155, 157
CAPSCREW, SOCKET HEAD (5/16"-18UNC X 1")	472936	47, 49
CAPSCREW, SOCKET HEAD (M10 X 1.25 X M30)	464255	85, 87
CAPSCREW, SOCKET HEAD (M8 X 1.25CP-6G X M30)	404673	85, 87, 93
CAPSCREW, SOCKET HEAD (M8 X 1.25CP-8G X M30)	410142	89
CARTRIDGE, VALVE (1GPM)	467860	119
CARTRIDGE, VALVE (3GPM)	473587	121
CASE, BLACK LITERATURE	414672	51
CHAIN (#4 STRAIGHT LINK)	426627	65
CLAMP (1/4"DIA)	036715	17
CLAMP (13/16" ID WITH 13/32 BOLT HOLD VINYL)	461384	27, 29
CLAMP, CABLE (.75 I.D.)	425272	93
CLAMP, CRIMPING BAND (6 HOSE)	447466	115
CLAMP, CRIMPING BAND (-8 HOSE)	446930	117
	446960	109
CLAMP, HOSE	9100716	27, 29
CLAMP, HOSE (.625)	412569	51
CLAMP, LOOP (1/2" ID)	028993	17, 27, 29, 81, 89, 93
CLAMP, THROTTLE	457184	89, 93
CLEVIS, ROD END (0.37"-24NF)	031930	17
COLLAR, FAN	477753	99
COMBO WAFER (6 3/8" X 24", BOX OF 25)	477996BX	23
COMPRESSOR ASSEMBLY	477751	163
CONDENSER	387174	149
CONE, BEARING (OUTER)	421099	49

ALPHABETICAL INDEX

DESCRIPTION	PART NUMBER	PAGE
CONE, OUTER BEARING	V61011700	15
CONNECTOR (3/16" MIF TO 1/4" FIF)	044495	17
CONNECTOR, STRAIGHT (1/4" TO 3/16")	077495	17
COUPLER (2-5/16" BALL)	9103126	7, 41
COUPLER (3" PINTLE EYE)	9101885	7, 41
COUPLER, 2" BALL	9102857	7
COUPLER, STRAIGHT MULTI-FIT (2", NO ACTUATOR)	407389	41
COVER, BLIND (2-1/16" DIA)	446518	51
COVER, DASH	376418	45
COVER, DASH (W/LIGHT HOLE)	331561	52, 79
COVER, DUST CAP	472639	47, 49, 63
COVER, FRAME TUBE	376252	47
COVER, LATCH	385767	155, 157
COVER, STEERING WHEEL	467563	51
CUP, BEARING (OUTER)	421081	49
CUP, OUTER BEARING	V61011600	15
CUSHION, RADIATOR	386703	94
	386704	94
CYLINDER, BRAKE (LEFT HAND)	409110	13, 17
CYLINDER, BRAKE (RIGHT HAND)	409128	13, 17
CYLINDER, BROOM LIFT	376641(001)	109
CYLINDER, BROOM SWING	467985	25, 109
CYLINDER, LIFT	376640	25
CYLINDER, STEERING	467977	47, 49, 117
DECAL ("DISENGAGE REAR HUBS")	472704	67, 79
DECAL, CALIFORNIA WARNING	448811	67
DECAL, DANGER "EXPLOSION HAZARD"	445387	67
DECAL, DANGER ("ROTATING FAN")	443614	67
DECAL, DANGER (PINCH POINT)	472720	67
DECAL, DANGER NO RIDERS	472738	67
DECAL, DASH (OPTION)	468181	67
DECAL, DIESEL FUEL	450148	67
DECAL, DIRECTION CONTROL	472803	67
DECAL, FILTER SCREEN	472811	67
DECAL, HYDRAULIC OIL	450155	67
DECAL, LAY-MOR	9101137	67
DECAL, LAY-MOR (3.37" X 9.25")	9101138	67
DECAL, LUBRICATION AND MAINTENANCE CHART	467910	67
DECAL, OPERATING INSTRUCTIONS	472712	67
DECAL, RADIATOR CAP	472795	67
DECAL, REAR HUB DISENGAGE	475848	67
DECAL, STEERING VALVE	472779	67
DECAL, STEERING WHEEL	462606	67
DECAL, TIE DOWN	472746	67
DECAL, TOWING INSTRUCTIONS	472837	67
DECAL, TOWING INSTRUCTIONS (BEFORE AND AFTER)	472829	67
DECAL, WARNING ("STAND CLEAR OF BROOM")	467266	67
DECAL, WATER TANK	472753	67
DECAL, WATER TANK DRAIN	472761	67
DEFLECTOR, DIRT BELT	377614	29
	377622	27
DISCONNECT, HYDRAULIC (W/BRAKE)	9104349(001)	13
DIVIDER, PRIORITY FLOW (1GPM)	474171(001)	111
DIVIDER, PRIORITY FLOW (3GPM)	473520(001)	111
DOWN PRESSURE SPRING ASSEMBLY	381319	25
DRIVE	468066	31
DRUM, DISCONNECT BRAKE	9103171	15
EAR/HANDLE, DISCONNECT	9102094	15
ELBOW, 90 DEGREE (MF, 3/8" X 1/2")	477728	163
ELEMENT, FILTER	9101798	3, 101
ELEMENT, FILTER (-10 MICRON)	9101798	129



ALPHABETICAL INDEX

DESCRIPTION	PART NUMBER	PAGE
ELEMENT, PRIMARY AIR CLEANER	467498	3, 101
ELEMENT, SAFETY AIR CLEANER	467506	3, 101
EMBLEM, LAY-MOR	376251	49
END CAP, SPOOL ACTION	474569	145
	477174	137
ENGINE ASSEMBLY (CATERPILLAR - 3013)	476085(001)	89
ENGINE ASSEMBLY (KUBOTA V-1505)	374793	93, 115
EVAPORATOR ASSEMBLY	387163	149
EYEBOLT (5/16" X 4")	9104072	43
FAN (TIER III ALUMINUM RADIATOR)	387178	99
FAN, PUSHER	041518	94, 99
FAN, PUSHER TYPE	476192	89
FILTER, ELEMENT (HIGH PRESSURE)	475491	3, 101, 125
FILTER, ENGINE OIL	476092	3, 89, 101
FILTER, FUEL (IN-LINE)	9101624	3, 101
FILTER, FUEL (SPIN-ON)	476094	3, 101
	9102952	3, 101
FILTER, HIGH PRESSURE	9102324	3, 101, 123
FILTER, HOUSING	475483	125
FILTER, LOW PRESSURE	376442(001)	109
FILTER, OIL (ENGINE)	9103893	3, 94, 101
FILTER, RECIRCULATION	387170	149
FITTING (3/8-NPTM X .375" BARB STR., BRASS)	447367	109
FITTING, GREASE (STRAIGHT, 1/4"-28NF)	031401	33, 43, 47
FITTING, SIGHT GAUGE	9101942	51
FITTING, UNION (3/16" TUBE X 3/16" TUBE)	067561	17
FLYWHEEL (W/RING GEAR)	374795	85, 87
FLYWHEEL HOUSING/PUMP MOUNT	9103937	85
FORK, FRONT	376005	63
GASKET, DOOR LATCH	385761	155, 157
GASKET, EXHAUST MANIFOLD	9101778	94
GASKET, FILTER HEAD	9102322	4
GASKET, FUEL SOLENOID	473673	75
GEAR, PUMP DRIVE	469551	87
	9103936	85
GEROTOR	468074	31
GLAND, HEAD	467993	105, 107
	468009	135
GLASS, DOOR (LH)	385983	155
GLASS, DOOR (RH)	385984	157
GLASS, WINDOW (REAR)	478252	151
GUARD, BROOM MOTOR	379693	19, 21
GUARD, SEAL BROOM DRIVE MOTOR	378513	19, 21
HANDLE ASSEMBLY	467597	9
HANDLE, DOOR (OUTSIDE STD)	385760	155, 157
HANDLE, STR.SPRING ADJUSTING	381293	33
HANDLE, THROTTLE WITH CABLE	9102266	45, 89, 93
HARNESS, HITCH	377333	7, 65, 81
HARNESS, MAIN WIRING	377077	75, 81
HARNESS, TAIL LIGHT FRAME	377325	81
HARNESS, WIRING	377051	81
HARNESS, WIRING (UNLOCK HUBS)	331579	79
HEAD, BLOCKED BYPASS FILTER	9101796	129
HEAD, FILTER (W/25 PSI RELIEF)	9101797	129
HEADLINER, FRONT	478250	151
HEADLINER, REAR	478251	151
HEATER CORE ASSEMBLY	387175	149
HOLD DOWN, BATTERY (LATER STYLE)	474882	69, 71
HORN (12V, W/BRACKET)	476937	79
HOSE (04-04JS04JS X 105.00" 100R1)	381368	111
HOSE (04-04JS04JS X 95.00" 100R1)	381376	111

ALPHABETICAL INDEX

DESCRIPTION	PART NUMBER	PAGE
HOSE (04-04MF04MF X 47.00" 100R1)	377382	17
HOSE (04-06JS06JS X 23.00" 100R1)	9103899	113
HOSE (06-06JS06J9 X 57.00" 100R1)	377416	117
HOSE (06-06JS06J9 X 67.00" 100R1)	377408	117
HOSE (06-06JS06MB X 41.00" 100R1)	9103765	109
HOSE (06-06JS06MB X 50.50" 100R1)	9103745	109
HOSE (06-06JS06MB X 52.50" 100R1)	9103766	109
HOSE (06-06JS08J9 X 26.50" 100R1)	381509	117
HOSE (08-08JS08J9 X 100.00" 100R2)	477621	19, 21
HOSE (08-08JS08J9 X 104.00" 100R1)	377424	111
HOSE (08-08JS08J9 X 94.00" 100R1)	374991	111
HOSE (08-08JS08J9 X15.50" 100R1)	381491	111
HOSE (08-08JS08JS X 16.00" 100R1)	369934	115
HOSE (08-08JS08JS X 18.00" 100R1)	377457	115
HOSE (08-08JS08JS X 41.00" 100R1)	377440	111
HOSE (08-08JS08MB X 27.50" 100R1)	377515	115
HOSE (08-08JS08MB X 31" 100R1)	369975	115
HOSE (08-08JS12JM X 26.00" 100R1)	9103921	115
HOSE (08-08MP08F9 X 13" 100R1)	369938	115
HOSE (12-12JS12F9 X 16.00" 100R1)	369991	109
HOSE ASSEMBLY	386128	127
	386136	127
	386144	127
HOSE, FUEL LINE (5/16")	068544	93
HOSE, LOW PRESSURE (3/8" ID)	447474	115
HOSE, LOW PRESSURE WATER (1/2"ID)	446948	109, 117
HOSE, LOWER RADIATOR (FOR 374793,ITEM #1)	477849	94
HOSE, LOWER RADIATOR (FOR 473167,ITEM #1)	453599	94
HOSE, RADIATOR (LOWER)	474793	89
HOSE, RADIATOR (UPPER)	474794	89
HOSE, UPPER RADIATOR (FOR 374793,ITEM #1)	437666	94
HOSE, UPPER RADIATOR (FOR 473167,ITEM #1)	453598	94
HOUSING (W/O BRAKE)	9103168	15
HOUSING, BELL (W/PUMP DRIVE)	474236	87
	474239	85
HUB (W/STUDS)	375988	47
HUB, FRONT WHEEL (NON GREASE)	9101054	49
HYDRAULIC PUMP ASSEMBLY	376996	93
ISOLATOR, RADIATOR MOUNT (RUBBER)	456806	89, 93, 97
ISOLATOR, RADIATOR/MOTOR (RUBBER)	456459	93
KEY (CATERPILLAR ENGINE)	476088	55, 77
KEY (KUBOTA ENGINE)	468084	45, 55
	468090	45, 55
KEY, DISCONNECT WHEEL HUB	9103167	15
KEY, IGNITION (2 KEYS, KUBOTA SM250)	9101528	45, 55, 75
KEY, SPECIAL (ROLLER STATOR MOTOR)	9101779	19, 21
KEY, STRAIGHT	9102797	31
KIT, BALL VALVE AND FITTING STEERING CYLINDER	376681	117
KIT, BRUSH (1/2 POLY AND 1/2 WIRE)	9103150K	19
	9103151K	21
KIT, BRUSH (ALL POLY)	910440K	19, 21
KIT, BRUSH (ALL WIRE)	910440K	19, 21
KIT, BRUSH (WIRE/POLY WAFER,6 3/8" X 24' X 8')	9104642K	23
KIT, BRUSH (WIRE/POLY,6 3/8" X 24' X 6')	9104641K	23
KIT, COMPLETE SEAL	459693	103
KIT, COUPLER REPAIR	461400	7, 35, 37, 39, 41
KIT, DETENT "L"	9104528	137
KIT, DETENT 3-POSITION	474551	145
KIT, DRIVE VALVE UPDATE	386169K	145
KIT, EXHAUST HANGER	384842K	89, 94
KIT, FIELD UPDATE VALVE SEAL	376470K	51, 117

ALPHABETICAL INDEX

DESCRIPTION	PART NUMBER	PAGE
KIT, FILTER (CATERPILLAR)	387253K	3
KIT, FILTER (KUBOTA S/N 28314 AND EARLIER)	387251K	3
KIT, FILTER (KUBOTA S/N 28315 AND LATER)	387252K	3
KIT, FLOAT DETENT "N"	476002	139
KIT, HANDLE HARDWARE	463703	141
KIT, HUB/SPINDLE (GREASE)	421105	47
KIT, HYDRAULIC PUMP REPLACEMENT	356960K	131
	356965K	131
KIT, MASTER CYLINDER REPAIR	448142	7, 37, 39, 41
	464735	7, 35
KIT, PUMP DRIVE	476093	83
KIT, SEAL	462515	111, 137
	477515	117
	477662	143
	505446	119, 121
	9103996	145
	910403K	139
	9104141	105, 107, 135
	9104600	31
KIT, SEAL (500-RE)	9101638	147
KIT, SEAL (600-DR)	511607	147
KIT, SEAL (FOR 477414)	477415	51
KIT, SEAL REPAIR	473989	131
	9103064	131
KIT, SOLENOID TERMINAL CONNECTOR	477406	75
KIT, SPRINKLER	387254K	4
KIT, STROBE LIGHT	381418	75
KIT, VALVE BODY	476841	143
KIT, VALVE DETENT	476839	143
KIT, VALVE LEVER	476482	143
KIT, VALVE SWITCH	477182	75, 143
KIT, VARIABLE SPEED (W/477414 ORBITROL)	376948K	113
KIT, VARIABLE SPEED SEAL	467571	113, 141
KNOB	9104614	141
KNOB, ROTARY CONTROL	387179	149
LAMP, STROBE (BULB)	094623	75
LATCH	385766	155, 157
LEVER ASSEMBLY	449645	45, 137, 139, 143, 145
LEVER END CAP ASSEMBLY	473293	137
	473298	145
	475434	139
LEVER, BRAKE (L.H.)	9104331	13
LEVER, BRAKE (R.H.)	9104328	13
LIGHT, OVAL TAIL	446229	79
LIGHT, RED INDICATOR	057448	45, 75, 77
LINK, DRIVE (500-RE)	452771	147
LINK, DRIVE (600-DR)	380789	147
LOCKNUT (1/4"-20NC, FLANGE, WHIZLOCK)	440636	73
LOCKNUT (3/8"-16NC)	441477	61
LOCTITE (RED #271)	047506	47, 49, 65, 83, 85, 87, 89, 93
LOOM, CLEAR VINYL	467209	65
MAIN WIRING ASSEMBLY	385039	77
	386441	75
METER, HOUR	460485	45, 75, 77
MODULE, ENGINE PROTECTION	465229	73, 75, 77
MODULE, FLASHER (3 PRONG)	V63121300	75, 79
MOTOR, BROOM (W/ARMOR, LH MOUNT, OPTIONAL)	381434	19, 21
MOTOR, BROOM (W/ARMOR, RH MOUNT, OPTIONAL)	381442	19, 21
MOTOR, HYDRAULIC BROOM	473462(001)	19, 21, 111

ALPHABETICAL INDEX

DESCRIPTION	PART NUMBER	PAGE
MOTOR, HYDRAULIC DRIVE	9103730(001)	13, 115
MOTOR, WIPER	450159	151
MOTOR,BLOWER ASSEMBLY (12V)	387169	149
MOUNT ASSEMBLY, VARIABLE SPEED PEDAL	376434	57
MOUNT, ENGINE,FRONT	385054	89
MOUNT, MOTOR	456460	89
MOUNT, RADIATOR	385112	89
MUFFLER	9101774	89, 93
NIPPLE, CLOSE (1/2"-NPT, EXTRA HEAVY)	025395	109
NLA. ORDER 376470K	467449	51, 117
NOZZLE ASSY, L-BODY SPRAY	9104621K	4
NOZZLE ASSY, T-BODY SPRAY	9104620K	4
NUT (1/2"-20NF)	041582	15
NUT, ACTUATOR	474338	7, 35, 37, 39, 41
NUT, DISCONNECT LOCK	9102091	15
NUT, HEX (#10-24NC)	035436	89, 93
NUT, HEX (.62-11NC NYLOK)	406231	7, 41
NUT, HEX (1/2"-13NC, FLANGE, WHIZLOCK)	440644	19, 21, 25, 43
NUT, HEX (1/4"-20NC, FLANGE WHIZLOCK GR.G)	010272	89, 93, 97
NUT, HEX (1/4"-20NC, FLANGE, WHIZLOCK)	440636	17, 27, 29, 43, 45, 51, 93
NUT, HEX (1-14NF, FRONT AXLE)	070508	49
NUT, HEX (3/8"-16NC, FLANGE, WHIZLOCK)	083501	45, 59, 69, 71, 93
NUT, HEX (3/8"-24NF)	031948	17
NUT, HEX (5/16"-18NC PL)	083493	9, 11, 17, 43, 45, 59, 61, 93
NUT, HEX (5/16"-18NC)	474734	79, 89
NUT, HEX (5/16"-24NF)	035303	43
NUT, HEX (5/8-11NC FLANGE WHIZLOCK GR.G)	440651	51
NUT, HEX (7/16"-14NC, WHIZLOC)	430132	89, 93
NUT, HEX (8-32 STAINLESS)	465153	79
NUT, HEX JAM (5/8"-18)	034751	51
NUT, JAM (1/2"-13NC)	066944	43
NUT, JAM (3/4"-16NF)	092460	105, 107, 135
NUT, JAM (5/16)	835303	51
NUT, LOCK (1/2"-13NC, NYLON INSERT)	403907	7, 13, 35, 37, 39, 41, 65
NUT, LOCK (3/8"-16NC)	052223	13
NUT, LOCK (3/8-16NC TWO-WAY)	055233	59
NUT, LOCK (5/16"-18NC, NYLON INSERT)	093799	9, 11, 43, 69, 71
NUT, LUG (1/2"-20NF, 60 DEG, 13/16")	047480	47, 49, 63
NUT, SPINDLE	375993	47
NUT, STEERING WHEEL (M16 X 1.50)	472878	51
ORBITAL, STEERING	467969	51, 117
ORIFICE (D-2, STANDARD)	9101539	159, 161
ORIFICE (D-5, MORE WATER)	9101834	159, 161
ORIFICE (D-8, MORE WATER)	9101832	159, 161
O-RING	420708	3, 101, 125
O-RING, FILTER	9101452	13
O-RING, RETAINER	9101819	83, 85, 87
OUTER SEAL, DISCONNECT SMALL	9103085	3, 101, 123
PAD, PEDAL	414318	143
PANEL, DASH	9102974	15
PEDAL, VARIABLE SPEED	460170	43, 67
PIN, CLEVIS (1" OD X 2-3/4" LONG)	376467	45
PIN, CLEVIS (5/16" X 1-1/8")	376400	57
PIN, COTTER (1/8" X 1-3/4",FRONT AXLE NUT)	376426(001)	43, 51
PIN, COTTER (1/8" X 3/4", STEEL PL)	9103034	25, 47, 49
	025767	17
	015164	49
	015123	17



ALPHABETICAL INDEX

DESCRIPTION	PART NUMBER	PAGE
PIN, COTTER (1/8")	058917	65
PIN, COTTER (3/16" X 1", STEEL PL)	015305	65
PIN, FRONT FORK (12-3/4")	376020	49
PIN, FRONT FORK (16" X 1 3/4 DIA.)	375974	47
PIN, HAIR (5/64" DIA.)	459826	89, 93
PIN, HAIR COTTER (3/16")	015768	25, 47, 49
PIN, SPRING ROLL	477525	141
PIN, STR. (1.00" X 8.87")	379818	25
PIN, STR. (1.75" X 8.25")	377028	25
PIN, TOW BAR STOW	377135	65
PISTON, CYLINDER	468025	105, 107, 135
PIVOT, THROTTLE CABLE	385104	89
	457192	93
	478227	155
PLATE, CYLINDER (INSIDE DOOR HINGE, LH)	478226	157
PLATE, CYLINDER (INSIDE DOOR HINGE, RH)	9101135	51
PLATE, NAME	385096	83
PLATE, PUMP MOUNT	375965	52
PLATE, REAR FRAME SIDE	472944	51
PLATE, ROPS CERTIFICATION	9104327	13
PLATE, WHEEL CYLINDER MOUNT	444232	51
PLUG (3/4-NPT WITH MAGNETIC BASE)	V63188400	131
PLUG ASSEMBLY	042275	15
PLUG, COUNTERSUNK (1/8"NPT)	375996	47
PLUG, GREASE CAP	421396	31
PLUG/O-RING (7/16-20 UNF)	9100458BX	23
POLY WAFER (6 3/8" X 24",BOX OF 25)	9104597	31
POPPET (SHAFT OUTPUT)	387182	99
PULLEY, FAN (TIER III)	9104033(001)	115
PUMP, AUXILLIARY	9101888	75
PUMP, FUEL (ELECTRIC)	9101585	115
PUMP, PISTON	416826	4, 75, 77
PUMP, WATER (12V, 1.2 GPM)	375987	47
RACE, BEARING	476086	89, 97
RADIATOR	9104609	93, 94
RADIATOR (F/374793)	450160	93
RADIATOR ONLY (FOR 473167,ITEM #1)	387181	149
RECEIVER DRIER, R134A	476895	4
REDUCER, NIPPLE	477924	163
REFRIGERANT HOSE ASSEMBLY (102")	442095	75, 79
RELAY (12V, 30AMP)	477714	131
RELIEF VALVE ASSEMBLY	477800	139
	375994	47
RETAINER	468017	105, 107, 135
RETAINER, ROUND	379875	33
RETAINER, STR.UPPER SLIDE	458778	61
RETRACTABLE SEAT BELT ASSEMBLY (2")	9104564	47, 63
RIM, WHEEL	910465K	49
	9102092	15
RING, DISCONNECT LOCK	9103162	15
RING, SNAP (HYDRAULIC DISCONNECT)	9103160	15
RING, SNAP (O.D.)	425769	51
RIVET, POP (3/16" DIA X 1/2")	468041	135
ROD, PISTON	9104334	17
ROD, PUSH - WHEEL CYLINDER	379800	33
ROD, STR.DOWN PRESSURE SPRING	385047	43
ROD, VARIABLE SPEED CONTROL	9103712	43, 51
	432955	67
SAFETY WALK (11.00" X 12.50")	447979	51
SCREEN, FILTER	9100143	109
SCREEN, HYDRAULIC TANK FILTER	9104063	4
SCREEN, PRESSURE FILTER		

ALPHABETICAL INDEX

DESCRIPTION	PART NUMBER	PAGE
SCREEN, SPRAY NOZZLE	V70007388	159, 161
SCREEN, SUCTION FILTER (GREEN)	9104062	4
SCREW, HEX SOCKET (6 X 40)	474577	137, 139, 145
SCREW, HEX SOCKET (6 X 45)	460584	137, 139, 145
SCREW, PHILLIPS HEAD (8-32 X .50)	465104	79
SCREW, R.H. DRIVE (TYPE-U # 0.6 X 0.18)	052225	51
SCREW, SET	093575	19, 21
SEAL, FRONT WHEEL	9101462	49
SEAL, HUB	375985	47
SEAL, INNER BEARING	9102975	15
SEAL, ORIFICE CORE	9104055	159, 161
SEAL, SHAFT	456137	131
SEAL, SIDE BULB (1/4" MATERIAL, 161")	385746	155, 157
SEAT	472688	61
SEAT BELT ASSEMBLY, RETRACTABLE (2")	458778	59
SEAT WITH ARMREST AND SLIDER ASSEMBLY	472689(001)	59
SHAFT (500-RE)	9104530	147
SHAFT (600-DR)	409940	147
SHAFT ASSEMBLY, VARIABLE SPEED PEDAL	376491	57
SHAFT, DRIVE (SPLINED)	9102394	131
SHAFT, INTERNAL SMALL	9103161	15
SHAFT, OUTPUT (W/INTERNAL CHACK VALVE)	9104596	31
SHOCK, GAS (60 LBS.)	477820	151
SNAP PIN, RADIATOR	386705	94
SNAP RING, DISCONNECT EAR/HANDLE	034660	15
SNAP RING, DISCONNECT SPLINE COUPLER	9103163	15
SOCKET, METAL BALL	385772	151
SOLENOID, FUEL SHUT-OFF	447813	75
SOLENOID, SHUTOFF (2 WIRE)	447673	75
SPACER, DOOR HANDLE (NYLON)	385762	155, 157
SPACER, DOOR HINGE	385753	155, 157
SPINDLE SHAFT, DISCONNECT	9103159	15
SPLINE COUPLER, DISCONNECT	9101468	15
SPOOL, TYPE I	414326	143
SPRING	V63188200	131
SPRING, DOWN PRESSURE	473439	33
SPRING, FOOT PEDAL (VARIABLE SPEED)	9103977	43, 51, 57
SPRING, HYDRAULIC DISCONNECT	9102945	15
SPRING, STR.LOWER SLIDE DOWN PRESSURE	379842	33
STEM, VALVE	029629	47, 49, 63
STR., EXHAUST	376806	93
	385088	89
STR., LONG TOW BAR (OPTIONAL)	378950	65
STR., PIN (1.75" DIA. X 9.25")	376509	65
STR., TOW BAR	376087	65
STUD (1/2"-20, R.H. SCREW IN)	375990	47
STUD (1/2-20 R.H. PRESS IN)	375989	47
STUD, BALL	385769	151, 155, 157
SWITCH, 2-POSITION (ON/OFF, W/ LIGHT)	460113	45, 75
SWITCH, 3-POSITION (OFF/ON/ON)	460139	45
SWITCH, DUMMY PLUG	500983	45
SWITCH, IGNITION (W/KEYS, F/CATERPILLAR ENGINE)	476087	55, 77
SWITCH, IGNITION (W/KEYS, F/KUBOTA ENGINE)	468082	45, 55
	468083	55
	9101497	45, 55, 75
SWITCH, MICRO (FORWARD/REVERSE)	9104049	75, 77, 145
SWITCH, PRESSURE	387171	149
	475889	79
SWITCH, ROCKER (BLACK)	387173	149
SWITCH, ROTARY (3 SPEED)	387159	149
SWITCH, WIPER MOTOR (VISTA 2717)	450157	151

ALPHABETICAL INDEX

DESCRIPTION	PART NUMBER	PAGE
TAIL LIGHT ASSEMBLY	377069	81
TANK, COOLANT RESERVOIR	9103079	93
TAPE, REFLECTOR (RED)	436261	67
TEE (3/8" ID HOSE BARB)	447128	115
TEE, BARBED (1/2"NPT X 1" BARB X 1" BARB)	477729	163
TEE, HOSE BARB (1/2" ID)	075853	109, 117
TERMINAL, MALE SLIDE (.25)	V01162800	79
THERMOSTAT, SIDE AND BOTTOM MOUNT	387177	149
TIE, CABLE	047761	89
	462630	93
	041236	79
TIE, CABLE (7-1/4" X 3/16", 1-3/4" DIA, BLACK)	9104606	47, 49, 63
TIRE (P20575R14, NOT AVAILABLE FOR RESALE)	9103165	15
TONGUE WASHER, DISCONNECT BEARING (INNER)	074567	27, 29
TRIM, FLEX CORE (0.06, 8.2FT)	377176	17
TUBE (.18 STEEL BRAKE L.H. X 40.00")	377168	17
TUBE (.18 STEEL BRAKE R.H. X 40.00")	377150	17
TUBE (.18 STEEL BRAKE X 60.00")	067728	17
TUBE (3/16" STEEL BRAKE X 51")	147322	27, 29
TUBE (3/8 SCHED. 40 X 5/8")	9104630	4
TUBE (ALL POLY BRUSH, 6 FOOT)	9104632	4
TUBE (ALL POLY BRUSH, 8 FOOT)	9104631	4
TUBE (COMB WIRE/POLY BRUSH, 6 FOOT)	9104633	4
TUBE (COMB WIRE/POLY BRUSH, 8 FOOT)	376012	51
TUBE FRONT PIVOT	9102915	69, 71, 93
U-BOLT, BATTERY HOLD-DOWN (EARLY STYLE)	9101616	89, 93
U-BOLT, MUFFLER CLAMP (2")	448845	17
UNION (.25 TUBE INVERTED FLARE)	386151	127
UPDATE VALVE HARNESS	386177	127
UPDATE VALVE INSTRUCTIONS	910402K	45, 111
VALVE (1-SPOOL, 2-POS DETENT, 1-HANDLE)	910403K	45, 109
VALVE (2-SPOOL, FLOAT DETENT, 2-HANDLE)	9101984(001)	113
VALVE, BROOM SPEED CONTROL	476838(001)	115
VALVE, DRIVE (AFTER 07-02)	910402K	115
VALVE, DRIVE (BEFORE 07-02)	387158	149
VALVE, EXPANSION	9100970	109
VALVE, IN-LINE RELIEF	477414	51, 117
VALVE, ORBITAL STEERING (PROD AFTER 09-2002)	382887	111
VALVE, PRIORITY FLOW (1 GPM)	477623	113
VARIABLE SPEED OPTION HOSE	473166	94
V-BELT, ALTERNATOR V1505	375992	47
WASHER	9104574	51
WASHER (1.80 X 1.43 I.D. X .06" THK. (HYDRAULIC TA	385754	155, 157
WASHER, DOOR HINGE	011650	19, 21, 71
WASHER, FLAT (1/2")	011031	59, 69, 71, 83, 85
WASHER, FLAT (3/8")	011323	61
	010579	11, 59, 69, 71
WASHER, FLAT (5/16")	011322	61
	026146	57
WASHER, FLAT (5/8" SAE)	075291	85, 87
WASHER, FLAT (M8)	9102976	15
WASHER, HYDRAULIC DISCONNECT	011643	13, 15
WASHER, LOCK (1/2")	010280	89
WASHER, LOCK (1/4")	011023	27, 29, 83, 85
WASHER, LOCK (3/8")	010561	13, 83
WASHER, LOCK (5/16")	038380	51, 85, 87
WASHER, LOCK (M10)	043281	51
WASHER, LOCK (M8)	459842	47, 49, 89
WASHER, PIN RETAINER (2" X 1/2" X 1/8")	386701	94
WASHER, RADIATOR	444109	93
WASHER, SNUBBING	376327	47, 49
WASHER, THRUST (.125 X 2.50 X 1.765")		

ALPHABETICAL INDEX

DESCRIPTION	PART NUMBER	PAGE
WELDMENT, 6' BROOM CORE	9102691	19, 21
WELDMENT, 8' BROOM CORE	9102693	19, 21
WELDMENT, BROOM CORE MOUNT	376285	19, 21
WELDMENT, BROOM MOUNT	376574	25
	376582	25
WELDMENT, DOOR HINGE (LOWER, LH)	477782	155
WELDMENT, DOOR HINGE (LOWER, RH)	477799	157
WELDMENT, DOOR HINGE (UPPER, LH)	910464K	155
WELDMENT, DOOR HINGE (UPPER, RH)	477798	157
WELDMENT, FRAME	376376	47, 49, 51
WELDMENT, FRONT FORK	376005	47, 49
WELDMENT, HOOD	381988	27
	382002	29
WELDMENT, LEFT BROOM MOTOR MOUNT	376608	19, 21
WELDMENT, RIGHT BROOM BEARING MOUNT	376590	19, 21
WELDMENT, ROPS CANOPY	376475	51
WELDMENT, BROOM MOUNT	376160	25
WHEEL, STEERING	472696	51
WINDSHIELD ASSEMBLY	478254	151
WIPER ARM AND BLADE ASSEMBLY	477531	151
WIRE WAFER (6 3/8" X 24' SS, BOX OF 25)	9101467BX	23
WRENCH, HUB	366914	15
YOKE, ADJUSTABLE	433052	43, 51
YOKE, ADJUSTMENT	436808	43, 51

Discount Equipment

Discount-Equipment.com is your online resource for commercial and industrial quality parts and equipment sales.

Locations:

Florida (West Palm Beach): [561-964-4949](tel:561-964-4949)

Outside Florida TOLL FREE: [877-690-3101](tel:877-690-3101)

Need parts? Check out our website at www.discount-equipment.com

Can't find what you need?

Click on this link: <http://www.discount-equipment.com/category/5443-parts/> and fill out the request form.

Please have the machine model and serial number available in order to help us get you the correct parts. One of our experienced staff members will get back to you with a quote for the right part that your machine needs.

We sell worldwide for the brands: Genie, Terex, JLG, MultiQuip, Mayco, Toro/Stone, Diamond Products, Magnum, Airman, Mustang, Power Blanket, Nifty Lift, Atlas Copco, Chicago Pneumatic, Allmand Brothers, Essick, Miller Spreader, Skyjack, Lull, Skytrak, Tsurumi, Husquvarna/Target, Whiteman-Concrete/Mortar, Stow-Concrete/Mortar, Baldor, Wacker, Sakai, Snorkel, Upright, Mi-T-M, Sullair, Neal, Basic, Dynapac, MBW, Weber, Bartell, Bennar Newman, Haulotte, Ditch Runner, Blaw-Knox, Himoina, Best, Buddy, Crown, Edco, Wyco, Bomag, Laymor, Terremite, Barreto, EZ Trench, Takeuchi, Basic, Bil-Jax, Curtis, Gehl, Heli, Honda, ICS/PowerGrit, Puckett, Waldon, ASV, IHI, Partner, Imer, Clipper, MMD, Koshin, Rice, Gorman Rupp, CH&E, Cat Pumps, Comet, General Pump, Giant, AMida, Coleman, NAC, Gradall, Square Shooter, Kent, Stanley, Tamco, Toku, Hatz, Kohler, Robin, Wisconsin, Northrock, Oztec, Toker TK, Rol-Air, Small Line, Wanco, Yanmar

New Equipment - Used Equipment - Rental Equipment - Parts and Accessories

Discount Equipment

www.discount-equipment.com

561-964-4949

Parts: wbparts@Discount-Equipment.com

Sales: info@Discount-Equipment.com