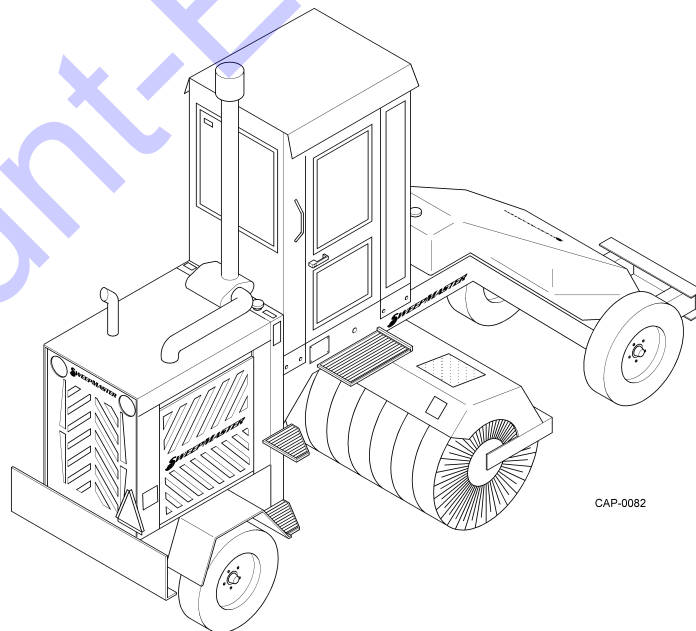


LAY·MOR

*DURABLE PRODUCTS
DEPENDABLE PEOPLE*

***S*WEEPMASTER 250**

PARTS MANUAL



CAP-0082

1 May 2015

460694

Discount Equipment

Discount-Equipment.com is your online resource for commercial and industrial quality parts and equipment sales.

Locations:

Florida (West Palm Beach): [561-964-4949](tel:561-964-4949)

Outside Florida TOLL FREE: [877-690-3101](tel:877-690-3101)

Need parts? Check out our website at www.discount-equipment.com

Can't find what you need?

Click on this link: <http://www.discount-equipment.com/category/5443-parts/> and fill out the request form.

Please have the machine model and serial number available in order to help us get you the correct parts. One of our experienced staff members will get back to you with a quote for the right part that your machine needs.

We sell worldwide for the brands: Genie, Terex, JLG, MultiQuip, Mayco, Toro/Stone, Diamond Products, Magnum, Airman, Mustang, Power Blanket, Nifty Lift, Atlas Copco, Chicago Pneumatic, Allmand Brothers, Essick, Miller Spreader, Skyjack, Lull, Skytrak, Tsurumi, Husquvarna/Target, Whiteman-Concrete/Mortar, Stow-Concrete/Mortar, Baldor, Wacker, Sakai, Snorkel, Upright, Mi-T-M, Sullair, Neal, Basic, Dynapac, MBW, Weber, Bartell, Bennar Newman, Haulotte, Ditch Runner, Blaw-Knox, Himoina, Best, Buddy, Crown, Edco, Wyco, Bomag, Laymor, Terremite, Barreto, EZ Trench, Takeuchi, Basic, Bil-Jax, Curtis, Gehl, Heli, Honda, ICS/PowerGrit, Puckett, Waldon, ASV, IHI, Partner, Imer, Clipper, MMD, Koshin, Rice, Gorman Rupp, CH&E, Cat Pumps, Comet, General Pump, Giant, AMida, Coleman, NAC, Gradall, Square Shooter, Kent, Stanley, Tamco, Toku, Hatz, Kohler, Robin, Wisconsin, Northrock, Oztec, Toker TK, Rol-Air, Small Line, Wanco, Yanmar

New Equipment - Used Equipment - Rental Equipment - Parts and Accessories

Discount Equipment

www.discount-equipment.com

561-964-4949

Sales: info@Discount-Equipment.com

Parts: wbparts@Discount-Equipment.com

Quick Reference

Filters

Kubota Filters V3600 No. 9104638K

Kit Includes:	P/N	Qty
Inline Fuel Filter	436212	1
Spin-On Fuel Filter	478038	1
Oil Filter	467772	1
Hydraulic Oil Return Filter	028639	1
Hydraulic Oil Charge Filter	437673	1
Primary Filter Element Air	477687	1
Safety Filter Element Air	477698	1

Cummins 3.3 Engine Filter Kit No. 478069K

Kit Includes:	P/N	Qty
Inline Fuel Filter	436212	1
Spin-On Element	437673	1
HEPA Filter	466771	1
Fuel Filter	477678	1
Oil Filter	477679	1
Primary Filter Element, Air	477697	1
Secondary Filter Element, Air	477698	1
Spin-On Filter W/O Head	028639	1

Cummins 3.9 Engine Filter Kit No. 478068K

Kit Includes:	P/N	Qty
Oil Filter Element	409409	1
Fuel/Water Separator Element	409417	1
Spin-On Element	437673	1
HEPA Filter	466771	1
Spin-On Filter W/O Head	028639	1
Fuel Filter Element	053595	1
Primary Filter Element, Air	069146	1
Secondary Filter Element, Air	070342	1

Notes:

Replacement Brushes

Type	P/N
Comb. Wire/Poly	477155 (Box of 2) 416057 (Box of 4)
All Wire	416065 416065 (Box of 2)
Comb. Wire/Poly (96" Broom)	416026K 477155 (Box of 2)
Strip Broom (2 Sets)	474791K
Tube Broom (10 x 32 x 58)	424146K
Comb. Tube Broom (10 x 32 x 58)	424145K

Sprinkler Kit

Sprinkler Kit #478070K

Kit Includes:	P/N	Qty
T-Body Spray Nozzle Assemblies	476358	5
L-Body Spray nozzle Assemblies	476366	2
Cross Spray nozzle Assemblies	476887	1
Spray Nozzle Caps	476911	8
Filter Head Gaskets	9102322	2
Filter Bowls	9102329	2
Suction Filter Screen	9104062	1
Pressure Filter Screen	9104063	1
Jet Tees	V63036000	8
Spray Nozzle Screens	V70007388	8

Table of Contents

Section 1. Required Filters List

Section 2. Chassis

2-1	Main Frame Assembly	2-2
2-2	Console & Instrumentation Assembly	2-4
2-3	Steering Column Assembly	2-6
2-4	Seat Assembly	2-8
2-5	Optional Suspension Seat Assembly	2-10
2-6	Broom Support Assembly	2-13
2-7	88-Inch Broom Assembly	2-15
2-8	96-Inch Broom Assembly (Optional)	2-18
2-9	Strip Broom Assembly (Optional)	2-20
2-10	Broom Speed Control Valve	2-22
2-11	Front Axle Assembly	2-23
2-12	Brush Kits	2-25

Section 3. Hydraulic Components

3-1	Hydraulic System (Kubota)	3-2
3-2	Hydraulic System (Cummins)	3-6
3-3	Hydrostatic Motor	3-11
3-4	Axle Drive Pump	3-13
3-5	Charge Pump Assembly	3-15
3-6	Auxiliary Gear Pump	3-17
3-7	Broom Lift Cylinder	3-19
3-8	Broom Swing Cylinder	3-20
3-9	Broom Swing Cylinder (96-Inch Broom)	3-21
3-10	Steering Cylinder Assembly	3-23
3-11	Swing-Out Oil Cooler Kit	3-24
3-12	Hydraulic Valve Remote Foot Pedal Control	3-26
3-13	Hydraulic Schematic Foot Pedal PilotControl for Pump	3-28
3-14	Hydraulic Filters	3-30
3-15	Hydraulic Schematic Grader Blade Option - Bondioli	3-31
3-16	Hydraulic Schematic Grader Blade Option - Sauer/Danfoss	3-33
3-17	Control Valve Assembly	3-35
3-18	Broom Motor (404538)	3-37
3-19	Broom Motor (Danfoss - After 11-09-04)	3-39
3-20	Broom Motor (Eaton - Before 11-09-04)	3-41
3-21	Broom Motor (96" Brush - Parker)	3-43

Section 4. Brakes

4-1	Brake Pedal Assembly	4-2
4-2	Master Cylinder	4-4

Table of Contents - Cont.

4-3	Brake Line Assembly	4-6
4-4	Brake Line Assembly (4 Wheel)	4-8
4-5	Parking Brake Assembly	4-10
4-6	Front Drum Brake Assembly	4-12
4-7	Front Disc Brake Assembly	4-14
4-8	Rear Drum Brake Assembly	4-16
Section 5. Drive Train		
5-1	Rear Axle Assembly	5-2
5-2	Gear Box Assembly	5-6
5-3	Drive Train Assembly	5-7
Section 6. Decals		
6-1	Decal Kit (Lay • Mor)	6-2
6-2	Decal Kit (Sweepmaster)	6-4
6-3	Interior Decal Locations	6-6
Section 7. Electrical Components		
7-1	Main Electrical Schematic (Kubota)	7-2
7-2	Main Electrical Schematic (Cummins)	7-5
Section 8. Diesel Engine		
8-1	Diesel Engine Assembly (Kubota)	8-2
8-2	Diesel Engine Assembly (Cummins)	8-4
8-3	Hood, Radiator, and Batteries (Kubota)	8-6
8-4	Radiator Guard (Kubota)	8-8
8-5	Hood, Radiator, and Batteries (Cummins)	8-10
8-6	Engine Compartment Door Kit Not Illustrated	8-12
8-7	Throttle Cable and Mount Assembly (Kubota)	8-14
8-8	Throttle Cable and Mount Assembly (Cummins)	8-15
8-9	Air Cleaner Assembly (Kubota)	8-16
8-10	Air Cleaner Assembly (Cummins)	8-18
8-11	Exhaust System (Kubota)	8-20
8-12	Exhaust System (Cummins)	8-22
8-13	Fuel System (Kubota)	8-24
8-14	Fuel System (Cummins)	8-26
Section 9. Optional Items		
9-1	Complete ROPS Assembly	9-2
9-2	Vista Cab Assembly	9-3
9-3	Vista Cab Assembly Windows	9-5
9-4	Vista Cab Door Assembly	9-7

Table of Contents - Cont.

9-5	Vista Cab Windshield Wiper/Washer	9-10
9-6	Vista Cab AC/Heater Assembly	9-12
9-7	Vista Cab AC/Heater Breakdown	9-14
9-8	A/C Plumbing	9-16
9-9	Single-Door Cab Assembly	9-17
9-10	Two-Door Cab Assembly	9-21
9-11	Optional Grader Blade Assembly	9-25
9-12	Optional Turn Signal Switch Kit Not Illustrated	9-27
Section 10. Engine Optional Items		
10-1	Engine Warning System Not Illustrated	10-2
10-2	Engine Shut Down System Not Illustrated	10-3
10-3	Engine Pre-Heater Not Illustrated	10-3
10-4	Engine Cold Start Kit Not Illustrated	10-4
10-5	Nylon Fan Kit Not Illustrated	10-4
10-6	Fan Defroster Kit Not Illustrated	10-4
Section 11. Comfort/Convenience Optional Items		
11-1	Heater Kit Not Illustrated	11-2
11-2	Kysor Air Conditioner Breakdown	11-3
11-3	Red Dot Air Conditioner Breakdown	11-9
11-4	A/C Compressor Mounting (Kubota)	11-12
11-5	A/C Compressor Mounting (Cummins)	11-14
11-6	A/C Restriction Indicator - In Cab Not Illustrated	11-15
11-7	A/C Restriction Indicator - Dash Mount Not Illustrated	11-15
11-8	Hour Meter Kit Not Illustrated	11-16
11-9	Mirror Kit Not Illustrated	11-16
Section 12. Windshield Wiper Optional Items		
12-1	Washer Wiper Kit - Front Windshield Not Illustrated	12-2
12-2	Window Wiper Not Illustrated	12-3
12-3	Washer/Wiper Kit - Rear Window Not Illustrated	12-4
12-4	Washer/Wiper Kit - Front Windshield Not Illustrated	12-5
Section 13. Lighting and Electrical Optional Items		
13-1	Rotary Beacon Kit Not Illustrated	13-2
13-2	Loom and Cable Tie Kit Not Illustrated	13-3
13-3	Dome Light Kit Not Illustrated	13-3
13-4	Strobe Light Kit - With Guard Not Illustrated	13-4
13-5	Strobe Light Kit - No Guard Not Illustrated	13-5
13-6	High/Low Beam Light Kit (Halogen) Not Illustrated	13-6

Table of Contents - Cont.

Section 14. Sprinkler Optional Items

14-1	Low-Profile Sprinkler Kit	14-2
14-2	Low-Profile Sprinkler Kit (Early Models)	14-5

Discount-Equipment.com

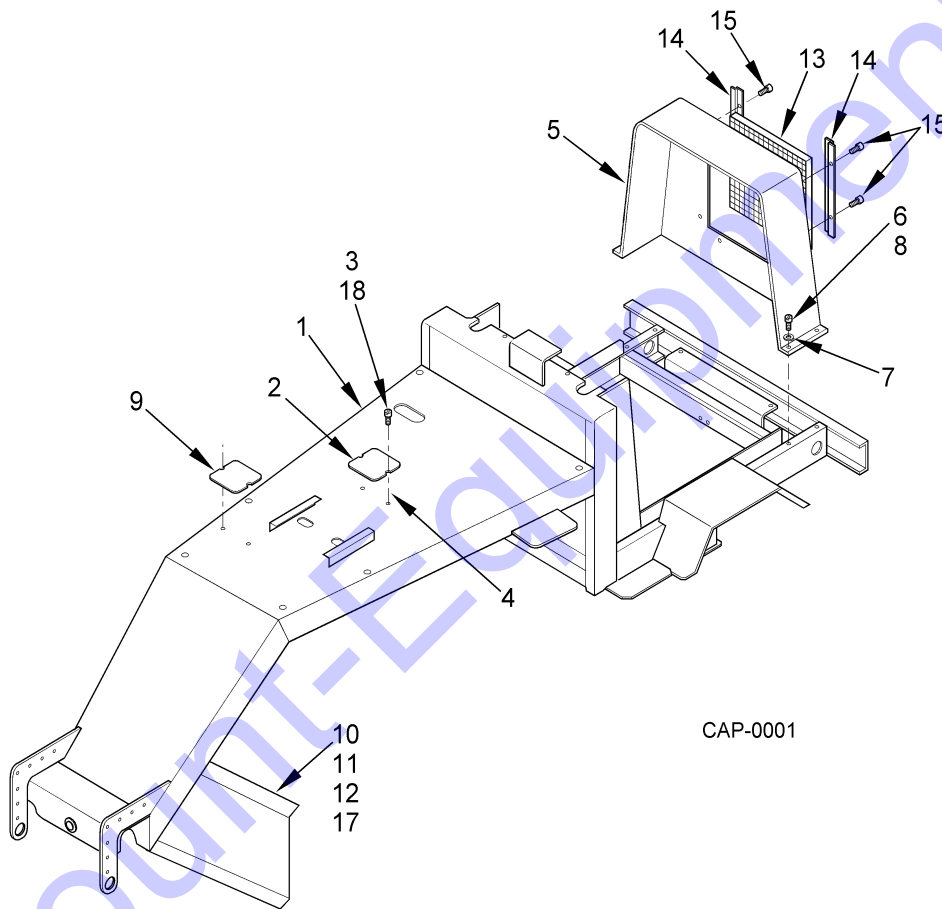
Section 1. Required Filters List

Item	Part Number	Description	Qty	Notes
1	477697	Air Cleaner Primary		W/Cummins 3.3
2	477698	Safety Air Cleaner	1	W/Cummins 3.3
3	436212	Fuel Filter (in-line)	1	
4	477678	Element, Fuel Secondary	1	W/Cummins 3.3
5	477907	Element, Fuel/Water Separator	1	
6	477679	Element, Engine Oil Filter	1	W/Cummins 3.3
7	424143	Hydraulic Filter (Return) (Electric)		The Restriction Indicator Switch is not available separately. Order new assembly (P/N 424143)
8		Head, Filter Electric (25 PSI Relief)	1	
	028639	Hydraulic Oil Filter (Return)	1	25 Micron
9	437665	Hydraulic Filter with head (Charge) (Electric)		The Restriction Indicator Switch is not available separately. Order new assembly (P/N 437665)
10		Head, Filter Electric (25 PSI Relief)	1	
11	437673	Hydraulic Oil Filter (Charge)	1	6 Micron
12	457130	Filter, Screw on, 10 micron	1	Yukon
13	466771	Hepa, AC 1.75 x 4 x 13.50	1	
14	424142	Head, Filter w/25 PSI By-Pass - w/Indicator Terminal Lug	1	
15	476772	Kubota V3600 Engine Oil	1	
16	478038	Spin Fuel Filter, Kiubota		
17	436212	Inline Fuel Filter, Kubota	1	

Section 2. Chassis

Component	Page
2-1 Main Frame Assembly.....	2-2
2-2 Console & Instrumentation Assembly	2-4
2-3 Steering Column Assembly.....	2-6
2-4 Seat Assembly	2-8
2-5 Optional Suspension Seat Assembly	2-10
2-6 Broom Support Assembly	2-13
2-7 88-Inch Broom Assembly	2-15
2-8 96-Inch Broom Assembly (Optional)	2-18
2-9 Strip Broom Assembly (Optional).....	2-20
2-10 Broom Speed Control Valve	2-22
2-11 Front Axle Assembly	2-23
2-12 Brush Kits.....	2-25

Figure 2-1 Main Frame Assembly

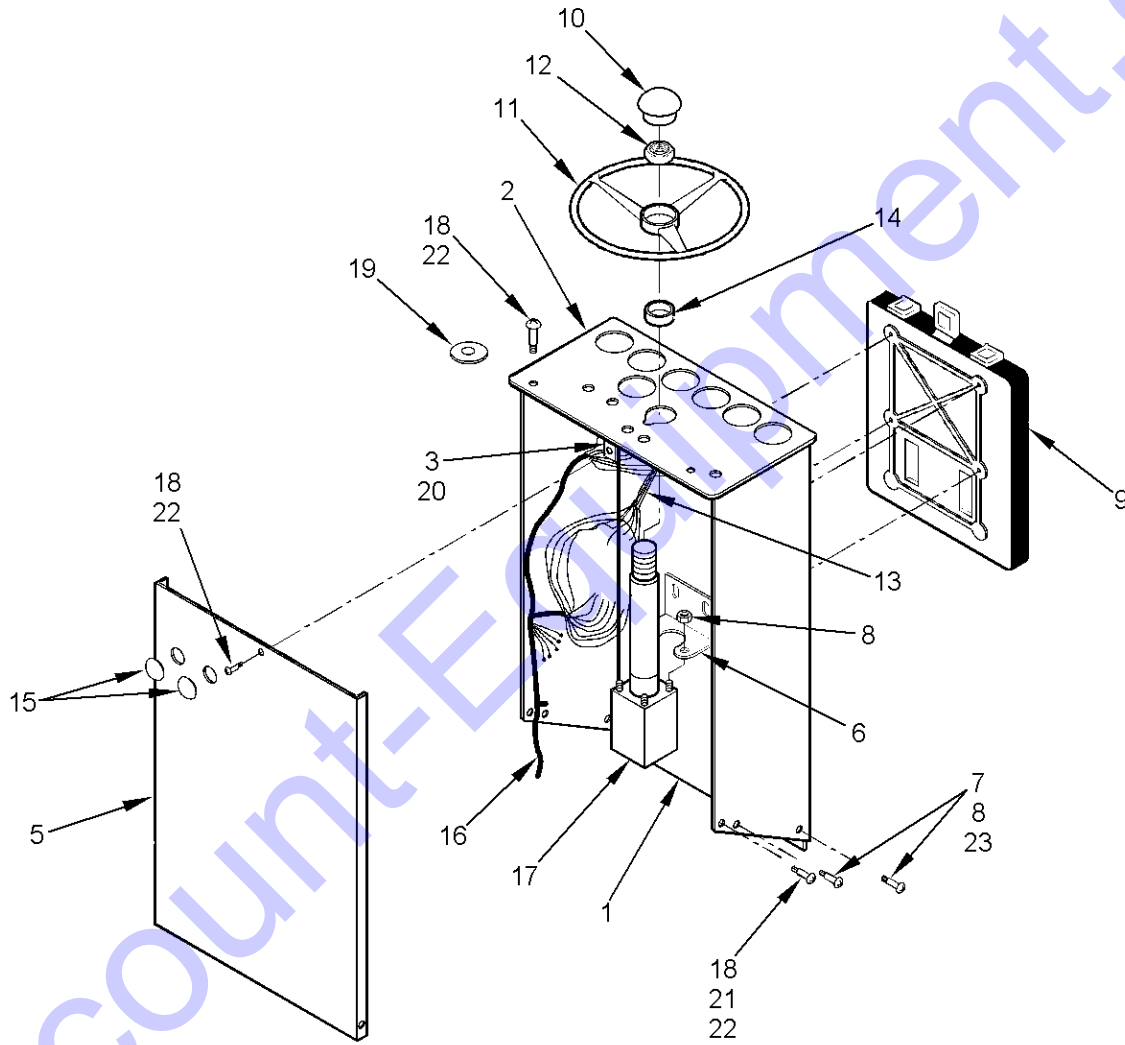


CAP-0001

Parts List for Figure 2-1

Item	Part Number	Description	Qty	Notes
1	357013	Main Frame	1	Compatible w/3.3BT engine
	357014	Main Frame (96" Option)	1	
2	271015	Cover, Floorboard Hole	1	
3	441550	* Capscrew, 1/4-20NC X .75"	2	
4	067439	* Clip Nut	2	
5	349235	Engine Guard	1	W/Cummins 3.3
6	056879	Capscrew, .50 - 20 x 1.25	4	
7	011650	Flat Washer, .50	4	
8	440644	* Hex Nut 1/2-13NC	4	Not Shown
9	616508	Cover, Rubber	1	
10	281238	Shield, Steering Cylinder	1	
11	441667	* Capscrew, .37-16NC X 1.00"	2	Not Shown
12	083501	* Flange Nut, .38-16	2	
13	349258	Door Panel, Swing out	1	(Swing out cooler not shown)
14	267260	Angle, Formed	2	
15	010371	Capscrew, 5/15-18NC x 1.75"	4	
16	011325	* Flat Washer, 1/2	8	
17	011323	* Flat Washer, 3/8	4	
18	011321	* Flat Washer, 1/4	2	
19	449041	* U-Bolt	2	Yukon
	369256	Front Fender Assembly	1	Entire fender kit w/hardware
	384966	Fender, L.H.	1	
	384982	Fender, R.H.	1	
* Indicates attaching hardware, which may not be shown in illustration				

Figure 2-2 Console & Instrumentation Assembly

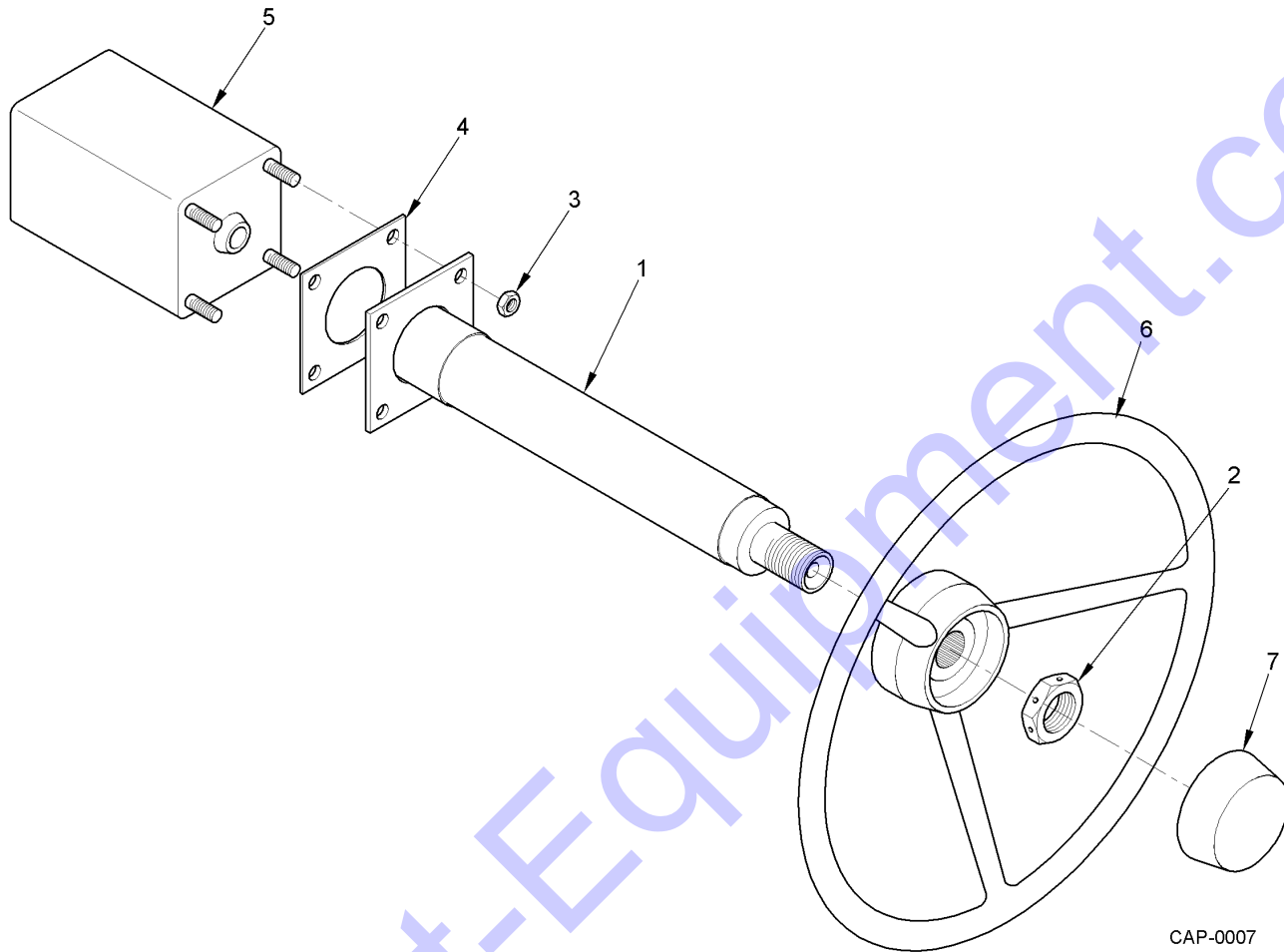


CAP-0002

Parts List for Figure 2-2

Item	Part Number	Description	Qty	Notes
1	356394	Control Column	1	
2	356402	Dash	1	
3	352054	Mount, Clip Nut	1	
4	417717	Plug, Hole .437" dia.	4	Not Shown
5	298588	Cover, Control Column	1	
6	V63029200	Mount, Steering Column	1	
7	441667	Capscrew, 3/8-16NC X 1.00"	6	
8	441477	Lock Nut, 3/8-16NC	6	
9	414672	Case, Black Literature	1	
10	074229	Cap, Steering	1	
11	074211	Steering Wheel	1	
12	REF	Nut, Steering Wheel	1	Supplied with Steering Valve (item 18)
13	REF	Wiring Harness (Gauge to Fuse Block)	1	See Figure 7-1 for breakdown.
14	V61021200	Grommet, Steering Column	1	
15	409623	Plug, 1-1/16" Dia. Hole	2	
16	REF	Wiring Harness (Main)	1	See Figure 7-1 for breakdown.
17	REF	Steering Valve	1	See Figure 2-3 for breakdown.
18	441550	Capscrew 1/4-20NC X 0.75"	8	
19	446518	Cover, Tachometer	1	
20	067439	Clip Nut	2	
21	440636	Lock Nut, 1/4-20NC	4	
22	011321	Flat Washer, 1/4	14	
23	011323	Flat Washer, 3/8	12	
* Indicates attaching hardware, which may not be shown in illustration				

Figure 2-3 Steering Column Assembly



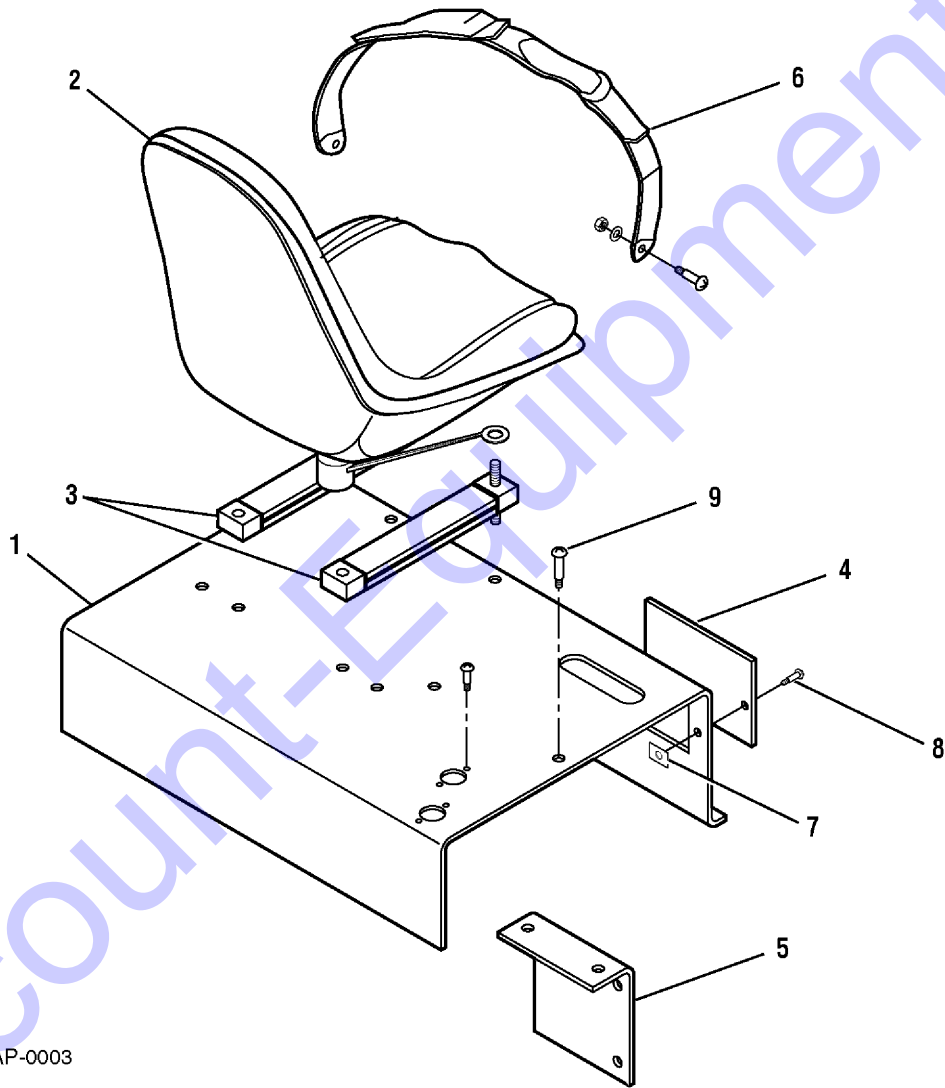
Parts List for Figure 2-3

Item	Part Number	Description	Qty	Notes
	433030	Steering Column Assembly		
1	433037	Column	1	
2	033886	Hex Nut, 13/16-20 NF (Special)	1	
3	035303	Hex Nut, 5/16-24 NF	4	
4	435271	Gasket	1	
5	385690	Valve, Unit Steering	1	Thru Rev. Code -011
	476770	Valve, Unit Steering	1	Rev. Code -012 and Later
	433862	* Kit, Seal	1	Not Shown
	451104	Valve, Unit Steering (For Grader Blade Option)	1	Thru Rev. Code -011

Parts List for Figure 2-3 (Cont.)

Item	Part Number	Description	Qty	Notes
		* Kit, Seal	1	Not Shown
	476788	Valve, Unit Steering (For Grader Blade Option)	1	Rev. Code -012 and Later
		* Kit, Seal	1	Not Shown
	457028	Valve, Unit Steering (For Tow Kit Option)	1	Thru Rev. Code -011
		* Kit, Seal	1	Not Shown
	477208	Valve, Unit Steering (For Tow Kit Option)	1	Rev. Code -012 and Later
		* Kit, Seal	1	Not Shown
6	074211	Steering Wheel	1	
7	074229	Cap, Steering Wheel	1	

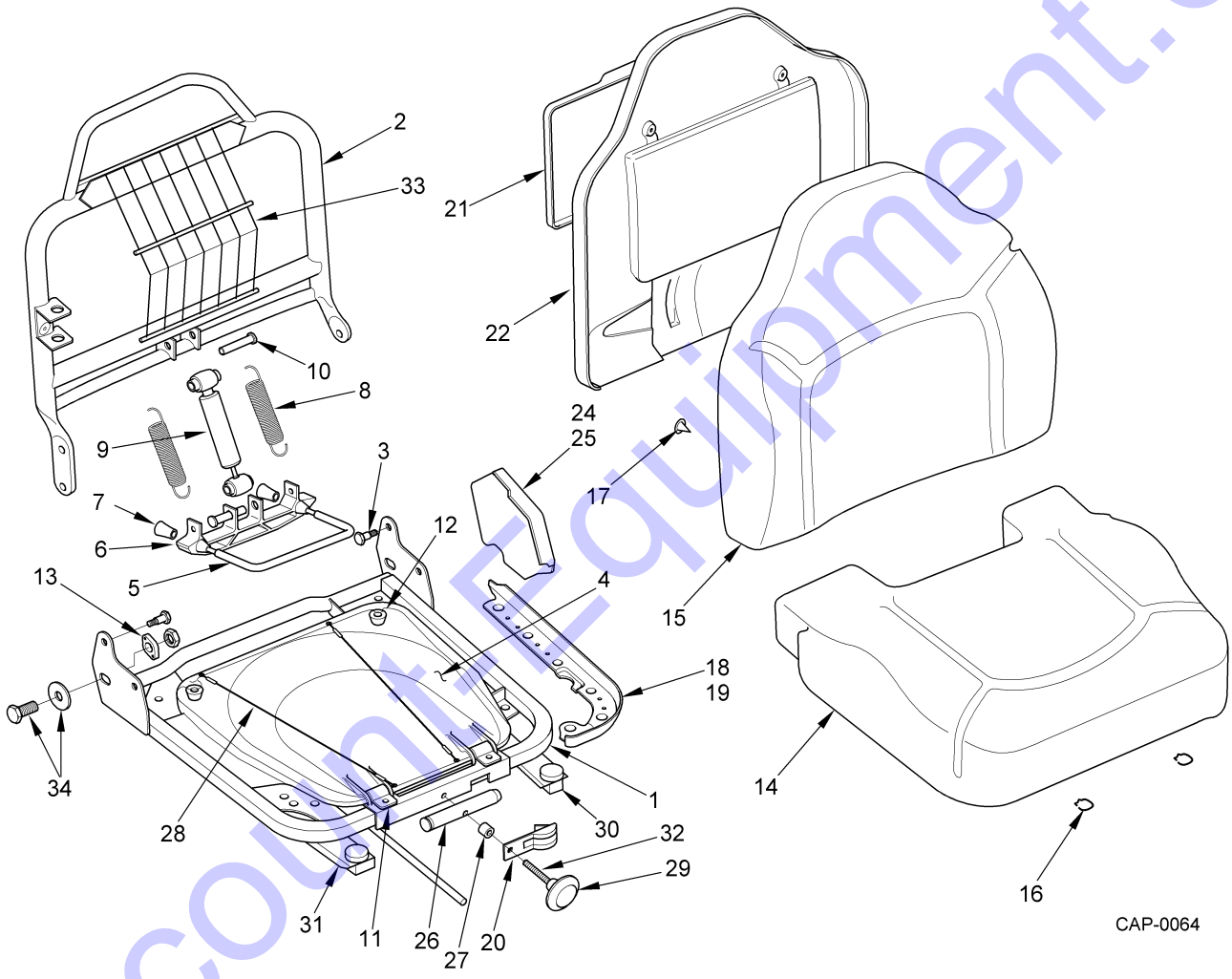
Figure 2-4 Seat Assembly



Parts List for Figure 2-4

Item	Part Number	Description	Qty	Notes
1	298018	Mount, Seat	1	
2	433045	Seat Assembly	1	Comes With Adjuster
3	035519	Slide Adjusters	2	
4	275172	Cover	1	
5	341057	Mount, Valve	1	
6	458778	Seat Belt Assembly, 2" Retractable	1	
	443812	3" Black Seat Belt	1	Not Shown
7	067439	* Tinnerman Nuts (1/4X20 Clip)	2	
8	441550	* Capscrew, 1/4-20NC X 0.75"	2	
9	010405	* Capscrew, 5/16-18NC X 2.50"	3	
10	083493	* Hex Nut, 5/16-18NC Lock Nut	5	Not Shown
11	083485	* Capscrew, 5/16-18NC X 0.75"	3	Not Shown
12	441659	* Capscrew, 3/8-16NC X 0.75"	3	Not Shown
13	011321	* Flat Washer, 1/4	2	Not Shown
14	011322	* Flat Washer, 5/16	7	Not Shown
15	011323	* Flat Washer, 3/8	8	Not Shown
16	083527	* Capscrew, 3/8-16 X 1"	1	Not Shown
* Indicates attaching hardware, which may not be shown in illustration				

Figure 2-5 Optional Suspension Seat Assembly



Parts List for Figure 2-5

Item	Part Number	Description	Qty	Notes
	459958	Suspension Seat Assembly		
1		Frame, Seat	1	
2		Frame, Back	1	
3		Bolt, Shoulder	2	
4		Pan, Suspension	1	
5	461533	Spring, Arm	1	
6	461434	Spring, Saddle	1	
7	461442	Bushing, Saddle	2	
8	461517	Spring, Suspension	2	
9	461525	Shock Absorber	1	
10	461541	Pin, Shock	2	
11	461590	Clip, Front	2	
12		Bumper	2	
13	461558	Bearing, Spring Arm	2	
14	461566	Cushion, Seat (Vinyl)	1	
15	461574	Cushion, Back (Vinyl)	1	
16	461582	Clip, Upholstry	2	
17	461608	Clip, X-Mas	7	
18		Fender, L.H.	1	
19		Fender, R.H.	1	
20		Assembly, Weight Indicator	1	
21		Door, Operator Manual	1	
22	461616	Panel, Back	1	
23		Assembly, Back Panel	1	Not Shown; Includes Items 24 & 25
24		Cover, Pivot Bracket L.H.	1	
25		Cover, Pivot Bracket R.H.	1	
26		Bar, Weight Adjustment	1	
27	461624	Spacer	1	

SweepMaster 250 Parts Manual
Section 2. Chassis

Parts List for Figure 2-5 (Cont.)

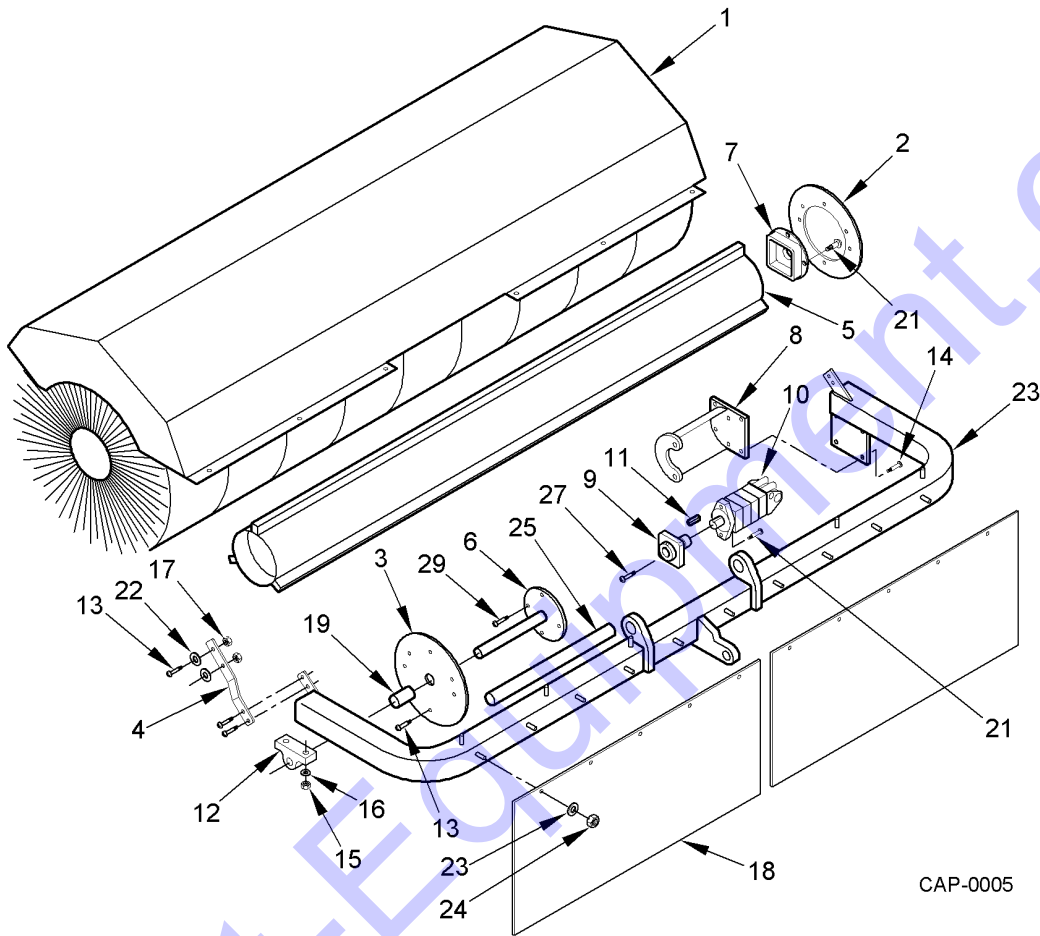
Item	Part Number	Description	Qty	Notes
28		Assembly, Cable	2	
29	461632	Knob, Weight Adjust	1	
30	461657	Fore/Aft Adjuster, Slave	1	
31	461665	Fore/Aft Adjuster, Lock	1	
32	461640	Screw, Adjust	1	
33		Bolt, Hex, 7/16-20	1	
34		Flat Washer, 7/16	1	
Note: For optional Arm Rest Kit, order P/N 459966				

SweepMaster 250 Parts Manual
Section 2. Chassis

Parts List for Figure 2-6

Item	Part Number	Description	Qty	Notes
1	295279	Support Tube		Part of main frame
2	296152	Frame, Broom Swing	1	
3	V63018700	* Nut 1-3/4-NF	1	
4	296228	* Washer, Upper Thrust	1	
5	031161	Setscrew, SH Brass Tip 3/8-16 X 0.38	1	
6	296806	Lube Fitting, 1/8-27 straight	1	
7	296210	Washer, Lower Thrust	1	
8	033530	Lube Fitting, 1/4-28, 90°	1	
9	031831	Fitting, 1/8 NPT to 1/4 Tube	2	
10	345843	Tube, Grease	1	
11	296194	Pin, Broom Swing SM 250	1	
12	295238	Pin, Broom Frame Mount	1	
13	269202	Bushing	1	

Figure 2-7 88-Inch Broom Assembly



CAP-0005

Parts List for Figure 2-7

Item	Part Number	Description	Qty	Notes
1	296129	Cover, Broom	1	
2	271023	Cap, LH Broom Core	1	
3	271031	Cap, RH Broom Core	1	
4	V63134200	Support, Broom Cover	2	
5	See pg. 2-17	Core, Broom	1	
6	270736	Support, Broom Core	1	W/Sauer-Danfoss
	386513	Shaft, Broom Core Support	1	Parker
7	See pg. 2-17	Coupling, Broom Drive Female	1	

SweepMaster 250 Parts Manual
Section 2. Chassis

Parts List for Figure 2-7 (Cont.)

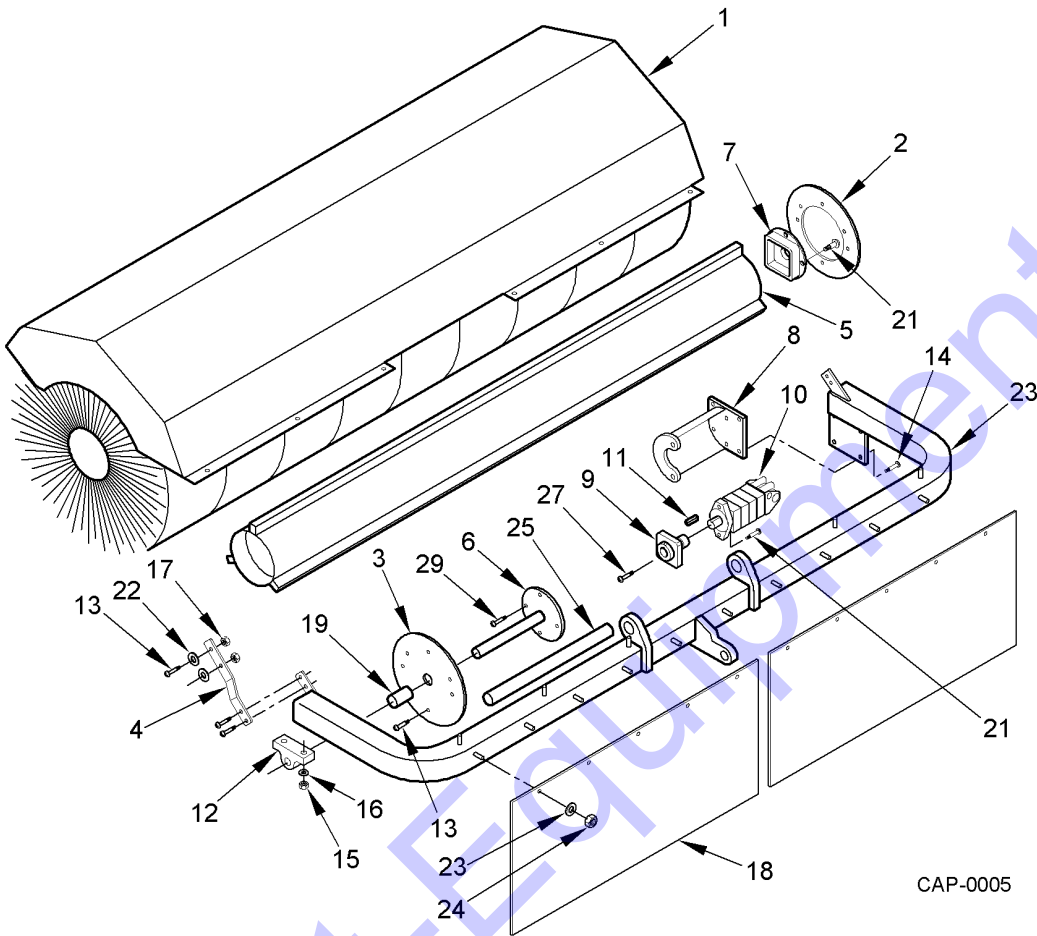
Item	Part Number	Description	Qty	Notes
8	See pg. 2-17	Mount, Broom Motor	1	
9	See pg. 2-17	Coupling, Broom Drive Male	1	
10	See pg. 2-17	Motor, Broom	1	See Section 3
11	9101779	Key	1	
12	433144	Bearing, Broom Shaft	1	
13	441600	Bolt, 5/16-18NC X 1.00"	14	
14	441766	Bolt, 1/2-13NC X 1.25"	4	
15	440644	Nut, 1/2-13NC	2	
16	011643	Lock Washer, 1/2"	6	
17	083493	Nut, 5/16-18NC	28	
18	298240	Deflector, Dirt Belt	2	
	335018	Wrap-Around Deflector, Dirt Belt		Optional
19	296021	Bushing 2.00" L	1	
20	440370	Holder, Clamp Hose	1	Not Shown
21	045864	Bolt, Socket-head 1/2-13NC X 1.25"	6	Apply Loctite and torque to 130±5 ft.lbs
22	296039	Mount, Broom	1	
23	011322	Flat Washer, 5/16	58	
24	010553	Nut, 5/16-18NC	58	
25	295238	Pin, Broom Frame Mount	1	
26	015362	Cotter Pin, 3/16 X 2.50" (Steel)	2	Not Shown
27	010702	Capscrew, 3/8-16 X 3.00"	1	
28	011361	Capscrew, 1/2-13NC X 1.50"	4	
29	404536	Broom Motor Seal Kit	1	Not Shown
30	404535	Bearing and Shaft Kit	1	Not Shown

The following table is provided to assist in the selection of the proper broom motor components. To determine what motor your sweeper has, it is recommended that you measure the motor mounts. Once you have determined your motor mount part number, refer to the table to find the associated couplers, broom motors, and other parts.

Table 1: Broom Assembly Cross Reference

Broom Motors	Male Couplers	Female Couplers	Motor Mounts	Broom Cores	Set Screw	Key
404538	270561	338392	296039	351191	010702	
404541	9102713	351155	296038	see note	093575	9101779
404542	270561	338392	386511	351190	010637	
404543	270561	338392	386511	351190	010637	
404543	270561	338392	296039	351191	010702	
Note: Early square Danfoss core square is part 351189. Starting approximately Serial Number 29568 core is 351191.						
Motor Mounts	Inside Length	Overall Length				
296039	9-1/4	10-1/4	Measure motor mount length to confirm the motor part number.			
296038	9	10				
386511	9-3/4	10-3/4				

Figure 2-8 96-Inch Broom Assembly (Optional)



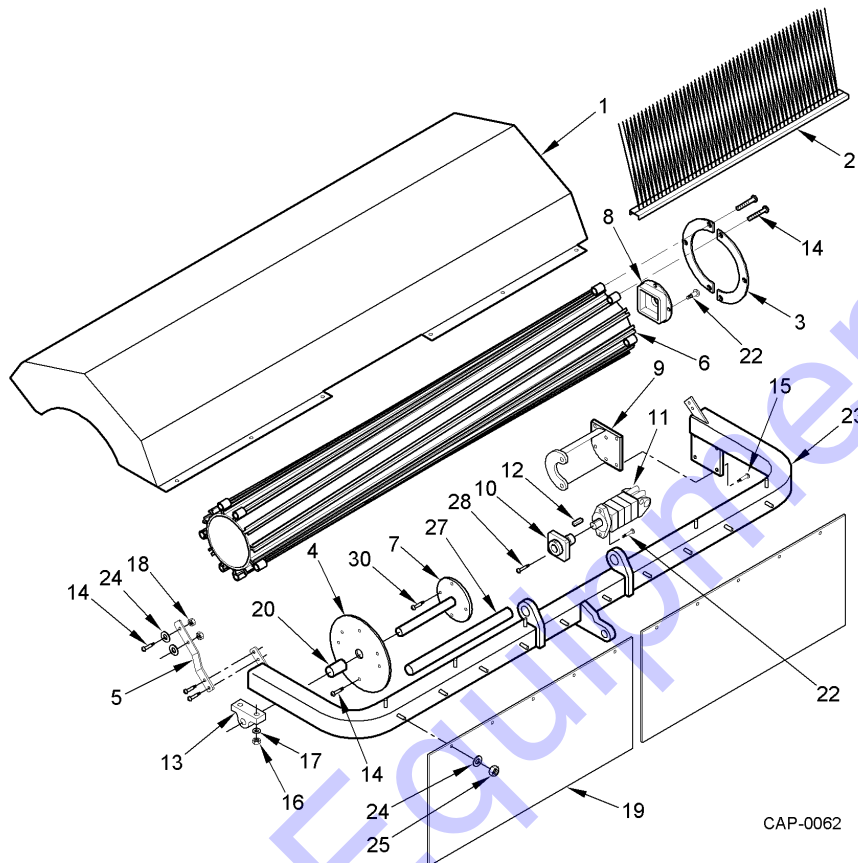
Parts List for Figure 2-8

Item	Part Number	Description	Qty	Notes
1	386518	Cover, Broom	1	
2	271023	Cap, LH Broom Core	1	
3	271031	Cap, RH Broom Core	1	
4	V63134200	Support, Broom Cover	2	
5	386501	Core, Broom	1	
6	270736	Shaft, Broom Core Support	1	W/Sauer-Danfoss
	386513	Shaft, Broom Core Support	1	Parker
7	338392	Coupling, Broom Drive Female	1	W/Sauer-Danfoss

Parts List for Figure 2-8 (Cont.)

Item	Part Number	Description	Qty	Notes
8	296039	Mount, Broom Motor	1	W/Sauer-Danfoss
9	270561	Coupling, Broom Drive Male	1	W/Sauer-Danfoss
10	404538	Motor, Broom	1	W/Sauer-Danfoss
11	9101779	Key	1	
12	433144	Bearing, Broom Shaft	1	
13	441600	Bolt, 5/16-18NC X 1.00"	14	
14	441766	Bolt, 1/2-13NC X 1.25"	4	
15	440644	Nut, 1/2-13NC	2	
16	011643	Lock Washer, 1/2"	6	
17	083493	Nut, 5/16-18NC	28	
18	298240	Deflector, Dirt Belt	2	
	335018	Wrap-Around Deflector, Dirt Belt		Optional
19	296021	Bushing 2.00" L	1	
20	440370	Holder, Clamp Hose	1	
21	045864	Bolt, Socket-head 1/2-13NC X 1.25"	10	Not Shown; Apply Loctite and torque to 130±5 ft.lbs
22	386516	Mount, Broom	1	
23	011322	Flat Washer, 5/16	58	
24	010553	Nut, 5/16-18NC	58	
25	295238	Pin, Broom Frame Mount	1	
26	015362	Cotter Pin, 3/16 X 2.50" (Steel)	2	Not Shown
27	010702	Capscrew, 3/8-16 X 3.00"	1	
28	011361	Capscrew, 1/2-13NC X 1.50"	4	
29	404536	Broom Motor Seal Kit	1	Not Shown
30	404535	Bearing and Shaft Kit	1	Not Shown

Figure 2-9 Strip Broom Assembly (Optional)



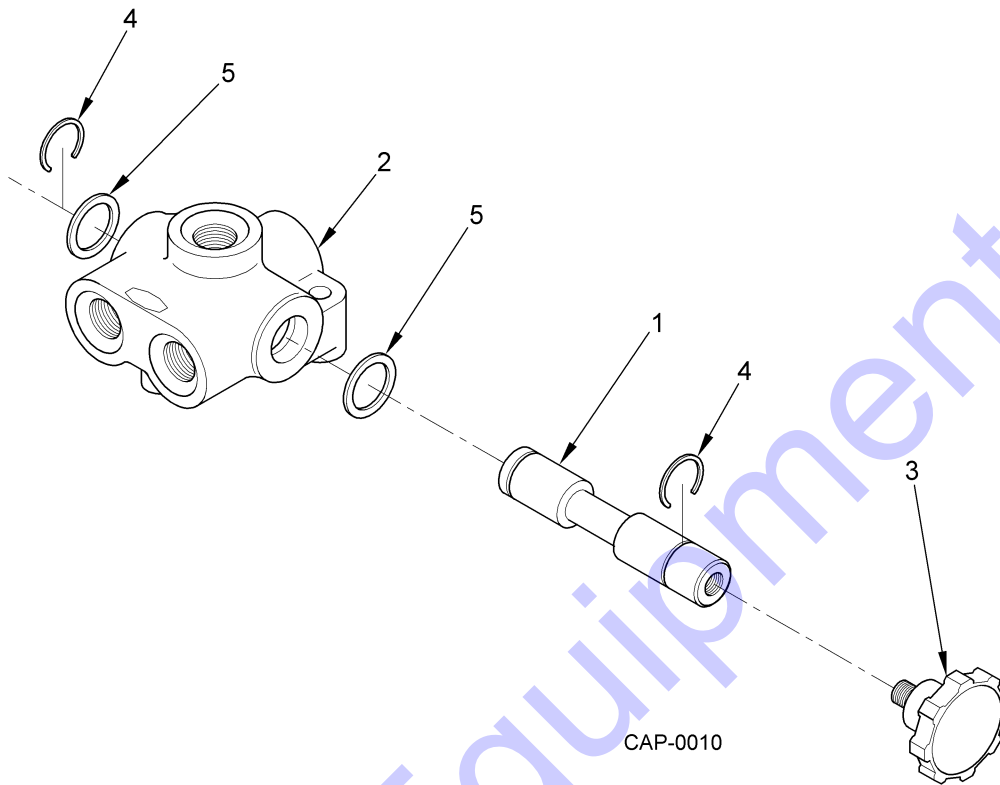
Parts List for Figure 2-9

Item	Part Number	Description	Qty	Notes
1	296129	Cover, Broom	1	
2	474791	Broom Wafer		2 Sets of 18 Brushes
3	369298	Cap, LH Broom Core	2	
4	271031	Cap, RH Broom Core	1	
5	V63134200	Support, Broom Cover	2	
6	369363	Core, Broom	1	
7	386513	Shaft, Broom Core Support	1	W/Sauer-Danfoss
	270736	Shaft, Broom Core Support	1	Parker

Parts List for Figure 2-9 (Cont.)

Item	Part Number	Description	Qty	Notes
8	338392	Coupling, Broom Drive Female	1	W/Sauer-Danfoss
9	296039	Mount, Broom Motor	1	W/Sauer-Danfoss
10	270561	Coupling, Broom Drive Male	1	W/Sauer-Danfoss
11	404538	Motor, Broom	1	W/Sauer-Danfoss
12	9101779	Key	1	
13	433144	Bearing, Broom Shaft	1	
14	441600	Bolt, 5/16-18NC X 1.00"	14	
15	441766	Bolt, 1/2-13NC X 1.25"	4	
16	440644	Nut, 1/2-13NC	2	
17	011643	Lock Washer, 1/2"	6	
18	083493	Nut, 5/16-18NC	28	
	298240	Deflector, Dirt Belt	2	
19	335018	Wrap-Around Deflector, Dirt Belt		Optional
20	296021	Bushing 2.00" L	1	
21	440370	Holder, Clamp Hose	1	Not Shown
22	045864	Bolt, Socket-head 1/2-13NC X 1.25"	10	Apply Loctite and torque to 130±5 ft.lbs
23	295980	Mount, Broom	1	
24	011322	Flat Washer, 5/16	58	
25	010553	Nut, 5/16-18NC	58	
26	295238	Pin, Broom Frame Mount	1	
27	015362	Cotter Pin, 3/16 X 2.50" (Steel)	2	Not Shown
28	010702	Capscrew, 3/8-16 X 3.00"	1	
29	011361	Capscrew, 1/2-13NC X 1.50"	4	
30	404536	Broom Motor Seal Kit	1	Not Shown
31	404535	Bearing and Shaft Kit	1	Not Shown

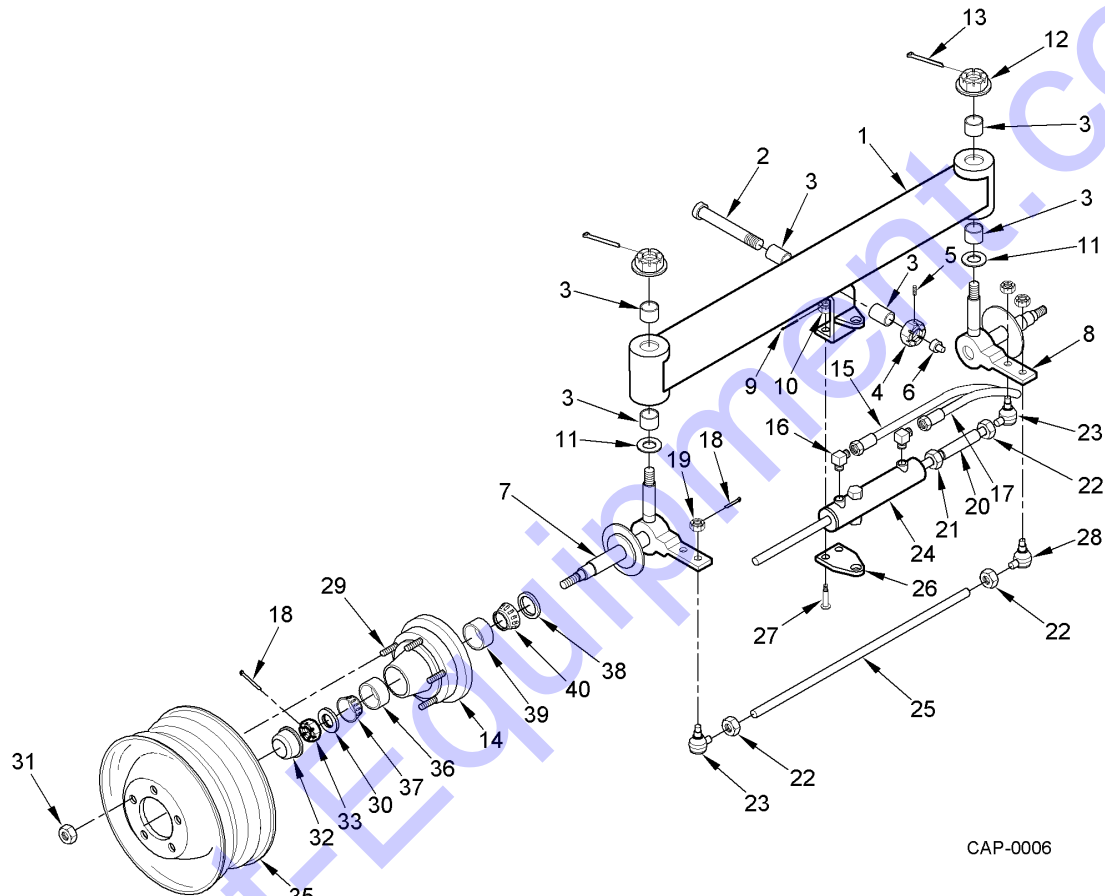
Figure 2-10 Broom Speed Control Valve



Parts List for Figure 2-10

Item	Part Number	Description	Qty	Notes
	440735	Broom Speed Control Valve Assembly		
1		Spool	1	
2		Valve Body	1	
3	441212	Knob	1	
4	441220	Snap Ring	2	
5	441238	Spool Seal	2	
6	441246	Seal Kit	1	Not Shown

Figure 2-11 Front Axle Assembly



Parts List for Figure 2-11

Item	Part Number	Description	Qty	Notes
	354324	Front Axle Assembly		
1	296368	Axle, Front	1	
2	257220	Pin, Front Axle Pivot	1	
3	V63023100	Brass Bushing	6	
4	V63018700	Nut, 1 3/4-12NF	1	
5	031161	Setscrew 3/8-16NC x 3/8 Brass Tip	1	
6	031401	Lube Fittings, 1/4-28NF Straight	1	
7	357418	Knuckle, L.H. Steering	1	
8	357426	Knuckle, R.H. Steering	1	

SweepMaster 250 Parts Manual
Section 2. Chassis

Parts List for Figure 2-11 (Cont.)

Item	Part Number	Description	Qty	Notes
9	025882	Cotter Pin	2	
10	V63168900	Nut, 3/8 16-NC Hex Slotted	2	
11	296442	Thrust Washer, Lower	2	
12	336966	Nut, 1 1/8-12NF Heavy Slotted w/Washer	2	
13	015347	Cotter Pin	2	
14	453860	Hub (Only)	2	
15	REF	Hose Assy. 3/8 ID x 96"	1	See hydraulic schematic for details
16	425348	Adapter	2	
17	REF	Assy., Hose 3/8 ID x 102"	1	See hydraulic schematic for details
18	015164	Cotter Pin	5	
19	408047	Nut, Slotted 9/16-18NF	3	
20	271239	Adjuster, Power Steering Cylinder	1	
21	092460	Nut, R.H. 3/4-16NF Jam	2	
22	V65010400	Nut, L.H. 3/4-16NFJam	2	
23	407908	Tie Rod End	2	Comes with slotted nut.
24	432989	Cylinder	1	
25	271130	Tube, Tie Rod	1	
26	V63131900	Bracket, Steering Cylinder	1	
27	V63162900	Bolt, 3/8-16NC x 1.50" (Special)	2	
28	407916	Tie Rod End R.H.	1	Comes with slotted nut.
29	456152	Bolt Lug 1/2-20NF x 2 (5 per side)	10	
30	066605	Flat Washer	2	
31	047480	Lug Nut 1/2-20NF 60° (5 per side)	2	
32	440487	Dust Cap	2	
33	026328	Nut, Slotted	4	
34	029629	Valve Stem	2	Not Shown
35	472506	Wheel, 15x6 Front & Rear	4	
36	407205	Bearing Cup (Inner)	2	
37	407213	Bearing Cone (Inner)	2	
38	407163	Seal	2	
39	421081	Bearing Cup (Outer)	2	
40	421099	Bearing Cone (Outer)	2	

Figure 2-12 Brush Kits

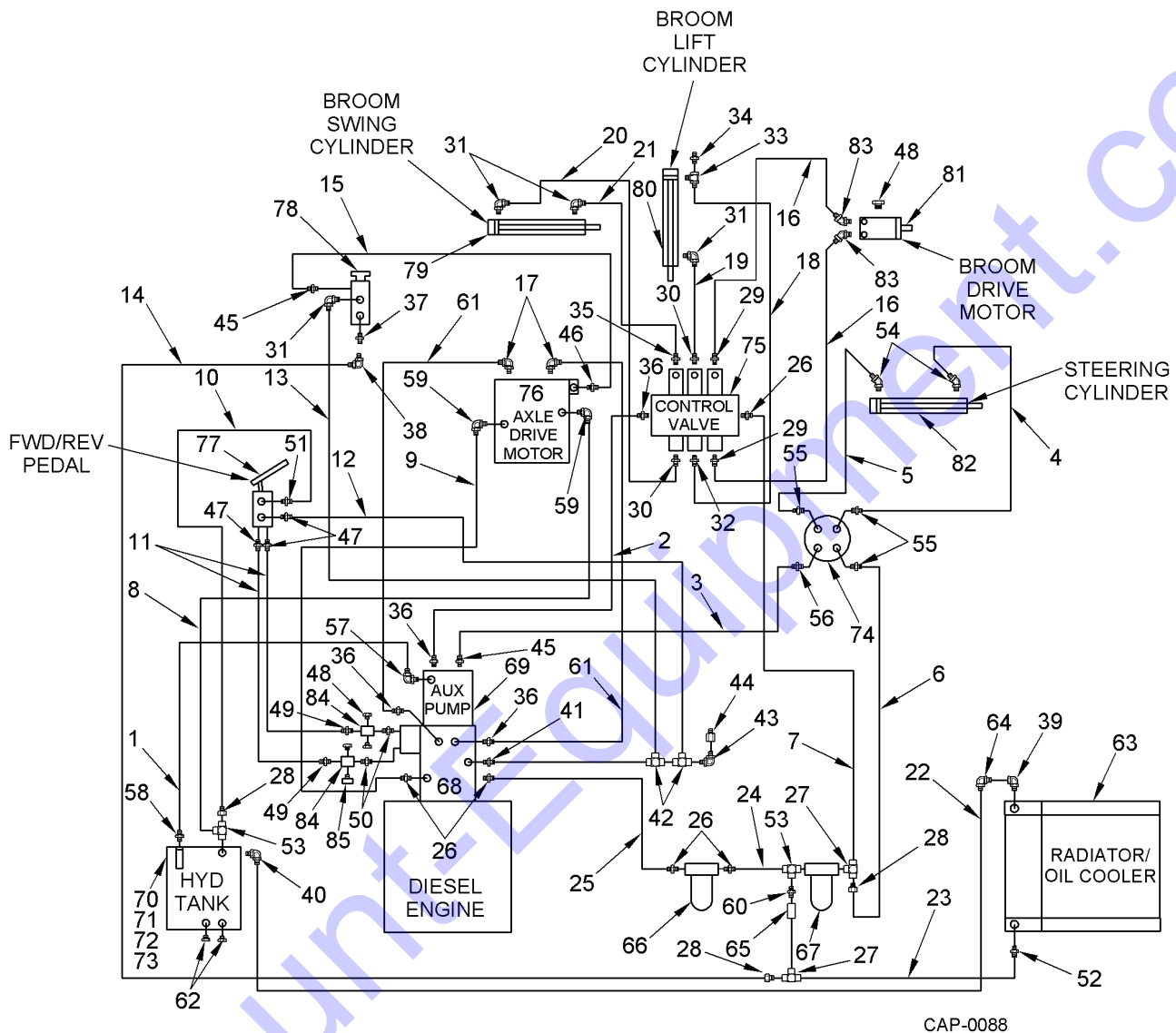
Parts List for Figure 2-12

Item	Part Number	Description
1	416057	Poly Wafer, 10" X 32"
2	416057BX	Poly Wafer, 10" X 32", BOX OF 25
3	416065	Wire Wafer, 10" X 32"
4	416065BX	Wire Wafer, 10" X 32", BOX OF 24
5	475155	Combo Wafer, 10" X 32"
6	475155BX	Combo Wafer, 10" X 32", BOX OF 24
7	9104643K	Complete Brush Kit, Combo Wafer, 10" X 32" X 8' Wide
8	416024K	Complete Brush Kit, 1/2 Poly & 1/2 Wire Wafer, 10" X 32" X 8' Wide
9	416032K	Complete Brush Kit, Poly Wafer, 10" X 32" X 8' Wide
10	416040K	Complete Brush Kit, Wire Wafer Brush Kit, 10" X 32" X 8' Wide

Section 3. Hydraulic Components

Component	Page
3-1 Hydraulic System (Kubota)	3-2
3-2 Hydraulic System (Cummins).....	3-6
3-3 Hydrostatic Motor	3-10
3-4 Axle Drive Pump	3-12
3-5 Charge Pump Assembly	3-14
3-6 Auxiliary Gear Pump	3-16
3-7 Broom Lift Cylinder.....	3-18
3-8 Broom Swing Cylinder.....	3-19
3-9 Broom Swing Cylinder (96-Inch Broom).....	3-20
3-10 Steering Cylinder Assembly.....	3-22
3-11 Swing-Out Oil Cooler Kit.....	3-23
3-12 Hydraulic Valve Remote Foot Pedal Control	3-25
3-13 Hydraulic Schematic Foot Pedal PilotControl for Pump	3-27
3-14 Hydraulic Filters	3-29
3-15 Hydraulic Schematic Grader Blade Option - Bondioli	3-30
3-16 Hydraulic Schematic Grader Blade Option - Sauer/Danfoss.....	3-32
3-17 Control Valve Assembly.....	3-34
3-18 Broom Motor (404538).....	3-36
3-19 Broom Motor (Danfoss - After 11-09-04).....	3-38
3-20 Broom Motor (Eaton - Before 11-09-04)	3-40
3-21 Broom Motor (96" Brush - Parker).....	3-42

Figure 3-1 Hydraulic System (Kubota)



Parts List for Figure 3-1

Item	Part Number	Description	Qty	Notes
1	368796	Hose Assy, Tank to Gear Pump	1	
2	386537	Hose Assy, 3-Spool Valve to Aux. Gear	1	
3	386530	Hose Assy, Steering Valve to Pump	1	
4	304667	Hose Assy, Steering Valve to Right Steer	1	

Parts List for Figure 3-1 (Cont.)

Item	Part Number	Description	Qty	Notes
5	352138	Hose Assy, Steering Valve to Left Steer	1	
6	268664	Hose Assy, Steering Valve to Return Filter	1	
7	386529	Hose Assy, 3-Spool Valve to Filter	1	
8	386538	Hose Assy, Wheel Motor Drain to Tank	1	
9	386539	Hose Assy, Pump to Wheel Motor Drain	1	
10	355446	Hose Assy, Foot Pedal to Tank Return	1	
11	386531	Hose Assy, Foot Pedal to Hydrostat	2	
12	386536	Hose Assy, Foot Pedal to Charge	1	
13	386533	Hose Assy, 2-Speed Control Valve to Charge	1	
14	356931	Hose Assy, 2-Speed Control Valve to Filter	1	
15	386532	Hose Assy, 2-Speed Control Valve to Wheel Motor	1	
16	386528	Hose Assy, 3-Spool Valve to Broom	2	
17	386643	Adapter, #12MORFS to #12MSAE 90°	2	
18	386526	Hose Assy, 3-Spool Valve to Lift Cylinder	1	
19	386535	Hose Assy, 3-Spool Valve to Lift Cylinder	1	
20	386668	Hose Assy, 3-Spool Valve to Swing Cylinder	1	
21	386534	Hose Assy, 3-Spool Valve to Swing Cylinder	1	
22	387206	Hose Assy, Cooler to Check Valve (Tank)	1	
23	387207	Hose Assy, Cooler to Filter	1	
24	386540	Hose Assy, Filter to Filter	1	
25	298646	Hose Assy, Hydrostatic Pump to Oil Filter	1	
26	071332	Adapter, Straight, #12 MOR to #12 MJIC	5	
27	435164	Adapter, Tee, #12MJIC to #12MJIC to #12MOP	2	
28	V63144100	Adapter, Straight, #12FJIC to #6MJIC	3	
29	386562	Fitting, Straight, #10MORFS to #10MSAE	2	
30	413195	Adapter, Straight, W/.62 Orifice	2	
31	386552	Fitting, 90°, #6MORFS to #8MSAE	4	
32	477631	Adapter, Straight, #8MORFS to #10MSAE	1	

SweepMaster 250 Parts Manual
Section 3. Hydraulic Components

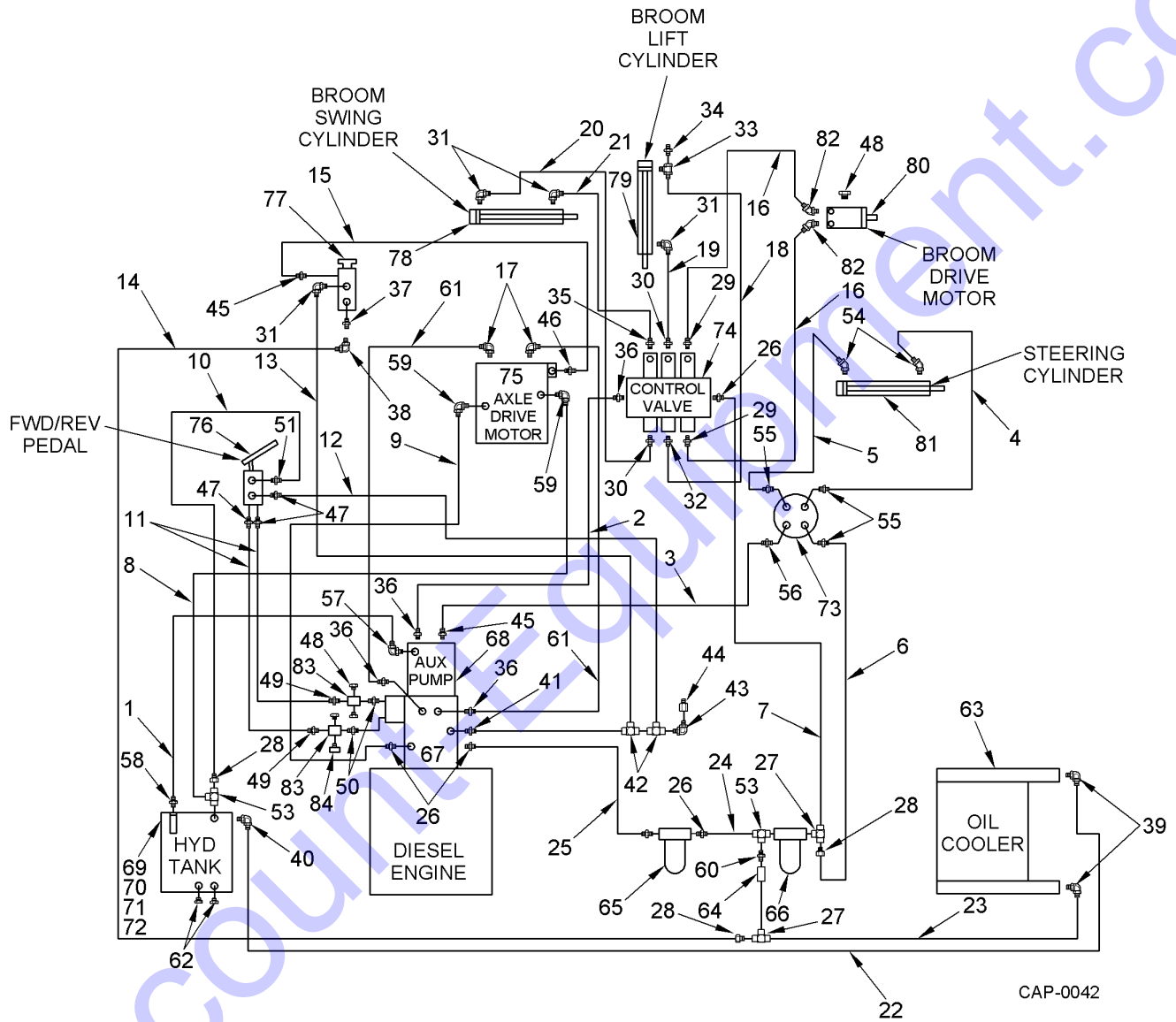
Parts List for Figure 3-1 (Cont.)

Item	Part Number	Description	Qty	Notes
33	427773	Adapter, 90°, .75-16 w .43-20	1	
34	386574	Test Port Fitting	1	
35	386580	Fitting, Straight, #6MORFS to #10MSAE	1	
36	386563	Fitting, Straight, #12MORFS to #12MSAE	4	
37	296806	Fitting, .46 Orifice	1	
38	092965	Adapter, 90°, #6FJIC to #6MJIC	1	
39	446005	Adapter, 90°, #16SAE to #19NPTF	2	
40	387211	Elbow, Male, #16 MBOR x #18 JICM 90°	1	
41	386554	Fitting #6 MORFS to 1/4 MBSPP Straight	1	
42	386566	Fitting, Run Tee, #6FORFS to #6MORFS	2	
43	386553	Fitting, #6MORFS to #6FORFS 90°	1	
44	386569	Test Point Fitting	1	
45	386559	Fitting, Straight, #6MORFS to #8MSAE	2	
46	386557	Fitting, #6MORFS to #4MSAE Straight	1	
47	386556	Fitting, #4MORFS to #6MSAE Straight	3	
48	406819	Plug, #4 MOR Hex Head	4	
49	386555	Fitting #4MORFS to #4MSAE Straight	2	
50	459784	Adapter, .43 #20 SAE Union	2	
51	425223	Adapter, Straight #6MOR to #4MJIC	1	
52	425223	Adapter, Tee, #6FJIC to #6MJIC	1	Not Shown
53	080275	Adapter, Tee, #12MSAE to #12MJIC	2	
54	425348	Adapter, 45°, #6MOR to #6MJIC	2	
55	092882	Adapter, Straight, #6MSAE to #6MJIC	3	
56	477637	Adapter, Straight, #6MORFS to #6MSAE	1	
57	078900	Adapter, 90°, #20MOR to #20MJIC	1	
58	056383	Adapter, Straight, #20MNPT to #20MJIC	1	
59	068338	Adapter, 90°, #12MSAE to #12MJIC	2	
60	406694	Adapter, Swivel, #12JFIC to #6FJIC	1	

Parts List for Figure 3-1 (Cont.)

Item	Part Number	Description	Qty	Notes
61	386575	Hose Assembly, Pump to Wheel Motor	2	
62	029363	Plug, 1.06 #12 SAE O-ring	2	
63	478030	Radiator/Oil Cooler	1	
64	387212	Elbow, Male, #16 JICM x 1" NPTM	1	
65	438812	Check Valve (45 PSI)	1	
66	437665	Filter, 6-Micron	1	
67	424143	Filter, 10-Micron	1	
68	457122	Pump, Hydrostatic, Pilot Operated	1	See Figure 3-3 for breakdown.
69	440465	Pump, Auxiliary	1	
70	387030	Tank, Hydraulic	1	
71	447979	Screen, Filler	1	Not Shown
72	464685	Screen, 2.00 NPT x 1.25 NPT	1	Not Shown
73	464677	Gauge, Sight Glass, Includes O-Rings & Studs	1	Not Shown
74	433029	Steering Valve	1	
75	457267	Control Valve		
76	434503	Motor, Axle Drive	1	See Figure 3-4 for breakdown.
77	457275	Throttle Pedal	1	
78	440735	Valve, 2-Position	1	
79	432971	Cylinder, Broom Swing (3.00" X 10.00")		See Figure 3-8 for breakdown.
	432969	Cylinder, Broom Swing (3.00" X 7.00")		
80	432963	Cylinder, Broom Lift (3.00" X 6.00")		See Figure 3-7 for breakdown.
81	404538	Motor, Broom		
82	432989	Cylinder, Steering (2.00" X 8.00")		See Figure 3-10 for breakdown.
83	477859	Fitting, 45°, #10-12 VSOLO-S	2	
	477993	Fitting Straight, #10-12 FSOLD-5	2	Alternative for 477859
84	356311	Block, Connector	2	
85	459792	Switch, Reverse Alarm	1	

Figure 3-2 Hydraulic System (Cummins)



Parts List for Figure 3-2

Item	Part Number	Description	Qty	Notes
1	368796	Hose Assy, Tank to Gear Pump	1	
2	386537	Hose Assy, 3-Spool Valve to Aux. Gear	1	
3	386530	Hose Assy, Steering Valve to Pump	1	
4	304667	Hose Assy, Steering Valve to Right Steer	1	
5	352138	Hose Assy, Steering Valve to Left Steer	1	
6	268664	Hose Assy, Steering Valve to Return Filter	1	
7	386529	Hose Assy, 3-Spool Valve to Filter	1	
8	386538	Hose Assy, Wheel Motor Drain to Tank	1	
9	386539	Hose Assy, Pump to Wheel Motor Drain	1	
10	355446	Hose Assy, Foot Pedal to Tank Return	1	
11	386531	Hose Assy, Foot Pedal to Hydrostat	2	
12	386536	Hose Assy, Foot Pedal to Charge	1	
13	386533	Hose Assy, 2-Speed Control Valve to Charge	1	
14	356931	Hose Assy, 2-Speed Control Valve to Filter	1	
15	386532	Hose Assy, 2-Speed Control Valve to Wheel Motor	1	
16	386528	Hose Assy, 3-Spool Valve to Broom	2	
17	386643	Adapter, #12MORFS to #12MSAE 90°	2	
18	386526	Hose Assy, 3-Spool Valve to Lift Cylinder	1	
19	386535	Hose Assy, 3-Spool Valve to Lift Cylinder	1	
20	386534	Hose Assy, 3-Spool Valve to Swing Cylinder	1	
21	386527	Hose Assy, 3-Spool Valve to Swing Cylinder	1	
22	349357	Hose Assy, Cooler to Check Valve (Tank)	1	
23	349365	Hose Assy, Cooler to Tank	1	
24	386540	Hose Assy, Filter to Filter	1	
25	298646	Hose Assy, Hydrostatic Pump to Oil Filter	1	
26	071332	Adapter, Straight, #12 MOR to #12 MJIC	5	
27	435164	Adapter, Tee, #12MJIC to #12MJIC to #12MOP	2	
28	V63144100	Adapter, Straight, #12FJIC to #6MJIC	3	

SweepMaster 250 Parts Manual
Section 3. Hydraulic Components

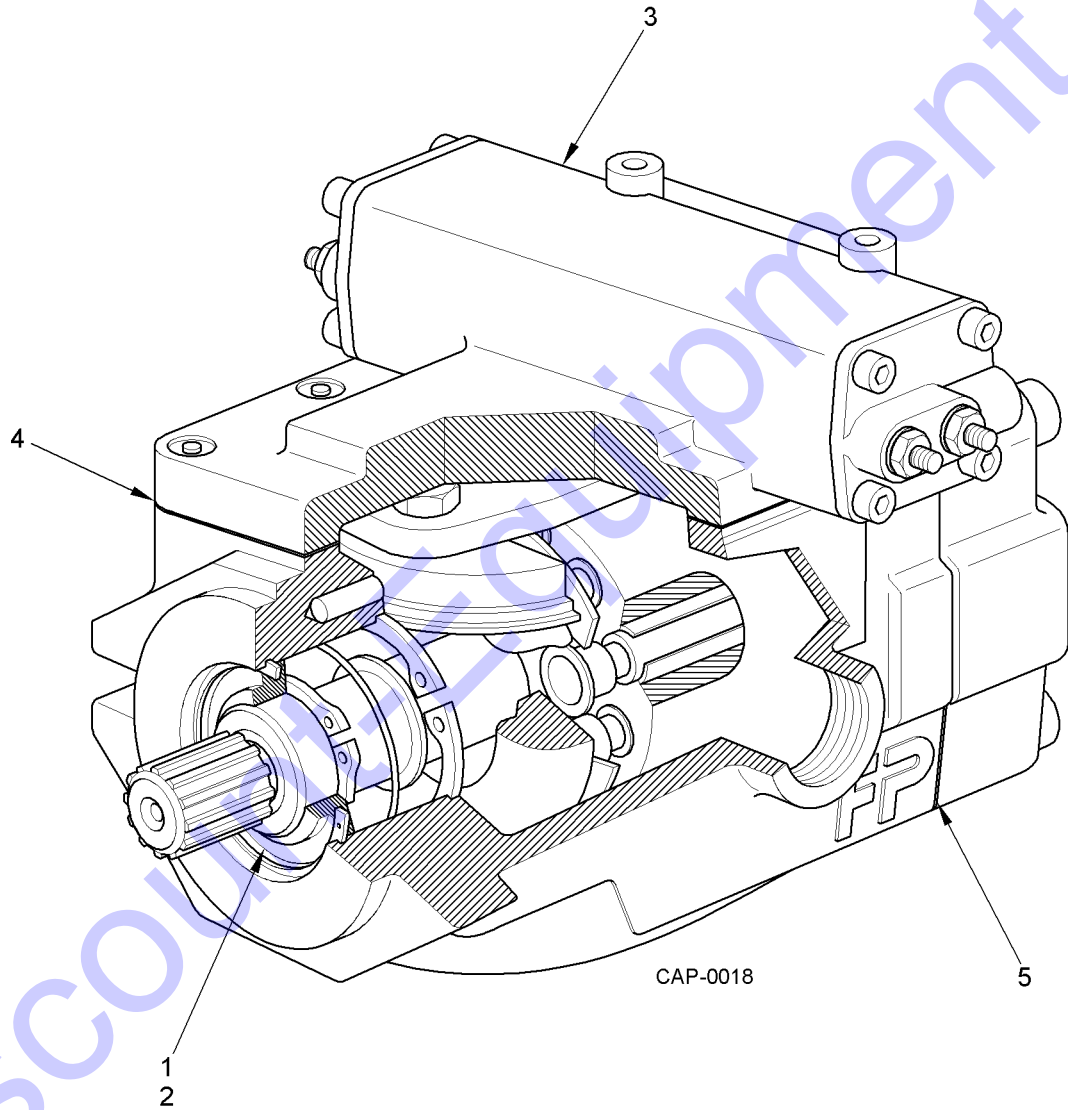
Parts List for Figure 3-2 (Cont.)

Item	Part Number	Description	Qty	Notes
29	386562	Fitting, Straight, #10MORFS to #10MSAE	2	
30	413195	Adapter, Straight, W/.62 Orifice	2	
31	386552	Fitting, 90°, #6MORFS to #8MSAE	4	
32	477631	Adapter, Straight, #8MORFS to #10MSAE	1	
33	427773	Adapter, 90°, .75-16 w .43-20	1	
34	386574	Test Port Fitting	1	
35	386580	Fitting, Straight, #6MORFS to #10MSAE	1	
36	386563	Fitting, Straight, #12MORFS to #12MSAE	4	
37	296806	Fitting, .46 Orifice	1	
38	092965	Adapter, 90°, #6FJIC to #6MJIC	1	
39	446005	Adapter, 90°, #16SAE to #19NPTF	2	
40	078873	Adapter, 90° 18-12S SAE O-Ring	1	
41	386554	Fitting #6 MORFS to 1/4 MBSPP Straight	1	
42	386566	Fitting, Run Tee, #6FORFS to #6MORFS	2	
43	386553	Fitting, #6MORFS to #6FORFS 90°	1	
44	386569	Test Point Fitting	1	
45	386559	Fitting, Straight, #6MORFS to #8MSAE	2	
46	386557	Fitting, #6MORFS to #4MSAE Straight	1	
47	386556	Fitting, #4MORFS to #6MSAE Straight	3	
48	406819	Plug, #4 MOR Hex Head	4	
49	386555	Fitting #4MORFS to #4MSAE Straight	2	
50	459784	Adapter, .43 #20 SAE Union	2	
51	425223	Adapter, Straight #6MOR to #4MJIC	1	
52	092957	Adapter, Tee, #6FJIC to #6MJIC	1	Not Shown
53	080275	Adapter, Tee, #12MSAE to #12MJIC	2	
54	425348	Adapter, 45°, #6MOR to #6MJIC	2	
55	092882	Adapter, Straight, #6MSAE to #6MJIC	3	
56	477637	Adapter, Straight, #6MORFS to #6MSAE	1	

Parts List for Figure 3-2 (Cont.)

Item	Part Number	Description	Qty	Notes
57	078900	Adapter, 90°, #20MOR to #20MJIC	1	
58	056383	Adapter, Straight, #20MNPT to #20MJIC	1	
59	068338	Adapter, 90°, #12MSAE to #12MJIC	2	
60	406694	Adapter, Swivel, #12JFIC to #6FJIC	1	
61	386575	Hose Assy, Pump to Wheel Motor	2	
62	029363	Plug, 1.06 #12 SAE O-ring	2	
63	448837	Oil Cooler	1	
64	438812	Check Valve (45 PSI)	1	
65	437665	Filter, 6-Micron	1	
66	424143	Filter, 10-Micron	1	
67	457122	Pump, Hydrostatic, Pilot Operated	1	See Figure 3-3 for breakdown.
68	440465	Pump, Auxiliary	1	
69	335125	Tank, Hydraulic	1	
70	447979	Screen, Filler	1	Not Shown
71	464685	Screen, 2.00 NPT x 1.25 NPT	1	Not Shown
72	464677	Gauge, Sight Glass, Includes O-Rings & Studs	1	Not Shown
73	476770	Steering Valve	1	
74	457267	Control Valve		
75	434503	Motor, Axle Drive	1	See Figure 3-4 for breakdown.
76	457275	Throttle Pedal	1	
77	443735	Valve, 2-Position	1	
78	432971	Cylinder, Broom Swing (3.00" X 10.00")		See Figure 3-8 for breakdown.
79	432963	Cylinder, Broom Lift (3.00" X 6.00")		See Figure 3-7 for breakdown.
80	404538	Motor, Broom		
81	432989	Cylinder, Steering (2.00" X 8.00")		See Figure 3-10 for breakdown.
82	477859	Fitting, 45°, #10-12 VSOLO-S	2	
83	356311	Block, Connector	2	
84	459792	Switch, Reverse Alarm	1	

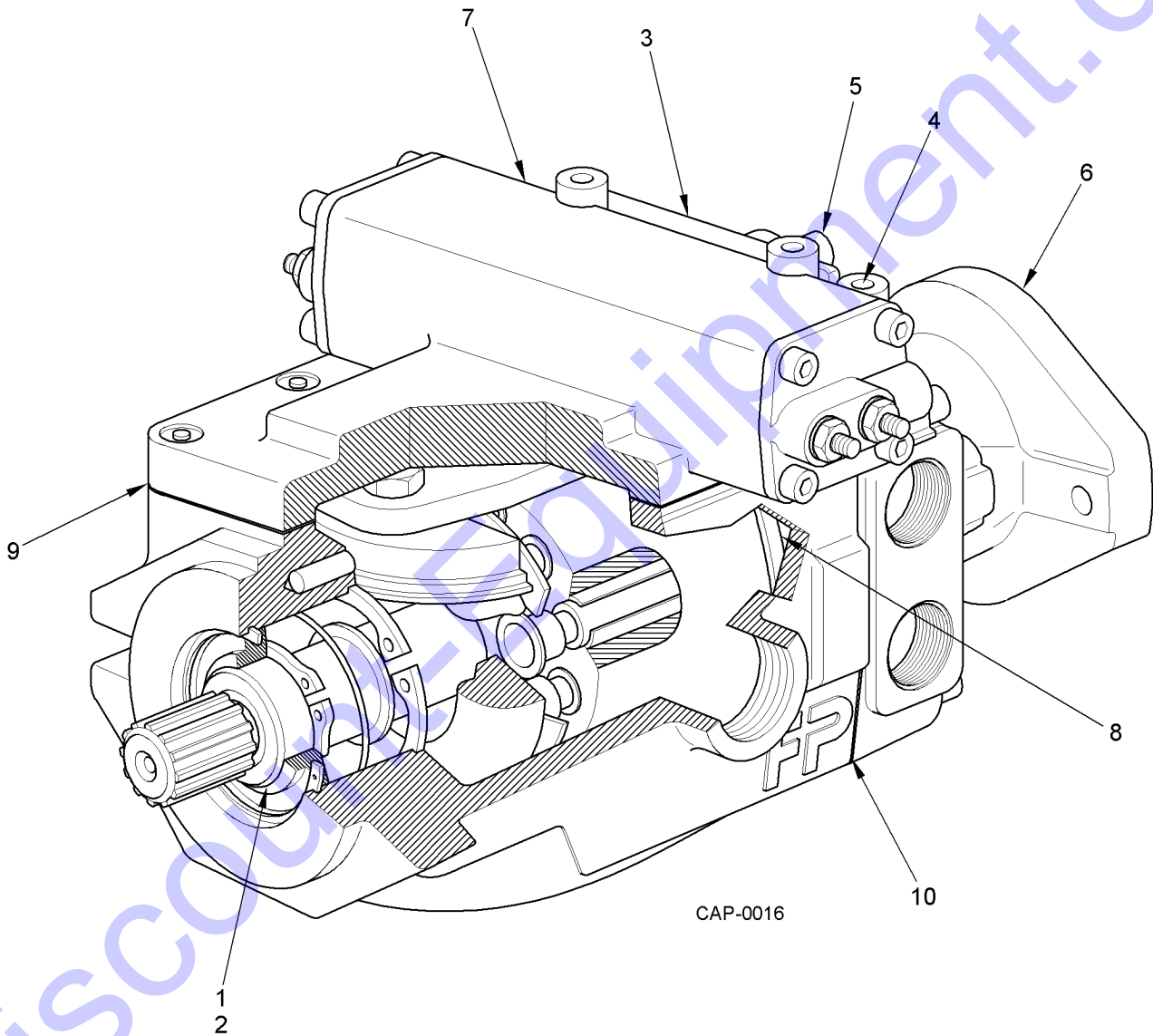
Figure 3-3 Hydrostatic Motor



Parts List for Figure 3-3

Item	Part Number	Description	Qty	Notes
	434503	Hydrostatic Motor		Bondioli Serial No. 31538 and Prior
	434506	Hydrostatic Motor		
	434507	Hydrostatic Motor (Yukon Equipment)		
1	462101	Shaft, Seal 30 x 42 x 7-7.5	1	
2	454157	O-Ring	1	
3	457123	Hydrostatic Motor Servo Control	1	
4	441196	Seal, Servo Control	1	
5	441204	Seal, Distributor	1	
	436410	Seal Kit, Complete Motor		Includes items 1, 2, 4, and 5
	457124	Seal Kit, Complete Motor (Yukon Equipment)		Includes items 1, 2, 4, and 5
	455410	Shaft Kit		

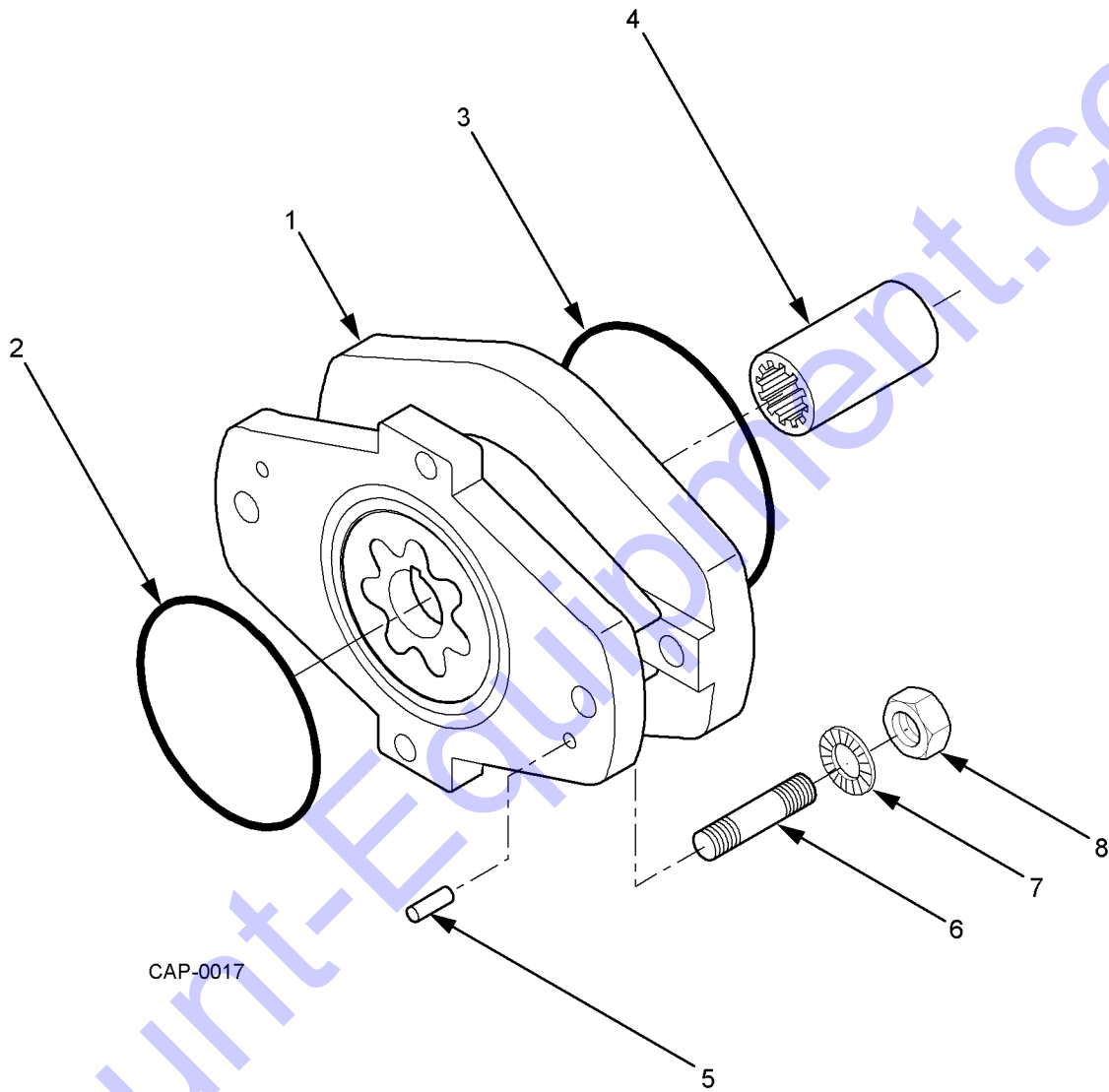
Figure 3-4 Axle Drive Pump



Parts List for Figure 3-4

Item	Part Number	Description	Qty	Notes
	457122	Piston Pump		
	457127	Piston Pump		Serial No. 31538 and Prior
1	462101	Shaft, Seal 30 x 42 x-7-7.5	1	
2	454157	O-Ring	1	
3	455626	Kit, Relief Valve 350 Bar	2	
4	455634	Kit, Bypass Valve	1	
5	442806	Kit, Charge Relief Valve	1	
6		Assy., Charge Pump	1	No longer available as repair part; please purchase complete pump
7	457123	Assy., Control Pump Servo	1	
8	461715	Plate, Valve Pump, RH	1	
9	441196	Gasket, Servo Control	1	
10	441204	Gasket, Distributor	1	
	436402	Seal Kit, Complete Pump		Includes items 9 and 10

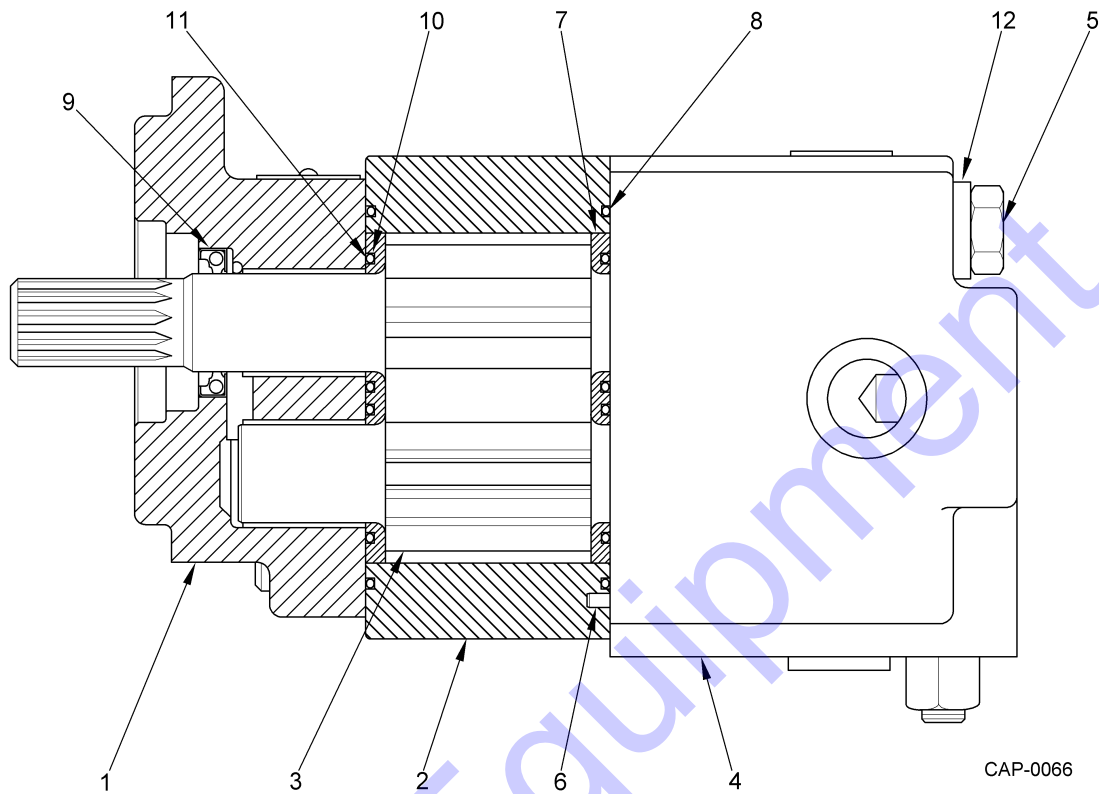
Figure 3-5 Charge Pump Assembly



Parts List for Figure 3-5

Item	Part Number	Description	Qty	Notes
	461732	Charge Pump Assembly		SAE B PAD with 14 cc
1		Housing, SAE-B Pad, 14cc Charge		
		Gerotor, Inner H.18	1	
		Gerotor, Outer H.18 (Included with Item #1)	1	
2	448423	O-Ring, 2.62 x 75.87	1	
3	436428	O-Ring, 3.53 x 101.19	1	
4	436436	Female Coupling Joint Z13 16/32" DP	1	
5		Pin, 6 x 10	2	
6	455659	Stud, M10 x 30	4	
7	455667	Schnorr Washer, Dia. 10	4	
8	089474	Nut, M10	4	
	436402	Seal Kit		Includes Items 3 and 5

Figure 3-6 Auxiliary Gear Pump



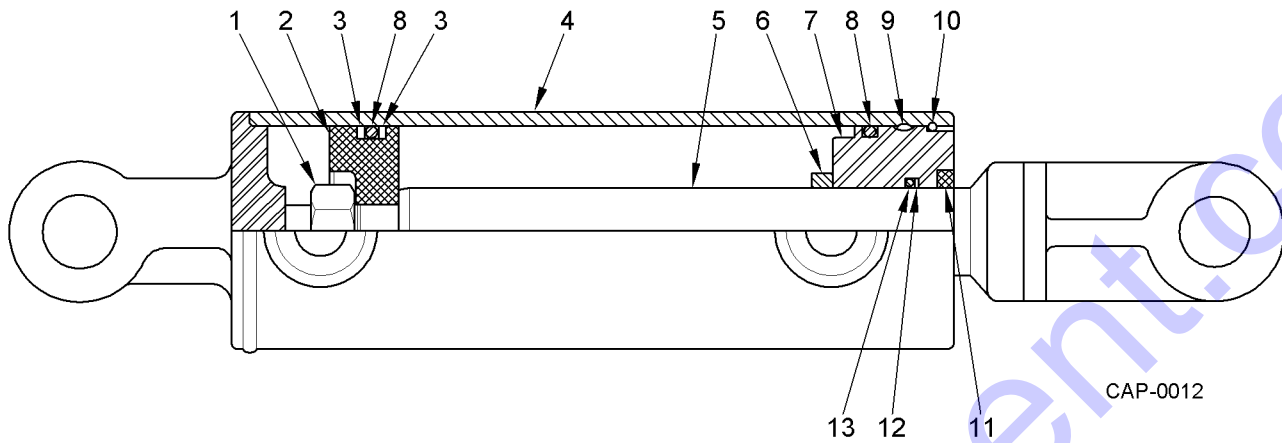
Parts List for Figure 3-6

Item	Part Number	Description	Qty	Notes
	440463	Auxiliary Gear Pump		2-1-05 and Earlier
	440462	Auxiliary Gear Pump		After 2-1-05 (DanFoss)
	440465	Auxiliary Gear Pump		06 & up (Parker)
1		Housing, Sec	1	
2		Housing, Gear	1	
3		Set, Gear Shaft	1	
4		Housing, Priority PEC	1	
5		Cap Screw	4	
6		Pin, Dowel	4	
7		THRPL	2	
8		Seal, SQ-R	2	

Parts List for Figure 3-6 (Cont.)

Item	Part Number	Description	Qty	Notes
9		Seal, Lip	1	
10		Seal, Chan	2	
11		Seal, Bk-Up	2	
12		Washer	4	
	440464	Seal Kit	1	Not Shown
	386770	Seal Kit	1	Not Shown; (Parker)

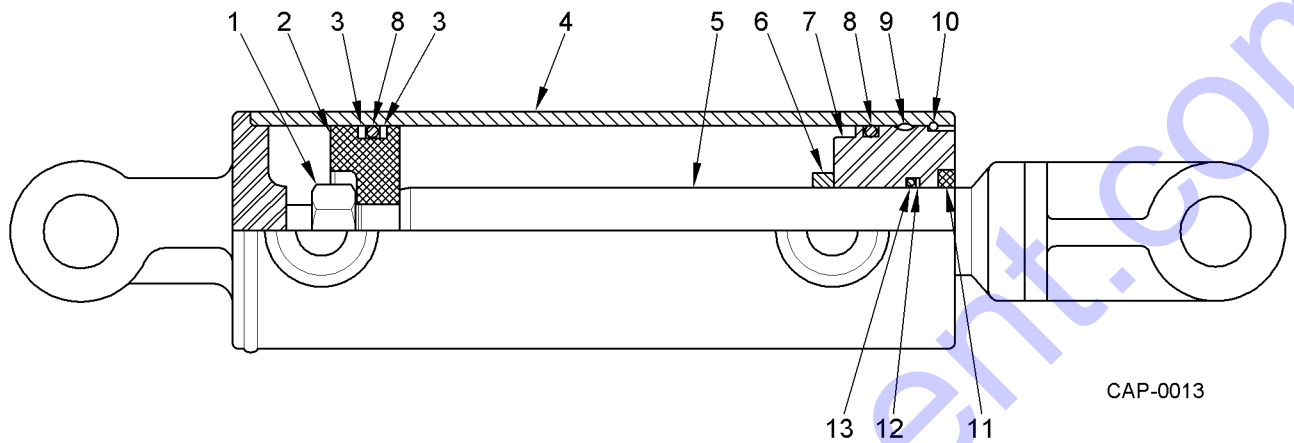
Figure 3-7 Broom Lift Cylinder



Parts List for Figure 3-7

Item	Part Number	Description	Qty	Notes
	432963	Broom Lift Cylinder Assembly		3.00" ID X 6.00" Stroke
1	033282	Nut	1	
2	033191	Piston	2	
3		Backup	2	
4		Tube Assembly	1	
5		Rod Assembly	1	
6	434118	Spacer	1	
7	434100	Head	1	
8		O-Ring	2	
9	039330	Set Screw	1	
10	033332	Retaining Ring	1	
11		Wiper	1	
12		Backup	1	
13		O-Ring	1	
14	071266	Clevis Pin 1" Dia. x 3.00"	1	Not Shown
15	033274	Clevis Pin 1" Dia. x 2.37"	1	Not Shown
16	026633	Clip Pin	2	Not Shown
	033514	Seal Kit		Includes items 8, 11, 12, and 13

Figure 3-8 Broom Swing Cylinder

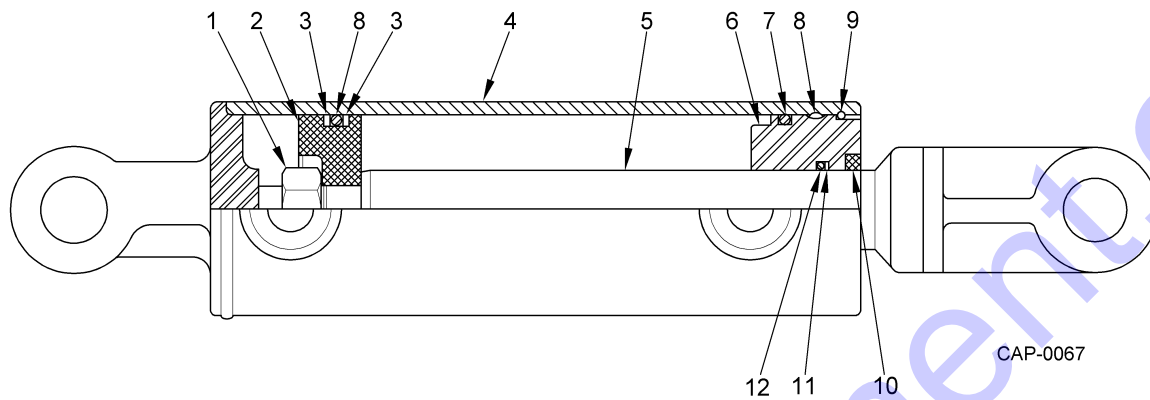


CAP-0013

Parts List for Figure 3-8

Item	Part Number	Description	Qty	Notes
	432971	Broom Swing Cylinder Assembly		3.00" ID X 10.00" Stroke
1	033282	Nut	1	
2	033191	Piston	2	
3		Backup	2	
4		Tube Assembly	1	
5		Rod Assembly	1	
6	434118	Spacer	1	
7	434100	Head	1	
8		O-Ring	2	
9	039330	Set Screw	1	
10	033332	Retaining Ring	1	
11		Wiper	1	
12		Backup	1	
13		O-Ring	1	
14	071266	Clevis Pin 1" Dia. x 3.00"	1	Not Shown
15	033274	Clevis Pin 1" Dia. x 2.37"	1	Not Shown
16	026633	Clip Pin	2	Not Shown
	033514	Seal Kit		Includes items 3, 8, 11, 12, and 13

Figure 3-9 Broom Swing Cylinder (96-Inch Broom)



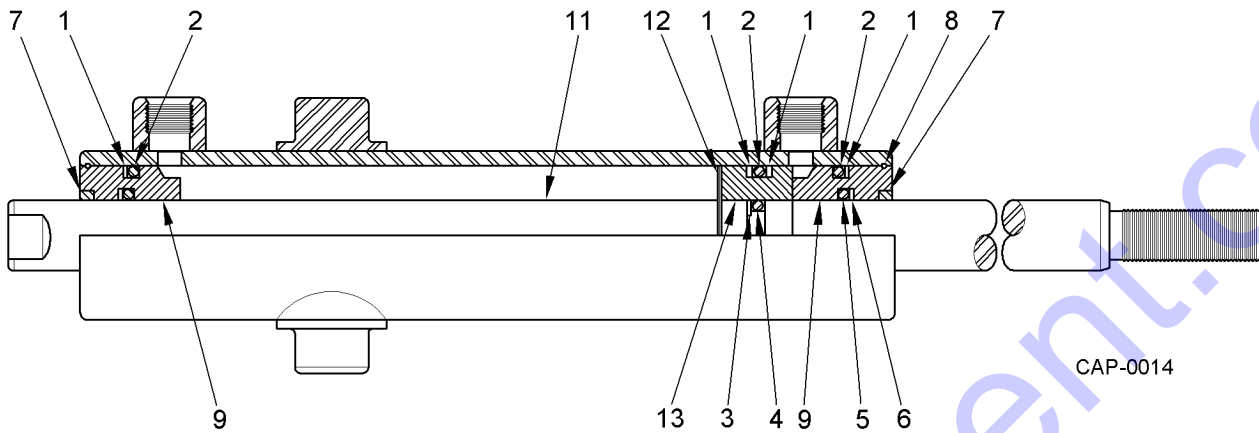
Parts List for Figure 3-9

Item	Part Number	Description	Qty	Notes
	432969	Broom Swing Cylinder Assembly		3.00" ID X 8.50" Stroke
	386827	Spacer, Swing Cylinder Piston End		Included with 432969
	386828	Spacer, Swing Cylinder Rod End		Included with 432969
1	033282	Nut	1	
2	033191	Piston	2	
3		Backup	2	
4		Tube Assembly	1	
5		Rod Assembly	1	
6	434100	Head	1	
7		O-Ring	2	
8	039330	Set Screw	1	
9	033332	Retaining Ring	1	
10		Wiper	1	
11		Backup	1	
12		O-Ring	1	
13	071266	Clevis Pin 1" Dia. x 3.00"	1	Not Shown

Parts List for Figure 3-9

Item	Part Number	Description	Qty	Notes
14	033274	Clevis Pin 1" Dia. x 2.37"	1	Not Shown
	026633	Clip Pin	2	Not Shown
	033514	Seal Kit		Includes items 3, 7, 10, 11, and 12

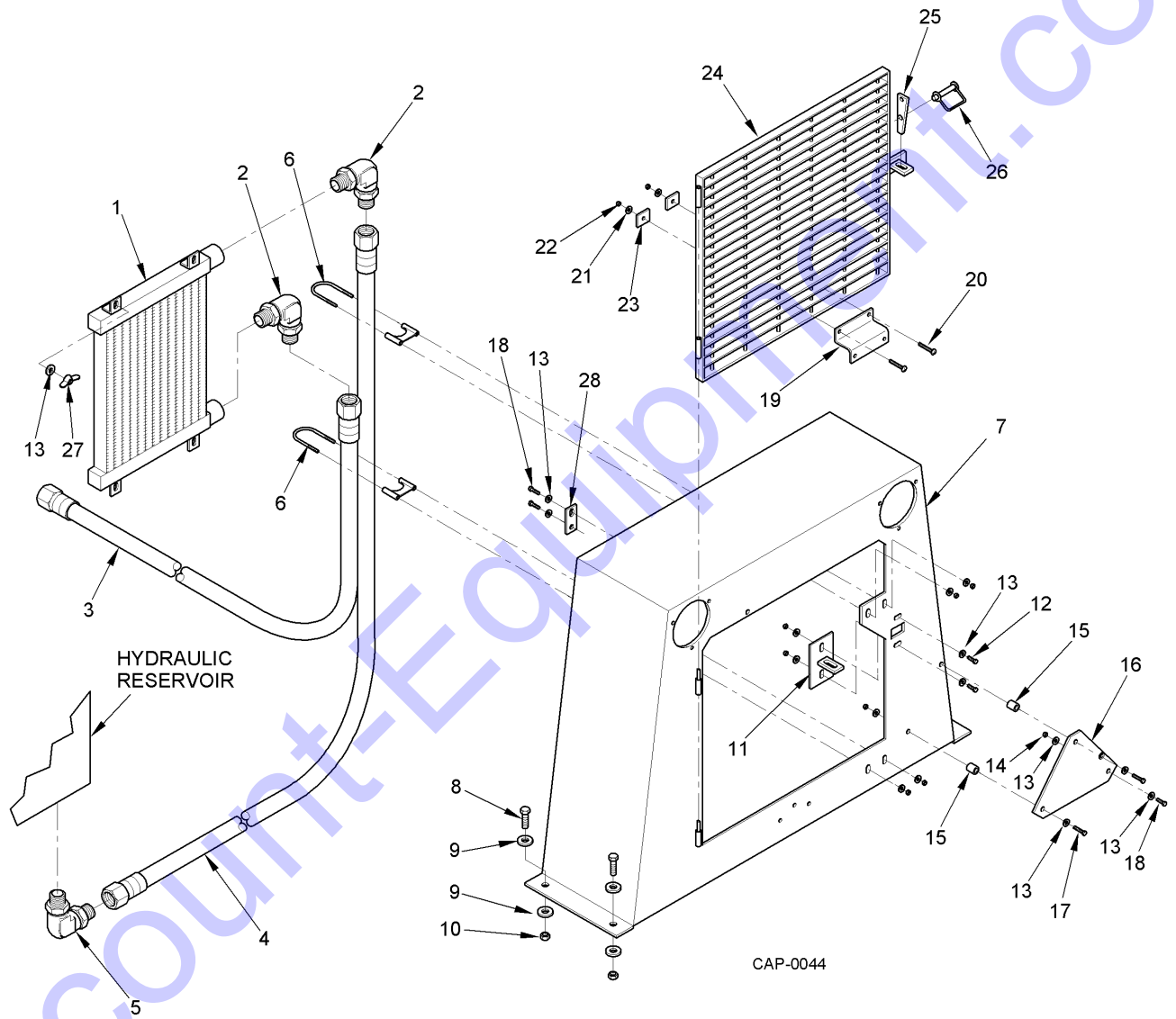
Figure 3-10 Steering Cylinder Assembly



Parts List for Figure 3-10

Item	Part Number	Description	Qty	Notes
	432989	Steering Cylinder Assembly		
1		Backup Ring	4	
2		O-Ring	3	
3		Backup Ring	1	
4		O-Ring	2	
5		O-Ring	2	
6		Backup Ring	2	
7		Rod Wiper	2	
8	434167	Lock Wire	2	
9	434159	Head Gland	2	
10		Tube Weldment	1	Not Shown
11		Cylinder Rod	1	
12	434142	Spiral Retaining Ring	2	
13	434134	Piston	1	
	434241	Kit, Seal		Includes items 1, 2, 3, 4, 5, 6, 7, and 8

Figure 3-11 Swing-Out Oil Cooler Kit

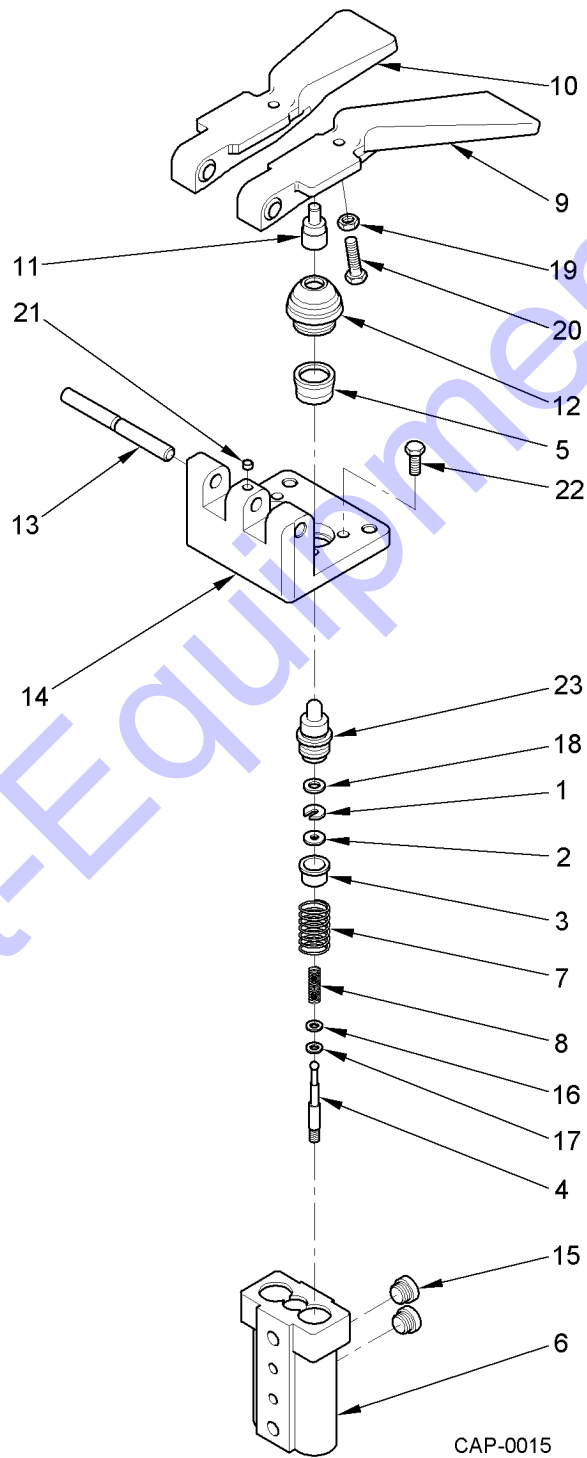


SweepMaster 250 Parts Manual
Section 3. Hydraulic Components

Parts List for Figure 3-11

Item	Part Number	Description	Qty	Notes
	349324	Swing-Out Oil Cooler		
1	448837	Cooler, Hydraulic Oil	1	
2	446005	Adapter	2	
3	349365	Hose Assembly	1	
4	349357	Hose Assembly	1	
5	078873	Adapter, 90°	1	
6	429985	Clamp, Exhaust Assembly	2	
7	349233	Str., Engine Guard	1	
8	038422	Bolt, 0.5-13 X 1.25"	4	
9	011325	Flat Washer, 0.5"	8	
10	440644	Nut, Hex, 0.5-13	4	
11	349290	Latch, Door	1	
12	010348	Bolt, 0.31-18 X 1.0"	2	
13	011322	Flat Washer, 0.31"	7	
14	083535	Nut, Hex 0.31-18	2	
15	152850	Spacer, 0.5 X 0.75	2	
16	350322	Mount, Emblem	1	
17	441600	Bolt, 0.31-18 X 1.5"	2	
18	083485	Bolt, 0.31-18 X 0.75	3	
19	281576	Mount, Tag Light	1	
20	407502	Capscrew, 10-24 X 1.75"	2	
21	060723	Flat Washer, #10	4	
22	440628	Nut, Zip #10	2	
23	350652	Keeper, Hub	2	
24	349258	Str., Door Panel	1	
25	236125	Wedge, Latch	1	
26	067025	Pin, Retaining	1	
27	096883	Wingnut, 0.31-18	1	
28	349639	Anchor, Cooler	1	

Figure 3-12 Hydraulic Valve
Remote Foot Pedal Control

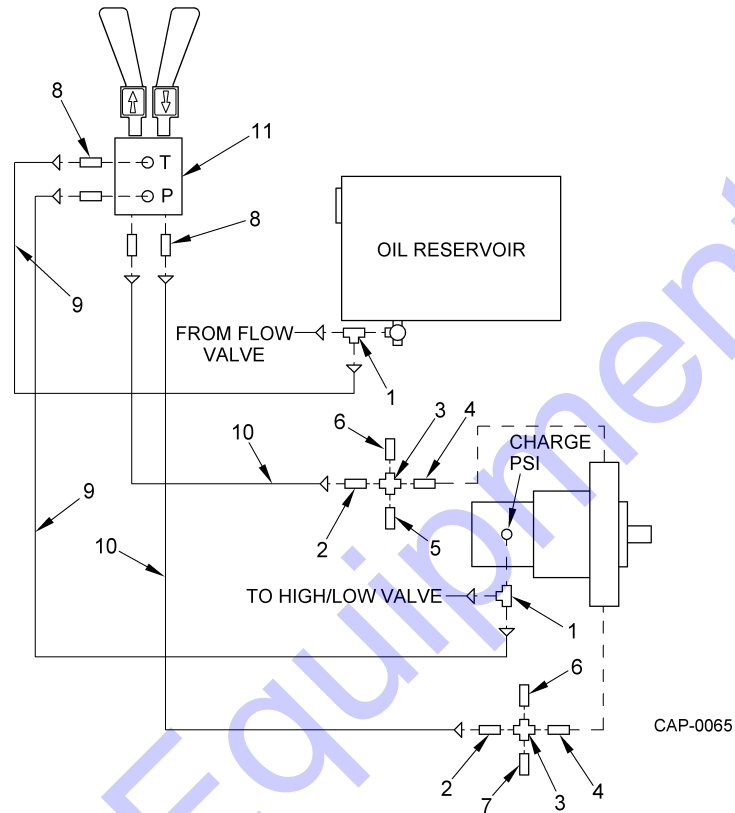


SweepMaster 250 Parts Manual
Section 3. Hydraulic Components

Parts List for Figure 3-12

Item	Part Number	Description	Qty	Notes
	457275 457276	Remote Foot Pedal Control Valve, Hydraulic Foot Pedal, Pilot		(Yukon)
1	461798	O-Ring, 3.6 x 14 x 1.2	2	
2	461806	O-Ring, .5 x 14 x 1.2	2	
3	461814	Guide, Spring	2	
4	461822	Spool, Valve	2	
5	461830	Bushing, Positioner	2	
6	466516	Body	1	
7	461848	Spring, Compression .10ID x .30OD x 1.25	2	
8	461855	Spring, Compression .53ID x .65OD x 1.63	2	
9	466474	Pedal, L.H.	1	
10	466482	Pedal, R.H.	1	
11	461863	Spacer, Pin	2	
12	461871	Bellows, Rubber	2	
13	461889	Pin, Pedal Pivot	1	
14	466508	Support, Pedals	1	
15	075549	Plug	2	
16	461897	Shim, 5 x 10 x .3mm	2	
17	461905	Shim, 5 x 10 x .5mm	2	
18	461913	Shim, 8 x 14 x 1mm	2	
19	053538	Nut, M8 x 1.25 Hex Pl.	2	
20	404673	Capscrew, M8 x 1.25Cp-6g x M30 Socket Hd.	2	
21	459859	Setscrew, M6-1.0Cp x M6 Long Cup Point	1	
22	461921	Capscrew, M5 x 14mm Gr.8.8 Socket Hd. Hex	4	
23	461947	Kit, Plunger	2	

**Figure 3-13 Hydraulic Schematic
Foot Pedal PilotControl for Pump**



Parts List for Figure 3-13

Item	Part Number	Description	Qty	Notes
1	092957	Adapter, Swivel Run Tee	2	
2	400994	Adapter, Str. .43-20 SAEM - .43-20 JICM	2	
3	356311	Adapter, Cross 7/16-20 SAE 4-Way (Orificed)	2	
4	459784	Adapter, .43-20 SAE Union	2	
5	406819	Plug, 7/16-20 SAE O-Ring	1	
6	459800	Switch, Pressure 3/16 SAE N.C. (Neutral Start)	2	Rev. Code -008 & Prior
	406819	Plug - 4MOR, Hex Head	3	Rev. Code -009 & Later
7	459792	Switch, Pressure 7/16 SAE N.O. (Reverse Alarm)	1	15 PSI Rated up to 6000 PSI
8	425223	Adapter, Str. 9/16 SAE 7/16-20	4	
9	355446	Hose, .25 ID -4F -6F x 72" 100R1	1	

SweepMaster 250 Parts Manual
Section 3. Hydraulic Components

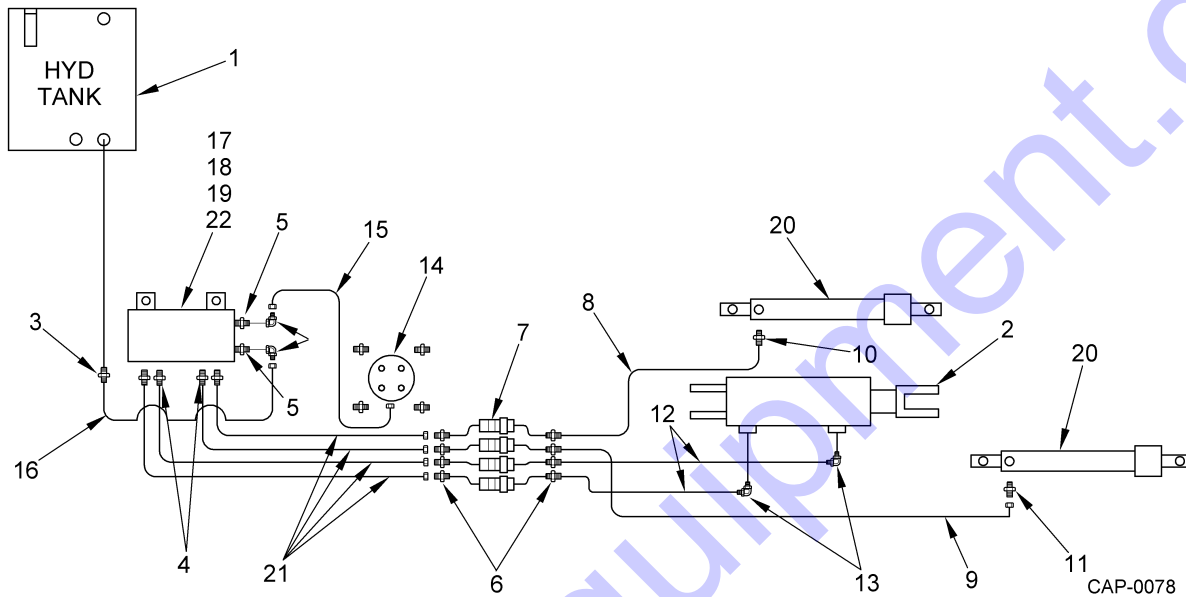
Parts List for Figure 3-13 (Cont.)

Item	Part Number	Description	Qty	Notes
10	355453	Hose, .25 ID -4F -4F90 x 67" 100R1	1	
11	457275	Valve, Hydraulic (HP System)	1	
	457296	Valve, Hydraulic (Danfoss System)	1	

Figure 3-14 Hydraulic Filters

Item	Part Number	Description	Qty	Notes
	424143	Hydraulic Filter (Return) (Electric)		The Restriction Indicator Switch is not available separately. Order new assembly (P/N 424143)
1		Head, Filter Electric (25 PSI Relief)	1	
2	028639	Element, Replacement (10 Micron)	1	
	437665	Hydraulic Filter (Charge) (Electric)		The Restriction Indicator Switch is not available separately. Order new assembly (P/N 437665)
3		Head, Filter Electric (25 PSI Relief)	1	
4	437673	Element, Replacement (10 Micron)	1	

**Figure 3-15 Hydraulic Schematic
 Grader Blade Option - Bondioli**



Parts List for Figure 3-15

Item	Part Number	Description	Qty	Notes
1	335125	Tank, Hydraulic	REF	See Figure 3-1 Hydraulic System (Kubota)
2	432963	Cylinder, 3" x 6"	1	
3	095513	Adapter, #12 SAEM x #6 JICM	1	
4	093427	Adapter, 9/16-18 JIC	4	
5	094326	Adapter, #10 SAEM x #6 JIC	2	
6	092882	Adapter, #6 MSAE x #6 JIC	8	
7	093416	Kit, Coupler 9/16-18 SAE O-Ring Quick	4	
8	604868	Hose Assembly, 22"	1	
9	294439	Hose Assembly, 30"	1	
10	V63015700	Adapter, 4MP-6MJ	1	

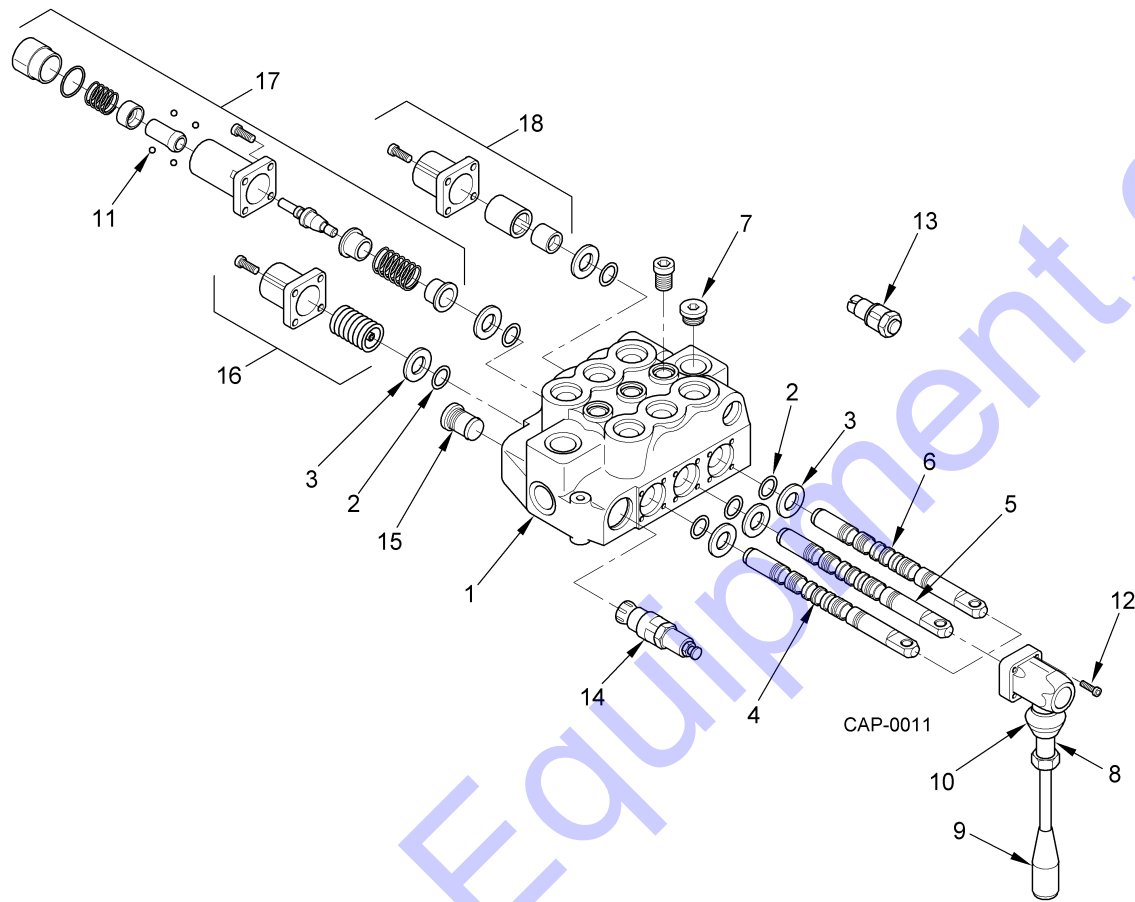
Parts List for Figure 3-15 (Cont.)

Item	Part Number	Description	Qty	Notes
11	282988	Adapter, 2/ 3/64 Orifice	1	
12	294447	Hose Assembly, 13"	2	
13	V63143600	Adapter, 90° #8 SAEM x #6 JICM	2	
14	451104	Steering Valve, w/Power Beyond	1	
15	360842	Hose Assembly, 112"	1	
16	372599	Hose Assembly, 28"	1	
17	401174	Plug, 7/16-14 SAE O-Ring	2	
18	028654	Manifold, Inline Bar w/1500/3000 Relief	1	
19	433069	Valve, Solenoid Operated Control	2	
20	418582	Cylinder, 1.5 x 10.00"	2	
21	343723	Hose Assembly, 192"	4	
22	443077	Valve, Relief	1	

Parts List for Figure 3-16 (Cont.)

Item	Part Number	Description	Qty	Notes
11	093416	Kit, Coupler 9/16-18 SAE O-Ring Quick	4	
12	386670	Hose Assembly, 22"	1	
13	386659	Hose Assembly, 30"	1	
14	V63015700	Adapter, 4MP-6MJ	1	
15	282988	Adapter, 2/ 3/64 Orifice	1	
16	386546	Hose Assembly, 13"	2	
17	386656	Hose Assembly, 37"	1	
18	401174	Plug, 7/16-14 SAE O-Ring	2	
19	028654	Manifold, Inline Bar w/1500/3000 Relief	1	
20	433069	Valve, Solenoid Operated Control	2	
21	418582	Cylinder, 1.5 x 10.00"	2	
22	386658	Hose Assembly, 106"	4	
23	443077	Valve, Relief	1	

Figure 3-17 Control Valve Assembly



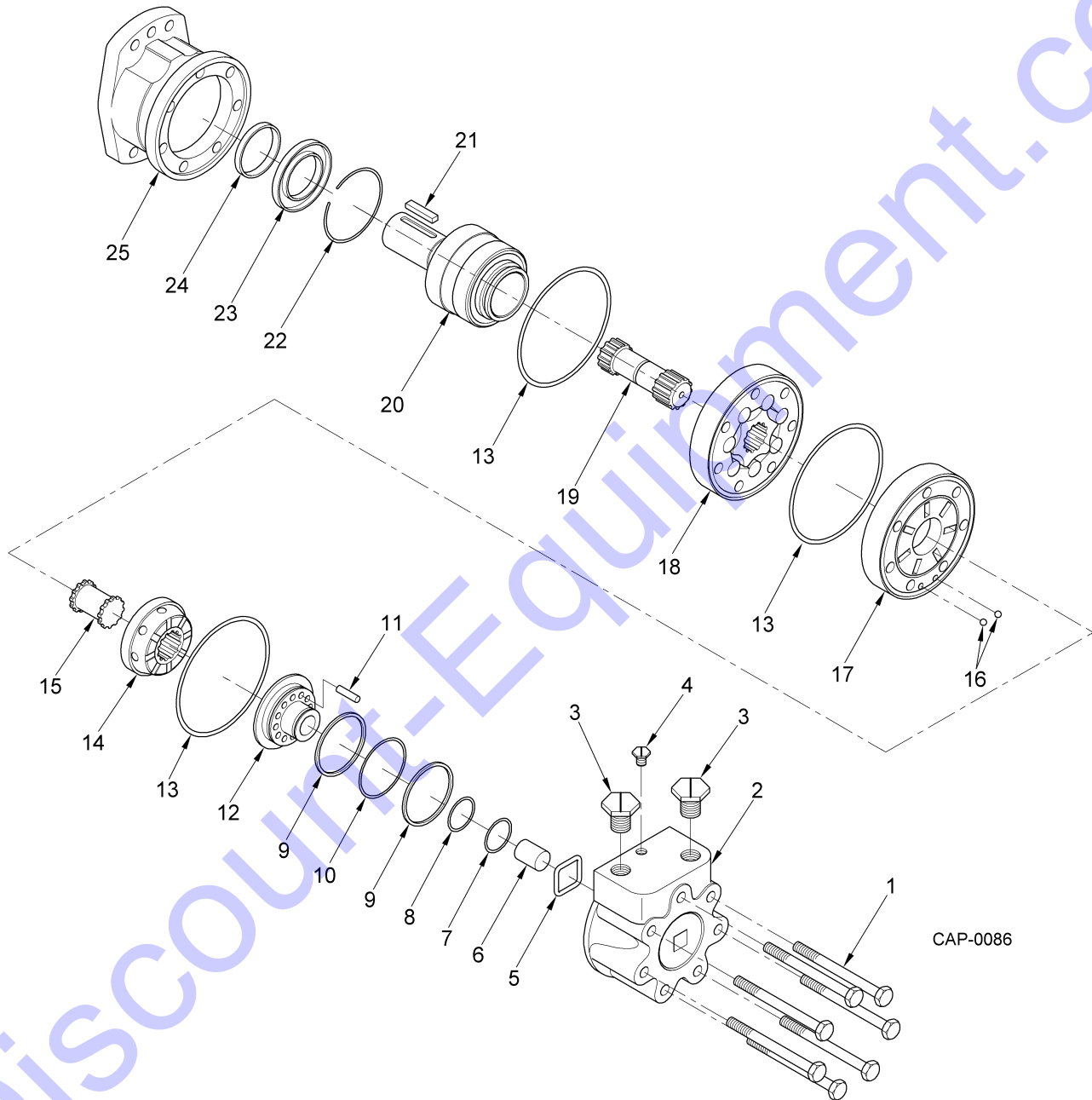
Parts List for Figure 3-17

Item	Part Number	Description	Qty	Notes
	457267	Control Valve Assembly		
1		Body, Valve	1	
2	462051	O-Ring	6	
3	461996	Ring	6	
4	462002	Spool, Swing	1	
5	462010	Spool, Center	1	
6	462028	Spool, Motor	1	
7	462044	Plug	2	
8	462036	Lever	3	

Parts List for Figure 3-17 (Cont.)

Item	Part Number	Description	Qty	Notes
9	414433	Handle	3	
10	414425	Bellow	3	
11	462069	Ball, Detent	4	
12		Capscrew, M5 x 16 Socket Hd.	3	Included with Item 8
13	457952	Cartridge	1	
14	462077	Cartridge, Relief	1	
15	462085	Assembly, Relief Plug	1	
16	461962	Kit, Spring Return	1	
17	461970	Kit, Detent Assembly	1	
18	461988	Kit, Detent Assembly	1	

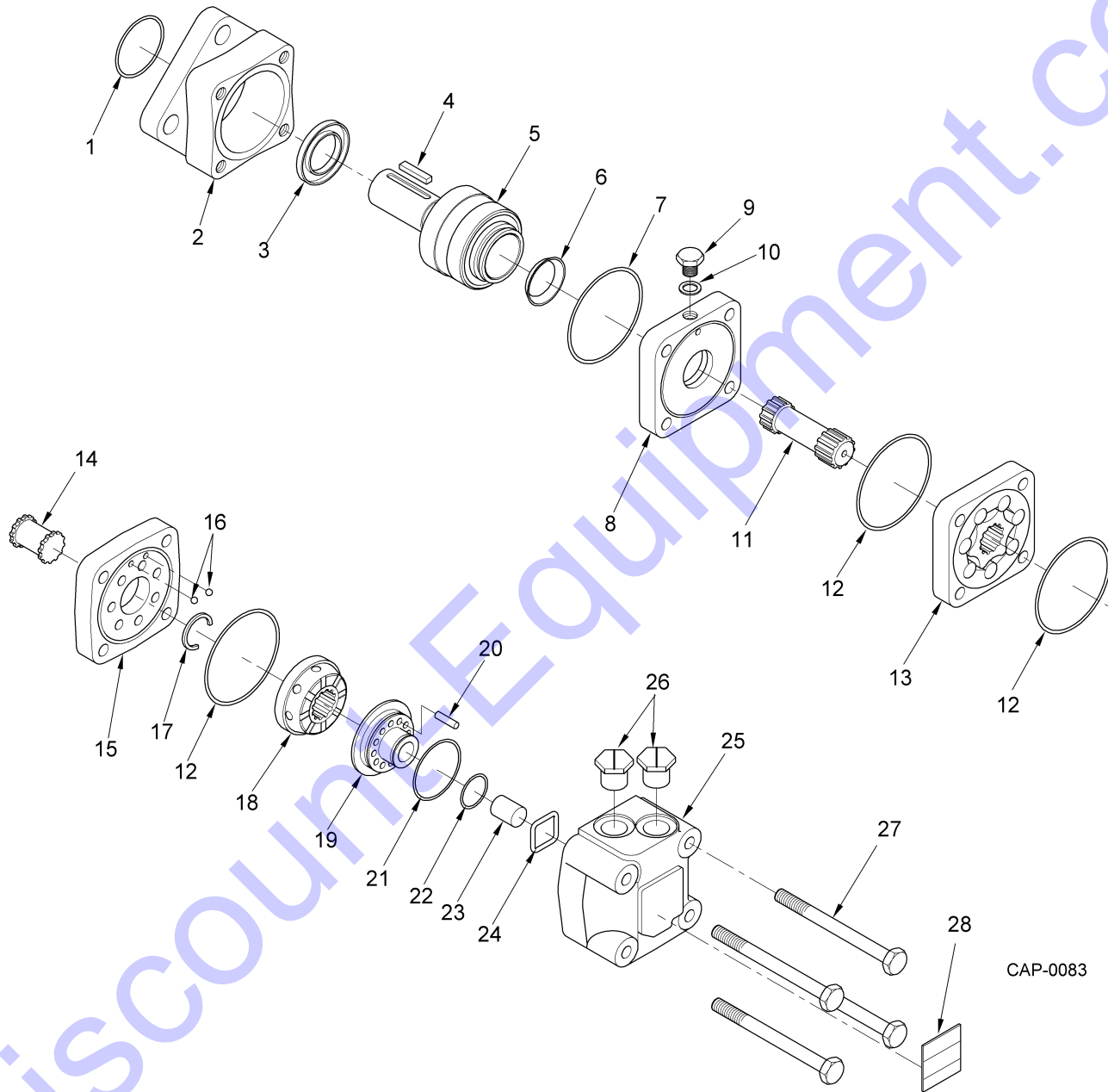
Figure 3-18 Broom Motor (404538)



Parts List for Figure 3-18

Item	Part Number	Description	Qty	Notes
	404538	Broom Motor		
1		Bolt	7	
2		End Cover	1	
3		Main Port Plug	2	
4		Drain Port Plug	1	
5		Spring Washer	1	
6		Spacer	1	
7		O-Ring	1	
8		O-Ring	1	
9		Backup Ring	2	
10		O-Ring	1	
11		Guide Pin	1	
12		Balance Plate	1	
13		O-Ring	3	
14		Disc Valve	1	
15		Valve Drive	1	
16		Ball	2	
17		Channel Plate	1	
18		Gear Wheel Set	1	
19		Cardan Shaft	1	
20	404535	Tapered Shaft & Bearing F404538	1	
21		Parrellel Key	1	
22		Retaining Ring	1	
23		Shaft Seal	1	
24		Dust Seal	1	
25		Bearing Houising	1	
26	404535	Kit, Shaft and Bearing	1	Not Illustrated
27	404536	Kit, Seal	1	Not Illustrated

Figure 3-19 Broom Motor (Danfoss - After 11-09-04)

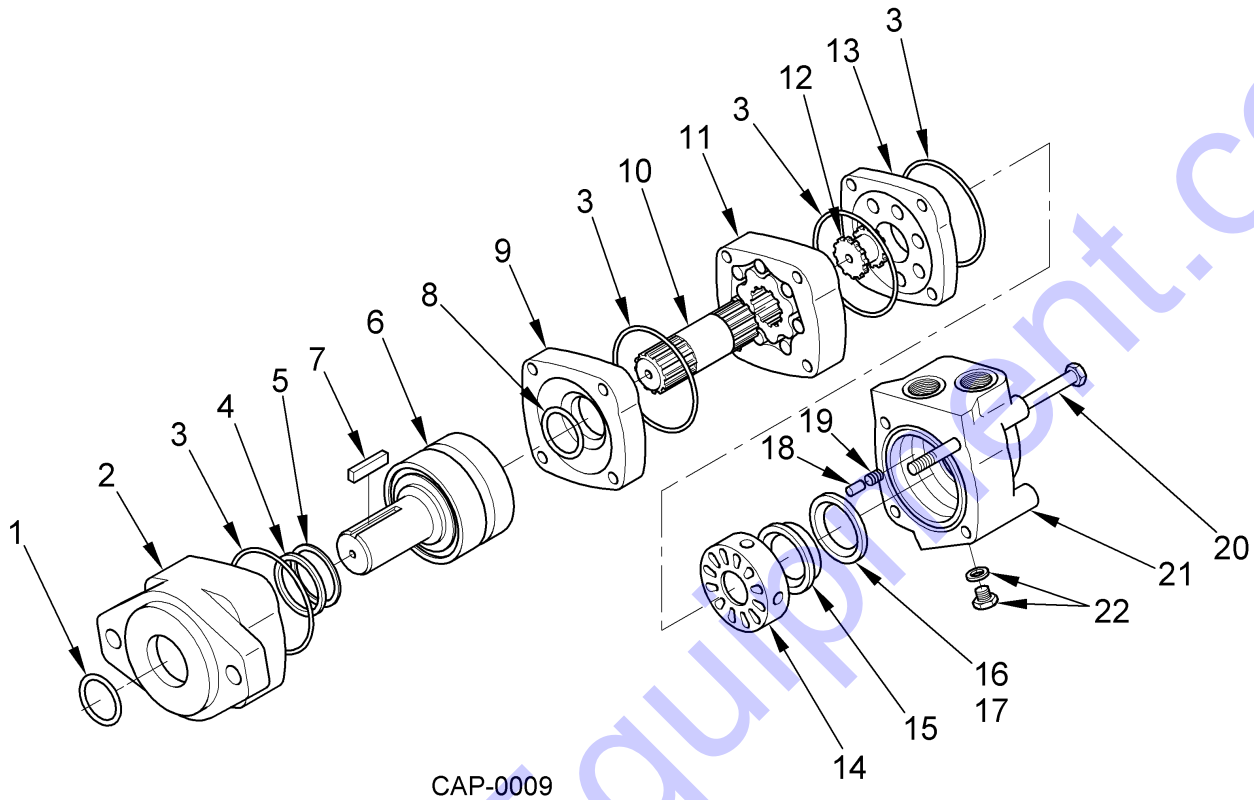


CAP-0083

Parts List for Figure 3-19

Item	Part Number	Description	Qty	Notes
	404543	Broom Motor		
1		Dust Seal Ring	1	
2		Bearing Housing	1	
3		Shaft Seal	1	
4		Parallel Key	1	
5		Cylindrical Shaft	1	
6		Conical Steel Ring	1	
7		O-Ring	1	
8		Intermediate Plate	1	
9		Drain Plug	1	
10		Washer	1	
11		Cardan Shaft	1	
12		O-Ring	3	
13		Gearwheel Set	1	
14		Guide Pin	1	
15		Valve Drive	1	
16		Check Valve Ball	2	
17		Stop Ring	1	
18		Channel Plate	1	
19		Balance Plate	1	
20		Guide Pin	1	
21		O-Ring	1	
22		O-Ring	1	
23		Spacer	1	
24		Spring Washer	1	
25		Valve Housing	1	
26		Seal Plug	2	
27		Screw	4	
28		Name Plate	1	
29	404544	Kit, Seal	1	Not Illustrated
30	407708	Kit, Shaft and Bearing	1	Not Illustrated

Figure 3-20 Broom Motor (Eaton - Before 11-09-04)



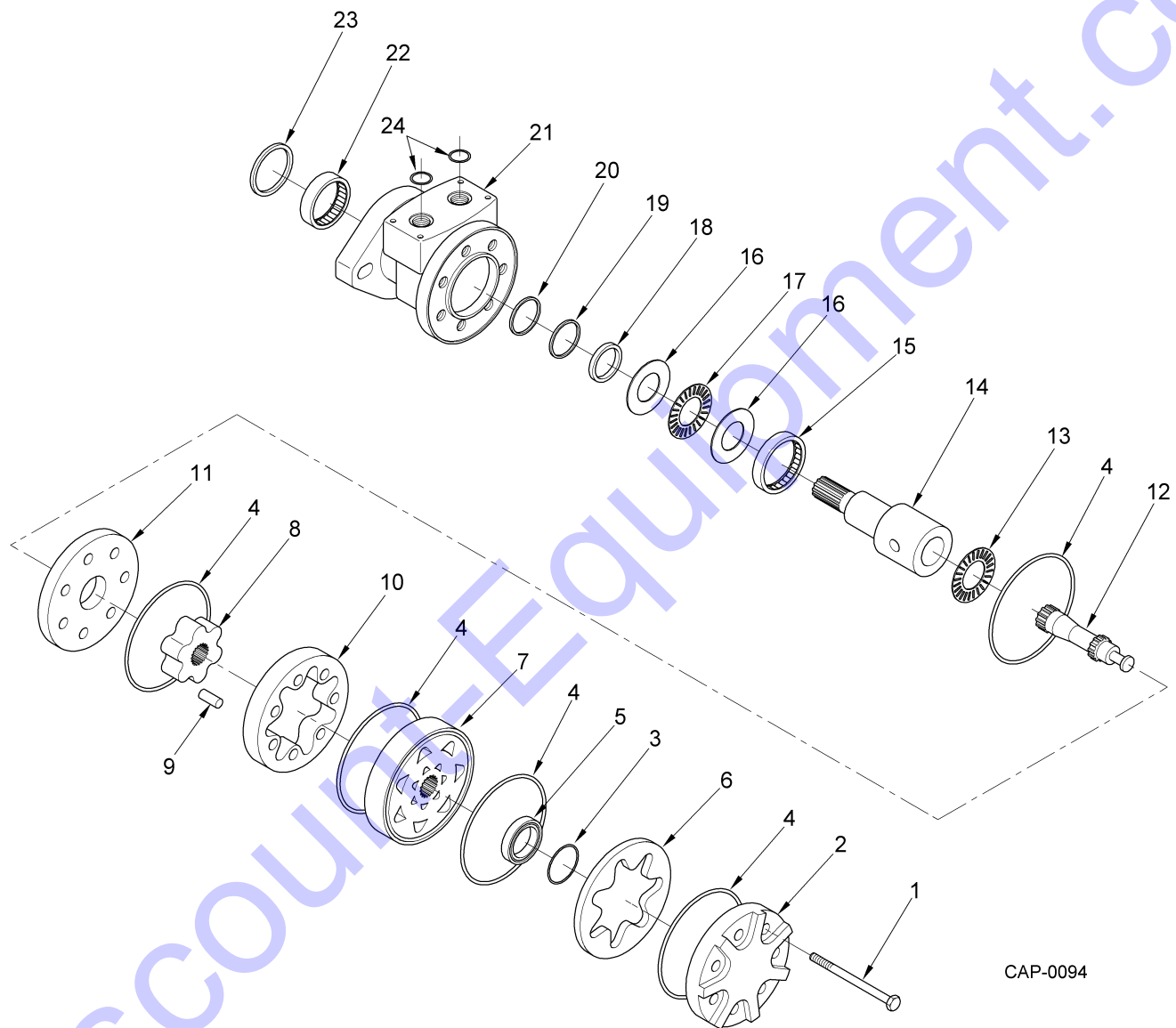
Parts List for Figure 3-20

Item	Part Number	Description	Qty	Notes
	404541	Broom Motor		
1		* Seal	1	
2		Housing, Bearing	1	Not Available - Order Complete Motor
3		* Seal	4	
4		* Ring, Back-up	1	
5		* Seal		
6	408062	Kit, Shaft and Bearing	1	
7		Key	1	
8		* Seal	1	
9	454397	Plate, Ware	1	

Parts List for Figure 3-20 (Cont.)

Item	Part Number	Description	Qty	Notes
10	408096	Shaft, Drive	1	
11	454405	Geroler (2.206" Wide)	1	
12	408112	Drive, Valve	1	
13	454413	Plate, Valve	1	
14	454421	Valve	1	
15	408146	Ring, Balance	1	
16		* Seal	1	
17		* Seal	1	
18	408153	Pin	2	
19	408161	Spring	2	
20	408179	Capscrew, 6.54" L	4	
21		Assembly, Valve Housing	1	Not Available - Order Complete Motor
22	408195	Assembly, Plug	1	
23	075788	Kit, Seal	1	Not Illustrated
*Items included in Seal Kit				

Figure 3-21 Broom Motor (96" Brush - Parker)



Parts List for Figure 3-21

Item	Part Number	Description	Qty	Notes
	404542	Broom Motor		
1		Special Bolt	7	
2		End Cover	1	
3		Seal-Ring Commutator	1	
4		Seal Ring	5	
5		Commutator	1	
6		Commutator Ring	1	
7		Manifold	1	
8		Rotor Set	1	
9		Vane	7	
10		Stator	1	
11		Wear Plate	1	
12		Drive Link	1	
13		Thrust Bearing	1	
14		Coupling Shaft	1	
15		Bearing, Inner	1	
16		Thrust Washer	2	
17		Thrust Bearing	1	
18		Seal	1	
19		Backup Washer	1	
20		Backup Washer	1	
21		Housing	1	
22		Bearing, Outer	1	
23		Dirt and Water Seal	1	
24		O-Ring	2	
25	404539	Kit, Shaft and Bearing	1	Not Illustrated
26	404540	Kit, Seal	1	Not Illustrated

Discount-Equipment.com

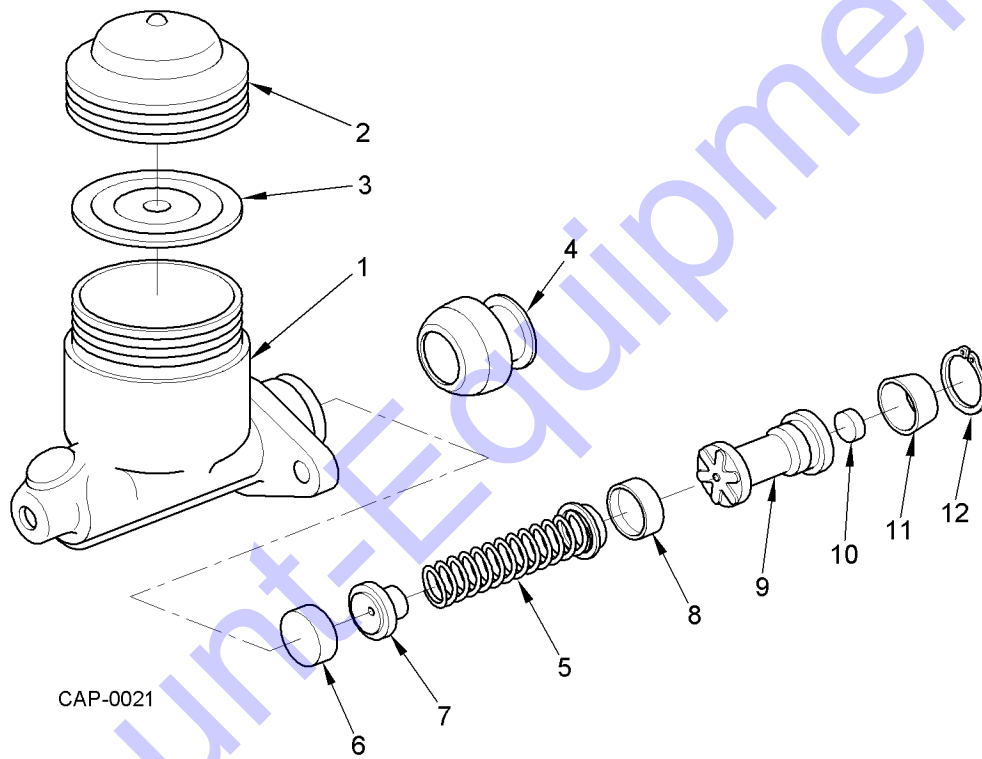
Section 4. Brakes

Component	Page
4-1 Brake Pedal Assembly	4-2
4-2 Master Cylinder	4-4
4-3 Brake Line Assembly	4-6
4-4 Brake Line Assembly (4 Wheel)	4-8
4-5 Parking Brake Assembly	4-10
4-6 Front Drum Brake Assembly	4-12
4-7 Front Disc Brake Assembly	4-14
4-8 Rear Drum Brake Assembly	4-16

Parts List for Figure 4-1

Item	Part Number	Description	Qty	Notes
Brake Pedal Assembly				
1	298810	Brake Pedal	1	
2	V10007700	Bushing-Nylon	1	
3	V63137200	Pin-Pedal	1	
4	4001000	Cotter Pin	1	
5	011031	Flat Washer, 3/8	7	
6	078378	Rod End, Ball Joint	1	
7	441675	Capscrew, 3/8-16NC x 1.50"	3	
8	V23504500	Nut, 3/8-24 Jam	1	
9	298802	Brake, Rod	1	
10	036087	Master Cylinder	1	See Figure 4-2 for breakdown.
11	417352	Boot	1	Not Shown
12	441477	Lock Nut, 3/8-16NC	3	
13	034926	Spring, Brake Pedal	1	
14	9104072	Eyebolt, 5/16 x 4.00"	1	
15	010553	Nut, 5/16-18NC FHN	2	
16	011322	Flat Washer, 5/16	2	
17	010561	Lock Washer, 5/16	2	

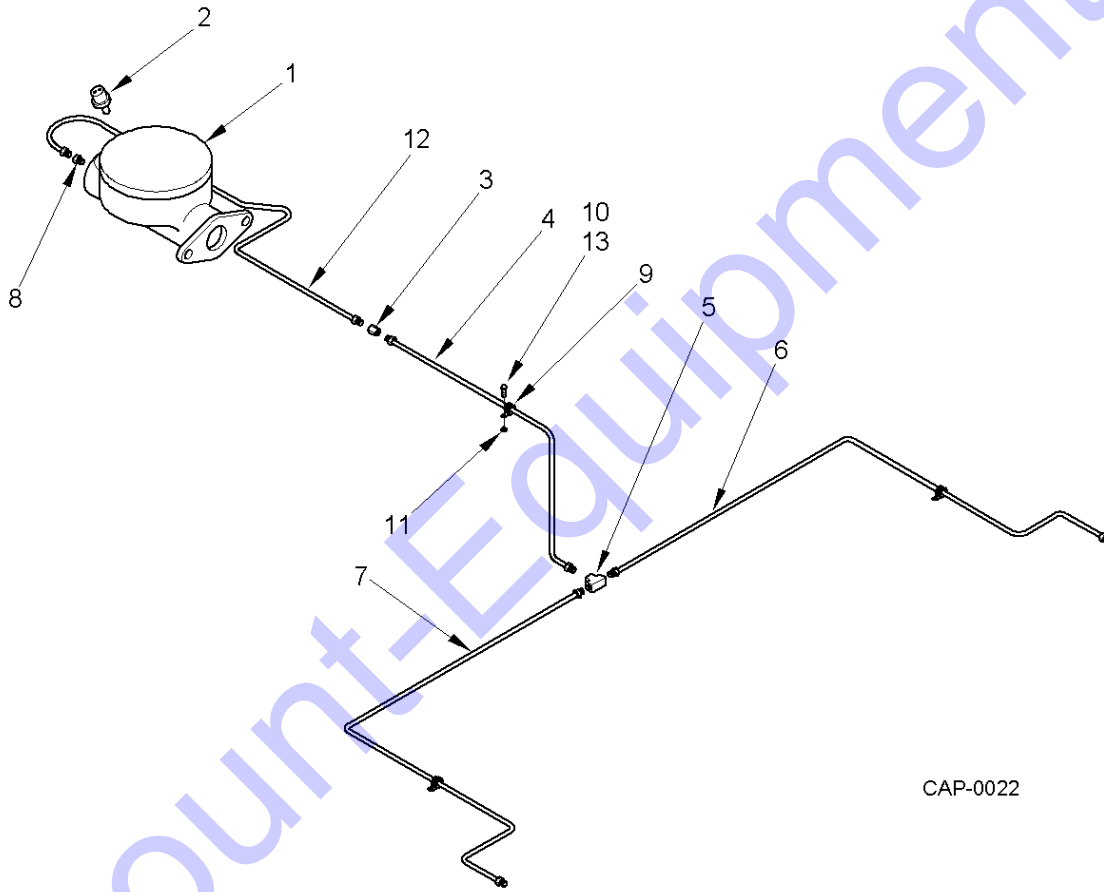
Figure 4-2 Master Cylinder



Parts List for Figure 4-2

Item	Part Number	Description	Qty	Notes
	036087	Master Cylinder		
1		Housing	1	
2		Cap	1	
3		Diaphragm	1	
4	036160	Boot, Rubber	1	
5	036178	Spring	1	
6		Seat, Valve	1	
7		Valve	1	
8		Cup, Main	1	
9		Piston	1	
10		Bumper	1	
11		Cup	1	
12		Ring, Retainer	1	
	036251	Kit, Repair	1	Includes items 4, 5, 6, 7, 8, 9, 10, 11, and 12
	036145	Kit, Cap and Diaphragm	1	Includes items 2 and 3

Figure 4-3 Brake Line Assembly

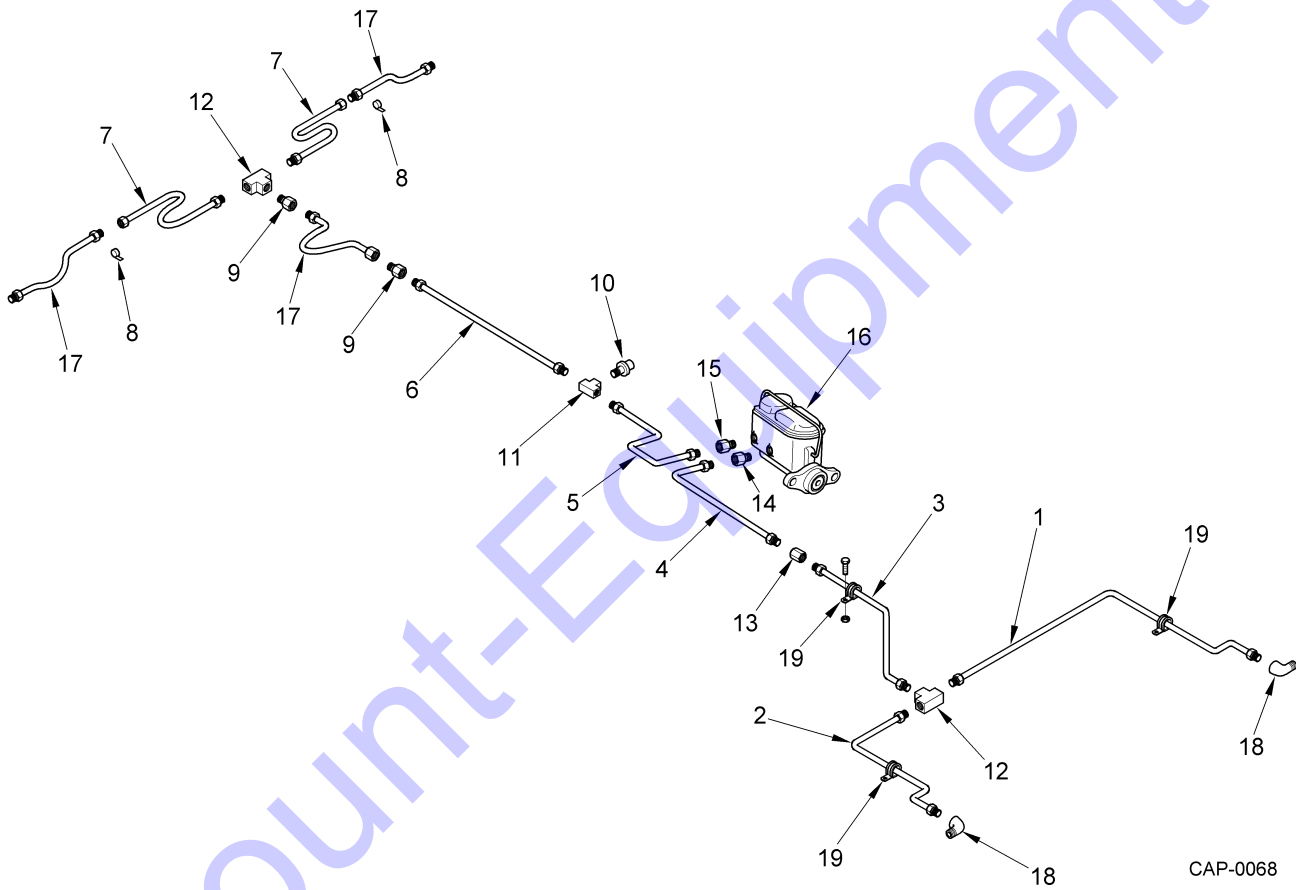


CAP-0022

Parts List for Figure 4-3

Item	Part Number	Description	Qty	Notes
Brake Line Assembly				
1	REF	Master Cylinder	1	See Figure 4-2 for breakdown.
2	049924	Switch, Brake Light	1	
3	067561	Union 3/16 Tube	1	
4	271999	Tube 3/16	1	
5	434944	Tee 3/16 w/ Mount	1	
6	298331	Tube, 3/16 OD Right Hand Rear	1	
7	298323	Tube, 3/16 OD Left Hand Rear	1	
8	054171	Adapter 3/16 Tube x 1/8-NPT Straight	1	
9	028993	Clamp, 1/2 ID	6	
10	010058	Capscrew, 1/4-20NC x 1.00	4	
11	440636	Lock Nut, 1/4-20NC	7	Not Shown
12	355420	Brake Line	1	
13	011321	Flat Washer, 1/4	9	

Figure 4-4 Brake Line Assembly (4 Wheel)

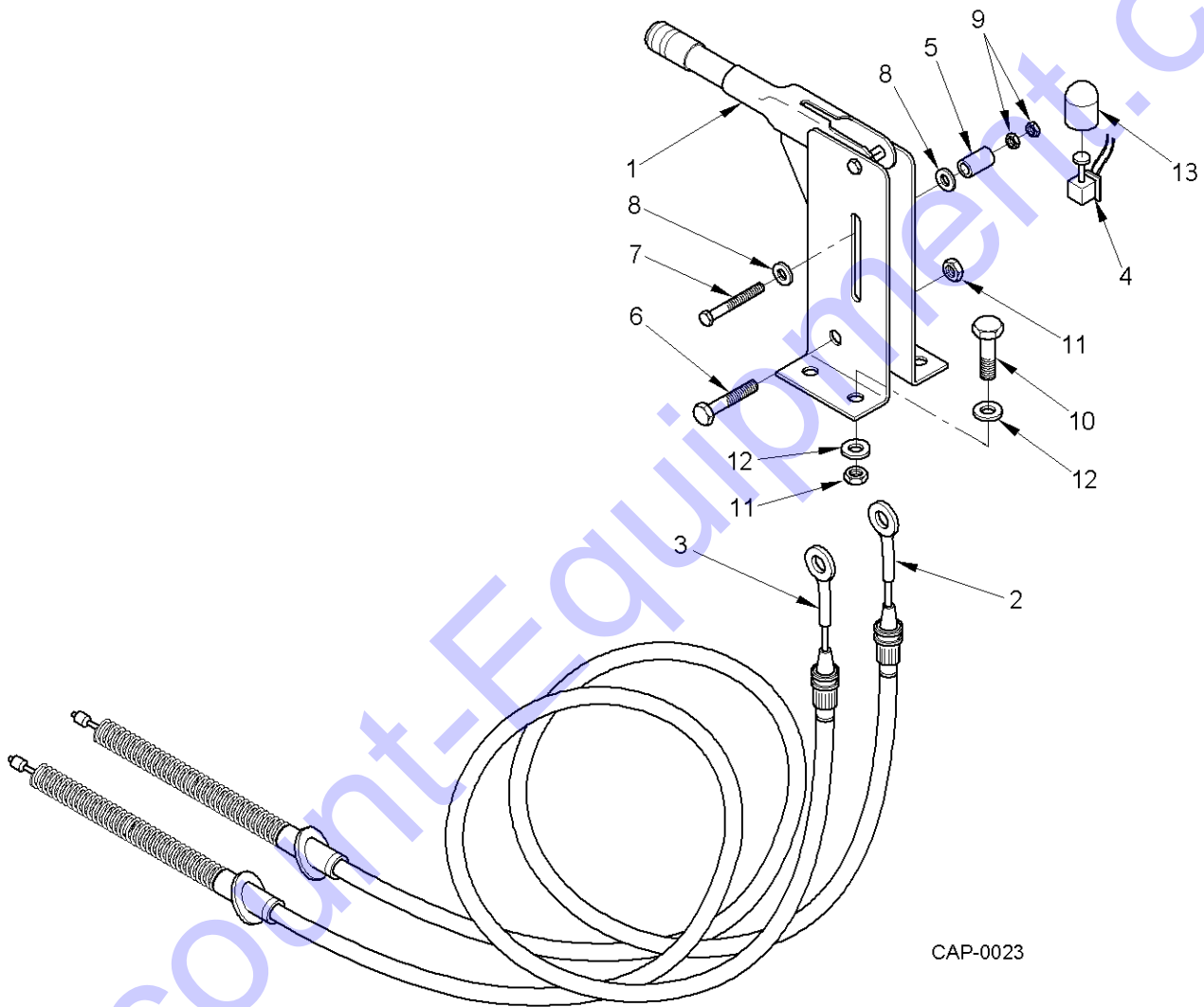


CAP-0068

Parts List for Figure 4-4

Item	Part Number	Description	Qty	Notes
Brake Line Assembly (4 Wheel)				
1	2988331	Assembly, Tube, Right Rear Wheel (Metal)	1	
2	298323	Assembly, Tube, Left Rear Wheel (Metal)	1	
3		Assembly, Tube, Rear Frame Connection	1	
4	271981	Assembly, Tube, Master Cylinder to Rear Frame	1	
5	271973	Assembly, Tube, Master Cylinder to Front Axle	1	
6	271965	Assembly, Tube, Extension to Front Axle	1	
7	378985	Assembly, Tube, Right & Left Brake, Front	2	
8	042648	Clips, Hose	3	
9	077495	Connector, Straight 1/4 to 3/16 Tube	5	
10		Switch	1	
11	282855	Tee, With Mount	1	
12		Fitting, 1/4 Tube 3 Ports	2	
13	067561	Union, 3/16 Tube	1	
14		Adapter, 3/16 Tube to 1/2 SAE	1	
15		Adapter, 3/16 Tube to 9/16 SAE	1	
16	029603	Master Cylinder, Used w/Front Drum Brakes	1	
	281279	Master Cylinder, Used w/Front Disc Brakes	1	
17	473454	Hose, Brake Line	3	
18		Elbow, 90° 3/16 Tube F x 1/8-NPT M	2	
19	028993	Clamps, Rear Brake Tube	2	

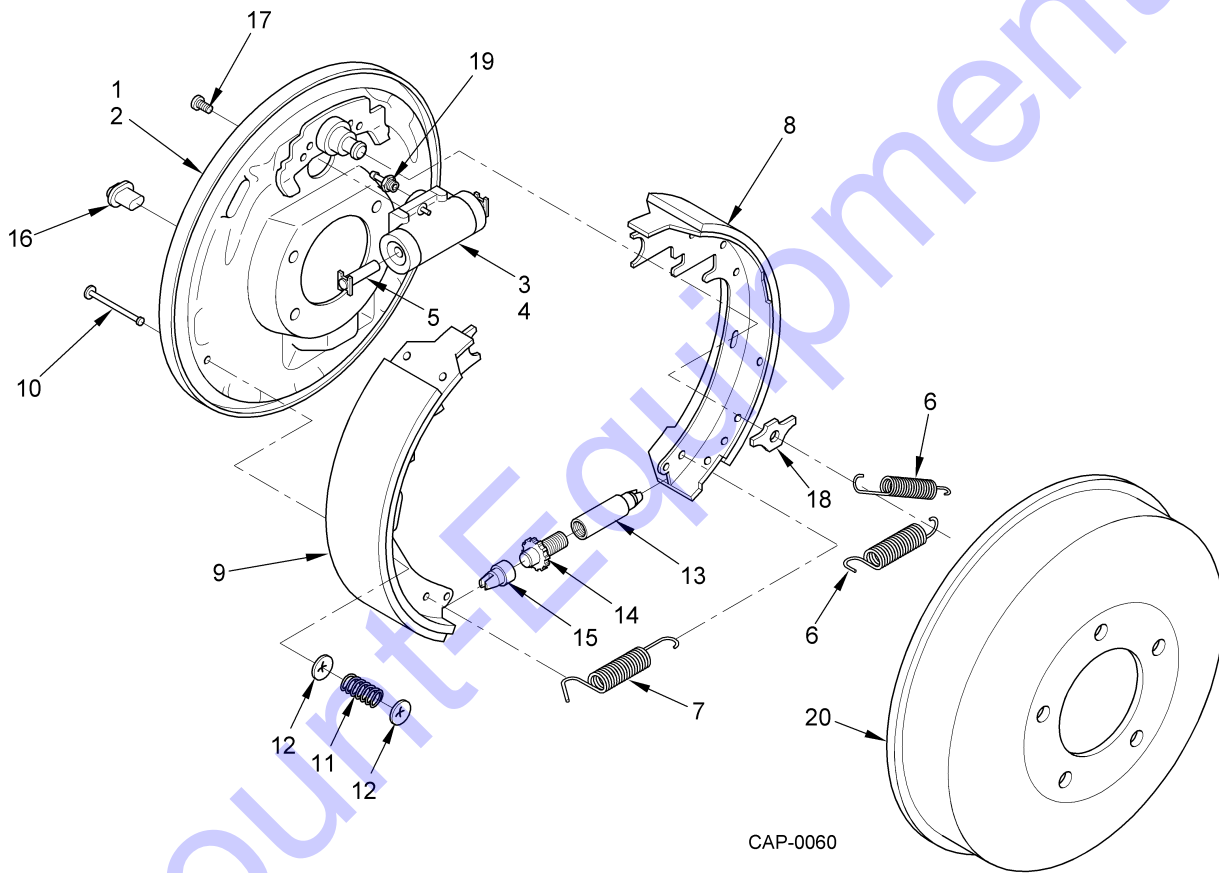
Figure 4-5 Parking Brake Assembly



Parts List for Figure 4-5

Item	Part Number	Description	Qty	Notes
Parking Brake Assembly				
1	281287	Parking Brake Lever	1	
2	448274	Cable, Brake Short	1	
3	448282	Cable, Brake Long	1	
4	413872	Switch, Parking Light	1	
5	152850	Bushing	1	
6	010389	Capscrew, 5/16-18NC x 2.00"	1	
7	010421	Capscrew 5/16-18NC x 2.50"	1	
8	010579	Flat, Washer 5/16	2	
9	083493	Lock Nut, 5/16-18NC	1	
10	441550	Capscrew, 1/4-20NC x 3/4"	4	
11	440636	Lock Nut, 1/4-20NC	4	
12	011321	Flat Washer, 1/4	8	
13	413874	Boot, Switch Weatherproof	1	

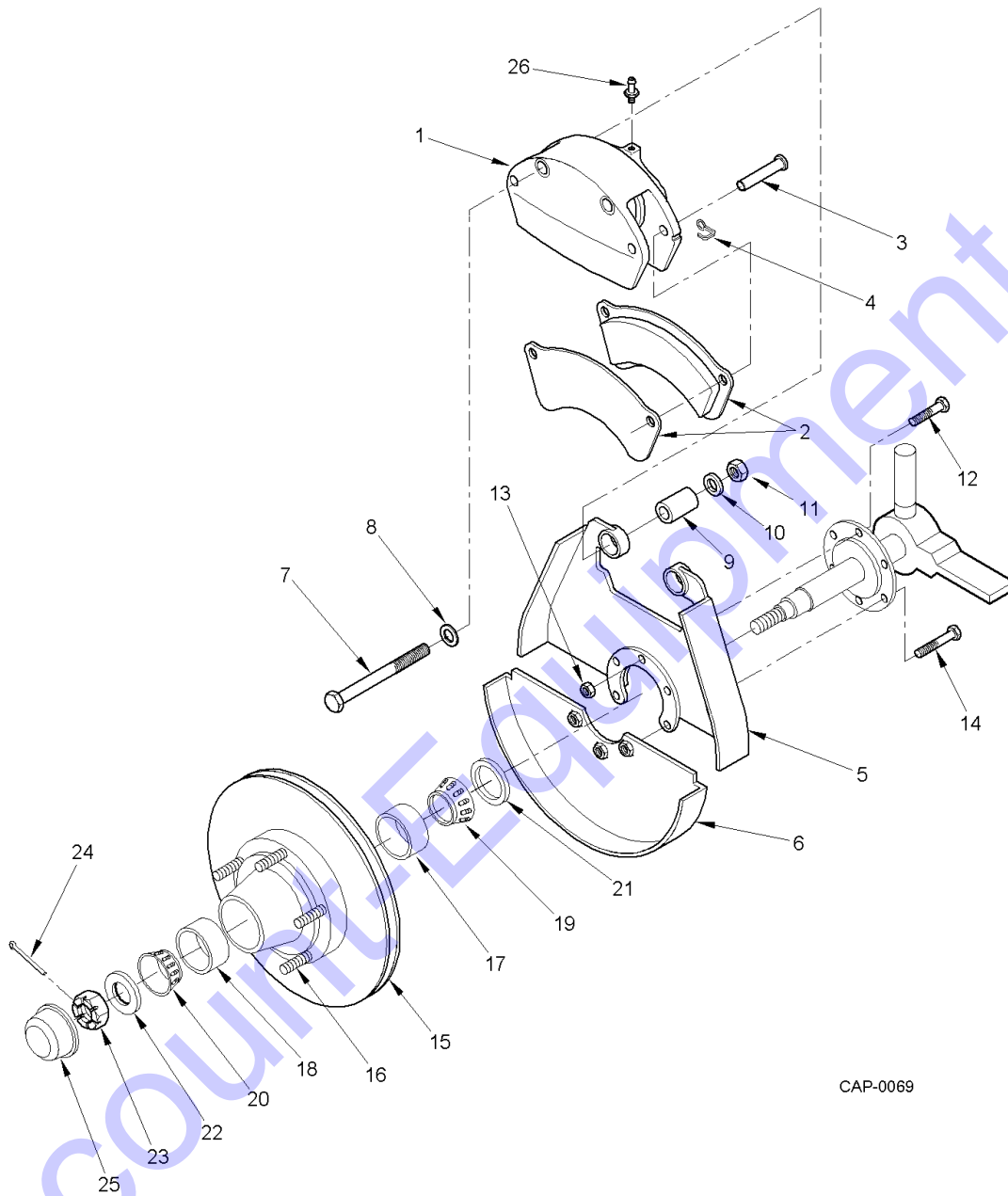
Figure 4-6 Front Drum Brake Assembly



Parts List for Figure 4-6

Item	Part Number	Description	Qty	Notes
	407866	Front Drum Brake Assembly (Left)		
	407874	Front Drum Brake Assembly (Right)		
		Note: Quantities indicated are required to service one Brake Assembly		
1		Assy., Backing Plate L.H.	1	
2		Assy., Backing Plate R.H.	1	
3	409110	Assy., Brake Cylinder (L.H.)	1	
4	409128	Assy., Brake Cylinder (R.H.)	1	
5	409136	Link, Connecting (Wheel Cylinder)	2	
6	418848	Spring, Shoe Return	2	
7	418855	Spring, Adjuster	1	
	409177	Kit, Brake Shoe		
8		Assy., Shoe & Lining (Primary)	1	
9		Assy., Shoe & Lining (Secondary)	1	
10	418863	Pin, Brake Hold-Down	2	
11	418871	Spring, Shoe Hold-Down	2	
12	058230	Cup, Shoe Hold-Down	4	
	409169	Kit, Brake Adjuster		
13		Nut, R.H. Thread Pivot	1	
14		Screw, R.H. Thread Adjusting	1	
15		Socket, Adjusting Screw	1	
16	418095	Cover, Brake Adjusting Hole	1	
17	049144	Assembly, Capscrew & Washer 5/16-18NC x 5/8	2	
18	409151	Plate, Shoe Guide	1	
19	054301	Bleeder, Wheel Cylinder	1	
20	453852	Drum, Demountable	1	
21	409193	Kit, Wheel Cylinder Repair	1	Not Shown

Figure 4-7 Front Disc Brake Assembly



CAP-0069

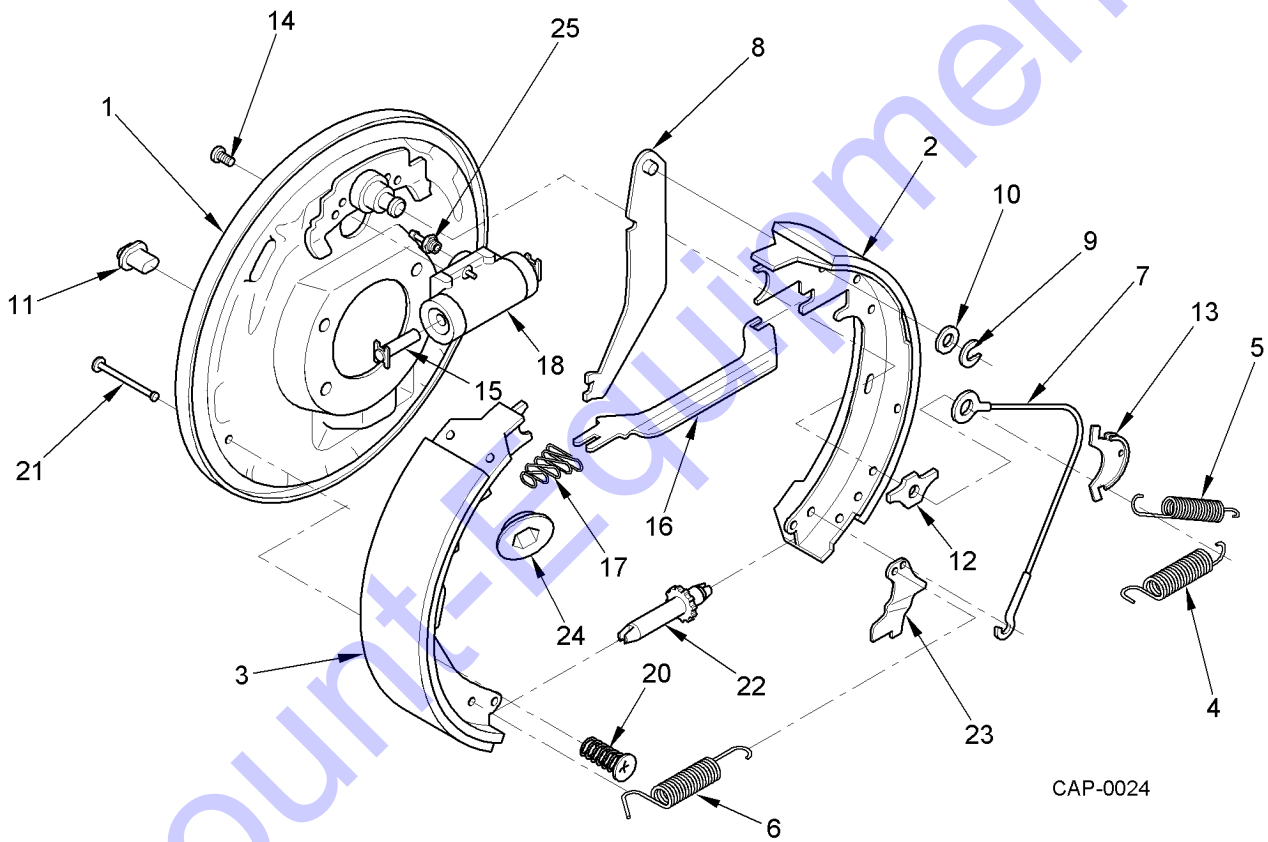
Parts List for Figure 4-7

Item	Part Number	Description	Qty	Notes
	379008K	Disc Brake Kit		
Note: Quantities indicated are required to service one Brake Assembly				

Parts List for Figure 4-7

Item	Part Number	Description	Qty	Notes
1	473181	Caliper, L.H.	1	
	473182	Caliper, R.H.	1	
2		Pad	2	
	476507	Kit, Pad and Holder	1	1 Kit per Side
3		Pin	2	
4	042648	Retainer Clip	2	
5	378703	Backing Plate, Upper	1	
6	378992	Backing Plate, Lower	1	
7		Bolt	2	
8		Washer	2	
9		Spacer	2	
10		Washer	2	
11		Lock Nut	2	
12		Bolt	3	
13	083501	Flange Nut	3	
14		Bolt	3	
15	378737	Rotor, L.H./R.H.	1	
16	473256	Wheel Stud	5	Quantity is per side
17	470205	Bearing Cup, Inner	1	
18	421081	Bearing Cup, Outer	1	
19	407213	Bearing Cone, Inner	1	
20	421099	Bearing Cone, Outer	1	
21	407163	Seal	1	
22	066605	Flat Washer	1	
23	026328	Nut, Slotted	1	
24	015164	Cotter Pin	1	
25	440487	Dust Cap	1	
26		Bleeder, Wheel Cylinder	1	

Figure 4-8 Rear Drum Brake Assembly



Parts List for Figure 4-8

Item	Part Number	Description	Qty	Notes
Rear Drum Brake Assembly				
Note: Quantities indicated are required to service one Brake Assembly				
1	449249	Assy., Backing Plate L.H.	1	
	449256	Assy., Backing Plate R.H.	1	
2		Assy., Shoe & Lining (Secondary) (L.H./R.H.)	1	
3		Assy., Shoe & Lining (Primary) (L.H./R.H.)	1	
4	449280	Spring, Anchor to Shoe (Red)	1	
5	446253	Spring, Anchor to Shoe (Black)	1	
6	436345	Spring, Auto Adjustment	1	
7		Assy., Cable Auto Adjustment	1	
8	449322	Assy., Lever & Pin (L.H. Parking Brake)	1	
	449330	Assy., Lever & Pin (R.H. Parking Brake)	1	
9	449378	Ring, Retaining	1	
10	449355	Washer, Spring (Parking Bracket)	1	
11	038513	Cover, Brake (Adjustment)	1	
12	449371	Plate, Brake Shoe Guide	1	
13		Guide, Self Adjuster Cable	1	
14	054411	Assy., Screw & Washer	2	
15	054429	Link, Connecting (Wheel Cylinder)	2	
16	449405	Strut, Parking Brake Lever (L.H.)	1	
	449413	Strut, Parking Brake Lever (R.H.)	1	
17	449421	Spring, Compression Strut	1	
18	436121	Assy., Brake Cylinder (L.H.)	1	
	436139	Assy., Brake Cylinder (R.H.)	1	
19		Cup, Brake Shoe Hold-Down	2	
20	449454	Assy., Hold-Down Cup & Spring	2	Not Shown
21	037895	Pin, Brake Hold-Down	2	

SweepMaster 250 Parts Manual
Section 4. Brakes

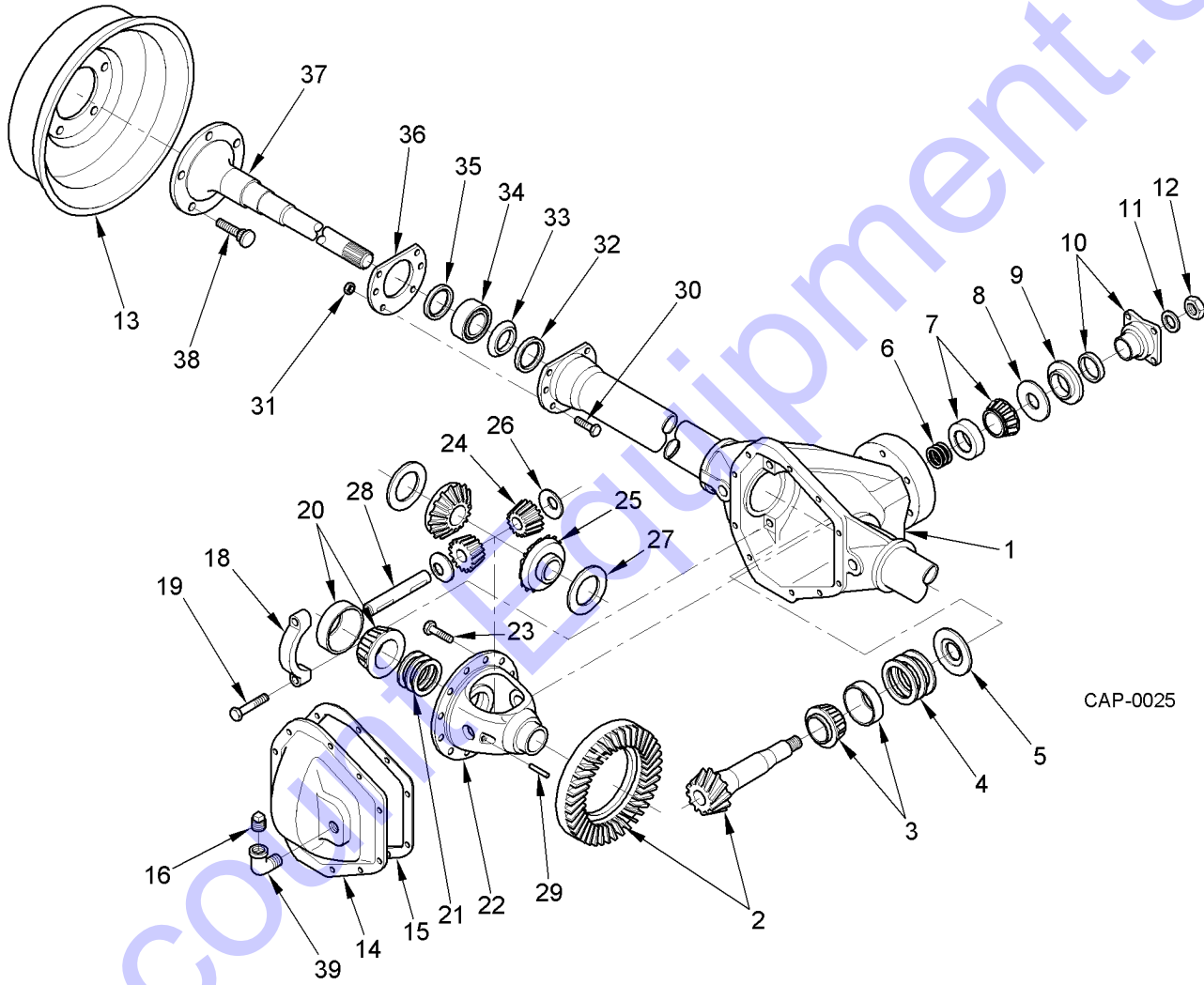
Parts List for Figure 4-8 (Cont.)

Item	Part Number	Description	Qty	Notes
22	436170	Assy., Screw, Nut, Washer & Socket (L.H.)	1	
	436188	Assy., Screw, Nut, Washer & Socket (R.H.)	1	
23	436352	Lever, Link Adjustment (L.H.)	1	
	436360	Lever, Link Adjustment (R.H.)	1	
24	468231	Retainer, Parking Brake Strut Spring	1	
25	054301	Bleeder, Wheel Cylinder	1	
Brake Kits				
	449520	Kit, Parking Brake Lever (L.H.)		Includes items 7, 8, 11, 12, 13, 16, 24, and 26
	449538	Kit, Parking Brake Lever (R.H.)		Includes items 7, 8, 11, 12, 13, 16, 24, and 26
	467878	Kit, Brake Spring		Includes items 5, 6, 9, 10, 19, 20, and 21
	467886	Kit, Self Adjusting Screw (L.H.)		Includes items 7, 11, 13, 24, and 26
	467894	Kit, Self Adjusting Screw (R.H.)		Includes items 7, 11, 13, 24, and 26
	449512	Kit, Shoe and Lining (2 primary, 2 secondary)		Includes items 2 and 3

Section 5. Drive Train

Component	Page
5-1 Rear Axle Assembly.....	5-2
5-2 Gear Box Assembly	5-6
5-3 Drive Train Assembly.....	5-7

Figure 5-1 Rear Axle Assembly



CAP-0025

Parts List for Figure 5-1

Item	Part Number	Description	Qty	Notes
	447904	Rear Axle Assembly		
		Notes:		
		1. Quantities are per axle assembly.		
		2. Items with no part numbers are available in kits and assemblies only, as defined at end of table.		
		3. Items with part numbers are available separately.		
1		Housing, Axle	1	
2		Gear and Pinion Assembly - Drive	1	
3		Inner Pinion Bearing	1	
4		Shim, drive Pinion Adjusting	A/R	
5	435727	Baffle, Pinion Bearing	1	
6		Shim, Pinion Bearing Adjusting	A/R	
7		Outer Pinion Bearing	1	
8	435735	Slinger, Pinion Bearing Outer	1	
9	435743	Seal, Pinion	1	
10	435628	Companion Flange Assembly	1	
11	435750	Washer, Pinion Nut	1	
12	435768	Nut, Pinion	1	
13	449546	Drum	2	
14		Cover, Carrier	1	
15	066043	Gasket	1	
16	031740	Plug, Cover 3/4-NPT	1	
17	435958	Bolt, Carrier Cover	10	Not Shown
18		Cap, Differential Bearing	2	
19	037622	Bolt, Differential Bearing Cap	4	
20		Kit, Differential Bearing	2	
21		Shim, Differential Bearing	A/R	
22		Case, Differential	1	
23	435776	Bolt, Drive Gear	12	

SweepMaster 250 Parts Manual
Section 5. Drive Train

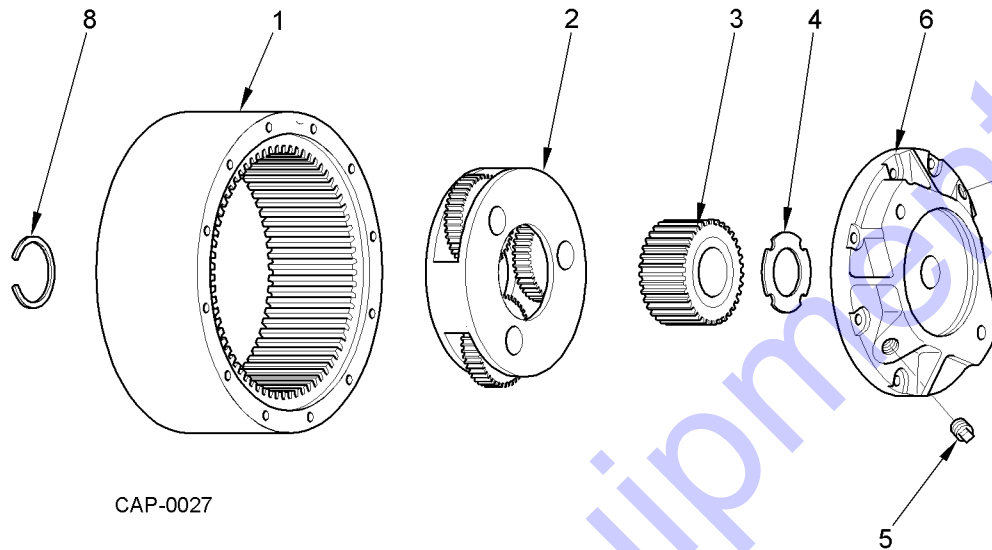
Parts List for Figure 5-1 (Cont.)

Item	Part Number	Description	Qty	Notes
24		Pinion, Differential	2	
25		Gear, Differential	2	
26		Thrust Washer, Pinion	2	
27		Thrust Washer, Differential Gear	2	
28		Shaft, Differential	1	
29		Lock Differential Shaft	1	
30	435966	Bolt, Brake Mounting	8	
31	435974	Nut, Brake Mounting	12	
32	435792	Seal, Shaft Inboard	2	
33		Ring, Wheel Bearing Retainer	2	
34		Bearing Assembly	2	
35	435826	Seal, Shaft Outboard	2	
36		Retainer, Axle Shaft	2	
37		Shaft Axle Flanged	2	
38	449140	Bolt, Wheel	10	
39	075796	Street EL 90°	1	
40		Assy., L.H. Rear Brake	1	Not Shown
41		Assy., R.H. Rear Brake	1	Not Shown
42	449207	Plug, Axle Flange	2	Not Shown
Axle Kits and Assemblies				
	449157	Housing Axle		Includes items 1, 18, and 19
	435636	Kit, Drive Gear and Pinion Assembly		Includes items 2 through 9, 11, 12, 15, 22, and 23
	435644	Kit, Differential Case Assembly		Includes items 15 and 20 through 29
	449165	Kit, Carrier Cover Assembly		Includes items 14, 16, and 17
	435669	Kit, Differential Case Inner Parts		Includes items 15, 23, 24, 25, 26, 27, 28, and 29
	435677	Kit, Unit Bearing & Seal		Includes items 32, 33, 34, 35 and 36
	435685	Kit, Outer Pinion Bearing		Includes item 7

Parts List for Figure 5-1 (Cont.)

Item	Part Number	Description	Qty	Notes
	435693	Kit, Inner Pinion Bearing		Includes item 3
	435701	Kit, Differential Bearing		Includes items 20 and 21
	435719	Kit, Differential and Pinion Shim		Includes items 4, 6, 11, 12, 15
	449199	Assembly, Axle Shaft (Complete)		Includes items 32 through 38
	449215	Kit, Ring Gear, Pinion & Bolts		Includes items 2, 11, 12, 23, 37, and 38
	449223	Kit, Differential Case		Includes items 15, 21, 23, and 29
	449231	Kit, Differential Adjustment Shim		Includes items 15 and 21

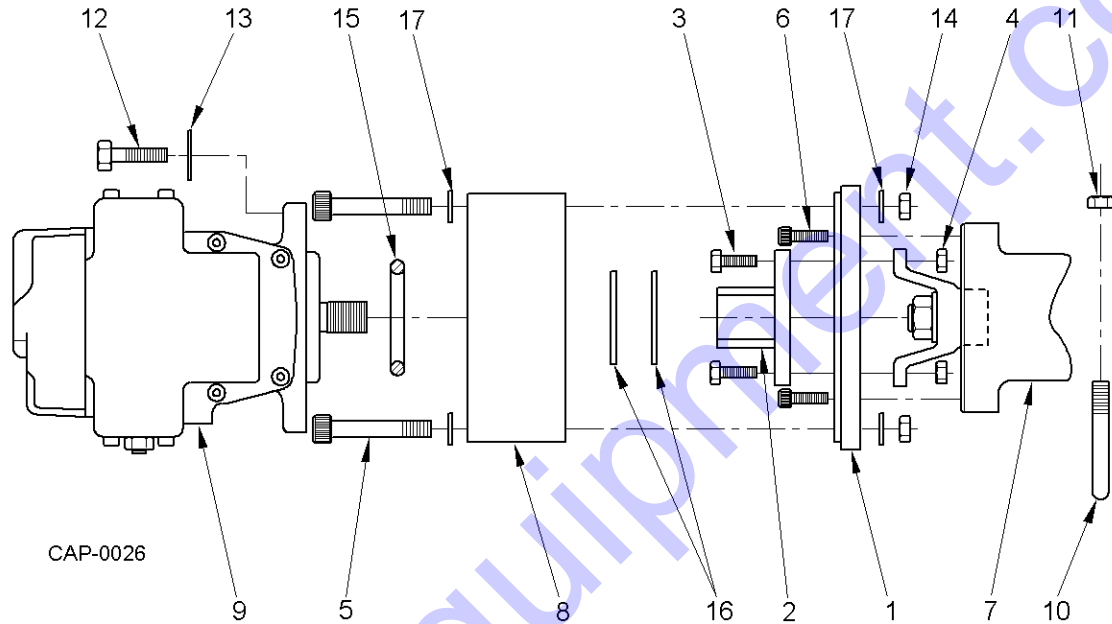
Figure 5-2 Gear Box Assembly



Parts List for Figure 5-2

Parts List for Figure 5-2			
	440669	Gear Box Assembly	
1	442483	Gear/ Ring	1
2	442491	Assy., Primary Carrier	1
3	442509	Gear, Primary Sun Gear	1
4	409003	Thrust Washer	1
5	442517	Plug, Magnetic Pipe	1
6	442525	Cover, Large	1
7	040683	Plug, Pipe 1/2-NPT	1
8	440099	Ring, Snap	2

Figure 5-3 Drive Train Assembly



Parts List for Figure 5-3

Drive Train Assembly				
1	347401	Mount, Gear Box		1
2	440081	Coupler, Splined		1
3	083527	Capscrew, 3/8-16NC x 1.25"		4
4	441477	Lock Nut, 3/8-16NC		4
5	010496	Capscrew, 5/16 x 5.50" (Gr. 5)		8
6	011684	Capscrew, 9/16-12NC x 1.50"		6
7	447904	Axle Dana Model 44 (See Page 5-1)		1
8	440669	Gear Box 3:75:1 Ratio (See Page 5-4)		1
9		Motor, Hydrostatic (See Page 3-6)		1

SweepMaster 250 Parts Manual
Section 5. Drive Train

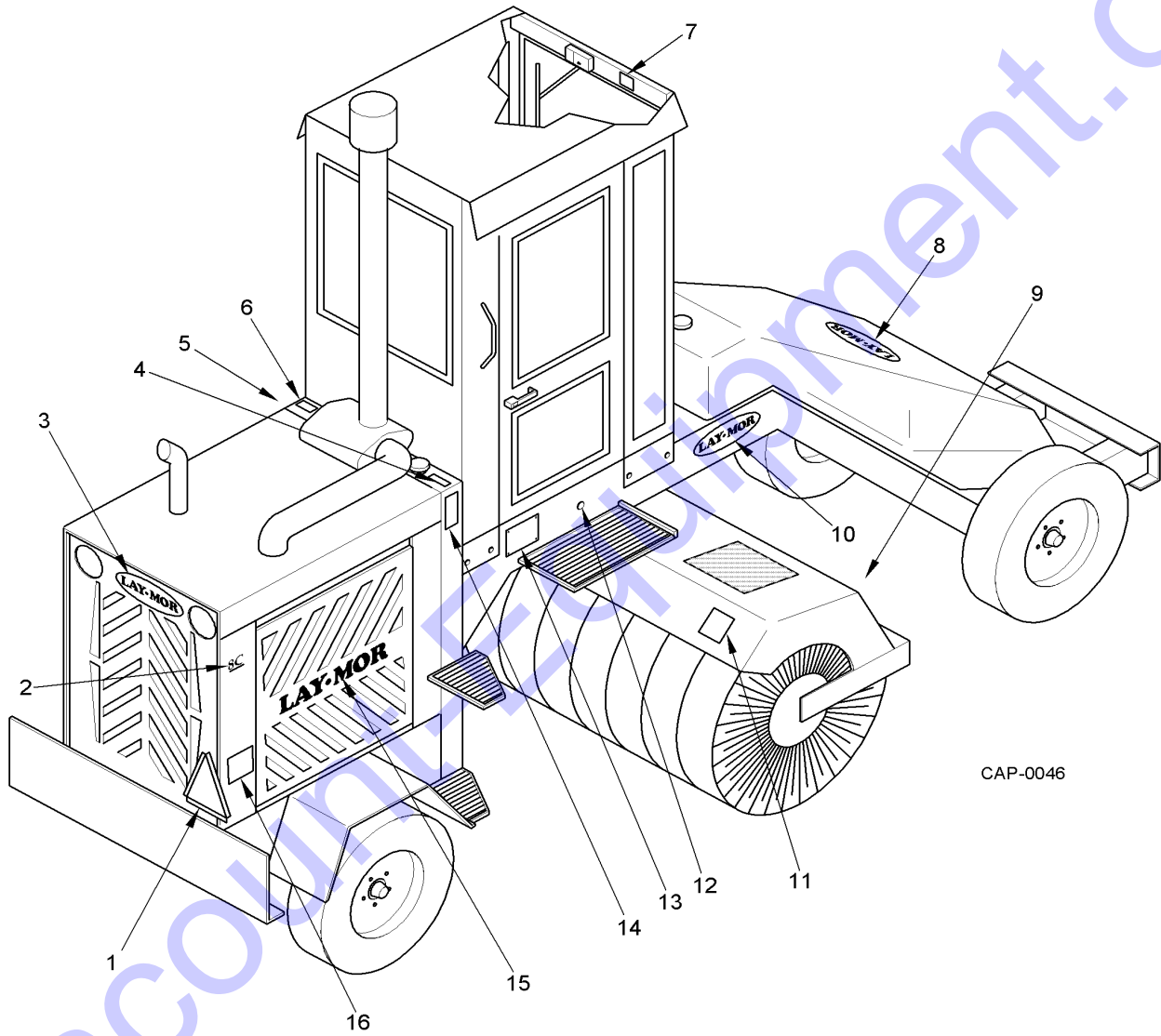
Parts List for Figure 5-3 (Cont.)

10	449041	U-Bolt 5/8-11NC Plated (Axle Mounting)	4	
11	429860	Hex Nut, 5/8-11NC	4	Not Shown
12	441774	Capscrew, 1/2-13NC x 1.25"	2	
13	011325	Flat Washer, 1/2	2	
14	083493	Lock Nut, 5/16-18NC	8	
15	407593	O-Ring	1	
16	440099	Ring, Snap	2	
17	011322	Flatwasher, 5/16	16	

Section 6. Decals

6-1	Decal Kit (Lay • Mor)	6-2
6-2	Decal Kit (Sweepmaster)	6-4
6-3	Interior Decal Locations	6-6

Figure 6-1 Decal Kit (Lay • Mor)

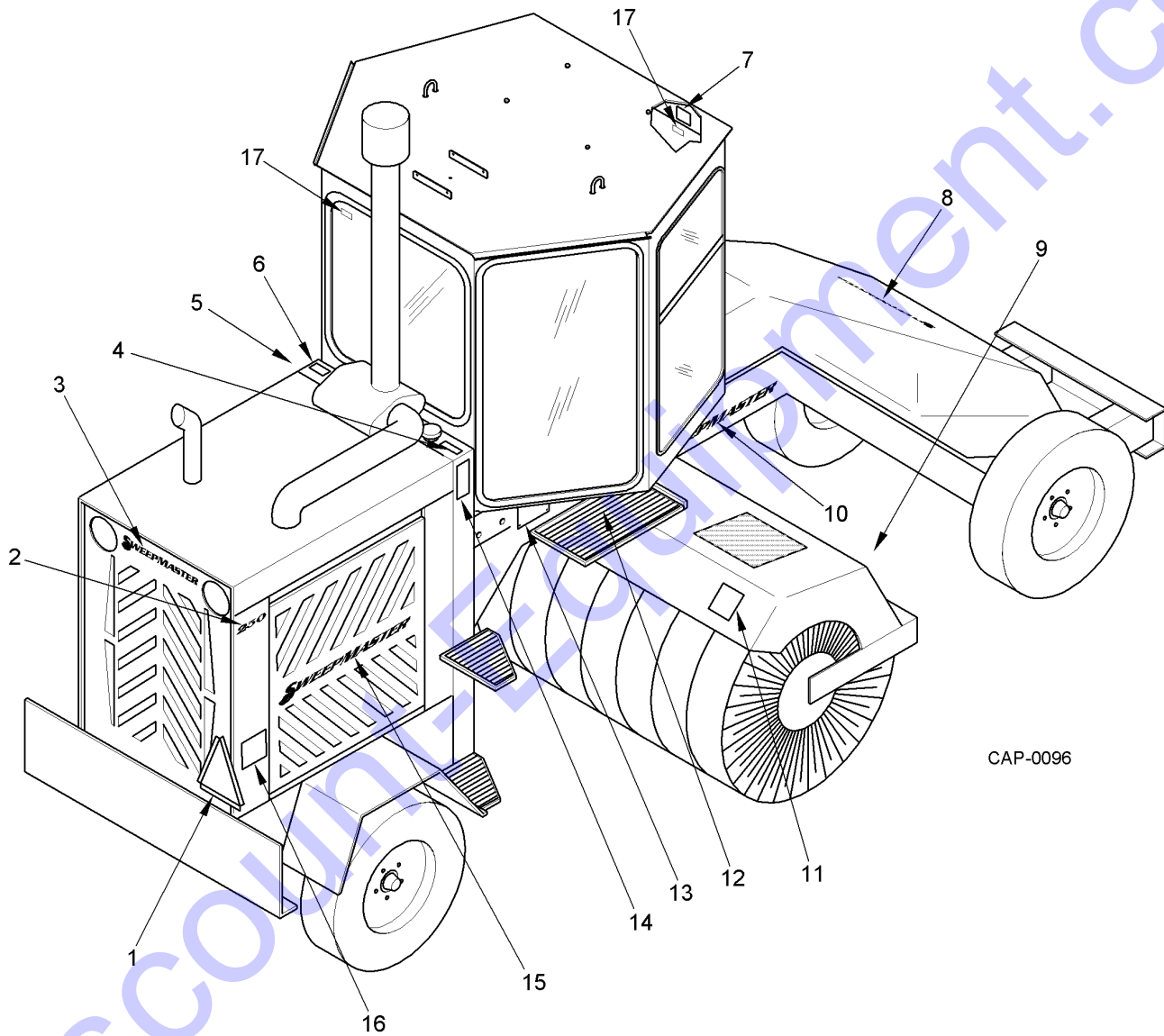


CAP-0046

Parts List for Figure 6-1

Item	Part Number	Description	Qty	Notes
	SM-500-120-002K	Decal Kit		
1	272716	Decal, Slow Moving Vehicle	1	
2	477964	Decal, 8C	2	
3	478061	Decal, Lay • Mor	1	
4	450148	Decal, Diesel Fuel	1	
5	467274	Decal, Towing the Vehicle (L.H. Side Only)	1	
6	450155	Decal, Hydraulic Oil	1	
7	448811	Decal, California Warning	1	
8	477961	Decal, Lay • Mor	1	
9	467266	Decal, Warning "Stand Clear"	2	
10	478061	Decal, Lay • Mor	2	
11	472720	Decal, Danger "Stay Clear" Pinchpoint	2	
12	467340	Decal, Grease Daily	1	
13		Name Plate	1	
14	467324	Decal, Danger "No Riders"	2	
15	477966	Decal, Lay • Mor	2	
16	443614	Decal, Rotating Fan	2	

Figure 6-2 Decal Kit (Sweepmaster)

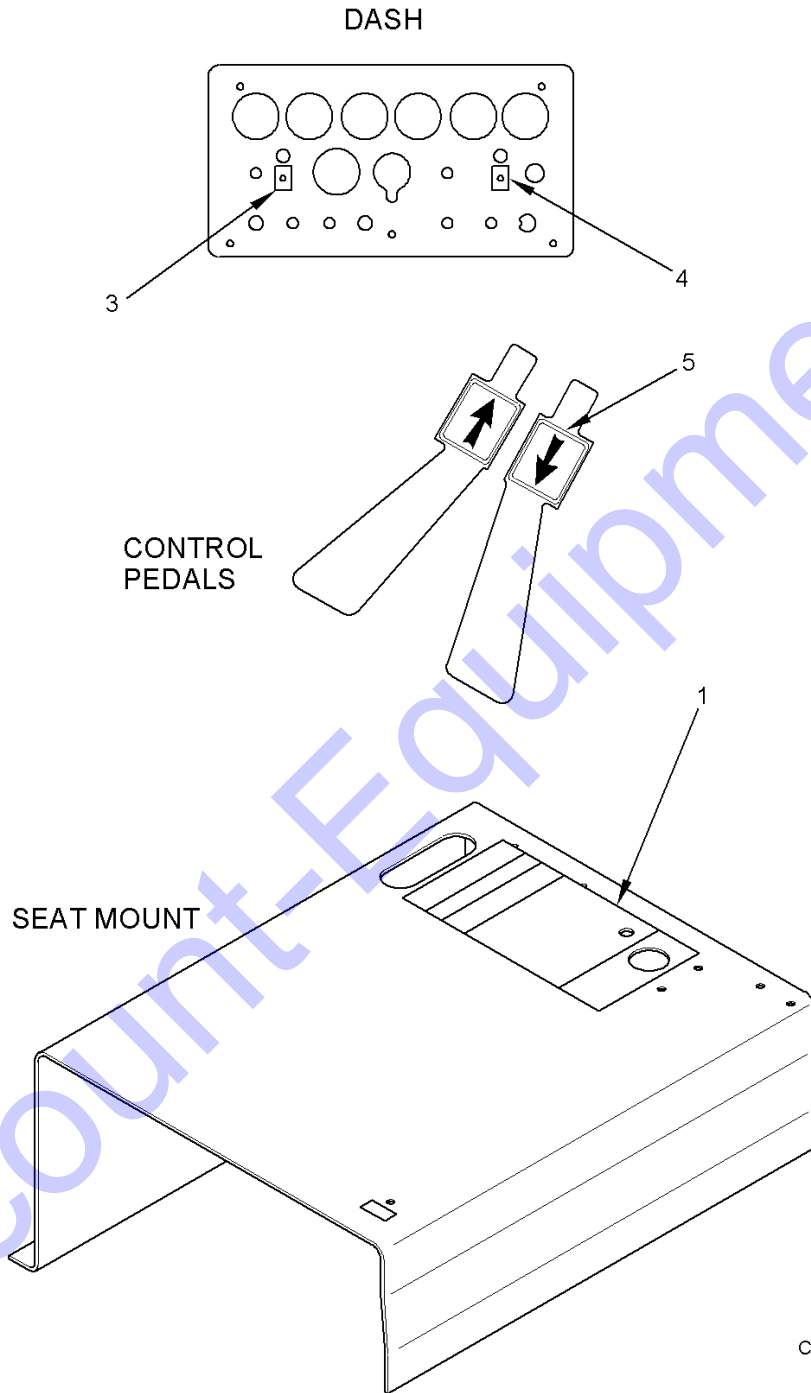


CAP-0096

Parts List for Figure 6-2

Item	Part Number	Description	Qty	Notes
	SM-500-120-001K	Decal Kit		
1	272716	Decal, Slow Moving Vehicle	1	
2	477962	Decal, 250	2	
3	477967	Decal, Sweepmaster	1	
4	450155	Decal, Hydraulic Oil	1	
5	467274	Decal, Towing the Vehicle (L.H. Side Only)	1	
6	450148	Decal, Diesel Fuel	1	
7	448811	Decal, California Warning	1	
8	477963	Decal, Sweepmaster	1	
9	467266	Decal, Warning "Stand Clear" (Both Sides)	2	
10	406249	Decal, Sweepmaster	2	
11	467485	Decal, Danger "Stay Clear" Pinchpoint	2	
12	467340	Decal, Grease Daily	1	
13		Name Plate	1	
14	467324	Decal, Danger "No Riders" (Both Sides)	2	
15	477965	Decal, Sweepmaster	2	
16	443614	Decal, Danger Rotating Fan	2	
17	432252	Decal, Emergency Window	2	Vista Cab Only

Figure 6-3 Interior Decal Locations



CAP-0047

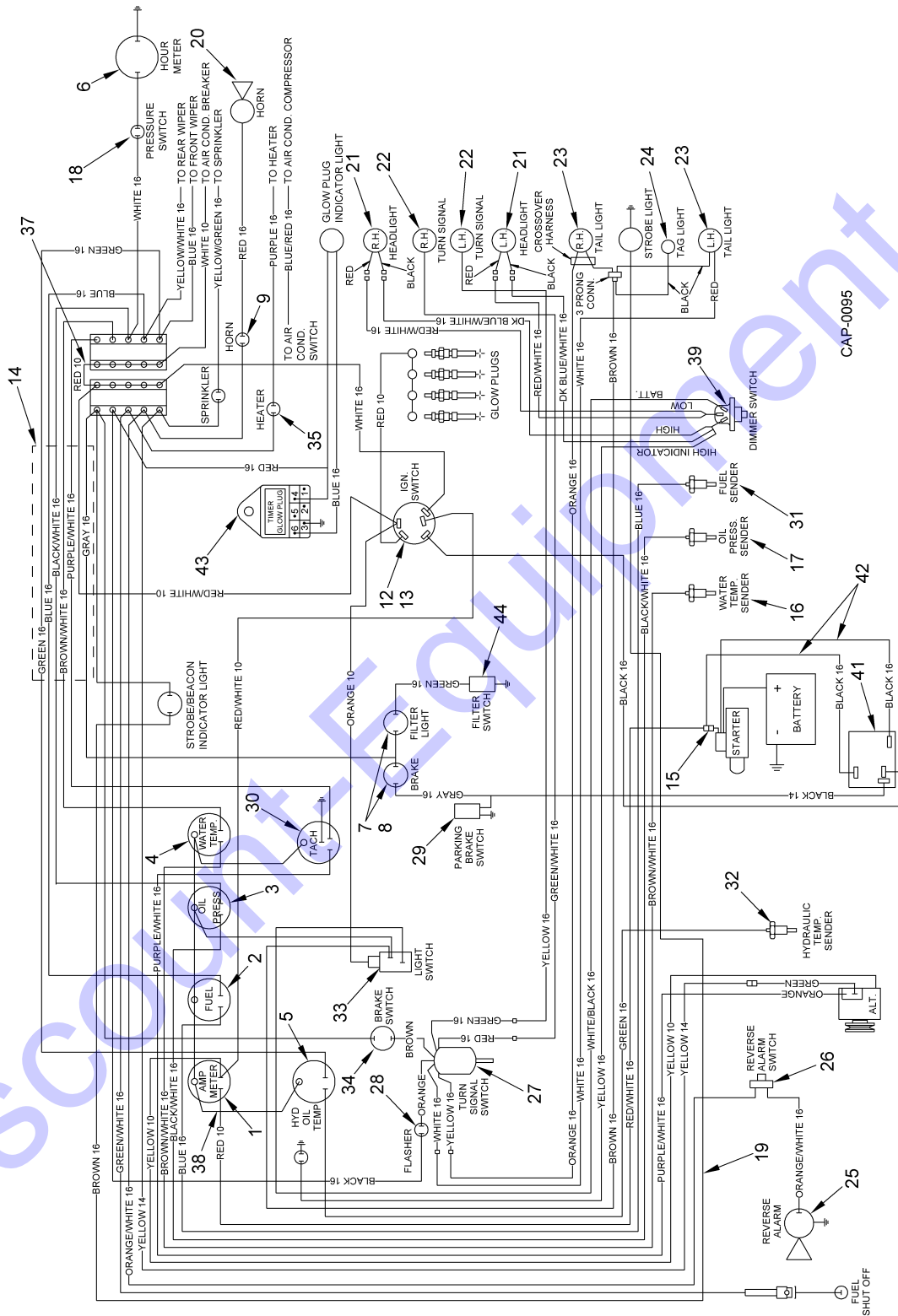
Parts List for Figure 6-3

Item	Part Number	Description	Qty	Notes
1	467258	Decal, Operator Instructions (R.H. Side Seat Mount)	1	
2	462606	Decal, Steering Wheel	1	Not Shown
3	467282	Decal, Parking Brake Light (Dash)	1	
4	467290	Decal, Hydraulic Oil Filter (Dash)	1	
5	458216	Decal, Forward/Reverse Arrow	2	

Section 7. Electrical Components

7-1 Main Electrical Schematic (Kubota)	7-2
7-2 Main Electrical Schematic (Cummins)	7-2

Figure 7-1 Main Electrical Schematic (Kubota)



CAP-0095

Parts List for Figure 7-1

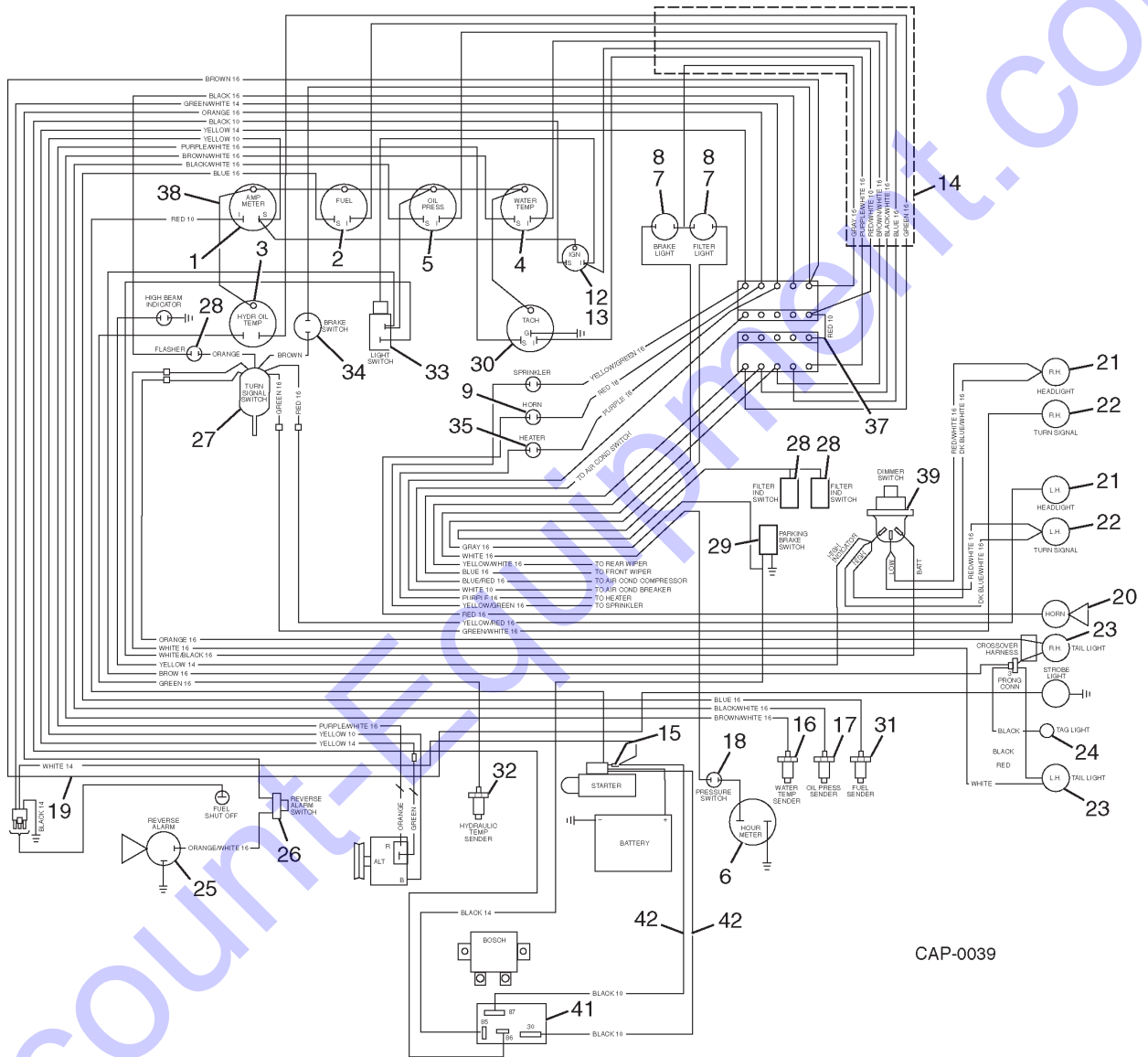
Item	Part Number	Description	Qty	Notes
1	078006	Ammeter	1	
2	077982	Gauge, Fuel	1	
3	078022	Gauge, Oil Pressure	1	
4	416115	Gauge, Water Temperature	1	
5	416123	Gauge, Hydraulic Oil Temperature	1	
6	034892	Hour Meter	1	
7	418376	Indicator Light, Red (Brake and Filter)	2	
8	060624	Lamp	1	Replacement bulb for item 7
9	450270	Switch, Pushbutton (Horn)	1	
10	075887	Fuse Block	2	Not Shown
11	077040	Fuse	10	Not Shown
12	9101497	Switch, Ignition (5 wire)	1	Kubota SM250
13	9101528	Key, Ignition (2 Keys)	1	Kubota SM250
14	298562	Wiring Harness (Gauges to Fuse Block)	1	
15	403311	Circuit Breaker, 12V, 50Amp	1	
16	416156	Sender, Water Temperature	1	
17	041988	Sender, Oil Pressure	1	
18	078063	Switch, Pressure (Hour Meter)	1	
19	382532	Wiring Harness	1	
20	382846	Kit, Horn, 12V	1	
21	461467	Headlight, H/L Beam Rectangular Halogen	1	Optional equipment
22	461475	Light, Flasher, Red/Amber Rectangular	1	Optional equipment
23	V63015800	Light, Tail	1	
24	V63015300	Light, Tag	1	
25	473736	Alarm, Reverse	1	
26	459792	Switch, Pressure N.O. Reverse Alarm	1	
27	466698	Switch, Turn Signal	1	
28	V63121300	Switch, Filter Indicator	2	

SweepMaster 250 Parts Manual
Section 7. Electrical Components

Parts List for Figure 7-1 (Cont.)

Item	Part Number	Description	Qty	Notes
29	413872	Switch, Parking Brake	1	
30	448985	Tachometer	1	Optional equipment
31	462176	Sender, Fuel	1	
32	416131	Sender, Hydraulic Temperature	1	
33	V61012700	Switch, Light	1	
34	049924	Switch, Brake	1	
35	446633	Switch, Heater	1	
36	V61019788	Strap, Connector	1	Not Shown
37	237180	Wire, 10Ga Red X 3.00"	1	
38	276683	Light Assy, Instruments	1	
39	432344	Switch, Dimmer	1	
40	078584	Terminal, 1/4 Male Blade	1	Not shown
41	460493	Relay, 12V, 75 Amp	1	
42	369181	Wiring Assy, Black, 30"	2	
43	478073	Timer, Glow Plug	1	
44		Switch Filter Indicator	1	
	447673	Shutoff Solenoid (2 wire)	1	Not shown

Figure 7-2 Main Electrical Schematic (Cummins)



CAP-0039

SweepMaster 250 Parts Manual
Section 7. Electrical Components

Parts List for Figure 7-2

Item	Part Number	Description	Qty	Notes
1	078006	Ammeter	1	
2	077982	Gauge, Fuel	1	
3	078022	Gauge, Oil Pressure	1	
4	416115	Gauge, Water Temperature	1	
5	416123	Gauge, Hydraulic Oil Temperature	1	
6	034892	Hour Meter	1	
7	418376	Indicator Light, Red (Brake and Filter)	2	
8	060624	Lamp	1	Replacement bulb for item 7
9	450270	Switch, Pushbutton (Horn)	1	
10	075887	Fuse Block	2	Not Shown
11	077040	Fuse	10	Not Shown
12	407825	Switch, Ignition (3 wire)	1	
13	407833	Key, Ignition	1	
14	298562	Wiring Harness (Gauges to Fuse Block)	1	
15	403311	Circuit Breaker, 12V, 50Amp	1	
16	416156	Sender, Water Temperature	1	
17	041988	Sender, Oil Pressure	1	
18	078063	Switch, Pressure (Hour Meter)	1	
19	382532	Wiring Harness	1	
20	382846	Kit, Horn, 12V	1	
21	461467	Headlight, H/L Beam Rectangular Halogen	1	Optional equipment
22	461475	Light, Flasher, Red/Amber Rectangular	1	Optional equipment
23	V63015800	Light, Tail	1	
24	V63015300	Light, Tag	1	
25	473736	Alarm, Reverse	1	
26	459792	Switch, Pressure N.O. Reverse Alarm	1	
27	466698	Switch, Turn Signal	1	
28		Switch, Filter Indicator	2	

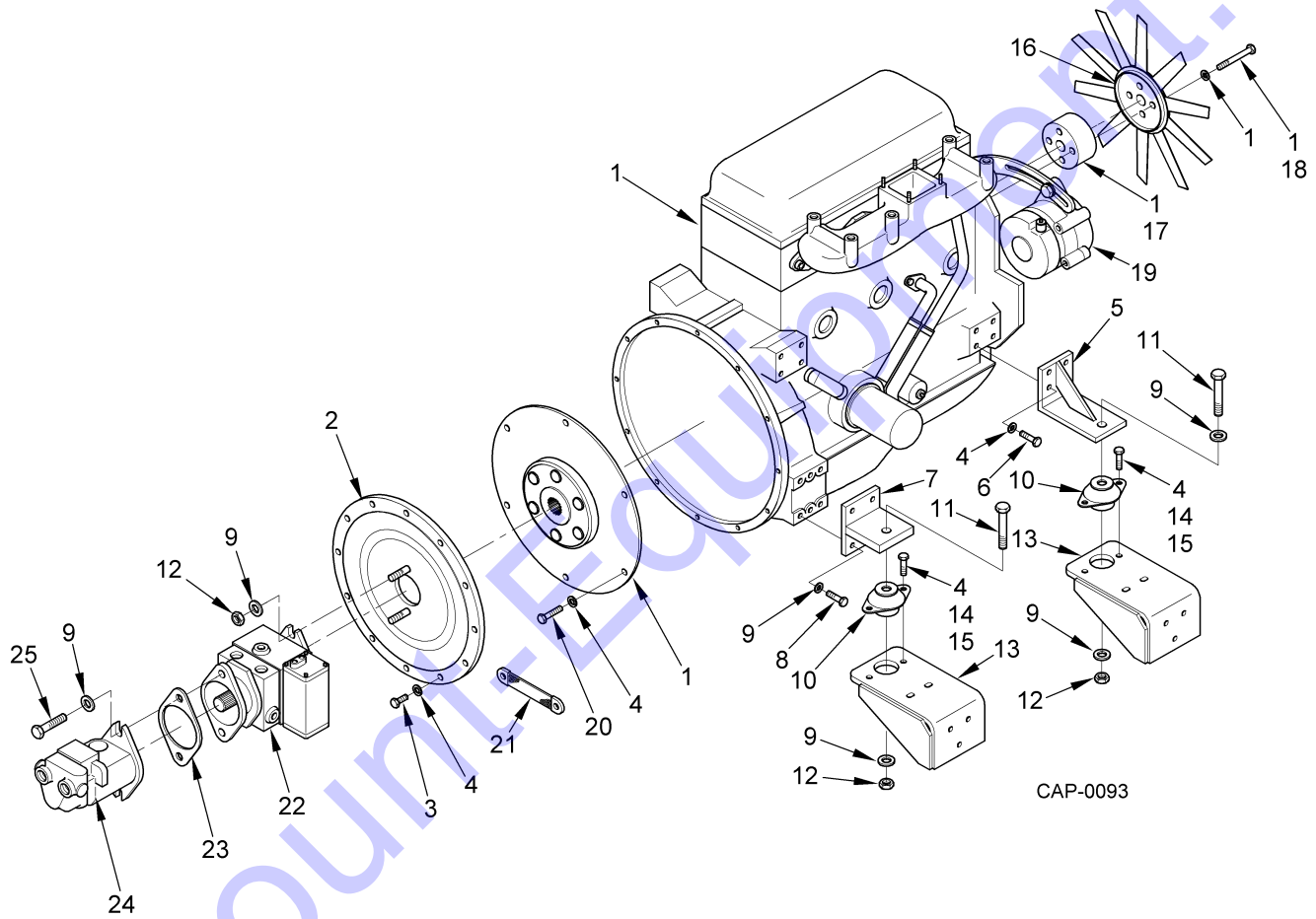
Parts List for Figure 7-2 (Cont.)

Item	Part Number	Description	Qty	Notes
	V63121300	Flasher Module (3 prong)	1	Not Shown
29	413872	Switch, Parking Brake	1	
30	448985	Tachometer	1	Optional equipment
31	462176	Sender, Fuel	1	
32	416131	Sender, Hydraulic Temperature	1	
33	V61012700	Switch, Light	1	
34	049924	Switch, Brake	1	
35	446633	Switch, Heater	1	
36	V61019788	Strap, Connector	1	Not Shown
37	237180	Wire, 10Ga Red X 3.00"	1	
38	276683	Light Assy, Instruments	1	
39	432344	Switch, Dimmer	1	
40	078584	Terminal, 1/4 Male Blade	1	Not shown
41	460493	Relay, 12V, 75 Amp	1	
42	369181	Wiring Assy, Black, 30"	2	

Section 8. Diesel Engine

8-1 Diesel Engine Assembly (Kubota).....	8-2
8-2 Diesel Engine Assembly (Cummins).....	8-4
8-3 Hood, Radiator, and Batteries (Kubota)	8-6
8-4 Radiator Guard (Kubota).....	8-8
8-5 Hood, Radiator, and Batteries (Cummins)	8-10
8-6 Engine Compartment Door Kit Not Illustrated.....	8-12
8-7 Throttle Cable and Mount Assembly (Kubota).....	8-14
8-8 Throttle Cable and Mount Assembly (Cummins).....	8-15
8-9 Air Cleaner Assembly (Kubota).....	8-16
8-10 Air Cleaner Assembly (Cummins).....	8-18
8-11 Exhaust System (Kubota)	8-20
8-12 Exhaust System (Cummins).....	8-22
8-13 Fuel System (Kubota)	8-24
8-14 Fuel System (Cummins).....	8-26
8-15 For Units from SN 34051 use Parts 100035k for Non Vista CAB; 100037K for Vista Cab	

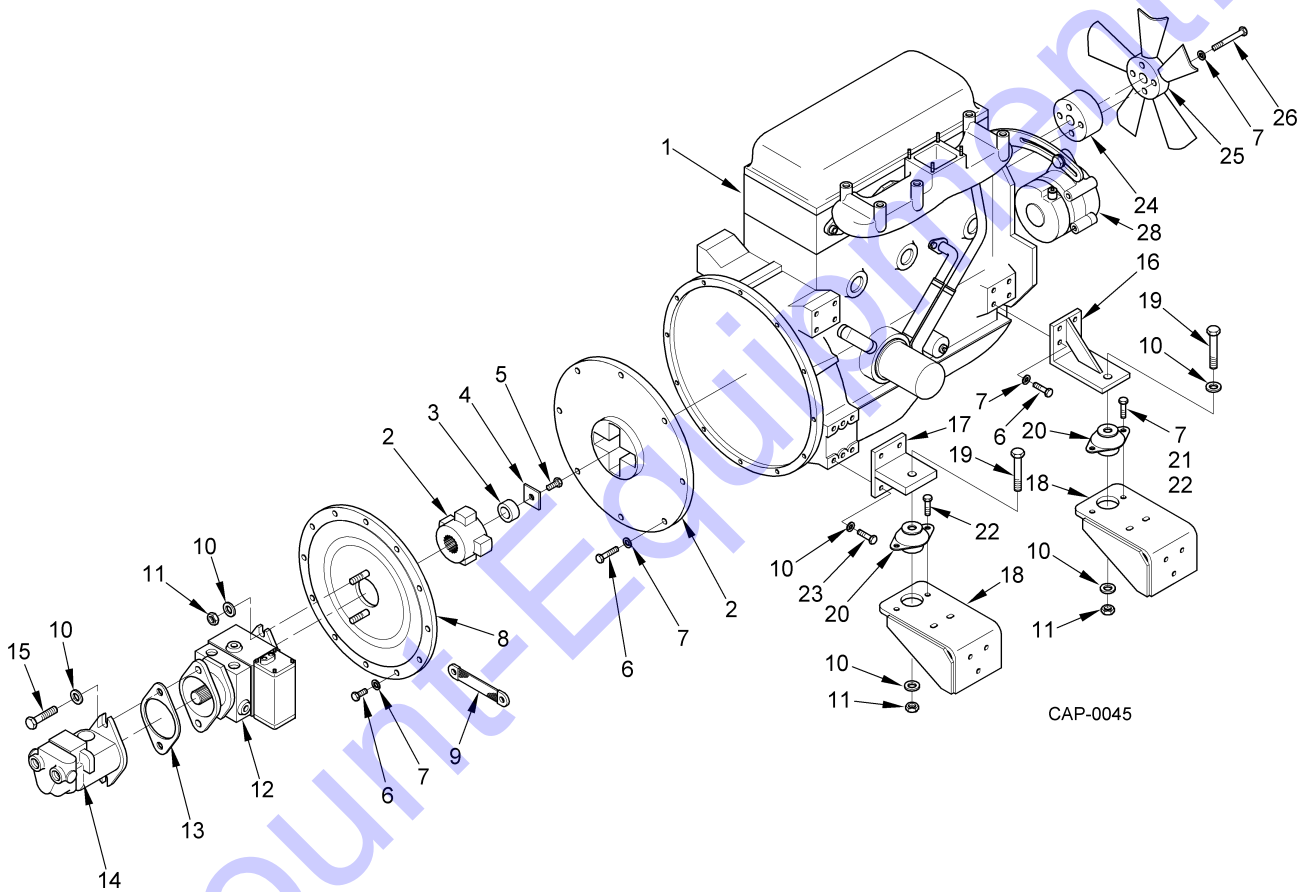
Figure 8-1 Diesel Engine Assembly (Kubota)



Parts List for Figure 8-1

Item	Part Number	Description	Qty	Notes
1	478025	Engine Assembly, Kubota V3600	1	
2	478024	Drive Kit, Engine	1	
3	038372	Bolt, 10mm x 30mm	12	
4	070391	Washer, Flat 3/8	12	
5	381063	STR, Engine Mount, Rear L.H. Side	1	
	387051	STR, Engine Mount, Rear R.H. Side	1	Not Illustrated
6	478062	Bolt, 12mm x 1.50 x 35mm	8	
7	386996	STR, Engine Mount, Front	2	
8	441774	Bolt, 1/2-13nc x 1.25	8	
9	011650	Washer, Flat 1/2	12	
10	444091	Mount, Engine	4	
11	011460	Bolt, .50-13nc x 4.00	4	
12	440664	Locknut, 1/2-13nc	6	
13	460654	STR, Engine Mount Lower	4	
14	083527	Bolt, 3/8-16nc	8	
15	441447	Nut, 3/8-16nc	8	
16	478052	Fan, Engine Cooling	1	
17	460662	Spacer, Fan	1	
18	478063	Bolt, 8mm x 1.25 x 60mm	4	
19	477522	Alternator, 12V 60 Amp	1	
20	441667	Bolt, 3/8-16nc x 1.00	12	
21	069807	Ground Strap	1	
22	457122	Pump, Piston	1	
23	422246	Gasket, Pump Mount	1	
24	440465	Pump, Gear	1	
25	441774	Bolt, 1/2-13nc x 1.25	2	
26	459965	V-Belt, V3600	1	Not Illustrated
27	468581	Cover, Alternator Belt - V3600	1	Not Illustrated

Figure 8-2 Diesel Engine Assembly (Cummins)



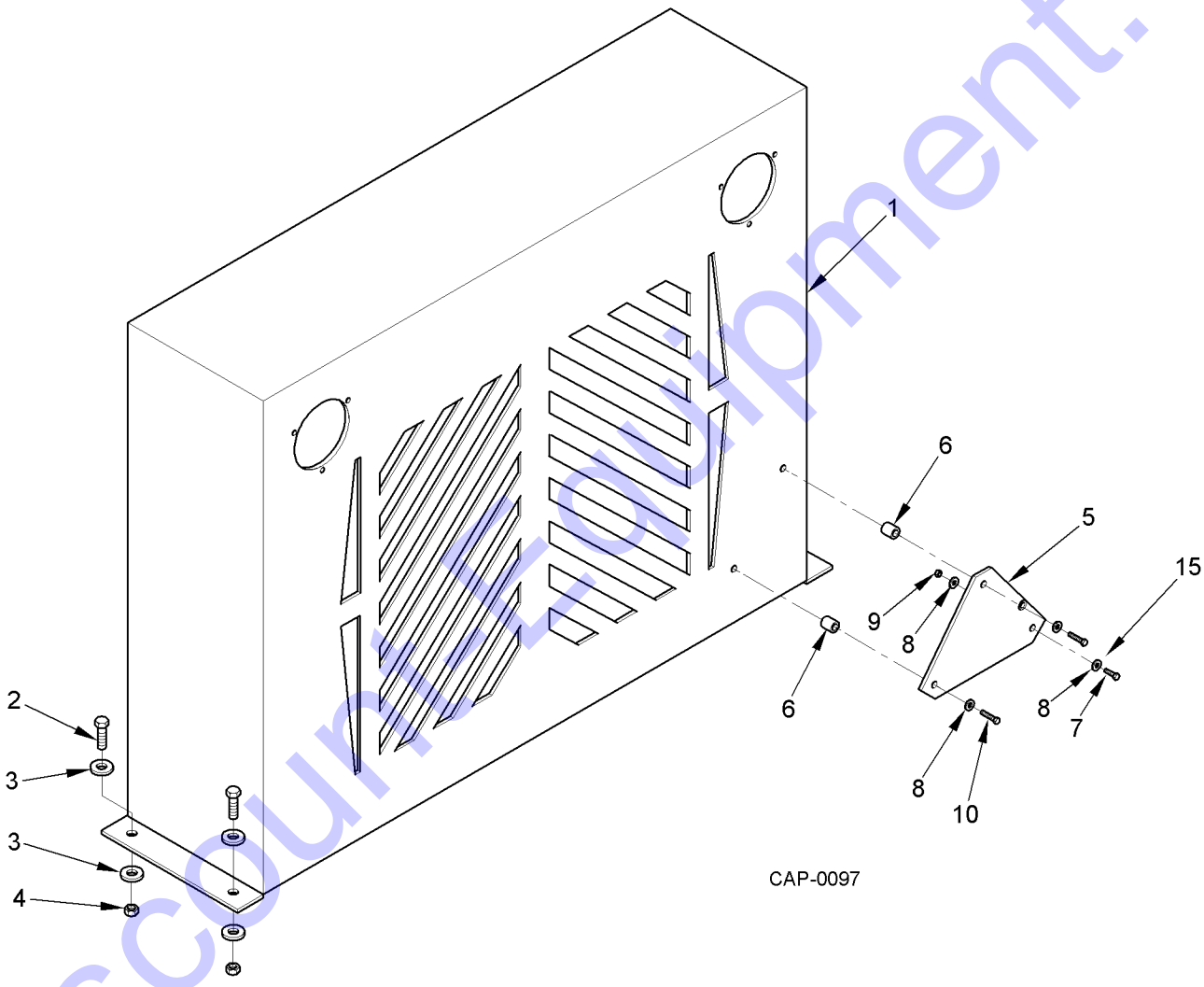
Parts List for Figure 8-2

Item	Part Number	Description	Qty	Notes
	460700	Diesel Engine Assembly		
1	460650	Engine, Cummins 3.3 Tier II	1	
2	460640	Drive Coupling, Engine	1	
3	460641	Spacer, Hub Securing	1	
4	350652	Plate, Drive Hub Retainer	1	
5	404673	Bolt, M8-1.25 50C x 30mm	1	
6	038372	Bolt, 10mm x 30mm	28	
7	070391	Washer, 3/8 Flat	48	
8	460638	Plate, Pump Mount	1	
9	069807	Ground Strap	1	
10	011650	Washer, 1/2 Flat	12	
11	440644	Nut, 1/2-13 Hex	6	
12	457122	Pump, Piston	1	
13	422246	Gasket, Pump Mount	1	
14	440465	Pump, Gear	1	
15	441774	Bolt, 1/2-13nc x 1.25 Hex Hd	2	
16	460672	STR, Engine Mount Rear	2	
17	460651	STR, Engine Mount Front	2	
18	460654	STR, Engine Mount Lower	4	
19	011460	Bolt, .50-13 x 4.00 Hex Hd	4	
20	444091	Mount, Engine	4	
21	083527	Bolt, 3/8-16 Hex	8	
22	441477	Nut, 3/8-16 Hex	8	
23	403774	Bolt, M12-1.75 x 35mm	8	
24	460662	Fan, Spacer	1	
25	460661	Fan, Engine Cooling	1	3.3 Cummins (For 413138)
26	089723	Bolt, M8-1.25 x 65mm	4	
27	477534	V-Belt, 3.3	1	Not Shown
28	477522	Alternator, 12V 60 Amp	1	

Parts List for Figure 8-3

Item	Part Number	Description	Qty	Notes
Hood, Radiator, and Batteries				
1	407925	Radiator Assembly (SM250)	1	478032 Radiator Assy. (SM400)
2	047811	Cap, Radiator	1	
3	387102	Mount, Radiator	2	
4	V02026200	Clamp, #32 Hose, Upper Radiator	2	
5	387134	Hose, Upper Radiator	1	
6	V02026200	Clamp, #32 Hose, Lower Radiator	4	
7	387099	Hose, Radiator, Side Top	1	
8	407933	Connector, Hose	1	
9	387101	Hose, Radiator, Side Bottom	1	
10	041475	Draincock	1	
11	010645	Capscrew, 3/8-16NC x 1.00"	4	
12	011031	Flat Washer, 3/8	4	
13	456459	Isolator, Radiator	4	
14	011650	Flat Washer, 5/16	6	
15	011361	Capscrew, 5/16-18NC x 1.25"	4	
16	386994	Hood, Formed	1	
17	433136	Battery, 12V 950 CCA	1	
18	298365	Cable, Battery X 14.00 (Positive)	1	Not Shown
19	298366	Cable, Battery X 22.00 (Negative)		Not Shown
20	092767	Bolt, Battery Hold Down	2	
21	386790	Battery Hold Down	1	
22	010553	Hex Nut, 5/16-18NC FHN	2	
23	010561	Lock Washer, 5/16	2	
	SM-200-020-008K	Fan Guard Kit		
24	478023	* Fan Guard, 22"	1	Part of SM-200-020-008K Kit
25	010033	* Bolt, Hex	4	Part of SM-200-020-008K Kit
26	010298	* Flat Washer	4	Part of SM-200-020-008K Kit

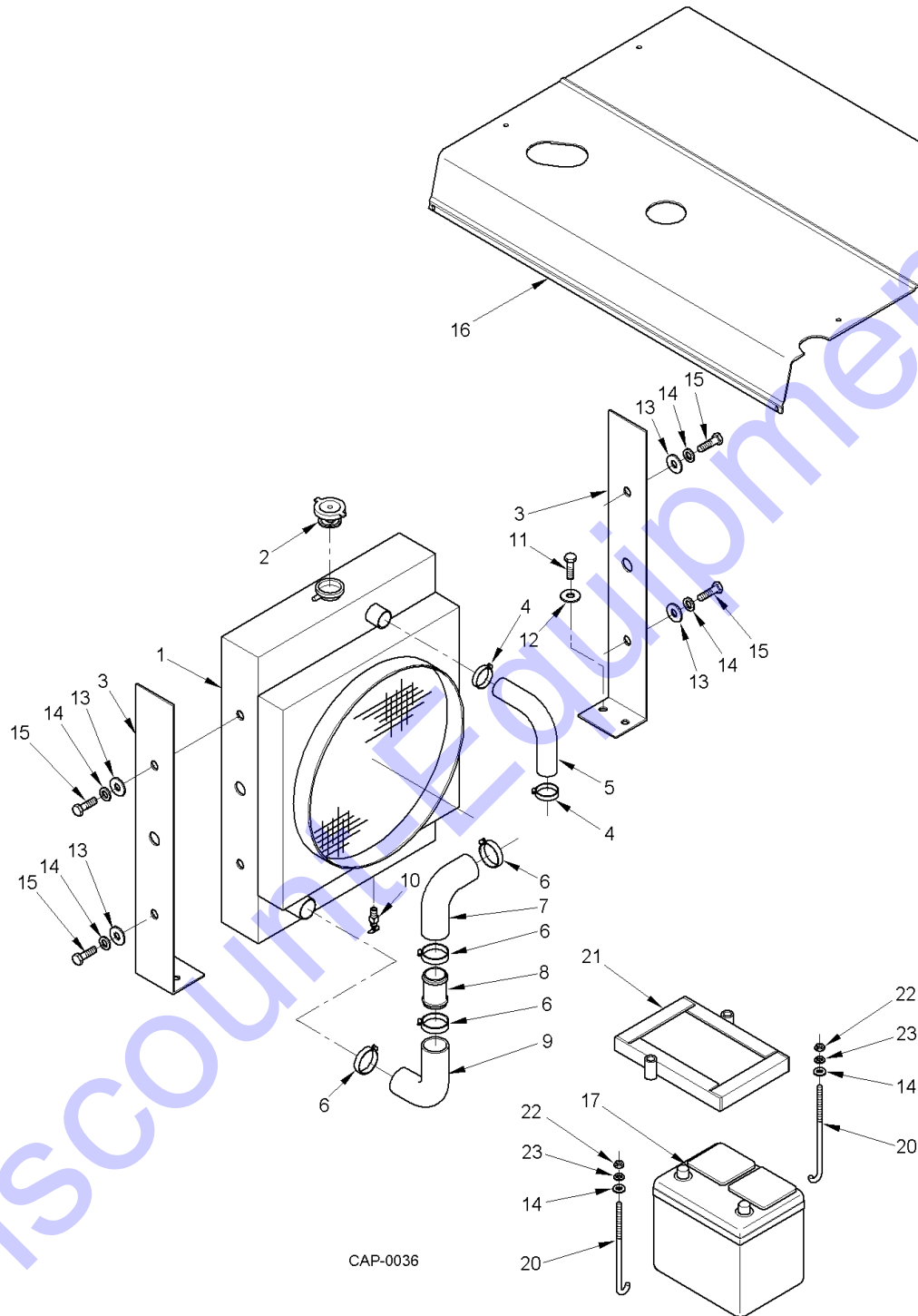
Figure 8-4 Radiator Guard (Kubota)



Parts List for Figure 8-4

Item	Part Number	Description	Qty	Notes
1	387135	Radiator Guard	1	
2	038422	Bolt, 0.5-13 X 1.25"	4	
3	011325	Flat Washer, 0.5"	8	
4	440644	Nut, Hex, 0.5-13	4	
5	350322	Mount, Emblem	1	
6	152850	Spacer, 0.5 X 0.75	2	
7	083485	Bolt, 0.31-18 X 0.75	1	
8	011322	Flat Washer, 0.31"	6	
9	083535	Nut, Hex 0.31-18	3	
10	441600	Bolt, 0.31-18 X 1.5"	2	

Figure 8-5 Hood, Radiator, and Batteries (Cummins)



Parts List for Figure 8-5

Item	Part Number	Description	Qty	Notes
Hood, Radiator, and Batteries				
1	407925	Radiator Assembly	1	
2	047811	Cap, Radiator	1	
3	266338	Mount, Radiator	2	
4	056424	Clamp, #20 Hose, Upper Radiator	2	
5	407928	Hose, Upper Radiator	1	
6	V02026200	Clamp, #32 Hose, Lower Radiator	4	
7	407929	Hose, Radiator, Side Top	1	
8	407933	Connector, Hose	1	
9	407931	Hose, Radiator, Side Bottom	1	
10	041475	Draincock	1	
11	441667	Capscrew, 3/8-16NC x 1.00"	4	
12	011323	Flat Washer, 3/8	4	
13	407999	Isolator, Radiator	4	
14	011322	Flat Washer, 5/16	6	
15	441618	Capscrew, 5/16-18NC x 1.25"	4	
16	343873	Hood, Formed, Texas DOT w/3.3	1	
17	433136	Battery, 12V 950 CCA	1	
18	298365	Cable, Battery X 14.00 (Positive)	1	Not Shown
19	298366	Cable, Battery X 22.00 (Negative)		Not Shown
20	092767	Bolt, Battery Hold Down	2	
21	386790	Battery Hold Down	1	
22	010553	Hex Nut, 5/16-18NC FHN	2	
23	010561	Lock Washer, 5/16	2	

Figure 8-6 Engine Compartment Door Kit
Not Illustrated

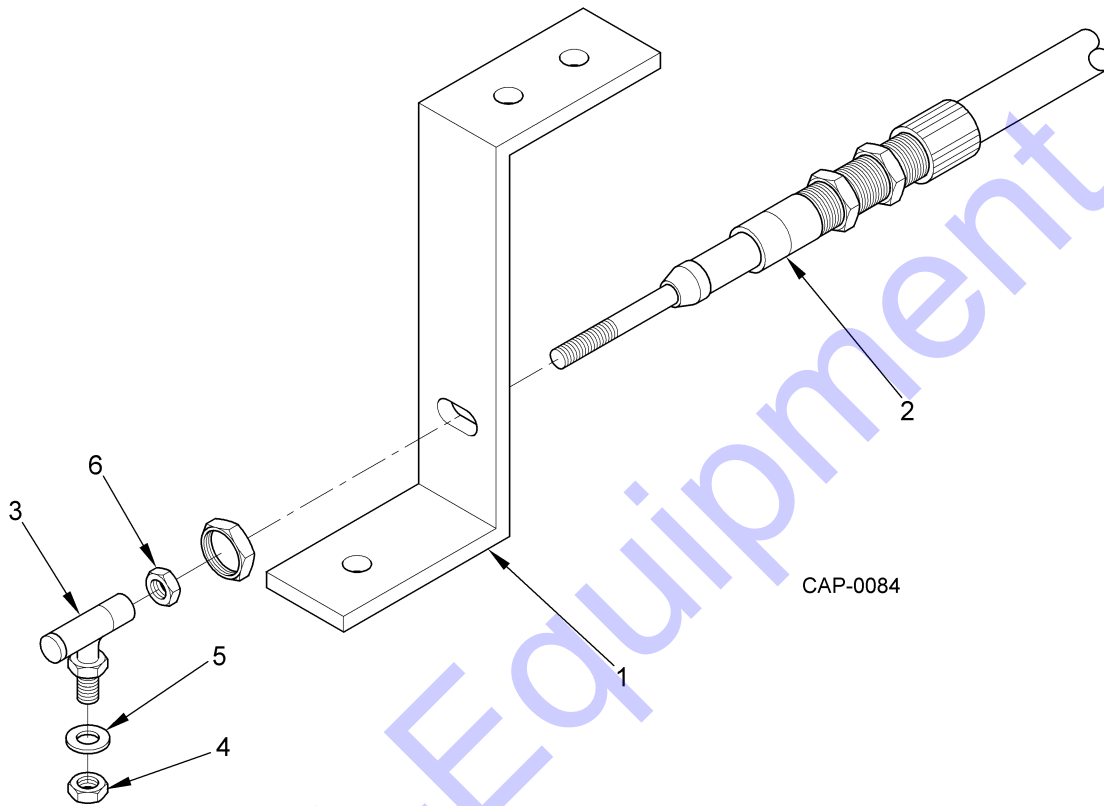
Parts List for Figure 8-6

Item	Part Number	Description	Qty	Notes
The following items are serial number specific Contact CSR 1-800-458-3238				
	298778	Kit, Engine Compartment Door		
1	299446	Door Panel Str.	2	
2	299479	Hinge, Str. R. H.	2	
3	299487	Hinge, Str. L. H.	2	
4	271452	Latch Door	2	
5	236125	Wedge, Latch	2	
6	067025	Pin, Snapper	2	
7	010322	Capscrew, 5/16-18NC x .75	8	
8	010553	Hex Nut, 5/16-18NC	8	
9	010629	Capscrew, 3/8-16NC x 1	4	
10	011015	Hex Nut, 3/8-16NC	4	
11	011023	Lock Washer, 3/8	4	
12	011031	Flat Washer, 3/8	4	
	299450	Kit, Engine Compartment Door		
1	010322	Hex Bolt, .31-18	20	
2	010579	Flat Washer, .31	24	
3	093799	Hex Nut, Nyloc, .31-18	4	
4	299464	Weldment, Engine Compartment Door Hinge	2	
5	299465	Weldment, Engine Compartment Door Hinge	2	
6	299458	Door, Engine L. H.	1	
7	299459	Door, Engine R. H.	1	
	299460	Kit, Engine Compartment Door		
1	010322	Hex Bolt, .31-18	20	
2	010579	Flat Washer, .31	24	

Parts List for Figure 8-6 (Cont.)

Item	Part Number	Description	Qty	Notes
3	093799	Hex Nut, Nyloc, .31-18	4	
4	299464	Weldment, Engine Compartment Door Hinge	2	
5	299465	Weldment, Engine Compartment Door Hinge	2	
6	299454	Door, Engine L. H.	1	
7	299456	Door, Engine R. H.	1	
8	299455	Panel, Engine Compartment Door	2	
9	299457	Retainer, Engine Compartment	2	
10	067025	Pin, Snapper (Lock), 3/8 x 2.25	2	

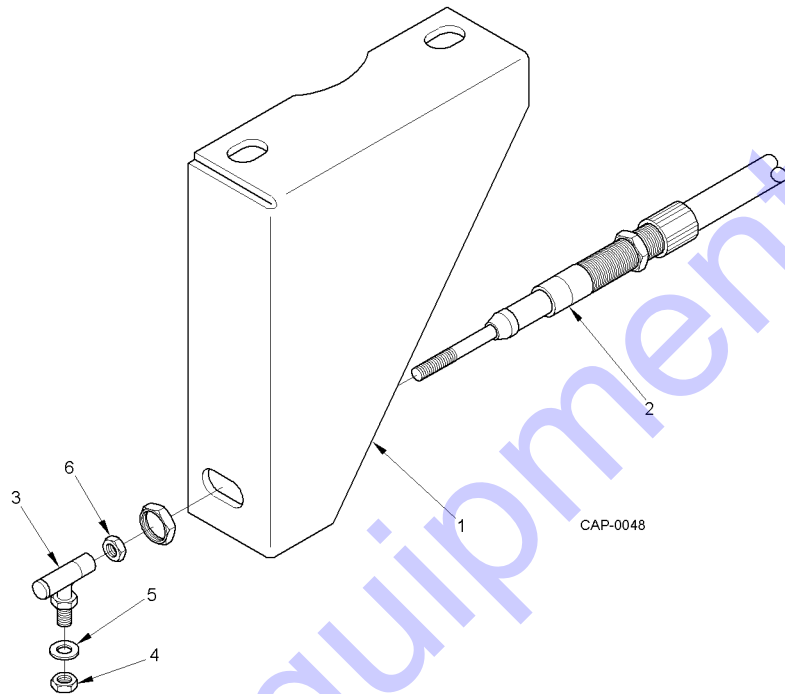
Figure 8-7 Throttle Cable and Mount Assembly (Kubota)



Parts List for Figure 8-7

Item	Part Number	Description	Qty	Notes
Throttle Cable and Mount Assembly				
1	387199	Mount, Cable	1	
2	469171	Cable, Throttle 118" Long	1	
3	077461	Joint, Ball	1	
4	063511	Hex Nut, 1/4-28NF	1	
5	010280	Lockwasher, 1/4	1	
6	035220	Hex Nut, 10-32	1	

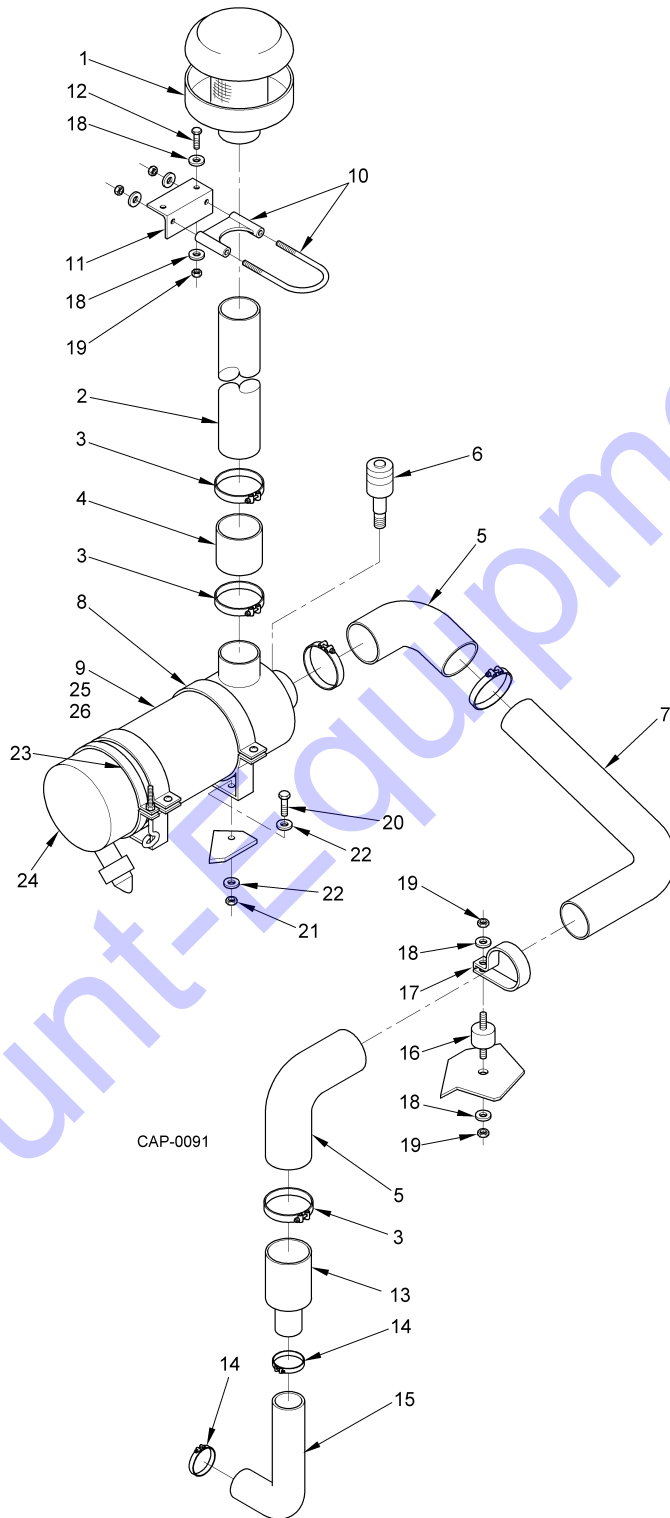
Figure 8-8 Throttle Cable and Mount Assembly (Cummins)



Parts List for Figure 8-8

Item	Part Number	Description	Qty	Notes
Throttle Cable and Mount Assembly				
1	460684	Mount, Cable	1	
2	469171	Cable, Throttle 118" Long	1	
3	077461	Joint, Ball	1	
4	063511	Hex Nut, 1/4-28NF	1	
5	010280	Lockwasher, 1/4	1	
6	035220	Hex Nut, 10-32	1	

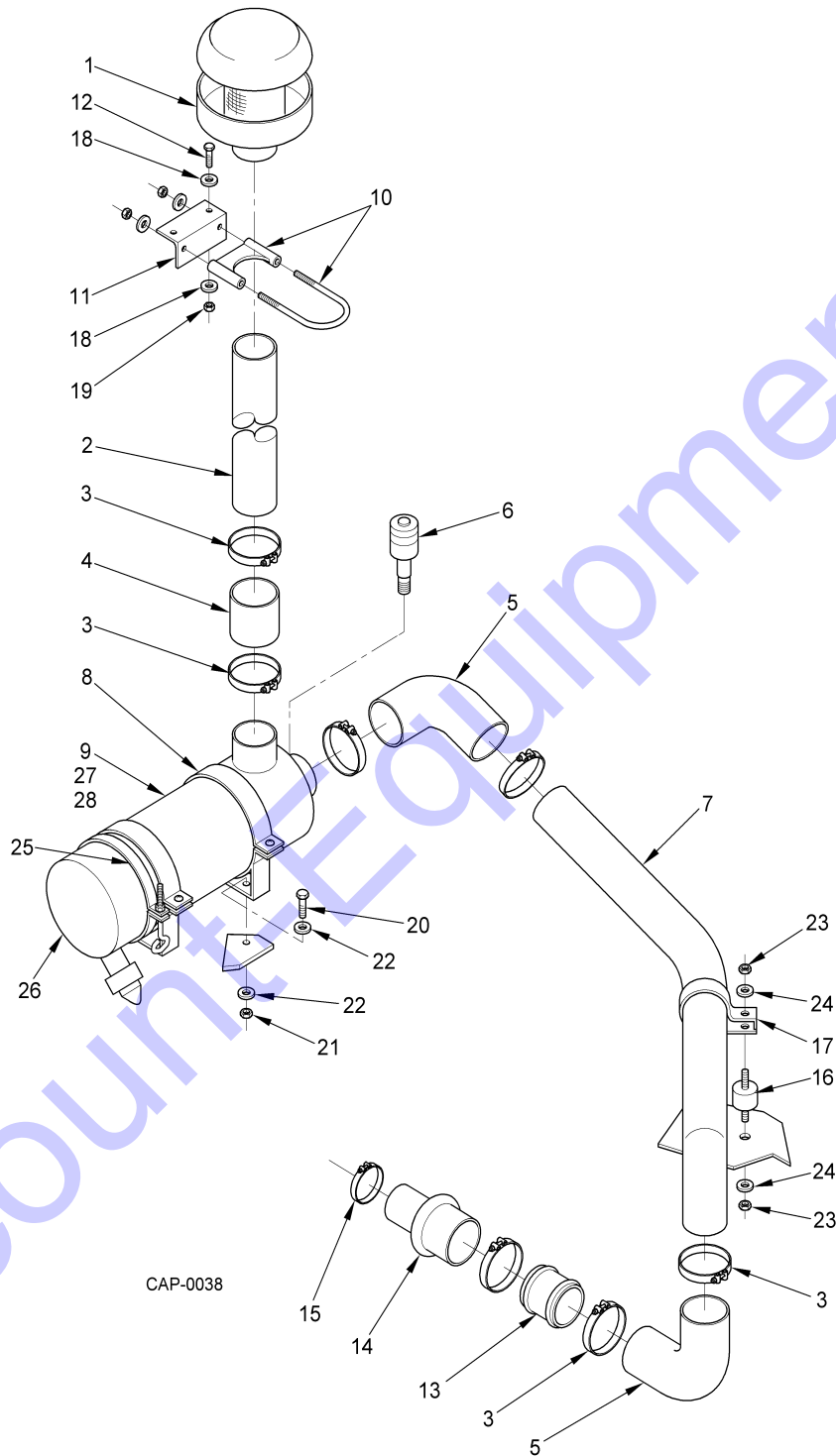
Figure 8-9 Air Cleaner Assembly (Kubota)



Parts List for Figure 8-9

Item	Part Number	Description	Qty	Notes
Air Cleaner Assembly				
1	070383	Pre-Cleaner Assembly	1	
2	298570	Tube, Air Intake	1	
3	413161	Clamp, IRMT HD Band Style	7	
4	257295	Hose, 3" ID X 3"	1	
5	079780	Hose, 90° Elbow	2	
6	477694	Indicator, Service	1	
7	387187	Air Intake, 3" OD Formed	1	
8	047738	Clamp, Air Cleaner Mount	2	
9	477695	Dry Air Cleaner Assembly	1	
10	077073	Clamp, 3" OD	1	
11	274472	Mount, Intake	1	
12	441600	Capscrew, 5/16-18 X 1	2	
13	387190	Adapter, Air Intake 1-3/4 x 3.00	1	
14	470826	Clamp, 2" T-Bolt	2	
15	387193	Elbow, 1-3/4" I.D. x 90°	1	
16	460676	Bolt, Rubber Insulator	1	
17	460687	Clamp, 3" Exhaust	1	
18	011323	Washer, Flat 3/8"	4	
19	083493	Nut, Lock 3/8"	2	
20	010033	Bolt, 1/4-20 X 3/4	4	
21	036392	Lock Nut, 1/4-20	4	
22	010298	Washer, Flat 1/4"	8	
23	477699	Clamp, Filter Housing	1	
24	477701	Cover	1	
25	477697	Primary Filter	1	
26	477698	Safety Filter	1	

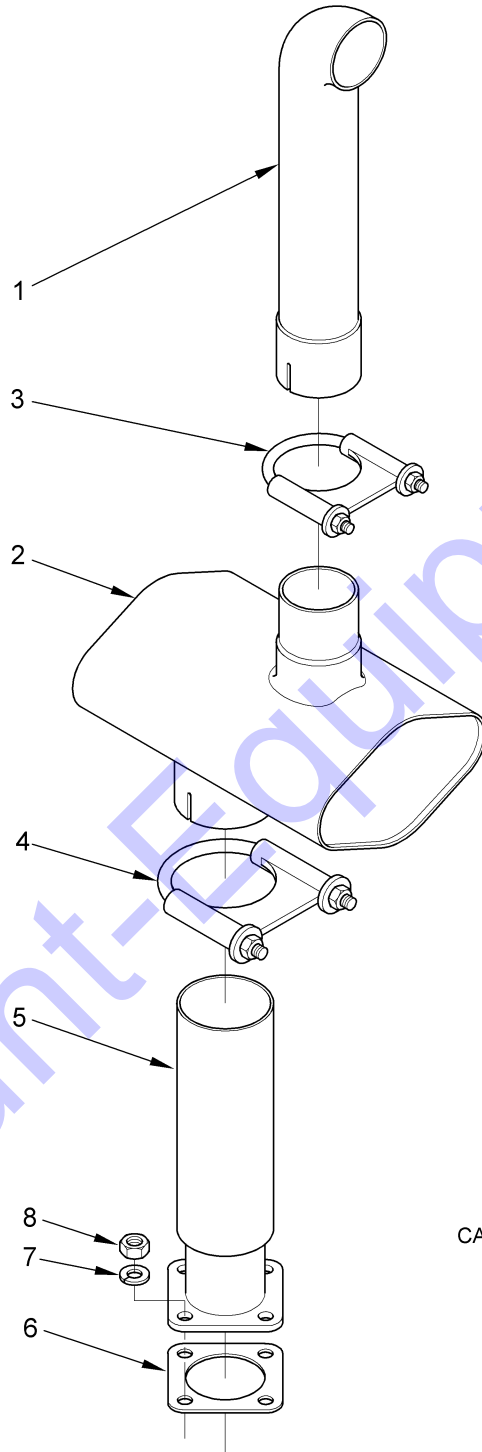
Figure 8-10 Air Cleaner Assembly (Cummins)



Parts List for Figure 8-10

Item	Part Number	Description	Qty	Notes
Air Cleaner Assembly				
1	081067	Pre-Cleaner Assembly	1	
2	298570	Tube, Air Intake	1	
3	413161	Clamp, IRMT HD Band Style	7	
4	257295	Hose, 3" ID X 3"	1	
5	079780	Hose, 90° Elbow	2	
6	477694	Indicator, Service	1	
7	460670	Air Intake, 3" OD Formed	1	
8	047738	Clamp, Air Cleaner Mount	2	
9	477695	Dry Air Cleaner Assembly	1	
10	077073	Clamp, 3" OD	1	
11	274472	Mount, Intake	1	
12	441600	Capscrew, 5/16-18 X 1	2	
13	460671	Tube, Intake, 3" OD X 3 1/2" Long	1	
14	460667	Hose, 2 X 2 3/8" Hump	1	
15	449769	Clamp 2 1/2"	1	
16	460676	Bolt, Rubber Insulator	1	
17	460687	Clamp, 3" Exhaust	1	
18	011322	Washer, Flat 5/16"	4	
19	083493	Nut, Lock 5/16"	2	
20	010033	Bolt, 1/4-20 X 3/4	4	
21	036392	Lock Nut, 1/4-20	4	
22	010298	Washer, Flat 1/4"	8	
23	441477	Nut, Lock 3/8"	2	
24	011323	Washer, Flat 3/8"	2	
25	477699	Clamp, Filter Housing	1	
26	477701	Cover	1	
27	477697	Primary Filter	1	
28	477698	Safety Filter	1	

Figure 8-11 Exhaust System (Kubota)

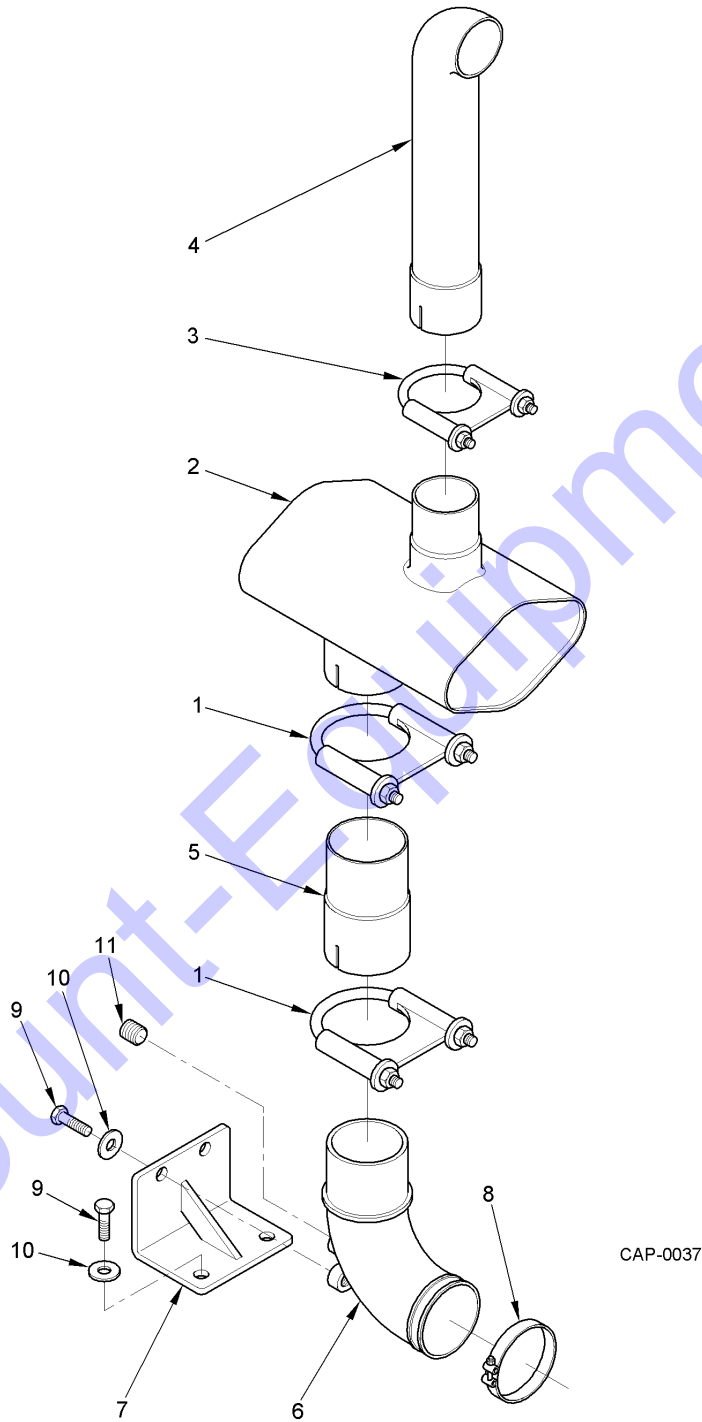


CAP-0089

Parts List for Figure 8-11

Item	Part Number	Description	Qty	Notes
	387105	Exhaust System		
1	342197	Tail Pipe	1	
2	444224	Muffler, Horizontal	1	
3	038828	Clamp, 2.5" Exhaust	1	
4	077073	Clamp, 3" Exhaust	2	
5	387086	Connector, Exhaust	1	
6	478019	Gasket, Exhaust	1	
7	011023	Lock Washer, 3/8	4	
8	478029	Nut, Plated, M10-1.25	4	

Figure 8-12 Exhaust System (Cummins)

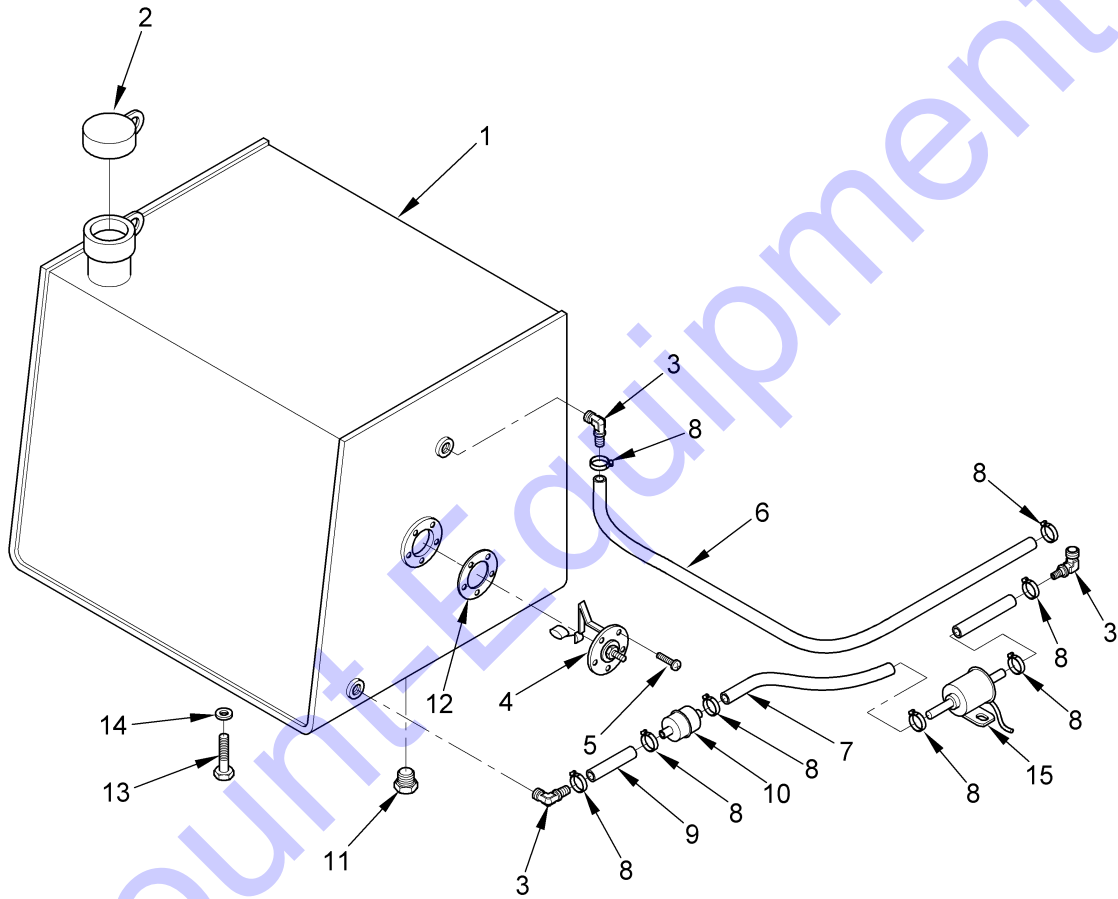


CAP-0037

Parts List for Figure 8-12

Item	Part Number	Description	Qty	Notes
	460655	Exhaust System		
1	077073	Clamp, 3" Exhaust	2	
2	444224	Muffler, Horizontal	1	
3	038828	Clamp, 2.5" Exhaust	1	
4	342197	Tail Pipe	1	
5	342194	Connector, Exhaust	1	
6	460656	Elbow, Cast Exhaust	1	
7	460657	Bracket, Exhaust Elbow Support	1	
8	460666	V-Clamp, 3" Exhaust	1	
9	401620	Bolt, M10-1.5 Gr8 X 25mm	4	
10	011031	Washer, Flat 3/8	4	
11	071357	Pipe Plug, 0.25	1	

Figure 8-13 Fuel System (Kubota)

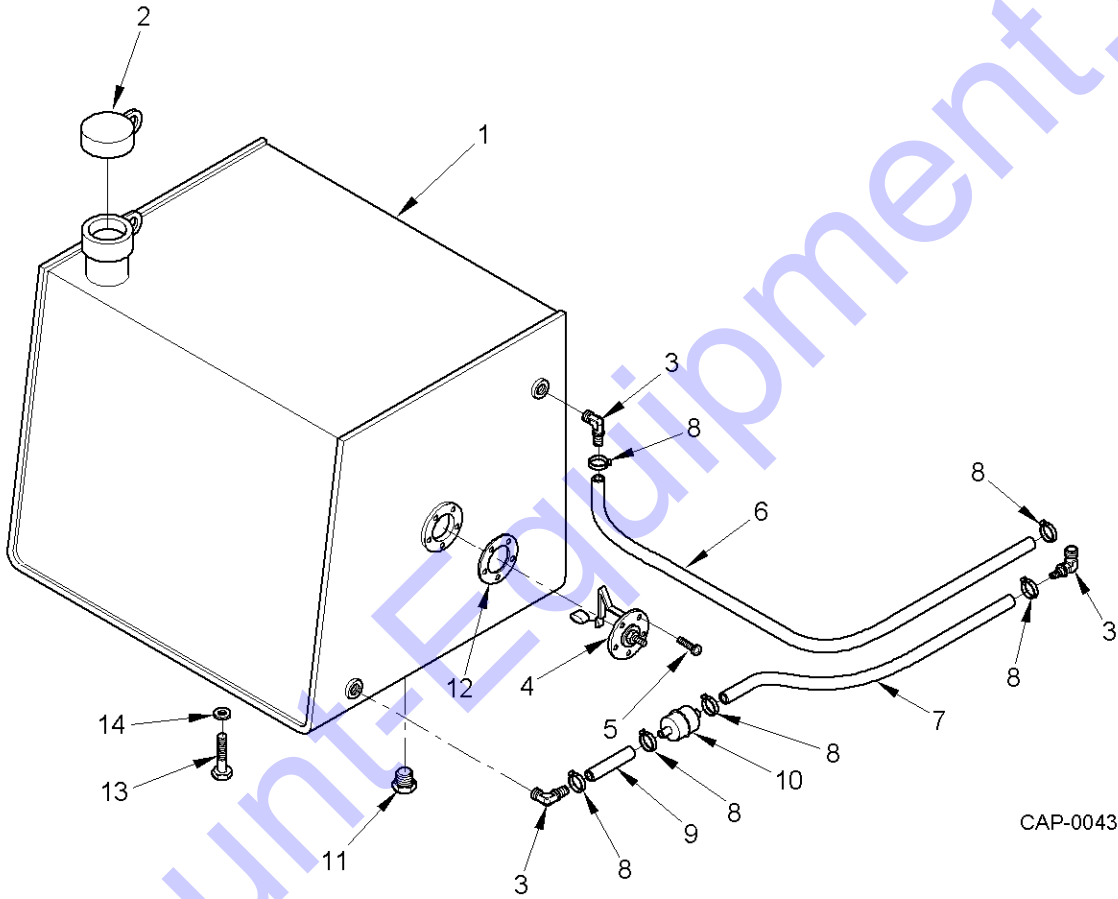


CAP-0090

Parts List for Figure 8-13

Item	Part Number	Description	Qty	Notes
Fuel System				
1	387040	Fuel Tank 30 Gallon Capacity (Includes Items 2, 4, 5, 6, 13)	1	
2	439182	Cap w/Locking Tab (Large Neck)	1	
3	081836	Fitting, 90° 1/4-NPT	2	
4	462176	Sender, Fuel	1	
5	031852	Screw, Slotted with Rubber Washer	5	
6	068544	Hose, 5/16 ID x 40.00"	1	
7	068544	Hose, 5/16 ID x 36.00"	1	
8	031914	Clamp, Fuel Line	8	
9	068544	Hose, 5/16 ID x 4"	1	
10	436212	Filter, Fuel, In-line	1	
11	040691	Plug, 3/4-NPT countersunk	1	
12	031864	Gasket, Fuel Sender	1	
13	441667	Bolt, 3/8-16NC x 1.00" (Use Loctite)	1	
14	460360	Lockwasher, 1/4" Thk.	3	
15	478057	Fuel Pump, Electric	1	
16	441659	Bolt, 3/8-16NC X 3/4"	3	Not Shown
17	011323	Flat Washer, 3/8	3	Not Shown

Figure 8-14 Fuel System (Cummins)



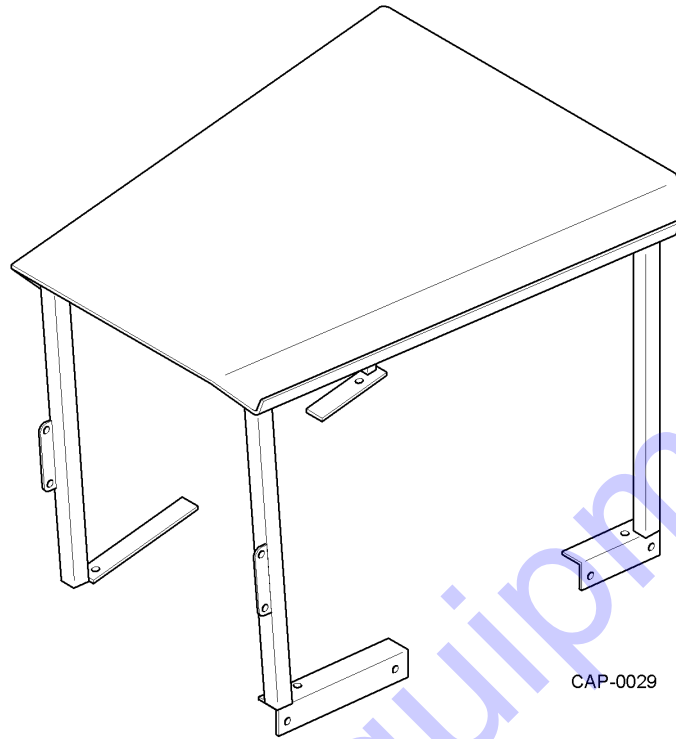
Parts List for Figure 8-14

Item	Part Number	Description	Qty	Notes
Fuel System				
1	434274	Fuel Tank 20 Gallon Capacity (Includes Items 2, 4, 5, 6, 13)	1	
2	439182	Cap w/Locking Tab (Large Neck)	1	
3	081836	Fitting, 90° 1/4-NPT	2	
4	462176	Sender, Fuel	1	
5	031852	Screw, Slotted with Rubber Washer	5	
6	068544	Hose, 5/16 ID x 40.00"	1	
7	068544	Hose, 5/16 ID x 36.00"	1	
8	031914	Clamp, Fuel Line	6	
9	068544	Hose, 5/16 ID x 4"	1	
10	436212	Filter, Fuel, In-line	1	
11	040691	Plug, 3/4-NPT countersunk	1	
12	031864	Gasket, Fuel Sender	1	
13	441667	Bolt, 3/8-16NC x 1.00" (Use Loctite)	1	
14	460360	Lockwasher, 1/4" Thk.	3	
15	441659	Bolt, 3/8-16NC X 3/4"	3	Not Shown
16	011323	Flat Washer, 3/8	3	Not Shown

Section 9. Optional Items

9-1	Complete ROPS Assembly	9-2
9-2	Vista Cab Assembly	9-3
9-3	Vista Cab Assembly Windows	9-5
9-4	Vista Cab Door Assembly	9-7
9-5	Vista Cab Windshield Wiper/Washer	9-10
9-6	Vista Cab AC/Heater Assembly	9-12
9-7	Vista Cab AC/Heater Breakdown	9-14
9-8	A/C Plumbing	9-16
9-9	Single-Door Cab Assembly	9-17
9-10	Two-Door Cab Assembly	9-21
9-11	Optional Grader Blade Assembly	9-25
9-12	Optional Turn Signal Switch Kit Not Illustrated	9-26

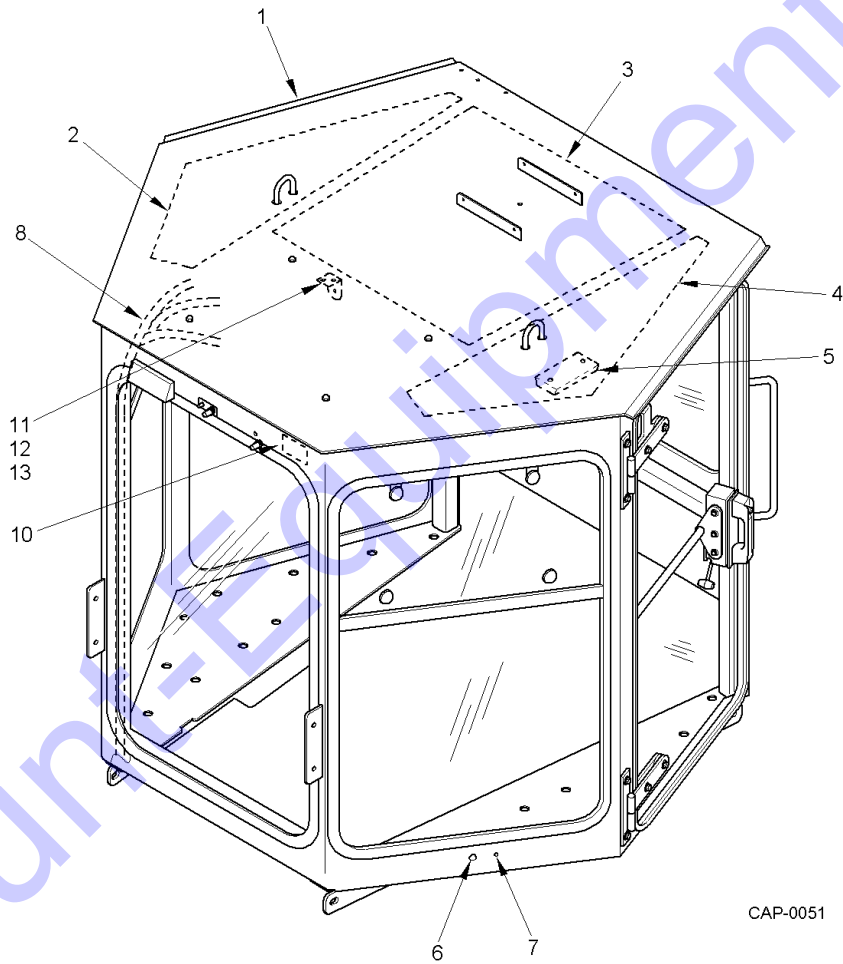
Figure 9-1 Complete ROPS Assembly



Parts List for Figure 9-1

Item	Part Number	Description	Qty	Notes
	281584	Complete ROPS Assembly W/Canopy		

Figure 9-2 Vista Cab Assembly



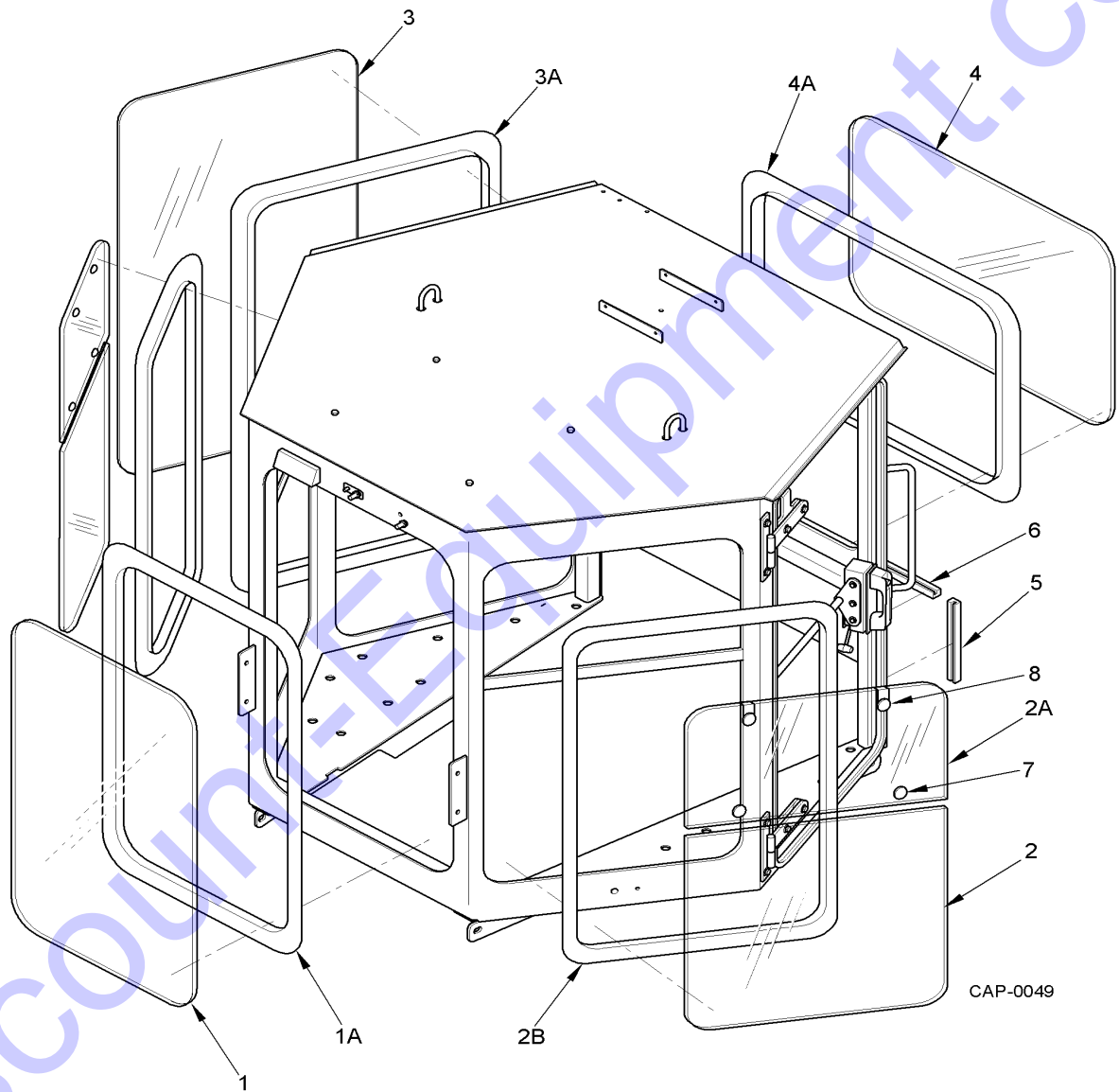
CAP-0051

SweepMaster 250 Parts Manual
Section 9. Optional Items

Parts List for Figure 9-2

Item	Part Number	Description	Qty	Notes
		Cab #3052		Not Shown; Cab #3051 (A/C Heater Under Seat)
1		Cab Weldment	1	
2	477889	Headliner, Right Hand Side	1	
3	477891	Headliner, Center	1	
4	477890	Headliner, Left Hand Side	1	
5		Dome Light Wiring Assembly	1	
6		Hole Plug, Plastic 5/8" Dia.	3	
7		Hole Plug, Plastic 5/16" Dia.	3	
8		Main wiring Harness	1	
9		Nylon Cable Tie - 6" Black	6	Not Shown
10		Serial Number Tag	1	
11		Interior Mirror Bracket	1	
12		Bolt, 1/4-20 x .75 Hex Hd.	2	
13		Flat Washer, Plain 1/4	2	
	477075	Right-Hand Door	1	Not Shown

Figure 9-3 Vista Cab Assembly Windows

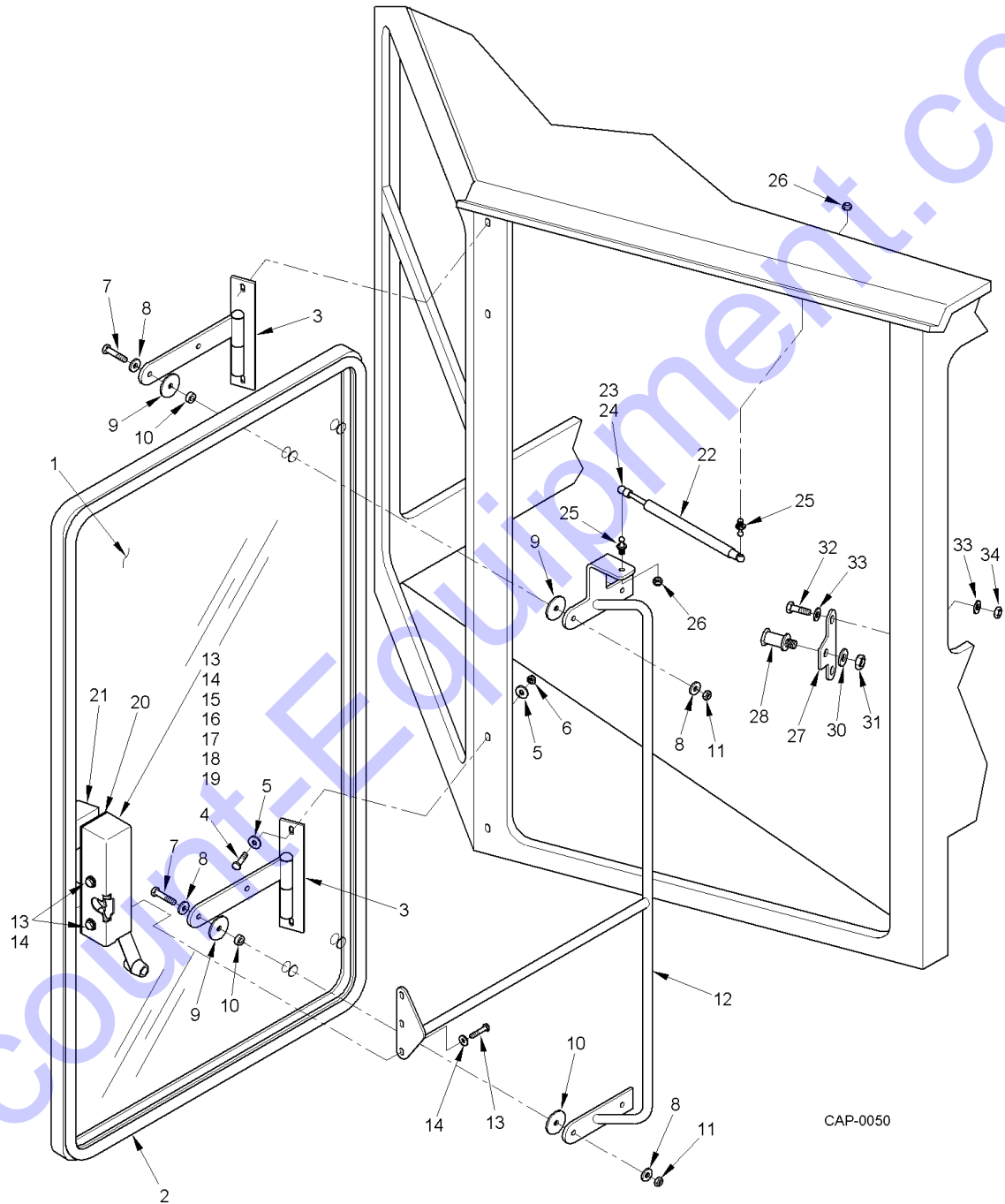


SweepMaster 250 Parts Manual
Section 9. Optional Items

Parts List for Figure 9-3

Item	Part Number	Description	Qty	Notes
1	385758	Glass, Front Window	1	
1A	476951	Front/Front Side Glass Rubber 1/8 Offset	1	170"
2	385794	Glass, Stationary	2	
2A	385792	Glass, Tip Out	2	
2B	476951	Stationary/Tip Out Glass Rubber 1/8 Offset	2	170" Note:
3	474795	Glass, Right Side	1	
3A	476954	Right Side Glass Rubber 1/8 Offset	1	170"
4	385759	Glass, Rear Window	1	
4A	477850	Rear Window Glass Rubber 1/8 Offset	1	170"
5	447910	Side Bulb Seal Door Edge Rubber Seal	1	43"
6	447909	Seal Kit Rubber 1/2 x 1-1/2	2	11" Each
7	385793	Latch Assembly, Tip Out Glass	4	
8	385791	Window Hinge Assembly, Tip Out Glass	4	
	447996	Window Assembly, Tip Out	1	Includes frame with top and bottom glass; does not include rubber seal (item 2B)

Figure 9-4 Vista Cab Door Assembly



SweepMaster 250 Parts Manual
Section 9. Optional Items

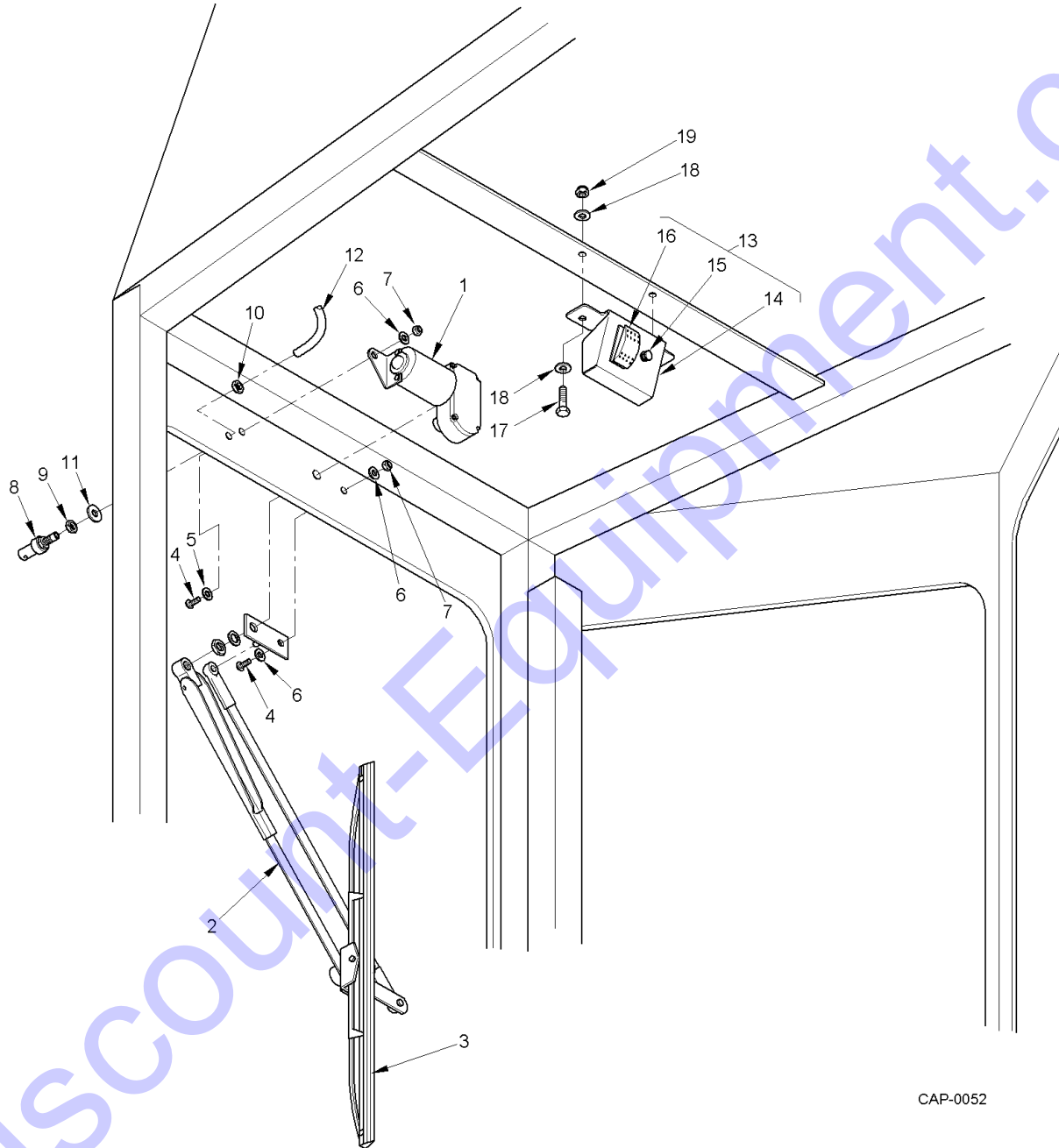
Parts List for Figure 9-4

Item	Part Number	Description	Qty	Notes
	385750	Door Assembly, Left Hand	1	
	477075	Door Assembly, Right Hand (Optional)		
	385541	* Hinges, Right Hand Door, (Upper and lower)	1	
1	385752	Door Glass, LH	1	
	385985	* Seal, Door Glass (Required to hold glass)	1	168.00
2	385746	Seal, Side Bulb, 1/4 Material		161.00
3	385768	Weldment, Door Hinge, Left Hand (Upper and lower)	2	
4		Bolt, Hex Hd 3/8-16 x 1-1/4" Long	4	
5		Flat Washer Std 3/8"	8	
6		Lock Nut, Nylon Insert 3/8-16 GRS Zinc	4	
7		HHCS 3/8-16 x 1 GRS Zinc	4	
8		Washer, Flat, Std 3/8	8	
9	385754	Washer, Door Hinge	8	
10	385753	Spacer, Door Hinge	4	
11		Lock Nut - Nylon Insert 3/8-16 GR5 Zinc	4	
12	385745	Weldment, Door Grab Handle, Left Hand	1	
13		Bolt, Hex Head 1/4-20 x 1"	6	
14	385763	Flat Washer, Plain 1/4	8	
15		Weldment, Door Latch, Left Hand	1	
16	385762	Spacer, Door Handle	3	
17	385764	HHCS M6 X 25MM GRB Zinc	3	
18	385766	Latch - Left Hand	1	
19	385767	Latch Cover	1	
20	385761	Gasket, Door Latch	1	
21	385760	Handle, Door - Outside (Std)	1	
22	385751	Gas Spring 30lb.	1	Recommended: Replace Items 23, 24, and 25

Parts List for Figure 9-4 (Cont.)

Item	Part Number	Description	Qty	Notes
23	385772	Metal Ball Socket	2	
24	385774	Safety Clip	2	
25	385769	Ball Stud	2	
26		Lock Nut, Nylon Insert, 5/16-18	2	
27		Striker Bolt Plate	1	
28		Striker Bolt	1	
29	385803	Key, Vista Cab Handle (SM250 and HC)		Not Shown
30		Washer, 1/2 Nom. Zinc	1	
31		Hex Nut, 7/16-14	1	
32		Bolt, Hex Head 1/4-20 x 1" Long	2	
33		Flatwasher, Plain 1/4	4	
34		Lock Nut, Nylon Insert, 1/4-20	2	

Figure 9-5 Vista Cab Windshield Wiper/Washer

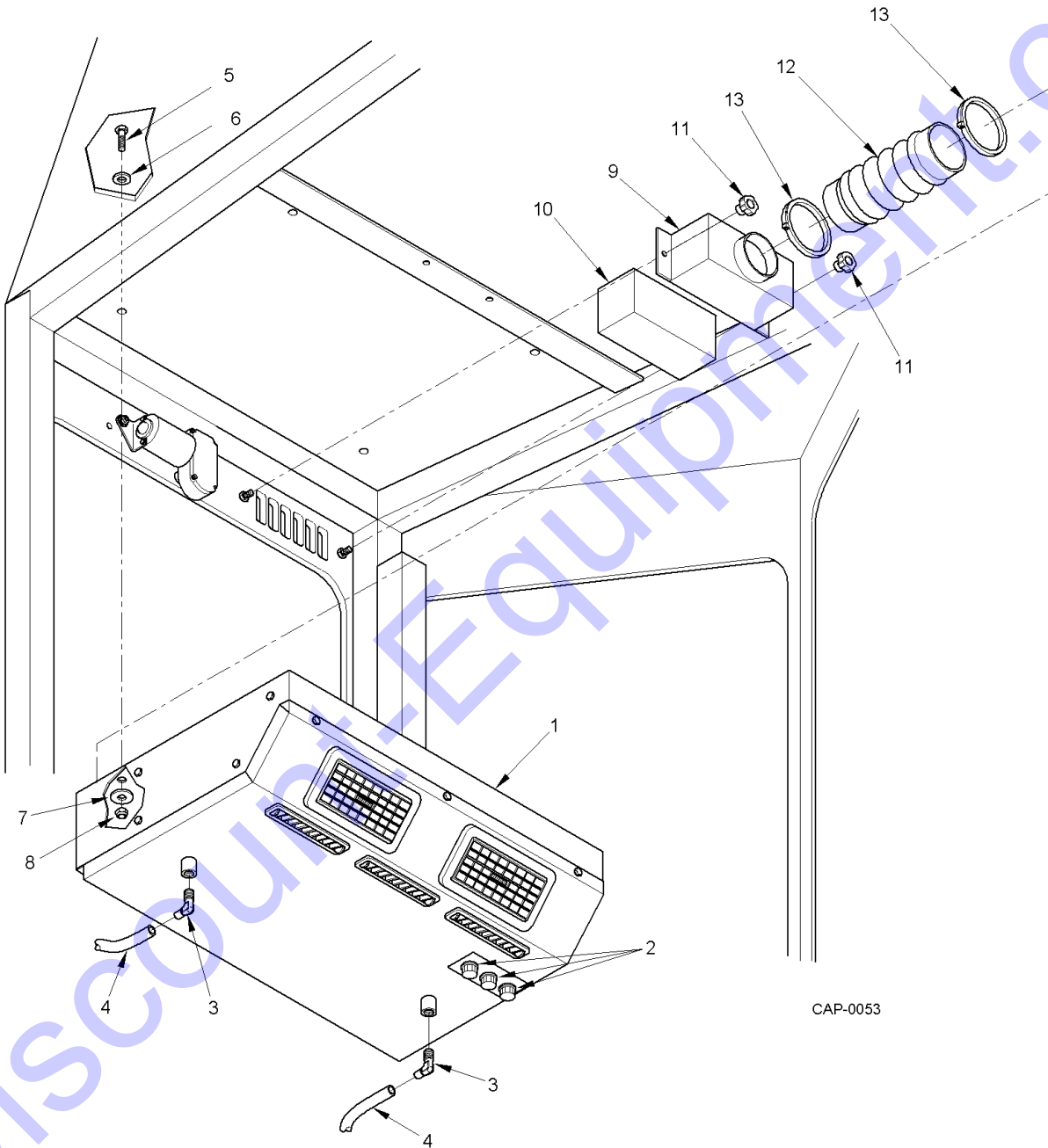


CAP-0052

Parts List for Figure 9-5

Item	Part Number	Description	Qty	Notes
1	385851	WWF Wiper Motor - W/O Switch	1	
2	385852	WWJ Pantograph Wiper Arm 16"	1	
3	385853	Wiper Blade, Heavy Duty 18"	1	
4		Bolt #10-24 x 3/4" Long	2	
5	385802	Flat Washer, Sealing #12	1	
6		Flat Washer - 3/16" or #10	2	
7		Lock Nut #10-24	2	
8	385854	Washer Kit 12V	1	
9		Hex Bushing - Brass 3/8" MPT x 1/4 FPT	1	
10	385858	Hex Seal Nut 3/8" NPT	1	
11	385855	Bonded Sealing Washer	1	
12		Washer Hose - 3/16" ID		
13		Switch Assembly, Single Wiper/Washer	1	
14	444555	Switch Bracket, Wiper Washer	1	
15	444556	Electrical Switch, Push Button	1	
16	444557	Switch, Wiper	1	
17		Bolt, Hex Hd - 1/4-20 x .75	2	
18		Flat Washer, Plain - 1/4	4	
19		Lock Nut, Nylon Insert - 1/4-20	2	

Figure 9-6 Vista Cab AC/Heater Assembly

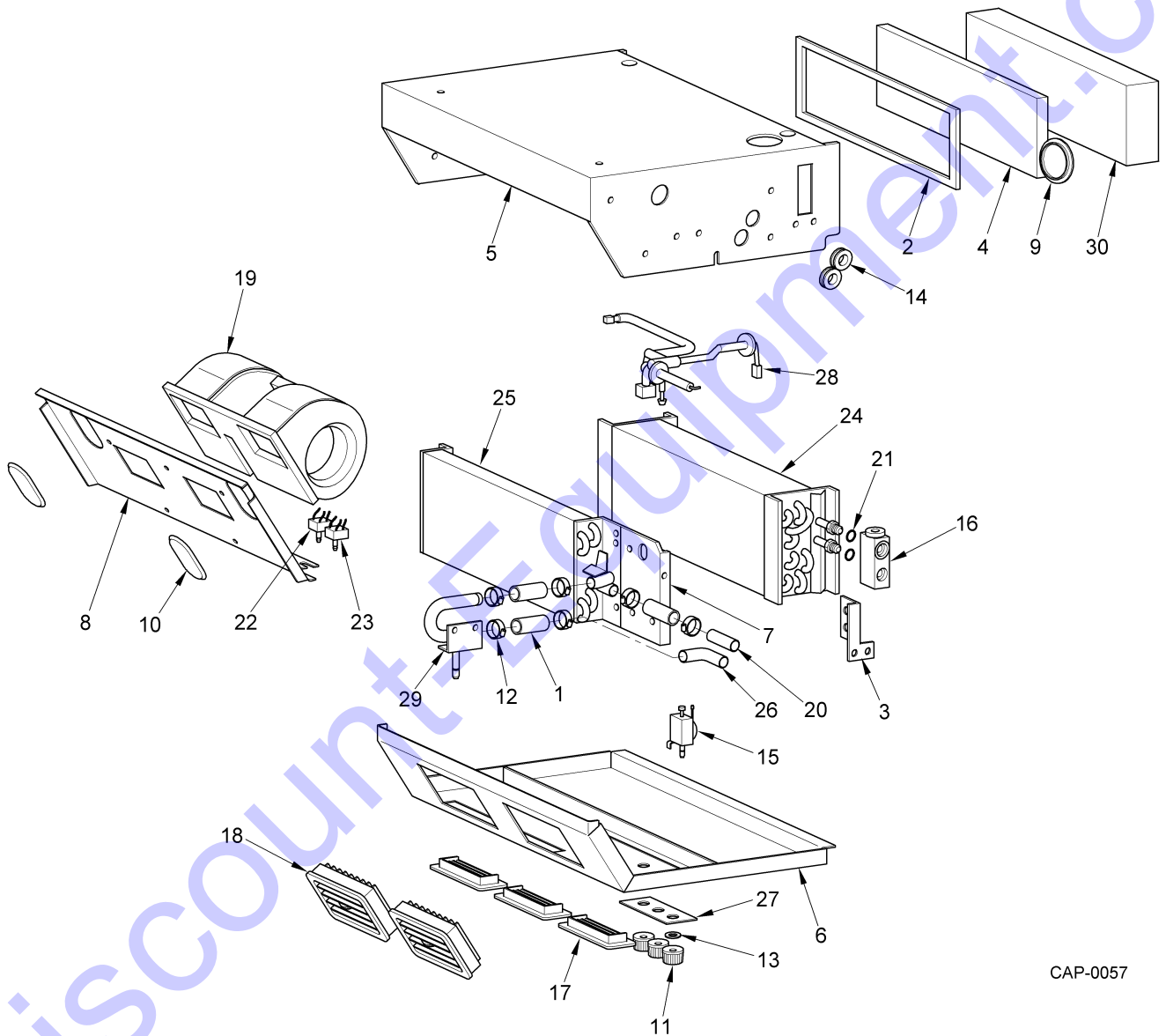


CAP-0053

Parts List for Figure 9-6

Item	Part Number	Description	Qty	Notes
1	477847	AC/Heater Kit	1	See Figure 9-7 for breakdown.
2	477740	Knob - Pointer, Push On 1/4"	3	
3	477737	Fitting - Drain, Plastic 90 Deg. 1/4NPT Male x 1/2" Barb	2	
4	477747	Hose - Drain 1/2" ID x 5/8 OD Clear Plastic	2	96" Per Hose
5		Bolt, Hex Hd - 3/8-16 x 1-1/4" Long	4	
6	385802	Bonded Sealing Washer 3/8"	4	
7		Flat Washer Std 3/8"	4	
8		Lock Nut - Nylon Insert 3/8-16 GR5 Zinc	4	
9	477743	Filter Box Weldment - Fresh Air Housing	1	
10	385972	Foam Filter - Framed 6.5 x 2.75 x 0.5	1	
11	477843	Knob - Female M6	2	
12	477745	Hose - Flex Duct 2-1/2" ID	1	
13	477842	Clamp - Snapper 2-1/2" Dia.	2	
14	477749	Coil, Heat 1.25 x 6 x 19.00	1	Not Shown
15	477750	Water Valve - Shortened Stem	1	Not Shown
16	477738	Straight Drain Plastic Fitting	2	Not Shown

Figure 9-7 Vista Cab AC/Heater Breakdown

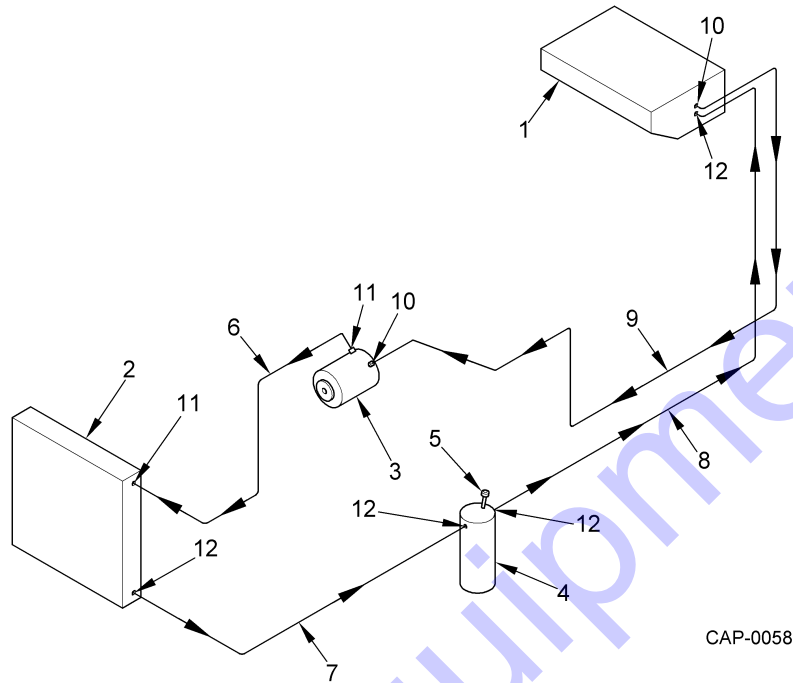


CAP-0057

Parts List for Figure 9-7

Item	Part Number	Description	Qty	Notes
1		Heater Hose, 5/8' ID		
2		Filter Fastener		
3		Bracket, Expansion Valve		
4	385973	Foam Filter, Recirculation	1	
5		Housing	1	
6		Cover	1	
7		Bracket, Heater Coil	1	
8		Bracket, Blower Mount	1	
9		Hole Plug, 2-1/2"		
10		Hole Plug, 3"		
11	430214	Controls Knob	3	
12		Hose Clamp, 5/8"		
13		Grommet, 3/8"		
14		Grommet, 1"		
15	430215	Thermostat Pre-Set Switch	1	
16	430213	Expansion Valve		Cab # 3052
17	430212	Louver, Small	3	
18		Louver, Large	2	
19	430211	Blower, 12V	1	
20		Hard Plumbing, Str.		
21		O-Ring, #8, HNBR		
22	430217	Blower Switch	1	
23	430218	A/C On-Off Switch	1	
24	430210	Evaporator Coil	1	
25		Heater Coil	1	
26		Hard Plumbing, 90°		
27		Controls Decal	1	
28		Wire Harness	1	
29	430216	Heater Valve	1	
30	385972	Fresh Air Filter	1	

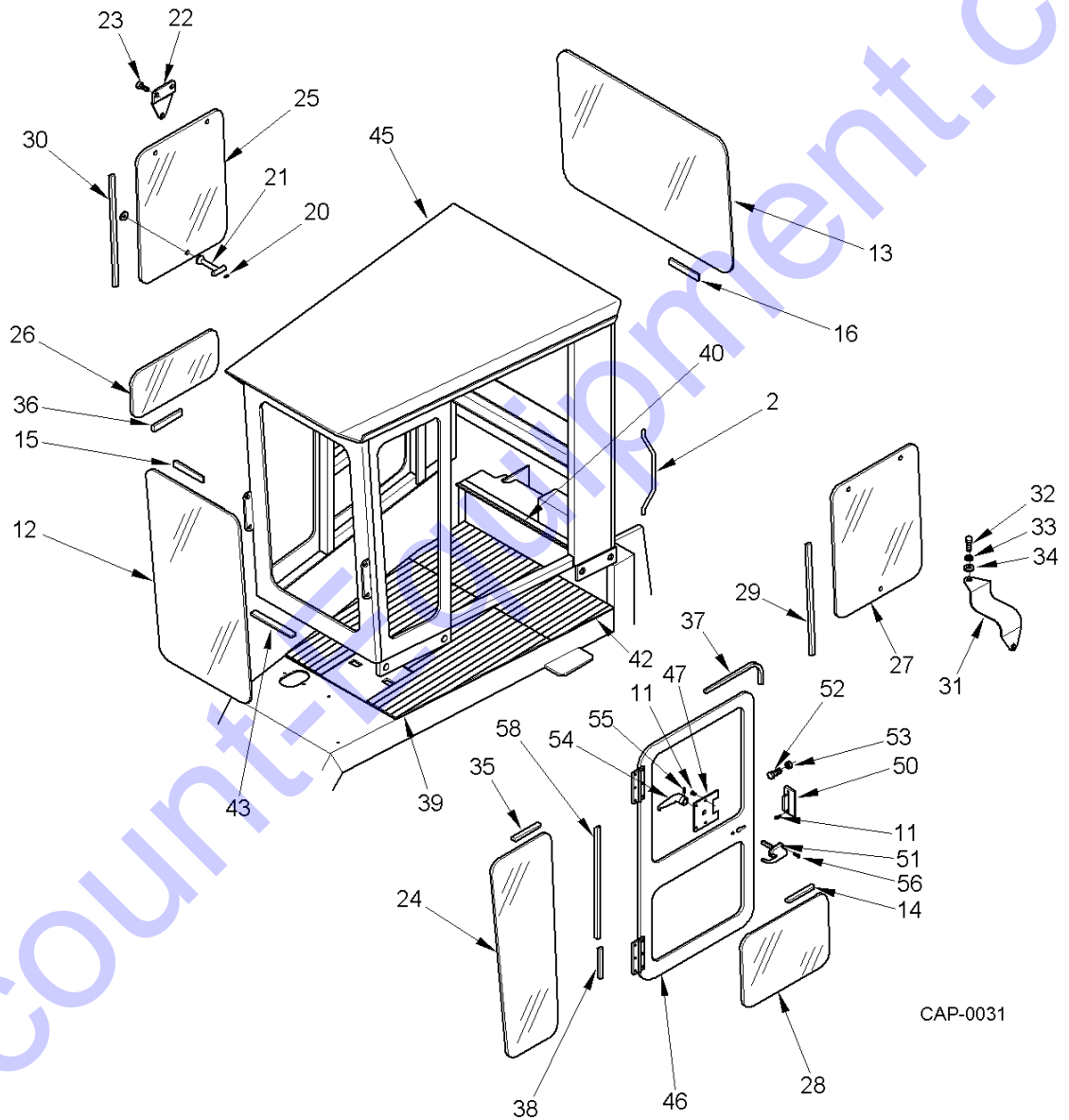
Figure 9-8 A/C Plumbing



Parts List for Figure 9-8

Item	Part Number	Description	Qty	Notes
1	385970	A/C Unit, Roof Mounted	1	
2	385980	Condenser Coil	1	
3	449835	A/C Compressor	1	
4	476947	Drier	1	
5	385979	Pressure Switch, System Hi/Lo	1	
6	477682	Hose Assembly, #8	1	
7	477681	Hose Assembly, #6	1	
8	477683	Hose Assembly, #6	1	
9	477684	Hose Assembly, #10	1	
10	385360	O-Ring, #10	2	
11	385961	O-Ring, #8	2	
12	385962	O-Ring, #6	4	

Figure 9-9 Single-Door Cab Assembly



CAP-0031

SweepMaster 250 Parts Manual
Section 9. Optional Items

Parts List for Figure 9-9

Item	Part Number	Description	Qty	Notes
	340240	Single-Door Cab Assembly		
1	V61018600	Screw, Hex Washer HD 1/4-20 x .50" Self Tap	7	Not Shown
2	V63008500	Handle	1	
3	V63084200	Adhesive, Scotch Super Weather	2	Not Shown
4	083485	Capscrew, 5/16-18NC x .75"	4	Not Shown
5	441600	Capscrew, 5/16-18NC x 1.00"	4	Not Shown
6	083493	Hex Nut, 5/16-18NC	2	Not Shown
7	441667	Capscrew, 3/8-16NC x 1.00"	1	Not Shown
8	440628	Hex Nut, #10-24NC	2	Not Shown
9	441527	Slot Fill Hd. #10-24NC x .75"	3	Not Shown
10	052233	Lock Nut, 3/8-16 Two Way	1	Not Shown
11	066977	Screw, 1/4-20NC x 1.00" Socket Hd. Button	8	
12	272112	Glass, Front Windshield	1	
13	272138	Glass, Rear Window	1	
14	272351	Weather Strip, Self-Sealing x 71.00"	1	
15	272377	Weather Strip, Self-Sealing x 145.00"	1	
16	272385	Weather Strip, Self-Sealing x 130.00"	1	
17	272419	Padding, Front Foam Headliner	1	Not Shown
18	272427	Padding, Rear Foam Headliner	1	Not Shown
19	272435	Padding, Rear Side Panel Foam	2	Not Shown
20	442277	Roll Pin, .188 Dia. x .625" L	2	
21	442251	Latch, Window w/Pin	2	
22	442269	Assy., Hinge	4	
23	442285	Bolt, 5/16-18NC x 1.25" Flat Hd. Socket	12	
24	273920	Glass, Front Side	2	
25	442293	Glass, Upper R.H. Side	2	
26	273946	Glass, Lower R.H. Side	1	
27	440115	Glass, Upper Door	2	

Parts List for Figure 9-9 (Cont.)

Item	Part Number	Description	Qty	Notes
28	273961	Glass, Lower Door	1	
29	341685	Trim Seal x 8 6.00"	1	
30	3417 35	Trim Seal x 94.00"	1	
31	442913	Strap, Door	1	
32	010058	Capscrew, 1/4-20NC x 1.00"	2	
33	010280	Lock Washer, 1/4	2	
34	010298	Flat Washer, 1/4	2	
35	274050	Weather Strip, Self-Sealing x 120.00"	2	
36	274068	Weather Strip, Self-Sealing x 85.00"	1	
37	274100	Trim Seal x 160.00"	1	
38	274118	Weather Stripping, .25 x 1.00" x 6.50"	2	
39	352229	Floormat, Cab Front	1	
40	341578	Trim Seal x 4 4.00"	1	
41	438762	Tape, Prestite 2" Wide	4	Not Shown
42	335323	Floormat, Cab Rear	1	
43	282061	Foam, Tape 9/16 x 1.00" x 52.00"	1	
44	282079	Gaska-Tape, 1/4 x 3/4 x 112.00"	1	Not Shown
45	341727	Cab Str., Sweepmaster Single Door	1	
46	340281	Door, L.H. Cab	1	
47	292417	Cover, Latch	1	
48	272484	Loom, .343 ID x 40.00" Black	2	Not Shown
49	417592	Sealant, Magic Seal	1	Not Shown
50	430108	Latch, Rotary Door R.H.	1	
51	430116	Handle, Door Outside	1	
52	430124	Bolt, Striker	1	
53	430132	Hex Nut, 7/16-14 Whiz-Loc Zink	1	
54	4 3014 0	Handle, Door Inside	1	
55	430157	Roll Pin, .156 x 7/8	1	

SweepMaster 250 Parts Manual
Section 9. Optional Items

Parts List for Figure 9-9 (Cont.)

Item	Part Number	Description	Qty	Notes
56	430173	Screw, Flathead 10-24NC x .75"	2	
57	432252	Decal, Emergency Window	2	Not Shown
58	270140	Trim, Flexible Steel Core	1	
59	369249	Spacer, Foot Pedal Control Valve	1	Not Shown
60	010074	Capscrew, 1/4-20 x 1.50" Hex Hd.	4	Not Shown

SweepMaster 250 Parts Manual
Section 9. Optional Items

Parts List for Figure 9-10

Item	Part Number	Description	Qty	Notes
	340257	Two-Door Cab Assembly		
1	V63008500	Handle, Hood	2	
2	V63084200	Adhesive, 3M 80 High Spray Can	0.5	Not Shown
3	083485	Capscrew, 5/16-18NC x .75" Pl.	8	Not Shown
4	441600	Capscrew, 5/16-18NC x 1.00" Pl.	10	Not Shown
5	083493	Nut, 5/16-18NC Hex Pl.	4	Not Shown
7	441667	Capscrew, 3/8-16NC x 1.00" Pl.	2	Not Shown
8	012039	Capscrew, 5/8-11NC x 1.50" Pl.	8	Not Shown
9	012054	Capscrew, 5/8-11NC x 2.00"	4	Not Shown
11	440628	Nut, #10-24NC Hex	4	Not Shown
12	052233	Nut, 3/8-16NC Two-Way Lock	2	Not Shown
13	066977	Capscrew, 1/4-20NC x 1.00" Socket Hd. Button	16	
14	272112	Glass, Front Windshield	1	
15	272138	Glass, Rear Window	1	
16	272351	Weatherstrip, Self-Seal x 71.00"	2	
17	272377	Weatherstrip, Self-Seal x 145.00"	1	
18	272385	Weatherstrip, Self-Seal x 130.00"	1	
19	272419	Padding, Front Foam Headliner	1	Not Shown
20	272427	Padding, Rear Foam Headliner	1	Not Shown
21	272435	Padding, Rear Side Panel Foam	2	Not Shown
22	273920	Glass, Front Side	2	
23	440115	Glass, Upper Door	2	
24	273961	Glass, Lower Door	2	
25	274050	Weatherstrip, Self-Seal x 123.00"	2	
26	274100	Seal, Trim x 160.00"	2	
27	274118	Weatherstrip, .25 x 1.00 x 6.50"	4	
28	352229	Floormat, Cab Front	1	
29	278499	Weatherstrip, .25 x 1.00 x 23.00"	4	Not Shown

Parts List for Figure 9-10 (Cont.)

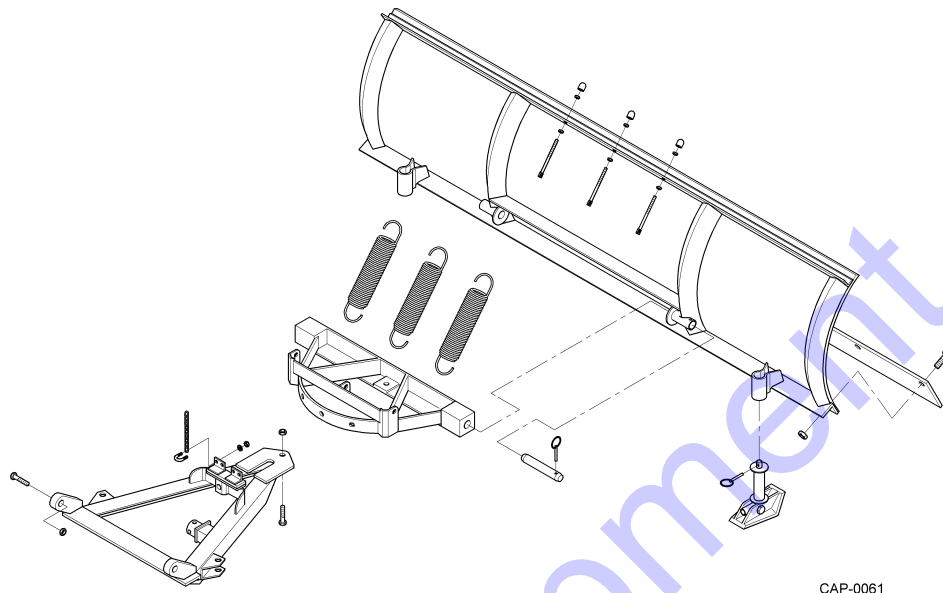
Item	Part Number	Description	Qty	Notes
30	282061	Tape, Foam .56 x 1.00 x 52.00"	1	
31	282079	Gaska-Tape, .25 x .75 x 112.00"	1	Not Shown
32	292318	Str., Cab Two Door	1	
33	340299	Door, R.H. Cab	1	
34	340281	Door, L.H. Cab	1	
35	292417	Cover, Latch	2	
36	417592	Sealant, Magic Seal	1	Not Shown
37	430090	Latch, Rotary Door L.H.	1	
38	430108	Latch, Rotary Door R.H.	1	
39	430116	Handle, Door (Outside)	2	
40	430140	Handle, Door (Inside)	2	
41	430124	Bolt, Striker 7/16-14NC	2	
42	430132	Nut, 7/16-14NC Whiz-Loc Zink Hex	2	
43	430157	Roll Pin, .156 x .87"	2	
44	430173	Capscrew, #10-24NC x .75" Socket Hd. Flat	4	
45	432252	Decal, Emergency Window	2	Not Shown
46	270140	Trim, Flexible Steel Core x 13.50"	2	
47	272484	Loom, Black .343 ID x 40.00"	2	Not Shown
48	341578	Trim, Seal x 44.00"	1	
49	442277	Roll Pin, .188 Dia. x .625"	2	
50	442251	Latch, Window w/Pin	2	
51	442269	Assy., Hinge w/Grommet and Bushing	4	
52	442285	Bolt, 5/16NC x 1.25" Socket Hd. Flat	12	
53	341685	Trim, Seal x 86.00"	2	
54	442913	Strap, Door Stop	2	
55	010058	Capscrew, 1/4-20NC x 1.00"	2	
56	010280	Lock Washer, 1/4	2	
57	010298	Flat Washer, 1/4	2	

SweepMaster 250 Parts Manual
Section 9. Optional Items

Parts List for Figure 9-10 (Cont.)

Item	Part Number	Description	Qty	Notes
58	335323	Floormat, Cab Rear	1	
59	438762	Tape, Prestite 2" Wide 30 Roll	6	Not Shown
60	409458	Tape, Auto Glass 1/4 Rd. Butyl	1	Not Shown
61	369249	Spacer, Foot Pedal Control Valve	1	Not Shown
62	010074	Capscrew, 1/4-20NC x 1.50" Hex Hd.	4	Not Shown

Figure 9-11 Optional Grader Blade Assembly



CAP-0061

Parts List for Figure 9-11

Item	Part Number	Description	Qty	Notes
1	381228	Assembly, Utility Blade W/Hydraulic Controls	1	
2	342964	Electric Blade Front Mount Assembly	1	
3	436857	Switch, Toggle, 3-Position Momentary	1	
4	443069	Valve, Solenoid	2	
5	432963	Cylinder, Lift, 3" x 6" Stroke	1	
6	033514	Seal Kit, Lift Cylinder	1	
7	093146	Kit Coupler, 9/16-18 SAE O-Ring	4	
8	418582	Cylinder, Angle, 1.50" x 10" Stroke	2	
9	466607	Seal Kit, Angle Cylinder	1	
10	352690	Wiring Harness, Blade Control	1	
11	476788	Steering W/Power Beyond Valve	1	
12	092882	Adapter, Str 6MSAE x 6MJIC	1	
13	412908	Blade, Cutting Edge, 90"	1	
For more information, call CSR - 800-458-3238				

Figure 9-12 Optional Turn Signal Switch Kit Not Illustrated

Parts List for Figure 9-12

Item	Part Number	Description	Qty	Notes
	V63115400	Kit, Turn Signal Switch		
1	036467	Terminal, #10 Ring 16-14GA INS	1	
2	068205	Terminal, Female Bullet 16-14G	5	
3	442228	Terminal Slide	3	
4	445536	Tube, Heat Shrink, .25 ID	1	
5	466045	Splice, 16-24GA Wire	1	.750 FT
6	466615	Holder, Inline Fuse, 14 AMP	1	
7	466698	Switch, Turn Signal	1	
8	V63121300	Flasher, Turn Signal	1	

Section 10. Engine Optional Items

10-1	Engine Warning System Not Illustrated.....	10-2
10-2	Engine Shut Down System Not Illustrated	10-3
10-3	Engine Pre-Heater Not Illustrated	10-3
10-4	Engine Cold Start Kit Not Illustrated	10-4
10-5	Nylon Fan Kit Not Illustrated.....	10-4
10-6	Fan Defroster Kit Not Illustrated.....	10-4

Figure 10-1 Engine Warning System
Not Illustrated

Parts List for Figure 10-1

Item	Part Number	Description	Qty	Notes
	271145	Engine Warning System		
1	042267	Coupling, 1/8-NPT	1	
2	082338	Switchgauge, Pressure	1	
3	082412	Adapter	1	
4	271882	Assy., Hose 1/4 ID x 120.00	1	
5	272187	Assy., Wiring Harness	1	
6	409318	Sonalert, Fast Pulse	1	
7	409326	Light, Warning	1	
8	409334	Switchgauge, Water Temperature	1	
9	414904	Adapter, 90° 1/8-NPT x 7/16-JIC	1	
10	295402	Instructions	1	

Figure 10-2 Engine Shut Down System Not Illustrated

Parts List for Figure 10-2

Item	Part Number	Description	Qty	Notes
	342055	Engine Warning System		
1	082404	Switch, Magnetic	1	
2	294041	Wire, 16 Ga. Orange/White x 24.00"	1	
3	409334	Switchgage, Water Temperature	1	
4	082388	Switchgage, Pressure	1	
5	042267	Coupling, 1/8-NPT 150# Black	1	
6	082412	Adapter	1	
7	271882	Assy., Hose 1/4 ID x 120.00"	1	
8	414904	Adapter, 90° 1/8-NPT x 7/16"	1	
9	046995	Connector, Splice 20-14 Ga.	1	
10	036467	Terminal, #10 Ring 16-14 Ga. Insulated	4	
11	346056	Instructions	1	
12	285346	Wire, 16 Ga. Brown x 14.00"	1	
13	447748	Decal, "To Start Engine Push Override Button"	1	

Figure 10-3 Engine Pre-Heater Not Illustrated

Parts List for Figure 10-3

Item	Part Number	Description	Qty	Notes
	409201	Engine Pre-Heater Kit	1	
	477789	Heater, Engine Pre-Heat	1	
	477790	Heater Cable	1	

Figure 10-4 Engine Cold Start Kit Not Illustrated

Parts List for Figure 10-4

Item	Part Number	Description	Qty	Notes
	272732	Engine Cold Start Kit		
1	038406	Capscrew, M12 x 1.75 Cp-6g x M20	1	
2	038414	Lock Washer, M12	1	
3	272724	Assy., Wiring Harness	1	
4	409219	Kit, Engine Cold Start Aid	1	

Figure 10-5 Nylon Fan Kit Not Illustrated

Parts List for Figure 10-5

Item	Part Number	Description	Qty	Notes
	286153	Nylon Fan Kit		
1	421206	Fan, Nylon	1	
2	421214	Pulley	1	
3	421222	Belt	1	

Figure 10-6 Fan Defroster Kit Not Illustrated

Parts List for Figure 10-6

Item	Part Number	Description	Qty	Notes
	166066	Fan Defroster Kit		
1	036467	Terminal, #10 Ring 16-14 Ga.	1	
2	048439	Fan, Defroster	1	

Section 11. Comfort/Convenience Optional Items

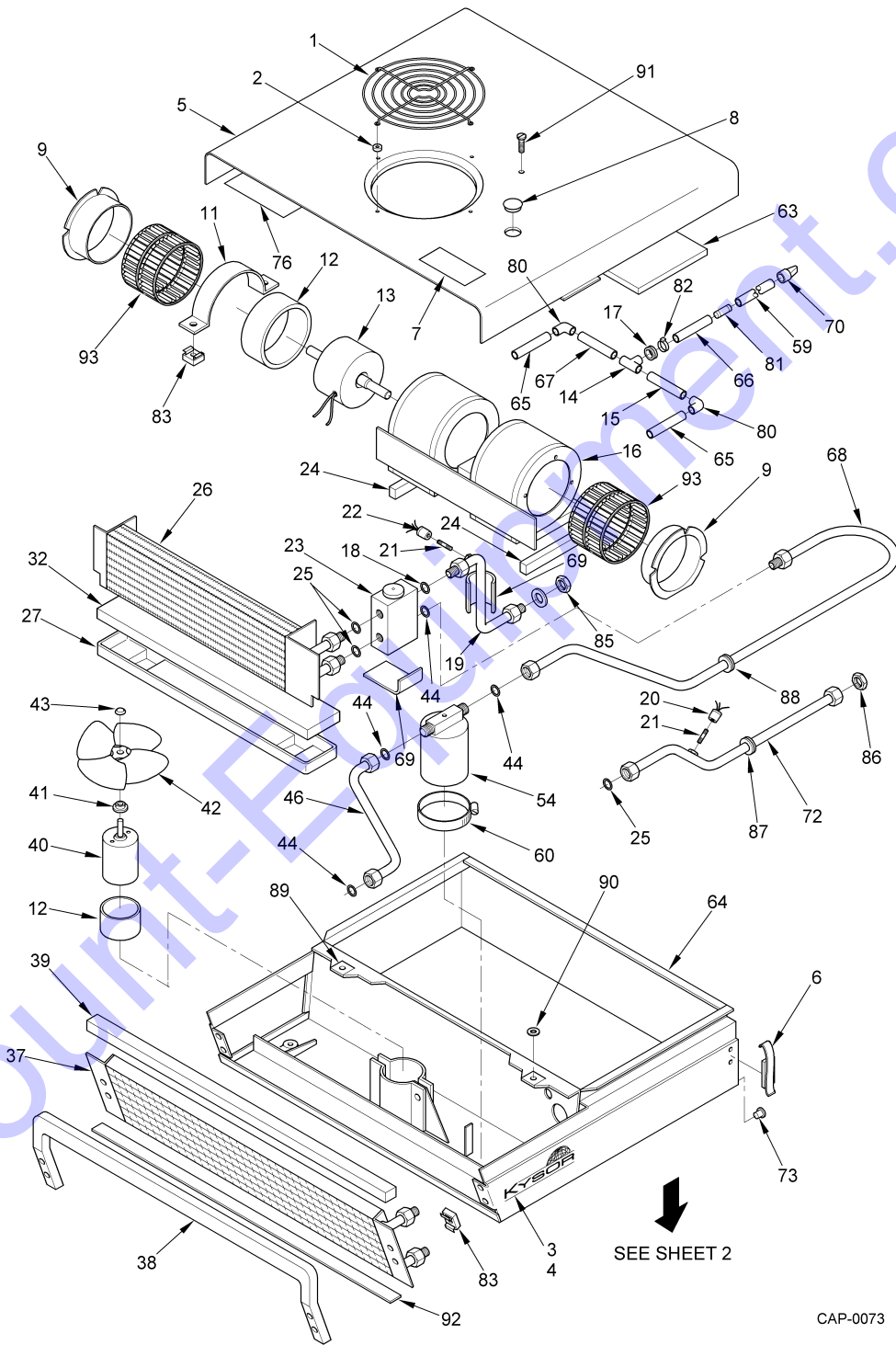
11-1	Heater Kit Not Illustrated	11-2
11-2	Kysor Air Conditioner Breakdown	11-3
11-3	Red Dot Air Conditioner Breakdown	11-9
11-4	A/C Compressor Mounting (Kubota)	11-12
11-6	A/C Restriction Indicator - In Cab Not Illustrated	11-15
11-7	A/C Restriction Indicator - Dash Mount Not Illustrated.....	11-15
11-8	Hour Meter Kit Not Illustrated.....	11-16
11-9	Mirror Kit Not Illustrated	11-16

Figure 11-1 Heater Kit
Not Illustrated

Parts List for Figure 11-1

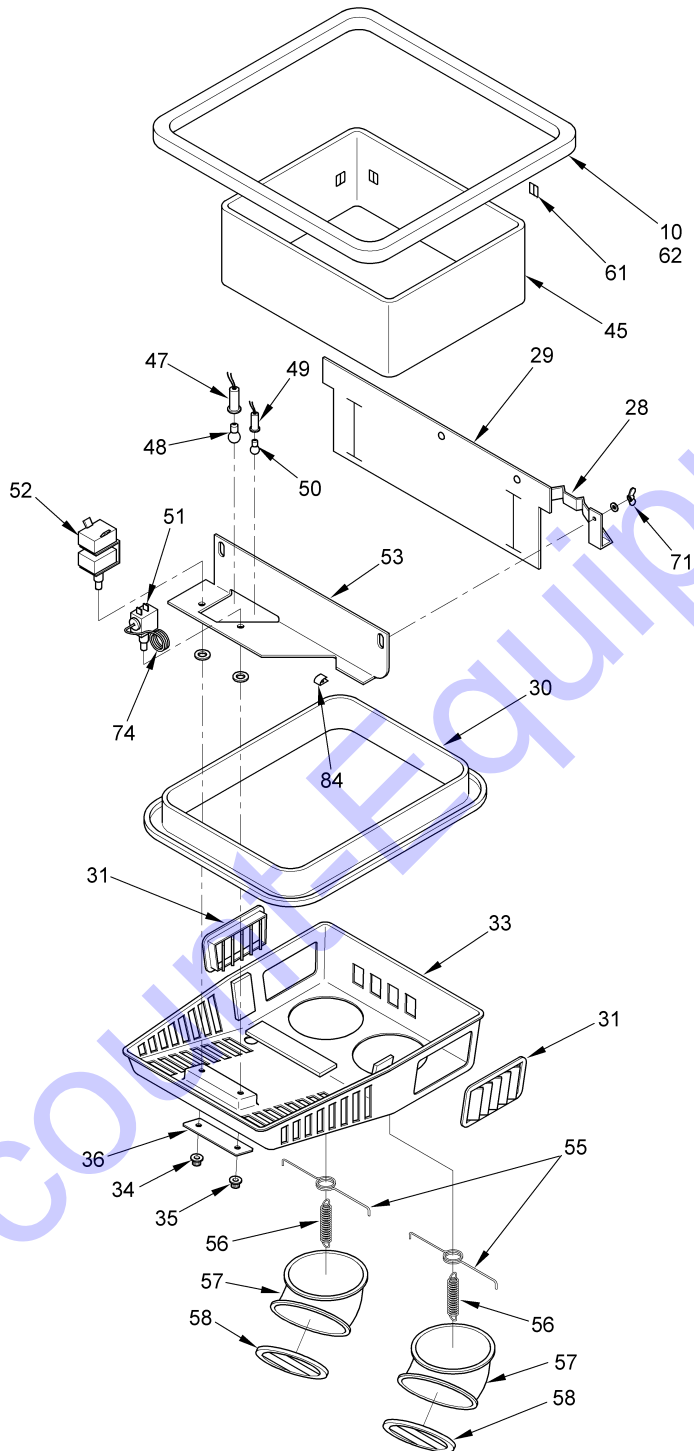
Item	Part Number	Description	Qty	Notes
	345488	Heater Kit		For models with Cummins diesel engine only
1	010033	Capscrew, 5/16-18NC x .75"	2	
2	010553	Nut, 5/16-18NC	2	
3	010561	Lock Washer, 5/16	2	
4	436923	Reducer, Pipe 1/2 x 3/8 (Special)	2	
5	044313	Kit, Heater (Includes 2-Speed Switch)	1	
6	044362	Adapter, 3/8-NPT x 5/8 Hose	1	
7	044370	Clamp	6	
8	059840	Elbow, 3/8-NPT 90° Straight	1	
9	421974	Cable, Control	1	
10	272328	Hose, 5/8 ID x 72.00"	2	
11	72144000	Nipple, 3/8-NPT x 2.00"	1	
12	417329	Valve, Heater Shut-Off	1	
13	417808	Decal, Heater Control	1	
14	041780	Coupling, 3/8-NPT	1	
15	347625	Assy., Wiring Harness (2-Wire with Loom)	1	

Figure 11-2 Kysor Air Conditioner Breakdown



CAP-0073

Figure 11-2 Kysor Air Conditioner Breakdown
(Sheet 2)



CAP-0074

SweepMaster 250 Parts Manual
Section 11. Comfort/Convenience Optional Items

Parts List for Figure 11-2

Item	Part Number	Description	Qty	Notes
1	467654	Grill, Fan	1	
2		Expansion Nut	4	
3		Logo, R.H.	1	
4		Logo, L.H.	1	
5		Cover, Weldment	1	
6		Latch	2	
7		Decal, Warning	1	
8		Capplug	1	
9	468306	Foil	2	
10		Seal, Ring	1	
11		Motor Strap	1	
12		Motor Insulator	1	
13	468314	Motor, Double Shaft 12V	1	
14		Tee, .50 x .50 x 2.0	1	
15		Drain Hose, 7.5"	1	
16		Blower, Weldment	1	
17		Grommet	1	
18		O-Ring, #10	1	
19		Tube & Fitting Assembly, 5/8	1	
20	468322	Switch, High Pressure	1	
21		Stem Core	2	
22	468330	Switch, Low Pressure	1	
23	468348	Block Valve	1	
24		Gaskets, (1) 40.0", (1) 9.5", (1) 3.4"		4.7 ft Total
25		O-Ring, #8	2	
26	475707	Evaporator Coil	1	
27		Drain Pan Assembly	1	
28		Arm Weldment (Optional)	1	

SweepMaster 250 Parts Manual
Section 11. Comfort/Convenience Optional Items

Parts List for Figure 11-2 (Cont.)

Item	Part Number	Description	Qty	Notes
29		Seal, Chamber Plate	1	
30		Seal, Ring	1	
31		Louver, Small	2	
32		Drain Pan Gasket	1	
33		Air Transfer Chamber	1	
34	463000	Knob, Fan Switch	1	
35	462994	Knob, Thermostat	1	
36		Control Panel	1	
37	475707	Condenser Coil	1	
38	475708	Grille, Condenser	1	
39	475709	Gasket, Condenser Coil 22"	1	
40	468355	Motor, 12V	1	
41		Slinger	1	
42	468363	Fan Blade	1	
43		Cap, (Vinyl)	1	
44		O-Ring, #6	4	
45		Boot, Rubber	1	
46		Tube & Fitting Assembly, 3/8	1	
47		Light Socket	1	
48		Bulb, 12V	1	
49		Light Socket	1	
50		Bulb, 12V	1	
51	468264	Thermostat	1	
52	468272	Switch, 12V, Blower Tandem	1	
53		Chamber, Weldment	1	
54	468280	Receiver, Drier	1	
55		Retainer	2	
56		Spring Extension (Optional)	2	

Parts List for Figure 11-2 (Cont.)

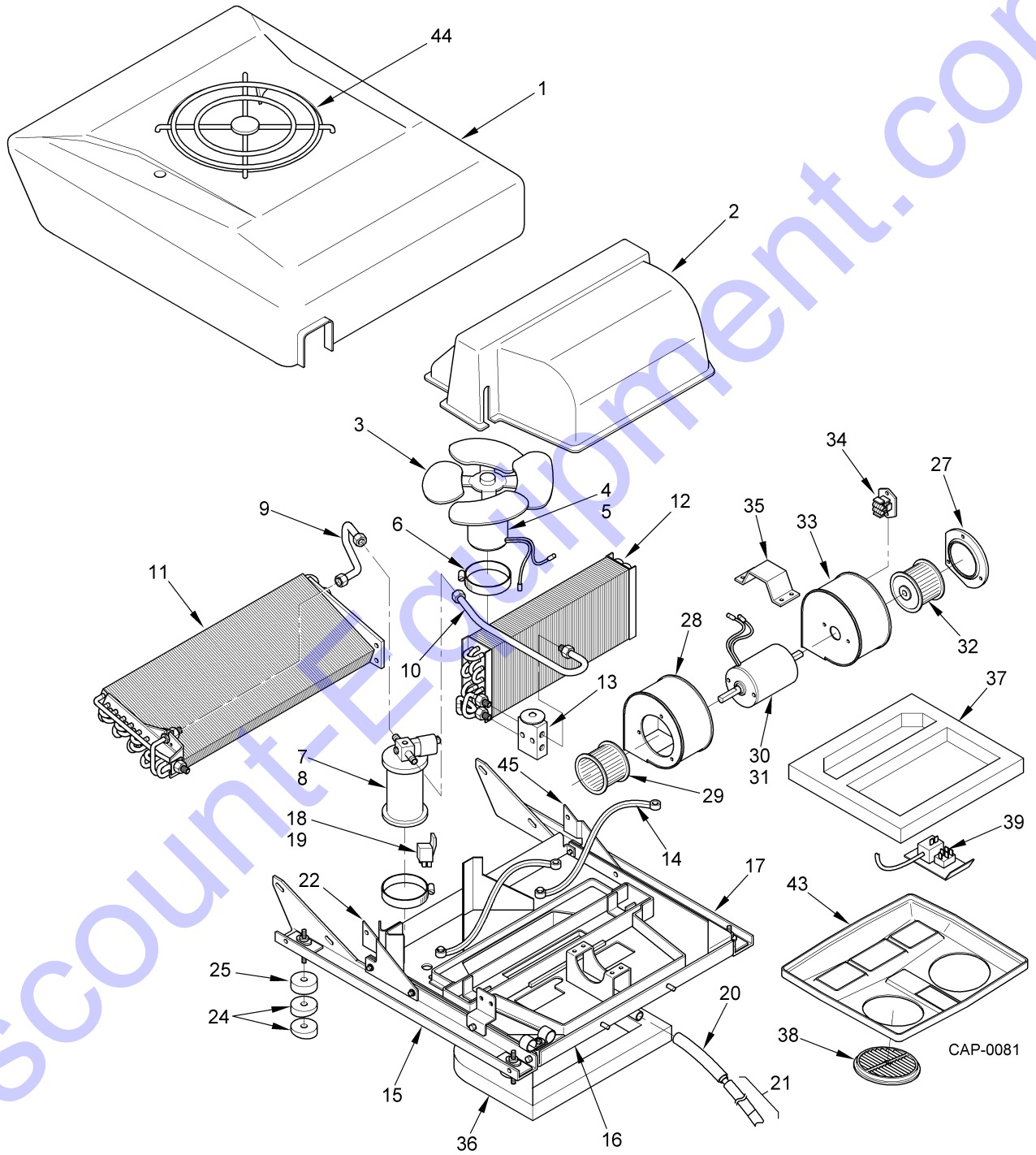
Item	Part Number	Description	Qty	Notes
57		Elbow, Duct (Optional)	2	
58		Louver	2	
59		Drain Hose, 144.0"	1	
60		Clamp, Receiver, Drier	1	
61		Clip	14	
62		Ring, Gasket	1	
63		Seal, Inner	1	
64		Base, Weldment	1	
65		Drain Hose, 7.0"	2	
66		Drain Hose, 8.0"	1	
67		Drain Hose, 8.5"	1	
68		Tube & Fitting Assembly, 3/8	1	
69		Moisture Seal 1.0'		
70		Check Valve	1	
71		Wing Nut	2	
72		Tube & Fitting Assembly, 1/2	1	
73		Plug, Threaded	2	
74		Tubing, Insulation	1	
75		Wire Harness	1	Not Shown
76		Wiring Diagram	1	
77		Wire Assembly	1	Not Shown
78		Wire Harness	1	Not Shown
79		Switch Tippet	1	Not Shown
80		Elbow, 90°	2	
81		Splice	1	
82		Hose Clamp	1	
83		Cage Nut	2	
84		Speed Nut, "U" Type	2	

SweepMaster 250 Parts Manual
Section 11. Comfort/Convenience Optional Items

Parts List for Figure 11-2 (Cont.)

Item	Part Number	Description	Qty	Notes
85		Bulkhead Nut, 7/8	1	
86		Bulkhead Nut, 3/4	1	
87		Flexible Grommet, 1/2	1	
88		Flexible Grommet, 3/8	1	
89		Clip, Retainer	2	
90		Tin Washer	2	
91	467662	Screw	2	
92	475710	Gasket, 1.7 ft		
93	468298	Blower Wheel	2	
94	331918	Hose Assembly (High Side)	1	Not Shown
95	331926	Hose Assembly (Low Side)	1	Not Shown
96	466771	Filter, Fresh Air - 1.75 x 4 x 13.50	1	Not Shown

Figure 11-3 Red Dot Air Conditioner Breakdown



SweepMaster 250 Parts Manual
Section 11. Comfort/Convenience Optional Items

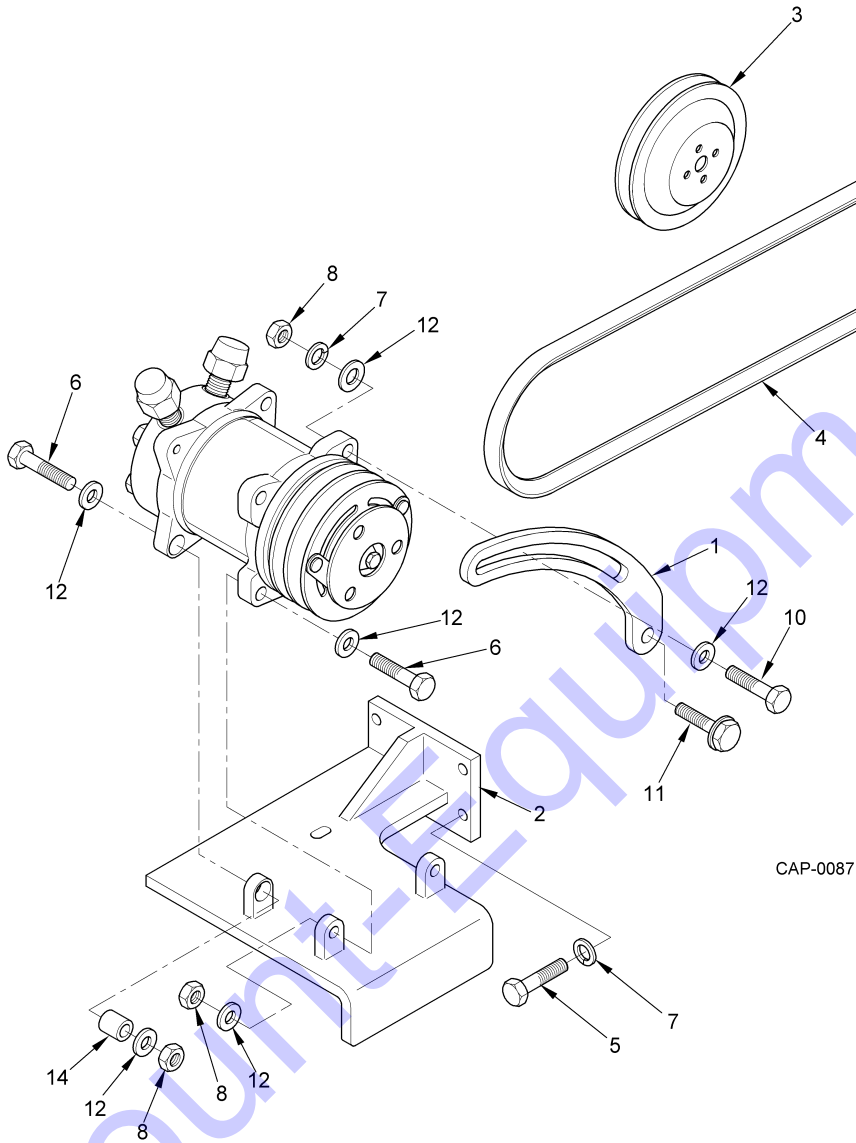
Parts List for Figure 11-3

Item	Part Number	Description	Qty	Notes
	449819	Complete A/C Kit		
1	476408	Outer Cover Assembly	1	
2		Inner Cover Assembly	1	
3	386509	Fan-Condenser	1	
4	469759	Motor-Condenser (12V)	1	
5		Motor-Condenser (24V)	1	
6		Clamp, Hose - 3-1/2"	2	
7	463117	Receiver/Drier	1	
8	462481	Trinarytm Pressure Switch	1	
9		Tube, Refrigerant	1	
10		Tube, Refrigerant	1	
11		Condenser Assembly	1	
12	477672	Evaporator Coil	1	
13	477232	Expansion Valve	1	
14		Strap	2	
15		Rail Assembly, (L.H.)	1	
16		Drain Pan Assembly, Plastic	1	
17		Rail Assembly (R.H.)	1	
18		Relay - 12V	1	
19		Relay - 24V	1	
20		Drain Hose	1	
21		Drain Hose Assembly	1	
22		Bracket Assembly, Receiver	1	
23		Wire Harness Assembly	1	Not Shown
24		Spacer, Tapered	8	
25		Spacer, Rubber	4	
26		Thermostat	1	Not Shown
27		Entry Rings	2	

Parts List for Figure 11-3 (Cont.)

Item	Part Number	Description	Qty	Notes
28	455151	Blower Assembly (L. H.)	1	
29		Blower Wheel (L. H.)	1	
30	469759	Motor (12V)	1	
31		Motor (24V)	1	
32		Blower Wheel (R. H.)	1	
33	455150	Blower Assembly (R. H.)	1	
34		Resistor	1	
35		Retainer, Motor	1	
36		Roof Seal Assembly	1	
37		Gasket, Plenum	1	
38	386505	Louver Assembly 4-1/2 "	2	
39		Control Panel Sub Assembly	1	
40	477315	Knob	2	Not Shown
41	409752	Switch, 4-Position (5-Prong)	1	Not Shown
42		Label, Control Panel	1	Not Shown
43		Plenum - Deffuser	1	
44		Fan Guard	1	
45		Bracket Assembly (R. H.)	1	
46	477307	Recirculation Filter (Foam)	1	Not Shown

Figure 11-4 A/C Compressor Mounting (Kubota)



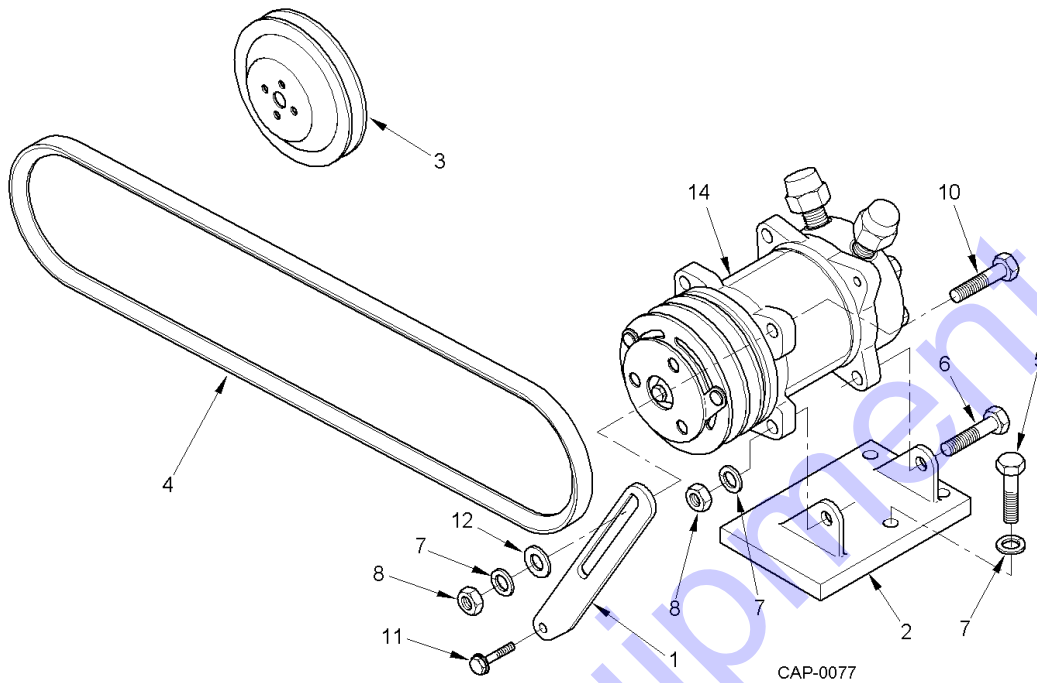
Parts List for Figure 11-4

Item	Part Number	Description	Qty	Notes
1	460682	Arm, Belt Tightener	1	
2	387045	Mount, Compressor	1	
3		Pulley, Accessory Drive	1	
4	478027	Belt, 43.5 x .531	1	

Parts List for Figure 11-4

Item	Part Number	Description	Qty	Notes
5	038372	Capscrew, M10 x 1.5 CP x M30	3	
6	415083	Capscrew, M10 x M35	3	
7	038380	Lock Washer, M10	6	
8	089474	Hex Nut, M10 x 1.5	3	
9	041236	Cable Tie	4	Not Shown
10	466797	Capscrew	1	Included with 387045
11	048470	Capscrew, M8 x 1.25Cp-6G x M25	1	Rev. Code -003 & Earlier
12	011031	Flat Washer, 3/8	5	
13	460681	Sleeve, Rear Compressor Mount	1	

Figure 11-5 A/C Compressor Mounting (Cummins)



Parts List for Figure 11-4

Item	Part Number	Description	Qty	Notes
1	282533	Arm, Belt Tightener	1	Rev. Code -003 & Earlier
	368738	Arm, Belt Tightener	1	Rev. Code -004
2	331728K	Mount, Compressor	1	3.3 Engine Only
	460680	Mount, Compressor	1	3.9 Engine Only
3	409748	Pulley, Accessory Drive	1	
4	418483	Belt, 43.5 x .531	1	
5	038372	Capscrew, M10 x 1.5 CP x M30	3	
6	415083	Capscrew, M10 x M35	3	
7	038380	Lock Washer, M10	6	
8	089474	Hex Nut, M10 x 1.5	3	
9	041236	Cable Tie	4	Not Shown
10	466797	Capscrew	1	Included with 331728
11	048470	Capscrew, M8 x 1.25Cp-6G x M25	1	Rev. Code -003 & Earlier
	404673	Capscrew, M8 x 1.25Cp-6G x M30	1	Rev. Code -004
12	011031	Flat Washer, 3/8	1	
13	368720	Spacer, A/C Belt Tightener	1	Not Shown; Rev. Code -004
14	449835	Compressor	1	

Figure 11-6 A/C Restriction Indicator - In Cab Not Illustrated

Parts List for Figure 11-6

Item	Part Number	Description	Qty	Notes
	299941	A/C Restriction Indicator		
1	418186	Indicator, Air Filter	1	
2	042580	Ell, 1/4-NPT Street 900	1	
3	07174 6	Flange, Restriction Indicator	1	
4	031823	Coupling 1/8-NPT	2	
5	077057	Fitting .25 Hose to 1/8-NPT	2	
6	031914	Clamp, Fuel Line	2	
7	299958	Hose, MCL 1/4 ID x 12.00"	1	
8	299966	Installation Instructions	1	

Figure 11-7 A/C Restriction Indicator - Dash Mount Not Illustrated

Parts List for Figure 11-7

Item	Part Number	Description	Qty	Notes
	343301	A/C Restriction Indicator - Dash Mount		
1	041236	Cable Tie, 7.25 x .190 1.75 dia. Blk. UV	4	
2	293332	Tube, .25 OD x .12 Clear PVC x 174.00"	1	
3	444398	Gauge, Filter Minder	1	
13	010561	Lock Washer, 5/16	4	

Figure 11-8 Hour Meter Kit

Not Illustrated

Parts List for Figure 11-8

Item	Part Number	Description	Qty	Notes
	296541	Hour Meter Kit		
1	078063	Switch, Pressure 2-6 psi .12-NPT	1	
2	034892	Hour Meter	1	
3	296558	Instruction (Hour Meter Kit)	1	
4	036608	Wire, 16 Ga. Gray	3	
5	036467	Terminal, #10 Ring 16-14 Ga. Ins.	2	
6	431320	Terminal, .25 Female Slide	3	
12	416701	Rivet, Huck 1/4 DIA x 13/16	2	

Figure 11-9 Mirror Kit

Not Illustrated

Parts List for Figure 11-9

Item	Part Number	Description	Qty	Notes
	279810	Mirror Kit		
1	010058	Capscrew, 1/4-20NC x 1.00"	8	
2	010272	Hex Nut, 1/4-20NC	8	
3	010280	Lock Washer, 1/4	8	
4	010579	Flat Washer, 5/16 Plated	8	
5	010553	Hex Nut, 5/16-18NC	4	
6	010561	Lock Washer, 5/16	4	
7	279828	Mount, Mirror	4	
8	279836	Instructions, Mounting	1	
9	281550	Mount, Mirror	1	
10	416735	Mirror, West Coast	2	
11	417162	Mirror, Rectangular	1	
12	416701	Rivet, Huck 1/4 DIA x 13/16	2	

Section 12. Windshield Wiper Optional Items

12-1	Washer Wiper Kit - Front Windshield Not Illustrated.....	12-2
12-2	Window Wiper Not Illustrated	12-3
12-3	Washer/Wiper Kit - Rear Window Not Illustrated.....	12-4
12-4	Washer/Wiper Kit - Front Windshield Not Illustrated	12-5

Figure 12-1 Washer Wiper Kit - Front Windshield
Not Illustrated

Parts List for Figure 12-1

Item	Part Number	Description	Qty	Notes
	293308	Washer Wiper Kit - Front Windshield		
1	047910	Assembly Windshield Wiper	1	
2	298927	Mount, Water Tank	1	
3	431551	Blade, 14" Heavy Duty Wiper	1	
4	431544	Arm, 10.75-15.5 Adj. Wiper	1	
5	431569	Kit, Wet Arm Washer	1	
6	431577	Kit, Reservoir 14oz.	1	
7	431585	Kit, Push-Button Washer Switch	1	
8	431593	Adapter, Nylon Bulkhead	1	
9	431809	Washer, Anti-Freeze Windshield	1	
10	407502	Screw, Pan Hd. 10-24NC x 1.75"	1	
11	293506	Instructions	1	
12	293365	Wire, 16 Ga. White/Black x 132.00"	1	
13	293357	Wire, 16 Ga. White/Black x 30.00"	1	
14	293340	Wire, 16 Ga. White/Black x 8.00"	1	
15	293332	Tubing, .20 OD x .12 Cear PVC	1	
16	274811	Tubing, .31 OD x .875"	1	
17	274803	Tubing, .875 OD x .875"	1	
18	272567	Loom, 1/4" ID Clear Vinyl x 96.00"	1	
19	272476	Wire, 16 Ga. Yellow/White	1	
20	068197	Terminal, 14-16Ga. Insulated Bullet	1	
21	066720	Tie, .035 x 3.50 Cable	6	
22	066712	Mount, Cable Tie	4	
23	431320	Terminal, 1/4 Female 20-14 Ga.	3	
24	043760	Terminal, 1/4 Ring 20-14 Ga. Insulated	1	
25	036467	Terminal, #10 Ring 16-14 Ga. Insulated	3	
26	035436	Hex Nut, #10-24NC	1	
27	031880	Lock Washer, #10	1	

Figure 12-2 Window Wiper Not Illustrated

Parts List for Figure 12-2

Item	Part Number	Description	Qty	Notes
	272104	Window Wiper		SN 24964 and up
1	031880	Lock Washer, No. 10	1	
2	035436	Hex Nut, No. 10-24NC	1	
3	046292	Terminal, 1/4 Female Slide (14-16 GA.) (Insulated)	1	
4	047910	Assy., Windshield Wiper	1	
5	066712	Tie, Cable	4	
6	0 6 6720	Mount, Cable Tie	4	
7	068197	Terminal, Bullet (14-16 GA.) (Insulated)	1	
8	083691	Blade, Windshield Wiper (14")	1	
9	272476	Wire, 16 Ga. Yellow w/White Stripe x 120"	1	
10	407502	Screw, Slotted Pan Hd. No. 10-24 x 1.75	1	
11	413112	Arm, Windshield Wiper (Adj. 10"-14")	1	
12	274803	Tubing, MCL 7/8 OD Steel x .875	1	
13	274811	Tubing, MCL 5/16 OD Steel x .875	1	
14	272567	Loom, 1/4 ID Clear Vinyl x 96.00"	1	

Figure 12-3 Washer/Wiper Kit - Rear Window
Not Illustrated

Parts List for Figure 12-3

Item	Part Number	Description	Qty	Notes
	272104	Washer/Wiper Kit - Rear Window		SN 24964 and up
1	010033	Capscrew, 1/4-20NC x .75"	4	
2	010272	Hex Nut, 1/4-20NC	4	
3	010280	Lock Washer, 1/4	4	
4	031880	Washer, #10 Lock	1	
5	035436	Hex Nut, #10 10-24NC	1	
6	036467	Terminal, #10 Ring 16-14 Ga.	3	
7	043760	Terminal, 1/4 Ring 20-14 Ga.	1	
8	046292	Terminal, 1/4 Female 20-14 Ga.	3	
9	047910	Assy., Windshield Wiper	1	
10	066712	Mount, Cable Tie	4	
11	066720	Tie, .035 x 3.50" Cable	6	
12	068197	Terminal Bullet 14-16 Ga. Ins.	1	
13	096602	Screw, Flathead Socket	2	
14	272476	Wire, 16 Ga. Yellow w/White Strip	1	
15	272567	Loom, 1/4 ID Clear Vinyl x 96.00"	1	
16	274803	Tubing, MCL 7/8 OD x 7/8 L	1	
17	274811	Tubing, MCL 5/16 OD x 7/8 L	1	
18	293340	Wire, 16 Ga. White/Black x 8.00"	1	
19	293357	Wire, 16 Ga. White/Black x 30.00"	1	
20	293365	Wire, 16 Ga. White/Black x 132.00"	1	
21	293373	Mount, Reservoir	1	
22	293415	Tubing, 1/4 OD x .06 Wall x 72.00"	1	
23	293506	Instructions	1	
24	407502	Screw, Pan HD 10-24NC x 1.75"	1	
25	431544	Arm, 10.75 - 15.5 Adj. Wiper	1	

Parts List for Figure 12-3 (Cont.)

Item	Part Number	Description	Qty	Notes
26	431551	Blade, 14" HD Wiper	1	
27	431569	Kit, Wet Arm Washer	1	
28	431577	Kit, 140 oz. Reservoir	1	
29	431585	Kit, Push Button Washer Switch	1	
30	431593	Adapter, Nylon Bulkhead	1	
31	431809	Anti-Freeze, Windshield Washer	1	

Figure 12-4 Washer/Wiper Kit - Front Windshield
Not Illustrated

Parts List for Figure 12-4

Item	Part Number	Description	Qty	Notes
	342568	Washer/Wiper Kit (Two Speed) Front Window		SN 24964 and up
1	031880	Lock Washer, #10	1	
2	035436	Nut, #10-24NC Hex	1	
3	036467	Terminal, #10 Ring 16-14 Ga. Ins.	3	
4	043760	Terminal, .25 Ring 20-14 Ga. Ins.	1	
5	431320	Terminal, .25 Female Slide	3	
6	443788	Assy., Windshield Wiper (2-Speed)	1	
7	066712	Mount, Cable Tie	4	
8	066720	Cable Tie, 3.75 x .09 x .75 Dia. Black UV	6	
9	068197	Terminal, 14-16 Ga. Ins. Bullet	1	
10	272476	Wire, 16 Ga. Yellow/White x 120.00"	1	
11	272567	Loom, .25 ID Clear Vinyl x 96.00"	1	
12	274803	Tubing, .875 OD x .875"	1	
13	274811	Tubing, .31 OD x .875"	1	
14	293332	Tube, .25 OD x .12 Clear PVC x 174.00"	1	
15	2 9 3340	Wire, 16 Ga. White/Black x 8.00"	1	

SweepMaster 250 Parts Manual
Section 12. Windshield Wiper Optional Items

Parts List for Figure 12-4 (Cont.)

Item	Part Number	Description	Qty	Notes
16	293357	Wire, 16 Ga. White/Black x 30.00"	1	
17	293365	Wire, 16 Ga. White/Black x 132.00"	1	
18	293506	Instructions	1	
19	407502	Screw, 10-24NC x 1.75" Pan Hd.	1	
20	431544	Wiper Arm, 10.75-15.5 Adj.	1	
21	431551	Blade, 14" HD Wiper	1	
22	431569	Kit, Wet Arm Washer	1	
23	431577	Kit, 140 Oz. Reservoir	1	
24	431593	Adapter, Nylon Bulkhead	1	
25	431809	Anti-Freeze, Windshield Washer	1	
26	298927	Mount, Washer Tank	1	
27	444703	Switch, 2-Speed Wiper with Push to Wash	1	
28	345975	Instructions, 2-Speed Wiper/Washer Wiring	1	
29	345991	Wiring Harness, 2-Speed Wiper/Washer	1	
30	447334	Decal, Front Wiper	1	

Section 13. Lighting and Electrical Optional Items

13-1	Rotary Beacon Kit Not Illustrated.....	13-2
13-2	Loom and Cable Tie Kit Not Illustrated.....	13-3
13-3	Dome Light Kit Not Illustrated	13-3
13-4	Strobe Light Kit - With Guard Not Illustrated	13-4
13-5	Strobe Light Kit - No Guard Not Illustrated.....	13-5
13-6	High/Low Beam Light Kit (Halogen) Not Illustrated.....	13-6

Figure 13-1 Rotary Beacon Kit

Not Illustrated

Parts List for Figure 13-1

Item	Part Number	Description	Qty	Notes
	335273	Rotary Beacon Kit		
1	010322	Capscrew, 5/16-18NC x .75	2	
2	010553	Hex Nut 5/16-18NC	2	
3	010561	Lock Washer 5/16	2	
4	068197	Terminal 14-16 GA. Ins. Bullet	2	
5	068205	Terminal 14-16 GA. Female	1	
6	272559	Wire 16 GA. Brown x 120.00"	1	
7	272567	Loom 1/4 ID Clear Vinyl x 96.00"	1	
8	335265	Mount, Strobe	1	
9	432385	Beacon, Amber Rotating	1	
10	335216	Guard, Strobe Light	1	
11	010348	Capscrew, 5/16-18NC x 1.00"	4	
12	010553	Hex Nut, 5/16-18NC	4	
13	010561	Lock Washer, 5/16	4	

Figure 13-2 Loom and Cable Tie Kit Not Illustrated

Parts List for Figure 13-2

Item	Part Number	Description	Qty	Notes
	294215	Loom and Cable Tie Kit		
1	335190	Loom, 11/32 ID Flex Guard x 30.00"	1	
2	047761	Cable Tie	5	
3	041236	Cable Tie	10	

Figure 13-3 Dome Light Kit Not Illustrated

Parts List for Figure 13-3

Item	Part Number	Description	Qty	Notes
	295923	Dome Light Kit		
1	081969	Light, Dome	1	
2	036541	Wire, 16 GA. Red x 84.00"	1	
3	036467	Terminal #10 Ring 16-14 GA. Ins.	1	
4	046995	Connector Splice 20-14 GA.	1	
5	299610	Mount, Dome Light	1	
6	416750	Rivet, Pop 3/16 x 7/16	5	

Figure 13-4 Strobe Light Kit - With Guard
Not Illustrated

Parts List for Figure 13-4

Item	Part Number	Description	Qty	Notes
	335208	Strobe Light Kit - With Guard		
1	031880	Lock Washer, #10	1	
2	035436	Hex Nut, #10-24NC	1	
3	036467	Terminal, #10 Ring 16-14 Ga. Insulated	1	
4	037010	Slotted Screw, Fill Hd.	1	
5	068197	Terminal, 14-16 Ga. Bullet Insulated	2	
6	068205	Terminal, 14-16 Ga. Female	1	
7	432393	Light, Strobe 12V Amber	1	
8	335265	Mount, Strobe	1	
9	272559	Wire, 16 Ga. Brown x 120.00"	1	
10	272567	Loom, 1/4 ID Clear Vinyl x 96.00"	1	
11	409482	Rivet, 1/4 Dia. x .560 Huck	2	
12	335216	Guard, Strobe Light	1	
13	010348	Capscrew, 5/16-18NC x 1.00"	4	
14	010553	Hex Nut, 5/16-18NC	4	
15	010561	Lock Washer, 5/16	4	

Figure 13-5 Strobe Light Kit - No Guard Not Illustrated

Parts List for Figure 13-5

Item	Part Number	Description	Qty	Notes
	272542	Strobe Light Kit - No Guard		
1	094623	Light, Strobe	1	
2	272179	Mount, Strobe Light	1	
3	272559	Wire, 16 Ga. Brown x 120.00"	1	
4	272567	Loom, 1/4 ID Clear Vinyl x 96.00"	1	
5	068197	Terminal, Bullet 14-16 Ga. (Male)	2	
6	068205	Terminal, Bullet Line Connector 14-16 Ga. (Female)	1	
7	4 0 9482	Rivet, .25 Dia. x .560 Huck	2	
8	036467	Terminal, #10 14-16 Ga.	1	
9	037010	Screw, Slotted Round Hd. #10-24NC x .75"	1	
10	035436	Hex Nut, #10-24NC	1	
11	031880	Lock Washer, #10	1	

Figure 13-6 High/Low Beam Light Kit (Halogen)
Not Illustrated

Parts List for Figure 13-6

Item	Part Number	Description	Qty	Notes
	352146	High/Low Beam Light Kit (Halogen)		
1	61012700	Switch, Light with 15 Amp Breaker	1	
2	63015300	Light, License Plate	1	
3	63015800	Light, Tail	2	
4	461475	Light, Red/Amber Blinker	2	
5	63115400	Switch, Turn Signal	1	
6	63121300	Signal, Flasher	1	
7	461467	Light, High/Low Beam Halogen	2	
8	044123	Connector, 3-Wire Bullet Terminal	1	
9	068205	Terminal, 14-16 Ga. Female	12	
10	272484	Loom, .343 ID x 40.00" Black	2	
11	299628	Assy., Wire 10 Ga. Orange x 25.00"	1	
12	432344	Switch, Dimmer	1	
13	297945	Mount, Headlight L.H.	1	
14	297952	Mount, Headlight R.H.	1	
15	432377	Lamp, Blue Indicator	1	
16	61017000	Grommet, Fuel Sender Wire	1	
17	010017	Capscrew, 1/4-20NC x .50"	2	
18	436261	Reflector, 3" Round	2	
19	281576	Mount, Tag Light	1	
20	423673	Screw, Slotted #10-24NC x .50"	2	
21	416974	Nut, Acorn 10-24NC	2	
22	416750	Rivet, Pop 3/16 x 7/16	2	
23	068197	Terminal, 14-16 Ga. Insulated Bullet	1	
24	036467	Terminal, #10 Ring 16-14 Ga. Insulated	1	
25	335364	Spacer, Dimmer Switch	2	
26	010066	Capscrew, 1/4-20NC x 1.25"	2	
27	010272	Hex Nut, 1/4-20NC	2	
28	010280	Lock Washer, .25	2	

Section 14. Sprinkler Optional Items

14-1 Low-Profile Sprinkler Kit.....	14-2
14-2 Low-Profile Sprinkler Kit (Early Models)	14-5

Parts List for Figure 14-1

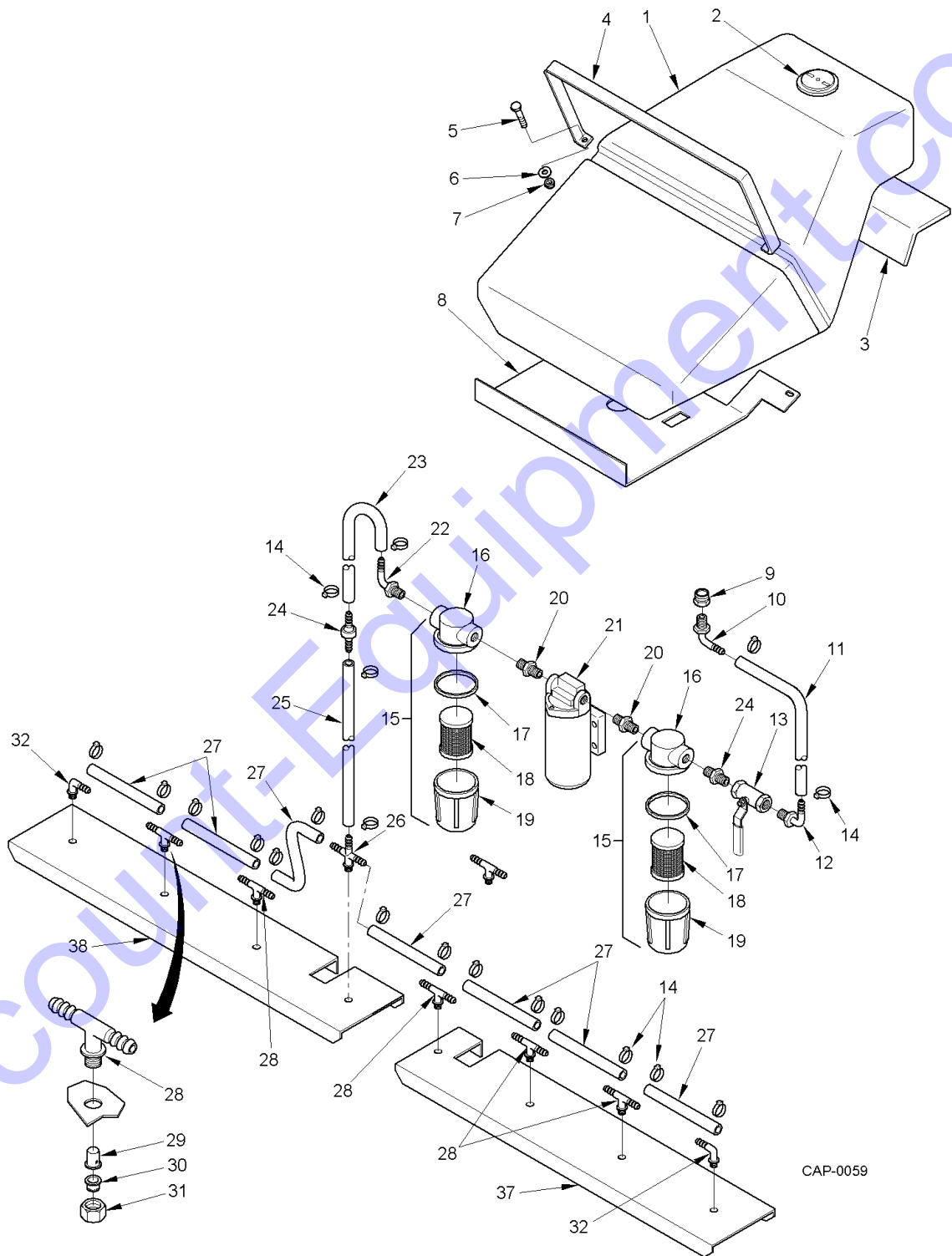
Item	Part Number	Description	Qty	Notes
	356719	Low-Profile Sprinkler Kit		Serial Number 32240 and After
1	354860	Tank, 180 GAL Low Profile Poly	1	White
	354861	Tank, 180 GAL Low Profile Poly	1	Black
2	459685	Cap, Water Tank Low Profile	1	
3	331355	Pad	1	
4	381723	Strap, Hold Down	1	
5	010744	Bolt, 3/8-16 NC x 4.00"	2	
6	011031	Flat Washer 3/8	2	
7	425793	Lock Nut, 3/8-16 NC	2	
8	381699	Mount, Low Profile Poly Tank	1	
9	477942	Bushing, 3/4 MNPT x 1/2 FNPT	1	Brass
10	477943	Street Elbow, 90° 1/2 MNPT x 1/2 FNPT	1	Brass
11	477944	Nipple Reducer, 1/2 MNPT x 3/8 MNPT	1	Brass
12	469585	Valve, .38 Ball	1	Brass
13	477945	Elbow, 90° 1/2 Hose Barb x 3/8 MNPT	9	Brass
14	V01445200	Clamp, #8 Hose	19	
15	446948	Hose, 1/2 I.D. Low Pressure Water	16	
16	477946	Elbow, 90° 1/2 MNPT x 1/2 HB	1	Brass
17	9102321	Head, Filter	1	
18	9102322	Gasket, Filter Head	10	
19	9104062	Screen, Suction Filter (Green)	1	
20	9102329	Bowl, Filter	1	
21	477947	Kit, Adapter, 1/2 MNPT x Quad P	1	
22	416827	Pump, 12 V, 5.0 GPM	1	
23	441568	Capscrew, 1/4-20NC x 1.00" Flange Whizlock	4	Not Illustrated
24	010272	Hex Nut, 1/4-20NC Flange Whizlock Gr. G	4	
25	010280	Lockwasher, 1/4"	4	
26	477948	Kit Adapter, 1/2 Hose Barb 90° x Quad P	2	

SweepMaster 250 Parts Manual
Section 14. Sprinkler Optional Items

Parts List for Figure 14-1 (Cont.)

Item	Part Number	Description	Qty	Notes
27	446948	Hose, 1/2 I.D. Low Pressure Water	84"	
28	477949	Tee, 1/2 Hose Barb	1	
29	446948	Hose, 1/2 I.D. Low Pressure Water	2	6.25" Each
30	446948	Hose, 1/2 I.D. Low Pressure Water	6	11.25" Each
31	V70006888	Tee, 1/2 Hose Barb	7	
32	V70007388	Screen, Water Nozzle	8	
33	V63036000	Nozzle, Sprinkler Jet	8	
34	V70007488	Cap, Brass Nozzle	5	
35	V70006988	Hose Barb, 1/2" 90°	2	
36	254456	Low Sprinkler Water Warning Kit	1	Not Shown
37	298448	Sprinkler Mount (LH)	1	
	298573	Sprinkler Mount (RH)	1	
	386818	Sprinkler Upgrade Kit	1	Includes: one 416827 (item 22) two 477947 (item 21)

Figure 14-2 Low-Profile Sprinkler Kit (Early Models)



SweepMaster 250 Parts Manual
Section 14. Sprinkler Optional Items

Parts List for Figure 14-2

Item	Part Number	Description	Qty	Notes
	385740	Low-Profile Sprinkler Kit		Up to Serial Number 32239
1	354860	Tank, 180 GAL Low Profile Poly	1	
2	459685	Cap, Water Tank Low Profile	1	
3	331355	Pad	1	
4	355404	Strap, Hold Down	1	
5	010744	Bolt, 3/8-16 NC x 4.00"	2	
6	011031	Flat Washer 3/8	2	
7	425793	Lock nut, 3/8-16 NC	2	
8	355024	Mount, Low Profile Poly Tank	1	P/N Changed to 381699 after 1999
9	9101876	Fitting, Bulkhead L/P Tank	1	Water Tank Drain Fitting
10	9101674	Elbow, 90° .75 MNPT x 3/8 Barb	1	Brass
11	447474	Hose, .375 ID Low Pressure	1	
12	476903	Fitting, 90° .38 NPT x .38 Barb	1	Brass
13	342873	Ball Valve Kit	1	
14	447466	Clamp, #8 Hose	23	Brass
15	9102321	Head, Filter	2	
16	9102322	Gasket, Filter Head	2	
17	9104062	Screen, Suction Filter	1	
18	9102329	Bowl, Filter	2	
19	9104063	Screen, Pressure Filter	1	
20	476895	Nipple Reducer, .50 NPT x .38	2	
21	416826	Pump, 12 V, 1.2 GPM	1	
22	441568	Capscrew, 1/4-20NC x 1.00" Flange Whizlock	4	Not Illustrated
23	010272	Hex Nut, 1/4-20NC Flange Whizlock Gr. G	4	
24	010280	Lockwasher, 1/4"	4	
25	9103017	Elbow, 90° .50 MNPT x .38 Barb	1	
26	447474	Hose, .375 ID Low Pressure	1	
27	459743	Valve, Anti-Leak, Check	1	

Parts List for Figure 14-2 (Cont.)

Item	Part Number	Description	Qty	Notes
28	447474	Hose, .375 ID Low Pressure	1	
29	476887	Body, Cross Spray Nozzle	1	Nylon
30	447474	Hose, .375 ID Low Pressure	7	
31	476358	Body, Tee Spray Nozzle	5	Nylon
32	V70007388	Screen, Water Nozzle	8	
33	V63036000	Nozzle, Sprinkler Jet	8	
34	476911	Cap, Spray Nozzle	8	Nylon
35	476366	Body, 90° Spray Nozzle	2	Nylon
36	254456	Low Sprinkler Water Warning Kit	1	Not Shown
37	298448	Sprinkler Mount L.H.	1	
38	298513	Sprinkler Mount R.H.	1	

Discount Equipment

Discount-Equipment.com is your online resource for commercial and industrial quality parts and equipment sales.

Locations:

Florida (West Palm Beach): [561-964-4949](tel:561-964-4949)

Outside Florida TOLL FREE: [877-690-3101](tel:877-690-3101)

Need parts? Check out our website at www.discount-equipment.com

Can't find what you need?

Click on this link: <http://www.discount-equipment.com/category/5443-parts/> and fill out the request form.

Please have the machine model and serial number available in order to help us get you the correct parts. One of our experienced staff members will get back to you with a quote for the right part that your machine needs.

We sell worldwide for the brands: Genie, Terex, JLG, MultiQuip, Mayco, Toro/Stone, Diamond Products, Magnum, Airman, Mustang, Power Blanket, Nifty Lift, Atlas Copco, Chicago Pneumatic, Allmand Brothers, Essick, Miller Spreader, Skyjack, Lull, Skytrak, Tsurumi, Husquvarna/Target, Whiteman-Concrete/Mortar, Stow-Concrete/Mortar, Baldor, Wacker, Sakai, Snorkel, Upright, Mi-T-M, Sullair, Neal, Basic, Dynapac, MBW, Weber, Bartell, Bennar Newman, Haulotte, Ditch Runner, Blaw-Knox, Himoina, Best, Buddy, Crown, Edco, Wyco, Bomag, Laymor, Terremite, Barreto, EZ Trench, Takeuchi, Basic, Bil-Jax, Curtis, Gehl, Heli, Honda, ICS/PowerGrit, Puckett, Waldon, ASV, IHI, Partner, Imer, Clipper, MMD, Koshin, Rice, Gorman Rupp, CH&E, Cat Pumps, Comet, General Pump, Giant, AMida, Coleman, NAC, Gradall, Square Shooter, Kent, Stanley, Tamco, Toku, Hatz, Kohler, Robin, Wisconsin, Northrock, Oztec, Toker TK, Rol-Air, Small Line, Wanco, Yanmar

New Equipment - Used Equipment - Rental Equipment - Parts and Accessories

Discount Equipment

www.discount-equipment.com

561-964-4949

Parts: wbparts@Discount-Equipment.com

Sales: info@Discount-Equipment.com