

LAYMOR

PARTS CATALOG SWEEPMASTER400



www.discount-equipment.com

Discount Equipment

Discount-Equipment.com is your online resource for commercial and industrial quality parts and equipment sales.

Locations:

Florida (West Palm Beach): [561-964-4949](tel:561-964-4949)

Outside Florida TOLL FREE: [877-690-3101](tel:877-690-3101)

Need parts? Check out our website at www.discount-equipment.com

Can't find what you need?

Click on this link: <http://www.discount-equipment.com/category/5443-parts/> and fill out the request form.

Please have the machine model and serial number available in order to help us get you the correct parts. One of our experienced staff members will get back to you with a quote for the right part that your machine needs.

We sell worldwide for the brands: Genie, Terex, JLG, MultiQuip, Mayco, Toro/Stone, Diamond Products, Magnum, Airman, Mustang, Power Blanket, Nifty Lift, Atlas Copco, Chicago Pneumatic, Allmand Brothers, Essick, Miller Spreader, Skyjack, Lull, Skytrak, Tsurumi, Husquvarna/Target, Whiteman-Concrete/Mortar, Stow-Concrete/Mortar, Baldor, Wacker, Sakai, Snorkel, Upright, Mi-T-M, Sullair, Neal, Basic, Dynapac, MBW, Weber, Bartell, Bennar Newman, Haulotte, Ditch Runner, Blaw-Knox, Himoina, Best, Buddy, Crown, Edco, Wyco, Bomag, Laymor, Terremite, Barreto, EZ Trench, Takeuchi, Basic, Bil-Jax, Curtis, Gehl, Heli, Honda, ICS/PowerGrit, Puckett, Waldon, ASV, IHI, Partner, Imer, Clipper, MMD, Koshin, Rice, Gorman Rupp, CH&E, Cat Pumps, Comet, General Pump, Giant, AMida, Coleman, NAC, Gradall, Square Shooter, Kent, Stanley, Tamco, Toku, Hatz, Kohler, Robin, Wisconsin, Northrock, Oztec, Toker TK, Rol-Air, Small Line, Wanco, Yanmar

New Equipment - Used Equipment - Rental Equipment - Parts and Accessories

Discount Equipment

www.discount-equipment.com

561-964-4949

Sales: info@Discount-Equipment.com

Parts: wbparts@Discount-Equipment.com

SWEEPMASTER400			
DESCRIPTION	PAGE	DESCRIPTION	PAGE
A QUICK REFERENCE		DRIVE TRAIN COMPONENTS (cont...)	
PARTS QUICK REFERENCE	2	TRAIN, DRIVE	70
BRAKE COMPONENTS		ELECTRICAL COMPONENTS	
BRAKE, DRUM (FRONT, LEFT)	6	SCHEMATIC, MAIN ELEC (CUMMINS)	72
BRAKE, DRUM (FRONT, RIGHT)	8	SCHEMATIC, MAIN ELEC (KUBOTA)	76
BRAKE, DRUM (REAR, LEFT HAND)	10	ENGINE COMPONENTS	
BRAKE, DRUM (REAR, RIGHT HAND)	12	AIR CLEANER (CUMMINS)	80
BRAKE, PARKING	14	AIR CLEANER (KUBOTA)	82
CYLINDER, MASTER	16	CABLE, THROTTLE (W/MOUNT)	84
KIT, DISC BRAKE	18	CABLE, THROTTLE (W/MOUNT, KUBOTA)	86
LINE, BRAKE	20	ENGINE, DIESEL (CUMMINS)	88
LINE, BRAKE (4-WHEEL)	22	ENGINE, DIESEL (KUBOTA)	90
PEDAL, BRAKE	24	EXHAUST SYSTEM (CUMMINS)	92
CHASSIS COMPONENTS		EXHAUST SYSTEM (KUBOTA)	94
AXLE, FRONT	26	FUEL SYSTEM (CUMMINS)	96
BROOM (88-INCH)	30	FUEL SYSTEM (KUBOTA)	98
BROOM (96-INCH)	32	GUARD, RADIATOR (KUBOTA)	100
BROOM, STRIP (OPTIONAL)	34	HOOD, RADIATOR AND BATTERIES (CUMMINS)	102
BRUSH KITS	36	HOOD, RADIATOR AND BATTERIES (KUBOTA)	104
COLUMN, STEERING	38	KIT, ENGINE COMPARTMENT DOOR	106
CONSOLE AND INSTRUMENTATION	40	KIT, ENGINE COMPARTMENT DOOR	108
CROSS REFERENCE, BROOM	42	KIT, ENGINE COMPARTMENT DOOR	110
FRAME, MAIN (NON-YUKON UNITS)	46	KIT, FAN GUARD	112
FRAME, MAIN (YUKON UNITS)	48	RADIATOR (W/OIL COOLER)	114
SEAT AND MOUNTING ASSEMBLY	50	RADIATOR (W/OIL COOLER)	116
SEAT, SUSPENSION (OPTIONAL)	52	FILTERS, REQUIRED	
SUPPORT, BROOM	54	REQUIRED FILTERS LIST	
VALVE, BROOM SPEED CONTROL	56	118	
DECALS		HYDRAULIC COMPONENTS	
DECAL, INTERIOR	58	BROOM MOTOR (DANFOSS, AFTER 11-09-04)	120
KIT, DECAL (LAY-MOR)	60	BROOM MOTOR (EATON, BEFORE 11-09-04)	122
KIT, DECAL (SWEEPMASTER)	62	CONTROL, REMOTE FOOT PEDAL	124
DRIVE TRAIN COMPONENTS		COOLER, OIL (SWING-OUT)	126
AXLE, REAR	64	CYLINDER, BROOM SWING (3" X 10")	128
BOX, GEAR (3:71:1 RATIO)	68	CYLINDER, BROOM SWING (3" X 6")	130
		CYLINDER, BROOM SWING (3" X 8-1/2")	132

TABLE OF CONTENTS



SWEEPMASTER400			
DESCRIPTION	PAGE	DESCRIPTION	PAGE
HYDRAULIC COMPONENTS (cont...)		OPTIONAL, COMFORT & CONVENIENCE (cont...)	
CYLINDER, STEERING (2" X 8")	134	INDICATOR, A/C RESTRICTION (DASH MOUNT)	220
FILTER, HYDRAULIC (RETURN, ELECTRIC)	136	INDICATOR, A/C RESTRICTION (IN CAB)	222
KIT, COUNTERBALANCE VALVE	138	KIT, COMPLETE A/C	224
MOTOR, BROOM	140	KIT, HEATER (CUMMINS DIESEL ONLY)	228
MOTOR, BROOM (96" BRUSH PARKER)	142	KIT, HOUR METER	230
MOTOR, DRIVE AXLE	144	KIT, MIRROR	232
MOTOR, HYDROSTATIC (S/N 31538 AND BEFORE)	146	MOUNTING, A/C COMP (CUMMINS)	234
MOTOR, HYDROSTATIC (YUKON EQUIPMENT)	148	MOUNTING, A/C COMP (KUBOTA)	236
PUMP, AUXILIARY GEAR (06 AND UP PARKER)	150	OPTIONAL, ENGINE	
PUMP, AUXILIARY GEAR (2-1-05 AND BEFORE)	152	KIT, ENGINE COLD START	238
PUMP, AUXILIARY GEAR (2-1-05 AND LATER)	154	KIT, FAN DEFROSTER	240
PUMP, CHARGE (SAE B PAD WITH 14CC)	156	KIT, NYLON FAN	242
PUMP, HYDROSTATIC (PILOT OPERATED)	158	PRE-HEATER, ENGINE	244
PUMP, PISTON (S/N 31538 AND BEFORE)	160	SHUT DOWN SYSTEM, ENGINE	246
SCHEMATIC, HYD (FT PEDAL PILOT CTRL)	162	WARNING SYSTEM, ENGINE	248
SCHEMATIC, HYD (GRADER BLD, BONDIOLI)	164	OPTIONAL, LIGHTING & ELECTRICAL	
SCHEMATIC, HYD (GRADER BLD, SAUER/DANFOSS)	166	KIT, DOME LIGHT	250
SYSTEM, HYDRAULIC (CUMMINS)	168	KIT, HIGH/LOW BEAM LIGHT (HALOGEN)	252
SYSTEM, HYDRAULIC (KUBOTA)	172	KIT, LOOM AND CABLE TIE	254
VALVE, CONTROL	176	KIT, ROTARY BEACON	256
VALVE, PILOT HYD FOOT PEDAL (YUKON)	178	KIT, STROBE LIGHT (NO GUARD)	258
OPTIONAL COMPONENTS		KIT, STROBE LIGHT (W/GUARD)	260
AC/HEATER (VISTA CAB)	180	OPTIONAL, SPRINKLER	
AC/HEATER, VISTA CAB	182	KIT, LOW-PROFILE SPRINKLER (S/N 32239 AND	262
BLADE, GRADER (OPTIONAL)	184	KIT, LOW-PROFILE SPRINKLER (S/N 32240 AND	264
CAB (SINGLE-DOOR)	186	OPTIONAL, WINDSHIELD WIPER	
CAB (TWO-DOOR)	190	KIT, FRONT WASH/WIPER (S/N 24964 AND UP)	268
CAB, VISTA	194	KIT, REAR WASHER/WIPER (S/N 24964 & UP)	270
COMPLETE ROPS ASSEMBLY	196	KIT, WINDOW WASHER WIPER (FRONT)	272
DOOR (LEFT HAND)	198	WIPER, WINDOW (S/N 24694 AND UP)	274
DOOR (RIGHT HAND)	202	OPTIONAL, COMFORT & CONVENIENCE	
KIT, TURN SIGNAL SWITCH	206	AIR CONDITIONER (KYSOR, LOWER HALF)	214
PLUMBING, A/C	208	AIR CONDITIONER (KYSOR, UPPER HALF)	216
WINDOWS, VISTA CAB	210		
WIPER/WASHER, WINDSHIELD (VISTA CAB)	212		

NON-ILLUSTRATED

Discount-Equipment.com

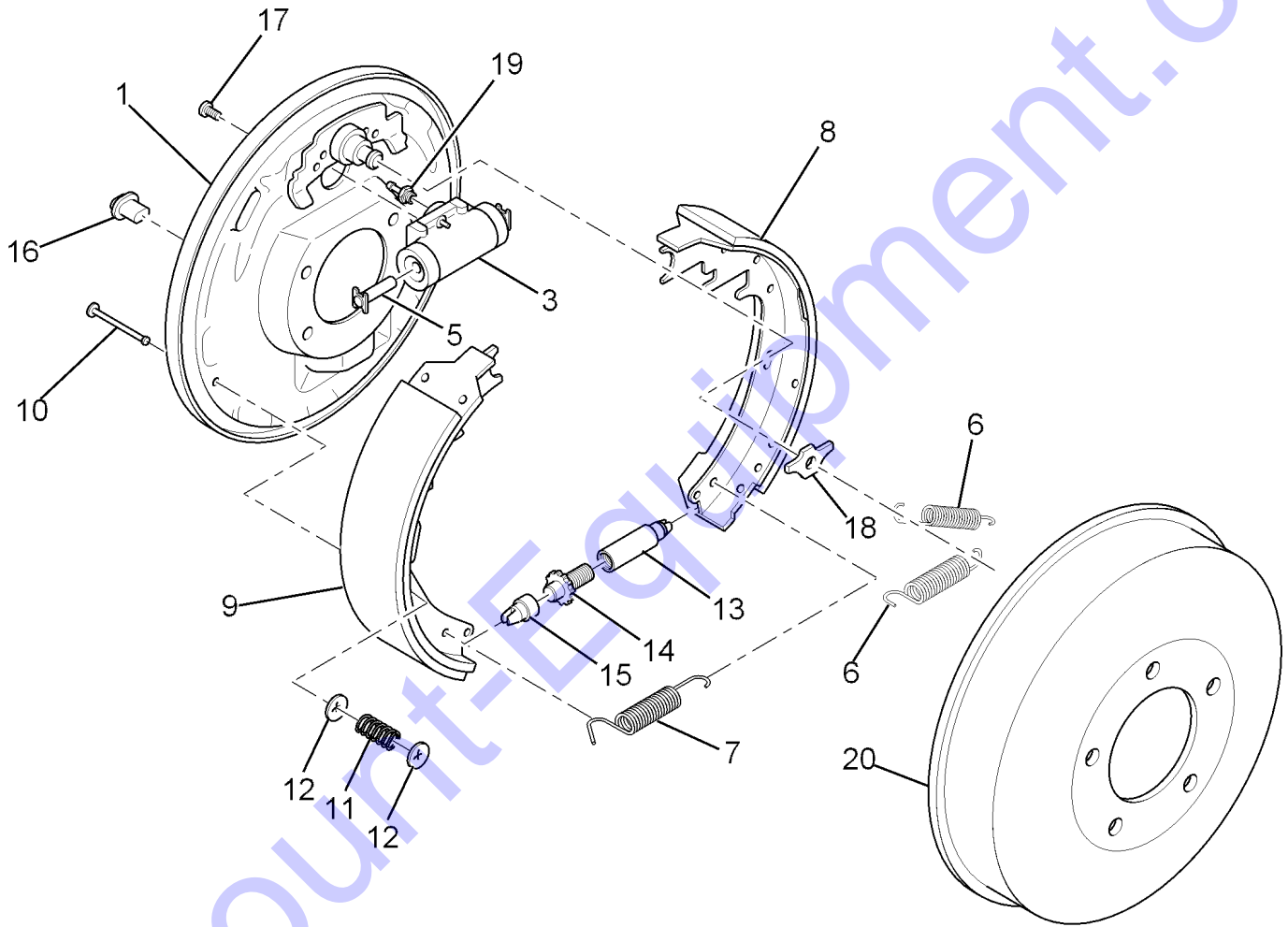
PARTS QUICK REFERENCE

ITEM	PART NUMBER	F/N	DESCRIPTION	QTY	UOM
			FILTERS		
1	9104638K		KIT, FILTER (KUBOTA V3600) KIT INCLUDES:	1	EA
2	436212		FUEL FILTER (IN-LINE)	1	EA
3	478038		SPIN FUEL FILTER, KUBOTA	1	EA
4	467772		FILTER, OIL	1	EA
5	028639		ELEMENT, REPLACEMENT (10 MICRON)	1	EA
6	437673		ELEMENT, REPLACEMENT (10 MICRON)	1	EA
7	477687		ELEMENT, AIR FILTER (PRIMARY)	1	EA
8	477698		ELEMENT, AIR FILTER (SAFETY)	1	EA
9	478069K		KIT, FILTER (CUMMINS 3.3 ENGINE) KIT INCLUDES:	1	EA
10	436212		FUEL FILTER (IN-LINE)	1	EA
11	437673		ELEMENT, REPLACEMENT (10 MICRON)	1	EA
12	466771		FILTER, HEPA (1-3/4" X 4" X 13-1/2")	1	EA
13	477678		ELEMENT, FUEL SECONARY (W/CUMMINS 3.3)	1	EA
14	477679		ELEMENT, ENGINE OIL FILTER (W/CUMMINS 3.3)	1	EA
15	477697		ELEMENT, AIR FILTER (PRIMARY)	1	EA
16	477698		ELEMENT, AIR FILTER (SAFETY)	1	EA
17	028639		ELEMENT, REPLACEMENT (10 MICRON)	1	EA
18	478068K		KIT, FILTER (CUMMINS 3.9 ENGINE) KIT INCLUDES:	1	EA
19	409409		ELEMENT, OIL FILTER	1	EA
20	409417		ELEMENT, FUEL/WATER SEPERATOR	1	EA
21	437673		ELEMENT, REPLACEMENT (10 MICRON)	1	EA
22	466771		FILTER, HEPA (1-3/4" X 4" X 13-1/2")	1	EA
23	028639		ELEMENT, REPLACEMENT (10 MICRON)	1	EA
24	053595		ELEMENT, FUEL FILTER	1	EA
25	069146		ELEMENT, AIR FILTER (PRIMARY)	1	EA
26	070342		ELEMENT, AIR FILTER (SECONDARY)	1	EA
			REPLACEMENT BRUSHES		
27	477155		BRUSH, COMBINATION WIRE/POLY (BOX OF 2)	1	EA
28	416057		BRUSH, COMBINATION WIRE/POLY (BOX OF 4)	1	EA
29	416065		BRUSH, ALL WIRE	1	EA
30	416026K		BRUSH, COMB WIRE/POLY (96" BROOM)	1	EA
31	474791K		BROOM, STRIP (2 SETS)	1	EA
32	424146K		BROOM, TUBE (10 X 32 X 58)	1	EA
33	424145K		BROOM, COMB TUBE (10 X 32 X 58)	1	EA
			SPRINKLER		
34	478070K		KIT, SPRINKLER KIT INCLUDES:	1	EA

PARTS QUICK REFERENCE

ITEM	PART NUMBER	F/N	DESCRIPTION	QTY	UOM
35	476358		NOZZLE ASSY, T-BODY SPRAY	5	EA
36	476366		NOZZLE ASSY, L-BODY SPRAY	2	EA
37	476887		NOZZLE ASSY, CROSS SPRAY	1	EA
38	476911		CAP, SPRAY NOZZLE	8	EA
39	9102322		GASKET, FILTER HEAD	2	EA
40	9102329		BOWL, FILTER	2	EA
41	9104062		SCREEN, SUCTION FILTER (GREEN)	1	EA
42	9104063		SCREEN, PRESSURE FILTER	1	EA
43	V63036000		TEE, JET	8	EA
44	V70007388		SCREEN, SPRAY NOZZLE	8	EA

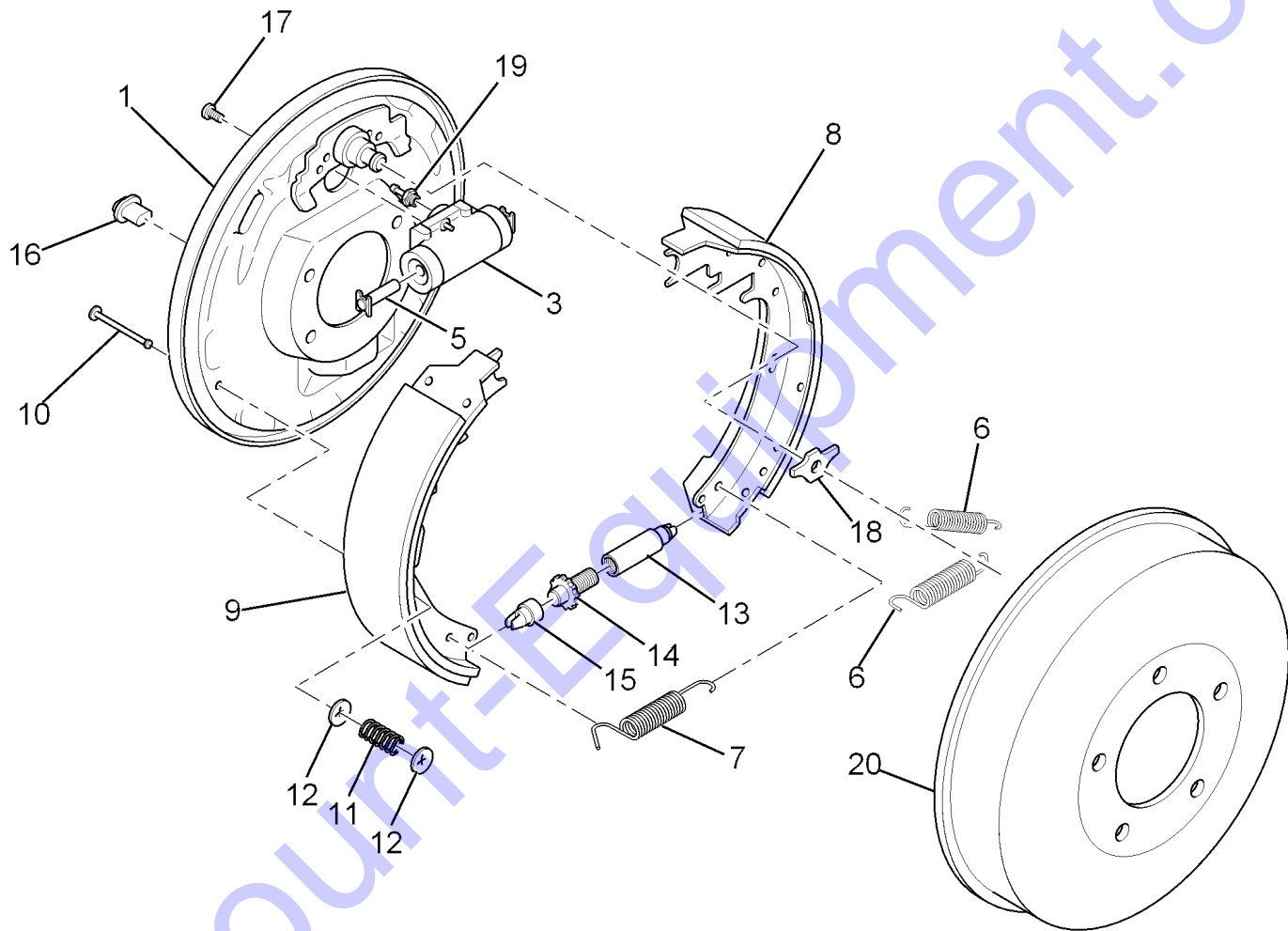
407866: BRAKE, DRUM (FRONT, LEFT)



407866: BRAKE, DRUM (FRONT, LEFT)

ITEM	PART NUMBER	F/N	DESCRIPTION	QTY	UOM
1		F1	BACKING PLATE ASSEMBLY (L.H.)	1	
3	409110		CYLINDER, BRAKE (LEFT HAND)	1	EA
5	409136		LINK, CONNECTING (WHEEL CYLINDER)	2	EA
6	418848		SPRING, SHOE RETURN	2	EA
7	418855		SPRING, ADJUSTER	1	EA
8		F1	SHOE AND LINING ASSEMBLY (PRIMARY)	1	
9		F1	SHOE AND LINING ASSEMBLY (SECONDARY)	1	
10	418863		PIN, BRAKE HOLD DOWN	2	EA
11	418871		SPRING, SHOE HOLD-DOWN	2	EA
12	058230		CUP, SHOE HOLD-DOWN	4	EA
13		F1	NUT, R.H. THREAD PIVOT	1	
14		F1	SCREW, R.H. THREAD ADJUSTING	1	
15		F1	SOCKET, ADJUSTING SCREW	1	
16	418095		COVER, BRAKE ADJUSTING HOLE	1	EA
17	049144		CAPSCREW AND WASHER ASSY (5/16"-18NC X 5/8")	2	EA
18	409151		PLATE, SHOE GUIDE	1	EA
19	054301		BLEEDER, WHEEL CYLINDER	1	EA
20	453852		DRUM, DEMOUNTABLE	1	EA
			REMAINING COMPONENTS		
	409177		KIT, BRAKE SHOE	1	EA
	409169		KIT, BRAKE ADJUSTER	1	EA
	409193		KIT, WHEEL CYLINDER REPAIR	1	EA
			NOTE: QUANTITIES INDICATED ARE REQUIRED TO		
			SERVICE ONE BRAKE ASSEMBLY.		
			F1 - PART NUMBER NOT AVAILABLE.		

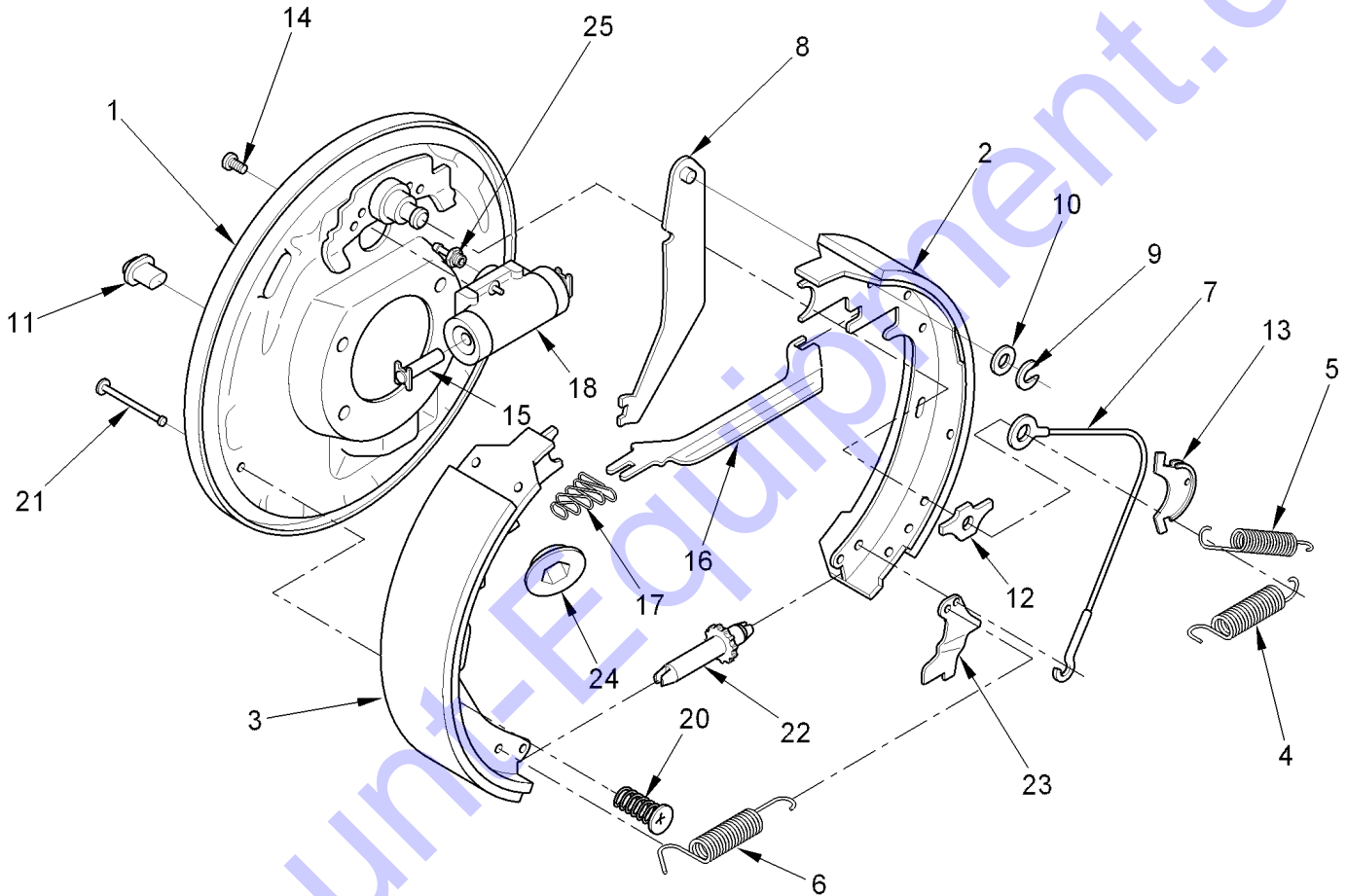
407874: BRAKE, DRUM (FRONT, RIGHT)



407874: BRAKE, DRUM (FRONT, RIGHT)

ITEM	PART NUMBER	F/N	DESCRIPTION	QTY	UOM
1		F1	BACKING PLATE ASSEMBLY (R.H.)	1	
3	409128		CYLINDER, BRAKE (RIGHT HAND)	1	EA
5	409136		LINK, CONNECTING (WHEEL CYLINDER)	2	EA
6	418848		SPRING, SHOE RETURN	2	EA
7	418855		SPRING, ADJUSTER	1	EA
8		F1	SHOE AND LINING ASSEMBLY (PRIMARY)	1	
9		F1	SHOE AND LINING ASSEMBLY (SECONDARY)	1	
10	418863		PIN, BRAKE HOLD DOWN	2	EA
11	418871		SPRING, SHOE HOLD-DOWN	2	EA
12	058230		CUP, SHOE HOLD-DOWN	4	EA
13		F1	NUT, R.H. THREAD PIVOT	1	
14		F1	SCREW, R.H. THREAD ADJUSTING	1	
15		F1	SOCKET, ADJUSTING SCREW	1	
16	418095		COVER, BRAKE ADJUSTING HOLE	1	EA
17	049144		CAPSCREW AND WASHER ASSY (5/16"-18NC X 5/8")	2	EA
18	409151		PLATE, SHOE GUIDE	1	EA
19	054301		BLEEDER, WHEEL CYLINDER	1	EA
20	453852		DRUM, DEMOUNTABLE	1	EA
			REMAINING COMPONENTS		
	409177		KIT, BRAKE SHOE	1	EA
	409169		KIT, BRAKE ADJUSTER	1	EA
	409193		KIT, WHEEL CYLINDER REPAIR	1	EA
			NOTE: QUANTITIES INDICATED ARE REQUIRED TO		
			SERVICE ONE BRAKE ASSEMBLY.		
			F1 - PART NUMBER NOT AVAILABLE.		

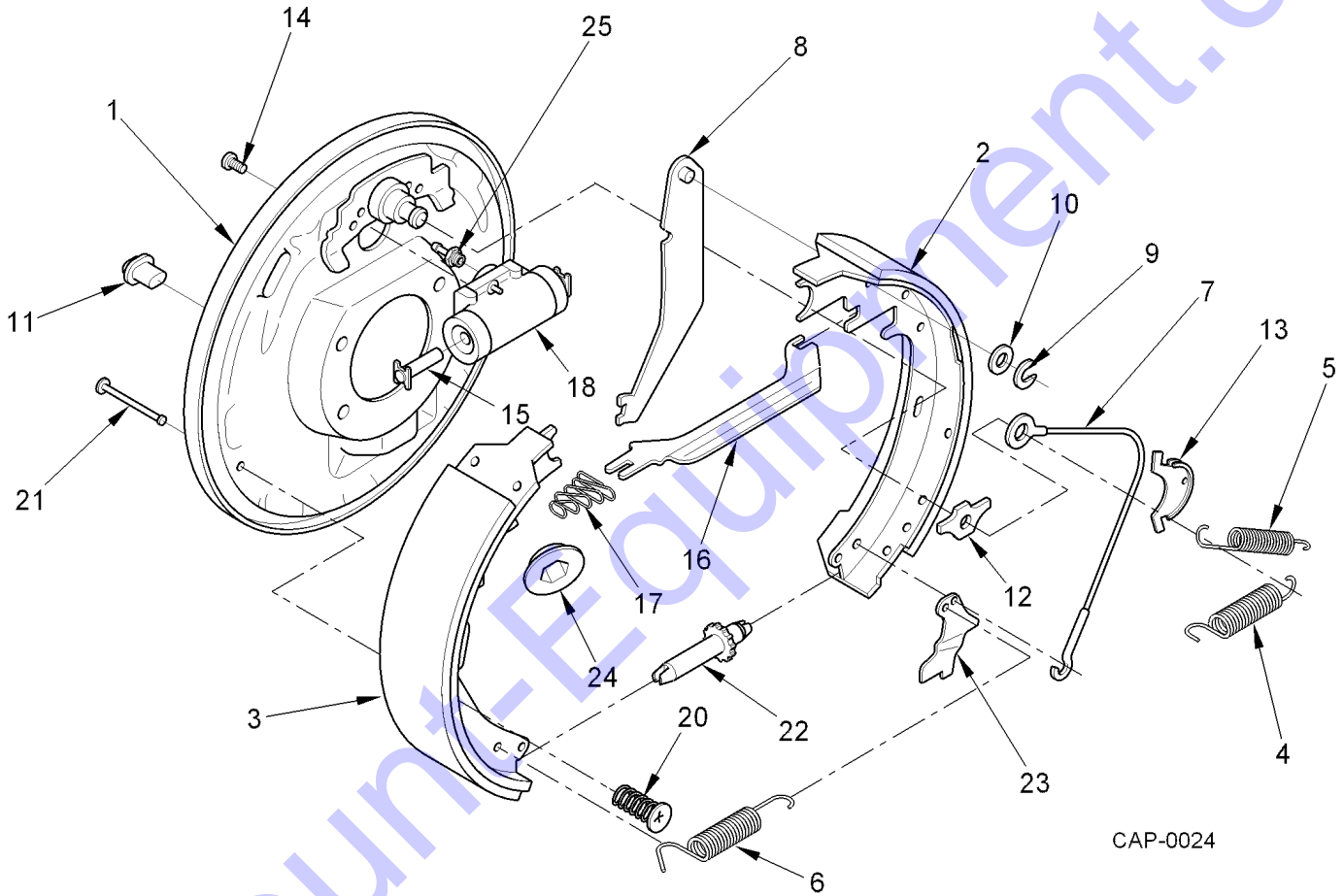
BRAKE, DRUM (REAR, LEFT HAND)



BRAKE, DRUM (REAR, LEFT HAND)

ITEM	PART NUMBER	F/N	DESCRIPTION	QTY	UOM
1	449249		BACKING PLATE ASSEMBLY (LEFT HAND)	1	EA
2		F1	SHOE AND LINING ASSEMBLY (SECONDARY)	1	
3		F1	SHOE AND LINING ASSEMBLY (PRIMARY)	1	
4	449280		SPRING, ANCHOR TO SHOE (RED)	1	EA
5	446253		SPRING, ANCHOR TO SHOE (BLACK)	1	EA
6	436345		SPRING, AUTO ADJUSTMENT	1	EA
7		F1	AUTO ADJUSTMENT CABLE ASSEMBLY	1	
8	449322		LEVER AND PIN ASSEMBLY (LH PARKING BRAKE)	1	EA
9	449378		RING, RETAINING	1	EA
10	449355		WASHER, SPRING (PARKING BRACKET)	1	EA
11	038513		COVER, BRAKE (ADJUSTMENT)	1	EA
12	449371		PLATE, BRAKE SHOE GUIDE	1	EA
13		F1	GUIDE, SELF ADJUSTER CABLE	1	
14	054411		SCREW AND WASHER ASSEMBLY	2	EA
15	054429		LINK, CONNECTING (WHEEL CYLINDER)	2	EA
16	449405		STRUT, PARKING BRAKE LEVER (LEFT HAND)	1	EA
17	449421		SPRING, COMPRESSION STRUT	1	EA
18	436121		BRAKE CYLINDER ASSEMBLY (LEFT HAND)	1	EA
20	449454		HOLD-DOWN CUP AND SPRING ASSEMBLY	2	EA
21	037895		PIN, BRAKE HOLD-DOWN	2	EA
22	436170		SCREW, NUT, WASHER AND SOCKET ASSEMBLY (LH)	1	EA
23	436352		LEVER, LINK ADJUSTMENT (LEFT HAND)	1	EA
24	468231		RETAINER, PARKING BRAKE STRUT SPRING	1	EA
25	054301		BLEEDER, WHEEL CYLINDER	1	EA
		F1	CUP, BRAKE SHOE HOLD-DOWN	2	
			BRAKE KITS		
	449520	F2	KIT, PARKING BRAKE LEVER (LEFT HAND)	AR	EA
	467878	F3	KIT, BRAKE SPRING	AR	EA
	467886	F4	KIT, SELF-ADJUSTING SCREW (LEFT HAND)	AR	EA
	449512	F5	KIT, SHOE AND LINING (2 PRIMARY, 2 SECONDARY)	AR	EA
			NOTE: QUANTITIES INDICATED ARE REQUIRED TO		
			SERVICE ONE BRAKE ASSEMBLY.		
			F1 - PART NUMBER NOT AVAILABLE.		
			F2 - ITEMS 7, 8, 11, 12, 13, 16, 24 AND 26.		
			F3 - ITEMS 5, 6, 9, 10, 19, 20 AND 21.		
			F4 - ITEMS 7, 11, 13, 24 AND 26.		
			F5 - ITEMS 2 AND 3.		

BRAKE, DRUM (REAR, RIGHT HAND)

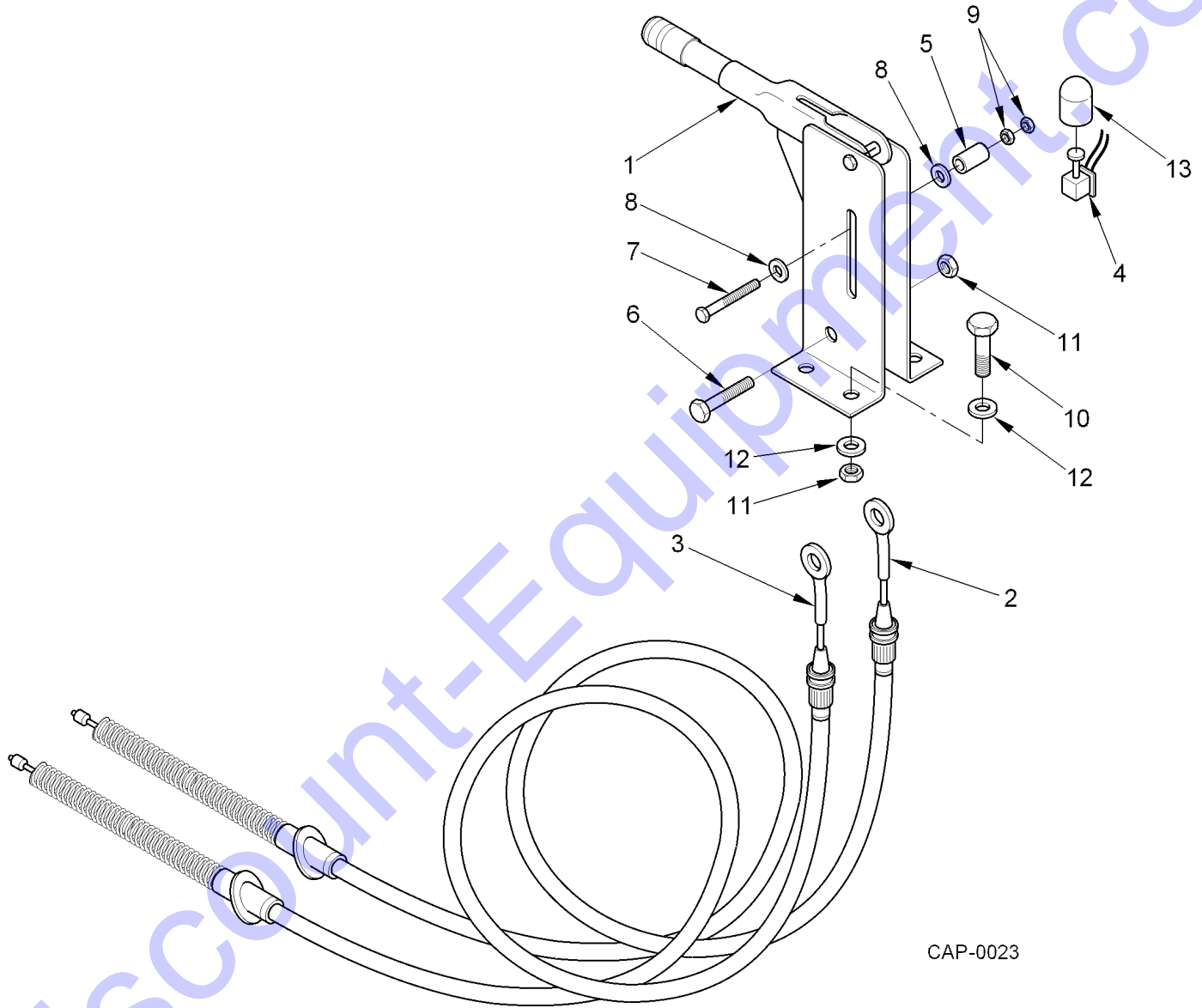


CAP-0024

BRAKE, DRUM (REAR, RIGHT HAND)

ITEM	PART NUMBER	F/N	DESCRIPTION	QTY	UOM
1	449256		BACKING PLATE ASSEMBLY (RIGHT HAND)	1	EA
2		F1	SHOE AND LINING ASSEMBLY (SECONDARY)	1	
3		F1	SHOE AND LINING ASSEMBLY (PRIMARY)	1	
4	449280		SPRING, ANCHOR TO SHOE (RED)	1	EA
5	446253		SPRING, ANCHOR TO SHOE (BLACK)	1	EA
6	436345		SPRING, AUTO ADJUSTMENT	1	EA
7		F1	AUTO ADJUSTMENT CABLE ASSEMBLY	1	
8	449330		LEVER AND PIN ASSEMBLY (RH PARKING BRAKE)	1	EA
9	449378		RING, RETAINING	1	EA
10	449355		WASHER, SPRING (PARKING BRACKET)	1	EA
11	038513		COVER, BRAKE (ADJUSTMENT)	1	EA
12	449371		PLATE, BRAKE SHOE GUIDE	1	EA
13		F1	GUIDE, SELF ADJUSTER CABLE	1	
14	054411		SCREW AND WASHER ASSEMBLY	2	EA
15	054429		LINK, CONNECTING (WHEEL CYLINDER)	2	EA
16	449413		STRUT, PARKING BRAKE LEVER (RIGHT HAND)	1	EA
17	449421		SPRING, COMPRESSION STRUT	1	EA
18	436139		BRAKE CYLINDER ASSEMBLY (RIGHT HAND)	1	EA
20	449454		HOLD-DOWN CUP AND SPRING ASSEMBLY	2	EA
21	037895		PIN, BRAKE HOLD-DOWN	2	EA
22	436188		SCREW, NUT, WASHER AND SOCKET ASSEMBLY (RH)	1	EA
23	436360		LEVER, LINK ADJUSTMENT (RIGHT HAND)	1	EA
24	468231		RETAINER, PARKING BRAKE STRUT SPRING	1	EA
25	054301		BLEEDER, WHEEL CYLINDER	1	EA
		F1	CUP, BRAKE SHOE HOLD-DOWN	2	
			BRAKE KITS		
	449538	F2	KIT, PARKING BRAKE LEVER (RIGHT HAND)	AR	EA
	467878	F3	KIT, BRAKE SPRING	AR	EA
	467894	F4	KIT, SELF-ADJUSTING SCREW (RIGHT HAND)	AR	EA
	449512	F5	KIT, SHOE AND LINING (2 PRIMARY, 2 SECONDARY)	AR	EA
			NOTE: QUANTITIES INDICATED ARE REQUIRED TO		
			SERVICE ONE BRAKE ASSEMBLY.		
			F1 - PART NUMBER NOT AVAILABLE.		
			F2 - ITEMS 7, 8, 11, 12, 13, 16, 24 AND 26.		
			F3 - ITEMS 5, 6, 9, 10, 19, 20 AND 21.		
			F4 - ITEMS 7, 11, 13, 24 AND 26.		
			F5 - ITEMS 2 AND 3.		

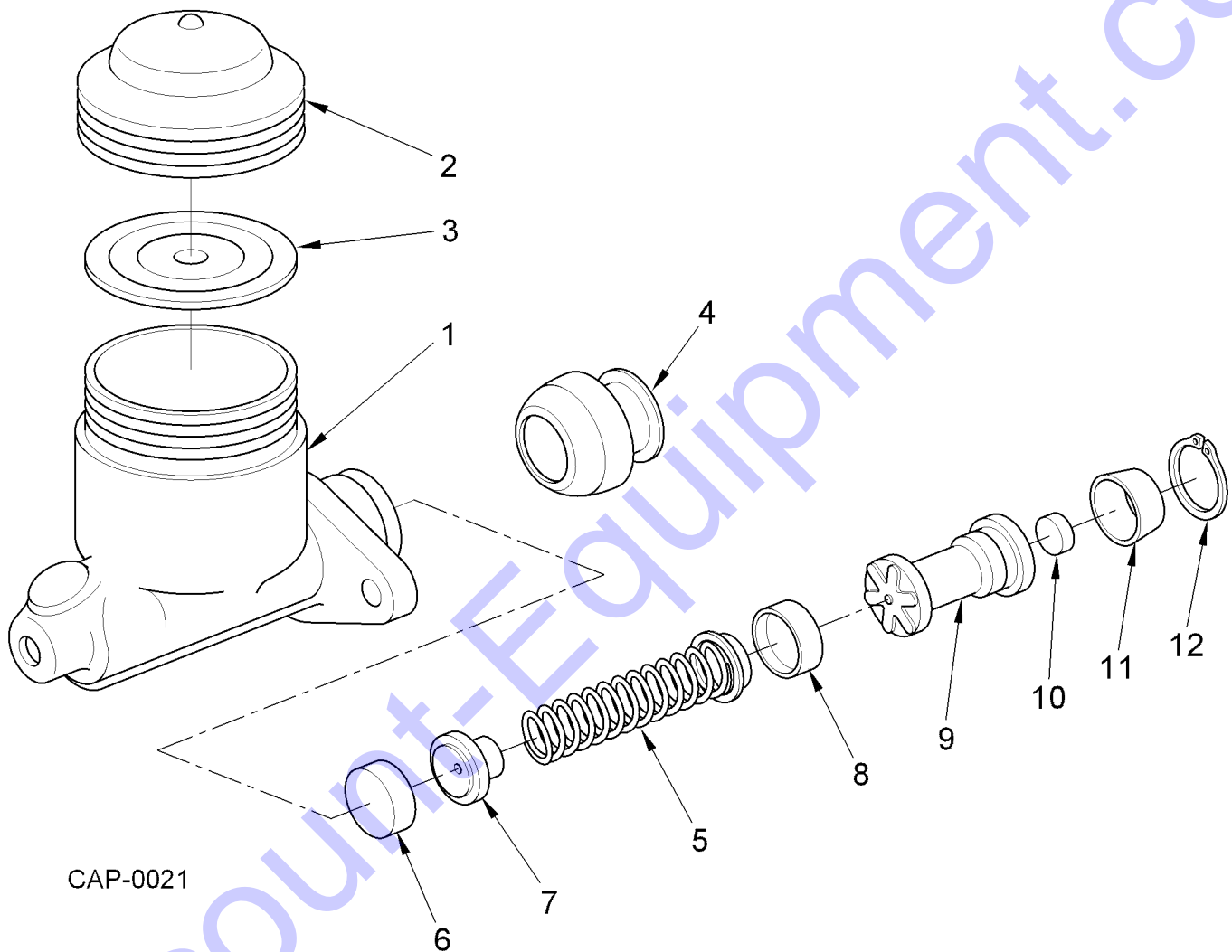
BRAKE, PARKING



BRAKE, PARKING

ITEM	PART NUMBER	F/N	DESCRIPTION	QTY	UOM
1	281287		LEVER, PARKING BRAKE	1	EA
2	448274		CABLE, SHORT BRAKE	1	EA
3	448282		CABLE, LONG BRAKE	1	EA
4	413872		SWITCH, PARKING BRAKE	1	EA
5	152850		SPACER (1/2" X 3/4")	1	EA
6	010389		CAPSCREW (5/16"-18NC X 2")	1	EA
7	010421		CAPSCREW (5/16"-18NC X 2-1/2")	1	EA
8	010579		WASHER, FLAT (5/16")	2	EA
9	083493		NUT, HEX (5/16"-18NC PL)	1	EA
10	441550		CAPSCREW (1/4"-20NC X 3/4", FLANGE WHIZLOCK)	4	EA
11	440636		NUT, HEX (1/4"-20NC, FLANGE, WHIZLOCK)	4	EA
12	011321		WASHER, FLAT (1/4")	8	EA
13	413874		BOOT, WEATHERPROOF SWITCH	1	EA

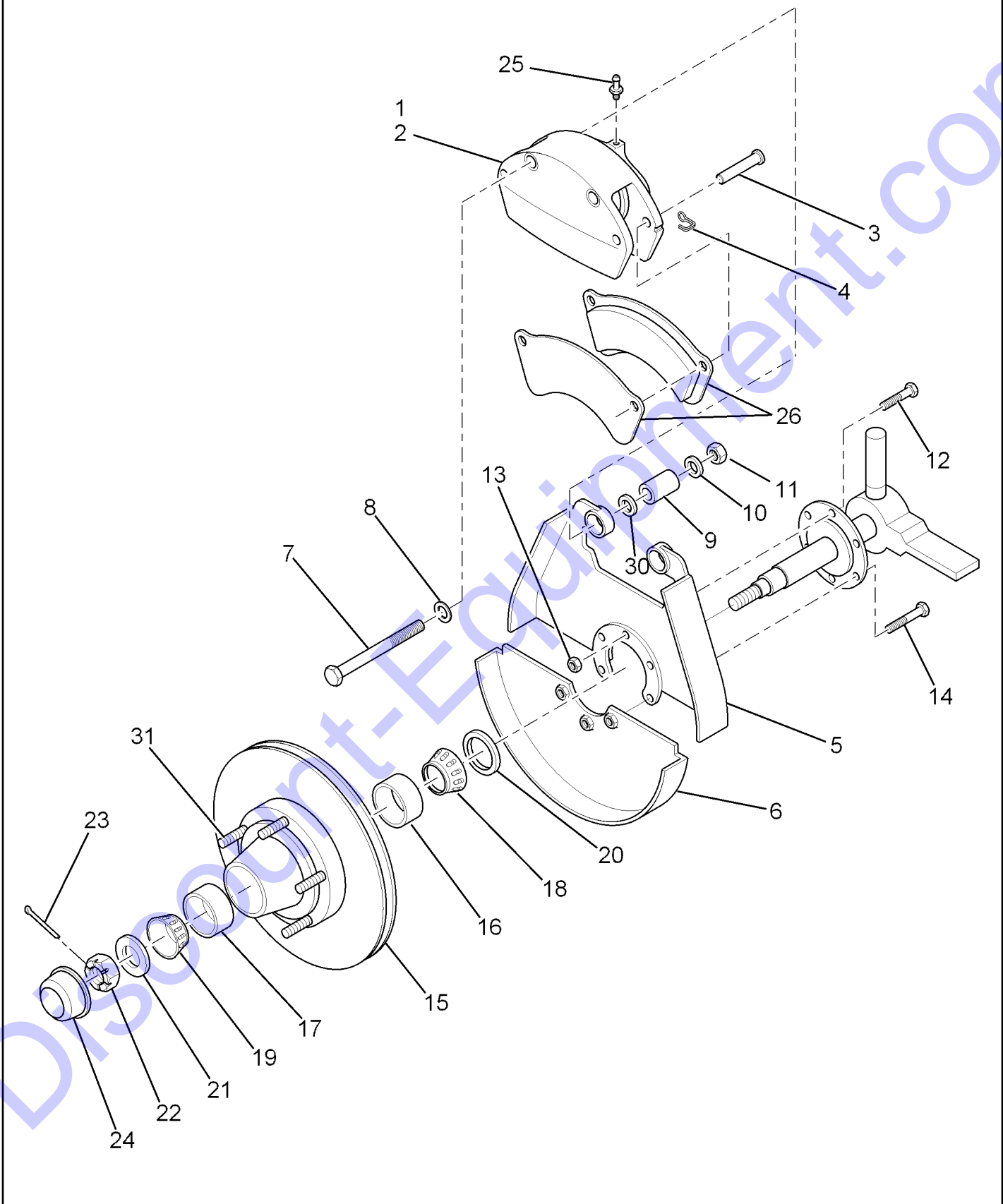
036087: CYLINDER, MASTER



036087: CYLINDER, MASTER

ITEM	PART NUMBER	F/N	DESCRIPTION	QTY	UOM
1		F1	HOUSING	1	
2		F1	CAP	1	
3		F1	DIAPHRAM	1	
4	036160		BOOT, RUBBER	1	EA
5	036178		SPRING	7	EA
6		F1	SEAT, VALVE	1	
7		F1	VALVE	3	
8		F1	CUP, MAIN	1	
9		F1	PISTON	1	
10		F1	BUMPER	1	
11		F1	CUP	1	
12		F1	RING, RETAINER	3	
REMAINING COMPONENTS					
	036251	F2	KIT, REPAIR	1	EA
	036145	F3	KIT, CAP AND DIAPHRAM	1	EA
F1 - PART NUMBER NOT AVAILABLE.					
F2 - ITEMS 4,5,6,7,8,9,10,11 AND 12.					
F3 - ITEMS 2 AND 3.					

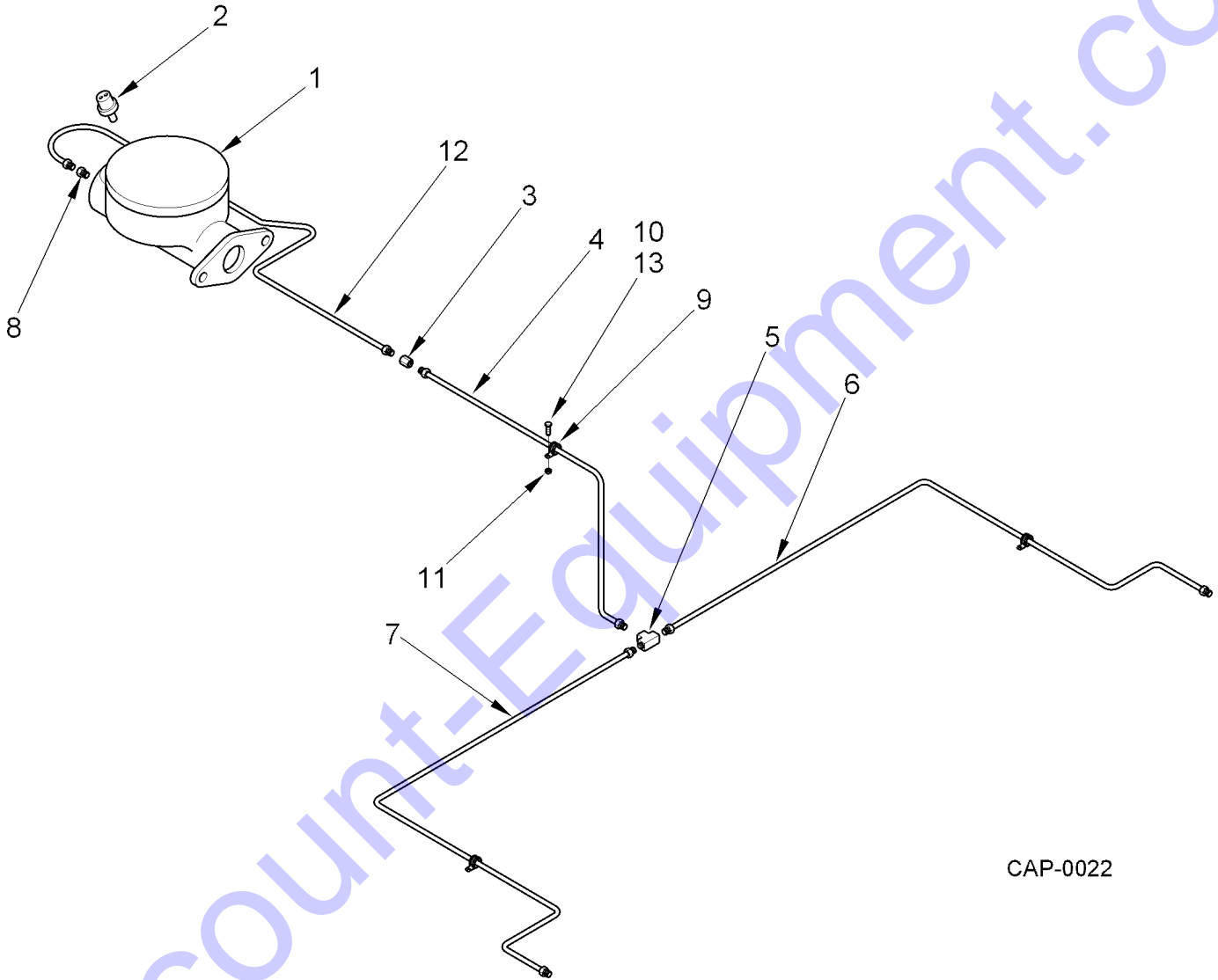
379008K: KIT, DISC BRAKE



379008K: KIT, DISC BRAKE

ITEM	PART NUMBER	F/N	DESCRIPTION	QTY	UOM
1	473181		CALIPER (LEFT HAND)	1	EA
2	473182		CALIPER (RIGHT HAND)	1	EA
3	9107064		PIN	2	EA
4	042648		CLIP, RETAINER	2	EA
5	387272		PLATE, BACKING (UPPER)	1	EA
6	378992		PLATE, BACKING (LOWER)	1	EA
7	478095		BOLT	2	EA
8			WASHER	2	
9	387269		SPACER	2	EA
10			WASHER	2	
11	478096		NUT, LOCK	2	EA
12			BOLT	3	
13	083501		NUT, HEX (3/8"-16NC, FLANGE, WHIZLOCK)	3	EA
14			BOLT	3	
15	378737		ROTOR (L.H. AND R.H.)	1	EA
16	407205		CUP, BEARING (INNER)	1	EA
17	421081		CUP, BEARING (OUTER)	1	EA
18	407213		CONE, BEARING (INNER)	1	EA
19	421099		CONE, BEARING (OUTER)	1	EA
20	407163		SEAL	1	EA
21	066605		WASHER, FLAT	1	EA
22	026328		NUT, SLOTTED	1	EA
23	015164		PIN, COTTER (1/8" X 1-3/4", FRONT AXLE NUT)	1	EA
24	440487		CAP, DUST	1	EA
25			BLEEDER, WHEEL CYLINDER	2	
26			PAD	2	
30	478097		QUADRINGS	8	EA
31	473256		STUD, WHEEL	5	EA
			REMAINING COMPONENTS		
	476507	F1	KIT, PAD AND HOLDER	2	EA
			HUB, OUTSIDE	1	
	387292		SHIM, WHELL	1	EA
	453860		HUB, WHEEL	1	EA
			F1 - 1 KIT PER SIDE.		

LINE, BRAKE

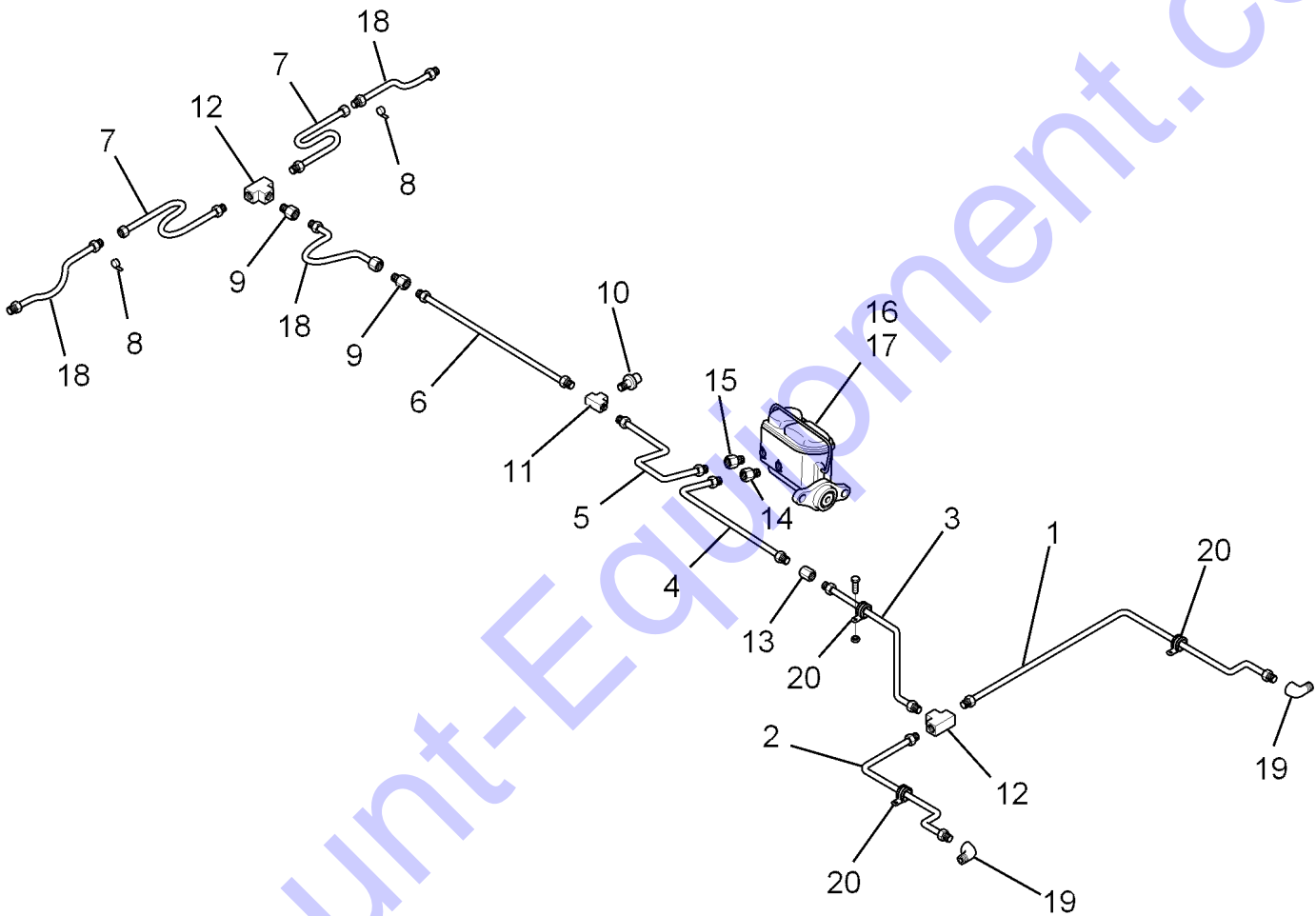


CAP-0022

LINE, BRAKE

ITEM	PART NUMBER	F/N	DESCRIPTION	QTY	UOM
1	036087		CYLINDER, MASTER (SEE PAGE 16)	1	EA
2	049924		SWITCH, BRAKE LIGHT	1	EA
3	067561		FITTING, UNION (3/16" TUBE X 3/16" TUBE)	1	EA
4	271999		TUBE (3/16)	1	EA
5	434944		ADAPTER, TEE (3/16" FEMALE)	1	EA
6	298331		TUBE ASSEMBLY (RIGHT REAR WHEEL, METAL)	1	EA
7	298323		TUBE ASSEMBLY (LEFT REAR WHEEL, METAL)	1	EA
8	054171		ADAPTER, STRAIGHT (3/16" TUBE X 1/8"NPT)	1	EA
9	028993		CLAMP, LOOP (1/2" ID)	6	EA
10	010058		CAPSCREW (1/4"-20 X 1")	4	EA
11	440636		NUT, HEX (1/4"-20NC, FLANGE, WHIZLOCK)	7	EA
12	355420		LINE, BRAKE	1	EA
13	011321		WASHER, FLAT (1/4")	9	EA

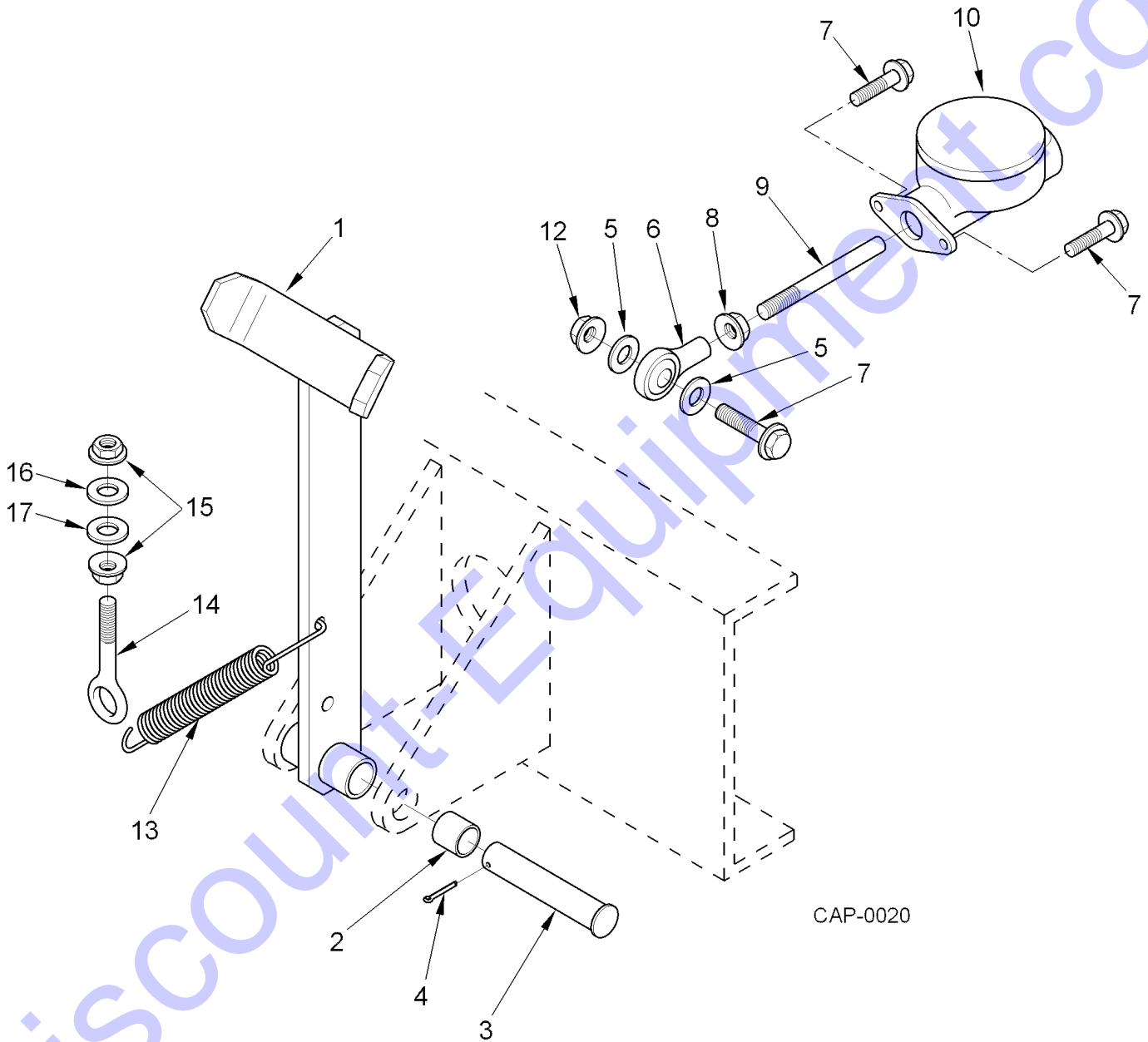
LINE, BRAKE (4-WHEEL)



LINE, BRAKE (4-WHEEL)

ITEM	PART NUMBER	F/N	DESCRIPTION	QTY	UOM
1	298331		TUBE ASSEMBLY (RIGHT REAR WHEEL, METAL)	1	EA
2	298323		TUBE ASSEMBLY (LEFT REAR WHEEL, METAL)	1	EA
3			TUBE ASSEMBLY REAR FRAME CONNECTION)	1	
4	271981		TUBE ASSEMBLY (MASTER CYLINDER TO REAR FRAME)	1	EA
5	271973		TUBE ASSEMBLY (MASTER CYLINDER TO FRONT AXLE)	1	EA
6	271965		TUBE ASSEMBLY (EXTENSION TO FRONT AXLE)	1	EA
7	271221		TUBE ASSEMBLY (RIGHT AND LEFT FRONT BRAKE)	2	EA
8	042648		CLIP, RETAINER	3	EA
9	077495		CONNECTOR, STRAIGHT (1/4" TO 3/16")	5	EA
10			SWITCH	1	
11	282855		TEE (W/MOUNT)	1	EA
12			FITTING (1/4 TUBE 3 PORTS)	2	
13	067561		FITTING, UNION (3/16" TUBE X 3/16" TUBE)	1	EA
14			ADAPTER (3/16 TUBE TO 1/2 SAE)	1	
15			ADAPTER (3/16 TUBE TO 9/16 SAE)	1	
16	029603		CYLINDER, MASTER (FRONT DRUM BRAKES)	1	EA
17	281279		CYLINDER, MASTER (FRONT DISC BRAKES)	1	EA
18	473454		HOSE, BRAKE LINE	2	EA
19			ELBOW, 90 DEGREE (3/16 TUBE F X 1/8-NPT M)	2	
20	028993		CLAMP, LOOP (1/2" ID)	2	EA

PEDAL, BRAKE

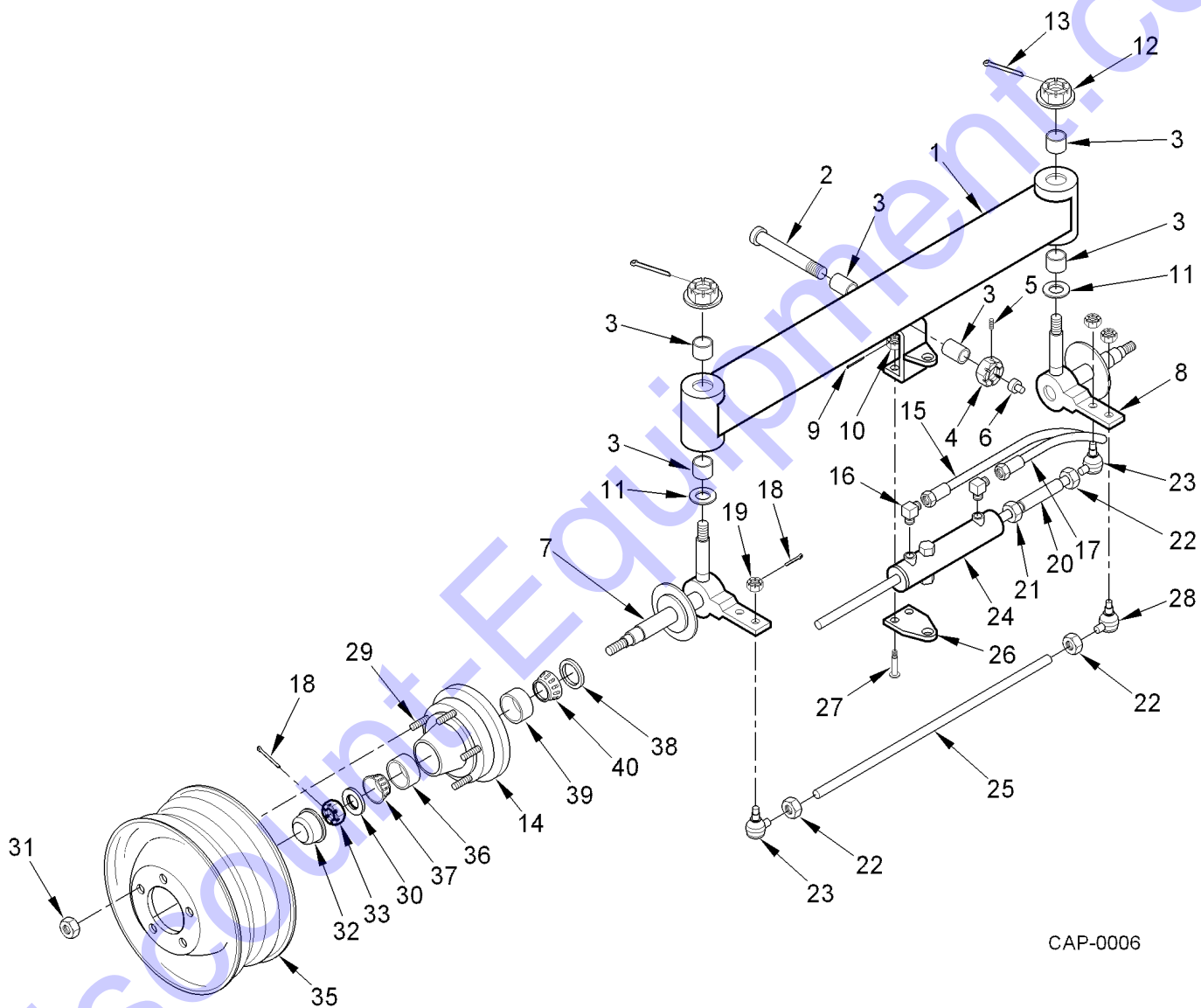


CAP-0020

PEDAL, BRAKE

ITEM	PART NUMBER	F/N	DESCRIPTION	QTY	UOM
1	298810		PEDAL, BRAKE	1	EA
2	V10007700		BUSHING, NYLON	1	EA
3	V63137200		PIN, PEDAL	1	EA
4	4001000		PIN, COTTER	1	EA
5	011031		WASHER, FLAT (3/8")	7	EA
6	078378		ROD END, BALL JOINT	1	EA
7	441675		CAPSCREW (3/8-16NC X 1.50")	3	EA
8	V23504500		NUT, JAM (3/8-24)	1	EA
9	298802		BRAKE, ROD	1	EA
10	036087		CYLINDER, MASTER (SEE PAGE 16)	1	EA
12	441477		NUT, LOCK (3/8"-16NC)	3	EA
13	034926		SPRING, BRAKE PEDAL	1	EA
14	9104072		EYEBOLT (5/16" X 4")	1	EA
15	010553		NUT, HEX (5/16"-18NC)	2	EA
16	011322		WASHER, FLAT (5/16")	2	EA
17	010561		WASHER, LOCK (5/16")	2	EA
			REMAINING COMPONENTS		
	417352		BOOT	1	EA

354324: AXLE, FRONT



CAP-0006

354324: AXLE, FRONT

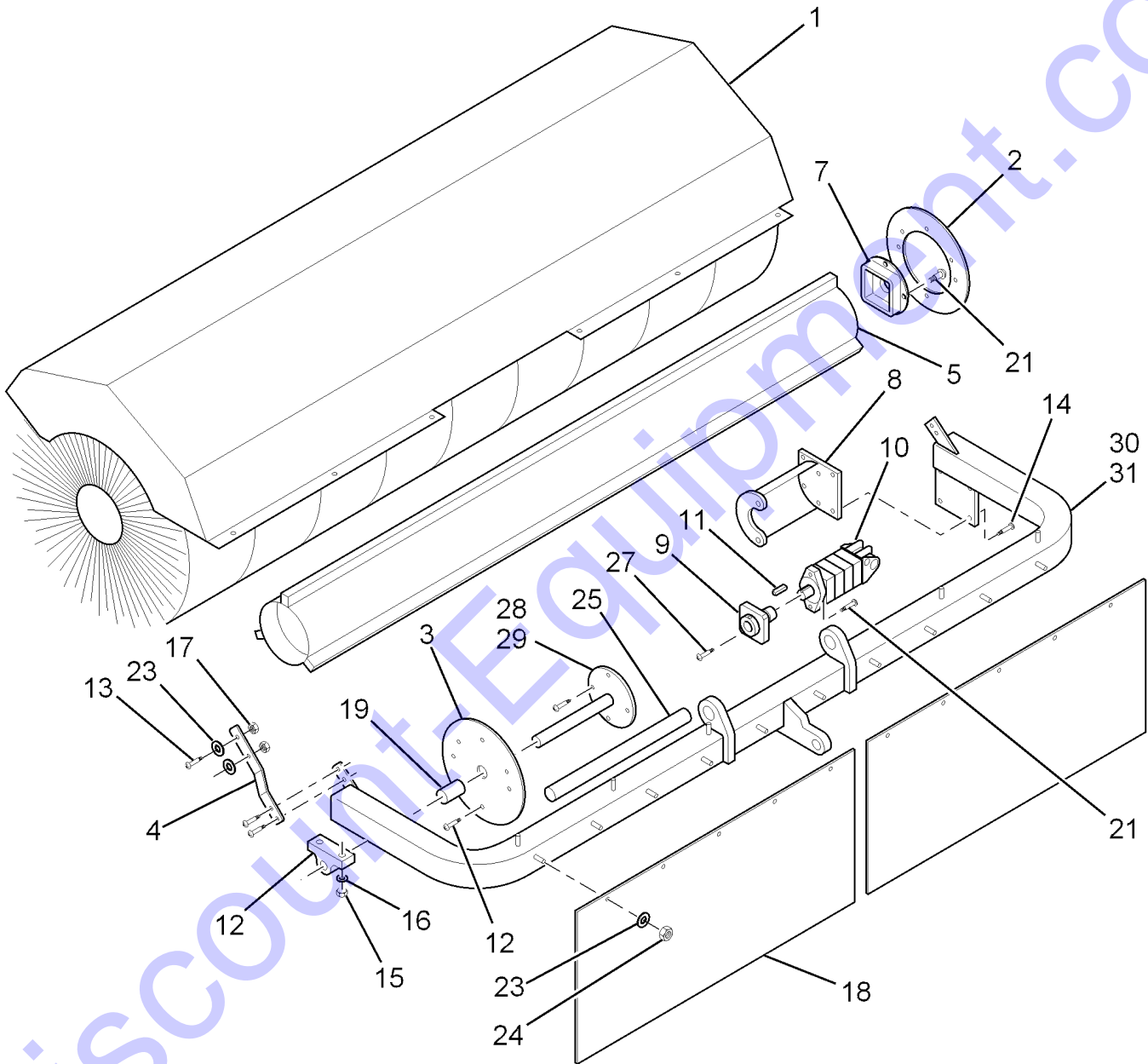
ITEM	PART NUMBER	F/N	DESCRIPTION	QTY	UOM
1	296368		AXLE, FRONT	1	EA
2	257220		PIN, FRONT AXLE PIVOT	1	EA
3	V63023100		BUSHING (2"OD X 1-3/4"ID X 2" LONG, BRONZE)	6	EA
4	V63018700		NUT (1-3/4"-12NF)	1	EA
5	031160		SCREW, SET (BRASS TIP, 3/8"-16NC X 3/8")	1	EA
6	031401		FITTING, GREASE (STRAIGHT, 1/4"-28NF)	1	EA
7	357418		KNUCKLE, STEERING (LEFT HAND)	1	EA
8	357426		KNUCKLE, STEERING (RIGHT HAND)	1	EA
9	025882		PIN, COTTER	2	EA
10	V63168900		NUT, HEX SLOTTED (3/8"-16NC)	2	EA
11	296442		WASHER, THRUST (LOWER)	2	EA
12	336966		NUT, HEAVY SLOTTED (W/WASHER 1 1/8"-12NF)	2	EA
13	015347		PIN, COTTER	2	EA
14	453860		HUB, WHEEL	2	EA
15		F1	HOSE ASSEMBLY (3/8" ID X 96")	1	
16	425348		ADAPTER, 45 DEGREE (#6MOR TO #6MJIC)	2	EA
17		F1	HOSE ASSEMBLY (3/8" ID X 102")	1	
18	015164		PIN, COTTER (1/8" X 1-3/4",FRONT AXLE NUT)	5	EA
19	408047		NUT, SLOTTED (9/16"-18NF)	3	EA
20	271239		ADJUSTER, POWER STEERING CYLINDER	1	EA
21	092460		NUT, JAM (3/4"-16NF)	2	EA
22	V65010400		NUT, JAM (3/4"-16NF, LEFT HAND)	2	EA
23	407908		END, TIE ROD	2	EA
24	432989		CYLINDER, STEERING (2" X 8") (SEE PAGE 134)	1	EA
25	271130		TUBE, TIE ROD	1	EA
26	V63131900		BRACKET, STEERING CYLINDER	1	EA
27	V63162900		BOLT, SPECIAL (3/8"-16NC X 1-1/2")	2	EA
28	407916	F2	END, TIE ROD (RIGHT HAND)	1	EA
29	456152		BOLT, LUG (1/2"-20NF X 2")	10	EA
30	066605		WASHER, FLAT	2	EA
31	047782		NUT, LUG (1/2"-20NF, 60 DEG, 13/16")	2	EA
32	440487		CAP, DUST	2	EA
33	026328		NUT, SLOTTED	4	EA
35	472506		WHEEL (15 X 6 FRONT AND REAR)	4	EA
36	407205		CUP, BEARING (INNER)	2	EA
37	407213		CONE, BEARING (INNER)	2	EA
38	407163		SEAL	2	EA
39	421081		CUP, BEARING (OUTER)	2	EA
40	421099		CONE, BEARING (OUTER)	2	EA
			REMAINING COMPONENTS		
	029629		STEM, VALVE	2	EA
			F1 - SEE HYDRAULIC SCHEMATIC FOR DETAILS		

354324: AXLE, FRONT

ITEM	PART NUMBER	F/N	DESCRIPTION	QTY	UOM
			F2 - COMES WITH SLOTTED NUT		

Discount-Equipment.com

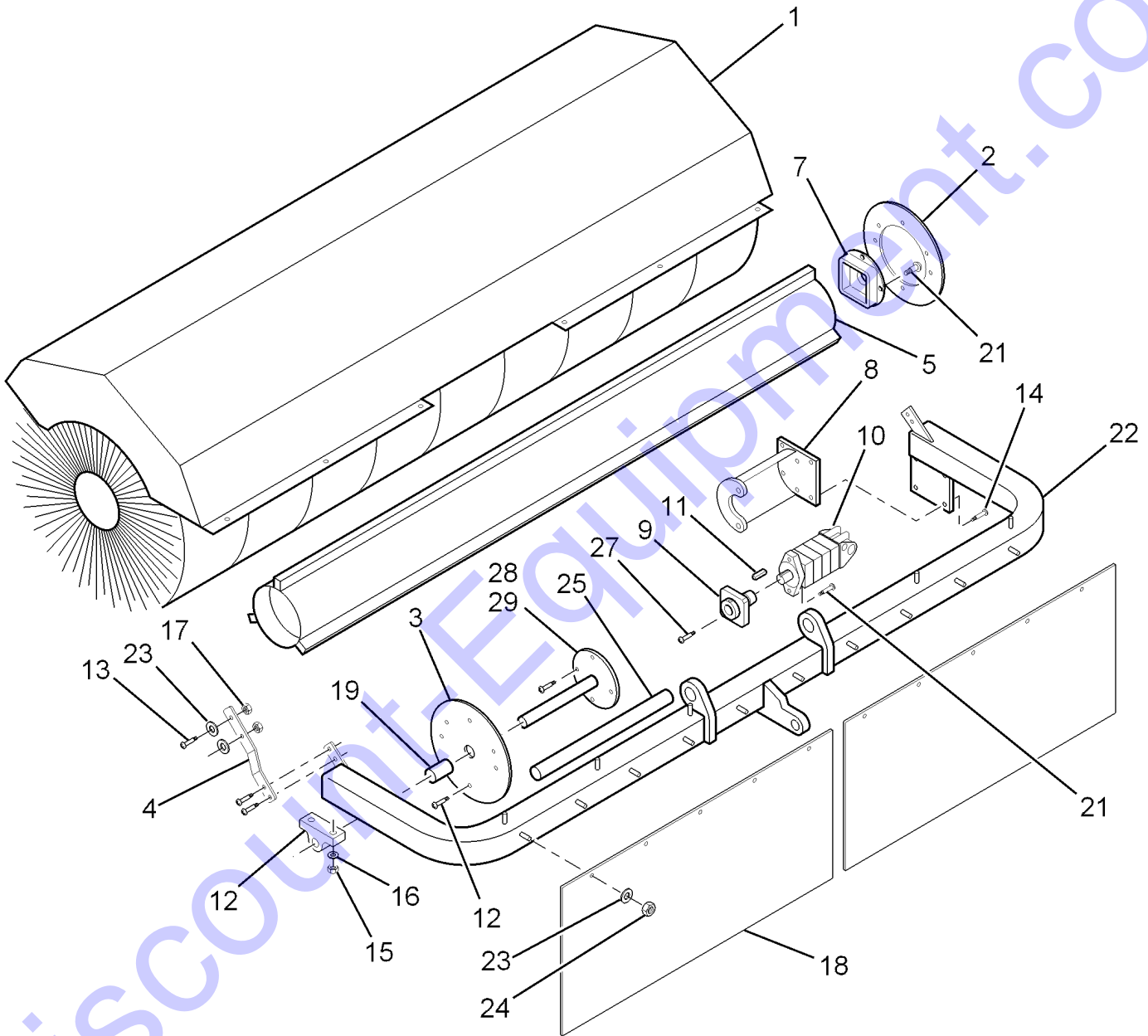
BROOM (88-INCH)



BROOM (88-INCH)

ITEM	PART NUMBER	F/N	DESCRIPTION	QTY	UOM
1	296129		COVER, BROOM	1	EA
2	271023		CAP, BROOM CORE (LEFT HAND)	1	EA
3	271031		CAP, BROOM CORE (RIGHT HAND)	1	EA
4	V63134200		SUPPORT, BROOM COVER	2	EA
5		F1	CORE, BROOM	1	
7		F1	COUPLING, BROOM DRIVE FEMALE	1	
8		F1	MOUNT, BROOM MOTOR	1	
9		F1	COUPLING, BROOM DRIVE MALE	1	
10		F1	MOTOR, BROOM	1	
11	9101779		KEY, SPECIAL (ROLLER STATOR MOTOR)	1	EA
12	433144		BEARING, BROOM SHAFT	1	EA
13	441600		CAPSCREW (5/16"-18NC X 1", PL)	14	EA
14	441766		CAPSCREW (1/2"-13NC X 1", FLANGE, WHIZLOCK)	4	EA
15	440644		NUT, HEX (1/2"-13NC, FLANGE, WHIZLOCK)	2	EA
16	011643		WASHER, LOCK (1/2")	6	EA
17	083493		NUT, HEX (5/16"-18NC PL)	28	EA
18	298240		DEFLECTOR, DIRT BELT	2	EA
19	296021		BUSHING (2.00"L)	1	EA
21	045864	F2	BOLT, SOCKET-HEAD (1/2"13NC X 1-1/4")	6	EA
23	011322		WASHER, FLAT (5/16")	58	EA
24	010553		NUT, HEX (5/16"-18NC)	58	EA
25	295238		PIN, BROOM FRAME MOUNT	1	EA
27	010702		CAPSCREW (3/8"-16NC X 3")	1	EA
28	270736		SHAFT, BROOM CORE SUPPORT	1	EA
29	386513		SHAFT, BROOM CORE SUPPORT (PARKER)	1	EA
30	296039		MOUNT, BROOM	1	EA
31	295980		MOUNT, BROOM	1	EA
REMAINING COMPONENTS					
	335018		DEFLECTOR, WRAP AROUND (DIRT BELT, OPTIONAL)	AR	EA
	440370		HOLDER, CLAMP HOSE	1	EA
	015362		PIN, COTTER (3/16" X 2-1/2", STEEL)	2	EA
	011361		CAPSCREW (1/2"-13NC X 1-1/2")	4	EA
	404535		KIT, SHAFT AND BEARING	1	EA
	404536		KIT, BROOM MOTOR SEAL	1	EA
F1 - SEE BROOM ASSEMBLY CROSS REFERENCE					
F2 - LOCKTITE AND TORQUE TO 130 PLUS OR					
MINUS 5 FT.LB					

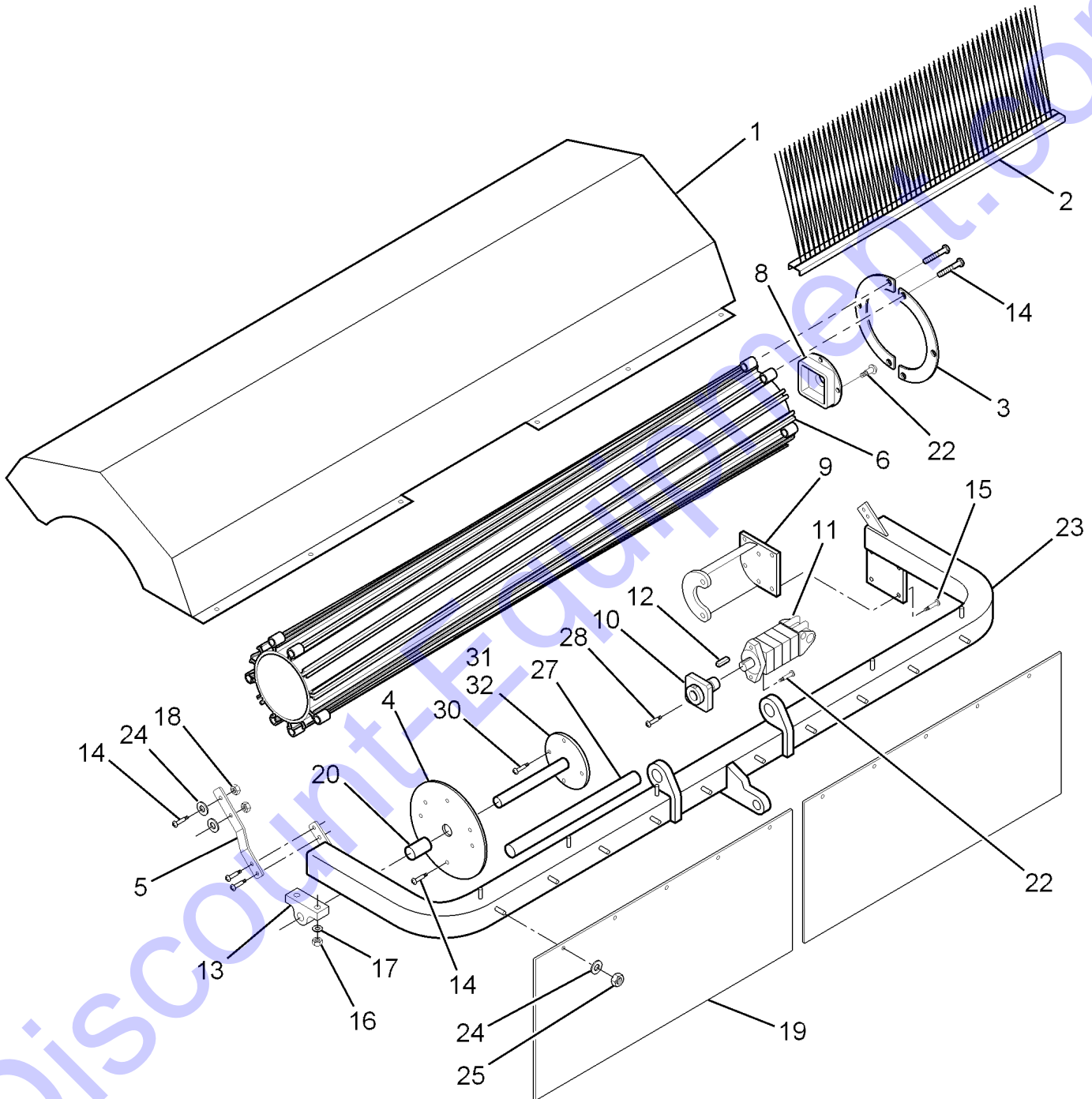
BROOM (96-INCH)



BROOM (96-INCH)

ITEM	PART NUMBER	F/N	DESCRIPTION	QTY	UOM
1	386518		COVER, BROOM	1	EA
2	271023		CAP, BROOM CORE (LEFT HAND)	1	EA
3	271031		CAP, BROOM CORE (RIGHT HAND)	1	EA
4	V63134200		SUPPORT, BROOM COVER	2	EA
5	386501		CORE, BROOM	1	EA
7	338392		COUPLING, BROOM DRIVE FEMALE	1	EA
8	296039		MOUNT, BROOM	1	EA
9	270561		COUPLER, MALE	1	EA
10	404538		MOTOR, BROOM (SEE PAGE 140)	1	EA
11	9101779		KEY, SPECIAL (ROLLER STATOR MOTOR)	1	EA
12	433144		BEARING, BROOM SHAFT	1	EA
13	441600		CAPSCREW (5/16"-18NC X 1", PL)	14	EA
14	441766		CAPSCREW (1/2"-13NC X 1", FLANGE, WHIZLOCK)	4	EA
15	440644		NUT, HEX (1/2"-13NC, FLANGE, WHIZLOCK)	2	EA
16	011643		WASHER, LOCK (1/2")	6	EA
17	083493		NUT, HEX (5/16"-18NC PL)	28	EA
18	298240		DEFLECTOR, DIRT BELT	2	EA
19	296021		BUSHING (2.00"L)	1	EA
21	045864	F1	BOLT, SOCKET-HEAD (1/2"13NC X 1-1/4")	10	EA
22	386516		MOUNT, BROOM	1	EA
23	011322		WASHER, FLAT (5/16")	58	EA
24	010553		NUT, HEX (5/16"-18NC)	58	EA
25	295238		PIN, BROOM FRAME MOUNT	1	EA
27	010702		CAPSCREW (3/8"-16NC X 3")	1	EA
28	270736		SHAFT, BROOM CORE SUPPORT	1	EA
29	386513		SHAFT, BROOM CORE SUPPORT (PARKER)	1	EA
			REMAINING COMPONENTS		
	404536		KIT, BROOM MOTOR SEAL	1	EA
	335018		DEFLECTOR, WRAP AROUND (DIRT BELT, OPTIONAL)	AR	EA
	440370		HOLDER, CLAMP HOSE	1	EA
	015362		PIN, COTTER (3/16" X 2-1/2", STEEL)	2	EA
	011361		CAPSCREW (1/2"-13NC X 1-1/2")	4	EA
	404535		KIT, SHAFT AND BEARING	1	EA
			F1 - LOCKTITE AND TORQUE T0 130 PLUS		
			OR MINUS 5 FT.LB		

BROOM, STRIP (OPTIONAL)



BROOM, STRIP (OPTIONAL)

ITEM	PART NUMBER	F/N	DESCRIPTION	QTY	UOM
1	296129		COVER, BROOM	1	EA
2	474791K		WAFER, BROOM (2 SETS OF 18 BRUSHES)	AR	EA
3	369298		CAP, LH BROOM CORE	2	EA
4	271031		CAP, BROOM CORE (RIGHT HAND)	1	EA
5	V63134200		SUPPORT, BROOM COVER	2	EA
6	369363		CORE, BROOM	1	EA
8	338392		COUPLING, BROOM DRIVE FEMALE	1	EA
9	296039		MOUNT, BROOM	1	EA
10	270561		COUPLER, MALE	1	EA
11	404538		MOTOR, BROOM (SEE PAGE 140)	1	EA
12	9101779		KEY, SPECIAL (ROLLER STATOR MOTOR)	1	EA
13	433144		BEARING, BROOM SHAFT	1	EA
14	441600		CAPSCREW (5/16"-18NC X 1", PL)	14	EA
15	441766		CAPSCREW (1/2"-13NC X 1", FLANGE, WHIZLOCK)	4	EA
16	440644		NUT, HEX (1/2"-13NC, FLANGE, WHIZLOCK)	2	EA
17	011643		WASHER, LOCK (1/2")	6	EA
18	083493		NUT, HEX (5/16"-18NC PL)	28	EA
19	298240		DEFLECTOR, DIRT BELT	2	EA
20	296021		BUSHING (2.00"L)	1	EA
22	045864	F1	BOLT, SOCKET-HEAD (1/2"13NC X 1-1/4")	10	EA
23	295980		MOUNT, BROOM	1	EA
24	011322		WASHER, FLAT (5/16")	58	EA
25	010553		NUT, HEX (5/16"-18NC)	58	EA
27	295238		PIN, BROOM FRAME MOUNT	2	EA
28	010702		CAPSCREW (3/8"-16NC X 3")	1	EA
30	011361		CAPSCREW (1/2"-13NC X 1-1/2")	4	EA
31	386513		SHAFT, BROOM CORE SUPPORT (PARKER)	1	EA
32	270736		SHAFT, BROOM CORE SUPPORT	1	EA
REMAINING COMPONENTS					
	335018		DEFLECTOR, WRAP AROUND (DIRT BELT, OPTIONAL)	AR	EA
	015362		PIN, COTTER (3/16" X 2-1/2", STEEL)	2	EA
	440370		HOLDER, CLAMP HOSE	1	EA
	404536		KIT, BROOM MOTOR SEAL	1	EA
	404535		KIT, SHAFT AND BEARING	1	EA
F1 - LOCKTITE AND TORQUE TO 130 PLUS					
OR MINUS 5 FT.LB					

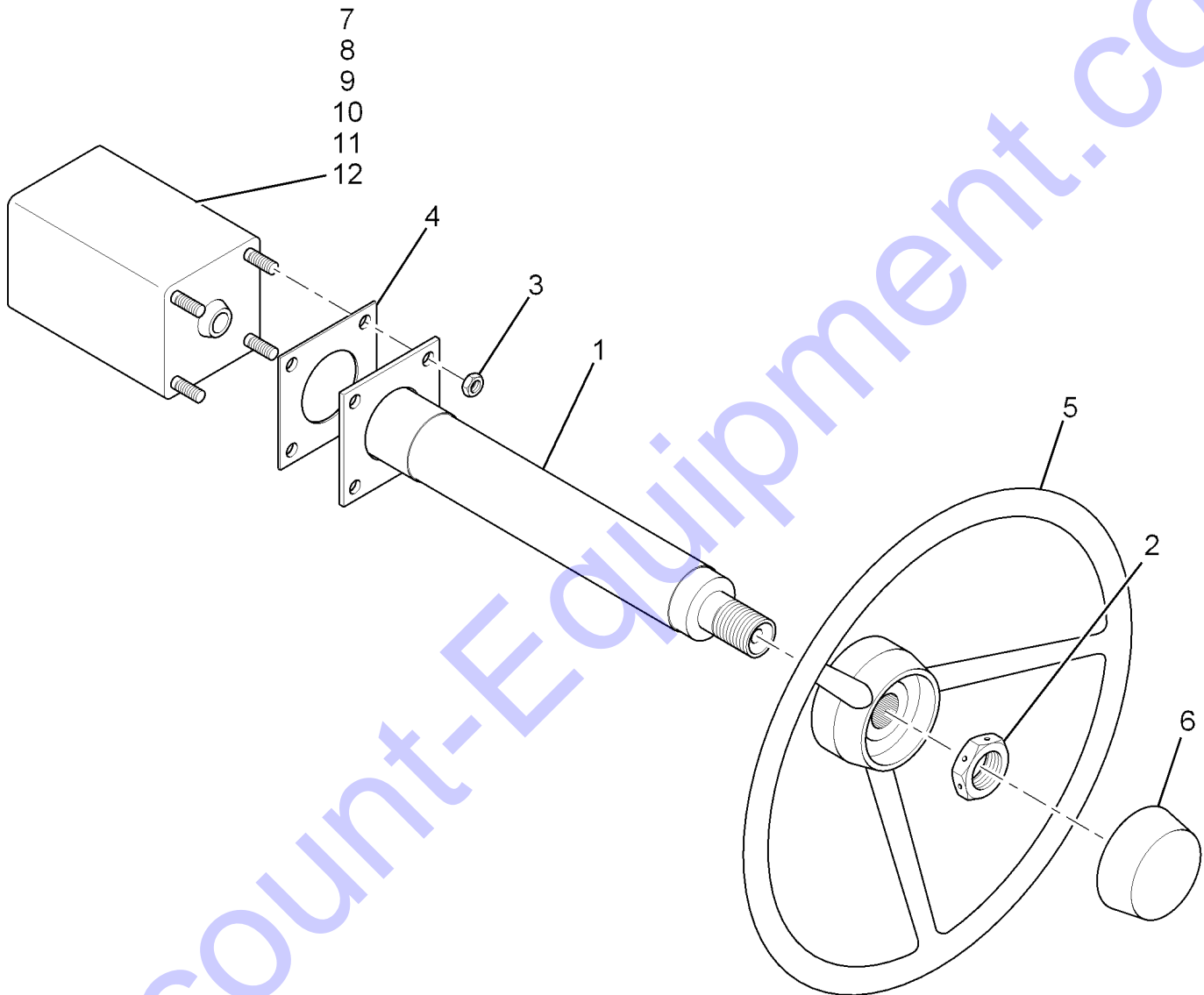
NON-ILLUSTRATED

Discount-Equipment.com

BRUSH KITS

ITEM	PART NUMBER	F/N	DESCRIPTION	QTY	UOM
1	416057		BRUSH, COMBINATION WIRE/POLY (BOX OF 4)	AR	EA
2	416057BX		WAFER, POLY (10" X 32") (BOX OF 25)	AR	EA
3	416065		BRUSH, ALL WIRE	AR	EA
4	416065BX		WAFER, WIRE (10" X 32") (BOX OF 24)	AR	EA
5	475155		WAFER, COMBO (10" X 32")	AR	EA
6	475155BX		WAFER, COMBO (10" X 32") (BOX OF 24)	AR	EA
7	910464K		KIT, COMP BRUSH (COMBO WAFER, 10"X32"X8FT)	AR	EA
8	416024K		KIT, BRUSH (POLY/WIRE, 10"X32"X8')	AR	EA
9	416032K		KIT, BRUSH (POLY WAFER) (10"X32"X8')	AR	EA
10	416040K		KIT, BRUSH (WIRE WAFER) (10"X32"X8')	AR	EA

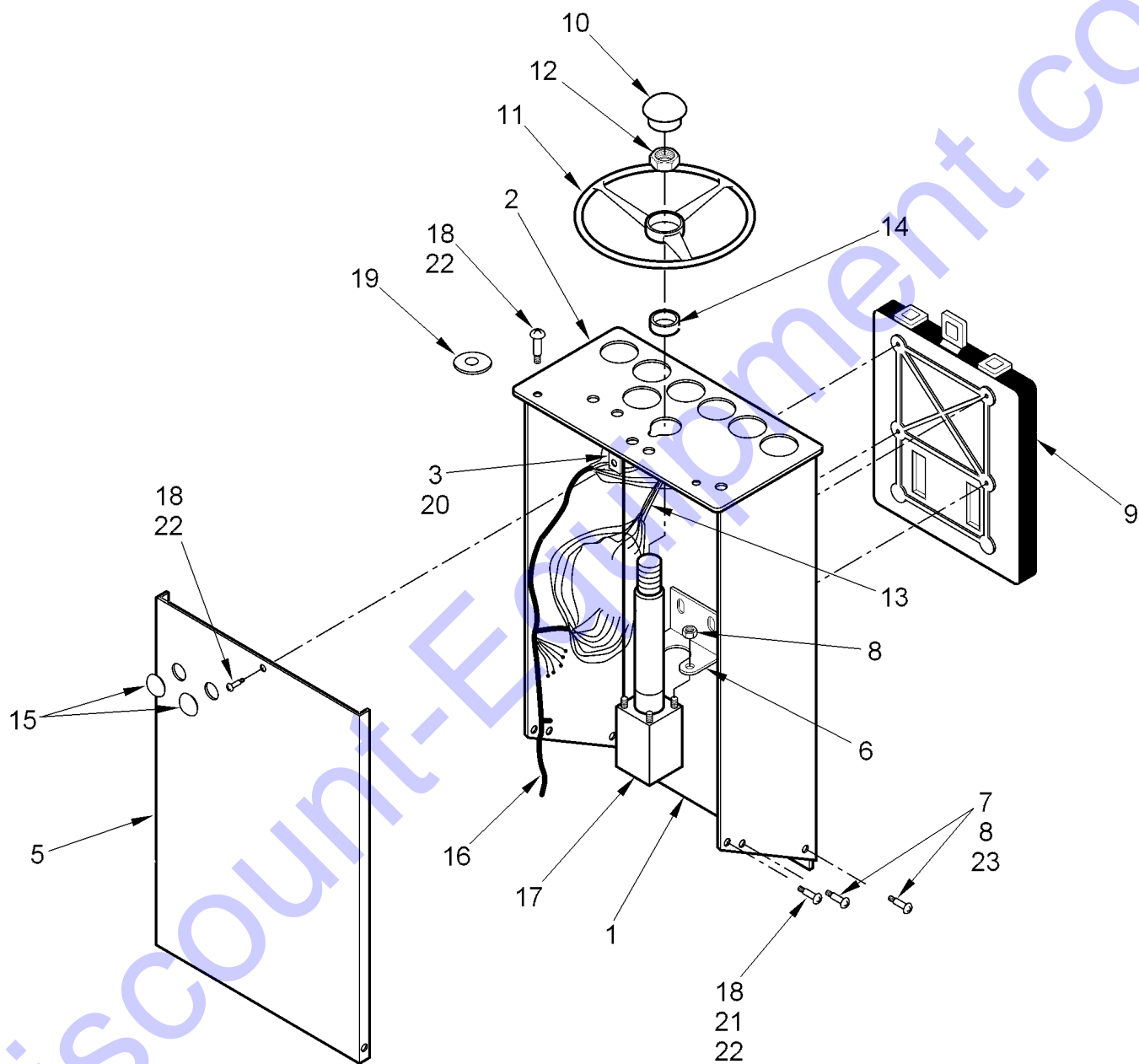
433030: COLUMN, STEERING



433030: COLUMN, STEERING

ITEM	PART NUMBER	F/N	DESCRIPTION	QTY	UOM
1	433037		COLUMN	1	EA
2	033886		NUT, HEX (13/16"-20NF, SPECIAL)	1	EA
3	035303		NUT, HEX (5/16"-24NF)	4	EA
4	435271		GASKET	1	EA
5	074211		WHEEL, STEERING	1	EA
6	074229		CAP, STEERING WHEEL	1	EA
7	385690	F1	VALVE, UNIT STEERING	1	EA
8	476770	F2	VALVE, STEERING	1	EA
9	451104	F1	VALVE, STEERING (W/POWER BEYOND)	1	EA
10	476788	F2	VALVE, STEERING (W/POWER BEYOND VALVE)	1	EA
11	457028	F1	VALVE, UNIT STEERING (FOR TOW KIT OPTION)	1	EA
12	477208	F2	VALVE, UNIT STEERING (FOR TOW KIT OPTION)	1	EA
REMAINING COMPONENTS					
	433862		KIT, SEAL (STEERING VALVE, F/476770)	1	EA
F1 - THRU REV. CODE -11.					
F2 - REV. CODE 012 AND LATER.					

CONSOLE AND INSTRUMENTATION



CAP-0002

CONSOLE AND INSTRUMENTATION

ITEM	PART NUMBER	F/N	DESCRIPTION	QTY	UOM
1	356394		COLUMN, CONTROL	1	EA
2	356402		DASH	1	EA
3	352054		MOUNT, CLIP NUT	1	EA
5	298588		COVER, CONTROL COLUMN	1	EA
6	V63029200		MOUNT, STEERING COLUMN	1	EA
7	441667		CAPSCREW (3/8"-16NC X 1", FLANGE WHIZLOCK)	6	EA
8	441477		NUT, LOCK (3/8"-16NC)	6	EA
9	414672		CASE, BLACK LITERATURE	1	EA
10	074229		CAP, STEERING WHEEL	1	EA
11	074211		WHEEL, STEERING	1	EA
12		F1	NUT, STEERING WHEEL	1	
13		F2	HARNESS, WIRING (GAUGE TO FUSE BLOCK)	1	
14	V61021200		GROMMET, STEERING COLUMN	1	EA
15	409623		PLUG (1-1/16" DIA. HOLE)	2	EA
16		F2	HARNESS, WIRING (MAIN)	1	
17		F3	VALVE, STEERING	1	
18	441550		CAPSCREW (1/4"-20NC X 3/4", FLANGE WHIZLOCK)	8	EA
19	446518		COVER, BLIND (2-1/16" DIA)	1	EA
20	067439		NUT, CLIP (1/4" X 20)	2	EA
21	440636		NUT, HEX (1/4"-20NC, FLANGE, WHIZLOCK)	4	EA
22	011321		WASHER, FLAT (1/4")	14	EA
23	011323		WASHER, FLAT (3/8")	12	EA
			REMAINING COMPONENTS		
	417717		PLUG, HOLE (.437" DIA.)	4	EA
			F1 - SUPPLIED WITH STEERING VALVE ITEM 17.		
			F2 - SEE MAIN ELECTRICAL SCHEMATIC.		
			F3 - SEE STEERING COLUMN ASSEMBLY.		

CROSS REFERENCE, BROOM

Broom Motors	Male Female Couplers	Motor Couplers	Broom Mounts	Cores	Set Screw	Key
404538	270561	338392	296039	351191	010702	
404541	9102713	351155	296038	see note	093575	9101779
404542	270561	338392	386511	351190	010637	
404543	270561	338392	386511	351190	010637	
404543	270561	338392	296039	351191	010702	

Note: Early square Danfoss core square is part 351189. Starting approximately Serial Number 29568 core is 351191.

Motor Mounts	Inside Length	Overall Length	
296039	9-1/4	10-1/4	Measure motor mount length to confirm the motor part number.
296038	9	10	
386511	9-3/4	10-3/4	

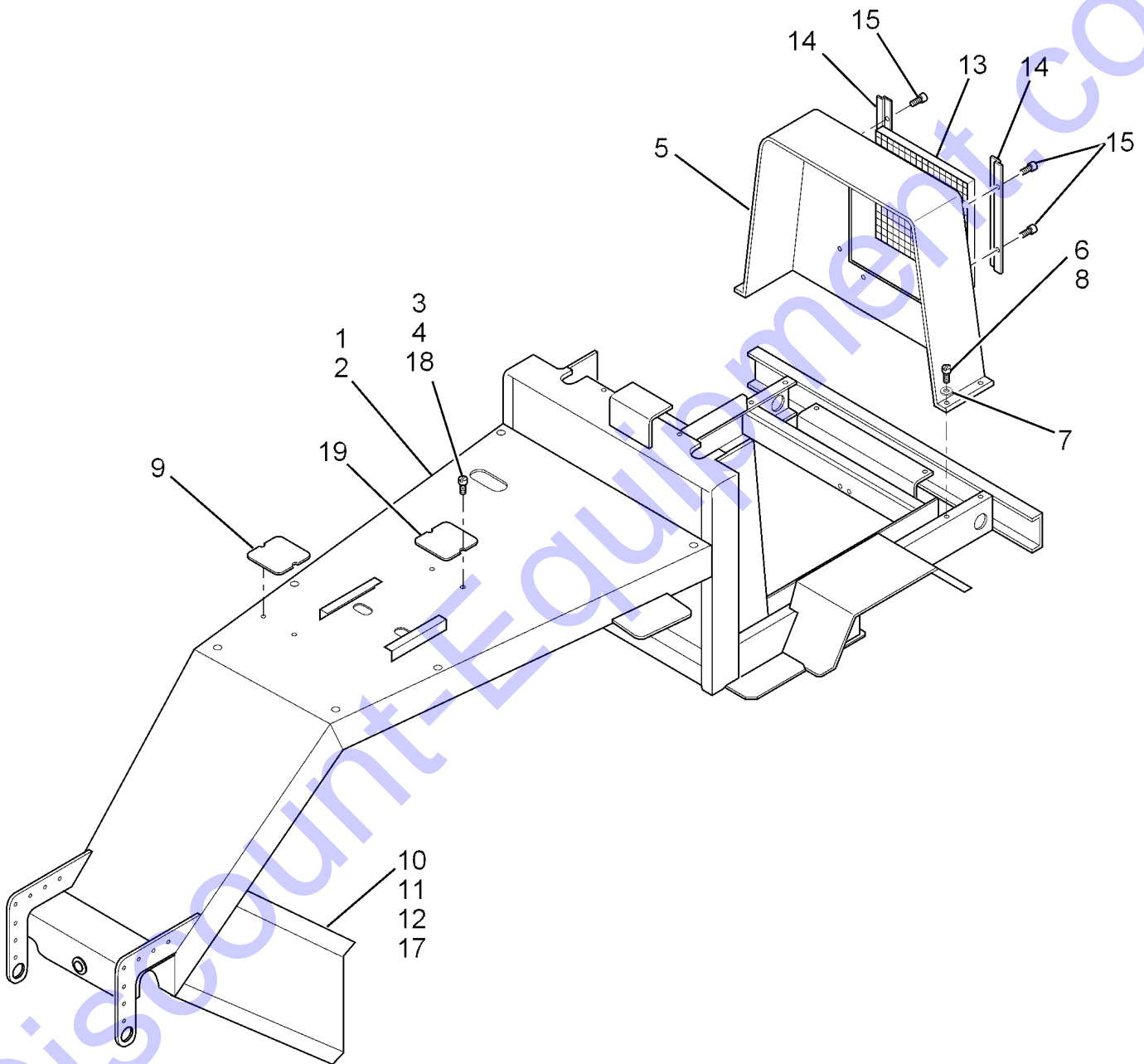
CROSS REFERENCE, BROOM

ITEM	PART NUMBER	F/N	DESCRIPTION	QTY	UOM
			FOR BROOM MOTOR 404538		
1	404538		MOTOR, BROOM (SEE PAGE 140)	AR	EA
2	270561		COUPLER, MALE	AR	EA
3	338392		COUPLING, BROOM DRIVE FEMALE	AR	EA
4	296039		MOUNT, BROOM	AR	EA
5	351191		CORE, BROOM	AR	EA
6	010702		CAPSCREW (3/8"-16NC X 3")	AR	EA
			FOR BROOM MOTOR 404541		
7	404541		BROOM MOTOR (EATON, BEFORE 11-09-04) (SEE PAGE 122)	AR	EA
8	9102713		BLOCK, BROOM MOTOR DRIVE	AR	EA
9	351155		COUPLER, FEMALE	AR	EA
10	296038		MOUNT, MOTOR	AR	EA
11	351189	F1	CORE, BROOM	AR	EA
12	351191	F1	CORE, BROOM	AR	EA
13	093575		SCREW, SET	AR	EA
14	9101779		KEY, SPECIAL (ROLLER STATOR MOTOR)		
			FOR BROOM MOTOR 404542		
15	404542		MOTOR, BROOM (96" BRUSH PARKER) (SEE PAGE 142)	AR	EA
16	270561		COUPLER, MALE	AR	EA
17	338392		COUPLING, BROOM DRIVE FEMALE	AR	EA
18	386511		MOUNT, MOTOR	AR	EA
19	351190		CORE, BROOM	AR	EA
20	010637		SCREW, SET	AR	EA
			FOR BROOM MOTOR 404543		
21	404543		BROOM MOTOR (DANFOSS, AFTER 11-09-04) (SEE PAGE 120)	AR	EA
22	270561		COUPLER, MALE	AR	EA
23	338392		COUPLING, BROOM DRIVE FEMALE	AR	EA
24	386511		MOUNT, MOTOR	AR	EA
25	351190		CORE, BROOM	AR	EA
26	010637		SCREW, SET	AR	EA
			FOR BROOM MOTOR 404543		
27	404543		BROOM MOTOR (DANFOSS, AFTER 11-09-04) (SEE PAGE 120)	AR	EA

CROSS REFERENCE, BROOM

ITEM	PART NUMBER	F/N	DESCRIPTION	QTY	UOM
28	270561		COUPLER, MALE	AR	EA
29	338392		COUPLING, BROOM DRIVE FEMALE	AR	EA
30	296039		MOUNT, BROOM	AR	EA
31	351191		CORE, BROOM	AR	EA
32	010702		CAPSCREW (3/8"-16NC X 3")	AR	EA
			F1 - EARLY SQUARE DANFROSS CORE SQUARE		
			IS 351189. STARTING APPROXIMATELY		
			SERIAL NUMBER 29568 CORE IS 351191.		

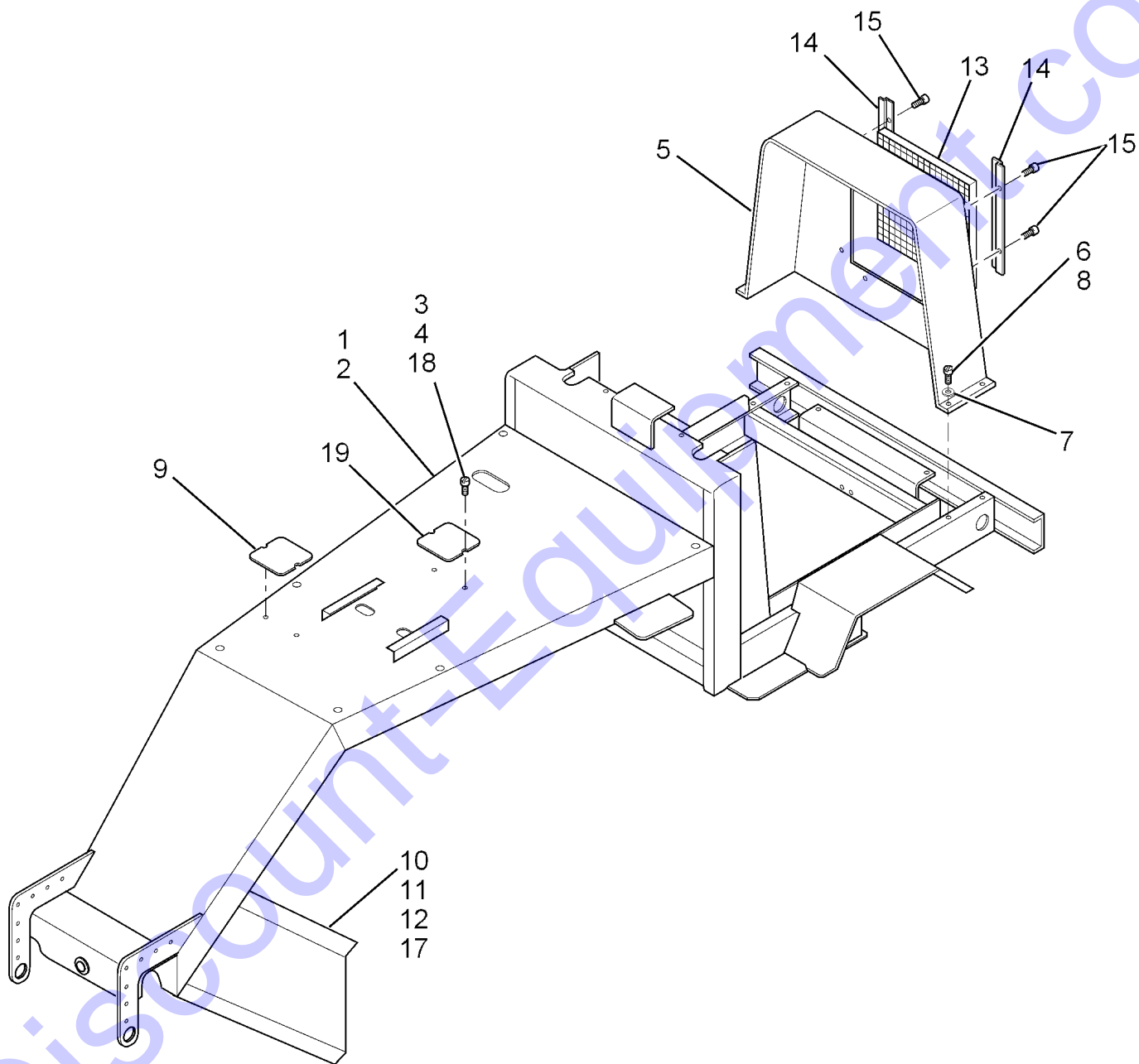
FRAME, MAIN (NON-YUKON UNITS)



FRAME, MAIN (NON-YUKON UNITS)

ITEM	PART NUMBER	F/N	DESCRIPTION	QTY	UOM
1	357013		FRAME, MAIN (COMPATIBLE W/3.3BT ENGINE)	1	EA
2	357014		FRAME, MAIN (96" OPTION)	1	EA
3	441550		CAPSCREW (1/4"-20NC X 3/4", FLANGE WHIZLOCK)	2	EA
4	067439		NUT, CLIP (1/4" X 20)	2	EA
5	349235		GUARD, ENGINE (W/CUMMINS 3.3)	1	EA
6	056879		CAPSCREW (1/2"-20NF X 1-1/4")	4	EA
7	011650		WASHER, FLAT (1/2")	4	EA
8	440644		NUT, HEX (1/2"-13NC, FLANGE, WHIZLOCK)	4	EA
9	616508		COVER, RUBBER	1	EA
10	281238		SHIELD, STEERING CYLINDER	1	EA
11	441667		CAPSCREW (3/8"-16NC X 1", FLANGE WHIZLOCK)	2	EA
12	083501		NUT, HEX (3/8"-16NC, FLANGE, WHIZLOCK)	2	EA
13	349258		PANEL, DOOR (SWING OUT)	1	EA
14	267260		ANGLE, FORMED	2	EA
15	010371		CAPSCREW (5/16"-18NC X 1-3/4")	4	EA
17	011323		WASHER, FLAT (3/8")	4	EA
18	011321		WASHER, FLAT (1/4")	2	EA
19	271015		COVER, FLOORBOARD HOLE	1	EA
			REMAINING COMPONENTS		
	011325		WASHER, FLAT (1/2")	8	EA
	369256		FRONT FENDER ASSEMBLY (ENTIRE FENDER KIT)	1	EA
	384966		FENDER (LEFT HAND)	1	EA
	384982		FENDER (RIGHT HAND)	1	EA

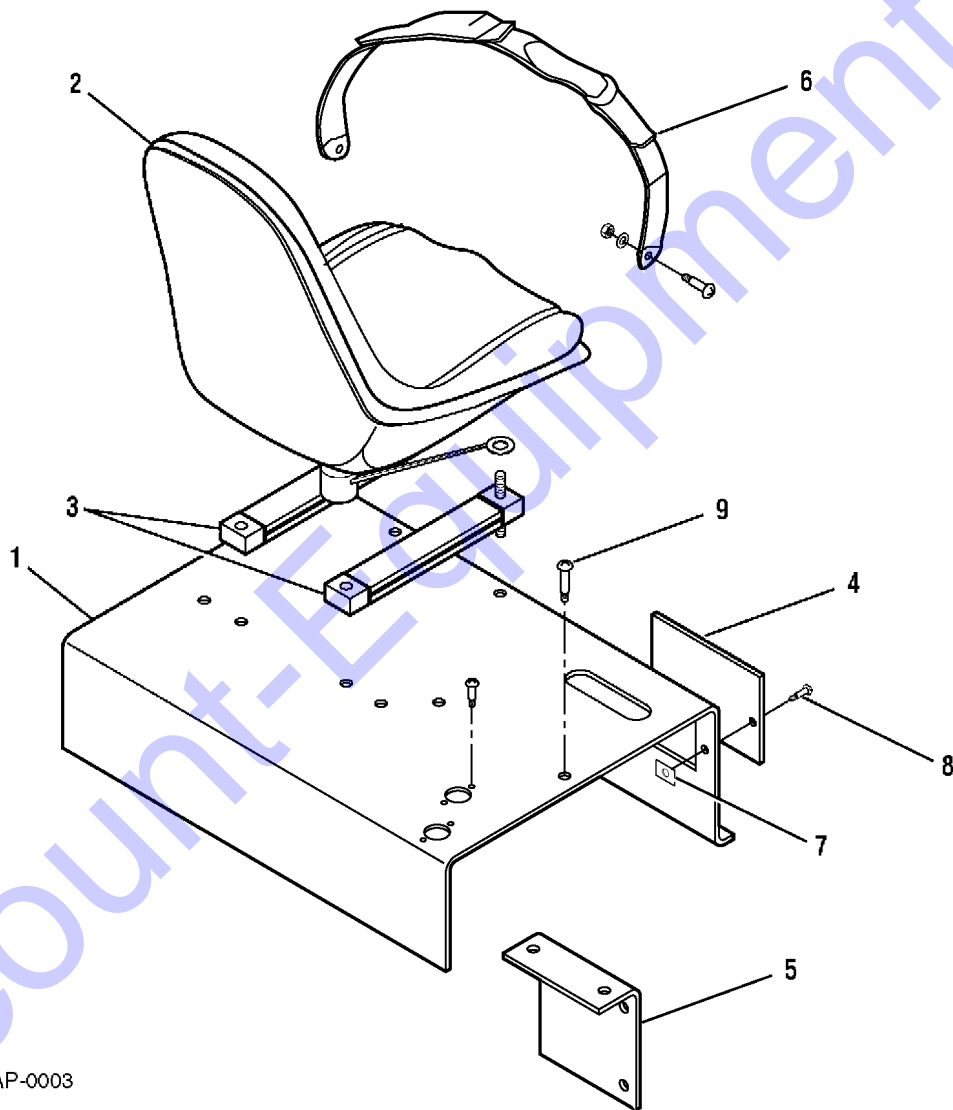
FRAME, MAIN (YUKON UNITS)



FRAME, MAIN (YUKON UNITS)

ITEM	PART NUMBER	F/N	DESCRIPTION	QTY	UOM
1	357013		FRAME, MAIN (COMPATIBLE W/3.3BT ENGINE)	1	EA
2	357014		FRAME, MAIN (96" OPTION)	1	EA
3	441550		CAPSCREW (1/4"-20NC X 3/4", FLANGE WHIZLOCK)	2	EA
4	067439		NUT, CLIP (1/4" X 20)	2	EA
5	349235		GUARD, ENGINE (W/CUMMINS 3.3)	1	EA
6	056879		CAPSCREW (1/2"-20NF X 1-1/4")	4	EA
7	011650		WASHER, FLAT (1/2")	4	EA
8	440644		NUT, HEX (1/2"-13NC, FLANGE, WHIZLOCK)	4	EA
9	616508		COVER, RUBBER	1	EA
10	281238		SHIELD, STEERING CYLINDER	1	EA
11	441667		CAPSCREW (3/8"-16NC X 1", FLANGE WHIZLOCK)	2	EA
12	083501		NUT, HEX (3/8"-16NC, FLANGE, WHIZLOCK)	2	EA
13	349258		PANEL, DOOR (SWING OUT)	1	EA
14	267260		ANGLE, FORMED	2	EA
15	010371		CAPSCREW (5/16"-18NC X 1-3/4")	4	EA
17	011323		WASHER, FLAT (3/8")	4	EA
18	011321		WASHER, FLAT (1/4")	2	EA
19	271015		COVER, FLOORBOARD HOLE	1	EA
			REMAINING COMPONENTS		
	011325		WASHER, FLAT (1/2")	8	EA
	369256		FRONT FENDER ASSEMBLY (ENTIRE FENDER KIT)	1	EA
	449041		U-BOLT, PLATED (5/8"-11NC, AXLE MOUNTING)	2	EA
	384966		FENDER (LEFT HAND)	1	EA
	384982		FENDER (RIGHT HAND)	1	EA

SEAT AND MOUNTING ASSEMBLY

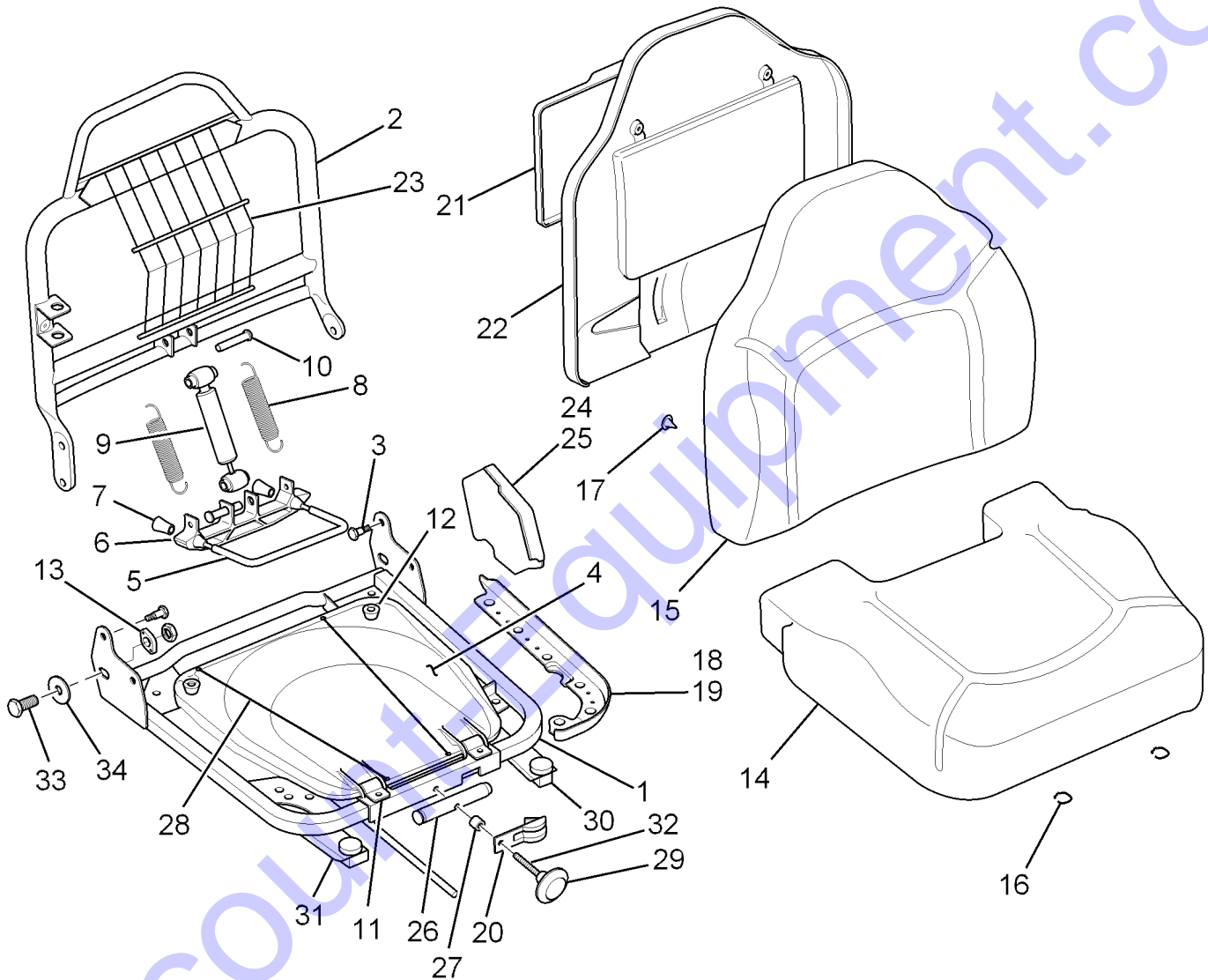


CAP-0003

SEAT AND MOUNTING ASSEMBLY

ITEM	PART NUMBER	F/N	DESCRIPTION	QTY	UOM
1	298018		MOUNT, SEAT	1	EA
2	433045		SEAT (ADAPTER INCLUDED)	1	EA
3	035519		ADJUSTERS, SLIDE	2	EA
4	275172		COVER	1	EA
5	341057		MOUNT, VALVE	1	EA
6	458778		SEAT BELT ASSEMBLY, RETRACTABLE (2")	1	EA
7	067439		NUT, CLIP (1/4" X 20)	2	EA
8	441550		CAPSCREW (1/4"-20NC X 3/4", FLANGE WHIZLOCK)	2	EA
9	010405		CAPSCREW (5/16"-18NC X 2-1/2")	3	EA
REMAINING COMPONENTS					
	443812		BELT, SEAT (3" BLACK)	1	EA
	083493		NUT, HEX (5/16"-18NC PL)	5	EA
	083485		CAPSCREW (5/16"-18NC X 3/4", PL)	3	EA
	441659		CAPSCREW (3/8"-16NC X 3/4", FLANGE WHIZLOCK)	3	EA
	011321		WASHER, FLAT (1/4")	2	EA
	011322		WASHER, FLAT (5/16")	7	EA
	011323		WASHER, FLAT (3/8")	8	EA
	083527		CAPSCREW (3/8"-16NC X 1-1/4")	1	EA

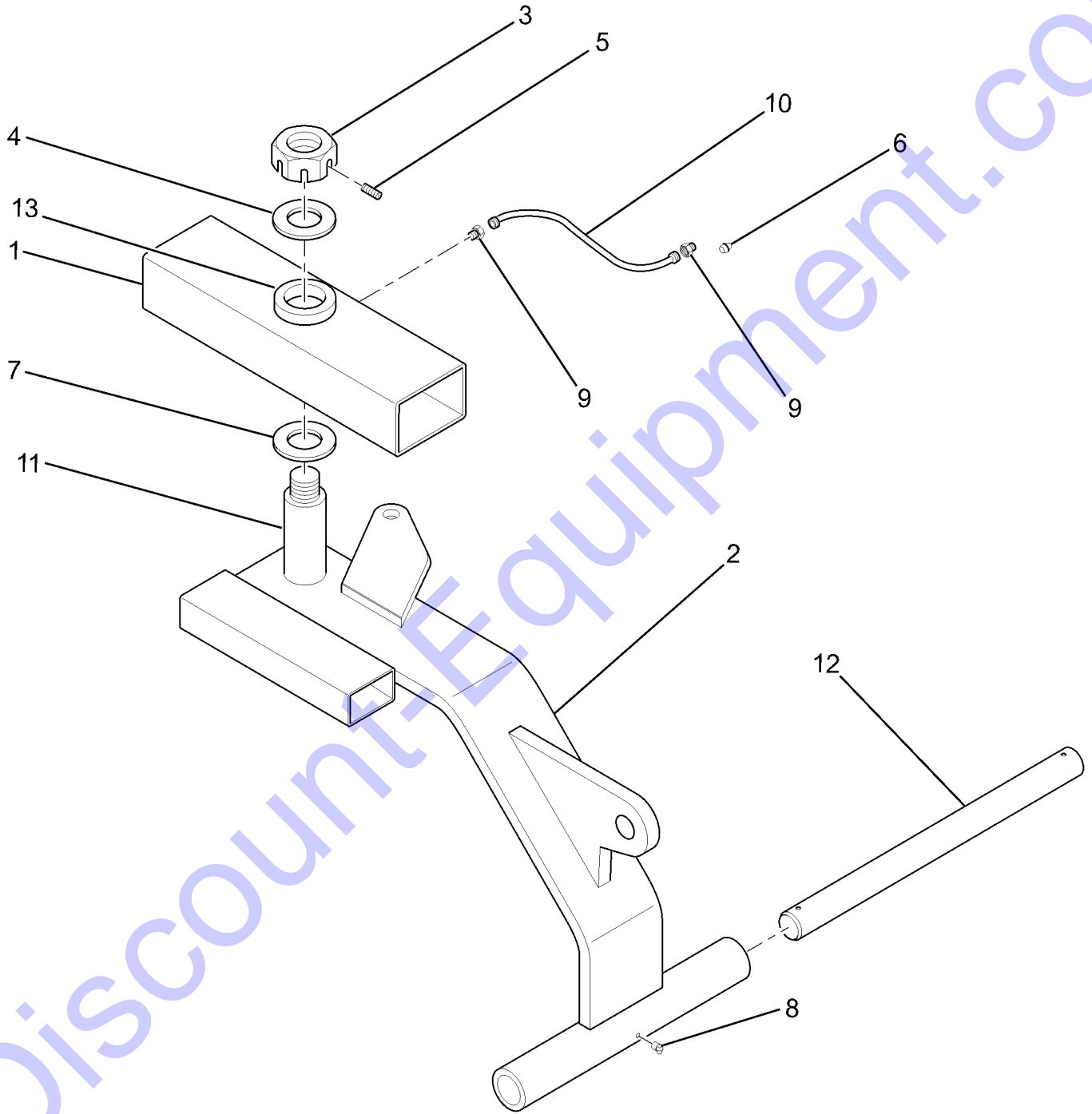
459958: SEAT, SUSPENSION (OPTIONAL)



459958: SEAT, SUSPENSION (OPTIONAL)

ITEM	PART NUMBER	F/N	DESCRIPTION	QTY	UOM
1		F1	FRAME, SEAT	1	
2		F1	FRAME, BACK	1	
3		F1	BOLT, SHOULDER	2	
4		F1	PAN, SUSPENSION	1	
5	461533		SPRING, ARM	1	EA
6	461434		SPRING, SADDLE	1	EA
7	461442		BUSHING, SADDLE	2	EA
8	461517		SPRING, SUSPENSION	2	EA
9	461525		SHOCK ABSORBER	1	EA
10	461541		PIN, SHOCK	2	EA
11	461590		CLIP, FRONT	2	EA
12		F1	BUMPER	2	
13	461558		BEARING, SPRING ARM	2	EA
14	461566		CUSHION, SEAT (VINYL)	1	EA
15	561574		CUSHION, BACK (VINYL)	1	EA
16	461582		CLIP, UPHOLSTRY	2	EA
17	461608		CLIP, X-MAS	7	EA
18		F1	FENDER (LEFT HAND)	1	
19		F1	FENDER (RIGHT HAND)	1	
20		F1	WEIGHT INDICATOR ASSEMBLY	1	
21		F1	DOOR, OPERATOR MANUAL	1	
22	461616		PANEL, BACK	1	EA
23		F2	BACK PANEL ASSEMBLY	1	
24		F1	COVER, PIVOT BRACKET (LEFT HAND)	1	
25		F1	COVER, PIVOT BRACKET (RIGHT HAND)	1	
26		F1	BAR, WEIGHT ADJUSTMENT	1	
27	461624		SPACER	1	EA
28		F1	CABLE ASSEMBLY	2	
29	461632		KNOB, WEIGHT ADJUSTMENT	1	EA
30	461657		ADJUSTER, FORE/AFT (SLAVE)	1	EA
31	461665		ADJUSTER, FORE/AFT (LOCK)	1	EA
32	461640		SCREW, ADJUST	1	EA
33		F1	BOLT, HEX (7/16"-20)	1	
34		F1	WASHER, FLAT (7/16")	1	
			NOTE: OPTIONAL ARMREST KIT, ORDER 459966.		
			F1 - PART NUMBER NOT AVAILABLE.		
			F2 - ITEMS 24 AND 25.		

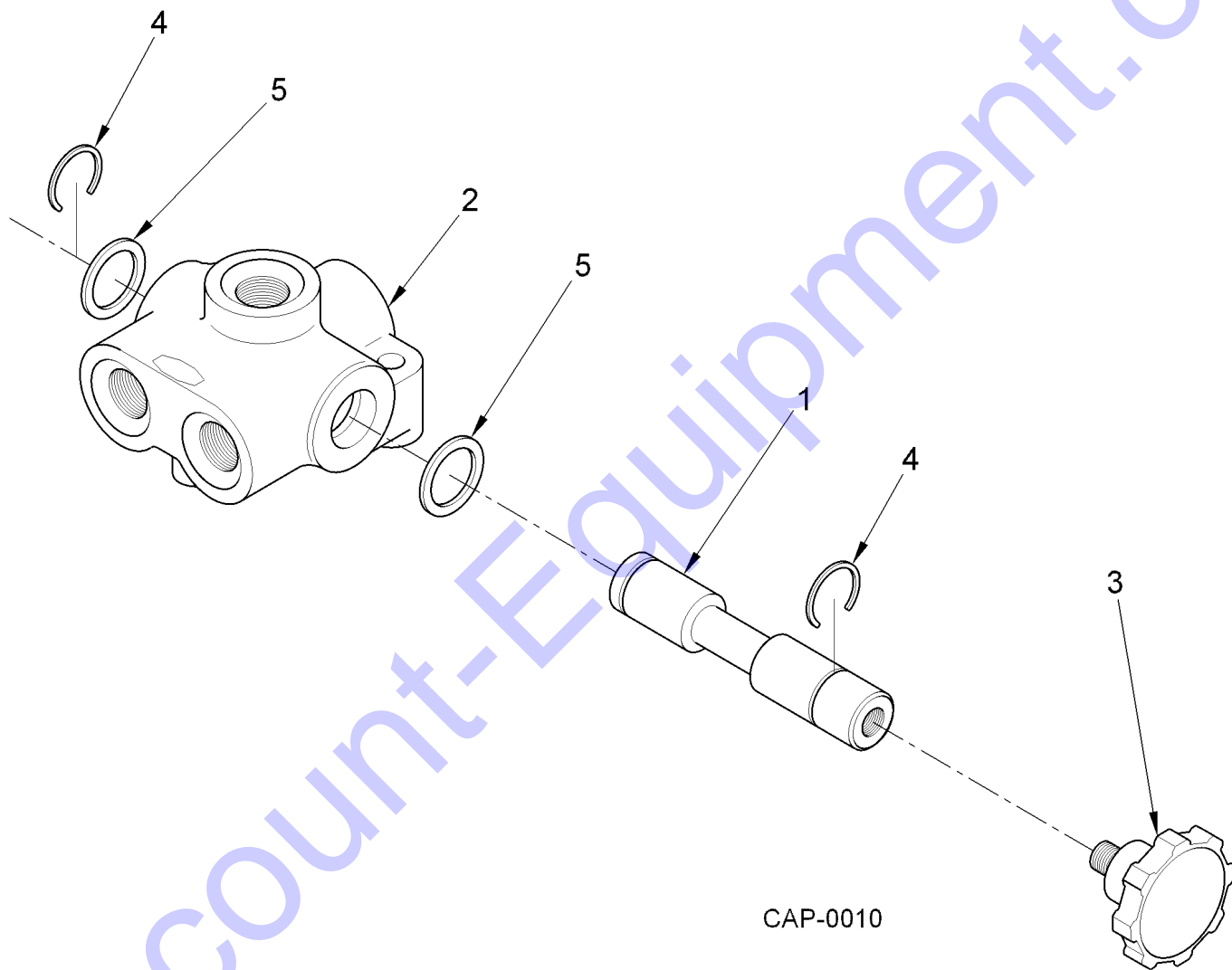
SUPPORT, BROOM



SUPPORT, BROOM

ITEM	PART NUMBER	F/N	DESCRIPTION	QTY	UOM
1	295279		TUBE, SUPPORT (PART OF MAINFRAME)	1	EA
2	296152		FRAME, BROOM SWING	1	EA
3	V63018700		NUT (1-3/4"-12NF)	1	EA
4	296228		WASHER, UPPER THRUST	1	EA
5	031161		SCREW, SET (BRASS TIP, 3/8"-16NC X 3/8")	1	EA
6	296806		FITTING, ORIFICE (0.46)	1	EA
7	296210		WASHER, LOWER THRUST	1	EA
8	033530		FITTING, GREASE (90 DEGREE, 1/4"-28)	1	EA
9	031831		FITTING (1/8" NPT TO 1/4" TUBE)	2	EA
10	345843		TUBE, GREASE	1	EA
11	296194		PIN, BROOM SWING (SM 250)	1	EA
12	295238		PIN, BROOM FRAME MOUNT	1	EA
13	269202		BUSHING	1	EA

440735: VALVE, BROOM SPEED CONTROL

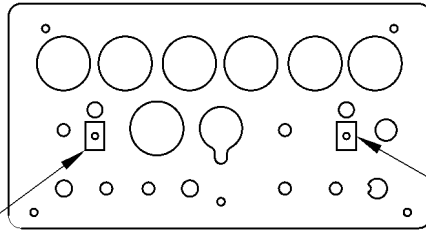


CAP-0010

440735: VALVE, BROOM SPEED CONTROL					
ITEM	PART NUMBER	F/N	DESCRIPTION	QTY	UOM
1		F1	SPOOL	1	
2		F1	VALVE BODY	1	
3	441212		KNOB	1	EA
4	441220		RING, SNAP	2	EA
5	441238		SEAL, SPOOL	2	EA
			REMAINING COMPONENTS		
	441246		KIT, SEAL	1	EA
			F1 - PART NUMBER NOT AVAILABLE.		

DECAL, INTERIOR

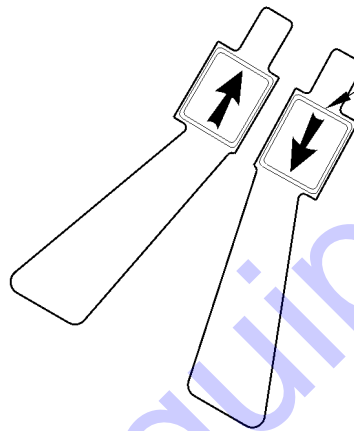
DASH



3

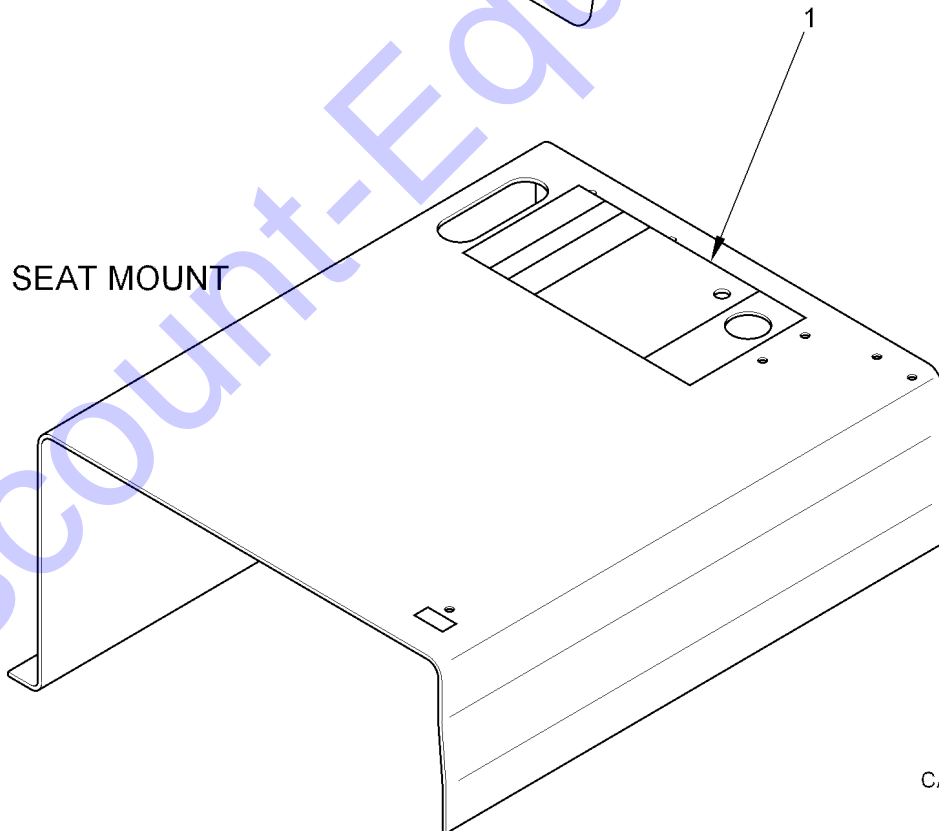
4

CONTROL PEDALS



5

SEAT MOUNT



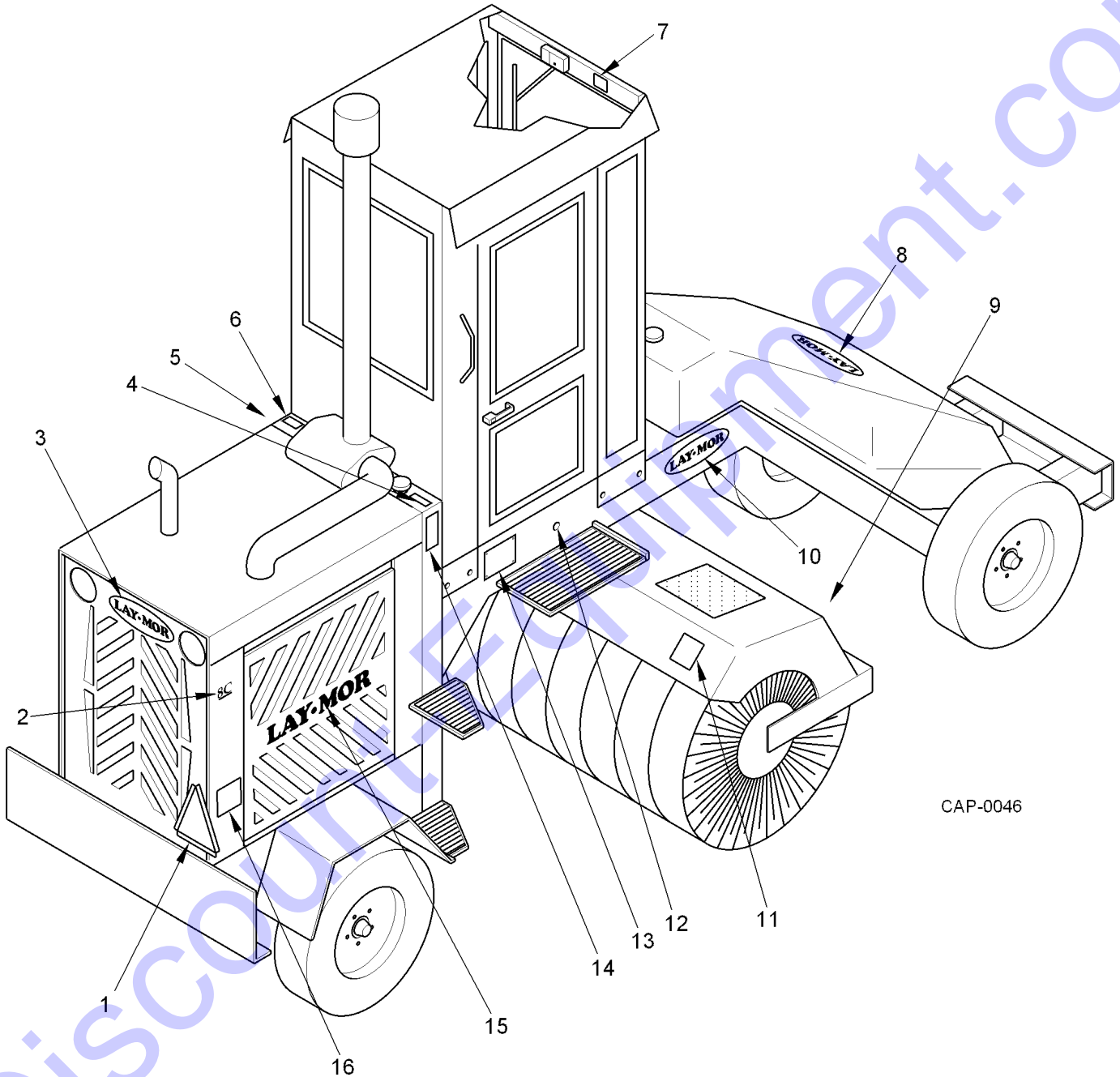
1

CAP-0047

DECAL, INTERIOR

ITEM	PART NUMBER	F/N	DESCRIPTION	QTY	UOM
1	467258		DECAL, OPERATOR INSTRUCTIONS (RH SIDE MOUNT)	1	EA
3	467282		DECAL, PARKING BRAKE LIGHT (DASH)	1	EA
4	467290		DECAL, HYDRAULIC OIL FILTER (DASH)	1	EA
5	458216		DECAL, FORWARD/REVERSE ARROW	2	EA
			REMAINING COMPONENTS		
	462606		DECAL, STEERING WHEEL	1	EA

KIT, DECAL (LAY-MOR)



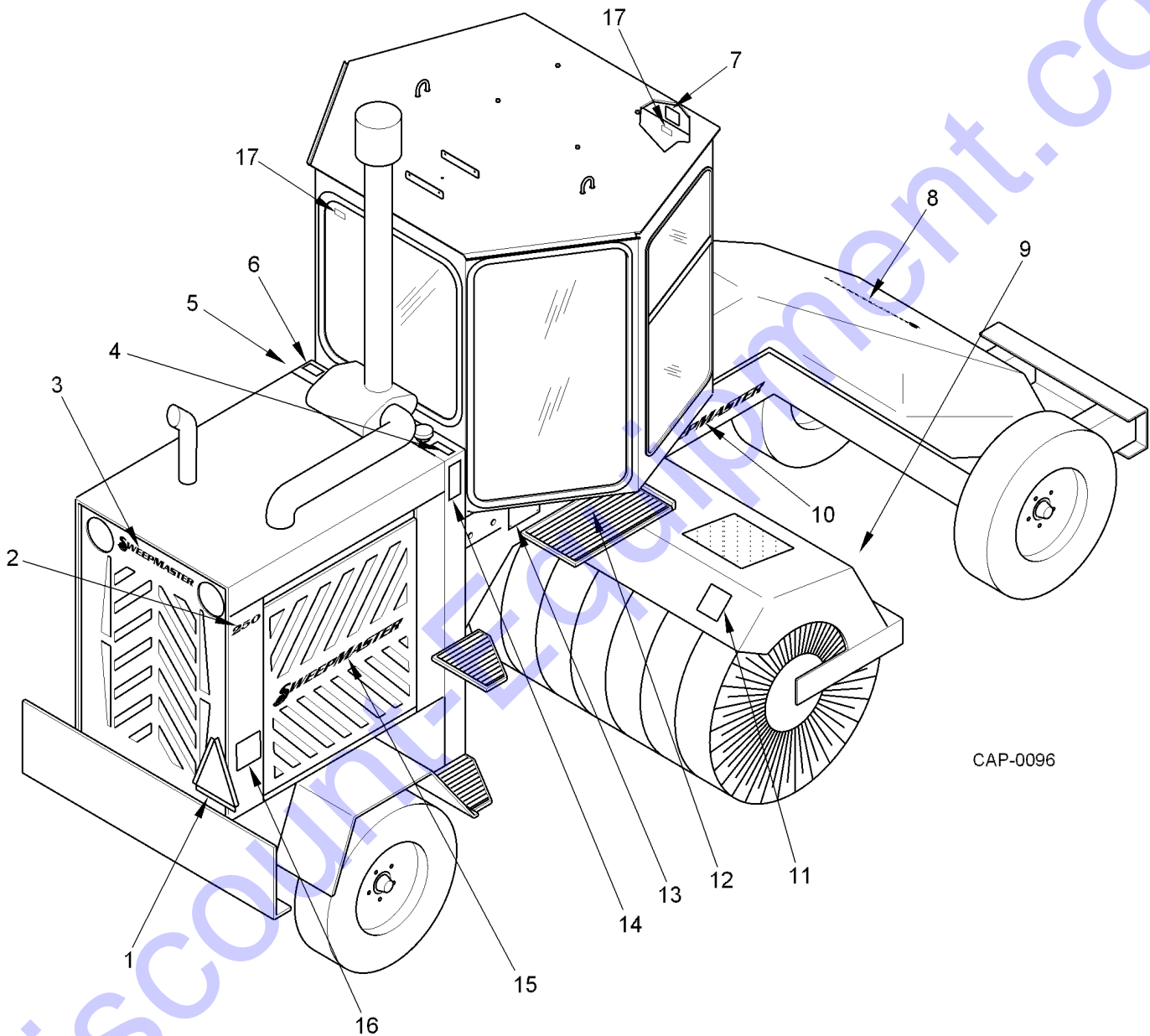
CAP-0046

KIT, DECAL (LAY-MOR)

ITEM	PART NUMBER	F/N	DESCRIPTION	QTY	UOM
1	272716		DECAL, SLOW MOVING VEHICLE	1	EA
2	477964		DECAL, 8C	2	EA
3	478061		DECAL, LAY-MOR	1	EA
4	450148		DECAL, DIESEL FUEL	1	EA
5	467274		DECAL, TOWING THE VEHICLE (L.H. SIDE ONLY)	1	EA
6	450155		DECAL, HYDRAULIC OIL	1	EA
7	448811		DECAL, CALIFORNIA WARNING	1	EA
8	477961		DECAL, LAY-MOR	1	EA
9	467266		DECAL, WARNING ("STAND CLEAR OF BROOM")	2	EA
10	478061		DECAL, LAY-MOR	2	EA
11	472720		DECAL, DANGER (PINCH POINT)	2	EA
12	467340		DECAL, GREASE DAILY	1	EA
13		F1	PLATE, NAME	1	
14	467324		DECAL, DANGER ("NO RIDERS")	2	EA
15	477966		DECAL, LAY-MOR	2	EA
16	443614		DECAL, DANGER ("ROTATING FAN")	2	EA

F1 - PART NUMBER NOT AVAILABLE.

KIT, DECAL (SWEEPMASTER)

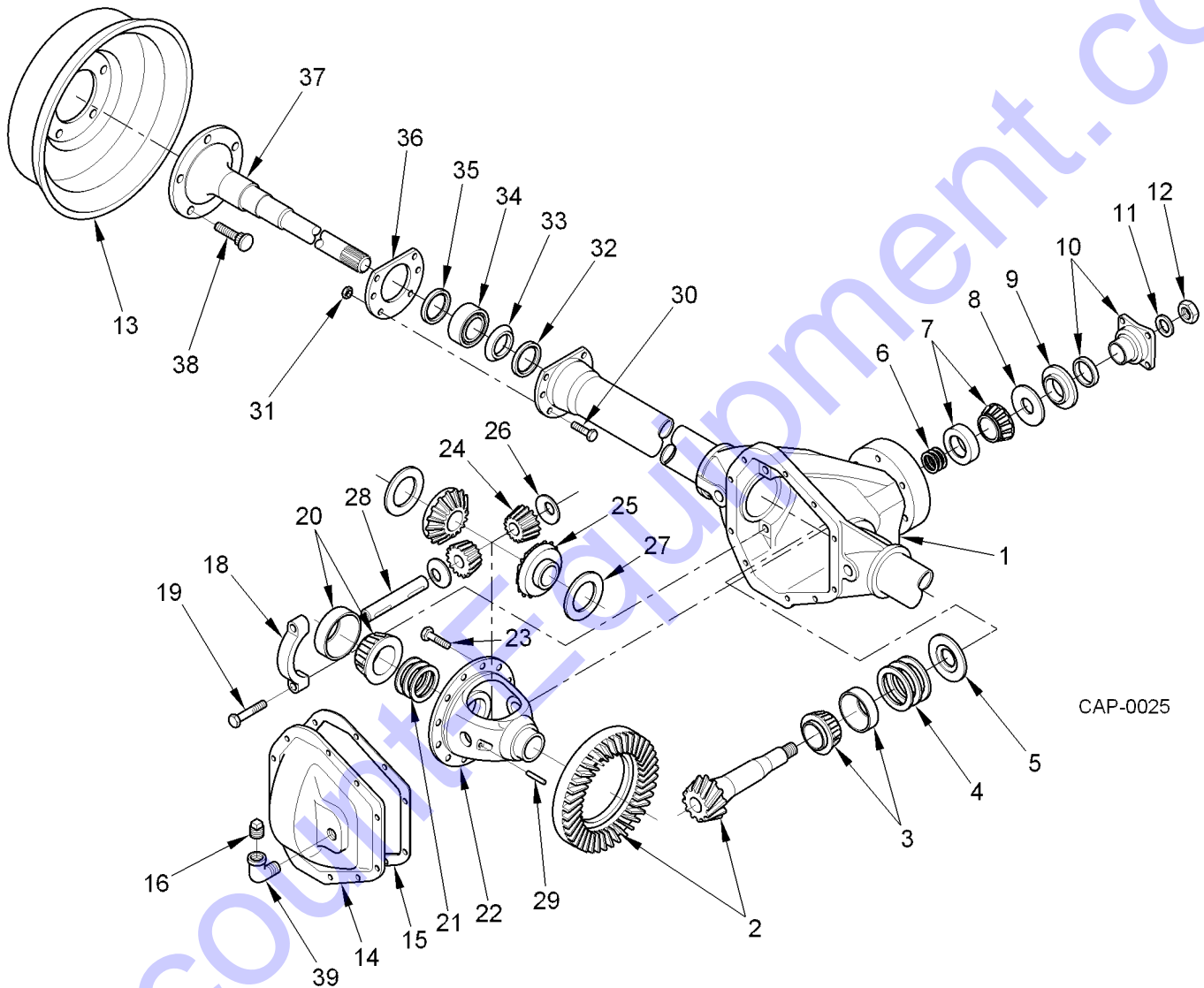


KIT, DECAL (SWEEPMASTER)

ITEM	PART NUMBER	F/N	DESCRIPTION	QTY	UOM
1	272716		DECAL, SLOW MOVING VEHICLE	1	EA
2	477962		DECAL, 250	2	EA
3	477967		DECAL, SWEEPMASTER	1	EA
4	450155		DECAL, HYDRAULIC OIL	1	EA
5	467274		DECAL, TOWING THE VEHICLE (L.H. SIDE ONLY)	1	EA
6	450148		DECAL, DIESEL FUEL	1	EA
7	448811		DECAL, CALIFORNIA WARNING	1	EA
8	477963		DECAL, SWEEPMASTER	1	EA
9	467266		DECAL, WARNING ("STAND CLEAR OF BROOM")	2	EA
10	406249		DECAL, SWEEPMASTER	2	EA
11	467485		DECAL, DANGER "STAY CLEAR" PINCHPOINT	2	EA
12	467340		DECAL, GREASE DAILY	1	EA
13		F1	PLATE, NAME	1	
14	467324		DECAL, DANGER ("NO RIDERS")	2	EA
15	477965		DECAL, SWEEPMASTER	2	EA
16	443614		DECAL, DANGER ("ROTATING FAN")	2	EA
17	432252		DECAL, EMERGENCY WINDOW	2	EA

F1 - PART NUMBER NOT AVAILABLE.

447904: AXLE, REAR



CAP-0025

447904: AXLE, REAR

ITEM	PART NUMBER	F/N	DESCRIPTION	QTY	UOM
1		F1	HOUSING, AXLE	1	
2		F1	GEAR AND PINION ASSEMBLY (DRIVE)	1	
3		F1	BEARING, INNER PINION	1	
4		F1	SHIM, PINION ADJUSTING (DRIVE)	AR	
5	435727		BAFFLE, PINION BEARING	1	EA
6		F1	SHIM, PINION BEARING ADJUSTING	AR	
7		F1	BEARING, OUTER PINION	1	
8	435735		SLINGER, PINION BEARING OUTER	1	EA
9	435743		SEAL, PINION	1	EA
10	435628		COMPANION FLANGE ASSEMBLY	1	EA
11	435750		WASHER, PINION NUT	1	EA
12	435768		NUT, PINION	1	EA
13	449546		DRUM	2	EA
14		F1	COVER, CARRIER	1	
15	066043		GASKET	1	EA
16	031740		PLUG, COVER (3/4"-NPT)	1	EA
18		F1	CAP, DIFFERENTIAL BEARING	2	
19	037622		BOLT, DIFFERENTIAL BEARING CAP	4	EA
20		F1	KIT, DIFFERENTIAL BEARING	2	
21		F1	SHIM, DIFFERENTIAL BEARING	AR	
22		F1	CASE, DIFFERENTIAL	1	
23	435776		BOLT, DRIVE GEAR	12	EA
24		F1	PINION, DIFFERENTIAL	2	
25		F1	GEAR, DIFFERENTIAL	2	
26		F1	THRUST WASHER, PINION	2	
27		F1	THRUST WASHER, DIFFERENTIAL GEAR	2	
28		F1	SHAFT, DIFFERENTIAL	1	
29		F1	LOCK, DIFFERENTIAL SHAFT	1	
30	435966		BOLT, BRAKE MOUNTING	8	EA
31	435974		NUT, BRAKE MOUNTING	12	EA
32	435792		SEAL, SHAFT INBOARD	2	EA
33		F1	RING, WHEEL BEARING RETAINER	2	
34		F1	BEARING ASSEMBLY	2	
35	435826		SEAL, SHAFT OUTBOARD	2	EA
36		F1	RETAINER, AXLE SHAFT	2	
37		F1	SHAFT, AXLE FLANGE	2	
38	449140		BOLT, WHEEL	10	EA
39	075796		ELBOW, 90 DEGREE STREET	1	EA
			REMAINING COMPONENTS		
		F1	L.H. REAR BRAKE ASSEMBLY	1	
		F1	R.H. REAR BRAKE ASSEMBLY	1	
	435958		BOLT, CARRIER COVER	10	EA
	449207		PLUG, AXLE FLANGE	2	EA

447904: AXLE, REAR

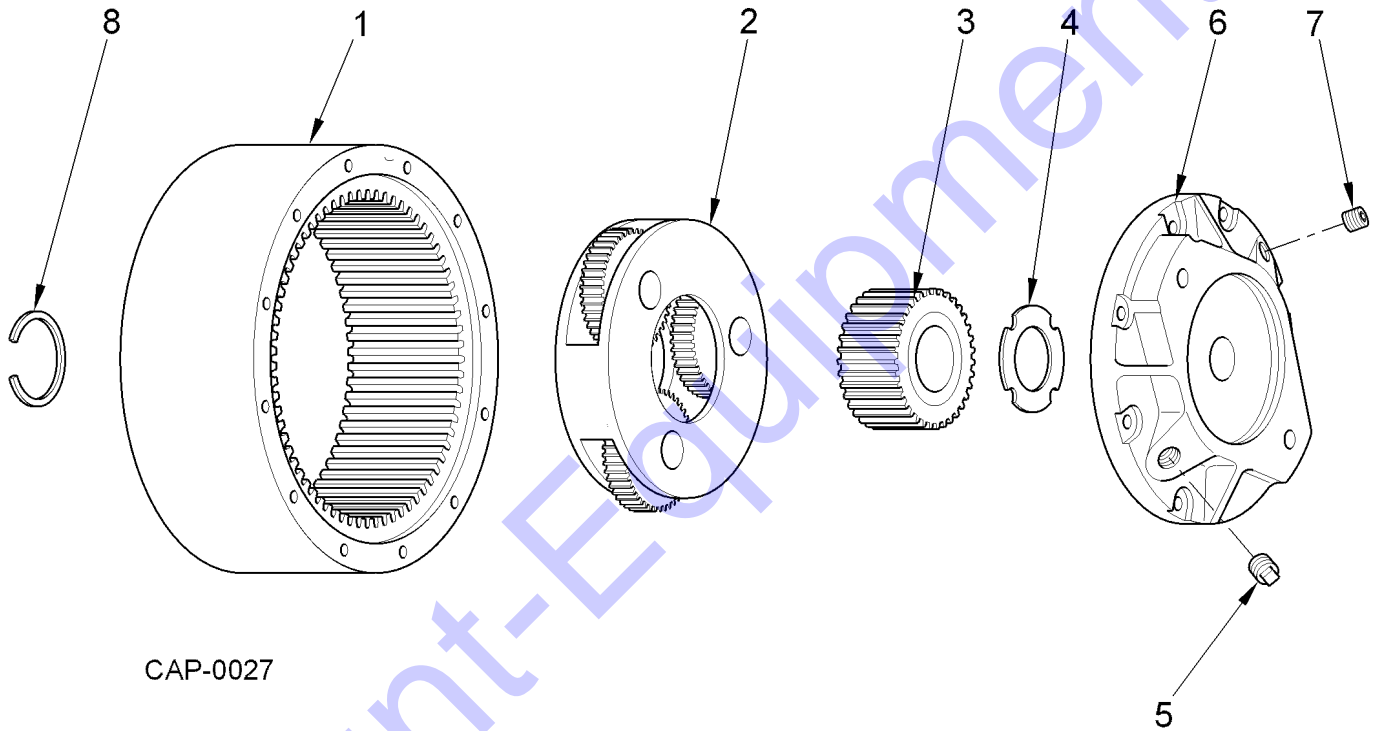
ITEM	PART NUMBER	F/N	DESCRIPTION	QTY	UOM
			AXLE KITS AND ASSEMBLIES		
	449157	F2	HOUSING, AXLE	AR	EA
	435636	F3	KIT, DRIVE GEAR AND PINION	AR	EA
	435644	F4	KIT, DIFFERENTIAL CASE	AR	EA
	449165	F5	KIT, CARRIER COVER	AR	EA
	435669	F6	KIT, DIFFERENTIAL CASE INNER PARTS	AR	EA
	435677	F7	KIT, UNIT BEARING AND SEAL	AR	EA
	435685	F8	KIT, OUTER PINION BEARING	AR	EA
	435693	F9	KIT, INNER PINION BEARING	AR	EA
	435701	F10	KIT, DIFFERENTIAL BEARING	AR	EA
	435719	F11	KIT, DIFFERENTIAL AND PINION SHIM	AR	EA
	449199	F12	KIT, AXLE SHAFT (COMPLETE)	AR	EA
	449215	F13	KIT, RING GEAR, PINION AND BOLTS	AR	EA
	449223	F14	KIT, DIFFERENTIAL CASE	AR	EA
	449231	F15	KIT, DIFFERENTIAL ADJUSTMENT SHIM	AR	EA
			NOTE: QUANTITIES ARE PER AXLE ASSEMBLY.		
			NOTE: ITEMS WITH NO PART NUMBERS ARE AVAILABLE IN KITS AND ASSEMBLIES ONLY, AS DEFINED AT END OF TABLE.		
			F1 - PART NUMBER NOT AVAILABLE.		
			F2 - INCLUDES ITEMS 1, 18 AND 19.		
			F3 - INCLUDES ITEMS 2 THRU 9, 11, 12, 15, 22 AND 23.		
			F4 - INCLUDES ITEMS 15 AND 20 THRU 29.		
			F5 - INCLUDES ITEMS 14, 16 AND 17.		
			F6 - INCLUDES ITEMS 15, 23 THRU 29.		
			F7 - INCLUDES ITEMS 32 THRU 36.		
			F8 - INCLUDES ITEMS 7.		
			F9 - INCLUDES ITEMS 3.		
			F10 - INCLUDES ITEMS 20 AND 21.		

447904: AXLE, REAR

ITEM	PART NUMBER	F/N	DESCRIPTION	QTY	UOM
			<p>F11 - INCLUDES ITEMS 4, 6, 11, 12 AND 15.</p> <p>F12 - INCLUDES ITEMS 32 THRU 38.</p> <p>F13 - INCLUDES ITEMS 2,11,12,23,37 AND 38.</p> <p>F14 - INCLUDES ITEMS 15, 21, 23 AND 29.</p> <p>F15 - INCLUDES ITEMS 15 AND 21.</p>		

Discount-Equipment.com

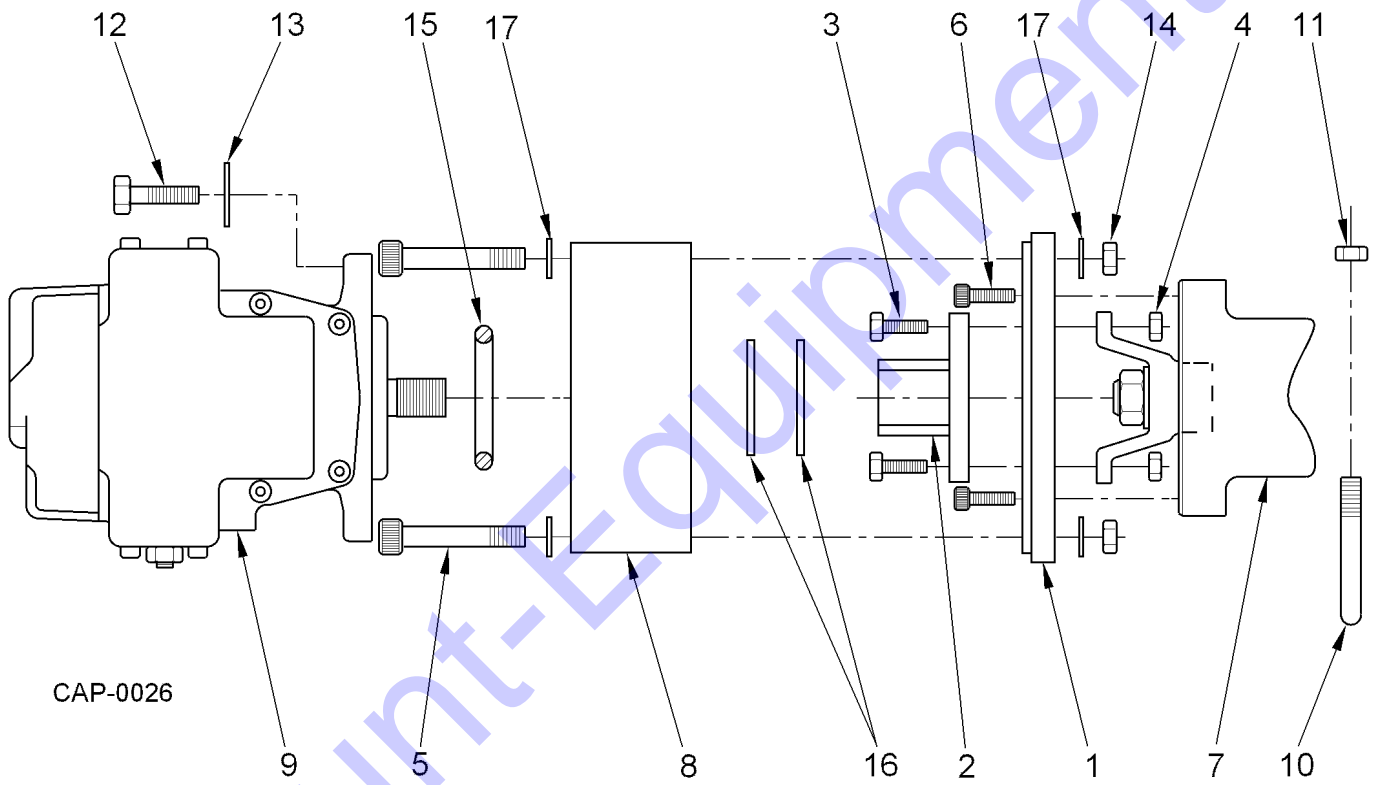
440669: BOX, GEAR (3:71:1 RATIO)



440669: BOX, GEAR (3:71:1 RATIO)

ITEM	PART NUMBER	F/N	DESCRIPTION	QTY	UOM
1	442483		GEAR, RING	1	EA
2	442491		PRIMARY CARRIER ASSEMBLY	1	EA
3	442509		GEAR, PRIMARY SUN	1	EA
4	409003		WASHER, THRUST	1	EA
5	442517		PLUG, MAGNETIC PIPE	1	EA
6	442525		COVER, LARGE	1	EA
7	040683		PLUG, PIPE (1/2"NPT)	1	EA
8	440099		RING, SNAP	2	EA

TRAIN, DRIVE

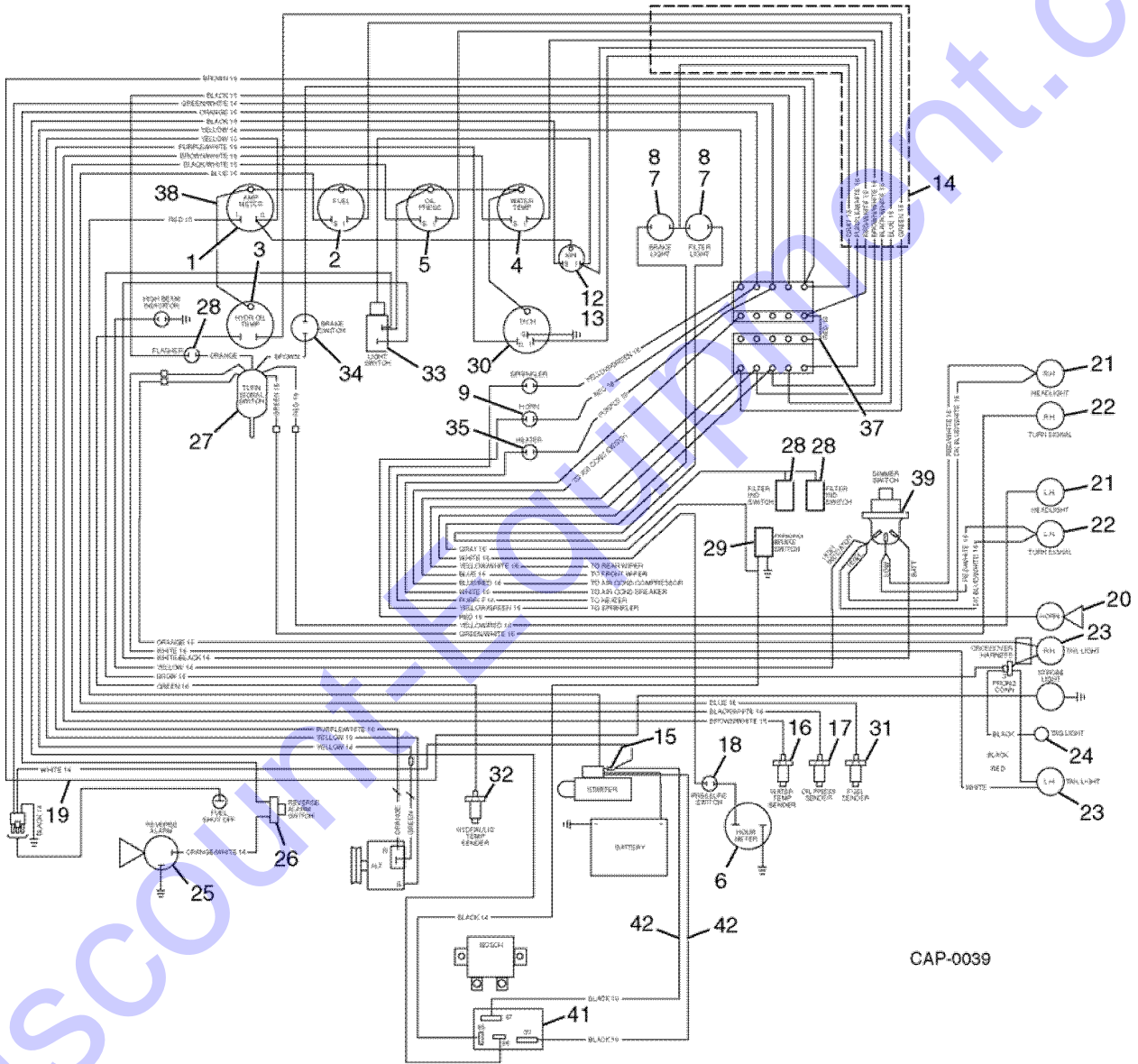


CAP-0026

TRAIN, DRIVE

ITEM	PART NUMBER	F/N	DESCRIPTION	QTY	UOM
1	347401		MOUNT, GEAR BOX	1	EA
2	440081		COUPLER, SPLINED	1	EA
3	083527		CAPSCREW (3/8"-16NC X 1-1/4")	4	EA
4	441477		NUT, LOCK (3/8"-16NC)	4	EA
5	010496		CAPSCREW (5/16" X 5-1/2")	8	EA
6	011684		CAPSCREW (9/16"-12NC X 1-1/2")	6	EA
7	447904		AXLE, REAR (SEE PAGE 64)	1	EA
8	440669		BOX, GEAR (3:71:1 RATIO) (SEE PAGE 68)	1	EA
9		F1	MOTOR, HYDROSTATIC	1	
10	449041		U-BOLT, PLATED (5/8"-11NC, AXLE MOUNTING)	4	EA
11	429860		NUT, HEX (5/8-11NC)	4	EA
12	441774		CAPSCREW (1/2"-13NC X 1-1/4")	2	EA
13	011325		WASHER, FLAT (1/2")	2	EA
14	083493		NUT, HEX (5/16"-18NC PL)	8	EA
15	407593		O-RING	1	EA
16	440099		RING, SNAP	2	EA
17	011322		WASHER, FLAT (5/16")	16	EA
			F1 - PART NUMBER NOT AVAILABLE.		

SCHEMATIC, MAIN ELEC (CUMMINS)



CAP-0039

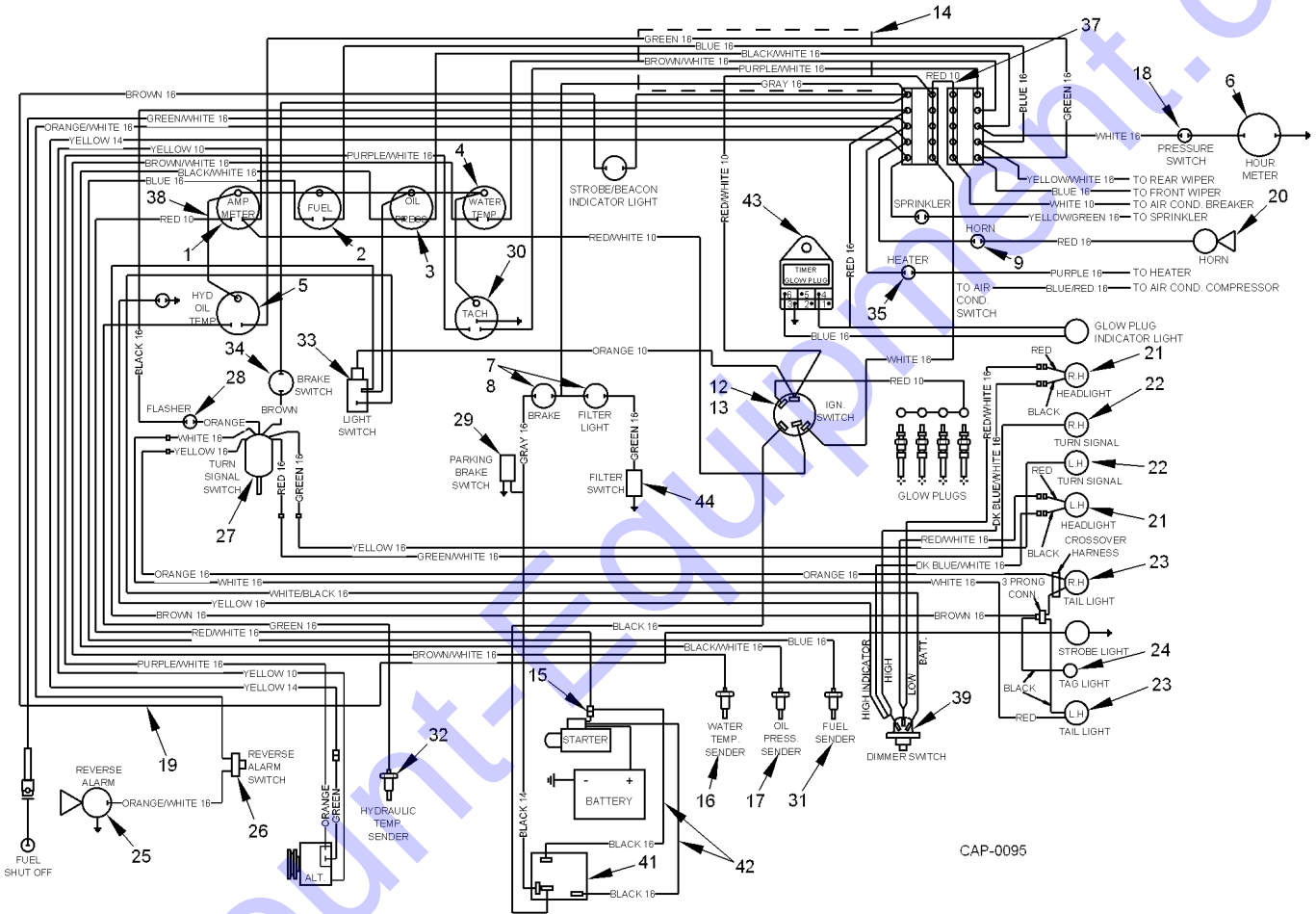
SCHEMATIC, MAIN ELEC (CUMMINS)

ITEM	PART NUMBER	F/N	DESCRIPTION	QTY	UOM
1	078006		AMMETER	1	EA
2	077982		GAUGE, FUEL	1	EA
3	078022		GAUGE, OIL PRESSURE	1	EA
4	416115		GAUGE, WATER TEMPERATURE	1	EA
5	416123		GAUGE, HYDRAULIC OIL TEMPERATURE	1	EA
6	034892		METER, HOUR	1	EA
7	418376		LIGHT, RED INDICATOR (BRAKE AND FILTER)	2	EA
8	060624	F1	BULB (12V, 2-WATT)	1	EA
9	450270		SWITCH, PUSHBUTTON (HORN)	1	EA
12	407825		SWITCH,IGNITION (3 WIRE)	1	EA
13	407833		KEY,IGNITION	1	EA
14	298562		HARNESS, WIRING (GAUGES TO FUSE BLOCK)	1	EA
15	403311		BREAKER, CIRCUIT (12V, 50 AMP)	1	EA
16	416156		SENDER, WATER TEMPERATURE	1	EA
17	041988		SENDER, OIL PRESSURE	1	EA
18	078063		SWITCH, PRESSURE (2-6 PSI .12-NPT)	1	EA
19	382532		HARNESS, WIRING	1	EA
20	382846		KIT, HORN (12V)	1	EA
21	461467	F2	HEADLIGHT, RECTANGULAR (H/L BEAM, HALOGEN)	1	EA
22	461475	F2	LIGHT, FLASHER (RED/AMBER RECTANGULAR)	1	EA
23	V63015800		LIGHT, TAIL	1	EA
24	V63015300		LIGHT, TAG	1	EA
25	473736		ALARM, REVERSE	1	EA
26	459792		SWITCH, REVERSE ALARM	1	EA
27	466698		SWITCH, TURN SIGNAL	1	EA
28		F3	SWITCH, FILTER INDICATOR	2	
29	413872		SWITCH, PARKING BRAKE	1	EA
30	448985	F2	TACHOMETER	1	EA
31	462176		SENDER, FUEL	1	EA
32	416131		SENDER, HYDRAULIC TEMPERATURE	1	EA
33	V61012700		SWITCH, LIGHT	1	EA
34	049924		SWITCH, BRAKE LIGHT	1	EA
35	446633		SWITCH, HEATER	1	EA
37	237180		WIRE (RED, 10 GAUGE, 3")	1	EA
38	276683		LIGHT ASSEMBLY (INSTRUMENTS)	1	EA
39	432344		SWITCH, DIMMER	1	EA
41	460493		RELAY (12V, 75 AMP)	1	EA
42	369181		WIRING ASSEMBLY (BLACK, 30")	2	EA
			REMAINING COMPONENTS		
	075887		BLOCK, FUSE	2	EA
	077040		FUSE	10	EA
	V63121300		MODULE, FLASHER (3 PRONG)	1	EA
	V61019788		STRAP, CONNECTOR	1	EA
	078584		TERMINAL (1/4 MALE BLADE)	1	EA

SCHEMATIC, MAIN ELEC (CUMMINS)

ITEM	PART NUMBER	F/N	DESCRIPTION	QTY	UOM
			F1 - REPLACEMENT BULB FOR ITEM 7. F2 - OPTIONAL EQUIPMENT. F3 - PART NUMBER NOT AVAILABLE.		

SCHEMATIC, MAIN ELEC (KUBOTA)



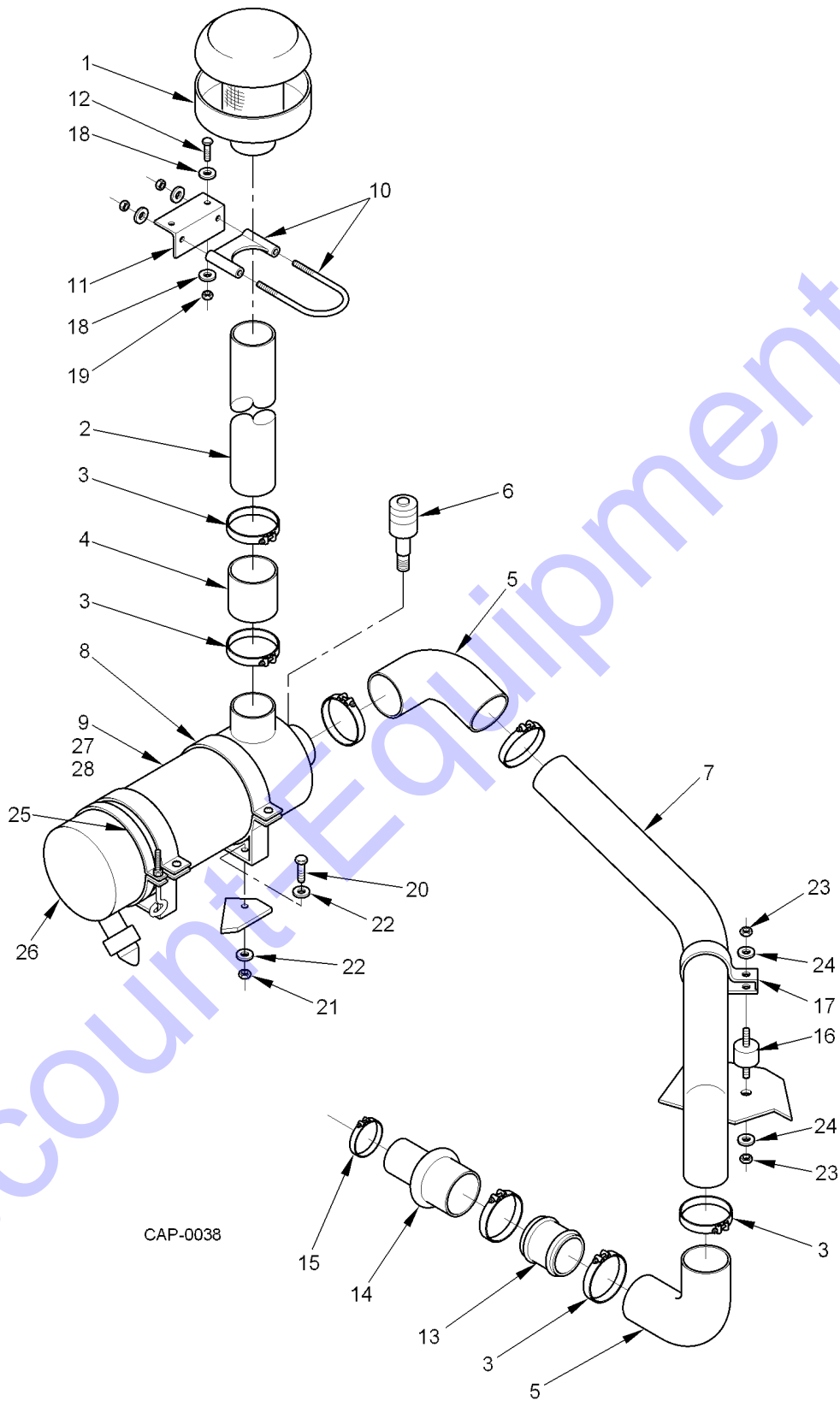
SCHEMATIC, MAIN ELEC (KUBOTA)

ITEM	PART NUMBER	F/N	DESCRIPTION	QTY	UOM
1	078006		AMMETER	1	EA
2	077982		GAUGE, FUEL	1	EA
3	078022		GAUGE, OIL PRESSURE	1	EA
4	416115		GAUGE, WATER TEMPERATURE	1	EA
5	416123		GAUGE, HYDRAULIC OIL TEMPERATURE	1	EA
6	034892		METER, HOUR	1	EA
7	418376		LIGHT, RED INDICATOR (BRAKE AND FILTER)	2	EA
8	060624	F1	BULB (12V, 2-WATT)	1	EA
9	450270		SWITCH, PUSHBUTTON (HORN)	1	EA
12	9101497		SWITCH, IGNITION (W/KEYS, F/KUBOTA ENGINE)	1	EA
13	9101528		KEY, IGNITION (2 KEYS, KUBOTA SM250)	1	EA
14	298562		HARNESS, WIRING (GAUGES TO FUSE BLOCK)	1	EA
15	403311		BREAKER, CIRCUIT (12V, 50 AMP)	1	EA
16	416156		SENDER, WATER TEMPERATURE	1	EA
17	041988		SENDER, OIL PRESSURE	1	EA
18	078063		SWITCH, PRESSURE (2-6 PSI .12-NPT)	1	EA
19	382532		HARNESS, WIRING	1	EA
20	382846		KIT, HORN (12V)	1	EA
21	461467	F2	HEADLIGHT, RECTANGULAR (H/L BEAM, HALOGEN)	1	EA
22	461475	F2	LIGHT, FLASHER (RED/AMBER RECTANGULAR)	1	EA
23	V63015800		LIGHT, TAIL	1	EA
24	V63015300		LIGHT, TAG	1	EA
25	473736		ALARM, REVERSE	1	EA
26	459792		SWITCH, REVERSE ALARM	1	EA
27	466698		SWITCH, TURN SIGNAL	1	EA
28	V63121300		MODULE, FLASHER (3 PRONG)	2	EA
29	413872		SWITCH, PARKING BRAKE	1	EA
30	448985	F2	TACHOMETER	1	EA
31	462176		SENDER, FUEL	1	EA
32	416131		SENDER, HYDRAULIC TEMPERATURE	1	EA
33	V61012700		SWITCH, LIGHT	1	EA
34	049924		SWITCH, BRAKE LIGHT	1	EA
35	446633		SWITCH, HEATER	1	EA
37	237180		WIRE (RED, 10 GAUGE, 3")	1	EA
38	276683		LIGHT ASSEMBLY (INSTRUMENTS)	1	EA
39	432344		SWITCH, DIMMER	1	EA
41	460493		RELAY (12V, 75 AMP)	1	EA
42	369181		WIRING ASSEMBLY (BLACK, 30")	2	EA
43	478073		TIMER, GLOW PLUG	1	EA
44		F3	SWITCH, FILTER INDICATOR	1	
			REMAINING COMPONENTS		
	075887		BLOCK, FUSE	2	EA
	077040		FUSE	10	EA
	V61019788		STRAP, CONNECTOR	1	EA

SCHEMATIC, MAIN ELEC (KUBOTA)

ITEM	PART NUMBER	F/N	DESCRIPTION	QTY	UOM
	078584		TERMINAL (1/4 MALE BLADE)	1	EA
	447673		SOLENOID, SHUTOFF (2 WIRE)	1	EA
			F1 - REPLACEMENT BULB FOR ITEM 7.		
			F2 - OPTIONAL EQUIPMENT.		
			F3 - PART NUMBER NOT AVAILABLE.		

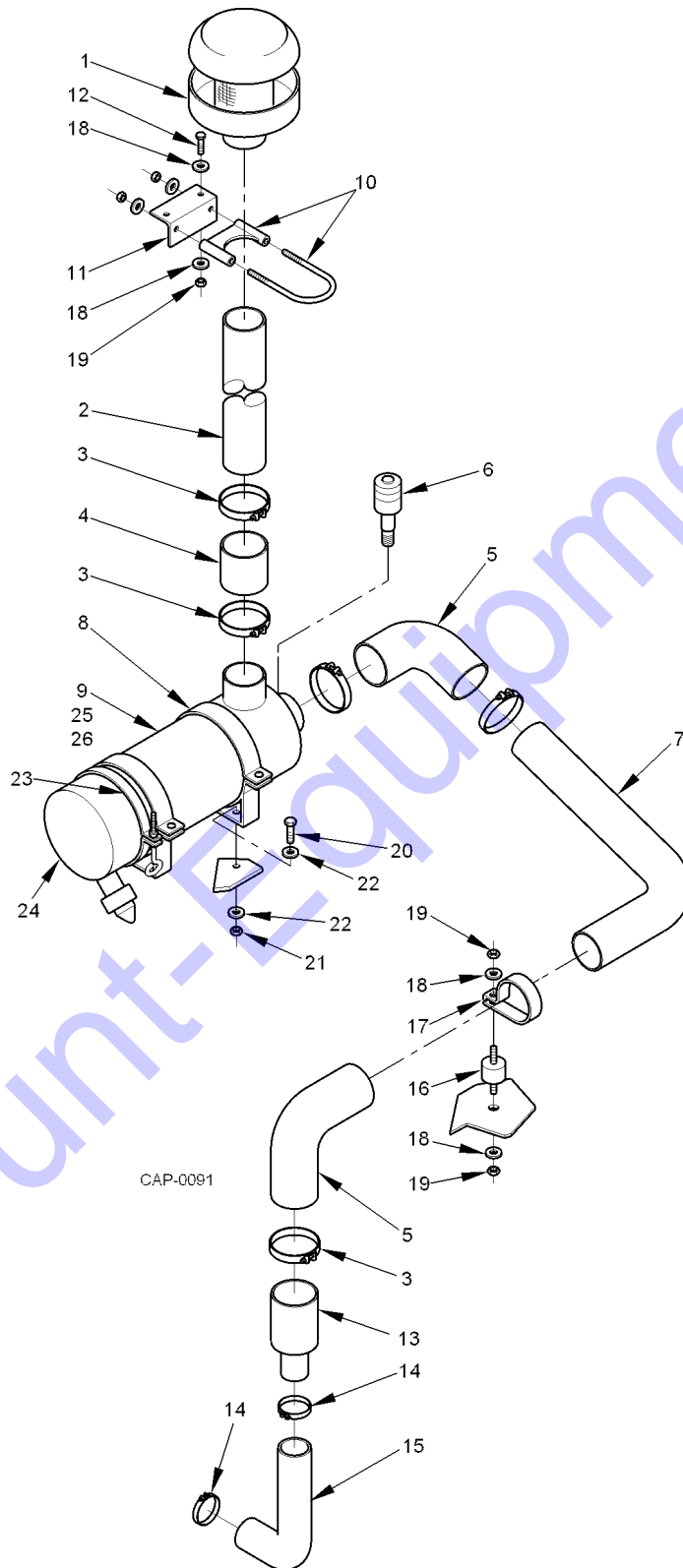
AIR CLEANER (CUMMINS)



AIR CLEANER (CUMMINS)

ITEM	PART NUMBER	F/N	DESCRIPTION	QTY	UOM
1	081067		PRE-CLEANER ASSEMBLY	1	EA
2	298570		TUBE, AIR INTAKE	1	EA
3	413161		CLAMP, IRMT (HD BAND STYLE)	7	EA
4	257295		HOSE (3" ID X 3")	1	EA
5	079780		HOSE, 90 DEGREE ELBOW	2	EA
6	477694		INDICATOR, SERVICE	1	EA
7	460670		AIR INTAKE (3" OD FORMAT)	1	EA
8	047738		CLAMP, AIR CLEANER MOUNT	2	EA
9	477695		DRY AIR CLEANER ASSEMBLY	1	EA
10	077073		CLAMP (3" OD)	1	EA
11	274472		MOUNT, INTAKE	1	EA
12	441600		CAPSCREW (5/16"-18NC X 1", PL)	2	EA
13	460671		TUBE, INTAKE (3"OD X 3-1/2" LONG)	1	EA
14	460667		HOSE, HUMP (2" X 2-3/8")	1	EA
15	449769		CLAMP (2-1/2")	1	EA
16	460676		BOLT, RUBBER INSULATOR	1	EA
17	460687		CLAMP, EXHAUST (3")	1	EA
18	011322		WASHER, FLAT (5/16")	4	EA
19	083493		NUT, HEX (5/16"-18NC PL)	2	EA
20	010033		CAPSCREW (1/4"-20 X 3/4")	4	EA
21	036392		NUT, LOCK (1/4"-20)	4	EA
22	010298		WASHER, FLAT (1/4")	8	EA
23	441477		NUT, LOCK (3/8"-16NC)	2	EA
24	011323		WASHER, FLAT (3/8")	2	EA
25	477699		CLAMP, FILTER HOUSING	1	EA
26	477701		COVER	1	EA
27	477697		ELEMENT, AIR FILTER (PRIMARY)	1	EA
28	477698		ELEMENT, AIR FILTER (SAFETY)	1	EA

AIR CLEANER (KUBOTA)

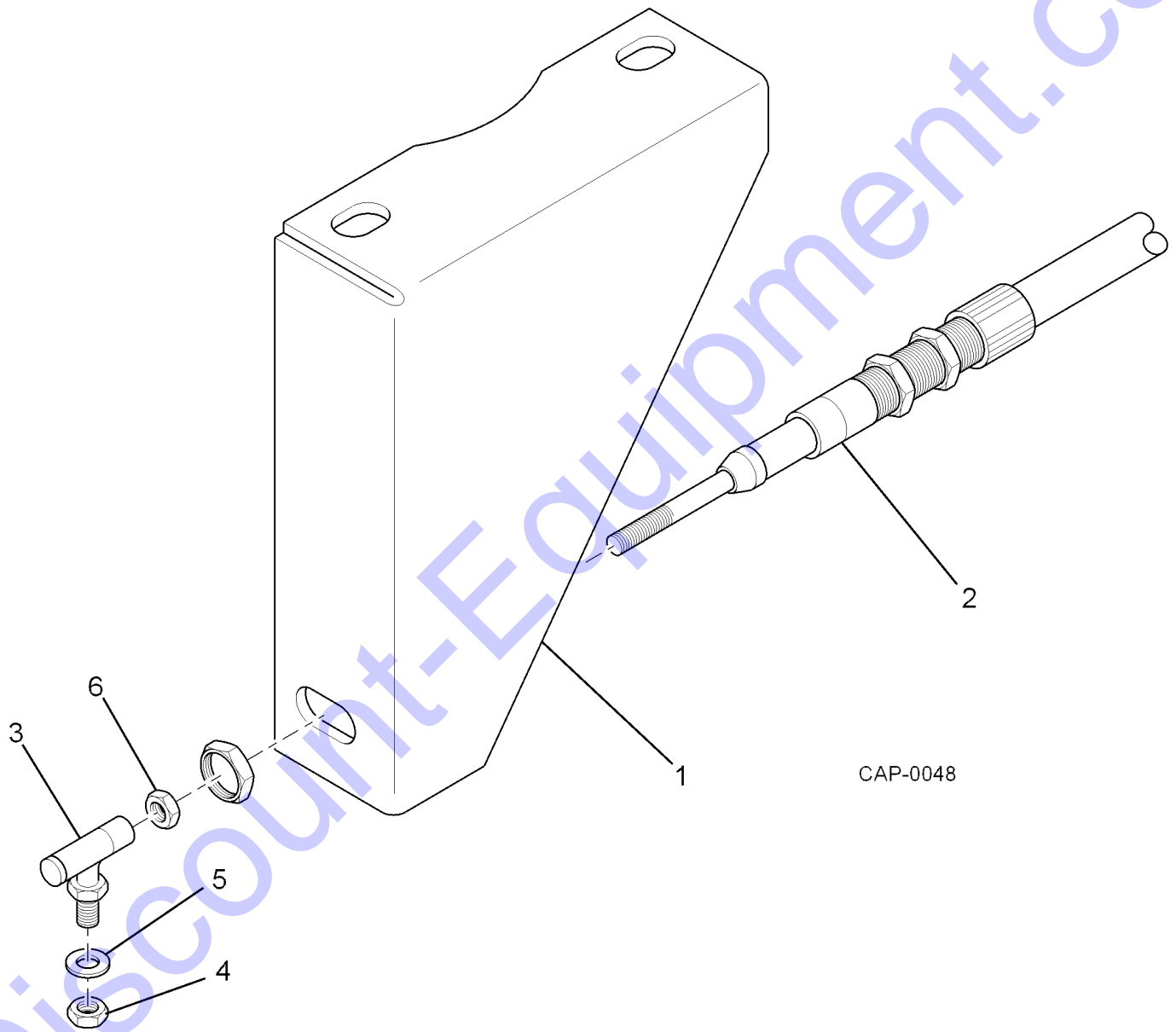


CAP-0091

AIR CLEANER (KUBOTA)

ITEM	PART NUMBER	F/N	DESCRIPTION	QTY	UOM
1	070383		PRE-CLEANER ASSEMBLY	1	EA
2	298570		TUBE, AIR INTAKE	1	EA
3	413161		CLAMP, IRMT (HD BAND STYLE)	7	EA
4	257295		HOSE (3" ID X 3")	1	EA
5	079780		HOSE, 90 DEGREE ELBOW	2	EA
6	477694		INDICATOR, SERVICE	1	EA
7	387187		AIR INTAKE (3" OD FORMAT)	1	EA
8	047738		CLAMP, AIR CLEANER MOUNT	2	EA
9	477695		DRY AIR CLEANER ASSEMBLY	1	EA
10	077073		CLAMP (3" OD)	1	EA
11	274472		MOUNT, INTAKE	1	EA
12	441600		CAPSCREW (5/16"-18NC X 1", PL)	2	EA
13	387190		ADAPTER, AIR INTAKE (1-3/4 X 3.00)	1	EA
14	470826		CLAMP, T-BOLT (2")	2	EA
15	387193		ELBOW, 90 DEGREE (1-3/4" ID)	1	EA
16	460676		BOLT, RUBBER INSULATOR	1	EA
17	460687		CLAMP, EXHAUST (3")	1	EA
18	011323		WASHER, FLAT (3/8")	4	EA
19	083493		NUT, HEX (5/16"-18NC PL)	2	EA
20	010033		CAPSCREW (1/4"-20 X 3/4")	4	EA
21	036392		NUT, LOCK (1/4"-20)	4	EA
22	010298		WASHER, FLAT (1/4")	8	EA
23	477699		CLAMP, FILTER HOUSING	1	EA
24	477701		COVER	1	EA
25	477697		ELEMENT, AIR FILTER (PRIMARY)	1	EA
26	477698		ELEMENT, AIR FILTER (SAFETY)	1	EA

CABLE, THROTTLE (W/MOUNT)

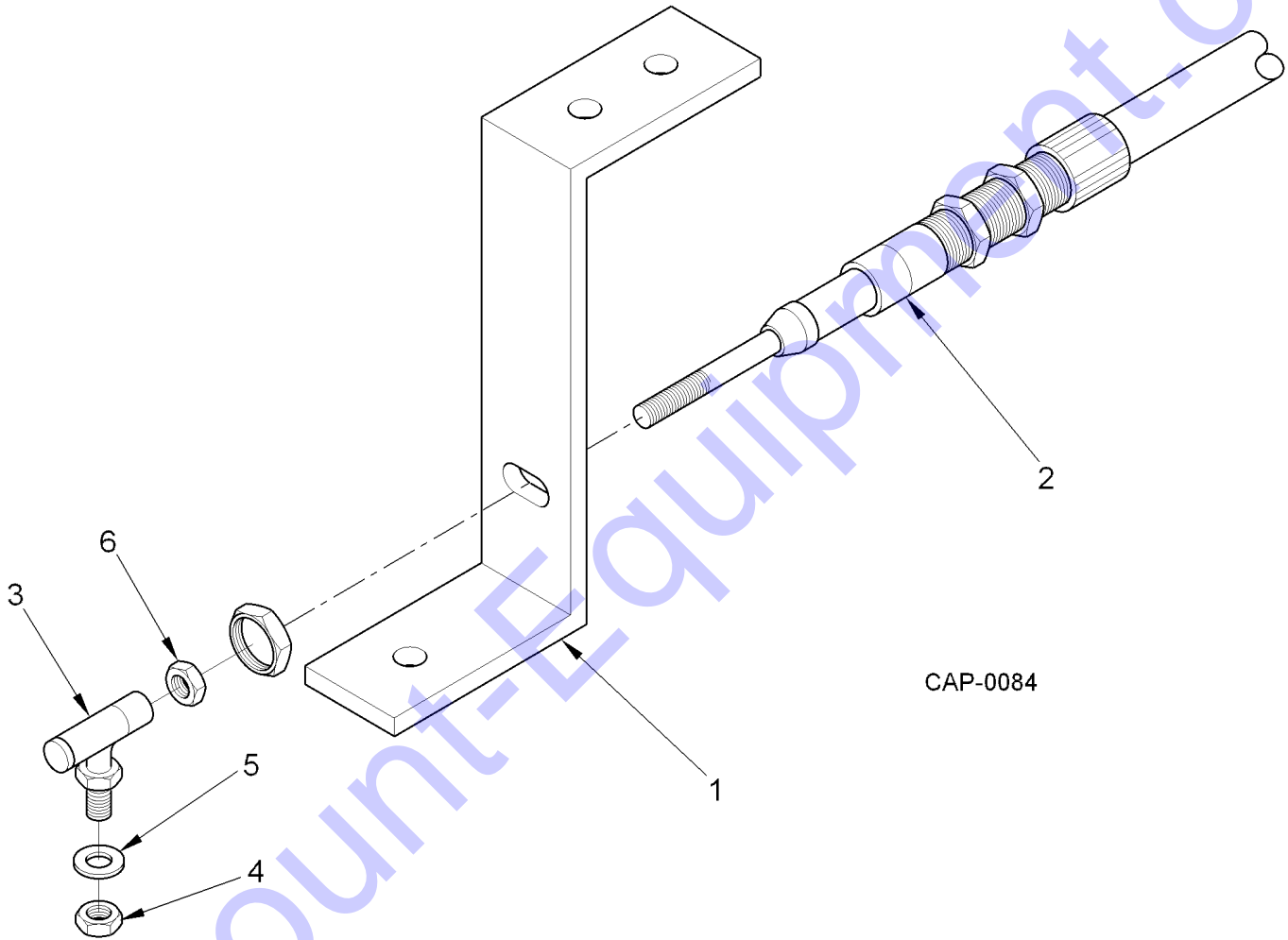


CAP-0048

CABLE, THROTTLE (W/MOUNT)

ITEM	PART NUMBER	F/N	DESCRIPTION	QTY	UOM
1	460684		MOUNT, CABLE	1	EA
2	469171		CABLE, THROTTLE (118" LONG)	1	EA
3	077461		JOINT, BALL	1	EA
4	063511		NUT, HEX (1/4"-28NF)	1	EA
5	010280		WASHER, LOCK (1/4")	1	EA
6	035220		NUT, HEX (#10-32)	1	EA

CABLE, THROTTLE (W/MOUNT, KUBOTA)

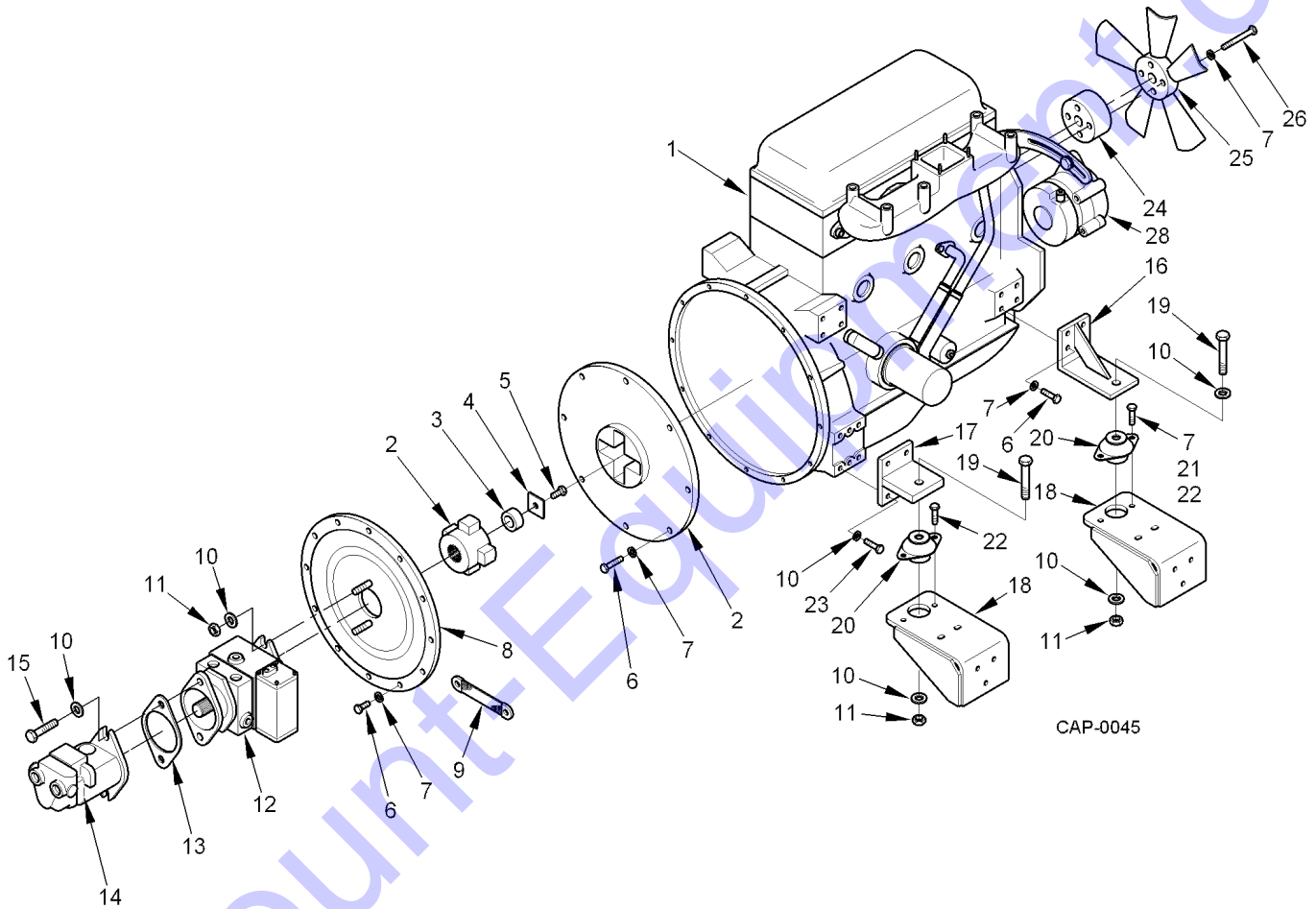


CAP-0084

CABLE, THROTTLE (W/MOUNT, KUBOTA)

ITEM	PART NUMBER	F/N	DESCRIPTION	QTY	UOM
1	387199		MOUNT, CABLE	1	EA
2	469171		CABLE, THROTTLE (118" LONG)	1	EA
3	077461		JOINT, BALL	1	EA
4	063511		NUT, HEX (1/4"-28NF)	1	EA
5	010280		WASHER, LOCK (1/4")	1	EA
6	035220		NUT, HEX (#10-32)	1	EA

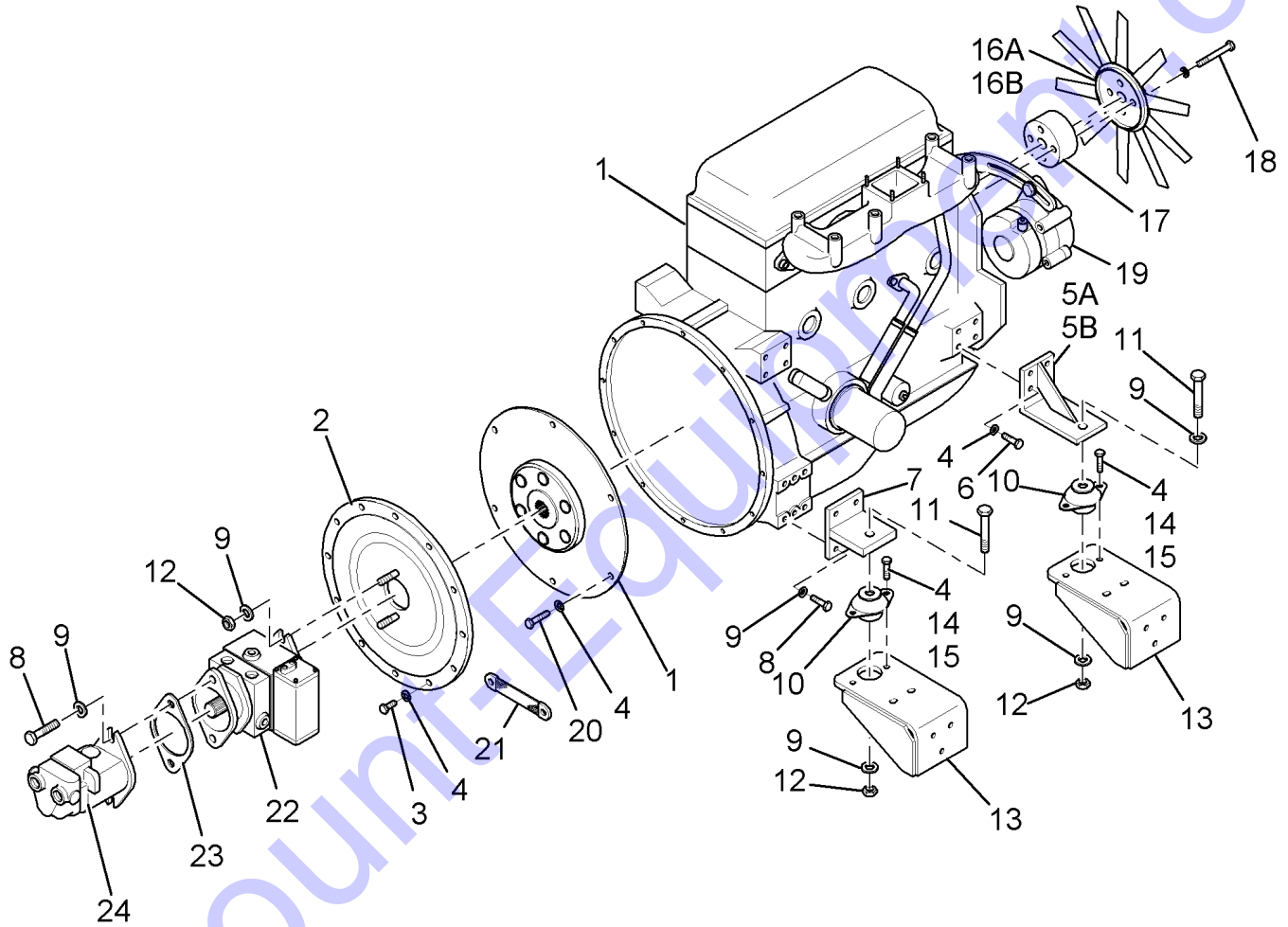
460700: ENGINE, DIESEL (CUMMINS)



460700: ENGINE, DIESEL (CUMMINS)

ITEM	PART NUMBER	F/N	DESCRIPTION	QTY	UOM
1	460650		ENGINE, SWEEPMASTER (CUMMINS, 3.3 TIER II)	1	EA
2	460640		DRIVE COUPLING, ENGINE	1	EA
3	460641		SPACER, HUB SECURING	1	EA
4	350652		PLATE, DRIVE HUB RETAINER	1	EA
5	404673		CAPSCREW, SOCKET HEAD (M8 X 1.25CP-6G X M30)	1	EA
6	038372		CAPSCREW (M10 X 1.5 CP X M30)	28	EA
7	070391		WASHER, FLAT (3/8")	48	EA
8	460638		PLATE, PUMP MOUNT	1	EA
9	069807		STRAP, GROUND	1	EA
10	011650		WASHER, FLAT (1/2")	12	EA
11	440644		NUT, HEX (1/2"-13NC, FLANGE, WHIZLOCK)	6	EA
12	457122		PUMP, HYDROSTATIC (PILOT OPERATED) (SEE PAGE 158)	1	EA
13	422246		GASKET, PUMP MOUNT	1	EA
14	440465		PUMP, AUXILIARY GEAR (06 AND UP PARKER) (SEE PAGE 150)	1	EA
15	441774		CAPSCREW (1/2"-13NC X 1-1/4")	2	EA
16	460672		STR, ENGINE MOUNT (REAR)	2	EA
17	460651		STR, ENGINE MOUN (FRONT)	2	EA
18	460654		STR, ENGINE MOUNT (LOWER)	4	EA
19	011460		CAPSCREW (1/2"-13NC X 4" PL.)	4	EA
20	444091		MOUNT, ENGINE	4	EA
21	083527		CAPSCREW (3/8"-16NC X 1-1/4")	8	EA
22	441477		NUT, LOCK (3/8"-16NC)	8	EA
23	403774		BOLT (M12-1.75 X 35MM)	8	EA
24	460662		SPACER, FAN	1	EA
25	460661		FAN, ENGINE COOLING [3.3 CUMMINS (FOR 413138)]	1	EA
25B	413138		FAN, ENGINE(CUMMINS B3.9)	1	EA
26	089723		BOLT (M8-1.25 X 65MM)	4	EA
28	477522		ALTERNATOR (12V 60 AMP)	1	EA
			REMAINING COMPONENTS		
	477534		V-BELT, 3.3	1	EA

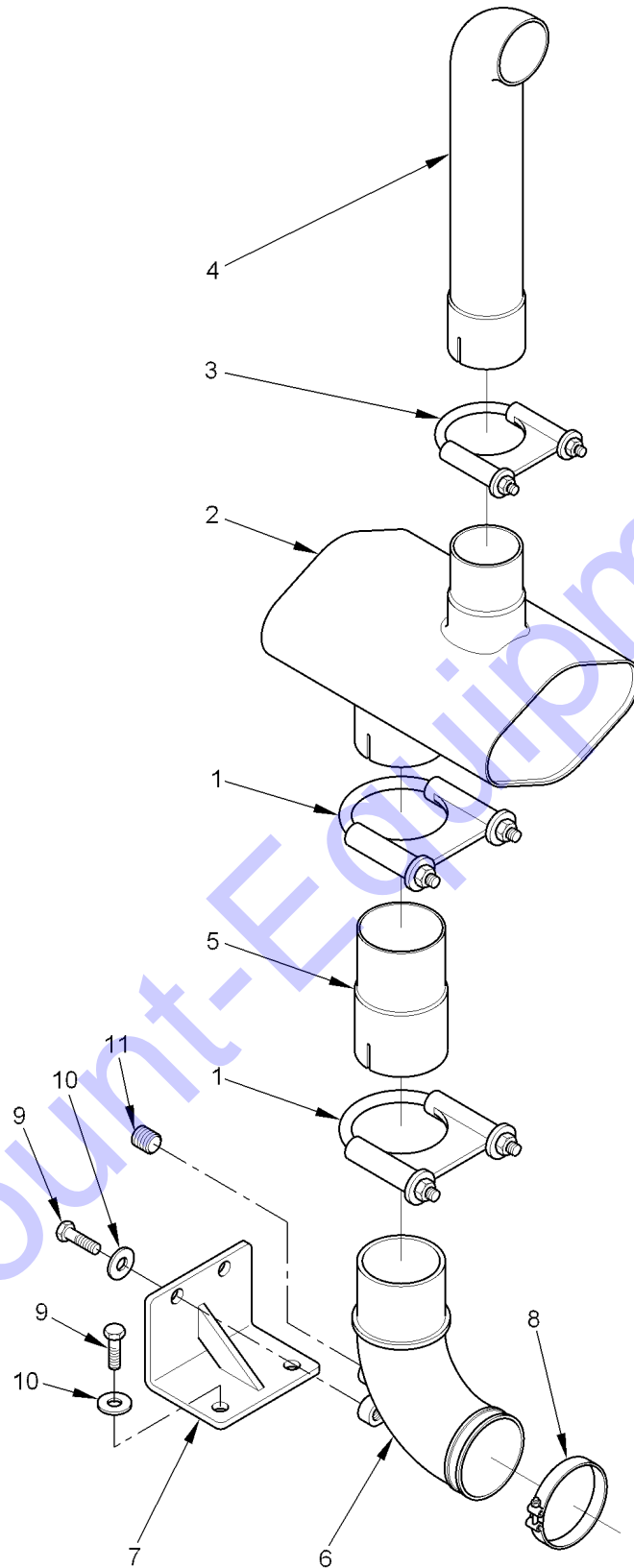
ENGINE, DIESEL (KUBOTA)



ENGINE, DIESEL (KUBOTA)

ITEM	PART NUMBER	F/N	DESCRIPTION	QTY	UOM
1	478025		ENGINE ASSEMBLY (KUBOTA V3600)	1	EA
2	478024		DRIVE KIT, ENGINE	1	EA
3	038372		CAPSCREW (M10 X 1.5 CP X M30)	12	EA
4	070391		WASHER, FLAT (3/8")	12	EA
5A	381063		STR, ENGINE MOUNT (REAR L.H. SIDE)	1	EA
5B	387051		STR, ENGINE MOUNT (REAR R.H. SIDE)	1	EA
6	478062		BOLT (12MM X 1.50 X 35MM)	8	EA
7	386996		STR, ENGINE MOUNT (FRONT)	2	EA
8	441774		CAPSCREW (1/2"-13NC X 1-1/4")	10	EA
9	011650		WASHER, FLAT (1/2")	12	EA
10	444091		MOUNT, ENGINE	4	EA
11	011460		CAPSCREW (1/2"-13NC X 4" PL.)	4	EA
12	440664		LOCKNUT (1/2-13NC)	6	EA
13	460654		STR, ENGINE MOUNT (LOWER)	4	EA
14	083527		CAPSCREW (3/8"-16NC X 1-1/4")	8	EA
15	441447		NUT, HEX (3/8"-16NC)	8	EA
16A	478022		FAN, ENGINE COOLING (FOR 478030 RADIATOR)	1	EA
16B	478052		FAN, ENGINE COOLING (FOR 478032 RADIATOR)	1	EA
17	9107150		SPACER, FAN	1	EA
18	478063		BOLT (8MM X 1.25 X 60MM)	4	EA
19	477522		ALTERNATOR (12V 60 AMP)	1	EA
20	441667		CAPSCREW (3/8"-16NC X 1", FLANGE WHIZLOCK)	12	EA
21	069807		STRAP, GROUND	1	EA
22	457122		PUMP, HYDROSTATIC (PILOT OPERATED) (SEE PAGE 158)	1	EA
23	422246		GASKET, PUMP MOUNT	1	EA
24	440465		PUMP, AUXILIARY GEAR (06 AND UP PARKER) (SEE PAGE 150)	1	EA
	459965		V-BELT (V3600)	1	EA
	468581		COVER, ALTERNATOR BELT (V3600)	1	EA

460655: EXHAUST SYSTEM (CUMMINS)

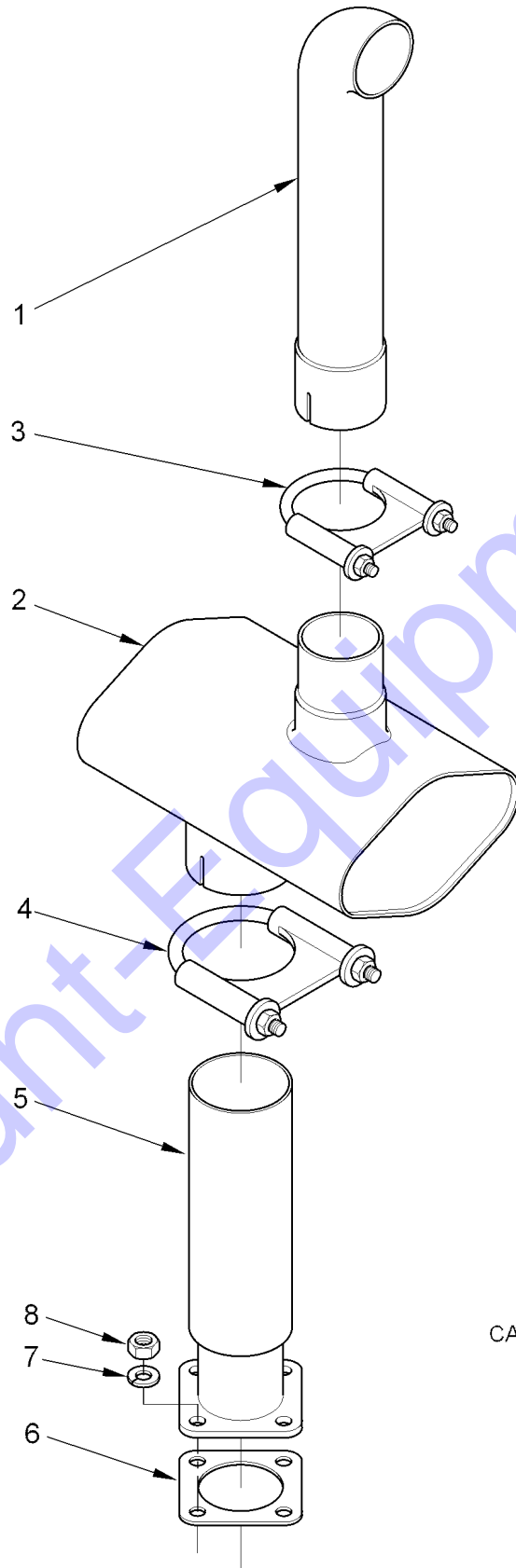


CAP-0037

460655: EXHAUST SYSTEM (CUMMINS)

ITEM	PART NUMBER	F/N	DESCRIPTION	QTY	UOM
1	077073		CLAMP (3" OD)	2	EA
2	444224		MUFFLER, HORIZONTAL	1	EA
3	038828		CLAMP, EXHAUST (2-1/2")	1	EA
4	342197		PIPE, TAIL	1	EA
5	342194		CONNECTOR, EXHAUST	1	EA
6	460656		ELBOW, CAST EXHAUST	1	EA
7	460657		BRACKET, EXHAUST ELBOW SUPPORT	1	EA
8	460666		V-CLAMP, EXHAUST (3")	1	EA
9	401620		BOLT (M10-1.5 GR8 X 25MM)	4	EA
10	011031		WASHER, FLAT (3/8")	4	EA
11	071357		PLUG, PIPE (1/4")	1	EA

387105: EXHAUST SYSTEM (KUBOTA)



CAP-0089

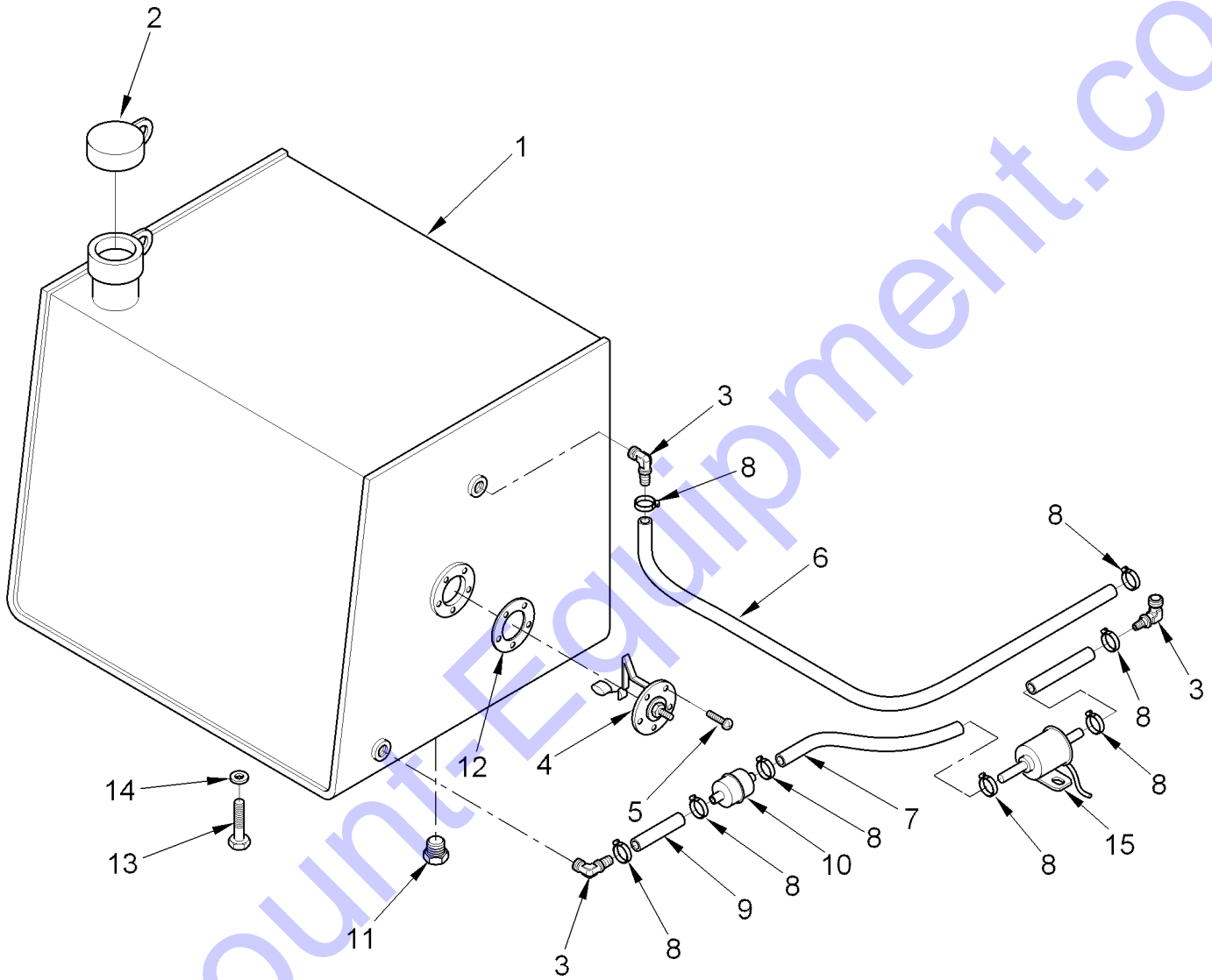
387105: EXHAUST SYSTEM (KUBOTA)

ITEM	PART NUMBER	F/N	DESCRIPTION	QTY	UOM
1	342197		PIPE, TAIL	1	EA
2	444224		MUFFLER, HORIZONTAL	1	EA
3	038828		CLAMP, EXHAUST (2-1/2")	1	EA
4	077073		CLAMP (3" OD)	2	EA
5	387086		CONNECTOR, EXHAUST	1	EA
6	478019		GASKET, EXHAUST	1	EA
7	011023		WASHER, LOCK (3/8")	4	EA
8	478029		NUT, PLATED (M10-1.25)	4	EA
			REMAINING COMPONENTS		
	387299		BRACE, MUFFLER	1	EA

FUEL SYSTEM (CUMMINS)

ITEM	PART NUMBER	F/N	DESCRIPTION	QTY	UOM
1	434274	F1	TANK, FUEL (20 GALLON CAPACITY)	1	EA
2	439182		CAP, LOCKING TAB (HYDRAULIC FILLER CAP)	1	EA
3	081836		FITTING, 90 DEGREE (1/4-NPT)	2	EA
4	462176		SENDER, FUEL	1	EA
5	031852		SCREW, SLOTTED WITH RUBBER WASHER	5	EA
6	068544		HOSE, FUEL LINE (5/16")	40	IN
7	068544		HOSE, FUEL LINE (5/16")	36	IN
8	031914		CLAMP, FUEL LINE	1	EA
9	068544		HOSE, FUEL LINE (5/16")	4	IN
10	436212		FUEL FILTER (IN-LINE)	1	EA
11	040691		PLUG, COUNTERSUNK (3/4"NPT)	1	EA
12	031864		GASKET, FUEL SENDER	1	EA
13	441667		CAPSCREW (3/8"-16NC X 1", FLANGE WHIZLOCK)	1	EA
14	460360		WASHER, LOCK (1/4" THK.)	3	EA
		REMAINING COMPONENTS			
	441659	CAPSCREW (3/8"-16NC X 3/4", FLANGE WHIZLOCK)	3	EA	
	011323	WASHER, FLAT (3/8")	3	EA	
		F1 - INCLUDES ITEMS 2, 4, 5, 6 AND 13.			

FUEL SYSTEM (KUBOTA)

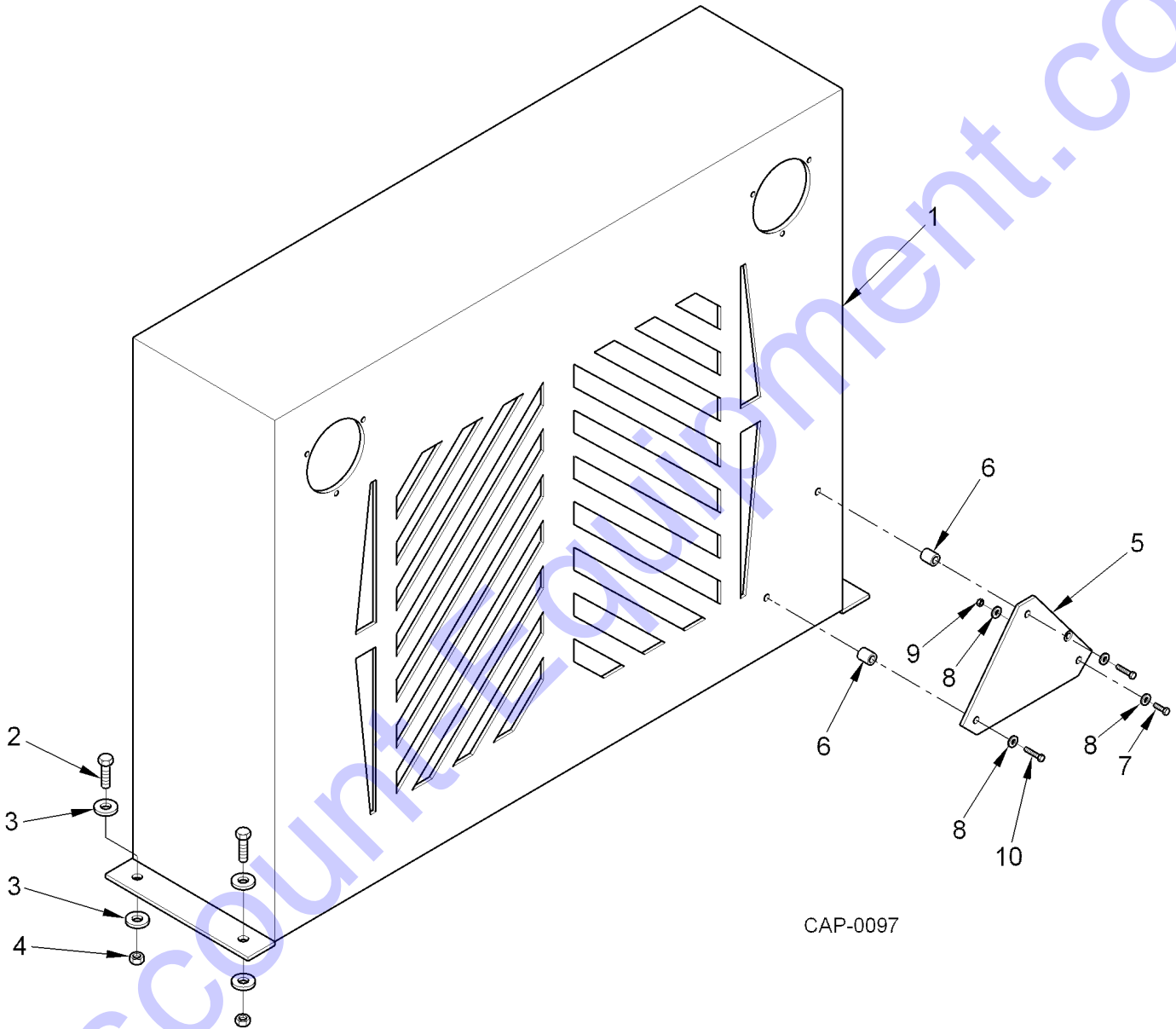


CAP-0090

FUEL SYSTEM (KUBOTA)

ITEM	PART NUMBER	F/N	DESCRIPTION	QTY	UOM
1	387040	F1	TANK, FUEL (30 GALLON CAPACITY)	1	EA
2	439182		CAP, LOCKING TAB (HYDRAULIC FILLER CAP)	1	EA
3	081836		FITTING, 90 DEGREE (1/4-NPT)	2	EA
4	462176		SENDER, FUEL	1	EA
5	464727		SCREW, SLOTTED WITH RUBBER WASHER	5	EA
6	068544		HOSE, FUEL LINE (5/16")	40	IN
7	068544		HOSE, FUEL LINE (5/16")	36	IN
8	031914		CLAMP, FUEL LINE	8	EA
9	068544		HOSE, FUEL LINE (5/16")	4	IN
10	436212		FUEL FILTER (IN-LINE)	1	EA
11	040691		PLUG, COUNTERSUNK (3/4"NPT)	1	EA
12	031864		GASKET, FUEL SENDER	1	EA
13	441667		CAPSCREW (3/8"-16NC X 1", FLANGE WHIZLOCK)	1	EA
14	460360		WASHER, LOCK (1/4" THK.)	3	EA
15	9101888		PUMP, FUEL (ELECTRIC)	1	EA
		REMAINING COMPONENTS			
	441659		CAPSCREW (3/8"-16NC X 3/4", FLANGE WHIZLOCK)	3	EA
	011323		WASHER, FLAT (3/8")	3	EA
			F1 - INCLUDES ITEMS 2, 4, 5, 6 AND 13.		

GUARD, RADIATOR (KUBOTA)

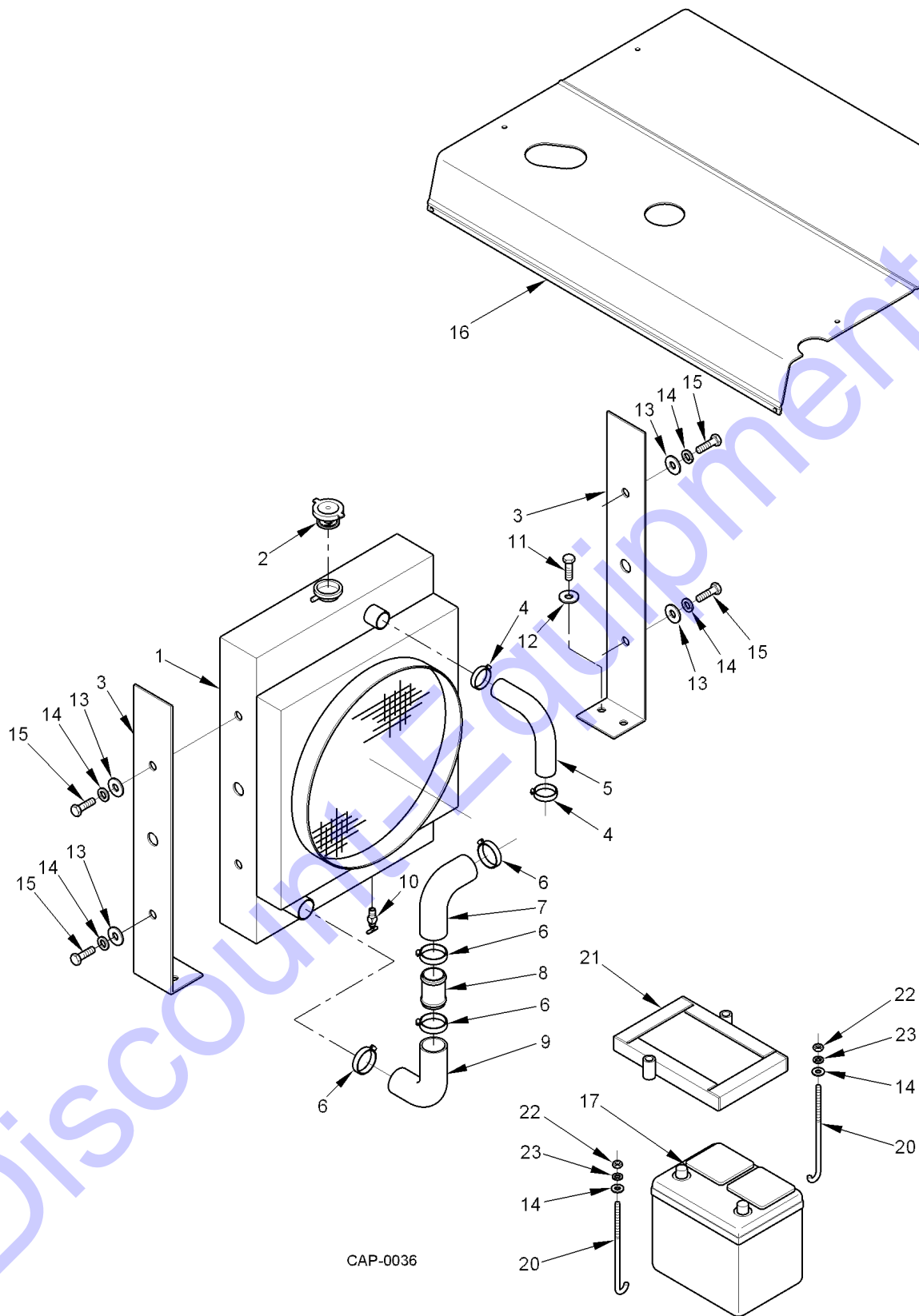


CAP-0097

GUARD, RADIATOR (KUBOTA)

ITEM	PART NUMBER	F/N	DESCRIPTION	QTY	UOM
1	387135		GUARD, RADIATOR	1	EA
2	038422		CAPSCREW (1/2"-13NC X 1-1/4", GR 5)	4	EA
3	011325		WASHER, FLAT (1/2")	8	EA
4	440644		NUT, HEX (1/2"-13NC, FLANGE, WHIZLOCK)	4	EA
5	350322		MOUNT, EMBLEM	1	EA
6	152850		SPACER (1/2" X 3/4")	2	EA
7	083485		CAPSCREW (5/16"-18NC X 3/4", PL)	1	EA
8	011322		WASHER, FLAT (5/16")	6	EA
9	083535		NUT, HEX (5/16"-18NC, FLANGE, WHIZLOCK)	3	EA
10	441600		CAPSCREW (5/16"-18NC X 1", PL)	2	EA

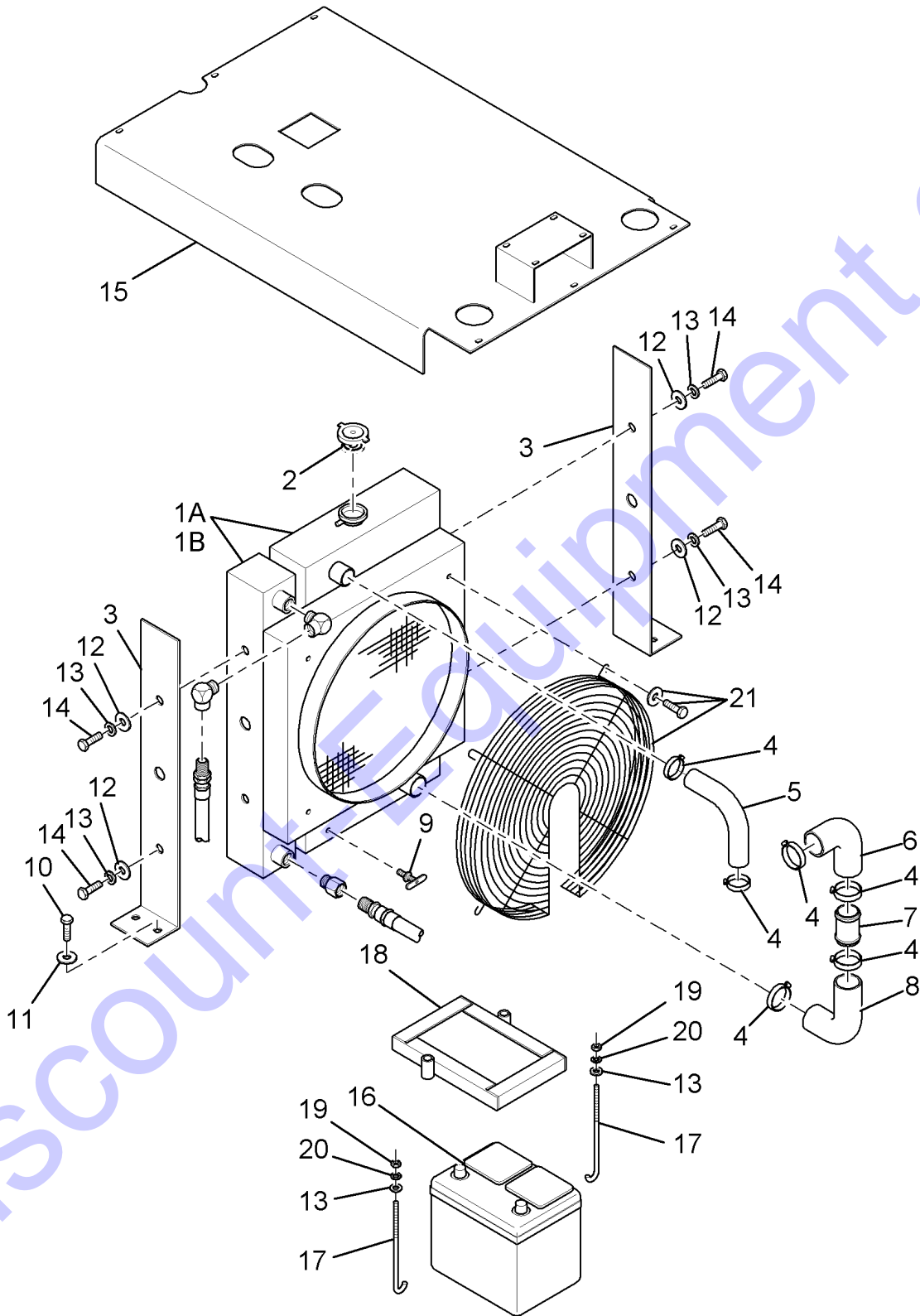
HOOD, RADIATOR AND BATTERIES (CUMMINS)



CAP-0036

HOOD, RADIATOR AND BATTERIES (CUMMINS)					
ITEM	PART NUMBER	F/N	DESCRIPTION	QTY	UOM
1	407925		RADIATOR ASSEMBLY	1	EA
2	047811		CAP, RADIATOR	1	EA
3	266338		MOUNT, RADIATOR	2	EA
4	056424		CLAMP, UPPER RADIATOR (#20 HOSE)	2	EA
5	407928		HOSE, UPPER RADIATOR	1	EA
6	V02026200		CLAMP, RADIATOR (#32 HOSE)	4	EA
7	407929		HOSE, RADIATOR (SIDE TOP)	1	EA
8	407933		CONNECTOR, HOSE	1	EA
9	407931		HOSE, RADIATOR (SIDE BOTTOM)	1	EA
10	041475		DRAINCOCK	1	EA
11	441667		CAPSCREW (3/8"-16NC X 1", FLANGE WHIZLOCK)	4	EA
12	011323		WASHER, FLAT (3/8")	4	EA
13	407999		ISOLATOR, RADIATOR	4	EA
14	011322		WASHER, FLAT (5/16")	6	EA
15	441618		CAPSCREW (5/16"-18NC X 1-1/4", FLANGE WHIZLOCK)	4	EA
16	343873		HOOD, FORMED (TEXAS DOT W/3.3)	1	EA
17	433136		BATTERY (12V 950 CCA)	1	EA
20	092767		BOLT, BATTERY HOLD DOWN	2	EA
21	386790		BATTERY HOLD DOWN	1	EA
22	010553		NUT, HEX (5/16"-18NC)	2	EA
23	010561		WASHER, LOCK (5/16")	2	EA
			REMAINING COMPONENTS		
	298365		CABLE, BATTERY (POSITIVE, 14")	1	EA
	298366		CABLE, BATTERY (NEGATIVE, 22")	AR	EA

HOOD, RADIATOR AND BATTERIES (KUBOTA)



HOOD, RADIATOR AND BATTERIES (KUBOTA)					
ITEM	PART NUMBER	F/N	DESCRIPTION	QTY	UOM
1A	478030		RADIATOR (W/OIL COOLER) (SEE PAGE 114)	1	EA
1B	478032		RADIATOR (W/OIL COOLER) (SEE PAGE 116)	1	EA
2	9107155		CAP, RADIATOR	1	EA
3	387102		MOUNT, RADIATOR	2	EA
4	V02026200		CLAMP, HOSE (#32)	6	EA
5	387134		HOSE, UPPER RADIATOR	1	EA
6	387099		HOSE, RADIATOR (SIDE TOP)	1	EA
7	407933		CONNECTOR, HOSE	1	EA
8	387101		HOSE, RADIATOR (SIDE BOTTOM)	1	EA
9	041475		DRAINCOCK	1	EA
10	010645		CAPSCREW (3/8"-16NC X 1-1/2")	4	EA
11	011031		WASHER, FLAT (3/8")	4	EA
12	456459		ISOLATOR (RUBBER)	4	EA
13	011650		WASHER, FLAT (1/2")	6	EA
14	011361		CAPSCREW (1/2"-13NC X 1-1/2")	4	EA
15	386994		HOOD, FORMED	1	EA
16	433136		BATTERY (12V 950 CCA)	1	EA
17	092767		BOLT, BATTERY HOLD DOWN	2	EA
18	386790		BATTERY HOLD DOWN	1	EA
19	010553		NUT, HEX (5/16"-18NC)	2	EA
20	010561		WASHER, LOCK (5/16")	2	EA
21	SM-200-020-008K		KIT, FAN GUARD (SEE PAGE 112)	1	EA
	298365		CABLE, BATTERY (POSITIVE, 14")	1	EA
	298366		CABLE, BATTERY (NEGATIVE, 22")	1	EA

NON-ILLUSTRATED

Discount-Equipment.com

299460: KIT, ENGINE COMPARTMENT DOOR

ITEM	PART NUMBER	F/N	DESCRIPTION	QTY	UOM
1	010322		CAPSCREW (5/16"-18NC X 3/4")	20	EA
2	010579		WASHER, FLAT (5/16")	24	EA
3	093799		NUT, LOCK (5/16"-18NC, NYLON INSERT)	4	EA
4	299464		DOOR HINGE, ENGINE COMPARTMENT (WELDMENT)	2	EA
5	299465		DOOR HINGE, ENGINE COMPARTMENT (WELDMENT)	2	EA
6	299454		DOOR, ENGINE (LEFT HAND)	1	EA
7	299456		DOOR, ENGINE (RIGHT HAND)	1	EA
8	299455		PANEL, ENGINE COMPARTMENT DOOR	2	EA
9	299457		RETAINER, ENGINE COMPARTMENT	2	EA
10	067025		PIN, RETAINING (3/8" X 2-1/4")	2	EA
			NOTE: CONTACT CSR 1-800-458-3238 FOR		
			CORRECT ENGINE COMPARTMENT DOOR		

NON-ILLUSTRATED

Discount-Equipment.com

299450: KIT, ENGINE COMPARTMENT DOOR

ITEM	PART NUMBER	F/N	DESCRIPTION	QTY	UOM
1	010322		CAPSCREW (5/16"-18NC X 3/4")	20	EA
2	010579		WASHER, FLAT (5/16")	24	EA
3	093799		NUT, LOCK (5/16"-18NC, NYLON INSERT)	4	EA
4	299464		DOOR HINGE, ENGINE COMPARTMENT (WELDMENT)	2	EA
5	299465		DOOR HINGE, ENGINE COMPARTMENT (WELDMENT)	2	EA
6	299458		DOOR, ENGINE (LEFT HAND)	1	EA
7	299459		DOOR, ENGINE (RIGHT HAND)	1	EA
			NOTE: CONTACT CSR 1-800-458-3238 FOR		
			CORRECT ENGINE COMPARTMENT DOOR		

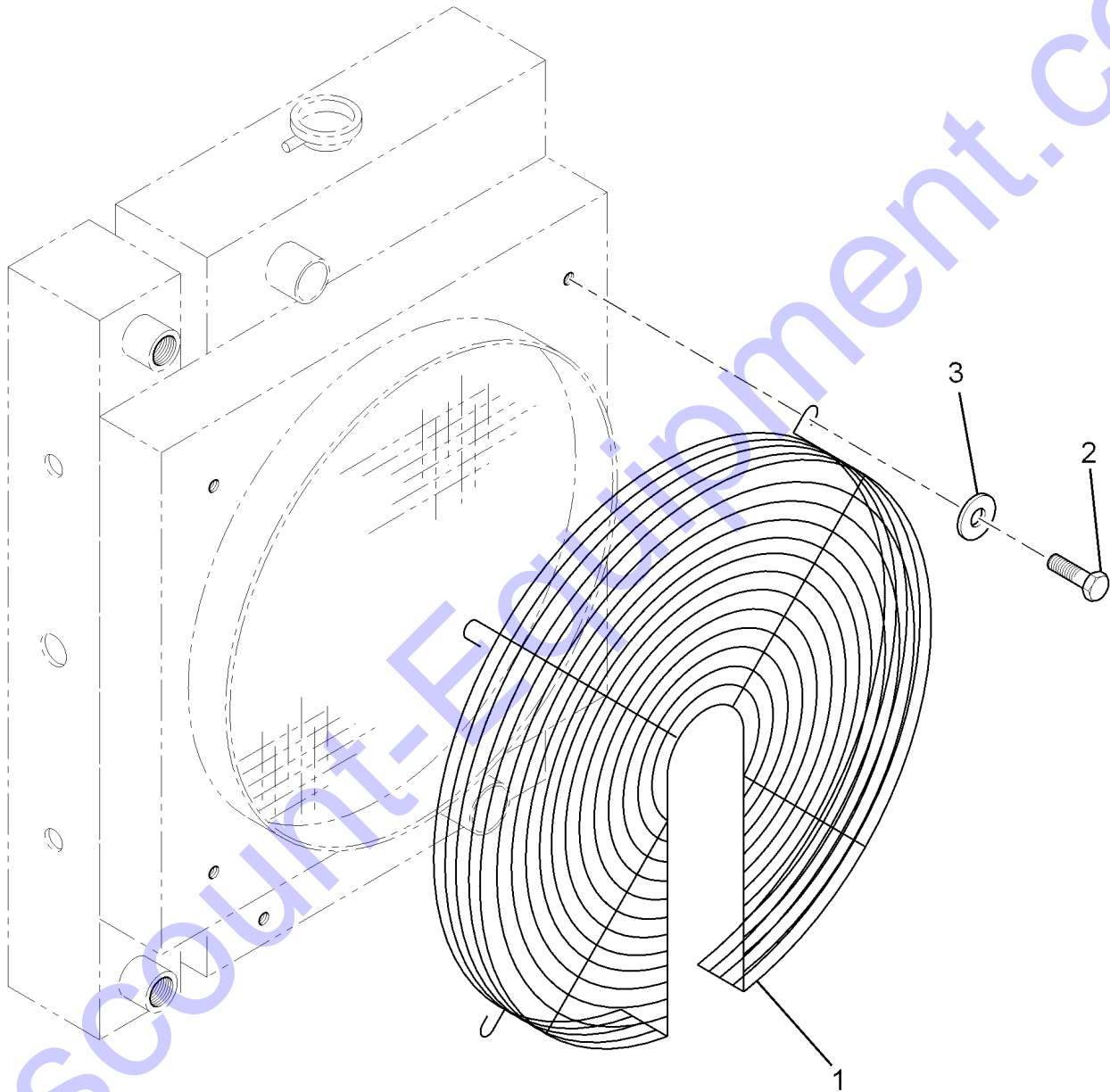
NON-ILLUSTRATED

Discount-Equipment.com

298778: KIT, ENGINE COMPARTMENT DOOR

ITEM	PART NUMBER	F/N	DESCRIPTION	QTY	UOM
1	299446		PANEL, DOOR (STR)	2	EA
2	299479		HINGE, STR (RIGHT HAND)	2	EA
3	299487		HINGE, STR (LEFT HAND)	2	EA
4	271452		LATCH, DOOR	2	EA
5	236125		WEDGE, LATCH	2	EA
6	067025		PIN, RETAINING (3/8" X 2-1/4")	2	EA
7	010322		CAPSCREW (5/16"-18NC X 3/4")	8	EA
8	010553		NUT, HEX (5/16"-18NC)	8	EA
9	010629		CAPSCREW (3/8"-16NC X 1")	4	EA
10	011015		NUT, HEX (3/8"-16NC)	4	EA
11	011023		WASHER, LOCK (3/8")	4	EA
12	011031		WASHER, FLAT (3/8")	4	EA
<p>NOTE: CONTACT CSR 1-800-458-3238 FOR CORRECT ENGINE COMPARTMENT DOOR</p>					

KIT, FAN GUARD

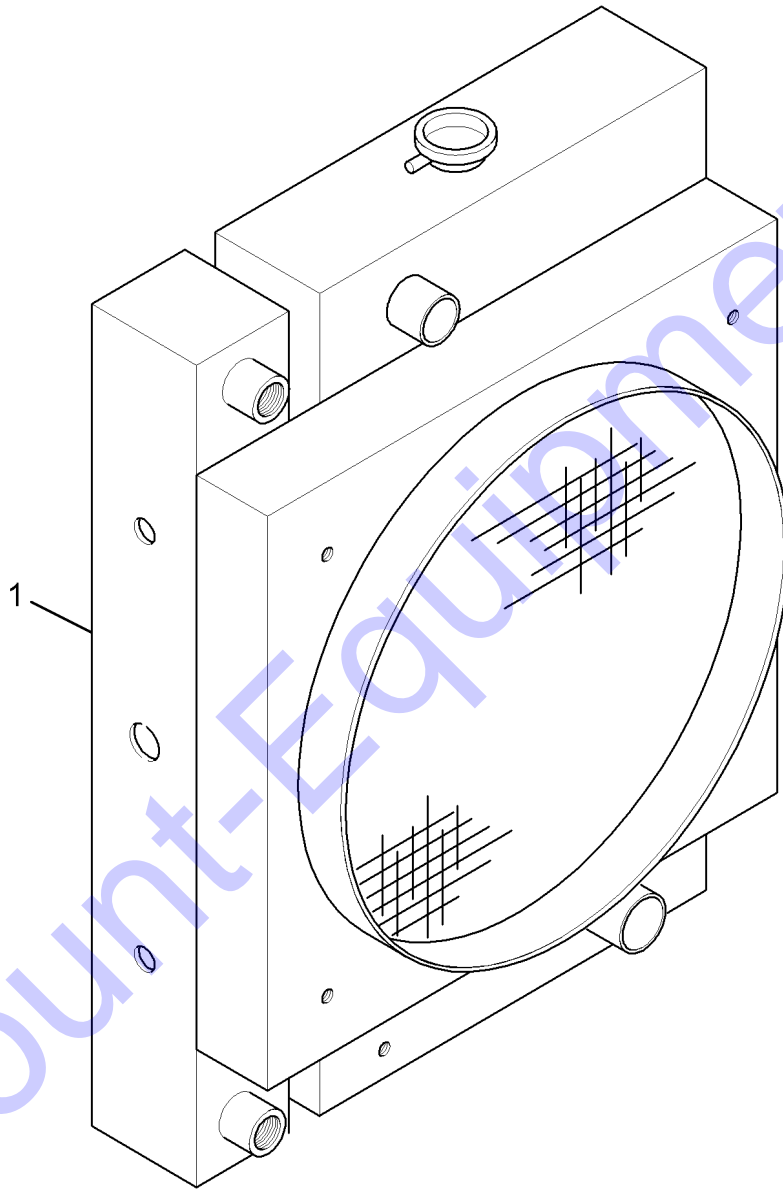


KIT, FAN GUARD

ITEM	PART NUMBER	F/N	DESCRIPTION	QTY	UOM
1	478023		GUARD, FAN (22")	1	EA
2	010033		CAPSCREW (1/4"-20 X 3/4")	4	EA
3	010298		WASHER, FLAT (1/4")	4	EA

Discount-Equipment.com

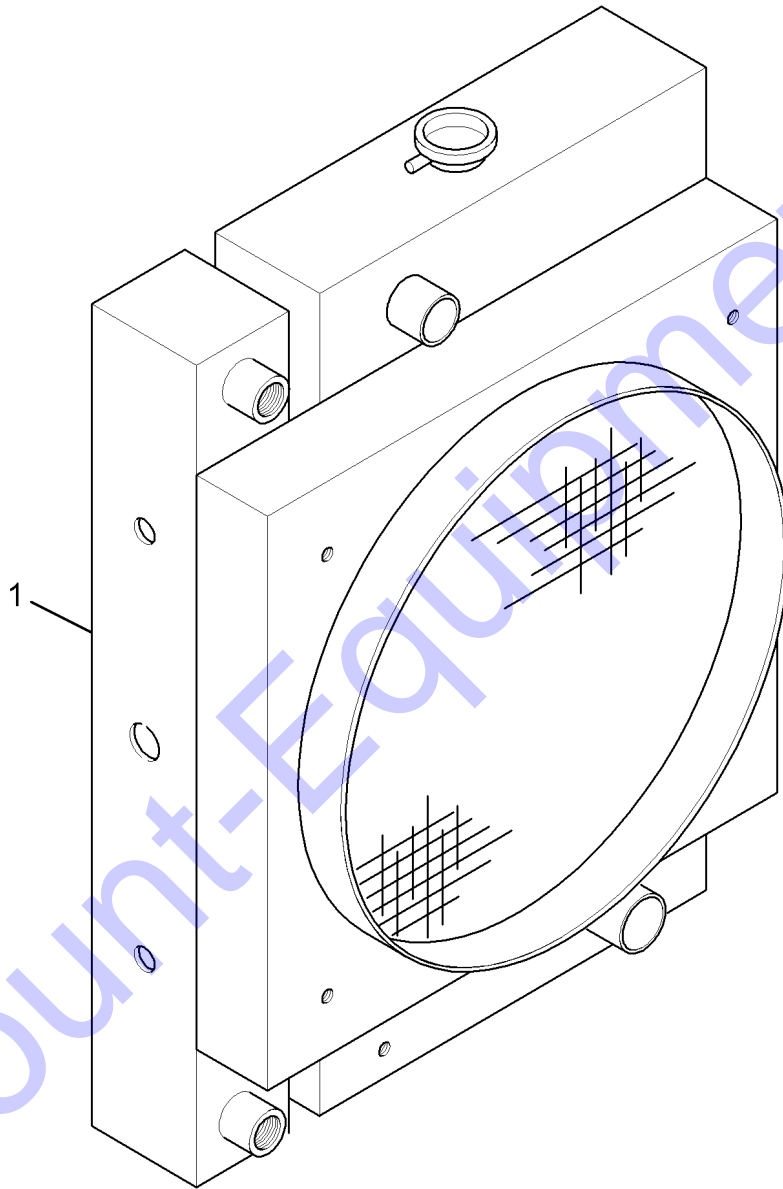
478030: RADIATOR (W/OIL COOLER)



478030: RADIATOR (W/OIL COOLER)

ITEM	PART NUMBER	F/N	DESCRIPTION	QTY	UOM
1	9107004		OIL COOLER (FOR 478030 RADIATOR)	1	EA

478032: RADIATOR (W/OIL COOLER)



478032: RADIATOR (W/OIL COOLER)

ITEM	PART NUMBER	F/N	DESCRIPTION	QTY	UOM
1	9107165		OIL COOLER (FOR 478032 RADIATOR)	1	EA

REQUIRED FILTERS LIST

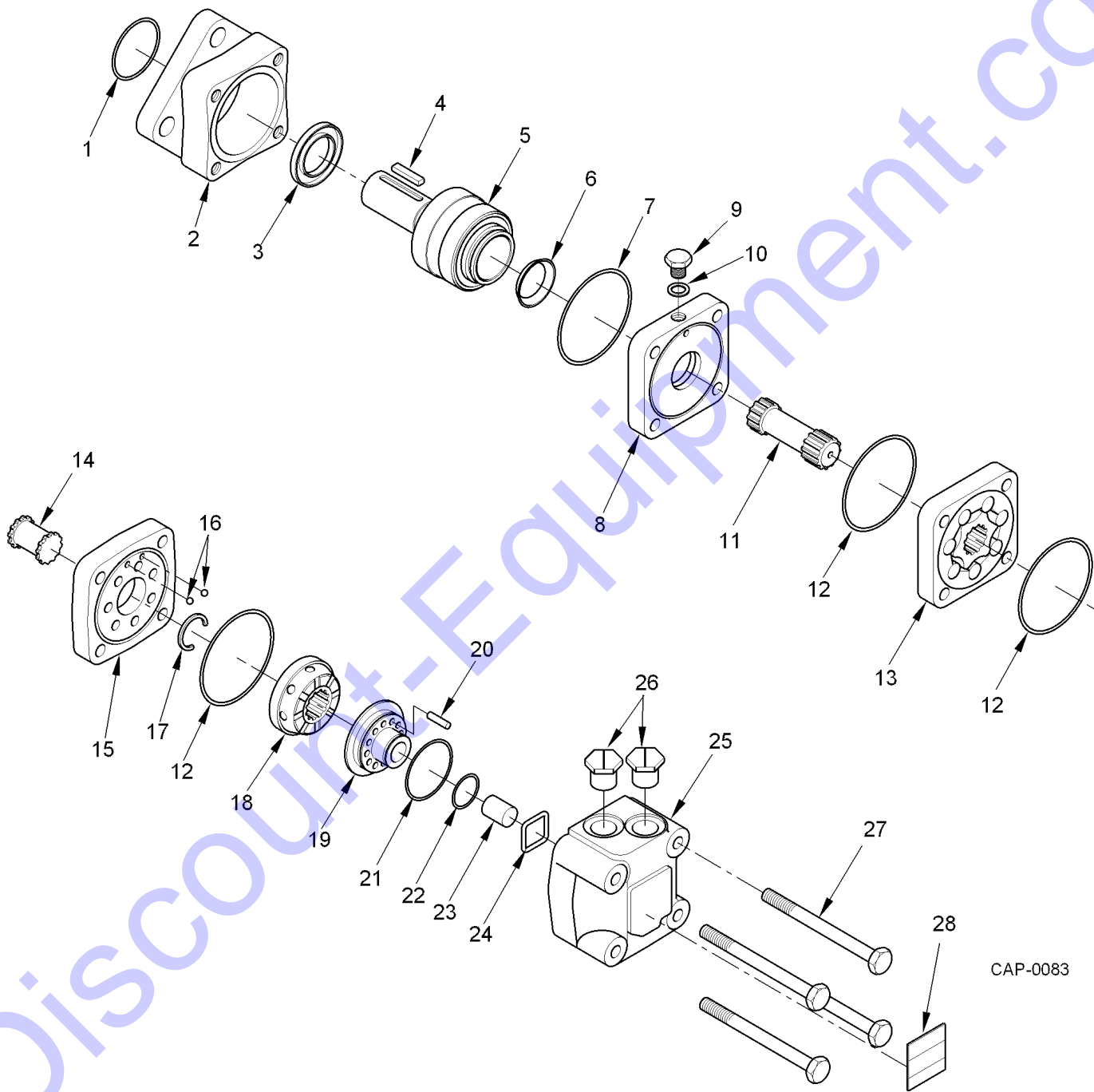
NON-ILLUSTRATED

Discount-Equipment.com

REQUIRED FILTERS LIST

ITEM	PART NUMBER	F/N	DESCRIPTION	QTY	UOM
1	477697		ELEMENT, AIR FILTER (PRIMARY)	AR	EA
2	477698		ELEMENT, AIR FILTER (SAFETY)	1	EA
3	436212		FUEL FILTER (IN-LINE)	1	EA
4	477678		ELEMENT, FUEL SECONARY (W/CUMMINS 3.3)	1	EA
5	477907		ELEMENT, FUEL/WATER SEPARATOR	1	EA
6	477679		ELEMENT, ENGINE OIL FILTER (W/CUMMINS 3.3)	1	EA
7	424143	F1	FILTER, HYDRAULIC (RETURN, ELECTRIC) (SEE PAGE 136)	AR	EA
8			HEAD, FILTER ELECTRIC (25 PSI RELIEF)	1	
9	028639		ELEMENT, REPLACEMENT (10 MICRON)	1	EA
10	437665	F1	FILTER, HYDRAULIC (CHARGE, ELECTRIC)	AR	EA
11			HEAD, FILTER ELECTRIC (25 PSI RELIEF)	1	
12	437673		ELEMENT, REPLACEMENT (10 MICRON)	1	EA
13	457130		FILTER, SCREW ON, 10 MICRON (YUKON)	1	EA
14	466771		FILTER, HEPA (1-3/4" X 4" X 13-1/2")	1	EA
15	424142		HEAD, FILTER W/25 PSI BY-PASS - W/INDICATOR TERMIN	1	EA
16	476772		KUBOTA V3600 ENGINE OIL	1	EA
17	478038		SPIN FUEL FILTER, KUBOTA	1	EA
			F1 - THE RESTRICTION INDICATOR SWITCH		
			IS NOT AVAILABLE SEPARATELY. ORDER		
			NEW ASSEMBLY (P/N 437665).		

404543: BROOM MOTOR (DANFOSS, AFTER 11-09-04)

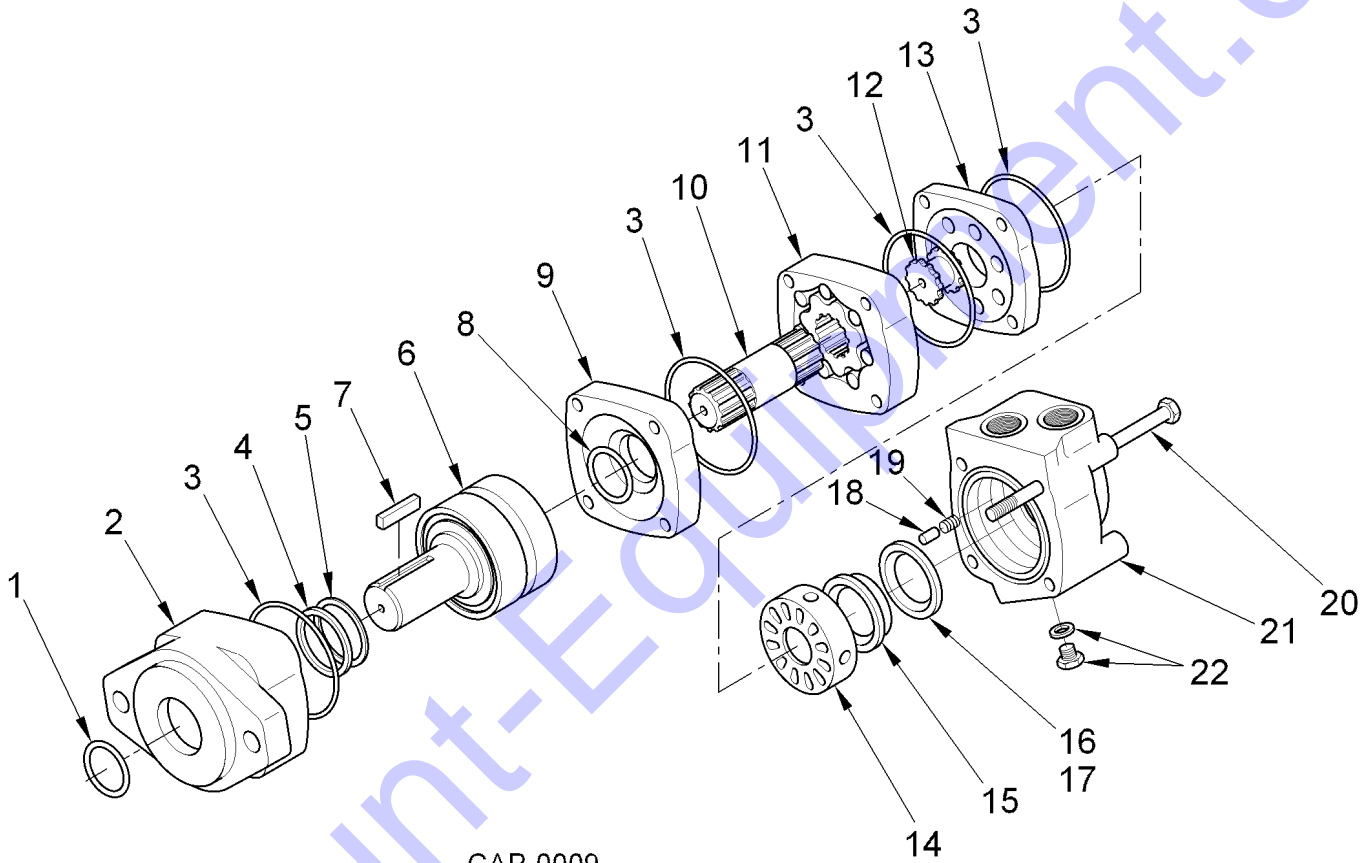


CAP-0083

404543: BROOM MOTOR (DANFOSS, AFTER 11-09-04)

ITEM	PART NUMBER	F/N	DESCRIPTION	QTY	UOM
1		F1	RING, DUST SEAL	1	
2		F1	HOUSING, BEARING	1	
3		F1	SEAL, SHAFT	1	
4		F1	KEY, PARALLEL	1	
5		F1	SHAFT, CYLINDRICAL	1	
6		F1	RING, CONICAL STEEL	1	
7		F1	O-RING	1	
8		F1	PLATE, INTERMEDIATE	1	
9		F1	PLUG, DRAIN	1	
10		F1	WASHER	1	
11		F1	SHAFT, CARDAN	1	
12		F1	O-RING	3	
13		F1	GEAR WHEEL SET	1	
14		F1	PIN, GUIDE	1	
15		F1	VALVE, DRIVE	1	
16		F1	BALL, CHECK VALVE	2	
17		F1	RING, STOP	1	
18		F1	PLATE, CHANNEL	1	
19		F1	PLATE, BALANCE	1	
20		F1	PIN, GUIDE	1	
21		F1	O-RING	1	
22		F1	O-RING	1	
23		F1	SPACER	1	
24		F1	WASHER, SPRING	1	
25		F1	HOUSING, VALVE	1	
26		F1	PLUG, SEAL	2	
27		F1	SCREW	4	
28		F1	PLATE, NAME	1	
			REMAINING COMPONENTS		
	404544		KIT, SEAL	1	EA
	407708		KIT, SHAFT AND BEARING	1	EA
			F1 - PART NUMBER NOT AVAILABLE.		

404541: BROOM MOTOR (EATON, BEFORE 11-09-04)

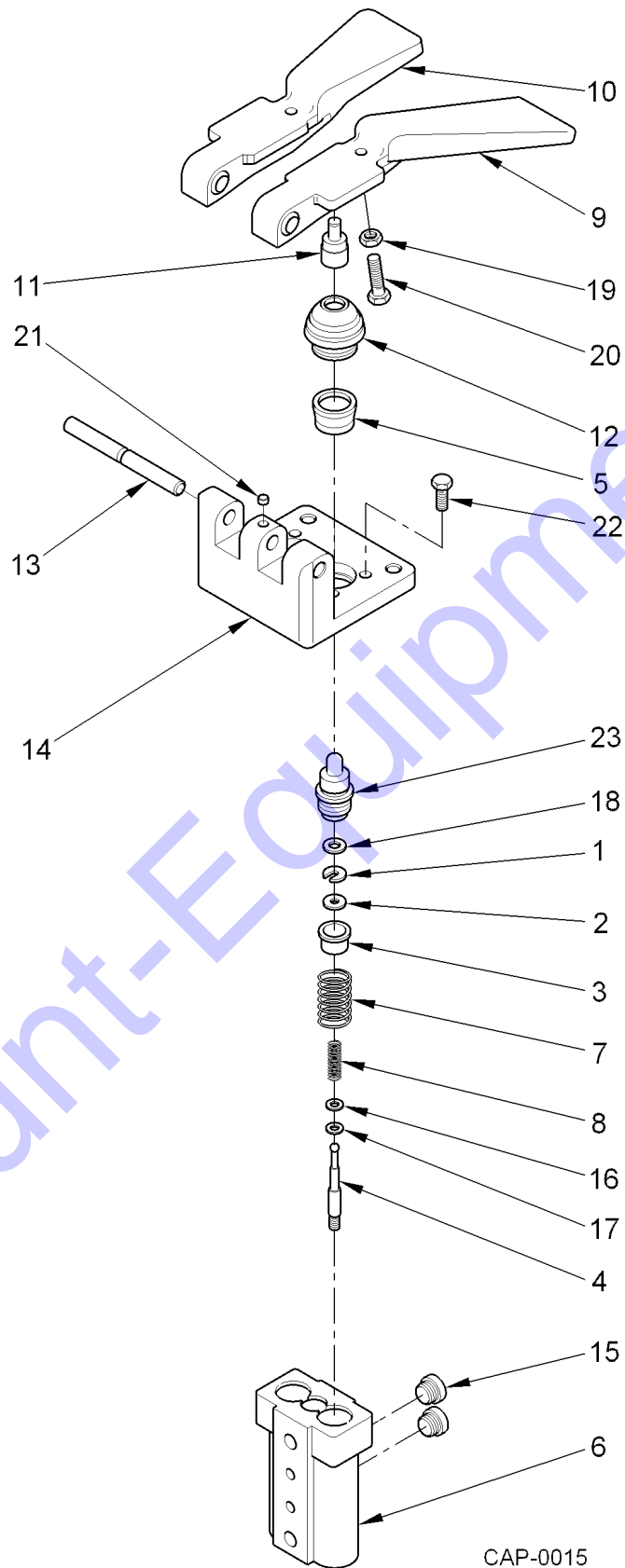


CAP-0009

404541: BROOM MOTOR (EATON, BEFORE 11-09-04)

ITEM	PART NUMBER	F/N	DESCRIPTION	QTY	UOM
1		F1	SEAL	1	
2		F2	HOUSING, BEARING	1	
3		F1	SEAL	1	
4		F1	RING, BACK-UP	1	
5		F1	SEAL	1	
6	408062		KIT, SHAFT AND BEARING	1	EA
7		F1	KEY	1	
8		F1	SEAL	1	
9	454397		PLATE, WARE	1	EA
10	408096		SHAFT, DRIVE	1	EA
11	454405		GEROLER (2.206" WIDE)	1	EA
12	408112		DRIVE, VALVE	1	EA
13	454413		PLATE, VALVE	1	EA
14	454421		VALVE	1	EA
15	408146		RING, BALANCE	1	EA
16		F1	SEAL	1	
17		F1	SEAL	1	
18	408153		PIN	2	EA
19	408161		SPRING	2	EA
20	408179		CAPSCREW (6.54")	4	EA
21		F2	VALVE HOUSING ASSEMBLY	1	
22	408195		PLUG ASSEMBLY	1	EA
			REMAINING COMPONENTS		
	075788	F3	KIT, SEAL	1	EA
			F1 - PART NUMBER NOT AVAILABLE.		
			F2 - NOT AVAILABLE. ORDER COMPLETE MOTOR.		
			F3 - ITEMS INCLUDED IN SEAL KIT 1, 3, 4, 5, 8, 16 AND 17.		

457275: CONTROL, REMOTE FOOT PEDAL

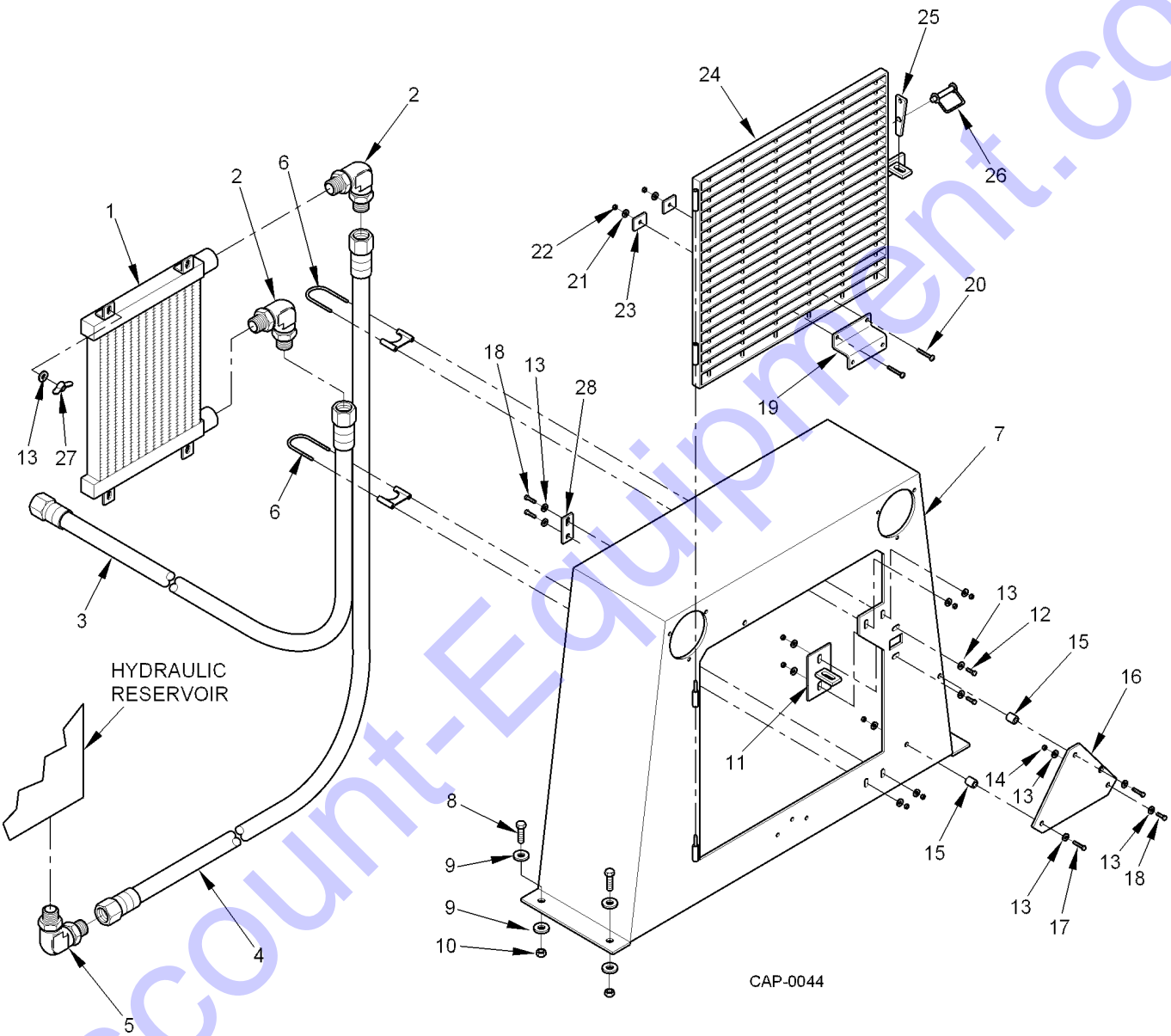


CAP-0015

457275: CONTROL, REMOTE FOOT PEDAL

ITEM	PART NUMBER	F/N	DESCRIPTION	QTY	UOM
1	461798		O-RING (3.6 X 14 X 1.2)	2	EA
2	461806		O-RING (.5 X 14 X 1.2)	2	EA
3	461814		GUIDE, SPRING	2	EA
4	461822		SPOOL, VALVE	2	EA
5	461830		BUSHING, POSITIONER	2	EA
6	466516		BODY	1	EA
7	461848		SPRING, COMPRESSION (.10ID X .30OD X 1.25)	2	EA
8	461855		SPRING, COMPRESSION (.53ID X .65OD X 1.63)	2	EA
9	466474		PEDAL (LEFT HAND)	1	EA
10	466482		PEDAL (RIGHT HAND)	1	EA
11	461863		SPACER, PIN	2	EA
12	461871		BELLOWS, RUBBER	2	EA
13	461889		PIN, PEDAL PIVOT	1	EA
14	466508		SUPPORT, PEDALS	1	EA
15	075549		PLUG	2	EA
16	461897		SHIM (5 X 10 X .3MM)	2	EA
17	461905		SHIM (5 X 10 X .5MM)	2	EA
18	461913		SHIM (8 X 14 X 1MM)	2	EA
19	053538		NUT, HEX (M8 X 1.25)	2	EA
20	404673		CAPSCREW, SOCKET HEAD (M8 X 1.25CP-6G X M30)	2	EA
21	459859		SETSCREW, LONG CUP POINT (M6-1.0CP X M6)	1	EA
22	461921		CAPSCREW, SOCKET HEAD (M5 X 14MM GRADE 8.8)	4	EA
23	461947		KIT, PLUNGER	2	EA

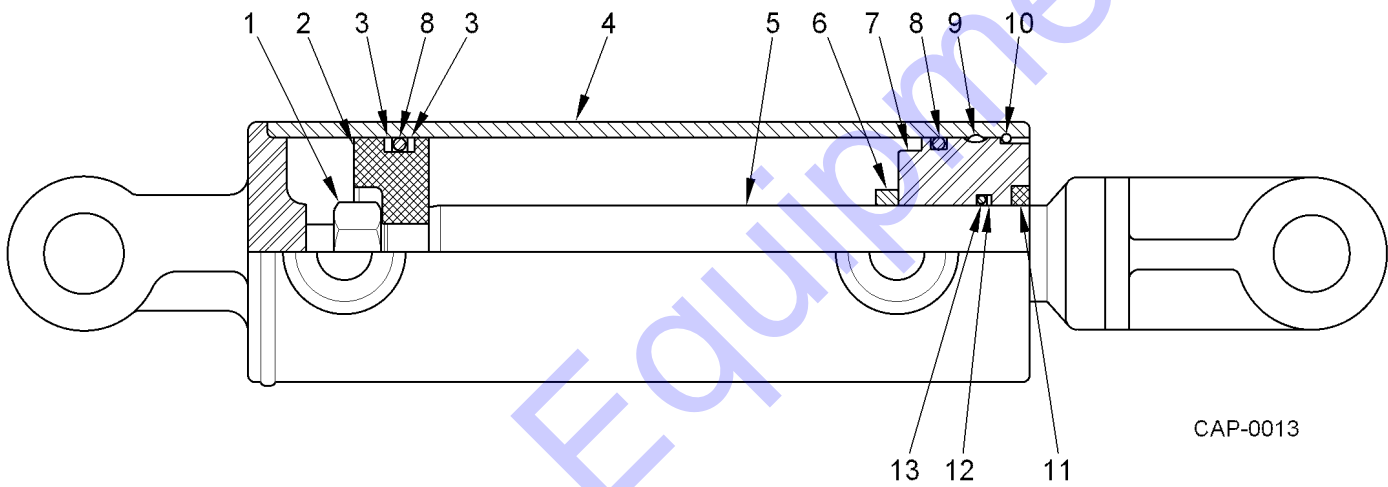
349324: COOLER, OIL (SWING-OUT)



349324: COOLER, OIL (SWING-OUT)

ITEM	PART NUMBER	F/N	DESCRIPTION	QTY	UOM
1	448837		COOLER, HYDRAULIC OIL	1	EA
2	446005		ADAPTER, 90 DEGREE (#16SAE TO #19NPTF)	2	EA
3	349365		HOSE ASSEMBLY (COOLER TO FILTER)	1	EA
4	349357		HOSE ASSEMBLY (COOLER TO CHECK VALVE, TANK)	1	EA
5	078873		ADAPTER, 90 DEGREE (18-12S SAE O-RING)	1	EA
6	429985		EXHAUST CLAMP ASSEMBLY	2	EA
7	349233		STR. ENGINE GUARD	1	EA
8	038422		CAPSCREW (1/2"-13NC X 1-1/4", GR 5)	4	EA
9	011325		WASHER, FLAT (1/2")	8	EA
10	440644		NUT, HEX (1/2"-13NC, FLANGE, WHIZLOCK)	4	EA
11	349290		LATCH, DOOR	1	EA
12	010348		CAPSCREW (5/16"-18NC X 1")	2	EA
13	011322		WASHER, FLAT (5/16")	7	EA
14	083535		NUT, HEX (5/16"-18NC, FLANGE, WHIZLOCK)	2	EA
15	152850		SPACER (1/2" X 3/4")	2	EA
16	350322		MOUNT, EMBLEM	1	EA
17	441600		CAPSCREW (5/16"-18NC X 1", PL)	2	EA
18	083485		CAPSCREW (5/16"-18NC X 3/4", PL)	3	EA
19	281576		MOUNT, TAG LIGHT	1	EA
20	407502		SCREW, SLOTTED PAN HEAD (10-24 X 1-3/4")	2	EA
21	060723		WASHER, FLAT (#10)	4	EA
22	440628		NUT, HEX (#10-24NC)	2	EA
23	350652		PLATE, DRIVE HUB RETAINER	2	EA
24	349258		PANEL, DOOR (SWING OUT)	1	EA
25	236125		WEDGE, LATCH	1	EA
26	067025		PIN, RETAINING (3/8" X 2-1/4")	1	EA
27	096883		WINGNUT (0.31-18)	1	EA
28	349639		ANCHOR, COOLER	1	EA

432971: CYLINDER, BROOM SWING (3" X 10")

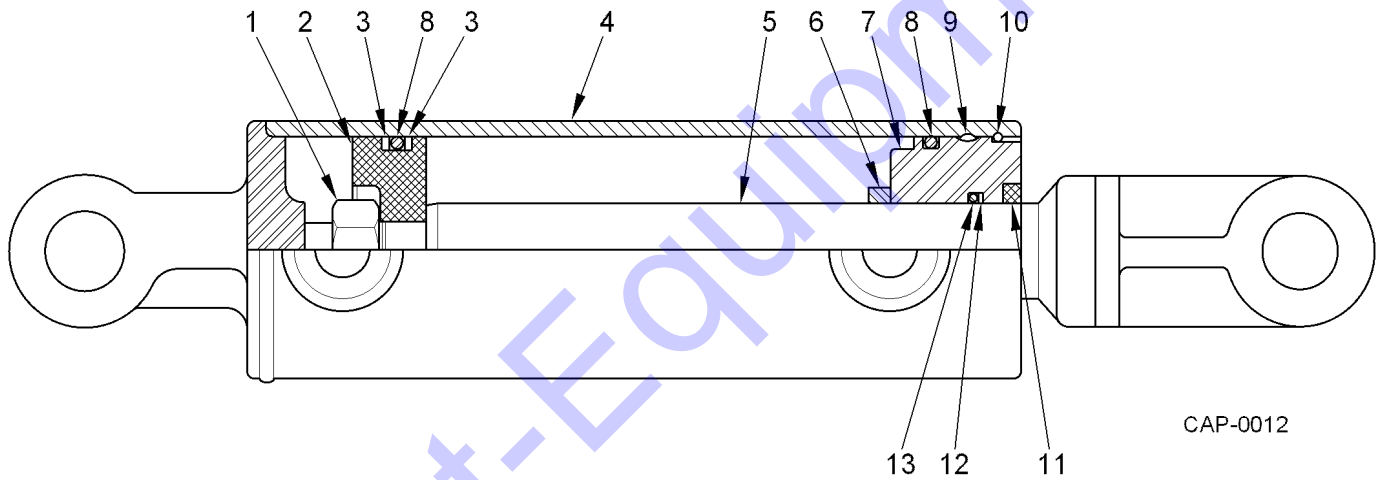


CAP-0013

432971: CYLINDER, BROOM SWING (3" X 10")

ITEM	PART NUMBER	F/N	DESCRIPTION	QTY	UOM
1	033282		NUT	1	EA
2	033191		PISTON	2	EA
3		F1	BACKUP	2	
4		F1	TUBE ASSEMBLY	1	
5		F1	ROD ASSEMBLY	1	
6	434118		SPACER	1	EA
7	434100		HEAD	1	EA
8		F1	O-RING	2	
9	039330		SETSCREW	1	EA
10	033332		RING, RETAINING	1	EA
11		F1	WIPER	1	
12		F1	BACKUP	1	
13		F1	O-RING	1	
REMAINING COMPONENTS					
	071266		PIN, CLEVIS (1" DIA. X 3.00")	1	EA
	033274		PIN, CLEVIS (1" DIA. X 2.37")	1	EA
	026633		PIN, CLIP	2	EA
	033514	F2	KIT, SEAL (LIFT CYLINDER)	AR	EA
F1 - PART NUMBER NOT AVAILABLE.					
F2 - INCLUDES ITEMS 3,8,11,12 AND 13					

432963: CYLINDER, BROOM SWING (3" X 6")

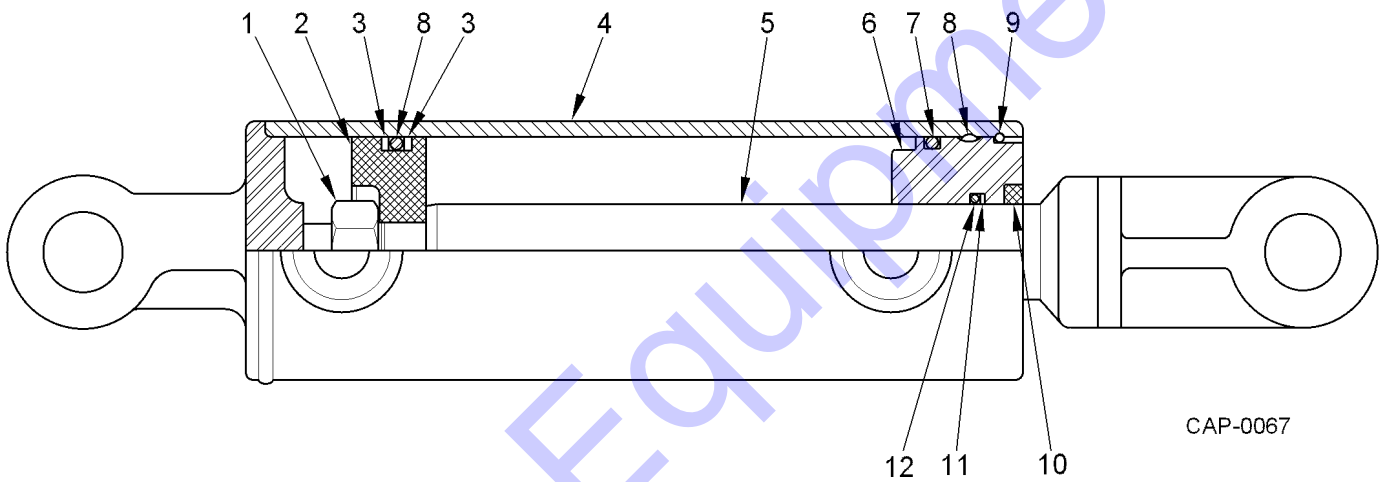


CAP-0012

432963: CYLINDER, BROOM SWING (3" X 6")

ITEM	PART NUMBER	F/N	DESCRIPTION	QTY	UOM
1	033282		NUT	1	EA
2	033191		PISTON	2	EA
3		F1	BACKUP	2	
4		F1	TUBE ASSEMBLY	1	
5		F1	ROD ASSEMBLY	1	
6	434118		SPACER	1	EA
7	434100		HEAD	1	EA
8		F1	O-RING	2	
9	039330		SETSCREW	1	EA
10	033332		RING, RETAINING	1	EA
11		F1	WIPER	1	
12		F1	BACKUP	1	
13		F1	O-RING	1	
REMAINING COMPONENTS					
	071266		PIN, CLEVIS (1" DIA. X 3.00")	1	EA
	033274		PIN, CLEVIS (1" DIA. X 2.37")	1	EA
	026633		PIN, CLIP	2	EA
	033514	F2	KIT, SEAL (LIFT CYLINDER)	AR	EA
F1 - PART NUMBER NOT AVAILABLE.					
F2 - INCLUDES ITEMS 8,11,12 AND 13.					

432969: CYLINDER, BROOM SWING (3" X 8-1/2")

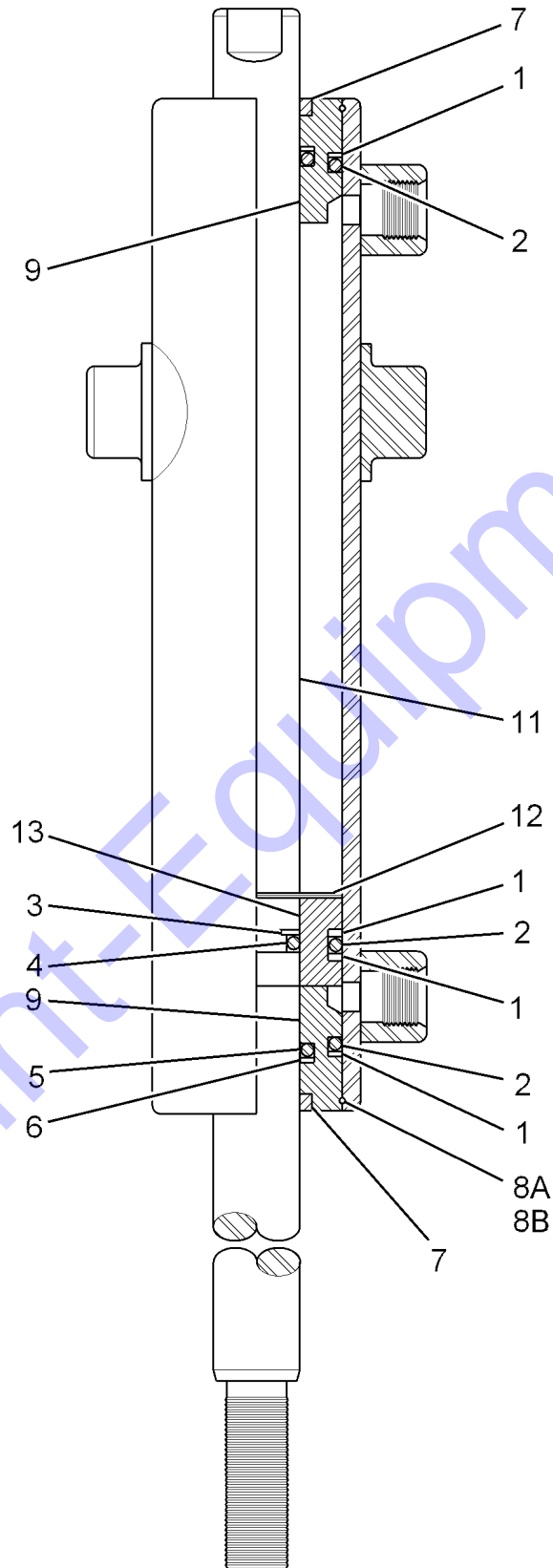


CAP-0067

432969: CYLINDER, BROOM SWING (3" X 8-1/2")

ITEM	PART NUMBER	F/N	DESCRIPTION	QTY	UOM
1	033282		NUT		
2	033191		PISTON	2	EA
3		F1	BACKUP	2	
4		F1	TUBE ASSEMBLY	1	
5		F1	ROD ASSEMBLY	1	
6	434100		HEAD	1	EA
7		F1	O-RING	2	
8	039330		SETSCREW	1	EA
9	033332		RING, RETAINING	1	EA
10		F1	WIPER	1	
11		F1	BACKUP	1	
12		F1	O-RING	1	
REMAINING COMPONENTS					
	386827		SPACER, SWING CYLINDER PISTON END	1	EA
	386828		SPACER, SWING CYLINDER ROD END	1	EA
	071266		PIN, CLEVIS (1" DIA. X 3.00")	1	EA
	033274		PIN, CLEVIS (1" DIA. X 2.37")	1	EA
	026633		PIN, CLIP	2	EA
	033514	F2	KIT, SEAL (LIFT CYLINDER)	AR	EA
F1 - PART NUMBER NOT AVAILABLE.					
F2 - INCLUDES ITEMS 3,7,10,11 AND 12.					

432989: CYLINDER, STEERING (2" X 8")



432989: CYLINDER, STEERING (2" X 8")

ITEM	PART NUMBER	F/N	DESCRIPTION	QTY	UOM
1		F1	RING, BACKUP	4	
2		F1	O-RING	3	
3		F1	RING, BACKUP	1	
4		F1	O-RING	2	
5		F1	O-RING	2	
6		F1	RING, BACKUP	2	
7		F1	WIPER, ROD	2	
8A	434167		WIRE, LOCK	2	EA
8B	434159		GLAND, HEAD	2	EA
9		F1	TUBE WELDMENT	1	
11	434142		RETAINING RING, SPIRAL	2	EA
12	434134		PISTON	1	EA
13	434241	F2	KIT, SEAL	AR	EA
REMAINING COMPONENTS					
			ROD, CYLINDER	1	
F1 - PART NUMBER NOT AVAILABLE.					
F2 - INCLUDES ITEMS 1,2,3,4,5,6,7 AND 8.					

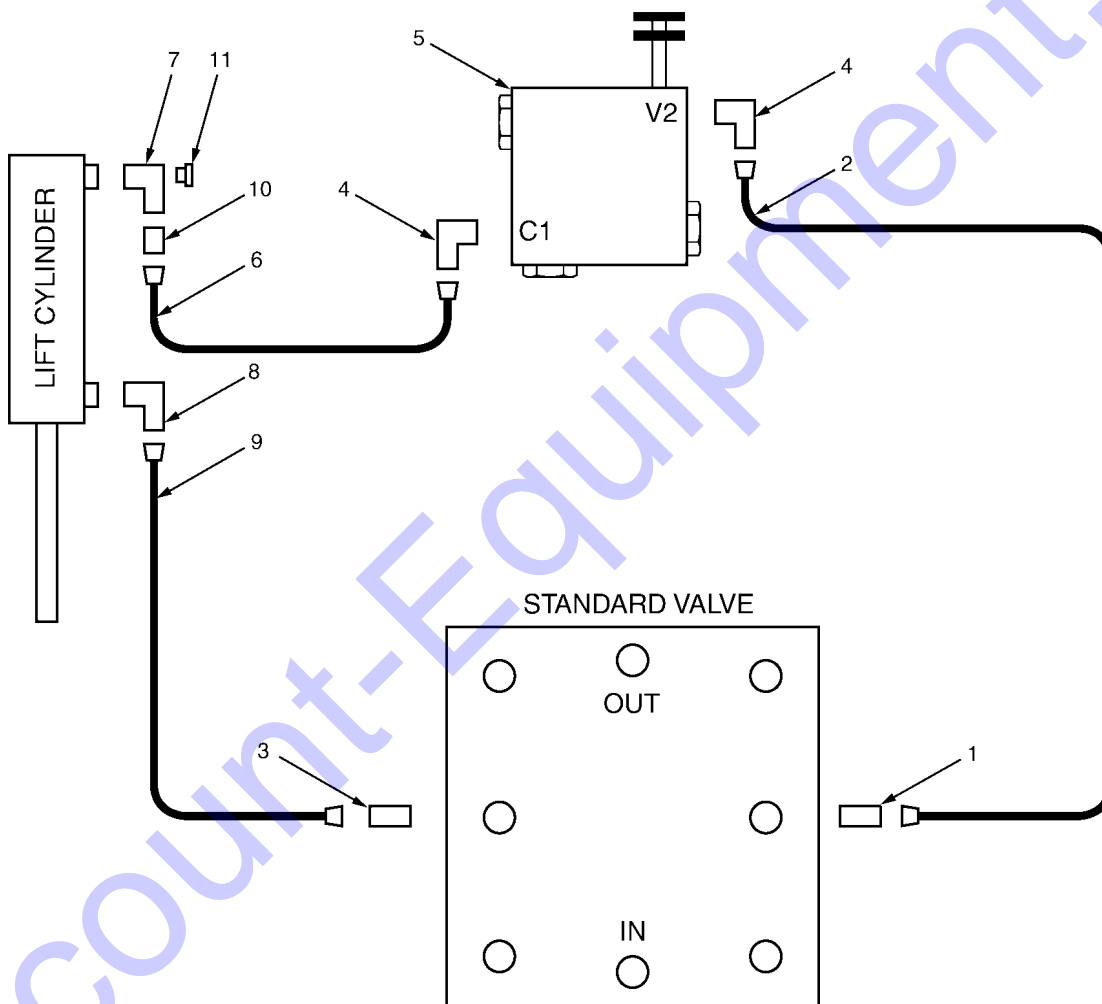
NON-ILLUSTRATED

Discount-Equipment.com

424143: FILTER, HYDRAULIC (RETURN, ELECTRIC)

ITEM	PART NUMBER	F/N	DESCRIPTION	QTY	UOM
1		F1	HEAD, FILTER ELECTRIC (25 PSI RELIEF)	1	
2	028639		ELEMENT, REPLACEMENT (10 MICRON)	1	EA
3	437665	F2	FILTER, HYDRAULIC (CHARGE, ELECTRIC)	1	EA
4		F1	HEAD, FILTER ELECTRIC (25 PSI RELIEF)	1	
5	437673		ELEMENT, REPLACEMENT (10 MICRON)	1	EA
<p>NOTE: THE RESTRICTION INDICATOR SWITCH IS NOT AVAILABLE SEPARATELY. ORDER NEW ASSEMBLY P/N 424143.</p> <p>F1 - PART NUMBER NOT AVAILABLE.</p> <p>F2 - THE RESTRICTION INDICATOR SWITCH IS NOT AVAILABLE SEPARATELY. ORDER NEW ASSEMBLY P/N 437665.</p>					

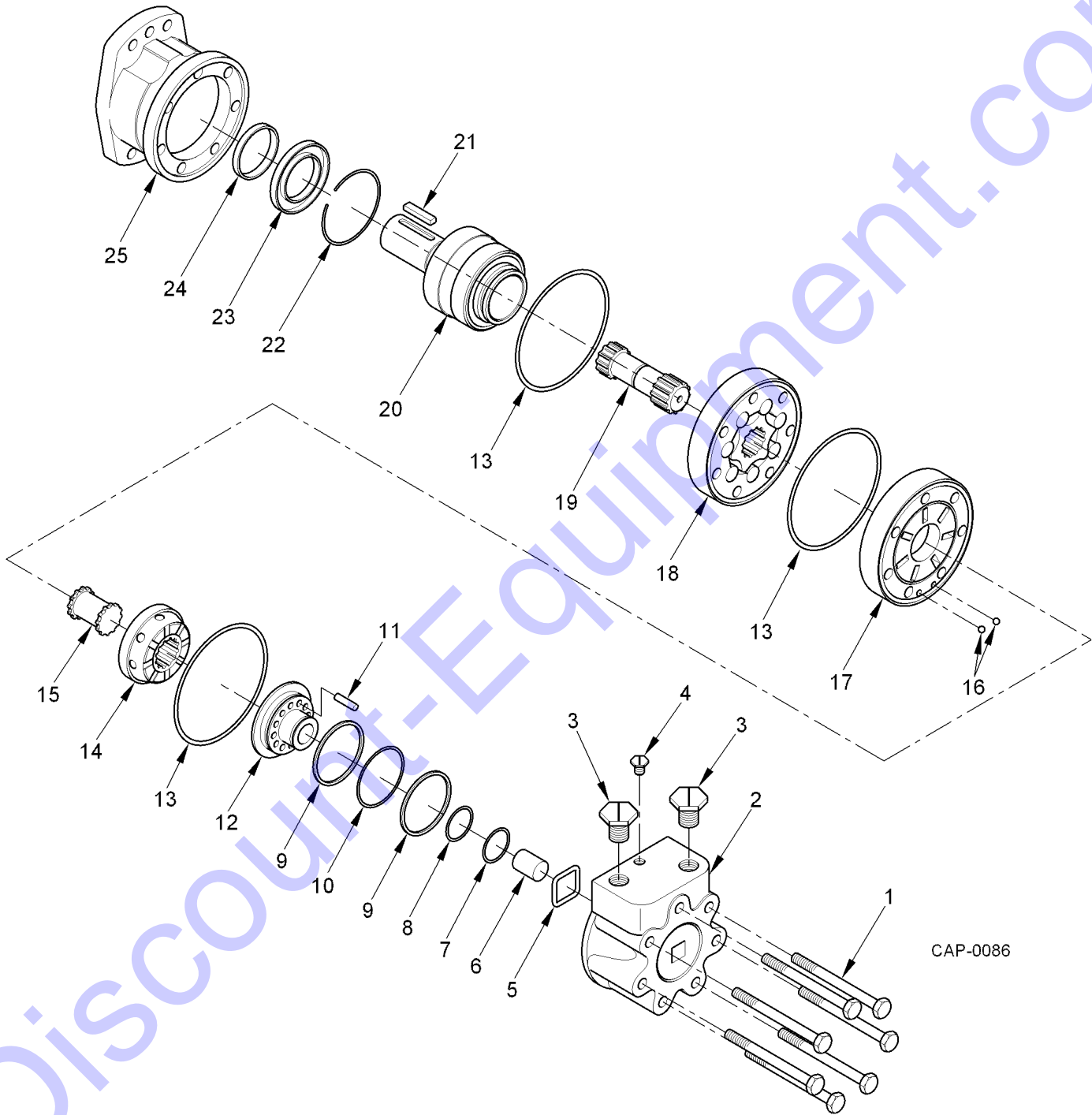
335422K: KIT, COUNTERBALANCE VALVE



335422K: KIT, COUNTERBALANCE VALVE

ITEM	PART NUMBER	F/N	DESCRIPTION	QTY	UOM
1	413195	F1	ADAPTER, STRAIGHT (7/8"-14SAE X 9/16"-18JIC)	1	EA
2	386578		HOSE (.37 ID X 16.00")	1	EA
3	094326	F1	ADAPTER, STRAIGHT (#10SAEM X #6JIC)	1	EA
4	092825		ADAPTER, 90 DEGREE (#6MSAE X #6MJIC)	2	EA
5	406752		VALVE, COUNTER-BALANCE	1	EA
6	386579		HOSE (.37 ID X 72.00")	1	EA
7	427773		ADAPTER, 90 DEGREE (3/4"-16SAE X 3/4"-16MJIC)	1	EA
8	63143600		ADAPTER, 90 DEGREE (0.75-16SAE X 0.56-18JIC)	1	EA
9	366344		HOSE (.37 ID X 77.00")	1	EA
10	403378		ADAPTER (0.75-16JIC X 0.56-18JIC)	1	EA
11	406819		PLUG (7/16"-20 SAE O-RING)	1	EA
			REMAINING COMPONENTS		
	354614		MOUNT, COUNTER-BALANCE VALVE	1	EA
			F1 - NOT PART OF KIT - PROVIDED WITH		
			STANDARD VALVE.		

404538: MOTOR, BROOM

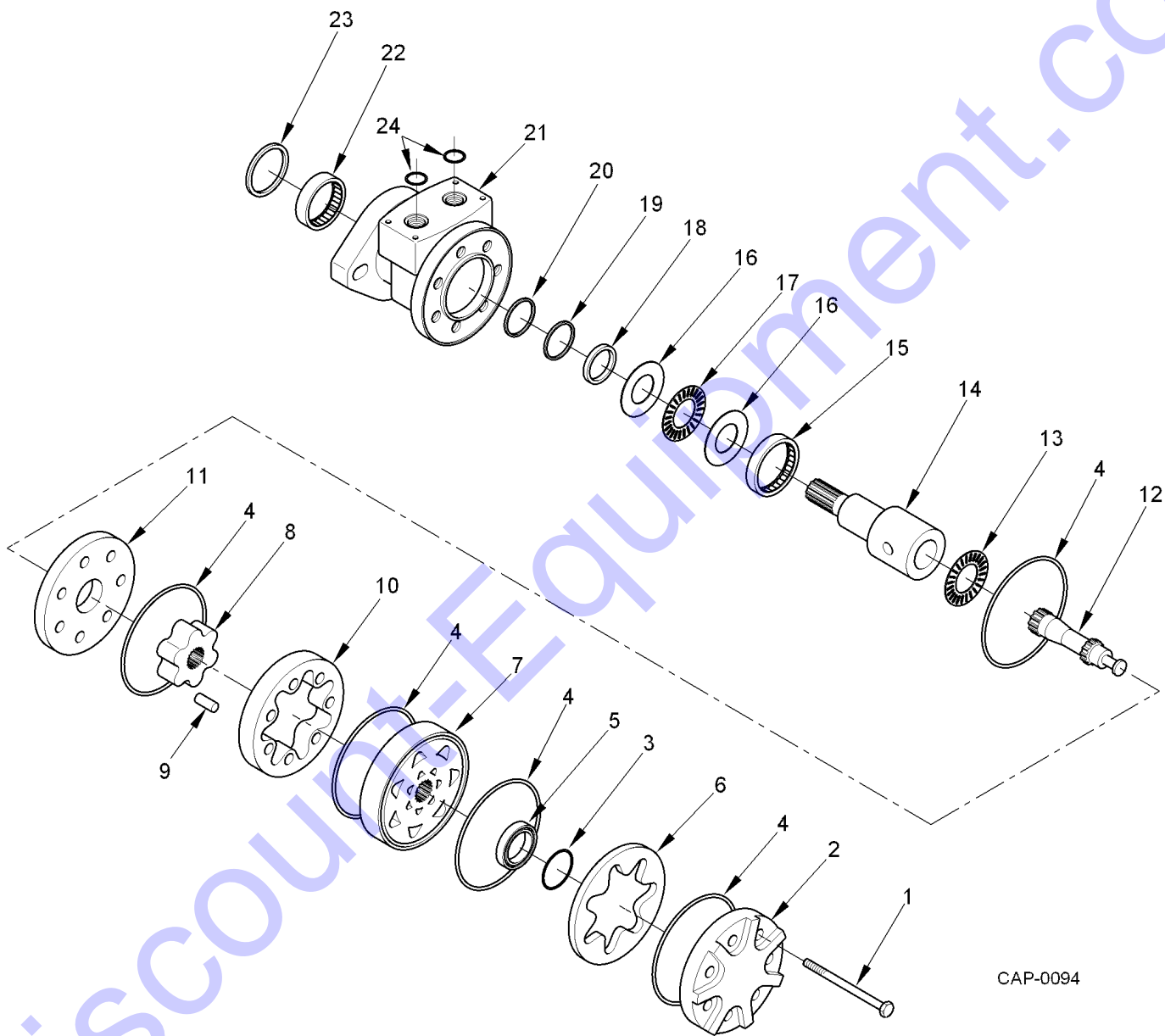


CAP-0086

404538: MOTOR, BROOM

ITEM	PART NUMBER	F/N	DESCRIPTION	QTY	UOM
1		F1	BOLT	7	
2		F1	COVER, END	1	
3		F1	PLUG, MAIN PORT	2	
4		F1	PLUG, DRAIN PORT	1	
5		F1	WASHER, SPRING	1	
6		F1	SPACER	1	
7		F1	O-RING	1	
8		F1	O-RING	1	
9		F1	RING, BACKUP	2	
10		F1	O-RING	1	
11		F1	PIN, GUIDE	1	
12		F1	PLATE, BALANCE	1	
13		F1	O-RING	3	
14		F1	VALVE, DISC	1	
15		F1	VALVE, DRIVE	1	
16		F1	BALL	2	
17		F1	PLATE, CHANNEL	1	
18		F1	GEAR WHEEL SET	1	
19		F1	SHAFT, CARDAN	1	
20		F1	TAPERED SHAFT AND BEARING (F404538)	1	
21		F1	KEY, PARALLEL	1	
22		F1	RING, RETAINING	1	
23		F1	SEAL, SHAFT	1	
24		F1	SEAL, DUST	1	
25		F1	HOUSING, BEARING	1	
			REMAINING COMPONENTS		
	404535		KIT, SHAFT AND BEARING	1	EA
	404536		KIT, BROOM MOTOR SEAL	1	EA
			F1 - PART NUMBER NOT AVAILABLE.		

404542: MOTOR, BROOM (96" BRUSH PARKER)

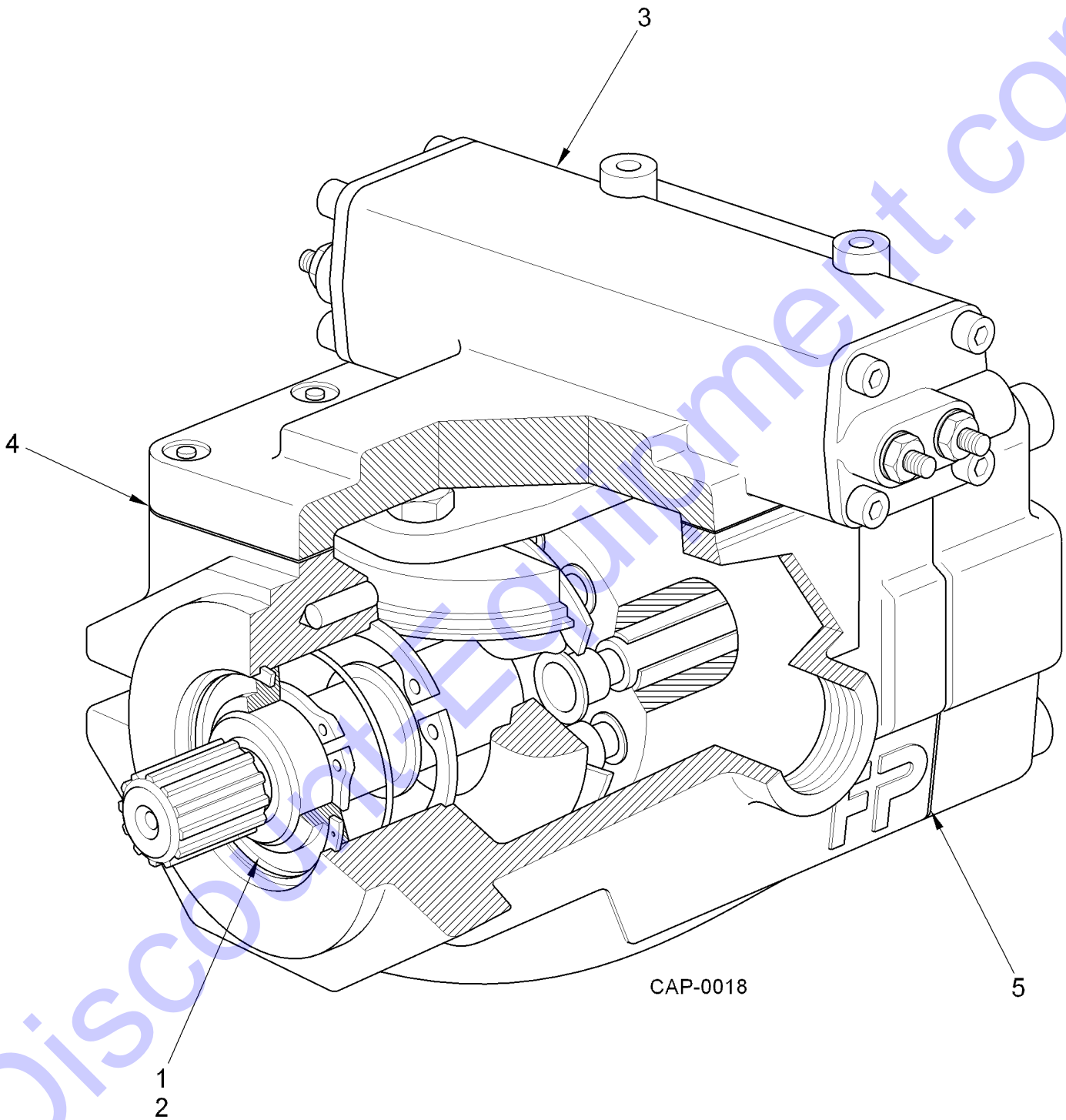


CAP-0094

404542: MOTOR, BROOM (96" BRUSH PARKER)

ITEM	PART NUMBER	F/N	DESCRIPTION	QTY	UOM
1		F1	BOLT, SPECIAL	7	
2		F1	COVER, END	1	
3		F1	COMMUTATOR, SEAL RING	1	
4		F1	RING, SEAL	5	
5		F1	COMMUTATOR	1	
6		F1	COMMUTATOR, RING	1	
7		F1	MANIFOLD	1	
8		F1	ROTOR SET	1	
9		F1	VANE	7	
10		F1	STATOR	1	
11		F1	PLATE, WEAR	1	
12		F1	LINK, DRIVE	1	
13		F1	BEARING, THRUST	1	
14		F1	SHAFT, COUPLING	1	
15		F1	BEARING, INNER	1	
16		F1	WASHER, THRUST	2	
17		F1	BEARING, THRUST	1	
18		F1	SEAL	2	
19		F1	WASHER, BACK-UP	2	
20		F1	WASHER, BACK-UP	4	
21		F1	HOUSING	1	
22		F1	BEARING, OUTER	1	
23		F1	SEAL, DIRT AND WATER	1	
24		F1	O-RING	2	
			REMAINING COMPONENTS		
	404539		KIT, SHAFT AND BEARING	1	EA
	404540		KIT, SEAL	1	EA
			F1 - PART NUMBER NOT AVAILABLE.		

434503: MOTOR, DRIVE AXLE

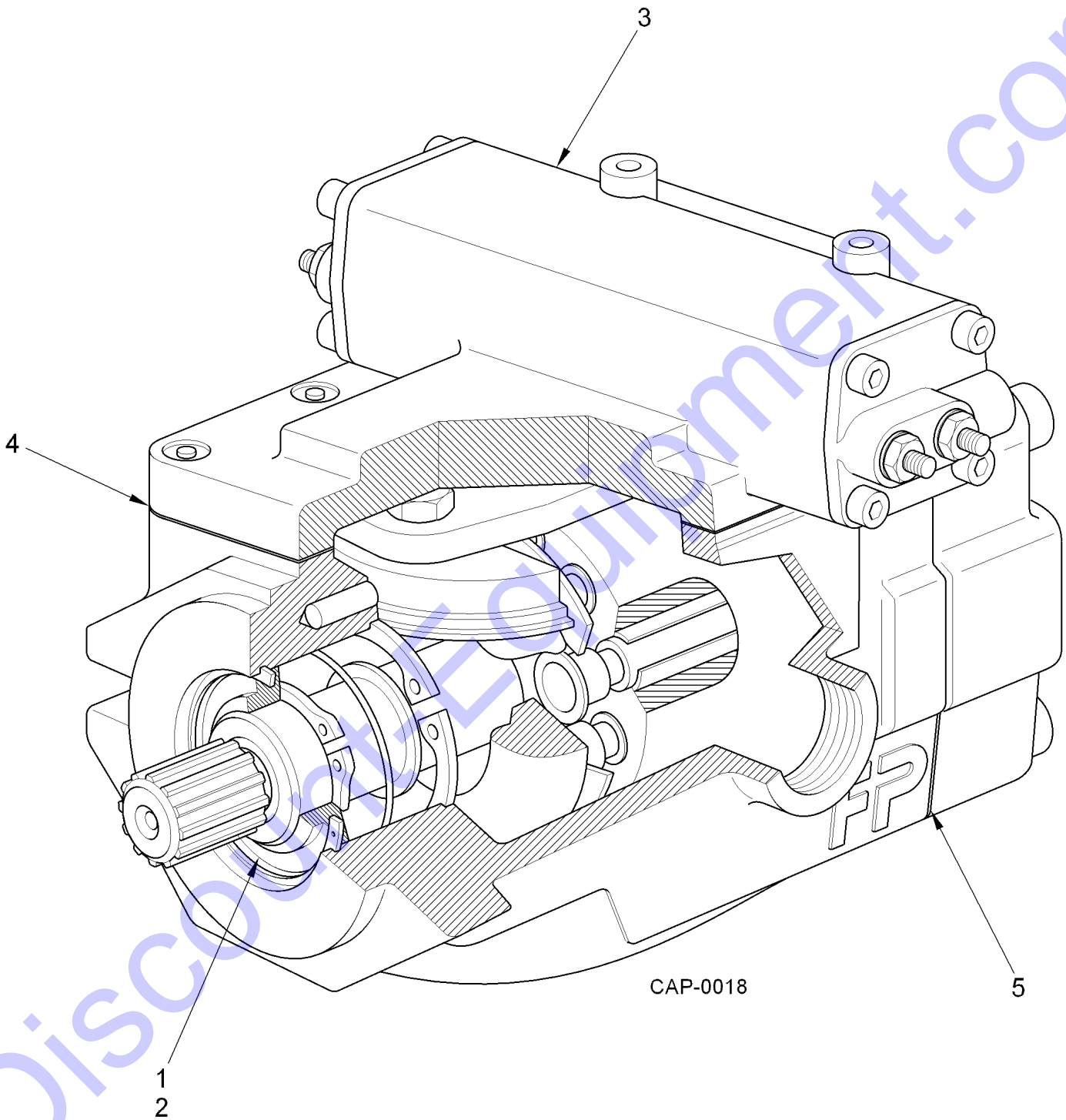


CAP-0018

434503: MOTOR, DRIVE AXLE

ITEM	PART NUMBER	F/N	DESCRIPTION	QTY	UOM
1	462101		SEAL, SHAFT (30 X 42 X 7-7.5)	1	EA
2	454157		O-RING	1	EA
3	457123		SERVO ASSEMBLY, CONTROL PUMP	1	EA
4	441196		SEAL, SERVO CONTROL	1	EA
5	441204		SEAL, DISTRIBUTOR	1	EA
REMAINING COMPONENTS					
	436410	F1	KIT, COMPLETE PUMP SEAL	1	EA
	455410		KIT, SHAFT	1	EA
F1 - INCLUDES ITEMS 1,2,4 AND 5					

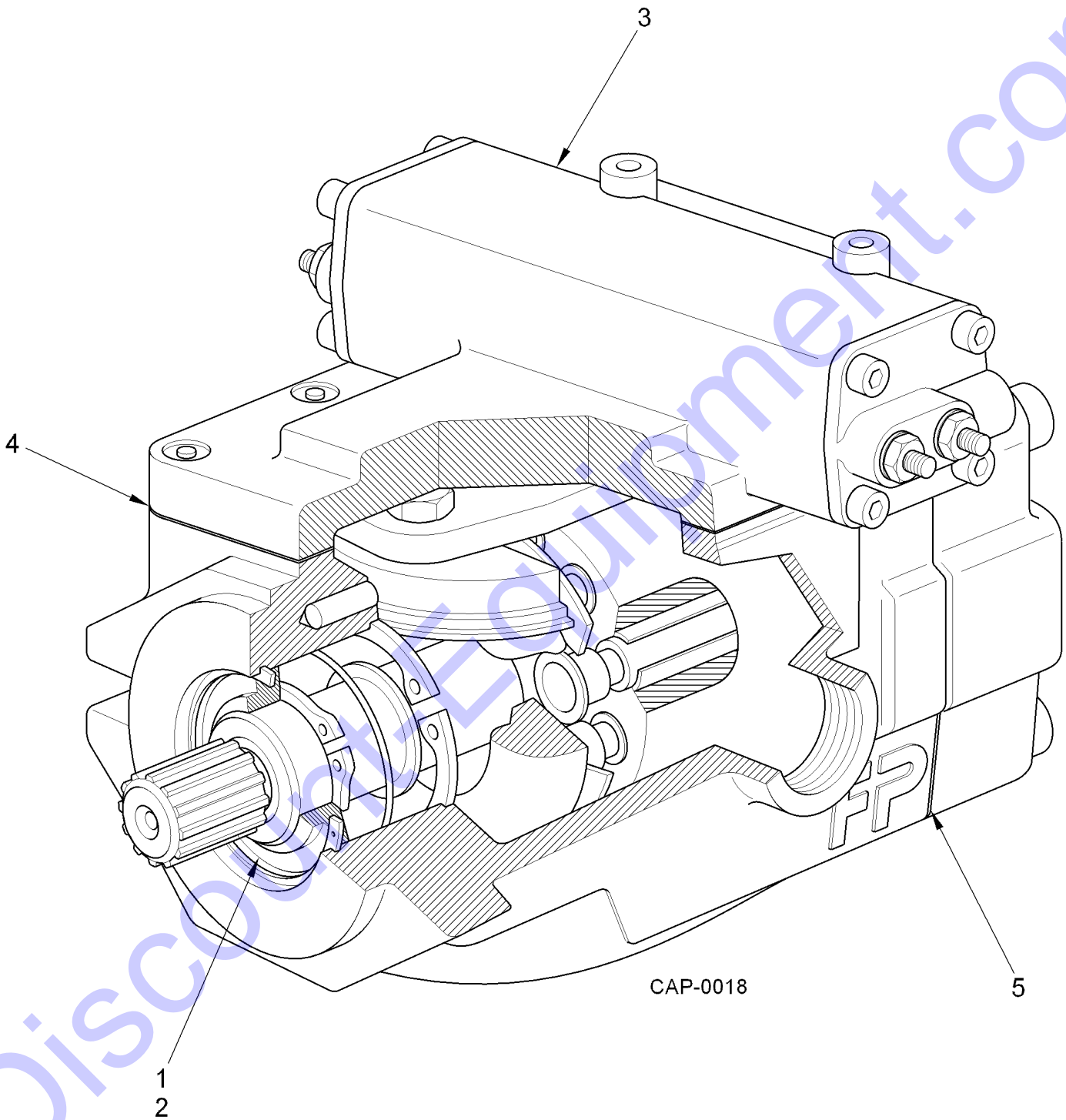
434506: MOTOR, HYDROSTATIC (S/N 31538 AND BEFORE)



434506: MOTOR, HYDROSTATIC (S/N 31538 AND BEFORE)

ITEM	PART NUMBER	F/N	DESCRIPTION	QTY	UOM
1	462101		SEAL, SHAFT (30 X 42 X 7-7.5)	1	EA
2	454157		O-RING	1	EA
3	457123		SERVO ASSEMBLY, CONTROL PUMP	1	EA
4	441196		SEAL, SERVO CONTROL	1	EA
5	441204		SEAL, DISTRIBUTOR	1	EA
REMAINING COMPONENTS					
	436410	F1	KIT, COMPLETE PUMP SEAL	1	EA
	455410		KIT, SHAFT	1	EA
F1 - INCLUDES ITEMS 1,2,4 AND 5					

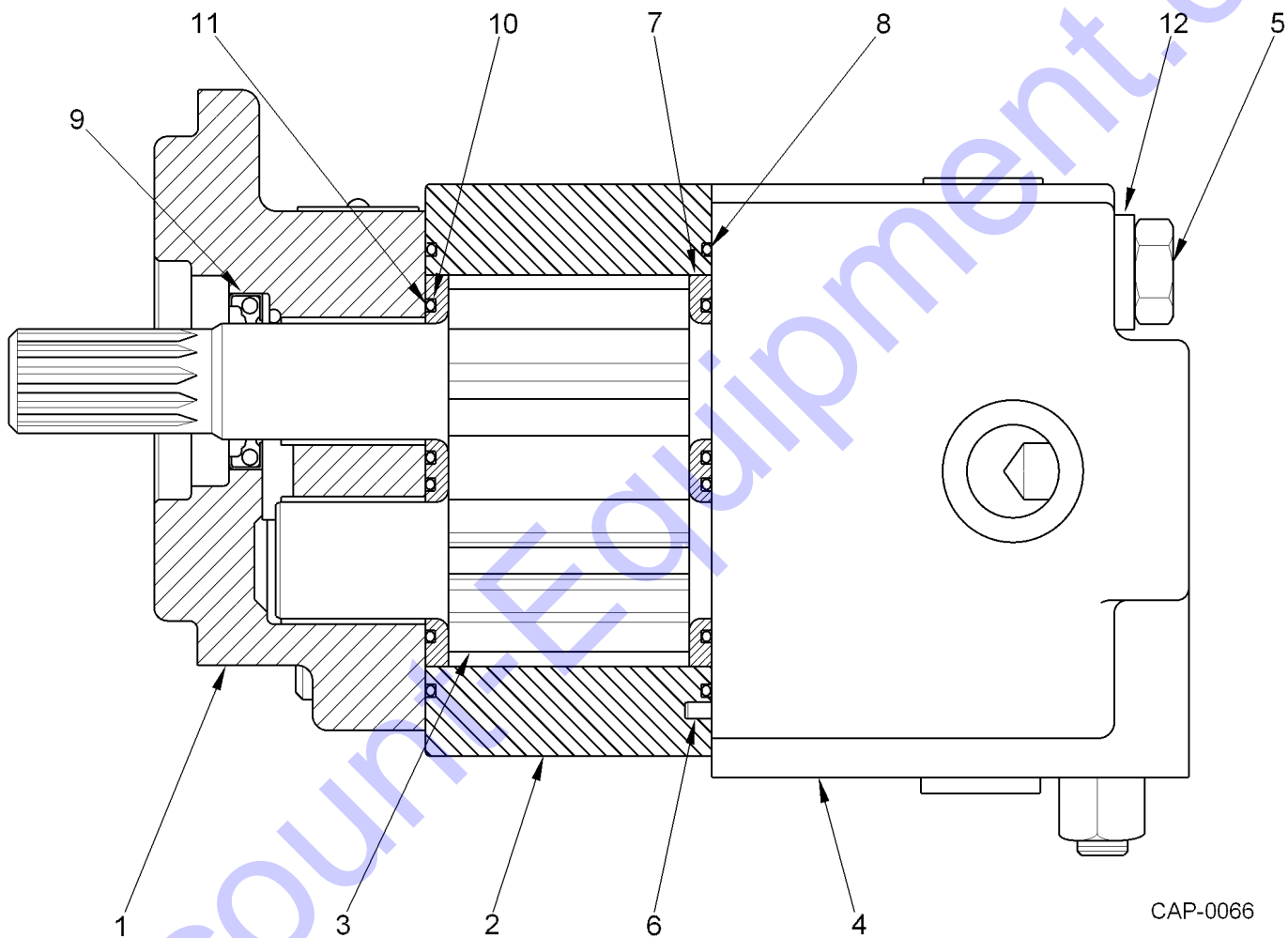
434507: MOTOR, HYDROSTATIC (YUKON EQUIPMENT)



434507: MOTOR, HYDROSTATIC (YUKON EQUIPMENT)

ITEM	PART NUMBER	F/N	DESCRIPTION	QTY	UOM
1	462101		SEAL, SHAFT (30 X 42 X 7-7.5)	1	EA
2	454157		O-RING	1	EA
3	457123		SERVO ASSEMBLY, CONTROL PUMP	1	EA
4	441196		SEAL, SERVO CONTROL	1	EA
5	441204		SEAL, DISTRIBUTOR	1	EA
REMAINING COMPONENTS					
	457124	F1	KIT, COMPLETE MOTOR SEAL (YUKON EQUIPMENT)	1	EA
	455410		KIT, SHAFT	1	EA
F1 - INCLUDES ITEMS 1,2,4 AND 5					

440465: PUMP, AUXILIARY GEAR (06 AND UP PARKER)

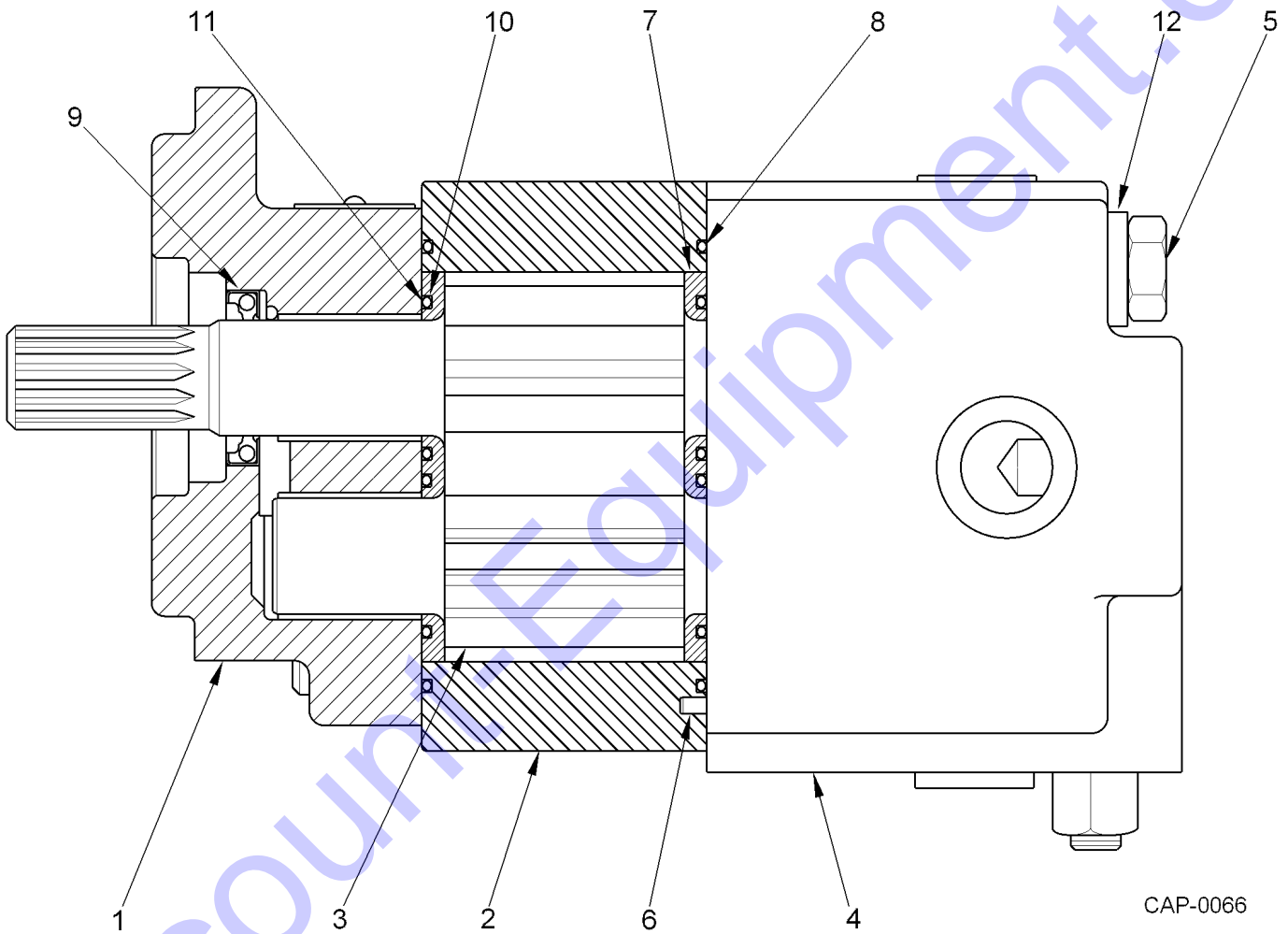


CAP-0066

440465: PUMP, AUXILIARY GEAR (06 AND UP PARKER)

ITEM	PART NUMBER	F/N	DESCRIPTION	QTY	UOM
1		F1	HOUSING, SEC	1	
2		F1	HOUSING, GEAR	1	
3		F1	SET, GEAR SHAFT	1	
4		F1	HOUSING, PRIORITY PEC	1	
5		F1	CAP, SCREW	4	
6		F1	PIN, DOWEL	4	
7		F1	THRPL	2	
8		F1	SEAL, SQ-R	2	
9		F1	SEAL, LIP	1	
10		F1	SEAL, CHAN	2	
11		F1	SEAL, BACK-UP	2	
12		F1	WASHER	4	
			REMAINING COMPONENTS		
	386770		KIT, SEAL (PARKER)	1	EA
			F1 - PART NUMBER NOT AVAILABLE.		

440463: PUMP, AUXILIARY GEAR (2-1-05 AND BEFORE)

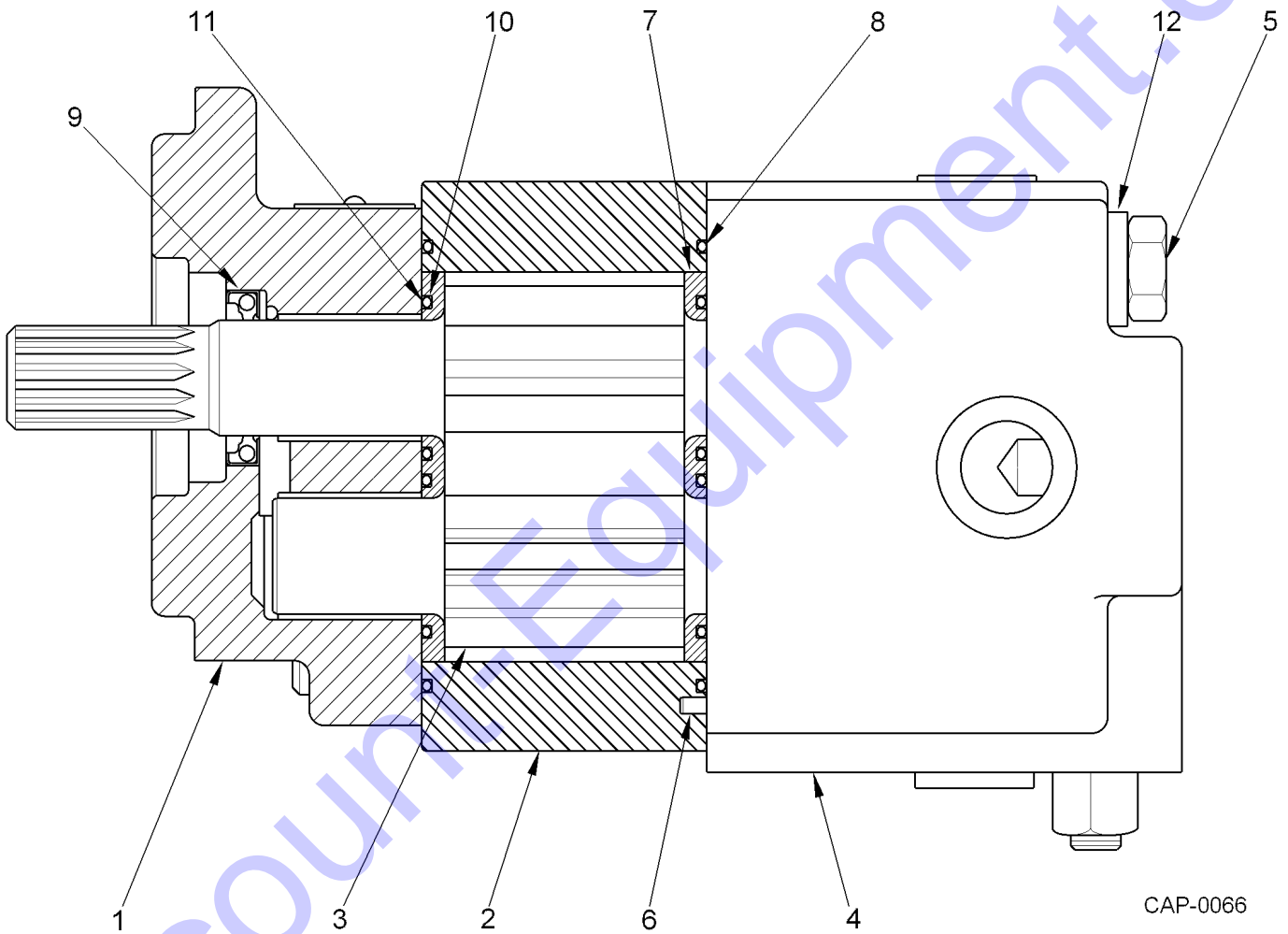


CAP-0066

440463: PUMP, AUXILIARY GEAR (2-1-05 AND BEFORE)

ITEM	PART NUMBER	F/N	DESCRIPTION	QTY	UOM
1		F1	HOUSING, SEC	1	
2		F1	HOUSING, GEAR	1	
3		F1	SET, GEAR SHAFT	1	
4		F1	HOUSING, PRIORITY PEC	1	
5		F1	CAP, SCREW	4	
6		F1	PIN, DOWEL	4	
7		F1	THRPL	2	
8		F1	SEAL, SQ-R	2	
9		F1	SEAL, LIP	1	
10		F1	SEAL, CHAN	2	
11		F1	SEAL, BACK-UP	2	
12		F1	WASHER	4	
			REMAINING COMPONENTS		
	440464		KIT, SEAL	1	EA
			F1 - PART NUMBER NOT AVAILABLE.		

440462: PUMP, AUXILIARY GEAR (2-1-05 AND LATER)

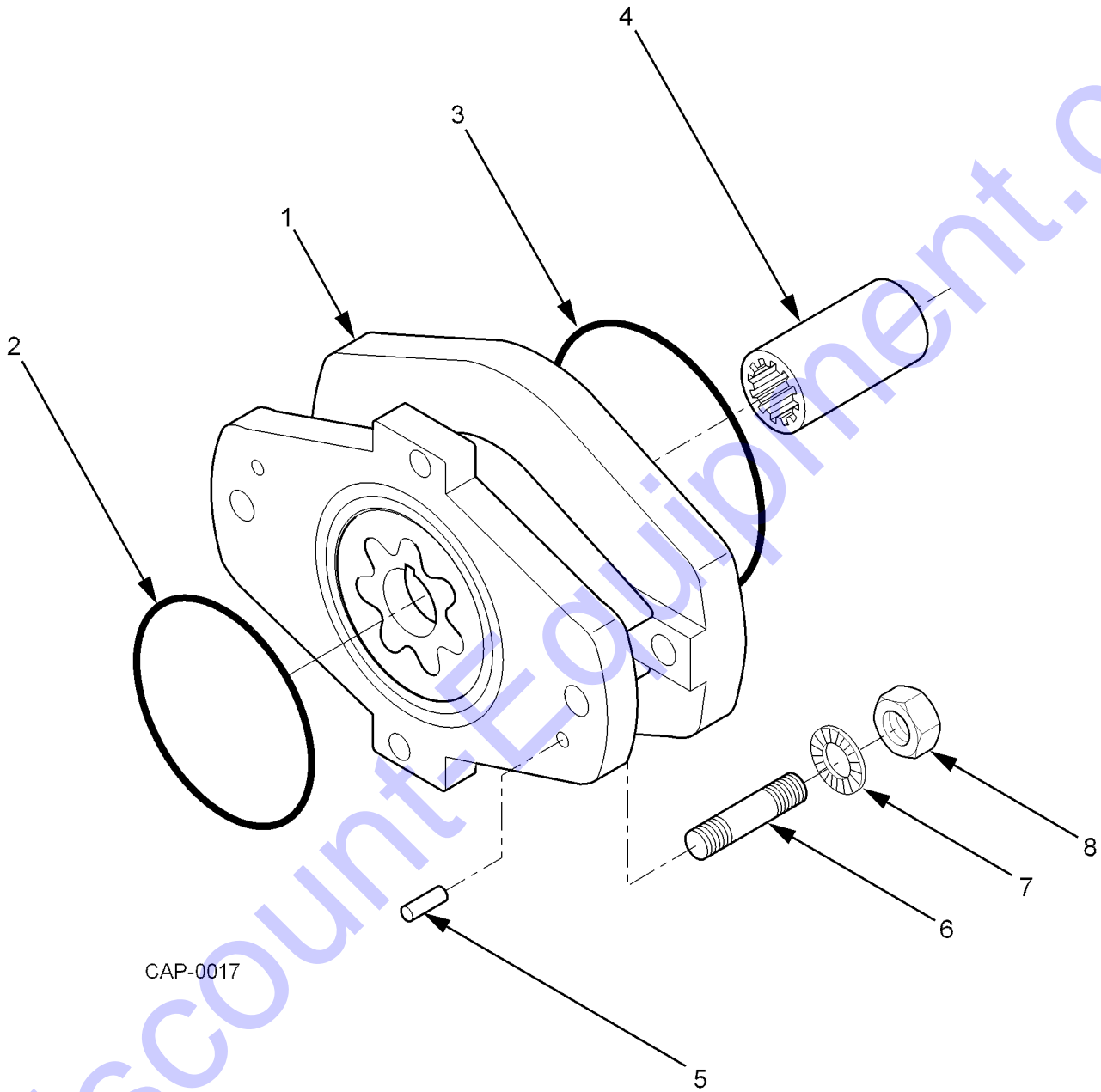


CAP-0066

440462: PUMP, AUXILIARY GEAR (2-1-05 AND LATER)

ITEM	PART NUMBER	F/N	DESCRIPTION	QTY	UOM
1		F1	HOUSING, SEC	1	
2		F1	HOUSING, GEAR	1	
3		F1	SET, GEAR SHAFT	1	
4		F1	HOUSING, PRIORITY PEC	1	
5		F1	CAP, SCREW	4	
6		F1	PIN, DOWEL	4	
7		F1	THRPL	2	
8		F1	SEAL, SQ-R	2	
9		F1	SEAL, LIP	1	
10		F1	SEAL, CHAN	2	
11		F1	SEAL, BACK-UP	2	
12		F1	WASHER	4	
			REMAINING COMPONENTS		
	440464		KIT, SEAL	1	EA
			F1 - PART NUMBER NOT AVAILABLE.		

461732: PUMP, CHARGE (SAE B PAD WITH 14CC)

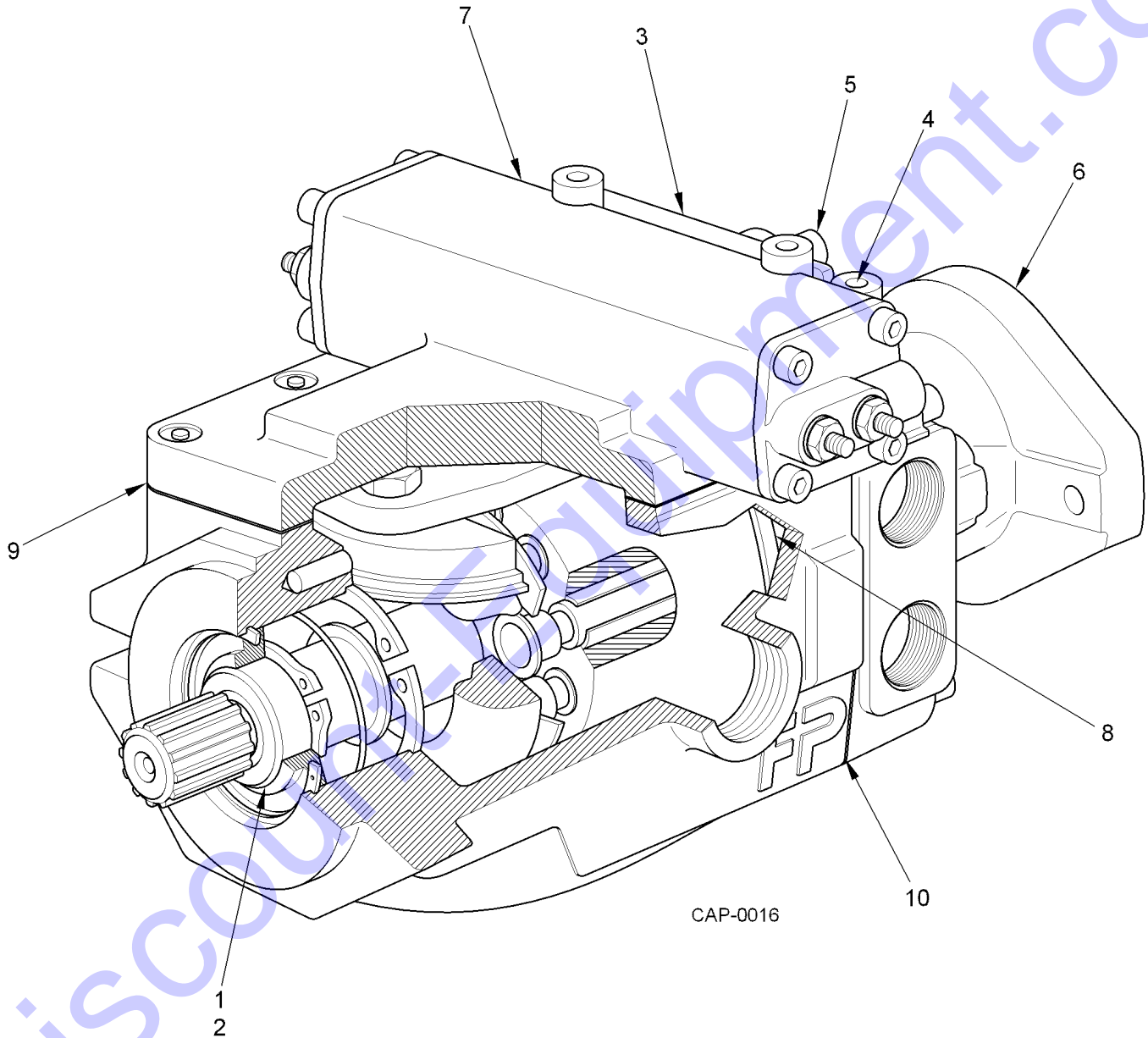


CAP-0017

461732: PUMP, CHARGE (SAE B PAD WITH 14CC)

ITEM	PART NUMBER	F/N	DESCRIPTION	QTY	UOM
1		F1	HOUSING, SAE B PAD (14CC CHARGE)	1	
2	448423		O-RING (2.62 X 75.87)	1	EA
3	436428		O-RING (3.53 X 101.19)	2	EA
4	436436		COUPLING JOINT, FEMALE (Z13 16/32" DP)	1	EA
5		F1	PIN (6 X 10)	1	
6	455659		STUD (M10 X 30)	1	EA
7	455667		WASHER, SCHNORR (DIA. 10)	1	EA
8	089474		NUT, HEX (M10 X 1.5)	1	EA
			REMAINING COMPONENTS		
		F2	GEROTOR, INNER (H.18)	1	
		F2	GEROTOR, OUTER (H.18)	1	
	436402	F3	KIT, COMPLETE MOTOR SEAL	1	EA
			F1 - PART NUMBER NOT AVAILABLE.		
			F2 - INCLUDED WITH ITEM 1.		
			F3 - INCLUDES ITEMS 3 AND 5.		

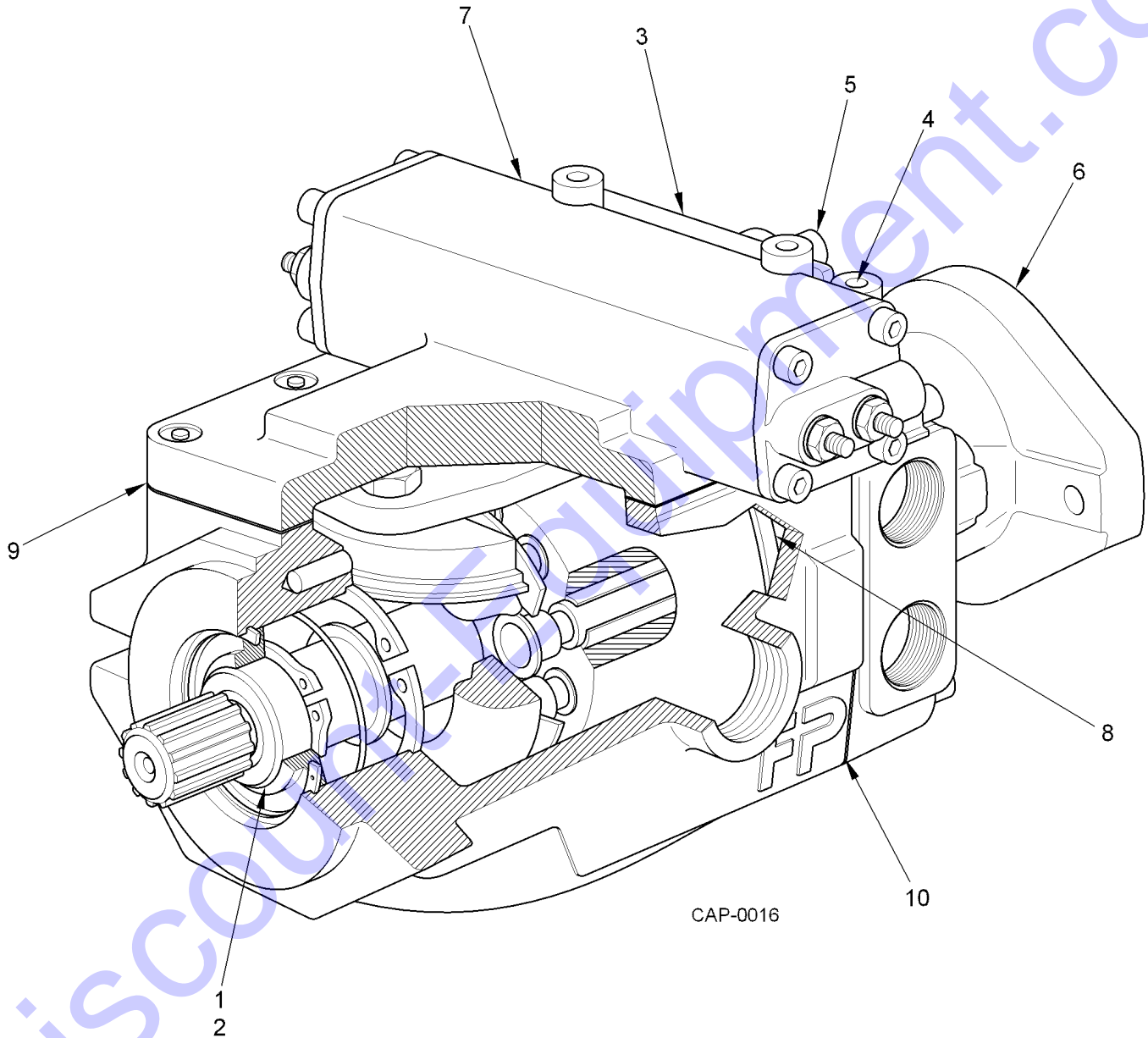
457122: PUMP, HYDROSTATIC (PILOT OPERATED)



457122: PUMP, HYDROSTATIC (PILOT OPERATED)

ITEM	PART NUMBER	F/N	DESCRIPTION	QTY	UOM
1	462101		SEAL, SHAFT (30 X 42 X 7-7.5)	1	EA
2	454157		O-RING	1	EA
3	455626		KIT, RELIEF VALVE 350 BAR	2	EA
4	455634		KIT, BYPASS VALVE	1	EA
5	442806		KIT, CHARGE RELIEF VALVE	1	EA
6		F1	CHARGE PUMP ASSEMBLY	1	
7	457123		SERVO ASSEMBLY, CONTROL PUMP	1	EA
8	461715		PLATE, R.H. VALVE PUMP	1	EA
9	441196		SEAL, SERVO CONTROL	1	EA
10	441204		SEAL, DISTRIBUTOR	1	EA
			REMAINING COMPONENTS		
	436402	F2	KIT, COMPLETE MOTOR SEAL	1	EA
			F1 - NO LONGER AVAILABLE AS A REPAIR PART, PLEASE		
			PURCHASE COMPLETE PUMP.		
			F2 - INCLUDES ITEMS 9 AND 10		

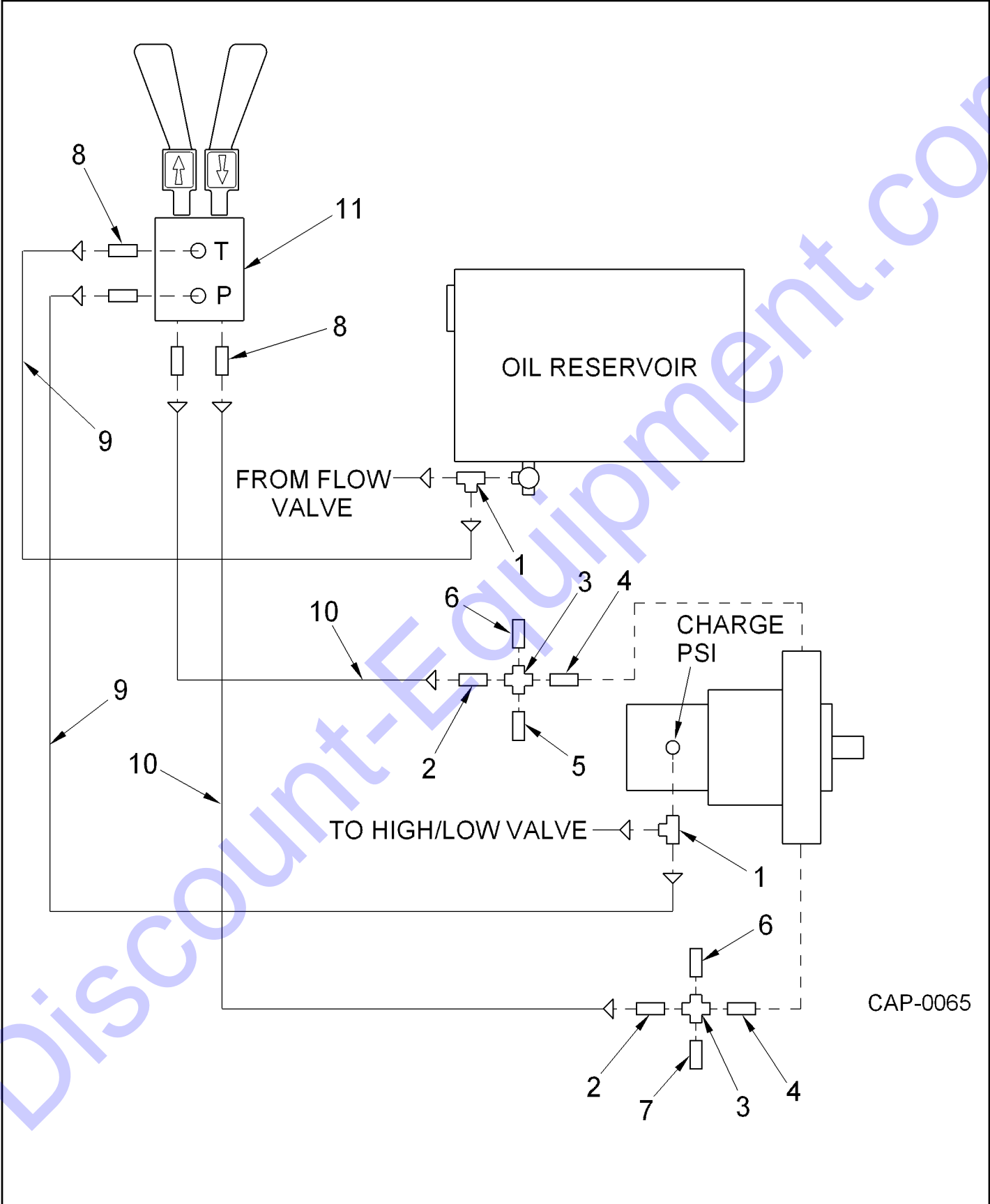
457127: PUMP, PISTON (S/N 31538 AND BEFORE)



457127: PUMP, PISTON (S/N 31538 AND BEFORE)

ITEM	PART NUMBER	F/N	DESCRIPTION	QTY	UOM
1	462101		SEAL, SHAFT (30 X 42 X 7-7.5)	1	EA
2	454157		O-RING	1	EA
3	455626		KIT, RELIEF VALVE 350 BAR	2	EA
4	455634		KIT, BYPASS VALVE	1	EA
5	442806		KIT, CHARGE RELIEF VALVE	1	EA
6		F1	CHARGE PUMP ASSEMBLY	1	
7	457123		SERVO ASSEMBLY, CONTROL PUMP	1	EA
8	461715		PLATE, R.H. VALVE PUMP	1	EA
9	441196		SEAL, SERVO CONTROL	1	EA
10	441204		SEAL, DISTRIBUTOR	1	EA
			REMAINING COMPONENTS		
	436402	F2	KIT, COMPLETE MOTOR SEAL	1	EA
			F1 - NO LONGER AVAILABLE AS A REPAIR PART, PLEASE		
			PURCHASE COMPLETE PUMP.		
			F2 - INCLUDES ITEMS 9 AND 10		

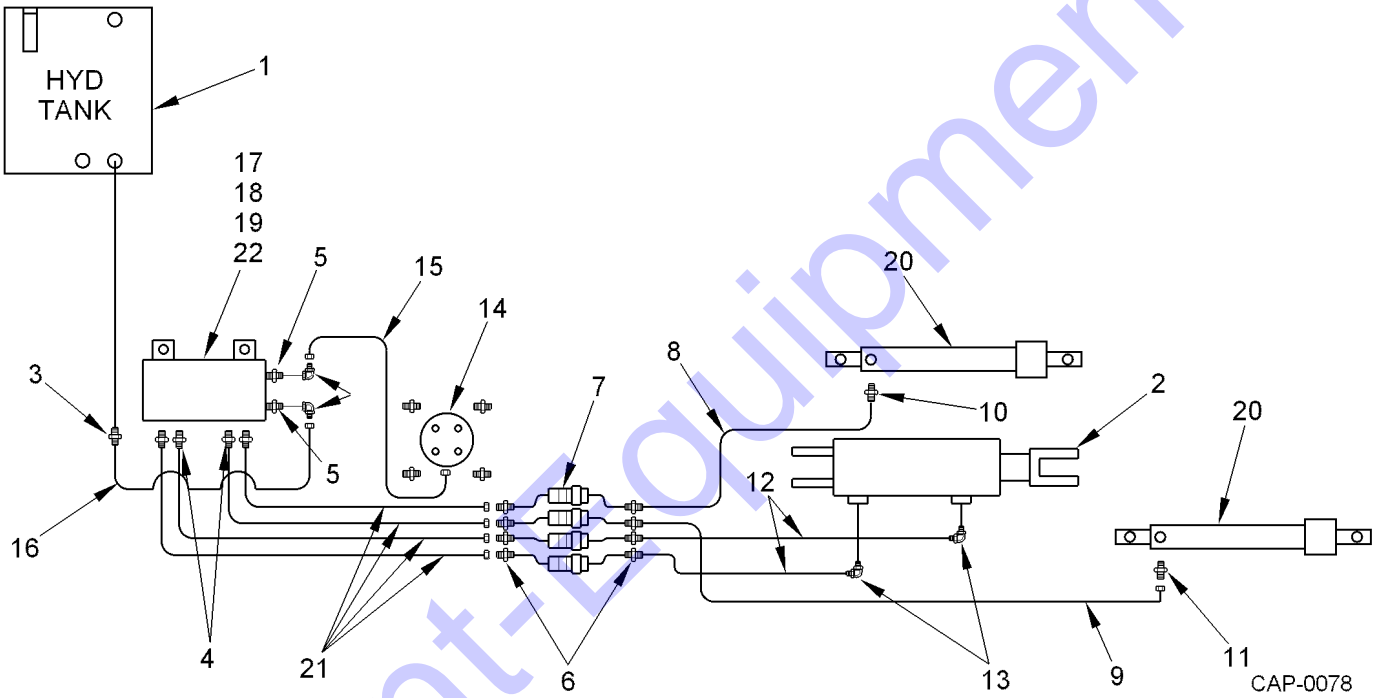
SCHEMATIC, HYD (FT PEDAL PILOT CTRL)



CAP-0065

SCHEMATIC, HYD (FT PEDAL PILOT CTRL)					
ITEM	PART NUMBER	F/N	DESCRIPTION	QTY	UOM
1	092957		ADAPTER, TEE (#6FJIC TO #6MJIC)	2	EA
2	400994		ADAPTER, STRAIGHT (.43-20SAEM-.43-20JICM)	2	EA
3	356311		ADAPTER, CROSS (7/16"-20SAE 4-WAY ORIFICED)	2	EA
4	459784		ADAPTER, UNION (.43 #20 SAE)	2	EA
5	406819		PLUG (7/16"-20 SAE O-RING)	1	EA
6	459800	F1	SWITCH, NEUTRAL START PRESSURE (3/16 SAE NC)	2	EA
7	459792	F3	SWITCH, REVERSE ALARM	1	EA
8	425223		ADAPTER, STRAIGHT (#6MOR TO #4MJIC)	4	EA
9	355446		HOSE ASSEMBLY (FOOT PEDAL TO TANK RETURN)	1	EA
10	355453		HOSE (.25ID -4F -4F90 X 67" 100R1)	1	EA
11	457275		CONTROL, REMOTE FOOT PEDAL (SEE PAGE 124)	1	EA
REMAINING COMPONENTS					
	406819	F2	PLUG (7/16"-20 SAE O-RING)	3	EA
	457296		VALVE, HYDRAULIC (DANFOSS SYSTEM)	1	EA
F1 - REV. CODE -008 AND PRIOR					
F2 - REV. CODE -009 AND LATER					
F3 - 15 PSI RATED UP TO 6000 PSI					

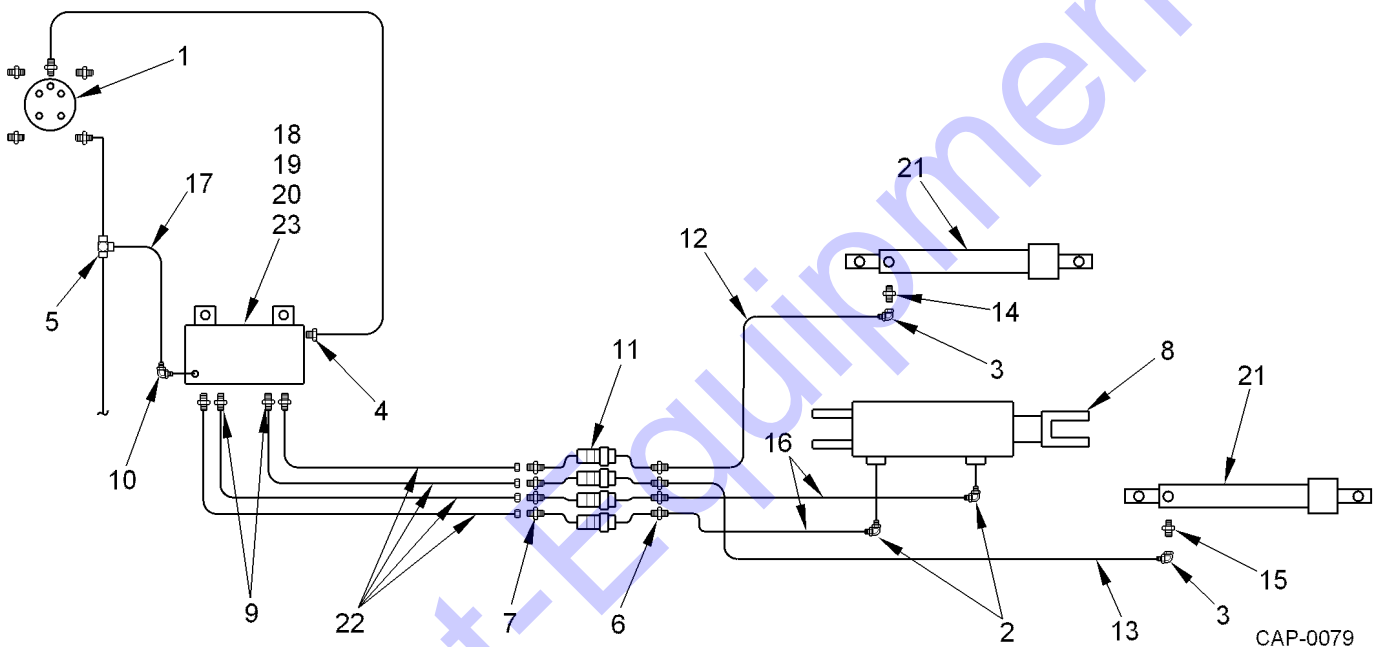
SCHEMATIC, HYD (GRADER BLD, BONDIOLI)



SCHEMATIC, HYD (GRADER BLD, BONDIOLI)

ITEM	PART NUMBER	F/N	DESCRIPTION	QTY	UOM
1	335125	F1	TANK, HYDRAULIC	1	EA
2	432963		CYLINDER, BROOM SWING (3" X 6") (SEE PAGE 130)	1	EA
3	095513		ADAPTER (#12SAEM X #6JICM)	1	EA
4	093427		ADAPTER (9/16-18JIC)	4	EA
5	094326		ADAPTER, STRAIGHT (#10SAEM X #6JIC)	2	EA
6	092882		ADAPTER, STRAIGHT (#6MSAE TO #6MJIC)	8	EA
7	093416		KIT, QUICK COUPLER (9/16-18SAE O-RING)	4	EA
8	604868		HOSE ASSEMBLY (22")	1	EA
9	294439		HOSE ASSEMBLY (30")	1	EA
10	V63015700		ADAPTER (4MP-6MJ)	1	EA
11	282988		ADAPTER (2-3/64 ORIFICE)	1	EA
12	294447		HOSE ASSEMBLY (13")	2	EA
13	V63143600		ADAPTER, 90 DEGREE (#8SAEM X 6#6JICM)	2	EA
14	451104		VALVE, STEERING (W/POWER BEYOND)	1	EA
15	360842		HOSE ASSEMBLY (112")	1	EA
16	372599		HOSE ASSEMBLY (28")	1	EA
17	401174		PLUG (7/16-14SAE O-RING)	2	EA
18	028654		MANIFOLD, INLINE BAR (W/1500/3000 RELIEF)	1	EA
19	433069		VALVE, SOLENOID OPERATED CONTROL	2	EA
20	418582		CYLINDER (1-1/2" X 10")	2	EA
21	343723		HOSE ASSEMBLY (192")	4	EA
22	443077		VALVE, RELIEF	1	EA
			F1 - SEE HYDRAULIC SYSTEM (KUBOTA).		

SCHEMATIC, HYD (GRADER BLD, SAUER/DANFOSS)

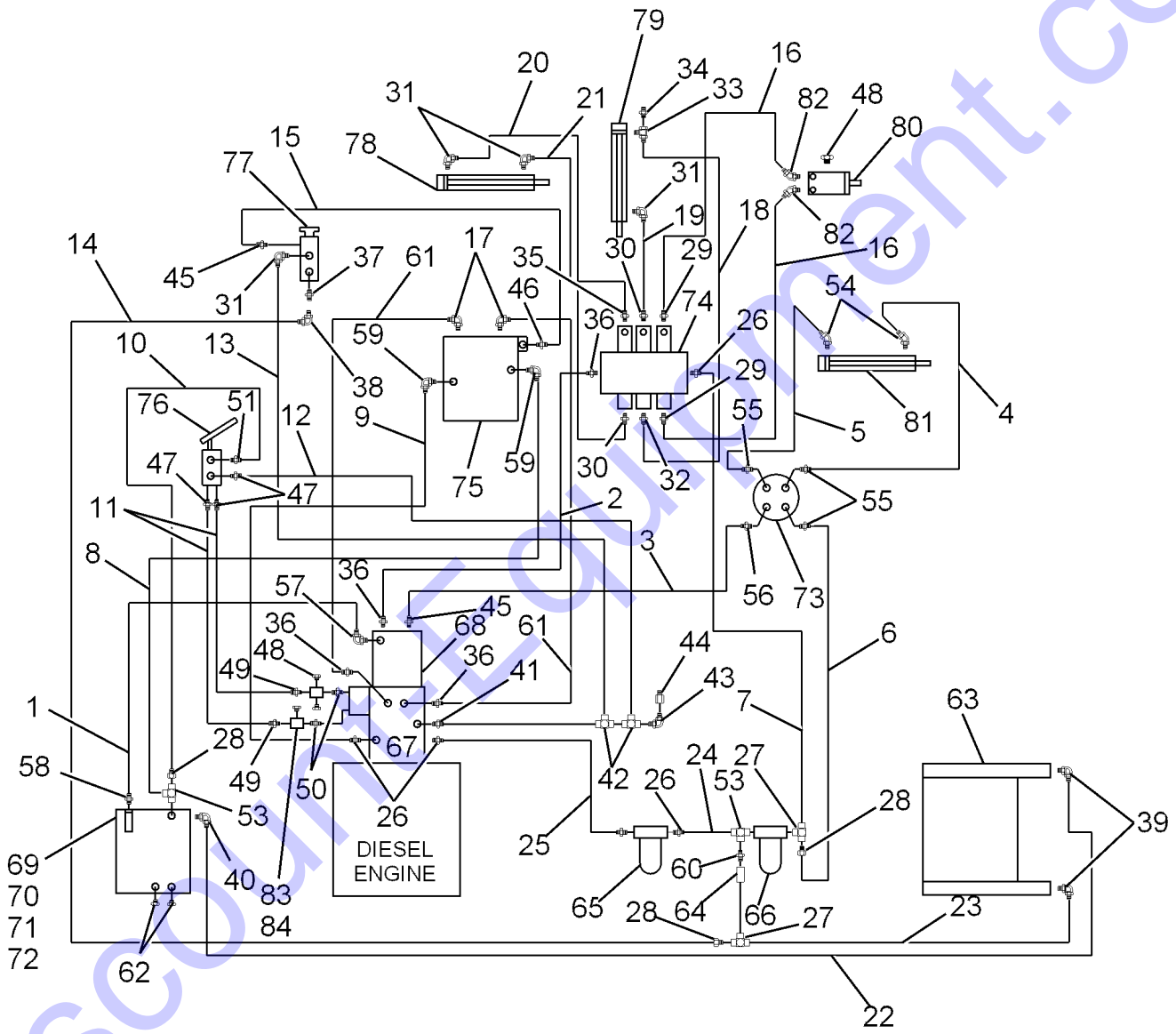


CAP-0079

SCHEMATIC, HYD (GRADER BLD, SAUER/DANFOSS)

ITEM	PART NUMBER	F/N	DESCRIPTION	QTY	UOM
1	476770	F1	VALVE, STEERING	1	EA
2	386552		FITTING, 90 DEGREE (#6MORFS X #8MSAE)	2	EA
3	296806		FITTING, ORIFICE (0.46)	1	EA
4	386559		FITTING, STRAIGHT (#6MORFS TO #8MSAE)	1	EA
5	092957		ADAPTER, TEE (#6FJIC TO #6MJIC)	1	EA
6	092882		ADAPTER, STRAIGHT (#6MSAE TO #6MJIC)	4	EA
7	477637		FITTING, STRAIGHT (#6MORFS TO #6MSAE)	4	EA
8	432963		CYLINDER, BROOM SWING (3" X 6") (SEE PAGE 130)	1	EA
9	386559		FITTING, STRAIGHT (#6MORFS TO #8MSAE)	4	EA
10	386648		FITTING (6-8 C5OX-S)	1	EA
11	093416		KIT, QUICK COUPLER (9/16-18SAE O-RING)	4	EA
12	386670		HOSE ASSEMBLY (22")	1	EA
13	386659		HOSE ASSEMBLY (30")	1	EA
14	V63015700		ADAPTER (4MP-6MJ)	1	EA
15	282988		ADAPTER (2-3/64 ORIFICE)	1	EA
16	386546		HOSE ASSEMBLY (13")	2	EA
17	386656		HOSE ASSEMBLY (37")	1	EA
18	401174		PLUG (7/16-14SAE O-RING)	2	EA
19	028654		MANIFOLD, INLINE BAR (W/1500/3000 RELIEF)	1	EA
20	433069		VALVE, SOLENOID OPERATED CONTROL	2	EA
21	418582		CYLINDER (1-1/2" X 10")	2	EA
22	386658		HOSE ASSEMBLY (106")	4	EA
23	443077		VALVE, RELIEF	1	EA
			F1 - SEE HYDRAULIC SYSTEM (KUBOTA)		

SYSTEM, HYDRAULIC (CUMMINS)



SYSTEM, HYDRAULIC (CUMMINS)

ITEM	PART NUMBER	F/N	DESCRIPTION	QTY	UOM
1	368796		HOSE ASSEMBLY (TANK TO GEAR PUMP)	1	EA
2	386537		HOSE ASSEMBLY (3 SPOOL VALVE TO AUX. GEAR)	1	EA
3	386530		HOSE ASSEMBLY (STEERING PUMP TO VALVE)	1	EA
4	304667		HOSE ASSEMBLY (STEERING VALVE TO RIGHT STEER)	1	EA
5	352138		HOSE ASSEMBLY (STEERING VALVE TO LEFT STEER)	1	EA
6	268664		HOSE ASSEMBLY (STEER VALVE TO RETURN FILTER)	1	EA
7	386529		HOSE ASSEMBLY (3 SPOOL VALVE TO FILTER)	1	EA
8	386538		HOSE ASSEMBLY (WHEEL MOTOR DRAIN TO TANK)	1	EA
9	386539		HOSE ASSEMBLY (PUMP TO WHEEL DRAIN MOTOR)	1	EA
10	355446		HOSE ASSEMBLY (FOOT PEDAL TO TANK RETURN)	1	EA
11	386531		HOSE ASSEMBLY (FOOT PEDAL TO HYDROSTAT)	2	EA
12	386536		HOSE ASSEMBLY (FOOT PEDAL TO CHARGE)	1	EA
13	386533		HOSE ASSEMBLY (2-SPD CTRL VALVE TO CHARGE)	1	EA
14	356931		HOSE ASSEMBLY (2-SPD CTRL VALVE TO FILTER)	1	EA
15	386532		HOSE ASSEMBLY (2-SPD CTRL VLV TO WHEEL MOTOR)	1	EA
16	386528		HOSE ASSEMBLY (3 SPOOL VALVE TO BROOM)	2	EA
17	386643		ADAPTER, 90 DEGREE (#12MORFS TO #12MSAE)	2	EA
18	386526		HOSE ASSEMBLY (3 SPOOL VALVE TO LIFT CYLINDER)	1	EA
19	386535		HOSE ASSEMBLY (3 SPOOL VALVE TO LIFT CYLINDER)	1	EA
20	386534		HOSE ASSEMBLY (3 SPOOL VALVE TO SWING CYL)	1	EA
21	386527		HOSE ASSY (3 SPOOL VALVE TO SWING CYLINDER)	1	EA
22	349357		HOSE ASSEMBLY (COOLER TO CHECK VALVE, TANK)	1	EA
23	349365		HOSE ASSEMBLY (COOLER TO FILTER)	1	EA
24	386540		HOSE ASSEMBLY (FILTER TO FILTER)	1	EA
25	298646		HOSE ASSEMBLY (HYDROSTATIC PUMP TO OIL FILTER)	1	EA
26	071332		ADAPTER, STRAIGHT (#12MOR TO #12MJIC)	5	EA
27	435164		ADAPTER, TEE (#12MJIC TO #12MJIC TO #12MOP)	2	EA
28	V63144100		ADAPTER, STRAIGHT (#12FJIC TO #6MJIC)	3	EA
29	386562		FITTING, STRAIGHT (#10MORFS TO #10MSAE)	2	EA
30	413195		ADAPTER, STRAIGHT (7/8"-14SAE X 9/16"-18JIC)	2	EA
31	386552		FITTING, 90 DEGREE (#6MORFS X #8MSAE)	4	EA
32	477631		ADAPTER, STRAIGHT (#8MORFS TO #10MSAE)	1	EA
33	427773		ADAPTER, 90 DEGREE (3/4"-16SAE X 3/4"-16MJIC)	1	EA
34	386574		FITTING, TEST PORT	1	EA
35	386580		FITTING, STRAIGHT (#6MORFS TO #10MSAE)	1	EA
36	386563		FITTING, STRAIGHT (#12MORFS TO #12MSAE)	4	EA
37	296806		FITTING, ORIFICE (0.46)	1	EA
38	092965		ADAPTER, 90 DEGREE (#6FJIC TO #6MJIC)	1	EA
39	446005		ADAPTER, 90 DEGREE (#16SAE TO #19NPTF)	2	EA
40	078873		ADAPTER, 90 DEGREE (18-12S SAE O-RING)	1	EA
41	386554		FITTING, STRAIGHT (#6MORFS TO #1/4MBSPP)	1	EA
42	386566		FITTING, RUN TEE (#6FORFS TO #6MORFS)	2	EA
43	386553		FITTING, 90 DEGREE (#6MORFS TO #6FORFS)	1	EA
44	386569		FITTING, TEST POINT	1	EA
45	386559		FITTING, STRAIGHT (#6MORFS TO #8MSAE)	2	EA
46	386557		FITTING, STRAIGHT (#6MORFS TO #4MSAE)	1	EA

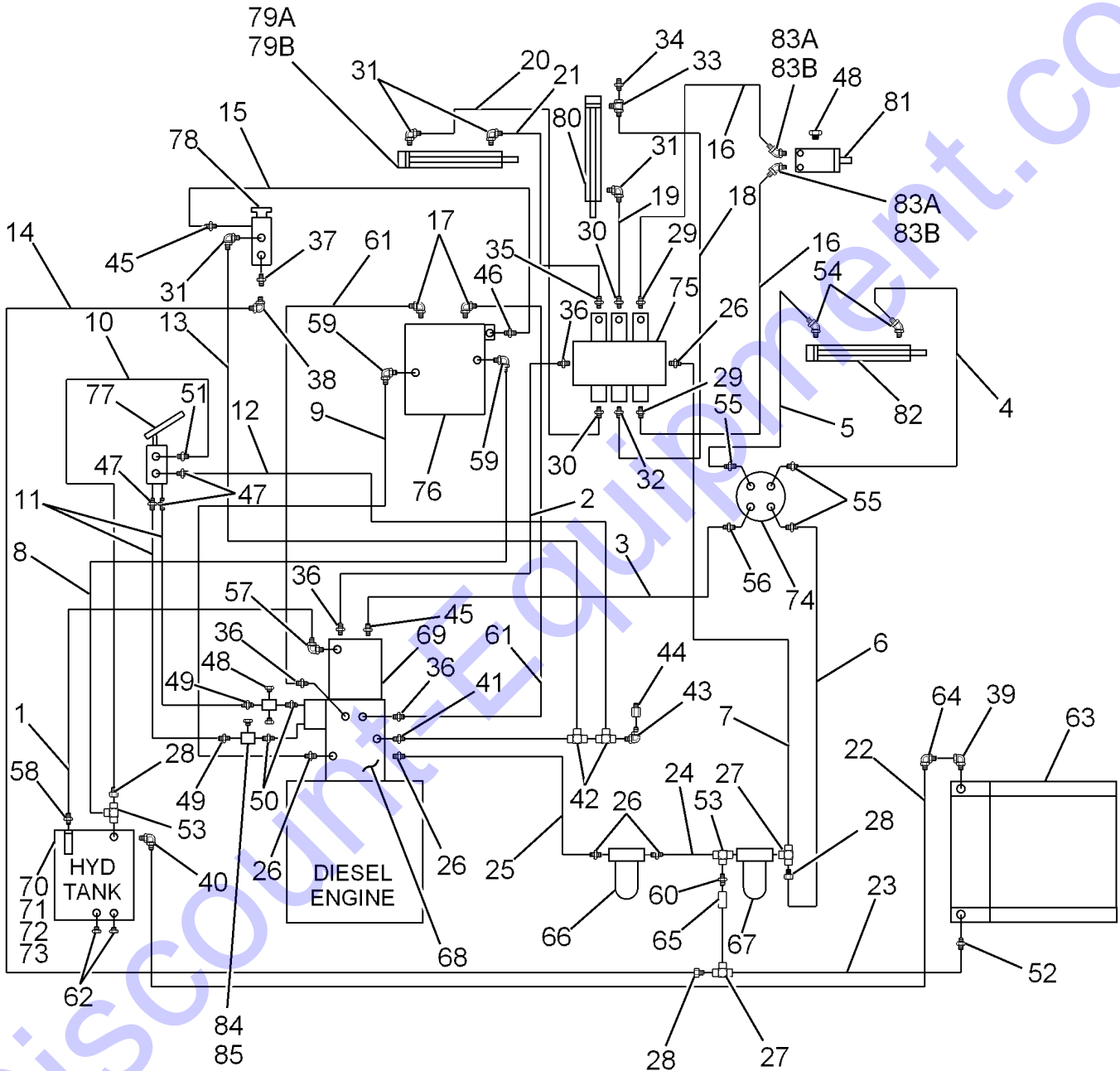
SYSTEM, HYDRAULIC (CUMMINS)

ITEM	PART NUMBER	F/N	DESCRIPTION	QTY	UOM
47	386556		FITTING, STRAIGHT (#4MORFS TO #6MSAE)	3	EA
48	406819		PLUG (7/16"-20 SAE O-RING)	4	EA
49	386555		FITTING, STRAIGHT (#4MORFS TO #4MSAE)	2	EA
50	459784		ADAPTER, UNION (.43 #20 SAE)	2	EA
51	425223		ADAPTER, STRAIGHT (#6MOR TO #4MJIC)	1	EA
	092957		ADAPTER, TEE (#6FJIC TO #6MJIC)	1	EA
53	080275		ADAPTER, TEE (#12MSAE TO #12MJIC)	2	EA
54	425348		ADAPTER, 45 DEGREE (#6MOR TO #6MJIC)	2	EA
55	092882		ADAPTER, STRAIGHT (#6MSAE TO #6MJIC)	3	EA
56	477637		FITTING, STRAIGHT (#6MORFS TO #6MSAE)	1	EA
57	078900		ADAPTER, 90 DEGREE (#20MOR TO #20MJIC)	1	EA
58	056383		ADAPTER, STRAIGHT (#20MNPT TO #20MJIC)	1	EA
59	068338		ADAPTER, 90 DEGREE (#12MSAE TO #12MJIC)	2	EA
60	406694		ADAPTER, SWIVEL (#12JFIC TO #6FJIC)	1	EA
61	386575		HOSE ASSEMBLY (PUMP TO WHEEL MOTOR)	2	EA
62	029363		PLUG (1.06 #12 SAE O-RING)	2	EA
63	448837		COOLER, HYDRAULIC OIL	1	EA
64	438812		VALVE, CHECK (45 PSI)	1	EA
65	437665		FILTER, HYDRAULIC (CHARGE, ELECTRIC)	1	EA
66	424143		FILTER, HYDRAULIC (RETURN, ELECTRIC) (SEE PAGE 136)	1	EA
67	457122		PUMP, HYDROSTATIC (PILOT OPERATED) (SEE PAGE 158)	1	EA
68	440465		PUMP, AUXILIARY GEAR (06 AND UP PARKER) (SEE PAGE 150)	1	EA
69	335125		TANK, HYDRAULIC	1	EA
70	447979		SCREEN, FILTER	1	EA
71	464685		SCREEN (2" X 8")	1	EA
72	464677		GAUGE, SIGHT GLASS (INCLUDES O-RINGS AND STUDS)	1	EA
	478103	F1	GAUGE, SIGHT GLASS	1	EA
73	476770		VALVE, STEERING	1	EA
74	457267		VALVE, CONTROL (SEE PAGE 176)	AR	EA
75	434503		MOTOR, DRIVE AXLE (SEE PAGE 144)	1	EA
76	457275		CONTROL, REMOTE FOOT PEDAL (SEE PAGE 124)	1	EA
77	443735		VALVE, 2 POSITION	1	EA
78	432971		CYLINDER, BROOM SWING (3" X 10") (SEE PAGE 128)	AR	EA
79	432963		CYLINDER, BROOM SWING (3" X 6") (SEE PAGE 130)	AR	EA
80	404538		MOTOR, BROOM (SEE PAGE 140)	AR	EA
81	432989		CYLINDER, STEERING (2" X 8") (SEE PAGE 134)	AR	EA

SYSTEM, HYDRAULIC (CUMMINS)

ITEM	PART NUMBER	F/N	DESCRIPTION	QTY	UOM
82	477859		FITTING, 45 DEGREE (#10-12 V50L0-S)	2	EA
83	356311		ADAPTER, CROSS (7/16"-20SAE 4-WAY ORIFICED)	2	EA
84	459792		SWITCH, REVERSE ALARM	1	EA
			F1 - FOR KUBOTA V3600 MODELS ONLY		

SYSTEM, HYDRAULIC (KUBOTA)



SYSTEM, HYDRAULIC (KUBOTA)

ITEM	PART NUMBER	F/N	DESCRIPTION	QTY	UOM
1	368796		HOSE ASSEMBLY (TANK TO GEAR PUMP)	1	EA
2	386537		HOSE ASSEMBLY (3 SPOOL VALVE TO AUX. GEAR)	1	EA
3	386530		HOSE ASSEMBLY (STEERING PUMP TO VALVE)	1	EA
4	304667		HOSE ASSEMBLY (STEERING VALVE TO RIGHT STEER)	1	EA
5	352138		HOSE ASSEMBLY (STEERING VALVE TO LEFT STEER)	1	EA
6	268664		HOSE ASSEMBLY (STEER VALVE TO RETURN FILTER)	1	EA
7	386529		HOSE ASSEMBLY (3 SPOOL VALVE TO FILTER)	1	EA
8	386538		HOSE ASSEMBLY (WHEEL MOTOR DRAIN TO TANK)	1	EA
9	386539		HOSE ASSEMBLY (PUMP TO WHEEL DRAIN MOTOR)	1	EA
10	355446		HOSE ASSEMBLY (FOOT PEDAL TO TANK RETURN)	1	EA
11	386531		HOSE ASSEMBLY (FOOT PEDAL TO HYDROSTAT)	2	EA
12	386536		HOSE ASSEMBLY (FOOT PEDAL TO CHARGE)	1	EA
13	386533		HOSE ASSEMBLY (2-SPD CTRL VALVE TO CHARGE)	1	EA
14	356931		HOSE ASSEMBLY (2-SPD CTRL VALVE TO FILTER)	1	EA
15	386532		HOSE ASSEMBLY (2-SPD CTRL VLV TO WHEEL MOTOR)	1	EA
16	386528		HOSE ASSEMBLY (3 SPOOL VALVE TO BROOM)	2	EA
17	386643		ADAPTER, 90 DEGREE (#12MORFS TO #12MSAE)	2	EA
18	386526		HOSE ASSEMBLY (3 SPOOL VALVE TO LIFT CYLINDER)	1	EA
19	386535		HOSE ASSEMBLY (3 SPOOL VALVE TO LIFT CYLINDER)	1	EA
20	386668		HOSE ASSEMBLY (3 SPOOL VALVE TO SWING CYL)	1	EA
21	386534		HOSE ASSEMBLY (3 SPOOL VALVE TO SWING CYL)	1	EA
22	387206		HOSE ASSEMBLY (COOLER TO CHECK VALVE, TANK)	1	EA
23	387207		HOSE ASSEMBLY (COOLER TO FILTER)	1	EA
24	386540		HOSE ASSEMBLY (FILTER TO FILTER)	1	EA
25	298646		HOSE ASSEMBLY (HYDROSTATIC PUMP TO OIL FILTER)	1	EA
26	071332		ADAPTER, STRAIGHT (#12MOR TO #12MJIC)	5	EA
27	435164		ADAPTER, TEE (#12MJIC TO #12MJIC TO #12MOP)	2	EA
28	V63144100		ADAPTER, STRAIGHT (#12FJIC TO #6MJIC)	3	EA
29	386562		FITTING, STRAIGHT (#10MORFS TO #10MSAE)	2	EA
30	413195		ADAPTER, STRAIGHT (7/8"-14SAE X 9/16"-18JIC)	2	EA
31	386552		FITTING, 90 DEGREE (#6MORFS X #8MSAE)	4	EA
32	477631		ADAPTER, STRAIGHT (#8MORFS TO #10MSAE)	1	EA
33	427773		ADAPTER, 90 DEGREE (3/4"-16SAE X 3/4"-16MJIC)	1	EA
34	386574		FITTING, TEST PORT	1	EA
35	386580		FITTING, STRAIGHT (#6MORFS TO #10MSAE)	1	EA
36	386563		FITTING, STRAIGHT (#12MORFS TO #12MSAE)	4	EA
37	296806		FITTING, ORIFICE (0.46)	1	EA
38	092965		ADAPTER, 90 DEGREE (#6FJIC TO #6MJIC)	1	EA
39	446005		ADAPTER, 90 DEGREE (#16SAE TO #19NPTF)	2	EA
40	387211		ELBOW, MALE (#16MBOR X #18JICM 90 DEGREE)	1	EA
41	386554		FITTING, STRAIGHT (#6MORFS TO #1/4MBSPP)	1	EA
42	386566		FITTING, RUN TEE (#6FORFS TO #6MORFS)	2	EA
43	386553		FITTING, 90 DEGREE (#6MORFS TO #6FORFS)	1	EA
44	386569		FITTING, TEST POINT	1	EA
45	386559		FITTING, STRAIGHT (#6MORFS TO #8MSAE)	2	EA
46	386557		FITTING, STRAIGHT (#6MORFS TO #4MSAE)	1	EA

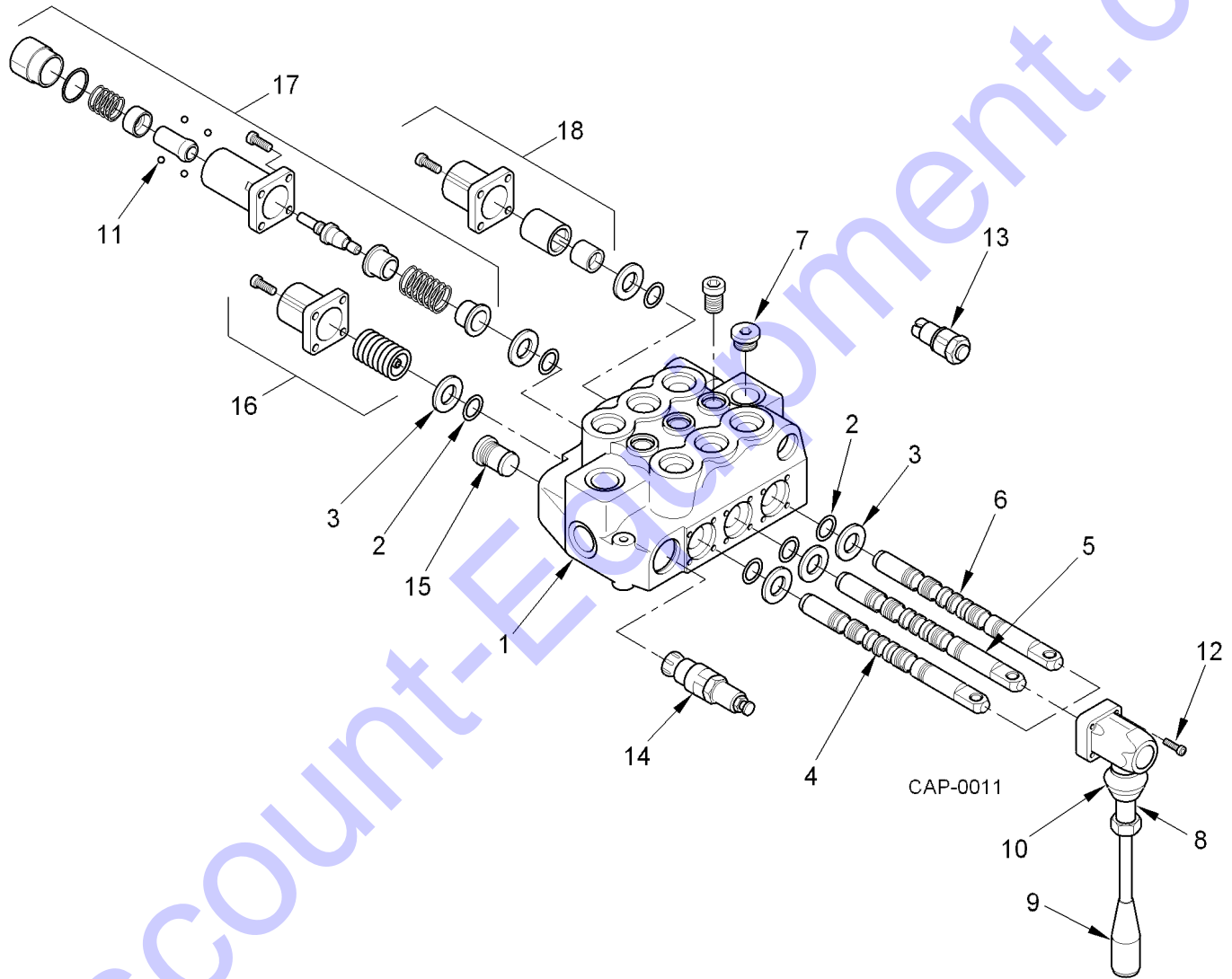
SYSTEM, HYDRAULIC (KUBOTA)

ITEM	PART NUMBER	F/N	DESCRIPTION	QTY	UOM
47	386556		FITTING, STRAIGHT (#4MORFS TO #6MSAE)	3	EA
48	406819		PLUG (7/16"-20 SAE O-RING)	4	EA
49	386555		FITTING, STRAIGHT (#4MORFS TO #4MSAE)	2	EA
50	459784		ADAPTER, UNION (.43 #20 SAE)	2	EA
51	425223		ADAPTER, STRAIGHT (#6MOR TO #4MJIC)	1	EA
52	425223		ADAPTER, STRAIGHT (#6MOR TO #4MJIC)	1	EA
53	080275		ADAPTER, TEE (#12MSAE TO #12MJIC)	2	EA
54	425348		ADAPTER, 45 DEGREE (#6MOR TO #6MJIC)	2	EA
55	092882		ADAPTER, STRAIGHT (#6MSAE TO #6MJIC)	3	EA
56	477637		FITTING, STRAIGHT (#6MORFS TO #6MSAE)	1	EA
57	078900		ADAPTER, 90 DEGREE (#20MOR TO #20MJIC)	1	EA
58	056383		ADAPTER, STRAIGHT (#20MNPT TO #20MJIC)	1	EA
59	068338		ADAPTER, 90 DEGREE (#12MSAE TO #12MJIC)	2	EA
60	406694		ADAPTER, SWIVEL (#12JFIC TO #6FJIC)	1	EA
61	386575		HOSE ASSEMBLY (PUMP TO WHEEL MOTOR)	2	EA
62	029363		PLUG (1.06 #12 SAE O-RING)	2	EA
63	478030		RADIATOR, OIL COOLER	1	EA
64	387212		ELBOW, MALE (#16JICM X 1"NPTM)	1	EA
65	438812		VALVE, CHECK (45 PSI)	1	EA
66	437665		FILTER, HYDRAULIC (CHARGE, ELECTRIC)	1	EA
67	424143		FILTER, HYDRAULIC (RETURN, ELECTRIC) (SEE PAGE 136)	1	EA
68	457122		PUMP, HYDROSTATIC (PILOT OPERATED) (SEE PAGE 158)	1	EA
69	440465		PUMP, AUXILIARY GEAR (06 AND UP PARKER) (SEE PAGE 150)	1	EA
70	387030		TANK, HYDRAULIC	1	EA
71	447979		SCREEN, FILTER	1	EA
72	464685		SCREEN (2" X 8")	1	EA
73	464677		GAUGE, SIGHT GLASS (INCLUDES O-RINGS AND STUDS)	1	EA
74	433029		VALVE, STEERING	1	EA
75	457267		VALVE, CONTROL (SEE PAGE 176)	AR	EA
76	434503		MOTOR, DRIVE AXLE (SEE PAGE 144)	1	EA
77	457275		CONTROL, REMOTE FOOT PEDAL (SEE PAGE 124)	1	EA
78	440735		VALVE, BROOM SPEED CONTROL (SEE PAGE 56)	1	EA
79A	432971		CYLINDER, BROOM SWING (3" X 10") (SEE PAGE 128)	AR	EA
79B	432969		CYLINDER, BROOM SWING (3" X 8-1/2") (SEE PAGE 132)	AR	EA
80	432963		CYLINDER, BROOM SWING (3" X 6") (SEE PAGE 130)	AR	EA
81	404538		MOTOR, BROOM	AR	EA

SYSTEM, HYDRAULIC (KUBOTA)

ITEM	PART NUMBER	F/N	DESCRIPTION	QTY	UOM
82	432989		(SEE PAGE 140) CYLINDER, STEERING (2" X 8")	AR	EA
83A	477859		(SEE PAGE 134) FITTING, 45 DEGREE (#10-12 V50L0-S)	2	EA
83B	477993		FITTING, STRAIGHT (#10-12 FS0LD-5)	2	EA
84	356311		ADAPTER, CROSS (7/16"-20SAE 4-WAY ORIFICED)	2	EA
85	459792		SWITCH, REVERSE ALARM	1	EA

457267: VALVE, CONTROL



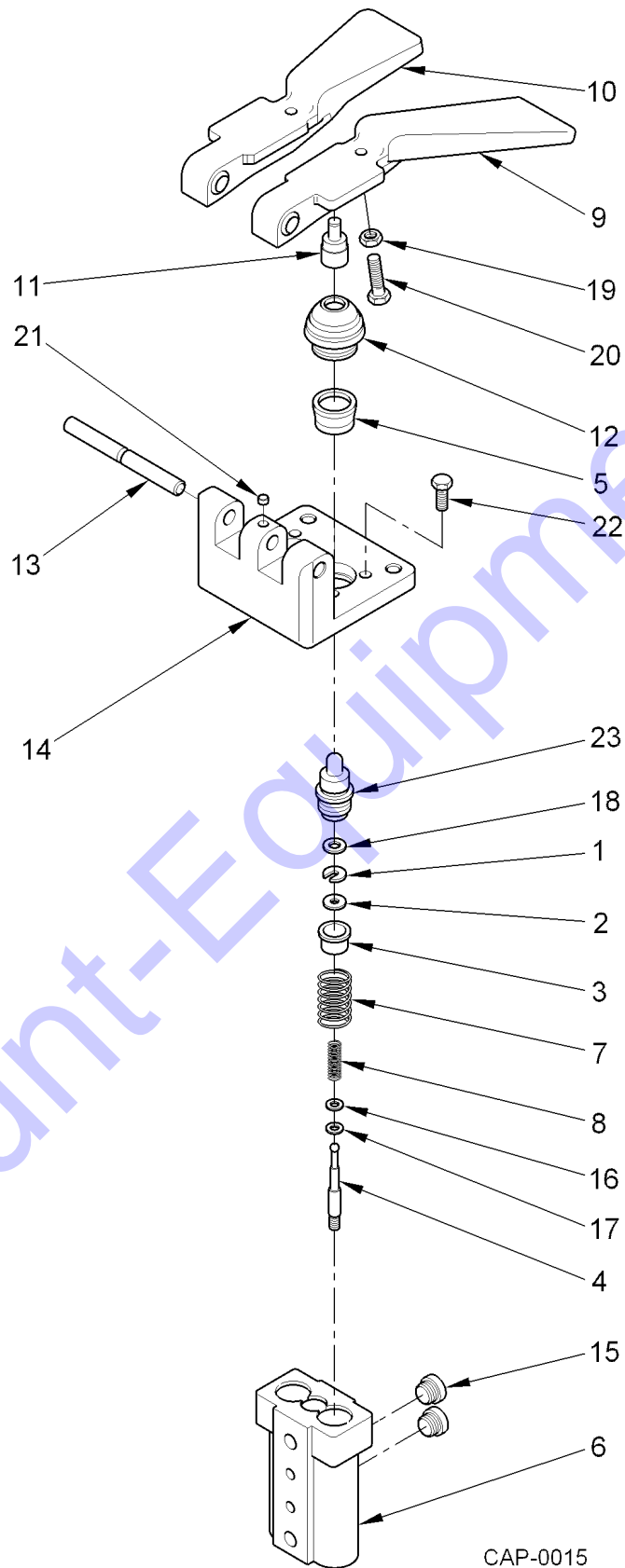
457267: VALVE, CONTROL

ITEM	PART NUMBER	F/N	DESCRIPTION	QTY	UOM
1		F1	BODY, VALVE	1	
2	462051		O-RING	6	EA
3	461996		RING	6	EA
4	462002		SPOOL, SWING	1	EA
5	462010		SPOOL, CENTER	1	EA
6	462028		SPOOL, MOTOR	1	EA
7	462044		PLUG	2	EA
8	462036		LEVER	3	EA
9	414433		HANDLE	3	EA
10	414425		BELLOW	3	EA
11	462069		BALL, DETENT	4	EA
12		F2	CAPSCREW, SOCKET HEAD (M5 X 16)	3	
13	457952		CARTRIDGE	1	EA
14	462077		CARTRIDGE, RELIEF	1	EA
15	462085		RELIEF PLUG ASSEMBLY	1	EA
16	461962		KIT, SPRING RETURN	2	EA
17	461970		KIT, DETENT ASSEMBLY	1	EA
18	461988		KIT, DETENT ASSEMBLY	1	EA

F1 - PART NUMBER NOT AVAILABLE.

F2 - INCLUDED WITH ITEM 8.

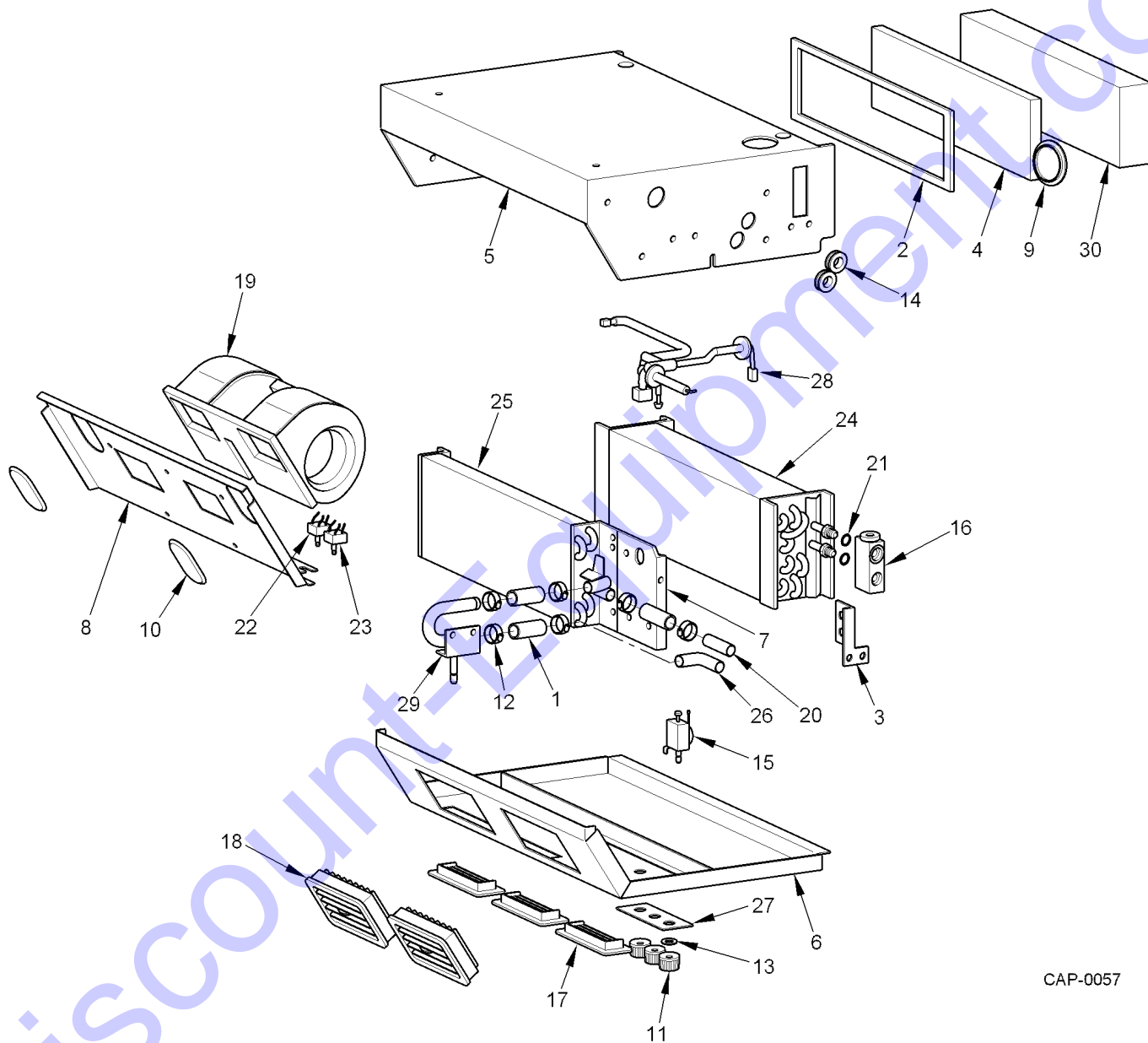
457276: VALVE, PILOT HYD FOOT PEDAL (YUKON)



457276: VALVE, PILOT HYD FOOT PEDAL (YUKON)

ITEM	PART NUMBER	F/N	DESCRIPTION	QTY	UOM
1	461798		O-RING (3.6 X 14 X 1.2)	2	EA
2	461806		O-RING (.5 X 14 X 1.2)	2	EA
3	461814		GUIDE, SPRING	2	EA
4	461822		SPOOL, VALVE	2	EA
5	461830		BUSHING, POSITIONER	2	EA
6	466516		BODY	1	EA
7	461848		SPRING, COMPRESSION (.10ID X .30OD X 1.25)	2	EA
8	461855		SPRING, COMPRESSION (.53ID X .65OD X 1.63)	2	EA
9	466474		PEDAL (LEFT HAND)	1	EA
10	466482		PEDAL (RIGHT HAND)	1	EA
11	461863		SPACER, PIN	2	EA
12	461871		BELLOWS, RUBBER	2	EA
13	461889		PIN, PEDAL PIVOT	1	EA
14	466508		SUPPORT, PEDALS	1	EA
15	075549		PLUG	2	EA
16	461897		SHIM (5 X 10 X .3MM)	2	EA
17	461905		SHIM (5 X 10 X .5MM)	2	EA
18	461913		SHIM (8 X 14 X 1MM)	2	EA
19	053538		NUT, HEX (M8 X 1.25)	2	EA
20	404673		CAPSCREW, SOCKET HEAD (M8 X 1.25CP-6G X M30)	2	EA
21	459859		SETSCREW, LONG CUP POINT (M6-1.0CP X M6)	1	EA
22	461921		CAPSCREW, SOCKET HEAD (M5 X 14MM GRADE 8.8)	4	EA
23	461947		KIT, PLUNGER	2	EA

AC/HEATER (VISTA CAB)

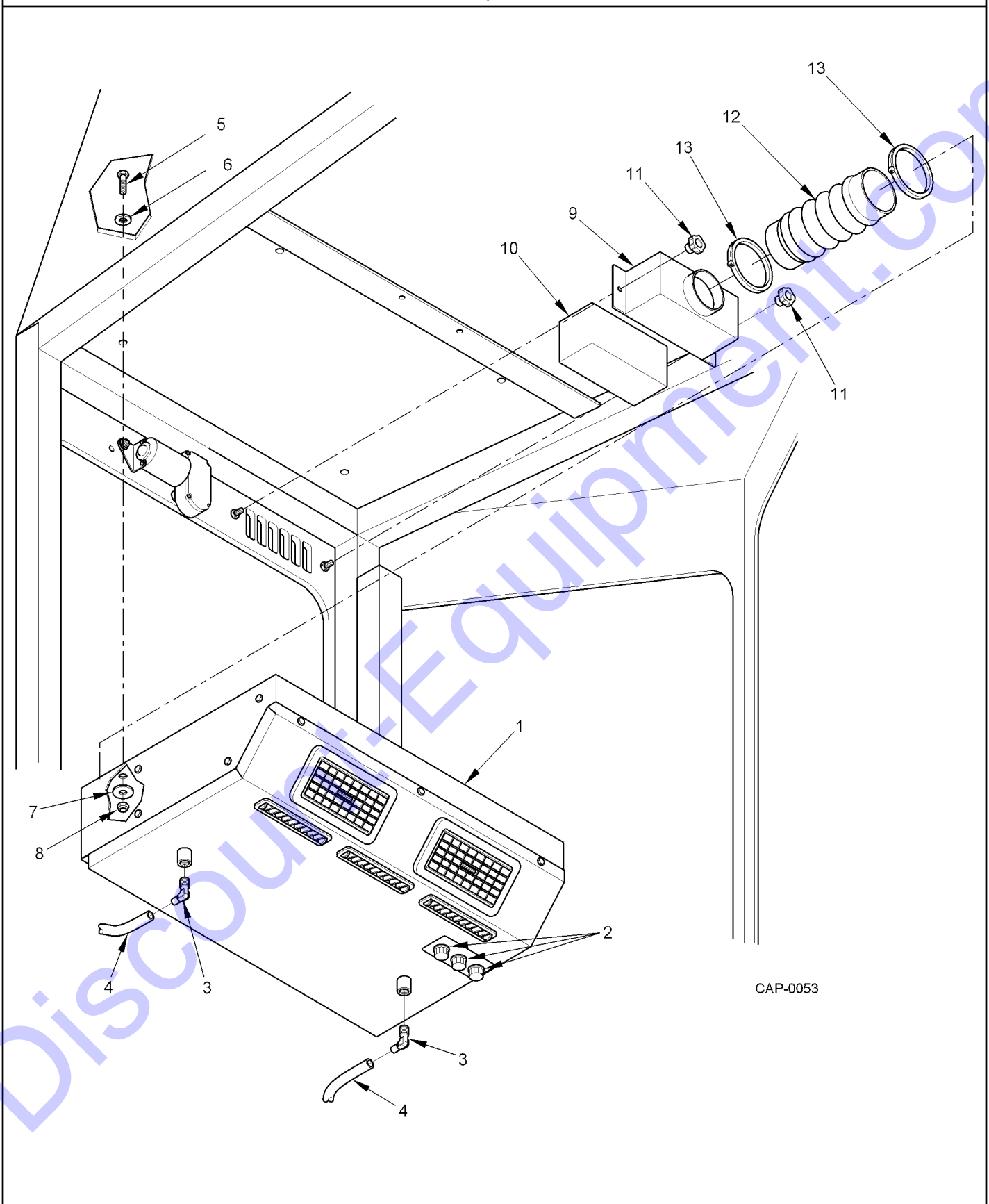


CAP-0057

AC/HEATER (VISTA CAB)

ITEM	PART NUMBER	F/N	DESCRIPTION	QTY	UOM
1		F1	HEATER HOSE, 5/8" ID	AR	
2		F1	FASTENER, FILTER	AR	
3		F1	BRACKET, EXPANSION VALVE	AR	
4	385973		FOAM FILTER, RECIRCULATION	1	EA
5		F1	HOUSING	1	
6		F1	COVER	1	
7		F1	BRACKET, HEATER COIL	1	
8		F1	BRACKET, BLOWER MOUNT	1	
9		F1	PLUG, HOLE (2-1/2")	AR	
10		F1	PLUG, HOLE (3")	AR	
11	430214		KNOB, CONTROLS	3	EA
12		F1	CLAMP, HOSE (5/8")	AR	
13		F1	GROMMET (3/8")	AR	
14		F1	GROMMET (1")	AR	
15	430215		SWITCH, THERMOSTAT PRE-SET	1	EA
16	430213		VALVE, EXPANSION (CAB #3052)	AR	EA
17	9107061		LOUVER, SMALL	3	EA
18	910705K		LOUVER, LARGE	2	EA
19	430211		BLOWER (12V)	1	EA
20		F1	HARD PLUMBING, STR.	AR	
21		F1	O-RING (#8, HNBR)	AR	
22	430217		SWITCH, BLOWER	1	EA
23	430218		SWITCH, A/C ON-OFF	1	EA
24	430210		COIL, EVAPORATOR	1	EA
25	433138		COIL, HEATER	1	EA
26		F1	HARD PLUMBING, 90 DEGREE	AR	
27		F1	DECALS, CONTROLS	1	
28		F1	WIRE HARNESS	1	
29		F1	VALVE, HEATER	1	
30	385972		FILTER, FOAM (FRAMED, 6-1/2" X 2-3/4" X 1/2")	1	EA
			F1 - PART NUMBER NOT AVAILABLE.		

AC/HEATER, VISTA CAB

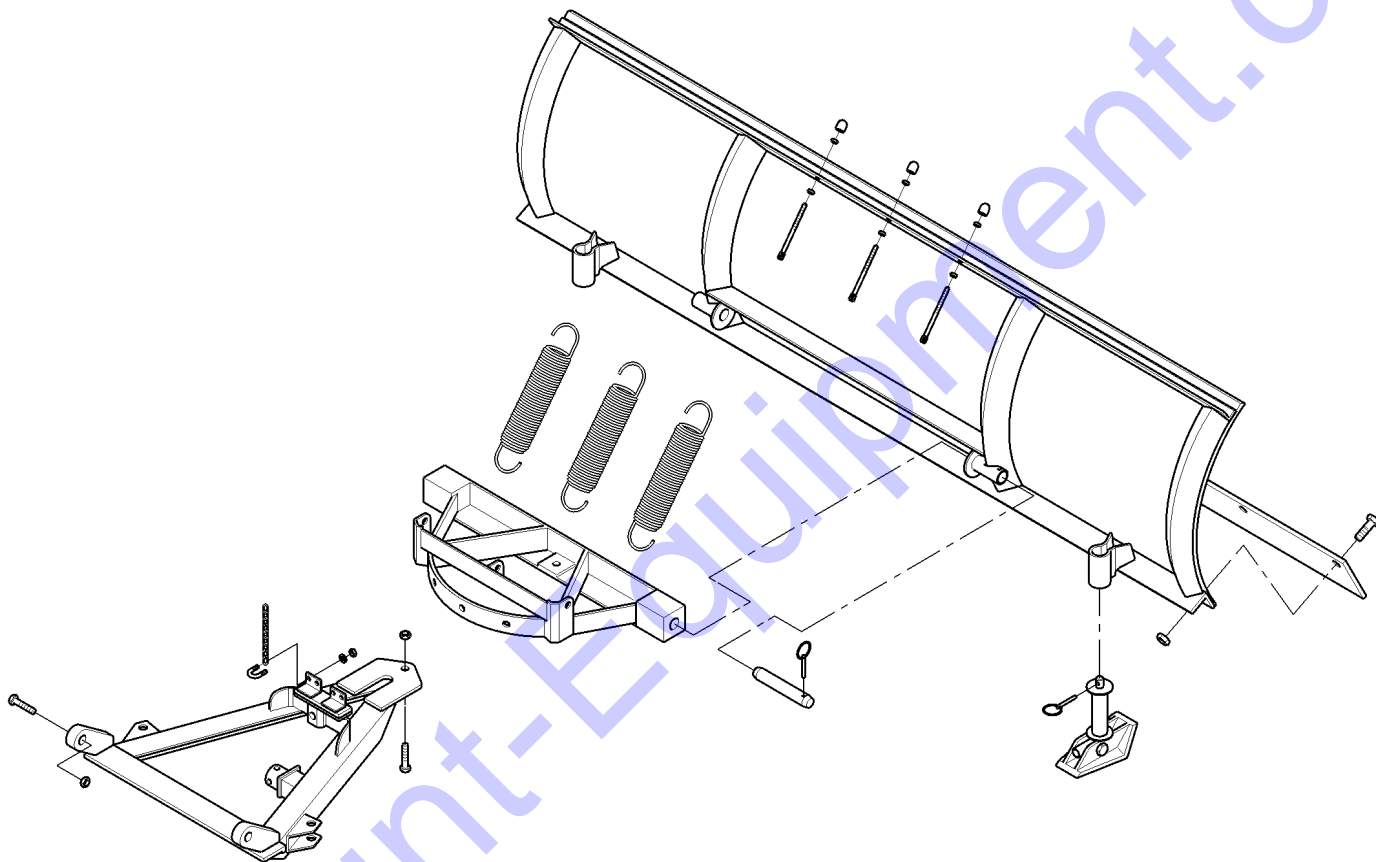


CAP-0053

AC/HEATER, VISTA CAB

ITEM	PART NUMBER	F/N	DESCRIPTION	QTY	UOM
1	477847	F1	KIT, AC/HEATER	1	EA
2	477740		KNOB, POINTER (PUSH ON 1/4")	3	EA
3	477737		FITTING, 90 DEGREE DRAIN (1/4NPT MALE X 1/2" BARB)	2	EA
4	477747		HOSE, DRAIN (1/2"ID X 5/8 OD CLEAR PLASTIC, 96" PE	2	EA
5		F2	BOLT, HEX HEAD (3/8"-16 X 1-1/4" LONG)	4	
6	385802		WASHER, BONDED SEALING (3/8")	4	EA
7		F2	WASHER, STD FLAT (3/8")	4	
8		F2	NUT, LOCK (NYLON INSERT, 3/8"-16 GR5 ZINC)	4	
9	477743		FILTER BOX WELDMENT, FRESH AIR HOUSING	1	EA
10	385972		FILTER, FOAM (FRAMED, 6-1/2" X 2-3/4" X 1/2")	1	EA
11	477843		KNOB, FEMALE M6	2	EA
12	477745		HOSE, FLEX DUCT (2-1/2" ID)	1	EA
13	477842		CLAMP, SNAPPER (2-1/2" ID)	2	EA
			REMAINING COMPONENTS		
	477749		COIL, HEAT (1.25 X 6 X 19.00)	1	EA
	477750		VALVE, WATER (SHORTENED STEM)	1	EA
	477738		FITTING, STRAIGHT DRAIN PLASTIC	2	EA
			F1 - SEE VISTA CAB AC/HEATER.		
			F2 - PART NUMBER NOT AVAILABLE.		

BLADE, GRADER (OPTIONAL)

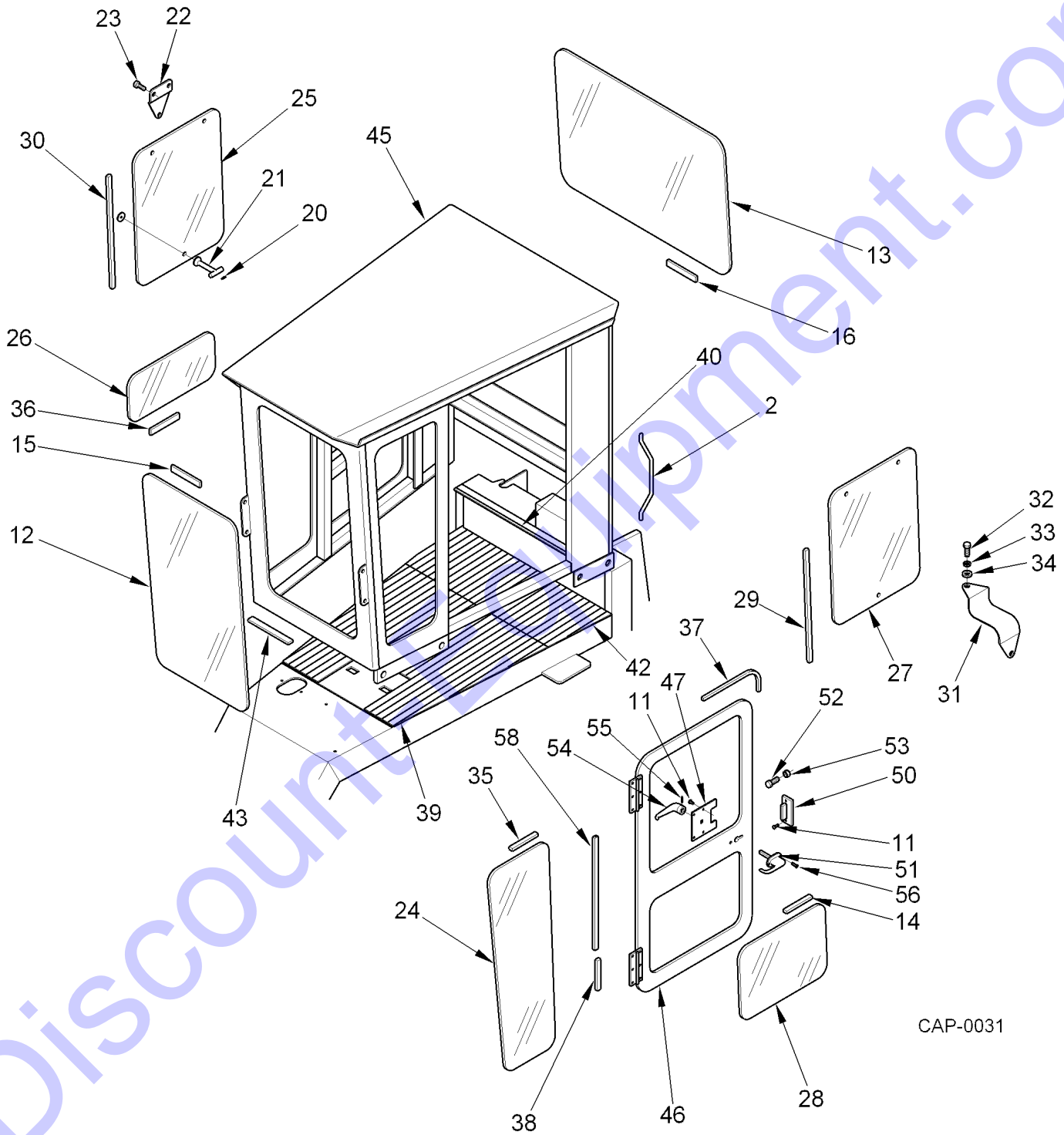


CONTACT MANUFACTURER
TO IDENTIFY PARTS

BLADE, GRADER (OPTIONAL)

ITEM	PART NUMBER	F/N	DESCRIPTION	QTY	UOM
1	381228		UTILITY BLADE W/HYDRAULIC CONTROLS ASSEMBLY	1	EA
2	342964		ELECTRIC BLADE FRONT MOUNT ASSEMBLY	1	EA
3	436857		SWITCH, TOGGLE (3-POSITION MOMENTARY)	1	EA
4	443069		VALVE, SOLENOID	2	EA
5	432963		CYLINDER, BROOM SWING (3" X 6") (SEE PAGE 130)	1	EA
6	033514		KIT, SEAL (LIFT CYLINDER)	1	EA
7	093146		KIT, COUPLER (9/16-18 SAE O-RING)	4	EA
8	418582		CYLINDER (1-1/2" X 10")	2	EA
9	466607		KIT, ANGLE CYLINDER SEAL	1	EA
10	352690		WIRING HARNESS, BLADE CONTROL	1	EA
11	476788		VALVE, STEERING (W/POWER BEYOND VALVE)	1	EA
12	092882		ADAPTER, STRAIGHT (#6MSAE TO #6MJIC)	1	EA
13	412908		BLADE, CUTTING EDGE (90")	1	EA

340240: CAB (SINGLE-DOOR)



CAP-0031

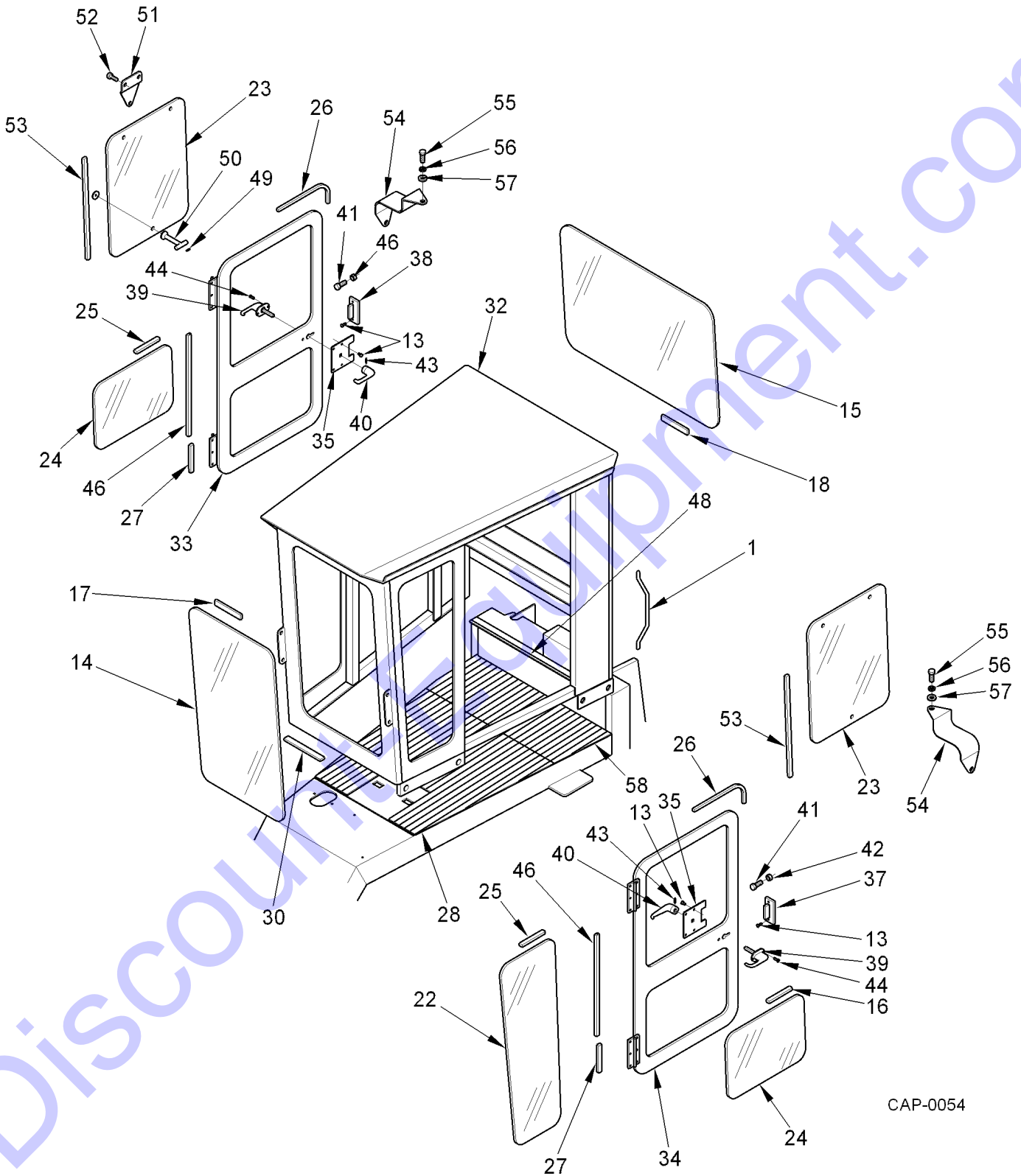
340240: CAB (SINGLE-DOOR)

ITEM	PART NUMBER	F/N	DESCRIPTION	QTY	UOM
2	V63008500		HANDLE, HOOD	1	EA
11	066977		SCREW, SOCKET HEAD BUTTON (1/4"-20NC X 1")	8	EA
12	272112		GLASS, FRONT WINDSHIELD	1	EA
13	272138		GLASS, REAR WINDOW	1	EA
14	272351		WEATHER STRIP, SELF-SEALING (71.00")	1	EA
15	272377		WEATHER STRIP, SELF-SEALING (145.00")	1	EA
16	272385		WEATHER STRIP, SELF-SEALING (130.00")	1	EA
20	442277		PIN, ROLL (3/16" DIA X 5/8" LONG)	2	EA
21	442251		LATCH, WINDOW (W/PIN)	2	EA
22	442269		HINGE ASSEMBLY (W/GROMMET AND BUSHING)	4	EA
23	442285		BOLT, FLAT HEAD SOCKET (5/16"-18NC X 1-1/4")	12	EA
24	273920		GLASS, FRONT SIDE	2	EA
25	442293		GLASS, UPPER (R.H. SIDE)	2	EA
26	273946		GLASS, LOWER (R.H. SIDE)	1	EA
27	440115		GLASS, UPPER DOOR	2	EA
28	273961		GLASS, LOWER DOOR	1	EA
29	341685		TRIM, SEAL (86")	1	EA
30	341735		TRIM SEAL (94.00")	1	EA
31	442913		STRAP, DOOR STOP	1	EA
32	010058		CAPSCREW (1/4"-20 X 1")	2	EA
33	010280		WASHER, LOCK (1/4")	2	EA
34	010298		WASHER, FLAT (1/4")	2	EA
35	274050		STRIP, WEATHER (SELF-SEALING)	2	EA
36	274068		WEATHER STRIP, SELF-SEALING (85.00")	1	EA
37	274100		SEAL, TRIM (160.00")	1	EA
38	274118		STRIP, WEATHER (1/4" X 1" X 6-1/2")	2	EA
39	352229		FLOORMAT, CAB FRONT	1	EA
40	341578		TRIM, SEAL (44")	1	EA
42	335323		FLOORMAT, CAB REAR	1	EA
43	282061		TAPE, FOAM (9/16" X 1" X 52")	1	EA
45	341727		CAB STR., SWEEPMASTER SINGLE DOOR	1	EA
46	340281		DOOR, CAB (L.H.)	1	EA
47	292417		COVER, LATCH	1	EA
50	430108		LATCH, ROTARY DOOR (R.H.)	1	EA
51	430116		HANDLE, DOOR (OUTSIDE)	1	EA
52	430124		BOLT, STRIKER (7/16"-14NC)	1	EA
53	430132		NUT, HEX (7/16"-14NC, WHIZLOC)	1	EA
54	430140		HANDLE, DOOR (INSIDE)	1	EA
55	430157		PIN, ROLL (5/32" X 7/8")	1	EA
56	430173		CAPSCREW, SOCKET HEAD FLAT (#10-24NC X 3/4")	2	EA
58	270140		TRIM, FLEXIBLE STEEL CORE	1	EA
			REMAINING COMPONENTS		
	V61018600		SCREW, HEX WASHER HEAD (1/4-20 X .50" SELF TAP)	7	EA
	V63084200		ADHESIVE, 3M (80 HIGH SPRAY CAN)	2	EA

340240: CAB (SINGLE-DOOR)

ITEM	PART NUMBER	F/N	DESCRIPTION	QTY	UOM
	083485		CAPSCREW (5/16"-18NC X 3/4", PL)	4	EA
	441600		CAPSCREW (5/16"-18NC X 1", PL)	4	EA
	083493		NUT, HEX (5/16"-18NC PL)	2	EA
	441667		CAPSCREW (3/8"-16NC X 1", FLANGE WHIZLOCK)	1	EA
	440628		NUT, HEX (#10-24NC)	2	EA
	441527		SLOT FILL HEAD (#10-24NC X .75")	3	EA
	052233		NUT, TWO-WAY LOCK (3/8"-16NC)	1	EA
	272419		PADDING, FRONT FOAM HEADLINER	1	EA
	272427		PADDING, REAR FOAM HEADLINER	1	EA
	272435		PADDING, REAR SIDE PANEL FOAM	2	EA
	438762		TAPE, PRESTITE (2" WIDE)	4	EA
	282079		GASKA-TAPE (1/4" X 3/4" X 112")	1	EA
	272484		LOOM (BLACK, 11/32"ID X 40" LONG)	2	EA
	417592		SEALANT, MAGIC SEAL	1	EA
	432252		DECAL, EMERGENCY WINDOW	2	EA
	369249		SPACER, FOOT PEDAL CONTROL VALVE	1	EA
	010074		CAPSCREW (1/4"-20 X 1-1/2")	4	EA

340257: CAB (TWO-DOOR)



CAP-0054

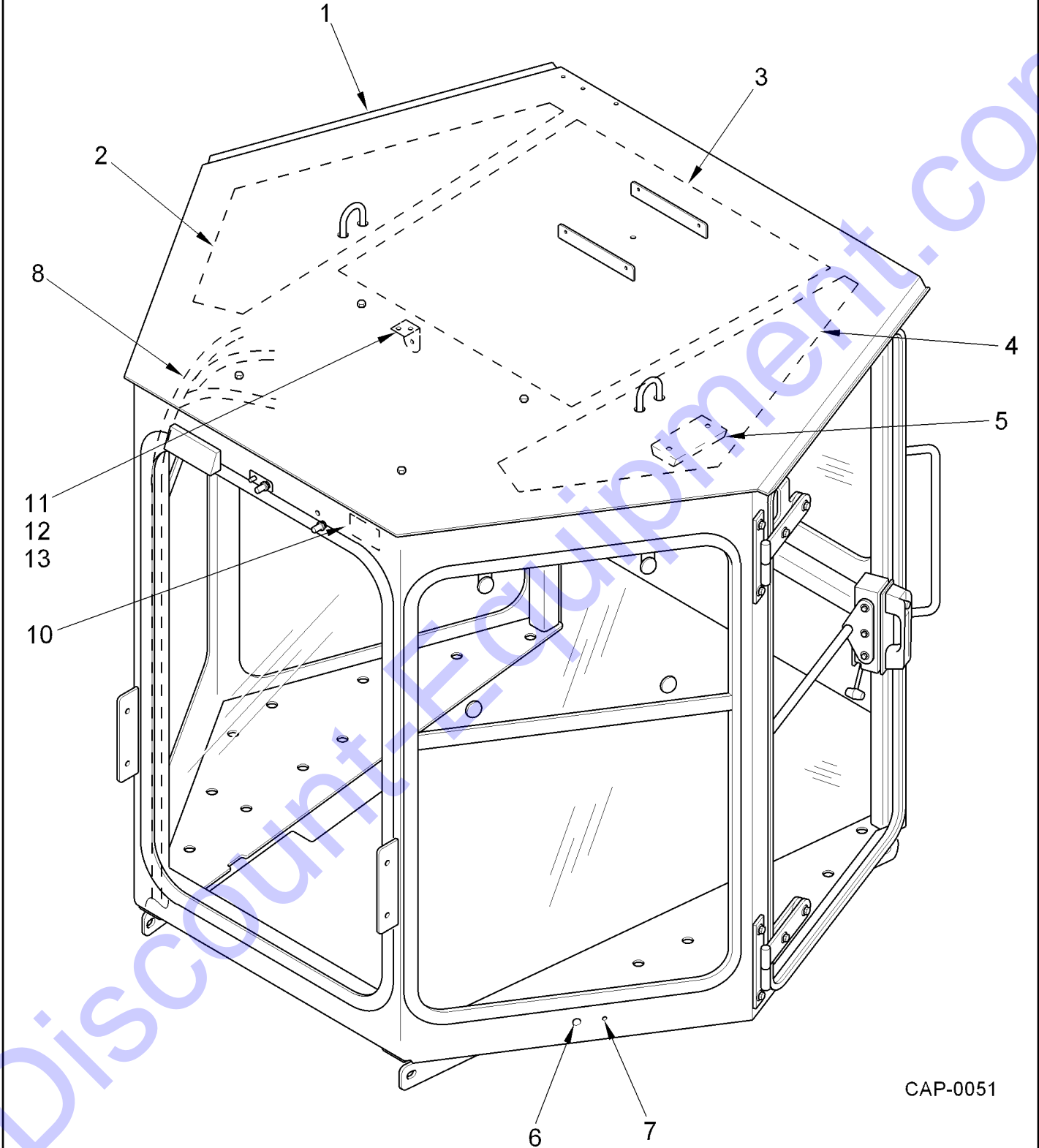
340257: CAB (TWO-DOOR)

ITEM	PART NUMBER	F/N	DESCRIPTION	QTY	UOM
1	V63008500		HANDLE, HOOD	2	EA
13	066977		SCREW, SOCKET HEAD BUTTON (1/4"-20NC X 1")	16	EA
14	272112		GLASS, FRONT WINDSHIELD	1	EA
15	272138		GLASS, REAR WINDOW	1	EA
16	272351		WEATHER STRIP, SELF-SEALING (71.00")	2	EA
17	272377		WEATHER STRIP, SELF-SEALING (145.00")	1	EA
18	272385		WEATHER STRIP, SELF-SEALING (130.00")	1	EA
22	273920		GLASS, FRONT SIDE	2	EA
23	440115		GLASS, UPPER DOOR	2	EA
24	273961		GLASS, LOWER DOOR	2	EA
25	274050		STRIP, WEATHER (SELF-SEALING)	2	EA
26	274100		SEAL, TRIM (160.00")	2	EA
27	274118		STRIP, WEATHER (1/4" X 1" X 6-1/2")	4	EA
28	352229		FLOORMAT, CAB FRONT	1	EA
30	282061		TAPE, FOAM (9/16" X 1" X 52")	1	EA
32	292318		STR., CAB TWO DOOR	1	EA
33	340299		DOOR, CAB (R.H.)	1	EA
34	340281		DOOR, CAB (L.H.)	1	EA
35	292417		COVER, LATCH	2	EA
37	430090		LATCH, ROTARY DOOR (L.H.)	1	EA
38	430108		LATCH, ROTARY DOOR (R.H.)	1	EA
39	430116		HANDLE, DOOR (OUTSIDE)	2	EA
40	430140		HANDLE, DOOR (INSIDE)	2	EA
41	430124		BOLT, STRIKER (7/16"-14NC)	2	EA
42	430132		NUT, HEX (7/16"-14NC, WHIZLOC)	2	EA
43	430157		PIN, ROLL (5/32" X 7/8")	2	EA
44	430173		CAPSCREW, SOCKET HEAD FLAT (#10-24NC X 3/4")	4	EA
46	270140		TRIM, FLEXIBLE STEEL CORE	2	EA
48	341578		TRIM, SEAL (44")	1	EA
49	442277		PIN, ROLL (3/16" DIA X 5/8" LONG)	2	EA
50	442251		LATCH, WINDOW (W/PIN)	2	EA
51	442269		HINGE ASSEMBLY (W/GROMMET AND BUSHING)	4	EA
52	442285		BOLT, FLAT HEAD SOCKET (5/16"-18NC X 1-1/4")	12	EA
53	341685		TRIM, SEAL (86")	2	EA
54	442913		STRAP, DOOR STOP	2	EA
55	010058		CAPSCREW (1/4"-20 X 1")	2	EA
56	010280		WASHER, LOCK (1/4")	2	EA
57	010298		WASHER, FLAT (1/4")	2	EA
58	335323		FLOORMAT, CAB REAR	1	EA
REMAINING COMPONENTS					
	V63084200		ADHESIVE, 3M (80 HIGH SPRAY CAN)	0.5	EA
	083485		CAPSCREW (5/16"-18NC X 3/4", PL)	8	EA
	441600		CAPSCREW (5/16"-18NC X 1", PL)	10	EA
	083493		NUT, HEX (5/16"-18NC PL)	4	EA

340257: CAB (TWO-DOOR)

ITEM	PART NUMBER	F/N	DESCRIPTION	QTY	UOM
	441667		CAPSCREW (3/8"-16NC X 1", FLANGE WHIZLOCK)	2	EA
	012039		CAPSCREW (5/8"-11NC X 1-1/2")	8	EA
	012054		CAPSCREW (5/8"-11NC X 2")	4	EA
	440628		NUT, HEX (#10-24NC)	4	EA
	052233		NUT, TWO-WAY LOCK (3/8"-16NC)	2	EA
	272419		PADDING, FRONT FOAM HEADLINER	1	EA
	272427		PADDING, REAR FOAM HEADLINER	1	EA
	272435		PADDING, REAR SIDE PANEL FOAM	2	EA
	278499		STRIP, WEATHER (1/4" X 1" X 23")	4	EA
	282079		GASKA-TAPE (1/4" X 3/4" X 112")	1	EA
	417592		SEALANT, MAGIC SEAL	1	EA
	432252		DECAL, EMERGENCY WINDOW	2	EA
	272484		LOOM (BLACK, 11/32"ID X 40" LONG)	2	EA
	438762		TAPE, PRESTITE (2" WIDE)	6	EA
	409458		TAPE, AUTO GLASS (1/4 RD. BUTYL)	1	EA
	369249		SPACER, FOOT PEDAL CONTROL VALVE	1	EA
	010074		CAPSCREW (1/4"-20 X 1-1/2")	4	EA

CAB, VISTA

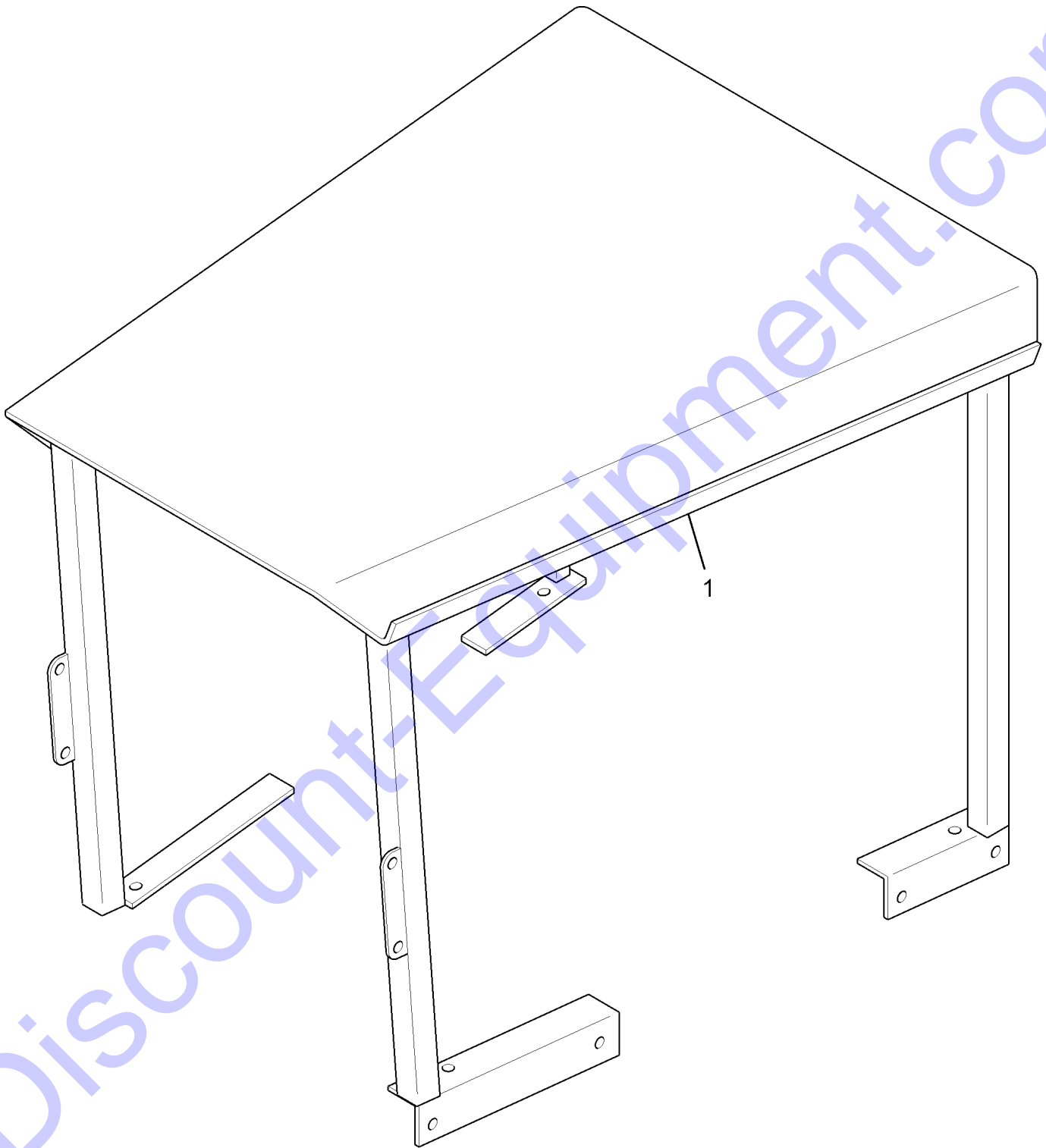


CAP-0051

CAB, VISTA

ITEM	PART NUMBER	F/N	DESCRIPTION	QTY	UOM
			CAB #3052		
1		F1	CAB (WELDMENT)	1	
2	477889		HEADLINER (RIGHT HAND SIDE)	1	EA
3	477891		HEADLINER (CENTER)	1	EA
4	477890		HEADLINER (LEFT HAND SIDE)	1	EA
5		F1	DOME LIGHT WIRING ASSEMBLY	1	
6		F1	PLUG, PLASTIC HOLE (5/8" DIA.)	3	
7		F1	PLUG, PLASTIC HOLE (5/16" DIA.)	3	
8		F1	MAIN WIRING HARNESS	1	
10		F1	TAG, SERIAL NUMBER	1	
11		F1	BRACKET, INTERIOR MIRROR	1	
12		F1	BOLT, HEX HEAD (1/4"-20 X 3/4")	2	
13		F1	WASHER, PLAIN FLAT (1/4")	2	
			REMAINING COMPONENTS		
	477075	F1	CABLE TIE, NYLON (6" BLACK) DOOR (RIGHT HAND) (SEE PAGE 202)	6 1	 EA
			NOT SHOWN: CAB #3051 (A/C HEATER UNDER SEAT).		
			F1 - PART NUMBER NOT AVAILABLE.		

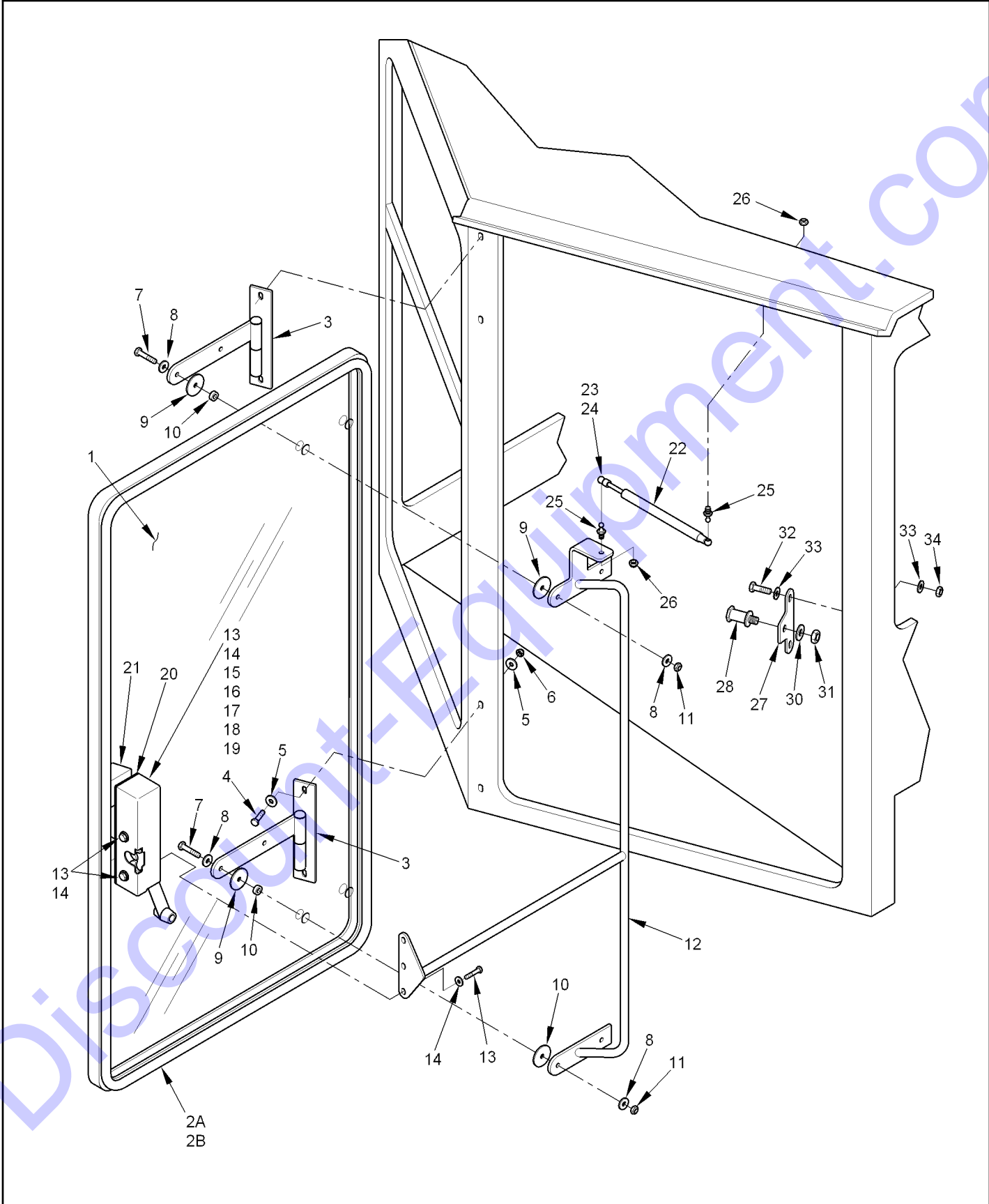
COMPLETE ROPS ASSEMBLY



COMPLETE ROPS ASSEMBLY

ITEM	PART NUMBER	F/N	DESCRIPTION	QTY	UOM
1	281584		COMPLETE ROPS ASSEMBLY (W/CANOPY)	AR	EA

385750: DOOR (LEFT HAND)



385750: DOOR (LEFT HAND)

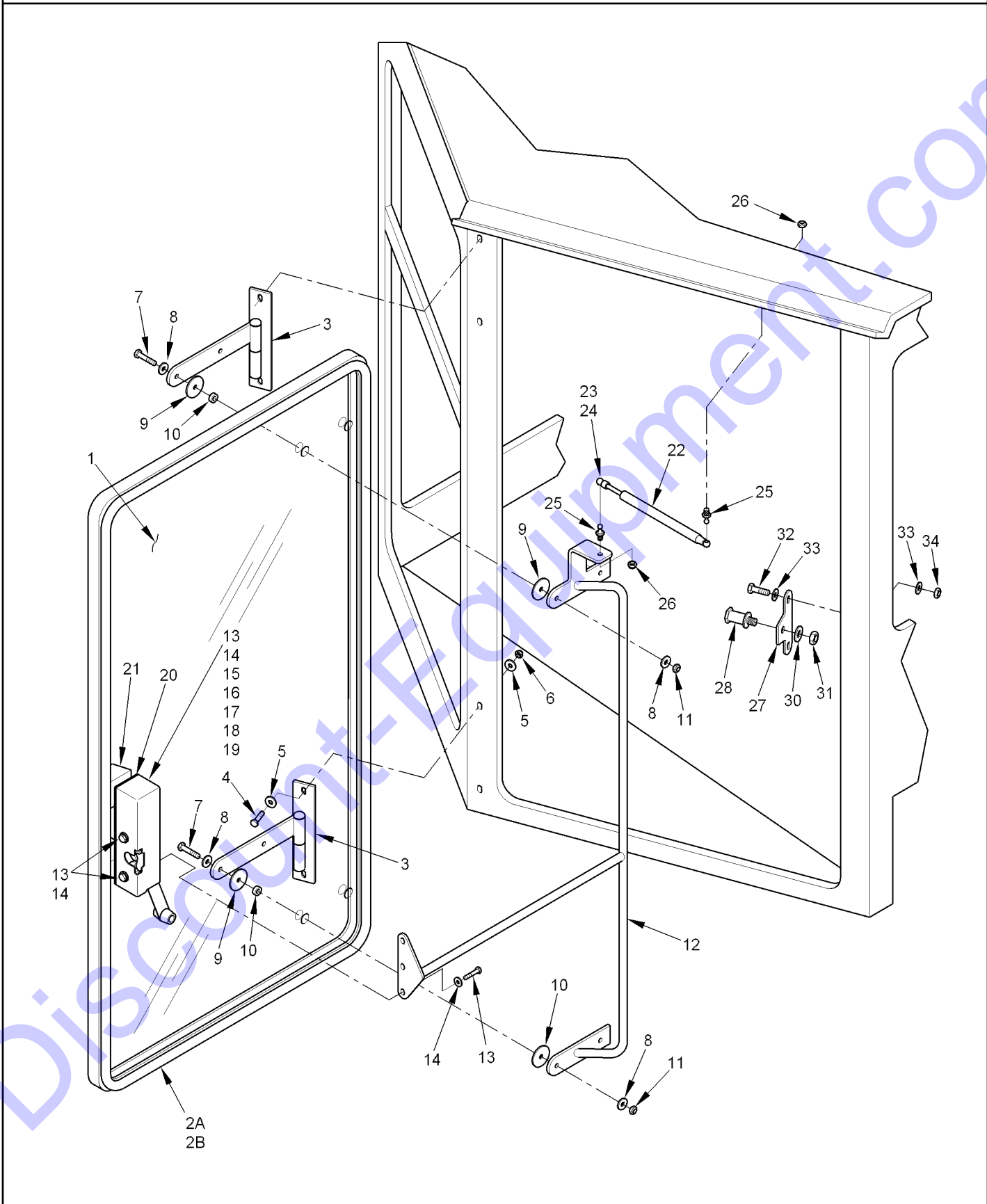
ITEM	PART NUMBER	F/N	DESCRIPTION	QTY	UOM
1	385752		DOOR, GLASS (LEFT HAND)	1	EA
2A	385985		SEAL, DOOR GLASS (REQUIRED TO HOLD GLASS, 168")	1	EA
2B	385746		SEAL, SIDE BULB (1/4" MATERIAL, 161")	1	EA
3	385768		WELDMENT, DOOR HINGE (LH, UPPER AND LOWER)	2	EA
4		F1	BOLT, HEX HEAD (3/8"-16 X 1-1/4" LONG)	4	
5		F1	WASHER, FLAT (STANDARD, 3/8")	8	
6		F1	NUT, LOCK (NYLON INSERT, 3/8"-16 GRS ZINC)	4	
7		F1	CAPSCREW (3/8"-16 X 1", GRS ZINC)	4	
8		F1	WASHER, FLAT (STANDARD, 3/8")	8	
9	385754		WASHER, DOOR HINGE	8	EA
10	385753		SPACER, DOOR HINGE	4	EA
11		F1	NUT, LOCK (NYLON INSERT, 3/8"-16 GR5 ZINC)	4	
12	385745		WELDMENT, DOOR GRAB HANDLE (LEFT HAND)	1	EA
13		F1	BOLT, HEX HEAD (1/4"-20 X 1")	6	
14	385763		WASHER, FLAT (1/4")	8	EA
15		F1	WELDMENT, DOOR LATCH (LEFT HAND)	1	
16	385762		SPACER, DOOR HANDLE (NYLON)	3	EA
17	385764		CAPSCREW, HEX HEAD (M6 X 1" X 25MM GR8 ZN)	3	EA
18	385766		LATCH	1	EA
19	385767		COVER, LATCH	1	EA
20	385761		GASKET, DOOR LATCH	1	EA
21	385760		HANDLE, DOOR (OUTSIDE STD)	1	EA
22	385751	F2	SPRING, GAS (30LB)	1	EA
23	385772	F2	SOCKET, METAL BALL	2	EA
24	385774	F2	CLIP, SAFETY	2	EA
25	385769	F2	STUD, BALL	2	EA
26		F1	NUT, LOCK (NYLON INSERT, 5/16"-18)	2	
27		F1	PLATE, STRIKER BOLT	1	
28		F1	BOLT, STRIKER	1	
30		F1	WASHER (1/2", ZINC)	1	
31		F1	NUT, HEX (7/16"-14)	1	
32		F1	BOLT, HEX HEAD (1/4"-20 X 1" LONG)	2	
33		F1	WASHER, FLAT (PLAIN, 1/4")	4	
34		F1	NUT, LOCK (NYLON INSERT, 1/4"-20)	2	
REMAINING COMPONENTS					
	385541		HINGES, DOOR (RIGHT HAND, UPPER AND LOWER)	1	EA
	385803		KEY, VISTA CAB HANDLE (SM250 AND HC)		
F1 - PART NUMBER NOT AVAILABLE.					
F2 - WHEN REPLACING SPRING, IT IS					
RECOMMENDED TO REPLACE ITEMS 23, 24,					

385750: DOOR (LEFT HAND)

ITEM	PART NUMBER	F/N	DESCRIPTION	QTY	UOM
			AND 25 AS WELL.		

Discount-Equipment.com

477075: DOOR (RIGHT HAND)



477075: DOOR (RIGHT HAND)

ITEM	PART NUMBER	F/N	DESCRIPTION	QTY	UOM
1	385752		DOOR, GLASS (LEFT HAND)	1	EA
2A	385985		SEAL, DOOR GLASS (REQUIRED TO HOLD GLASS, 168")	1	EA
2B	385746		SEAL, SIDE BULB (1/4" MATERIAL, 161")	1	EA
3	385768		WELDMENT, DOOR HINGE (LH, UPPER AND LOWER)	2	EA
4		F1	BOLT, HEX HEAD (3/8"-16 X 1-1/4" LONG)	4	
5		F1	WASHER, FLAT (STANDARD, 3/8")	8	
6		F1	NUT, LOCK (NYLON INSERT, 3/8"-16 GRS ZINC)	4	
7		F1	CAPSCREW (3/8"-16 X 1", GRS ZINC)	4	
8		F1	WASHER, FLAT (STANDARD, 3/8")	8	
9	385754		WASHER, DOOR HINGE	8	EA
10	385753		SPACER, DOOR HINGE	4	EA
11		F1	NUT, LOCK (NYLON INSERT, 3/8"-16 GR5 ZINC)	4	
12	385745		WELDMENT, DOOR GRAB HANDLE (LEFT HAND)	1	EA
13		F1	BOLT, HEX HEAD (1/4"-20 X 1")	6	
14	385763		WASHER, FLAT (1/4")	8	EA
15		F1	WELDMENT, DOOR LATCH (LEFT HAND)	1	
16	385762		SPACER, DOOR HANDLE (NYLON)	3	EA
17	385764		CAPSCREW, HEX HEAD (M6 X 1" X 25MM GR8 ZN)	3	EA
18	385766		LATCH	1	EA
19	385767		COVER, LATCH	1	EA
20	385761		GASKET, DOOR LATCH	1	EA
21	385760		HANDLE, DOOR (OUTSIDE STD)	1	EA
22	385751	F2	SPRING, GAS (30LB)	1	EA
23	385772	F2	SOCKET, METAL BALL	2	EA
24	385774	F2	CLIP, SAFETY	2	EA
25	385769	F2	STUD, BALL	2	EA
26		F1	NUT, LOCK (NYLON INSERT, 5/16"-18)	2	
27		F1	PLATE, STRIKER BOLT	1	
28		F1	BOLT, STRIKER	1	
30		F1	WASHER (1/2", ZINC)	1	
31		F1	NUT, HEX (7/16"-14)	1	
32		F1	BOLT, HEX HEAD (1/4"-20 X 1" LONG)	2	
33		F1	WASHER, FLAT (PLAIN, 1/4")	4	
34		F1	NUT, LOCK (NYLON INSERT, 1/4"-20)	2	
REMAINING COMPONENTS					
	385541		HINGES, DOOR (RIGHT HAND, UPPER AND LOWER)	1	EA
	385803		KEY, VISTA CAB HANDLE (SM250 AND HC)		
F1 - PART NUMBER NOT AVAILABLE.					
F2 - WHEN REPLACING SPRING, IT IS					
RECOMMENDED TO REPLACE ITEMS 23, 24,					

477075: DOOR (RIGHT HAND)

ITEM	PART NUMBER	F/N	DESCRIPTION	QTY	UOM
			AND 25 AS WELL.		

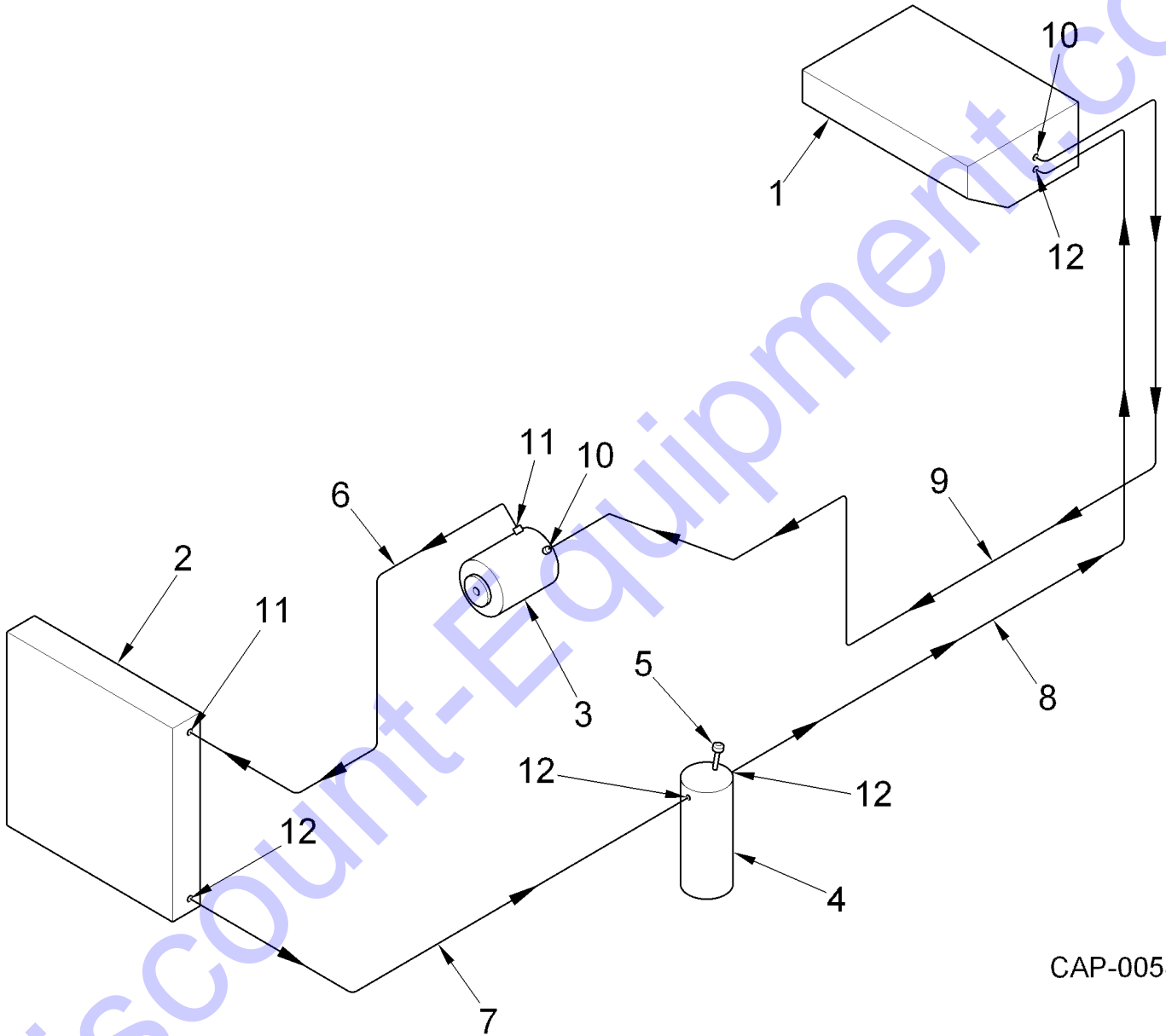
Discount-Equipment.com

NON-ILLUSTRATED

Discount-Equipment.com

V63115400: KIT, TURN SIGNAL SWITCH

ITEM	PART NUMBER	F/N	DESCRIPTION	QTY	UOM
1	036467		TERMINAL, INSULATED (#10 RING, 16-14 GA)	1	EA
2	068205		TERMINAL, INSULATED BULLET (FEMALE, 14-16 GA)	5	EA
3	442228		TERMINAL, SLIDE	3	EA
4	445536		TUBE, HEAT SHRINK (.25 ID)	1	EA
5	466045		SPLICE (16-24GA WIRE, .750 FT)	1	EA
6	466615		HOLDER, INLINE FUSE (14 AMP)	1	EA
7	466698		SWITCH, TURN SIGNAL	1	EA
8	V63121300		MODULE, FLASHER (3 PRONG)	1	EA

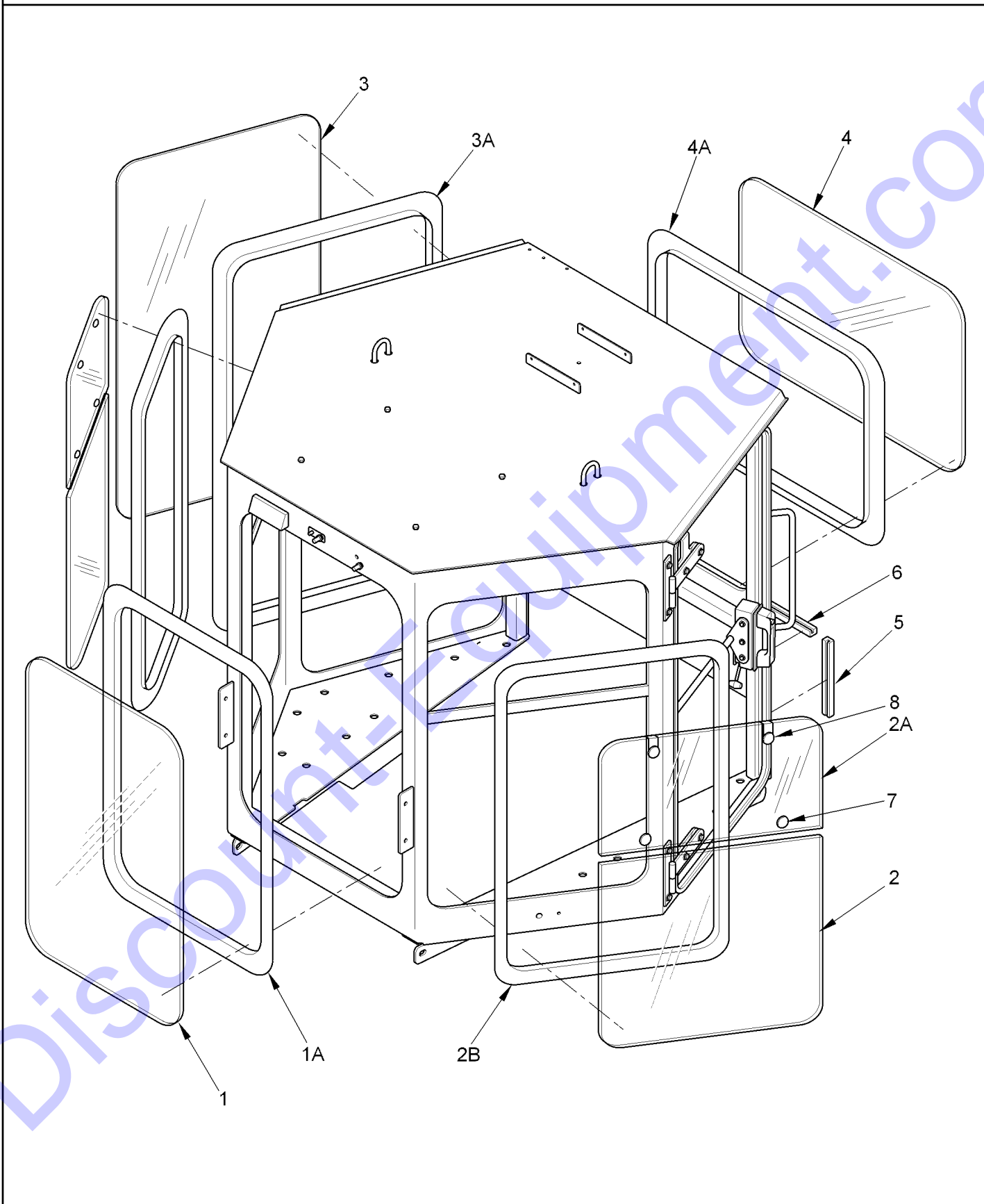


CAP-0058

PLUMBING, A/C

ITEM	PART NUMBER	F/N	DESCRIPTION	QTY	UOM
1	385970		A/C UNIT, ROOF MOUNTED	1	EA
2	385980		COIL, CONDENSER	1	EA
3	449835		COMPRESSOR, A/C	1	EA
4	476947		DRIER	1	EA
5	385979		SWITCH, SYSTEM HI/LO PRESSURE	1	EA
6	477682		HOSE ASSEMBLY (#8)	1	EA
7	477681		HOSE ASSEMBLY (#6)	1	EA
8	477683		HOSE ASSEMBLY (#6)	1	EA
9	477684		HOSE ASSEMBLY (#10)	1	EA
10	385360		O-RING (#10)	2	EA
11	385961		O-RING (#8)	2	EA
12	385962		O-RING (#6)	4	EA

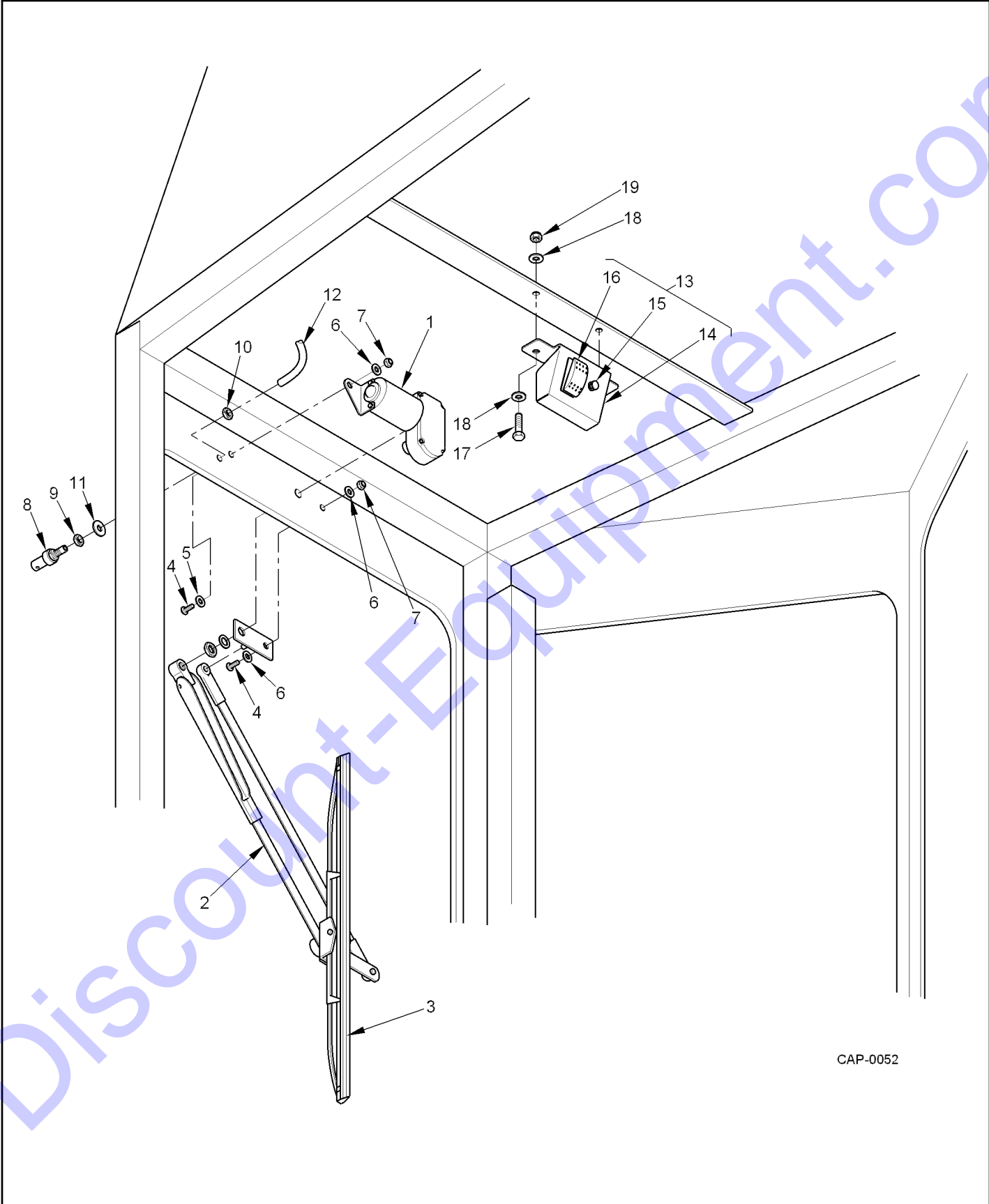
WINDOWS, VISTA CAB



WINDOWS, VISTA CAB

ITEM	PART NUMBER	F/N	DESCRIPTION	QTY	UOM
1	385758		GLASS, FRONT WINDOW	1	EA
1A	476951		RUBBER, GLASS (1/8" OFFSET, 170")	1	EA
2	385794		GLASS, STATIONARY	2	EA
2A	385792		GLASS, TIP OUT	2	EA
2B	476951		RUBBER, GLASS (1/8" OFFSET, 170")	2	EA
3	474795		GLASS, RIGHT SIDE	1	EA
3A	476954		RUBBER, RIGHT SIDE GLASS (1/8" OFFSET, 170")	1	EA
4	385759		GLASS, REAR WINDOW	1	EA
4A	477850		RUBBER, REAR WINDOW GLASS (1/8 OFFSET)	1	EA
5	447910		SEAL, SIDE BULB SEAL DOOR EDGE RUBBER (43")	1	EA
6	447909		KIT, RUBBER SEAL (1/2" X 1-1/2" X 11")	2	EA
7	385793		TIP OUT GLASS LATCH ASSEMBLY	4	EA
8	385791		TIP OUT GLASS WINDOW HINGE ASSEMBLY	4	EA
			REMAINING COMPONENTS		
	447996	F1	TIP OUT WINDOW ASSEMBLY	1	EA
			F1 - INCLUDES FRAME WITH TOP AND BOTTOM		
			GLASS: DOES NOT INCLUDE RUBBER SEAL		
			(ITEM 2B)		

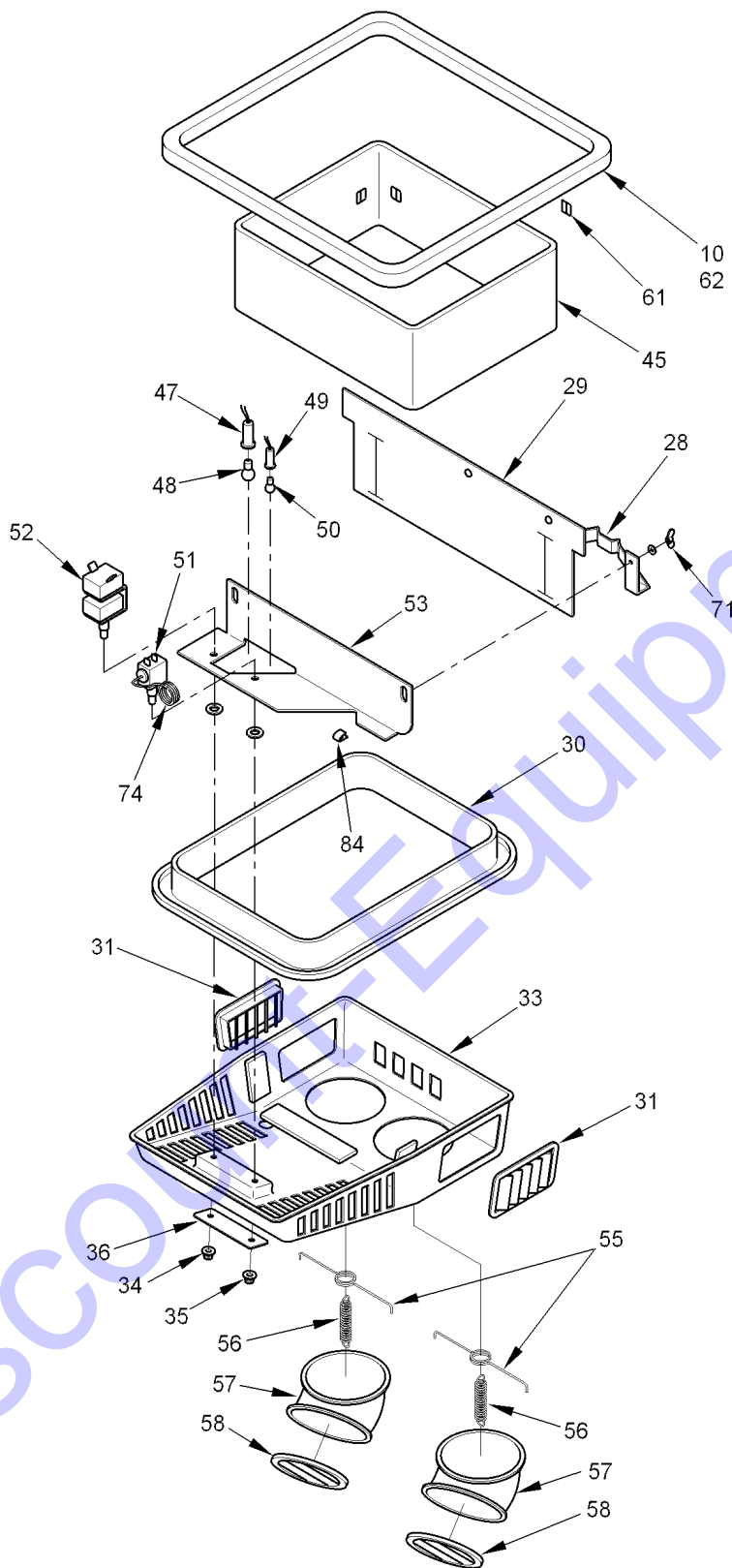
WIPER/WASHER, WINDSHIELD (VISTA CAB)



CAP-0052

WIPER/WASHER, WINDSHIELD (VISTA CAB)					
ITEM	PART NUMBER	F/N	DESCRIPTION	QTY	UOM
1	385851		MOTOR, WWF WIPER (W/O SWITCH)	1	EA
2	385852		ARM, WWJ PANTOGRAPH WIPER (16")	1	EA
3	385853		WIPER BLADE, HEAVY DUTY (18")	1	EA
4		F1	BOLT (#10-24 X 3/4" LONG)	2	
5	385802		WASHER, BONDED SEALING (3/8")	1	EA
6		F1	WASHER, FLAT (3/16" OR #10)	2	
7		F1	NUT, LOCK (#10-24)	2	
8	385854		KIT, WASHER (12V)	1	EA
9		F1	BUSHING, BRASS HEX (3/8" MPT X 1/4" FPT)	1	
10	385858		NUT, HEX SEAL (3/8" NPT)	1	EA
11	385855		WASHER, BONDED SEALING	1	EA
12		F1	HOSE, WASHER (3/16" ID)	AR	
13		F1	SINGLE WIPER/WASHER SWITCH ASSEMBLY	1	
14	444555		BRACKET, WIPER WASHER SWITCH	1	EA
15	444556		SWITCH, PUSH BUTTON ELECTRICAL	1	EA
16	444557		SWITCH, WIPER	1	EA
17		F1	BOLT, HEX HEAD (1/4"-20 X 3/4")	2	
18		F1	WASHER, FLAT (PLAIN, 1/4")	4	
19		F1	NUT, LOCK (NYLON INSERT, 1/4"-20)	2	
F1 - PART NUMBER NOT AVAILABLE.					

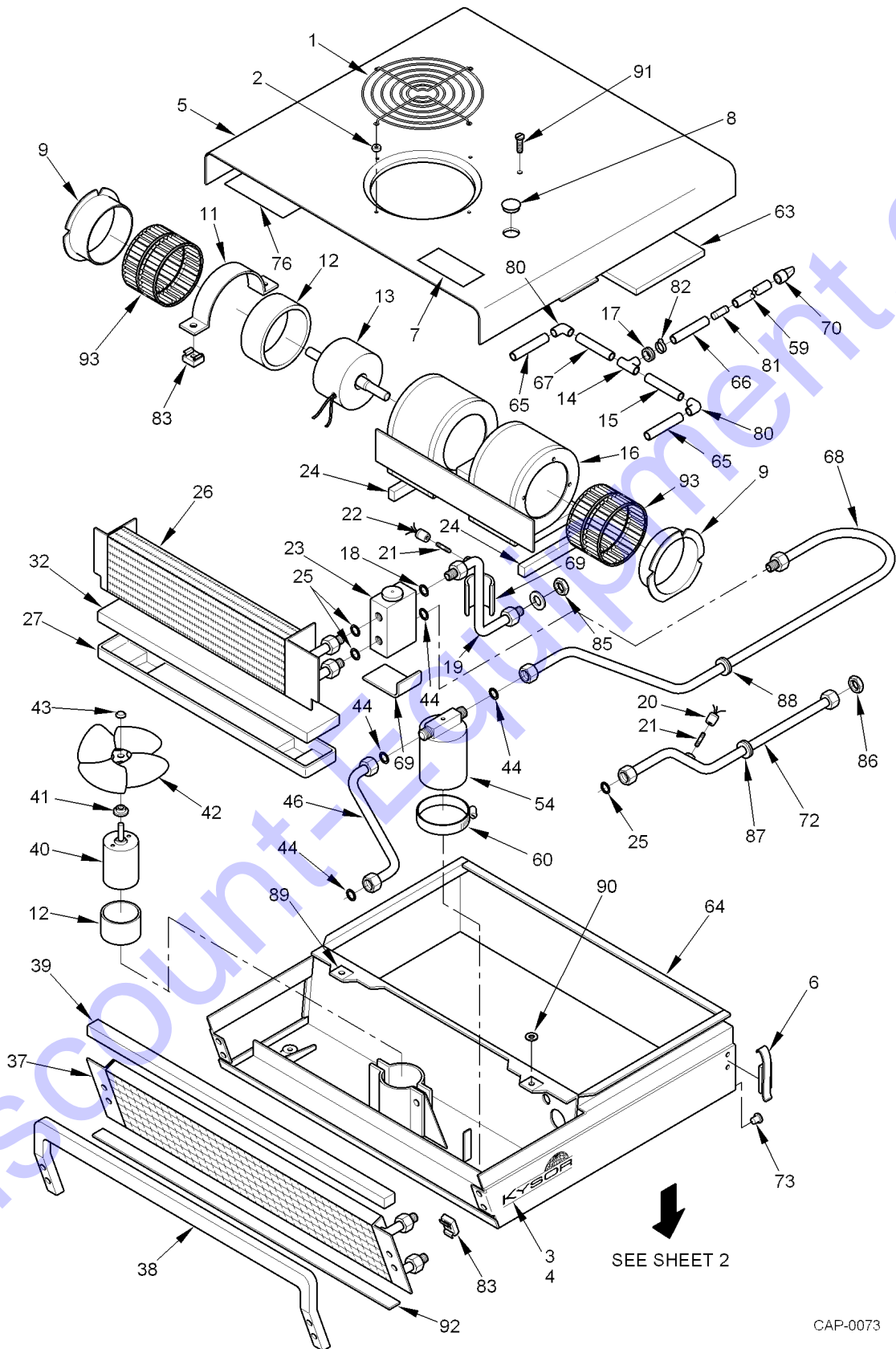
AIR CONDITIONER (KYSOR, LOWER HALF)



CAP-0074

AIR CONDITIONER (KYSOR, LOWER HALF)					
ITEM	PART NUMBER	F/N	DESCRIPTION	QTY	UOM
10		F1	SEAL, RING	1	
28		F1	ARM, WELDMENT (OPTIONAL)	1	
29		F1	SEAL, CHAMBER PLATE	1	
30		F1	SEAL, RING	1	
31		F1	LOUVER, SMALL	2	
33		F1	CHAMBER, AIR TRANSFER	1	
34	463000		KNOB, FAN SWITCH	1	EA
35	462994		KNOB, THERMOSTAT	1	EA
36		F1	PANEL, CONTROL	1	
45		F1	BOOT, RUBBER	1	
47		F1	SOCKET, LIGHT	1	
48		F1	BULB (12V)	1	
49		F1	SOCKET, LIGHT	1	
50		F1	BULB (12V)	1	
51	468264		THERMOSTAT	1	EA
52	468272		SWITCH, BLOWER TANDEM (12V)	1	EA
53		F1	CHAMBER, WELDMENT	1	
55		F1	RETAINER	2	
56		F1	SPRING EXTENSION (OPTIONAL)	2	
57		F1	ELBOW, DUCT (OPTIONAL)	2	
58		F1	LOUVER	2	
61		F1	CLIP	14	
62		F1	RING, GASKET	1	
71		F1	NUT, WING	2	
74		F1	TUBING, INSULATION	1	
84		F1	NUT, SPEED ("U" TYPE)	2	
			REMAINING COMPONENTS		
		F1	HARNESS, WIRE	1	
		F1	WIRE ASSEMBLY	1	
		F1	HARNESS, WIRE	1	
		F1	TIPPETTE, SWITCH	1	
	331918		HOSE ASSEMBLY (HIGH SIDE, #8 - PRESSURE)	1	EA
	331926		HOSE ASSEMBLY (LOW SIDE, #10 - RETURN)	1	EA
	466771		FILTER, HEPA (1-3/4" X 4" X 13-1/2")	1	EA
	9107005		BOX, A/C FILTER HOUSING	1	EA
			F1 - PART NUMBER NOT AVAILABLE.		

AIR CONDITIONER (KYSOR, UPPER HALF)



CAP-0073

AIR CONDITIONER (KYSOR, UPPER HALF)

ITEM	PART NUMBER	F/N	DESCRIPTION	QTY	UOM
1	910705K	F1	GRILL,FAN	1	EA
2		F2	NUT, EXPANSION	4	
3		F2	LOGO (RIGHT HAND)	1	
4		F2	LOGO (LEFT HAND)	1	
5	9107060		COVER, WELDMENT	1	EA
6		F2	LATCH	2	
7		F2	DECAL, WARNING	1	
8		F2	CAP, PLUG	1	
9	468306		FOIL	2	EA
11		F2	STRAP, MOTOR	1	
12	9107027		INSULATOR, MOTOR	1	EA
13	468314		MOTOR, DOUBLE SHAFT (12V)	1	EA
14		F2	TEE (1/2" X 1/2" X 2")	1	
15		F2	HOSE, DRAIN (7-1/2")	1	
16		F2	BLOWER, WELDMENT	1	
17		F2	GROMMET	1	
18		F2	O-RING (#10)	1	
19		F2	TUBE & FITTING ASSEMBLY (5/8")	1	
20	468322		SWITCH, HIGH PRESSURE	1	EA
21		F2	CORE, STEM	2	
22	468330		SWITCH, LOW PRESSURE	1	EA
23	468348		VALVE, BLOCK	1	EA
24		F3	GASKETS (SEE FOOTNOTE)	AR	
25		F2	O-RING (#8)	2	
26	475707		COIL, EVAPORATOR	1	EA
27		F2	DRAIN PAN ASSEMBLY	1	
32		F2	GASKET, DRAIN PAN	1	
37	9107037		COIL, CONDENSER	1	EA
38	475708		GRILLE, CONDENSER	1	EA
39	475709		GASKET, CONDENSER COIL (22")	1	EA
40	468355		MOTOR (12V)	1	EA
41		F2	SLINGER	1	
42	468363		BLADE, FAN	1	EA
43		F2	CAP (VINYL)	1	
44		F2	O-RING (#6)	4	
46		F2	TUBE & FITTING ASSEMBLY (3/8")	1	
54	468280		DRIER, RECEIVER	1	EA
59		F2	HOSE, DRAIN HOSE (144")	1	
60		F2	CLAMP, RECEIVER DRIER	1	
63		F2	SEAL, INNER	1	
64		F2	BASE, WELDMENT	1	
65		F2	HOSE, DRAIN (7")	2	
66		F2	HOSE, DRAIN (8")	1	
67		F2	HOSE, DRAIN (8-1/2")	1	
68		F2	TUBE & FITTING ASSEMBLY (3/8")	1	
69		F2	SEAL, MOISTURE (1.0')	1	

AIR CONDITIONER (KYSOR, UPPER HALF)

ITEM	PART NUMBER	F/N	DESCRIPTION	QTY	UOM
70		F2	VALVE, CHECK	1	
72		F2	TUBE & FITTING ASSEMBLY (1/2")	1	
73		F2	PLUG, THREADED	2	
76		F2	DIAGRAM, WIRING	1	
80		F2	ELBOW (90 DEGREE)	2	
81		F2	SPLICE	1	
82		F2	CLAMP, HOSE	1	
83		F2	NUT, CAGE	2	
85		F2	NUT, BULKHEAD (7/8")	1	
86		F2	NUT, BULKHEAD (3/4")	1	
87		F2	GROMMET, FLEXIBLE (1/2")	1	
88		F2	GROMMET, FLEXIBLE (3/8")	1	
89		F2	CLIP, RETAINER	2	
90		F2	WASHER, TIN	2	
91	467662		SCREW	2	EA
92	475710		GASKET (1.7 FT)	AR	EA
93	468298		WHEEL, BLOWER	2	EA
REMAINING COMPONENTS					
		F2	HARNESS, WIRE	1	
		F2	WIRE ASSEMBLY	1	
		F2	HARNESS, WIRE	1	
		F2	TIPPETTE, SWITCH	1	
	331918		HOSE ASSEMBLY (HIGH SIDE, #8 - PRESSURE)	1	EA
	331926		HOSE ASSEMBLY (LOW SIDE, #10 - RETURN)	1	EA
	466771		FILTER, HEPA (1-3/4" X 4" X 13-1/2")	1	EA
	9107005		BOX, A/C FILTER HOUSING	1	EA
F1 - DOES NOT COME WITH COVER.					
F2 - PART NUMBER NOT AVAILABLE.					
F3 - CONTAINS: (1) 40.0", (1) 9.5",					
(1) 3.4" (4.7 FT. TOTAL)					

NON-ILLUSTRATED

343301: INDICATOR, A/C RESTRICTION (DASH MOUNT)

ITEM	PART NUMBER	F/N	DESCRIPTION	QTY	UOM
1	041236		TIE, CABLE (7-1/4" X 3/16", 1-3/4" DIA, BLACK)	4	EA
2	293332		TUBE (CLEAR PVC, 1/4"OD X 1/8" X 174")	1	EA
3	444398		GAUGE, FILTER MINDER	1	EA
4	010561		WASHER, LOCK (5/16")	4	EA

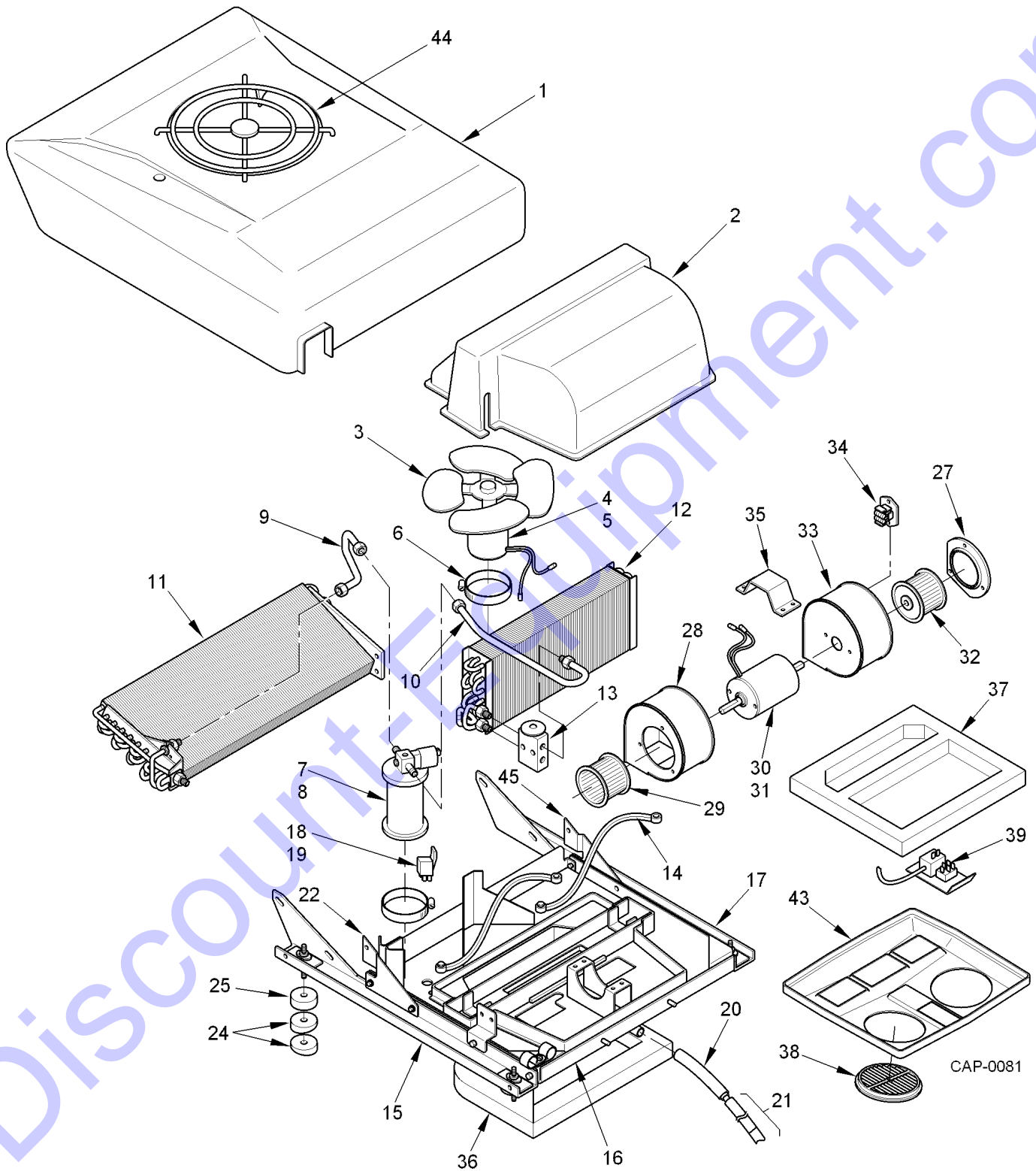
NON-ILLUSTRATED

Discount-Equipment.com

299941: INDICATOR, A/C RESTRICTION (IN CAB)

ITEM	PART NUMBER	F/N	DESCRIPTION	QTY	UOM
1	418186		INDICATOR, AIR FILTER	1	EA
2	042580		EII (1/4-NPT STREET 900)	1	EA
3	071746		FLANGE, RESTRICTION INDICATOR	1	EA
4	031823		COUPLING (1/8"-NPT)	2	EA
5	077057		FITTING (.25 HOSE TO 1/8-NPT)	2	EA
6	031914		CLAMP, FUEL LINE	2	EA
7	299958		HOSE, MCL (1/4 ID X 12.00")	1	EA
8	299966		INSTALLATION INSTRUCTIONS	1	EA

449819: KIT, COMPLETE A/C



449819: KIT, COMPLETE A/C

ITEM	PART NUMBER	F/N	DESCRIPTION	QTY	UOM
1	476408		OUTER COVER ASSEMBLY	1	EA
2		F1	INNER COVER ASSEMBLY	1	
3	386509		FAN-CONDENSER	1	EA
4	469759		MOTOR (12V)	1	EA
5		F1	MOTOR-CONDENSER (24V)	1	
6		F1	CLAMP, HOSE (3-1/2")	2	
7	463117		RECEIVER/DRIER	1	EA
8	462481		SWITCH, TRINARYTTM PRESSURE	1	EA
9		F1	TUBE, REFRIGERANT	1	
10		F1	TUBE, REFRIGERANT	1	
11		F1	CONDENSER ASSEMBLY	1	
12	477672		COIL, EVAPORATOR	1	EA
13	477232		VALVE, EXPANSION	1	EA
14		F1	STRAP	2	
15		F1	RAIL ASSEMBLY (LEFT HAND)	1	
16		F1	PLASTIC DRAIN PAN ASSEMBLY	1	
17		F1	RAIL ASSEMBLY (RIGHT HAND)	1	
18		F1	RELAY (12V)	1	
19		F1	RELAY (24V)	1	
20		F1	HOSE, DRAIN	1	
21		F1	DRAIN HOSE ASSEMBLY	1	
22		F1	RECEIVER BRACKET ASSEMBLY	1	
24		F1	SPACER, TAPERED	8	
25		F1	SPACER, RUBBER	4	
27		F1	ENTRY RINGS	2	
28	455151		BLOWER ASSEMBLY (LEFT HAND)	1	EA
29		F1	WHEEL, BLOWER (LEFT HAND)	1	
30	469759		MOTOR (12V)	1	EA
31		F1	MOTOR (24V)	1	
32		F1	WHEEL, BLOWER (RIGHT HAND)	1	
33	455150		BLOWER ASSEMBLY (RIGHT HAND)	1	EA
34		F1	RESISTOR	1	
35		F1	RETAINER, MOTOR	1	
36		F1	ROOF SEAL ASSEMBLY	1	
37		F1	GASKET, PLENUM	1	
38	386505		LOUVER ASSEMBLY (4-1/2")	2	EA
39		F1	CONTROL PANEL SUB ASSEMBLY	1	
43		F1	DIFFUSER, PLENUM	1	
44		F1	GUARD, FAN	1	
45		F1	BRACKET ASSEMBLY (RIGHT HAND)	1	
			REMAINING COMPONENTS		
		F1	WIRE HARNESS ASSEMBLY	1	
		F1	THERMOSTAT	1	
	477315		KNOB	2	EA

449819: KIT, COMPLETE A/C

ITEM	PART NUMBER	F/N	DESCRIPTION	QTY	UOM
	409752	F1	SWITCH, 4-POSITION (5-PRONG)	1	EA
			LABEL, CONTROL PANEL	1	
	477307		FILTER, RECIRCULATION (FOAM)	1	EA
F1 - PART NUMBER NOT AVAILABLE.					

Discount-Equipment.com

NON-ILLUSTRATED

345488: KIT, HEATER (CUMMINS DIESEL ONLY)

ITEM	PART NUMBER	F/N	DESCRIPTION	QTY	UOM
1	010033		CAPSCREW (1/4"-20 X 3/4")	2	EA
2	010553		NUT, HEX (5/16"-18NC)	2	EA
3	010561		WASHER, LOCK (5/16")	2	EA
4	436923		REDUCER, SPECIAL PIPE (1/2" X 3/8")	2	EA
5	044313		KIT, HEATER (INCLUDES 2-SPEED SWITCH)	1	EA
6	044362		ADAPTER (3/8"NPT X 5/8"HOSE)	1	EA
7	044370		CLAMP	6	EA
8	059840		ELBOW, 90 DEG (3/8"-NPT)	1	EA
9	421974		CABLE, CONTROL	1	EA
10	272328		HOSE (5/8" ID X 72")	2	EA
11	72144000		NIPPLE (3/8"NPT X 2")	1	EA
12	417329		VALVE, HEATER SHUT-OFF	1	EA
13	417808		DECAL, HEATER CONTROL	1	EA
14	041780		COUPLING (3/8"NPT)	1	EA
15	347625		WIRING HARNESS ASSEMBLY (2-WIRE WITH LOOM)	1	EA

NON-ILLUSTRATED

Discount-Equipment.com

296541: KIT, HOUR METER

ITEM	PART NUMBER	F/N	DESCRIPTION	QTY	UOM
1	078063		SWITCH, PRESSURE (2-6 PSI .12-NPT)	1	EA
2	034892		METER, HOUR	1	EA
3	296558		INSTRUCTION (HOUR METER KIT)	1	EA
4	036608		WIRE (GRAY, 16 GA)	3	EA
5	036467		TERMINAL, INSULATED (#10 RING, 16-14 GA)	2	EA
6	431320		TERMINAL, FEMALE SLIDE (1/4")	3	EA
7	416701		RIVET, HUCK (1/4" DIA X 13/16")	2	EA

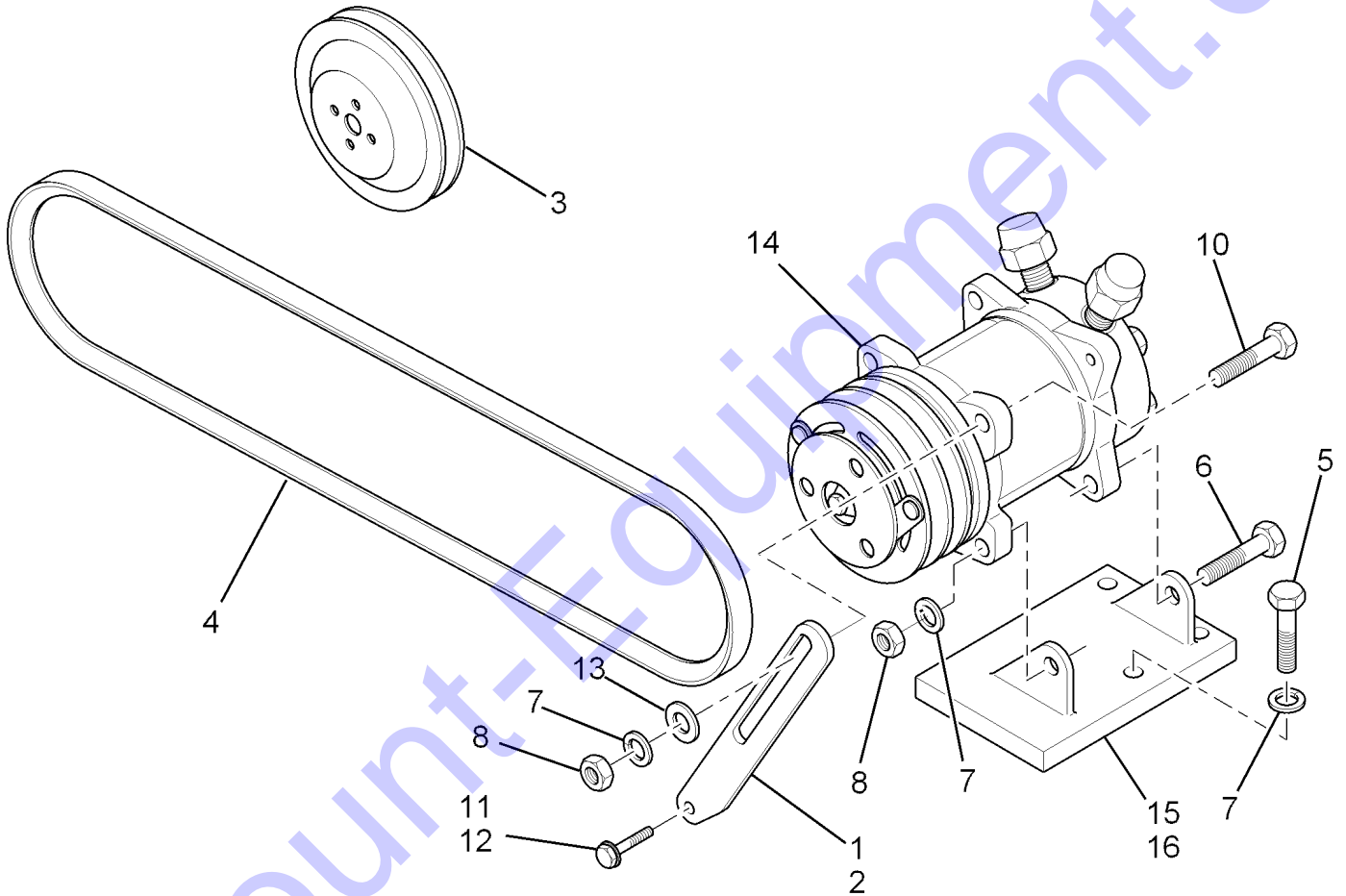
NON-ILLUSTRATED

Discount-Equipment.com

279810: KIT, MIRROR

ITEM	PART NUMBER	F/N	DESCRIPTION	QTY	UOM
1	010058		CAPSCREW (1/4"-20 X 1")	8	EA
2	010272		NUT, HEX (1/4"-20NC, FLANGE WHIZLOCK GR.G)	8	EA
3	010280		WASHER, LOCK (1/4")	8	EA
4	010579		WASHER, FLAT (5/16")	8	EA
5	010553		NUT, HEX (5/16"-18NC)	4	EA
6	010561		WASHER, LOCK (5/16")	4	EA
7	279828		MOUNT, MIRROR	4	EA
8	279836		INSTRUCTIONS, MOUNTING	1	EA
9	281550		MOUNT, MIRROR	1	EA
10	416735		MIRROR, WEST COAST	2	EA
11	417162		MIRROR, RECTANGULAR	1	EA
12	416701		RIVET, HUCK (1/4" DIA X 13/16")	2	EA

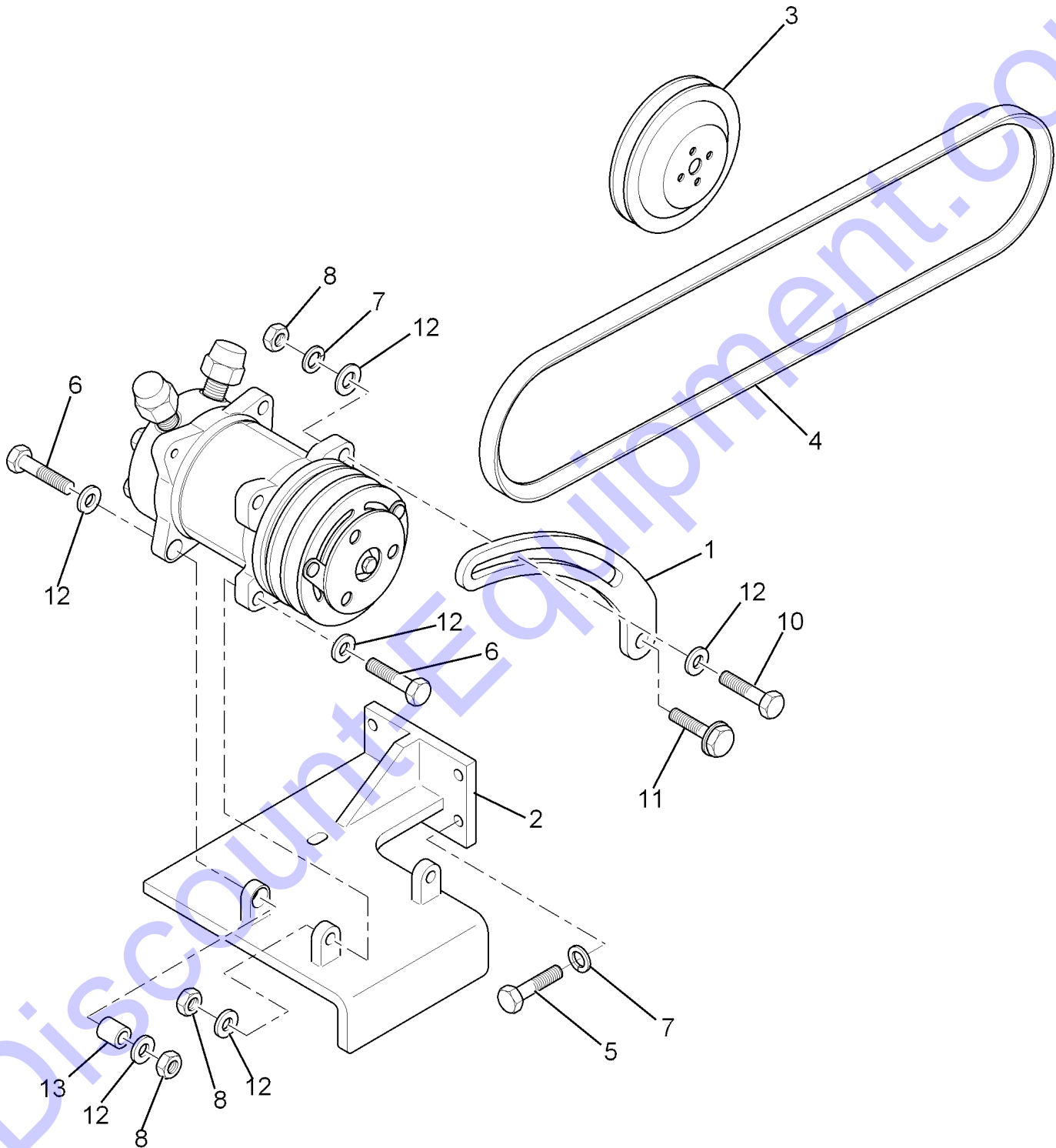
MOUNTING, A/C COMP (CUMMINS)



MOUNTING, A/C COMP (CUMMINS)

ITEM	PART NUMBER	F/N	DESCRIPTION	QTY	UOM
1	282533		ARM, BELT TIGHTENER (REV CODE -003 & EARLIER)	1	EA
2	368738		ARM, BELT TIGHTENER (REV CODE -004 & LATER)	1	EA
3	409748		PULLEY, ACCESSORY DRIVE	1	EA
4	418483		BELT (43.5 X .531)	1	EA
5	038372		CAPSCREW (M10 X 1.5 CP X M30)	3	EA
6	415083		CAPSCREW (M10 X M35)	3	EA
7	038380		WASHER, LOCK (M10)	6	EA
8	089474		NUT, HEX (M10 X 1.5)	3	EA
10	466797		CAPSCREW	1	EA
11	048470		CAPSCREW (M8 X 1-1/4"CP-6G X M25)	1	EA
12	404673		CAPSCREW, SOCKET HEAD (M8 X 1.25CP-6G X M30)	1	EA
13	011031		WASHER, FLAT (3/8")	1	EA
14	449835		COMPRESSOR, A/C	1	EA
15	331728K		MOUNT, COMPRESSOR (3.3 ENGINE)	1	EA
16	460680		MOUNT, COMPRESSOR (3.9 ENGINE)	1	EA
REMAINING COMPONENTS					
	041236		TIE, CABLE (7-1/4" X 3/16", 1-3/4" DIA, BLACK)	4	EA
	368720		SPACER, A/C BELT TIGHTENER (REV CODE -004 & LATER)	1	EA

MOUNTING, A/C COMP (KUBOTA)



MOUNTING, A/C COMP (KUBOTA)

ITEM	PART NUMBER	F/N	DESCRIPTION	QTY	UOM
1	460682		ARM, BELT TIGHTENER	1	EA
2	387045		MOUNT, COMPRESSOR	1	EA
3	9107030		PULLEY, ACCESSORY DRIVE	1	EA
4	478027		BELT (43.5 X .531)	1	EA
5	038372		CAPSCREW (M10 X 1.5 CP X M30)	3	EA
6	415083		CAPSCREW (M10 X M35)	3	EA
7	038380		WASHER, LOCK (M10)	6	EA
8	089474		NUT, HEX (M10 X 1.5)	3	EA
10	466797	F1	CAPSCREW	1	EA
11	048470	F2	CAPSCREW (M8 X 1-1/4"CP-6G X M25)	1	EA
12	011031		WASHER, FLAT (3/8")	5	EA
13	460681		SLEEVE, REAR COMPRESSOR MOUNT	1	EA
REMAINING COMPONENTS					
	041236		TIE, CABLE (7-1/4" X 3/16", 1-3/4" DIA, BLACK)	4	EA
	9107029		PULLEY, WATER PUMP ENGINE	1	EA
	9107033		A/C WIRING HARNESS (3-WIRE, RED/BLACK/GREEN)	1	EA
F1 - INCLUDED WITH 387045.					
F2 - REV. CODE -003 & EARLIER.					

NON-ILLUSTRATED

Discount-Equipment.com

272732: KIT, ENGINE COLD START

ITEM	PART NUMBER	F/N	DESCRIPTION	QTY	UOM
1	038406		CAPSCREW (M12 X 1.75 CP-6G X M20)	1	EA
2	038414		WASHER, LOCK (M12)	1	EA
3	272724		WIRING HARNESS ASSEMBLY	1	EA
4	409219		KIT, ENGINE COLD START AID	1	EA

NON-ILLUSTRATED

Discount-Equipment.com

166066: KIT, FAN DEFROSTER

ITEM	PART NUMBER	F/N	DESCRIPTION	QTY	UOM
1	036467		TERMINAL, INSULATED (#10 RING, 16-14 GA)	1	EA
2	048439		FAN, DEFROSTER	1	EA

Discount-Equipment.com

NON-ILLUSTRATED

Discount-Equipment.com

286153: KIT, NYLON FAN

ITEM	PART NUMBER	F/N	DESCRIPTION	QTY	UOM
1	421206		FAN, NYLON	1	EA
2	421214		PULLEY	1	EA
3	421222		BELT	1	EA

NON-ILLUSTRATED

Discount-Equipment.com

PRE-HEATER, ENGINE

ITEM	PART NUMBER	F/N	DESCRIPTION	QTY	UOM
1	409201		KIT, ENGINE PRE-HEATER	1	EA
2	477789		HEATER, ENGINE PRE-HEAT	1	EA
3	477790		CABLE, HEATER	1	EA

NON-ILLUSTRATED

Discount-Equipment.com

342055: SHUT DOWN SYSTEM, ENGINE

ITEM	PART NUMBER	F/N	DESCRIPTION	QTY	UOM
1	082404		SWITCH, MAGNETIC	1	EA
2	294041		WIRE (ORANGE/WHITE, 16 GA, 24")	1	EA
3	409334		SWITCHGAUGE, WATER TEMPERATURE	1	EA
4	082388		SWITCHGAUGE, PRESSURE	1	EA
5	042267		COUPLING (1/8"NPT, 150#, BLACK)	1	EA
6	082412		ADAPTER	1	EA
7	271882		HOSE ASSEMBLY (1/4"ID X 120" LONG)	1	EA
8	414904		ADAPTER, 90 DEGREE (1/8"NPT X 7/16"JIC)	1	EA
9	046995		CONNECTOR, SPLICE (20-14 GA.)	1	EA
10	036467		TERMINAL, INSULATED (#10 RING, 16-14 GA)	4	EA
11	346056		INSTRUCTIONS	1	EA
12	285346		WIRE (16 GA. BROWN X 14.00")	1	EA
13	447748		DECAL ("TO START ENGINE PUSH OVERRIDE BUTTON")	1	EA

NON-ILLUSTRATED

Discount-Equipment.com

271145: WARNING SYSTEM, ENGINE

ITEM	PART NUMBER	F/N	DESCRIPTION	QTY	UOM
1	042267		COUPLING (1/8"NPT, 150#, BLACK)	1	EA
2	082338		SWITCHGAUGE, PRESSURE	1	EA
3	082412		ADAPTER	1	EA
4	271882		HOSE ASSEMBLY (1/4"ID X 120" LONG)	1	EA
5	272187		WIRING HARNESS ASSEMBLY	1	EA
6	409318		SONALERT, FAST PULSE	1	EA
7	409326		LIGHT, WARNING	1	EA
8	409334		SWITCHGAUGE, WATER TEMPERATURE	1	EA
9	414904		ADAPTER, 90 DEGREE (1/8"NPT X 7/16"JIC)	1	EA
10	295402		INSTRUCTIONS	1	EA

NON-ILLUSTRATED

Discount-Equipment.com

295923: KIT, DOME LIGHT

ITEM	PART NUMBER	F/N	DESCRIPTION	QTY	UOM
1	081969		LIGHT, DOME	1	EA
2	036541		WIRE (RED, 16 GA, 84")	1	EA
3	036467		TERMINAL, INSULATED (#10 RING, 16-14 GA)	1	EA
4	046995		CONNECTOR, SPLICE (20-14 GA.)	1	EA
5	299610		MOUNT, DOME LIGHT	1	EA
6	416750		RIVET, POP (3/16 X 7/16)	5	EA

NON-ILLUSTRATED

Discount-Equipment.com

352146: KIT, HIGH/LOW BEAM LIGHT (HALOGEN)

ITEM	PART NUMBER	F/N	DESCRIPTION	QTY	UOM
1	61012700		SWITCH, LIGHT (W/15 AMP BREAKER)	1	EA
2	63015300		LIGHT, LICENSE PLATE	1	EA
3	63015800		LIGHT, TAIL	2	EA
4	461475		LIGHT, FLASHER (RED/AMBER RECTANGULAR)	2	EA
5	63115400		SWITCH, TURN SIGNAL	1	EA
6	63121300		SIGNAL, FLASHER	1	EA
7	461467		HEADLIGHT, RECTANGULAR (H/L BEAM, HALOGEN)	2	EA
8	044123		CONNECTOR, 3-WIRE BULLET TERMINAL	1	EA
9	068205		TERMINAL, INSULATED BULLET (FEMALE, 14-16 GA)	12	EA
10	272484		LOOM (BLACK, 11/32"ID X 40" LONG)	2	EA
11	299628		WIRE (ORANGE, 10 GA, 25")	1	EA
12	432344		SWITCH, DIMMER	1	EA
13	297945		MOUNT, HEADLIGHT (LEFT HAND)	1	EA
14	297952		MOUNT, HEADLIGHT (RIGHT HAND)	1	EA
15	432377		LAMP, BLUE INDICATOR	1	EA
16	61017000		GROMMET, FUEL SENDER WIRE	1	EA
17	010017		CAPSCREW (1/4"-20NC X 1/2")	2	EA
18	436261		TAPE, REFLECTOR (RED)	2	EA
19	281576		MOUNT, TAG LIGHT	1	EA
20	423673		SCREW, SLOTTED (#10-24NC X 1/2")	2	EA
21	416974		NUT, ACORN (10-24NC)	2	EA
22	416750		RIVET, POP (3/16 X 7/16)	2	EA
23	068197		TERMINAL, INSULATED BULLET (MALE, 14-16 GA)	1	EA
24	036467		TERMINAL, INSULATED (#10 RING, 16-14 GA)	1	EA
25	335364		SPACER, DIMMER SWITCH	2	EA
26	010066		CAPSCREW (1/4"-20NC)	2	EA
27	010272		NUT, HEX (1/4"-20NC, FLANGE WHIZLOCK GR.G)	2	EA
28	010280		WASHER, LOCK (1/4")	2	EA

NON-ILLUSTRATED

Discount-Equipment.com

294215: KIT, LOOM AND CABLE TIE

ITEM	PART NUMBER	F/N	DESCRIPTION	QTY	UOM
1	335190		LOOM (11/32 ID FLEX GUARD X 30.00")	1	EA
2	047761		TIE, CABLE	5	EA
3	041236		TIE, CABLE (7-1/4" X 3/16", 1-3/4" DIA, BLACK)	10	EA

NON-ILLUSTRATED

Discount-Equipment.com

335273: KIT, ROTARY BEACON

ITEM	PART NUMBER	F/N	DESCRIPTION	QTY	UOM
1	010322		CAPSCREW (5/16"-18NC X 3/4")	2	EA
2	010553		NUT, HEX (5/16"-18NC)	2	EA
3	010561		WASHER, LOCK (5/16")	2	EA
4	068197		TERMINAL, INSULATED BULLET (MALE, 14-16 GA)	2	EA
5	068205		TERMINAL, INSULATED BULLET (FEMALE, 14-16 GA)	1	EA
6	272559		WIRE (BROWN, 16 GA, 120")	1	EA
7	272567		LOOM (CLEAR VINYL, 1/4"ID X 96" LONG)	1	EA
8	335265		MOUNT, STROBE	1	EA
9	432385		BEACON, AMBER ROTATING	1	EA
10	335216		GUARD, STROBE LIGHT	1	EA
11	010348		CAPSCREW (5/16"-18NC X 1")	4	EA
12	010553		NUT, HEX (5/16"-18NC)	4	EA
13	010561		WASHER, LOCK (5/16")	4	EA

NON-ILLUSTRATED

Discount-Equipment.com

272542: KIT, STROBE LIGHT (NO GUARD)

ITEM	PART NUMBER	F/N	DESCRIPTION	QTY	UOM
1	094623		LAMP, STROBE (BULB)	1	EA
2	272179		MOUNT, STROBE LIGHT	1	EA
3	272559		WIRE (BROWN, 16 GA, 120")	1	EA
4	272567		LOOM (CLEAR VINYL, 1/4"ID X 96" LONG)	1	EA
5	068197		TERMINAL, INSULATED BULLET (MALE, 14-16 GA)	2	EA
6	068205		TERMINAL, INSULATED BULLET (FEMALE, 14-16 GA)	1	EA
7	409482		RIVET, HUCK (1/4"DIA X 9/16")	2	EA
8	036467		TERMINAL, INSULATED (#10 RING, 16-14 GA)	1	EA
9	037010		SCREW, SLOTTED ROUND HEAD (#10-24NC X 3/4")	1	EA
10	035436		NUT, HEX (#10-24NC)	1	EA
11	031880		WASHER, LOCK (#10)	1	EA

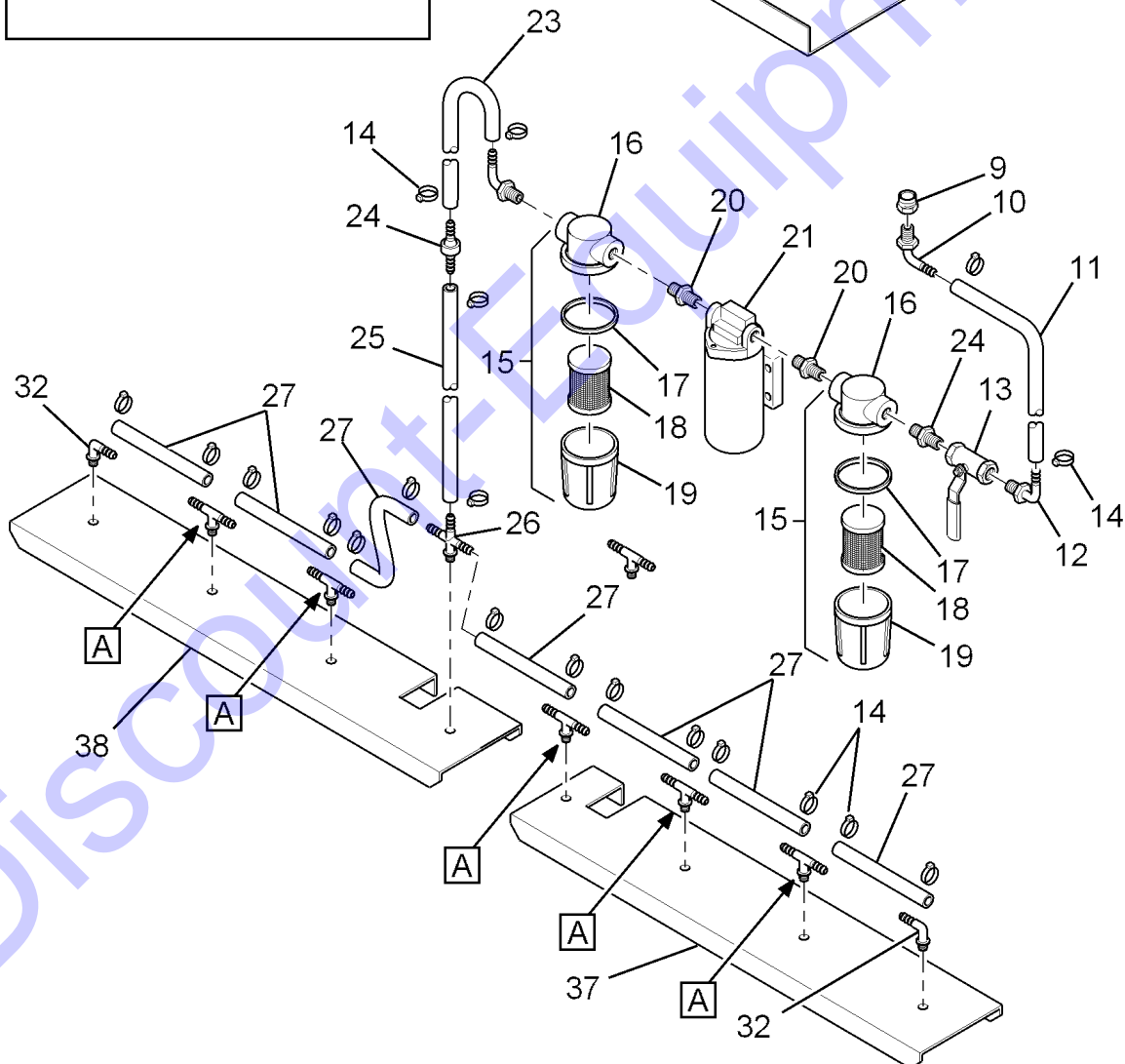
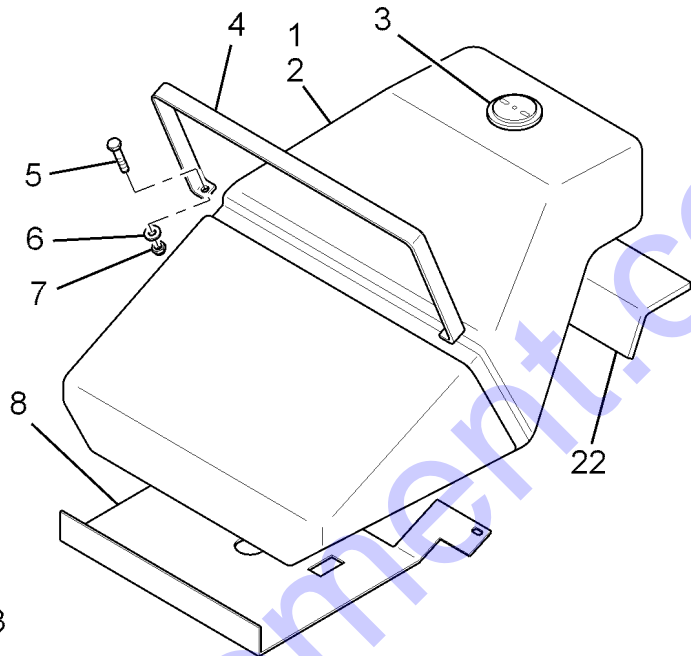
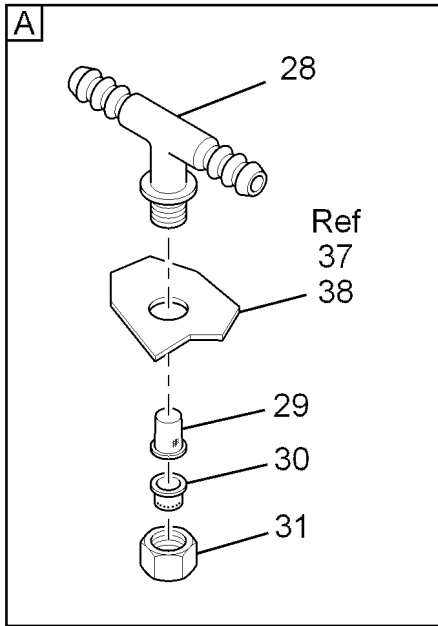
NON-ILLUSTRATED

Discount-Equipment.com

335208: KIT, STROBE LIGHT (W/GUARD)

ITEM	PART NUMBER	F/N	DESCRIPTION	QTY	UOM
1	031880		WASHER, LOCK (#10)	1	EA
2	035436		NUT, HEX (#10-24NC)	1	EA
3	036467		TERMINAL, INSULATED (#10 RING, 16-14 GA)	1	EA
4	037010		SCREW, SLOTTED ROUND HEAD (#10-24NC X 3/4")	1	EA
5	068197		TERMINAL, INSULATED BULLET (MALE, 14-16 GA)	2	EA
6	068205		TERMINAL, INSULATED BULLET (FEMALE, 14-16 GA)	1	EA
7	432393		LIGHT, STROBE (12V AMBER)	1	EA
8	335265		MOUNT, STROBE	1	EA
9	272559		WIRE (BROWN, 16 GA, 120")	1	EA
10	272567		LOOM (CLEAR VINYL, 1/4"ID X 96" LONG)	1	EA
11	409482		RIVET, HUCK (1/4"DIA X 9/16")	2	EA
12	335216		GUARD, STROBE LIGHT	1	EA
13	010348		CAPSCREW (5/16"-18NC X 1")	4	EA
14	010553		NUT, HEX (5/16"-18NC)	4	EA
15	010561		WASHER, LOCK (5/16")	4	EA

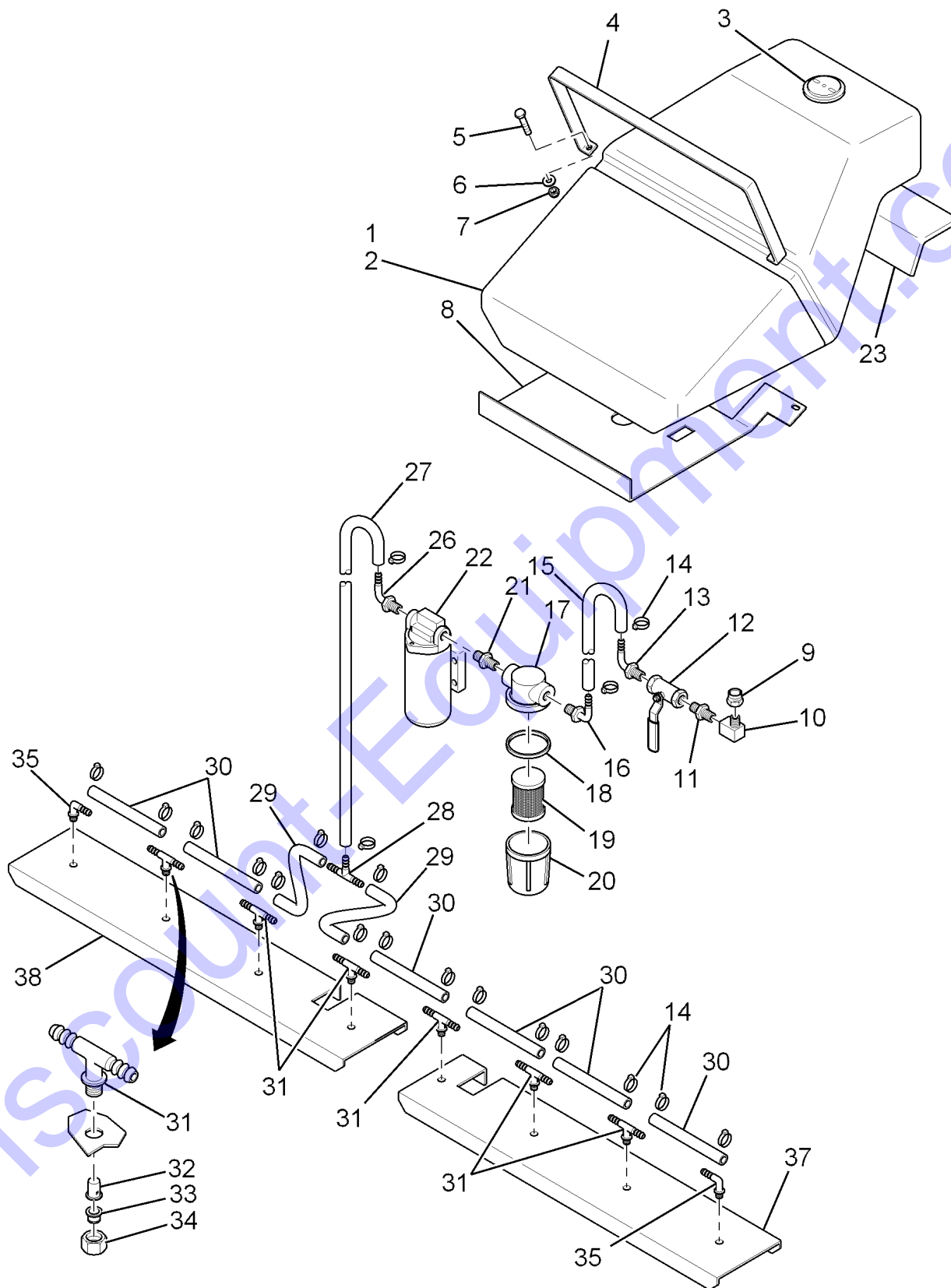
385740: KIT, LOW-PROFILE SPRINKLER (S/N 32239 AND BELOW)



385740: KIT, LOW-PROFILE SPRINKLER (S/N 32239 AND BELOW)

ITEM	PART NUMBER	F/N	DESCRIPTION	QTY	UOM
1	354860		TANK, LOW PROFILE (180 GAL, POLY, WHITE)	1	EA
2	354861		TANK, LOW PROFILE (180 GAL, POLY, BLACK)	1	EA
3	459685		CAP, WATER TANK LOW PROFILE	1	EA
4	355404		STRAP, HOLD DOWN	1	EA
5	010744		CAPSCREW (3/8"-16NC X 4")	2	EA
6	011031		WASHER, FLAT (3/8")	2	EA
7	425793		NUT, LOCK (3/8"-16 NC)	2	EA
8	355024	F1	MOUNT, LOW PROFILE POLY TANK	1	EA
9	9101876		FITTING, BULKHEAD (L/P TANK)	1	EA
10	9101674		ELBOW, 90 DEGREE (3/4"NPTM X 3/8"BARB, PLASTIC)	1	EA
11	447474		HOSE, LOW PRESSURE (3/8" ID)	1	EA
12	476903		FITTING, 90 DEGREE (.38 NPT X .38 BARB)	1	EA
13	342873		KIT, BALL VALVE	1	EA
14	447466		CLAMP, CRIMPING BAND (6 HOSE)	23	EA
15	9102321		HEAD, FILTER	2	EA
16	9102322		GASKET, FILTER HEAD	2	EA
17	9104062		SCREEN, SUCTION FILTER (GREEN)	1	EA
18	9102329		BOWL, FILTER	2	EA
19	9104063		SCREEN, PRESSURE FILTER	1	EA
20	476895		REDUCER, NIPPLE	2	EA
21	416826		PUMP, WATER (12V, 1.2 GPM)	1	EA
22	331355		PAD	1	EA
23	010272		NUT, HEX (1/4"-20NC, FLANGE WHIZLOCK GR.G)	4	EA
24	010280		WASHER, LOCK (1/4")	4	EA
25	9103017		ELBOW, 90 DEGREE (1/2"MNPT X 3/8"BARB)	1	EA
26	447474		HOSE, LOW PRESSURE (3/8" ID)	1	EA
27	459743		VALVE, ANTI-LEAK CHECK	1	EA
28	447474		HOSE, LOW PRESSURE (3/8" ID)	1	EA
29	476887		NOZZLE ASSY, CROSS SPRAY	1	EA
30	447474		HOSE, LOW PRESSURE (3/8" ID)	7	EA
31	476358		NOZZLE ASSY, T-BODY SPRAY	5	EA
32	V70007388		SCREEN, SPRAY NOZZLE	8	EA
37	298448		MOUNT, SPRINKLER (LEFT HAND)	1	EA
38	298513		MOUNT, SPRINKLER (RIGHT HAND)	1	EA
REMAINING COMPONENTS					
	441568		CAPSCREW (1/4"-20NC X 1", FLANGE WHIZLOCK)	4	EA
	V63036000		TEE, JET	8	EA
	476911		CAP, SPRAY NOZZLE	8	EA
	476366		NOZZLE ASSY, L-BODY SPRAY	2	EA
	254456		KIT, LOW SPRINKLER WATER WARNING	1	EA
NOTE: UP TO SERIAL NUMBER 32239.					
F1 - PN CHANGED TO 381699 AFTER 1999.					

356719: KIT, LOW-PROFILE SPRINKLER (S/N 32240 AND AFTER)



356719: KIT, LOW-PROFILE SPRINKLER (S/N 32240 AND AFTER)

ITEM	PART NUMBER	F/N	DESCRIPTION	QTY	UOM
1	354860		TANK, LOW PROFILE (180 GAL, POLY, WHITE)	1	EA
2	354861		TANK, LOW PROFILE (180 GAL, POLY, BLACK)	1	EA
3	459685		CAP, WATER TANK LOW PROFILE	1	EA
4	381723		STRAP, HOLD DOWN	1	EA
5	010744		CAPSCREW (3/8"-16NC X 4")	2	EA
6	011031		WASHER, FLAT (3/8")	2	EA
7	425793		NUT, LOCK (3/8"-16 NC)	2	EA
8	381699		MOUNT, LOW PROFILE POLY TANK	1	EA
9	477942		BUSHING (3/4 MNPT X 1/2 FNPT, BRASS)	1	EA
10	477943		ELBOW, STREET (90 DEG, 1/2"MNPT X 1/2"FNPT)	1	EA
11	477944		REDUCER, NIPPLE (1/2" MNPT X 3/8" MNPT)	1	EA
12	469585		VALVE (3/8" BALL, BRASS)	1	EA
13	477945		ELBOW, 90 DEGREE (1/2"HB X 3/8"MNPT)	9	EA
14	V01445200		CLAMP (#8 HOSE)	19	EA
15	446948		HOSE, LOW PRESSURE WATER (1/2"ID)	16	EA
16	477946		ELBOW, 90 DEGREES (1/2" MNPT X 1/2" HB)	1	EA
17	9102321		HEAD, FILTER	1	EA
18	9102322		GASKET, FILTER HEAD	10	EA
19	9104062		SCREEN, SUCTION FILTER (GREEN)	1	EA
20	9102329		BOWL, FILTER	1	EA
21	477947		KIT, ADAPTER (1/2" MNPT X QUAD P)	1	EA
22	416827		PUMP (12V, 5 GPM)	1	EA
23	331355		PAD	1	EA
26	477948		KIT, ADAPTER (1/2" HB, 90 DEGREE, QUAD P)	2	EA
27	446948		HOSE, LOW PRESSURE WATER (1/2"ID)	1	EA
28	477949		TEE, HOSE BARB (1/2")	1	EA
29	446948		HOSE, LOW PRESSURE WATER (1/2"ID)	2	EA
30	446948		HOSE, LOW PRESSURE WATER (1/2"ID)	6	EA
31	V70006888		TEE, HOSE BARB (1/2")	7	EA
32	V70007388		SCREEN, SPRAY NOZZLE	8	EA
33	V63036000		TEE, JET	8	EA
34	V70007488		CAP, NOZZLE (BRASS)	5	EA
35	V70006988		HOSE BARB, 90 DEGREE (1/2")	2	EA
37	298448		MOUNT, SPRINKLER (LEFT HAND)	1	EA
38	298573		MOUNT, SPRINKLER (RIGHT HAND)	1	EA
REMAINING COMPONENTS					
	441568		CAPSCREW (1/4"-20NC X 1", FLANGE WHIZLOCK)	4	EA
	010272		NUT, HEX (1/4"-20NC, FLANGE WHIZLOCK GR.G)	4	EA
	010280		WASHER, LOCK (1/4")	4	EA
	254456		KIT, LOW SPRINKLER WATER WARNING	1	EA
	386818	F1	KIT, SPRINKLER UPGRADE	1	EA
NOTE: SERIAL NUMBER 32240 AND AFTER.					

356719: KIT, LOW-PROFILE SPRINKLER (S/N 32240 AND AFTER)

ITEM	PART NUMBER	F/N	DESCRIPTION	QTY	UOM
			F1 - INCLUDES: ONE 416827 (ITEM 22) AND TWO 477947 (ITEM 21).		

Discount-Equipment.com

NON-ILLUSTRATED

Discount-Equipment.com

342568: KIT, FRONT WASH/WIPER (S/N 24964 AND UP)

ITEM	PART NUMBER	F/N	DESCRIPTION	QTY	UOM
1	031880		WASHER, LOCK (#10)	1	EA
2	035436		NUT, HEX (#10-24NC)	1	EA
3	036467		TERMINAL, INSULATED (#10 RING, 16-14 GA)	3	EA
4	043760		TERMINAL, INSULATED (1/4" RING, 20-14 GA)	1	EA
5	431320		TERMINAL, FEMALE SLIDE (1/4")	3	EA
6	443788		WINDSHIELD WIPER ASSEMBLY (2-SPEED)	1	EA
7	066712		TIE, CABLE	4	EA
8	066720		TIE, CABLE (0.035" X 3-1/2")	6	EA
9	068197		TERMINAL, INSULATED BULLET (MALE, 14-16 GA)	1	EA
10	272476		WIRE (16 GAUGE, YELLOW W/WHITE STRIPE)	1	EA
11	272567		LOOM (CLEAR VINYL, 1/4"ID X 96" LONG)	1	EA
12	274803		TUBING, MCL (STEEL, 7/8" OD X 7/8" LONG)	1	EA
13	274811		TUBING, MCL (STEEL, 5/16" OD X 7/8" LONG)	1	EA
14	293332		TUBE (CLEAR PVC, 1/4"OD X 1/8" X 174")	1	EA
15	293340		WIRE (WHITE/BLACK, 16GA, 8")	1	EA
16	293357		WIRE (WHITE/BLACK, 16GA, 30")	1	EA
17	293365		WIRE (WHITE/BLACK, 16GA, 132")	1	EA
18	293506		INSTRUCTIONS	1	EA
19	407502		SCREW, SLOTTED PAN HEAD (10-24 X 1-3/4")	1	EA
20	431544		ARM, ADJUSTABLE WIPER (10.75 - 15.5)	1	EA
21	431551		BLADE, HEAVY DUTY WIPER (14")	1	EA
22	431569		KIT, WET ARM WASHER	1	EA
23	431577		KIT, RESERVOIR (140 OZ)	1	EA
24	431593		ADAPTER, NYLON BULKHEAD	1	EA
25	431809		ANTI-FREEZE, WINDSHIELD WASHER	1	EA
26	298927		MOUNT, WATER TANK	1	EA
27	444703		SWITCH, 2-SPEED WIPER (W/PUSH TO WASH	1	EA
28	345975		INSTRUCTIONS, 2-SPEED WIPER/WASHER WIRING	1	EA
29	345991		WIRING HARNESS, 2-SPEED WIPER/WASHER	1	EA
30	447334		DECAL, FRONT WIPER	1	EA

NON-ILLUSTRATED

Discount-Equipment.com

293316: KIT, REAR WASHER/WIPER (S/N 24964 & UP)

ITEM	PART NUMBER	F/N	DESCRIPTION	QTY	UOM
1	010033		CAPSCREW (1/4"-20 X 3/4")	4	EA
2	010272		NUT, HEX (1/4"-20NC, FLANGE WHIZLOCK GR.G)	4	EA
3	010280		WASHER, LOCK (1/4")	4	EA
4	031880		WASHER, LOCK (#10)	1	EA
5	035436		NUT, HEX (#10-24NC)	1	EA
6	036467		TERMINAL, INSULATED (#10 RING, 16-14 GA)	3	EA
7	043760		TERMINAL, INSULATED (1/4" RING, 20-14 GA)	1	EA
8	046292		TERMINAL, INSULATED (1/4" FEMALE, 20-14 GA)	3	EA
9	047910		WINDSHIELD WIPER ASSEMBLY	1	EA
10	066712		TIE, CABLE	4	EA
11	066720		TIE, CABLE (0.035" X 3-1/2")	6	EA
12	068197		TERMINAL, INSULATED BULLET (MALE, 14-16 GA)	1	EA
13	096602		SCREW, FLAT HEAD SOCKET	2	EA
14	272476		WIRE (16 GAUGE, YELLOW W/WHITE STRIPE)	1	EA
15	272567		LOOM (CLEAR VINYL, 1/4" ID X 96" LONG)	1	EA
16	274803		TUBING, MCL (STEEL, 7/8" OD X 7/8" LONG)	1	EA
17	274811		TUBING, MCL (STEEL, 5/16" OD X 7/8" LONG)	1	EA
18	293340		WIRE (WHITE/BLACK, 16GA, 8")	1	EA
19	293357		WIRE (WHITE/BLACK, 16GA, 30")	1	EA
20	293365		WIRE (WHITE/BLACK, 16GA, 132")	1	EA
21	293373		MOUNT, RESERVOIR	1	EA
22	293415		TUBING (1/4" OD X 1/16" WALL X 72")	1	EA
23	293506		INSTRUCTIONS	1	EA
24	407502		SCREW, SLOTTED PAN HEAD (10-24 X 1-3/4")	1	EA
25	431544		ARM, ADJUSTABLE WIPER (10.75 - 15.5)	1	EA
26	431551		BLADE, HEAVY DUTY WIPER (14")	1	EA
27	431569		KIT, WET ARM WASHER	1	EA
28	431577		KIT, RESERVOIR (140 OZ)	1	EA
29	431593		ADAPTER, NYLON BULKHEAD	1	EA
30	431593		ADAPTER, NYLON BULKHEAD	1	EA
31	431809		ANTI-FREEZE, WINDSHIELD WASHER	1	EA

NON-ILLUSTRATED

Discount-Equipment.com

293308: KIT, WINDOW WASHER WIPER (FRONT)

ITEM	PART NUMBER	F/N	DESCRIPTION	QTY	UOM
1	047910		WINDSHIELD WIPER ASSEMBLY	1	EA
2	298927		MOUNT, WATER TANK	1	EA
3	431551		BLADE, HEAVY DUTY WIPER (14")	1	EA
4	431544		ARM, ADJUSTABLE WIPER (10.75 - 15.5)	1	EA
5	431569		KIT, WET ARM WASHER	1	EA
6	431577		KIT, RESERVOIR (140 OZ)	1	EA
7	431585		KIT, PUSH-BUTTON WASHER SWITCH	1	EA
8	431593		ADAPTER, NYLON BULKHEAD	1	EA
9	431809		ANTI-FREEZE, WINDSHIELD WASHER	1	EA
10	407502		SCREW, SLOTTED PAN HEAD (10-24 X 1-3/4")	1	EA
11	293506		INSTRUCTIONS	1	EA
12	293365		WIRE (WHITE/BLACK, 16GA, 132")	1	EA
13	293357		WIRE (WHITE/BLACK, 16GA, 30")	1	EA
14	293340		WIRE (WHITE/BLACK, 16GA, 8")	1	EA
15	293332		TUBE (CLEAR PVC, 1/4"OD X 1/8" X 174")	1	EA
16	274811		TUBING, MCL (STEEL, 5/16" OD X 7/8" LONG)	1	EA
17	274803		TUBING, MCL (STEEL, 7/8" OD X 7/8" LONG)	1	EA
18	272567		LOOM (CLEAR VINYL, 1/4"ID X 96" LONG)	1	EA
19	272476		WIRE (16 GAUGE, YELLOW W/WHITE STRIPE)	1	EA
20	068197		TERMINAL, INSULATED BULLET (MALE, 14-16 GA)	1	EA
21	066720		TIE, CABLE (0.035" X 3-1/2")	6	EA
22	066712		TIE, CABLE	4	EA
23	431320		TERMINAL, FEMALE SLIDE (1/4")	3	EA
24	043760		TERMINAL, INSULATED (1/4" RING, 20-14 GA)	1	EA
25	036467		TERMINAL, INSULATED (#10 RING, 16-14 GA)	3	EA
26	035436		NUT, HEX (#10-24NC)	1	EA
27	031880		WASHER, LOCK (#10)	1	EA

NON-ILLUSTRATED

Discount-Equipment.com

272104: WIPER, WINDOW (S/N 24694 AND UP)

ITEM	PART NUMBER	F/N	DESCRIPTION	QTY	UOM
1	031880		WASHER, LOCK (#10)	1	EA
2	035436		NUT, HEX (#10-24NC)	1	EA
3	046292		TERMINAL, INSULATED (1/4"FEMALE, 20-14 GA)	1	EA
4	047910		WINDSHIELD WIPER ASSEMBLY	1	EA
5	066712		TIE, CABLE	4	EA
6	066720		TIE, CABLE (0.035" X 3-1/2")	4	EA
7	068197		TERMINAL, INSULATED BULLET (MALE, 14-16 GA)	1	EA
8	083691		BLADE, WINDSHIELD WIPER (14")	1	EA
9	272476		WIRE (16 GAUGE, YELLOW W/WHITE STRIPE)	1	EA
10	407502		SCREW, SLOTTED PAN HEAD (10-24 X 1-3/4")	1	EA
11	413112		ARM, WINDSHIELD WIPER (ADJ. 10"-14")	1	EA
12	274803		TUBING, MCL (STEEL, 7/8" OD X 7/8" LONG)	1	EA
13	274811		TUBING, MCL (STEEL, 5/16" OD X 7/8" LONG)	1	EA
14	272567		LOOM (CLEAR VINYL, 1/4"ID X 96" LONG)	1	EA



ALPHABETICAL INDEX

DESCRIPTION	PART NUMBER	PAGE
A/C UNIT, ROOF MOUNTED	385970	209
A/C WIRING HARNESS (3-WIRE, RED/BLACK/GREEN)	9107033	237
ADAPTER	082412	247, 249
ADAPTER (#12SAEM X #6JICM)	095513	165
ADAPTER (0.75-16JIC X 0.56-18JIC)	403378	139
ADAPTER (2-3/64 ORIFICE)	282988	165, 167
ADAPTER (3/8"NPT X 5/8"HOSE)	044362	229
ADAPTER (4MP-6MJ)	V63015700	165, 167
ADAPTER (9/16-18JIC)	093427	165
ADAPTER, 45 DEGREE (#6MOR TO #6MJIC)	425348	27, 170, 174
ADAPTER, 90 DEGREE (#12MORFS TO #12MSAE)	386643	169, 173
ADAPTER, 90 DEGREE (#12MSAE TO #12MJIC)	068338	170, 174
ADAPTER, 90 DEGREE (#16SAE TO #19NPTF)	446005	127, 169, 173
ADAPTER, 90 DEGREE (#20MOR TO #20MJIC)	078900	170, 174
ADAPTER, 90 DEGREE (#6FJIC TO #6MJIC)	092965	169, 173
ADAPTER, 90 DEGREE (#6MSAE X #6MJIC)	092825	139
ADAPTER, 90 DEGREE (#8SAEM X 6#6JICM)	V63143600	165
ADAPTER, 90 DEGREE (0.75-16SAE X 0.56-18JIC)	63143600	139
ADAPTER, 90 DEGREE (1/8"NPT X 7/16"JIC)	414904	247, 249
ADAPTER, 90 DEGREE (18-12S SAE O-RING)	078873	127, 169
ADAPTER, 90 DEGREE (3/4"-16SAE X 3/4"-16MJIC)	427773	139, 169, 173
ADAPTER, AIR INTAKE (1-3/4 X 3.00)	387190	83
ADAPTER, CROSS (7/16"-20SAE 4-WAY ORIFICED)	356311	163, 171, 175
ADAPTER, NYLON BULKHEAD	431593	269, 271, 273
ADAPTER, STRAIGHT (#10SAEM X #6JIC)	094326	139, 165
ADAPTER, STRAIGHT (#12FJIC TO #6MJIC)	V63144100	169, 173
ADAPTER, STRAIGHT (#12MOR TO #12MJIC)	071332	169, 173
ADAPTER, STRAIGHT (#20MNPT TO #20MJIC)	056383	170, 174
ADAPTER, STRAIGHT (#6MOR TO #4MJIC)	425223	163, 170, 174
ADAPTER, STRAIGHT (#6MSAE TO #6MJIC)	092882	165, 167, 170, 174, 185
ADAPTER, STRAIGHT (#8MORFS TO #10MSAE)	477631	169, 173
ADAPTER, STRAIGHT (.43-20SAEM-.43-20JICM)	400994	163
ADAPTER, STRAIGHT (3/16" TUBE X 1/8"NPT)	054171	21
ADAPTER, STRAIGHT (7/8"-14SAE X 9/16"-18JIC)	413195	139, 169, 173
ADAPTER, SWIVEL (#12JFIC TO #6FJIC)	406694	170, 174
ADAPTER, TEE (#12MJIC TO #12MJIC TO #12MOP)	435164	169, 173
ADAPTER, TEE (#12MSAE TO #12MJIC)	080275	170, 174
ADAPTER, TEE (#6FJIC TO #6MJIC)	092957	163, 167, 170
ADAPTER, TEE (3/16" FEMALE)	434944	21
ADAPTER, UNION (.43 #20 SAE)	459784	163, 170, 174
ADHESIVE, 3M (80 HIGH SPRAY CAN)	V63084200	187, 191
ADJUSTER, FORE/AFT (LOCK)	461665	53
ADJUSTER, FORE/AFT (SLAVE)	461657	53
ADJUSTER, POWER STEERING CYLINDER	271239	27
ADJUSTERS, SLIDE	035519	51
AIR INTAKE (3" OD FORMAT)	387187	83
	460670	81
ALARM, REVERSE	473736	73, 77
ALTERNATOR (12V 60 AMP)	477522	89, 91
AMMETER	078006	73, 77
ANCHOR, COOLER	349639	127
ANGLE, FORMED	267260	47, 49
ANTI-FREEZE, WINDSHIELD WASHER	431809	269, 271, 273
ARM, ADJUSTABLE WIPER (10.75 - 15.5)	431544	269, 271, 273
ARM, BELT TIGHTENER	460682	237
ARM, BELT TIGHTENER (REV CODE -003 & EARLIER)	282533	235
ARM, BELT TIGHTENER (REV CODE -004 & LATER)	368738	235
ARM, WINDSHIELD WIPER (ADJ. 10"-14")	413112	275
ARM, WWJ PANTOGRAPH WIPER (16")	385852	213
AXLE, FRONT	296368	27

ALPHABETICAL INDEX

DESCRIPTION	PART NUMBER	PAGE
AXLE, REAR	447904(001)	71
BACKING PLATE ASSEMBLY (LEFT HAND)	449249	11
BACKING PLATE ASSEMBLY (RIGHT HAND)	449256	13
BAFFLE, PINION BEARING	435727	65
BALL, DETENT	462069	177
BATTERY (12V 950 CCA)	433136	103, 105
BATTERY HOLD DOWN	386790	103, 105
BEACON, AMBER ROTATING	432385	257
BEARING, BROOM SHAFT	433144	31, 33, 35
BEARING, SPRING ARM	461558	53
BELLOW	414425	177
BELLOWS, RUBBER	461871	125, 179
BELT	421222	243
BELT (43.5 X .531)	418483	235
	478027	237
BELT, SEAT (3" BLACK)	443812	51
BLADE, CUTTING EDGE (90")	412908	185
BLADE, FAN	468363	217
BLADE, HEAVY DUTY WIPER (14")	431551	269, 271, 273
BLADE, WINDSHIELD WIPER (14")	083691	275
BLEEDER, WHEEL CYLINDER	054301	7, 9, 11, 13
BLOCK, BROOM MOTOR DRIVE	9102713	43
BLOCK, FUSE	075887	73, 77
BLOWER (12V)	430211	181
BLOWER ASSEMBLY (LEFT HAND)	455151	225
BLOWER ASSEMBLY (RIGHT HAND)	455150	225
BODY	466516	125, 179
BOLT	478095	19
BOLT (12MM X 1.50 X 35MM)	478062	91
BOLT (8MM X 1.25 X 60MM)	478063	91
BOLT (M10-1.5 GR8 X 25MM)	401620	93
BOLT (M12-1.75 X 35MM)	403774	89
BOLT (M8-1.25 X 65MM)	089723	89
BOLT, BATTERY HOLD DOWN	092767	103, 105
BOLT, BRAKE MOUNTING	435966	65
BOLT, CARRIER COVER	435958	65
BOLT, DIFFERENTIAL BEARING CAP	037622	65
BOLT, DRIVE GEAR	435776	65
BOLT, FLAT HEAD SOCKET (5/16"-18NC X 1-1/4")	442285	187, 191
BOLT, LUG (1/2"-20NF X 2")	456152	27
BOLT, RUBBER INSULATOR	460676	81, 83
BOLT, SOCKET-HEAD (1/2"13NC X 1-1/4")	045864	31, 33, 35
BOLT, SPECIAL (3/8"-16NC X 1-1/2")	V63162900	27
BOLT, STRIKER (7/16"-14NC)	430124	187, 191
BOLT, WHEEL	449140	65
BOOT	417352	25
BOOT, RUBBER	036160	17
BOOT, WEATHERPROOF SWITCH	413874	15
BOWL, FILTER	9102329	4, 263, 265
BOX, A/C FILTER HOUSING	9107005	215, 218
BOX, GEAR (3:71:1 RATIO)	440669(001)	71
BRACE, MUFFLER	387299	95
BRACKET, EXHAUST ELBOW SUPPORT	460657	93
BRACKET, STEERING CYLINDER	V63131900	27
BRACKET, WIPER WASHER SWITCH	444555	213
BRAKE CYLINDER ASSEMBLY (LEFT HAND)	436121	11
BRAKE CYLINDER ASSEMBLY (RIGHT HAND)	436139	13
BRAKE, ROD	298802	25
BREAKER, CIRCUIT (12V, 50 AMP)	403311	73, 77
BROOM MOTOR (DANFOSS, AFTER 11-09-04)	404543(001)	43
BROOM MOTOR (EATON, BEFORE 11-09-04)	404541(001)	43



ALPHABETICAL INDEX

DESCRIPTION	PART NUMBER	PAGE
BROOM, COMB TUBE (10 X 32 X 58)	424145K	3
BROOM, STRIP (2 SETS)	474791K	3
BROOM, TUBE (10 X 32 X 58)	424146K	3
BRUSH, ALL WIRE	416065	3, 37
BRUSH, COMB WIRE/POLY (96" BROOM)	416026K	3
BRUSH, COMBINATION WIRE/POLY (BOX OF 2)	477155	3
BRUSH, COMBINATION WIRE/POLY (BOX OF 4)	416057	3, 37
BULB (12V, 2-WATT)	060624	73, 77
BUSHING	269202	55
BUSHING (2"OD X 1-3/4"ID X 2" LONG, BRONZE)	V63023100	27
BUSHING (2.00"L)	296021	31, 33, 35
BUSHING (3/4 MNPT X 1/2 FNPT, BRASS)	477942	265
BUSHING, NYLON	V10007700	25
BUSHING, POSITIONER	461830	125, 179
BUSHING, SADDLE	461442	53
CAB STR., SWEEPMASTER SINGLE DOOR	341727	187
CABLE, BATTERY (NEGATIVE, 22")	298366	103, 105
CABLE, BATTERY (POSITIVE, 14")	298365	103, 105
CABLE, CONTROL	421974	229
CABLE, HEATER	477790	245
CABLE, LONG BRAKE	448282	15
CABLE, SHORT BRAKE	448274	15
CABLE, THROTTLE (118" LONG)	469171	85, 87
CALIPER (LEFT HAND)	473181	19
CALIPER (RIGHT HAND)	473182	19
CAP, BROOM CORE (LEFT HAND)	271023	31, 33
CAP, BROOM CORE (RIGHT HAND)	271031	31, 33, 35
CAP, DUST	440487	19, 27
CAP, LH BROOM CORE	369298	35
CAP, LOCKING TAB (HYDRAULIC FILLER CAP)	439182	97, 99
CAP, NOZZLE (BRASS)	V70007488	265
CAP, RADIATOR	047811	103
	9107155	105
CAP, SPRAY NOZZLE	476911	4, 263
CAP, STEERING WHEEL	074229	39, 41
CAP, WATER TANK LOW PROFILE	459685	263, 265
CAPSCREW	466797	235, 237
CAPSCREW (1/2"-13NC X 1", FLANGE, WHIZLOCK)	441766	31, 33, 35
CAPSCREW (1/2"-13NC X 1-1/2")	011361	31, 33, 35, 105
CAPSCREW (1/2"-13NC X 1-1/4")	441774	71, 89, 91
CAPSCREW (1/2"-13NC X 1-1/4", GR 5)	038422	101, 127
CAPSCREW (1/2"-13NC X 4" PL.)	011460	89, 91
CAPSCREW (1/2"-20NF X 1-1/4")	056879	47, 49
CAPSCREW (1/4"-20 X 1")	010058	21, 187, 191, 233
CAPSCREW (1/4"-20 X 1-1/2")	010074	188, 192
CAPSCREW (1/4"-20 X 3/4")	010033	81, 83, 113, 229, 271
CAPSCREW (1/4"-20NC X 1", FLANGE WHIZLOCK)	441568	263, 265
CAPSCREW (1/4"-20NC X 1/2")	010017	253
CAPSCREW (1/4"-20NC X 3/4", FLANGE WHIZLOCK)	441550	15, 41, 47, 49, 51
CAPSCREW (1/4"-20NC)	010066	253
CAPSCREW (3/8"-16NC X 1")	010629	111
CAPSCREW (3/8"-16NC X 1", FLANGE WHIZLOCK)	441667	41, 47, 49, 91, 97, 99, 103, 188, 192
CAPSCREW (3/8"-16NC X 1-1/2")	010645	105
CAPSCREW (3/8"-16NC X 1-1/4")	083527	51, 71, 89, 91
CAPSCREW (3/8"-16NC X 3")	010702	31, 33, 35, 43, 44
CAPSCREW (3/8"-16NC X 3/4", FLANGE WHIZLOCK)	441659	51, 97, 99
CAPSCREW (3/8"-16NC X 4")	010744	263, 265
CAPSCREW (3/8"-16NC X 1.50")	441675	25
CAPSCREW (5/16" X 5-1/2")	010496	71
CAPSCREW (5/16"-18NC X 1")	010348	127, 257, 261

ALPHABETICAL INDEX

DESCRIPTION	PART NUMBER	PAGE
CAPSCREW (5/16"-18NC X 1", PL)	441600	31, 33, 35, 81, 83, 101, 127, 188, 191
CAPSCREW (5/16"-18NC X 1-1/4", FLANGE WHIZLOCK)	441618	103
CAPSCREW (5/16"-18NC X 1-3/4")	010371	47, 49
CAPSCREW (5/16"-18NC X 2")	010389	15
CAPSCREW (5/16"-18NC X 2-1/2")	010405	51
	010421	15
CAPSCREW (5/16"-18NC X 3/4")	010322	107, 109, 111, 257
CAPSCREW (5/16"-18NC X 3/4", PL)	083485	51, 101, 127, 188, 191
	012039	192
CAPSCREW (5/8"-11NC X 1-1/2")	012054	192
CAPSCREW (5/8"-11NC X 2")	408179	123
CAPSCREW (6.54")	011684	71
CAPSCREW (9/16"-12NC X 1-1/2")	038372	89, 91, 235, 237
CAPSCREW (M10 X 1.5 CP X M30)	415083	235, 237
CAPSCREW (M10 X M35)	038406	239
CAPSCREW (M12 X 1.75 CP-6G X M20)	048470	235, 237
CAPSCREW (M8 X 1-1/4"CP-6G X M25)	049144	7, 9
CAPSCREW AND WASHER ASSY (5/16"-18NC X 5/8")	385764	199, 203
CAPSCREW, HEX HEAD (M6 X 1" X 25MM GR8 ZN)	461921	125, 179
CAPSCREW, SOCKET HEAD (M5 X 14MM GRADE 8.8)	404673	89, 125, 179, 235
CAPSCREW, SOCKET HEAD (M8 X 1.25CP-6G X M30)	430173	187, 191
CAPSCREW, SOCKET HEAD FLAT (#10-24NC X 3/4")	457952	177
CARTRIDGE	462077	177
CARTRIDGE, RELIEF	414672	41
CASE, BLACK LITERATURE	044370	229
CLAMP	V01445200	265
CLAMP (#8 HOSE)	449769	81
CLAMP (2-1/2")	077073	81, 83, 93, 95
CLAMP (3" OD)	047738	81, 83
CLAMP, AIR CLEANER MOUNT	447466	263
CLAMP, CRIMPING BAND (6 HOSE)	038828	93, 95
CLAMP, EXHAUST (2-1/2")	460687	81, 83
CLAMP, EXHAUST (3")	477699	81, 83
CLAMP, FILTER HOUSING	031914	97, 99, 223
CLAMP, FUEL LINE	V02026200	105
CLAMP, HOSE (#32)	413161	81, 83
CLAMP, IRMT (HD BAND STYLE)	028993	21, 23
CLAMP, LOOP (1/2" ID)	V02026200	103
CLAMP, RADIATOR (#32 HOSE)	477842	183
CLAMP, SNAPPER (2-1/2" ID)	470826	83
CLAMP, T-BOLT (2")	056424	103
CLAMP, UPPER RADIATOR (#20 HOSE)	461590	53
CLIP, FRONT	042648	19, 23
CLIP, RETAINER	385774	199, 203
CLIP, SAFETY	461582	53
CLIP, UPHOLSTRY	461608	53
CLIP, X-MAS	385980	209
COIL, CONDENSER	9107037	217
	430210	181
COIL, EVAPORATOR	475707	217
	477672	225
	477749	183
COIL, HEAT (1.25 X 6 X 19.00)	433138	181
COIL, HEATER	433037	39
COLUMN	356394	41
COLUMN, CONTROL	435628	65
COMPANION FLANGE ASSEMBLY	281584	197
COMPLETE ROPS ASSEMBLY (W/CANOPY)	449835	209, 235
COMPRESSOR, A/C	407213	19, 27
CONE, BEARING (INNER)		

ALPHABETICAL INDEX

DESCRIPTION	PART NUMBER	PAGE
CONE, BEARING (OUTER)	421099	19, 27
CONNECTOR, 3-WIRE BULLET TERMINAL	044123	253
CONNECTOR, EXHAUST	342194	93
	387086	95
CONNECTOR, HOSE	407933	103, 105
CONNECTOR, SPLICE (20-14 GA.)	046995	247, 251
CONNECTOR, STRAIGHT (1/4" TO 3/16")	077495	23
CONTROL, REMOTE FOOT PEDAL	457275(001)	163, 170, 174
COOLER, HYDRAULIC OIL	448837	127, 170
CORE, BROOM	351189	43
	351190	43
	351191	43, 44
	369363	35
	386501	33
COUPLER, FEMALE	351155	43
COUPLER, MALE	270561	33, 35, 43, 44
COUPLER, SPLINED	440081	71
COUPLING (1/8"-NPT)	031823	223
COUPLING (1/8"NPT, 150#, BLACK)	042267	247, 249
COUPLING (3/8"NPT)	041780	229
COUPLING JOINT, FEMALE (Z13 16/32" DP)	436436	157
COUPLING, BROOM DRIVE FEMALE	338392	33, 35, 43, 44
COVER	275172	51
	477701	81, 83
COVER, ALTERNATOR BELT (V3600)	468581	91
COVER, BLIND (2-1/16" DIA)	446518	41
COVER, BRAKE (ADJUSTMENT)	038513	11, 13
COVER, BRAKE ADJUSTING HOLE	418095	7, 9
COVER, BROOM	296129	31, 35
	386518	33
COVER, CONTROL COLUMN	298588	41
COVER, FLOORBOARD HOLE	271015	47, 49
COVER, LARGE	442525	69
COVER, LATCH	292417	187, 191
	385767	199, 203
COVER, RUBBER	616508	47, 49
COVER, WELDMENT	9107060	217
CUP, BEARING (INNER)	407205	19, 27
CUP, BEARING (OUTER)	421081	19, 27
CUP, SHOE HOLD-DOWN	058230	7, 9
CUSHION, BACK (VINYL)	561574	53
CUSHION, SEAT (VINYL)	461566	53
CYLINDER (1-1/2" X 10")	418582	165, 167, 185
CYLINDER, BRAKE (LEFT HAND)	409110	7
CYLINDER, BRAKE (RIGHT HAND)	409128	9
CYLINDER, BROOM SWING (3" X 10")	432971(001)	170, 174
CYLINDER, BROOM SWING (3" X 6")	432963(001)	165, 167, 170, 174, 185
	432969(001)	174
CYLINDER, MASTER	036087(001)	21, 25
CYLINDER, MASTER (FRONT DISC BRAKES)	281279	23
CYLINDER, MASTER (FRONT DRUM BRAKES)	029603	23
CYLINDER, STEERING (2" X 8")	432989(001)	27, 170, 175
DASH	356402	41
DECAL ("TO START ENGINE PUSH OVERRIDE BUTTON")	447748	247
DECAL, 250	477962	63
DECAL, 8C	477964	61
DECAL, CALIFORNIA WARNING	448811	61, 63
DECAL, DANGER "STAY CLEAR" PINCHPOINT	467485	63
DECAL, DANGER ("NO RIDERS")	467324	61, 63
DECAL, DANGER ("ROTATING FAN")	443614	61, 63

ALPHABETICAL INDEX

DESCRIPTION	PART NUMBER	PAGE
DECAL, DANGER (PINCH POINT)	472720	61
DECAL, DIESEL FUEL	450148	61, 63
DECAL, EMERGENCY WINDOW	432252	63, 188, 192
DECAL, FORWARD/REVERSE ARROW	458216	59
DECAL, FRONT WIPER	447334	269
DECAL, GREASE DAILY	467340	61, 63
DECAL, HEATER CONTROL	417808	229
DECAL, HYDRAULIC OIL	450155	61, 63
DECAL, HYDRAULIC OIL FILTER (DASH)	467290	59
DECAL, LAY-MOR	477961	61
	477966	61
	478061	61
DECAL, OPERATOR INSTRUCTIONS (RH SIDE MOUNT)	467258	59
DECAL, PARKING BRAKE LIGHT (DASH)	467282	59
DECAL, SLOW MOVING VEHICLE	272716	61, 63
DECAL, STEERING WHEEL	462606	59
DECAL, SWEEPMASTER	406249	63
	477963	63
	477965	63
	477967	63
DECAL, TOWING THE VEHICLE (L.H. SIDE ONLY)	467274	61, 63
DECAL, WARNING ("STAND CLEAR OF BROOM")	467266	61, 63
DEFLECTOR, DIRT BELT	298240	31, 33, 35
DEFLECTOR, WRAP AROUND (DIRT BELT, OPTIONAL)	335018	31, 33, 35
DOOR (RIGHT HAND)	477075(001)	195
DOOR HINGE, ENGINE COMPARTMENT (WELDMENT)	299464	107, 109
	299465	107, 109
DOOR, CAB (L.H.)	340281	187, 191
DOOR, CAB (R.H.)	340299	191
DOOR, ENGINE (LEFT HAND)	299454	107
	299458	109
DOOR, ENGINE (RIGHT HAND)	299456	107
	299459	109
DOOR, GLASS (LEFT HAND)	385752	199, 203
DRAINCOCK	041475	103, 105
DRIER	476947	209
DRIER, RECEIVER	468280	217
DRIVE COUPLING, ENGINE	460640	89
DRIVE KIT, ENGINE	478024	91
DRIVE, VALVE	408112	123
DRUM	449546	65
DRUM, DEMOUNTABLE	453852	7, 9
DRY AIR CLEANER ASSEMBLY	477695	81, 83
EII (1/4-NPT STREET 900)	042580	223
ELBOW, 90 DEG (3/8"-NPT)	059840	229
ELBOW, 90 DEGREE (1/2"HB X 3/8"MNPT)	477945	265
ELBOW, 90 DEGREE (1/2"MNPT X 3/8"BARB)	9103017	263
ELBOW, 90 DEGREE (1-3/4" ID)	387193	83
ELBOW, 90 DEGREE (3/4"NPTM X 3/8"BARB, PLASTIC)	9101674	263
ELBOW, 90 DEGREE STREET	075796	65
ELBOW, 90 DEGREES (1/2" MNPT X 1/2" HB)	477946	265
ELBOW, CAST EXHAUST	460656	93
ELBOW, MALE (#16JICM X 1"NPTM)	387212	174
ELBOW, MALE (#16MBOR X #18JICM 90 DEGREE)	387211	173
ELBOW, STREET (90 DEG, 1/2"MNPT X 1/2"FNPT)	477943	265
ELECTRIC BLADE FRONT MOUNT ASSEMBLY	342964	185
ELEMENT, AIR FILTER (PRIMARY)	069146	3
	477687	3
	477697	3, 81, 83, 119
ELEMENT, AIR FILTER (SAFETY)	477698	3, 81, 83, 119
ELEMENT, AIR FILTER (SECONDARY)	070342	3

ALPHABETICAL INDEX

DESCRIPTION	PART NUMBER	PAGE
ELEMENT, ENGINE OIL FILTER (W/CUMMINS 3.3)	477679	3, 119
ELEMENT, FUEL FILTER	053595	3
ELEMENT, FUEL SECONARY (W/CUMMINS 3.3)	477678	3, 119
ELEMENT, FUEL/WATER SEPARATOR	477907	119
ELEMENT, FUEL/WATER SEPERATOR	409417	3
ELEMENT, OIL FILTER	409409	3
ELEMENT, REPLACEMENT (10 MICRON)	028639	3, 119, 137
	437673	3, 119, 137
END, TIE ROD	407908	27
END, TIE ROD (RIGHT HAND)	407916	27
ENGINE ASSEMBLY (KUBOTA V3600)	478025	91
ENGINE, SWEEPMASTER (CUMMINS, 3.3 TIER II)	460650	89
EXHAUST CLAMP ASSEMBLY	429985	127
EYEBOLT (5/16" X 4")	9104072	25
FAN, DEFROSTER	048439	241
FAN, ENGINE COOLING (FOR 478030 RADIATOR)	478022	91
FAN, ENGINE COOLING (FOR 478032 RADIATOR)	478052	91
FAN, ENGINE(CUMMINS B3.9)	413138	89
FAN, NYLON	421206	243
FAN-CONDENSER	386509	225
FENDER (LEFT HAND)	384966	47, 49
FENDER (RIGHT HAND)	384982	47, 49
FILTER BOX WELDMENT, FRESH AIR HOUSING	477743	183
FILTER, FOAM (FRAMED, 6-1/2" X 2-3/4" X 1/2")	385972	181, 183
FILTER, HEPA (1-3/4" X 4" X 13-1/2")	466771	3, 119, 215, 218
FILTER, HYDRAULIC (CHARGE, ELECTRIC)	437665	119, 137, 170, 174
FILTER, HYDRAULIC (RETURN, ELECTRIC)	424143(001)	119, 170, 174
FILTER, OIL	467772	3
FILTER, RECIRCULATION (FOAM)	477307	226
FILTER, SCREW ON, 10 MICRON (YUKON)	457130	119
FITTING (.25 HOSE TO 1/8-NPT)	077057	223
FITTING (1/8" NPT TO 1/4" TUBE)	031831	55
FITTING (6-8 C5OX-S)	386648	167
FITTING, 45 DEGREE (#10-12 V50L0-S)	477859	171, 175
FITTING, 90 DEGREE (#6MORFS TO #6FORFS)	386553	169, 173
FITTING, 90 DEGREE (#6MORFS X #8MSAE)	386552	167, 169, 173
FITTING, 90 DEGREE (.38 NPT X .38 BARB)	476903	263
FITTING, 90 DEGREE (1/4-NPT)	081836	97, 99
FITTING, 90 DEGREE DRAIN (1/4NPT MALE X 1/2" BARB)	477737	183
FITTING, BULKHEAD (L/P TANK)	9101876	263
FITTING, GREASE (90 DEGREE, 1/4"-28)	033530	55
FITTING, GREASE (STRAIGHT, 1/4"-28NF)	031401	27
FITTING, ORIFICE (0.46)	296806	55, 167, 169, 173
FITTING, RUN TEE (#6FORFS TO #6MORFS)	386566	169, 173
FITTING, STRAIGHT (#10-12 FS0LD-5)	477993	175
FITTING, STRAIGHT (#10MORFS TO #10MSAE)	386562	169, 173
FITTING, STRAIGHT (#12MORFS TO #12MSAE)	386563	169, 173
FITTING, STRAIGHT (#4MORFS TO #4MSAE)	386555	170, 174
FITTING, STRAIGHT (#4MORFS TO #6MSAE)	386556	170, 174
FITTING, STRAIGHT (#6MORFS TO #1/4MBSPP)	386554	169, 173
FITTING, STRAIGHT (#6MORFS TO #10MSAE)	386580	169, 173
FITTING, STRAIGHT (#6MORFS TO #4MSAE)	386557	169, 173
FITTING, STRAIGHT (#6MORFS TO #6MSAE)	477637	167, 170, 174
FITTING, STRAIGHT (#6MORFS TO #8MSAE)	386559	167, 169, 173
FITTING, STRAIGHT DRAIN PLASTIC	477738	183
FITTING, TEST POINT	386569	169, 173
FITTING, TEST PORT	386574	169, 173
FITTING, UNION (3/16" TUBE X 3/16" TUBE)	067561	21, 23
FLANGE, RESTRICTION INDICATOR	071746	223
FLOORMAT, CAB FRONT	352229	187, 191
FLOORMAT, CAB REAR	335323	187, 191

ALPHABETICAL INDEX

DESCRIPTION	PART NUMBER	PAGE
FOAM FILTER, RECIRCULATION	385973	181
FOIL	468306	217
FRAME, BROOM SWING	296152	55
FRAME, MAIN (96" OPTION)	357014	47, 49
FRAME, MAIN (COMPATIBLE W/3.3BT ENGINE)	357013	47, 49
FRONT FENDER ASSEMBLY (ENTIRE FENDER KIT)	369256	47, 49
FUEL FILTER (IN-LINE)	436212	3, 97, 99, 119
FUSE	077040	73, 77
GASKA-TAPE (1/4" X 3/4" X 112")	282079	188, 192
GASKET	066043	65
	435271	39
GASKET (1.7 FT)	475710	218
GASKET, CONDENSER COIL (22")	475709	217
GASKET, DOOR LATCH	385761	199, 203
GASKET, EXHAUST	478019	95
GASKET, FILTER HEAD	9102322	4, 263, 265
GASKET, FUEL SENDER	031864	97, 99
GASKET, PUMP MOUNT	422246	89, 91
GAUGE, FILTER MINDER	444398	221
GAUGE, FUEL	077982	73, 77
GAUGE, HYDRAULIC OIL TEMPERATURE	416123	73, 77
GAUGE, OIL PRESSURE	078022	73, 77
GAUGE, SIGHT GLASS	478103	170
GAUGE, SIGHT GLASS (INCLUDES O-RINGS AND STUDS)	464677	170, 174
GAUGE, WATER TEMPERATURE	416115	73, 77
GEAR, PRIMARY SUN	442509	69
GEAR, RING	442483	69
GEROLER (2.206" WIDE)	454405	123
GLAND, HEAD	434159	135
GLASS, FRONT SIDE	273920	187, 191
GLASS, FRONT WINDOW	385758	211
GLASS, FRONT WINDSHIELD	272112	187, 191
GLASS, LOWER (R.H. SIDE)	273946	187
GLASS, LOWER DOOR	273961	187, 191
GLASS, REAR WINDOW	272138	187, 191
	385759	211
GLASS, RIGHT SIDE	474795	211
GLASS, STATIONARY	385794	211
GLASS, TIP OUT	385792	211
GLASS, UPPER (R.H. SIDE)	442293	187
GLASS, UPPER DOOR	440115	187, 191
GRILL,FAN	910705K	217
GRILLE, CONDENSER	475708	217
GROMMET, FUEL SENDER WIRE	61017000	253
GROMMET, STEERING COLUMN	V61021200	41
GUARD, ENGINE (W/CUMMINS 3.3)	349235	47, 49
GUARD, FAN (22")	478023	113
GUARD, RADIATOR	387135	101
GUARD, STROBE LIGHT	335216	257, 261
GUIDE, SPRING	461814	125, 179
HANDLE	414433	177
HANDLE, DOOR (INSIDE)	430140	187, 191
HANDLE, DOOR (OUTSIDE STD)	385760	199, 203
HANDLE, DOOR (OUTSIDE)	430116	187, 191
HANDLE, HOOD	V63008500	187, 191
HARNESS, WIRING	382532	73, 77
HARNESS, WIRING (GAUGES TO FUSE BLOCK)	298562	73, 77
HEAD	434100	129, 131, 133
HEAD, FILTER	9102321	263, 265
HEAD, FILTER W/25 PSI BY-PASS - W/INDICATOR TERMIN	424142	119
HEADLIGHT, RECTANGULAR (H/L BEAM, HALOGEN)	461467	73, 77, 253

ALPHABETICAL INDEX

DESCRIPTION	PART NUMBER	PAGE
HEADLINER (CENTER)	477891	195
HEADLINER (LEFT HAND SIDE)	477890	195
HEADLINER (RIGHT HAND SIDE)	477889	195
HEATER, ENGINE PRE-HEAT	477789	245
HINGE ASSEMBLY (W/GROMMET AND BUSHING)	442269	187, 191
HINGE, STR (LEFT HAND)	299487	111
HINGE, STR (RIGHT HAND)	299479	111
HINGES, DOOR (RIGHT HAND, UPPER AND LOWER)	385541	199, 203
HOLD-DOWN CUP AND SPRING ASSEMBLY	449454	11, 13
HOLDER, CLAMP HOSE	440370	31, 33, 35
HOLDER, INLINE FUSE (14 AMP)	466615	207
HOOD, FORMED	386994	105
HOOD, FORMED (TEXAS DOT W/3.3)	343873	103
HOSE (.25ID -4F -4F90 X 67" 100R1)	355453	163
HOSE (.37 ID X 16.00")	386578	139
HOSE (.37 ID X 72.00")	386579	139
HOSE (.37 ID X 77.00")	366344	139
HOSE (3" ID X 3")	257295	81, 83
HOSE (5/8" ID X 72")	272328	229
HOSE ASSEMBLY (#10)	477684	209
HOSE ASSEMBLY (#6)	477681	209
	477683	209
HOSE ASSEMBLY (#8)	477682	209
HOSE ASSEMBLY (1/4"ID X 120" LONG)	271882	247, 249
HOSE ASSEMBLY (106")	386658	167
HOSE ASSEMBLY (112")	360842	165
HOSE ASSEMBLY (13")	294447	165
	386546	167
HOSE ASSEMBLY (192")	343723	165
HOSE ASSEMBLY (22")	386670	167
	604868	165
HOSE ASSEMBLY (28")	372599	165
HOSE ASSEMBLY (2-SPD CTRL VALVE TO CHARGE)	386533	169, 173
HOSE ASSEMBLY (2-SPD CTRL VALVE TO FILTER)	356931	169, 173
HOSE ASSEMBLY (2-SPD CTRL VLV TO WHEEL MOTOR)	386532	169, 173
HOSE ASSEMBLY (3 SPOOL VALVE TO AUX. GEAR)	386537	169, 173
HOSE ASSEMBLY (3 SPOOL VALVE TO BROOM)	386528	169, 173
HOSE ASSEMBLY (3 SPOOL VALVE TO FILTER)	386529	169, 173
HOSE ASSEMBLY (3 SPOOL VALVE TO LIFT CYLINDER)	386526	169, 173
	386535	169, 173
HOSE ASSEMBLY (3 SPOOL VALVE TO SWING CYL)	386534	169, 173
	386668	173
HOSE ASSEMBLY (30")	294439	165
	386659	167
HOSE ASSEMBLY (37")	386656	167
HOSE ASSEMBLY (COOLER TO CHECK VALVE, TANK)	349357	127, 169
	387206	173
HOSE ASSEMBLY (COOLER TO FILTER)	349365	127, 169
	387207	173
HOSE ASSEMBLY (FILTER TO FILTER)	386540	169, 173
HOSE ASSEMBLY (FOOT PEDAL TO CHARGE)	386536	169, 173
HOSE ASSEMBLY (FOOT PEDAL TO HYDROSTAT)	386531	169, 173
HOSE ASSEMBLY (FOOT PEDAL TO TANK RETURN)	355446	163, 169, 173
HOSE ASSEMBLY (HIGH SIDE, #8 - PRESSURE)	331918	215, 218
HOSE ASSEMBLY (HYDROSTATIC PUMP TO OIL FILTER)	298646	169, 173
HOSE ASSEMBLY (LOW SIDE, #10 - RETURN)	331926	215, 218
HOSE ASSEMBLY (PUMP TO WHEEL DRAIN MOTOR)	386539	169, 173
HOSE ASSEMBLY (PUMP TO WHEEL MOTOR)	386575	170, 174
HOSE ASSEMBLY (STEER VALVE TO RETURN FILTER)	268664	169, 173
HOSE ASSEMBLY (STEERING PUMP TO VALVE)	386530	169, 173
HOSE ASSEMBLY (STEERING VALVE TO LEFT STEER)	352138	169, 173

ALPHABETICAL INDEX

DESCRIPTION	PART NUMBER	PAGE
HOSE ASSEMBLY (STEERING VALVE TO RIGHT STEER)	304667	169, 173
HOSE ASSEMBLY (TANK TO GEAR PUMP)	368796	169, 173
HOSE ASSEMBLY (WHEEL MOTOR DRAIN TO TANK)	386538	169, 173
HOSE ASSY (3 SPOOL VALVE TO SWING CYLINDER)	386527	169
HOSE BARB, 90 DEGREE (1/2")	V70006988	265
HOSE, 90 DEGREE ELBOW	079780	81, 83
HOSE, BRAKE LINE	473454	23
HOSE, DRAIN (1/2"ID X 5/8 OD CLEAR PLASTIC, 96" PE	477747	183
HOSE, FLEX DUCT (2-1/2" ID)	477745	183
HOSE, FUEL LINE (5/16")	068544	97, 99
HOSE, HUMP (2" X 2-3/8")	460667	81
HOSE, LOW PRESSURE (3/8" ID)	447474	263
HOSE, LOW PRESSURE WATER (1/2"ID)	446948	265
HOSE, MCL (1/4 ID X 12.00")	299958	223
HOSE, RADIATOR (SIDE BOTTOM)	387101	105
	407931	103
HOSE, RADIATOR (SIDE TOP)	387099	105
	407929	103
HOSE, UPPER RADIATOR	387134	105
	407928	103
HOUSING, AXLE	449157	66
HUB, WHEEL	453860	19, 27
INDICATOR, AIR FILTER	418186	223
INDICATOR, SERVICE	477694	81, 83
INSTALLATION INSTRUCTIONS	299966	223
INSTRUCTION (HOUR METER KIT)	296558	231
INSTRUCTIONS	293506	269, 271, 273
	295402	249
	346056	247
INSTRUCTIONS, 2-SPEED WIPER/WASHER WIRING	345975	269
INSTRUCTIONS, MOUNTING	279836	233
INSULATOR, MOTOR	9107027	217
ISOLATOR (RUBBER)	456459	105
ISOLATOR, RADIATOR	407999	103
JOINT, BALL	077461	85, 87
KEY, IGNITION (2 KEYS, KUBOTA SM250)	9101528	77
KEY, SPECIAL (ROLLER STATOR MOTOR)	9101779	31, 33, 35, 43
KEY, VISTA CAB HANDLE (SM250 AND HC)	385803	199, 203
KEY,IGNITION	407833	73
KIT, AC/HEATER	477847	183
KIT, ADAPTER (1/2" HB, 90 DEGREE, QUAD P)	477948	265
KIT, ADAPTER (1/2" MNPT X QUAD P)	477947	265
KIT, ANGLE CYLINDER SEAL	466607	185
KIT, AXLE SHAFT (COMPLETE)	449199	66
KIT, BALL VALVE	342873	263
KIT, BRAKE ADJUSTER	409169	7, 9
KIT, BRAKE SHOE	409177	7, 9
KIT, BRAKE SPRING	467878	11, 13
KIT, BROOM MOTOR SEAL	404536	31, 33, 35, 141
KIT, BRUSH (POLY WAFER) (10"X32"X8')	416032K	37
KIT, BRUSH (POLY/WIRE, 10"X32"X8')	416024K	37
KIT, BRUSH (WIRE WAFER) (10"X32"X8')	416040K	37
KIT, BYPASS VALVE	455634	159, 161
KIT, CAP AND DIAPHRAM	036145	17
KIT, CARRIER COVER	449165	66
KIT, CHARGE RELIEF VALVE	442806	159, 161
KIT, COMP BRUSH (COMBO WAFER, 10"X32"X8FT)	910464K	37
KIT, COMPLETE MOTOR SEAL	436402	157, 159, 161
KIT, COMPLETE MOTOR SEAL (YUKON EQUIPMENT)	457124	149
KIT, COMPLETE PUMP SEAL	436410	145, 147
KIT, COUPLER (9/16-18 SAE O-RING)	093146	185

ALPHABETICAL INDEX

DESCRIPTION	PART NUMBER	PAGE
KIT, DETENT ASSEMBLY	461970	177
	461988	177
KIT, DIFFERENTIAL ADJUSTMENT SHIM	449231	66
KIT, DIFFERENTIAL AND PINION SHIM	435719	66
KIT, DIFFERENTIAL BEARING	435701	66
KIT, DIFFERENTIAL CASE	435644	66
	449223	66
KIT, DIFFERENTIAL CASE INNER PARTS	435669	66
KIT, DRIVE GEAR AND PINION	435636	66
KIT, ENGINE COLD START AID	409219	239
KIT, ENGINE PRE-HEATER	409201	245
KIT, FAN GUARD	SM-200-020-008K(001)	105
KIT, FILTER (CUMMINS 3.3 ENGINE)	478069K	3
KIT, FILTER (CUMMINS 3.9 ENGINE)	478068K	3
KIT, FILTER (KUBOTA V3600)	9104638K	3
KIT, HEATER (INCLUDES 2-SPEED SWITCH)	044313	229
KIT, HORN (12V)	382846	73, 77
KIT, INNER PINION BEARING	435693	66
KIT, LOW SPRINKLER WATER WARNING	254456	263, 265
KIT, OUTER PINION BEARING	435685	66
KIT, PAD AND HOLDER	476507	19
KIT, PARKING BRAKE LEVER (LEFT HAND)	449520	11
KIT, PARKING BRAKE LEVER (RIGHT HAND)	449538	13
KIT, PLUNGER	461947	125, 179
KIT, PUSH-BUTTON WASHER SWITCH	431585	273
KIT, QUICK COUPLER (9/16-18SAE O-RING)	093416	165, 167
KIT, RELIEF VALVE 350 BAR	455626	159, 161
KIT, REPAIR	036251	17
KIT, RESERVOIR (140 OZ)	431577	269, 271, 273
KIT, RING GEAR, PINION AND BOLTS	449215	66
KIT, RUBBER SEAL (1/2" X 1-1/2" X 11")	447909	211
KIT, SEAL	075788	123
	404540	143
	404544	121
	434241	135
	440464	153, 155
	441246	57
KIT, SEAL (LIFT CYLINDER)	033514	129, 131, 133, 185
KIT, SEAL (PARKER)	386770	151
KIT, SEAL (STEERING VALVE, F/476770)	433862	39
KIT, SELF-ADJUSTING SCREW (LEFT HAND)	467886	11
KIT, SELF-ADJUSTING SCREW (RIGHT HAND)	467894	13
KIT, SHAFT	455410	145, 147, 149
KIT, SHAFT AND BEARING	404535	31, 33, 35, 141
	404539	143
	407708	121
	408062	123
KIT, SHOE AND LINING (2 PRIMARY, 2 SECONDARY)	449512	11, 13
KIT, SPRING RETURN	461962	177
KIT, SPRINKLER	478070K	3
KIT, SPRINKLER UPGRADE	386818	265
KIT, UNIT BEARING AND SEAL	435677	66
KIT, WASHER (12V)	385854	213
KIT, WET ARM WASHER	431569	269, 271, 273
KIT, WHEEL CYLINDER REPAIR	409193	7, 9
KNOB	441212	57
	477315	225
KNOB, CONTROLS	430214	181
KNOB, FAN SWITCH	463000	215
KNOB, FEMALE M6	477843	183
KNOB, POINTER (PUSH ON 1/4")	477740	183

ALPHABETICAL INDEX

DESCRIPTION	PART NUMBER	PAGE
KNOB, THERMOSTAT	462994	215
KNOB, WEIGHT ADJUSTMENT	461632	53
KNUCKLE, STEERING (LEFT HAND)	357418	27
KNUCKLE, STEERING (RIGHT HAND)	357426	27
KUBOTA V3600 ENGINE OIL	476772	119
LAMP, BLUE INDICATOR	432377	253
LAMP, STROBE (BULB)	094623	259
LATCH	385766	199, 203
LATCH, DOOR	271452	111
	349290	127
LATCH, ROTARY DOOR (L.H.)	430090	191
LATCH, ROTARY DOOR (R.H.)	430108	187, 191
LATCH, WINDOW (W/PIN)	442251	187, 191
LEVER	462036	177
LEVER AND PIN ASSEMBLY (LH PARKING BRAKE)	449322	11
LEVER AND PIN ASSEMBLY (RH PARKING BRAKE)	449330	13
LEVER, LINK ADJUSTMENT (LEFT HAND)	436352	11
LEVER, LINK ADJUSTMENT (RIGHT HAND)	436360	13
LEVER, PARKING BRAKE	281287	15
LIGHT ASSEMBLY (INSTRUMENTS)	276683	73, 77
LIGHT, DOME	081969	251
LIGHT, FLASHER (RED/AMBER RECTANGULAR)	461475	73, 77, 253
LIGHT, LICENSE PLATE	63015300	253
LIGHT, RED INDICATOR (BRAKE AND FILTER)	418376	73, 77
LIGHT, STROBE (12V AMBER)	432393	261
LIGHT, TAG	V63015300	73, 77
LIGHT, TAIL	63015800	253
	V63015800	73, 77
LIGHT, WARNING	409326	249
LINE, BRAKE	355420	21
LINK, CONNECTING (WHEEL CYLINDER)	054429	11, 13
	409136	7, 9
LOCKNUT (1/2-13NC)	440664	91
LOOM (11/32 ID FLEX GUARD X 30.00")	335190	255
LOOM (BLACK, 11/32"ID X 40" LONG)	272484	188, 192, 253
LOOM (CLEAR VINYL, 1/4"ID X 96" LONG)	272567	257, 259, 261, 269, 271, 273, 275
LOUVER ASSEMBLY (4-1/2")	386505	225
LOUVER, LARGE	910705K	181
LOUVER, SMALL	9107061	181
MANIFOLD, INLINE BAR (W/1500/3000 RELIEF)	028654	165, 167
METER, HOUR	034892	73, 77, 231
MIRROR, RECTANGULAR	417162	233
MIRROR, WEST COAST	416735	233
MODULE, FLASHER (3 PRONG)	V63121300	73, 77, 207
MOTOR (12V)	468355	217
	469759	225
MOTOR, BROOM	404538(001)	33, 35, 43, 170, 174
MOTOR, BROOM (96" BRUSH PARKER)	404542(001)	43
MOTOR, DOUBLE SHAFT (12V)	468314	217
MOTOR, DRIVE AXLE	434503(001)	170, 174
MOTOR, WWF WIPER (W/O SWITCH)	385851	213
MOUNT, BROOM	295980	31, 35
	296039	31, 33, 35, 43, 44
	386516	33
MOUNT, CABLE	387199	87
	460684	85
MOUNT, CLIP NUT	352054	41
MOUNT, COMPRESSOR	387045	237
MOUNT, COMPRESSOR (3.3 ENGINE)	331728K	235
MOUNT, COMPRESSOR (3.9 ENGINE)	460680	235



ALPHABETICAL INDEX

DESCRIPTION	PART NUMBER	PAGE
MOUNT, COUNTER-BALANCE VALVE	354614	139
MOUNT, DOME LIGHT	299610	251
MOUNT, EMBLEM	350322	101, 127
MOUNT, ENGINE	444091	89, 91
MOUNT, GEAR BOX	347401	71
MOUNT, HEADLIGHT (LEFT HAND)	297945	253
MOUNT, HEADLIGHT (RIGHT HAND)	297952	253
MOUNT, INTAKE	274472	81, 83
MOUNT, LOW PROFILE POLY TANK	355024	263
	381699	265
MOUNT, MIRROR	279828	233
	281550	233
MOUNT, MOTOR	296038	43
	386511	43
MOUNT, RADIATOR	266338	103
	387102	105
MOUNT, RESERVOIR	293373	271
MOUNT, SEAT	298018	51
MOUNT, SPRINKLER (LEFT HAND)	298448	263, 265
MOUNT, SPRINKLER (RIGHT HAND)	298513	263
	298573	265
MOUNT, STEERING COLUMN	V63029200	41
MOUNT, STROBE	335265	257, 261
MOUNT, STROBE LIGHT	272179	259
MOUNT, TAG LIGHT	281576	127, 253
MOUNT, VALVE	341057	51
MOUNT, WATER TANK	298927	269, 273
MUFFLER, HORIZONTAL	444224	93, 95
NIPPLE (3/8"NPT X 2")	72144000	229
NOZZLE ASSY, CROSS SPRAY	476887	4, 263
NOZZLE ASSY, L-BODY SPRAY	476366	4, 263
NOZZLE ASSY, T-BODY SPRAY	476358	4, 263
NUT	033282	129, 131, 133
NUT (1-3/4"-12NF)	V63018700	27, 55
NUT, ACORN (10-24NC)	416974	253
NUT, BRAKE MOUNTING	435974	65
NUT, CLIP (1/4" X 20)	067439	41, 47, 49, 51
NUT, HEAVY SLOTTED (W/WASHER 1 1/8-12NF)	336966	27
NUT, HEX (#10-24NC)	035436	259, 261, 269, 271, 273, 275
	440628	127, 188, 192
NUT, HEX (#10-32)	035220	85, 87
NUT, HEX (1/2"-13NC, FLANGE, WHIZLOCK)	440644	31, 33, 35, 47, 49, 89, 101, 127
NUT, HEX (1/4"-20NC, FLANGE WHIZLOCK GR.G)	010272	233, 253, 263, 265, 271
NUT, HEX (1/4"-20NC, FLANGE, WHIZLOCK)	440636	15, 21, 41
NUT, HEX (1/4"-28NF)	063511	85, 87
NUT, HEX (13/16"-20NF, SPECIAL)	033886	39
NUT, HEX (3/8"-16NC)	011015	111
	441447	91
NUT, HEX (3/8"-16NC, FLANGE, WHIZLOCK)	083501	19, 47, 49
NUT, HEX (5/16"-18NC PL)	083493	15, 31, 33, 35, 51, 71, 81, 83, 188, 191
NUT, HEX (5/16"-18NC)	010553	25, 31, 33, 35, 103, 105, 111, 229, 233, 257, 261
NUT, HEX (5/16"-18NC, FLANGE, WHIZLOCK)	083535	101, 127
NUT, HEX (5/16"-24NF)	035303	39
NUT, HEX (5/8-11NC)	429860	71
NUT, HEX (7/16"-14NC, WHIZLOC)	430132	187, 191

ALPHABETICAL INDEX

DESCRIPTION	PART NUMBER	PAGE
NUT, HEX (M10 X 1.5)	089474	157, 235, 237
NUT, HEX (M8 X 1.25)	053538	125, 179
NUT, HEX SEAL (3/8" NPT)	385858	213
NUT, HEX SLOTTED (3/8"-16NC)	V63168900	27
NUT, JAM (3/4"-16NF)	092460	27
NUT, JAM (3/4"-16NF, LEFT HAND)	V65010400	27
NUT, JAM (3/8-24)	V23504500	25
NUT, LOCK	478096	19
NUT, LOCK (1/4"-20)	036392	81, 83
NUT, LOCK (3/8"-16 NC)	425793	263, 265
NUT, LOCK (3/8"-16NC)	441477	25, 41, 71, 81, 89
NUT, LOCK (5/16"-18NC, NYLON INSERT)	093799	107, 109
NUT, LUG (1/2"-20NF, 60 DEG, 13/16")	047782	27
NUT, PINION	435768	65
NUT, PLATED (M10-1.25)	478029	95
NUT, SLOTTED	026328	19, 27
NUT, SLOTTED (9/16"-18NF)	408047	27
NUT, TWO-WAY LOCK (3/8"-16NC)	052233	188, 192
OIL COOLER (FOR 478030 RADIATOR)	9107004	115
OIL COOLER (FOR 478032 RADIATOR)	9107165	117
O-RING	407593	71
	454157	145, 147, 149, 159, 161
	462051	177
O-RING (#10)	385360	209
O-RING (#6)	385962	209
O-RING (#8)	385961	209
O-RING (.5 X 14 X 1.2)	461806	125, 179
O-RING (2.62 X 75.87)	448423	157
O-RING (3.53 X 101.19)	436428	157
O-RING (3.6 X 14 X 1.2)	461798	125, 179
OUTER COVER ASSEMBLY	476408	225
PAD	331355	263, 265
PADDING, FRONT FOAM HEADLINER	272419	188, 192
PADDING, REAR FOAM HEADLINER	272427	188, 192
PADDING, REAR SIDE PANEL FOAM	272435	188, 192
PANEL, BACK	461616	53
PANEL, DOOR (STR)	299446	111
PANEL, DOOR (SWING OUT)	349258	47, 49, 127
PANEL, ENGINE COMPARTMENT DOOR	299455	107
PEDAL (LEFT HAND)	466474	125, 179
PEDAL (RIGHT HAND)	466482	125, 179
PEDAL, BRAKE	298810	25
PIN	408153	123
	9107064	19
PIN, BRAKE HOLD DOWN	418863	7, 9
PIN, BRAKE HOLD-DOWN	037895	11, 13
PIN, BROOM FRAME MOUNT	295238	31, 33, 35, 55
PIN, BROOM SWING (SM 250)	296194	55
PIN, CLEVIS (1" DIA. X 2.37")	033274	129, 131, 133
PIN, CLEVIS (1" DIA. X 3.00")	071266	129, 131, 133
PIN, CLIP	026633	129, 131, 133
PIN, COTTER	015347	27
	025882	27
	4001000	25
PIN, COTTER (1/8" X 1-3/4", FRONT AXLE NUT)	015164	19, 27
PIN, COTTER (3/16" X 2-1/2", STEEL)	015362	31, 33, 35
PIN, FRONT AXLE PIVOT	257220	27
PIN, PEDAL	V63137200	25
PIN, PEDAL PIVOT	461889	125, 179
PIN, RETAINING (3/8" X 2-1/4")	067025	107, 111, 127

ALPHABETICAL INDEX

DESCRIPTION	PART NUMBER	PAGE
PIN, ROLL (3/16" DIA X 5/8" LONG)	442277	187, 191
PIN, ROLL (5/32" X 7/8")	430157	187, 191
PIN, SHOCK	461541	53
PIPE, TAIL	342197	93, 95
PISTON	033191	129, 131, 133
	434134	135
PLATE, BACKING (LOWER)	378992	19
PLATE, BACKING (UPPER)	387272	19
PLATE, BRAKE SHOE GUIDE	449371	11, 13
PLATE, DRIVE HUB RETAINER	350652	89, 127
PLATE, PUMP MOUNT	460638	89
PLATE, R.H. VALVE PUMP	461715	159, 161
PLATE, SHOE GUIDE	409151	7, 9
PLATE, VALVE	454413	123
PLATE, WARE	454397	123
PLUG	075549	125, 179
	462044	177
PLUG (1.06 #12 SAE O-RING)	029363	170, 174
PLUG (1-1/16" DIA. HOLE)	409623	41
PLUG (7/16"-20 SAE O-RING)	406819	139, 163, 170, 174
PLUG (7/16-14SAE O-RING)	401174	165, 167
PLUG ASSEMBLY	408195	123
PLUG, AXLE FLANGE	449207	65
PLUG, COUNTERSUNK (3/4"NPT)	040691	97, 99
PLUG, COVER (3/4"-NPT)	031740	65
PLUG, HOLE (.437" DIA.)	417717	41
PLUG, MAGNETIC PIPE	442517	69
PLUG, PIPE (1/2"NPT)	040683	69
PLUG, PIPE (1/4")	071357	93
PRE-CLEANER ASSEMBLY	070383	83
	081067	81
PRIMARY CARRIER ASSEMBLY	442491	69
PULLEY	421214	243
PULLEY, ACCESSORY DRIVE	9107030	237
PULLEY, ACCESSORY DRIVE	409748	235
PULLEY, WATER PUMP ENGINE	9107029	237
PUMP (12V, 5 GPM)	416827	265
PUMP, AUXILIARY GEAR (06 AND UP PARKER)	440465(001)	89, 91, 170, 174
PUMP, FUEL (ELECTRIC)	9101888	99
PUMP, HYDROSTATIC (PILOT OPERATED)	457122(001)	89, 91, 170, 174
PUMP, WATER (12V, 1.2 GPM)	416826	263
QUADRINGS	478097	19
RADIATOR (W/OIL COOLER)	478030(001)	105
	478032(001)	105
RADIATOR ASSEMBLY	407925	103
RADIATOR, OIL COOLER	478030	174
RECEIVER/DRIER	463117	225
REDUCER, NIPPLE	476895	263
REDUCER, NIPPLE (1/2" MNPT X 3/8" MNPT)	477944	265
REDUCER, SPECIAL PIPE (1/2" X 3/8")	436923	229
RELAY (12V, 75 AMP)	460493	73, 77
RELIEF PLUG ASSEMBLY	462085	177
RETAINER, ENGINE COMPARTMENT	299457	107
RETAINER, PARKING BRAKE STRUT SPRING	468231	11, 13
RETAINING RING, SPIRAL	434142	135
RING	461996	177
RING, BALANCE	408146	123
RING, RETAINING	033332	129, 131, 133
	449378	11, 13
RING, SNAP	440099	69, 71
	441220	57

ALPHABETICAL INDEX

DESCRIPTION	PART NUMBER	PAGE
RIVET, HUCK (1/4" DIA X 13/16")	416701	231, 233
RIVET, HUCK (1/4"DIA X 9/16")	409482	259, 261
RIVET, POP (3/16 X 7/16)	416750	251, 253
ROD END, BALL JOINT	078378	25
ROTOR (L.H. AND R.H.)	378737	19
RUBBER, GLASS (1/8" OFFSET, 170")	476951	211
RUBBER, REAR WINDOW GLASS (1/8 OFFSET)	477850	211
RUBBER, RIGHT SIDE GLASS (1/8" OFFSET, 170")	476954	211
SCREEN (2" X 8")	464685	170, 174
SCREEN, FILTER	447979	170, 174
SCREEN, PRESSURE FILTER	9104063	4, 263
SCREEN, SPRAY NOZZLE	V70007388	4, 263, 265
SCREEN, SUCTION FILTER (GREEN)	9104062	4, 263, 265
SCREW	467662	218
SCREW AND WASHER ASSEMBLY	054411	11, 13
SCREW, ADJUST	461640	53
SCREW, FLAT HEAD SOCKET	096602	271
SCREW, HEX WASHER HEAD (1/4-20 X .50" SELF TAP)	V61018600	187
SCREW, NUT, WASHER AND SOCKET ASSEMBLY (LH)	436170	11
SCREW, NUT, WASHER AND SOCKET ASSEMBLY (RH)	436188	13
SCREW, SET	010637	43
	093575	43
SCREW, SET (BRASS TIP, 3/8"-16NC X 3/8")	031160	27
	031161	55
SCREW, SLOTTED (#10-24NC X 1/2")	423673	253
SCREW, SLOTTED PAN HEAD (10-24 X 1-3/4")	407502	127, 269, 271, 273, 275
		275
SCREW, SLOTTED ROUND HEAD (#10-24NC X 3/4")	037010	259, 261
SCREW, SLOTTED WITH RUBBER WASHER	031852	97
	464727	99
SCREW, SOCKET HEAD BUTTON (1/4"-20NC X 1")	066977	187, 191
SEAL	407163	19, 27
SEAL, DISTRIBUTOR	441204	145, 147, 149, 159, 161
		161
SEAL, DOOR GLASS (REQUIRED TO HOLD GLASS, 168")	385985	199, 203
SEAL, PINION	435743	65
SEAL, SERVO CONTROL	441196	145, 147, 149, 159, 161
		161
SEAL, SHAFT (30 X 42 X 7-7.5)	462101	145, 147, 149, 159, 161
		161
SEAL, SHAFT INBOARD	435792	65
SEAL, SHAFT OUTBOARD	435826	65
SEAL, SIDE BULB (1/4" MATERIAL, 161")	385746	199, 203
SEAL, SIDE BULB SEAL DOOR EDGE RUBBER (43")	447910	211
SEAL, SPOOL	441238	57
SEAL, TRIM (160.00")	274100	187, 191
SEALANT, MAGIC SEAL	417592	188, 192
SEAT (ADAPTER INCLUDED)	433045	51
SEAT BELT ASSEMBLY, RETRACTABLE (2")	458778	51
SENDER, FUEL	462176	73, 77, 97, 99
SENDER, HYDRAULIC TEMPERATURE	416131	73, 77
SENDER, OIL PRESSURE	041988	73, 77
SENDER, WATER TEMPERATURE	416156	73, 77
SERVO ASSEMBLY, CONTROL PUMP	457123	145, 147, 149, 159, 161
		161
SETSCREW	039330	129, 131, 133
SETSCREW, LONG CUP POINT (M6-1.0CP X M6)	459859	125, 179
SHAFT, BROOM CORE SUPPORT	270736	31, 33, 35
SHAFT, BROOM CORE SUPPORT (PARKER)	386513	31, 33, 35
SHAFT, DRIVE	408096	123
SHIELD, STEERING CYLINDER	281238	47, 49

ALPHABETICAL INDEX

DESCRIPTION	PART NUMBER	PAGE
SHIM (5 X 10 X .3MM)	461897	125, 179
SHIM (5 X 10 X .5MM)	461905	125, 179
SHIM (8 X 14 X 1MM)	461913	125, 179
SHIM, WHELL	387292	19
SHOCK ABSORBER	461525	53
SIGNAL, FLASHER	63121300	253
SLEEVE, REAR COMPRESSOR MOUNT	460681	237
SLINGER, PINION BEARING OUTER	435735	65
SLOT FILL HEAD (#10-24NC X .75")	441527	188
SOCKET, METAL BALL	385772	199, 203
SOLENOID, SHUTOFF (2 WIRE)	447673	78
SONALERT, FAST PULSE	409318	249
SPACER	387269	19
	434118	129, 131
	461624	53
SPACER (1/2" X 3/4")	152850	15, 101, 127
SPACER, A/C BELT TIGHTENER (REV CODE -004 &	368720	235
SPACER, DIMMER SWITCH	335364	253
SPACER, DOOR HANDLE (NYLON)	385762	199, 203
SPACER, DOOR HINGE	385753	199, 203
SPACER, FAN	460662	89
	9107150	91
SPACER, FOOT PEDAL CONTROL VALVE	369249	188, 192
SPACER, HUB SECURING	460641	89
SPACER, PIN	461863	125, 179
SPACER, SWING CYLINDER PISTON END	386827	133
SPACER, SWING CYLINDER ROD END	386828	133
SPIN FUEL FILTER, KUBOTA	478038	3, 119
SPLICE (16-24GA WIRE, .750 FT)	466045	207
SPOOL, CENTER	462010	177
SPOOL, MOTOR	462028	177
SPOOL, SWING	462002	177
SPOOL, VALVE	461822	125, 179
SPRING	036178	17
	408161	123
SPRING, ADJUSTER	418855	7, 9
SPRING, ANCHOR TO SHOE (BLACK)	446253	11, 13
SPRING, ANCHOR TO SHOE (RED)	449280	11, 13
SPRING, ARM	461533	53
SPRING, AUTO ADJUSTMENT	436345	11, 13
SPRING, BRAKE PEDAL	034926	25
SPRING, COMPRESSION (.10ID X .30OD X 1.25)	461848	125, 179
SPRING, COMPRESSION (.53ID X .65OD X 1.63)	461855	125, 179
SPRING, COMPRESSION STRUT	449421	11, 13
SPRING, GAS (30LB)	385751	199, 203
SPRING, SADDLE	461434	53
SPRING, SHOE HOLD-DOWN	418871	7, 9
SPRING, SHOE RETURN	418848	7, 9
SPRING, SUSPENSION	461517	53
STEM, VALVE	029629	27
STR, ENGINE MOUN (FRONT)	460651	89
STR, ENGINE MOUNT (FRONT)	386996	91
STR, ENGINE MOUNT (LOWER)	460654	89, 91
STR, ENGINE MOUNT (REAR L.H. SIDE)	381063	91
STR, ENGINE MOUNT (REAR R.H. SIDE)	387051	91
STR, ENGINE MOUNT (REAR)	460672	89
STR. ENGINE GUARD	349233	127
STR., CAB TWO DOOR	292318	191
STRAP, CONNECTOR	V61019788	73, 77
STRAP, DOOR STOP	442913	187, 191
STRAP, GROUND	069807	89, 91

ALPHABETICAL INDEX

DESCRIPTION	PART NUMBER	PAGE
STRAP, HOLD DOWN	355404	263
	381723	265
STRIP, WEATHER (1/4" X 1" X 23")	278499	192
STRIP, WEATHER (1/4" X 1" X 6-1/2")	274118	187, 191
STRIP, WEATHER (SELF-SEALING)	274050	187, 191
STRUT, PARKING BRAKE LEVER (LEFT HAND)	449405	11
STRUT, PARKING BRAKE LEVER (RIGHT HAND)	449413	13
STUD (M10 X 30)	455659	157
STUD, BALL	385769	199, 203
STUD, WHEEL	473256	19
SUPPORT, BROOM COVER	V63134200	31, 33, 35
SUPPORT, PEDALS	466508	125, 179
SWITCH, 2-SPEED WIPER (W/PUSH TO WASH)	444703	269
SWITCH, 4-POSITION (5-PRONG)	409752	226
SWITCH, A/C ON-OFF	430218	181
SWITCH, BLOWER	430217	181
SWITCH, BLOWER TANDEM (12V)	468272	215
SWITCH, BRAKE LIGHT	049924	21, 73, 77
SWITCH, DIMMER	432344	73, 77, 253
SWITCH, HEATER	446633	73, 77
SWITCH, HIGH PRESSURE	468322	217
SWITCH, IGNITION (W/KEYS, F/KUBOTA ENGINE)	9101497	77
SWITCH, LIGHT	V61012700	73, 77
SWITCH, LIGHT (W/15 AMP BREAKER)	61012700	253
SWITCH, LOW PRESSURE	468330	217
SWITCH, MAGNETIC	082404	247
SWITCH, NEUTRAL START PRESSURE (3/16 SAE NC)	459800	163
SWITCH, PARKING BRAKE	413872	15, 73, 77
SWITCH, PRESSURE (2-6 PSI .12-NPT)	078063	73, 77, 231
SWITCH, PUSH BUTTON ELECTRICAL	444556	213
SWITCH, PUSHBUTTON (HORN)	450270	73, 77
SWITCH, REVERSE ALARM	459792	73, 77, 163, 171, 175
SWITCH, SYSTEM HI/LO PRESSURE	385979	209
SWITCH, THERMOSTAT PRE-SET	430215	181
SWITCH, TOGGLE (3-POSITION MOMENTARY)	436857	185
SWITCH, TRINARYTTM PRESSURE	462481	225
SWITCH, TURN SIGNAL	466698	73, 77, 207
	63115400	253
SWITCH, WIPER	444557	213
SWITCH,IGNITION (3 WIRE)	407825	73
SWITCHGAUGE, PRESSURE	082338	249
	082388	247
SWITCHGAUGE, WATER TEMPERATURE	409334	247, 249
TACHOMETER	448985	73, 77
TANK, FUEL (20 GALLON CAPACITY)	434274	97
TANK, FUEL (30 GALLON CAPACITY)	387040	99
TANK, HYDRAULIC	335125	165, 170
	387030	174
TANK, LOW PROFILE (180 GAL, POLY, BLACK)	354861	263, 265
TANK, LOW PROFILE (180 GAL, POLY, WHITE)	354860	263, 265
TAPE, AUTO GLASS (1/4 RD. BUTYL)	409458	192
TAPE, FOAM (9/16" X 1" X 52")	282061	187, 191
TAPE, PRESTITE (2" WIDE)	438762	188, 192
TAPE, REFLECTOR (RED)	436261	253
TEE (W/MOUNT)	282855	23
TEE, HOSE BARB (1/2")	477949	265
	V70006888	265
TEE, JET	V63036000	4, 263, 265
TERMINAL (1/4 MALE BLADE)	078584	73, 78
TERMINAL, FEMALE SLIDE (1/4")	431320	231, 269, 273
TERMINAL, INSULATED (#10 RING, 16-14 GA)	036467	207, 231, 241, 247,

ALPHABETICAL INDEX

DESCRIPTION	PART NUMBER	PAGE
TERMINAL, INSULATED (#10 RING, 16-14 GA)	036467	251, 253, 259, 261, 269, 271, 273
TERMINAL, INSULATED (1/4" RING, 20-14 GA)	043760	269, 271, 273
TERMINAL, INSULATED (1/4" FEMALE, 20-14 GA)	046292	271, 275
TERMINAL, INSULATED BULLET (FEMALE, 14-16 GA)	068205	207, 253, 257, 259, 261
TERMINAL, INSULATED BULLET (MALE, 14-16 GA)	068197	253, 257, 259, 261, 269, 271, 273, 275
TERMINAL, SLIDE	442228	207
THERMOSTAT	468264	215
TIE, CABLE	047761	255
	066712	269, 271, 273, 275
TIE, CABLE (0.035" X 3-1/2")	066720	269, 271, 273, 275
TIE, CABLE (7-1/4" X 3/16", 1-3/4" DIA, BLACK)	041236	221, 235, 237, 255
TIMER, GLOW PLUG	478073	77
TIP OUT GLASS LATCH ASSEMBLY	385793	211
TIP OUT GLASS WINDOW HINGE ASSEMBLY	385791	211
TIP OUT WINDOW ASSEMBLY	447996	211
TRIM SEAL (94.00")	341735	187
TRIM, FLEXIBLE STEEL CORE	270140	187, 191
TRIM, SEAL (44")	341578	187, 191
TRIM, SEAL (86")	341685	187, 191
TUBE (3/16)	271999	21
TUBE (CLEAR PVC, 1/4" OD X 1/8" X 174")	293332	221, 269, 273
TUBE ASSEMBLY (EXTENSION TO FRONT AXLE)	271965	23
TUBE ASSEMBLY (LEFT REAR WHEEL, METAL)	298323	21, 23
TUBE ASSEMBLY (MASTER CYLINDER TO FRONT AXLE)	271973	23
TUBE ASSEMBLY (MASTER CYLINDER TO REAR FRAME)	271981	23
TUBE ASSEMBLY (RIGHT AND LEFT FRONT BRAKE)	271221	23
TUBE ASSEMBLY (RIGHT REAR WHEEL, METAL)	298331	21, 23
TUBE, AIR INTAKE	298570	81, 83
TUBE, GREASE	345843	55
TUBE, HEAT SHRINK (.25 ID)	445536	207
TUBE, INTAKE (3" OD X 3-1/2" LONG)	460671	81
TUBE, SUPPORT (PART OF MAINFRAME)	295279	55
TUBE, TIE ROD	271130	27
TUBING (1/4" OD X 1/16" WALL X 72")	293415	271
TUBING, MCL (STEEL, 5/16" OD X 7/8" LONG)	274811	269, 271, 273, 275
TUBING, MCL (STEEL, 7/8" OD X 7/8" LONG)	274803	269, 271, 273, 275
U-BOLT, PLATED (5/8"-11NC, AXLE MOUNTING)	449041	49, 71
UTILITY BLADE W/HYDRAULIC CONTROLS ASSEMBLY	381228	185
VALVE	454421	123
VALVE (3/8" BALL, BRASS)	469585	265
VALVE, 2 POSITION	443735	170
VALVE, ANTI-LEAK CHECK	459743	263
VALVE, BLOCK	468348	217
VALVE, BROOM SPEED CONTROL	440735(001)	174
VALVE, CHECK (45 PSI)	438812	170, 174
VALVE, CONTROL	457267(001)	170, 174
VALVE, COUNTER-BALANCE	406752	139
VALVE, EXPANSION	477232	225
VALVE, EXPANSION (CAB #3052)	430213	181
VALVE, HEATER SHUT-OFF	417329	229
VALVE, HYDRAULIC (DANFOSS SYSTEM)	457296	163
VALVE, RELIEF	443077	165, 167
VALVE, SOLENOID	443069	185
VALVE, SOLENOID OPERATED CONTROL	433069	165, 167
VALVE, STEERING	433029	174
	476770	39, 167, 170
VALVE, STEERING (W/POWER BEYOND VALVE)	476788	39, 185
VALVE, STEERING (W/POWER BEYOND)	451104	39, 165

ALPHABETICAL INDEX

DESCRIPTION	PART NUMBER	PAGE
VALVE, UNIT STEERING	385690	39
VALVE, UNIT STEERING (FOR TOW KIT OPTION)	457028	39
	477208	39
VALVE, WATER (SHORTENED STEM)	477750	183
V-BELT (V3600)	459965	91
V-BELT, 3.3	477534	89
V-CLAMP, EXHAUST (3")	460666	93
WAFER, BROOM (2 SETS OF 18 BRUSHES)	474791K	35
WAFER, COMBO (10" X 32")	475155	37
WAFER, COMBO (10" X 32") (BOX OF 24)	475155BX	37
WAFER, POLY (10" X 32") (BOX OF 25)	416057BX	37
WAFER, WIRE (10" X 32") (BOX OF 24)	416065BX	37
WASHER, BONDED SEALING	385855	213
WASHER, BONDED SEALING (3/8")	385802	183, 213
WASHER, DOOR HINGE	385754	199, 203
WASHER, FLAT	066605	19, 27
WASHER, FLAT (#10)	060723	127
WASHER, FLAT (1/2")	011325	47, 49, 71, 101, 127
	011650	47, 49, 89, 91, 105
WASHER, FLAT (1/4")	010298	81, 83, 113, 187, 191
	011321	15, 21, 41, 47, 49, 51
	385763	199, 203
WASHER, FLAT (3/8")	011031	25, 93, 105, 111, 235, 237, 263, 265
	011323	41, 47, 49, 51, 81, 83, 97, 99, 103
	070391	89, 91
WASHER, FLAT (5/16")	010579	15, 107, 109, 233
	011322	25, 31, 33, 35, 51, 71, 81, 101, 103, 127
WASHER, LOCK (#10)	031880	259, 261, 269, 271, 273, 275
WASHER, LOCK (1/2")	011643	31, 33, 35
WASHER, LOCK (1/4" THK.)	460360	97, 99
WASHER, LOCK (1/4")	010280	85, 87, 187, 191, 233, 253, 263, 265, 271
WASHER, LOCK (3/8")	011023	95, 111
WASHER, LOCK (5/16")	010561	25, 103, 105, 221, 229, 233, 257, 261
WASHER, LOCK (M10)	038380	235, 237
WASHER, LOCK (M12)	038414	239
WASHER, LOWER THRUST	296210	55
WASHER, PINION NUT	435750	65
WASHER, SCHNORR (DIA. 10)	455667	157
WASHER, SPRING (PARKING BRACKET)	449355	11, 13
WASHER, THRUST	409003	69
WASHER, THRUST (LOWER)	296442	27
WASHER, UPPER THRUST	296228	55
WEATHER STRIP, SELF-SEALING (130.00")	272385	187, 191
WEATHER STRIP, SELF-SEALING (145.00")	272377	187, 191
WEATHER STRIP, SELF-SEALING (71.00")	272351	187, 191
WEATHER STRIP, SELF-SEALING (85.00")	274068	187
WEDGE, LATCH	236125	111, 127
WELDMENT, DOOR GRAB HANDLE (LEFT HAND)	385745	199, 203
WELDMENT, DOOR HINGE (LH, UPPER AND LOWER)	385768	199, 203
WHEEL (15 X 6 FRONT AND REAR)	472506	27
WHEEL, BLOWER	468298	218
WHEEL, STEERING	074211	39, 41
WINDSHIELD WIPER ASSEMBLY	047910	271, 273, 275
WINDSHIELD WIPER ASSEMBLY (2-SPEED)	443788	269
WINGNUT (0.31-18)	096883	127



ALPHABETICAL INDEX

DESCRIPTION	PART NUMBER	PAGE
WIPER BLADE, HEAVY DUTY (18")	385853	213
WIRE (16 GA. BROWN X 14.00")	285346	247
WIRE (16 GAUGE, YELLOW W/WHITE STRIPE)	272476	269, 271, 273, 275
WIRE (BROWN, 16 GA, 120")	272559	257, 259, 261
WIRE (GRAY, 16 GA)	036608	231
WIRE (ORANGE, 10 GA, 25")	299628	253
WIRE (ORANGE/WHITE, 16 GA, 24")	294041	247
WIRE (RED, 10 GAUGE, 3")	237180	73, 77
WIRE (RED, 16 GA, 84")	036541	251
WIRE (WHITE/BLACK, 16GA, 132")	293365	269, 271, 273
WIRE (WHITE/BLACK, 16GA, 30")	293357	269, 271, 273
WIRE (WHITE/BLACK, 16GA, 8")	293340	269, 271, 273
WIRE, LOCK	434167	135
WIRING ASSEMBLY (BLACK, 30")	369181	73, 77
WIRING HARNESS ASSEMBLY	272187	249
	272724	239
WIRING HARNESS ASSEMBLY (2-WIRE WITH LOOM)	347625	229
WIRING HARNESS, 2-SPEED WIPER/WASHER	345991	269
WIRING HARNESS, BLADE CONTROL	352690	185

Discount Equipment

Discount-Equipment.com is your online resource for commercial and industrial quality parts and equipment sales.

Locations:

Florida (West Palm Beach): [561-964-4949](tel:561-964-4949)

Outside Florida TOLL FREE: [877-690-3101](tel:877-690-3101)

Need parts? Check out our website at www.discount-equipment.com

Can't find what you need?

Click on this link: <http://www.discount-equipment.com/category/5443-parts/> and fill out the request form.

Please have the machine model and serial number available in order to help us get you the correct parts. One of our experienced staff members will get back to you with a quote for the right part that your machine needs.

We sell worldwide for the brands: Genie, Terex, JLG, MultiQuip, Mayco, Toro/Stone, Diamond Products, Magnum, Airman, Mustang, Power Blanket, Nifty Lift, Atlas Copco, Chicago Pneumatic, Allmand Brothers, Essick, Miller Spreader, Skyjack, Lull, Skytrak, Tsurumi, Husquvarna/Target, Whiteman-Concrete/Mortar, Stow-Concrete/Mortar, Baldor, Wacker, Sakai, Snorkel, Upright, Mi-T-M, Sullair, Neal, Basic, Dynapac, MBW, Weber, Bartell, Bennar Newman, Haulotte, Ditch Runner, Blaw-Knox, Himoinsa, Best, Buddy, Crown, Edco, Wyco, Bomag, Laymor, Terremite, Barreto, EZ Trench, Takeuchi, Basic, Bil-Jax, Curtis, Gehl, Heli, Honda, ICS/PowerGrit, Puckett, Waldon, ASV, IHI, Partner, Imer, Clipper, MMD, Koshin, Rice, Gorman Rupp, CH&E, Cat Pumps, Comet, General Pump, Giant, AMida, Coleman, NAC, Gradall, Square Shooter, Kent, Stanley, Tamco, Toku, Hatz, Kohler, Robin, Wisconsin, Northrock, Oztec, Toker TK, Rol-Air, Small Line, Wanco, Yanmar

New Equipment - Used Equipment - Rental Equipment - Parts and Accessories

Discount Equipment

www.discount-equipment.com

561-964-4949

Sales: info@Discount-Equipment.com

Parts: wbparts@Discount-Equipment.com