



[www.discount-equipment.com](http://www.discount-equipment.com)

# ***“Express” Water Wagon Optional Hose Reel***

## ***Operator’s & Parts Manual***



4-1-19 19-004R0

Printed In The USA — Specifications & Design Subject To Change Without Notice!

# **Discount Equipment**

Discount-Equipment.com is your online resource for commercial and industrial quality parts and equipment sales.

## **Locations:**

Florida (West Palm Beach): [561-964-4949](tel:561-964-4949)

Outside Florida TOLL FREE: [877-690-3101](tel:877-690-3101)

**Need parts?** Check out our website at [www.discount-equipment.com](http://www.discount-equipment.com)

## **Can't find what you need?**

Click on this link: <http://www.discount-equipment.com/category/5443-parts/> and fill out the request form.

Please have the machine model and serial number available in order to help us get you the correct parts. One of our experienced staff members will get back to you with a quote for the right part that your machine needs.

We sell worldwide for the brands: Genie, Terex, JLG, MultiQuip, Mayco, Toro/Stone, Diamond Products, Magnum, Airman, Mustang, Power Blanket, Nifty Lift, Atlas Copco, Chicago Pneumatic, Allmand Brothers, Essick, Miller Spreader, Skyjack, Lull, Skytrak, Tsurumi, Husquvarna/Target, Whiteman-Concrete/Mortar, Stow-Concrete/Mortar, Baldor, Wacker, Sakai, Snorkel, Upright, Mi-T-M, Sullair, Neal, Basic, Dynapac, MBW, Weber, Bartell, Bennar Newman, Haulotte, Ditch Runner, Blaw-Knox, Himoina, Best, Buddy, Crown, Edco, Wyco, Bomag, Laymor, Terremite, Barreto, EZ Trench, Takeuchi, Basic, Bil-Jax, Curtis, Gehl, Heli, Honda, ICS/PowerGrit, Puckett, Waldon, ASV, IHI, Partner, Imer, Clipper, MMD, Koshin, Rice, Gorman Rupp, CH&E, Cat Pumps, Comet, General Pump, Giant, AMida, Coleman, NAC, Gradall, Square Shooter, Kent, Stanley, Tamco, Toku, Hatz, Kohler, Robin, Wisconsin, Northrock, Oztec, Toker TK, Rol-Air, Small Line, Wanco, Yanmar

**New Equipment - Used Equipment - Rental Equipment - Parts and Accessories**

# **Discount Equipment**

[www.discount-equipment.com](http://www.discount-equipment.com)

**561-964-4949**

Parts: [wbparts@Discount-Equipment.com](mailto:wbparts@Discount-Equipment.com)

Sales: [info@Discount-Equipment.com](mailto:info@Discount-Equipment.com)



## Optional Hose Reel

### Optional Hose Reel

The Express Water Wagon can be fitted at the factory or as an aftermarket option with a hose reel for a 1" hose and fire nozzle.

#### Aftermarket Set-up

Loosely attach the crossmember to the frame just below the hose hangers. Set the A-frame on the trailer frame and under the swivel frame. Attach the A-frame with U-bolts. Mark holes through the A-frame mount brackets. Drill 1/2" holes through the trailer frame. Secure the A-frame mount brackets with the 1/2"x1" bolts. Tighten all mounting bolts.

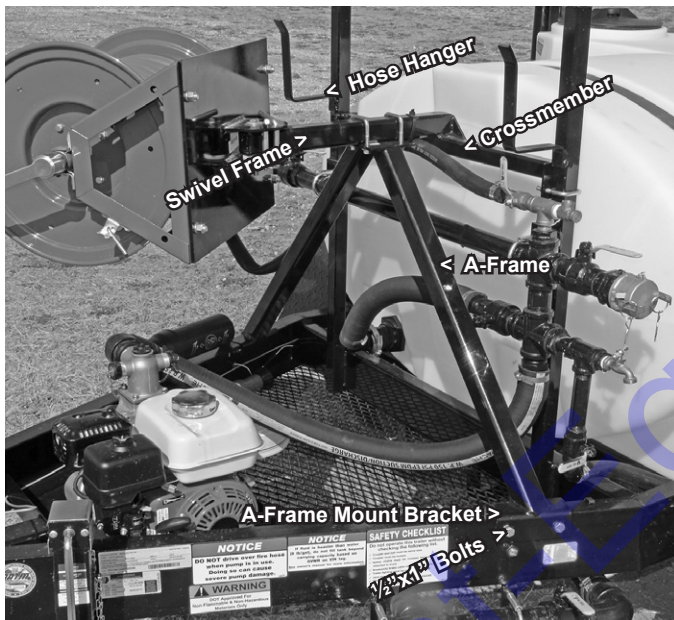


Figure A1  
Hose Reel Frame Mounting

Set the hose reel mounting plate in the swivel bracket with a nylon washer above and below the swivel frame. Secure with the 1/2"x4 1/2" bolt.

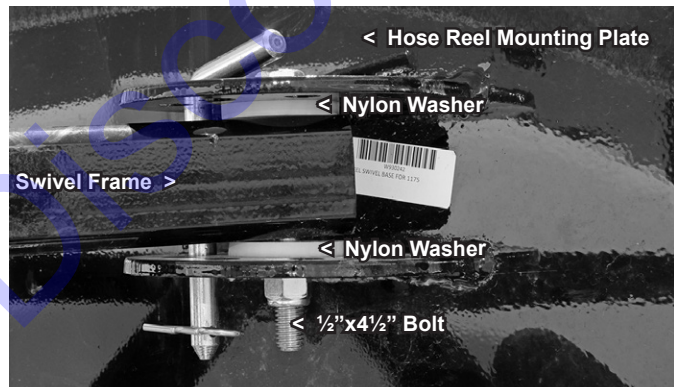


Figure A2  
Hose Reel Mounting Plate

Bolt the hose reel to the mounting plate with 1/2"x1" bolts. Insert the bent pull pins in the swivel bracket.

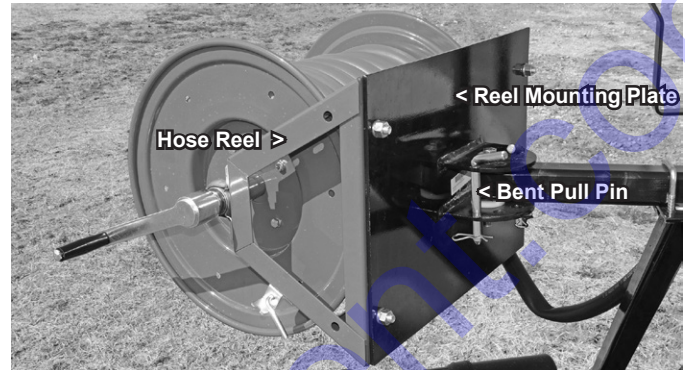


Figure A3  
Hose Reel Attached to Mounting Plate

Bolt the handle to the reel arm. Apply thread sealant to the hose threads and screw into the hose reel fitting. Roll the hose onto the hose reel. Attach the fire nozzle. Lock the hose reel in position with the spring loaded lock pin.

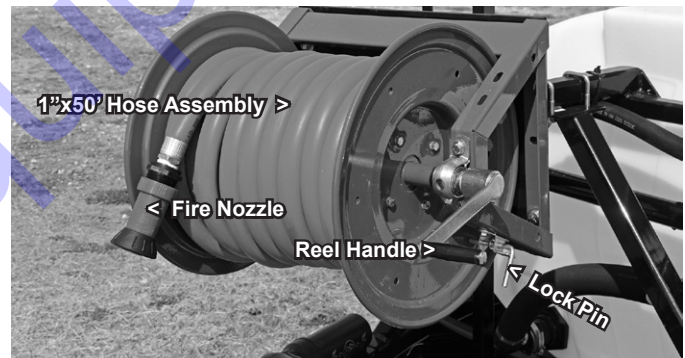


Figure A4  
Rolling Hose on Hose Reel

### Optional Hose Reel Plumbing

The hose reel plumbing connects to the discharge manifold.

Screw the steel 1" hose barb into the hose reel swivel. Slide the 1" hose onto the hose barb and secure with the hose clamp.



Figure A5  
Hose Reel Plumbing

Remove the pressure relief valve from the discharge manifold. Replace the 1/2"x3/4" reducer bushing with the 1/2"x1" reducer bushing. Install the 1" tee, pressure relief valve and 1" ball valve as shown in Figure A6. Make sure that all threads are treated with teflon tape or thread sealant.

Screw the 1" poly hose barb into the ball valve. Slide the 1" hose onto the hose barb and secure with the hose clamp.

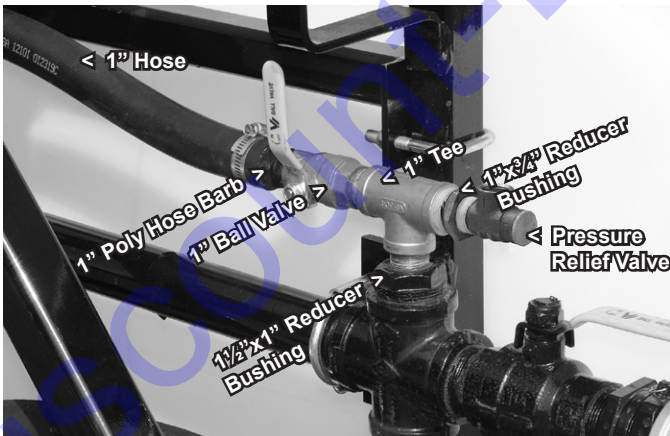


Figure A6  
Hose Reel Plumbing

### Hose Reel Operation

Remove the bent pull pins (see Figure A3) and swivel the hose reel to the desired direction. Rotate the reel lock pin to the unlock position (see Figure A4). Unroll the hose to the desired length.

Open the Main Valve, close the Spray Bar Valve, Return Valve and Auxiliary Valve. Open the Hose Reel Valve.



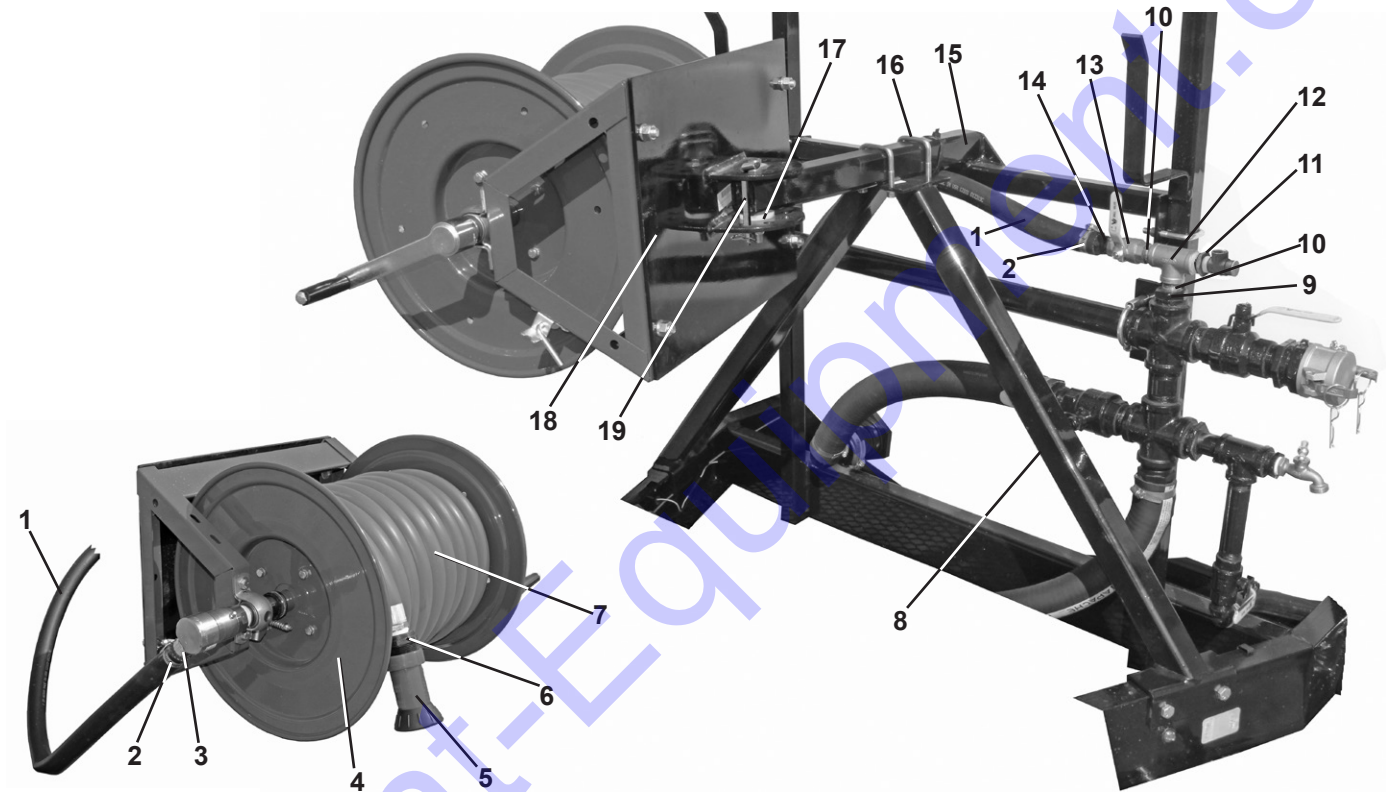
Figure A7  
Valve Setting for Hose Reel Operation

Start the engine and rotate the fire hose nozzle to open the nozzle to the desired pattern; from wide fan to straight stream.



**EXP-500-FH**  
**EXP-800-FH**  
**EXP-1025-FH**

**500 Gal. Hose Reel Kit**  
**800 Gal. Hose Reel Kit**  
**1,025 Gal. Hose Reel Kit**



No.	Part No.	Description	No.	Part No.	Description
1	2-150-100	1" Rubber Spray Hose	11	RB-100075G	1"x3/4" Reducer Bushing, Galv.
2	1028	1 1/2" Hose Clamp	12	TEE-100G	1" Tee, Galv.
3	SPN100	1" MPT x 1" HB Nipple	13	901EBV-100	1" Brass Ball Valve
4	1125-6-50	Hose Reel	14	HB100	1" Hose Barb
5	FN150	Fire Nozzle	15	W124563	Hose Reel Mount (500)
6	RB150-100	1 1/2" x 1" Reducer Bushing		W127618	Hose Reel Mount (800)
7	1"x50' RT Hose MC	1"x50' Hose Assembly		W124129	Hose Reel Mount/Support (1,025)
8	W124564	Hose Reel Mount Support (500)	16	V0131	U-Bolt, 3/8" x 1 5/8" x 2 3/4"
	W127619	Hose Reel Mount Support (800)	17	V0169	2" UHMW Washer
9	RB-150100G	1 1/2"x1" Reducer Bushing, Galv.	18	W930247	Hose Reel Swivel Base
10	NP100-CLOSEG	1" Close Nipple, Galv.	19	12-B	1/2"x3" Bent Pull Pin