



[www.discount-equipment.com](http://www.discount-equipment.com)

# ***“Express” Water Wagon & Water Skid***

## ***Operator's & Parts Manual***



1-20-09 01-027R11

Printed In The USA — Specifications & Design Subject To Change Without Notice!

# **Discount Equipment**

Discount-Equipment.com is your online resource for commercial and industrial quality parts and equipment sales.

## **Locations:**

Florida (West Palm Beach): [561-964-4949](tel:561-964-4949)

Outside Florida TOLL FREE: [877-690-3101](tel:877-690-3101)

**Need parts?** Check out our website at [www.discount-equipment.com](http://www.discount-equipment.com)

## **Can't find what you need?**

Click on this link: <http://www.discount-equipment.com/category/5443-parts/> and fill out the request form.

Please have the machine model and serial number available in order to help us get you the correct parts. One of our experienced staff members will get back to you with a quote for the right part that your machine needs.

We sell worldwide for the brands: Genie, Terex, JLG, MultiQuip, Mayco, Toro/Stone, Diamond Products, Magnum, Airman, Mustang, Power Blanket, Nifty Lift, Atlas Copco, Chicago Pneumatic, Allmand Brothers, Essick, Miller Spreader, Skyjack, Lull, Skytrak, Tsurumi, Husquvarna/Target, Whiteman-Concrete/Mortar, Stow-Concrete/Mortar, Baldor, Wacker, Sakai, Snorkel, Upright, Mi-T-M, Sullair, Neal, Basic, Dynapac, MBW, Weber, Bartell, Bennar Newman, Haulotte, Ditch Runner, Blaw-Knox, Himoinsa, Best, Buddy, Crown, Edco, Wyco, Bomag, Laymor, Terremite, Barreto, EZ Trench, Takeuchi, Basic, Bil-Jax, Curtis, Gehl, Heli, Honda, ICS/PowerGrit, Puckett, Waldon, ASV, IHI, Partner, Imer, Clipper, MMD, Koshin, Rice, Gorman Rupp, CH&E, Cat Pumps, Comet, General Pump, Giant, AMida, Coleman, NAC, Gradall, Square Shooter, Kent, Stanley, Tamco, Toku, Hatz, Kohler, Robin, Wisconsin, Northrock, Oztec, Toker TK, Rol-Air, Small Line, Wanco, Yanmar

**New Equipment - Used Equipment - Rental Equipment - Parts and Accessories**

# **Discount Equipment**

[www.discount-equipment.com](http://www.discount-equipment.com)

**561-964-4949**

Parts: [wbparts@Discount-Equipment.com](mailto:wbparts@Discount-Equipment.com)

Sales: [info@Discount-Equipment.com](mailto:info@Discount-Equipment.com)



## ***A Message To The Owner And Operator***

This equipment was carefully designed and manufactured to give you dependable service. To insure efficient operation of this equipment, please read this operator's manual carefully. Check each item and acquaint yourself with the adjustments required to maintain optimum performance and operation. ***Remember, this equipment's performance depends on how you operate and care for it!***

At the end of each season, thoroughly clean and inspect your equipment. Preventive maintenance saves time and pays dividends. Your nearest Wylie Spray Center has original equipment parts which assure proper fit and best performance. Record your equipment's model and serial numbers and the date you purchased this equipment in the space below. Have this information available when you order parts or attachments.

Model Number: \_\_\_\_\_

Serial Number: \_\_\_\_\_

Date Purchased: \_\_\_\_\_

### ***Limited Warranty***

This is a limited warranty. It covers products manufactured by WYLIE Mfg. Co. The Warrantor is **WYLIE Mfg. Co., 702 E. 40th St., Lubbock, Texas 79404 USA**. The duration of the warranty for WYLIE manufactured equipment and products (excluding polyethylene tanks) is for **one year from date of delivery to the carrier**. The Warrantor warrants to the Buyer that the product(s) sold hereunder are free from defects to material and workmanship, under normal use and service, in the hands of the original buyer.

If goods are defective, the defective goods will be replaced with identical goods. If identical goods are not available, the Buyer may elect to receive a refund of the purchase price for the defective goods, or the Buyer may order similar goods. **The damage for defective goods shall not exceed the purchase price of the defective goods. No allowance shall be made for labor or expense or repairing goods without prior approval in writing by the Warrantor.** The Buyer's remedy under this warranty does not include incidental or consequential damages.

For products not manufactured by the Warrantor, the Warrantor warrants these products to the extent of the warranties of their respective manufactures. **There are no warranties which extend beyond this limited warranty, including the implied warranty of merchantability.** Dealers or representatives shall not make any representation in regard to particular goods except as authorized by the Warrantor through a written warranty accompanying those particular goods.

### ***Disclaimer of Warranty***

WYLIE Mfg. Co., and its divisions, "Wylie Spray Centers," in each location, requires as a condition of sale and coverage by its LIMITED WARRANTY that all equipment sold by it be used in accordance with the instructions and specifications of the Warrantor. This requirement is in addition to the LIMITED WARRANTY.

**Polyethylene and fiberglass tanks** – These tanks are warranted for the storage and transport of water, herbicide solutions (on farm), liquid fertilizer and liquid feed. Such tanks should not be used for the storage of any bulk herbicide (undiluted). Any such use will render this warranty void.

In addition, the Warrantor makes no warranty with regard to bulkhead tank fittings used in connection with tanks containing bulk herbicides and the use of any such fittings sold by the Warrantor or any WYLIE dealer in connection with tanks containing bulk herbicides is improper.

**Chemical Incompatibility** – The Warrantor does not make any recommendations or warranties regarding chemical compatibility. WYLIE shall not be liable for any damages due to chemical incompatibility, and any Buyer or user should rely solely on written information furnished by the chemical manufacturer regarding chemical compatibility.

No employee of WYLIE Mfg. Co., or its representatives, agents or dealers, is authorized to vary the terms of this limited warranty.



# Table Of Contents

Safety Issues .....	2-3
Reporting Safety Defects.....	3
Safety Decals & Placement.....	4
Introduction.....	5
Inspection & Setup .....	6
Operation.....	7-10
Maintenance.....	10-11
Tip Charts .....	11
Troubleshooting Guidelines.....	12
Repair Parts.....	14--28
500 Elliptical, 1,025 Gallon Trailer Assembly.....	14
500 Gallon Rectangular Tank Trailer Assembly.....	15
800 Gallon Trailer Assembly.....	16
1,600 Gallon Trailer Assembly.....	17
Axles & Hubs.....	18
Lighting .....	19
Trailer Pump & Plumbing.....	20
Rectangular Tank Trailer Pump & Plumbing.....	21
Suction Plumbing.....	22
Skid Assembly .....	23
Skid Pump & Plumbing.....	24 - 25
Spray Bar.....	26
Fire Hose, Side Watering Kit , Anti-Siphon Fill Kit, Garden Hose.....	27
Tsurumi Pump.....	28

 **Safety Precautions** 

Be alert when you see the above symbol in the manual. It warns of a hazard which might lead to injury. It means: **Attention! Become alert! Your safety is Involved!**

Three (3) words are associated with this symbol. They are:

**DANGER** – Indicates an imminently hazardous situation which, if not avoided, likely will cause serious injury or death. It is associated with the most extreme situations, typically for machine components, which, for functional purposes, cannot be guarded.

**WARNING** – Indicates a potentially hazardous situation, which, if not avoided, could result in serious injury or death. Relates to hazards that are exposed when guards are removed and alerts against unsafe practices.

**CAUTION** – Indicates a potentially hazardous situation which, if not avoided, may result in minor or moderate injury. It may be used as an alert against unsafe practices.

**Before Use** 

**Do not operate trailer until this manual has been read and understood!**

- ☛ Thoroughly read and understand all instructions before operating this trailer.
- ☛ Make sure that the trailer is properly attached to the tow vehicle, including lights, safety chains, hitch and breakaway brake cable.
- ☛ Check lug bolts for tightness and tires for wear.
- ☛ Adjust hitch height as needed to assure that trailer is level when fully loaded.
- ☛ Always wear safety goggles, chemical resistant apron and rubber gloves when handling chemicals.
- ☛ Read and understand the chemical manufacturer's safety guidelines on handling, mixing and application.

**During Use** 

- ☛ Do not allow anyone to ride on trailer during operation. Falling can cause injury or death.
- ☛ Reduce speed when crossing uneven or rough terrain.
- ☛ Always turn off tow vehicle engine before making adjustments or repairs to an attached trailer.



## After Use



- ☛ Inspect trailer for wear or damage.
- ☛ Ensure that all fasteners and fittings are tight.
- ☛ Flush tank and pump with fresh water if chemicals are used. Dispose of flush water using appropriate means.
- ☛ Carry out maintenance and/or lubrication procedures as outlined in this manual.

## Always



- ☛ Keep hands, feet and clothing away from moving parts.
- ☛ Wear protective clothing and gloves when working with chemicals.
- ☛ Assure that the hitch is attached to the proper size ball.
- ☛ Attach the safety chains and breakaway brake cable to the tow vehicle.
- ☛ Plug the lights into the tow vehicle.

## Operator's Instructions



- ☛ When possible, avoid operating the tow vehicle near ditches, embankments and holes.
- ☛ Reduce speed when turning, crossing slopes and on rough, slick or muddy surfaces.
- ☛ Do not permit others to ride.
- ☛ Operate tow vehicle smoothly – no jerky turns, starts and stops.
- ☛ Hitch only to the hitch points recommended by the tow vehicle manufacturer.
- ☛ When tow vehicle is idle, engage brakes and park lock securely.
- ☛ Tighten lug bolts before transporting the first time and maintain proper torque.
- ☛ Check lights and wiring daily. Service and replace to maintain proper operation.

### Reporting Safety Defects

If you believe that your vehicle has a defect which could cause a crash or could cause injury or death, you should immediately inform the National Highway Traffic Safety Administration (NHTSA) in addition to notifying Wylie Manufacturing.

If NHTSA receives similar complaints, it may open an investigation, and if it finds that a safety defect exists in a group of vehicles, it may order a recall and remedy campaign. However, NHTSA cannot become involved in any individual problems between you, your dealer, or Wylie Manufacturing.

To contact NHTSA you may either call the Auto Safety Hotline toll-free at 1-800-424-9393 (366-0123 in Washington, DC area) or write to:

**NHTSA**  
**U. S. Department of Transportation**  
**400 7th Street SW, (NSA-11)**  
**Washington, DC 20590**

You can also obtain other information about motor vehicle safety from the Hotline.





# Safety Decals & Placement "Express" Water Wagon



**CAUTION**

Do not operate this trailer without checking the following list.

**Operating Checklist**

- ✓ Coupler and ball must be same size.
- ✓ Coupler must be locked.
- ✓ Safety chains must be crossed beneath hitch and attached to truck.
- ✓ Breakaway brake cable must be attached to truck.
- ✓ Trailer lighting must be operating properly.
- ✓ Jack must be retracted.
- ✓ Wheel lug bolts must be properly tightened.
- ✓ Brakes must be properly adjusted.
- ✓ Trailer load must be evenly distributed for proper towing.
- ✓ Cargo and trailer equipment must be properly secured.

V9029

Decal #V9029

**WARNING**

DOT Approved For  
Non-Flammable & Non-Hazardous  
Materials Only

Transporting flammable or hazardous materials in this trailer may be dangerous and unlawful.

Decal #V9020



**500 Gal. "Express" Water Wagon**



**800 Gal. "Express" Water Wagon**



**500 Gal. "Express" Water Wagon**



**1,025 Gal. "Express" Water Wagon**



**500 Gal. "Express" Water Skid**

## Introduction

The Wylie "Express" Water Wagon and Skid are the result of years of testing and field proven experience. They are built of the finest materials and expert workmanship to provide you with years of reliable service. The "Express" Water Wagon is available with a 500, 800, 1,025, or 1,600 gal. tank. Features include a Tsurumi transfer pump powered by a Honda engine, spray bar, fire hose and nozzle, discharge and suction manifold, lights, brakes and fenders.

The "Express" Water Skid features a 500 gallon elliptical tank as well as the same pump, motor, spray bar, fire hose and suction manifold found on the Water Wagon. All of the functions of the "Express" Water Skid are very similar to the Water Wagon and can be easily adapted from the instructions in this manual.

The "Express" Water Wagon and Skid are designed to control dust, compact roads and building sites, water remote landscape, cool concrete saws and a variety of other watering projects.

This manual explains where and how to make necessary adjustments to your "Express" for safe and proper operation. Thoroughly read and understand the contents of this manual before operating your sprayer. If you have questions or do not understand particular items, contact your nearest Wylie Spray Center or call Wylie Manufacturing at (888) 788-7753. Please keep this manual handy to answer questions you may have as they arise.

**Pay Particular Attention To All Safety Suggestions** – Their purpose is to assure safe operation of the sprayer and prevent injury or damage to yourself or the unit.





### Inspection & Setup

Your "Express" Water Wagon is delivered ready for operation. However, it is suggested that you check fasteners for tightness such as lug nuts. Check the motor to assure that it has the proper oil level (see the motor operator's manual for details). Make a visual inspection to assure that nothing was damaged in shipping. Report any problems to your dealer or to Wylie Mfg.

#### Attaching To Pickup

The 500 gallon trailer is equipped with a 2" hitch while the 800, 1,025, and 1,600 gallon trailers are equipped with a 2 5/16" hitch. Make sure that the pickup or tractor has the proper ball. Engage the locking trigger and rotate the hitch lock to open the hitch. Lower the hitch on the ball. Close the hitch by rotating the hitch lock until it locks in place.

Attach the safety chains and plug in the lights. **DOT regulations require that the safety chains cross as they are attached.** Surge and electric brake trailers have an emergency brake cable that activates the trailer brakes if the trailer becomes unhitched from the pickup while travelling. Hook the brake cable to the safety chain eyelet.



Figure A1  
Attaching Trailer To Pickup



**Check to make sure that the ball and hitch are the same size. Attaching a 2 5/16" hitch to a 2" ball could allow the trailer to become unhitched during transport. Serious bodily injury could follow.**

The "Express" Water Wagon is equipped with a height adjustable hitch. Remove the bolts and move the hitch so that the trailer will travel level when the tank is full.

The bolted hitch can be removed to help prevent theft of the trailer.

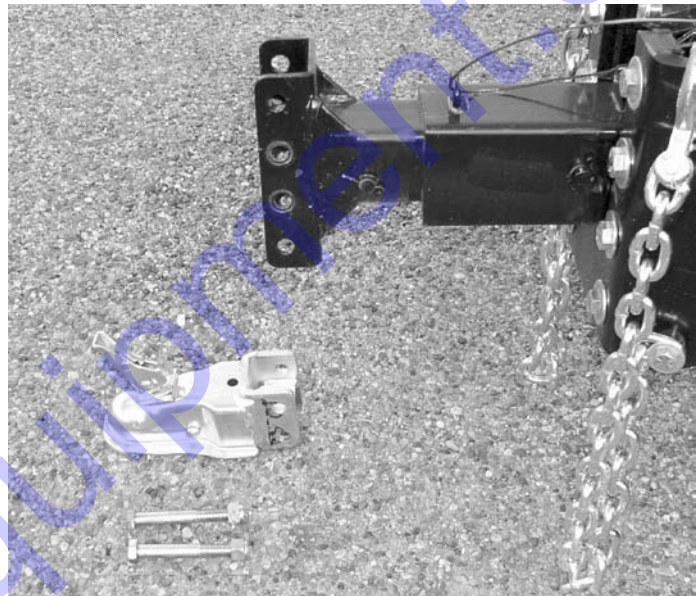


Figure A2  
Remove Hitch To Prevent Theft

The "Express" is equipped with cam-lock caps over the quick couplers. They must remain locked in place except when attaching a suction hose. The caps are secured with pins as shown in Figure A3.



Figure A3  
Coupler Cap Lockpins

## Operation

The “Express” Water Wagon features a suction and discharge manifold. The suction manifold contains the valves and fittings for filling the tank, supplying the pump and a gravity feed faucet. The discharge manifold has valves controlling the bypass, fire hose, pressure hose and spray bar. *Note: Open the ball valves by turning the handle parallel to the flow. Close the valve by turning the handle perpendicular to the flow.*

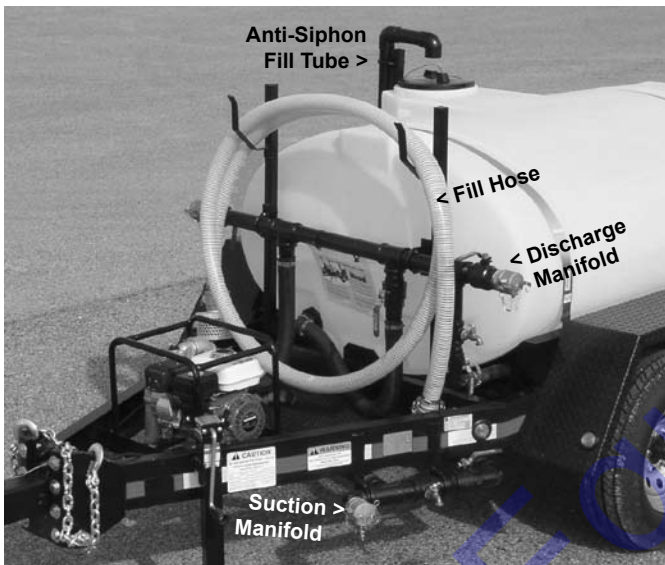


Figure B1  
Water Wagon Suction and Discharge Manifolds



Figure B3  
Filling Tank Through Anti-Siphon Fill

### Filling The Tank

The water tank can be filled by three means: (1) through the anti-siphon fill tube (2) drawing water through the pump (3) through the quick-fill fitting.

To fill the tank through the anti-siphon fill, remove the tank lid, couple the fill hose to the anti-siphon coupler and turn the water source on as shown in Figure B3. A fire hydrant adapter is provided that couples to the end of the fill hose.



Figure B2  
Water Skid Valves



Figure B4  
Filling Tank With Transfer Pump





If the tank is to be filled through the quick-fill fitting, couple the hose to the quick-fill coupler as shown in Figure B4. Open the main tank valve, then open the water source.



Figure B5  
Filling Trailer From Tank

In order to fill the tank with the transfer pump as shown in Figure B5, close the main tank valve and attach the fill hose to the suction manifold quick-fill coupler. Open the bypass valve on the discharge manifold. Set the end of the fill hose in the pond, tank or other water source with the suction screen coupled to the end of the hose. See Figure B5. Be sure that the suction hose bibb is closed. A partially open hose bibb will let air into the suction manifold, causing cavitation in the pump and not build pressure.

Start the engine to pump water from the water source to the tank. If this is the first time to use the pump, it may be necessary to pour water in the top of the pump to prime it. Once the pump has water in it, it is self-priming thereafter.

### Bypass Valve

The bypass valve is located on the discharge manifold and is useful for filling the tank through the pump, circulating water through the tank when the pump is turned on but no water is being discharged, and mixing any chemicals that are added to the water.



Figure B6  
Open Bypass Valve

### Spray Bar

The Spray Bar is controlled by the spray bar valve as well as the nozzle valves. Open the main tank valve and close the bypass valve. If you want to spray through all three of the spray bar nozzles, open both nozzle valves. Close both valves to spray only through the center nozzle. Close one of the valves to spray through the center nozzle and the opposite nozzle.

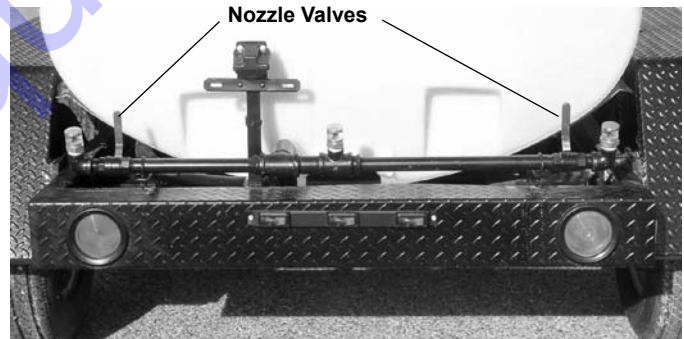


Figure B7  
Spray Bar Nozzle Valves

Start the engine and increase to full throttle. Open the spray bar valve. Use the pickup speed to control the rate that water is applied. The amount of water flowing through the spray bar can be controlled by partially closing the spray bar valve or slightly opening the bypass valve. Do not close the main tank valve. Pump damage can result.

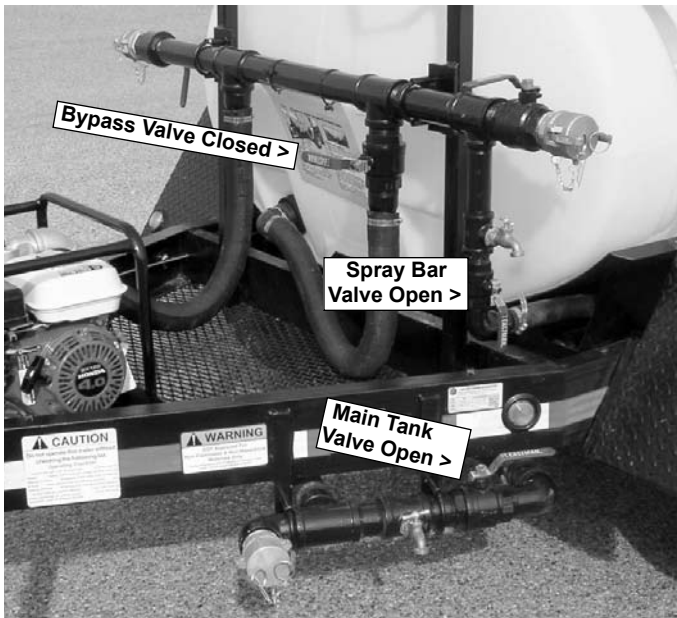


Figure B8  
Spray Bar Valve

The spray bar covers a maximum swath of 25'. Common uses include controlling dust on roads and parking lots, compacting roads and building sites.



Figure B9  
Operating Spray Bar

**Fire Hose**

The 25' fire hose couples to the fire hose valve on either side of the trailer. Remove the fire hose coupler cap and quick couple the fire hose. Open the main tank valve, close the bypass and spray bar valves. Open the fire hose valve on the side that the hose is attached. The fire nozzle adjusts from wide spray to straight stream by rotating the body of the nozzle.

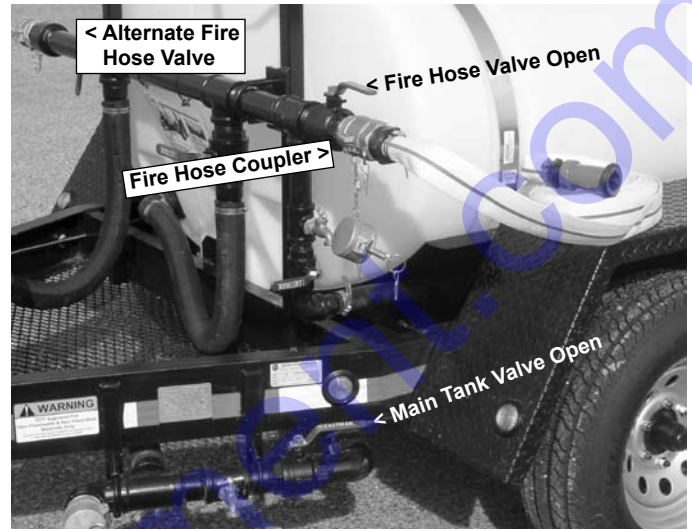


Figure B10  
Fire Hose Connection

The fire hose and nozzle can be used for spot watering to control dust and compact building sites. Other uses include watering remote landscape and fighting grass fires.



Figure B11  
Operating Fire Hose

**! WARNING !**

**Do not direct the spray from the fire hose or pressure hose at electrical connections, boxes or lines. Electrical shock could cause serious bodily injury or death.**





Figure B11  
Side Watering Nozzle

### Side Watering Nozzle

The discharge manifold can be fitted with an optional side watering nozzle. Quick couple the nozzle to the fire hose coupler and open the fire hose valve.

### Pressure Hose

To operate the pressure hose, attach the pressure hose to the discharge manifold hose bibb, open the main tank valve and start the engine. All of the ball valves on the discharge manifold should be closed. Open the hose bibb and engage the trigger gun.

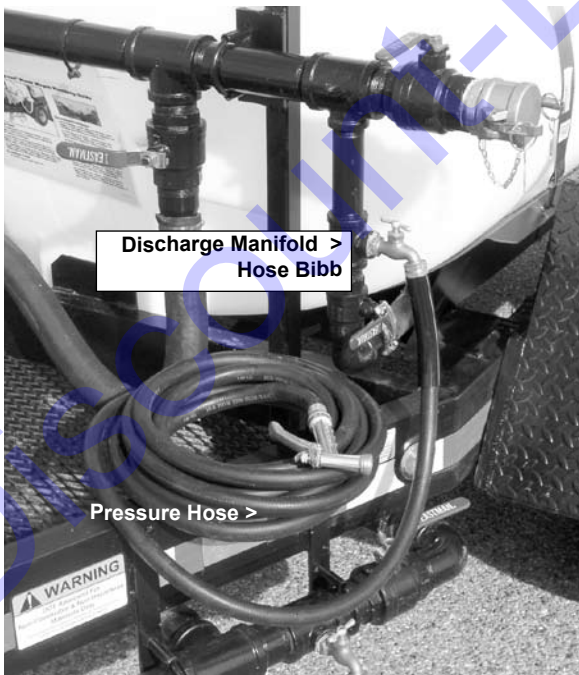


Figure B12  
Pressure Hose Connection

### Suction Manifold Hose Bibb

A second hose bibb is located on the suction manifold and is useful for gravity feeding water to concrete saws and other low volume applications. With the engine turned off, attach the pressure hose to the suction manifold hose bibb and remove the trigger gun. Open the main tank valve and the suction manifold hose bibb. The outlet of the hose must be lower than the level of the water in the tank for the water to gravity flow through the hose.



Figure B13  
Gravity Flow Hose Connection

## Maintenance

The “Express” is a low maintenance machine, but will operate much longer if due care is taken on a regular basis. Several times each season the “Express” should be examined for worn hoses, loose fasteners, worn tires, and leaks. Refer to the engine and pump owner’s manual for information regarding maintenance on these components.





From time to time it may be necessary to drain the main tank such as during cold weather. Remove the Quick-Fill cap, open the main tank valve to drain the tank. Remove the pump's bottom plug to drain the pump. Remove the plug from the spray bar tee to drain the spray bar. For maximum freeze protection, add a few gallons of anti-freeze solution to the tank and circulate through the system.



Figure C1  
Main Tank Drain

If water is held for long periods of time in the white tank, algae will grow in the tank. To prevent algae growth, drain the tank when the trailer is not in use. Algae growth can be retarded by adding bleach to the water.

## Lubrication

The wheel hubs should be packed with grease once a year under heavy use, every other year under light to medium use.

Check the engine owner's manual for the proper oil to add to the engine.

## Spray Bar Tip Chart "210" nozzle is standard

Nozzle Inlet Connection NPT (M)		Capacity Size	Orifice Diam. Nom. Inches	CAPACITY (gallons per minute)								SPRAY ANGLE							
1/8	1/4			3/8	1/2	3/4	1	3 psi	5 psi	7 psi	10 psi	15 psi	20 psi	30 psi	40 psi	60 psi	7 psi	20 psi	60 psi
•			.25	.016							.03	.035	.04	.05	.06		83°	117°	
•			.50	.024							.06	.07	.08	.10	.12		89°	122°	
•			.75	.028					.075	.09	.11	.13	.15	.18			106°	125°	
•			1	.033					.10	.12	.14	.17	.20	.24			109°	128°	
•			1.5	.041				.12	.15	.18	.21	.26	.30	.37			73°	108°	125°
•			2	.046				.17	.20	.24	.28	.35	.40	.49			83°	113°	129°
•	•		2.5	.052			.18	.21	.25	.31	.35	.43	.50	.61			98°	122°	133°
•	•		3	.057			.21	.25	.30	.37	.42	.52	.60	.73			86°	112°	126°
•	•		4	.065			.28	.33	.40	.49	.57	.69	.80	.98			97°	123°	132°
•	•		5	.073			.35	.42	.50	.61	.71	.87	1.0	1.2			114°	128°	142°
•	•	•	7.5	.091		.41	.53	.63	.75	.92	1.1	1.3	1.5	1.8			101°	119°	134°
•	•	•	10	.104		.55	.71	.84	1.0	1.2	1.4	1.7	2.0	2.5			115°	133°	145°
•	•	•	12	.116		.66	.85	1.0	1.2	1.5	1.7	2.1	2.4	2.9			128°	139°	153°
•	•	•	15	.129		.82	1.1	1.3	1.5	1.8	2.1	2.6	3.0	3.7			98°	113°	123°
•	•	•	18	.141		.99	1.3	1.5	1.8	2.2	2.5	3.1	3.6	4.4			106°	120°	131°
•	•	•	20	.148		1.1	1.4	1.7	2.0	2.4	2.8	3.5	4.0	4.9			110°	122°	133°
•	•	•	22	.156		1.2	1.6	1.8	2.2	2.7	3.1	3.8	4.4	5.4			113°	125°	136°
•	•	•	24	.161		1.3	1.7	2.0	2.4	2.9	3.4	4.2	4.8	5.9			115°	131°	144°
•	•	•	27	.173		1.5	1.9	2.3	2.7	3.3	3.8	4.7	5.4	6.6			119°	135°	148°
•	•	•	30	.180		1.6	2.1	2.5	3.0	3.7	4.2	5.1	6.0	7.3			100°	110°	121°
•	•	•	35	.196		1.9	2.5	2.9	3.5	4.3	5.0	6.1	7.0	8.6			105°	118°	128°
•	•	•	40	.209		2.2	2.8	3.3	4.0	4.9	5.7	6.9	8.0	9.8			111°	126°	136°
•	•	•	45	.221		2.5	3.2	3.8	4.5	5.5	6.4	7.8	9.0	11.0			115°	130°	140°
•	•	•	50	.238		2.7	3.5	4.2	5.0	6.1	7.0	8.7	10.0	12.3			117°	131°	140°
•	•	•	60	.256		3.3	4.2	5.0	6.0	7.3	8.5	10.4	12.0	14.7			120°	134°	142°
•	•	•	70	.281		3.8	5.0	5.9	7.0	8.6	9.9	12.1	14.0	17.2			123°	137°	146°
•	•	•	80	.297		4.4	5.6	6.7	8.0	9.8	11.3	13.8	16.0	19.6			127°	138°	149°
•	•	•	90	.316		4.9	6.4	7.5	9.0	11.0	12.7	15.6	18.0	20			120°	133°	140°
•	•	•	100	.332		5.5	7.1	8.4	10.0	12.3	14.1	17.3	20	24			123°	136°	145°
•	•	•	110	.348		6.0	7.8	9.2	11.0	13.5	15.6	19.0	22	27			125°	138°	148°
•	•	•	120	.368		6.6	8.5	10.0	12.0	14.7	17.0	21	24	29			129°	143°	150°
•	•	•	140	.406		7.7	9.9	11.7	14.0	17.1	19.8	24	28	34			118°	127°	135°
•	•	•	160	.437		8.8	11.3	13.4	16.0	19.6	23	28	32	39			121°	130°	137°
•	•	•	180	.453		10.0	12.7	15.1	18.0	22	25	31	36	44			124°	133°	139°
•	•	•	210	.484		11.5	14.8	17.5	21.0	26	30	36	42	51			128°	139°	145°
•	•	•	300	.578		16.5	21	25	30	37	43	52	60	74			110°	128°	135°
•	•	•	450	.703		25	32	38	45	55	64	78	90	111			118°	132°	138°



## **Troubleshooting Guidelines**

Problem	Cause	Solution
Pump Will Not Operate	(1) Engine not starting or running properly	(1) Refer to engine owner's manual
Pump will not spray solution	(1) Spray tank empty (2) Main tank ball valve closed (3) Plugged strainer (4) Malfunctioning pump (5) Proper discharge valve not open	(1) Fill tank (2) Open ball valve (3) Clean strainer screen (4) See pump owners manual or contact Wylie Spray Center (5) See operation section of manual
Pump output is very low; erratic	(1) Spray tank low; air getting in pump (2) Tank ball valve partially closed (3) Plugged strainer (4) Collapsed suction hose (5) Air leak in suction system (6) Malfunctioning pump (7) Engine speed too slow	(1) Fill tank (2) Open ball valve (3) Clean strainer screen (4) Replace suction hose (5) Tighten fittings; Check for cracked or cut components; Apply thread sealant to pipe threads; Close suction manifold hose bibb. (6) See pump owners manual or contact Wylie Spray Center (7) Increase engine speed
Gun or nozzles do not operate	(1) Controlling ball valve not open	(1) Open appropriate ball valve
No output or insufficient pressure at spray tip(s)	(1) Air leak in suction side of system (2) Problem with pump (3) Ball valve malfunctioning (4) Bypass valve open	(1) See above (2) See above (3) Repair or replace ball valve (4) Close bypass valve
Spray pattern uneven at one tip	(1) Trash in tip orifice (2) Damaged tip orifice (3) Worn or damaged tip	(1) Clean tip (2), (3) Replace tip



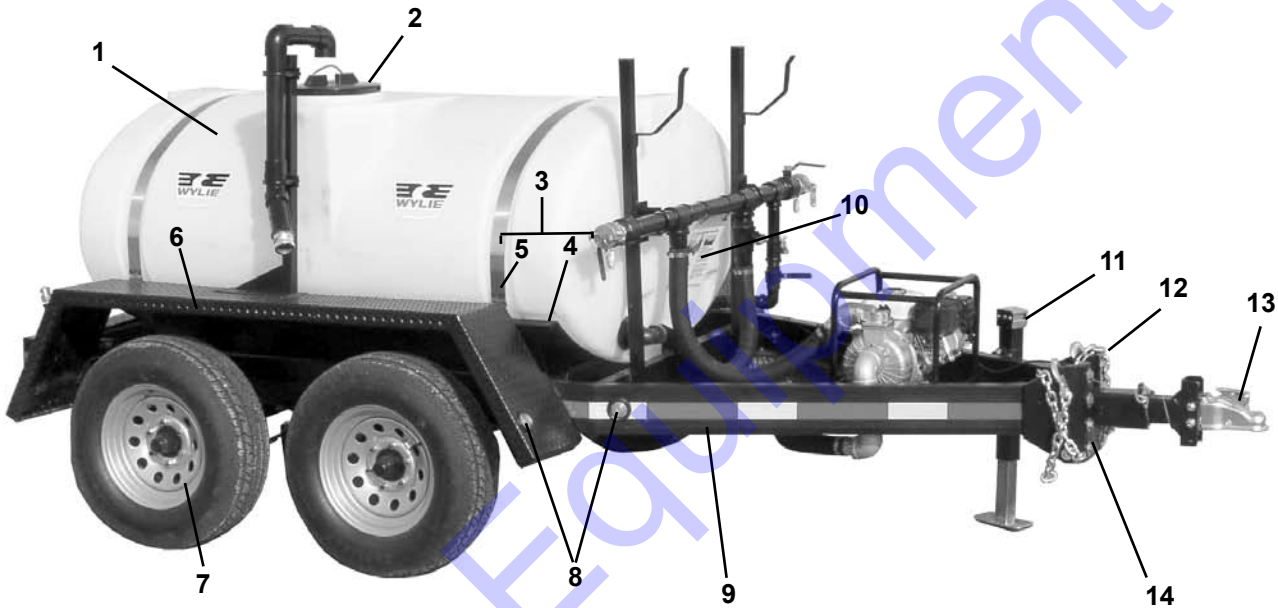
# **“Express” Water Wagon Repair Parts**

500 Elliptical, 1,025 Gallon Trailer Assembly.....	14
500 Gallon Rectangular Tank Trailer Assembly.....	15
800 Gallon Trailer Assembly.....	16
1,600 Gallon Trailer Assembly.....	17
Axles & Hubs.....	18
Lighting.....	19
Trailer Pump & Plumbing.....	20
Rectangular Tank Trailer Pump & Plumbing.....	21
Suction Plumbing.....	22
Skid Assembly.....	23
Skid Pump & Plumbing.....	24 - 25
Spray Bar.....	26
Fire Hose, Side Watering Kit , Anti-Siphon Fill Kit, Garden Hose.....	27
Tsurumi Pump.....	28



**Trailer Frame**

- W1245-EB            500 Gallon w/electric brakes**
- W1245-S            500 Gallon w/surge brakes**
- W1241WT-EB       1,025 Gallon w/electric brakes**
- W1241WT-S       1,025 Gallon w/surge brakes**



No.	Part No.	Description	No.	Part No.	Description
1	T500HENK	500 Gal. Ellip. Tank w/lid	8	203220	2" Amber Side Marker
	T1025LSNK	1,025 Gal. Full Drain Leg Tank w/ lid		223088	2" Round Grommet
2	TLVA10	10" Tank Lid	9	W124530	Frame (500)
3	W7133	500 gal. Ellip. Saddle Ass'y (500)		W124102	Frame (1,025)
4	W713301	500 gal. Saddle Frame	10	04-21R1	Plumbing Operation Instructions
5	W720109	#12-T-2" x 92" (88") Tank Band (500)	11	HD500-SWL-TMR-PZ-M	Side Wind Jack
	W120502	Hoop (1,025)	12	SC43-49	Safety Chain Kit
6	W120334	RH Fender (500)	13	09430-95	2" Ball Hitch (500)
	W120335	LH Fender (500)		W1211RK	2 5/16" Ball Hitch (1,025)
	W124108	RH Fender (1025)		09557-97	3" Pintle Hitch
	W124107	LH Fender (1025)	14	W121117	Hitch Plate, Electric Brake (500)
7	34774	Wheel & Tire Ass'y. 15x6.6 (500)		W121120	Hitch Plate, 7,500# Surge (500)
	660865831314114	Wheel & Tire Ass'y. 16x6.8 (1,025)		W121117	Hitch Plate, Electric Brake (1,025)
				W121115	Hitch Plate, 20,000# Surge (1,025)

**W1275-S2**

**500 Gallon Rectangular w/surge brakes**



No.	Part No.	Description	No.	Part No.	Description
1	09430-95	2" Ball Hitch	7	34774	Wheel & Tire Ass'y. 15x6.6
2	8759131	Surge Actuator	8	TS35620460655FBX	3500# 62" HF 46.0 Center Axle
3	352060	18" Lid Assembly	9	W127504	Trailer Frame
4	T500RLN18K	500 Gal. Rectangular Tank	10	203220	2" Amber Side Marker
5	W127503	Tank Hoop	11	223088	2" Round Grommet
6	W1275-F2	Fender Ass'y. (pair)	12	HD500-SWL-TMR-PZ-M	Side Wind Jack
	W127505	Fender LH	13	SC43-49	Safety Chain Kit
	W127506	Fender RH (not shown)			

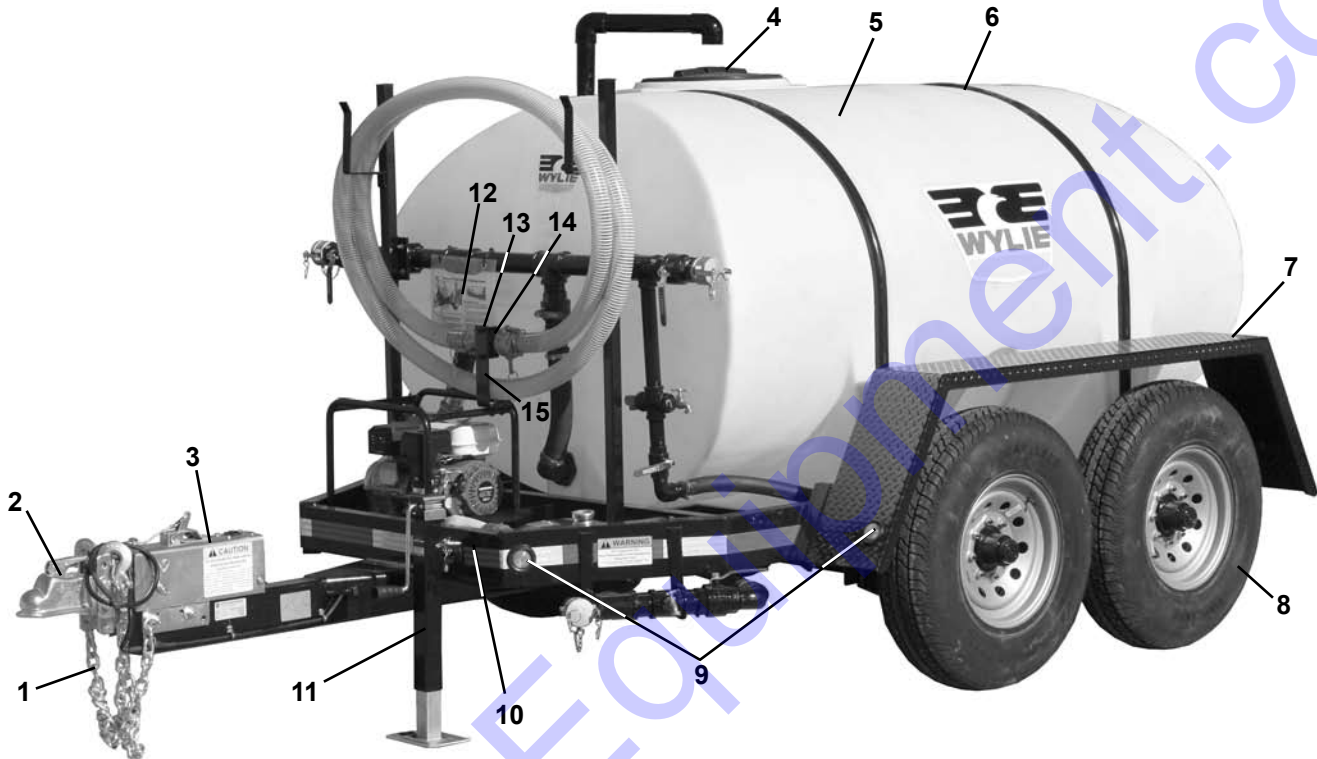




**Trailer Frame**

**W1276S**

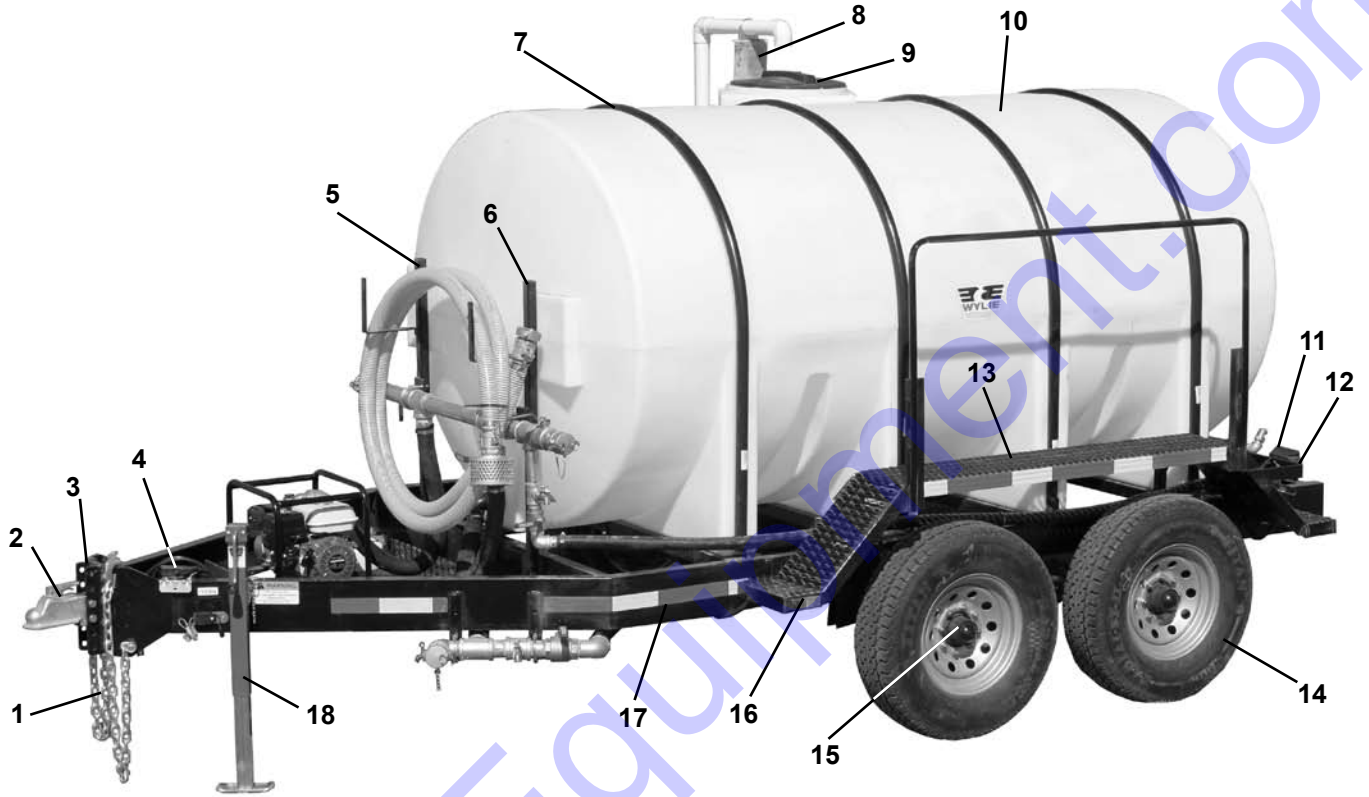
**800 Gallon w/surge brakes**



No.	Part No.	Description	No.	Part No.	Description
1	SC43-39-800S	Safety Chain Kit	9	203220	2" Amber Side Marker
2	05557-95	2 5/16" Ball Hitch		223088	2" Round Grommet
3	8101031	10K Surge Actuator	10	W127601	Frame
4	352060	18" Tank Lid	11	HD500-SWL-TMR-PZ-M	Side Wind Jack
5	T800LDNK	800 Gal. Leg Tank w/lid & sump	12	04-21R1	Plumbing Guide
6	W127605	Tank Hoop	13	200-A-PP	2" Female Quick Couple
7	W127603	LH Fender	14	200-F-PP	2" Male Quick Couple
	W127604	RH Fender	15	W127606	Support Bracket
8	660865831314114	Wheel & Tire Ass'y. 16x6.8		4781	Hydraulic Line Kit (not shown)

**W1243WT-E**

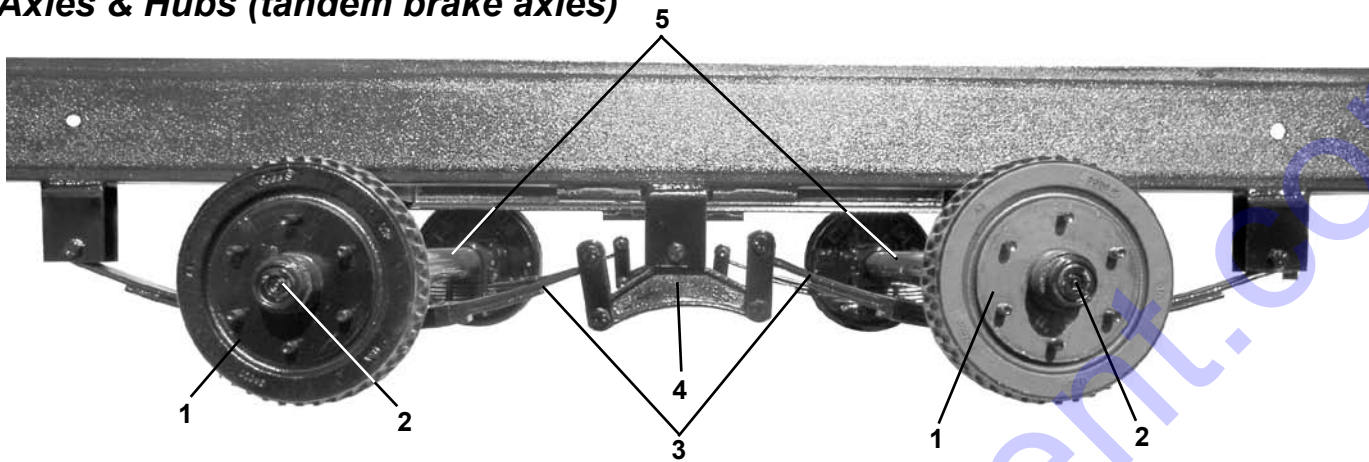
**1,600 Gallon w/electric brakes**



No.	Part No.	Description	No.	Part No.	Description
1	SC70-39	Safety Chain Kit	11	423062	RH Tail Light
2	07678-95	2 5/16" Ball Hitch	12	W930125	LH Tail Light Bracket
3	W124523	Hitch Plate		W930124	RH Tail Light Bracket
4	2028	Breakaway Brake Kit, 12V	13	W120325	LH Fender
5	W124104	RH Upper Manifold Mount		W120326	RH Fender
6	W124105	LH Upper Manifold Mount		W120338	Splash Guard (not shown)
7	W124404	Tank Hoop	14	660865831314115	Wheel & Tire Ass'y. 235/80R16E, 16x6.8
8	W124509	Stabilizer Bracket	15	TS70895730865EAC	7,000# Electric Brake Axle
9	352060	18" Tank Lid	16	223117	2" Amber Side Marker
10	T1600LDNK	1,600 Gal. Leg Tank w/lid & sump	17	W124306	Frame
11	423012	LH Tail Light	18	35SQ15F-00	Side Wind Jack



**Axles & Hubs (tandem brake axles)**



**Axle & Hub Parts for 500 Gallon Trailer**

No.	Part No.	Description	No.	Part No.	Description
1	4701-L	Electric Brake, 10"-2¼" LH	2F	L-44610	Outer Race, 1.98" OD
	4701-R	Electric Brake, 10"-2¼" RH	2G	L-44649	Outer Bearing, 1.0625" ID
	40716	Surge Brake, 10"-2¼" LH	2H	4753	Spindle Washer, 1"
	40715	Surge Brake, 10"-2¼" RH	2J	4754-Q	Spindle Nut, 1"-14
2	94655	Complete Brake Hub Ass'y.	2K	4755	Cotter Pin, 1/8"x2"
	94655-1	Brake hub w/ cups & studs	2L	RP-100	Rubber Plug, Accu-Lube Grease Cap
2B	4-12	Brake Flange	3	4342-17	Spring, Double Eye, 1700#
2C	171255TB	Grease Seal, single lip, 1.709"	4	4102-A	Tandem Hanger Kit
2D	L-68149	Inner Bearing, 1.375" ID	5	TS35705525655EBX	3,500# Elect. Brake Axle w/AccuLube hubs
2E	L-68111	Inner Race, 2.362" OD		TS35705525655FBX	3,500# Surge Brake Axle w/AccuLube hubs

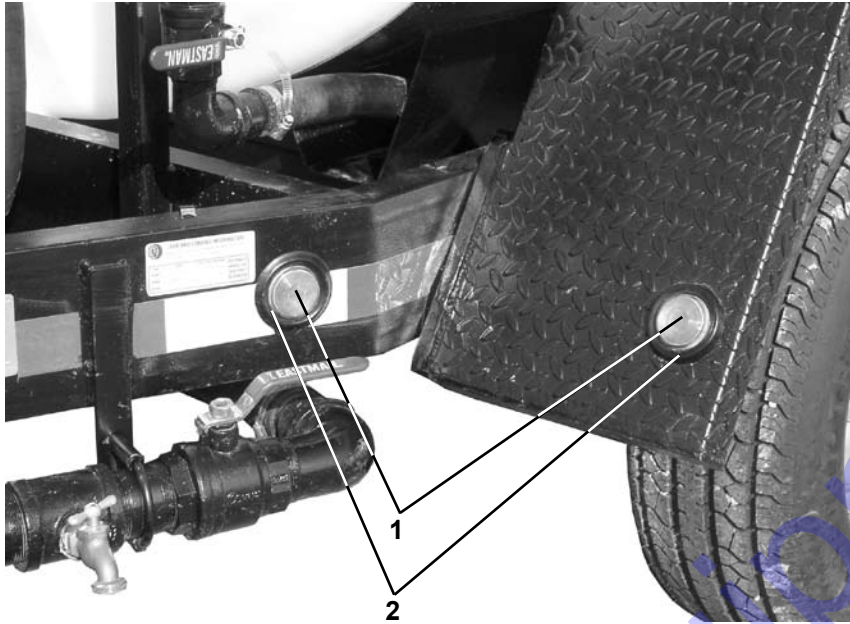
**Axle & Hub Parts for 800 Gallon Trailer**

No.	Part No.	Description	No.	Part No.	Description
1	42029	Surge Brake, LH	2E	14276	Outer Race, 2.171" OD
	42028	Surge Brake, RH	2F	14125A	Outer Bearing, 1.25" ID
2	92865A-ALM	Brake Hub Ass'y. w/drum	2G	4756	Spindle Nut, .5"-20
	92865A-1	Hub Ass'y. w/cups	2H	1605-AL-100	Cap Assembly, 2.717"
2A	4-6T	Brake Flange	2J	RP-100	Rubber Plug, Accu-Lube Grease Cap
2B	22333TBN	Grease Seal, 2.25"X3.376" OD	3	803T3	Spring, Slipper, 2.0", 2K, 4 Leaf
2C	25580	Inner Bearing, 1.75" ID	4	4114-H	Tandem Hanger Kit
2D	25520	Inner Race, 2.875" OD	5	TD60760585865FBC	6,000# Surge Brake Axle w/Accu-Lube hubs

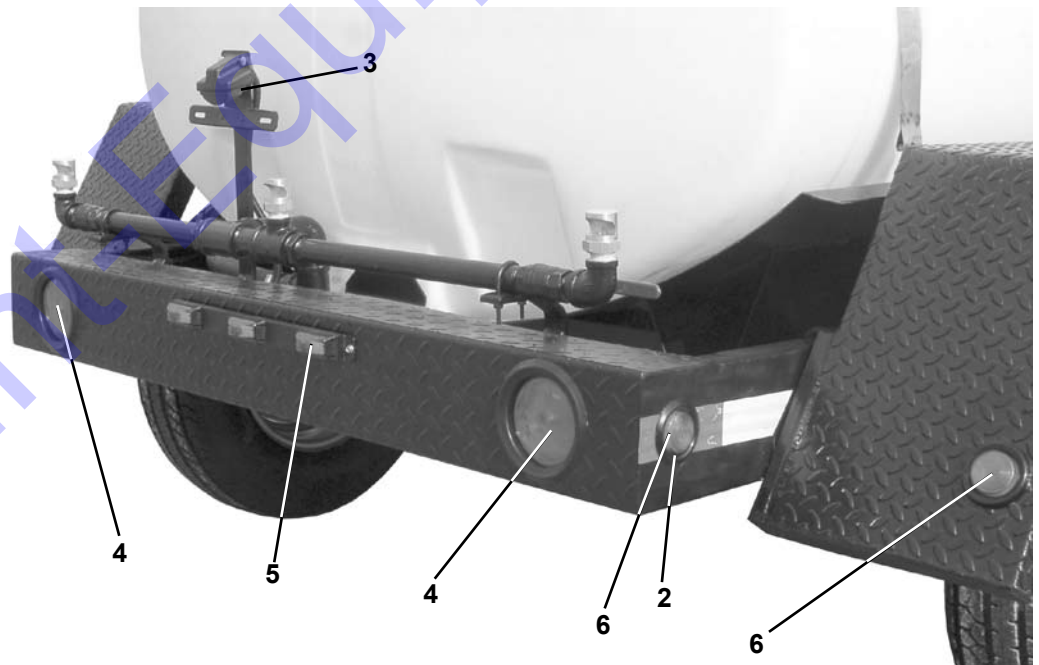
**Axle & Hub Parts for 1,025, 1,600 Gallon Trailer**

No.	Part No.	Description	No.	Part No.	Description
1	4704-L	Electric Brake, 12"-2¼" LH	2F	14276	Outer Race, 2.717" OD
	4704-R	Electric Brake, 12"-2¼" RH	2G	14125A	Outer Bearing, 1.25" ID
	42029	Surge Brake, 12"-2¼" LH	2H	4753	Spindle Washer, 1"
	42028	Surge Brake, 12"-2¼" RH	2J	4754	Spindle Nut, 1"-14
2	92865A	Complete Brake Hub Ass'y.	2K	4755	Cotter Pin, 1/8"x2"
	92865A-1	Brake hub w/ cups & studs	2L	1605	Grease Cap
2B	4-6T	Brake Flange	3	4351-30	Slipper Spring 5 Leaf, 27"x2"
2C	22333VB	Grease Seal, single lip, 2.25"	4	4114-H	Tandem Hanger Kit
2D	25580	Inner Bearing, 1.75" ID	5	TS70705525865EBC	7,000# Elec. Brake Axle w/AccuLube hubs (1,025)
2E	25520	Inner Race, 3.625" OD		TS70705525865FBC	7,000# Surge Brake Axle w/AccuLube hubs (1,025)
				TX70895730865EAC	7,000# Elec. Brake Axle, (1,600)

Front



Rear



No.	Part No.	Description	No.	Part No.	Description
1	203220	2" Amber Clearance/Side	4	427KR	Round Tail Light w/ grommet
2	223088	2" Round Grommet	5	003310	ID Bar, Red Lights
3	223210	License Plate Light Assy.	6	203221	2" Red Clearance/Side





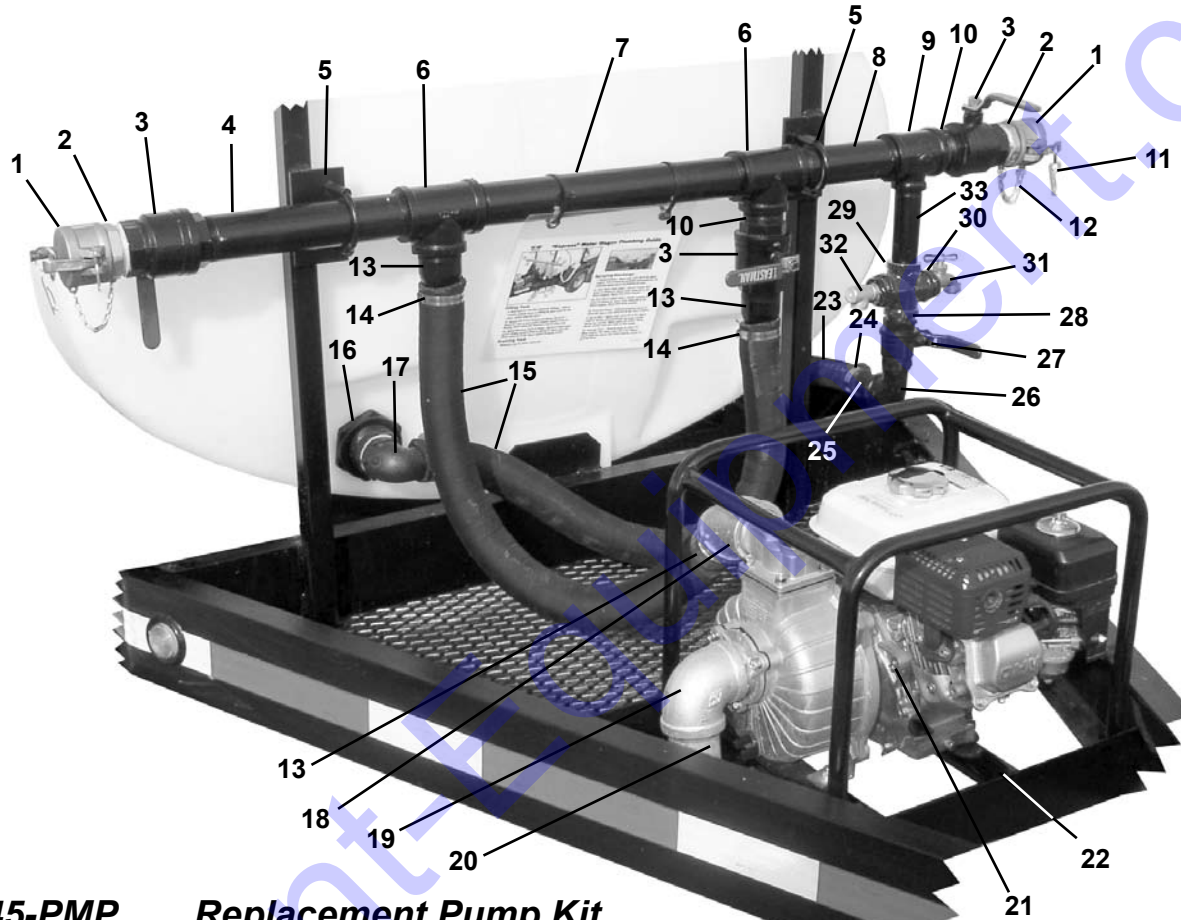
## Trailer Pump & Plumbing

500 Gal. Trailers  
81570EP2

800 Gal. Trailers  
81570EP-800

1,025, 1,600 Gal. Trailers  
81570LT

### Tsurumi Pump w/ Honda Engine & Plumbing



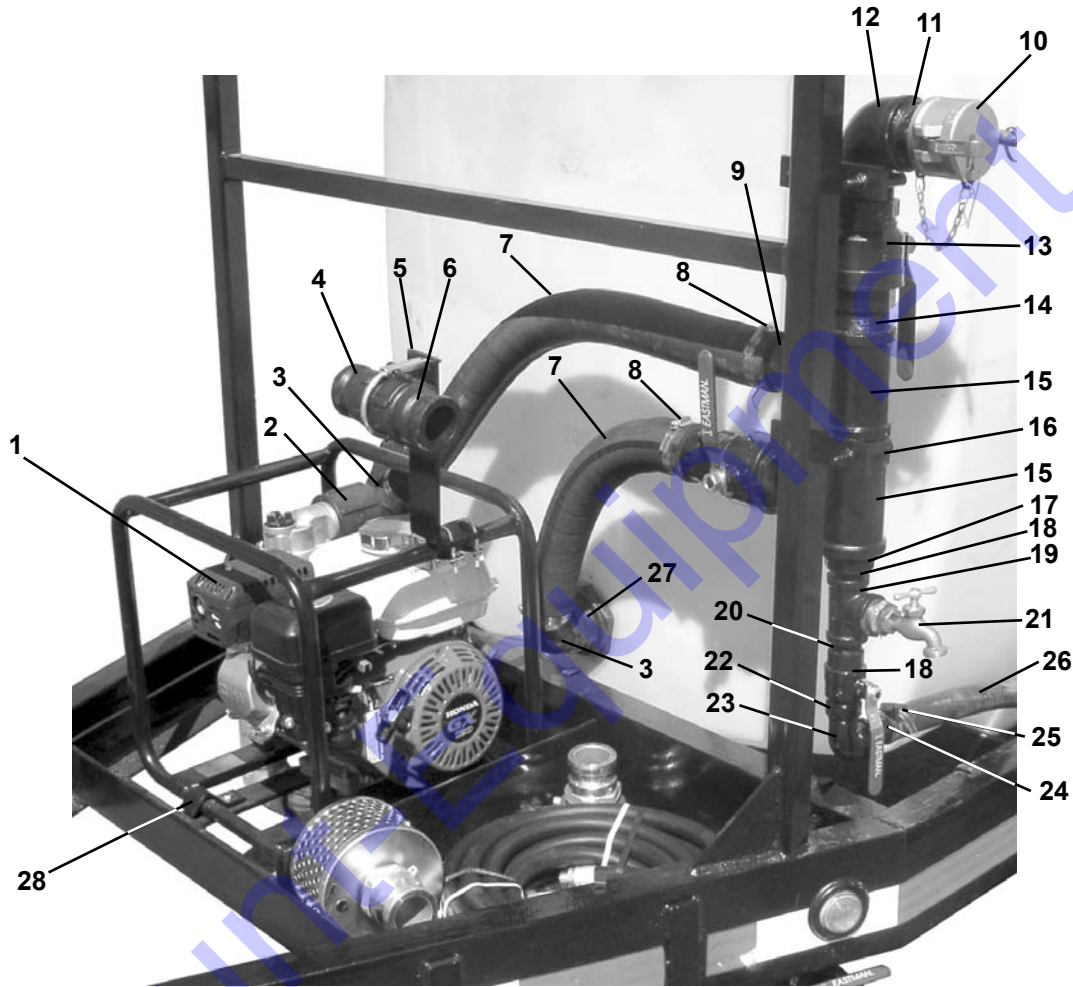
### W1245-PMP Replacement Pump Kit

No.	Part No.	Description	No.	Part No.	Description
1	AL-DC200	2" Al. QC Cap	17	HB200-90	2" Male Thread x 2" HB 90
2	AL-F200	2" Al. QC Male Adapter	18	45L-200G	2" Elbow 45°, Galv.
3	901EBV-200	2" Brass Ball Valve, FP	19	90L-200G	2" Elbow 90°, Galv.
4	NP200-12G	2" x 12" Galv. Nipple	20	NP200-7G	2" x 7" Galv. Nipple
5	3042T33	Clamp, 2½"	21	TE2-50HA	Pump & Honda Engine
6	TEE-200G	2" Tee Galv.	22	W124520	Pump Bracket
7	NP200-18G	2" x 18" Galv. Nipple	23	NP114-6G	1¼" x 6" Galv. Nipple
8	NP200-7G	2" x 7" Galv. Nipple	24	1028	1½" Hose Clamp
9	RT-200114G	2" x 1¼" Reducing Tee	25	SPN125	1¼"MPT x 1¼" HB
10	NP200-CLOSEG	2" Close Galv. Nipple	26	90STL-114G	1¼" Street El, Galv.
11	95390A422	¼" x 5/16" Cotter Ring Pin	27	901EBV-114	1¼" Brass Ball Valve
12	3607T24	Sash Chain	28	NP114-CLOSEG	1¼" x Close Galv. Nipple
13	SPN200	2"MPT x 2" HB	29	CR-114G	1¼" Galv. Cross
14	1036	2" Hose Clamp	30	RT-11434G	1¼" x ¾" Reducing Tee
15	12004001	2" EPDM Suction Hose	31	VLV3/4HBIB	¾" Male Hose Bibb, Brass
16	TF200VOR	2" Bulkhead Fitting	32	0185643	¾" Pressure Relief Valve
			33	NP114-6G	1¼" x 6" Galv. Nipple



**500 Gal. Rectangular Tank Trailers  
81570RP**

**Tsurumi Pump w/ Honda Engine & Plumbing**

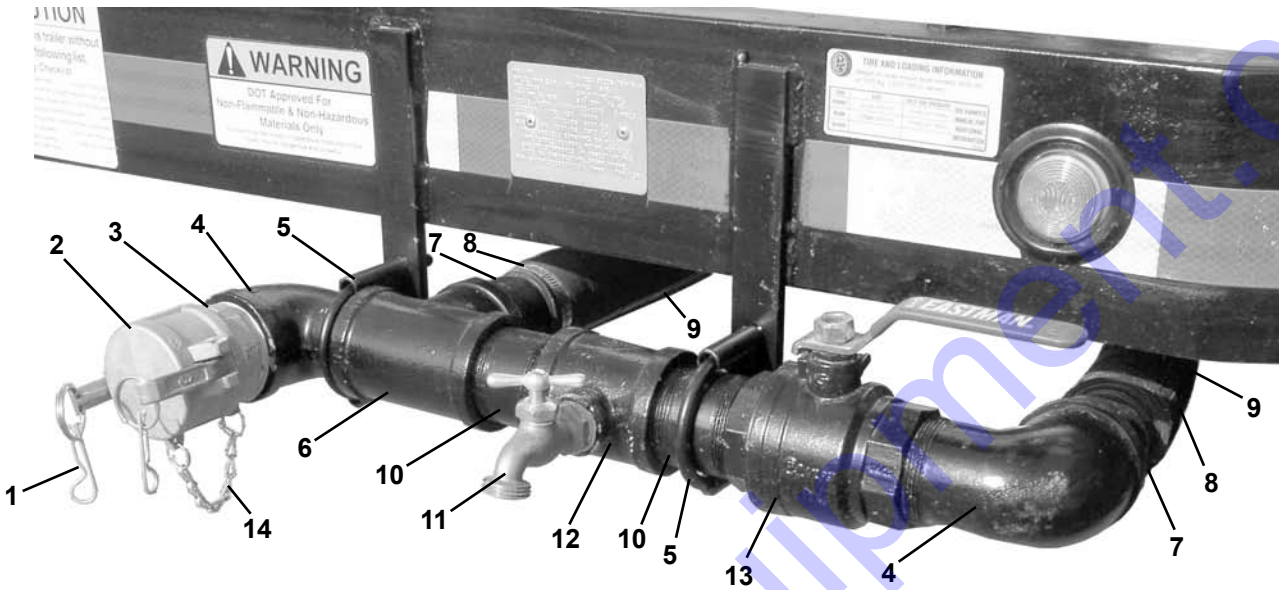


No.	Part No.	Description	No.	Part No.	Description
1	TE2-50HA	Pump & Honda Engine	15	TEE-200G	2" Tee Galv.
2	CPLG200	2" Poly Coupling	16	NP200-3G	2" x 3" Galv. Nipple
3	HB200-90	2" Male Thread x 2" HB 90	17	RB-200100G	2" x 1" Reducer Bushing
4	200-F-PP	Male Adapter 2" FPT	18	NP100-CLOSEG	1" x Close Galv. Nipple
5	W127606	Support Bracket	19	TEE-100G	1" Tee Galv.
6	200-A-PP	Male Adapter 2" MPT	20	RB-10034G	1" x 3/4" Reducer Bushing
7	12004001	2" EPDM Suction Hose	21	VLV3/4HBIB	3/4" Male Hose Bibb, Brass
8	1036	2" Hose Clamp	22	901EBV-100	1" Brass Ball Valve
9	SPN200	2" MPT x 2" HB	23	90STL-100G	1" Street El, Galv.
10	AL-DC200	2" Al. QC Cap	24	SPN100	1" MPT x 1" HB
11	AL-F200	2" Al. QC Male Adapter	25	1028	1 1/2" Hose Clamp
12	90STL-200G	2" Street El, Galv.	26	2-150-100	1" Rubber Hose
13	901EBV-200	2" Brass Ball Valve, FP	27	60405	2" Bulkhead Fitting
14	NP200-CLOSEG	2" Close Galv. Nipple	28	W124520	Hold Down Strap



**81570-INLET**

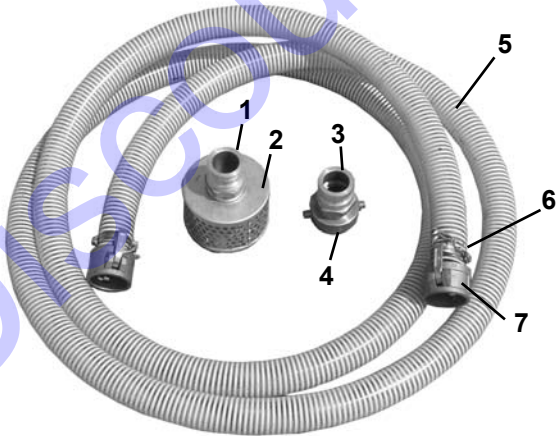
**Trailer Inlet Manifold Kit**



No.	Part No.	Description	No.	Part No.	Description
1	95390A422	1/4" - 5/16" Cotter Ring Pin	8	1036	2" Hose Clamp
2	AL-DC200	2" AL QC Dust Cap	9	12004001	2" EPDM Suction Hose
3	AL-F200	2" AL QC Male Adapter	10	NP200-3G	2" x 3" Galv. Nipple
4	90STL-200G	2" St. Elbow 90°, Galv.	11	VLV3/4HBIB	3/4" Male Hose Bibb, Brass
5	3042T33	Clamp, 2 1/2"	12	RT-20034G	2" x 3/4" Galv.Reducing Tee
6	TEE-200G	2" Tee Galv.	13	901EBV-200	2" Brass Ball Valve
7	SPN200	2" MPT x 2" HB Galv.	14	3607T24	Sash Chain

**81570-FILL**

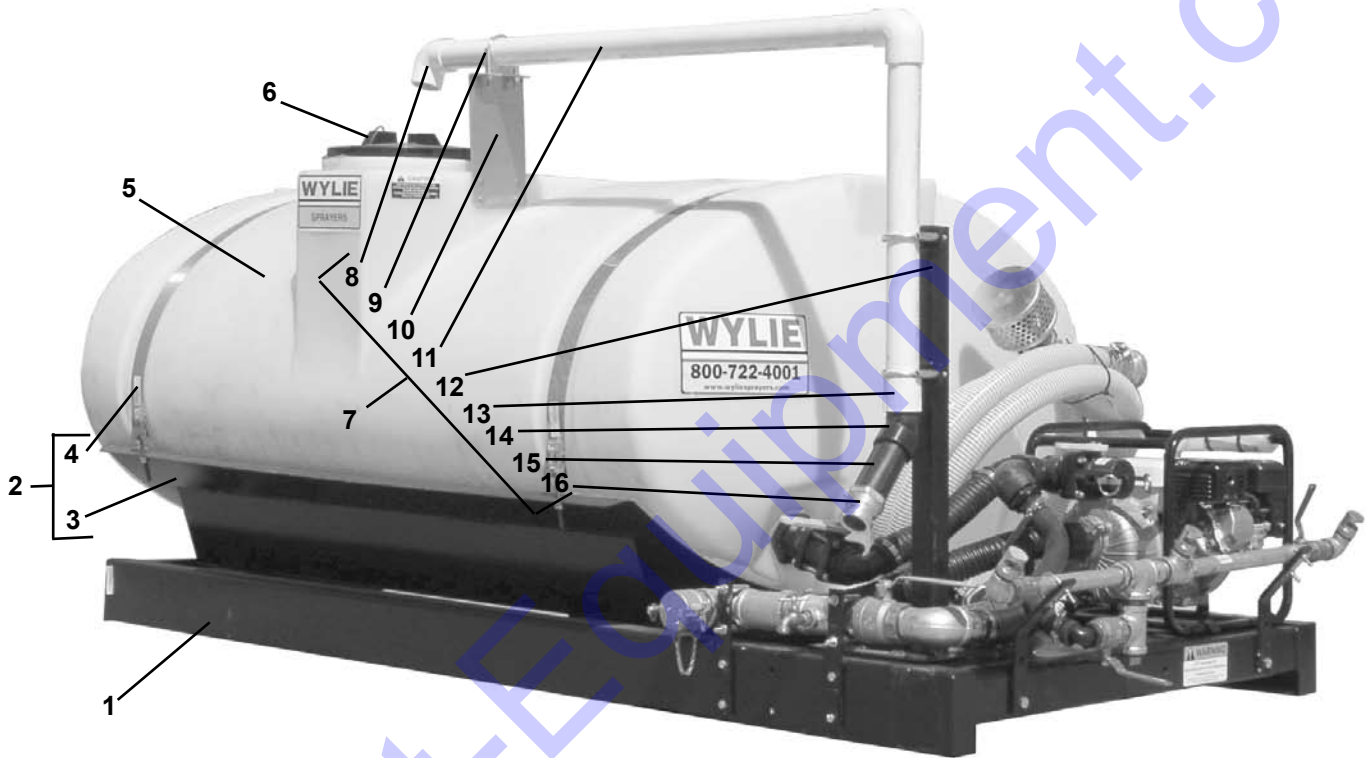
**Suction Kit**



No.	Part No.	Description
1	AL-F200	2" AL Quick Coupler x 2" MPT
2	RHS200	2" Round Hole Strainer
3	AL-A200	2" AL Quick Coupler Adapter
4	09-130-9	Fire Hydrant Adapter
5	7-070-200	2" PVC Suction Hose
6	1036	2" Standard Hose Clamp
7	AL-C200	2" AL Quick Coupler x 2" HB

**EXP-500-SKID**

**500 Gallon Skid**

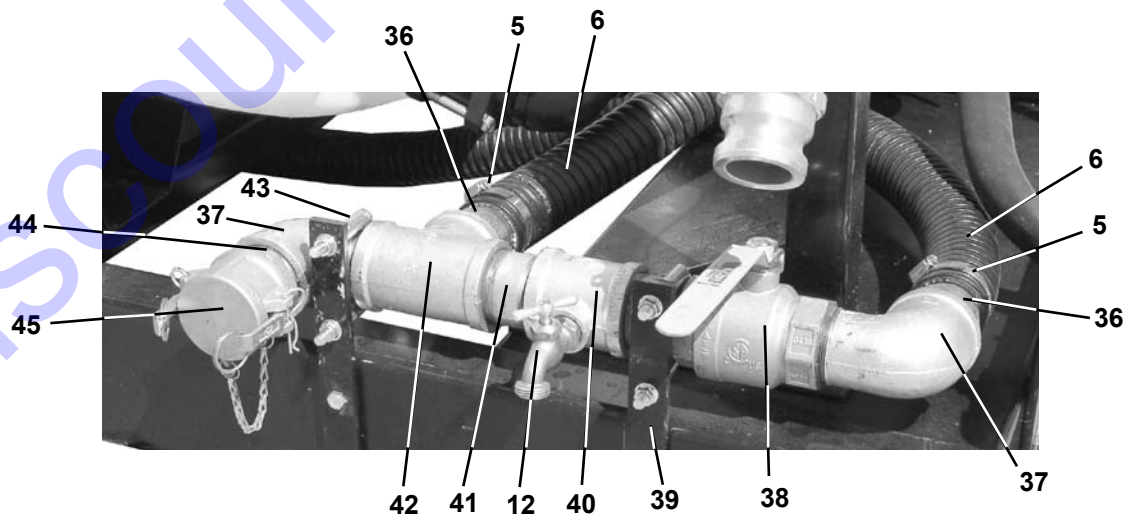
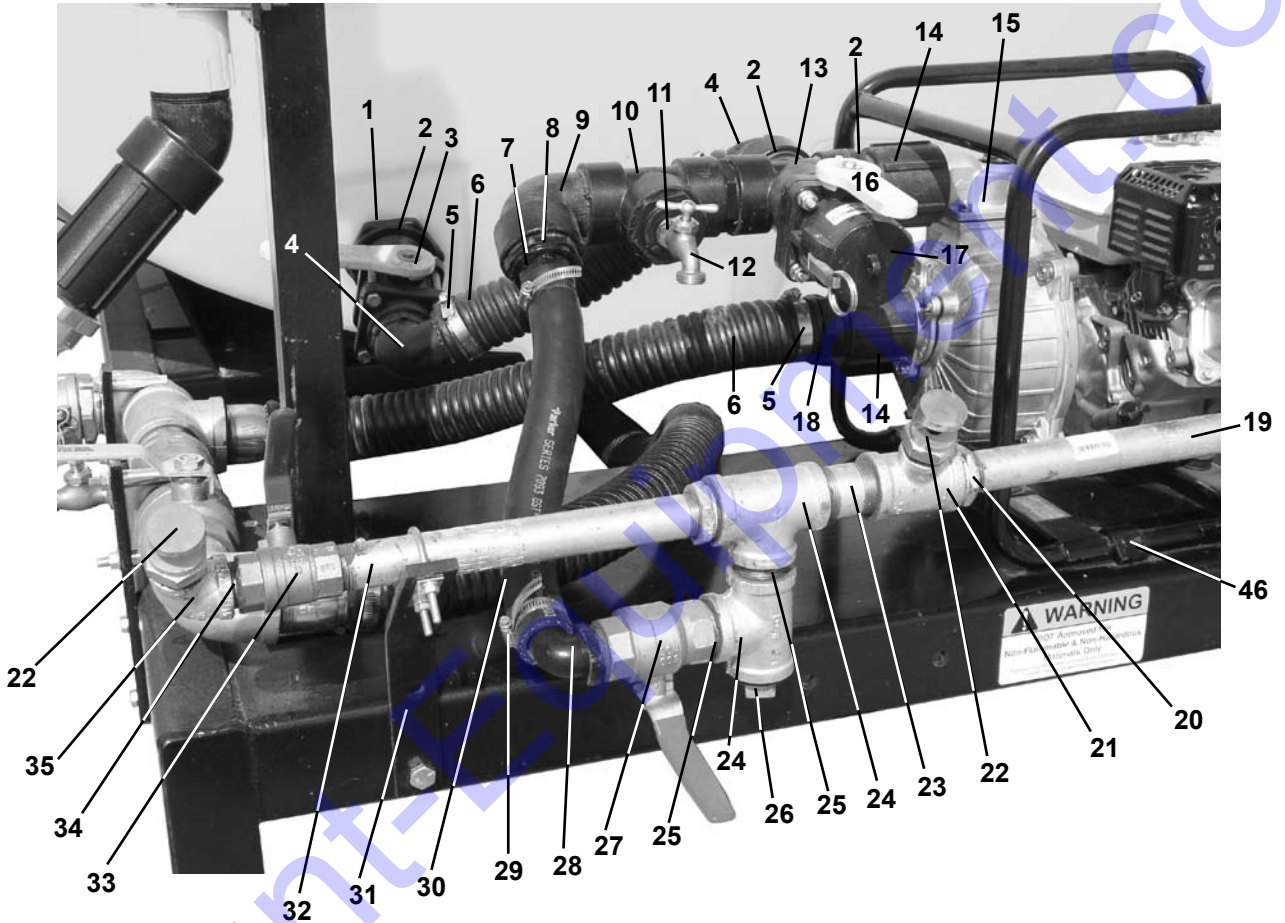


No.	Part No.	Description	No.	Part No.	Description
1	W514401	Skid Frame	9	3042T33	Muffler Clamp, 2½"
2	W7133	500 Gal. Saddle Assembly	10	W124509	Stabilizer Bracket
3	W713301	EP500 Saddle	11	2" PVC PIPE	2" PVC Sch. 40 Pipe
4	W720109	#12-T-2"x92" (88") Band	12	V124507	Pipe Mount Bracket
5	T500HENK	500 Gal. Elliptical Tank w/lid	13	435-020	2" FPT x 2" Slip Adapter
6	TL102	10" Lid	14	SL200-45	2" PP Street Elbow, 45°
7	W1245SKIDFILL	Anti-Siphon Fill Kit	15	NIP200-6	2" x 6" Poly Pipe Nipple
8	406-020	2" PVC Elbow, 90°	16	AL-A200	2" AL QC Adapter



EXP-500-Skid

500 Gal. Skid Plumbing







**EXP-500-Skid**

**500 Gal. Skid Plumbing, cont'd.**

No.	Part No.	Description	No.	Part No.	Description
1	TF20VOR	2" Tank Fitting	24	TEE-114G	1 1/4" Tee Galv.
2	NIP200-SH	2" Short Nipple Poly	25	N114-CLOSEG	1 1/4" Galv. Close Nipple
3	V-200	2" FPT Ball Valve	26	PLG11/4G	1 1/4" Galv. Plug
4	HB200-90	2" Poly Hose Barb, 90°	27	901EBV-114	1 1/4" Brass Ball Valve
5	1036	2" Hose Clamp	28	HB125-90	1 1/4" Poly Hose Barb, 90°
6	HS6054	2" Kannaflex Hose	29	1020	1" Hose Clamp
7	HB-125	1 1/4" Hose Barb	30	2-150-114	1 1/4" Rubber Hose
8	RB200-125	2" x 1 1/4" Reducer Bushing	31	V124516	Short Bent Bracket
9	SL200-90	2" Poly Street "L"	32	NP100-12G	1" x 12" Galv. Nipple
10	TEE200	2" Poly Tee	33	901EBV-100	1" Brass Ball Valve
11	RB200-075	2" x 3/4" Reducer Bushing	34	N100-CLOSEG	1" Galv. Close Nipple
12	VLV3/4HBIB	3/4" MPT x 3/4" MGHT Brass	35	90L-10034G	1" x 3/4" Galv. Reducer 90°
13	CR200	2" Poly Cross	36	SPN200	2" MPT x 2" HB Galv.
14	CPLG200	2" Poly Coupling	37	90STL-200G	2" St. Elbow 90°, Galv.
15	TE2-50HA	2" Pump w/4 HP Honda Engine	38	901EBV-200	2" Brass Ball Valve
16	VSFMT-200	2" Stubby Valve	39	V124519	Lower Manifold Mount
17	200-CAP-PP	2" Poly QC Cap	40	RT-20034G	2" x 3/4" Galv.Reducing Tee
18	HB-200	2" Poly Hose Barb	41	NP200-3G	2" x 3" Galv. Nipple
19	NP100-18G	1" x 18" Galv. Nipple	42	TEE-200G	2" Tee Galv.
20	RB-114100G	1 1/4" x 1" Galv. Reducer Bushing	43	3042T33	Clamp, 2 1/2"
21	RT-11434G	1 1/4" x 3/4" Galv. Reducer Tee	44	AL-F200	2" AL Male Quick Coupler
22	3/4K-210	FloodJet Nozzle	45	AL-DC200	2" AL QC Dust Cap
23	NP114-3G	1 1/4" x 3" Galv. Nipple	46	V124520	Pump Bracket

**W1245-PMP**

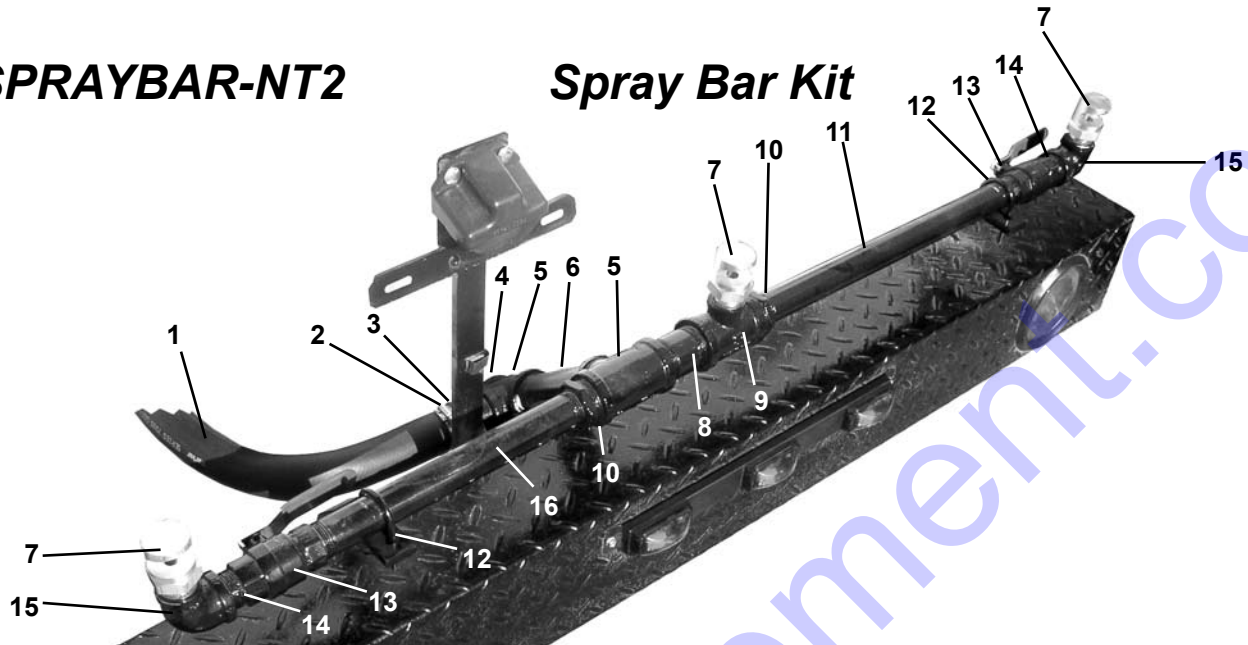
**Replacement Pump Kit**



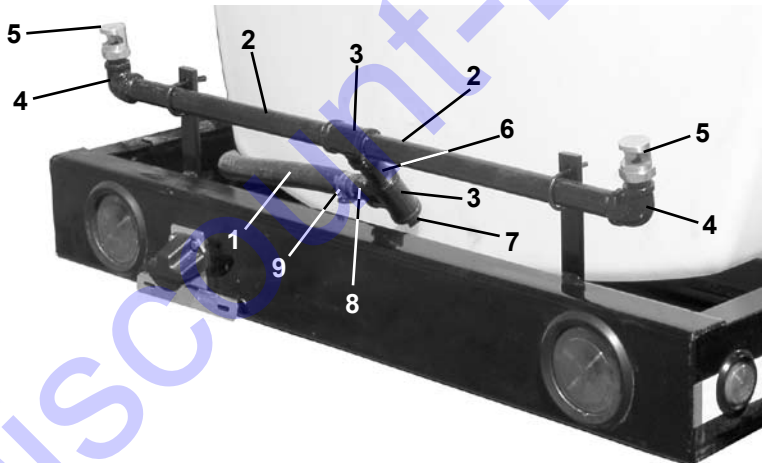


**SPRAYBAR-NT2**

**Spray Bar Kit**



No.	Part No.	Description	No.	Part No.	Description
1	2-150-114	1¼" Rubber Hose	9	RT-11434G	1¼" x ¾" Reducing Tee
2	1028	1½" Hose Clamp	10	RB114100G	1¼" x 1" Reducer Bushing
3	SPN125	1¼" MPT x 1¼" HB	11	NP100-12G	1" x 12" Galv. Nipple
4	PLG11¼4G	1¼" Galv. Plug	12	U1¼X11/2X23/4	U-Clamp 1½"
5	TEE-114G	1¼" Tee Galv.	13	901EBV-100	1" Brass Ball Valve
6	NP100-6G	1" x 6" Galv. Nipple	14	NP114-CLOSEG	1¼" Close Galv. Nipple
7	3/4K-210	Floodjet Nozzle	15	90L-10034G	1" x ¾" Elbow 90°, Galv.
8	NP114-3G	1¼" x 3" Galv. Nipple	16	NP100-18G	1" x 18" Galv. Nipple



**SPRAYBAR-EXP-500R2**

**Spray Bar Kit**

500 Gal. Rec. Tank Trailers

No.	Part No.	Description	No.	Part No.	Description
1	2-150-100	1" Rubber Hose	6	NP100-CLOSEG	1" Close Galv. Nipple
2	NP100-18G	1" x 18" Galv. Nipple	7	PLG1G	1" Galv. Plug
3	TEE-100G	1" Tee Galv.	8	SPN100	1" MPT x 1" HB
4	90L-10034G	1" x ¾" Elbow 90°, Galv.	9	1028	1½" Hose Clamp
5	3/4FF484145	Brass Flood Nozzle			

### Fire Hose Assembly P/N: BMX25QC



No.	Part No.	Description
1	AL-D200	2" AL Quick Coupler
2	FN150	1½" Fire Nozzle
3	BMX25QC	1½" Flat Fire Hose Ass'y.

### Side Watering Kit W5307-FAN



No.	Part No.	Description
1	AL-D200	2" AL Quick Coupler
2	W530702	2" Fan Spray Nozzle

### W1245FILL

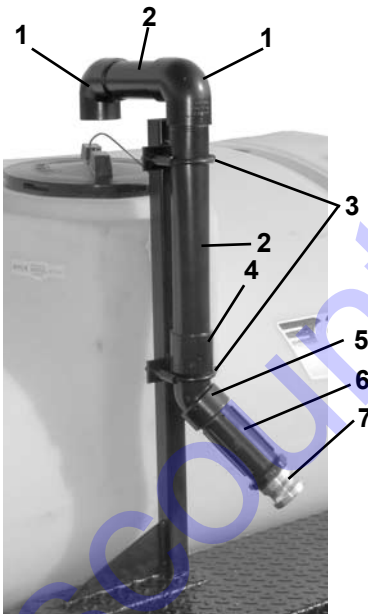
### W1276FILL

### W1241WT-FILL

### Anti-Siphon Fill Kit (500 gal.)

### Anti-Siphon Fill Kit (800 gal.)

### Anti-Siphon Fill Kit (1,025, 1,600 gal.)

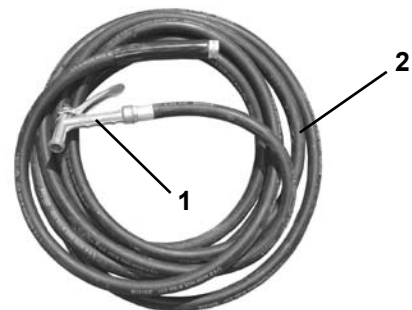


No.	Part No.	Description
1	406-020	2" 90° PVC Elbow
2	2"PVC PIPE	2" PVC Pipe, Sch 40
3	3042T33	2½" Muffler Clamp
4	435-020	2"FPTx2" Slip Adap. PVC
5	SL200-45	2" Street Elbow 45
6	NIP200-6	2" x 6" Poly Pipe Nipple
7	AL-A200	2" AL Male Coupler w/ 2" FPT
	W124509	Stabilizer Bracket, 1025, 1,600 (not shown)
	W124507	Mount Bracket, 1,025, 1,600 (not shown)

### 84503

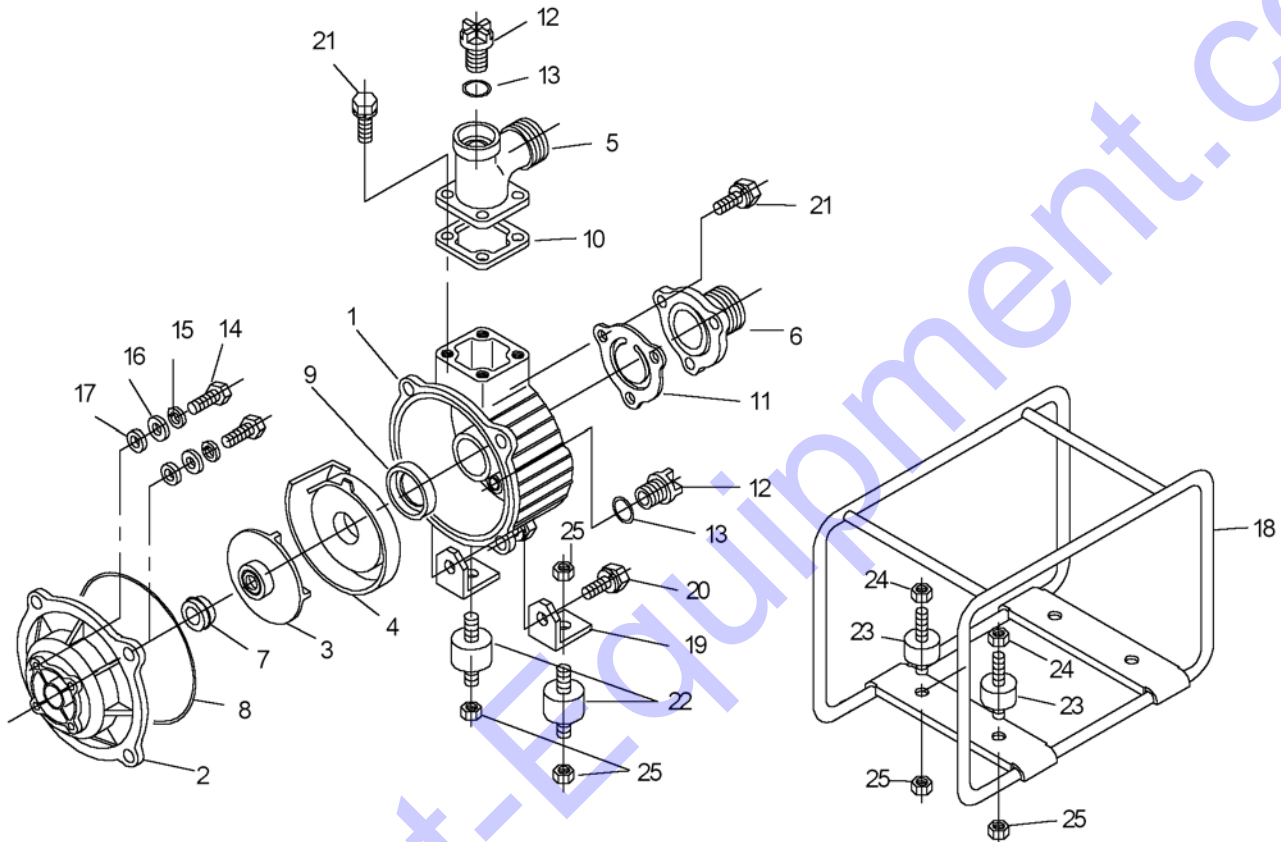
### Garden Hose Kit

No.	Part No.	Description
1	573TF	Pistol Grip Hose Nozzle
2	98108797	5/8" x 25' Water Hose



**TE2-50HA**

**Tsurumi Pump (Honda GX-120 Engine)**



No.	Part No.	Description	No.	Part No.	Description
1	507-001	CASING	14	501-005	BOLT
2	501-004	CASING COVER	15	501-007	LOCK WASHER
3	501-009	IMPELLER	16	501-008	WASHER
4	501-011	VOLUTE CASING	17	501-006	SEAL PACKING
5	501-019A	DISCHARGE BEND	18	501-030HV	FRAME
6	501-013A	SUCTION FLANGE	19	501-038	SUPPORT BRACKET
7	521-008	MECHANICAL SEAL	20	501-003	BOLT
8	501-002	O-RING, CASING	21	501-014	BOLT
9	501-012	GASKET, VOLUTE CASING	22	1001-032	ANTI VIBRATION RUBBER (Pump)
10	501-020	GASKET, DISCHARGE BEND	23	501-037	ANTI VIBRATION RUBBER (Engine)
11	501-015	CHECK VALVE	24	501-024	FLANGE NUT
12	501-021	PLUG	25	1001-024	SPRING NUT
13	501-022	O-RING, PLUG		501-042	IMPELLER SHIM

# **Discount Equipment**

Discount-Equipment.com is your online resource for commercial and industrial quality parts and equipment sales.

## **Locations:**

Florida (West Palm Beach): [561-964-4949](tel:561-964-4949)

Outside Florida TOLL FREE: [877-690-3101](tel:877-690-3101)

**Need parts?** Check out our website at [www.discount-equipment.com](http://www.discount-equipment.com)

## **Can't find what you need?**

Click on this link: <http://www.discount-equipment.com/category/5443-parts/> and fill out the request form.

Please have the machine model and serial number available in order to help us get you the correct parts. One of our experienced staff members will get back to you with a quote for the right part that your machine needs.

We sell worldwide for the brands: Genie, Terex, JLG, MultiQuip, Mayco, Toro/Stone, Diamond Products, Magnum, Airman, Mustang, Power Blanket, Nifty Lift, Atlas Copco, Chicago Pneumatic, Allmand Brothers, Essick, Miller Spreader, Skyjack, Lull, Skytrak, Tsurumi, Husquvarna/Target, Whiteman-Concrete/Mortar, Stow-Concrete/Mortar, Baldor, Wacker, Sakai, Snorkel, Upright, Mi-T-M, Sullair, Neal, Basic, Dynapac, MBW, Weber, Bartell, Bennar Newman, Haulotte, Ditch Runner, Blaw-Knox, Himoina, Best, Buddy, Crown, Edco, Wyco, Bomag, Laymor, Terremite, Barreto, EZ Trench, Takeuchi, Basic, Bil-Jax, Curtis, Gehl, Heli, Honda, ICS/PowerGrit, Puckett, Waldon, ASV, IHI, Partner, Imer, Clipper, MMD, Koshin, Rice, Gorman Rupp, CH&E, Cat Pumps, Comet, General Pump, Giant, AMida, Coleman, NAC, Gradall, Square Shooter, Kent, Stanley, Tamco, Toku, Hatz, Kohler, Robin, Wisconsin, Northrock, Oztec, Toker TK, Rol-Air, Small Line, Wanco, Yanmar

**New Equipment - Used Equipment - Rental Equipment - Parts and Accessories**

# **Discount Equipment**

[www.discount-equipment.com](http://www.discount-equipment.com)

**561-964-4949**

Parts: [wbparts@Discount-Equipment.com](mailto:wbparts@Discount-Equipment.com)

Sales: [info@Discount-Equipment.com](mailto:info@Discount-Equipment.com)



[www.discount-equipment.com](http://www.discount-equipment.com)

**2009 – Wylie Manufacturing Company**  
**Specifications Subject To Change Without Notice**

Discount-Equipment.com