

BARTELL

BARTELL  GLOBAL

BRTH96 PARTS BOOK



BARTELL  GLOBAL



Doc. # PB-B19060
Orig. Rel. - 07/2017
Curr Rev. - 00

www.Discount-Equipment.com

Discount Equipment

Discount-Equipment.com is your online resource for commercial and industrial quality parts and equipment sales.

Locations:

Florida (West Palm Beach): [561-964-4949](tel:561-964-4949)

Outside Florida TOLL FREE: [877-690-3101](tel:877-690-3101)

Need parts? Check out our website at www.discount-equipment.com

Can't find what you need?

Click on this link: <http://www.discount-equipment.com/category/5443-parts/> and fill out the request form.

Please have the machine model and serial number available in order to help us get you the correct parts. One of our experienced staff members will get back to you with a quote for the right part that your machine needs.

We sell worldwide for the brands: Genie, Terex, JLG, MultiQuip, Mayco, Toro/Stone, Diamond Products, Magnum, Airman, Mustang, Power Blanket, Nifty Lift, Atlas Copco, Chicago Pneumatic, Allmand Brothers, Essick, Miller Spreader, Skyjack, Lull, Skytrak, Tsurumi, Husquvarna/Target, Whiteman-Concrete/Mortar, Stow-Concrete/Mortar, Baldor, Wacker, Sakai, Snorkel, Upright, Mi-T-M, Sullair, Neal, Basic, Dynapac, MBW, Weber, Bartell, Bennar Newman, Haulotte, Ditch Runner, Blaw-Knox, Himoina, Best, Buddy, Crown, Edco, Wyco, Bomag, Laymor, Terremite, Barreto, EZ Trench, Takeuchi, Basic, Bil-Jax, Curtis, Gehl, Heli, Honda, ICS/PowerGrit, Puckett, Waldon, ASV, IHI, Partner, Imer, Clipper, MMD, Koshin, Rice, Gorman Rupp, CH&E, Cat Pumps, Comet, General Pump, Giant, AMida, Coleman, NAC, Gradall, Square Shooter, Kent, Stanley, Tamco, Toku, Hatz, Kohler, Robin, Wisconsin, Northrock, Oztec, Toker TK, Rol-Air, Small Line, Wanco, Yanmar

New Equipment - Used Equipment - Rental Equipment - Parts and Accessories

Discount Equipment

www.discount-equipment.com

561-964-4949

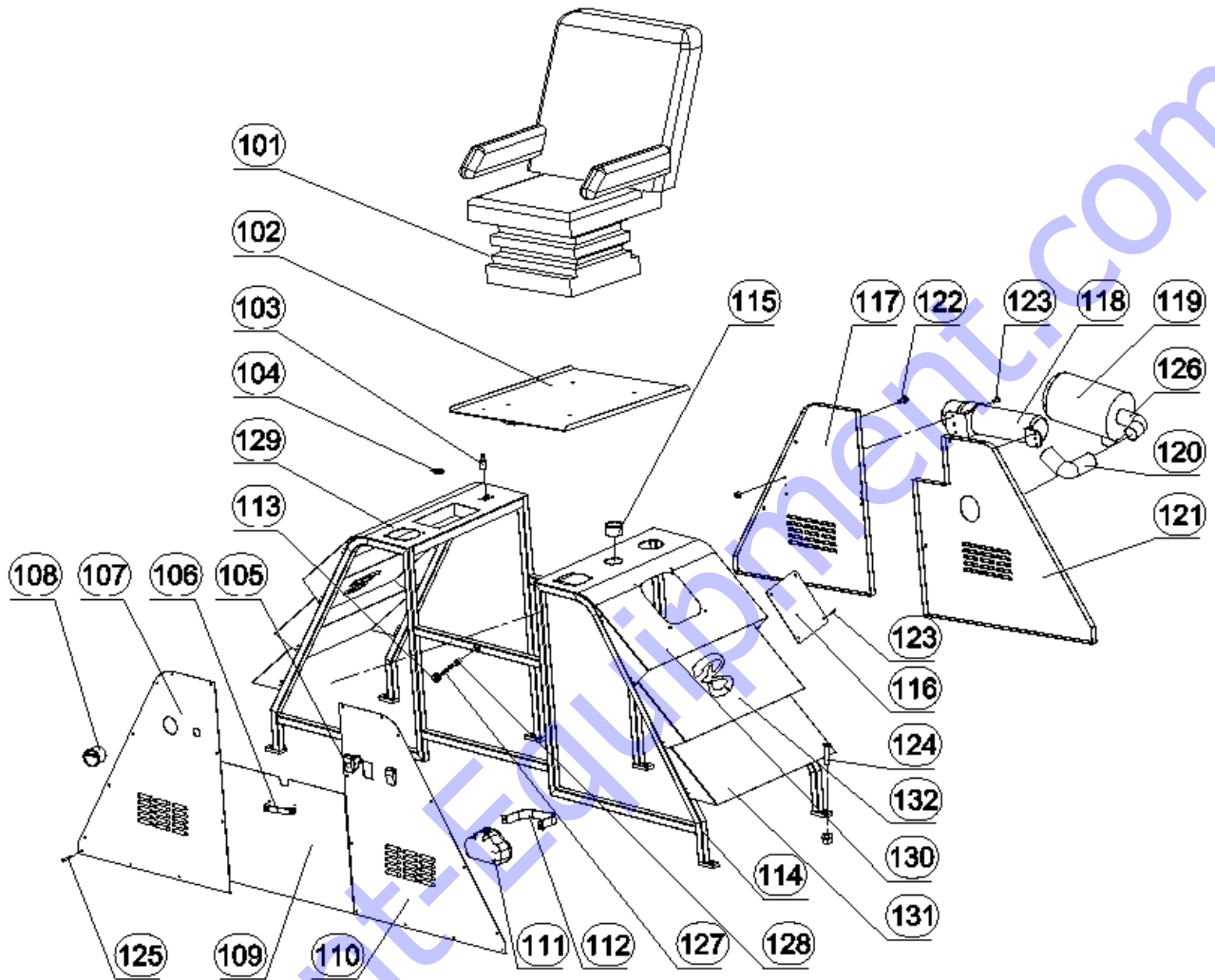
Parts: wbparts@Discount-Equipment.com

Sales: info@Discount-Equipment.com

TABLE OF CONTENTS

PARTS LIST 1 – BRTH96	1
PARTS LIST 1 – UPPER FRAME	2
PARTS LIST 2 – BRTH96	3
PARTS LIST 2 – LOWER FRAME	4
PARTS LIST 3 – BRTH96	5
PARTS LIST 3 – POWER SYSTEM	6
PARTS LIST 4 – BRTH96	7
PARTS LIST 4 – STEERING & DRIVETRAIN	8
PARTS LIST 5 – BRTH96	11
PARTS LIST 5 – RIGHT GEARBOX	12
PARTS LIST 6 – BRTH96	15
PARTS LIST 6 – LEFT GEARBOX	16
PARTS LIST 7 – BRTH96	19
PARTS LIST 7 – WATER & FUEL	20
PARTS LIST 8 – BRTH96	21
PARTS LIST 8 – HYDRAULICS 1	22
PARTS LIST 9 – BRTH96	23
PARTS LIST 1 – HYDRAULICS 2	24

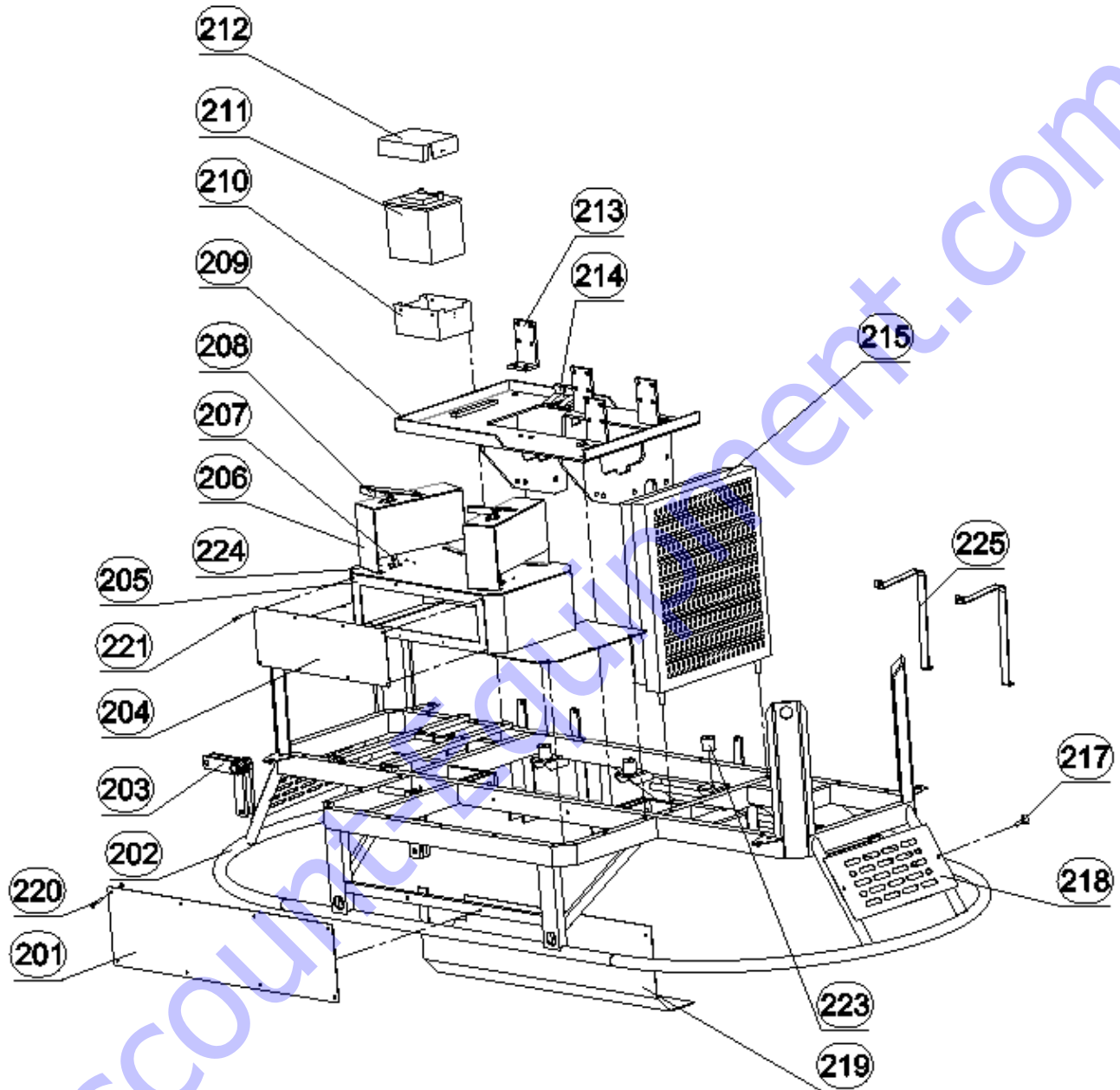
PARTS LIST 1 – BRTH96



PARTS LIST 1 – Upper Frame

Item #	Part #	Description	QTY	Remarks
101	881046H0453A	CHAIR WITH CUSHION	1	
102	881046H8200	CHAIR PLATE	1	
103	889271	CIRCUIT BREAKER	1	
104	889334	USB CHARGER	1	
105	889641	LIGHT SWITCH	2	
106	889678	HANDLE	1	
107	881046H8016-BT	FRONT PANEL RIGHT	1	
108	889909	TIMER	1	
109	881046H8019	FRONT PANEL	1	
110	881046H8015-BT	FRONT PANEL LEFT	1	
111	889666	COOLANT CONTAINER	1	
112	881046H8002	CLAMP	1	
113	881046H8301	CHAIR LOCK	1	
114	881046H8100-BT	CHAIR FRAME	1	
115	889654	WATER TEMPERATURE GAUGE	1	
116	881046H8021-BT	COVER PLATE	1	
117	881046H8502-BT	BACK PANEL RIGHT	1	
118	889593	MANUAL HOLDER	1	
119	889676	AIR FLITER	1	
120	881046H3703	RUBBER HOSE	1	
121	881046H8501-BT	BACK PANEL LEFT	1	
122	889121	M8-1.25x45MM, WITH LOCKWASHER	8	
123	889220	M6x15 HHCS	10	
123	889023	M6 NYLOCK NUT	10	
124	889921	M10x90 HHCS	6	
124	889016	M10 NYLOCK NUT	6	
125	889779	M5x12 HHCS WITH CROSS	24	
126	889674	SILICONE HOSE	1	
127	881046H8304	SPRING	1	
128	881046H8302	PIN	1	
129	881046H8018-BT	SIDE PANEL	1	
130	881046H8017-BT	SIDE PANEL	1	
131	881046H8018- BT(B)	SIDE PANEL	2	
132	881046H8018- BT(C)	SIDE PANEL	2	

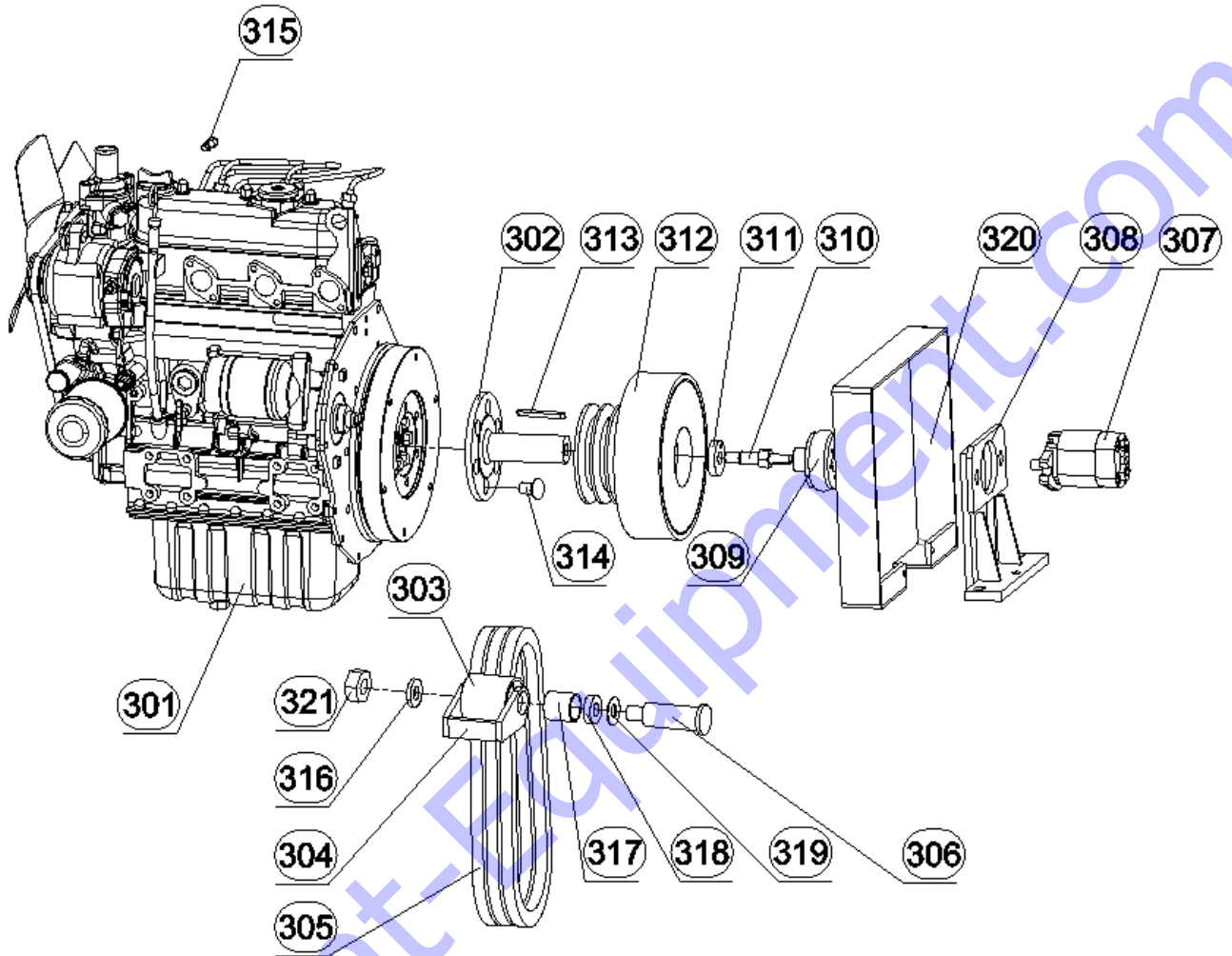
PARTS LIST 2 – BRTH96



PARTS LIST 2 – Lower Frame

Item #	Part #	Description	QTY	Remarks
201	881046H8404	FRONT PANEL BOTTOM	1	
202	881046H0000-BT	GUARD RING	1	
203	881046H2200	STEERING PIVOT	1	
204	881046H8406	FRONT PANEL MIDDLE	1	
205	881046H8400	PLATFORM	1	
206	881046H4200	PEDAL SUPPORT	2	
207	881046H4001	THROTTLE LEVER	2	
208	888360592a	THROTTLE PEDAL	2	
209	881046H3400	ENGINE DECK	1	
210	888360464	BATTERY BOX	1	
211	888360019	BATTERY	1	
212	888360463	BATTERY COVER	1	
213	881046H3003	ENGINE BRACKET	4	
214	881046H3100	TENSIONER	1	
215	12112	RADIATOR	1	
217	889121	M8-1.25x55MM, WITH LOCKWASHER	4	
218	881046H8006	COVER PLATE	2	
219	881046H8600	FENDER	1	
220	889317	M6x40 HHCS	8	
220	889023	M6 NYLOCK NUT	8	
221	889779	M5x12 HHCS WITH CROSS	20	
223	881046H4602	CUSHION	6	
224	881046H8402B	PLATE	1	
225	881046H1503-BT	CLAMP	4	

PARTS LIST 3 – BRTH96

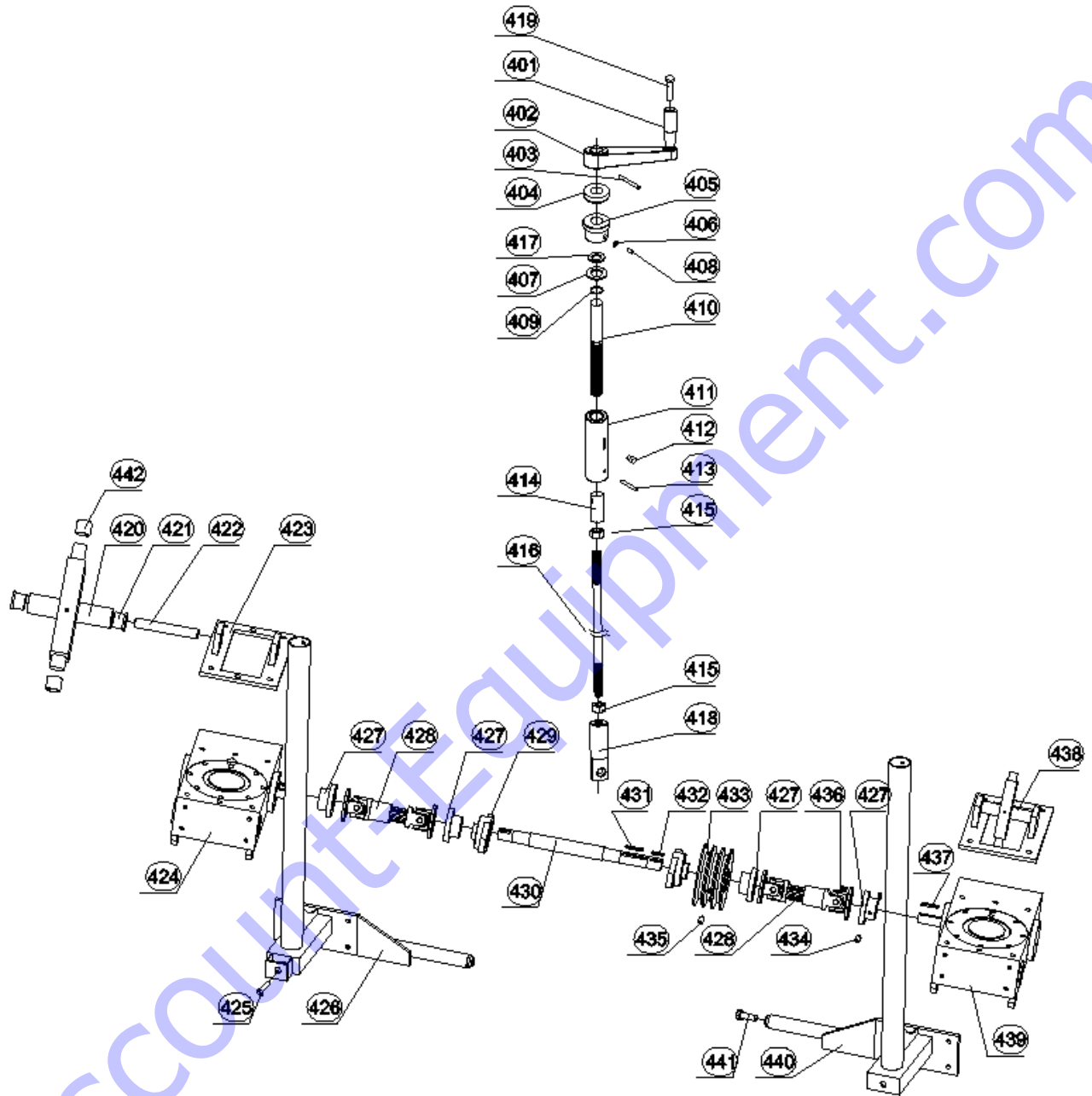


PARTS LIST 3 – Power System

Item #	Part #	Description	QTY	Remarks
301	8831000038	44HP DIESEL ENGINE	1	
302	881046H3004	FLANGE	1	
303	881046H3305	ROLLER	1	
304	881046H3200	TENSIONER	1	
305	889598	BELT (GATES V15X1080)	6	
306	881046H3301	TENSIONER SHAFT	1	
307	889797	HYDRAULIC PUMP	1	
308	881046H2100	PUMP MOUNTING	1	
309	889809	TYRE COUPING	1	
310	881046H3005	SHAFT	1	
311	881046H3006	SPACER	1	
312	881046H3800	CLUTCH	1	
313	889787	KEY	1	
314	889658	M10-1.25x28 FHCS	6	
315	889946	WATER TEMPERATURE PLUG	1	
316	881046H3303	SPACER	1	
317	881046H3302	SPACER	1	
318	889075	BEARING	2	
319	881046H3304	SPACER	2	
320	881046H3403	BELT HOLDER	1	

Discount-Equipment.com

PARTS LIST 4 – BRTH96



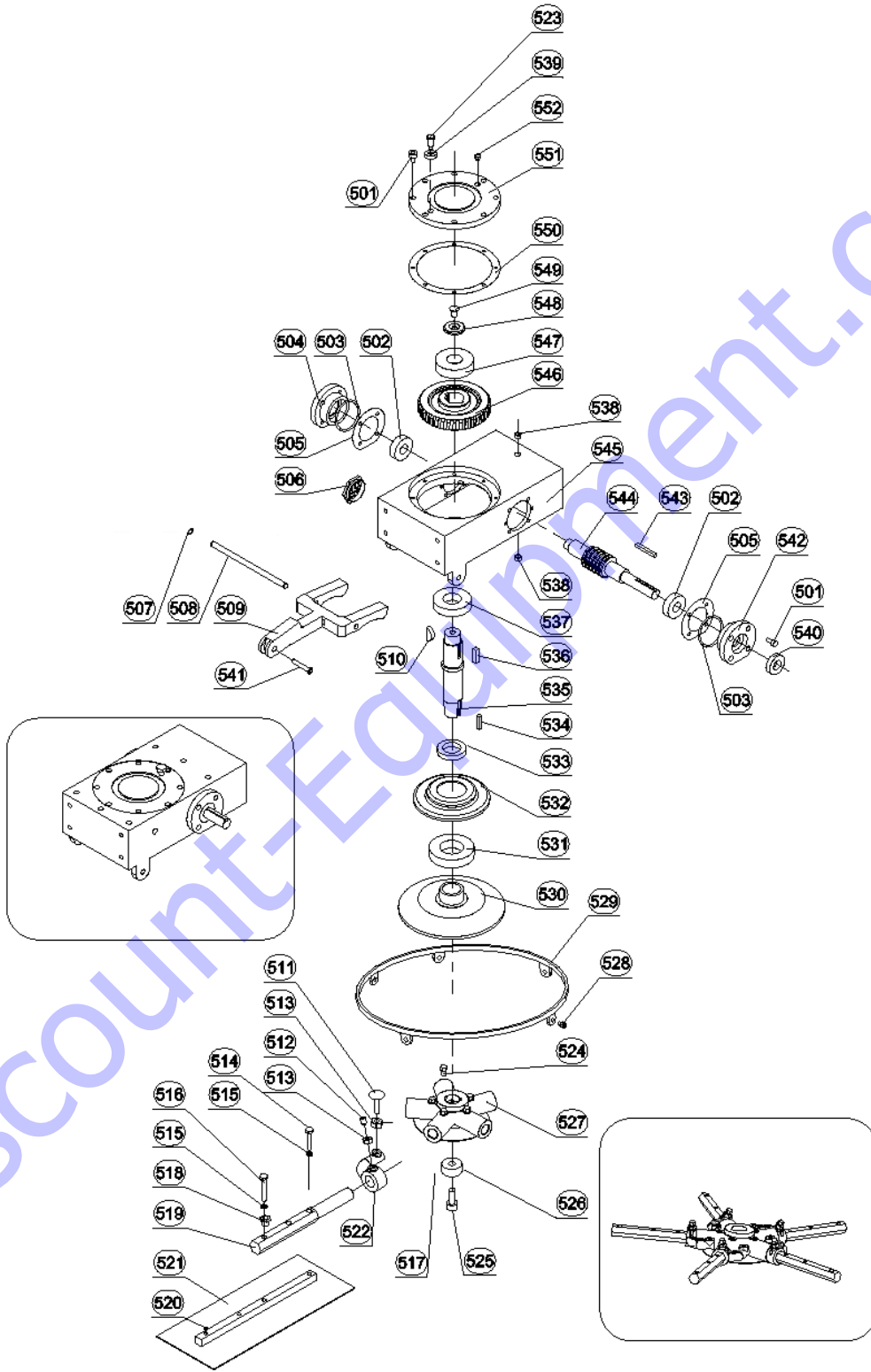
PARTS LIST 4 – Steering & Drivetrain

Item #	Part #	Description	QTY	Remarks
401	881046H5004	PITCH KNOB	2	
402	881046H5006	PITCH KNOB	2	
403	889157A	PIN	2	
404	889025	BEARING	2	
405	88JG846A050004	BUSHING	2	
406	889022	SPRING WASHER	2	
407	884365504	SPACER	2	
408	889093	M6x10 HHCS	2	
409	889027	STAIBILIZER	2	
410	884365503	ADJUSTING SHAFT	2	
411	88JG846A050006	BUSHING	2	
412	889028	M6x6 HHCS	2	
413	889610	PIN	2	
414	88JG846A050008	CONNECTOR	2	
415	889059	M10 JAM NUT	4	
416	881046H5005	ROD	2	
417	889033	WAVE WASHER	2	
418	88JG846A050007	CONNECTOR	2	
419	889383	M10x110 HHCS	2	
420	881046H5300	CROSS SHAFT	1	
421	889635	BEARING	2	
422	881046H5001	PIVOT	1	
423	881046H5200	HANGING BRACKET RIGHT	1	
424	881046H6000R	GEARBOX RIGHT	1	
425	889511	BOLT	1	
425	889513	M14 NYLOCK NUT	1	
426	881046H5400R	PITCH CONTROL BRACKET RIGHT	1	
427	881046H3605	FLANGE	4	
428	881046H3600	COUPLING	2	
429	889633	BEARING	2	
430	881046H3001	MAIN SHAFT	1	
431	889663	KEY	1	
432	889710	KEY	2	
433	881046H3002	PULLEY	1	
434	889101	M8x12 FHCS	8	
435	889447	M6x8 FHCS	2	
436	889098	M8x20 HHCS	16	
436	889016	M10 NYLOCK NUT	16	

437	889217	KEY	2	
438	881046H5100	HANGING BRACKET LEFT	1	
439	881046H6000L	GEARBOX LEFT	1	
440	881046H5400L	PITCH CONTROL BRACKET LEFT	1	
441	889512	BOLT	2	
442	889634	BEARING	4	

Discount-Equipment.com

PARTS LIST 5 – BRTH96



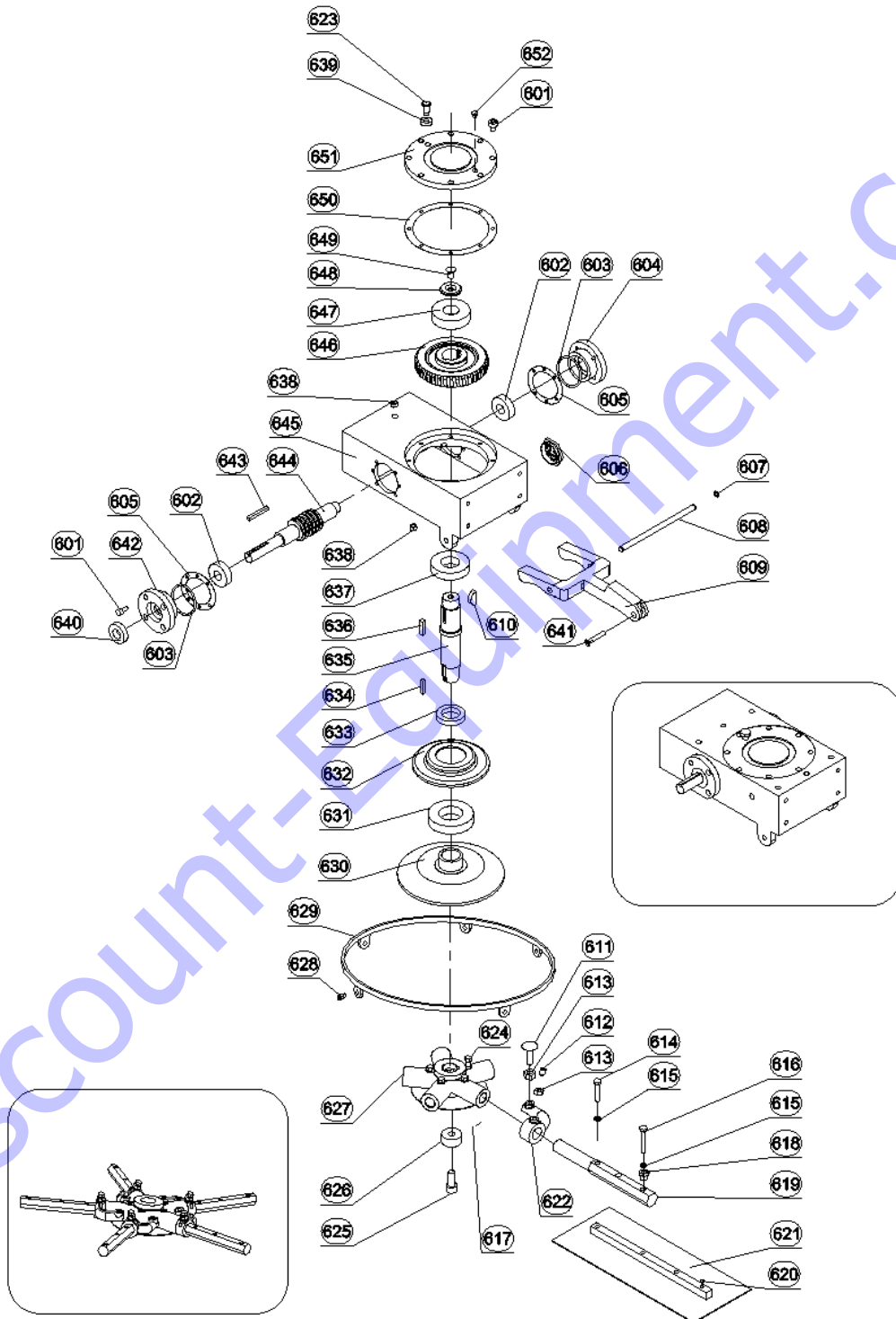
PARTS LIST 5 – Right Gearbox

Item #	Part #	Description	QTY	Remarks
501	889118	M8x20 HHCS	20	
502	889790	BEARING	2	
503	889371	O SEAL	2	
504	881046H6308	FLANGE	1	
505	881046H6312	SHIMMING	4	
506	889064	OIL VIEWER	1	
507	889643	STABILIZER	2	
508	881046H5002	YOKE ARM PIVOT	1	
509	881046H5003	YOKE ARM	1	
510	889675	WOODRUFF KEY	1	
511	889067	M10x35 CARRIAGE BOLT	5	
512	889540	M10x25 HEX SET SCREW	5	
513	889059	M10 JAM NUT	10	
514	889698	5/16"-18 x 7/4" HHCS	10	
515	889037	SPRING WASHER	15	
515	889038	WASHER	15	
516	889699	5/16"-18 x 7/4" HHCS	5	
517	889069B	GREASE FITTING	5	
518	884366007	ADJUSTING BOLT	5	
519	881046H7001	TROWEL ARM	5	
520	889072	PLUG	10	
521		BLADE	5	
522	881046H6006R	ANGLE ARM	5	
523	88846A060013	VAVLE	1	
524	889066	M10x20 HHCS	5	
524	889046	SPRING WAHSER	5	
525	889068	M12x35 HHCS	1	
526	881046H7006	BUSHING	1	
527	881046H7005	SIPDER PLATE RIGHT	1	
528	889147	M8x12 HHCS	5	
529	881046H7100	STABILIZER RING	1	
530	881046H7003	PRESSURE PLATE	1	
531	889628	BEARING	1	
532	881046H7002	PRESSURE PLATE CAP	1	
533	889632	SEAL	1	
534	889697	KEY	1	
535	881046H6306	MAIN SHAFT	1	
536	889663	KEY	1	

537	889680	BEARING	1
538	889053	PLUG	2
539	88846A060014	M14x9 CUSTOM NUT	1
540	889631	SEAL	1
541	889704	M10x45 HHCS	1
541	889016	M10 NYLOCK NUT	1
542	881046H6307	FLANGE	1
543	889217	KEY	1
544	881046H6309	COUNTER SHAFT RIGHT	1
545	881046H6302	GEARBOX CASTING RIGHT	1
546	881046H6100	BRONZE GEAR RIGHT	1
547	889789	BEARING	1
548	881046H6304	PRESSURE RING	1
549	889145	M10x25 FHCS	1
550	881046H6311	SHIMMING	2
551	881046H6303	GEARBOX COVER	1
552	884364100	VALVE	1

Discount-Equipment.com

PARTS LIST 6 – BRTH96



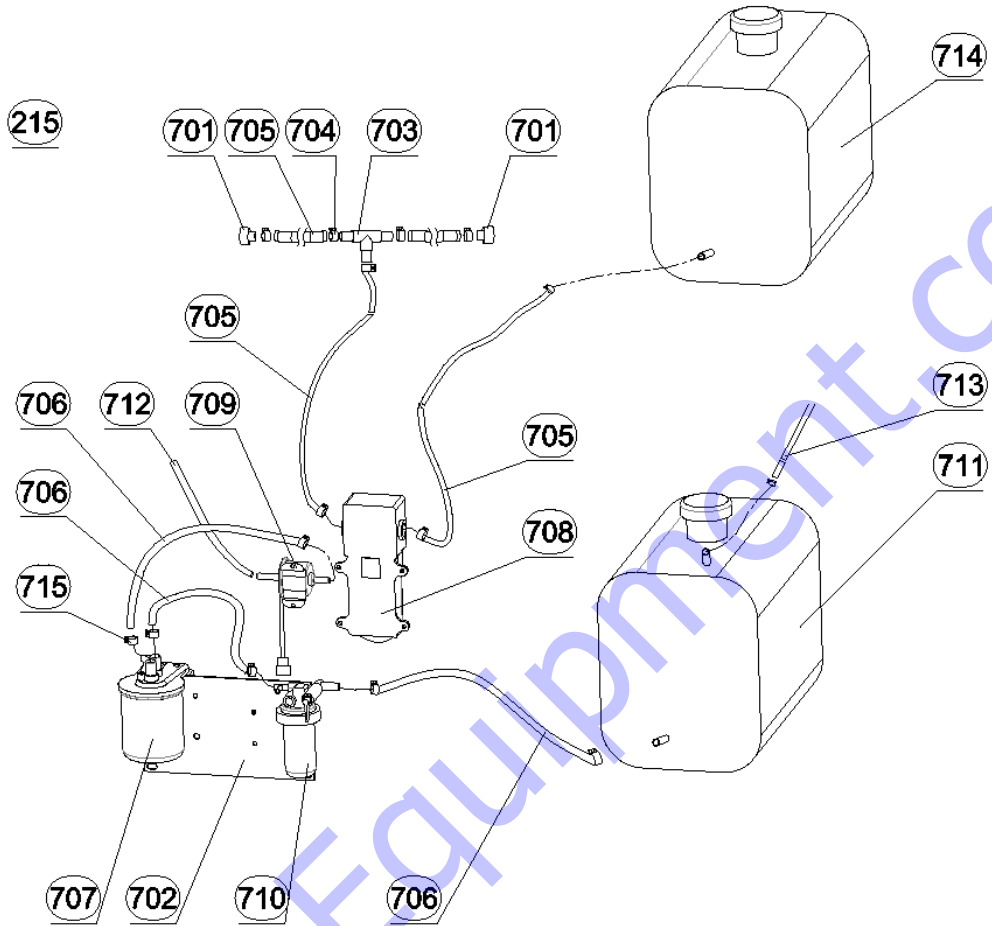
PARTS LIST 6 – Left Gearbox

Item #	Part #	Description	QTY	Remarks
601	889118	M8x20 HHCS	20	
602	889790	BEARING	2	
603	889371	O SEAL	2	
604	881046H6308	FLAGNE	1	
605	881046H6312	SHIMMING	4	
606	889064	OIL VIEWER	1	
607	889643	STABILIZER	2	
608	881046H5002	YOKE ARM PIVOT	1	
609	881046H5003	YOKE ARM	1	
610	889675	WOODRUFF KEY	1	
611	889067	M10x35 CARRIAGE BOLT	5	
612	889540	M10x25 HEX SET SCREW	5	
613	889059	M10 JAM NUT	10	
614	889698	5/16"-18 x 7/4" HHCS	10	
615	889037	SPRING WASHER	15	
615	889038	WASHER	15	
616	889699	5/16"-18 x 7/4" HHCS	5	
617	889069B	GREASE FITTING	5	
618	884366007	ADJUSTING BOLT	5	
619	881046H7001	TROWEL ARM	5	
620	889072	PLUG	10	
621		BLADE	5	
622	881046H6006L	ANGLE ARM	5	
623	88846A060013	VAVLE	1	
624	889066	M10x20 HHCS	5	
624	889046	SPRING WASHER	5	
625	889068	M12x35 HHCS	1	
626	881046H7006	BUSHING	1	
627	881046H7004	SPIDER PLATE LEFT	1	
628	889147	M8x12 HHCS	5	
629	881046H7100	STABILIZER RING	1	
630	881046H7003	PRESSURE PLATE	1	
631	889628	BEARING	1	
632	881046H7002	PRESSURE PLATE CAP	1	
633	889632	SEAL	1	
634	889697	KEY	1	
635	881046H6305	MAIN LEFT	1	
636	889663	KEY	1	

637	889680	BEARING	1
638	889053	PLUG	2
639	88846A060014	M14x9 CUSTOM NUT	1
640	889631	SEAL	1
641	889704	M10x45 HHCS	1
641	889016	M10 NYLOCK NUT	1
642	881046H6307	FLANGE	1
643	889217	KEY	1
644	881046H6310	COUNTER SHAFT LEFT	1
645	881046H6301	GEARBOX CASTING LEFT	1
646	881046H6200	BRONZE GEAR LEFT	1
647	889789	BEARING	1
648	881046H6304	PRESSURE RING	1
649	884364007	M10x25 LH BLADE END ADJUSTMENT NUT	1
650	881046H6311	SHIMMING	2
651	881046H6303	GEARBOX COVER	1
652	884364100	VALVE	1

Discount-Equipment.com

PARTS LIST 7 – BRTH96



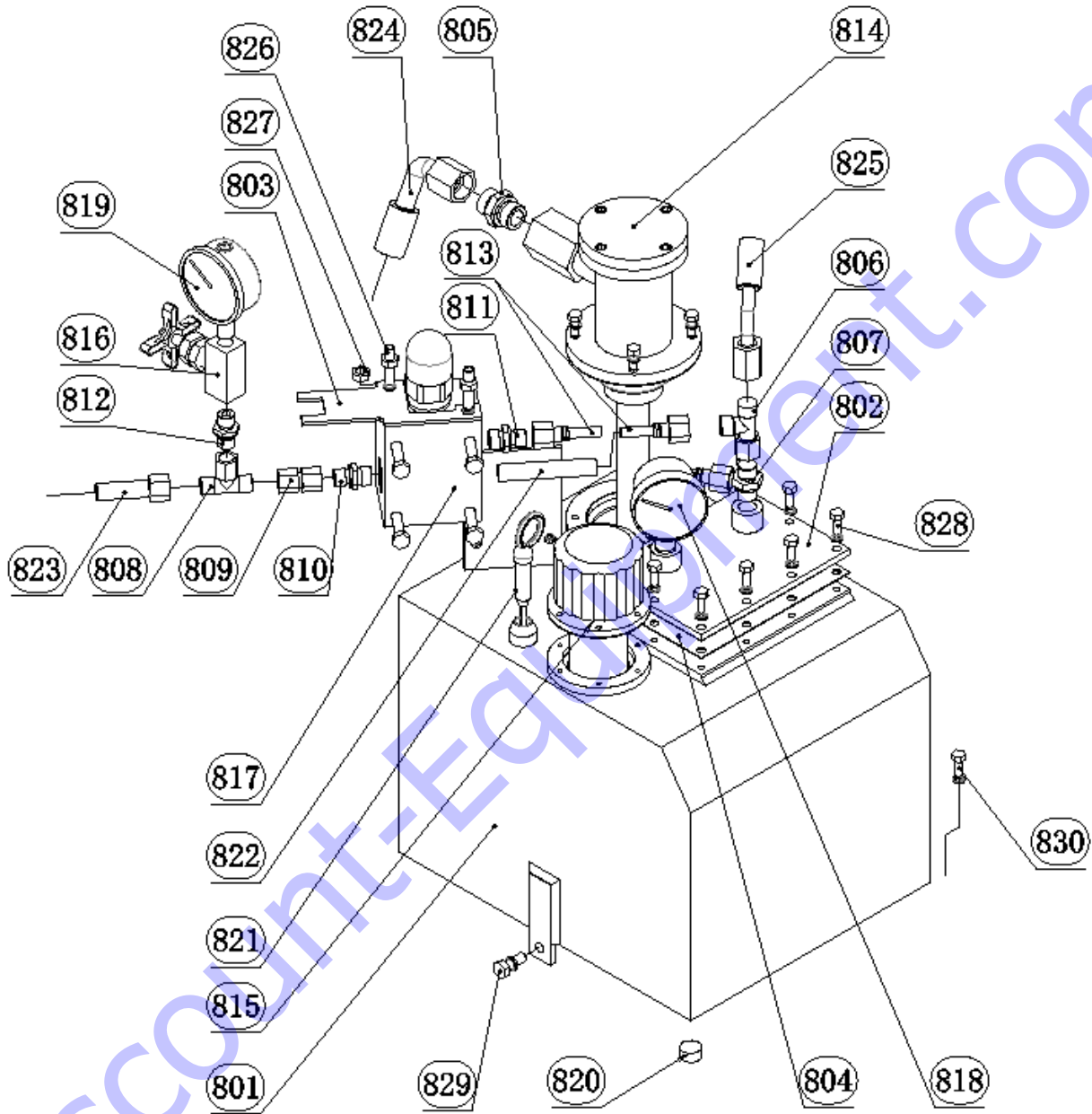
Discount-Equipment.com

PARTS LIST 7 – Water & Fuel

Item #	Part #	Description	QTY	Remarks
701	88846A80010	NOZZLE	2	
702	881046H4400	MOUNGTING PLATE	1	
703	889571	T COCK	1	
704	881071	HOOP	8	
705	8810202003	WATER HOSE	4	
706	8810202004	FUEL HOSE	3	
707	889860	FUEL FILTER	1	
708	881067	WATER PUMP	1	
709	889868	FUEL PUMP	1	
710	889859	FUEL-WATER SEPARATOR	1	
711	881046H4806	FUEL TANK	1	
712	889864	FUEL HOSE	1	
713	889865	FUEL HOSE	1	
714	881046H4807	WATER TANK	1	
715	889861	CLAMP	10	

Discount-Equipment.com

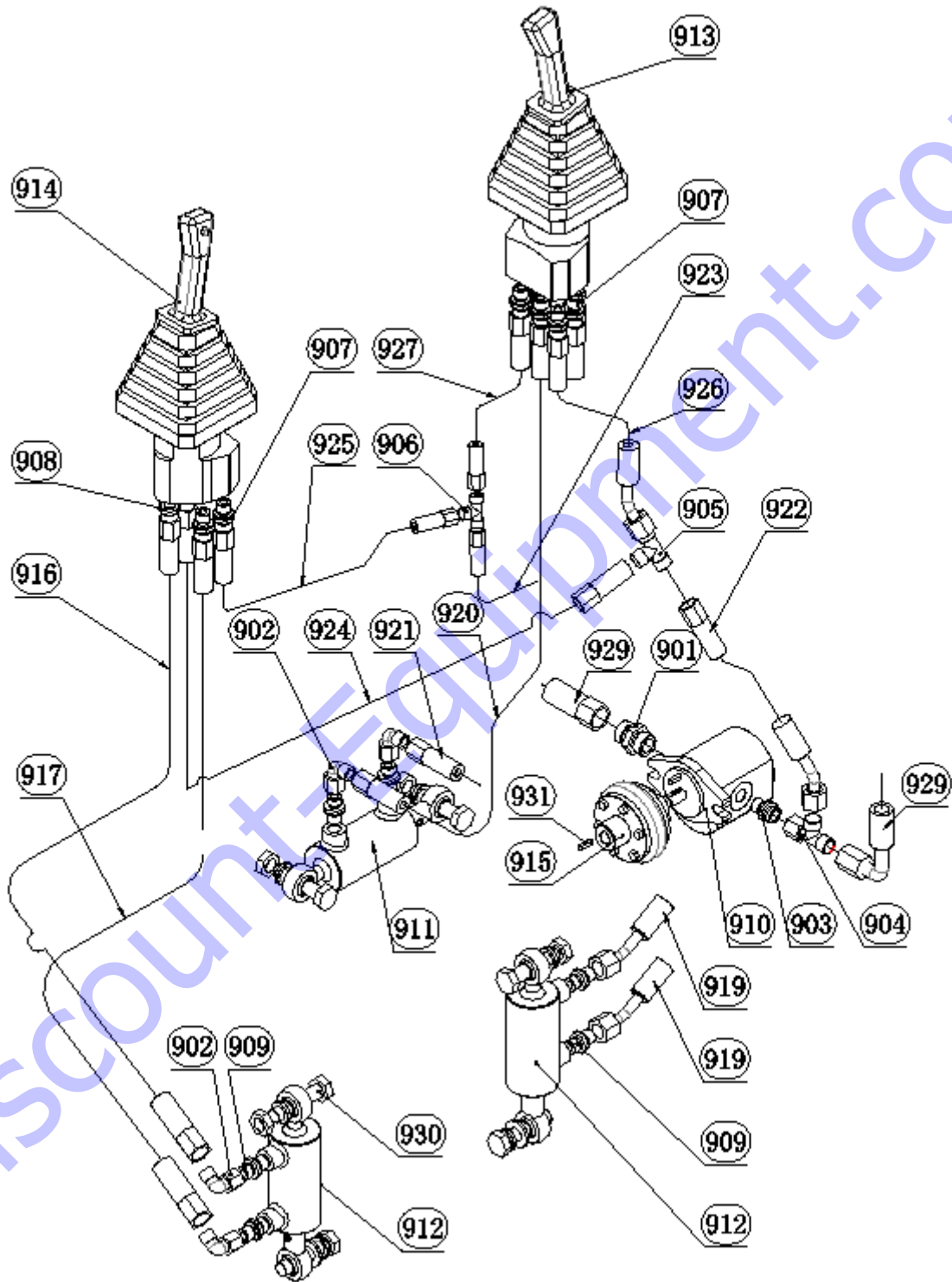
PARTS LIST 8 – BRTH96



PARTS LIST 8 – Hydraulics 1

Item #	Part #	Description	QTY	Remarks
801	881046H-YX	OIL TANK	1	
802	881046H-FLG	FLANGE	1	
803	881046H-FJ3	FLANGE	1	
804	881046H-FJ8	RUBBER MAT	1	
805	889815	CONNECTOR	1	
806	889819	T COCK	2	
807	889828	CONNECTOR	1	
808	889821	T COCK	1	
809	889829	CONNECTOR	1	
810	889831	CONNECTOR	1	
811	889832	CONNECTOR	1	
812	889830	CONNECTOR	1	
813	889845	CONNECTOR	2	
814	889791	OIL FILTER	1	
815	889793	AIR FILTER	1	
816	889795	VALVE	1	
817	889804	SPILL VALVE	1	
818	889806	TEMPERATURE METER	1	
819	889808	OIL PRESSURE METER	1	
820	889811	PLUG	1	
821	889812	OIL GAUGE	1	
822	881046HRG-15	HOSE	1	
823	881046HRG-13	HOSE	1	
824	881046HRG-14	HOSE	1	
825	881046HRG-8	HOSE	1	
826	889705	SCREW	2	
826	889236	NUT	2	
827	889032	NUT	2	
828	889133	BOLT	14	
828	889330	WASHER	10	
828	889022	SPRING WASHER	14	
829	889315	BOLT	1	
829	889038	WASHER	1	
829	889037	SPRING WASHER	1	
829	889236	NUT	1	
830	889098	BOLT	2	
830	889038	WASHER	2	
830	889037	SPRING WASHER	2	

PARTS LIST 9 – BRTH96



PARTS LIST 1 – Hydraulics 2

Item #	Part #	Description	QTY	Remarks
901	889833	CONNECTOR	1	
902	889817	CONNECTOR	4	
903	889818	CONNECTOR	1	
904	889819	T COCK	2	
905	889822	T COCK	1	
906	889823	T COCK	1	
907	889824	CONNECTOR	10	
908	889825	PLUG	2	
909	889827	CONNECTOR	6	
910	889797	GEAR PUMP	1	
911	889798	HYDROCYLINDER	1	
912	889799	HYDROCYLINDER	2	
913	889801-Y	HYDRAULIC CONTROL LEVER	1	
914	889801-Z	HYDRAULIC CONTROL LEVER	1	
915	889809	COUPLING	1	
916	881046HRG-1	HOSE	1	
917	881046HRG-2	HOSE	1	
918	881046HRG-3	HOSE	1	
919	881046HRG-4	HOSE	1	
920	881046HRG-5	HOSE	1	
921	881046HRG-6	HOSE	1	
922	881046HRG-7	HOSE	1	
923	881046HRG-8	HOSE	1	
924	881046HRG-9	HOSE	1	
925	881046HRG-10	HOSE	1	
926	881046HRG-11	HOSE	1	
927	881046HRG-12	HOSE	1	
928	881046HRG-13	HOSE	1	
929	881046HRG-14	HOSE	1	
930	889511	BOLT	6	
930	889647	WASHER	6	
930	889513	NUT	6	
931	8810010001	KEY	2	

Discount Equipment

Discount-Equipment.com is your online resource for commercial and industrial quality parts and equipment sales.

Locations:

Florida (West Palm Beach): [561-964-4949](tel:561-964-4949)

Outside Florida TOLL FREE: [877-690-3101](tel:877-690-3101)

Need parts? Check out our website at www.discount-equipment.com

Can't find what you need?

Click on this link: <http://www.discount-equipment.com/category/5443-parts/> and fill out the request form.

Please have the machine model and serial number available in order to help us get you the correct parts. One of our experienced staff members will get back to you with a quote for the right part that your machine needs.

We sell worldwide for the brands: Genie, Terex, JLG, MultiQuip, Mayco, Toro/Stone, Diamond Products, Magnum, Airman, Mustang, Power Blanket, Nifty Lift, Atlas Copco, Chicago Pneumatic, Allmand Brothers, Essick, Miller Spreader, Skyjack, Lull, Skytrak, Tsurumi, Husquvarna/Target, Whiteman-Concrete/Mortar, Stow-Concrete/Mortar, Baldor, Wacker, Sakai, Snorkel, Upright, Mi-T-M, Sullair, Neal, Basic, Dynapac, MBW, Weber, Bartell, Bennar Newman, Haulotte, Ditch Runner, Blaw-Knox, Himoina, Best, Buddy, Crown, Edco, Wyco, Bomag, Laymor, Terremite, Barreto, EZ Trench, Takeuchi, Basic, Bil-Jax, Curtis, Gehl, Heli, Honda, ICS/PowerGrit, Puckett, Waldon, ASV, IHI, Partner, Imer, Clipper, MMD, Koshin, Rice, Gorman Rupp, CH&E, Cat Pumps, Comet, General Pump, Giant, AMida, Coleman, NAC, Gradall, Square Shooter, Kent, Stanley, Tamco, Toku, Hatz, Kohler, Robin, Wisconsin, Northrock, Oztec, Toker TK, Rol-Air, Small Line, Wanco, Yanmar

New Equipment - Used Equipment - Rental Equipment - Parts and Accessories

Discount Equipment

www.discount-equipment.com

561-964-4949

Parts: wbparts@Discount-Equipment.com

Sales: info@Discount-Equipment.com