

# BARTELL

BARTELL GLOBAL

## RAMMER BT1000 PARTS BOOK



BARTELL GLOBAL

**Discount  
Equipment**

Doc. # PB-B19026  
Orig. Rel. - 06/2016  
Curr Rev. - 01

[www.Discount-Equipment.com](http://www.Discount-Equipment.com)

# **Discount Equipment**

Discount-Equipment.com is your online resource for commercial and industrial quality parts and equipment sales.

## **Locations:**

Florida (West Palm Beach): [561-964-4949](tel:561-964-4949)

Outside Florida TOLL FREE: [877-690-3101](tel:877-690-3101)

**Need parts?** Check out our website at [www.discount-equipment.com](http://www.discount-equipment.com)

## **Can't find what you need?**

Click on this link: <http://www.discount-equipment.com/category/5443-parts/> and fill out the request form.

Please have the machine model and serial number available in order to help us get you the correct parts. One of our experienced staff members will get back to you with a quote for the right part that your machine needs.

We sell worldwide for the brands: Genie, Terex, JLG, MultiQuip, Mayco, Toro/Stone, Diamond Products, Magnum, Airman, Mustang, Power Blanket, Nifty Lift, Atlas Copco, Chicago Pneumatic, Allmand Brothers, Essick, Miller Spreader, Skyjack, Lull, Skytrak, Tsurumi, Husquvarna/Target, Whiteman-Concrete/Mortar, Stow-Concrete/Mortar, Baldor, Wacker, Sakai, Snorkel, Upright, Mi-T-M, Sullair, Neal, Basic, Dynapac, MBW, Weber, Bartell, Bennar Newman, Haulotte, Ditch Runner, Blaw-Knox, Himoina, Best, Buddy, Crown, Edco, Wyco, Bomag, Laymor, Terremite, Barreto, EZ Trench, Takeuchi, Basic, Bil-Jax, Curtis, Gehl, Heli, Honda, ICS/PowerGrit, Puckett, Waldon, ASV, IHI, Partner, Imer, Clipper, MMD, Koshin, Rice, Gorman Rupp, CH&E, Cat Pumps, Comet, General Pump, Giant, AMida, Coleman, NAC, Gradall, Square Shooter, Kent, Stanley, Tamco, Toku, Hatz, Kohler, Robin, Wisconsin, Northrock, Oztec, Toker TK, Rol-Air, Small Line, Wanco, Yanmar

**New Equipment - Used Equipment - Rental Equipment - Parts and Accessories**

# **Discount Equipment**

**[www.discount-equipment.com](http://www.discount-equipment.com)**

**561-964-4949**

Sales: [info@Discount-Equipment.com](mailto:info@Discount-Equipment.com)

Parts: [wbparts@Discount-Equipment.com](mailto:wbparts@Discount-Equipment.com)



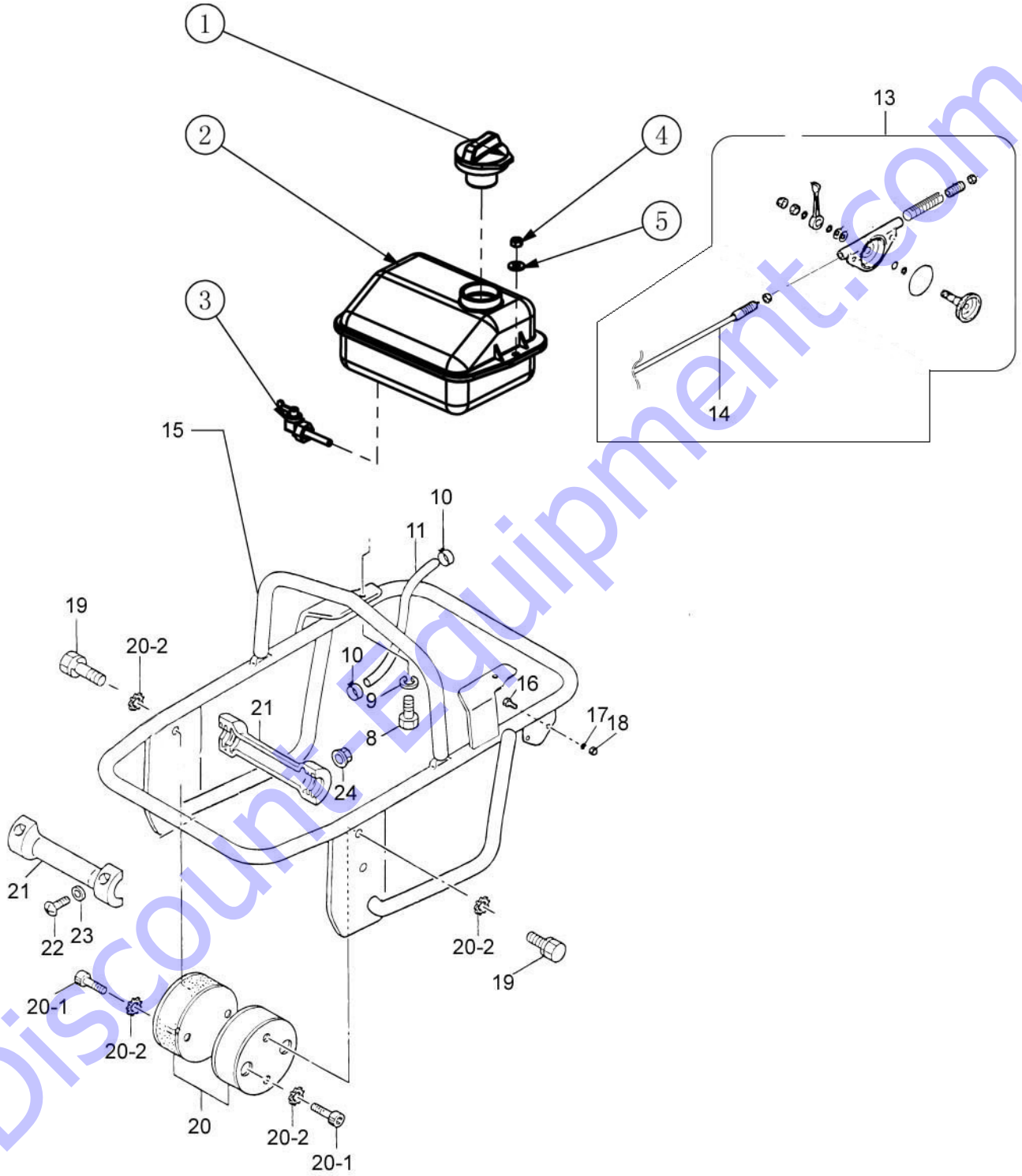
## TABLE OF CONTENTS

<b>TANK AND HANDLE ASSEMBLY DIAGRAM</b>	<b>1</b>
○ TANK AND HANDLE - PARTS LIST 1	2
<b>CYLINDER AND FOOT ASSEMBLY DIAGRAM</b>	<b>3</b>
○ CYLINDER AND FOOT ASSEMBLY - PARTS LIST 2	4
<b>CRANK CASE AND ENGINE DIAGRAM</b>	<b>5</b>
○ CRANK CASE AND ENGINE - PARTS LIST 3	6

Discount-Equipment.com



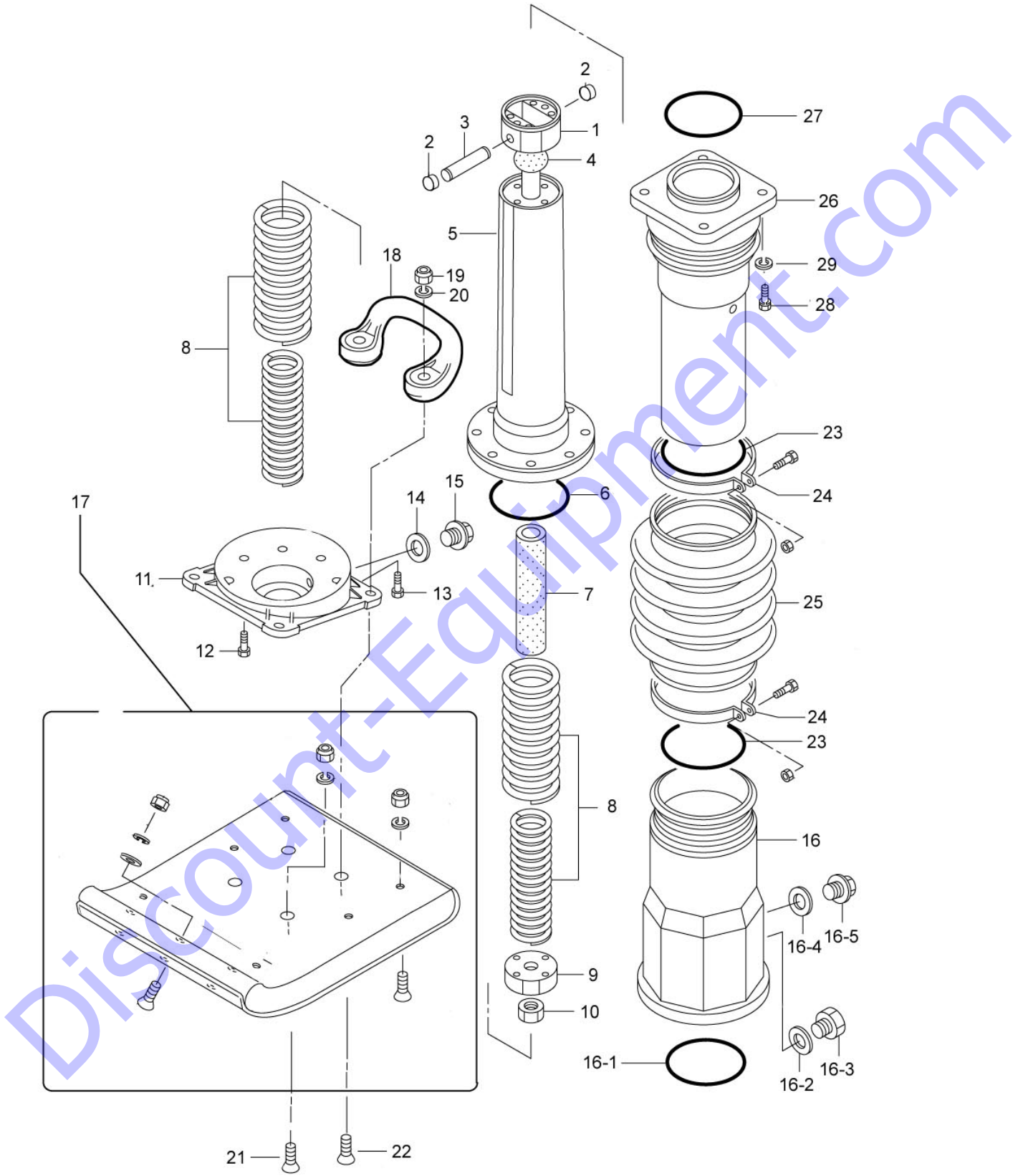
# TANK AND HANDLE ASSEMBLY DIAGRAM



**TANK AND HANDLE - PARTS LIST 1**

Item	Part No.	Description	QTY	Remarks
A	CT-66P1-A	FUEL TANK ASSEMBLY	1	
1	CT-66P1-01A	TANK CAP ASSEMBLY	1	
2	CT-66P1-02A	STRAP PIN	1	
3	CT-66P1-03A	FUEL TANK	1	
4	CT-66P1-04A	ROLLER FOAM	2	
5	CT-66P1-05A	SW M6	2	
6	CT-66P1-06A	NYLON NUT M8	2	
7	CT-66P1-07A	WASHER M8	2	
8	CT-66P1-08A	BOLT M8X30T	2	
9	CT-66P1-09A	SW M8	4	
10	CT-66P1-10A	HOSE BAND	2	
11	CT-66P1-11A	FUEL HOSE	1	
12	CT-66P1-12A	FUEL COCK AY	1	
13	CT-66P1-13A	THROTTLE LEVER ASSEMBLY (INCLUDES ITEM 14)	1	
14	CT-66P1-14A	THROTTLE WIRE (INCLUDED IN ITEM 13)	1	
15	CT-66P1-15A	HANDLE	1	
16	CT-66P1-16A	BOLT M6X25T	2	
17	CT-66P1-17A	WASHER M6	4	
18	CT-66P1-18A	NYLON NUT M6	6	
19	CT-66P1-19A	BOLT M10X20	4	
20	CT-66P1-20A	SHOCK ABSORBER	2	
21	CT-66P1-21A	ROLLER	2	
22	CT-66P1-22A	SOCKET HEAD BOLT M5X30	4	
23	CT-66P1-23A	WASHER M10	4	
24	CT-66P1-24A	SW M10	4	

# CYLINDER AND FOOT ASSEMBLY DIAGRAM

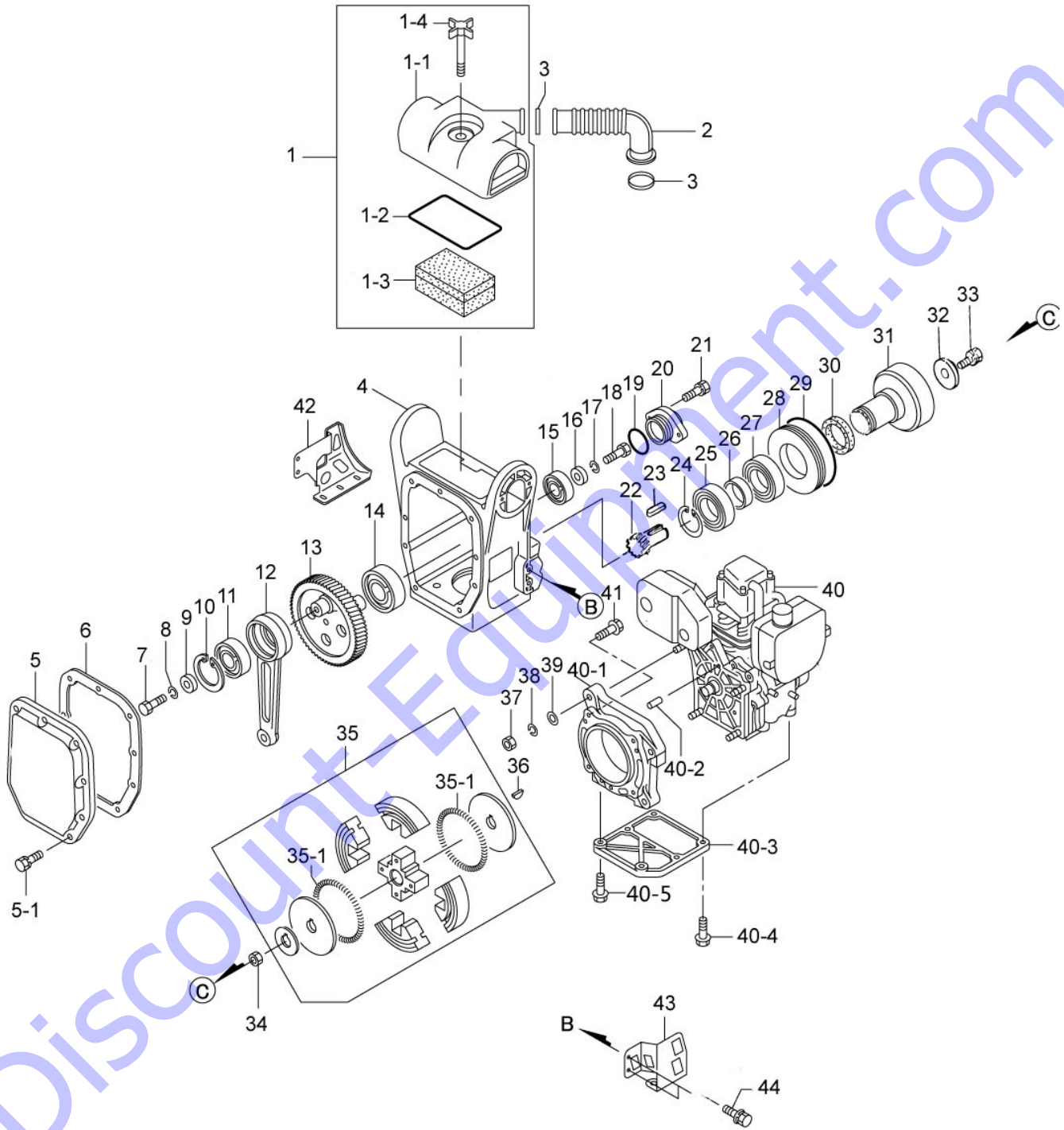


**CYLINDER AND FOOT - PARTS LIST 2**

Item	Part No.	Description	QTY	Remarks
1	CT-60P-1C	PISTON ROD	1	
2	CT-60P-2C	PLUG	2	
3	CT-60P-3C	PISTON PIN	1	
4	CT-60P-4C	STOPPER, UPPER	1	
5	CT-60P-5C	SPRING CYLINDER	1	
6	CT-60P-6C	O-RING G-75	1	
7	CT-60P-7C	STOPPER, LOWER	1	
8	CT-60P-8C	MAIN SPRING	2	
9	CT-60P-9C	PISTON END	1	
10	CT-60P-10C	NUT M16	1	
11	CT-60P-11C	FOOT PLATE	1	
12	CT-60P-12C	SOCKET HEAD BOLT M10X35T	4	
13	CT-60P-13C	SOCKET HEAD BOLT M10X25T	4	
14	CT-60P-14C	PACKING M10 (AL)	1	
15	CT-60P-15C	PLUG M10X1.0X10	1	
16	CT-60P-16C	PROTECTION SLEEVE	1	
16-1	CT-60P-16-1C	O-RING JAS02085	1	
16-2	CT-60P-16-2C	PACKING M20	1	
16-3	CT-60P-16-3C	OIL LEVEL GAUGE G1/2	1	
16-4	CT-60P-16-4C	PACKING M16	1	
16-5	CT-60P-16-5C	PLUG M16X1.5X10	1	
17	CT-60P-17C	FOOT ASSEMBLY	1	
18	CT-60P-18C	GRIP HANDLEBAR	1	
19	CT-60P-19C	NYLON NUT M12	4	
20	CT-60P-20C	SPLIT WASHER M12	4	
21	CT-60P-21C	SUNK HEAD BOLT M12X65T	2	
22	CT-60P-22C	SUNK HEAD BOLT M12X70T	2	
23	CT-60P-23C	O-RING G-95	2	
24	CT-60P-24C	BELLOW CLAMP	2	
25	CT-60P-25C	BELLOW	1	
26	CT-60P-26C	GUIDE CYLINDER	1	
27	CT-60P-27C	O-RING G-80	1	
28	CT-60P-28C	BOLT M10X40	4	
29	CT-60P-29C	SPLIT WASHER M10	4	



# CRANK CASE AND ENGINE DIAGRAM



**CRANK CASE AND ENGINE - PARTS LIST 3**

Item #	Part No.	Description	QTY	REMARK
1	CT-60P-1B	AIR CLEANER ASSEMBLY	1	
1-1	CT-60P-1-1B	COVER, AIR CLEANER	1	
1-2	CT-60P-1-2B	PACKING, AIR CLEANER	1	
1-3	CT-60P-1-3B	ELEMENT, AIR CLEANER	1	
1-4	CT-60P-1-4B	GRIP BOLT, AIR CLEANER	1	
2	CT-60P-2B	INTAKE PIPE	1	
3	CT-60P-3B	CLAMP	2	
4	CT-60P-4B	CRANK CASE	1	
5	CT-60P-5B	FRONT COVER	1	
5-1	CT-60P-5-1B	BOLT M6X20T	9	
6	CT-60P-6B	PACKING, FRONT COVER	1	
7	CT-60P-7B	BOLT M8X25T	1	
8	CT-60P-8B	SPLIT WASHER M8	1	
9	CT-60P-9B	WASHER 9X30X4	1	
10	CT-60P-10B	STOP RING R-52	1	
11	CT-60P-11B	BEARING 6304	1	
12	CT-60P-12B	CONNECTING ROD	1	
13	CT-60P-13B	CRANK GEAR	1	
14	CT-60P-14B	BEARING 6305	1	
15	CT-60P-15B	BEARING 6203	1	
16	CT-60P-16B	WASHER 8.5X22X3	1	
17	CT-60P-17B	SPLIT WASHER M8	1	
18	CT-60P-18B	BOLT M8X25T	1	
19	CT-60P-19B	O-RING G-35	1	
20	CT-60P-20B	BEARING COVER	1	
21	CT-60P-21B	BOLT M6X20T	2	
22	CT-60P-22B	PINION	1	
23	CT-60P-23B	KEY 5X5X19R	1	
24	CT-60P-24B	STOP RING S-35	1	
25	CT-60P-25B	BEARING 6007	1	
26	CT-60P-26B	SPACER 35.4-42.7-10	1	
27	CT-60P-27B	BEARING 6007Z	1	
28	CT-60P-28B	SPACER, CLUTCH DRUM	1	
29	CT-60P-29B	O-RING S-90	1	
30	CT-60P-30B	OIL SEAL TC-40528	1	
31	CT-60P-31B	CLUTCH DRUM	1	
<b>CONTINUED ON NEXT PAGE.</b>				

**CRANK CASE AND ENGINE – PARTS LIST 3 (CONTINUED)**

Item #	Part No.	Description	QTY	Remark
32	CT-60P-32B	LOCK WASHER	1	
33	CT-60P-33B	BOLT M8X20T	1	
34	CT-60P-34B	LOCK NUT	1	
35	CT-60P-35B	CLUTCH ASSEMBLY	1	
35-1	CT-60P-35-1B	CLUTCH SPRING	2	
36	CT-60P-36B	WOODRUFF KEY	1	
37	CT-60P-37B	NUT M8	4	
38	CT-60P-38B	SPLIT WASHER M8	4	
39	CT-60P-39B	WASHER M8	4	
40	CT-60P-40B	ENGINE	1	
40-1	CT-60P-40-1B	ADAPTER, FLANGE	1	
40-2	CT-60P-40-2B	DOWEL PIN	2	
40-3	CT-60P-40-3B	STIFFENER	1	
40-4	CT-60P-40-4B	BOLT M8X25T	2	
40-5	CT-60P-40-5B	BOLT M8X20T	4	
41	CT-60P-41B	BOLT M8X30T	4	
42	CT-60P-42B	OIL GAUGE PROTECTOR	1	
43	CT-60P-43B	LINK PROTECTOR	1	
44	CT-60P-44B	BOLT M8X20T	4	

This Page Intentionally Left Blank

Discount-Equipment.com

# **Discount Equipment**

Discount-Equipment.com is your online resource for commercial and industrial quality parts and equipment sales.

## Locations:

Florida (West Palm Beach): [561-964-4949](tel:561-964-4949)

Outside Florida TOLL FREE: [877-690-3101](tel:877-690-3101)

Need parts? Check out our website at [www.discount-equipment.com](http://www.discount-equipment.com)

## Can't find what you need?

Click on this link: <http://www.discount-equipment.com/category/5443-parts/> and fill out the request form.

Please have the machine model and serial number available in order to help us get you the correct parts. One of our experienced staff members will get back to you with a quote for the right part that your machine needs.

We sell worldwide for the brands: Genie, Terex, JLG, MultiQuip, Mayco, Toro/Stone, Diamond Products, Magnum, Airman, Mustang, Power Blanket, Nifty Lift, Atlas Copco, Chicago Pneumatic, Allmand Brothers, Essick, Miller Spreader, Skyjack, Lull, Skytrak, Tsurumi, Husquvarna/Target, Whiteman-Concrete/Mortar, Stow-Concrete/Mortar, Baldor, Wacker, Sakai, Snorkel, Upright, Mi-T-M, Sullair, Neal, Basic, Dynapac, MBW, Weber, Bartell, Bennar Newman, Haulotte, Ditch Runner, Blaw-Knox, Himoina, Best, Buddy, Crown, Edco, Wyco, Bomag, Laymor, Terremite, Barreto, EZ Trench, Takeuchi, Basic, Bil-Jax, Curtis, Gehl, Heli, Honda, ICS/PowerGrit, Puckett, Waldon, ASV, IHI, Partner, Imer, Clipper, MMD, Koshin, Rice, Gorman Rupp, CH&E, Cat Pumps, Comet, General Pump, Giant, AMida, Coleman, NAC, Gradall, Square Shooter, Kent, Stanley, Tamco, Toku, Hatz, Kohler, Robin, Wisconsin, Northrock, Oztec, Toker TK, Rol-Air, Small Line, Wanco, Yanmar

**New Equipment - Used Equipment - Rental Equipment - Parts and Accessories**

# **Discount Equipment**

[www.discount-equipment.com](http://www.discount-equipment.com)

**561-964-4949**

Parts: [wbparts@Discount-Equipment.com](mailto:wbparts@Discount-Equipment.com)

Sales: [info@Discount-Equipment.com](mailto:info@Discount-Equipment.com)