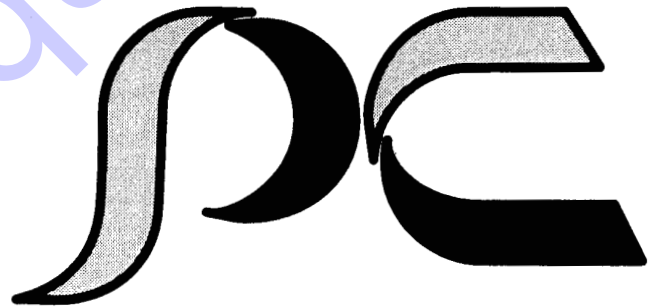


# AIRMAN

## PARTS CATALOG SCREW COMPRESSOR

**PDS400S-6B1**



**Discount  
Equipment**

[www.discount-equipment.com](http://www.discount-equipment.com)

**HOKUETSU INDUSTRIES CO., LTD.**

# **Discount Equipment**

Discount-Equipment.com is your online resource for commercial and industrial quality parts and equipment sales.

## **Locations:**

Florida (West Palm Beach): [561-964-4949](tel:561-964-4949)

Outside Florida TOLL FREE: [877-690-3101](tel:877-690-3101)

**Need parts?** Check out our website at [www.discount-equipment.com](http://www.discount-equipment.com)

## **Can't find what you need?**

Click on this link: <http://www.discount-equipment.com/category/5443-parts/> and fill out the request form.

Please have the machine model and serial number available in order to help us get you the correct parts. One of our experienced staff members will get back to you with a quote for the right part that your machine needs.

We sell worldwide for the brands: Genie, Terex, JLG, MultiQuip, Mayco, Toro/Stone, Diamond Products, Magnum, Airman, Mustang, Power Blanket, Nifty Lift, Atlas Copco, Chicago Pneumatic, Allmand Brothers, Essick, Miller Spreader, Skyjack, Lull, Skytrak, Tsurumi, Husquvarna/Target, Whiteman-Concrete/Mortar, Stow-Concrete/Mortar, Baldor, Wacker, Sakai, Snorkel, Upright, Mi-T-M, Sullair, Neal, Basic, Dynapac, MBW, Weber, Bartell, Bennar Newman, Haulotte, Ditch Runner, Blaw-Knox, Himoina, Best, Buddy, Crown, Edco, Wyco, Bomag, Laymor, Terremite, Barreto, EZ Trench, Takeuchi, Basic, Bil-Jax, Curtis, Gehl, Heli, Honda, ICS/PowerGrit, Puckett, Waldon, ASV, IHI, Partner, Imer, Clipper, MMD, Koshin, Rice, Gorman Rupp, CH&E, Cat Pumps, Comet, General Pump, Giant, AMida, Coleman, NAC, Gradall, Square Shooter, Kent, Stanley, Tamco, Toku, Hatz, Kohler, Robin, Wisconsin, Northrock, Oztec, Toker TK, Rol-Air, Small Line, Wanco, Yanmar

**New Equipment - Used Equipment - Rental Equipment - Parts and Accessories**

# **Discount Equipment**

[www.discount-equipment.com](http://www.discount-equipment.com)

**561-964-4949**

Parts: [wbparts@Discount-Equipment.com](mailto:wbparts@Discount-Equipment.com)

Sales: [info@Discount-Equipment.com](mailto:info@Discount-Equipment.com)

適用型式  
FOR MODEL

型式 MODEL	適用号機 SER. NO.
PDS400S-6B1	C1-6B10051~

# NOTICE

1. This parts catalog contains all the parts and assemblies of "AIRMAN" brand products. The complete unit is divided into several parts groups, the details of which are clearly illustrated, and completely listed.

So desired part number, name and quantity can be easily determined referring to Ref.No.

2. When you place order for service parts, please be sure to advise us of the following information.

- (1) Part number.
- (2) Quantity required.
- (3) Part name.
- (4) Model name and Serial number.

3. How to read parts catalog.

(1) Ref.No.

Reference number(Ref.No.) is to be used for locating the part number and name from the illustrations. (However some parts such as bolts and nuts etc., are not illustrated but their reference numbers only listed.)

Ref.No.1,1-1,1-2,.....shows history of part modifications; namely ref.No.1 changed to No.1-1 and then 1-2.

Example: Ref.No.	Part No.
1.	21101 00101
1-1.	21101 00103

(2) Part No.

Every part has its own proper number.

Even if a part has the same shape as an other part and if its number different, it is not interchangeable at all in many cases.

(3) Interchangeability

A.B.C.D.Q.X.Y. and Z. in column "Interchangeability" show the following.

A: A new part is replaceable with an old part, but the old part is not replaceable with the new one.

B: Not interchangeable.

C: Disused.

D: Newly added.

Q: Quantity per unit changed.

X: Included in this set of parts, this part is not used for this model.

Y: Part to be selected.

Z: This part can not be supplied as an individual part.

(4) Part name

Every part has its own proper name.

(5) Q'ty

The number shown in the column of Q'TY indicates the quantity of parts used per one unit machine.

(6) Change column

M1,M2,M3,.....Mn mentioned in the column indicate the change of part number. and the serial number of the unit,the part of which was modified.

To check the serial number, refer to "LIST OF MACHINE SERIAL NUMBERS & CHANGED PART NUMBERS" mentioned in the front part of this book.

4. Abbreviations and marks used in this catalog.

ass'y	assembly	L	Length
C/H	Change column	o & p	overrun & parking brake
Comp.	Compressor	OPT.	Option
Const.	Consisting of	Press.	Pressure
Cont.	Control	SPC/S.	Special specifications
Cyl.	Cylinder	STD.	Standards
Eng.	Engine	T or t	Thickness
EXP.	Export	w.	with
Incl.	Including	w/o	without

5. HOW TO READ MODELS

Example: P D S    1 2 5 S    - 5 B 1

- |  |  |
|--|--|
| P D : PORTABLE DIESEL ENGINE   | S : SILENT TYPE and PROPANE GAS ENGINE SILENT TYPE |
| S D : STATIONARY DIESEL ENGINE   | T : CITY-GAS ENGINE SILENT TYPE                    |
| S G : STATIONARY GAS ENGINE  | w/o : UNSILENCED TYPE                              |
| S M : STATIONARY SNOW MACHINE  | C : AFTERCOOLER TYPE                               |
| R : SLIDING VANE   | D : DRY AIR TYPE                                   |
| S : SCREW(OIL-INJECTION)   | R : IN LINE PUMP TYPE                              |
| D : SCREW(OIL-FREE)  | W : WATER-COOLED TYPE                              |
| w/o : 0.69MPa(7.0kgf/cm <sup>2</sup> ) or 0.70MPa(7.1kgf/cm <sup>2</sup> ) | w/o : STANDARD TYPE                                |
| E : 0.86MPa(8.8kgf/cm <sup>2</sup> )                                       | 3 : SKID-MOUNTED TYPE                              |
| F : 1.03MPa(10.5kgf/cm <sup>2</sup> )                                      | 4 : TRAILER-MOUNTED TYPE                           |
| G : 1.18 to 1.37MPa(12.0 to 14.0kgf/cm <sup>2</sup> )                      | 5 : BOX  |
| H : 1.72MPa(17.5kgf/cm <sup>2</sup> )                                      | 6 : WIDE BODY                                      |
| J : 2.07MPa(21.1kgf/cm <sup>2</sup> )                                      | w/o : OTHERS                                       |
| K : 2.41MPa(24.6kgf/cm <sup>2</sup> )                                      | MODEL CHANGE MARK                                  |
| 75 : ENGINE OUTPUT(kW)<SDD,SDSG ONLY>                                      | VARIATION MARK                                     |
| 125 : Free air delivery(cfm)   |  |

NOTE :

We are always engaged in improving our products. So there may be some changes of the product which are not yet mentioned in this parts catalog.

Therefore, in necessary case, we issue a revision in which such changes are added.

When you have any question on the parts catalog, please ask your nearest dealer or directly us.

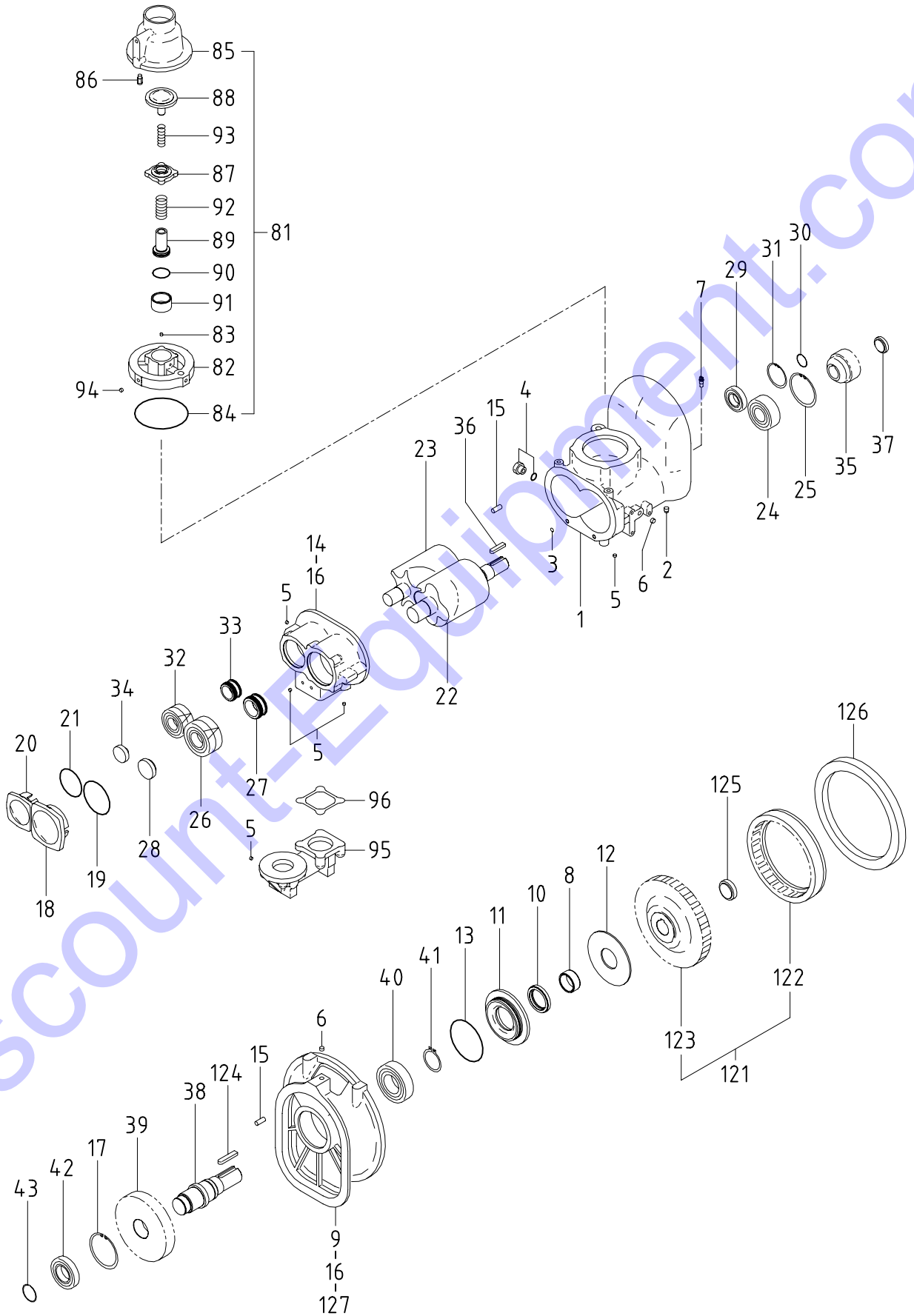
For engine parts, please refer to separate engine parts catalog.

# 目 次 CONTENTS

図 番 号 FIG.NO.	図 名 称 FIG.NAME	頁 PAGE
21 - 00	AIR END	エア インド 21 - 1 ~ 4
31 - 00	MOUNTING, INTAKE, ENGINE & EXHAUST	マウンティング, インテーク, エンジン, エキゾースト 31 - 1 ~ 4
33 - 00	RECEIVER, SEPARATOR & SERVICE HEADER	レシーバ, セパレータ, サービスヘッド 33 - 1 ~ 3
36 - 00	AIR LINE	エア ライン 36 - 1 ~ 3
36 - 01	REGULATOR(SPEED)	スピード レギュレータ 36 - 4
37 - 00	OIL LINE & COOLING	オイル ライン, クーリング 37 - 1 ~ 3
39 - 00	NAME PLATE	ネーム プレート 39 - 1 ~ 2
43 - 00	FUEL LINE & ELECTRIC	フュエル ライン, エレクトリック 43 - 1 ~ 4
51 - 00	FRAME & BONNET	フレーム, ボンネット 51 - 1 ~ 3
52 - 00	LINING	ライニング 52 - 1

## 部 品 番 号 変 更 時 期 一 覧 表 LIST OF MACHINE SERIAL NUMBERS & CHANGED PART NUMBERS

変更 C/H	型 式 と 実 施 号 機 MODEL NAME & SER.NO. OF THE UNIT, THE PART OF WHICH WAS CHANGED					
	PDS400S-6B1					
M 1	0056 ~					
M 3	0056 ~					
M 4	0064 ~					
M 5	0068 ~					
M 7	0094 ~					
M 8	0174 ~					
M 9	0249 ~					
M14	0412 ~					
M67	0122 ~					
M69	0122 ~					
M73	0156 ~					
M85	0170 ~					
M108	0340 ~					
M118	0332 ~					
M139	0352 ~					
M149	0462 ~					
M168	0438 ~					



見出番号 Ref.NO.	部品番号 Part NO.	互換性 Inter- change ability	部 品 名 称 Part Name	数量 Q'ty	変 更 C/H	備 考 Remarks
	21000 08614		COMPRESSION GROUP コンプレッショングループ			Const.No.1~34 & 36~38
	21000 09211		COMPRESSION GROUP コンプレッショングループ			Const.No.35 & 39~43
1	21201 36900		Cylinder シリンダ	1		
1 -1	21201 40201	B	Cylinder シリンダ	1	M67	
2	03620 41003		Plug プラグ	1		
3	03402 25016		O-ring O-リング	3		
4	33238 02000		Plug プラグ	1		
	03402 25024		O-ring O-リング	1		
5	03620 60002		Plug プラグ	7		
6	03620 60003		Plug プラグ	2		
7	21207 03800		Nozzle ノズル	1		
8	21465 05600		Collar カラ	1		
9	21214 14901		Casing,power side パワーサイドケーシング	1		
	02280 10060		Socket bolt ソケットボルト	8		(for cylinder)
10	21211 05200		Oil seal オイルシール	1		
11	21212 08801		Cover カバ	1		
	02280 10035		Socket bolt ソケットボルト	6		
	03115 40010		Spring washer スプリングワッシャー	6		
12	21212 08000		Cover カバ	1		
13	03402 10145		O-ring O-リング	1		
14	21217 28000		Casing,discharge ディスチャージケーシング	1		
15	03316 14032		Pin ピン	4		
15 -1	03316 14028	A	Pin ピン	4	M108	
16	02280 10035		Socket bolt ソケットボルト	17		
17	03413 20110		Snap ring スナップリング	1		
18	21218 23000		End cover エンドカバー	1		
	02280 12040		Socket bolt ソケットボルト	4		
	03115 40012		Spring washer スプリングワッシャー	4		
19	03402 10115		O-ring O-リング	1		
20	21218 23100		End cover エンドカバー	1		
	02280 08030		Socket bolt ソケットボルト	4		
	03115 40008		Spring washer スプリングワッシャー	4		
21	03402 10095		O-ring O-リング	1		
22	21461 31100		Rotor,male オスロータ	1		
22 -1	21461 33100	B	Rotor,male オスロータ	1	M69	
23	21462 15700		Rotor,female メスロータ	1		
23 -1	21462 23800	B	Rotor,female メスロータ	1	M 5	
23 -3	21462 24500	B	Rotor,female メスロータ	1	M69	
	ロータは、オス・メス一対でご注文下さい A pair of rotor (male & female) should be ordered.					
24	21406 29700		Bearing ベアリング	1		
25	03413 20110		Snap ring スナップリング	1		
26	21470 11900		Bearng,complete ベアリング,コンプリート	1		
26 -1	21470 13900	A	Bearng,complete ベアリング,コンプリート	1	M 4	
27	21463 13100		Spacer スパ	1		
28	21468 06400		Plate プレート	1		
	02280 10040		Socket bolt ソケットボルト	2		
	03115 30010		Lock washer ロックワッシャー	2		
29	21406 28500		Bearing ベアリング	1		
30	03413 40045		Snap ring スナップリング	1		
31	03413 20085		Snap ring スナップリング	1		

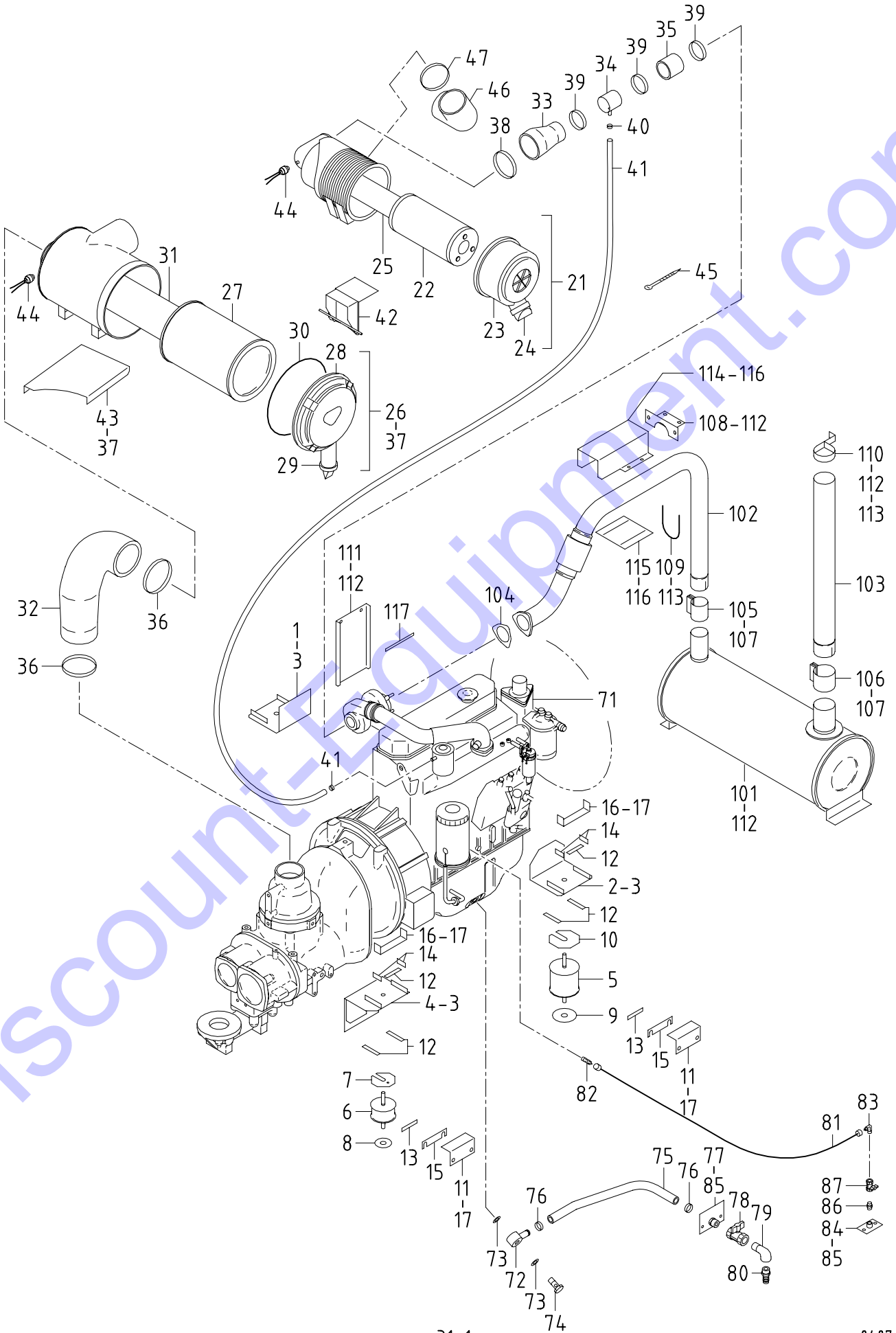


## 21 - 00 AIR END

見出番号 Ref.NO.	部品番号 Part NO.	互換性 Inter- change ability	部 品 名 称 Part Name	数量 Q'ty	変 更 C/H	備 考 Remarks
32	21470 12200		Beairng,complete	1		
32 -1	21470 14000	A	Beairng,complete	1	M 4	
33	21463 11200		Spacer	1		
34	21468 18300		Plate	1		
34 -1	21468 18900	B	Plate	1	M 5	
	02280 06030		Socket bolt	4		
	03115 30006		Lock washer	4		
35	21467 24400		Gear,driven	1		
36	03307 14063		Key	1		
37	21468 06500		Plate	1		
	02280 08035		Socket bolt	2		
	02280 08030	B	Socket bolt	2	M69	
	03115 30008		Lock washer	2		
38	21411 07700		Shaft	1		
39	21469 24400		Gear,drive	1		
40	03410 06314		Bearing	1		
41	03413 10070		Snap ring	1		
42	21406 38300		Bearing	1		
43	03413 40060		Snap ring	1		
	22 - 00		VALVE GROUP			
			バルブ グループ			
81	22100 38100		Unloader ass'y	1		Const.No.82 ~ 94
82	22111 26200		Body	1		
83	22123 02700		Orifice	1		
84	03402 10165		O-ring	1		
85	22115 09500		Cover	1		
	02280 10070		Socket bolt	4		
	03115 30010		Lock washer	4		
86	22200 16100		Check valve ass'y	1		
87	22115 09600		Cover	1		
	02282 10030		Socket bolt	3		
88	22150 13100		Valve	1		
89	22130 09000		Piston	1		
90	21441 03100		O-ring	1		
91	23124 15100		Bushing	1		
92	22144 15100		Spring	1		
93	22144 15200		Spring	1		
94	03620 60002		Plug	1		
95	22311 09800		Discharge elbow	1		
	02280 12040		Socket bolt	4		
	03115 40012		Spring washer	4		
96	21219 11800		Gasket	1		
96 -1	21219 14601	A	Gasket	1	M73	
	61 - 00		COUPLING GROUP			
			カップリング グループ			
121	61123 03300		Coupling,complete	1		Const.No.122 & 123
122	61121 09200		Coupling,drive	1		
	02282 10055		Socket bolt	8		
123	21420 16400		Coupling,driven	1		
124	03307 16080		Key	1		

## 21 - 00 AIR END

見出番号 Ref.NO.	部品番号 Part NO.	互換性 Inter- change ability	部 品 名 称 Part Name		数量 Q'ty	変 更 C/H	備 考 Remarks
125	21468 18200		Plate	プレート	1		
	02282 10040		Socket bolt	ソケット ボルト	2		
	03115 30010		Lock washer	ロック ワッシャ	2		
126	61122 04300		Fly wheel	フライ ホイール	1		
	02282 10045		Socket bolt	ソケット ボルト	8		(for Eng.)
127	02138 10035		Bolt	ボルト	10		(for Eng.)
	02138 10045		Bolt	ボルト	2		(for Eng.)
	03116 12010		Plain washer	プレーン ワッシャ	2		(for Eng.)
	03115 02010		Spring washer	スプリング ワッシャ	12		(for Eng.)



## 31 - 00 MOUNTING, INTAKE, ENGINE &amp; EXHAUST

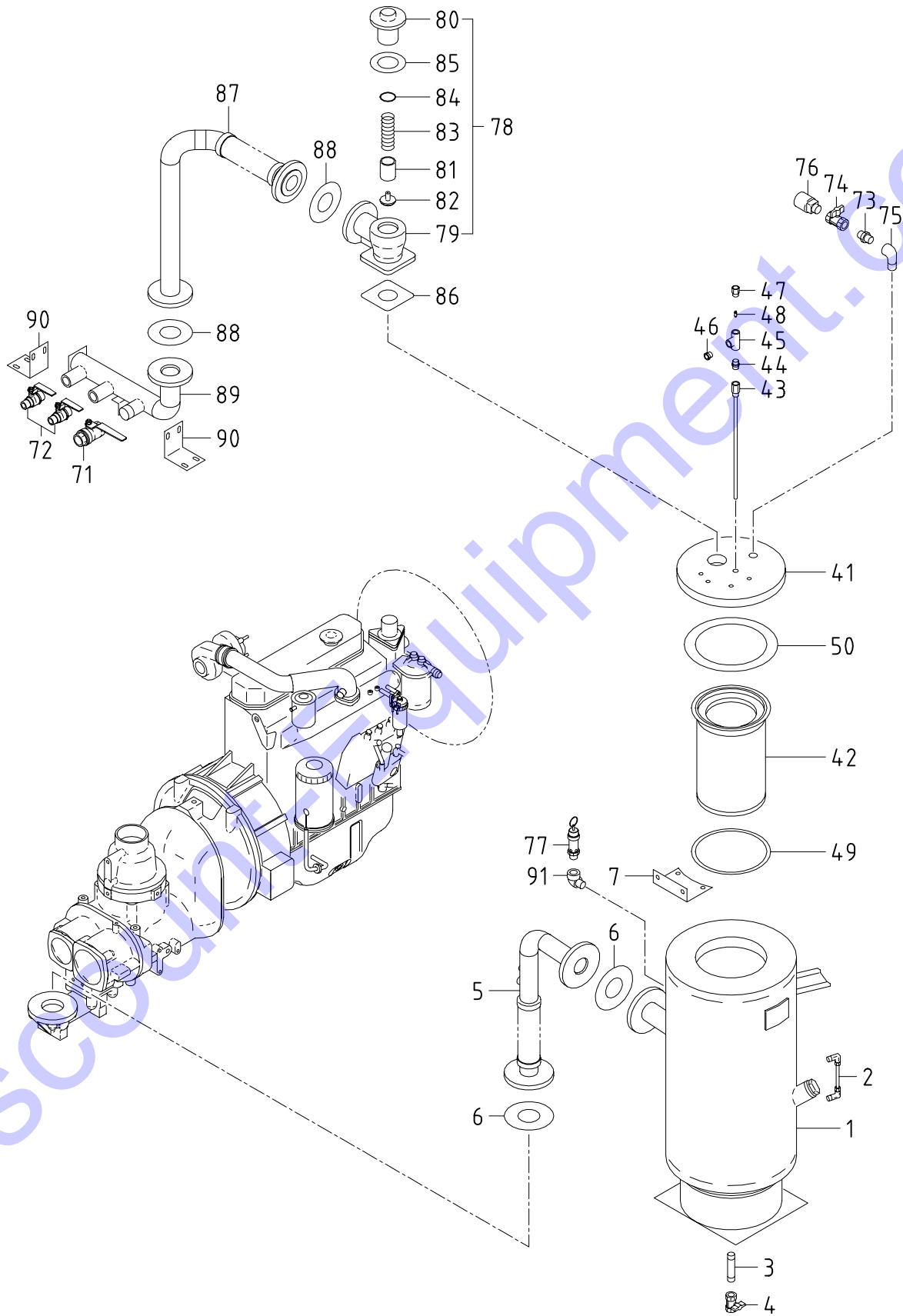
見出番号 Ref.NO.	部品番号 Part NO.	互換性 Inter- change ability	部 品 名 称 Part Name	数量 Q'ty	変 更 C/H	備 考 Remarks
31 - 00 MOUNTING GROUP マウンティング グループ						
1	31110 91401		Bracket	1		
1 -1	31110 92000	B	Bracket	1	M 3	
2	31110 91501		Bracket	1		
2 -1	31110 92100	B	Bracket	1	M 3	
3	02102 10025		Bolt	5		
	02911 08010		Nut	1		
	03115 02010		Spring washer	6		
	03116 12010		Plain washer	6		
4	31110 91601		Bracket	2		
4 -1	31110 92200	B	Bracket	2	M 3	
	02135 10030		Bolt	6		
	03115 02010		Spring washer	6		
	03116 12010		Plain washer	6		
5	31130 05400		Vibration isolator	2		
	ass'y					
	02912 08016		Nut	4		
	03115 02016		Spring washer	4		
	03116 12016		Plain washer	4		
6	31130 07700		Vibration isolator	2		
	ass'y					
	02915 00012		Hexagon flange nut	4		
	03116 12012		Plain washer	2		
7	31120 11800		Shim	1		
8	31120 00100		Shim	2		
9	31120 10200		Shim	2		
10	31120 11400		Shim	2		
11	31110 91700		Bracket	4		
12	51435 02400		Cushion	12		( 75mm)
12 -1	51435 02400	Q	Cushion	8	M 3	( 75mm)
13	51435 02800		Cushion	4		(120mm)
14	51435 02700		Cushion	8		( 40mm)
15	31120 14400		Shim	8		
16	31110 92300	D	Bracket	4	M 3	
17	02201 10020		Flange bolt	8		
17 -1	02201 10020	Q	Flange bolt	16	M 3	
32 - 00 INTAKE GROUP インテーク グループ						
21	32100 35601		Air filter ass'y	1		Const.No.22~24
	02238 08020		Bolt,w/w	4		
	03116 12008		Plain washer	4		
22	32143 12700		Element	1		(outer)
23	32142 09200		Cup	1		
24	32151 01600		Vacuator valve	1		
25	32143 12600		Element	1		(inner)
26	32100 39700		Air filter ass'y	1		Const.No.27~30
27	32143 12500		Element	1		(outer)
28	32142 10700		Cup	1		
	39148 05300		Plate(top)	1		

## 31 - 00 MOUNTING, INTAKE, ENGINE &amp; EXHAUST

見出番号 Ref.NO.	部品番号 Part NO.	互換性 Inter- change ability	部 品 名 称 Part Name	数量 Q'ty	変更 C/H	備 考 Remarks
29	32151 01600		Vacuator valve	1		
30	32147 03100		O-ring	1		
31	32143 12400		Element	1		(inner)
32	32331 64500		Hose	1		
33	32331 61000		Hose	1		
34	32320 63900		Pipe	1		
35	32331 61101		Hose	1		
36	03511 20140		Hose clip	2		
37	02201 10020		Flange bolt	7		
38	03511 20110		Hose clip	1		
39	03511 20080		Hose clip	3		
40	03570 09050		Hose	1		
	44463 17400		Tube	1		
41	03511 10018		Hose clip	2		
42	32240 32401		Bracket	1		
43	32240 30000		Bracket	1		
44	32148 02300		Filter,service indicator	2		
45	03425 00001		Vinyl clip	1		
46	32331 63501		Hose	1		
47	03511 10108		Hose clip	1		
41 - 00			ENGINE GROUP	エンジングループ		
71	* * *		Engine	1		(ISUZU DD-4BG1TRC-01)
71 -1	* * *	A	Engine	1	M 9	(ISUZU DD-4BG1TRC-03)
			(Element, oil filter: ISUZU 113240 2321)			
			(Element, fuel filter: ISUZU 113240 0791)			
			(Belt cooling fan : ISUZU 897232 2520)			
72	43534 04000		Ring connector (Nipple)	1		
73	03407 16020		Gasket	2		
74	43532 07001		Nipple(Bolt)	1		
75	37142 03200		Pipe	1		
76	03511 20035		Hose clip	2		
77	37170 06700		Joint	1		
78	03735 13006		Valve	1		
79	03731 21006		Elbow	1		
80	03734 60196		Nipple	1		
81	03841 40068		Nylon tube, w/n	1		
82	03734 21043		Nipple elbow	1		
83	03734 21042		Nipple elbow	1		
84	37170 17000		Joint	1		
85	02201 08020		Flange bolt	4		
86	03731 42002		Nipple	1		
87	03735 13002		Valve	1		
42 - 00			EXHAUST GROUP	エキゾーストグループ		
101	42100 75001		Exhaust muffler	1		
102	42310 82400		Pipe	1		
	02915 01008		Hexagon flange nut	3		

## 31 - 00 MOUNTING, INTAKE, ENGINE &amp; EXHAUST

見出番号 Ref.NO.	部品番号 Part NO.	互換性 Inter- change ability	部 品 名 称 Part Name	数量 Q'ty	変 更 C/H	備 考 Remarks
103	42310 82500		Pipe	パイプ	1	
104	42324 09400		Gasket	ガスケット	1	(ISUZU 894369 0210)
105	42230 17700		Bolt	ボルト	1	
106	42230 13700		Bolt	ボルト	1	
107	42323 03600		Gasket	ガスケット	2	
	02135 10035		Bolt	ボルト	4	
	02912 06010		Nut	ナット	4	
	03115 02010		Spring washer	スプリング ワッシャ	4	
108	42240 24801		Bracket	ブラケット	1	
109	03830 08016		U-bolt	U-ボルト	1	
110	03424 80233		Clip	クリップ	1	
111	42260 19300		Cover	カバー	1	
112	02201 08020		Flange bolt	フランジ 付ボルト	10	
113	02915 00008		Hexagon flange nut	フランジ 付ナット	3	
114	42260 19400		Cover	カバー	1	
115	42260 19500		Cover	カバー	1	
116	02201 06016		Flange bolt	フランジ 付ボルト	4	
117	03407 68014		Seal rubber	シール ラバー	2	



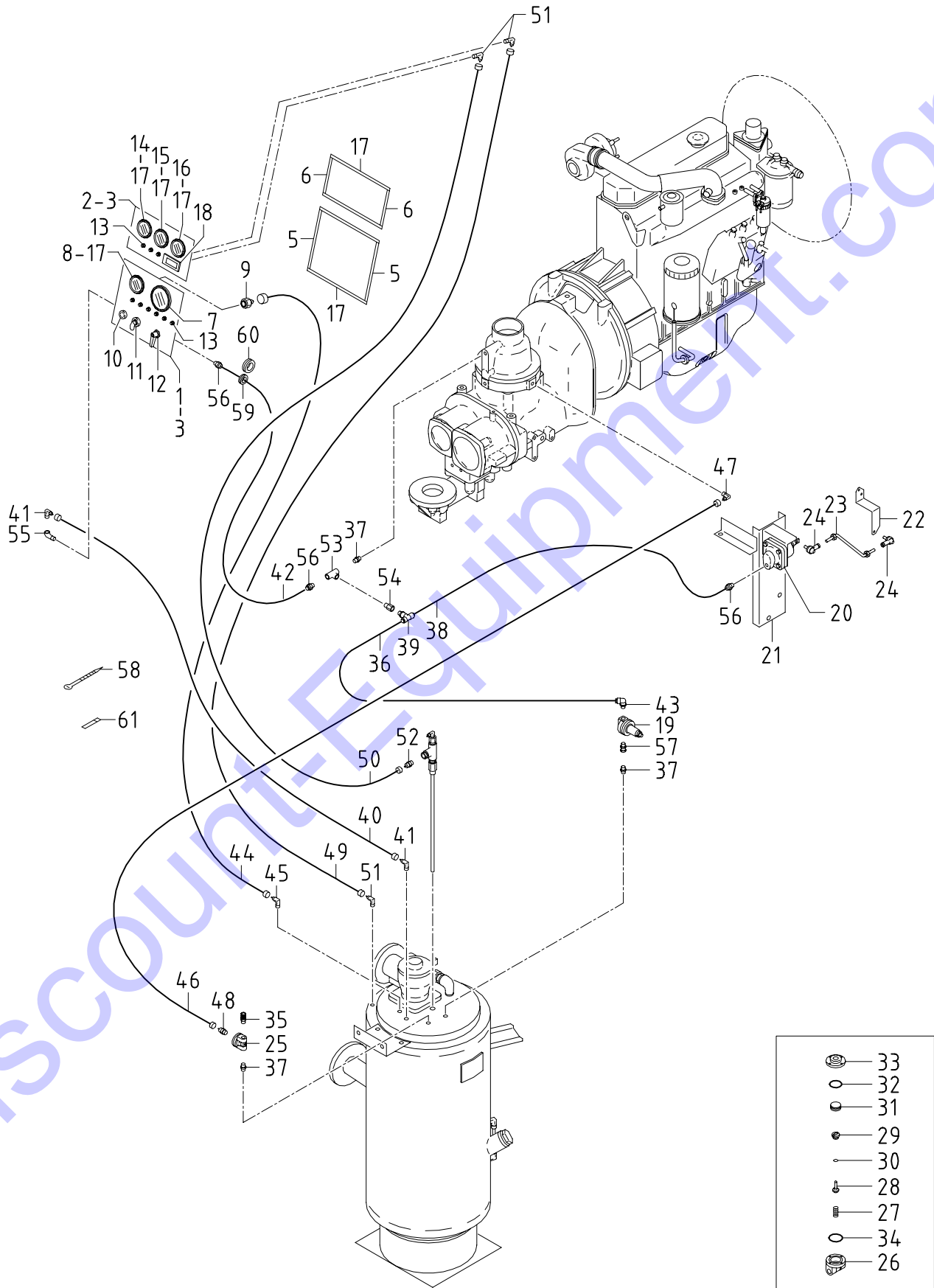
## 33 - 00 RECEIVER,SEPARATOR &amp; SERVICE HEADER

見出番号 Ref.NO.	部品番号 Part NO.	互換性 Inter- change ability	部 品 名 称 Part Name	数量 Q'ty	変 更 C/H	備 考 Remarks
33 - 00 RECEIVER GROUP レシーバ グループ						
1	33100 31410		Receiver tank	1		Incl.No.41
	02135 12030		Bolt	4		
	03115 02012		Spring washer	4		
	03116 12012		Plain washer	4		
2	03841 30012		Nylon tube,w/n	1		
	03734 21030		Nipple elbow	1		(upper)
	37740 01500		Elbow	1		(lower)
3	03730 04100		Gas pipe	1		
4	03735 13004		Valve	1		
5	33310 56000		Pipe	1		
	02135 16060		Bolt	4		(Receiver tank side)
	02912 08016		Nut	4		(Receiver tank side)
	03116 12016		Plain washer	4		(Receiver tank side)
	02135 16050		Bolt	4		(Air end side)
	03115 02016		Spring washer	8		
	03116 12016		Plain washer	8		
6	03737 15508		Gasket	2		
6 -1	35424 06000	A	Gasket	2	M73	
7	33260 06300		Bracket	1		
	02201 10020		Flange bolt	4		
	02915 00010		Hexagon flange nut	2		
34 - 00 SEPARATOR GROUP セパレータ グループ						
41	34250 24700		Cover	1		
	02135 10060		Bolt	8		
	03115 02010		Spring washer	8		
	03116 12010		Plain washer	8		
42	34220 14800		Separator	1		Incl.No.49 & 50
42 -1	34220 14900	B	Separator	1	M 1	
43	37731 08001		Nipple	1		
44	22200 07400		Check valve ass'y	1		
44 -1	22200 17200	A	Check valve ass'y	1	M139	
45	03731 30002		Tee	1		
46	03732 00201		Bush	1		
47	37460 05101		Orifice	1		
48	37580 01900		Strainer	1		
49	* * *		Gasket	1		
49 -1	34235 04300	A	Gasket	1	M 1	
49 -2	34235 06100	A	Gasket	1	M73	
50	* * *		Gasket	1		
50 -1	34235 04400	A	Gasket	1	M 1	
50 -2	34235 06000	A	Gasket	1	M73	
35 - 00 SERVICE HEADER GROUP サービス ヘッダ グループ						
71	35421 03501		Air valve	1		
72	35421 00105		Air valve	2		
73	03731 42006		Nipple	1		



## 33 - 00 RECEIVER,SEPARATOR &amp; SERVICE HEADER

見出番号 Ref.NO.	部品番号 Part NO.	互換性 Inter- change ability	部 品 名 称 Part Name	数量 Q'ty	変 更 C/H	備 考 Remarks
74	03735 13006		Valve	1		
75	03731 21006		Elbow	1		
76	35440 00101		Silencer	1		
77	35200 14100		Safety valve ass'y	1		
78	35300 15600		Press. cont. VLV. ass'y	1		Const.No.79~85
	02138 12035		Bolt	4		
	03115 02012		Sprin washer	4		
	03116 12012		Plain washer	4		
79	35301 18600		Body	1		
80	35302 04201		Cover	1		
	02138 10035		Bolt	4		
	03115 02010		Spring washer	4		
81	35303 05001		Piston	1		
82	35303 05100		Piston	1		
83	22144 09400		Spring	1		
84	03402 25048		O-ring	1		
85	03737 11202		Gasket	1		
85 -1	03737 11203	A	Gasket	1		M85
86	35424 05000		Gasket	1		
86 -1	35424 05701	A	Gasket	1		M73
87	35100 49200		Air manifold	1		
	02138 12060		Bolt	8		
	03116 12012		Plain washer	8		
	03115 02012		Spring washer	8		
	02915 00012		Hexagon flange nut	8		
88	03737 14001		Gasket	2		
88 -1	35424 05801	A	Gasket	2		M73
89	35100 49500		Air manifold	1		
90	35410 05500		Bracket	2		
	02201 10030		Flange bolt	8		
91	37740 00700		Elbow	1		



	33
	32
	31
	29
	30
	28
	27
	34
	26
DETAIL 25	

## 36 - 00 AIR LINE

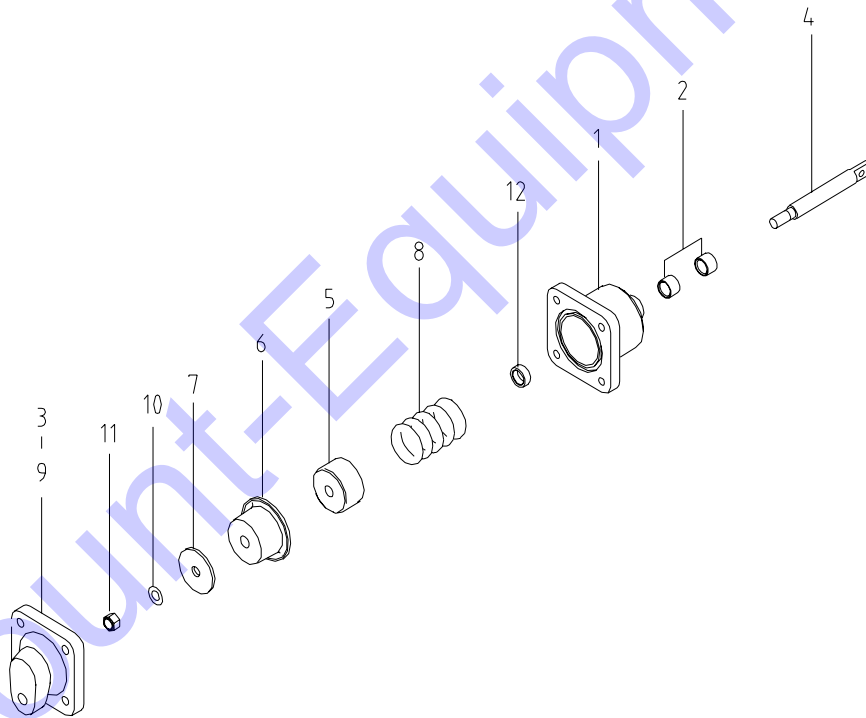
見出番号 Ref.NO.	部品番号 Part NO.	互換性 Inter- change ability	部 品 名 称 Part Name	数量 Q'ty	変 更 C/H	備 考 Remarks
	36 - 00		CONTROL GROUP			コントロール グループ
1	36110 90600		Instrument panel	1		(upper)
2	36110 90700		Instrument panel	1		(lower)
3	02401 26016		Screw	8		
4	52728 89000		Cushion rubber	4		
5	52728 89100		Cushion rubber	2		
6	52728 89300		Cushion rubber	2		
7	36146 06400		Tachometer	1		
	44332 08600		Lamp	1		
8	36141 08000		Gauge(air press.)	1		Incl.No.17
8 -1	36141 18300	A	Gauge(air press.)	1	M118	Incl.No.17
8 -2	36141 18600	B	Gauge(air press.)	1	M149	Incl.No.17
	36131 03100	D	Cushion rubber	1	M118	
9	36152 00600		Bushing	1		
9 -1	03734 20151	B	Nipple	1	M149	
10	44336 01101		Button switch	1		(EMERGENCY STOP)
11	44322 07200		Starter switch	1		(ISUZU 897044 4180)
	52739 00600		Key	2		(ISUZU 182316 0070)
12	35421 01600		Air valve	1		
13	46161 05801		Pilot lamp	9		
14	36158 00801		Gauge(fuel)	1		Incl.No.17
15	36145 05101		Thermometer(water)	1		Incl.No.17
16	36144 03901		Thermometer(air)	1		Incl.No.17
17	44332 08500		Lamp	4		
18	32148 01802		Filter, service indicator	1		
	32149 00200		Gasket	1		
19	36400 19000		Regulator ass'y	1		(PRESS.)
20	36400 16600		Regulator ass'y	1		(SPEED)
	02912 08008		Nut	4		
	03115 02008		Spring washer	4		
21	36710 32400		Bracket	1		
	02248 12030		Bolt,w/w	3		
22	36260 11903		Lever	1		
	02248 06012		Bolt,w/w	2		
23	36280 31301		Rod	1		
	02912 08008		Nut	2		
24	36230 00600		Rod end ass'y	2		
	02915 20006		Locking nut	2		
25	36600 03501		Auto-relief valve ass'y	1		Const.No.26 ~ 34
26	36610 00401		Body	1		
27	22144 10600		Spring	1		
28	36429 00801		Needle valve	1		
29	36428 00700		Valve seat	1		
30	03402 25008		O-ring	1		
31	36623 00800		Piston	1		
32	03402 25021		O-ring	1		
33	36621 01401		Cover	1		
	02270 04012		Socket bolt	4		
34	21221 02100		O-ring	1		
35	35440 01702		Silencer	1		
36	03890 30122		Nylon tube	1		

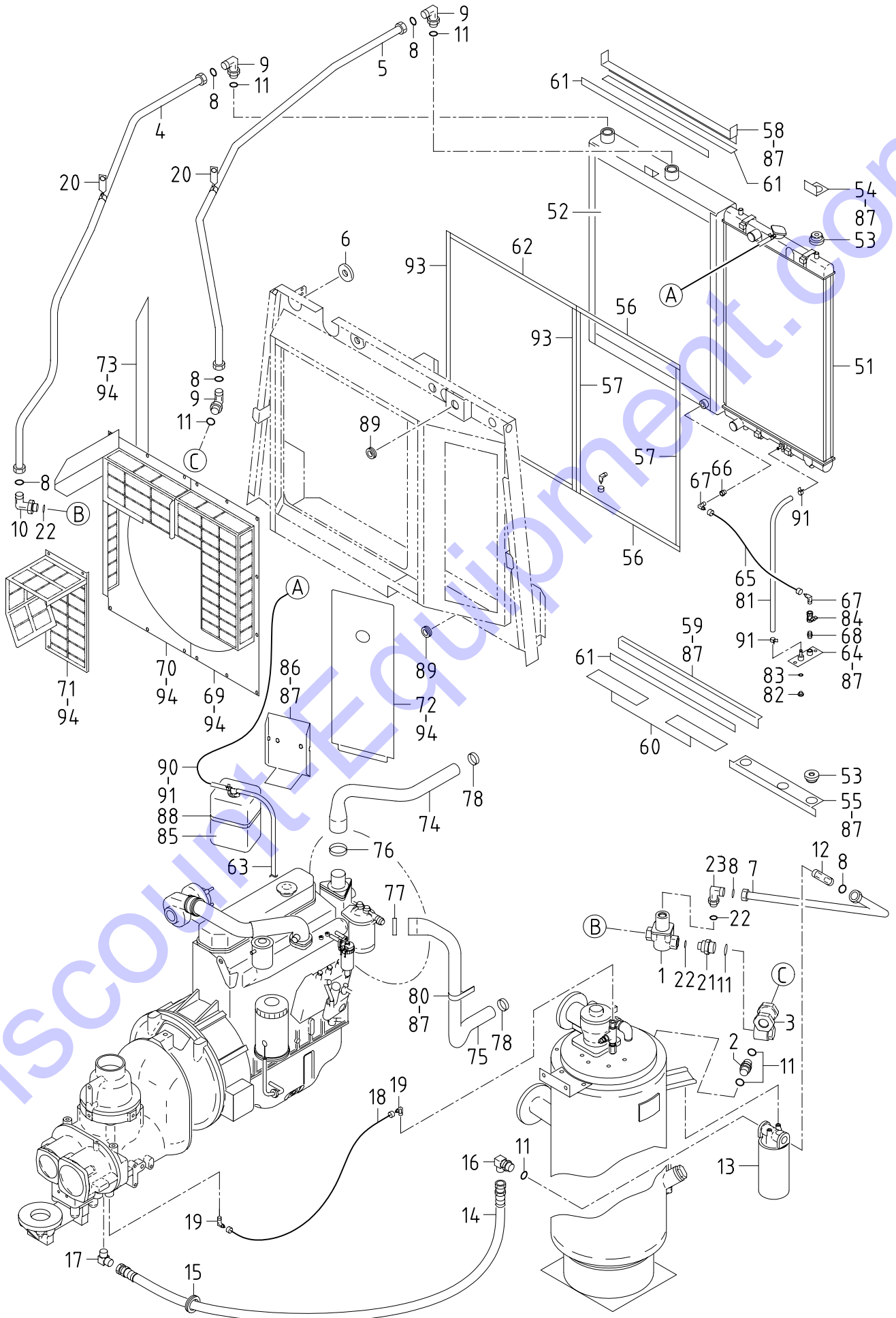
## 36 - 00 AIR LINE

見出番号 Ref.NO.	部品番号 Part NO.	互換性 Inter- change ability	部 品 名 称 Part Name		数量 Q'ty	変更 C/H	備 考 Remarks
37	03731 42002		Nipple	ニップル	3		
38	03890 30058		Nylon tube	ナイロンチューブ	1		
	44463 10200		Tube	チューブ	1		
39	03734 66028		Tee nipple	チー ニップル	1		
40	03840 30108		Nylon tube,w/n	ナット付ナイロンチューブ	1		
41	03734 21032		Nipple elbow	ニップル エルボ	2		
42	03890 30041		Nylon tube	ナイロンチューブ	1		
43	03734 65028		Nipple elbow	ニップル エルボ	1		
44	03840 15118		Nylon tube,w/n	ナット付ナイロンチューブ	1		
	44463 07700		Tube	チューブ	1		
45	03734 21015		Nipple elbow	ニップル エルボ	1		
46	03844 20090		Nylon tube,w/n	ナット付ナイロンチューブ	1		
47	03734 21020		Nipple elbow	ニップル エルボ	1		
48	03734 20020		Nipple	ニップル	1		
49	03840 10104		Nylon tube,w/n	ナット付ナイロンチューブ	1		
50	03840 10128		Nylon tube,w/n	ナット付ナイロンチューブ	1		
	44463 03700		Tube	チューブ	1		
51	03734 21010		Nipple elbow	ニップル エルボ	3		
52	03734 20010		Nipple	ニップル	1		
53	03731 30002		Tee	チー	1		
54	37189 15900		Bushing	ブッシング	1		
55	03731 21002		Elbow	エルボ	1		
56	03734 64028		Nipple	ニップル	3		
57	86183 01500		Joint	ジョイント	1		
58	03425 00001		Vinyl clip	ビニール クリップ	10		
59	03402 00202		Eyelet ring	アイレット リング	1		
60	03403 00362		Grommet	グロメット	1		
61	03424 80115		Clip	クリップ	1		

36 - 01 REGULATOR (SPEED)

見出番号 Ref.NO.	部品番号 Part NO.	互換性 Inter- change ability	部 品 名 称 Part Name	数量 Q'ty	変 更 C/H	備 考 Remarks
	36400 16600		Regulator ass'y レギュレータ			
1	36421 01100		Body ボディ	1		
2	23124 09600		Bushing ブッシング	1		
3	36422 01100		Cap キャップ	1		
	02168 08045		Bolt ボルト	4		
	03115 02008		Spring washer スプリング ワッシャ	4		
4	22152 04300		Shaft シャフト	1		
5	22130 05100		Piston ピストン	1		
6	36437 01300		Diaphragm ダイアフラム	1		
7	36435 01100		Washer ワッシャ	1		
8	22144 09200		Spring スプリング	1		
9	34232 00200		Seal rubber シール ラバー	1		
10	02914 60010		Locking nut ロック ナット	1		
11	31144 05800		Spacer スパース	1		





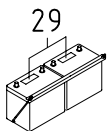
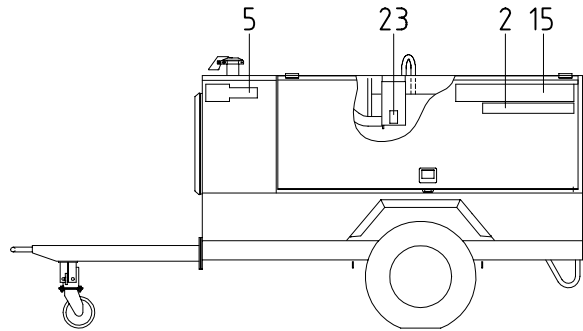
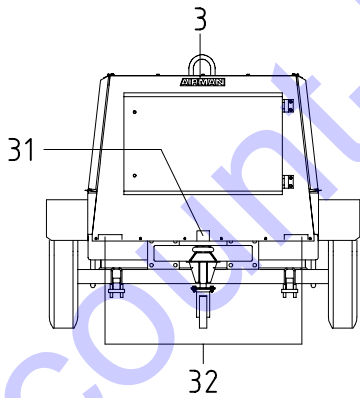
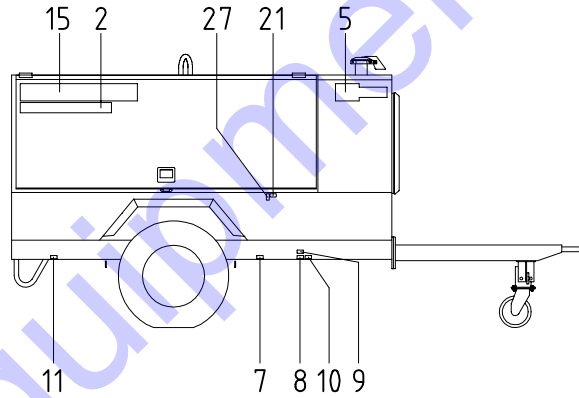
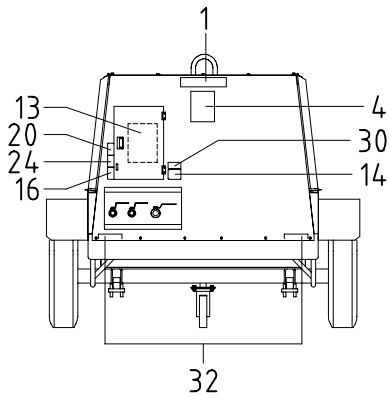
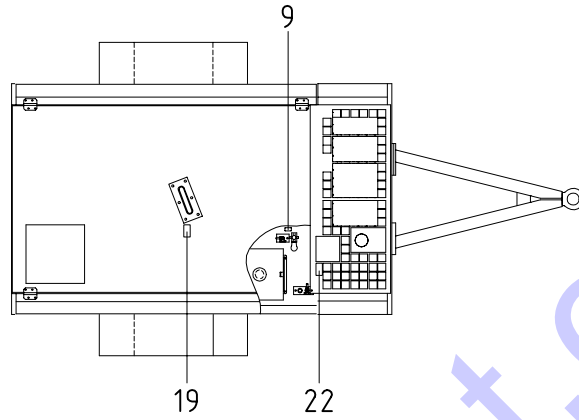
37 - 00 OIL LINE & COOLING

見出番号 Ref.NO.	部品番号 Part NO.	互換性 Inter- change ability	部 品 名 称 Part Name	数量 Q'ty	変 更 C/H	備 考 Remarks
37 - 00			OIL LINE GROUP	オイルライングループ		
1	37200 09900		By-pass valve ass'y	1		
	37231 04700		Pellet ass'y	1		
	03402 25050		O-ring	1		
2	37731 05200		Nipple	1		Incl.No.11
3	37170 15800		Joint	1		
4	37112 45100		Pipe	1		
5	37114 21100		Pipe	1		
6	52728 06310	C	Cushion rubber	2	M14	
7	37135 09400		Pipe	1		
7 -1	37160 50000	B	Hose	1	M 8	
8	37187 01100		O-ring	6		
8 -1	37187 01100	Q	O-ring	4	M 8	
9	03734 76080		Nipple elbow	3		Incl.No.11
10	GD920 12500		Nipple	1		Incl.No.22
11	03402 25029		O-ring	6		
12	03734 71080		Nipple elbow	1		
12 -1	03734 44008	B	Nipple elbow	1	M 8	
13	37400 13201		Oil filter ass'y	1		
	37438 05601		Filter cartridge	1		
	02248 10020		Bolt,w/w	2		
14	37160 16820		Pipe	1		
15	03402 00603		Eyelet ring	1		
16	03734 85080		Nipple elbow	1		Incl.No.11
17	03734 44008		Nipple elbow	1		
18	03841 20168		Nylon tube,w/n	1		
	44463 11900		Tube	1		
19	03734 21020		Nipple elbow	2		
20	03424 80191		Clip	2		
	02248 12030		Bolt,w/w	2		
21	37731 07500		Nipple	1		Incl.No.11 & 22
22	03402 25024		O-ring	3		
23	GD920 12500		Nipple	1		Incl.No.22
23 -1	GD920 15600	B	Nipple	1	M 8	Incl.No.22
38 - 00			COOLING GROUP	クーリンググループ		
51	38100 41600		Radiator	1		
	38410 05700		Cap	1		
52	38200 34900		Oil cooler	1		
53	31131 04900		Rubber	4		
54	38420 83100		Bracket	1		
55	38420 79401		Bracket	1		
56	03407 67416		Seal rubber	2		
57	03407 67417		Seal rubber	2		
58	38420 79500		Bracket	1		
59	38420 83200		Bracket	1		

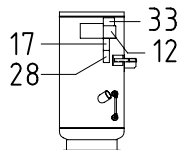
## 37 - 00 OIL LINE &amp; COOLING

見出番号 Ref.NO.	部品番号 Part NO.	互換性 Inter- change ability	部 品 名 称 Part Name	数量 Q'ty	変 更 C/H	備 考 Remarks
60	38465 11900		Cushion rubber	クッション ラバ -	2	
61	03407 64635		Seal rubber	シール ラバ -	3	
62	03407 67322		Seal rubber	シール ラバ -	2	
63	38594 05500		Hose	ホース	1	
64	37170 16900		Joint	ジョイント	1	
65	03841 30056		Nylon tube,w/n	ナット付ナイロンチューブ	1	
66	03732 00302		Bush	ブッシュ	1	
67	03734 21032		Nipple elbow	ニップル エルボ	2	
68	03731 42002		Nipple	ニップル	1	
69	38440 90500		Shroud, fan	ファン シュラウド	1	
70	38440 90600		Shroud, fan	ファン シュラウド	1	
71	38440 91500		Shroud, fan	ファン シュラウド	1	
72	38441 87802		Plate	プレート	1	
73	38441 93300		Plate	プレート	1	
74	38524 62500		Hose	ホース	1	
75	38524 62600		Hose	ホース	1	
76	03511 20070		Hose clip	ホース クリップ	1	
77	03511 20080		Hose clip	ホース クリップ	1	
78	03511 20050		Hose clip	ホース クリップ	2	
79	03407 67323		Seal rubber	シール ラバ -	2	
80	03424 80232		Clip	クリップ	1	
81	03611 08039		Hose	ホース	1	
82	03620 20010		Plug	プラグ	1	
83	03407 14010		Gasket	ガスケット	1	
84	03735 13002		Valve	バルブ	1	
85	38590 04400		Reserve tank ass'y	リザーブ タンク	1	
86	38860 14400		Bracket	ブラケット	1	
87	02201 08020		Flange bolt	フランジ 付ボルト	15	
88	03511 30215		Hose clip	ホース クリップ	1	
89	03403 00303		Grommet	グロメット	1	
90	38594 05100		Hose	ホース	1	
91	03511 40018		Clip	クリップ	4	
92	02201 06016		Flange bolt	フランジ 付ボルト	31	

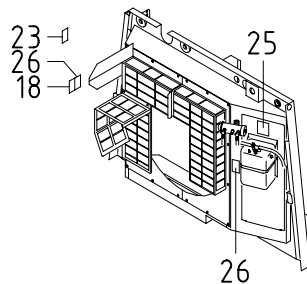




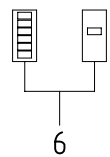
BATTERY



RECEIVER TANK

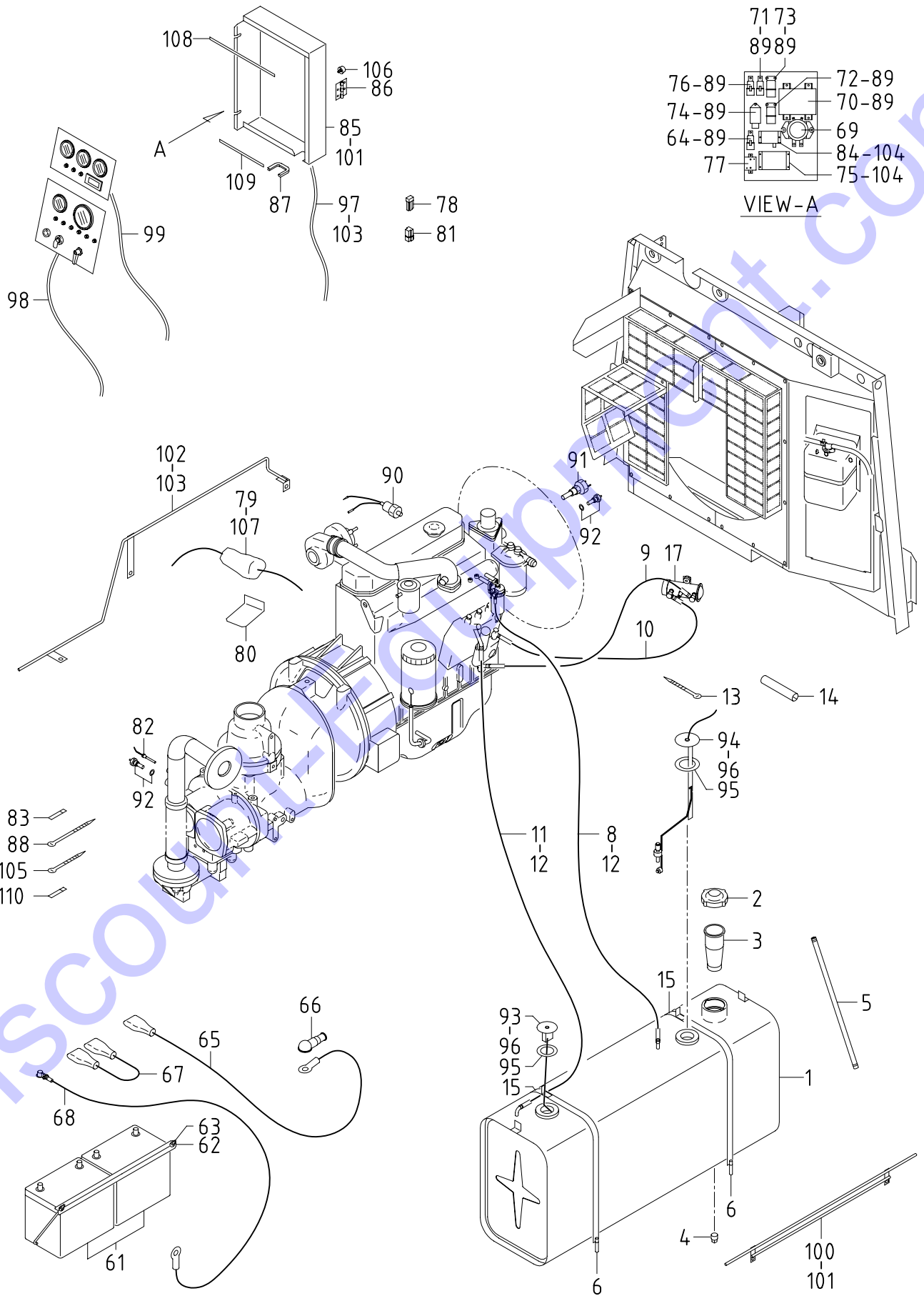


FAN SHROUD



## 39 - 00 NAME PLATE

見出番号 Ref.NO.	部品番号 Part NO.	互換性 Inter- change ability	部 品 名 称 Part Name	数量 Q'ty	変 更 C/H	備 考 Remarks
	39 - 00		ACCESSORY GROUP			アクセサリ グループ
	39600 50921		Instruction book			取扱説明書
	39615 01200		Instruction book			取扱説明書(Eng.)
	39616 00500		Parts catalog			パーツカタログ(Eng.)
1	39178 47510		Plate(AIRMAN)	1		プレート
2	39178 50420		Plate(PDS400S)	2		プレート
3	39170 02000		Mark (AIRMAN)	1		マーク
4	39178 35620	C	Plate(MMD EQUIPMENT)	1	M168	プレート
5	39178 35720	C	Plate(MMD EQUIPMENT)	2	M168	プレート
6	39173 00700		Plate,complete	2		プレート(1セット) Const.No.7~11
7	39189 17100	Z	Plate(fuel drain)	2		(spear:1)
8	39189 17200	Z	Plate(radiator drain)	2		(spear:1)
9	39189 17300	Z	Plate(eng.oil drain)	2		
10	39189 17400	Z	Plate(oil cooler drain)	2		(spear:1)
11	39189 17500	Z	Plate (receiver tank drain)	2		(spear:1)
12	39147 02800		Plate(recommended oil)	1		プレート
13	39153 61000		Plate(start-stop)	1		プレート
14	39103 10810		Plate(SER.NO.)	1		プレート
	03260 03010		Blind revet	4		リベット
15	39178 83700		Plate(AIRMAN)	2		プレート
16	39176 73400		Plate (warning,compressed air)	1		プレート
17	39176 69700		Plate(caution,fire)	1		プレート
18	39176 73800		Plate (warning,fan-belt)	1		プレート
19	39176 69300		Plate(No lifting)	1		プレート
20	39176 73600		Plate (danger,compressed air)	1		プレート
21	39178 72500		Plate(diesel fuel)	1		プレート
22	39176 69600		Plate (caution,radiator cap)	1		プレート
23	39176 69500		Plate (caution,high temp.)	2		プレート
24	39176 73300		Plate (warning,exhaust gases)	1		プレート
25	39178 00310		Plate(LLC)	1		プレート
26	39176 73500		Plate (warning,cooling fan)	1		プレート
27	39176 35600		Plate(No fire)	1		プレート
28	39176 69800		Plate (warning,compressed air)	1		プレート
29	39176 50000		Plate(warning,battery)	2		プレート
30	39178 43110		Plate(california)	1		プレート
31	39178 37310		Plate (caution,tow machine)	1		プレート
32	44411 00300		Reflector	4		リフレクタ
33	39176 87800		Plate (cantion,strainer)	1		プレート



## 43 - 00 FUEL LINE &amp; ELECTRIC

見出番号 Ref.NO.	部品番号 Part NO.	互換性 Inter- change ability	部 品 名 称 Part Name	数量 Q'ty	変 更 C/H	備 考 Remarks
43 - 00			FUEL GROUP	フュエル グループ		
1	43100 60300		Fuel tank	1		
2	43220 01300		Cap	1		(w/o key)
3	43210 01301		Strainer	1		
4	03620 41003		Plug	1		
5	43528 01200		Pipe	1		
	43430 01700		Gauge	1		
	03511 10016		Hose clip	1		
6	43310 25300		Belt	2		
6 -1	43310 25700	B	Belt	2	M 3	
	02915 00010	C	Hexagon flange nut	4	M 3	
	02168 08060	D	Bolt	2	M 3	
	03116 12008	D	Plain washer	2	M 3	
	02915 00008	D	Hexagon flange nut	2	M 3	
7	43650 01100		Fuel pump	1		(ISUZU 897041 5211)
	02138 06025		Bolt	2		
	03115 02006		Spring washer	2		
	03116 12006		Plain washer	2		
8	03600 09045		Hose	1		
9	03600 08086		Hose	1		
	03511 40016		Hose clip	2		
10	03600 08073		Hose	1		
	03511 10017		Hose clip	2		
11	03600 09094		Hose	1		
12	03511 40020		Hose clip	4		
13	03425 00001		Vinyl clip	10		
14	43322 04000		Cushion	1		
15	43310 25800	D	Belt	2	M 3	
44 - 00			ELECTRIC GROUP	エレクトリック グループ		
61	44210 06600	Y	Battery	2		(80D26R)
61	44210 08200	Y	Battery	2		(85D26R)
62	44220 04300		Cover	1		
63	44243 01400		Holder	2		
	02915 00008		Hexagon flange nut	2		
64	44346 04700		Relay(fuel level)	1		(JIDECO MR5A-082-4)
65	07885 29100		Cable	1		(batt. ~ starter)
	44462 02500		Insulator	1		(red)
	06540 15080		Corrugated tube	1		
66	44462 00700		Insulator	1		
67	07885 34040		Cable	1		(batt. ~ batt.)
	44462 00501		Insulator	1		(black)
	44462 02500		Insulator	1		(red)
68	07888 52100		Cable	1		(batt. ~ earth)
69	44362 00500		Battery relay	1		(ISUZU 894379 5430)
	02248 08025		Bolt,w/w	2		
70	44390 00300		Controller	1		(ISUZU 894366 5241)
71	44346 07500		Relay(motor stopper)	1		(ISUZU 582550 0300)
72	44346 11300		Relay(glow)	1		(ISUZU 894258 0140)
73	44346 11300		Relay(safety)	1		(ISUZU 894258 0140)

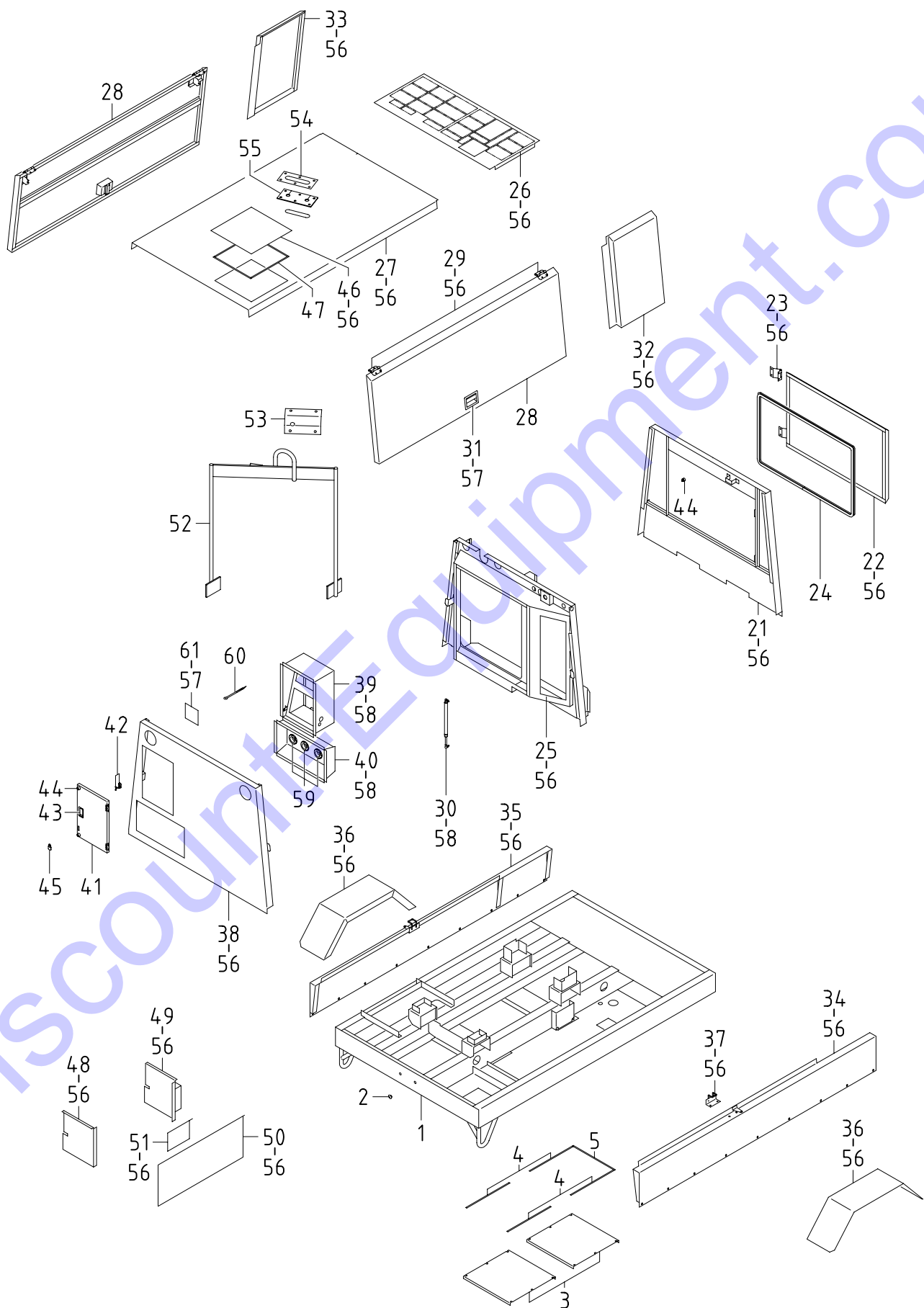
## 43 - 00 FUEL LINE &amp; ELECTRIC

見出番号 Ref.NO.	部品番号 Part NO.	互換性 Inter- change ability	部 品 名 称 Part Name	数量 Q'ty	変 更 C/H	備 考 Remarks
74	44327 06300		Time relay(QOS ) タイム リレー	1		(ISUZU 897046 2820)
75	46870 31501		Controller 共振防止リレー	1		
76	44346 07500		Relay(Eng.speed) リレー	1		(ISUZU 582550 0300)
77	44327 03300		Time relay タイム リレー	1		(Emergency)
	02345 65010		Screw スクリュー	2		
	03115 02005		Spring washer スプリング ワッシャ	2		
	03116 12005		Plain washer プレーン ワッシャ	2		
78	44470 01600		Fuse box ヒューズ ボックス	1		
	46934 03200		Fuse(10A) ヒューズ	1		
79	44358 01100		Motor stopper モータ ストップ	1		(ISUZU 897240 1920)
80	44250 69800		Bracket ブラケット	1		
	02138 08040		Bolt ボルト	2		
	03115 02008		Spring washer スプリング ワッシャ	2		
	03116 12008		Plain washer プレーン ワッシャ	2		
81	46921 02300		Silicon rectifier ダイオード	3		(ISUZU 894249-9850)
82	44364 01500		Thermo sensor 吐出温センサ	1		
83	03424 80101		Clip クリップ	1		
84	44334 12900		Thermo switch サーマスタアンプ	1		(dis.temp.)
85	44250 12711		Bracket ブラケット	1		
86	52480 13300		Hinge ヒンジ	2		
	02201 08020		Flange bolt フランジ 付ボルト	2		
87	03407 67214		Seal rubber シール ラバー	8		
88	03425 00005		Vinyl clip ビニール クリップ	1		
89	02248 06016		Bolt,w/w ワッシャ付ボルト	18		
90	44328 06700		Pressure switch 油圧スイッチ	1		(ISUZU 582410 0361)
91	44334 15000		Thermo switch 水温スイッチ	1		
92	44364 00100		Thermo sensor 吐出温,水温センサ	2		
	* * *		Gasket ガasket	2		(ISUZU 909571 4160)
93	36159 00300		Sending unit センディング ユニット	1		(gauge)
			(Incl.No.95)			
94	36159 03201		Sending unit センディング ユニット	1		(Emergency)
			(Incl.No.95)			
95	36153 00600		Gasket ガasket	2		
96	02345 65012		Screw スクリュー	10		
	03115 02005		Spring washer プレーン ワッシャ	10		
	03116 12005		Plain washer スプリング ワッシャ	10		
97	44490 15232		Wiring harness ワイヤハーネス	1		(main)
98	44490 15331		Wiring harness ワイヤハーネス	1		(in-pane lower)
99	44490 15430		Wiring harness ワイヤハーネス	1		(in-pane upper)
100	44290 35500		Guide ガイド	1		
100 -1	44290 36200	B	Guide ガイド	1	M 3	
101	02201 08020		Flange bolt フランジ 付ボルト	4		
102	44290 35601		Guide ガイド	1		
	02108 10020		Bolt ボルト	2		
	03115 02010		Spring washer スプリング ワッシャ	2		
	03116 12010		Plain washer プレーン ワッシャ	2		
103	02248 12030		Bolt,w/w ワッシャ付ボルト	3		
104	02345 64012		Screw スクリュー	6		
	03115 02004		Spring washer プレーン ワッシャ	6		
	03116 12004		Plain washer スプリング ワッシャ	6		
105	03425 00001		Vinyl clip ビニール クリップ	20		
106	31131 04100		Rubber,vibration クッション ゴム	1		
			isolator			
107	37181 05000		Clip クリップ	1		

## 43 - 00 FUEL LINE &amp; ELECTRIC

見出番号 Ref.NO.	部品番号 Part NO.	互換性 Inter- change ability	部 品 名 称 Part Name		数量 Q'ty	変 更 C/H	備 考 Remarks
108	03407 67604		Seal rubber	シール ラバ -	1		
109	03407 67606		Seal rubber	シール ラバ -	1		
110	03424 80101		Clip	クリップ°	1		
110 -1	03424 80010	A	Clip	クリップ°	1	M14	

Discount-Equipment.com



## 51 - 00 FRAME &amp; BONNET

見出番号 Ref.NO.	部品番号 Part NO.	互換性 Inter- change ability	部 品 名 称 Part Name	数量 Q'ty	変 更 C/H	備 考 Remarks
	51 - 00		FRAME GROUP			フレームグループ
1	51100 75530		Frame	1		フレーム
1 -1	51100 79930	B	Frame	1	M 3	フレーム
	02102 20070		Bolt	8		ボルト (for draw bar)
	03115 02020		Spring washer	8		スプリング ワッシャ (for draw bar)
	03116 12020		Plain washer	12		プレーン ワッシャ (for draw bar)
	02911 08020		Nut	4		ナット (for draw bar)
	02102 16060		Bolt	16		ボルト (for axle)
	03115 02016		Spring washer	16		スプリング ワッシャ (for axle)
	03116 12016		Plain washer	16		プレーン ワッシャ (for axle)
	03403 10014	C	Grommet	2	M 3	グロメット
	03403 10014		Grommet	4		グロメット (閉塞用)
2	03403 10019		Grommet	4		グロメット
3	52560 84800		Bottom plate	2		ボトムプレート
	02201 08020		Flange bolt	12		フランジ付ボルト
4	03407 65014		Seal rubber	4		シールラバー
5	03407 65024		Seal rubber	1		シールラバー
	52 - 00		BONNET GROUP			ボンネットグループ
21	52100 19620		Cover	1		カバー
22	52450 55220		Door	1		ドア
23	52480 14100		Hinge	2		ヒンジ
24	03407 67508		Seal rubber	1		シールラバー
25	52350 88111		Cover	1		カバー
26	52300 71510		Top cover	1		トップカバー
27	52300 71610		Top cover	1		トップカバー
28	52450 54920		Door	2		ドア
29	52480 13200		Hinge	4		ヒンジ
30	GE360 02100		Dumper	4		ダンパー
31	52721 05500		Catch	2		キャッチ
	02401 26012		Screw	8		スクリュー
32	52510 82400		Support	1		サポート
33	52510 82500		Support	1		サポート
34	53220 65100		Fender	1		フェンダー
34 -1	53220 65700	B	Fender	1	M 3	フェンダー
35	53220 65200		Fender	1		フェンダー
35 -1	53220 65800	B	Fender	1	M 3	フェンダー
36	53220 65000		Fender	2		フェンダー
37	52750 14800		Bracket	1		ブラケット
38	52100 19720		Cover	1		カバー
38 -1	52100 36920	B	Cover	1	M 7	カバー
39	52100 19820		Cover	1		カバー
	03407 67214		Seal rubber	1		シールラバー
40	52100 23920		Cover	1		カバー
41	52450 55120		Door	1		ドア
	02305 65010		Screw	4		スクリュー
42	52721 02600		Catch	4		キャッチ
	02345 23008		Screw	4		スクリュー
	02912 09003		Nut	4		ナット
	03115 03003		Spring washer	4		スプリング ワッシャ
	03116 18003		Plain washer	4		プレーン ワッシャ

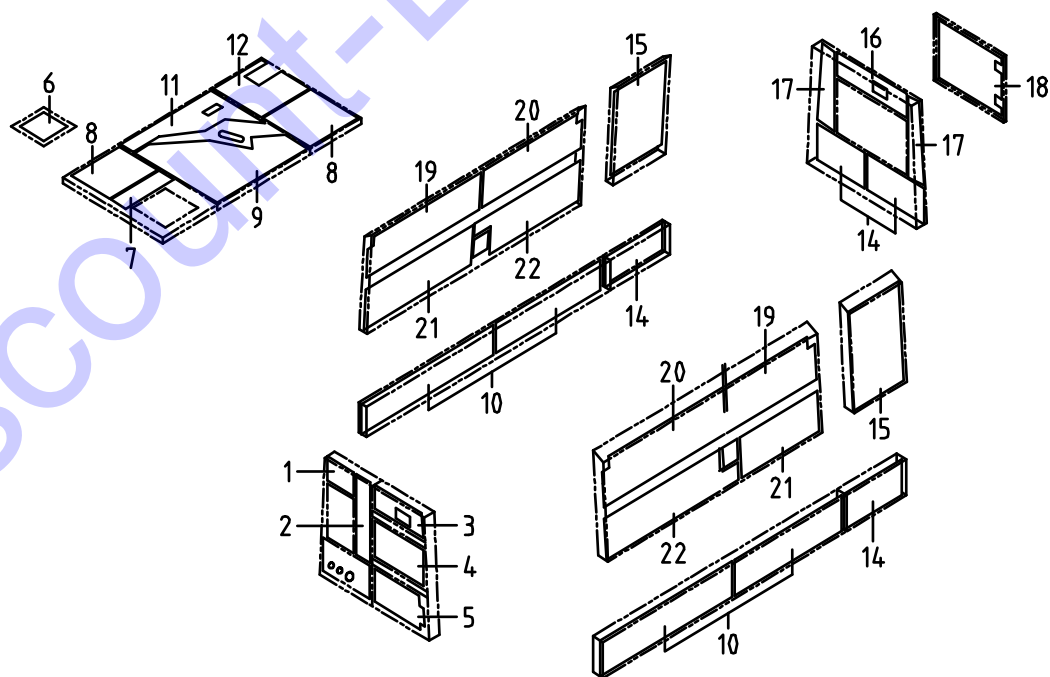


## 51 - 00 FRAME &amp; BONNET

見出番号 Ref.NO.	部品番号 Part NO.	互換性 Inter- change ability	部 品 名 称 Part Name	数量 Q'ty	変 更 C/H	備 考 Remarks
43	52730 16400		Handle	ハンドル	1	
44	31131 04100		Rubber, vibration isolator	クッションゴム	3	
45	52723 00100		Lock ass'y	ロック	3	
46	52350 88210		Cover	カバー	1	
47	03407 68038		Seal rubber	シールラバー	4	
48	39200 08200		Tool box	ツールボックス	1	
49	39200 08300		Tool box	ツールボックス	1	
50	39200 08400		Tool box	ツールボックス	1	
51	39200 08500		Tool box	ツールボックス	1	
52	52620 41300		Lifting bail	リフティングハイル	1	
	02135 12035		Bolt	ボルト	8	
	03115 02012		Spring washer	スプリングワッシャ	8	
	03116 12012		Plain washer	プレーンワッシャ	8	
53	52631 06101		Plate	プレート	1	
	02138 10060		Bolt	ボルト	2	(for lifting bail)
	03115 02010		Spring washer	スプリングワッシャ	2	(for lifting bail)
	03116 12010		Plain washer	プレーンワッシャ	2	(for lifting bail)
	02201 10030		Flange bolt	フランジ付ボルト	2	(for top cover)
	02915 00010		Hexagon flange nut	フランジ付ナット	4	
54	52729 05400		Plate	プレート	1	
	02201 08030		Flange bolt	フランジ付ボルト	4	
	02201 08012		Flange bolt	フランジ付ボルト	2	
	03116 35008		Plain washer	プレーンワッシャ	6	
55	52728 31501		Cushion rubber	クッションラバー	2	
56	02201 08020		Flange bolt	フランジ付ボルト	141	
57	02915 00006		Hexagon flange nut	フランジ付ナット	24	
57 -1	02915 00006	Q	Hexagon flange nut	フランジ付ナット	32	M 7
58	02915 00008		Hexagon flange nut	フランジ付ナット	24	
59	03402 00453		Eyelet ring	アイレットリング	3	
60	03425 00005		Vinyl clip	ビニールクリップ	1	
61	52350 55810	D	Cover	カバー	2	M 7

52 - 00 LINING

見出番号 Ref.NO.	部品番号 Part NO.	互換性 Inter- change ability	部 品 名 称 Part Name	数量 Q'ty	変 更 C/H	備 考 Remarks
	52900 50810		URETHANE FOAM KIT			
	52900 60110	B	URETHANE FOAM KIT		M 7	
1	52959 62730		Lining	1		
1 -1	52959 22550	B	Lining	1	M 7	
2	52959 79330		Lining	1		
3	52931 37920		Lining	1		
3 -1	52931 52820	B	Lining	1	M 7	
4	52959 57320		Lining	1		
5	52931 38020		Lining	1		
6	52959 24530		Lining	1		
7	52959 53140		Lining	1		
8	52959 11350		Lining	2		
9	52931 38120		Lining	1		
10	52959 11450		Lining	4		
11	52946 15800		Lining	1		
12	52946 15900		Lining	1		
13	52926 18600		Lining	2		
14	52919 44910		Lining	2		
15	52919 95620		Lining	2		
16	52939 97930		Lining	1		
17	52939 97830		Lining	2		
18	52939 97730		Lining	1		
19	52989 05500		Lining	2		
20	52989 05600		Lining	2		
21	52988 08400		Lining	2		
22	52989 05700		Lining	2		



# I N D E X

PART NO.	PAGE	REF.NO.	PART NO.	PAGE	REF.NO.	PART NO.	PAGE	REF.NO.			
02102	10025	31 - 2	3	02280	08035	21 - 3	37	03115	02010	31 - 2	4-1
02102	16060	51 - 2	1-1	02280	10035	21 - 2	11	03115	02010	31 - 4	107
02102	20070	51 - 2	1-1	02280	10035	21 - 2	16	03115	02010	33 - 2	41
02108	10020	43 - 3	102	02280	10040	21 - 2	28	03115	02010	33 - 3	80
02135	10030	31 - 2	4-1	02280	10060	21 - 2	9	03115	02010	43 - 3	102
02135	10035	31 - 4	107	02280	10070	21 - 3	85	03115	02010	51 - 3	53
02135	10060	33 - 2	41	02280	12040	21 - 2	18	03115	02012	33 - 2	1
02135	12030	33 - 2	1	02280	12040	21 - 3	95	03115	02012	33 - 3	78
02135	12035	51 - 3	52	02282	10030	21 - 3	87	03115	02012	33 - 3	87
02135	16050	33 - 2	5	02282	10040	21 - 4	125	03115	02012	51 - 3	52
02135	16060	33 - 2	5	02282	10045	21 - 4	126	03115	02016	31 - 2	5
02138	06025	43 - 2	7	02282	10055	21 - 3	122	03115	02016	33 - 2	5
02138	08040	43 - 3	80	02305	65010	51 - 2	41	03115	02016	51 - 2	1-1
02138	10035	21 - 4	127	02345	23008	51 - 2	42	03115	02020	51 - 2	1-1
02138	10035	33 - 3	80	02345	64012	43 - 3	104	03115	03003	51 - 2	42
02138	10045	21 - 4	127	02345	65010	43 - 3	77	03115	30006	21 - 3	34-1
02138	10060	51 - 3	53	02345	65012	43 - 3	96	03115	30008	21 - 3	37
02138	12035	33 - 3	78	02401	26012	51 - 2	31	03115	30010	21 - 2	28
02138	12060	33 - 3	87	02401	26016	36 - 2	3	03115	30010	21 - 3	85
02168	08045	36 - 4	3	02911	08010	31 - 2	3	03115	30010	21 - 4	125
02168	08060	43 - 2	6-1	02911	08020	51 - 2	1-1	03115	40008	21 - 2	20
02201	06016	31 - 4	116	02912	06010	31 - 4	107	03115	40010	21 - 2	11
02201	06016	37 - 3	92	02912	08008	36 - 2	20	03115	40012	21 - 2	18
02201	08012	51 - 3	54	02912	08008	36 - 2	23	03115	40012	21 - 3	95
02201	08020	31 - 3	85	02912	08016	31 - 2	5	03116	12004	43 - 3	104
02201	08020	31 - 4	112	02912	08016	33 - 2	5	03116	12005	43 - 3	77
02201	08020	37 - 3	87	02912	09003	51 - 2	42	03116	12005	43 - 3	96
02201	08020	43 - 3	86	02914	60010	36 - 4	10	03116	12006	43 - 2	7
02201	08020	43 - 3	101	02915	00006	51 - 3	57	03116	12008	31 - 2	21
02201	08020	51 - 2	3	02915	00006	51 - 3	57-1	03116	12008	43 - 2	6-1
02201	08020	51 - 3	56	02915	00008	31 - 4	113	03116	12008	43 - 3	80
02201	08030	51 - 3	54	02915	00008	43 - 2	6-1	03116	12010	21 - 4	127
02201	10020	31 - 2	17	02915	00008	43 - 2	63	03116	12010	31 - 2	3
02201	10020	31 - 2	17-1	02915	00008	51 - 3	58	03116	12010	31 - 2	4-1
02201	10020	31 - 3	37	02915	00010	33 - 2	7	03116	12010	33 - 2	41
02201	10020	33 - 2	7	02915	00010	43 - 2	6-1	03116	12010	43 - 3	102
02201	10030	33 - 3	90	02915	00010	51 - 3	53	03116	12010	51 - 3	53
02201	10030	51 - 3	53	02915	00012	31 - 2	6	03116	12012	31 - 2	6
02238	08020	31 - 2	21	02915	00012	33 - 3	87	03116	12012	33 - 2	1
02248	06012	36 - 2	22	02915	01008	31 - 3	102	03116	12012	33 - 3	78
02248	06016	43 - 3	89	02915	20006	36 - 2	24	03116	12012	33 - 3	87
02248	08025	43 - 2	69	03115	02004	43 - 3	104	03116	12012	51 - 3	52
02248	10020	37 - 2	13	03115	02005	43 - 3	77	03116	12016	31 - 2	5
02248	12030	36 - 2	21	03115	02005	43 - 3	96	03116	12016	33 - 2	5
02248	12030	37 - 2	20	03115	02006	43 - 2	7	03116	12016	33 - 2	5
02248	12030	43 - 3	103	03115	02008	36 - 2	20	03116	12016	51 - 2	1-1
02270	04012	36 - 2	33	03115	02008	36 - 4	3	03116	12020	51 - 2	1-1
02280	06030	21 - 3	34-1	03115	02008	43 - 3	80	03116	18003	51 - 2	42
02280	08030	21 - 2	20	03115	02010	21 - 4	127	03116	35008	51 - 3	54
02280	08030	21 - 3	37	03115	02010	31 - 2	3	03260	03010	39 - 2	14

# I N D E X

PART NO.	PAGE	REF.NO.	PART NO.	PAGE	REF.NO.	PART NO.	PAGE	REF.NO.
03307 14063	21 - 3	36	03424 80115	36 - 3	61	03734 20020	36 - 3	48
03307 16080	21 - 3	124	03424 80191	37 - 2	20	03734 20151	36 - 2	9-1
03316 14028	21 - 2	15-1	03424 80232	37 - 3	80	03734 21010	36 - 3	51
03316 14032	21 - 2	15	03424 80233	31 - 4	110	03734 21015	36 - 3	45
03402 00202	36 - 3	59	03425 00001	31 - 3	45	03734 21020	36 - 3	47
03402 00453	51 - 3	59	03425 00001	36 - 3	58	03734 21020	37 - 2	19
03402 00603	37 - 2	15	03425 00001	43 - 2	13	03734 21030	33 - 2	2
03402 10095	21 - 2	21	03425 00001	43 - 3	105	03734 21032	36 - 3	41
03402 10115	21 - 2	19	03425 00005	43 - 3	88	03734 21032	37 - 3	67
03402 10145	21 - 2	13	03425 00005	51 - 3	60	03734 21042	31 - 3	83
03402 10165	21 - 3	84	03511 10016	43 - 2	5	03734 21043	31 - 3	82
03402 25008	36 - 2	30	03511 10017	43 - 2	10	03734 44008	37 - 2	12-1
03402 25016	21 - 2	3	03511 10018	31 - 3	41	03734 44008	37 - 2	17
03402 25021	36 - 2	32	03511 10108	31 - 3	47	03734 60196	31 - 3	80
03402 25024	21 - 2	4	03511 20035	31 - 3	76	03734 64028	36 - 3	56
03402 25024	37 - 2	22	03511 20050	37 - 3	78	03734 65028	36 - 3	43
03402 25029	37 - 2	11	03511 20070	37 - 3	76	03734 66028	36 - 3	39
03402 25048	33 - 3	84	03511 20080	31 - 3	39	03734 71080	37 - 2	12
03402 25050	37 - 2	1	03511 20080	37 - 3	77	03734 76080	37 - 2	9
03403 00303	37 - 3	89	03511 20110	31 - 3	38	03734 85080	37 - 2	16
03403 00362	36 - 3	60	03511 20140	31 - 3	36	03735 13002	31 - 3	87
03403 10014	51 - 2	1-1	03511 30215	37 - 3	88	03735 13002	37 - 3	84
03403 10014	51 - 2	1-1	03511 40016	43 - 2	9	03735 13004	33 - 2	4
03403 10019	51 - 2	2	03511 40018	37 - 3	91	03735 13006	31 - 3	78
03407 14010	37 - 3	83	03511 40020	43 - 2	12	03735 13006	33 - 3	74
03407 16020	31 - 3	73	03570 09050	31 - 3	40	03737 11202	33 - 3	85
03407 64635	37 - 3	61	03600 08073	43 - 2	10	03737 11203	33 - 3	85-1
03407 65014	51 - 2	4	03600 08086	43 - 2	9	03737 14001	33 - 3	88
03407 65024	51 - 2	5	03600 09045	43 - 2	8	03737 15508	33 - 2	6
03407 67214	43 - 3	87	03600 09094	43 - 2	11	03830 08016	31 - 4	109
03407 67214	51 - 2	39	03611 08039	37 - 3	81	03840 10104	36 - 3	49
03407 67322	37 - 3	62	03620 20010	37 - 3	82	03840 10128	36 - 3	50
03407 67323	37 - 3	79	03620 41003	21 - 2	2	03840 15118	36 - 3	44
03407 67416	37 - 2	56	03620 41003	43 - 2	4	03840 30108	36 - 3	40
03407 67417	37 - 2	57	03620 60002	21 - 2	5	03841 20168	37 - 2	18
03407 67508	51 - 2	24	03620 60002	21 - 3	94	03841 30012	33 - 2	2
03407 67604	43 - 4	108	03620 60003	21 - 2	6	03841 30056	37 - 3	65
03407 67606	43 - 4	109	03730 04100	33 - 2	3	03841 40068	31 - 3	81
03407 68014	31 - 4	117	03731 21002	36 - 3	55	03844 20090	36 - 3	46
03407 68038	51 - 3	47	03731 21006	31 - 3	79	03890 30041	36 - 3	42
03410 06314	21 - 3	40	03731 21006	33 - 3	75	03890 30058	36 - 3	38
03413 10070	21 - 3	41	03731 30002	33 - 2	45	03890 30122	36 - 2	36
03413 20085	21 - 2	31	03731 30002	36 - 3	53	06540 15080	43 - 2	65
03413 20110	21 - 2	17	03731 42002	31 - 3	86	07885 29100	43 - 2	65
03413 20110	21 - 2	25	03731 42002	36 - 3	37	07885 34040	43 - 2	67
03413 40045	21 - 2	30	03731 42002	37 - 3	68	07888 52100	43 - 2	68
03413 40060	21 - 3	43	03731 42006	33 - 2	73	21201 36900	21 - 2	1
03424 80010	43 - 4	110-1	03732 00201	33 - 2	46	21201 40201	21 - 2	1-1
03424 80101	43 - 3	83	03732 00302	37 - 3	66	21207 03800	21 - 2	7
03424 80101	43 - 4	110	03734 20010	36 - 3	52	21211 05200	21 - 2	10

# I N D E X

PART NO.	PAGE	REF. NO.	PART NO.	PAGE	REF. NO.	PART NO.	PAGE	REF. NO.
21212 08000	21 - 2	12	22200 17200	33 - 2	44-1	34232 00200	36 - 4	9
21212 08801	21 - 2	11	22311 09800	21 - 3	95	34235 04300	33 - 2	49-1
21214 14901	21 - 2	9	23124 09600	36 - 4	2	34235 04400	33 - 2	50-1
21217 28000	21 - 2	14	23124 15100	21 - 3	91	34235 06000	33 - 2	50-2
21218 23000	21 - 2	18	31110 91401	31 - 2	1	34235 06100	33 - 2	49-2
21218 23100	21 - 2	20	31110 91501	31 - 2	2	34250 24700	33 - 2	41
21219 11800	21 - 3	96	31110 91601	31 - 2	4	35100 49200	33 - 3	87
21219 14601	21 - 3	96-1	31110 91700	31 - 2	11	35100 49500	33 - 3	89
21221 02100	36 - 2	34	31110 92000	31 - 2	1-1	35200 14100	33 - 3	77
21406 28500	21 - 2	29	31110 92100	31 - 2	2-1	35300 15600	33 - 3	78
21406 29700	21 - 2	24	31110 92200	31 - 2	4-1	35301 18600	33 - 3	79
21406 38300	21 - 3	42	31110 92300	31 - 2	16	35302 04201	33 - 3	80
21411 07700	21 - 3	38	31120 00100	31 - 2	8	35303 05001	33 - 3	81
21420 16400	21 - 3	123	31120 10200	31 - 2	9	35303 05100	33 - 3	82
21441 03100	21 - 3	90	31120 11400	31 - 2	10	35410 05500	33 - 3	90
21461 31100	21 - 2	22	31120 11800	31 - 2	7	35421 00105	33 - 2	72
21461 33100	21 - 2	22-1	31120 14400	31 - 2	15	35421 01600	36 - 2	12
21462 15700	21 - 2	23	31130 05400	31 - 2	5	35421 03501	33 - 2	71
21462 23800	21 - 2	23-1	31130 07700	31 - 2	6	35424 05000	33 - 3	86
21462 24500	21 - 2	23-3	31131 04100	43 - 3	106	35424 05701	33 - 3	86-1
21463 11200	21 - 3	33	31131 04100	51 - 3	44	35424 05801	33 - 3	88-1
21463 13100	21 - 2	27	31131 04900	37 - 2	53	35424 06000	33 - 2	6-1
21465 05600	21 - 2	8	31144 05800	36 - 4	11	35440 00101	33 - 3	76
21467 24400	21 - 3	35	32100 35601	31 - 2	21	35440 01702	36 - 2	35
21468 06400	21 - 2	28	32100 39700	31 - 2	26	36110 90600	36 - 2	1
21468 06500	21 - 3	37	32142 09200	31 - 2	23	36110 90700	36 - 2	2
21468 18200	21 - 4	125	32142 10700	31 - 2	28	36131 03100	36 - 2	8-2
21468 18300	21 - 3	34	32143 12400	31 - 3	31	36141 08000	36 - 2	8
21468 18900	21 - 3	34-1	32143 12500	31 - 2	27	36141 18300	36 - 2	8-1
21469 24400	21 - 3	39	32143 12600	31 - 2	25	36141 18600	36 - 2	8-2
21470 11900	21 - 2	26	32143 12700	31 - 2	22	36144 03901	36 - 2	16
21470 12200	21 - 3	32	32147 03100	31 - 3	30	36145 05101	36 - 2	15
21470 13900	21 - 2	26-1	32148 01802	36 - 2	18	36146 06400	36 - 2	7
21470 14000	21 - 3	32-1	32148 02300	31 - 3	44	36152 00600	36 - 2	9
22100 38100	21 - 3	81	32149 00200	36 - 2	18	36153 00600	43 - 3	95
22111 26200	21 - 3	82	32151 01600	31 - 2	24	36158 00801	36 - 2	14
22115 09500	21 - 3	85	32151 01600	31 - 3	29	36159 00300	43 - 3	93
22115 09600	21 - 3	87	32240 30000	31 - 3	43	36159 03201	43 - 3	94
22123 02700	21 - 3	83	32240 32401	31 - 3	42	36230 00600	36 - 2	24
22130 05100	36 - 4	5	32320 63900	31 - 3	34	36260 11903	36 - 2	22
22130 09000	21 - 3	89	32331 61000	31 - 3	33	36280 31301	36 - 2	23
22144 09200	36 - 4	8	32331 61101	31 - 3	35	36400 16600	36 - 2	20
22144 09400	33 - 3	83	32331 63501	31 - 3	46	36400 19000	36 - 2	19
22144 10600	36 - 2	27	32331 64500	31 - 3	32	36421 01100	36 - 4	1
22144 15100	21 - 3	92	33100 31410	33 - 2	1	36422 01100	36 - 4	3
22144 15200	21 - 3	93	33238 02000	21 - 2	4	36428 00700	36 - 2	29
22150 13100	21 - 3	88	33260 06300	33 - 2	7	36429 00801	36 - 2	28
22152 04300	36 - 4	4	33310 56000	33 - 2	5	36435 01100	36 - 4	7
22200 07400	33 - 2	44	34220 14800	33 - 2	42	36437 01300	36 - 4	6
22200 16100	21 - 3	86	34220 14900	33 - 2	42-1	36600 03501	36 - 2	25

# I N D E X

PART NO.	PAGE	REF.NO.	PART NO.	PAGE	REF.NO.	PART NO.	PAGE	REF.NO.			
36610	00401	36 - 2	26	39148	05300	31 - 2	28	43310	25700	43 - 2	6-1
36621	01401	36 - 2	33	39153	61000	39 - 2	13	43310	25800	43 - 2	15
36623	00800	36 - 2	31	39170	02000	39 - 2	3	43322	04000	43 - 2	14
36710	32400	36 - 2	21	39173	00700	39 - 2	6	43430	01700	43 - 2	5
37112	45100	37 - 2	4	39176	35600	39 - 2	27	43528	01200	43 - 2	5
37114	21100	37 - 2	5	39176	50000	39 - 2	29	43532	07001	31 - 3	74
37135	09400	37 - 2	7	39176	69300	39 - 2	19	43534	04000	31 - 3	72
37142	03200	31 - 3	75	39176	69500	39 - 2	23	43650	01100	43 - 2	7
37160	16820	37 - 2	14	39176	69600	39 - 2	22	44210	06600	43 - 2	61
37160	50000	37 - 2	7-1	39176	69700	39 - 2	17	44210	08200	43 - 2	61
37170	06700	31 - 3	77	39176	69800	39 - 2	28	44220	04300	43 - 2	62
37170	15800	37 - 2	3	39176	73300	39 - 2	24	44243	01400	43 - 2	63
37170	16900	37 - 3	64	39176	73400	39 - 2	16	44250	12711	43 - 3	85
37170	17000	31 - 3	84	39176	73500	39 - 2	26	44250	69800	43 - 3	80
37181	05000	43 - 3	107	39176	73600	39 - 2	20	44290	35500	43 - 3	100
37187	01100	37 - 2	8	39176	73800	39 - 2	18	44290	35601	43 - 3	102
37187	01100	37 - 2	8-1	39176	87800	39 - 2	33	44290	36200	43 - 3	100-1
37189	15900	36 - 3	54	39178	00310	39 - 2	25	44322	07200	36 - 2	11
37200	09900	37 - 2	1	39178	35620	39 - 2	4	44327	03300	43 - 3	77
37231	04700	37 - 2	1	39178	35720	39 - 2	5	44327	06300	43 - 3	74
37400	13201	37 - 2	13	39178	37310	39 - 2	31	44328	06700	43 - 3	90
37438	05601	37 - 2	13	39178	43110	39 - 2	30	44332	08500	36 - 2	17
37460	05101	33 - 2	47	39178	47510	39 - 2	1	44332	08600	36 - 2	7
37580	01900	33 - 2	48	39178	50420	39 - 2	2	44334	12900	43 - 3	84
37731	05200	37 - 2	2	39178	72500	39 - 2	21	44334	15000	43 - 3	91
37731	07500	37 - 2	21	39178	83700	39 - 2	15	44336	01101	36 - 2	10
37731	08001	33 - 2	43	39189	17100	39 - 2	7	44346	04700	43 - 2	64
37740	00700	33 - 3	91	39189	17200	39 - 2	8	44346	07500	43 - 2	71
37740	01500	33 - 2	2	39189	17300	39 - 2	9	44346	07500	43 - 3	76
38100	41600	37 - 2	51	39189	17400	39 - 2	10	44346	11300	43 - 2	72
38200	34900	37 - 2	52	39189	17500	39 - 2	11	44346	11300	43 - 2	73
38410	05700	37 - 2	51	39200	08200	51 - 3	48	44358	01100	43 - 3	79
38420	79401	37 - 2	55	39200	08300	51 - 3	49	44362	00500	43 - 2	69
38420	79500	37 - 2	58	39200	08400	51 - 3	50	44364	00100	43 - 3	92
38420	83100	37 - 2	54	39200	08500	51 - 3	51	44364	01500	43 - 3	82
38420	83200	37 - 2	59	42100	75001	31 - 3	101	44390	00300	43 - 2	70
38440	90500	37 - 3	69	42230	13700	31 - 4	106	44411	00300	39 - 2	32
38440	90600	37 - 3	70	42230	17700	31 - 4	105	44462	00501	43 - 2	67
38440	91500	37 - 3	71	42240	24801	31 - 4	108	44462	00700	43 - 2	66
38441	87802	37 - 3	72	42260	19300	31 - 4	111	44462	02500	43 - 2	65
38441	93300	37 - 3	73	42260	19400	31 - 4	114	44462	02500	43 - 2	67
38465	11900	37 - 3	60	42260	19500	31 - 4	115	44463	03700	36 - 3	50
38524	62500	37 - 3	74	42310	82400	31 - 3	102	44463	07700	36 - 3	44
38524	62600	37 - 3	75	42310	82500	31 - 4	103	44463	10200	36 - 3	38
38590	04400	37 - 3	85	42323	03600	31 - 4	107	44463	11900	37 - 2	18
38594	05100	37 - 3	90	42324	09400	31 - 4	104	44463	17400	31 - 3	40
38594	05500	37 - 3	63	43100	60300	43 - 2	1	44470	01600	43 - 3	78
38860	14400	37 - 3	86	43210	01301	43 - 2	3	44490	15232	43 - 3	97
39103	10810	39 - 2	14	43220	01300	43 - 2	2	44490	15331	43 - 3	98
39147	02800	39 - 2	12	43310	25300	43 - 2	6	44490	15430	43 - 3	99

# I N D E X

PART NO.	PAGE	REF.NO.	PART NO.	PAGE	REF.NO.	PART NO.	PAGE	REF.NO.
46161	05801	36 - 2	13	52931	52820	52 - 1	3-1	
46870	31501	43 - 3	75	52939	97730	52 - 1	18	
46921	02300	43 - 3	81	52939	97830	52 - 1	17	
46934	03200	43 - 3	78	52939	97930	52 - 1	16	
51100	75530	51 - 2	1	52946	15800	52 - 1	11	
51100	79930	51 - 2	1-1	52946	15900	52 - 1	12	
51435	02400	31 - 2	12	52959	11350	52 - 1	8	
51435	02400	31 - 2	12-1	52959	11450	52 - 1	10	
51435	02700	31 - 2	14	52959	22550	52 - 1	1-1	
51435	02800	31 - 2	13	52959	24530	52 - 1	6	
52100	19620	51 - 2	21	52959	53140	52 - 1	7	
52100	19720	51 - 2	38	52959	57320	52 - 1	4	
52100	19820	51 - 2	39	52959	62730	52 - 1	1	
52100	23920	51 - 2	40	52959	79330	52 - 1	2	
52100	36920	51 - 2	38-1	52988	08400	52 - 1	21	
52300	71510	51 - 2	26	52989	05500	52 - 1	19	
52300	71610	51 - 2	27	52989	05600	52 - 1	20	
52350	55810	51 - 3	61	52989	05700	52 - 1	22	
52350	88111	51 - 2	25	53220	65000	51 - 2	36	
52350	88210	51 - 3	46	53220	65100	51 - 2	34	
52450	54920	51 - 2	28	53220	65200	51 - 2	35	
52450	55120	51 - 2	41	53220	65700	51 - 2	34-1	
52450	55220	51 - 2	22	53220	65800	51 - 2	35-1	
52480	13200	51 - 2	29	61121	09200	21 - 3	122	
52480	13300	43 - 3	86	61122	04300	21 - 4	126	
52480	14100	51 - 2	23	61123	03300	21 - 3	121	
52510	82400	51 - 2	32	86183	01500	36 - 3	57	
52510	82500	51 - 2	33	GD920	12500	37 - 2	10	
52560	84800	51 - 2	3	GD920	12500	37 - 2	23	
52620	41300	51 - 3	52	GD920	15600	37 - 2	23-1	
52631	06101	51 - 3	53	GE360	02100	51 - 2	30	
52721	02600	51 - 2	42					
52721	05500	51 - 2	31					
52723	00100	51 - 3	45					
52728	06310	37 - 2	6					
52728	31501	51 - 3	55					
52728	89000	36 - 2	4					
52728	89100	36 - 2	5					
52728	89300	36 - 2	6					
52729	05400	51 - 3	54					
52730	16400	51 - 3	43					
52739	00600	36 - 2	11					
52750	14800	51 - 2	37					
52919	44910	52 - 1	14					
52919	95620	52 - 1	15					
52926	18600	52 - 1	13					
52931	37920	52 - 1	3					
52931	38020	52 - 1	5					
52931	38120	52 - 1	9					

# **Discount Equipment**

Discount-Equipment.com is your online resource for commercial and industrial quality parts and equipment sales.

## Locations:

Florida (West Palm Beach): [561-964-4949](tel:561-964-4949)

Outside Florida TOLL FREE: [877-690-3101](tel:877-690-3101)

Need parts? Check out our website at [www.discount-equipment.com](http://www.discount-equipment.com)

## Can't find what you need?

Click on this link: <http://www.discount-equipment.com/category/5443-parts/> and fill out the request form.

Please have the machine model and serial number available in order to help us get you the correct parts. One of our experienced staff members will get back to you with a quote for the right part that your machine needs.

We sell worldwide for the brands: Genie, Terex, JLG, MultiQuip, Mayco, Toro/Stone, Diamond Products, Magnum, Airman, Mustang, Power Blanket, Nifty Lift, Atlas Copco, Chicago Pneumatic, Allmand Brothers, Essick, Miller Spreader, Skyjack, Lull, Skytrak, Tsurumi, Husquvarna/Target, Whiteman-Concrete/Mortar, Stow-Concrete/Mortar, Baldor, Wacker, Sakai, Snorkel, Upright, Mi-T-M, Sullair, Neal, Basic, Dynapac, MBW, Weber, Bartell, Bennar Newman, Haulotte, Ditch Runner, Blaw-Knox, Himoina, Best, Buddy, Crown, Edco, Wyco, Bomag, Laymor, Terremite, Barreto, EZ Trench, Takeuchi, Basic, Bil-Jax, Curtis, Gehl, Heli, Honda, ICS/PowerGrit, Puckett, Waldon, ASV, IHI, Partner, Imer, Clipper, MMD, Koshin, Rice, Gorman Rupp, CH&E, Cat Pumps, Comet, General Pump, Giant, AMida, Coleman, NAC, Gradall, Square Shooter, Kent, Stanley, Tamco, Toku, Hatz, Kohler, Robin, Wisconsin, Northrock, Oztec, Toker TK, Rol-Air, Small Line, Wanco, Yanmar

**New Equipment - Used Equipment - Rental Equipment - Parts and Accessories**

# **Discount Equipment**

[www.discount-equipment.com](http://www.discount-equipment.com)

**561-964-4949**

Parts: [wbparts@Discount-Equipment.com](mailto:wbparts@Discount-Equipment.com)

Sales: [info@Discount-Equipment.com](mailto:info@Discount-Equipment.com)





[www.discount-equipment.com](http://www.discount-equipment.com)

HOKUETSU INDUSTRIES CO., LTD.

Copyright(C)2008 HOKUETSU INDUSTRIES CO., LTD. All Rights Reserved

0909-22  
CAT.NO.39520 14000