



**BR2750**  
**REVERSIBLE HYDRAULIC**  
**PLATE COMPACTORS**

**PARTS BOOK**



[www.Discount-Equipment.com](http://www.Discount-Equipment.com)



Doc. # PB-B19022  
Orig. Rel. - 10/2013  
Curr Rev. - 05

# **Discount Equipment**

Discount-Equipment.com is your online resource for commercial and industrial quality parts and equipment sales.

## **Locations:**

Florida (West Palm Beach): [561-964-4949](tel:561-964-4949)

Outside Florida TOLL FREE: [877-690-3101](tel:877-690-3101)

**Need parts?** Check out our website at [www.discount-equipment.com](http://www.discount-equipment.com)

## **Can't find what you need?**

Click on this link: <http://www.discount-equipment.com/category/5443-parts/> and fill out the request form.

Please have the machine model and serial number available in order to help us get you the correct parts. One of our experienced staff members will get back to you with a quote for the right part that your machine needs.

We sell worldwide for the brands: Genie, Terex, JLG, MultiQuip, Mayco, Toro/Stone, Diamond Products, Magnum, Airman, Mustang, Power Blanket, Nifty Lift, Atlas Copco, Chicago Pneumatic, Allmand Brothers, Essick, Miller Spreader, Skyjack, Lull, Skytrak, Tsurumi, Husquvarna/Target, Whiteman-Concrete/Mortar, Stow-Concrete/Mortar, Baldor, Wacker, Sakai, Snorkel, Upright, Mi-T-M, Sullair, Neal, Basic, Dynapac, MBW, Weber, Bartell, Bennar Newman, Haulotte, Ditch Runner, Blaw-Knox, Himoina, Best, Buddy, Crown, Edco, Wyco, Bomag, Laymor, Terremite, Barreto, EZ Trench, Takeuchi, Basic, Bil-Jax, Curtis, Gehl, Heli, Honda, ICS/PowerGrit, Puckett, Waldon, ASV, IHI, Partner, Imer, Clipper, MMD, Koshin, Rice, Gorman Rupp, CH&E, Cat Pumps, Comet, General Pump, Giant, AMida, Coleman, NAC, Gradall, Square Shooter, Kent, Stanley, Tamco, Toku, Hatz, Kohler, Robin, Wisconsin, Northrock, Oztec, Toker TK, Rol-Air, Small Line, Wanco, Yanmar

**New Equipment - Used Equipment - Rental Equipment - Parts and Accessories**

# **Discount Equipment**

**[www.discount-equipment.com](http://www.discount-equipment.com)**

**561-964-4949**

Parts: [wbparts@Discount-Equipment.com](mailto:wbparts@Discount-Equipment.com)

Sales: [info@Discount-Equipment.com](mailto:info@Discount-Equipment.com)



ORIGINAL LANGUAGE

© 2016 Bartell Morrison Inc.

No part of this work may be reproduced or transmitted in any form or by any means, electronic or mechanical, including photocopying and recording, or by any information storage or retrieval system without the prior written permission of Bartell Morrison Inc. unless such copying is permitted by federal copyright laws.

**www.Discount-Equipment.com**

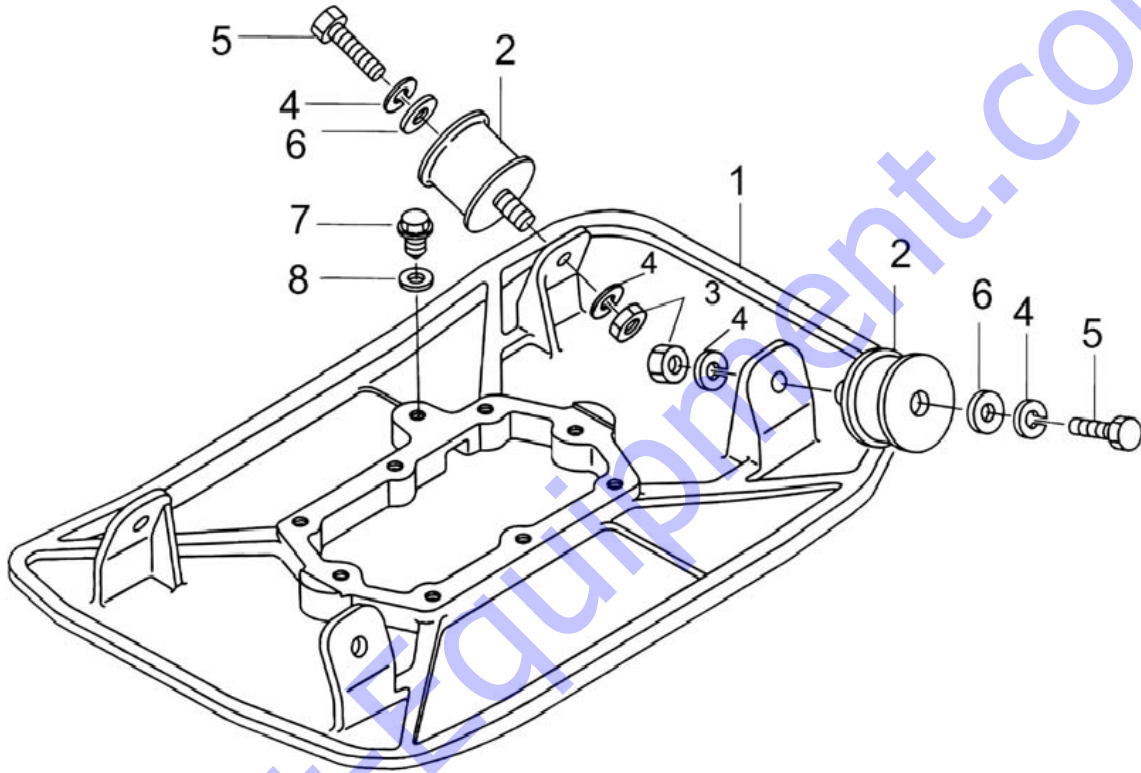
REV.	DATE	DESCRIPTION	APPROVED BY:
00	10/2013	Initial release	AL
01	01/2014	Cover photo updated	AL
02	02/2014	Part number updated	AL
03	06/2014	Updated Address	AL
04	07/2014	Cover page updated	AL
05	07/2017	Address updated, Format updated	AN

## TABLE OF CONTENTS

<b><u>PARTS LIST 1 - REVERSIBLE HYDRAULIC PLATE COMPACTORS</u></b>	<b><u>3</u></b>
<b>VIBRATING PLATE: BR2750</b>	<b>3</b>
<b>VIBRATING PLATE: BR2750 - PARTS LIST 1</b>	<b>3</b>
<b><u>PARTS LIST 1 - REVERSIBLE HYDRAULIC PLATE COMPACTORS</u></b>	<b><u>4</u></b>
<b>BODY: BR2750</b>	<b>5</b>
<b>BODY: BR2750 - PARTS LIST 2</b>	<b>6</b>
<b><u>PARTS LIST 3 - REVERSIBLE HYDRAULIC PLATE COMPACTORS</u></b>	<b><u>8</u></b>
<b>VIBRATOR: BR2750</b>	<b>8</b>
<b>VIBRATOR: BR2750 - PARTS LIST 3</b>	<b>9</b>
<b><u>PARTS LIST 4 - REVERSIBLE HYDRAULIC PLATE COMPACTORS</u></b>	<b><u>11</u></b>
<b>CONTROL: BR2750</b>	<b>12</b>
<b>CONTROL: BR2750 - PARTS LIST 4</b>	<b>13</b>
<b><u>PARTS LIST 5 - REVERSIBLE HYDRAULIC PLATE COMPACTORS</u></b>	<b><u>14</u></b>
<b>HAND PUMP: BR2750</b>	<b>14</b>
<b>HAND PUMP ASSEMBLY: BR2750 - PARTS LIST 5</b>	<b>15</b>
<b><u>DECLARATION OF CONFORMITY</u></b>	<b><u>ERROR! BOOKMARK NOT DEFINED.</u></b>

**PARTS LIST 1 – REVERSIBLE HYDRAULIC PLATE COMPACTORS**

**VIBRATING PLATE: BR2750**



**VIBRATING PLATE: BR2750 – PARTS LIST 1**

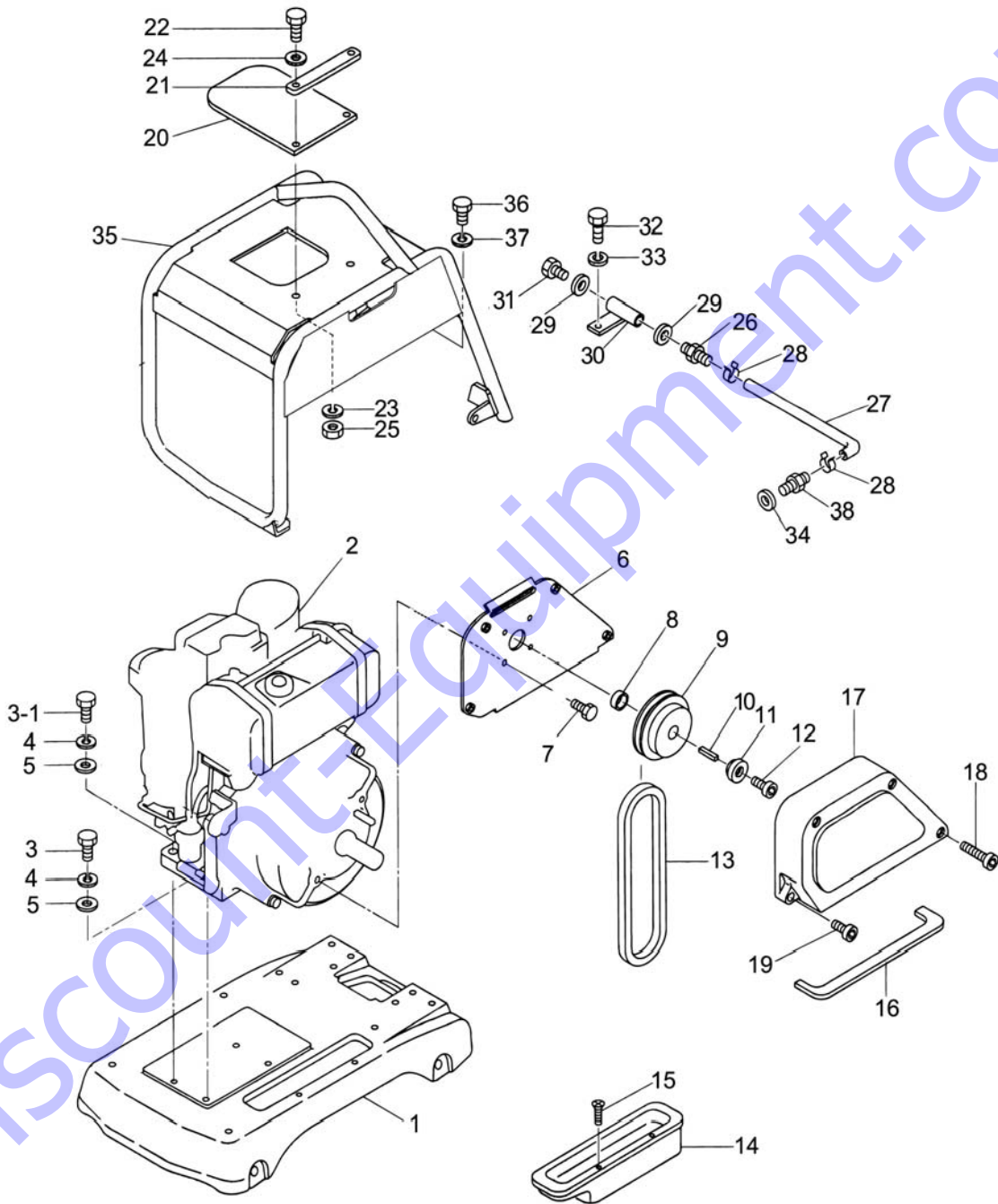
Item #	Part #	Description	QTY	Remarks
1	CPC-160-1A	VIBRATING PLATE	1	
2	CPC-160-2A	SHOCK ABSORBER	4	
3	CPC-160-3A	NUT M12	4	
4	CPC-160-4A	SW M12	8	
5	CPC-160-5A	BOLT M12x30T	4	
6	CPC-160-6A	WASHER	4	
7	CPC-160-7A	OIL GAUGE	1	
8	CPC-160-8A	PACKING	1	

**This Page Left Intentionally Blank**

Discount-Equipment.com

# PARTS LIST 1 – REVERSIBLE HYDRAULIC PLATE COMPACTORS

## **BODY: BR2750**





**BODY: BR2750 – PARTS LIST 2**

Item #	Part #	Description	QTY	Remarks
1	CPC-160-1B	BASE	1	
2	CPC-160-2B	ENGINE	1	
3	CPC-160-3B	BOLT M10x40T	3	
3-1	CPC-160-3-1B	BOLT M10x35T	1	
4	CPC-160-4B	SW M10	4	
5	CPC-160-5B	PW M10	4	
6	CPC-160-6B	BELT COVER PLATE	1	
7	CPC-160-7B	BOLT M8x20T	4	
8	CPC-160-8B	SPACER	1	
9	CPC-160-9B	CLUTCH ASSEMBLY	1	
10	CPC-160-10B	KEY 5x5x30	1	
11	CPC-160-11B	CLUTCH WASHER	1	
12	CPC-160-12B	SOCKET HEAD BOLT M8x25T	1	
13	CPC-160-13B	V-BELT	1	
14	CPC-160-14B	DUST COVER	1	
15	CPC-160-15B	FLAT HEAD SCREW M6x60T	2	
16	CPC-160-16B	SPONGE, DUST COVER	1	
17	CPC-160-17B	BELT COVER OUT	1	
18	CPC-160-18B	SOCKET HEAD BOLT M8x60T	3	
19	CPC-160-19B	SOCKET HEAD BOLT M8x20T	1	
20	CPC-160-20B	RUBBER COVER	1	
21	CPC-160-21B	PLATE, RUBBER COVER	1	
22	CPC-160-22B	BOLT M8x25T	2	
23	CPC-160-23B	SW M8	2	
24	CPC-160-24B	PW M8	2	
25	CPC-160-25B	NYLON NUT M8	2	
26	CPC-160-26B	UNION	1	
27	CPC-160-27B	DRAIN HOSE	1	
28	CPC-160-28B	HOSE CLAMP	2	
29	CPC-160-29B	GASKET	2	
30	CPC-160-30B	PLUG	1	
31	CPC-160-31B	JOINT BLOCK	1	
32	CPC-160-32B	BOLT M8x20T	1	
33	CPC-160-33B	SW M8	1	
34	CPC-160-34B	SEAL WASHER	1	
35	CPC-160-35B	GUARD FRAME	1	
36	CPC-160-36B	BOLT M10x25T	4	

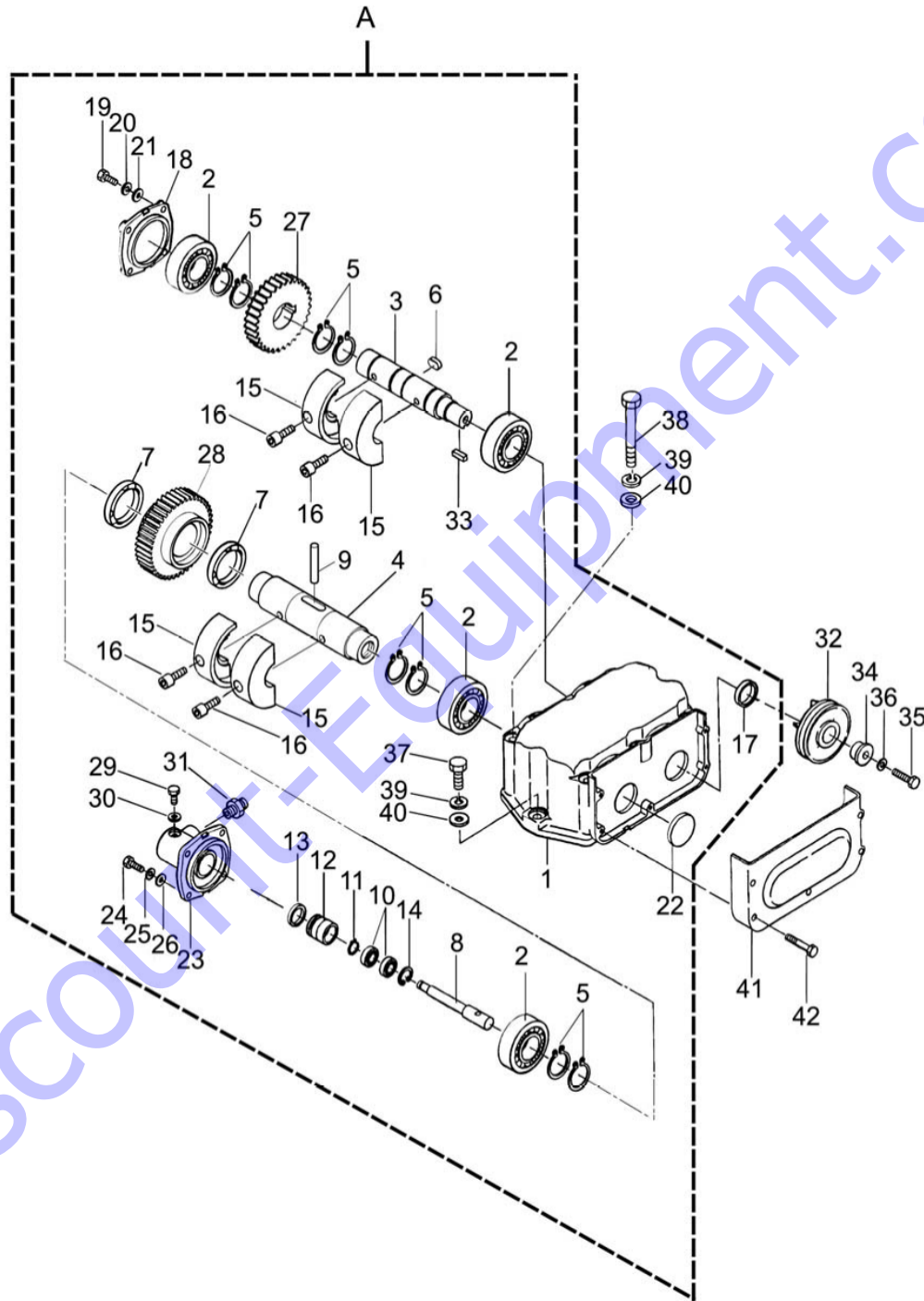


37	CPC-160-37B	SW M10	4	
----	-------------	--------	---	--

Discount-Equipment.com

# PARTS LIST 3 – REVERSIBLE HYDRAULIC PLATE COMPACTORS

VIBRATOR: BR2750



**VIBRATOR: BR2750 – PARTS LIST 3**

Item #	Part #	Description	QTY	Remarks
C	CPC-160-C	VIBRATOR ASSEMBLY	1	
1	CPC-160-1C	VIBRATING CASE	1	
2	CPC-160-2C	ROLLER BEARING	4	
3	CPC-160-3C	ROTARY SHAFT, DRIVE	1	
4	CPC-160-4C	ROTARY SHAFT, DRIVEN	1	
5	CPC-160-5C	STOP RING S-35	8	
6	CPC-160-6C	KEY 10x8x19	1	
7	CPC-160-7C	BEARING 6907	2	
8	CPC-160-8C	PISTON ROD	1	
9	CPC-160-9C	PIN 8x50	1	
10	CPC-160-10C	BEARING 6000ZZ	2	
11	CPC-160-11C	STOP RING S-10	1	
12	CPC-160-12C	PISTON, 22.4ID	1	
13	CPC-160-13C	PACKING	1	
14	CPC-160-14C	STOP RING R-26	1	
15	CPC-160-15C	ECCENTRIC ROTATOR	4	
16	CPC-160-16C	SOCKET HEAD BOLT M10x30T	4	
17	CPC-160-17C	OIL SEAL SC-28428	1	
18	CPC-160-18C	BEARING COVER	1	
19	CPC-160-19C	BOLT M8x20T	4	
20	CPC-160-20C	SW M8	4	
21	CPC-160-21C	PW M8	4	
22	CPC-160-22C	SEAL CAP	1	
23	CPC-160-23C	CYLINDER	1	
24	CPC-160-24C	BOLT M8x20T	4	
25	CPC-160-25C	SW M8	4	
26	CPC-160-26C	PW M8	4	
27	CPC-160-27C	GEAR (DRIVE)	1	
28	CPC-160-28C	GEAR (DRIVEN)	1	
29	CPC-160-29C	BOLT M8x12T	1	
30	CPC-160-30C	COPPER PACKING 8x16x2	1	
31	CPC-160-31C	CONNECTOR	1	
32	CPC-160-32C	PULLEY	1	
33	CPC-160-33C	KEY 7x7x20	1	
34	CPC-160-34C	WASHER	1	

35	CPC-160-35C	BOLT M8x35	1	
36	CPC-160-36C	SW M8	1	
37	CPC-160-37C	BOLT M12x35T	2	
38	CPC-160-38C	BOLT M12x120T	6	
39	CPC-160-39C	SW M12	8	
40	CPC-160-40C	PW M12	8	
41	CPC-160-41C	BELT COVER (LOWER)	1	
42	CPC-160-42C	SOCKET HEAD BOLT M6x45T	5	

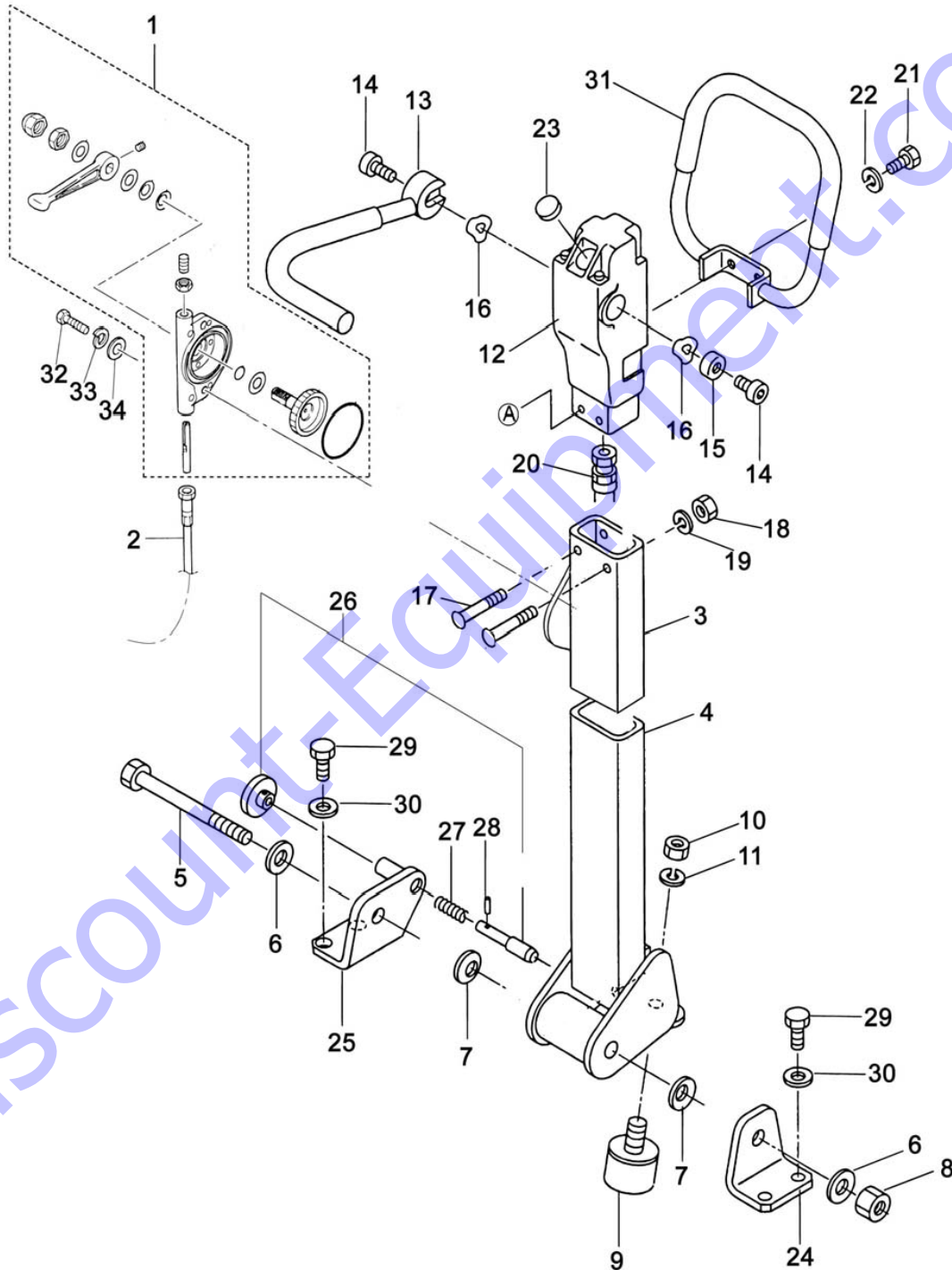
Discount-Equipment.com

**This Page Left Intentionally Blank**

Discount-Equipment.com

# PARTS LIST 4 – REVERSIBLE HYDRAULIC PLATE COMPACTORS

CONTROL: BR2750



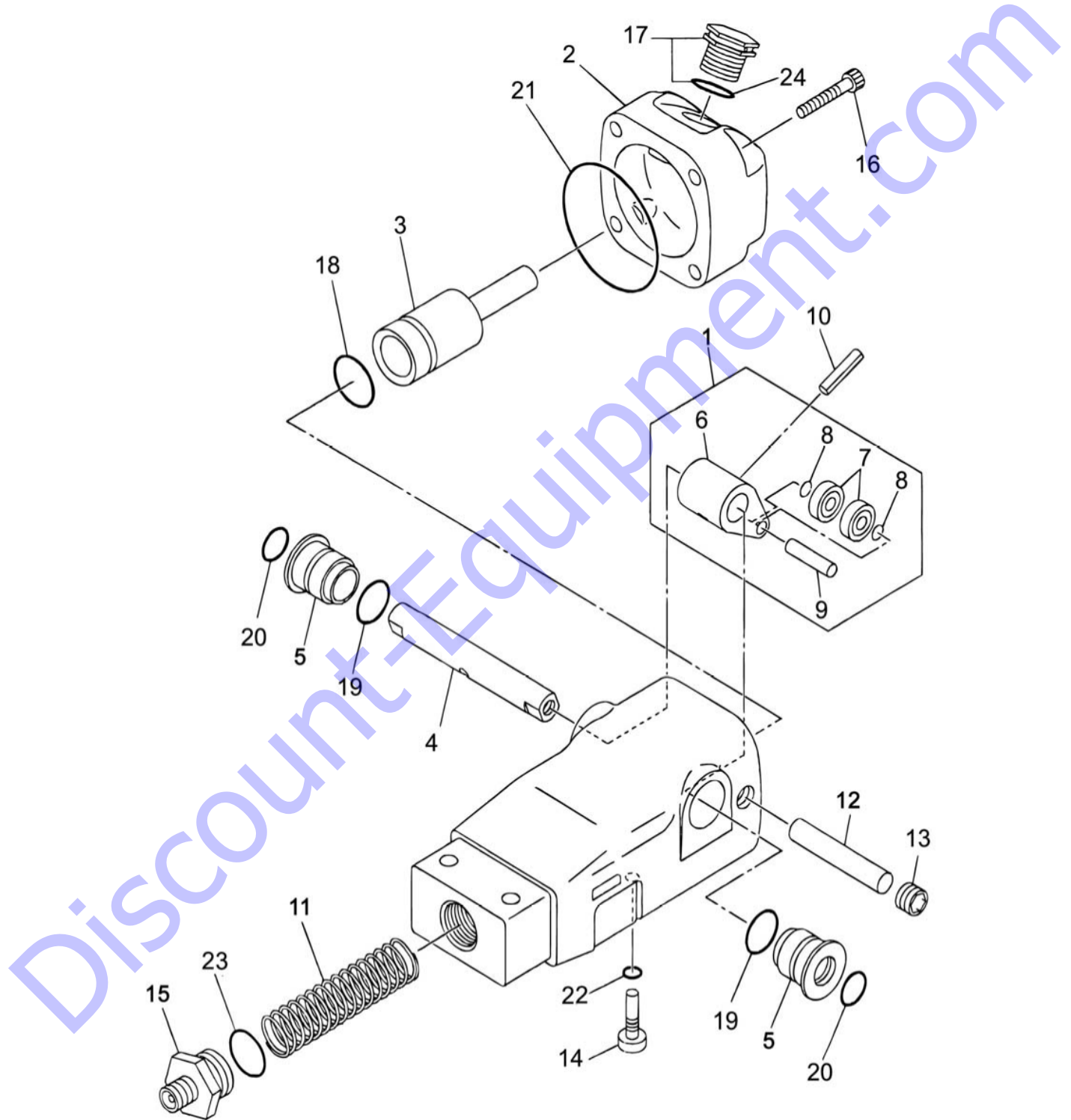
**CONTROL: BR2750 – PARTS LIST 4**

Item #	Part #	Description	QTY	Remarks
1	CPC-160-1D	THROTTLE LEVER ASSEMBLY	1	
2	CPC-160-2D	THROTTLE WIRE	1	
3	CPC-160-3D	HANDLE UPPER AY	1	
4	CPC-160-4D	HANDLE LOWER AY	1	
5	CPC-160-5D	BOLT M16x145T	1	
6	CPC-160-6D	PW M16	2	
7	CPC-160-7D	SHOCK ABSORBER, STOPPER	2	
8	CPC-160-8D	NUT M16	2	
9	CPC-160-9D	SHOCK ABSORBER, STOPPER	1	
10	CPC-160-10D	NUT M10	1	
11	CPC-160-11D	SW M10	1	
12	CPC-160-12D	HAND PUMP ASSEMBLY	1	
13	CPC-160-13D	TRAVEL LEVER	1	
14	CPC-160-14D	SOCKET HEAD BOLT M10x20T	2	
15	CPC-160-15D	COLLAR	1	
16	CPC-160-16D	WAVE WASHER 15.5x20x0.3	4	
17	CPC-160-17D	PUMP HOLDER M8x50T	2	
18	CPC-160-18D	NYLON NUT M8	2	
19	CPC-160-19D	SW M8	2	
20	CPC-160-20D	OIL HOSE	1	
21	CPC-160-21D	BOLT M8x20T	2	
22	CPC-160-22D	SW M8	2	
23	CPC-160-23D	BREATHER CAP	1	
24	CPC-160-24D	HANDLE BRACKET (L)	1	
25	CPC-160-25D	HANDLE BRACKET (R)	1	
26	CPC-160-26D	STOPPER	1	
27	CPC-160-27D	SPRING	1	
28	CPC-160-28D	SPRING PIN 2x16	1	
29	CPC-160-29D	BOLT M10x30T	4	
30	CPC-160-30D	SW M10	4	
31	CPC-160-31D	HANDLE GRIP	1	
32	CPC-160-32D	BOLT M6x25T	2	
33	CPC-160-33D	SW M6	2	
34	CPC-160-34D	PW M6	2	



**PARTS LIST 5 – REVERSIBLE HYDRAULIC PLATE COMPACTORS**

**HAND PUMP: BR2750**



**HAND PUMP ASSEMBLY: BR2750 – PARTS LIST 5**

Item #	Part #	Description	QTY	Remarks
1	CPC-160-1E	CAN COMP (PUMP)	1	
2	CPC-160-2E	COVER (HAND PUMP)	1	
3	CPC-160-3E	PISTON CP	1	
4	CPC-160-4E	CONTROL SHAFT (PUMP)	1	
5	CPC-160-5E	BUSH	2	
6	CPC-160-6E	CAN (PUMP)	1	
7	CPC-160-7E	BEARING 607ZZ	2	
8	CPC-160-8E	SPACER	2	
9	CPC-160-9E	PIN 7x30	1	
10	CPC-160-10E	SPRING PIN	1	
11	CPC-160-11E	SPRING (PUMP)	1	
12	CPC-160-12E	STOPPER (PUMP)	1	
13	CPC-160-13E	PLUG	1	
14	CPC-160-14E	STOP PLUG	1	
15	CPC-160-15E	HOSE JOINT	1	
16	CPC-160-16E	SOCKET HEAD BOLT M6x35T	4	
17	CPC-160-17E	BREATHER (PUMP)	1	
18	CPC-160-18E	O-RING G-25	1	
19	CPC-160-19E	O-RING P-20	2	
20	CPC-160-20E	O-RING P-15	2	
21	CPC-160-21E	O-RING S-67	1	
22	CPC-160-22E	O-RING S-8	1	
23	CPC-160-23E	O-RING S-22	1	
24	CPC-160-24E	O-RING P-18	1	

# **Discount Equipment**

Discount-Equipment.com is your online resource for commercial and industrial quality parts and equipment sales.

## **Locations:**

Florida (West Palm Beach): [561-964-4949](tel:561-964-4949)

Outside Florida TOLL FREE: [877-690-3101](tel:877-690-3101)

**Need parts?** Check out our website at [www.discount-equipment.com](http://www.discount-equipment.com)

## **Can't find what you need?**

Click on this link: <http://www.discount-equipment.com/category/5443-parts/> and fill out the request form.

Please have the machine model and serial number available in order to help us get you the correct parts. One of our experienced staff members will get back to you with a quote for the right part that your machine needs.

We sell worldwide for the brands: Genie, Terex, JLG, MultiQuip, Mayco, Toro/Stone, Diamond Products, Magnum, Airman, Mustang, Power Blanket, Nifty Lift, Atlas Copco, Chicago Pneumatic, Allmand Brothers, Essick, Miller Spreader, Skyjack, Lull, Skytrak, Tsurumi, Husquvarna/Target, Whiteman-Concrete/Mortar, Stow-Concrete/Mortar, Baldor, Wacker, Sakai, Snorkel, Upright, Mi-T-M, Sullair, Neal, Basic, Dynapac, MBW, Weber, Bartell, Bennar Newman, Haulotte, Ditch Runner, Blaw-Knox, Himoina, Best, Buddy, Crown, Edco, Wyco, Bomag, Laymor, Terremite, Barreto, EZ Trench, Takeuchi, Basic, Bil-Jax, Curtis, Gehl, Heli, Honda, ICS/PowerGrit, Puckett, Waldon, ASV, IHI, Partner, Imer, Clipper, MMD, Koshin, Rice, Gorman Rupp, CH&E, Cat Pumps, Comet, General Pump, Giant, AMida, Coleman, NAC, Gradall, Square Shooter, Kent, Stanley, Tamco, Toku, Hatz, Kohler, Robin, Wisconsin, Northrock, Oztec, Toker TK, Rol-Air, Small Line, Wanco, Yanmar

**New Equipment - Used Equipment - Rental Equipment - Parts and Accessories**

# **Discount Equipment**

**[www.discount-equipment.com](http://www.discount-equipment.com)**

**561-964-4949**

Parts: [wbparts@Discount-Equipment.com](mailto:wbparts@Discount-Equipment.com)

Sales: [info@Discount-Equipment.com](mailto:info@Discount-Equipment.com)