

# OPERATION AND PARTS MANUAL



## ***WHITEMAN* SERIES** **PLASTER/MORTAR MIXER**

### **MODEL WM45H**

**(Honda GX160UT1HX2 Gasoline Engine)**

### **MODEL WM45E**

**(1 HP Electric Motor)**

Revision #0 (09/27/12)

The logo for Discount Equipment features the word 'Discount' in a bold, blue, italicized font above the word 'Equipment' in a bold, blue, sans-serif font. The text is flanked by two orange arrows pointing outwards.

**Discount  
Equipment**

[www.discount-equipment.com](http://www.discount-equipment.com)

**THIS MANUAL MUST ACCOMPANY THE EQUIPMENT AT ALL TIMES.**

# **Discount Equipment**

Discount-Equipment.com is your online resource for commercial and industrial quality parts and equipment sales.

## **Locations:**

Florida (West Palm Beach): [561-964-4949](tel:561-964-4949)

Outside Florida TOLL FREE: [877-690-3101](tel:877-690-3101)

**Need parts?** Check out our website at [www.discount-equipment.com](http://www.discount-equipment.com)

## **Can't find what you need?**

Click on this link: <http://www.discount-equipment.com/category/5443-parts/> and fill out the request form.

Please have the machine model and serial number available in order to help us get you the correct parts. One of our experienced staff members will get back to you with a quote for the right part that your machine needs.

We sell worldwide for the brands: Genie, Terex, JLG, MultiQuip, Mayco, Toro/Stone, Diamond Products, Magnum, Airman, Mustang, Power Blanket, Nifty Lift, Atlas Copco, Chicago Pneumatic, Allmand Brothers, Essick, Miller Spreader, Skyjack, Lull, Skytrak, Tsurumi, Husquvarna/Target, Whiteman-Concrete/Mortar, Stow-Concrete/Mortar, Baldor, Wacker, Sakai, Snorkel, Upright, Mi-T-M, Sullair, Neal, Basic, Dynapac, MBW, Weber, Bartell, Bennar Newman, Haulotte, Ditch Runner, Blaw-Knox, Himoina, Best, Buddy, Crown, Edco, Wyco, Bomag, Laymor, Terremite, Barreto, EZ Trench, Takeuchi, Basic, Bil-Jax, Curtis, Gehl, Heli, Honda, ICS/PowerGrit, Puckett, Waldon, ASV, IHI, Partner, Imer, Clipper, MMD, Koshin, Rice, Gorman Rupp, CH&E, Cat Pumps, Comet, General Pump, Giant, AMida, Coleman, NAC, Gradall, Square Shooter, Kent, Stanley, Tamco, Toku, Hatz, Kohler, Robin, Wisconsin, Northrock, Oztec, Toker TK, Rol-Air, Small Line, Wanco, Yanmar

**New Equipment - Used Equipment - Rental Equipment - Parts and Accessories**

# **Discount Equipment**

[www.discount-equipment.com](http://www.discount-equipment.com)


**561-964-4949**

Parts: [wbparts@Discount-Equipment.com](mailto:wbparts@Discount-Equipment.com)

Sales: [info@Discount-Equipment.com](mailto:info@Discount-Equipment.com)

# SILICOSIS/RESPIRATORY WARNINGS

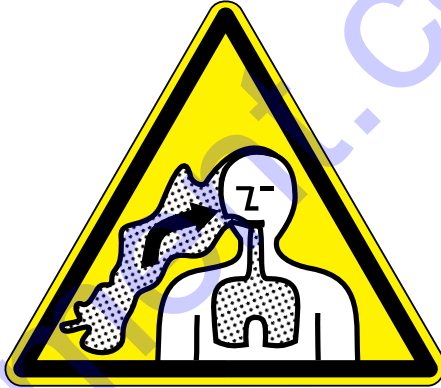
**⚠ WARNING**



**SILICOSIS WARNING**

Grinding/cutting/drilling of masonry, concrete, metal and other materials with silica in their composition may give off dust or mists containing crystalline silica. Silica is a basic component of sand, quartz, brick clay, granite and numerous other minerals and rocks. Repeated and/or substantial inhalation of airborne crystalline silica can cause serious or fatal respiratory diseases, including silicosis. In addition, California and some other authorities have listed respirable crystalline silica as a substance known to cause cancer. When cutting such materials, always follow the respiratory precautions mentioned above.

**⚠ WARNING**



**RESPIRATORY HAZARDS**

Grinding/cutting/drilling of masonry, concrete, metal and other materials can generate dust, mists and fumes containing chemicals known to cause serious or fatal injury or illness, such as respiratory disease, cancer, birth defects or other reproductive harm. If you are unfamiliar with the risks associated with the particular process and/or material being cut or the composition of the tool being used, review the material safety data sheet and/or consult your employer, the material manufacturer/supplier, governmental agencies such as OSHA and NIOSH and other sources on hazardous materials. California and some other authorities, for instance, have published lists of substances known to cause cancer, reproductive toxicity, or other harmful effects.

Control dust, mist and fumes at the source where possible. In this regard use good work practices and follow the recommendations of the manufacturers or suppliers, OSHA/NIOSH, and occupational and trade associations. Water should be used for dust suppression when wet cutting is feasible. When the hazards from inhalation of dust, mists and fumes cannot be eliminated, the operator and any bystanders should always wear a respirator approved by NIOSH/MSHA for the materials being used.

# TABLE OF CONTENTS

## WM45H/WM45E Plaster/ Mortar Mixer

Silicosis/Respiratory Warnings .....	3
Table Of Contents .....	4
Parts Ordering Procedures.....	5
Safety Information .....	6-9
Specifications .....	10
Dimensions.....	11
General Information.....	12
Components .....	13
Basic Engine.....	14
Electric Motor .....	15
Pre-Inspection (Engine/Mixer) .....	16
Initial Start-Up (Engine) .....	17
Initial Start-Up (Engine/Electric Motor) .....	18
Shutdown.....	19
Maintenance (Engine) .....	20-21
Maintenance (Mixer) .....	22-23
Troubleshooting (Engine).....	24
Troubleshooting (Engine/Mixer) .....	25
Wiring Diagram (Electric Motor) .....	26
Explanation of Code in Remarks Column.....	28
Suggested Spare Parts .....	29

## Component Drawings

Nameplate and Decals Assembly.....	30-31
Steel Tub Assembly .....	32-33
Paddle Shaft Assembly.....	34-35
Frame Assembly.....	36-37
Engine Cover Assembly .....	38-39
Engine/Guard Assembly.....	40-41
Electric Motor Assembly .....	42-43
Terms And Conditions Of Sale — Parts .....	44

### NOTICE

Specifications and part numbers are subject to change without notice.

# SAFETY INFORMATION

Do not operate or service the equipment before reading the entire manual. Safety precautions should be followed at all times when operating this equipment. Failure to read and understand the safety messages and operating instructions could result in injury to yourself and others.



## SAFETY MESSAGES

The four safety messages shown below will inform you about potential hazards that could injure you or others. The safety messages specifically address the level of exposure to the operator and are preceded by one of four words: **DANGER**, **WARNING**, **CAUTION** or **NOTICE**.

## SAFETY SYMBOLS

**! DANGER**

Indicates a hazardous situation which, if not avoided, **WILL** result in **DEATH** or **SERIOUS INJURY**.

**! WARNING**

Indicates a hazardous situation which, if not avoided, **COULD** result in **DEATH** or **SERIOUS INJURY**.

**! CAUTION**

Indicates a hazardous situation which, if not avoided, **COULD** result in **MINOR** or **MODERATE INJURY**.

**NOTICE**

Addresses practices not related to personal injury.

Potential hazards associated with the operation of this equipment will be referenced with hazard symbols which may appear throughout this manual in conjunction with safety messages.

Symbol	Safety Hazard
	Lethal exhaust gas hazards
	Explosive fuel hazards
	Burn hazards
	Rotating parts hazards

# SAFETY INFORMATION

## GENERAL SAFETY

### CAUTION

- **NEVER** operate this equipment without proper protective clothing, shatterproof glasses, respiratory protection, hearing protection, steel-toed boots and other protective devices required by the job or city and state regulations.



- Avoid wearing jewelry or loose fitting clothes that may snag on the controls or moving parts as this can cause serious injury.

- **NEVER** operate this equipment when not feeling well due to fatigue, illness or when under medication.



- **NEVER** operate this equipment under the influence of drugs or alcohol.



- **ALWAYS** clear the work area of any debris, tools, etc. that would constitute a hazard while the equipment is in operation.

- **ALWAYS** check the equipment for loosened threads or bolts before starting.

- **DO NOT** use the equipment for any purpose other than its intended purposes or applications.

### NOTICE

- This equipment should only be operated by trained and qualified personnel 18 years of age and older.

- Whenever necessary, replace nameplate, operation and safety decals when they become difficult read.

- Manufacturer does not assume responsibility for any accident due to equipment modifications. Unauthorized equipment modification will void all warranties.

- **NEVER** use accessories or attachments that are not recommended by Multiquip for this equipment. Damage to the equipment and/or injury to user may result.

- **ALWAYS** know the location of the nearest fire extinguisher.



- **ALWAYS** know the location of the nearest first aid kit.



- **ALWAYS** know the location of the nearest phone or **keep a phone on the job site**. Also, know the phone numbers of the nearest **ambulance, doctor and fire department**. This information will be invaluable in the case of an emergency.



# SAFETY INFORMATION

## MIXER SAFETY

### DANGER

- **NEVER** operate the equipment in an explosive atmosphere or near combustible materials. An explosion or fire could result causing severe **bodily harm or even death.**



- **DO NOT** mix **flammable** or **explosive** substances.

### WARNING

- **NEVER** place your hands inside the drum while starting or operating this equipment.
- **NEVER** disconnect any **emergency or safety devices.** These devices are intended for operator safety. Disconnection of these devices can cause severe injury, bodily harm or even death. Disconnection of any of these devices will void all warranties.
- Before operating mixer, ensure that safety grate is in position and correctly fitted.



### CAUTION

- **NEVER** lubricate components or attempt service on a running machine.

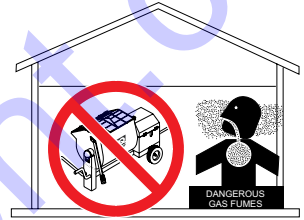
### NOTICE

- **ALWAYS** keep the machine in proper running condition.
- **ALWAYS** ensure mixer is on level ground before mixing.
- Fix damage to machine and replace any broken parts immediately.
- **DO NOT** tip mixer onto drum mouth when the drum is rotating.
- Ensure the drum is rotating while filling and emptying the drum.
- **ALWAYS** store equipment properly when it is not being used. Equipment should be stored in a clean, dry location out of the reach of children and unauthorized personnel.

## ENGINE SAFETY

### DANGER

- Engine fuel exhaust gases contain poisonous carbon monoxide. This gas is colorless and odorless, and can cause death if inhaled.
- The engine of this equipment requires an adequate free flow of cooling air. **NEVER** operate this equipment in any enclosed or narrow area where free flow of the air is restricted. If the air flow is restricted it will cause injury to people and property and serious damage to the equipment or engine.



### WARNING

- **DO NOT** place hands or fingers inside engine compartment when engine is running.
- **NEVER** operate the engine with heat shields or guards removed.
- Keep fingers, hands hair and clothing away from all moving parts to prevent injury.
- **DO NOT** remove the engine oil drain plug while the engine is hot. Hot oil will gush out of the oil tank and severely scald any persons in the general area of the mixer.



### CAUTION

- **NEVER** touch the hot exhaust manifold, muffler or cylinder. Allow these parts to cool before servicing equipment.
- Make certain the operator knows how to and is capable of turning the engine OFF in case of an emergency.



### NOTICE

- **NEVER** run engine without an air filter or with a dirty air filter. Severe engine damage may occur. Service air filter frequently to prevent engine malfunction.
- **NEVER** tamper with the factory settings of the engine or engine governor. Damage to the engine or equipment can result if operating in speed ranges above the maximum allowable.

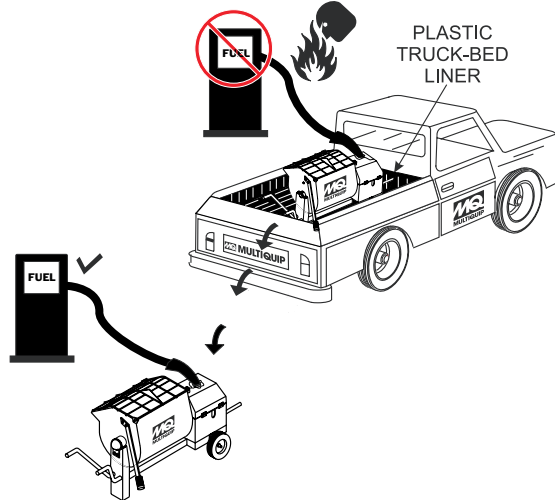


# SAFETY INFORMATION

## FUEL SAFETY

### DANGER

- **DO NOT** add fuel to equipment if it is placed inside truck bed with plastic liner. Possibility exists of explosion or fire due to static electricity.



- **DO NOT** start the engine near spilled fuel or combustible fluids. Fuel is extremely flammable and its vapors can cause an explosion if ignited.
- **ALWAYS** refuel in a well-ventilated area, away from sparks and open flames.
- **ALWAYS** use extreme caution when working with **flammable** liquids.
- **DO NOT** fill the fuel tank while the engine is running or hot.
- **DO NOT** overfill tank, since spilled fuel could ignite if it comes into contact with hot engine parts or sparks from the ignition system.
- Store fuel in appropriate containers, in well-ventilated areas and away from sparks and flames.
- **NEVER** use fuel as a cleaning agent.
- **DO NOT** smoke around or near the equipment. Fire or explosion could result from fuel vapors or if fuel is spilled on a hot engine.



## TRANSPORTING SAFETY

### CAUTION

- **NEVER** allow any person or animal to stand underneath the equipment while lifting.

### NOTICE

- **ALWAYS** make sure forklift forks are inserted into pockets (if applicable) as far as possible when lifting the mixer.
- **ALWAYS** shutdown engine before transporting.
- **NEVER** lift the equipment while the engine is running.
- Tighten fuel tank cap securely and close fuel cock to prevent fuel from spilling.
- **DO NOT** lift machine to unnecessary heights.
- **ALWAYS** tie down equipment during transport by securing the equipment with rope.
- **NEVER** tip the engine to extreme angles during lifting as it may cause oil to gravitate into the cylinder head, making the engine start difficult.

## ENVIRONMENTAL SAFETY

### NOTICE

- Dispose of hazardous waste properly. Examples of potentially hazardous waste are used motor oil, fuel and fuel filters.
- **DO NOT** use food or plastic containers to dispose of hazardous waste.
- **DO NOT** pour waste, oil or fuel directly onto the ground, down a drain or into any water source.





## SPECIFICATIONS

<b>Table 1. Mixer Specifications</b>	
Capacity	4.5 cu. ft (127 liters)
Bag Capacity	1-1/2 to 2-1/2 bags
Weight	380 lbs. (172 kg.)
Height W/Dump Handle	57.5 in. (146 cm.)
Discharge Height	7.5 in. (19 cm.)
Drive	V-Belt/Gear
Dump Action	Manual

<b>Table 2. Engine/Electric Motor Specifications</b>			
<b>Engine</b>	<b>Model</b>	<b>Honda GX160UT1HX2</b>	<b>BALDOR 35S772T980G1</b>
	Type	Air-cooled 4 stroke, Single Cylinder, OHV, Horizontal Shaft Gasoline Engine	1.0 HP 115/230 VAC Single-Phase, 60 Hz Electric Motor
	Bore X Stroke	2.70 in. X 1.80 in. (68 mm x 45 mm)	N/A
	Displacement	9.9 cu. in. (163 cc)	N/A
	Max Output	4.8 H.P./3600 R.P.M.	1.0 HP @ 1725 RPM
	Fuel Tank Capacity	Approx. 0.95 U.S. Gallons (3.6 Liters)	N/A
	Fuel	Unleaded Gasoline	N/A
	Lube Oil Capacity	0.63 qt. (0.6 liter)	N/A
	Speed Control Method	Centrifugal Fly-weight Type	N/A
	Starting Method	Recoil Start	N/A
<b>Dimensions (L x W x H)</b>		12.3 x 14.3 x 13.6 in. (312 x 362 x 346 mm)	13.25 x 8.93 x 8.56 in. (336 x 227 x 217 mm)
<b>Dry Net Weight</b>		40.8 lbs. (15 Kg.)	22 lbs. (10 Kg.)

# DIMENSIONS

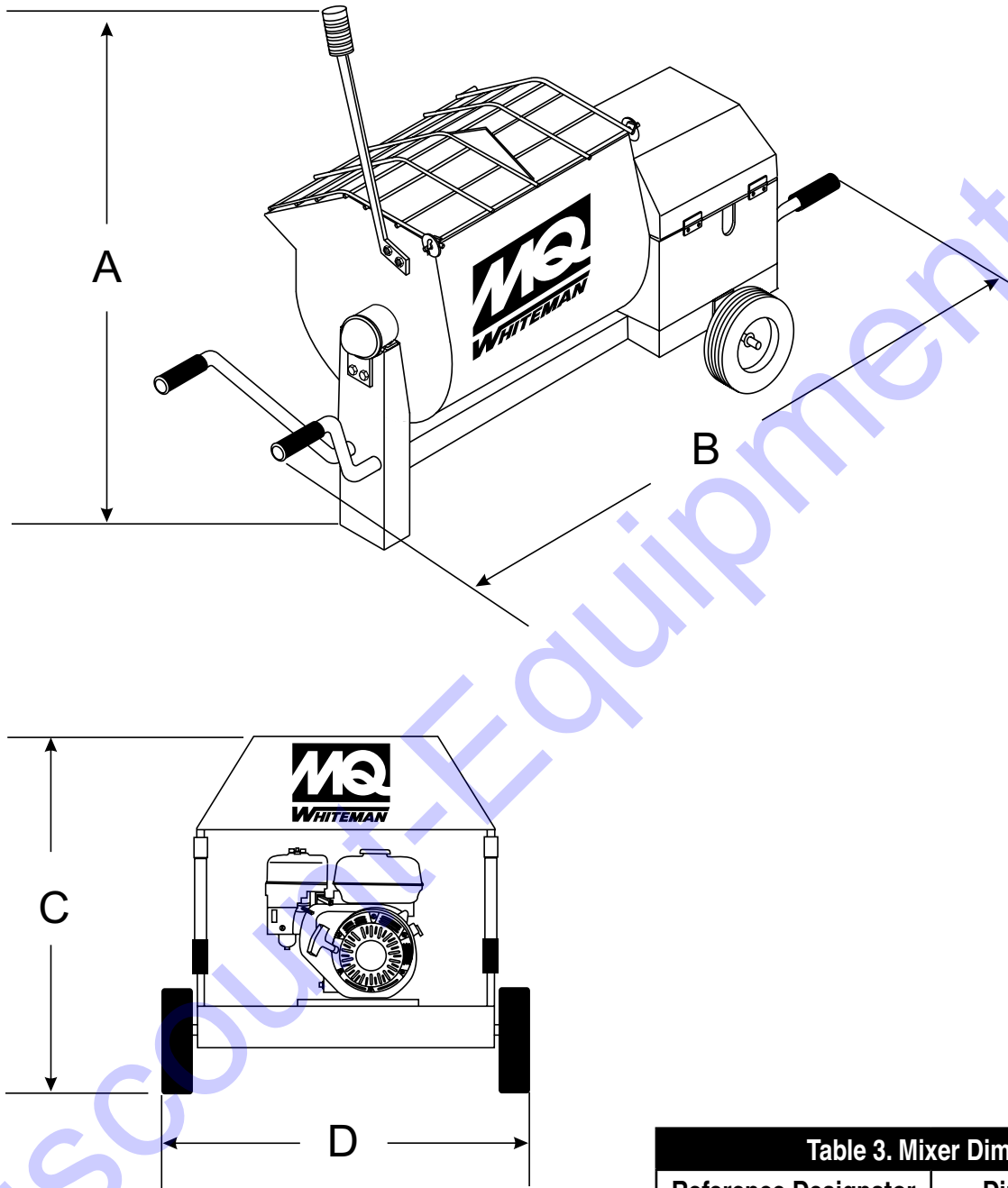


Figure 1. Dimensions

Table 3. Mixer Dimensions	
Reference Designator	Dimension in. (cm.)
A	57.5 (146)
B	74.0 (188)
C	32.5 (82)
D	29.0 (74)

# GENERAL INFORMATION

## GENERAL

The MQ Model WM45H and WM45E plaster and mortar mixers are shipped completely assembled and each mixer has been factory tested.

The drum batch capacity of these mixers is between 1.5 and 2.5 bags. With proper care it will give continuous service year after year.

These mixers can be powered by either a Honda GX160 gasoline engine or a 1 HP electric motor (115/230 VAC, 60 Hz). The shaft of the engine or electric motor is connected to a drive belt pulley which is attached to a main gear. As the main gear rotates it causes the paddle shaft to rotate.

### Before Starting

Before starting if using a gasoline model mixer, read the engine owner's manual and thoroughly understand the safety information.

Check the items listed below:

### Oil Levels (Gasoline Model Only)

Be sure to check the oil levels in the engine and engine reduction unit before starting the unit (gasoline model only).

### Hardware

Check all hardware on the mixer before starting. Periodically inspect all hardware. Loose hardware can contribute to early component failure and poor performance. Use the torque chart below as a general guideline and keep all hardware tight:

HARDWARE DIA	TORQUE (lb./ft.)
5/16" - 18	24
3/8" - 24	37
1/2" - 13	39
1/2" - 13 (Grade 8)	90

## Gasoline Engine Care

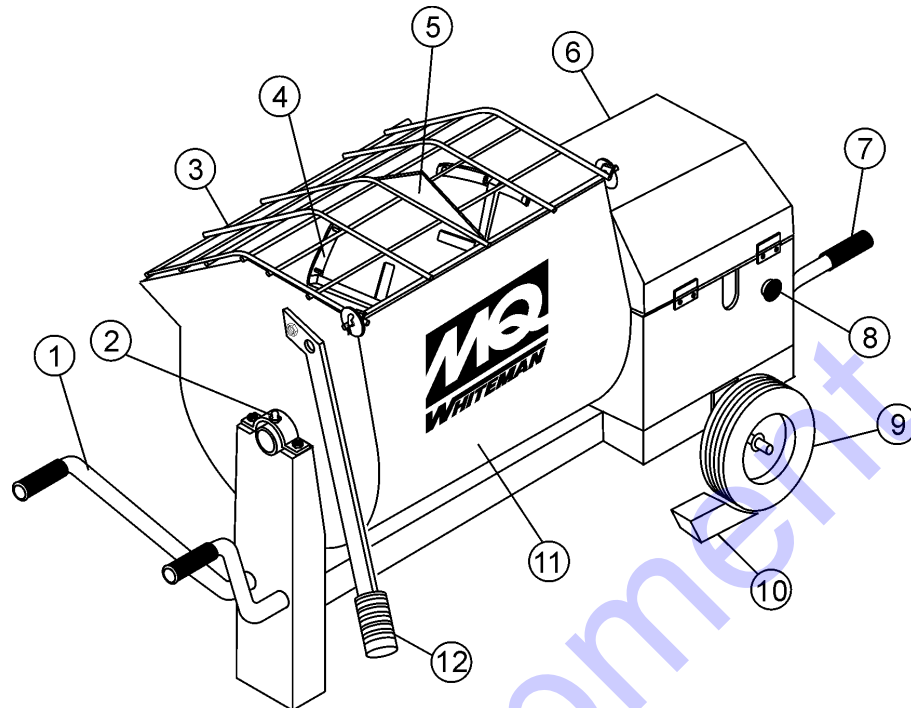
For care and operation of the Honda engine, refer to the maintenance procedures in this manual and the engine manufacturer's operating instructions furnished with the engine. We recommend draining and refilling the engine crankcase at least every thirty hours of operation. Check the engine oil level daily.

### ON/OFF Switch (Gasoline Model Only)

This feature is on gasoline engine mixers only. Located on the side of the engine cover. The purpose of this switch is to start and stop the mixer in normal operation.

### ON/OFF Switch (Electric Model Only)

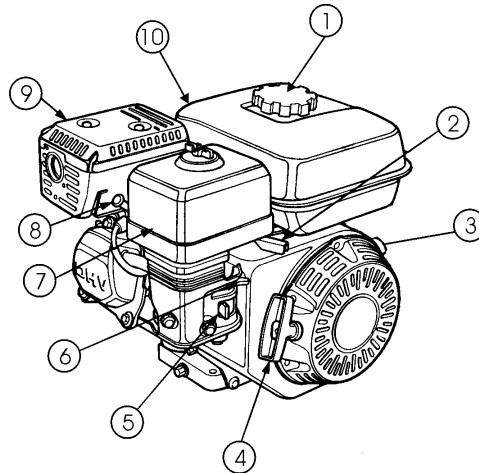
This feature is on electric motor mixers only. This switch is located on top of the motor. Lift the engine cover to gain access to this switch. The purpose of this switch is to start and stop the mixer in normal operation. **NEVER** use the electric motor in an explosive environment.



**Figure 2. Major Components**

Figure 2 illustrates the basic components and controls of the WM45H and WM45E mixer.

1. **Lifting Handle Bars** — Use these handle bars to lift and maneuver the mixer.
2. **Pivot Point/Zerk Fitting** — There is, on each end of the mixing drum a zerk grease fitting. These fittings lubricate the dumping mechanism. Lubricate both fittings at least twice a week.
3. **Safety Grill** — Provided for operator safety. This safety grill is designed to keep hands and solid objects out of the mixing drum when in use. This grill should be closed at all times when mixer is in use. **DO NOT** remove the grill or grill opening bar. Keep the grill clean by washing it down daily.
4. **Mixing Paddles** — Used in the mixing of material. This unit uses four different types of paddles to provide a fast uniform mix.
5. **Bag Cutter** — This feature allows compound mixing bags to be opened easily, therefore allowing the contents of the bag to fall directly into the mixing drum.
6. **Engine Cover** — Lift this cover to gain access to the engine compartment.
7. **Lifting Handle Bars (Engine Side)** — Use these fold-down handle bars to lift and maneuver the mixer.
8. **Engine ON/OFF Switch** — Pull switch outward to start engine. Push inward to stop engine. This feature is on gasoline models only.
9. **Tires** — Replace tires with the recommended type tire of 12 x 3.
10. **Chock Blocks** — Place these blocks (not included as part of the mixer package) under each mixer wheel to prevent rolling.
11. **Steel Mixing Drum** — Mixing materials such as mortar, plaster are to be placed into this drum for mixing. Always clean the drum after each use
12. **Dump Handle** — Pull this handle downward to dump the contents of the drum. Push the handle upward to return the drum to its vertical position.



**Figure 3. Engine Controls and Components**

## INITIAL SERVICING

The engine (Figure 3) must be checked for proper lubrication and filled with fuel prior to operation. Refer to the manufacturer's engine manual for instructions and details of operation and servicing. **Fuel Filler Cap** — Remove this cap to add unleaded gasoline to the fuel tank. Make sure cap is tightened securely. **DO NOT** over fill.

### DANGER



Adding fuel to the tank should be done only when the engine is stopped and has had an opportunity to cool down. In the event of a fuel spill, **DO NOT** attempt to start the engine until the fuel residue has been completely wiped up, and the area surrounding the engine is dry.

1. **Fuel Filler Cap** — Remove this cap to add unleaded gasoline to the fuel tank. Make sure cap is tightened securely. **DO NOT** over fill.
2. **Throttle Lever** — Used to adjust engine RPM speed (lever advanced forward **SLOW**, lever back toward operator **FAST**).
3. **Engine ON/OFF Switch** — ON position permits engine starting, OFF position stops engine operations.
4. **Recoil Starter (pull rope)** — Manual-starting method. Pull the starter grip until resistance is felt, then pull briskly and smoothly.
5. **Fuel Valve Lever** — **OPEN** to let fuel flow, **CLOSE** to stop the flow of fuel.

6. **Choke Lever** — Used in the starting of a cold engine, or in cold weather conditions. The choke enriches the fuel mixture.
7. **Air Cleaner** — Prevents dirt and other debris from entering the fuel system. Remove wing-nut on top of air filter canister to gain access to filter element.

### NOTICE

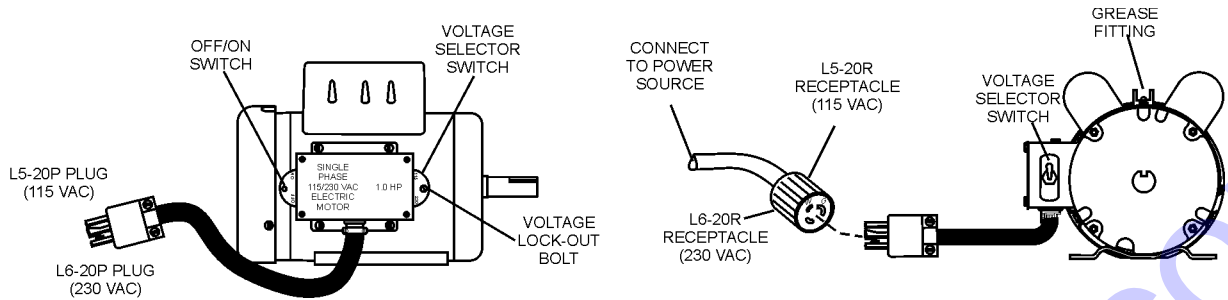
Operating the engine without an air filter, with a damaged air filter, or a filter in need of replacement will allow dirt to enter the engine, causing rapid engine wear.

### WARNING



Engine components can generate extreme heat. To prevent burns, **DO NOT** touch these areas while the engine is running or immediately after operating. **NEVER** operate the engine with the muffler removed.

8. **Spark Plug** — Provides spark to the ignition system. Set spark plug gap to 0.6 - 0.7 mm (0.028 - 0.031 inch). Clean spark plug once a week.
9. **Muffler** — Used to reduce noise and emissions.
10. **Fuel Tank** — Holds unleaded gasoline. For additional information refer to engine owner's manual.



**Figure 4. Single-Phase Electric Motor  
18-Inch Pigtail Cable**

## Electric Motor

For maintenance care and operation of the electric motor, refer to your electric motor instruction booklet furnished with the motor.

Protect the electric motor from dust as much as possible and keep ventilating openings clean.

The electric motor used in this mixer is a single-phase 1.0 HP motor. The input voltage requirement for this motor is either 115 or 230 VAC only.

## Electric Motor Connection

A 12 inch electrical cable (Figure 4) with a pigtail at one end is provided with the electrical motor for hookup to a power source. Table 4. shows the required NEMA connector for the desired motor horsepower rating. In addition, Table 3 also shows the matching NEMA approved connector for the required extension cord.

**ALWAYS**, make certain that the power source required for the electric motor is correct and always use the correct **NEMA** configuration plug. Failure to supply the correct voltage to the motor can severely damage the motor.

The motor supplied is wired for 115 VAC grounded operation. Make certain that the correct size grounded (3-wires) extension cord is used. See Table .

Motors can burn out when the line voltage falls 10% below the voltage rating of the motor. Failure to use proper voltage will cause the motor to overheat and actuate the overload switch.

If overload protection should activate because of improper voltage or any other malfunction, turn the main switch on the motor to the "OFF" position and correct the problem, press the reset switch button, and turn the main switch to the "ON" position.

## Electric Motor Voltage Switch

1. **ALWAYS** make certain the electric motor switch is "OFF" (Figure 4) and the power cord has been disconnected from the power source.
2. Remove the voltage lock-out bolt. Change the position of the voltage change toggle switch from 115 VAC to 230 VAC. The mixer is factory wired for 115 VAC operation.
3. Re-install voltage lock-out bolt.
4. Important!, when changing the electric motor input voltage from 115 to 230 VAC the plug on the motor power cord must also be changed. See Table 5.

**Table 4. Electric Motor Wiring Information**

HP/Voltage	115-230 VAC Single Phase	
	NEMA Plug	Mating NEMA Receptacle
1.0/115VAC	L5-20P P/N EM 940537	SAE 10W-30
1.0/230VAC	L5-20P P/N EM 940537	SAE 10W-30/20

**Table 5. Recommended Extension Cord Sizes**

Model	Motor	Voltage	50 ft. (15 m)	75 ft. (23 m)	100 ft. (30 m)	200 ft. (61m)
WM45E	1 HP	115	No. 12	No. 10	No. 8	No. 6
		230	No. 14	No. 12	No. 12	No. 8

## NOTICE

**ALWAYS** make certain that the power source required for the electric motor is correct and always use the correct **NEMA** configuration plug. Failure to supply the correct voltage to the motor can severely damage the motor.

# PRE-INSPECTION (ENGINE/MIXER)

## BEFORE STARTING

1. Read safety instructions at the beginning of manual.
2. Clean the mixer, removing dirt and dust, particularly the engine cooling air inlet, carburetor and air cleaner.
3. Check the air filter for dirt and dust. If air filter is dirty, replace air filter with a new one as required.
4. Check carburetor for external dirt and dust. Clean with dry compressed air.
5. Check fastening nuts and bolts for tightness.



## Engine Oil Check

1. To check the engine oil level, place the mixer on secure level ground with the engine stopped.
2. Remove the filler dipstick from the engine oil filler hole (Figure 5) and wipe clean.

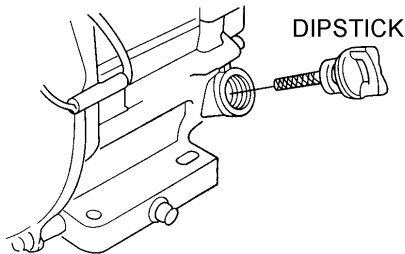


Figure 5. Engine Oil Dipstick (Removal)

3. Insert and remove the dipstick without screwing it into the filler neck. Check the oil level shown on the dipstick.
4. If the oil level is low (See Figure 6), fill to the edge of the oil filler hole with the recommended oil type (Table 6). Maximum oil capacity is 1.16 quarts (1.1 liters).

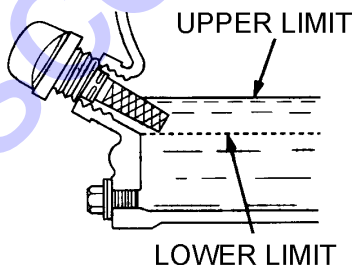


Figure 6. Engine Oil Dipstick (Oil Level)

Table 6. Oil Type

Season	Temperature	Oil Type
Summer	25°C or Higher	SAE 10W-30
Spring/Fall	25°C~10°C	SAE 10W-30/20
Winter	0°C or Lower	SAE 10W-10

## **!** DANGER



Motor fuels are highly flammable and can be dangerous if mishandled. **DO NOT** smoke while refueling. **DO NOT** attempt to refuel the mixer if the engine is **hot!** or **running.**

## Fuel Check

1. Remove the gasoline cap located on top of fuel tank.
2. Visually inspect to see if the fuel level is low. If fuel is low, replenish with unleaded fuel.
3. When refueling, be sure to use a strainer for filtration. **DO NOT** top-off fuel. Wipe up any spilled fuel **immediately!**

## V-Belt Check (Electric Model Only)

A worn or damaged V-belt can adversely affect the performance of the mixer. If a V-belt is defective or worn simply replace the V-belt as outlined in the maintenance section of this manual.

## Blade Check

Check for worn or paddle blades. Make sure that all blades are adjusted properly. See blade adjustment procedure in this manual. Replace all defective or damaged blades immediately.

## Start/Stop Switch Check (Gasoline Model Only)

This switch (Figure 11B) should be tested every time the gasoline engine is started.

## Grease Fittings (Dumping Mechanism)

Check the zerk grease fittings at each end of the mixing drum. These grease fittings lubricate the dumping mechanism. If the dumping handle is stiff or hard to move lubricate these fittings.

## INITIAL START-UP (ENGINE)

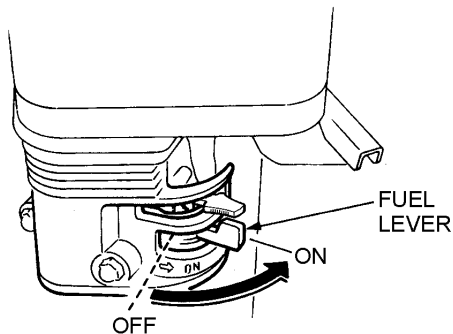
### CAUTION



**DO NOT** attempt to operate the mixer until the Safety, General Information and Inspection sections of this manual have been *read and thoroughly understood*.

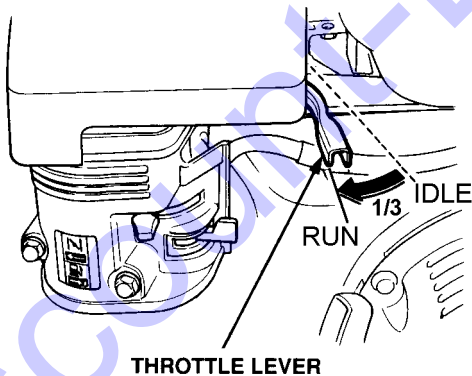
This section is intended to assist the operator with the initial start-up of the mixer. It is extremely important that this section be read carefully before attempting to use the mixer in the field.

1. Place the engine fuel valve lever (Figure 7) to the “ON” position.



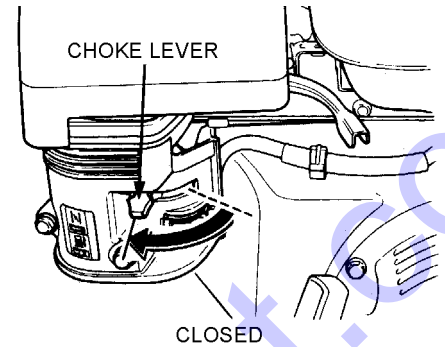
**Figure 7. Engine Fuel Valve Lever (ON Position)**

2. Move the throttle lever (Figure 8) away from the slow position, about 1/3 of the way toward the fast position



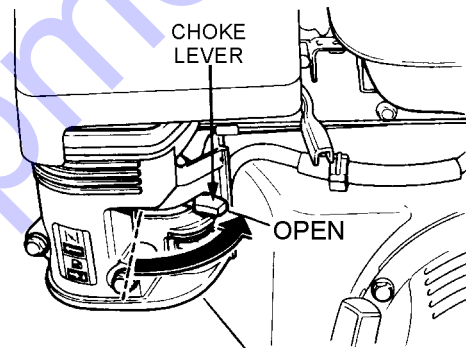
**Figure 8. Throttle Lever (1/3 Start Position)**

3. Place the choke lever (Figure 9) in the “CLOSED” position if starting a cold engine.



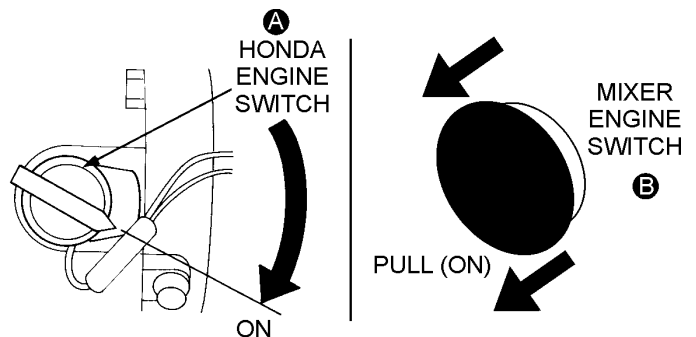
**Figure 9. Engine Choke Lever (Closed)**

4. Place the choke lever (Figure 10) in the “OPEN” position if starting a warm engine or the temperature is warm.



**Figure 10. Engine Choke Lever (Open)**

5. Place both engine ON/OFF switches (Figure 11) in the “ON” position.



**Figure 11. Engine ON/OFF Switches (ON Position)**



# INITIAL START-UP (ENGINE/ELECTRIC MOTOR)

1. Grasp the starter grip (Figure 12) and slowly pull it out. The resistance becomes the hardest at a certain position, corresponding to the compression point. Pull the starter grip briskly and smoothly for starting.

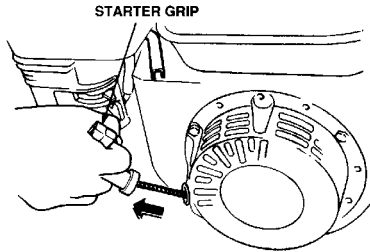


Figure 12. Starter Grip

2. If the engine has started, slowly return the choke lever (Figure 13) to the "CLOSED" position. If the engine has not started repeat steps 1 through 6.

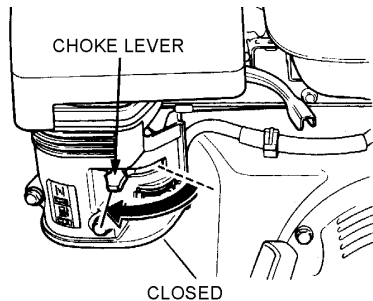


Figure 13. Choke Lever (Closed)

3. Before the mixer is placed in to operation, run the engine for several minutes. Check for fuel leaks, and noises that would associate with a lose component.
4. To begin mixing, place the throttle lever (Figure 14) in the "RUN" position.

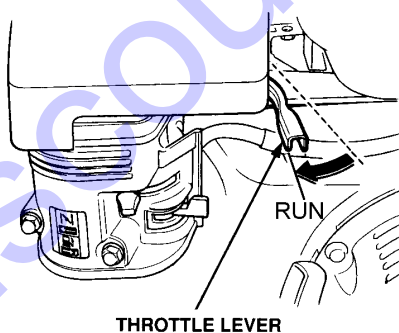


Figure 14. Throttle Lever (Run)

## CAUTION

**ALWAYS** run engine at *full speed* while mixing.

## STARTING THE ELECTRIC MOTOR

1. Using an adequate size extension cord (see Table 4), connect one end of the extension cord to the plug on the electric motor, connect the other end to the power source. Make sure the motor is configured for the proper operating voltage.
2. Set the electric motor's ON/OFF switch (Figure 15) to the ON position.

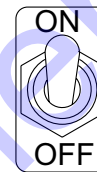


Figure 15. Electric Motor ON/OFF Switch (ON)

## Mixing Dumping

1. The paddle shaft inside the drum should be rotating at this time.
2. Lift the mixing bag compound onto the steel grate over the bag cutter and let the contents fall into the drum.
3. Add water, and mix compound to desired consistency.

## CAUTION

Be sure to stand clear of the dump handle when the mixer is operational. Any binding of material between the mixer blades and the drum will cause the drum handle to move to the discharge position, thus causing bodily harm.

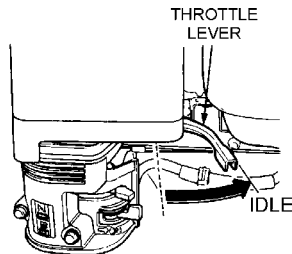
## CAUTION

**NEVER** disable or disconnect the engine start/stop switch (Figure 17). It is provided for operator safety. Serious Injury may result if it is disabled, disconnected or improperly maintained.

## STOPPING THE ENGINE

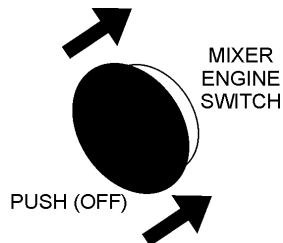
### Normal Shutdown

1. Move the throttle lever to the **IDLE** position (Figure 16) and run the engine for three minutes at low speed.



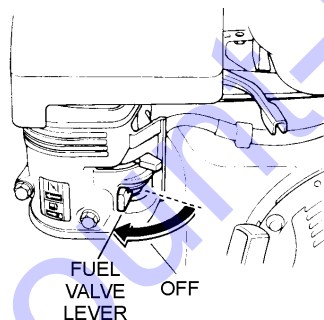
**Figure 16. Throttle Lever (Idle)**

2. After the engine cools, push the engine ON/OFF switch inward to the "**OFF**" position (Figure 17).



**Figure 17. Engine ON/OFF Switch (OFF)**

3. Place the fuel shut-off lever (Figure 18) in the "**OFF**" position.



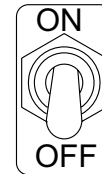
**Figure 18. Fuel Valve Lever (OFF)**

### Emergency Shutdown

1. Move the throttle lever quickly to the **IDLE** position, and place the engine ON/OFF switch in the **OFF** position.

## STOPPING THE ELECTRIC MOTOR

1. Place the electric motor's ON/OFF switch (Figure 19) in the **OFF** position.



**Figure 19. Electric Motor ON/OFF Switch (ON)**

2. Disconnect the electric motor's extension cord from its power source.

### Storage (Daily)

1. Clean drum of all debris and foreign matter.
2. Store mixer in a clean dry location.

### Storage (30 days) Gasoline Models Only

1. Drain the fuel tank completely, or add STA-BIL to the fuel.
2. Run the engine until the gasoline in the carburetor is completely consumed.
3. Completely drain the oil from the crankcase and refill with fresh oil.
4. Remove the spark plug, pour 2 or 3 cc of SAE 30 oil into the cylinder and crank slowly to distribute the oil.
5. Slowly rotate the engine a few times with the starter rope and install a new plug.
6. Pull out the starter rope slowly and stop at the compression point.
7. Clean all external parts of the mixer with a cloth.
8. Cover the mixer and store in a clean, dry place

# MAINTENANCE (ENGINE)

## ENGINE MAINTENANCE

Perform engine maintenance procedures as referenced by Table 7 below:

Table 7. Engine Maintenance Schedule								
Description (3)	Operation	Before	First Month or 10 hrs	Every 3 Months or 25 hrs	Every 6 Months or 50 hrs	Every Year or 100 hrs	Every 2 Years or 200 hrs	
Engine Oil	CHECK	X						
	CHANGE		X					
Air Cleaner	CHECK	X						
	CHANGE			X (1)				
All Nuts and Bolts	Re-tighten If Necessary	X						
Spark Plug	CHECK-CLEAN				X			
	REPLACE						X	
Cooling Fins	CHECK				X			
Spark Arrester	CLEAN					X		
Fuel Tank	CLEAN					X		
Fuel Filter	CHECK					X		
Idle Speed	CHECK-ADJUST					X (2)		
Valve Clearance	CHECK-ADJUST						X (2)	
Fuel lines	CHECK		Every 2 years (replace if necessary) (2)					

1. Service more frequently when used in **DUSTY** areas.
2. These items should be serviced by your service dealer, unless you have the proper tools and are mechanically proficient. Refer to the HONDA shop Manual for service procedures.
3. For commercial use, log hours of operation to determine proper maintenance intervals.

### NOTICE

Reference manufacturer engine manual for specific servicing instructions.

# MAINTENANCE (ENGINE)

## MAINTENANCE

Perform the engine maintenance procedures as indicated below:

### Daily

1. Thoroughly remove dirt and oil from the engine and control area. Clean or replace the air cleaner elements as necessary. Check and retighten all fasteners as necessary. Check the spring box and bellows for oil leaks. Repair or replace as needed.

### Weekly

1. Remove the fuel filter cap and clean the inside of the fuel tank.
2. Remove or clean the filter at the bottom of the tank.
3. Remove and clean the spark plug (Figure 20), then adjust the spark gap to 0.028~0.031 inch (0.6~0.7 mm). This unit has electronic ignition, which requires no adjustments.

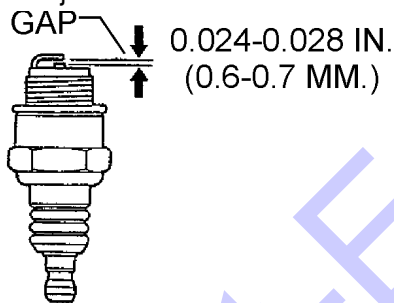


Figure 20. Spark Plug Gap

## ENGINE OIL

1. Drain the engine oil when the oil is **warm** as shown in Figure 21.
2. Remove the oil drain bolt and sealing washer and allow the oil to drain into a suitable container.
3. Replace engine oil with recommended type oil as listed in Table 6. Engine oil capacity is 1.16 quarts (1.1 liters). **DO NOT** over fill.
4. Install drain bolt with sealing washer and tighten securely.

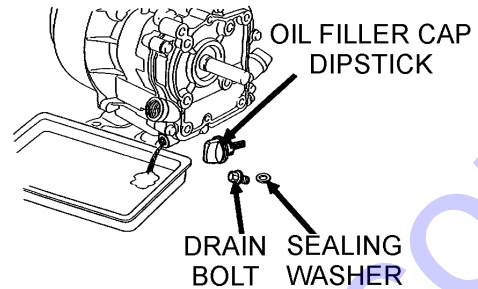


Figure 21. Engine Oil (Draining)

## ! DANGER



**DO NOT** use gasoline as a cleaning solvent, because that would create a risk of fire or explosion.

## ENGINE AIR CLEANER

1. Remove the air cleaner cover and foam filter element as shown in Figure 22.
2. Tap the paper filter element (Figure 22) several times on a hard surface to remove dirt, or blow compressed air [not exceeding 30 psi (207 kPa, 2.1 kgf/cm<sup>2</sup>)] through the filter element from the air cleaner case side. **NEVER** brush off dirt. Brushing will force dirt into the fibers. Replace the paper filter element if it is excessively dirty.
3. Clean foam element in warm, soapy water or non-flammable solvent. Rinse and dry thoroughly. Dip the element in clean engine oil and completely squeeze out the excess oil from the element before installing.

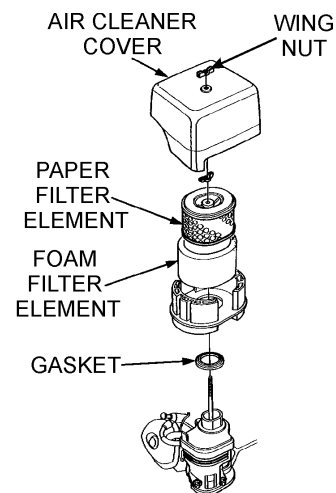


Figure 22. Engine Air Cleaner

# MAINTENANCE (MIXER)

## Drum Head Seals

There is 1 set of drum head seals (Figure 23) that will require lubrication.

### NOTICE

#### Important- Drum Head Seal Care

Grease seals every **40 hours of operation** using any grade #1 lithium base grease. Apply grease until visible of mixing tub (over grease). This will purge seal system of contamination.

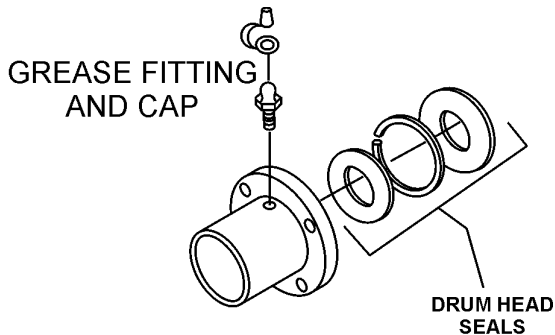


Figure 23. Grease Fittings (Drum Head Seals)

## Drum Bearing Bracket Lubrication

There is 1 set of drum bearing brackets (Figure 24) that will require lubrication. These brackets are intended to make the drum rotate freely. Lubricate the grease fitting for each drum bearing bracket **every month or when the drum becomes difficult to position** using multi-purpose grade grease.

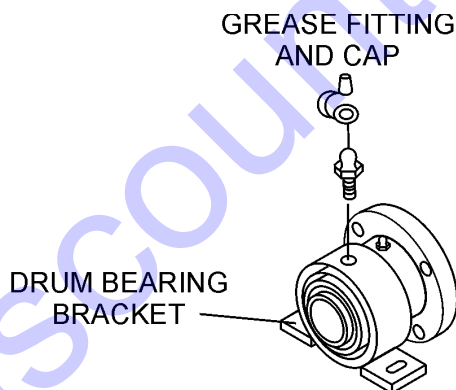


Figure 24. Grease Fittings (Dumping Mechanism)

### NOTICE

#### Lubricating Grease Fittings

**Failure** to lubricate the drum bearing grease fittings periodically will cause the dumping mechanism to stiffen, making the mixing drum hard to dump.

## Countershaft Bearing Lubrication

There is 1 set of countershaft bearings (Figure 25) that will require lubrication. Lubricate the grease fitting for each countershaft bearing every **40 hours of operation** using any grade lithium base grease.

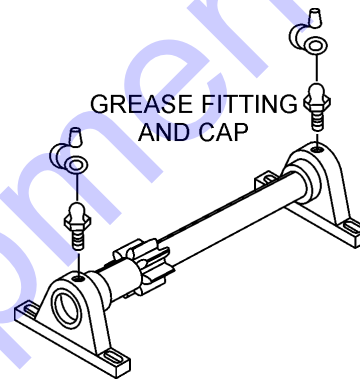


Figure 25. Grease Fittings (Countershaft)

## Grease Fittings (Zerk) Maintenance (Electric Motor)

1. There are two grease (Figure 18) fittings at each end of the electric motor that will require lubrication. Lubricate these fittings about **every 16 months**.
2. Use Poleyrex EM (Exxon Mobil) or equivalent lubricant. Clean grease fitting, apply grease gun to fitting (1/2 shot). Remember too much grease or injecting grease too quickly can cause premature bearing failure. Slowly apply the recommended amount of grease, taking a minute or so to apply.

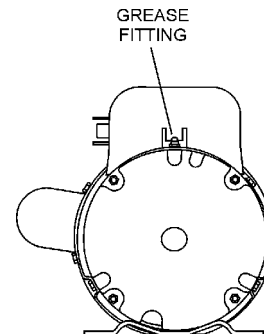


Figure 26. Grease Fittings Electric Motor

# MAINTENANCE (MIXER)

## Main Gear and Drive Pinion Alignment

3. Disconnect the spark plug wire. In addition make sure the clutch engagement lever is dis-engaged to relieve V-belt tension.
4. The countershaft and drive pinion are mounted on a slotted base. To align drive pinion with main gear, loosen the pillow block mounting bolts and move them until the necessary alignment has been made. Remember gears must be paralleled aligned not skewed.
5. Using your hand, slightly move (rock) the drive pulley back and forth to determine the amount of backlash. Insert feeler gauge between gears to determine backlash distance. Backlash should range between 0.007- 0.012 inches (Figure 27).

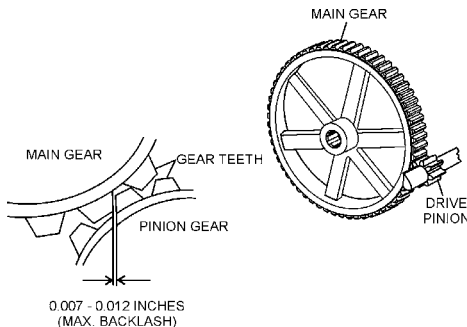


Figure 27. Drive Pinion and Main Gear (Backlash)

## Inspect Tooth Contact Between Main Gear and Drive Pinion

1. Coat 3 or 4 teeth at 3 different positions on the main gear with yellow paint.
2. Rotate the drive pulley in both directions.
3. Inspect the tooth pattern.
4. If gear teeth are not contacting properly (Figure 28), adjust pillow block to correct the problem.

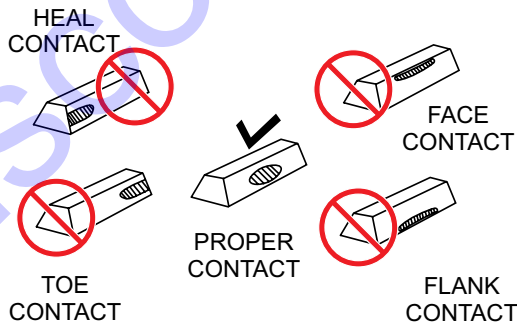


Figure 28. Gear Teeth Alignment

## Gear Lubrication

The surface of the pinion and main gear (Figure 29) should be very lightly greased.

### NOTICE

Re Grease main and pinion gears **every 250 hours** of operation. **IMPORTANT!** avoid over-greasing. Excess grease will accumulate contaminates and cause premature wear.

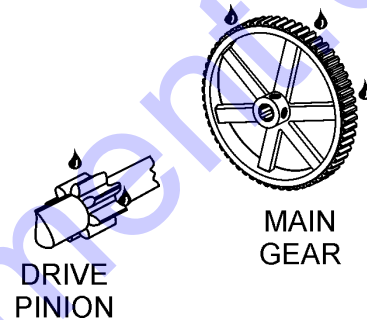


Figure 29. Pinion and Bull Gear Lubrication

### NOTICE

#### Mixer Cleaning

**ALWAYS** disconnect the spark plug wire before cleaning inside of mixing drum.

**NEVER** pour or spray water (Figure 30) over engine or electric motor.

For consistent performance, long life and high quality mixing, thoroughly clean the mixer inside and out at the end of each day's operation. To prevent lumps of dried mortar from forming and contamination of future batches, do not allow a buildup of materials to form on the blades or anywhere inside the drum.

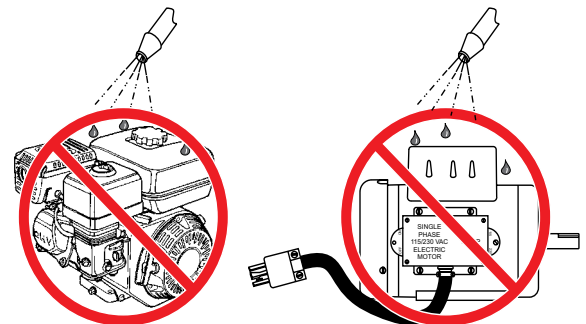


Figure 30. No Spraying of Water

# TROUBLESHOOTING (ENGINE)

Troubleshooting (Engine)		
Symptom	Possible Problem	Solution
Difficult to start, fuel is available, but no spark at spark plug.	Spark plug bridging?	Check gap, insulation or replace spark plug.
	Carbon deposit on spark plug?	Clean or replace spark plug.
	Short circuit due to deficient spark plug insulation?	Check spark plug insulation, replace if worn.
	Improper spark plug gap?	Set to proper gap.
	Fuel reaching carburetor?	Check fuel line.
	Water in fuel tank?	Flush or replace fuel tank.
	Fuel filter clogged?	Replace fuel filter.
	Stuck carburetor?	Check float mechanism.
	Spark plug is red?	Check transistor ignition unit.
	Spark plug is bluish white?	If insufficient compression, repair or replace engine. If injected air leaking, correct leak. If carburetor jets clogged, clean carburetor.
	No spark present at tip of spark plug?	Check transistor ignition unit is broken, and replace defective unit. Check if voltage cord cracked or broken and replace. Check if spark plug if fouled and replace.
	No oil?	Add oil as required.
	Oil pressure alarm lamp blinks upon starting? (if applicable)	Check automatic shutdown circuit, "oil sensor". (if applicable)
	Difficult to start, fuel is available, and spark is present at the spark plug.	ON/OFF switch is shorted?
Ignition coil defective?		Replace ignition coil.
Improper spark gap, points dirty?		Set correct spark gap and clean points.
Condenser insulation worn or short circuiting?		Replace condenser.
Spark plug wire broken or short circuiting?		Replace defective spark plug wiring.
Difficult to start, fuel is available, spark is present and compression is normal.	Wrong fuel type?	Flush fuel system, replace with correct type of fuel.
	Water or dust in fuel system?	Flush fuel system.
	Air cleaner dirty?	Clean or replace air cleaner.
	Choke open?	Close choke.
Difficult to start, fuel is available, spark is present and compression is low.	Suction/exhaust valve stuck or protruded?	Reseat valves.
	Piston ring and/or cylinder worn?	Replace piston rings and/or piston.
	Cylinder head and/or spark plug not tightened properly?	Torque cylinder head bolts and spark plug.
	Head gasket and/or spark plug gasket damaged?	Replace head and spark plug gaskets.
No fuel present at carburetor.	No fuel in fuel tank?	Fill with correct type of fuel.
	Fuel cock does not open properly?	Apply lubricant to loosen fuel cock lever, replace if necessary.
	Fuel filter/lines clogged?	Replace fuel filter.
	Fuel tank cap breather hole clogged?	Clean or replace fuel tank cap.
	Air in fuel line?	Bleed fuel line.

## TROUBLESHOOTING (ENGINE/MIXER)

Practically all breakdowns can be prevented by proper handling and maintenance inspections, but in the event of a breakdown, please take remedial action following

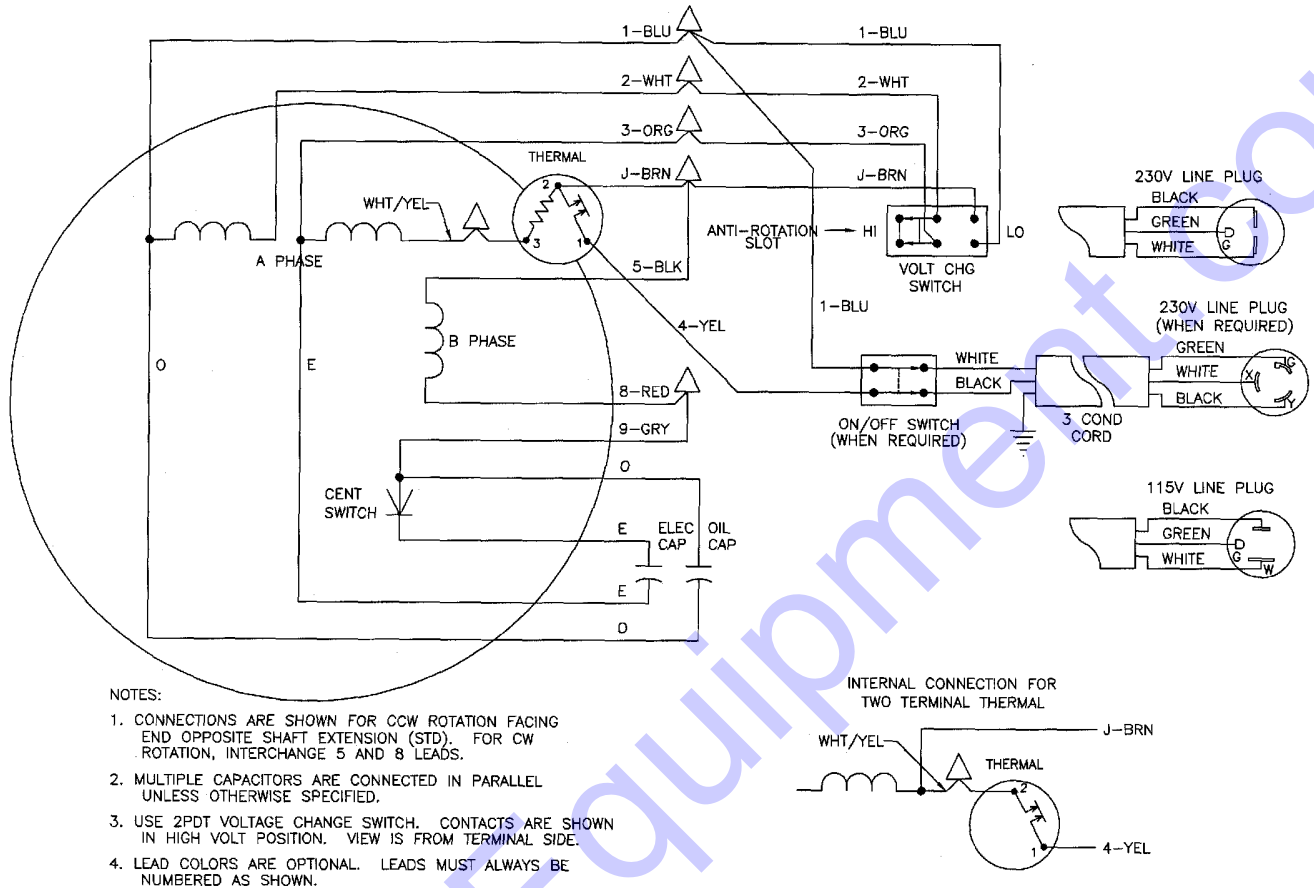
the diagnosis based on the Troubleshooting Tables. If the problem cannot be remedied, please leave the unit just as it is and consult our company's service department.

<b>Troubleshooting (Mixer)</b>		
<b>Symptom</b>	<b>Possible Problem</b>	<b>Solution</b>
Blades will not rotate.	Worn or defective V-belt?	Replace V-belt.
	Adjustment lever mis-aligned?	Check position of adjustment lever. Adjust if necessary.
	Material load too heavy, exceeding mixer capability?	Reduce amount of material being mixed.
	Object stuck inside mixing drum, jamming paddle rotation?	Stop engine. Empty out drum contents. Remove obstruction.
	Improper engine speed?	Check and adjust engine speed.
Material leaking from drum ends.	Worn or defective paddle shaft seals?	Replace seals.
Drum difficult to discharge (tilt).	Defective or worn drum support brackets?	Apply grease to bracket or replace.
	Blades adjusted too tight.	Adjust blades until they almost touch side walls of drum.

<b>Troubleshooting (Electric Motor)</b>		
<b>Symptom</b>	<b>Possible Cause</b>	<b>Solution</b>
Electric motor will not start.	Is there power?	Check power source. Check reset button.
	Is power cable plugged in?	Plug in power cable.
	Is ON/OFF switch placed in ON position?	Place ON/OFF switch in ON position.
	Defective electric motor ON/OFF switch?	Replace switch.
	Defective motor windings?	Repair windings or replace windings.
	Defective extension cord?	Replace extension cord.
Electric motor continuously stops.	Reset button OK?	Check power source.
Electric motor RPM's too low.	Low voltage?	Check input voltage.
Electric motor RPM's too high.	High voltage?	Check input voltage.



# WIRING DIAGRAM (ELECTRIC MOTOR)



**NOTES:**

1. CONNECTIONS ARE SHOWN FOR CCW ROTATION FACING END OPPOSITE SHAFT EXTENSION (STD). FOR CW ROTATION, INTERCHANGE 5 AND 8 LEADS.
2. MULTIPLE CAPACITORS ARE CONNECTED IN PARALLEL UNLESS OTHERWISE SPECIFIED.
3. USE 2PDT VOLTAGE CHANGE SWITCH. CONTACTS ARE SHOWN IN HIGH VOLT POSITION. VIEW IS FROM TERMINAL SIDE.
4. LEAD COLORS ARE OPTIONAL. LEADS MUST ALWAYS BE NUMBERED AS SHOWN.

**Figure 31. Electric Motor Wiring Diagram**

# EXPLANATION OF CODE IN REMARKS COLUMN

The following section explains the different symbols and remarks used in the Parts section of this manual. Use the help numbers found on the back page of the manual if there are any questions.

## NOTICE

The contents and part numbers listed in the parts section are subject to change **without notice**. Multiquip does not guarantee the availability of the parts listed.

## SAMPLE PARTS LIST

NO.	PART NO.	PART NAME	QTY.	REMARKS
1	12345	BOLT.....	1	INCLUDES ITEMS W/%
2%		WASHER, 1/4 IN.....		NOT SOLD SEPARATELY
2%	12347	WASHER, 3/8 IN....	1	MQ-45T ONLY
3	12348	HOSE .....		A/R ...MAKE LOCALLY
4	12349	BEARING .....	1	S/N 2345B AND ABOVE

## NO. Column

**Unique Symbols** — All items with same unique symbol

(@, #, +, %, or >) in the number column belong to the same assembly or kit, which is indicated by a note in the “Remarks” column.

**Duplicate Item Numbers** — Duplicate numbers indicate multiple part numbers, which are in effect for the same general item, such as different size saw blade guards in use or a part that has been updated on newer versions of the same machine.

## NOTICE

When ordering a part that has more than one item number listed, check the remarks column for help in determining the proper part to order.

## PART NO. Column

**Numbers Used** — Part numbers can be indicated by a number, a blank entry, or TBD.

TBD (To Be Determined) is generally used to show a part that has not been assigned a formal part number at the time of publication.

A blank entry generally indicates that the item is not sold separately or is not sold by Multiquip. Other entries will be clarified in the “Remarks” Column.

## QTY. Column

**Numbers Used** — Item quantity can be indicated by a number, a blank entry, or A/R.

A/R (As Required) is generally used for hoses or other parts that are sold in bulk and cut to length.

A blank entry generally indicates that the item is not sold separately. Other entries will be clarified in the “Remarks” Column.

## REMARKS Column

Some of the most common notes found in the “Remarks” Column are listed below. Other additional notes needed to describe the item can also be shown.

**Assembly/Kit** — All items on the parts list with the same unique symbol will be included when this item is purchased.

Indicated by:

“INCLUDES ITEMS W/(unique symbol)”

**Serial Number Break** — Used to list an effective serial number range where a particular part is used.

Indicated by:

“S/N XXXXX AND BELOW”

“S/N XXXX AND ABOVE”

“S/N XXXX TO S/N XXX”

**Specific Model Number Use** — Indicates that the part is used only with the specific model number or model number variant listed. It can also be used to show a part is NOT used on a specific model or model number variant.

Indicated by:

“XXXXX ONLY”

“NOT USED ON XXXX”

**“Make/Obtain Locally”** — Indicates that the part can be purchased at any hardware shop or made out of available items. Examples include battery cables, shims, and certain washers and nuts.

**“Not Sold Separately”** — Indicates that an item cannot be purchased as a separate item and is either part of an assembly/kit that can be purchased, or is not available for sale through Multiquip.

## SUGGESTED SPARE PARTS

WM45H/WM45E PLASTER/MORTAR MIXER WITH HONDA GX160UT1HX2 GASOLINE ENGINE AND 1 HP  
115/230 VAC, 60 HZ ELECTRIC MOTOR

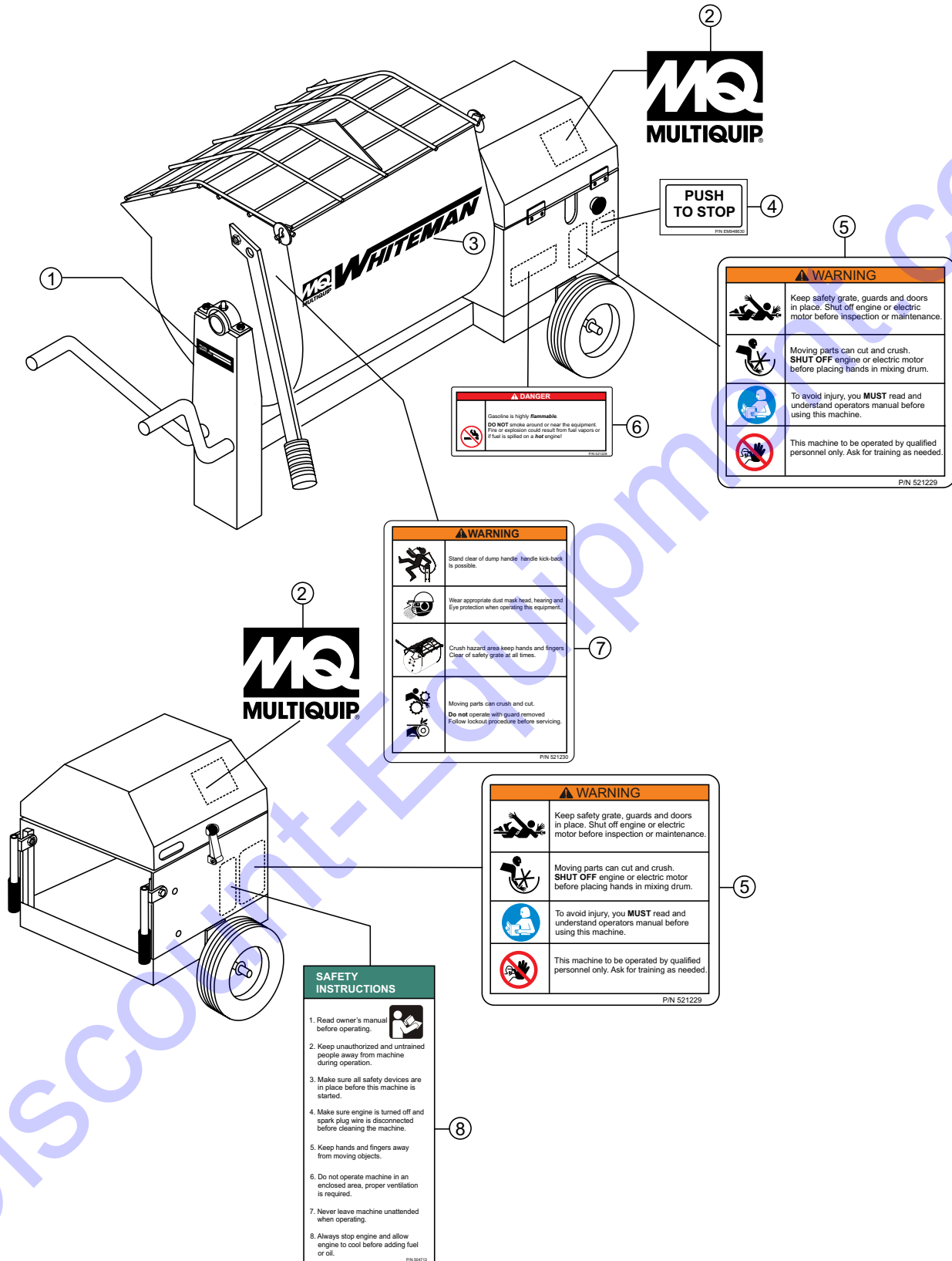
1 to 3 units

Qty.	P/N	Description
2	491010	RUBBER LATCH ASSY.
1	508473	V-BELT, ELECTRIC MOTOR A37
1	8000-008	KIT, RUBBER BLADES
3	9807956846	SPARK PLUG
3	17210ZE1822	ELEMENT, AIR
1	28462ZH8003	ROPE, RECOIL STARTER, HONDA
1	17620Z4H020	CAP, FUEL TANK

### NOTICE

Part numbers on this Suggested Spare Parts list may supersede/replace the part numbers shown in the following parts lists.

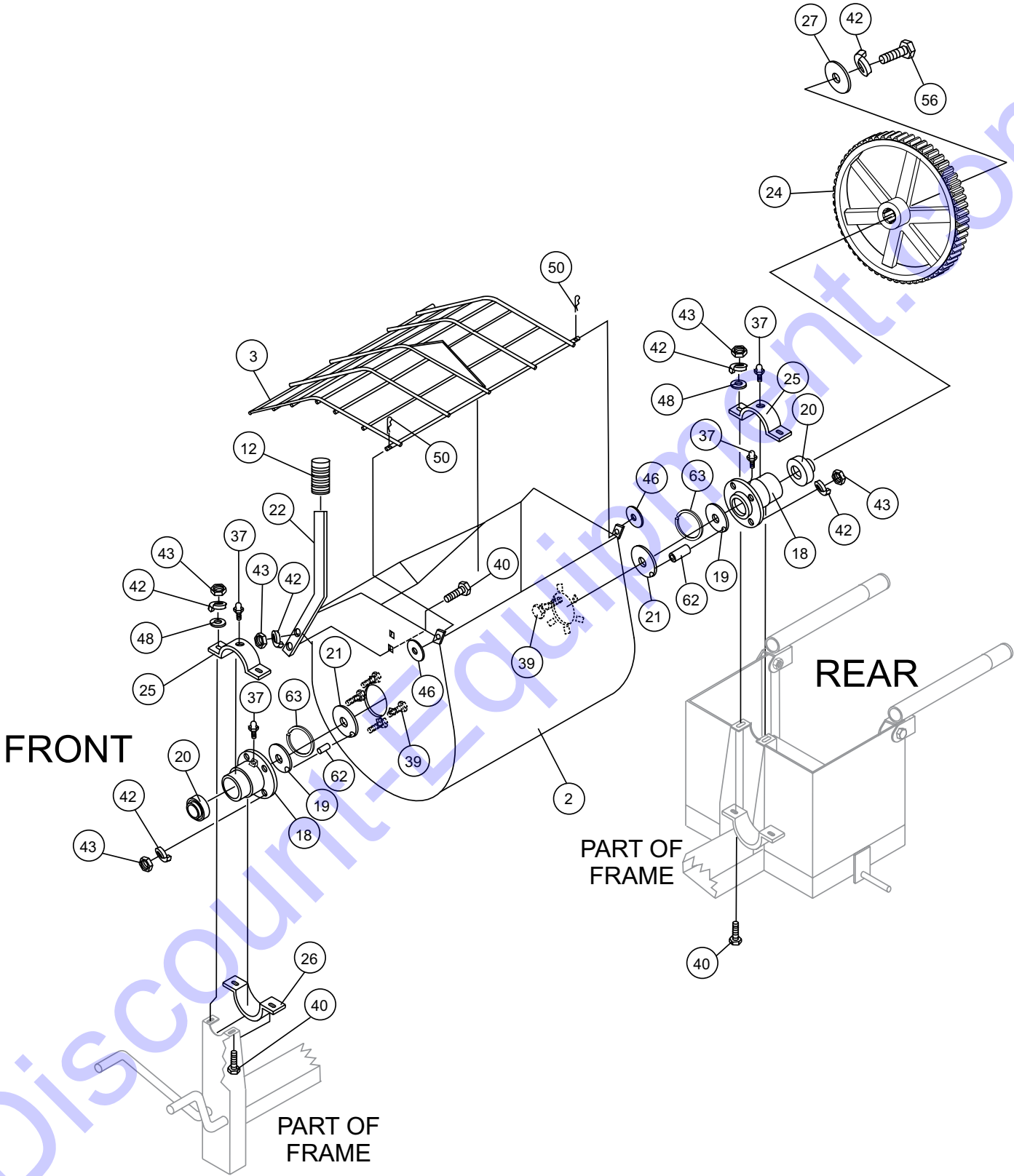
# NAMEPLATE AND DECALS



## NAMEPLATE AND DECALS

<u>NO.</u>	<u>PART NO.</u>	<u>PART NAME</u>	<u>QTY.</u>	<u>REMARKS</u>
1		DECAL: NAMEPLATE .....	1	.....CONTACT MQ PARTS DEPT.
2	512910	DECAL: MQ LOGO	2	
3	504714	DECAL, MQ WHITEMAN LOGO LARGE	1	
4	EM948630	DECAL: PUSH TO STOP	1	
5	521229	DECAL, READ MANUAL, CRUSH HAZARD	2	
6	521228	DECAL, DO NOT SMOKE	1	
7	521230	DECAL, HANDLE KICK BACK, SAFETY GRATE, CRUSH HAZARD	1 1	
8	504713	DECAL: WARNING; SAFETY INSTRUCTIONS	1	

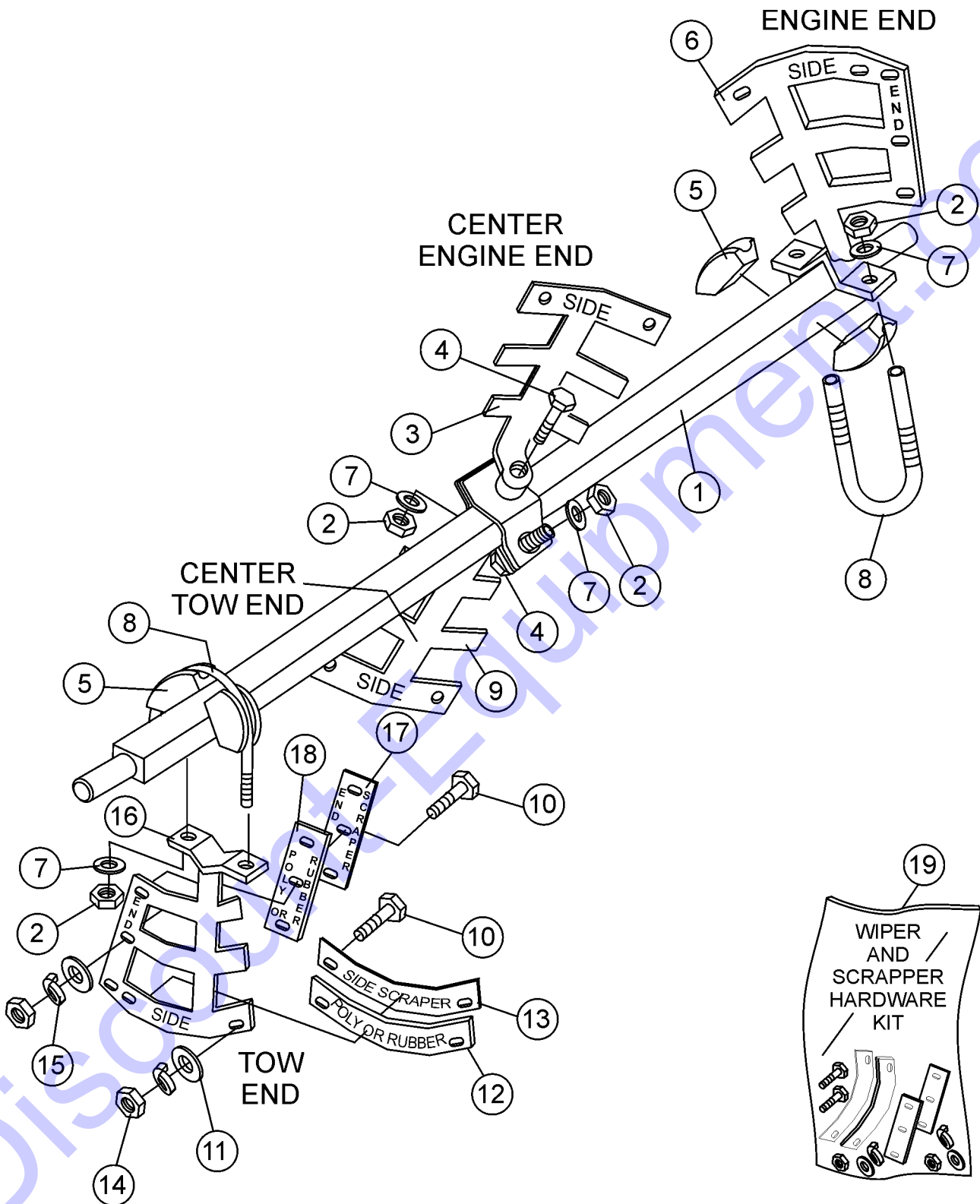
**STEEL TUB ASSY.**



## STEEL TUB ASSY.

<u>NO.</u>	<u>PART NO.</u>	<u>PART NAME</u>	<u>QTY.</u>	<u>REMARKS</u>
2#	26084-352	DRUM	1	
3	26085-351	GRATE	1	
12	23180-001	HAND GRIP	1	
18#	19728-001	TRUNNION	2	
19+#	19722-001	SHAFT SEAL	2	
20#	33177-001	SEALED BEARING	2	
21+#	33044-001	SHAFT SEAL	2	
22	25492-001	DUMP LEVER	1	
24#	33048-001	MAIN GEAR	1	
25	33084-001	BEARING HALF - UPPER	2	
26	33084-002	BEARING HALF - LOWER	2	
27#	18937-001	LARGE WASHER	1	
37#	07745-001	GREASE FITTING	4	
39#	17985-008	CARRIAGE BOLT 3/8 - 16 X 1	8	
40	17985-010	CARRIAGE BOLT 3/8 - 16 X 1-1/4	6	
42#	07029-006	LOCKWASHER 3/8	15	
43#	07033-006	HEX NUT 3/8 - 16	14	
46	07030-008	FLATWASHER 1/2	2	
48	07030-006	FLATWASHER 3/8	4	
50	07028-055	COTTER PIN 5/32 X 1	2	
56#	06501-008	HEX HEAD CAP SCREW 3/8 - 16 X 1	1	
62#	07594-012	ROLL PIN 3/16 X 3/4	2	
63#	19721-001	RETAINING RING	2	
	25648-501	SHAFT SEAL KIT .....	1.....	INCLUDES ITEMS W/+
	26083-502	DRUM ASSY. W/SHAFT MAIN GEAR .....	1.....	INCLUDES ITEM W/#, ALSO
		.....		INCLUDES PADDLE SHAFT
		.....		P/N 29062-351

# PADDLE SHAFT ASSY.

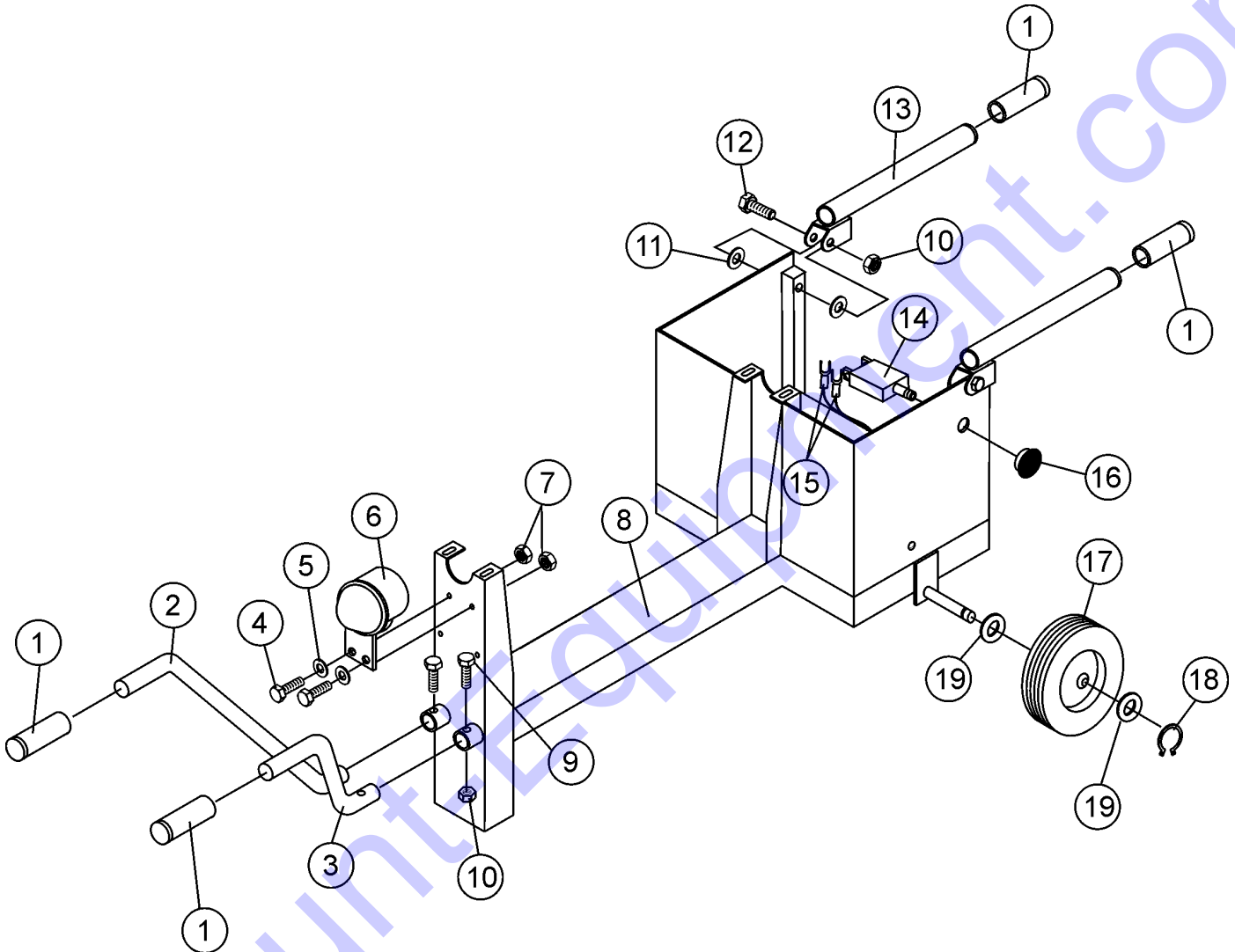




## PADDLE SHAFT ASSY.

<u>NO.</u>	<u>PART NO.</u>	<u>PART NAME</u>	<u>QTY.</u>	<u>REMARKS</u>
1	29062-351	PADDLE SHAFT	1	
2	492584	NUT, LOCK 1/2"	6	
3	530181C	PADDLE ARM, CENTER ENGINE END	1	
4	492400	SCREW, HHC 1/2"-13 X 3-1/2	2	
5	EM200292	INSERT, PADDLE ARM	4	
6	530180C	PADDLE ARM, ENGINE END	1	
7	504322	WASHER, FLAT 1/2"	6	
8	EM200297	U-BOLT, END PADDLES	2	
9	530179C	PADDLE ARM, CENTER TOW END	1	
10#	505196	SCREW, HHC 5/16-18 X 1-3/4 G5	12	
11#	3019092	WASHER, FLAT 3/8"	12	
12#	514725	BLADE, SIDE, RUBBER	4	
13#	514726	BLADE, SIDE, SCRAPPER	4	
14#	1456	NUT, HEX FINISH 3/8-16" NC G5	12	
15#	0166A	WASHER, LOCK 3.8"	12	
16	530182C	PADDLE ARM, TOW END	1	
17#	530201	BLADE ,SCRAPPER END	2	
18#	33017-001	BLADE, RUBBER END	2	
19	80000-008	KIT, RUBBER BLADE SCRAPPER & HARDWARE	1	INCLUDES ITEMS W/#

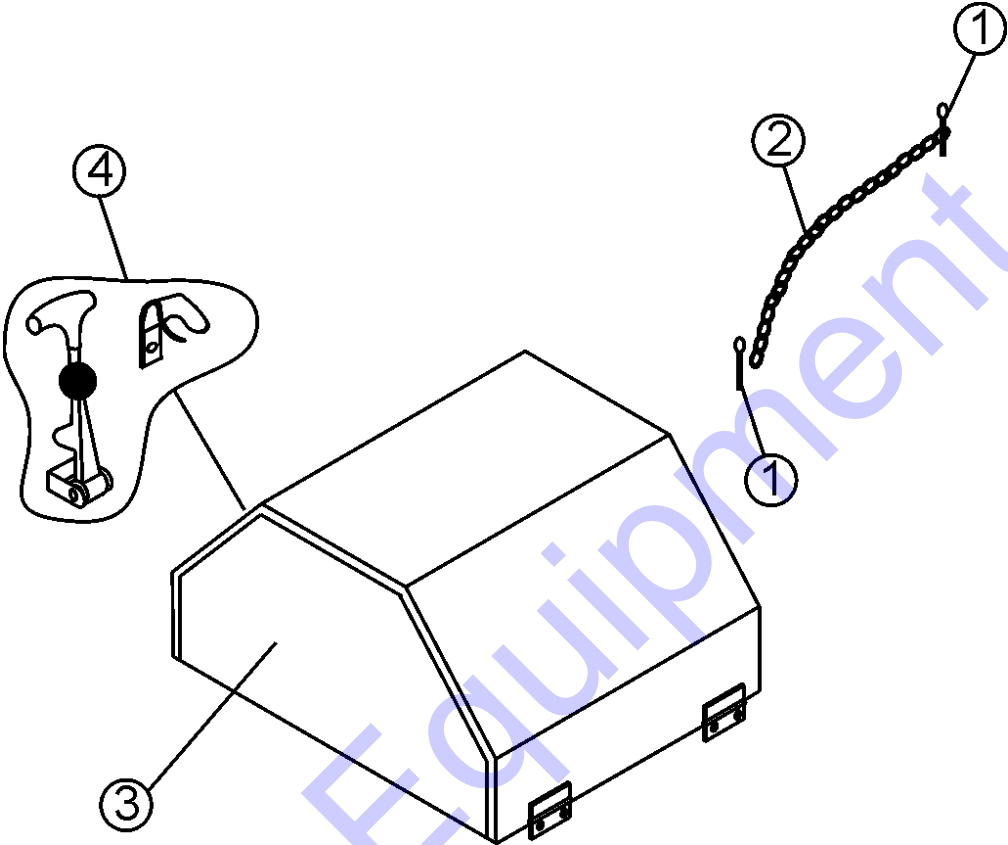
# FRAME ASSY.



**FRAME ASSY.**

<u>NO.</u>	<u>PART NO.</u>	<u>PART NAME</u>	<u>QTY.</u>	<u>REMARKS</u>
1	EM98195	GRIP, RUBBER BLACK	4	
2	530467	HANDLE, FRONT-LEFT	1	
3	530226	HANDLE, FRONT-RIGHT	1	
4	492294	BOLT, HEX 1/4" NC X 3/4" G2	2	
5	2101402	WASHER, LOCK 1/4"	2	
6	517684	DUST CAP	1	
7	492581	NUT, 1/4-20 NYLOCK	2	
8	530168	FRAME	1	
9	492381	SCREW, 3/8 NC 2-1/2 G5	2	
10	EM969013	NUT, NYLOCK 3/8" .....	4	REPLACES P/N 492583
11	3019092	WASHER, FLAT 3/8" .....	4	REPLACES P/N 492598
12	EM217	BOLT, 3/8-16 X 2-1/2 HEX HD. GR 5 .....	2	REPLACES P/N 492381
13	518062	HANDLE FOLDING	2	
14	29173-001	SWITCH, PUSH-PULL W/O KNOB	1	
15	????????	WIRE HARNESS	1	
16	29174-001	KNOB MUSHROOM	1	
17	491002	WHEEL , TIRE ASSY.	2	
18	490957	SNAP RING 5100-100	2	
19	501299	WASHER, FLAT	4	

**ENGINE COVER ASSY.**

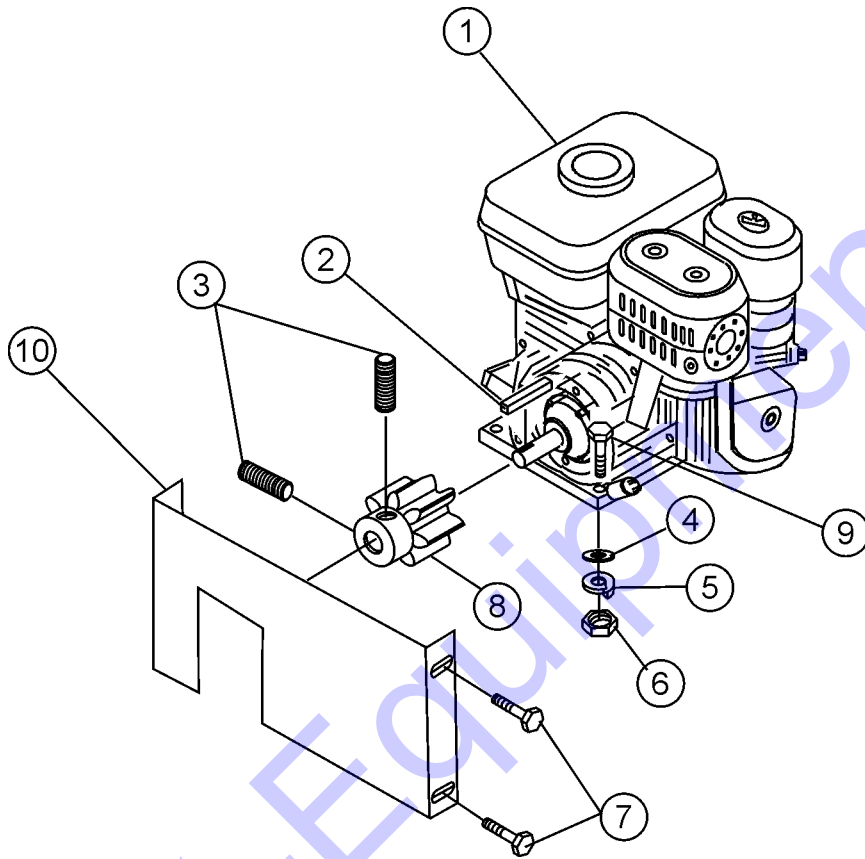


## ENGINE COVER ASSY.

---

<u>NO.</u>	<u>PART NO.</u>	<u>PART NAME</u>	<u>QTY.</u>	<u>REMARKS</u>
1	07028-057	COTTER PIN 5/32 x 1/2	2	
2	18604-005	RETAINER CHAIN	1	
3	26922-351	ENGINE HOUSE ASSY.	1	
4	491010	LATCH ASSY.	1	

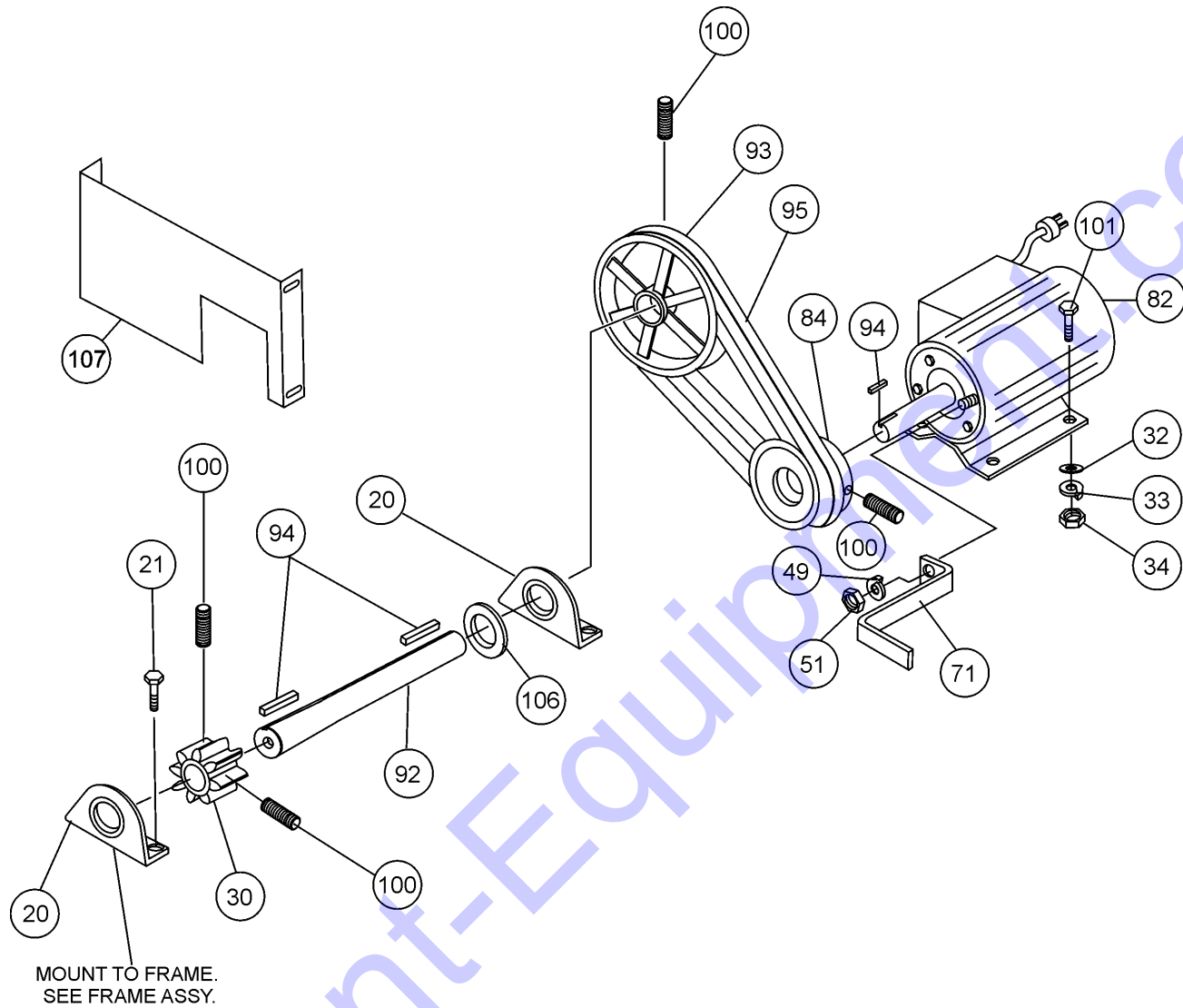
# ENGINE/GUARD ASSY.



## ENGINE/GUARD ASSY.

<u>NO.</u>	<u>PART NO.</u>	<u>PART NAME</u>	<u>QTY.</u>	<u>REMARKS</u>
1	GX160UT1HX2	ENGINE-4.8 H.P. HONDA	1	
2	10057-016	SQUARE KEY 3/16 x 1-1/2	1	
3	18941-004	SOCKET SET SCREW 1/4-20 x 1/4	2	
4	07030-005	FLATWASHER 5/16	4	
5	07029-005	LOCKWASHER 5/16	4	
6	07033-005	HEX NUT 5/16 -18	4	
7	06499-006	CAP SCREW 1/4-20 x 3/4	4	
8	33054-001	PINION GEAR	1	
9	06500-012	CAP SCREW 5/16 - 18 x 1-1/2	4	
10	530170	GEAR GUARD	1	

# ELECTRIC MOTOR ASSY.





## ELECTRIC MOTOR ASSY.

<u>NO.</u>	<u>PART NO.</u>	<u>PART NAME</u>	<u>QTY.</u>	<u>REMARKS</u>
20	33060-001	PILLOW BLOCK	2	
21	17985-010	CARRIAGE BOLT 3/8-16 x 1-1/4	4	
30	33054-001	DRIVE PINION GEAR	1	
32	07030-005	FLAT WASHER 5/16	4	
33	07029-005	LOCK WASHER 5/16	4	
34	07033-005	HEX NUT 5/16-18	4	
49	07029-004	LOCKWASHER 1/4	6	
51	07033-004	NUT, HEX 1/4-20	6	
71	26044-001	BRACKET	1	
82	22743-002	MOTOR & CONTROL ASSY. 1.0 HP	1	
84	512518	DRIVE PULLEY	1	
92	530235	SHAFT	1	
93	512466	DRIVEN PULLEY	1	
94	10057-016	SQUARE KEY 3/16 x 1-1/2	3	
95	508473	V-BELT, A-37	1	
100	18941-004	SOCKET SET SCREW 1/4-20 x1/4	4	
101	06500-008	CAP SCREW 5/16-18 x 1	4	
106	07030-012	FLATWASHER 3/4	1	
107	530256	GUARD	1	

# **Discount Equipment**

Discount-Equipment.com is your online resource for commercial and industrial quality parts and equipment sales.

## **Locations:**

Florida (West Palm Beach): [561-964-4949](tel:561-964-4949)

Outside Florida TOLL FREE: [877-690-3101](tel:877-690-3101)

**Need parts?** Check out our website at [www.discount-equipment.com](http://www.discount-equipment.com)

## **Can't find what you need?**

Click on this link: <http://www.discount-equipment.com/category/5443-parts/> and fill out the request form.

Please have the machine model and serial number available in order to help us get you the correct parts. One of our experienced staff members will get back to you with a quote for the right part that your machine needs.

We sell worldwide for the brands: Genie, Terex, JLG, MultiQuip, Mayco, Toro/Stone, Diamond Products, Magnum, Airman, Mustang, Power Blanket, Nifty Lift, Atlas Copco, Chicago Pneumatic, Allmand Brothers, Essick, Miller Spreader, Skyjack, Lull, Skytrak, Tsurumi, Husquvarna/Target, Whiteman-Concrete/Mortar, Stow-Concrete/Mortar, Baldor, Wacker, Sakai, Snorkel, Upright, Mi-T-M, Sullair, Neal, Basic, Dynapac, MBW, Weber, Bartell, Bennar Newman, Haulotte, Ditch Runner, Blaw-Knox, Himoina, Best, Buddy, Crown, Edco, Wyco, Bomag, Laymor, Terremite, Barreto, EZ Trench, Takeuchi, Basic, Bil-Jax, Curtis, Gehl, Heli, Honda, ICS/PowerGrit, Puckett, Waldon, ASV, IHI, Partner, Imer, Clipper, MMD, Koshin, Rice, Gorman Rupp, CH&E, Cat Pumps, Comet, General Pump, Giant, AMida, Coleman, NAC, Gradall, Square Shooter, Kent, Stanley, Tamco, Toku, Hatz, Kohler, Robin, Wisconsin, Northrock, Oztec, Toker TK, Rol-Air, Small Line, Wanco, Yanmar

**New Equipment - Used Equipment - Rental Equipment - Parts and Accessories**

# **Discount Equipment**

[www.discount-equipment.com](http://www.discount-equipment.com)

**561-964-4949**

Parts: [wbparts@Discount-Equipment.com](mailto:wbparts@Discount-Equipment.com)

Sales: [info@Discount-Equipment.com](mailto:info@Discount-Equipment.com)