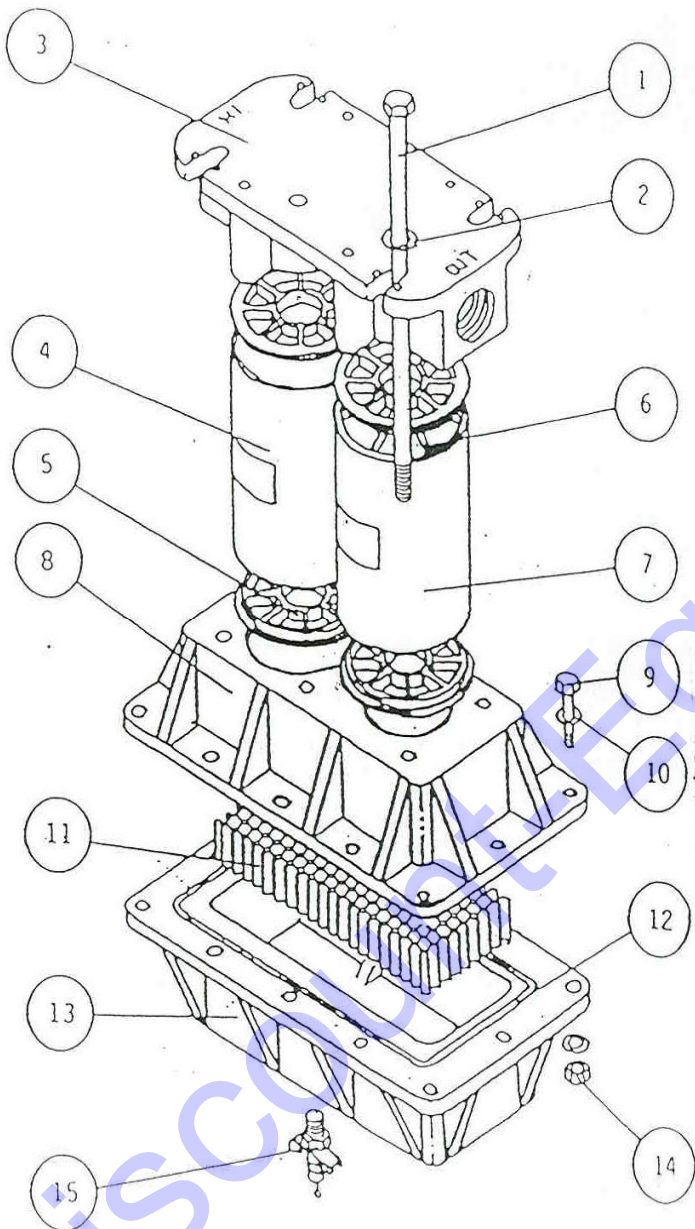


# Extractor / Dryer<sup>®</sup>

## MODEL 140



NO.	PART NO.	DESCRIPTION
1.	14037	BOLT (6)
2.	14021	WASHER (6)
3.	14001 F23	MANIFOLD 1 ½" NPT
4.	** 441	FIRST STAGE CARTRIDGE
5.	**14010	CAP GASKET (4)
6.	14045 F92	STAR SPACER (2)
7.	** 442	SECOND STAGE CARTRIDGE
8.	14003A F23	CHAMBER
9.	14036	BOLT (12)
10.	12021	WASHER (24)
11.	**14028	BASE CORE
12.	**14027	GASKET
13.	14002 F23	BASE
14.	14035	LOCKING NUT (12)
15.	10535	WEEP DRAIN

FILTRATION	5 MICRON
AIRFLOW	250 SCFM
MAXIMUM PRESSURE	250 PSIG
MAXIMUM TEMPERATURE	180 DEG.F
HEIGHT	20"
WIDTH	12.50"
DEPTH	7.25"
MANIFOLD BOLT TORQUE	15620 FOOT POUNDS
BASE BOLTS & NUTS	20 FOOT POUNDS
**SERVICE ITEMS	250SKA

(approximate weight 36 LBS)

**MADE IN U.S.A.**

**WARNING:** Injury can occur if the filter is used at pressures higher than the maximum pressure and with any compressed gases other than normal compressed air for power tool use only.

**Discount  
Equipment**

**LA-MAN<sup>®</sup> CORPORATION**  
WE MAKE COMPRESSED AIR WORK<sup>®</sup>

# **Discount Equipment**

Discount-Equipment.com is your online resource for commercial and industrial quality parts and equipment sales.

## **Locations:**

Florida (West Palm Beach): [561-964-4949](tel:561-964-4949)

Outside Florida TOLL FREE: [877-690-3101](tel:877-690-3101)

**Need parts?** Check out our website at [www.discount-equipment.com](http://www.discount-equipment.com)

## **Can't find what you need?**

Click on this link: <http://www.discount-equipment.com/category/5443-parts/> and fill out the request form.

Please have the machine model and serial number available in order to help us get you the correct parts. One of our experienced staff members will get back to you with a quote for the right part that your machine needs.

We sell worldwide for the brands: Genie, Terex, JLG, MultiQuip, Mayco, Toro/Stone, Diamond Products, Magnum, Airman, Mustang, Power Blanket, Nifty Lift, Atlas Copco, Chicago Pneumatic, Allmand Brothers, Essick, Miller Spreader, Skyjack, Lull, Skytrak, Tsurumi, Husquvarna/Target, Whiteman-Concrete/Mortar, Stow-Concrete/Mortar, Baldor, Wacker, Sakai, Snorkel, Upright, Mi-T-M, Sullair, Neal, Basic, Dynapac, MBW, Weber, Bartell, Bennar Newman, Haulotte, Ditch Runner, Blaw-Knox, Himoina, Best, Buddy, Crown, Edco, Wyco, Bomag, Laymor, Terremite, Barreto, EZ Trench, Takeuchi, Basic, Bil-Jax, Curtis, Gehl, Heli, Honda, ICS/PowerGrit, Puckett, Waldon, ASV, IHI, Partner, Imer, Clipper, MMD, Koshin, Rice, Gorman Rupp, CH&E, Cat Pumps, Comet, General Pump, Giant, AMida, Coleman, NAC, Gradall, Square Shooter, Kent, Stanley, Tamco, Toku, Hatz, Kohler, Robin, Wisconsin, Northrock, Oztec, Toker TK, Rol-Air, Small Line, Wanco, Yanmar

**New Equipment - Used Equipment - Rental Equipment - Parts and Accessories**

# **Discount Equipment**

[www.discount-equipment.com](http://www.discount-equipment.com)

**561-964-4949**

Sales: [info@Discount-Equipment.com](mailto:info@Discount-Equipment.com)

Parts: [wbparts@Discount-Equipment.com](mailto:wbparts@Discount-Equipment.com)