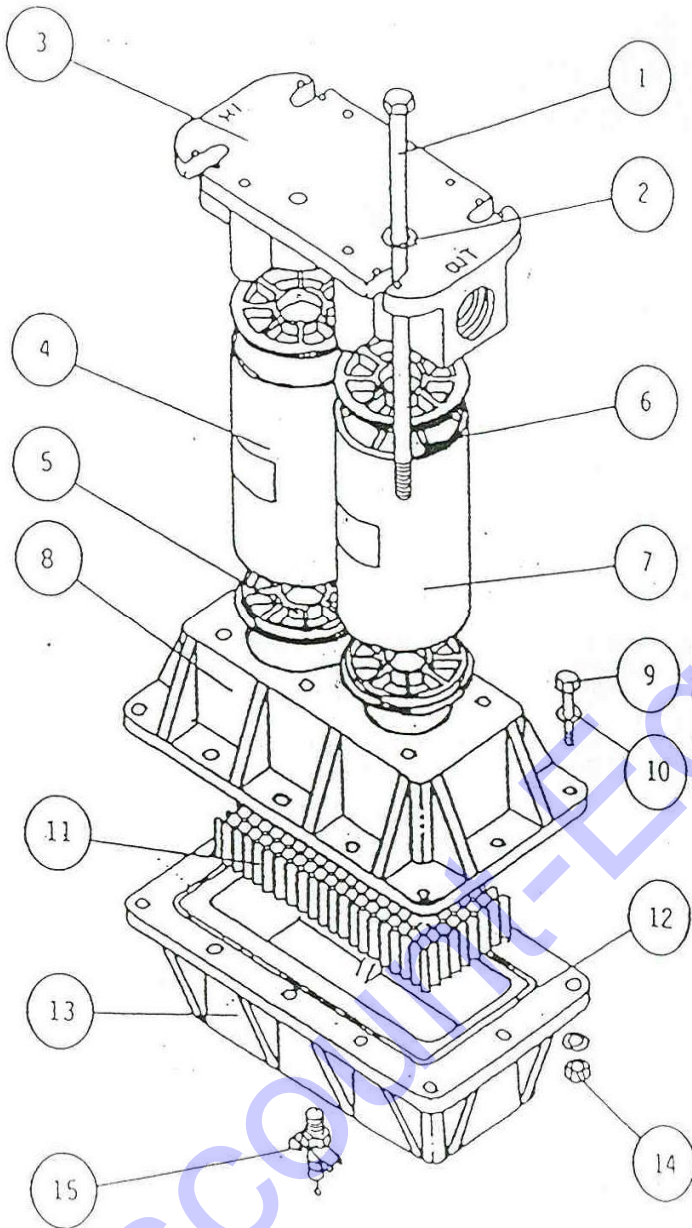


Extractor / Dryer [®]
MODEL 120



NO.	PART NO.	DESCRIPTION
1.	12037	BOLT (6)
2.	12021	WASHER (6)
3.	12001 F23	MANIFOLD 1ø NPT
4.	**421	FIRST STAGE CARTRIDGE
5.	**12010	CAP GASKET (4)
6.	12045 F92	STAR SPACER (2)
7.	**422	SECOND STAGE CARTRIDGE
8.	12003A F23	CHAMBER
9.	12036	BOLT (12)
10.	12021	WASHER (24)
11.	**12025	BASE CORE
12.	**12024	GASKET
13.	12002 F23	BASE
14.	12035	LOCKING NUT (12)
15.	10535	WEEP DRAIN

FILTRATION	5 MICRON
AIRFLOW	150 SCFM
MAXIMUM PRESSURE	250 PSIG
MAXIMUM TEMPERATURE	180 DEG.F
HEIGHT	15ø
WIDTH	9.50ø
DEPTH	5.50ø
MANIFOLD BOLT TORQUE	10ø15 POUNDS
BASE BOLTS & NUTS	10 FOOT POUNDS
**SERVICE ITEMS	150SKA

MADE IN U.S.A.

WARNING: Injury can occur if the filter is used at pressures higher than the maximum pressure and with any compressed gases other than normal compressed air for power tool use only.

**Discount
Equipment**

LA-MAN[®] CORPORATION

WE MAKE COMPRESSED AIR WORK[®]

www.discount-equipment.com

Discount Equipment

Discount-Equipment.com is your online resource for commercial and industrial quality parts and equipment sales.

Locations:

Florida (West Palm Beach): [561-964-4949](tel:561-964-4949)

Outside Florida TOLL FREE: [877-690-3101](tel:877-690-3101)

Need parts? Check out our website at www.discount-equipment.com

Can't find what you need?

Click on this link: <http://www.discount-equipment.com/category/5443-parts/> and fill out the request form.

Please have the machine model and serial number available in order to help us get you the correct parts. One of our experienced staff members will get back to you with a quote for the right part that your machine needs.

We sell worldwide for the brands: Genie, Terex, JLG, MultiQuip, Mayco, Toro/Stone, Diamond Products, Magnum, Airman, Mustang, Power Blanket, Nifty Lift, Atlas Copco, Chicago Pneumatic, Allmand Brothers, Essick, Miller Spreader, Skyjack, Lull, Skytrak, Tsurumi, Husquvarna/Target, Whiteman-Concrete/Mortar, Stow-Concrete/Mortar, Baldor, Wacker, Sakai, Snorkel, Upright, Mi-T-M, Sullair, Neal, Basic, Dynapac, MBW, Weber, Bartell, Bennar Newman, Haulotte, Ditch Runner, Blaw-Knox, Himoina, Best, Buddy, Crown, Edco, Wyco, Bomag, Laymor, Terremite, Barreto, EZ Trench, Takeuchi, Basic, Bil-Jax, Curtis, Gehl, Heli, Honda, ICS/PowerGrit, Puckett, Waldon, ASV, IHI, Partner, Imer, Clipper, MMD, Koshin, Rice, Gorman Rupp, CH&E, Cat Pumps, Comet, General Pump, Giant, AMida, Coleman, NAC, Gradall, Square Shooter, Kent, Stanley, Tamco, Toku, Hatz, Kohler, Robin, Wisconsin, Northrock, Oztec, Toker TK, Rol-Air, Small Line, Wanco, Yanmar

New Equipment - Used Equipment - Rental Equipment - Parts and Accessories

Discount Equipment

www.discount-equipment.com

561-964-4949

Sales: info@Discount-Equipment.com

Parts: wbparts@Discount-Equipment.com