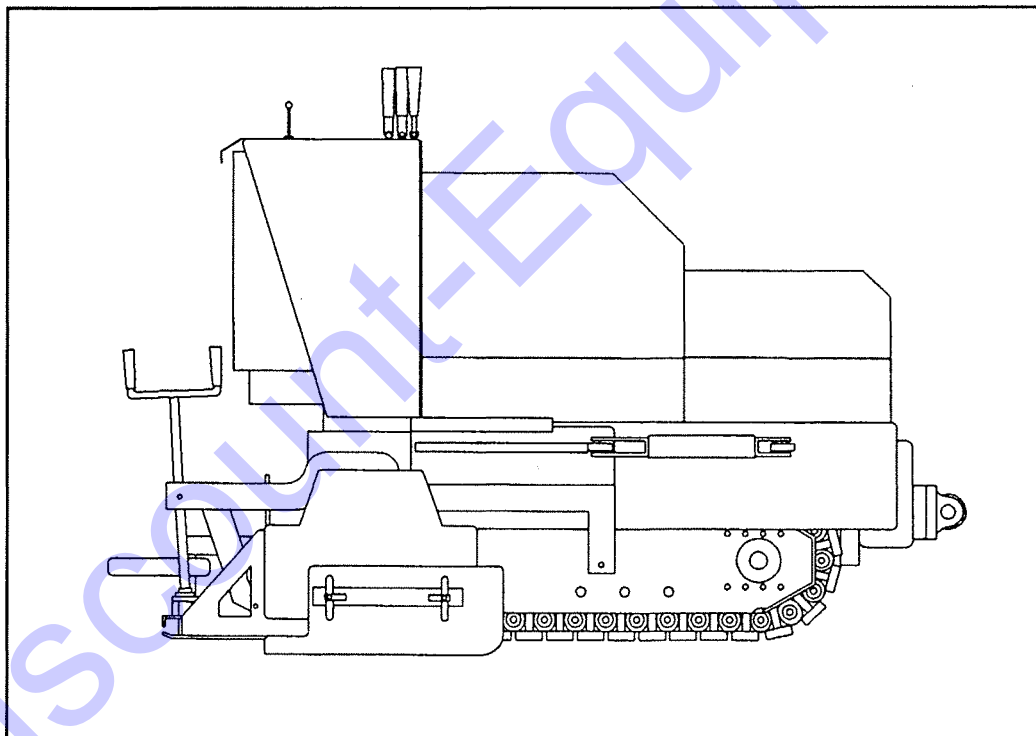


Form No.  
907888  
Replaces  
907390

# 1639/1649

## **PowerBox<sup>®</sup>** **Self Propelled** **Paver**



## **SERVICE PARTS**

**GOMPA<sup>®</sup>**



[www.discount-equipment.com](http://www.discount-equipment.com)

# **Discount Equipment**

Discount-Equipment.com is your online resource for commercial and industrial quality parts and equipment sales.

## **Locations:**

Florida (West Palm Beach): [561-964-4949](tel:561-964-4949)

Outside Florida TOLL FREE: [877-690-3101](tel:877-690-3101)

**Need parts?** Check out our website at [www.discount-equipment.com](http://www.discount-equipment.com)

## **Can't find what you need?**

Click on this link: <http://www.discount-equipment.com/category/5443-parts/> and fill out the request form.

Please have the machine model and serial number available in order to help us get you the correct parts. One of our experienced staff members will get back to you with a quote for the right part that your machine needs.

We sell worldwide for the brands: Genie, Terex, JLG, MultiQuip, Mayco, Toro/Stone, Diamond Products, Magnum, Airman, Mustang, Power Blanket, Nifty Lift, Atlas Copco, Chicago Pneumatic, Allmand Brothers, Essick, Miller Spreader, Skyjack, Lull, Skytrak, Tsurumi, Husquvarna/Target, Whiteman-Concrete/Mortar, Stow-Concrete/Mortar, Baldor, Wacker, Sakai, Snorkel, Upright, Mi-T-M, Sullair, Neal, Basic, Dynapac, MBW, Weber, Bartell, Bennar Newman, Haulotte, Ditch Runner, Blaw-Knox, Himoina, Best, Buddy, Crown, Edco, Wyco, Bomag, Laymor, Terremite, Barreto, EZ Trench, Takeuchi, Basic, Bil-Jax, Curtis, Gehl, Heli, Honda, ICS/PowerGrit, Puckett, Waldon, ASV, IHI, Partner, Imer, Clipper, MMD, Koshin, Rice, Gorman Rupp, CH&E, Cat Pumps, Comet, General Pump, Giant, AMida, Coleman, NAC, Gradall, Square Shooter, Kent, Stanley, Tamco, Toku, Hatz, Kohler, Robin, Wisconsin, Northrock, Oztec, Toker TK, Rol-Air, Small Line, Wanco, Yanmar

**New Equipment - Used Equipment - Rental Equipment - Parts and Accessories**

# **Discount Equipment**

[www.discount-equipment.com](http://www.discount-equipment.com)

**561-964-4949**

Parts: [wbparts@Discount-Equipment.com](mailto:wbparts@Discount-Equipment.com)

Sales: [info@Discount-Equipment.com](mailto:info@Discount-Equipment.com)

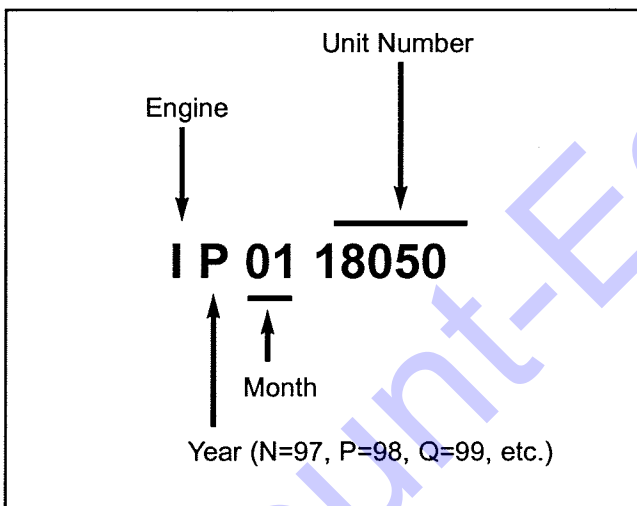
This manual has been divided into sections for ease of locating component groups for parts being replaced.

<b>Section 1</b>	<b>General &amp; Decals</b>
<b>Section 2</b>	<b>Chassis Groups</b>
<b>Section 3</b>	<b>Hydraulics Groups</b>
<b>Section 4</b>	<b>Numerical Index &amp; Misc.</b>

The table of contents pages show the page location of various component groups on the machine.

When ordering service parts, specify the correct part number, full description, quantity required, and the unit model and serial number.

Serial numbers for this unit are stamped on a plate located on top of the control panel housing. The serial number is also stamped on the left top backwall plate. The following reference shows the breakdown of the serial number:



“Right” and “Left” are determined from a position standing behind the screed and facing the direction of travel.

GEHL Company reserves the right to make changes or improvements in the design or construction of any part of the unit without incurring the obligation to install such changes on any unit previously delivered.

Grease fittings and common attaching hardware, such as cotter pins, set screws, woodruff keys, screws, nuts, etc., are included in the parts list, indented below the part it is (they are) associated with, but NOT illustrated, except where a particular routing or special fastening arrangement **MUST** be maintained. The hardware listed is for mounting purposes and is NOT included when the part is ordered for replacement.

Standard attaching hardware torque values are provided on the inside Back Cover. Unless otherwise specified, all cap screws are Grade 5, cadmium or zinc plated; hexagon nuts for Grade 5 cap screws or bolts are Grade A.

## List of Abbreviations Used in this Manual

AR	As Required
ASY	Assembly
CYL	Cylinder
DIA	Diameter
FT	Foot or Feet
GR	Grade
HYD	Hydraulic
LH	Left Hand
LT	Left
NPT	National Pipe Threaded Fitting
NSS	Not Sold Separately
RH	Right Hand
RT	Right
SQ	Square
W/	With

**General Section - 1**

Introduction ..... Inside Front Cover  
Table of Contents ..... **1-0**  
Decal Locations,  
    Lower Frame, Hopper & Screed ..... **1-3**  
    Backwall ..... **1-6**

**Chassis Section - 2**

Screed Assembly Group ..... **2-0**  
Left Side Backwall Group ..... **2-6**  
Right Side Backwall Group ..... **2-10**  
1639 Gas Engine Group ..... **2-12**  
1649 Diesel Engine Group ..... **2-14**  
1639 Wire Harness Hookup ..... **2-18**  
1649 Wire Harness Hookup ..... **2-20**  
Lower Frame and Hopper Group ..... **2-22**  
Positive Drive Track Group ..... **2-24**

**Hydraulics Section - 3**

Reservoir and Manifold Plumbing Lines ..... **3-0**  
Drive Tracks Plumbing Lines ..... **3-2**  
Screed Plumbing Lines ..... **3-4**  
Augers Plumbing Lines ..... **3-6**  
Gates Plumbing Lines ..... **3-8**  
Hopper Plumbing Lines ..... **3-10**  
Screed Extend Cylinder ..... **3-12**  
Screed Lift Cylinder ..... **3-14**  
Side Gate Cylinder ..... **3-16**  
Hopper Lift Cylinder ..... **3-18**  
Track Adjust Cylinder ..... **3-20**  
Gate Cylinder ..... **3-22**

Front (Piston) Section Pump ..... 3-24

Rear (Gear) Section Pump ..... 3-26

Track Drive Motor ..... 3-28

Track Drive Torque Hub ..... 3-30

Auger Drive Motor ..... 3-32

Screed Vibrator Motor ..... 3-34

Track Drive Control Valve ..... 3-36

7-Stack Control Valve w/Relief ..... 3-38

Augers Control Valve ..... 3-40

Steer Valve ..... 3-42

Relief Valve ..... 3-44

**Miscellaneous Section - 4**

Numerical Index ..... 4-0

Hardware Torque Specs ..... Inside Back Cover

**GENERAL INFORMATION**



**ALWAYS** read and abide by the Safety Rules and information shown on Decals. If any Decals are damaged, unreadable or if the unit is repainted, replace them. If repainting, **MAKE SURE** that all Decals which apply to your machine are affixed in their proper locations.

Decal Locations information is provided to assist in the proper selection and application of new decals, in the event the original decal(s) become(s) damaged or the machine is repainted.

For correct replacement of decal(s) compare the location illustrations to your machine **BEFORE** starting to refinish the unit. Check-off each required decal using the illustration reference number to find the part number, description and quantity in the list. Refer to the appropriate illustration(s) for replacement location(s).

**NEW DECAL APPLICATION**

Before applying the new decals, surfaces **MUST** be free from dirt, dust, grease and other foreign material. To apply a solid-formed decal, remove the smaller portion of the decal backing paper and apply this part of the exposed adhesive backing to the clean surface while maintaining proper position and alignment. Slowly peel off the other portion of the backing paper while applying hand pressure to smooth-out decal surface. To apply a die-cut decal, first remove the backing paper. Then, properly orient and position the decal onto the clean mounting surface. After the decal is firmly applied and smoothly pressed down, remove the front covering paper.

**PAINT FINISH**

**Use this list to order paint for refinishing:**

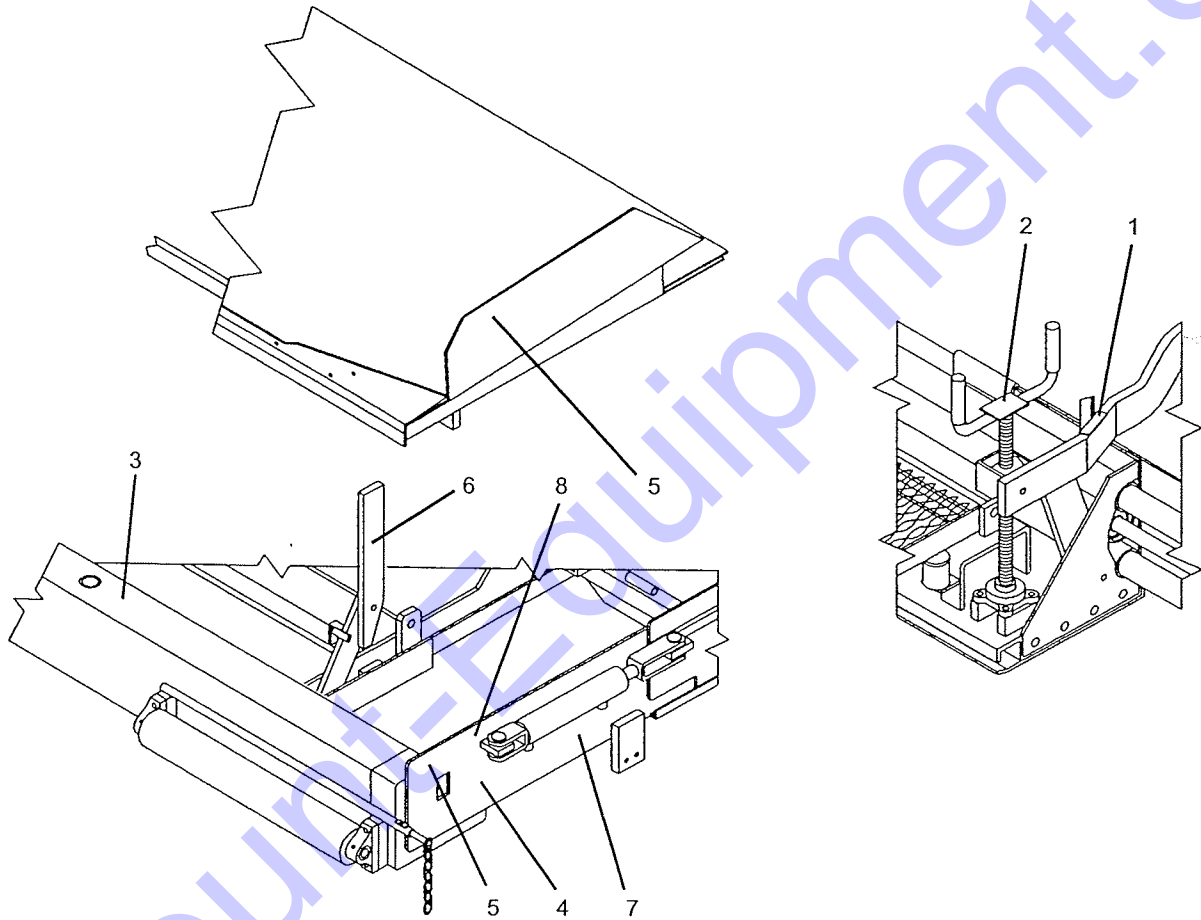
- |        |                                     |
|--------|-------------------------------------|
| 906213 | One Gal. Yellow                     |
| 906317 | One Gal. Charcoal Grey              |
| 906323 | One Qt. Charcoal Grey               |
| 906214 | 6 (12 oz. Spray Cans) Yellow        |
| 906318 | 6 (12 oz. Spray Cans) Charcoal Grey |

**COMPLETE DECAL KITS**

- |         |            |
|---------|------------|
| P700528 | Model 1639 |
| P700529 | Model 1649 |

*NOTE: Decals can also be ordered individually.*

*Lower Frame, Hopper & Screed Areas*

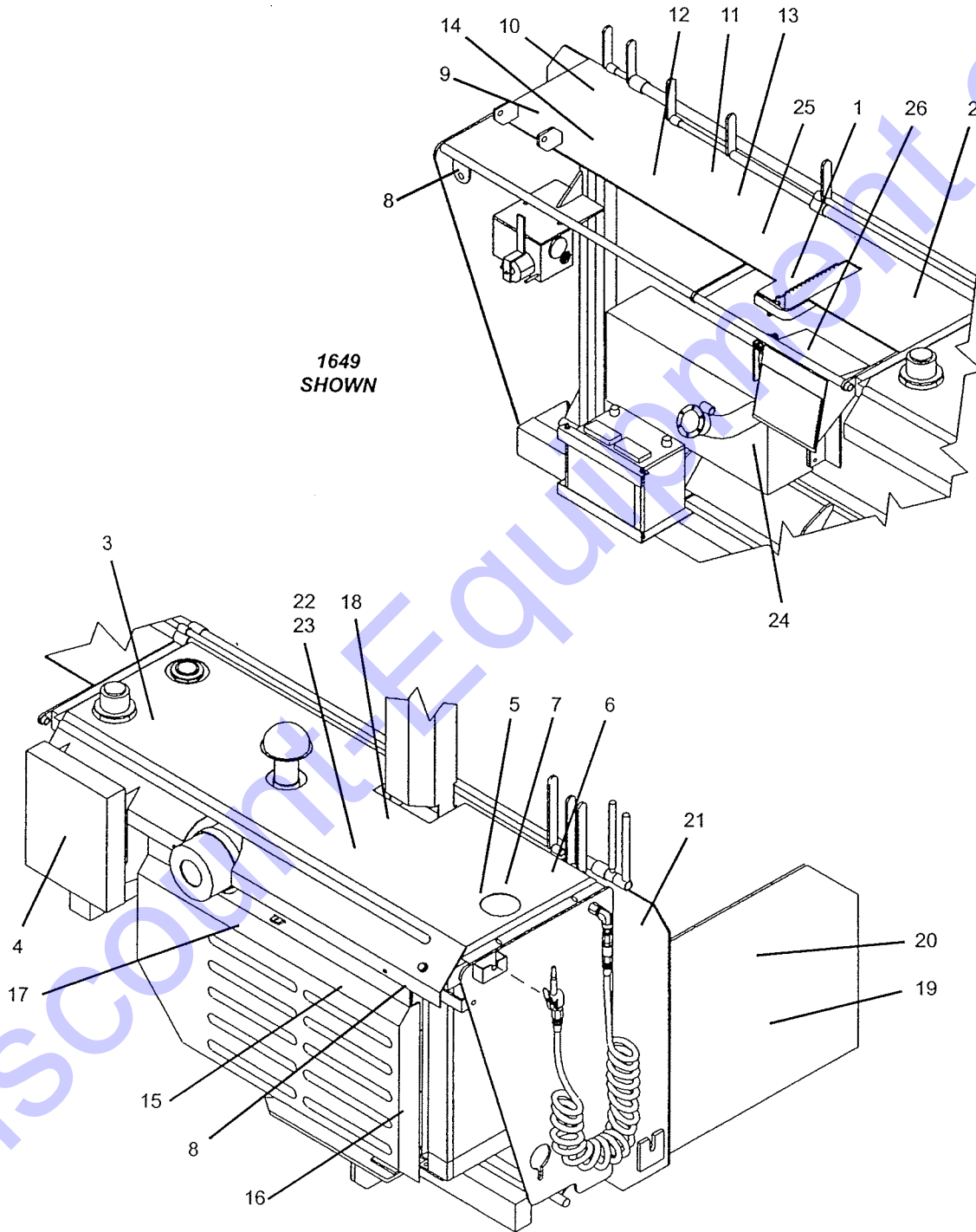


***Lower Frame, Hopper & Screed Areas***

REF. NO.	DESCRIPTION	1639	1649
01	0-6 Thickness Indicator (2 ea.)	P201400	P201400
02	Up/Down Screed (2 ea.)	P214000	P214000
03	Hydraulic Fluid (1 ea.)	P471425	P471425
04	PB Logo, 5" (2 ea.)	P470323	P470323
05	WARNING - Pinch Point (4 ea.)	L65927	L65927
06	Floor Safety Prop (2 ea.)	P210200	P210200
07	On/Off Arrows (2 ea.)	P207300	P207300
08	PowerBox Lettering (2 ea.)	P204030	P204030



**Backwall Area**

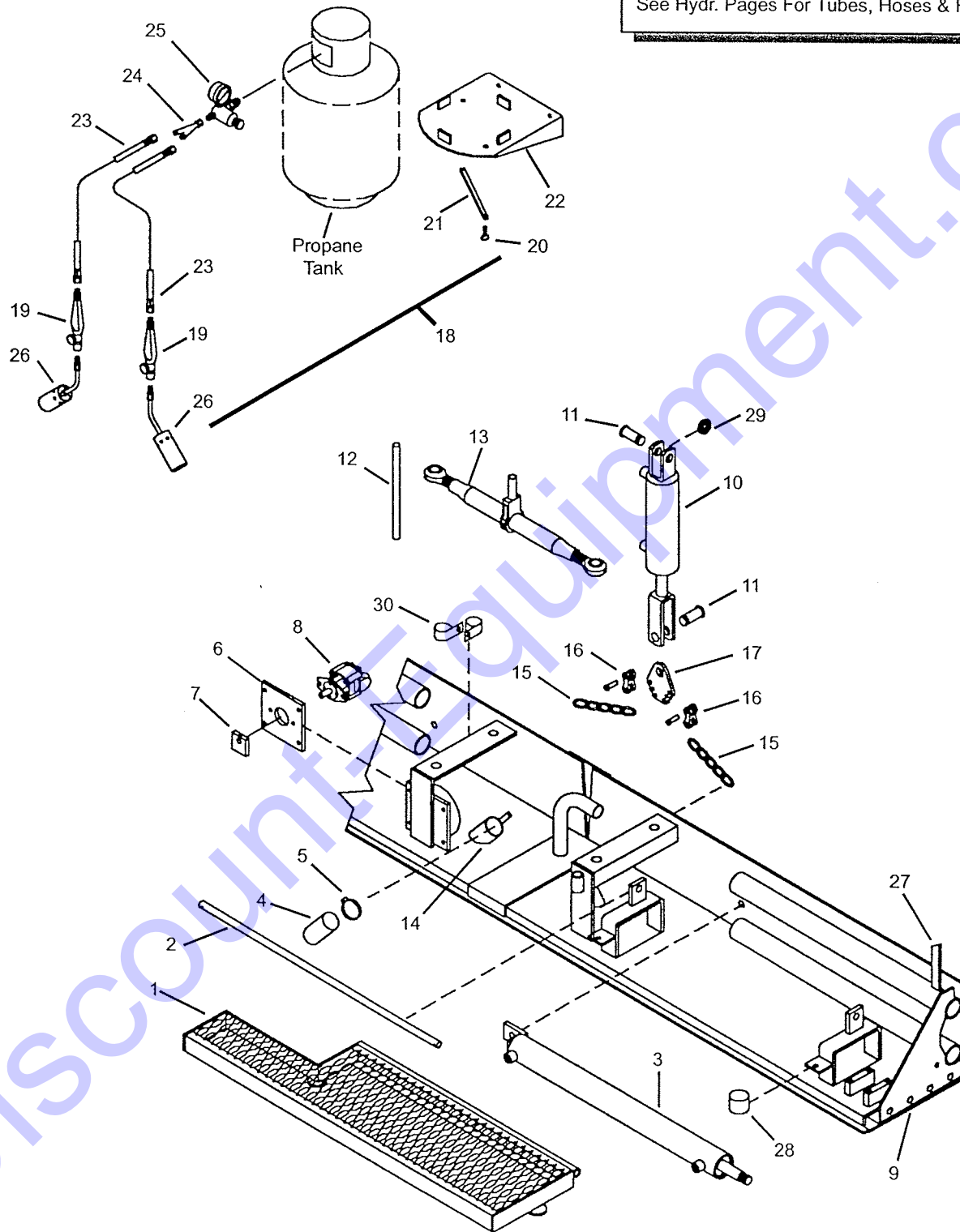


***Backwall Area***

REF. NO.	DESCRIPTION	1639	1649
01	Fast/Slow Control (1 ea.)	P204015	P204015
02	Hydraulic Oil Under Pressure (1 ea.)	P471310	P471310
03	Diesel Fuel Only (1 ea.)	---	072797
03	Gas Fuel Only (1 ea.)	072796	---
04	Operator Manual Inside (1 ea.)	L65922	L65922
05	Anti-Freeze (1 ea.)	---	056859
06	RH 5-Position Controls (1 ea.)	P471163	P471163
07	Coolant Under Pressure (1 ea.)	---	072798
08	Horn Button (2 ea.)	P204107	P204107
09	Drive Control w/Float ( 1 ea.)	P212750	P212750
10	WARNING - Load/Unload (1 ea.)	P204113	P204113
11	Operator Instructions (1 ea.)	L65922	L65922
12	WARNING - Operator (1 ea.)	P204100	P204100
13	Auger Control (1 ea.)	P471640	P471640
14	LH 7-Stack Controls (1 ea.)	P204017	P204017
15	DANGER - Rotate Components (1 ea.)	---	L65924
16	WARNING - Pinch Point (1 ea.)	L65927	L65927
17	WARNING - Jump Start (1 ea.)	L65933	L65933
18	WARNING - Hot Surface (1 ea.)	L65942	L65942
19	RH Model Number - 1639 (1 ea.)	P471637	---
19	LH Model Number - 1639 (1 ea.)	P471680	---
19	RH Model Number - 1649 (1 ea.)	---	P471638
19	LH Model Number - 1649 (1 ea.)	---	P471681
20	GEHL Lettering, 5.25" (2 ea.)	L66566	L66566
21	Made In USA (2 ea.)	122719	122719
22	Maintenance Chart (1 ea.)	P471815	P471815
23	Filter Reference Chart (1 ea.)	P471731	P471731
24	Asphalt Releasing Agent Only (1 ea.)	P471816	P471816
25	Pressure Test Points (1 ea.)	P471841	P471841
26	Exhaust Diverter (1 ea.)	---	P471840

Screed Assembly Group, Part I

See Hydr. Pages For Tubes, Hoses & Ftgs.

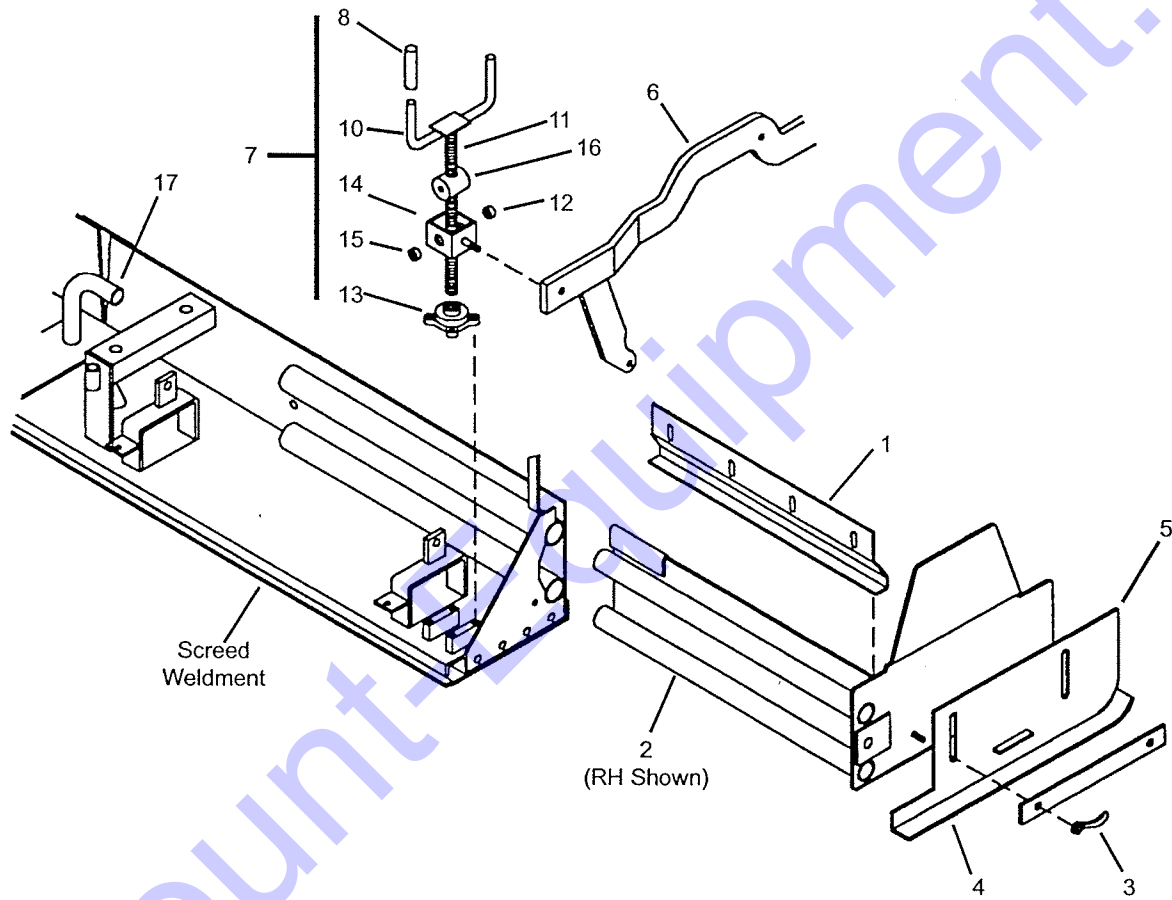


839-64/16cha1.tif

**Screed Assembly Group, Part I**

Ref. No.	Part No.	Description	Qty. Req.	Ref. No.	Part No.	Description	Qty. Req.
01	P017150	LT. OPER. PLATFORM	1	14	P470157	BURNER HOLDER TUBE	2
01	P017160	RT. OPER. PLATFORM	1	15	P471831	SCREED LIFT CHAIN	2
02	P470557	PIN	2	16	P471454	DOUBLE LINK CLEVIS	2
	L50630	ROLL PIN 1/4X1	4	17	P471455	CLEVIS ANCHOR	1
03	<i>Notes a,b</i>	SCREED EXT.CYLINDER	2	18	P470531	PROPANE HEATER KIT (Option)	1
	P351600	JAM NUT 1-14	1	19	P253000	HANDLE	2
04	P018700	BURNER CAP	2	20	L50355	THUMBSCREW 5/16-18X1	2
05	L76020	ADJUST.CLAMP 1-7/8 TO 2-1/2	2	21	P470723	TANK HOLDDOWN	1
06	P316100	MOUNT PLATE	1	22	P470528	TANK MOUNT WELDMENT	1
	L50275	CAPSCREW 3/8-16X3	4		L50251	CAPSCREW 3/8-16X3/4	2
	L520005	NYLON INSERT NUT 3/8	4	23	P270200	HOSE, 6 FT.	2
07	P316400	COUNTERWT.BAR	1	24	P317400	MANIFOLD	1
	P391000	SOC. HD. SET SCRW. 5/16X5/16	1	25	P380200	REGULATOR	1
08	<i>Note b</i>	VIBRATOR MOTOR	1	26	P412000	TIP	2
	L50403	CAPSCREW 3/8-16X1-1/4	2	27	P470468	INDICATOR BAR (Weld-on)	2
	L520005	NYLON INSERT NUT 3/8	2	28	P272700	ISOLATOR	4
09	P471814	BARE SCREED WELDMENT	1		L50282	CAPSCREW 1/2-13X1	4
	P182400	BOTT.WEAR PLATE, 9 FT	1		L50152	LOCKWASHER 1/2	4
10	<i>Notes a,b</i>	SCREED LIFT CYLINDER	1	29	P471084	SPACER	1
11	P471297	CLEVIS PIN	2				
	L50601	COTTER PIN 3/16X2	2	a	<i>P/N Stamped on Tube.</i>		
12	P700459	RACHET HANDLE	1	b	<i>Refer to Hydraulics Section for Breakdown.</i>		
13	P470205	TURNBUCKLE ASY.	2				
	L50361	CAPSCREW 1-8X3	4				
	L50092	HEX NUT 1-8	4				

Screed Assembly Group, Part II

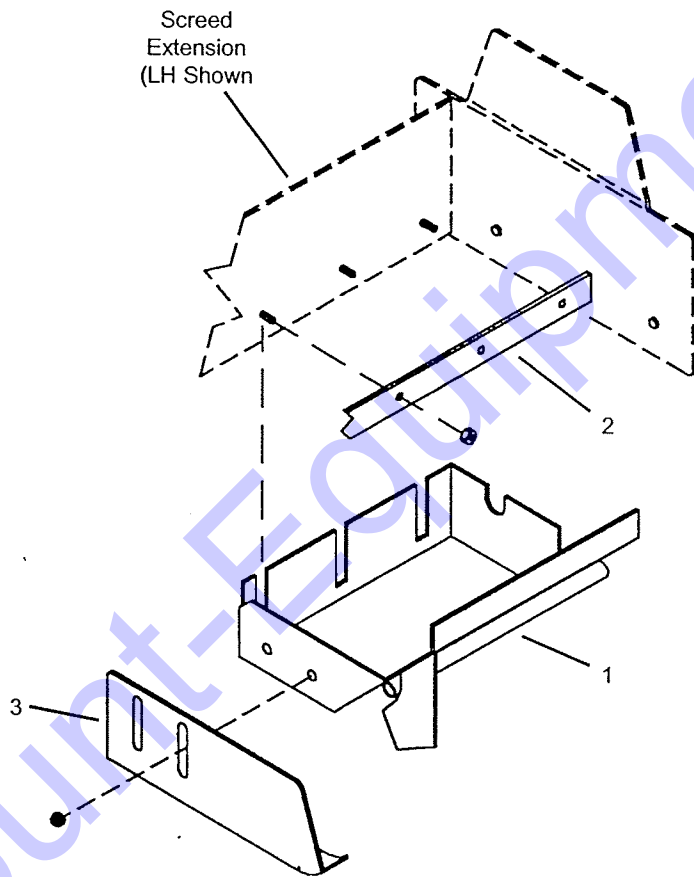


839-64/16cha9.tif

Screed Assembly Group, Part II

Ref. No.	Part No.	Description	Qty. Req.	Ref. No.	Part No.	Description	Qty. Req.
01	P470051	STRIKE-OFF PLATE .....	2	09	P470069	DECAL MT. PLATE .....	2
	L50147	LOCKWASHER 3/8.....	8	10	NSS	HANDLE .....	2
	L520005	NYLON INSERT NUT 3/8-16.....	8	11	P470070	TRHD. ROD ASY. ....	2
02	P470055	LH.SCREED EXT.WELD.....	1			(Incl: 9, 11-14)	
	P470056	RH.SCREED EXT.WELD.....	1		L50105	JAM NUT 1-8 .....	2
03	P015900	TIGHTENER HANDLE .....	4	12	P142175	PIVOT SPACER.....	4
04	P178000	TIGHTENER BAR .....	2	13 <sup>a</sup>	P024200	BEARING.....	2
05	P470057	LH. EXTEND SHOE WELD.....	1	13 <sup>b</sup>	P471567	BEARING.....	2
	P470058	RH. EXTEND SHOE WELD. ....	1		L10465	GREASE ZERK .....	2
06	P470553	LH. PULL ARM WELD. ....	1	14	P470074	ADJUST. TUBE WELDMENT ....	2
06	P470552	RH. PULL ARM WELD. ....	1	15	P289010	MACH.BOLT 1/2X1 .....	2
	L50894	CAPSCREW 1/2-13X2-1/2 .....	2	16	P312230	DEPTH ADJUST. NUT .....	2
	L520019	NYLON INSERT NUT 1/2-13.....	2		L10465	GREASE ZERK .....	2
	L510023	CS 5/8-11X2-3/4 .....	2				
	L520007	NYLON INSERT NUT 5/8-11.....	2	a		For 1639, Thru S/N 19004.	
07	P470714	ADJUST. HANDLE ASY. ....	1			For 1649, Thru S/N 18040.	
		(Incl.8-11,13,14,16)		b		For 1639, S/N 19005 & Up.	
08	P252400	RUBBER GRIP 3/4".....	4			For 1649, S/N 18041 & Up.	

*Screed Cutoff Option*



861-65/cutoff.tif

**Screed Cutoff Option**

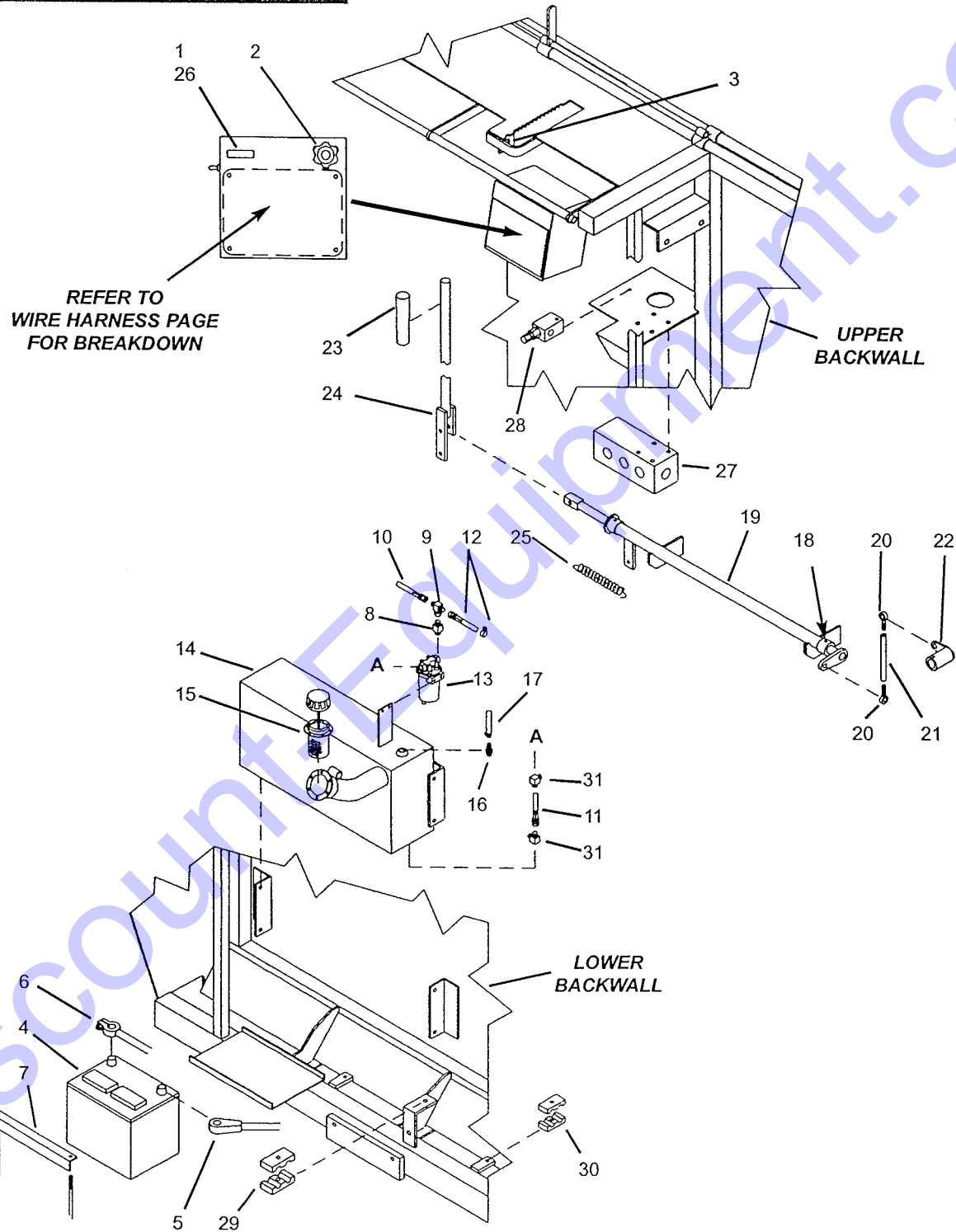
Ref. No.	Part No.	Description	Qty. Req.	Ref. No.	Part No.	Description	Qty. Req.
01		CUT-OFF PLATES:		02	P471428	MOUNT BAR . . . . .	1
	P473002	6" Left Side . . . . .	1	03	P471577	LH CUT-OFF SHOE . . . . .	1
	P473001	6" Right Side . . . . .	1	03	P471579	RH CUT-OFF SHOE . . . . .	1
	P473004	12" Left Side . . . . .	1		L50282	CAPSCREW 1/2-13X1 . . . . .	2
	P473003	12" Right Side . . . . .	1		L520019	HEX NUT 1/2-13 . . . . .	2
	P473006	18" Left Side . . . . .	1		L50151	PLAIN WASHER 1/2 . . . . .	2
	P473005	18" Right Side . . . . .	1				
	P473008	24" Left Side . . . . .	1				
	P473007	24" Right Side . . . . .	1				
	P473010	30" Left Side . . . . .	1				
	P473009	30" Right Side . . . . .	1				
	P473012	36" Left Side . . . . .	1				
	P473011	36" Right Side . . . . .	1				

Discount-Equipment.com



### Left Side Backwall Group, Part I

See Hydr. Pages For Tubes, Hoses & Ftgs.



1039-85/16cha2.tif

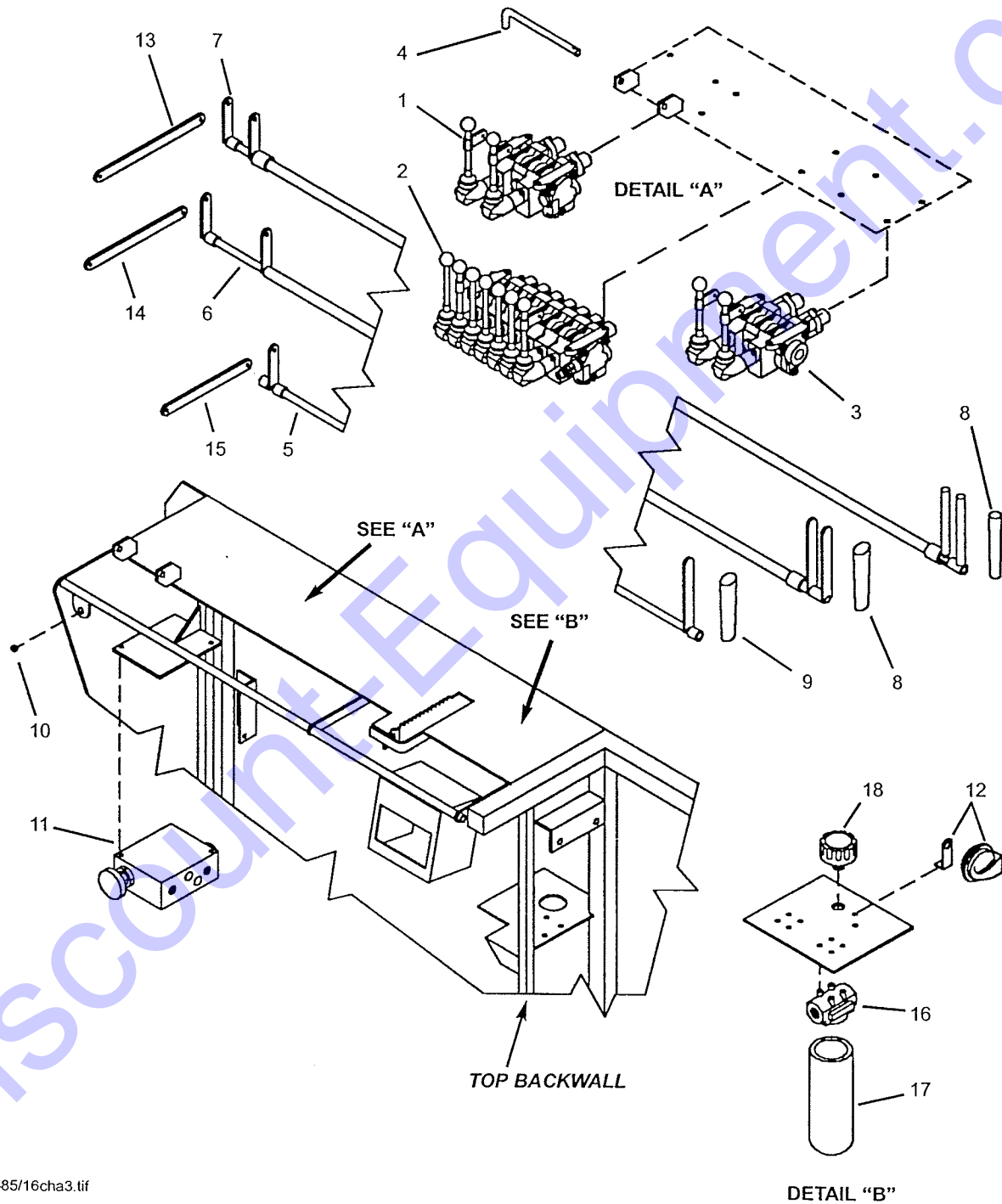
**Left Side Backwall Group, Part I**

Ref. No.	Part No.	Description	Qty. Req.	Ref. No.	Part No.	Description	Qty. Req.
01	P470860	CHOKE CABLE (1639).....	1	16	P022800	HOSE BARB (VENT HOSE).....	1
02	P050515	THROTTLE CABLE (1639).....	1	17	P700240	CLEAR VENT HOSE 1/4DIA.....	1
	P700610	CHAIN LINKAGE ONLY .....	1		L75906	CLAMP 3/8" .....	1
02	P471410	THROTTLE CABLE (1649).....		18	L10465	GREASE ZERK 1/4-28 STR. ....	2
03	L62277	NEUTRAL START SW .....	1	19	P470564	LINKAGE TUBE WELD.....	1
		HEX. NUT 3/4-16 .....	1	20	P221850	RH ROD END .....	1
04	P471740	BATTERY .....	1		P221650	LH ROD END .....	1
05	P471738	POSITIVE CABLE .....	1	21	P471024	LINKAGE ADJUST. ROD .....	1
	L630003	COVER.....	1	22	P470564	SPEED CONTROL ARM .....	1
06	P471739	NEGATIVE CABLE TO FRAME ...	1		L50373	CAPSCREW 3/8-24X2-1/4 .....	1
07	P471741	HOLD DOWN ANGLE .....	1		L50061	SERR. FLGE. NUT 3/8-24.....	1
	P470348	ROD 5/16 DIA. ....	2	23	P252400	RUBBER GRIP .....	1
	L50056	SERR. FLGE. NUT 5/16 .....	2	24	P470519	PUMP CONTROL ARM .....	1
08	L51827	STR. MALE ADAPTER.....	1		L50561	CAPSCREW 5/16-18X1-3/4 .....	1
		(-2P/-6JIC)			L520004	NYLON INSERT NUT 5/16-18....	1
09	P471370	SWIVEL TEE .....	1	25	L561003	SPRING.....	1
		(-6JICFS/-6JICM/-6JICM)		26	P471818	DIVERTER CABLE (1649).....	1
10	P470464	FUEL HOSE 3/8X24" LG.....	1	27	P470566	MANIFOLD (-8 & -16 Ports) .....	1
11	P470464	FUEL HOSE 3/8X24" LG.....	1		P471574	MANIFOLD (-12 & -16 Ports) .....	1
12	P471730	HOSE ASY. ....	1		L50458	CAPSCREW 5/16-18X3-3/4 .....	4
	L41770	VINYL CLAMP .....	1		L50056	SERR. FLGE. NUT 5/16-18.....	4
13	P375000	WASH PUMP.....	1	28 <sup>a</sup>	P471535	RELIEF VALVE .....	1
	P036300	CAPSCREW 1/4-20X1/2.....	2		L50841	CAPSCREW 1/4-20X2 .....	1
14	P470341	WASH DOWN RESERVOIR.....	1		L50051	SERR. FLGE. NUT 1/4-20.....	1
	L50367	CAPSCREW 3/8-16X1 .....	4	29	L63716	HOSE CUSHION SET .....	3
	L52005	NYLON INSERT NUT 3/8-16.....	4	30	L63720	HOSE CUSHION SET .....	5
15	P470472	FILL CAP W/BREATHER.....	1	31	P470409	MALE 90 ELBOW .....	1
						(-6JIC/1/8P)	

a Refer to Hydr. Sect. for Breakdown.

Left Side Backwall Group, Part II

See Hydr. Pages For Tubes, Hoses & Ftgs.



1040-85/16cha3.tif

Left Side Backwall Group Part II

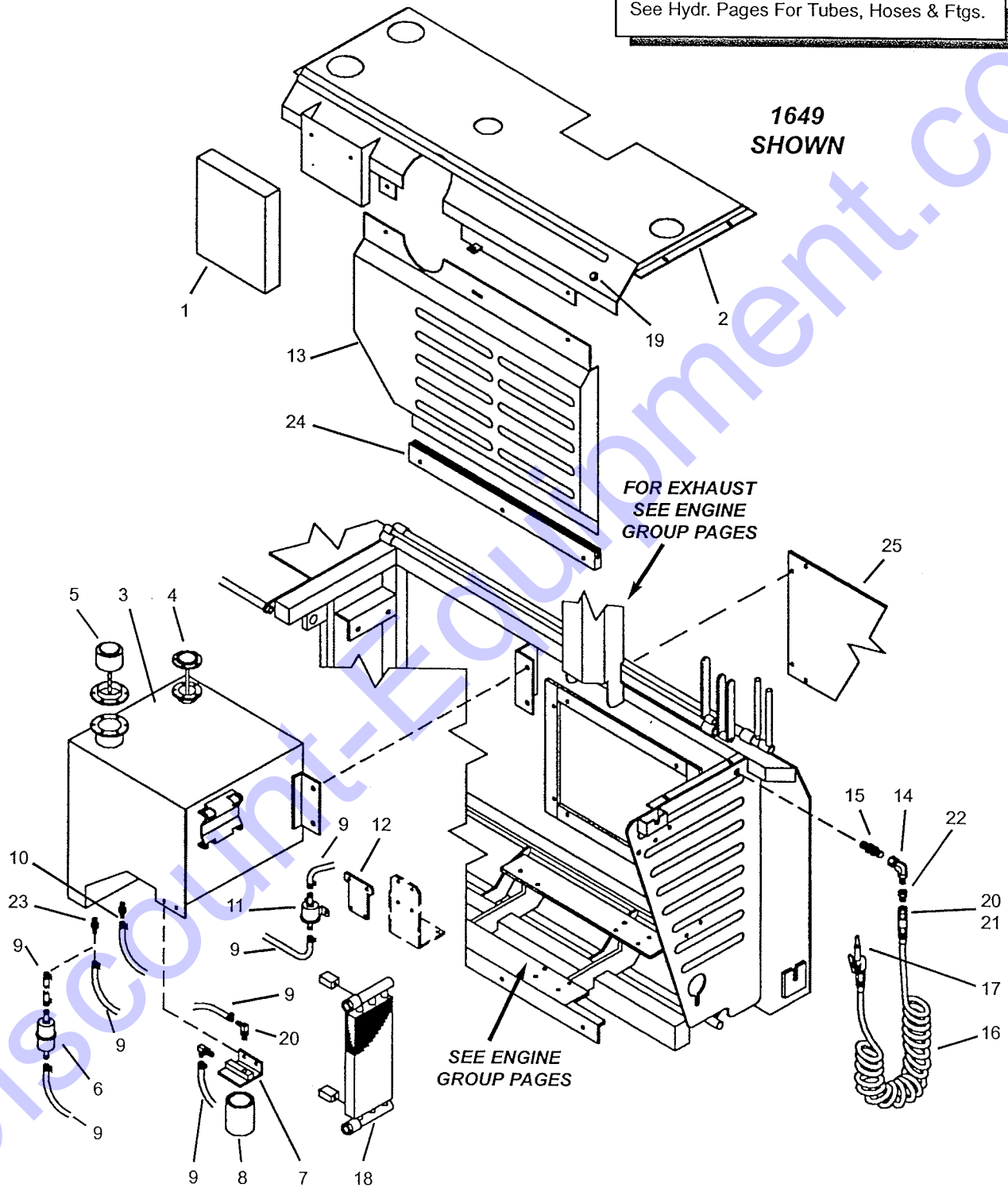
Ref. No.	Part No.	Description	Qty. Req.	Ref. No.	Part No.	Description	Qty. Req.
01	Note a	DRIVE VALVE . . . . .	1	12	L41847	HORN . . . . .	1
	L50403	CAPSCREW 3/8-16X1-1/4 . . . . .	4		L50823	CAPSCREW 5/16-18X1 . . . . .	1
	L50061	SERR. FLGE. NUT 3/8-16. . . . .	4		L50143	LOCKWASHER 5/16. . . . .	1
02	Note a	7-STACK CONTROL VALVE . . . . .	1	13	P137200	LONG CONTL. LEG 13" . . . . .	2
	L50403	CAPSCREW 3/8-16X1-1/4 . . . . .	4		L40626	CLEVIS PIN 1/4X51/64. . . . .	4
	L50061	SERR. FLGE. NUT 3/8-16. . . . .	4		L50137	PLAIN WASHER 1/4 . . . . .	8
03	Note a	AUGER VALVE . . . . .	1		L560003	COTTER PIN 3/32X1-1/4 . . . . .	4
	L50403	CAPSCREW 3/8-16X1-1/4 . . . . .	4	14	P143300	SHORT CONTL. LEG 12" . . . . .	1
	L50061	SERR. FLGE. NUT 3/8-16. . . . .	4		L40626	CLEVIS PIN 1/4X51/64 . . . . .	2
04	P470246	DRIVE CONTL. STOP . . . . .	1		L50137	PLAIN WASHER 1/4 . . . . .	4
	P359690	HAIR PIN . . . . .	1		L560003	COTTER PIN 3/32X1-1/4 . . . . .	2
	L50403	CAPSCREW 3/8-16X1-1/4 . . . . .	4	15	P143200	CONTROL LINK 10-1/4 . . . . .	2
	L50061	SERR. FLGE. NUT 3/8-16. . . . .	4		L40626	CLEVIS PIN 1/4X51/64 . . . . .	4
05	P015575	DUAL AUGER CONTROL . . . . .	1		L560003	PLAIN WASHER 1/4 . . . . .	8
06	P012385	DUAL EXT./FLOOR CONTROL . . . . .	1		L560003	COTTER PIN 3/32X1-1/4 . . . . .	4
07	P013275	DUAL DRIVE CONTROL . . . . .	1	16	074020	HIGH PRESS. FILTER (Incl. 17) . . . . .	2
08	P252600	RUBBER GRIP 5/8" . . . . .	2	17	074830	ELEMENT ONLY. . . . .	1
09	P252400	RUBBER GRIP 3/4" . . . . .	3	18	P471247	BREATHER CAP . . . . .	1
10	L41848	HORN BUTTON SWITCH . . . . .	1				
11	Note a	MODULAR STEER VALVE. . . . .	1	a		Refer to Hyd. Comp. Pages for Breakdown.	
	L50273	CAPSCREW 3/8-16X2-3/4 . . . . .	3				
	L50061	SERR. FLGE. NUT 3/8-16. . . . .	3				

Discount-Equipment.com

Right Side Backwall Group, Part I

See Hydr. Pages For Tubes, Hoses & Ftgs.

1649  
SHOWN



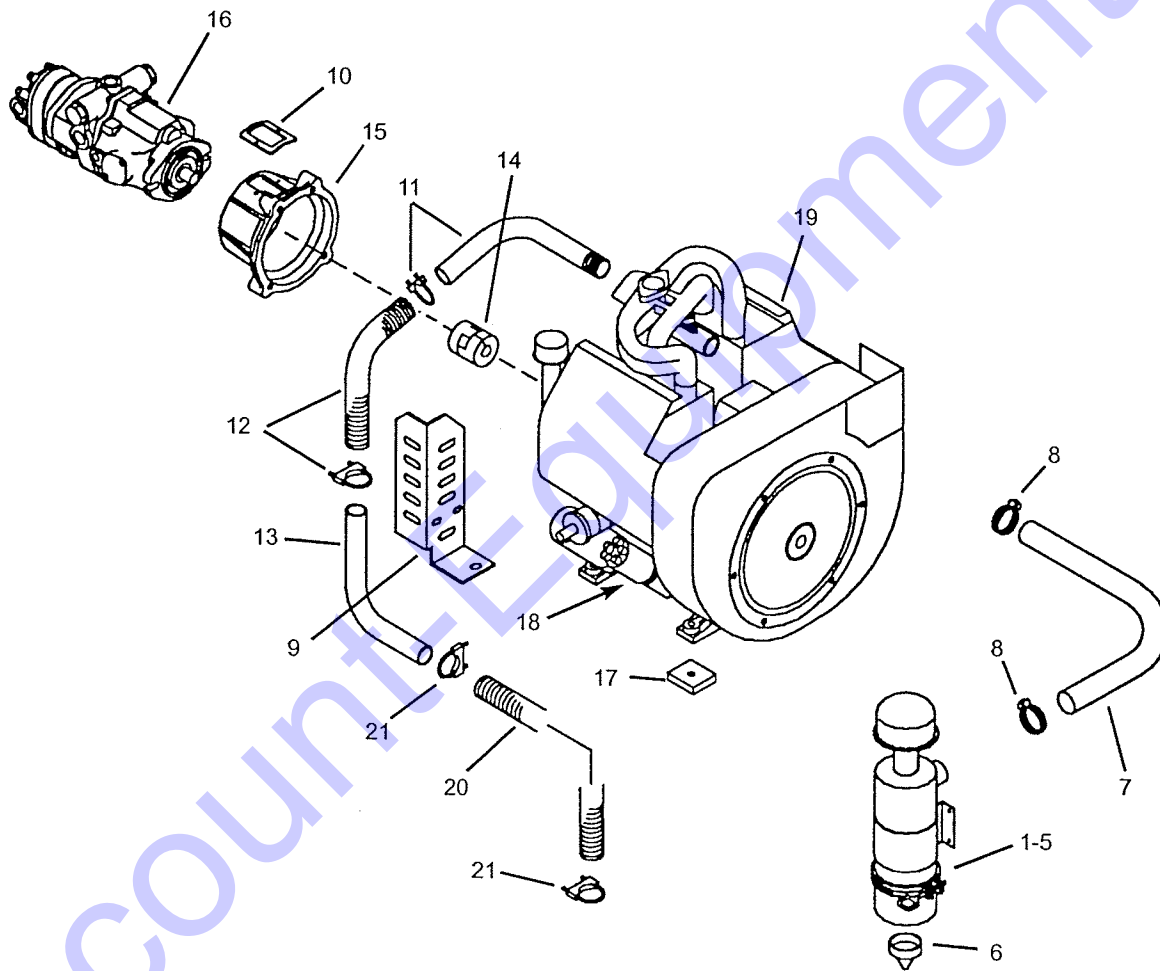
1041-85/16cha4.tif

**Right Side Backwall Group, Part I**

Ref. No.	Part No.	Description	Qty. Req.	Ref. No.	Part No.	Description	Qty. Req.
01	L62459	MANUAL STORAGE BOX . . . . .	1	11 <sup>b</sup>	P700593	FUEL PUMP (Incl. Clamps) . . . . .	1
	L50214	CAPSCREW 1/4-20X1 . . . . .	2		L50486	CAPSCREW 1/4-20X5/8 . . . . .	2
	L50137	PLAIN WASHER 1/4 . . . . .	2		L50051	SERR. FLGE. NUT 1/4-20 . . . . .	2
	L520003	NYLON INSERT NUT 1/4-20 . . . . .	2	12 <sup>b</sup>	P471028	MOUNT PLATE . . . . .	1
02 <sup>a</sup>	P471743	TOP COVER WELD. . . . .	1		L510008	CAPSCREW 5/16-18X5/8 . . . . .	2
02 <sup>b</sup>	P471674	TOP COVER WELD. . . . .	1		L50056	SERR. FLGE. NUT 5/16-18 . . . . .	2
	L50823	CAPSCREW 5/16-18X1 . . . . .	4	12 <sup>b</sup>	P471624	ACCESS PANEL . . . . .	1
	L50141	PLAIN WASHER 5/16 . . . . .	4		L50251	CAPSCREW 5/15-18X3/4 . . . . .	4
	L50143	LOCKWASHER 5/16 . . . . .	4	13 <sup>b</sup>	P471856	ENGINE GUARD WELD. . . . .	1
03 <sup>a</sup>	P471846	FUEL RESERVOIR WELD. . . . .	1		L62721	FASTENER RETAINER . . . . .	2
03 <sup>b</sup>	P471617	FUEL RESERVOIR WELD. . . . .	1		L62720	FASTENER STUD . . . . .	2
	L72019	DRAIN PLUG . . . . .	1		L62722	FASTENER RECEPTACLE . . . . .	2
	L50823	CAPSCREW 5/16-18X1 . . . . .	4	14	P471760	SWVL. 90° ELBOW (JIC/PIPE) . . . . .	2
	L50141	PLAIN WASHER 5/16 . . . . .	1	15	P471759	STR. MALE BULKHD. (-6JIC) . . . . .	2
	L50143	LOCKWASHER 5/16 . . . . .	1	16	P471756	SPRAY DOWN HOSE . . . . .	2
04	P470478	LEVEL INDICATOR . . . . .	1	17	P471764	NOZZLE . . . . .	2
05	P470472	FILL CAP . . . . .	1	18	P061400	HYDRAULIC COOLER . . . . .	1
06 <sup>a</sup>	P217000	IN-LINE FUEL FILTER . . . . .	1		P471771	RUBBER MOUNT . . . . .	4
		(Incl. Clamps)		19	L41818	HORN BUTTON SWITCH . . . . .	1
07 <sup>b</sup>	123827	MOUNT BRACKET . . . . .	1	20	P471761	QUICK COUPLE, FEMALE . . . . .	2
	L50230	CAPSCREW 5/16-18X3/4 . . . . .	2	21	P471762	QUICK COUPLER, MALE . . . . .	2
	L50056	SERR. FLGE. NUT 5/16-18 . . . . .	2	22	P471763	PIPE ADAPTER . . . . .	2
08 <sup>b</sup>	123828	FUEL FILTER ELEMENT . . . . .	1	23	P022300	HOSE BARB, SUPPLY LINE . . . . .	1
09	P700597	SUPPLY FUEL HOSE .25 ID. . . . .	72"	23 <sup>a</sup>	P022800	HOSE BARB, RETURN LINE . . . . .	1
	L75906	HOSE CLAMP . . . . .	AR	24	P471855	NYLATRON GUIDE . . . . .	1
10 <sup>b</sup>	P700598	RETURN FUEL HOSE .19 ID. . . . .	32"				
	L75906	HOSE CLAMP . . . . .	2				
				a	1639 (Gas) Engine Only.		
				b	1649 (Diesel) Engine Only.		

Gas Engine Group

See Hydr. Pages For Tubes, Hoses & Ftgs.



1043-85/16cha7.tif

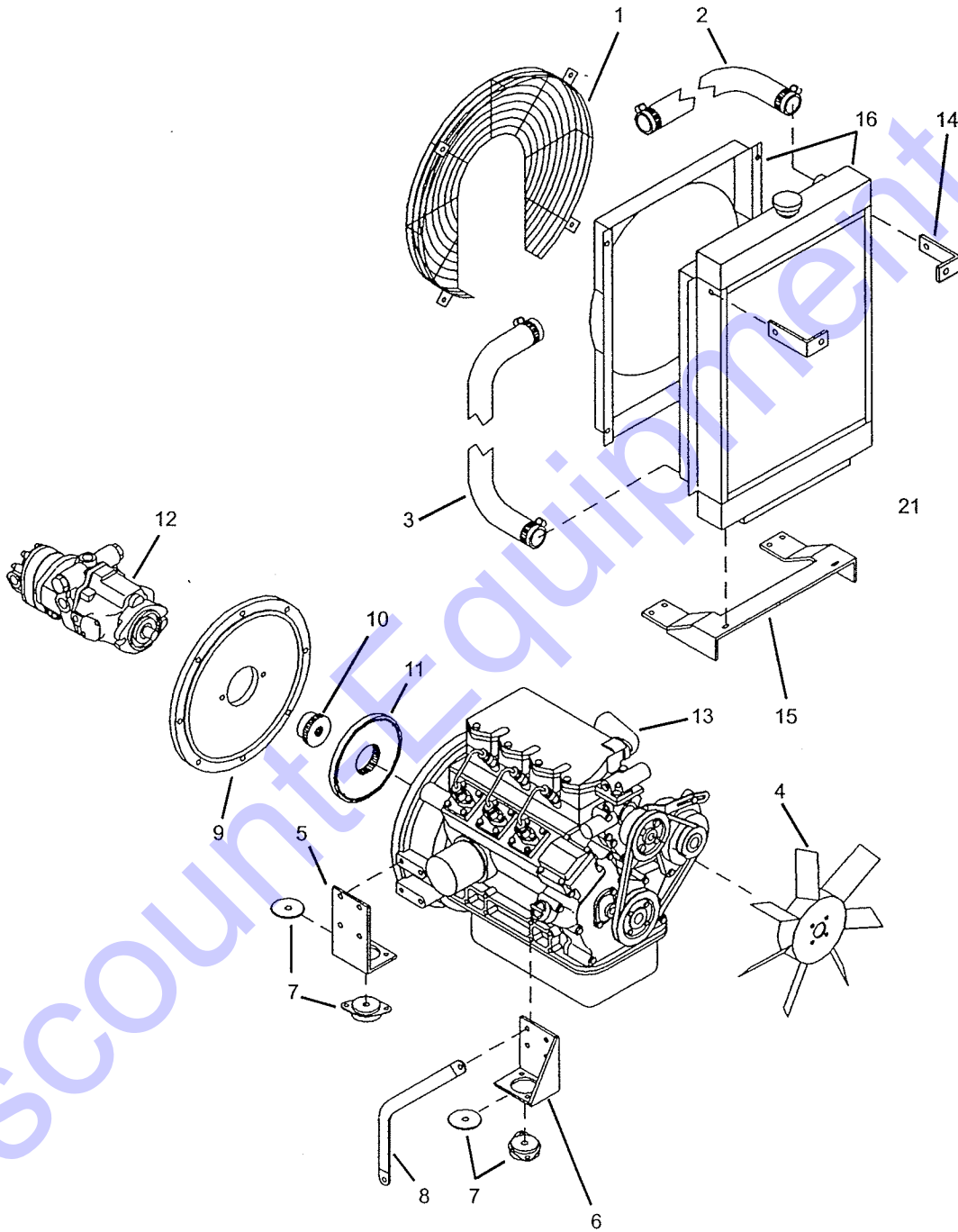
**Gas Engine Group**

Ref. No.	Part No.	Description	Qty. Req.	Ref. No.	Part No.	Description	Qty. Req.
01	P700517	AIR CLEANER ASY ( <i>Incl. 2-5</i> )	1	14	P471636	PUMP ADAPTER ASY.	1
	L50211	CAPSCREW 1/4-20X3/4	4	15	P471456	PUMP MT. BELL HOUSING	1
	L50137	PLAIN WASHER 1/4"	4		L50746	CAPSCREW 7/16-14X1-3/4 GR8	4
	L50051	SERR. FLGE. NUT 1/4-20.	4		L50149	PLAIN WASHER 7/16	4
02	P700544	DUST CUP	1	16	<i>Note a</i>	PUMP ASY.	1
03	P700543	CLAMP RING.	1		L50283	CAPSCREW 1/2-13X1-1/4	2
	L98649	THUMBSCREW	1	17	P349950	RUBBER MT. PAD	4
04	P700504	ELEMENT	1		L50680	CAPSCREW 1/2-13X3	4
05	P700549	INLET CAP	1		L520019	NYLON INSERT NUT 1/2-13.	4
06	P700547	RUBBER VACUATOR	1	18	L72054	NIPPLE 3/8X3 BI	1
07	P471857	AIR INLET HOSE.	1		L72061	ELBOW 3/8 NPTX90 BI	1
08	L76020	HOSE CLAMP #32.	4	19	P223500	GAS ENGINE ( <i>WISCONSIN</i> )	1
09	P471695	HEAT SHIELD	1		P221050	OIL FILTER.	1
	L50367	CAPSCREW 3/8-16X1	1		P051900	CARBURETOR.	1
	L50145	PLAIN WASHER 3/8	1		P059150	COIL.	1
	L50061	SERR. FLGE. NUT 3/8-16.	1		P406300	STARTER ( <i>Prestolite YA61</i> )	1
10	P471844	COVER PLATE.	1		P700521	STARTER ( <i>Delco YA53B</i> )	1
	L50208	SELF TAP SCREW 1/4-20X1/2	4		P380400	REGULATOR	1
11	P470795	UPPER EXHAUST TUBE.	1		P700610	THROTTLE CHAIN LINKAGE	1
	P055200	MUFFLER CLAMP 1-5/8.	1	20	P470910	FLEX. EXHAUST CONDUIT.	1
12	P700550	FLEX. EXHAUST SECT. ... 1.33 FT	1	21	P055200	MUFFLER CLAMP 1-5/8.	2
	P055200	MUFFLER CLAMP 1-5/8.	1				
13	P471714	LOWER EXHAUST TUBE	1	a		<i>Refer to Hyd. Comp. Sect. for Breakdown.</i>	



Diesel Engine Group, Part I

See Hyd. Sys. Pages For Tubes, Hoses & Ftgs.



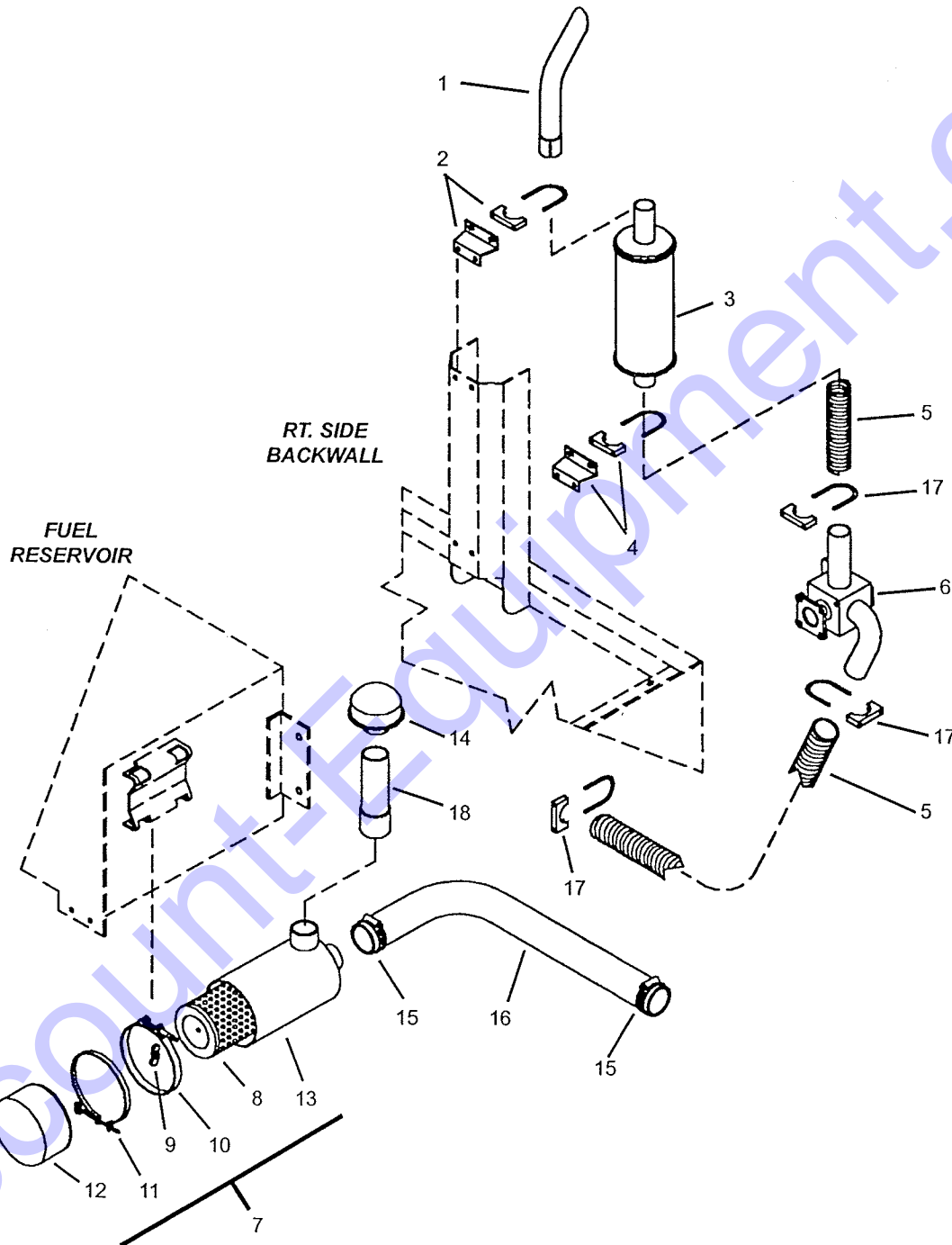
1042/85/16cha5.tif

**Diesel Engine Group, Part I**

Ref. No.	Part No.	Description	Qty. Req.	Ref. No.	Part No.	Description	Qty. Req.
01	P700590	FAN GUARD (Incl. Hdwr.)	1	11	P700539	FLYWHEEL COUPLING PLATE	1
02	P700586	UPPER RADIATOR HOSE	1		L50313	CAPSCREW 5/8-11X1-1/2	8
	L76084	HOSE CLAMP	2	12 <sup>a</sup>	P471457	PUMP ASY.	1
03	P700587	LOWER RADIATOR HOSE	1		L50599	CAPSCREW 1/2-13X1-1/2	2
	L76084	HOSE CLAMP	2		L50152	LOCKWASHER 1/2	2
04	P471694	BLOWER FAN, 400MM (Incl. Hdwr.)	1	13 <sup>b</sup>	P471649	DIESEL ENGINE (ISUZU)	1
					P700113	OIL FILTER ELEMENT	1
05	P471627	REAR ENGINE MT. WELD.	1	14	P471643	ANGLE MOUNT.	2
	L50952	CAPSCREW M10X1.5X25 GR8.8	8		L50367	CAPSCREW 3/8-16X1	2
06	P471628	FRONT ENGINE MT. WELD.	1		L50061	SERR. FLGE. NUT 3/8-16	2
	L50952	CAPSCREW M10X1.5X25 GR8.8	8		L50363	CAPSCREW M8X1.25X20 GR8.8	2
07	P471689	RUBBER ISOLATOR MT.	4		L50141	PLAIN WASHER 5/16	2
	L50367	CAPSCREW 3/8-16X1	4	15	P471812	RADIATOR MOUNT WELD.	2
	L520005	NYLON INSERT NUT 3/8-16	4		L50403	CAPSCREW 3/16-18X1-1/4	4
	L64197	RETAINER	4		L50061	SERR. FLGE. NUT 3/8-16	4
	L50680	CAPSCREW 1/2-13X3	4	16	P700592	RADIATOR.	1
	L50151	PLAIN WASHER 1/2	4		L50211	CAPSCREW 1/4-20X3/4	2
	L520019	NYLON INSERT NUT 1/2-13	4		L50051	SERR. FLGE. NUT 1/4-20	2
08	L630004	GROUNDING STRAP	1		067684	PRESSURE CAP	1
09	P700535	PUMP MOUNT PLATE	1		P700588	DRAIN COCK	1
	L50423	CAPSCREW M10-1.5X50 GR8.8	8		P700591	SHROUD (Incl. Hdwr.)	1
10	P700536	PUMP COUPLING HUB	1				

a Refer to Hyd. Comp. Sect. for Breakdown.  
 b For Service Parts, Contact Local Engine Dealer.

Diesel Engine Group, Part II

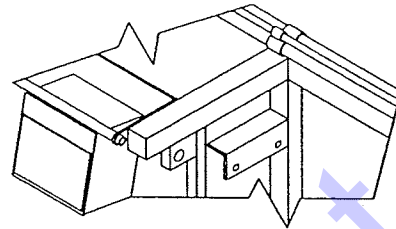
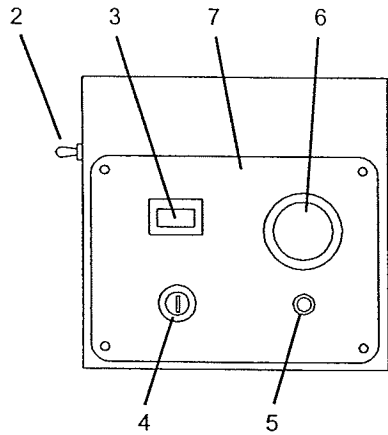


1042-85/16cha6.tif

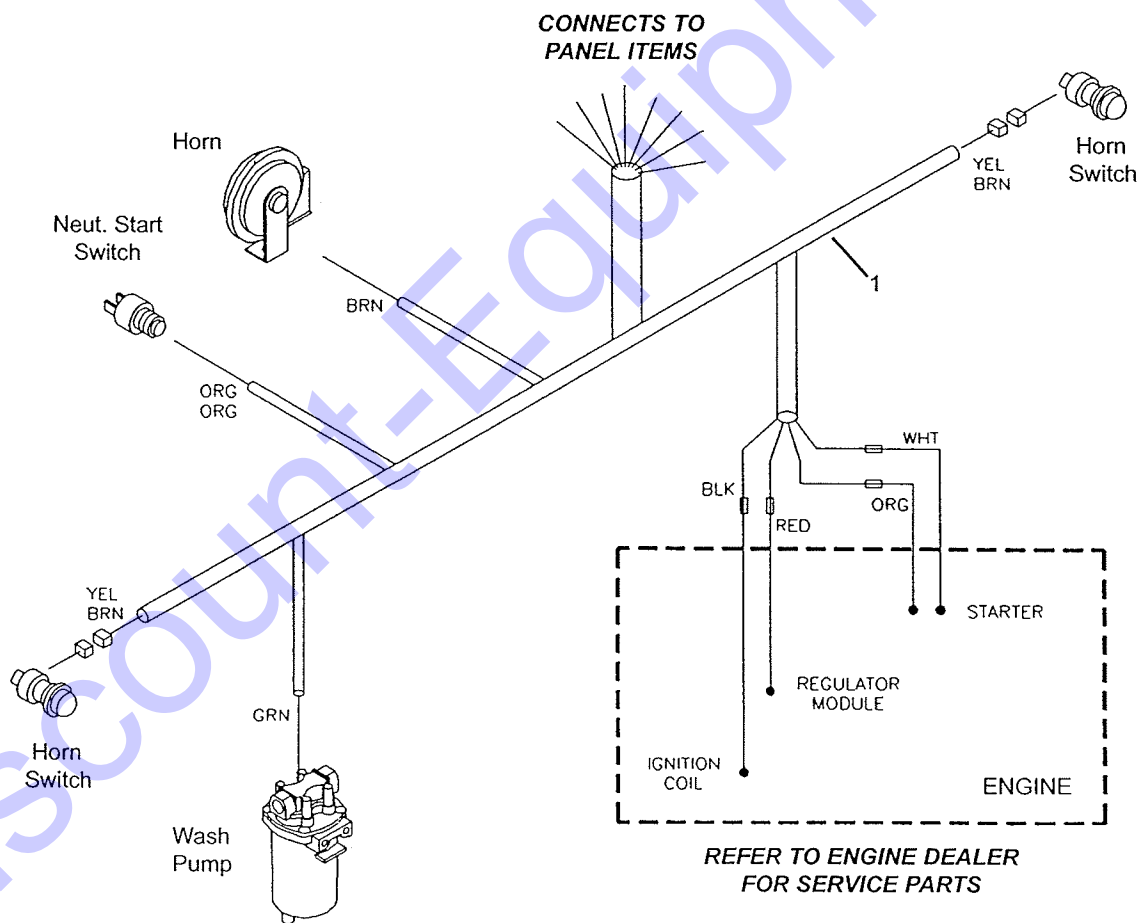
**Diesel Engine Group, Part II**

Ref. No.	Part No.	Description	Qty. Req.	Ref. No.	Part No.	Description	Qty. Req.
01	P470848	EXHAUST PIPE.....	1	11	115034	CLAMP RING.....	1
02	P471059	UPPER CLAMP STANDOFF.....	1		L98649	THUMBSCREW.....	1
	L50962	MUFFLER CLAMP 1-3/4.....	1	12	096233	DUST CUP.....	1
03	072401	MUFFLER.....	1		NSS	BAFFLE.....	1
04	P471059	LOWER CLAMP STANDOFF.....	1	13	NSS	HOUSING.....	1
	L50962	MUFFLER CLAMP 1-3/4.....	1	14	P470975	INLET CAP.....	1
05	P471819	FLEX. EXHAUST CONDUIT.....	1	15	L76020	HOSE CLAMP #32.....	2
06	P471804	EXHAUST DIVERTER WELD.....	1	16	P471867	FLEX. AIR INTAKE HOSE.....	1
07	096231	AIR CLEANER (Incl. 8-13).....	1	17	P055200	MUFFLER CLAMP 1-5/8.....	3
08	055017	ELEMENT.....	1	18	P470936	STAND PIPE.....	1
09	078936	WINGNUT.....	1		L4500	MUFFLER CLAMP 2-3/8.....	1
10	121275	MOUNTING T-CLAMP.....	2				

### Wire Harness Hookup, Gas Engine



LT. SIDE BACKWALL



1045-85/16elc1.tif

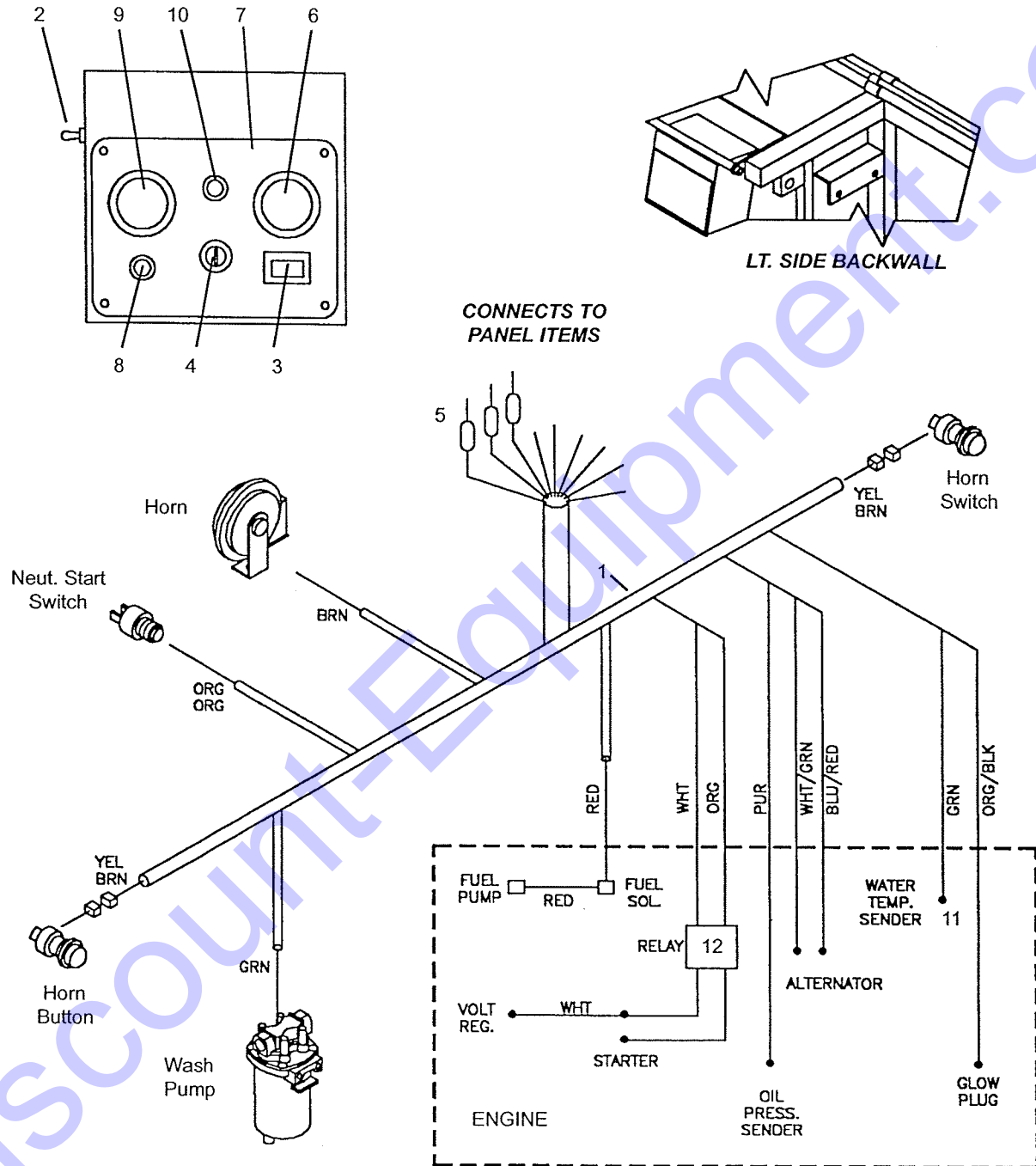
**Wire Harness Hookup, Gas Engine**

Ref. No.	Part No.	Description	Qty. Req.	Ref. No.	Part No.	Description	Qty. Req.
01	P471808	MAIN HARNESS .....	1	06	P470536	AMMETER GAUGE .....	1
02	L48182	SPRAY DOWN PUMP SWITCH...	1	07	P471023	GAUGE PANEL .....	1
03	072340	HOURMETER .....	1		L50491	RHS #8-32X5/8 (N) .....	4
	L50546	CAPSCREW 6-32X5/8 .....	1		P357050	RD. HD. SCREW 8-32 .....	4
	L520017	NYLON INSERT NUT 6-32 .....	1				
04	P700006	KEY SWITCH.....	1				
	P275450	KEY ONLY .....	1				
05	L49236	CIRCUIT BREAKER (15 AMP)....	1				

*NOTE: P/N's for Other Components are Referenced Elsewhere in this Manual.*



### Wire Harness Hookup, Diesel Engine



1045-85/16elc2.tif

**Wire Harness Hookup, Diesel Engine**

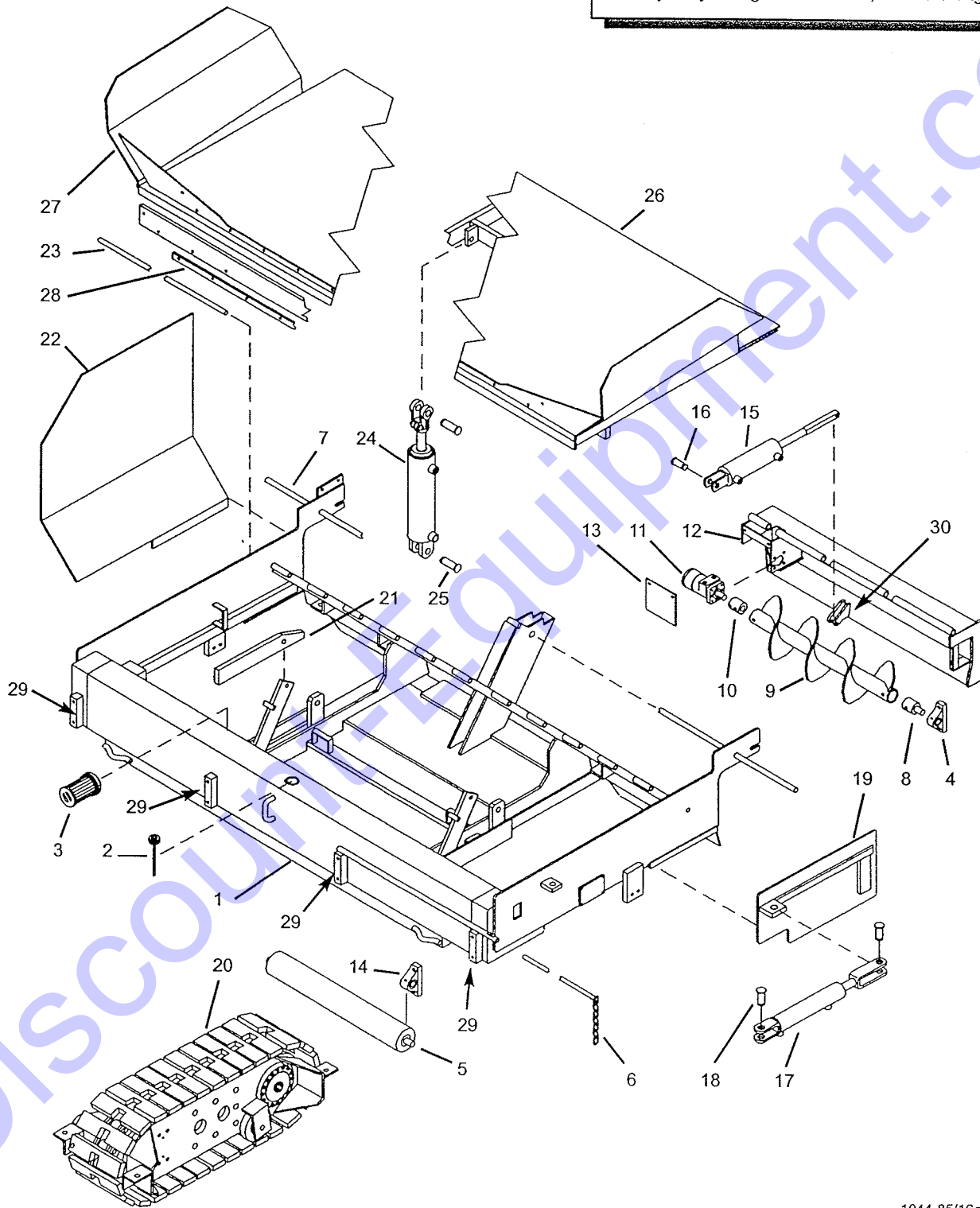
Ref. No.	Part No.	Description	Qty. Req.	Ref. No.	Part No.	Description	Qty. Req.
01	P471806	MAIN HARNESS .....	1	08	P700551	GLOW PLUG INDICATOR .....	1
02	L48182	SPRAY DOWN PUMP SWITCH...	1	09	L66437	WATER TEMP. GAUGE .....	1
03	072340	HOURMETER .....	1	10	L66427	ENGINE OIL PRESSURE LAMP ..	1
	L50546	CAPSCREW 6-32X5/8 .....	1		L50491	RD. HD. SCRW. #8-24X5/8 .....	4
	L520017	NYLON INSERT NUT 6-32 .....	1		P357050	HEX NUT 8-24 .....	4
04	P700297	KEY SWITCH.....	1	11	P470880	WATER TEMP. SENDER .....	1
	P700298	KEY ONLY .....	1	12	L63335	STARTER RELAY .....	1
05		STD. 20 AMP FUSE.....	3				
06	P470536	AMMETER GAUGE .....	1				
07	P470840	GAUGE PANEL .....	1				

*NOTE: P/N's for Other Components are Referenced Elsewhere in this Manual.*



Lower Frame & Hopper Group

See Hyd. Sys. Pages For Tubes, Hoses & Ftgs.



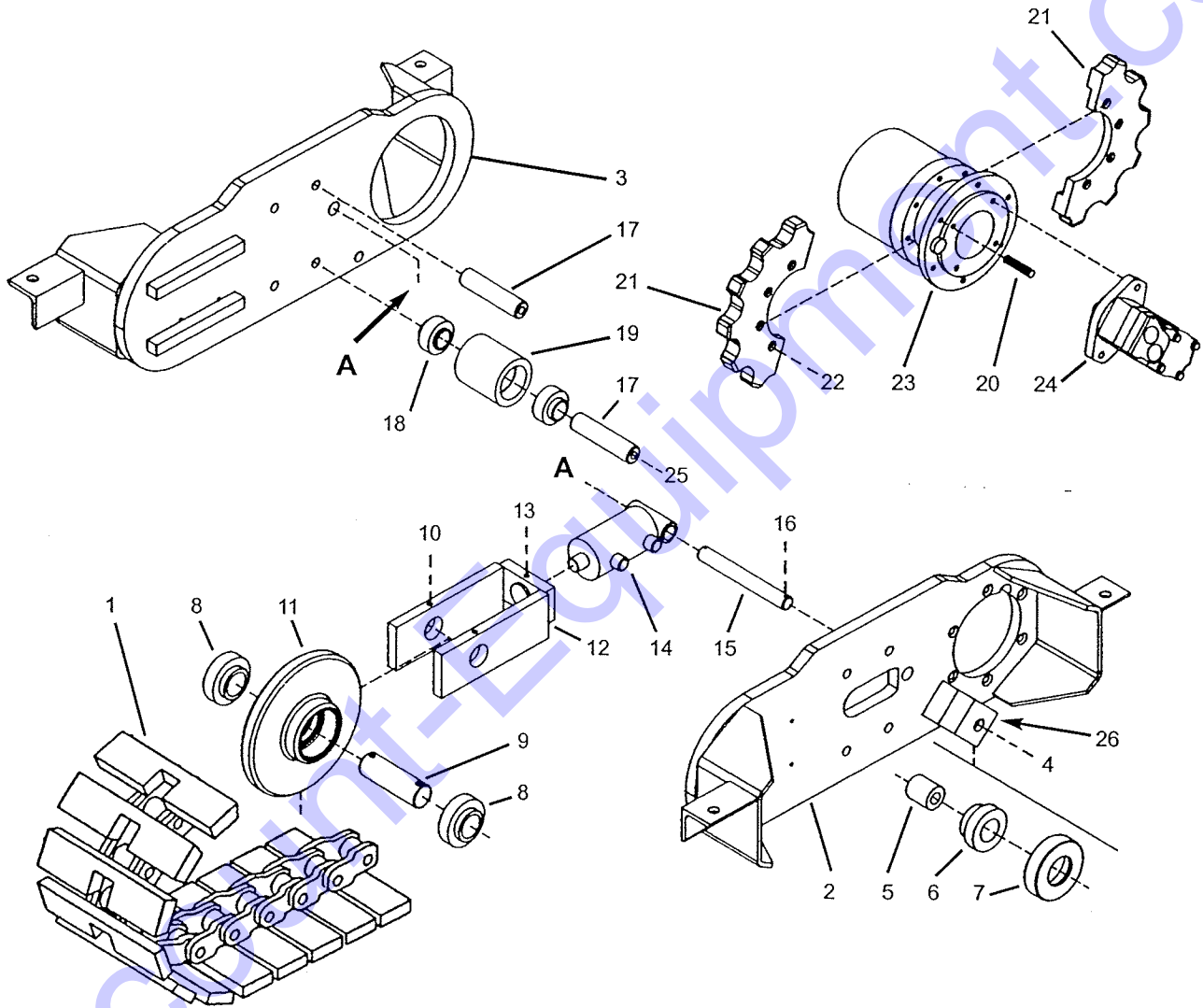
1044-85/16cha8.tif

Lower Frame & Hopper Group

Ref. No.	Part No.	Description	Qty. Req.	Ref. No.	Part No.	Description	Qty. Req.
01	NSS	HYD. TANK WELDMENT	1	16	P471297	CLEVIS PIN	4
	L43221	MAGNETIC PLUG 1/2NPT	1		L50601	COTTER PIN 3/16X2	8
02	P013150	DIPSTICK PLUG	1	17	Note a, c	SIDE GATE CYLINDER	2
03	128299	STRAINER W/BYPASS	1	18	P471297	CLEVIS PIN	4
04	P471466	PILLOW BLOCK BEARING	6		L50601	COTTER PIN	8
	P042400	CAPSCREW 7/16-14X1-1/2	2	19	P470851	LT. SIDE GATE WELD.	1
	L50149	PLAIN WASHER 7/16	2		P470850	RT. SIDE GATE WELD.	1
05	P470606	PUSH ROLLER	2	20 <sup>b</sup>	P470569	LT. DRIVE TRACK ASY	1
06	P470014	ALIGNMENT SLIDE	1		P471068	RT. DRIVE TRACK ASY	1
	L277729	THUMBSCREW 3/8-16X1	1		L50956	CAPSCREW GR8 3/4-10X2-1/2	8
07	P470481	GATE HINGE PIN	2		L50158	LOCKWASHER 3/4	8
08	P471458	OUTSIDE MALE HUB	2		L50086	HEX NUT 3/4-10	8
	L50294	CAPSCREW 1/2-13X3-1/2	2	21	P470025	SAFETY PROP	2
	L50070	FLANGE. LOCK NUT 1/2-13	2		L50385	CAPSCREW GR8 3/4-10X3	2
	P391200	ALLEN HD. SETSCREW 3/8-16X5/16	2		L50147	PLAIN WASHER 3/4	2
					L50519	NYLON INSERT NUT 3/4-10	2
09	P471736	LH AUGER WELDMENT	1	22	P162750	LT. WING FRAME	1
	P471737	RH AUGER WELDMENT	1		P162700	RT. WING FRAME	1
10	P471459	INSIDE FEMALE HUB	2	23	P151150	FLOOR HING PIN	1
	L50294	CS 1/2-13X3-1/2	2	24	Note a, c	HOPPER LIFT CYL	2
	L50070	FLANGE. LOCK NUT 1/2-13	2	25	P471296	END PIN	4
	P391200	ALLEN HD. SETSCREW 3/8-16X5/16	2		L50601	COTTER PIN	4
11	Note a	AUGER MOTOR	2	26	P014050	HOPPER FLOOR WELD	1
	L50251	CAPSCREW 3/8-16X3/4	8		P151500	LH HOPPER FLOOR WING	1
12	P471646	LH GATE WELD	1		P151550	RH HOPPER FLOOR WING	1
	P471647	RH GATE WELD	1	27	P471427	RUBBER LIP	1
13	P136200	MOTOR COVER	2		L50145	CAPSCREW 3/8-16X1-1/2	10
	L50251	CAPSCREW 3/8-16X3/4	4		L50061	PLAIN WASHER 3/8	10
	L50147	LOCKWASHER 3/8	4	28	P471474	SERR. FLGE. NUT 3/8-16	10
14	P024000	PILLOW BLOCK BEARING	4	29	P470006	MOUNT BAR	1
	P042400	CAPSCREW 7/16-14X1-1/2	8	30	P470006	BEARING MOUNT (Weld-on)	4
	L50149	PLAIN WASHER 7/16	8		P471639	ROD END MOUNT (Weld-on)	4
15	Notes a,c	GATE CYLINDER	2	a		Refer to Hydraulics Section For Breakdown.	
	P471669	ROD CONNECT PIN	2	b		See Drive Track Pages for Breakdown.	
	L50363	CAPSCREW 1/4-20X1-1/2	2	c		Refer to Part Number Stamped on Cyl. Tube.	
	L50364	STOVER LOCK NUT 1/4-20	2				

Positive Drive Track Group - LH Shown

See Hyd. Sys. Pages For Tubes, Hoses & Ftgs.

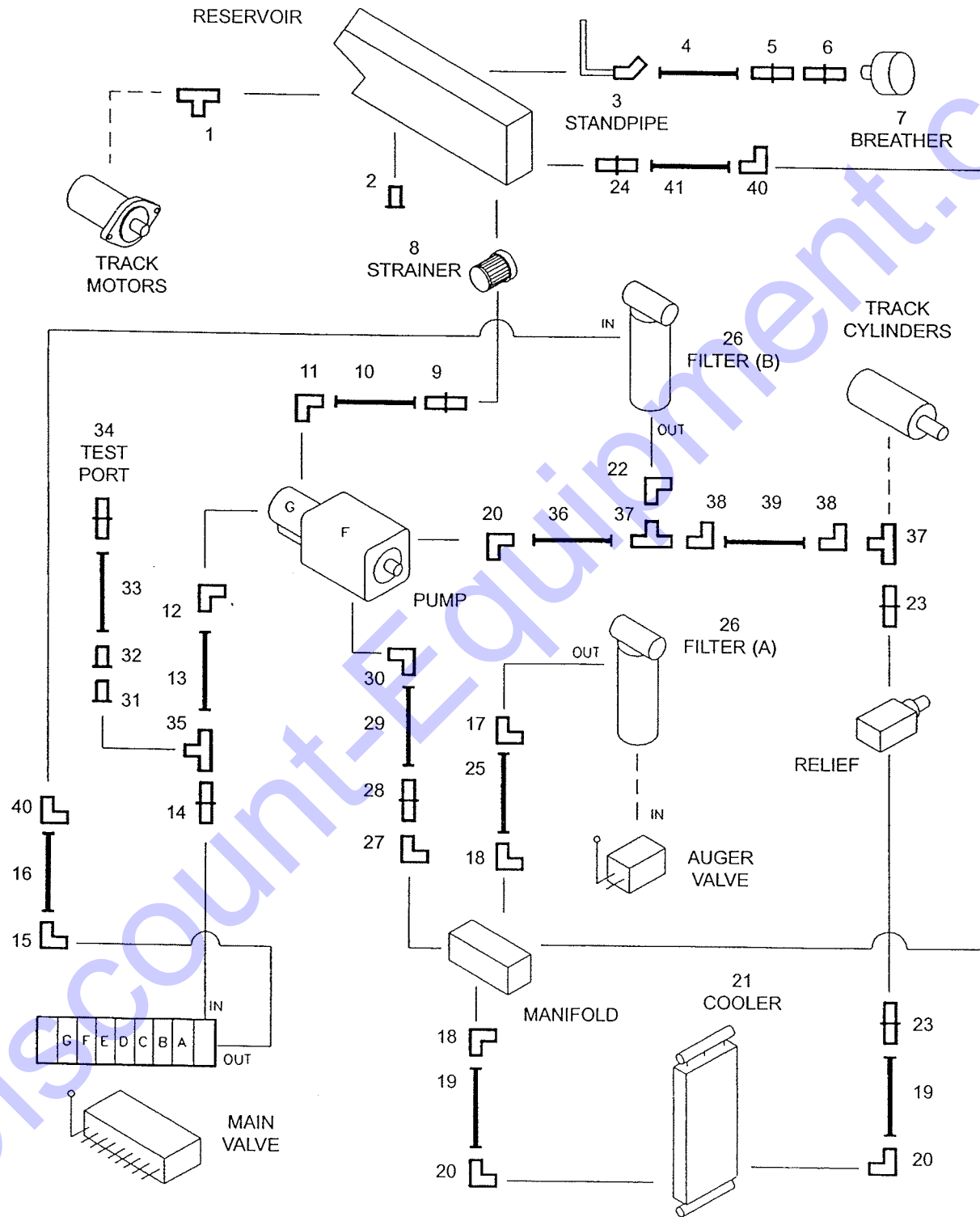


1021-81/38adm2.tif

**Positive Drive Track Group - LH Shown**

Ref. No.	Part No.	Description	Qty. Req.	Ref. No.	Part No.	Description	Qty. Req.
-	P470569	COMPL. LH TRACK ASY. ....	1	13	P392450	SOC. HD. SCREW 1/2X1.....	1
-	P471068	COMPL. RH TRACK ASY. ....	1	14	Notes a,b	TENSION CYLINDER .....	1
01	P471718	TRACK & CHAIN WELD.....	1	15	P480124	CYLINDER PIN .....	1
	P700594	STANDARD PADS .....	24	16	L50601	COTTER PIN 3/16X2.....	2
	P700595	LH LINKAGE PAD .....	1	17	P480122	ROLLER SHAFT .....	4
	P700596	RH LINKAGE PAD .....	1	18	P480176	BEARING, 1.44 DIA.....	4
	P362400	LINKAGE PIN .....	1	19	P471186	ROLLER .....	4
	P362500	COTTER PIN .....	1	20	P471406	FLGE. HX. HD. BOLT 5/8-11X2 GR8.....	6
02	P470588	LEFT TRACK FRAME .....	1				
03	P470587	RIGHT TRACK FRAME .....	1	21	P471543	DRIVE SPROCKET .....	1
04	P032600	CAPSCREW 1-8X4-1/2 .....	2	22	P471536	BOLT .....	8
	L50162	LOCKWASHER 1".....	2		P471548	WASHER .....	8
05	P471182	SPACER .....	2	23	Note a	TORQUE HUB.....	1
06	P024500	LOWER IDLER BEARING .....	2	24	Note a	DRIVE MOTOR .....	1
07	P471479	OUTRIGGER ROLLER .....	2	25	L50956	CAPSCREW GR8 3/4-10X2-1/2 ..	8
08	P024510	BEARING.....	2	26	P471177	BRACKET (Weld-on) .....	2
09	P480125	FRONT IDLER AXLE.....	2				
10	P392450	SOC. HD. SCREW 1/2X1.....	4	a	<i>Refer to Hydraulics Section for Breakdown.</i>		
11	P471448	IDLER HUB .....	1	b	<i>Refer to P/N Stamped on Cylinder Wall.</i>		
12	P470591	YOKE WELDMENT .....	1				

### Reservoir & Manifold Plumbing Lines



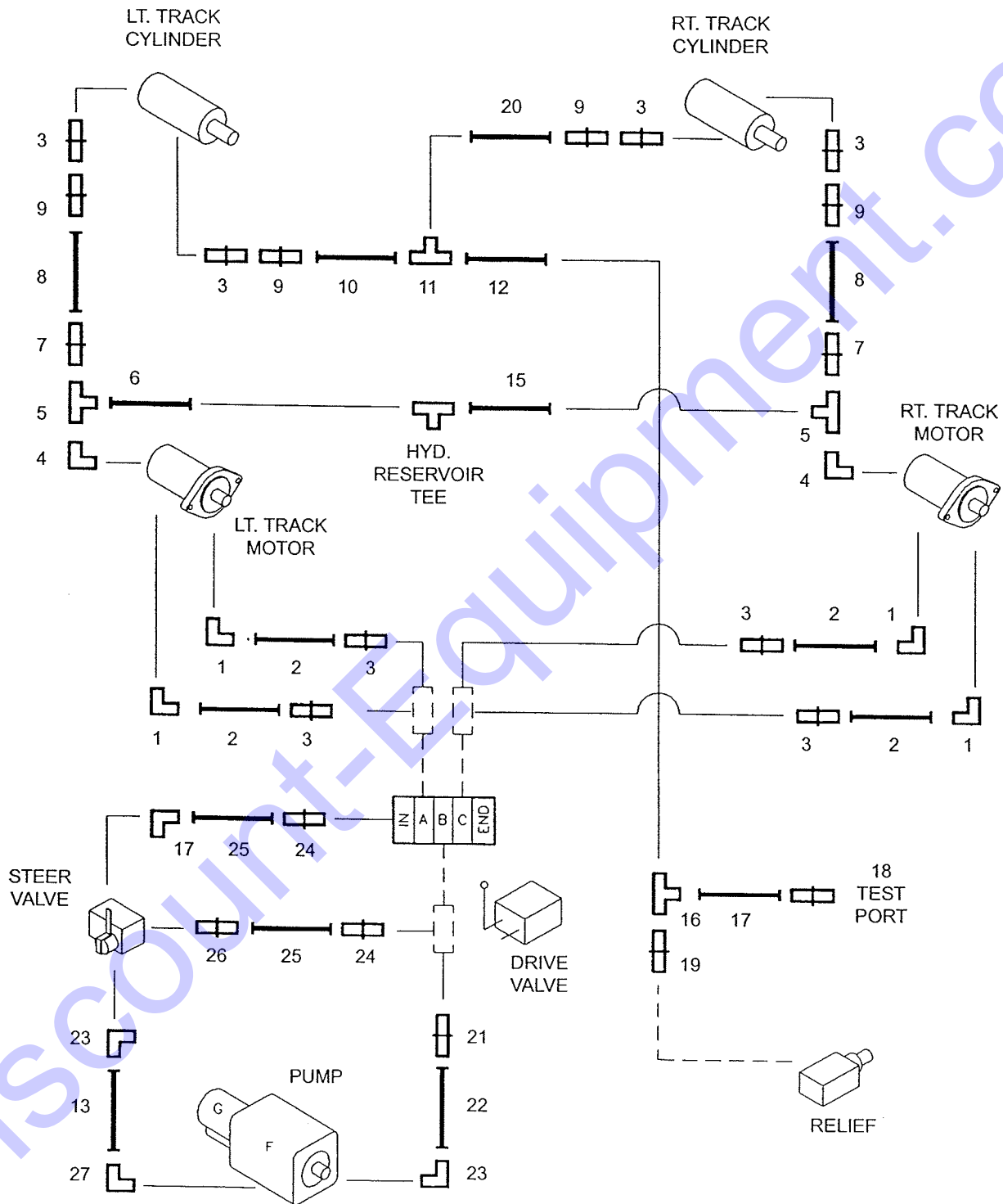
1048-85/16hys1.tif

**Reservoir & Manifold Plumbing Lines**

Ref. No.	Part No.	Description	Qty. Req.	Ref. No.	Part No.	Description	Qty. Req.
01	L64660	MALE TEE (-8JIC/-8JIC/-8OR) . . . . .	1	23	L60440	STR. MALE CONNTR. . . . .	2
02	L43221	MALE PLUG (1/2 NPT) . . . . .	1			(-6OR/-8JIC)	
03	P471339	MALE 45 STANDPIPE . . . . .	1	24	P227700	STR. MALE CONNTR. . . . .	1
		(-8OR/-8JIC)				(-20JIC/1-1/4P)	
04	P471415	HOSE ASY. -8X97" . . . . .	1	25	P471727	HOSE ASY. -10X25" . . . . .	1
05	L446021	STR. ADAPTER. . . . .	1	26	074020	FILTER "A & B" . . . . .	2
		(-12JICF/-8JICM)		27	L80788	MALE 90 ELBOW . . . . .	1
06	P471289	STR. BULKHD. ADAPTER. . . . .	1			(-16OR/-8JIC)	
		(-12FP/-12JICM)		28	L60534	STR. ADAPT. (-8JICF/-6JICM) . . . . .	1
07	P471247	BREATHER CAP . . . . .	1	29	P254037	HOSE ASY. -6X33" . . . . .	1
08	128299	SUMP STRAINER (-20ORF) . . . . .	1	30	L445003	MALE 90 ELBOW . . . . .	1
09	L51587	STR. MALE CONNTR. . . . .	1			(-6OR/-6JIC)	
		(-20OR/-20JIC)		31	P471784	SWVL. REDUCER . . . . .	1
10	P471722	HOSE ASY. -20X83" . . . . .	1			(-10FS/-8JICM)	
11	L62954	MALE 90 ELBOW . . . . .	1	32	L60534	SWVL. REDUCER . . . . .	1
		(-20OR/-20JIC)				(-8FS/-4JICM)	
12	L51599	MALE 90 ELBOW . . . . .	1	33	P471833	HOSE ASY. -4X30" . . . . .	1
		(-10OR/-10JIC)		34	L62834	MALE TEST PORT . . . . .	1
13	P471725	HOSE ASY. -10X53" . . . . .	1		L62933	COUPLER . . . . .	1
14	L444011	STR. MALE CONNTR. . . . .	1		L62840	CAP . . . . .	1
		(-10JIC/-10OR)		35	P471783	FEMALE RUN TEE . . . . .	1
15	L445009	MALE 90 ELBOW . . . . .	1			(-10FS/-10JICM/-10JICM)	
		(-10JIC/-8OR)		36	P470455	HOSE ASY. -8X41" . . . . .	1
16	P471726	HOSE ASY. -10X30" . . . . .	1	37	L446026	FEMALE RUN TEE . . . . .	1
17	P471353	MALE 90 ELBOW . . . . .	2			(-8FS/-8JICM/-8JICM)	
		(-16OR/-20JIC)		38	L446017	SWVL. 90 ELBOW. . . . .	2
18	P471785	MALE 90 ELBOW . . . . .	2			(-8JICFS/-8JICM)	
		(-16OR/-10JIC)		39	P259525	HOSE ASY. -8X20" . . . . .	1
19	P470533	HOSE ASY. -8X86" . . . . .	2	40	P471353	MALE 90 ELBOW . . . . .	2
20	L445002	MALE 90 ELBOW . . . . .	2			(-20JIC/-16OR)	
		(-8OR/-8JIC)		41	P257425	HOSE ASY. -20X79" . . . . .	1
21	P471634	COOLER . . . . .	1				
22	L445006	MALE 90 ELBOW . . . . .	1				
		(-12OR/-8JIC)					

NOTE: P/N's for Other Components are Referenced Elsewhere in this Manual.

Drive Tracks Plumbing Lines



1049-85/16hys2.tif

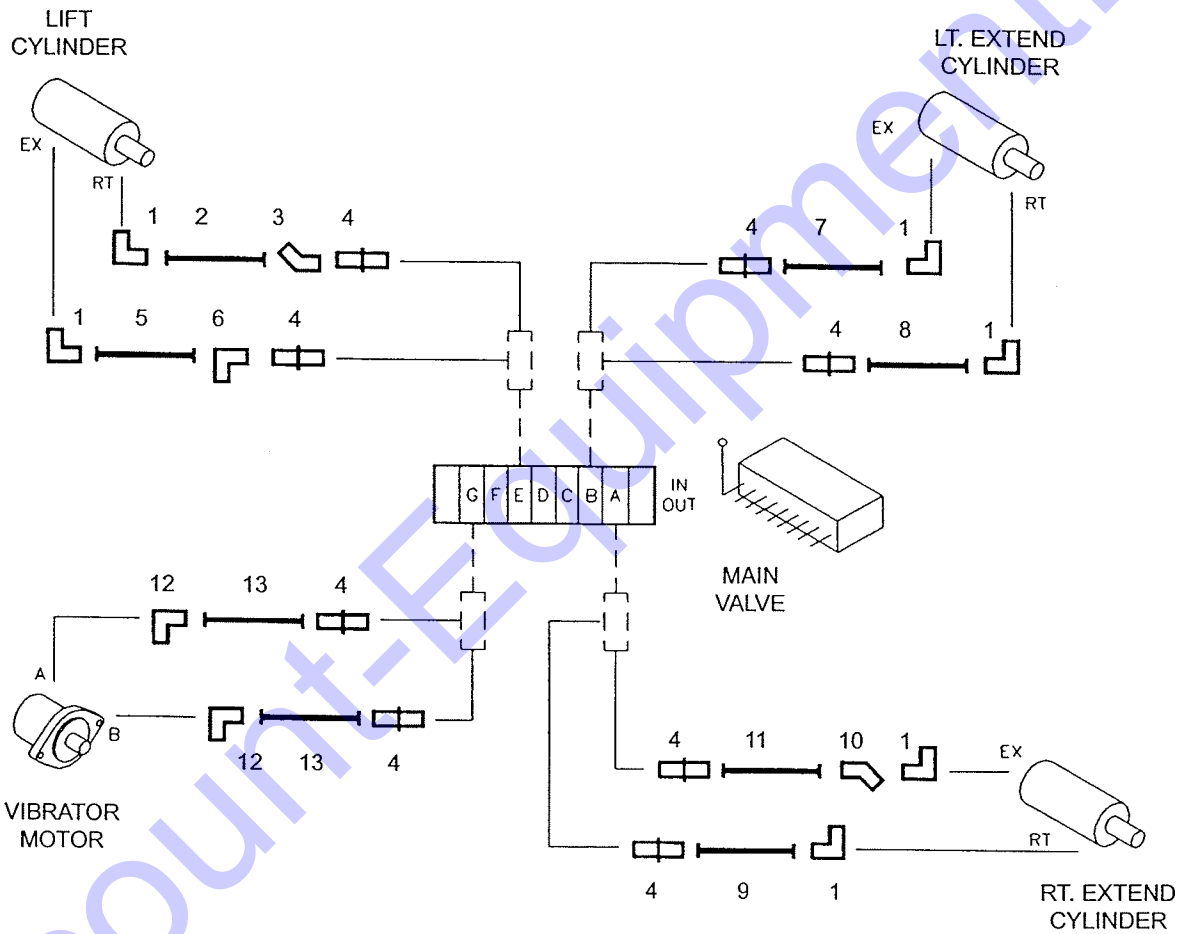
**Drive Tracks Plumbing Lines**

Ref. No.	Part No.	Description	Qty. Req.	Ref. No.	Part No.	Description	Qty. Req.
01	L80788	MALE 90 ELBOW ..... 4 (-16OR/8JIC)	4	17	P471833	HOSE ASY. -4X30"	
02	P266700	HOSE ASY. -8X206"..... 4	4	18	L62834	MALE TEST PORT ..... 1	1
03	L444004	STR. MALE CONNTR..... 7 (-8OR/8JIC)	7		L62933	FEMALE COUPLER ..... 1	1
04	L445002	MALE 90 ELBOW ..... 3 (-8OR/8JIC)	3		L62840	CAP ..... 1	1
05	L446026	FEMALE RUN TEE ..... 4 (-8JICFS/8JICM/8JICM)	4	19	L60534	SWVL. REDUCER..... 1 (-8JICFS/4JICM)	1
06	P258600	HOSE ASY. -8X130"..... 1	1	20	P254020	HOSE ASY. -4X105"..... 1	1
07	L60588	REDUCER (-8JICF/-8JICM)..... 2	2	21	L444007	STR. MALE CONNTR..... 1 (-10OR/-12JIC)	1
08	P471368	HOSE ASY. -4X22" ..... 1	1	22	P471724	HOSE ASY. -12X ..... 1	1
09	L60534	STR. ADAPT. (-8JICF/4JICM) .... 5	5	23	L445001	MALE 90 ELBOW ..... 1 (-12OR/-12JIC)	1
10	P254020	HOSE ASY. -4X105"..... 1	1	24	L444008	STR. MALE CONNTR..... 1 (-10OR/8JIC)	1
11	P231050	MALE TEE (-4JIC) ..... 1	1	25	P265900	HOSE ASY. -8X25" ..... 2	2
12	P254014	HOSE ASY. -4X56" ..... 1	1	26	L444003	STR. MALE CONNTR..... 1 (-12OR/8JIC)	1
13	P471723	HOSE ASY. -12X85"..... 1	1	27	L445001	MALE 90 ELBOW ..... 1 (-12OR/-12JIC)	1
14	L60440	STR. MALE CONNTR..... 1 (-8JIC/6OR)	1				
15	P261375	HOSE ASY. -8X68" ..... 1	1				
16	L446044	SWVL. RUN TEE..... 1 (-4JICFS/4JICM/4JICM)	1				

NOTE: P/N's for Other Components are Referenced Elsewhere in this Manual.



Screed Plumbing Lines



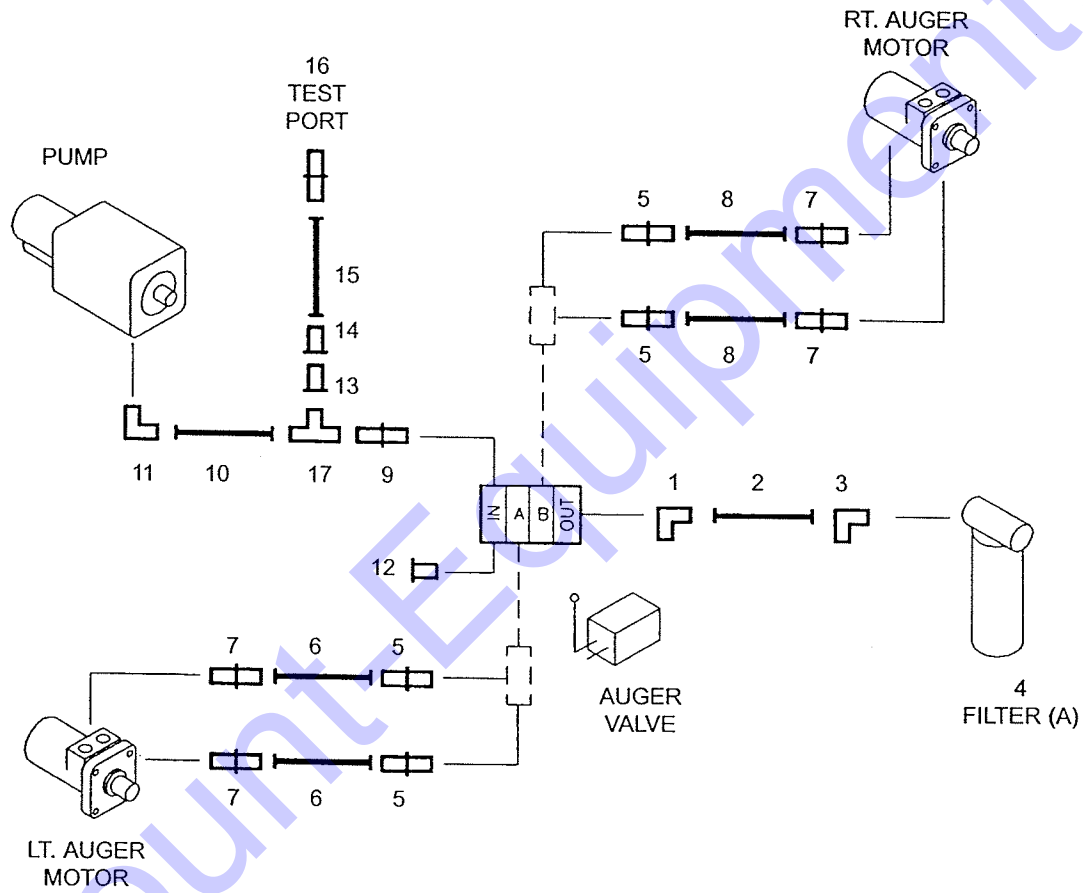
1050-85/16hys3.tif

**Screed Plumbing Lines**

Ref. No.	Part No.	Description	Qty. Req.	Ref. No.	Part No.	Description	Qty. Req.
01	L445005	MALE 90 ELBOW (-8OR/-6JIC)	5	08	P254038	HOSE ASY. -8X104"	1
02	P471767	HOSE ASY -6X58"	1	09	P254061	HOSE ASY. -8X128"	1
03	L446003	ELBOW 45 ADAPT. (-6JICF/-6JIC)	1	10	L446024	ELBOW 45 ADAPT. (-8JICF/-8JICM)	1
04	L277484	MALE STR. CONNTR. (-8OR/-8JIC)	8	11	P254051	HOSE ASY. -8X108"	1
05	P471766	HOSE ASY. -6X52"	1	12	P470406	MALE 90 ELBOW (-10OR/-8JIC)	2
06	L60653	ELBOW 90 ADAPT. (-6JICF/-6JICM)	1	13	P254057	HOSE ASY. -6X74"	2
07	P254059	HOSE ASY. -8X84"	1				

*NOTE: P/N's for Other Components are Referenced Elsewhere in this Manual.*

Auger Plumbing Lines



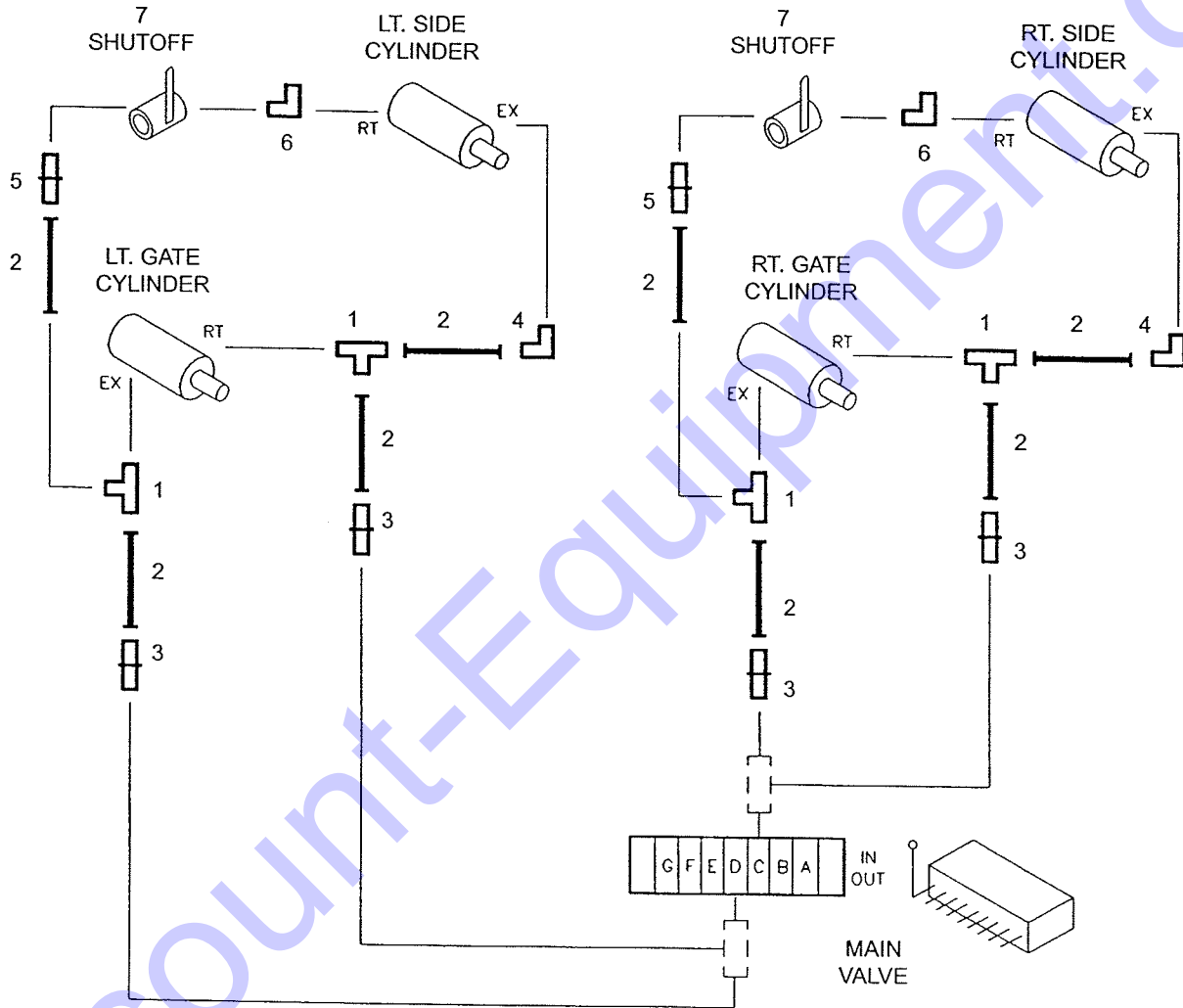
1051-85/16hys4.tif

**Augers Plumbing Lines**

Ref. Qty.	Part	Description	Qty.	Ref.	Part	Description
01	P471353	MALE 90 ELBOW . . . . .	1	11	L51599	MALE 90 ELBOW . . . . .
		(-12OR/-10JIC)				(-10OR/-10JIC)
02	P471726	HOSE ASY. -10X30" . . . . .	1	12	L51814	PLUG (-10OR) . . . . .
03	P471353	MALE 90 ELBOW . . . . .	1	13	P471784	SWVL. REDUCER . . . . .
		(-12OR/-10JIC)				(-10JICFS/-8JICM/-8JICM)
04	074020	FILTER "A" . . . . .	1	14	L60534	SWVL. REDUCER . . . . .
05	L277284	STR. MALE CONNTR. . . . .	4			(-8JICFS/-4JICM)
		(-8OR/-6JIC)		15	P471499	HOSE ASY. -4X17.5" . . . . .
06	P254040	HOSE ASY. -6X41" . . . . .	2	16	L62834	MALE TEST PORT . . . . .
07	L60253	STR. MALE CONNTR. . . . .	4		L62933	FEMALE COUPLER . . . . .
		(-10OR/-6JIC)			L62840	CAP . . . . .
08	P254050	HOSE ASY. -6X59" . . . . .	2	17	P471783	FEMALE RUN TEE . . . . .
09	L444010	STR. MALE CONNTR. . . . .	1			(-10JICFS/-10JICM/-10JICM)
		(-10OR/-10JIC)				
10	P471725	HOSE ASY. -10X54" . . . . .	1			

*NOTE: P/N's for Other Components are Referenced Elsewhere in this Manual.*

Gates Plumbing Lines



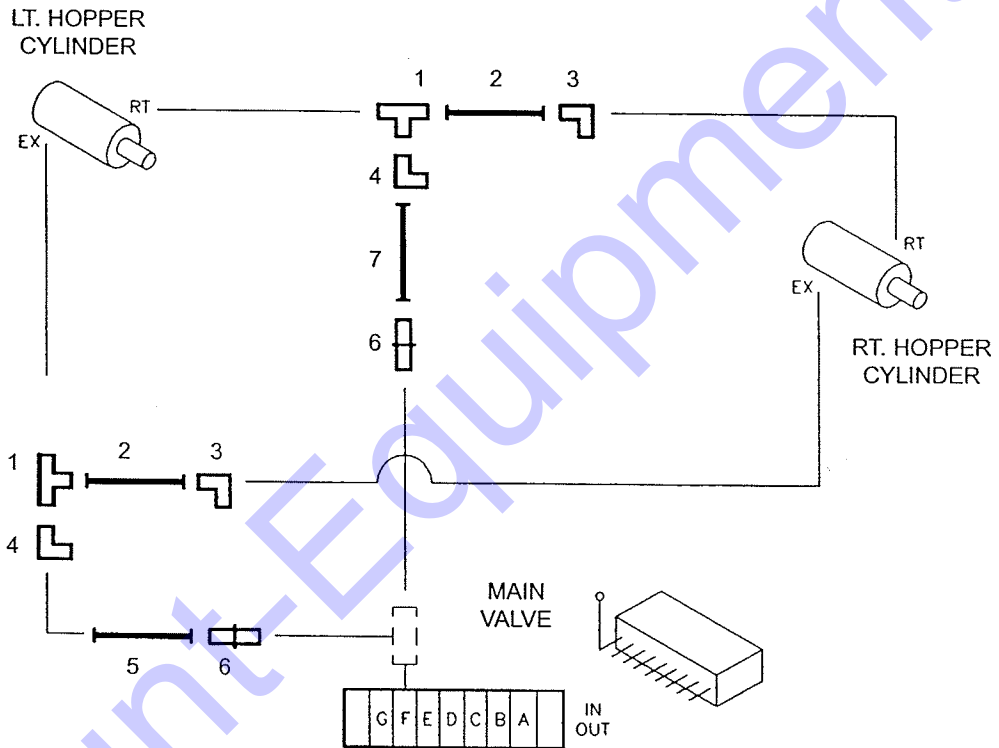
1052-85/16hys5.tif

**Gates Plumbing Lines**

Ref. No.	Part No.	Description	Qty. Req.	Ref. No.	Part No.	Description	Qty. Req.
01	L64660	MALE TEE ..... 4 (-8OR/-8JIC/-8JIC)	4	05	L51467	STR. MALE ADAPTER. .... 2 (3/8P/-8JIC)	2
02	P471178	HOSE ASY. -6/-8X101"..... 8	8	06	P471227	MALE 90° ADAPTER..... 2 (-6OR/3/8P)	2
03	L277484	STR. MALE CONNTR..... 4 (-8OR/-6JIC)	4	07	P414980	SHUTOFF VALVE (3/8FP) ..... 2	2
04	L445003	MALE 90 ELBOW ..... 1 (-6OR/-6JIC)	1				

*NOTE: P/N's for Other Components are Referenced Elsewhere in this Manual.*

Hopper Plumbing Lines



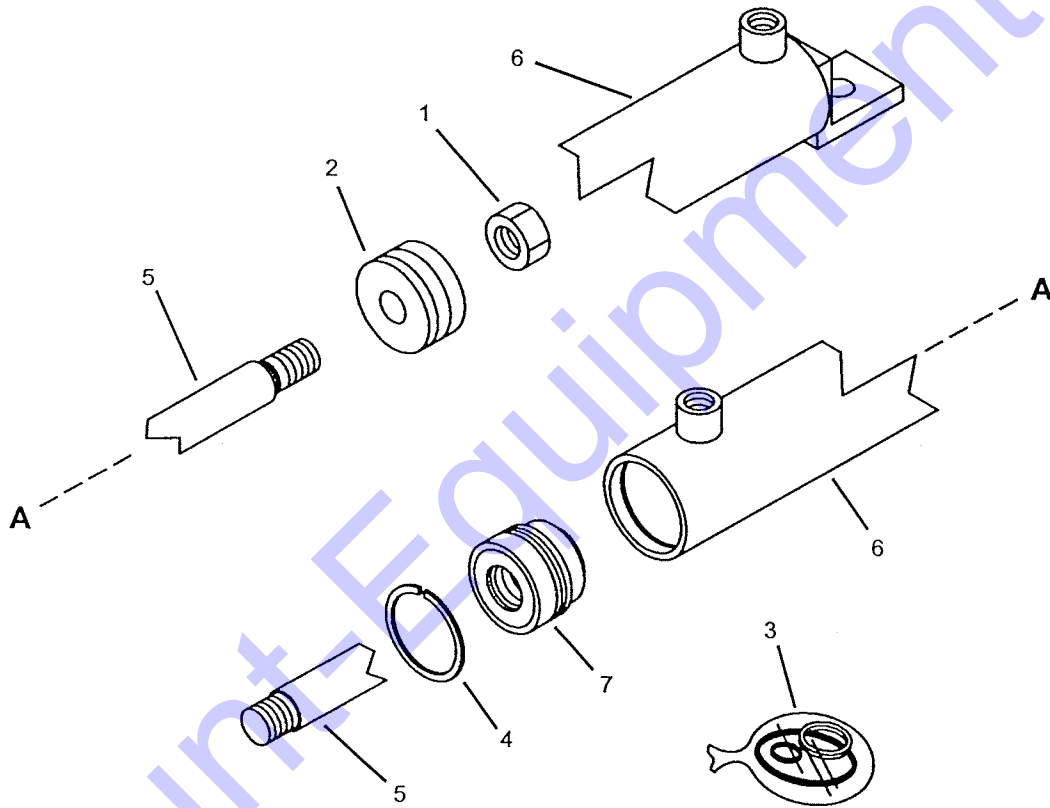
1053-85/16hys6.tif

**Hopper Plumbing Lines**

Ref. No.	Part No.	Description	Qty. Req.	Ref. No.	Part No.	Description	Qty. Req.
01	L81233	MALE TEE.....	2	05	P254035	HOSE ASY. -6X101".....	1
		(-6OR/-6JIC/-6JIC)		06	L277484	STR. MALE CONNTR. ....	2
02	P254033	HOSE ASY. -6X23" .....	2			(-8OR/-6JIC)	
03	L445003	MALE 90 ELBOW .....	2	07	P254051	HOSE ASY. -6X108".....	1
		(-6OR/-6JIC)					
04	L60653	SWVL. 90 ELBOW .....	2	<i>NOTE: P/N's for Other Components are Referenced Elsewhere in this Manual.</i>			
		(-6JICFS/-6JICM)					



P471214 - Screed Extend Cylinder

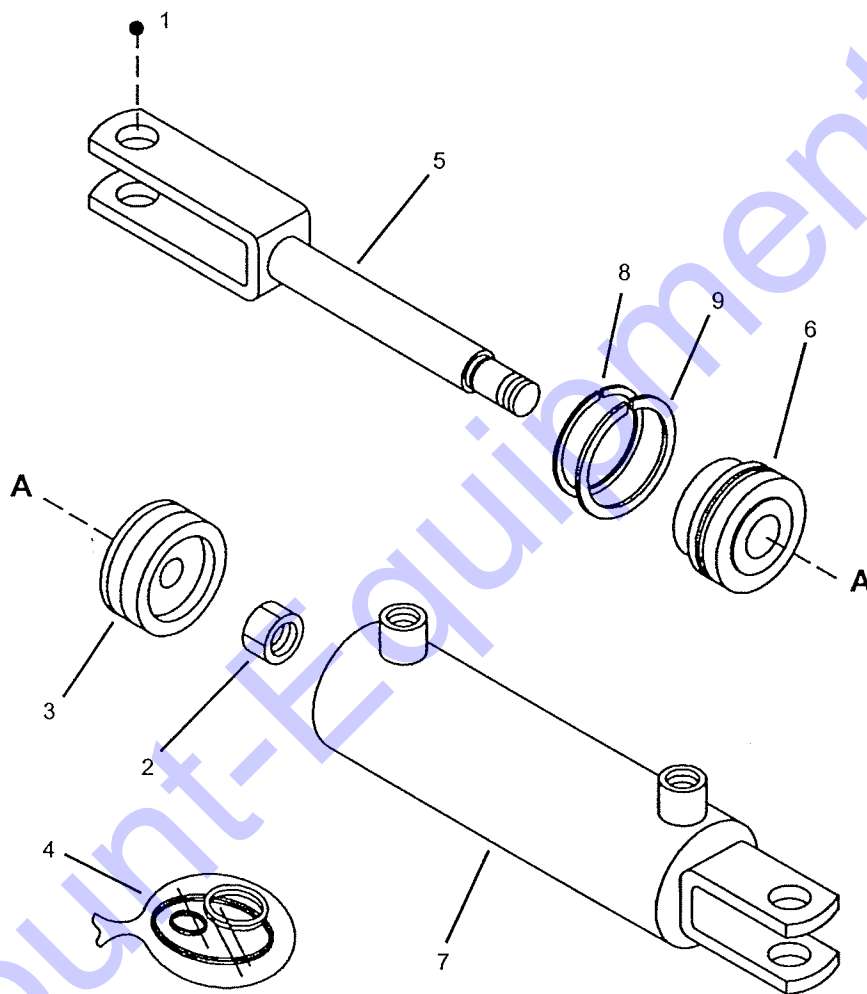


792-59/16hyc8.tif

**P471214 - Screed Extend Cylinder**

Ref. No.	Part No.	Description	Qty. Req.	Ref. No.	Part No.	Description	Qty. Req.
-a	P471214	COMPLETE ASSEMBLY	1	05	P700405	ROD	1
01	P700422	LOCKNUT 7/8-14 UNF	1	06	NSS	BODY	1
02	P700407	PISTON	1	07	P700406	END GLAND	1
03	P700510	SEAL KIT (Incl. 4)	1				
04	NSS	RETAINER RING	1	a	Refer to P/N Stamped on Cylinder Tube.		

P470204 - Screed Lift Cylinder

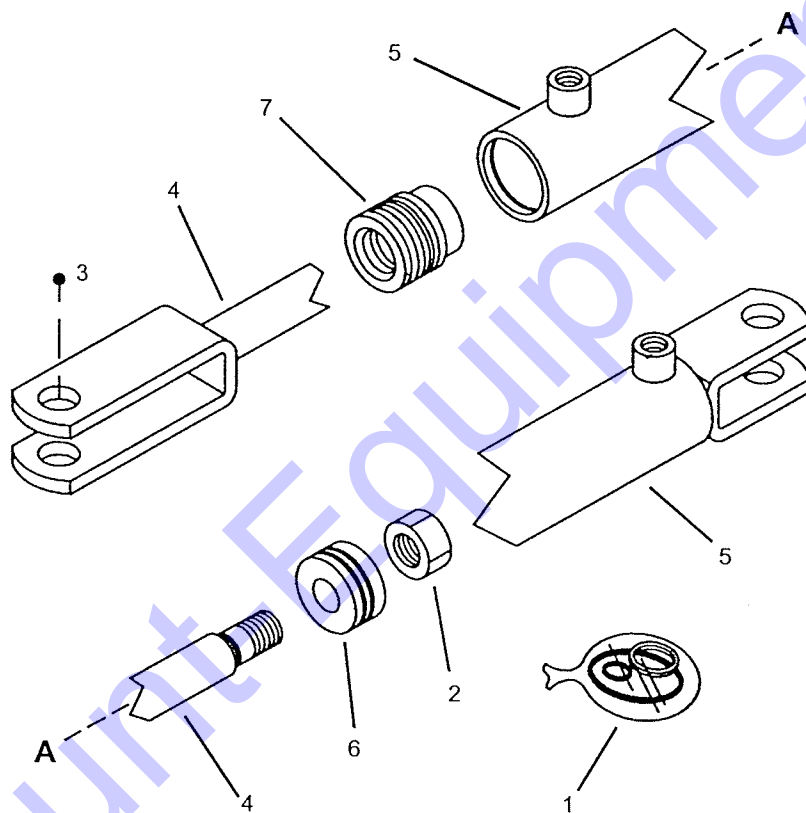


792-59/16hyc9.tif

**P470204 - Screed Lift Cylinder**

Ref. No.	Part No.	Description	Qty. Req.	Ref. No.	Part No.	Description	Qty. Req.
-a	P471204	COMPLETE ASSEMBLY	1	06	P700399	END GLAND	1
01	P700400	CLEVIS PIN W/CLIP	2	07	NSS	BODY	1
02	P700422	LOCK NUT 7/8-14	1	08	See 4	INTERNAL RETAINER RING	1
03	P368675	PISTON	1	09	See 4	EXTERNAL RETAINER RING	1
04	P281800	SEAL KIT (Incl. 8, 9)	1				
05	P700397	ROD W/CLEVIS	1	a	Refer to P/N Stamped on Cylinder Tube.		

P471225 - Side Gate Cylinder

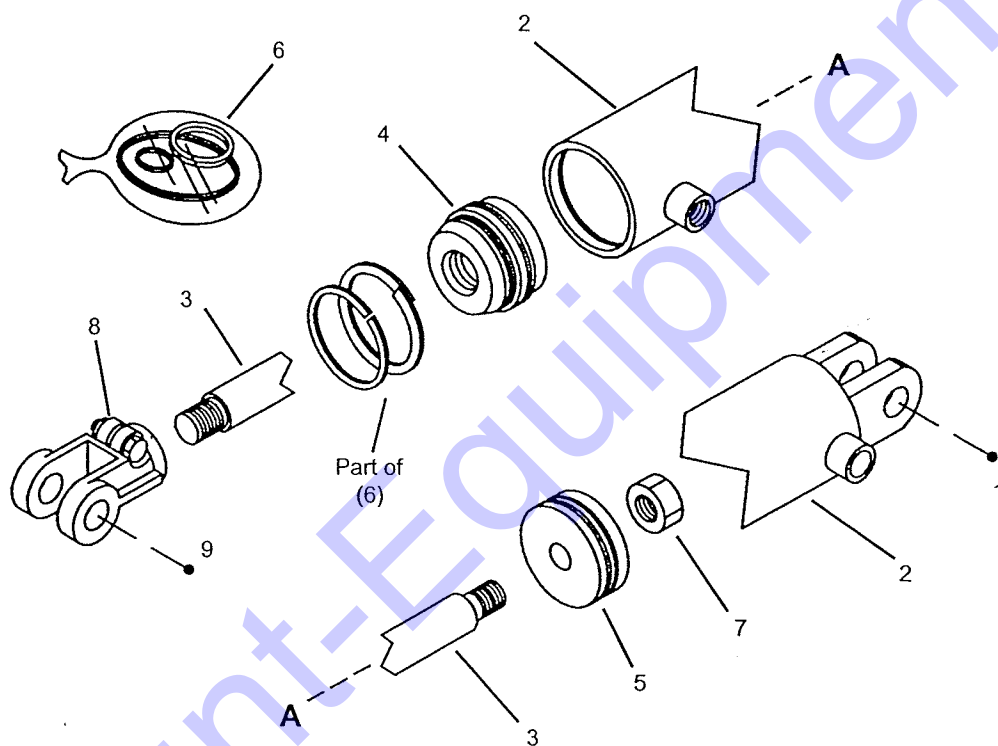


856-64/16jyc10.tif

**P471225 - Side Gate Cylinder**

Ref. No.	Part No.	Description	Qty. Req.	Ref. No.	Part No.	Description	Qty. Req.
-a	P471225	COMPLETE ASSEMBLY .....	1	05	NSS	BODY W/CLEVIS .....	1
01	P280800	SEAL KIT .....	1	06	P700402	PISTON .....	1
02	P700422	LOCKNUT 7/8-14 .....	1	07	P700403	END GLAND .....	1
03	P700404	CLEVIS PIN W/CLIP .....	2				
04	P700401	ROD W/CLEVIS .....	1	a	Refer to P/N Stamped on Cylinder Tube.		

P471223 - Hopper Lift Cylinder



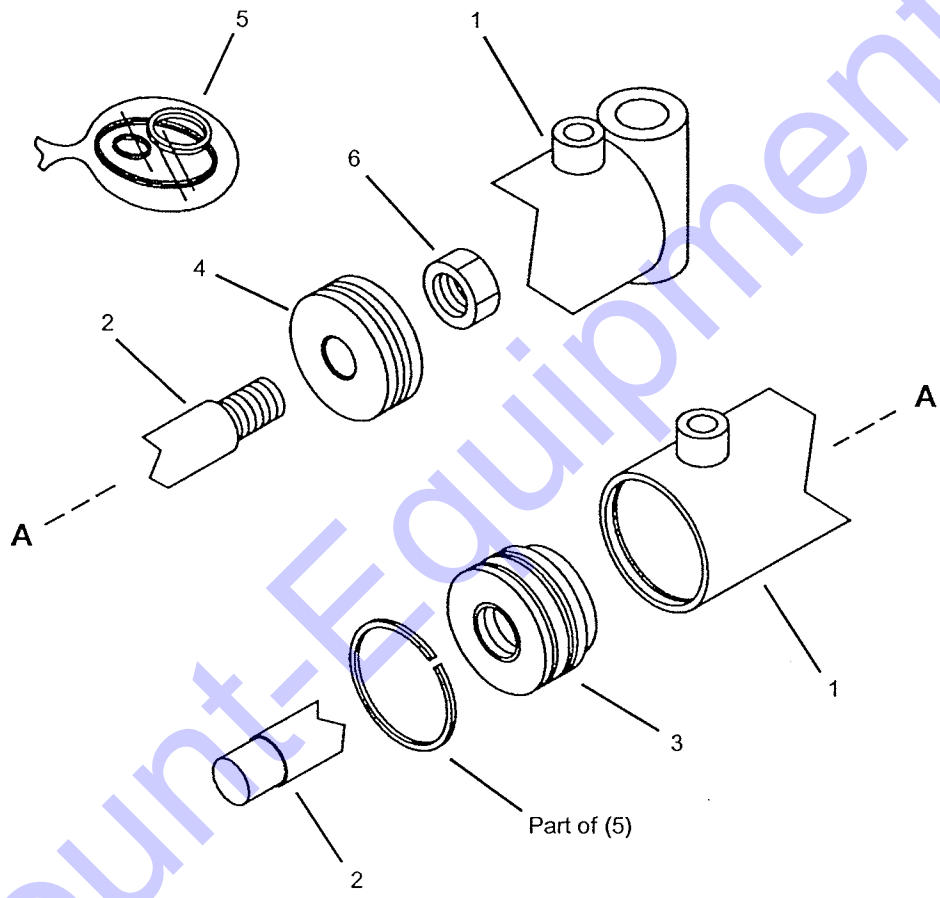
858-64/hyc11.tif

**P471223 - Hopper Lift Cylinder**

Ref. No.	Part No.	Description	Qty. Req.	Ref. No.	Part No.	Description	Qty. Req.
-a	P471223	COMPL. ASY. (JIC Ports) .....	1	06	P282250	SEAL KIT .....	1
01	P700148	BODY END PIN W/CLIP .....	1	07	P700422	LOCKNUT 7/8-14UNF .....	1
02	NSS	BODY .....	1	08	P700411	ROD CLEVIS .....	1
03	P700408	ROD .....	1	09	P700147	ROD END PIN W/CLIP .....	1
04	P385620	END GLAND .....	1				
05	P368700	PISTON .....	1	a	Refer to P/N Stamped on Cylinder Tube.		



P480118 - Track Adjust Cylinder



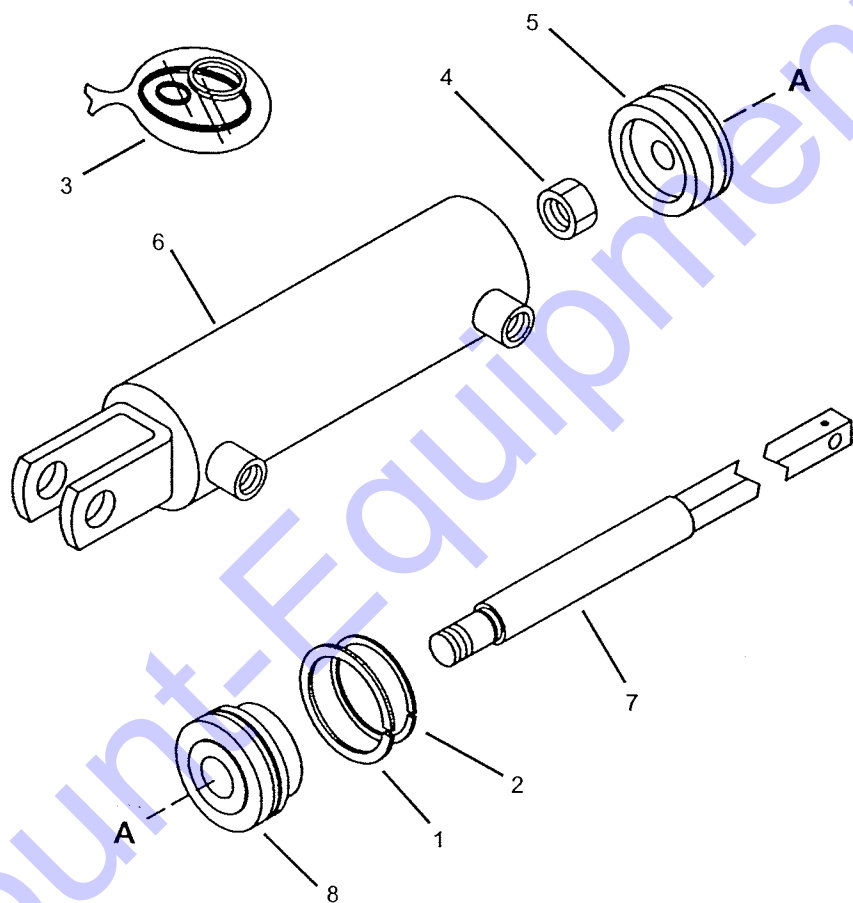
859-64/hyc6.tif

**P480118 - Track Adjust Cylinder**

Ref. No.	Part No.	Description	Qty. Req.	Ref. No.	Part No.	Description	Qty. Req.
-a	P480118	COMPLETE ASSEMBLY .....	1	05	P700583	SEAL KIT .....	1
01	NSS	BODY .....	1	06	P700422	LOCK NUT 7/8-14 UNF .....	1
02	P700581	ROD .....	1				
03	P700580	END GLAND .....	1				
04	P700582	PISTON .....	1	a		Refer to P/N Stamped on Cylinder Tube.	

Discount-Equipment.com

P471642 - Gate Cylinder

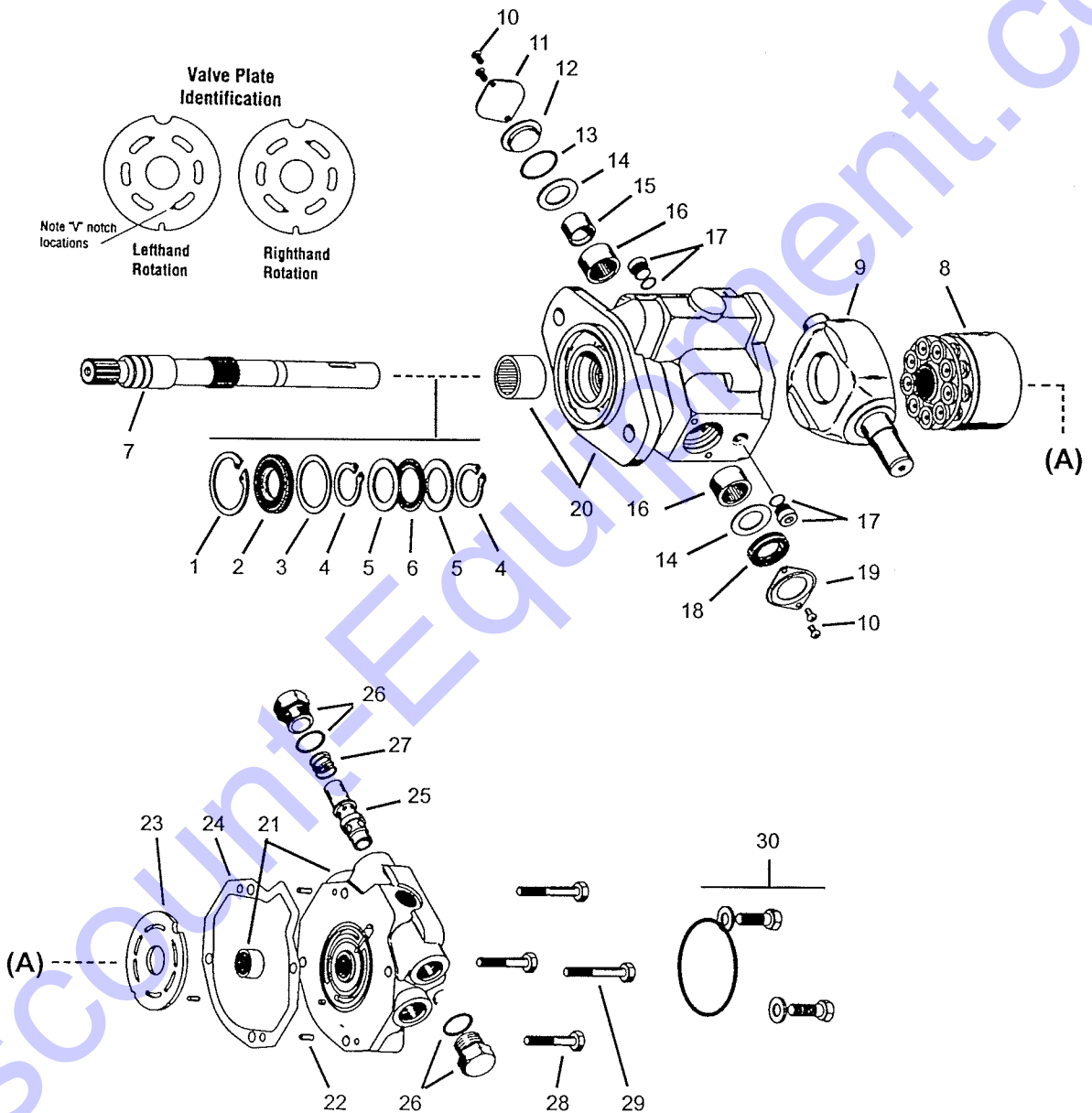


792-59/16hyc5.tif

***P471642 - Gate Cylinder***

Ref. No.	Part No.	Description	Qty. Req.	Ref. No.	Part No.	Description	Qty. Req.
-a	P471642	COMPL. ASY. ....	1	05	P700436	PISTON .....	1
01	See 3	EXTERNAL RETAINER RING ....	1	06	NSS	BODY .....	1
02	See 3	INTERNAL RETAINER RING .....	1	07	P700579	ROD .....	1
03	P700430	SEAL KIT (Incl. 1, 2) .....	1	08	P700437	END GLAND .....	1
04	P700422	LOCK NUT 7/8-14 .....	1				
				a	<i>Refer to P/N Stamped on Cylinder Tube.</i>		

Front (Piston) Section, Hydraulic Pump

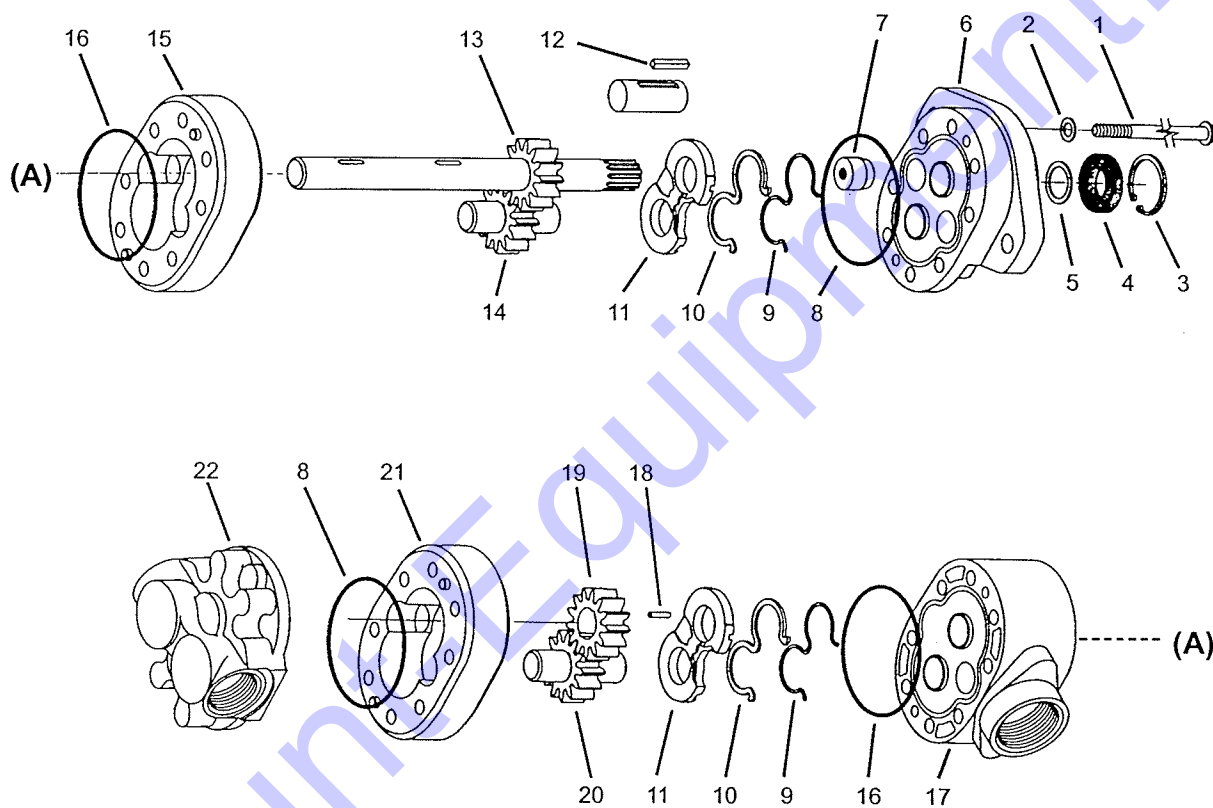


E0040/16hyc1.tif

**Front (Piston) Section, Hydraulic Pump**

Ref. No.	Part No.	Description	Qty. Req.	Ref. No.	Part No.	Description	Qty. Req.
-	P471457	COMPL. FRT./GEAR SECT. ASY...	1	19	127691	SEAL COVER .....	1
a	127709	SEAL KIT .....	1	20	NSS	HOUSING ASY. ....	1
01	<i>Kit a</i>	RETAINING RING .....	1		P700394	BEARING .....	1
02 <sup>a</sup>	P392750	SHAFT SEAL .....	1	21	P700541	BACK PLATE ASY. ....	1
03	P421500	WASHER .....	1		123124	BEARING .....	1
04	<i>Kit a</i>	RETAINING RING .....	1		123125	DOWEL PIN .....	1
05	P700030	THRUST RACE .....	2	22	604260	DOWEL PIN .....	2
06	P700031	NEEDLE THRUST BEARING .....	1	23	P700545	VALVE PLATE .....	1
07	P700532	DRIVE SHAFT .....	1	24	<i>Kit a</i>	HOUSING GASKET .....	1
08	123070	ROTATING KIT ASY. ....	1	25	P700546	RELIEF VALVE, 3500 PSI .....	1
09	P700534	CAM PLATE .....	1	26	088311	PLUG ASY. ....	2
10	NSS	SCREW .....	4		NSS	O-RING .....	1
11	127692	TRUNNION COVER .....	1	27	P700018	SPRING .....	2
12	127693	O-RING COVER .....	1	28		CAPSCREW 3/8X1.5" .....	2
13	<i>Kit a</i>	O-RING .....	1	29		CAPSCREW 3/8X2.25" .....	2
14	P700537	WASHER .....	2	30	P700548	GEAR PUMP MOUNT KIT .....	1
15	P700034	INNER RACE .....	1		NSS	O-RING .....	1
16	P700033	NEEDLE BEARING .....	2		NSS	WASHER .....	2
17	P700538	PLUG ASY. ....	2		NSS	CAPSCREW .....	2
	<i>Kit a</i>	O-RING .....	1				
18	<i>Kit a</i>	SHAFT SEAL, TRUNNION .....	1				

Rear (Gear) Section, Hydraulic Pump



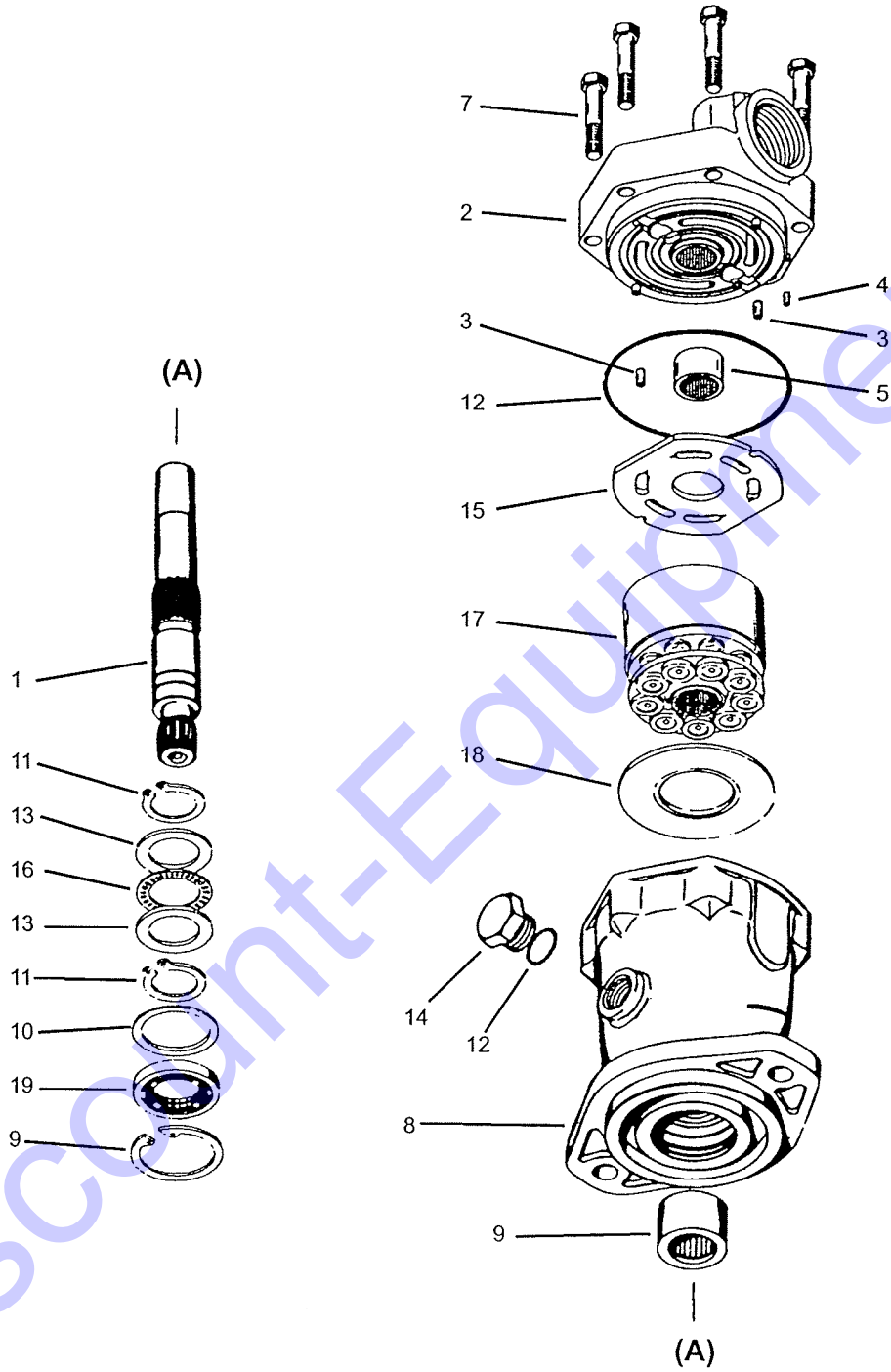
E0040/16hyc1.tif

**Rear (Gear) Section Pump**

Ref. No.	Part No.	Description	Qty. Req.	Ref. No.	Part No.	Description	Qty. Req.
-	P700552	COMPL. ASY. ....		11	<i>Kit a</i>	WEAR PLATE ....	A/R
-a	130059	SEAL REPAIR KIT ....	1	12	067515	KEY.....	1
01	122928	CAPSCREW .....	8	13	NSS	DRIVE GEAR ASY. ....	1
02	NSS	WASHER.....	A/R	14	NSS	FRONT IDLER GEAR ASY. ....	1
03	122008	RETAINING RING .....	1	15	P700558	FRONT BODY ASY. ....	1
04	<i>Kit a</i>	SHAFT SEAL.....	1	16	<i>Kit a</i>	O-RING .....	A/R
05	<i>Kit a</i>	WASHER.....	1	17	NSS	ADAPTER PLATE .....	1
06	130033	FRONT PLATE ASY. ....	1	18	129426	KEY.....	1
07	130046	PLUG.....	1	19	NSS	REAR GEAR .....	1
08	<i>Kit a</i>	O-RING .....	A/R	20	NSS	REAR IDLER GEAR ASY. ....	1
09	<i>Kit a</i>	BACKUP GASKET.....	A/R	21	P700558	REAR BODY ASY. ....	1
10	<i>Kit a</i>	SEAL .....	A/R	22	NSS	BACK PLATE.....	1



Track Drive Motor

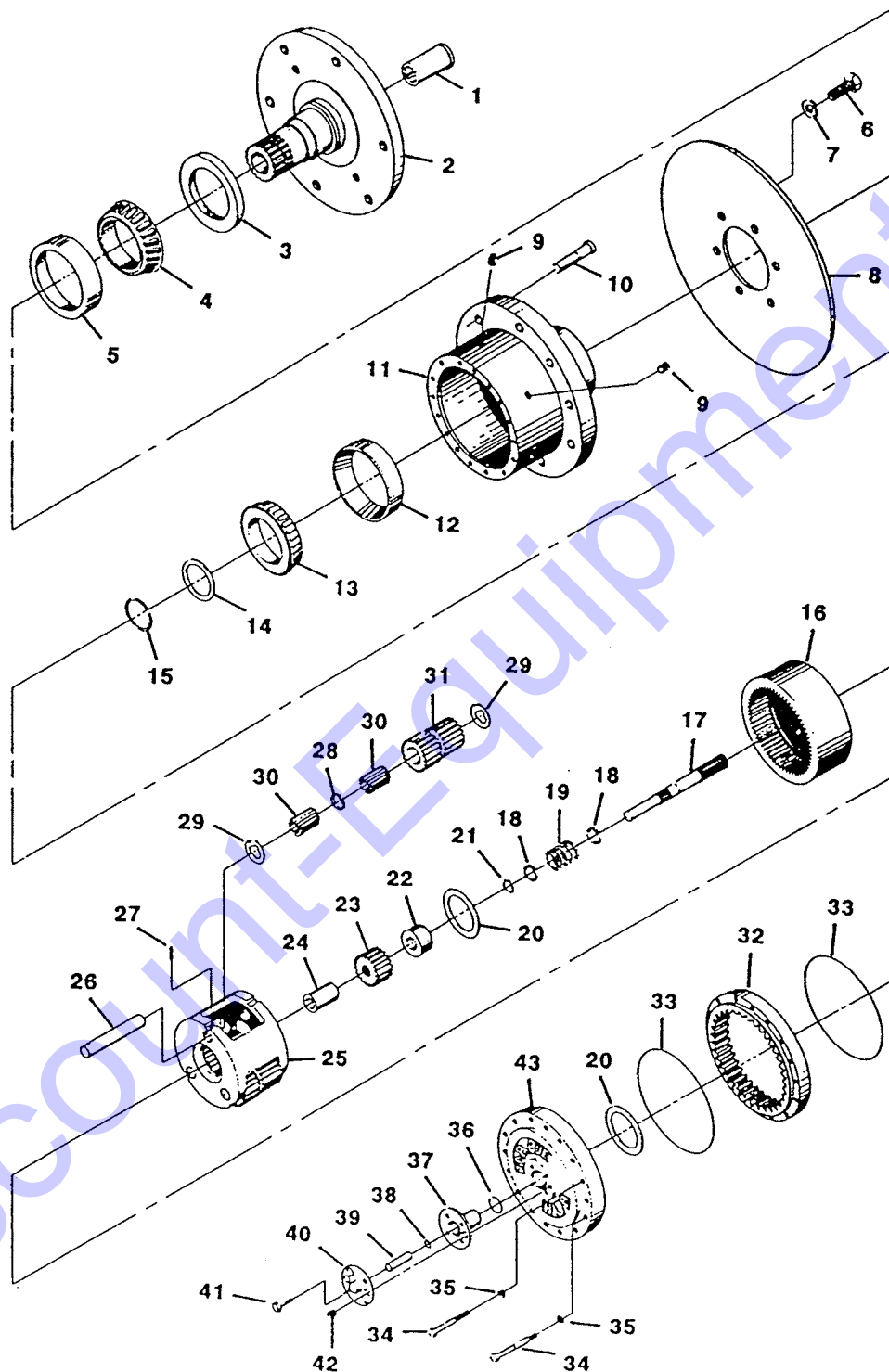


E0036/65hyc4.tif

**Track Drive Motor**

Ref. No.	Part No.	Description	Qty. Req.	Ref. No.	Part No.	Description	Qty. Req.
-	P347550	COMPLETE ASSEMBLY	1	10	133089	WASHER	1
01	P700336	SPLINED DRIVE SHAFT	1	11	P700345	RETAINER RING	2
02	P700337	BACK PLATE (Incl. 3-5)	1	12	P700393	SEAL KIT (Incl. 19)	1
03	128932	ROLL PIN	2	13	123081	THRUST RACE	2
04	P700396	ROLL PIN	1	14	123090	PLUG W/SEAL	2
05	P700395	NEEDLE BEARING	1	15	122004	VALVE PLATE	1
06	060747	RETAINER RING	1	16	060746	THRUST BEARING	1
07	NSS	CAPSCREW	6	17	074382	ROTATING KIT	1
08	P700338	HOUSING (Incl. 9)	1	18	125149	CAMPLATE INSERT	1
09	P700394	NEEDLE BEARING	1	19	P392750	SHAFT SEAL	1

### Track Drive Torque Hub

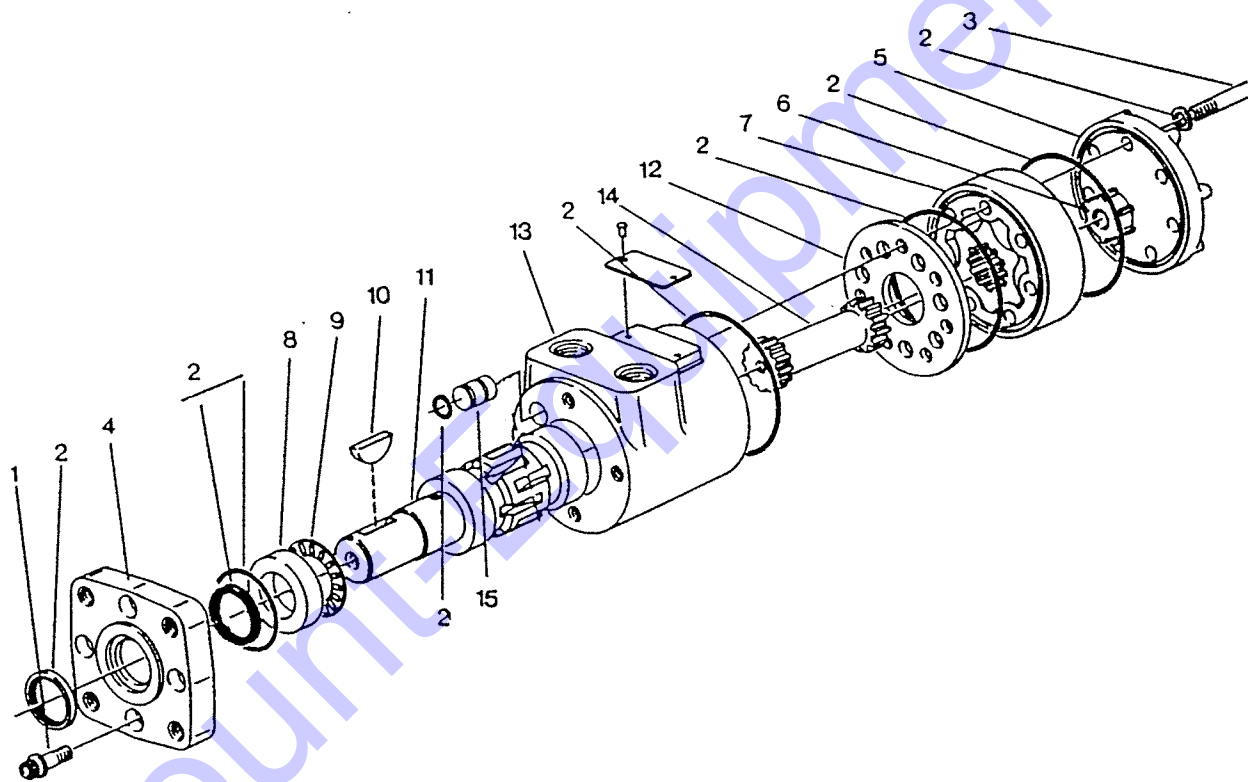


65hyc5.tif

**Track Drive Torque Hub**

Ref. No.	Part No.	Description	Qty. Req.	Ref. No.	Part No.	Description	Qty. Req.
-	P271900	COMPL. ASY. ....	1	21	P700081	RETAINER RING ....	1
-	P700112	COMPL. SEAL KIT - Incl: (Items 3,33,36,38) ....	1	22	P700111	INPUT SPACER ....	1
01	P700083	COUPLING ....	1	23	P700104	SUN GEAR ....	1
02	P700110	SPINDLE ....	1	24		(Not Used)	
03	P700103	SEAL ....	1	25	P700076	CARRIER ....	1
04	P700253	BEARING CONE ....	1	26	P700070	PLANET SHAFT ....	3
05	L97239	BEARING CUP ....	1	27	P700074	ANTI-ROLL PIN ....	3
06		(Not Used)		28	P700073	THRUST WASHER ....	3
07		(Not Used)		29	P700071	THRUST WASHER ....	2
08		(Not Used)		30	P700072	NEEDLE ROLLERS ....	AR
09	P700060	PLUG ....	2	31	P700105	CLUSTER GEAR ....	3
10	P407000	MOUNT STUD ....	8	32	P700106	RING GEAR ....	1
	P356800	LUGNUT ....	8	33	P382100	O-RING ....	2
11	P700100	HOUSING ....	1	34		GR8 BOLT 5/16-18X2-1/4 ....	16
12	P700063	BEARING CUP ....	1	35	L50141	FLAT WASHER 5/16 ....	16
13	P700064	BEARING CONE ....	1	36	P700087	O-RING ....	1
14	P700068	THRUST WASHER ....	1	37	P700092	COVER CAP ....	1
15	P384600	RETAINER RING ....	1	38	P700093	O-RING ....	2
16	P700061	INTERNAL GEAR ....	1	39	P700090	DISCONNECT ROD ....	1
17	P700108	INPUT SHAFT ....	1	40	P700091	DISCONNECT CAP ....	1
18	P700084	THRUST WASHER ....	2	41	L50211	BOLT 1/4-20X3/4 ....	2
19	P700085	SPRING ....	1	42	L64634	PLUG ....	2
20	P421200	THRUST WASHER ....	2	43	P700109	COVER PLATE ....	1

Auger Drive Motor

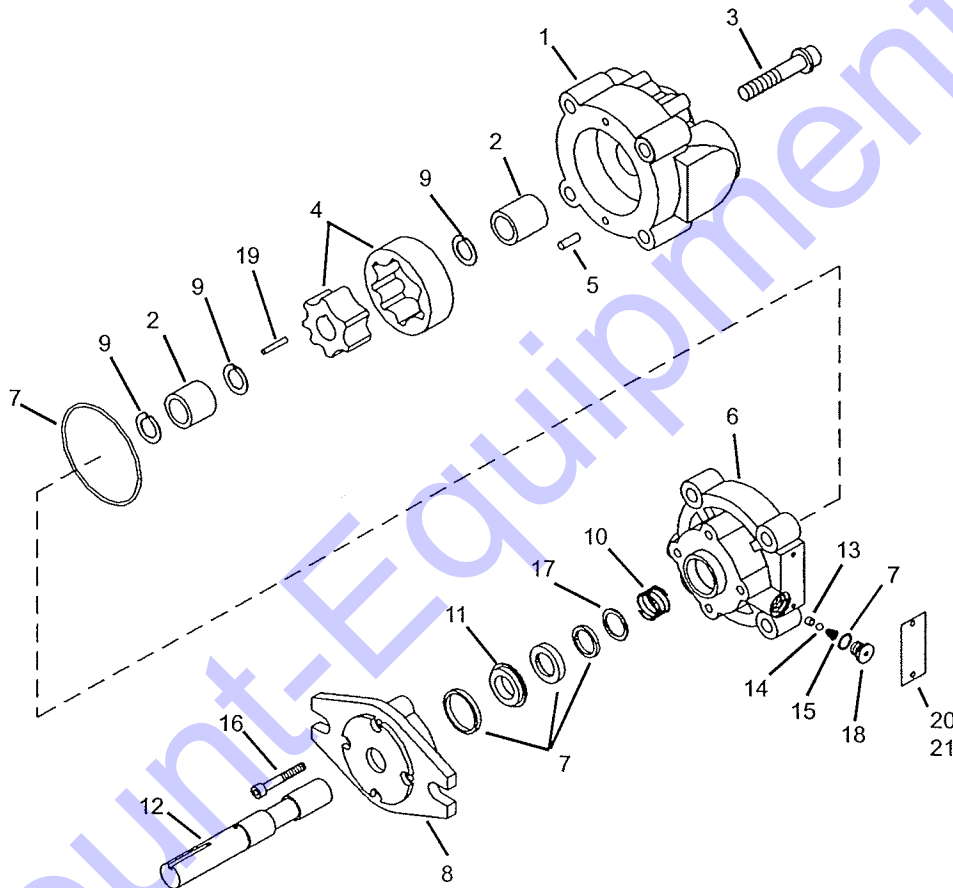


65hyc6.tif

**Auger Drive Motor**

Ref. No.	Part No.	Description	Qty. Req.	Ref. No.	Part No.	Description	Qty. Req.
-	P480071	COMPLETE ASSEMBLY	1	07	P700222	GEROTOR SET	1
01	NSS	CAPSCREW 12PT. DR. 5/16-24X7/8	4	08	P700199	BREARING RACE	1
02	P279009	SEAL KIT	1	09	P700196	NEEDLE BEARING	1
03	NSS	CAPSCREW 12PT. DR. 5/16-24	7	10	P700472	KEY	1
04	P243860	MOUNTING FLANGE	1	11	NSS	OUTPUT SHAFT, SPLINED	1
05	NSS	END CAP	1	12	NSS	SPACER PLATE	1
06		<i>Not Used</i>		13	NSS	HOUSING	1
				14	NSS	DRIVE	1

Screed Vibrator Motor



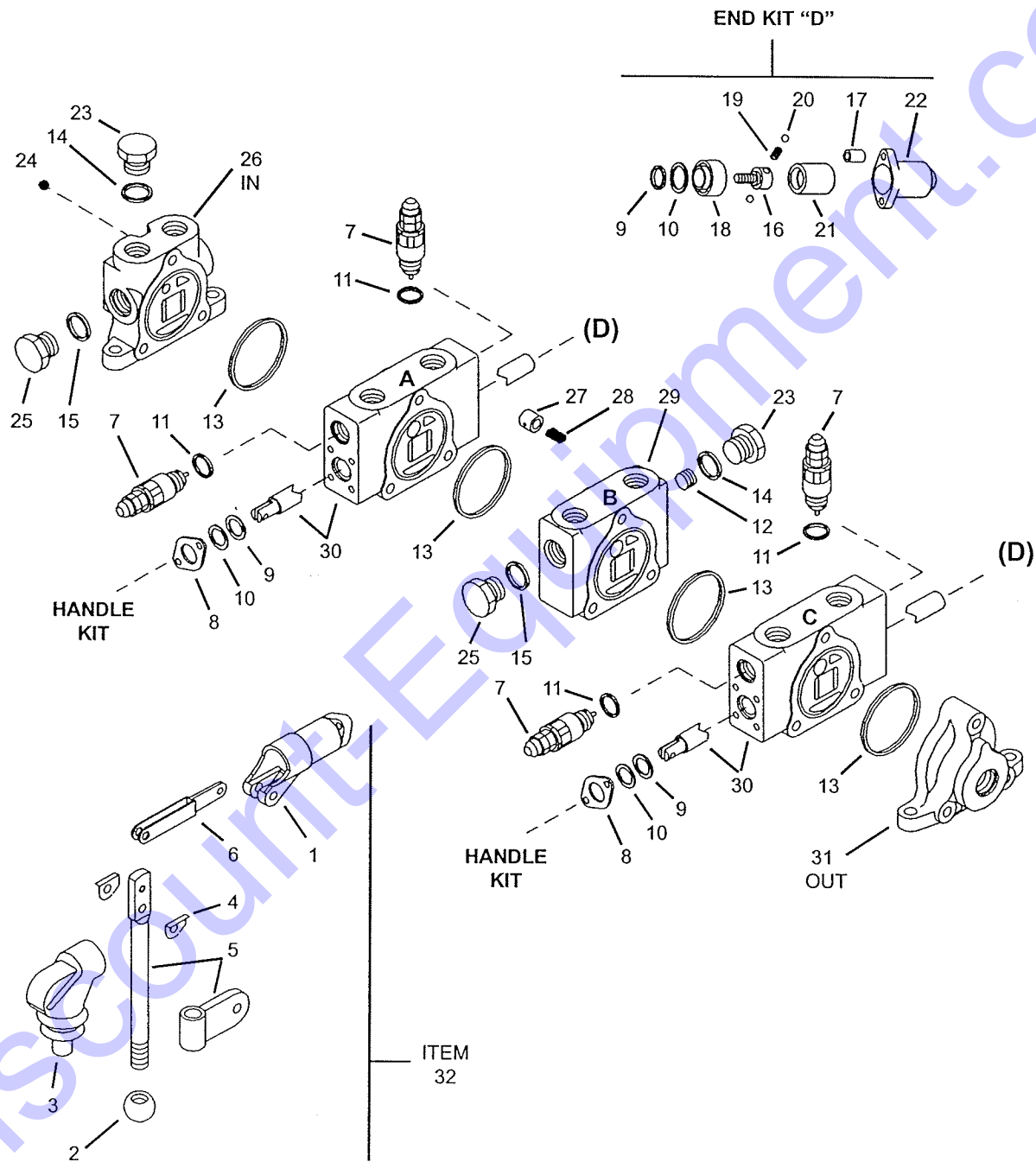
789-59/65hyc7.tif

**Screed Vibrator Motor**

Ref. No.	Part No.	Description	Qty. Req.	Ref. No.	Part No.	Description	Qty. Req.
-	P349450	COMPLETE ASSEMBLY	1	11	NSS	SEAT	1
01	NSS	BODY	1	12	NSS	SHAFT	1
02	P700180	BEARING	2	13	P700184	SEAT	2
03	NSS	BODY SCREW	4	14	P700183	BALL	2
04	NSS	GEROTOR ELEMENT	1	15	P700182	SPRING	2
05	P700186	DOWEL PIN	2	16		SCREW #10-24X1	4
06	NSS	COVER	1	17	NSS	WASHER	1
07	P282400	SERVICE KIT (Seals & Item 2)	1	18	P700584	PLUG	2
08	P700514	MOUNTING PLATE	1	19	P700187	DRIVE PIN	1
09	P700185	RETAINING RING	3	20	NSS	NAME PLATE	1
10	P700181	SPRING	1	21		SCREW #4-40	2



Track Drive Control Valve

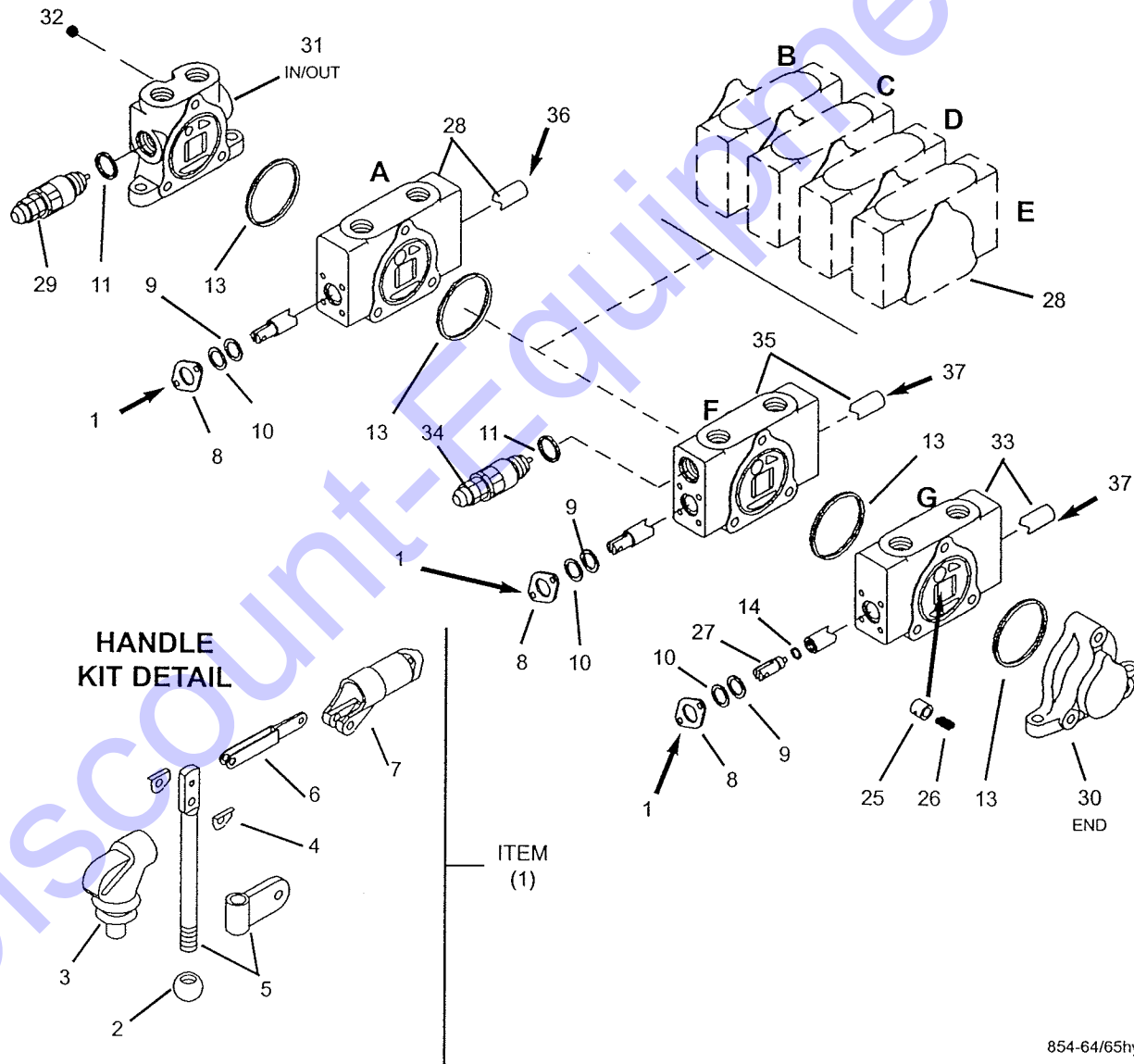
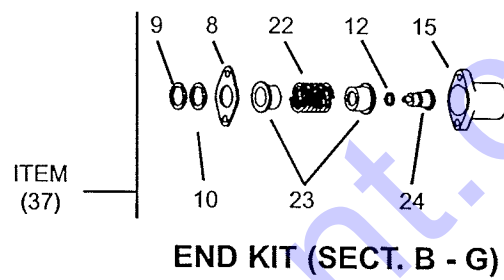
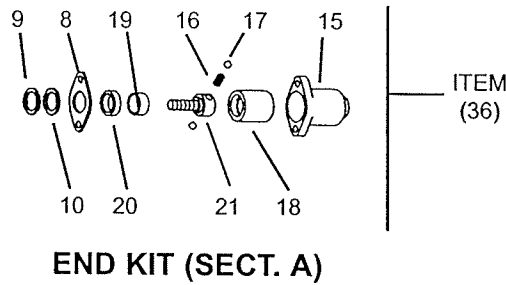


1046-85/16hyc3.tif

**Track Drive Control Valve**

Ref. No.	Part No.	Description	Qty. Req.	Ref. No.	Part No.	Description	Qty. Req.
-	P471673	COMPLETE ASSEMBLY. ....	1	15	P393300	PLUG SEAL, IN SECT. ....	1
-a	P700570	SPOOL DETENT REPAIR KIT ....	1	16	NSS	DETENT SPOOL PIN. ....	2
-	P700569	COMPL. WORK SECT. ASY. ....	1	17	P700607	SPACER ....	2
-	P700571	COMPLETE SEAL KIT. ....	1	18	NSS	CAP SPACER ....	2
01	P045625	HANDLE PIVOT MOUNT ....	2	19 <sup>a</sup>	P700168	SPRING. ....	2
02	P700162	KNOB ....	2	20 <sup>a</sup>	NSS	BALL ....	4
03	P700163	BOOT ....	2	21	P700564	DETENT SLEEVE ....	2
04	P700164	SHIM ....	4	22 <sup>a</sup>	P700604	CAP. ....	2
05	NSS	HANDLE W/TAB WELD. ....	2	23	P700565	PLUG. ....	2
	P470427	TAB ONLY ....	1	24	NSS	TIE ROD, LONG ....	2
	NSS	CLEVIS PIN ....	2		NSS	TIE ROD, SHORT ....	1
	NSS	LOCK ....	2	25	P371300	FRONT PLUG ....	1
06	P700165	LINK ....	4	26	P700566	INLET HOUSING ....	1
07	P471469	RELIEF, 3000 PSI ....	4	27	P700567	POPPET, C.V. ....	2
08	P700166	SEAL PLATE ....	2	28	P700115	SPRING. ....	2
09 <sup>a</sup>	P393400	SPOOL SEAL ....	4	29	P700568	MID-INLET HOUSING "B" ....	1
10 <sup>a</sup>	P424000	SPOOL WIPER ....	4	30	NSS	WORK SECT. HOUSING "A&C" ...	2
11	NSS	RELIEF SEAL ....	4		NSS	SPOOL. ....	2
12	P700562	PLUG (NPT) ....	1	31	NSS	OUTLET HOUSING ....	1
13	P382900	BETWEEN SECT. SEAL ....	4	32	P286100	HANDLE KIT, LESS TAB (Incl. 1-6) ....	2
14	P700563	PLUG SEAL, MID-SECT. ....	2				

### 7-Stack Control Valve w/Relief

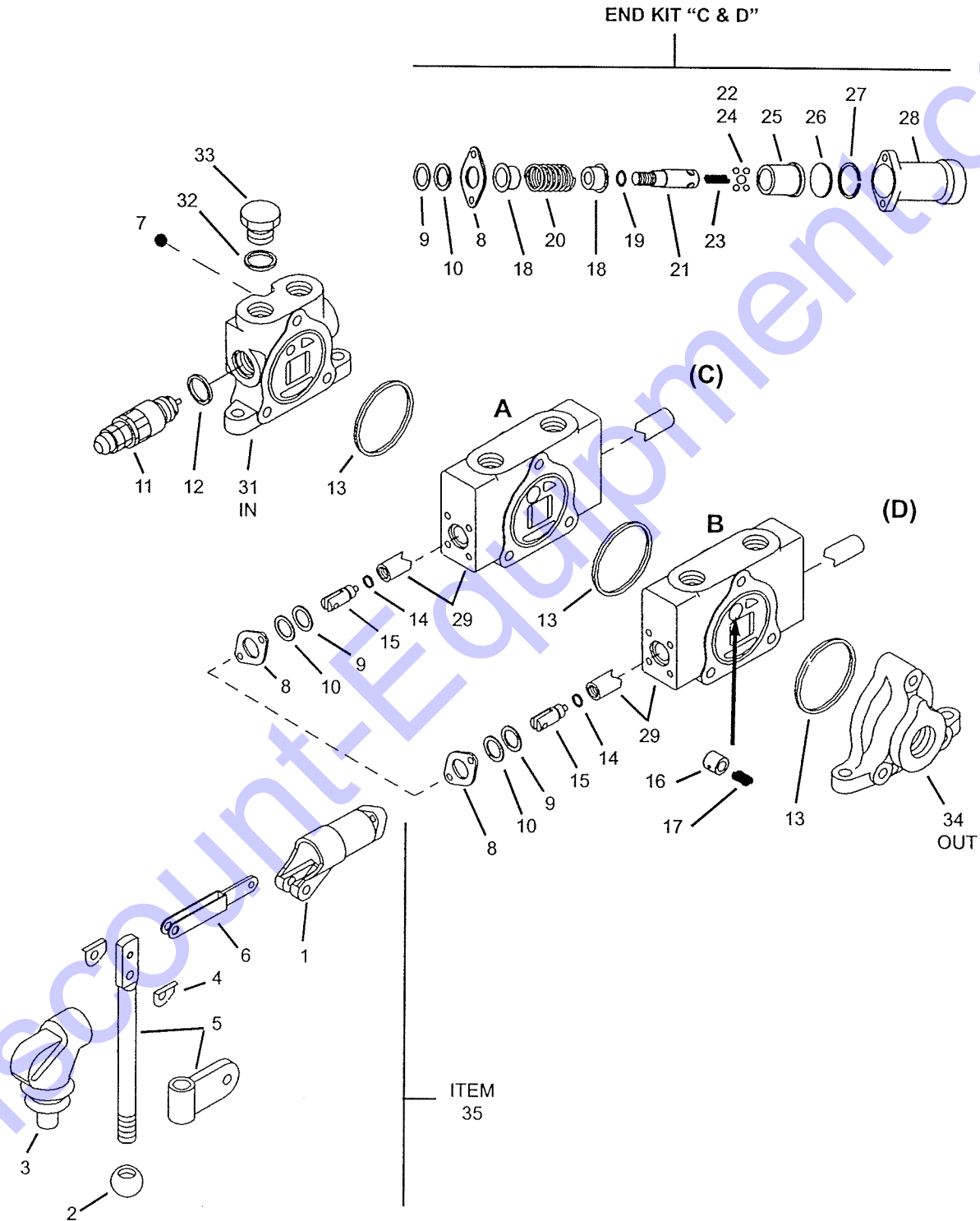


854-64/65hyc9.tif

**7-Stack Control Valve w/Relief**

Ref. No.	Part No.	Description	Qty. Req.	Ref. No.	Part No.	Description	Qty. Req.
-	P471433	COMPL. ASY. ....	1	17	NSS	BALL .....	1
	P700471	COMPL. SEAL KIT .....	1	18	NSS	DETENT SLEEVE .....	1
01	P286100	HANDLE KIT (Incl. 2-7, Less Tab) .	7	19	NSS	SPACER .....	1
02	P700162	KNOB .....	7	20	NSS	SPACER .....	1
03	P700163	BOOT .....	7	21	NSS	DETENT PIN .....	1
04	P700164	SHIM .....	14	22	P700220	SPRING .....	6
05	NSS	HANDLE W/TAB .....	7	23	NSS	SPRING SEAT .....	12
	P470427	TAB ONLY .....	2	24	NSS	SPOOL END .....	6
	NSS	CLEVIS PIN .....	7	25	NSS	POPPET-C.V. ....	6
	NSS	LOCK .....	7	26	P700115	SPRING .....	6
06	P700165	LINK .....	14	27	P700417	CLEVIS END .....	6
	NSS	PIN .....	7	28	P418040	SPOOL WORK SECT. "A - E" .....	1
07	P045625	HANDLE PIVOT MOUNT .....	7	29	P418203	RELIEF .....	1
08	P700166	SEAL PLATE .....	14	30	P418025	END SECTION .....	1
09	P393400	SPOOL SEAL .....	14	31	P700506	INLET/OUTLET SECTION .....	1
10	P424000	SPOOL WIPER .....	14	32	P700170	TIE ROD KIT .....	1
11	NSS	RELIEF SEAL .....	1	33	P418035	SPOOL WORK SECT. "G" .....	1
12	NSS	SPOOL END SEAL .....	1	34	P700519	RELIEF .....	1
13	P382900	BETWEEN SECTS.SEAL .....	4	35	P700518	SPOOL WORK SECTION. "F" .....	1
14	NSS	CLEVIS END SEAL .....	7	36	P277820	SPOOL END SERVICE KIT "A" .....	1
15	P700604	CAP .....	7	37	P700469	SPOOL END SERV. KIT "B-G" .....	1
16	P700168	SPRING .....	1				

### Augers Control Valve

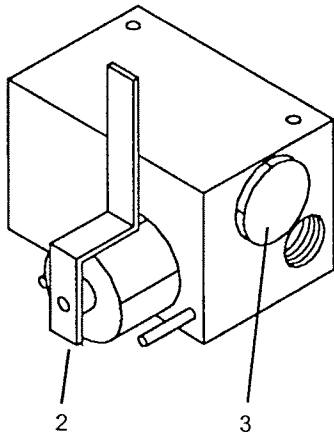


1087-85/16hyc4.tif

Augers Control Valve

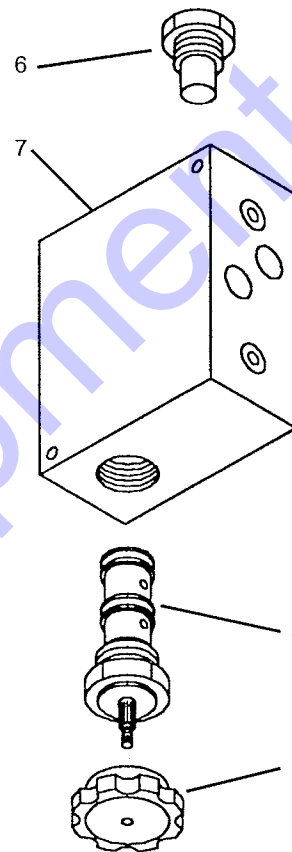
Ref. No.	Part No.	Description	Qty. Req.	Ref. No.	Part No.	Description	Qty. Req.
-	P471672	COMPLETE ASSEMBLY	1	14	NSS	CLEVIS END SEAL	2
-	P700571	COMPL. REPAIR KIT	1	15	P700417	CLEVIS END	2
-	P700533	END KIT "C"	1	16	P700567	POPPET, C.V.	2
-	P700576	END KIT "D"	1	17	P70015	SPRING	2
-	P700578	COMPL. SPOOL SECT. "A" ASY.	1	18	NSS	SPRING SEAT	2
	P700577	COMPL. SPOOL SECT. "B" ASY.	1	19	NSS	O-RING	2
01	P045625	HANDLE PIVOT MOUNT	2	20	P700220	SPRING	2
02	P700162	KNOB	2	21	NSS	DETENT PIN	2
03	P700163	BOOT	2	22	NSS	BALL	8
04	P700164	SHIM	4	23	NSS	INNER SPRING	2
05	NSS	HANDLE W/TAB WELD.	2	24	NSS	BALL	2
	P470427	TAB ONLY	1	25	NSS	DETENT SLEEVE	2
	NSS	CLEVIS PIN	2	26	NSS	SPACER	2
	NSS	LOCK	2	27	NSS	INT. RETAINER RING	2
06	P700165	LINK	4	28	NSS	SPOOL CAP	2
07	NSS	TIE ROD, LONG	2		NSS	CAPSCREW, SOC. HD.	8
	NSS	TIE ROD, SHORT	1	29	NSS	HOUSING, SECT. "A"	1
	NSS	NUT, LONG	4		NSS	SPOOL	1
	NSS	NUT, SHORT	2	30	NSS	HOUSING, SECT. "B"	1
08	P700166	SEAL PLATE	4		NSS	SPOOL	1
09	P393400	SPOOL SEAL	4	31	P700573	INLET HOUSING	1
10	P424000	SPOOL WIPER	4	32	P700563	O-RING	1
11	P418203	RELIEF ASY.	1	33	P700565	PLUG	1
12	NSS	RELIEF SEAL	1	34	P700574	OUTLET HOUSING	1
13	P382900	BETWEEN SECT. SEAL	2	35	P286100	HANDLE KIT (Incl. 1-6)	2

**P471284**  
**Steer Valve (Danfoss)**



946-64/65hyc12.tif

**P471685**  
**Steer Valve (Delta)**



946-64/16hyc7.tif

**P471284  
Steer Valve (Danfoss)**

**P471685  
Steer Valve (Delta)**

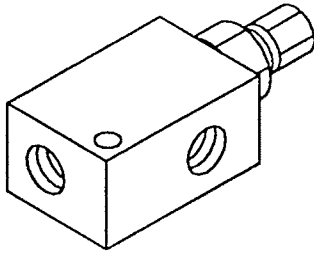
Ref. No.	Part No.	Description	Qty. Req.
-a	P471284	COMPL. ASY. (Danfoss) .....	1
01	NSS	CARTRIDGE ASY. ....	1
02	P700520	HANDLE .....	1
03	NSS	CARTRIDGE ASY. ....	1
a	Replacement Kit P/N P471998 (Danfoss) Seal Kit P/N P700599 (Danfoss)		

Ref. No.	Part No.	Description	Qty. Req.
-b	P471685	COMPL. ASY. (Delta) .....	1
04	P700613	3-WAY FLOW CONTROL .....	1
		(Incl. 5)	
05	P700614	KNOB ONLY .....	1
06	P700612	CARTRIDGE .....	1
07	NSS	MANIFOLD .....	1
b	Seal Kit P/N P700644 (Delta)		



*P471498 and P471535 Relief Valve*

REPLACE AS COMPLETE ASSEMBLY



946-64/65hyc7.tif

Discount-Equipment.com

Part No.	Page No.	Ref. No.	Part No.	Page No.	Ref. No.	Part No.	Page No.	Ref. No.	Part No.	Page No.	Ref. No.
055017	2-17	08	L277484	3-5	04	L60440	3-1	23	L97239	3-31	05
055200	2-17	17	L277484	3-9	03	L60440	3-3	14	L98649	2-13	03
056859	1-7	05	L40626	2-9	13	L60534	3-1	28	L98649	2-17	11
060746	3-29	16	L40626	2-9	14	L60534	3-1	32	P012385	2-9	06
060747	3-29	06	L40626	2-9	15	L60534	3-3	09	P013150	2-23	02
067515	3-27	12	L41770	2-7	12	L60534	3-3	19	P013275	2-9	07
072340	2-19	03	L41818	2-11	19	L60534	3-7	14	P014050	2-23	26
072340	2-21	03	L41847	2-9	12	L60588	3-3	07	P015575	2-9	05
072401	2-17	03	L41848	2-9	10	L60653	3-11	04	P015900	2-3	03
072796	1-7	03	L43221	2-23	01	L60653	3-5	06	P017150	2-1	01
072797	1-7	03	L43221	3-1	02	L62277	2-7	03	P017160	2-1	01
072798	1-7	07	L444003	3-3	26	L62459	2-11	01	P018700	2-1	04
074020	2-9	16	L444004	3-3	03	L62720	2-11	13	P022300	2-11	23
074020	3-1	26	L444007	3-3	21	L62721	2-11	13	P022800	2-11	23
074020	3-7	04	L444008	3-3	24	L62722	2-11	13	P022800	2-7	16
074382	3-29	17	L444010	3-7	09	L62834	3-1	34	P024000	2-23	14
074830	2-9	17	L444011	3-1	14	L62834	3-3	18	P024200	2-3	13
078936	2-17	09	L445001	3-3	23	L62834	3-7	16	P024500	2-25	06
088311	3-25	26	L445001	3-3	27	L62840	3-1	34	P024510	2-25	08
096231	2-17	07	L445002	3-1	20	L62840	3-3	18	P045625	3-37	01
096233	2-17	12	L445002	3-3	04	L62840	3-7	16	P045625	3-39	07
115034	2-17	11	L445003	3-1	30	L62933	3-1	34	P045625	3-41	01
121275	2-17	10	L445003	3-11	03	L62933	3-3	18	P050515	2-7	02
122004	3-29	15	L445003	3-9	04	L62933	3-7	16	P051900	2-13	19
122008	3-27	03	L445005	3-5	01	L62954	3-1	11	P055200	2-13	11
122719	1-7	21	L445006	3-1	22	L630003	2-7	05	P055200	2-13	12
122928	3-27	01	L445009	3-1	15	L630004	2-15	08	P055200	2-13	20
123070	3-25	08	L446003	3-5	03	L63716	2-7	29	P055200	2-17	05
123081	3-29	13	L446017	3-1	38	L63720	2-7	20	P059150	2-13	19
123090	3-29	14	L446021	3-1	05	L64197	2-15	07	P061400	2-11	18
123124	3-25	21	L446024	3-5	10	L64634	3-31	42	P067684	2-13	16
123125	3-25	21	L446026	3-1	37	L64660	3-1	01	P136200	2-23	13
123827	2-11	07	L446026	3-3	05	L64660	3-9	01	P137200	2-9	13
123828	2-11	08	L446044	3-3	16	L65922	1-7	04	P142175	2-3	12
125149	3-29	18	L4500	2-17	18	L65922	1-7	09	P143200	2-9	15
127691	3-25	19	L48182	2-19	02	L65924	1-7	15	P143300	2-9	14
127692	3-25	11	L48182	2-21	02	L65927	1-5	05	P151150	2-23	23
127693	3-25	12	L49236	2-19	05	L65927	1-7	16	P151500	2-23	26
127709	3-25	11	L50601	2-1	11	L65933	1-7	17	P151550	2-23	26
128299	2-23	03	L50601	2-23	16	L65942	1-7	18	P162700	2-23	22
128299	3-1	08	L50601	2-23	18	L66427	2-21	10	P162750	2-23	22
128932	3-29	03	L50601	2-23	25	L66437	2-21	09	P178000	2-3	04
129426	3-27	18	L50601	2-25	15	L66566	1-7	20	P182400	2-1	09
130033	3-27	06	L50630	2-1	02	L72019	2-11	03	P201400	1-5	01
130046	3-27	07	L50962	2-17	02	L72054	2-13	18	P204015	1-7	01
130059	3-27		L50962	2-17	04	L72061	2-13	18	P204017	1-7	14
133089	3-29	10	L51467	3-9	05	L75906	2-11	09	P204030	1-5	08
906213	1-3		L51587	3-1	09	L75906	2-11	10	P204100	1-7	12
906214	1-3		L51599	3-1	12	L75906	2-7	17	P204107	1-7	08
906317	1-3		L51599	3-7	11	L76020	2-1	05	P204113	1-7	10
906318	1-3		L51814	3-7	12	L76020	2-13	08	P207300	1-5	07
906323	1-3		L51827	2-7	08	L76020	2-17	15	P210200	1-5	06
L10465	2-3	13	L560003	2-9	13	L76084	2-15	02	P214000	1-5	02
L10465	2-3	16	L560003	2-9	14	L76084	2-15	03	P217000	2-11	06
L10465	2-7	18	L560003	2-9	15	L80788	3-1	27	P221050	2-13	19
L277284	3-7	05	L561003	2-7	25	L80788	3-3	01	P221650	2-7	20
L277484	3-11	06	L60253	3-7	07	L81233	3-11	01	P221850	2-7	20

Part No.	Page No.	Ref. No.	Part No.	Page No.	Ref. No.	Part No.	Page No.	Ref. No.	Part No.	Page No.	Ref. No.
P223500	2-13	19	P380200	2-1	25	P470478	2-11	04	P471297	2-23	18
P227700	3-1	29	P380400	2-13	19	P470481	2-23	07	P471310	1-7	02
P231050	3-3	11	P382100	3-31	33	P470519	2-7	24	P471339	3-1	03
P243860	3-33	04	P382900	3-37	13	P470528	2-1	22	P471353	3-1	17
P252400	2-3	08	P382900	3-39	13	P470531	2-1	18	P471353	3-1	40
P252400	2-7	23	P382900	3-41	13	P470533	3-1	19	P471353	3-7	01
P252400	2-9	09	P384600	3-31	15	P470536	2-19	06	P471353	3-7	03
P252600	2-9	08	P385620	3-19	04	P470536	2-21	06	P471368	3-3	08
P253000	2-1	19	P392750	3-25	02	P470552	2-3	06	P471370	2-7	09
P254014	3-3	12	P392750	3-29	19	P470553	2-3	06	P471410	2-7	02
P254020	3-3	10	P393300	3-37	15	P470564	2-7	19	P471415	3-1	04
P254020	3-3	20	P393400	3-37	09	P470564	2-7	22	P471425	1-5	03
P254033	3-11	02	P393400	3-39	09	P470566	2-7	27	P471427	2-23	27
P254035	3-11	05	P393400	3-41	09	P470569	2-23	20	P471428	2-5	02
P254037	3-1	29	P406300	2-13	19	P470569	2-25		P471433	3-39	
P254038	3-5	08	P406521	2-13	19	P470577	2-1	02	P471448	2-25	11
P254040	3-7	06	P407000	3-31	10	P470587	2-25	03	P471453	2-25	21
P254050	3-7	08	P412000	2-1	26	P470588	2-25	02	P471454	2-1	16
P254051	3-11	07	P414980	3-9	07	P470591	2-25	12	P471455	2-1	17
P254051	3-5	11	P418025	3-39	30	P470606	2-23	05	P471456	2-13	15
P254057	3-5	13	P418035	3-39	33	P470610	2-7	02	P471457	2-15	12
P254059	3-5	07	P418040	3-39	28	P470714	2-3	07	P471457	3-25	
P254061	3-5	09	P418203	3-39	29	P470723	2-1	21	P471458	2-23	08
P257425	3-1	41	P418203	3-41	11	P470795	2-13	11	P471459	2-23	10
P258600	3-3	06	P421200	3-31	20	P470840	2-21	07	P471466	2-23	04
P259525	3-1	39	P421500	3-25	03	P470848	2-17	01	P471469	3-37	07
P261375	3-3	15	P424000	3-37	10	P470850	2-23	19	P471474	2-23	28
P265900	3-3	25	P424000	3-39	10	P470851	2-23	19	P471479	2-25	07
P266700	3-3	02	P424000	3-41	10	P470860	2-7	01	P471498	3-44	
P270200	2-1	23	P470006	2-23	29	P470880	2-21	11	P471499	3-7	15
P271900	3-31		P470014	2-23	06	P470910	2-13	20	P471535	2-7	28
P272700	2-1	28	P470025	2-23	21	P470936	2-17	18	P471535	3-44	
P277594	1-7	11	P470051	2-3	01	P470975	2-17	14	P471536	2-25	22
P277820	3-39	36	P470055	2-3	02	P471023	2-19	07	P471567	2-3	13
P279009	3-33	02	P470056	2-3	02	P471024	2-7	21	P471574	2-7	27
P280800	3-17	01	P470057	2-3	05	P471028	2-11	12	P471577	2-5	03
P281800	3-15	04	P470058	2-3	05	P471059	2-17	02	P471579	2-5	03
P282250	3-19	06	P470069	2-3	09	P471059	2-17	04	P471617	2-11	03
P282400	3-35	07	P470070	2-3	11	P471068	2-23	20	P471624	2-11	25
P286100	3-37	32	P470074	2-3	14	P471068	2-25		P471627	2-15	05
P286100	3-39	01	P470157	2-1	14	P471084	2-1	29	P471628	2-15	06
P286100	3-41	35	P470205	2-1	13	P471117	2-25	26	P471634	3-1	21
P312230	2-3	16	P470246	2-9	04	P471163	1-7	06	P471636	2-13	14
P316100	2-1	06	P470323	1-5	04	P471178	3-9	02	P471637	1-7	19
P316400	2-1	07	P470341	2-7	14	P471182	2-25	05	P471638	1-7	19
P317400	2-1	24	P470348	2-7	07	P471186	2-25	19	P471639	2-23	30
P347550	3-29		P470406	3-5	12	P471204	3-15		P471640	1-7	13
P349450	3-35		P470409	2-7	21	P471214	3-13		P471642	3-23	
P349950	2-13	17	P470427	3-37	05	P471223	3-19		P471643	2-15	14
P356800	3-31	10	P470427	3-39	05	P471227	3-9	06	P471646	2-23	12
P359690	2-9	04	P470427	3-41	05	P471247	2-9	18	P471647	2-23	12
P362400	2-25	01	P470455	3-1	36	P471247	3-1	07	P471649	2-15	13
P362500	2-25	01	P470464	2-7	10	P471284	3-43		P471669	2-23	15
P368675	3-15	03	P470464	2-7	11	P471289	3-1	06	P471672	3-41	
P368700	3-19	05	P470468	2-1	27	P471296	2-23	25	P471673	3-37	
P371300	3-37	25	P470472	2-11	05	P471297	2-1	11	P471674	2-11	02
P375000	2-7	13	P470472	2-7	15	P471297	2-23	16	P471680	1-7	19



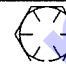
Part No.	Page No.	Ref. No.	Part No.	Page No.	Ref. No.	Part No.	Page No.	Ref. No.	Part No.	Page No.	Ref. No.
P471681	1-7	19	P471867	2-17	16	P700113	2-15	13	P700403	3-17	07
P471685	3-43		P473001	2-5	01	P700115	3-37	28	P700404	3-17	03
P471689	2-15	07	P473002	2-5	01	P700115	3-39	26	P700405	3-13	05
P471694	2-15	04	P473003	2-5	01	P700147	3-19	09	P700406	3-13	07
P471695	2-13	09	P473004	2-5	01	P700148	3-19	01	P700407	3-13	02
P471714	2-13	13	P473005	2-5	01	P70015	3-41	17	P700408	3-19	03
P471718	2-25	01	P473006	2-5	01	P700162	3-37	02	P700411	3-19	08
P471722	3-1	10	P473007	2-5	01	P700162	3-39	02	P700417	3-39	27
P471723	3-3	13	P473008	2-5	01	P700162	3-41	02	P700417	3-41	15
P471724	3-3	22	P473009	2-5	01	P700163	3-37	03	P700422	3-13	01
P471725	3-1	13	P473010	2-5	01	P700163	3-39	03	P700422	3-15	02
P471725	3-7	10	P473011	2-5	01	P700163	3-41	03	P700422	3-17	02
P471726	3-1	16	P473012	2-5	01	P700164	3-37	04	P700422	3-19	07
P471726	3-7	02	P480071	3-33		P700164	3-39	04	P700422	3-21	06
P471727	3-1	25	P480118	3-21		P700164	3-41	04	P700430	3-23	03
P471730	2-7	12	P480122	2-25	17	P700165	3-37	06	P700436	3-23	04
P471731	1-7	23	P480124	2-25	15	P700165	3-39	06	P700437	3-23	08
P471736	2-23	09	P480125	2-25	09	P700165	3-41	06	P700469	3-39	37
P471737	2-23	09	P480176	2-25	18	P700166	3-37	08	P700471	3-39	
P471738	2-7	05	P604260	3-25	22	P700166	3-39	08	P700472	3-33	10
P471739	2-7	06	P700006	2-19	04	P700166	3-41	08	P700504	2-13	04
P471740	2-7	04	P700007	2-19	04	P700168	3-37	19	P700510	3-13	03
P471741	2-7	07	P700018	3-25	27	P700168	3-39	16	P700514	3-35	08
P471743	2-11	02	P700030	3-25	05	P700170	3-39	32	P700517	2-13	01
P471756	2-11	16	P700031	3-25	06	P700180	3-35	02	P700518	3-39	35
P471759	2-11	15	P700033	3-25	16	P700181	3-35	10	P700519	3-39	34
P471760	2-11	14	P700034	3-25	15	P700182	3-35	15	P700520	3-43	02
P471761	2-11	20	P700060	3-31	09	P700183	3-35	14	P700528	1-3	
P471762	2-11	21	P700061	3-31	16	P700184	3-35	13	P700529	1-3	
P471763	2-11	22	P700063	3-31	12	P700185	3-35	09	P700532	3-25	07
P471764	2-11	17	P700064	3-31	13	P700186	3-35	05	P700533	3-41	
P471766	3-5	05	P700068	3-31	14	P700187	3-35	19	P700534	3-25	09
P471767	3-5	02	P700070	3-31	26	P700196	3-33	09	P700535	2-15	09
P471783	3-1	35	P700071	3-31	29	P700199	3-33	08	P700536	2-15	10
P471783	3-7	17	P700072	3-31	30	P700220	3-39	22	P700537	3-25	14
P471784	3-1	31	P700073	3-31	18	P700220	3-41	20	P700538	3-25	17
P471784	3-7	13	P700073	3-31	28	P700222	3-33	07	P700539	2-15	11
P471785	3-1	18	P700074	3-31	27	P700225	3-17		P700541	3-25	21
P471804	2-17	06	P700076	3-31	25	P700240	2-7	17	P700543	2-13	03
P471806	2-21	01	P700081	3-31	21	P700253	3-31	04	P700544	2-13	02
P471808	2-19	01	P700083	3-31	01	P700297	2-21	04	P700545	3-25	23
P471812	2-15	15	P700085	3-31	19	P700298	2-21	04	P700546	3-25	25
P471814	2-1	09	P700087	3-31	36	P700336	3-29	01	P700547	2-13	06
P471815	1-7	22	P700090	3-31	39	P700337	3-29	02	P700548	3-25	30
P471816	1-7	24	P700091	3-31	40	P700338	3-29	08	P700549	2-13	05
P471818	2-7	26	P700092	3-31	37	P700363	2-1	12	P700550	2-13	12
P471819	2-17	05	P700093	3-31	38	P700393	3-29	12	P700551	2-21	08
P471831	2-1	15	P700100	3-31	11	P700394	3-25	20	P700552	3-27	
P471833	3-1	33	P700103	3-31	03	P700394	3-29	09	P700558	3-27	15
P471833	3-3	17	P700104	3-31	23	P700395	3-29	05	P700558	3-27	21
P471840	1-7	26	P700105	3-31	31	P700396	3-29	04	P700562	3-37	12
P471841	1-7	25	P700106	3-31	32	P700397	3-15	05	P700563	3-37	14
P471844	2-13	10	P700108	3-31	17	P700397	3-29	11	P700563	3-41	32
P471846	2-11	03	P700109	3-31	43	P700399	3-15	06	P700564	3-37	21
P471855	2-11	24	P700110	3-31	02	P700400	3-15	01	P700565	3-37	23
P471856	2-11	13	P700111	3-31	22	P700401	3-17	04	P700565	3-41	33
P471857	2-13	07	P700112	3-31		P700402	3-17	06	P700566	3-37	26




Part No.	Page No.	Ref. No.	Part No.	Page No.	Ref. No.	Part No.	Page No.	Ref. No.	Part No.	Page No.	Ref. No.
P700567	3-37	27									
P700567	3-41	16									
P700568	3-37	29									
P700569	3-37										
P700570	3-37										
P700571	3-37										
P700571	3-41										
P700573	3-41	31									
P700574	3-41	34									
P700576	3-41										
P700577	3-41										
P700578	3-41										
P700579	3-23	07									
P700580	3-21	03									
P700582	3-21	04									
P700583	3-21	05									
P700584	3-35	18									
P700586	2-15	02									
P700587	2-15	03									
P700588	2-13	16									
P700589	2-13	16									
P700590	2-15	01									
P700591	2-13	16									
P700593	2-11	11									
P700594	2-25	01									
P700595	2-25	01									
P700596	2-25	01									
P700597	2-11	09									
P700598	2-11	10									
P700604	3-37	22									
P700604	3-39	15									
P700607	3-37	17									
P700612	3-43	09									
P700613	3-43	04									
P700614	3-43	05									
P700644	3-43										

Discount-Equipment.com

# Torque Specifications

Use these torque values when tightening GEHL hardware (excluding: Locknuts and Self-tapping, Thread-forming and Metal Screws) unless otherwise specified.

Unified National Thread	Grade 2 		Grade 5 		Grade 8 	
	Dry	Lubed	Dry	Lubed	Dry	Lubed
8-32	19*	14*	30*	22*	41*	31*
8-36	20*	15*	31*	23*	43*	32*
10-24	27*	21*	43*	32*	60*	45*
10-32	31*	23*	49*	36*	68*	51*
1/4-20	66*	50*	9	75*	12	9
1/4-28	76*	56*	10	86*	14	10
5/16-18	11	9	17	13	25	18
5/16-24	12	9	19	14	25	20
3/8-16	20	15	30	23	45	35
3/8-24	23	17	35	25	50	35
7/16-14	32	24	50	35	70	55
7/16-20	36	27	55	40	80	60
1/2-13	35	35	75	55	110	80
1/2-20	40	40	90	65	120	90
9/16-12	55	55	110	80	150	110
9/16-18	60	60	120	90	170	130
5/8-11	75	75	150	110	220	170
5/8-18	85	85	180	130	240	180
3/4-10	130	130	260	200	380	280
3/4-16	150	150	300	220	420	320
7/8-9	125	125	430	320	600	460
7/8-14	140	140	470	360	660	500
1-8	190	190	640	480	900	680
1-14	210	210	710	530	1000	740

Metric Course Thread	Grade 8.8 		Grade 10.9 		Grade 12.9 	
	Dry	Lubed	Dry	Lubed	Dry	Lubed
M6-1	8	6	11	7	13.5	10*
24M8-1.25	19	14	27	20	32.5	24*
M10-1.5	37.5	28	53	39	64	47
M12-1.75	65	48	91.5	67.5	111.5	82
M14-2	103.5	76.5	145.5	108	176.5	131
M16-2	158.5	117.5	223.5	165.5	271	200

\* All torque values are in lb-ft except those marked with an \* which are in lb-in.  
For metric torque value (Nm) multiply lb-ft x 1.355 or lb-in value x 0.113.

# **Discount Equipment**

Discount-Equipment.com is your online resource for commercial and industrial quality parts and equipment sales.

## **Locations:**

Florida (West Palm Beach): [561-964-4949](tel:561-964-4949)

Outside Florida TOLL FREE: [877-690-3101](tel:877-690-3101)

**Need parts?** Check out our website at [www.discount-equipment.com](http://www.discount-equipment.com)

## **Can't find what you need?**

Click on this link: <http://www.discount-equipment.com/category/5443-parts/> and fill out the request form.

Please have the machine model and serial number available in order to help us get you the correct parts. One of our experienced staff members will get back to you with a quote for the right part that your machine needs.

We sell worldwide for the brands: Genie, Terex, JLG, MultiQuip, Mayco, Toro/Stone, Diamond Products, Magnum, Airman, Mustang, Power Blanket, Nifty Lift, Atlas Copco, Chicago Pneumatic, Allmand Brothers, Essick, Miller Spreader, Skyjack, Lull, Skytrak, Tsurumi, Husquvarna/Target, Whiteman-Concrete/Mortar, Stow-Concrete/Mortar, Baldor, Wacker, Sakai, Snorkel, Upright, Mi-T-M, Sullair, Neal, Basic, Dynapac, MBW, Weber, Bartell, Bennar Newman, Haulotte, Ditch Runner, Blaw-Knox, Himoina, Best, Buddy, Crown, Edco, Wyco, Bomag, Laymor, Terremite, Barreto, EZ Trench, Takeuchi, Basic, Bil-Jax, Curtis, Gehl, Heli, Honda, ICS/PowerGrit, Puckett, Waldon, ASV, IHI, Partner, Imer, Clipper, MMD, Koshin, Rice, Gorman Rupp, CH&E, Cat Pumps, Comet, General Pump, Giant, AMida, Coleman, NAC, Gradall, Square Shooter, Kent, Stanley, Tamco, Toku, Hatz, Kohler, Robin, Wisconsin, Northrock, Oztec, Toker TK, Rol-Air, Small Line, Wanco, Yanmar

**New Equipment - Used Equipment - Rental Equipment - Parts and Accessories**

# **Discount Equipment**

[www.discount-equipment.com](http://www.discount-equipment.com)

**561-964-4949**

Sales: [info@Discount-Equipment.com](mailto:info@Discount-Equipment.com)

Parts: [wbparts@Discount-Equipment.com](mailto:wbparts@Discount-Equipment.com)



[www.discount-equipment.com](http://www.discount-equipment.com)

**GEHL**®

Discount-Equipment.com