

1438

1448

(Serial Numbers 18100 and Before)

Power Box[®] **Self-Propelled** **Paver**

Form No.
913209
Rev B
Replaces
907875



PARTS MANUAL



www.discount-equipment.com

GEHL[®]

Discount Equipment

Discount-Equipment.com is your online resource for commercial and industrial quality parts and equipment sales.

Locations:

Florida (West Palm Beach): [561-964-4949](tel:561-964-4949)

Outside Florida TOLL FREE: [877-690-3101](tel:877-690-3101)

Need parts? Check out our website at www.discount-equipment.com

Can't find what you need?

Click on this link: <http://www.discount-equipment.com/category/5443-parts/> and fill out the request form.

Please have the machine model and serial number available in order to help us get you the correct parts. One of our experienced staff members will get back to you with a quote for the right part that your machine needs.

We sell worldwide for the brands: Genie, Terex, JLG, MultiQuip, Mayco, Toro/Stone, Diamond Products, Magnum, Airman, Mustang, Power Blanket, Nifty Lift, Atlas Copco, Chicago Pneumatic, Allmand Brothers, Essick, Miller Spreader, Skyjack, Lull, Skytrak, Tsurumi, Husquvarna/Target, Whiteman-Concrete/Mortar, Stow-Concrete/Mortar, Baldor, Wacker, Sakai, Snorkel, Upright, Mi-T-M, Sullair, Neal, Basic, Dynapac, MBW, Weber, Bartell, Bennar Newman, Haulotte, Ditch Runner, Blaw-Knox, Himoina, Best, Buddy, Crown, Edco, Wyco, Bomag, Laymor, Terremite, Barreto, EZ Trench, Takeuchi, Basic, Bil-Jax, Curtis, Gehl, Heli, Honda, ICS/PowerGrit, Puckett, Waldon, ASV, IHI, Partner, Imer, Clipper, MMD, Koshin, Rice, Gorman Rupp, CH&E, Cat Pumps, Comet, General Pump, Giant, AMida, Coleman, NAC, Gradall, Square Shooter, Kent, Stanley, Tamco, Toku, Hatz, Kohler, Robin, Wisconsin, Northrock, Oztec, Toker TK, Rol-Air, Small Line, Wanco, Yanmar

New Equipment - Used Equipment - Rental Equipment - Parts and Accessories

Discount Equipment

www.discount-equipment.com

561-964-4949

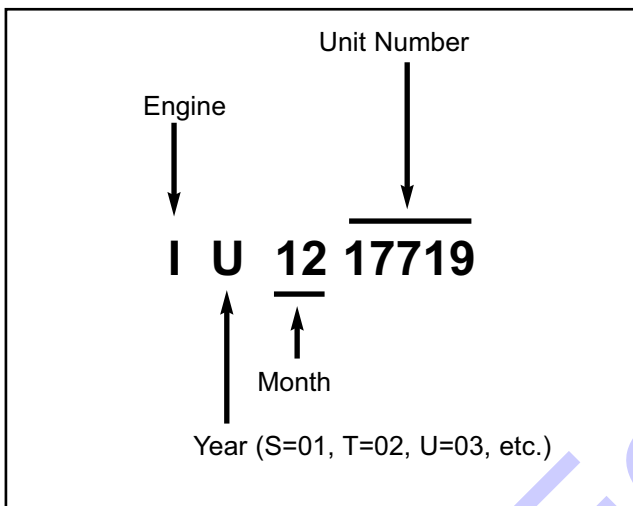
Sales: info@Discount-Equipment.com

Parts: wbparts@Discount-Equipment.com

The Table of Contents lists the page location of various component groups on the machine.

When ordering service parts, specify the correct part number, full description, quantity required, and the unit model and serial number.

Serial numbers for this unit are stamped on a plate located on top of the control panel housing. The serial number is also stamped on the left top backwall plate. The following reference shows the breakdown of the serial number:



“Right” and “left” are determined from a position standing behind the screed and facing the machine.

GEHL Company reserves the right to make changes or improvements in the design or construction of any part of the unit without incurring the obligation to install such changes on any unit previously delivered.

If grease fittings and common attaching hardware, such as cotter pins, set screws, woodruff keys, screws, nuts, etc., are not illustrated, they may be in the parts list indented below the part they are associated with. The hardware listed is for mounting purposes and is NOT included when the part is ordered for replacement.

Standard attaching hardware torque values are provided on the inside back cover. Unless otherwise specified, all capscrews are Grade 5, cadmium or zinc plated; hexagon nuts for Grade 5 capscrews and bolts are Grade A.

List of abbreviations used in this manual

AN	Acorn Nut
AR	As Required
ASY	Assembly
BHB	Button Head Bolt
CB	Carriage Bolt
CN	Castellated Nut
CYL	Cylinder
CS	Cap Screw (Hexagon Head)
DIA	Diameter
FHMS	Flat Head Machine
FLN	Flanged Flexlock Nut
FLS	Flanged Lock Screw
FT	Foot or Feet
GR	Grade
HLN	Hexlock Nut
HYD	Hydraulic
JN	Jam Nut
L	Lock (Washer)
LH	Left Hand
LT	Left
N	Nut (Plain Hex)
NIN	Nylon Insert Lock Nut
NPTF	National Pipe Threaded Fitting
NSS	Not Sold Separately
P	Plain (Washer)
PB	Plow Bolt
PHS	Pan Head Screw
RH	Right Hand
RHMS	Round Head Machine Screw
RHSMS	Round Head Sheet Metal Screw
RNF	Retained Nut Fastener
RT	Right
SHCS	Socket Head Cap Screw
SHSS	Socket Head Set Screw
SFN	Serrated Flange Nut
SHSS	Square Head Set Screw
SQ	Square
STS	Self-Thread Screw Hex. Washer Head
THMS	Truss-Head Machine Screw
TRS	Thread Roll Screw
W/	With
WN	Wing Nut

1438 Replacement Filters Chart	
Engine	
Oil Filter Element	Gehl P/N P700002
In-Line Fuel Filter	Gehl P/N P700003
Hydraulic System Filters	
Screw-On Filter Element	Gehl P/N 074830
Reservoir Sump Strainer	Gehl P/N 128299
Air Cleaner	
Dry Element	Gehl P/N P700004
Pre-Cleaner Ring	Gehl P/N P700005

1448 Replacement Filters Chart	
Engine	
Oil Filter Element	Gehl P/N P700113
Fuel Filter Element	Gehl P/N 123828
Hydraulic System Filters	
Screw-On Filter Element	Gehl P/N 074830
Reservoir Sump Strainer	Gehl P/N 128299
Air Cleaner	
Dry Element	Gehl P/N 055017

Introduction Inside Front Cover
 List of Abbreviations Inside Front Cover
 Filter Reference Chart 1
 Table of Contents 2

Decals Section

General Information 4
 New Decal Application 4
 Decal Kit 4
 Lower Frame, Hopper and Screed Areas 5
 Backwall and Console Area (1448) 6
 Backwall and Console Area (1438) 7

Chassis Section

Main Screed Assembly 8
 Screed Extensions 10
 Pullarm Assembly 11
 Propane Kit Assembly 12
 Screed Cutoff Option 13
 Spraydown Tank Assembly 14
 Fuel Tank Assembly 15
 Hopper Assembly 16
 Wing Assembly 17
 Chassis / Backwall Assembly 18
 Flow Gate Assembly 20
 Covers Assembly (1438) 22
 Covers Assembly (1448) 23
 Electrical and Instrument Panel Assembly (1448) 24
 Electrical and Instrument Panel Assembly (1438) 26
 Engine Assembly (1438) 28
 Engine Assembly (1448 Part 1) 30
 Engine Assembly (1448 Part 2) 32

Drive Train

Track Drive Gearbox Group 34
 Track Drive Assembly 36
 Positive Track Drive Assembly 38
 Rubber Tire Drive Assembly 40

Hydraulic Assemblies Section

1438 Pump/Reservoir Plumbing Lines 42-59
 1448 Pump/Reservoir Plumbing Lines 60-73
 Drive Motors Plumbing Lines 74-91
 Hopper and Gates Plumbing Lines 92
 Screed Plumbing Lines 94

Hydraulic Components Section

Front Piston Pump (All 1438 & 1448 thru S/N 7486)	96
Front Piston Pump (1448 S/N 7487 & up)	98
Gear Pump	100
Auger Motor and Single Speed Drive Motor	101
Two Speed Drive Motor	102
Positive Track Drive Motor	103
Track Drive Torque Hub (1438 S/N 14197 & up incl. 14060 & 14062, 1448 S/N 17075 - 17452)	104
Track Drive Torque Hub (1448 S/N 17453 & up)	106
Screed Vibrator Motor	108
Drive Valve	109
9-Stack Control Valve (Part I)	110
9-Stack Control Valve (Part II)	112
9-Stack Control Valve - Cap Ends (Part III)	114
Speed Selector Valve	115
Relief Valve	115
Screed Extend Cylinder	116
Screed Lift and Gate Cylinder	117
Hopper Lift Cylinder (1438 thru S/N 14048, 1448 thru S/N 17002)	118
Hopper Lift Cylinder (1438 S/N 14049 & up, 1448 S/N 17003 & up)	119
Track Tension Cylinder	120

Miscellaneous Section

Numerical Index	121
Hardware Torque Specifications	Inside Back Cover

GENERAL INFORMATION



CAUTION

ALWAYS read and follow the safety rules and information shown on decals. If any decals are damaged or unreadable, or if the unit is repainted, the decals must be replaced. If repainting, **BE SURE** that all decals that apply to your machine are affixed in their proper locations.

Decal locations information is provided to assist in the proper selection and application of new decals, in the event the original decal become damaged or the machine is repainted.

For correct replacement of decal, compare the location photographs to your machine before starting to refinish the unit. Check off each required decal using the illustration reference number to find the part number, description and quantity in the list. Refer to the appropriate illustration for replacement location.

NEW DECAL APPLICATION

Before applying the new decals, surfaces must be free from dirt, dust, grease and other foreign material. To apply a solid-formed decal, remove the smaller portion of the decal backing paper and apply this part of the exposed adhesive backing to the clean surface while maintaining proper position and alignment. Slowly peel off the other portion of the backing paper while applying hand pressure to smooth out decal surface. To apply a pre-mask decal, first remove the backing paper to expose the adhesive side of the decal. Then, properly orient and position the decal onto the clean mounting surface. After the decal is firmly applied and smoothly pressed down, peel off the top covering paper.

PAINT FINISH

Use this list to order paint for refinishing:

All 1438, 1448 thru S/N 17637.

906213	One Gal. Yellow
906214	6 (12 oz. Spray Cans) Yellow
906317	One Gal. Charcoal Grey
906318	6 (12 oz. Spray Cans) Charcoal Grey

1448 S/N 17638 and up.

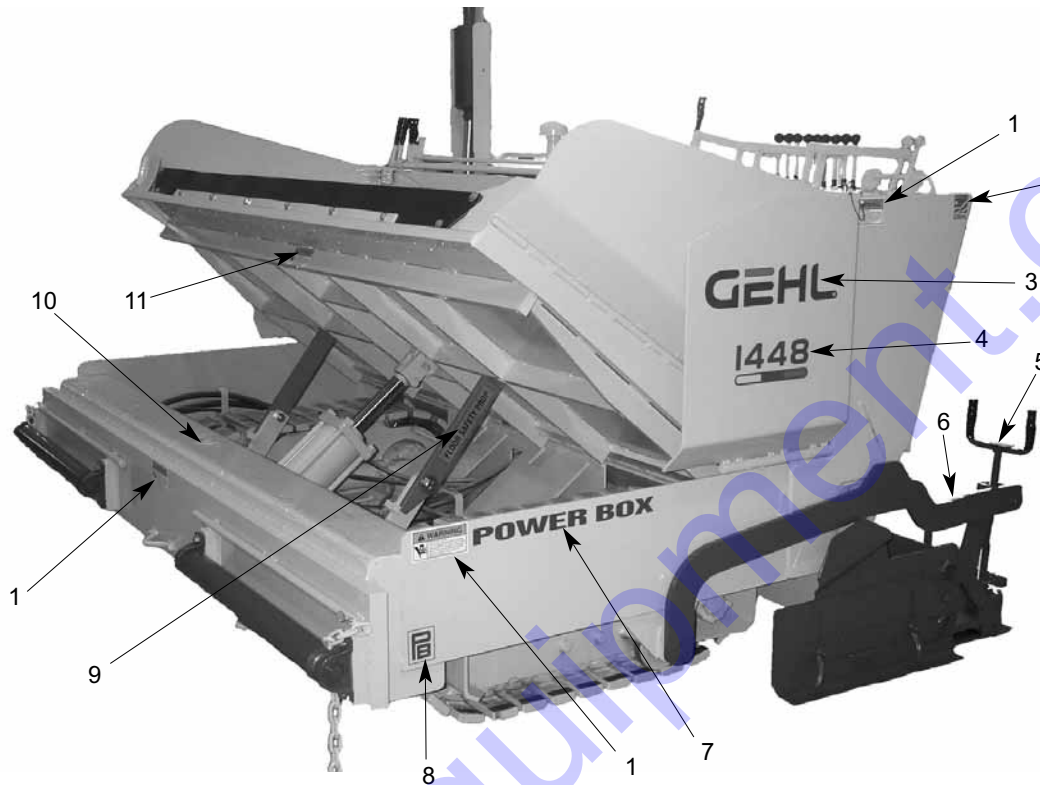
906213	One Gal. Yellow
906214	6 (12 oz. Spray Cans) Yellow
420-36230	One Gal. Grey
910100	6 (12 oz. Spray Cans) Grey

COMPLETE DECAL KIT

P700322	All 1438
P700323	1448 thru S/N 17637
L500936	1448 S/N 17638 and up

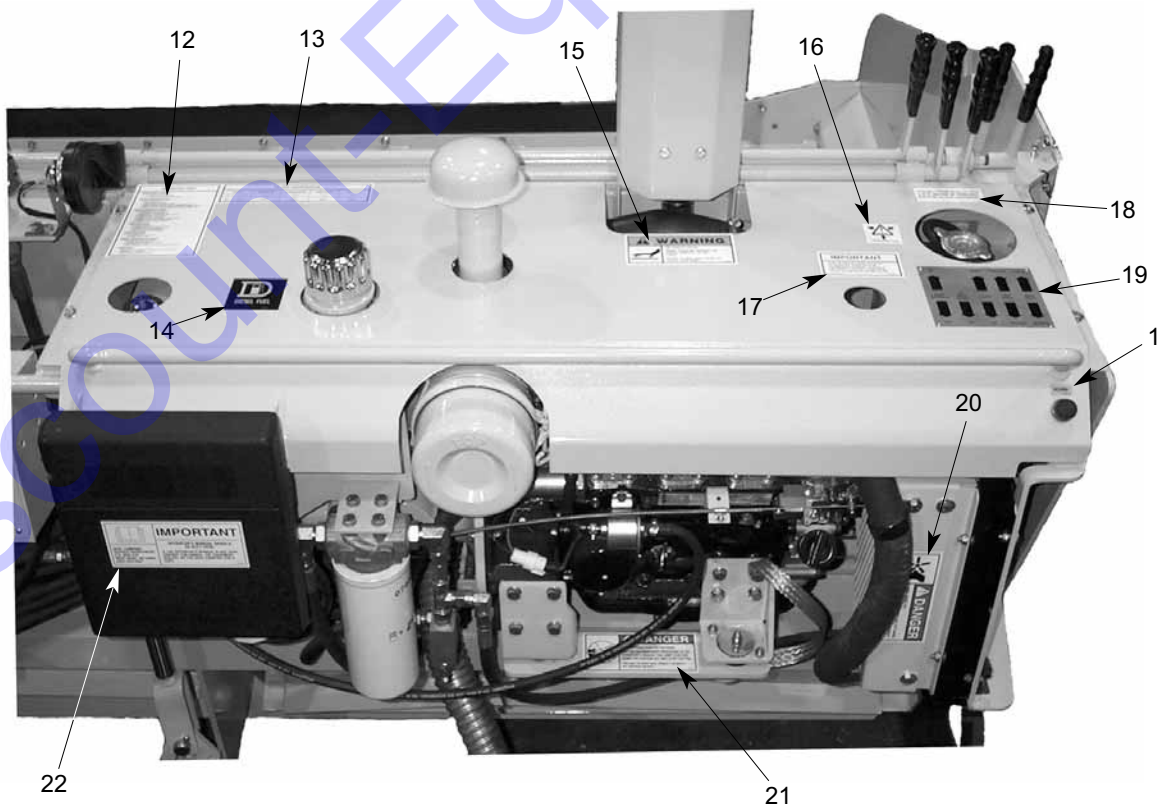
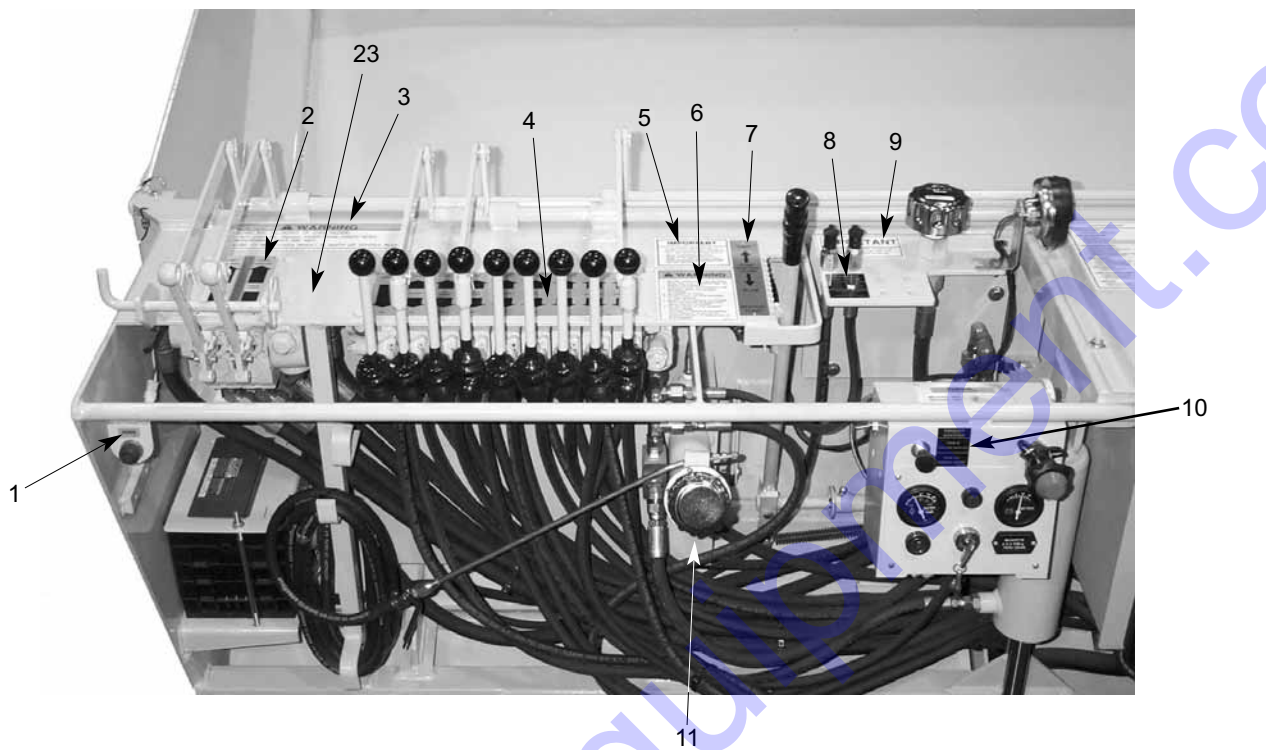
NOTE: *Decals may be purchased in a kit or individually.*

Lower Frame, Hopper and Screed Areas

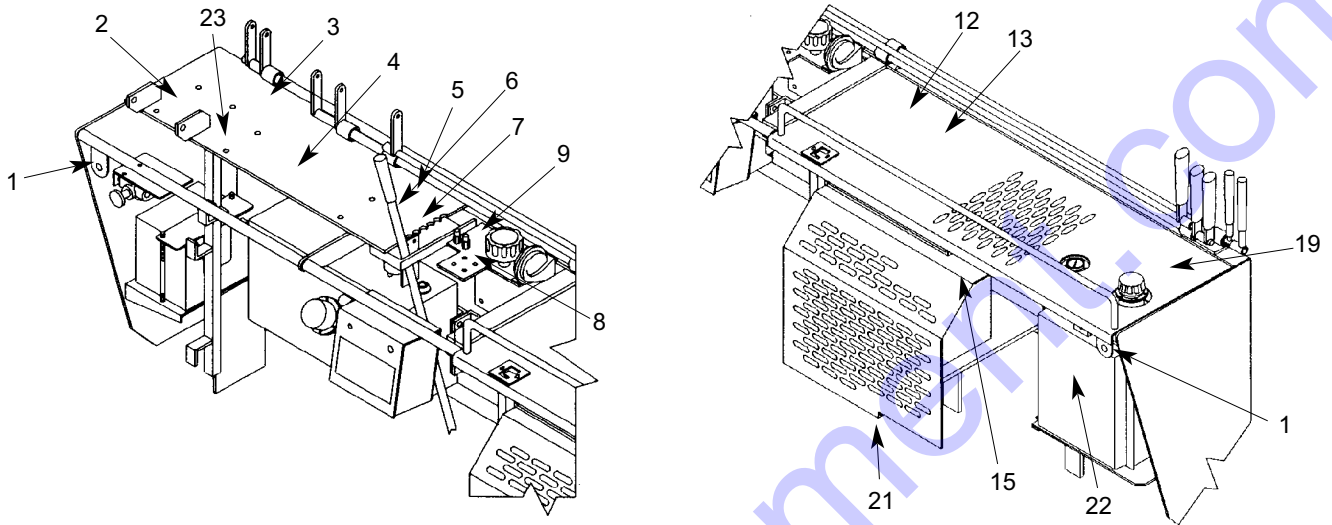


REF. NO.	DESCRIPTION	1438	1448
01	WARNING - Pinch Point (each side)	L65927	L65927
02	Made in USA	137654	137654
03 ^a	GEHL Lettering (each side)	L82282	L82282
03 ^b	GEHL Lettering (each side)		137551
04 ^a	Model Number - 1438 or 1448 (each side)	P470322	P470852
04 ^b	Model Number - 1448 (each side)		101483
05	Up/Down Screed ((each pullarm)	P214000	P214000
06	0-6 Thickness Indicator (each pullarm)	P201400	P201400
07 ^a	PowerBox Lettering (each side)	P204030	P204030
07 ^b	PowerBox Lettering (each side)		101481
08 ^a	PB Logo, 5" (each side)	P470323	P470323
08 ^b	PB Logo, 5" (each side)		101482
09	Floor Safety Prop (each safety prop)	P210200	P210200
10	Hydraulic Fluid (1 ea.)	137632	137632
<p><i>a All 1438's. 1448's thru S/N 17637.</i></p> <p><i>b 1448 S/N 17638 and up.</i></p>			

**Backwall and Console Area
(1448 Locations)**

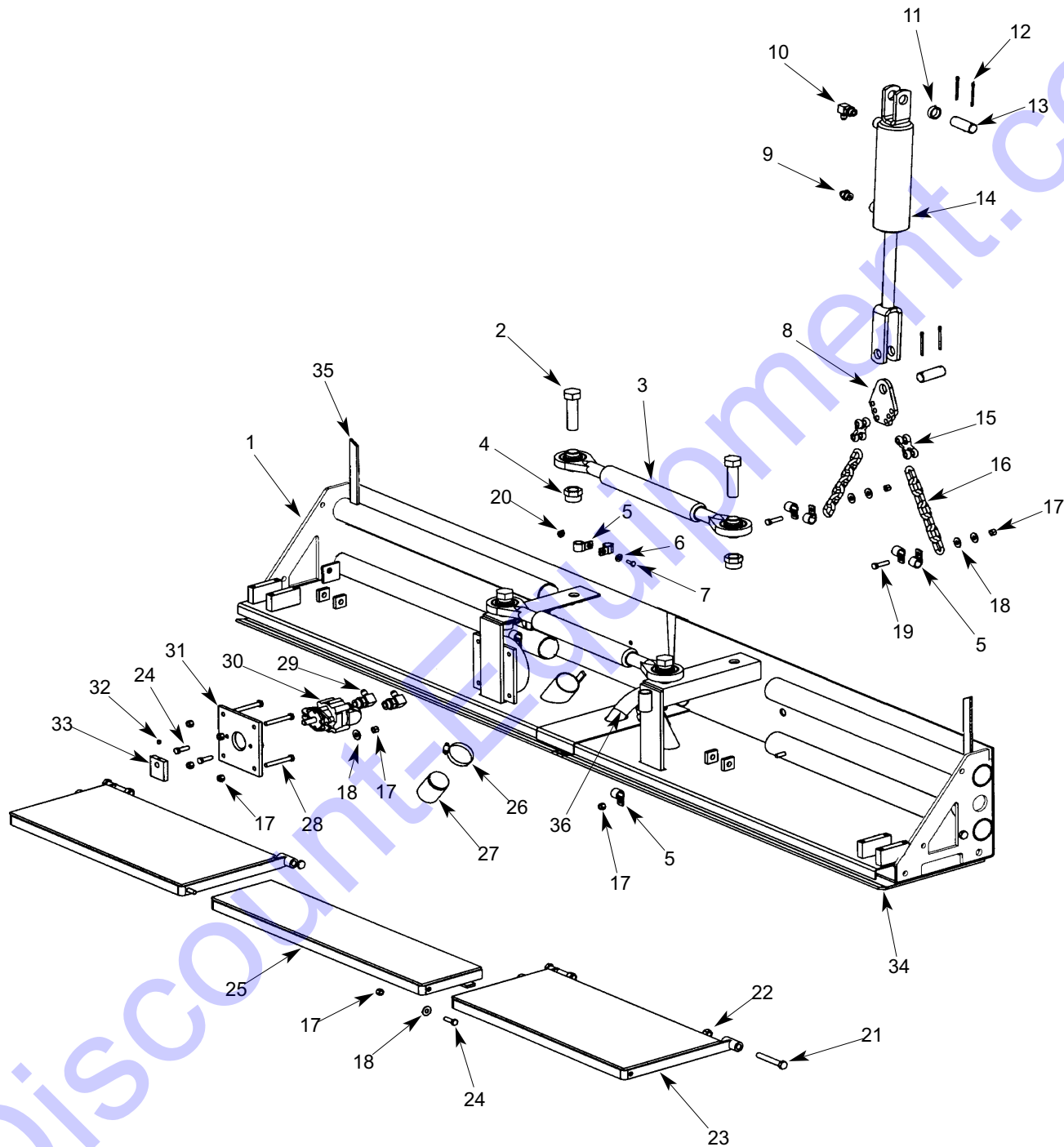


**Backwall and Console Area
(1438 Locations)**



REF. NO.	DESCRIPTION	1438	1448
01	Horn	P204107	P204107
02	Drive Control	P212750	P212750
03	Warning - Loading / Unloading	P204101	P204101
04	L.H. 9 Stack Valve	P204012	P204012
05	Important - Operator Instructions	L277594	L277594
06	Warning - Operator	P204100	P204100
07	Fast/Slow Control	P204015	P204015
08	Test Ports	P471482	P471482
09	Hydraulic Oil Under Pressure	P471310	P471310
10	Exhaust Diverter	---	P471840
11	Asphalt Release Agent	P471816	P471816
12	Maintenance Decal	P471025	101164
13	Filter Chart	P470875	101502
14	Diesel Fuel	---	137634
15	Hot Surface Warning	L65942	L65942
16	Coolant Under Pressure	---	072798
17	Radiator Valve	---	P470960
18	Antifreeze	---	056859
19	R.H. Stack Valve	P204013	P204013
20	Danger Rotating Components	---	L65924
21	Jumpstart Warning	L65933	L65933
22	Operator Manual	137628	137628
23	2-Speed (optional)	P204014	P204014

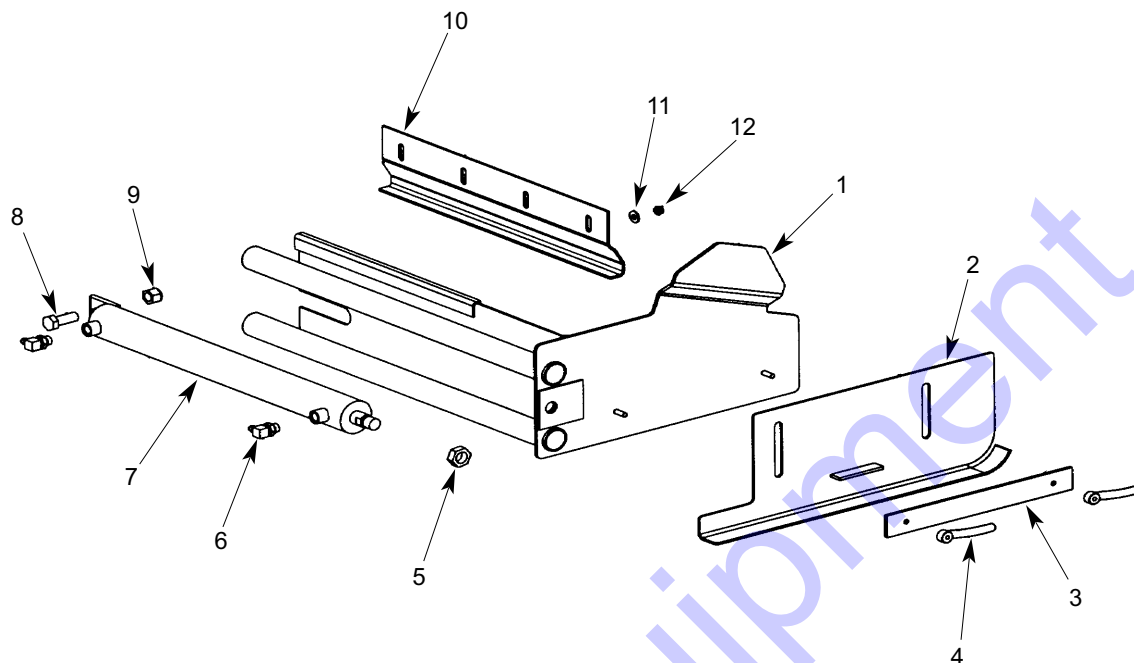
Main Screed Assembly



Main Screed Assembly

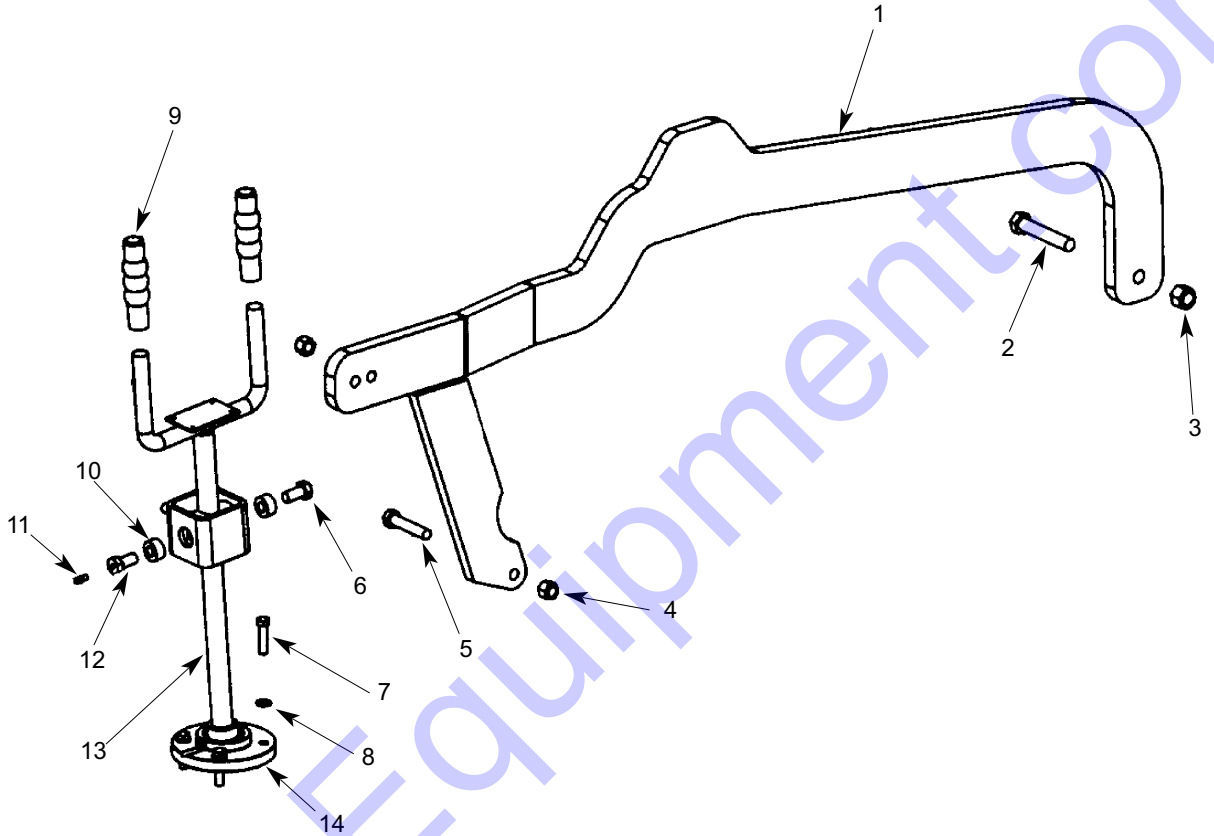
Ref. No.	Part No.	Description	Qty. Req.	Ref. No.	Part No.	Description	Qty. Req.
01	P471393	BARE SCREED WELDMENT	1	19	650533	CS 3/8x1-1/2 C5ZY	2
02	650909	CS 1x3-1/2 C5ZY	4	20	070634	LN LG FL SERR 1/4 CZ	2
03	P470205	TURN BUCKLE TOPLINK w/END.	2	21	650650	CS 1/2x3-1/2 C5ZY	4
04	L50110	HN 1-8 NY Z Z.	4	22	068034	HLN INST 1/2 CZY	4
05	L41770	CLAMP/VINYL COVERED 3/4	10	23	P470080	WLDMNT, SCREED PLATFORM	2
06	654002	FW 1/4 AWZY	2	24	650491	CS 3/8x1-1/4 C5ZY	4
07	650448	CS 1/4x3/4 C5ZY.	2	25	P470121	WLDMNT CENTER PLATFORM.	1
08	P471455	ANCHOR / CHAIN CLEVIS.	1	26	L76020	CLAMP/HOSE SAE #32	2
09	L277484	ADAP-80RM-6JICM STR	1	27	P018700	WLDMNT, BURNER CAP	2
10	110227	ELBOW/MALE 3/8 MJ-3/4-16	1	28	650818	CS 3/8x3 C5ZY	4
11	P471084	SPACER/SCREED CYL	1	29	P470406	ADP-10 ORM -6 90 DEG	2
12	655024	CP EPSC 3/16 x 2 Z	4	30	P349450	MOTOR VIBRATOR	1
13	P471297	PIN/CYLINDER CLEVIS END.	2	31	P316100	PLATE, VIBR. MOTOR MNT.	1
14	P470204	CYL/ SCREED LIFT	1	32	650201	SHSS CP 5/16x5/16	1
15	P471454	CLEVIS/DOUBLE LINK.	2	33	P316400	BAR, CNTRWT. VIBR. MOTOR	1
16	P471203	CHAIN/SCREED LIFT	2	34	P471392	SCREED/WEAR PLATE (Weld On)	1
17	067847	HLN INST 3/8 CZY	12	35	P470468	BAR/INDICATOR (Weld On)	2
18	654006	FW 3/8 AWZY	8	36	P470143	PIPE EXHAUST (Weld On)	1

Screed Extensions



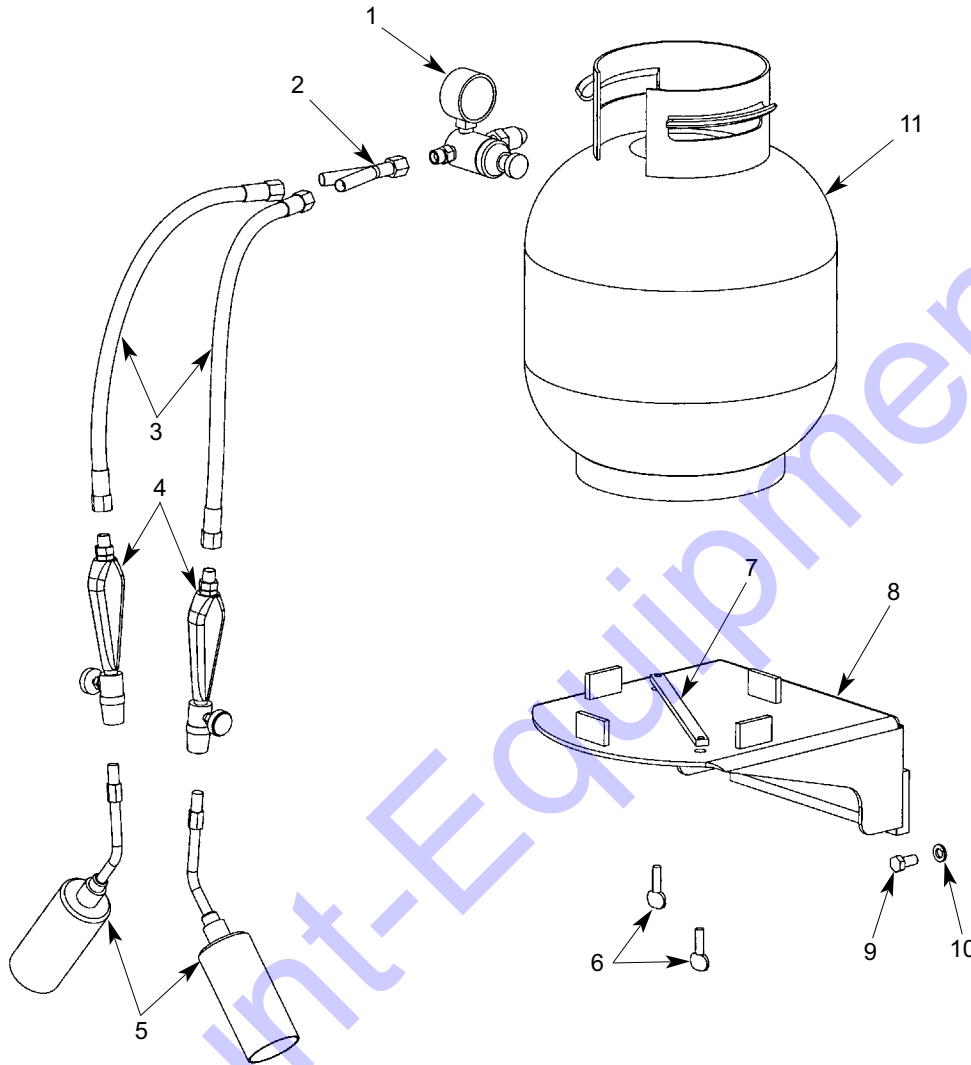
Ref. No.	Part No.	Description	Qty. Req.	Ref. No.	Part No.	Description	Qty. Req.
01		LH.SCREED EXT.WELD. 1		07	P480073	CYLINDER/SCREED EXT. 2	
	P470055	See Note a.		08	650649	CS 3/4x2 C5ZY 2	
	P471507	See Note b.		09	079209	HLN INST 3/4 CZY 2	
		RH.SCREED EXT.WELD. 1		10	P470051	PLATE, LOWER EXT. STRIKE 2	
	P470056	See Note a.		11	654006	FW 3/8 AWZY 8	
	P471508	See Note b.		12	L520022	FLEX/LOCK NUT .375-16 8	
02	P470057	LH. EXTEND SHOE WELD. 1		a		Model 1438 Thru S/N 4220.	
	P470058	RH. EXTEND SHOE WELD. 1				Model 1448 Thru S/N 7102.	
03	P178000	TIGHTENER BAR 2		b		Model 1438 S/N 4221 and up.	
04	P015900	TIGHTENER HANDLE 4				Model 1448 S/N 7103 and up.	
05	653116	HJN 1 F2ZY 2					
06	110227	ELBOW/MALE 3/8 MJ-3/4-16 4					

Pullarm Assembly
Left Hand Shown



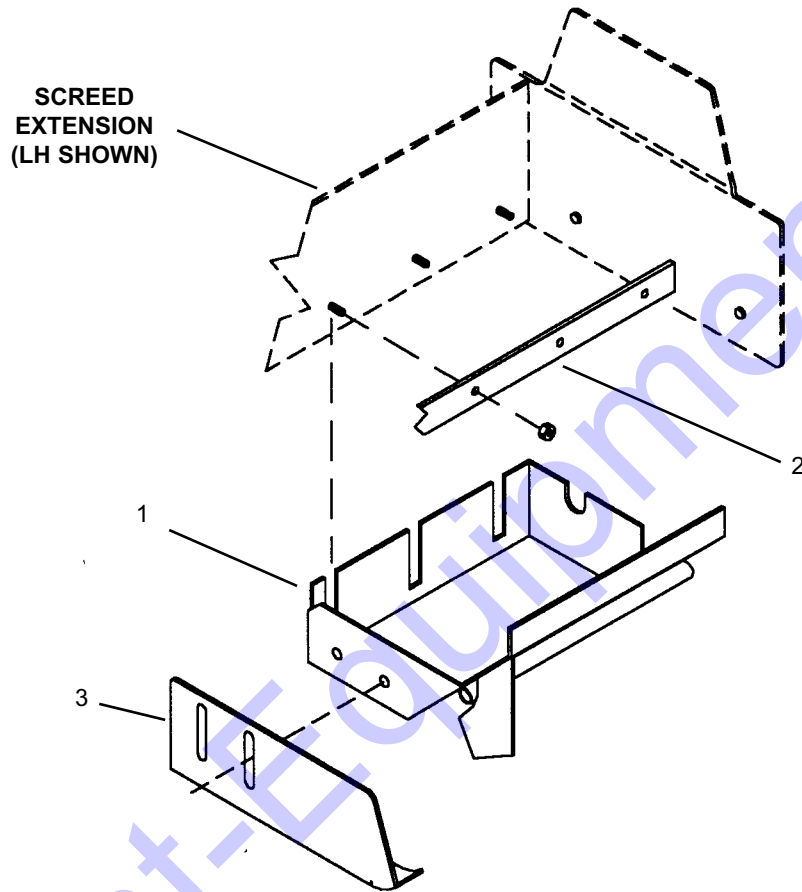
Ref. No.	Part No.	Description	Qty. Req.	Ref. No.	Part No.	Description	Qty. Req.
01	P470065	LH. PULL ARM WELD.(shown)	1	10	P142175	SPACER, DEPTH ADJ SCREED . . . 4	
	P470066	RH. PULL ARM WELD.	1	11	570019	ZERK, GREASE STRAIGHT.	2
02	650695	CS 5/8x3-1/2 C5ZY	2	12	P289010	MACH. 1/2x 1 BOLT	2
03	067823	HLN INST 5/8 CZY	2	13	P470070	WELD/SCREED ADJ HANDLE . . . 2	
04	068034	HLN INST 1/2 CZY	2			(includes item 14)	
05	650503	CS 1/2x2-1/2 C5ZY	2	14	P471567	ASY/BEARING DEPTH CONT.	2
06	650494	CS 1/2x1 C5ZY	2			(included with item 13)	
07	650533	CS 3/8x1-1/2 C5ZY	8	15	650820	HJN 1 C2ZY (Not Shown).	2
08	654026	LW 3/8 RZY	8			(included with item 13)	
09	P252400	GRIP 3/4 RUBBER	4				

Propane Kit Assembly



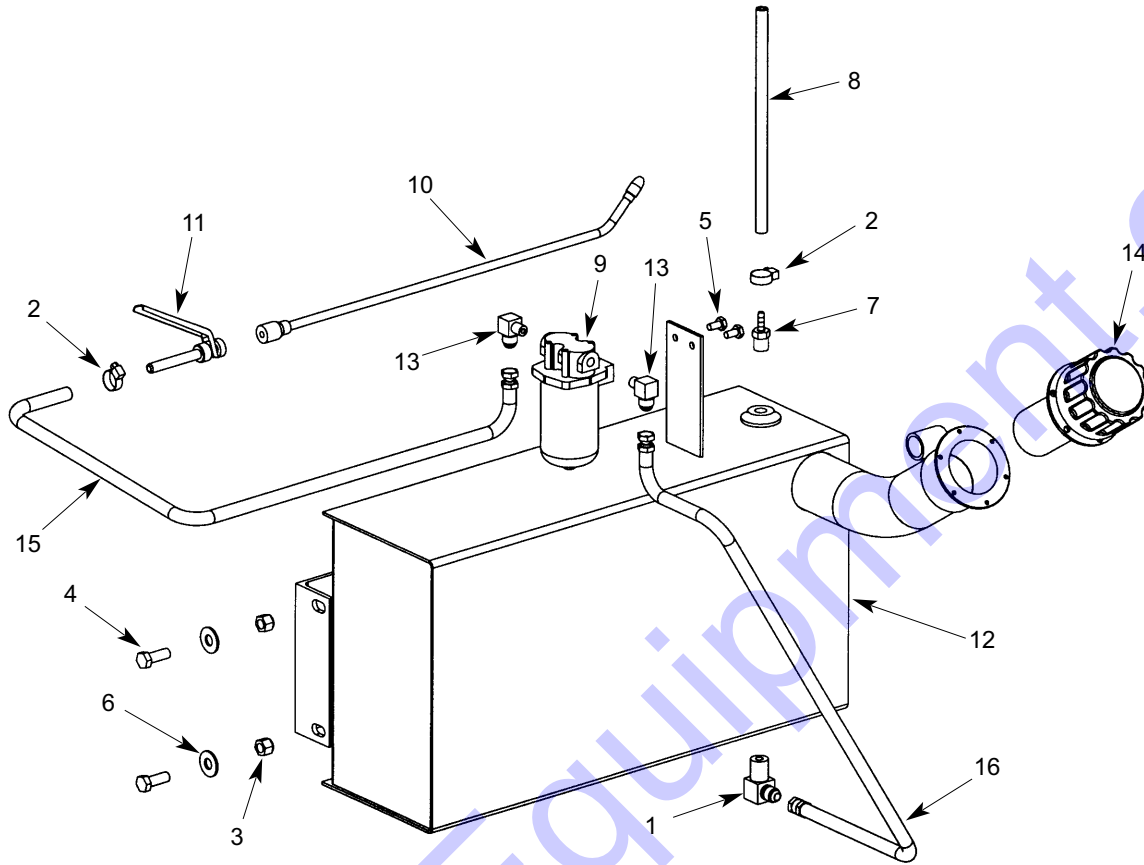
Ref. No.	Part No.	Description	Qty. Req.	Ref. No.	Part No.	Description	Qty. Req.
01	P380200	REGULATOR	1	07	P470723	BAR, TANK MOUNT	1
02	P317400	MANIFOLD	1	08	101362	TANK MOUNT	1
03	P270200	HOSE	2	09	650488	CS 3/8X3/4 C5ZY	2
04	P253000	TORCH HANDLE	2	10	654026	LW 3/8 RZY	2
05	P412000	TORCH TIP	2	11	NSS	PROPANE TANK 20#	1
06	L50355	THUMBSCREW	2				

Screed Cut-off Option



Ref. No.	Part No.	Description	Qty. Req.	Ref. No.	Part No.	Description	Qty. Req.
01		CUT-OFF PLATES:		02	101866	MOUNT BAR 6".....	1
	P473002	6" Left Side	1	02	101867	MOUNT BAR 12".....	1
	P473001	6" Right Side.....	1	02	101868	MOUNT BAR 18".....	1
	P473004	12" Left Side	1	02	P471428	MOUNT BAR 24".....	1
	P473003	12" Right Side	1	03	P471577	LH CUT-OFF SHOE	1
	P473006	18" Left Side	1		650495	CS 1/2-13X1-1/4.....	2
	P473005	18" Right Side	1		653018	HN 1/2 C2ZY	2
	P473008	24" Left Side	1		654009	FW1/2 AWZY	2
	P473007	24" Right Side	1	03	P471579	RH CUT-OFF SHOE	1
	P473010	30" Left Side	1		650495	CS 1/2-13X1-1/4.....	2
	P473009	30" Right Side	1		653018	HN 1/2 C2ZY	2
					654009	FW1/2 AWZY	2

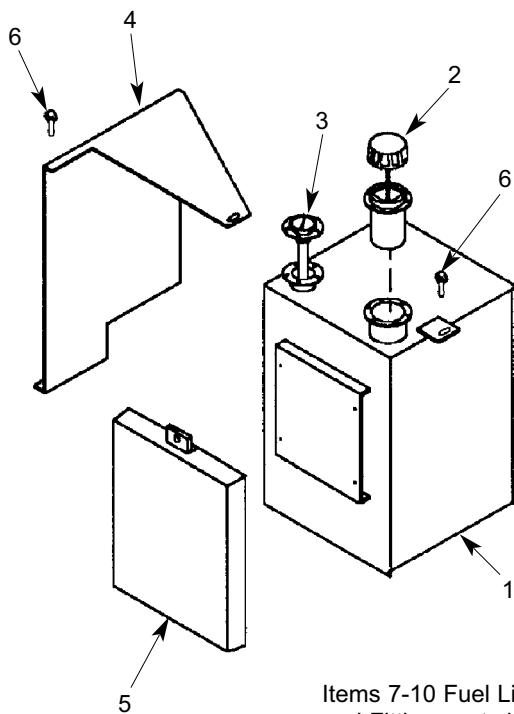
Spraydown Tank Assembly



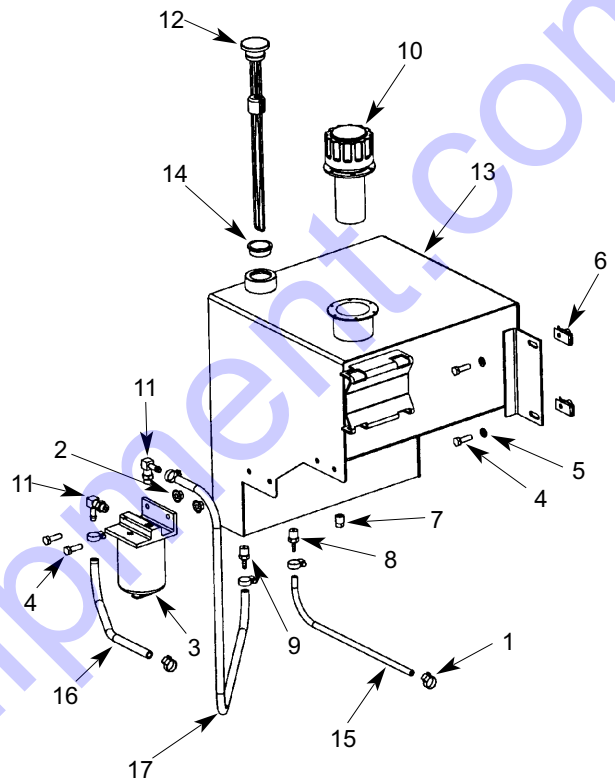
Ref. No.	Part No.	Description	Qty. Req.	Ref. No.	Part No.	Description	Qty. Req.
01	057650	ADP -6JICM -6NPTM 90.....	1	09	P375000	PUMP	1
02	062023	CLAMP / HOSE.....	2	10	P400200	SPRAY NOZZLE WAND	1
03	067847	HLN INST 3/8 CZY	4	11	P400400	SPRAY VALVE.....	1
04	650490	CS 3/8X1 C5ZY.....	4	12	P470341	SPRAYTANK	1
05	650542	CS 1/4X1/2C5ZY.....	2	13	P470409	ADP -6JICM -2NPTM 90.....	2
06	654006	FW 3/8 AWZY.....	4	14	P470472	FILLER CAP	1
07	P022800	HOSE BARB 1/4NPT X 1/4.....	1	15	P470463	HOSE ASY	1
08	P270900	HOSE / CLEAR 1/4 X 3/32.....	1	16	P470464	HOSE ASY	1

Fuel Tank Assembly

1438 Fuel Tank



1448 Fuel Tank

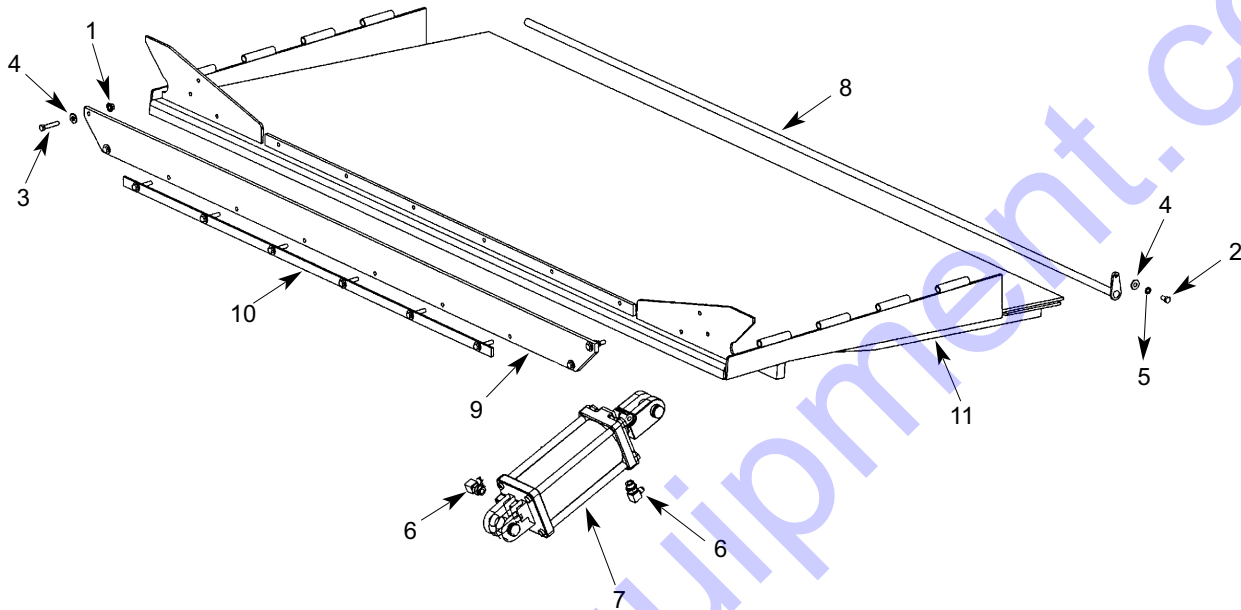


Items 7-10 Fuel Lines and Fittings not shown.

Ref. No.	Part No.	Description	Qty. Req.
01	P470308	FUEL TANK	1
02	P470472	FILLER CAP	1
03	P470478	FUEL GAUGE	1
04	P471337	SHIELD / FUEL TANK	1
05	L62459	MANUAL STORAGE BOX	1
	L50208	STS 1/4-20X1/2	4
06	650491	CS 3/8X1-1/4 C5ZY	2
	654006	FW 3/8 AWZY	
<i>ITEMS 7 - 10 NOT SHOWN</i>			
07	L72019	PLUG / PIPE 1/4	1
08	P022800	HOSE BARB	1
09	P700627	FUEL LINE / 1/4 ID X 22	1
10	062023	CLAMP / HOSE	2

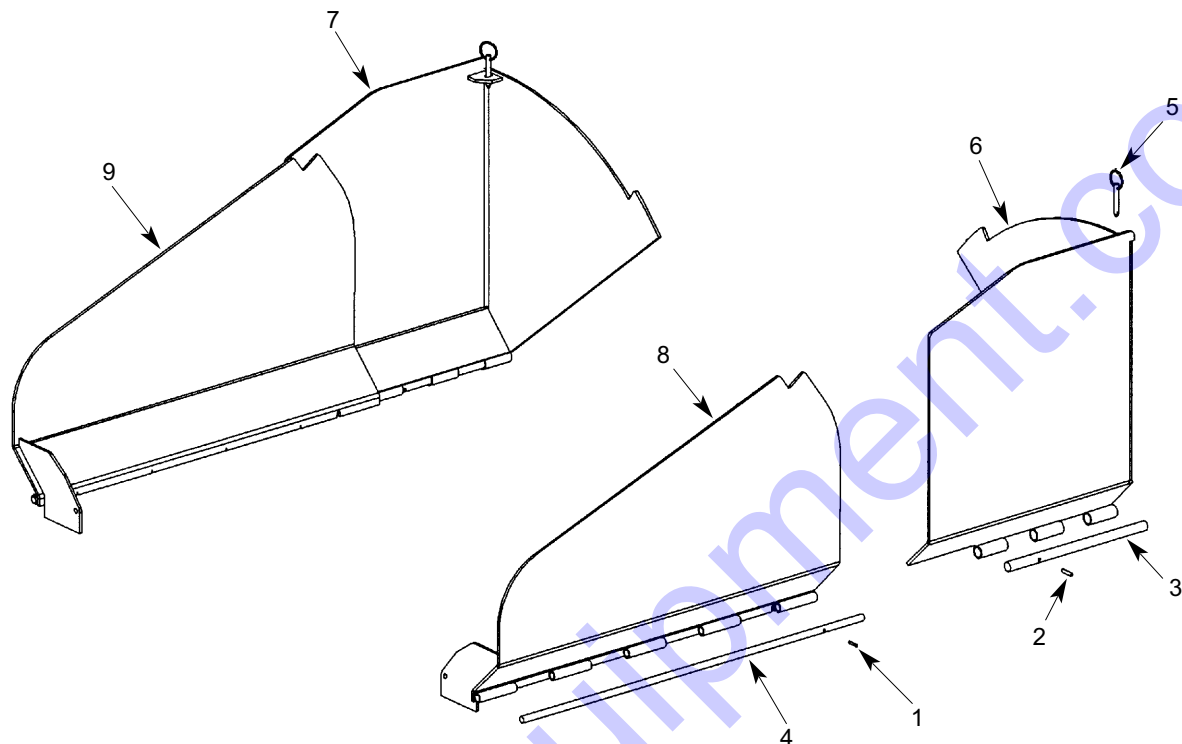
Ref. No.	Part No.	Description	Qty. Req.
01	062023	CLAMP / HOSE	6
02	070648	FLANGE NUT, 5/16	2
03	123827	FUEL FILTER/HEAD ASSY	1
	123828	ELEMENT ONLY	1
04	650487	CS 5/16 X 1 C5ZY	6
05	654024	LW 5/16 RZY	4
06	L530004	NUT/CLIP RETAINING 5/16	4
07	L72019	PLUG -4NPTM	1
08	P022300	HOSE BARB 1/4NPT X 3/16	1
09	P022800	HOSE BARB 1/4NPT X 1/4	1
10	P470472	FILLER CAP	1
11	P471159	HOSE BARB -5 0M X 5/16 90	2
12		FUEL GAUGE	1
	P470826	Thru S/N 17481	
	P473298	S/N 17482 and up.	
13		FUEL TANK	1
	P470731	Thru S/N 17481.	
	P473301	S/N 17482 and up.	
14	P473303	GROMMET FUEL GAUGE	1
		S/N 17482 and up.	
15	P700623	FUEL LINE / 3/16 X 35	1
16	P700624	FUEL LINE / 5/16 X 31	1
17	P700625	FUEL LINE / 5/16 X 22	1

Hopper Assembly



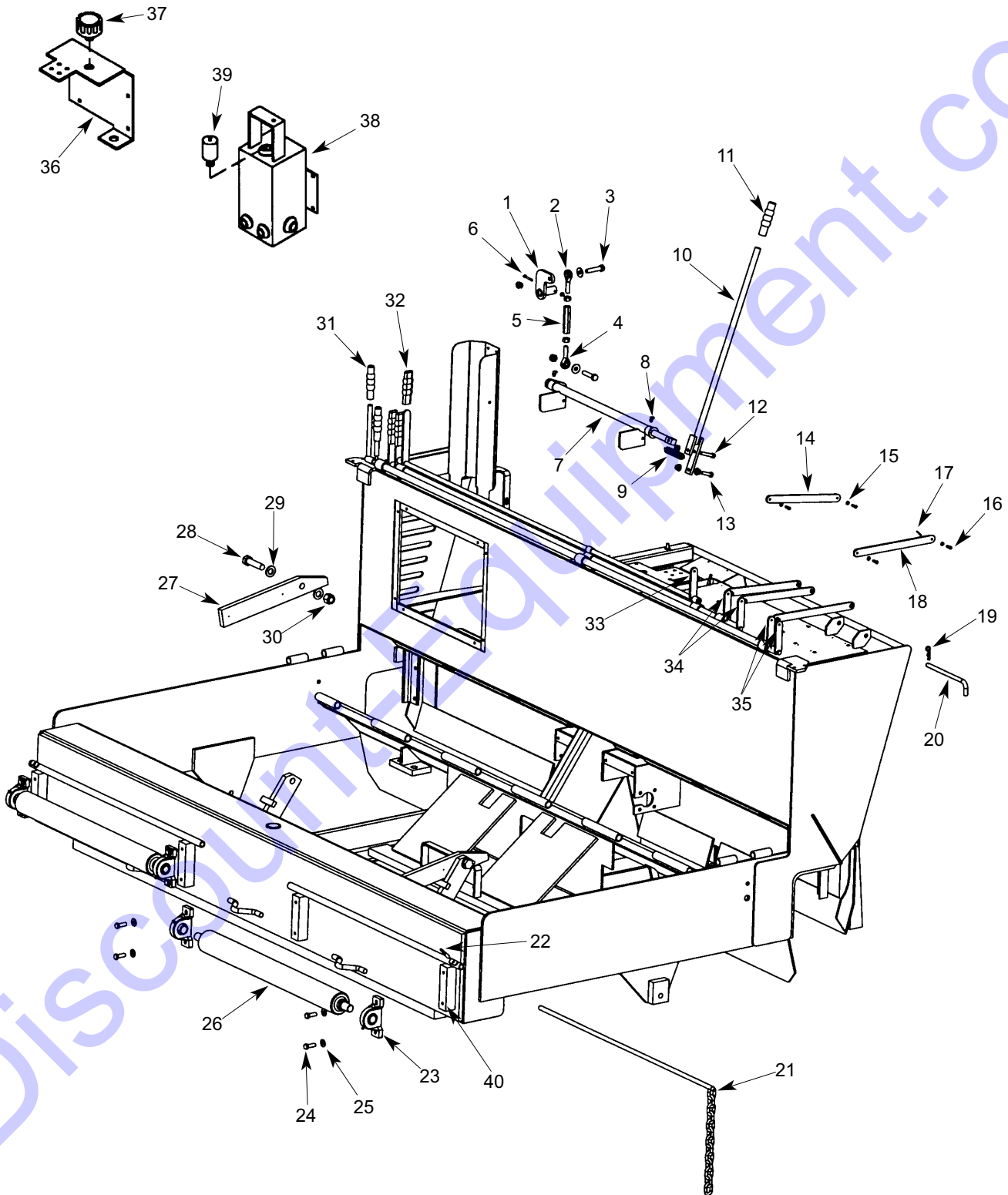
Ref. No.	Part No.	Description	Qty. Req.	Ref. No.	Part No.	Description	Qty. Req.
01	070856	HN LF SLOC 3/8 CZ	10	10	P471474	BAR / HOPPER LIP	1
02	650488	CS 3/8 X 3/4 C5ZY	1			1438 S/N 14084 and up	
03	650528	CS 3/8 X 2 C5ZY	10			1448 S/N 17015 and up	
04	654006	FW 3/8 AWZY	11	11		HOPPER FLOOR	1
05	654026	LW 3/8 RZY	1		P470103	1438 thru S/N 14048	
06	P470406	ADP -10ORM -6JICM 90	2		P470949	1448 thru S/N17002	
07		CYLINDER	1		P470949	1438 S/N14049 - 14-65	
	P700230	1438 thru S/N 14048			P471022	1448 S/N 17003 - 17008	
		1448 thru S/N 17002			P471022	1438 S/N 14066 - 14083	
	P470939	1438 S/N 14049 and up			P471133	1448 S/N 17009 - 17014	
		1448 S/N 17003 and up			P471133	1438 S/N 14084 - 14331	
08	P471057	FLOOR HINGE PIN	1		P473090	1448 S/N 17015 - 17402	
09	P471427	LIP / HOPPER	1			1438 S/N 14332 and up	
		1438 S/N 14084 and up				1448 S/N 17403 and up	
		1448 S/N 17015 and up					

Wing Assembly



Ref. No.	Part No.	Description	Qty. Req.	Ref. No.	Part No.	Description	Qty. Req.
01	057864	PIN / SPRING 3/16 X 1.....	2	08		LEFT FRONT WING	1
02	L560002	PIN / SPRING 1/4 X 1-1/4.....	2		P470120	1438 Thru S/N 14065	
03	P470088	HINGE PIN REAR HOPPER.....	2			1448 Thru S/N 17008	
04	P470100	HINGE PIN HOPPER WING.....	2		P471009	1438 S/N 14066 - 14083	
05	P470609	PIN / QUICK RELEASE	2			1448 S/N 17009 - 17014	
	122633	CRIMP SLEEVE.....	4		P471131	1438 S/N 14084 and up	
	P470610	WIRE / NYLON COATED.....	2			1448 S/N 17015 and up	
06		LEFT REAR WING	1	09		RIGHT FRONT WING	1
	P470104	1438 Thru S/N 14065			P470162	1438 Thru S/N 14065	
		1448 Thru S/N 17008				1448 Thru S/N 17008	
	P471007	1438 S/N 14066 - 14083			P471010	1438 S/N 14066 - 14083	
		1448 S/N 17009 - 17014				1448 S/N 17009 - 17014	
	P471129	1438 S/N 14084 and up			P471132	1438 S/N 14084 and up	
		1448 S/N 17015 and up				1448 S/N 17015 and up	
07		RIGHT REAR WING	1				
	P470108	1438 Thru S/N 14065					
		1448 Thru S/N 17008					
	P471008	1438 S/N 14066 - 14083					
		1448 S/N 17009 - 17014					
	P471130	1438 S/N 14084 and up					
		1448 S/N 17015 and up					

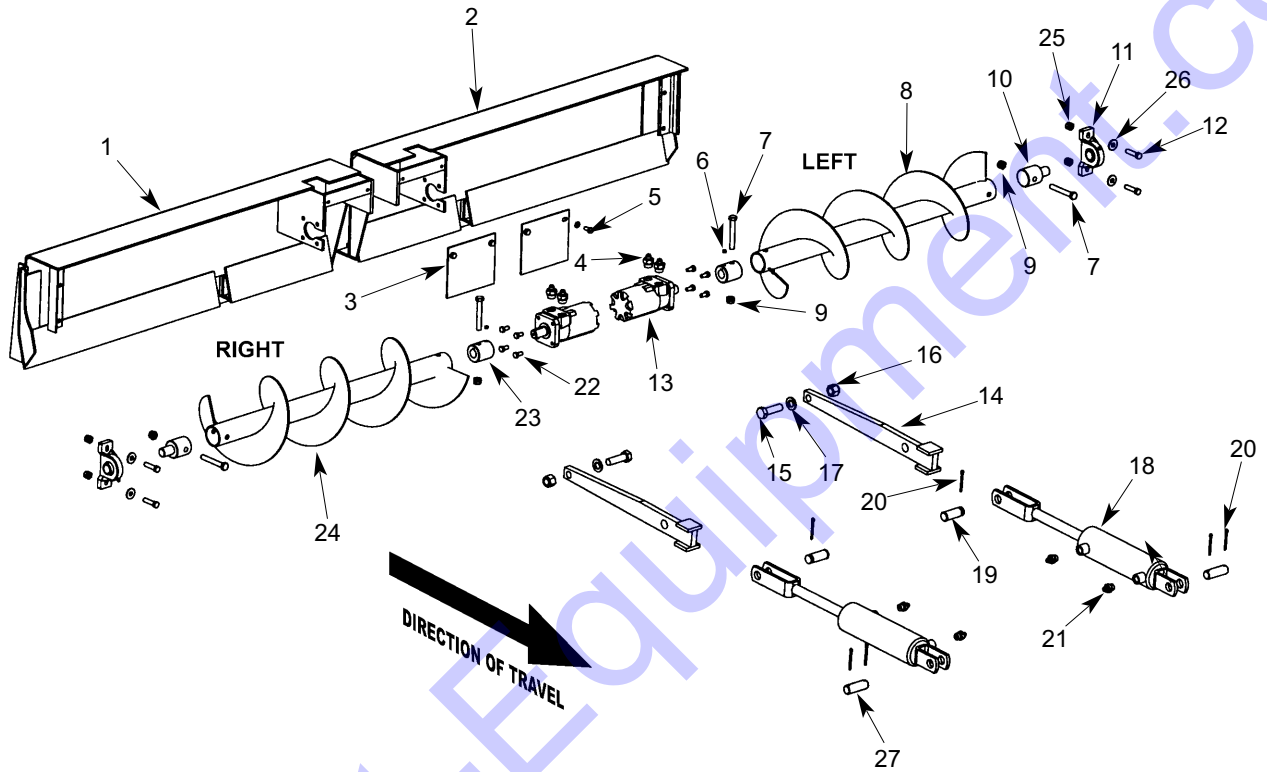
Chassis/Backwall Assembly
(1448 shown)



Chassis/Backwall Assembly

Ref. No.	Part No.	Description	Qty. Req.	Ref. No.	Part No.	Description	Qty. Req.
01	P470321	LINK-PUMP CONTROL.....	1	19	071858	COTTER PIN/HAIR.....	1
02	P221650	END/ROD BALL-J LH-THRD	1	20	P470246	PIN/DRIVE CONTROL STOP	1
	061826	HN 1/2 F2ZY LH.....	1	21	P470014	ALIGNMENT SLIDE	2
03	650502	CS 1/2x2-1/4 C5ZY	2	22	L277729	SCREW/THUMB 3/8x1 CZY	2
	L50070	NUT/FL .50-13 CLSA	2	23	P024000	BEARING 1" PILLOW BLOCK	4
	654046	FW 7/16 AWZY.....	2	24	650558	CS 7/16x1-1/4 C5	8
04	P221850	END, ROD 1/2 " MALE RH	1	25	654006	FW 3/8 AWZY	8
	653019	HN 1/2 F2ZY	1	26	P470606	BAR/PUSH ROLLER.....	2
05	P471024	ROD/ADJ PUMP SPEED CTRL ...	1	27	P470025	FLOOR PROP	2
06	080456	CS 1/4x1-1/2 C8ZY	1	28	L50385	BOLT/HHCS .75-10x3.0 Gr8	2
	L50113	NUT/FL .25-20 Z.....	1	29	L50157	WASHER/PLAIN .75	4
07		WELD/PUMP LINKAGE	1	30	079209	HLN INST 3/4 CZY	2
	P470836	1448 ONLY		31	P252600	GRIP 5/8 RUBBER	2
	P470279	1438 ONLY		32	P252400	GRIP 3/4 RUBBER	3
08	076002	ZERK,GREASE 1/4-28 90 Deg....	2	33	P470299	WLDMT/EXT DUAL CONTROL ...	1
09	L561003	SPRING/EXT 13GA X .73OD	1	34	P470294	WLDMT AUGER FLOOR CNTRL ..	1
10	P470320	WLDMNT/PUMP CONTROL ARM ..	1	35	P470289	WLDMT/DUAL DRIVE CNTRL	1
11	P252400	GRIP 3/4 RUBBER	1	36 ^a	P471288	MOUNT BRACKET	1
12	L50833	HC .375 X 2 C8 Z	1	37 ^a	P471247	BREATHER CAP.....	1
	L50065	NUT .375-24 FLEXLOCK Z	1	38 ^b	P470303	PRESSURE TANK.....	1
13	650533	CS 3/8x1-1/2 C5ZY	1	39 ^b	P471155	PRESSURE CAP	1
	070856	LN LG FL SERR 3/8 CZ.....	2	40	P470006	MOUNT PUSHM ROLLER BRG....	4
14	P143200	LEG/CNTRL 12" DUAL	3				
15	650584	FW #10 AZY	20	a		1438 S/N 4127 and up. 1448 S/N 7035 and up.	
16	072425	CL PIN 1/4 X 51/64 ZY	10				
17	650551	CP EPSC 3/32 x 3/4 Z	10	b		1438 thru S/N 4126. 1448 thru S/N 7034	
18	P137200	DUAL CONTROL LEG - 13"	2				

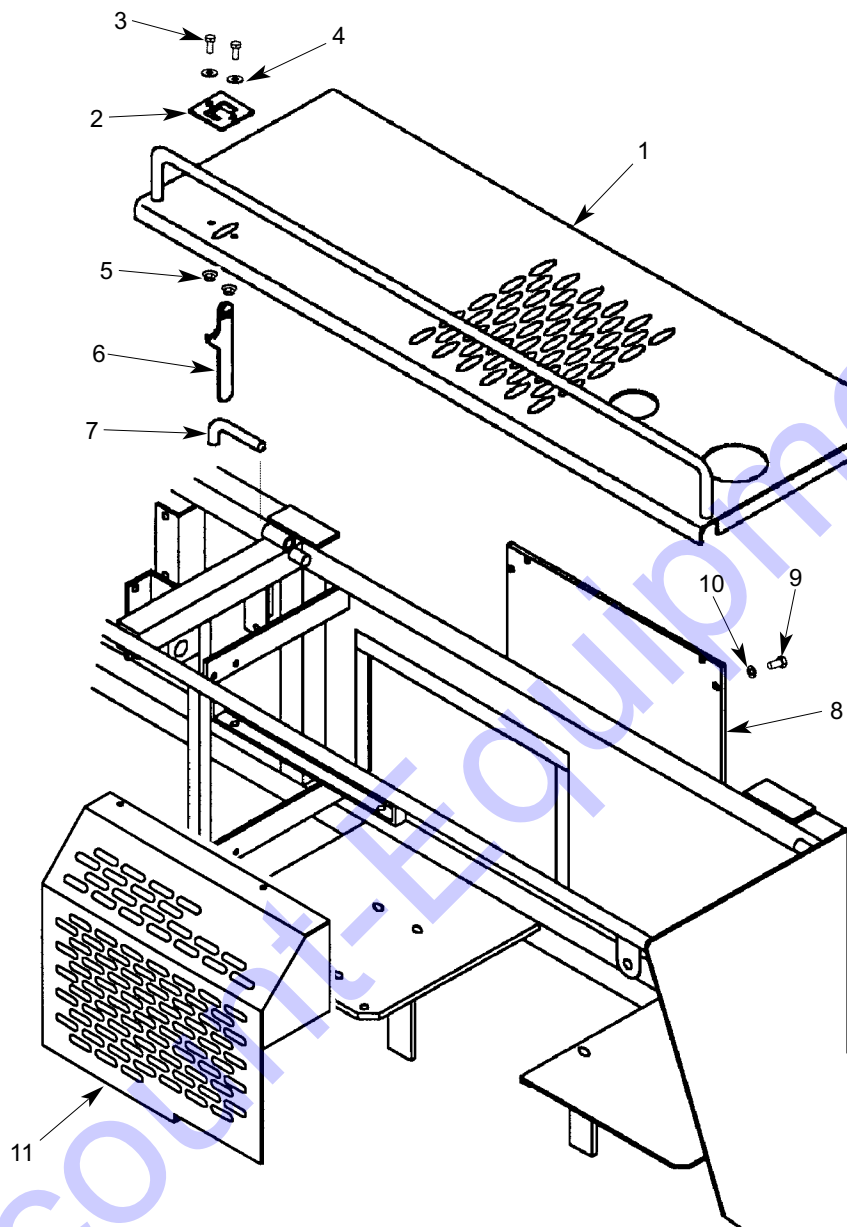
Flow Gate Assembly



Flow Gate Assembly

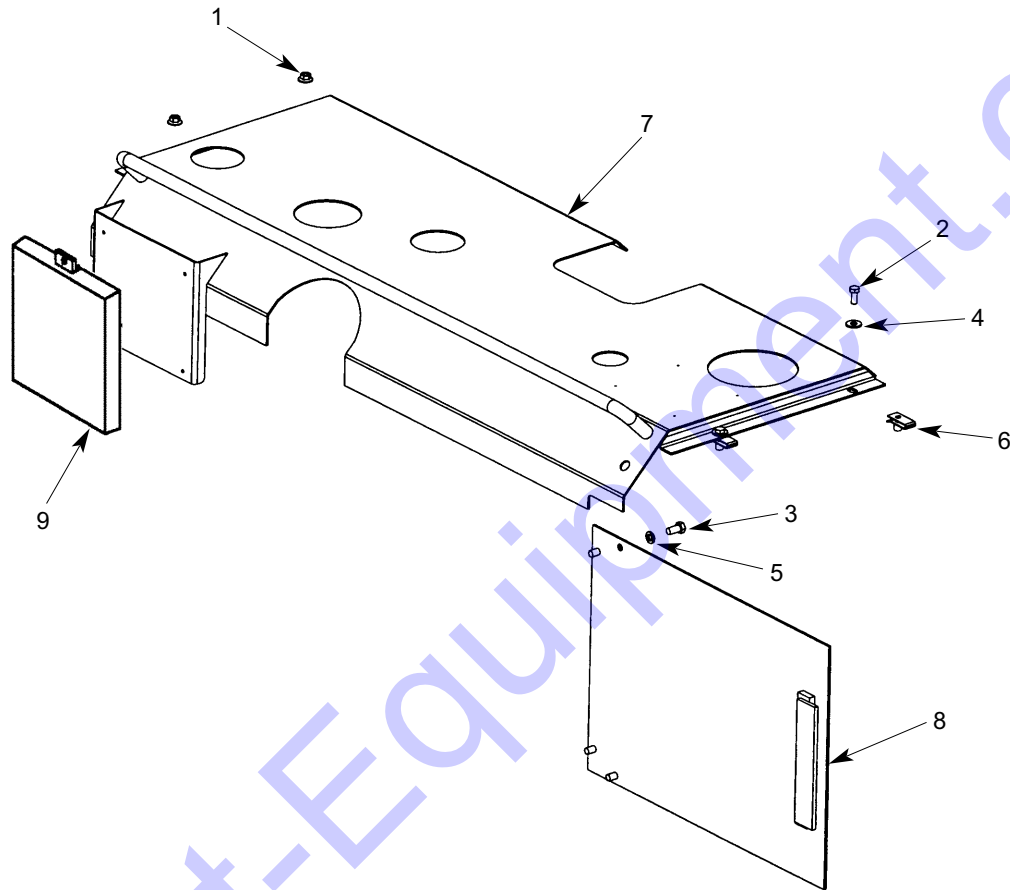
Ref. No.	Part No.	Description	Qty. Req.	Ref. No.	Part No.	Description	Qty. Req.
01	P470190	WLDMT/RH GATE. 1 1438 Thru S/N 14062 1448 Thru S/N 17005	1	15	L50894	BOLT/ .5-13x2.5 HX GR5 ZP 2 1438 Thru S/N 14062 1448 Thru S/N 17005	2
	P471045	1438 S/N 14063 and up. 1448 S/N 17006 and up.		15	650416	CS 3/4x2-1/2 C5ZY 2 1438 S/N 14063 and up. 1448 S/N 17006 and up.	2
02	P470164	WLDMT/LH GATE 1 1438 Thru S/N 14062 1448 Thru S/N 17005	1	16	L520019	NUT/ .5-13 NIN 2 1438 Thru S/N 14062 1448 Thru S/N 17005	2
	P471044	1438 S/N 14063 and up. 1448 S/N 17006 and up.		16	079209	HLN INST 3/4 CZY 2 1438 S/N 14063 and up. 1448 S/N 17006 and up.	2
03	P136200	AUGER MOTOR COVER 2	2	17	L50151	WASHER/ .5" FLAT PLTD 2 1438 Thru S/N 14062 1448 Thru S/N 17005	2
04	L60253	ADP-10ORM -6JICM 4	4	17	L50157	WASHER/PLAIN .75 2 1438 S/N 14063 and up. 1448 S/N 17006 and up.	2
05	650488	CS 3/8x3/4 C5ZY 4	4	18	P470204	CYLINDER 2	2
	654026	LW 3/8 RZY 4	4	19	P471297	PIN/CYLINDER CLEVIS END 2	2
06	L50426	SS ALAN .38-16 X .25 2	2	20	655024	CP EPSC 3/16 x 2 Z 6	6
07	650650	CS 1/2x3-1/2 C5ZY 4	4	21	L277484	ADP-8ORM -6JICM STR 4	4
08	P470335	AUGER 1 All 1438's 1448 Thru S/N 17703	1	22	650488	CS 3/8x3/4 C5ZY 8	8
	P473327	1448 S/N 17704 and up.		23	P311600	AUGER HUB FEMALE 2	2
09	L50070	NUT/FL .50-13 CLSA 4	4	24	P470337	AUGER 1 All 1438's 1448 Thru S/N 17703	1
10	P311800	AUGER HUB / MALE 2	2		P473328	1448 S/N 17704 and up.	
11	P471466	BEARING/1" PILLOW BLOCK 2	2	25	L50071	NUT/FLEX LOCK .434-14 4	4
12	L50746	BOLT/HHCS .44-14x1.75 G8 Z 4	4	26	654046	FW 7/16 AWZY 4	4
13	P480071	MOTOR/AUGER 2	2	27	P471206	PIN 2	2
14	P014950	GATE EXT. ARM 2 1438 Thru S/N 14062 1448 Thru S/N 17005	2				
	P471052	1438 S/N 14063 and up. 1448 S/N 17006 and up.					

Covers Assembly (1438)



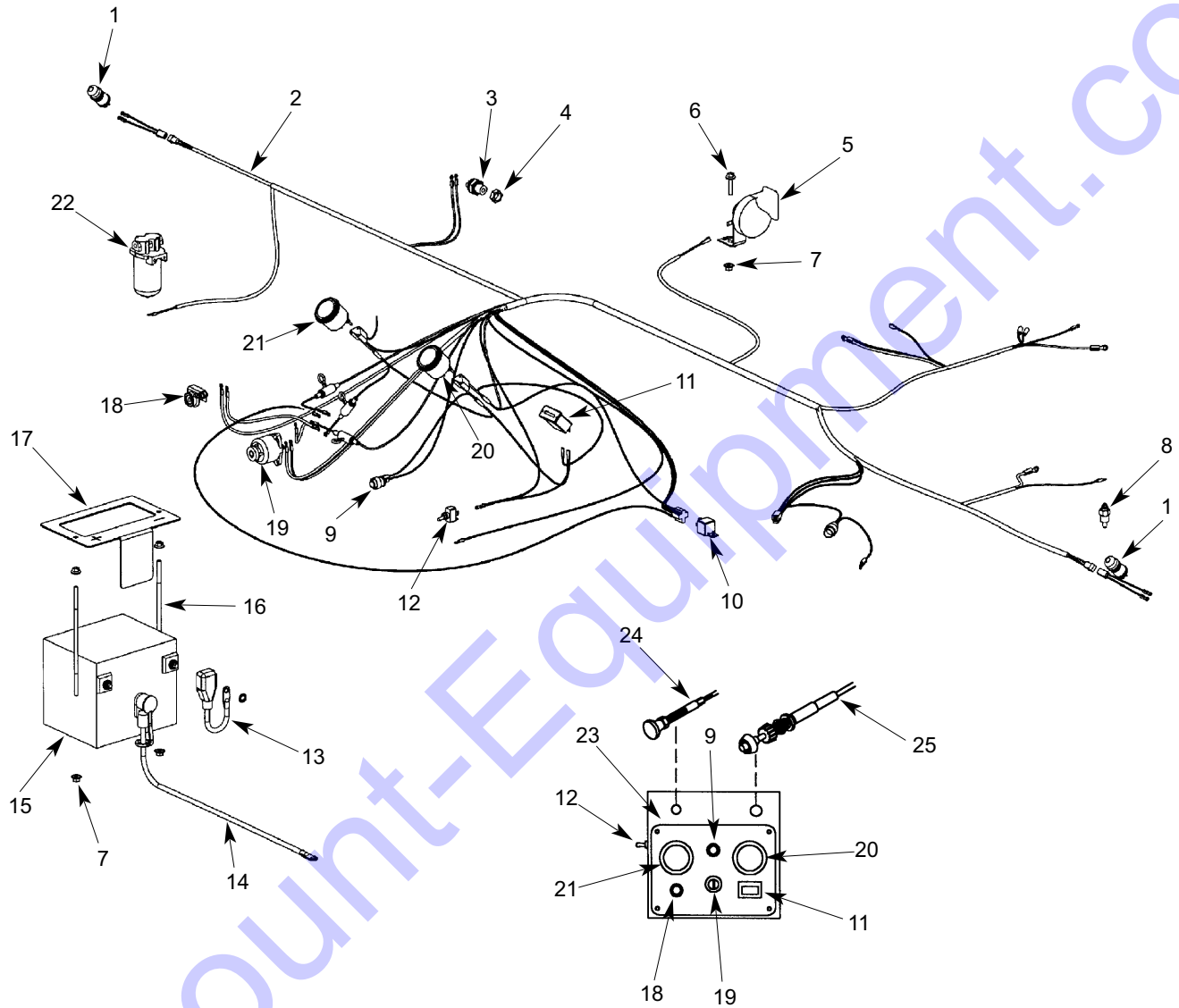
Ref. No.	Part No.	Description	Qty. Req.	Ref. No.	Part No.	Description	Qty. Req.
01	P470253	ENGINE COVER 1438	1	07	P470340	PIN ENGINE COVER RETAINER	1
	L50294	BOLT/HEX 1/2-13 X 3-1/2	2	08	P471544	PANEL/BACKWALL ACCESS	1
	L50072	NUT/5-13 HEX GR5 ZP	2	09	650488	CS 3/8x3/4 C5ZY	4
02	P471138	PLATE/HOOD LATCH	1	10	654026	LW 3/8 RZY	4
03	L50211	BOLT/.25-20x.75GR5 HX	2	11	P471358	SHIELD/ENGINE	1
04	L50137	WASHER/.25" PLAIN	2		L50823	BOLT/.31-18x1 GR5 HX	4
05	L520003	NUT/.25-20 NYLON	2		L50056	NUT/.31-18 UNC WHIZ LOC	4
06	P471136	HOOD LATCH	1				

**Covers Assembly
(1448)**



Ref. No.	Part No.	Description	Qty. Req.	Ref. No.	Part No.	Description	Qty. Req.
01	070648	LN LG FL SERR 5/16 CZ	2	06	L530004	Fastener Retained Nut	2
02	650486	CS 5/16x3/4 C5ZY	2	07	P470817	Engine Cover	1
03	650488	CS 3/8x3/4 C5ZY	4	08	P471547	Access Panel	1
04	654004	FW 5/16 AWZY	2	09	L62459	HOLDER/MANUAL PLASTIC	1
05	654026	LW 3/8 RZY	4		L50208	SCREW/HX HD.25 X .50 CTNG	4

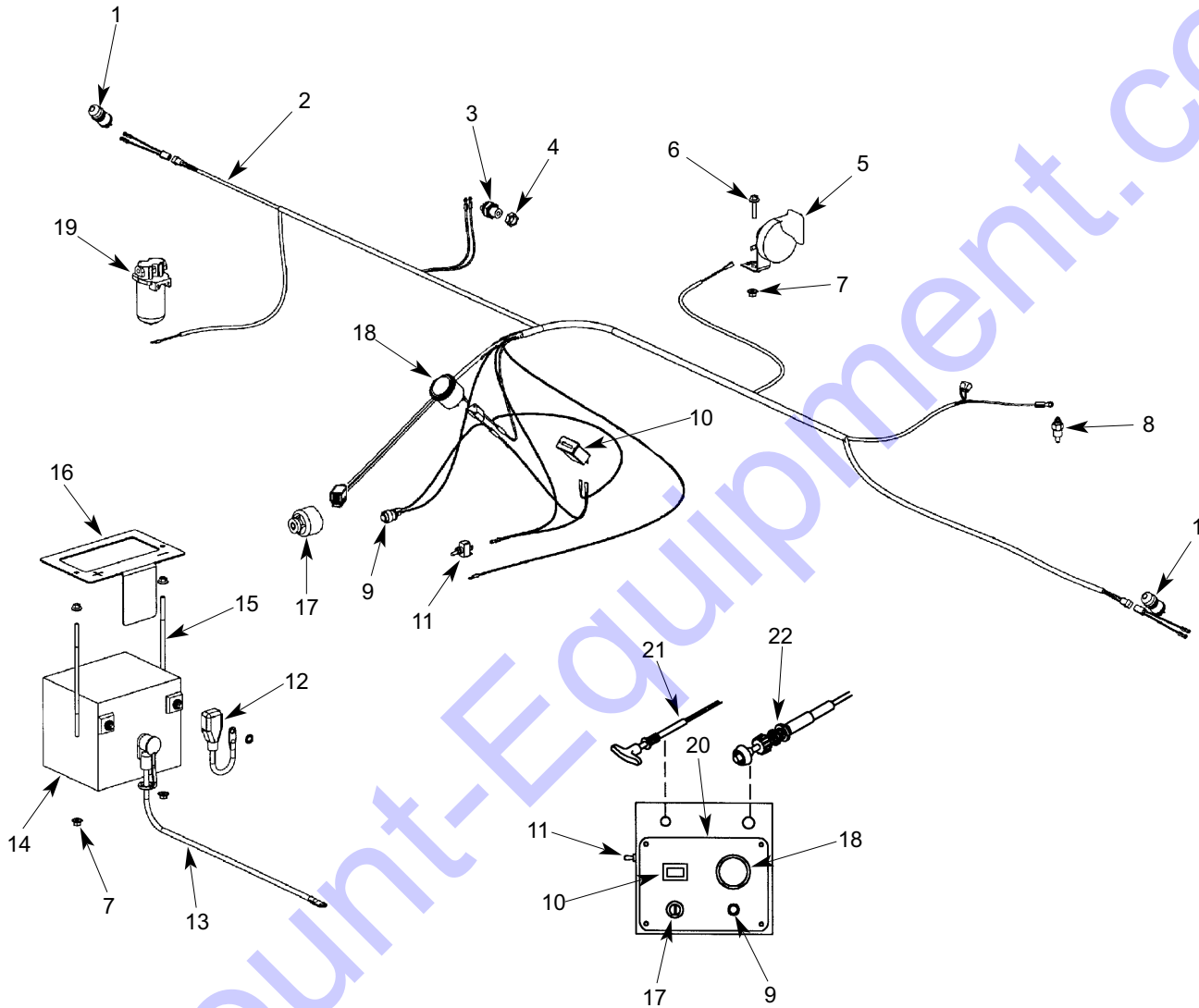
**Electrical and Instrument Panel Assembly
(1448)**



**Electrical and Instrument Panel Assembly
(1448)**

Ref. No.	Part No.	Description	Qty. Req.	Ref. No.	Part No.	Description	Qty. Req.
01	L41848	PUSHBUTTON SWITCH.....	2	17	P470343	COVER/BATTERY SUPPORT	1
02		WIRE HARNESS.....	1	18	P700511	INDICATOR/GLOW PLUG	1
	P470935	<i>Thru S/N 17021.</i>		19	P700297	SWITCH/ISUZU.....	1
	P471188	<i>S/N 17022 and up.</i>			P700298	KEY ONLY	1
03	L62277	SWITCH/NEUTRAL START	1	20	P470536	GAUGE/VOTMETER.....	1
04	L50172	NUT/3/4-16	1	21	L66437	GAUGE/WATER TEMP	1
05	L41847	HORN	1	22	P375000	PUMP	1
06	650486	CS 5/16x3/4 C5ZY.....	1	23	P470840	PANEL GAUGE.....	1
07	070648	LN LG FL SERR 5/16 CZ	5		L50491	BOLT/RD HEAD #8-32 Zx .63	4
08	P470880	SENDER/WATER TEMP.....	1	24	P471818	DIVERTER/CABLE CONTROL	1
09	L66427	ENGINE OIL PRESSURE LAMP ..	1		P471411	CLAMP/THROTTLE CABLE	1
10	L63335	SPDT RELAY.....	1		650548	RHMS SLT #10-24x1/2 CZY	1
11	072340	GAUGE/HOURMETER	1		650550	HN MS #1024 CZY.....	1
12	L48182	SWITCH/ON-OFF TOGGLE.....	1	25	P471410	CABLE/THROTTLE CONTROL ...	1
13	101042	CABLE/NEG. BLACK.....	1		p471413	SWIVEL, WIRE STOP	1
14	101041	CABLE/POS. RED.....	1		P471411	CLAMP/THROTTLE CABLE	1
15	NSS	BATTERY	1		650548	RHMS SLT #10-24x1/2 CZY	1
16	P470348	ROD/BATTERY HOLDDOWN.....	2		650550	HN MS #1024 CZY.....	1

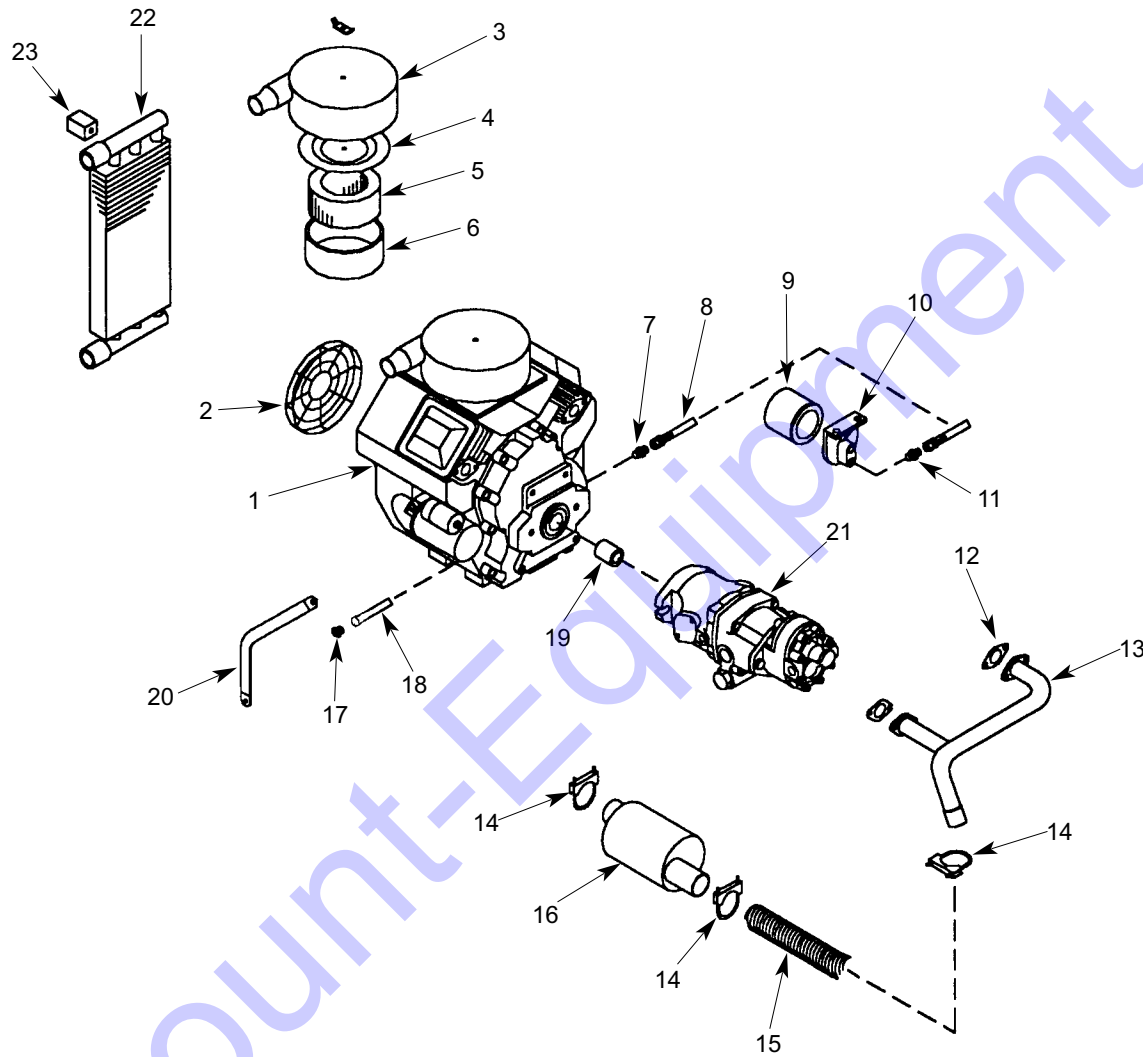
**Electrical and Instrument Panel Assembly
(1438)**



**Electrical and Instrument Panel Assembly
(1438)**

Ref. No.	Part No.	Description	Qty. Req.	Ref. No.	Part No.	Description	Qty. Req.
01	L41848	PUSHBUTTON SWITCH.....	2	16	P470343	COVER/BATTERY SUPPORT.....	1
02	P470532	WIRE HARNESS.....	1	17	P700006	SWITCH/KOHLER.....	1
03	L62277	SWITCH/NEUTRAL START.....	1		P275450	KEY ONLY.....	1
04	L50172	NUT/3/4-16.....	1	18	P470536	GAUGE/VOTMETER.....	1
05	L41847	HORN.....	1	19	P375000	PUMP.....	1
06	650486	CS 5/16x3/4 C5ZY.....	1	20		PANEL GAUGE.....	1
07	070648	LN LG FL SERR 5/16 CZ.....	5		P470312	<i>Thru S/N 14060.</i>	
08	P700300	OIL PRESSURE SENDER.....	1		P471023	<i>S/N 14061 and up.</i>	
09	P700301	ENGINE OIL PRESSURE LAMP ..	1		L50491	BOLT/RD HEAD #8-32 Zx .63	4
10	072340	GAUGE/HOURMETER.....	1	21	P470860	CHOKE CABLE.....	1
11	L48182	SWITCH/ON-OFF TOGGLE.....	1	22	P471410	CABLE/THROTTLE CONTROL ...	1
12	P470401	CABLE/NEG. BLACK.....	1		P471411	CLAMP/THROTTLE CABLE	1
13	P470402	CABLE/POS. RED.....	1		650548	RHMS SLT #10-24x1/2 CZY	1
14	NSS	BATTERY.....	1		650550	HN MS #1024 CZY.....	1
15	P470348	ROD/BATTERY HOLDDOWN.....	2				

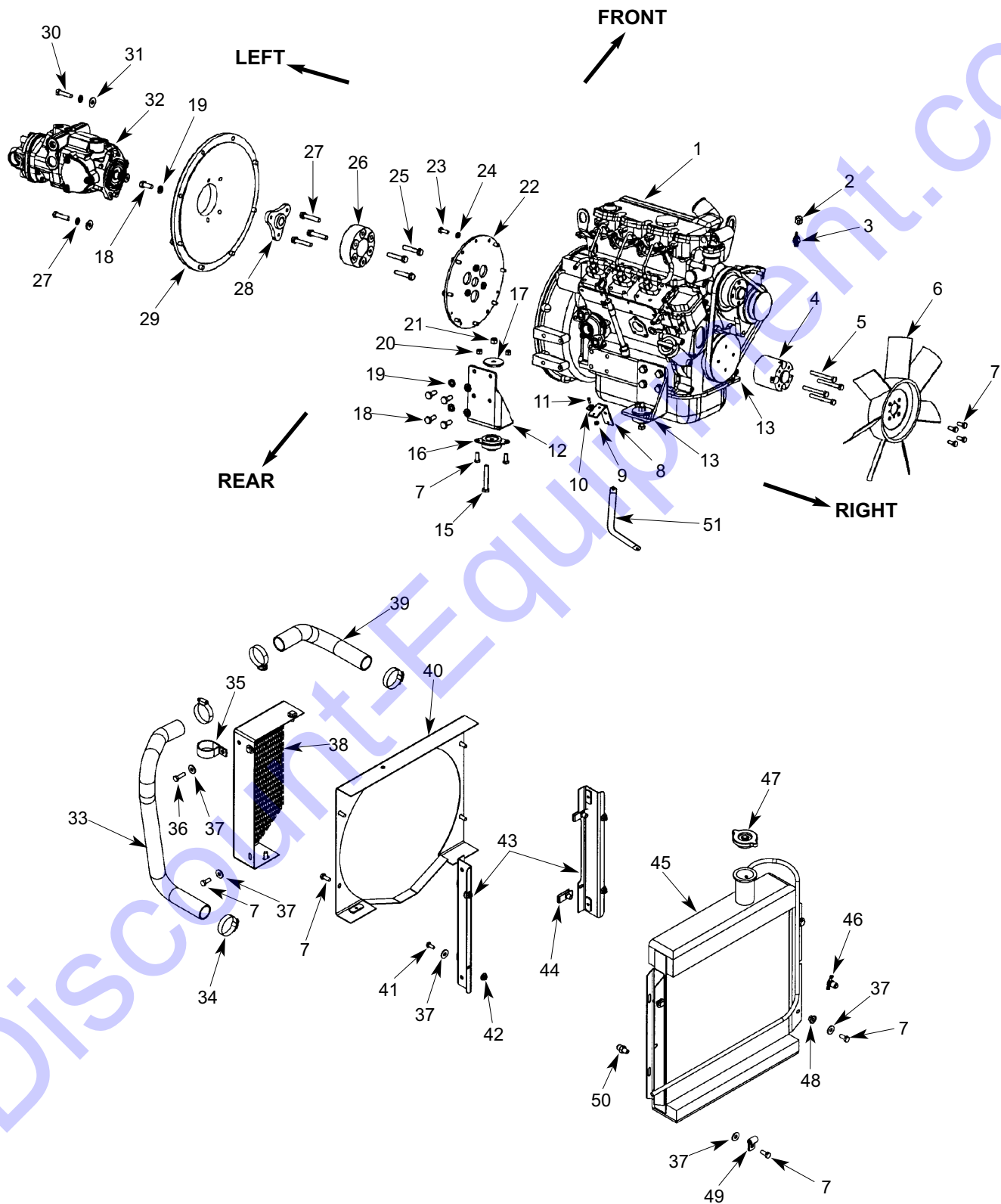
1438 Engine Assembly



1438 Engine Assembly

Ref. No.	Part No.	Description	Qty. Req.	Ref. No.	Part No.	Description	Qty. Req.
01	P471382	ENGINE- 25 HP GAS	1	15	P700468	ASY/EXHAUST PIPE	1
	L50837	BOLT/.38-16x2 GR5 HX ZP	4	16	P471341	MUFFLER	1
	L50061	NUT/.38-16 UNC LOCK WHIZ	4	17	L72061	ELBOW/3/8NPT X 90 DEG	1
	L50145	WASHER/.38 FLAT PLTD	4	18	L72054	NIPPLE/3/8x3	1
02	P700498	FAN GRILLE	1	19	P700523	KIT/SPLINED INSERT	1
03	P700368	COVER/AIR CLEANER	1	20	L630004	STRAP GRND 4 GA X 14"	1
04	P700369	PLATE/HOLDDOWN	1	21		HYDRAULIC PUMP	1
	P700370	WING NUT	1		P470403	See Note b.	
05	P700489	FILTER/AIR	1		P473045	See Note c.	
06	P700490	FILTER/AIR PRECLEANER	1		P473070	See Note d.	
07	P227750	ADP -8MP-6JICM STR	1	22	P061400	OIL COOLER	1
		S/N 14131, 141333 and up.		23	P471771	RUBBER MOUNT	4
08	P471344	HOSE ASY	1				
		S/N 14131, 141333 and up.		a		Replaces engine mounted muffler on S/N 14049 .. thru 14130. Order Kit P471387 for these units.	
09	P700002	OIL FILTER	1				
		S/N 14131, 141333 and up.		b		Replaced by P473070. Requires (2) -16 ORM -12 JICM 90 deg. Adapters, P/N L61092. Thru S/N 4285.	
10	P700498	FILTER ADAPTER	1				
		S/N 14131, 141333 and up.		c		Replaced by P473070. S/N 4286 thru 4331.	
11	P441001	ADP. 1/4NPTM-6JICM STR	1				
		S/N 14131, 141333 and up.		d		S/N 4332 and up.	
12	P700364	GASKET/EXH MANIFOLD	2				
13 ^a	P470332	EXHAUST/MANIFOLD	1				
14	P055200	CLAMP, 1 5/8 MUFFLER	3				

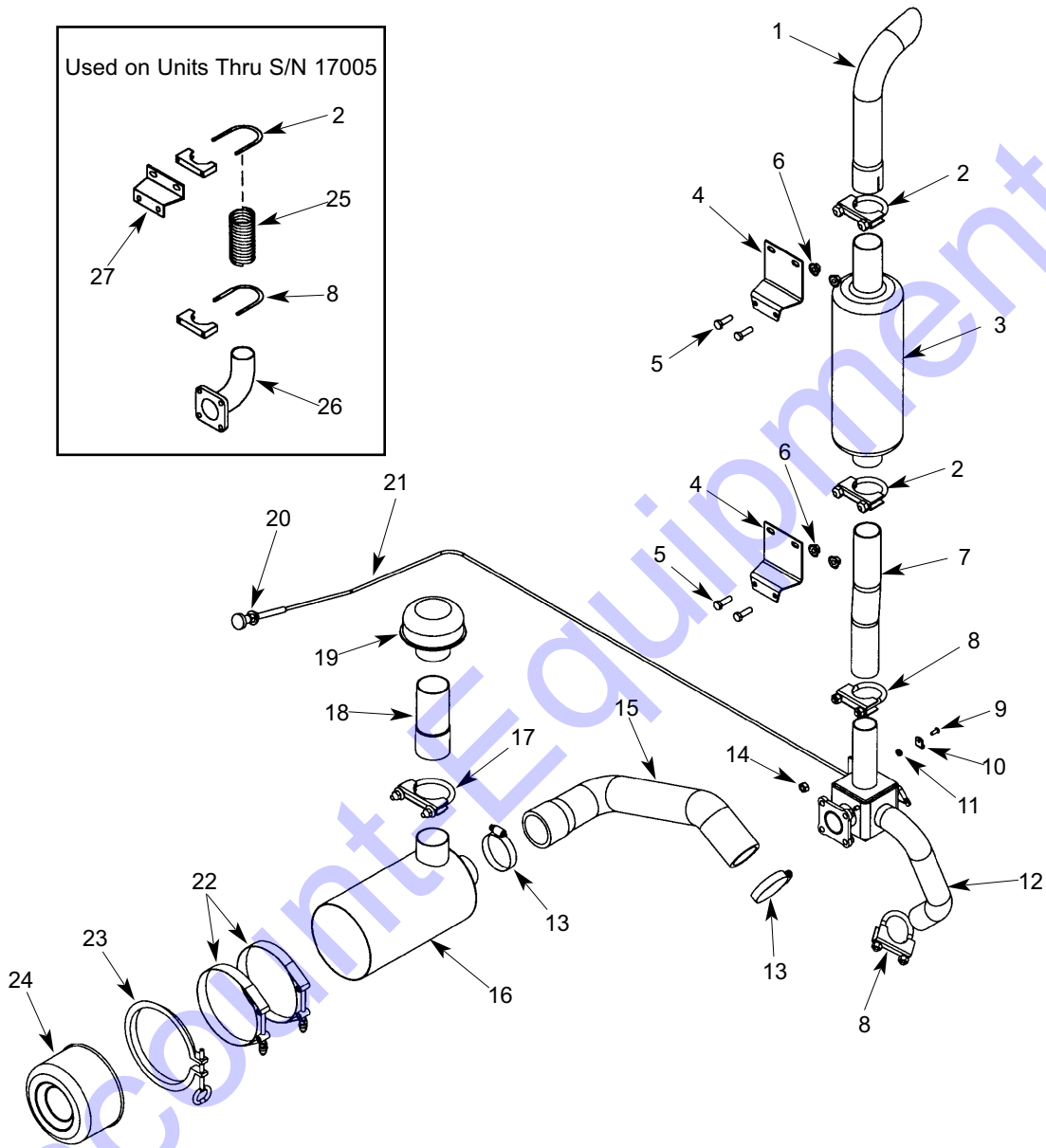
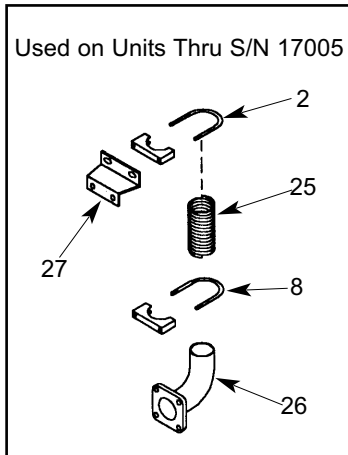
1448 Engine Assembly Part 1



**1448 Engine Assembly
Part 1**

Ref. No.	Part No.	Description	Qty. Req.	Ref. No.	Part No.	Description	Qty. Req.
01	P470722	ENGINE/ISUZU	1	32		HYDRAULIC PUMP	1
	P700626	BELT/FAN	1		P470403	See Note a.	
	P700113	FILTER/ENGINE OIL	1		P473045	See Note b.	
02	P470861	ADP 1/8 MP 1/8 FP	1		P473070	See Note c.	
03	P470957	VALVE/RADIATOR VENT	1		P473286	See Note d.	
04	P470832	SPACER/FAN	1	33	P470831	HOSE/RAD	1
05	656005	CS M8-1-25x70 C8.8	4	34	061946	#24 SAE HOSE CLAMP	4
06		BLADE/FAN ISUZU 380mm	1	35	P470989	CLAMP/VINYL 1-11/16	1
	P700332	Thru S/N 17034		36	650487	CS 5/16x1 C5ZY	1
	P700487	S/N 17035 and up.		37	654004	FW 5/16 AWZY	14
07	650486	CS 5/16x3/4 C5ZY	21	38	P471329	FAN GUARD	1
08	P470871	BRACKET/CABLE CLAMP	1	39	P470830	HOSE/RAD	1
09	650550	HN MS #1024 CZY	1	40	P471330	FAN SHROUD	1
10	P471411	CLAMP/THROTTLE CABLE	1	41	650663	CS 1/4x5/8 C5ZY	4
11	650548	RHMS SLT #1024x1/2 CZY	1	42	070634	LN LG FL SERR 1/4 CZ	4
12	101046	MOUNT/LT FRONT ENGINE	1	43	P470920	REAR SHROUD MNT	2
13	101047	MOUNT/RT ENGINE	2	44	L530004	FASTENER RETAINED NUT	4
14	101048	MOUNT/LT REAR ENGINE	1	45	P473043	RADIATOR	1
15	650492	CS 3/8x2-1/2 C5 ZY	4	46	067685	DRAIN / COCK	1
16	114413	ENGINE MOUNT	4	47	067684	RAD/PRESS CAP	1
17	122892	FW 13/32 ZY	4	48	070648	LN LG FL SERR 5/16 CZ	4
18	656007	CS M10-1.50x25 C8.8 ZO	22	49	L47212	CLAMP/VINYL COATED 3/8	1
19	654028	LW 7/16 RZY	22	50	L51827	ADAPTER PIPE-37 FLARE	2
20	064260	HLN INST 5/16 CZY	8	51	L630004	STRAP GRND 4 GA X 14"	1
21	067847	HLN INST 3/8 CZY	4				
22	074205	DISC/FLYWHEEL DRIVE ASY	1				
23	656001	CS M8-1.25x20 C8.8 ZO	8	a	Replaced by P473070. Requires (2) -16 ORM -12 JICM 90 deg. Adapters, P/N L61092. Thru S/N 7182.		
24	654024	LW 5/16 RZY	8				
25	650528	CS 3/8x2 C5ZY	3				
26	072193	COUPLING/DRIVE	1	b	Replaced by P473070. S/N 7183 thru 7410.		
27	654026	LW 3/8 RZY	5				
28	072415	FLANGE/COUPLER ASY	1	c	S/N 7411 thru 7486.		
29	077088	PLATE/PUMP ADP	1				
30	650533	CS 3/8x1-1/2 C5ZY	2	d	S/N 7487 and up.		
31	654006	FW 3/8 AWZY	2				

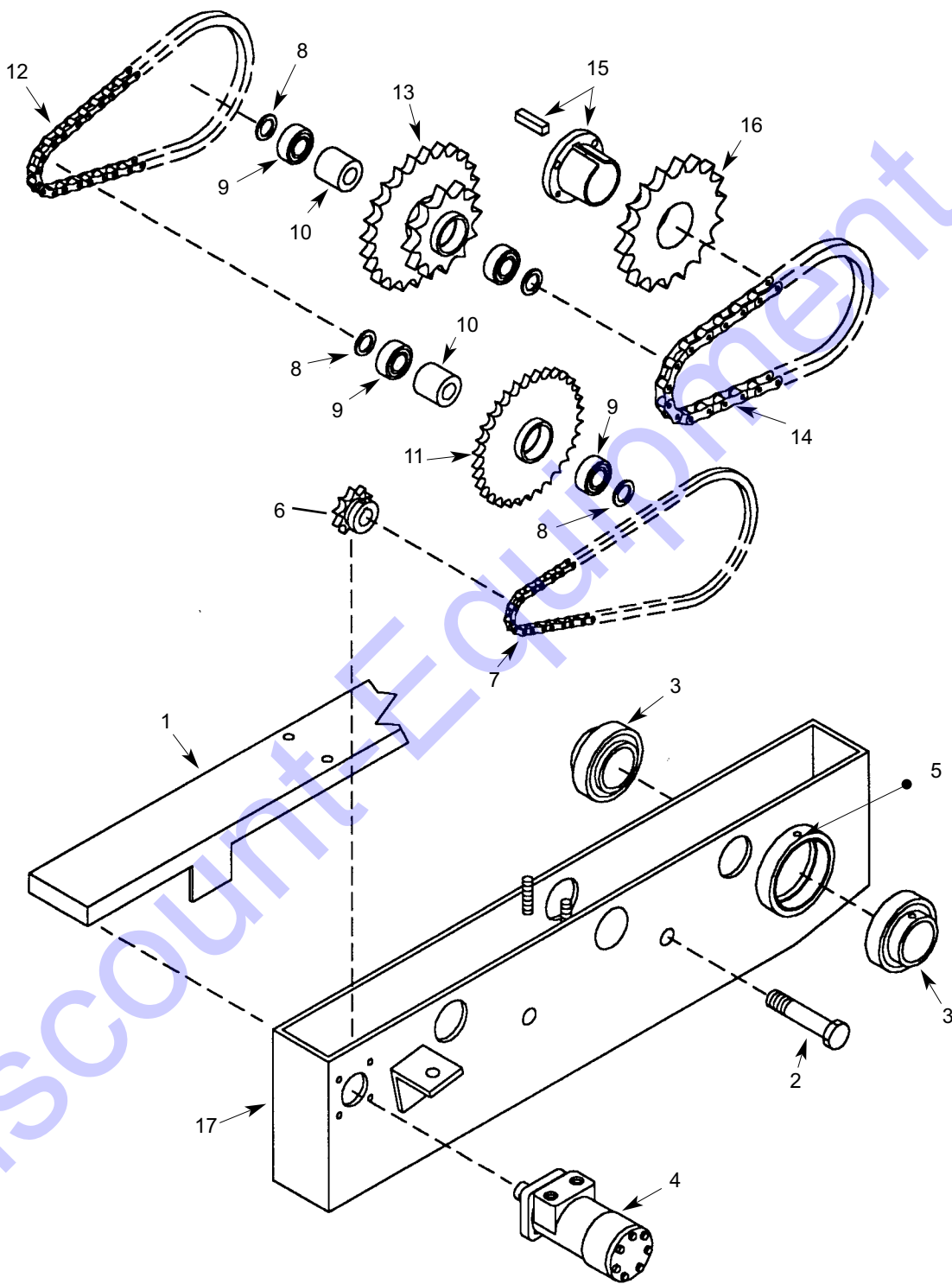
1448 Engine Assembly Part 2



**1448 Engine Assembly
Part 2**

Ref. No.	Part No.	Description	Qty. Req.	Ref. No.	Part No.	Description	Qty. Req.
01	P470848	PIPE/EXHAUST EXT.	1	17	L4500	CLAMP/MUFFLER 2" 3/8 DIA.	1
02	L50962	1.75 MUFFLER CLAMP	2	18	P470936	EXT/AIR INLET	1
03	072401	MUFFLER/EXHAUST	1	19	P470975	CAP/RAIN AIR CLEANER.	1
04	P471059	STANDOFF/MUFFLER CLAMP ...	2	20	654004	FW 5/16 AWZY	1
05	650487	CS 5/16x1 C5ZY	4	21	P471818	DIVERTER/CABLE CONTROL	1
06	070648	LN LG FL SERR 5/16 CZ	4		P471411	CLAMP	1
07	P471058	EXHAUST/FLEX	1		650548	RHMS SLT #1024x1/2 CZY	1
08	P055200	CLAMP, 1 5/8 MUFFLER	2		650550	HN MS #1024 CZY.	1
09	650548	RHMS SLT #1024x1/2 CZY.	1	22	121275	T-BOLT CLAMP.	2
10	P471411	CLAMP/THROTTLE CABLE	1	23	115034	CLAMP/ASSEMBLY	1
11	650550	HN MS #1024 CZY	1	24	096233	CUP/ASSEMBLY.	1
12	P471514	WLDMNT/MUFFLER VALVE.	1		096234	BAFFLE/ASSEMBLY	1
	P471819	EXHAUST ASSEMBLY.	1	25	P470938	EXHAUST/FLEX	1
	P700650	GASKET.	1	26	P470820	WELD/EXHAUST PIPE.	1
13	L76020	CLAMP/HOSE SAE #32	2		P700650	GASKET.	1
14	656048	NUT/HEX M8 1.25.	4	27	P470937	STANDOFF/MUFFLER CLAMP ...	1
15	P471867	HOSE/AIR CLEANER INLET	1				
16	096231	AIR CLEANER.	1				
	055017	ELEMENT ONLY	1				
	078936	NUT/ASSEMBLY	1				

Track Drive Gearbox Group
(1438 Thru S/N 14196, 1448 Thru S/N 17074)

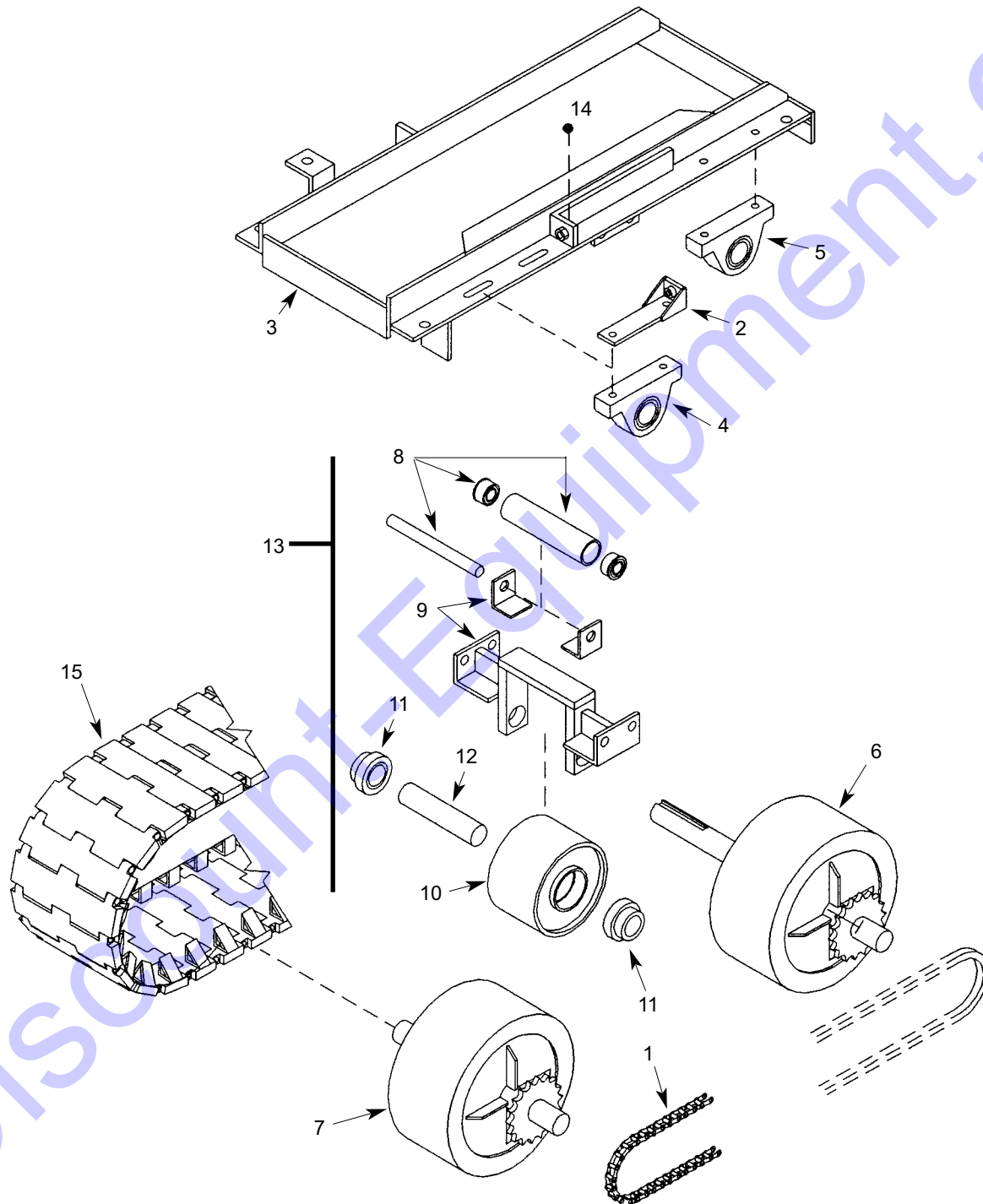


784-59/38cha14.tif

**Track Drive Gearbox Group
(1438 Thru S/N 14196, 1448 Thru S/N 17074)**

Ref. No.	Part No.	Description	Qty. Req.	Ref. No.	Part No.	Description	Qty. Req.
01	P470216	LH.GEARBOX COVER	1	09	P026800	BEARING.....	4
	P470475	RH.GEARBOX COVER.....	1	10	P314000	INNER SPACER	2
	L520005	3/8-16 NIN	2	11	P402800	FRONT SPROCKET	1
	L50145	3/8 WASHER PLATED.....	2			(60/32 & 80/12)	
02	P312100	SHAFT BOLT.....	2	12	P053205	TYPE 80 CHAIN, 40 PITCHES....	1
	L50105	SHAFT JAM NUT.....	2		P052800	MASTER LINK.....	1
03	P025600	BEARING.....	2	13	P403400	MIDDLE SPROCKET	1
04	<i>Note a</i>	DRIVE MOTOR.....	1			(80/25 & 100/12)	
	P480071	1438 Thru S/N 4130.		14	P052025	TYPE 100 CHAIN, 30 PITCHES... 1	
		1448 Thru S/N 7037 except 7035.			P053600	MASTER LINK.....	1
	P471363	1438 S/N 4131 and up.		15	P048400	SPLIT TAPER BEARING.....	1
		1448 S/N 7038 and up incl 7035.			P275425	STEP KEY	1
	L50251	CS 3/8-16X3/4	4	16	P402600	REAR DRIVE SPROCKET	1
05	P392200	SETSCREW	2	17	P470223	LH. GEARBOX HOUSING	1
06	P405200	MOTOR HUB SPROCKET	1		P470224	RH. GEARBOX HOUSING	1
07	P052700	TYPE 60 CHAIN	1				
	P052200	MASTER LINK	1	a	<i>Refer to Hyd. Comp. Pages For Breakdown.</i>		
08	L50168	OUTER SPACER.....	4				

Track Drive Assembly (1438 Thru S/N 14196, 1448 Thru S/N 17074)

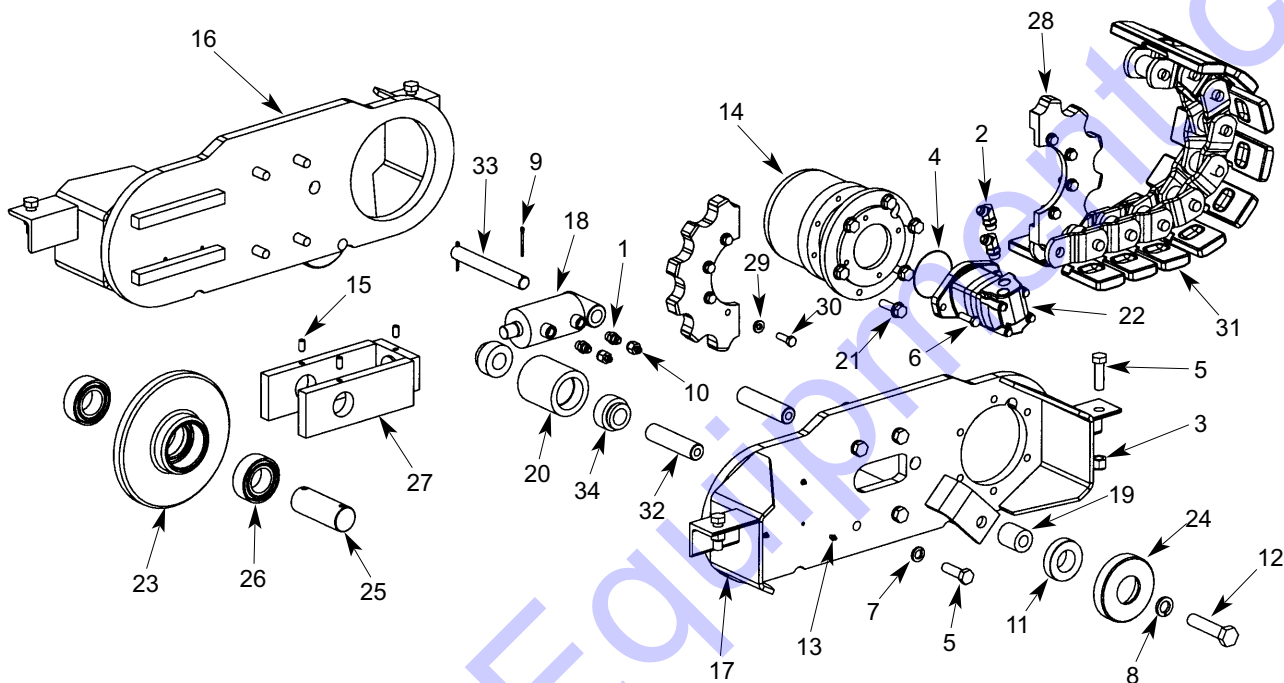


785-59/38cha8.tif

Track Drive Assembly
(1438 Thru S/N 14196, 1448 Thru S/N 17074)

Ref. No.	Part No.	Description	Qty. Req.	Ref. No.	Part No.	Description	Qty. Req.
-	P019400	COMPL.LH TRACK ASY. 1 (Incl.Gearbox)	1	07	P014600	FRONT WHEEL WELDMENT 1	1
-	P019410	COMPL.RH TRACK ASY. 1 (Incl.Gearbcx)	1	08	P019200	CENTER TOP IDLER ASY..... 1	1
01	P053250	TYPE 80 CHAIN, 67 PITCHES 1	1	09	NSS	IDLER MOUNT BRACE 1	1
	P052800	MASTER LINK, #80 1	1	10	NSS	LOWER WHEEL WELDMENT 1 <i>(included with item 13)</i>	1
	P053000	OFFSET LINK, #80 1	1	11	P024500	BEARING. 2	2
02 ^a	P470214	TRACK TAKE-UP SLIDE..... 2	2	12	NSS	LOWER SHAFT. 1 <i>(included with item 13)</i>	1
	P700302	TRACK SLIDE ADJ. REPL. KIT ... 2	2	13	P015800	CENTER IDLER WELD.ASY..... 1	1
02 ^b	P471085	TRACK TAKE-UP SLIDE..... 2	2	14 ^a	P034400	CS 1/2-13X4-1/2 2	2
03 ^a	P470213	LH. TRACK FRAME WELD. 1	1	14 ^b	L50397	CS.75-10x5 FULL THRD..... 2	2
	P470212	RH. TRACK FRAME WELD..... 1	1	15	P020400	TRACK PADS WELD. 1	1
03 ^b	P471082	LH. TRACK FRAME WELD. 1	1		P700371	REPL. PAD,2" WIDE 1	1
	P471083	RH. TRACK FRAME WELD..... 1	1		P700372	REPL. PAD,2-1/4" WIDE..... 1	1
	L50956	CSGR8 3/4-10X2-1/2 4	4		P700373	REPL. PAD,2-1/2" WIDE..... 25	25
	L50519	NUT/.75-10 NIN..... 4	4		P700374	MASTER LINK, 2-1/2" WIDE..... 1	1
04	P024600	PILLOW BLOCK BRG. 1-15/16 ... 2	2		P700375	CONNECT.LINK, 2-1/2" WIDE 1	1
	L510023	CS 5/8-18X2-3/4..... 4	4		P189000	TRACK PIN 28	28
	L520007	.62-11 NUT NYLON INSERT 4	4		P470073	MASTER LINK PIN 1	1
	L50174	WASHER/5/8"IDx1"OD X 14 4	4				
05	P025800	PILLOW BLOCK BRG. 2-7/16) ... 2	2	a	<i>Used on 1438 Units Thru SIN 14065.</i>		
	L510023	CS 5/8-18X2-3/4..... 4	4	b	<i>Used on 1448 Units Thru S/N 17008.</i>		
	L520007	.62-11 NUT NYLON INSERT 4	4		<i>Used on 1438 Units S/N 14066 Thru 14196.</i>		
	L50174	WASHER/5/8"IDx1"OD X 14 4	4		<i>Used on 1448 Units S/N 17009 Thru 17074</i>		
06	P018000	REAR WHEEL WELDMENT 1	1				

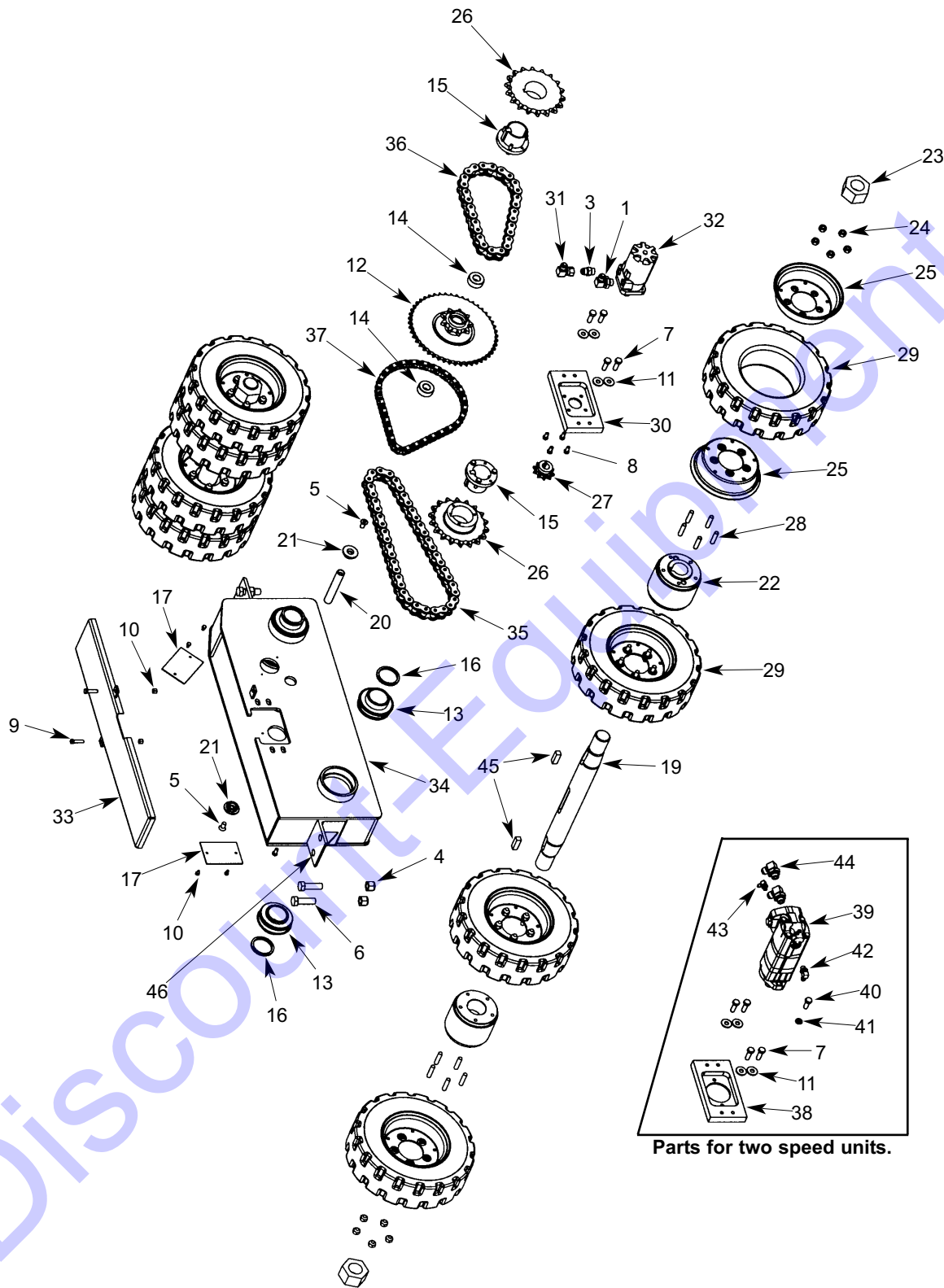
Positive Track Drive Assembly
(1438 S/N 14197 and up, 1448 S/N 17075 and up)



Positive Track Drive Assembly
(1438 S/N 14197 and up, 1448 S/N 17075 and up)

Ref. No.	Part No.	Description	Qty. Req.	Ref. No.	Part No.	Description	Qty. Req.
All quantities are per assembly. Left track assembly shown.				21	P407000	Stud/Wheel 5/8x2-5/8	6
	430132	COMP. LT TRACK ASY	1		P356800	Nut/5/8" Lug	6
	430133	COMP. RT. TRACK ASY	1			1438 Thru S/N14228.	
01	054626	ADP-80RM-8JICM STR.	2	21	P471406	BOLT/FLANGE .625-11x 2	6
02	062397	ELBOW/45 DEG MALE.	2			1438 S/N 14229 and up.	
03	079209	HLN INST 3/4 CZY	4			1448 S/N 17105 and up.	
04	101438	O-RING/2-045	1	22	P471429	MOTOR/LSHT	1
05	650416	CS 3/4x2-1/2 C5ZY	12	23	P471448	MACHINED SPROCKET, IDLER ..	1
06	650434	CS 1/2x1-3/4 C5	2	24	P471479	ROLLER/OUTRIGGER	2
07	654034	LW 3/4 RZY	8	25	P471501	AXLE/FRONT MACHINED	1
08	654057	LW 1 RZY	2	26	P471502	BEARING/IDLER HUB	2
09	655024	CP EPSC 3/16 x 2 Z	2	27	P471532	WELDMENT/YOKE	1
10	L60588	ADP 37 REDUCING	2	28	P471543	DRIVE SPROCKET	1
11	P024500	BEARING W/O Collar	2		P471451	1438 Thru S/N14228.	
12	P032600	BOLT 1-8x 4.50	2			1448 Thru S/N 17104.	
13	P234200	GREASE/ZERK .312	8		P471543	1438 S/N 14229 and up.	
14	P271900	HUB/TORQUE	1			1448 S/N 17105 and up.	
15	P392450	SS .50 X 1	3	29	P471548	WASHER/HARD .50	8
16		WELD/TRACK FRAME HUB	1	30	P471549	BOLT/HHCS .50 X 1.50 G8Z	8
	P470587	Left track assembly.		31	P473055	WELDMENT/TRACK	1
	P470589	Right track assembly.			P700645	PAD/STANDARD	24
17		WELD/TRACK FRM MOTOR	1		P700646	PAD, LH NOTCHED	1
	P470588	Left track assembly.			P700647	PAD, RH NOTCHED	1
	P470590	Right track assembly.		32	P480122	SHAFT/TRACK ROLLER	4
18	P470593	CYL/TRACK TENSION	1	33	P480124	PIN/TRACK CYL.	1
19	P471182	SPACER	2	34	P480176	BEARING/1.44 DIAG.	4
20	P471186	ROLLER/TRACK	2				

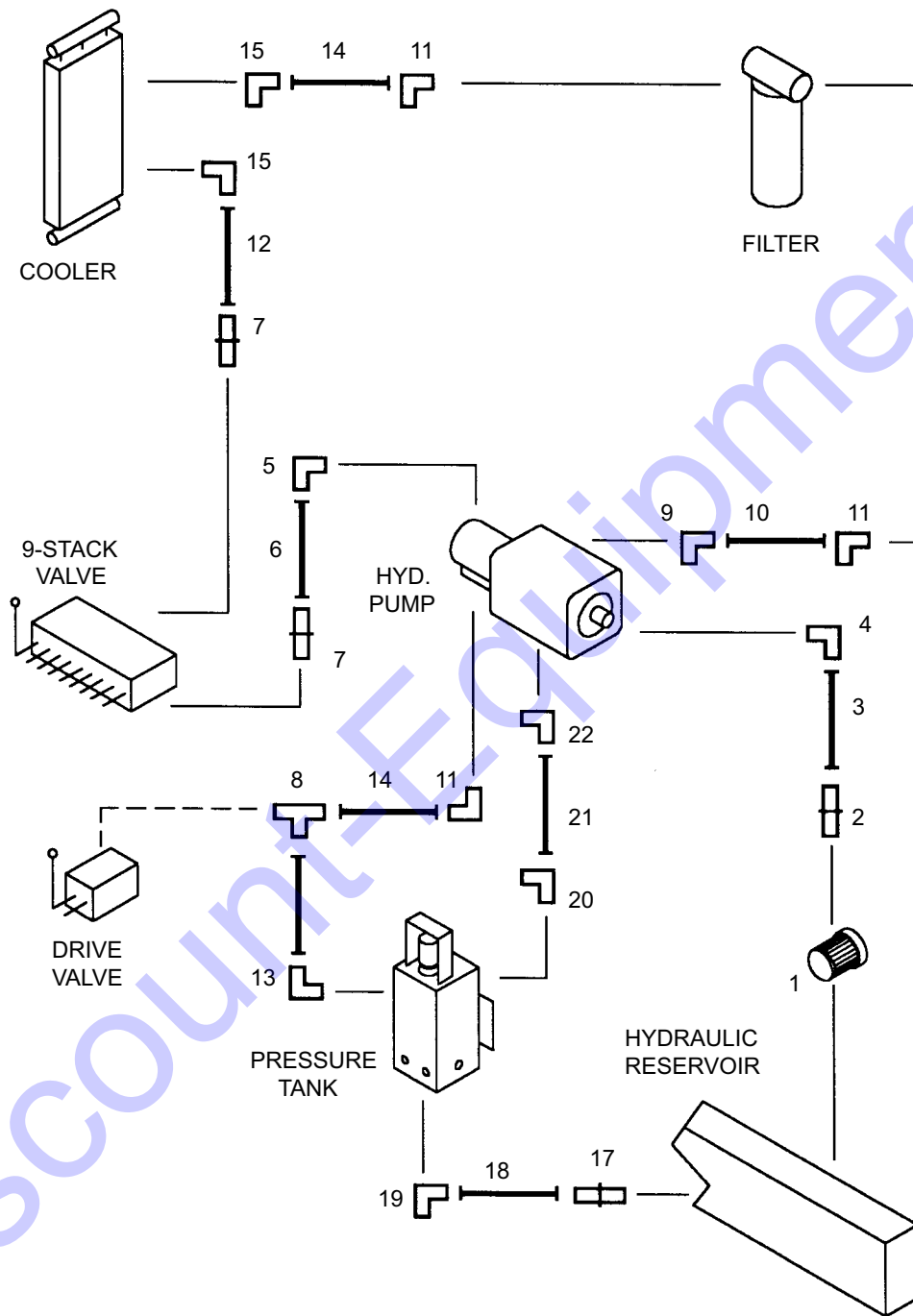
Rubber Tire Drive Assembly



Rubber Tire Drive Assembly

Ref. No.	Part No.	Description	Qty. Req.	Ref. No.	Part No.	Description	Qty. Req.
All quantities are per assembly. Left drive assembly shown.				28	P406750	STUD 1/2" X 2"	40
01	067761	ELBOW/MALE 90 DEG	1	29	P412575	TIRE	8
02	067847	HLN INST 3/8 CZY	2	30	P470600	MTR/MNT/1 SPEED GEARBOX	1
03	072580	CONNECTOR/MALE	1	31	P471356	ADP 10JICF-10JICM 90	1
04	079209	HLN INST 3/4 CZY	4	32	P471363	DRIVE MOTOR W/CASE DRAIN	1
05	650358	SCREW/FCHC HS 1/2x1 C	2	33 ^a	P473096	WELD/LH COVER GEARBOX	1
06	650416	CS 3/4x2-1/2 C5ZY	4		P473097	WELD/RH COVER GEARBOX	1
07	650453	CS 1/2x1-1/2 C5ZY	4	33 ^b	P470577	WELD/GEARBOX COVER	1
08	650488	CS 3/8x3/4 C5ZY	5	34 ^a	P470595	WELD/LH GEARBOX	1
09	650533	CS 3/8x1-1/2 C5ZY	2		P470594	WELD/RH GEARBOX	1
10	650542	CS 1/4x1/2 C5ZY	4	34 ^b	P473098	WELD/LH GEARBOX	1
11	654009	FW 1/2 AWZY	4		P473099	WELD/RH GEARBOX	1
12	P015425	WELD,TRIPLE SPKT/GRBOX	1	35	P700507	CHAIN 100# 42 PITCH	1
13	P025900	BEARING	4	36	P700508	CHAIN 100# 28 PITCH	1
14	P026800	BEARING	2	37	P700509	CHAIN 60# 56 PITCH	1
15	P048400	Q1 X 2-7/16" BUSHING	2	38	P470599	MTR/MNT/2 SPEED GEARBOX	1
	P275425	KEYSTOCK	2	39	P473107	MOTOR/DRIVE 2SPD	1
16	P161950	HUB SPACER GEARBOX	4	40	650495	CS 1/2x1-1/4 C5ZY	2
17	P162440	ACCESS PANEL	2	41	654030	LW 1/2 RZY	2
18	P162450	KEY 5/8	4	42	068938	ELBOW/90 DEG ADJUSTABLE	1
19	P314010	AXLE, RUBBER TIRE DRIVE	2	43	095601	ADP 40RM-4JICM 90	1
20	P314060	SHAFT, TRIPLE SPROCKET	1	44	067761	ELBOW/MALE 90 DEG	2
21	P314080	SHAFT CAP GEARBOX	2	45	P162450	KEYSTOCK	4
22	P314125	HUB, DUAL WHEEL	4	46	P161900	GEARBOX MOUNT (<i>weld on</i>)	2
23	P351250	NUT 2"X4.5 HEX	4				
24	P356600	NUT/ .50-20	40	a	<i>All 1438 units. 1448 thru S/N 17409.</i>		
25	P381075	RIM 8" SPLIT SET	8				
26	P402600	H100Q18 SPROCKET	2	b	<i>Not used on 1438. 1448 S/N 17410 and up.</i>		
27	P405200	SPROCKET	1				

1438 Pump/Reservoir Plumbing Lines
(Track and 1-Spd. Rubber Tire Drive, Thru S/N 14126)



795-59/38hys1.tif

1438 Pump/Reservoir Plumbing Lines
(Track and 1-Spd. Rubber Tire Drive, Thru S/N 14126)

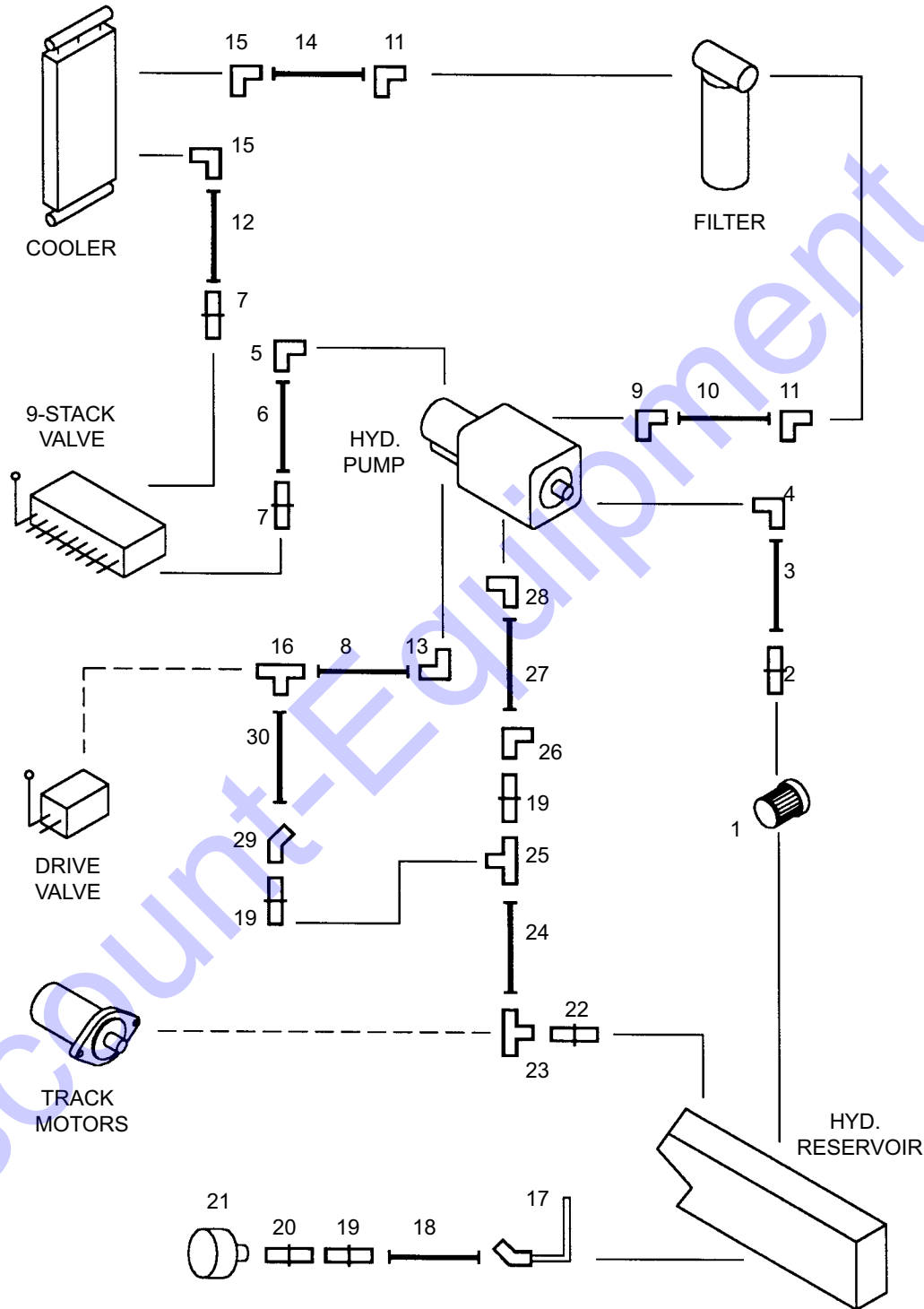
Ref. No.	Part No.	Description	Qty. Req.	Ref. No.	Part No.	Description	Qty. Req.
01	128299	STRAINER -20 RF.	1	14	P470455	HOSE ASY. -8X41.....	1
02	L277944	STR. MALE CONNTR (-20OR/-12JIC)	1	15	L61572	MALE 90 ELBOW (3/4NPT/-8JIC)	2
03	P470456	HOSE ASY. -12X100"	1	16	P257250	HOSE ASY. -8X10"	1
04	L445001	MALE 90 ELBOW (-12OR/-12JIC)	1	17 ^a	L444001	MALE STR. CONNTR. (-12OR/-12JIC)	1
05	L445009	MALE 90 ELBOW (-10OR/-8JIC)	1	17 ^b	L51531	MALE STR. CONNTR. (1-1/4NPT/-12JIC)	1
06	P470404	HOSE ASY. -8X72"	1	18	P256450	HOSE ASY. -12X71"	1
07	L444004	MALE STR. CONNTR. (-8OR/-8JIC)	2	19	L442004	MALE 90 ELBOW (3/4NPT/-12JIC)	1
08	P231100	MALE TEE (-8JIC ALL ENDS)	1	20	L442019	MALE 90 ELBOW (1/2NPT/-6JIC)	1
09	L445002	MALE 90 ELBOW (-8OR/-8JIC)	1	21	P470408	HOSE ASY. -6X4"	1
10	P259600	HOSE ASY. -8X21"	1	22	L445003	MALE 90 ELBOW (-6OR/-6JIC)	2
11	L445006	MALE 90 ELBOW (-1/2OR/-8JIC)	3				
12	P470462	HOSE ASY. -8X63"	1				
13	L442003	MALE 90 ELBOW (-8NPT/-8JIC)	1				

a Used on Model 1438 Thru S/N 14062.

b Used on Model 1438 S/N 4063 Thru 14126

NOTE: P/N's for Other Components Referenced

1438 Pump/Reservoir Plumbing Lines (Track and 1-Spd. Rubber Tire Drive, S/N 14127 thru 14197)



795-59/38hys3.tif

1438 Pump/Reservoir Plumbing Lines
(Track and 1-Spd. Rubber Tire Drive, S/N 14127 thru 14197)

Ref. No.	Part No.	Description	Qty. Req.	Ref. No.	Part No.	Description	Qty. Req.
01	128299	STRAINER -20ORF.....	1	18	P470533	HOSE ASY. -8X86".....	1
02	L277944	STR.MALE CONNTR.....	1	19	L446021	STR. REDUCER.....	2
		(-20OR/-12JIC)				(-12JICF/-8JICM)	
03	P470456	HOSE ASY. -12X100".....	1	20	P471289	STR. BULKHEAD.....	1
04 ^a	L445001	MALE 90 ELBOW.....	1			(-12NPTF/-12JICM)	
		(-12OR/-12JIC)		21	P471247	BREATHER CAP (-12NPT).....	1
04 ^b	L61092	MALE 90 ELBOW.....	1		P471288	MOUNT BRACKET.....	1
		(-16OR/-12JIC)			L50367	CS 3/8-16X1 (P).....	4
05	L445009	MALE 90 ELBOW.....	1	22	L51531	STR. MALE CONNTR.....	1
		(-10OR/-8J10)				(1/2P/-12JIC)	
06	P470404	HOSE ASY. -8X72".....	1	23	L446019	SWVL. TEE.....	1
07	L444004	MALE STR. CONNTR.....	2			(-12JICF/-12JICM)	
		(-8OR/-8JIC)		24	P256450	HOSE ASY-12X73".....	1
08	P471347	HOSE ASY. -10X42".....	1	25	P471299	MALE BULKHD.TEE (-12JIC).....	1
09	L445002	MALE 90 ELBOW.....	1	26	L446017	SWVL. 90 ELBOW.....	1
		(-8OR/-8J1C)				(-8JICF/-9JICM)	
10	P471319	HOSE ASY. -8X52".....	1	27	P471322	HOSE ASY. -8X52".....	1
11	L445006	MALE 90 ELBOW.....	3	28	L445003	MALE 90 ELBOW.....	1
		(-12OR/-8JIC)				-6OR/-6JIC)	
12	P470462	HOSE ASY.-8X63".....	1	29	L446024	SWVL.90 ELBOW.....	1
13	P471353	MALE 90 ELBOW.....	1			(-8JICF/-8JICM)	
		(-12OR/-10JIC)		30	P470926	HOSE ASY. -8X8".....	1
14	P471320	HOSE ASY. -8X32".....	1				
15	L61572	MALE 90 ELBOW.....	2				
		(3/4NPT/-8J1C)					
16	P471354	MALE ORIFICE TEE (-10JIC).....	1				
17	L471399	MALE 45 STANDPIPE.....	1				
		(-8OR/-8JIC)					

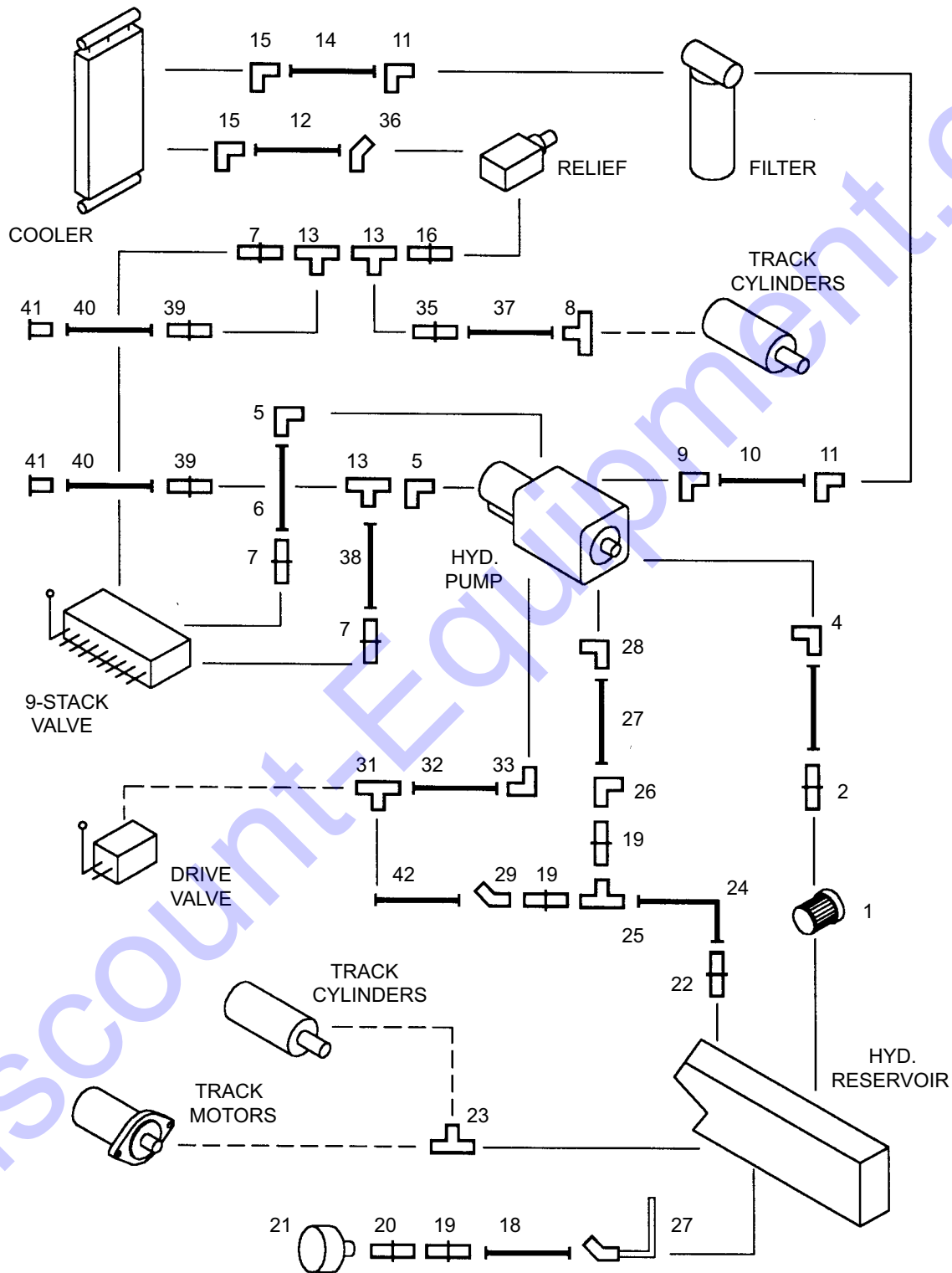
a Thru S/N 14285R.

b S/N 14286 & Up

NOTE: P/N's for Other Components Referenced Elsewhere in this Manual.

1438 Pump/Reservoir Plumbing Lines

(Positive Track Drive, S/N 14197 thru 14331)



1025-81/38adm3.tif

1438 Pump/Reservoir Plumbing Lines
(Positive Track Drive, S/N 14197 thru 14331)

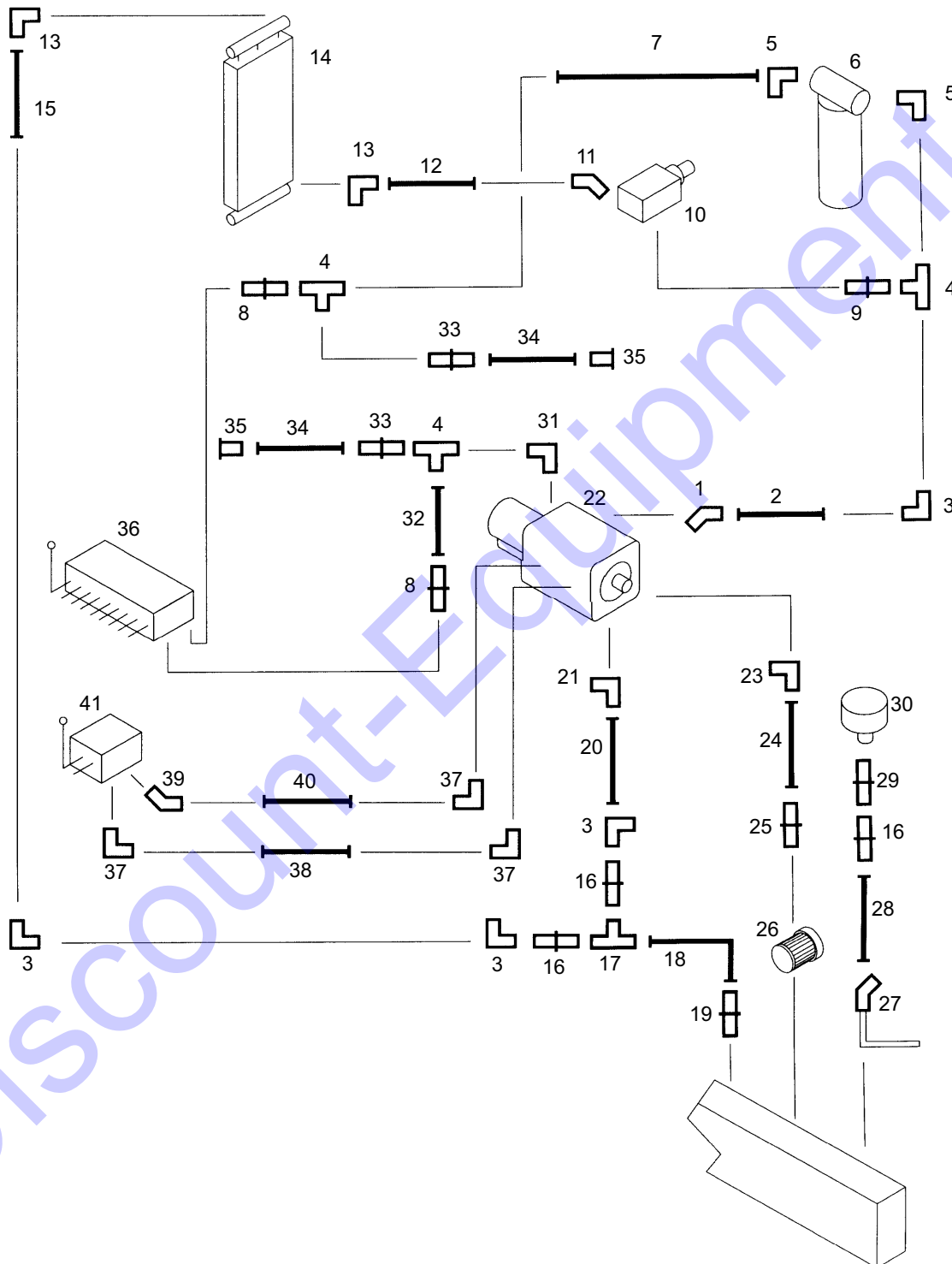
Ref. No.	Part No.	Description	Qty. Req.	Ref. No.	Part No.	Description	Qty. Req.
01	128299	STRAINER -20ORF.....	1	22	L51531	STR. MALE CONNTR.....	1
02	L277944	STR.MALE CONNTR.....	1			(1/2P/-12JIC)	
03	P470456	HOSE ASY. -12X100".....	1	23	L51586	MALE TEE (-8JIC).....	1
04 ^a	L445001	MALE 90 ELBOW.....	1	24	P256450	HOSE ASY. -12X73".....	1
		(-12OR/-12JIC)		25	P471299	MALE BULKHD.TEE (-12JIC).....	1
04 ^b	L61092	MALE 90 ELBOW.....	1	26	L446017	SWVL. 90 ELBOW.....	1
		(-16OR/-12JIC)				(-8JICF/-9JICM)	
05	L445009	MALE 90 ELBOW.....	2	27	P471322	HOSE ASY. -8X52".....	1
		(-10OR/-8J10)		28	L445003	MALE 90 ELBOW.....	1
06	P470404	HOSE ASY. -8X72".....	1			(-6OR/-6JIC)	
07	L444004	MALE STR. CONNTR.....	3	29	L446024	SWVL.90 ELBOW.....	1
		(-8OR/-8JIC)				(-8JICF/-8JICM)	
08	P231050	MALE TEE (-4JIC).....	1	30	P470926	HOSE ASY. -8X8".....	1
09	L445002	MALE 90 ELBOW.....	1	31	P471354	MALE ORIFICE TEE (-10JIC).....	1
		(-8OR/-8J1C)		32	P471347	HOSE ASY-10X42".....	1
10	P471319	HOSE ASY. -8X52".....	1	33	P471353	MALE 90 ELBOW.....	1
11	L445006	MALE 90 ELBOW.....	3			(-12OR/-10JIC)	
		(-12OR/-8JIC)		34	P471346	HOSE ASY. -10X48".....	1
12	P470462	HOSE ASY.-8X63".....	1	35	L60588	STR. REDUCER.....	1
13	L446026	SWVL. TEE (-8JICFS/-8JICM).....	2			(-8JICF/-8JICM)	
14	P471320	HOSE ASY-8X32".....	1	36	L442012	MALE 45 ELBOW.....	1
15	L61572	MALE 90 ELBOW.....	2			(-8NPT/-8JIC)	
		(3/4NPT/-8J1C)		37	P471218	HOSE ASY. -6X94".....	1
16	P470877	STR. CONNTR. (-8JICF/-8PTM).....	1	38	P470404	HOSE ASY. -8X72".....	1
17	L471399	MALE 45 STANDPIPE.....	1	39	L60534	STR. ADAPTER.....	1
		(-8OR/-8JIC)				(-8JICF/-8JICM)	
18	P470533	HOSE ASY. -8X86".....	1	40	P471499	HOSE ASY. -4X17-1/2".....	2
19	L446021	STR. REDUCER.....	2	41	L62834	BULKHD. NIPPLE, TEST PORT... 2	
		(-12JICF/-8JICM)		42	P470926	HOSE ASY. -8X8".....	1
20	P471289	STR. BULKHEAD.....	1				
		(-12NPTF/-12JICM)					
21	P471247	BREATHER CAP (-12NPT).....	1				
	P471288	MOUNT BRACKET.....	1				
	L50367	CS 3/8-16X1 (P).....	4				

a Thru S/N 14285R.

b S/N 14286 & Up.

NOTE: P/N's for Other Components Referenced Elsewhere in this Manual.

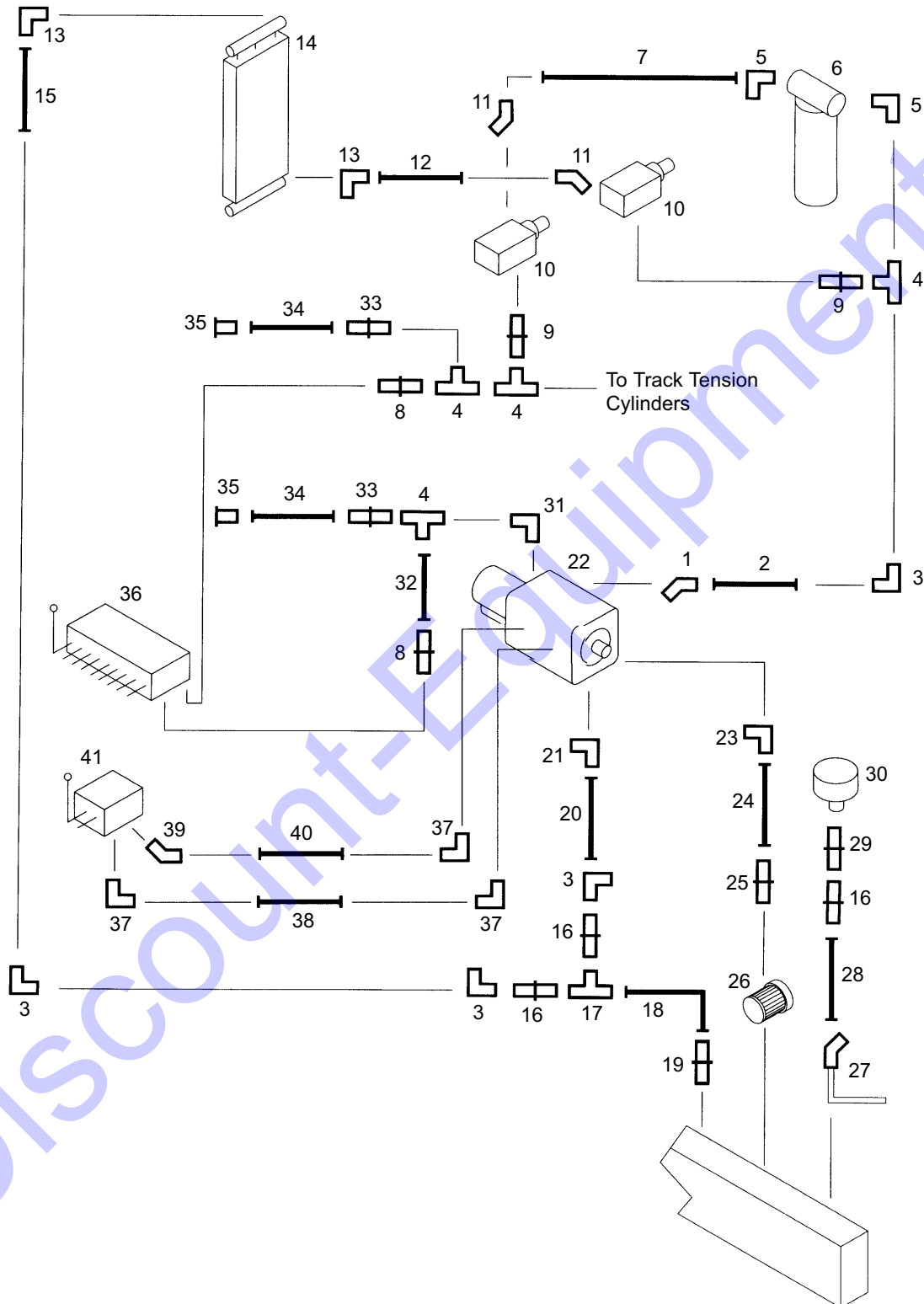
1438 Pump/Reservoir Plumbing Lines
(1-Spd. Rubber Tire Drive, S/N 14332 and Up)



1438 Pump/Reservoir Plumbing Lines
(1-Spd. Rubber Tire Drive, S/N 14332 and Up)

Ref. No.	Part No.	Description	Qty. Req.	Ref. No.	Part No.	Description	Qty. Req.
01	076880	ELBOW/HYD. FITTING 45 DEG . . .	1	22	P473286	PUMP/AXIAL GEAR	1
02	P471319	HOSE ASY -8 52" A8/A8	1	23	L61092	HYD.FITTING	1
03	088442	ELBOW,SWIVEL	4	24	P470456	HOSE ASY -12 100" A12/A12	1
04	076143	TEE/FEMALE RUN SWIVEL	3	25	L277944	ADP-20 ORM 12 JICM	1
05	121775	ADP/ -12ORM -8JICM 90 DEG	2	26	128299	STRAINER/W/BYPASS	1
06	074020	FILTER W/HEAD SEC.	1	27	P471339	ASY/STANDPIPE	1
	074830	ELEMENT ONLY	1	28	P470533	HOSE ASY -8 86" A8/A8	1
07	P260275	HOSE ASY -8 35" A8/A8	1	29	P471289	ADP 12 BLKHD STR.	1
08	054626	ADP-80RM-8JICM STR.	2	30	P471247	BREATHING/CAP PRESS. 10 PSI.	1
09	P471496	ADP -60RM -8JICF	1	31	076031	ELBOW/90 DEG MALE	1
10	P471498	RELIEF VALVE	1	32	P470404	HOSE ASY -8 72" A8/A8	1
11	P471497	ELBOW 45 -60RM 8JICM	1	33	L60534	ADP-8JICFWVL -4 JICM	2
12	P470455	HOSE ASY/-8 41" A8/A8	1	34	P471499	HOSE/ASY -4 18" A4/A4	2
13	054982	ELBOW/HYD.FITTING 90 DEG	2	35	L62834	TESTPORT	2
14	P061400	COOLER, HYDRAULIC.	1		L62840	DUST CAP	2
15	P473071	HOSE ASY -8 36" A8/A8	1	36	101283	VALVE/9 STACK W/RELIEF	1
16	L446021	REDUCER/ -12JICF -8JICM STR.	3	37	072615	ELBOW/HYD.FITTING 90 DEG	3
17	P471299	TEE-12JIC BULK HEAD	1	38	P473069	HOSE ASY -10 96" A10/A10	1
18	P256450	HOSE ASY -12 73" A12/A12	1	39	P471357	ADP 12ORM -10JICM 45 DEG	1
19	L51531	ADP 1-1/4 MP -12 JICM STR	1	40	P471345	HOSE ASY -10	1
20	P471322	HOSE ASY -8 52" A6/A8	1	41	P417600	DRIVE VALVE	1
21	068938	ELBOW/90 DEG ADJUSTABLE	1				

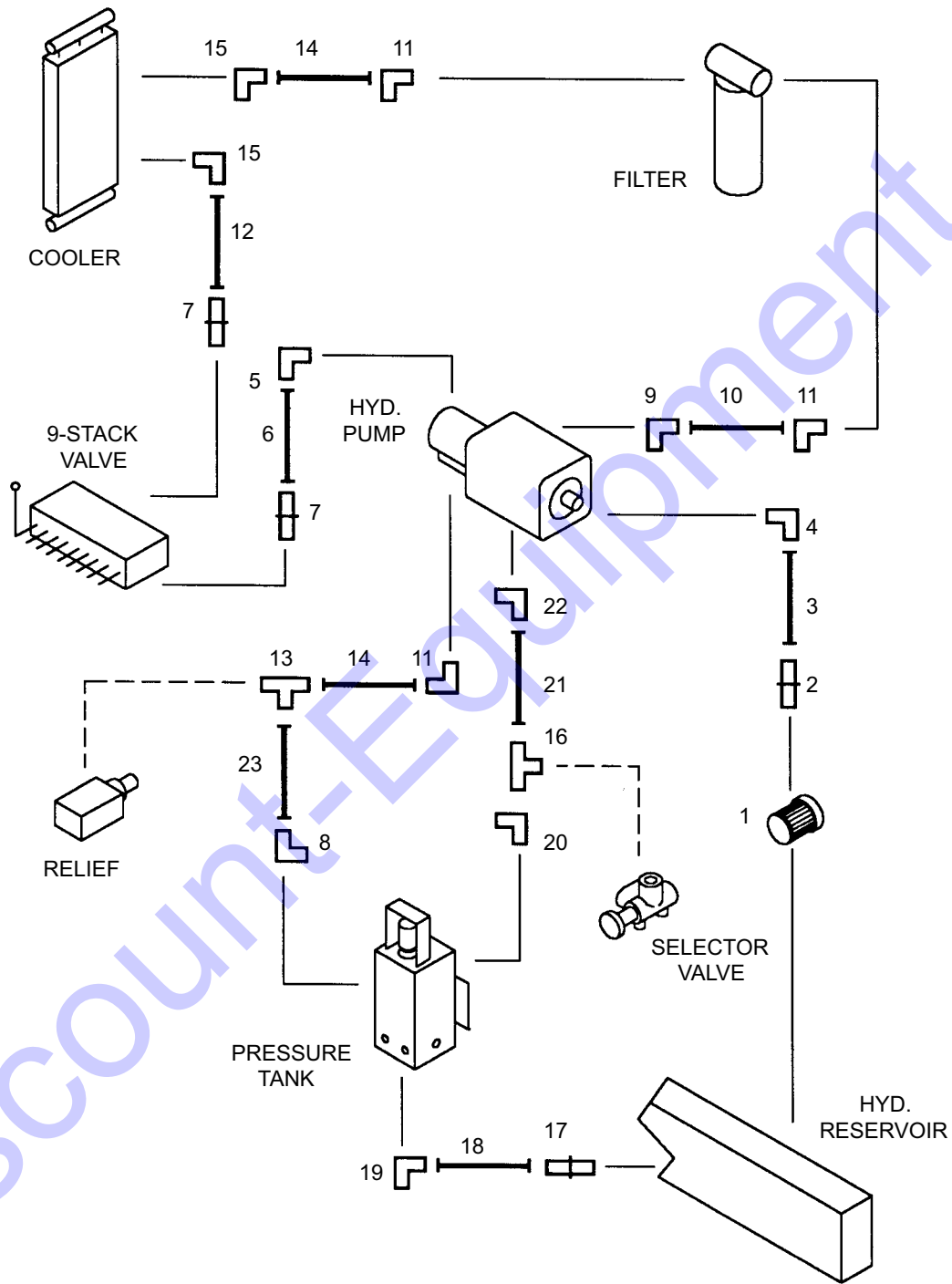
1438 Pump/Reservoir Plumbing Lines
(Positive Track Drive, S/N 14332 and Up)



1438 Pump/Reservoir Plumbing Lines
(Positive Track Drive, S/N 14332 and Up)

Ref. No.	Part No.	Description	Qty. Req.	Ref. No.	Part No.	Description	Qty. Req.
01	076880	ELBOW/HYD. FITTING 45 DEG...	1	21	068938	ELBOW/90 DEG ADJUSTABLE...	1
02	P471319	HOSE ASY -8 52" A8/A8.....	1	22	P473286	PUMP/AXIAL GEAR.....	1
03	088442	ELBOW,SWIVEL.....	4	23	L61092	HYD.FITTING.....	1
04	076143	TEE/FEMALE RUN SWIVEL.....	4	24	P470456	HOSE ASY -12 100" A12/A12.....	1
05	121775	ADP/ -12ORM -8JICM 90 DEG....	2	25	L277944	ADP-20 ORM 12 JICM.....	1
06	074020	FILTER W/HEAD SEC.....	1	26	128299	STRAINER/W/BYPASS.....	1
	074830	ELEMENT ONLY.....	1	27	P471339	ASY/STANDPIPE.....	1
07	P260275	HOSE ASY -8 35" A8/A8.....	1	28	P470533	HOSE ASY -8 86" A8/A8.....	1
08	054626	ADP-80RM-8JICM STR.....	2	29	P471289	ADP 12 BLKHD STR.....	1
09	P471496	ADP -60RM -8JICF.....	2	30	P471247	BREATHER/CAP PRESS. 10 PSI..	1
10	P471498	RELIEF VALVE.....	2	31	076031	ELBOW/90 DEG MALE.....	1
11	P471497	ELBOW 45 -60RM 8JICM.....	1	32	P470404	HOSE ASY -8 72" A8/A8.....	1
12	P470455	HOSE ASY/-8 41" A8/A8.....	1	33	L60534	ADP-8JICFWVL -4 JICM.....	2
13	054982	ELBOW/HYD.FITTING 90 DEG ...	2	34	P471499	HOSE/ASY -4 18" A4/A4.....	2
14	P061400	COOLER, HYDRAULIC.....	1	35	L62834	TESTPORT.....	2
15	P473071	HOSE ASY -8 36" A8/A8.....	1		L62840	DUST CAP.....	2
16	L446021	REDUCER/ -12JICF -8JICM STR..	3	36	101283	VALVE/9 STACK W/RELIEF.....	1
17	P471299	TEE-12JIC BULK HEAD.....	1	37	072615	ELBOW/HYD.FITTING 90 DEG ...	3
18	P256450	HOSE ASY -12 73" A12/A12.....	1	38	P473069	HOSE ASY -10 96" A10/A10.....	1
19	L51531	ADP 1-1/4 MP -12 JICM STR.....	1	39	P471357	ADP 12ORM -10JICM 45 DEG....	1
20	P471322	HOSE ASY -8 52" A6/A8.....	1	40	P471345	HOSE ASY -10.....	1
				41	P471467	DRIVE VALVE.....	1

1438 Pump/Reservoir Plumbing Lines
(2-Spd. Rubber Tire Drive, Thru S/N 14126)

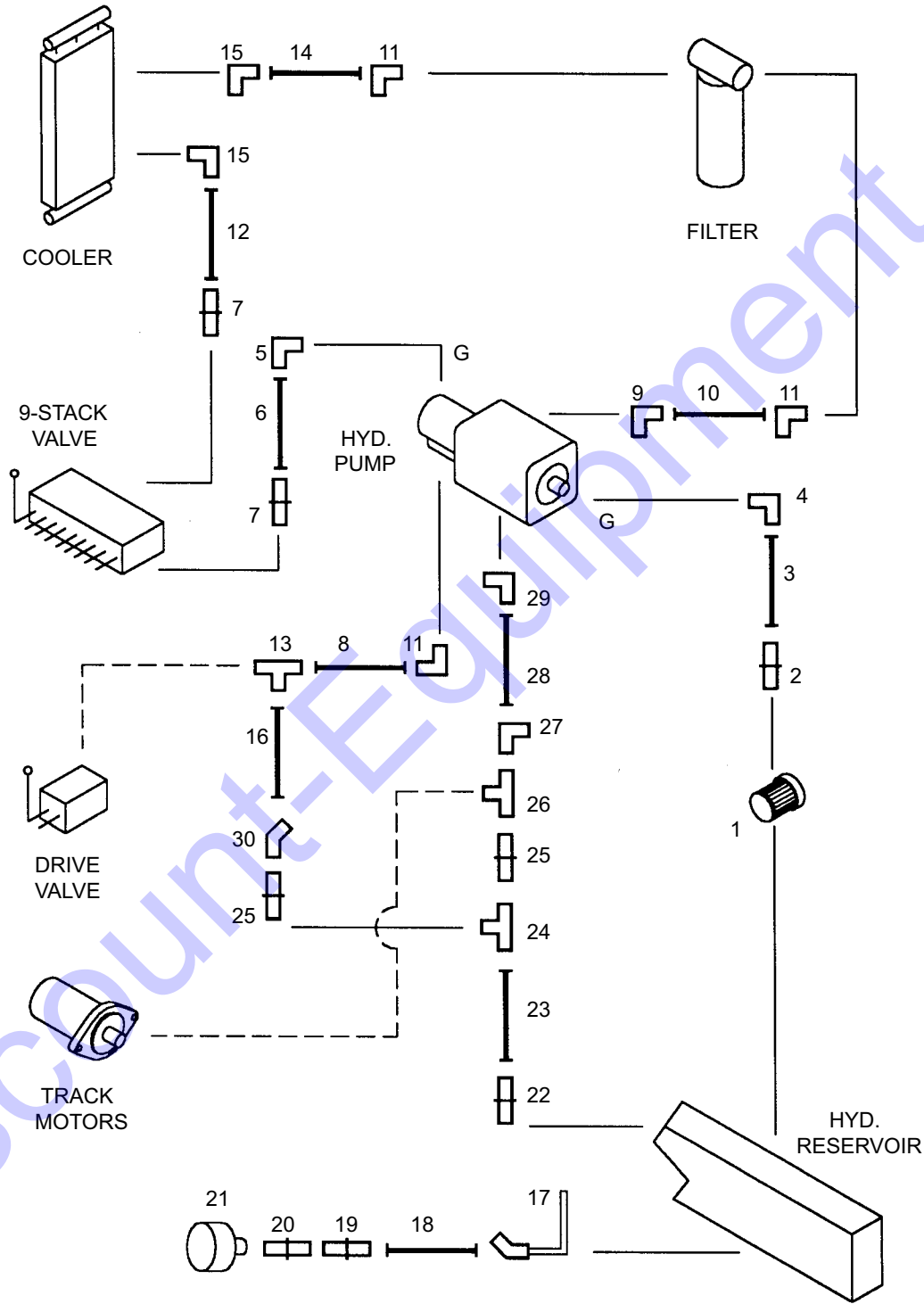


795-59/38hys2.tif

1438 Pump/Reservoir Plumbing Lines
(2-Spd. Rubber Tire Drive, Thru S/N 14126)

Ref. No.	Part No.	Description	Qty. Req.	Ref. No.	Part No.	Description	Qty. Req.
01	128299	STRAINER -20ORF.....	1	15	L61572	MALE 90 ELBOW.....	2
02	L277944	STR. MALE CONNTR.....	1			(3/4NPT/-8JIC)	
03	P470456	HOSE ASY. -12X100".....	1	16	L446049	SWVL. TEE.....	1
04	L445001	MALE 90 ELBOW.....	1			(-6JICF/-6JICM).....	1
		(-12OR/-12JIC)		17 ^a	L444001	MALE STR. CONNTR.....	1
04	L445009	MALE 90 ELBOW.....	1			(-12OR/-12JIC)	
		(-10OR/-8JIC)		17 ^b	L51531	MALE STR. CONNTR.....	1
06	P470404	HOSE ASY. -8X72".....	1			(1-1/4NPT/-12JIC)	
07	L444004	MALE STR. CONNTR.....	2	18	P256450	HOSE ASY. -12X71".....	1
		(-8OR/-8JIC)		19	L442004	MALE 90 ELBOW.....	1
08	L442003	MALE 90 ELBOW.....	1			(3/4NPT/-12JIC)	
		(-8NPT/-8JIC)		20	L442019	MALE 90 ELBOW.....	1
09	L445002	MALE 90 ELBOW.....	1			(1/2NPT/-6JIC)	
		(-8OR/-8JIC)		21	P470408	HOSE ASY. -6X4".....	1
10	P259600	HOSE ASY-8X21".....	1	22	L445003	MALE 90 ELBOW.....	2
11	L445006	MALE 90 ELBOW.....	3			(-6OR1-6JIC)	
		(-12OR/-8JIC)		23	P257250	HOSE ASY. -8X10".....	1
12	P470462	HOSE ASY. -8X63".....	1	a	<i>Used on Model 1438 Thru S/N 14062.</i>		
13	P231 100	MALE TEE.....	1	b	<i>Used on Model 1438 S/N 4063 Thru 14126</i>		
		(-8JIC ALL ENDS)		<i>NOTE: P/N's for Other Components Referenced</i>			
14	P470455	HOSE ASY. -8X41".....	1	<i>Elsewhere in this Manual.</i>			

1438 Pump/Reservoir Plumbing Lines
(2-Spd. Rubber Tire Drive, S/N 14127 Thru 14131)



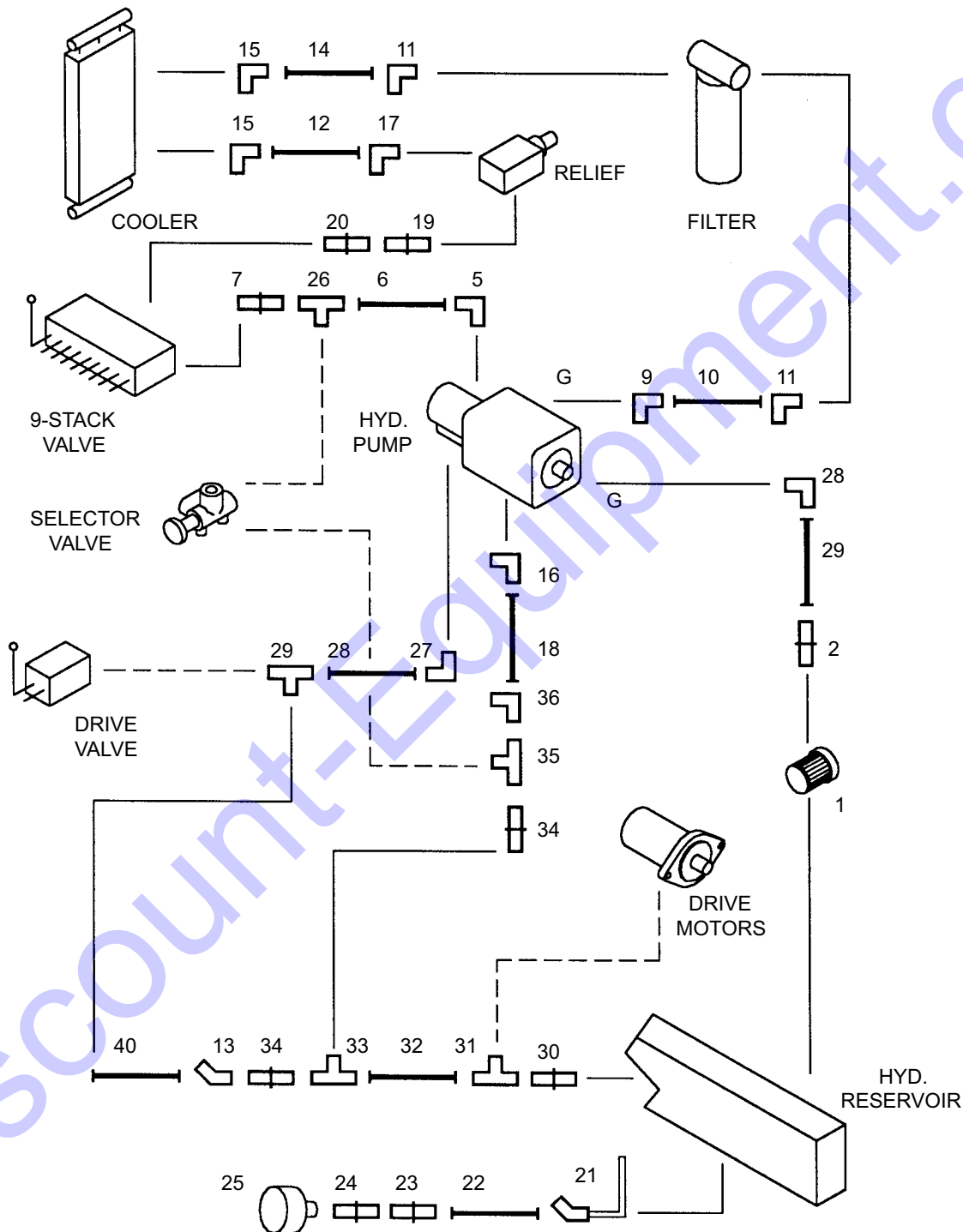
1000-75/38hys4.tif)

1438 Pump/Reservoir Plumbing Lines
(2-Spd. Rubber Tire Drive, S/N 14127 Thru 14131)

Ref. No.	Part No.	Description	Qty. Req.	Ref. No.	Part No.	Description	Qty. Req.
01	128299	STRAINER -20ORF.....	1	18	P470533	HOSE ASY-8X86".....	1
02	L277944	STR. MALE CONNTR.....	1	19	L446021	SWVL. REDUCER.....	1
		(-20OR/-1/2JIC)				(-12JICF/-8JIC)	
03	P470456	HOSE ASY. -12X100".....	1	20	L471289	STR. MALE BULKHD.....	
04	L445001	MALE 90 ELBOW.....	1			(-12NPTF/-12JIC)	
		(-12OR/-12JIC)		21	P471247	BREATHER CAP (-12NPT).....	1
05	L445009	MALE 90 ELBOW.....	1	22	L51531	MALE STR. CONNTR.....	1
		(-10OR/-8JIC)				(1.25P/-12JIC)	
06	P470404	HOSE ASY. -8X45".....	1	23	P256450	HOSE ASY. -12X73".....	1
07	L444004	MALE STR. CONNTR.....	2	24	P471299	MALE BULKHD. TEE (-12JIC).....	1
		(-8OR/-8JIC)		25	P446021	STR. SWVL. REDUCER.....	2
08	P470455	HOSE ASY. -8X41".....	1			(-12JICF/-8JICM)	
09	L445002	MALE 90 ELBOW.....	1	26	P471321	SVIVL. TEE.....	1
		(-8OR/-8J1C)				(-8JICF/-8JICM)	
10	P471319	HOSE ASY. -8X48".....	1	27	L446017	SWVL. 90 ELBOW.....	1
11	L445006	MALE 90 ELBOW.....	3			(-8JICF/-8JICM)	
		(-12OR/-8JIC)		28	P471322	HOSE ASY. -8/-8X52".....	1
12	P470462	HOSE ASY-8X63".....	1	29	P445003	MALE 90 ELBOW.....	1
13	P231100	ORIFICE MALE TEE (-8JIC).....	1			(-6OR/-6JIC)	
14	P471320	HOSE ASY. -8X41".....	1	30	L446024	SWVL. 45 ELBOW.....	1
15	L61572	MALE 90 ELBOW.....	2			(-8JICM/-8JICF)	
		(3/4NPT/-8JIC)					
16	L470926	HOSE ASY. -8X8".....	1				
		(-8NPT/-8JIC)					
17	L471399	MALE 45 STANDPIPE.....	1				
		(-8OR/-8JIC)					

NOTE: P/N's for Other Components Referenced Elsewhere in this Manual.

1438 Pump/Reservoir Plumbing Lines (2-Spd. Rubber Tire Drive, S/N 14132 thru 14331)



1000-75/38hys5.tif)

**1438 Pump/Reservoir Plumbing Lines
(2-Spd. Rubber Tire Drive, S/N 14132 thru 14331)**

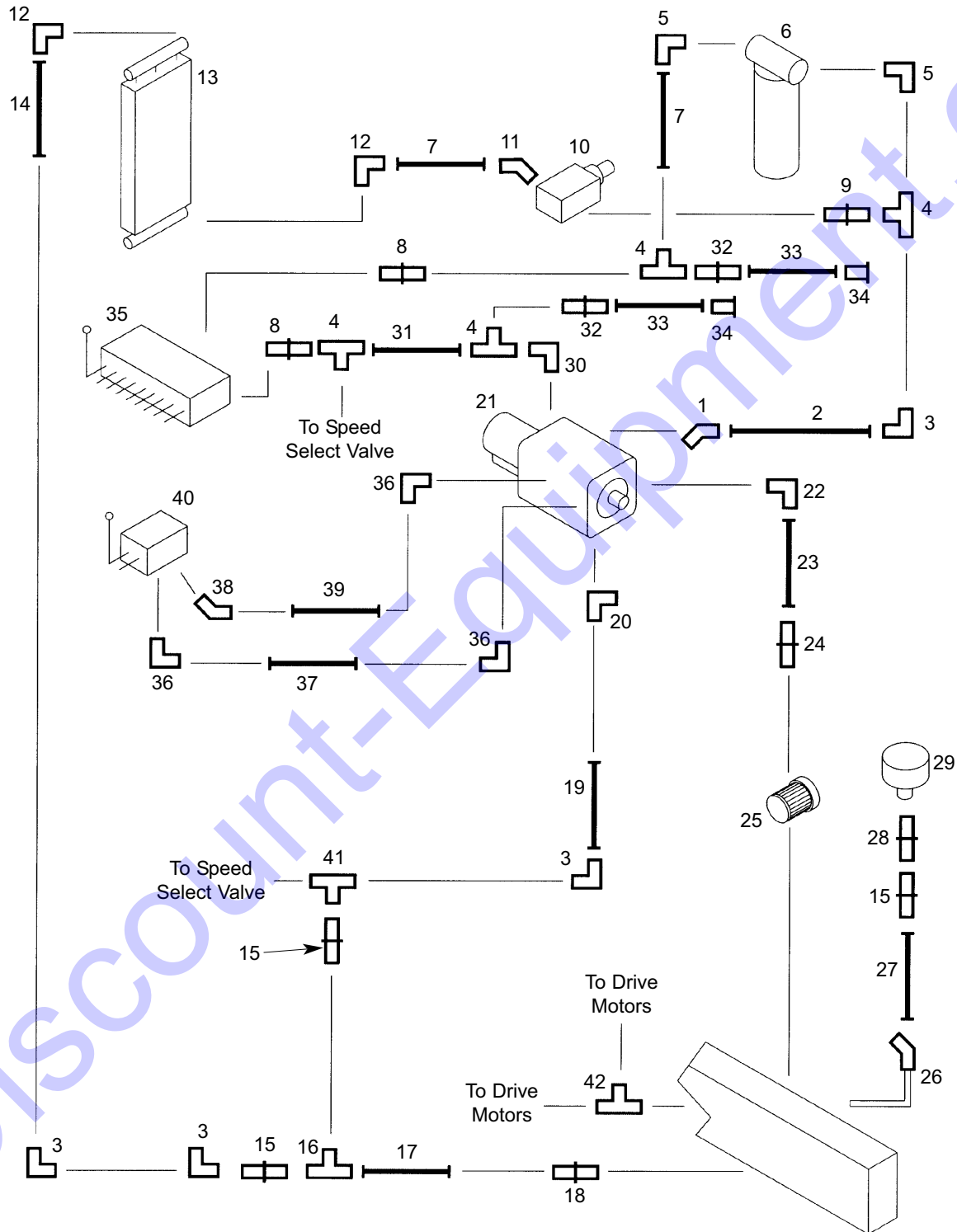
Ref. No.	Part No.	Description	Qty. Req.	Ref. No.	Part No.	Description	Qty. Req.
01	128299	STRAINER -20ORF.....	1	20	L444004	STR. MALE CONNTR.....	1
02	L277944	STR. MALE CONNTR.....	1			(-8OR/-8JIC)	
03	P470456	HOSE ASY-12X48".....	1	21	L471339	MALE 45 ELBOW STAND PIPE...	1
04 ^a	L445001	MALE 90° ELBOW.....	1			(-8OR/-8JIC)	
		(-12OR/-12JIC)		22	P470533	HOSE ASY. -8X86".....	1
04 ^b	L61092	MALE 90° ELBOW.....	1	23	L446021	SWVL. REDUCER.....	1
		(-16OR/-12JIC)				(-12JICF/-8JICM)	
05	L445009	MALE 90° ELBOW.....	1	24	P471289	SWVL. STR. BULKHD.....	1
		(-10OR/-8JIC)				(-12NPTF/-12JICM)	
06	P470404	HOSE ASY-8X72".....	1	25	P471247	BREATHER CAP (-12NPT).....	1
07	L444004	MALE STR. CONNTR.....	2	26	L446026	SWVL. TEE.....	1
		(-8OR/-8JIC)				(-8JICM/-8JICF)	
08	P470926	HOSE ASY. -8X8".....	1	27	P471353	MALE 90 ELBOW.....	1
09	L445002	MALE 90° ELBOW.....	1			(-12OR/-10JIC)	
		(-8OR/-8JIC)		28	P471347	HOSE ASY. -10X42".....	1
10	P471319	HOSE ASY-8X52".....	1	29	P471354	ORIFICE TEE (-10JICM).....	1
11	L445006	MALE 90° ELBOW.....	3	30	L51531	MALE STR. CONNTR.....	1
		(-12OR/-8JIC)				(1.25P/-12JIC)	
12	P470462	HOSE ASY-8X63".....	1	31	L446019	SWIVL. TEE.....	1
13	L446024	SWVL. 45 ELBOW.....	1			(-12JICF/-12JICM)	
		(-8JICM/-8JICF)		32	P256450	HOSE ASY. -12X73".....	1
14	P471320	HOSE ASY. -8X32".....	1	33	P471299	MALE BULKHD. TEE (-12JIC)....	1
15	L61572	MALE 90 ELBOW.....	2	34	L446021	SWVL. STR. REDUCER.....	2
		(3/4NPT/-8JIC)				(-12JICF/-8JICM)	
16	L445003	MALE 90 ELBOW.....	1	35	P471321	SWVL. TEE.....	1
		(-6OR/-6JIC)				(-8JICF/-8JICM)	
17	L442020	MALE 90 ELBOW.....	1	36	L446017	SWVL. 90 ELBOW.....	1
		(3/8P/-8JIC)				(-8JICF/-8JICM)	
18	P471322	HOSE ASY. -8X52".....	1				
19	P470877	SWVL. STR. CONNTR.....	1				
		(3/8P/-8JIC)					

a Thru S/N 14285R.

b S/N 14286 & Up.

NOTE: P/N's for Other Components Referenced Elsewhere in this Manual.

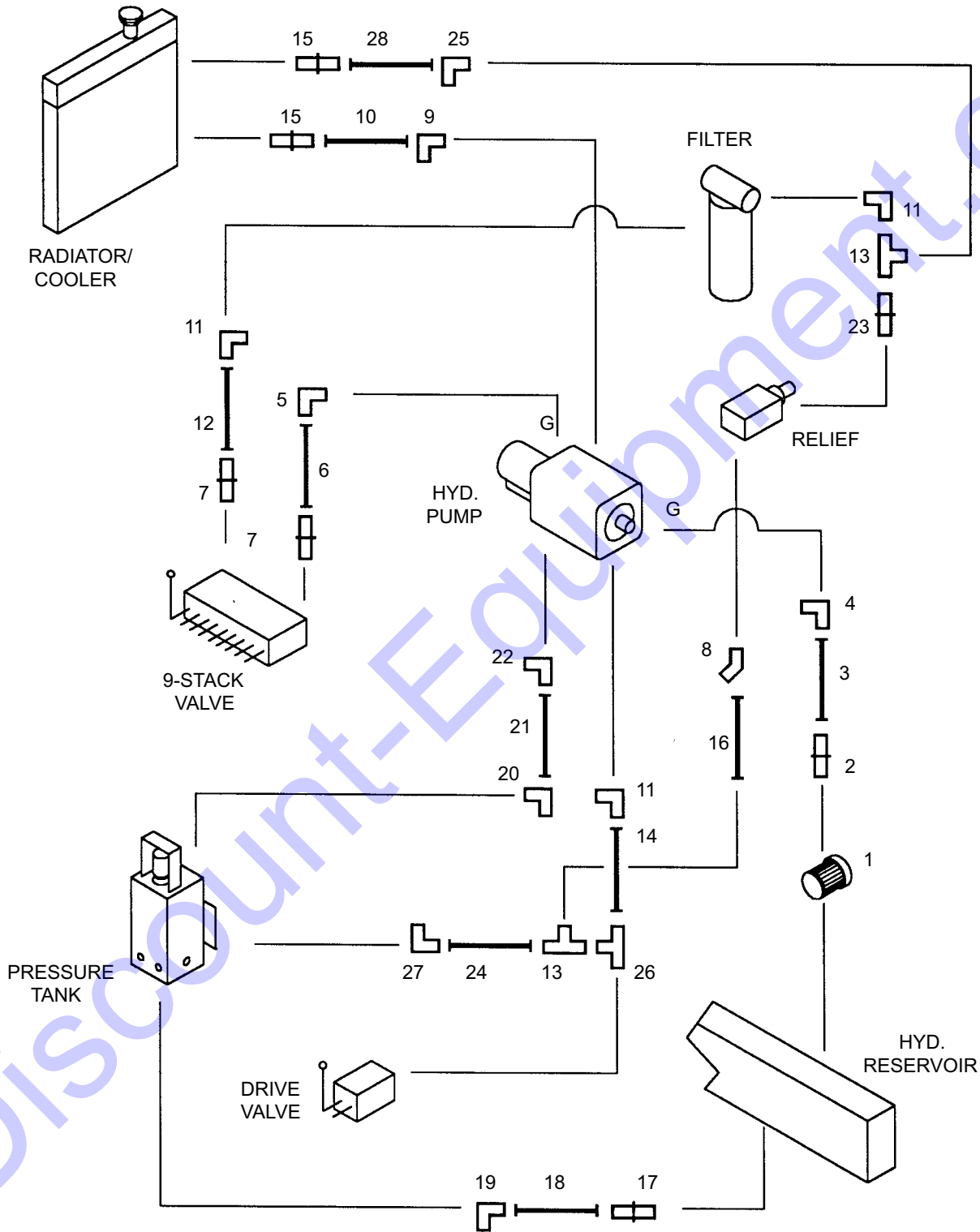
1438 Pump/Reservoir Plumbing Lines
 (2-Spd. Rubber Tire Drive, S/N 14332 and Up)



1438 Pump/Reservoir Plumbing Lines
(2-Spd. Rubber Tire Drive, S/N 14332 and Up)

Ref. No.	Part No.	Description	Qty. Req.	Ref. No.	Part No.	Description	Qty. Req.
01	076880	ELBOW/HYD. FITTING 45 DEG...	1	22	L61092	HYD.FITTING	1
02	P471319	HOSE ASY -8 52" A8/A8	1	23	P470456	HOSE ASY -12 100" A12/A12	1
03	088442	ELBOW,SWIVEL	4	24	L277944	ADP-20 ORM 12 JICM	1
04	076143	TEE/FEMALE RUN SWIVEL	3	25	128299	STRAINER/W/BYPASS	1
05	121775	ADP/ -12ORM -8JICM 90 DEG	2	26	P471339	ASY/STANDPIPE	1
06	074020	FILTER W/HEAD SEC.	1	27	P470533	HOSE ASY -8 86" A8/A8	1
	074830	ELEMENT ONLY	1	28	P471289	ADP 12 BLKHD STR.	1
07	P470462	HOSE ASY -8	2	29	P471247	BREATHER/CAP PRESS. 10 PSI	1
08	054626	ADP-80RM-8JICM STR.	2	30	076031	ELBOW/90 DEG MALE	1
09	P471496	ADP -60RM -8JICF	1	31	P470404	HOSE ASY -8 72" A8/A8	1
10	P471498	RELIEF VALVE	1	32	L60534	ADP-8JICFWVL -4 JICM	2
11	P471497	ELBOW 45 -60RM 8JICM	1	33	P471499	HOSE/ASY -4 18" A4/A4	2
12	054982	ELBOW/HYD.FITTING 90 DEG	2	34	L62834	TESTPORT	2
13	P061400	COOLER, HYDRAULIC	1		L62840	DUST/CAP	2
14	P473071	HOSE ASY -8 36" A8/A8	1	35	101283	VALVE/9 STACK W/RELIEF	1
15	L446021	REDUCER/ -12JICF -8JICM STR	3	36	072615	ELBOW/HYD.FITTING 90 DEG	3
16	P471299	TEE-12JIC BULK HEAD	1	37	P473069	HOSE ASY -10 96" A10/A10	1
17	P256450	HOSE ASY -12 73" A12/A12	1	38	P471357	ADP 12ORM -10JICM 45 DEG	1
18	114930	ADP 1-1/4 MP-- 12 JICM	1	39	P471345	HOSE ASY -10	1
19	P471322	HOSE ASY -8 52" A6/A8	1	40	P417600	DRIVE VALVE	1
20	068938	ELBOW/90 DEG ADJUSTABLE	1	41	P471321	ADP/TEE SWIVEL 8	1
21	P473286	PUMP/AXIAL GEAR	1	42	L64660	ADP -8ORM2x-8JICM TEE	1

1448 Pump/Reservoir Plumbing Lines (Track and 1-Spd. Rubber Tire Drive, Thru S/N 17034)



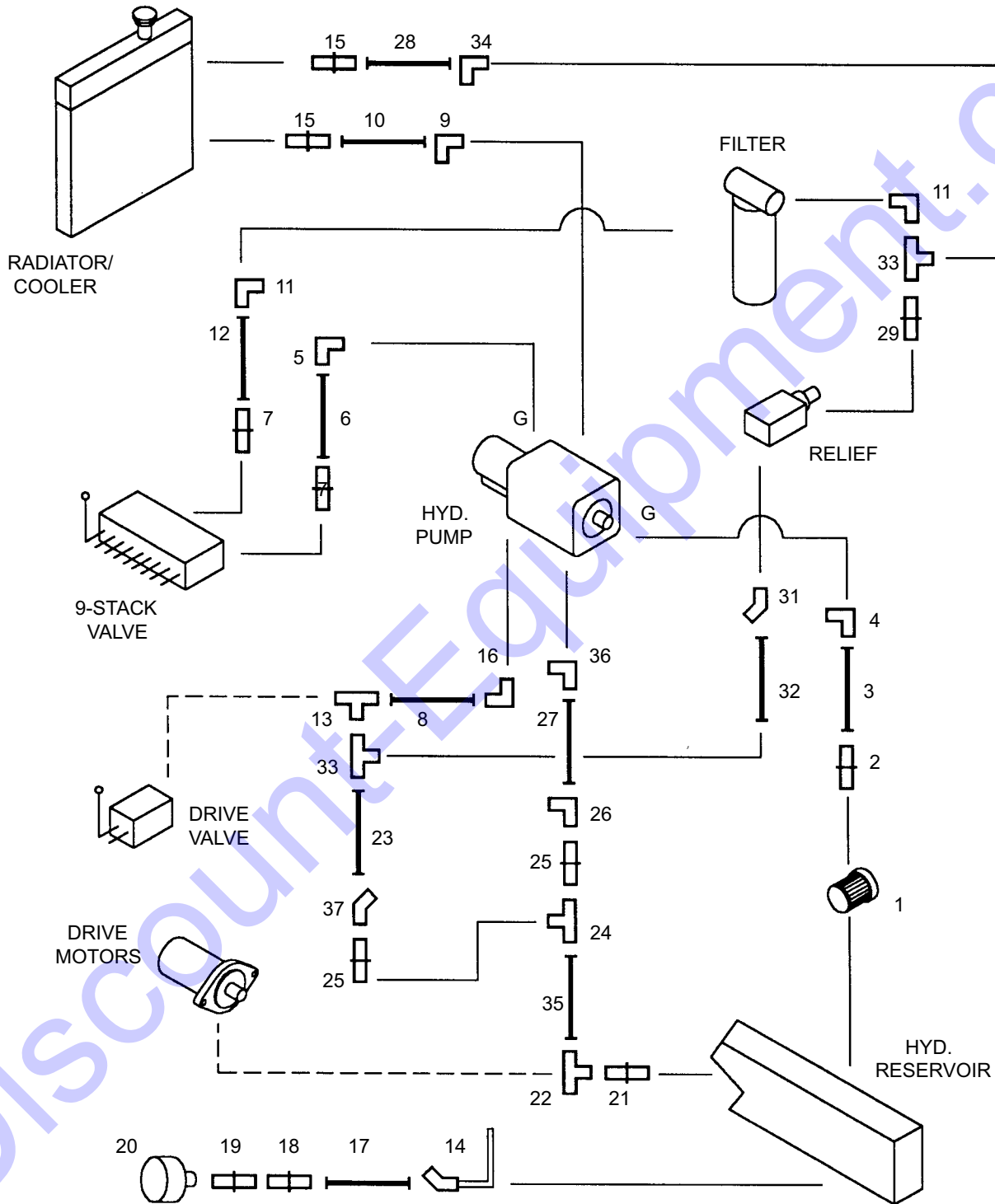
816-60/38hys6.tif)

1448 Pump/Reservoir Plumbing Lines
(Track and 1-Spd. Rubber Tire Drive, Thru S/N 17034)

Ref. No.	Part No.	Description	Qty. Req.	Ref. No.	Part No.	Description	Qty. Req.
01	128299	STRAINER -20ORF	1	17 ^a	L444001	MALE STR. CONNTR.	1
02	L277944	STR. MALE CONNTR.	1			(-12OR/-12JIC)	
03	P470929	HOSE ASY. -12X77"	1	17 ^b	L51531	MALE STR. CONNTR.	1
04	L445001	MALE 90 ELBOW	1			(1-1/4NPT/1-1/2JIC)	
		(-12OR/-12JIC)		18	P256450	HOSE ASY. -12X71"	1
05	L445009	MALE 90 ELBOW	1	19	L442004	MALE 90 ELBOW	1
		(-10OR/-8JIC)				(-3/4NPT/-12JIC)	
06	P470928	HOSE ASY. -8X45"	1	20	L442019	MALE 90 ELBOW	1
07	L444004	MALE STR. CONNTR.	2			(1/2NPT/-6JIC)	
		(-8OR/-8JIC)		21	P470927	HOSE ASY-6X31"	1
08	L442012	MALE 45 ELBOW	1	22	L445003	MALE 90 ELBOW	2
		(-8NPT/-8JIC)				(-6OR/-6JIC)	
09	L445002	MALE 90 ELBOW	1	23	P470877	STR. ADAPTER	1
		(-8OR/-8JIC)				(-8JICF/-8NPT	
10	P470930	HOSE ASY. -8X48"	1	24	P470926	HOSE ASY. -8X8"	1
11	L445006	MALE 90 ELBOW	3	25	L446017	SWVL. 90 ELBOW	1
		(-12OR/-8JIC)				(-8JICM/-8JICFS)	
12	P470932	HOSE ASY. -8X67"	1	26	P231100	MALE TEE	1
13	L446026	SWVL. TEE	1			(-8JIC ALL ENDS)	
		(-8JICM/-8JICM/-8JICFS)		27	L442003	MALE 90 ELBOW	1
14	P470455	HOSE ASY. -8X41"	1			(-8N PT/-8JIC)	
15	L51827	MALE STR. CONNTR.	2	28	P470933	HOSE ASY. -6X32"	1
		(1/8NPT/-6JIC)					
16	P470931	HOSE ASY. -8X28"	1				

a Used on Model 1448 Thru S/N 17006.
b Used on Model 1448 S/N 17007 & Up.
 NOTE: P/N's for Other Components Referenced Elsewhere in this Manual.

1448 Pump/Reservoir Plumbing Lines
(Track, S/N 17035 thru 17074)
(1-Spd. Rubber Tire Drive, S/N 17035 thru 17409)



816-60/38hys7.tif

1448 Pump/Reservoir Plumbing Lines
(Track, S/N 17035 thru 17074)
(1-Spd. Rubber Tire Drive, S/N 17035 thru 17409)

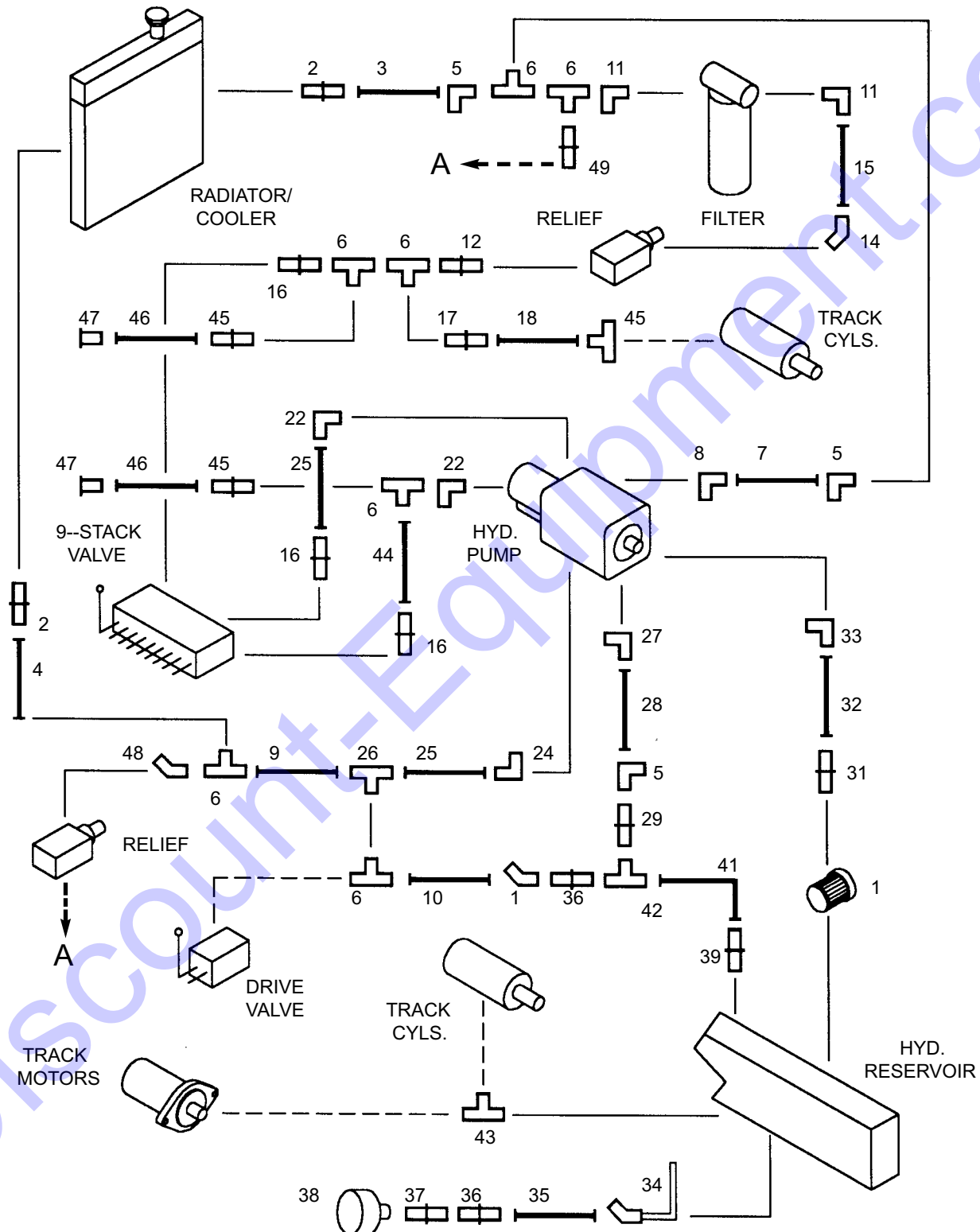
Ref. No.	Part No.	Description	Qty. Req.	Ref. No.	Part No.	Description	Qty. Req.
01	128299	STRAINER -20ORF	1	20	P471247	BREATHER CAP	1
02	L277944	STR. MALE CONNTR. (-20OR/-1 2JIC)	1		P471288	MOUNT BRACKET	1
03	P470929	HOSE ASY. -12X77"	1		L50367	CS 3/8-16X1 (P,NIN)	
04 ^a	L445001	MALE 90 ELBOW. (-12OR/-12JIC)	1	21	L51531	STR. MALE CONNTR. (1.25P/-12JIC)	1
04 ^b	L61092	MALE 90 ELBOW. (-16OR/-12JIC)	1	22	L446019	SWVL. TEE	1
05	L445009	MALE 90 ELBOW	1			(-12JICF/-12JICM/-12JICM)	
06	P470928	HOSE ASY-8X45"	1	23	P470926	HOSE ASY. -8X8"	1
07	L444004	MALE STR. CONNTR. (-8OR/-8JIC)	2	24	P471299	BULKHD TEE (-12JICM).....	1
08	P471350	HOSE ASY. -10X32"	1	25	L446021	STR. SWVL. REDUCER	2
09	L445002	MALE 90 ELBOW. (-8OR/-8JIC)	1			(-12JICF/-8JICM)	
10	P470930	HOSE ASY-8X48"	1	26	L446017	SWVL. 90 ELBOW	1
11	L445006	MALE 90 ELBOW	3			(-8JICM/-8JICF)	
12	P470932	HOSE ASY. -8X67"	1	27	P471318	HOSE ASY. -8X28"	1
13	P471354	MALE TEE (-10JIC)	1	28	P470933	HOSE ASY. -6/-8X32"	1
14	P471339	MALE 45 STANDPIPE	1	29	P470877	STR. ADAPTER	1
15	L51827	MALE STR. CONNTR. (1/8NPT/-6JIC)	2			(-8JICF/-8NPT)	
16	P471353	MALE 90 ELBOW	1	30	L446024	SWVL. 45 ELBOW	1
17	P470533	HOSE ASY. -8X86"	1			(-8JICM/-8JICF)	
18	L446021	STR. SWVL. REDUCER	1	31	L442012	MALE 45 ELBOW	1
19	P471289	STR. SWVL. BULKHD. (-12NPTF/-12JICM)	1			(1/2NPT/-8JIC)	
				32	P470931	HOSE ASY. -8X28"	1
				33	L446026	SWVL. TEE	2
						(-8JICM/-8JICM/-8JICFS)	
				34	L446017	SWVL. 90 ELBOW	1
						(-8JICM/-8JICFS)	
				35	P256450	HOSE ASY. -12X73"	1
				36	L445003	MALE 90 ELBOW	1
						(-6OR/-6JIC)	

a Thru S/N 17182.

b S/N 17183 & Up.

NOTE: P/N's for Other Components Referenced Elsewhere in this Manual.

1448 Pump/Reservoir Plumbing Lines (Positive Track Drive, S/N 17075 thru 17410)



1025-81/38adm4.tif

1448 Pump/Reservoir Plumbing Lines
(Positive Track Drive, S/N 17075 thru 17410)

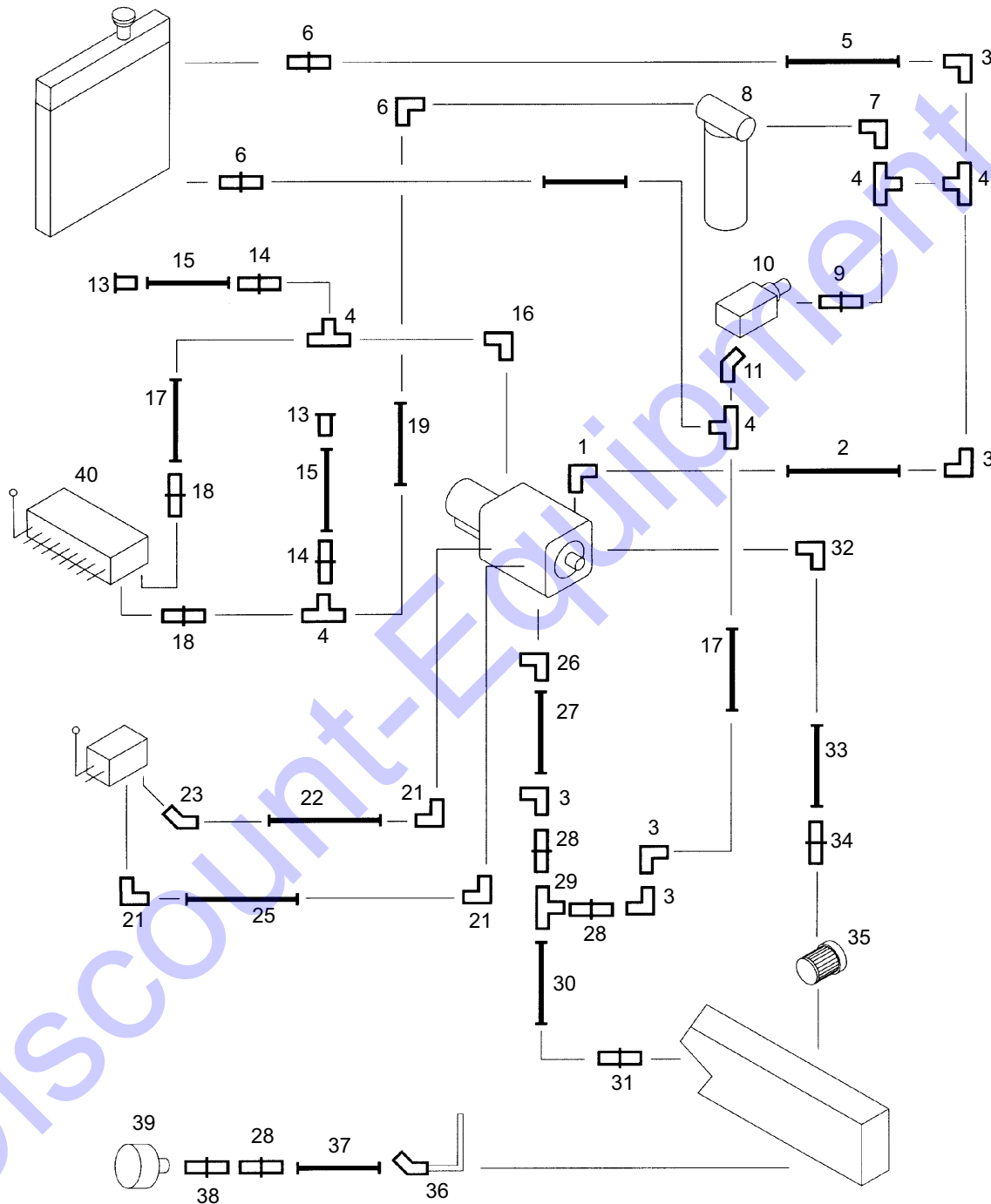
Ref. No.	Part No.	Description	Qty. Req.	Ref. No.	Part No.	Description	Qty. Req.
01	L446024	SWVL. 45 ELBOW 1 (-8JICM/-8JICFS)	1	29	L446021	STR. REDUCER 1 (-12JICF/-8JICM)	1
02	L51827	STR. MALE CONNTR. 1 (1/8NPT/-6JIC)	1	30	128299	STRAINER -20ORF..... 1	1
03	P470933	HOSE ASY. -6X32" 1	1	31	L277944	STR. MALE REDUCER..... 1 (-20OR/-12JIC)	1
04	P470930	HOSE ASY. -6X48" 1	1	32	P470929	HOSE ASY. -12X77" 1	1
05	L446017	SWVL. 90 ELBOW 3 (-8JICFS/-8JICM)	3	33a	L445001	MALE 90 ELBOW 1 (-12OR/-12JIC)	1
06	L446026	SWVL. TEE (-8JICFS/-8JICM) 6	6	33b	L61092	MALE 90 ELBOW..... 1 (-16OR/-12JIC)	1
07	P259525	HOSE ASY. -8X20" 1	1	34	L471339	MALE 45 STANDPIPE..... 1 (-8OR/-8JIC)	1
08	L445002	MALE 90 ELBOW 1 (-8OR/-8JIC)	1	35	P470533	HOSE ASY. -8X36" 1	1
09	P470931	HOSE ASY. -8X32" 1	1	36	L446021	STR. REDUCER 2 (-12JICF/-8JICM)	2
10	P470926	HOSE ASY. -8X8" 1	1	37	P471289	STR. SWVL. BULKHD. 1 (-12NPTFS/-12JICM)	1
11	L445006	MALE 90 ELBOW 2 (-12OR/-8JIC)..... 2	2	38	P471247	BREATHER CAP (-12NPT)..... 1	1
12	P470877	STR. CONNTR. (-8JICF/-8JICM) .. 2	2	39	L51531	STR. MALE CONNTR. 1 (1.25P/-12JIC)	1
13	P470931	HOSE ASY -8X32"..... 1	1	40	L446019	SWVL. TEE (-12JICF/-12JICM), ... 1	1
14	L442012	MALE 45 ELBOW 2 (-8NPT/-8JIC)	2	41	P256450	HOSE ASY. -12X73" 1	1
15	P470932	HOSE ASY. -8X67" 1	1	42	P471299	MALE BULKHD. TEE (-12JIC) 1	1
16	L444004	STR. MALE CONNTR. 3 (-8OR/-8JIC)	3	43	L51586	MALE TEE (-8JIC ALL ENDS). 1	1
17	L60588	STR. REDUCER (-8JICF/-6JICM). . 1	1	44	P470928	HOSE ASY. -8X45" 1	1
18	P471218	HOSE ASY. 6X94" 1	1	45	L60534	STR. ADAPTER. 2 (-8JICF/-4JICM)	2
19	P471351	STR. MALE REDUCER..... 1 (-12OR/-10JIC)	1	46	P471499	HOSE ASY. -4X17-1/2" 2	2
20	P471349	HOSE ASY. -10X64" 1	1	47	L62834	BULKHD. NIPPLE, TEST PORT... 2	2
21	P471357	MALE 45 ELBOW 1 (-12OR/-10JIC)	1		L62840	DUST CAP 2	2
22	L445009	MALE 90° ELBOW 2 (-10OR/-8JIC)	2	48	P471497	MALE 45 ELBOW 1 (-6OR/-8JIC)	1
23	P470928	HOSE ASY. -8X45" 1	1	49	P471496	STR. ADAPTER. 1 (-6ORM/-8JICF)	1
24	P471353	MALE 90 ELBOW 1 (-12OR/-10JIC)	1				
25	P471350	HOSE ASY. -10X32" 1	1				
26	P471354	MALE TEE (-10JIC)..... 1	1				
27	L445003	MALE 90 ELBOW 1 (-6OR/-6JIC)	1				
28	P471318	HOSE ASY. -8X28" 1	1				

a Thru S/N 17182.

b S/N 17083 & Up.

NOTE: P/N's for Other Components Referenced Elsewhere in this Manual.

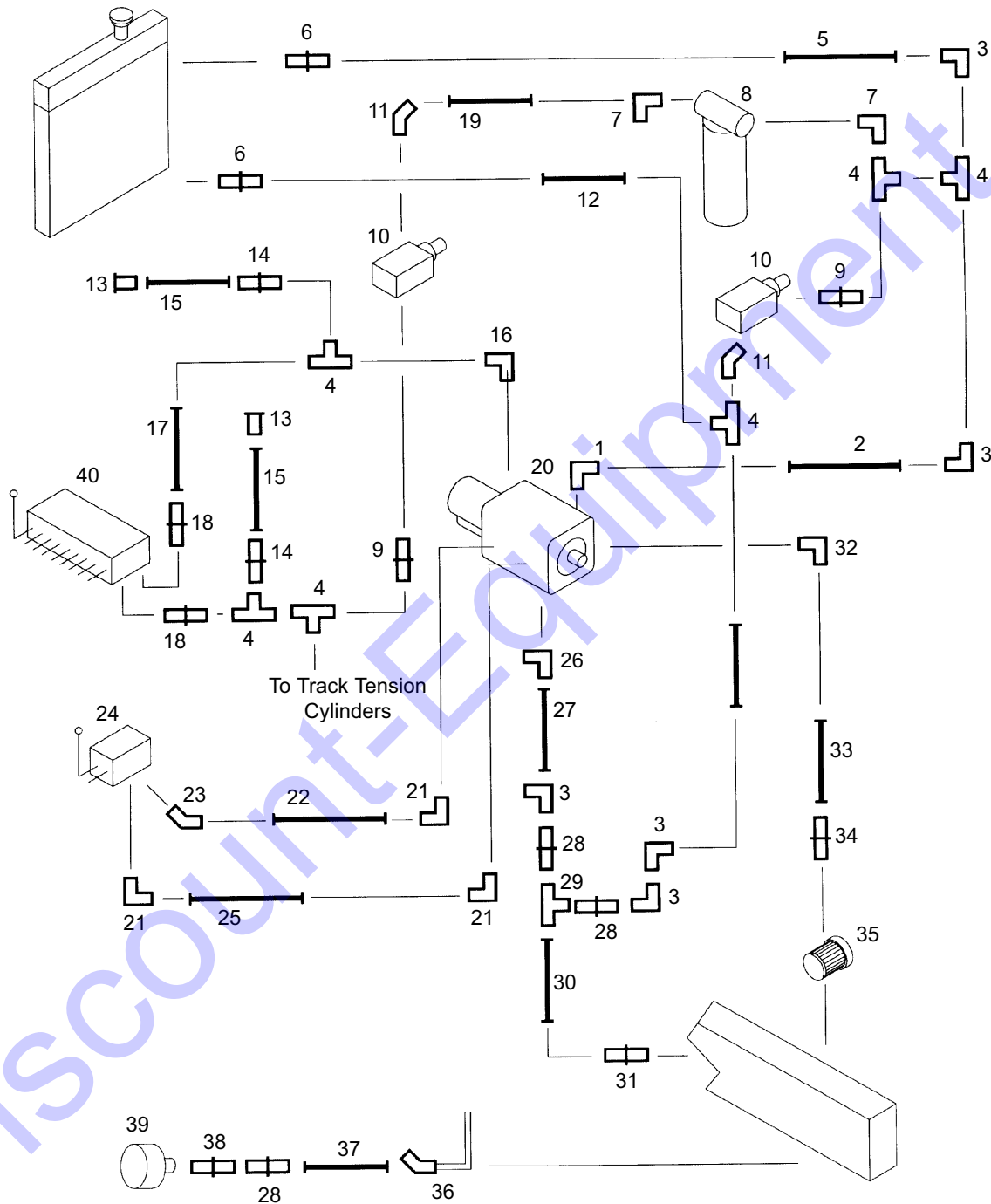
1448 Pump/Reservoir Plumbing Lines
(1-Spd. Rubber Tire Drive, S/N 17410 and Up)



1448 Pump/Reservoir Plumbing Lines
(1-Spd. Rubber Tire Drive, S/N 17410 and Up)

Ref. No.	Part No.	Description	Qty. Req.	Ref. No.	Part No.	Description	Qty. Req.
01	054816	ELBOW 90 DEG	1	20	P473286	PUMP/AXIAL GEAR	1
02	P259525	HOSE ASY, -8 20" A8/A8.	1	21	072615	ELBOW/HYD.FITTING 90 DEG . . .	3
03	088442	ELBOW,SWIVEL	5	22	P471349	HOSE ASY, -10 64" A10/A10.	1
04	076143	TEE/FEMALE RUN SWIVEL.	5	23	P471357	ADAP 12ORM -10JICM 45 DEG. . .	1
05	P470933	HOSE ASY, -6 32" A6/A8.	1	24	P417600	VALVE 2 STACK	1
06	L51827	ADAPTER PIPE-37 FLARE.	2	25	P473069	HOSE ASY, -10 96" A10/A10.	1
07	121775	ADAP/ -12ORM -8JICM 90 DEG. . .	2	26	068938	ELBOW/90 DEG ADJUSTABLE . . .	1
08	074020	FILTER W/HEAD SEC.	1	27	100435	HOSE ASY, -8 42" A8/A6.	1
	074830	ELEMENT ONLY	1	28	L446021	REDUCER/ -12JICF -8JICM STR. .	3
09	P471496	ADAPTER -60RM -8JICF	1	29	P471299	TEE-12JIC BLK HEAD	1
10	P471498	RELIEF VALVE	1	30	P256450	HOSE ASY, -12 73" A12/A12.	1
11	P471497	ELBOW 45 -60RM 8JICM	1	31	114930	ADAP 1-1/4 MP- 12 JICM	1
12	P470930	HOSE ASY, -6 48" A6/A8.	1	32	L61092	HYD.FITTING	1
13	L62834	TESTPORT	2	33	P470929	HOSE ASY, -12 77" A12/A12.	1
	L62840	DUST CAP	2	34	L277944	ADP-20 ORM 12 JICM	1
14	L60534	ADP-8JICFSWVL -4 JICM.	2	35	128299	STRAINER/W/BY PASS	1
15	P471499	HOSE ASY, -4 18" A4/A4.	2	36	P471339	ASY/STANDPIPE	1
16	076031	ELBOW/90 DEG	1	37	P470533	HOSE ASY, -8 42" A8/A8.	1
17	P470928	HOSE ASY, -8 45" A8/A8.	2	38	P471289	ADAP 12 BLKHD STR.	1
18	054626	ADAP-80RM-8JICM STR	2	39	P471247	BREATHER/CAP	1
19	P470932	HOSE ASY, -8 67" A8/A8.	1	40	101283	9-STACK VALVE	1

1448 Pump/Reservoir Plumbing Lines
(Positive Track Drive, S/N 17411 and Up)

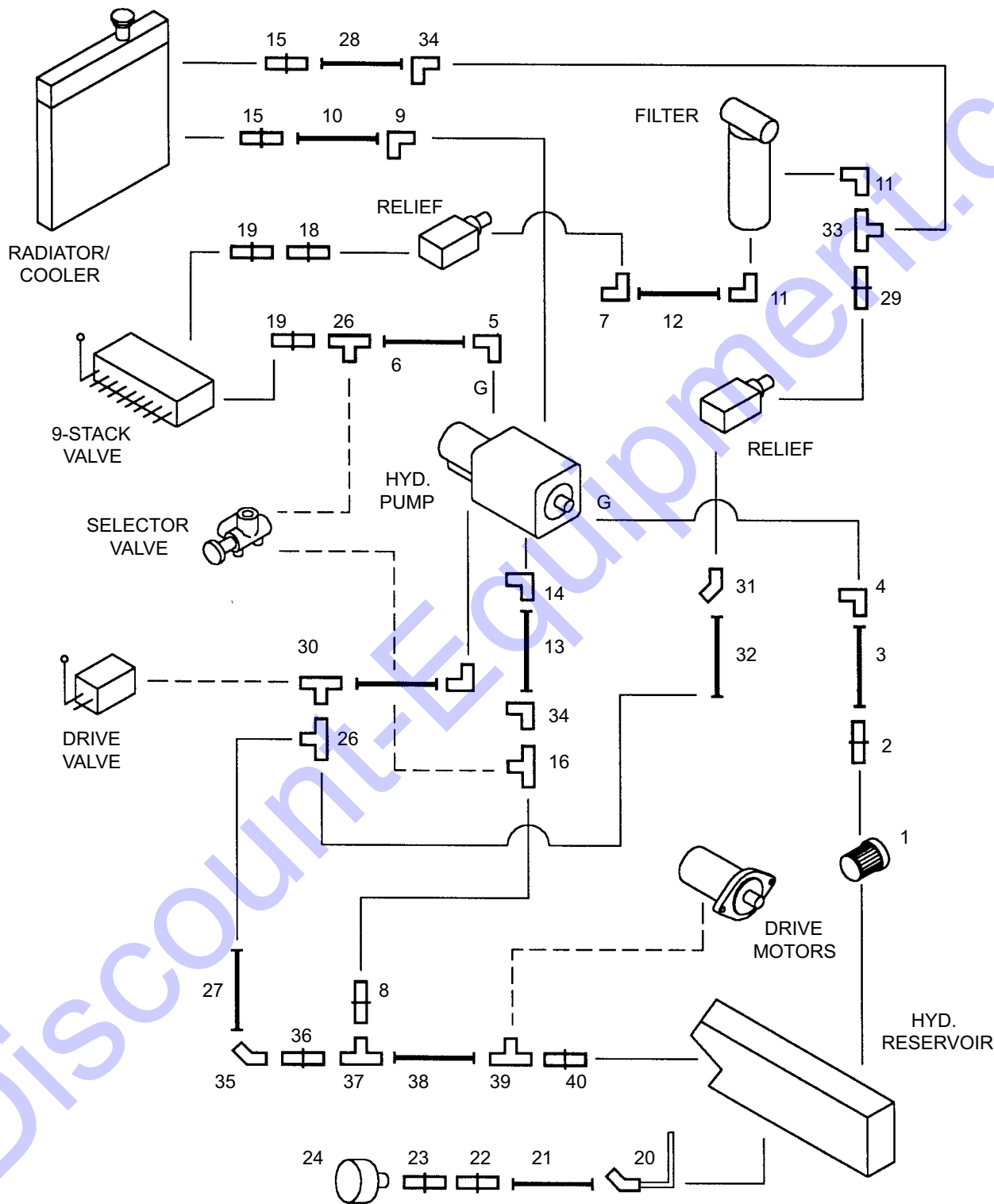


1448 Pump/Reservoir Plumbing Lines
(Positive Track Drive, S/N 17411 and Up)

Ref. No.	Part No.	Description	Qty. Req.	Ref. No.	Part No.	Description	Qty. Req.
01	054816	ELBOW 90 DEG	1	20	P473286	PUMP/AXIAL GEAR	1
02	P259525	HOSE ASY, -8 20" A8/A8.	1	21	072615	ELBOW/HYD.FITTING 90 DEG	3
03	088442	ELBOW,SWIVEL	5	22	P471349	HOSE ASY, -10 64" A10/A10.	1
04	076143	TEE/FEMALE RUN SWIVEL.	6	23	P471357	ADAP 12ORM -10JICM 45 DEG.	1
05	P470933	HOSE ASY, -6 32" A6/A8.	1	24	P471467	VALVE 2 STACK	1
06	L51827	ADAPTER PIPE-37 FLARE.	2	25	P473069	HOSE ASY, -10 96" A10/A10.	1
07	121775	ADAP/ -12ORM -8JICM 90 DEG.	2	26	068938	ELBOW/90 DEG ADJUSTABLE	1
08	074020	FILTER W/HEAD SEC.	1	27	100435	HOSE ASY, -8 42" A8/A6.	1
	074830	ELEMENT ONLY	1	28	L446021	REDUCER/ -12JICF -8JICM STR.	3
09	P471496	ADAPTER -60RM -8JICF	2	29	P471299	TEE-12JIC BLK HEAD	1
10	P471498	RELIEF VALVE	2	30	P256450	HOSE ASY, -12 73" A12/A12.	1
11	P471497	ELBOW 45 -60RM 8JICM	2	31	114930	ADAP 1-1/4 MP- 12 JICM	1
12	P470930	HOSE ASY, -6 48" A6/A8.	1	32	L61092	HYD.FITTING	1
13	L62834	TESTPORT	2	33	P470929	HOSE ASY, -12 77" A12/A12.	1
	L62840	DUST CAP	2	34	L277944	ADP-20 ORM 12 JICM	1
14	L60534	ADP-8JICFSWVL -4 JICM.	2	35	128299	STRAINER/W/BY PASS	1
15	P471499	HOSE ASY, -4 18" A4/A4.	2	36	P471339	ASY/STANDPIPE	1
16	076031	ELBOW/90 DEG	1	37	P470533	HOSE ASY, -8 42" A8/A8.	1
17	P470928	HOSE ASY, -8 45" A8/A8.	2	38	P471289	ADAP 12 BLKHD STR.	1
18	054626	ADAP-80RM-8JICM STR	2	39	P471247	BREATHING/CAP	1
19	P470932	HOSE ASY, -8 67" A8/A8.	1	40	101283	9-STACK VALVE	1

1448 Pump/Reservoir Plumbing Lines

(2-Spd. Rubber Tire Drive, Thru S/N 17409)



1025-81/38hys8.tif

1448 Pump/Reservoir Plumbing Lines
(2-Spd. Rubber Tire Drive, Thru S/N 17409)

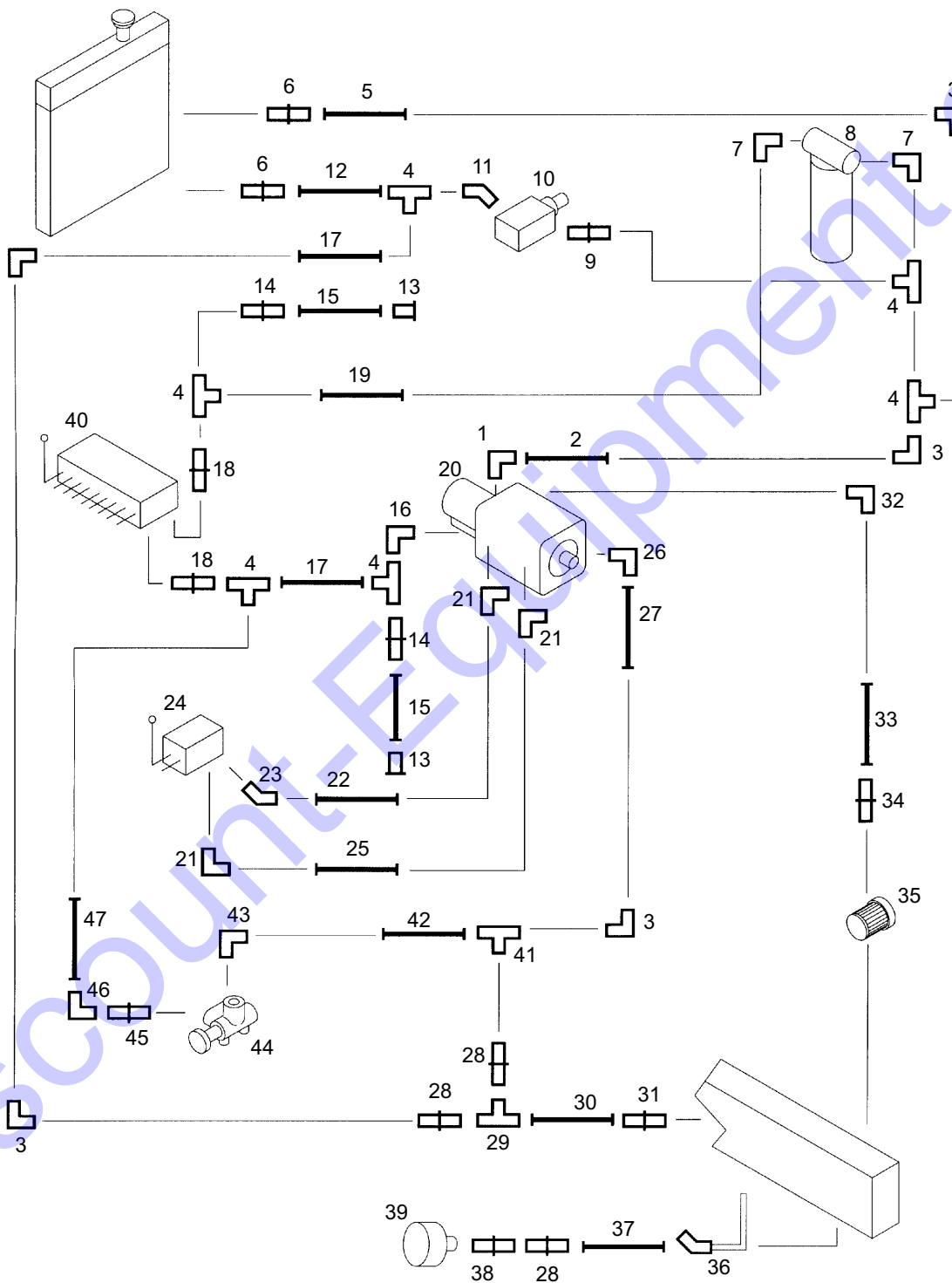
Ref. No.	Part No.	Description	Qty. Req.	Ref. No.	Part No.	Description	Qty. Req.
01	128299	STRAINER -20ORF	1	22	L446021	SWVL. REDUCER. (-12JICF/-8JICM)	1
02	L277944	STR. MALE CONNTR. (-20OR/-1 2JIC)	1	23	P471289	STR. SWVL. BULKHD (-12NPTFS/-12JICM)	1
03	P470929	HOSE ASY.-12X77"	1	24	P471247	BREATHER CAP (-12NPT)	1
04 ^a	L445001	MALE 90 ELBOW (-12OR/-12JIC)	1	25	P471353	MALE 90 ELBOW (-10OR/-10JIC)	1
04 ^b	L61092	MALE 90 ELBOW (-16OR/-12JIC)	1	26	L446026	SWVL. TEE (-8JICFS/-8JICM)	2
05	L445009	MALE 90 ELBOW (-10OR/-8JIC)	1	27	P470926	HOSE ASY. -8X8"	1
06	P470928	HOSE ASY. -8X45"	1	28	P470933	HOSE ASY. -6/-8X32"	1
07	L442020	MALE 90. ELBOW (3/8P/-8JIC)	2	29	P470877	STR. ADAPTER (-8JICF/-8NPT)	1
08	L446021	SWVL. REDUCER (-12JICFS/-8JICM)	1	30	P471354	MALE ORIFICE TEE (-10JIC)	1
09	L445002	MALE 90 ELBOW (-8OR/-8JIC)	1	31	L442012	MALE 45 ELBOW (-8NPT/-8JIC)	1
10	P470930	HOSE ASY. -8X48"	1	32	P470931	HOSE ASY. -8X28"	1
11	L445006	MALE 90 ELBOW (-12OR/-8JIC)	3	33	L446026	SWVL. TEE (-8JICM/-8JICM/-8JICFS)	2
12	P470932	HOSE ASY. -8X67"	1	34	L446017	SWVL. 90 ELBOW (-8JICM/-8JICFS)	1
13	P471318	HOSE ASY. -8X28"	1	35	L446024	SWVL. 45 ELBOW (-8JICM/-8JICFS)	1
14	L445003	MALE 90 ELBOW (-6OR/-6JIC)	1	36	L446021	SWVL. REDUCER (-12JICFS/-8JICM)	1
15	L51827	MALE STR. CONNTR. (1/8NPT/-6JIC)	2	37	P471299	MALE BULKHD. TEE (-12JIC)	1
16	P471321	SWVL. TEE (-8JICM/-8JICFS)	1	38	P256450	HOSE ASY. -12X73"	1
17	P471350	HOSE ASY.-10X32"	1	39	L446019	SWVL. TEE (-12JICFS/-12JICM)	1
18	P470877	STR. SWVL. REDUCER (3/8P/-8JICF)	1	40	L51531	MALE STR. CONNTR. (1.25P/-12JIC)	1
19	L444004	STR. MALE CONNTR. (-8OR/-8JIC)	2				
20	L471339	MALE 45 STANDPIPE (-8OR/-8JIC)	1				
21	P470533	HOSE ASY. -8X86"	1				

a Thru S/N 17182.

b S/N 17083 & Up.

NOTE: P/N's for Other Components Referenced Elsewhere in this Manual.

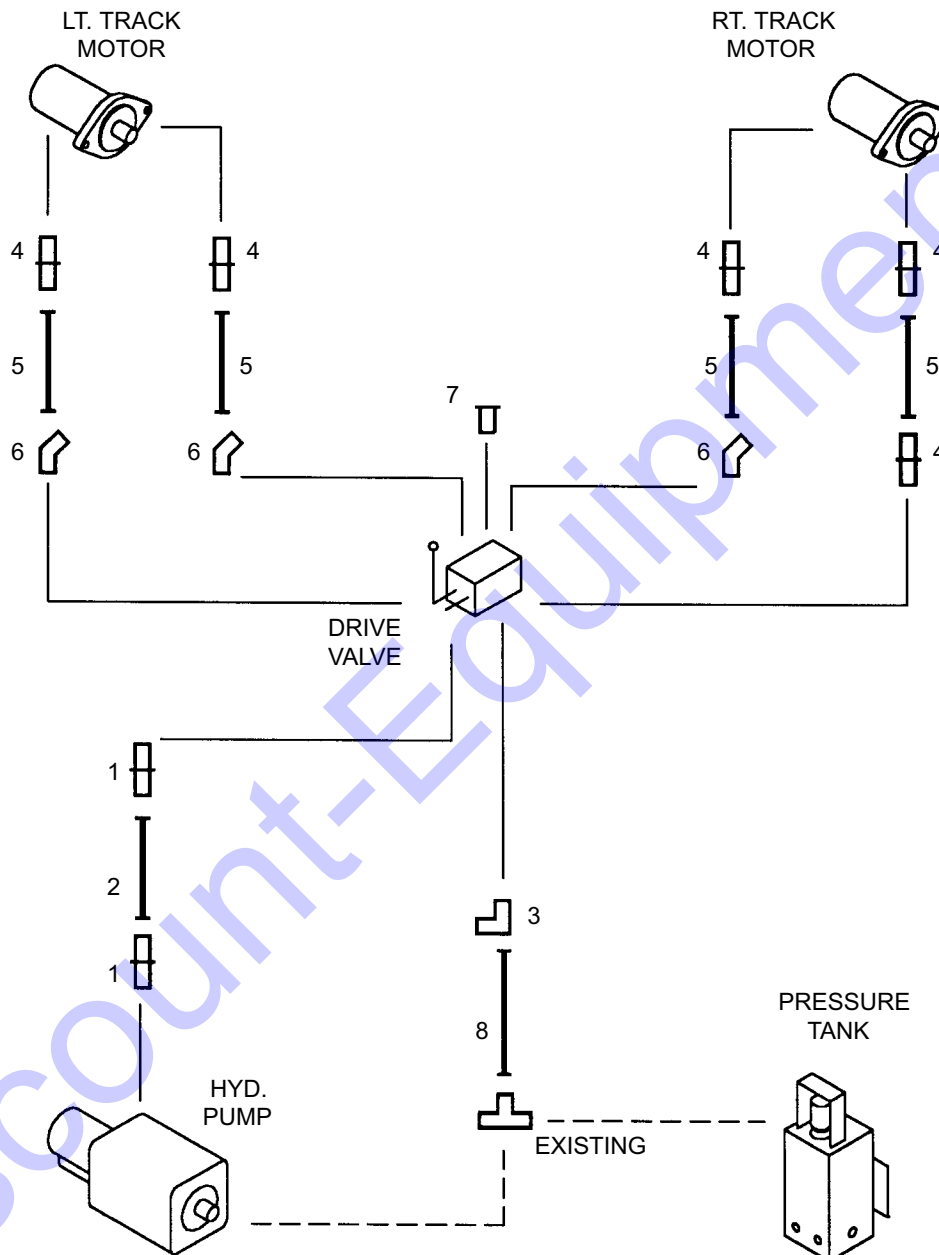
1448 Pump/Reservoir Plumbing Lines
(2-Spd. Rubber Tire Drive, S/N 17410 and Up)



1448 Pump/Reservoir Plumbing Lines
(2-Spd. Rubber Tire Drive, S/N 17410 and Up)

Ref. No.	Part No.	Description	Qty. Req.	Ref. No.	Part No.	Description	Qty. Req.
01	054816	ELBOW 90 DEG	1	24	P417600	VALVE 2 STACK	1
02	P259525	HOSE ASY, -8 20" A8/A8.	1	25	P473069	HOSE ASY, -10 96" A10/A10.	1
03	088442	ELBOW,SWIVEL	5	26	068938	ELBOW/90 DEG ADJUSTABLE	1
04	076143	TEE/FEMALE RUN SWIVEL.	6	27	100435	HOSE ASY, -8 42" A8/A6.	1
05	P470933	HOSE ASY, -6 32" A6/A8.	1	28	L446021	REDUCER/ -12JICF -8JICM STR.	3
06	L51827	ADAPTER PIPE-37 FLARE.	2	29	P471299	TEE-12JIC BLK HEAD	1
07	121775	ADAP/ -12ORM -8JICM 90 DEG.	2	30	P256450	HOSE ASY, -12 73" A12/A12.	1
08	074020	FILTER W/HEAD SEC.	1	31	114930	ADAP 1-1/4 MP- 12 JICM	1
	074830	ELEMENT ONLY	1	32	L61092	HYD.FITTING	1
09	P471496	ADAPTER -60RM -8JICF	1	33	P470929	HOSE ASY, -12 77" A12/A12.	1
10	P471498	RELIEF VALVE	1	34	L277944	ADP-20 ORM 12 JICM	1
11	P471497	ELBOW 45 -60RM 8JICM	1	35	128299	STRAINER/W/BY PASS	1
12	P470930	HOSE ASY, -6 48" A6/A8.	1	36	P471339	ASY/STANDPIPE	1
13	L62834	TESTPORT	2	37	P470533	HOSE ASY, -8 42" A8/A8.	1
	L62840	DUST CAP	2	38	P471289	ADAP 12 BLKHD STR.	1
14	L60534	ADP-8JICFSWVL -4 JICM.	2	39	P471247	BREATHER/CAP.	1
15	P471499	HOSE ASY, -4 18" A4/A4.	2	40	101283	9-STACK VALVE	1
16	076031	ELBOW/90 DEG	1	41	P471321	ADP/TEE SWIVEL.	1
17	P470928	HOSE ASY, -8 45" A8/A8.	2	42	P471323	HOSE ASY, -6 50" A6/A8.	1
18	054626	ADAP-80RM-8JICM STR	2	43	L442019	ADP 1/2 MNPT -6JICM 90 DEG	1
19	P470932	HOSE ASY, -8 67" A8/A8.	1	44	P420700	VALVE SELECTOR.	1
20	P473286	PUMP/AXIAL GEAR	1	45	054995	UNION/HYD. FITTING	1
21	072615	ELBOW/HYD.FITTING 90 DEG	3	46	091039	ELBOW/HYD. FITTING 90 DEG.	1
22	P471349	HOSE ASY, -10 64" A10/A10.	1	47	P471374	HOSE ASY, -6 30" A6/A8.	1
23	P471357	ADAP 12ORM -10JICM 45 DEG.	1				

Drive Motors Plumbing Lines
Track & 1-Spd. Rubber Tire Drive
(1438 thru S/N 14130 and 14132, 1448 thru S/N 17034)



796-59/38hys9.tif

Drive Motors Plumbing Lines
Track & 1-Spd. Rubber Tire Drive
(1438 thru S/N 14130 and 14132, 1448 thru S/N 17034)

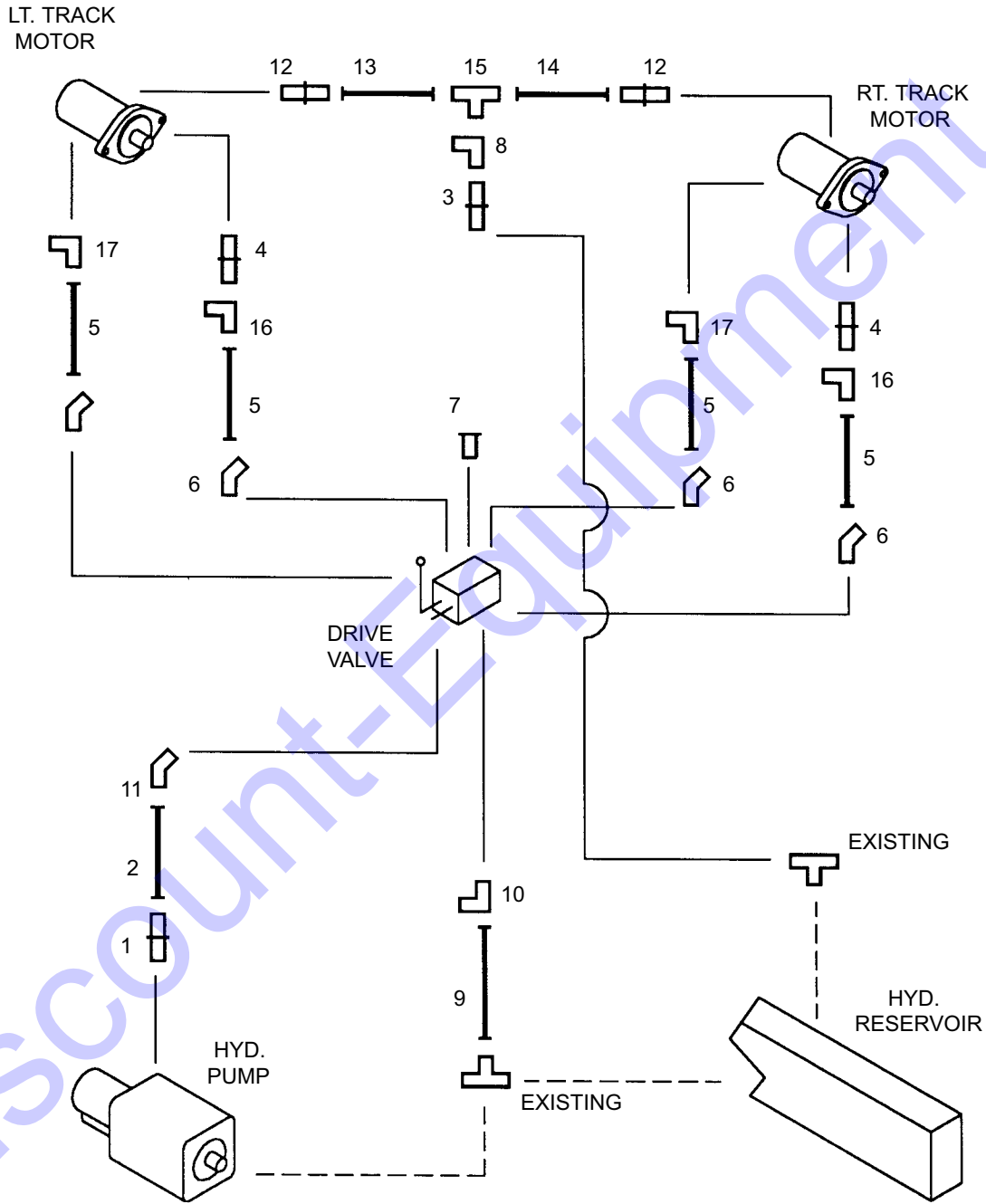
Ref. No.	Part No.	Description	Qty. Req.	Ref. No.	Part No.	Description	Qty. Req.
01	L444003	MALE STR. CONNTR. 2 (-12OR/-8JIC)	2	06	L51572	MALE 45 ELBOW 2 (-10OR/-8JIC)	2
02 ^b	P470533	HOSE ASY. -8X86" 1	1	07	L446025	PLUG (-8OR)..... 1	1
02 ^a	P470925	HOSE ASY. -88X64 1	1	08	P47046I	HOSE ASY. -8x47-1/2" 1	1
03	L445006	MALE 90 ELBOW 1 (-10OR/-8JIC)	1				
04	L444008	MALE 90 ELBOW 1 (-10OR/-8JIC)	1				
05	P258800	HOSE ASY. -8X148" 4	4				

a For 1448 Diesel Only.
b For 1438 Gas Only.
 NOTE: P/N's for Other Components Referenced Elsewhere in this Manual.

Drive Motors Plumbing Lines

Track and 1-Spd. Rubber Tire Drive

(1438 S/N 14131, 14133 thru 14196, 1448 S/N 17035 thru 17409)

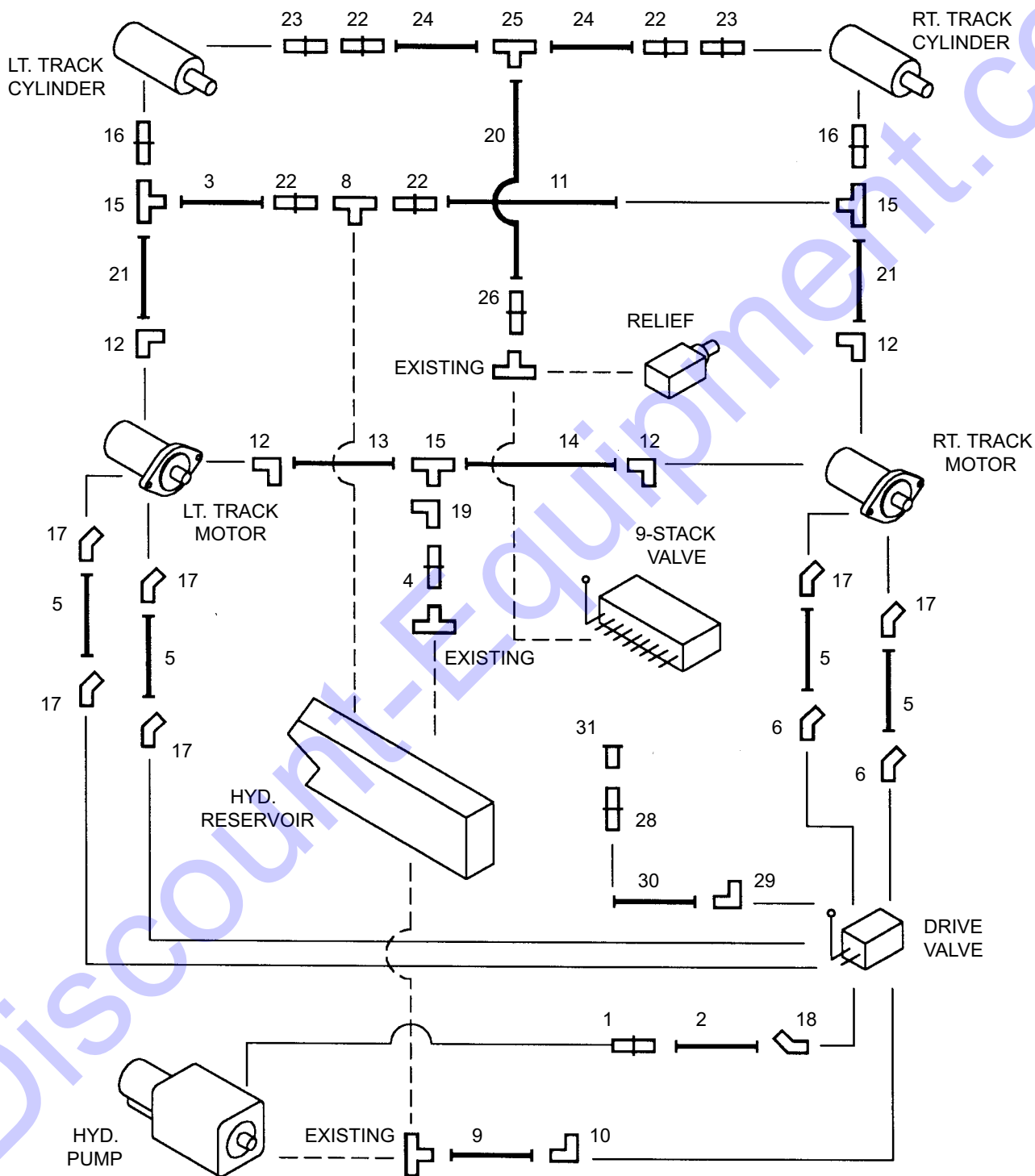


795-59/38hys10.tif)

Drive Motors Plumbing Lines
Track and 1-Spd. Rubber Tire Drive
(1438 S/N 14131, 14133 thru 14196, 1448 S/N 17035 thru 17409)

Ref. No.	Part No.	Description	Qty. Req.	Ref. No.	Part No.	Description	Qty. Req.
01	P471351	MALE STR. CONNTR.	2	12	L444005	MALE STR. CONNTR.	2
		(.12OR/-10JIC)				(-4OR/-4JIC)	
02 ^b	P471345	HOSE ASY. -10X86"	1	13 ^c	P471367	HOSE ASY. -6X46"	1
02 ^a	P471349	HOSE ASY. -10X64"	1	13 ^d	P471368	HOSE ASY. -4X22"	1
03	L51493	STR. SWVL. REDUCER.	1	14 ^c	P471366	HOSE ASY. -6X31"	1
		(-12JICFS/-6JICM)		14 ^d	P471369	HOSE ASY. -4X64"	1
04	L444010	MALE STR. CONNTR.	2	15	L446049	SWVL. TEE	1
		(-10OR/-10JIC)				(-6JICFS/-6JICM)	
05 ^c	P471361	HOSE ASY. -10X118"	4	16	P471356	SWVL. 90 ELBOW	2
05 ^d	P471348	HOSE ASY. -10X148"				(-10JICFS/-10JI8CM)	
06	P471352	MALE 45 ELBOW	4	17	L51599	MALE 90 ELBOW	2
		(-12OR/-10JIC)				(-10OR/-10JIC)	
07	L446025	PLUG (-8OR).....	1	a	<i>For 1448 Diesel Only.</i>		
08	L60653	SWVL. 90 ELBOW	1	b	<i>For 1438 Gas Only.</i>		
		(-6JICM/-6JICFS)		c	<i>For 1-Speed Rubber Tire Drive Units</i>		
09	P471346	HOSE ASY. -10x48".....	1	d	<i>For Track Drive Units</i>		
10	P471353	MALE 90 ELBOW	1		<i>NOTE: P/N's for Other Components Referenced</i>		
		(-10OR/-8JIC)			<i>Elsewhere in this Manual.</i>		
11	P471357	MALE 45 ELBOW	1				
		(-12OR/-10JIC)					

Drive Motors Plumbing Lines
Positive Track Drive
(1438 S/N 14197 thru 14331, 1448 S/N 17075 thru 17410)



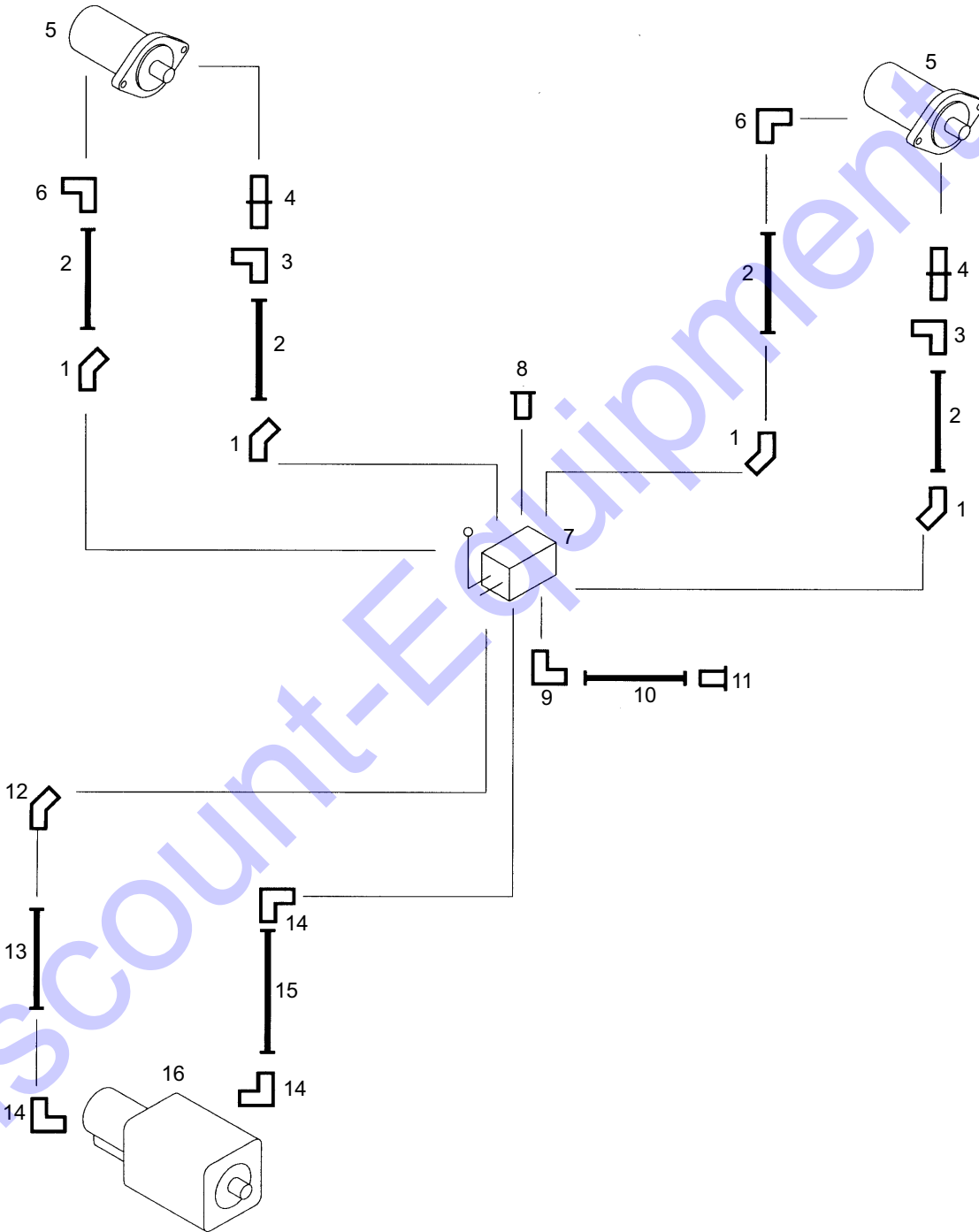
1024-81/38adm5.tif)

Drive Motors Plumbing Lines
Positive Track Drive
(1438 S/N 14197 thru 14331, 1448 S/N 17075 thru 17410)

Ref. No.	Part No.	Description	Qty. Req.	Ref. No.	Part No.	Description	Qty. Req.
01	P471351	MALE STR. CONNTR. 2 (-12OR/-10JIC)	2	19	L60653	SWVL. 90 ELBOW 1 (-6JICM/-6JICFS)	1
02 ^a	P471345	HOSE ASY. -10X86" 1	1	20	P471218	HOSE ASY. -4X98" 1	1
02 ^b	P471349	HOSE ASY. -10X64" 1	1	21	P471368	HOSE ASY. -4/-6X22" 2	2
03	P471369	HOSE ASY. -4/-6X64" 1	1	22	L60534	STR. REDUCER 2 (-8JICF/-4JICM)	2
04	L51493	STR. SWVL. REDUCER 1 (-12JICFS/-6JICM)	1	23	L444004	STR. MALE CONNTR. 2 (-8OR/-8JIC)	2
05	P471440	HOSE ASY. -10X174" 1	1	24	P471441	HOSE ASY. -4X84" 2	2
06	P471352	MALE 45 ELBOW 4 (-12OR/-10JIC)	4	25	P231050	MALE TEE (-4JIC) 1	1
07	L446025	PLUG (-8OR) 1	1	26	L60588	STR. REDUCER 1 (-8JICF/-6JICM)	1
08	L51586	MALE TEE (-8JIC) 1	1	27	L445006	MALE 90 ELBOW 1 (-12OR/-8JIC)	1
09	P471346	HOSE ASY. -10X48" 1	1	28	L444003	MALE STR. CONNTR. 1 (-8OR/-8JIC)	1
10	P471353	MALE 90 ELBOW 1 (-10OR/-8JIC)	1	29	L442022	MALE 90 ELBOW 1 (1/4NPT/-4JIC)	1
11	P471443	HOSE ASY. -4X104" 1	1	30	P471500	HOSE ASY. -4X60" 1	1
12	L51591	MALE 90 ELBOW 2 (-4OR/-4JIC)	2	31	L63834	BULKHD. NIPPLE, TEST PORT ... 1	1
13	P471442	HOSE ASY. -4X34" 1	1				
14	P471443	HOSE ASY. -4X104" 1	1				
15	L446049	SWVL. TEE (-6JICFS/-6JICM) 1	1				
16	L277484	STR. MALE CONTR. 2 (-6OR/-6JIC)	2				
17	P471352	MALE 45 ELBOW 4 (-10OR/-10JIC)	4				
18	P471357	MALE 45 ELBOW 1 (-12OR/-10JIC)	1				

a For 1438 Gas Only.
b For 1448 Diesel Only.
NOTE: P/N's for Other Components Referenced Elsewhere in this Manual.

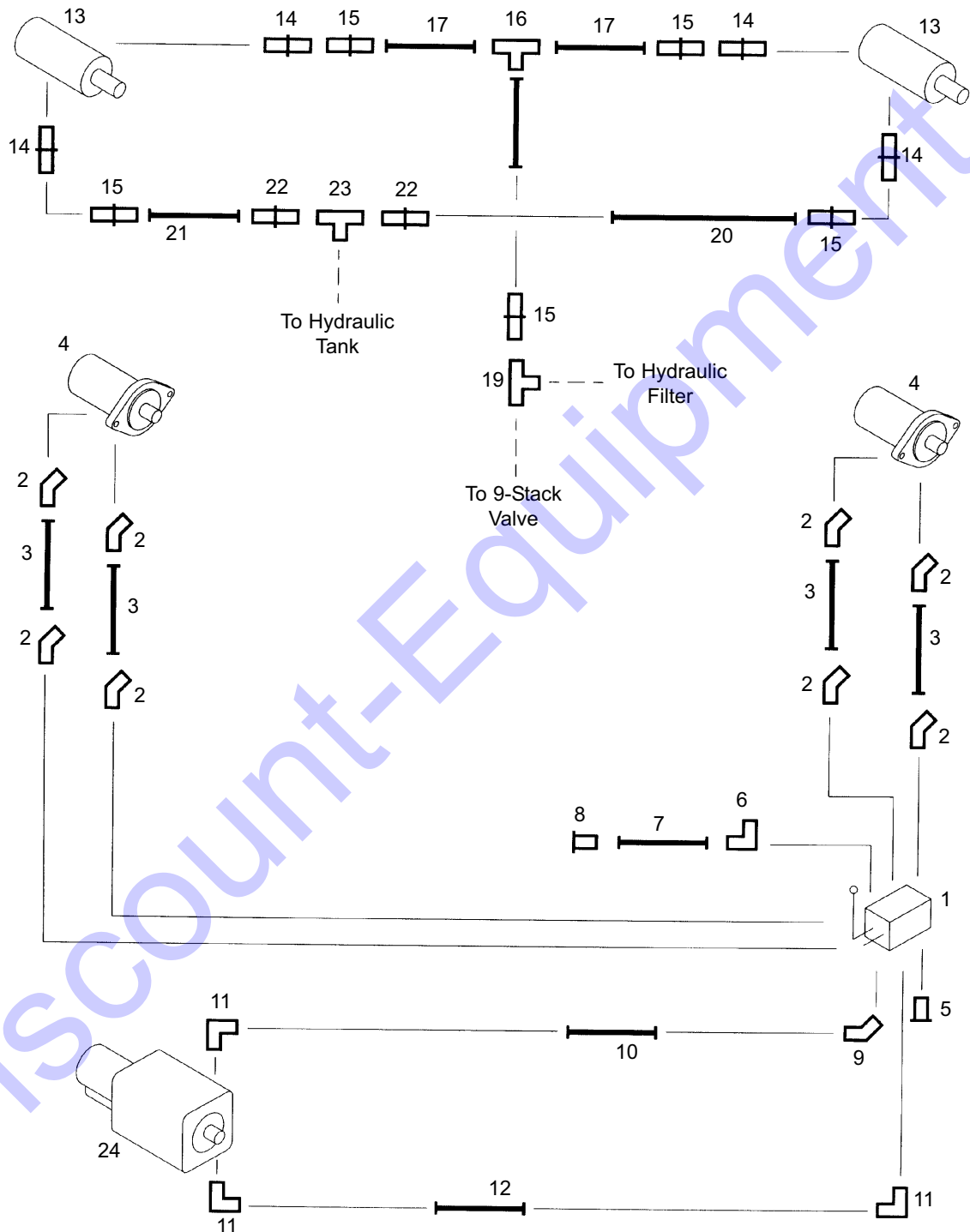
Drive Motors Plumbing Lines
1-Spd. Rubber Tire Drive
(1438 S/N 14132 and up, 1448 S/N 17410 and up)



Drive Motors Plumbing Lines
1-Spd. Rubber Tire Drive
(1438 S/N 14132 and up, 1448 S/N 17410 and up)

Ref. No.	Part No.	Description	Qty. Req.	Ref. No.	Part No.	Description	Qty. Req.
01	062397	ELBOW/45 DEG MALE.....	4	11	L62834	TESTPORT	1
02	P471361	HOSE ASY, -10 118" A10/A10.....	4		L62840	DUSTCAP	1
03	P471356	ADP 10JICF-10JICM 90	2	12	P471357	ADP 12ORM -10JICM 45 DEG	1
04	072580	CONNECTOR/MALE.....	2	13	P471345	HOSE ASY, -10 86: A10/A10.....	1
05	P471363	DRIVE MOTOR.....	2			(1438 ONLY)	
06	067761	ELBOW/MALE 90 DEG.....	2		P471349	HOSE ASY, -10 64" A10/A10.....	1
07	P417600	VALVE 2 STACK	1			(1448 ONLY)	
08	L446047	PLUG.....	1	14	072615	ELBOW/HYD.FITTING 90 DEG ...	3
09	L442022	ADP 90 PIPE -37 FLARE	1	15	P473069	HOSE ASY, -10 96" A10/A10.....	1
10	P471500	HOSE ASY, -4 60" A4/A4.....	1	16	P473286	PUMP/AXIAL GEAR	1

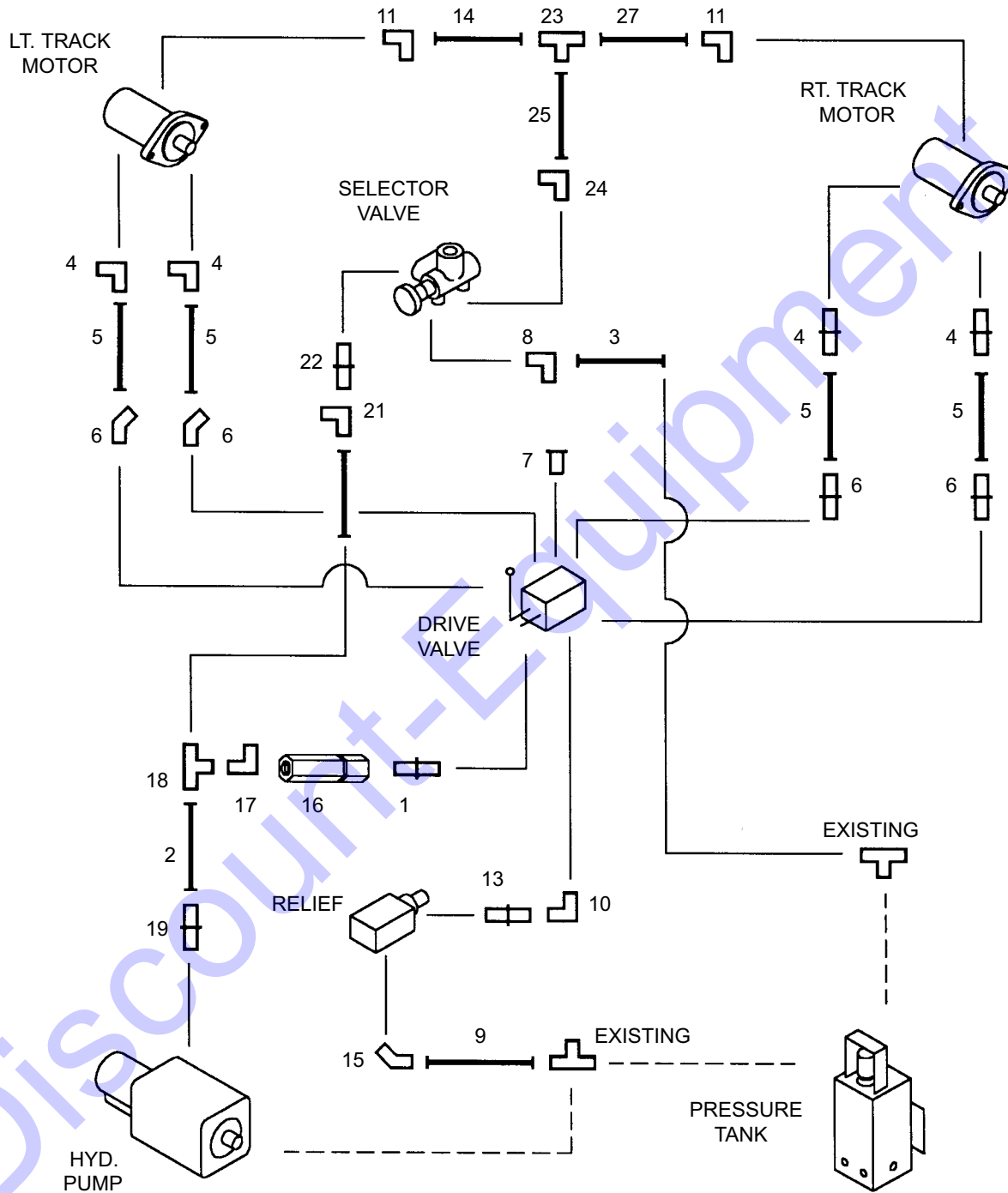
Drive Motors Plumbing Lines
Positive Track Drive
 (1438 S/N 14332 and up, 1448 S/N 17410 and up)



Drive Motors Plumbing Lines
Positive Track Drive
(1438 S/N 14332 and up, 1448 S/N 17410 and up)

Ref. No.	Part No.	Description	Qty. Req.	Ref. No.	Part No.	Description	Qty. Req.
01	P471467	VALVE/2 STACK	1	11	072615	ELBOW/HYD.FITTING 90 DEG . . .	3
02	062397	ELBOW/45 DEG MALE	8	12	P473069	HOSE ASY, -10 96" A10/A10.	1
03	P471440	HOSE ASY, -10 174" A10/A10.	4	13	P470593	CYL/TRACK TENSION	2
04	P471429	MOTOR	2	14	054626	ADP-80RM-8JICM STR.	4
05	L446047	PLUG	1	15	L60588	ADP 37 REDUCING	5
06	L442022	ADP 90 PIPE -37 FLARE	1	16	P231050	ADP 4JICM-4JICM-4JICM.	1
07	P471500	HOSE ASY, -4 60" A4/A4.	1	17	P471484	HOSE ASY, -4 84" A4/A6.	2
08	L62834	TESTPORT	1	18	P471218	HOSE ASY, -6 94" A4/A6.	1
	L62840	DUSTCAP	1	19	076143	TEE/FEMALE RUN SWIVEL.	1
09	P471357	ADP 12ORM -10JICM 45 DEG.	1	20	P471443	HOSE ASY, -4 104" A4/A6.	20
10	P471345	HOSE ASY, -10 86: A10/A10.	1	21	P471369	HOSE ASY, -4 64" A4/A6.	1
		<i>(1438 ONLY)</i>		22	L60534	ADP -8JICFSWL -4 JICM	2
	P471349	HOSE ASY, -10 64" A10/A10.	1	23	L64660	ADP -8ORM 2X-8JICM TEE	1
		<i>(1448 ONLY)</i>		24	P473286	PUMP/AXIAL GEAR	1

1438 Drive Motors Plumbing Lines
(2-Spd. Rubber Tire Drive, Thru S/N 14131)



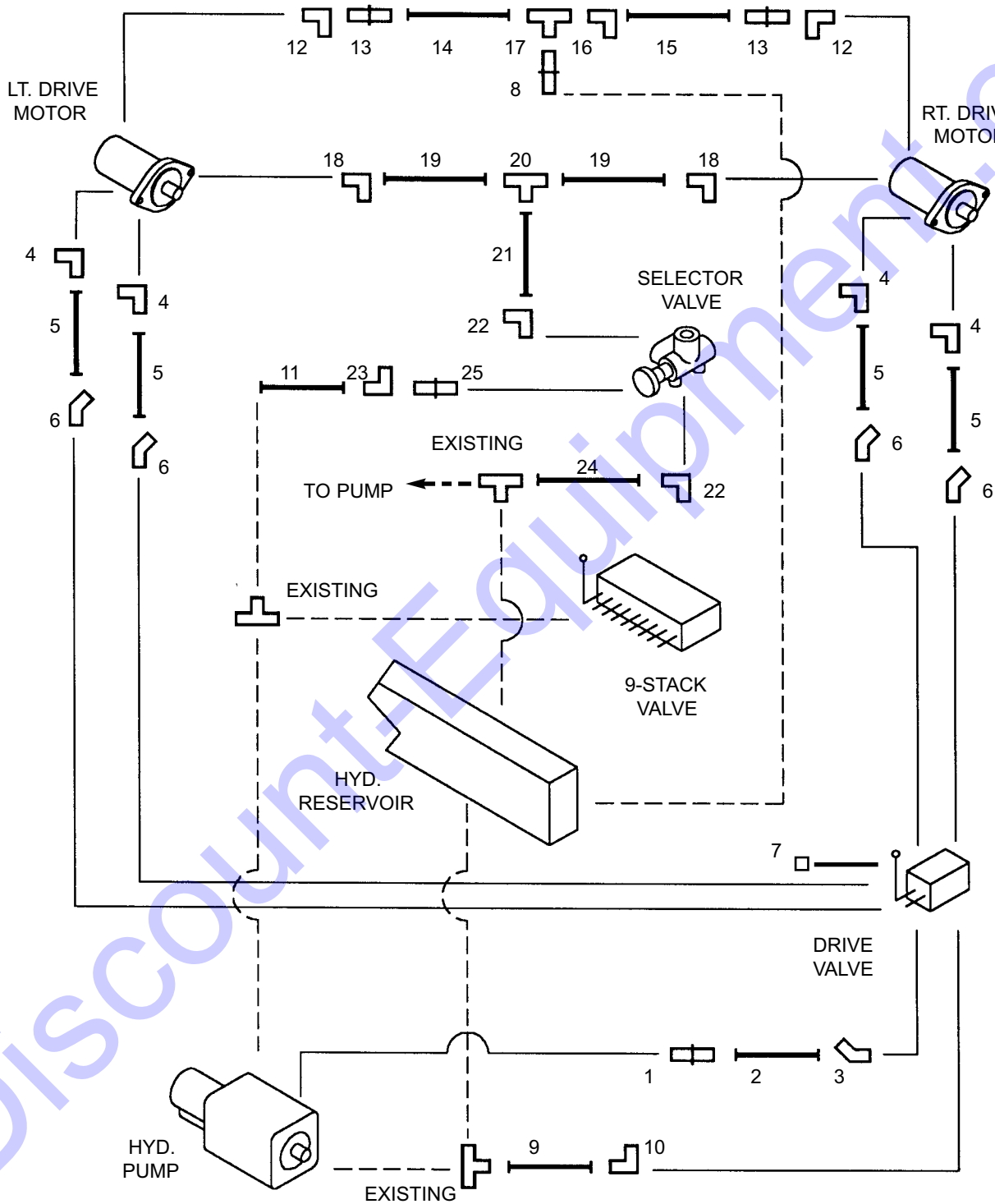
1000-75/38hys11.tif

1438 Drive Motors Plumbing Lines
(2-Spd. Rubber Tire Drive, Thru S/N 14131)

Ref. No.	Part No.	Description	Qty. Req.	Ref. No.	Part No.	Description	Qty. Req.
01	P235600	MALE STR. CONNTR.	2	14	P471219	HOSE ASY. -4X28"	2
		(-12OR/-12P)		15	L442012	MALE 45 ELBOW	1
02	P471216	HOSE ASY. -8X76"	1			(-6P/-8JIC)	
03	P471323	HOSE ASY. -6X48"	1	16	P420550	CHECK VALVE	1
04	L445009	MALE 90 ELBOW	4	17	L61572	MALE 90 ELBOW	1
		(-10OR/-8JIC)				(-12P/-8JIC)	
05	P258800	HOSE ASY. -8X148"	4	18	L446026	MALE TEE (-8JIC)....	1
06	L51572	MALE 45 ELBOW	2	19	L444003	MALE STR. CONNTR.	1
		(-10OR/-8JIC)				(-12OR/-8JIC)	
07	L446025	PLUG (-8OR).....	1	20	P471217	HOSE ASY. -6X22"	1
08	L442019	MALE 90 ELBOW	1	21	L60653	SWVL. 90 ELBOW	1
		(-8P/-8JIC)				(-6JICFS/-6JICM)	
09	P470461	HOSE ASY. -8x47-1/2"	1	22	P227750	MALE STR. CONNTR.	1
10	L445006	MALE 90 ELBOW	1			(-8P/-6JIC)	
		(-10OR/-8JIC)		23	P231050	MALE TEE (-4JIC)....	1
11	L51591	MALE 90 ELBOW	2	24	L442019	MALE 90 ELBOW	1
		(-4OR/-4JIC)				(-8P/-6JIC)	
12	L444008	MALE STR. CONNTR.	1	25	P471218	HOSE ASY. -6X94"	1
		(-10OR/-8JIC)					
13	P470877	STR. SWVL. CONNTR.	1				
		(-6MP/-8JICFS)					

NOTE: P/N's for Other Components Referenced Elsewhere in this Manual.

1438 Drive Motors Plumbing Lines
(2-Spd. Rubber Tire Drive, S/N 14132 and up.)

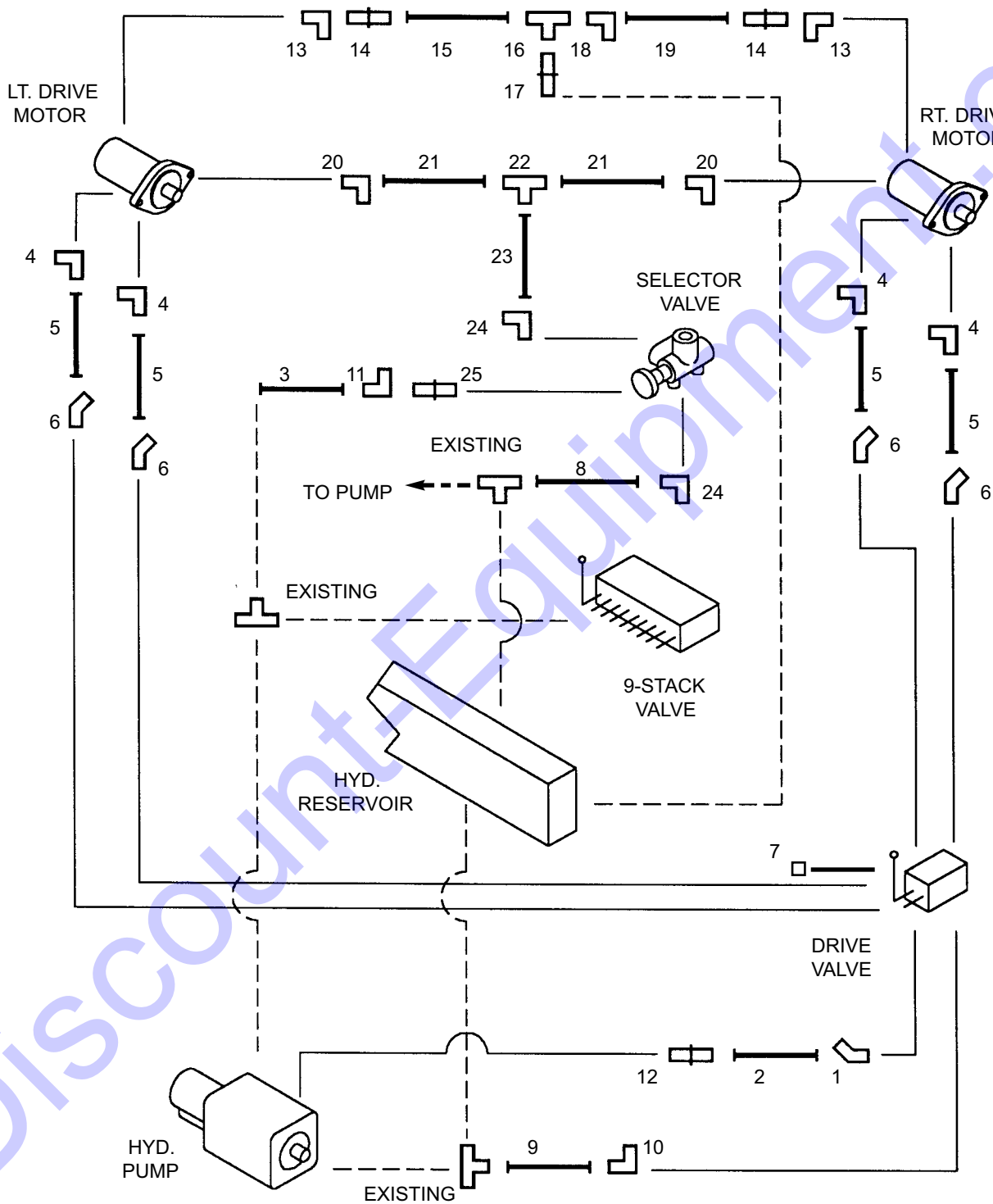


1002-75/38hys12.tif)

1438 Drive Motors Plumbing Lines
(2-Spd. Rubber Tire Drive, S/N 14132 and up.)

Ref. No.	Part No.	Description	Qty. Req.	Ref. No.	Part No.	Description	Qty. Req.
01	P471351	MALE STR. CONNTR. 1 (-12OR/-10JIC)	1	14	P471366	HOSE ASY. -4X31" 1	1
02	P471345	HOSE ASY. -10X86" 1	1	15	P471367	HOSE ASY. -4X46" 1	1
03	P471357	MALE 45 ELBOW 1 (-12OR/-10JIC)	1	16	L60653	SWVL. 90° ELBOW 1 (-6JICFS/-6JICM)	1
04	067761	MALE 90 ELBOW 4 (-10OR/-10JIC)	4	17	L446049	SWVL. TEE 1 (-6JICFS/-6JICM)	1
05	P471361	HOSE ASY. -10X118" 4	4	18	L51591	MALE 90 ELBOW 2 (-4OR/-4JIC)	2
06	P471352	MALE 45 ELBOW 4 (-10OR/-10JIC)	4	19	P471219	HOSE ASY. -4X28" 2	2
07	L446025	PLUG (-8OR) 1	1	20	P231050	MALE TEE (-4JIC) 1	1
08	L51493	MALE STR. CONNTR. 1 (-12JICF/-6JICM)	1	21	P471218	HOSE ASY-6X94" 1	1
09	P471346	HOSE ASY. -10X48" 1	1	22	L442019	MALE 90 ELBOW 2 (-8P/-6JIC)	2
10	P471353	MALE 90 ELBOW 1 (-12OR/-10JIC)	1	23	L60653	SWVL. 90 ELBOW 1 (-6JICFS/-6JICM)	1
11	P471374	HOSE ASY. -6X30" 1	1	24	P471323	HOSE ASY. -6X50" 1	1
12	L445003	MALE 90 ELBOW 2 (-6OR/-6JIC)	2	25	P227750	MALE STR. CONNTR. 1 (-8P/-6JIC)	1
13	L60559	SWVL. REDUCER 2 (-6JICFS/-4JICM)	2	<i>NOTE: P/N's for Other Components Referenced Elsewhere in this Manual.</i>			

1448 Drive Motors Plumbing Lines
(2-Spd. Rubber Tire Drive, S/N 17075 thru 17409)



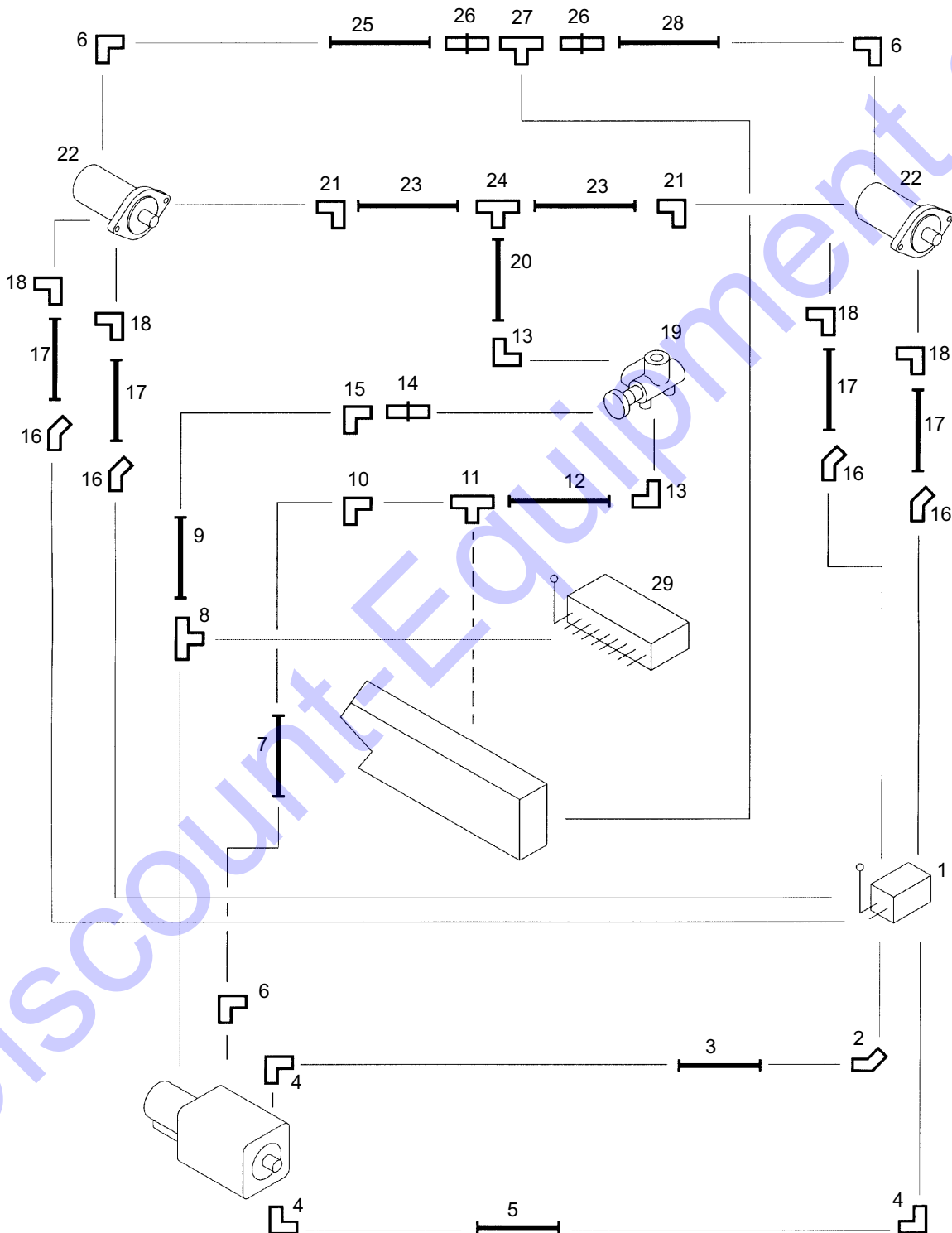
1002-75/38hys12.tif

1448 Drive Motors Plumbing Lines
(2-Spd. Rubber Tire Drive, S/N 17075 thru 17409)

Ref. No.	Part No.	Description	Qty. Req.	Ref. No.	Part No.	Description	Qty. Req.
01	P471357	MALE 45 ELBOW (-12OR/-10J8IC)	1	14	L60559	SWVL. REDUCER (-6JICFS/-4JICM)	2
02	P471349	HOSE ASY. -10X64"	1	15	P471366	HOSE ASY. -4X31"	1
03	P471374	HOSE ASY. -6X30"	1	16	L446049	SWVL. TEE (-6JICFS/-6JICM)	1
04	067761	MALE 90 ELBOW (-10OR/-10JIC)	4	17	L51493	SWVL. REDUCER (-12JICFS/-6JICM)	1
05	P471361	HOSE ASY. -10X118"	4	18	L60653	SWVL. 90 ELBOW (-6JICFS/-6JICM)	1
06	P471352	MALE 45 ELBOW (-10OR/-10JIC)	4	19	P471367	HOSE ASY. -4X46"	1
07	L446025	PLUG (-8OR)	1	20	L51591	MALE 90 ELBOW (-4OR/-4JIC)	2
08	P471323	HOSE ASY. -6X50"	1	21	P271219	HOSE ASY-4X28"	2
09	P471346	HOSE ASY. -10X48"	1	22	P231050	MALE TEE (-4JIC)	1
10	P471353	MALE 90 ELBOW (-12OR/-10JIC)	1	23	P471218	HOSE ASY. -6X94"	1
11	L60653	SWVL. 90 ELBOW (-6JICFS/-6JICM)	1	24	L442019	MALE 90 ELBOW (-8P/-6JIC)	2
12	P471351	MALE STR. CONNTR. (-12OR/-12JIC)	1	25	P227750	MALE STR. CONNTR. (-8P/-6JIC)	1
13	L445003	MALE 90 ELBOW (-6OR/-6JIC)	2				

NOTE: P/N's for Other Components Referenced Elsewhere in this Manual.

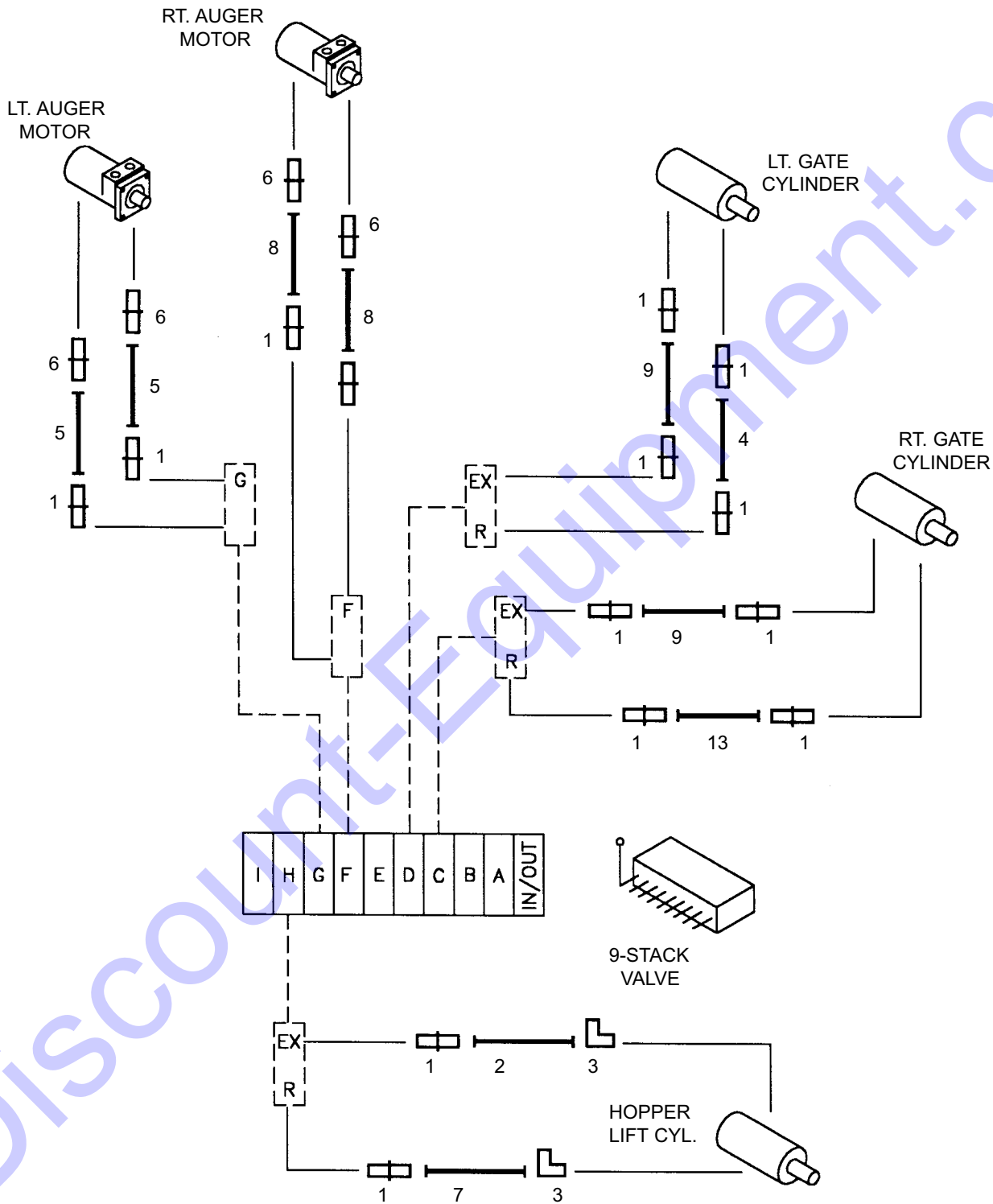
1448 Drive Motors Plumbing Lines
(2-Spd. Rubber Tire Drive, S/N 17410 and Up)



1448 Drive Motors Plumbing Lines
(2-Spd. Rubber Tire Drive, S/N 17410 and Up)

Ref. No.	Part No.	Description	Qty. Req.	Ref. No.	Part No.	Description	Qty. Req.
01	P417600	VALVE/2 STACK	1	14	054995	UNION/HDR. FITTING	1
02	P471357	ADP 12ORM -10JICM 45 DEG	1	15	091039	ELBOW/HYDR. FITT 90 DEG	1
03	P471349	HOSE ASY, -10 64" A10/A10.	1	16	062397	ELBOW/45 DEG MALE	4
04	072615	ELBOW/HYD.FITTING 90 DEG	3	17	P471361	HOSE ASY, -10 118" A10/A10.	4
05	P473069	HOSE ASY, -10 96" A10/A10.	1	18	067761	ELBOW/MALE 90 DEG	4
06	068938	ELBOW/90 DEG ADJUSTABLE	3	19	P420700	VALVE SELECTOR	1
07	100435	HOSE ASY, -8 42" A8/A6.	1	20	P471218	HOSE ASY, -6 94" A6/A4.	1
		(1448 ONLY)		21	095601	Adap 40RM-4JICM 90	2
07	P471322	HOSE ASY, -8 52" A8/A6.	1	22	P473107	MOTOR	2
		(1438 ONLY)		23	P471219	HOSE ASY, -4 28" A4/A4.	2
08	076143	TEE/FEMALE RUN SWIVEL.	1	24	P231050	ADP 4JICM-4JICM-4JICM.	1
09	P471374	HOSE ASY, -6 30" A6/A8.	1	25	P471366	HOSE ASY, -4 31" A4/A6.	1
10	088442	ELBOW,SWIVEL	1	26	L60534	ADP-8JICFSWVL -4JICM	2
11	P471321	ADP/TEE SWIVEL.	1	27	L64660	ADP -8ORM 2X-8JICM	1
12	P471323	HOSE ASY, -6 50" A6/A8.	1	28	P473112	HOSE ASY, -4 46" DS4/A6	1
13	L442019	ADP 1/2 MNPT -6JICM 90 DEG	2	29	101283	9-STACK VALVE	1

Hopper and Gates Plumbing Lines



797-59/38hys13.tif

Hopper and Gates Plumbing Lines

Ref. No.	Part No.	Description	Qty. Req.
01	L277484	MALE STR. CONNTR. 14 (-8OR/-6JIC)	
02	P254075	HOSE ASY. -6X98" 1	
03 ^a	L445005	MALE 90 ELBOW 2 (-8OR/-6JIC)	
3 ^b	P470406	MALE 90 ELBOW 2 (-10OR/-6JIC)	
04	P254072	HOSE ASY. -6X91" 2	
05	P254040	HOSE ASY. -6X41" 2	
06	L60253	MALE STR. CONNTR. 3 (-10OR/-8JIC)	

Ref. No.	Part No.	Description	Qty. Req.
07	P254074	HOSE ASY. -6X95" 1	
08	P254050	HOSE ASY. -6X59" 2	
09	P254070	HOSE ASY. -6X93" 2	

a Used on Models 1438 Thru S/N 14048.

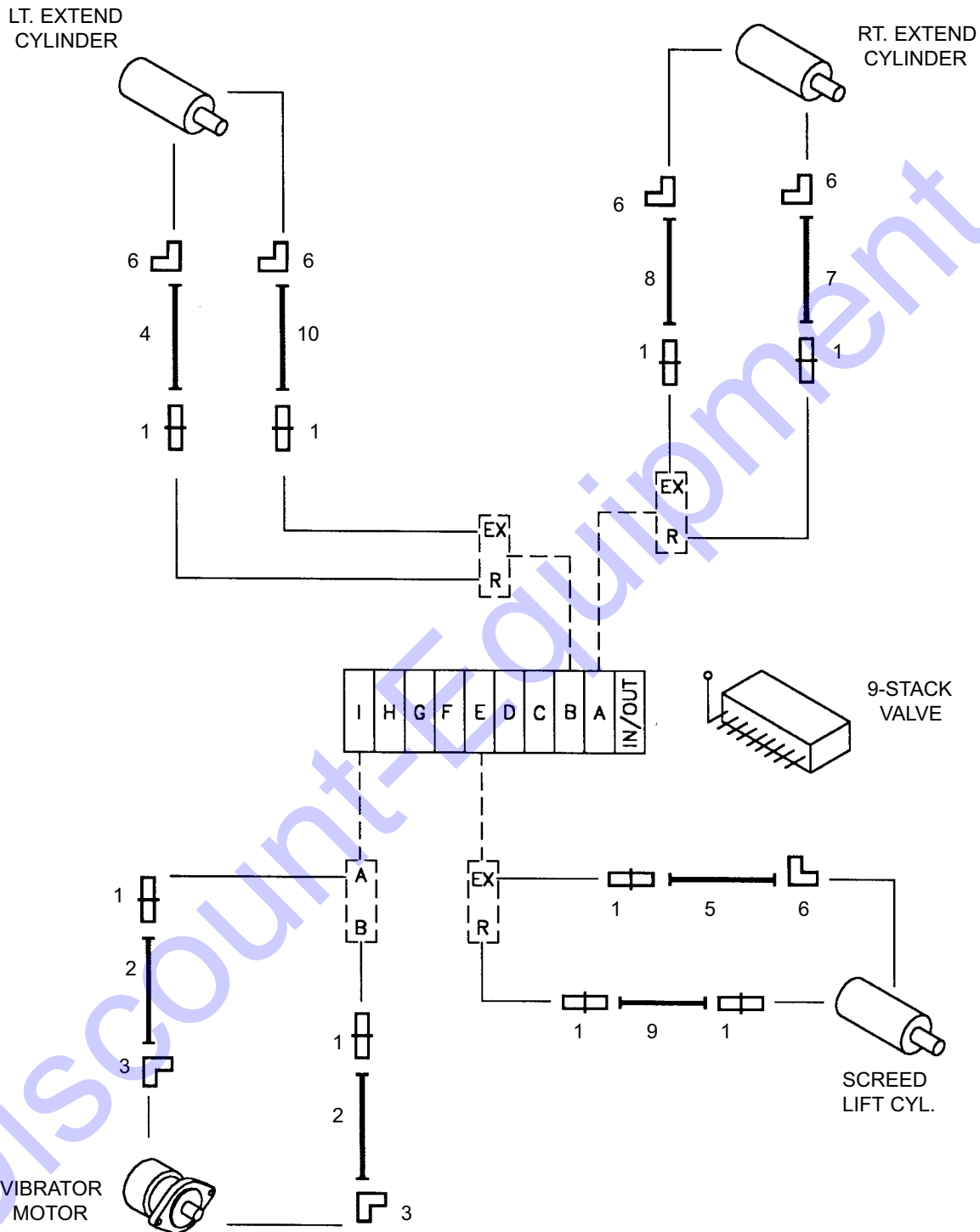
Used on Models 1448 Thru S/N 17002.

b Used on Models 1438 S/N 14049 & Up.

Used on Models 1448 S/N 17003 & Up.

NOTE: P/N's for Other Components Referenced Elsewhere in this Manual.

Screed Plumbing Lines

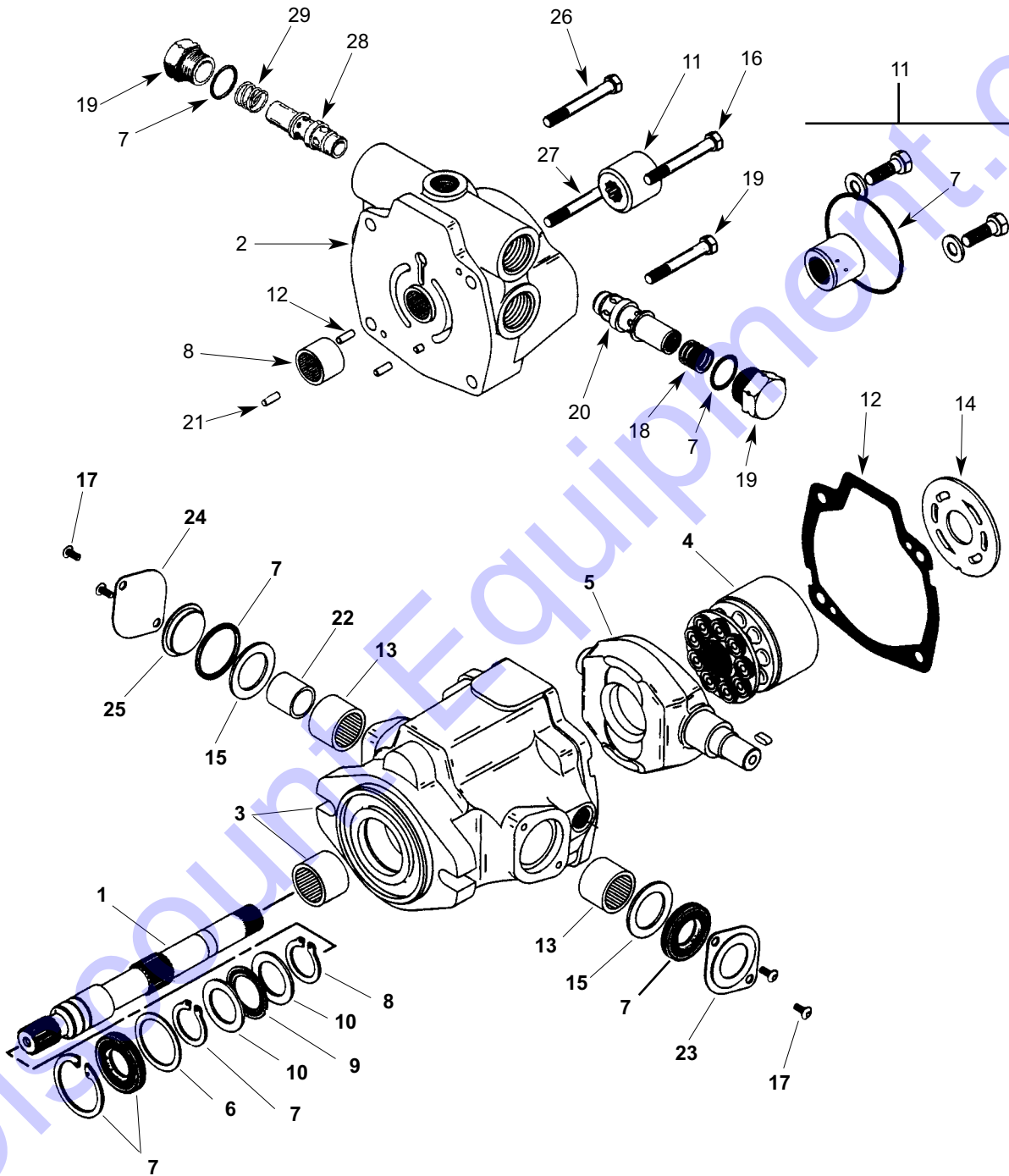


798-59/38hys14.tif)

Screed Plumbing Lines

Ref. No.	Part No.	Description	Qty. Req.	Ref. No.	Part No.	Description	Qty. Req.
01	L277484	MALE STR. CONNTR. 9 (-8OR/-6JIC)		07	P254055	HOSE ASY. -6X41" 1	
02	P470453	HOSE ASY. -6X66" 2		08	P254074	HOSE ASY. -6X109" 1	
03	P470406	MALE 90 ELBOW 2 (-10OR/-6JIC)		09	P470458	HOSE ASY. -6X38" 1	
04	P470460	HOSE ASY. -6X89" 1		10	P470459	HOSE ASY. -6X61" 1	
05	P470408	HOSE ASY. -6X46" 1		<i>NOTE: P/N's for Other Components Referenced Elsewhere in this Manual.</i>			
06	L445005	MALE 90 ELBOW 5 (-8OR/-6JIC)					

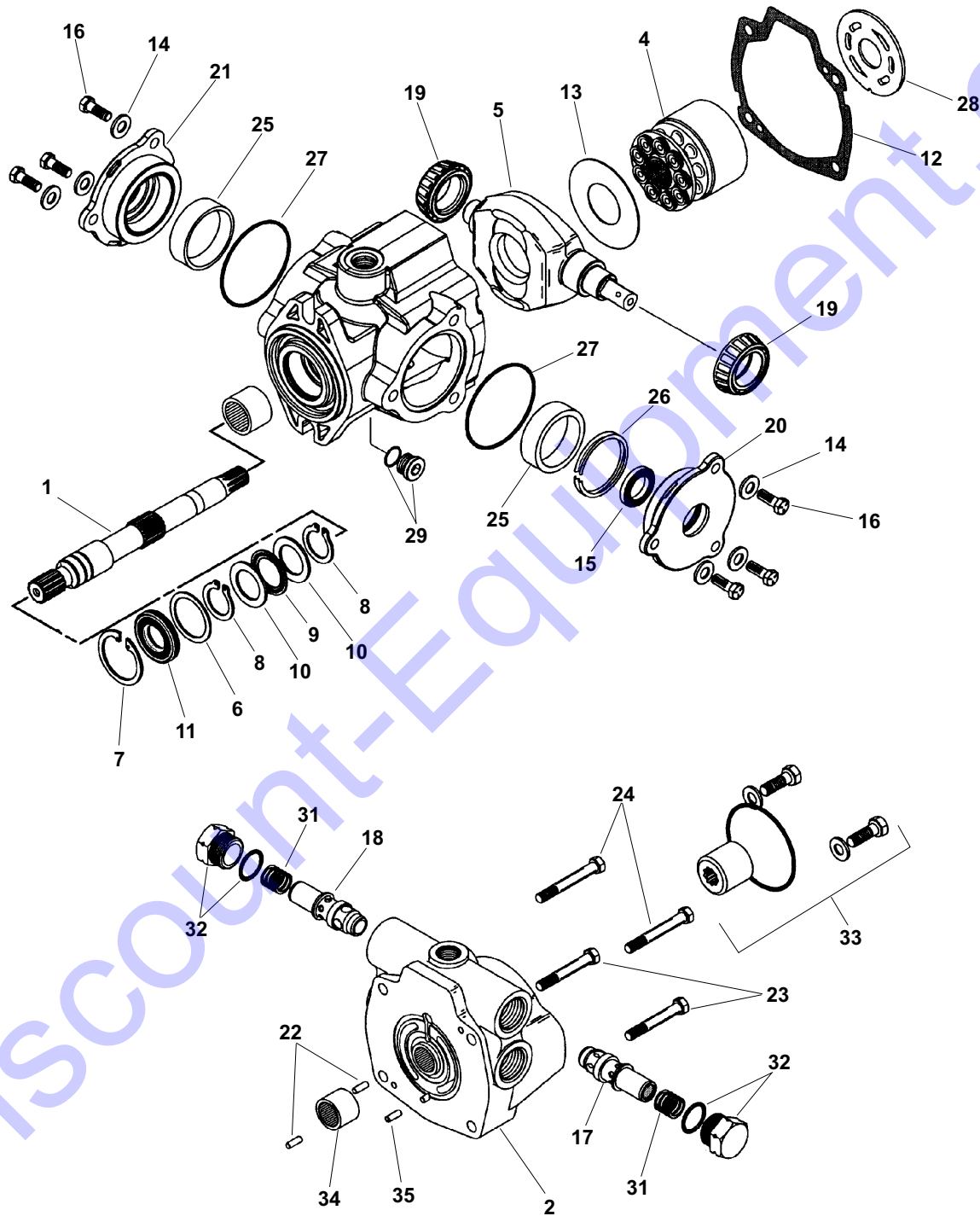
Front Piston Pump
All 1438's and 1448's thru S/N 7486



Front Piston Pump
All 1438's and 1448's thru S/N 7486

Ref. No.	Part No.	Description	Qty. Req.	Ref. No.	Part No.	Description	Qty. Req.
NOTE: Parts with NSS are shown for illustration purposes only and are Not Sold Separately.				18	088310	SPRING	1
				19	NSS	CAPSCREW	2
				20	P700202	RELIEF VALVE	1
-		COMPL. PUMP (w/Gear Pump)	1	21	P700207	DOWEL PIN.	2
	P470403	See note a.		22	P700205	INNER RACE	1
	P473045	See note b.		23	NSS	SEAL COVER	1
	P473070	See note c.		24	NSS	TRUNNION COVER	1
-	NSS	PISTON PUMP ONLY	1	25	NSS	O-RING COVER	1
01	P700418	DRIVE SHAFT	1	26	NSS	CS 5/16-18X2-1/2"	2
02	P700419	BACKPLATE SUBASY	1	27	NSS	CS 5/16-18X2"	2
03	P700420	HOUSING SUBASY w/Brgs	1	28 ^d	P700202	RELIEF VALVE	1
	P700210	BEARINGS ONLY	2	29 ^d	088310	SPRING	1
04	088307	ROTATING KIT	1				
05	P700421	CAMPLATE	1	a	<i>Replaced by P473070. Requires (2) -16 ORM -12 JICM 90° Adapters, P/N L61092. 1438 thru S/N 4285. 1448 thru S/N 7182.</i>		
06	NSS	WASHER	1				
07	P700223	SEAL REPAIR KIT (Incl.7,8,11,12,14,18)	1	b	<i>Replaced by P473070. 1438 S/N 4286 thru 4331. 1448 S/N 7183 thru 7410.</i>		
08	P700201	BEARING	1				
09	520135	THRUST BEARING	1	c	<i>1438 S/N 4332 and up. 1448 S/N 7411 thru 7486.</i>		
10	082743	BEARING RACE	2				
11	P700200	GEAR PUMP MTG.KIT w/COUPLER.	1	d	<i>Used on 1438 S/N 4332 and up. Used on 1448 S/N 7411 and up.</i>		
12	P700206	DOWEL PIN.	1				
13	P700203	THRUST BEARING	2				
14	P700212	VALVE PLATE	1				
15	NSS	WASHER	2				
16	NSS	CAPSCREW	2				
17	NSS	PAN HD. SCREW	4				

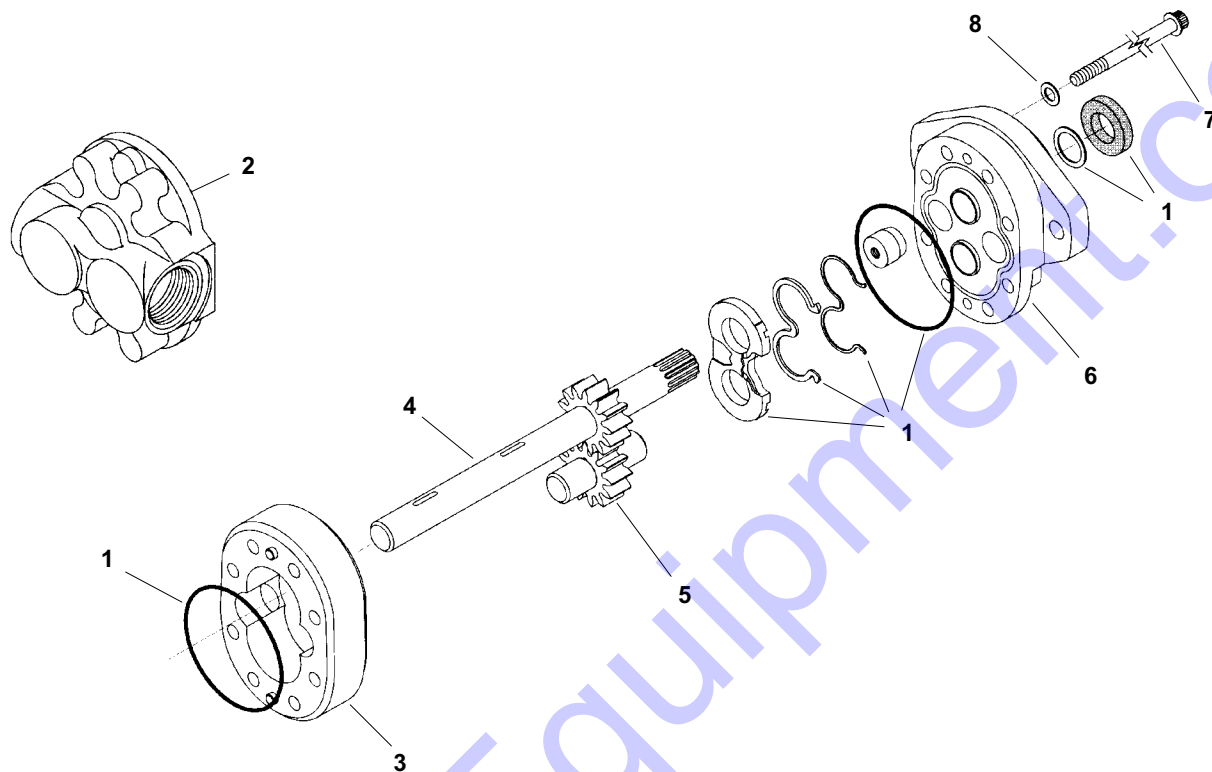
Front Piston Pump
1448 S/N 7487 and Up



Front Piston Pump
1448 S/N 7487 and Up

Ref. No.	Part No.	Description	Qty. Req.	Ref. No.	Part No.	Description	Qty. Req.
NOTE: Parts with NSS are shown for illustration purposes only and are Not Sold Separately.				16	NSS	SCREW, CAP	6
-	P473286	COMPL. PUMP (w/Gear Pump) ...	1	17	P700692	RELIEF VALVE, SUBASY	1
-	P700687	COMPL. PISTON PUMP ONLY ...	1	18	P700692	RELIEF VALVE, SUBASY	1
01	P700418	SHAFT, DRIVE	1	19	P700693	BEARING, CONE	2
02	NSS	ENDCOVER SUBASY	1	20	NSS	PLATE, COVER	1
03	NSS	HOUSING SUBASY	1	21	NSS	PLATE, COVER	1
04	P700688	ROTATING KIT SUBASY	1	22	NSS	PIN, DOWEL	2
05	NSS	SWASHPLATE	1	23	NSS	SCREW, CAP	2
06	NSS	WASHER	1	24	NSS	SCREW, CAP	2
07	NSS	RING, RETAINING	1	25	NSS	CUP, BEARING	2
		<i>(Included in item 36)</i>		26	NSS	RING, CRUSH	1
08	NSS	RING, RETAINING	2	27	NSS	O-RING	2
		<i>(Included in item 36)</i>		28	P700694	PLATE, VALVE	1
09	P700689	BEARING, THRUST	1	29	P700684	PLUG, SUBASY	1
10	P700690	RACE, BEARING	2	30	P700210	BEARING	1
11	P392700	SEAL, SHAFT	1	31	P700018	SPRING	2
		<i>(Included in item 36)</i>		32	P700017	PLUG ASSEMBLY	2
12	NSS	GASKET, HOUSING	1	33	P700200	GEAR PUMP MOUNT KIT	1
13	P700691	INSERT, SWASHPLATE	1	34	P700201	BEARING	1
14	NSS	WASHER	6	35	P700207	ROLL PIN	1
15	NSS	SEAL, SHAFT	1	36	P700695	SEAL KIT	1
		<i>(Included in item 36)</i>				<i>(Includes items 7, 8, 11 and 15)</i>	

Rear Gear Pump

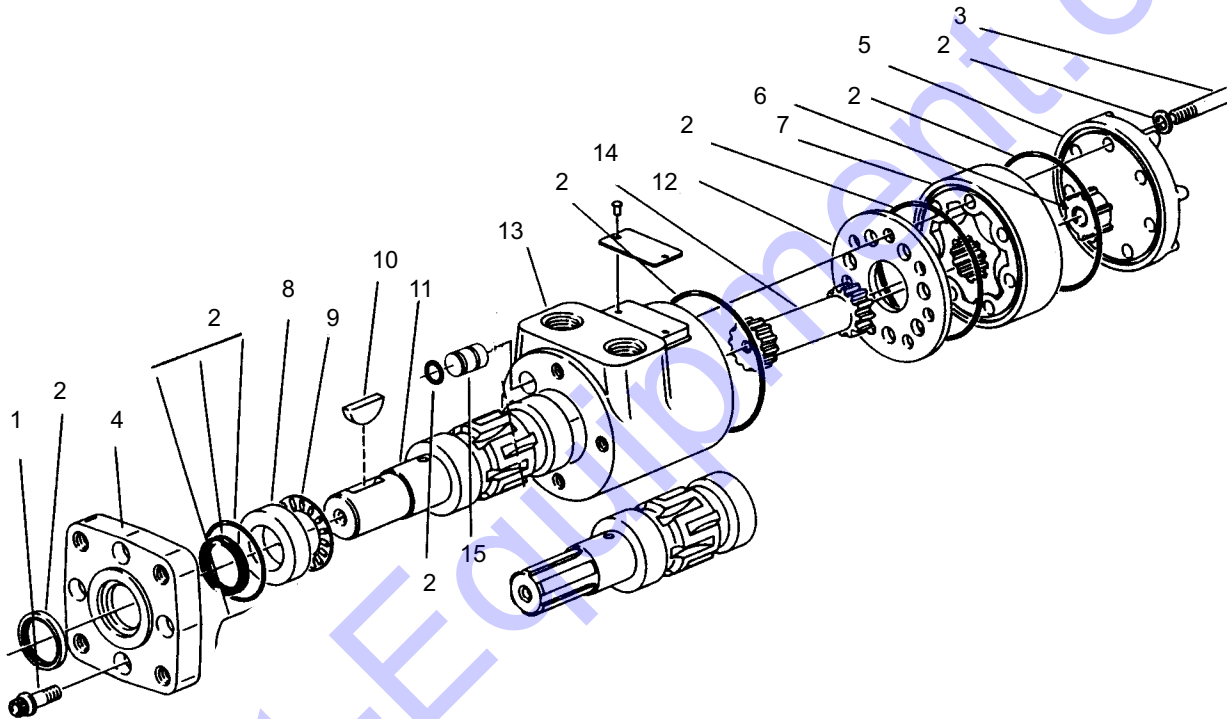


38hyc15.tif

38hyc14.tif

Ref. No.	Part No.	Description	Qty. Req.	Ref. No.	Part No.	Description	Qty. Req.
<p>NOTE: Parts with NSS are shown for illustration purposes only and are Not Sold Separately.</p>				05	NSS	IDLER GEAR ASSEMBLY.....	1
-		COMPLETE ASSEMBLY.....	1	06	NSS	FRONT PLATE ASSEMBLY	1
	P700224	See note a and c.		07	NSS	CAP SCREW.....	8
	P700611	See note b.		08	NSS	WASHER.....	8
01		SEAL REPAIR KIT.....	1	a		1438 Thru S/N 4285	
	055221	See note a.				1448 Thru S/N 7182	
	P700620	See note b.		b		1438 S/N 4286 and up	
02		BACK PLATE.....	1			1448 S/N 7183 and up	
	058521	See note a.		c		Replaced by P700611. Requires (2) -16ORM	
	P700022	See note b.				-12JICM 90° Adapters, P/N L61092.	
03	NSS	BODY ASSEMBLY.....	1				
04	NSS	DRIVE GEAR ASSEMBLY	1				

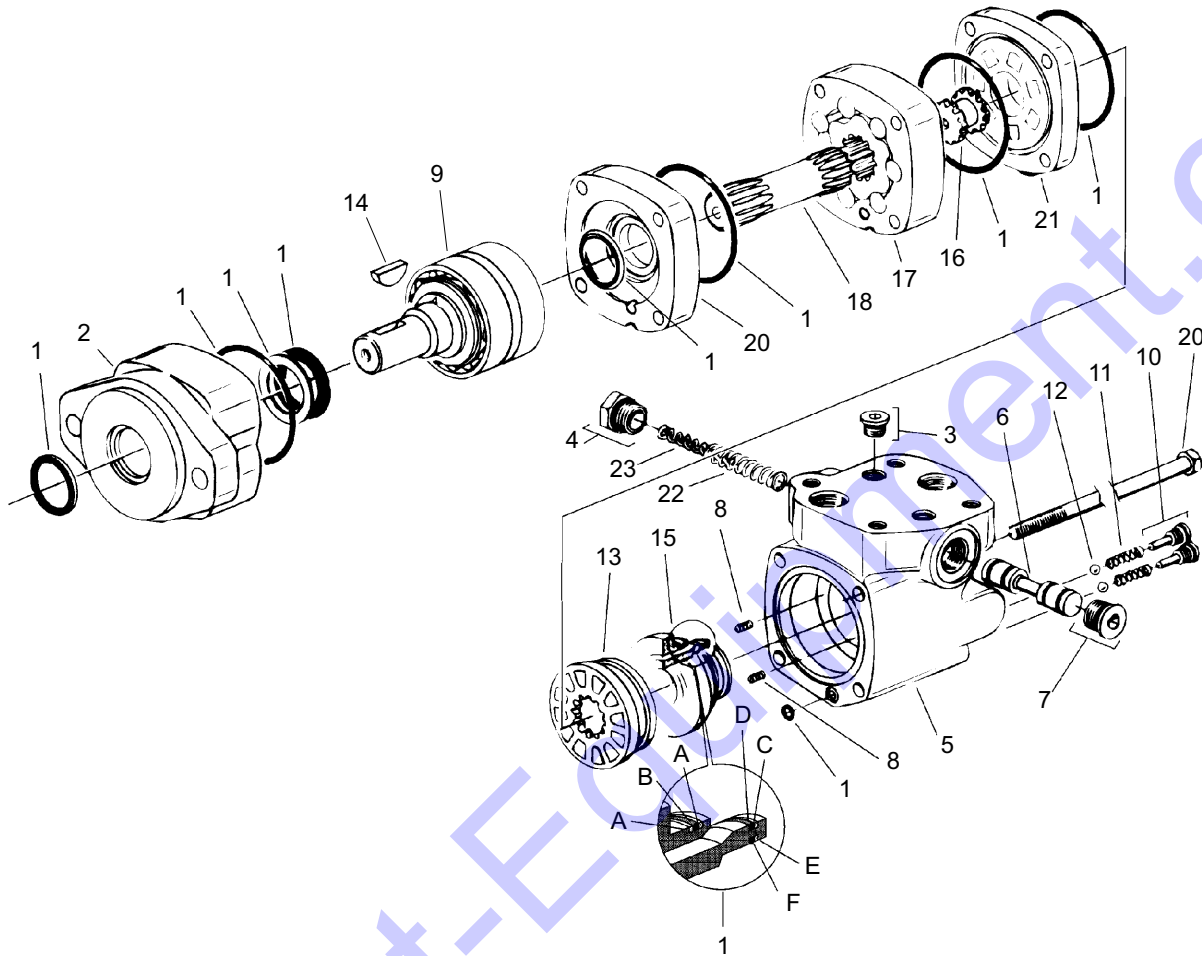
Auger Motor and Single Speed Drive Motor



38hyc3.tif

Ref. No.	Part No.	Description	Qty. Req.	Ref. No.	Part No.	Description	Qty. Req.
-	P480071	COMPL. ASY., AUGER MOTOR (W/O CASE DRAIN).....	1	07	NSS	GEROTOR SET.....	1
-	P471363	COMPL. ASY. (W/CASE DRAIN).....	1	08	P700199	BEARING RACE.....	1
01	NSS	CS 12 PT. DR. 5/16-24X7/8.....	4	09	P700196	NEEDLE BEARING.....	1
02	P279009	SEAL KIT.....	1	10	P700472	KEY.....	1
03	NSS	CS 12 PT DR. 5/16-24.....	7	11	NSS	SPLINED OUTPUT SHAFT.....	1
04	P243860	MOUNTING FLANGE.....	1	12	NSS	SPACER PLATE.....	1
05	NSS	END CAP.....	1	13	NSS	HOUSING.....	1
06		Not Used		14	NSS	DRIVE.....	1

Two Speed Drive Motor

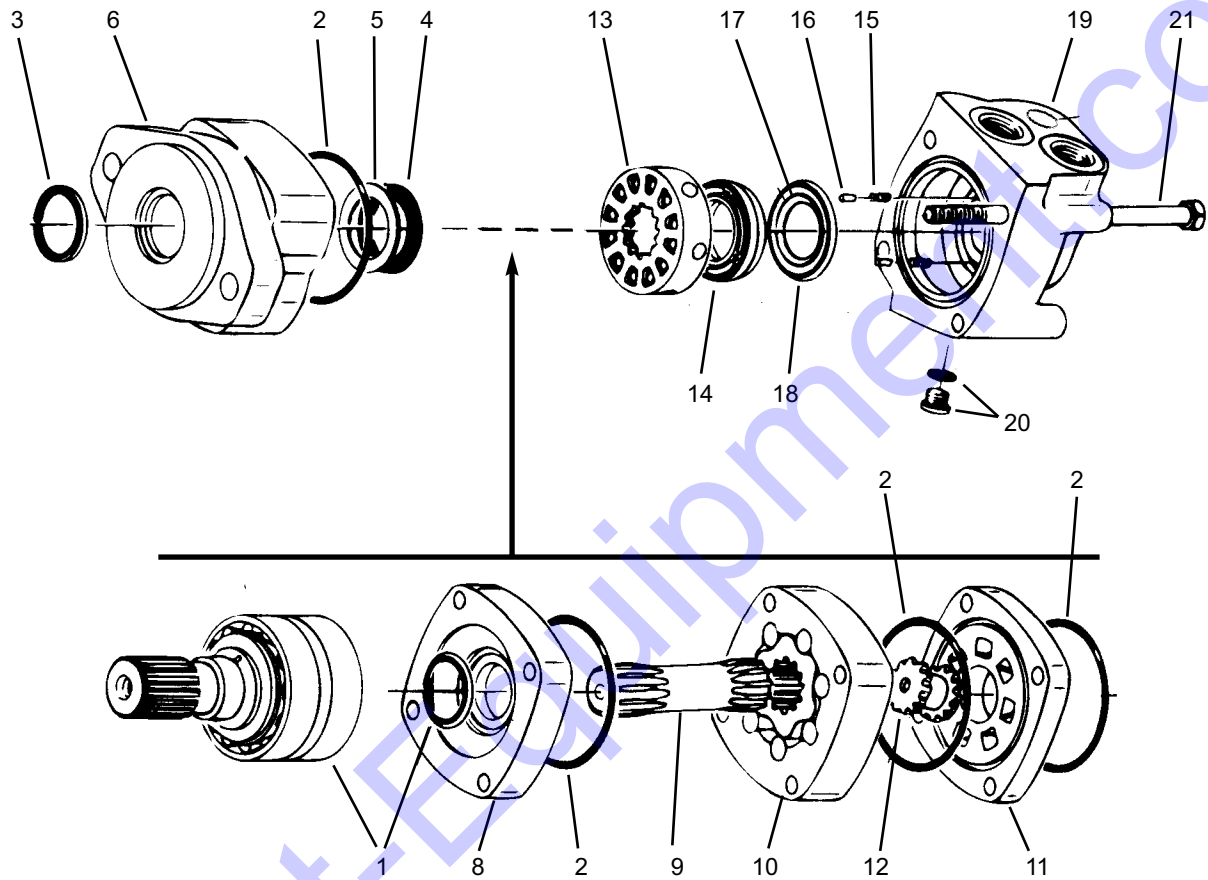


A,C,E - Backup Rings
B,D,F - O-Rings

Ref. No.	Part No.	Description	Qty. Req.	Ref. No.	Part No.	Description	Qty. Req.
a	P347150	COMPLETE ASSEMBLY.....	2	14	NSS	KEY.....	1
b	P473107	COMPLETE ASSEMBLY.....	2	15	NSS	BALANCE RING.....	1
01	P700188	SEAL KIT.....	1			(Incl. 2 Pins)	
		(Incl. O-Ring On Items 3,4,7,10)		16	NSS	DRIVE VALVE.....	1
02	NSS	BEARING HOUSING.....	1	17	P700194	GEROLER.....	1
03	NSS	PLUG W/O-RING ASY.....	1	18	P700195	DRIVE.....	1
04	NSS	PLUG W/O-RING ASY.....	1	19	NSS	WEAR PLATE.....	1
05	NSS	HOUSING.....	1	20	NSS	TIE BOLT.....	4
06	NSS	CONTROL SPOOL.....	1	21	NSS	VALVE PLATE.....	1
07	NSS	PLUG W/O-RING ASY.....	1	22	P700501	SPRING.....	1
08	P700189	SPRING.....	2	23	P700502	SPRING.....	1
09	P700190	SHAFT & BEARING.....	1				
10	NSS	PLUG W/O-RING ASY.....	2	a		1438 thru S/N 14331, 1448 thru S/N 17409	
11	P700191	SPRING.....	2	b		1438 S/N 14332 and up, 1448 S/N 17410 and up	
12	P700192	CHECK BALL.....	2				
13	P700193	VALVE.....	1				

Positive Track Drive Motor

(1438 S/N 14197 and up incl. 14060 and 14062, 1448 S/N 17075 and Up)

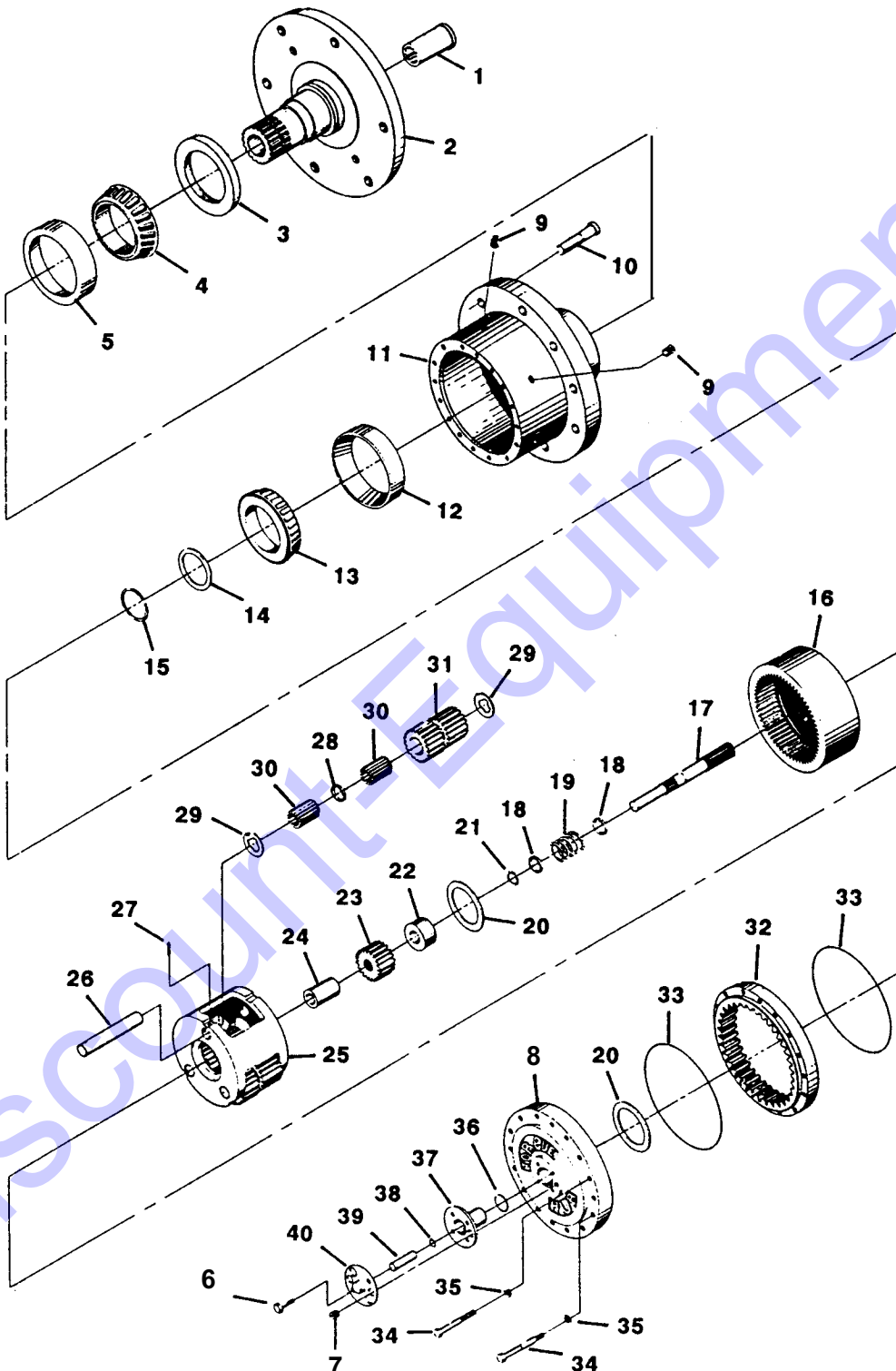


38adm6.tif

Ref. No.	Part No.	Description	Qty. Req.	Ref. No.	Part No.	Description	Qty. Req.	
-	P471429	COMPL. ASY.	1	13	NSS	VALVE	1	
01	NSS	SHAFT & BEARING KIT	1	14	NSS	BALANCE RING	1	
02	Note a	SEAL	4	15	NSS	RING PIN	2	
03	Note a	EXCLUSION SEAL	1	16	NSS	COMPRESSION SPRING	2	
04	Note a	SHAFT SEAL	1	17	Note a	INNER FACE SEAL	1	
05	NSS	BACKUP RING	1	18	Note a	OUTER FACE SEAL	1	
06	P700525	HOUSING	1	19	NSS	VALVE HOUSING	1	
07	Note a	SHAFT FACE SEAL	1	20	NSS	PLUG ASY.	1	
08	NSS	WEAR PLATE	1		Note a	O-RING	1	
09	NSS	MAIN DRIVE	1	21	NSS	CAPSCREW 5.1" LONG	4	
10	NSS	GEROLER	1		a	L500727	COMPL. SEAL KIT	1
11	NSS	VALVE PLATE	1					
12	NSS	DRIVE VALVE	1					

Positive Track Drive Torque Hub

(1438 S/N 14197 and up incl. 14060 and 14062, 1448 S/N 17075 thru 17452)



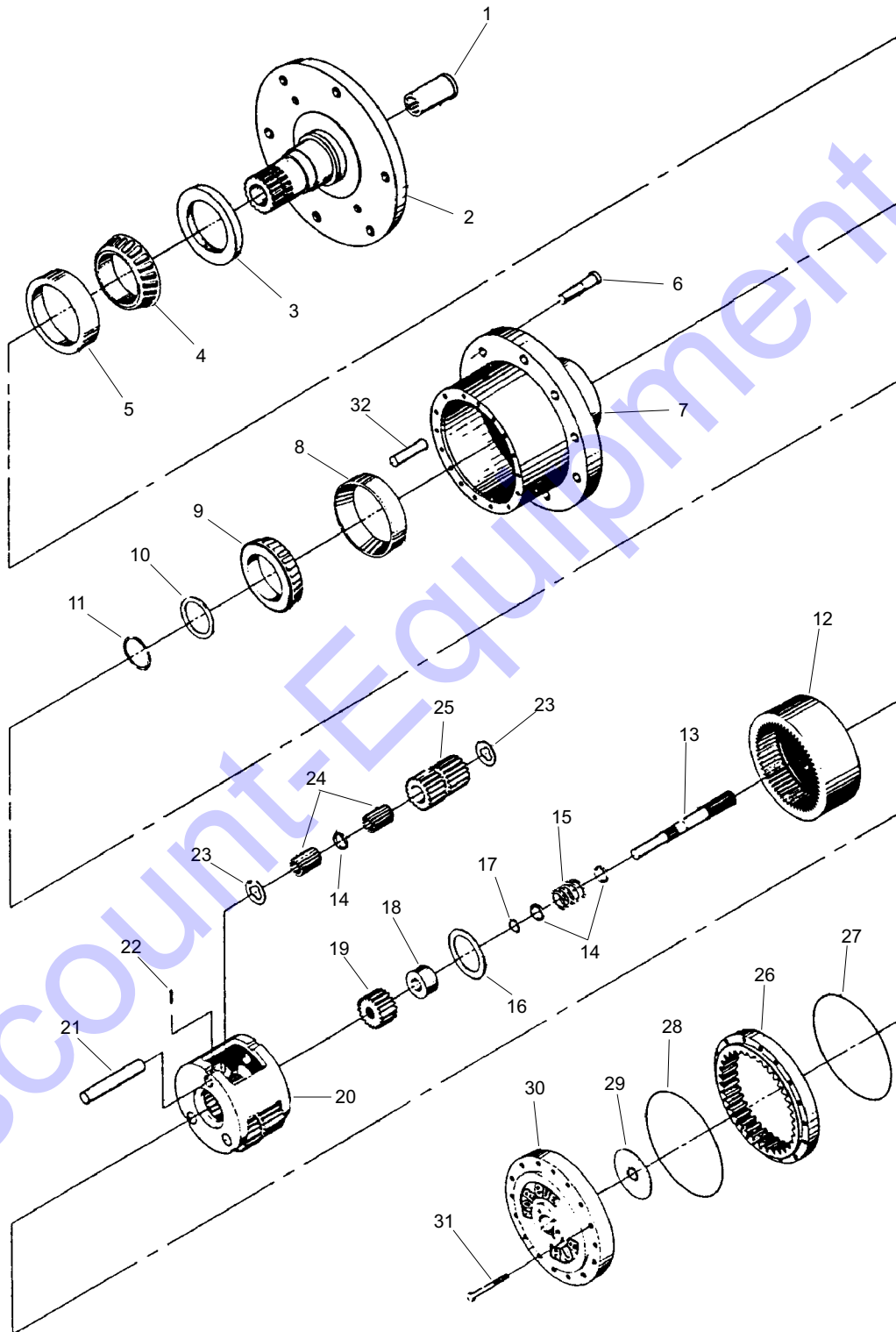
65hyc5.tif

Positive Track Drive Torque Hub

(1438 S/N 14197 and up incl. 14060 and 14062, 1448 S/N 17075 thru 17452)

Ref. No.	Part No.	Description	Qty. Req.	Ref. No.	Part No.	Description	Qty. Req.
-	P271900	COMPL. ASY.	1	20	P421200	THRUST WASHER	2
-	P700112	COMPL. SEAL KIT - Incl: (Items 3,33,36,38)	1	21	P700081	RETAINER RING	1
01	P700083	COUPLING	1	22	P700111	INPUT SPACER	1
02	P700110	SPINDLE	1	23	P700104	SUN GEAR	1
03	P700103	SEAL	1	24		(Not Used)	
04	P700253	BEARING CONE	1	25	P700076	CARRIER	1
05	L97239	BEARING CUP	1	26	P700070	PLANET SHAFT	3
06	L50211	BOLT 1/4-20X3/4	2	27	P700074	ANTI-ROLL PIN	3
07	L64634	PLUG	2	28	P700073	THRUST WASHER	3
08	P700109	COVER PLATE	1	29	P700071	THRUST WASHER	2
09	P700060	PLUG	2	30	P700072	NEEDLE ROLLERS	AR
11	P700100	HOUSING	1	31	P700105	CLUSTER GEAR	3
12	P700063	BEARING CUP	1	32	P700106	RING GEAR	1
13	P700064	BEARING CONE	1	33	P382100	O-RING	2
14	P700068	THRUST WASHER	1	34		GR8 BOLT 5/16-18X2-1/4	16
15	P384600	RETAINER RING	1	35	L50141	FLAT WASHER 5/16	16
16	P700061	INTERNAL GEAR	1	36	P700087	O-RING	1
17	P700108	INPUT SHAFT	1	37	P700092	COVER CAP	1
18	P700073	THRUST WASHER	2	38	P700093	O-RING	2
19	P700085	SPRING	1	39	P700090	DISCONNECT ROD	1
				40	P700091	DISCONNECT CAP	1

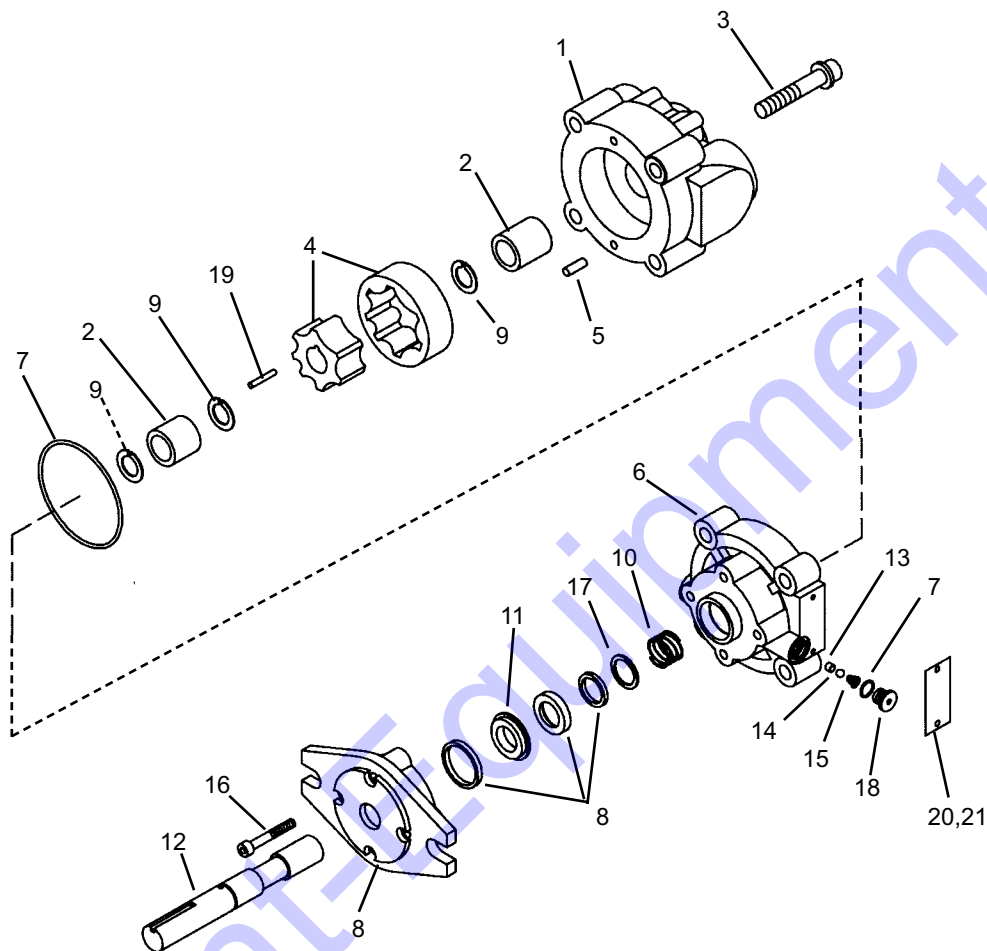
Positive Track Drive Torque Hub
(1448 S/N 17453 and up)



Positive Track Drive Torque Hub
(1448 S/N 17453 and up)

Ref. No.	Part No.	Description	Qty. Req.	Ref. No.	Part No.	Description	Qty. Req.
-	P271900	COMPL. ASY.	1	16	P421200	THRUST WASHER	1
01	P700670	COUPLING	1	17	P700081	RETAINER RING	1
02	P700110	SPINDLE	1	18	P700111	INPUT SPACER	1
03	P700103	SEAL	1	19	P700104	SUN GEAR	1
04	P700253	BEARING CONE	1	20	P700076	CARRIER	1
05	L97239	BEARING CUP	1	21	P700070	PLANET SHAFT	3
06	P407000	MOUNT STUD	8	22	P700074	ANTI-ROLL PIN	3
	P356800	LUGNUT	8	23	P700071	THRUST WASHER	2
07	P700100	HOUSING	1	24	P700072	NEEDLE ROLLERS	96
08	P700063	BEARING CUP	1	25	P700105	CLUSTER GEAR	3
09	P700064	BEARING CONE	1	26	P700106	RING GEAR	1
10	P700068	THRUST WASHER	1	27	P382100	O-RING	1
11	P384600	RETAINER RING	1	28	L500774	O-RING	1
12	P700061	INTERNAL GEAR	1	29	L500775	THRUST CAP	1
13	P700108	INPUT SHAFT	1	30	L500776	COVER ASSEMBLY	1
14	P700073	THRUST WASHER	3	31	L500773	GR8 BOLT 5/16-18X2-1/4	12
15	P700085	SPRING	1	32	L500777	DOWEL PIN	4

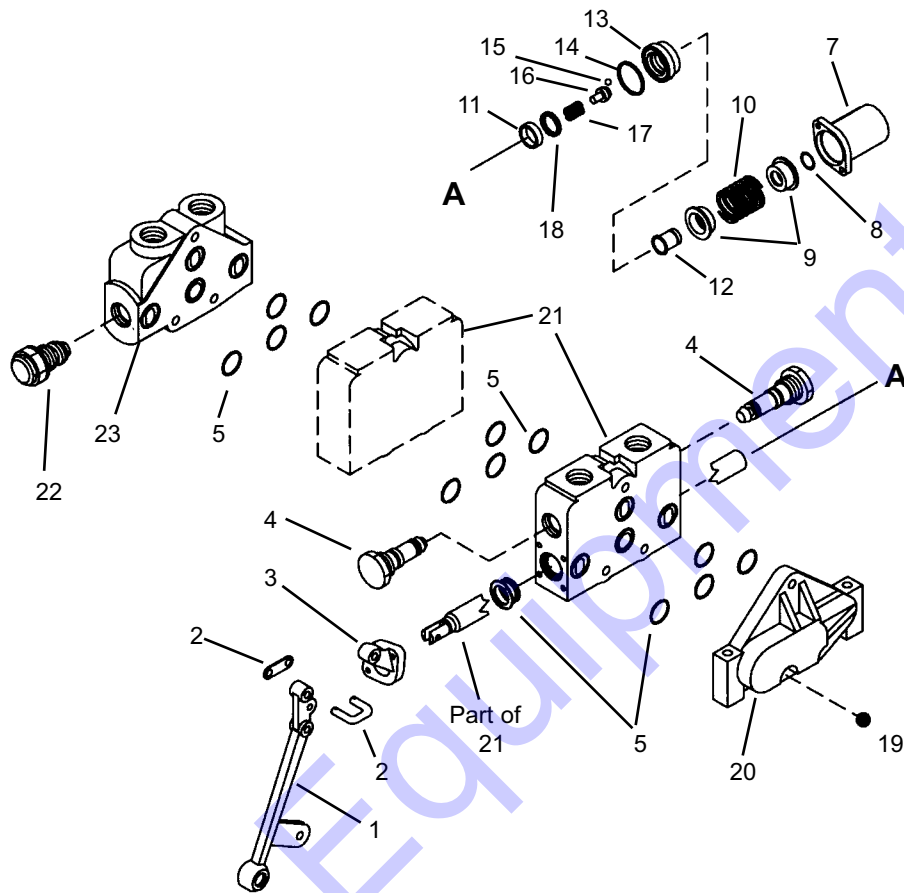
Screed Vibrator Motor



789-59/38hyc5.tif

Ref. No.	Part No.	Description	Qty. Req.	Ref. No.	Part No.	Description	Qty. Req.
-	P349450	COMPL.ASY.....	1	11	NSS	SEAT	1
01	NSS	BODY.....	1	12	NSS	SHAFT.....	1
02	P700180	BEARING.....	2	13	P700184	SEAT	2
03	NSS	BODY SCREW	4	14	P700183	BALL	2
04	NSS	GEROTOR ELEMENT.....	1	15	P700182	SPRING.....	2
05	NSS	DOWEL PIN.....	2	16	NSS	SCREW#10-24X1	4
06	NSS	COVER	1	17	NSS	WASHER.....	1
07	P282400	SERVICE KIT (Seals & Item 2)	1	18	NSS	PLUG.....	2
08	P700514	MOUNTING PLATE.....	1	19	NSS	DRIVE PIN.....	1
09	P700185	RETAINING RING.....	3	20	NSS	NAME PLATE	1
10	NSS	SPRING.....	1	21	NSS	SCREW #4-40.....	2

Drive Valve

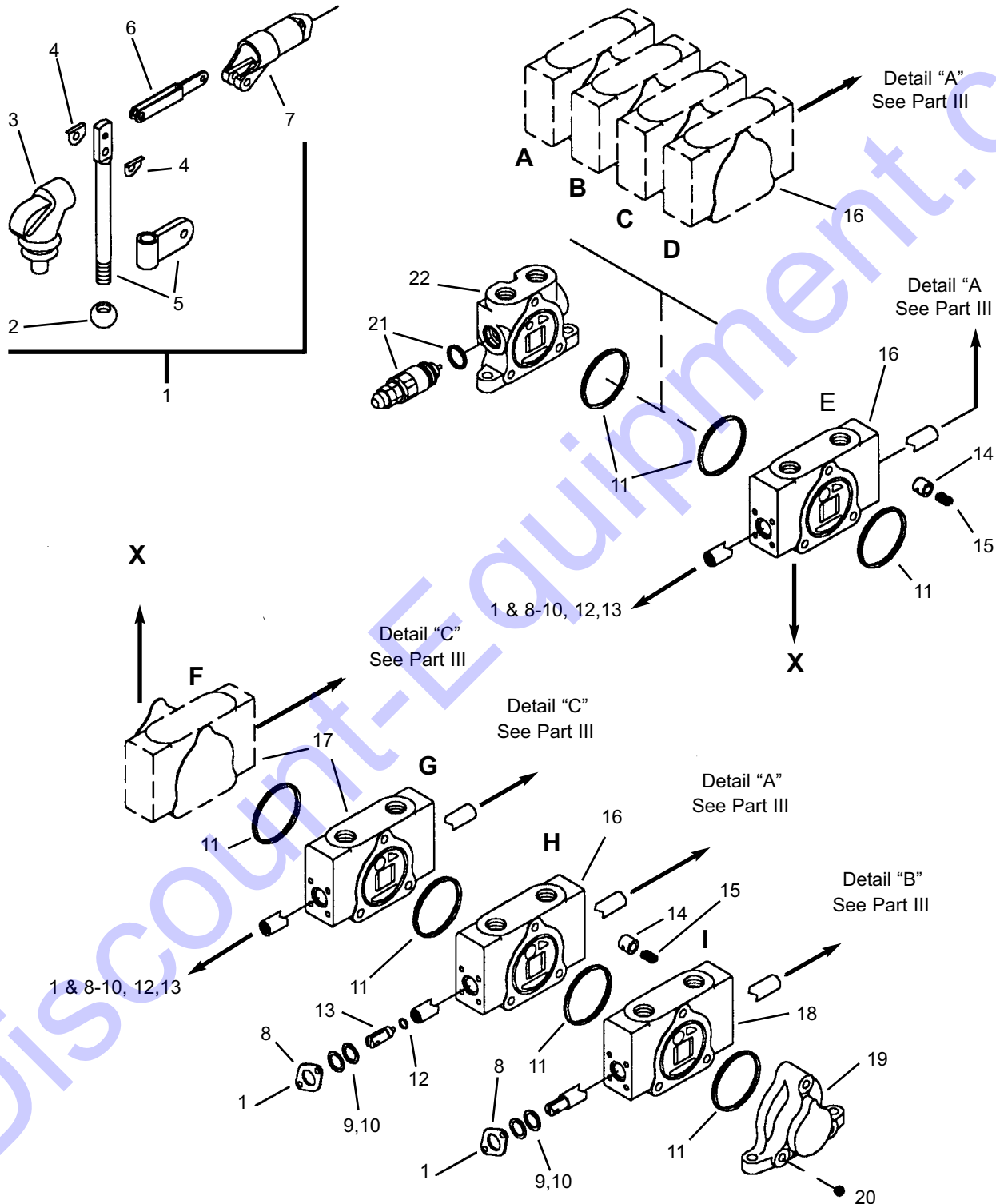


Ref. No.	Part No.	Description	Qty. Req.	Ref. No.	Part No.	Description	Qty. Req.
-a	P417600	COMPL. ASY.	1	13	NSS	SLEEVE.	1
-b	P471467	COMPL. ASY.	1	14	NSS	O-RING.	1
01	P283150	HANDLE & LINK KIT (Incl.2)	2	15	NSS	BALL	2
	P470407	TAB (Weld on)	2	16	NSS	FOLLOWER.	1
02	P700174	LINK KIT	2	17	NSS	DETENT SPRING	1
03	P045000	BRACKET	2	18	NSS	SEAL	1
04	P283175	LOAD CHECK PLUG KIT	2	19	NSS	TIE ROD KIT	1
	P700176	CHECK SEAL KIT	2	20	NSS	END COVER	1
05	L98886	COMPL. SECT. SEAL KIT.	3	21	P418235	WORK SECT.w/SPOOL	2
		(Incl. Spool, Check Plug Seals)			P283200	SPOOL SEAL KIT	2per
06	P700178	POSITIONER KIT	2	22 ^a	P700135	MAIN RELIEF	1
		(Incl. 7-18)		22 ^b	P700527	MAIN RELIEF	1
07	P700606	BONNET	1		P700136	RELIEF SEAL KIT	1
08	NSS	RETAINER.	1	23	NSS	IN/OUT SECTION	1
09	NSS	COLLAR	2				
10	NSS	CENTERING SPRING.	1				
11	NSS	SLEEVE RETAINER	1				
12	NSS	SPOOL COLLAR	1				

a Units equipped with rubber tire drive.
 b Units equipped with positive track drive.

9-Stack Control Valve - Part I

1438 Thru S/N 14292, 1448 Thru S/N 17202

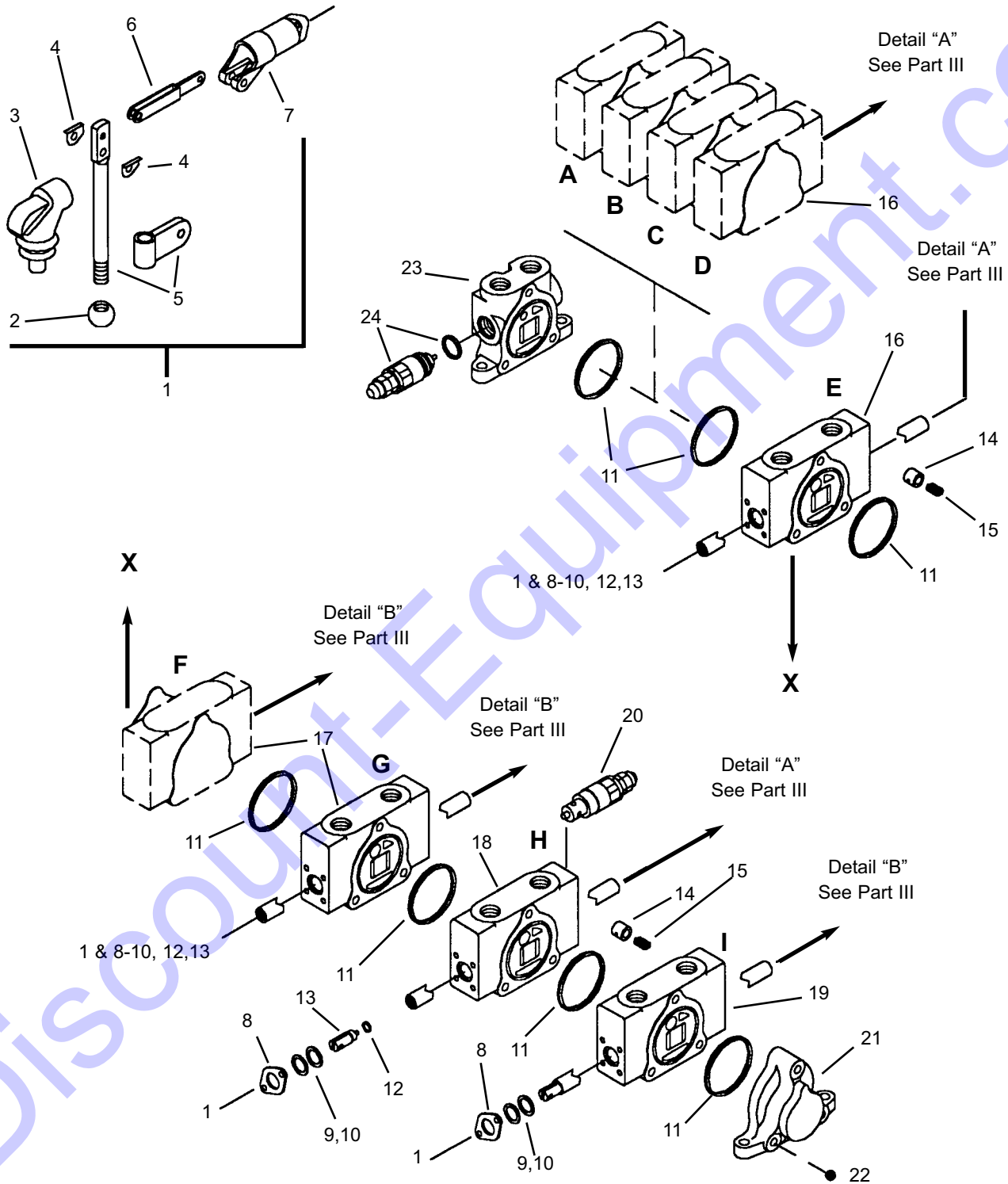


790-59/38hyc6.tif

9-Stack Control Valve - Part I
1438 Thru S/N 14292, 1448 Thru S/N 17202

Ref. No.	Part No.	Description	Qty. Req.	Ref. No.	Part No.	Description	Qty. Req.
-	101283	COMPLETE ASSEMBLY.....	1	11	P382900	O-RING, BETWEEN SECTIONS....	9
-	P700480	COMPLETE SEAL KIT	1	12	P700631	O-RING, CLEVIS	8
01	P286100	HANDLE KIT (Incl. 2-7).....	9	13	P700417	CLEVIS END	8
	P470427	TAB ONLY	3	14	P700416	POPPET-C.V	8
		(Weld On "A,F,H" Sec. Handles)		15	P700115	SPRING.....	8
02	P284750	KNOB.....	9	16	P418040	COMPL. SPOOL SECT.	6
03	P700163	BOOT.	9			(Incl. Detail "A" Cap End)	
04	P700164	SHIM	18	17	P700639	COMPL. SPOOL SECT.	2
05	NSS	HANDLE	9			(Incl. Detail "C" Cap End)	
	NSS	CLEVIS PIN	9	18	P700641	COMPL. SPOOL SECT.	1
06	P700165	LINK.....	18			(Incl. Detail "B" Cap End)	
	NSS	PIN.....	9	19	P700643	END SECTION	1
07	P045625	HANDLE PIVOT MOUNT	9	20	P700170	TIE ROD KIT	1
	NSS	SOC. HD. CAPSCREW	18	21	P418203	MAIN RELIEF VALVE	1
08	P700166	SEAL PLATE, CLEVIS END	9		P700169	SEAL & SPRING KIT	1
09	P424000	SPOOL WIPER, CLEVIS END	9	22	P700506	IN/OUT SECTION	1
10	P700630	SPOOL O-RING, CLEVIS END	9				

9-Stack Control Valve - Part II
 1438 S/N 14293 and Up, 1448 S/N 17203 and up



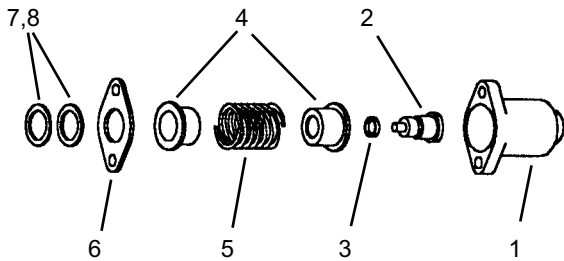
744-59/38hyc7.tif

9-Stack Control Valve - Part II
1438 S/N 14293 up, 1448 S/N 17203 and up

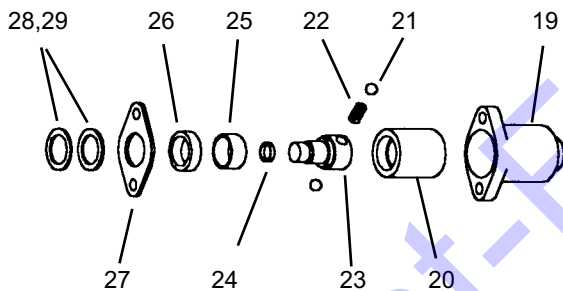
Ref. No.	Part No.	Description	Qty. Req.	Ref. No.	Part No.	Description	Qty. Req.
-	101283	COMPLETE VALVE.....	1	13	P700417	CLEVIS END.....	8
-	P700480	COMPLETE SEAL KIT.....	1	14	P700416	POPPET, C.V.....	8
01	P286100	HANDLE KIT (Incl. 2-7).....	9	15	P700115	SPRING.....	8
	P470427	TAB ONLY.....	3	16	P418040	COMPL. SPOOL SECT.	5
		(Weld-On "A,F & H" Handles)				(w/Detail "A" Cap End)	
02	P284750	KNOB.....	9	17	P700639	COMPL. SPOOL SECT.	2
03	P700163	BOOT.....	9			(w/Detail "B" Cap End)	
04	P700164	SHIM.....	18	18	P700640	COMPL. SPOOL SECT.	1
05	NSS	HANDLE.....	9			(w/Detail "A" Cap End)	
	NSS	CLEVIS PIN.....	9	19	P700641	COMPL. SPOOL SECT.	1
06	P700165	LINK.....	18			(w/Detail "B" Cap End)	
	NSS	PIN.....	9	20	P700642	RELIEF VALVE.....	1
07	P045625	PIVOT MOUNT.....	9		NSS	O-RING.....	1
	NSS	SOC. HD. CAPSCREW.....	18	21	P700643	END SECTION.....	1
08	P700166	SEAL PLATE, CLEVIS END.....	9	22	P700170	TIE ROD KIT.....	1
09	P424000	SPOOL WIPER, CLEVIS END.....	9	23	P700506	IN/OUT SECTION.....	1
10	P700630	SPOOL O-RING, CLEVIS END.....	9	24	P700519	MAIN RELIEF VALVE.....	1
11	P382900	BETWEEN SECTS. O-RING.....	9		NSS	O-RING.....	1
12	P700631	O-RING, CLEVIS.....	8				

9-Stack Control Valve Cap Ends - Part III

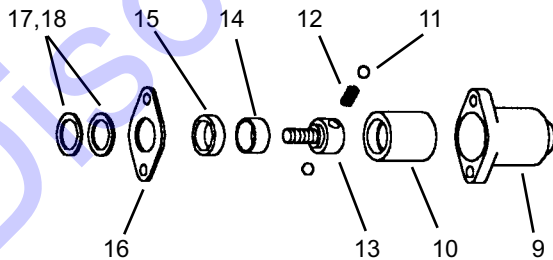
Detail "A" Cap End Asy.
(Sections "A-E & H")



Detail "C" Cap End Asy.
(Sections "F & G")



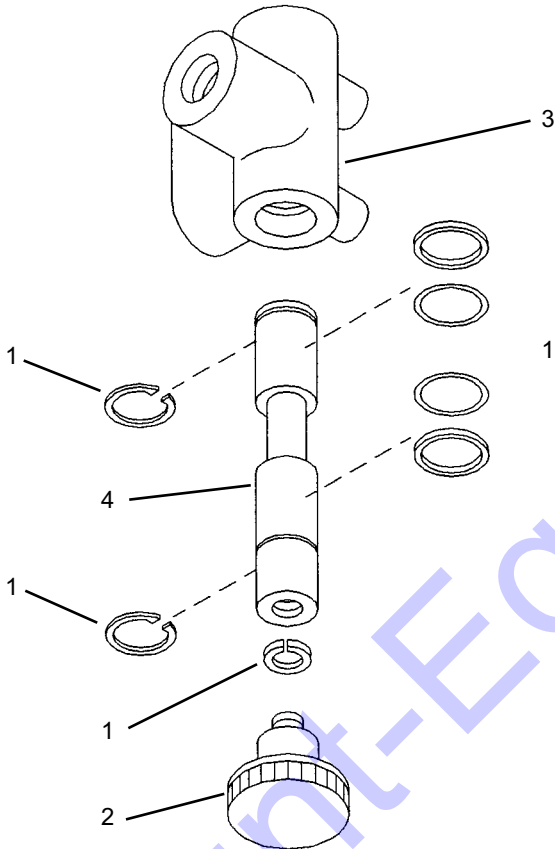
Detail "B" Cap End Asy.
(Section "I")



Ref. No.	Part No.	Description	Qty. Req.
DETAIL "A" CAP END ASY.			
	P700173	COMPLETE ASSEMBLY	
01	P700604	CAP	1
	NSS	SOC. HD. CAPSCREW	2
02	P700632	SPOOL END	1
03	P700631	O-RING, SPOOL END	1
04	P700633	SPRING SEAT	2
05	P700220	SPRING	1
06	P700166	SEAL PLATE, CAP END	1
07	P424000	SPOOL WIPER, CAP END	1
08	P700630	SPOOL O-RING, CAP END	1
DETAIL "B" CAP END ASY.			
	P700171	COMPLETE ASSEMBLY	
09	P700604	CAP	1
	NSS	SOC. HD. CAPSCREW	2
10	P700638	DETENT SLEEVE	1
11	P700634	BALL	2
12	P700168	SPRING	1
13	P700635	DETENT PIN	1
14	P700636	SPACER	1
15	P700637	SPACER	1
16	P700166	SEAL PLATE, CAP END	1
17	P424000	SPOOL WIPER, CAP END	1
18	P700630	SPOOL O-RING, CAP END	1
DETAIL "C" CAP END ASY.			
	P700172	COMPLETE ASSEMBLY	
19	P700604	CAP	1
	NSS	SOC. HD. CAPSCREW	2
20		DETENT SLEEVE	1
21	P700634	BALL	2
22	P700168	SPRING	1
23		SPOOL END	1
24		O-RING, SPOOL END	1
25		SPACER	1
26		SPACER	1
27	P700166	SEAL PLATE, CAP END	1
28	P424000	SPOOL WIPER, CAP END	1
29	P700630	SPOOL O-RING, CAP END	1

794-59/38hyc17.tif

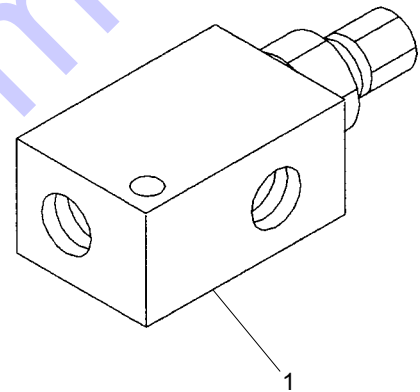
Speed Selector Valve



558-4931/38hyc12.tif

Ref. No.	Part No.	Description	Qty. Req.
-	P420700	COMPLETE ASSEMBLY.....	1
01	P700503	REPAIR KIT.....	1
02	NSS	CONTROL KNOB.....	1
03	NSS	HOUSING.....	1
04	NSS	SPOOL.....	1

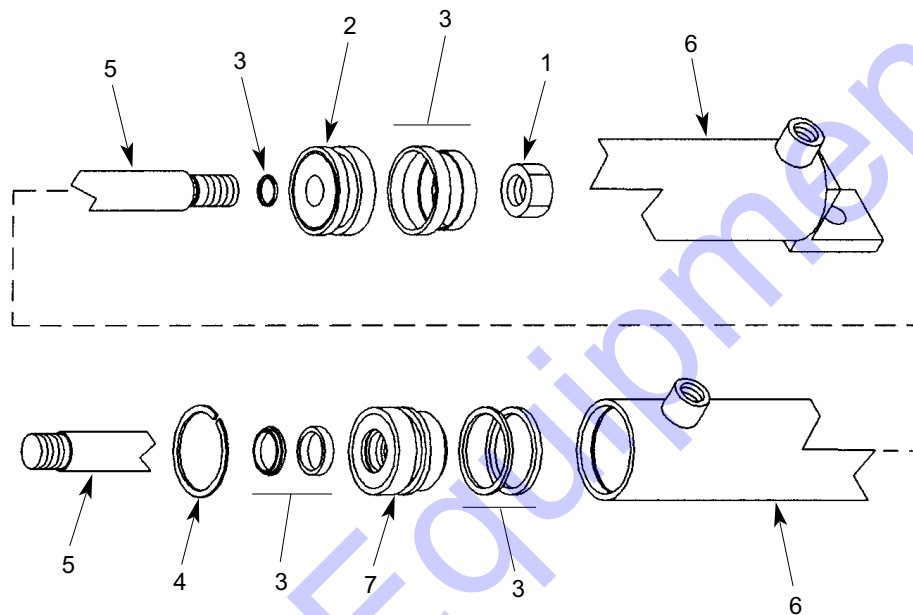
Relief Valve



945-60/38hyc13.tif

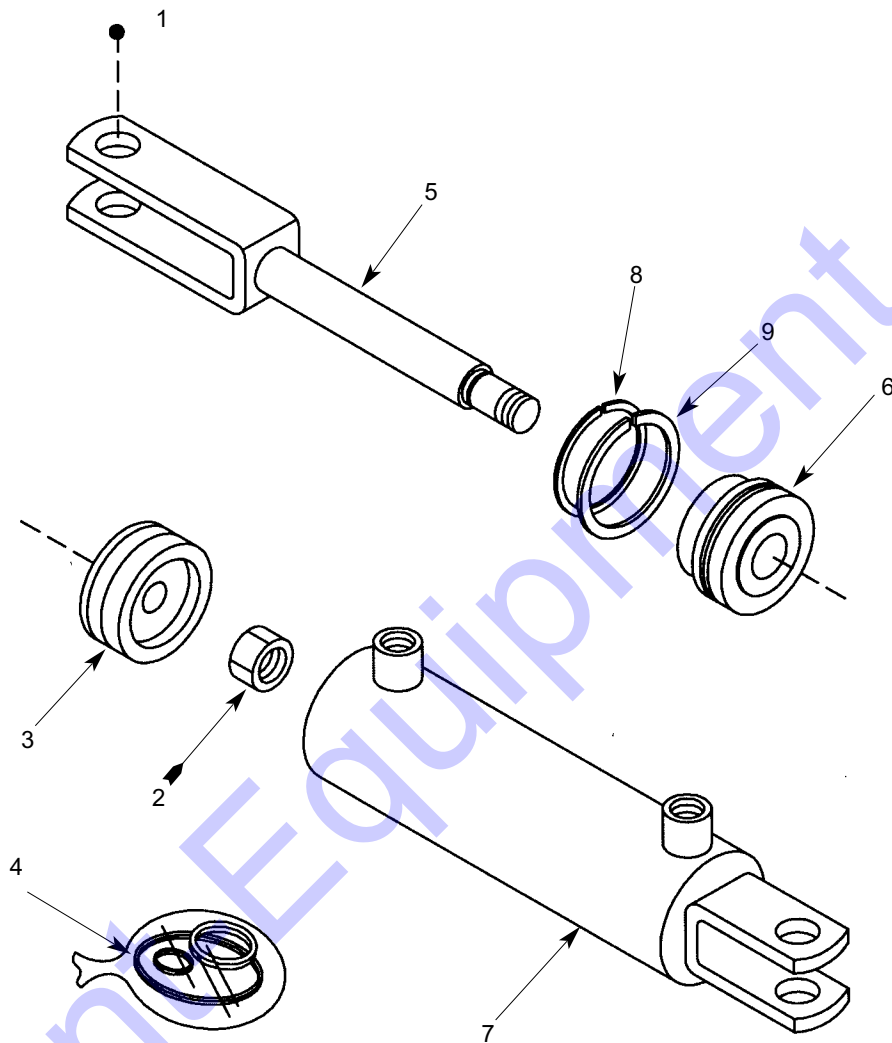
Ref. No.	Part No.	Description	Qty. Req.
01	P471498	VALVE/RELIEF.....	1

Screed Extend Cylinder



Ref. No.	Part No.	Description	Qty. Req.	Ref. No.	Part No.	Description	Qty. Req.
-a	P480073	COMPL. CYL. ASY.....	1	04	P700158	RETAINER RING.....	1
01	P700422	LOCKNUT 7/8-14	1	05	P700159	ROD.....	1
02	P700156	PISTON	1	06	NSS	TUBE WELDMENT	1
03	P700157	SEAL KIT (Incl. 4)	1	07	P700160	END GLAND	1

Screed Lift and Gate Extend Cylinder

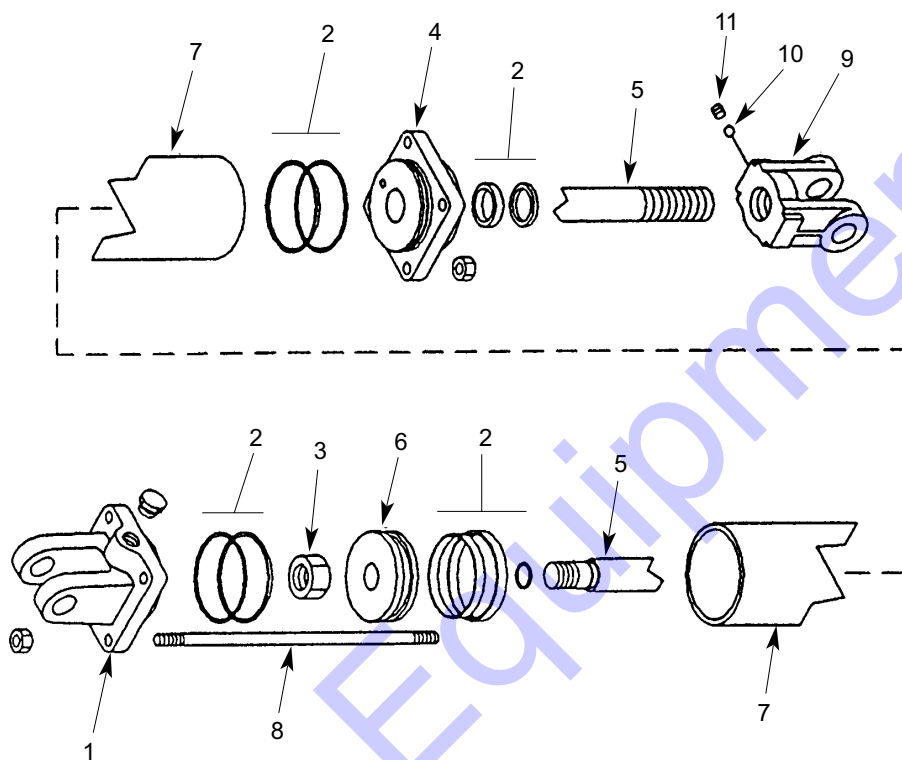


Ref. No.	Part No.	Description	Qty. Req.	Ref. No.	Part No.	Description	Qty. Req.
	P470204	COMPLETE ASSEMBLY.....	1	05	P385600	ROD WELDMENT.....	1
01	P700400	CLEVIS PIN W/CLIP.....	1	06	P700399	END GLAND.....	1
02	P700422	LOCKNUT 7/8-14.....	1	07	NSS	TUBE WELDMENT.....	1
03	P368675	PISTON.....	1	08	See 4	INT. RETAINER RING.....	1
04	P281800	SEAL KIT (Incl. 8, 9).....	1	09	See 4	EXT. RETAINER RING.....	1

Hopper Lift Cylinder

1438 Thru S/N 14048

1448 Thru S/N 17002

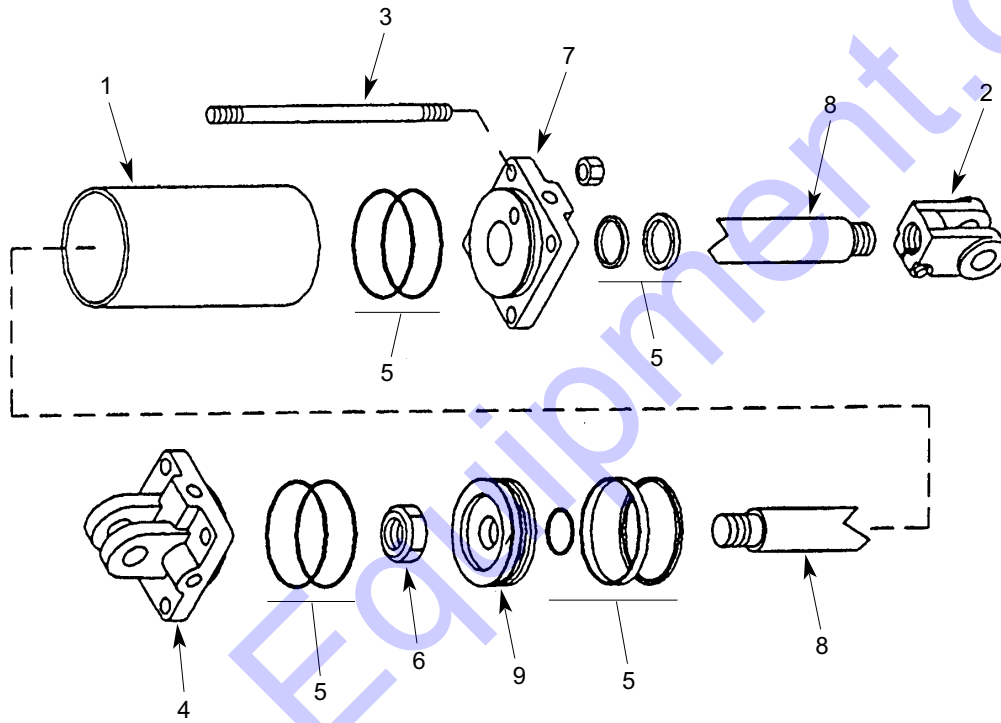


Ref. No.	Part No.	Description	Qty. Req.	Ref. No.	Part No.	Description	Qty. Req.
a	<i>P/N Stamped on Tube.</i>			06	P700142	PISTON	1
	P470203	COMPLETE ASSEMBLY.	1	07	NSS	TUBE	1
01	NSS	BUTT END CLEVIS	1	08	P700143	TIE ROD	4
02	P700140	SEAL KIT	1	09	P700144	ROD END CLEVIS	1
03	P700422	LOCKNUT 7/8-14	1	10	P700145	NYLON BALL	1
04	P700219	END GLAND HOUSING	1	11	P700146	SETSCREW	1
05	P700141	ROD	1				

Hopper Lift Cylinder

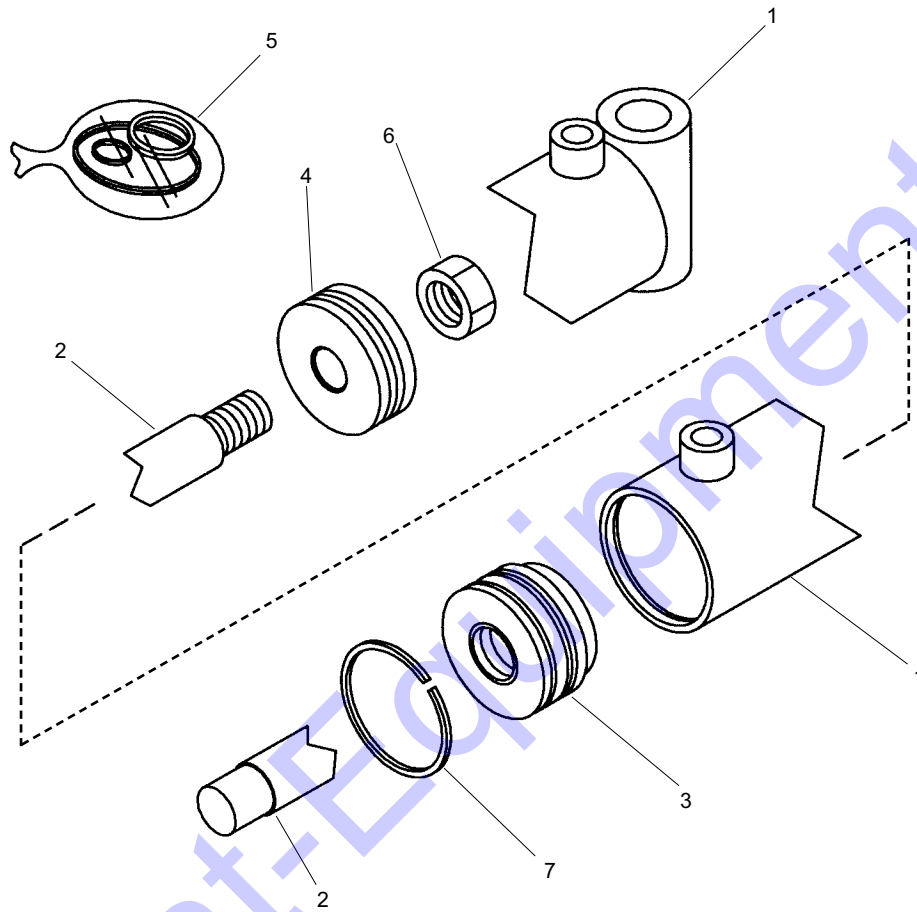
1438 S/N 14049 and Up

1448 S/N 17003 and Up



Ref. No.	Part No.	Description	Qty. Req.	Ref. No.	Part No.	Description	Qty. Req.
a	<i>P/N Stamped on Tube.</i>			05	P700239	SEAL KIT.....	1
	P470939	COMPL. CYL. ASY.....	1	06	P700422	LOCKNUT 7/8-14	1
01	NSS	TUBE.....	1	07	P700236	END GLAND	1
02	P700238	ROD END CLEVIS	1	08	P700233	ROD.....	1
03	P700234	TIE ROD	4	09	P700237	PISTON	1
04	P700235	BUTT END CLEVIS.....	1				

Track Tension Cylinder



Ref. No.	Part No.	Description	Qty. Req.	Ref. No.	Part No.	Description	Qty. Req.
01	P470593	COMPLETE ASSEMBLY.....	1	05	102121	SEAL KIT.....	1
02	NSS	BODY.....	1	06	P700422	LOCK NUT 7/8-14 UNF.....	1
03	102120	ROD.....	1	07	NSS	RETAINER RING.....	1
04	P700580	END GLAND.....	1			(included with item 5)	
	P700582	PISTON.....	1				

Part No.	Page No.	Ref. No.	Part No.	Page No.	Ref. No.	Part No.	Page No.	Ref. No.	Part No.	Page No.	Ref. No.
54626	39	1	70648	15	2	76880	59	1	114413	31	16
54626	49	8	70648	23	1	77088	31	29	114930	59	18
54626	51	8	70648	25	7	78936	33	16	114930	67	31
54626	59	8	70648	27	7	79209	10	9	114930	69	31
54626	67	18	70648	31	48	79209	19	30	114930	73	31
54626	69	18	70648	33	6	79209	21	16	115034	33	23
54626	73	18	70856	16	1	79209	39	3	121275	33	22
54626	83	14	70856	19	13	79209	41	4	121775	49	5
54816	67	1	71858	19	19	80456	19	6	121775	51	5
54816	69	1	72193	31	26	82743	97	10	121775	59	5
54816	73	1	72340	25	11	88307	97	4	121775	67	7
54982	49	13	72340	27	10	88310	97	18	121775	69	7
54982	51	13	72401	33	3	88310	97	29	121775	73	7
54982	59	12	72415	31	28	88442	49	3	122633	17	5
54995	73	45	72425	19	16	88442	51	3	122892	31	17
54995	91	14	72580	41	3	88442	59	3	123827	15	3
55017	33	16	72580	81	4	88442	67	3	123828	15	3
55221	100	1	72615	49	37	88442	69	3	128299	43	1
56859	7	18	72615	51	37	88442	73	3	128299	45	1
57650	14	1	72615	59	36	88442	91	10	128299	47	1
57864	17	1	72615	67	21	91039	73	46	128299	49	26
58521	100	2	72615	69	21	91039	91	15	128299	51	26
61826	19	2	72615	73	21	95601	41	43	128299	53	1
61946	31	34	72615	81	14	95601	91	21	128299	55	1
62023	14	2	72615	83	11	96231	33	16	128299	57	1
62023	15	1	72615	91	4	96233	33	24	128299	59	25
62023	15	10	72798	7	16	96234	33	24	128299	61	1
62397	39	2	74020	49	6	100435	67	27	128299	63	1
62397	81	1	74020	51	6	100435	69	27	128299	65	30
62397	83	2	74020	59	6	100435	73	27	128299	67	35
62397	91	16	74020	67	8	100435	91	7	128299	69	35
64260	31	20	74020	69	8	101041	25	14	128299	71	1
67684	31	47	74020	73	8	101042	25	13	128299	73	35
67685	31	46	74205	31	22	101046	31	12	137551	5	3
67761	41	1	74830	49	6	101047	31	13	137628	7	22
67761	41	44	74830	51	6	101048	31	14	137632	5	10
67761	81	6	74830	59	6	101164	7	12	137634	7	14
67761	87	4	74830	67	8	101283	49	36	137654	5	2
67761	89	4	74830	69	8	101283	51	36	430132	39	
67761	91	18	74830	73	8	101283	59	35	430133	39	
67823	11	3	76002	19	8	101283	67	40	520135	97	9
67847	9	17	76031	49	31	101283	69	40	570019	11	11
67847	14	3	76031	51	31	101283	73	40	650201	9	32
67847	31	21	76031	59	30	101283	91	29	650358	41	5
67847	41	2	76031	67	16	101283	111		650416	21	15
68034	9	22	76031	69	16	101283	113		650416	39	5
68034	11	4	76031	73	16	101438	39	4	650416	41	6
68938	41	42	76143	49	4	101481	5	7	650434	39	6
68938	49	21	76143	51	4	101482	5	8	650448	9	7
68938	51	21	76143	59	4	101483	5	4	650453	41	7
68938	59	20	76143	67	4	101866	13	2	650486	23	2
68938	67	26	76143	69	4	101867	13	2	650486	25	6
68938	69	26	76143	73	4	101868	13	2	650486	27	6
68938	73	26	76143	83	19	102120	120	2	650486	31	7
68938	91	6	76143	91	8	102121	120	5	650487	15	4
70634	9	20	76880	49	1	110227	9	10	650487	31	36
70634	31	42	76880	51	1	110227	10	6	650487	33	5

Part No.	Page No.	Ref. No.	Part No.	Page No.	Ref. No.	Part No.	Page No.	Ref. No.	Part No.	Page No.	Ref. No.
650488	12	9	654006	9	18	L277944	63	2	L444008	85	12
650488	16	2	654006	10	11	L277944	65	31	L444010	77	4
650488	21	5	654006	14	6	L277944	67	34	L445001	43	4
650488	21	22	654006	15		L277944	69	34	L445001	45	4
650488	22	9	654006	16	4	L277944	71	2	L445001	47	4
650488	23	3	654006	19	25	L277944	73	34	L445001	53	4
650488	41	8	654006	31	31	L41770	9	5	L445001	55	4
650490	14	4	654009	13	3	L41847	25	5	L445001	57	4
650491	9	24	654009	13	3	L41847	27	5	L445001	61	4
650491	15	6	654009	41	11	L41848	25	1	L445001	63	4
650492	31	15	654024	15	5	L41848	27	1	L445001	65	33
650494	11	6	654024	31	24	L442003	43	13	L445001	71	4
650495	13	3	654026	11	8	L442003	53	8	L445002	43	9
650495	13	3	654026	12	10	L442003	61	27	L445002	45	9
650495	41	40	654026	16	5	L442004	43	19	L445002	47	9
650502	19	3	654026	21	5	L442004	53	19	L445002	53	9
650503	11	5	654026	22	10	L442004	61	19	L445002	55	9
650528	16	3	654026	23	5	L442012	47	36	L445002	57	9
650528	31	25	654026	31	27	L442012	61	8	L445002	61	9
650533	9	19	654028	31	19	L442012	63	31	L445002	63	9
650533	11	7	654030	41	41	L442012	65	14	L445002	65	8
650533	19	13	654034	39	7	L442012	71	31	L445002	71	9
650533	31	30	654046	19	3	L442012	85	15	L445003	43	22
650533	41	9	654046	21	26	L442019	43	20	L445003	45	28
650542	14	5	654057	39	8	L442019	53	20	L445003	47	28
650542	41	10	655024	9	12	L442019	61	20	L445003	53	22
650548	25	24	655024	21	20	L442019	73	43	L445003	57	16
650548	25	25	655024	39	9	L442019	85	8	L445003	61	22
650548	27	22	656001	31	23	L442019	85	24	L445003	63	36
650548	31	11	656005	31	5	L442019	87	22	L445003	65	27
650548	33	9	656007	31	18	L442019	89	24	L445003	71	14
650548	33	21	656048	33	14	L442019	91	13	L445003	87	12
650550	25	24	906213	4		L442020	57	17	L445003	89	13
650550	25	25	906213	4		L442020	71	7	L445005	93	3
650550	27	22	906214	4		L442022	79	29	L445005	95	6
650550	31	9	906214	4		L442022	81	9	L445006	43	11
650550	33	11	906317	4		L442022	83	6	L445006	45	11
650550	33	21	906318	4		L444001	43	17	L445006	47	11
650551	19	17	910100	4		L444001	53	17	L445006	53	11
650558	19	24	420-36230	4		L444001	61	17	L445006	55	11
650584	19	15	L277484	9	9	L444003	75	1	L445006	57	11
650649	10	8	L277484	21	21	L444003	79	28	L445006	61	11
650650	9	21	L277484	79	16	L444003	85	19	L445006	63	11
650650	21	7	L277484	93	1	L444004	43	7	L445006	65	11
650663	31	41	L277484	95	1	L444004	45	7	L445006	71	11
650695	11	2	L277594	7	5	L444004	47	7	L445006	75	3
650818	9	28	L277729	19	22	L444004	53	7	L445006	79	27
650820	11	15	L277944	43	2	L444004	55	7	L445006	85	10
650909	9	2	L277944	45	2	L444004	57	7	L445009	43	5
653018	13	3	L277944	47	2	L444004	57	20	L445009	45	5
653018	13	3	L277944	49	25	L444004	61	7	L445009	47	5
653019	19	4	L277944	51	25	L444004	63	7	L445009	53	4
653116	10	5	L277944	53	2	L444004	65	16	L445009	55	5
654002	9	6	L277944	55	2	L444004	71	19	L445009	57	5
654004	23	4	L277944	57	2	L444004	79	23	L445009	61	5
654004	31	37	L277944	59	24	L444005	77	12	L445009	63	5
654004	33	20	L277944	61	2	L444008	75	4	L445009	65	22

Part No.	Page No.	Ref. No.	Part No.	Page No.	Ref. No.	Part No.	Page No.	Ref. No.	Part No.	Page No.	Ref. No.
L445009	71	5	L446049	53	16	L50397	37	14	L560002	17	2
L445009	85	4	L446049	77	15	L50426	21	6	L561003	19	9
L446017	45	26	L446049	79	15	L50491	25	23	L60253	21	4
L446017	47	26	L446049	87	17	L50491	27	20	L60253	93	6
L446017	55	27	L446049	89	16	L50519	37	3	L60534	47	39
L446017	57	36	L4500	33	17	L50746	21	12	L60534	49	33
L446017	61	25	L470926	55	16	L50823	22	11	L60534	51	33
L446017	63	26	L471289	55	20	L50833	19	12	L60534	59	32
L446017	63	34	L471339	57	21	L50837	29	1	L60534	65	45
L446017	65	5	L471339	65	34	L50894	21	15	L60534	67	14
L446017	71	34	L471339	71	20	L50956	37	3	L60534	69	14
L446019	45	23	L471399	45	17	L50962	33	2	L60534	73	14
L446019	57	31	L471399	47	17	L510023	37	4	L60534	79	22
L446019	63	22	L471399	55	17	L510023	37	5	L60534	83	22
L446019	65	40	L47212	31	49	L51493	77	3	L60534	91	26
L446019	71	39	L48182	25	12	L51493	79	4	L60559	87	13
L446021	45	19	L48182	27	11	L51493	87	8	L60559	89	14
L446021	47	19	L50056	22	11	L51493	89	17	L60588	39	10
L446021	49	16	L50061	29	1	L51531	43	17	L60588	47	35
L446021	51	16	L50065	19	12	L51531	45	22	L60588	65	17
L446021	55	19	L50070	19	3	L51531	47	22	L60588	79	26
L446021	57	23	L50070	21	9	L51531	49	19	L60588	83	15
L446021	57	34	L50071	21	25	L51531	51	19	L60653	77	8
L446021	59	15	L50072	22	1	L51531	53	17	L60653	79	19
L446021	63	18	L500727	103		L51531	55	22	L60653	85	21
L446021	63	25	L500773	107	31	L51531	57	30	L60653	87	16
L446021	65	29	L500774	107	28	L51531	61	17	L60653	87	23
L446021	65	36	L500775	107	29	L51531	63	21	L60653	89	11
L446021	67	28	L500776	107	30	L51531	65	39	L60653	89	18
L446021	69	28	L500777	107	32	L51531	71	40	L61092	45	4
L446021	71	8	L500936	4		L51572	75	6	L61092	47	4
L446021	71	22	L50105	35	2	L51572	85	6	L61092	49	23
L446021	71	36	L50110	9	4	L51586	47	23	L61092	51	23
L446021	73	28	L50113	19	6	L51586	65	43	L61092	57	4
L446024	45	29	L50137	22	4	L51586	79	8	L61092	59	22
L446024	47	29	L50141	105	35	L51591	79	12	L61092	63	4
L446024	55	30	L50145	29	1	L51591	85	11	L61092	65	33
L446024	57	13	L50145	35	1	L51591	87	18	L61092	67	32
L446024	63	30	L50151	21	17	L51591	89	20	L61092	69	32
L446024	65	1	L50157	19	29	L51599	77	17	L61092	71	4
L446024	71	35	L50157	21	17	L51827	31	50	L61092	73	32
L446025	75	7	L50168	35	8	L51827	61	15	L61572	43	15
L446025	77	7	L50172	25	4	L51827	63	15	L61572	45	15
L446025	79	7	L50172	27	4	L51827	65	2	L61572	47	15
L446025	85	7	L50174	37	4	L51827	67	6	L61572	53	15
L446025	87	7	L50174	37	5	L51827	69	6	L61572	55	15
L446025	89	7	L50208	15		L51827	71	15	L61572	57	15
L446026	47	13	L50208	23	9	L51827	73	6	L61572	85	17
L446026	57	26	L50211	22	3	L520003	22	5	L62277	25	3
L446026	61	13	L50211	105	6	L520005	35	1	L62277	27	3
L446026	63	33	L50251	35	4	L520007	37	4	L62459	15	5
L446026	65	6	L50294	22	1	L520007	37	5	L62459	23	9
L446026	71	26	L50355	12	6	L520019	21	16	L62834	47	41
L446026	71	33	L50367	45	21	L520022	10	12	L62834	49	35
L446026	85	18	L50367	47	21	L530004	15	6	L62834	51	35
L446047	81	8	L50367	63	20	L530004	23	6	L62834	59	34
L446047	83	5	L50385	19	28	L530004	31	44	L62834	65	47

Part No.	Page No.	Ref. No.	Part No.	Page No.	Ref. No.	Part No.	Page No.	Ref. No.	Part No.	Page No.	Ref. No.
L62834	67	13	P025600	35	3	P231050	47	8	P271900	39	14
L62834	69	13	P025800	37	5	P231050	79	25	P271900	105	
L62834	73	13	P025900	41	13	P231050	83	16	P271900	107	
L62834	81	11	P026800	35	9	P231050	85	23	P275425	35	15
L62834	83	8	P026800	41	14	P231050	87	20	P275425	41	15
L62840	49	35	P032600	39	12	P231050	89	22	P275450	27	17
L62840	51	35	P034400	37	14	P231050	91	24	P279009	101	2
L62840	59	34	P045000	109	3	P231100	43	8	P281800	117	4
L62840	65	47	P045625	111	7	P231100	55	13	P282400	108	7
L62840	67	13	P045625	113	7	P231100	61	26	P283150	109	1
L62840	69	13	P048400	35	15	P234200	39	13	P283175	109	4
L62840	73	13	P048400	41	15	P235600	85	1	P283200	109	21
L62840	81	11	P052025	35	14	P243860	101	4	P284750	111	2
L62840	83	8	P052200	35	7	P252400	11	9	P284750	113	2
L630004	29	20	P052700	35	7	P252400	19	11	P286100	111	1
L630004	31	51	P052800	35	12	P252400	19	32	P286100	113	1
L63335	25	10	P052800	37	1	P252600	19	31	P289010	11	12
L63834	79	31	P053000	37	1	P253000	12	4	P311600	21	23
L64634	105	7	P053205	35	12	P254040	93	5	P311800	21	10
L64660	59	42	P053250	37	1	P254050	93	8	P312100	35	2
L64660	83	23	P053600	35	14	P254055	95	7	P314000	35	10
L64660	91	27	P055200	29	14	P254070	93	9	P314010	41	19
L65924	7	20	P055200	33	8	P254072	93	4	P314060	41	20
L65927	5	1	P061400	29	22	P254074	93	7	P314080	41	21
L65933	7	21	P061400	49	14	P254074	95	8	P314125	41	22
L65942	7	15	P061400	51	14	P254075	93	2	P316100	9	31
L66427	25	9	P061400	59	13	P256450	43	18	P316400	9	33
L66437	25	21	P136200	21	3	P256450	45	24	P317400	12	2
L72019	15	7	P137200	19	18	P256450	47	24	P347150	102	
L72019	15	7	P142175	11	10	P256450	49	18	P349450	9	30
L72054	29	18	P143200	19	14	P256450	51	18	P349450	108	
L72061	29	17	P161900	41	46	P256450	53	18	P351250	41	23
L76020	9	26	P161950	41	16	P256450	55	23	P356600	41	24
L76020	33	13	P162440	41	17	P256450	57	32	P356800	39	21
L82282	5	3	P162450	41	18	P256450	59	17	P356800	107	6
L97239	105	5	P162450	41	45	P256450	61	18	P368675	117	3
L97239	107	5	P178000	10	3	P256450	63	35	P375000	14	9
L98886	109	5	P189000	37	15	P256450	65	41	P375000	25	22
P014600	37	7	P201400	5	6	P256450	67	30	P375000	27	19
P014950	21	14	P204012	7	4	P256450	69	30	P380200	12	1
P015425	41	12	P204013	7	19	P256450	71	38	P381075	41	25
P015800	37	13	P204014	7	23	P256450	73	30	P382100	105	33
P015900	10	4	P204015	7	7	P257250	43	16	P382100	107	27
P018000	37	6	P204030	5	7	P257250	53	23	P382900	111	11
P018700	9	27	P204100	7	6	P258800	75	5	P382900	113	11
P019200	37	8	P204101	7	3	P258800	85	5	P384600	105	15
P019400	37		P204107	7	1	P259525	65	7	P384600	107	11
P019410	37		P210200	5	9	P259525	67	2	P385600	117	5
P020400	37	15	P212750	7	2	P259525	69	2	P392200	35	5
P022300	15	8	P214000	5	5	P259525	73	2	P392450	39	15
P022800	14	7	P221650	19	2	P259600	43	10	P392700	99	11
P022800	15	8	P221850	19	4	P259600	53	10	P400200	14	10
P022800	15	9	P227750	29	7	P260275	49	7	P400400	14	11
P024000	19	23	P227750	85	22	P260275	51	7	P402600	35	16
P024500	37	11	P227750	87	25	P270200	12	3	P402600	41	26
P024500	39	11	P227750	89	25	P270900	14	8	P402800	35	11
P024600	37	4	P231 100	53	13	P271219	89	21	P403400	35	13

Part No.	Page No.	Ref. No.	Part No.	Page No.	Ref. No.	Part No.	Page No.	Ref. No.	Part No.	Page No.	Ref. No.
P405200	35	6	P470204	9	14	P470453	95	2	P470589	39	16
P405200	41	27	P470204	21	18	P470455	43	14	P470590	39	17
P406750	41	28	P470204	117		P470455	49	12	P470593	39	18
P407000	39	21	P470205	9	3	P470455	51	12	P470593	83	13
P407000	107	6	P470212	37	3	P470455	53	14	P470593	120	
P412000	12	5	P470213	37	3	P470455	55	8	P470594	41	34
P412575	41	29	P470214	37	2	P470455	61	14	P470595	41	34
P417600	49	41	P470216	35	1	P470456	43	3	P470599	41	38
P417600	59	40	P470223	35	17	P470456	45	3	P470600	41	30
P417600	67	24	P470224	35	17	P470456	47	3	P470606	19	26
P417600	73	24	P470246	19	20	P470456	49	24	P470609	17	5
P417600	81	7	P470253	22	1	P470456	51	24	P470610	17	5
P417600	91	1	P470279	19	7	P470456	53	3	P470722	31	1
P417600	109		P470289	19	35	P470456	55	3	P470723	12	7
P418040	111	16	P470294	19	34	P470456	57	3	P470731	15	13
P418040	113	16	P470299	19	33	P470456	59	23	P470817	23	7
P418203	111	21	P470303	19	38	P470458	95	9	P470820	33	26
P418235	109	21	P470308	15	1	P470459	95	10	P470826	15	12
P420550	85	16	P470312	27	20	P470460	95	4	P470830	31	39
P420700	73	44	P470320	19	10	P470462	43	12	P470831	31	33
P420700	91	19	P470321	19	1	P470462	45	12	P470832	31	4
P420700	115		P470323	5	8	P470462	47	12	P470836	19	7
P421200	105	20	P470332	29	13	P470462	53	12	P470840	25	23
P421200	107	16	P470335	21	24	P470462	55	12	P470848	33	1
P424000	111	9	P470337	21	8	P470462	57	12	P470852	5	4
P424000	113	9	P470340	22	7	P470462	59	7	P470860	27	21
P424000	114	7	P470341	14	12	P470463	14	15	P470861	31	2
P424000	114	17	P470343	25	17	P470464	14	16	P470871	31	8
P424000	114	28	P470343	27	16	P470468	9	35	P470877	47	16
P441001	29	11	P470348	25	16	P470461	75	8	P470877	57	19
P445003	55	29	P470348	27	15	P470461	85	9	P470877	61	23
P446021	55	25	P470401	27	12	P470472	14	14	P470877	63	29
P470006	19	40	P470402	27	13	P470472	15	2	P470877	65	12
P470014	19	21	P470403	29	21	P470472	15	10	P470877	71	18
P470025	19	27	P470403	31	32	P470475	35	1	P470877	71	29
P470051	10	10	P470403	97		P470478	15	3	P470877	85	13
P470055	10	1	P470404	43	6	P470528	12	8	P470880	25	8
P470056	10	1	P470404	45	6	P470532	27	2	P470920	31	43
P470057	10	2	P470404	47	6	P470533	45	18	P470925	75	2
P470058	10	2	P470404	47	38	P470533	47	18	P470926	45	30
P470065	11	1	P470404	49	32	P470533	49	28	P470926	47	30
P470066	11	1	P470404	51	32	P470533	51	28	P470926	47	42
P470070	11	13	P470404	53	6	P470533	55	18	P470926	57	8
P470073	37	15	P470404	55	6	P470533	57	22	P470926	61	24
P470080	9	23	P470404	57	6	P470533	59	27	P470926	63	23
P470088	17	3	P470404	59	31	P470533	63	17	P470926	65	10
P470100	17	4	P470406	9	29	P470533	65	35	P470926	71	27
P470103	16	11	P470406	16	6	P470533	67	37	P470927	61	21
P470104	17	6	P470406	93	3	P470533	69	37	P470928	61	6
P470108	17	7	P470406	95	3	P470533	71	21	P470928	63	6
P470120	17	8	P470407	109	1	P470533	73	37	P470928	65	23
P470121	9	25	P470408	43	21	P470533	75	2	P470928	65	44
P470143	9	36	P470408	53	21	P470536	25	20	P470928	67	17
P470162	17	9	P470408	95	5	P470536	27	18	P470928	69	17
P470164	21	2	P470409	14	13	P470577	41	33	P470928	71	6
P470190	21	1	P470427	111		P470587	39	16	P470928	73	17
P470203	118		P470427	113	1	P470588	39	17	P470929	61	3




Part No.	Page No.	Ref. No.	Part No.	Page No.	Ref. No.	Part No.	Page No.	Ref. No.	Part No.	Page No.	Ref. No.
P470929	63	3	P471082	37	3	P471289	67	38	P471339	51	27
P470929	65	32	P471083	37	3	P471289	69	38	P471339	59	26
P470929	67	33	P471084	9	11	P471289	71	23	P471339	63	14
P470929	69	33	P471085	37	2	P471289	73	38	P471339	67	36
P470929	71	3	P471129	17	6	P471297	9	13	P471339	69	36
P470929	73	33	P471130	17	7	P471297	21	19	P471339	73	36
P470930	61	10	P471131	17	8	P471299	45	25	P471341	29	16
P470930	63	10	P471132	17	9	P471299	47	25	P471344	29	8
P470930	65	4	P471133	16	11	P471299	49	17	P471345	49	40
P470930	67	12	P471136	22	6	P471299	51	17	P471345	51	40
P470930	69	12	P471138	22	2	P471299	55	24	P471345	59	39
P470930	71	10	P471155	19	39	P471299	57	33	P471345	77	2
P470930	73	12	P471159	15	11	P471299	59	16	P471345	79	2
P470931	61	16	P471182	39	19	P471299	63	24	P471345	81	13
P470931	63	32	P471186	39	20	P471299	65	42	P471345	83	10
P470931	65	9	P471188	25	2	P471299	67	29	P471345	87	2
P470931	65	13	P471203	9	16	P471299	69	29	P471346	47	34
P470931	71	32	P471206	21	27	P471299	71	37	P471346	77	9
P470932	61	12	P471216	85	2	P471299	73	29	P471346	79	9
P470932	63	12	P471217	85	20	P471310	7	9	P471346	87	9
P470932	65	15	P471218	47	37	P471318	63	27	P471346	89	9
P470932	67	19	P471218	65	18	P471318	65	28	P471347	45	8
P470932	69	19	P471218	79	20	P471318	71	13	P471347	47	32
P470932	71	12	P471218	83	18	P471319	45	10	P471347	57	28
P470932	73	19	P471218	85	25	P471319	47	10	P471348	77	5
P470933	61	28	P471218	87	21	P471319	49	2	P471349	65	20
P470933	63	28	P471218	89	23	P471319	51	2	P471349	67	22
P470933	65	3	P471218	91	20	P471319	55	10	P471349	69	22
P470933	67	5	P471219	85	14	P471319	57	10	P471349	73	22
P470933	69	5	P471219	87	19	P471319	59	2	P471349	77	2
P470933	71	28	P471219	91	23	P471320	45	14	P471349	79	2
P470933	73	5	P471247	19	37	P471320	47	14	P471349	81	13
P470935	25	2	P471247	45	21	P471320	55	14	P471349	83	10
P470936	33	18	P471247	47	21	P471320	57	14	P471349	89	2
P470937	33	27	P471247	49	30	P471321	55	26	P471349	91	3
P470938	33	25	P471247	51	30	P471321	57	35	P471350	63	8
P470939	16	7	P471247	55	21	P471321	59	41	P471350	65	25
P470939	119		P471247	57	25	P471321	71	16	P471350	71	17
P470949	16	11	P471247	59	29	P471321	73	41	P471351	65	19
P470957	31	3	P471247	63	20	P471321	91	11	P471351	77	1
P470960	7	17	P471247	65	38	P471322	45	27	P471351	79	1
P470975	33	19	P471247	67	39	P471322	47	27	P471351	87	1
P470989	31	35	P471247	69	39	P471322	49	20	P471351	89	12
P471007	17	6	P471247	71	24	P471322	51	20	P471352	77	6
P471008	17	7	P471247	73	39	P471322	55	28	P471352	79	6
P471009	17	8	P471288	19	36	P471322	57	18	P471352	79	17
P471010	17	9	P471288	45	21	P471322	59	19	P471352	87	6
P471022	16	11	P471288	47	21	P471322	91	7	P471352	89	6
P471023	27	20	P471288	63	20	P471323	73	42	P471353	45	13
P471024	19	5	P471289	45	20	P471323	85	3	P471353	47	33
P471025	7	12	P471289	47	20	P471323	87	24	P471353	57	27
P471044	21	2	P471289	49	29	P471323	89	8	P471353	63	16
P471045	21	1	P471289	51	29	P471323	91	12	P471353	65	24
P471052	21	14	P471289	57	24	P471329	31	38	P471353	71	25
P471057	16	8	P471289	59	28	P471330	31	40	P471353	77	10
P471058	33	7	P471289	63	19	P471337	15	4	P471353	79	10
P471059	33	4	P471289	65	37	P471339	49	27	P471353	87	10




Part No.	Page No.	Ref. No.	Part No.	Page No.	Ref. No.	Part No.	Page No.	Ref. No.	Part No.	Page No.	Ref. No.
P471353	89	10	P471411	25	25	P471499	67	15	P473071	59	14
P471354	45	16	P471411	27	22	P471499	69	15	P473090	16	11
P471354	47	31	P471411	31	10	P471499	73	15	P473096	41	33
P471354	57	29	P471411	33	10	P471500	79	30	P473097	41	33
P471354	63	13	P471411	33	21	P471500	81	10	P473098	41	34
P471354	65	26	P471413	25	25	P471500	83	7	P473099	41	34
P471354	71	30	P471427	16	9	P471501	39	25	P473107	41	39
P471356	41	31	P471428	13	2	P471502	39	26	P473107	91	22
P471356	77	16	P471429	39	22	P471507	10	1	P473107	102	
P471356	81	3	P471429	83	4	P471508	10	1	P473112	91	28
P471357	49	39	P471429	103		P471514	33	12	P473286	31	32
P471357	51	39	P471440	79	5	P471532	39	27	P473286	49	22
P471357	59	38	P471440	83	3	P471543	39	28	P473286	51	22
P471357	65	21	P471441	79	24	P471543	39	28	P473286	59	21
P471357	67	23	P471442	79	13	P471544	22	8	P473286	67	20
P471357	69	23	P471443	79	11	P471547	23	8	P473286	69	20
P471357	73	23	P471443	79	14	P471548	39	29	P473286	73	20
P471357	77	11	P471443	83	20	P471549	39	30	P473286	81	16
P471357	79	18	P471448	39	23	P471567	11	14	P473286	83	24
P471357	81	12	P471451	39	28	P471577	13	3	P473286	99	
P471357	83	9	P471454	9	15	P471579	13	3	P473298	15	12
P471357	87	3	P471455	9	8	P471771	29	23	P473301	15	13
P471357	89	1	P471466	21	11	P471816	7	11	P473303	15	14
P471357	91	2	P471467	51	41	P471818	25	24	P473327	21	8
P471358	22	11	P471467	69	24	P471818	33	21	P473328	21	24
P471361	77	5	P471467	83	1	P471819	33	12	P480071	21	13
P471361	81	2	P471467	109		P471840	7	10	P480071	35	4
P471361	87	5	P471474	16	10	P471867	33	15	P480071	101	
P471361	89	5	P471479	39	24	P473001	13	1	P480073	10	7
P471361	91	17	P471482	7	8	P473002	13	1	P480073	116	
P471363	35	4	P471484	83	17	P473003	13	1	P480122	39	32
P471363	41	32	P471496	49	9	P473004	13	1	P480124	39	33
P471363	81	5	P471496	51	9	P473005	13	1	P480176	39	34
P471363	101		P471496	59	9	P473006	13	1	P700002	29	9
P471366	77	14	P471496	65	49	P473007	13	1	P700006	27	17
P471366	87	14	P471496	67	9	P473008	13	1	P700017	99	32
P471366	89	15	P471496	69	9	P473009	13	1	P700018	99	31
P471366	91	25	P471496	73	9	P473010	13	1	P700022	100	2
P471367	77	13	P471497	49	11	P473043	31	45	P700060	105	9
P471367	87	15	P471497	51	11	P473045	29	21	P700061	105	16
P471367	89	19	P471497	59	11	P473045	31	32	P700061	107	12
P471368	77	13	P471497	65	48	P473045	97		P700063	105	12
P471368	79	21	P471497	67	11	P473055	39	31	P700063	107	8
P471369	77	14	P471497	69	11	P473069	49	38	P700064	105	13
P471369	79	3	P471497	73	11	P473069	51	38	P700064	107	9
P471369	83	21	P471498	49	10	P473069	59	37	P700068	105	14
P471374	73	47	P471498	51	10	P473069	67	25	P700068	107	10
P471374	87	11	P471498	59	10	P473069	69	25	P700070	105	26
P471374	89	3	P471498	67	10	P473069	73	25	P700070	107	21
P471374	91	9	P471498	69	10	P473069	81	15	P700071	105	29
P471382	29	1	P471498	73	10	P473069	83	12	P700071	107	23
P471392	9	34	P471498	115	1	P473069	91	5	P700072	105	30
P471393	9	1	P471499	47	40	P473070	29	21	P700072	107	24
P471406	39	21	P471499	49	34	P473070	31	32	P700073	105	18
P471410	25	25	P471499	51	34	P473070	97		P700073	105	28
P471410	27	22	P471499	59	33	P473071	49	15	P700073	107	14
P471411	25	24	P471499	65	46	P473071	51	15	P700074	105	27

Part No.	Page No.	Ref. No.	Part No.	Page No.	Ref. No.	Part No.	Page No.	Ref. No.	Part No.	Page No.	Ref. No.
P700074	107	22	P700166	114	16	P700298	25	19	P700604	114	1
P700076	105	25	P700166	114	27	P700300	27	8	P700604	114	9
P700076	107	20	P700168	114	12	P700301	27	9	P700604	114	19
P700081	105	21	P700168	114	22	P700302	37	2	P700606	109	7
P700081	107	17	P700169	111	21	P700322	4		P700611	100	
P700083	105	1	P700170	111	20	P700323	4		P700620	100	1
P700085	105	19	P700170	113	22	P700332	31	6	P700623	15	15
P700085	107	15	P700171	114	8	P700364	29	12	P700624	15	16
P700087	105	36	P700172	114	18	P700368	29	3	P700625	15	17
P700090	105	39	P700173	114		P700369	29	4	P700626	31	1
P700091	105	40	P700174	109	2	P700370	29	4	P700627	15	9
P700092	105	37	P700176	109	4	P700371	37	15	P700630	111	10
P700093	105	38	P700178	109	6	P700372	37	15	P700630	113	10
P700100	105	11	P700180	108	2	P700373	37	15	P700630	114	8
P700100	107	7	P700182	108	15	P700374	37	15	P700630	114	18
P700103	105	3	P700183	108	14	P700375	37	15	P700630	114	29
P700103	107	3	P700184	108	13	P700399	117	6	P700631	111	12
P700104	105	23	P700185	108	9	P700400	117	1	P700631	113	12
P700104	107	19	P700188	102	1	P700416	111	14	P700631	114	3
P700105	105	31	P700189	102	8	P700416	113	14	P700632	114	2
P700105	107	25	P700190	102	9	P700417	111	13	P700633	114	4
P700106	105	32	P700191	102	11	P700417	113	13	P700634	114	11
P700106	107	26	P700192	102	12	P700418	97	1	P700634	114	21
P700108	105	17	P700193	102	13	P700418	99	1	P700635	114	13
P700108	107	13	P700194	102	17	P700419	97	2	P700636	114	14
P700109	105	8	P700195	102	18	P700420	97	3	P700637	114	15
P700110	105	2	P700196	101	9	P700421	97	5	P700638	114	10
P700110	107	2	P700199	101	8	P700422	116	1	P700639	111	17
P700111	105	22	P700200	97	11	P700422	117	2	P700639	113	17
P700111	107	18	P700200	99	33	P700422	118	3	P700640	113	18
P700112	105		P700201	97	8	P700422	119	6	P700641	111	18
P700113	31	1	P700201	99	34	P700422	120	6	P700641	113	19
P700115	111	15	P700202	97	20	P700468	29	15	P700642	113	20
P700115	113	15	P700202	97	28	P700472	101	10	P700643	111	19
P700135	109	22	P700203	97	13	P700480	111		P700643	113	21
P700136	109	22	P700205	97	22	P700480	113		P700645	39	31
P700140	118	2	P700206	97	12	P700487	31	6	P700646	39	31
P700141	118	5	P700207	97	21	P700489	29	5	P700647	39	31
P700142	118	6	P700207	99	35	P700490	29	6	P700650	33	12
P700143	118	8	P700210	97	3	P700498	29	2	P700650	33	26
P700144	118	9	P700210	99	30	P700498	29	10	P700670	107	1
P700145	118	10	P700212	97	14	P700501	102	22	P700684	99	29
P700146	118	11	P700219	118	4	P700502	102	23	P700687	99	
P700156	116	2	P700220	114	5	P700503	115	1	P700688	99	4
P700157	116	3	P700223	97	7	P700506	111	22	P700689	99	9
P700158	116	4	P700224	100		P700506	113	23	P700690	99	10
P700159	116	5	P700230	16	7	P700507	41	35	P700691	99	13
P700160	116	7	P700233	119	8	P700508	41	36	P700692	99	17
P700163	111	3	P700234	119	3	P700509	41	37	P700692	99	18
P700163	113	3	P700235	119	4	P700511	25	18	P700693	99	19
P700164	111	4	P700236	119	7	P700514	108	8	P700694	99	28
P700164	113	4	P700237	119	9	P700519	113	24	P700695	99	36
P700165	111	6	P700238	119	2	P700523	29	19		19	7
P700165	113	6	P700239	119	5	P700525	103	6			
P700166	111	8	P700253	105	4	P700527	109	22			
P700166	113	8	P700253	107	4	P700580	120	3			
P700166	114	6	P700297	25	19	P700582	120	4			

Torque Specifications

Use these torque values when tightening GEHL hardware (excluding: Locknuts and Self-tapping, Thread-forming and Metal Screws) unless otherwise specified.

Unified National Thread	Grade 2 		Grade 5 		Grade 8 	
	Dry	Lubed	Dry	Lubed	Dry	Lubed
8-32	19*	14*	30*	22*	41*	31*
8-36	20*	15*	31*	23*	43*	32*
10-24	27*	21*	43*	32*	60*	45*
10-32	31*	23*	49*	36*	68*	51*
1/4-20	66*	50*	9	75*	12	9
1/4-28	76*	56*	10	86*	14	10
5/16-18	11	9	17	13	25	18
5/16-24	12	9	19	14	25	20
3/8-16	20	15	30	23	45	35
3/8-24	23	17	35	25	50	35
7/16-14	32	24	50	35	70	55
7/16-20	36	27	55	40	80	60
1/2-13	35	35	75	55	110	80
1/2-20	40	40	90	65	120	90
9/16-12	55	55	110	80	150	110
9/16-18	60	60	120	90	170	130
5/8-11	75	75	150	110	220	170
5/8-18	85	85	180	130	240	180
3/4-10	130	130	260	200	380	280
3/4-16	150	150	300	220	420	320
7/8-9	125	125	430	320	600	460
7/8-14	140	140	470	360	660	500
1-8	190	190	640	480	900	680
1-14	210	210	710	530	1000	740

Metric Course Thread	Grade 8.8 		Grade 10.9 		Grade 12.9 	
	Dry	Lubed	Dry	Lubed	Dry	Lubed
M6-1	8	6	11	7	13.5	10*
24M8-1.25	19	14	27	20	32.5	24*
M10-1.5	37.5	28	53	39	64	47
M12-1.75	65	48	91.5	67.5	111.5	82
M14-2	103.5	76.5	145.5	108	176.5	131
M16-2	158.5	117.5	223.5	165.5	271	200

* All torque values are in lb-ft except those marked with an * which are in lb-in.
For metric torque value (Nm) multiply lb-ft x 1.355 or lb-in value x 0.113.

Discount Equipment

Discount-Equipment.com is your online resource for commercial and industrial quality parts and equipment sales.

Locations:

Florida (West Palm Beach): [561-964-4949](tel:561-964-4949)

Outside Florida TOLL FREE: [877-690-3101](tel:877-690-3101)

Need parts? Check out our website at www.discount-equipment.com

Can't find what you need?

Click on this link: <http://www.discount-equipment.com/category/5443-parts/> and fill out the request form.

Please have the machine model and serial number available in order to help us get you the correct parts. One of our experienced staff members will get back to you with a quote for the right part that your machine needs.

We sell worldwide for the brands: Genie, Terex, JLG, MultiQuip, Mayco, Toro/Stone, Diamond Products, Magnum, Airman, Mustang, Power Blanket, Nifty Lift, Atlas Copco, Chicago Pneumatic, Allmand Brothers, Essick, Miller Spreader, Skyjack, Lull, Skytrak, Tsurumi, Husquvarna/Target, Whiteman-Concrete/Mortar, Stow-Concrete/Mortar, Baldor, Wacker, Sakai, Snorkel, Upright, Mi-T-M, Sullair, Neal, Basic, Dynapac, MBW, Weber, Bartell, Bennar Newman, Haulotte, Ditch Runner, Blaw-Knox, Himoina, Best, Buddy, Crown, Edco, Wyco, Bomag, Laymor, Terremite, Barreto, EZ Trench, Takeuchi, Basic, Bil-Jax, Curtis, Gehl, Heli, Honda, ICS/PowerGrit, Puckett, Waldon, ASV, IHI, Partner, Imer, Clipper, MMD, Koshin, Rice, Gorman Rupp, CH&E, Cat Pumps, Comet, General Pump, Giant, AMida, Coleman, NAC, Gradall, Square Shooter, Kent, Stanley, Tamco, Toku, Hatz, Kohler, Robin, Wisconsin, Northrock, Oztec, Toker TK, Rol-Air, Small Line, Wanco, Yanmar

New Equipment - Used Equipment - Rental Equipment - Parts and Accessories

Discount Equipment

www.discount-equipment.com

561-964-4949

Sales: info@Discount-Equipment.com

Parts: wbparts@Discount-Equipment.com

GEHL®



www.discount-equipment.com